

# Order Guide

## Lodging Systems

Global | 06.01.2026



# Table of Contents

04	HOW TO USE THE ORDER GUIDE	56	<b>PERIMETER ACCESS</b>
<b>05</b>	<b>ACCESS CONTROL SYSTEMS</b>	57	RAC5 MULTI-FLOOR CONTROLLER
06	AMBIANCE ACCESS MANAGEMENT SOFTWARE	58	RAC5 PERIMETER ACCESS CONTROL LT & XT
06	Device Support	59	SR SERIES (RCU/ECU)
07	Starter Kit	60	SR CONCIERGE MORTISE
08	Ordering	61	PERIMETER READERS
09	AMBIANCE CLOUD ACCESS MANAGEMENT SOFTWARE	62	QUANTUM SERIES RCU/ECU & MCC/EMCC
09	Device Support	63	SAFFIRE LX EXIT DEVICE OPERATOR
10	Ordering	69	EXIT DEVICE OPERATOR CONFIDANT RFID
12	ENCODERS	71	RT PLUS PANIC BAR TRIM
12	Network RFID	72	MT SERIES EXIT DEVICE
12	M-UNIT	73	E-PLEX 2000 SERIES
13	GATEWAYS	<b>75</b>	<b>PERIMETER ACCESSORIES</b>
13	Gateway GEN II	78	ACCESSORIES
14	STAFF KEY VALIDATOR	79	SUGGESTED APPLICATIONS
<b>15</b>	<b>ELECTRONIC DOOR LOCKS</b>	<b>80</b>	<b>LOCK ACCESSORIES</b>
16	LOCK LEVERS AND FINISHES	81	CORES, CYLINDERS FOR RT SERIES
17	DOOR HANDING	82	KEYS FOR RT SERIES
18	Installation type	83	DECORATIVE PLATES FOR SAFFIRE LX
20	SAFFIRE LX	84	DECORATIVE PLATES FOR RT SERIES
20	Starting Kits	85	DECORATIVE PLATES CONFIDANT RFID
21	Ordering NA	86	MISCELLANEOUS PLATES
23	Ordering European	87	STRIKES FOR RT SERIES
25	CONFIDANT KIT 1 (European Mortise)	89	MISCELLANEOUS PARTS FOR RT SERIES
26	CONFIDANT KIT 2 (European Mortise)	<b>90</b>	<b>COMPLIMENTARY PRODUCTS</b>
27	CONFIDANT KIT 3 (European Mortise)	91	ELECTRONIC IN-ROOM SAFE
29	CONFIDANT KIT 3 (ANSI MORTISE)	93	KEYCARDS & PRINTING
30	CONFIDANT (TUBULAR LATCH)	94	dorkaba Design Keycards, FOBs & Wristbands
31	RT PLUS		
35	MT RFID		
37	QUANTUM SERIES		
39	QUANTUM IV		
43	QUANTUM PIXEL+		
<b>49</b>	<b>UPGRADE KITS</b>		
50	MT SERIES UPGRADE KIT		
51	RT PLUS SERIES UPGRADE KIT		
52	MT PLUS SERIES UPGRADE KIT FOR EXIT DEVICES		
53	QUANTUM RFID UPGRADE KIT		
54	QUANTUMIV UPGRADE KIT		
55	QUANTUM PIXEL+ UPGRADE KIT		

# Table of Contents

<b>95</b>	<b>LEGACY PRODUCTS</b>	<b>139</b>	<b>LEGACY PERIMETER ACCESS</b>
96	<b>LEGACY COMPLEMENTARY PRODUCTS</b>	140	EXIT DEVICE OPERATORS
97	SAFLOK SYSTEM 6000	141	CONFIDANT RFID
99	ILCO FDU (FRONT DESK UNIT)	142	ILCO RAC4 – 4XT
100	Components	143	SAFLOK RT PANIC BAR TRIM
101	Property Management System Interface	144	SAFLOK MT SERIES EXIT DEVICE
104	TYPE 7 ENCODER	<b>146</b>	<b>LEGACY LOCK ACCESSORIES</b>
105	ENCODERS	147	LOCK ACCESSORIES
<b>106</b>	<b>LEGACY ELECTRONIC DOOR LOCKS</b>	160	KEYCARDS AND OTHER PRINTING
107	LOCK FINISHES		
109	DOOR HANDING		
110	LOCK INSTALLATION		
111	CONFIDANT RFID KIT 1 (EUROPEAN MORTISE LOCK CASE)		
112	Spare Parts		
114	CONFIDANT RFID KIT 2		
115	Spare Parts		
117	CONFIDANT RFID KIT 3		
118	Spare Parts		
120	CONFIDANT RFID (ANSI MORTISE LOCK CASE)		
121	CONFIDANT RFID (TUBULAR LATCH)		
122	Spare Parts		
124	SAFLOK QUANTUMIV RFID		
126	SAFLOK QUANTUMIV RFID MKO		
128	SAFLOK QUANTUM RFID		
130	SAFLOK RT RFID		
134	SAFLOK MT RFID		
136	QUANTUM PIXEL		

# How to use the Order Guide

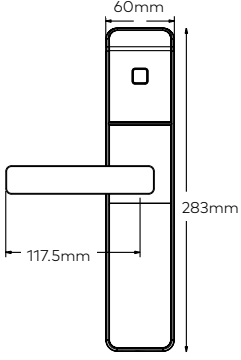
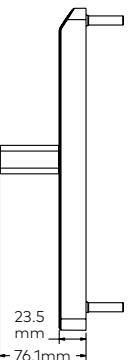
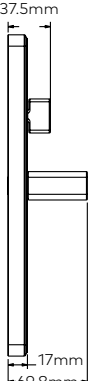
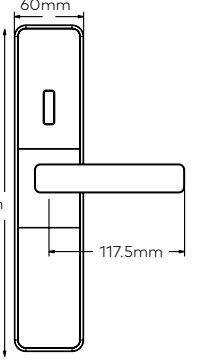
In some situations the part number has to be assembled to specify the product and the desired options.\*

This is done by creating a number for your required options, as shown in the example below:.

Lodging Order Guide

## Confidant Kit 2 (European Mortise Lock Case)

### Ordering

Front
Front Side
Back side
Inside

**Standard Model Number**

C	F	00	O	K	S	-	7	4	C	R	-	N	P	S
Lock Model		Bluetooth	Outside Housing Options		Installation Options			Inside Housing Options						

Most common model ordered

**Build the model number with the required options**

C	F	00	●	●	●	-	●	●	●	-	●	●	●
Lock Model		Bluetooth	Outside Housing Options	Installation Options			Inside Housing Options						

Part number with your options

Lock Model			Bluetooth	Outside Housing Options		Installation Options				Inside Housing Options		
Confidant (Fixed value)	System (Fixed value)	Operating System	Bluetooth	Cylinder Support	Outside Lever	Spindle Kit	Mounting Screw	Finish	Mounting Plate	Cylinder Support	Privacy	Inside Lever
<b>C</b>	<b>S****</b> Saflok	<b>00</b> Stand alone	<b>0</b> No BLE	<b>K</b> Cylinder Support	<b>S</b> Short Return	<b>7</b> 7mm	<b>M</b>	<b>C</b> Satin Chrome Interior	<b>R</b> Rose Mount	<b>C*</b> Euro profile or Swiss cylinder (no privacy)	<b>N</b> No Thumbturn, no privacy	<b>S</b> Short Return
	<b>F</b> Saflok NFC	<b>RO</b> Messenger Ready	<b>1</b> BLE Ready	<b>E</b> No Cylinder	<b>L</b> Long Return (approved for EN 179)	<b>8</b> 8mm		<b>B</b> Satin Brass Interior	<b>B</b> Backplate mount	<b>N</b> No cylinder	<b>P</b> Privacy Thumbturn	<b>L</b> Long Return
		<b>M1</b> Messenger US	<b>2</b> BLE Enabled		<b>N</b> No Lever	<b>9</b> 9mm (Required for DIN certified locks)		<b>E</b> Satin Chrome Exterior			<b>Q</b> No thumbturn with privacy cable for dormakaba 395M	<b>N</b> No Lever
		<b>M2</b> Messenger EU/Asia	<b>D</b> Demo No BLE		<b>A</b> DIN 2.0	<b>B</b> Austria 8.5mm		<b>H</b> Satin Brass Exterior				<b>A</b> DIN 2.0 Requires 9mm spindle
		<b>M3</b> Messenger Int'l	<b>E</b> BLE Enabled Demo		<b>Note:</b> All lever handles compliant with DIN 18273.			<b>U</b> Satin Chrome Oceanfront (not appropriate if exposed to weather)				<b>Note:</b> All lever handles compliant with DIN 18273.
		<b>MW</b> Inncom	<b>H</b> BLE Hilton (Only for Hilton properties)									
		<b>NO</b> Escape Return										

Select your options from these sections

\* For assistance with part ordering, visit [dormakabalodgingstore.com](http://dormakabalodgingstore.com) or contact Customer Service at 1.800.999.6213 or by email: [customerservice@dormakaba.com](mailto:customerservice@dormakaba.com)

# Access Control Systems



# Ambiance™

# Access Management Software

## Device Support

### Lock & Reader Profile Compatibility

Ambiance fully supports RFID style locks.

The latest version of Ambiance is compatible with the following reader profiles:

- RT Plus
- RT RFID
- Confidant
- MT RFID
- Quantum RFID Series
- Quantum Pixel
- Saffire
- RAC5 LT, XT, MFC
- RCU
- ECU
- MCC 8/12 Channel Elevator Controller
- EMCC Elevator Controller
- MFC Elevator Controller (offline operations Saffire, RT Plus)

### Encoder Compatibility

The following encoders are compatible with Ambiance. Legacy encoders are not supported.

- dormakaba RFID Encoder GEN II (Encoder Kits: CEIPRF6020 for N. America and CEIPRF6120 for International)
- dormakaba RFID Encoder GEN I (Encoder Kits: CEIPRF6000 for N. America and CEIPRF6100 for International)

### RFID Key Card Profile Compatibility

Ambiance is compatible with the following RFID credential profiles:

- MIFARE Ultralight® C, MIFARE Ultralight® AES, MIFARE Plus® EV2\*, and MIFARE® DESFire® EV3 credentials
- Unlock optimal protection by activating Enhanced Security in Ambiance on all compatible locks and firmware.
- Available in RFID keycards, fobs, and wristbands

### Maintenance Unit Compatibility

- M-Unit

### PMS Compatibility

The following property management software (PMS) interface protocols are available with Ambiance:

- LGS REST API – Preferred interface
- IRS – dormakaba's proprietary serial interface
- FIAS – Oracle interface
- Web Services

### Mobile Service Support

- Compatible with BlueSky Access mobile app
- Other 3rd party app compatibility as per BLE business model

\*MIFARE Plus: When used in enhanced security mode available in Ambiance V2.10+

# Ambiance™ Starter Kit

## Starter Kit

INDIVIDUAL COMPONENT	COMPONENT PART NUMBER	Large Hotel Kit	Small Hotel Kit
Ambiance Program Install (USB Key) Incl PMS Interfaces	71590-SWA	1	1
dormakaba RFID Encoder Gen II	75720	2	1
Power Supply, USB	126-515174	3	2
Cable USB A, Micro B, 10'	71680	2	2
Cable, CAT 5E, 10'	71590-10	2	2
M-Unit	117-512880-009	1	1
Case, M-Unit	999-513684	1	1
Cable, M-Unit (Interface)	011-512884	1	1
Velcro, Black	A27760-BLACK	1	1
ASSY, BASE, M-Unit	74380	1	1
Programming & Auditing Probe	Based on lock type	1	1

## Compatible Encoders

RFID Kit	Product #	
dormakaba RFID Encoder GEN II (North America)	CEIPRF6020	
dormakaba RFID Encoder GEN II (INTL)	CEIPRF6120	
INDIVIDUAL COMPONENTS	COMPONENT PART NUMBER	KIT QUANTITY
dormakaba RFID Encoder GEN II	75720	1
Power Supply, USB (North America)	126-515174	1
Power Supply, USB (INTL)	126-515154	1
Cable USB A, Micro B, 10'	71680	1
Cable, CAT 5E, 10'	71590-10	1

# Ambiance™

## Access Management Software

### Ordering

#### Lock System Kits

Standard Model Number																		
S	K	A	2	-	Q	R	I	P	R	2	H	6	0	1	9	0	0	0
System	Version	Lock Family			Encoder			Handheld	Power Adapter	Door Count		Mobile Option	Online Option	Access Control				

Build the model number with the required options																		
S	K	A	2	-			I	P	R	2	H	6						
System	Version	Lock Family			Encoder			Handheld	Power Adapter	Door Count		Mobile Option	Online Option	Access Control				

							Software Configuration			
System	Version	Lock Family	Encoder	Handheld	Power Adapter	Door Count	Mobile Option	Online Option	Access Control	
<b>SKA</b> Ambiance Software	<b>2</b>	<b>NC</b> NFC Locks	<b>IPR2</b> dormakaba RFID Encoder GEN II	<b>H6</b> M-Unit	<b>0</b> North America	<b>09</b> 1-99 doors (1 encoder)	<b>0</b> Standalone	<b>0</b> Standalone	<b>0</b> Standalone	
						<b>19</b> 100-199 doors (2 encoders)	<b>1</b> MX (Mobile)	<b>1</b> dormakaba	<b>1</b> KC (Keyscan)	
						<b>20</b> 200-449 doors (2 encoders)		<b>2</b> RX Link	<b>2</b> MA (Matrix)	
						<b>45</b> 450-599 doors (2 encoders)				
						<b>60</b> 600+ doors (2 encoders)				

# Ambiance™ Cloud

## Access Management Software

### Device Support

#### Lock & Reader Profile Compatibility

Ambiance Cloud fully supports RFID style locks.

The latest version of Ambiance Cloud is compatible with the following reader profiles:

- RT / RT Plus
- MT RFID
- Quantum Pixel+
- Quantum RFID
- QuantumIV
- Saffire LX
- Confidant
- RAC5 LT / XT / MFC
- SR Series Reader
- RCU/ECU
- Elevator Controller MCC / ECC / MFC

#### Encoder, Gateway & Maintenance Unit Compatibility

The following peripherals are compatible with Ambiance Cloud.

	Kit – North America	Kit – International
M-Unit NFC Handheld Programming Device	CH899099	CH899199
dormakaba RFID Encoder GEN II	CEIPRF6020	CEIPRF6120
Ambiance Cloud Gateway	SKA-CLDGTW000	SKA-CLDGTW100

#### RFID Key Card Profile Compatibility

Ambiance Cloud is compatible with the following RFID keycard profiles:

- MIFARE Ultralight® C, MIFARE Ultralight® AES, MIFARE Plus® EV2, and MIFARE® DESFire® EV3 credentials
- Unlock optimal protection by activating Enhanced Security in Ambiance Cloud on all compatible locks and firmware.
- Available in RFID keycards, fobs, and wristbands

#### PMS Compatibility

The following property management software (PMS) interface protocols are available with Ambiance Cloud:

- dormakaba LGS REST API
- Oracle Outbound Service API – Opera Cloud
- dormakaba LGS SOAP API – On-Premise PMS requiring Cloud Gateway - PMS Bridge\*
- FIAS (IFC8) – On-Premise PMS Requiring Cloud Gateway - PMS Bridge\*

#### Mobile Service

- Ambiance Cloud does support the dormakaba Mobile Key. Requires using a certified Mobile App.
- Ambiance Cloud does support Digital Wallet. Both require the Mobile Service option and BLE Enable locks.

#### Core languages

- English
- French
- German

# Ambiance™ Cloud

## Access Management Software

### Ordering

#### Product Code

The following component is mandatory for Ambiance Cloud. Pricing is based on the number of access points. The access points count relates to all locks that are purchased by the property for either guest, staff, utility, perimeter access or other.

Per the table below, five (5) ranges are available. It is mandatory for an Ambiance Cloud order to include that line item.

Number of Access Points	Part Number
0-99	7082000-AMBC099-AP
100-199	7082000-AMBC199-AP
200-449	7082000-AMBC449-AP
450-599	7082000-AMBC599-AP
600+	7082000-AMBC600-AP

#### Annual Fee

The Ambiance Cloud service must be renewed on an annual basis. It will be invoiced automatically on the anniversary date of the initial activation, for the next twelve (12) month period.

The payment of the annual fee will grant the user the right to new software versions for the existing components. New add-on components will be charged at the project price and may be subject to additional license fees.

#### Startup Kit Codes

Ambiance Cloud does require a Startup Kit (KIT-AMBCLOUD-000) which includes the following components. The Starter Kit is a mandatory component.

Description	Part Number	Quantity
M-Unit NFC Handheld Programming Device	CH899099	1
Ambiance RFID GEN II Encoder	CEIPRF6000	1
Ambiance Cloud Gateway	SKA-CLDGTW000	1

Note that it is mandatory for any property using Ambiance Cloud to have one (1) Cloud Gateway. However, if the property already has the GEN II Encoder and M-Unit they can just purchase the Ambiance Cloud Gateway.

Additional encoders and maintenance units can be quoted separately.

# Ambiance™ Cloud

## Access Management Software

### Ordering

#### Ambiance Mobile Service MX (Mobile Key / Digital Wallet)

The following pricing governs mobile key & digital wallet support with Ambiance. Mobile service fees are charged annually and are based on the number of locks.

Product	Description	Quantity	Recurrence
BLE-SIM	Mobile Service Module	1	One Time
Legic_Property_Setup	Configure the property's Mobile Trusted Services account	1	One Time
INST-SERV-BLE-02	Mobile Door Commissioning (Programming & Testing w/ Project ID)	Per Lock	One Time
BLETBLT002	Mobile Testing Tablet	1	One Time
MOBILE-Service 1YEAR	BLE Lock Mobile Service (Minimum Price)	Per Lock	Annual

#### Training

The standard Ambiance training is delivered remotely. If required, an option for On-Site Training is also available.

Product	Description	Notes
INST-TRN-AMB-001	Ambiance User Training–On-Site	Onsite installation & training done during install
INST-TRN-AMB-002	Ambiance User Training–On-Site, New Construction	Onsite installation & training done during install
INST-TRN-AMB-004	Ambiance User Training–Remote	Remote installation & training
INST-TRN-AMB-005	Ambiance Remote Configuration	Remote database creation & configuration

#### Versioning

Updates to Ambiance Cloud will be occurring on a regular basis. The updates are applicable to all customers. Therefore, Ambiance Cloud will not be reflected by a Release Number but by the date at which the last update occurred.

Release notes will still be available for each update, identifying bug fixes, new enhancements and known issues.

# Encoders

## Overview

### Network RFID Encoder GEN II

- Connects directly to PC via USB or to Ethernet network via TCP/IP
- Supports MIFARE Ultralight® C, MIFARE Ultralight® AES, MIFARE Plus® EV2\*, and MIFARE® DESFire® EV3 credentials
- Operates in accordance with ISO 14443A
- Encodes a variety of RFID credentials, such as keycards, fobs, wristbands, etc.
- Used in conjunction with dormakaba RFID locks



### Dimensions

- 5.39 L x 3.15 W x 1.08 H inches
- 136.9 L x 80.0 W x 27.4 H mm

Keycards Encoded	MIFARE Ultralight® C, MIFARE Ultralight® AES, MIFARE Plus® EV2*, and MIFARE® DESFire® EV3
Connectivity	To PC via USB or serial port; to Ethernet network via TCP/IP port

### M-Unit™

M-Unit™ is a portable programming device used for lock programming, interrogations, lock diagnostics and can be used as an auxiliary key encoding terminal. The M-Unit is equipped with new enhanced features keeping staff efficiency in mind, while incorporating a new sophisticated look and feel.

### System Features

- USB connectivity; increased capacity and speed
- Storage capacity: 500+rooms
- Unit can be pre-programmed for the day
- Load a 300+ room property in seconds
- Interrogate 1000 lock events under 2 minutes
- Enhanced configurable security
- Advanced diagnostics
- Auxiliary Terminal functionality for encoding
- Advanced lock search function
- Interrogation reports can be viewed on the display
- Integrated with System 6000 V4 and Ambiance Access Management Software
- Power off and backlight timer settings



### Dimensions

- 7 L x 3 W x 1 H inches
- 177.8 L x 76.2 W x 25.4 H mm

### Ordering

Part #	Description
	<b>dormakaba RFID Encoder Gen II</b>
CEIPRF6020	Encoder Station, dormakaba RFID Encoder (North America)
CEIPRF6120	Encoder Station, dormakaba RFID Encoder (INTL)
CH899099	M-Unit Kit

\*MIFARE Plus EV2: When used in enhanced security mode available in Ambiance v2.10+

# Gateways

## Overview

### Gateway Gen II

Elevating hotel's security infrastructure with the dormakaba Gateway GEN II, an online device seamlessly connecting standalone electronic door locks and the access control system through the ZigBee communications protocol. Purpose-built for dormakaba Zigbee enabled locks, this gateway reinvents how you manage and monitor access in your hospitality establishment.

#### System Features

##### End-to-End Encryption

- Radio Frequency (RF) communications at 2.4 GHz, which is globally license-free
- Secure networking (128 AES encryption)
- Self-forming networks
- ZigBee Prostack standard (large scale, network stability, resilient): - Ideal for large scale properties (thousands of nodes)
- Asymmetric link handling
- Network stability even when nodes are within close proximity
- Extended battery life with deep and special parent functions
- Resilient – ensured by frequency agility



Part #	Description
GWWZA00WHTS	Wall Mount North America

#### Dimensions

- 5.37" L x 3.6" W x 1.025" H inches
- 136.4 L x 91.4 W x 26.0 H mm

Standard Model (Example) (Continue building the model number to the right)						
Style	Mount	Communication	Wi-Fi	BLE	Color	Version
<b>GW</b>	<b>W</b>	<b>ZA</b>	<b>0</b>	<b>0</b>	<b>WHT</b>	<b>S</b>

Build the model number with the desired options (Continue building the model number to the right)						
Style	Mount	Communication	Wi-Fi	BLE	Color	Version
<b>GW</b>			<b>0</b>	<b>0</b>		

Style	Mount	Communication	Wi-Fi	BLE	Color	Version
<b>GW</b> Gateway	<b>D</b> Desktop Mount <b>W</b> Wall Mount	<b>ZA</b> Zigbee North America <b>ZE</b> Zigbee Europe / Asia <b>ZI</b> Zigbee International <b>00</b> No Zigbee	<b>0</b> No Wi-Fi	<b>0</b> No BLE	<b>WHT</b> White	<b>S</b> Saflok

# Staff Key Validator

## Overview

Staff Key Validator uses multi-layer, PIN-based authentication to reduce the front-line workload typically associated with staff keycard management and mitigate the risk posed by lost, stolen, or shared keycards.

- Reduces operational overhead by eliminating the need for daily card collection and re-encoding
- Validates Staff Card UID and Staff PIN number
- Automatically updates card expiry through the end of the staff member's shift
- Configurable revalidation periods to support operational policies and shift requirements
- Ability to add, cancel, and manage new staff cards in Ambiance™
- Ability to cancel or deactivate staff cards immediately when needed
- Revalidation Events Report for improved auditability and operational tracking
- Unique Staff PIN numbers for enhanced security and accountability
- Access tracking capabilities with low battery indication (MIFARE Plus EV2, DESFire EV2/EV3)
- Supports the following credential technologies: Ultralight AES, Ultralight C, MIFARE Plus EV2, MIFARE DESFire EV2 / EV3

## Requirements

- Ambiance 2.15.0 or later

## Dimensions

- 9.25 L x 6.7 W x 1.4 H inches
- 235.0 L x 170.0 W x 35.0 H mm

## Ordering

Part #	Description
064-520115	Staff Key Validator complete assembly (terminal, encoder, housing)
4579602	Replacement- dormakaba Terminal 9600-K7
75720	Replacement - dormakaba encoder – Gen II
4501488	Replacement - Staff Key Validator housing enclosure
4048044	Optional Power Supply (Staff Key Validator is PoE) - POE Plus injectro w/ power cable

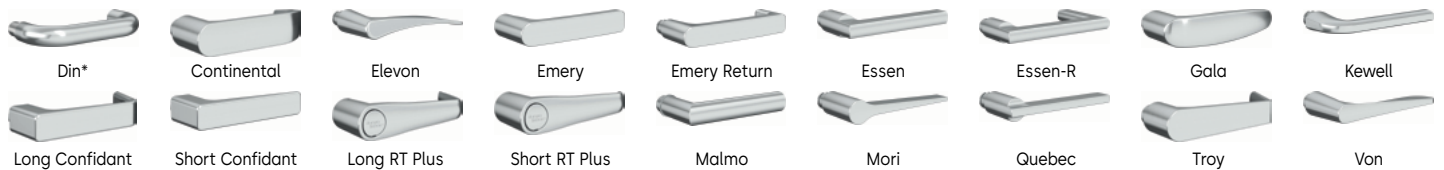
# Electronic Door Locks



# Lock Levers and Finishes

## Standard Levers

Lever and finish availability varies by lock – refer to each lock’s ordering pages for available finishes and levers. Some levers and finishes may also require an up-charge or additional lead times. Please contact your dormakaba sales representative for details.



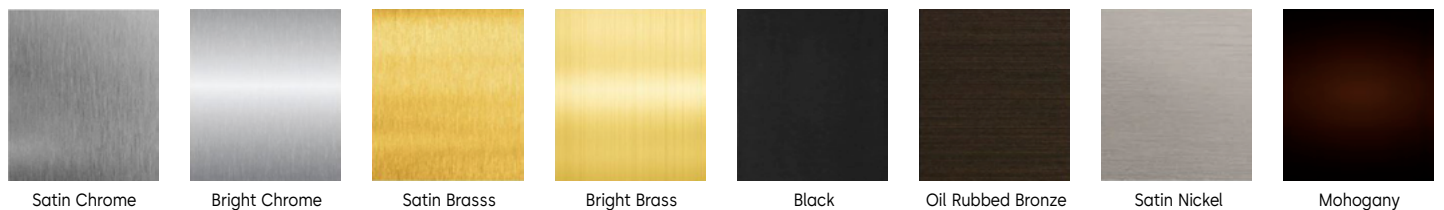
\* DIN only available in Europe

## Lever Examples – Saffire LX



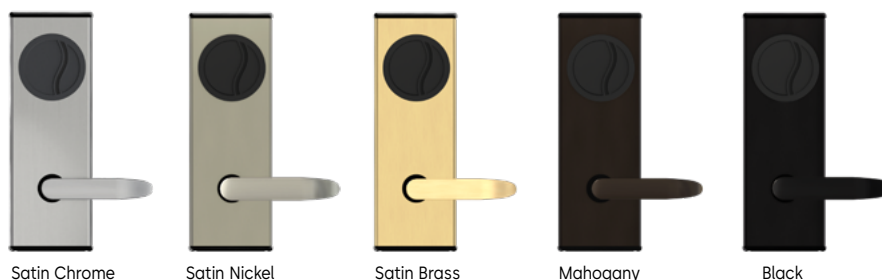
## Standard Finishes

Lever and finish availability varies by lock – refer to each lock’s ordering pages for available finishes and levers. Some levers and finishes may also require an up-charge or additional lead times. Please contact your dormakaba sales representative for details.



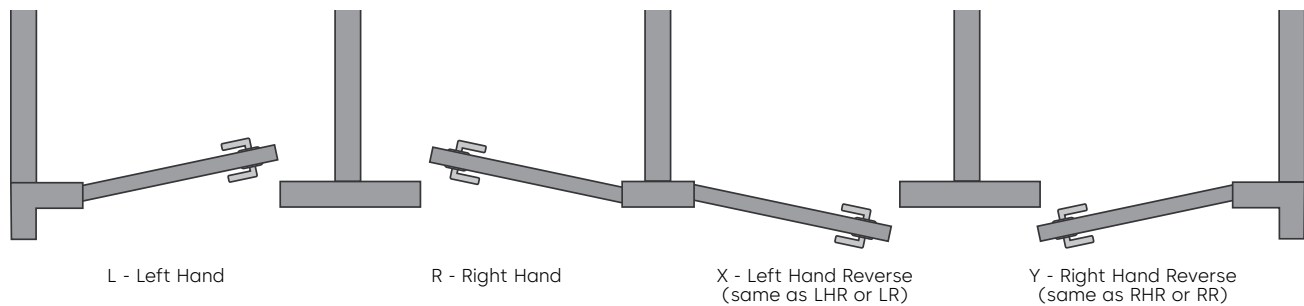
The finish and lever style can transform the look of a lock. Explore the available options on the lock ordering pages.

## Finish Examples - MT



# Door Handing (North America)

All locks require specification of door handing. To determine the hand, face the door from the outside and select the corresponding diagram below.



## Lock Function

### Standard

These locks remain permanently in locked mode, and for higher security a 1" deadbolt comes standard. This is suitable for applications where the person in the locked area needs added protection, such as a hotel room or private office. ANSI equivalent functions: Hotel Guest Lock (F15).

### Auto Deadbolt

Same functionality as standard but the deadbolt is automatically projected every time the door is closed. Guest privacy is activated with the thumbturn knob.

### Utility

These locks remain permanently in locked mode and lock each time the door is closed. There is no deadbolt. They are suitable for storage area doors or utility closets where constant security is required. Exiting from inside the room (Egress) is possible by turning the handle. ANSI equivalent functions: Storeroom or Closet (F07), Entry Lock (F04), Front Door Lock (F08), Apartment Corridor Door lock (F10), Room Door Lock (F21).

### Exit Device Operator

These locks operate with an exit device to permit controlled access from the outside. The lock mode (passage or locked) can be changed manually (contactless or insert card). ANSI equivalent functions: Holdback Door (F06).

### Remote Controller Unit (RCU), Elevator Controller Unit (ECU)

A card reader used for controlling access in elevators, garages or main doors. The controller interfaces with an elevator controller, gate controller, electro-magnetic lock, electric strike, exit button or panic bar. The controller mode (passage or locked) can be changed manually (swipe or insert card).

### Dummy Trim

The Dummy Trim lock is for an aesthetic use only. The lock has no mechanical or electronic components. This lock is usually used on a double door entrance where the second door is bolted down.

### Shabbat Lock

These locks are similar to the hotel lock with the exception that on the Shabbat, a different key for each room can be given to the guest so the access to the room is done totally in a mechanical way. There is no lever or mechanical override switch used in this lock.

# Installation Type

Installation Types	Axapta / QMS Part Number	No Frame No prepping required on existing frame	Wood Frame Prepping required on existing wood frame	Metal Frame Prepping required on existing HOLLOW metal frame	Metal Frame [Grout] Prepping required on existing FILLED metal frame
<b>Factory Prep.*</b> No work required to prep or adjust door prep	INST-FP	-NF	-WF	-MF	-MG
<b>Wood Door; Retrofit (Mortise) *</b> Door prep required but mortise pocket exists ahead	INST-WR	-NF	-WF	-MF	-MG
<b>Wood Door; Blank or Retrofit (Cylindrical)*</b> Full door prep required	INST-WB	-NF	-WF	-MF	-MG
<b>Metal Door; Retrofit (Mortise) *</b> Door prep required but mortise pocket exists ahead	INST-MR	-NF	-WF	-MF	-MG
<b>Metal Door; Blank or Retrofit (Cylindrical)*</b> Full door prep required	INST-MB	-NF	-WF	-MF	-MG

## Examples of INST-FP-NF

Door company used our templates to prep doors and frames - our installer will only install and program our locks. Contractor will purchase our installation jigs and ensure all doors are preped according to template.

## Examples of INST-FP-MF

Door company prepped the doors according to our templates, left hollow metal frame unprepped.

## Examples of INST-WR-NF

Client has existing dormakaba, Onity or Saflok mortise lock.

## Examples of INST-MB-MG

Client had new blank metal door, or existing cylindrical locks, with work required to adjust grout filled metal frame.



# Saffire LX

Starting Kits

**ASM/Cylindrical E-Lock Starting Kit**  
**(Door 1-3/8" to 2-1/2")**  
**Part #: 062+516654+E7**

Part #	Description	Qty
020-515480-1	Inside Spindle 7.14 mm - 77.3 long	3
810-515998-1	12-24 screws	6
118+515884+1	Spindle turn knob	3
941-514793	M6-1 X 8mm socket set screw	6
017-515483	Outside Lever Bushing	4
810-516521-2630	Screws inside trim cover (SC)	6
810-516521-2622C	Screws inside trim cover (SB)	6
810-516521-2605	Screws inside trim cover (BK)	6
025-515498	Spring Stopper Holder	6
017-515489	Inside lever bushing	4
012-516226	Inside spindle spring	4
118-515990	Battery Back-Up Device	2
138-512580	Allen Key 3mm Hex	1

**Euro Lock Starting Kit E-Lock (Door 35mm-55mm)**  
**Part #: 062+516654+E8**

Part #	Description	Qty
020-515480-2	Inside Spindle 8.00 mm - 77.3 long	3
810-516547-1	Screw FH M4 x 0.7 with Nylon Patch 30mm	3
810-514739-5	Screw PAN M5x30	6
941-514793	M6-1 X 8mm socket set screw	6
017-515483	Outside Lever Bushing	4
810-516521-2630	Screws inside trim cover (SC)	6
810-516521-2622C	Screws inside trim cover (SB)	6
810-516521-2605	Screws inside trim cover (BK)	6
025-515498	Spring Stopper Holder	6
017-515489	Inside lever bushing	4
012-516226	Inside spindle spring	4
118-515990	Battery Back-Up Device	2
138-512580	Allen Key 3mm Hex	1

**ASM/Cylindrical K-Lock Starting Kit**  
**(Door 1-3/8" to 2-1/2")**  
**Part #: 062+516654+K7**

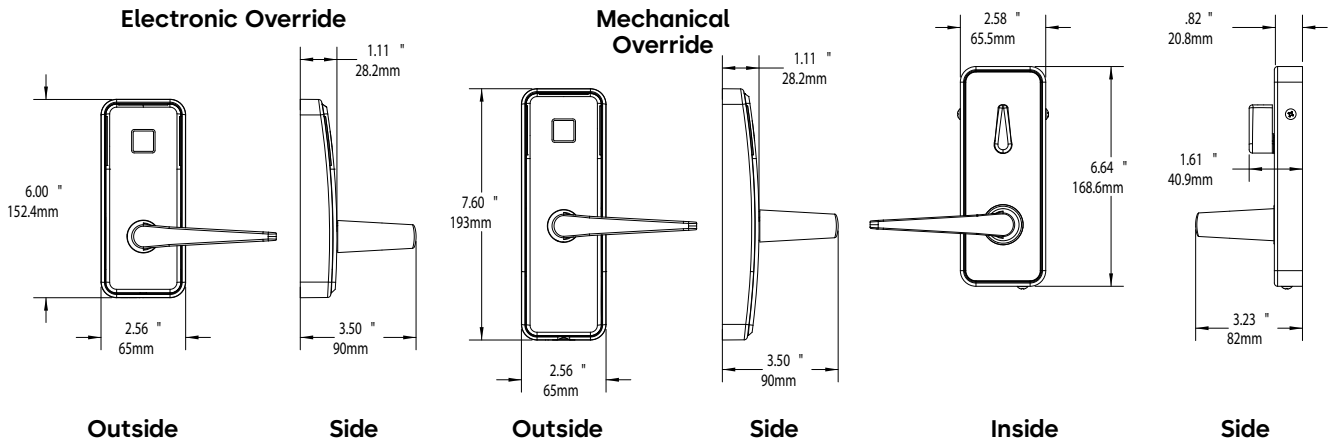
Part #	Description	Qty
020-515480-1	Inside Spindle 7.14 mm - 77.3 long	3
810-515998-1	12-24 screws	6
810-515998-1	Spindle turn knob	3
941-514793	M6-1 X 8mm socket set screw	6
017-515483	Outside Lever Bushing	4
810-516521-2630	Screws inside trim cover (SC)	6
810-516521-2622C	Screws inside trim cover (SB)	6
810-516521-2605	Screws inside trim cover (BK)	6
025-515498	Spring Stopper Holder	6
017-515489	Inside lever bushing	4
012-516226	Inside spindle spring	4
810-509093	Screw 6-32 x 5/16 Flat HD PH	2
041-515465	Access Plate Key Cylinder Saffire	1
810-516437	SCW 10-32 x 7/16 PAN HD PH ZN STL	2
138-512580	Allen Key 3mm Hex	1

**Euro Lock Starting Kit K-Lock (Door 35mm-55mm)**  
**Part #: 062+516654+K8**

Part #	Description	Qty
020-515480-2	Inside Spindle 8.00 mm - 77.3 long	3
810-516547-1	Screw FH M4 x 0.7 with Nylon Patch 30mm	3
810-514739-5	Screw PAN M5x30	6
941-514793	M6-1 X 8mm socket set screw	6
017-515483	Outside Lever Bushing	4
810-516521-2630	Screws inside trim cover (SC)	6
810-516521-2622C	Screws inside trim cover (SB)	6
810-516521-2605	Screws inside trim cover (BK)	6
025-515498	Spring Stopper Holder	6
017-515489	Inside lever bushing	2
012-516226	Inside spindle spring	4
810-509093	Screw 6-32 x 5/16 Flat HD PH	2
041-515465	Access Plate Key Cylinder Saffire	1
810-516437	SCW 10-32 x 7/16 PAN HD PH ZN STL	2
138-512580	Allen Key 3mm Hex	1

# Saffire LX (North American)

## Ordering



**Standard Model (Example)** (Continue building the model number to the right)

<b>S</b>	<b>0 0</b>	<b>2</b>	-	<b>E</b>	<b>E</b>	<b>C</b>	<b>B</b>	-
Version	Lock Model	Bluetooth		Override	Outside Lever	Finish	Trim	

**Build the model number with the desired options** (Continue building the model number to the right)

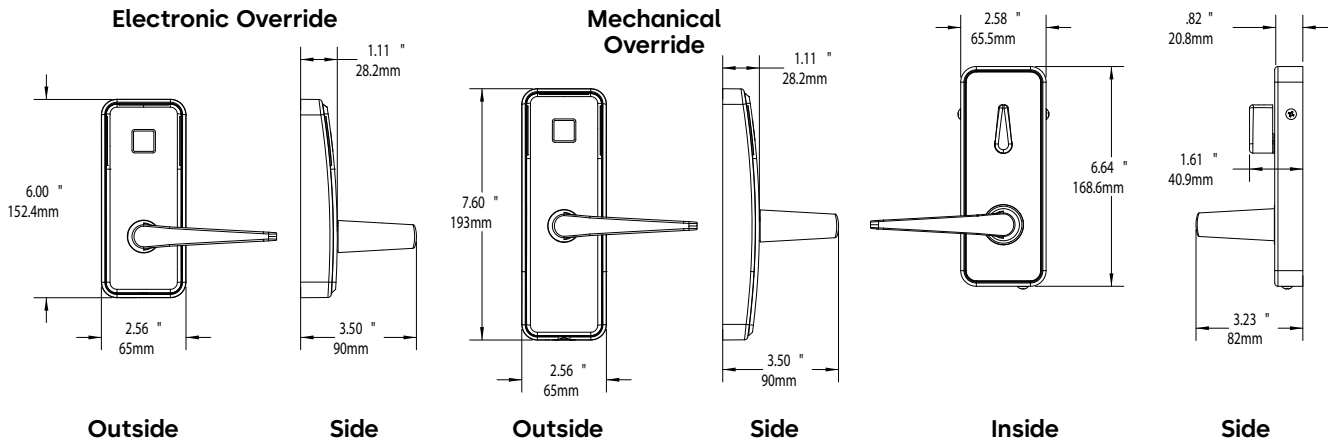
<b>S</b>			-				<b>B</b>	-
Version	Lock Model	Bluetooth		Override	Outside Lever	Finish	Trim	

Style	Version	Bluetooth	Override	Outside Lever	Finish	Trim
<b>S</b> Saffire LX	<b>0 0</b> Standalone <b>M 1</b> Ambiance RX US <b>M 2</b> Ambiance RX Euro/Asia <b>M 3</b> Ambiance RX International <b>M W</b> Inncom <b>D 0</b> Demo Standalone <b>D 1</b> Demo Ambiance RX US <b>D 2</b> Demo Ambiance RX Euro/Asia <b>D 3</b> Demo Ambiance RX International <b>D W</b> Demo Inncom <b>S B</b> Shabbat lock**	<b>2</b> BLE Enabled (Required for wallet technologies) <b>H</b> BLE Hilton (only for Hilton properties) <b>0</b> No BLE	<b>E</b> Electronic Override <b>K</b> Mechanical Key**	<b>E</b> Von <sup>®</sup> <b>L</b> Troy <sup>®</sup> <b>A</b> New DIN <sup>D,R&amp;S</sup> <b>S</b> Essen <sup>®</sup> <b>R</b> Essen R <sup>R&amp;F</sup> <b>M</b> Malmo <sup>R&amp;F</sup> <b>C</b> Continental <sup>R&amp;F</sup> <b>G</b> Gala <sup>R&amp;F</sup>  D Only with Locking Device Model N R Is Field Reversible S Only with same inside/outside levers F Is Only with Finish C Satin Chrome	<b>C</b> Satin Chrome <b>E</b> Satin Chrome Exterior <b>U</b> Satin Chrome Oceanfront Exterior <b>B</b> Satin Brass Interior <b>S</b> Satin Brass Exterior <b>R</b> Bright Chrome <b>G</b> Bright Chrome Exterior <b>Z</b> Oil Rubbed Bronze Int.* <b>N</b> Satin Nickel <b>L</b> Satin Nickel Exterior <b>K</b> Black Interior*	<b>B</b> Black

\*Black and Oil Rubbed Bronze finish are only for interior use.  
\*\* Key cylinder is located on the bottom of the front lock housing.

# Saffire LX (North American)

## Ordering



Standard Model (Example) (Continued)											
<b>N</b>	<b>E</b>	<b>O</b>	Inside Housing		<b>C</b>	<b>N</b>	-	<b>1</b>	Mortise	<b>0</b>	<b>L</b>
Privacy	Inside Lever	Function	Finish	Trim				Model	Deadbolt		Handing

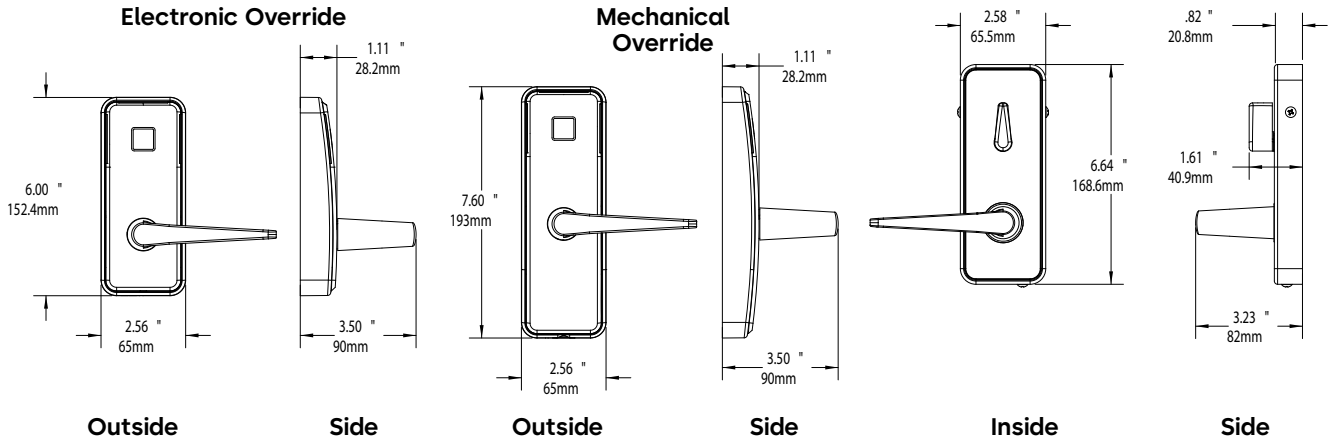
Build the model number with the desired options (Continued)											
<input type="checkbox"/>	<input type="checkbox"/>	<input type="checkbox"/>	Inside Housing		<input type="checkbox"/>	<input type="checkbox"/>	-	<input type="checkbox"/>	Mortise	<input type="checkbox"/>	<input type="checkbox"/>
Privacy	Inside Lever	Function	Finish	Trim				Model	Deadbolt		Handing

Privacy	Inside Lever	Function	Finish	Trim	Model	Deadbolt	Handing
<b>N</b> No Thumbturn, no Privacy Storeroom	<b>E</b> Von	<b>O</b> Standard	<b>C</b> Satin Chrome	<b>B</b> Black	<b>1</b> ASM 1 1/4" (32mm) face plate, field reversible handing	<b>0</b> Standard Deadbolt	<b>L</b> Left Hand
<b>P</b> Privacy thumbturn with kickoff	<b>L</b> Long Return (Troy lever extended for California)	<b>T</b> Toggle / residence function	<b>B</b> Satin Brass		<b>2</b> ASM 1 1/4" DAJ (32mm) face plate, field reversible handing	<b>1</b> Auto Deadbolt (only with ASM)	<b>R</b> Right Hand
	<b>S</b> Essen		<b>R</b> Bright Chrome		<b>3</b> ASM 1" (25.4mm) face plate, no field reversible handing	<b>2</b> No Deadbolt (only with ASM and cylindrical latch)	<b>F</b> Dual handed (Right Hand mortise, 2 strikes)
			<b>Z</b> Oil Rubbed Bronze		<b>4</b> ASM 1" DAJ (25.4mm) face plate, no field reversible handing		* For LHR or RHR, select dual handed option
			<b>N</b> Satin Nickel		<b>5</b> Cylindrical unit & latch		
			<b>K</b> Black		<b>6</b> Cylindrical unit & latch, 2 3/8" backset		

24mm forend subject to extended lead times  
European demos are only available in 65mm backset

# Saffire LX (European Mortise Lock Case)

## Ordering



**Standard Model (Example)** (Continue building the model number to the right)

<b>S</b>	<b>0 0</b>	<b>2</b>	-	<b>E</b>	<b>E</b>	<b>C</b>	<b>B</b>	-
Lock Model	Version	Bluetooth		Override	Outside Lever	Finish	Trim	

**Build the model number with the desired options** (Continue building the model number to the right)

<b>S</b>			-				<b>B</b>	-
Lock Model	Version	Bluetooth		Override	Outside Lever	Finish	Trim	

Style	Version	Bluetooth	Override	Outside Lever	Finish	Trim
<b>S</b> Saffire LX	<b>0 0</b> Standalone <b>M 2</b> Ambiance RX Euro/Asia <b>M 3</b> Ambiance RX International <b>M W</b> Inncom <b>D 0</b> Demo Standalone <b>D 2</b> Demo Ambiance RX Euro/Asia <b>D 3</b> Demo Ambiance RX International <b>D W</b> Demo Inncom <b>S B</b> Shabbat lock	<b>2</b> BLE Enabled (Required for wallet technologies) <b>H</b> BLE Hilton (only for Hilton properties) <b>0</b> No BLE	<b>K***</b> Mechanical Key <b>E****</b> Electronic Override	<b>E</b> Von (Not for locks certified EN 179) <b>L</b> Troy <b>S</b> Essen (Not for locks certified EN 179) <b>A</b> DIN Lever (Approved for EN 179 certified locks)	<b>C</b> Satin Chrome <b>E</b> Satin Chrome Exterior <b>U</b> Satin Chrome Ocean Front <b>B</b> Satin Brass Interior <b>S</b> Satin Brass Exterior <b>R</b> Bright Chrome Interior <b>G</b> Bright Chrome Exterior <b>N</b> Satin Nickel <b>L</b> Satin Nickel Exterior <b>K</b> Black Interior* <b>Z</b> Oil Rubbed Bronze Int.*	<b>B</b> Black

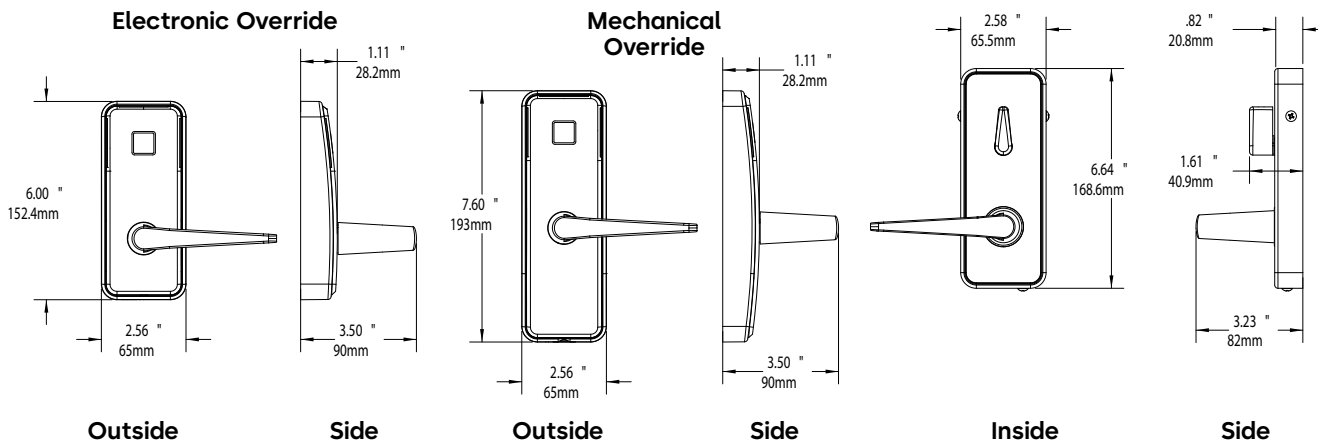
\*Black and Oil Rubbed Bronze finish are only for interior use.

\*\*\* Long trim version - Mechanical key override via integrated cylinder

\*\*\*\* Short trim version - Electronic override or mechanical override via separate cylinder in lock case (not included)

# Saffire LX (European Mortise Lock Case)

## Ordering



### Standard Model (Example) (Continued)

<b>E</b>	<b>E</b>	<b>O</b>	<b>C</b>	<b>N</b>	-	<b>1</b>	<b>O</b>	<b>L</b>
Privacy	Inside Lever	Function	Finish	Trim		Model	Spindle	Handing

### Build the model number with the desired options (Continued)

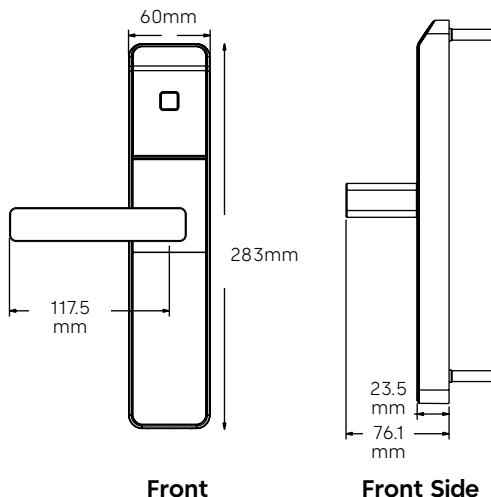
<input type="checkbox"/>	<input type="checkbox"/>	<input type="checkbox"/>	<b>C</b>	<input type="checkbox"/>	-	<input type="checkbox"/>	<input type="checkbox"/>	<input type="checkbox"/>
Privacy	Inside Lever	Function	Finish	Trim		Model	Spindle	Handing

Privacy	Inside Lever	Function	Finish	Trim	Model	Spindle	Handing
<b>E</b> Privacy in Euro lock case, no thumbturn. Rose and half knob cylinder for 40-44 mm doors (only with Euro lock case)	<b>E</b> Von (Not for locks certified EN 179) <b>L</b> Long Return (Troy lever extended for California) <b>S</b> Essen (Not for locks certified EN 179) <b>A</b> DIN Lever 2.0 (Approved for EN 179)	<b>O</b> Standard <b>T</b> Escape return	<b>C</b> Satin Chrome <b>B</b> Satin Brass <b>R</b> Bright Chrome <b>Z</b> Oil Rubbed Bronze <b>N</b> Satin Nickel <b>K</b> Black	<b>B</b> Black	<b>A</b> Euro lock case 55 mm backset, 20 mm forend round ends <b>B</b> Euro lock case 60 mm backset, 20 mm forend round ends <b>C</b> Euro lock case 65 mm backset, 20 mm forend round ends <b>D</b> Euro lock case 70 mm backset, 20 mm forend round ends <b>E</b> Euro lock case 80 mm backset, 20 mm forend round ends <b>G</b> Euro lock case 55 mm backset, 24 mm forend round ends <b>H</b> Euro lock case 60 mm backset, 24 mm forend round ends <b>I</b> Euro lock case 65 mm backset, 24 mm forend round ends <b>J</b> Euro lock case 70 mm backset, 24 mm forend round ends <b>K</b> Euro lock case 80 mm backset, 24 mm forend round ends <b>N</b> None	<b>8</b> 8mm Spindle <b>9</b> 9mm Spindle	<b>L</b> Left Hand & Right Hand Reverse <b>R</b> Right Hand & Left Hand Reverse <b>N</b> None
<b>P</b> Privacy Thumbturn					<b>N</b> None	<b>8</b> 8mm spindle <b>9</b> 9mm spindle <b>B</b> 8.5mm spindle (Austria only)	<b>N</b> None

24mm forend subject to extended lead times  
European demos are only available in 65mm backset

# Confidant Kit 1 (Euro Front Housing Only)

## Ordering



Standard Model Number										
<b>C</b>	<b>F</b>	<b>00</b>	<b>0</b>	<b>K</b>	<b>S</b>	-	<b>7</b>	<b>M</b>	<b>C</b>	<b>N</b>
Lock Model			Bluetooth	Outside Housing Options				Installation Options		

Build the model number with the required options										
<b>C</b>	<b>F</b>	<b>00</b>				-				
Lock Model			Bluetooth	Outside Housing Options				Installation Options		

Lock Model			Bluetooth	Outside Housing Options		Installation Options			
Confidant (Fixed value)	System (Fixed value)	Operating System	Bluetooth	Cylinder Support	Outside Lever	Spindle Kit	Mounting Screw	Finish	Mounting Plate
<b>C</b>	<b>F</b> NFC	<b>00</b> Stand alone <b>R0</b> Messenger Ready <b>M1</b> Messenger US <b>M2</b> Messenger EU/Asia <b>M3</b> Messenger Int'l <b>MW</b> Inncom <b>N0</b> Escape Return Standalone	<b>0</b> No BLE <b>1</b> BLE Ready <b>2</b> BLE Enabled (Required for wallet technologies) <b>D</b> DEMO No BLE <b>E<sup>1</sup></b> DEMO BLE Enabled	<b>K</b> Cylinder Support <b>E</b> No Cylinder	<b>S</b> Short <b>L</b> Long Return <b>N</b> No Lever <b>A</b> DIN 2.0	<b>7</b> 7mm <b>8</b> 8mm <b>9</b> 9mm <b>B**</b> Austria 8.5mm	<b>M</b>	<b>C</b> Satin Chrome <b>B</b> Satin Brass <b>E</b> Satin Chrome Exterior <b>H</b> Satin Brass Exterior <b>U</b> Satin Chrome Oceanfront (not appropriate if exposed to salt mist from the sea)	<b>N</b> No option

\* For door thicknesses greater than 55mm, please choose appropriate screws and spindle kits from spare parts list page 35. Screws provided for both rose and back plate mounting. Mounting screw selection applies for rosette mounting. M5 screws always provided for back plate mounting.

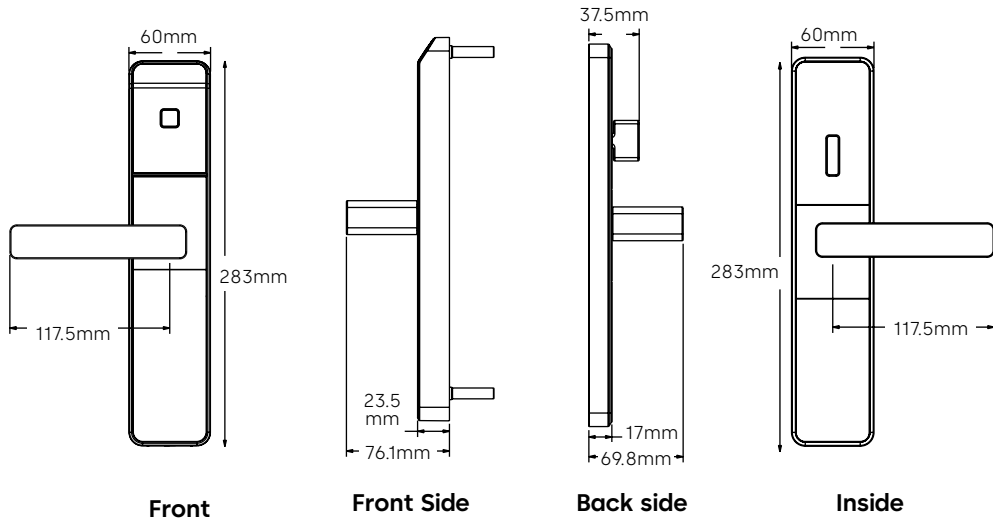
(1) Demo locks (D and E) are short lever, satin chrome only.

\*\* Kit 1 version with Austria Spindle Kit is not ONORM certified

\*\* Not certified per Onorm B 3859

# Confidant Kit 2 (Euro Front and Inside Housing Only)

## Ordering



Standard Model Number														
<b>C</b>	<b>F</b>	<b>00</b>	<b>0</b>	<b>K</b>	<b>S</b>	-	<b>7</b>	<b>4</b>	<b>C</b>	<b>R</b>	-	<b>N</b>	<b>P</b>	<b>S</b>
Lock Model		Bluetooth		Outside Housing Options		Installation Options				Inside Housing Options				

Build the model number with the required options														
<b>C</b>	<b>F</b>	<b>00</b>				-					-			
Lock Model		Bluetooth		Outside Housing Options		Installation Options				Inside Housing Options				

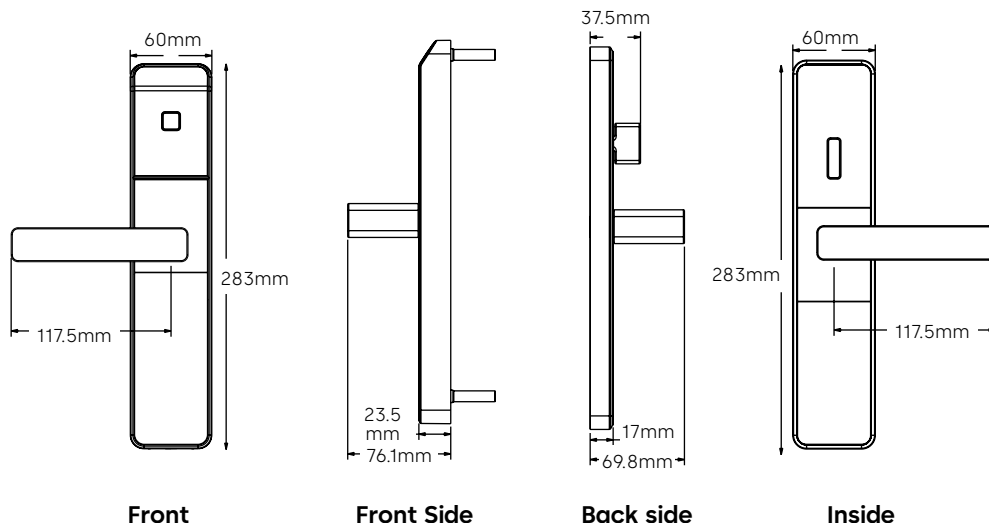
Lock Model			Bluetooth	Outside Housing Options		Installation Options				Inside Housing Options		
Confidant (Fixed value)	System (Fixed value)	Operating System	Bluetooth	Cylinder Support	Outside Lever	Spindle Kit	Mounting Screw	Finish	Mounting Plate	Cylinder Support	Privacy	Inside Lever
<b>C</b>	<b>F</b> NFC	<b>00</b> Stand alone <b>R0</b> Messenger Ready <b>M1</b> Messenger US <b>M2</b> Messenger EU/Asia <b>M3</b> Messenger Int'l <b>MW</b> Inncom <b>NO</b> Escape Return Standalone	<b>0</b> No BLE <b>1</b> BLE Ready <b>2</b> BLE Enabled (Required for wallet technologies) <b>D</b> Demo No BLE <b>E</b> BLE Enabled Demo <b>H</b> BLE Hilton (Only for Hilton properties)	<b>K</b> Cylinder Support <b>E</b> No Cylinder	<b>S</b> Short Return <b>L**</b> Long Return <b>N</b> No Lever <b>A**</b> DIN 2.0	<b>7</b> 7mm <b>8</b> 8mm <b>9</b> 9mm (Required for DIN certified locks) <b>B</b> Austria 8.5mm	<b>M</b>	<b>C</b> Satin Chrome Interior <b>B</b> Satin Brass Interior <b>E</b> Satin Chrome Exterior <b>H</b> Satin Brass Exterior <b>U</b> Satin Chrome Oceanfront (not appropriate if exposed to salt mist from the sea)	<b>R</b> Rose Mount <b>B</b> Backplate mount	<b>C*</b> Euro profile or Swiss cylinder (no privacy) <b>N</b> No cylinder	<b>N</b> No Thumbturn, no privacy <b>P</b> Privacy Thumbturn <b>Q</b> No thumbturn with privacy cable for dormakaba 395M	<b>S</b> Short Return <b>L</b> Long Return <b>N</b> No Lever <b>A</b> DIN 2.0 Requires 9mm spindle <b>Note:</b> All lever handles compliant with DIN 18273.

\* Inside cylinder support not available with privacy thumbturn option.

\*\* Can be EN 179 certified with third party mortise lock. ABZ certification # Z-6.100-2592 with 9 mm spindle.

# Confidant Kit 3 (Euro Lock with Mortise)

## Ordering



Standard Model Number																	
C	F	00	0	K	L	-	9	4	C	R	-	N	P	L	B	O	R
Lock Model		Bluetooth	Outside Housing Options		Installation Options			Inside Housing Options			Mortise Options						

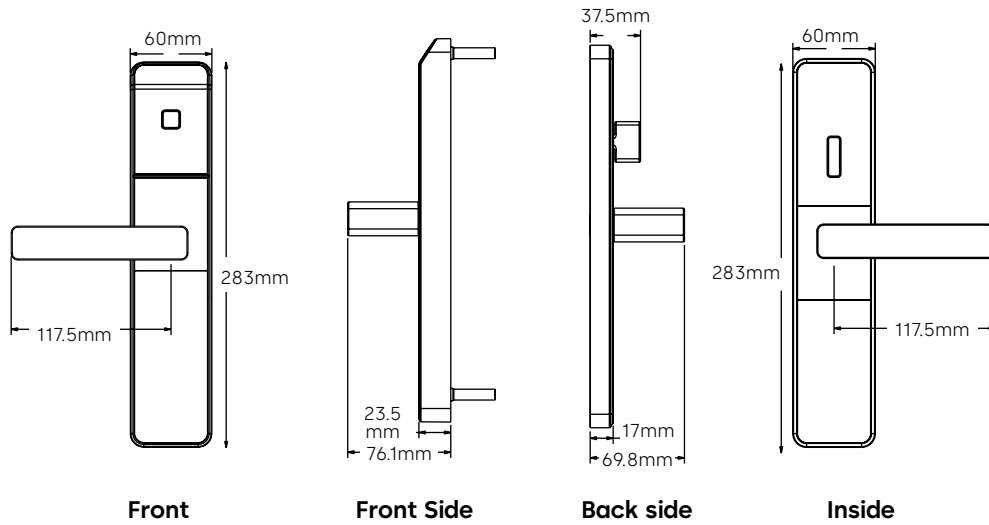
Build the model number with the required options																	
C	F	00				-					-					0	
Lock Model		Bluetooth	Outside Housing Options			Installation Options			Inside Housing Options			Mortise Options					

Lock Model			Bluetooth	Outside Housing Options		Installation Options			
Confidant (Fixed value)	System (Fixed value)	Operating System	Bluetooth	Cylinder Support	Outside Lever	Spindle Kit	Mounting Screw	Finish	Mounting Plate
<b>C</b>	<b>F</b> Saflok NFC	<b>00</b> Stand alone <b>R0</b> Messenger Ready <b>M1</b> Messenger US <b>M2</b> Messenger EU/Asia <b>M3</b> Messenger Int'l <b>MW</b> Inncom <b>N0</b> Escape Return Standalone	<b>0</b> No BLE <b>1</b> BLE Ready <b>2</b> BLE Enabled (Required for wallet technologies) <b>D</b> DEMO No BLE <b>E</b> DEMO BLE Enabled <b>H</b> BLE Hilton (only for Hilton properties)	<b>K</b> Cylinder Support <b>E</b> No Cylinder	<b>S</b> Short Return (Not approved for EN 179) <b>L*</b> Long Return (Approved for EN 179) <b>N</b> No Lever <b>A*</b> DIN 2.0 (Approved for EN 179)	<b>9</b> 9mm (Approved for EN179) <b>8</b> 8mm	<b>M</b>	<b>C</b> Satin Chrome Interior <b>B</b> Satin Brass Interior <b>E</b> Satin Chrome Exterior <b>H</b> Satin Brass Exterior <b>U</b> Satin Chrome Oceanfront (not appropriate if exposed to salt mist from the sea)	<b>R</b> Rose Mount <b>B</b> Backplate mount

\* Can be EN 179 certified with third party mortise lock. ABZ certification # Z-6.100-2592 with 9 mm spindle.

# Confidant Kit 3 (Euro Lock with Mortise)

## Ordering



Standard Model Number																	
C	F	00	0	K	L	-	9	4	C	R	-	N	P	L	F	0	R
Lock Model		Bluetooth	Outside Housing Options		Installation Options			Inside Housing Options			Mortise Options						

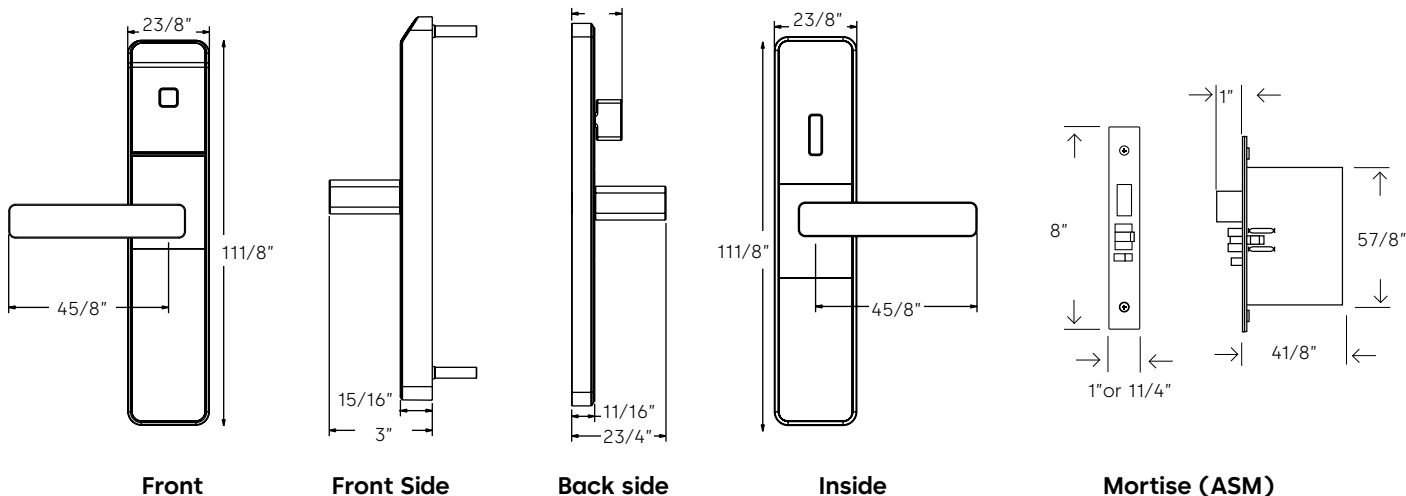
Build the model number with the required options																	
C	F	00				-					-					0	
Lock Model		Bluetooth	Outside Housing Options			Installation Options			Inside Housing Options			Mortise Options					

Inside Housing Options			Mortise Options		
Cylinder Support	Privacy	Inside Lever	Model	Deadbolt Functionality	Handing
<b>N</b> No cylinder <b>C*</b> Euro profile	<b>N</b> No Thumbturn, no Privacy <b>P</b> Privacy Thumbturn with kickoff* <b>E</b> Privacy in Euro lock case, no thumbturn, but rose and half knob cylinder for 40-44 mm doors (only with 395M)** <b>F</b> Privacy in Euro lock case, no thumbturn, but rose for half knob cylinder (only with 395M)	<b>S</b> Short Return <b>L</b> Long Return (Approved for EN 179) <b>N</b> No Lever <b>A</b> DIN 2.0 (Approved for EN 179)*** <b>Note:</b> All lever handles compliant with DIN 18273.	<b>20 mm forend round ends</b> <b>D</b> Euro lock case 55 mm backset <b>E</b> Euro lock case 60 mm backset <b>F</b> Euro lock case 65 mm backset <b>G</b> Euro lock case 70 mm backset <b>H</b> Euro lock case 80 mm backset <b>24 mm forend round ends</b> <b>I</b> Euro lock case 55 mm backset, <b>J</b> Euro lock case 60 mm backset <b>K</b> Euro lock case 65 mm backset <b>L</b> Euro lock case 70 mm backset <b>M</b> Euro lock case 80 mm backset	<b>0</b> Standard Dead Bolt	<b>R</b> RH or LHR <b>L</b> LH or RHR

24mm forend subject to extended lead times.  
 European demos are only available in 65mm backset.  
 \* Inside cylinder support not available with privacy thumbturn option.  
 \*\* Only with Cylinder Support option C  
 \*\*\* Only with Spindle Kit 9mm

# Confidant (ANSI Lock with Mortise)

## Ordering



**Standard Model Number - ASM / ESM (Example)**

C	F	00	0	E	L	-	A	A	C	B	-	N	P	S	-	1	0	R
Lock Model			Bluetooth	Outside Housing Options			Installation Options			Inside Housing Options			Mortise Options					

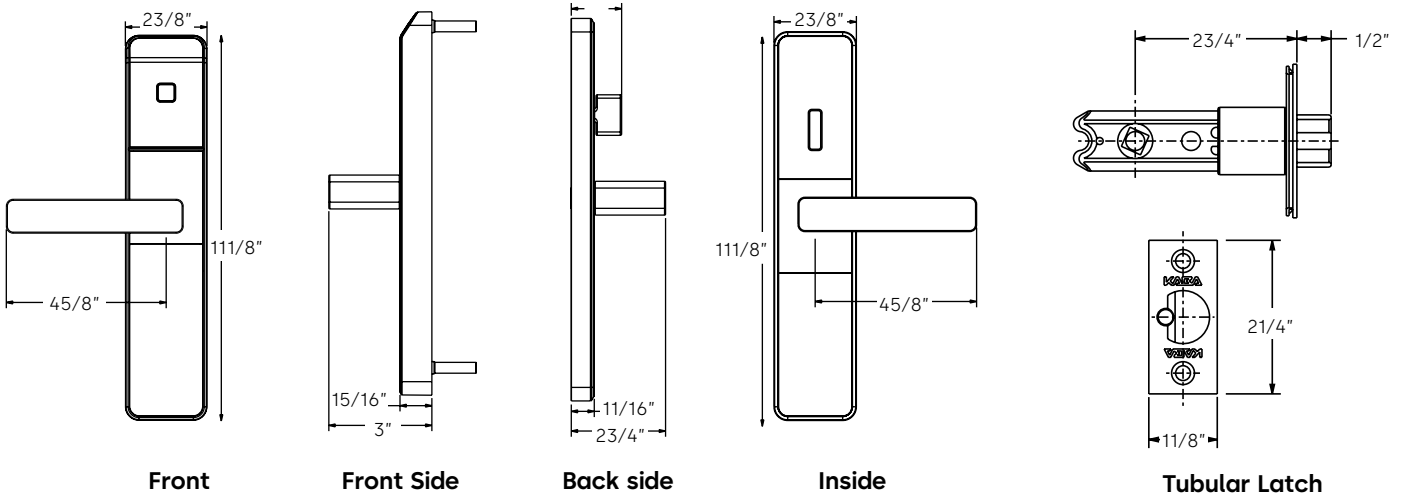
**Build the model number with the required options**

C		00		E		-	A	A		B	-	N			-			
Lock Model			Bluetooth	Outside Housing Options			Installation Options			Inside Housing Options			Mortise Options					

Lock Model			Bluetooth	Outside Housing Options		Installation Options				Inside Housing Options			Mortise Options		
Confidant (Fixed value)	System (Fixed value)	Operating System	Bluetooth	Cylinder Support	Outside Lever	Spindle Kit	Mounting Screw	Finish	Mounting Plate	Cylinder Support	Privacy	Inside lever	Model	Deadbolt Functionality	Handing
<b>C</b>	<b>F</b> Saflok NFC	<b>00</b> Stand alone <b>R0</b> Messenger Ready <b>M1</b> Messenger US <b>M2</b> Messenger EU/Asia <b>M3</b> Messenger Int'l <b>MW</b> Inncom <b>NO</b> Escape Return Standalone	<b>0</b> No BLE <b>1</b> BLE Ready <b>2</b> BLE Enabled (Required for wallet technologies) <b>D</b> DEMO No BLE <b>E</b> DEMO BLE Enabled <b>H</b> BLE Hilton (only for Hilton properties)	<b>E</b> No Cylinder	<b>S</b> Short Return <b>L</b> Long Return (California compatible)	<b>A</b> 7.14 mm	<b>M</b>	<b>C</b> Satin Chrome <b>B</b> Satin Brass <b>E</b> Satin Chrome Exterior <b>H</b> Satin Brass Exterior <b>U</b> Satin Chrome Oceanfront (not appropriate if exposed to salt mist from the sea)	<b>B</b> Backplate mount	<b>N</b> No Cylinder	<b>N</b> No Thumbturn No Privacy <b>P</b> Privacy Thumbturn with kickoff	<b>S</b> Short <b>C</b> California (Non reversible No F mortise option)	<b>1</b> ASM 1-1/4" <b>2</b> ASM 1-1/4" DAJ <b>3</b> ASM 1" <b>4</b> ASM 1" DAJ	<b>0</b> Std. DB (Requires Privacy) <b>1</b> ADB (not available with ESM) <b>2</b> No Deadbolt	<b>L</b> LH & RHR w/ S inside lever LH w/ California inside lever <b>R</b> RH & LHR w/ S inside lever RH w/ California inside lever <b>X</b> LHR w/ California inside lever <b>Y</b> RHR w/ California inside lever <b>F</b> Dual handed (RH mortise, 2 strikes) Reversible (not with California inside lever)

# Confidant (Tubular Latch)

## Ordering



**Standard Model Number - Tubular Latch (Example)**

<b>C</b>	<b>F</b>	<b>00</b>	<b>0</b>	<b>E</b>	<b>S</b>	-	<b>8</b>	<b>A</b>	<b>C</b>	<b>B</b>	-	<b>N</b>	<b>P</b>	<b>S</b>	-	<b>6</b>	<b>N</b>	<b>F</b>
Lock Model	Bluetooth	Outside Housing Options	Installation Options	Inside Housing Options	Mortise Options													

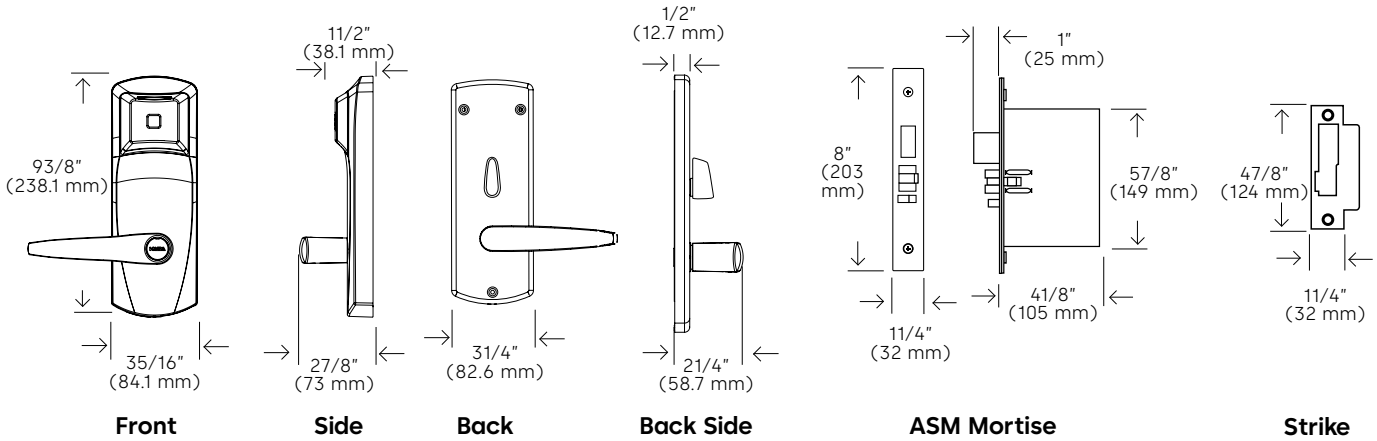
**Build the model number with the required options**

<b>C</b>		<b>00</b>		<b>E</b>		-	<b>8</b>	<b>A</b>		<b>B</b>	-	<b>N</b>			-		<b>N</b>	
Lock Model	Bluetooth	Outside Housing Options	Installation Options	Inside Housing Options	Mortise Options													

Lock Model			Bluetooth	Outside Housing Options		Installation Options				Inside Housing Options			Mortise Options		
Confidant (Fixed value)	System (Fixed value)	Operating System	Bluetooth	Cylinder Support	Outside Lever	Spindle Kit	Mounting Screw	Finish	Mounting Plate	Cylinder Support	Privacy	Inside lever	Model	Deadbolt Functionality	Handing
<b>C</b>	<b>F</b> Saflok NFC	<b>00</b> Stand alone <b>R0</b> Messenger Ready <b>M1</b> Messenger US <b>M2</b> Messenger EU/Asia <b>M3</b> Messenger Int'l <b>MW</b> Inncom <b>NO</b> Escape Return Standalone	<b>0</b> No BLE <b>1</b> BLE Ready <b>2</b> BLE Enabled (Required for wallet technologies) <b>D</b> DEMO No BLE <b>E</b> DEMO BLE Enabled <b>H</b> BLE Hilton (only for Hilton properties)	<b>E</b> No Cylinder	<b>S</b> Short Return <b>L</b> Long Return (California compatible)	<b>8</b> 8 mm	<b>M</b>	<b>C</b> Satin Chrome <b>B</b> Satin Brass <b>E</b> Satin Chrome Exterior <b>H</b> Satin Brass Exterior <b>U</b> Satin Chrome Oceanfront (not appropriate if exposed to salt mist from the sea)	<b>B</b> Backplate mount	<b>N</b> No Cylinder	<b>N</b> No Thumbturn No Privacy <b>P</b> Privacy Thumbturn with kickoff	<b>C</b> California (non reversible. Handing provided with mortise options no F) <b>S</b> Short Return	<b>6</b> Tubular 2 3/8" backset t-strike <b>7</b> Tubular 2 3/8" backset t-strike	<b>N</b> None	<b>L</b> LH <b>R</b> RH <b>F</b> Reversible (not with California inside lever)

# RT PLUS

Ordering RT Plus (American Steel Mortise-ASM Lock 1 ¼" Mortise)



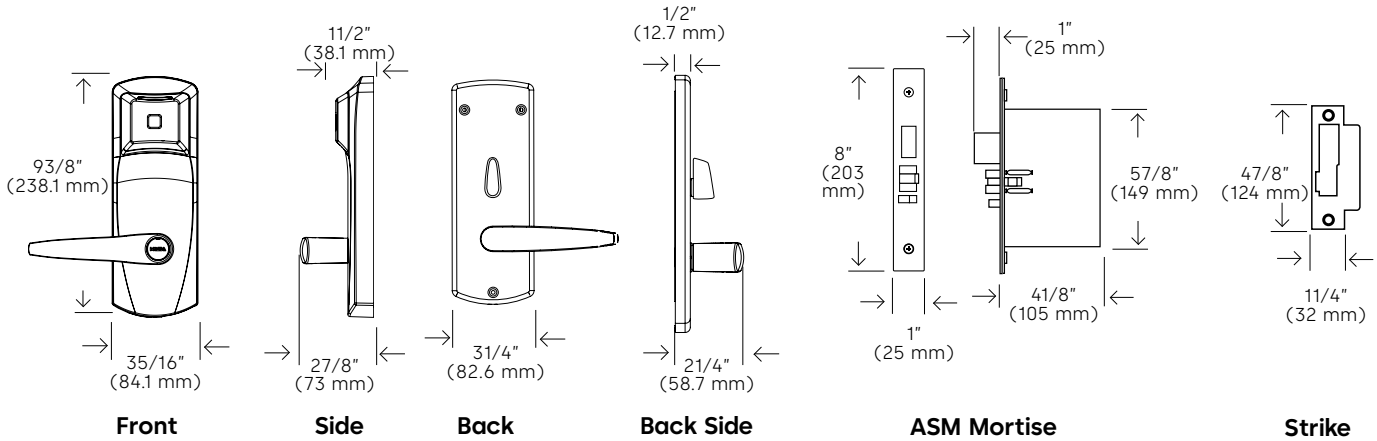
Standard Model (Example)										
<b>79P</b>	<b>S</b>	<b>0</b>	<b>1</b>	<b>0</b>	<b>1</b>	<b>1</b>	<b>E</b>	<b>L</b>	<b>3</b>	<b>0</b> - <b>6</b> <b>2</b> <b>6</b>
Model			Locking Device		Application	Lever Type	Override	Handing	Version	Bluetooth Finish

Build the model number with the desired options										
<b>79P</b>								<b>3</b>		
Model			Locking Device		Application	Lever Type	Override	Handing	Version	Bluetooth Finish

Model	Locking Device	Application	Lever Type	Override	Handing	Version	Bluetooth	Finishes
<b>Guestroom</b>	23 3/4" (70 mm) Backset							
<b>79PS0</b> Standalone	<b>10</b> ASM with 1 ¼" (32mm) face plate, field reversible handing	<b>1</b> Interior	<b>1</b> Long/Long Front Back	<b>E</b> Electronic	<b>L</b> Left or Right reverse (Y)	<b>3</b> Contactless Reader	<b>0</b> No BLE	<b>622*****</b> Black
<b>79PR0</b> Ambiance RX Ready	<b>16</b> Auto Deadbolt ASM with 1 ¼" (32mm) face plate, field reversible handing	<b>2</b> Exterior locks supplied with gasket for outside escutcheon	<b>2**</b> Short/Short Front Back	<b>K</b> Mechanical key cylindrical Lori universal (1539) key-in-knob OR <b>Mechanical recodable key cylinder</b> Must specify on lock order which type of key cylinder is required	<b>R</b> Right or Left reverse (X)		<b>2</b> BLE Enabled (Required for wallet technologies)	<b>626</b> Satin Chrome
<b>79PZ0</b> Ambiance RX US	<b>60</b> ASM DAJ with 1 ¼" (32mm), field reversible handing	<b>T</b> Residence mode, includes gasket	<b>E***</b> Elevon Lever Front Back		<b>F****</b> Dual Handed (L & R), Left Hand Reverse, Right Hand Reverse (X & Y)		<b>H</b> BLE Hilton (only for Hilton properties)	<b>606</b> Satin Brass
<b>79PY0</b> Ambiance RX Europe/Asia	<b>66</b> Auto deadbolt ASM DAJ with 1 ¼" (32mm) face plate, field reversible handing		<b>G***</b> Gala Lever Front Back					<b>U26</b> Ultra Satin Chrome
<b>79PQ0</b> Ambiance RX International			<b>8</b> Long/Long Inside at 45° Front Back					<b>*****</b> The 622 Black finish is for interior only.
<b>79PN0</b> Escape Return			<b>H**</b> Short/Short Inside at 45° Front Back					
<b>79PW0</b> Incom RF								
<b>74PS4/79PZ4/ 79PY4/79PQ4/ 79PN4</b> Demo Lock								
<b>79PW4</b> Incom RF Demo								
<b>Utility</b>								
<b>79PS1</b> Utility	<b>12</b> ASM, with 1 ¼" (32mm) face plate, field reversible handing							
<b>79PR1</b> Ambiance RX Ready	<b>62</b> ASM, DAJ, no deadbolt with 1 ¼" (32mm) face plate, field reversible handing.							
<b>79PZ1</b> Ambiance RX US								
<b>79PY1</b> Ambiance RX Europe/Asia								
<b>79PQ1</b> Ambiance RX International								
<b>79PW1</b> Incom RF								

# RT PLUS

Ordering RT Plus (American Steel Mortise-ASM Lock 1" Mortise)



Standard Model (Example)										
<b>79P</b>	<b>S</b>	<b>0</b>	<b>1</b>	<b>1</b>	<b>1</b>	<b>1</b>	<b>E</b>	<b>L</b>	<b>3</b>	<b>0</b> - <b>6</b> <b>2</b> <b>6</b>
Model	Locking Device		Application	Lever Type	Override	Handing	Version	Bluetooth	Finish	

Build the model number with the desired options										
<b>79P</b>							<b>3</b>		-	
Model	Locking Device		Application	Lever Type	Override	Handing	Version	Bluetooth	Finish	

Model	Locking Device	Application	Lever Type	Override	Handing	Version	Bluetooth	Finishes
<b>Guestroom</b> <b>79PS0</b> Standalone <b>79PZ0</b> Ambiance RX US <b>79PR0</b> Ambiance RX Ready <b>79PY0</b> Ambiance RX Europe/Asia <b>79PQ0</b> Ambiance RX International <b>79PN0</b> Escape Return <b>79PW0</b> Inncom RF	23/4" (70 mm) Backset <b>11</b> ASM, with 1" (25 mm) face plate, NOT field reversible <b>17</b> Auto Deadbolt ASM with 1" (25 mm) face plate, NOT field reversible <b>61</b> ASM DAJ with 1" (25 mm) face palte, NOT field reversible handing <b>67</b> Auto Deadbolt ASM DAJ with 1" (25 mm) face plate, NOT field reversible handing	<b>1</b> Interior <b>2</b> Exterior locks supplied with gasket for outside escutcheon <b>T</b> Residence mode, includes gasket	<b>1</b> Long/Long Front Back <b>2**</b> Short/Short Front Back <b>E***</b> Elevon Lever Front Back <b>G***</b> Gala Lever Front Back <b>8</b> Long/Long Inside at 45° Front Back <b>H**</b> Short/Short Inside at 45° Front Back	<b>E</b> Electronic <b>K</b> Mechanical key cylindrical Lori universal (1539) key-in-knob OR Mechanical recodable key cylinder Must specify on lock order which type of key cylinder is required	<b>L</b> Left or Right reverse (Y) <b>R</b> Right or Left reverse (X)	<b>3</b> Contactless Reader	<b>0</b> No BLE <b>2</b> BLE Enabled (Required for wallet technologies) <b>H</b> BLE Hilton (only for Hilton properties)	<b>622*****</b> Black <b>626</b> Satin Chrome <b>606</b> Satin Brass <b>U26</b> Ultra Satin Chrome
<b>Utility</b> <b>79PS1</b> Utility <b>79PR1</b> Ambiance RX Ready <b>79PZ1</b> Ambiance RX US <b>79PY1</b> Ambiance RX Europe/Asia <b>79PQ1</b> Ambiance RX International <b>79PW1</b> Inncom RF	<b>13</b> ASM, no deadbolt with 1" (25 mm) face plate, NOT field reversible handing. <b>63</b> ASM, DAJ, no deadbolt with 1" (25 mm) face plate, NOT field reversible handing.							

\* For doors greater than 2-1/2" (63 mm) order a thick door kit in Lock Accessories Miscellaneous section.

\*\* Use short return levers when moldings are within 4-1/2" (11cm) and 8" (20.32cm) from the edge of the door

\*\*\* Levers E & G - Electronic override only, Lever E requires handing

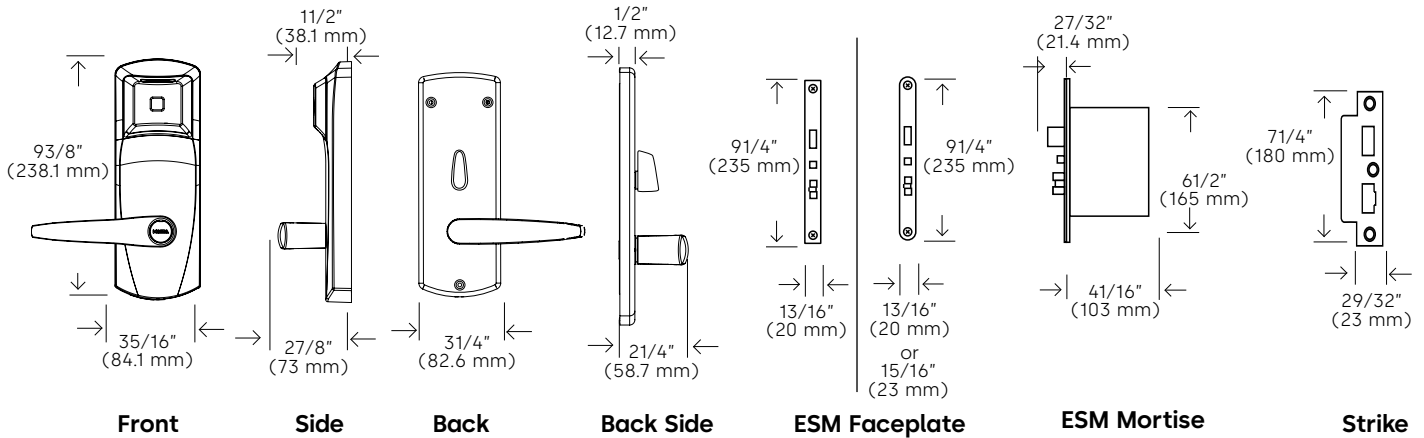
\*\*\*\* Locks are assembled "Right-Hand" and may be field reversed for Left-Hand doors.

\*\*\*\*\* The 622 Black finish is for interior only.

Locks equipped with Zigbee (online) should be configured with DAJ mortise. Some listed lever options are not available in all finishes

# RT PLUS

## Ordering RT Plus (Slim Mortise-ESM Lock)



Standard Model (Example)															
<b>79P</b>	<b>S</b>	<b>0</b>	<b>3</b>	<b>0</b>	<b>1</b>	<b>1</b>	<b>E</b>	<b>L</b>	<b>3</b>	<b>0</b>	-	-	<b>6</b>	<b>2</b>	<b>6</b>
Model	Locking Device	Application	Lever Type	Override	Handing	Version	Bluetooth	Modifier	Finish						

Build the model number with the desired options										
<b>79P</b>						<b>3</b>			-	
Model	Locking Device	Application	Lever Type	Override	Handing	Version	Bluetooth	Modifier	Finish	

Model	Locking Device	Application	Lever Type	Override	Handing	Version	Bluetooth	Modifier	Finishes
<b>Guestroom</b> <b>79PS0</b> Standalone <b>79PZ0</b> Ambiance RX US <b>79PR0</b> Ambiance RX Ready <b>79PY0</b> Ambiance RX Europe/Asia <b>79PQ0</b> Ambiance RX International <b>79PN0</b> Escape Return <b>79PW0</b> Incom RF	<b>23/4" (70mm) Backset</b> <b>N1</b> No locking mechanism <b>Note:</b> N1 requires Modifier A <b>30</b> ESM, with no face plate, field reversible handing	<b>1</b> Interior <b>2</b> Exterior locks supplied with gasket for outside escutcheon <b>T</b> Residence mode, includes gasket	<b>1</b> Long/Long Front Back  <b>2**</b> Short/Short Front Back  <b>E***</b> Elevon Lever Front Back  <b>G***</b> Gala Lever Front Back  <b>8</b> Long/Long Inside at 45° Front Back  <b>H**</b> Short/Short Inside at 45° Front Back 	<b>E</b> Electronic <b>K</b> Mechanical key cylindrical Lori universal (1539) key-in-knob OR Mechanical recodable key cylinder Must specify on lock order which type of key cylinder is required	<b>L</b> Left or Right reverse (Y) <b>R</b> Right or Left reverse (X) <b>F****</b> Dual Handed (L & R), Left Hand Reverse, Right Hand Reverse (X & Y)	<b>3</b> Contactless Reader	<b>0</b> No BLE <b>2</b> BLE Enabled (Required for wallet technologies) <b>H</b> BLE Hilton (only for Hilton properties)	- No Modifier <b>A</b> No Strike	<b>622*****</b> Black <b>626</b> Satin Chrome <b>606</b> Satin Brass <b>U26</b> Ultra Satin Chrome
<b>Utility</b> <b>79PS1</b> Utility <b>79PR1</b> Ambiance RX Ready <b>79PZ1</b> Ambiance Online <b>79PY1</b> Ambiance RX Europe/Asia <b>79PQ1</b> Ambiance RX International <b>79PW1</b> Incom RF	<b>31</b> ESM, with no face plate, field reversible handing.								

**ESM Faceplate and Strike - Handing**

Mortise face plates are not included with Slim Mortise. To order see below.

13/16" (20 mm) round face plate with deadbolt cutout	128/508593-D626
without deadbolt cutout	128/508593-0626
29/32" (23 mm) round face plate with deadbolt cutout	128/508595-D626
without deadbolt cutout	128/508595-0626
13/16" (20 mm) square face plate with deadbolt cutout	128/508594-D626
without deadbolt cutout	128/508594-0626
71/4" (180 mm) Strike with deadbolt Universal	041-510141-630K

**Note:** Gala and Elevon lever only available with electronic override

\* For doors greater than 2 1/2" (63 mm) order a thick door kit in Lock Accessories Miscellaneous section.

\*\* Use short return levers when moldings are within 4 1/2" (11cm) and 8" (20.32cm) from the edge of the door

\*\*\* Levers E & G - Electronic override only, Lever E requires handing

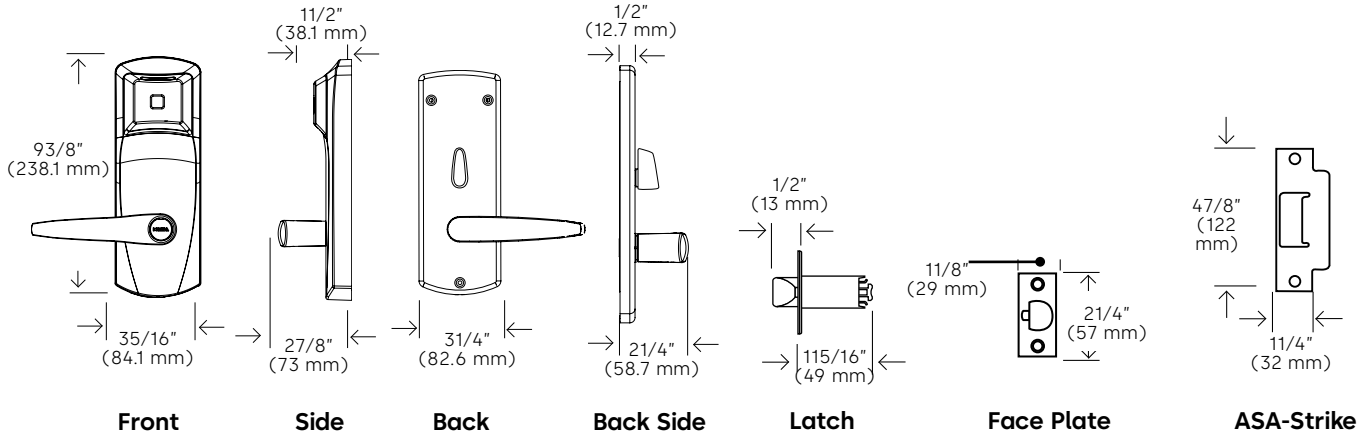
\*\*\*\* Locks are assembled "Right-Hand" and may be field reversed for Left-Hand doors.

\*\*\*\*\*The 622 Black finish is for interior only.

Locks equipped with Zigbee (online) should be configured with DAJ mortise. Some listed lever options are not available in all finishes

# RT PLUS

## Ordering RT Plus (Cylindrical Lock)



Standard Model (Example)										
<b>79P</b>	<b>S</b>	<b>1</b>	<b>5</b>	<b>0</b>	<b>2</b>	<b>1</b>	<b>E</b>	<b>F</b>	<b>3</b>	<b>0</b> - <b>6</b> <b>2</b> <b>6</b>
Model			Locking Device			Lever Type	Override	Handing	Version	Bluetooth Finish

Build the model number with the desired options										
<b>79P</b>					<b>2</b>			<b>F</b>	<b>3</b>	
Model			Locking Device		Lever Type	Override	Handing	Version	Bluetooth	Finish

Model	Locking Device		Lever Type	Override	Handing	Version	Bluetooth	Finishes
<b>79PS1</b> Utility	23 3/4" (70 mm) Backset							
<b>79PZ1</b> Ambiance RX US	<b>50</b> 2 3/4" (70 mm) Backset with 1/2" (13 mm) latch. Thumbturn is on inside escutcheon for privacy but can be disabled	<b>2</b> Exterior locks supplied with gasket for outside escutcheon	<b>1</b> Long/Long Front Back	<b>E</b> Electronic	<b>L</b> Left or Right reverse (Y)	<b>3</b> Contactless Reader	<b>0</b> No BLE	<b>622*****</b> Black
<b>790PR1</b> Ambiance RX Ready	<b>54</b> 23 3/8" (60 mm) Backset with 1/2" (13 mm) latch. Thumbturn is on inside escutcheon for privacy but can be disabled	<b>T</b> Residence mode, includes gasket	<b>2**</b> Short/Short Front Back	<b>K</b> Mechanical key cylindrical Lori universal (1539) key-in-knob OR	<b>R</b> Right or Left reverse (X)		<b>2</b> BLE Enabled (Required for wallet technologies)	<b>626</b> Satin Chrome
<b>79PY1</b> Ambiance RX Europe/Asia	<b>54</b> 23 3/8" (60 mm) Backset with 1/2" (13 mm) latch. Thumbturn is on inside escutcheon for privacy but can be disabled		<b>E***</b> Elevon Lever Front Back	Mechanical recodable key cylinder Must specify on lock order which type of key cylinder is required	<b>F****</b> Dual Handed (L & R), Left Hand Reverse, Right Hand Reverse (X & Y)		<b>H</b> BLE Hilton (only for Hilton properties)	<b>606</b> Satin Brass
<b>79PQ1</b> Ambiance RX International	<b>5X</b> 2 3/4" (70 mm) Backset with 1/2" (13 mm) latch. Thumbturn is on inside escutcheon for privacy but can be disabled with Australian strike		<b>G****</b> Gala Lever Front Back					<b>U26</b> Ultra Satin Chrome
<b>79PW1</b> Incom RF	<b>5Y</b> 2 3/4" (70 mm) Backset with 1/2" (13 mm) latch. Thumbturn is on inside escutcheon for privacy but can be disabled with Australian strike		<b>8</b> Long/Long Inside at 45° Front Back					
<b>79PR1</b> Ambiance RX Ready			<b>H**</b> Short/Short Inside at 45° Front Back					

\* For doors greater than 2 1/2" (63 mm) order a thick door kit in Lock Accessories Miscellaneous section.

\*\* Use short return levers when moldings are within 4 1/2" (11cm) and 8" (20.32cm) from the edge of the door

\*\*\* Levers E & G - Electronic override only, Lever E requires handing

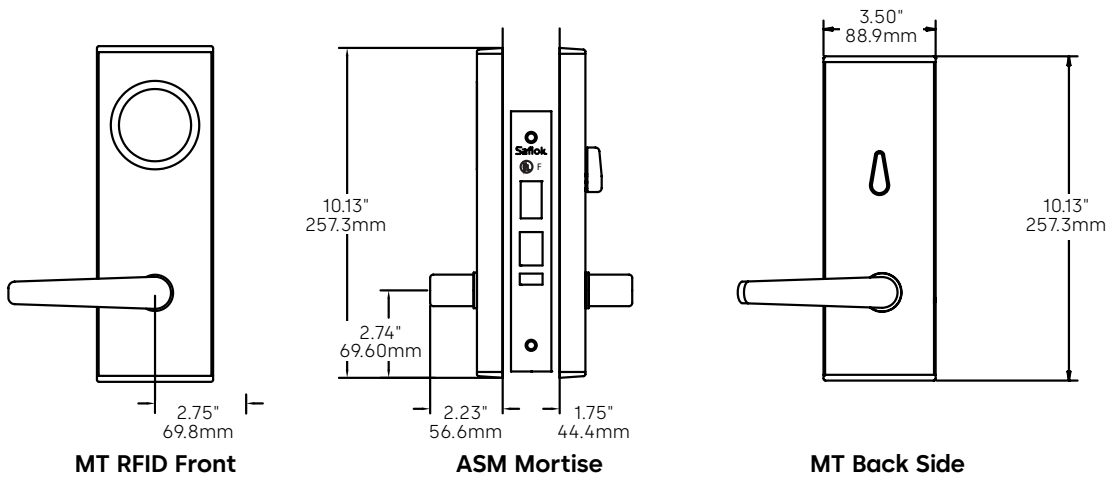
\*\*\*\* Locks are assembled "Right-Hand" and may be field reversed for Left-Hand doors.

\*\*\*\*\*The 622 Black finish is for interior only.

Locks equipped with Zigbee (online) should be configured with DAJ mortise. Some listed lever options are not available in all finishes

# MT RFID

## Ordering



**Standard Model (Example)** (Continue building the model number to the right)

Model	Version	Locking Mechanism	Communication	Application	Lever	Handing	
M R	2	1 Mortise	1 Faceplate	N G Primary Secondary	0 Type	C 0 Type Position	L Handing

**Build the model number with the desired options** (Continue building the model number to the right)

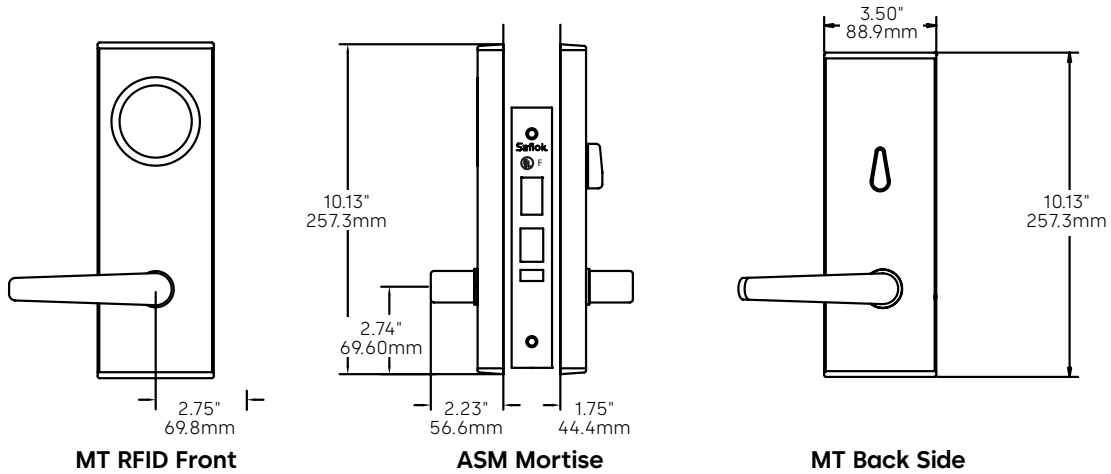
Model	Version	Locking Mechanism	Communication	Application	Lever	Handing
M R	2					

Style	Version	Locking Mechanism		Communication		Application	Lever		Handing
		Mortise	Faceplate	Primary	Secondary		Type	Position	
<b>MR</b> MT RFID	<b>2</b> NFC	<b>ASM:</b> <b>1</b> Standard <b>2</b> ADB <b>3</b> Utility <b>4</b> Standard DAJ <b>5</b> ADB DAJ <b>6</b> Utility DAJ <b>7</b> Utility ADB <b>8</b> Utility ADB DAJ <b>9</b> NDB <b>A</b> NDB Utility <b>B</b> NDB DAJ <b>C</b> NDB UTL DAJ <b>Dummy:</b> <b>D</b> Dummy	<b>ASM:</b> <b>1</b> 1 1/4" (32 mm) <b>2</b> 1" (25 mm) <b>Dummy:</b> <b>D</b> Dummy (no faceplate)	<b>N</b> No Primary <b>X</b> Primary Ready** <b>D</b> Inncom RF** <b>H</b> Zigbee G2 North America** <b>J</b> Zigbee G2 Europe/Asia** <b>K</b> Zigbee G2 International** <b>L</b> Telkonet G2**	<b>G</b> BLE Enabled <b>H</b> Hilton BLE Mod Bracket (Only for Hilton properties) <b>Dummy:</b> <b>N</b> No Secondary (for Dummy Only)	<b>0</b> Interior <b>E</b> Exterior <b>H</b> Heavy	<b>C</b> Continental EN179 <b>E</b> Elevon <b>G</b> Gala <b>T</b> Troy	<b>0</b> Standard <b>1</b> Vert I/S <b>2</b> Vert O/S <b>3</b> Vert I/S & O/S	<b>L</b> Left Hand <b>R</b> Right Hand <b>X</b> Left Hand Reverse <b>Y</b> Right Hand Reverse

\*\* Primary communication options only available with DAJ mortises

# MT RFID

## Ordering



### Standard Model (Example) (Continued)

Door Size		Optional Adjustment				Finish	
<b>A</b>	<b>N</b>	<b>O</b>	<b>O</b>	<b>O</b>	<b>O</b>	<b>B</b>	<b>B</b>
Thickness	Offset	Outside	Inside	Special Hardware/Functionality	Packout		

### Build the model number with the desired options (Continued)

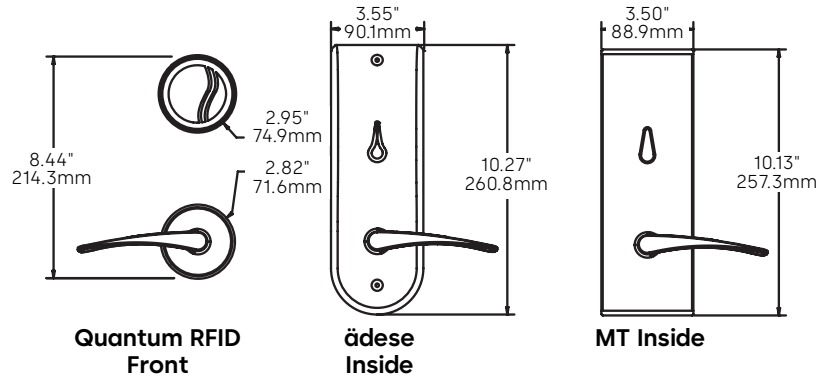
Door Size		Optional Adjustment				Finish	
<input type="checkbox"/>	<b>N</b>	<input type="checkbox"/>	<b>O</b>	<input type="checkbox"/>	<input type="checkbox"/>	<input type="checkbox"/>	<input type="checkbox"/>
Thickness	Offset	Outside	Inside	Special Hardware/Functionality	Packout		

Door Size		Optional Adjustment				Finish	
Thickness	Offset	Outside	Inside	Special Hardware/Functionality	Packout		
<b>A</b> 1.75" (44mm)	<b>N</b> No Offset	<b>O</b> Standard	<b>O</b> Standard	<b>O</b> Standard	<b>O</b> Standard	<b>BB</b> Bright Brass	
<b>B*</b> 1.38" (35-40mm)		<b>A</b> Plain Lens		<b>B</b> Tamper Switch	<b>A</b> Custom Strike	<b>BC</b> Bright Chrome	
<b>C</b> 2.00" (51mm)				<b>M</b> Dummy w/ Messenger Cap	<b>B</b> Ocean Shipment	<b>BK</b> Black	
<b>D</b> 2.25" (57mm)				<b>N</b> Dummy w/ Double Messenger Cap	<b>C</b> Ocean/Custom Strike	<b>OZ</b> Dark Mahogany	
<b>E</b> 2.38" (60mm)					<b>D</b> Ocean/Australia Strike	<b>SC</b> Satin Chrome	
<b>F</b> 2.50" (63.5mm)					<b>E</b> Demo Lock*	<b>SN</b> Satin Nickel	
<b>G</b> 2.87"-3.00" (73-76mm)						<b>SB</b> Satin Brass	
Over 2.00 [51mm] or custom door size must include A, C, or D packout option so that standard strike is not included					*Demo lock only available in 1-3/4" RH door	- Continental not available in SN - Only SC, BC, OZ, and BK approved for exterior application - Only SC, OZ, and BK approved for Heavy	

\*1" Faceplate required for 1.38" (35-40mm) door size

# Quantum RFID

## Ordering



**Standard Model (Example)** (Continue building the model number to the right)

Model	Version	Locking Mechanism		Communication		Application	Lever		Handing	
<b>Q</b>	<b>M</b>	<b>2</b>	<b>1</b>	<b>1</b>	<b>N</b>	<b>G</b>	<b>0</b>	<b>C</b>	<b>0</b>	<b>L</b>
		Mortise	Faceplate	Primary	Secondary		Type	Position		

**Build the model number with the desired options** (Continue building the model number to the right)

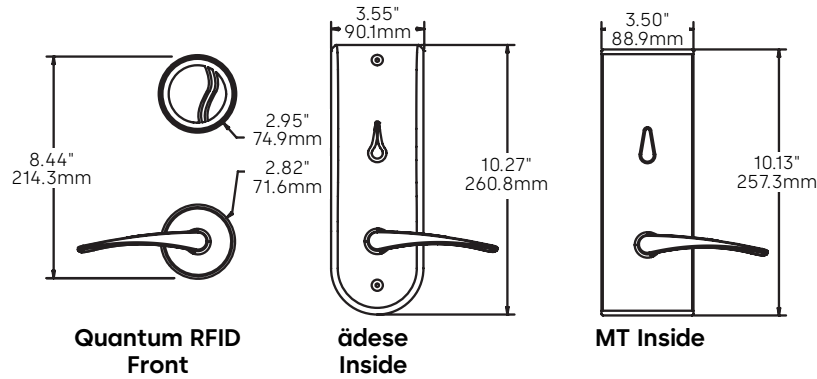
Model	Version	Locking Mechanism		Communication		Application	Lever		Handing
<b>Q</b>	<b>2</b>								
		Mortise	Faceplate	Primary	Secondary		Type	Position	

Style	Version	Locking Mechanism		Communication		Application	Lever		Handing
		Mortise	Faceplate	Primary	Secondary		Type	Position	
<b>QM</b> Quantum RFID MT	<b>2</b> NFC	<b>1</b> Standard	<b>1</b> 1 ¼" (32 mm)	<b>N</b> No Primary	<b>G</b> BLE Enabled	<b>0</b> Wood Interior	<b>C</b> Continental	<b>0</b> Standard	<b>L</b> Left Hand
<b>QA</b> Quantum RFID ädese		<b>2</b> ADB	<b>2</b> 1" (25 mm)	<b>X</b> Primary Ready**	<b>H</b> Hilton BLE Mod Bracket (only for Hilton properties)	<b>E</b> Wood Exterior	<b>E</b> Elevon	<b>1</b> Vert I/S	<b>R</b> Right Hand
		<b>3</b> Utility	<b>Dummy:</b> <b>D</b> Dummy (no faceplate)	<b>D</b> Inncom RF**	<b>H</b> Zigbee G2 NorthAmerica**	<b>H</b> Wood Heavy	<b>G</b> Gala		<b>X</b> Left Hand Reverse
		<b>4</b> Standard DAJ		<b>H</b> Zigbee G2 NorthAmerica**	<b>Dummy:</b> <b>N</b> No Secondary (for Dummy Only)	<b>1</b> Metal Interior	<b>T</b> Troy		<b>Y</b> Right Hand Reverse
		<b>5</b> ADB DAJ		<b>J</b> Zigbee G2 Europe/Asia**		<b>F</b> Metal Exterior			
		<b>6</b> Utility DAJ		<b>K</b> Zigbee G2 International**		<b>J</b> Metal Heavy			
		<b>7</b> Utility ADB		<b>L</b> Telkonet G2**					
		<b>8</b> Utility ADB DAJ							
		<b>9</b> NDB							
		<b>A</b> NDB Utility							
		<b>B</b> NDB DAJ							
		<b>C</b> NDB UTL DAJ							
		<b>Dummy:</b> <b>D</b> Dummy							

\*\* Primary communication options only available with DAJ mortises

# Quantum RFID

## Ordering



### Standard Model (Example) (Continued)

Door Size		Optional Adjustment				Finish	
<b>A</b>	<b>N</b>	<b>O</b>	<b>O</b>	<b>O</b>	<b>O</b>	<b>A</b>	<b>B</b>
Thickness	Offset	Outside	Inside	Special Hardware/Functionality	Packout		

### Build the model number with the desired options (Continued)

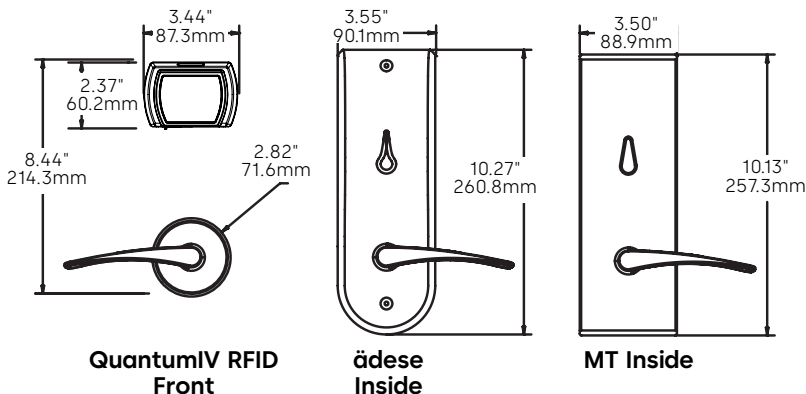
Door Size		Optional Adjustment				Finish	
	<b>N</b>	<b>O</b>					
Thickness	Offset	Outside	Inside	Special Hardware/Functionality	Packout		

Door Size		Optional Adjustment				Finish					
Thickness	Offset	Outside	Inside	Special Hardware/Functionality	Packout						
<b>A</b> 1.75" (44mm)	<b>N</b> No Offset	<b>O</b> Standard	<b>O</b> Standard	<b>O</b> Standard	<b>O</b> Standard	<b>AB</b> Antique Brass					
<b>B*</b> 1.38" (35-40mm)							<b>A</b> Plain Lens	<b>A</b> FS Housing/Thumbturn*	<b>A</b> Escape Return	<b>A</b> Custom Strike	<b>BB</b> Bright Brass
<b>C</b> 2.00" (51mm)								<b>B</b> FS Housing/MT Thumbturn*	<b>B</b> Tamper Switch	<b>B</b> Ocean Shipment	<b>BC</b> Bright Chrome
<b>D</b> 2.25" (57mm)								<b>C</b> FS Housing/ädese Thumbturn*	<b>T</b> Toggle	<b>C</b> Ocean/Custom Strike	<b>BK</b> Black
<b>E</b> 2.38" (60mm)								<b>D</b> FS Housing/Utility (no Thumbturn)*	<b>D</b> Dress Ring	<b>D</b> Ocean/Australia Strike	<b>OZ</b> Dark Mahogany
<b>F</b> 2.50" (63.5mm)									<b>M</b> Dummy w/ Messenger Cap	<b>E</b> Demo Lock*	<b>SC</b> Satin Chrome
<b>G</b> 2.87"-3.00" (73-76mm)									<b>N</b> Dummy w/ Double Messenger Cap		<b>SN</b> Satin Nickel
ädese only available in ADB or Utility for door thickness greater than 2.00" (51mm)  Over 2.00 [51mm] or custom door size must include A, C, or D packout option so that standard strike is not included			*BLE not available with FS housing. FS housing only available with ädese locks		*Demo lock only available in 1-3/4" RH door	<b>SB</b> Satin Brass					
						- Knob only available in BB, BS, SB, SS - AB only available with äd se I/S - Continental not available in SN - Only SC, BC, OZ, and BK approved for exterior application - FS options NOT AVAILABLE in BB, BK, OZ OR SB					

\*1" Faceplate required for 1.38" (35-40mm) door size  
FS housing and Dress Ring on select finishes and ädese only

# QuantumIV RFID

## Ordering



**Standard Model (Example)** (Continue building the model number to the right)

Model	Version	Locking Mechanism		Communication		Application	Lever	Handing
<b>Q</b>	<b>2</b>	<b>1</b>	<b>1</b>	<b>N</b>	<b>G</b>	<b>0</b>	<b>C</b>	<b>0</b>
		Mortise	Faceplate	Primary	Secondary		Type	Position

**Build the model number with the desired options** (Continue building the model number to the right)

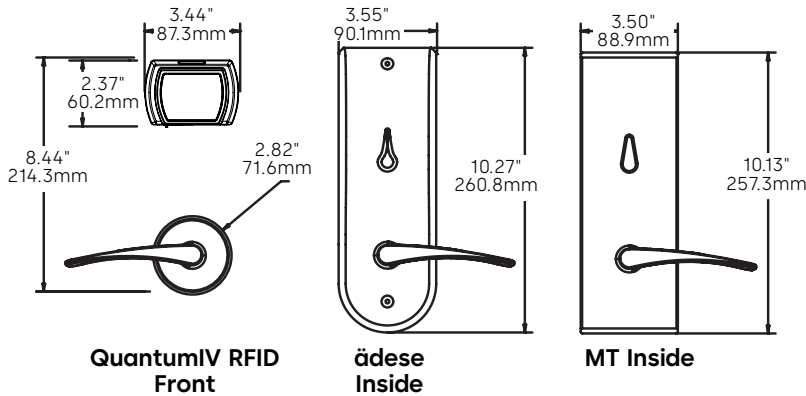
Model	Version	Locking Mechanism		Communication		Application	Lever	Handing
<b>Q</b>	<b>2</b>							
		Mortise	Faceplate	Primary	Secondary		Type	Position

Style	Version	Locking Mechanism		Communication		Application	Lever		Handing
		Mortise	Faceplate	Primary	Secondary		Type	Position	
<b>QF</b> QuantumIV MT	<b>2</b> NFC	<b>ASM:</b> <b>1</b> Standard	<b>ASM:</b> <b>1</b> 1 ¼" (32 mm)	<b>N</b> No Primary	<b>G</b> BLE Enabled	<b>0</b> Interior	<b>C</b> Continental	<b>0</b> Standard	<b>L</b> Left Hand
<b>QG</b> QuantumIV ädese		<b>2</b> ADB	<b>2</b> 1" (25 mm)	<b>X</b> Primary Ready**	<b>H</b> Hilton BLE Mod Bracket (only for Hilton properties)	<b>E</b> Exterior	<b>E</b> Elevon	<b>1</b> Vert I/S	<b>R</b> Right Hand
		<b>3</b> Utility	<b>Dummy:</b> <b>D</b> Dummy (no faceplate)	<b>D</b> Incom RF**	<b>H</b> Zigbee G2 North America**	<b>H</b> Heavy	<b>G</b> Gala		<b>X</b> Left Hand Reverse
		<b>4</b> Standard DAJ		<b>H</b> Zigbee G2 Europe/Asia**	<b>Dummy:</b> <b>N</b> No Secondary (for Dummy Only)		<b>T</b> Troy		<b>Y</b> Right Hand Reverse
		<b>5</b> ADB DAJ		<b>J</b> Zigbee G2 International**					
		<b>6</b> Utility DAJ		<b>L</b> Telkonet G2**					
		<b>7</b> Utility ADB							
		<b>8</b> Utility ADB DAJ							
		<b>9</b> NDB							
		<b>A</b> NDB Utility							
		<b>B</b> NDB DAJ							
		<b>C</b> NDB UTL DAJ							
		<b>Dummy:</b> <b>D</b> Dummy							

\*\* Primary communication options only available with DAJ mortises

# QuantumIV RFID

## Ordering



### Standard Model (Example) (Continued)

Door Size: **A** Thickness, **N** Offset, **O** Outside, **O** Inside

Optional Adjustment: **O** Special Hardware/Functionality

Packout: **O**

Finish: **S** **C**

### Build the model number with the desired options (Continued)

Door Size:  Thickness, **N** Offset, **O** Outside,  Inside

Optional Adjustment:  Special Hardware/Functionality

Packout:

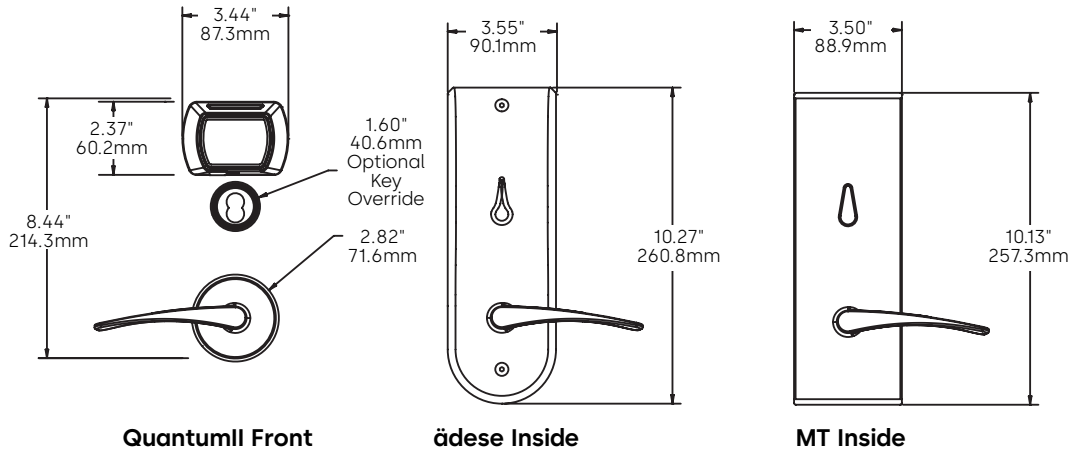
Finish:

Door Size		Optional Adjustment		Packout		Finish
Thickness	Offset	Outside	Inside	Special Hardware/Functionality		
<b>A</b> 1.75" (44mm)	<b>N</b> No Offset	<b>O</b> Standard	<b>O</b> Standard	<b>O</b> Standard	<b>O</b> Standard	<b>BB</b> Bright Brass
<b>B*</b> 1.38" (35-40mm)			<b>A</b> FS Housing/Thumbturn*	<b>A</b> Escape Return	<b>A</b> Custom Strike	<b>BC</b> Bright Chrome
<b>C</b> 2.00" (51mm)			<b>B</b> FS Housing/MT Thumbturn*	<b>B</b> Tamper Switch	<b>B</b> Ocean Shipment	<b>BK</b> Black
<b>D</b> 2.25" (57mm)			<b>C</b> FS Housing/ädesse Thumbturn*	<b>T</b> Toggle	<b>C</b> Ocean/Custom Strike	<b>OZ</b> Dark Mahogany
<b>E</b> 2.38" (60mm)			<b>D</b> FS Housing/Utility (No Thumbturn)*	<b>D</b> Dress Ring	<b>D</b> Ocean/Australia Strike	<b>SC</b> Satin Chrome
<b>F</b> 2.50" (63.5mm)			<b>F</b> FS Thumbturn	<b>M</b> Dummy w/ Messenger Cap	<b>E</b> Demo Lock*	<b>SN</b> Satin Nickel
<b>G</b> 2.87"-3.00" (73-76mm)				<b>N</b> Dummy w/ Double Messenger Cap		<b>SB</b> Satin Brass
ädesse only available in ADB or Utility for door thickness greater than 2.00" (51mm)  Over 2.00 [51mm] or custom door size must include A, C, or D packout option so that standard strike is not included		*BLE not available with FS housing. FS housing only available with ädesse locks		*Demo lock only available in 1-3/4" RH door		- Knob only available in BS, SS - FS option not available in BB, BK, OZ, or SB - Only SC, BC, OZ, and BK approved for exterior application - BC is not available with heavy finish - Continental not available in SN

\*1" Faceplate required for 1.38" (35-40mm) door size

# QuantumIV Mechanical Key Override (MKO)

## Ordering



**Standard Model (Example)** (Continue building the model number to the right)

Model	Version	Locking Mechanism	Communication	Application	Lever	Handing
<b>Q</b> <b>F</b>	<b>2</b>	<b>M</b> <b>1</b>	<b>N</b> <b>G</b>	<b>0</b>	<b>C</b> <b>0</b>	<b>L</b>
		Mortise Faceplate/Cylinder	Primary Secondary		Type Position	

**Build the model number with the desired options** (Continue building the model number to the right)

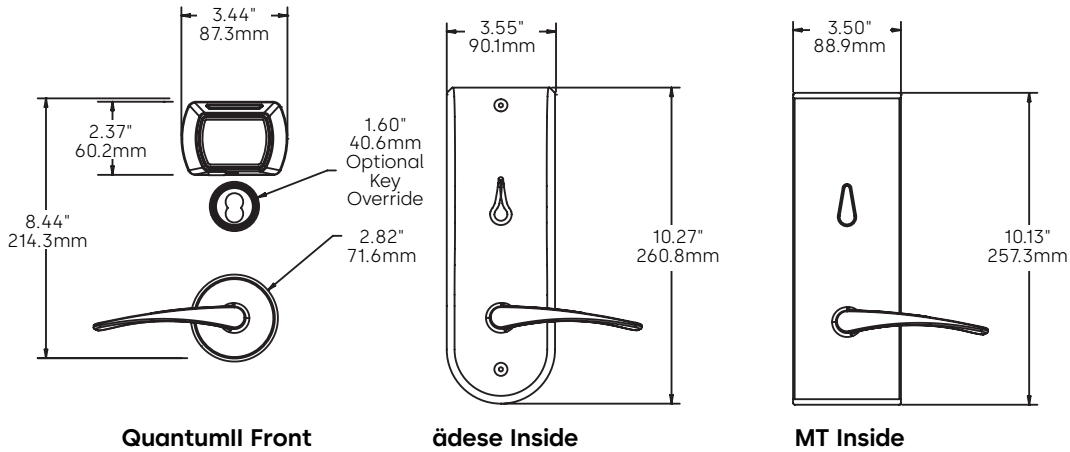
Model	Version	Locking Mechanism	Communication	Application	Lever	Handing
<b>Q</b>	<b>2</b>					
		Mortise Faceplate/Cylinder	Primary Secondary		Type Position	

Style	Version	Locking Mechanism		Communication		Application	Lever		Handing
		Mortise	Faceplate/Cylinder	Primary	Secondary		Type	Position	
<b>QF</b> QuantumIV MT	<b>2</b> NFC	<b>M</b> MKO	<b>1</b> 1 1/4" (32mm) No Cylinder	<b>N</b> No Primary*	<b>G</b> BLE Enabled	<b>0</b> Interior <b>E</b> Exterior	<b>C</b> Continental	<b>0</b> Standard	<b>L</b> Left Hand <b>R</b> Right Hand <b>X</b> Left Hand Reverse <b>Y</b> Right Hand Reverse
<b>QG</b> QuantumIV ädese		<b>N</b> MKO Utility	<b>3</b> 1 1/4" (32mm) Non removable core Keyed differently	<b>X</b> Primary Ready*	<b>H</b> Hilton S2R BLE Enabled Mod Bracket (only for Hilton properties)		<b>E</b> Elevon	<b>1</b> Vert I/S	
		<b>P</b> MKO NDB	<b>5</b> 1 1/4" (32mm) Non removable core Keyed alike	<b>D</b> Incom RF	<b>J</b> Zigbee G2 Europe/Asia***		<b>G</b> Gala		
		<b>R</b> MKO NDB Utility	<b>7**</b> 1 1/4" (32mm) SFIC	<b>H</b> Zigbee G2 N. America***	<b>K</b> Zigbee G2 International***		<b>T</b> Troy		
			<b>2</b> 1" (25mm) No Cylinder	<b>J</b> Zigbee G2 Europe/Asia***	<b>L</b> Telkonet G2***				
			<b>4</b> 1" (25mm) Non removable core Keyed differently						
			<b>6</b> 1" (25mm) Non removable core Keyed alike						
			<b>8**</b> 1" (25mm) SFIC						

\*\*Option 7 and 8 SFIC cylinder does not include core  
 \*\*\* Primary communication options only available with DAJ mortises

# QuantumIV Mechanical Key Override (MKO)

## Ordering



### Standard Model (Example) (Continued)

Door Size		Optional Adjustment				Finish	
<b>A</b>	<b>N</b>	<b>O</b>	<b>O</b>	<b>O</b>	<b>O</b>	<b>B</b>	<b>B</b>
Thickness	Offset	Outside	Inside	Special Hardware/Functionality	Packout		

### Build the model number with the desired options (Continued)

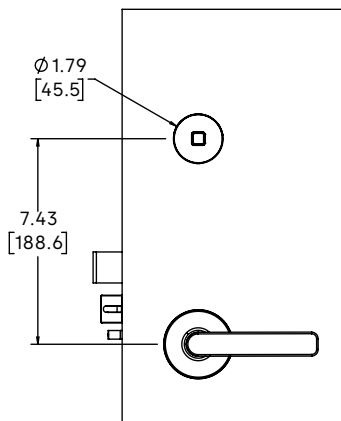
Door Size		Optional Adjustment				Finish	
	<b>N</b>	<b>O</b>					
Thickness	Offset	Outside	Inside	Special Hardware/Functionality	Packout		

Door Size		Optional Adjustment				Finish
Thickness	Offset	Outside	Inside	Special Hardware/Functionality	Packout	
<b>A</b> 1.75" (44mm)	<b>N</b> No Offset	<b>O</b> Standard	<b>O</b> Standard	<b>O</b> Standard	<b>O</b> Standard	<b>BB</b> Bright Brass
<b>B*</b> 1.38" (35-40mm)			<b>A</b> FS Housing/Thumbturn*	<b>A</b> Escape Return****	<b>A</b> Custom Strike	<b>BC</b> Bright Chrome
<b>C</b> 2.00" (51mm)			<b>B</b> FS Housing/ MT Thumbturn*	<b>B</b> Tamper Switch	<b>B</b> Ocean Shipment	<b>BK</b> Black
<b>D</b> 2.25" (57mm)			<b>C</b> FS Housing/ädes Thumbturn*	<b>D</b> Dress Ring**	<b>C</b> Ocean/Custom Strike	<b>OZ</b> Dark Mahogany
<b>E</b> 2.38" (60mm)			<b>D</b> FS Housing/(No thumbturn)*	<b>T</b> Toggle Mode***	<b>D</b> Ocean/Australia Strike*	<b>SC</b> Satin Chrome
<b>F</b> 2.50" (63.5mm)				**Dress Ring For Adese Only	<b>E</b> Demo Lock**	<b>SN</b> Satin Nickel
<b>G</b> 2.87"-3.00" (73-76mm)				***Toggle Mode For MT I/S Only	<b>F</b> Demo Lock - Black**	<b>SB</b> Satin Brass
ädes only available in ADB or Utility for door thickness greater than 2.00" (51mm)			*BLE not available with FS housing. FS housing only available with ädes locks	**** Escape return for MT I/S only.	*Ocean/Australia Strike For No Dead Bolt Locks Only **Demo lock only available in 1-3/4" RH door with KD cylinder	- AB only available with ädes I/S - FS option not available in BB, BK, OZ, or SB - Continental not available in SN - Only SC, BC, OZ, and BK approved for exterior application
Over 2.00 [51mm] or custom door size must include A, C, or D packout option so that standard strike is not included						

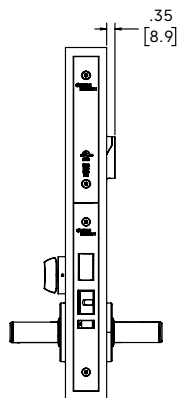
\*1" Faceplate required for 1.38" (35-40mm) door size

# Quantum Pixel+

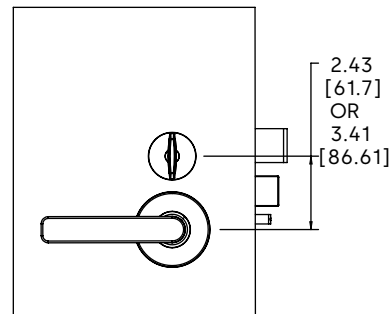
## Ordering



Pixel+ Outside



Pixel+ Edge



Pixel+ Inside

**Standard Model (Example)** (Continue building the model number to the right)

Model	Version	Locking Mechanism	Communication	Application	Lever	Handing
<b>P</b> <b>L</b>	<b>1</b>	<b>4</b> Mortise	<b>2</b> Faceplate	<b>X</b> Primary	<b>G</b> Secondary	<b>0</b>
					<b>B</b> Type	<b>5</b> Rose
						<b>L</b>

**Build the model number with the desired options** (Continue building the model number to the right)

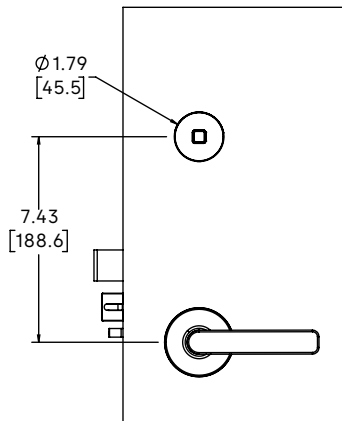
Model	Version	Locking Mechanism	Communication	Application	Lever	Handing
<b>P</b> <b>L</b>	<b>1</b>	<input type="checkbox"/>	<input type="checkbox"/>	<input type="checkbox"/>	<input type="checkbox"/>	<input type="checkbox"/>
		<input type="checkbox"/>	<input type="checkbox"/>	<input type="checkbox"/>	<input type="checkbox"/>	<input type="checkbox"/>
		<input type="checkbox"/>	<input type="checkbox"/>	<input type="checkbox"/>	<input type="checkbox"/>	<input type="checkbox"/>

Style	Version	Locking Mechanism		Communication		Application	Lever		Handing
		Mortise	Faceplate	Primary	Secondary		Type	Rose	
PL Quantum Pixel+	1	<b>4</b> Standard DAJ	<b>2</b> 1" Faceplate	<b>X</b> Primary Ready	<b>G</b> Kaba BLE	<b>O</b> Wood Interior	<b>B</b> Emery	<b>5</b> Modern Lever Rose <sup>5, T</sup>	<b>L</b> Left Hand
		<b>5</b> ADB DAJ		<b>D</b> Inncom RF			<b>H</b> Hilton BLE (only for Hilton properties)		
		<b>6</b> Utility DAJ		<b>H</b> Zigbee G2 N. America		<b>H</b> Wood Heavy <sup>H</sup>	<b>G</b> Gala		<b>X</b> Left Hand Reverse
		<b>8</b> Utility ADB DAJ		<b>J</b> Zigbee G2 Europe/ Asia		<b>1</b> Metal Interior <sup>M</sup>	<b>H</b> Mori		<b>Y</b> Right Hand Reverse
		<b>B</b> NDB DAJ <sup>F</sup>		<b>K</b> Zigbee G2 International		<b>F</b> Metal Exterior <sup>E, M</sup>	<b>Q</b> Quebec		
		<b>C</b> Utility NDB DAJ <sup>F</sup>		<b>L</b> Telkonet G2		<b>J</b> Metal Heavy <sup>E, M</sup>	<b>R</b> Kewell		
		<b>F</b> Only with Finish SC, SB, or OZ				<b>Required if:</b>	<b>S</b> Emery-R		
						<b>M</b> -Reader Underplate -Hollow Metal Door -Metal Clad Door	<b>C</b> Continental <sup>S</sup>	<b>6</b> Traditional Lever Rose <sup>M</sup>	
						<b>E</b> Only with Finish SC, BC, OZ, BK, or MB	<b>E</b> Elevon		
						<b>H</b> With Rose Type 5 If with Finish MB or OZ	<b>G</b> Gala		
						With Rose Type 6 If with Lever Type C, G, P or T, only with Finish SC, BK or OZ	<b>T</b> Troy		
						If with Lever Type A, or E only with Finish BK or OZ	<b>N</b> No Lever	<b>N</b> No Rose	
							<b>S</b> Not with Finish SN	<b>B</b> Not with Finish BK	
								<b>M</b> Not with Finish MB	
								<b>T</b> Not with Door Thickness B	

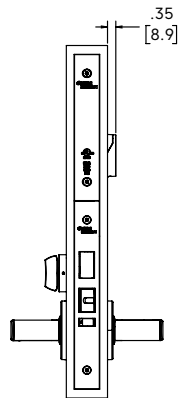
For reference information only:  
For best results, this products reader requires defining the specific door material (wood or metal). Please double-check your application to ensure it matches your door type, and you have selected the correct nomenclature.

# Quantum Pixel+

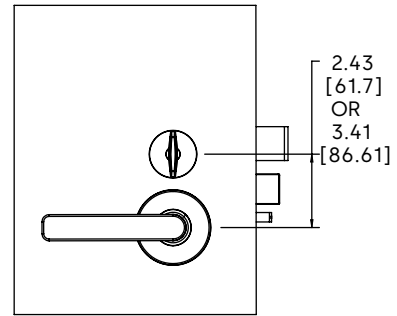
## Ordering



Pixel+ Outside



Pixel+ Edge



Pixel+ Inside

**Standard Model (Example) (Continued)**

Door Size		Optional Adjustments				Finish	
<b>A</b>	<b>N</b>	<b>O</b>	<b>O</b>	<b>O</b>	<b>O</b>	<b>B</b>	<b>C</b>
Thickness	Offset	Outside	Inside	Hardware/Functionality	Packout		

**Build the model number with the desired options (Continued)**

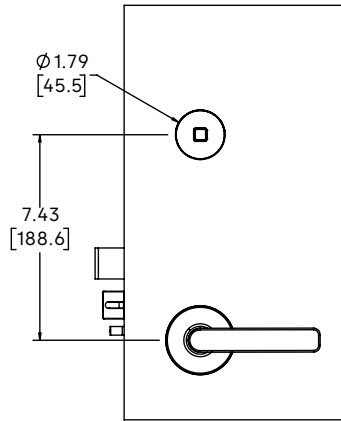
Door Size		Optional Adjustments				Finish	
	<b>N</b>	<b>O</b>		<b>O</b>			
Thickness	Offset	Outside	Inside	Hardware/Functionality	Packout		

Door Size		Optional Adjustments				Finish						
Thickness*	Offset	Outside	Inside	Hardware/Functionality	Packout							
<b>A</b> 1.75" (44mm)	<b>N</b> No Offset	<b>O</b> Black Reader	<b>O</b> Standard	<b>O</b> Standard	<b>O</b> Standard	<b>O</b> Standard	<b>BC</b> Bright Chrome					
<b>B</b> 1.38" (35-40mm)			<b>N</b> Custom Thumbturn <sup>U</sup>				<b>BK</b> Black					
<b>C</b> 2.00" (51mm) <sup>R</sup>			<b>U</b> Not with <b>Mortise</b> Utility 6, 8 & C				<b>MB</b> Matte Black					
<b>L</b> 2.17" (55mm) <sup>P &amp; R</sup>							<b>OZ</b> Dark Mahogany					
<b>D</b> 2.25" (57mm)							<b>SB</b> Satin Brass					
<b>E</b> 2.38" (60mm)							<b>SC</b> Satin Chrome					
<b>F</b> 2.50" (63.5mm)							<b>SN</b> Satin Nickel					
<b>M</b> 2.56" (65mm) <sup>P &amp; R</sup>												
<b>N</b> 2.76" (70mm) <sup>P &amp; R</sup>												
<b>G</b> 2.87"-3.00" (73-76mm)												
<b>H</b> 3.03" (77mm)												
<b>P</b> 3.15" (80mm) <sup>P &amp; R</sup>												
* Any door over 1-3/4" [44mm] must have a pixel custom door request form submitted and approved before it can be structured / ordered to ensure correct hardware ships and door can be supported.												

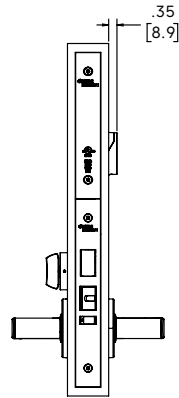
R - For centered & aligned mortise pockets only - Other offsets or sizes require Special Approval from Engineering  
 Submit completed Pixel Custom Door Request Form  
 P - Only with Packout Custom Strike A, C or D

# Quantum Pixel+ (Euro/DIN)

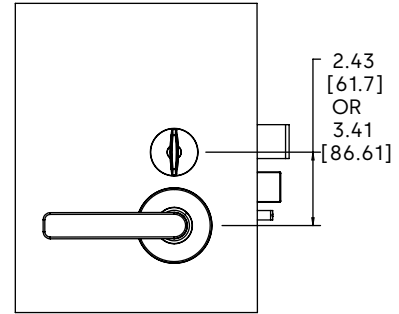
## Ordering



Pixel+ Outside



Pixel+ Edge



Pixel+ Inside

### Standard Model (Example) (Continue building the model number to the right)

Model	Version	Locking Mechanism	Communication	Application	Lever	Handing
<b>P</b> <b>L</b>	<b>1</b>	<b>E</b> Mortise	<b>C</b> Faceplate	<b>X</b> <b>G</b> Primary Secondary	<b>0</b> <b>B</b> Type	<b>7</b> <b>L</b> Rose

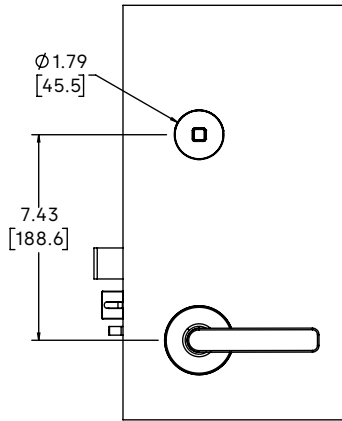
### Build the model number with the desired options (Continue building the model number to the right)

Model	Version	Locking Mechanism	Communication	Application	Lever	Handing
<b>P</b> <b>L</b>	<b>1</b>	<input type="checkbox"/>	<input type="checkbox"/>	<input type="checkbox"/>	<input type="checkbox"/>	<input type="checkbox"/>
		Mortise	Faceplate	Primary Secondary	Type	Rose

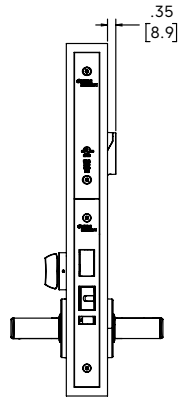
Style	Version	Locking Mechanism		Communication		Application	Lever		Handing
		Mortise	Faceplate	Primary	Secondary		Type	Rose	
PL Quantum Pixel+	1	<b>E</b> Euro 55mm Backset	<b>C</b> Round 20mm Mortise 22mm Controller	<b>X</b> Primary Ready	<b>G</b> BLE Enabled	<b>O</b> Wood Interior	<b>B</b> Emery	<b>7</b> Pixel+ DIN Lever Rose	<b>R</b> ANSI Right Hand DIN Left Hand Inward
		<b>F</b> Euro 65mm Backset		<b>H</b> Zigbee G2 N. America					
			<b>J</b> Zigbee G2 Europe/ Asia		<b>1</b> Metal Interior <sup>M</sup>	<b>N</b> No Lever		<b>X</b> ANSI Left Hand Reverse DIN Right Hand Outward	
			<b>K</b> Zigbee G2 International		<b>F</b> Metal Exterior <sup>F, M</sup>				<b>Y</b> ANSI Right Hand Reverse DIN Left Hand Outward
			<b>L</b> Telkonet G2		<b>J</b> Metal Heavy <sup>H, M</sup>				
					<b>Required if:</b>				
					<b>M</b> -Reader Underplate -Hollow Metal Door -Metal Clad Door				
					<b>E</b> Only with Finish SS or MB				

# Quantum Pixel+ (Euro/DIN)

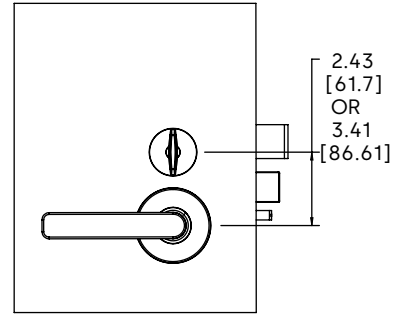
## Ordering



Pixel+ Outside



Pixel+ Edge



Pixel+ Inside

### Standard Model (Example) (Continued)

Door Size		Optional Adjustments				Finish	
<b>0</b>	<b>N</b>	<b>0</b>	<b>0</b>	<b>0</b>	<b>0</b>	<b>S</b>	<b>S</b>
Thickness	Offset	Outside	Inside	Hardware/Functionality	Packout		

### Build the model number with the desired options (Continued)

Door Size		Optional Adjustments				Finish	
<b>0</b>	<b>N</b>	<b>0</b>		<b>0</b>			
Thickness	Offset	Outside	Inside	Hardware/Functionality	Packout		

Door Size		Optional Adjustments				Finish	
Thickness	Offset	Outside	Inside	Hardware/Functionality	Packout		
<b>0</b> Standard (40-55mm) <sup>D</sup>	<b>N</b> No Offset	<b>0</b> Black Reader	<b>0</b> Standard <b>N</b> No Thumbturn	<b>0</b> Standard	<b>0</b> MKO Ready* <b>N</b> No Cylinder Rose	<b>SS</b> Satin Stainless <b>MB</b> Matte Black <sup>F</sup> <b>SB</b> Satin Brass <sup>F</sup>	

D - 062-519784-XX hardware packs available for other door size options and 9mm to 8mm stepped spindles for applicable third party levers

F - Mortise and Faceplates only ship in SS finish regardless of lock finish

\* Half-Profile Cylinders sold separately. Full-profile cylinders or cylinders integrated with a thumbturn are incompatible

# Quantum Pixel+ Startup Kit

## Ordering

It is recommended to order one Quantum Pixel+ Startup Kit with each Pixel+ order.

### Part #: KIT-QTMPIXELPLUS

Part #	Description	Qty
24190	DRIVER, HANDLE	2
A39250	BIT, TORX, T-15 TAMPER RESIST, 1/4" HEX	2
KA1310	KEYCARD, RFID, CONSTRUCTION SECURITY, 1EA	5
KA1410	KEYCARD, RFID, CONSTRUCTION, ZONE 1, 1EA	25
A32370	WRENCH, SPANNER, THUMBTURN	2
118-51 5990	BATTERY BACKUP ASSY SAFFIRE	1
71810	CABLE, POWER OVERRIDE, PIXEL+	1
DOC-PIXELPLUSCARD	CARD, QUICK REFERENCE, PIXEL+	2

# Quantum Pixel+

## Modern Rose Lever Set Ordering

**Standard Model (Example)**

Model	Screws	Version	Lever	Handing	Door Size	Custom Adjustment	Finish
6306BS	T	1	A	L	B	0 -	SC
	Assembly		Type	Application			

**Build the model number with the desired options**

Model	Screws	Version	Lever	Handing	Door Size	Custom Adjustment	Finish
6306BS	T	1				0 -	
	Assembly		Type	Application			

Style	Assembly	Version	Lever		Handing	Door Size	Custom Adjustment	Finish
			Type	Application				
<b>6306BS</b> Modern Rose Lever Set	T Full Assembly	1	<b>E</b>	<b>0</b>	<b>L</b> Left Hand <b>R</b> Right Hand	<b>A</b> 1.75" (44mm) <b>B</b> 1.38" (35-40mm) <b>C</b> 2.00" (51mm) <b>D</b> 2.25" (57mm) <b>E</b> 2.38" (60mm) <b>F</b> 2.50" (63.5mm) <b>G</b> 2.87"-3.00" (73-76mm) <b>H</b> 3.03" (77mm)	<b>0</b> Center	<b>SC</b> Satin Chrome <b>SB</b> Satin Brass <b>BC</b> Bright Chrome <b>MB</b> Matte Black <b>OZ</b> Dark Mahogany <b>SN</b> Satin Nickel
			<b>G</b> Elevon	<b>Interior</b>				
			<b>H</b> Gala					
			<b>R</b> Mori					
			<b>Q</b> Kewell					
			<b>B</b> Quebec					
			<b>S</b> Emery					
			<b>S</b> Emery-R					

# Upgrade Kits



# MT Series Upgrade Kit

## Ordering

Modernize your MT RFID to the latest Version with this upgrade kit. It includes everything needed for the upgrade and enables support for the latest credentials, including BLE and NFC digital wallets.

**Standard Model (Example)** (Continue building the model number to the right)

Model	Reader	Application	Lever		Handing	Door Size	Outside	PCB Bracket	Custom	Finish	
<b>MT6UK</b>	- <b>M</b>	<b>0</b>	<b>C</b>	<b>0</b>	<b>R</b>	<b>0</b>	<b>0</b>	<b>0</b>	<b>0</b>	<b>B</b>	<b>B</b>
			Type	Position							

**Build the model number with the desired options** (Continue building the model number to the right)

Model	Reader	Application	Lever		Handing	Door Size	Outside	PCB Bracket	Custom	Finish	
<b>MT6UK</b>	- <b>M</b>							<b>0</b>	<b>0</b>		
			Type	Position							

Model	Reader	Application	Lever		Handing	Door Size	Outside	PCB Bracket	Custom	Finish	
			Type	Position							
<b>MT6 UK</b> MT6 NFC Upgrade Kit	<b>M</b> MT RFID	<b>0</b> Interior <b>E</b> Exterior (Only with Finish SC, BC, OZ or BK) <b>H</b> Heavy (If with Lever Type C, G, P or T, only with Finish SC, BK or OZ If with Lever Type A, E, or V, only with Finish BK or OZ)	<b>C</b> Continental (Not with Finish SN) <b>E</b> Elevon <b>G</b> Gala <b>V</b> Vintage (Not with Finish SN) <b>T</b> Troy	<b>0</b> Standard <b>2</b> Vert O/S	<b>R</b> Right Hand & Right Hand Reverse <b>L</b> Left Hand & Left Hand Reverse	<b>0</b> Standard 1.38;2.375]" (35;60.3mm) <b>1</b> Large 2.50;3.125" (63.5;79mm) <b>2</b> Extra Large 2.75;4" (70;102mm)	<b>0</b> Standard <b>A</b> Plain Lens	<b>0</b> No Bracket	<b>0</b> Standard	<b>BB</b> Bright Brass <b>BC</b> Bright Chrome <b>BK</b> Black <b>OZ</b> Dark Mahogany <b>SB</b> Satin Brass <b>SC</b> Satin Chrome <b>SN</b> Satin Nickel	

# RT Plus Upgrade Kit

## Ordering

Modernize your RT Plus to the latest Version with this upgrade kit. It includes everything needed for the upgrade and enables support for the latest credentials, including BLE and NFC digital wallets.

Standard Model (Example) (Continue building the model number to the right)													
Model	Antenna	Location	Override	Ajar	Version	Bluetooth	Lock Variant	Finish			Lever	Handing	
<b>F79P</b>	<b>S</b>	<b>1</b>	<b>0</b>	<b>B</b>	<b>0</b>	<b>3</b>	<b>0</b>	<b>N</b>	<b>6</b>	<b>2</b>	<b>6</b>	<b>0</b>	<b>F</b>

Build the model number with the desired options (Continue building the model number to the right)													
Model	Antenna	Location	Override	Ajar	Version	Bluetooth	Lock Variant	Finish			Lever	Handing	
<b>F79P</b>		<b>1</b>											

Model	Antenna	Location	Override	Ajar	Version	Bluetooth	Lock Variant	Finish	Lever	Handing
<b>F79PS</b> Front RT Plus RFID <b>F79PZ</b> Front RT Plus Messenger Ready / Enabled	<b>1</b> Regular Antenna	<b>0</b> Interior <b>E</b> Exterior	<b>B</b> Best <sup>L</sup> <b>E</b> Electrical <b>K</b> Key <sup>L</sup> <b>S</b> Shabbat Key <sup>A,B,C,L</sup> <b>T</b> Shabbat Best <sup>A,B,C,L</sup> <hr/> L Only with Lever 0, 1, or 2 A Only with Ajar & Bluetooth B Only with Lock Variant N C Only with Model F79PS	<b>0</b> No AJAR <b>J</b> AJAR <sup>3</sup> <hr/> J Only with Version 3	<b>3</b> Mortise <b>C</b> Cylindrical <b>6</b> Version Exit <sup>A,B</sup> <hr/> A Only with Ajar 0 B Only with Location 2	<b>0</b> No Bluetooth <b>2</b> Bluetooth Enable	<b>N</b> Lock Standard <b>T</b> Toggle / Escape Return <b>S</b> Storeroom <b>E</b> Exit Standard <sup>A</sup> <b>Y</b> Exit Yale 7160 <sup>A</sup> <b>5</b> Exit Van Duprin 9847/9947 & Dorma 9100/ F9100 <sup>A</sup> <hr/> A Only with Version 6	<b>626</b> Satin Chrome <b>622</b> Black <b>606</b> Satin Brass <b>613</b> ORB <b>605</b> Bright Brass <b>619</b> Satin Nickel <b>625</b> Bright Chrome <b>U13</b> ULTRA ORB <sup>E</sup> <b>U06</b> ULTRA SB <sup>E</sup> <b>U26</b> ULTRA SC <sup>E</sup> <hr/> E Only with Location Exterior 2	<b>0</b> No Lever <sup>R</sup> <b>1</b> Long <sup>R</sup> <b>2</b> Short <sup>R</sup> <b>G</b> Gala <sup>R</sup> <hr/> <b>E</b> Elevon <hr/> R is Field Reversible	<b>F</b> Dual <hr/> <b>R</b> Right <b>L</b> Left

# MT Series Upgrade Kit for Exit Devices

## Ordering

Modernize your MT RFID Exit Device trim to the latest version with this upgrade kit. It includes everything needed for the upgrade and enables support for the latest credentials, including BLE and NFC digital wallets.

**Standard Model (Example)** (Continue building the model number to the right)

Model	Reader	Application	Lever		Handing	Door Size	Outside	PCB Bracket	End Cap	Finish	
<b>MT6UK</b>	- <b>P</b>	<b>0</b>	<b>N</b>	<b>N</b>	<b>N</b>	<b>0</b>	<b>0</b>	<b>0</b>	<b>0</b>	<b>B</b>	<b>B</b>
			Type	Position							

**Build the model number with the desired options** (Continue building the model number to the right)

Model	Reader	Application	Lever		Handing	Door Size	Outside	PCB Bracket	End Cap	Finish	
<b>MT6UK</b>	- <b>P</b>				<b>N</b>	<b>0</b>					
			Type	Position							

Model	Reader	Application	Lever		Handing	Door Size	Outside	PCB Bracket	End Cap	Finish	
			Type	Position							
<b>MT6 UK</b> MT6 NFC Upgrade Kit	<b>P</b> MT RFID Panic Trim	<b>0</b> Interior <b>E</b> Exterior <sup>f</sup> <b>H</b> Heavy <sup>g</sup> <hr/> E Only with Finish SC, BC, OZ or BK H If with Lever Type C, G, P or T, only with Finish SC, BK or OZ If with Lever Type A, E, or V, only with Finish BK or OZ	<b>A</b> Arc <b>C</b> Continental <sup>s</sup> <b>E</b> Elevon <b>G</b> Gala <b>P</b> Apogee <b>T</b> Troy <hr/> S Not with Finish SN	<b>0</b> Standard <b>2</b> Vert O/S	<b>R</b> RH & RHR <b>L</b> LH & LHR	<b>0</b> Standard Door Thickness	<b>0</b> Standard <b>A</b> Plain Lens	<b>0</b> No Bracket <b>B</b> BLE Holder <b>C</b> Motor Kit Plate <b>D</b> BLE Holder + Motor Kit Plate	<b>0</b> Standard <b>1</b> Single Cap	<b>BB</b> Bright Brass <b>BC</b> Bright Chrome <b>BK</b> Black <b>OZ</b> Dark Mahogany <b>SB</b> Satin Brass <b>SC</b> Satin Chrome <b>SN</b> Satin Nickel	

# Quantum RFID Upgrade Kit

## Ordering

Modernize your Quantum RFID to the latest Version with this upgrade kit. It includes everything needed for the upgrade and enables support for the latest credentials, including BLE and NFC digital wallets.

**Standard Model (Example)** (Continue building the model number to the right)

Model	Reader	Application	Lever		Handing	Door Size	Outside	PCB Bracket	Custom	Finish	
<b>MT6UK</b>	- <b>Q</b>	<b>0</b>	<b>N</b>	<b>N</b>	<b>N</b>	<b>0</b>	<b>0</b>	<b>0</b>	<b>0</b>	<b>B</b>	<b>B</b>
			Type	Position							

**Build the model number with the desired options** (Continue building the model number to the right)

Model	Reader	Application	Lever		Handing	Door Size	Outside	PCB Bracket	Custom	Finish	
<b>MT6UK</b>	- <b>Q</b>		<b>N</b>	<b>N</b>	<b>N</b>	<b>0</b>			<b>0</b>	<b>B</b>	<b>B</b>
			Type	Position							

Model	Reader	Application	Lever		Handing	Door Size	Outside	PCB Bracket	Custom	Finish
			Type	Position						
<b>MT6 UK</b> MT6 NFC Upgrade Kit	<b>Q</b> Quantum RFID	<b>0</b> Wood Interior <b>E</b> Wood Exterior (Only with Finish SC, BC, OZ or BK) <b>H</b> Wood Heavy (Only with Finish SC, OZ or BK) <b>1</b> Metal Interior <b>F</b> Metal Exterior (Only with Finish SC, BC, OZ or BK) <b>J</b> Metal Heavy (Only with Finish SC, OZ or BK)	<b>N</b> No Lever	<b>N</b> Standard	<b>N</b> No Handing	<b>0</b> Standard Door Thickness	<b>0</b> Standard <b>A</b> Plain Lens	<b>0</b> No Bracket <b>U</b> Upper Position <b>L</b> Lower position	<b>0</b> Standard	<b>AB</b> Antique Brass <b>BB</b> Bright Brass <b>BC</b> Bright Chrome <b>BK</b> Black <b>OZ</b> Dark Mahogany <b>SB</b> Satin Brass <b>SC</b> Satin Chrome <b>SN</b> Satin Nickel
PCB Bracket Selection:										
		Inside Chassis Adapter Bracket (Pre 2013 Chassis)	Chassis Type		Lock Function	PCB Position	I/S Chassis Adapter Bracket			
			QTM MT I/S (A24160)		STD	Lower	Lower Position Bracket			
					ADB	Upper	Upper Position Bracket			
			QTM ADESE I/S (A24170)		STD	Lower	Upper Position Bracket			
				ADB	Upper	Upper Position Bracket				

# QuantumIV Upgrade Kit

## Ordering

Modernize your Quantum IV to the latest Version with this upgrade kit. It includes everything needed for the upgrade and enables support for the latest credentials, including BLE and NFC digital wallets.

**Standard Model (Example)** (Continue building the model number to the right)

Model	Reader	Application	Lever	Handing	Door Size	Outside	PCB Bracket	Custom	Finish
<b>MT6UK</b>	<b>F</b>	<b>0</b>	<b>N</b>	<b>N</b>	<b>0</b>	<b>0</b>	<b>0</b>	<b>0</b>	<b>B</b> <b>B</b>
			Type	Position					

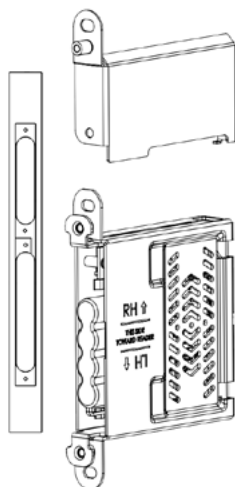
**Build the model number with the desired options** (Continue building the model number to the right)

Model	Reader	Application	Lever	Handing	Door Size	Outside	PCB Bracket	Custom	Finish
<b>MT6UK</b>	<b>F</b>		<b>N</b>	<b>N</b>	<b>0</b>	<b>0</b>		<b>0</b>	<b>B</b> <b>B</b>
			Type	Position					

Model	Reader	Application	Lever		Handing	Door Size	Outside	PCB Bracket	Custom	Finish																						
			Type	Position																												
<b>MT6 UK</b> MT6 NFC Upgrade Kit	<b>F</b> Quantum IV RFID	<b>0</b> Interior <b>E</b> Exterior (Only with Finish SC, BC, OZ or BK) <b>H</b> Heavy (Only with Finish SC, OZ or BK)	<b>N</b> No Lever	<b>N</b> Standard	<b>N</b> No Handing	<b>0</b> Standard Door Thickness	<b>0</b> Standard	<b>0</b> No Bracket <b>U</b> Upper Position <b>L</b> Lower position	<b>0</b> Standard	<b>BB</b> Bright Brass <b>BC</b> Bright Chrome <b>BK</b> Black <b>OZ</b> Dark Mahogany <b>SB</b> Satin Brass <b>SC</b> Satin Chrome <b>SN</b> Satin Nickel																						
<p>PCB Bracket Selection:</p> <table border="1"> <thead> <tr> <th></th> <th>Chassis Type</th> <th>Lock Function</th> <th>PCB Position</th> <th>I/S Chassis Adapter Bracket</th> </tr> </thead> <tbody> <tr> <td rowspan="4">Inside Chassis Adapter Bracket (Pre 2013 Chassis)</td> <td>QTM MT I/S (A24160)</td> <td>STD</td> <td>Lower</td> <td>Lower Position Bracket</td> </tr> <tr> <td></td> <td>ADB</td> <td>Upper</td> <td>Upper Position Bracket</td> </tr> <tr> <td>QTM ADESE I/S (A24170)</td> <td>STD</td> <td>Lower</td> <td>Upper Position Bracket</td> </tr> <tr> <td></td> <td>ADB</td> <td>Upper</td> <td>Upper Position Bracket</td> </tr> </tbody> </table>												Chassis Type	Lock Function	PCB Position	I/S Chassis Adapter Bracket	Inside Chassis Adapter Bracket (Pre 2013 Chassis)	QTM MT I/S (A24160)	STD	Lower	Lower Position Bracket		ADB	Upper	Upper Position Bracket	QTM ADESE I/S (A24170)	STD	Lower	Upper Position Bracket		ADB	Upper	Upper Position Bracket
	Chassis Type	Lock Function	PCB Position	I/S Chassis Adapter Bracket																												
Inside Chassis Adapter Bracket (Pre 2013 Chassis)	QTM MT I/S (A24160)	STD	Lower	Lower Position Bracket																												
		ADB	Upper	Upper Position Bracket																												
	QTM ADESE I/S (A24170)	STD	Lower	Upper Position Bracket																												
		ADB	Upper	Upper Position Bracket																												

# Quantum Pixel+ Upgrade Kit

## Ordering



Modernize your Pixel to Pixel+ to the latest Version with this upgrade kit. It includes everything needed for the upgrade and enables support for the latest credentials, including BLE and NFC digital wallets. No door preparation changes needed.

Standard Model (Example)											
Model	Version	Hardware	Primary Communication	Secondary Communication	Application	Handing	Door Size	Optional Adjustments			
								Outside	Inside	Hardware	Packout
<b>PLUK</b>	<b>1</b>	- <b>1</b>	<b>X</b>	<b>G</b>	<b>0</b>	<b>R</b>	<b>0</b>	<b>0</b>	<b>0</b>	<b>0</b>	<b>0</b>

Build the model number with the desired options											
Model	Version	Hardware	Primary Communication	Secondary Communication	Application	Handing	Door Size	Optional Adjustments			
								Outside	Inside	Hardware	Packout
<b>PLUK</b>	<b>1</b>	- <b>1</b>	<input type="checkbox"/>	<input type="checkbox"/>	<input type="checkbox"/>	<input type="checkbox"/>	<input type="checkbox"/>	<input type="checkbox"/>	<input type="checkbox"/>	<input type="checkbox"/>	<input type="checkbox"/>

Model	Version	Hardware	Primary Communication	Secondary Communication	Application	Handing	Door Size	Optional Adjustment			
								Outside	Inside	Hardware	Packout
<b>PLUK</b> Quantum Pixel+ Upgrade Kit	<b>1</b>	<b>1</b> Standard Hardware	<b>X</b> Primary Ready <b>D</b> Inncom RF <b>H</b> Zigbee G2 N. America <b>J</b> Zigbee G2 Europe / Asia <b>K</b> Zigbee G2 International <b>L</b> Telkonet G2	<b>G</b> Kaba BLE <b>H</b> Hilton BLE <sup>H</sup> <b>H</b> Only for Hilton Properties Re-use of previous Hilton BLE module not possible. Please include new module for Hilton properties	<b>0</b> Wood Interior <b>1</b> Metal Interior <sup>M</sup> <b>Required if:</b> <b>M</b> -Reader Underplate -Hollow Metal Door -Metal Clad Door	<b>R</b> RH & RHR <b>L</b> LH & LHR	<b>0</b> Standard (E DIM ≥ .88 [22.2]) <b>B</b> Thin Door (E DIM < .88 [22.2])	<b>0</b> Black Reader	<b>0</b> Standard	<b>0</b> Standard	<b>0</b> Standard <b>J</b> Grounding Strap
<p>For reference information only:</p> <p>For best results, this products reader requires defining the specific door material (wood or metal). Please double-check your application to ensure it matches your door type, and you have selected the correct nomenclature.</p>											

# Perimeter Access



# RAC5

## Multi-Floor Controller

Ordering

### Perimeter Access Control

#### Standard Model (Example)

Style		Version		Function		Relay	Mount	Reader	Supply	Communication	Option	Battery Backup	Packout	Finish	
R	5	H	1	-	M	F	1	1	1	1	B	0	0	0	Faceplate Controller: N N / Reader: N N
											Secondary				

Style	Version	Function	Relay	Mount	Reader	Power Supply	Communication Secondary	Option	Battery Backup	Packout	Finish	
											Faceplate	Reader
<b>R5H</b>	<b>1</b>	<b>MF</b> MFC	<b>1</b> 8 Relays <sup>5</sup>	<b>1</b> Surface <sup>1</sup>	<b>1</b> One Reader Included	<b>1</b> North America <b>2</b> International	<b>B</b> BLE Ready <b>C</b> Legic BLE Enabled <b>D</b> Hilton S2R BLE Enabled <sup>3,4</sup>	<b>0</b> Standard	<b>0</b> None	<b>0</b> Standard <b>B</b> Ocean Shipping	<b>NN</b> No Faceplate	<b>Surface:</b> <b>SC</b> Satin Chrome
			<b>3</b> 16 Relays <sup>5</sup>	<b>2</b> Flush	<b>2</b> Two Readers Included							<b>Flush Mount:</b> <b>NN</b> No Reader Plate
			<b>4</b> 24 Relays <sup>5</sup>	<b>3</b> Clear Flush <sup>2</sup>								<b>SC</b> Satin Chrome
			<b>5</b> 32 Relays <sup>5</sup>	<b>4</b> Flush - Surface Gang Box								<b>SB</b> Satin Brass
			<b>C</b> 40 Relays <sup>5</sup>	<b>5</b> Round Reader <sup>6</sup>								<b>BC</b> Bright Chrome
			<b>6</b> 48 Relays <sup>5</sup>									<b>BB</b> Bright Brass
			<b>D</b> 56 Relays <sup>5</sup>									<b>BL</b> Black Plastic
<b>7</b> 64 Relays <sup>5</sup>			<b>BR</b> Brown Plastic									
												<b>IV</b> Ivory Plastic
												<b>WH</b> White Plastic

1- Surface Mount only supports Satin Chrome Finish. Flush Mounts support all listed finishes.  
 2- Clear Flush Mount requires No Reader Faceplate option.  
 3- Hilton BLE only available for Hilton properties.  
 4- Hilton BLE requires Surface Mount option.  
 5- Hilton BLE only supports MFC with up to 12 channels and must be configured as a pass device.  
 6- Not available with NN, IV, or WH Reader Finishes

# RAC5 Perimeter Access Control

## LT (Lite) and XT (Extended)

Ordering

Standard Model (Example)												
Style	Version	Function	Relay/Mag Kit	Mount	Reader	Power Supply	Secondary Communication	Option	Battery Backup	Packout	Faceplate Controller	Finish Reader
R	5	H	1-LT	0	1	1	1	B	0	0	0	NN/NN
Build the model number with the desired options												
Style	Version	Function	Relay/Mag Kit	Mount	Reader	Power Supply	Secondary Communication	Option	Battery Backup	Packout	Faceplate Controller	Finish Reader
	1		0					0			NN	
Style	Version	Function	Relay/Mag Kit	Mount	Reader	Power Supply	Secondary Communication	Option	Battery Backup	Packout	Faceplate Controller	Finish Reader
<b>R5H</b> RAC5 Hospitality	<b>1</b>	<b>LT</b> Lite <b>XT</b> Extended	<b>0</b> Standard 2 relays	<b>1</b> Surface <sup>1</sup> <b>2</b> Flush <b>3</b> Clear Flush <sup>2</sup> <b>4</b> Flush Surface Gang Box <b>5</b> Round Reader <sup>7</sup>	<b>1</b> One Reader Included <b>2</b> Two Readers Included	<b>1</b> North America <b>2</b> International	<b>B</b> BLE Ready <b>C</b> LEGIC BLE Enabled <b>D</b> Hilton S2R BLE Enabled <sup>3,4</sup>	<b>0</b> Standard	<b>0</b> None <b>B</b> Battery Included <sup>5</sup> <b>C</b> Battery Ready <sup>5</sup>	<b>0</b> Standard <b>B</b> Ocean Shipping	<b>NN</b> No Faceplate	<b>NN</b> No Faceplate <b>SC</b> Satin Chrome <b>SB</b> Satin Brass <b>BC</b> Bright Chrome <b>BB</b> Bright Brass
Magnet Kits												
<b>R5H</b> RAC5 Hospitality	<b>1</b>	<b>LT</b> Lite <b>XT</b> Extended	<b>F</b> PIR Sensor	<b>1</b> Surface <sup>1</sup> <b>2</b> Flush <b>3</b> Clear Flush <sup>2</sup> <b>4</b> Flush Surface Gang Box <b>5</b> Round Reader <sup>7</sup>	<b>4</b> One Reader with One Magnet Included <b>5</b> One Reader with Two Magnets Included	<b>1</b> North America <b>2</b> International	<b>B</b> BLE Ready <b>C</b> LEGIC BLE Enabled <b>D</b> Hilton S2R BLE Enabled <sup>3,4</sup>	<b>0</b> Standard	<b>0</b> None <b>B</b> Battery Included <sup>5</sup> <b>C</b> Battery Ready <sup>5</sup>	<b>0</b> Standard <b>B</b> Ocean Shipping	<b>NN</b> No Faceplate	<b>BL</b> Black Plastic <b>BR</b> Brown Plastic <b>IV</b> Ivory Plastic <b>WH</b> White Plastic

1 Surface Mount only supports Satin Chrome finish. Flush Mount supports all listed finishes.  
 2 Clear Flush Mount requires No Reader Faceplate option  
 3 Hilton BLE only available for Hilton properties  
 4 Hilton BLE requires Surface Mount option  
 5 Battery options only available with XT version  
 6 Round Reader for interior use only. Not rated for pool or humid environments.  
 7 Not available with NN, IV, or WH Reader Finishes

# SR RCU/ECU

## Ordering

Standard Model (Example)											
Style	Version	Function	Relay	Mount	SR Controller	Communication		Custom Options			Finish
<b>CSR</b>	<b>2</b>	<b>RC</b>	<b>0</b>	<b>1</b>	<b>1</b>	<b>N</b>	<b>N</b>	<b>0</b>	<b>0</b>	<b>0</b>	<b>SC</b> / <b>SC</b>
						Primary	Secondary	Reader	PCB	Packout	Controller / Reader

Build the model number with the desired options											
Style	Version	Function	Relay	Mount	SR Controller	Communication		Custom Options			Finish
<b>CSR</b>		<b>RC</b>	<b>0</b>						<b>0</b>		/
						Primary	Secondary	Reader	PCB	Packout	Controller / Reader

Style	Version	Function	Relay	Mount	SR Controller	Communication		Custom Options			Finish	
						Primary	Secondary	Reader	PCB	Packout	Controller*	Reader****
<b>CSR</b> SR Reader	<b>1</b> <b>2</b>	<b>RC</b> RCU	<b>0</b> STD (1 Relay)	<b>1</b> Surface <b>2</b> Flush <b>3</b> Clear Flush <b>5</b> Round <b>6</b> Flush Double Gang	<b>1</b> Plastic Flush Box <b>2</b> Metal Flush Box <b>3</b> No Box <b>4</b> No Faceplate <b>5</b> Plastic Surface Box <b>6</b> Metal Surface Box  Option 4 Comes with No Electrical Box, No Faceplate or Faceplate Mounting Screws	<b>N</b> No Primary <b>A</b> Zigbee <b>C</b> North America (158mW) <b>B</b> Zigbee Europe / Asia (10mW) <b>C</b> Zigbee International (87mW) <b>D</b> Inncom RF <b>E</b> Crestron <b>F</b> Telkonet <b>X</b> Primary Ready <b>H</b> Zigbee G2 North America <b>J</b> Zigbee G2 Europe/Asia <b>K</b> Zigbee G2 International <b>L</b> Zigbee G2 Telkonet	<b>A</b> BLE compatible <b>C</b> BLE enabled <b>D</b> Hilton BLE (only for Hilton properties)	<b>0</b> Standard <b>E</b> Uassembled Kit  Reader mount 2 & 3: Only comes with reader and mounting hardware, no single gang faceplate	<b>0</b> Standard	<b>0</b> Standard <b>B</b> Ocean Shipping	<b>NN***</b> No Faceplate <b>SC</b> Satin Chrome <b>SB</b> Satin Brass <b>BK</b> Black <b>BC</b> Bright Chrome <b>BB</b> Bright Brass <b>BL</b> Black Plastic <b>BR</b> Brown Plastic <b>IV</b> Ivory Plastic <b>WH</b> White Plastic	<b>1 &amp; 5:</b> <b>SC</b> Satin Chrome <b>SB</b> Satin Brass <b>BK</b> Black <b>2, 3, 6:</b> <b>NN</b> No Reader Plate <b>SC</b> Satin Chrome <b>SB</b> Satin Brass <b>BC</b> Bright Chrome <b>BB</b> Bright Brass <b>BL</b> Black Plastic <b>BR</b> Brown Plastic <b>IV</b> Ivory Plastic <b>WH</b> White Plastic

Notes:  
 Messenger Kits must use plastic faceplates  
 \*\*\* "NN" No faceplate option is to be used with "3" No box No faceplate SR controller option.  
 \*\*\*\*1 Surface & 5 Round Mounts only available in SC, SB, & BK. Flush mounts support all listed finishes.

# SR Concierge Mortise (Guestrooms)

Ordering

Standard Model (Example)												
Style	Version	Reader Type	SR Controller	Communication		Handing	Door	Faceplate	Custom Options			Finish
<b>SRC</b>	<b>1</b>	- <b>1</b>	<b>1</b>	<b>N</b>	<b>N</b>	<b>L</b>	<b>A</b>	<b>1</b>	<b>0</b>	<b>0</b>	<b>1</b>	<b>SC/SC</b>
				Primary	Secondary		Thickness		Reader	PCB	Hardware	Controller Reader

Build the model number with the desired options												
Style	Version	Reader Type	SR Controller	Communication		Handing	Door	Faceplate	Custom Options			Finish
<b>SRC</b>	<b>1</b>	-						<b>1</b>		<b>0</b>		/
				Primary	Secondary		Thickness		Reader	PCB	Hardware	Controller Reader

Style	Version	Reader Type	SR Controller*	Communication		Handing	Door Thickness	Faceplate	Custom Options			Finish	
				Primary	Secondary				Reader	PCB	Hardware	Controller	Reader**
<b>SRC</b> SR Concierge	<b>1</b>	<b>1</b> Surface Flush <b>2</b> Flush <b>3</b> Clear Flush	<b>1</b> Plastic Flush Box	<b>N</b> No Primary	<b>A</b> BLE compatible	<b>L</b> LH <b>R</b> RH <b>X</b> LHR <b>Y</b> RHR	<b>A</b> 1.75-2.38 [44-60]	<b>1</b> 1†	<b>0</b> Standard <b>A***</b> Assembled Reader	<b>0</b> Standard	<b>1</b> Satin Chrome	<b>NN</b> No Faceplate	<b>NN</b> No Reader Plate
			<b>2</b> Metal Flush Box	<b>X</b> Primary Ready	<b>C</b> BLE enabled*		<b>B</b> 1.38 [35]				<b>2</b> Satin Brass	<b>SC</b> Satin Chrome	<b>SC</b> Satin Chrome
			<b>3</b> No Box No Faceplate	<b>D</b> Zigbee North America	<b>D</b> Hilton BLE (only for Hilton properties)		<b>C</b> 2.50 - 3.13 [63.5 - 79.5]				<b>3</b> Dark Mahogany	<b>SB</b> Satin Brass	<b>SB</b> Satin Brass
			<b>4</b> Plastic Surface Box	<b>B</b> Zigbee Europe / Asia							<b>4</b> Black	<b>BC</b> Bright Chrome	<b>BC</b> Bright Chrome
			<b>5</b> Metal Surface Box	<b>C</b> Zigbee International	*BLE compatible not available until non BLE reader inventory is consumed						<b>5</b> Bright Chrome	<b>BB</b> Bright Brass	<b>BB</b> Bright Brass
				<b>D</b> Inncom RF							<b>6</b> Bright Brass	<b>BL</b> Black Plastic	<b>BL</b> Black Plastic
				<b>E</b> Crestron								<b>BR</b> Brown Plastic	<b>BR</b> Brown Plastic
				<b>F</b> Telkonet								<b>IV</b> Ivory Plastic	<b>IV</b> Ivory Plastic
				<b>H</b> Zigbee G2 North America								<b>WH</b> White Plastic	<b>WH</b> White Plastic
				<b>J</b> Zigbee G2 Europe/Asia								<b>WH</b> White Plastic	<b>WH</b> White Plastic
				<b>K</b> Zigbee G2 International								<b>BK</b> Black	<b>BK</b> Black
				<b>L</b> Zigbee G2 Telkonet									

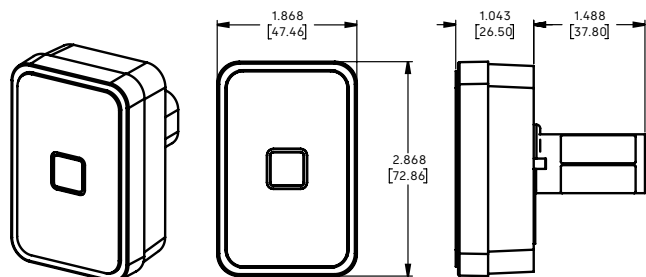
\*Messenger options must use plastic face plates

\*\*Surface mount only supports SC, SB and BK finishes. Flush mounts support all listed finishes.

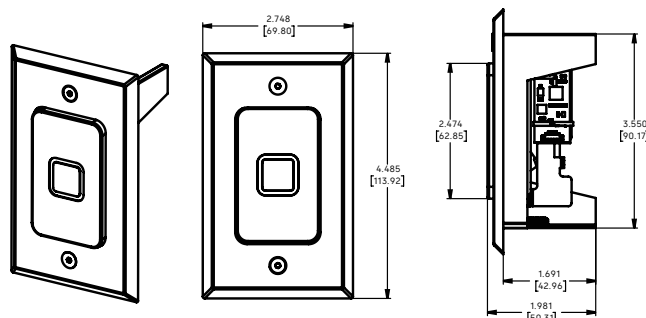
\*\*\* Only available with Reader 2 & 3

# Perimeter Readers

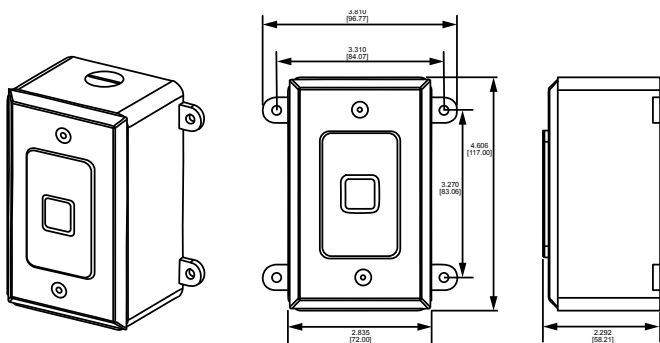
Mount Type



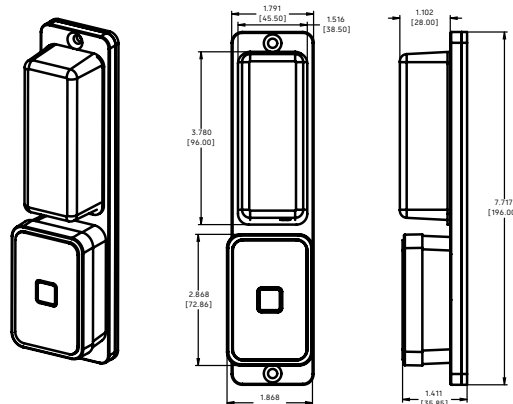
Surface Mount



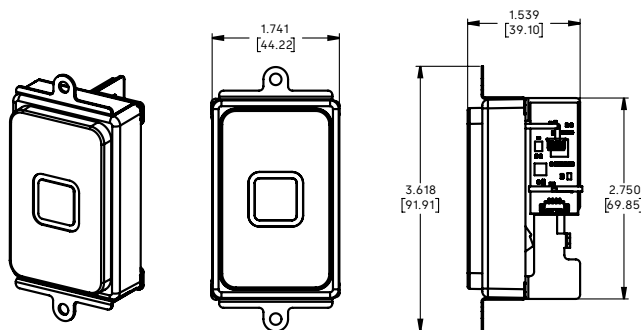
Flush Mount



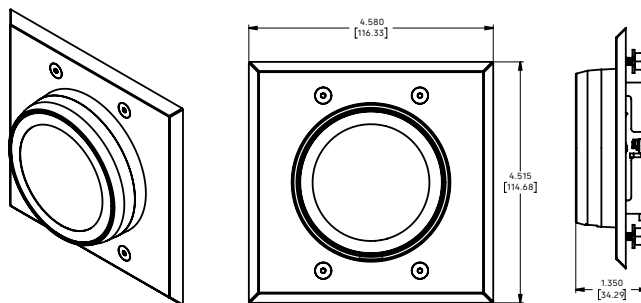
Flush-Surface Gang Box



Hilton BLE Surface Mount



Clear Flush Mount



Round Reader

Flush-Double Gang

# Quantum RFID Remote/Elevator Control Unit (RCU/ECU)

## Ordering

Standard Model (Example)																	
Style			Version	Function		Relay/Mag Kit	Mount	Reader	Communication			Custom	Finish				
C	Q	M	2	R	C	0	1	1	N	B	0	0	D	S	B	S	B
									Primary	Secondary	Reader	PCB	Packout	Faceplate		Reader	

Build the model number with the desired options																	
Style			Version	Function		Relay/Mag Kit	Mount	Reader	Communication			Custom	Finish				
C	Q	M	2	R	C							0					
									Primary	Secondary	Reader	PCB	Packout	Faceplate		Reader	

Style	Version	Function	Relay/Mag Kit	Mount	Reader	Communication			Custom			Finish		
						Primary	Secondary	Reader	PCB	Packout	Faceplate	Reader		
<b>CQM</b> Quantum RFID	<b>2</b>	<b>RC</b> RCU <b>EC</b> ECU (Messenger not an option)	<b>0</b> Standard 1 relay	<b>1</b> Surface (RCU Only) <b>2</b> Flush	<b>1</b> Single	<b>N</b> No Primary <b>Messenger:</b> (RCU Only) <b>A</b> Zigbee N. America (158mW) <b>B</b> Zigbee Europe / Asia (10mW) <b>C</b> Zigbee International (87mW) <b>D</b> Inncom RF <b>E</b> Crestron <b>F</b> Telkonet <b>X</b> Messenger Ready <b>H</b> Zigbee G2 North America <b>J</b> Zigbee G2 Europe/Asia <b>K</b> Zigbee G2 International <b>L</b> Telkonet G2 *Only available with G2 Zigbee	<b>B</b> BLE Ready <b>C</b> BLE Enabled <b>D</b> Hilton BLE (only for Hilton properties)	<b>0</b> Standard <b>A</b> Plain Lens <b>L</b> Marriott Lens (only for Marriott properties)	<b>0</b> Standard <b>ECU:</b> <b>M</b> MCC Personality	<b>0</b> Standard <b>B</b> Ocean Shipping	<b>Without Messenger:</b> <b>SB</b> Satin Brass <b>SC</b> Satin Chrome <b>OZ</b> Dark Mahogany <b>BB</b> Bright Brass <b>BC</b> Bright Chrome <b>BK</b> Black <b>With Messenger:</b> <b>BL</b> Black <b>BR</b> Brown <b>IV</b> Ivory <b>WH</b> White	<b>SB</b> Satin Brass <b>SC</b> Satin Chrome <b>OZ</b> Dark Mahogany <b>BB</b> Bright Brass <b>BC</b> Bright Chrome <b>SN</b> Satin Nickel <b>AB</b> Antique Brass <b>BK</b> Black		
<b>Magnet Kits</b>														
<b>CQM</b> Quantum RFID	<b>2</b>	<b>RC</b> RCU	<b>F</b> PIR Sensor	<b>1</b> Surface <b>2</b> Flush	<b>1</b> Single Magnet <b>2</b> Dual Magnet		<b>B</b> BLE Ready <b>C</b> BLE Enabled <b>D</b> Hilton BLE (only for Hilton properties)	<b>0</b> Standard <b>A</b> Plain Lens <b>L</b> Marriott Lens (only for Marriott properties)	<b>0</b> Standard	<b>0</b> Standard <b>B</b> Ocean Shipping	<b>Without Messenger:</b> <b>SB</b> Satin Brass <b>SC</b> Satin Chrome <b>OZ</b> Dark Mahogany <b>BB</b> Bright Brass <b>BC</b> Bright Chrome <b>With Messenger:</b> <b>BL</b> Black <b>BR</b> Brown <b>IV</b> Ivory <b>WH</b> White	<b>SB</b> Satin Brass <b>SC</b> Satin Chrome <b>OZ</b> Dark Mahogany <b>BC</b> Bright Chrome		

# Quantum RFID Remote/Elevator Control Unit (RCU/ECU)

Ordering

**Screwless Kit**

Standard Model (Example)																	
Style			Version	Function		Relay/Mag Kit	Mount	Reader	Communication		Custom		Finish				
C	Q	M	2	R	C	0	2	1	N	B	0	0	0	B	S	S	B
									Primary	Secondary	Reader	PCB	Packout	Faceplate		Reader	

Build the model number with the desired options																	
Style			Version	Function		Relay/Mag Kit	Mount	Reader	Communication		Custom		Finish				
C	Q	M	2	R	C	0	2	1	N			0					
									Primary	Secondary	Reader	PCB	Packout	Faceplate		Reader	

Style	Version	Function	Relay/Mag Kit	Mount	Reader	Communication		Reader	Custom PCB	Packout	Finish	
						Primary	Secondary				Faceplate	Reader
<b>CQM</b> Quantum RFID	<b>2</b>	<b>RC</b> RCU	<b>0</b> Standard 1 relay	<b>2</b> Flush	<b>1</b> Single	<b>N</b> No Primary	<b>B</b> BLE Ready	<b>0</b> Standard	<b>0</b> Standard	<b>0</b> Standard	<b>BS</b> Black Screwless	<b>SB</b> Satin Brass
						<b>Messenger:</b> (RCU Only)	<b>C</b> BLE Enabled	<b>A</b> Plain Lens		<b>B</b> Ocean Shipping	<b>BT</b> Brown Screwless	<b>SC</b> Satin Chrome
						<b>A</b> Zigbee N. America (158mW)	<b>D</b> Hilton BLE (only for Hilton properties)	<b>L</b> Marriott Lens (only for Marriott properties)			<b>VS</b> Ivory Screwless	<b>OZ</b> Dark Mahogany
						<b>B</b> Zigbee Europe / Asia (10mW)					<b>WS</b> White Screwless	<b>BB</b> Bright Brass
						<b>C</b> Zigbee International (87mW)					<b>AL</b> Almond Screwless	<b>BC</b> Bright Chrome
						<b>D</b> Inncom RF					<b>GR</b> Gray Screwless	<b>SN</b> Satin Nickel
						<b>E</b> Crestron					<b>LA</b> Light Almond Screwless	<b>AB</b> Antique Brass
						<b>F</b> Telkonet					<b>BE</b> Beige Screwless	<b>BK</b> Black
						<b>X</b> Messenger Ready					<b>TP</b> Taupe Screwless	
						<b>H</b> Zigbee G2 North America					<b>SI</b> Sienna Screwless	
						<b>J</b> Zigbee G2 Europe/Asia						
						<b>K</b> Zigbee G2 International						
						<b>L</b> Telkonet G2 *Only available with Zigbee G2						

# Quantum RFID Multi Channel Controller (MCC/EMCC)

## Ordering

Standard Model (Example)																	
Style			Version	Function		Relay/Mag Kit	Mount	Reader	Communication		Custom		Finish				
C	Q	M	2	M	C	1	2	1	N	B	0	0	0	S	B	S	B
									Primary	Secondary	Reader	PCB	Packout	Faceplate		Reader	

Build the model number with the desired options																	
Style			Version	Function		Relay/Mag Kit	Mount	Reader	Communication		Custom		Finish				
C	Q	M	2				2					0					
									Primary	Secondary	Reader	PCB	Packout	Faceplate		Reader	

Style	Version	Function	Relay/Mag Kit	Mount	Reader	Communication		Reader	Custom			Finish	
						Primary	Secondary		PCB	Packout	Faceplate	Reader	
<b>CQM</b> Quantum RFID	<b>2</b>	<b>MC</b> MCC <b>ME</b> EMCC	<b>MCC:</b> <b>1</b> 8 relay <b>2</b> 12 relay <b>EMCC*:</b> <b>3</b> 16 relay <b>5</b> 32 relay <b>6</b> 48 relay <b>7</b> 64 relay <b>8</b> 80 relay <b>9</b> 96 relay <b>A</b> 112 relay <b>B</b> 128 relay	<b>2</b> Flush	<b>1</b> Single <b>2</b> Dual	<b>MCC:</b> <b>N</b> BLE Ready <b>C</b> BLE Enabled <b>D</b> Hilton BLE (only for Hilton properties) <b>EMCC*:</b> <b>1</b> Go Far <b>2</b> Go Far International	<b>B</b> BLE Ready <b>C</b> BLE Enabled <b>D</b> Hilton BLE (only for Hilton properties)	<b>0</b> Standard <b>A</b> Plain Lens <b>L</b> Marriott Lens (only for Marriott properties)	<b>0</b> Standard	<b>0</b> Standard <b>B</b> Ocean Shipping	<b>SB</b> Satin Brass <b>SC</b> Satin Chrome <b>OZ</b> Dark Mahogany <b>BB</b> Bright Brass <b>BC</b> Bright Chrome <b>BK</b> Black	<b>SB</b> Satin Brass <b>SC</b> Satin Chrome <b>OZ</b> Dark Mahogany <b>BB</b> Bright Brass <b>BC</b> Bright Chrome <b>SN</b> Satin Nickel <b>AB</b> Antique Brass <b>BK</b> Black	

\*EMCC does not support Hilton BLE

# QuantumIV RFID Remote/Elevator Control Unit (RCU/ECU)

## Ordering

Standard Model (Example)																	
Style			Version	Function		Relay/Mag Kit	Mount	Reader	Communication		Custom	Finish					
C	Q	F	2	R	C	0	1	1	N	B	0	0	0	S	B	S	B
									Primary	Secondary	Reader	PCB	Packout	Faceplate		Reader	

Build the model number with the desired options																	
Style			Version	Function		Relay/Mag Kit	Mount	Reader	Communication		Custom	Finish					
C	Q	F	2					1			0	0					
									Primary	Secondary	Reader	PCB	Packout	Faceplate		Reader	

Style	Version	Function	Relay/Mag Kit	Mount	Reader	Communication		Custom			Finish	
						Primary	Secondary	Reader	PCB	Packout	Faceplate	Reader
<b>CQF</b> QuantumIV	<b>2</b>	<b>RC</b> RCU <b>EC</b> ECU (Messenger not an option)	<b>0</b> Standard 1 relay	<b>1</b> Surface (RCU Only) <b>2</b> Flush	<b>1</b> Single	<b>N</b> No Primary <b>Messenger:</b> (RCU Only) <b>A</b> Zigbee N. America (158mW) <b>B</b> Zigbee Europe / Asia (10mW) <b>C</b> Zigbee International (87mW) <b>D</b> Inncom RF <b>E</b> Crestron <b>F</b> Telkonet <b>X</b> Messenger Ready <b>H</b> Zigbee G2 North America	<b>B</b> BLE Ready <b>C</b> BLE Enabled <b>D</b> Hilton BLE (only for Hilton properties)	<b>0</b> Standard	<b>0</b> Standard	<b>0</b> Standard <b>B</b> Ocean Shipping	<b>Without Messenger:</b> <b>SB</b> Satin Brass <b>SC</b> Satin Chrome <b>OZ</b> Satin Chrome <b>OZ</b> Dark Mahogany <b>BB</b> Bright Brass <b>BC</b> Bright Chrome <b>BC</b> Bright Chrome <b>BK</b> Black <b>With Messenger</b> <b>BL</b> Black <b>BR</b> Brown <b>IV</b> Ivory <b>WH</b> White	<b>SB</b> Satin Brass <b>SC</b> Satin Chrome <b>OZ</b> Dark Mahogany <b>BB</b> Bright Brass <b>BC</b> Bright Chrome <b>SN</b> Satin Nickel <b>BK</b> Black
<b>Magnet Kits</b>						<b>J</b> Zigbee G2 Europe/Asia <b>K</b> Zigbee G2 International <b>L</b> Telkonet G2 *Only available with Zigbee G2	<b>B</b> BLE Ready <b>C</b> BLE Enabled <b>D</b> Hilton BLE (only for Hilton properties)	<b>0</b> Standard	<b>0</b> Standard	<b>0</b> Standard <b>B</b> Ocean Shipping	<b>Without Messenger:</b> <b>SB</b> Satin Brass <b>SC</b> Satin Chrome <b>OZ</b> Satin Chrome <b>OZ</b> Dark Mahogany <b>BB</b> Bright Brass <b>BC</b> Bright Chrome <b>BC</b> Bright Chrome <b>BK</b> Black <b>With Messenger:</b> <b>BL</b> Black <b>BR</b> Brown <b>IV</b> Ivory <b>WH</b> White	<b>SB</b> Satin Brass <b>SC</b> Satin Chrome <b>OZ</b> Dark Mahogany <b>BB</b> Bright Brass <b>BC</b> Bright Chrome <b>SN</b> Satin Nickel <b>BK</b> Black

# QuantumIV RFID Remote/Elevator Control Unit (RCU/ECU)

## Ordering

**Screwless Kit**

Standard Model (Example)																	
Style			Version	Function		Relay/Mag Kit	Mount	Reader	Communication		Custom	Finish					
C	Q	F	2	R	C	0	2	1	N	B	0	0	0	B	S	S	B
									Primary	Secondary	Reader	PCB	Packout	Faceplate		Reader	

Build the model number with the desired options																	
Style			Version	Function		Relay/Mag Kit	Mount	Reader	Communication		Custom	Finish					
C	Q	F	2	R	C	0	2	1	N		0	0					
									Primary	Secondary	Reader	PCB	Packout	Faceplate		Reader	

Style	Version	Function	Relay/Mag Kit	Mount	Reader	Communication		Reader	Custom		Finish	
						Primary	Secondary		PCB	Packout	Faceplate	Reader
<b>CQF</b> QuantumIV	<b>2</b>	<b>RC</b> RCU	<b>0</b> Standard 1 relay	<b>2</b> Flush	<b>1</b> Single	<b>N</b> No Primary	<b>B</b> BLE Ready	<b>0</b> Standard	<b>0</b> Standard	<b>0</b> Standard	<b>BS</b> Black Screwless	<b>SB</b> Satin Brass
						<b>Messenger:</b>	<b>C</b> BLE Enabled			<b>B</b> Ocean Shipping	<b>BT</b> Brown Screwless	<b>SC</b> Satin Chrome
						<b>A</b> Zigbee N. America (158mW)	<b>D</b> Hilton BLE (only for Hilton properties)				<b>VS</b> Ivory Screwless	<b>OZ</b> Dark Mahogany
						<b>B</b> Zigbee Europe / Asia (10mW)					<b>WS</b> White Screwless	<b>BB</b> Bright Brass
						<b>C</b> Zigbee International (87mW)					<b>AL</b> Almond Screwless	<b>BC</b> Bright Chrome
						<b>D</b> Inncom RF					<b>GR</b> Gray Screwless	<b>SN</b> Satin Nickel
						<b>E</b> Crestron					<b>LA</b> Light Almond Screwless	<b>BK</b> Black
						<b>F</b> Telkonet					<b>BE</b> Beige Screwless	
						<b>X</b> Messenger Ready					<b>TP</b> Taupe Screwless	
						<b>H</b> Zigbee G2 North America					<b>SI</b> Sienna Screwless	
						<b>J</b> Zigbee G2 Europe/Asia						
						<b>K</b> Zigbee G2 International						
						<b>L</b> Telkonet G2 *Only available with Zigbee G2						

# QuantumIV RFID Multi Channel Controller (MCC/EMCC)

Ordering

**Standard Model (Example)**

Style			Version		Function		Relay/Mag Kit	Mount	Reader	Communication		Custom			Finish			
C	Q	F	2		M	C	1	2	1	N	B	0	0	0	S	B	S	B
										Primary	Secondary	Reader	PCB	Packout	Faceplate		Reader	

**Build the model number with the desired options**

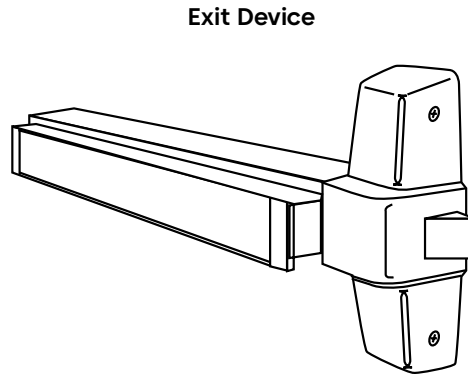
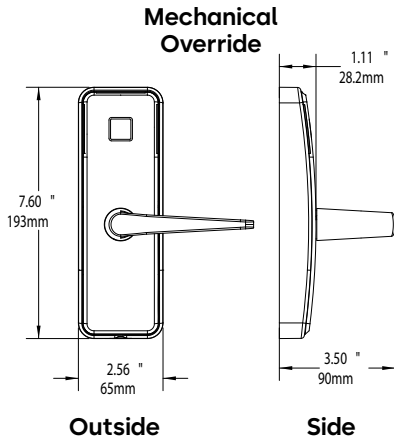
Style			Version		Function		Relay/Mag Kit	Mount	Reader	Communication		Custom			Finish			
C	Q	F	2					2				0	0				S	B
												Reader	PCB	Packout	Faceplate		Reader	

Style	Version	Function	Relay/Mag Kit	Mount	Reader	Communication		Reader	Custom			Finish	
						Primary	Secondary		PCB	Packout	Faceplate	Reader	
<b>CQF</b> QuantumIV	<b>2</b>	<b>MC</b> MCC <b>ME</b> EMCC	<b>MCC:</b> <b>1</b> 8 relay <b>2</b> 12 relay <b>EMCC**:</b> <b>3</b> 16 relay <b>5</b> 32 relay <b>6</b> 48 relay <b>7</b> 64 relay <b>8</b> 80 relay <b>9</b> 96 relay <b>A</b> 112 relay <b>B</b> 128 relay	<b>2</b> Flush	<b>1</b> Single <b>2</b> Dual	<b>MCC:</b> <b>N</b> BLE Ready <b>C</b> BLE Enabled <b>D</b> Hilton BLE (only for Hilton properties) <b>EMCC**:</b> <b>1</b> Go Far <b>2</b> Go Far International	<b>B</b> BLE Ready <b>C</b> BLE Enabled <b>D</b> Hilton BLE (only for Hilton properties)	<b>0</b> Standard	<b>0</b> Standard	<b>0</b> Standard <b>B</b> Ocean Shipping	<b>SB</b> Satin Brass <b>SC</b> Satin Chrome <b>OZ</b> Dark Mahogany <b>BB</b> Bright Brass <b>BC</b> Bright Chrome <b>BK</b> Black	<b>SB</b> Satin Brass <b>SC</b> Satin Chrome <b>OZ</b> Dark Mahogany <b>BB</b> Bright Brass <b>BC</b> Bright Chrome <b>SN</b> Satin Nickel <b>BK</b> Black	

\*Hilton BLE only supports MFC with up to 12 channels and must be configured as a pass device.  
\*\*EMCC does not support Hilton BLE

# Saffire LX Exit Device Operator - North America

## Ordering



## Lock System Kits

**Standard Model Number Example**

<b>S</b>	<b>0</b> <b>0</b>	<b>2</b>	-	<b>K</b>		<b>C</b>
Style	Operating System	BLE		Override	Outside Lever	Finish

**Build the model number with the required options**

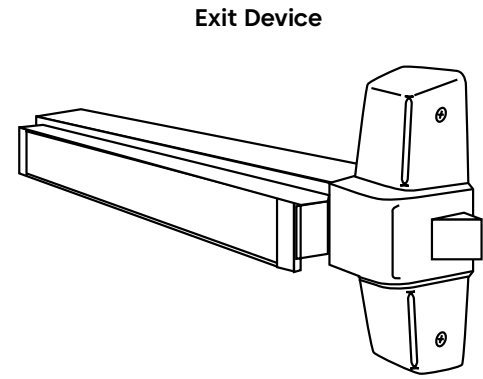
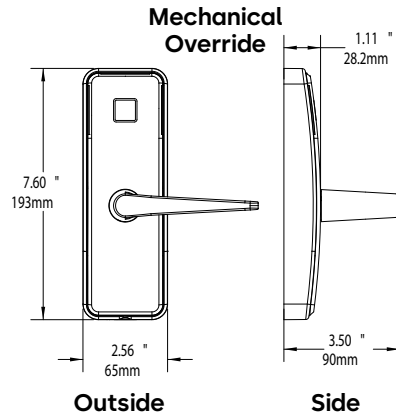
<b>S</b>			-			
Style	Operating System	BLE		Override	Outside Lever	Finish

Style	Operating System	BLE	Override	Outside lever	Finish
<b>S</b> Saffire LX	<b>0 0</b> Standalone <b>M 1</b> Ambiance RX	<b>2</b> BLE Enabled <b>H</b> BLE Hilton (only for Hilton properties) <b>O</b> No BLE	<b>K</b> Mechanical Key Support <b>E</b> Electronic	<b>E</b> Von (Modified elevon) <b>L</b> Troy <b>S</b> Essen	<b>C</b> Satin Chrome <b>U</b> Satin Chrome Oceanfront Exterior <b>B</b> Satin Brass <b>R</b> Bright Chrome <b>Z</b> Oil Rubbed Bronze* <b>N</b> Satin Nickel <b>K</b> Black*

\* Only for interior use. Not recommended for exterior use.

# Saffire LX Exit Device Operator - North America

Ordering



## Lock System Kits

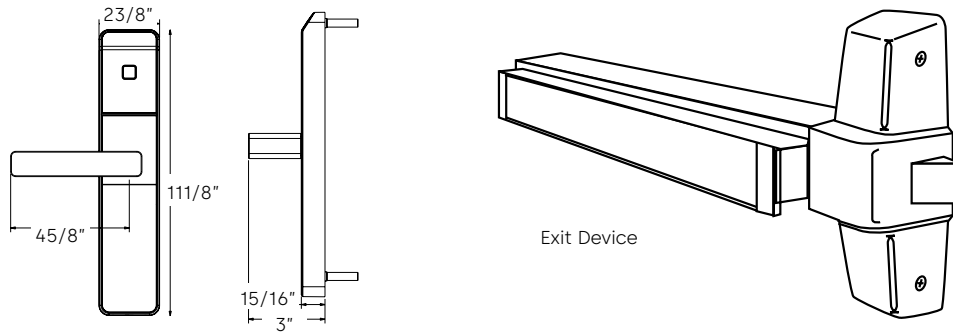
Standard Model Number Example					
<b>B</b>	-	<b>1</b>	<b>7</b>	<b>N</b>	<b>1</b>
Trim		Model	Exit Device	Handing	Door Thickness

Build the model number with the required options					
<b>B</b>	-	□	□	□	□
Trim		Model	Exit Device	Handing	Door Thickness

Trim	Model	Exit Device	Handing	Door Thickness
<b>B</b> Black	<b>1</b> Rim Operator Includes Dorma exit device	<b>7</b> - Dorma 9300 36" <b>8</b> - Dorma 9300 48"	<b>L</b> Left hand <b>R</b> Right hand	<b>1</b> 1 3/4" - 2" (46-53mm) <b>2</b> >2" - 2 1/4" (53-57mm)
	<b>2</b> Mortise Operator Exit device not included	<b>0</b> - Von Duprin 9875, 9975EO-F <b>A</b> - Arrow S3908, S1908 <b>7</b> - Dorma 9500, F9500		
	<b>3</b> Rim Operator Exit device not included	<b>0</b> - Von Duprin 98/99 EO-F <b>1</b> - Arrow S3888 <b>2</b> - Yale 7100-36 <b>5</b> - Precision 21, FL21 <b>6</b> - Detex 10, F10 <b>7</b> - Dorma 9300/F9300 <b>8</b> - Arrow S1808, S3808 <b>9</b> - Detex V40 <b>C</b> - Corbin Russwin ED5200 <b>H</b> - Hager 4500 <b>D</b> - Dorma 8300 <b>R</b> - PHI/Reliant 5100/FL5100 <b>V</b> - Von Duprin 22		
	<b>4</b> Vertical Rod Surface Mount Operator Exit device not included	<b>0</b> - Von Durpin 9827, 9927EO-F <b>1</b> - Arrow S3788, S1708 <b>2</b> - Yale 7170 <b>5</b> - Precision 22, FL22 <b>6</b> - Detex 20, F20 <b>7</b> - Dorma 9400, F9400 <b>C</b> - Corbin Russwin ED5400 <b>H</b> - Hager 4500 <b>S</b> - Sargent 8710/8713 <b>D</b> - Dorma 8400 <b>R</b> - PHI/Reliant 5200/FL5200 <b>V</b> - Von Duprin 22		
	<b>5</b> Vertical Rod Concealed Operator Exit device not included"	<b>0</b> - Von Durpin 9847, 9947EO-F <b>2</b> - Yale 7160 <b>7</b> - Dorma 9100/F9100		

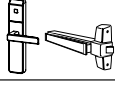
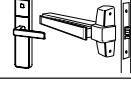
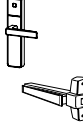
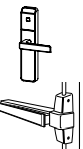

# Exit Device Operator Confidant RFID

## Ordering



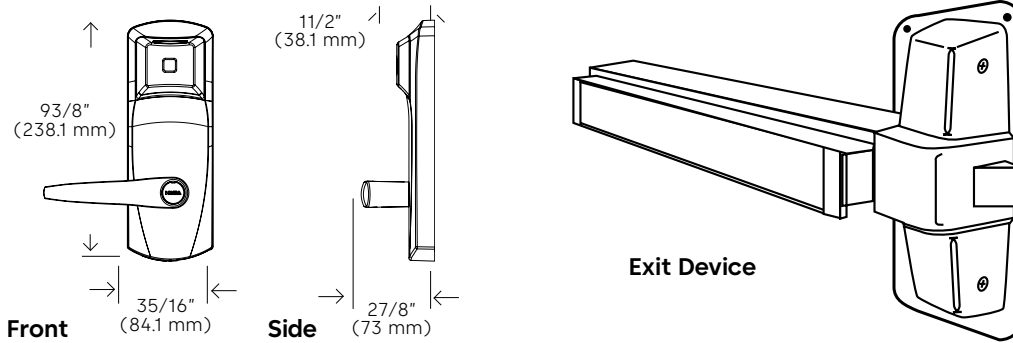
Standard Model Number - Exit Device Operator - NA (Example)											
<b>C</b>	<b>F</b>	<b>00</b>	<b>0</b>	-	<b>1</b>	<b>7</b>	<b>S</b>	<b>R</b>	<b>1</b>	-	<b>C</b>
Lock Model		Bluetooth		Installation Options			Finish				

Build the model number with the required options											
<b>C</b>				-						-	
Lock Model		Bluetooth		Installation Options			Finish				

Lock Model		Bluetooth		Installation Options				Finish	
Confidant RFID (Fixed value)	System	Operating System	Bluetooth	Model	Type of Exit Device	Outside Lever	Handing	Door Thickness	Finish
<b>C</b>	<b>F</b> Saflok NFC <b>3</b> Dummy Trim	<b>00</b> Standalone	<b>0</b> No BLE	<b>1</b> Rim Operator Device Outdoor front lock housing. Includes Dorma exit device.	<b>7</b> Dorma 9300 	<b>S</b> Short Return <b>L</b> Long Return	<b>R</b> Right <b>L</b> Left	<b>1</b> 1 3/4" - 2" (46-53mm) <b>2</b> >2" - 2 1/4" (53-57mm) Return	<b>C</b> Satin Chrome <b>E</b> Satin Chrome Exterior <b>U</b> Satin Chrome Oceanfront <b>B</b> Satin Brass <b>H</b> Satin Brass Exterior
		<b>M0</b> Messenger ready	<b>1</b> BLE Ready	<b>2</b> Mortise Operators Outdoor front lock housing. Exit device not included.	<b>0</b> Von Duprin 9875, 9975EO-F <b>A</b> Arrow S3908, S1908 				
		<b>M1</b> Messenger US	<b>2</b> BLE Enabled	<b>3</b> Rim Operators Outdoor front lock housing. Exit device not included.	<b>0</b> Von Duprin 98/99 EO-F <b>1</b> Arrow S3888 <b>2</b> Yale 7100-36 <b>5</b> Precision 21, FL21 <b>6</b> Detex 10, FL10 <b>7</b> Dorma 9300/F9300 <b>8</b> Arrow S1808, S3808 <b>9</b> Detex V40 <b>H</b> Hager 4500 				
			<b>H</b> BLE Hilton	<b>4</b> Vertical Rod Surface Mount Operators Outdoor front lock housing. Exit device not included.	<b>0</b> Von Durpin 9827, 9927EO-F <b>1</b> Arrow S3708, A1708 <b>2</b> Yale 7170 <b>5</b> Precision 22, FL22 <b>6</b> Detex 20, FL20 <b>7</b> Dorma 9400/F9400 <b>S</b> Sargent 8710 <b>H</b> Hager 4500 				
				<b>5</b> Vertical Rod Concealed Operators Outdoor front lock housing. Exit device not included.	<b>0</b> Von Durpin 9847, 9947EO-F <b>2</b> Yale 7160 <b>7</b> Dorma 9100 				

# RT Plus Panic Bar Trim

## Ordering



Standard Model (Example)										
<b>79P</b>	<b>S</b>	<b>1</b>	<b>7</b>	<b>2</b>	<b>1</b>	<b>E</b>	<b>N</b>	<b>6</b>	<b>0</b>	<b>1-626</b>
Model			Type of Exit Device	RFID	Lever	Override	Handing	Version	Bluetooth	Door Thickness Finish

Build the model number with the desired options										
<b>79P</b>				<b>2</b>				<b>6</b>		
Model			Type of Exit Device	RFID	Lever	Override	Handing	Version	Bluetooth	Door Thickness Finish

Model	Type of Exit Device	RFID	Lever Type	Override	Handing	Version	Bluetooth	Door Thickness	Finishes
<b>79PS1 Rim Operator Device</b> Outdoor front lock housing. Includes Dorma exit device.	<b>7</b> Dorma 9300 	<b>2</b>	<b>1</b> Long/Front 	<b>E</b> Electronic <b>K</b> Mechanical key cylindrical Lori Universal (1539) key-in-knob OR <b>E</b> Mechanical recordable key cylinder key-in-knob <b>Note: Gala and Elevon levers only available with electronic override</b>	<b>N</b> Standard ----- <b>** For Elevon Lever or Vertical Rod Surface Mount with Ambiance RX</b> <b>X</b> Left Hand Reverse <b>Y</b> Right Hand Reverse	<b>6</b> Contactless Reader	<b>0</b> No BLE <b>2</b> BLE Enabled <b>H</b> Hilton	<b>1</b> 1 3/4" - 2" (46-53 mm) <b>2</b> > 2" - 2 1/4" (53-57 mm) <b>For door thickness 2 (&gt; 2" - 2 1/4")</b> 10 weeks lead time required.	<b>626</b> Satin Chrome <b>606</b> Satin Brass <b>U26</b> Satin Chrome Supreme Finish
<b>79PS2 Mortise Operators</b> Outdoor front lock housing. Exit device not included.	<b>0</b> Von Duprin 9875,9975EO-F <b>A</b> Arrow S3908,S1908 <b>7</b> Dorma 9500 		<b>2</b> Short/Front 						
<b>79PS3* Rim Operators</b> Outdoor front lock housing. Exit device not included.	<b>0</b> Von Duprin 98/99 EO-F <b>1</b> Arrow S3888 <b>2</b> Yale 7100-36 <b>5</b> Precision 21,FL21 <b>6</b> Detex 10, FL10 <b>7</b> Dorma 9300/F9300 <b>D</b> Dorma 8300 <b>8</b> Arrow S1808,S3808 <b>9</b> Detex V40 <b>H</b> Hagar 4500 <b>C</b> Corbin Russwin 5200 <b>R</b> Precision 5100 		<b>E</b> Elevon/Front  <b>G</b> Gala/Front 						
<b>79PS4* Vertical Rod Surface Mount Operators</b> Outdoor front lock housing. Exit device not included.	<b>0</b> Von Duprin 9827,9927EO-F <b>1</b> Arrow S3708,S1708 <b>2</b> Yale 7170 <b>5</b> Precision 22,FL22 <b>6</b> Detex 20, FL20 <b>7</b> Dorma 9400/F9400 <b>D</b> Dorma 8400 <b>H</b> Hagar 4500 <b>S</b> Sargent 8713 <b>C</b> Corbin Russwin 5400 <b>R</b> Precision 5200 								
<b>79PS5 Vertical Rod Concealed Operators</b> Outdoor front lock housing. Exit device not included.	<b>0</b> Von Duprin 9847,9947EO-F <b>2</b> Yale 7160 <b>7</b> Dorma 9100/F9100  <small>Rods are inside the door.</small>								

### Exit Device Operator

- Allows exit doors equipped with panic devices to act as controlled entrances
- Weight: 3lbs (1.3kg)
- Minimum door style required 5" (127mm)
- Supplied with gasket kit for exterior doors
- All fitted with adaptor plates

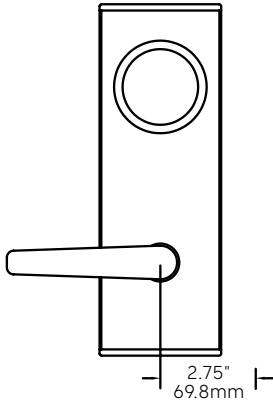
**For Ambiance RX Ready order, replace 79PS with 79PR model, for Online 79PZ (79PY for Europe and Asia or 79PQ for International) and 79PW for Inncom RF**

### Exit Device

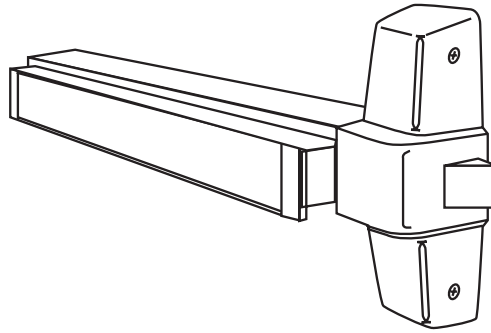
- Two finishes available: satin chrome and satin brass
- \* For compatibility with Arrow S3808, S1808, S3708, S1708 order square spindle to cross-point spindle adaptor (part# 032-511055)

# MT Series Exit Device

## Ordering



MT RFID Front



Exit Device

**Standard model number** (Continue building the model number to the right)

Model	Version	Panic Device	Device Type	Communication	Application
<b>P</b> <b>M</b> <b>R</b>	<b>3</b>	- <b>A</b>	<b>0</b>	<b>N</b> <b>G</b>	<b>O</b>
				Primary Secondary	

**Build the model number with the desired options** (Continue building the model number to the right)

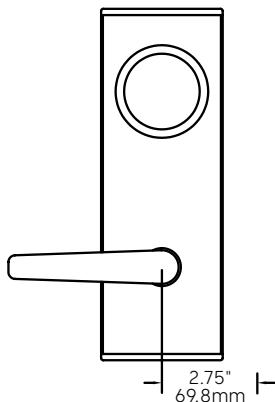
Model	Version	Panic Device	Device Type	Communication	Application
<b>P</b> <b>M</b> <b>R</b>	<b>3</b>	- <input type="checkbox"/>	<input type="checkbox"/>	<input type="checkbox"/> <input type="checkbox"/>	<input type="checkbox"/>
				Primary Secondary	

Model	Version	Panic Device	Device Type	Communication		Application
				Primary	Secondary	
<b>PMR</b> MT RFID Exit Device	<b>3</b> MT RFID with NFC	<b>A</b> AEB4200R Series* (Rim Only) <b>B</b> Detex (Advantex) 10 Series (Rim Only)* <b>C</b> Detex (Advantex) 20 Series (Vert Only)* <b>D</b> Dorma 9300 (Rim Only) <b>E</b> Dorma 9400 (Vert Only) <b>F</b> Falcon 25 Series (Rim Only) <b>G</b> Phi Series FI21* (Rim Only) <b>H</b> Phi Series FI22* (Vert Only) <b>J</b> Sargent 8713* (Vert Only; Square Spindle) <b>K</b> Sargent 8715* (Vert Only; Bladed Spindle) <b>L</b> Sargent 8888F* (Rim Only) <b>M</b> Von Duprin 88 <b>N</b> Von Duprin 98 <b>P</b> Von Duprin 99 <b>Q</b> Yale 2100 Series* <b>R</b> Yale 7100 Series* <b>S</b> Hager 4500 Series*	<b>0</b> No Bar  <b>Rim Devices:</b> <b>1</b> Rim 36" Std Bar <b>2</b> Rim 36" Fire Rated Bar <b>3</b> Rim 48" Std Bar <b>4</b> Rim 48" Fire Rated Bar  <b>Vertical Rod Devices:</b> <b>5</b> Vertical 36" Std Bar <b>6</b> Vertical 36" Fire Rated Bar <b>7</b> Vertical 48" Std Bar <b>8</b> Vertical 48" Fire Rated Bar	<b>N</b> No Primary <b>X</b> Primary Ready <b>D</b> Inncom RF <b>H</b> Zigbee G2 North America <b>J</b> Zigbee G2 Europe/Asia <b>K</b> Zigbee G2 International <b>L</b> Telkonet G2 *Only available with G2 Zigbee	<b>G</b> BLE Enabled <b>H</b> Hilton BLE Mod Bracket (only for Hilton properties)	<b>O</b> Interior <b>E</b> Exterior <b>H</b> Heavy

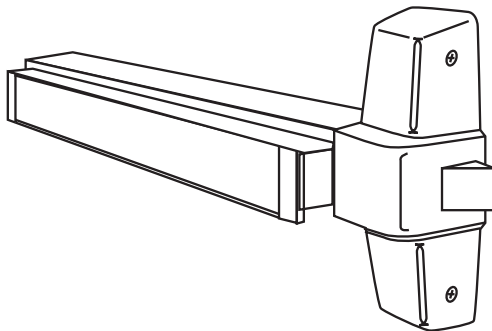
Note: \*Bar not offered

# MT Series Exit Device

## Ordering



MT RFID Front



Exit Device

### Standard model number (Continued)

Lever		Handing	Door Size		Optional Adjustment		Finish	
<input type="checkbox"/>	<input checked="" type="checkbox"/>	<input type="checkbox"/>	<input type="checkbox"/>	<input type="checkbox"/>	<input type="checkbox"/>	<input type="checkbox"/>	<input type="checkbox"/>	<input type="checkbox"/>
Type	Position		Thickness	Height/Offset	Outside	Inside	Packout	

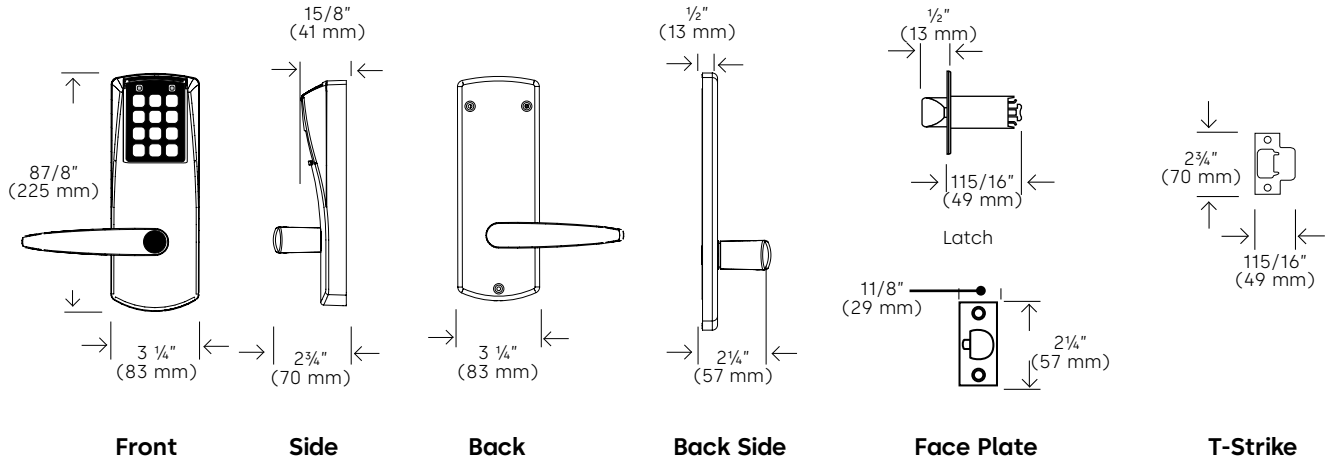
### Build the model number with the desired options (Continued)

Lever		Handing	Door Size		Optional Adjustment		Finish	
<input type="checkbox"/>	<input checked="" type="checkbox"/>	<input type="checkbox"/>	<input type="checkbox"/>	<input type="checkbox"/>	<input type="checkbox"/>	<input type="checkbox"/>	<input type="checkbox"/>	<input type="checkbox"/>
Type	Position		Thickness	Height/Offset	Outside	Inside	Packout	

Lever Type	Lever Position	Handing	Door Size		Outside	Optional Adjustment		Packout	Finish
			Thickness	Height/Offset		Inside			
<b>C</b> Continental	<b>O</b> Standard	<b>L</b> Left Hand	<b>A</b> 1.75" (44mm)	<b>N</b> Standard	<b>O</b> Standard	<b>O</b> Standard	<b>O</b> Standard	<b>BB</b> Bright Brass	
<b>E</b> Elevon		<b>R</b> Right Hand	<b>B</b> 1.38" (35-40mm)	<b>B</b> 8' Door (Vert)	<b>A</b> Plain Lens (RFID Only)	<b>B</b> Upgrade	<b>B</b> Ocean Shipment	<b>BC</b> Bright Chrome	
<b>G</b> Gala			<b>C</b> 2.00" (51mm)	<b>C</b> 9' Door (Vert)	<b>L</b> Marriott Lens (RFID Only) (only for Marriott properties)	<b>D</b> Dummy		<b>BK</b> Black	
<b>T</b> Troy			<b>D</b> 2.25" (57mm)	<b>D</b> 10' Door (Vert)		<b>M</b> Dummy W/Messenger Cap		<b>OZ</b> Dark Mahogany	
			<b>E</b> 2.38" (60mm)					<b>SC</b> Satin Chrome	
			<b>F</b> 2.50" (63.5mm)					<b>SN</b> Satin Nickel	
			<b>G</b> 2.87"-3.00" (73-76mm)					<b>SB</b> Satin Brass	
			<b>H</b> 3.03" (77mm)					Knob Only Available in BB, BS, SB, SS	
			<b>J</b> 3.35" (85mm)					*Continental Not Available In SN	
			<b>K</b> 3.90" (100mm)					*Only SC, BC, OZ, and BK approved for exterior application	
			*Any door thickness above 1.75 will require engineering approval and possible custom parts						

# E-Plex 2000 Series (Cylindrical Lock)

## Ordering



Build the model number with the desired options						
Model	Function	Locking Device	Override	Lever Style	Finish	Packaging
<b>E</b> <b>2</b> <b>0</b>	<b>3</b>	<input type="checkbox"/>	<input type="checkbox"/> <input type="checkbox"/>	<b>L</b> <b>L</b>	<input type="checkbox"/>	<b>4</b> <b>1</b>

Model	Function	Locking Device	Key Override	Lever Style	Finishes	Packaging
<b>E20</b> 2000 Series Cylindrical lock	<b>3</b> Cylindrical Lock	<b>1</b> 1/2" (13 mm) throw latch floating face plate 2 3/4" Backset <b>2</b> 1/2" (13 mm) throw latch floating face plate 23/8" Backset	<b>LEAVE BLANK</b> for Solid Lever without Key Override <b>XS</b> Key-In-Lever, Kaba Cylinder included, Schlage C keyway	<b>LL</b> Lever- Long	<b>626</b> Satin Chrome <b>606</b> Satin Brass	<b>41</b> 1 per box
<p><b>Items supplied with the lock</b></p> <ul style="list-style-type: none"> <li>• Installation Manual</li> <li>• Full-scale template</li> <li>• Hardware required for installations.</li> <li>• Key-in-lever model supplied with Kaba high security 1539 Schlage C keyway.</li> </ul>						

# Perimeter Accessories

Resorts World, Las Vegas

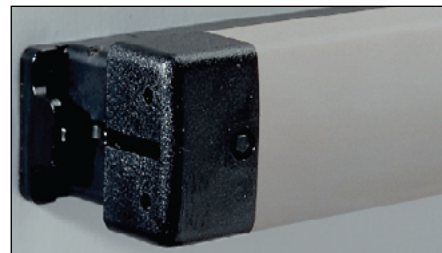


# Accessories

## Narrow Stile (Adams Rite 8800 Series)

The narrow stile is designed to retract when electrical power is applied.

<b>Size</b>	36" Standard
<b>Door Requirements</b>	1 3/4" Standard, up to 2 1/4"
<b>Mounted Height</b>	40 1/4" from CL to finished floor
<b>Minimum Stile</b>	2"
<b>Finishes</b>	Satin Aluminum



## Electric Strike

The electric strike is designed to release the door-locking mechanism when electrical power is applied. It works with mortise, rim, and cylindrical locks. Different models and sizes are available depending on the application. All models are fail-secure.

<b>Holding Force</b>	1,000 lbs.
<b>Voltage</b>	24 VDC 1.5A
<b>Size</b>	4 7/8" Standard
<b>Finishes</b>	Satin Stainless



## Electro-magnetic Lock

dormakaba offers an electro-magnetic locking device for perimeter doors. This locking unit provides over 1,200 pounds of locking force when activated. It is available in single- or double-magnet configurations.

<b>Voltage</b>	12 or 24 VDC (Field-selectable)
<b>Magnet Size</b>	8 13/16"W x 2 13/16"H x 1 9/16"D (225mm x 56mm x 40mm)
<b>Armature Size</b>	9"W x 2 1/4"H x 1/2"D (230mm x 57mm x 14mm)
<b>Holding Force</b>	1,200 lbs
<b>Finishes</b>	Satin Aluminum



## Motion Detector

When approaching the door the motion detector will automatically unlock, allowing entry. The unit's sensitivity is adjustable.

<b>Input Power</b>	12 or 24 VDC or VAC (field-selectable) 35 mA @ 12 VDC, 38 mA @ 24 VDC 38 mA avg. @ 12 VAC, 45 mA avg. @ 24 VAC
<b>Relay</b>	Two Form "C" contact sets rated 1.0 amp @ 30 VDC maximum for DC-resistive loads
<b>Temperature Range</b>	-20° to +120° F (-29° to +49° C). For UL-certified installations, the temperature range is 32° to 120° F (0° to 49° C.)
<b>Enclosure</b>	6 1/4" W x 1 1/2" H x 1 1/2" D (158mm x 38mm x 38mm)



# Accessories

## Exit Button

The exit button is a palm-sized button designed to deactivate electronic locking devices. It is used for manual egress and works in conjunction with other types of entry/exit devices.



## Touch Bar Exit Device

The touch bar exit device is ideally suited to allow manual egress of electro-magnetic locks, remote alarms, and other security devices. The touch bar comes in a kit, which includes the touch bar, a wire loop and pull handle.



<b>SPDT Rated</b>	5A, 250VAC
<b>Finishes</b>	Satin Aluminum / Dark Mahogany

## Intercom

The intercom system allows communication with anyone trying to gain entry through the perimeter doors. It comes with an intercom base, speaker with call button, and a power supply. It also allows remote entry depending on perimeter hardware currently in use.

<b>Power Source</b>	AC 12 – 16V or DC 12 – 24V
<b>Consumption</b>	Max. 4W (AC 16V), Max. 200 mA (DC 24V)
<b>Calling</b>	Electronic continuous tone (from door to master) Electronic continuous tone or voice (from master to door)
<b>Output</b>	100 mW
<b>Wiring</b>	Two non-polarized wires and two wires for door release
<b>Contact capacity for door release</b>	Max. AC 30V, 1A, Max. DC 30V, 1A
<b>Distance</b>	390' (24 AWG), 650' (22 AWG), 980' (20 AWG), 1,570' (18 AWG), 2,360' (16 AWG)
<b>Dimensions</b>	5 ½" W x 7" H x 2 ¼" D (143mm x 180mm x 55mm)



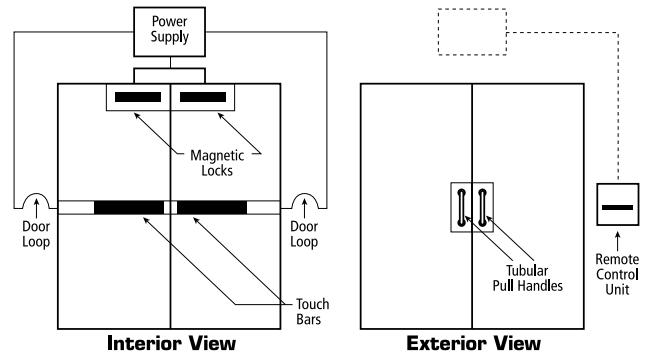
# Suggested Applications

## Active Double Doors

### Magnetic locks with touch bars

KIT Components:

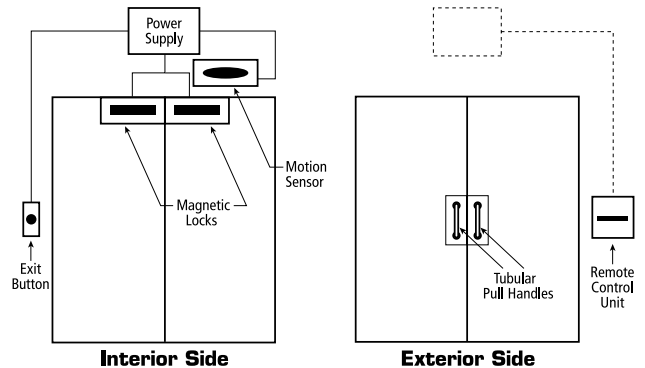
- One power supply
- Two magnetic locks
- Two touch bars (inside)
- Remote control unit (outside)
- Tubular pull handles (outside)



### Magnetic locks with motion sensor and exit button

KIT Components:

- One power supply
- Two magnetic locks
- Exit button (inside)
- Motion sensor (inside)
- Remote control unit (outside)
- Tubular pull handles (outside)

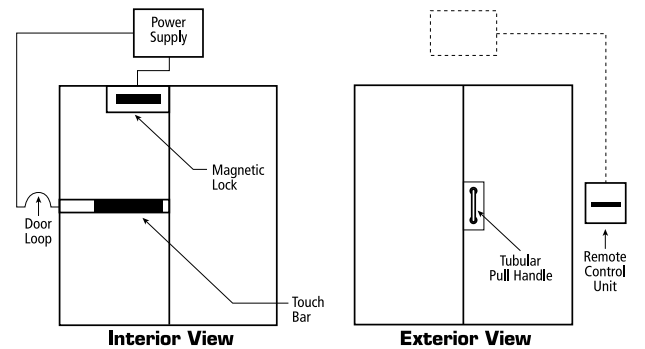


## Double Doors with One Active

### Magnetic locks with touch bars

KIT Components:

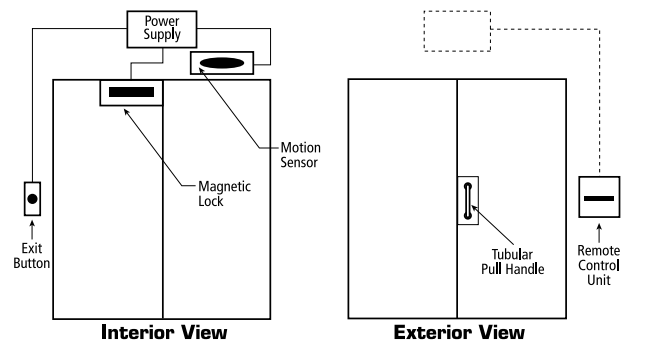
- One power supply
- One magnetic lock
- One touch bar (inside)
- Remote control unit (outside)
- Tubular pull handle (outside)



### Magnetic locks with motion sensor and exit button

KIT Components:

- One power supply
- One magnetic lock
- One touch bar (inside)
- Remote control unit (outside)
- Tubular pull handle (outside)



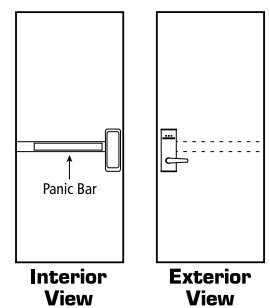
# Suggested Applications

## Single Door Magnetic Locks with Different Egress Devices

<p><b>Magnetic lock with motion sensor and exit button</b></p> <p><b>Interior View</b>      <b>Exterior View</b></p> <p>Components:</p> <ul style="list-style-type: none"> <li>• One power supply</li> <li>• One magnetic lock</li> <li>• Exit button (inside)</li> <li>• Motion sensor (inside)</li> <li>• Remote control unit (outside)</li> </ul>	<p><b>Magnetic lock with touch bar</b></p> <p><b>Interior View</b>      <b>Exterior View</b></p> <p>Components:</p> <ul style="list-style-type: none"> <li>• One power supply</li> <li>• One magnetic lock</li> <li>• One touch bar (inside)</li> <li>• Remote control unit (outside)</li> <li>• Tubular pull handle (outside)</li> </ul>	<p><b>Electric strike</b></p> <p><b>Interior View</b>      <b>Exterior View</b></p> <p>Components:</p> <ul style="list-style-type: none"> <li>• One transformer</li> <li>• One electric strike</li> <li>• Remote control unit (outside)</li> </ul>	<p><b>Narrow stile</b></p> <p><b>Interior View</b>      <b>Exterior View</b></p> <p>Components:</p> <ul style="list-style-type: none"> <li>• One power supply</li> <li>• One electrified panic bar (inside)</li> <li>• Remote control unit (outside)</li> <li>• Tubular pull handle (outside)</li> <li>• Door loop</li> </ul>
--	---	--	---

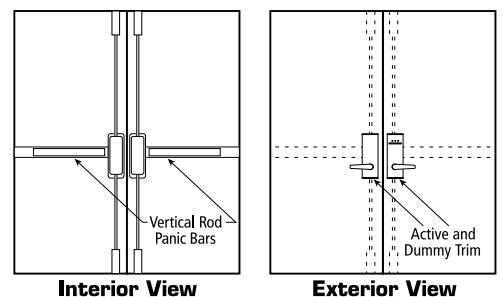
## Rim Exit Device

- KIT Components:
- Mounting plate
  - Mounting hardware
  - dormakaba rim panic lock



## Vertical Rod Exit Device

- KIT Components:
- Mounting plate
  - Mounting hardware
  - dormakaba vertical rod panic lock



# Lock Accessories

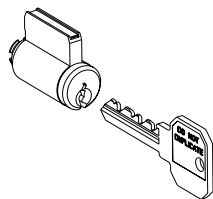
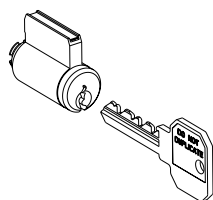


# Cores, Cylinders for RT Series

Ordering

Standard Model (Example)				
Model	Pins	Keyway	Finish	Keying
9	6	3	4	□ □ □

Build the model number with the desired options				
Model	Pins	Keyway	Finish	Keying
□	□	□	4	□ □ □



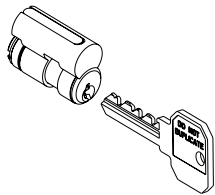
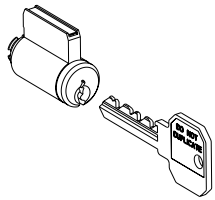
Models	Pins	Keyway	Finish	Keying
<b>9</b> Lori Cylinder Compatible Locks: Oraclecode 660	<b>6</b> 6 Pins	<b>3</b>	<b>4B</b> Satin Brass ANSI 606	<b>KA</b> Keyed Alike <b>KAI</b> Keyed Alike by Group <b>MK</b> Master Keyed (for Shabbat Compliance)
<b>9</b> Recodeable Lori Cylinder Compatible Locks: Oraclecode 660	<b>6</b> 6 Pins	<b>3</b>	<b>4B</b> Satin Brass ANSI 606	<b>KA3</b> Three Combinations in One Cylinder

# Keys for RT Series

Ordering

Standard Model (Example)			
Model	Pins	Keyway	Key
9	6	3	E

Build the model number with the desired options			
Model	Pins	Keyway	Key
□	□	□	□ □



Models	Pins	Keyway	Key
<b>9</b> Key for Lori Cylinder	<b>6</b> 6 Pins	<b>3</b>	<b>E</b> Entry <b>M</b> Master <b>EM</b> Individual Entry under a Master
<b>8</b> Key for Unican Core	<b>6</b> 6 Pins <b>7</b> 7 Pins	<b>1</b> RMO <b>2</b> North American Project order	<b>E</b> Entry <b>C</b> Control <b>M</b> Master <b>EG</b> Entry under a group <b>CM</b> Control under a Master <b>CG</b> Control under a Group <b>EM</b> Individual Entry under a Master
<b>9</b> Recodable Key Kit	<b>6</b> 6 Pins	<b>3</b>	<b>0</b> Recodable Key Kit

# Decorative Plates for Saffire LX

## Ordering

### Specifications

Mounting screws included. All plates are 1/32 (0.8mm) thick

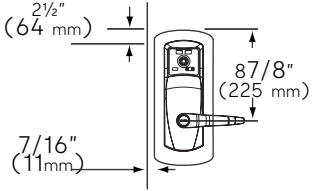
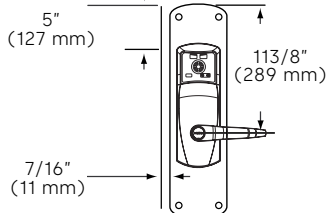
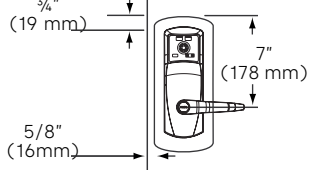
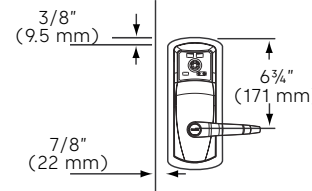
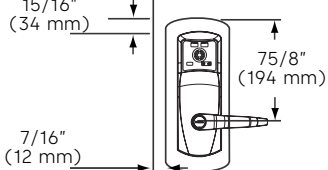
Availability	Location	Description	Part Number
<b>Retrofit Plate</b> (91mm x 315mm)	Indoor/Outdoor	Onity Retro - 91 x 315mm Onity Retro - 91 x 315mm 90/RT; MT; 710-II - 91 x 315mm 90/RT; MT; 710-II - 91 x 315mm	062-516221-1630 062-516221-1906 062-516221-2630 060-516221-2906
		Same plate number for both electronic and MKO Finishes: Stainless Steel, Satin Brass	
<b>Retrofit Plate</b> (91mm x 315mm)	Indoor/Outdoor		

# Decorative Plates for RT Series

## Ordering

### Specifications

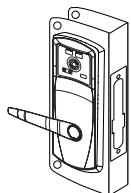
Mounting screws and washers included where applicable. All plates are 1/32" (0.8 mm) thick. Compatible with mortise (ASM, ESM) and cylindrical lock.

Availability	Location	Finish	Plate Number
<b>Standard</b> 14" (356 mm) X 45/8" (117 mm) 	<div style="border: 1px solid black; padding: 5px; width: fit-content;">Compatible with inside trim for Messenger/Bluetooth</div> Indoor/Outdoor Indoor/Outdoor	Stainless Steel PVD Satin Brass	062-513071-630 062-513071-1906
<b>Long</b> 17 1/2" (445 mm) X 45/8" (117 mm) 	<div style="border: 1px solid black; padding: 5px; width: fit-content;">Compatible with inside trim for Messenger/Bluetooth</div> Indoor/Outdoor Indoor/Outdoor	Stainless Steel PVD Satin Brass	062-513073-630 062-513073-906
<b>Short</b> 10 1/2" (242 mm) X 45/8" (117 mm) 	Indoor/Outdoor Indoor/Outdoor	Stainless Steel PVD Satin Brass	061-513070-630 061-513070-906
<b>Retrofit Plate</b> 10 1/16" (256 mm) X 3 3/4" (95 mm) 	Indoor/Outdoor Indoor/Outdoor	Stainless Steel PVD Satin Brass	061-513072-630 061-513072-906
<b>Retrofit Plate II</b> 10 7/8" (277 mm) X 45/8" (118 mm) 	Indoor/Outdoor Indoor/Outdoor	Stainless Steel PVD Satin Brass	061-513490-630 061-513490-906

**Wrap plates** Plated C.R. Steel, Solid Brass, Stainless Steel. Mounting screws and washers included. Non-handed. All plates are 1/32" (0.8 mm) thick.

Wrap 1 3/4" (44 mm) X 15 11/16" (399 mm) X 5 1/2" (140 mm)

### Standard (ASM) Mortise 1 1/4" face plate for RT Series



#### Mortise

Compatible with inside trim for Messenger/Bluetooth

Indoor  
In/Outdoor

Satin Brass  
Stainless Steel

062-513075-906  
062-513075-630

# Decorative Plates Confidant RFID

## Ordering


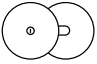
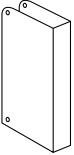
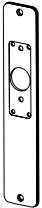
### Specifications:

Mounting screws and washers included where applicable. All plates are 1/32" (0.8 mm) thick.

	Location	Finish	Plate Number
<p><b>Retrofit Plate</b> 313mm x 90 mm</p>	Indoor/Outdoor Indoor / Outdoor	Satin Chrome Satin Brass	061-514185-630 061-514185-906
<p><b>Retrofit Plate II</b> 425 mm x 90 mm Suggested for Vingcard retrofit</p>	Indoor/Outdoor Indoor / Outdoor	Satin Chrome Satin Brass	061-514185-2630 061-514185-2906
<p><b>Retrofit Plate II for Bluetooth/ Messenger (inside side only)</b> 425 mm x 90 mm Suggested for Vingcard retrofit</p>	Indoor Indoor	Satin Chrome Satin Brass	061-514185-4630 061-514185-4906
<p><b>Retrofit Plate II for Bluetooth/ Messenger (inside side only)</b> 425 mm x 90 mm Suggested for Vingcard retrofit</p>	Indoor/Outdoor Indoor / Outdoor	Satin Chrome Satin Brass	061-514185-3630 061-514185-3906

# Miscellaneous Plates

## Ordering


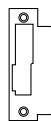

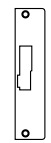
	Dimensions	Finish	Part Number
<b>Door Filler Plates</b>  	23/4" x 11/8" (70 x 29 mm) 21/4" x 11/8" (57 x 24 mm) 21/4" x 11/8" (57 x 29 mm)	Prime Coat Steel Prime Coat Steel Brass Plated Steel	061-507858 061-507857 061-507856
<b>Hole Filler Plates</b>  	23/8" (60 mm) Diameter 23/8" (60 mm) Diameter	Silver Coated Brass Plated Steel	061-507860 061-507859
<b>Deadbolt Wrap-Around Plate</b>    (Upgrades to dormakaba card reader from Ilco card reader) Reversible Card Reader Not included	4 1/4" (H) x 4 1/2" (W) for 1 3/4" door (108 x 177 x 44 mm)	Stainless Steel	061-507862
<b>Retrofit Dress Plate Kit for Swipe Card Reader</b>  		Stainless Steel/ Matt black plastic fascia	062-511383

# Strikes

## Ordering

### Standard Mortise Strikes

All strikes include mounting screws. For strikes only, omit the "K" from the product number. Left Hand Reverse Door requires Right Hand Strike. Right Hand Reverse Door requires Left Hand Strike






	Handing	Finish	Part Number
<p><b>* Standard 47/8" (124 mm)</b></p>  <p>*Strike included with the lock at no charge, unless otherwise specified. Non-creditable unless purchased separately.</p>	Left Hand Right Hand Left Hand *Right Hand	Satin Brass Satin Brass Stainless Steel Stainless Steel	504131-606-K 504132-606-K 504131-630-K 504132-630-K
<p><b>Wide Lip 47/8" (124 mm)</b></p> 	Left Hand Right Hand Left Hand Right Hand	Satin Brass Satin Brass Stainless Steel Stainless Steel	502815-606-K 502816-606-K 502815-630-K 502816-630-K
<p><b>Long 6 3/4" (171 mm)</b></p> 	Left Hand Right Hand Left Hand Right Hand	Satin Brass Satin Brass Stainless Steel Stainless Steel	502780-606-K 502781-606-K 502780-630-K 502781-630-K
<p><b>Extra Long 8 1/2" (216 mm)</b></p> 	Left Hand Right Hand Left Hand Right Hand	Satin Brass Satin Brass Stainless Steel Stainless Steel	506102-606-K 506103-606-K 506102-630-K 506103-630-K

# Strikes

## Ordering

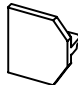
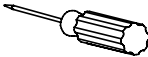

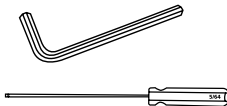
### Mortise Strikes

All strikes include mounting screws.  
 For strikes only, omit the "K" from the product number.  
 Left Hand Reverse Door requires Right Hand Strike.  
 Right Hand Reverse Door requires Left Hand Strike.

	Handing	Finish	Part Number
<b>ASM/AMM 12" (305 mm)</b> Dust box not included 	Left Hand Right Hand Left Hand Right Hand	Satin Brass Satin Brass Stainless Steel Stainless Steel	041-512197-606K 041-512198-606K 041-512197-630K 041-512198-630K
<b>Smoke Seal 47/8" (124 mm)</b> Dust Box not included 	Left Hand Right Hand Left Hand Right Hand	Satin Brass Satin Brass Stainless Steel Stainless Steel	041-508275-606K 041-508276-606K 041-508275-630K 041-508276-630K
<b>Slim Mortise Strike ESM 71/4" (180 mm)</b> with deadbolt 	Universal (Reversible)	Satin Brass Stainless Steel	041-510141-606K 041-510141-630K
<b>Cylindrical Unit Strike T-Strike 23/4" (70 mm)</b> (Dust box not included) 		Satin Brass Satin Chrome	032-512389-606 032-512389-626
<b>Cylindrical Unit Strike 7/8" ASA Strike (124 mm)</b> (Dust box not included) 		Satin Brass Satin Chrome	204119-606-K 204119-626-K

# Miscellaneous Parts for Locks

## Ordering

Description	Part Number
<b>Lock Outdoor Kit</b> Includes: 5 outside housing gaskets, stainless steel battery holder screw	033-512017-1K
<b>Weather Protection Cover for lock</b>	032-510573
<b>Extended 8<sup>3</sup>/<sub>4</sub>" Face Plates for Standard 13<sup>1</sup>/<sub>4</sub>" ASM Mortise</b> With deadbolt cutout Without deadbolt cutout	041-511907-630 041-511908-630
<b>ESM Face Plates</b> <b>13<sup>1</sup>/<sub>16</sub>" (20 mm) round faceplate</b> With deadbolt cutout Without deadbolt cutout	128/508593-D626 128/508593-O630
<b>29<sup>1</sup>/<sub>32</sub>" (23 mm) round faceplate</b> With deadbolt cutout Without deadbolt cutout Replace XXX by 630 (Stainless Steel) or 605 (Bright Brass PVD)	128/508595-D626 128/508595-O626
<b>Thick Door Kit</b> Includes: (3) mounting screws, (1) lock lever spindle and (1) thumbturn spindle For Door thickness 2.5" - 3.75" (66 mm-95 mm)	062-512868-606 (Satin Brass) 062-512868-626 (Satin Chrome)
<b>Torx Bit (T-15)</b> For battery holder screw	138-510294
<b>Mortise Stabilizer Bracket for Hollow Metal Doors</b> Mortise 1 1 <sup>1</sup> / <sub>4</sub> " (31mm) Mortise 1" (25mm)	50567701045 505677101045
<b>ASM Reverse Handing Tool</b> For use when changing the handing of reversible ASM (set of 2)	 027-510382-K
<b>Tool to Remove E-760 lever</b> For E-760 Electronic & Key override	 138-510576
<b>Mortise Gauge for System 700 retrofit</b>	 138-510476
<b>Allen Keys</b> Allen Key 1 <sup>1</sup> / <sub>8</sub> " (3 mm) for inside housing & 710 lever screw Allen Key 5 <sup>5</sup> / <sub>64</sub> " for battery cover and medallion screw Hex Driver (Allen) 5 <sup>5</sup> / <sub>64</sub> "	 138-507933 138-507930
<b>Latch Extension (only for cylindrical lock)</b> For 3 <sup>3</sup> / <sub>4</sub> " (95 mm) backset with kick-off feature For 5" (127 mm) backset without kick-off feature	062-511900 062-511901

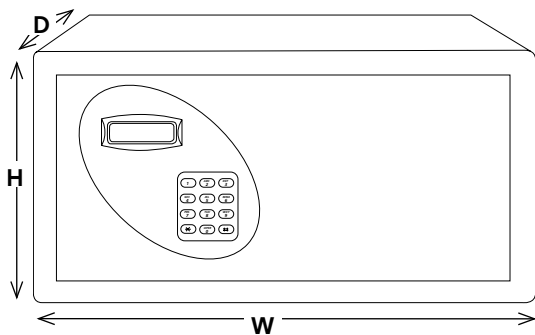
# Complementary Products

Marina Bay Sands Hotel, Singapore



# Electronic In-room Safe

## Ordering



Safe with Oval Keypad

Standard Model (Example)										
<b>2</b>	<b>1</b>	<b>0</b>	-	<b>D</b>	-	<b>I</b>	<b>I</b>	-	<b>R</b>	<b>64</b>
Model		Box Size		Locking Options		Box Color	Keypad Color		Handing	

Build the model number with the desired options										
<b>2</b>	<b>1</b>		-		-			-		<b>64</b>
Model		Box Size		Locking Options		Box Color	Keypad Color		Handing	

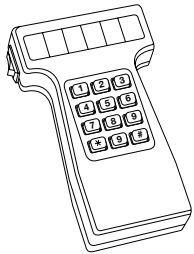
Model	Box Size (HxWxD)	Locking Option	Box Color	Keypad Color	Handing	
<b>21</b> dormakaba Electronic In-Room Safe	<b>0</b> 9" X 17" X 14" (229 X 432 X 330mm)	<b>D</b> Oval Keypad, Code Only <b>DK</b> Oval Keypad, Code Only, Key Override	<b>I</b> Ivory <b>B</b> Black	<b>I</b> Ivory <b>B</b> Black	<b>R</b> Right Handed <b>L</b> Left Handed	<b>64</b>
	<b>2</b> 21 3/4" X 15" X 17" (553 X 381 X 4mm)					
	<b>3</b> 16 1/2" X 13 3/4" X 6 1/2" (337 X 311 X 324mm) (Wall Safe)					
	<b>4</b> 8" X 19 1/2" X 15 1/2" (203 X 495 X 394mm) (17" Laptop Safe)					
	<b>7*</b> 5 3/4" X 20" X 14" (140 X 508 X 356mm) (Drawer Safe MKO Required) * Available in "DK" locking option only					

# Electronic In-room Safe

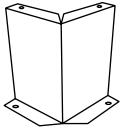
## Components

### In-room Safe Accessories

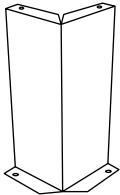
Item	Description	Part #
<b>Electronic Control Unit (ECU)</b>	One included FREE with order of 100 safes or more	063-512434



<b>9" Pedestal</b>	Height: 9" (229mm) Weight: 3 lbs. (1 kg)	Ivory: 050-512432 Black: 050-512432-BLK
--------------------	--	--



<b>13.5" Pedestal</b>	Height: 13½" (343mm) Weight: 3.5 lbs. (1.5 kg)	Ivory: 050-512433 Black: 050-512433-BLK White: 050-512433-WHT
-----------------------	--	---



# Keycards & Printing

## Ordering

dormakaba offers a full range of generic and custom keycards, as well as fobs and wristbands, to support every property need in granting access to guests and staff.

These supplies are available from our online store, [www.dormakalodgingstore.com](http://www.dormakalodgingstore.com).

You can also contact us at 1-800-999-6213 / +1 514 340 9025, or email us at [keycard@dormakaba.com](mailto:keycard@dormakaba.com)



## Keycard Specifications

### Features

- Manufactured under stringent ISO guidelines

### Options

- dormakaba branded keycard design
- Chain Logo keycards
- Custom keycard design

### Technology

- MIFARE Ultralight AES
- MIFARE Ultralight C
- MIFARE DESFire
- MIFARE Plus\*
- RFID

### Compatibility

dormakaba keycards are compatible with the following electronic hotel lock systems:

- Ambiance
- System 6000

### Card Dimensions

- Finished card size: 2 1/8" x 3 3/8" (54 mm x 86 mm)
- Finished card thickness: .030" (0.76 mm)

## Custom Keycard Design

We will develop a custom look for your establishment.

See examples:



## Custom Printed Keycards

An ideal way to promote special events, restaurants, sports facilities or other hotel services. Custom printed keycards can be an integral part of your business's promotional strategy. dormakaba offers complete in-house design and printing services to simplify your ordering process. Please request a custom keycard printing specification sheet (Form M1903E) or visit our online store at [www.dormakabalodgingstore.com](http://www.dormakabalodgingstore.com) for additional information on artwork development.

\*MIFARE Plus EV2: When used in enhanced security mode available in Ambiance v2.10+ Design and graphics subject to change.

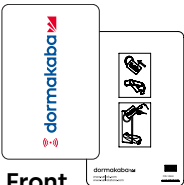


MIFARE Plus\* Keycards, FOBs and Wristbands are also available in 2K and 4K in various colours.

Additional keycard and wristband options available. Call customer support for pricing and availability.

# dormakaba Design Keycards, FOBs & Wristbands

## Ordering

Keycards, FOBs and Wristbands are available from our online store, [www.dormakalodgingstore.com](http://www.dormakalodgingstore.com). You can also contact us at 1-800-999-6213 / +1 514 340 9025, or email us at [keycard@dormakaba.com](mailto:keycard@dormakaba.com)

Description	Part #
<p><b>MIFARE Ultralight C</b>                      No audit trail                      Front                      dormakaba logo                      Back                      Pictogram</p>	<p>Neutral: 065-519473-2                      Printed: 065-519473-1</p>
 <p>Front Back</p>	
<p><b>Mifare Ultralight C - FOB</b>                      Audit trail</p>	<p>12640-ULC-BK Black                      12640-ULC-BL Blue                      12640-ULC-RD Red                      12640-ULC-YL Yellow</p>
	
<p><b>Mifare Ultralight C - Wristband</b>                      Audit trail</p>	<p>12650-ULC-BK Black                      12650-ULC-BL Blue</p>
	

\*MIFARE Plus EV2: When used in enhanced security mode available in Ambiance v2.10+  
 Design and graphics subject to change.  
 MIFARE Plus\* Keycards, FOBs and Wristbands are also available in 2K and 4K in various colours.  
 Additional keycard and wristband options available. Call customer support for pricing and availability.

# Legacy Products



# Legacy Complementary Products

dormakaba offers complete access control solutions for hotels of all sizes. Our turnkey solutions range from the conveniently portable FDU (Front Desk Unit) to the highly intuitive PC-based ATLAS system both of which support our wide range of hotel locks, exit device operators and remote access controllers.

## Guest Room Locks

Confidant  
RFID



Sleek, minimalist, ultra-modern RFID lock that easily replaces existing mechanical or electronic door locks

Q90



A two piece modular RFID lock working with ILCO access control systems

790



Contactless RFID lock enhances staff monitoring, guest convenience & operational efficiency

## Access Management Systems

ATLAS



Intuitive PC based system offers great reporting features and can be easily integrated with third party hotel systems such as PMS and POS.

Front Desk Unit



Standalone portable battery powered system. Easy to use and to interface with PMS and POS.

## Perimeter Access Controls

Exit Device Operators



On the same centralized access management system, Exit device operators allow access control of remote doors while keeping the style of your property uniform

Remote Access Controllers



Remote access controllers allow access control of remote amenities through magnet locks, electrical locking devices, elevator control, parking gate control or other devices

# Saflok System 6000™

## Ordering

### Lock System Kits

Standard Model (Example)							
<b>S</b> <b>K</b> <b>6</b>	<b>1</b>	<b>-</b>	<b>C</b> <b>A</b>	<b>T</b> <b>7</b> <b>M</b> <b>G</b>	<b>H</b> <b>6</b>	<b>0</b> <b>0</b> <b>0</b>	
System	Version		Locking Device	Encoder	Handheld	Power Adapter	Custom
Build the model number with the desired options							
<b>S</b> <b>K</b> <b>6</b>	<b>1</b>	<b>-</b>	<b>C</b> <b>A</b>		<b>H</b> <b>6</b>	<b>0</b> <b>0</b> <b>0</b>	
System	Version		Locking Device	Encoder	Handheld	Power Adapter	Custom
Style	Version	Lock	Encoder	Handheld	Power Adapter	Custom	
<b>SK6</b> System Kit 6000	<b>1</b>	<b>CA</b> Card locks <b>QR</b> Quantum RFID <b>RT</b> RT RFID <b>CR</b> Confidant RFID	<b>MAG CARD ONLY:</b> <b>T7MG</b> Type 7 Mag/SMT <b>T7MT</b> Type 7 Mag <b>T7MH</b> Type 7 Hico/Mag <b>INSW</b> Insertion Wide  <b>RFID ONLY:</b> <b>T7RG</b> Type 7 Mag/SMT/RFID <b>T7RF</b> Type 7 Mag/RFID <b>T7RH</b> Type 7 Hico/Mag/SMT/RFID <b>IPRF2**</b> dormakaba RFID Encoder GEN II	<b>H6</b> M-Unit	<b>0</b> North America <b>1</b> International*	<b>000</b> Standard	

\* International power adapter includes global power plug kit and 110/220V compatible power supply

\*\* Aux terminal not available with dormakaba RFID encoder. Only Network RFID encoder and Type 7 series function with Aux Terminal

### System 6000 Software Packages

Part #	Description
SK61-CAINSWH60000	System 6000, Insertion Encoder
SK61-CAINSWH61000	System 6000, Insertion Encoder (International)
SK61-CAT7MTH60000	System 6000, Type 7 Encoder
SK61-CAT7MTH61000	System 6000, Type 7 Encoder (International)
SK61-CAT7MGH60000	System 6000, Type 7 Mag / Smart Card Encoder
SK61-CAT7MGH61000	System 6000, Type 7 Mag / Smart Card Encoder (International)
SK61-QRT7RGH60000	System 6000, Type 7 Mag / Smart / RFID Encoder
SK61-QRT7RGH61000	System 6000, Type 7 Mag / Smart / RFID Encoder (International)
SK61-CAT7MM-Unit0000	System 6000, Type 7 Mag / Smart / HiCo Encoder
SK61-CAT7MM-Unit1000	System 6000, Type 7 Mag / Smart / HiCo Encoder (International)
SK61-QRT7RFH60000	System 6000 Type 7 Mag / RFID Encoder
SK61-QRT7RFH61000	System 6000 Type 7 Mag / RFID Encoder (International)
SK61-QRT7RM-Unit0000	System 6000 Type 7 Mag / Smart / HiCo / RFID Encoder
SK61-QRT7RM-Unit1000	System 6000 Type 7 Mag / Smart / HiCo / RFID Encoder (International)

# Saflok System 6000 Components

## Ordering

### Computer Equipment and Messenger Equipment

Part #	Description
71940	Power Supply, Secure Shift Advanced (Requires outlet cable)
7081602-P	System 6000 Disc
DOC-CD-6000	Training CD, System 6000
CH899099	System 6000 Handheld Kit (Unit, Base Charger, Power Supply, Cable and Battery)
CH899199	System 6000 Handheld Kit International (Unit, Base, Charger, Power Supply, Cable & Battery)
011-512884	Cable, M-Unit, USB, PC Interface
126-513412	Power Supply, M-Unit, North America
126-513481-KIT	Power Supply, M-Unit, International
7081602-PLUS	System 6000 PLUS Program Disc (and on-site support)
SERVER License	MS 2008 Server License (one required per Messenger system with 1-4 stations)
7081620-MSNGR	Messenger Software (per property)
SERVERCAL	1 required per system (1-4 stations)
7081620-MD	Multi-Database
CD6 <sup>1</sup>	Desktop Server (non-Messenger/IR system)
CE71331-R <sup>1</sup>	Server, Messenger, Rack Mount (Needed with Messenger and IR installations) No keyboard, mouse, or monitor
73763-2	Power Supply, Type 7 Encoder (Requires outlet cable)
737611	Power Outlet Cable
73270	Power Supply, Network RFID Encoder, Insertion Encoder, Messenger Hub
CE71331-TS <sup>1</sup>	Server, Messenger, Tower (Needed with Messenger and IR installations) Includes keyboard and mouse, but no monitor
CE74562-ZAW <sup>2</sup>	Messenger Hub, Europe / Asia, Wall Mounted, PoE
CE74562-ZBW <sup>2</sup>	Messenger Hub, Europe / Asia, Table Top, PoE
CE74562-ZAWE <sup>2</sup>	Messenger Hub, Europe / Asia, Wall Mounted, PoE, Weatherized
CE74562-ZBWE <sup>2</sup>	Messenger Hub, Europe / Asia, Table Top, PoE, Weatherized
CE74563-ZAW <sup>2</sup>	Messenger Hub, North America, Wall Mounted, PoE
CE74563-ZBW <sup>2</sup>	Messenger Hub, North America, Table Top, PoE
CE74563-ZAWE <sup>2</sup>	Messenger Hub, North America, Wall Mounted, PoE, Weatherized
CE74563-ZBWE <sup>2</sup>	Messenger Hub, North America, Table Top, PoE, Weatherized
CE74564-ZAW <sup>2</sup>	Messenger Hub, International, Wall Mounted, PoE
CE74564-ZBW <sup>2</sup>	Messenger Hub, International, Table Top, PoE
CE74564-ZAWE <sup>2</sup>	Messenger Hub, International, Wall Mounted, PoE, Weatherized
CE74564-ZBWE <sup>2</sup>	Messenger Hub, International, Table Top, PoE, Weatherized
71690	RFID Probe, M-Unit
74370	Mag Probe, M-Unit
75800	ELPS, M-Unit
A21100	Battery Backup, RFID
063-512592	RT RFID Probe, M-Unit
71982	Confidant RFID Probe, M-Unit
71790-1	SR Probe, Keyscan Reader, M-Unit
71800-1	Keyscan Reader, SR, M-Unit

<sup>1</sup> Servers can be sourced elsewhere, provided they meet Saflok system specifications/requirements

<sup>2</sup> All hubs in white only

PMS is included with System 6000 install

# Ilco FDU

## Ordering

Standard Model								
<b>FDU4</b>	-	<b>L</b>	<b>A</b>	<b>2</b>	-	<b>E</b>	<b>2</b>	<b>1</b>
Model		Coercivity	Encoding Tracks	Version		Documentation	Cables	Power Supply


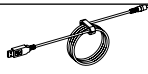
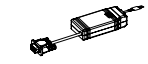

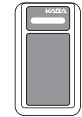
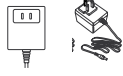
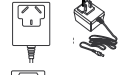

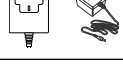


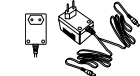
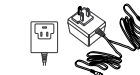
Build the model number with the desired options								
<b>FDU4</b>	-	<input type="checkbox"/>	<input type="checkbox"/>	<input type="checkbox"/>	-	<b>E</b>	<b>2</b>	<input type="checkbox"/>
Model		Coercivity	Encoding Tracks	Version		Documentation	Cables	Power Supply

Model	Coercivity	Encoding Tracks	Version	Documentation	Cables	Power Supply
<b>FDU4</b>	<b>L</b> Low-C <b>H</b> Hi-C (Available for track B Only)	<b>A</b> Triplewide Encodes across tracks 1, 2 and 3 <b>B</b> Triple track Encodes on 3 distinct tracks (1, 2 and 3) and can use track 2 for POS. Low/Hi-C	<b>2*</b> Magstripe	<b>E</b> English	<b>0</b> None <b>9</b> FDU to FDU and FDU to 790 and 79E Locks Contactless Encoder Included <b>C</b> FDU to FDU and FDU to Confidant RFID Lock Contactless Encoder Included <b>D</b> FDU to Confidant RFID Lock Contactless Encoder Included (No FDU to FDU Cables included) <b>Q</b> FDU to FDU and FDU to Q90 Locks, Contactless Encoder Included <b>R</b> FDU to 790 Locks Contactless Encoder Included (No FDU to FDU Cables included) <b>S</b> FDU to Q90 Locks, Contactless Encoder Included (No FDU to FDU Cables Included)	<b>1</b> US, Canada & Japan 120V 60Hz <b>2</b> Australia 240V 50Hz <b>3</b> Europe 240V 50Hz <b>4</b> United Kingdom 220V 50Hz
	<b>N</b> None	<b>N</b> None	<b>4*</b> Contactless Only			

\* For Contactless encoder specifications, refer to the ATLAS component section.

# Ilco FDU

## Components

Item	Kit includes		Part#
dormakaba Serial Printer dormakaba USB Printer	Printer, Power Supply, Interface Cable and Paper (one roll)		064-512208 064-512206
Accessories	Battery Pack for FDU		132-512003
Data Transfer Cables	FDU to FDU cable FDU to FDU (or PC) cable (previous FDU Model)		011-512223 011-507794
Programming Cables	FDU to Confidant RFID (USB to audio plug)		011-514030
	FDU to Q90		064-514731
	FDU to 790 Series		063-512592
Contactless Encoder	Contactless encoder for FDU 2.0 and lower Contactless encoder for FDU4 VER 2.01 or Higher		120-514839 064-514822
FDU Power Supplies	For US & Canada 120V / 60Hz and Japan		126-507787
	For Australia 240V / 50Hz		126-507790
	For Europe 240V / 50Hz		126-507788
	For United Kingdom 220V / 50Hz		126-507789
FDU Power Supplies with Y-Cables	For US & Canada 120V / 60Hz		126-509735
	For Australia 240V / 50Hz		126-509722
	For Europe 240V / 50Hz		126-509723
	For United Kingdom 220V / 50Hz		126-509724

# Ilco FDU

## Property Management System (PMS) Interface

dormakaba supports an extensive interface library to a variety of PMS (Property Management System) software packages. Interfacing to the hotel's PMS solution will enable front desk attendants to manage their guest check-in/out through one user interface, the property management system. Guest registration information is pushed from the PMS to Atlas to support a one-step key creation process, eliminates duplicate entry into two systems and eliminates human error (room number, check-out date and time, etc.). Using the PMS interface speeds up card encoding and eliminates human error; the information needs only to be entered once.

### Functions Offered:

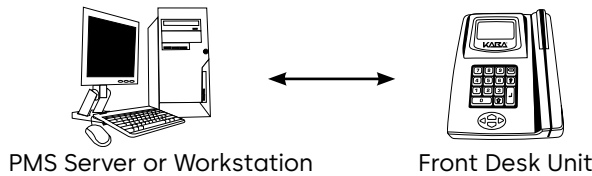
- Guest check-in function to encode new Guest keycards (room or suite).
- Additional Guest keycards function – for new or duplicate Guest keycards (room or suite).
- Guest keycard read-back function for lost and found or to verify a card

### Connection Options (depending on PMS):

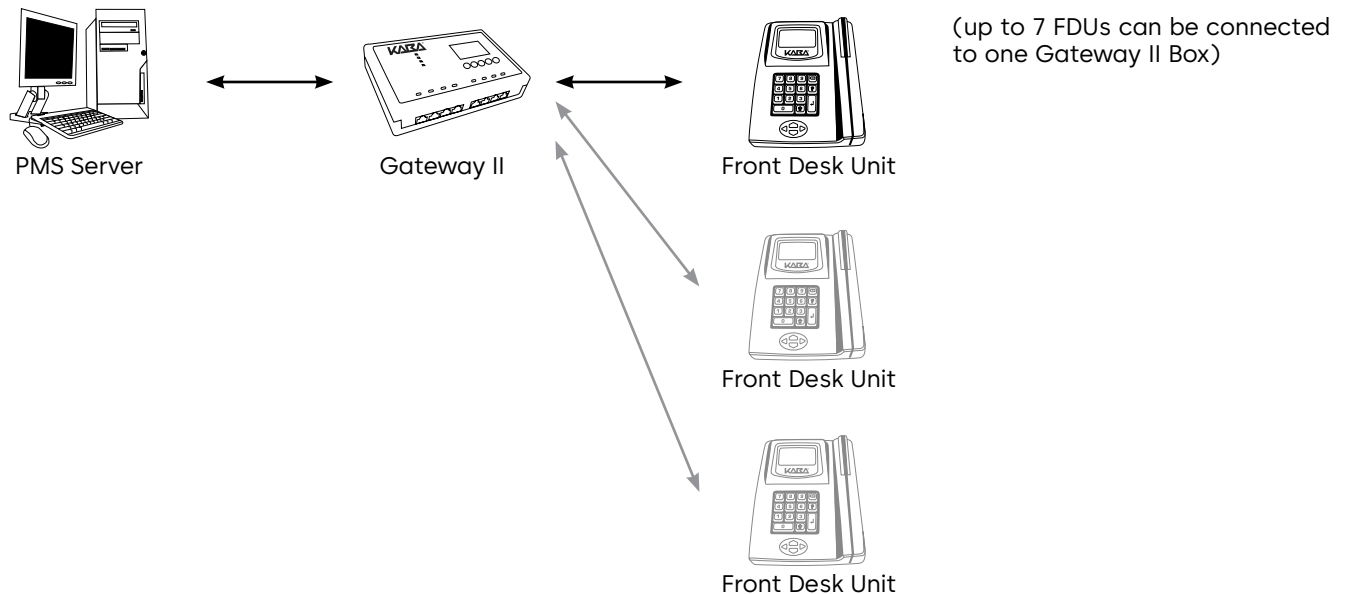
- The FDUs are connected directly to the PMS server or to the PMS Front Desk Workstations (Direct)
- The FDUs are connected to the Gateway II which is connected to the PMS server (Gateway)

**NOTE:** The FDU communication protocol is RS-232. CAT 5 Lucent cables are acceptable.

### Direct Interface Configuration



### Gateway II Interface Configuration



# Ilco FDU

## Property Management System (PMS) Interface

PMS Company	Software	Configuration
Agilysys	LMS	Gateway2 for any number of FDUs
Amadeus Hospitality Solutions	Amadeus PMS Amadeus FrontRES	Direct - one FDU Direct - one FDU
ArcRes	Innkeeper/Capa	Gateway2 for any number of FDUs
Atrio	Atrio	Direct - one FDU / Gateway2 - two or more FDUs
Brilliant Hotelsoftware	Brilliant PM PRO	Direct - FDUs to Front desk PC
Cenium Hospitality ERP	Cenium	Direct - FDUs to Front desk PC
Choice Hotel International	Profit Manager Advantage	Direct - one FDU / Gateway2 - two or more FDUs Direct - one FDU / Gateway2 - two or more FDUs
Computel	Inn-Control	
First Resort Software	First Resort	Direct - one FDU / Gateway2 - two or more FDUs
Five Star Hotel Systems	Five Star	Direct - FDU to Front desk PC
Galaxy Hotel Systems	Galaxy Lightspeed	Gateway2 for any number of FDUs Gateway2 for any number of FDUs
Hilton	OnQ5	Direct - FDUs to Front desk PC
ICSS	Atrium	Direct - one FDU
Infor	CSS - Integrity GEAC IAD Infiniti	Direct - FDUs to Front desk PC Direct - FDUs to Front desk PC Direct - FDUs to Front desk PC Direct - FDUs to Front desk PC
InnQuest	RoomMaster	Direct - one FDU / Gateway2 - two or more FDUs
Innsoft	Check-Inn	Direct - FDUs to Front Desk PC
IQWare	IQWare PMS	Direct - one FDU / Gateway2 - two or more FDUs
	Desig / Grand Vision	Direct - one FDU / Gateway2 - two or more FDUs
ITESSO	IDPMS (Hotel Concepts)	Direct - one FDU / Gateway2 - two or more FDUs
Marriott	Fosse	Gateway2 for any number of FDUs
Micros / HIS	HSI Jaguar PMS Fidelio Opera Opera Xpress	Direct - FDUs to Front desk PC Direct - Up to 2 FDUs plug into Equinox box. / Gateway2 for three or more FDUs Direct - Up to 2 FDUs plug into Equinox box. / Gateway2 for three or more FDUs Direct - Up to 2 FDUs plug into Equinox box. / Gateway2 for 3 or more FDUs
Mingus Software	Hotello	Direct - FDUs to Front desk PC
Mirage Hotel System	Mirage	Direct - FDUs to Front desk PC
MSI	MSI PM WinPM	Direct - FDUs to Front desk PC Gateway2
Northwind	Maestro	Direct - one FDU / Gateway2 - two or more FDUs
OASIS Hospitality Software	Oasis PMS Series 5	Direct - one FDU / Gateway2 - two or more FDUs
Radiant Systems	Aloha Hotel Manager	Direct - one FDU / Gateway2 - two or more FDUs
Ramesys Hospitality	ImagInn / Qinn	Direct - one FDU / Gateway2 - two or more FDUs
Redsky	Entirety	Direct - one FDU / Gateway2 - two or more FDUs
REMco Software	Niteclerk Nitevision	Direct Direct
Resort Data Processing	RDP	Gateway2
ResortSuite	ResortSuite	Direct - one FDU / Gateway2 - two or more FDUs
SoftBrands	HIS Epitome Aremis Encore Systems / Medallion Lodgistix LanMark Sulcus PORTfolio	Gateway2 for any number of FDUs Direct / Indirect Gateway2 for any number of FDUs Gateway2 for any number of FDUs Gateway2 for any number of FDUs Gateway2 for any number of FDUs Gateway2 for any number of FDUs Direct - one FDU / Gateway2 - two or more FDUs
Springer Miller Systems	SMS HOST	Gateway2 for any number of FDUs
TCS Systems	Guest Tracker	Direct - one FDU Gateway2 - two or more FDUs
TimeShareWare	TimeShareWare	Direct - one FDU
Visual One	Visual One	Direct - one FDU / Gateway2 - two or more FDUs
World Web Technologies	Web Rez Pro	Direct - FDUs to Front Desk PC

The FDUs are compatible with the Comtrol "Lodging link" solution. Call dormakaba Lodging Systems for more information. If the PMS vendor, software or version does not appear in the above list, please call dormakaba's Montreal office to check for compatibility. Interfaces are continuously in development.

# Ilco FDU

## Property Management System (PMS) Interface

### Property Management System Interface

063-507878	PMS Direct Interface - Installation over the phone
------------	--

### Property Management System Interface Accessories

011-507942-25	Straight serial cable, DB9 male - DB9 female 25 feet
011-507942-50	Straight serial cable, DB9 male - DB9 female 50 feet
011-507942-100	Straight serial cable, DB9 male - DB9 female 100 feet
011-507942-200	Straight serial cable, DB9 male - DB9 female 200 feet
011-507942-400	Straight serial cable, DB9 male - DB9 female 400 feet
011-507943-25	Null Modem cable, DB9 female - DB9 female 25 feet
011-511384-04	Crossover Cable DB9 male to RJ45 male
005-507944	DB9 Male to DB25 Female, straight adapter
005-511718	PC Adapter Module DB9 male to RJ45 Female
005-511716	PC Adapter Module RJ45 Female to RJ45 Female

# Type 7 Encoder

## Type 7 RFID Encoder

- Contactless RFID encoder that supports MIFARE Plus\* and MIFARE Ultralight C credentials
- Encodes a variety of RFID credentials, such as keycards, fobs, wristbands, etc.
- Used in conjunction with Saflok RFID locks



Type 7 RFID Encoder

Encoder Credentials (Type 7 RFID)	Magstripe			SMART/Memory		
	300OE Low Coercivity	600OE Medium Coercivity	2750OE (up to 4000OE) High Coercivity	2KB	8KB	64KB
Magstripe encoder	•	•				
Magstripe/Smart card encoder	•	•		•	•	•
HiCo magstripe/Smart card encoder			•	•	•	•
Magstripe/RFID encoder	•	•				
Magstripe/Smart card/RFID encoder	•	•		•	•	•
HiCo magstripe/Smart card/RFID encoder			•	•	•	•

## RFID Credential Options

- MIFARE Plus\* 2K: Ideal for staff use. Available as a fob (for extended-stay guest or staff) or wristbands (for resorts)
- MIFARE Plus\* 4K: Ideal for lock interrogation
- MIFARE Ultralight C: Ideal for guest use

## Ordering

Type 7 RFID Encoder	
CEP4110	Encoder Station, Type 7 (Mag / RFID)
CEP4120	Encoder Station, Type 7 (Mag / Smart / RFID)
CEP4130	Encoder Station, Type 7 (Mag / Smart / HiCo / RFID)
Type 7 Encoder	
CE4010	Encoder Station, Type 7 (Mag)
CE4020	Encoder Station, Type 7 (Mag / Smart)
CE4030	Encoder Station, Type 7 (Mag / Smart / HiCo)

\*MIFARE Plus EV2: When used in enhanced security mode available in Ambiance v2.10+

# Encoders

## Overview

### Network RFID Encoder

- Connects directly to PC via USB or to Ethernet network via TCP/IP
- Supports MIFARE Plus\* and MIFARE Ultralight C credentials
- Operates in accordance with ISO 14443A
- Encodes a variety of RFID credentials, such as keycards, fobs, wristbands, etc.
- Used in conjunction with Saflok RFID locks



Dimensions	1.5"H x 6"D x 3.3"W
Keycards Encoded	MIFARE RFID Plus* 2K, 4K, and Ultralight C
Connectivity	To PC via USB or serial port; to Ethernet network via TCP/IP port

### M-Unit™

M-Unit™ is a portable programming device used for lock programming, interrogations, lock diagnostics and can be used as an auxiliary key encoding terminal. The M-Unit is equipped with new enhanced features keeping staff efficiency in mind, while incorporating a new sophisticated look and feel.

### System Features

- USB connectivity; increased capacity and speed
- Storage capacity: 500+rooms
- Unit can be pre-programmed for the day
- Load a 300+ room property in seconds
- Interrogate 1000 lock events under 2 minutes
- Enhanced configurable security
- Advanced diagnostics
- Auxiliary Terminal functionality for encoding
- Advanced lock search function
- Interrogation reports can be viewed on the display
- Integrated with System 6000 V4 and Ambiance Access Management Software
- Power off and backlight timer settings



### M-Unit Dimensions

Height	Depth	Width
1"	7"	3"

### Ordering

Part #	Description
CE6100	<b>Insertion Encoder</b> Magstripe/Smart Card Encoder
CERPF6000	<b>Network RFID Encoder</b> Encoder Station, Network RFID Encoder
CEIPRF6000	<b>dormakaba RFID Encoder</b> Encoder Station, dormakaba RFID Encoder (North America)
CEIPRF6100	Encoder Station, dormakaba RFID Encoder (INTL)

\*MIFARE Plus EV2: When used in enhanced security mode available in Ambiance v2.10+

# Legacy Electronic Door Locks

Yotel, New York



# Lock Finishes

		Plated Finishes		
Finish Name		Satin Chrome	Satin Brass	Ultra Satin Chrome
Finish Code		626	606	U26 (790 lock)
Applications	Indoor Regular hotel application	Yes	Yes	Yes
	Outdoor Any lock installed outdoors requires a gasket	Yes	Yes	Yes
	Oceanfront Any exterior location within 3 miles (5km) from ocean and/or high humidity/pollution area	No	No	Yes
Availability	Confidant RFID/ Q90 / 790	Standard	Standard	Confidant RFID 790
Lock Components	Front Lock Housing	626	606	U26
	Medaillion (where applicable)	446	706	n/a
	Outside Lever	626	906	828
	Inside Trim, Lever, Turn Knob	626	606	626
	Mortise Faceplate	630	906	630
	Strike Kit (Standard Strikes)	630	606	630

Notes: For custom finishes call dormakaba in Montreal for precise leadtime (use 14 weeks for quotation) and pricing.  
n/a: Not available

## Plated Finish

All plated locks have a standard outside housing and no gasket. Any lock, which will be installed in an outdoor application, requires a gasket set that must be purchased separately. It will be installed on site.

## Ultra Plated Finish

All ultra plated 790 locks have a plated brass cover protecting the outside housing for extra durability including outside gasket, which come standard for outdoor severe applications.

## Cleaning your Electronic Lock

As a dormakaba customer, we recommend that you regularly maintain your electronic lock finish. To remove salt and pollutants, we strongly recommend only using a water-damp rag rather than any harsh or caustic chemicals. You should also use any wax-based products for extra protection (such as LPS3<sup>®</sup> Heavy-Duty Rust Inhibitor – a transparent waxy film, or Turtle Wax<sup>®</sup>). Please refer to the Maintenance and Troubleshooting chapter in the dormakaba Lodging Access Control System Reference Manual for further details.

# Lock Finishes

Decorative Finishes				Ultra Plated Finishes		
Oil Rubbed Bronze	Ultra Oil Rubbed Bronze	Bright Chrome	Bright Brass	Satin Nickel	Ultra Satin Chrome	Ultra Satin Brass
613*	U13	625	605	619	For: 710-II: 626	For: 710-II: 606

Yes	Yes	Yes	Yes	Yes	Yes	Yes
Yes	Yes	Yes	Yes	Yes	Yes	Yes
No	Yes	No	No	No	Yes	Yes

Custom	790/79E	Custom	Custom	Custom	790/79E	790/79E
Custom	n/a	Custom	Custom	Custom	Standard	Standard
Custom	n/a	Custom	Custom	Custom	n/a	n/a

613	U13	625	605	619	626	606
n/a	n/a	446	706	n/a	626	906
844	844	625	723	750	626	906
613	613	625	605	619	626	606
743	743	630	906	630	630	906
613	613	630	606	630	630	606

We are also pleased to offer you a series of combination finishes (Custom orders) , which can be either split or dual:

**Split Finishes - (Outside Housing/Inside Housing)**

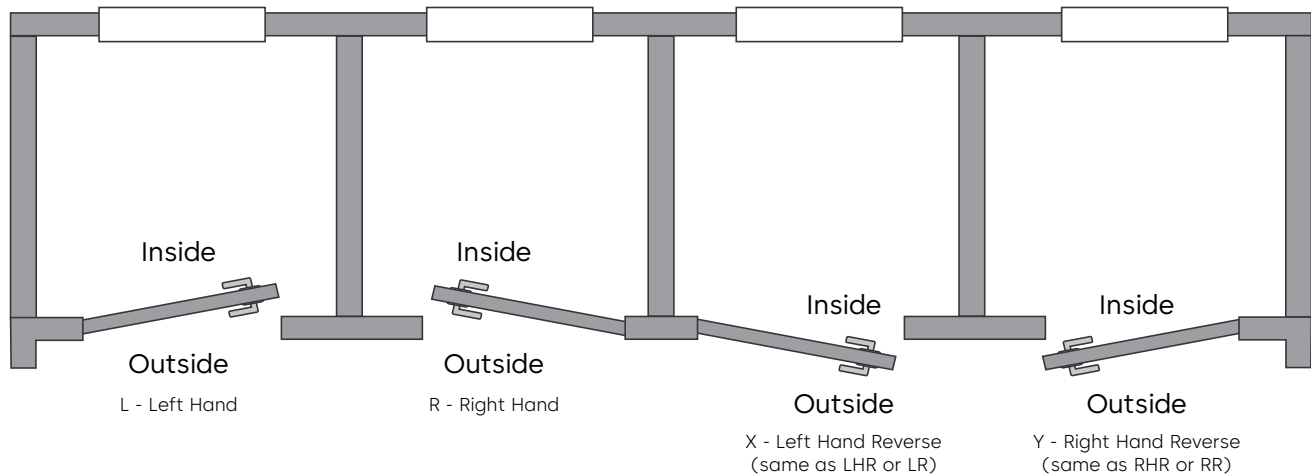
Satin Chrome/Satin Brass .....	100
Satin Chrome/Bright Brass.....	101
Satin Brass/Satin Chrome .....	102
Satin Brass/Bright Brass .....	103
Bright Brass/Satin Chrome.....	104
Bright Brass/Satin Brass .....	105
Satin Chrome/Satin Bronze.....	106
Satin Chrome/Oil Rubbed Bronze.....	107
Oil Rubbed Bronze/Satin brass.....	108
Bright Chrome/Bright Brass .....	109
Bright Chrome/Satin Chrome .....	110
Bright Brass/Bright Chrome .....	111

**Dual Finishes - (Lock Body/Lever, Medallion and Thumbturn Knob)**

Satin Chrome/Satin Brass .....	200
Satin Chrome/Bright Brass.....	201
Satin Brass/Satin Chrome .....	202
Satin Brass/Bright Brass .....	203
Bright Brass/Satin Chrome.....	204
Bright Brass/Satin Brass .....	205
Satin Chrome/Satin Bronze.....	206
Satin Chrome/Oil Rubbed Bronze.....	207
Bright Chrome/Bright Brass .....	209
Bright Chrome/Satin Chrome .....	210

# Door Handing

All locks require specification of door handing. To determine the hand, face the door from the outside and select the corresponding diagram below.



## Lock Functions

### Hotel Lock

These locks remain permanently in locked mode, and for higher security a 1" deadbolt comes standard. This is suitable for applications where the person in the locked area needs added protection, such as a hotel room or private office. ANSI equivalent functions: Hotel Guest Lock (F15).

### Office Lock

These locks can operate in locked mode or passage mode. The mode can be changed manually using the thumbturn. They are suitable for doors such as offices where security is required whenever the occupant is away, along with the option of passage mode when the occupant is present. ANSI equivalent functions:

Entry Lock (F04), Front Door Lock (F08), Apartment Corridor Door Lock (F10), Room Door Lock (F21).

### Storeroom Lock

These locks remain permanently in locked mode and lock each time the door is closed. There is no deadbolt. They are suitable for storage area doors or utility closets where constant security is required. Exiting from inside the room (Egress) is possible by turning the handle. ANSI equivalent functions: Storeroom or Closet (F07).

### Exit Device Operator

These locks operate with an exit device to permit controlled access from the outside. The lock mode (passage or locked) can be changed manually (swipe or insert card). ANSI equivalent functions: Holdback Door (F06).

### Remote Access and Controller

A card reader and a controller are used for controlling access in elevators, garages or main doors. The controller interfaces with an elevator controller, gate controller, electro-magnetic lock, electric strike, exit button or panic bar. The controller mode (passage or locked) can be changed manually (swipe or insert card).

### Dummy Trim

The Dummy Trim lock is for an aesthetic use only. The lock has no mechanical or electronic components. This lock is usually used on a double door entrance where the second door is bolted down.

### Shabbat Lock

These locks are similar to the hotel lock with the exception that on the Shabbat, a different key for each room can be given to the guest so the access to the room is done totally in a mechanical way. There is no lever or mechanical override switch used in this lock.

### Auto Deadbolt Option

The deadbolt is automatically projected every time the door is closed. Guest privacy is activated with the thumbturn knob.

# Lock Installation

## Installation Type

Installation Types	Axapta / QMS Part Number	No Frame No prepping required on existing frame	Wood Frame Prepping required on existing wood frame	Metal Frame Prepping required on existing HOLLOW metal frame	Metal Frame [Grout] Prepping required on existing FILLED metal frame
<b>Factory Prep.*</b> No work required to prep or adjust door prep	INST-FP	-NF	-WF	-MF	-MG
<b>Wood Door; Retrofit (Mortise) *</b> Door prep required but mortise pocket exists already	INST-WR	-NF	-WF	-MF	-MG
<b>Wood Door; Blank or Retrofit (Cylindrical)*</b> Full door prep required	INST-WB	-NF	-WF	-MF	-MG
<b>Metal Door; Retrofit (Mortise) *</b> Door prep required but mortise pocket exists already	INST-MR	-NF	-WF	-MF	-MG
<b>Metal Door; Blank or Retrofit (Cylindrical)*</b> Full door prep required	INST-MB	-NF	-WF	-MF	-MG

### Examples of INST-FP-NF

Door company used our templates to prep doors and frames - our installer will only install and program our locks. Contractor will purchase our installation jigs and ensure all doors are preped according to template.

### Examples of INST-FP-MF

Door company prepped the doors according to our templates, left hollow metal frame unprepped.

### Examples of INST-WR-NF

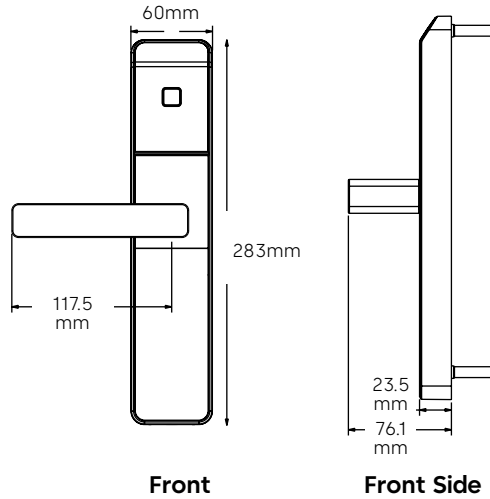
Client has existing dormakaba, Onity or Saflok mortise lock.

### Examples of INST-MB-MG

Client had new blank Metal door, or existing cylindrical locks, with work required to adjust grout filled metal frame.

# Confidant RFID Kit 1 (European Mortise Lock Case)

## Ordering



Standard Model Number										
<b>C</b>	<b>S</b>	<b>00</b>	<b>0</b>	<b>K</b>	<b>S</b>	-	<b>7</b>	<b>M</b>	<b>C</b>	<b>N</b>
Lock Model		Bluetooth		Outside housing Options		Installation Options				

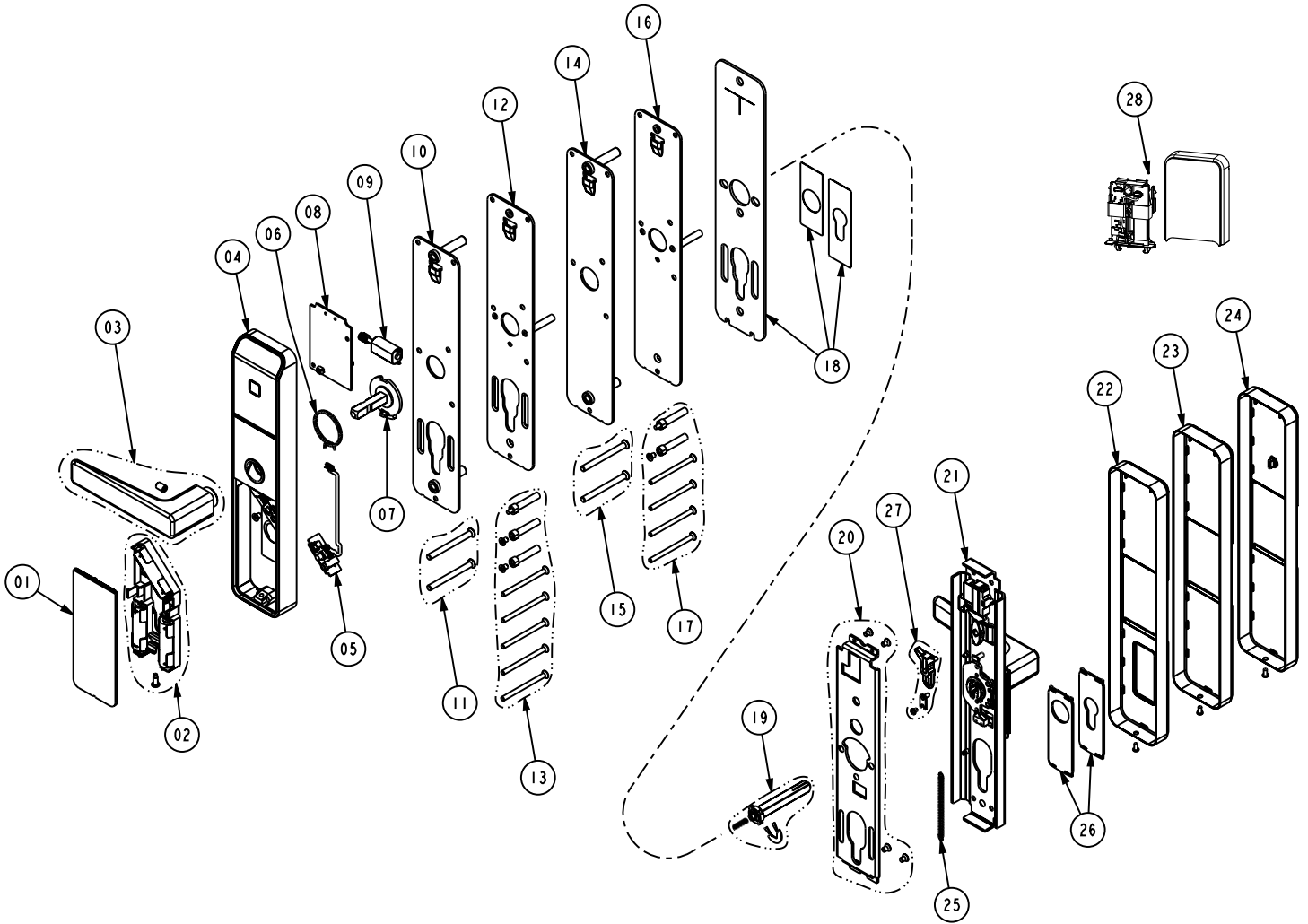
Build the model number with the required options										
<b>C</b>	<b>S</b>	<b>00</b>				-		<b>M</b>		
Lock Model		Bluetooth		Outside housing Options		Installation Options				

Lock Model			Bluetooth	Outside housing Options		Installation Options			
Confidant RFID (Fixed value)	System (Fixed value)	Operating System	Bluetooth	Cylinder Support	Outside Lever	Spindle Kit	Mounting Screw	Finish	Mounting Plate
<b>C</b>	<b>S****</b>	<b>00</b> FDU	<b>0</b> No BLE <b>1</b> BLE Ready <b>2</b> BLE Enabled <b>D<sup>1</sup></b> DEMO No BLE <b>E<sup>1</sup></b> DEMO BLE Enabled	<b>K</b> Cylinder Support <b>E</b> No Cylinder	<b>S</b> Short <b>L</b> Long Return <b>N</b> No Lever <b>A****</b> DIN 2.0	<b>7</b> 7mm <b>8</b> 8 mm <b>9</b> 9 mm (for DIN)	<b>M</b>	<b>C</b> Satin Chrome Interior <b>B</b> Satin Brass Interior <b>E</b> Satin Chrome Exterior <b>H</b> Satin Brass Exterior <b>U</b> Satin Chrome Oceanfront	<b>N</b> No option

\* For door thicknesses greater than 55mm, please choose appropriate screws and spindle kits from spare parts list page 41  
 \*\*\* DIN style lever. Confidant RFID Kit 1 is not DIN certified.  
 (1) Demo locks (D and E) are short lever, satin chrome only.  
 \*\*\*\* The S model has been discontinued and should only be ordered for existing properties requiring spare parts.

# Confidant RFID Kit 1 (European Mortise Lock Case)

Spare Parts



**\*Choosing correct spindle Kit:**

Inner side  
DOOR  
Spindle  
Lever & rose

$B = \text{Spindle length} - A$  (door thickness)  
Conditions:  
 $B = \text{or } > C + 5 \text{ mm}$   
 $B < D$

# Confidant RFID Kit 1

(European Mortise Lock Case) Spare Parts

ITEM NUMBER	PART NUMBER	DESCRIPTION
1	118+513769	BATTERY DOOR ASSY CONFIDANT
2	118+513774	BATTERY HOLDER ASSY CONFIDANT
3	069+513776+1626	LEVER HANDLE 8 mm W/ SCREW
	069+513776+1906	LEVER HANDLE 8 mm W/ SCREW
4	FC10-xxxN10N-xx*	FRONT HOUSING ASSEMBLY
5	064-513764	CONFIDANT LOCK TRANSITION PCB W/ CABLE
6	012-513751	LEVER SPRING CONFIDANT
7	118-514116	OUTSIDE HUB AND SPINDLE ASSY CONFIDANT
8	064-513708-001	CONFIDANT LOCK MAIN PCB ATLAS
9	063+514042	MOTOR WORM ASSY CONFIDANT
10	118-513766-4	BACK PLATE CONFIDANT ASSY BP KEY
11	062-514605-626	Screws & Posts BP Mount key cylinder Confidant RFID - doors 35 to 55 mm
	062-514605-606	Screws and Posts BP Mount key cylinder Confidant RFID - doors 35 to 55 mm
	062-514605-2626	Screws only BP Mount key cylinder Confidant RFID - doors >55 to 75 mm
	062-514605-2606	Screws only BP Mount key cylinder Confidant RFID - doors >55 to 75 mm
	062-514605-3626	Screws only BP Mount key cylinder Confidant RFID - doors >75 to 95 mm
12	062-514605-3606	Screws only BP Mount key cylinder Confidant RFID - doors >75 to 95 mm
	118-513766-5	BACK PLATE CONFIDANT ASSY RM KEY
	062-514606-606	Screws and Posts Rose Mount key cylinder Confidant RFID - doors 35 to 55 mm
	062-514606-605	Screws and Posts Rose Mount key cylinder Confidant RFID - doors 35 to 55 mm
	062-514606-2606	Screws only Rose Mount key cylinder Confidant RFID - doors >55 to 75 mm
13	062-514606-2605	Screws only Rose Mount key cylinder Confidant RFID - doors >55 to 75 mm
	062-514606-3606	Screws only Rose Mount key cylinder Confidant RFID - doors >75 to 95 mm
	062-514606-3605	Screws only Rose Mount key cylinder Confidant RFID - doors >75 to 95 mm
	118-513766-6	BACK PLATE CONFIDANT ASSY BP
	062-514607-606	Screws & Posts BP Mount w/out key cylinder Confidant RFID - doors 35 to 55 mm
15	062-514607-605	Screws and Posts BP Mount w/out key cylinder Confidant RFID - doors 35 to 55 mm
	062-514607-2606	Screws only BP Mount w/out key cylinder Confidant RFID - doors >55 to 75 mm
	062-514607-2605	Screws only BP Mount w/out key cylinder Confidant RFID - doors >55 to 75 mm
	062-514607-3606	Screws only BP Mount w/out key cylinder Confidant RFID - doors >75 to 95 mm
	062-514607-3605	Screws only BP Mount w/out key cylinder Confidant RFID - doors >75 to 95 mm
16	118-513766-7	BACK PLATE CONFIDANT ASSY RM
17	062-514608-626	Screws and Posts Rose w/out Mount key cylinder Confidant RFID - doors 35 to 55 mm
	062-514608-606	Screws and Posts Rose w/out Mount key cylinder Confidant RFID - doors 35 to 55 mm
	062-514608-2626	Screws only Rose Mount w/out key cylinder Confidant RFID - doors >55 to 75 mm
	062-514608-2606	Screws only Rose Mount w/out key cylinder Confidant RFID - doors >55 to 75 mm
	062-514608-3626	Screws only Rose Mount w/out key cylinder Confidant RFID - doors >75 to 95 mm
18	062-514608-3606	Screws only Rose Mount w/out key cylinder Confidant RFID - doors >75 to 95 mm
	062+514343+1	OUTDOOR KIT CONFIDANT RFID EURO PROFILE CYLINDER
	062+514343+2	OUTDOOR KIT CONFIDANT RFID SWISS PROFILE CYLINDER
	062+514343+3	OUTDOOR KIT CONFIDANT RFID NO CYLINDER
	19	062+514598+1A
062+514598+1B		SPINDLE ASSY 8mm X 84mm LONG
062+514598+1C		SPINDLE ASSY 8mm X 91mm LONG
062+514598+1D		SPINDLE ASSY 8mm X 105mm LONG
062+514598+1E		SPINDLE ASSY 8mm X 111mm LONG
062+514598+1F		SPINDLE ASSY 8mm X 125mm LONG
062+514598+1G		SPINDLE ASSY 8mm X 131mm LONG
062+514598+2A		SPINDLE ASSY 9mm X 70mm LONG
062+514598+2B		SPINDLE ASSY 9mm X 84mm LONG
062+514598+2C		SPINDLE ASSY 9mm X 91mm LONG
062+514598+2D		SPINDLE ASSY 9mm X 105mm LONG
062+514598+2E		SPINDLE ASSY 9mm X 111mm LONG
062+514598+2F		SPINDLE ASSY 9mm X 125mm LONG
062+514598+2G		SPINDLE ASSY 9mm X 131mm LONG
062+514598+3A		SPINDLE ASSY 7mm X 70mm LONG
062+514598+3B		SPINDLE ASSY 7mm X 84mm LONG
062+514598+3C		SPINDLE ASSY 7mm X 91mm LONG
062+514598+3D		SPINDLE ASSY 7mm X 105mm LONG
062+514598+3E		SPINDLE ASSY 7mm X 111mm LONG
062+514598+3F		SPINDLE ASSY 7mm X 125mm LONG
062+514598+3G	SPINDLE ASSY 7mm X 131mm LONG	

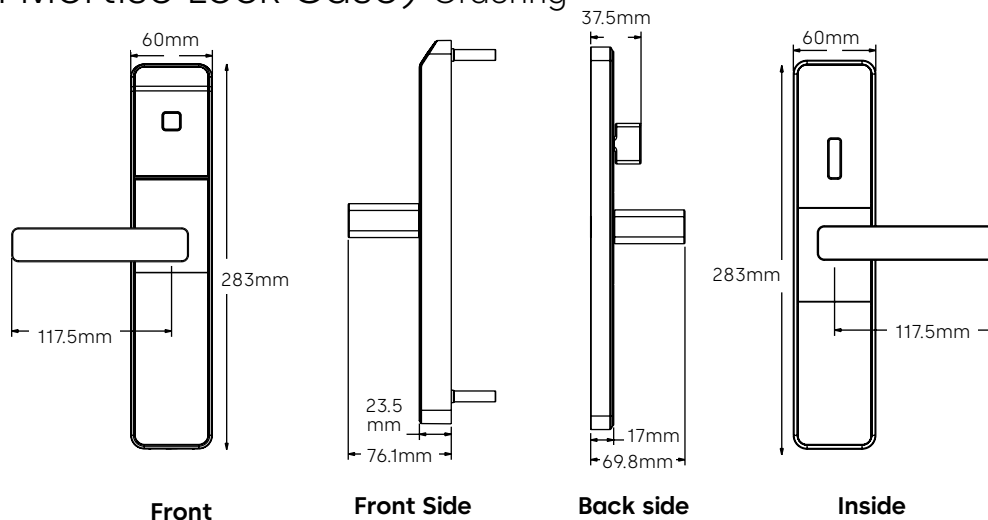
**NOTE:**

\* To configure part, visit [www.dormakabalodgingstore.com](http://www.dormakabalodgingstore.com) or contact customer service: 1.800.999.6213 or +1.514.340.9025 / [lodging-cs@dormakaba.com](mailto:lodging-cs@dormakaba.com)

Screws provided for both rose and back plate mounting.  
Mounting screw selection applies for rosette mounting.  
M5 screws always provided for back plate mounting.

# Confidant RFID Kit 2

(European Mortise Lock Case) Ordering



Standard Model Number														
C	S	00	0	K	S	-	7	M	C	R	-	N	P	S
Lock Model		Bluetooth		Outside housing Options		Installation Options			Inside housing Options					

Build the model number with the required options														
C	S	00				-		M			-			
Lock Model		Bluetooth		Outside housing Options		Installation Options			Inside housing Options					

Lock Model			Bluetooth	Outside housing Options		Installation Options				Inside housing Options		
Confidant RFID (Fixed value)	System (Fixed value)	Operating System	Bluetooth	Cylinder Support	Outside Lever	Spindle Kit	Mounting Screw	Finish	Mounting Plate	Cylinder Support	Privacy	Inside Lever
<b>C</b>	<b>S****</b>	<b>00</b> FDU	<b>0</b> NO BLE <b>1</b> BLE Ready <b>2</b> BLE Enabled <b>D'</b> DEMO No BLE <b>E'</b> DEMO BLE Enabled <b>H</b> Hilton BLE (Only for Hilton properties)	<b>K</b> Cylinder Support <b>E</b> No Cylinder	<b>S</b> Short Return <b>L</b> Long Return (Approved for EN 179) <b>N</b> No Lever <b>Note:</b> All lever handles compliant with DIN 18273	<b>7</b> 7mm <b>8</b> 8 mm <b>9</b> 9 mm (Required for DIN certified locks) <b>B</b> Austria 8.5 mm	<b>M</b>	<b>C</b> Satin Chrome Interior <b>B</b> Satin Brass Interior <b>E</b> Satin Chrome Exterior <b>H</b> Satin Brass Exterior <b>U</b> Satin Chrome Ocean-front	<b>R</b> Rose Mount <b>B</b> Backplate mount	<b>N</b> No cylinder <b>*C</b> Euro profile or Swiss cylinder (No Privacy)	<b>N</b> No Thumbturn, no Privacy <b>P</b> Privacy Thumbturn	<b>S</b> Short Return <b>L</b> Long Return <b>N</b> No Lever <b>Note:</b> All lever handles compliant with DIN 18273

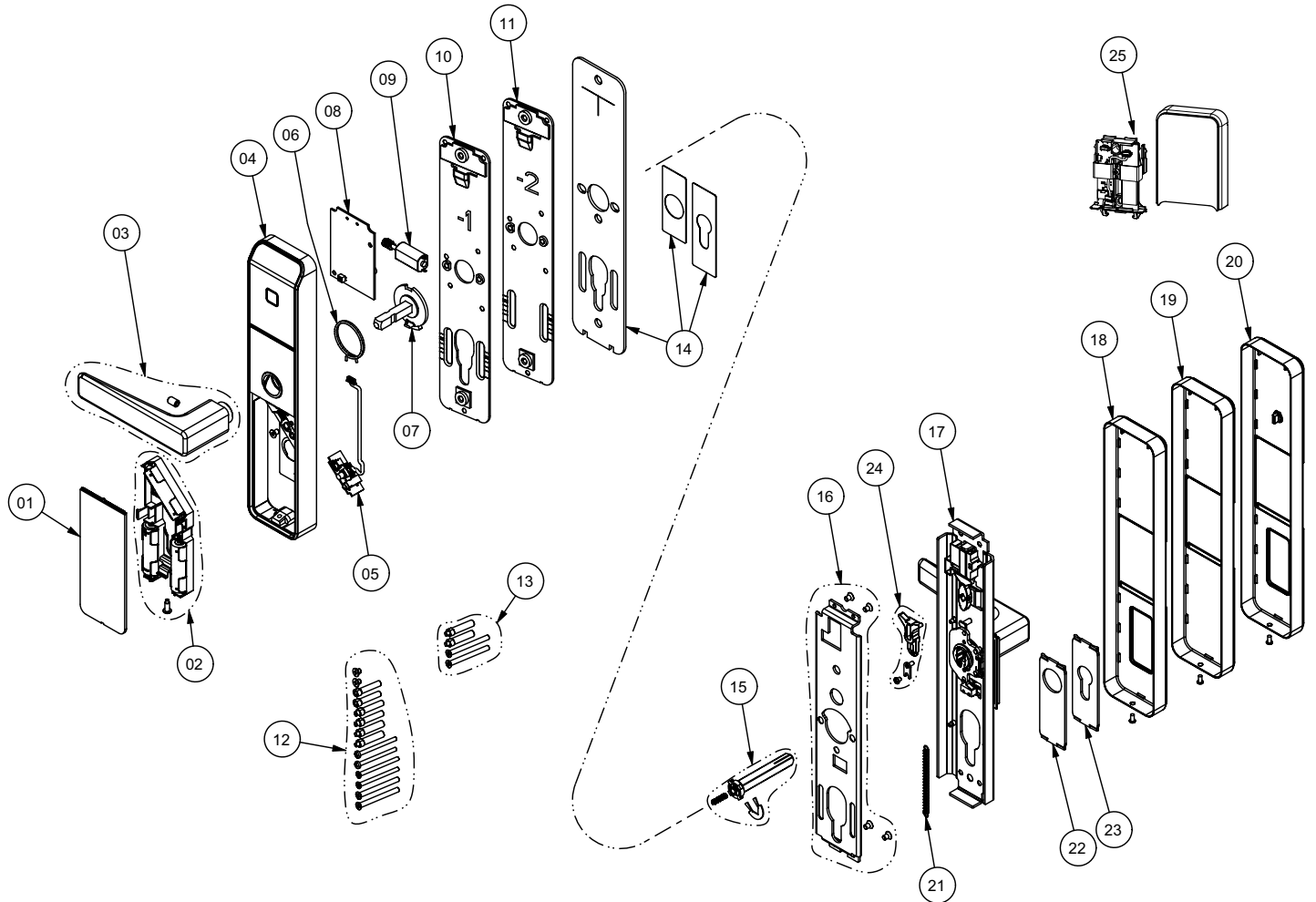
\* Inside cylinder support not available with privacy thumbturn option.

(1) Demo locks (D and E) are short lever, satin chrome only.

\*\*\*\* The S model has been discontinued and should only be ordered for existing properties requiring spare parts.

# Confidant RFID Kit 2 (European Mortise Lock Case)

Spare Parts



# Confidant RFID Kit 2 (European Mortise Lock Case)

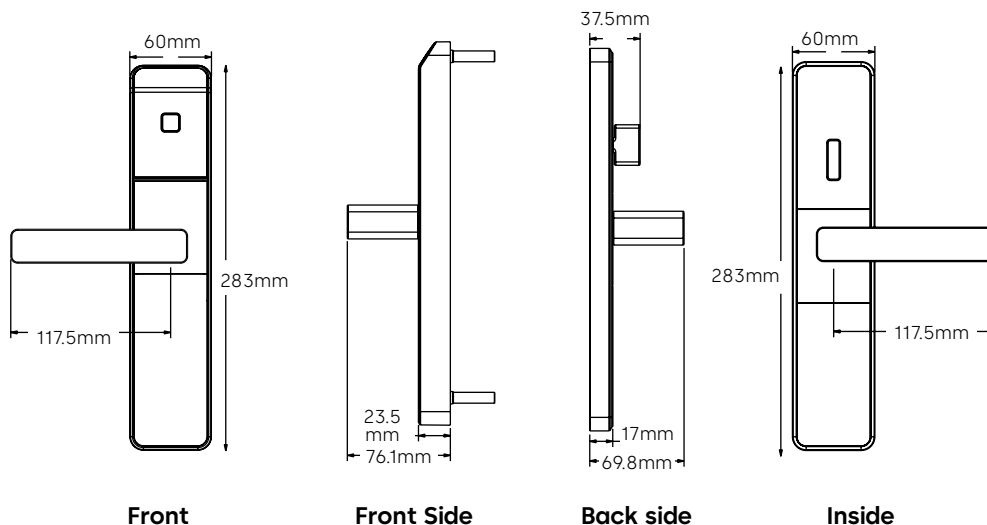
## Spare Parts

ITEM NUMBER	PART NUMBER	DESCRIPTION	ITEM NUMBER	PART NUMBER	DESCRIPTION
1	118+513769	Battery door Kit Confidant RFID			
2	118+513774+3	Battery holder assy Confidant RFID			
3	069+513776+1626	Lever handle 8 mm w/screw (satin chrome)		062-514671-1	Spindle kit 8 mm x 90 mm - doors 35 to 65 mm
	069+513776+1906	Lever handle 8 mm w/screw (satin brass)		062-514671-2	Spindle kit 9 mm x 90 mm - doors 35 to 65 mm
	069+513776+1828	Lever handle 8 mm w/screw (ocean front chrome)		062-514671-3	Spindle kit 7 mm x 90 mm - doors 35 to 65 mm
	069+513974+4626	Long lever handle 8 mm w/ screw (Satin Chrome)		062-514671-4	Spindle kit 8 mm x 120 mm - doors >65 to 95 mm
	069+513974+4906	Long lever handle 8 mm w/ screw (Satin Brass)		062+514598+4A	Spindle Kit 8.5mm Confidant Door Thk 35mm - 47mm
	069+513974+4828	Long lever handle 8 mm w/ screw (Ocean Front Chrome)		062+514598+4B	Spindle Kit 8.5mm Confidant Door Thk 43mm - 55mm
	062+514994-2630	DIN lever handle 8 mm w/screw & bushing (Stainless steel)		062-514671-5	Spindle kit 9 mm x 120 mm - doors >65 to 95 mm
4	FCN00xExNNxx10N-xx*	Front lock housing		062-514671-6	Spindle kit 7 mm x 120 mm - doors >65 to 95 mm
5	064-513764-2	Confidant RFID lock transition PCB w/cable		062-514671-7	Spindle kit 9 mm x 95 mm - doors 35 - 55 mm (DIN locks)
6	012-513751	Lever spring Confidant RFID		062-514671-8	Spindle kit 9 mm x 115 mm - doors >55 - 75 mm (DIN locks)
7	118-514116	Outside hub and spindle kit Confidant RFID		062-514671-9	Spindle kit 9 mm x 135 mm - doors >75 - 95 mm (DIN locks)
8	064-513708-003	Confidant lock main PCB atlas Bluetooth compatible (also for older version E001 PCB replacements)	15	062-514106	Rose mount back plate and screws
	064-513708E003	Confidant lock main PCB atlas Bluetooth compatible (Ocean Front) (also for older version E001 PCB replacements)	16	062-514106	Rose mount back plate and screws
9	063+514042	Motor worm kit Confidant RFID	17	BCN00xExNxxx1N-xx*	Inside trim kit w/out privacy
10	118-514318-1	Back plate Confidant RFID key override cylinder		BCN00xExPxxx1N-xx*	Inside trim kit with privacy and kick off
11	118-514318-2	Back plate Confidant RFID w/out key override cylinder	18	062-514166-2626	Trim plate and contour w/cylinder (satin chrome)
12	062-514995-1	M4 Screws & posts Confidant RFID Rose Mount - doors 35 to 55 mm		062-514166-2906	Trim plate and contour w/cylinder (satin brass)
	062-514995-2	M4 Screws only Confidant RFID Rose Mount - doors > 55 to 75 mm		062-514166-6626	Trim plate and contour w/cylinder (satin chrome, Bluetooth version)
	062-514995-3	M4 Screws only Confidant RFID Rose Mount - doors >75 to 95 mm		062-514166-6906	Trim plate and contour w/cylinder (satin brass, Bluetooth version)
13	062-514996-1	M5 Screws & posts Confidant RFID Backplate Mount - doors 35 to 55 mm	19	062-514166-1626	Trim plate and contour (satin chrome)
	062-514996-2	M5 Screws only Confidant RFID Backplate Mount - doors > 55 to 75 mm		062-514166-1906	Trim plate and contour (satin brass)
	062-514996-3	M5 Screws only Confidant RFID Backplate Mount - doors >75 to 95 mm		062-514166-5626	Trim plate and contour (satin chrome, Bluetooth version)
14	062+514343+1	Outdoor kit Confidant RFID euro profile cylinder		062-514166-5906	Trim plate and contour (satin brass, Bluetooth version)
	062+514343+2	Outdoor kit Confidant RFID swiss profile cylinder	20	062-513975-1626	Trim plate and turn knob (satin chrome)
	062+514343+3	Outdoor kit Confidant RFID no cylinder		062-513975-1906	Trim plate and turn knob (satin brass)
				062-513975-3626	Trim plate and turn knob (satin chrome, Bluetooth version)
		062-513975-3906		Trim plate and turn knob (satin brass, Bluetooth version)	
			21	012-514105	Extension spring
			22	062-513956-1	Cylinder trim swiss profile cylinder
			23	062-513956-2	Cylinder trim euro profile cylinder
			24	062-514696	Retainer kit
			25	118-514870-P	Antenna cover ass'y Confidant
				118-514870-P-BT-2	Antenna cover ass'y with Bluetooth Confidant

\* To configure part, visit [www.dormakabalodgingstore.com](http://www.dormakabalodgingstore.com) or contact customer service: 1.800.999.6213 or +1.514.340.9025 / [lodging-cs@dormakaba.com](mailto:lodging-cs@dormakaba.com)

# Confidant RFID Kit 3 (European Mortise Lock Case)

## Ordering



Standard Model Number																	
<b>C</b>	<b>S</b>	<b>00</b>	<b>0</b>	<b>K</b>	<b>L</b>	-	<b>9</b>	<b>M</b>	<b>C</b>	<b>R</b>	-	<b>N</b>	<b>P</b>	<b>L</b>	<b>B</b>	<b>O</b>	<b>R</b>
Lock Model		Bluetooth		Outside housing Options		Installation Options				Inside Housing Options			Mortise Options				

Build the model number with the required options																	
<b>C</b>	<b>S</b>	<b>00</b>				-		<b>M</b>			-					<b>0</b>	
Lock Model		Bluetooth		Outside housing Options			Installation Options			Inside Housing Options			Mortise Options				

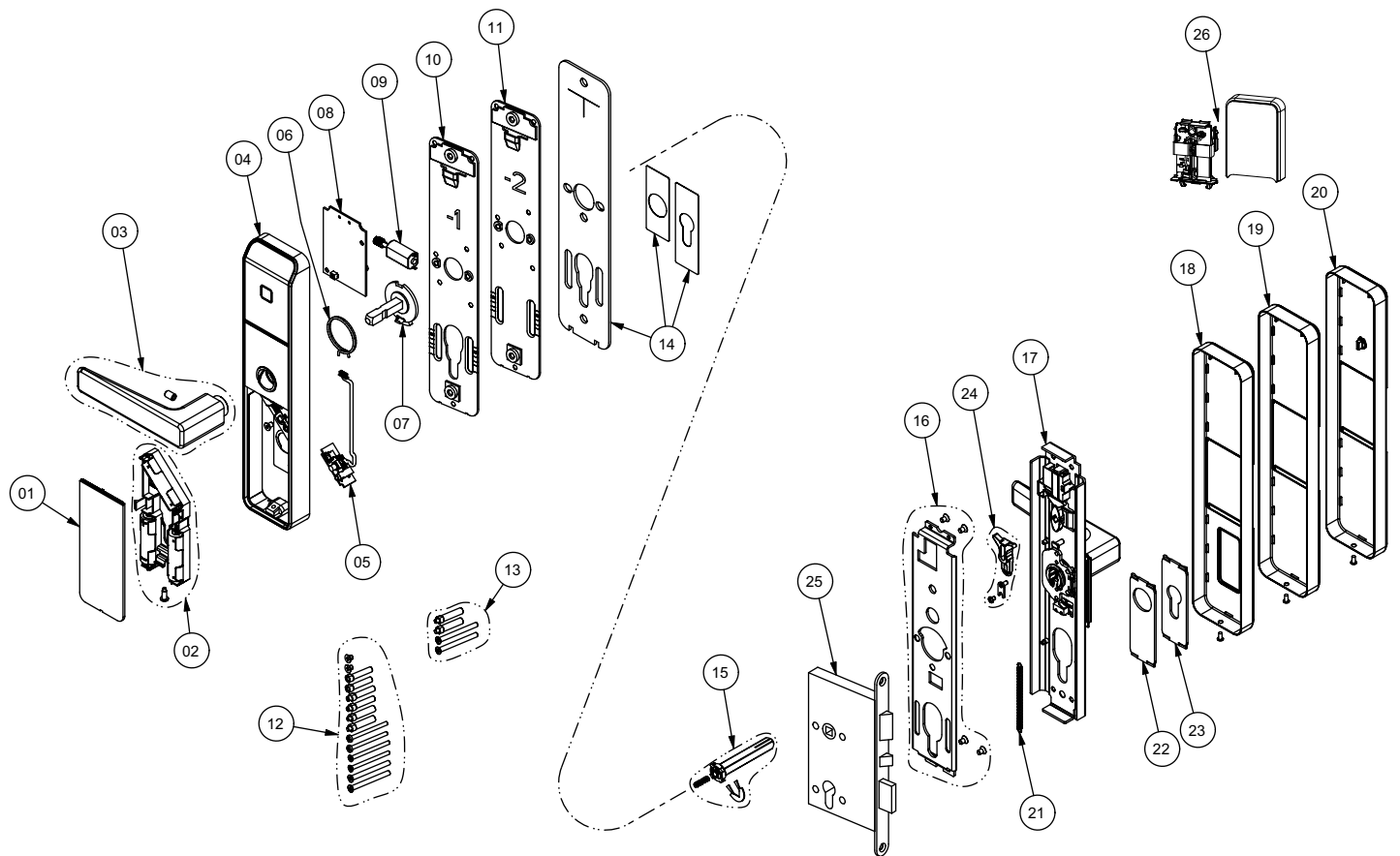
Lock Model			Bluetooth	Outside housing Options		Installation Options				Inside Housing Options			Mortise Options		
Confidant RFID (Fixed value)	System (Fixed value)	Operating System	Bluetooth	Cylinder Support	Outside Lever	Spindle Kit	Mounting Screw	Finish	Mounting Plate	Cylinder Support	Privacy	Inside Lever	Model	Deadbolt Functionality	Handing
<b>C</b>	<b>S****</b>	<b>00</b> FDU	<b>0</b> NO BLE 1 BLE Ready <b>2</b> BLE Enabled <b>H</b> Hilton BLE (Only for Hilton properties)	<b>K</b> Cylinder Support <b>E</b> No Cylinder	<b>S</b> Short Return (Not approved for EN 179) <b>L</b> Long Return (Approved for EN 179) <b>N</b> No Lever <b>Note:</b> All lever handles compliant with DIN 18273	<b>9</b> 9 mm (Approved for EN179)	<b>M</b>	<b>C</b> Satin Chrome Interior <b>B</b> Satin Brass Interior <b>E</b> Satin Chrome Exterior <b>H</b> Satin Brass Exterior <b>U</b> Satin Chrome Oceanfront	<b>R</b> Rose Mount <b>B</b> Backplate mount	<b>N</b> No cylinder <b>*C</b> Euro profile or Swiss cylinder (No Privacy)	<b>N</b> No Thumbturn, (No Privacy) <b>P</b> Privacy Thumbturn with kickoff	<b>S</b> Short Return <b>L</b> Long Return (Approved for EN 179) <b>N</b> No Lever	<b>B</b> BMH 801 lock case 20mm face plate (approved for EN 179) <b>C</b> BMH 801 lock case 24mm face plate (approved for EN 179)	<b>O</b> Standard Dead Bolt	<b>R</b> RH or LHR <b>L</b> LH or RHR

\* Inside cylinder support not available with privacy thumbturn option.

\*\*\*\* The S model has been discontinued and should only be ordered for existing properties requiring spare parts.

# Confidant RFID Kit 3 (European Mortise Lock Case)

Spare Parts



# Confidant RFID Kit 3 (European Mortise Lock Case)

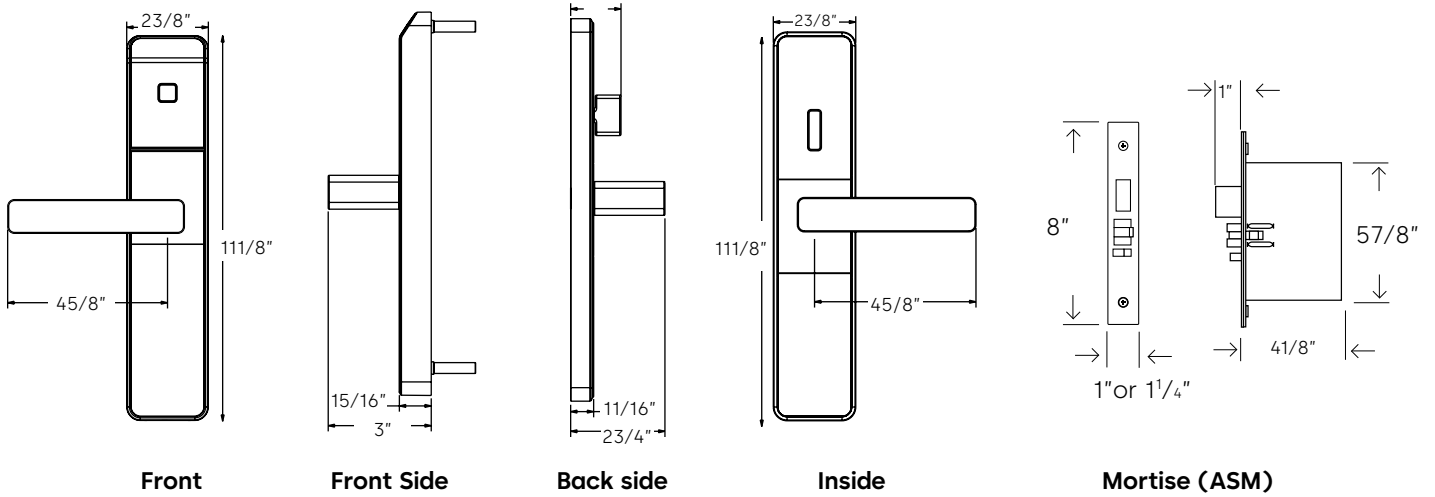
## Spare Parts

ITEM NUMBER	PART NUMBER	DESCRIPTION	ITEM NUMBER	PART NUMBER	DESCRIPTION
1	118+513769	Battery door Kit Confidant RFID	15	062-514671-2	Spindle kit 9 mm x 90 mm - doors 35 to 65 mm
2	118+513774+3	Battery holder assy Confidant RFID		062-514671-5	Spindle kit 9 mm x 120 mm - doors
3	069+513776+1626	Lever handle 8 mm w/screw (satin chrome)		062-514671-7	Spindle kit 9 mm x 95 mm - doors 35 to 55 mm
	069+513776+1906	Lever handle 8 mm w/screw (satin brass)		062-514671-8	Spindle kit 9 mm x 115 mm - doors >55 to 75 mm
	069+513776+1828	Lever handle 8 mm w/screw (ocean front chrome)	062-514671-9	Spindle kit 9 mm x 135 mm - doors >75 to 95 mm	
	069+513974+4626	Long lever handle 8 mm w/screw (Satin Chrome)	16	062-514106	Rose mount back plate and screws
	069+513974+4906	Long lever handle 8 mm w/screw (Satin Brass)		17	BCN00xExNxxx1N-xx*
069+513974+4828	Long lever handle 8 mm w/screw (Ocean Front Chrome)	BCN00xExPxxx1N-xx*	Inside trim kit with privacy and kick off		
062-514994-2630	DIN lever handle 8 mm w/screw & bushing (Stainless steel)	18	062-514166-2626	Trim plate and contour w/cylinder (satin chrome)	
4	FCN00xExNNxx10N-xx*		Front lock housing	062-514166-2906	Trim plate and contour w/cylinder (satin brass)
5	064-513764-2		Confidant RFID lock transition PCB w/cable	062-514166-6626	Trim plate and contour w/cylinder (satin chrome, Bluetooth version)
6	012-513751		Lever spring Confidant RFID	062-514166-6906	Trim plate and contour w/cylinder (satin brass, Bluetooth version)
7	118-514116	Outside hub and spindle kit Confidant RFID	19	062-514166-1626	Trim plate and contour (satin chrome)
8	064-513708-003	Confidant lock main PCB atlas Bluetooth compatible (also for older version E001 PCB replacements)		062-514166-1906	Trim plate and contour (satin brass)
	064-513708E003	Confidant lock main PCB atlas Bluetooth compatible (Ocean Front) (also for older version E001 PCB replacements)		062-514166-5626	Trim plate and contour (satin chrome, Bluetooth version)
9	063+514042	Motor worm kit Confidant RFID		062-514166-5906	Trim plate and contour (satin brass, Bluetooth version)
10	118-514318-1	Back plate Confidant RFID key override cylinder	20	062-513975-1626	Trim plate and turn knob (satin chrome)
11	118-514318-2	Back plate Confidant RFID w/out key override cylinder		062-513975-1906	Trim plate and turn knob (satin brass)
12	062-514995-1	M4 Screws & posts Confidant RFID Rose Mount - doors 35 to 55 mm		062-513975-3626	Trim plate and turn knob (satin chrome, Bluetooth version)
	062-514995-2	M4 Screws only Confidant RFID Rose Mount - doors > 55 to 75 mm		062-513975-3906	Trim plate and turn knob (satin brass, Bluetooth version)
	062-514995-3	M4 Screws only Confidant RFID Rose Mount - doors >75 to 95 mm	21	012-514105	Extension spring
13	062-514996-1	M5 Screws & posts Confidant RFID Backplate Mount - doors 35 to 55 mm	22	062-513956-1	Cylinder trim swiss profile cylinder
	062-514996-2	M5 Screws only Confidant RFID Backplate Mount - doors > 55 to 75 mm	23	062-513956-2	Cylinder trim euro profile cylinder
	062-514996-3	M5 Screws only Confidant RFID Backplate Mount - doors >75 to 95 mm	24	062-514696	Retainer kit
14	062+514343+1	Outdoor kit Confidant RFID euro profile cylinder	25	062-515016-L630	BMH 801 lock case, 65mm back-set, 20mm faceplate, LH
	062+514343+2	Outdoor kit Confidant RFID swiss profile cylinder		032-515016-R630	BMH 801 lock case, 65mm back-set, 20mm faceplate, RH
	062+514343+3	Outdoor kit Confidant RFID no cylinder		032-515071-L630	BMH 801 lock case, 65mm back-set, 24mm faceplate, LH
				032-515071-R630	BMH 801 lock case, 65mm back-set, 24mm faceplate, RH
			26	118-514 870-P	Antenna cover ass'y Confidant
				118-514870-P-BT-2	Antenna cover ass'y with Bluetooth Confidant

\* To configure part, visit [www.dormakabalodgingstore.com](http://www.dormakabalodgingstore.com) or contact customer service: 1.800.999.6213 or +1.514.340.9025 / [lodging-cs@dormakaba.com](mailto:lodging-cs@dormakaba.com)

# Confidant RFID (ANSI Mortise Lock Case)

## Ordering



Standard Model Number - ASM / ESM (Example)																		
C	S	00	0	E	L	-	A	M	C	B	-	N	P	C	-	1	0	R
Lock Model			Bluetooth	Outside housing Options		Installation Options				Inside Housing Options			Mortise Options					

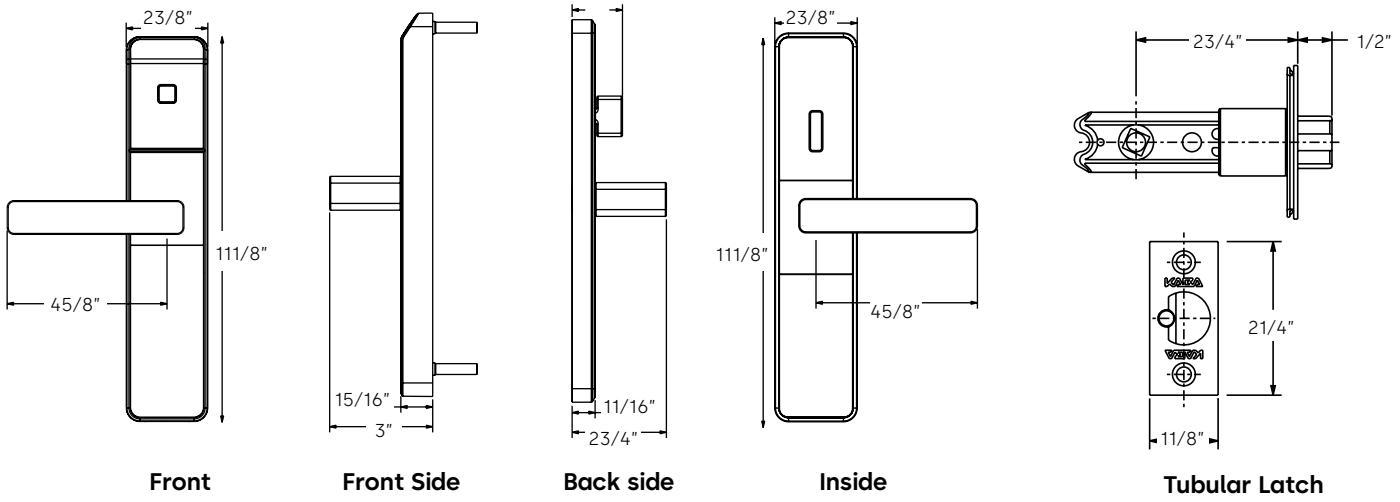
Build the model number with the required options																		
C	S	00		E		-	A	M		B	-	N						
Lock Model			Bluetooth	Outside housing Options		Installation Options				Inside Housing Options			Mortise Options					

Lock Model			Bluetooth	Outside housing Options		Installation Options				Inside Housing Options			Mortise Options			
Confidant RFID (Fixed value)	System (Fixed value)	Operating System	Bluetooth	Cylinder Support	Outside Lever	Spindle Kit	Mounting Screw	Finish	Mounting Plate	Cylinder Support	Privacy	Inside lever	Model	Deadbolt Functionality	Handing	
<b>C</b>	<b>S****</b>	<b>00</b> FDU	<b>0</b> No BLE <b>1</b> BLE Ready <b>2</b> BLE Enabled <b>D<sup>1</sup></b> DEMO No BLE <b>E<sup>1</sup></b> DEMO BLE Enabled <b>H</b> Hilton BLE (Only for Hilton properties)	<b>E</b> No Cylinder	<b>S</b> Short <b>L</b> Long Return (California compatible)	<b>A</b> 7.14 mm	<b>M</b>	<b>C</b> Satin Chrome Interior <b>B</b> Satin Brass Interior <b>E</b> Satin Chrome Exterior <b>H</b> Satin Brass Exterior <b>U</b> Satin Chrome Oceanfront	<b>B</b> Backplate mount	<b>N</b> No Cylinder	<b>N</b> No Thumbturn No Privacy <b>P</b> Privacy Thumbturn	<b>C</b> California (non reversible Not available with F Handing Mortise Option) <b>S</b> Short Return	<b>1</b> ASM 1 1/4" <b>3</b> ASM 1"	<b>0</b> Std. DB (requires privacy) <b>1</b> ADB (not available with ESM) <b>2</b> No Deadbolt	<b>L</b> LH & RHR w/ S inside lever LH w/ California inside lever <b>R</b> RH & LHR w/ S inside lever RH w/ California inside lever <b>X</b> LHR w/ California inside lever <b>Y</b> RHR w/ California inside lever <b>F</b> Dual handed (RH mortise, 2 strikes) Reversible (not with California inside lever)	

\* Not available with BLE  
 (1) Demo locks (D and E) are short lever, satin chrome only.  
 \*\*\*\* The S model has been discontinued and should only be ordered for existing properties requiring spare parts.

# Confidant RFID (Tubular Latch)

## Ordering



Standard Model Number - Tubular Latch (Example)																		
C	S	00	0	E	S	-	8	M	C	B	-	N	P	C	-	6	N	L
Lock Model			Bluetooth	Outside housing Options		Installation Options			Inside Housing Options			Mortise Options						

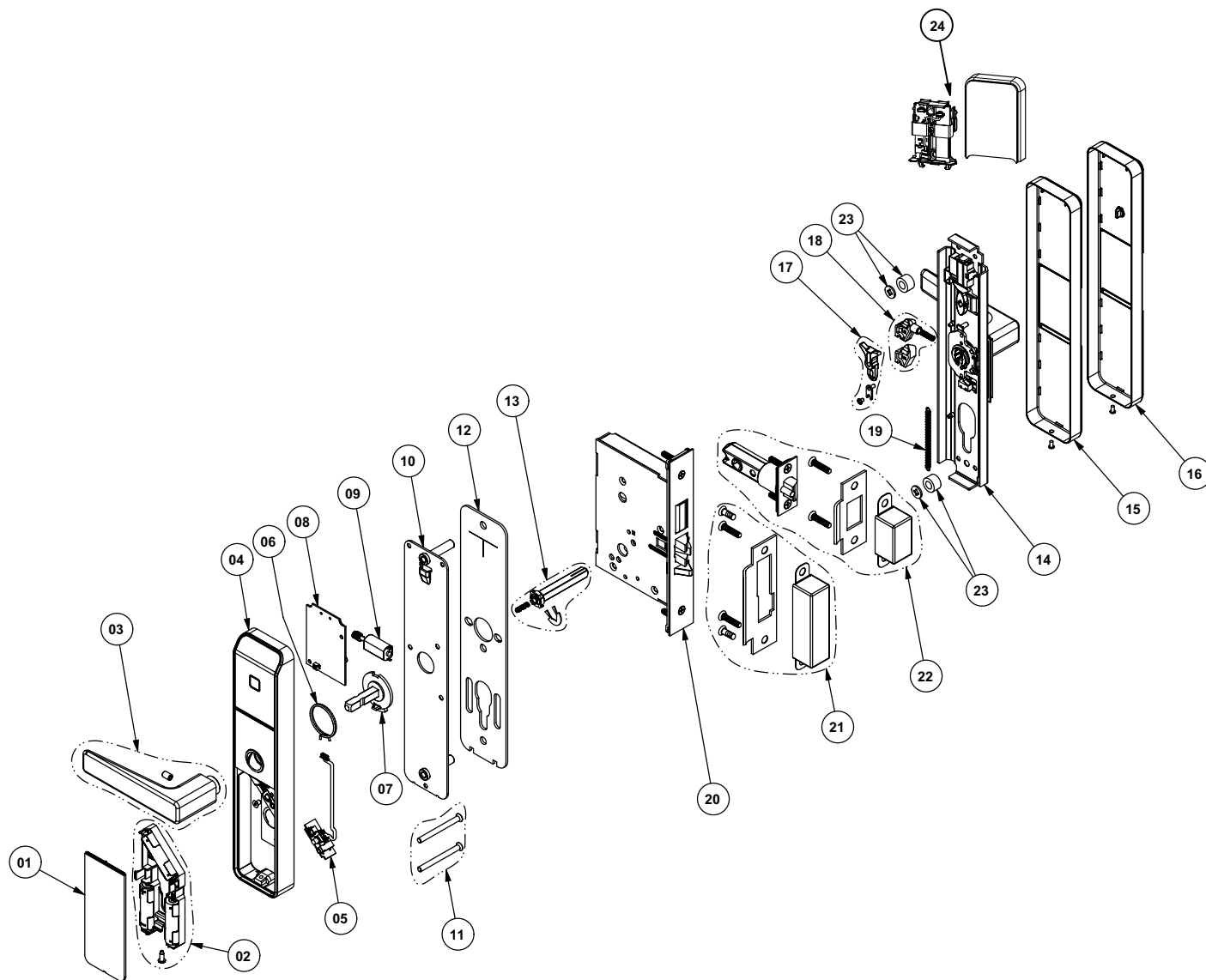
Build the model number with the required options																		
C	S	00		E		-	8	M		B	-	N			-		N	
Lock Model			Bluetooth	Outside housing Options		Installation Options			Inside Housing Options			Mortise Options						

Lock Model			Bluetooth	Outside housing Options		Installation Options				Inside Housing Options			Mortise Options		
Confidant RFID (Fixed value)	System (Fixed value)	Operating System	Bluetooth	Cylinder Support	Outside Lever	Spindle Kit	Mounting Screw	Finish	Mounting Plate	Cylinder Support	Privacy	Inside lever	Model	Deadbolt Functionality	Handing
<b>C</b>	<b>S****</b>	<b>00</b> FDU	<b>0</b> No BLE <b>1</b> BLE Ready <b>2</b> BLE Enabled <b>D</b> <sup>1</sup> DEMO No BLE <b>E</b> <sup>1</sup> DEMO BLE Enabled <b>H</b> Hilton BLE (Only for Hilton properties)	<b>E</b> No Cylinder	<b>S</b> Short <b>L</b> Long Return (California compatible)	<b>8</b> 8 mm	<b>M</b>	<b>C</b> Satin Chrome Interior <b>B</b> Satin Brass Interior <b>E</b> Satin Chrome Exterior <b>H</b> Satin Brass Exterior <b>U</b> Satin Chrome Oceanfront	<b>B</b> Backplate mount	<b>N</b> No Cylinder	<b>N</b> No Thumbturn No Privacy <b>P</b> Privacy Thumbturn With Kickoff	<b>C</b> California (non reversible. Not available with F Handing Mortise Option) <b>S</b> Short	<b>6</b> Tubular 2 3/8" backset t-strike <b>7</b> Tubular 2 3/8" backset t-strike	<b>N</b> None	<b>L</b> LH <b>R</b> RH <b>F</b> Reversible (not with California inside lever)

(1) Demo locks (D and E) are short lever, satin chrome only.  
 \*\*\*\* The S model has been discontinued and should only be ordered for existing properties requiring spare parts.

# Confidant RFID (ANSI Mortise Lock Case)

## Spare Parts



# Confidant RFID (ANSI Mortise Lock Case)

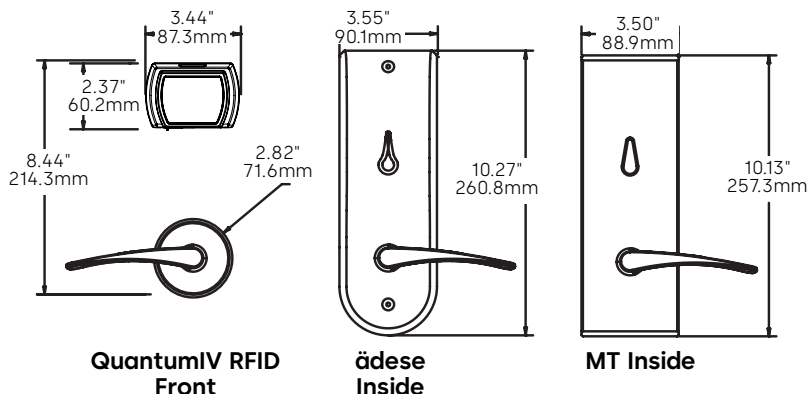
## Spare Parts

ITEM NUMBER	PART NUMBER	DESCRIPTION	ITEM NUMBER	PART NUMBER	DESCRIPTION
1	118+513769	BATTERY DOOR ASSY CONFIDANT	1	118+513769	BATTERY DOOR ASSY CONFIDANT
2	118+513774	BATTERY HOLDER ASSY CONFIDANT	2	118+513774	BATTERY HOLDER ASSY CONFIDANT
3	069+513776+1626	LEVER HANDLE 8 mm W/ SCREW (satin chrome)	3	069+513776+1626	LEVER HANDLE 8 mm W/ SCREW (satin chrome)
	069+513776+1906	LEVER HANDLE 8 mm W/ SCREW (satin brass)		069+513776+1906	LEVER HANDLE 8 mm W/ SCREW (satin brass)
4	FCN00-AENNxx10N-xx *	FRONT HOUSING ASSEMBLY	4	FCN00-AENNxx10N-xx *	FRONT HOUSING ASSEMBLY
5	064-513764	CONFIDANT LOCK TRANSITION PCB W/ CABLE	5	064-513764	CONFIDANT LOCK TRANSITION PCB W/ CABLE
6	012-513751	LEVER SPRING CONFIDANT	6	012-513751	LEVER SPRING CONFIDANT
7	118-514116	OUTSIDE HUB AND SPINDLE ASSY CONFIDANT	7	118-514116	OUTSIDE HUB AND SPINDLE ASSY CONFIDANT
8	064-513708-001	CONFIDANT LOCK MAIN PCB ATLAS	8	064-513708-001	CONFIDANT LOCK MAIN PCB ATLAS
9	063+514042	MOTOR WORM ASSY CONFIDANT	9	063+514042	MOTOR WORM ASSY CONFIDANT
10	118-513766-6	BACK PLATE CONFIDANT ASSY BP KEY	10	118-513766-6	BACK PLATE CONFIDANT ASSY BP KEY
11	062-514668-1	Screws BP Confidant kit 2 - doors 1 3/8" to 2 1/2"	11	062-514668-1	Screws BP Confidant kit 2 - doors 1 3/8" to 2 1/2"
	062-514668-2	Screws BP Confidant kit 2 - doors > 2 1/2" to 3 5/8"		062-514668-2	Screws BP Confidant kit 2 - doors > 2 1/2" to 3 5/8"
12	033-513935	Gasket outside housing Confidant RFID	12	033-513935	Gasket outside housing Confidant RFID
13	062-514673-1	Spindle ass'y 9/32"x 3 9/16" - doors 1 3/8" to 2 1/2"	13	062-514673-1	Spindle ass'y 9/32"x 3 9/16" - doors 1 3/8" to 2 1/2"
	062-514673-2	Spindle ass'y 9/32" x 4 3/4" - doors > 2 1/2" to 3 5/8"		062-514673-2	Spindle ass'y 9/32" x 4 3/4" - doors > 2 1/2" to 3 5/8"
14	BCN00-ANNxAx1N-xx*	Inside trim ass'y w/out privacy	14	BCN00-ANNxAx1N-xx*	Inside trim ass'y w/out privacy
	BCN00-ANPxAx1N-xx*	Inside trim ass'y with privacy and kick off		BCN00-ANPxAx1N-xx*	Inside trim ass'y with privacy and kick off
	BCN00-ANDxAx1N-xx*	Inside trim ass'y with privacy no kick off		BCN00-ANDxAx1N-xx*	Inside trim ass'y with privacy no kick off
15	118+514166+1626	Trim plate and contour sub ass'y (satin chrome)	15	118+514166+1626	Trim plate and contour sub ass'y (satin chrome)
	118+514166+1906	Trim plate and contour sub ass'y (satin brass)		118+514166+1906	Trim plate and contour sub ass'y (satin brass)
16	118+513975+1626	Trim plate and turn knob ass'y (satin chrome)	16	118+513975+1626	Trim plate and turn knob ass'y (satin chrome)
	118+513975+1906	Trim plate and turn knob ass'y (satin brass)		118+513975+1906	Trim plate and turn knob ass'y (satin brass)
17	062-514696	Retainer kit	17	062-514696	Retainer kit
18	025-514557	Turn knob stopper	18	025-514557	Turn knob stopper
19	012-514105	Extension spring	19	012-514105	Extension spring
20	M76-xxx1-xxx*	ASM mortise	20	M76-xxx1-xxx*	ASM mortise
21	50413x-6xx-K*	Standard 4 7/8" (124 mm)	21	50413x-6xx-K*	Standard 4 7/8" (124 mm)
22	032-514674	Tubular latch kit	22	032-514674	Tubular latch kit
24	118+513975+1626	Trim plate and turn knob ass'y (satin chrome)	24	118+513975+1626	Trim plate and turn knob ass'y (satin chrome)
	118+513975+1906	Trim plate and turn knob ass'y (satin brass)		118+513975+1906	Trim plate and turn knob ass'y (satin brass)
25	012-514105	Extension spring	25	012-514105	Extension spring
26	025-513956-1	Cylinder trim Swiss profile cylinder	26	025-513956-1	Cylinder trim Swiss profile cylinder
26	025-513956-2	Cylinder trim Euro profile cylinder	26	025-513956-2	Cylinder trim Euro profile cylinder

\* To configure part, visit [www.dormakabalodgingstore.com](http://www.dormakabalodgingstore.com) or contact customer service: 1.800.999.6213 or +1.514.340.9025 / [lodging-cs@dormakaba.com](mailto:lodging-cs@dormakaba.com)

# Saflok QuantumIV RFID

## Ordering



**Standard Model (Example)** (Continue building the model number to the right)

Model	Version	Locking Mechanism	Communication	Application	Lever	Handing	
<b>Q</b>	<b>1</b>	<b>1</b>	<b>N</b>	<b>A</b>	<b>C</b>	<b>L</b>	
		Mortise	Faceplate	Primary	Secondary	Type	Position

**Build the model number with the desired options** (Continue building the model number to the right)

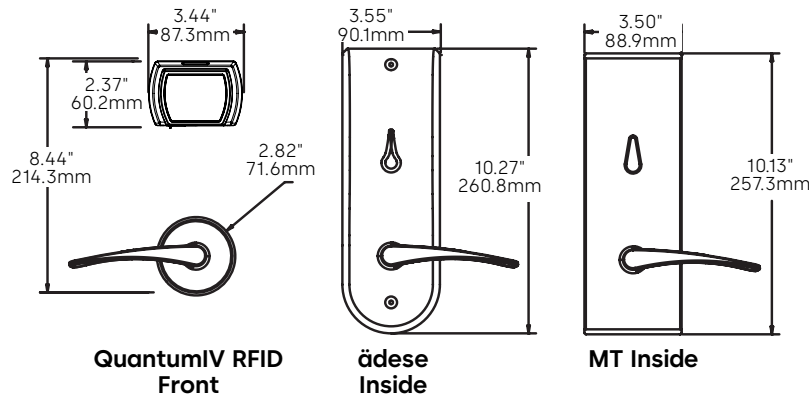
Model	Version	Locking Mechanism	Communication	Application	Lever	Handing	
<b>Q</b>	<b>1</b>						
		Mortise	Faceplate	Primary	Secondary	Type	Position

Style	Version	Locking Mechanism		Communication		Application	Lever		Handing				
		Mortise	Faceplate	Primary	Secondary		Type	Position					
<b>QF</b> QuantumIV MT	<b>1</b>	<b>ASM:</b>	<b>ASM:</b>	<b>N</b>	<b>A</b>	<b>0</b> Interior	<b>C</b> Continental	<b>0</b> Standard	<b>L</b> Left Hand				
<b>QG</b> QuantumIV ädese		<b>1</b> Standard	<b>1</b> 1 1/4" (32 mm)	<b>X</b> Primary Ready**	<b>B</b> BLE Ready					<b>E</b> Exterior	<b>E</b> Elevon	<b>1</b> Vert I/S	<b>R</b> Right Hand
		<b>2</b> ADB	<b>2</b> 1" (25 mm)	<b>D</b> Inncom RF	<b>C</b> BLE Enabled					<b>H</b> Heavy	<b>G</b> Gala		<b>X</b> Left Hand Reverse
		<b>3</b> Utility	<b>Dummy:</b>	<b>H</b> Zigbee G2 North America***	<b>D</b> Hilton BLE*						<b>T</b> Troy		<b>Y</b> Right Hand Reverse
		<b>4</b> Standard DAJ	<b>D</b> Dummy (no faceplate)	<b>J</b> Zigbee G2 Europe/Asia***	<b>G</b> BLE Mod Bracket								
		<b>5</b> ADB DAJ		<b>K</b> Zigbee G2 International***	<b>H</b> Hilton BLE Mod Bracket*								
		<b>6</b> Utility DAJ		<b>L</b> Telkonet G2***	<b>Dummy:</b>								
		<b>7</b> Utility ADB			<b>N</b> No Secondary (for Dummy Only)								
		<b>8</b> Utility ADB DAJ											
		<b>9</b> NDB											
		<b>A</b> NDB Utility											
		<b>B</b> NDB DAJ											
		<b>C</b> NDB UTL DAJ											
		<b>Dummy:</b>											
	<b>D</b> Dummy												

Note: \*\* If no primary communication, use "X" primary ready when lock is BLE ready or enabled with double end cap D and mortise is DAJ, MKO or EURO; otherwise use "N" No Primary.  
 \*\*\* Zigbee G1 not available for QuantumIV

# Saflok QuantumIV RFID

## Ordering



### Standard Model (Example) (Continued)

Door Size: **A** Thickness, **N** Offset, **O** Outside, **O** Inside. Optional Adjustment: **O** Special Hardware/Functionality. Packout: **O**. Finish: **S** Bright Chrome, **C** Satin Chrome.

### Build the model number with the desired options (Continued)

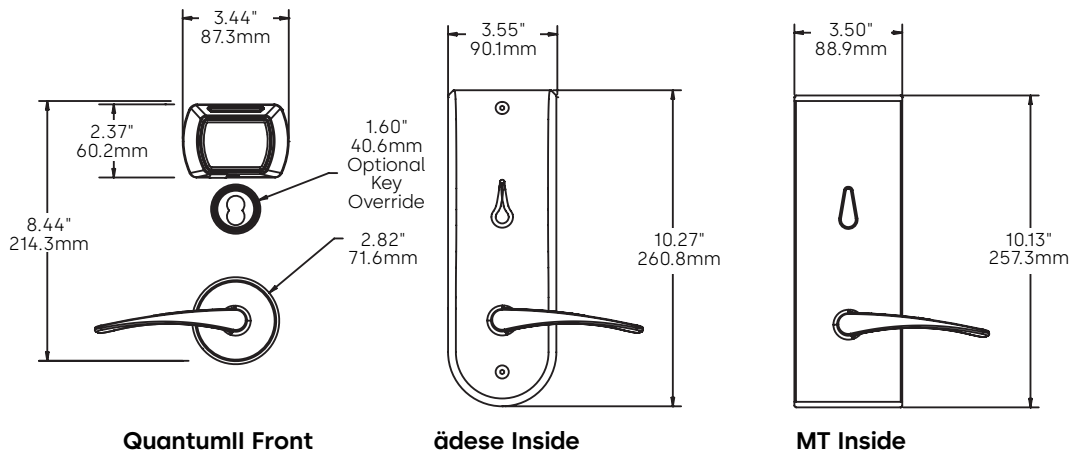
Door Size:  Thickness, **N** Offset, **O** Outside,  Inside. Optional Adjustment:  Special Hardware/Functionality. Packout: . Finish:  .

Door Size		Optional Adjustment		Packout		Finish
Thickness**	Offset	Outside	Inside	Special Hardware/Functionality		
<b>A</b> 1.75" (44mm)	<b>N</b> No Offset	<b>O</b> Standard	<b>O</b> Standard	<b>O</b> Standard	<b>O</b> Standard	<b>BC</b> Bright Chrome
<b>B*</b> 1.38" (35-40mm)			<b>A</b> FS Housing/Thumbturn*	<b>A</b> Escape Return**	<b>A</b> Custom Strike	<b>BK</b> Black
<b>C</b> 2.00" (51mm)			<b>B</b> FS Housing/MT Thumbturn*	<b>B</b> Tamper Switch	<b>B</b> Ocean Shipment	<b>OZ</b> Dark Mahogany
<b>D</b> 2.25" (57mm)			<b>C</b> FS Housing/äd se Thumbturn*	<b>T</b> Toggle (MT only)	<b>C</b> Ocean/Custom Strike	<b>SC</b> Satin Chrome
<b>E</b> 2.38" (60mm)			<b>D</b> FS Housing/äd se Thumbturn*	<b>D</b> Dress Ring	<b>D</b> Ocean/Australia Strike	
<b>F</b> 2.50" (63.5mm)			<b>D</b> FS Housing/Utility (No Thumbturn)*	<b>M</b> Dummy w/ Messenger Cap	<b>E</b> Demo Lock*	
<b>G</b> 2.87"-3.00" (73-76mm)			<b>F</b> FS Thumbturn	<b>N</b> Dummy w/ Double Messenger Cap		
<b>H</b> 3.03" (77mm)						
<b>J</b> 3.35" (85mm)						
<b>K</b> 3.90" (100mm)						
ädese only available in ADB or Utility for door thickness greater than 2.00" (51mm)			*BLE not available with FS housing. FS housing only available with ädese locks	** Escape return for MT I/S only.		*Knob only available in BS, SS *FS option not available in BB, BK, OZ, or SB *Only SC, BC, OZ, and BK approved for exterior application *BC is not available with heavy finish  Continental not available in SN

Note: \*1" Faceplate required for 1.38" (35-40mm) door size  
 Messenger locks should be configured with DAJ mortise.  
 \*\*Over 2.00 [51mm] or custom door size must include A, C, or D packout option so that standard strike is not included

# Saflok QuantumIV Mechanical Key Override (MKO)

## Ordering



**Standard Model (Example)** (Continue building the model number to the right)

Model	Version	Locking Mechanism	Communication	Application	Lever	Handing
<b>Q</b> <b>F</b>	<b>1</b>	<b>M</b> <b>1</b>	<b>N</b> <b>A</b>	<b>0</b>	<b>C</b> <b>0</b>	<b>L</b>
		Mortise Faceplate/Cylinder	Primary Secondary		Type Position	

**Build the model number with the desired options** (Continue building the model number to the right)

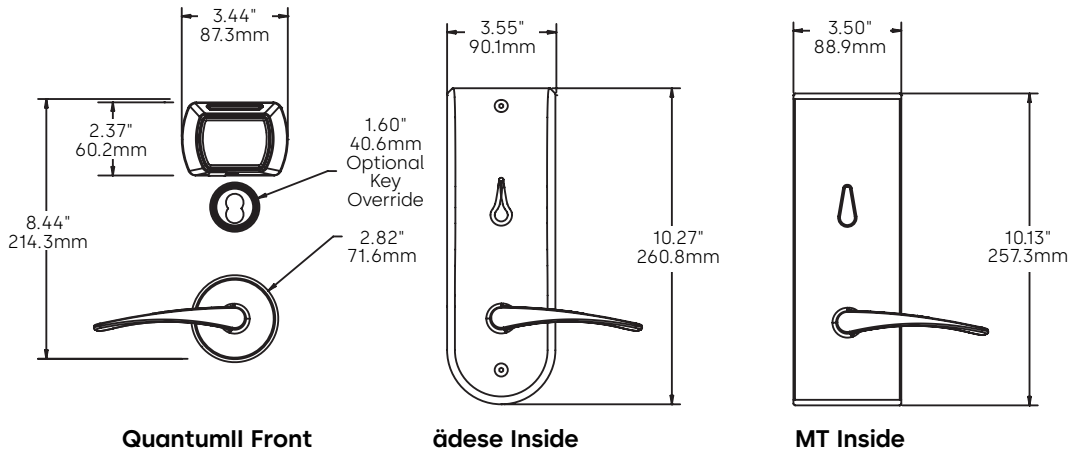
Model	Version	Locking Mechanism	Communication	Application	Lever	Handing
<b>Q</b> <input type="text"/>	<b>1</b> <input type="text"/>	<input type="text"/> <input type="text"/>	<input type="text"/> <input type="text"/>	<input type="text"/>	<input type="text"/> <input type="text"/>	<input type="text"/>
		Mortise Faceplate/Cylinder	Primary Secondary		Type Position	

Style	Version	Locking Mechanism		Communication		Application	Lever		Handing
		Mortise	Faceplate/Cylinder	Primary	Secondary		Type	Position	
<b>QF</b> QuantumIV MT	<b>1</b>	<b>M</b> MKO	<b>1</b> 1 1/4" (32mm)	<b>N</b> No Primary*	<b>A</b> BLE Compatible	<b>0</b> Interior <b>E</b> Exterior	<b>C</b> Continental	<b>0</b> Standard	<b>L</b> Left Hand <b>R</b> Right Hand <b>X</b> Left Hand Reverse <b>Y</b> Right Hand Reverse
<b>QG</b> QuantumIV ädesè		<b>N</b> MKO Utility	No Cylinder	<b>X</b> Primary Ready*	<b>B</b> BLE Ready		<b>E</b> Eleven	<b>1</b> Vert I/S	
		<b>P</b> MKO NDB	1 1/4" (32mm) Non removable core Keyed differently	<b>D</b> Inncom Rf	<b>C</b> Kaba Ble Enabled		<b>G</b> Gala		
		<b>R</b> MKO NDB Utility	<b>5</b> 1 1/4" (32mm) Non removable core Keyed alike	<b>H</b> Zigbee G2 N. America***	<b>D</b> Hilton S2R BLE Enabled*		<b>T</b> Troy		
			<b>7**</b> 1 1/4" (32mm) SFIC	<b>J</b> Zigbee G2 Europe/Asia***	<b>G</b> Kaba BLE Enabled Mod Bracket				
			<b>2</b> 1" (25mm) No Cylinder	<b>K</b> Zigbee G2 International***	<b>H</b> Hilton S2R BLE Enabled Mod Bracket*				
			<b>4</b> 1" (25mm) Non removable core Keyed differently	<b>L</b> Telkonet G2***	*Hilton BLE (only for Hilton properties)				
			<b>6</b> 1" (25mm) Non removable core Keyed alike	G1 Zigbee site support must use G1, do not mix					
		<b>8**</b> 1" (25mm) SFIC							

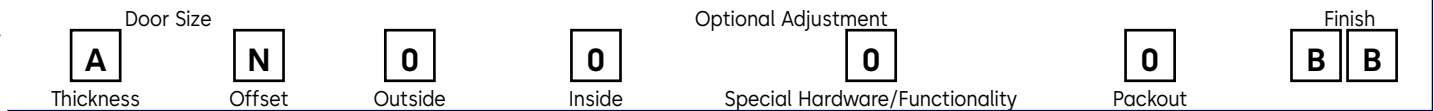
Note: \*\*Option 7 and 8 SFIC cylinder does not include core  
 \*\*\* Primary communication options only available with DAJ mortises

# Saflok QuantumIV Mechanical Key Override (MKO)

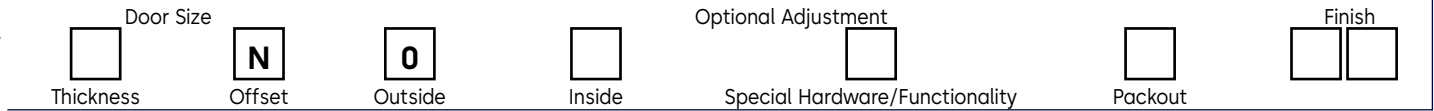
## Ordering



### Standard Model (Example) (Continued)



### Build the model number with the desired options (Continued)

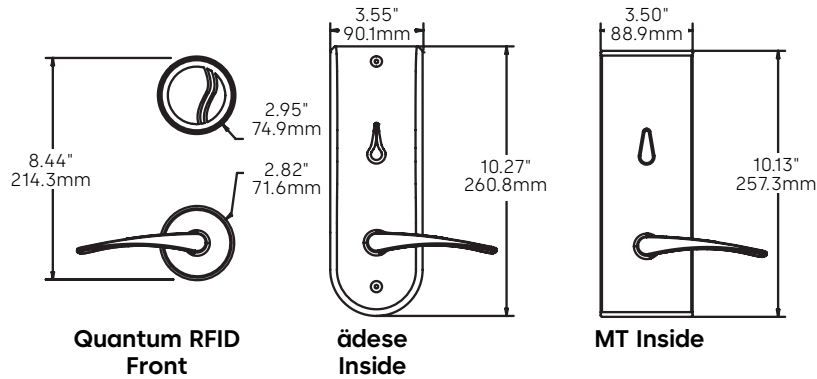


Door Size		Optional Adjustment				Finish					
Thickness**	Offset	Outside	Inside	Special Hardware/Functionality	Packout						
<b>A</b> 1.75" (44mm)	<b>N</b> No Offset	<b>O</b> Standard	<b>O</b> Standard	<b>O</b> Standard	<b>O</b> Standard	<b>BB</b> Bright Brass					
<b>B*</b> 1.38" (35-40mm)							<b>J</b> No Reader	<b>A</b> FS Housing/Thumbturn*	<b>A</b> Escape Return****	<b>A</b> Custom Strike	<b>BC</b> Bright Chrome
<b>C</b> 2.00" (51mm)								<b>B</b> FS Housing/ MT Thumbturn*	<b>B</b> Tamper Switch	<b>B</b> Ocean Shipment	<b>BK</b> Black
<b>D</b> 2.25" (57mm)								<b>C</b> FS Housing/ä d se Thumbturn*	<b>D</b> Dress Ring**	<b>C</b> Ocean/Custom Strike	<b>OZ</b> Dark Mahogany
<b>E</b> 2.38" (60mm)								<b>D</b> FS Housing/(No thumbturn)*	<b>E</b> Kaba BLE FW	<b>D</b> Ocean/Australia Strike*	<b>SC</b> Satin Chrome
<b>F</b> 2.50" (63.5mm)									<b>F</b> Hilton BLE FW (only for Hilton properties)	<b>E</b> Demo Lock**	<b>SN</b> Satin Nickel
<b>G</b> 2.87"-3.00" (73-76mm)									<b>T</b> Toggle Mode***	<b>F</b> Demo Lock - Black**	<b>SB</b> Satin Brass
<b>H</b> 3.03" (77mm)											
<b>J</b> 3.35" (85mm)											
<b>K</b> 3.90" (100mm)											
ä dese only available in ADB or Utility for door thickness greater than 2.00" (51mm)			*BLE not available with FS housing. FS housing only available with ä d se locks	**Dress Ring For Adese Only ***Toggle Mode For MT I/S Only **** Escape return for MT I/S only.	*Ocean/Australia Strike For No Dead Bolt Locks Only **Demo lock only available in 1-3/4" RH door with KD cylinder	*Knob only available in BB, BS, SB, SS *AB only available with ä d se I/S *FS option not available in BB, BK, OZ, or SB *Continental not available in SN *Only SC, BC, OZ, and BK approved for exterior application					

Note: \*1" Faceplate required for 1.38" (35-40mm) door size  
 \*\*Over 2.00 [51mm] or custom door size must include A, C, or D packout option so that standard strike is not included

# Saflok Quantum RFID

## Ordering



**Standard Model (Example)** (Continue building the model number to the right)

Model	Version	Locking Mechanism		Communication		Application	Lever		Handing
<b>Q</b>	<b>M</b>	<b>1</b>	<b>1</b>	<b>N</b>	<b>A</b>	<b>0</b>	<b>C</b>	<b>0</b>	<b>L</b>
		Mortise	Faceplate	Primary	Secondary		Type	Position	

**Build the model number with the desired options** (Continue building the model number to the right)

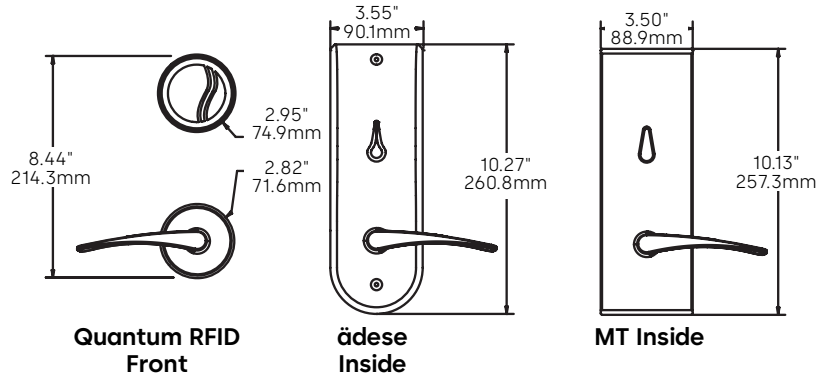
Model	Version	Locking Mechanism		Communication		Application	Lever		Handing
<b>Q</b>	<b>1</b>								
		Mortise	Faceplate	Primary	Secondary		Type	Position	

Style	Version	Locking Mechanism		Communication		Application	Lever		Handing
		Mortise	Faceplate	Primary	Secondary		Type	Position	
<b>QM</b> Quantum RFID MT	<b>1</b>	<b>ASM:</b> <b>1</b> Standard	<b>ASM:</b> <b>1</b> 1 1/4" (32 mm)	<b>N</b> No Primary**	<b>A</b> BLE Compatible	<b>0</b> Wood Interior	<b>C</b> Continental	<b>0</b> Standard	<b>L</b> Left Hand
<b>QA</b> Quantum RFID ädese		<b>2</b> ADB	<b>2</b> 1" (25 mm)	<b>X</b> Primary Ready**	<b>B</b> BLE Ready	<b>E</b> Wood Exterior	<b>E</b> Elevon	<b>1</b> Vert I/S	<b>R</b> Right Hand
		<b>3</b> Utility	<b>Dummy:</b> <b>D</b> Dummy (no faceplate)	<b>A</b> Zigbee North America (158mW)***	<b>C</b> BLE Enabled	<b>H</b> Wood Heavy	<b>G</b> Gala		<b>X</b> Left Hand Reverse
		<b>4</b> Standard DAJ		<b>B</b> Zigbee Europe / Asia (10mW)***	<b>D</b> Hilton BLE*	<b>1</b> Metal Interior	<b>T</b> Troy		<b>Y</b> Right Hand Reverse
		<b>5</b> ADB DAJ		<b>C</b> Zigbee International (87mW)***	<b>G</b> BLE Mod Bracket	<b>F</b> Metal Exterior			
		<b>6</b> Utility DAJ		<b>D</b> Incom RF	<b>H</b> Hilton BLE Mod Bracket*	<b>J</b> Metal Heavy			
		<b>7</b> Utility ADB		<b>E</b> Crestron	<b>Dummy:</b> <b>N</b> No Secondary (for Dummy Only)				
		<b>8</b> Utility ADB DAJ		<b>F</b> Telkonet	<b>H</b> Zigbee G2 NorthAmerica***				
		<b>9</b> NDB		<b>J</b> Zigbee G2 Europe/Asia***	<b>K</b> Zigbee G2 International***				
		<b>A</b> NDB Utility		<b>L</b> Telkonet G2***					
		<b>B</b> NDB DAJ							
		<b>C</b> NDB UTL DAJ							
		<b>Dummy:</b> <b>D</b> Dummy							

Note: \*\* If no primary communication, use "X" primary ready when lock is BLE ready or enabled with double end cap D and mortise is DAJ, MKO or EURO; otherwise use "N" No Primary.  
 \*\*\*G1 Zigbee site support must use G1, do not mix

# Saflok Quantum RFID

## Ordering



**Standard Model (Example) (Continued)**

Door Size	Optional Adjustment			Finish	
<input checked="" type="checkbox"/> <b>A</b>	<input checked="" type="checkbox"/> <b>N</b>	<input checked="" type="checkbox"/> <b>O</b>	<input checked="" type="checkbox"/> <b>O</b>	<input checked="" type="checkbox"/> <b>O</b>	<input checked="" type="checkbox"/> <b>A</b> <input checked="" type="checkbox"/> <b>B</b>
Thickness	Offset	Outside	Inside	Special Hardware/Functionality	Packout

**Build the model number with the desired options (Continued)**

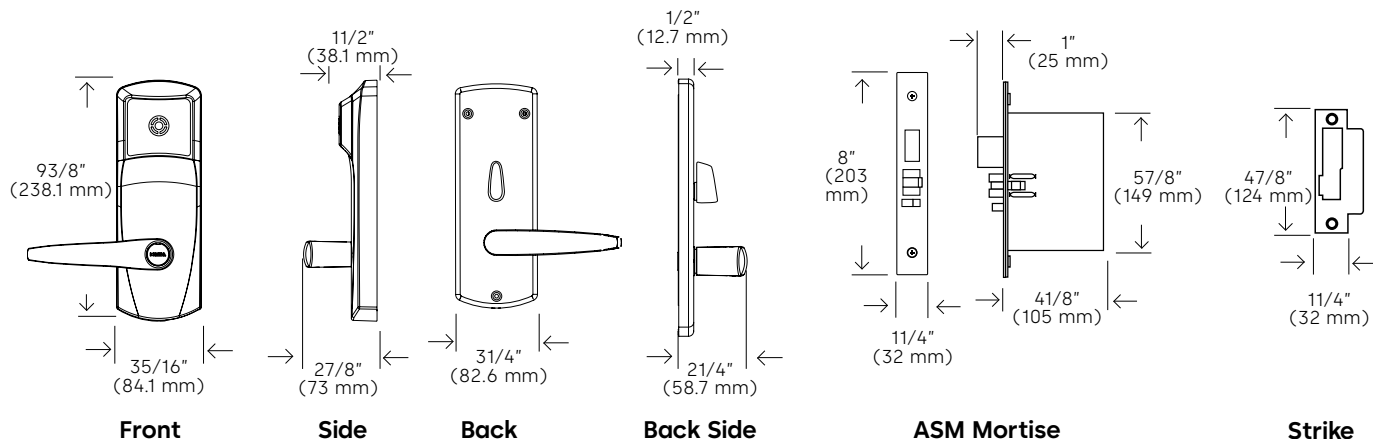
Door Size	Optional Adjustment			Finish	
<input type="checkbox"/>	<input checked="" type="checkbox"/> <b>N</b>	<input checked="" type="checkbox"/> <b>O</b>	<input type="checkbox"/>	<input type="checkbox"/>	<input type="checkbox"/> <input type="checkbox"/>
Thickness	Offset	Outside	Inside	Special Hardware/Functionality	Packout

Door Size		Optional Adjustment				Finish					
Thickness**	Offset	Outside	Inside	Special Hardware/Functionality	Packout						
<b>A</b> 1.75" (44mm)	<b>N</b> No Offset	<b>O</b> Standard	<b>O</b> Standard	<b>O</b> Standard	<b>O</b> Standard	<b>AB</b> Antique Brass					
<b>B*</b> 1.38" (35-40mm)							<b>A</b> Plain Lens	<b>A</b> FS Housing/Thumbturn*	<b>A</b> Escape Return**	<b>A</b> Custom Strike	<b>BB</b> Bright Brass
<b>C</b> 2.00" (51mm)							<b>L</b> Marriott Lens (only for Marriott properties)	<b>B</b> FS Housing/MT Thumbturn*	<b>B</b> Tamper Switch	<b>B</b> Ocean Shipment	<b>BC</b> Bright Chrome
<b>D</b> 2.25" (57mm)							<b>C</b> FS Housing/ädese Thumbturn*	<b>C</b> FS Housing/Utility (no Thumbturn)*	<b>T</b> Toggle (MT only)	<b>C</b> Ocean/Custom Strike	<b>BK</b> Black
<b>E</b> 2.38" (60mm)							<b>D</b> FS Housing/Utility (no Thumbturn)*	<b>D</b> Dress Ring	<b>D</b> Toggle (MT only)	<b>D</b> Ocean/Australia Strike	<b>OZ</b> Dark Mahogany
<b>F</b> 2.50" (63.5mm)							<b>E</b> Demo Lock*	<b>M</b> Dummy w/ Messenger Cap	<b>D</b> Dress Ring	<b>E</b> Demo Lock*	<b>SC</b> Satin Chrome
<b>G</b> 2.87"-3.00" (73-76mm)							<b>N</b> Dummy w/ Double Messenger Cap	<b>N</b> Dummy w/ Double Messenger Cap	<b>M</b> Dummy w/ Messenger Cap	<b>N</b> Dummy w/ Double Messenger Cap	<b>SN</b> Satin Nickel
<b>H</b> 3.03" (77mm)							<b>O</b> Standard	<b>O</b> Standard	<b>O</b> Standard	<b>O</b> Standard	<b>SB</b> Satin Brass
<b>J</b> 3.35" (85mm)							<b>A</b> Plain Lens	<b>A</b> FS Housing/Thumbturn*	<b>A</b> Escape Return**	<b>A</b> Custom Strike	
<b>K</b> 3.90" (100mm)							<b>B</b> FS Housing/MT Thumbturn*	<b>B</b> FS Housing/Utility (no Thumbturn)*	<b>B</b> Tamper Switch	<b>B</b> Ocean Shipment	
*Knob only available in BB, BS, SB, SS *AB only available with ädese I/S *Continental not available in SN *Only SC, BC, OZ, and BK approved for exterior application *FS options NOT AVAILABLE in BB, BK, OZ OR SB											

Note: \*1" Faceplate required for 1.38" (35-40mm) door size  
 \*\*Over 2.00 [51mm] or custom door size must include A, C, or D packout option so that standard strike is not included  
 Messenger locks should be configured with DAJ mortise.

# Saflok RT RFID

Ordering RT Series (American Steel Mortise-ASM Lock 1 1/4" Mortise)



Standard Model (Example)															
7	9	S	0	1	0	1	1	E	L	3	0	-	6	2	6
Model		Locking Device		Application		Lever Type		Override	Handing	Version	Bluetooth		Finish		

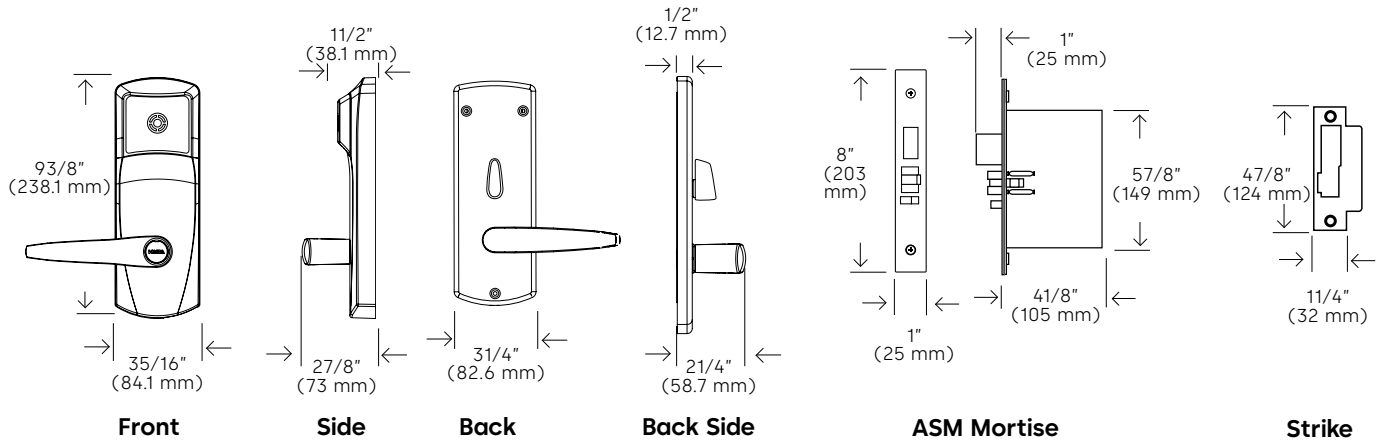
Build the model number with the desired options															
7	9									3		-			
Model		Locking Device		Application		Lever Type		Override	Handing	Version	Bluetooth		Finish		

Model	Locking Device	Application	Lever Type	Override	Handing	Version	Bluetooth	Finishes
<b>Guestroom</b> <b>79S0</b> Standalone	23/4" (70 mm) Backset	<b>1</b> Interior	<b>1</b> Long/Long Front Back	<b>E</b> Electronic	<b>L</b> Left or Right reverse (Y)	<b>3</b> Contactless Reader	<b>0</b> No BLE	<b>622</b> Black
<b>79R0</b> Messenger Ready	<b>10</b> ASM, with 11/4" (32 mm) face plate, field reversible handing	<b>2</b> Exterior locks supplied with gasket for outside escutcheon	<b>2**</b> Short/Short Front Back	<b>K</b> Mechanical key cylindrical Lori universal (1539) key-in-knob OR	<b>R</b> Right or Left reverse (X)		<b>1</b> BLE Ready	<b>626</b> Satin Chrome
<b>79Z0</b> Messenger Online	<b>16</b> Auto Deadbolt ASM with 11/4" (32 mm) face plate, field reversible handing	<b>T</b> Residence mode, includes gasket	<b>E***</b> Elevon Lever Front Back	<b>Mechanical recodable key cylinder Must specify on lock order which type of key cylinder is required</b>	<b>F****</b> Dual Handed (L & R), Left Hand Reverse, Right Hand Reverse (X & Y)		<b>2</b> BLE Enabled	<b>606</b> Satin Brass
<b>79Y0</b> Europe, Asia	<b>60</b> ASM DAJ with 11/4" (32 mm) face palte, field reversible handing		<b>G***</b> Gala Lever Front Back				<b>H</b> BLE Hilton (only for Hilton properties)	<b>U26</b> Ultra Satin Chrome
<b>79Q0</b> International	<b>66</b> Auto Deadbolt ASM DAJ with 11/4" (32 mm) face plate, field reversible handing		<b>8</b> Long/Long Inside at 45° Front Back					
<b>79N0</b> Escape Return			<b>H**</b> Short/Short Inside at 45° Front Back					
<b>79W0</b> Inncom RF								
<b>79S4/79Z4/79Y4</b> <b>79Q4/79N4</b> Demo Lock								
<b>79W4</b> Inncom RF demo								
<b>Utility</b> <b>79S1</b> Standalone	<b>12</b> ASM, with 11/4" (32 mm) face plate, field reversible handing							
<b>79R1</b> Messenger Ready	<b>62</b> ASM, DAJ, no deadbolt with 1-1/4" (32 mm) face plate, field reversible handing.							
<b>79Z1</b> Messenger Online								
<b>79Y1</b> Europe, Asia								
<b>79Q1</b> International								
<b>79W1</b> Inncom RF								

Note: \* For doors greater than 2 1/2" (63 mm) order a thick door kit in Lock Accessories Miscellaneous section.  
 \*\* Use short return levers when moldings are within 4 1/2" (11cm) and 8" (20.32cm) from the edge of the door  
 \*\*\* Levers E & G - Electronic override only, Lever E requires handing  
 \*\*\*\* Locks are assembled "Right-Hand" and may be field reversed for Left-Hand doors.

# Saflok RT RFID

Ordering RT Series (American Steel Mortise-ASM Lock 1" Mortise)



Standard Model (Example)															
<b>7</b>	<b>9</b>	<b>S</b>	<b>0</b>	<b>1</b>	<b>1</b>	<b>1</b>	<b>1</b>	<b>E</b>	<b>L</b>	<b>3</b>	<b>0</b>	<b>-</b>	<b>6</b>	<b>2</b>	<b>6</b>
Model		Locking Device		Application	Lever Type	Override	Handing	Version	Bluetooth	Finish					

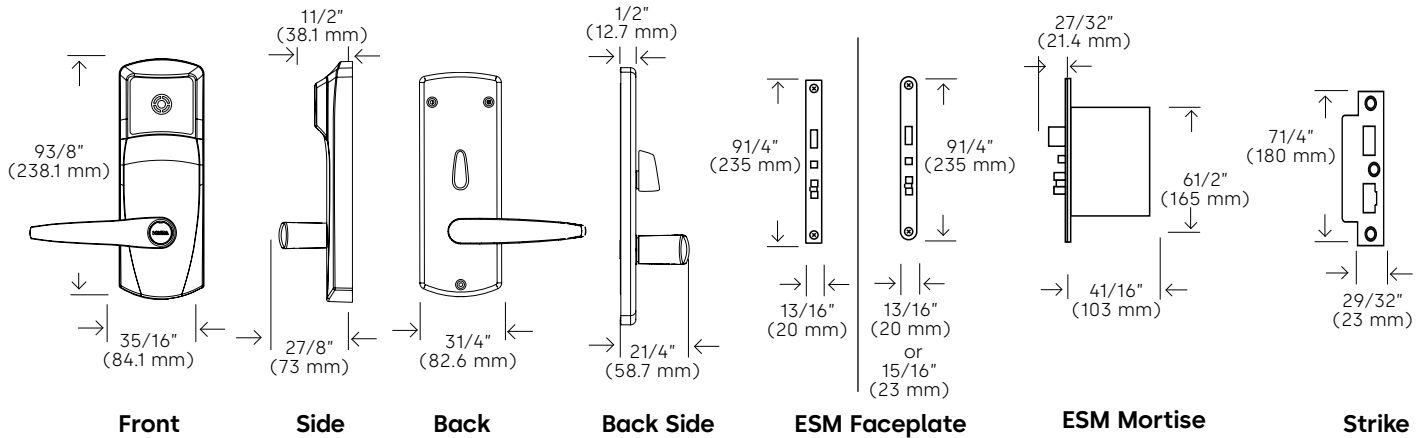
Build the model number with the desired options													
<b>7</b>	<b>9</b>							<b>3</b>		<b>-</b>			
Model		Locking Device		Application	Lever Type	Override	Handing	Version	Bluetooth	Finish			

Model	Locking Device	Application	Lever Type	Override	Handing	Version	Bluetooth	Finishes
<b>Guestroom</b> <b>79S0</b> Standalone <b>79R0</b> Messenger Ready <b>79Z0</b> Messenger Online <b>79Y0</b> Europe, Asia <b>79Q0</b> International <b>79N0</b> Escape Return <b>79W0</b> Inncom RF	23/4" (70 mm) Backset  <b>11</b> ASM, with 1" (25 mm) face plate, NOT field reversible  <b>17</b> Auto Deadbolt ASM with 1" (25 mm) face plate, NOT field reversible  <b>61</b> ASM DAJ with 1" (25 mm) face palte, NOT field reversible handing  <b>67</b> Auto Deadbolt ASM DAJ with 1" (25 mm) face plate, not field reversible handing	<b>1</b> Interior <b>2</b> Exterior locks supplied with gasket for outside escutcheon <b>T</b> Residence mode, includes gasket	<b>1</b> Long/Long Front Back  <b>2**</b> Short/Short Front Back  <b>E***</b> Elevon Lever Front Back  <b>G***</b> Gala Lever Front Back  <b>8</b> Long/Long Inside at 45° Front Back  <b>H**</b> Short/Short Inside at 45° Front Back 	<b>E</b> Electronic <b>K</b> Mechanical key cylindrical Lori universal (1539) key-in-knob OR Mechanical recodable key cylinder Must specify on lock order which type of key cylinder is required	<b>L</b> Left or Right reverse (Y) <b>R</b> Right or Left reverse (X)	<b>3</b> Contactless Reader	<b>0</b> No BLE <b>1</b> BLE Ready <b>2</b> BLE Enabled <b>H</b> BLE Hilton (only for Hilton properties)	<b>622</b> Black <b>626</b> Satin Chrome <b>606</b> Satin Brass <b>U26</b> Ultra Satin Chrome
<b>Utility</b> <b>79S1</b> Standalone <b>79R1</b> Messenger Ready <b>79Z1</b> Messenger Online <b>79Y1</b> Europe, Asia <b>79Q1</b> International <b>79W1</b> Inncom RF	<b>13</b> ASM, no deadbolt with 1" (25 mm) face plate, NOT field reversible handing.  <b>63</b> ASM, DAJ, no deadbolt with 1" (25 mm) face plate, NOT field reversible handing.							

Note: \* For doors greater than 2 1/2" (63 mm) order a thick door kit in Lock Accessories Miscellaneous section.  
 \*\* Use short return levers when moldings are within 4 1/2" (11cm) and 8" (20.32cm) from the edge of the door  
 \*\*\* Levers E & G - Electronic override only, Lever E requires handing  
 \*\*\*\* Locks are assembled "Right-Hand" and may be field reversed for Left-Hand doors.

# Saflok RT RFID

Ordering RT Series (Slim Mortise-ESM Lock)



Standard Model (Example)															
7	9	S	0	3	0	1	1	E	L	3	0	-	6	2	6
Model		Locking Device		Application		Lever Type		Override	Handing	Version	Bluetooth	Finish			

Build the model number with the desired options															
7	9									3		-			
Model		Locking Device		Application		Lever Type		Override	Handing	Version	Bluetooth	Finish			

Model	Locking Device	Application	Lever Type	Override	Handing	Version	Bluetooth	Finishes
<b>Guestroom</b> <b>79S0</b> Standalone <b>79R0</b> Messenger Ready <b>79Z0</b> Messenger Online <b>79Y0</b> Europe, Asia <b>79Q0</b> International <b>79N0</b> Escape Return <b>79W0</b> Inncom RF	<b>23/4"</b> (70 mm) Backset  <b>00</b> No locking mechanism, no strike  <b>30</b> ESM, with no face plate, field reversible handing	<b>1</b> Interior <b>2</b> Exterior locks supplied with gasket for outside escutcheon  <b>T</b> Residence mode, includes gasket	<b>1</b> Long/Long Front Back  <b>2**</b> Short/Short Front Back  <b>E***</b> Elevon Lever Front Back  <b>G***</b> Gala Lever Front Back  <b>8</b> Long/Long Inside at 45° Front Back  <b>H**</b> Short/Short Inside at 45° Front Back	<b>E</b> Electronic  <b>K</b> Mechanical key cylindrical Lori universal (1539) key-in-knob OR  Mechanical recodable key cylinder Must specify on lock order which type of key cylinder is required	<b>L</b> Left or Right reverse (Y)  <b>R</b> Right or Left reverse (X)  <b>F****</b> Dual Handed (L & R), Left Hand Reverse, Right Hand Reverse (X & Y)	<b>3</b> Contactless Reader	<b>0</b> No BLE <b>1</b> BLE Ready <b>2</b> BLE Enabled  <b>H</b> BLE Hilton (only for Hilton properties)	<b>622</b> Black <b>626</b> Satin Chrome <b>606</b> Satin Brass <b>U26</b> Ultra Satin Chrome
<b>Utility</b> <b>79S1</b> Standalone <b>79R1</b> Messenger Ready <b>79Z1</b> Messenger Online <b>79Y1</b> Europe, Asia <b>79Q1</b> International <b>79W1</b> Inncom RF	<b>31</b> ESM, with no face plate, field reversible handing.							

**ESM Faceplate and Strike - Handing**

Mortise face plates are not included with Slim Mortise. To order see below.

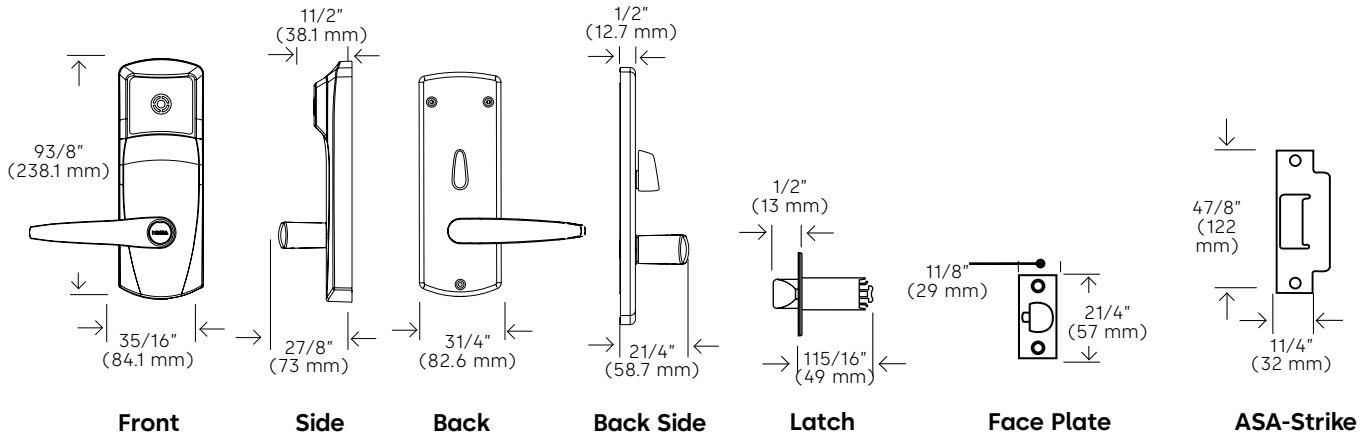
13/16" (20 mm) round face plate with deadbolt cutout .....	128/508593-D626
without deadbolt cutout .....	128/508593-0626
29/32" (23 mm) round face plate with deadbolt cutout .....	128/508595-D626
without deadbolt cutout .....	128/508595-0626
13/16" (20 mm) square face plate with deadbolt cutout .....	128/508594-D626
without deadbolt cutout .....	128/508594-0626
71/4" (180 mm) Strike with deadbolt Universal .....	041-510141-630K

**Note:** Gala and Elevon lever only available with electronic override

Note: \* For doors greater than 2 1/2" (63 mm) order a thick door kit in Lock Accessories Miscellaneous section.  
 \*\* Use short return levers when moldings are within 4 1/2" (11cm) and 8" (20.32cm) from the edge of the door  
 \*\*\* Levers E & G - Electronic override only, Lever E requires handing  
 \*\*\*\* Locks are assembled "Right-Hand" and may be field reversed for Left-Hand doors.  
 Locks equipped with Zigbee (online) should be configured with DAJ mortise. Some listed lever options are not available in all finishes

# Saflok RT RFID

Ordering RT Series (Cylindrical Lock\*\*\*)



Standard Model (Example)															
<b>7</b>	<b>9</b>	<b>S</b>	<b>1</b>	<b>5</b>	<b>0</b>	<b>2</b>	<b>1</b>	<b>E</b>	<b>F</b>	<b>3</b>	<b>0</b>	<b>-</b>	<b>6</b>	<b>2</b>	<b>6</b>
Model			Locking Device		Lever Type		Override	Handing	Version	Bluetooth	Finish				

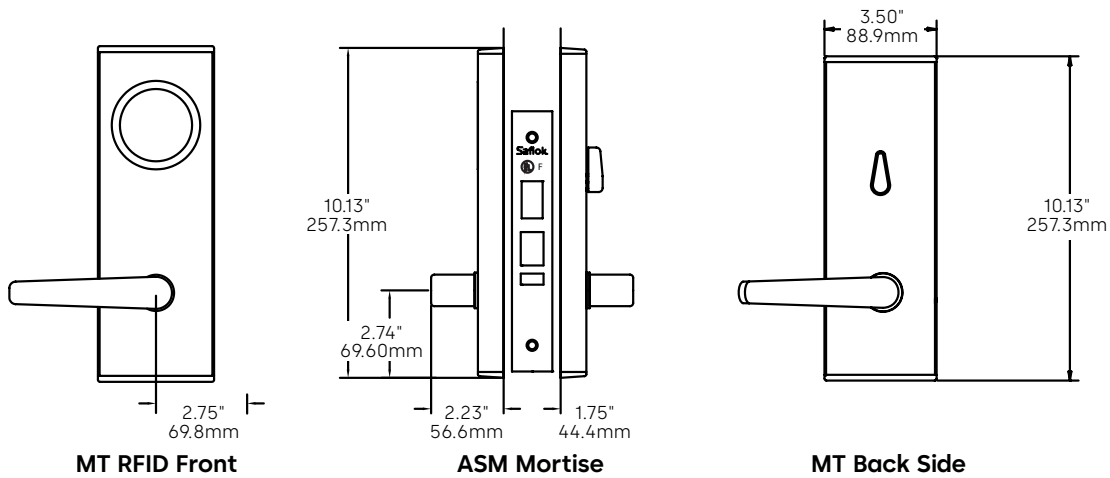
Build the model number with the desired options															
<b>7</b>	<b>9</b>					<b>2</b>			<b>F</b>	<b>3</b>		<b>-</b>			
Model		Locking Device		Lever Type		Override	Handing	Version	Bluetooth	Finish					

Model	Locking Device		Lever Type	Override	Handing	Version	Bluetooth	Finishes
<b>Utility</b>	23/4" (70 mm) Backset							
<b>79S1</b> Standalone	<b>50</b> 2 3/4" (70 mm) Backset with 1/2" (13 mm) latch. Thumbturn is on inside escutcheon for privacy but can be disabled	<b>2</b> Exterior locks supplied with gasket for outside escutcheon	<b>1</b> Long/Long Front Back	<b>E</b> Electronic	<b>F****</b> Dual Handing left hand, right hand (L & R), Left Hand Reverse, Right Hand Reverse (X & Y) (Assembled RH)	<b>3</b> Contactless Reader	<b>0</b> No BLE	<b>622</b> Black
<b>79R1</b> Messenger Ready	<b>54</b> 23/8" (60 mm) Backset with 1/2" (13 mm) latch. Thumbturn is on inside escutcheon for privacy but can be disabled	<b>T</b> Residence mode, includes gasket	<b>2**</b> Short/Short Front Back	<b>K</b> Mechanical key cylindrical Lori universal (1539) key-in-knob OR			<b>1</b> BLE Ready	<b>626</b> Satin Chrome
<b>79Z1</b> Messenger Online			<b>E***</b> Elevon Lever Front Back	Mechanical recodable key cylinder Must specify on lock order which type of key cylinder is required			<b>2</b> BLE Enabled	<b>606</b> Satin Brass
<b>79Y1</b> Europe, Asia			<b>G***</b> Gala Lever Front Back				<b>H</b> BLE Hilton (only for Hilton properties)	<b>U26</b> Ultra Satin Chrome
<b>79Q1</b> International			<b>8</b> Long/Long Inside at 45° Front Back					
<b>79W1</b> Inncorm RF			<b>H**</b> Short/Short Inside at 45° Front Back					

Note: \* For doors greater than 2 1/2" (63 mm) order a thick door kit in Lock Accessories Miscellaneous section.  
 \*\* Use short return levers when moldings are within 4 1/2" (11cm) and 8" (20.32cm) from the edge of the door  
 \*\*\* Levers E & G - Electronic override only, Lever E requires handing  
 \*\*\*\* Locks are assembled "Right-Hand" and may be field reversed for Left-Hand doors.  
 Locks equipped with Zigbee (online) should be configured with DAJ mortise. Some listed lever options are not available in all finishes

# Saflok MT RFID

## Ordering



**Standard Model (Example)** (Continue building the model number to the right)

Model	Version	Locking Mechanism	Communication	Application	Lever	Handing	
M R	1	1	N A	0	C 0	L	
		Mortise	Faceplate	Primary	Secondary	Type	Position

**Build the model number with the desired options** (Continue building the model number to the right)

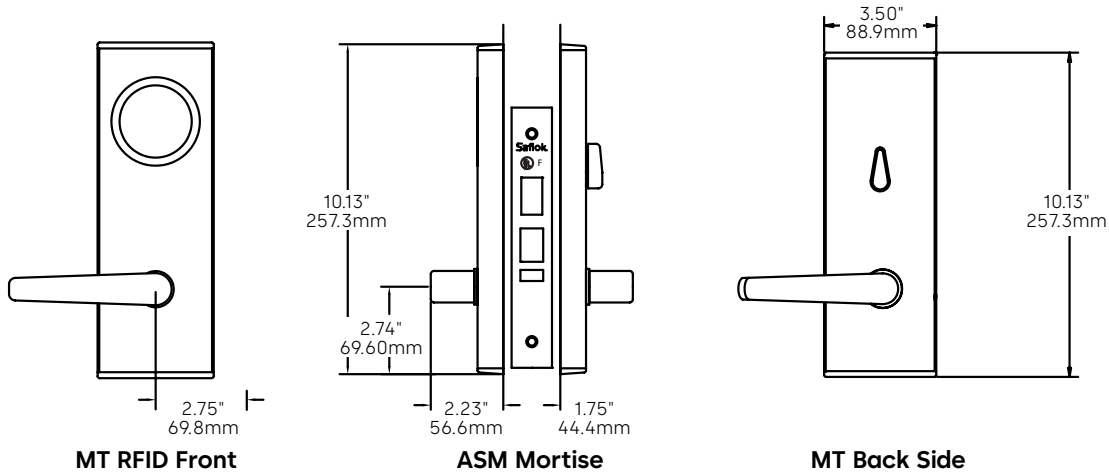
Model	Version	Locking Mechanism	Communication	Application	Lever	Handing	
M R	1						
		Mortise	Faceplate	Primary	Secondary	Type	Position

Style	Version	Locking Mechanism		Communication		Application	Lever		Handing
		Mortise	Faceplate	Primary	Secondary		Type	Position	
<b>MR</b> MT RFID	<b>1</b>	<b>ASM:</b>	<b>ASM:</b>	<b>N</b>	<b>A</b>	<b>0</b> Interior <b>E</b> Exterior <b>H</b> Heavy	<b>C</b> Continental EN179 <b>E</b> Elevon <b>G</b> Gala <b>T</b> Troy	<b>0</b> Standard <b>1</b> Vert I/S <b>2</b> Vert O/S <b>3</b> Vert I/S & O/S	<b>L</b> Left Hand <b>R</b> Right Hand <b>X</b> Left Hand Reverse <b>Y</b> Right Hand Reverse
		<b>1</b> Standard	<b>1</b> 1 1/4" (32 mm)	<b>X</b> Primary Ready**	<b>B</b> BLE Compatible				
		<b>2</b> ADB	<b>2</b> 1" (25 mm)	<b>A</b> Zigbee North America (158mW)***	<b>B</b> BLE Ready				
		<b>3</b> Utility	<b>Dummy:</b>	<b>C</b> Zigbee Europe/Asia (10mW)***	<b>C</b> BLE Enabled				
		<b>4</b> Standard DAJ	<b>D</b> Dummy (no faceplate)	<b>B</b> Zigbee International (87mW)***	<b>D</b> Hilton BLE*				
		<b>5</b> ADB DAJ		<b>H</b> Zigbee G2 North America***	<b>G</b> BLE Mod Bracket				
		<b>6</b> Utility DAJ		<b>C</b> Zigbee G2 Europe/Asia***	<b>H</b> Hilton BLE Mod Bracket*				
		<b>7</b> Utility ADB		<b>Dummy:</b>	<b>N</b> No Secondary (for Dummy Only)				
		<b>8</b> Utility ADB DAJ		<b>D</b> Inncom RF	<b>H</b> *Hilton BLE (only for Hilton properties)				
		<b>9</b> NDB		<b>E</b> Crestron					
		<b>A</b> NDB Utility		<b>H</b> Zigbee G2 North America***					
		<b>B</b> NDB DAJ		<b>J</b> Zigbee G2 Europe/Asia***					
		<b>C</b> NDB UTL DAJ		<b>K</b> Zigbee G2 International***					
		<b>D</b> Dummy		<b>L</b> Telkonet G2***					

Note: \*\* If no primary communication, use "X" primary ready when lock is BLE ready or enabled with double end cap D and mortise is DAJ, MKO or EURO; otherwise use "N" No Primary.  
\*\*\*G1 Zigbee site support must use G1, do not mix

# Saflok MT RFID

## Ordering



### Standard Model (Example) (Continued)

Door Size		Optional Adjustment				Finish
<b>A</b>	<b>N</b>	<b>O</b>	<b>O</b>	<b>O</b>	<b>O</b>	<b>B</b>
Thickness	Offset	Outside	Inside	Special Hardware/Functionality	Packout	

### Build the model number with the desired options (Continued)

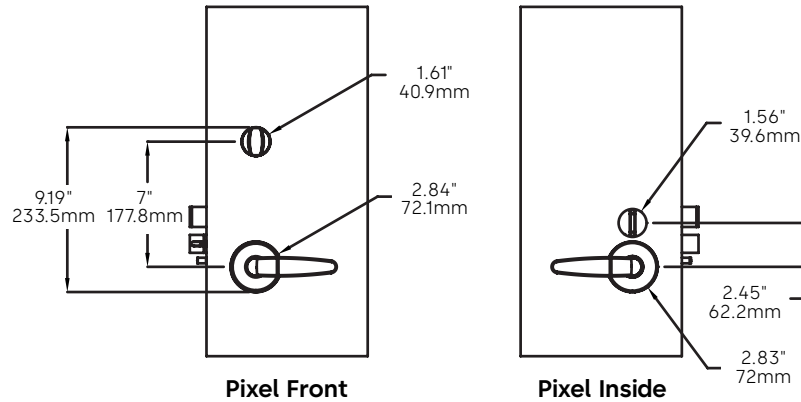
Door Size		Optional Adjustment				Finish
	<b>N</b>		<b>O</b>			
Thickness	Offset	Outside	Inside	Special Hardware/Functionality	Packout	

Door Size		Outside	Inside	Optional Adjustment		Packout	Finish
Thickness**	Offset			Special Hardware/Functionality			
<b>A</b> 1.75" (44mm)	<b>N</b> No Offset	<b>O</b> Standard	<b>O</b> Standard	<b>O</b> Standard	<b>O</b> Standard	<b>BB</b> Bright Brass	
<b>B*</b> 1.38" (35-40mm)		<b>A</b> Plain Lens		<b>B</b> Tamper Switch	<b>A</b> Custom Strike	<b>BC</b> Bright Chrome	
<b>C</b> 2.00" (51mm)		<b>L</b> Marriott Lens (only for Marriott properties)		<b>M</b> Dummy w/ Messenger Cap	<b>B</b> Ocean Shipment	<b>BK</b> Black	
<b>D</b> 2.25" (57mm)				<b>N</b> Dummy w/ Double Messenger Cap	<b>C</b> Ocean/Custom Strike	<b>OZ</b> Dark Mahogany	
<b>E</b> 2.38" (60mm)					<b>D</b> Ocean/Australia Strike	<b>SC</b> Satin Chrome	
<b>F</b> 2.50" (63.5mm)					<b>E</b> Demo Lock*	<b>SN</b> Satin Nickel	
<b>G</b> 2.87"-3.00" (73-76mm)						<b>SB</b> Satin Brass	
<b>H</b> 3.03" (77mm)						*Knob only available in BB, BS, SB, SS	
<b>J</b> 3.35" (85mm)						** Continental not available in SN	
<b>K</b> 3.90" (100mm)						***Only SC, BC, OZ, and BK approved for exterior application	
						****Only SC, OZ, and BK approved for Heavy	

Note: \* 1" Faceplate required for 1.38" (35-40mm) door size  
 Messenger locks should be configured with DAJ mortise.  
 \*\*Over 2.00 [51mm] or custom door size must include A, C, or D packout option so that standard strike is not included

# Quantum Pixel

## Ordering



**Standard Model (Example)** (Continue building the model number to the right)

Model	Version	Locking Mechanism		Communication		Application	Lever	Handing
<b>K</b> <b>P</b>	<b>2</b>	<b>4</b>	<b>2</b>	<b>X</b>	<b>B</b>	<b>0</b>	<b>C</b>	<b>0</b>
		Mortise	Faceplate	Primary	Secondary		Type	Position

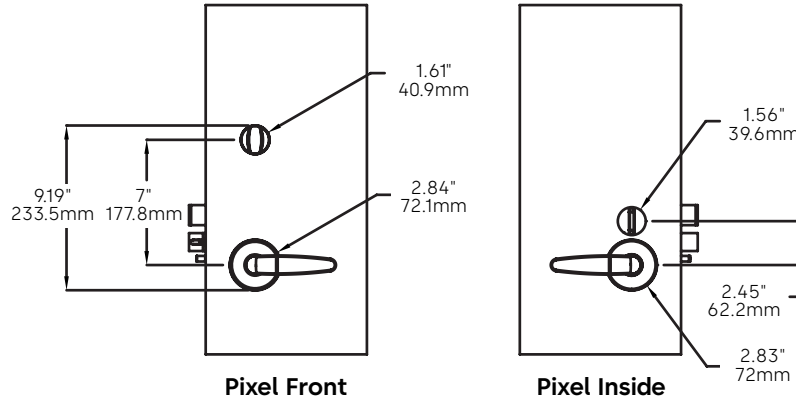
**Build the model number with the desired options** (Continue building the model number to the right)

Model	Version	Locking Mechanism		Communication		Application	Lever	Handing
<b>K</b> <b>P</b>	<b>2</b>							
		Mortise	Faceplate	Primary	Secondary		Type	Position

Style	Version	Locking Mechanism		Communication		Application	Lever		Handing
		Mortise	Faceplate	Primary	Secondary		Type	Position	
KP Quantum Pixel	2	<b>ASM:</b>	<b>ASM:</b>	<b>X</b>	<b>B</b>	<b>0</b>	<b>C</b>	<b>0</b>	<b>L</b>
		<b>4</b>	<b>2</b>	Primary Ready	BLE Ready	Wood Interior	Continental	Standard	Left Hand
		Standard DAJ	1" Faceplate	<b>D</b>	<b>C</b>	<b>1</b>	Elevon	No Lever Set	Right Hand
		<b>5</b>		Incom RF	<b>D</b>	Metal Interior*	<b>G</b>		
		ADB DAJ		Zigbee G2 N. America	Hilton BLE (only for Hilton properties)	*Metal Option Required For: -Reader Under Plate -Hollow Metal Door -Metal Clad Door	<b>T</b>		
<b>6</b>		Zigbee G2 Europe/Asia			<b>N</b>			<b>X</b>	
Utility DAJ								Left Hand Reverse	
<b>8</b>				<b>J</b>				<b>Y</b>	
Utility ADB DAJ				Zigbee G2 International				Right Hand Reverse	
<b>B</b>				<b>K</b>					
NDB DAJ				Zigbee G2 International					
<b>C</b>				<b>L</b>					
NDB UTL DAJ				Telkonet G2					

# Quantum Pixel

## Ordering



**Standard Model (Example) (Continued)**

Door Size: **A** Thickness, **N** Offset, **O** Outside, **O** Inside

Optional Adjustment: **O** Special Hardware/Functionality

Packout: **O**

Finish: **B** Bright Brass, **B** Bright Chrome

**Build the model number with the desired options (Continued)**

Door Size:  Thickness, **N** Offset,  Outside,  Inside

Optional Adjustment:  Special Hardware/Functionality

Packout:

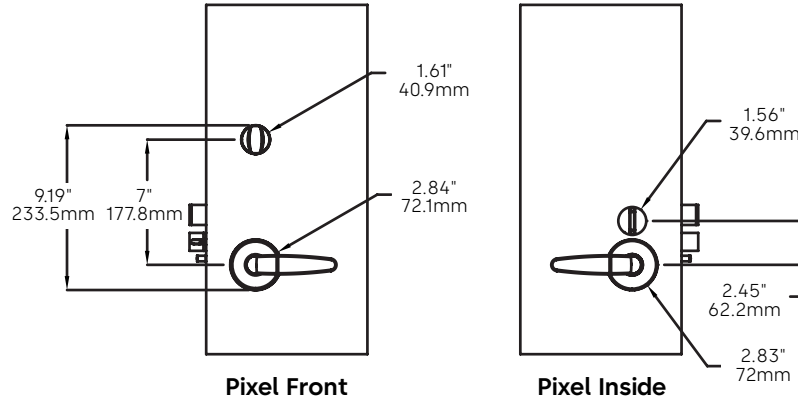
Finish:

Door Size		Optional Adjustment		Packout		Finish
Thickness**	Offset	Outside	Inside	Special Hardware/Functionality		
<b>A</b> 1.75" (44mm)	<b>N</b> No Offset	<b>O</b> Standard	<b>O</b> Standard	<b>O</b> Standard	<b>O</b> Standard	<b>BB</b> Bright Brass
<b>B</b> 1.38" (35-40mm)		<b>P</b> White Reader	<b>N</b> Custom Thumbturn		<b>A</b> Custom Strike	<b>BC</b> Bright Chrome
<b>C</b> 2.00" (51mm)			Utility locks must use standard inside adjustment		<b>B</b> Ocean Shipment	<b>BK</b> Black
<b>D</b> 2.25" (57mm)				<b>C</b> Ocean/Custom Strike	<b>OZ</b> Dark Mahogany	
<b>E</b> 2.38" (60mm)				<b>D</b> Ocean/Australian Strike*	<b>SC</b> Satin Chrome	
<b>F</b> 2.50" (63.5mm)				<b>E</b> Demo Lock**	<b>SB</b> Satin Brass	
<b>G</b> 2.87"-3.00" (73-76mm)					<b>SN</b> Satin Nickel	
<b>H</b> 3.03" (77mm)						
Any door over 1-3/4" [44mm] must have a pixel custom door request form submitted and approved before it can be structured / ordered to ensure correct hardware ships and door can be supported						

Note: \*Offset mortise and rabbeted doors not supported  
 Some listed lever options are not available in all finishes  
 \*\*Over 2.00 [51mm] or custom door size must include A, C, or D packout option so that standard strike is not included

# Quantum Pixel

## Ordering



**Standard Model (Example)**

Model					Screws		Version		Lever		Handing		Door Size		Custom Adjustment		Finish	
6	3	0	6	B	S	T	1	E	O	L	B	0	S	C				
Outside + Inside							Type		Adjustment									

**Build the model number with the desired options**

Model					Screws		Version		Lever		Handing		Door Size		Custom Adjustment		Finish	
6	3	0	6	B	S	T	1						0					
Outside + Inside							Type		Adjustment									

Style	Screws	Version	Lever		Handing	Door Size	Custom Adjustment	Finish
			Type	Adjustment				
<b>6306BS</b> Rose Lever Set	<b>T</b>	<b>1</b>	<b>E</b> Elevon <b>G</b> Gala <b>M</b> Mori <b>K</b> Kewell <b>Q</b> Quebec	<b>H</b> Heavy <b>O</b> Interior/Exterior	<b>L</b> Left Hand <b>R</b> Right Hand	<b>A</b> 1.75" (44mm) <b>B</b> 1.38" (35-40mm) <b>C</b> 2.00" (51mm) <b>D</b> 2.25" (57mm) <b>E</b> 2.38" (60mm) <b>F</b> 2.50" (63.5mm) <b>G</b> 2.87"-3.00" (73-76mm) <b>H</b> 3.03" (77mm)	<b>0</b> Center	<b>SC</b> Satin Chrome <b>SB</b> Satin Brass <b>BC</b> Bright Chrome <b>BB</b> Bright Brass <b>BK</b> Black Lacquer <b>TC6H</b> Black PVD

# Legacy Perimeter Access



# Exit Device Operators

## Overview

dormakaba offers a series of exit device hardware that is compatible with mechanical and electrical applications. This hardware is manufactured for the most demanding access/egress applications.

### Vertical Rod Exit Device:

The Dorma 9400 series is a surface-mounted vertical rod exit device with a modern touch bar design.



### Rim Exit Device:

The Dorma 9300 series is a single-point rim latch with a modern touch bar design.

### dormakaba Panic Bar Locks:

Combining the Best Features – Inside and Out

- Easy-to-install mechanical interface eliminates the need for an electrician
- No wires running through the door, frame, or hinges
- Self-contained battery allows up to 50,000 or up to 3 years for Confidant RFID
- Auditable entries
- Auto latch/unlatch feature makes manual dogging unnecessary
- UL fire rated (optional)

Dorma 9300 Series Rim Exit Device

Dorma 9400 Series Vertical Rod Exit Device

Hand	Non-handed
Stock	36" door width (standard); 48" door width available at an upcharge
Door Types	Wood, hollow metal, fiberglass, or aluminum
Door Requirements	Fits standard 1 3/4" - 2 1/4" doors
Mounting height	40" above finished floor
Stile Width	4 5/8" with standard 99 strike 4 1/8" with optional 98 strike
Latch Bolts	Stainless steel dead-locking; Pullman-type top latch
Finishes*	Bright Brass Satin Brass Bright Stainless Steel Satin Stainless Steel
Other panic bar options available	
*Check availability of finish for corresponding lock	



### Available locks

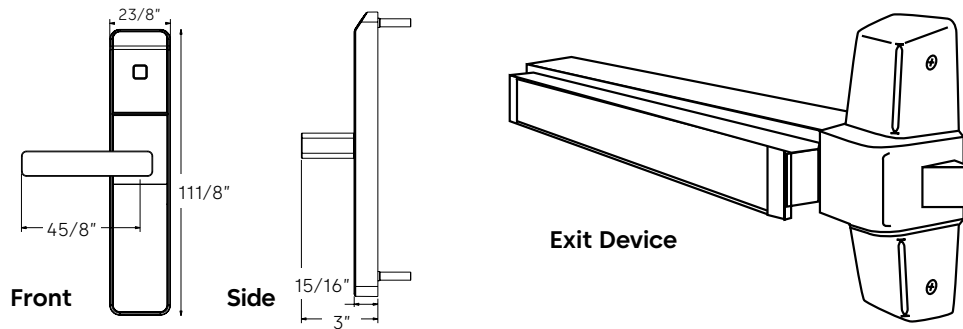


Confidant RFID

Ilco 790

# Exit Device Operator-Confidant RFID

Based on the customer supplied options below  
Ordering (Available in North America only)



Standard Model Number - Exit Device Operator - NA (Example)											
<b>C</b>	<b>N</b>	<b>00</b>	<b>0</b>	-	<b>1</b>	<b>7</b>	<b>S</b>	<b>R</b>	<b>1</b>	-	<b>C</b>
Lock Model		Bluetooth		Installation Options			Handing		Door Thickness		Finish

Build the model number with the required options											
<b>C</b>		<b>00</b>		-						-	
Lock Model		Bluetooth		Installation Options			Handing		Door Thickness		Finish

Confidant RFID (Fixed value)	Lock Model		Bluetooth	Installation Options					Finish
	System	Operating System	Bluetooth	Model	Type of Exit Device	Outside Lever	Handing	Door Thickness	Finish
<b>C</b>	<b>N</b> Ilco <b>S</b> Saflok <b>3</b> Dummy Trim	<b>00</b> FDU	<b>0</b> No BLE <b>1</b> BLE Ready <b>2</b> BLE Enabled <b>H</b> Hilton BLE (Only for Hilton properties)	<b>1</b> Rim Operator Device Outdoor front lock housing. Includes Dorma exit device.	<b>7</b> Dorma 9300	<b>S</b> Short Return <b>L</b> Long Return	<b>R</b> Right <b>L</b> Left	<b>1</b> 1 3/4" - 2" (46-53mm) <b>2</b> >2" - 2 1/4" (53-57mm) Return	<b>C</b> Satin Chrome <b>E</b> Satin Chrome Exterior <b>U</b> Satin Chrome Oceanfront <b>B</b> Satin Brass <b>H</b> Satin Brass Exterior
				<b>2</b> Mortise Operator Outdoor front lock housing. Exit device not included.	<b>0</b> Von Duprin 9875, 9975EO-F <b>A</b> Arrow S3908, S1908 <b>7</b> Dorma 9500, F9500				
				<b>3</b> Rim Operator Outdoor front lock housing. Exit device not included.	<b>0</b> Von Duprin 98/99 EO-F <b>1</b> Arrow S3888 <b>2</b> Yale 7100-36 <b>5</b> Precision 21, FL21 <b>6</b> Detex 10, FL10 <b>7</b> Dorma 9300/F9300 <b>8</b> Arrow S1808, S3808 <b>9</b> Detex V40 <b>H</b> Hager 4500 <b>C</b> Corbin Russwin ED5200 <b>M</b> Monarch 18-R*F18-R				
				<b>4</b> Vertical Rod Surface Mount Operators Outdoor front lock housing. Exit device not included.	<b>0</b> Von Durpin 9827, 9927EO-F <b>1</b> Arrow S3708, A1708 <b>2</b> Yale 7170 <b>5</b> Precision 22, FL22 <b>6</b> Detex 20, FL20 <b>7</b> Dorma 9400/F9400 <b>C</b> Corbin Russwin ED5400 <b>H</b> Hager 4500				
				<b>5</b> Vertical Rod Concealed Operators Outdoor front lock housing. Exit device not included.	<b>0</b> Von Durpin 9847, 9947EO-F <b>7</b> Dorma 9100/F9100 <b>2</b> Yale 7160				

# Ilco RAC 4 / 4XT

## Ordering

### RAC 4

**Standard Model (Example)**

C	7	2	S	—	7	A	N	C	1	—	1	S	C	0
Series	Configuration	Reader 1	Cable Length	Reader 2	Track	Power Supply	Mounting	Finish	Bluetooth					

**Build the model number with the desired options**

C	7	2	S	—			N		1	—				
Series	Configuration	Reader 1	Cable Length	Reader 2	Track	Power Supply	Mounting	Finish	Bluetooth					

Series	Configuration	Reader Devices				Track	Power Supply	*Contactless Reader		
		Reader 1	Cable Length	Reader 2	Track			Mounting	Finish	Bluetooth
<b>C72</b>	<b>S</b> Single Reader	<b>7</b> Contactless Reader	<b>A</b> 15 ft. Std. <b>B</b> 25 ft. <b>C</b> 50 ft. <b>D</b> 75 ft. <b>E</b> 100 ft.	<b>N</b> None Available only on RAC 4XT	<b>2</b> Track 2 <b>3</b> Track 3 <b>C</b> Contactless	<b>1</b> <b>1</b> North America <b>2</b> International	<b>S</b> Surface mount <b>F</b> Flush mount <b>G**</b> Gang Box (USA & Canada Only) <b>N</b> Narrow Stile	<b>C</b> Satin Chrome <b>B</b> Satin Brass	<b>0</b> Standard <b>2</b> Enabled <b>H</b> Hilton (not on surface mount) (only for Hilton properties)	

### RAC 4XT

**Standard Model (Example)**

C	7	3	D	—	7	A	N	C	1	—	1	B	S	A	S	C	0
Series	Configuration	Reader 1	Cable Length	Reader 2	Track	Power Supply	Battery Backup	Rem. Prog. Int.	Relay Exp.	Mounting	Finish	Bluetooth					

**Build the model number with the desired options**

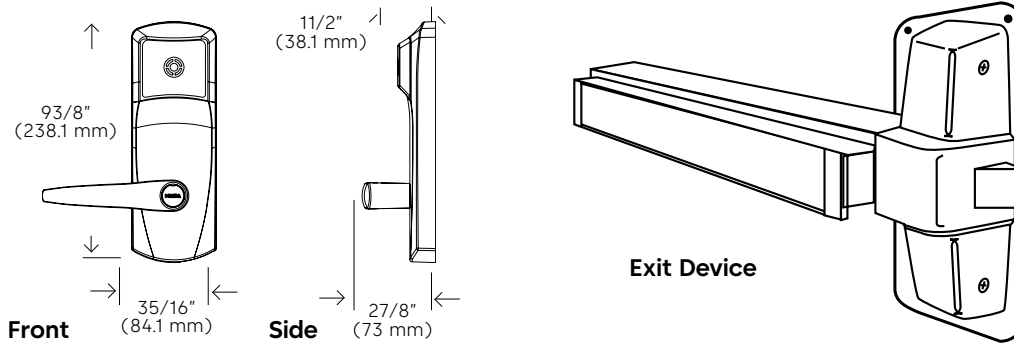
C	7	3	D	—					1	—							
Series	Configuration	Reader 1	Cable Length	Reader 2	Track	Power Supply	Battery Backup	Rem. Prog. Int.	Relay Exp.	Mounting	Finish	Bluetooth					

Series	Configuration	Reader Devices				Track	Power Supply	Battery Backup	Rem. Prog. Int.	Relay Exp.	*Contactless Reader		
		Reader 1	Cable L.	Reader 2	Track						Mounting	Finish	Bluetooth
<b>C73</b>	<b>D</b> Two Reader Ready	<b>6</b> Swipe Reader <b>4</b> Insert Reader <b>7</b> Contactless Reader	<b>A</b> 15 ft. Std. <b>B</b> 25 ft. <b>C</b> 50 ft. <b>D</b> 75 ft. <b>E</b> 100 ft.	<b>6</b> Swipe Reader <b>4</b> Insert Reader <b>7</b> Contactless Reader <b>N</b> None	<b>3</b> <b>2</b> <b>C</b> Contactless	<b>1</b> <b>1</b> North America <b>2</b> International	<b>N</b> None Optional <b>B</b> With Battery <b>P</b> Battery Ready (Battery not included)	<b>N</b> None Optional <b>S</b> Single Box	<b>N</b> None Optional <b>A</b> 8 Relays	<b>S</b> Surface mount <b>F</b> Flush mount <b>G**</b> Gang Box (USA & Canada Only) <b>N</b> Narrow Stile	<b>C</b> Satin Chrome <b>B</b> Satin Brass	<b>0</b> Standard <b>2</b> Enabled <b>H</b> Hilton (not on surface mount) (only for Hilton properties)	

\* Contactless reader only. Does not apply to swipe reader.  
\*\* Gang Box is not Rohs compatible

# Saflok RT Panic Bar Trim

## Ordering



<b>Standard Model (Example)</b>											
7	9	S	1	7	2	1	E	N	6	0	1-626
Model				Type of Exit Device	RFID	Lever	Override	Handing	Version	Bluetooth	Door Thickness Finish

<b>Build the model number with the desired options</b>														
7	9	S			2				6		-			
Model			Type of Exit Device	RFID	Lever	Override	Handing	Version	Bluetooth	Door Thickness	Finish			

Model	Type of Exit Device	Lever Type	Override	Handing	Version	Bluetooth	Door Thickness	Finishes
<b>79S1 Rim Operator Device</b> Outdoor front lock housing. <b>Includes</b> Dorma exit device.	<b>7</b> Dorma 9300	<b>2</b> <b>1</b> Long/Front <b>2</b> Short/Front	<b>E</b> Electronic <b>K</b> Mechanical key cylindrical Lori Universal (1539) key-in-knob OR <b>Mechanical recordable key cylinder key-in-knob</b> <b>Note: Gala and Elevon levers only available with electronic override</b>	<b>N</b> Standard ----- <b>** For Elevon Lever or Vertical Rod Surface Mount with BLE/MSNGR</b> <b>X</b> Left Hand Reverse <b>Y</b> Right Hand Reverse	<b>6</b> Contactless Reader	<b>0</b> No BLE <b>1</b> BLE Ready <b>2</b> BLE Enabled <b>H</b> Hilton	<b>1</b> 1 3/4" - 2" (46-53 mm) <b>2</b> > 2" - 2 1/4" (53-57 mm) <b>For door thickness 2 (&gt; 2" - 2 1/4")</b> 10 weeks lead time required.	<b>626</b> Satin Chrome <b>606</b> Satin Brass <b>U26</b> Satin Chrome Supreme Finish <b>622</b> Black
<b>79S2 Mortise Operators</b> Outdoor front lock housing. <b>Exit device not included.</b>	<b>0</b> Von Duprin 9875,9975EO-F <b>A</b> Arrow S3908,S1908 <b>7</b> Dorma 9500	<b>E</b> Elevon/Front <b>G</b> Gala/Front						
<b>79S3* Rim Operators</b> Outdoor front lock housing. <b>Exit device not included.</b>	<b>0</b> Von Duprin 98/99 EO-F <b>1</b> Arrow S3888 <b>2</b> Yale 7100-36 <b>5</b> Precision 21,FL21 <b>6</b> Detex 10, FL10 <b>7</b> Dorma 9300/F9300 <b>D</b> Dorma 8300 <b>8</b> Arrow S1808,S3808 <b>9</b> Detex V40 <b>H</b> Hagar 4500 <b>C</b> Corbin Russwin 5200 <b>R</b> Precision 5100							
<b>79S4* Vertical Rod Surface Mount Operators</b> Outdoor front lock housing. <b>Exit device not included.</b>	<b>0</b> Von Duprin 9827,9927EO-F <b>1</b> Arrow S3708,S1708 <b>2</b> Yale 7170 <b>5</b> Precision 22,FL22 <b>6</b> Detex 20, FL20 <b>7</b> Dorma 9400/F9400 <b>D</b> Dorma 8400 <b>H</b> Hagar 4500 <b>S</b> Sargent 8713 <b>C</b> Corbin Russwin 5400 <b>R</b> Precision 5200							
<b>79S5 Vertical Rod Concealed Operators</b> Outdoor front lock housing. <b>Exit device not included.</b>	<b>0</b> Von Duprin 9847,9947EO-F <b>2</b> Yale 7160 <b>7</b> Dorma 9100/F9100							

### Exit Device Operator

- Allows exit doors equipped with panic devices to act as controlled entrances
- Weight: 3lbs (1.3kg)
- Minimum door style required 5" (127mm)
- Supplied with gasket kit for exterior doors
- All fitted with adaptor plates

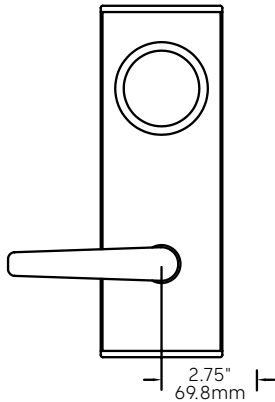
**For Messenger Ready order replace 79S with 79R model, for Online order 79Z (79Y for Europe and Asia or 79Q for International) and 79W for Inncom RF**

### Exit Device

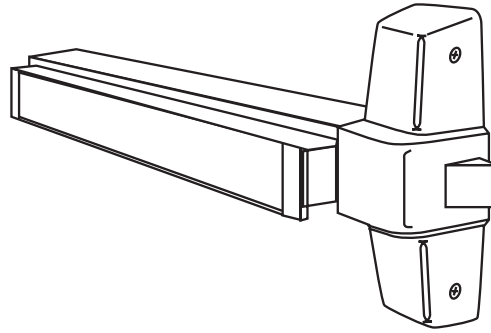
- Two finishes available: satin chrome and satin brass
- \* For compatibility with Arrow S3808, S1808, S3708, S1708 order square spindle to cross-point spindle adaptor (part# 032-511055)

# MT Series Exit Device

## Ordering



MT RFID Front



Exit Device

**Standard model number** (Continue building the model number to the right)

Model	Version	Panic Device	Device Type	Communication	Application
<b>P</b> <b>M</b> <b>R</b>	<b>2</b>	- <b>A</b>	<b>0</b>	<b>N</b> <b>A</b>	<b>O</b>
				Primary Secondary	

**Build the model number with the desired options** (Continue building the model number to the right)

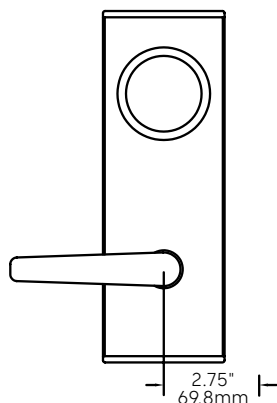
Model	Version	Panic Device	Device Type	Communication	Application
<b>P</b> <b>M</b> <b>R</b>	<b>2</b>	-			
				Primary Secondary	

Model	Version	Panic Device	Device Type	Communication		Application
				Primary	Secondary	
<b>PMR</b> MT RFID Exit Device	<b>2</b> MT RFID	<b>A</b> AEB4200R Series* (Rim Only) <b>B</b> Detex (Advantex) 10 Series (Rim Only)* <b>C</b> Detex (Advantex) 20 Series (Vert Only)* <b>D</b> Dorma 9300 (Rim Only) <b>E</b> Dorma 9400 (Vert Only) <b>F</b> Falcon 25 Series (Rim Only) <b>G</b> Phi Series FI21* (Rim Only) <b>H</b> Phi Series FI22* (Vert Only) <b>J</b> Sargent 8713* (Vert Only; Square Spindle) <b>K</b> Sargent 8715* (Vert Only; Bladed Spindle) <b>L</b> Sargent 8888F* (Rim Only) <b>M</b> Von Duprin 88 <b>N</b> Von Duprin 98 <b>P</b> Von Duprin 99 <b>Q</b> Yale 2100 Series* <b>R</b> Yale 7100 Series* <b>S</b> Hager 4500 Series*	<b>0</b> No Bar <b>Rim Devices:</b> <b>1</b> Rim 36" Std Bar <b>2</b> Rim 36" Fire Rated Bar <b>3</b> Rim 48" Std Bar <b>4</b> Rim 48" Fire Rated Bar <b>Vertical Rod Devices:</b> <b>5</b> Vertical 36" Std Bar <b>6</b> Vertical 36" Fire Rated Bar <b>7</b> Vertical 48" Std Bar <b>8</b> Vertical 48" Fire Rated Bar	<b>N</b> No Primary <b>X</b> Primary Ready <b>A</b> Zigbee N. America (158mW) <b>B</b> Zigbee Europe / Asia (10mW) <b>C</b> Zigbee International (87mW) <b>D</b> Inncom RF <b>E</b> Crestron <b>F</b> Telkonet <b>H</b> Zigbee G2 North America <b>J</b> Zigbee G2 Europe/Asia <b>K</b> Zigbee G2 International <b>L</b> Telkonet G2 *Only available with G2 Zigbee	<b>A</b> BLE Compatible <b>G</b> BLE Mod Bracket <b>H</b> Hilton BLE Mod Bracket (only for Hilton properties)	<b>O</b> Interior <b>E</b> Exterior <b>H</b> Heavy

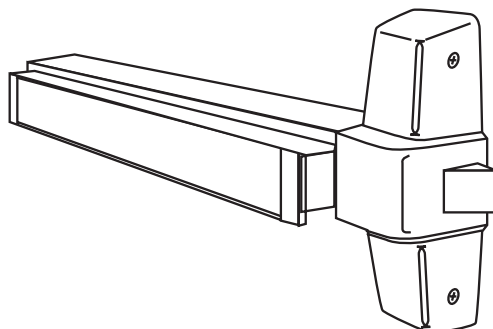
Note: \*Bar not offered

# Saflok MT Series Exit Device

## Ordering



MT RFID Front



Exit Device

**Build the model number with the desired options (Continued)**

Lever		Handing	Door Size		Optional Adjustment		Packout	Finish
<input type="checkbox"/>	<input checked="" type="checkbox"/>	<input type="checkbox"/>	<input type="checkbox"/>	<input type="checkbox"/>	<input type="checkbox"/>	<input type="checkbox"/>	<input type="checkbox"/>	<input type="checkbox"/>
Type	Position		Thickness	Height/Offset	Outside	Inside		

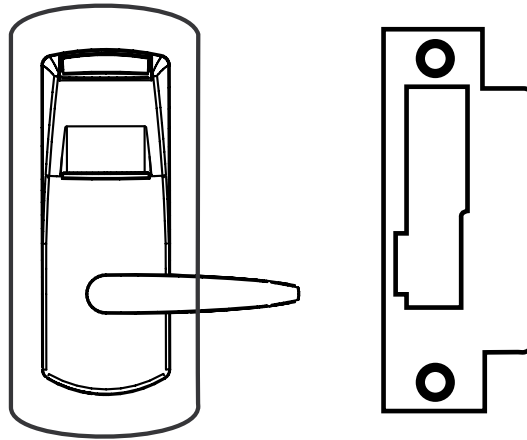
Lever Type	Lever Position	Handing	Door Size		Optional Adjustment Outside	Optional Adjustment Inside		Packout	Finish
			Thickness	Height/Offset					
<b>C</b> Continental	<b>0</b> Standard	<b>L</b> Left Hand	<b>A</b> 1.75" (44mm)	<b>N</b> Standard	<b>0</b> Standard	<b>0</b> Standard	<b>0</b> Standard	<b>BB</b> Bright Brass	
<b>E</b> Elevon		<b>R</b> Right Hand	<b>B</b> 1.38" (35-40mm)	<b>B</b> 8' Door (Vert)	<b>A</b> Plain Lens (RFID Only)	<b>D</b> Dummy	<b>B</b> Ocean Shipment	<b>BC</b> Bright Chrome	
<b>G</b> Gala			<b>C</b> 2.00" (51mm)	<b>C</b> 9' Door (Vert)	<b>L</b> Marriott Lens (RFID Only) (only for Marriott properties)	<b>M</b> Dummy W/Messenger Cap		<b>BK</b> Black	
<b>K</b> Regal Knob			<b>D</b> 2.25" (57mm)	<b>D</b> 10' Door (Vert)				<b>OZ</b> Dark Mahogany	
<b>T</b> Troy			<b>E</b> 2.38" (60mm)					<b>SC</b> Satin Chrome	
			<b>F</b> 2.50" (63.5mm)					<b>SN</b> Satin Nickel	
			<b>G</b> 2.87"-3.00" (73-76mm)					<b>SB</b> Satin Brass	
			<b>H</b> 3.03" (77mm)					Knob Only Available in BB, BS, SB, SS	
			<b>J</b> 3.35" (85mm)					*Continental Not Available In SN	
			<b>K</b> 3.90" (100mm)					*Only SC, BC, OZ, and BK approved for exterior application	
			*Any door thickness above 1.75 will require engineering approval and possible custom parts						

# Legacy Lock Accessories



# Lock Accessories

Retrofit Kit for Standard doors 1 3/4"



Retro	Frame Type	Door Type	Locks to be installed	Recommendations
<b>Ilco, Saflok, Onity, Schlage with Mortise and ASA Strike 4 7/8"</b>	Metal	Metal	790	Extended Lip Strike 47/8" P/N: LH 502815-xxx-K, P/N:RH 502816-xxx-K Dress plate Std P/N: 061-513071-xxx or Long P/N: 061-513073-xxx Mortise Stabilizer P/N: 50567701045 for 1 3/4" Door
	Metal	Wood	790	Extended Lip Strike 47/8" P/N: LH 502815-xxx-K, P/N: RH 502816-xxx-K Dress plate Std P/N: 061-513071-xxx or Long P/N:061-513073-xxx
	Wood	Wood	790	Extended Lip Strike 47/8" P/N: LH 502815-xxx-K, P/N:RH 502816-xxx-K Dress plate Std P/N: 061-513071-xxx or Long P/N:061-513073-xxx
<b>Ving 1050 Mortise with ASA Strike 4 7/8"</b>	Metal	Metal	790	Strike 63/4" P/N:LH 502780-xxx-K for RH 502781-xxx-K Dress plate Std P/N: 061-513071-xxx or Long P/N:061-513073-xxx Mortise Stabilizer P/N: 50567701045 for 1 3/4" Door
	Metal	Wood	790	Special 8 3/4" Mortise Face Plate P/N:041-511907-xxx Dress plate Standard P/N: 061-513071-xxx
	Wood	Wood	790	Strike 6 3/4" P/N:LH 502780-xxx-K for RH 502781-xxx-K Dress plate Std P/N: 061-513071-xxx or Long P/N:061-513073-xxx

Note: Metal door described here is hollow metal, for filled metal (insulate clad door) use same information as wood door.

Notice: The onsite site survey and visual inspection should still be done carefully to cover for any extra accessories that might be needed.

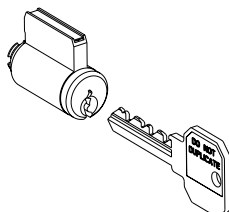
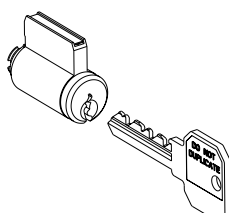
\* Mortise Stabilizer for 13/8" Door P/N: 505677101045

# Lock Accessories

## Cores & Cylinders

Standard Model (Example)				
9	6	3	4	□ □ □
Model	Pins	Keyway	Finish	Keying

Build the model number with the desired options				
□	□	□	4	□ □ □
Model	Pins	Keyway	Finish	Keying

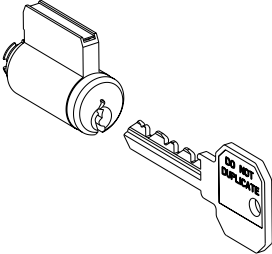
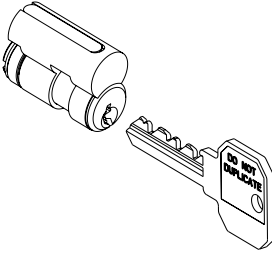
Models	Pins	Keyway	Finish	Keying
 <p><b>9</b> Lori Cylinder <b>Compatible Locks:</b> Oracode 660</p>	<p><b>6</b> 6 Pins</p>	<p><b>3</b></p>	<p><b>4B</b> Satin Brass ANSI 606</p>	<p><b>KA</b> Keyed Alike <b>KAI</b> Keyed Alike by Group <b>MK</b> Master Keyed (for Shabbat Compliance)</p>
 <p><b>9</b> Recodeable Lori Cylinder <b>Compatible Locks:</b> Oracode 660</p>	<p><b>6</b> 6 Pins</p>	<p><b>3</b></p>	<p><b>4RB</b> Satin Brass ANSI 606</p>	<p><b>KA3</b> Three Combinations in One Cylinder</p>

# Lock Accessories

## Keys

Standard Model (Example)			
<b>9</b> Model	<b>6</b> Pins	<b>3</b> Keyway	<b>E</b> <input type="checkbox"/> Key

Build the model number with the desired options			
<input type="checkbox"/> Model	<input type="checkbox"/> Pins	<input type="checkbox"/> Keyway	<input type="checkbox"/> <input type="checkbox"/> Key

Models	Pins	Keyway	Key
 <p><b>9</b> Key for Lori Cylinder</p>	<p><b>6</b> 6 Pins</p>	<p><b>3</b></p>	<p><b>E</b> Entry <b>M</b> Master <b>EM</b> Individual Entry under a Master</p>
 <p><b>8</b> Key for Unican Core</p>	<p><b>6</b> 6 Pins <b>7</b> 7 Pins</p>	<p><b>1</b> RMO <b>2</b> North American Project order</p>	<p><b>E</b> Entry <b>C</b> Control <b>M</b> Master <b>EG</b> Entry under a group <b>CM</b> Control under a Master <b>CG</b> Control under a Group <b>EM</b> Individual Entry under a Master</p>
<p><b>9</b> Recodable Key Kit</p>	<p><b>6</b> 6 Pins</p>	<p><b>3</b></p>	<p><b>0</b> Recodable Key Kit</p>

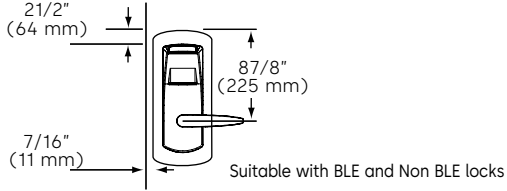
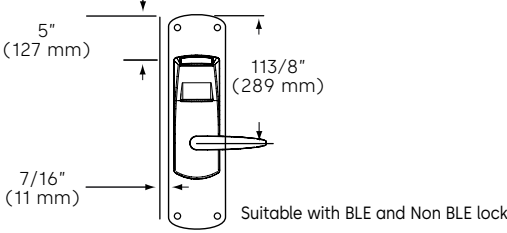
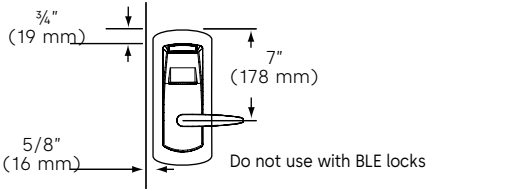
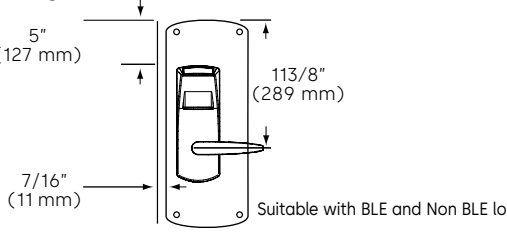
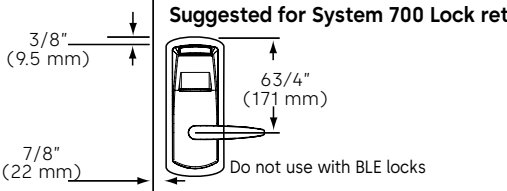
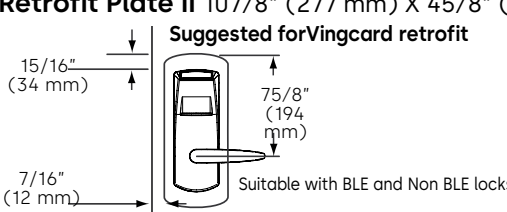
# Lock Accessories

Decorative Plates

Compatible with Generation 790

## Specifications

Mounting screws and washers included where applicable. All plates are 1/32" (0.8 mm) thick. Compatible with mortise (ASM, ESM) and cylindrical lock.

Availability	Location	Finish	Plate Number
<p><b>Standard</b> 14" (356 mm) X 45/8" (117 mm)</p> 	<p>Indoor/Outdoor Indoor/Outdoor</p>	<p>Stainless Steel PVD Satin Brass</p>	<p>062-513071-630 062-513071-906</p>
<p><b>Long</b> 171/2" (445 mm) X 45/8" (117 mm)</p> 	<p>Indoor/Outdoor Indoor/Outdoor</p>	<p>Stainless Steel PVD Satin Brass</p>	<p>062-513073-630 062-513073-906</p>
<p><b>Short</b> 101/2" (242 mm) X 45/8" (117 mm)</p> 	<p>Indoor/Outdoor Indoor/Outdoor</p>	<p>Stainless Steel PVD Satin Brass</p>	<p>061-513070-630 061-513070-906</p>
<p><b>Long &amp; Wide</b> 171/2" (445 mm) X 67/8" (175 mm)</p> 	<p>Indoor Left hand Indoor Right hand  In/Outdoor Left hand In/Outdoor Right hand</p>	<p>Satin Brass Satin Brass  Stainless Steel Stainless Steel</p>	<p>062-513074-L906 062-513074-R906  062-513074-L630 062-513074-R630</p>
<p><b>Retrofit Plate</b> 101/16" (256 mm) X 33/4" (95 mm)</p> <p><b>Suggested for System 700 Lock retrofit</b></p> 	<p>In/Outdoor In/Outdoor</p>	<p>Stainless Steel PVD Satin Brass</p>	<p>061-513072-630 061-513072-906</p>
<p><b>Retrofit Plate II</b> 107/8" (277 mm) X 45/8" (118 mm)</p> <p><b>Suggested for Vingcard retrofit</b></p> 	<p>In/Outdoor In/Outdoor</p>	<p>Stainless Steel PVD Satin Brass</p>	<p>061-513490-630 061-513490-906</p>

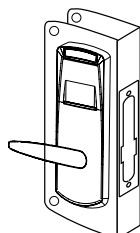
# Lock Accessories

Decorative Plates

Compatible with Generation 790

## Wrap plates

Plated C.R. Steel, Solid Brass, Stainless Steel. Mounting screws and washers included.  
Non-handed. All plates are 1/32" (0.8 mm) thick.

Availability	Location	Finish	Plate Number
<p><b>Wrap</b> 13/4" (44 mm) X 1511/16" (399 mm) X 51/2" (140 mm) Standard (ASM) Mortise 11/4" face plate for Generation 790</p> <div style="display: flex; align-items: center;">  <div> <p><b>Mortise</b></p> <p>Suitable with BLE and Non BLE locks</p> </div> </div>	<p>Indoor In/Outdoor</p>	<p>Satin Brass Stainless Steel</p>	<p>062-513075-906 062-513075-630</p>

# Lock Accessories

## Decorative Plates

Compatible with Confidant RFID (ASM Mortise Lock Case) and Confidant RFID (ESM Mortise Lock Case) Kit 1, Kit 2, Kit 3

### Specifications:

Mounting screws and washers included where applicable. All plates are 1/32" (0.8 mm) thick.

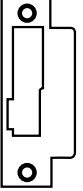
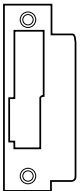

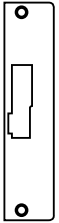
	Location	Finish	Plate Number
<p><b>Retrofit Plate I</b> 313mm x 90 mm</p>	Indoor/Outdoor Indoor / Outdoor	Satin Chrome Satin Brass	061-514185-630 061-514185-906
<p><b>Retrofit Plate II</b> 425 mm x 90 mm Suggested for Vingcard retrofit</p>	Indoor/Outdoor Indoor / Outdoor	Satin Chrome Satin Brass	061-514185-2630 061-514185-2906
<p><b>Retrofit Plate III</b> 350mm x 90mm Suggested for Cisa &amp; Onity retrofit Plate</p>	Indoor/Outdoor Indoor / Outdoor	Satin Chrome Satin Brass	061-514185-3630 061-514185-3906
<p><b>Retrofit Plate IV for Bluetooth (inside side only)</b> 425 mm x 90 mm</p>		Satin Chrome Satin Brass	061-514185-4630 061-514185-4906

# Lock Accessories

Strikes - Compatible with Generation 790

## Standard Mortise Strikes

All strikes include mounting screws. For strikes only, omit the "K" from the product number. Left Hand Reverse Door requires Right Hand Strike. Right Hand Reverse Door requires Left Hand Strike

	Handing	Finish	Part Number
<p><b>* Standard 47/8" (124 mm)</b></p>  <p>*Strike included with the lock at no charge, unless otherwise specified. Non-creditable unless purchased separately.</p>	Left Hand Right Hand Left Hand Right Hand	Satin Brass Satin Brass Stainless Steel Stainless Steel	504131-606-K 504132-606-K 504131-630-K 504132-630-K
<p><b>Wide Lip 47/8" (124 mm)</b></p> 	Left Hand Right Hand Left Hand Right Hand	Satin Brass Satin Brass Stainless Steel Stainless Steel	502815-606-K 502816-606-K 502815-630-K 502816-630-K
<p><b>Long 6 3/4" (171 mm)</b></p> 	Left Hand Right Hand Left Hand Right Hand	Satin Brass Satin Brass Stainless Steel Stainless Steel	502780-606-K 502781-606-K 502780-630-K 502781-630-K
<p><b>Extra Long 8 1/2" (216 mm)</b></p> 	Left Hand Right Hand Left Hand Right Hand	Satin Brass Satin Brass Stainless Steel Stainless Steel	506102-606-K 506103-606-K 506102-630-K 506103-630-K

# Lock Accessories

Strikes - Compatible with Generation 790




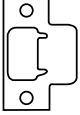
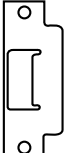
## Mortise Strikes

All strikes include mounting screws.

For strikes only, omit the "K" from the product number.



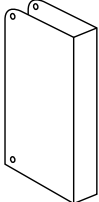
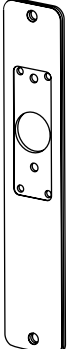
Left Hand Reverse Door requires Right Hand Strike.

Right Hand Reverse Door requires Left Hand Strike.

	Handing	Finish	Part Number
<p><b>ASM/AMM 12" (305 mm)</b> Dust box not included</p> 	<p>Left Hand Right Hand</p>		<p>041-512197-XXXK 041-512198-XXXK</p> <p>Replace XXX by 606 for Satin Brass and 630 for Stainless Steel</p>
<p><b>Smoke Seal 47/8" (124 mm)</b> Dust Box not included</p> 	<p>Left Hand Right Hand Left Hand Right Hand</p>	<p>Satin Brass Satin Brass Stainless Steel Stainless Steel</p>	<p>041-508275-606K 041-508276-606K 041-508275-630K 041-508276-630K</p>
<p><b>Slim Mortise Strike ESM 71/4" (180 mm)</b> with deadbolt</p> 	<p>Universal (Reversible)</p>	<p>Satin Brass Stainless Steel</p>	<p>041-510141-606K 041-510141-630K</p>
<p><b>Cylindrical Unit Strike T-Strike 23/4" (70 mm)</b> (Dust box not included)</p> 		<p>Satin Brass Satin Chrome</p>	<p>032-512389-606 032-512389-626</p>
<p><b>Cylindrical Unit Strike 7/8" ASA Strike (124 mm)</b> (Dust box not included)</p> 		<p>Satin Brass Satin Chrome</p>	<p>204119-606-K 204119-626-K</p>

# Lock Accessories

Miscellaneous Plates - Compatible with Generation 790

	Dimensions	Finish	Part Number
<b>Door Filler Plates</b> 	23/4" x 11/8" (70 x 29 mm) 21/4" x 11/8" (57 x 24 mm) 21/4" x 11/8" (57 x 29 mm)	Prime Coat Steel Prime Coat Steel Brass Plated Steel	061-507858 061-507857 061-507856
<b>Hole Filler Plates</b> 	23/8" (60 mm) Diameter 23/8" (60 mm) Diameter	Silver Coated Brass Plated Steel	061-507860 061-507859
<b>Deadbolt Wrap-Around Plate</b>  <p>(Upgrades to dormakaba card reader from Ilco card reader) Reversible Card Reader Not included</p>	41/4" (H) x 41/2" (W) for 13/4" door (108 x 177 x 44 mm)	Stainless Steel	061-507862
<b>dormakaba Card Reader Retrofit Kit</b> 		Stainless Steel/ Matt black plastic fascia	062-511383

# Lock Accessories

Miscellaneous

Compatible with Generation 790

Description	Part Number
<b>Outdoor Kit 790</b> Includes: Outside housing gasket, Stainless Steel battery holder screw	033-512017-1
<b>Extended 8<sup>3</sup>/<sub>4</sub>" Face Plates for Standard 13<sup>1</sup>/<sub>4</sub>" ASM Mortise</b> With deadbolt cutout Without deadbolt cutout	041-511907-630 041-511908-630
<b>ESM Face Plates</b> <b>13<sup>1</sup>/<sub>16</sub>" (20 mm) round faceplate</b> With deadbolt cutout Without deadbolt cutout	128/508593-DXXX 128/508593-OXXX
<b>29<sup>3</sup>/<sub>32</sub>" (23 mm) round faceplate</b> With deadbolt cutout Without deadbolt cutout Replace XXX by 630 (Stainless Steel) or 605 (Bright Brass PVD)	128/508595-DXXX 128/508595-OXXX
<b>Thick Door Kit</b> Includes: (3) mounting screws, (1) lock lever spindle and (1) thumbturn spindle For Door thickness 2.5" - 3.75" (66 mm-95 mm) Replace XXX by 606 for Satin Brass or 626 for Satin Chrome	062-512868-XXX
<b>Torx Bit (T-15)</b> For battery holder screw	138-510294
<b>Auto Deadbolt / Office / Storeroom Kit</b> To convert the standard inside trim assembly to Autodeadbolt ASM, ASM Office or ASM/ESM Storeroom functions. Note: For locks built after August 2002	062-510484-k
<b>Spare Parts Box for Generation 790K Lock with Mechanical Override</b> For locks with Long & Short Levers Includes: Spindle (2), turn knob spindle (2), mounting screw (6), battery holder screw (5), Allen key 1/8", tool to remove outside lever (1), springs (8), Torx bit, spanner bit, cleaning card (5), Caps (4), plugs for KIK core (4), ASM Reverse Handing Tool (1) Replace XXX by 626 (Satin Chrome) or 606 (Satin Brass)	062-511806-xxx
<b>Spare Parts Box for Generation 790 Lock with Electronic Override</b> For locks with Long & Short Levers Includes: Spindle (2), turn knob spindle (2), mounting screw (6), catch assembly (3), Allen key 1/8", tool to remove outside lever (1), Torx bit, spanner bit, cleaning card (5), ASM Reverse Handing Tool (1), springs (3) Replace XXX by 626 (Satin Chrome) or 606 (Satin Brass)	062-511805-xxx

# Lock Accessories

Miscellaneous

Spare Parts Boxes Compatible with Confidant RFID

Item	Part Number
SPARE PARTS CONFIDANT BACK PLATE MOUNT 7mm KIT 1 SAT BRASS	062+514344+B7SB
SPARE PARTS CONFIDANT BACK PLATE MOUNT 7mm KIT 1 SAT CHRM	062+514344+B7SC
SPARE PARTS CONFIDANT BACK PLATE MOUNT 8mm KIT 1 SAT BRASS	062+514344+B8SB
SPARE PARTS CONFIDANT BACK PLATE MOUNT 8mm KIT 1 SAT CHRM	062+514344+B8SC
SPARE PARTS CONFIDANT BACK PLATE 9mm KIT 1	062+514344+B9SB
SPARE PARTS CONFIDANT BACK PLATE 9mm KIT 1	062+514344+B9SC
SPARE PARTS CONFIDANT ROSE MOUNT 7mm KIT 1 SAT BRASS	062+514344+R7SB
SPARE PARTS DONFIDANT ROSE MOUNT 7mm KIT 1 SAT CHRM	062+514344+R7SC
SPARE PARTS CONFIDANT ROSE MOUNT 8mm KIT 1 SAT BRASS	062+514344+R8SB
SPARE PARTS CONFIDANT ROSE MOUNT 8mm KIT 1 SAT CHRM	062+514344+R8SC
SPARE PARTS CONFIDANT ROSE MOUNT 9mm KIT 1	062+514344+R9SB
SPARE PARTS CONFIDANT ROSE MOUNT 9mm KIT 1	062+514344+R9SC
SPARE PARTS CONFIDANT BACK PLATE 7mm KIT 2	062+514734+B7SN
SPARE PARTS CONFIDANT BACK PLATE 8mm KIT 2	062+514734+B8SN
SPARE PARTS CONFIDANT BACK PLATE 9mm KIT 2	062+514734+B9SN
SPARE PARTS CONFIDANT ROSE MOUNT 7mm KIT 2	062+514734+R7SN
SPARE PARTS CONFIDANT ROSE MOUNT 8mm KIT 2	062+514734+R8SN
SPARE PARTS CONFIDANT ROSE MOUNT 9mm KIT 2	062+514734+R9SN
SPARE PARTS CONFIDANT KIT 3 NORTH AMERICA	062+514735+BASN
SPARE PARTS CONFIDANT BP 7MM KIT 2	062+514997+B7SN
SPARE PARTS CONFIDANT BP 8MM KIT 2	062+514997+B8SN
SPARE PARTS CONFIDANT BP 9MM KIT 2	062+514997+B9SN
SPARE PARTS CONFIDANT RM 7MM KIT 2	062+514997+R7SN
SPARE PARTS CONFIDANT RM 8MM KIT 2	062+514997+R8SN
SPARE PARTS CONFIDANT RM 9MM KIT 2	062+514997+R9SN
SPARE PARTS CONFIDANT 7MM KIT 1	062+514998+N7SB
SPARE PARTS CONFIDANT 7MM KIT 1	062+514998+N7SC
SPARE PARTS CONFIDANT 8MM KIT 1	062+514998+N8SB
SPARE PARTS CONFIDANT 8MM KIT 1	062+514998+N8SC
SPARE PARTS CONFIDANT 9MM KIT 1	062+514998+N9SB
SPARE PARTS CONFIDANT 9MM KIT 1	062+514998+N9SC
SPARE PARTS CONFIDANT TUBULAR LATCH KIT 3	062+514999+BASN

# Lock Accessories

Miscellaneous Welcome Kits

Item	Part Number
Welcome Kit 790 FDU	062-514600
Welcome Kt Confidant FDU	062-514600-C
Welcome Kt Q90 FDU	062-514600-Q90

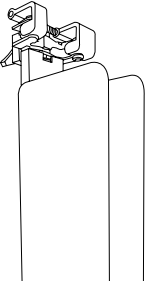
# Lock Accessories

## Installation Equipment

### Drill Plates

Description	Part Number
<b>Generation 790</b> Set of drilling plates ASM, ESM Right and Left Hand Used as Replacement Part for the installation jig below.	138-510192
<b>Confidant RFID</b> Set of drilling plates ASM Right and Left Hand. Used as replacement part for installation jig below.	138-514836

### Installation Jigs

Description	Part Number
 <b>Generation 790</b> Steel Installation Jig equipped with drill plate for ASM	138-510190
<b>Generation 790</b> Steel Installation Jig equipped with drill plate for ESM	138-510191
<b>Generation 790 Light Duty Jig</b> Includes: Drill plate for System 700 Lock Retrofit (ASM)	138-510193
<b>Confidant RFID</b> Steel installation jig equipped with drill plate for ASM	138-514837

# Keycards & Other Printing

Generic Keycards for Contactless 790

## Generic Keycards

In stock for immediate shipment.

### Confidant RFID, Q90, 790 Keycard

**Description**

**Lock**

**Part #**

#### Mini Mifare - GUEST keycard

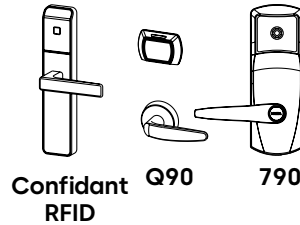
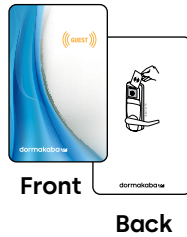
No audit trail

**Front**

Four Colors

**Back**

790 pictogram



No Mag: RFO-F2002-B790  
 LOC Mag: RFL-F2002-B790  
 HIC Mag: RFH-F2002-B790

#### 1K Mifare - STAFF keycard

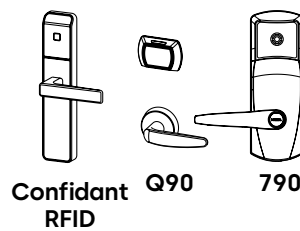
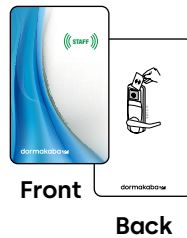
Audit trail

**Front**

Four Colors

**Back**

790 pictogram



No Mag: RFO-F1001-B790  
 LOC Mag: RFL-F1001-B790  
 HIC Mag: RFH-F1001-B790

#### 4K Mifare - AUDIT keycard

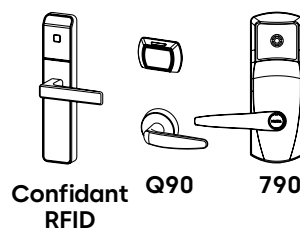
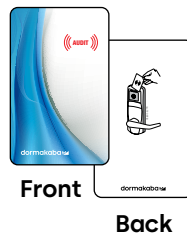
Audit trail

**Front**

Four Colors

**Back**

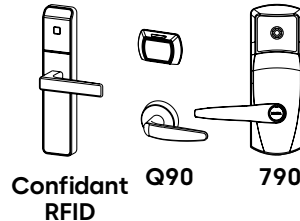
790 pictogram



No Mag: RFO-F3003-B790  
 LOC Mag: RFL-F3003-B790  
 HIC Mag: RFH-F3003-B790

#### 1K Mifare - FOB

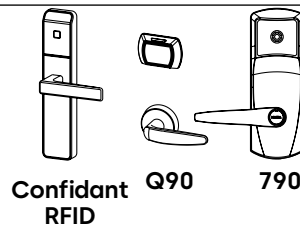
Audit trail



RED: FOB-M1K-RED

#### 1K Mifare - Wristband

Audit trail

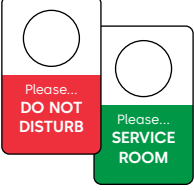
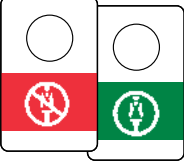


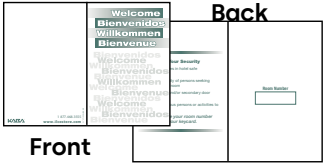
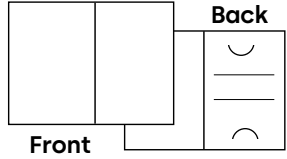



RED: WBD-M1K-RED

Custom keycards and other wristbands and fobs colours are available call kim for pricing and availability.

# Keycards & Other Printing

## Accessories

Item	Description	Part #
<b>Do Not Disturb / English</b> 	Door Hanger <b>Front</b> "Please Do Not Disturb" One color red <b>Back</b> "Please Service Room" One color green	BLK-SERV-DND
<b>Do Not Disturb - Pictogram</b> 	Door Hanger Pictograms only (no text) <b>Front:</b> Red Do not enter <b>Back:</b> Green enter	BLK-SERV0-DND
<b>Retractable Card Holder</b> 	For staff keycards Box of 10 Convenient belt or pocket clip with self-retracting cord.	P203-10
<b>Cleaning Cards</b> 	Box of 50 For regular use in all electronic locking systems to ensure good performance. Cleans magnetic read/write heads in locks, FDU's and Remote Access Controller.	065-501367CC
<b>Welcome Pockets (English)</b> 	Box of 3000 All text, corner borders and logo are dark blue on a white background Cover text Welcome in 7 languages inside text: Safety tips (English).	FLD-WHT-0001
<b>Welcome Pockets (Blank)</b> 	Box of 3000 All white, no printing	FLD-WHT-0000
<b>Welcome Pockets (Bilingual)</b> 	Box of 3000 All text and logo are dark blue on a white background. Cover text Welcome in 6 languages inside text: Safety tips (French and English)	FLD-WHT-0002



Door  
Hardware



Electronic  
Access & Data



Mechanical  
Key Systems



Lodging  
Systems



Entrance  
Systems



Safe  
Locks



Service

## Think tomorrow

We are committed to championing sustainability in everything we do, from producing more sustainable solutions to help our customers lessen their environmental footprint to being a fair and responsible employer and neighbor.

KA1432 06\_2026  
Subject to change without notice



[dormakaba.com](http://dormakaba.com)

**dormakaba Inc.**

Toll Free: 1 800 999 6213

International: +1 514 340 9025

**dormakaba.us**

**dormakabalodgingstore.com**