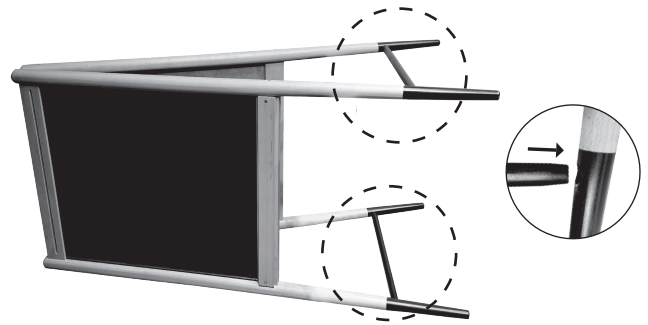
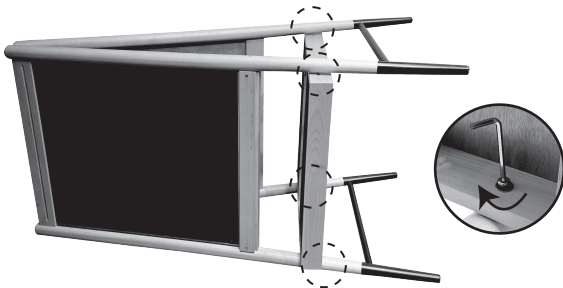


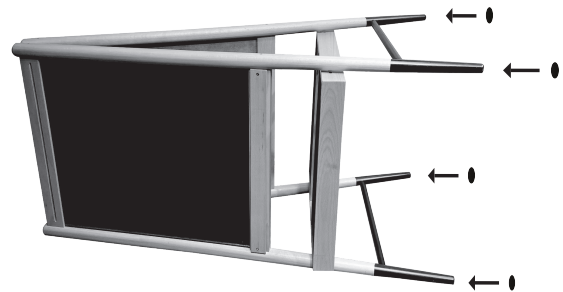
Step ① : Place the easel on its side on a carpet or other soft surface. Open the legs.



Step ② : Insert the two leg supports (C) into the lower leg holes.



Step ③ : Align the tray (B) with the upper leg holes. Insert the four screws (E), then tighten them with the hex key (F).



Step ④ : Attach the four felt pads (H) to the bottom of the easel legs, if needed.



Step ⑤ : Insert the paper dowel (D) through the core of the paper roll (G). Then place the dowel into the center slots of the tray (B).



Step ⑥ : Feed the paper through the center and over the top of the easel. Pull it down on either side.

### Tips:

- If the easel feels uneven, loosen the tray screws from Step 3, adjust the frame until all legs rest evenly on the floor, then retighten the screws.
- Both alcohol-based and water-based dry-erase markers may be used with the dry-erase board. Some ghosting may occur at first, but this should improve with normal use.