



1199 Panigale S ABS  
Model Year 2012

*SUPERBIKE*

Chassis prefix: H800AB,H801AB  
Cylinder capacity: 1200

490.12  
SPARE PARTS CATALOGUE  
en-US





The present spare parts order exactly the right spare parts.

When ordering specify:

1. the part's code number followed by its description and quantity needed;
2. the motorcycle's serial number, stamped on the steering head.

Reference to right and left apply to the vehicle in terms of its direction of movement.

Spare parts drawings are general and do not represent the part.

The contents of this catalogue are general and can undergo changes without prior notice.

## CHARACTERISTICS LEGENDA

CHARACTERISTIC CODE	CHARACTERISTIC DESCRIPTION	VALUE CODE	VALUE DESCRIPTION
MOD	MODEL	1199S-A	1199 Panigale S ABS
XCO	MAIN COLOUR	R	Red
XCR	FRAME / WHEEL COLOUR	-B	BLACK
XPO	OPTIONS	STD	MOTO STANDARD
XST	STANDARD COUNTRY	AUS	VERSIONE AUSTRALIA
XST	STANDARD COUNTRY	EUR	VERSIONE EUROPA
XST	STANDARD COUNTRY	FRA	VERSIONE FRANCIA



COLOUR	COLOUR CODE	COLOUR DESCRIPTION	FINISHED PRODUCTS
	R	RED DUCATI	(D15023612) 1199S ABS PANIGALE 12 AUS R -B STD (D15022412) 1199S ABS PANIGALE 12 EUR R -B STD (D15023112) 1199S ABS PANIGALE 12 FRA R -B STD



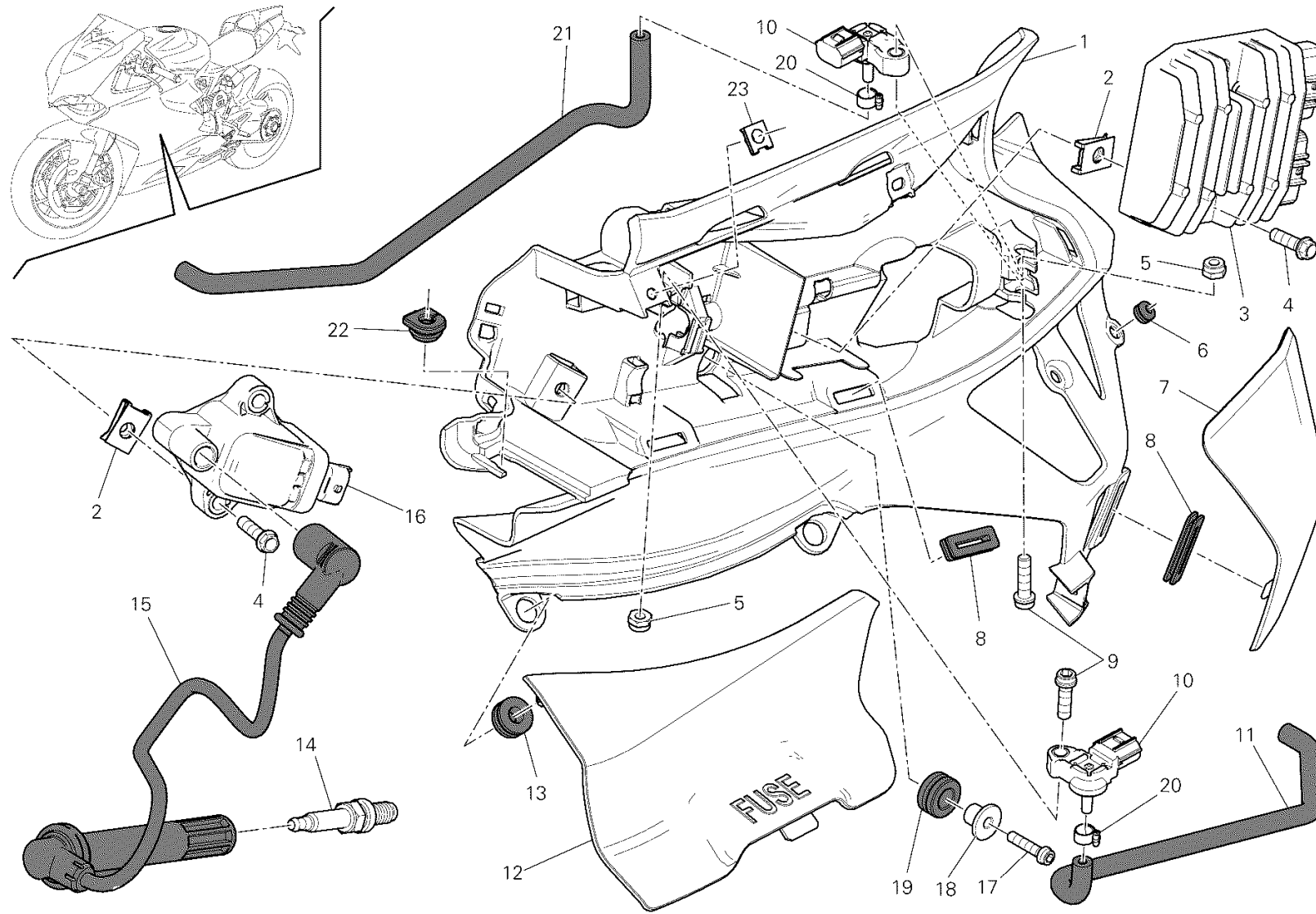
General information.....	3
Colours.....	4
Group ELECTRIC.....	8
Drawing 018 - VOLTAGE REGULATOR.....	8
Drawing 020 - HEADLIGHT.....	10
Drawing 18A - BATTERY.....	12
Drawing 18B - CONTROL UNIT.....	14
Drawing 18C - WIRING HARNESS.....	16
Drawing 27A - TAILLIGHT.....	18
Drawing 27B - TAILLIGHT AUS.....	20
Group OIL.....	22
Drawing L - SHELL ADVANCE.....	22
Group ENGINE.....	24
Drawing 002 - SHIFT CAM - FORK.....	24
Drawing 003 - GEAR BOX.....	26
Drawing 004 - CLUTCH.....	28
Drawing 005 - CLUTCH COVER, OUTER.....	30
Drawing 006 - CRANKSHAFT.....	32
Drawing 007 - CYLINDER - PISTON.....	34
Drawing 008 - TIMING BELT.....	36
Drawing 009 - OIL PUMP - FILTER.....	38
Drawing 010 - CRANKCASE.....	40
Drawing 011 - GENERATOR COVER - WATER PUMP.....	44
Drawing 012 - STARTING MOTOR.....	46
Drawing 013 - HORIZONTAL HEAD.....	48
Drawing 014 - HORIZONTAL CYLINDER HEAD.....	50
Drawing 015 - VERTICAL CYLINDER HEAD.....	60
Drawing 016 - FOOTRESTS, LEFT.....	70
Drawing 017 - THROTTLE BODY.....	72



Drawing 05A - CLUTCH-SIDE CRANKCASE COVER (JAP).....	74
Drawing 10A - CRANKCASE BEARINGS.....	76
Drawing 13A - VERTICAL HEAD.....	78
Group TOOLS.....	82
Drawing 001 - CHECK INSTRUMENT DDS.....	82
Drawing 01A - WORKSHOP SERVICE TOOLS, ENGINE I.....	84
Drawing 01B - WORKSHOP SERVICE TOOLS, ENGINE II.....	88
Drawing 01C - WORKSHOP SERVICE TOOLS, FRAME.....	90
Group TYRES.....	92
Drawing A - TYRES.....	92
Drawing B - (*) PIRELLI DIABLO™ SUPERCORSA SP.....	94
Drawing D - PIRELLI DIABLO™ ROSSO III.....	96
Drawing E - PIRELLI DIABLO™ ROSSO CORSA II.....	98
Drawing F - (#) PIRELLI DIABLO™ SUPERBIKE.....	100
Drawing G - (#) DIABLO™ WET.....	102
Drawing H - (#) DIABLO™ RAIN.....	104
Drawing I - (#) DIABLO™ SUPERCORSA SC V2.....	106
Drawing J - (#) DIABLO™ SUPERCORSA SC.....	108
Drawing K - PIRELLI DIABLO™ SUPERCORSA SP V3.....	110
Drawing M - (#) DIABLO™ SUPERCORSA SC V3.....	112
Drawing N - PIRELLI DIABLO™ ROSSO IV.....	114
Group FRAME.....	116
Drawing 019 - EXHAUST SYSTEM.....	116
Drawing 021 - HANDLEBAR.....	120
Drawing 022 - FRAME.....	122
Drawing 023 - CLUTCH MASTER CYLINDER.....	124
Drawing 024 - FRONT BRAKE SYSTEM.....	126
Drawing 025 - REAR BRAKE SYSTEM.....	128
Drawing 026 - WHEELS.....	132
Drawing 027 - REAR FRAME.....	134



Drawing 028 - REAR SHOCK ABSORBER.....	138
Drawing 029 - INTAKE.....	140
Drawing 030 - WATER COOLER.....	142
Drawing 031 - COOLING CIRCUIT.....	144
Drawing 032 - FUEL TANK.....	146
Drawing 033 - SEAT.....	148
Drawing 034 - COWLING.....	152
Drawing 19A - EXHAUST SYSTEM (JAP).....	154
Drawing 21A - FRONT FORK.....	158
Drawing 22A - SIDE STAND.....	160
Drawing 24A - BRAKING SYSTEM ABS.....	162
Drawing 26A - REAR WHEEL SPINDLE.....	164
Drawing 28A - SWING ARM.....	166
Drawing 34A - FAIRING.....	168
Alphanumeric index.....	170



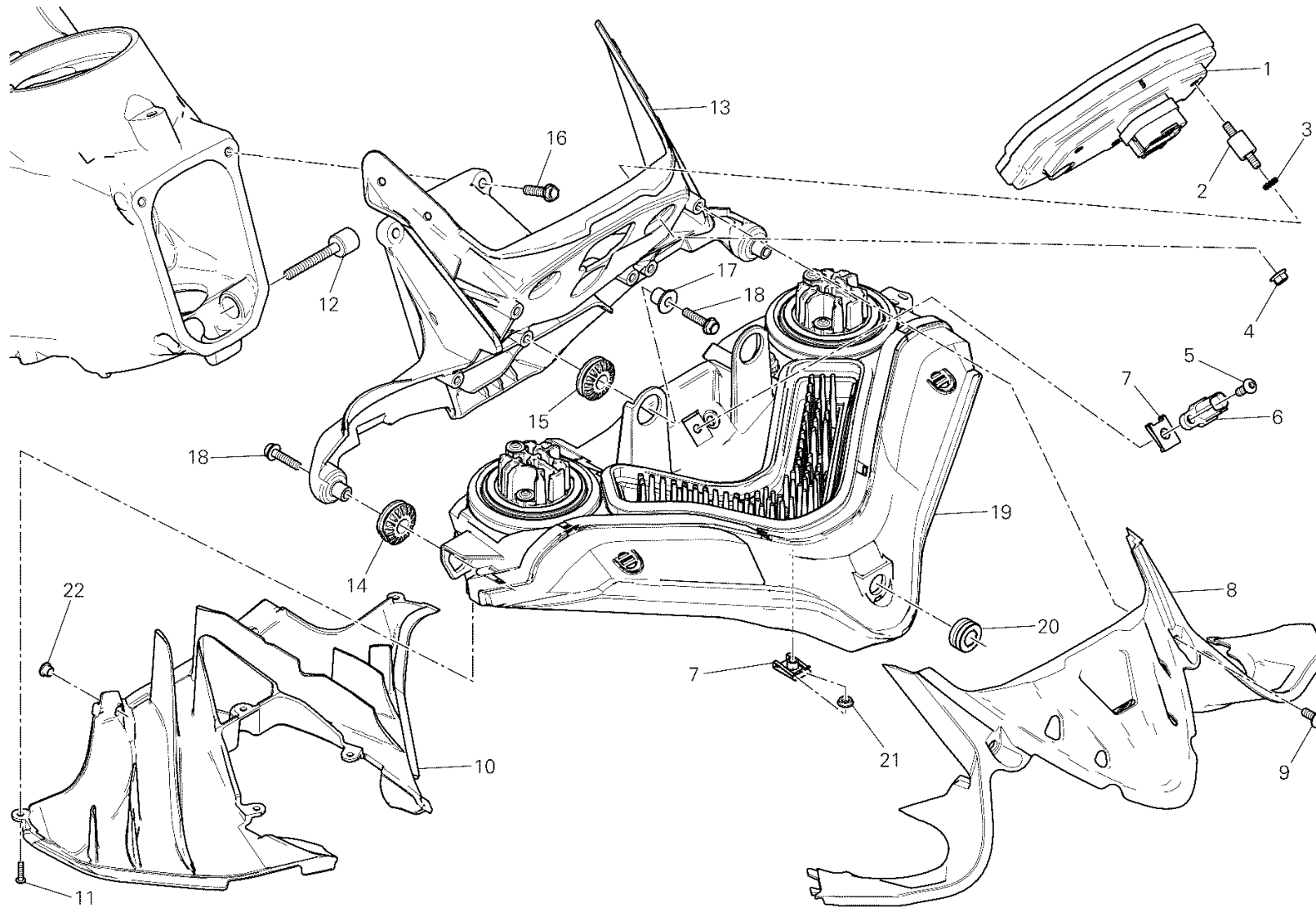
IMP00769

# DRAWING 018 - VOLTAGE REGULATOR

GROUP ELECTRIC



POS.	CODE	DESCRIPTION	QTY	START DATE	END DATE	VALIDITY	NOTES
1	829PA361A	LEFT HOLDER	1				
2	85041581A	CLIP NUT	4				
3	54040301B	VOLTAGE REGULATOR	1				
4	77251038B	SCREW TEF M6X25	4				
5	74940041A	NUT, SELF-LOCKING M6	2				
6	76440561A	RUBBER PAD	2				
7	46015482A	COVER	1				
8	76411411B	RUBBER PAD	3				
9	77156688B	SCREW TCEIF	2				
10	55241571A	SENSOR, PRESSURE	2				
11	59013941A	TUBE VERTICAL	1				
12	46015351A	COVER	1				
13	76410841B	RUBBER PAD	2				
14	67040451A	SPARK PLUG NGK MAR9A-J	1				
15	67110511C	SPARK PLUG WIRING	1				
16	38040221B	IGNITION COIL ASSY	1				
17	77156443B	SCREW	3				
18	71614342AA	SPACER	3				
19	76410901A	RUBBER PAD	3				
20	74141711A	CLAMP 10-7 MM	2				
21	59013951A	TUBE HORIZONTAL	1				
22	76410741A	HOSE GUIDE	1				
23	85040471A	QUICK FASTENING M5	2				



FAN00229

# DRAWING 020 - HEADLIGHT

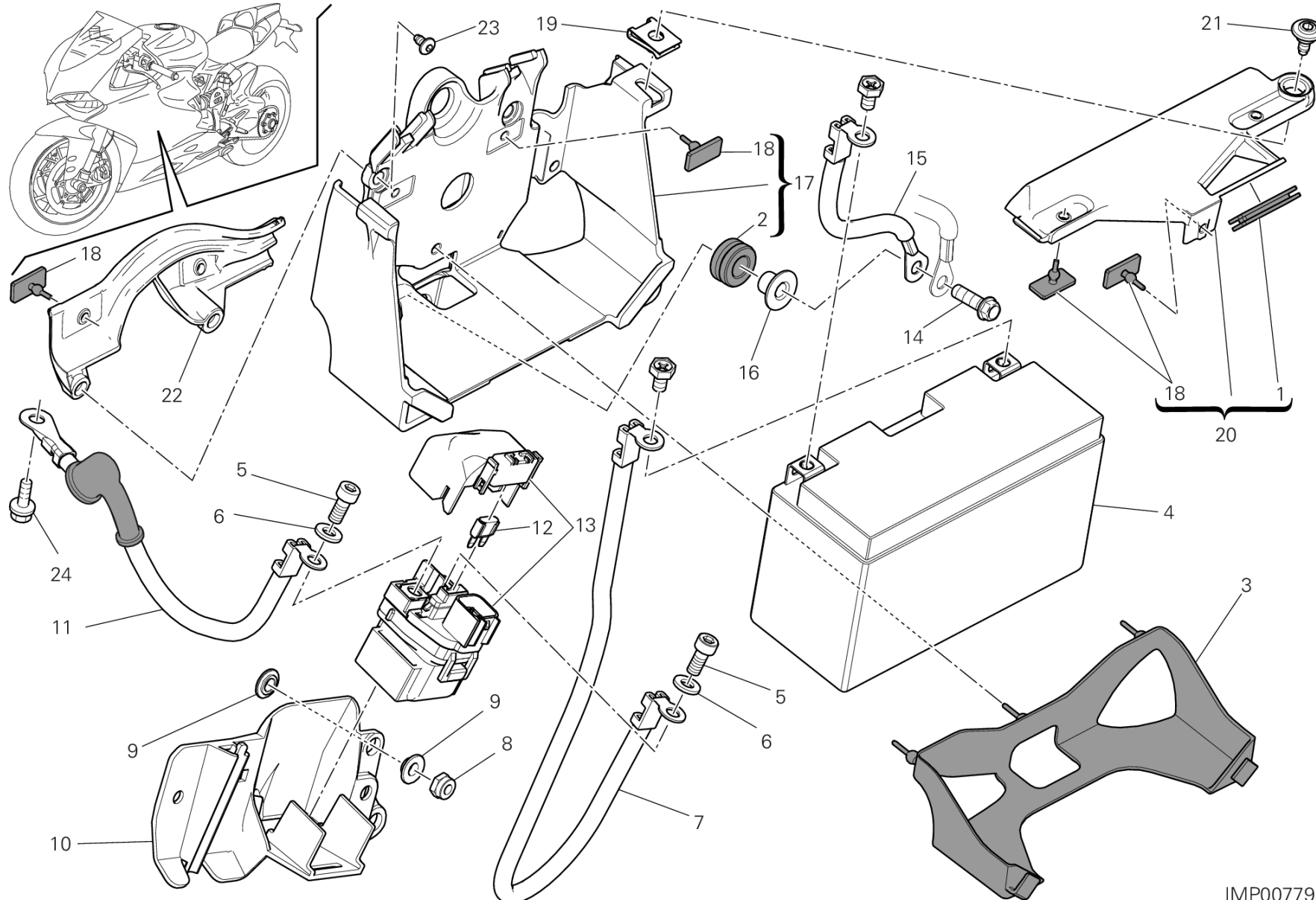
## GROUP ELECTRIC



POS.	CODE	DESCRIPTION	QTY	START DATE	END DATE	VALIDITY	NOTES
1	40610901F	INSTRUMENT PANEL	1				
2	70010431A	DAMPER	3				
3	46240461A	WASHER, SPRING	3				
4	74840381A	NUT M5	3				
5	77510041A	SCREW TBEI M5X14	1				
6	55241581A	SENSOR, AIR TEMPERATURE	1				
7	85040551A	QUICK FASTENING	2				
8	46015281A	COVER, METER	1				
9	77240253C	SCREW	4				
10	48411031B	AIR CONVEYOR	1				
11	77440101A	SCREW, TAPPING 3.5X10	5				
12	77916821BA	SCREW, SPECIAL	1				
13	8291A553BA	HEAD-LIGHT SUPPORT	1				
14	76411641A	SEAT RUBBER	2				
15	76411361A	VIBRATION DAMPER PAD	2				
16	77251018B	SCREW TEF M6X20	2				
17	71614381AA	SPACER	2				
18	77250788B	SCREW	4				
19	52010228B	HEADLIGHT FRONT	1				
20	76410901A	RUBBER PAD	1				
21	71114122AA	SPACER	1				
22	87240761A	PLUG	2				



# DRAWING 18A - BATTERY GROUP ELECTRIC



IMP00779

# DRAWING 18A - BATTERY

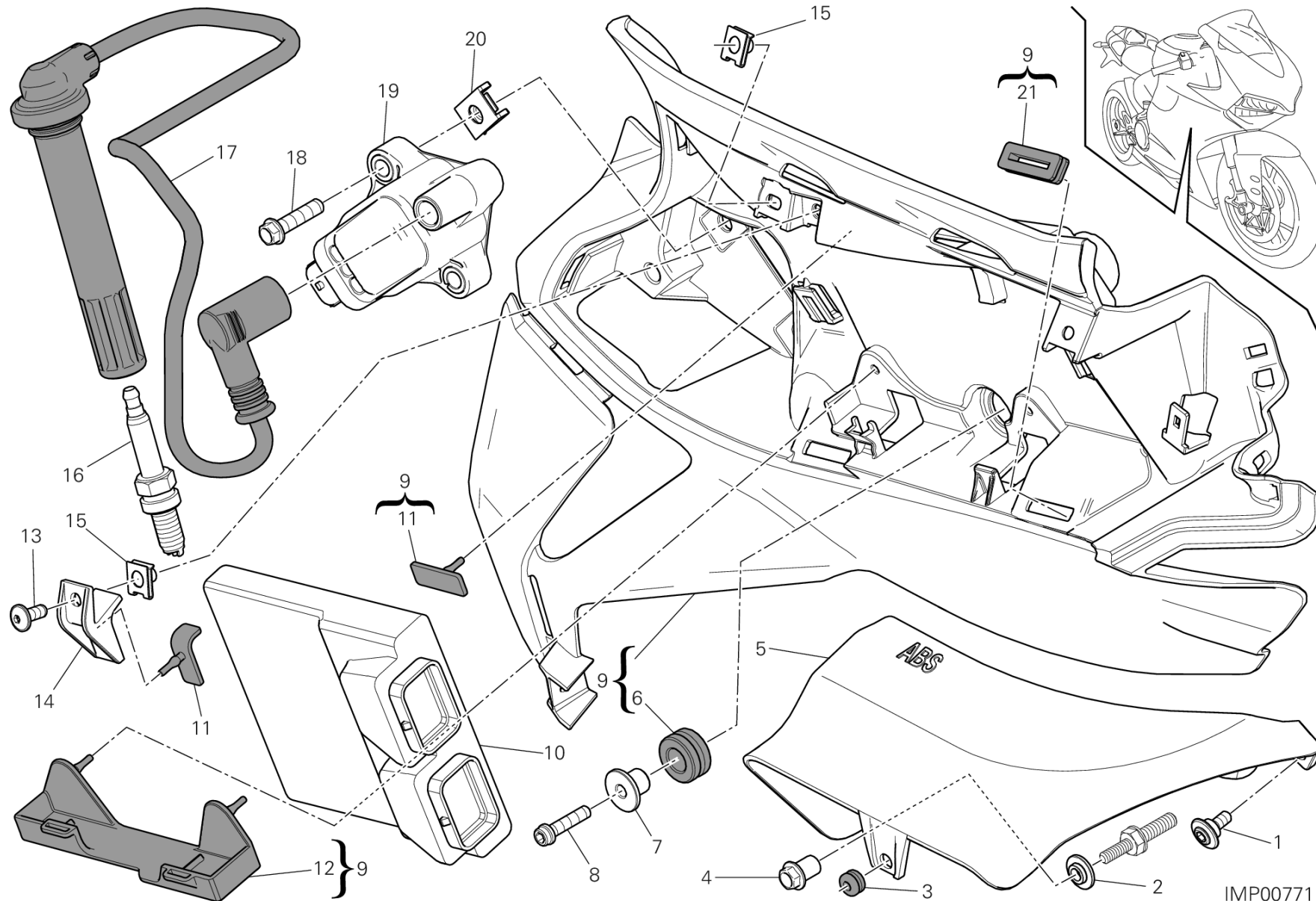
## GROUP ELECTRIC



POS.	CODE	DESCRIPTION	QTY	START DATE	END DATE	VALIDITY	NOTES
1	76411411B	RUBBER PAD	1				
2	76410901A	RUBBER PAD	3				
3	46015052A	BATTERY CARPET	1				
4	39520311A	BATTERY	1				
5	77156628B	SCREW TCEIF M6X10	2				
6	85350101A	WASHER, SPRING	2				
7	51410671A	BATTERY - SOLENOID STARTER CABLE	1				
8	74840381A	NUT M5	2				
9	71614071A	SPACER 5.2X8.4X2	4				
10	83016833A	HOLDER	1				
11	51410681A	SOLENOID STARTER - STARTER MOTOR CABLE	1				
12	38940251A	FUSE 30A	1				
13	39740071A	STARTER RELAY	1				
14	77251023C	SCREW TEF M6X22 10.9	3				
15	51310261A	CABLE	1				
16	71611061A	SPACER 7X10X20	3				
17	829PA541B	BATTERY HOLDER	1				
18	86610361A	RUBBER PAD	7				
19	85040551A	QUICK FASTENING	1				
20	247P4072A	COVER ASSEMBLY	1				
21	77211131A	SCREW M5X9	1				
22	46015681A	GUARD	1				
23	77440203C	SCREW	2				
24	77210461B	SCREW TEF M5X8	1				



# DRAWING 18B - CONTROL UNIT GROUP ELECTRIC



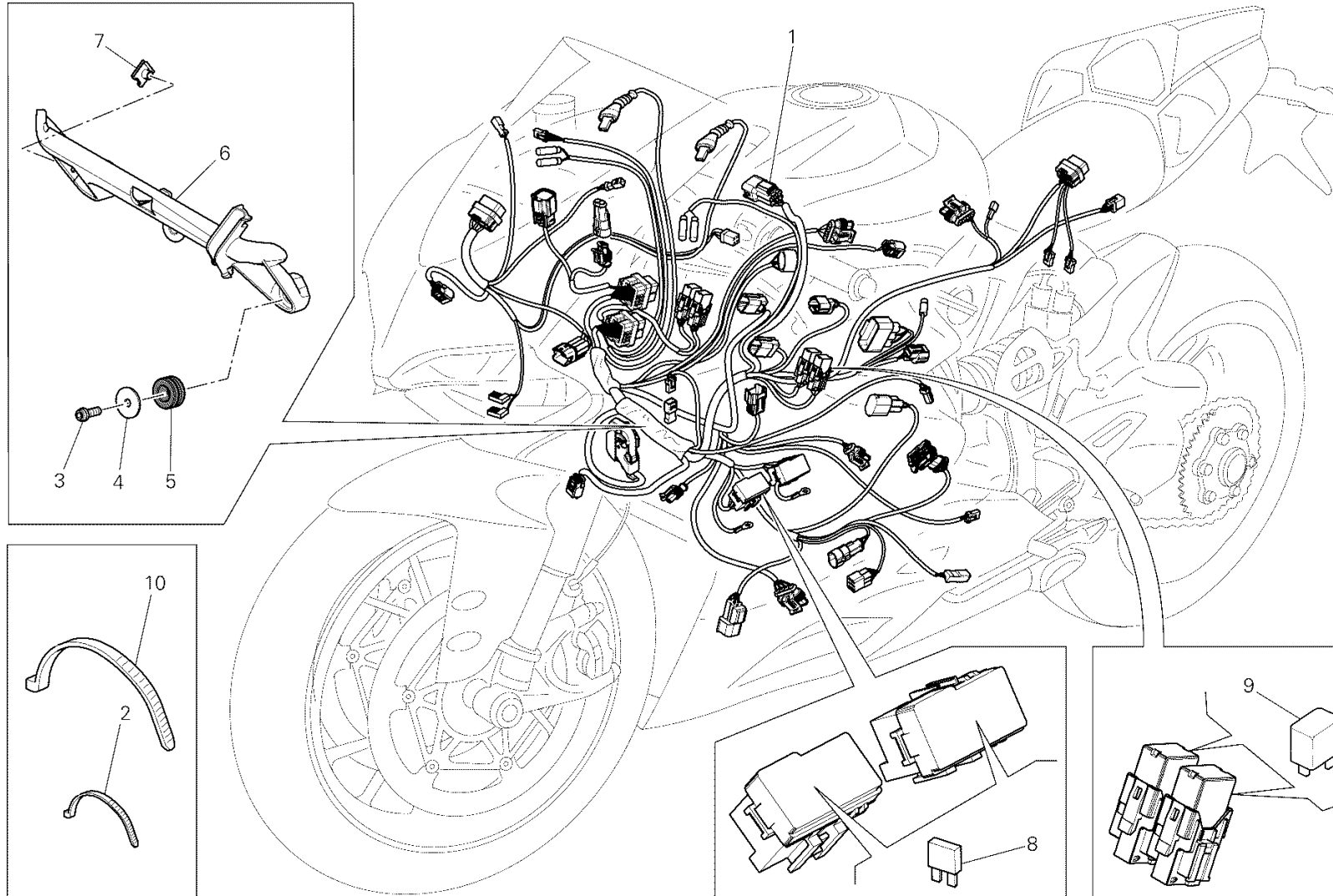
IMP00771

# DRAWING 18B - CONTROL UNIT

## GROUP ELECTRIC



POS.	CODE	DESCRIPTION	QTY	START DATE	END DATE	VALIDITY	NOTES
1	77210853B	SCREW	1				
2	71614071A	SPACER 5.2X8.4X2	1				
3	76440561A	RUBBER PAD	1				
4	75011742AA	NUT, SPECIAL	1				
5	46015631B	COVER	1				
6	76410901A	RUBBER PAD	3				
7	71614342AA	SPACER	3				
8	77156443B	SCREW	3				
9	829PA371A	RIGHT HOLDER	1				
10	28642211A	ENGINE CONTROL UNIT	1				
	28642211E	ENGINE CONTROL UNIT	1				FRA
	28642211F	ENGINE CONTROL UNIT	1				JPN
11	86611241A	RUBBER PAD	2				
12	70010711A	VIBRATION DAMPER	1				
13	77240258C	SCREW	1				
14	83016861A	BRACKET	1				
15	85040471A	QUICK FASTENING M5	3				
16	67040451A	SPARK PLUG NGK MAR9A-J	1				
17	67110511C	SPARK PLUG WIRING	1				
18	77251038B	SCREW TEF M6X25	2				
19	38040221B	IGNITION COIL ASSY	1				
20	85041581A	CLIP NUT	2				
21	76411411B	RUBBER PAD	2				



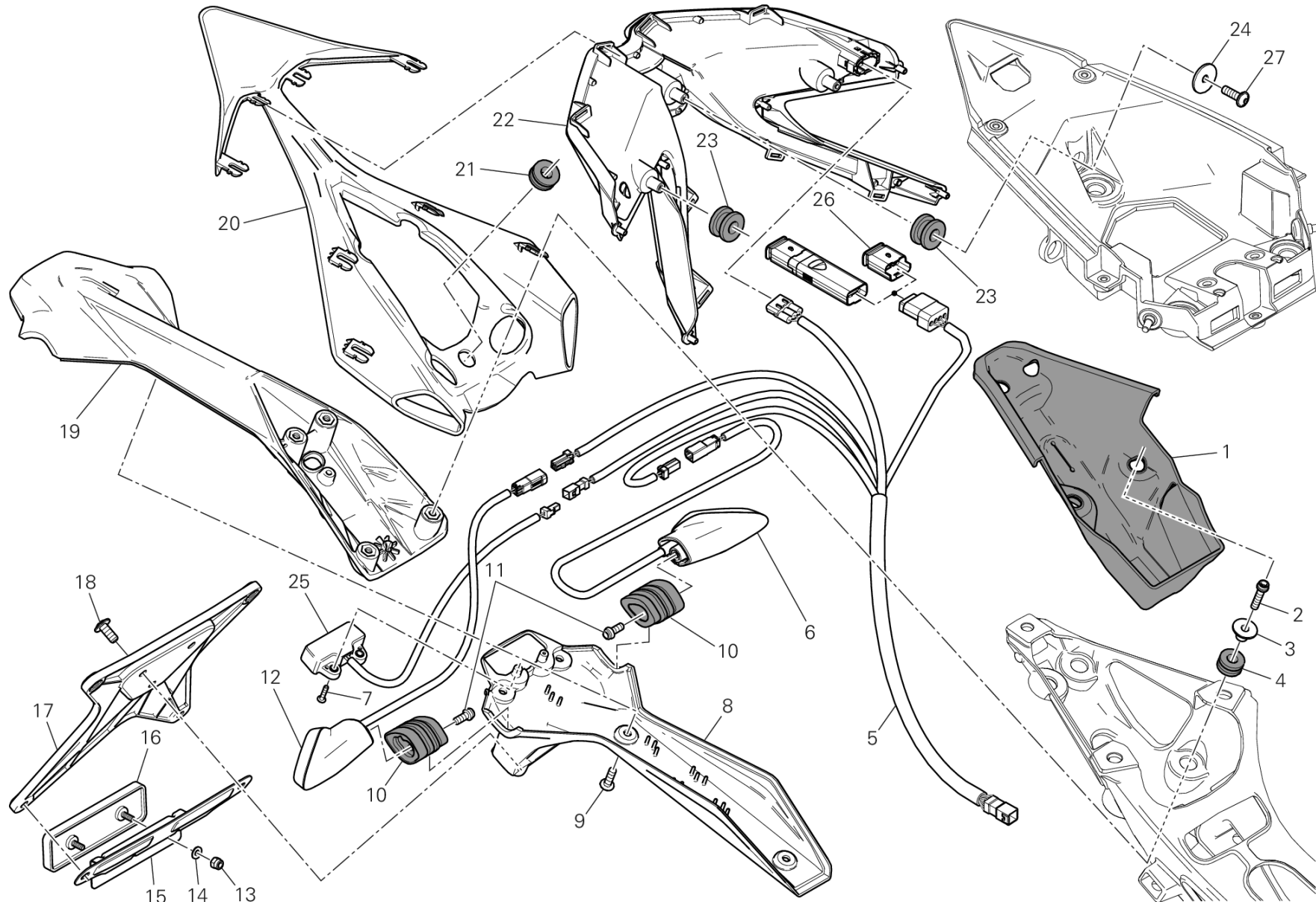
IMP00775

# DRAWING 18C - WIRING HARNESS

## GROUP ELECTRIC



POS.	CODE	DESCRIPTION	QTY	START DATE	END DATE	VALIDITY	NOTES
1	51017921C	MAIN WIRING HARNESS	1				
2	74140381A	CLAMP	10				
3	77210882B	SCREW TBEI M5X12	2				
4	71614431AA	SPACER	2				
5	76410901A	RUBBER PAD	2				
6	83017071A	BRACKET, FRONT	1				
7	85040471A	QUICK FASTENING M5	1				
8	38940191A	FUSE 5A	1				
	38940201A	FUSE 10A	1				
	38940211A	FUSE 15A	1				
	38940221A	FUSE 20A	1				
	38940241A	FUSE 7,5A	1				
9	54140101A	RELAY	4				
10	069191030	CLAMP	9				

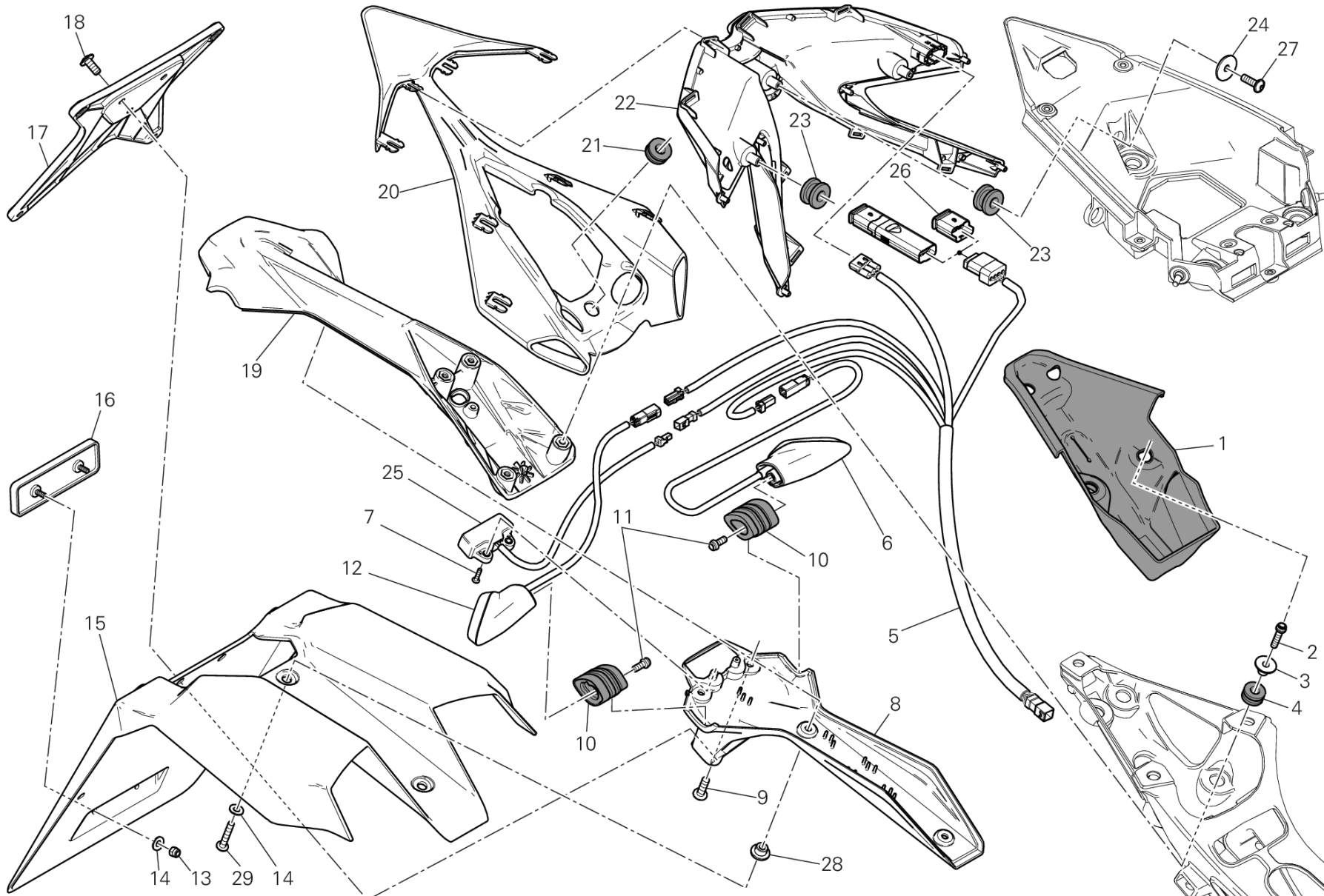


# DRAWING 27A - TAILLIGHT

## GROUP ELECTRIC



POS.	CODE	DESCRIPTION	QTY	START DATE	END DATE	VALIDITY	NOTES
1	48311731A	RUBBER SECTION	1				
2	77156443B	SCREW	4				
3	71614102AA	SPACER	4				
4	76411141A	VIBRATION DAMPER PAD	4				
5	51017721A	REAR WIRING	1				
6	53010282A	FLASHER LIGHT FRONT RH- REAR LH	1				
7	77440183C	SCREW	2				
8	56113043A	NUMBER PLATE HOLDER BOTTOM	1				
9	77440203C	SCREW	4				
10	71314703A	SPACER	2				
11	77156398B	SCREW TCEIF M5X12	2				
12	53010292A	FLASHER LIGHT FRONT LH - REAR RH	1				
13	74950011B	NUT, SPRING	2				
14	85250011C	WASHER 4.3X9X0.8	2				
15	82712981B	BRACKET, REFLECTOR	1				
16	52910061B	CATADIOTTRO POSTERIORE OVALE	1				
17	56110261A	NUMBER PLATE HOLDER	1				
18	77240418C	SCREW	3				
19	56113033A	NUMBER PLATE HOLDER UPPER	1				
20	46014901A	COVER, LOWER	1				
21	76410841B	RUBBER PAD	1				
22	52510445C	TAILLIGHT	1				
23	76411491A	RUBBER PAD	3				
24	85213111AA	WASHER	1				
25	52510432D	LAMP, LICENSE PLATE	1				
26	87210532A	CAP DDA	1				
27	77440071A	SCREW, TAPPING M4.5X12	1				



# DRAWING 27B - TAILLIGHT AUS

## GROUP ELECTRIC



POS.	CODE	DESCRIPTION	QTY	START DATE	END DATE	VALIDITY	NOTES
1	48311731A	RUBBER SECTION	1				
2	77156443B	SCREW	4				
3	71614102AA	SPACER	4				
4	76411141A	VIBRATION DAMPER PAD	4				
5	51017721A	REAR WIRING	1				
6	53010282A	FLASHER LIGHT FRONT RH- REAR LH	1				
7	77440183C	SCREW	2				
8	56113043A	NUMBER PLATE HOLDER BOTTOM	1				
9	77440203C	SCREW	2				
10	71314703A	SPACER	2				
11	77156398B	SCREW TCEIF M5X12	2				
12	53010292A	FLASHER LIGHT FRONT LH - REAR RH	1				
13	74950011B	NUT, SPRING	2				
14	85240131A	WASHER 5.3X15X1	2				
15	46015771A	MUDFLAP	1				
16	52910061B	CATADIOTTRO POSTERIORE OVALE	1				
17	56110261A	NUMBER PLATE HOLDER	1				
18	77240423C	SCREW TBEIF M6X16 10.9	3				
19	56113033A	NUMBER PLATE HOLDER UPPER	1				
20	46014901A	COVER, LOWER	1				
21	76410841B	RUBBER PAD	1				
22	52510445C	TAILLIGHT	1				
23	76411491A	RUBBER PAD	3				
24	85213111AA	WASHER	1				
25	52510432D	LAMP, LICENSE PLATE	1				
26	87210532A	CAP DDA	1				
27	77440071A	SCREW, TAPPING M4.5X12	1				
28	71614421AA	SPACER	2				
29	77440121A	SCREW	2				

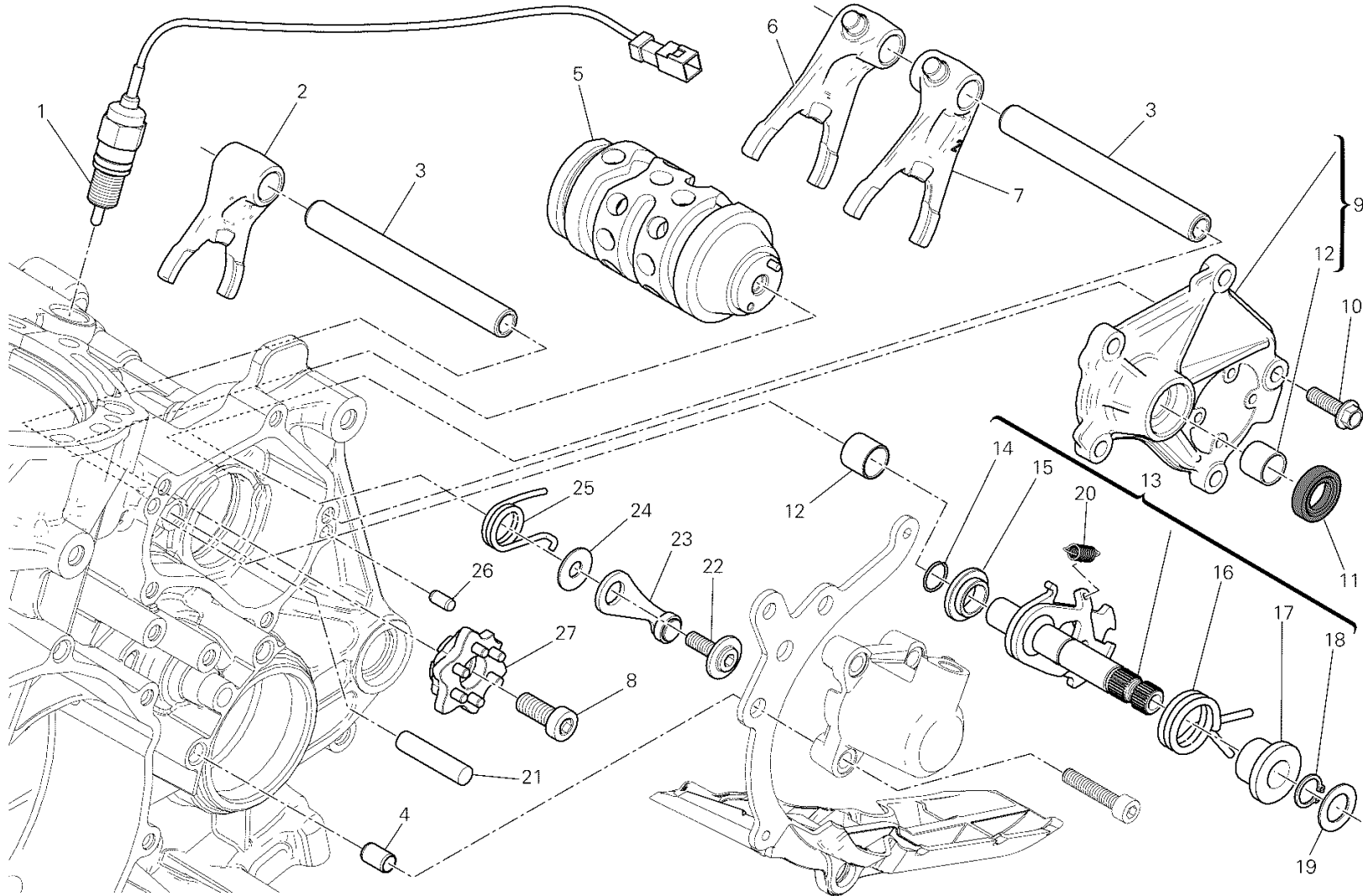


# DRAWING L - SHELL ADVANCE

## GROUP OIL



POS.	CODE	DESCRIPTION	QTY	START DATE	END DATE	VALIDITY	NOTES
1	944650035	SHELL ADVANCE DUCATI 15W50 - 1L BOTTLE	1				
2	944650037	SHELL ADVANCE DUCATI 15W50 – 209L DRUM	1				



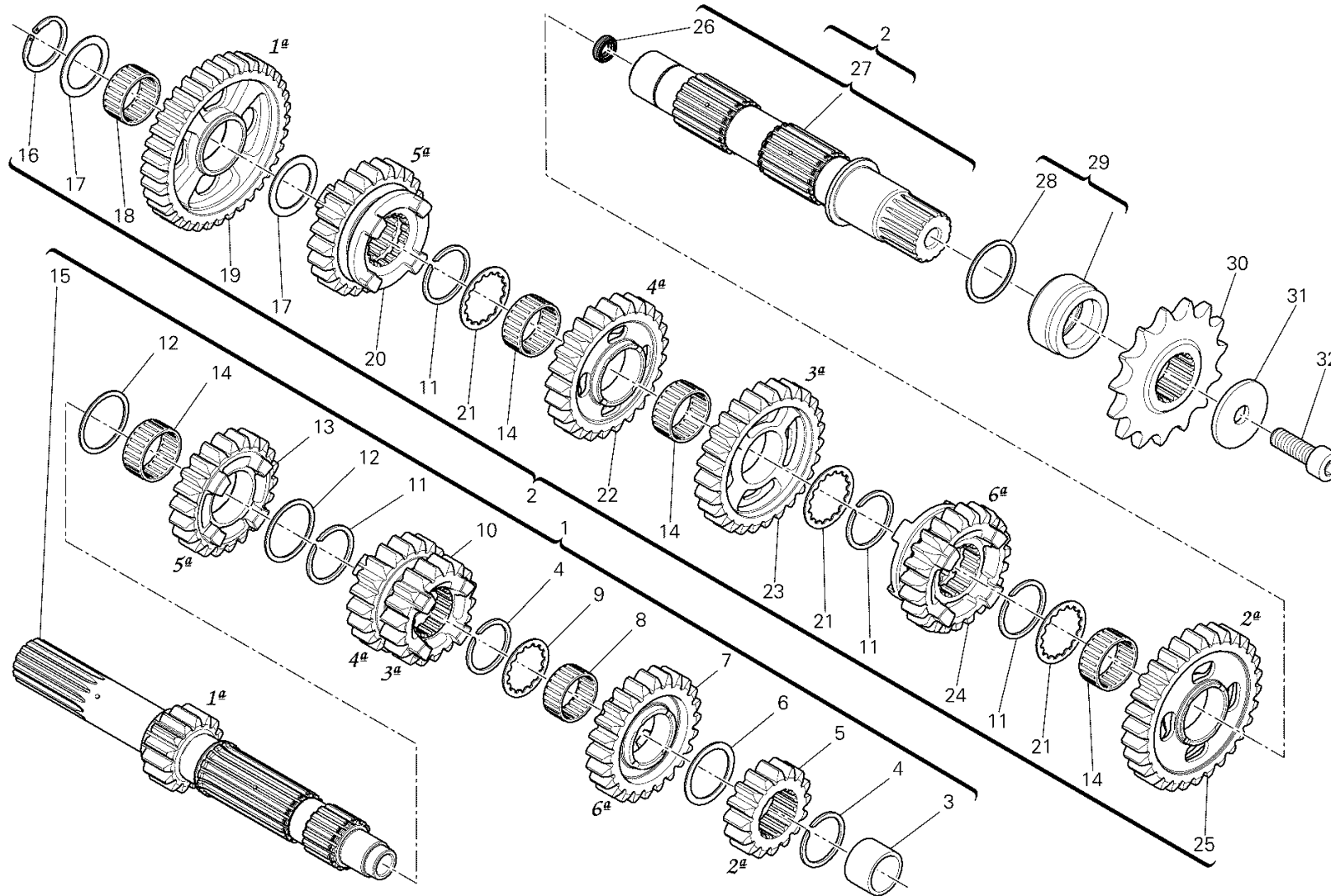
CMB00313

# DRAWING 002 - SHIFT CAM - FORK

## GROUP ENGINE



POS.	CODE	DESCRIPTION	QTY	START DATE	END DATE	VALIDITY	NOTES
1	55241612C	GEARBOX POSITION SENSOR	1				
2	18010271D	5TH,6TH GEAR SELECTOR FORK	1				
3	82113441B	FORK PIN	2				
4	71113631A	BUSH	2				
5	18220353C	COMPLETE GEARBOX DRUM	1				
6	18010281D	1TH,4TH GEAR SELECTOR FORK	1				
7	18010291D	2TH,3TH GEAR SELECTOR FORK	1				
8	77355038B	SCREW	1				
9	24723652A	GEARBOX CONTROL COVER (Unit)	1				
10	77253317C	SCREW	5				
11	93041591A	SEAL RING	1				
12	71240231A	BUSH	1				
13	18120051C	GEAR CHANGE MECHANISM (Unit)	1				
14	88450311A	STOP RING	1				
15	71611581C	SPACER	1				
16	79915141C	SPRING	1				
17	71611571C	SPACER	1				
18	88450361A	CIRCLIP	1				
19	85212651A	WASHER	1				
20	79915131C	SPRING	1				
21	86050091A	PIN	1				
22	77916241A	SCREW, SPECIAL	1				
23	45520171A	GEAR STOPPER LEVER ASSEMBLY	1				
24	85212661A	WASHER	1				
25	79915101C	SPRING	1				
26	86050061A	PIN M5X10	2				
27	18220381B	GEARBOX DRUM FLANGE ASSEMBLY	1				



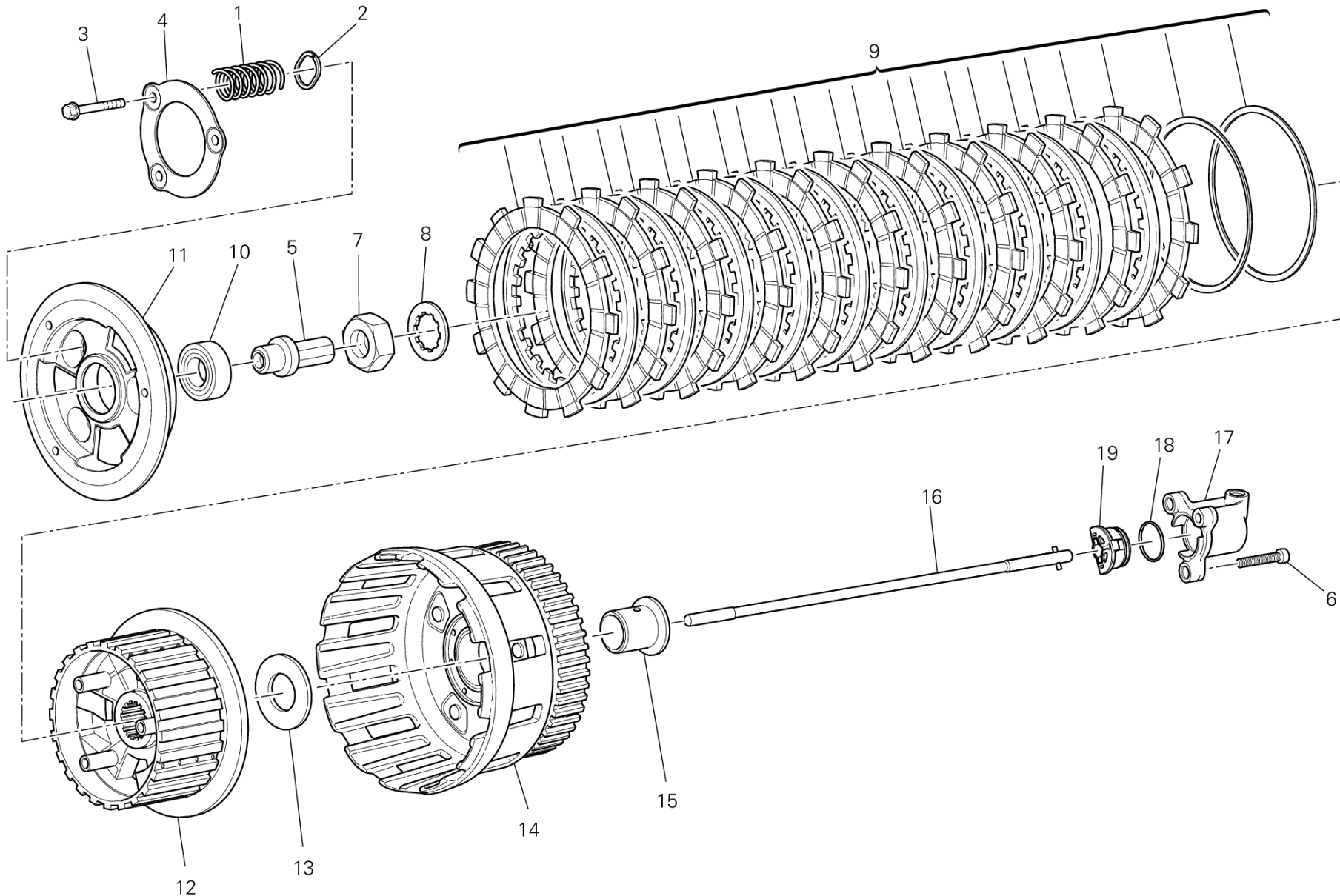
CMB00314

# DRAWING 003 - GEAR BOX

## GROUP ENGINE



POS.	CODE	DESCRIPTION	QTY	START DATE	END DATE	VALIDITY	NOTES
1	15021492D	COMPLETE MAIN SHAFT	1				
2	15021504D	COMPLETE LAY SHAFT	1				
3	88140161B	INNER RING	1				
4	88440621A	SPRING RING	2				
5	17213172B	DRIVING GEAR 2ND SP.	1				
6	85212981A	THRUST WASHER	1				
7	17213201D	DRIVING GEAR 6TH SP.	1				
8	70140311A	NEEDLE BEARING	1				
9	85611372A	WASHER LOCK 28X32.5X1	1				
10	17213181D	DRIVING GEAR 3RD/4TH SP.	1				
11	88440381A	SPRING RING	4				
12	85212621A	THRUST WASHER	2				
13	17213191D	DRIVING GEAR 5TH SP.	1				
14	70140321A	NEEDLE BEARING	4				
15	15021511D	MAIN SHAFT	1				
16	88440281A	CIRCLIP	1				
17	85212631A	THRUST WASHER	2				
18	70140331A	NEEDLE BEARING	1				
19	17213211D	DRIVEN GEAR 1ST SP.	1				
20	17213251D	DRIVEN GEAR 5TH SP.	1				
21	85611381A	GROOVED WASHER	3				
22	17213241D	DRIVEN GEAR 4TH SP.	1				
23	17213231D	DRIVEN GEAR 3RD SP.	1				
24	17213261D	DRIVEN GEAR 6TH SP.	1				
25	17213221D	DRIVEN GEAR 2ND SP.	1				
26	93041771A	SEAL RING	1				
27	15021542D	LAY SHAFT	1				
28	88640042A	O-RING	1				
29	71320021B	CHAIN SPROCKET SPACER (Unit)	1				
30	44910611A	SPROCKET T15	1				
31	85212801A	THRUST WASHER	1				
32	77154337C	SCREW	1				



# DRAWING 004 - CLUTCH

## GROUP ENGINE



POS.	CODE	DESCRIPTION	QTY	START DATE	END DATE	VALIDITY	NOTES
1	79710531B	SPRING	3				
2	85611391A	THRUST WASHER	3				
3	77211201A	SCREW	3				
4	19410511A	RING	1				
5	81810162A	CLUTCH CONTROL PIN (FCC)	1				
6	77110471A	SCREW	3				
7	75010071A	NUT	1				
8	85110201A	LOCK WASHER	1				
9	19020232A	CLUTCH DISC SET	1				
10	70250601A	BEARING	1				
11	19610541A	DISK, CLUTCH PRESSURE (FCC)	1				
12	19610531A	PLATE HOLDER HUB (FCC)	1				
13	71313091A	SPACER	1				
14	19820401A	CLUTCH HOUSING	1				
15	71314831A	SPACER	1				
16	11721331B	CLUTCH CONTROL ROD	1				
17	19540061A	PISTON ASSEMBLY	1				
18	88650541A	O-RING	1				
19	71319441A	ANTI-ROTATION INSERT	1				

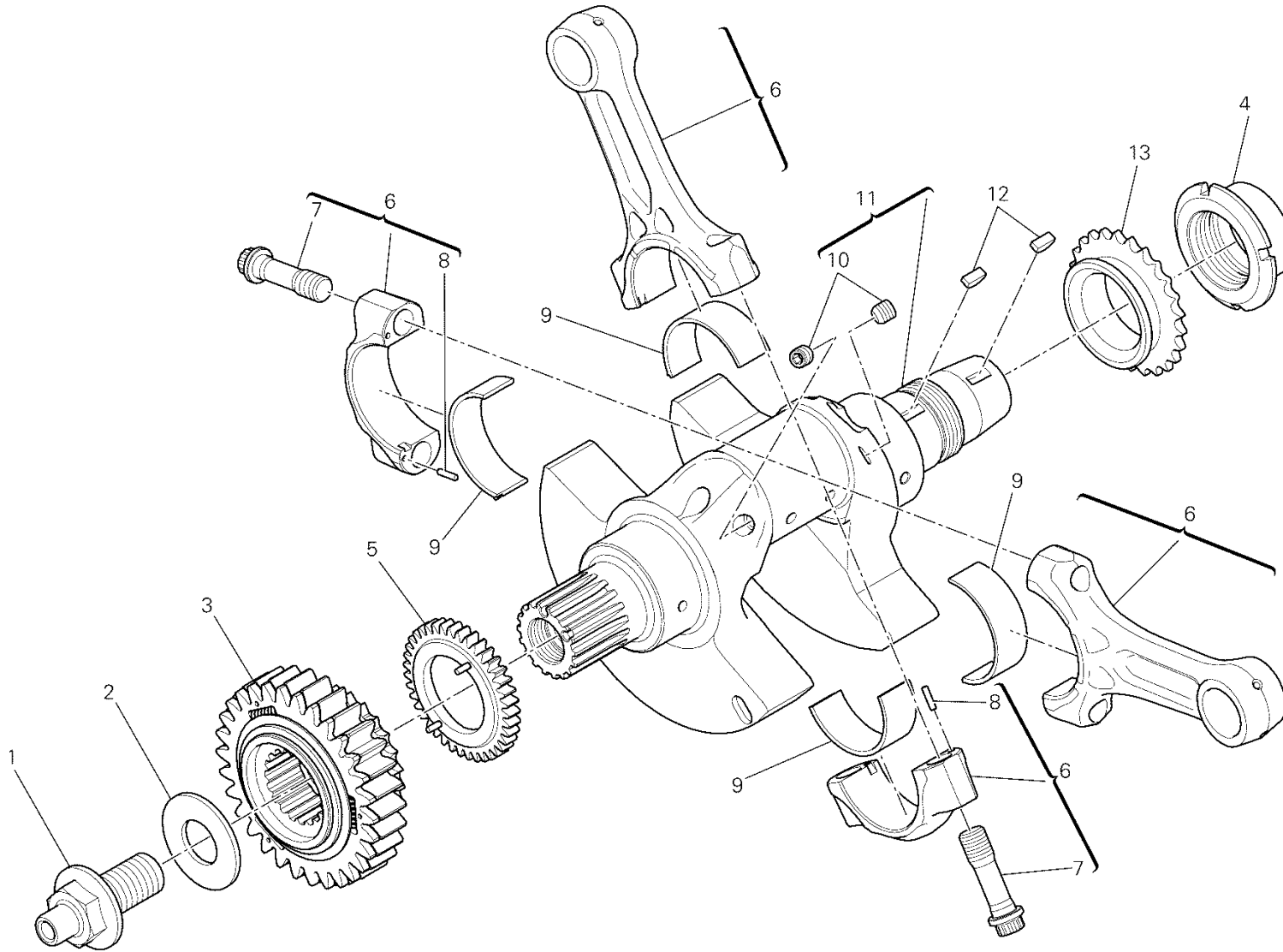


# DRAWING 005 - CLUTCH COVER, OUTER

## GROUP ENGINE



POS.	CODE	DESCRIPTION	QTY	START DATE	END DATE	VALIDITY	NOTES
1	77253337C	SCREW	18	11/11/2010			
2	24321344A	CLUTCH PROTECTION COVER (Unit)	1	01/01/2012			
3	77917161B	SCREW, SPECIAL	4	21/11/2011			
4	77253357C	SCREW	1	11/11/2010			
5	71113171A	LOCATING DOWEL	2	11/11/2010			
6	88640891A	O-RING 18.64X3.53	1	24/12/2009			
7	89320121A	PLUG ASSY	1	26/10/2011			
8	88450291A	SNAP RING	1	26/10/2011			
9	85212721A	THRUST WASHER	1	26/10/2011			
10	93041521A	SEAL RING	1	26/10/2011			
11	88641761A	O-RING	1	11/11/2010			
12	75011742AA	NUT, SPECIAL	1	26/10/2011			
13	25440012A	WINDOW, OIL LEVEL CHECK	1	26/10/2011			
14	53940302A	SWITCH ASSY, OIL PRESSURE	1	01/12/2011			
15	85211951A	GASKET 10.5X17X2	1	01/12/2011			
16	88610281A	O-RING	1	26/10/2011			
17	24311274A	TIMING COVER	1	01/01/2012			
18	85250241A	WASHER 10X14X1	2	01/12/2011			
19	78110121AA	SCREW, SPECIAL	1	01/12/2011			
20	87721561A	OIL PRESSURE LINE	1	01/12/2011			
21	76440581A	RUBBER PAD	1	01/12/2011			
22	75810701A	FAIRLEAD	1	01/12/2011			
23	71614071A	SPACER 5.2X8.4X2	3	01/12/2011			
24	48610851A	DAMPER, SOUND ARRESTER	1	02/05/2012			
25	82716012A	SHEET ACOUSTIC DAMPER	1	02/05/2012			
26	77550200C	SCREW	6	02/05/2012			



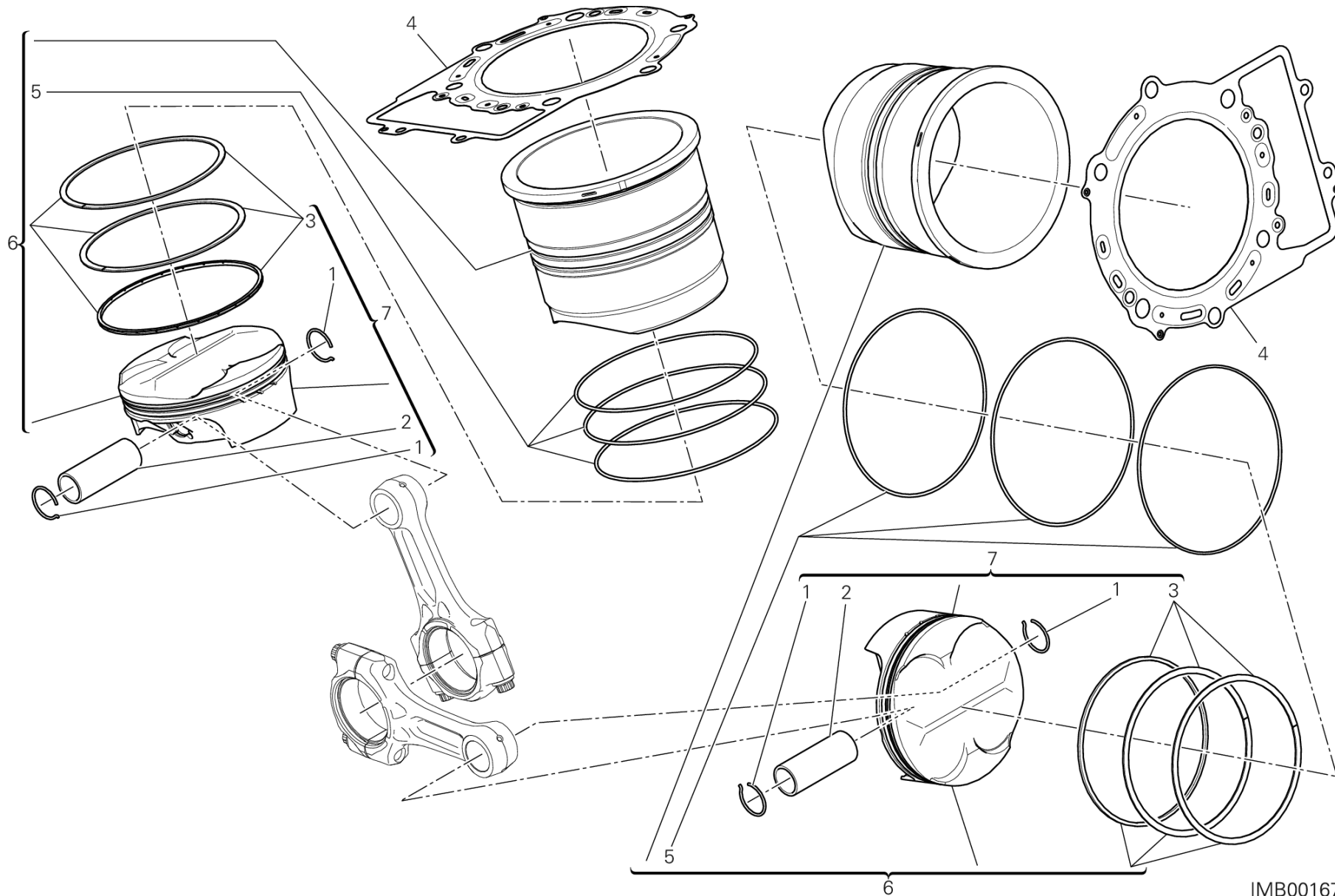
IMB00166

# DRAWING 006 - CRANKSHAFT

## GROUP ENGINE



POS.	CODE	DESCRIPTION	QTY	START DATE	END DATE	VALIDITY	NOTES
1	77916551C	SCREW, SPECIAL	1				
2	85212791A	THRUST WASHER	1				
3	17021262A	PRIMARY DRIVE FRONT SPROCKET	1				
4	70310593A	RING NUT	1				
5	17420581A	PUMP DRIVING GEAR (Unit)	1				
6	15620881CA	CONNECTING ROD (Class 1)	1				
	15620881CB	CONNECTING ROD (Class 2)	1				
	15620881CC	CONNECTING ROD (Class 3)	1				
7	77916192C	SCREW, SPECIAL	4				
8	742240570	PIN 2.5X10 SW	4				
9	11210711AA	SEMICUSCINETTO (Red)	4				
	11210711AB	SEMICUSCINETTO (Blue)	4				
	11210711AC	SEMICUSCINETTO (Yellow)	4				
	11210711AD	SEMICUSCINETTO (Black)	4				
	11210711AE	SEMICUSCINETTO (Green)	4				
	11210711AF	SEMICUSCINETTO (Brown)	4				
10	77915471A	THREADED DOWEL STEI M8X8	2				
11	14621871CB	CRANKSHAFT CLASS B	1				
	14621872AC	CRANKSHAFT CLASS C	1				
	14621874AA	CRANKSHAFT CLASS A	1				
12	68010171A	PLATE	2				
13	171Z0071A	SPROCKET	1				



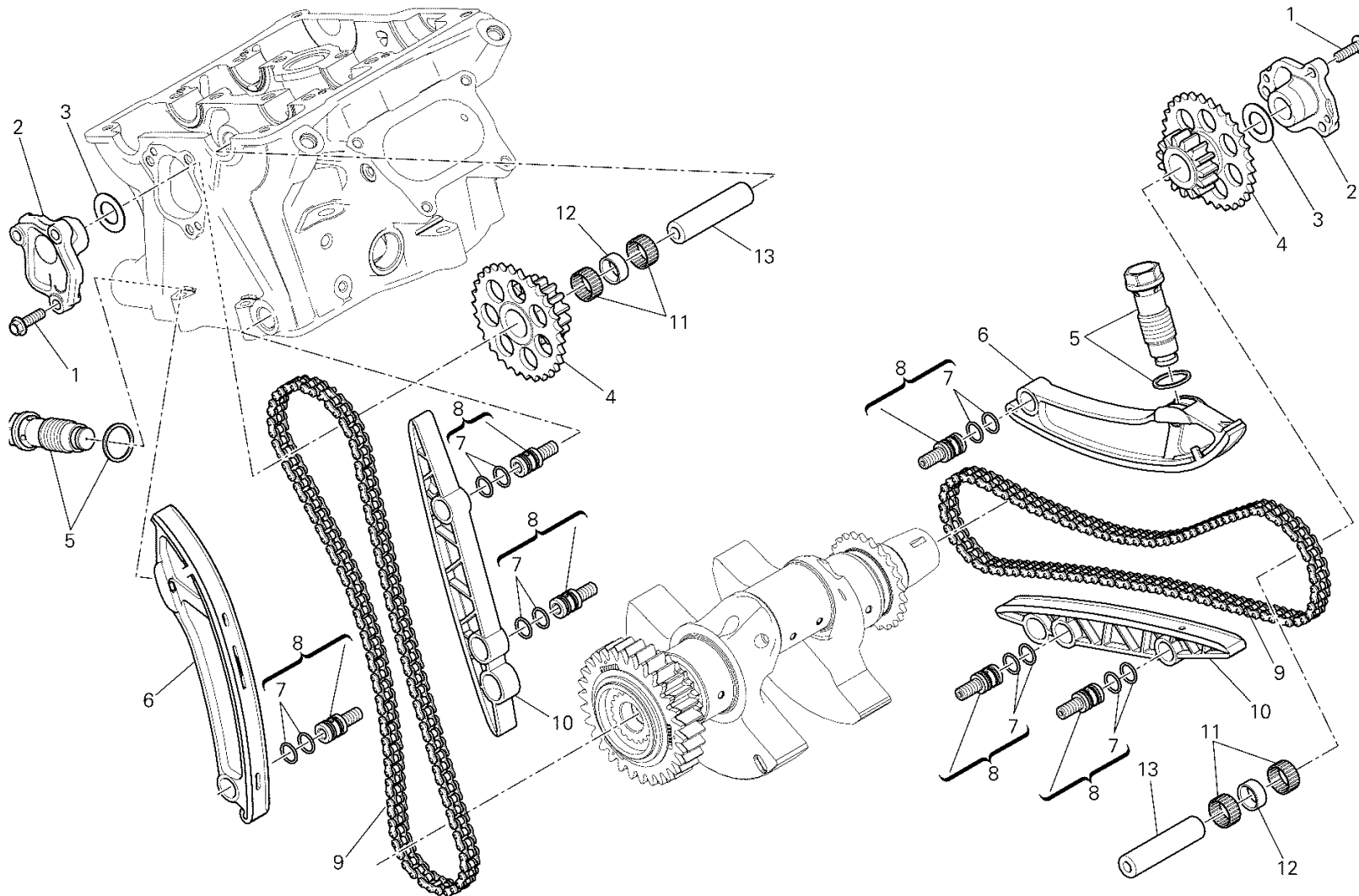
IMB00167

# DRAWING 007 - CYLINDER - PISTON

## GROUP ENGINE



POS.	CODE	DESCRIPTION	QTY	START DATE	END DATE	VALIDITY	NOTES
1	12112601B	PISTON PIN CIRCLIP	4	01/09/2011			
2	12112551C	PISTON PIN	2	07/04/2011			
3	12120561B	PISTON RING SET	1	15/09/2011			
4	78611212C	HEAD-CYLINDER GASKET	2	01/01/2012			
5	79120531B	GASKETS SET (BAG Qty 3)	2	13/12/2011			
6	12021984D	CYLINDER LINER-PISTON FIT	2	26/03/2012			
7	12221712DA	PISTON ASSY (Class A)	2	17/07/2012			
	12221712DB	PISTON ASSY (Class B)	2	17/07/2012			
	12221712DC	PISTON ASSY (Class C)	2	17/07/2012			



TST00451

# DRAWING 008 - TIMING BELT

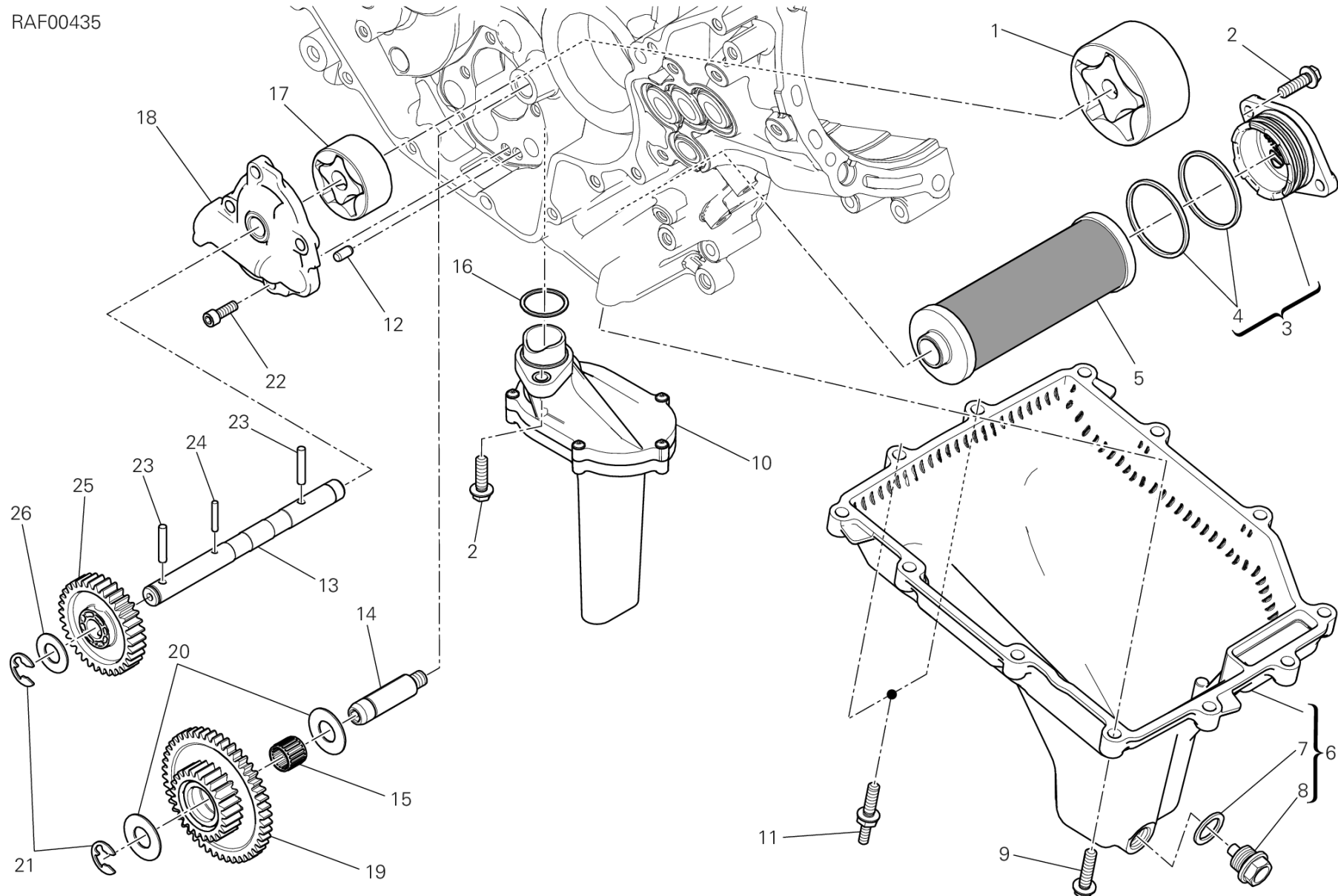
## GROUP ENGINE



POS.	CODE	DESCRIPTION	QTY	START DATE	END DATE	VALIDITY	NOTES
1	77253317C	SCREW	6				
2	24713912A	COVER	2				
3	85212741A	WASHER, THRUST	2				
4	17112311A	GEAR Z=15 30	2				
5	45140013A	COMPLETE TENSIONER ROLLER	2				
6	44740051A	COMPLETE MOVABLE TENSIONER ROLLER	2				
7	88642081A	O-RING	12				
8	82123692A	TENSIONER ROLLER PIN	6				
9	73840011A	CHAIN	2				
10	44740021B	COMPLETE FIXED TENSIONER ROLLER	2				
11	70140301C	NEEDLE BEARING	4				
12	71319291A	SPACER	2				
13	82010151A	PIN	2				



RAF00435

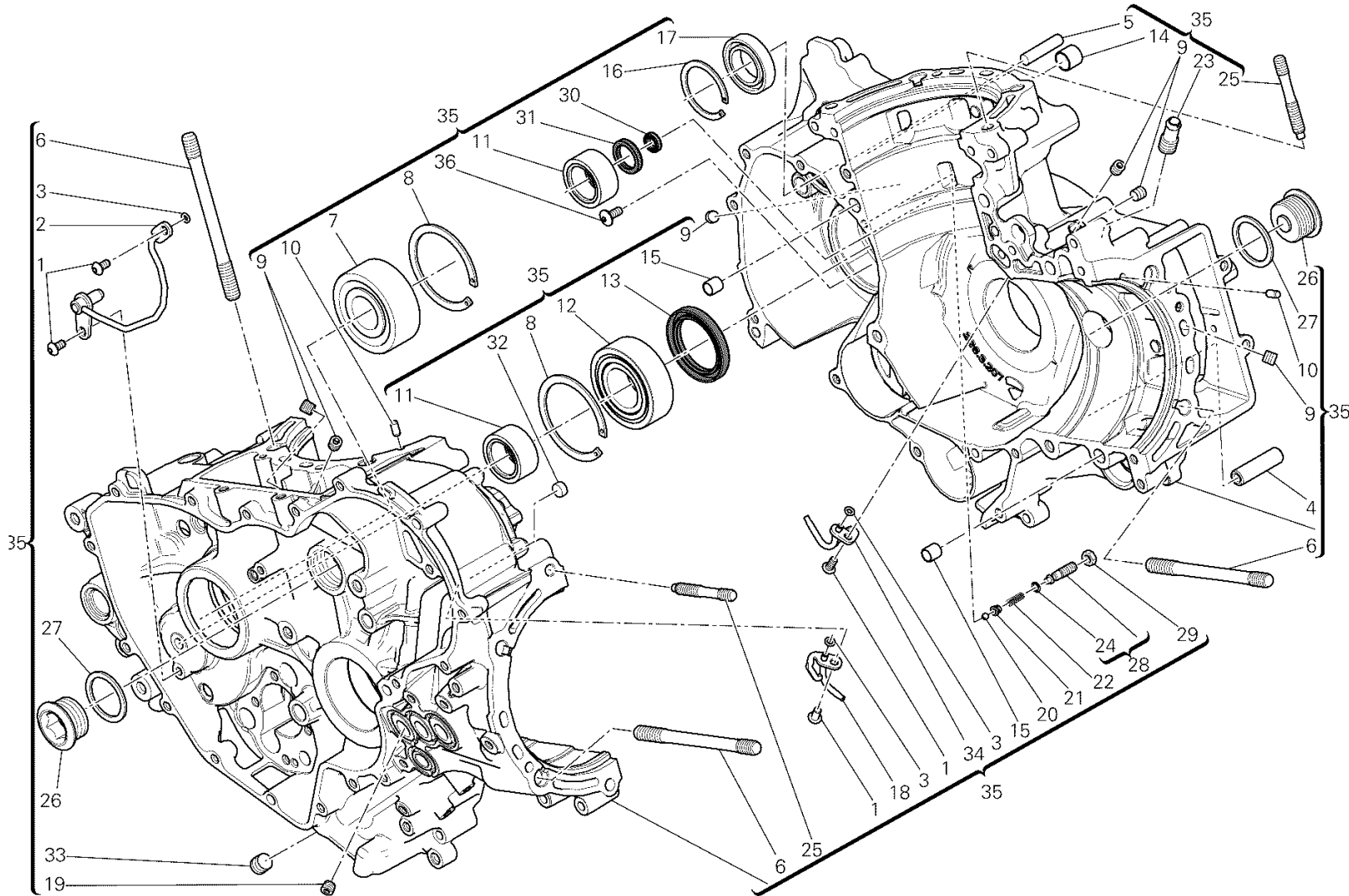


# DRAWING 009 - OIL PUMP - FILTER

## GROUP ENGINE



POS.	CODE	DESCRIPTION	QTY	START DATE	END DATE	VALIDITY	NOTES
1	17420571A	OIL PUMP RETURN	1				
2	77253317C	SCREW	3				
3	24723842A	FILTER COVER UNIT	1				
4	88650561A	O-RING	2				
5	44440291C	FILTER, OIL	1				
6	25220071A	OIL PAN	1				
7	85250541A	WASHER	1				
8	89310151A	OIL DRAIN PLUG WITH MAGNET	1				
9	77253337C	SCREW	10				
10	89420112B	MESH FILTER ASSEMBLY	1				
11	77917161B	SCREW, SPECIAL	2				
12	86050061A	PIN M5X10	1				
13	14710903A	OIL PUMP DRIVE SHAFT	1				
14	82010162A	STARTER REDUCTION SHAFT	1				
15	70140371A	BEARING, NEEDLE	1				
16	88641331A	O-RING	1				
17	17420561A	OIL PUMP DELIVERY	1				
18	24723712A	OIL PUMP COVER	1				
19	17410601A	IDLE GEAR	1				
20	85212681A	WASHER, THRUST	2				
21	88450371A	SNAP RING	2				
22	77150678B	SCREW TCEI M6X16	4				
23	70450091A	ROLLER	2				
24	70450051A	ROLLER	1				
25	17410611A	GEAR, PUMP DRIVEN	1				
26	85213021A	WASHER, THRUST	1				



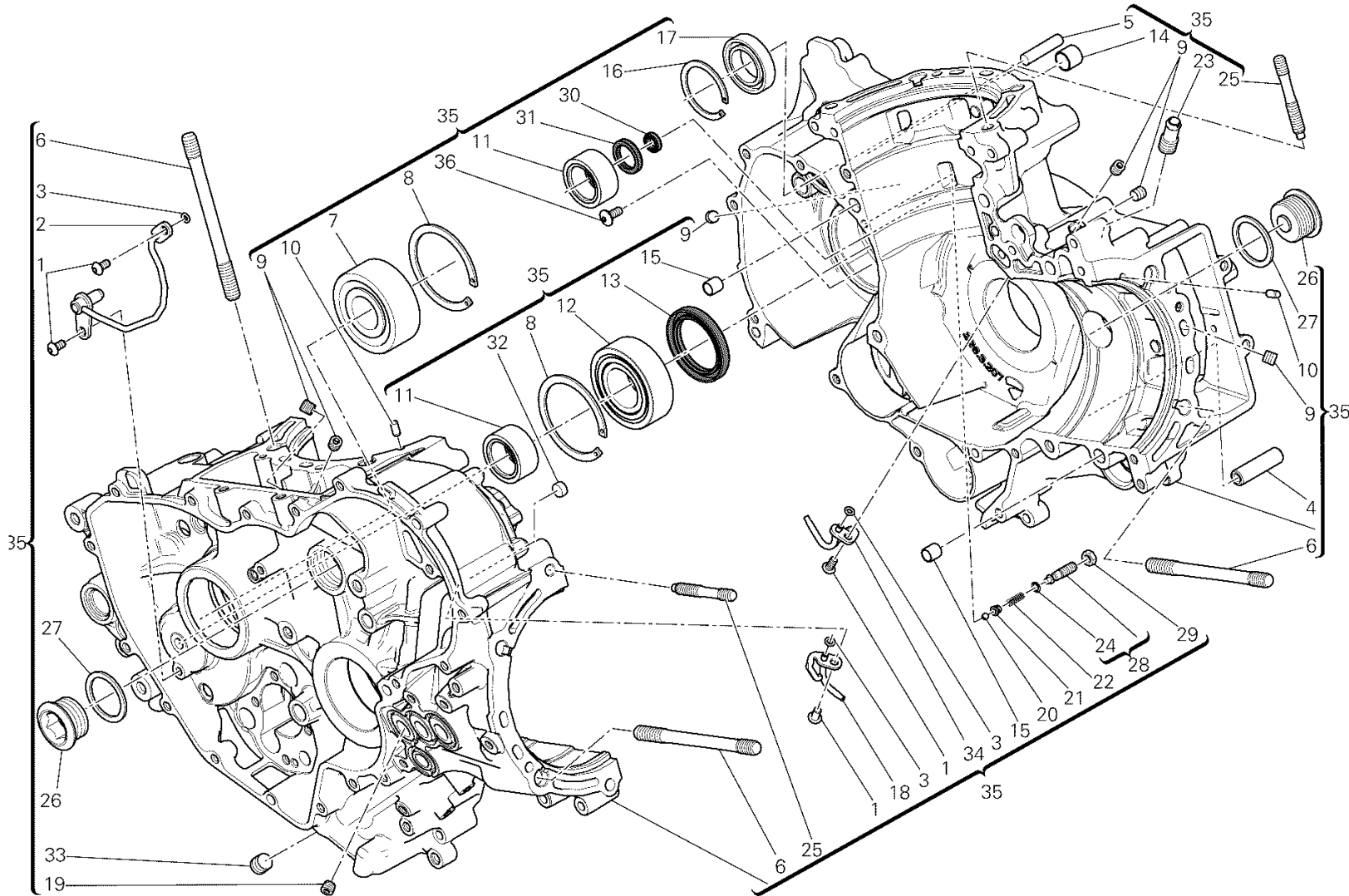
CRT00562

# DRAWING 010 - CRANKCASE

## GROUP ENGINE



POS.	CODE	DESCRIPTION	QTY	START DATE	END DATE	VALIDITY	NOTES
1	77510311B	SCREW TBEI M5X10	4				
2	87511791B	HOSE, OIL	1				
3	88650131A	O-RING 3.68X1.78	3				
4	82010141A	STARTER REDUCTION SHAFT	1				
5	86050091A	PIN	1				
6	76610781A	STUD BOLT FASTENING HEAD CYLINDER	8				
7	70240131D	BEARING	1				
8	735034405	SNAP RING	2				
9	78010871A	THREADED DOWEL	6				
10	86050061A	PIN M5X10	2				
11	70240251B	BEARING	2				
12	70241091A	BEARING, NEEDLE	1				
13	93040431A	SEAL, OIL 40X55X7	1				
14	71240231A	BUSH	1				
15	71113181A	LOCAT. DOWEL	4				
16	735033804	CIRCLIP	1				
17	70250411A	BEARING 25X42X9	1				
18	87511651BB	JET RH	1				
19	78010861A	SPECIAL SCREW	1				
20	84740061A	BALL	1				
21	83110151A	PLATE	1				
22	79940121A	SPRING	1				
23	81413421B	UNION RETURN	1				
24	88641961A	O-RING	1				
25	76610801A	STUD BOLT FASTENING HEAD CYLINDER	2				
26	78010801A	PLUG	2				
27	85250491A	WASHER	2				
28	77927171A	SCREW	1				
29	74750151A	NUT	1				
30	93041771A	SEAL RING	1				
31	93040931A	SEAL, OIL 17X25X4	1				
32	87310021A	PLUG 10 MM	2				
33	78010771A	THREADED DOWEL	1				
34	87511641BB	JET LH	1				
35	22522602B	COMPLETE HALF-CRANKCASES PAIR	1				



CRT00562

# DRAWING 010 - CRANKCASE

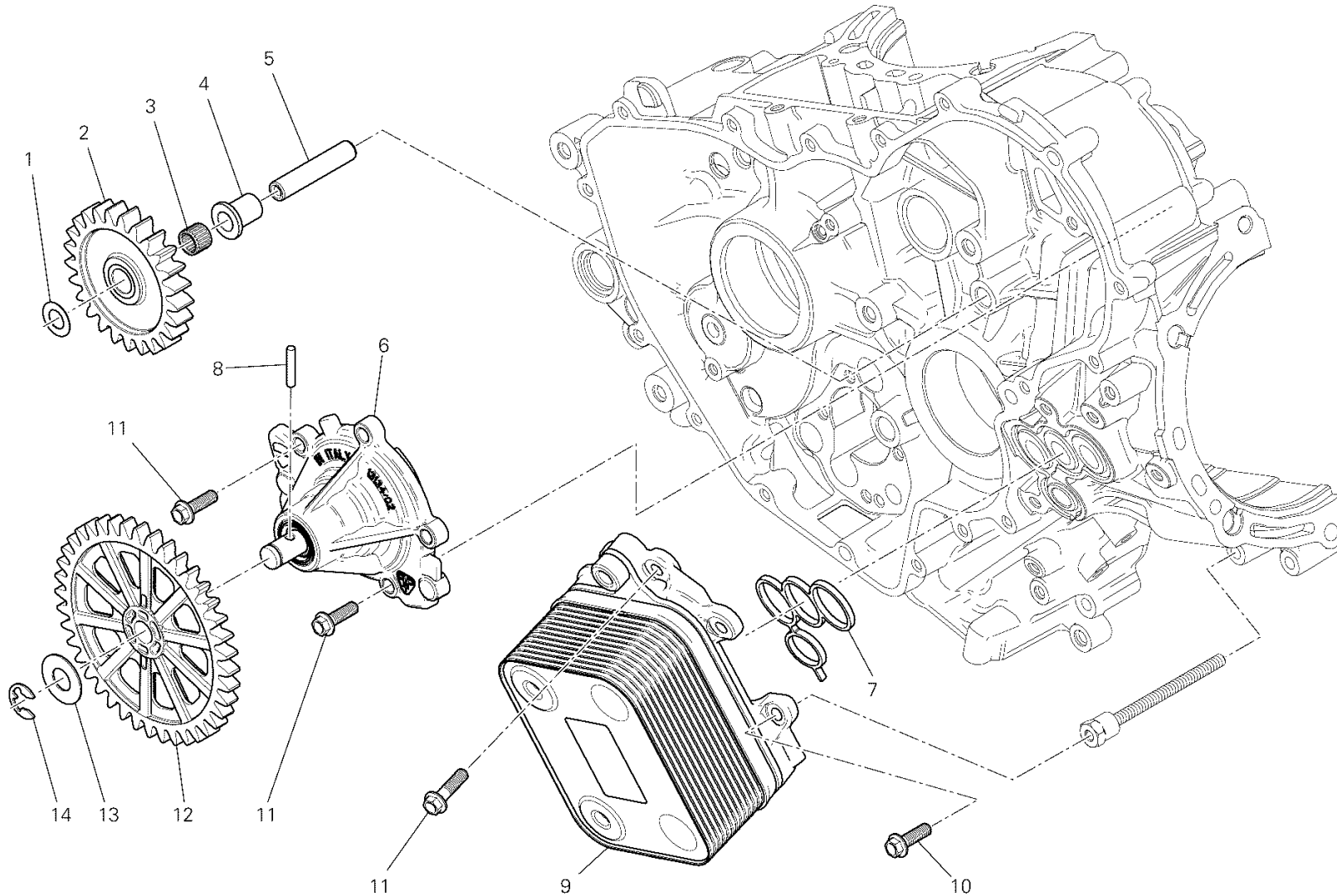
## GROUP ENGINE



POS.	CODE	DESCRIPTION	QTY	START DATE	END DATE	VALIDITY	NOTES
36	77240398C	SCREW TBEIF M6X10	2				



# DRAWING 011 - GENERATOR COVER - WATER PUMP GROUP ENGINE



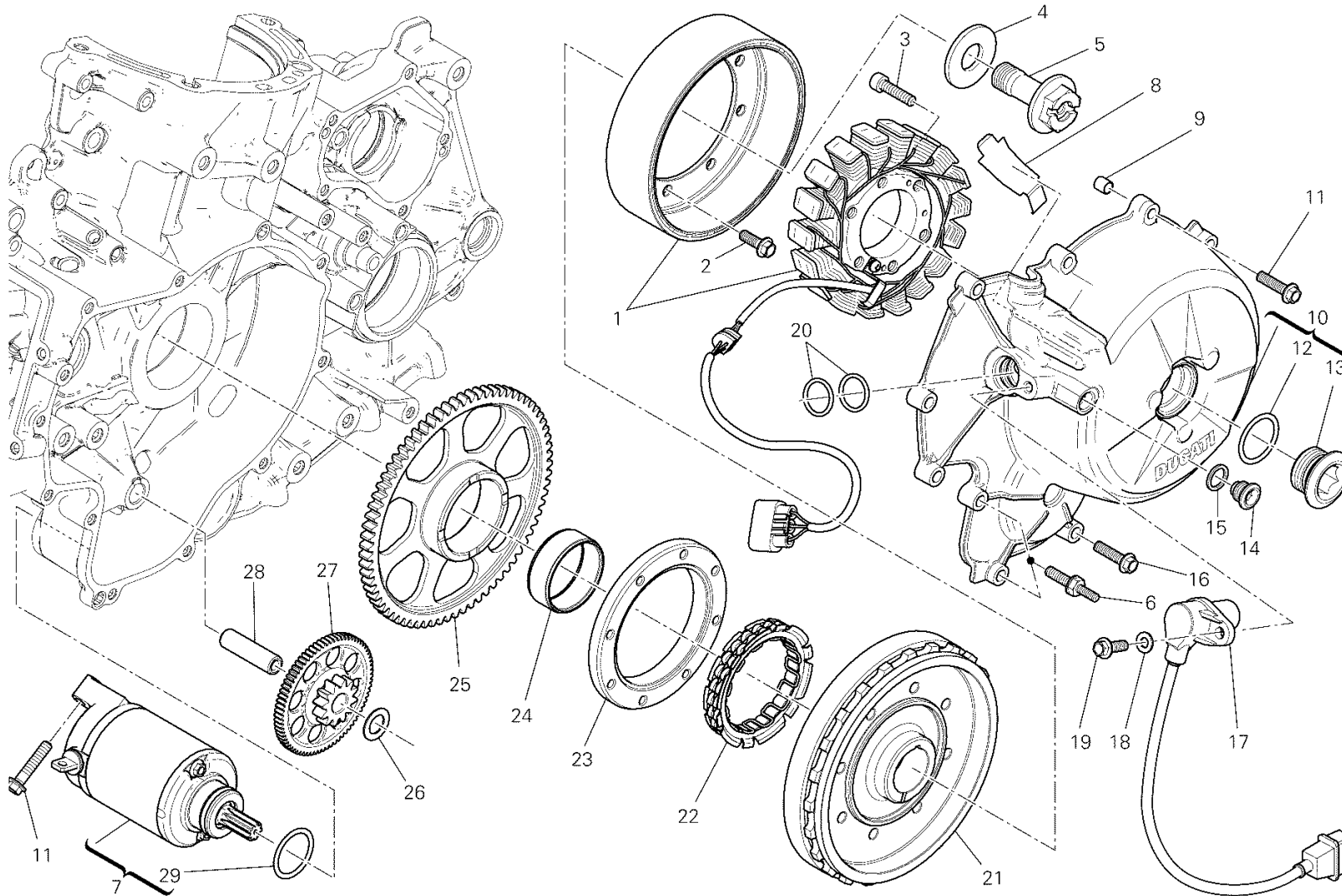
CRT00563

# DRAWING 011 - GENERATOR COVER - WATER PUMP

## GROUP ENGINE



POS.	CODE	DESCRIPTION	QTY	START DATE	END DATE	VALIDITY	NOTES
1	064770010	WASHER, THRUST	1				
2	17410511A	PUMP GEAR	1				
3	70140361A	BEARING, NEEDLE	1				
4	71113221A	BUSH	1				
5	82010171A	STARTER REDUCTION SHAFT	1				
6	24723701C	COMPLETE WATER PUMP	1				
7	78811191A	GASKET	1				
8	70450091A	ROLLER	1				
9	54710022B	HEAT EXCHANGER	1				
10	77253297C	SCREW	2				
11	77253317C	SCREW	9				
12	17410501A	PUMP GEAR	1				
13	85212681A	WASHER, THRUST	1				
14	88450371A	SNAP RING	1				



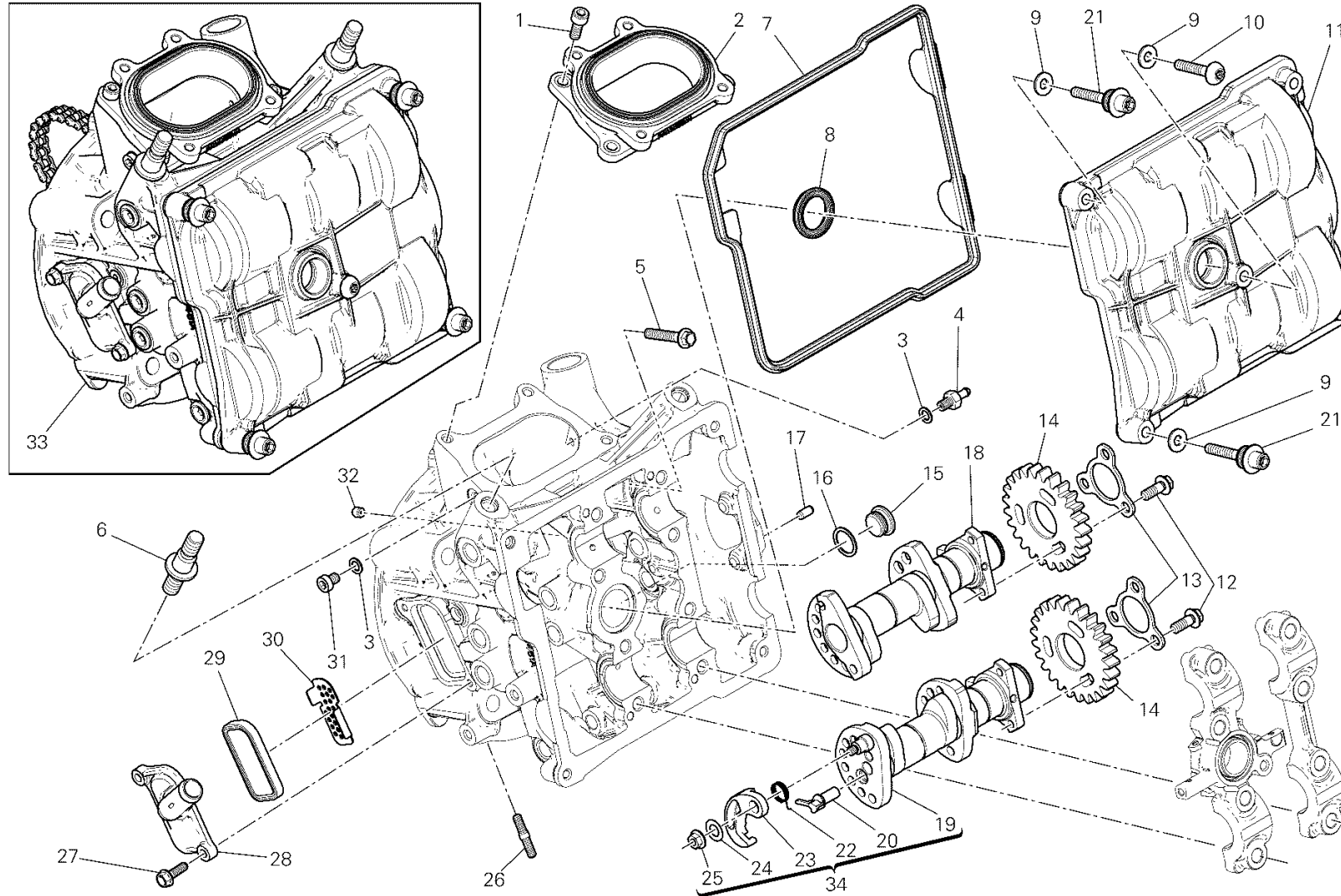
IMP00739

# DRAWING 012 - STARTING MOTOR

## GROUP ENGINE



POS.	CODE	DESCRIPTION	QTY	START DATE	END DATE	VALIDITY	NOTES
1	26420161A	GENERATOR DENSO	1				
2	77253300ZF	SCREW	8				
3	77110518B	SCREW TCEI M6X25	3				
4	85212941B	WASHER	1				
5	77916661B	SCREW, SPECIAL	1				
6	77917161B	SCREW, SPECIAL	2				
7	27040134A	COMPLETE STARTER MOTOR	1				
8	82716091A	PLATE	1				
9	71113171A	LOCATING DOWEL	1				
10	24221081BB	GENERATOR COVER	1				
11	77253357C	SCREW	3				
12	88640741A	O-RING	1				
13	78010841A	PLUG	1				
14	78010511C	PLUG	1				
15	85250261A	GASKET, ALUMINIUM 12X16X1.5	1				
16	77253337C	SCREW	8				
17	55241321B	SENSOR, TIMING & RPM	1				
18	85310031A	SPRING WASHER 6 MM	1				
19	77253307C	SCREW	1				
20	88640331A	O-RING 17.96X2.62	2				
21	27610602A	IGNITION FLYWHEEL	1				
22	70140351A	CLUTCH, ONE WAY	1				
23	16014151A	FLANGE	1				
24	70240181B	NEEDLE BEARING	1				
25	17310241A	ELECTRIC STARTER DRIVEN GEAR	1				
26	85212651A	WASHER	1				
27	17610221A	DRIVEN GEAR DOUBLE	1				
28	82010141A	STARTER REDUCTION SHAFT	1				
29	88641971A	O-RING	1				



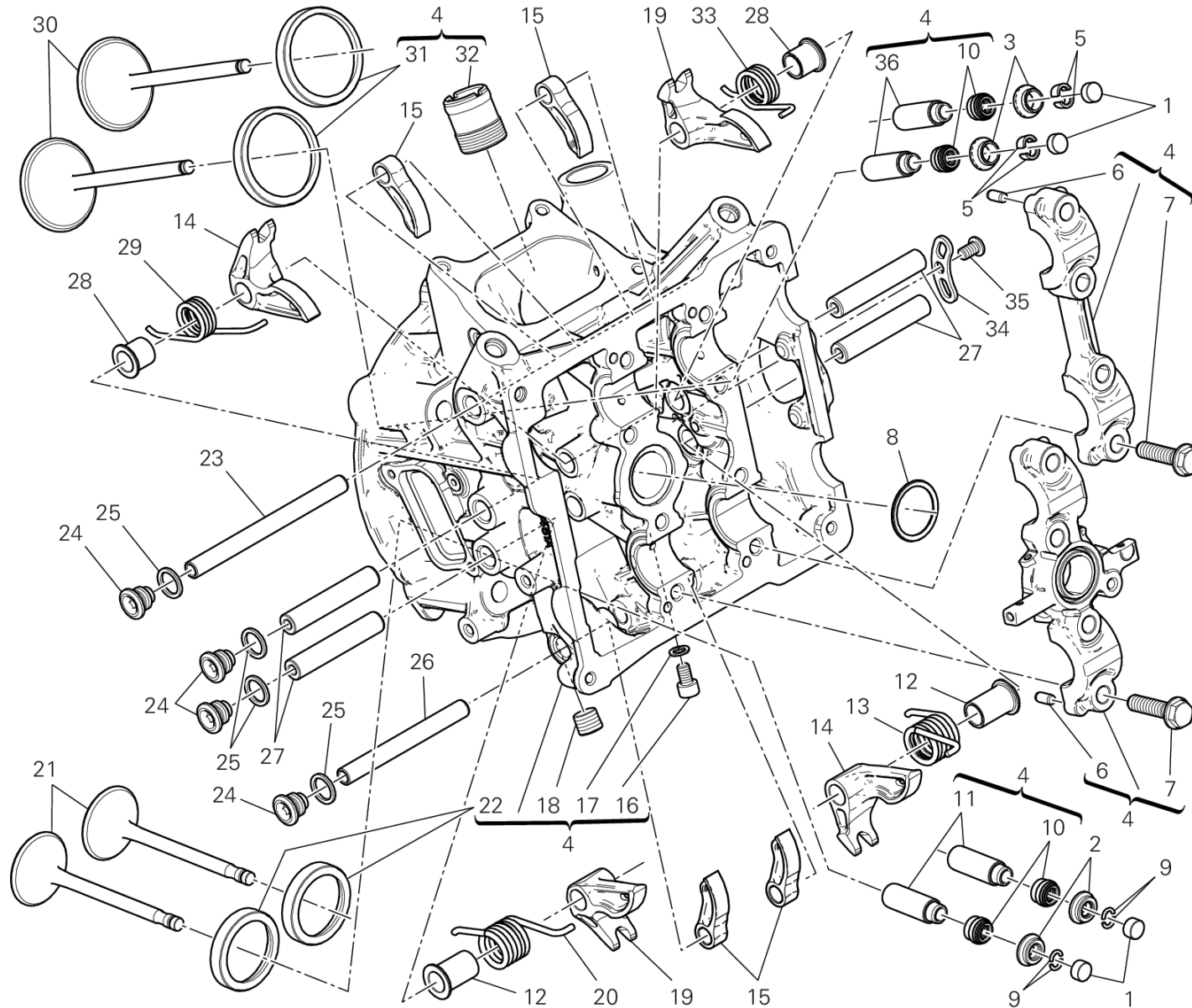
TST00452

# DRAWING 013 - HORIZONTAL HEAD

## GROUP ENGINE



POS.	CODE	DESCRIPTION	QTY	START DATE	END DATE	VALIDITY	NOTES
1	77112331A	SCREW TCEI M6X16	4				
2	14010691A	INTAKE MANIFOLD	1				
3	85250231A	GASKET	2				
4	81413341A	UNION	1				
5	77253367C	SCREW	2				
6	76610821A	STUD BOLT	2				
7	78811101C	VALVE COVER GASKET EXTERNAL	1				
8	78811131A	VALVE COVER GASKET INTERNAL	1				
9	85212781A	WASHER	5				
10	77916441A	SCREW	1				
11	24713941B	COVER CYLINDER HEAD, HORIZONTAL	1				
12	77253290Z	SCREW	6				
13	85611471A	PLATE, RETAINER	2				
14	17111153A	GEAR Z=25	2				
15	77913541A	THREADED PLUG M15X1	1				
16	85211201A	ALUMINIUM GASKET	1				
17	86050061A	PIN M5X10	2				
18	14814381A	HORIZONTAL INTAKE CAMSHAFT	1				
19	14824491C	HORIZONTAL EXHAUST CAMSHAFT	1				
20	82113832A	PIN	1				
21	77916971B	SCREW, SPECIAL	4				
22	79915534A	SPRING	1				
23	30710021A	DECOMPRESSION DEVICE	1				
24	85240231A	WASHER 8.2X14X0.5	1				
25	74810791A	NUT	1				
26	76610891A	STUD BOLT	3				
27	77210621A	SCREW TEF M5X16	2				
28	24714101A	COVER	1				
29	81140012B	VALVE	1				
30	82716351A	PLATE	1				
31	77350618B	SCREW TCEIR M6X8	1				
32	86010061A	PIN	1				
33	30124503A	COMPLETE HORIZONTAL HEAD	1				
34	14823811C	HORIZONTAL EXHAUST CAMSHAFT (Unit)	1				



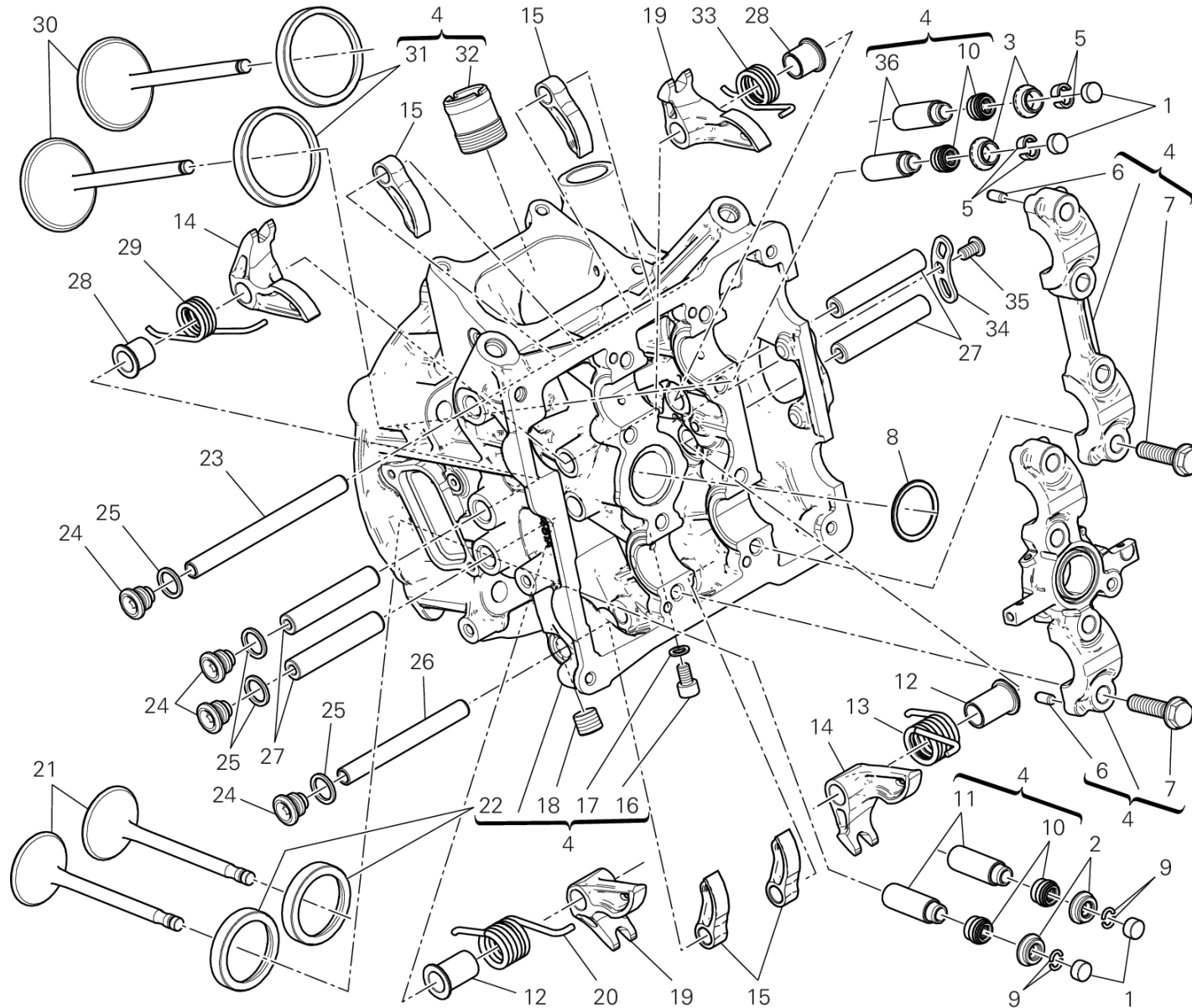
TST00488

# DRAWING 014 - HORIZONTAL CYLINDER HEAD

## GROUP ENGINE



POS.	CODE	DESCRIPTION	QTY	START DATE	END DATE	VALIDITY	NOTES
1	84010013A	ADJUSTER, OPENING ROCKER ARM 2.00 MM	4				
	84010023A	ADJUSTER, OPENING ROCKER ARM 2.05 MM	4				
	84010033A	ADJUSTER, OPENING ROCKER ARM 2.10 MM	4				
	84010043A	ADJUSTER, OPENING ROCKER ARM 2.15 MM	4				
	84010053A	ADJUSTER, OPENING ROCKER ARM 2.20 MM	4				
	84010063A	ADJUSTER, OPENING ROCKER ARM 2.25 MM	4				
	84010073A	ADJUSTER, OPENING ROCKER ARM 2.30 MM	4				
	84010083A	ADJUSTER, OPENING ROCKER ARM 2.35 MM	4				
	84010093A	ADJUSTER, OPENING ROCKER ARM 2.40 MM	4				
	84010103A	ADJUSTER, OPENING ROCKER ARM 2.45 MM	4				
	84010113A	ADJUSTER, OPENING ROCKER ARM 2.50 MM	4				
	84010123A	ADJUSTER, OPENING ROCKER ARM 2.55 MM	4				
	84010133A	ADJUSTER, OPENING ROCKER ARM 2.60 MM	4				
	84010143A	ADJUSTER, OPENING ROCKER ARM 2.65 MM	4				
	84010153A	ADJUSTER, OPENING ROCKER ARM 2.70 MM	4				
	84010163A	ADJUSTER, OPENING ROCKER ARM 2.75 MM	4				
	84010173A	ADJUSTER, OPENING ROCKER ARM 2.80 MM	4				
	84010183A	ADJUSTER, OPENING ROCKER ARM 2.85 MM	4				
	84010193A	ADJUSTER, OPENING ROCKER ARM 2.90 MM	4				
	84010203A	ADJUSTER, OPENING ROCKER ARM 2.95 MM	4				
	84010213A	ADJUSTER, OPENING ROCKER ARM 3.00 MM	4				
	84010223A	ADJUSTER, OPENING ROCKER ARM 3.05 MM	4				
	84010233A	ADJUSTER, OPENING ROCKER ARM 3.10 MM	4				
	84010243A	ADJUSTER, OPENING ROCKER ARM 3.15 MM	4				
	84010253A	ADJUSTER, OPENING ROCKER ARM 3.20 MM	4				
	84010263A	ADJUSTER, OPENING ROCKER ARM 3.25 MM	4				
	84010273A	ADJUSTER, OPENING ROCKER ARM 3.30 MM	4				
	84010283A	ADJUSTER, OPENING ROCKER ARM 3.35 MM	4				
	84010293A	ADJUSTER, OPENING ROCKER ARM 3.40 MM	4				
	84010303A	ADJUSTER, OPENING ROCKER ARM 3.45 MM	4				
	84010313A	ADJUSTER, OPENING ROCKER ARM 1.80 MM	4				
	84010323A	ADJUSTER, OPENING ROCKER ARM 1.85 MM	4				
	84010333A	ADJUSTER, OPENING ROCKER ARM 1.90 MM	4				
	84010343A	ADJUSTER, OPENING ROCKER ARM 1.95 MM	4				
	84010723A	ADJUSTER, OPENING ROCKER ARM 3.60 MM	4				



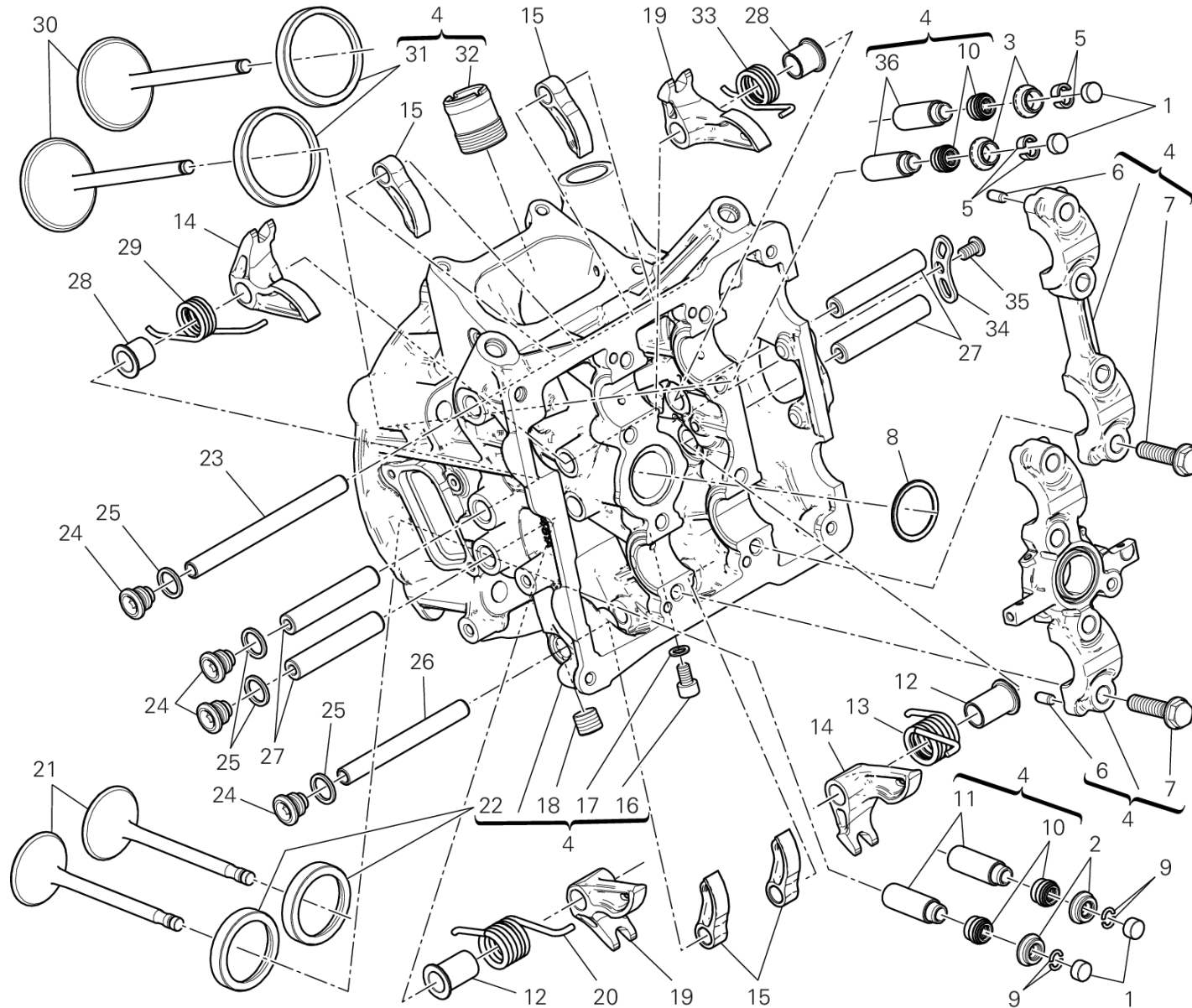
TST00488

# DRAWING 014 - HORIZONTAL CYLINDER HEAD

## GROUP ENGINE



POS.	CODE	DESCRIPTION	QTY	START DATE	END DATE	VALIDITY	NOTES
	84010733A	ADJUSTER, OPENING ROCKER ARM 3.80 MM	4				
	84011083A	ADJUSTER, OPENING ROCKER ARM 3.50 MM	4				
	84011093A	ADJUSTER, OPENING ROCKER ARM 3.55 MM	4				
	84011103A	ADJUSTER, OPENING ROCKER ARM 3.65 MM	4				
	84011113A	ADJUSTER, OPENING ROCKER ARM 3.70 MM	4				
	84011123A	ADJUSTER, OPENING ROCKER ARM 3.75 MM	4				
	84011133A	ADJUSTER, OPENING ROCKER ARM 3.85 MM	4				
	84011143A	ADJUSTER, OPENING ROCKER ARM 3.9 MM	4				
2	84010412B	ADJUSTER, CLOSING ROCKER ARM 2.20 MM	4				
	84010422B	ADJUSTER, CLOSING ROCKER ARM 2.25 MM	4				
	84010432B	ADJUSTER, CLOSING ROCKER ARM 2.30 MM	4				
	84010442B	ADJUSTER, CLOSING ROCKER ARM 2.35 MM	4				
	84010452B	ADJUSTER, CLOSING ROCKER ARM 2.40 MM	4				
	84010462B	ADJUSTER, CLOSING ROCKER ARM 2.45 MM	4				
	84010472B	ADJUSTER, CLOSING ROCKER ARM 2.50 MM	4				
	84010482B	ADJUSTER, CLOSING ROCKER ARM 2.55 MM	4				
	84010492B	ADJUSTER, CLOSING ROCKER ARM 2.60 MM	4				
	84010502B	ADJUSTER, CLOSING ROCKER ARM 2.65 MM	4				
	84010512B	ADJUSTER, CLOSING ROCKER ARM 2.70 MM	4				
	84010522B	ADJUSTER, CLOSING ROCKER ARM 2.75 MM	4				
	84010532B	ADJUSTER, CLOSING ROCKER ARM 2.80 MM	4				
	84010542B	ADJUSTER, CLOSING ROCKER ARM 2.85 MM	4				
	84010552B	ADJUSTER, CLOSING ROCKER ARM 2.90 MM	4				
	84010562B	ADJUSTER, CLOSING ROCKER ARM 2.95 MM	4				
	84010572B	ADJUSTER, CLOSING ROCKER ARM 3.00 MM	4				
	84010582B	ADJUSTER, CLOSING ROCKER ARM 3.05 MM	4				
	84010592B	ADJUSTER, CLOSING ROCKER ARM 3.10 MM	4				
	84010602B	ADJUSTER, CLOSING ROCKER ARM 3.15 MM	4				
	84010612B	ADJUSTER, CLOSING ROCKER ARM 3.20 MM	4				
	84010622B	ADJUSTER, CLOSING ROCKER ARM 3.25 MM	4				
	84010632B	ADJUSTER, CLOSING ROCKER ARM 3.30 MM	4				
	84010642B	ADJUSTER, CLOSING ROCKER ARM 3.35 MM	4				
	84010652B	ADJUSTER, CLOSING ROCKER ARM 3.40 MM	4				
	84010662B	ADJUSTER, CLOSING ROCKER ARM 3.45 MM	4				
	84010672B	ADJUSTER, CLOSING ROCKER ARM 3.50 MM	4				



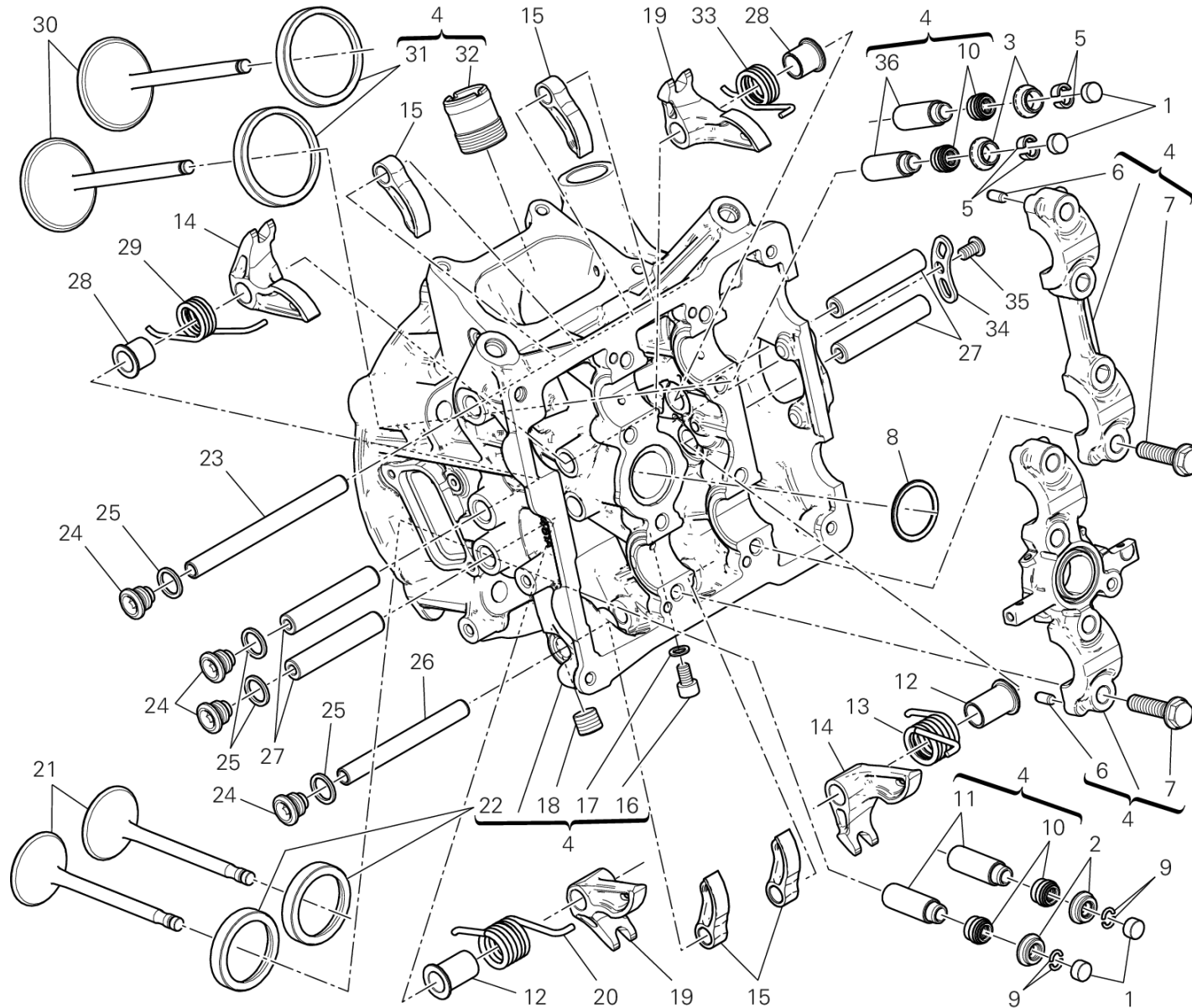
TST00488

# DRAWING 014 - HORIZONTAL CYLINDER HEAD

## GROUP ENGINE



POS.	CODE	DESCRIPTION	QTY	START DATE	END DATE	VALIDITY	NOTES
	84010682B	ADJUSTER, CLOSING ROCKER ARM 3.55 MM	4				
	84010692B	ADJUSTER, CLOSING ROCKER ARM 3.60 MM	4				
	84010702B	ADJUSTER, CLOSING ROCKER ARM 3.65 MM	4				
	84010712B	ADJUSTER, CLOSING ROCKER ARM 3.70 MM	4				
	84010722B	ADJUSTER, CLOSING ROCKER ARM 3.75 MM	4				
	84010732B	ADJUSTER, CLOSING ROCKER ARM 3.80 MM	4				
	84010742B	ADJUSTER, CLOSING ROCKER ARM 3.85 MM	4				
	84010752B	ADJUSTER, CLOSING ROCKER ARM 3.90 MM	4				
	84010762B	ADJUSTER, CLOSING ROCKER ARM 3.95 MM	4				
	84010772B	ADJUSTER, CLOSING ROCKER ARM 4.00 MM	4				
	84010782B	ADJUSTER, CLOSING ROCKER ARM 4.05 MM	4				
	84010792B	ADJUSTER, CLOSING ROCKER ARM 4.10 MM	4				
	84010802B	ADJUSTER, CLOSING ROCKER ARM 4.15 MM	4				
	84010812B	ADJUSTER, CLOSING ROCKER ARM 4.20 MM	4				
	84010822B	ADJUSTER, CLOSING ROCKER ARM 4.25 MM	4				
	84010832B	ADJUSTER, CLOSING ROCKER ARM 4.30 MM	4				
	84010842B	ADJUSTER, CLOSING ROCKER ARM 4.35 MM	4				
	84010852B	ADJUSTER, CLOSING ROCKER ARM 4.40 MM	4				
	84010862B	ADJUSTER, CLOSING ROCKER ARM 4.45 MM	4				
	84010872B	ADJUSTER, CLOSING ROCKER ARM 4.50 MM	4				
3	84011901AA	ADJUSTER, CLOSING ROCKER ARM 4.15 MM	4				
	84011901AB	ADJUSTER, CLOSING ROCKER ARM 4.20 MM	4				
	84011901AC	ADJUSTER, CLOSING ROCKER ARM 4.25 MM	4				
	84011901AD	ADJUSTER, CLOSING ROCKER ARM 4.30 MM	4				
	84011901AE	ADJUSTER, CLOSING ROCKER ARM 4.35 MM	4				
	84011901AF	ADJUSTER, CLOSING ROCKER ARM 4.40 MM	4				
	84011901AG	ADJUSTER, CLOSING ROCKER ARM 4.45 MM	4				
	84011901AH	ADJUSTER, CLOSING ROCKER ARM 4.50 MM	4				
	84011901AI	CLOSE ROCKER ARM ADJUSTMENT 4.55 MM	4				
	84011901AJ	CLOSE ROCKER ARM ADJUSTMENT 4.60 MM	4				
	84011901AK	CLOSE ROCKER ARM ADJUSTMENT 4.65 MM	4				
	84011901AL	CLOSE ROCKER ARM ADJUSTMENT 4.70 MM	4				
	84011901AM	CLOSE ROCKER ARM ADJUSTMENT 4.75 MM	4				
	84011901AN	CLOSE ROCKER ARM ADJUSTMENT 4.80 MM	4				
	84011901AO	CLOSE ROCKER ARM ADJUSTMENT 4.85 MM	4				



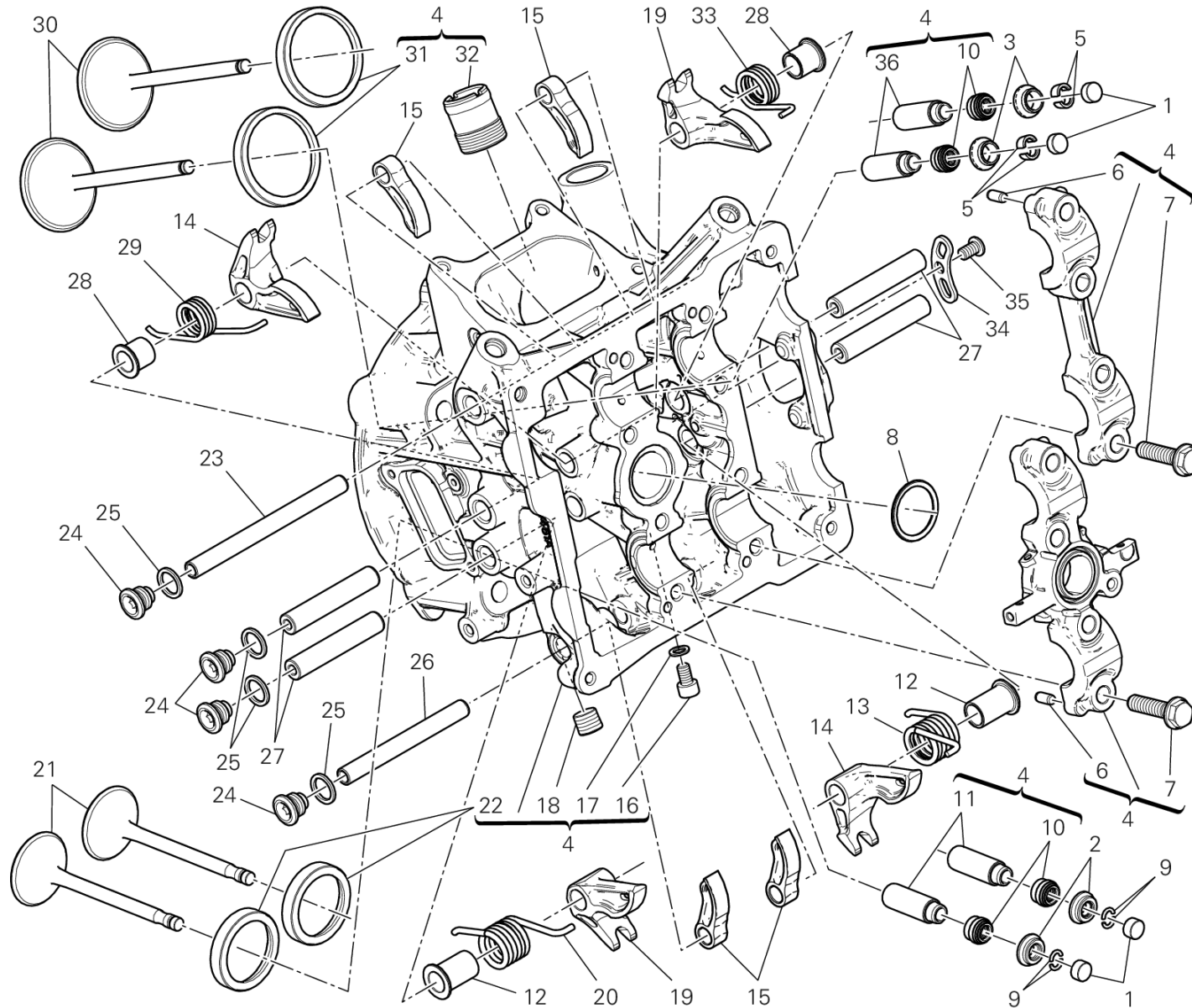
TST00488

# DRAWING 014 - HORIZONTAL CYLINDER HEAD

## GROUP ENGINE



POS.	CODE	DESCRIPTION	QTY	START DATE	END DATE	VALIDITY	NOTES
	84011901AP	CLOSE ROCKER ARM ADJUSTMENT 4.90 MM	4				
	84011901AQ	CLOSE ROCKER ARM ADJUSTMENT 4.95 MM	4				
	84011901AR	CLOSE ROCKER ARM ADJUSTMENT 5.00 MM	4				
4	30123461C	HORIZONTAL HEAD	1				
5	84510061A	VALVE COLLET PAIR	2				
6	86050061A	PIN M5X10	4				
7	77914211A	SCREW TEF M8X32	8				
8	88640881A	O-RING 26.64X2.62	1				
9	66910011E	C RING	4				
10	76410871A	SEAL VALVE STEM	4				
11	30310671AA	GUIDE, VALVE OVERSIZED 0.03 MM	2				
	30310671AB	GUIDE, VALVE OVERSIZED 0.06 MM	2				
	30310671AC	GUIDE, VALVE OVERSIZED 0.09 MM	2				
12	71319271A	SPACER	2				
13	79915231A	EXHAUST VALVE RETURN SPRING LH	1				
14	20910651A	CLOSING ROCKER ARM LEFT	2				
15	20810381A	OPEN. ROCKER ARM	4				
16	77150628B	SCREW TCEI M6X10	2				
17	85240261A	WASHER	2				
18	78010771A	THREADED DOWEL	2				
19	20910641A	CLOSING ROCKER ARM RIGHT	2				
20	79915221A	EXHAUST VALVE RETURN SPRING RH	1				
21	21110802A	EXHAUST VALVE	2				
22	304A0931A	SEAT, EXHAUST VALVE	2				
23	82114041A	OPENING ROCKER SHAFT LONG	1				
24	78010511C	PLUG	4				
25	85250261B	GASKET	4				
26	82113361A	OPENING ROCKER SHAFT SHORT	1				
27	82113371B	CLOSE ROCKER ARM AXLE	4				
28	71319281A	SPACER	2				
29	79915211A	INTAKE VALVE RETURN SPRING LH	1				
30	21010811B	INTAKE VALVE	2				
31	304A0921A	SEAT, INTAKE VALVE	2				
32	66810491A	FILLER	1				
33	79915201A	INTAKE VALVE RETURN SPRING RH	1				



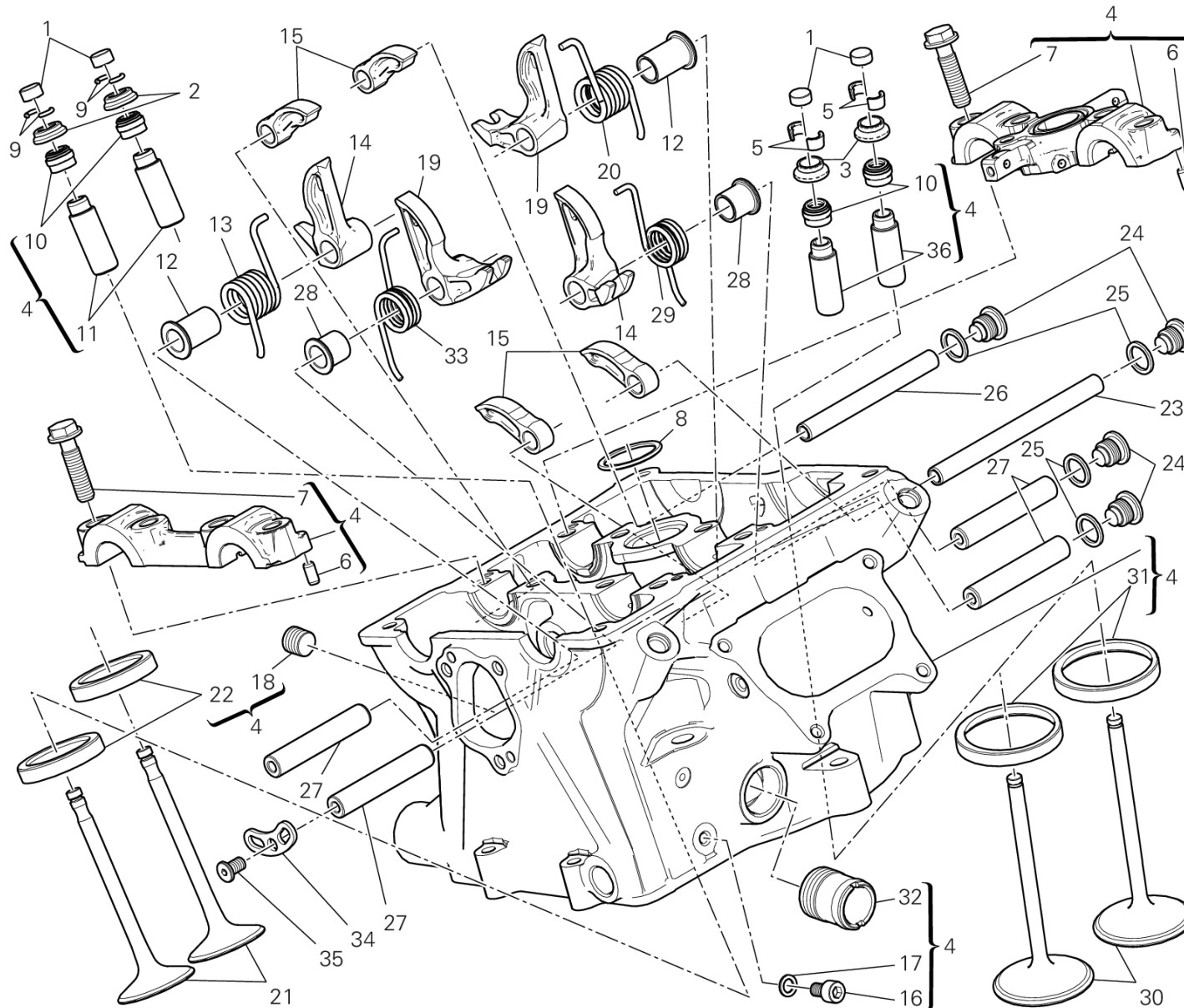
TST00488

# DRAWING 014 - HORIZONTAL CYLINDER HEAD

## GROUP ENGINE



POS.	CODE	DESCRIPTION	QTY	START DATE	END DATE	VALIDITY	NOTES
34	82716021A	PLATE, RETAINER	1				
35	77917231A	SCREW, SPECIAL	1				
36	30310691A	GUIDE-VALVE, INTAKE	2				
	30310691AA	GUIDE INTAKE VALVE +0.03 MM	2				
	30310691AB	GUIDE INTAKE VALVE +0.06 MM	2				
	30310691AC	GUIDE INTAKE VALVE +0.09 MM	2				



TST00487

# DRAWING 015 - VERTICAL CYLINDER HEAD

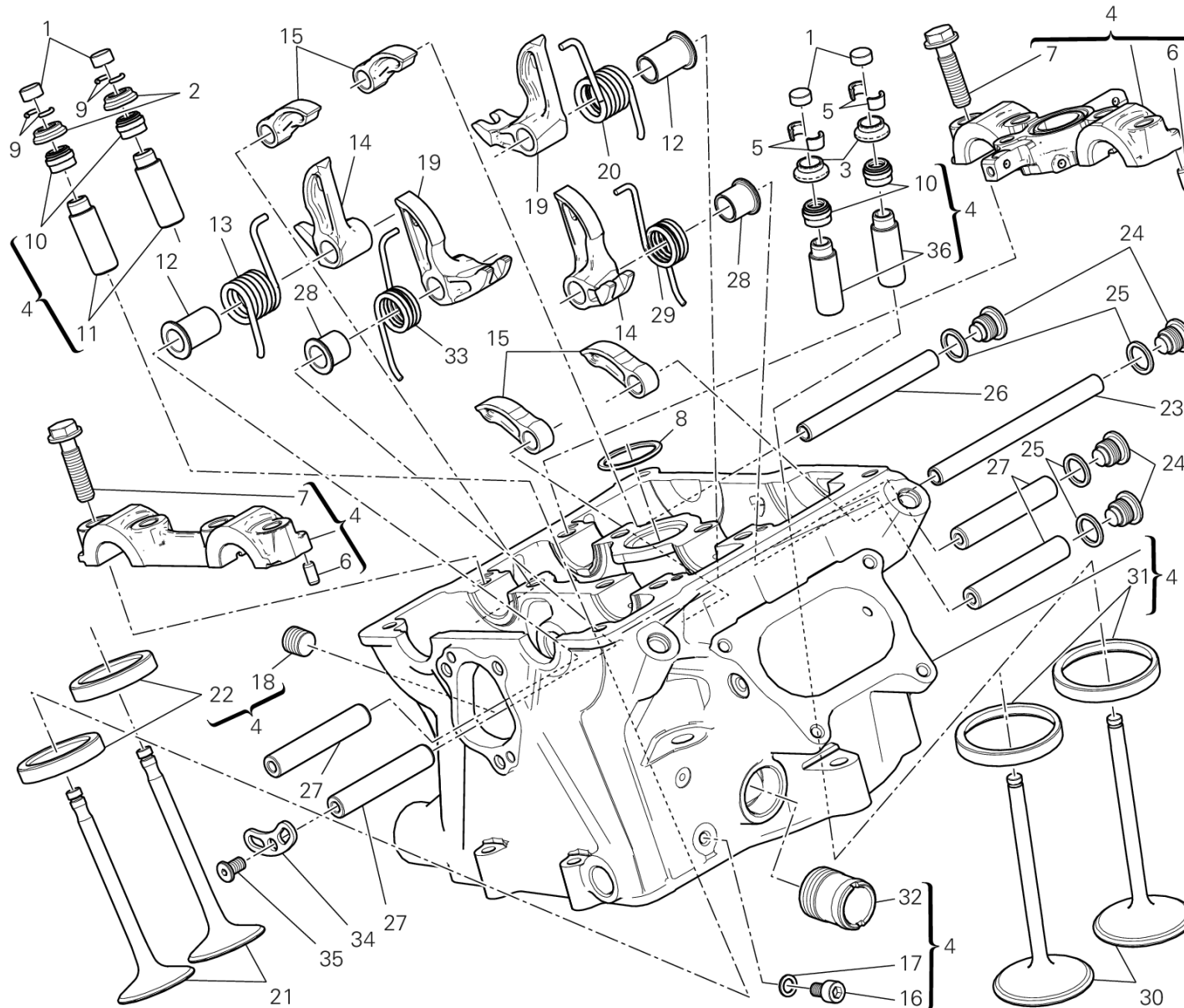
## GROUP ENGINE



POS.	CODE	DESCRIPTION	QTY	START DATE	END DATE	VALIDITY	NOTES
1	84010013A	ADJUSTER, OPENING ROCKER ARM 2.00 MM	4				
	84010023A	ADJUSTER, OPENING ROCKER ARM 2.05 MM	4				
	84010033A	ADJUSTER, OPENING ROCKER ARM 2.10 MM	4				
	84010043A	ADJUSTER, OPENING ROCKER ARM 2.15 MM	4				
	84010053A	ADJUSTER, OPENING ROCKER ARM 2.20 MM	4				
	84010063A	ADJUSTER, OPENING ROCKER ARM 2.25 MM	4				
	84010073A	ADJUSTER, OPENING ROCKER ARM 2.30 MM	4				
	84010083A	ADJUSTER, OPENING ROCKER ARM 2.35 MM	4				
	84010093A	ADJUSTER, OPENING ROCKER ARM 2.40 MM	4				
	84010103A	ADJUSTER, OPENING ROCKER ARM 2.45 MM	4				
	84010113A	ADJUSTER, OPENING ROCKER ARM 2.50 MM	4				
	84010123A	ADJUSTER, OPENING ROCKER ARM 2.55 MM	4				
	84010133A	ADJUSTER, OPENING ROCKER ARM 2.60 MM	4				
	84010143A	ADJUSTER, OPENING ROCKER ARM 2.65 MM	4				
	84010153A	ADJUSTER, OPENING ROCKER ARM 2.70 MM	4				
	84010163A	ADJUSTER, OPENING ROCKER ARM 2.75 MM	4				
	84010173A	ADJUSTER, OPENING ROCKER ARM 2.80 MM	4				
	84010183A	ADJUSTER, OPENING ROCKER ARM 2.85 MM	4				
	84010193A	ADJUSTER, OPENING ROCKER ARM 2.90 MM	4				
	84010203A	ADJUSTER, OPENING ROCKER ARM 2.95 MM	4				
	84010213A	ADJUSTER, OPENING ROCKER ARM 3.00 MM	4				
	84010223A	ADJUSTER, OPENING ROCKER ARM 3.05 MM	4				
	84010233A	ADJUSTER, OPENING ROCKER ARM 3.10 MM	4				
	84010243A	ADJUSTER, OPENING ROCKER ARM 3.15 MM	4				
	84010253A	ADJUSTER, OPENING ROCKER ARM 3.20 MM	4				
	84010263A	ADJUSTER, OPENING ROCKER ARM 3.25 MM	4				
	84010273A	ADJUSTER, OPENING ROCKER ARM 3.30 MM	4				
	84010283A	ADJUSTER, OPENING ROCKER ARM 3.35 MM	4				
	84010293A	ADJUSTER, OPENING ROCKER ARM 3.40 MM	4				
	84010303A	ADJUSTER, OPENING ROCKER ARM 3.45 MM	4				
	84010313A	ADJUSTER, OPENING ROCKER ARM 1.80 MM	4				
	84010323A	ADJUSTER, OPENING ROCKER ARM 1.85 MM	4				
	84010333A	ADJUSTER, OPENING ROCKER ARM 1.90 MM	4				
	84010343A	ADJUSTER, OPENING ROCKER ARM 1.95 MM	4				
	84010723A	ADJUSTER, OPENING ROCKER ARM 3.60 MM	4				



# DRAWING 015 - VERTICAL CYLINDER HEAD GROUP ENGINE



TST00487

# DRAWING 015 - VERTICAL CYLINDER HEAD

## GROUP ENGINE

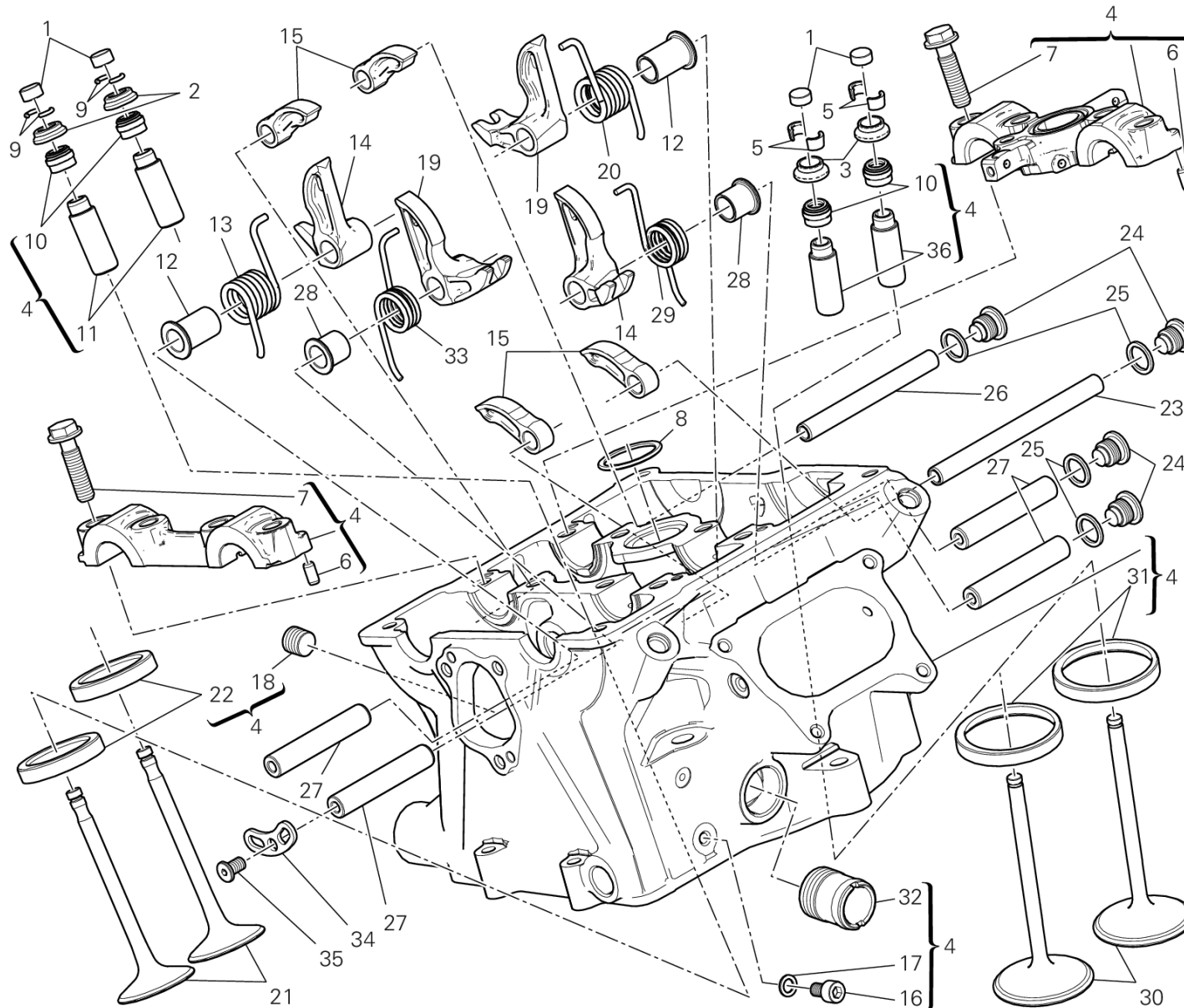


POS.	CODE	DESCRIPTION	QTY	START DATE	END DATE	VALIDITY	NOTES
	84010733A	ADJUSTER, OPENING ROCKER ARM 3.80 MM	4				
	84011083A	ADJUSTER, OPENING ROCKER ARM 3.50 MM	4				
	84011093A	ADJUSTER, OPENING ROCKER ARM 3.55 MM	4				
	84011103A	ADJUSTER, OPENING ROCKER ARM 3.65 MM	4				
	84011113A	ADJUSTER, OPENING ROCKER ARM 3.70 MM	4				
	84011123A	ADJUSTER, OPENING ROCKER ARM 3.75 MM	4				
	84011133A	ADJUSTER, OPENING ROCKER ARM 3.85 MM	4				
	84011143A	ADJUSTER, OPENING ROCKER ARM 3.9 MM	4				
2	84010412B	ADJUSTER, CLOSING ROCKER ARM 2.20 MM	4				
	84010422B	ADJUSTER, CLOSING ROCKER ARM 2.25 MM	4				
	84010432B	ADJUSTER, CLOSING ROCKER ARM 2.30 MM	4				
	84010442B	ADJUSTER, CLOSING ROCKER ARM 2.35 MM	4				
	84010452B	ADJUSTER, CLOSING ROCKER ARM 2.40 MM	4				
	84010462B	ADJUSTER, CLOSING ROCKER ARM 2.45 MM	4				
	84010472B	ADJUSTER, CLOSING ROCKER ARM 2.50 MM	4				
	84010482B	ADJUSTER, CLOSING ROCKER ARM 2.55 MM	4				
	84010492B	ADJUSTER, CLOSING ROCKER ARM 2.60 MM	4				
	84010502B	ADJUSTER, CLOSING ROCKER ARM 2.65 MM	4				
	84010512B	ADJUSTER, CLOSING ROCKER ARM 2.70 MM	4				
	84010522B	ADJUSTER, CLOSING ROCKER ARM 2.75 MM	4				
	84010532B	ADJUSTER, CLOSING ROCKER ARM 2.80 MM	4				
	84010542B	ADJUSTER, CLOSING ROCKER ARM 2.85 MM	4				
	84010552B	ADJUSTER, CLOSING ROCKER ARM 2.90 MM	4				
	84010562B	ADJUSTER, CLOSING ROCKER ARM 2.95 MM	4				
	84010572B	ADJUSTER, CLOSING ROCKER ARM 3.00 MM	4				
	84010582B	ADJUSTER, CLOSING ROCKER ARM 3.05 MM	4				
	84010592B	ADJUSTER, CLOSING ROCKER ARM 3.10 MM	4				
	84010602B	ADJUSTER, CLOSING ROCKER ARM 3.15 MM	4				
	84010612B	ADJUSTER, CLOSING ROCKER ARM 3.20 MM	4				
	84010622B	ADJUSTER, CLOSING ROCKER ARM 3.25 MM	4				
	84010632B	ADJUSTER, CLOSING ROCKER ARM 3.30 MM	4				
	84010642B	ADJUSTER, CLOSING ROCKER ARM 3.35 MM	4				
	84010652B	ADJUSTER, CLOSING ROCKER ARM 3.40 MM	4				
	84010662B	ADJUSTER, CLOSING ROCKER ARM 3.45 MM	4				
	84010672B	ADJUSTER, CLOSING ROCKER ARM 3.50 MM	4				



# DRAWING 015 - VERTICAL CYLINDER HEAD

GROUP ENGINE



TST00487

# DRAWING 015 - VERTICAL CYLINDER HEAD

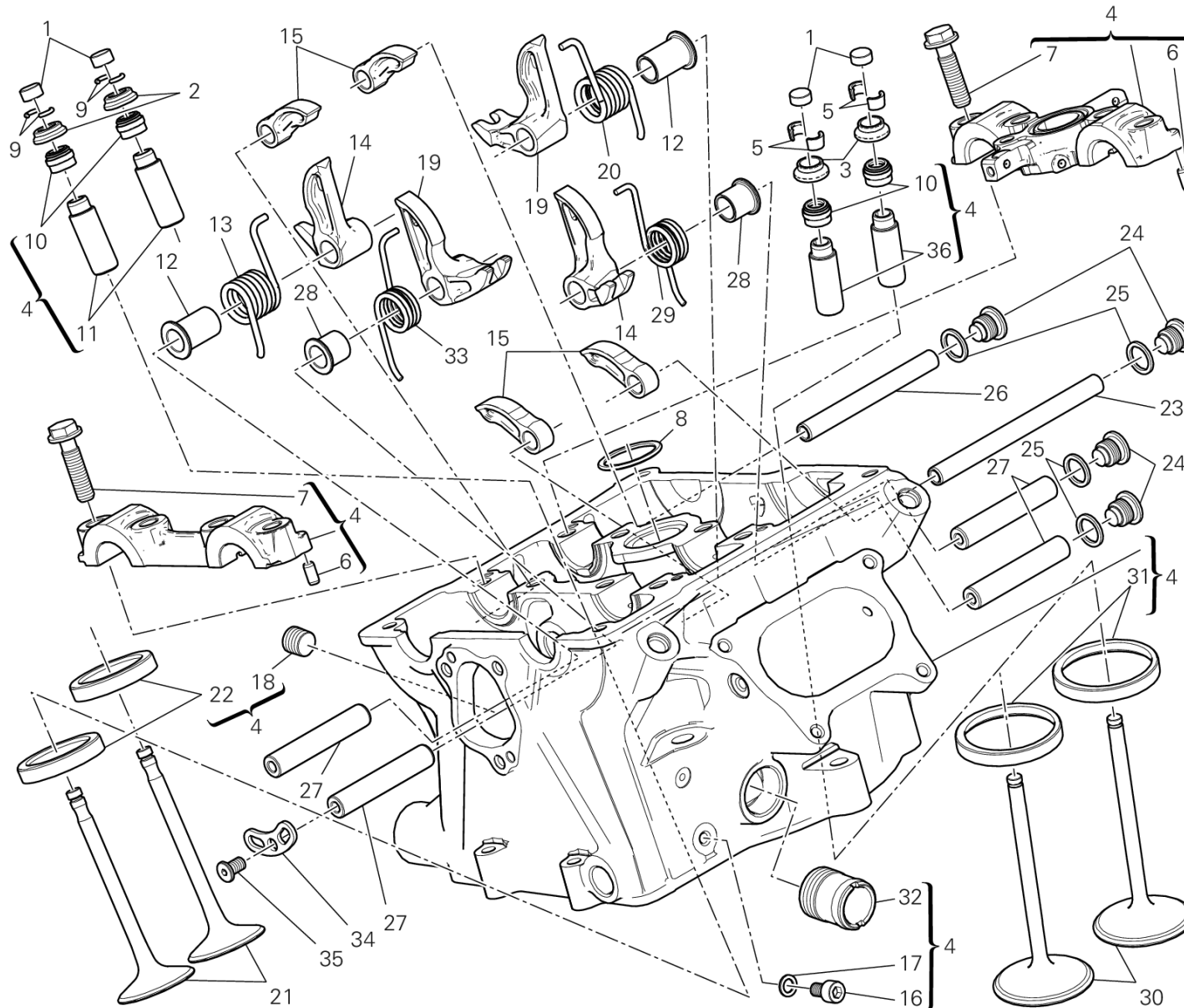
## GROUP ENGINE



POS.	CODE	DESCRIPTION	QTY	START DATE	END DATE	VALIDITY	NOTES
	84010682B	ADJUSTER, CLOSING ROCKER ARM 3.55 MM	4				
	84010692B	ADJUSTER, CLOSING ROCKER ARM 3.60 MM	4				
	84010702B	ADJUSTER, CLOSING ROCKER ARM 3.65 MM	4				
	84010712B	ADJUSTER, CLOSING ROCKER ARM 3.70 MM	4				
	84010722B	ADJUSTER, CLOSING ROCKER ARM 3.75 MM	4				
	84010732B	ADJUSTER, CLOSING ROCKER ARM 3.80 MM	4				
	84010742B	ADJUSTER, CLOSING ROCKER ARM 3.85 MM	4				
	84010752B	ADJUSTER, CLOSING ROCKER ARM 3.90 MM	4				
	84010762B	ADJUSTER, CLOSING ROCKER ARM 3.95 MM	4				
	84010772B	ADJUSTER, CLOSING ROCKER ARM 4.00 MM	4				
	84010782B	ADJUSTER, CLOSING ROCKER ARM 4.05 MM	4				
	84010792B	ADJUSTER, CLOSING ROCKER ARM 4.10 MM	4				
	84010802B	ADJUSTER, CLOSING ROCKER ARM 4.15 MM	4				
	84010812B	ADJUSTER, CLOSING ROCKER ARM 4.20 MM	4				
	84010822B	ADJUSTER, CLOSING ROCKER ARM 4.25 MM	4				
	84010832B	ADJUSTER, CLOSING ROCKER ARM 4.30 MM	4				
	84010842B	ADJUSTER, CLOSING ROCKER ARM 4.35 MM	4				
	84010852B	ADJUSTER, CLOSING ROCKER ARM 4.40 MM	4				
	84010862B	ADJUSTER, CLOSING ROCKER ARM 4.45 MM	4				
	84010872B	ADJUSTER, CLOSING ROCKER ARM 4.50 MM	4				
3	84011901AA	ADJUSTER, CLOSING ROCKER ARM 4.15 MM	4				
	84011901AB	ADJUSTER, CLOSING ROCKER ARM 4.20 MM	4				
	84011901AC	ADJUSTER, CLOSING ROCKER ARM 4.25 MM	4				
	84011901AD	ADJUSTER, CLOSING ROCKER ARM 4.30 MM	4				
	84011901AE	ADJUSTER, CLOSING ROCKER ARM 4.35 MM	4				
	84011901AF	ADJUSTER, CLOSING ROCKER ARM 4.40 MM	4				
	84011901AG	ADJUSTER, CLOSING ROCKER ARM 4.45 MM	4				
	84011901AH	ADJUSTER, CLOSING ROCKER ARM 4.50 MM	4				
	84011901AI	CLOSE ROCKER ARM ADJUSTMENT 4.55 MM	4				
	84011901AJ	CLOSE ROCKER ARM ADJUSTMENT 4.60 MM	4				
	84011901AK	CLOSE ROCKER ARM ADJUSTMENT 4.65 MM	4				
	84011901AL	CLOSE ROCKER ARM ADJUSTMENT 4.70 MM	4				
	84011901AM	CLOSE ROCKER ARM ADJUSTMENT 4.75 MM	4				
	84011901AN	CLOSE ROCKER ARM ADJUSTMENT 4.80 MM	4				
	84011901AO	CLOSE ROCKER ARM ADJUSTMENT 4.85 MM	4				



# DRAWING 015 - VERTICAL CYLINDER HEAD GROUP ENGINE



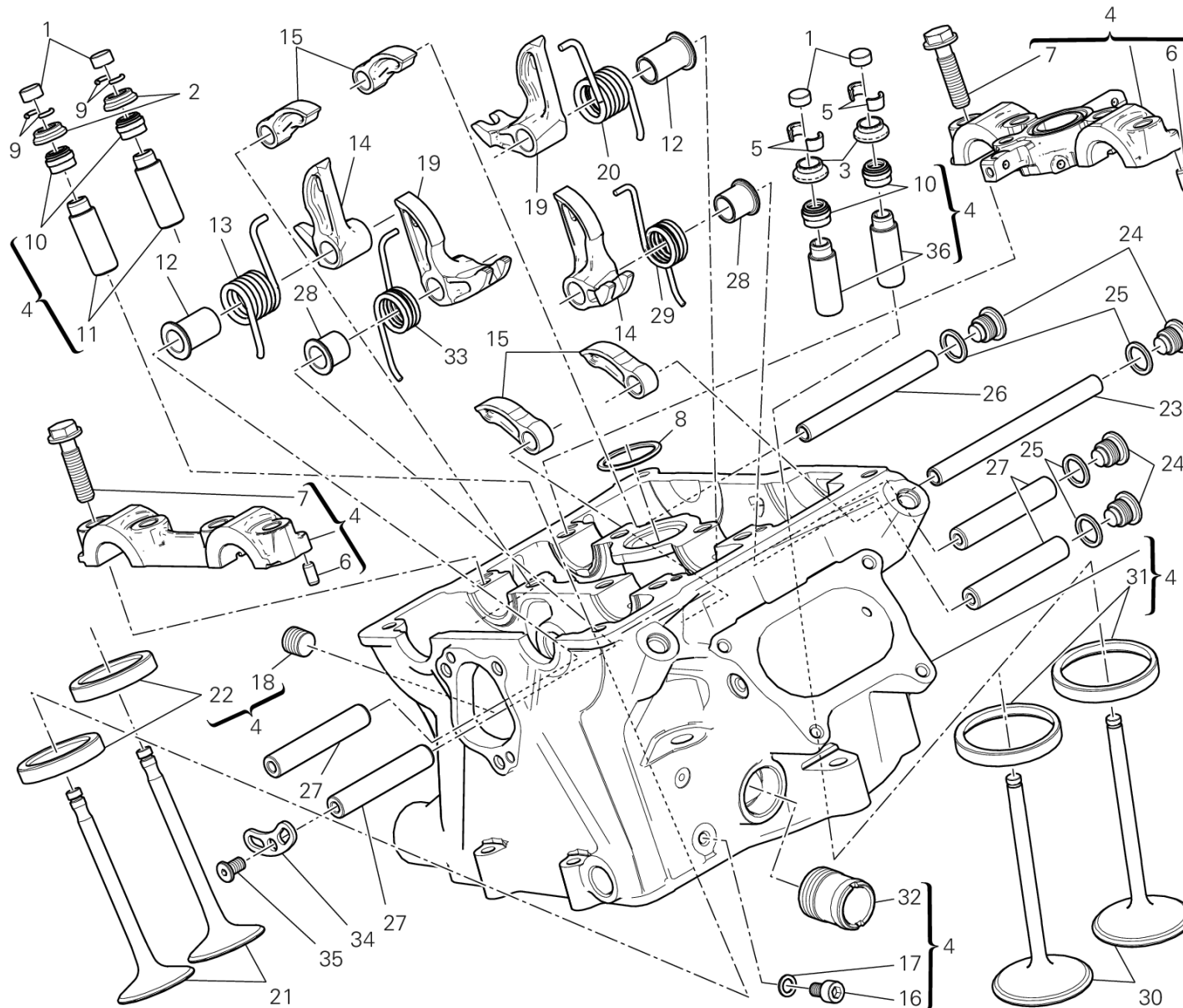
TST00487

# DRAWING 015 - VERTICAL CYLINDER HEAD

## GROUP ENGINE



POS.	CODE	DESCRIPTION	QTY	START DATE	END DATE	VALIDITY	NOTES
	84011901AP	CLOSE ROCKER ARM ADJUSTMENT 4.90 MM	4				
	84011901AQ	CLOSE ROCKER ARM ADJUSTMENT 4.95 MM	4				
	84011901AR	CLOSE ROCKER ARM ADJUSTMENT 5.00 MM	4				
4	30123471C	VERTICAL HEAD	1				
5	84510061A	VALVE COLLET PAIR	2				
6	86050061A	PIN M5X10	4				
7	77914211A	SCREW TEF M8X32	8				
8	88640881A	O-RING 26.64X2.62	1				
9	66910011E	C RING	4				
10	76410871A	SEAL VALVE STEM	4				
11	30310671AA	GUIDE, VALVE OVERSIZED 0.03 MM	2				
	30310671AB	GUIDE, VALVE OVERSIZED 0.06 MM	2				
	30310671AC	GUIDE, VALVE OVERSIZED 0.09 MM	2				
12	71319271A	SPACER	2				
13	79915231A	EXHAUST VALVE RETURN SPRING LH	1				
14	20910651A	CLOSING ROCKER ARM LEFT	2				
15	20810381A	OPEN. ROCKER ARM	4				
16	77150628B	SCREW TCEI M6X10	2				
17	85240261A	WASHER	2				
18	78010771A	THREADED DOWEL	2				
19	20910641A	CLOSING ROCKER ARM RIGHT	2				
20	79915221A	EXHAUST VALVE RETURN SPRING RH	1				
21	21110802A	EXHAUST VALVE	2				
22	304A0931A	SEAT, EXHAUST VALVE	2				
23	82114041A	OPENING ROCKER SHAFT LONG	1				
24	78010511C	PLUG	4				
25	85250261B	GASKET	4				
26	82113361A	OPENING ROCKER SHAFT SHORT	1				
27	82113371B	CLOSE ROCKER ARM AXLE	4				
28	71319281A	SPACER	2				
29	79915211A	INTAKE VALVE RETURN SPRING LH	1				
30	21010811B	INTAKE VALVE	2				
31	304A0921A	SEAT, INTAKE VALVE	2				
32	66810491A	FILLER	1				
33	79915201A	INTAKE VALVE RETURN SPRING RH	1				



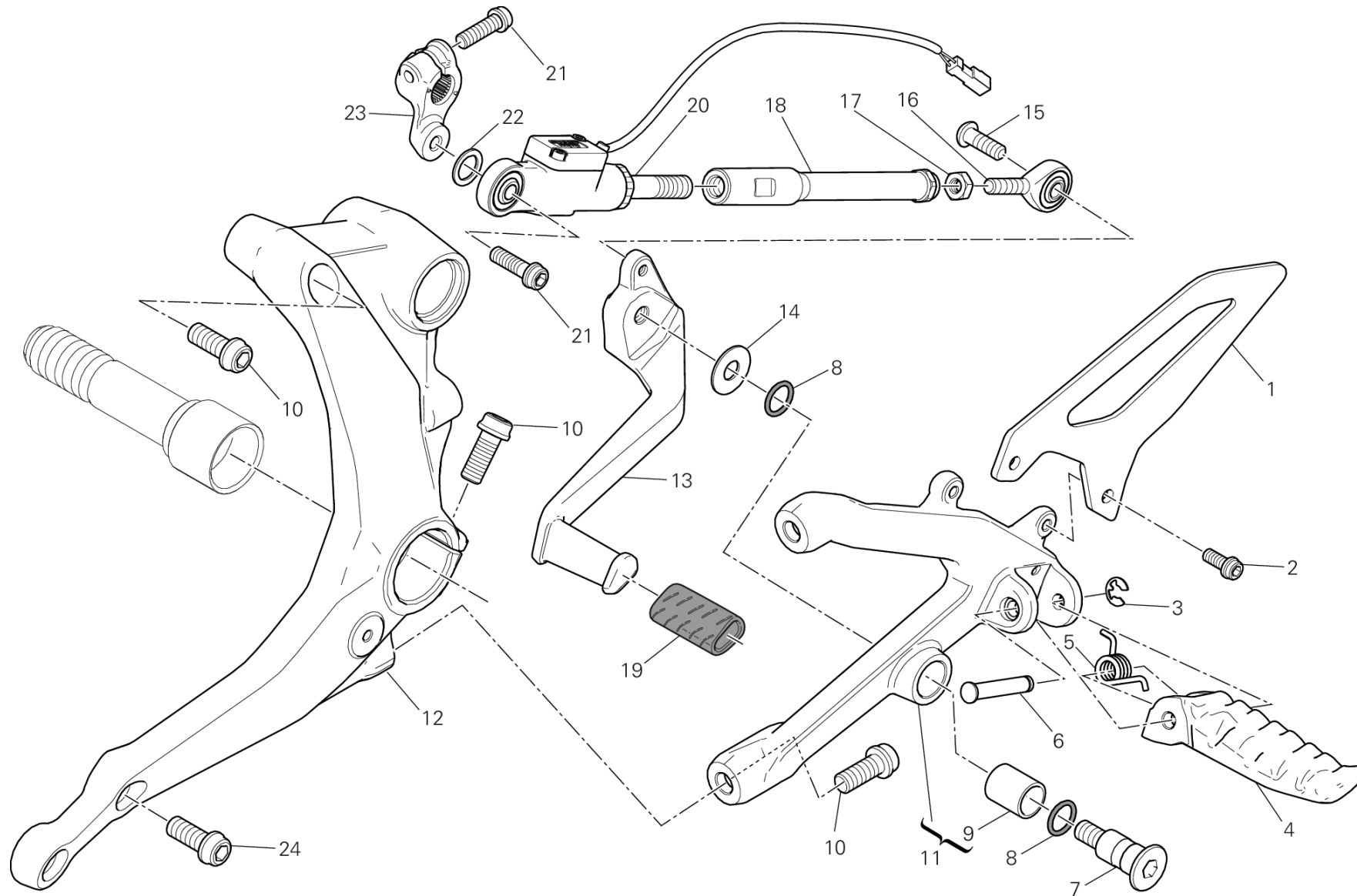
TST00487

# DRAWING 015 - VERTICAL CYLINDER HEAD

## GROUP ENGINE



POS.	CODE	DESCRIPTION	QTY	START DATE	END DATE	VALIDITY	NOTES
34	82716021A	PLATE, RETAINER	1				
35	77917231A	SCREW, SPECIAL	1				
36	30310691A	GUIDE-VALVE, INTAKE	2				
	30310691AA	GUIDE INTAKE VALVE +0.03 MM	2				
	30310691AB	GUIDE INTAKE VALVE +0.06 MM	2				
	30310691AC	GUIDE INTAKE VALVE +0.09 MM	2				



CMB00336

# DRAWING 016 - FOOTRESTS, LEFT

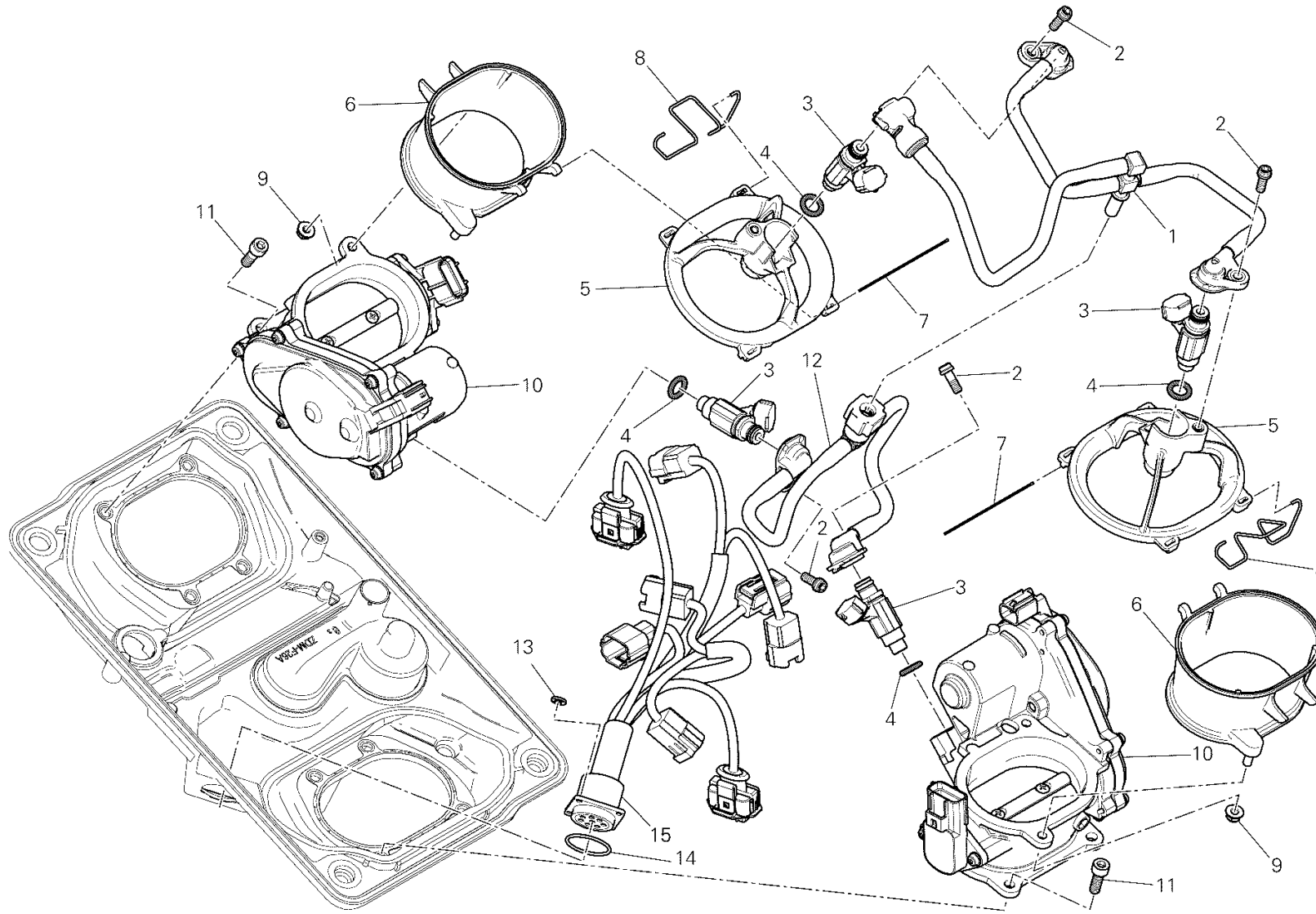
## GROUP ENGINE



POS.	CODE	DESCRIPTION	QTY	START DATE	END DATE	VALIDITY	NOTES
1	24714041AA	HEEL GUARD FRONT LH	1				
2	77156398B	SCREW TCEIF M5X12	2				
3	88450031A	CIRCLIP E-TYPE	1				
4	46410801AA	LEFT FOOTREST	1				
5	79911661A	SPRING. FOOTREST	1				
6	82110511AB	FOOTREST PIN	1				
7	82111701B	PIN PEDAL	1				
8	88641161A	O-RING	2				
9	71210341A	BUSH	1				
10	77157238B	SCREW TCEIF M8X20	4				
11	82421862AA	FRONT L.H. PLATE	1				
12	8291A431BA	HOLDER	1				
13	45612092BA	GEARCHANGE LEVER	1				
14	85211511A	WASHER	1				
15	77550131A	SCREW	1				
16	84850021A	BALL JOINT, RIGHT	1				
17	74750101A	NUT 6MM	1				
18	11711261CA	GEARBOX DRIVING ROD	1				
19	76410112A	COVER PEDAL	1				
20	55212881D	DETECTOR Quick Shift	1				
21	77156678B	SCREW TCEIF M6X20	2				
22	85611271A	WASHER	1				
23	45612101AA	GEAR CONTROL LEVER	1				
24	77157288B	SCREW TCEIF M8X35	2				



# DRAWING 017 - THROTTLE BODY GROUP ENGINE



IMP00768

# DRAWING 017 - THROTTLE BODY

## GROUP ENGINE

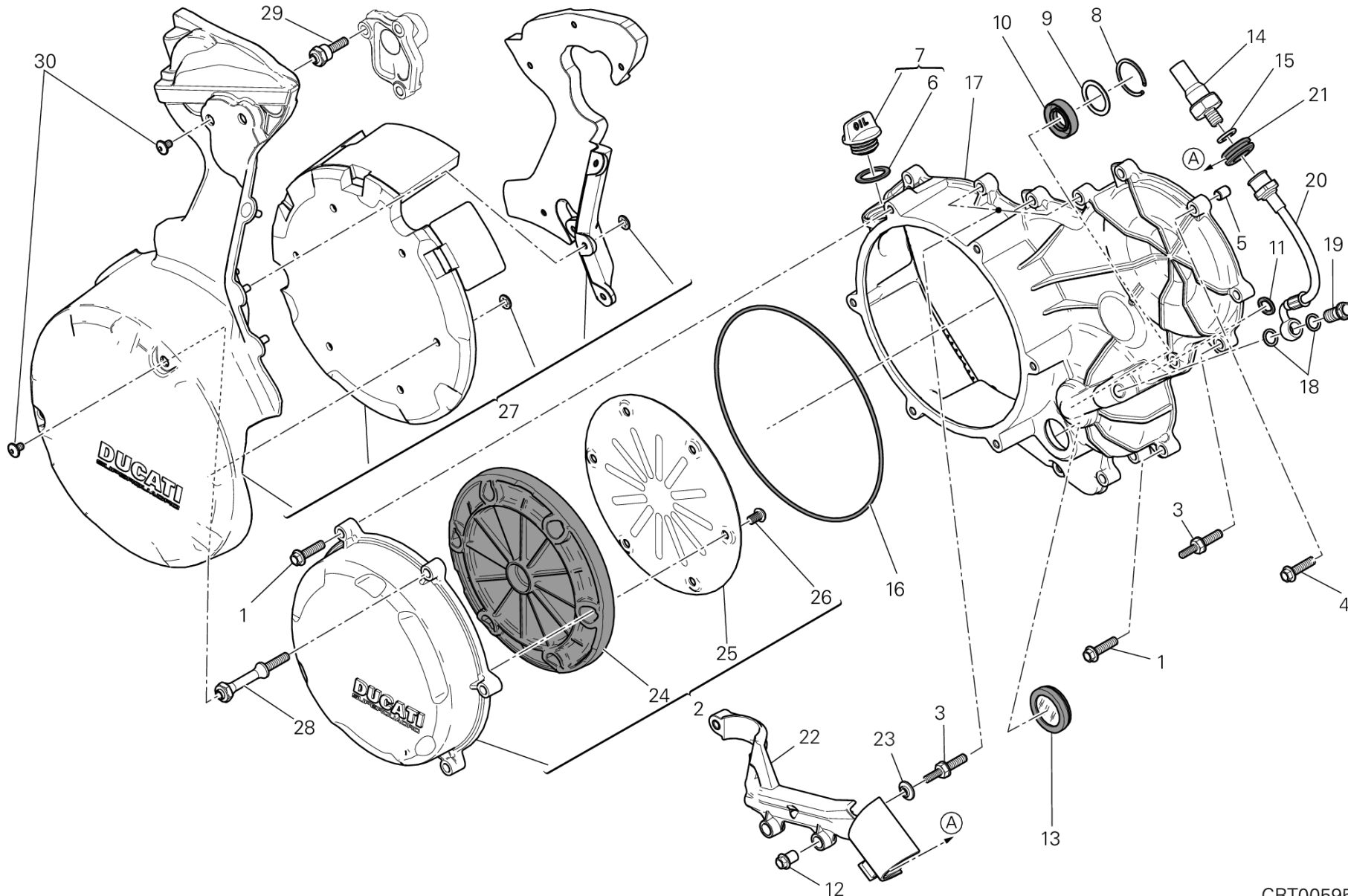


POS.	CODE	DESCRIPTION	QTY	START DATE	END DATE	VALIDITY	NOTES
1	59023511A	COMPLETE PIPE SET UPPER	1				
2	77156408B	SCREW TCEIF M5X14	4				
3	28040331A	INJECTOR	4				
4	88610961A	O-RING	4				
5	13510371B	INJECTOR HOLDER UPPER	2				
6	13510361B	PIPE	2				
7	79915421B	PIN	2				
8	79915432B	SPRING	2				
9	74810351B	NUT	4				
10	28240893A	THROTTLE BODY	2				
11	77150668B	SCREW TCEI M6X18	8				
12	59023531A	COMPLETE PIPE SET BOTTOM	1				
13	85041811A	REAR SPROCKET	4				
14	88642061A	O-RING	1				
15	51017731B	INJECTION WIRING	1				



# DRAWING 05A - CLUTCH-SIDE CRANKCASE COVER (JAP)

GROUP ENGINE



CRT00595

# DRAWING 05A - CLUTCH-SIDE CRANKCASE COVER (JAP)

## GROUP ENGINE

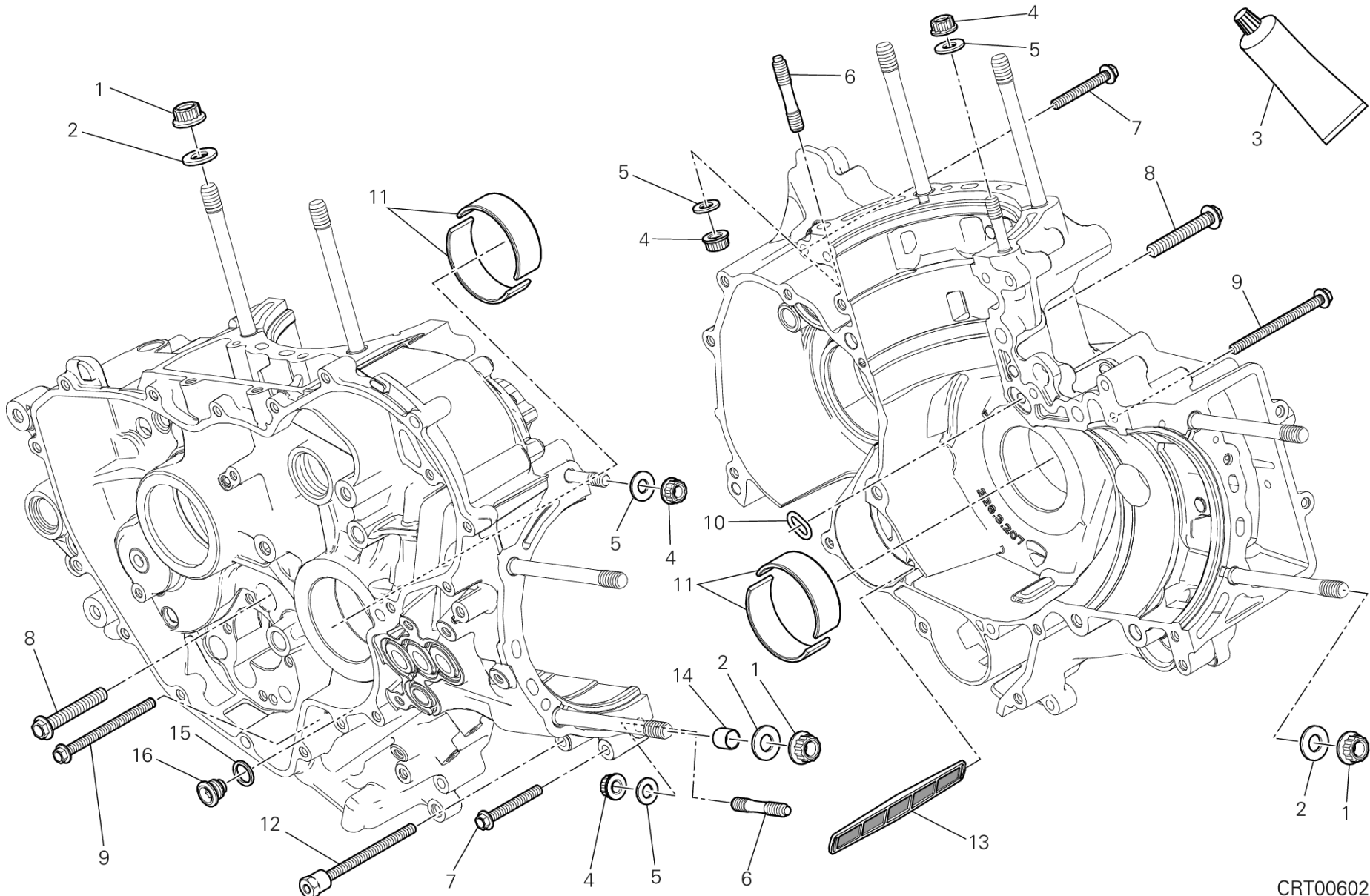


POS.	CODE	DESCRIPTION	QTY	START DATE	END DATE	VALIDITY	NOTES
1	77253337C	SCREW	18	11/11/2010			
2	24321344A	CLUTCH PROTECTION COVER (Unit)	1	02/05/2012			
3	77917161B	SCREW, SPECIAL	4	21/11/2011			
4	77253357C	SCREW	1	11/11/2010			
5	71113171A	LOCATING DOWEL	2	11/11/2010			
6	88640891A	O-RING 18.64X3.53	1	24/12/2009			
7	89320121A	PLUG ASSY	1	26/10/2011			
8	88450291A	SNAP RING	1	26/10/2011			
9	85212721A	THRUST WASHER	1	26/10/2011			
10	93041521A	SEAL RING	1	26/10/2011			
11	88641761A	O-RING	1	11/11/2010			
12	75011742AA	NUT, SPECIAL	1	26/10/2011			
13	25440012A	WINDOW, OIL LEVEL CHECK	1	26/10/2011			
14	53940302A	SWITCH ASSY, OIL PRESSURE	1	01/12/2011			
15	85211951A	GASKET 10.5X17X2	1	01/12/2011			
16	88610281A	O-RING	1	26/10/2011			
17	24311274A	TIMING COVER	1	01/01/2012			
18	85250241A	WASHER 10X14X1	2	01/12/2011			
19	78110121AA	SCREW, SPECIAL	1	01/12/2011			
20	87721561A	OIL PRESSURE LINE	1	01/12/2011			
21	76440581A	RUBBER PAD	1	01/12/2011			
22	75810701A	FAIRLEAD	1	01/12/2011			
23	71614071A	SPACER 5.2X8.4X2	3	01/12/2011			
24	48610851A	DAMPER, SOUND ARRESTER	1	02/05/2012			
25	82716012A	SHEET ACOUSTIC DAMPER	1	02/05/2012			
26	77550200C	SCREW	6	02/05/2012			
27	48610911A	CAP RH (Unit)	1				
28	77917961AA	SCREW, SPECIAL	2	20/06/2012			
29	77917951AA	SPECIAL SCREW SHORT	2	20/06/2012			
30	77240243C	SCREW	4	29/03/2012			



# DRAWING 10A - CRANKCASE BEARINGS

GROUP ENGINE



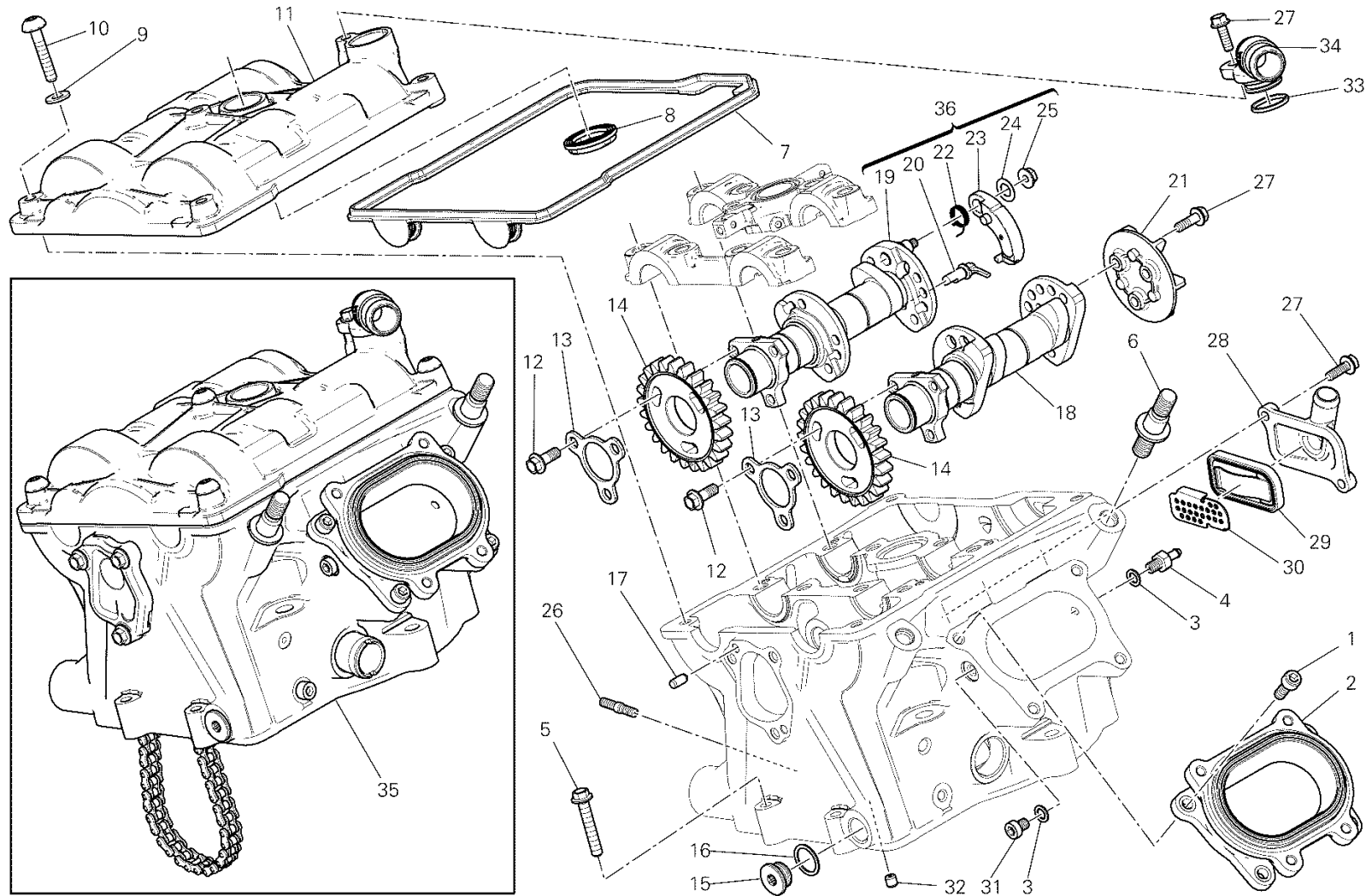
CRT00602

# DRAWING 10A - CRANKCASE BEARINGS

## GROUP ENGINE



POS.	CODE	DESCRIPTION	QTY	START DATE	END DATE	VALIDITY	NOTES
1	74810461A	NUT, FLANGE M10X1	8				
2	85610642A	WASHER, SPECIAL 10.5X21X2	8				
3	942470014	LIQUID GASKET	1				
4	74840481A	NUT, SPECIAL M8	4				
5	85212771A	WASHER	4				
6	76610811A	STUD BOLT FASTENING HEAD CYLINDER	2				
7	77253387C	SCREW	14				
8	77251387C	SCREW	6				
9	77253447C	SCREW	4				
10	88641701A	O-RING	1				
11	11210771AA	HALF-BEARING RED	4				
	11210771AB	HALF-BEARING BLUE	4				
	11210771AC	HALF-BEARING YELLOW	4				
	11210771AD	HALF-BEARING BLACK	4				
	11210771AE	HALF-BEARING GREEN	4				
12	77916991A	SCREW, SPECIAL	1				
13	42710171A	OIL NET FILTER	1				
14	71110932A	PIN DOWEL	4				
15	85250261A	GASKET, ALUMINIUM 12X16X1.5	1				
16	78010511C	PLUG	1				



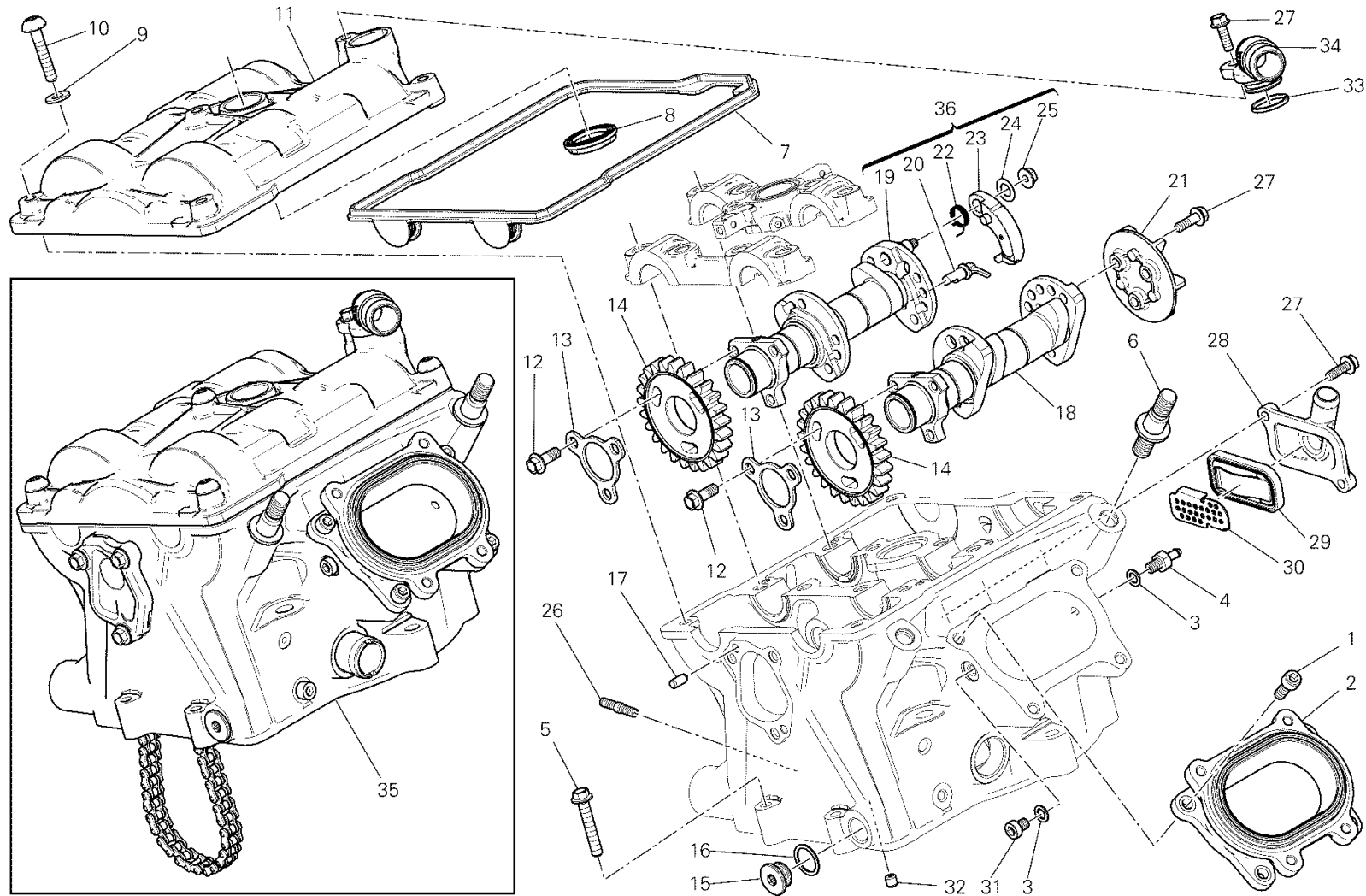
TST00453

# DRAWING 13A - VERTICAL HEAD

## GROUP ENGINE



POS.	CODE	DESCRIPTION	QTY	START DATE	END DATE	VALIDITY	NOTES
1	77112331A	SCREW TCEI M6X16	4				
2	14010691A	INTAKE MANIFOLD	1				
3	85250231A	GASKET	2				
4	81413341A	UNION	1				
5	77253367C	SCREW	2				
6	76610821A	STUD BOLT	2				
7	78811101C	VALVE COVER GASKET EXTERNAL	1				
8	78811131A	VALVE COVER GASKET INTERNAL	1				
9	85212781A	WASHER	5				
10	77916441A	SCREW	5				
11	24713931B	COVER CYLINDER HEAD, VERTICAL	1				
12	77253290Z	SCREW	6				
13	85611471A	PLATE, RETAINER	2				
14	17111153A	GEAR Z=25	2				
15	77913541A	THREADED PLUG M15X1	1				
16	85211201A	ALUMINIUM GASKET	1				
17	86050061A	PIN M5X10	2				
18	14814361B	VERTICAL INTAKE CAMSHAFT	1				
19	14824481B	VERTICAL EXHAUST CAMSHAFT	1				
20	82113832A	PIN	1				
21	25130081B	FAN	1				
22	79915534A	SPRING	1				
23	30710021A	DECOMPRESSION DEVICE	1				
24	85240231A	WASHER 8.2X14X0.5	1				
25	74810791A	NUT	1				
26	76610891A	STUD BOLT	3				
27	77210621A	SCREW TEF M5X16	6				
28	24714101A	COVER	1				
29	81140012B	VALVE	1				
30	82716351A	PLATE	1				
31	77350618B	SCREW TCEIR M6X8	1				
32	86010061A	PIN	1				
33	88641791A	O-RING	1				
34	81413531A	OUTLET UNION BLOW-BY	1				
35	30124503B	COMPLETE VERTICAL HEAD	1				



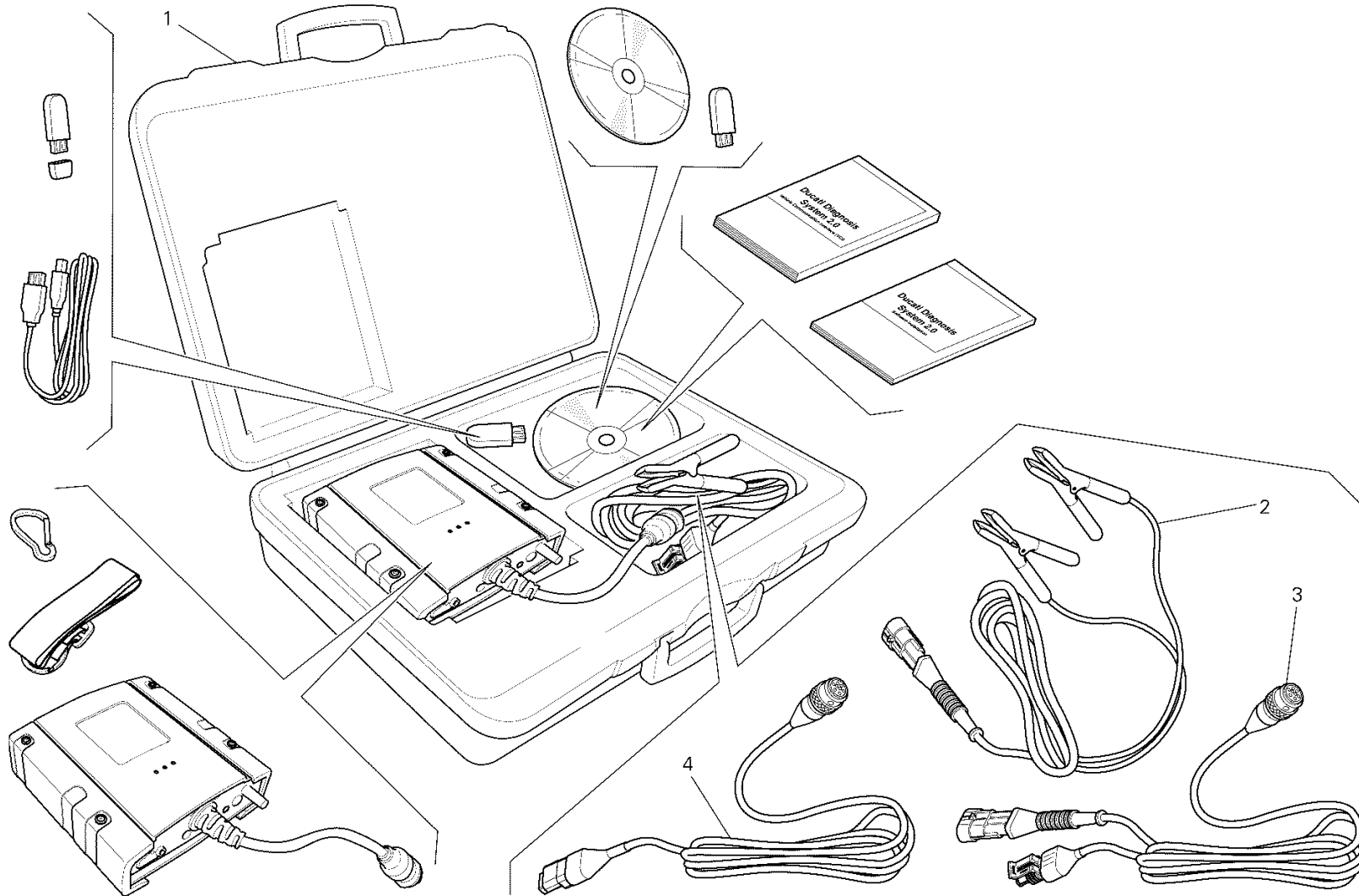
TST00453

# DRAWING 13A - VERTICAL HEAD

## GROUP ENGINE



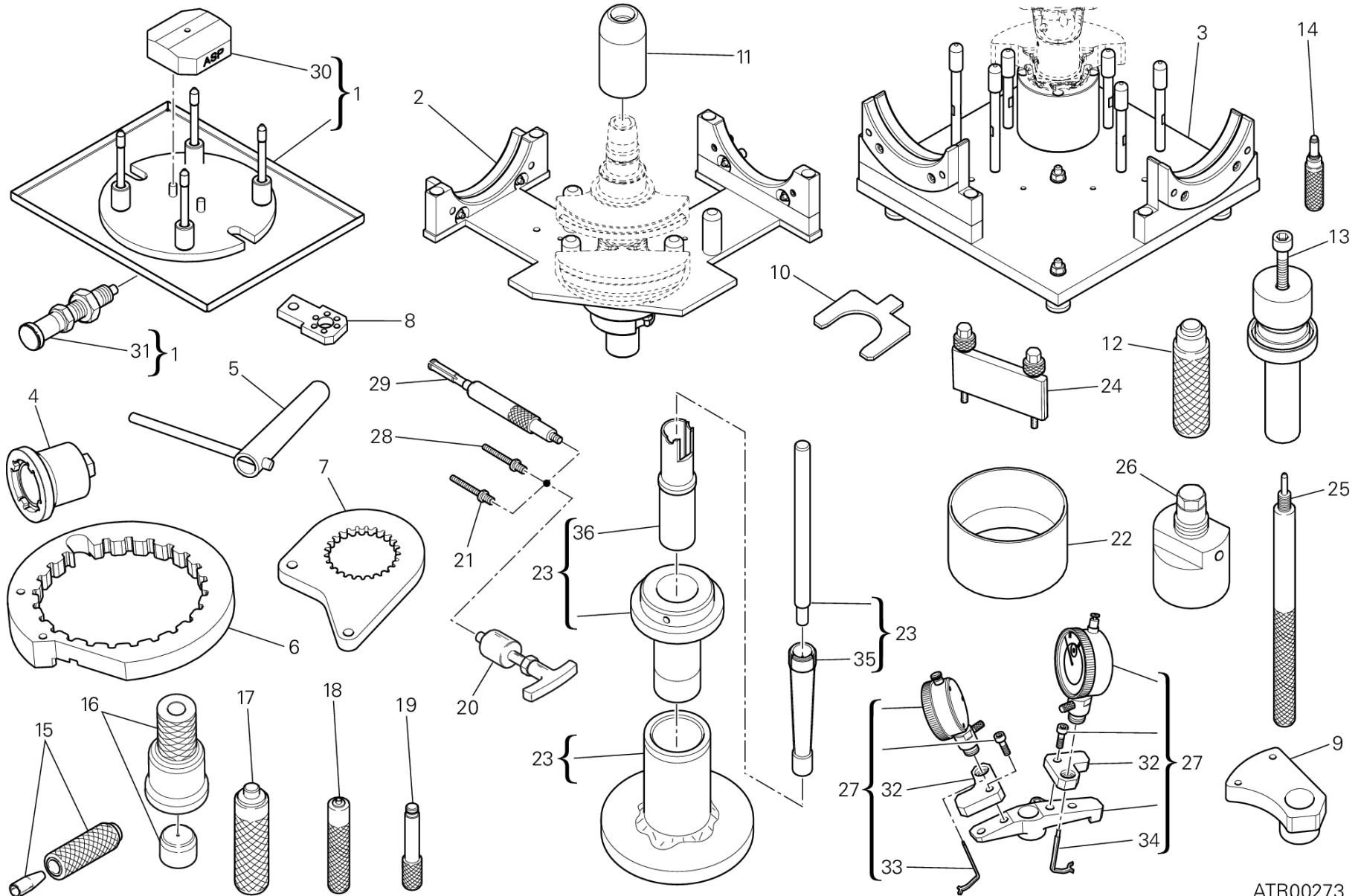
POS.	CODE	DESCRIPTION	QTY	START DATE	END DATE	VALIDITY	NOTES
36	14823751C	VERTICAL EXHAUST CAMSHAFT (Unit)	1				



ATR00267



POS.	CODE	DESCRIPTION	QTY	START DATE	END DATE	VALIDITY	NOTES
1	979000252	DDS 2 (Ducati Diagnosis System 2.0)	1				
2	979000256	MAIN CABLE DDS	1				
3	979000254	MAIN CABLE	1				
4	979000255	MAIN CABLE (CAN)	1				



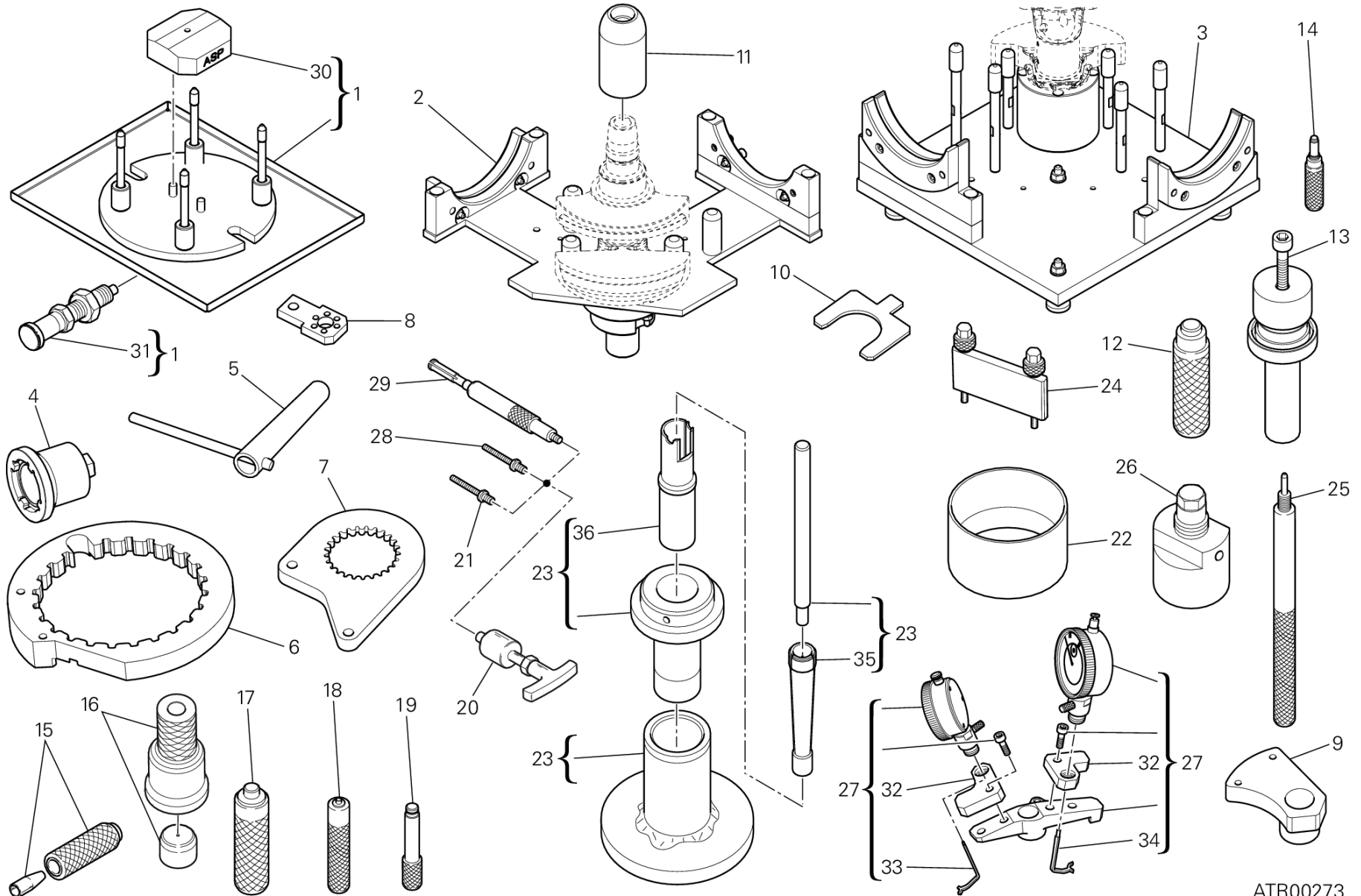
ATR00273

# DRAWING 01A - WORKSHOP SERVICE TOOLS, ENGINE I

## GROUP TOOLS



POS.	CODE	DESCRIPTION	QTY	START DATE	END DATE	VALIDITY	NOTES
1	887133422	HEAD MOUNTING BASE	1				
2	887133437	PLATE (Complete connecting rods assembly)	1				
3	887133440	HOSE GUIDE (Complete connecting rods assembly)	1				
4	887133773	WRENCH FOR TIGHTENING RING NUT	1				
5	887133795	LEVER	1				
6	887133524	REACTION TOOL FOR IGNITION FLYWHEEL	1				
7	887133774	REACTION TOOL (SPROCKET)	1				
8	887133853	REACTION TOOL FOR FLANGE (Gearbox drum)	1				
9	887133549	GEARBOX LAY SHAFT TRUING TOOL	1				
10	887133510	FORK FEELER GAUGE	1				
11	887133436	PAD	1				
12	887133511	TOOL FOR OIL SEAL POSITIONING (17x25x4)	1				
13	887133452	HALF-BEARINGS FITTING TOOL	1				
14	887133350	TOOL TO HOLD CRANKSHAFT IN TDC POSITION	1				
15	887133507	TOOL FOR OIL SEAL POSITIONING (12x22x5)	1				
16	887133508	TOOL FOR OIL SEAL POSITIONING (40x55x7)	1				
17	887133509	TOOL FOR OIL SEAL POSITIONING (14x28x6,5)	1				
18	887133512	TOOL FOR OIL SEAL POSITIONING (8x14x4)	1				
19	887133758	TOOL FOR BUSH POSITIONING	1				
20	887131994	ROCKER PIN EXTRACTOR	1				
21	887133760	SCREW, SPECIAL (M7)	1				
22	887133820	TOOL TO ASSEMBLE PISTON	1				
23	887133502	TOOL TO FIT PISTON GUDGEON PIN CIRCLIPS	1				
24	887651678	CAMSHAFT STROKE CHECKING TOOL	1				
25	887132574	T.D.C. CONTROL GAUGE	1				
26	887133880	IGNITION FLYWHEEL EXTRACTOR	1				
27	887651632	VALVE LIFT GAUGE (GAUGES NOT INCLUDED)	1				
28	887133943	SCREW, SPECIAL (M6)	1				
29	887133517	PISTON PIN DISASSEMBLING TOOL	1				
30	887134131	SOSTEGNO VALVOLE	1				
31	887134132	KNOB	1				
32	887651702	HOLDER	2				
33	887651703	CONTROL ROD SHORT	1				
34	887651704	CONTROL ROD LONG	1				
35	887134139	FLEXIBLE BUSH	1				



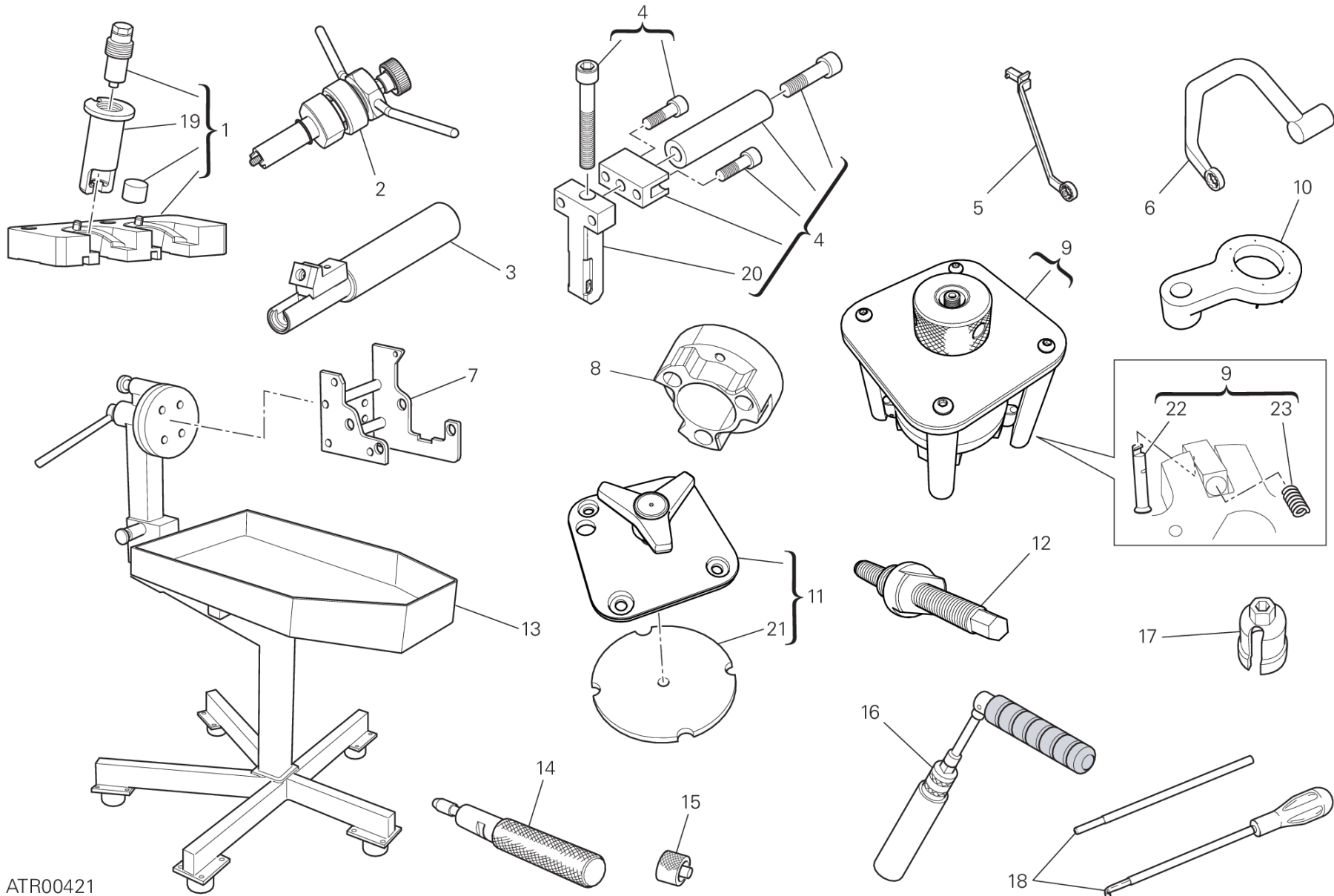
ATR00273

# DRAWING 01A - WORKSHOP SERVICE TOOLS, ENGINE I

## GROUP TOOLS



POS.	CODE	DESCRIPTION	QTY	START DATE	END DATE	VALIDITY	NOTES
36	887134138	TUBE	1				



ATR00421

# DRAWING 01B - WORKSHOP SERVICE TOOLS, ENGINE II

## GROUP TOOLS

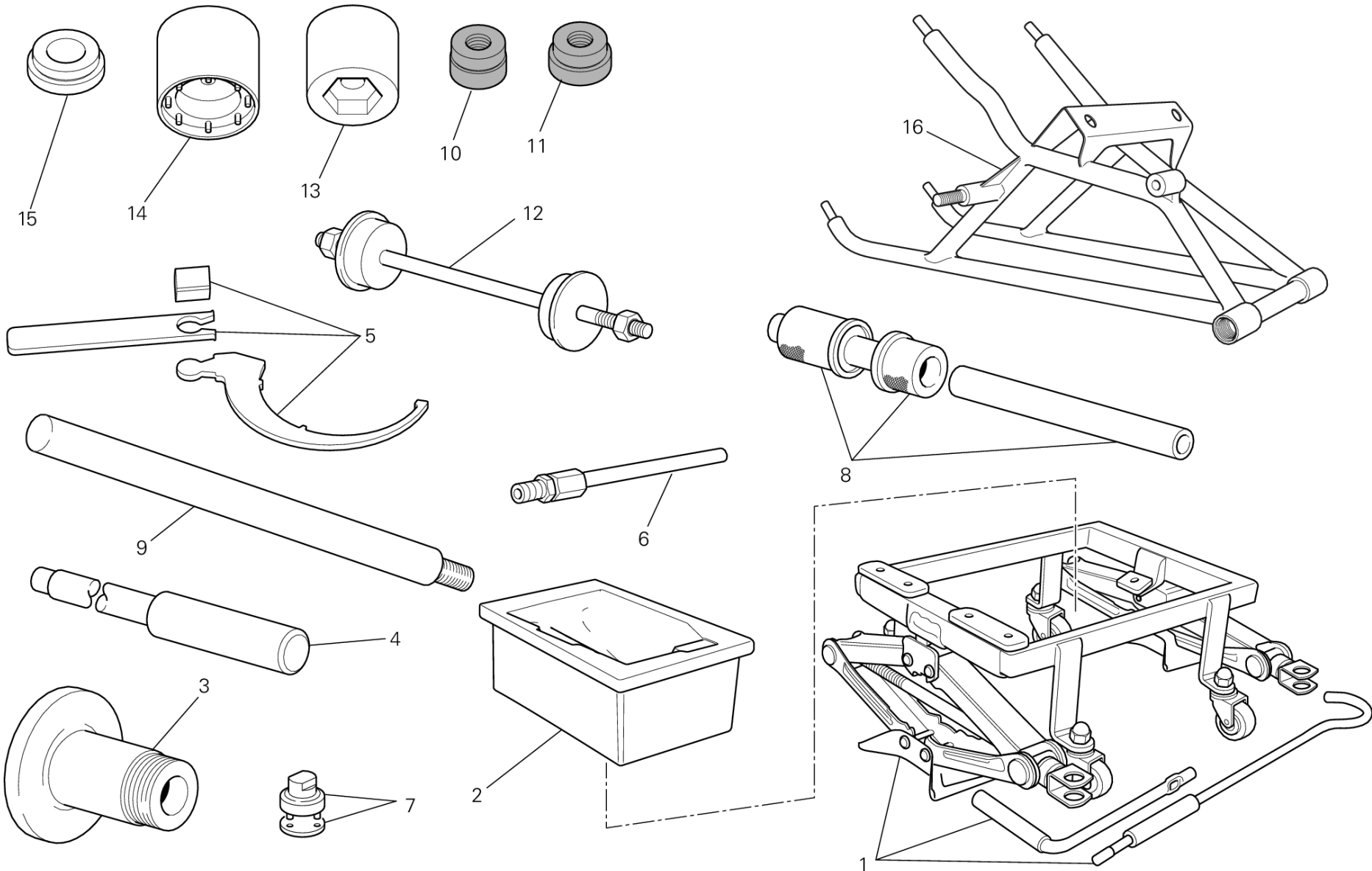


POS.	CODE	DESCRIPTION	QTY	START DATE	END DATE	VALIDITY	NOTES
1	887133924	TOOL TO REMOVE THE HALF-CONES	1				
2	887133824	DEGREE WHEEL HOLDER TOOL FOR IGNITION ADVANCE CHECK	1				
3	887133468	TOOL TO REMOVE THE HALF-CONES / SPLIT RINGS	1				
4	887133467	TOOL TO FIT VALVE COLLETS	1				
5	887133926	HEAD NUTS HOLDER WRENCH (M8)	1				
6	887132676	HEAD NUTS HOLDER WRENCH (M10)	1				
7	887133875	ENGINE MOUNT	1				
8	887133879	WRENCH FOR TIGHTENING CLUTCH DRUM	1				
9	887133878	CYLINDER DISASSEMBLING TOOL	1				
10	887133925	PRIMARY DRIVE GEAR TIGHTENING TOOL	1				
11	887133923	CYLINDER FITTING TOOL	1				
12	887133922	PULLER TO REMOVE ALTERNATOR COVER	1				
13	887131832	BENCH FOR ENGINE REPAIR	1				
14	887132442	TOOL, OIL SEAL MOUNTING (Ø7)	1				
15	887651298	SPACER FOR CHECKING LOWER VALVE SHIM	1				
16	887132877	SPARK PLUG WRENCH	1				
17	887133407	SPINDLE, TAPER (Gearbox position sensor)	1				
18	887132069	ROCKER SPRING PRE-LOAD COMPOUND KIT	1				
19	887134137	REACTION TOOL	1				
20	887134133	REACTION TOOL	1				
21	887134136	PLATE	1				
22	887134134	HOOK	4				
23	887134135	SPRING	4				



# DRAWING 01C - WORKSHOP SERVICE TOOLS, FRAME

GROUP TOOLS



ATR00276

# DRAWING 01C - WORKSHOP SERVICE TOOLS, FRAME

## GROUP TOOLS



POS.	CODE	DESCRIPTION	QTY	START DATE	END DATE	VALIDITY	NOTES
1	887133220	BENCH FOR ENGINE REPAIR	1				
2	887133927	ENGINE MOUNT	1				
3	887132951	TOOL BALANCING REAR WHEEL	1				
4	887131074	TOOL DISASSEMBLING SWINGARM PIVOT	1				
5	887133211	SPANNER FOR ADJUSTING THE ECCENTRIC HUB	1				
6	887131010	CONNECTOR FOR EXHAUST GAS TAKE-UP POINT	1				
7	887131058	SPANNER TO ASSEMBLE THE STEERING SLEEVE	1				
8	887132409	TOOL ASSEMBLING SWINGARM BALL BEARING	1				
9	887133529	BAR BUSHING SUPPORT (OHLINS)	1				
10	887132857	TOOL REMOVING SLIDING BUSHINGS (OHLINS)	1				
11	887132858	TOOL INSTALLING SLIDING BUSHINGS (OHLINS)	1				
12	887131062	TOOL ASSEMBLING STEERING TUBE BEARING	1				
13	887134338	PRELOAD ADJUSTMENT TOOL (OHLINS)	1				
14	887134337	BUSH FOR INSTALLING/REMOVING THE FORK PLUG (OHLINS)	1				
15	887132855	TOOL BAR GUIDE (OHLINS)	1				
16	887134207	BRACKET	1				



# DRAWING A - TYRES

## GROUP TYRES



POS.	CODE	DESCRIPTION	QTY	START DATE	END DATE	VALIDITY	NOTES
1	49040711A	FRONT TYRE DIABLO™ SUPERCORSA SP (120-70 ZR17)	1	01/09/2012			(*)=Pneumatico di primo equipaggiamento
2	49140911A	REAR TYRE DIABLO™ SUPERCORSA SP (200-55 ZR17)	1	01/09/2012			(*)=Pneumatico di primo equipaggiamento
3	490P0324A	FRONT TYRE DIABLO™ ROSSO IV (120-70 ZR17)	1				
4	491P0389A	REAR TYRE DIABLO™ ROSSO IV (200-55 ZR17)	1				
5	490P0272A	FRONT TYRE DIABLO™ ROSSO III D (120-70 ZR17)	1				
6	491P0073A	REAR TYRE DIABLO™ ROSSO III (200-55 ZR17)	1				
7	49041081A	FRONT TYRE DIABLO™ ROSSO CORSA II (120-70 ZR17)	1				
8	49141641A	REAR TYRE DIABLO™ ROSSO CORSA II (200-55 ZR17)	1				
9	490P0002A	FRONT TYRE DIABLO™ SUPERBIKE (120-70 R17 SC1)	1				(#)=For competition use only
10	490P0003A	FRONT TYRE DIABLO™ SUPERBIKE (120-70 R17 SC2)	1				(#)=For competition use only
11	490P0004A	FRONT TYRE DIABLO™ SUPERBIKE (120-70 R17 SC3)	1				(#)=For competition use only
12	491P0015A	REAR TYRE DIABLO™ SUPERBIKE (200-60 R17 SC0)	1				(#)=For competition use only
13	491P0016A	REAR TYRE DIABLO™ SUPERBIKE (200-60 R17 SC1)	1				(#)=For competition use only
14	491P0017A	REAR TYRE DIABLO™ SUPERBIKE (200-60 R17 SC2)	1				(#)=For competition use only
15	491P0018A	REAR TYRE DIABLO™ SUPERBIKE (200-60 R17 SC3)	1				(#)=For competition use only
16	490P0019A	FRONT TYRE DIABLO™ WET (120-70 R17)	1				(#)=For competition use only
17	490P0022A	FRONT TYRE DIABLO™ RAIN (120-70 R17)	1				(#)=For competition use only
18	490P0029A	FRONT TYRE DIABLO™ SUPERCORSA SC V2 (120-70 R17 SC1)	1				(#)=For competition use only
19	490P0030A	FRONT TYRE DIABLO™ SUPERCORSA SC V2 (120-70 R17 SC2)	1				(#)=For competition use only
20	491P0041A	REAR TYRE DIABLO™ SUPERCORSA SC V2 (200-55 R17 SC0)	1				
21	491P0042A	REAR TYRE DIABLO™ SUPERCORSA SC V2 (200-55 R17 SC1)	1				(#)=For competition use only
22	491P0043A	REAR TYRE DIABLO™ SUPERCORSA SC V2 (200-55 R17 SC2)	1				(#)=For competition use only
23	490P0044A	FRONT TYRE DIABLO™ SUPERCORSA SC (120-70 R17 SC2)	1				(#)=For competition use only
24	490P0248A	FRONT TYRE DIABLO™ SUPERCORSA SC (120-70 R17 SC1)	1				(#)=For competition use only
25	49041071A	FRONT TYRE DIABLO™ SUPERCORSA SP V3 (120-70 ZR17)	1				
26	491P0347A	REAR TYRE DIABLO™ SUPERCORSA SP V3 (200-55 ZR17)	1				
27	490P0297A	FRONT TYRE DIABLO™ SUPERCORSA SC V3 (120-70 ZR17)	1				(#)=For competition use only
28	490P0298A	FRONT TYRE DIABLO™ SUPERCORSA SC V3 (120-70 ZR17 TL)	1				(#)=For competition use only
29	491P0339A	REAR TYRE DIABLO™ SUPERCORSA SC V3 (200-55 ZR17 78V)	1				(#)=For competition use only
30	491P0340A	REAR TYRE DIABLO™ SUPERCORSA SC V3 (200-55 ZR17 78W)	1				(#)=For competition use only
31	491P0341A	REAR TYRE DIABLO™ SUPERCORSA SC V3 (200-55 ZR17 78W)	1				(#)=For competition use only
32	491P0342A	REAR TYRE DIABLO™ SUPERCORSA SC V3 (200-60 ZR17)	1				(#)=For competition use only



# DRAWING B - (\*) PIRELLI DIABLO™ SUPERCORSA SP

## GROUP TYRES



POS.	CODE	DESCRIPTION	QTY	START DATE	END DATE	VALIDITY	NOTES
1	49040711A	FRONT TYRE DIABLO™ SUPERCORSA SP (120-70 ZR17)	1	01/09/2012			(*)=Pneumatico di primo equipaggiamento
2	49140911A	REAR TYRE DIABLO™ SUPERCORSA SP (200-55 ZR17)	1	01/09/2012			(*)=Pneumatico di primo equipaggiamento



# DRAWING D - PIRELLI DIABLO™ ROSSO III

## GROUP TYRES



POS.	CODE	DESCRIPTION	QTY	START DATE	END DATE	VALIDITY	NOTES
1	490P0272A	FRONT TYRE DIABLO™ ROSSO III D (120-70 ZR17)	1	19/01/2017			
2	491P0073A	REAR TYRE DIABLO™ ROSSO III (200-55 ZR17)	1	19/12/2016			



# DRAWING E - PIRELLI DIABLO™ ROSSO CORSA II

## GROUP TYRES



POS.	CODE	DESCRIPTION	QTY	START DATE	END DATE	VALIDITY	NOTES
1	49041081A	FRONT TYRE DIABLO™ ROSSO CORSA II (120-70 ZR17)	1	25/10/2013			
2	49141641A	REAR TYRE DIABLO™ ROSSO CORSA II (200-55 ZR17)	1	28/05/2015			



# DRAWING F - (#) PIRELLI DIABLO™ SUPERBIKE

## GROUP TYRES



POS.	CODE	DESCRIPTION	QTY	START DATE	END DATE	VALIDITY	NOTES
1	490P0002A	FRONT TYRE DIABLO™ SUPERBIKE (120-70 R17 SC1)	1				(#)=For competition use only
2	490P0003A	FRONT TYRE DIABLO™ SUPERBIKE (120-70 R17 SC2)	1				(#)=For competition use only
3	490P0004A	FRONT TYRE DIABLO™ SUPERBIKE (120-70 R17 SC3)	1				(#)=For competition use only
4	491P0015A	REAR TYRE DIABLO™ SUPERBIKE (200-60 R17 SC0)	1				(#)=For competition use only
5	491P0016A	REAR TYRE DIABLO™ SUPERBIKE (200-60 R17 SC1)	1				(#)=For competition use only
6	491P0017A	REAR TYRE DIABLO™ SUPERBIKE (200-60 R17 SC2)	1				(#)=For competition use only
7	491P0018A	REAR TYRE DIABLO™ SUPERBIKE (200-60 R17 SC3)	1				(#)=For competition use only



# DRAWING G - (#) DIABLO™ WET

## GROUP TYRES



POS.	CODE	DESCRIPTION	QTY	START DATE	END DATE	VALIDITY	NOTES
1	490P0019A	FRONT TYRE DIABLO™ WET (120-70 R17)	1				(#)=For competition use only



# DRAWING H - (#) DIABLO™ RAIN

## GROUP TYRES



POS.	CODE	DESCRIPTION	QTY	START DATE	END DATE	VALIDITY	NOTES
1	490P0022A	FRONT TYRE DIABLO™ RAIN (120-70 R17)	1				(#)=For competition use only



# DRAWING I - (#) DIABLO™ SUPERCORSA SC V2

## GROUP TYRES



POS.	CODE	DESCRIPTION	QTY	START DATE	END DATE	VALIDITY	NOTES
1	490P0029A	FRONT TYRE DIABLO™ SUPERCORSA SC V2 (120-70 R17 SC1)	1				(#)=For competition use only
2	490P0030A	FRONT TYRE DIABLO™ SUPERCORSA SC V2 (120-70 R17 SC2)	1				(#)=For competition use only
3	491P0041A	REAR TYRE DIABLO™ SUPERCORSA SC V2 (200-55 R17 SC0)	1				
4	491P0042A	REAR TYRE DIABLO™ SUPERCORSA SC V2 (200-55 R17 SC1)	1				(#)=For competition use only
5	491P0043A	REAR TYRE DIABLO™ SUPERCORSA SC V2 (200-55 R17 SC2)	1				(#)=For competition use only



# DRAWING J - (#) DIABLO™ SUPERCORSA SC

## GROUP TYRES



POS.	CODE	DESCRIPTION	QTY	START DATE	END DATE	VALIDITY	NOTES
1	490P0248A	FRONT TYRE DIABLO™ SUPERCORSA SC (120-70 R17 SC1)	1				(#)=For competition use only
2	490P0044A	FRONT TYRE DIABLO™ SUPERCORSA SC (120-70 R17 SC2)	1				(#)=For competition use only



# DRAWING K - PIRELLI DIABLO™ SUPERCORSA SP V3

## GROUP TYRES



POS.	CODE	DESCRIPTION	QTY	START DATE	END DATE	VALIDITY	NOTES
1	49041071A	FRONT TYRE DIABLO™ SUPERCORSA SP V3 (120-70 ZR17)	1	01/09/2012			
2	491P0347A	REAR TYRE DIABLO™ SUPERCORSA SP V3 (200-55 ZR17)	1	01/09/2012			



# DRAWING M - (#) DIABLO™ SUPERCORSA SC V3

## GROUP TYRES



POS.	CODE	DESCRIPTION	QTY	START DATE	END DATE	VALIDITY	NOTES
1	490P0297A	FRONT TYRE DIABLO™ SUPERCORSA SC V3 (120-70 ZR17)	1				(#)=For competition use only
2	490P0298A	FRONT TYRE DIABLO™ SUPERCORSA SC V3 (120-70 ZR17 TL)	1				(#)=For competition use only
3	491P0339A	REAR TYRE DIABLO™ SUPERCORSA SC V3 (200-55 ZR17 78V)	1				(#)=For competition use only
4	491P0340A	REAR TYRE DIABLO™ SUPERCORSA SC V3 (200-55 ZR17 78W)	1				(#)=For competition use only
5	491P0341A	REAR TYRE DIABLO™ SUPERCORSA SC V3 (200-55 ZR17 78W)	1				(#)=For competition use only
6	491P0342A	REAR TYRE DIABLO™ SUPERCORSA SC V3 (200-60 ZR17)	1				(#)=For competition use only



# DRAWING N - PIRELLI DIABLO™ ROSSO IV

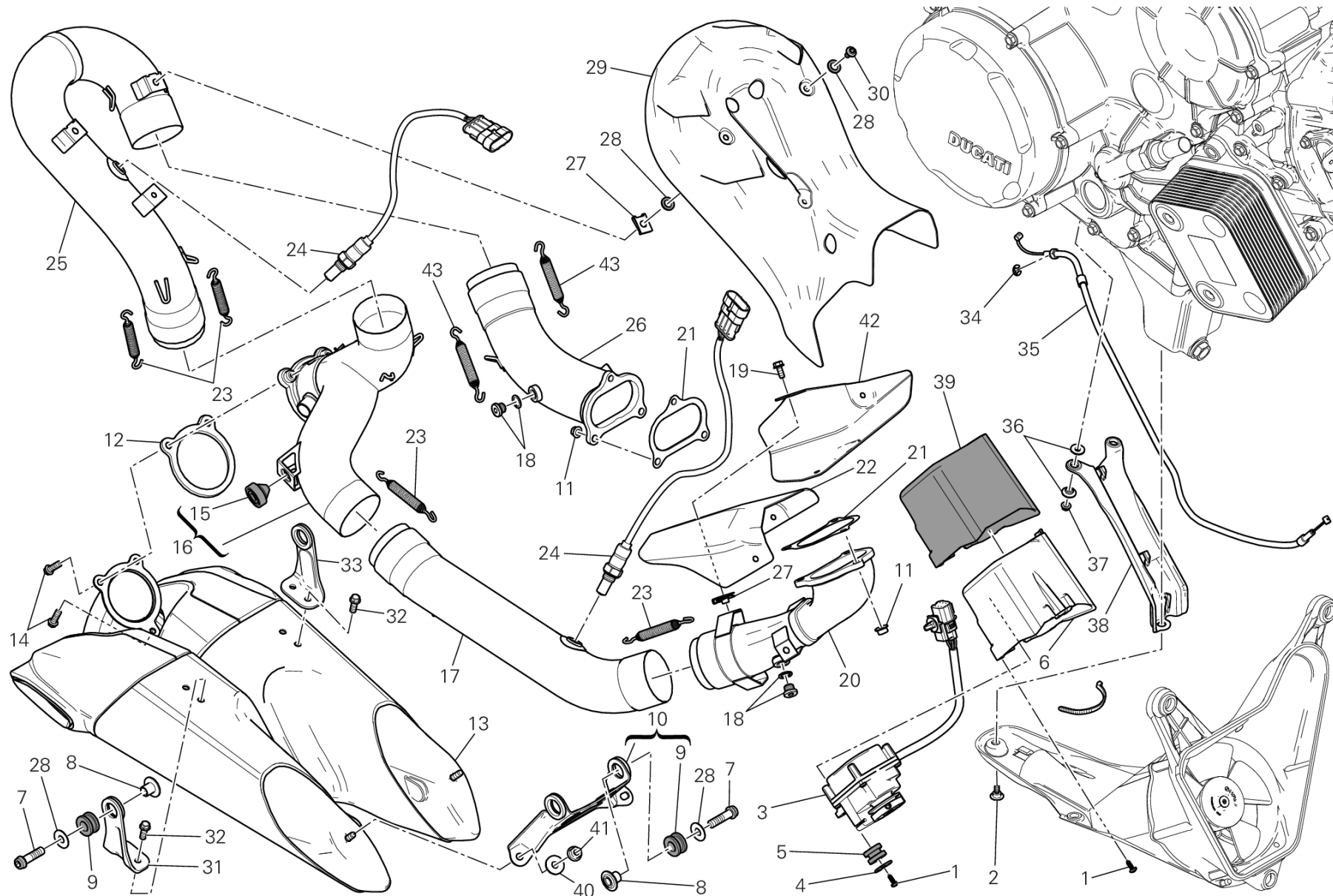
## GROUP TYRES



POS.	CODE	DESCRIPTION	QTY	START DATE	END DATE	VALIDITY	NOTES
1	490P0324A	FRONT TYRE DIABLO™ ROSSO IV (120-70 ZR17)	1	19/01/2017			
2	491P0389A	REAR TYRE DIABLO™ ROSSO IV (200-55 ZR17)	1	19/12/2016			



# DRAWING 019 - EXHAUST SYSTEM GROUP FRAME



# DRAWING 019 - EXHAUST SYSTEM

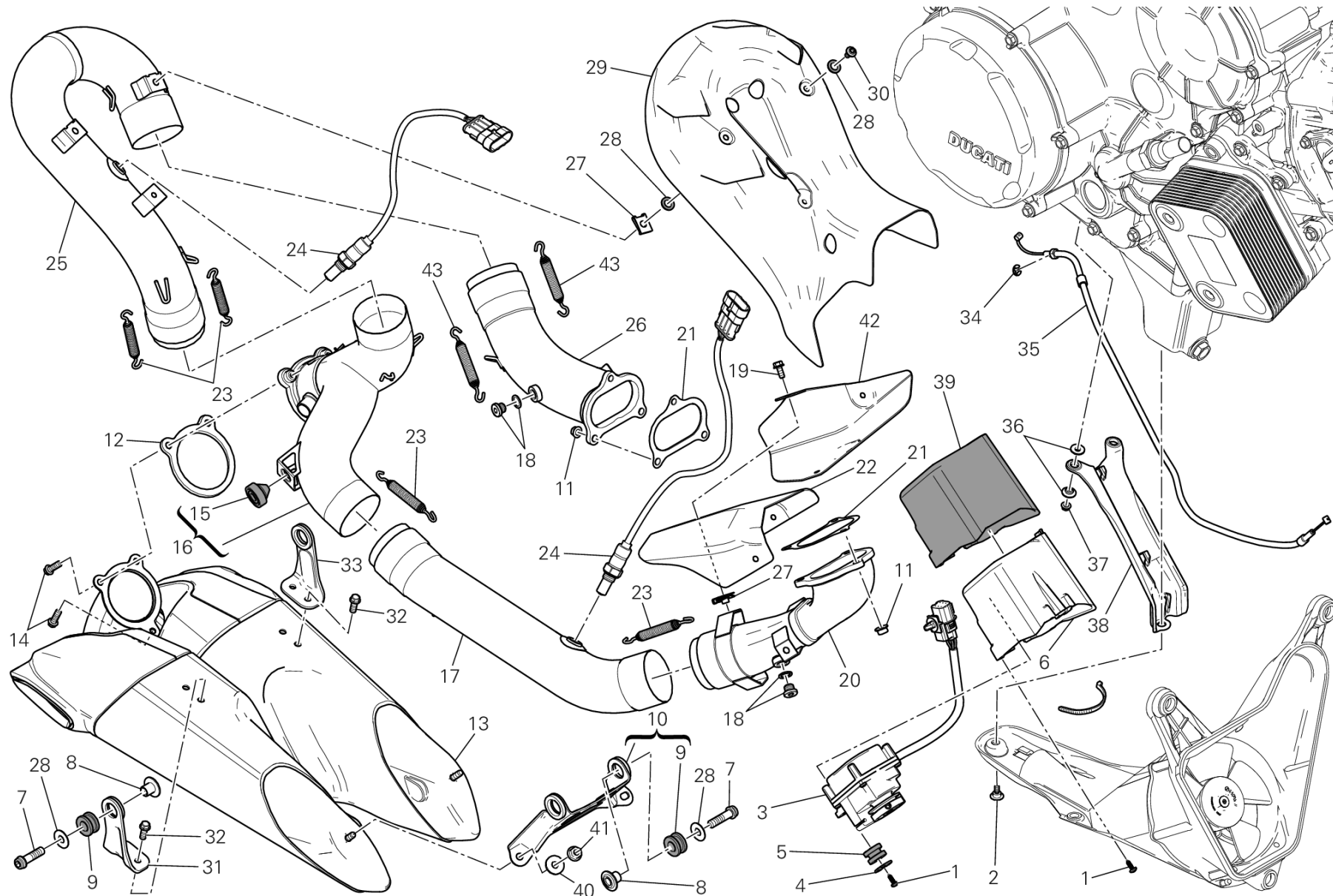
## GROUP FRAME



POS.	CODE	DESCRIPTION	QTY	START DATE	END DATE	VALIDITY	NOTES
1	77440203C	SCREW	6				
2	77210853B	SCREW	1				
3	59340392A	ELECTRIC MOTOR, EXHAUST VALVE	1				
4	85213111AA	WASHER	2				
5	76411301A	RUBBER PAD	2				
6	46015262A	COVER ELECTRIC MOTOR, EXHAUST VALVE	1				
7	77157278B	SCREW TCEIF M8X30	4				
8	71614391AA	SPACER	4				
9	76411481A	RUBBER PAD	4				
10	83026511BA	BRACKET FRONT	1				
11	74810241A	NUT	6				
12	79010251A	GASKET, EXHAUST PIPE	1				
13	57413243B	SILENCER	1				
14	77156658B	SCREW TCEIF M6X16	3				
15	76410631A	RUBBER PAD	1				
16	57013152B	PIPE, EXHAUST CENTER	1				
17	57013072A	EXHAUST PIPE HORIZONTAL	1				
18	78020011A	PLUG ASSY	2				
19	77250728B	SCREW TEF M5X12	4				
20	57013061C	EXHAUST MANIFOLD HORIZONTAL	1				
21	79010231B	GASKET, EXHAUST PIPE	2				
22	46015331BA	HEAT GUARD HORIZONTAL	1				
23	79912632A	SPRING, EXHAUST PIPE	4				
24	55212092A	SENSOR LAMBDA SOND	2				
25	57113002C	PIPE, EXHAUST VERTICAL	1				
26	57112992C	EXHAUST MANIFOLD VERTICAL	1				
27	85040551A	QUICK FASTENING	7				
28	85210532A	WASHER 8.2X20X1	4				
29	46015031AA	HEAT GUARD VERTICAL	1				
30	77244168B	SCREW	7				
31	83016491AA	BRACKET REAR RH	1				
32	77251018B	SCREW TEF M6X20	4				
33	83016501AA	BRACKET REAR L.H.	1				
34	88450031A	CIRCLIP E-TYPE	1				
35	73210331B	EXHAUST VALVE ENGINE CABLE	1				



# DRAWING 019 - EXHAUST SYSTEM GROUP FRAME



# DRAWING 019 - EXHAUST SYSTEM

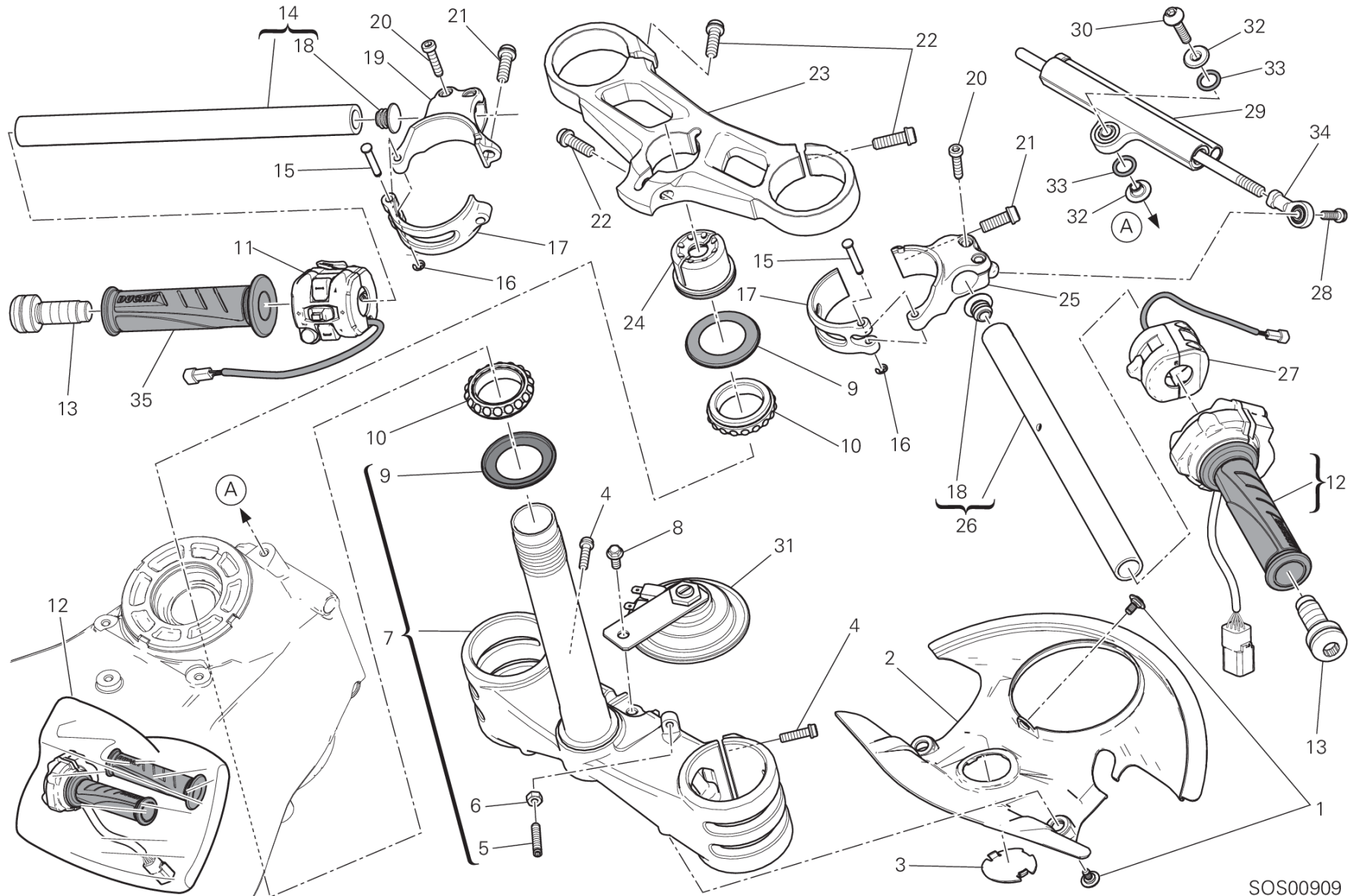
## GROUP FRAME



POS.	CODE	DESCRIPTION	QTY	START DATE	END DATE	VALIDITY	NOTES
36	71614071A	SPACER 5.2X8.4X2	4				
37	74840381A	NUT M5	2				
38	46015393A	HEAT GUARD BOTTOM	1				
39	46015741A	PROTECTION, HEAT ELECTRIC MOTOR, EXHAUST VALVE	1				
40	85250291A	WASHER	2				
41	74810361A	NUT	2				
42	46015781AA	GUARD HORIZONTAL	1				
43	79915651A	SPRING	2				



# DRAWING 021 - HANDLEBAR GROUP FRAME



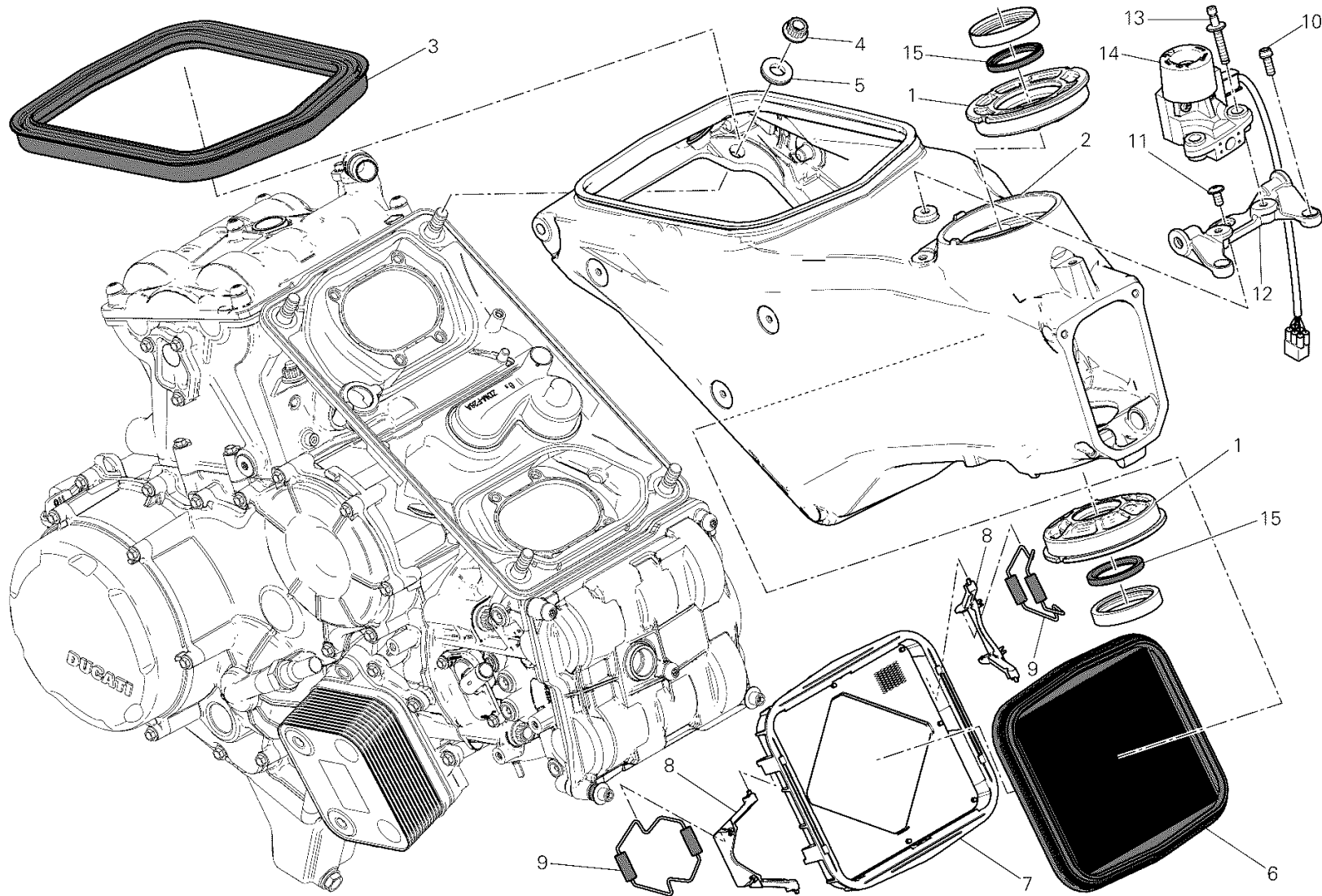
SOS00909

# DRAWING 021 - HANDLEBAR

## GROUP FRAME



POS.	CODE	DESCRIPTION	QTY	START DATE	END DATE	VALIDITY	NOTES
1	77211251B	SCREW M5X9	3				
2	46014971B	MUDFLAP	1				
3	87210722A	PLUG	1				
4	77156688B	SCREW TCEIF	6				
5	77912981A	SCREW, SPECIAL	2				
6	74750031A	NUT 6MM	2				
7	342P0681BA	STEERING HEAD BASE	1				
8	77211341A	SCREW	1				
9	93010041B	SEAL RING	2				
10	70241231A	BEARING, STEERING NTN SF07A17P	2				
11	65110161A	LEFT SWITCH	1				
12	66020011B	THROTTLE CONTROL	1				
13	15310121A	COUNTERWEIGHT	2				
14	875P1731BA	HANDLEBAR TUBE L.H.	1				
15	82113822BA	PIN	2				
16	88450021A	SPRING RING	2				
17	36011621AA	CLAMP REAR	2				
18	87210481A	CAP	2				
19	36011331BA	CLAMP FRONT LH	1				
20	77354888B	SCREW	4				
21	77157248B	SCREW TCEIF M8X22	2				
22	77157258B	SCREW TCEIF M8X25	3				
23	34110891CA	STEERING HEAD	1				
24	70310601BA	RING NUT	1				
25	36011601AA	CLAMP FRONT RH	1				
26	875P1741BA	HANDLEBAR TUBE R.H.	1				
27	65010092I	RIGHT SWITCH	1				
28	77156668B	SCREW TCEIF M6X18	1				
29	36420111A	STEERING DAMPER	1				
30	77917392AA	SCREW, SPECIAL	1				
31	51640013AB	HORN	1				
32	71611071A	SPACER	2				
33	88641061A	O-RING 12.42X1.78	2				
34	84820112AA	BALL JOINT	1				
35	36140161A	HAND GRIP LH	1	01/06/2011			



TEL00707

## DRAWING 022 - FRAME

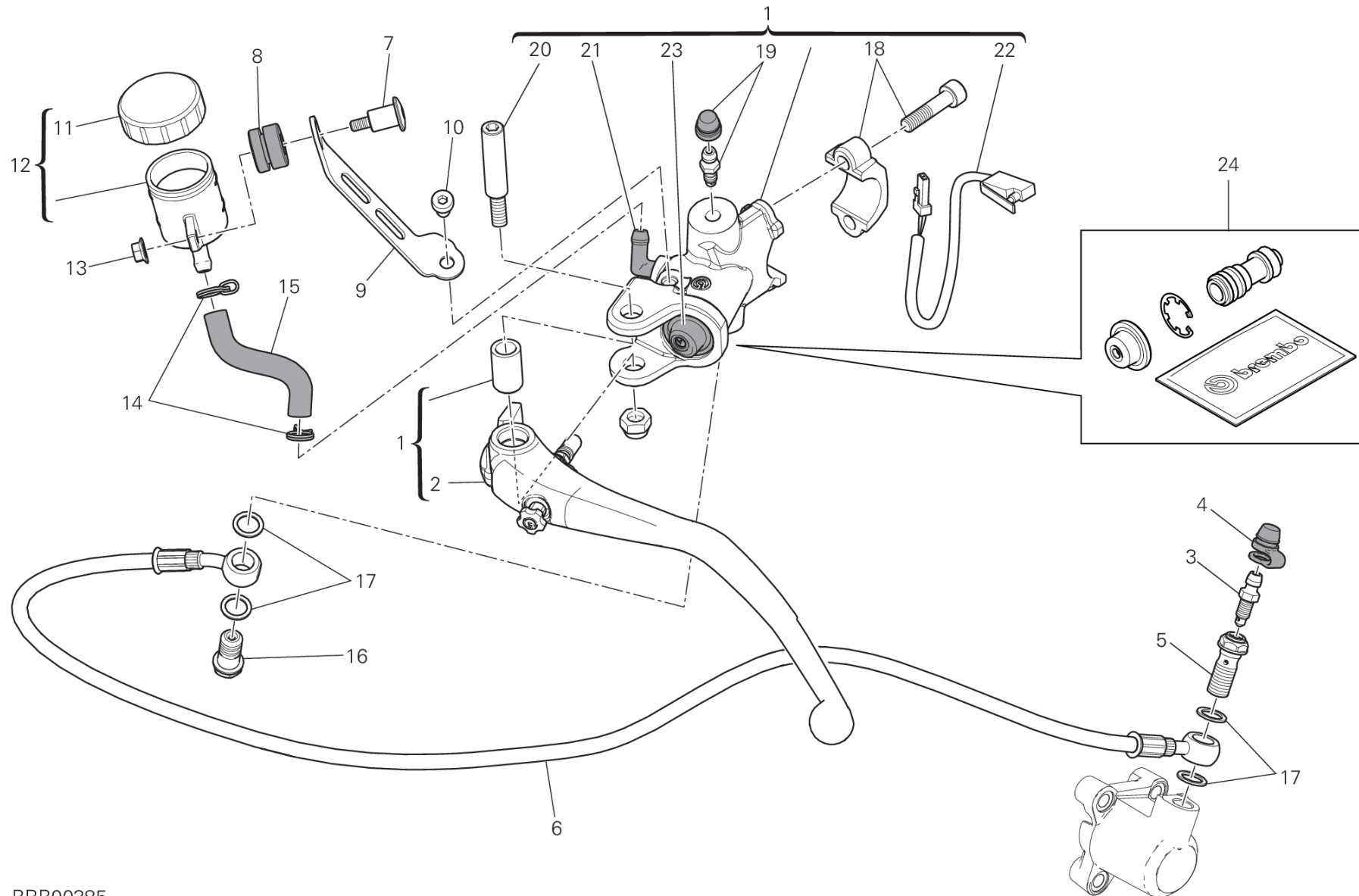
## GROUP FRAME



POS.	CODE	DESCRIPTION	QTY	START DATE	END DATE	VALIDITY	NOTES
1	75610142AA	BUSH	2				
2	47012051CA	FRAME	1				
3	78811182A	GASKET	1				
4	74810461A	NUT, FLANGE M10X1	4				
5	85540031A	WASHER, SPRING	4				
6	42610341B	FILTER, AIR	1				
7	8291A481B	BRACKET, FILTER	1				
8	83016582A	BRACKET	2				
9	79915493A	SPRING	2				
10	77156658B	SCREW TCEIF M6X16	2				
11	77240408C	SCREW	1				
12	83016471AA	BRACKET	1				
13	77916811AA	SCREW, SPECIAL	2				
14	38510201B	KEY-OPERATED SWITCH	1				
15	93041911A	DUST COVER	2				



# DRAWING 023 - CLUTCH MASTER CYLINDER GROUP FRAME



BRB00385

# DRAWING 023 - CLUTCH MASTER CYLINDER

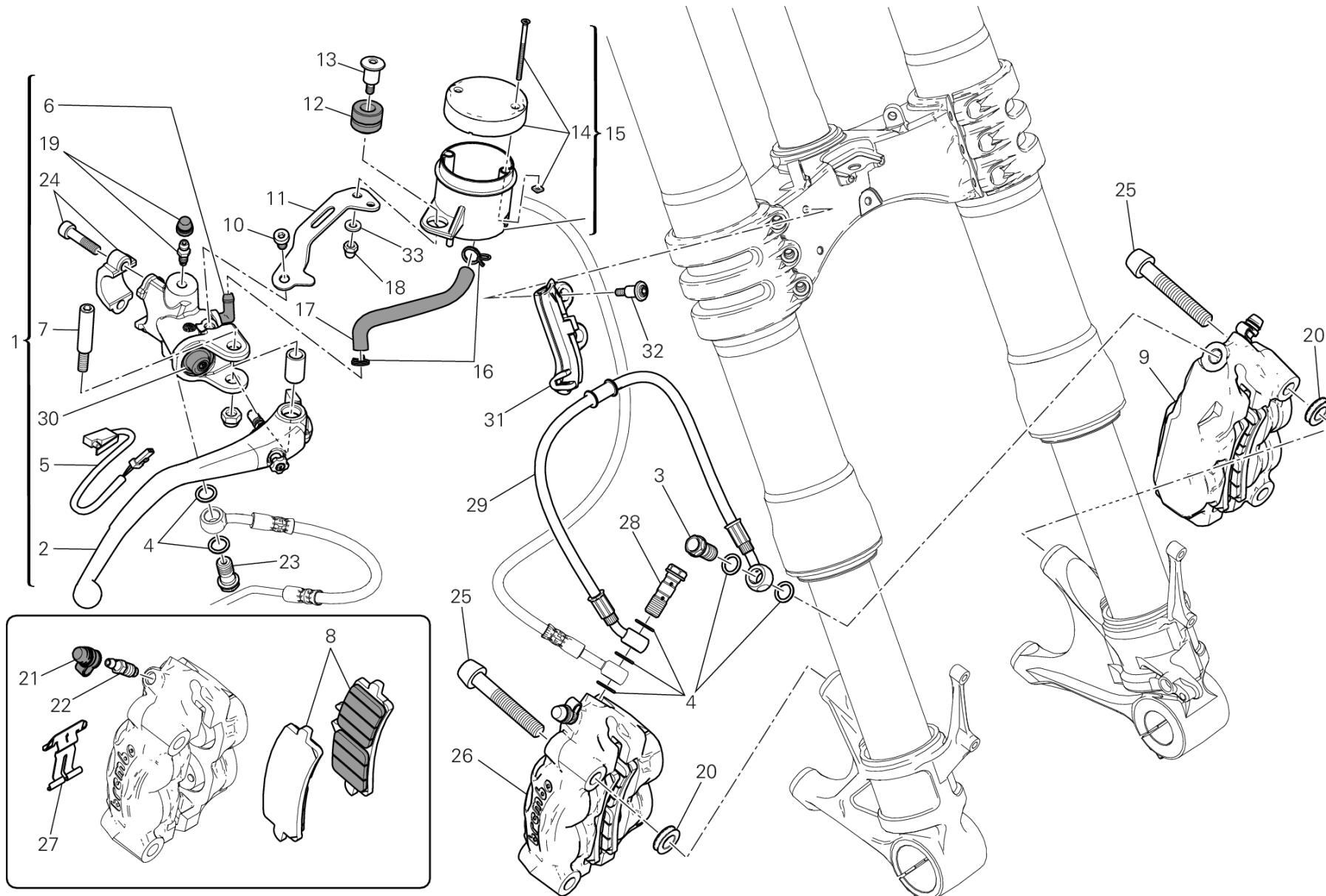
## GROUP FRAME



POS.	CODE	DESCRIPTION	QTY	START DATE	END DATE	VALIDITY	NOTES
1	63040603B	CLUTCH MASTER CYLINDER	1				
2	63140631A	LEVER, CLUTCH LIFTER	1				
3	18710021A	VALVE, BREATHER	1				
4	61240052A	DUST COVER	1				
5	77913971A	BOLT, BRAKE HOSE	1				
6	63210611A	CLUTCH CONTROL PIPE METAL PLAIED	1				
7	77910921A	SCREW	1				
8	037072020	DAMPER	1				
9	8291A701AA	BRACKET	1				
10	77350623B	SCREW TCEIR M6X10	1				
11	89340241A	COVER MASTER CYLINDER	1				
12	58540321A	SUB TANK, OIL	1				
13	74941108B	NUT	1				
14	74140431A	CLAMP	2				
15	87711131A	PIPE	1				
16	78110121AA	SCREW, SPECIAL	1				
17	85250241A	WASHER 10X14X1	4				
18	62640571A	BRACKET, MASTER CYLINDER	1				
19	63140281A	DRAIN	1				
20	62640561A	BOLT, LEVER	1				
21	63140081A	JOINT, HOSE	1				
22	53940361A	SWITCH, CLUTCH	1				
23	61240391A	DUST COVER	1				
24	61041991A	BREMBO CLUTCH FLOATING PISTON KIT	1				



# DRAWING 024 - FRONT BRAKE SYSTEM GROUP FRAME



# DRAWING 024 - FRONT BRAKE SYSTEM

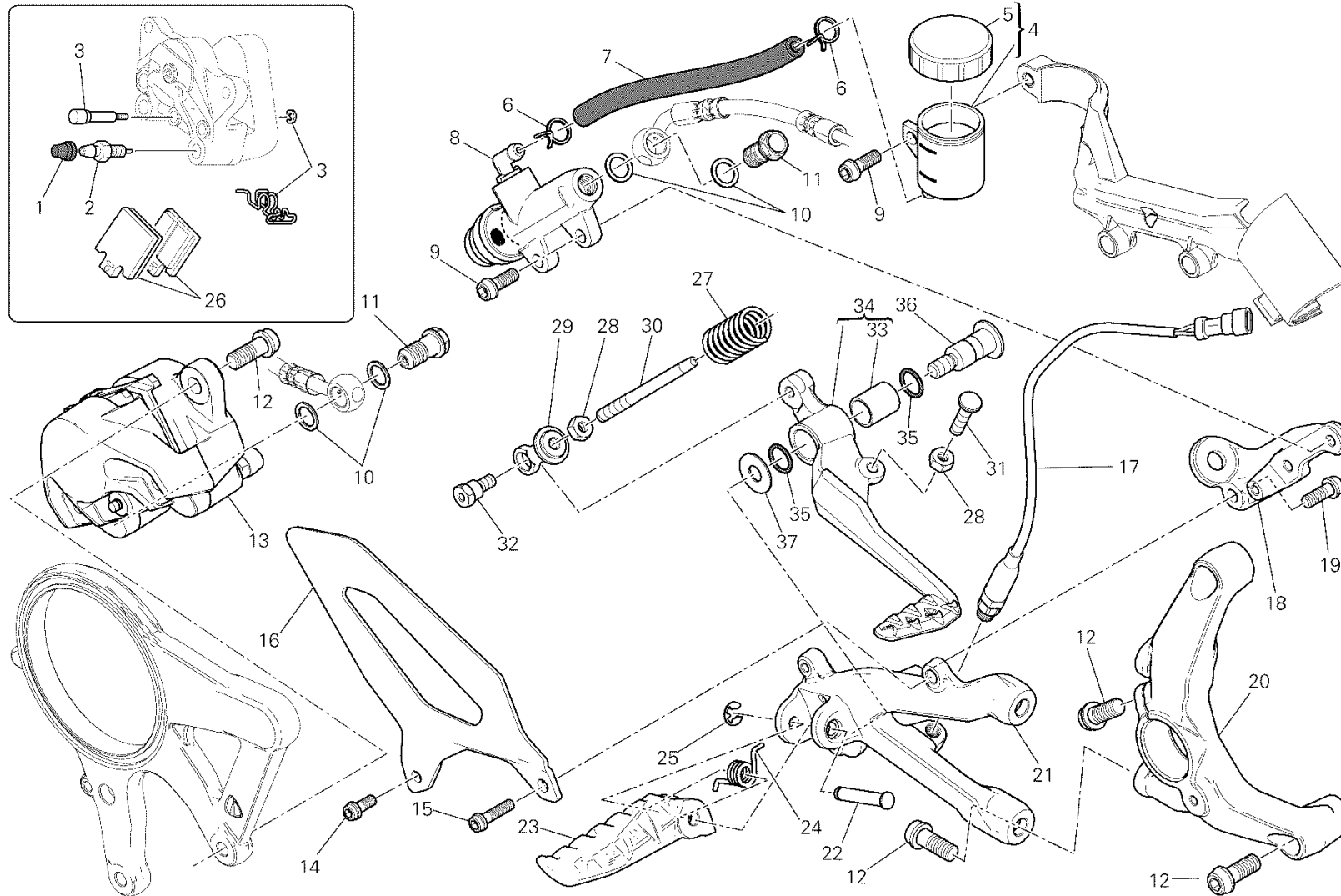
## GROUP FRAME



POS.	CODE	DESCRIPTION	QTY	START DATE	END DATE	VALIDITY	NOTES
1	62440761B	FRONT BRAKE PUMP	1				
2	63140491A	BRAKE CONTROL LEVER	1				
3	78110121AA	SCREW, SPECIAL	1				
4	85250241A	WASHER 10X14X1	7				
5	53940351A	FRONT BRAKE LIGHT SWITCH	1				
6	63140081A	JOINT, HOSE	1				
7	62640561A	BOLT, LEVER	1				
8	61340961A	PADS PAIR	2				
9	61041371A	LEFT BRAKE CALIPER	1				
10	77950591A	SCREW TCEIR M6X10	1				
11	8291A691AA	BRACKET	1				
12	037072020	DAMPER	1				
13	77910921A	SCREW	1				
14	800068490	CAP BRAKE FLUID TANK	1				
15	58540181A	RESERVOIR, BRAKE FLUID	1				
16	74140431A	CLAMP	2				
17	87711111A	HOSE, OIL	1				
18	75040141A	NUT	1				
19	63140281A	DRAIN	1				
20	71313641A	SPACER	4				
21	61240052A	DUST COVER	2				
22	61240201A	FRONT CALIPER DRAIN SCREW	2				
23	77914151A	BOLT, BRAKE HOSE	1				
24	62640571A	BRACKET, MASTER CYLINDER	1				
25	77913311D	SCREW M 10 X 60	4				
26	61041381A	RIGHT BRAKE CALIPER	1				
27	61240371A	SPRING, PAD STOPPER	2				
28	77913091AB	SCREW, SPECIAL	1				
29	61810361A	FRONT BRAKE HOSE	1				
30	61240391A	DUST COVER	1				
31	83016541B	HOSE GUIDE	1				
32	77211271A	SCREW, SPECIAL M5X10	2				
33	85250191A	WASHER 5X15X1.5	1				



# DRAWING 025 - REAR BRAKE SYSTEM GROUP FRAME



BRB00388

# DRAWING 025 - REAR BRAKE SYSTEM

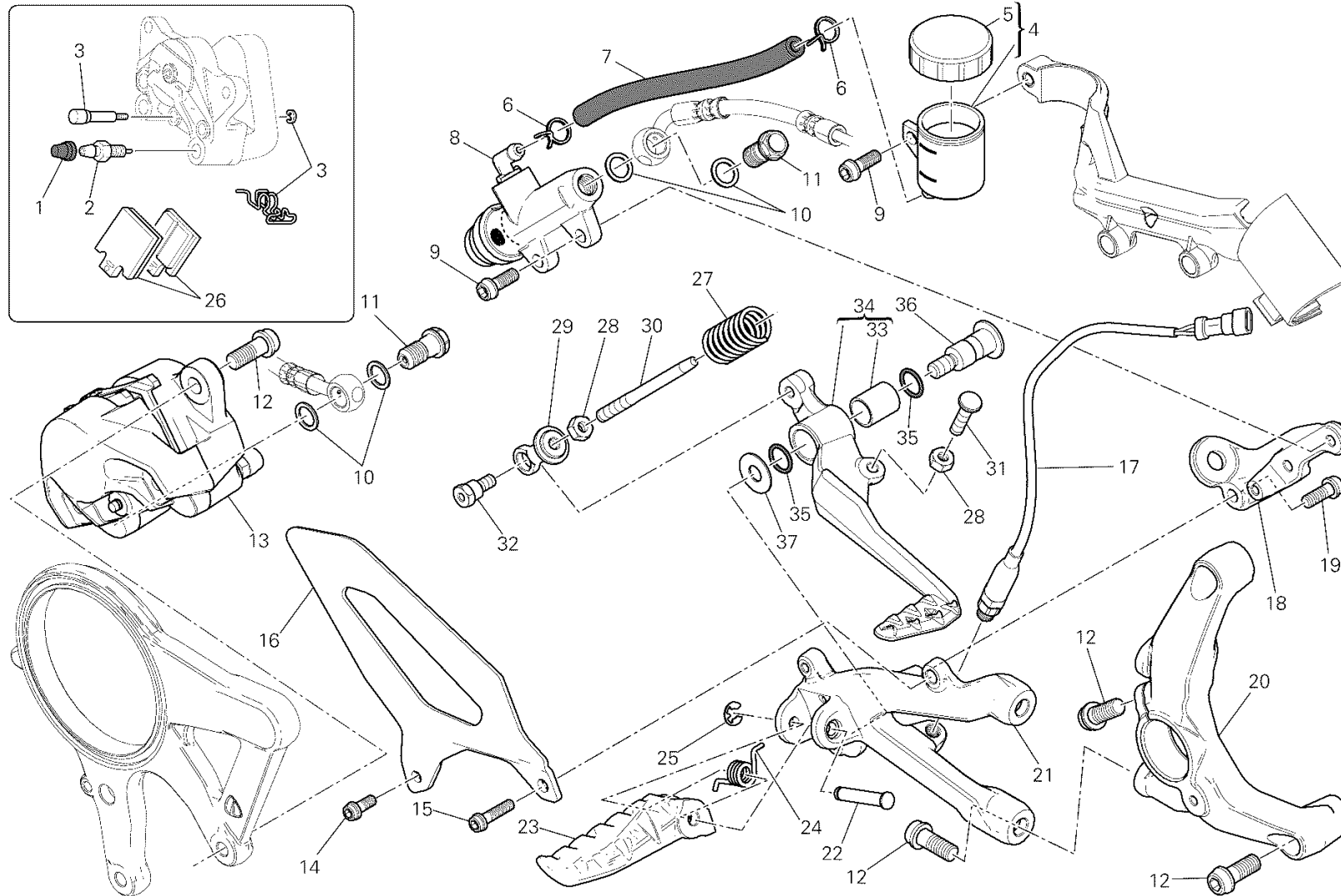
## GROUP FRAME



POS.	CODE	DESCRIPTION	QTY	START DATE	END DATE	VALIDITY	NOTES
1	61240081A	DUST PLUG (confezione da 20 pezzi)	1				
2	63140161A	FRONT CALIPER DRAIN SCREW	1				
3	61240161A	PAD PINS OVERHAUL KIT	1				
4	58540081A	RESERVOIR, BRAKE FLUID	1				
5	89340051A	CLUTCH BRAKE PUMP COVER KIT	1				
6	74140431A	CLAMP	2				
7	87711491A	PIPE	1				
8	62540311C	REAR BRAKE PUMP	1				
9	77156658B	SCREW TCEIF M6X16	3				
10	85250241A	WASHER 10X14X1	4				
11	78110121AA	SCREW, SPECIAL	2				
12	77157238B	SCREW TCEIF M8X20	7				
13	61140411A	REAR BRAKE CALIPER	1				
14	77156398B	SCREW TCEIF M5X12	1				
15	77156438B	SCREW	1				
16	24714051BA	HEEL GUARD FRONT RH	1				
17	53940031A	SWITCH, REAR BRAKE	1				
18	8291A511BA	BRACKET, PUMP	1				
19	77156688B	SCREW TCEIF	1				
20	8291A441AA	RIGHT HOLDER	1				
21	82411871BA	FRONT R.H. PLATE	1				
22	82110511AB	FOOTREST PIN	1				
23	46410811AA	RIGHT FOOTREST	1				
24	79911661A	SPRING. FOOTREST	1				
25	88450031A	CIRCLIP E-TYPE	1				
26	61340381A	REAR BRAKE PADS SET	1				
27	79915511A	SPRING	1				
28	74750031A	NUT 6MM	2				
29	18410152AA	JOINT	1				
30	11711272AA	PIN	1				
31	77912371B	SCREW	1				
32	82113811AA	PIN	1				
33	71210341A	BUSH	1				
34	45720552AA	BRAKE LEVER ASSEMBLY	1				
35	88641161A	O-RING	2				



# DRAWING 025 - REAR BRAKE SYSTEM GROUP FRAME



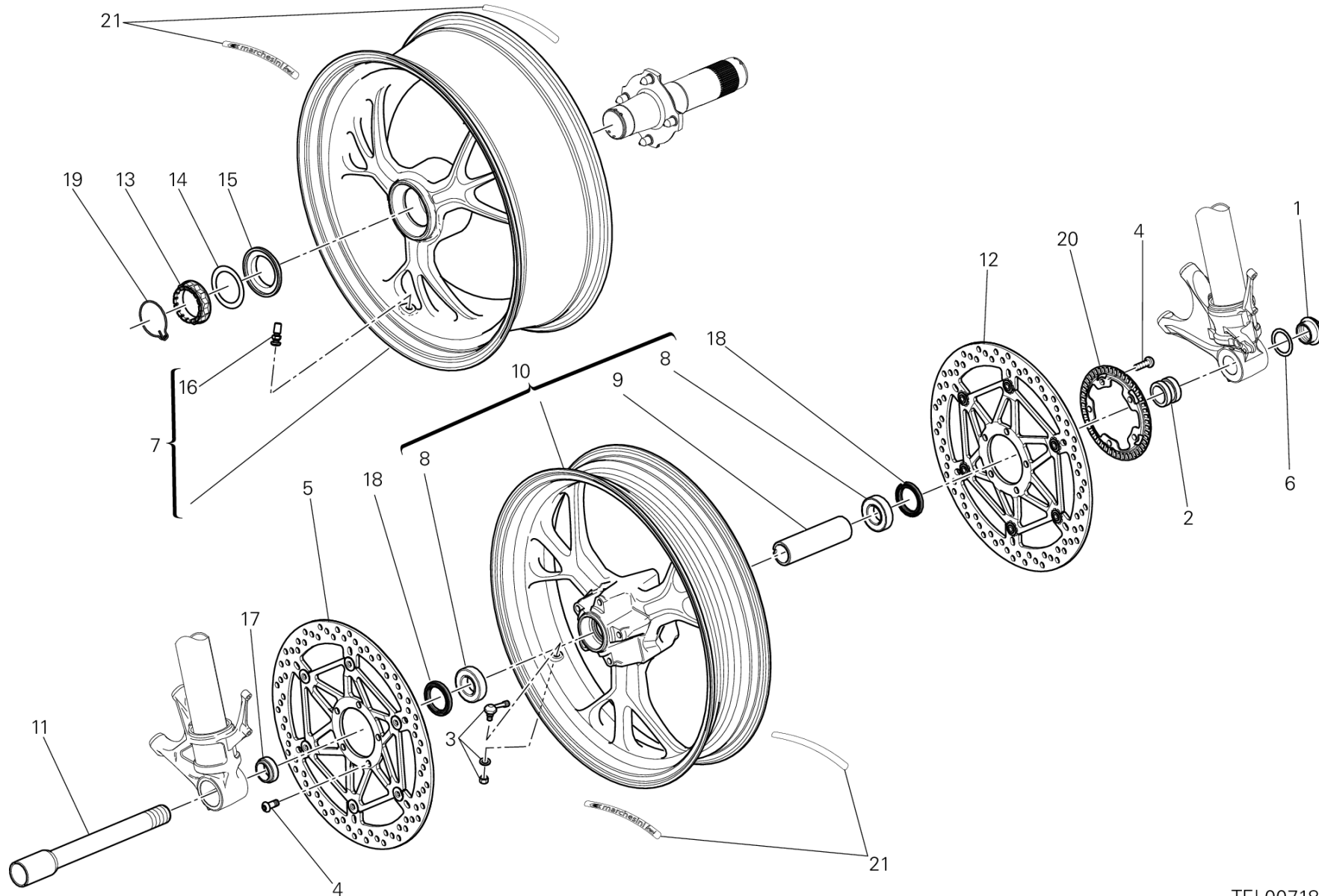
BRB00388

# DRAWING 025 - REAR BRAKE SYSTEM

## GROUP FRAME



POS.	CODE	DESCRIPTION	QTY	START DATE	END DATE	VALIDITY	NOTES
36	82111701B	PIN PEDAL	1				
37	85211511A	WASHER	1				



TEL00718

# DRAWING 026 - WHEELS

## GROUP FRAME

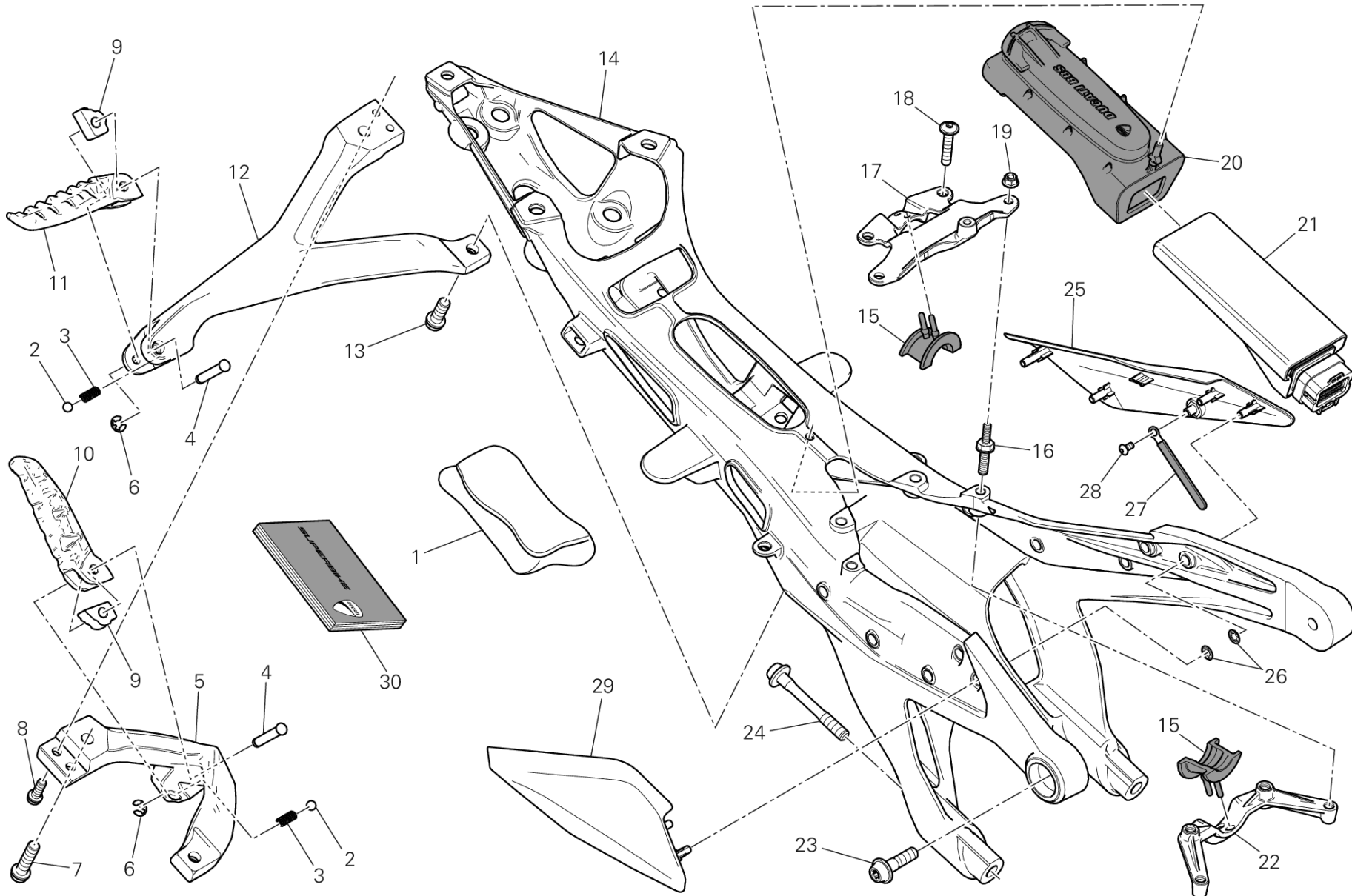


POS.	CODE	DESCRIPTION	QTY	START DATE	END DATE	VALIDITY	NOTES
1	74810651A	NUT	1				
2	71413271AA	LEFT SPACER	1				
3	49720012A	VALVE, TUBELESS TIRE	1				
4	77913991A	SCREW M8X20	10				
5	49240901A	DISC, FRONT BRAKE RH	1				
6	85212221A	WASHER	1				
7	50221501AB	REAR WHEEL RIM	1				
8	70250451A	BEARING	2				
9	71413291A	INNER SPACER	1				
10	50121551AB	FRONT WHEEL RIM	1				
11	81910691A	FRONT WHEEL SPINDLE	1				
12	49240891A	DISC, FRONT BRAKE LH	1				
13	75011391A	NUT	1				
14	85212211A	WASHER 48.5X65X0.5	1				
15	71413231AA	SPACER	1				
16	49720031A	VALVE, TUBELESS TIRE	1				
17	71413261AA	RIGHT SPACER	1				
18	93040521A	SEAL RING 35X47.15X6.8	2				
19	75910222A	CLIP	1				
20	50410051A	PHONIC WHEEL	1				
21	43814551A	STICKER "MARCHESINI" YELLO	2				



# DRAWING 027 - REAR FRAME

## GROUP FRAME



# DRAWING 027 - REAR FRAME

## GROUP FRAME

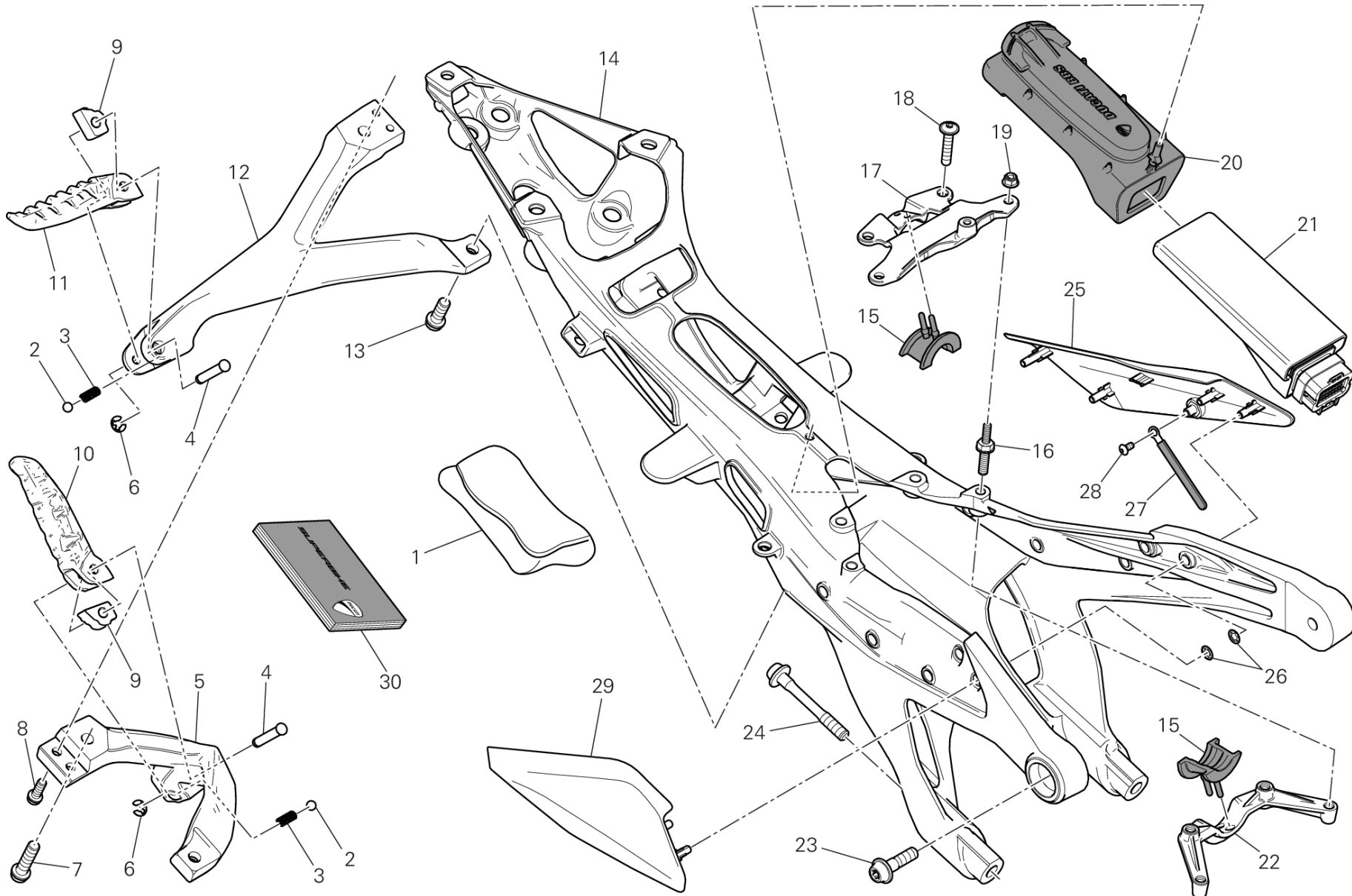


POS.	CODE	DESCRIPTION	QTY	START DATE	END DATE	VALIDITY	NOTES
1	69720283A	TOOL BAG	1				
2	84740021A	BALL	2				
3	79910241A	SPRING	2				
4	82110511AB	FOOTREST PIN	2				
5	82411881BA	REAR L.H. PLATE	1				
6	88450031A	CIRCLIP E-TYPE	2				
7	77157278B	SCREW TCEIF M8X30	2				
8	77156658B	SCREW TCEIF M6X16	2				
9	69610121A	BLOCK	2				
10	46410801AA	LEFT FOOTREST	1				
11	46410811AA	RIGHT FOOTREST	1				
12	82411891BA	REAR R.H. PLATE	1				
13	77157238B	SCREW TCEIF M8X20	2				
14	47110252BA	REAR FRAME COMP.	1				
15	76411472A	RUBBER PAD	2				
16	77916783AA	SCREW, SPECIAL	2				
17	83016452AA	BRACKET UPPER	1				
18	77240483C	SCREW	2				
19	74810351B	NUT	2				
20	70010701A	VIBRATION DAMPER HOLDER	1				
21	38510151A	BLACKBOX UNIT	1				
22	83016442AA	BRACKET	1				
23	77916763AA	SCREW, SPECIAL	2				
24	77916773AA	SPECIAL SCREW BOTTOM	2				
25	46015011B	CAP LH	1				
26	85040521A	CLIP	9				
27	74141671A	PLATE	1				
28	77510161A	SCREW	1				
29	46015022A	CAP RH	1				
30	91371901A	OWNER'S MANUAL	1				DEU-FRA-GBR-ITA
	91371901B	OWNER'S MANUAL	1				ESP-FRA-GBR-JPN
	91371901C	OWNER'S MANUAL	1				ESP-GRC-PRT
	91371901D	OWNER'S MANUAL	1				CHN-FRA-NLD
	91371901E	OWNER'S MANUAL	1				DNK-FIN-SWE
	91371901F	OWNER'S MANUAL	1				CZE-POL-SVK-SLO



# DRAWING 027 - REAR FRAME

## GROUP FRAME



# DRAWING 027 - REAR FRAME

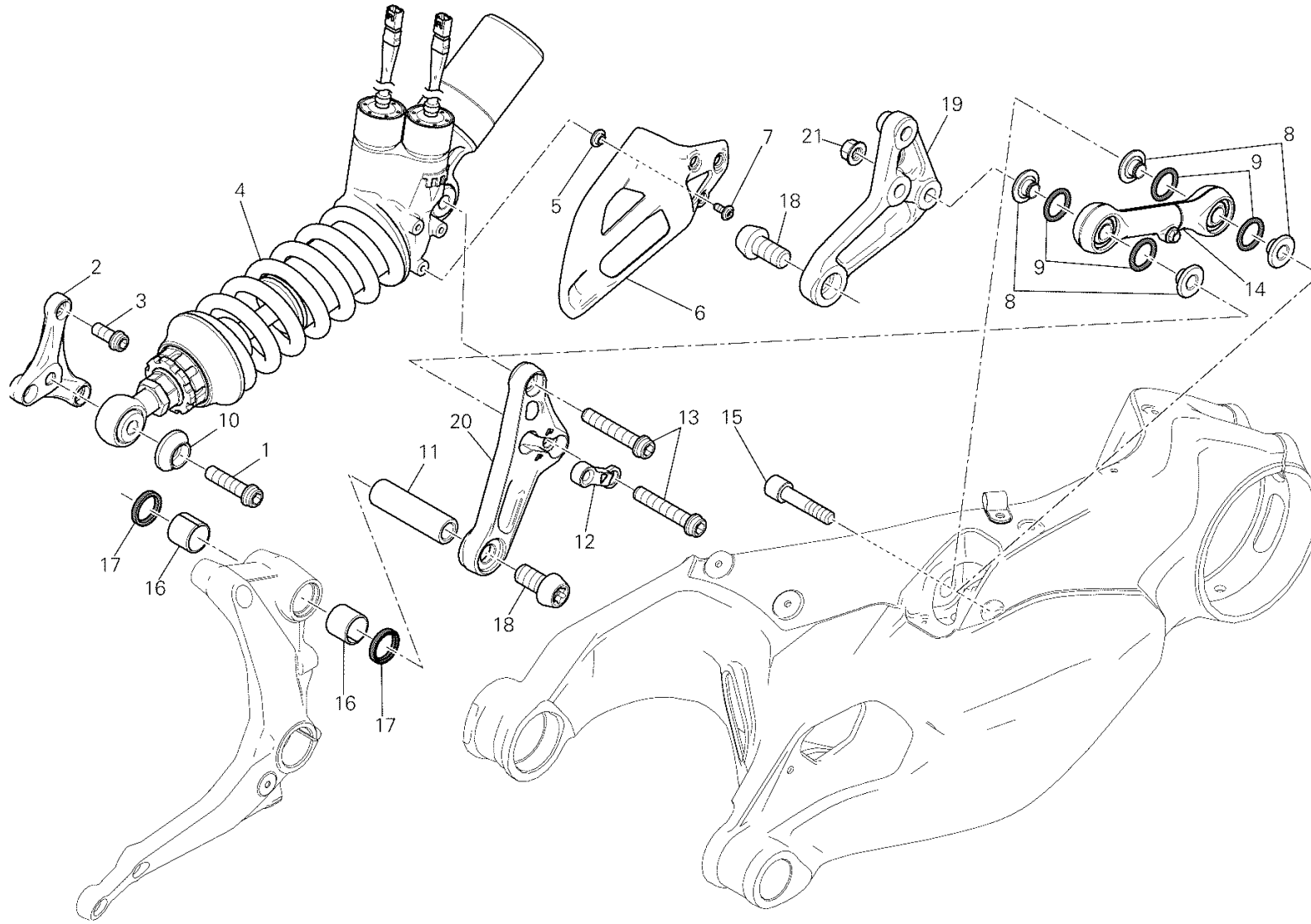
## GROUP FRAME



POS.	CODE	DESCRIPTION	QTY	START DATE	END DATE	VALIDITY	NOTES
	91371901G	OWNER'S MANUAL	1				BGR-HUN-ROU



# DRAWING 028 - REAR SHOCK ABSORBER GROUP FRAME



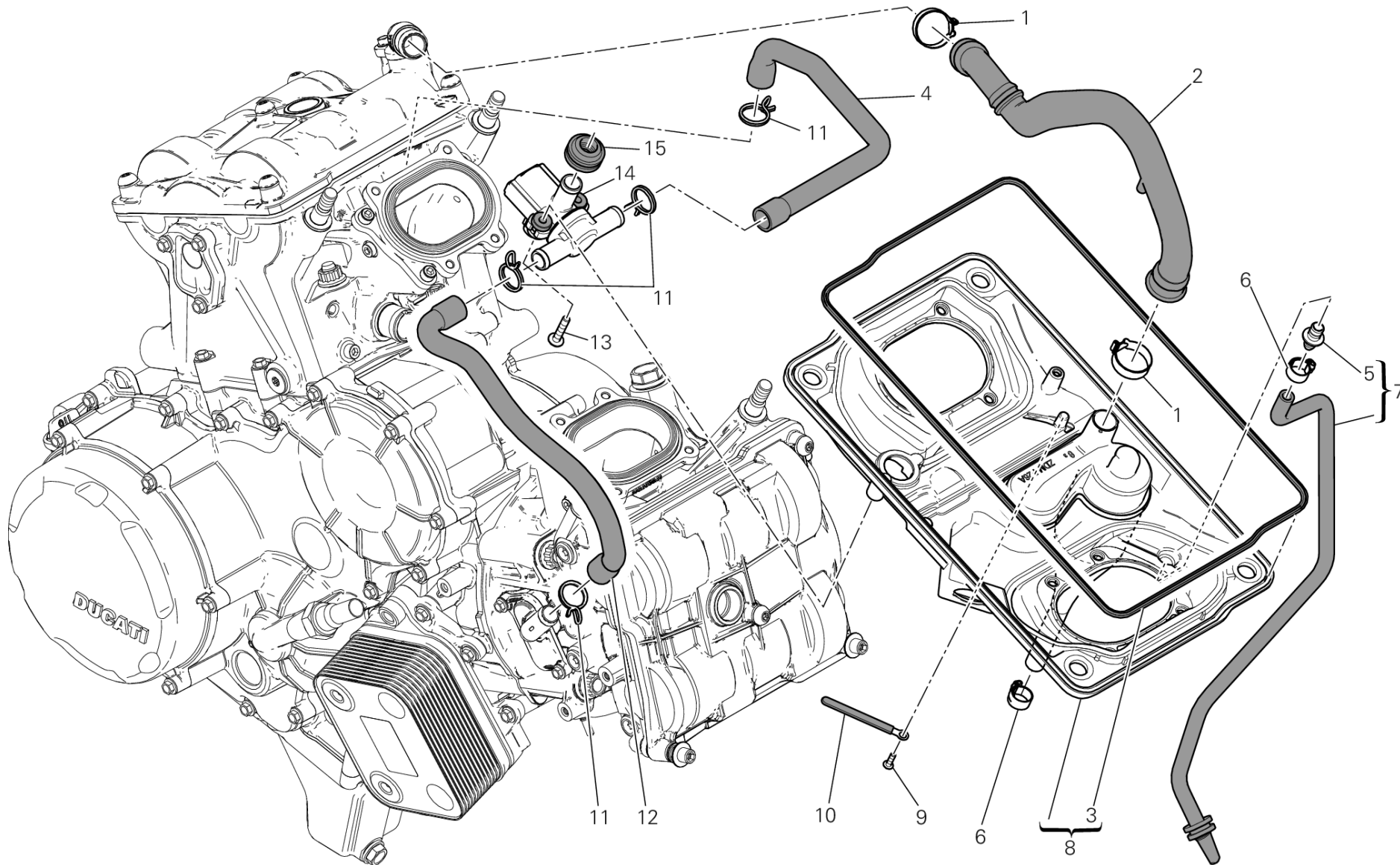
SOS00626

# DRAWING 028 - REAR SHOCK ABSORBER

## GROUP FRAME



POS.	CODE	DESCRIPTION	QTY	START DATE	END DATE	VALIDITY	NOTES
1	77151598C	SCREW	1				
2	8291A333AA	BRACKET, FRONT	1				
3	77157238B	SCREW TCEIF M8X20	3				
4	36521031A	REAR SHOCK ABSORBER	1				
5	71611441B	SPACER	3				
6	46015341A	GUARD	1				
7	77213173B	SCREW	3				
8	71011642AA	SPINDLE, TAPER	4				
9	88640091A	O-RING	4				
10	71319971AA	SPACER	1				
11	71319421A	SPACER	1				
12	71319522AA	PLATE	1				
13	77157618B	SCREW	2				
14	87521941AA	ROD	1				
15	77915041A	SCREW, SPECIAL	1				
16	70241191A	BUSH	2				
17	93041271A	SEAL RING 20X26X4	2				
18	77211361AA	SCREW, SPECIAL	2				
19	37211171BA	REAR ROCKER ARM RH	1				
20	37211161BA	REAR ROCKER ARM LH	1				
21	74940141A	NUT	1				



RAF00478

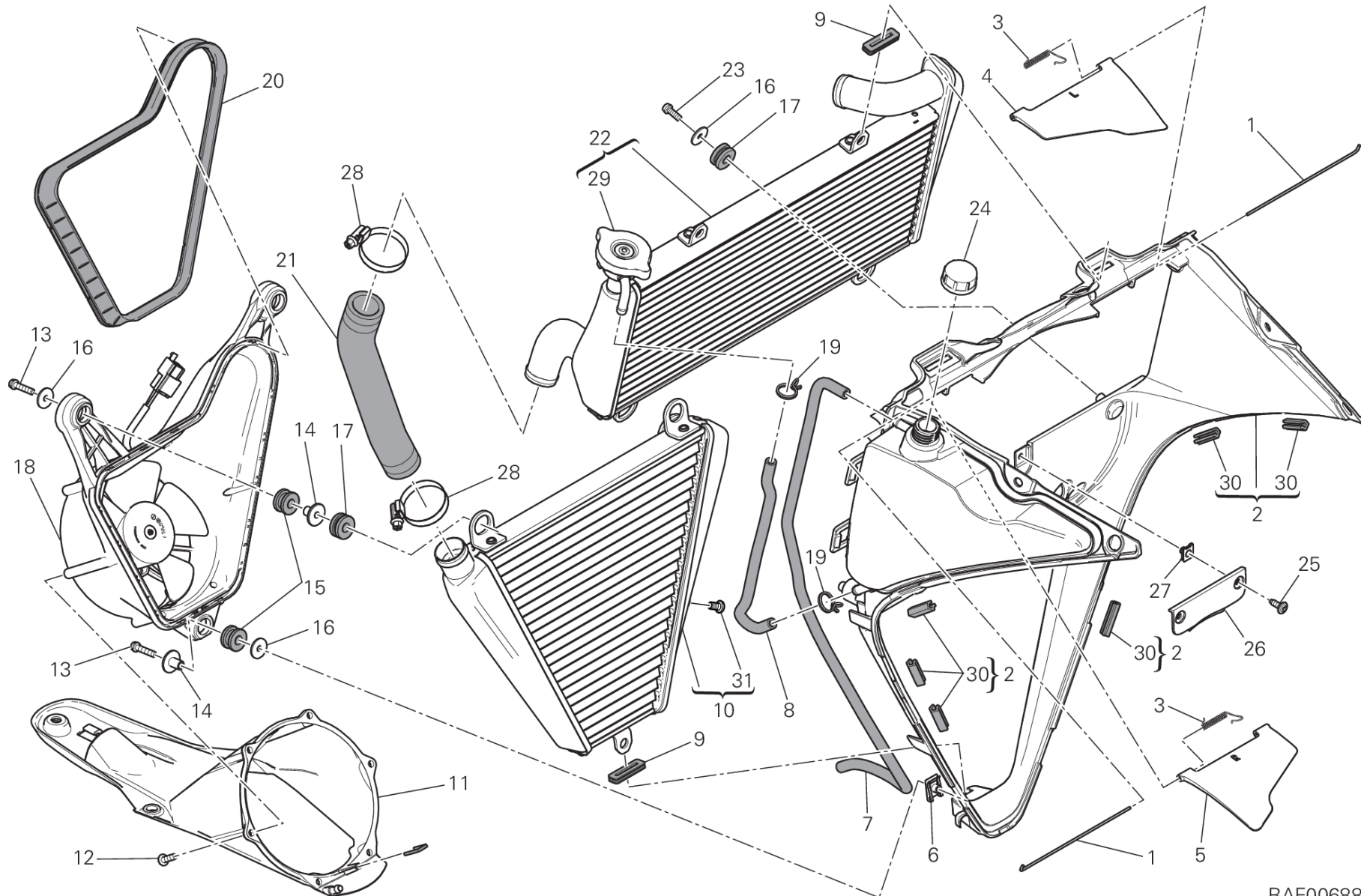


POS.	CODE	DESCRIPTION	QTY	START DATE	END DATE	VALIDITY	NOTES
1	74142141A	CLAMP	2				
2	87611081A	BREATHER PIPE	1				
3	78811161A	GASKET	1				
4	87611121A	PIPE VERTICAL	1				
5	81510371A	NIPPLE	1				
6	74140631A	CLAMP	2				
7	59013861A	BREATHER PIPE	1				
8	44212342B	AIRBOX Before replacing the component, refer to Technical Bulletin 901-SAT (SVC-14-010 for US).	1				
9	77440111A	SCREW	1				
10	74141671A	PLATE	1				
11	74142251A	CLAMP	4				
12	87611131A	PIPE HORIZONTAL	1				
13	77240323C	SCREW	2				
14	65540081A	ACTUATOR	1				
15	76411621A	RUBBER PAD	1				



# DRAWING 030 - WATER COOLER

## GROUP FRAME



RAF00688

# DRAWING 030 - WATER COOLER

## GROUP FRAME

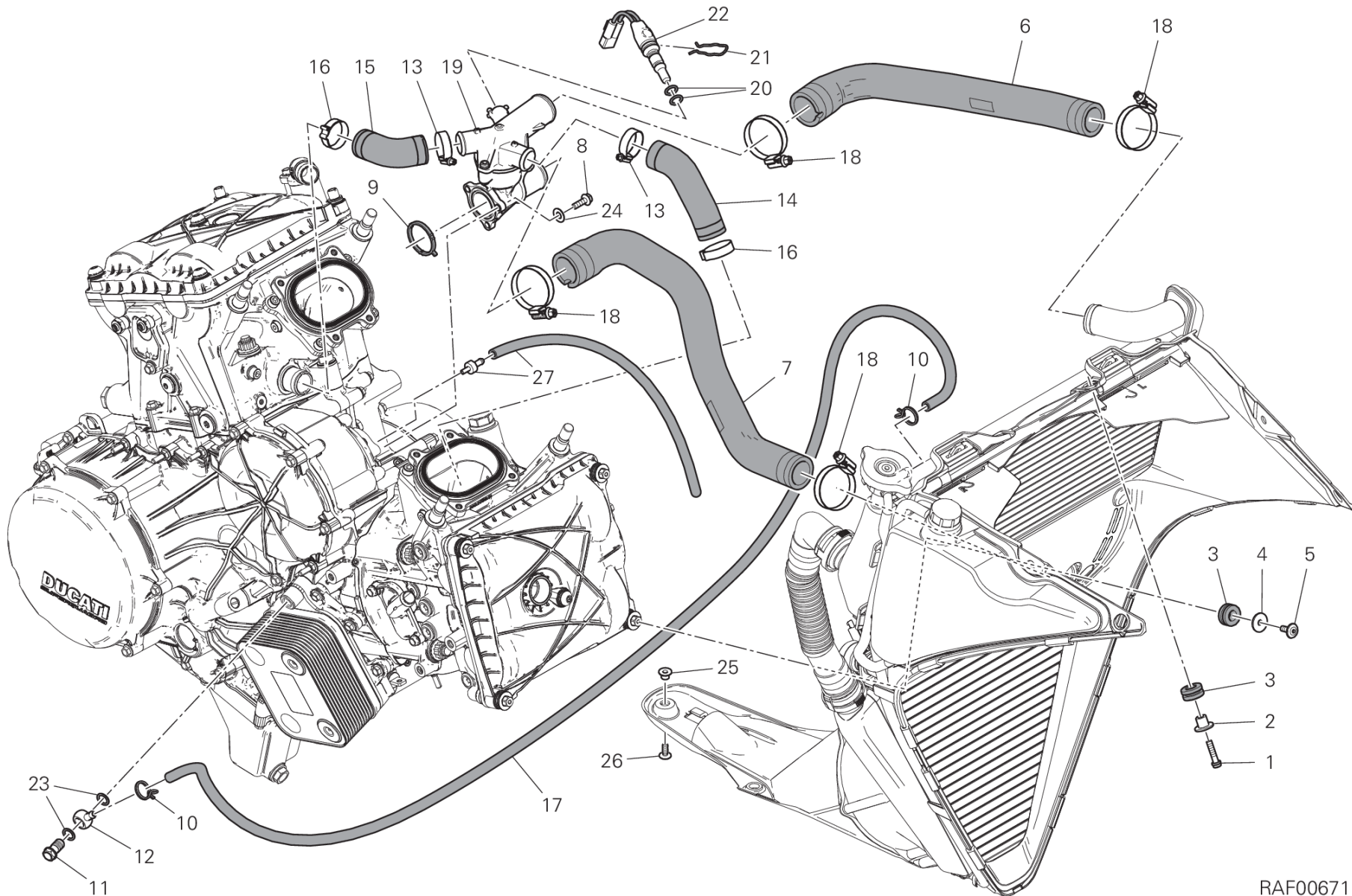


POS.	CODE	DESCRIPTION	QTY	START DATE	END DATE	VALIDITY	NOTES
1	82113751A	PIN	2				
2	48410992B	BRACE, RADIATOR	1				
3	79915441A	SPRING	2				
4	48411043A	DEFLECTOR LH	1				
5	48411053A	DEFLECTOR RH	1				
6	85040551A	QUICK FASTENING	1				
7	59013911B	BREATHER PIPE	1				
8	93410152A	PIPE	1				
9	76411411B	RUBBER PAD	3				
10	54840972B	RADIATOR, WATER LOWER	1				
11	8291A352B	ESTRATTORE (REAR)	1				
12	77440203C	SCREW	6				
13	77156443B	SCREW	3				
14	71614331AA	SPACER	3				
15	76411491A	RUBBER PAD	3				
16	85213111AA	WASHER	5				
17	76411501A	RUBBER PAD	4				
18	8292A342A	ESTRATTORE (Unit)	1				
19	74140431A	CLAMP	2				
20	79110831A	GASKET	1				
21	80012121A	COOLER COOLER HOSE	1				
22	54840962B	RADIATOR, WATER UPPER	1				
23	77156408B	SCREW TCEIF M5X14	2				
24	89310143A	EXPANSION TANK CAP	1				
25	77211091C	SCREW	2				
26	24714291A	COVER	1				
27	85040471A	QUICK FASTENING M5	2				
28	74141851A	CLAMP 25-40 MM	2				
29	87240881A	RADIATOR CAP	1				
30	76411541A	RUBBER PAD	10				
31	77942571A	PLUG	1				



# DRAWING 031 - COOLING CIRCUIT

## GROUP FRAME



RAF00671

# DRAWING 031 - COOLING CIRCUIT

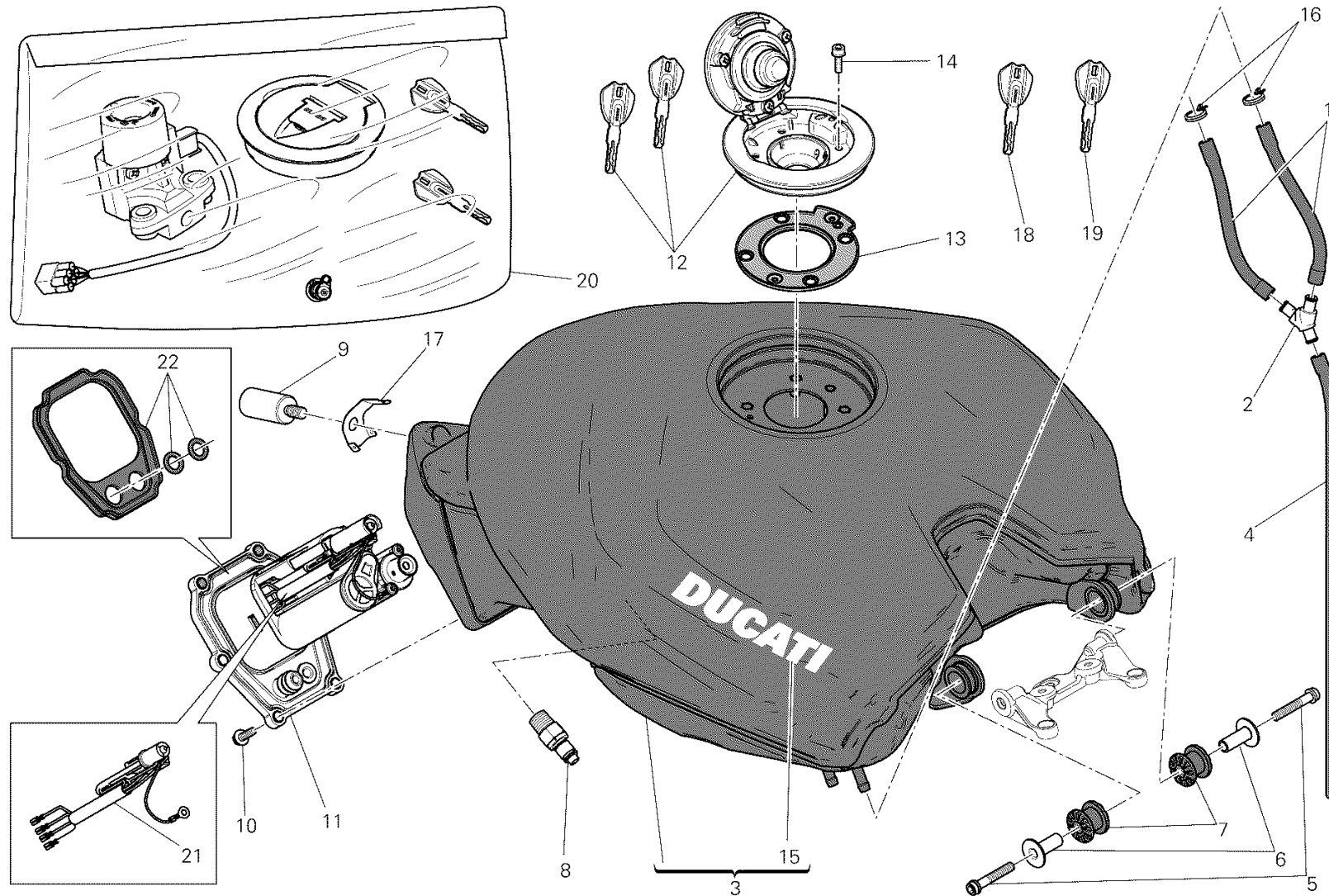
## GROUP FRAME



POS.	CODE	DESCRIPTION	QTY	START DATE	END DATE	VALIDITY	NOTES
1	77156443B	SCREW	2				
2	71614342AA	SPACER	2				
3	76410901A	RUBBER PAD	4				
4	71614431AA	SPACER	2				
5	77210882B	SCREW TBEI M5X12	2	09/12/2015			
6	80012111A	COOLER THERMOSTAT HOSE UPPER	1				
7	80012131A	COOLER THERMOSTAT HOSE BOTTOM	1				
8	77210623B	SCREW	3				
9	78811201A	GASKET	1				
10	74140431A	CLAMP	2				
11	78110121AA	SCREW, SPECIAL	1	11/06/2012			
12	81415081AA	UNION	1				
13	74141861A	CLAMP 20-32 MM	2				
14	80012051A	THERMOSTAT PUMP HOSE HORIZONTAL	1				
15	80012061A	THERMOSTAT PUMP HOSE VERTICAL	1				
16	74142231A	CLAMP	2				
17	93410173A	PIPE	1				
18	74141881A	CLAMP 23-35 MM	4	09/05/2012			
19	55320122A	SQUIRTER UNIT	1				
20	88641981A	O-RING	2				
21	79915581A	SPRING	1				
22	55242631A	ENGINE WATER TEMPERATURE SENSOR	1				
23	85250241A	WASHER 10X14X1	2				
24	85250301A	WASHER 5.3X10X1	3	20/02/2012			
25	71615111AA	SPACER	1	14/04/2017			
26	77244203B	SCREW	1	14/04/2017			
27	81420081A	BREATHER PIPE COMPLETE WATER PUMP	1				



# DRAWING 032 - FUEL TANK GROUP FRAME



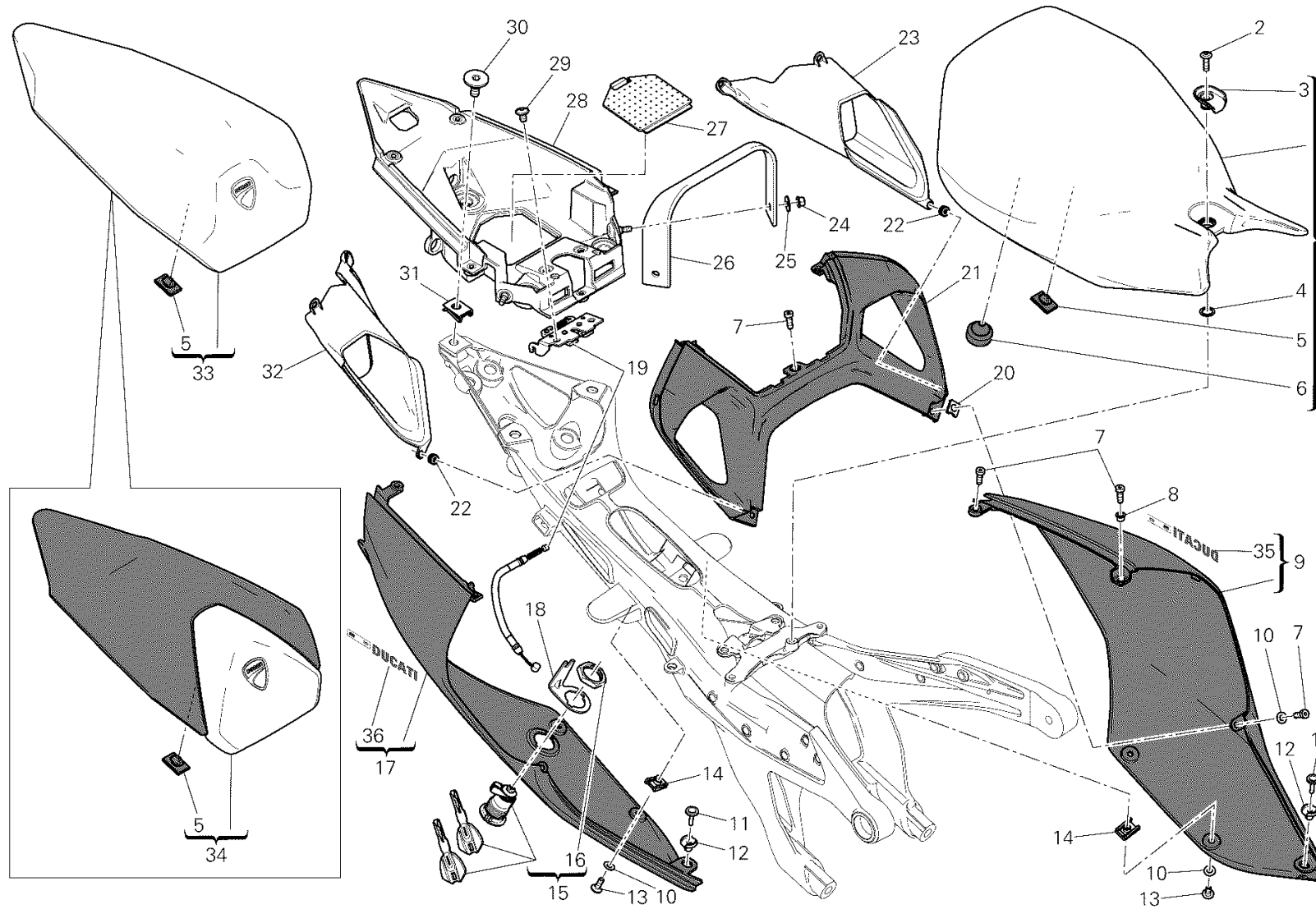
VST01088

# DRAWING 032 - FUEL TANK

## GROUP FRAME



POS.	CODE	DESCRIPTION	QTY	START DATE	END DATE	VALIDITY	NOTES
1	59013901A	PIPE	2				
2	61610021A	THREE-WAYS UNION	1				
3	58611923AA	TANK RED	1				
4	59013911B	BREATHER PIPE	1				
5	77156728B	SCREW TCEIF M6X35	2				
6	71614351AA	SPACER	2				
7	76411521A	RUBBER PAD	2				
8	81440681A	QUICK FASTENING	1				
9	82114211AA	PIN REAR	1				
10	77213203B	SCREW TBEIF M5X18	6				
11	16024272A	FLANGE	1				
12	89520221A	TANK CAP COMPLETE	1				
13	86640061A	GASKET, FUEL TANK CAP	1				
14	77156418B	SCREW TCEIF M5X16	4				
15	43818151A	EMBLEM DUCATI FOR RED	2				
16	74140431A	CLAMP	2				
17	38710041A	PLATE	1				
18	59840321A	KEY WITH TRANSPONDER	1				
19	59840291A	KEY, NON INDENTED WITHOUT TRANSPONDER	1				
20	59821041A	LOCKS KIT	1				
21	69926431A	THERMISTOR	1				
22	69926441A	GASKET KIT	1				



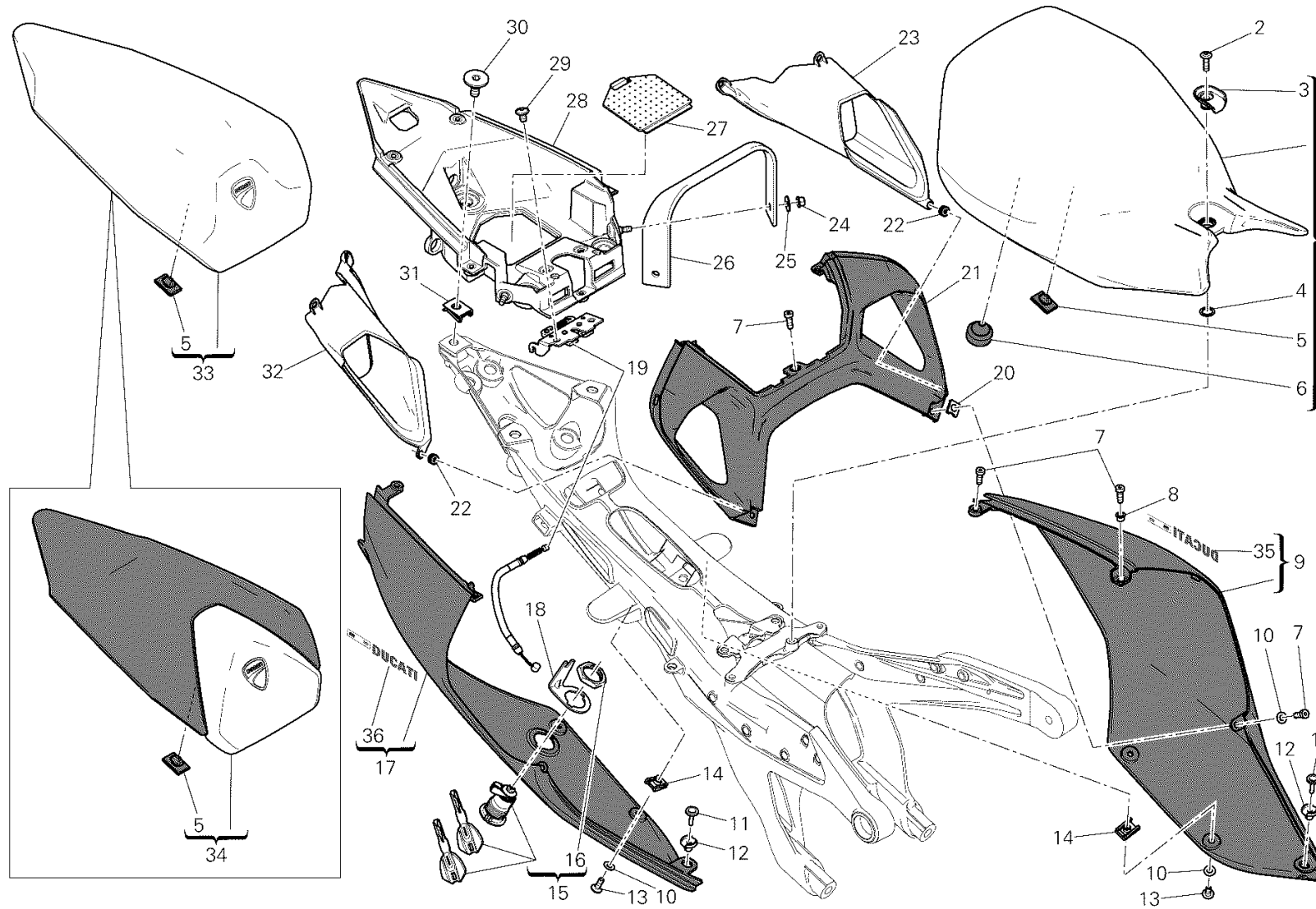
VST01087

## DRAWING 033 - SEAT

## GROUP FRAME



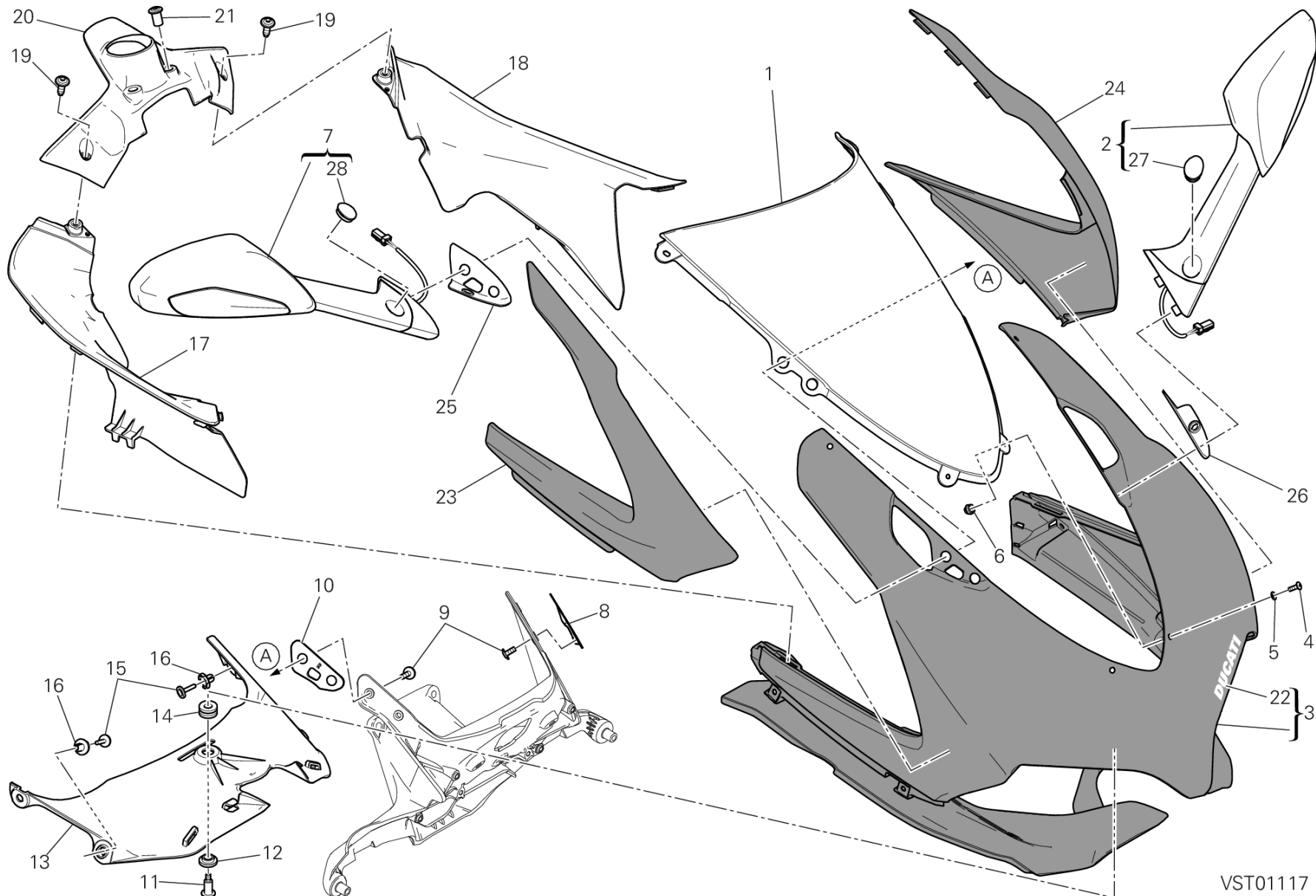
POS.	CODE	DESCRIPTION	QTY	START DATE	END DATE	VALIDITY	NOTES
1	59521081B	SEAT	1				
2	77210861B	SCREW TBEI M5X18	1				
3	71319471AA	SPACER	1				
4	88440331A	SPRING RING	1				
5	86610301A	PAD	20				
6	86610611A	RUBBER PAD	2				
7	77350403B	SCREW	7				
8	71611491A	SPACER	2				
9	48211661AA	COVER FRAME LH RED	1				
10	85611401A	WASHER	6				
11	85041041A	RIVET, MALE	2				
12	85041051A	RIVET, FEMALE	2				
13	77211091C	SCREW	4				
14	85040551A	QUICK FASTENING	4				
15	59820611A	SEAT LOCK	1				
16	75011551A	NUT M22X1.5	1				
17	48211671AA	COVER FRAME RH RED	1				
18	82716141A	PLATE	1				
19	59940011A	SEAT LOCK	1				
20	85040471A	QUICK FASTENING M5	2				
21	48311722AA	TAIL GUARD CENTRE RED	1				
22	76440561A	RUBBER PAD	8				
23	48411011A	COWLING, INNER LH	1				
24	74941118B	NUT 6MM	2				
25	85211671B	WASHER	2				
26	59511281B	BELT	1				
27	24714062A	COVER	1				
28	48311711B	TRAY	1				
29	77240393C	SCREW TBEIF M6X10 10.9	2				
30	77916792AA	SCREW, SPECIAL	3				
31	85041471A	CLIP NUT	3				
32	48411021A	PANEL QUARTER, INNER	1				
33	59521091A	PILLION RIDER SEAT	1				
34	247P4022AA	COVER SEAT RED	1				
35	43818081A	ITA FLAG STICKER DUCATI LH FOR RED	1				



VST01087



POS.	CODE	DESCRIPTION	QTY	START DATE	END DATE	VALIDITY	NOTES
36	43818091A	ITA FLAG STICKER DUCATI RH FOR RED	1				



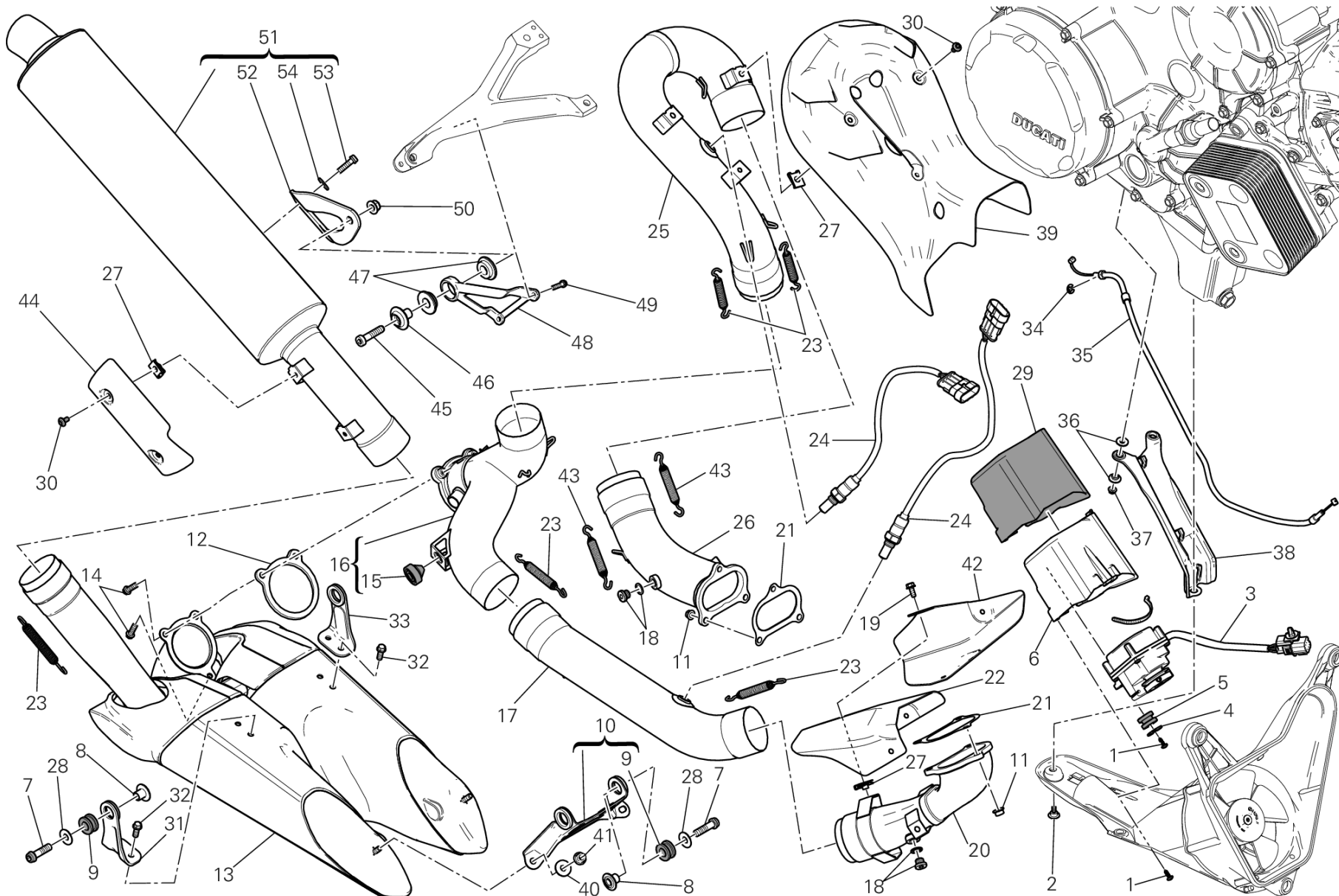
VST01117

# DRAWING 034 - COWLING

## GROUP FRAME



POS.	CODE	DESCRIPTION	QTY	START DATE	END DATE	VALIDITY	NOTES
1	48710562A	WINDSHIELD	1				
2	523S0291A	REAR-VIEW MIRROR L.H.	1				
3	48120742AA	COMPLETE HEADLIGHT FAIRING RED	1				
4	77510071AB	SCREW, SPECIAL	4				
5	85210241A	WASHER, NYLON 4X8X0.5	4				
6	75010281A	NUT, SPRING	4				
7	523S0281A	REAR-VIEW MIRROR R.H.	1				
8	78811221A	GASKET INTERNAL LH	1				
9	77240288C	SCREW	4				
10	78811231A	GASKET INTERNAL RH	1				
11	77916951AA	SCREW, SPECIAL	1				
12	76411511A	RUBBER PAD	1				
13	48411002A	MUDFLAP	1				
14	76411141A	VIBRATION DAMPER PAD	1				
15	85041041A	RIVET, MALE	4				
16	85041051A	RIVET, FEMALE	4				
17	46014951C	RIGHT COVER	1				
18	46014941C	PROTECTION, LEFT	1				
19	77211091C	SCREW	2				
20	46014961C	PROTECTION CENTRE	1				
21	75011491AB	NUT, SPECIAL	2				
22	43818111A	EMBLEM DUCATI FOR RED	1				
23	48110851AA	RIGHT BULKHEAD (Red)	1				
24	48110841AA	LEFT PANEL (Red)	1				
25	78811281A	GASKET, MIRROR RH	1				
26	78811291A	GASKET, MIRROR LH	1				
27	87210781A	PLUG	1				
28	87210791A	PLUG, RH	1				

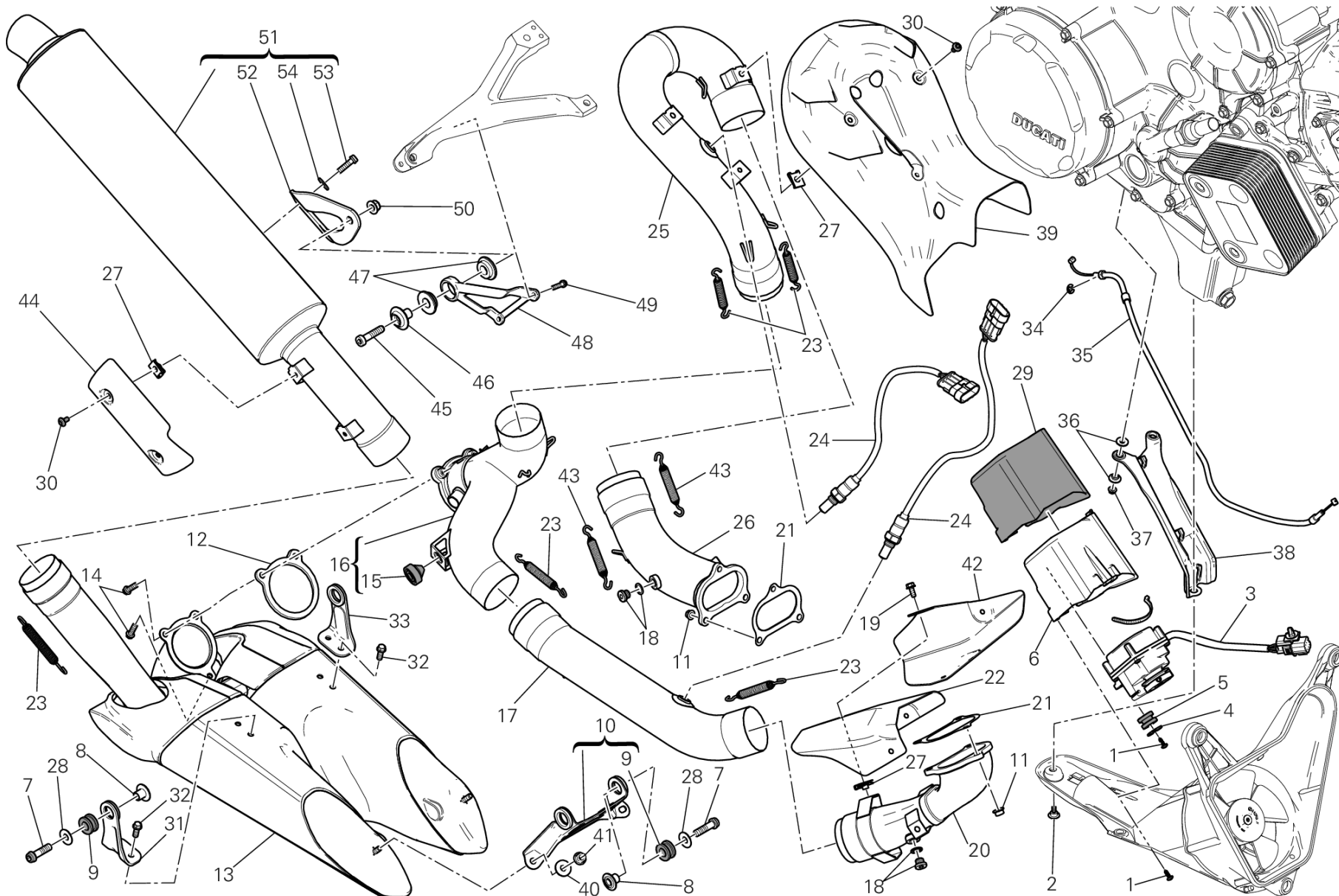


# DRAWING 19A - EXHAUST SYSTEM (JAP)

## GROUP FRAME



POS.	CODE	DESCRIPTION	QTY	START DATE	END DATE	VALIDITY	NOTES
1	77440203C	SCREW	6				
2	77210852C	SCREW	1				
3	59340392A	ELECTRIC MOTOR, EXHAUST VALVE	1				
4	85213111AA	WASHER	2				
5	76411301A	RUBBER PAD	2				
6	46015262A	COVER ELECTRIC MOTOR, EXHAUST VALVE	1				
7	77157278B	SCREW TCEIF M8X30	4				
8	71614391AA	SPACER	4				
9	76411481A	RUBBER PAD	4				
10	83026511BA	BRACKET FRONT	1				
11	74810241A	NUT	6				
12	79010251A	GASKET, EXHAUST PIPE	1				
13	57413301A	SILENCER	1				
14	77156658B	SCREW TCEIF M6X16	3				
15	76410631A	RUBBER PAD	1				
16	57013152B	PIPE, EXHAUST CENTER	1				
17	57013072A	EXHAUST PIPE HORIZONTAL	1				
18	78020011A	PLUG ASSY	2				
19	77250728B	SCREW TEF M5X12	4				
20	57013061C	EXHAUST MANIFOLD HORIZONTAL	1				
21	79010231B	GASKET, EXHAUST PIPE	2				
22	46015331BA	HEAT GUARD HORIZONTAL	1				
23	79912632A	SPRING, EXHAUST PIPE	5				
24	55212092A	SENSOR LAMBDA SOND	2				
25	57113002C	PIPE, EXHAUST VERTICAL	1				
26	57112992C	EXHAUST MANIFOLD VERTICAL	1				
27	85040551A	QUICK FASTENING	9				
28	85210532A	WASHER 8.2X20X1	4				
29	46015031AA	HEAT GUARD VERTICAL	1				
30	77244168B	SCREW	3				
31	83016491AA	BRACKET REAR RH	1				
32	77251018B	SCREW TEF M6X20	4				
33	83016501AA	BRACKET REAR L.H.	1				
34	88450031A	CIRCLIP E-TYPE	2				
35	73210331B	EXHAUST VALVE ENGINE CABLE	1				

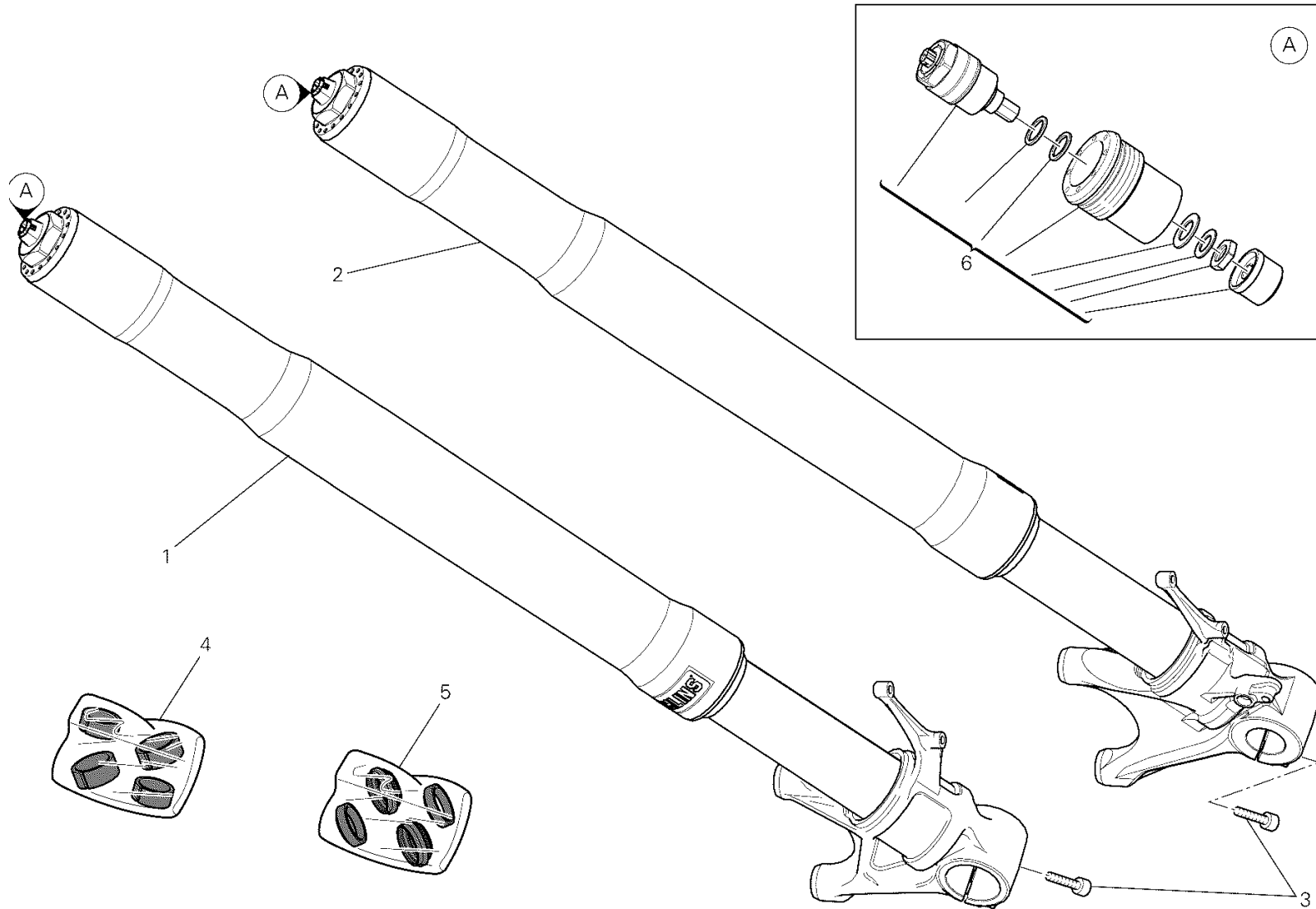


# DRAWING 19A - EXHAUST SYSTEM (JAP)

## GROUP FRAME



POS.	CODE	DESCRIPTION	QTY	START DATE	END DATE	VALIDITY	NOTES
36	71614071A	SPACER 5.2X8.4X2	4				
37	74840381A	NUT M5	2				
38	46015393A	HEAT GUARD BOTTOM	1				
39	46015741A	PROTECTION, HEAT ELECTRIC MOTOR, EXHAUST VALVE	1				
40	85250291A	WASHER	2				
41	74810361A	NUT	2				
42	46015781AA	GUARD HORIZONTAL	1				
43	79915651A	SPRING	2				
44	46110011AA	HEAT GUARD REAR	1				
45	77355068B	SCREW TCEIR M8X35	1				
46	71314361A	COLLAR, SILENCER MOUNTING	1				
47	76410011A	DAMPER	2				
48	83017791AA	BRACKET, MUFFLER SUPPORT	1				
49	77156438B	SCREW	2				
50	74941128B	NUT M8	1				
51	573P3392A	RIGHT SILENCER	1				
52	57610791AA	BRACKET, RIGHT SILENCER	1				
53	77110211A	SCREW	2				
54	85240161A	WASHER 8.4X20X1.2	2				



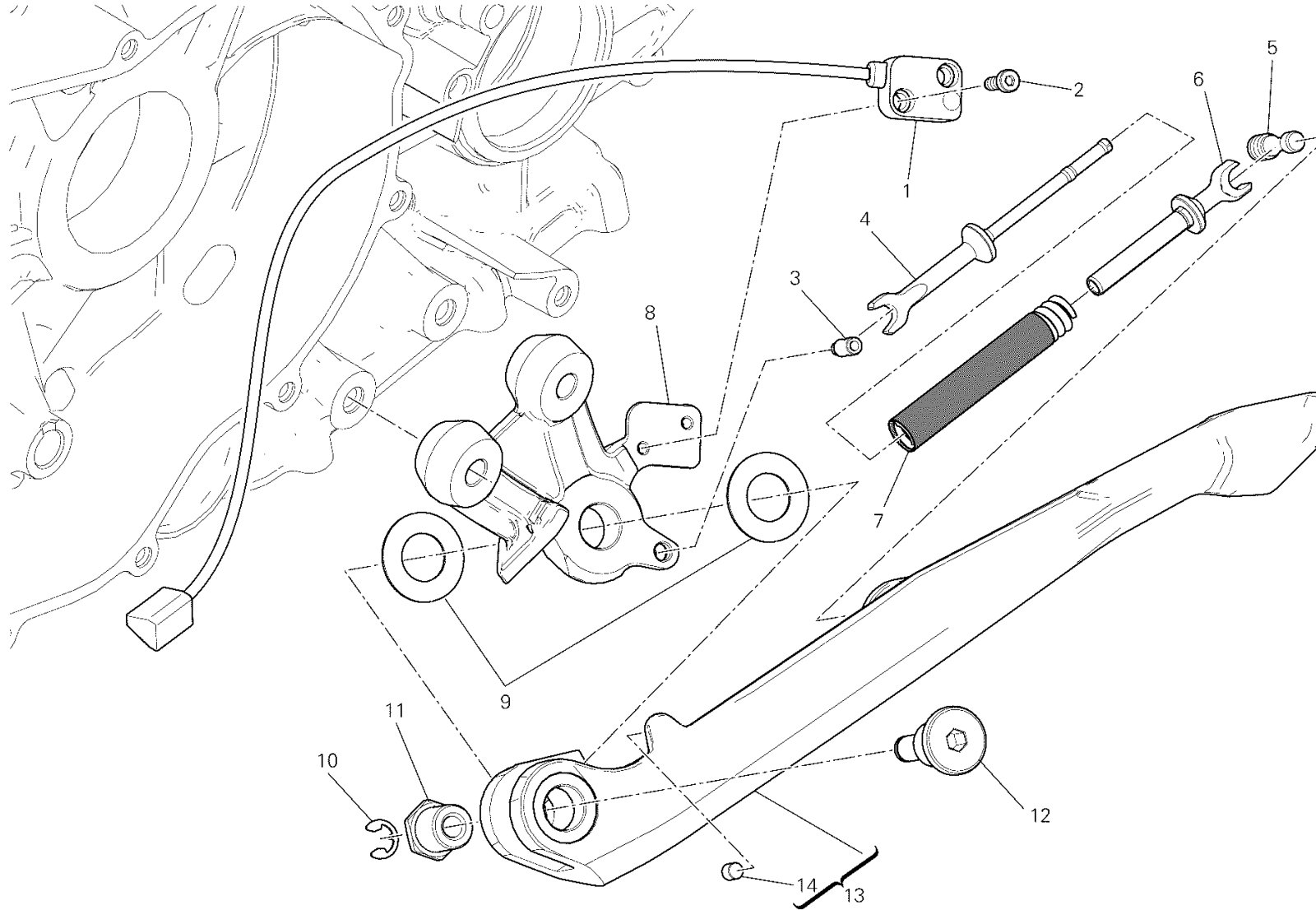
SOS00628

# DRAWING 21A - FRONT FORK

## GROUP FRAME



POS.	CODE	DESCRIPTION	QTY	START DATE	END DATE	VALIDITY	NOTES
1	34420411A	FORK LEG ASSEMBLY R.H.	1				
2	34520411A	FORK LEG ASSEMBLY L.H.	1				
3	77110518B	SCREW TCEI M6X25	4				
4	34921791A	OVERHAUL KIT	2				
5	34921801A	SEAL KIT	2				
6	34921321A	CAPS KIT	2				



TEL00706

# DRAWING 22A - SIDE STAND

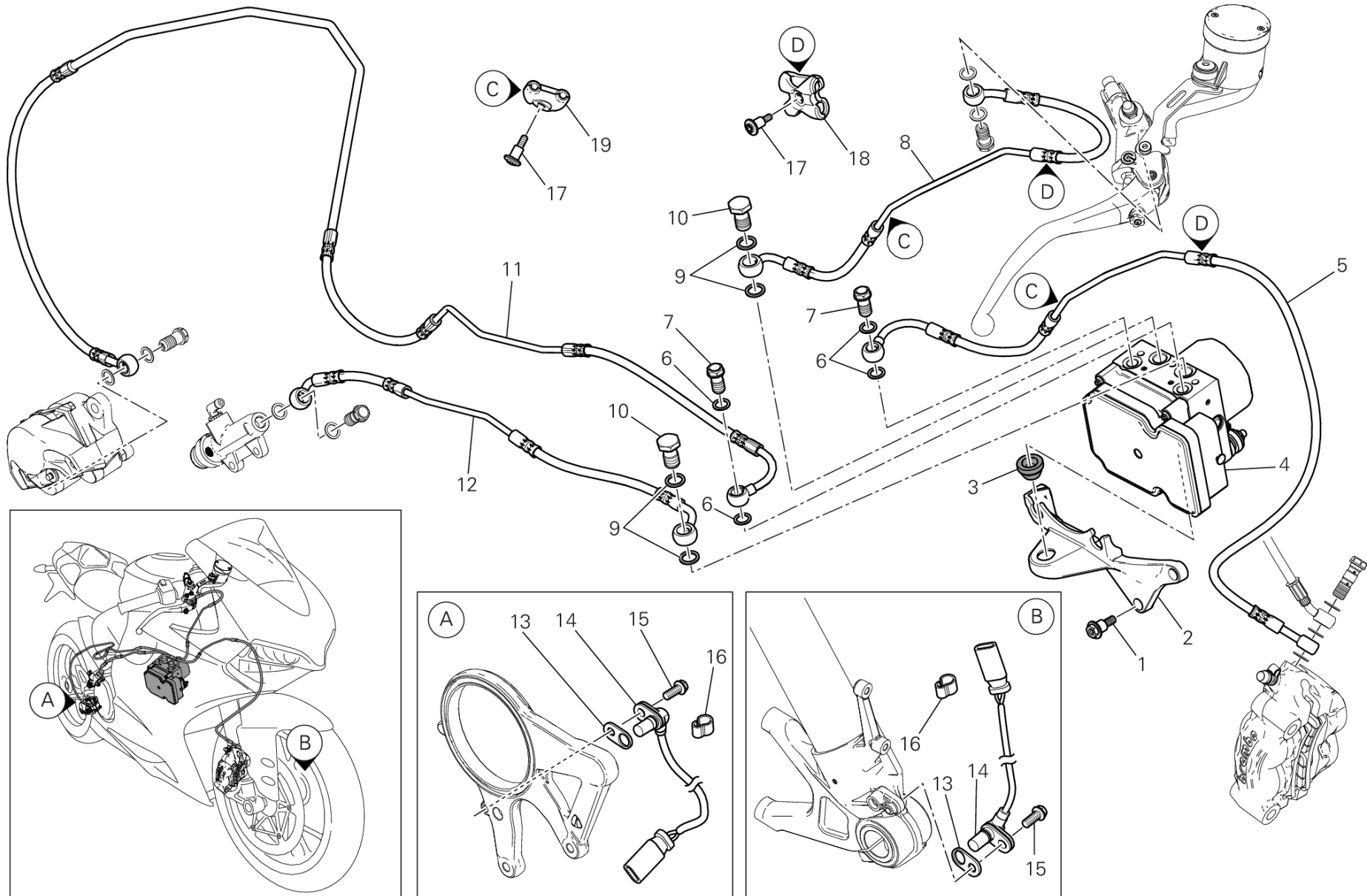
## GROUP FRAME



POS.	CODE	DESCRIPTION	QTY	START DATE	END DATE	VALIDITY	NOTES
1	53940601A	SWITCH, STAND	1				
2	77354623B	SCREW M4X10	2				
3	86050361AA	PIN	1				
4	11711252AA	ROD	1				
5	82113731AA	PIN	1				
6	71011611AA	BUSHING WITH CENTER ROD JOINT	1				
7	79925411AA	COMPLETE SPRING	1				
8	55610601BA	PLATE	1				
9	85210681B	SPACER,15X28X1	2				
10	88450031A	CIRCLIP E-TYPE	1				
11	71210471AA	BUSH	1				
12	82113711BA	LOCATING PIN	1				
13	55610612AA	SIDE STAND	1				
14	53940651A	MAGNETE	1				



# DRAWING 24A - BRAKING SYSTEM ABS GROUP FRAME



# DRAWING 24A - BRAKING SYSTEM ABS

## GROUP FRAME



POS.	CODE	DESCRIPTION	QTY	START DATE	END DATE	VALIDITY	NOTES
1	77917291AA	SCREW, SPECIAL	3				
2	8291A743A	HOLDER ABS	1				
3	86640051A	RUBBER PAD	1				
4	54240363A	CONTROL UNIT ABS	1				
5	61841151C	CPU - FRONT CALIPERS LINE	1	27/01/2012			
6	85250241A	WASHER 10X14X1	4				
7	78110121AA	SCREW, SPECIAL	1				
8	61841141C	FRONT MASTER CYLINDER - CPU LINE	1				
9	85250261B	GASKET	4				
10	77913141B	SCREW, SPECIAL	2				
11	61940541B	CPU - REAR CALIPER LINE	1				
12	61940531B	REAR MASTER CYLINDER - CPU LINE	1				
13	71314901A	GASKET TH.02	4				
	71319201A	GASKET 0.5 MM	6				
14	55212111B	SENSOR, SPEED	2				
15	77210601A	SCREW TEF M6X16	2				
16	75840601A	FAIRLEAD	10				
17	77211271A	SCREW, SPECIAL M5X10	2				
18	75810722A	HOSE GUIDE ABS UPPER	1				
19	75810711A	HOSE GUIDE ABS BOTTOM	1				



# DRAWING 26A - REAR WHEEL SPINDLE

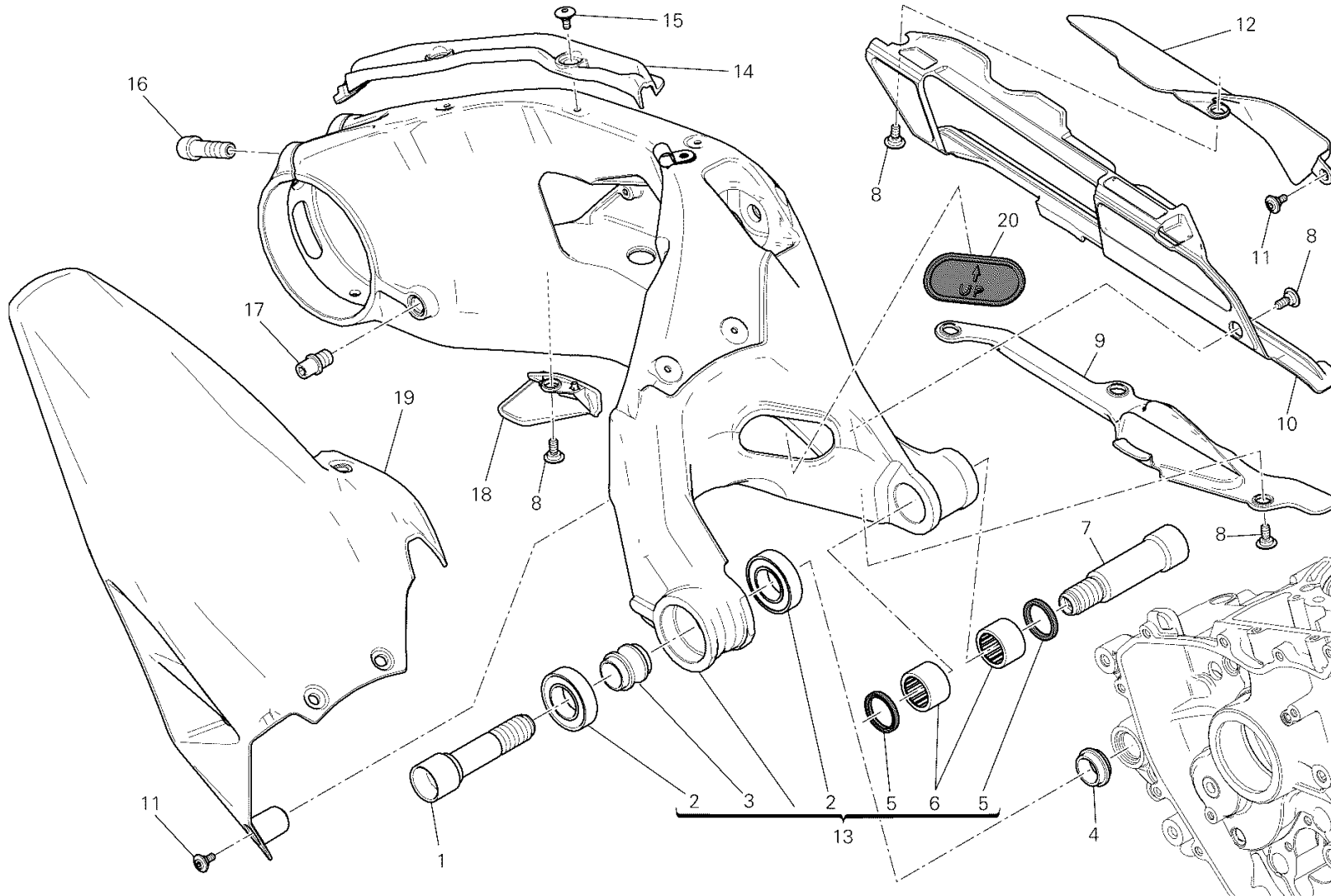
## GROUP FRAME



POS.	CODE	DESCRIPTION	QTY	START DATE	END DATE	VALIDITY	NOTES
1	77510631A	SCREW TBEI M5X8	4				
2	75011391A	NUT	1				
3	85212211A	WASHER 48.5X65X0.5	1				
4	74810461A	NUT, FLANGE M10X1	6				
5	16014201A	REAR SPROCKET FLANGE	1				
6	81920021A	REAR WHEEL SPINDLE	1				
7	88110541A	INNER SPACER	1				
8	67640831A	CHAIN 103+1	1				
9	70090563A	ABSORBER, HUB SHOCK	6				
10	49411501AA	REAR SPROCKET T39	1				
11	77240243C	SCREW	2				
12	71410751A	SPACER	1				
13	75620131A	HUB	1				
14	46015061A	CHAIN COVER	1				
15	85212171A	WASHER 85.5X101X1	2				
16	88641241A	O-RING 89.5X3	2				
17	82510441A	CALIPER HOLDER PLATE ABS	1				
18	88440511A	CIRCLIP 85X3	1				
19	49210061A	REAR BRAKE DISC	1				
20	75910222A	CLIP	1				
21	77914881A	SCREW	4				
22	50410361AA	REAR PHONIC WHEEL	1				
23	43313751A	CHAIN ADJUSTMENT STICKER	1				
	43313751B	CHAIN ADJUSTMENT STICKER	1				JPN
24	77140663C	SCREW TCEIF M6X18 10.9	1				
25	46015791A	MUDFLAP	1				
26	67620811A	FINAL DRIVE KIT	1				
27	67740141A	CHAIN LINK	1				
28	93010102A	DUST COVER	1				



# DRAWING 28A - SWING ARM GROUP FRAME



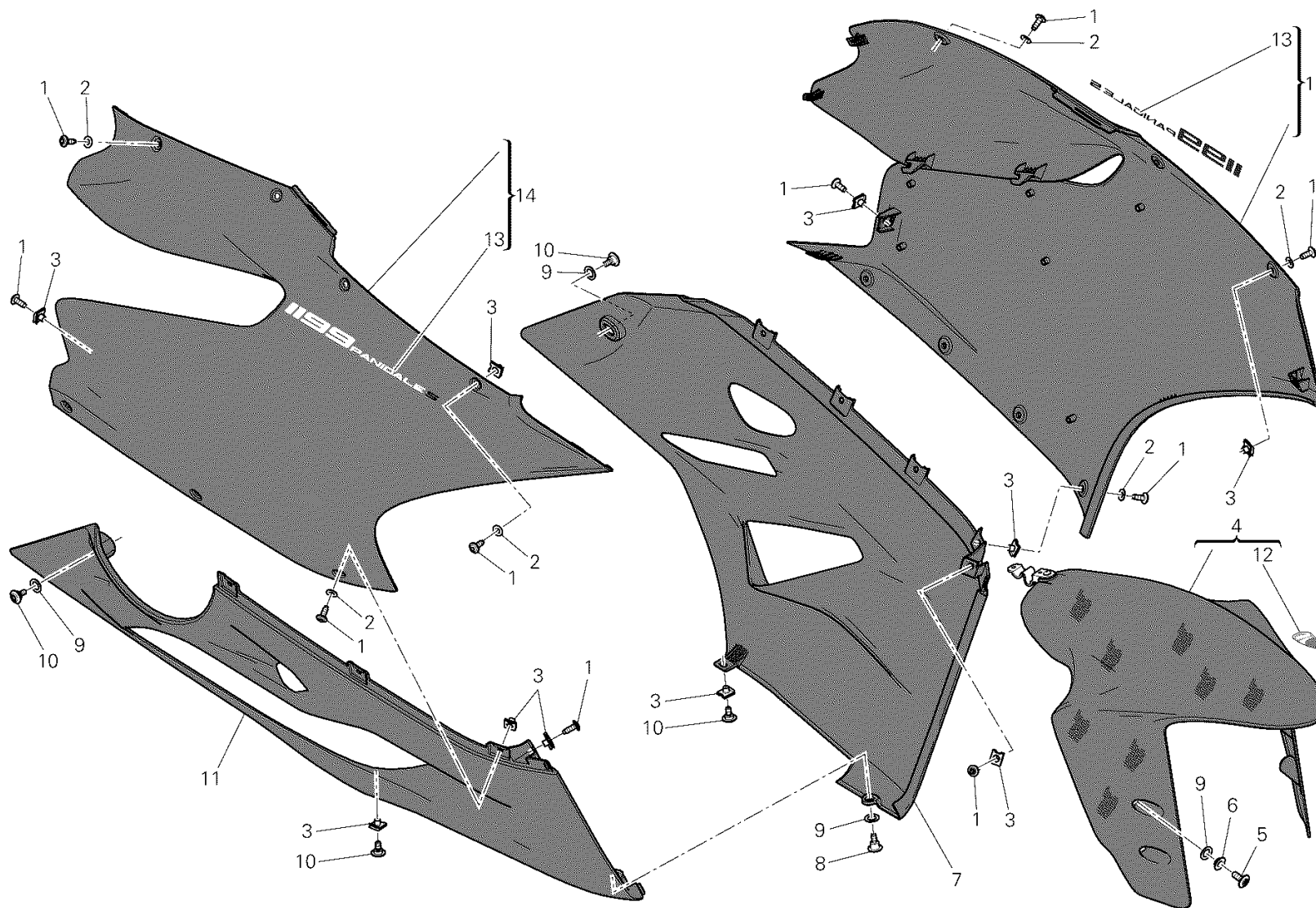
SOS00621

# DRAWING 28A - SWING ARM

## GROUP FRAME



POS.	CODE	DESCRIPTION	QTY	START DATE	END DATE	VALIDITY	NOTES
1	36911291AA	SWINGARM PIVOT RH	1				
2	70250451A	BEARING	2				
3	71311871A	INNER SPACER	1				
4	71319452AA	RIGHT SPACER	1				
5	93050121A	SEAL RING	2				
6	70140171A	BEARING, NEEDLE	2				
7	36911301AA	SWINGARM PIVOT LH	1				
8	77914401B	SCREW TBEI M6X15	6				
9	44710901A	LOWER CHAIN SLIDING SHOE	1				
10	44710891A	UPPER CHAIN SLIDING SHOE	1				
11	77210852C	SCREW	1				
12	46015451A	MUDFLAP UPPER	1				
13	37021103BA	REAR SWINGING ARM	1				
14	83016641A	GUIDE	1				
15	77210841B	SCREW	3				
16	77915031A	SCREW TCEI M12X1.25X40	2				
17	83210031C	PIN	1				
18	46014981A	MUDFLAP BOTTOM	1				
19	56510582A	REAR MUDGUARD	1				
20	87210601A	CAP, SWINGARM COVER	1				



VST01118

# DRAWING 34A - FAIRING

## GROUP FRAME



POS.	CODE	DESCRIPTION	QTY	START DATE	END DATE	VALIDITY	NOTES
1	77211091C	SCREW	19				
2	85611401A	WASHER	15				
3	85040471A	QUICK FASTENING M5	17				
4	56420981A	FRONT MUDGUARD	1				
5	77210893B	SCREW	4				
6	71614011B	SPACER	4				
7	48013333AA	LEFT LOWER FAIRING RED	1				
8	77210841B	SCREW	1				
9	85212181A	WASHER, NYLON 9X14X1	7				
10	77210853B	SCREW	4				
11	48013354AA	FAIRING, LOWER RH RED	1				
12	43814741A	EMBLEM DUCATI	1				
13	43818101B	DECAL "1199 PANIGALE S" FOR RED	2				
14	48013461AA	RIGHT FAIRING RED	1				
15	48013453AA	LEFT UPPER HALF-FAIRING RED	1				



CODE	NO. TABLE	POS.	CODE	NO. TABLE	POS.	CODE	NO. TABLE	POS.	CODE	NO. TABLE	POS.
037072020	023	8	15310121A	021	13	19820401A	004	14	30123461C	014	4
037072020	024	12	15620881CA	006	6	20810381A	014	15	30123471C	015	4
064770010	011	1	15620881CB	006	6	20810381A	015	15	30124503A	013	33
069191030	18C	10	15620881CC	006	6	20910641A	014	19	30124503B	13A	35
11210711AA	006	9	16014151A	012	23	20910641A	015	19	30310671AA	014	11
11210711AB	006	9	16014201A	26A	5	20910651A	014	14	30310671AA	015	11
11210711AC	006	9	16024272A	032	11	20910651A	015	14	30310671AB	014	11
11210711AD	006	9	17021262A	006	3	21010811B	014	30	30310671AB	015	11
11210711AE	006	9	17111153A	013	14	21010811B	015	30	30310671AC	014	11
11210711AF	006	9	17111153A	13A	14	21110802A	014	21	30310671AC	015	11
11210771AA	10A	11	17112311A	008	4	21110802A	015	21	30310691A	014	36
11210771AB	10A	11	171Z0071A	006	13	22522602B	010	35	30310691A	015	36
11210771AC	10A	11	17213172B	003	5	24221081BB	012	10	30310691AA	014	36
11210771AD	10A	11	17213181D	003	10	24311274A	005	17	30310691AA	015	36
11210771AE	10A	11	17213191D	003	13	24311274A	05A	17	30310691AB	014	36
11711252AA	22A	4	17213201D	003	7	24321344A	005	2	30310691AB	015	36
11711261CA	016	18	17213211D	003	19	24321344A	05A	2	30310691AC	014	36
11711272AA	025	30	17213221D	003	25	24713912A	008	2	30310691AC	015	36
11721331B	004	16	17213231D	003	23	24713931B	13A	11	304A0921A	014	31
12021984D	007	6	17213241D	003	22	24713941B	013	11	304A0921A	015	31
12112551C	007	2	17213251D	003	20	24714041AA	016	1	304A0931A	014	22
12112601B	007	1	17213261D	003	24	24714051BA	025	16	304A0931A	015	22
12120561B	007	3	17310241A	012	25	24714062A	033	27	30710021A	013	23
12221712DA	007	7	17410501A	011	12	24714101A	013	28	30710021A	13A	23
12221712DB	007	7	17410511A	011	2	24714101A	13A	28	34110891CA	021	23
12221712DC	007	7	17410601A	009	19	24714291A	030	26	342P0681BA	021	7
13510361B	017	6	17410611A	009	25	24723652A	002	9	34420411A	21A	1
13510371B	017	5	17420561A	009	17	24723701C	011	6	34520411A	21A	2
14010691A	013	2	17420571A	009	1	24723712A	009	18	34921321A	21A	6
14010691A	13A	2	17420581A	006	5	24723842A	009	3	34921791A	21A	4
14621871CB	006	11	17610221A	012	27	247P4022AA	033	34	34921801A	21A	5
14621872AC	006	11	18010271D	002	2	247P4072A	18A	20	36011331BA	021	19
14621874AA	006	11	18010281D	002	6	25130081B	13A	21	36011601AA	021	25
14710903A	009	13	18010291D	002	7	25220071A	009	6	36011621AA	021	17
14814361B	13A	18	18120051C	002	13	25440012A	005	13	36140161A	021	35
14814381A	013	18	18220353C	002	5	25440012A	05A	13	36420111A	021	29
14823751C	13A	36	18220381B	002	27	26420161A	012	1	36521031A	028	4
14823811C	013	34	18410152AA	025	29	27040134A	012	7	36911291AA	28A	1
14824481B	13A	19	18710021A	023	3	27610602A	012	21	36911301AA	28A	7
14824491C	013	19	19020232A	004	9	28040331A	017	3	37021103BA	28A	13
15021492D	003	1	19410511A	004	4	28240893A	017	10	37211161BA	028	20
15021504D	003	2	19540061A	004	17	28642211A	18B	10	37211171BA	028	19
15021511D	003	15	19610531A	004	12	28642211E	18B	10	38040221B	018	16
15021542D	003	27	19610541A	004	11	28642211F	18B	10	38040221B	18B	19



CODE	NO. TABLE	POS.	CODE	NO. TABLE	POS.	CODE	NO. TABLE	POS.	CODE	NO. TABLE	POS.
38510151A	027	21	46015031AA	019	29	48410992B	030	2	49140911A	B	2
38510201B	022	14	46015031AA	19A	29	48411002A	034	13	49141641A	A	8
38710041A	032	17	46015052A	18A	3	48411011A	033	23	49141641A	E	2
38940191A	18C	8	46015061A	26A	14	48411021A	033	32	491P0015A	A	12
38940201A	18C	8	46015262A	019	6	48411031B	020	10	491P0015A	F	4
38940211A	18C	8	46015262A	19A	6	48411043A	030	4	491P0016A	A	13
38940221A	18C	8	46015281A	020	8	48411053A	030	5	491P0016A	F	5
38940241A	18C	8	46015331BA	019	22	48610851A	005	24	491P0017A	A	14
38940251A	18A	12	46015331BA	19A	22	48610851A	05A	24	491P0017A	F	6
39520311A	18A	4	46015341A	028	6	48610911A	05A	27	491P0018A	A	15
39740071A	18A	13	46015351A	018	12	48710562A	034	1	491P0018A	F	7
40610901F	020	1	46015393A	019	38	49040711A	A	1	491P0041A	A	20
42610341B	022	6	46015393A	19A	38	49040711A	B	1	491P0041A	I	3
42710171A	10A	13	46015451A	28A	12	49041071A	A	25	491P0042A	A	21
43313751A	26A	23	46015482A	018	7	49041071A	K	1	491P0042A	I	4
43313751B	26A	23	46015631B	18B	5	49041081A	A	7	491P0043A	A	22
43814551A	026	21	46015681A	18A	22	49041081A	E	1	491P0043A	I	5
43814741A	34A	12	46015741A	019	39	490P0002A	A	9	491P0073A	A	6
43818081A	033	35	46015741A	19A	39	490P0002A	F	1	491P0073A	D	2
43818091A	033	36	46015771A	27B	15	490P0003A	A	10	491P0339A	A	29
43818101B	34A	13	46015781AA	019	42	490P0003A	F	2	491P0339A	M	3
43818111A	034	22	46015781AA	19A	42	490P0004A	A	11	491P0340A	A	30
43818151A	032	15	46015791A	26A	25	490P0004A	F	3	491P0340A	M	4
44212342B	029	8	46110011AA	19A	44	490P0019A	A	16	491P0341A	A	31
44440291C	009	5	46240461A	020	3	490P0019A	G	1	491P0341A	M	5
44710891A	28A	10	46410801AA	016	4	490P0022A	A	17	491P0342A	A	32
44710901A	28A	9	46410801AA	027	10	490P0022A	H	1	491P0342A	M	6
44740021B	008	10	46410811AA	025	23	490P0029A	A	18	491P0347A	A	26
44740051A	008	6	46410811AA	027	11	490P0029A	I	1	491P0347A	K	2
44910611A	003	30	47012051CA	022	2	490P0030A	A	19	491P0389A	A	4
45140013A	008	5	47110252BA	027	14	490P0030A	I	2	491P0389A	N	2
45520171A	002	23	48013333AA	34A	7	490P0044A	A	23	49210061A	26A	19
45612092BA	016	13	48013354AA	34A	11	490P0044A	J	2	49240891A	026	12
45612101AA	016	23	48013453AA	34A	15	490P0248A	A	24	49240901A	026	5
45720552AA	025	34	48013461AA	34A	14	490P0248A	J	1	49411501AA	26A	10
46014901A	27A	20	48110841AA	034	24	490P0272A	A	5	49720012A	026	3
46014901A	27B	20	48110851AA	034	23	490P0272A	D	1	49720031A	026	16
46014941C	034	18	48120742AA	034	3	490P0297A	A	27	50121551AB	026	10
46014951C	034	17	48211661AA	033	9	490P0297A	M	1	50221501AB	026	7
46014961C	034	20	48211671AA	033	17	490P0298A	A	28	50410051A	026	20
46014971B	021	2	48311711B	033	28	490P0298A	M	2	50410361AA	26A	22
46014981A	28A	18	48311722AA	033	21	490P0324A	A	3	51017721A	27A	5
46015011B	027	25	48311731A	27A	1	490P0324A	N	1	51017721A	27B	5
46015022A	027	29	48311731A	27B	1	49140911A	A	2	51017731B	017	15



CODE	NO. TABLE	POS.	CODE	NO. TABLE	POS.	CODE	NO. TABLE	POS.	CODE	NO. TABLE	POS.
51017921C	18C	1	56110261A	27B	17	61041381A	024	26	67110511C	018	15
51310261A	18A	15	56113033A	27A	19	61041991A	023	24	67110511C	18B	17
51410671A	18A	7	56113033A	27B	19	61140411A	025	13	67620811A	26A	26
51410681A	18A	11	56113043A	27A	8	61240052A	023	4	67640831A	26A	8
51640013AB	021	31	56113043A	27B	8	61240052A	024	21	67740141A	26A	27
52010228B	020	19	56420981A	34A	4	61240081A	025	1	68010171A	006	12
52350281A	034	7	56510582A	28A	19	61240161A	025	3	69610121A	027	9
52350291A	034	2	57013061C	019	20	61240201A	024	22	69720283A	027	1
52510432D	27A	25	57013061C	19A	20	61240371A	024	27	69926431A	032	21
52510432D	27B	25	57013072A	019	17	61240391A	023	23	69926441A	032	22
52510445C	27A	22	57013072A	19A	17	61240391A	024	30	70010431A	020	2
52510445C	27B	22	57013152B	019	16	61340381A	025	26	70010701A	027	20
52910061B	27A	16	57013152B	19A	16	61340961A	024	8	70010711A	18B	12
52910061B	27B	16	57112992C	019	26	61610021A	032	2	70090563A	26A	9
53010282A	27A	6	57112992C	19A	26	61810361A	024	29	70140171A	28A	6
53010282A	27B	6	57113002C	019	25	61841141C	24A	8	70140301C	008	11
53010292A	27A	12	57113002C	19A	25	61841151C	24A	5	70140311A	003	8
53010292A	27B	12	573P3392A	19A	51	61940531B	24A	12	70140321A	003	14
53940031A	025	17	57413243B	019	13	61940541B	24A	11	70140331A	003	18
53940302A	005	14	57413301A	19A	13	62440761B	024	1	70140351A	012	22
53940302A	05A	14	57610791AA	19A	52	62540311C	025	8	70140361A	011	3
53940351A	024	5	58540081A	025	4	62640561A	023	20	70140371A	009	15
53940361A	023	22	58540181A	024	15	62640561A	024	7	70240131D	010	7
53940601A	22A	1	58540321A	023	12	62640571A	023	18	70240181B	012	24
53940651A	22A	14	58611923AA	032	3	62640571A	024	24	70240251B	010	11
54040301B	018	3	59013861A	029	7	63040603B	023	1	70241091A	010	12
54140101A	18C	9	59013901A	032	1	63140081A	023	21	70241191A	028	16
54240363A	24A	4	59013911B	030	7	63140081A	024	6	70241231A	021	10
54710022B	011	9	59013911B	032	4	63140161A	025	2	70250411A	010	17
54840962B	030	22	59013941A	018	11	63140281A	023	19	70250451A	026	8
54840972B	030	10	59013951A	018	21	63140281A	024	19	70250451A	28A	2
55212092A	019	24	59023511A	017	1	63140491A	024	2	70250601A	004	10
55212092A	19A	24	59023531A	017	12	63140631A	023	2	70310593A	006	4
55212111B	24A	14	59340392A	019	3	63210611A	023	6	70310601BA	021	24
55212881D	016	20	59340392A	19A	3	65010092I	021	27	70450051A	009	24
55241321B	012	17	59511281B	033	26	65110161A	021	11	70450091A	009	23
55241571A	018	10	59521081B	033	1	65540081A	029	14	70450091A	011	8
55241581A	020	6	59521091A	033	33	66020011B	021	12	71011611AA	22A	6
55241612C	002	1	59820611A	033	15	66810491A	014	32	71011642AA	028	8
55242631A	031	22	59821041A	032	20	66810491A	015	32	71110932A	10A	14
55320122A	031	19	59840291A	032	19	66910011E	014	9	71113171A	005	5
55610601BA	22A	8	59840321A	032	18	66910011E	015	9	71113171A	012	9
55610612AA	22A	13	59940011A	033	19	67040451A	018	14	71113171A	05A	5
56110261A	27A	17	61041371A	024	9	67040451A	18B	16	71113181A	010	15



CODE	NO. TABLE	POS.	CODE	NO. TABLE	POS.	CODE	NO. TABLE	POS.	CODE	NO. TABLE	POS.
71113221A	011	4	71614071A	18A	9	74810241A	019	11	76410112A	016	19
71113631A	002	4	71614071A	18B	2	74810241A	19A	11	76410631A	019	15
71114122AA	020	21	71614071A	19A	36	74810351B	017	9	76410631A	19A	15
71210341A	016	9	71614102AA	27A	3	74810351B	027	19	76410741A	018	22
71210341A	025	33	71614102AA	27B	3	74810361A	019	41	76410841B	018	13
71210471AA	22A	11	71614331AA	030	14	74810361A	19A	41	76410841B	27A	21
71240231A	002	12	71614342AA	018	18	74810461A	022	4	76410841B	27B	21
71240231A	010	14	71614342AA	031	2	74810461A	10A	1	76410871A	014	10
71311871A	28A	3	71614342AA	18B	7	74810461A	26A	4	76410871A	015	10
71313091A	004	13	71614351AA	032	6	74810651A	026	1	76410901A	018	19
71313641A	024	20	71614381AA	020	17	74810791A	013	25	76410901A	020	20
71314361A	19A	46	71614391AA	019	8	74810791A	13A	25	76410901A	031	3
71314703A	27A	10	71614391AA	19A	8	74840381A	019	37	76410901A	18A	2
71314703A	27B	10	71614421AA	27B	28	74840381A	020	4	76410901A	18B	6
71314831A	004	15	71614431AA	031	4	74840381A	18A	8	76410901A	18C	5
71314901A	24A	13	71614431AA	18C	4	74840381A	19A	37	76411141A	034	14
71319201A	24A	13	71615111AA	031	25	74840481A	10A	4	76411141A	27A	4
71319271A	014	12	73210331B	019	35	74940041A	018	5	76411141A	27B	4
71319271A	015	12	73210331B	19A	35	74940141A	028	21	76411301A	019	5
71319281A	014	28	735033804	010	16	74941108B	023	13	76411301A	19A	5
71319281A	015	28	735034405	010	8	74941118B	033	24	76411361A	020	15
71319291A	008	12	73840011A	008	9	74941128B	19A	50	76411411B	018	8
71319421A	028	11	74140381A	18C	2	74950011B	27A	13	76411411B	030	9
71319441A	004	19	74140431A	023	14	74950011B	27B	13	76411411B	18A	1
71319452AA	28A	4	74140431A	024	16	75010071A	004	7	76411411B	18B	21
71319471AA	033	3	74140431A	025	6	75010281A	034	6	76411472A	027	15
71319522AA	028	12	74140431A	030	19	75011391A	026	13	76411481A	019	9
71319971AA	028	10	74140431A	031	10	75011391A	26A	2	76411481A	19A	9
71320021B	003	29	74140431A	032	16	75011491AB	034	21	76411491A	030	15
71410751A	26A	12	74140631A	029	6	75011551A	033	16	76411491A	27A	23
71413231AA	026	15	74141671A	027	27	75011742AA	005	12	76411491A	27B	23
71413261AA	026	17	74141671A	029	10	75011742AA	05A	12	76411501A	030	17
71413271AA	026	2	74141711A	018	20	75011742AA	18B	4	76411511A	034	12
71413291A	026	9	74141851A	030	28	75040141A	024	18	76411521A	032	7
71611061A	18A	16	74141861A	031	13	75610142AA	022	1	76411541A	030	30
71611071A	021	32	74141881A	031	18	75620131A	26A	13	76411621A	029	15
71611441B	028	5	74142141A	029	1	75810701A	005	22	76411641A	020	14
71611491A	033	8	74142231A	031	16	75810701A	05A	22	76440561A	018	6
71611571C	002	17	74142251A	029	11	75810711A	24A	19	76440561A	033	22
71611581C	002	15	742240570	006	8	75810722A	24A	18	76440561A	18B	3
71614011B	34A	6	74750031A	021	6	75840601A	24A	16	76440581A	005	21
71614071A	005	23	74750031A	025	28	75910222A	026	19	76440581A	05A	21
71614071A	019	36	74750101A	016	17	75910222A	26A	20	76610781A	010	6
71614071A	05A	23	74750151A	010	29	76410011A	19A	47	76610801A	010	25



CODE	NO. TABLE	POS.	CODE	NO. TABLE	POS.	CODE	NO. TABLE	POS.	CODE	NO. TABLE	POS.
76610811A	10A	6	77156728B	032	5	77240258C	18B	13	77350618B	13A	31
76610821A	013	6	77157238B	016	10	77240288C	034	9	77350623B	023	10
76610821A	13A	6	77157238B	025	12	77240323C	029	13	77354623B	22A	2
76610891A	013	26	77157238B	027	13	77240393C	033	29	77354888B	021	20
76610891A	13A	26	77157238B	028	3	77240398C	010	36	77355038B	002	8
77110211A	19A	53	77157248B	021	21	77240408C	022	11	77355068B	19A	45
77110471A	004	6	77157258B	021	22	77240418C	27A	18	77440071A	27A	27
77110518B	012	3	77157278B	019	7	77240423C	27B	18	77440071A	27B	27
77110518B	21A	3	77157278B	027	7	77240483C	027	18	77440101A	020	11
77112331A	013	1	77157278B	19A	7	77244168B	019	30	77440111A	029	9
77112331A	13A	1	77157288B	016	24	77244168B	19A	30	77440121A	27B	29
77140663C	26A	24	77157618B	028	13	77244203B	031	26	77440183C	27A	7
77150628B	014	16	77210461B	18A	24	77250728B	019	19	77440183C	27B	7
77150628B	015	16	77210601A	24A	15	77250728B	19A	19	77440203C	019	1
77150668B	017	11	77210621A	013	27	77250788B	020	18	77440203C	030	12
77150678B	009	22	77210621A	13A	27	77251018B	019	32	77440203C	18A	23
77151598C	028	1	77210623B	031	8	77251018B	020	16	77440203C	19A	1
77154337C	003	32	77210841B	28A	15	77251018B	19A	32	77440203C	27A	9
77156398B	016	2	77210841B	34A	8	77251023C	18A	14	77440203C	27B	9
77156398B	025	14	77210852C	19A	2	77251038B	018	4	77510041A	020	5
77156398B	27A	11	77210852C	28A	11	77251038B	18B	18	77510071AB	034	4
77156398B	27B	11	77210853B	019	2	77251387C	10A	8	77510161A	027	28
77156408B	017	2	77210853B	18B	1	77253290Z	013	12	77510311B	010	1
77156408B	030	23	77210853B	34A	10	77253290Z	13A	12	77510631A	26A	1
77156418B	032	14	77210861B	033	2	77253297C	011	10	77550131A	016	15
77156438B	025	15	77210882B	031	5	77253300ZF	012	2	77550200C	005	26
77156438B	19A	49	77210882B	18C	3	77253307C	012	19	77550200C	05A	26
77156443B	018	17	77210893B	34A	5	77253317C	002	10	77910921A	023	7
77156443B	030	13	77211091C	030	25	77253317C	008	1	77910921A	024	13
77156443B	031	1	77211091C	033	13	77253317C	009	2	77912371B	025	31
77156443B	18B	8	77211091C	034	19	77253317C	011	11	77912981A	021	5
77156443B	27A	2	77211091C	34A	1	77253337C	005	1	77913091AB	024	28
77156443B	27B	2	77211131A	18A	21	77253337C	009	9	77913141B	24A	10
77156628B	18A	5	77211201A	004	3	77253337C	012	16	77913311D	024	25
77156658B	019	14	77211251B	021	1	77253337C	05A	1	77913541A	013	15
77156658B	022	10	77211271A	024	32	77253357C	005	4	77913541A	13A	15
77156658B	025	9	77211271A	24A	17	77253357C	012	11	77913971A	023	5
77156658B	027	8	77211341A	021	8	77253357C	05A	4	77913991A	026	4
77156658B	19A	14	77211361AA	028	18	77253367C	013	5	77914151A	024	23
77156668B	021	28	77213173B	028	7	77253367C	13A	5	77914211A	014	7
77156678B	016	21	77213203B	032	10	77253387C	10A	7	77914211A	015	7
77156688B	018	9	77240243C	05A	30	77253447C	10A	9	77914401B	28A	8
77156688B	021	4	77240243C	26A	11	77350403B	033	7	77914881A	26A	21
77156688B	025	19	77240253C	020	9	77350618B	013	31	77915031A	28A	16



CODE	NO. TABLE	POS.	CODE	NO. TABLE	POS.	CODE	NO. TABLE	POS.	CODE	NO. TABLE	POS.
77915041A	028	15	78110121AA	023	16	79915441A	030	3	82113711BA	22A	12
77915471A	006	10	78110121AA	024	3	79915493A	022	9	82113731AA	22A	5
77916192C	006	7	78110121AA	025	11	79915511A	025	27	82113751A	030	1
77916241A	002	22	78110121AA	031	11	79915534A	013	22	82113811AA	025	32
77916441A	013	10	78110121AA	05A	19	79915534A	13A	22	82113822BA	021	15
77916441A	13A	10	78110121AA	24A	7	79915581A	031	21	82113832A	013	20
77916551C	006	1	78611212C	007	4	79915651A	019	43	82113832A	13A	20
77916661B	012	5	78811101C	013	7	79915651A	19A	43	82114041A	014	23
77916763AA	027	23	78811101C	13A	7	79925411AA	22A	7	82114041A	015	23
77916773AA	027	24	78811131A	013	8	79940121A	010	22	82114211AA	032	9
77916783AA	027	16	78811131A	13A	8	800068490	024	14	82123692A	008	8
77916792AA	033	30	78811161A	029	3	80012051A	031	14	82411871BA	025	21
77916811AA	022	13	78811182A	022	3	80012061A	031	15	82411881BA	027	5
77916821BA	020	12	78811191A	011	7	80012111A	031	6	82411891BA	027	12
77916951AA	034	11	78811201A	031	9	80012121A	030	21	82421862AA	016	11
77916971B	013	21	78811221A	034	8	80012131A	031	7	82510441A	26A	17
77916991A	10A	12	78811231A	034	10	81140012B	013	29	82712981B	27A	15
77917161B	005	3	78811281A	034	25	81140012B	13A	29	82716012A	005	25
77917161B	009	11	78811291A	034	26	81413341A	013	4	82716012A	05A	25
77917161B	012	6	79010231B	019	21	81413341A	13A	4	82716021A	014	34
77917161B	05A	3	79010231B	19A	21	81413421B	010	23	82716021A	015	34
77917231A	014	35	79010251A	019	12	81413531A	13A	34	82716091A	012	8
77917231A	015	35	79010251A	19A	12	81415081AA	031	12	82716141A	033	18
77917291AA	24A	1	79110831A	030	20	81420081A	031	27	82716351A	013	30
77917392AA	021	30	79120531B	007	5	81440681A	032	8	82716351A	13A	30
77917951AA	05A	29	79710531B	004	1	81510371A	029	5	8291A333AA	028	2
77917961AA	05A	28	79910241A	027	3	81810162A	004	5	8291A352B	030	11
77927171A	010	28	79911661A	016	5	81910691A	026	11	8291A431BA	016	12
77942571A	030	31	79911661A	025	24	81920021A	26A	6	8291A441AA	025	20
77950591A	024	10	79912632A	019	23	82010141A	010	4	8291A481B	022	7
78010511C	012	14	79912632A	19A	23	82010141A	012	28	8291A511BA	025	18
78010511C	014	24	79915101C	002	25	82010151A	008	13	8291A553BA	020	13
78010511C	015	24	79915131C	002	20	82010162A	009	14	8291A691AA	024	11
78010511C	10A	16	79915141C	002	16	82010171A	011	5	8291A701AA	023	9
78010771A	010	33	79915201A	014	33	82110511AB	016	6	8291A743A	24A	2
78010771A	014	18	79915201A	015	33	82110511AB	025	22	8292A342A	030	18
78010771A	015	18	79915211A	014	29	82110511AB	027	4	829PA361A	018	1
78010801A	010	26	79915211A	015	29	82111701B	016	7	829PA371A	18B	9
78010841A	012	13	79915221A	014	20	82111701B	025	36	829PA541B	18A	17
78010861A	010	19	79915221A	015	20	82113361A	014	26	83016442AA	027	22
78010871A	010	9	79915231A	014	13	82113361A	015	26	83016452AA	027	17
78020011A	019	18	79915231A	015	13	82113371B	014	27	83016471AA	022	12
78020011A	19A	18	79915421B	017	7	82113371B	015	27	83016491AA	019	31
78110121AA	005	19	79915432B	017	8	82113441B	002	3	83016491AA	19A	31



CODE	NO. TABLE	POS.	CODE	NO. TABLE	POS.	CODE	NO. TABLE	POS.	CODE	NO. TABLE	POS.
83016501AA	019	33	84010163A	015	1	84010442B	015	2	84010662B	015	2
83016501AA	19A	33	84010173A	014	1	84010452B	014	2	84010672B	014	2
83016541B	024	31	84010173A	015	1	84010452B	015	2	84010672B	015	2
83016582A	022	8	84010183A	014	1	84010462B	014	2	84010682B	014	2
83016641A	28A	14	84010183A	015	1	84010462B	015	2	84010682B	015	2
83016833A	18A	10	84010193A	014	1	84010472B	014	2	84010692B	014	2
83016861A	18B	14	84010193A	015	1	84010472B	015	2	84010692B	015	2
83017071A	18C	6	84010203A	014	1	84010482B	014	2	84010702B	014	2
83017791AA	19A	48	84010203A	015	1	84010482B	015	2	84010702B	015	2
83026511BA	019	10	84010213A	014	1	84010492B	014	2	84010712B	014	2
83026511BA	19A	10	84010213A	015	1	84010492B	015	2	84010712B	015	2
83110151A	010	21	84010223A	014	1	84010502B	014	2	84010722B	014	2
83210031C	28A	17	84010223A	015	1	84010502B	015	2	84010722B	015	2
84010013A	014	1	84010233A	014	1	84010512B	014	2	84010723A	014	1
84010013A	015	1	84010233A	015	1	84010512B	015	2	84010723A	015	1
84010023A	014	1	84010243A	014	1	84010522B	014	2	84010732B	014	2
84010023A	015	1	84010243A	015	1	84010522B	015	2	84010732B	015	2
84010033A	014	1	84010253A	014	1	84010532B	014	2	84010733A	014	1
84010033A	015	1	84010253A	015	1	84010532B	015	2	84010733A	015	1
84010043A	014	1	84010263A	014	1	84010542B	014	2	84010742B	014	2
84010043A	015	1	84010263A	015	1	84010542B	015	2	84010742B	015	2
84010053A	014	1	84010273A	014	1	84010552B	014	2	84010752B	014	2
84010053A	015	1	84010273A	015	1	84010552B	015	2	84010752B	015	2
84010063A	014	1	84010283A	014	1	84010562B	014	2	84010762B	014	2
84010063A	015	1	84010283A	015	1	84010562B	015	2	84010762B	015	2
84010073A	014	1	84010293A	014	1	84010572B	014	2	84010772B	014	2
84010073A	015	1	84010293A	015	1	84010572B	015	2	84010772B	015	2
84010083A	014	1	84010303A	014	1	84010582B	014	2	84010782B	014	2
84010083A	015	1	84010303A	015	1	84010582B	015	2	84010782B	015	2
84010093A	014	1	84010313A	014	1	84010592B	014	2	84010792B	014	2
84010093A	015	1	84010313A	015	1	84010592B	015	2	84010792B	015	2
84010103A	014	1	84010323A	014	1	84010602B	014	2	84010802B	014	2
84010103A	015	1	84010323A	015	1	84010602B	015	2	84010802B	015	2
84010113A	014	1	84010333A	014	1	84010612B	014	2	84010812B	014	2
84010113A	015	1	84010333A	015	1	84010612B	015	2	84010812B	015	2
84010123A	014	1	84010343A	014	1	84010622B	014	2	84010822B	014	2
84010123A	015	1	84010343A	015	1	84010622B	015	2	84010822B	015	2
84010133A	014	1	84010412B	014	2	84010632B	014	2	84010832B	014	2
84010133A	015	1	84010412B	015	2	84010632B	015	2	84010832B	015	2
84010143A	014	1	84010422B	014	2	84010642B	014	2	84010842B	014	2
84010143A	015	1	84010422B	015	2	84010642B	015	2	84010842B	015	2
84010153A	014	1	84010432B	014	2	84010652B	014	2	84010852B	014	2
84010153A	015	1	84010432B	015	2	84010652B	015	2	84010852B	015	2
84010163A	014	1	84010442B	014	2	84010662B	014	2	84010862B	014	2



CODE	NO. TABLE	POS.	CODE	NO. TABLE	POS.	CODE	NO. TABLE	POS.	CODE	NO. TABLE	POS.
84010862B	015	2	84011901AN	015	3	85211511A	025	37	85250241A	024	4
84010872B	014	2	84011901AO	014	3	85211671B	033	25	85250241A	025	10
84010872B	015	2	84011901AO	015	3	85211951A	005	15	85250241A	031	23
84011083A	014	1	84011901AP	014	3	85211951A	05A	15	85250241A	05A	18
84011083A	015	1	84011901AP	015	3	85212171A	26A	15	85250241A	24A	6
84011093A	014	1	84011901AQ	014	3	85212181A	34A	9	85250261A	012	15
84011093A	015	1	84011901AQ	015	3	85212211A	026	14	85250261A	10A	15
84011103A	014	1	84011901AR	014	3	85212211A	26A	3	85250261B	014	25
84011103A	015	1	84011901AR	015	3	85212221A	026	6	85250261B	015	25
84011113A	014	1	84510061A	014	5	85212621A	003	12	85250261B	24A	9
84011113A	015	1	84510061A	015	5	85212631A	003	17	85250291A	019	40
84011123A	014	1	84740021A	027	2	85212651A	002	19	85250291A	19A	40
84011123A	015	1	84740061A	010	20	85212651A	012	26	85250301A	031	24
84011133A	014	1	84820112AA	021	34	85212661A	002	24	85250491A	010	27
84011133A	015	1	84850021A	016	16	85212681A	009	20	85250541A	009	7
84011143A	014	1	85040471A	018	23	85212681A	011	13	85310031A	012	18
84011143A	015	1	85040471A	030	27	85212721A	005	9	85350101A	18A	6
84011901AA	014	3	85040471A	033	20	85212721A	05A	9	85540031A	022	5
84011901AA	015	3	85040471A	18B	15	85212741A	008	3	85610642A	10A	2
84011901AB	014	3	85040471A	18C	7	85212771A	10A	5	85611271A	016	22
84011901AB	015	3	85040471A	34A	3	85212781A	013	9	85611372A	003	9
84011901AC	014	3	85040521A	027	26	85212781A	13A	9	85611381A	003	21
84011901AC	015	3	85040551A	019	27	85212791A	006	2	85611391A	004	2
84011901AD	014	3	85040551A	020	7	85212801A	003	31	85611401A	033	10
84011901AD	015	3	85040551A	030	6	85212941B	012	4	85611401A	34A	2
84011901AE	014	3	85040551A	033	14	85212981A	003	6	85611471A	013	13
84011901AE	015	3	85040551A	18A	19	85213021A	009	26	85611471A	13A	13
84011901AF	014	3	85040551A	19A	27	85213111AA	019	4	86010061A	013	32
84011901AF	015	3	85041041A	033	11	85213111AA	030	16	86010061A	13A	32
84011901AG	014	3	85041041A	034	15	85213111AA	19A	4	86050061A	002	26
84011901AG	015	3	85041051A	033	12	85213111AA	27A	24	86050061A	009	12
84011901AH	014	3	85041051A	034	16	85213111AA	27B	24	86050061A	010	10
84011901AH	015	3	85041471A	033	31	85240131A	27B	14	86050061A	013	17
84011901AI	014	3	85041581A	018	2	85240161A	19A	54	86050061A	014	6
84011901AI	015	3	85041581A	18B	20	85240231A	013	24	86050061A	015	6
84011901AJ	014	3	85041811A	017	13	85240231A	13A	24	86050061A	13A	17
84011901AJ	015	3	85110201A	004	8	85240261A	014	17	86050091A	002	21
84011901AK	014	3	85210241A	034	5	85240261A	015	17	86050091A	010	5
84011901AK	015	3	85210532A	019	28	85250011C	27A	14	86050361AA	22A	3
84011901AL	014	3	85210532A	19A	28	85250191A	024	33	86610301A	033	5
84011901AL	015	3	85210681B	22A	9	85250231A	013	3	86610361A	18A	18
84011901AM	014	3	85211201A	013	16	85250231A	13A	3	86610611A	033	6
84011901AM	015	3	85211201A	13A	16	85250241A	005	18	86611241A	18B	11
84011901AN	014	3	85211511A	016	14	85250241A	023	17	86640051A	24A	3



CODE	NO. TABLE	POS.	CODE	NO. TABLE	POS.	CODE	NO. TABLE	POS.	CODE	NO. TABLE	POS.
86640061A	032	13	88450371A	011	14	887132951	01C	3	887134133	01B	20
87210481A	021	18	88610281A	005	16	887133211	01C	5	887134134	01B	22
87210532A	27A	26	88610281A	05A	16	887133220	01C	1	887134135	01B	23
87210532A	27B	26	88610961A	017	4	8871333407	01B	17	887134136	01B	21
87210601A	28A	20	88640042A	003	28	8871333422	01A	1	887134137	01B	19
87210722A	021	3	88640091A	028	9	8871333436	01A	11	887134138	01A	36
87210781A	034	27	88640331A	012	20	8871333437	01A	2	887134139	01A	35
87210791A	034	28	88640741A	012	12	8871333440	01A	3	887134207	01C	16
87240761A	020	22	88640881A	014	8	8871333452	01A	13	887134337	01C	14
87240881A	030	29	88640881A	015	8	8871333467	01B	4	887134338	01C	13
87310021A	010	32	88640891A	005	6	8871333468	01B	3	887651298	01B	15
87511641BB	010	34	88640891A	05A	6	8871333500	01A	14	887651632	01A	27
87511651BB	010	18	88641061A	021	33	8871333502	01A	23	887651678	01A	24
87511791B	010	2	88641161A	016	8	8871333507	01A	15	887651702	01A	32
87521941AA	028	14	88641161A	025	35	8871333508	01A	16	887651703	01A	33
875P1731BA	021	14	88641241A	26A	16	8871333509	01A	17	887651704	01A	34
875P1741BA	021	26	88641331A	009	16	8871333510	01A	10	89310143A	030	24
87611081A	029	2	88641701A	10A	10	8871333511	01A	12	89310151A	009	8
87611121A	029	4	88641761A	005	11	8871333512	01A	18	89320121A	005	7
87611131A	029	12	88641761A	05A	11	8871333517	01A	29	89320121A	05A	7
87711111A	024	17	88641791A	13A	33	8871333524	01A	6	89340051A	025	5
87711131A	023	15	88641961A	010	24	8871333529	01C	9	89340241A	023	11
87711491A	025	7	88641971A	012	29	8871333549	01A	9	89420112B	009	10
87721561A	005	20	88641981A	031	20	8871333758	01A	19	89520221A	032	12
87721561A	05A	20	88642061A	017	14	887133760	01A	21	91371901A	027	30
88110541A	26A	7	88642081A	008	7	887133773	01A	4	91371901B	027	30
88140161B	003	3	88650131A	010	3	887133774	01A	7	91371901C	027	30
88440281A	003	16	88650541A	004	18	887133795	01A	5	91371901D	027	30
88440331A	033	4	88650561A	009	4	887133820	01A	22	91371901E	027	30
88440381A	003	11	887131010	01C	6	887133824	01B	2	91371901F	027	30
88440511A	26A	18	887131058	01C	7	887133853	01A	8	91371901G	027	30
88440621A	003	4	887131062	01C	12	887133875	01B	7	93010041B	021	9
88450021A	021	16	887131074	01C	4	887133878	01B	9	93010102A	26A	28
88450031A	016	3	887131832	01B	13	887133879	01B	8	93040431A	010	13
88450031A	019	34	887131994	01A	20	887133880	01A	26	93040521A	026	18
88450031A	025	25	887132069	01B	18	887133922	01B	12	93040931A	010	31
88450031A	027	6	887132409	01C	8	887133923	01B	11	93041271A	028	17
88450031A	19A	34	887132442	01B	14	887133924	01B	1	93041521A	005	10
88450031A	22A	10	887132574	01A	25	887133925	01B	10	93041521A	05A	10
88450291A	005	8	887132676	01B	6	887133926	01B	5	93041591A	002	11
88450291A	05A	8	887132855	01C	15	887133927	01C	2	93041771A	003	26
88450311A	002	14	887132857	01C	10	887133943	01A	28	93041771A	010	30
88450361A	002	18	887132858	01C	11	887134131	01A	30	93041911A	022	15
88450371A	009	21	887132877	01B	16	887134132	01A	31	93050121A	28A	5



CODE	NO. TABLE	POS.
93410152A	030	8
93410173A	031	17
942470014	10A	3
944650035	L	1
944650037	L	2
979000252	001	1
979000254	001	3
979000255	001	4
979000256	001	2







**Ducati Motor Holding S.p.A.**

Uffici Commerciali Amministrativi:

Via A. Cavalieri Ducati n. 3

40132 Bologna, Italy

Telefono 051 6413111

Fax 051 406580

Internet [www.ducati.com](http://www.ducati.com)