



821  
Model Year 2017

# *MONSTER*

Chassis prefix:  
Cylinder capacity: 821

D19000017 - 3  
SPARE PARTS CATALOGUE  
en-US





The present spare parts order exactly the right spare parts.

When ordering specify:

1. the part's code number followed by its description and quantity needed;
2. the motorcycle's serial number, stamped on the steering head.

Reference to right and left apply to the vehicle in terms of its direction of movement.



Spare parts drawings are general and do not represent the part.

The contents of this catalogue are general and can undergo changes without prior notice.

## CHARACTERISTICS LEGENDA

CHARACTERISTIC CODE	CHARACTERISTIC DESCRIPTION	VALUE CODE	VALUE DESCRIPTION
CPT	PARTICULAR CHARACTERISTICS	STD	MOTO STANDARD
DFR	DAFRA	N	
MOD	MODEL	M 821	
PLT	PLANT	DB10	
XCO	MAIN COLOUR	DG	
XCO	MAIN COLOUR	R	
XCR	FRAME / WHEEL COLOUR	R-B	
XCR	FRAME / WHEEL COLOUR	RMR	
XST	STANDARD COUNTRY	EUR	
XST	STANDARD COUNTRY	JAP	



COLOUR	COLOUR CODE	COLOUR DESCRIPTION	FINISHED PRODUCTS
	DG	DUST GREY	(D19011017) M 821 17 EUR DG RMR STD DMH (D19011217) M 821 17 JAP DG RMR STD DMH
	R	RED	(D19002217) M 821 17 EUR R R-B STD DMH (D19002817) M 821 17 JAP R R-B STD DMH



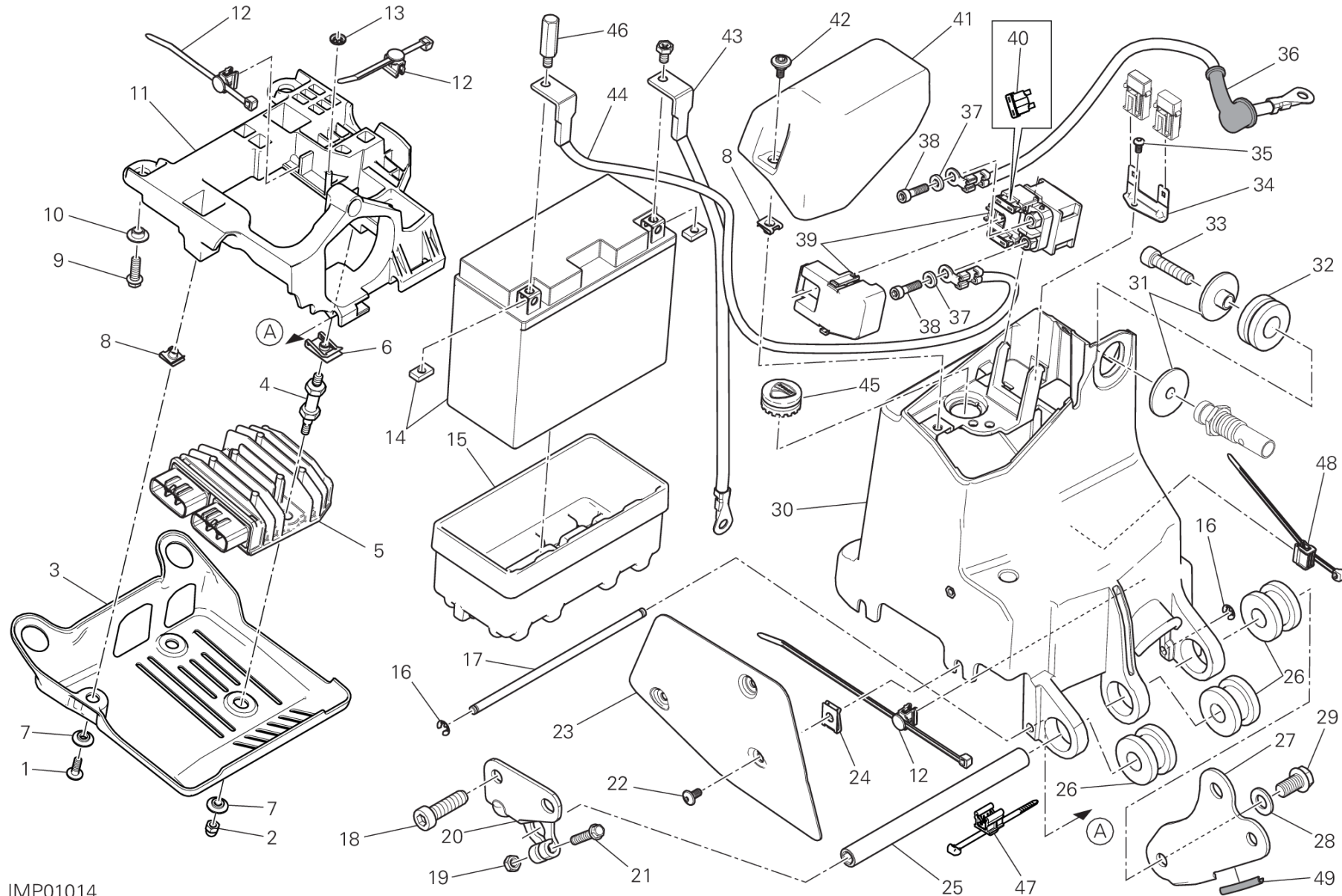
General information.....	3
Colours.....	4
Group ELECTRIC.....	8
Drawing 018 - BATTERY HOLDER [MOD:M 821].....	8
Drawing 020 - HEADLIGHT [MOD:M 821].....	12
Drawing 18A - ENGINE CONTROL UNIT [MOD:M 821].....	14
Drawing 18B - WIRING HARNESS [MOD:M 821].....	16
Drawing 20A - INSTRUMENT PANEL [MOD:M 821].....	18
Drawing 28B - PLATE HOLDER [MOD:M 821;XST:EUR].....	20
Drawing 28B - PLATE HOLDER [MOD:M 821;XST:JAP].....	22
Group ENGINE.....	24
Drawing 002 - SHIFT CAM - FORK [MOD:M 821].....	24
Drawing 003 - GEAR BOX [MOD:M 821].....	26
Drawing 004 - CLUTCH [MOD:M 821].....	28
Drawing 005 - CLUTCH COVER [MOD:M 821].....	30
Drawing 006 - CONNECTING RODS [MOD:M 821].....	32
Drawing 007 - CYLINDERS - PISTONS [MOD:M 821].....	34
Drawing 008 - DISTRIBUZIONE [MOD:M 821].....	36
Drawing 009 - FILTERS AND OIL PUMP [MOD:M 821].....	38
Drawing 010 - HALF-CRANKCASES PAIR [MOD:M 821].....	40
Drawing 011 - WATER PUMP-ALTR-SIDE CRNKCE COVER [MOD:M 821].....	44
Drawing 012 - ELECTRIC STARTING AND IGNITION [MOD:M 821].....	48
Drawing 013 - CYLINDER HEAD : TIMING SYSTEM [MOD:M 821].....	50
Drawing 014 - VERTICAL HEAD [MOD:M 821].....	52
Drawing 015 - HORIZONTAL HEAD [MOD:M 821].....	60
Drawing 10A - HALF-CRANKCASES PAIR [MOD:M 821].....	68
Group TOOLS.....	70
Drawing 001 - WORKSHOP SERVICE TOOLS, ENGINE [MOD:M 821].....	70
Drawing 01A - WORKSHOP SERVICE TOOLS, FRAME [MOD:M 821].....	74



Drawing 01B - DDS (2) TESTER [MOD:M 821].....	76
Group TYRES.....	78
Drawing A - TYRES [MOD:M 821].....	78
Drawing B - (*) PIRELLI DIABLO™ ROSSO II [MOD:M 821].....	80
Drawing C - PIRELLI DIABLO™ ROSSO CORSA [MOD:M 821].....	82
Group FRAME.....	84
Drawing 016 - SWITCH ASSY, OIL PRESSURE [MOD:M 821].....	84
Drawing 017 - THROTTLE BODY [MOD:M 821].....	86
Drawing 019 - EXHAUST SYSTEM [MOD:M 821].....	88
Drawing 021 - HANDLEBAR AND CONTROLS [MOD:M 821].....	92
Drawing 022 - FRAME [MOD:M 821].....	96
Drawing 023 - CLUTCH CONTROL [MOD:M 821].....	98
Drawing 024 - FRONT BRAKE SYSTEM [MOD:M 821].....	100
Drawing 025 - REAR BRAKE SYSTEM [MOD:M 821].....	102
Drawing 026 - RUOTA ANTERIORE E POSTERIORE [MOD:M 821].....	104
Drawing 027 - REAR FRAME COMP. [MOD:M 821].....	108
Drawing 028 - SOSPENSIONE POSTERIORE [MOD:M 821].....	110
Drawing 029 - AIR INTAKE - OIL BREATHER [MOD:M 821].....	112
Drawing 030 - WATER COOLER [MOD:M 821].....	114
Drawing 031 - COOLING SYSTEM [MOD:M 821].....	116
Drawing 032 - FUEL TANK [MOD:M 821].....	118
Drawing 033 - SEAT [MOD:M 821].....	120
Drawing 034 - HALF FAIRING [MOD:M 821].....	124
Drawing 035 - HOT AIR PIPE CANISTER [MOD:M 821].....	126
Drawing 21A - FRONT FORK [MOD:M 821].....	128
Drawing 22A - SIDE STAND [MOD:M 821].....	130
Drawing 24A - ANTILOCK BRAKING SYSTEM (ABS) [MOD:M 821].....	132
Drawing 27A - FOOTRESTS, LEFT [MOD:M 821].....	134
Drawing 27B - FOOTRESTS, RIGHT [MOD:M 821].....	136
Drawing 28A - FORCELLONE POSTERIORE [MOD:M 821].....	138



Alphanumeric index.....140



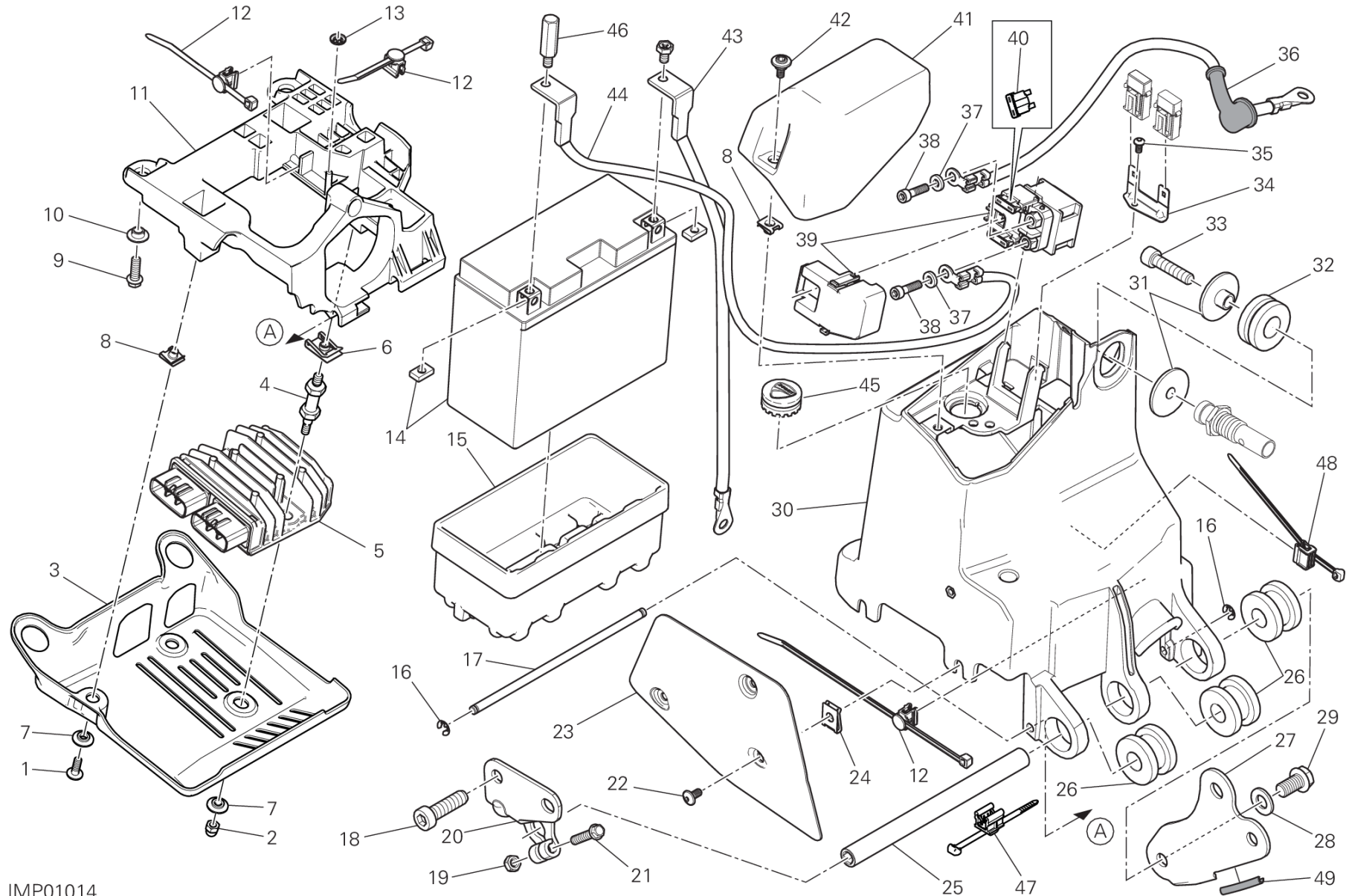
IMP01014

# DRAWING 018 - BATTERY HOLDER [MOD:M 821]

GROUP ELECTRIC



POS.	CODE	DESCRIPTION	QTY	START DATE	END DATE	VALIDITY	NOTES
1	77244183B	SCREW	1	01/08/2013			
2	75040141A	NUT	2	10/03/2016			
3	4601D231A	GUARD VOLTAGE REGULATOR	1	10/03/2016			
4	77211411AA	SCREW, SPECIAL	2	24/07/2015			
5	54040321A	VOLTAGE REGULATOR	1	01/08/2013			
6	85040381A	QUICK FASTENING	2	01/08/2013			
7	71614071A	SPACER 5.2X8.4X2	3	01/08/2013			
8	85041951AA	QUICK FASTENING	3	01/08/2013			
9	77251008B	SCREW M6X18	2	22/10/2013			
10	71610381B	SPACER	2	22/10/2013			
11	24715281A	COVER, BATTERY	1	24/07/2015			
12	75840771A	FAIRLEAD	3	01/08/2013			
13	85040561A	WASHER, LOCK	1	22/10/2013			
14	69926751A	BATTERY	1	22/10/2013			
15	86611681A	CUSHION, BATTERY	1	22/10/2013			
16	88450661A	SNAP RING	2	22/10/2013			
17	82114581BA	PIN	1	22/10/2013			
18	77355213C	SCREW TCEIR M10X40 DIN6912 10.9	1	16/03/2015			
19	74941333B	NUT	1	22/10/2013			
20	83018081AA	RIGHT BRACKET	1	22/10/2013			
21	77251043B	SCREW	1	22/10/2013			
22	77240258C	SCREW	3	22/10/2013			
23	4601A611B	BATTERY MOUNT HEAT GUARD	1	16/03/2015			
24	85040551A	QUICK FASTENING	2	01/08/2013			
25	82114571AA	PIN	1	22/10/2013			
26	76411431A	VIBRATION DAMPER PAD	3	01/08/2013			
27	83018091AA	LEFT BRACKET	1	22/10/2013			
28	85250601A	WASHER	1	22/10/2013			
29	77251593B	SCREW	1	22/10/2013			
30	8291B632B	BATTERY HOLDER	1	01/08/2013			
31	71614271A	SPACER	2	22/10/2013			
32	76411421A	VIBRATION DAMPER PAD	1	01/08/2013			
33	77151283B	SCREW	1	22/10/2013			
34	83018352AA	BRACKET FUSE	1	01/08/2013			
35	77440431AA	SCREW, TAPPING	1	20/01/2015			



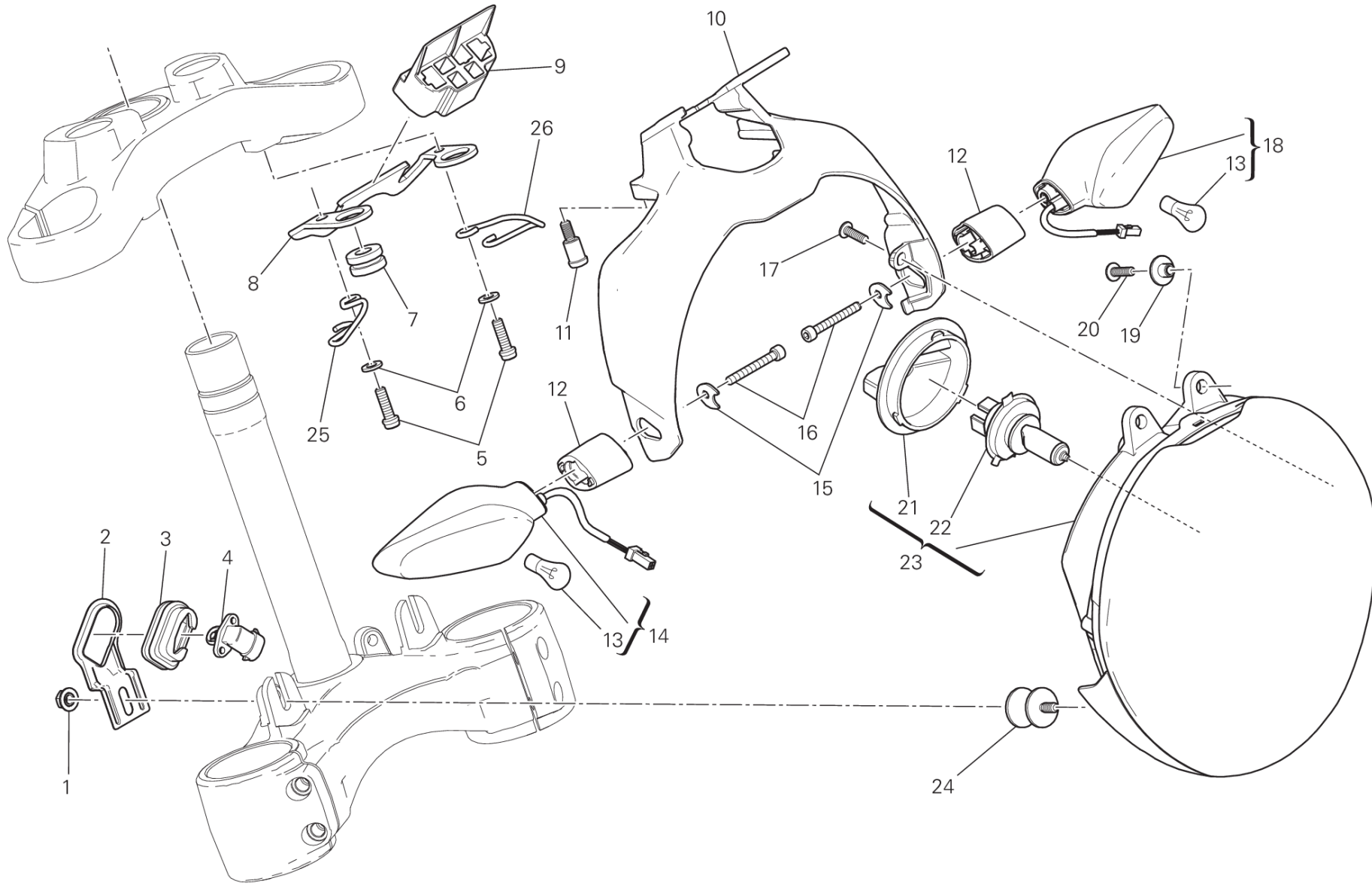
IMP01014

## DRAWING 018 - BATTERY HOLDER [MOD:M 821]

GROUP ELECTRIC



POS.	CODE	DESCRIPTION	QTY	START DATE	END DATE	VALIDITY	NOTES
36	51410721B	CABLE	1	01/08/2013			
37	85350101A	WASHER, SPRING	2	01/08/2013			
38	77156628B	SCREW TCEIF M6X10	2	01/08/2013			
39	39740081B	STARTER RELAY	1	01/08/2013			
40	38940231A	FUSE 30A	1				
41	24714651A	COVER UPPER	1	22/10/2013			
42	77210853B	SCREW	2	22/10/2013			
43	51310281B	BATTERY - ENGINE GROUNDING CABLE	1	01/08/2013			
44	51410711A	CABLE	1	01/08/2013			
45	76410621B	RUBBER PAD	2	01/08/2013			
46	77918711BA	SCREW, SPECIAL WIRE, BATTERY PLUS LEAD	1	22/10/2013			
47	75840861A	CLAMP	1	01/12/2014			
48	75840801A	CLAMP	1	01/12/2014			
49	76412131A	RUBBER PAD	1	10/03/2016			



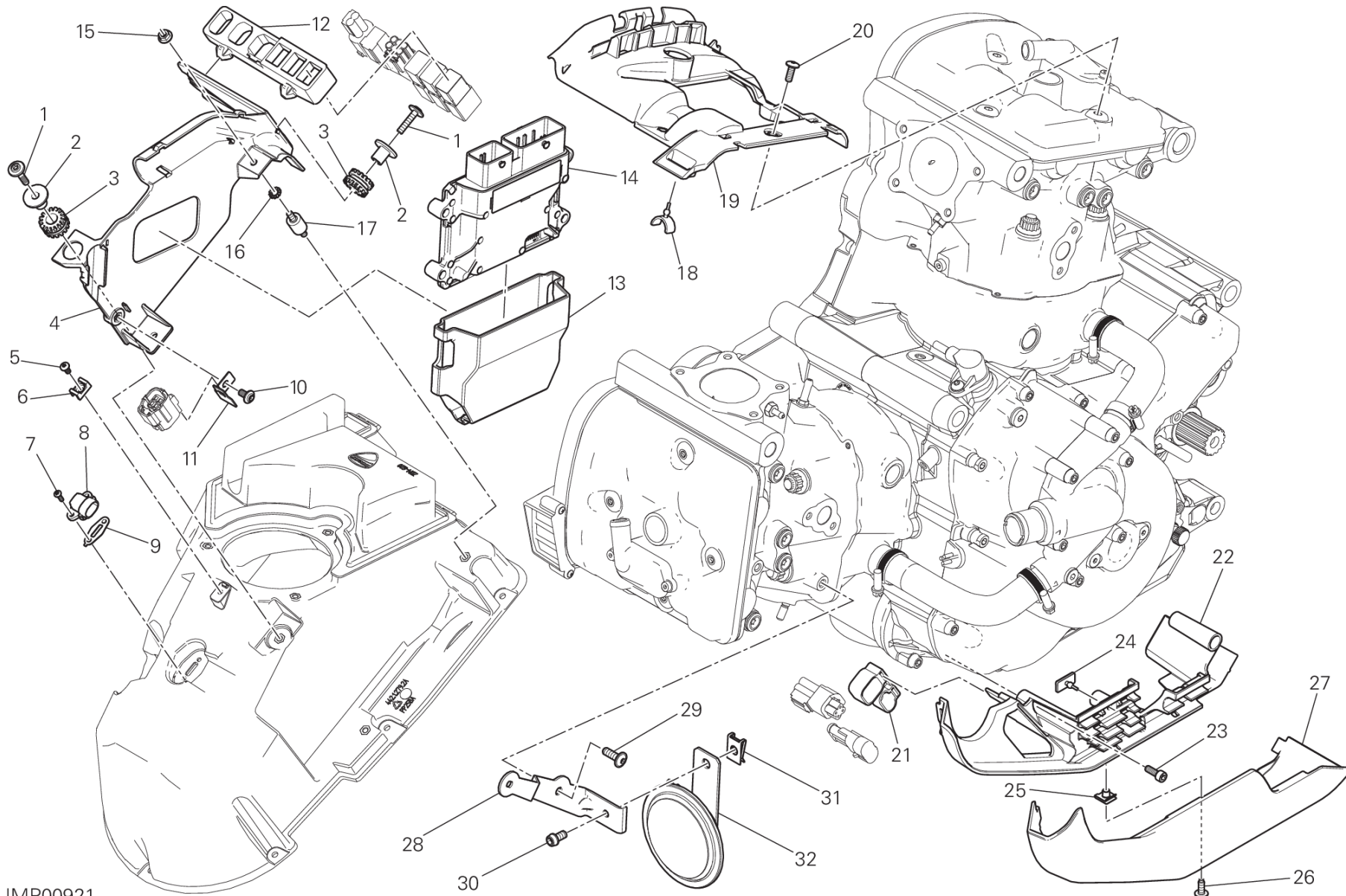
FAN00258

## DRAWING 020 - HEADLIGHT [MOD:M 821]

GROUP ELECTRIC



POS.	CODE	DESCRIPTION	QTY	START DATE	END DATE	VALIDITY	NOTES
1	75050011B	NUT 6MM	2	22/10/2013			
2	83018731AA	BRACKET, SENSOR TEMPERATURE	1	22/10/2013			
3	76410971A	RUBBER PAD	1	22/10/2013			
4	55240121A	SENSOR, AIR TEMPERATURE	1	22/10/2013			
5	77110191A	SCREW TCEIF M6X20	2	01/08/2013			
6	85211761A	WASHER 6.4X12.5X1.6	2	01/08/2013			
7	76410641A	VIBRATION DAMPER PAD	2	01/08/2013			
8	8291B651AA	BRACKET, CONNECTOR	1	01/08/2013			
9	86611692B	RUBBER PAD	1	15/01/2014			
10	8291B661BB	BRACKET, HEADLIGHT & DASHBOARD	1	22/10/2013			
11	82113571A	THREATENED PIN	2	22/10/2013			
12	7131A481A	SPACER	2	22/10/2013			
13	39040211A	BULB	2				
14	53010236B	FLASHER LIGHT FRONT RH- REAR LH	1	01/10/2013			
15	82714931A	PLATE	2	22/10/2013			
16	77150498B	SCREW TCEI M5X40	2	22/10/2013			
17	77440041A	SCREW, TAPPING M5X16	2	01/08/2013			
18	53010226B	FLASHER LIGHT FRONT LH - REAR RH	1	01/10/2013			
19	71614251A	SPACER	2	22/10/2013			
20	77244203B	SCREW	2	22/10/2013			
21	39040311A	CAP	1				
22	39040291A	BULB	1				
23	52010271C	HEADLIGHT	1	22/10/2013			
24	70010481B	DAMPER M6X12	2	22/10/2013			
25	88110931A	HOSE GUIDE RIGHT	1	01/03/2014			
26	88110961A	HOSE GUIDE LEFT	1	01/03/2014			



IMP00921

# DRAWING 18A - ENGINE CONTROL UNIT [MOD:M 821]

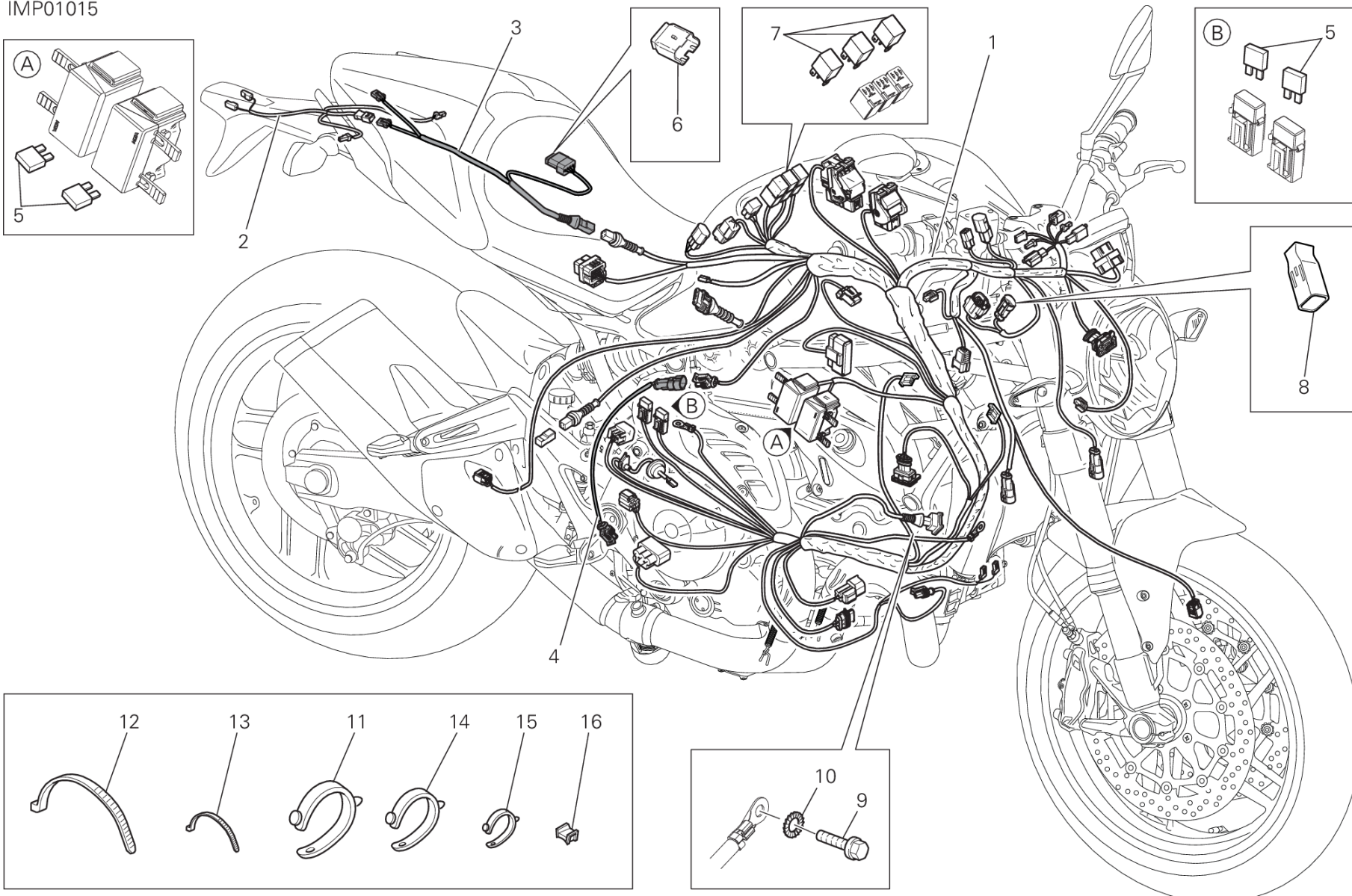
GROUP ELECTRIC



POS.	CODE	DESCRIPTION	QTY	START DATE	END DATE	VALIDITY	NOTES
1	77214061AA	SCREW, SPECIAL	2	11/06/2014			
2	71610061A	SPACER	2	11/06/2014			
3	76410241A	VIBRATION DAMPER PAD	2	11/06/2014			
4	8291B641C	BRACKET ENGINE CONTROL UNIT	1	12/03/2013			
5	77440141A	SCREW, TAPPING 4X8 WN1412	1	12/03/2013			
6	85041711A	HOSE GUIDE	1	12/03/2013			
7	77440213C	SCREW	2	12/03/2013			
8	55240121A	SENSOR, AIR TEMPERATURE	1	22/10/2013			
9	78811041A	GASKET, COOLING WATER SENSOR	1	12/03/2013			
10	77244168B	SCREW	1	12/03/2013			
11	8291B771AA	CONNECTOR HOLDER	1	12/03/2013			
12	86611611A	RUBBER PAD UPPER	1	12/03/2013			
13	86611981A	VIBRATION DAMPER ENGINE CONTROL UNIT	1	11/06/2014			
14	28642821A	ENGINE CONTROL UNIT	1	10/10/2016		XST:EUR	
	28642821F	ENGINE CONTROL UNIT	1	10/10/2016		XST:JAP	
15	74850061A	NUT	2	11/06/2014			
16	46240461A	WASHER, SPRING	2	11/06/2014			
17	70010431A	DAMPER	2	11/06/2014			
18	86610731A	VIBRATION DAMPER	2	22/10/2013			
19	75810782A	PROTECTION WIRING VERTICAL HEAD	1	22/10/2013			
20	77240278C	SCREW	3	22/10/2013			
21	86611731A	RUBBER PAD CONNECTOR	1	22/10/2013			
22	8291C661D	HOLDER WIRING LOWER	1	07/05/2014			
23	77150408B	SCREW TCEI M5X14	3	22/10/2013			
24	86610361A	RUBBER PAD	1	22/10/2013			
25	85040471A	QUICK FASTENING M5	1	05/05/2014			
26	77244173B	SCREW	1	22/09/2014			
27	48016351B	COVER, LOWER LEFT	1	16/03/2015			
28	83018872AA	HORN BRACKET	1	05/05/2014			
29	77240403C	SCREW	1	06/05/2014			
30	77113691A	SCREW TCEIF M6X12	1	05/05/2014			
31	85040381A	QUICK FASTENING	1	06/05/2014			
32	51640011AB	HORN	1	06/05/2014			



IMP01015

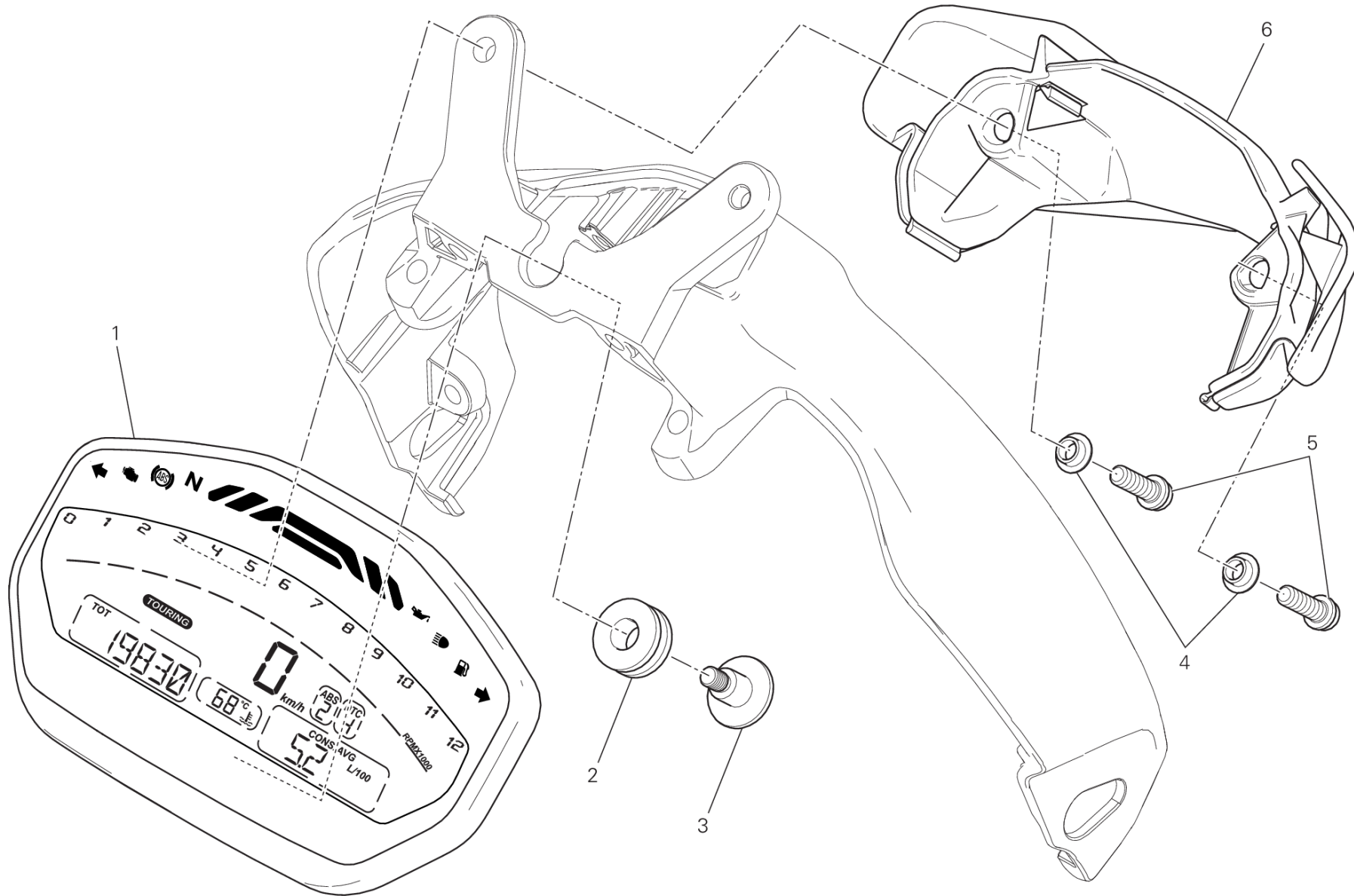


# DRAWING 18B - WIRING HARNESS [MOD:M 821]

## GROUP ELECTRIC



POS.	CODE	DESCRIPTION	QTY	START DATE	END DATE	VALIDITY	NOTES
1	5101B281A	MAIN WIRING HARNESS	1	24/07/2015			
2	51019771C	WIRING PLATE HOLDER	1	10/06/2014			
3	51019761C	REAR WIRING	1	25/11/2013			
4	51019721A	EXTENSION, WIRE HARNESS SWITCH, REAR BRAKE	1	22/10/2013			
5	38940191A	FUSE 5A	4				
	38940201A	FUSE 10A	3				
	38940211A	FUSE 15A	1				
	38940221A	FUSE 20A	1				
	38940241A	FUSE 7,5A	1				
	38940251A	FUSE 30A	1				
	38940261A	FUSE 25A	1				
	38940301A	FUSE 3A	1				
6	87210532A	CAP DDA	1				
7	54140101A	RELAY	3				
8	87210641A	CAP, CONNECTOR	1				
9	77211061A	SCREW TEF M6X14	1	22/10/2013			
10	85550001B	SPRING WASHER	1	22/10/2013			
11	74110131A	CLAMP, RUBBER 82MM	2	22/10/2013			
12	069191030	CLAMP	19	01/10/2013			
13	74140381A	CLAMP	18	01/08/2013			
14	74110101A	CLAMP 70MM	2	22/10/2013			
15	74110551A	CLAMP	10	22/10/2013			
16	85040671A	CLAMP TUCKER	6	01/10/2013			



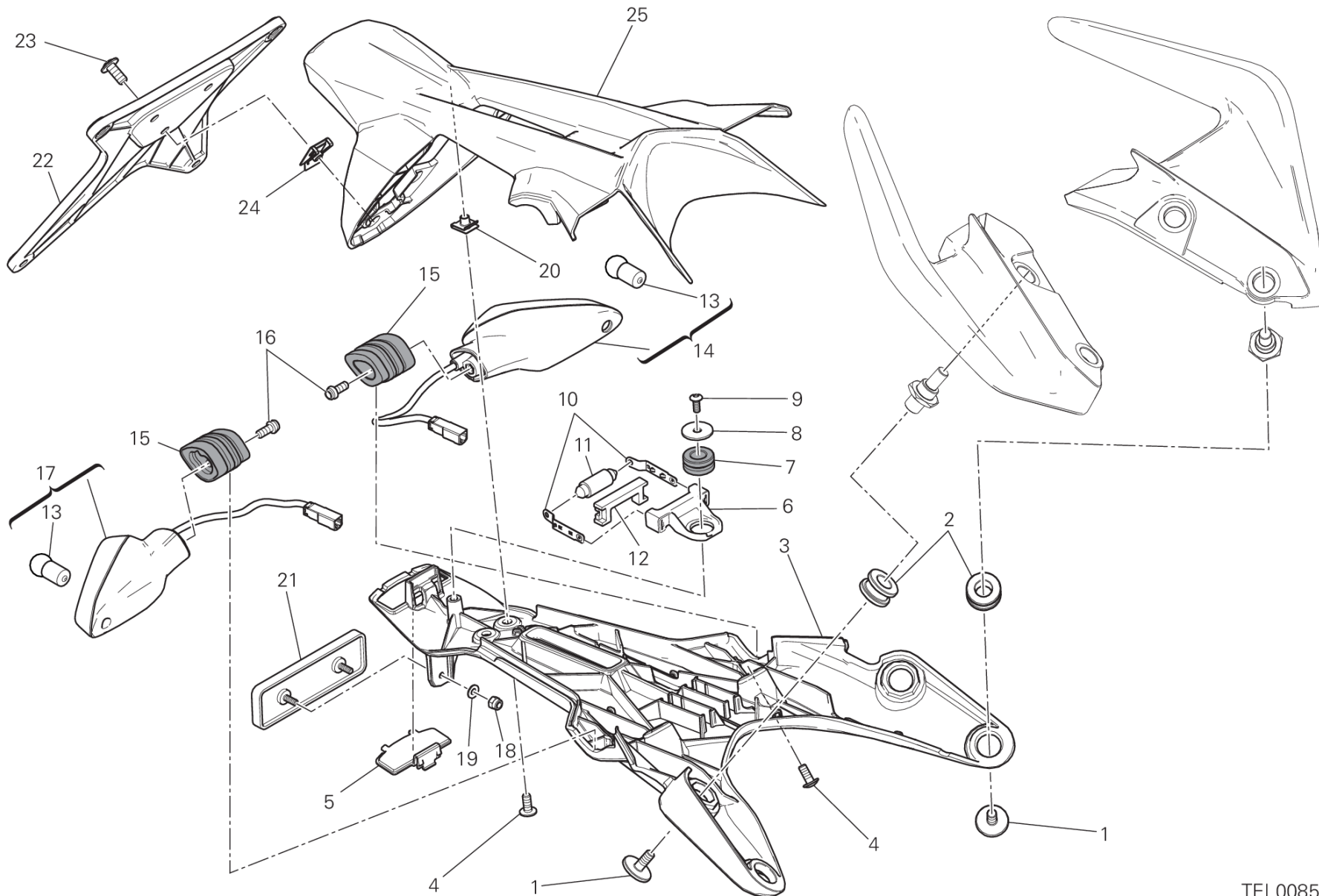
FAN00260

# DRAWING 20A - INSTRUMENT PANEL [MOD:M 821]

GROUP ELECTRIC



POS.	CODE	DESCRIPTION	QTY	START DATE	END DATE	VALIDITY	NOTES
1	40611301B	INSTRUMENT PANEL	1	10/03/2016			
2	76410841A	VIBRATION DAMPER PAD	1	22/10/2013			
3	77214161AA	SCREW, SPECIAL	1	22/10/2013			
4	71611521A	SPACER WITH COLLAR	2	22/10/2013			
5	77156413B	SCREW TCEIF M5X16	2	22/10/2013			
6	24714782A	COVER, METER	1	22/10/2013			



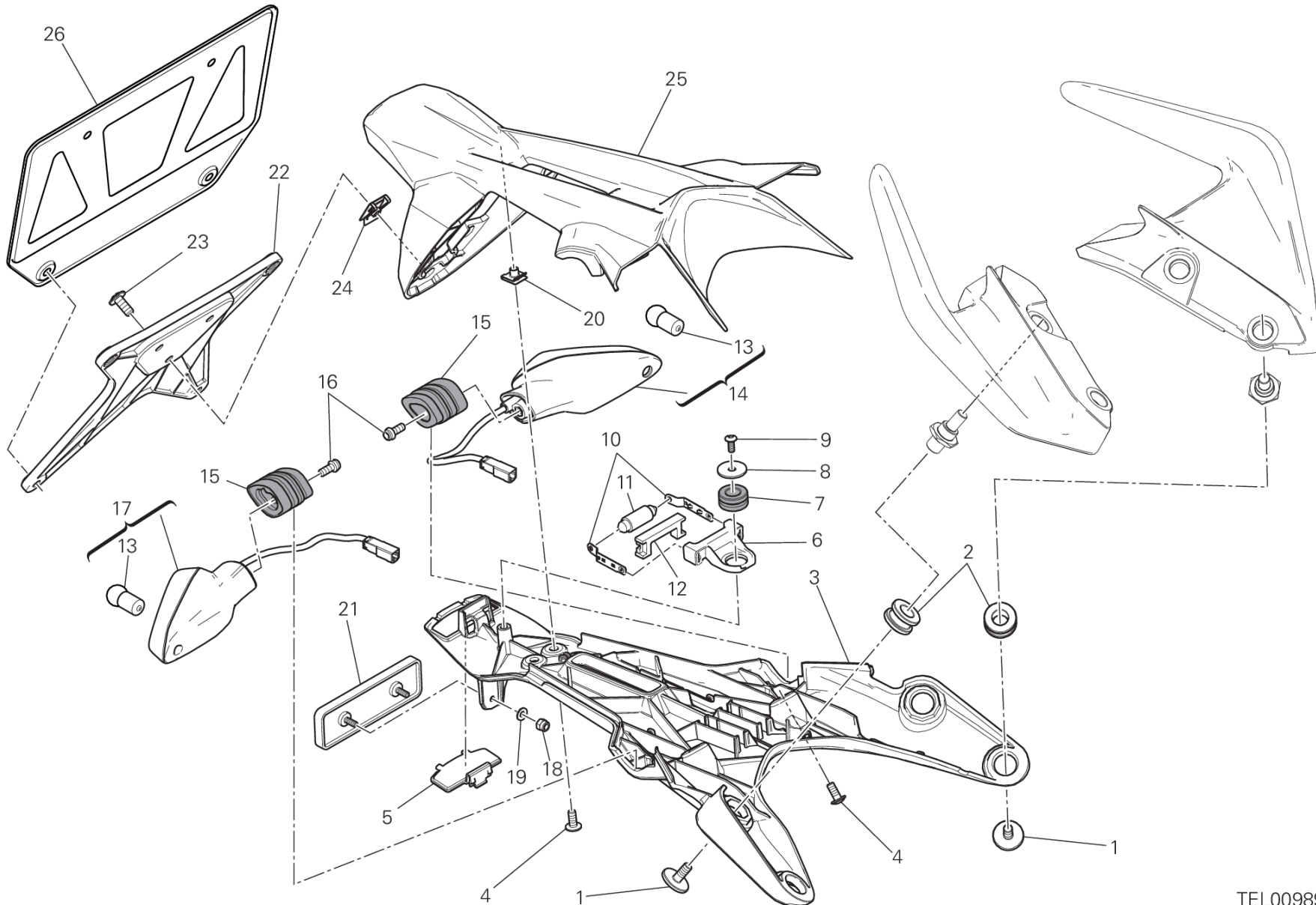
TEL00852

## DRAWING 28B - PLATE HOLDER [MOD:M 821;XST:EUR]

GROUP ELECTRIC



POS.	CODE	DESCRIPTION	QTY	START DATE	END DATE	VALIDITY	NOTES
1	77919531AA	SCREW, SPECIAL	4	24/03/2015			
2	76412161A	RUBBER PAD	4	24/03/2015			
3	56113201C	NUMBER PLATE HOLDER BOTTOM	1	02/06/2014			
4	77240253C	SCREW	4	09/04/2014			
5	24713331A	LENS, LICENCE LIGHT	1	12/11/2013			
6	83015483A	BRACKET	2	01/10/2012			
7	76410901A	RUBBER PAD	1	25/11/2013			
8	85241711A	WASHER 5.3X20X1.5	1	25/11/2013			
9	77440061A	SCREW, TAPPING 4.5X16	1	25/11/2013			
10	39110033A	BLADE	2	01/07/2012			
11	39040162A	BULB 12V-5W C5W	1	01/07/2012			
12	71319241A	SPACER	1	01/07/2012			
13	39040211A	BULB	2	12/03/2012			
14	53010236A	FLASHER LIGHT FRONT RH- REAR LH	1	15/02/2013			
15	71314703A	SPACER	2	01/07/2012			
16	77110441A	SCREW TCEIF M5X16	2	19/10/2012			
17	53010226A	FLASHER LIGHT FRONT LH - REAR RH	1	15/02/2013			
18	74950011B	NUT, SPRING	2	15/11/2012			
19	85250011C	WASHER 4.3X9X0.8	2	06/12/2013			
20	85040471A	QUICK FASTENING M5	2	01/07/2012			
21	52910061A	REFLEX REFLECTOR, REAR	1	15/11/2012			
22	56113391A	PLATE HOLDER	1	24/03/2015			
23	77240418C	SCREW	3	09/04/2014			
24	85040381A	QUICK FASTENING	3	01/07/2012			
25	56113191A	NUMBER PLATE HOLDER UPPER	1	25/11/2013			



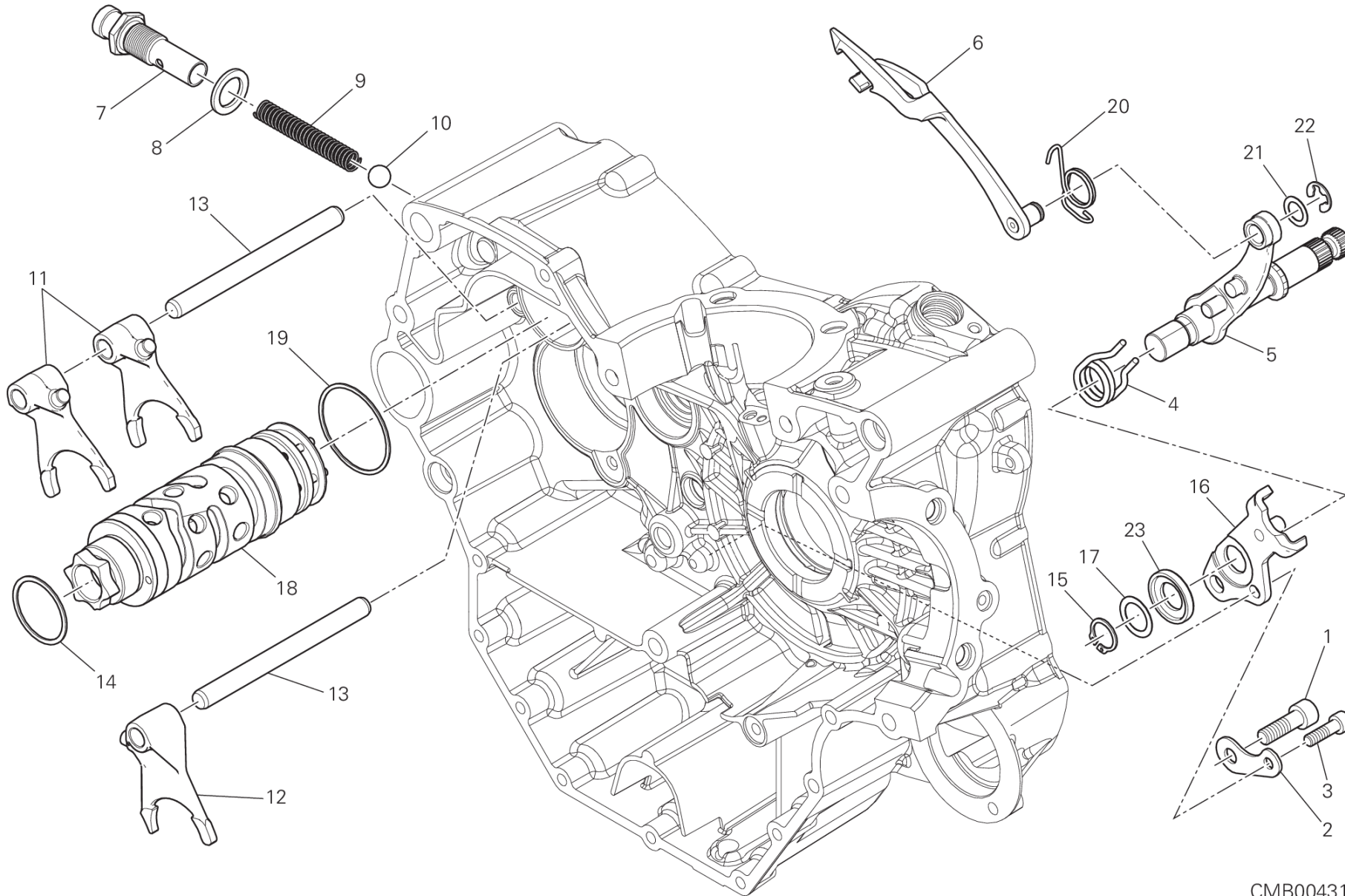
TEL00989

## DRAWING 28B - PLATE HOLDER [MOD:M 821;XST:JAP]

GROUP ELECTRIC



POS.	CODE	DESCRIPTION	QTY	START DATE	END DATE	VALIDITY	NOTES
1	77919531AA	SCREW, SPECIAL	4	24/03/2015			
2	76412161A	RUBBER PAD	4	24/03/2015			
3	56113201C	NUMBER PLATE HOLDER BOTTOM	1	02/06/2014			
4	77240253C	SCREW	4	09/04/2014			
5	24713331A	LENS, LICENCE LIGHT	1	12/11/2013			
6	83015483A	BRACKET	2	01/10/2012			
7	76410901A	RUBBER PAD	1	25/11/2013			
8	85241711A	WASHER 5.3X20X1.5	1	25/11/2013			
9	77440061A	SCREW, TAPPING 4.5X16	1	25/11/2013			
10	39110033A	BLADE	2	01/07/2012			
11	39040162A	BULB 12V-5W C5W	1	01/07/2012			
12	71319241A	SPACER	1	01/07/2012			
13	39040211A	BULB	2	12/03/2012			
14	53010236A	FLASHER LIGHT FRONT RH- REAR LH	1	15/02/2013			
15	71314703A	SPACER	2	01/07/2012			
16	77110441A	SCREW TCEIF M5X16	2	19/10/2012			
17	53010226A	FLASHER LIGHT FRONT LH - REAR RH	1	15/02/2013			
18	74950011B	NUT, SPRING	2	15/11/2012			
19	85250011C	WASHER 4.3X9X0.8	2	06/12/2013			
20	85040471A	QUICK FASTENING M5	2	01/07/2012			
21	52910061A	REFLEX REFLECTOR, REAR	1	15/11/2012			
22	56113391A	PLATE HOLDER	1	24/03/2015			
23	77240418C	SCREW	3	09/04/2014			
24	85040381A	QUICK FASTENING	3	01/07/2012			
25	56113191A	NUMBER PLATE HOLDER UPPER	1	25/11/2013			
26	56113381AA	PLATE PLATE HOLDER	1	18/04/2016			



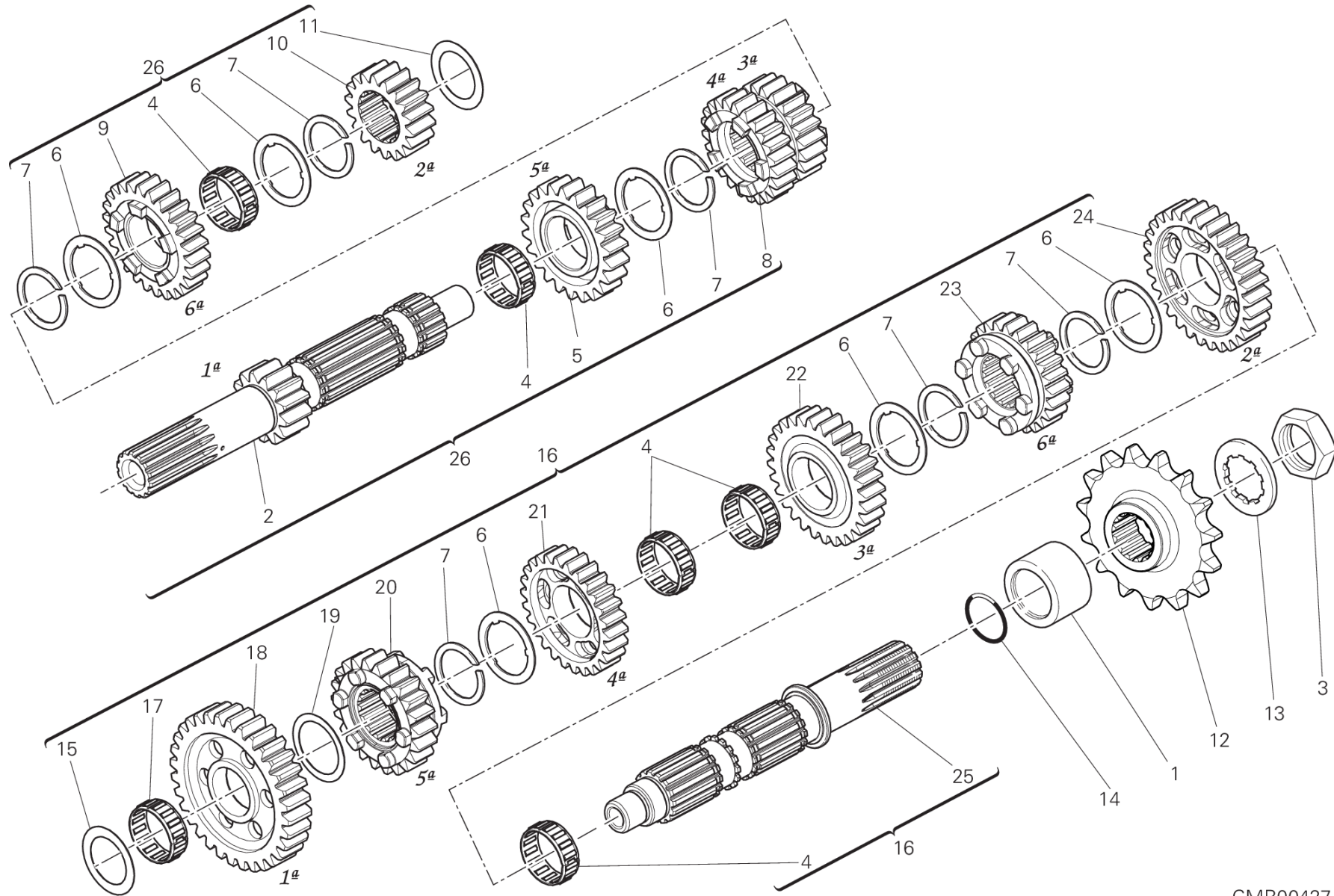
CMB00431

## DRAWING 002 - SHIFT CAM - FORK [MOD:M 821]

## GROUP ENGINE



POS.	CODE	DESCRIPTION	QTY	START DATE	END DATE	VALIDITY	NOTES
1	77151250ZF	SCREW	1	18/09/2012			
2	71319151A	SPACER	1	19/09/2011			
3	77150670ZF	SCREW	1	18/09/2012			
4	79915061A	SPRING, SHIFT RETURN	1	03/05/2012			
5	82113331A	GEAR SELECTOR SHAFT	1	24/12/2009			
6	18020261A	CONTROL FORK	1	24/12/2009			
7	77918132A	SCREW, SPECIAL	1	17/07/2013			
8	027291090	GASKET 16.2X24X2	1	19/09/2011			
9	066013143	GEAR SELECTOR SPRING	1	19/09/2011			
10	768351134	BALL 11MM	1	19/09/2011			
11	180Z0031A	GEAR SELECTOR FORK,1ST/4TH-2ND/3RD	2	19/09/2011			
12	180Z0041A	FORK-SHIFT, 5TH&6TH	1	19/09/2011			
13	82113881A	FORK PIN	2	19/09/2011			
14	85210051A	THRUST WASHER 1 MM	1	10/02/2012			
15	735001542	CIRCLIP 15 DIN 471	1	24/12/2009			
16	82610261A	STOPPER PLATE	1	24/12/2009			
17	040029126	THRUST WASHER 15.5X22X0.5	1	24/12/2009			
18	182Z0042A	COMPLETE GEARBOX DRUM	1	27/09/2012			
19	85210941A	THRUST WASHER 45.2X49X0.9	1	10/02/2012			
20	79912961A	RETURN SPRING	1	25/07/2016			
21	040009050	THRUST WASHER 10.5X16X0.5	1	24/12/2009			
22	88450341B	SPRING RING	1	24/12/2009			
23	88110121A	CENTERING RING	1	24/12/2009			



CMB00427

## DRAWING 003 - GEAR BOX [MOD:M 821]

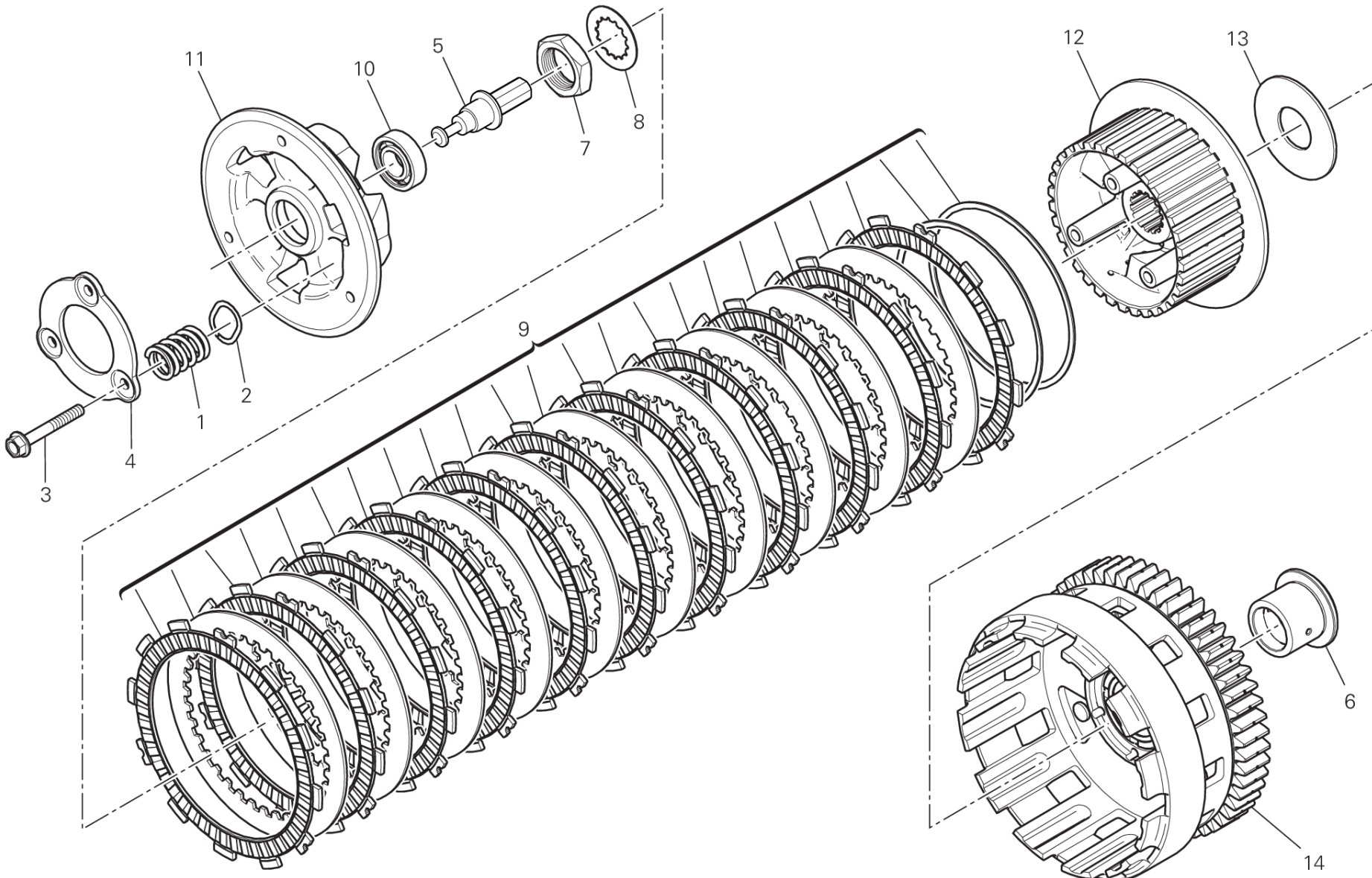
## GROUP ENGINE



POS.	CODE	DESCRIPTION	QTY	START DATE	END DATE	VALIDITY	NOTES
1	71319951A	SPACER, ENGINE SPROCKET	1	17/07/2013			
2	14911101A	GEARBOX MAIN SHAFT	1	19/09/2011			
3	75010071A	NUT M25X1.5	1	15/11/2012			
4	70140051A	BEARING, NEEDLE	5	28/10/2011			
5	17214601A	DRIVEN GEAR 5TH SPEED 23T	1	19/09/2011			
6	85610011A	THRUST WASHER 0.5 MM	6	19/09/2011			
7	067016145	SPRING RING	6	19/09/2011			
8	17214591A	GEAR DRIVE 3/4TH SPEED T20/22	1	19/09/2011			
9	17214611A	GEAR DRIVE 6TH SPEEDTt24	1	19/09/2011			
10	17210021B	GEAR, 2ND DRIVE, NT:17	1	19/09/2011			
11	71310141E	THRUST WASHER 20.3X32X1.6	1	19/09/2011			
12	44910681A	SPROCKET T15	1	28/04/2014			
13	85110041A	WASHER, LOCK	1	15/11/2012			
14	46320537A	O-RING	1	19/09/2011			
15	71312661A	THRUST WASHER 17.3X31X3.15	1	28/10/2011			
16	15021831B	COMPLETE LAY SHAFT	1	28/10/2011			
17	764020002	BEARING, NEEDLE	1	28/10/2011			
18	17212182A	DRIVEN GEAR 1ST SPEED T37	1	28/10/2011			
19	067016155	THRUST WASHER 1 MM	1	28/10/2011			
20	17210103C	DRIVEN GEAR 5TH SPEED T24	1	28/10/2011			
21	17214621A	DRIVEN GEAR 4TH SPEED T:24	1	28/10/2011			
22	17210081C	DRIVEN GEAR 3RD SPEED T28	1	28/10/2011			
23	17210113C	DRIVEN GEAR 6TH SPEED T23	1	28/10/2011			
24	17212192A	DRIVEN GEAR 2ND SPEED T30	1	28/10/2011			
25	14911111B	LAY SHAFT	1	28/10/2011			
26	15021821A	COMPLETE MAIN SHAFT	1	28/10/2011			



CMB00469

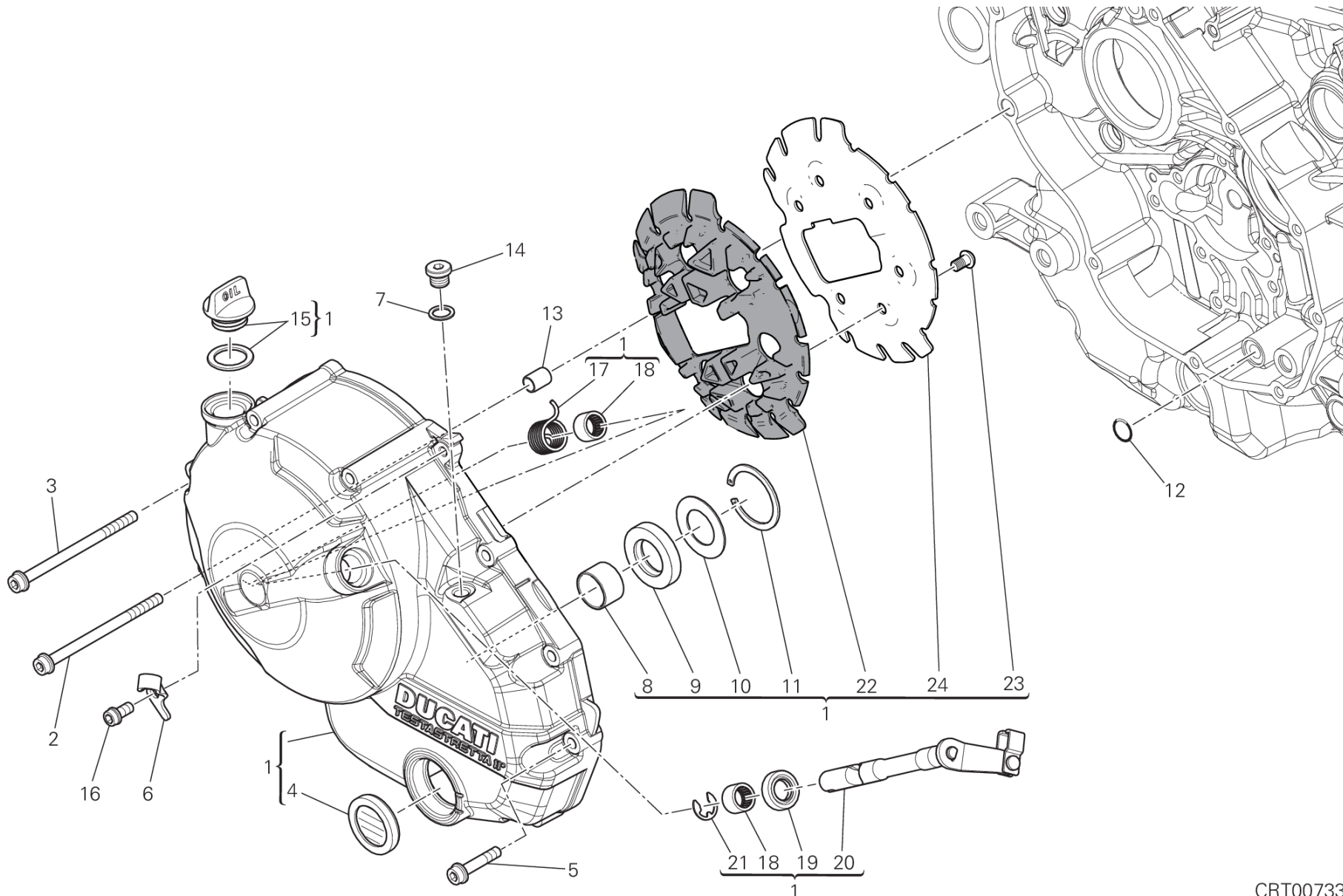


## DRAWING 004 - CLUTCH [MOD:M 821]

## GROUP ENGINE



POS.	CODE	DESCRIPTION	QTY	START DATE	END DATE	VALIDITY	NOTES
1	79710721A	SPRING	3	01/06/2016			
2	85611391B	THRUST WASHER	3	13/04/2015			
3	77211201A	SCREW	3	19/11/2010			
4	19410511A	RING	1	19/11/2010			
5	81810431A	CLUTCH CONTROL PIN (FCC)	1	25/11/2014			
6	71314831B	SPACER	1	06/10/2014			
7	75010071E	NUT M25X1.5	1	25/11/2014			
8	85110201A	LOCK WASHER	1	11/11/2010			
9	19020232A	CLUTCH DISC SET	1	06/10/2014			
10	70250601A	BEARING	1	19/11/2010			
11	19610542C	DISK, CLUTCH PRESSURE (FCC)	1	06/10/2014			
12	19610681A	PLATE HOLDER HUB (FCC)	1	06/10/2014			
13	71313091A	SPACER	1	19/11/2010			
14	19820441A	PRIMARY DRIVEN GEAR COMP.	1	06/10/2014			



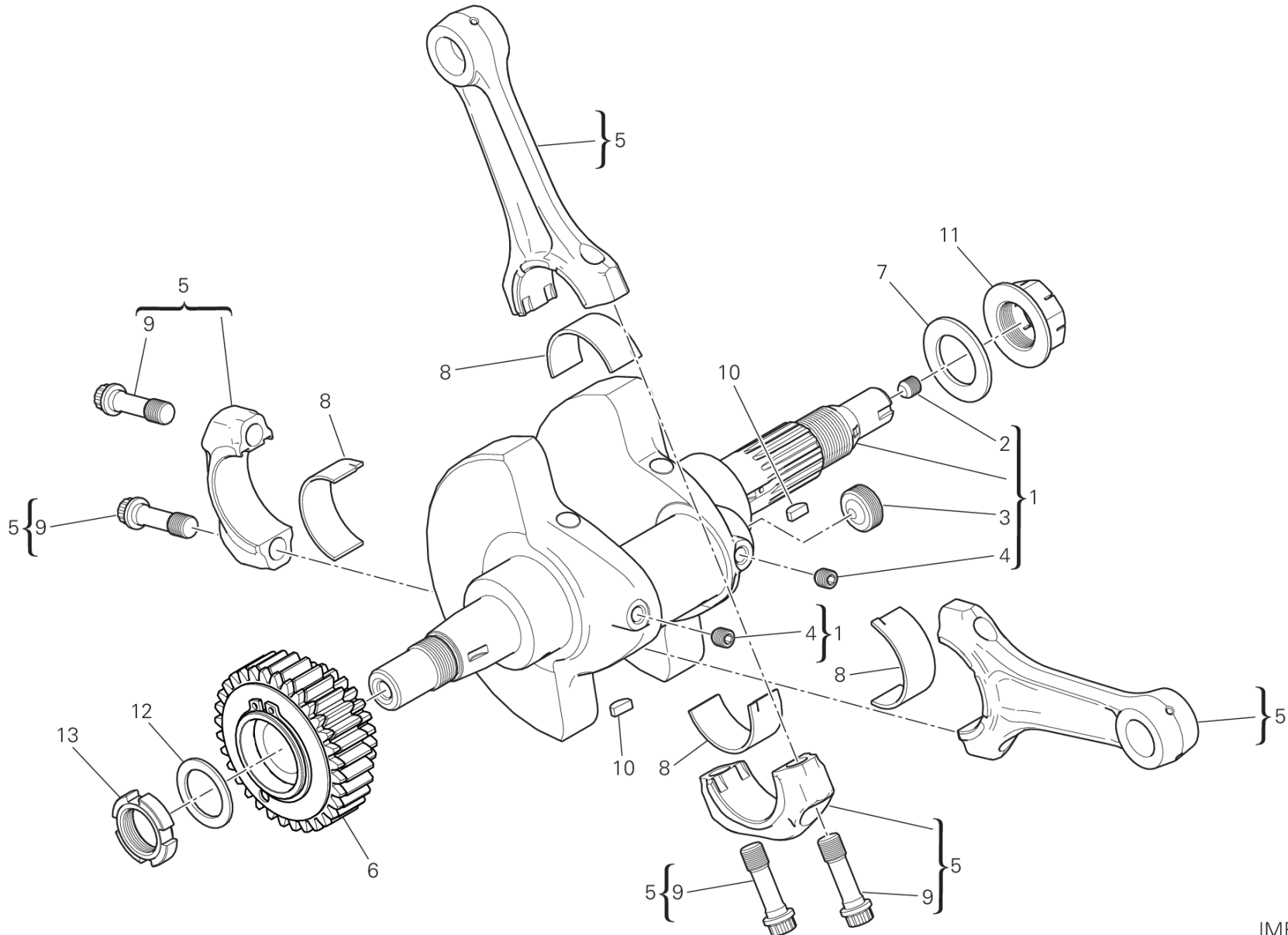
CRT00733

## DRAWING 005 - CLUTCH COVER [MOD:M 821]

## GROUP ENGINE



POS.	CODE	DESCRIPTION	QTY	START DATE	END DATE	VALIDITY	NOTES
1	24321511AC	CLUTCH COVER	1	08/10/2015			
2	77140833C	SCREW TCEIF M6X90 10.9	1	19/09/2011			
3	77140813C	SCREW TCEIF M6X80 10.9	3	19/09/2011			
4	25440012A	WINDOW, OIL LEVEL CHECK	1	17/01/2013			
5	77140713C	SCREW TCEIF M6X30 10.9	6	19/09/2011			
6	74113331AA	PLATE	1	05/05/2014			
7	85250241A	WASHER 10X14X1	1	19/09/2011			
8	066549680	BUSH	1	17/01/2013			
9	93040211A	OIL SEAL	1	17/01/2013			
10	85211351A	THRUST WASHER 20.8X37.8X1	1	17/01/2013			
11	88450131A	CIRCLIP	1	17/01/2013			
12	88641321A	O-RING 11.11X1.78	1	19/09/2011			
13	71111601A	PIN DOWEL	1	19/09/2011			
14	78050012A	PLUG, THREADED M10X1	1	19/09/2011			
15	89320121A	PLUG ASSY	1	17/01/2013			
16	77156633B	SCREW	1	20/01/2013			
17	79915671A	SPRING	1	17/01/2013			
18	70140431A	NEEDLE BUSH	2	17/01/2013			
19	93041591A	SEAL RING	1	17/01/2013			
20	14720921D	LEVER, CLUTCH LIFTER	1	17/01/2013			
21	88450341B	SPRING RING	1	17/01/2013			
22	48611061A	DAMPER, SOUND ARRESTER	1	20/01/2015			
23	77550200C	SCREW	6	20/01/2015			
24	82717901A	SHEET ACOUSTIC DAMPER	1	20/01/2015			



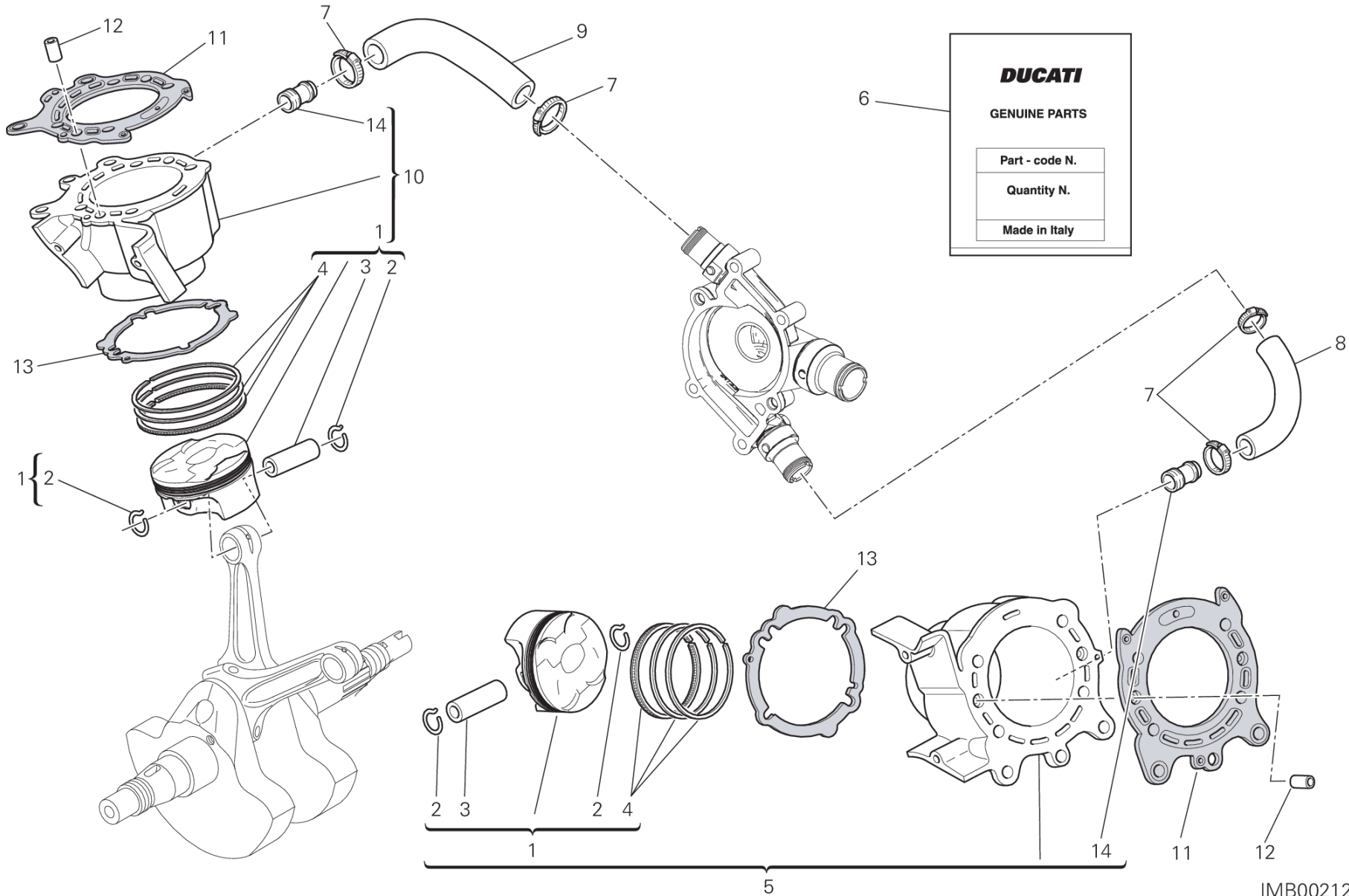
IMB00230

# DRAWING 006 - CONNECTING RODS [MOD:M 821]

## GROUP ENGINE



POS.	CODE	DESCRIPTION	QTY	START DATE	END DATE	VALIDITY	NOTES
1	14621983AA	DRIVE SHAFT COMPLETO (Class A)	1	10/10/2016			
	14621983AB	DRIVE SHAFT COMPLETO (Class B)	1	10/10/2016			
	14621983AC	DRIVE SHAFT COMPLETO (Class C)	1	10/10/2016			
2	77911092A	SCREW, SPECIAL	1	14/09/2012			
3	78010161B	THREADED PLUG	1	09/05/2016			
4	77915471A	THREADED DOWEL STEI M8X8	2	14/09/2012			
5	15620821AA	CONNECTING ROD (Class 1)	2	18/07/2013			
	15620821AB	CONNECTING ROD (Class 2)	2	29/01/2014			
	15620821AC	CONNECTING ROD (Class 3)	2	28/01/2014			
6	17021361A	PRIMARY DRIVE FRONT SPROCKET (Unit)	1	06/10/2014			
7	85212691A	WASHER	1	01/01/2013			
8	11210801AA	HALF-BEARING RED	2	02/12/2011			
	11210801AB	HALF-BEARING BLUE	2	02/12/2011			
9	77914041A	BOLT, CONNECTING ROD	4	18/07/2011			
10	68010131A	KEY, WOODRUFF 4X5X10	2	19/09/2011			
11	75010121D	NUT, SPECIAL	1	01/01/2013			
12	85140031A	WASHER, LOCK	1	01/06/2016			
13	75011131A	RING NUT	1	01/06/2016			



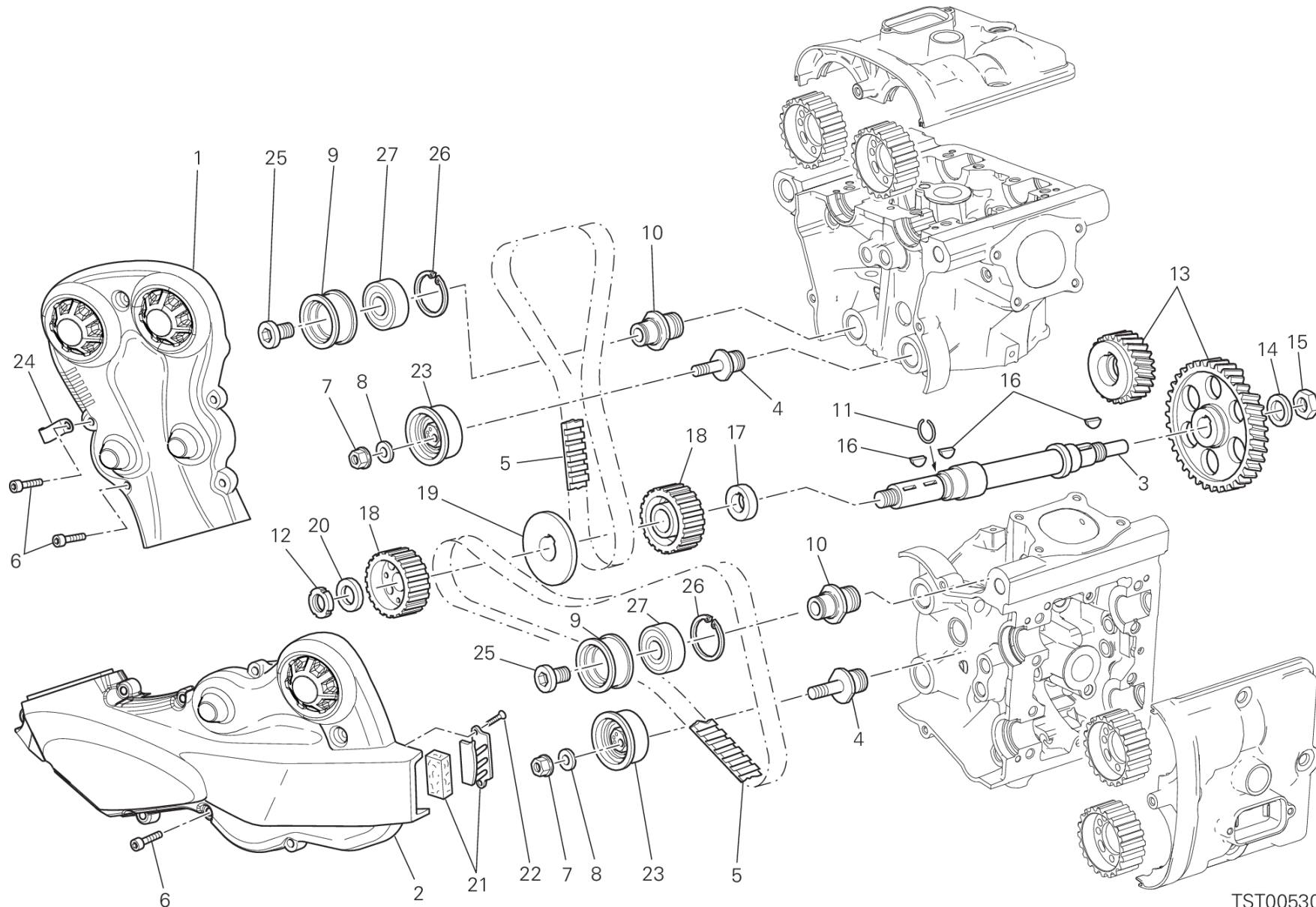
IMB00212

# DRAWING 007 - CYLINDERS - PISTONS [MOD:M 821]

## GROUP ENGINE



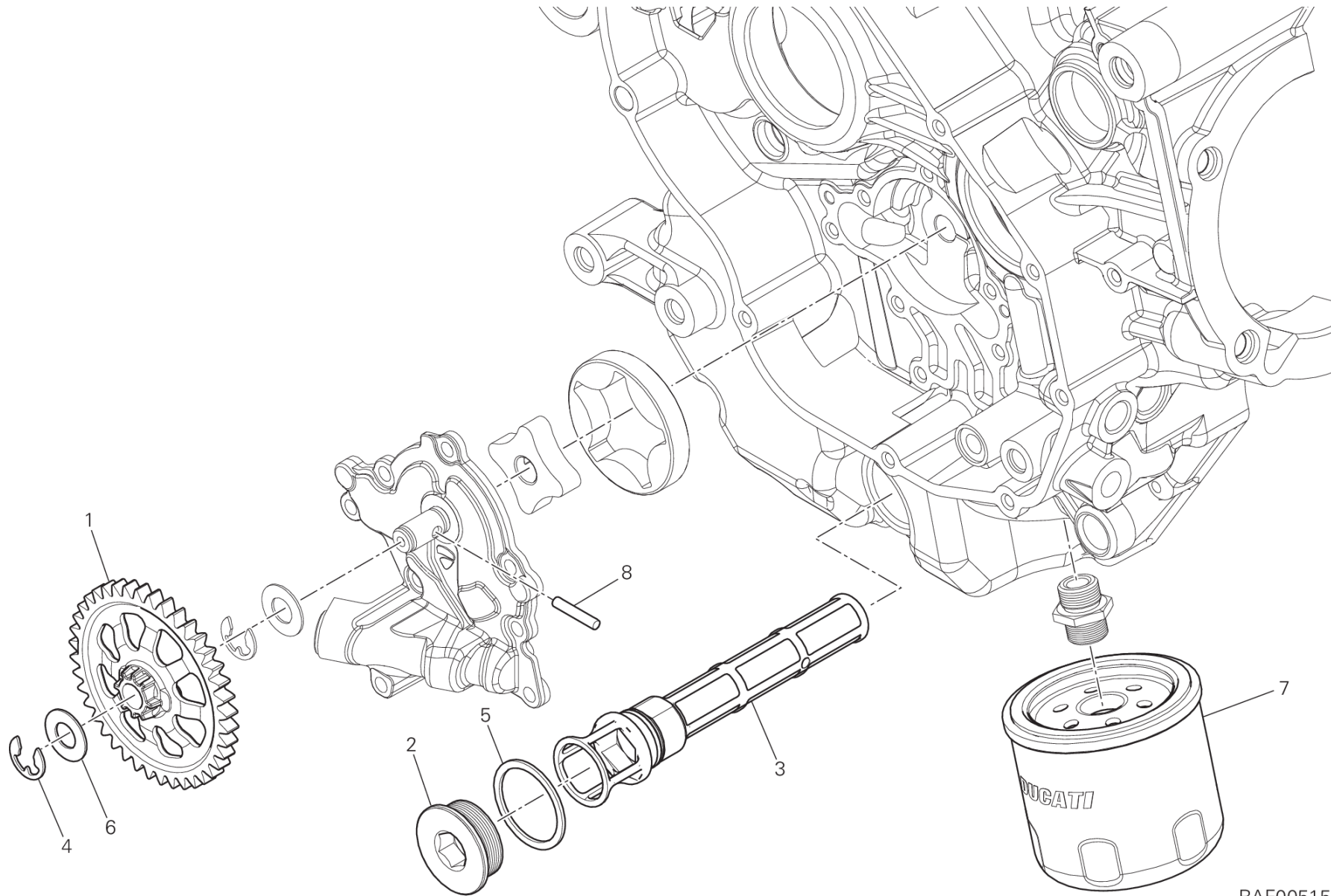
POS.	CODE	DESCRIPTION	QTY	START DATE	END DATE	VALIDITY	NOTES
1	12221876A	PISTON ASSY	2	18/07/2012			
2	12111741B	CIRCLIP, PISTON PIN	4	18/07/2012			
3	12112921C	PISTON PIN	2	18/07/2012			
4	12120531B	PISTON RING SET	2	18/07/2012			
5	120Z0111AC	HORIZONTAL CYLINDER-PISTON ASSY	1	11/03/2015			
6	79120521B	GASKETS SET	1	17/07/2013			
7	74142581A	CLAMP 16-27 MM	4	01/09/2012			
8	80011851A	HOSE, HORIZONTAL CYLINDER WATER INLET	1	17/07/2013			
9	80011841A	HOSE, VERTICAL CYLINDER WATER INLET	1	17/07/2013			
10	120Z0121AC	VERTICAL CYLINDER-PISTON ASSY	1	11/03/2015			
11	78611224A	GASKET, CYLINDER HEAD	2	17/09/2012			
12	71112191A	PIN DOWEL	4	19/09/2011			
13	78611251A	GASKET, CYLINDER	2	19/09/2011			
14	66810482A	WATER PUMP DELIVERY PIPE UNION	2	28/10/2011			



TST00530



POS.	CODE	DESCRIPTION	QTY	START DATE	END DATE	VALIDITY	NOTES
1	24511421B	VERTICAL BELT OUTER COVER	1	17/07/2013			
2	24511431A	HORIZONTAL BELT EXTERNAL COVER	1	06/06/2013			
3	14710811A	LAYSHAFT TIMING	1	19/09/2011			
4	45110461A	TENSIONER ROLLER PIN	2	05/12/2012			
5	73740251A	TIMING DRIVE TOOTHED BELT	2	23/01/2012			
6	77113801A	SCREW	11	19/09/2011			
7	74940081A	NUT M8	2	19/09/2011			
8	85310021A	SPRING WASHER 8 MM	2	01/01/2012			
9	45110182A	SPINDLE, TAPER	2	24/12/2009			
10	45110491A	TENSIONER ROLLER PIN	2	05/12/2012			
11	88210031A	SNAP RING	1	19/09/2011			
12	70350062A	ELASTIC-STOP RING NUT	1	11/03/2015			
13	17122271A	TIMING GEARS SET	1	19/09/2011			
14	85110131A	WASHER, LOCK	1	19/09/2011			
15	75011601A	NUT M14X1X7	1	19/09/2011			
16	68010131A	KEY, WOODRUFF 4X5X10	3	19/09/2011			
17	71611281A	SPACER	1	19/09/2011			
18	25510104B	PULLEY, TIMING BELT	2	19/09/2011			
19	85610623A	WASHER, BELT PULLEY	1	17/09/2012			
20	71610722A	SPACER	1	19/09/2011			
21	24521071A	BRACKET, FILTER	1	06/06/2013			
22	77250341C	SCREW	2	31/05/2012			
23	45120241A	COMPLETE MOVABLE TENSIONER ROLLER	2	16/04/2013			
24	74113321A	CLAMP	1	05/05/2014			
25	77911871A	SCREW	2	19/09/2011			
26	735033804	CIRCLIP	2	24/12/2009			
27	70240581A	BEARING	2	24/12/2009			



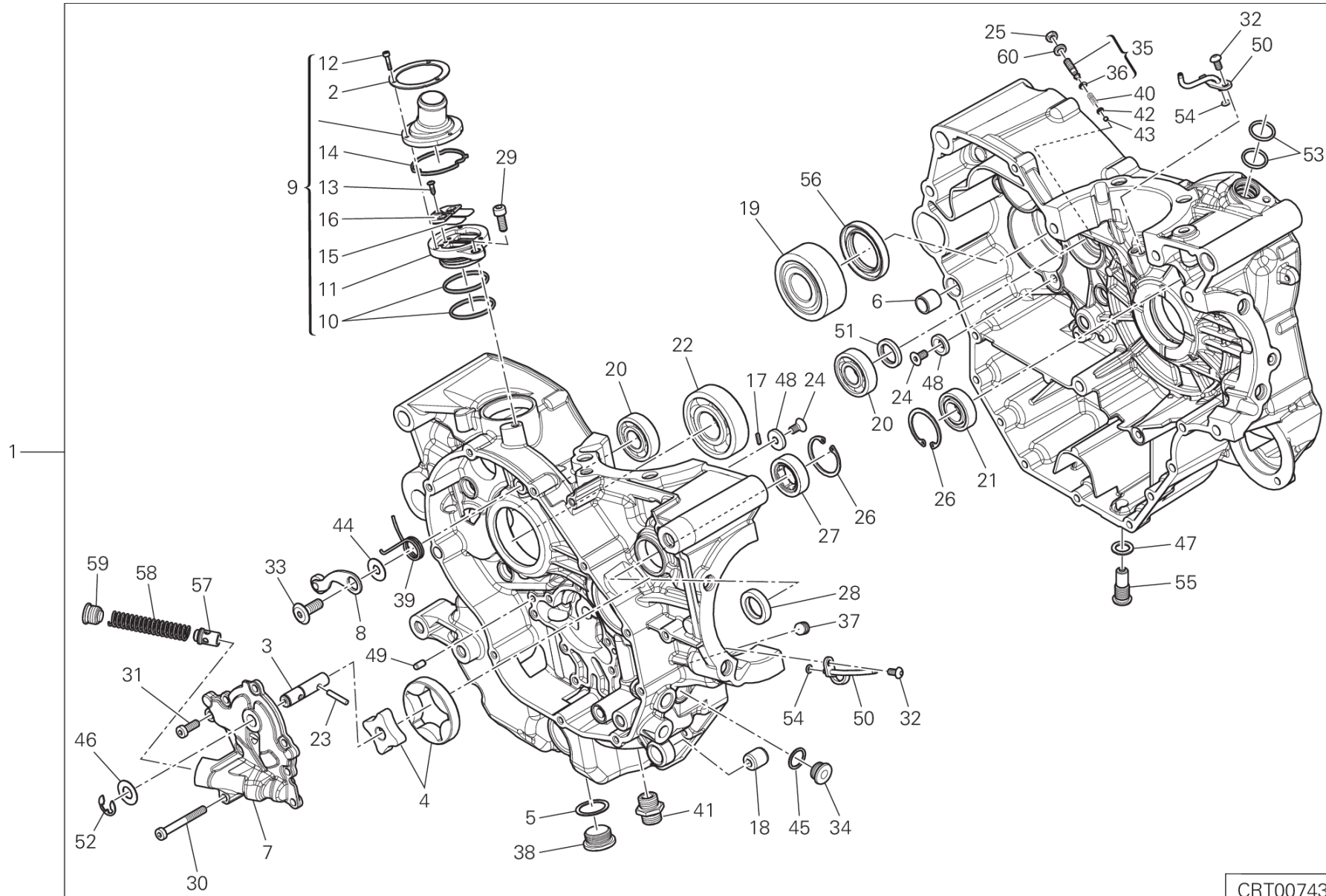
RAF00515

## DRAWING 009 - FILTERS AND OIL PUMP [MOD:M 821]

## GROUP ENGINE



POS.	CODE	DESCRIPTION	QTY	START DATE	END DATE	VALIDITY	NOTES
1	17410621B	GEAR, OIL PUMP DRIVE	1	29/01/2014			
2	87310371A	THREADED PLUG M32X1.5	1	19/09/2011			
3	89420121F	OIL NET FILTER	1	11/03/2015			
4	88450371A	SNAP RING	1	20/02/2014			
5	85250051A	GASKET 32X38X1.5	1	19/09/2011			
6	85213021A	WASHER, THRUST	1	20/02/2014			
7	44440035A	FILTER, OIL	1	19/09/2011			
8	70450091A	ROLLER	1	20/02/2014			



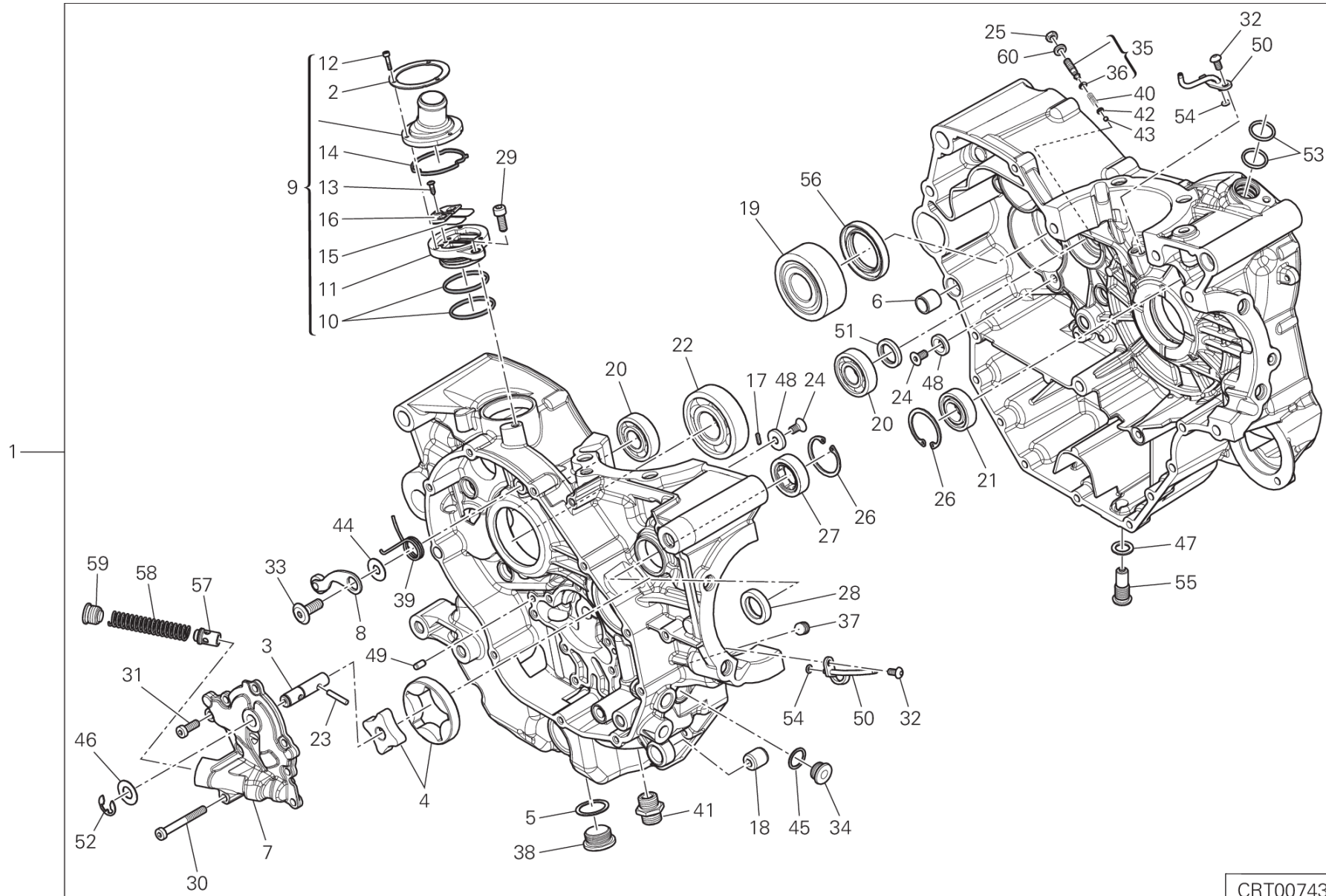
CRT00743

# DRAWING 010 - HALF-CRANKCASES PAIR [MOD:M 821]

## GROUP ENGINE



POS.	CODE	DESCRIPTION	QTY	START DATE	END DATE	VALIDITY	NOTES
1	22520073B	COMPLETE HALF-CRANKCASES PAIR	1	01/06/2014			
2	85213011A	RING	1	15/10/2010			
3	14710951B	OIL PUMP DRIVE SHAFT	1	20/02/2014			
4	17420591A	OIL PUMP ROTOR	1	04/04/2014			
5	22032083A	GASKET, ALUMINIUM 28X22.5X1	1	04/02/2014			
6	71110951A	PIN DOWEL	2	07/11/2011			
7	24714612A	OIL PUMP COVER	1	04/04/2014			
8	45520181A	GEAR FIXING CLICK ASSEMBLY	1	23/09/2011			
9	59320581B	VALVE, BREATHER	1	04/04/2014			
10	46320222A	O-RING	2	02/04/2010			
11	59310601B	HOLDER READ VALVE	1	02/04/2010			
12	77150078B	SCREW	3	07/12/2010			
13	77250341B	SCREW, TAPPING 3.5X12	1	02/04/2010			
14	78811151A	GASKET	1	02/04/2010			
15	81110021A	REED VALVE ASSY	1	02/04/2010			
16	82716031A	SPACER	1	02/04/2010			
17	68050101A	KEY 2X2X10	1	23/09/2011			
18	70010362A	DAMPER	1	14/12/2015			
19	70240131D	BEARING	1	04/02/2014			
20	70240331A	BEARING 17X40X12	2	04/02/2014			
21	70250081A	BALL BEARING 6003 TN9 C3	1	04/02/2014			
22	70250193A	BEARING	1	23/09/2011			
23	70450091A	ROLLER	1	20/02/2014			
24	720941616	SCREW TSPEI M6X12	4	04/02/2014			
25	74710151A	NUT	1	04/04/2014			
26	735033380	CIRCLIP	2	04/02/2014			
27	757941542	BEARING	1	04/02/2014			
28	93041231A	SEAL, OIL 18X30X6	1	04/02/2014			
29	77150653B	SCREW TCEI M6X16 UNI5931 8.8	1	04/02/2014			
30	77150758B	SCREW	1	20/02/2014			
31	77350658B	SCREW TCEIR M6X16	7	20/02/2014			
32	77510311B	SCREW TBEI M5X10	2	23/09/2011			
33	77910391A	SCREW M8X21.5	1	04/02/2014			
34	77911982A	THREADED PLUG M15X1	1	04/02/2014			
35	77927171A	SCREW	1	04/04/2014			



CRT00743

# DRAWING 010 - HALF-CRANKCASES PAIR [MOD:M 821]

## GROUP ENGINE

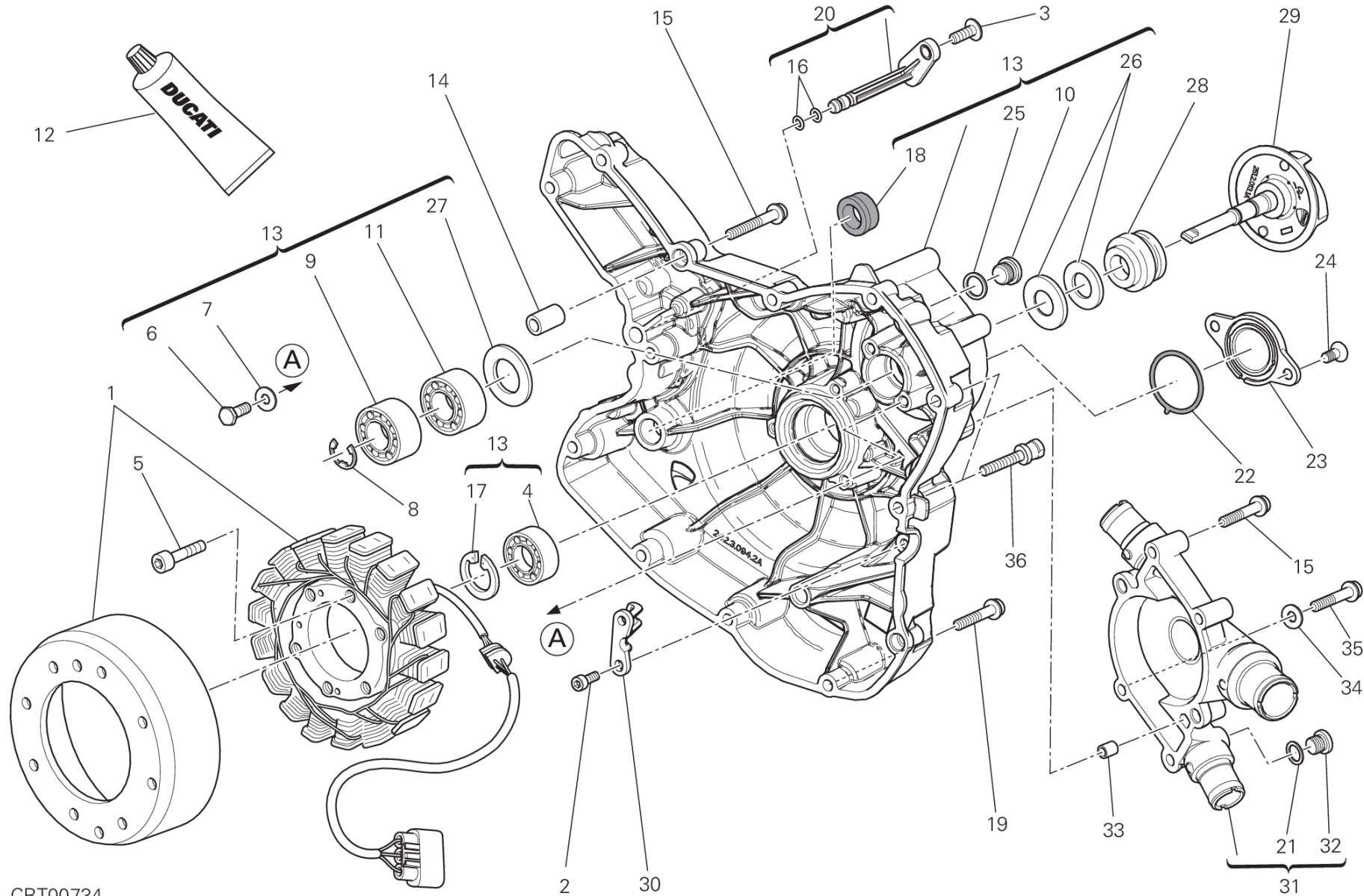


POS.	CODE	DESCRIPTION	QTY	START DATE	END DATE	VALIDITY	NOTES
36	88641961A	O-RING	1	18/04/2011			
37	77950621A	THREADED DOWEL M10X1	1	23/09/2011			
38	78010921A	PLUG	1	04/02/2014			
39	79910491A	SPRING, RETURN	1	04/02/2014			
40	79940171A	SPRING	1	04/02/2014			
41	81510281A	BOLT UNION	1	04/02/2014			
42	83110151B	PLATE	1	04/02/2014			
43	84740061A	BALL	1	04/02/2014			
44	85210532A	WASHER 8.2X20X1	1	04/02/2014			
45	85211201A	ALUMINIUM GASKET	1	04/02/2014			
46	85213021A	WASHER, THRUST	1	20/02/2014			
47	85250421A	COPPER GASKET 12.2X18X1.5 MM	1	04/02/2014			
48	85611481A	WASHER	4	04/02/2014			
49	86050061A	PIN M5X10	2	04/02/2014			
50	87511801A	JET, PISTON COOLING	2	04/02/2014			
51	93040931A	SEAL, OIL 17X25X4	1	04/02/2014			
52	88450371A	SNAP RING	1	20/02/2014			
53	88640331A	O-RING 17.96X2.62	2	04/02/2014			
54	88650131A	O-RING 3.68X1.78	2	04/02/2014			
55	89320062A	PLUG, OIL DRAIN	1	04/02/2014			
56	93040221A	SEAL, OIL 35X52X7	1	04/02/2014			
57	59310801B	BY-PASS VALVE	1	20/02/2014			
58	79915741B	BYPASS SPRING	1	20/02/2014			
59	78010941B	PLUG	1	20/02/2014			
60	85640141A	WASHER	1	14/12/2015			



# DRAWING 011 - WATER PUMP-ALTR-SIDE CRNKCSE COVER [MOD:M 821]

GROUP ENGINE



CRT00734

# DRAWING 011 - WATER PUMP-ALTR-SIDE CRNKCSE COVER [MOD:M 821]

## GROUP ENGINE

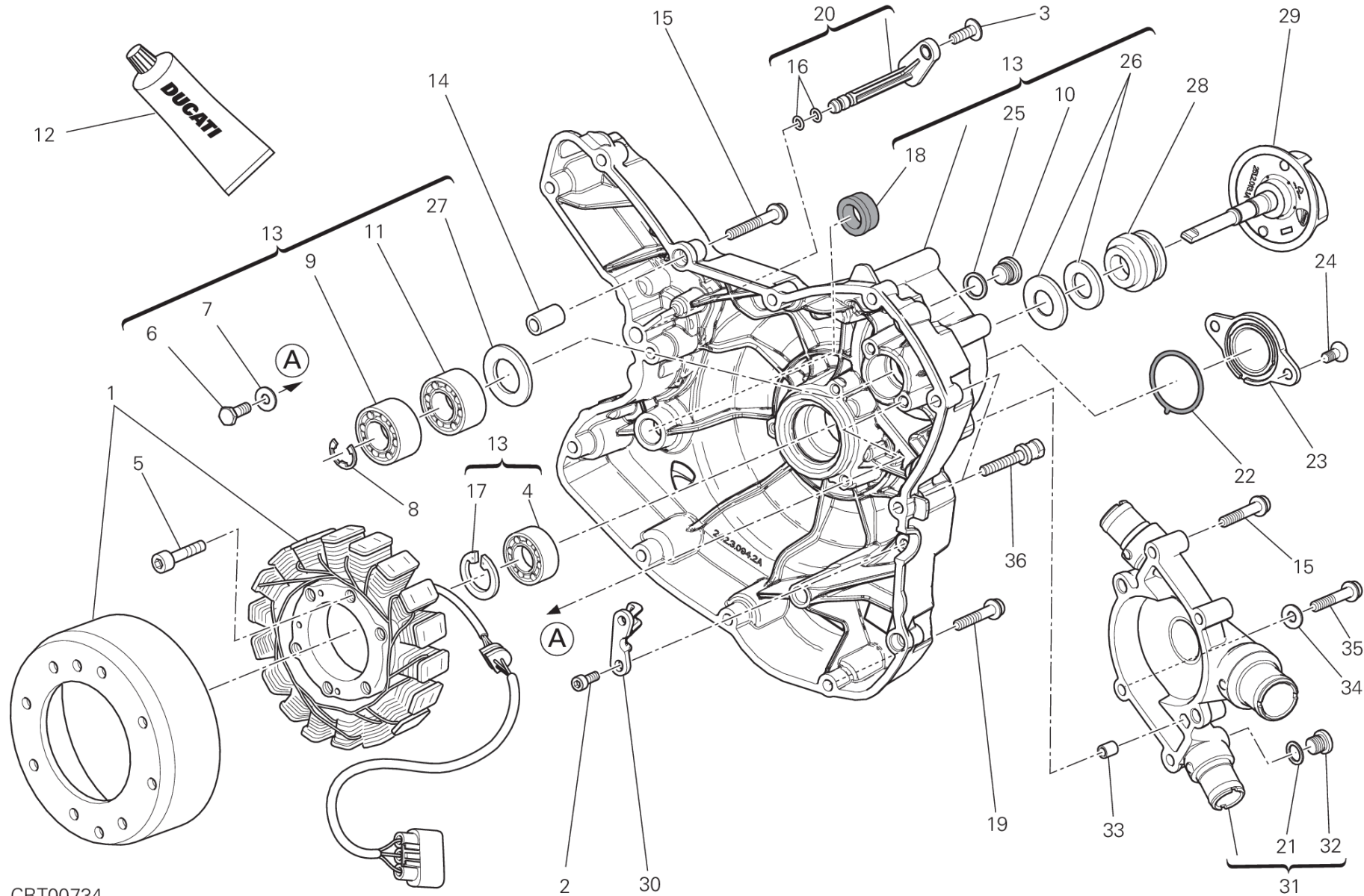


POS.	CODE	DESCRIPTION	QTY	START DATE	END DATE	VALIDITY	NOTES
1	26420501A	GENERATOR "FERRITE"	1	20/06/2013			
2	77150408B	SCREW TCEI M5X14	2	06/06/2012			
3	77240423C	SCREW TBEIF M6X16 10.9	1	17/07/2013			
4	70250081A	BALL BEARING 6003 TN9 C3	1	01/05/2010			
5	77150738B	SCREW TCEI M6X40	3	06/06/2012			
6	77052508B	SCREW TE M6X16	2	01/05/2010			
7	85211721A	WASHER 6X14.2X1.3	2	01/05/2010			
8	88450431A	CIRCLIP	1	01/05/2010			
9	70240102A	BEARING	1	01/05/2010			
10	77910262A	SCREW M12X1	1				
11	70240091A	BALL BEARING 6000	1	01/05/2010			
12	942470014	LIQUID GASKET	1	20/02/2012			
13	24221181AB	COMPLETE GENERATOR COVER	1	18/02/2013			
14	71111601A	PIN DOWEL	2	20/02/2012			
15	77140723C	SCREW TCEIF M6X35 10.9	4	27/02/2012			
16	88641731A	O-RING 1.78X4.76	2	17/07/2013			
17	735033380	CIRCLIP	1	06/06/2012			
18	937831524	SEAL, OIL 15X24X6	1	18/04/2012			
19	77140713C	SCREW TCEIF M6X30 10.9	9	20/02/2012			
20	87321271A	PLUG	1	17/07/2013			
21	85250241A	WASHER 10X14X1	1	06/06/2012			
22	88610951A	O-RING 32.99X2.62	1	20/02/2012			
23	24713571AH	COVER	1	18/02/2013			
24	77750493C	SCREW	2	20/02/2012			
25	85250261A	GASKET, ALUMINIUM 12X16X1.5	1	06/06/2012			
26	93050051A	MECHANICAL SEAL	1	06/06/2012			
27	71311281B	SPACER	1	06/06/2012			
28	93050062B	MECHANICAL SEAL	1	06/06/2012			
29	25120131A	WATER PUMP ROTOR	1	06/06/2012			
30	83015581B	BRACKET	1	06/06/2012			
31	24724481A	WATER PUMP COVER ASSY	1	06/06/2012			
32	78050012A	PLUG, THREADED M10X1	1	06/06/2012			
33	71110922A	BUSH	2	06/06/2012			
34	85250481A	GASKET 6X12X1 DIN7603-A	2	06/06/2012			
35	77113961A	SCREW	2	20/02/2012			



# DRAWING 011 - WATER PUMP-ALTR-SIDE CRNKCSE COVER [MOD:M 821]

GROUP ENGINE



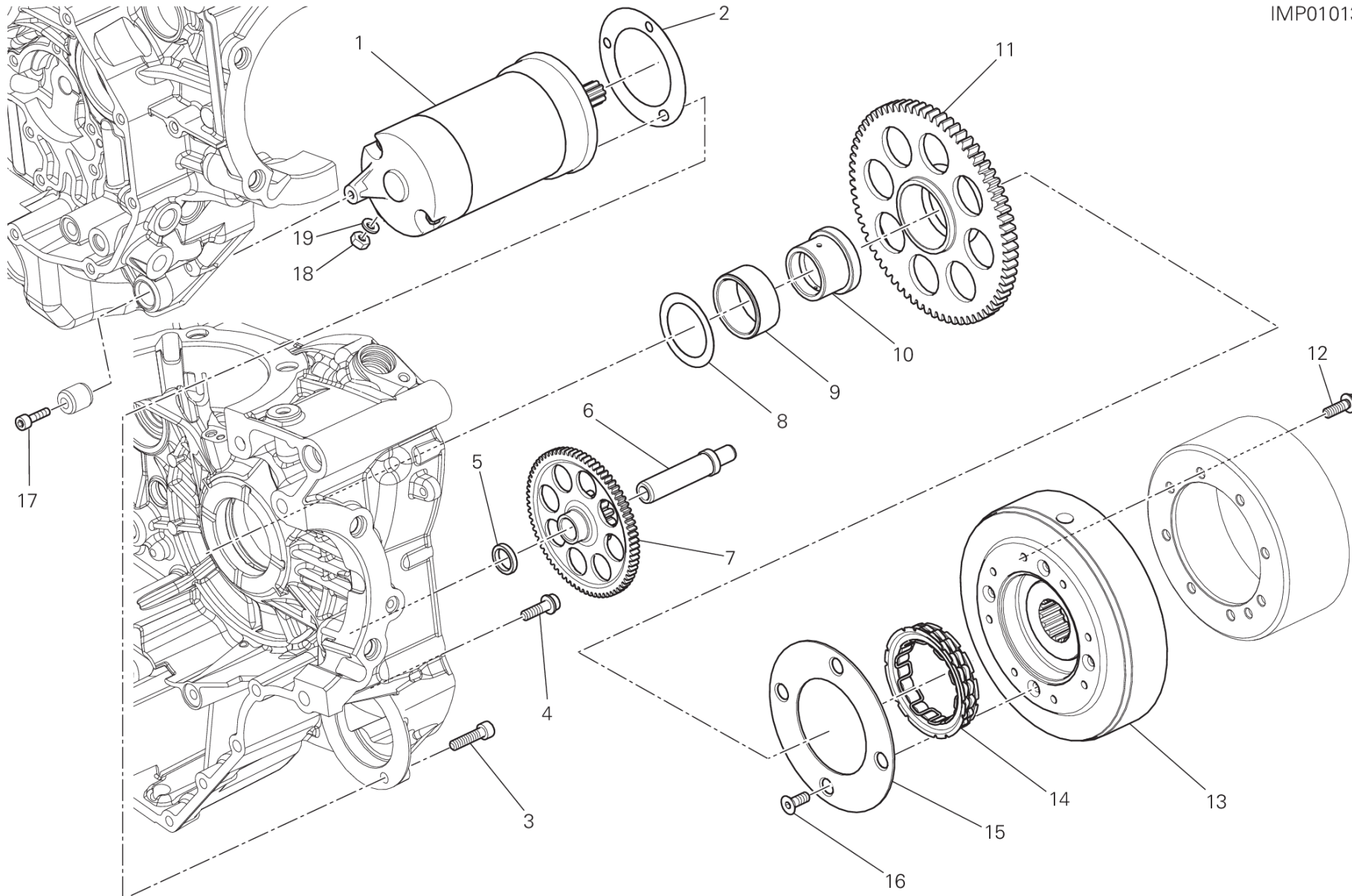
CRT00734



POS.	CODE	DESCRIPTION	QTY	START DATE	END DATE	VALIDITY	NOTES
36	77916041D	SCREW, SPECIAL	2	03/03/2016			



IMP01013



## DRAWING 012 - ELECTRIC STARTING AND IGNITION [MOD:M 821]

## GROUP ENGINE

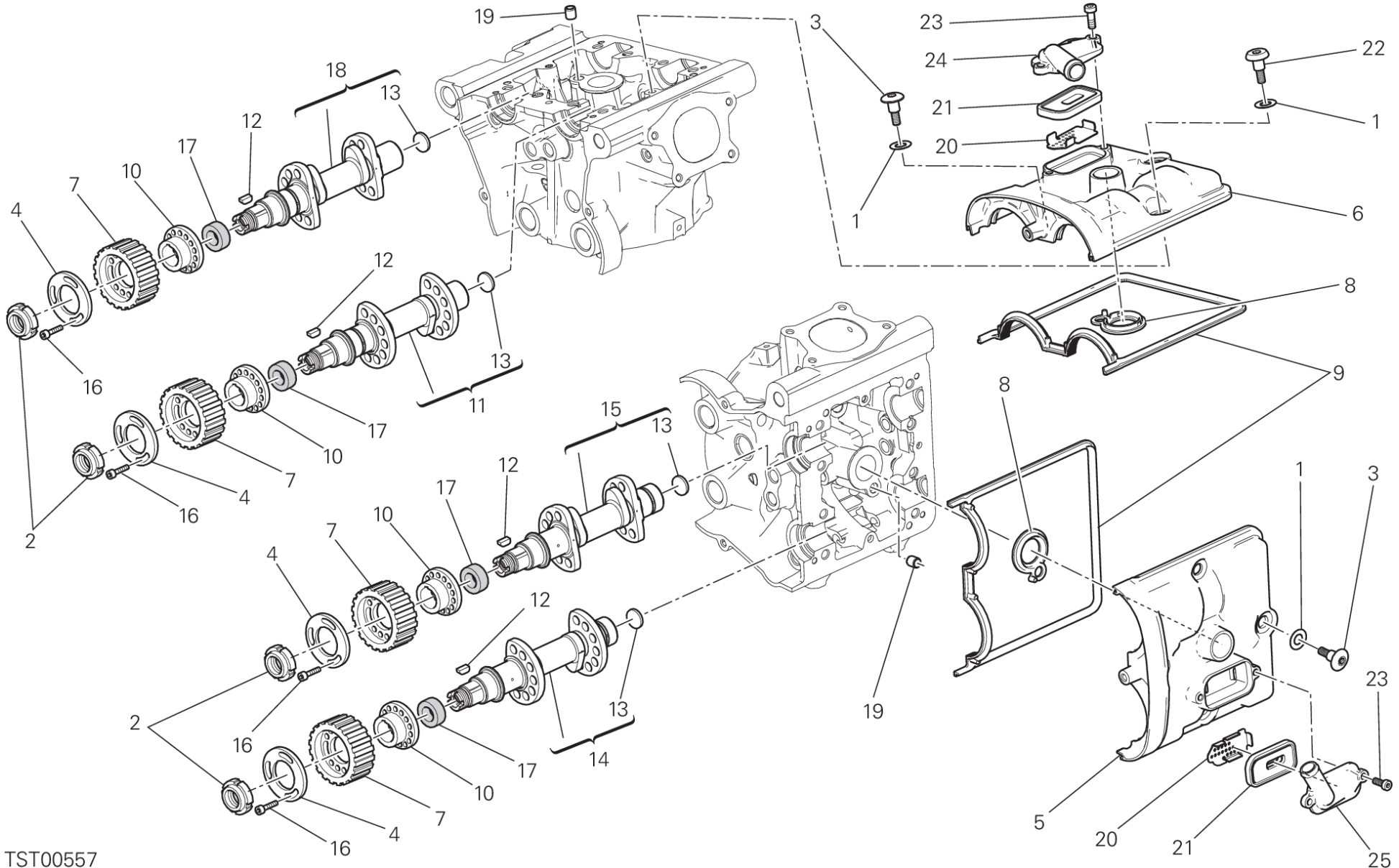


POS.	CODE	DESCRIPTION	QTY	START DATE	END DATE	VALIDITY	NOTES
1	27040104A	STARTING MOTOR	1	04/11/2014			
2	78810542A	ENGINE STARTER GASKET	1	22/02/2012			
3	77140697CF	SCREW 6x25	1	16/03/2015			
4	77140667CF	SCREW	2	20/04/2016			
5	71319191A	SPACER	1	20/03/2014			
6	82113471A	STARTER REDUCTION SHAFT	1	04/11/2014			
7	176Z0021A	IDLE GEAR T74/13	1	20/03/2014			
8	061950065	THRUST WASHER 35.5X48	1	22/02/2012			
9	70140031A	BEARING, NEEDLE	1	22/02/2012			
10	88110101C	BUSH	1	22/02/2012			
11	17310291A	ELECTRIC STARTER DRIVEN GEAR	1	04/11/2014			
12	77253300ZF	SCREW	8	20/03/2014			
13	27610901A	IGNITION FLYWHEEL	1	11/03/2015			
14	70140471A	CLUTCH, ONE WAY	1	04/11/2014			
15	160Z0041A	PLATE CLUTCH, ONE WAY	1	20/03/2014			
16	77750508C	SCREW	4	20/03/2014			
17	77110521A	SCREW TCEI M6X30	1	11/03/2015			
18	75050051A	NUT 6MM	1	10/03/2016			
19	85350101A	WASHER, SPRING	1	10/03/2016			



# DRAWING 013 - CYLINDER HEAD : TIMING SYSTEM [MOD:M 821]

GROUP ENGINE



TST00557

821 / 17

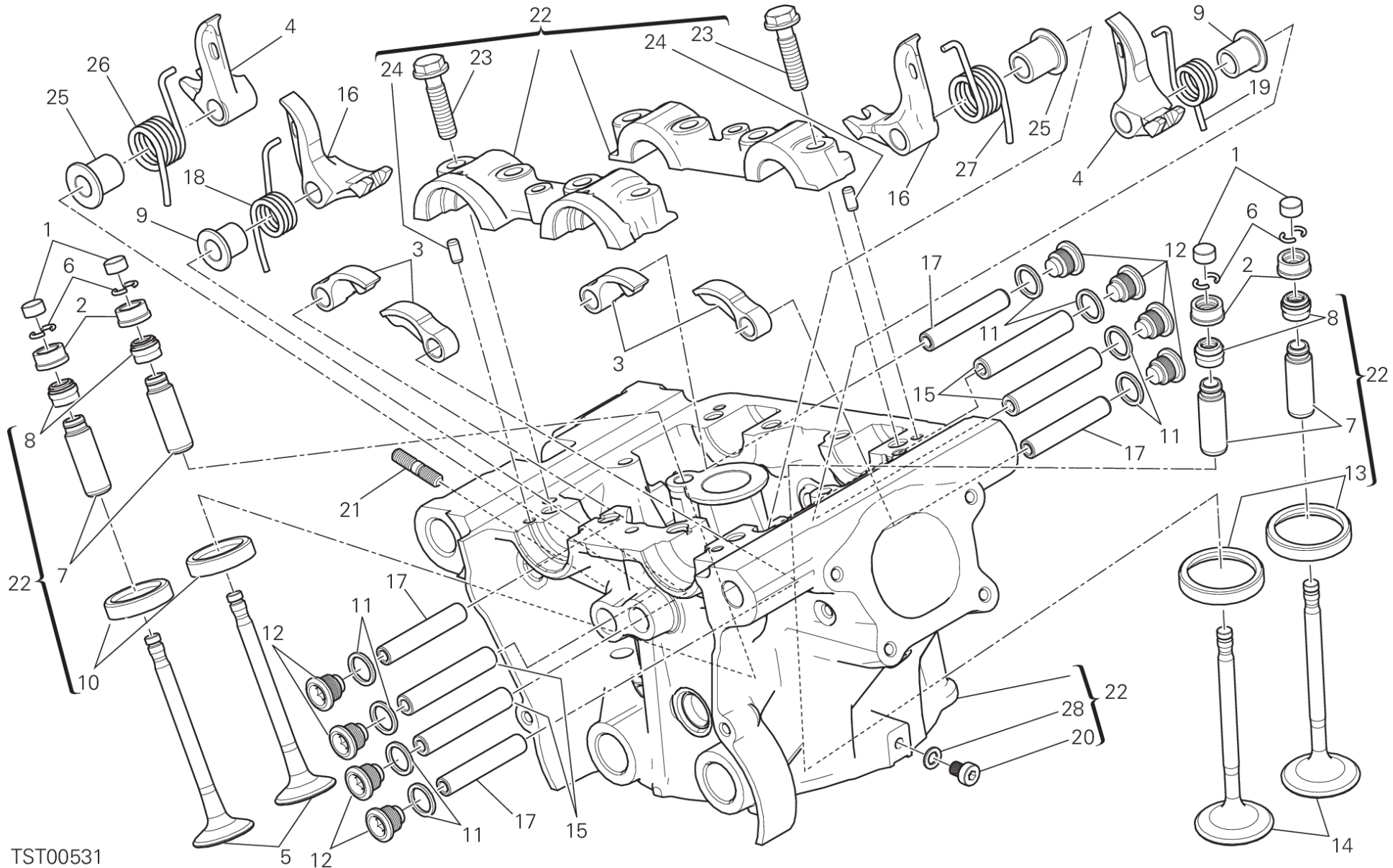
D19000017 - 3

# DRAWING 013 - CYLINDER HEAD : TIMING SYSTEM [MOD:M 821]

## GROUP ENGINE



POS.	CODE	DESCRIPTION	QTY	START DATE	END DATE	VALIDITY	NOTES
1	88650511A	O-RING 12.39X3.53	8	07/12/2012			
2	70350024A	RING NUT	4	07/12/2012			
3	77915093A	SCREW, SPECIAL	5	07/12/2012			
4	85610743A	WASHER, SPECIAL	4	07/12/2012			
5	24714141AC	COVER CYLINDER HEAD, HORIZONTAL	1	31/05/2013			
6	24714151AC	COVER CYLINDER HEAD, VERTICAL	1	31/05/2013			
7	25510193A	TIMING BELT PULLEY, DRIVEN T20	4	07/12/2012			
8	78811211A	GASKET	2	07/12/2012			
9	78810931A	GASKET CYLINDER HEAD COVER	2	07/12/2012			
10	16010941A	FLANGE	4	07/12/2012			
11	14824232A	VERTICAL INTAKE CAMSHAFT	1	01/07/2013			
12	68050061A	WOODRUFF KEY 3X5	4	07/12/2012			
13	87310051A	PLUG 18 MM	4	24/12/2009			
14	14824242A	HORIZONTAL EXHAUST CAMSHAFT	1	01/07/2013			
15	14824222A	HORIZONTAL INTAKE CAMSHAFT	1	01/07/2013			
16	77950302A	SCREW TC M6X12	12	07/12/2012			
17	93050072A	SEAL RING	2	03/03/2016			
18	14824252A	VERTICAL EXHAUST CAMSHAFT	1	01/07/2013			
19	71113741A	BUSH	2	07/12/2012			
20	82716351A	PLATE	2	07/12/2012			
21	81140012B	VALVE	2	07/12/2012			
22	77918141A	SCREW, SPECIAL	3	11/06/2013			
23	77350403B	SCREW	4	07/12/2012			
24	24714171A	COVER VERTICAL	1	07/12/2012			
25	24714891A	COVER HORIZONTAL	1	05/11/2014			



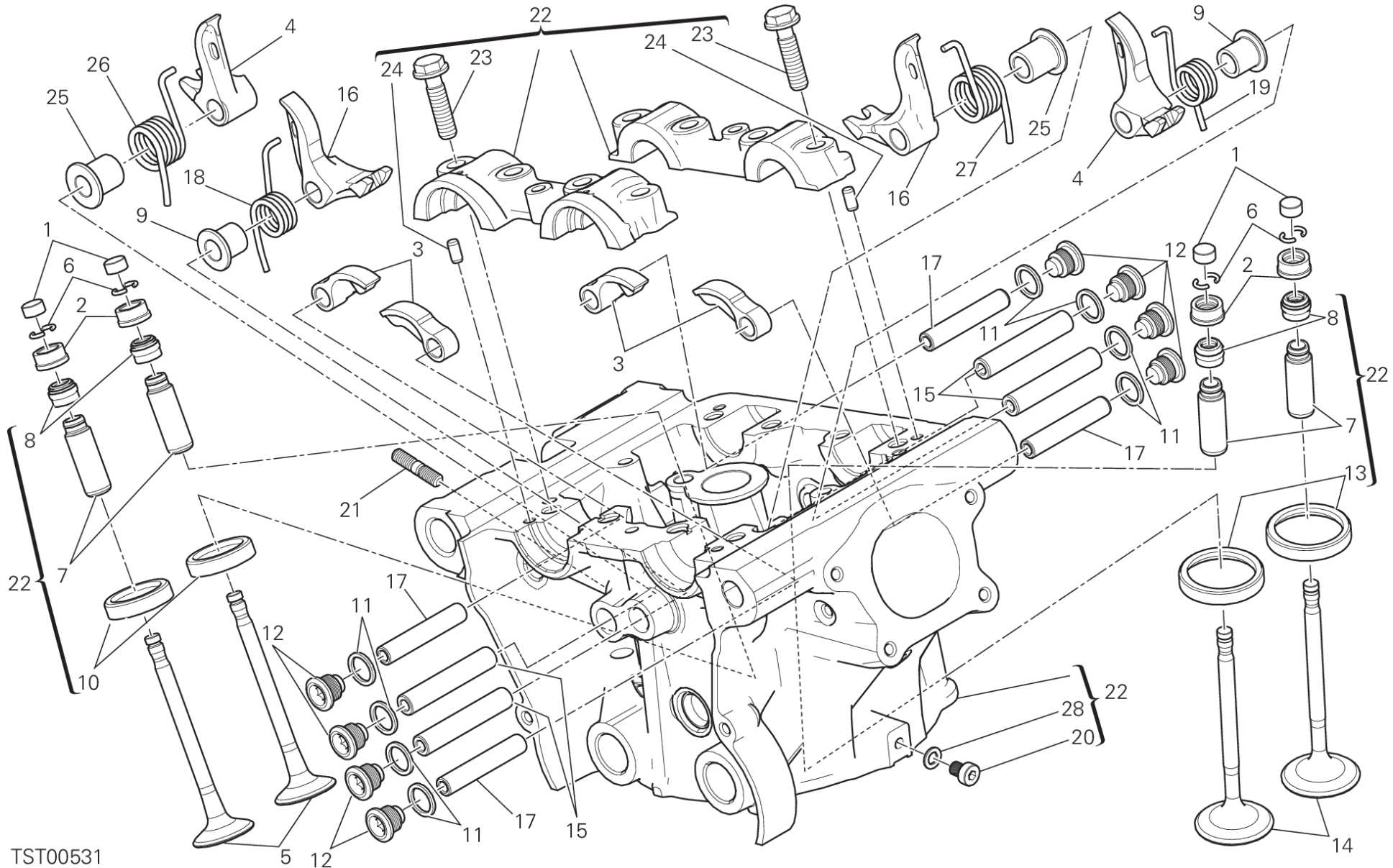
TST00531

# DRAWING 014 - VERTICAL HEAD [MOD:M 821]

## GROUP ENGINE



POS.	CODE	DESCRIPTION	QTY	START DATE	END DATE	VALIDITY	NOTES
1	84010012A	ADJUSTER, OPENING ROCKER ARM 2.00 MM	4	20/06/2012			
	84010022A	ADJUSTER, OPENING ROCKER ARM 2.05 MM	4	20/06/2012			
	84010032A	ADJUSTER, OPENING ROCKER ARM 2.10 MM	4	20/06/2012			
	84010042A	ADJUSTER, OPENING ROCKER ARM 2.15 MM	4	20/06/2012			
	84010052A	ADJUSTER, OPENING ROCKER ARM 2.20 MM	4	20/06/2012			
	84010062A	ADJUSTER, OPENING ROCKER ARM 2.25 MM	4	20/06/2012			
	84010072A	ADJUSTER, OPENING ROCKER ARM 2.30 MM	4	20/06/2012			
	84010082A	ADJUSTER, OPENING ROCKER ARM 2.35 MM	4	20/06/2012			
	84010092A	ADJUSTER, OPENING ROCKER ARM 2.40 MM	4	20/06/2012			
	84010102A	ADJUSTER, OPENING ROCKER ARM 2.45 MM	4	20/06/2012			
	84010112A	ADJUSTER, OPENING ROCKER ARM 2.50 MM	4	20/06/2012			
	84010122A	ADJUSTER, OPENING ROCKER ARM 2.55 MM	4	20/06/2012			
	84010132A	ADJUSTER, OPENING ROCKER ARM 2.60 MM	4	20/06/2012			
	84010142A	ADJUSTER, OPENING ROCKER ARM 2.65 MM	4	20/06/2012			
	84010152A	ADJUSTER, OPENING ROCKER ARM 2.70 MM	4	20/06/2012			
	84010162A	ADJUSTER, OPENING ROCKER ARM 2.75 MM	4	20/06/2012			
	84010172A	ADJUSTER, OPENING ROCKER ARM 2.80 MM	4	20/06/2012			
	84010182A	ADJUSTER, OPENING ROCKER ARM 2.85 MM	4	20/06/2012			
	84010192A	ADJUSTER, OPENING ROCKER ARM 2.90 MM	4	20/06/2012			
	84010202A	ADJUSTER, OPENING ROCKER ARM 2.95 MM	4	20/06/2012			
	84010212A	ADJUSTER, OPENING ROCKER ARM 3.00 MM	4	20/06/2012			
	84010222A	ADJUSTER, OPENING ROCKER ARM 3.05 MM	4	20/06/2012			
	84010232A	ADJUSTER, OPENING ROCKER ARM 3.10 MM	4	20/06/2012			
	84010242A	ADJUSTER, OPENING ROCKER ARM 3.15 MM	4	20/06/2012			
	84010252A	ADJUSTER, OPENING ROCKER ARM 3.20 MM	4	20/06/2012			
	84010262A	ADJUSTER, OPENING ROCKER ARM 3.25 MM	4	20/06/2012			
	84010272A	ADJUSTER, OPENING ROCKER ARM 3.30 MM	4	20/06/2012			
	84010282A	ADJUSTER, OPENING ROCKER ARM 3.35 MM	4	20/06/2012			
	84010292A	ADJUSTER, OPENING ROCKER ARM 3.40 MM	4	20/06/2012			
	84010302A	ADJUSTER, OPENING ROCKER ARM 3.45 MM	4	20/06/2012			
	84010312A	ADJUSTER, OPENING ROCKER ARM 1.80 MM	4	20/06/2012			
	84010322A	ADJUSTER, OPENING ROCKER ARM 1.85 MM	4	20/06/2012			
	84010332A	ADJUSTER, OPENING ROCKER ARM 1.90 MM	4	20/06/2012			
	84010342A	ADJUSTER, OPENING ROCKER ARM 1.95 MM	4	20/06/2012			
	84010722A	ADJUSTER, OPENING ROCKER ARM 3.60 MM	4	20/06/2012			



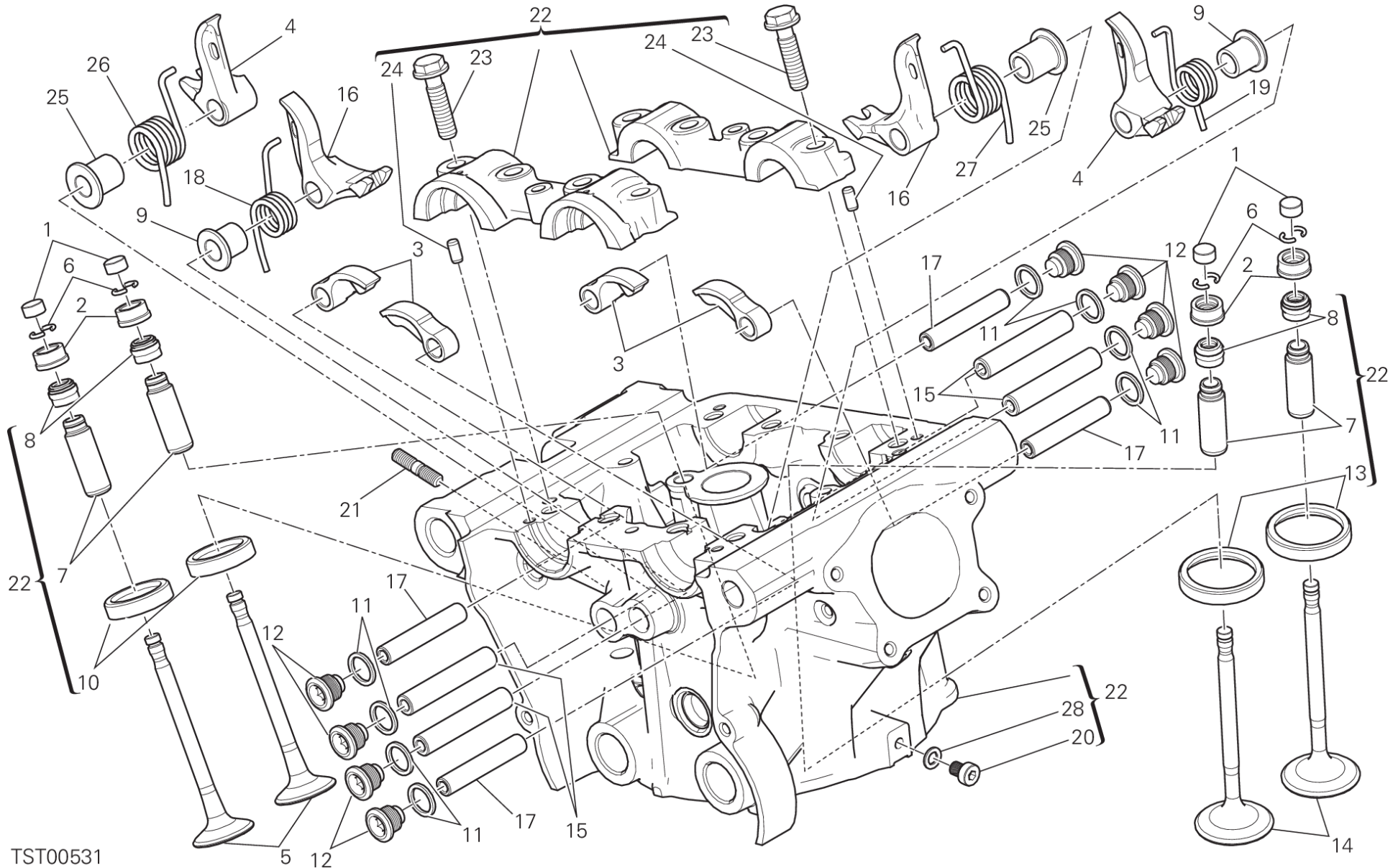
TST00531

# DRAWING 014 - VERTICAL HEAD [MOD:M 821]

## GROUP ENGINE



POS.	CODE	DESCRIPTION	QTY	START DATE	END DATE	VALIDITY	NOTES
	84010732A	ADJUSTER, OPENING ROCKER ARM 3.80 MM	4	20/06/2012			
	84011082A	ADJUSTER, OPENING ROCKER ARM 3.50 MM	4	20/06/2012			
	84011092A	ADJUSTER, OPENING ROCKER ARM 3.55 MM	4	20/06/2012			
	84011102A	ADJUSTER, OPENING ROCKER ARM 3.65 MM	4	20/06/2012			
	84011112A	ADJUSTER, OPENING ROCKER ARM 3.70 MM	4	20/06/2012			
	84011122A	ADJUSTER, OPENING ROCKER ARM 3.75 MM	4	20/06/2012			
	84011132A	ADJUSTER, OPENING ROCKER ARM 3.85 MM	4	20/06/2012			
	84011142A	ADJUSTER, OPENING ROCKER ARM 3.9 MM	4	20/06/2012			
2	84010412B	ADJUSTER, CLOSING ROCKER ARM 2.20 MM	4	24/12/2009			
	84010422B	ADJUSTER, CLOSING ROCKER ARM 2.25 MM	4	24/12/2009			
	84010432B	ADJUSTER, CLOSING ROCKER ARM 2.30 MM	4	24/12/2009			
	84010442B	ADJUSTER, CLOSING ROCKER ARM 2.35 MM	4	24/12/2009			
	84010452B	ADJUSTER, CLOSING ROCKER ARM 2.40 MM	4	24/12/2009			
	84010462B	ADJUSTER, CLOSING ROCKER ARM 2.45 MM	4	24/12/2009			
	84010472B	ADJUSTER, CLOSING ROCKER ARM 2.50 MM	4	24/12/2009			
	84010482B	ADJUSTER, CLOSING ROCKER ARM 2.55 MM	4	24/12/2009			
	84010492B	ADJUSTER, CLOSING ROCKER ARM 2.60 MM	4	24/12/2009			
	84010502B	ADJUSTER, CLOSING ROCKER ARM 2.65 MM	4	24/12/2009			
	84010512B	ADJUSTER, CLOSING ROCKER ARM 2.70 MM	4	24/12/2009			
	84010522B	ADJUSTER, CLOSING ROCKER ARM 2.75 MM	4	24/12/2009			
	84010532B	ADJUSTER, CLOSING ROCKER ARM 2.80 MM	4	24/12/2009			
	84010542B	ADJUSTER, CLOSING ROCKER ARM 2.85 MM	4	24/12/2009			
	84010552B	ADJUSTER, CLOSING ROCKER ARM 2.90 MM	4	24/12/2009			
	84010562B	ADJUSTER, CLOSING ROCKER ARM 2.95 MM	4	24/12/2009			
	84010572B	ADJUSTER, CLOSING ROCKER ARM 3.00 MM	4	24/12/2009			
	84010582B	ADJUSTER, CLOSING ROCKER ARM 3.05 MM	4	24/12/2009			
	84010592B	ADJUSTER, CLOSING ROCKER ARM 3.10 MM	4	24/12/2009			
	84010602B	ADJUSTER, CLOSING ROCKER ARM 3.15 MM	4	24/12/2009			
	84010612B	ADJUSTER, CLOSING ROCKER ARM 3.20 MM	4	24/12/2009			
	84010622B	ADJUSTER, CLOSING ROCKER ARM 3.25 MM	4	24/12/2009			
	84010632B	ADJUSTER, CLOSING ROCKER ARM 3.30 MM	4	24/12/2009			
	84010642B	ADJUSTER, CLOSING ROCKER ARM 3.35 MM	4	24/12/2009			
	84010652B	ADJUSTER, CLOSING ROCKER ARM 3.40 MM	4	24/12/2009			
	84010662B	ADJUSTER, CLOSING ROCKER ARM 3.45 MM	4	24/12/2009			
	84010672B	ADJUSTER, CLOSING ROCKER ARM 3.50 MM	4	24/12/2009			



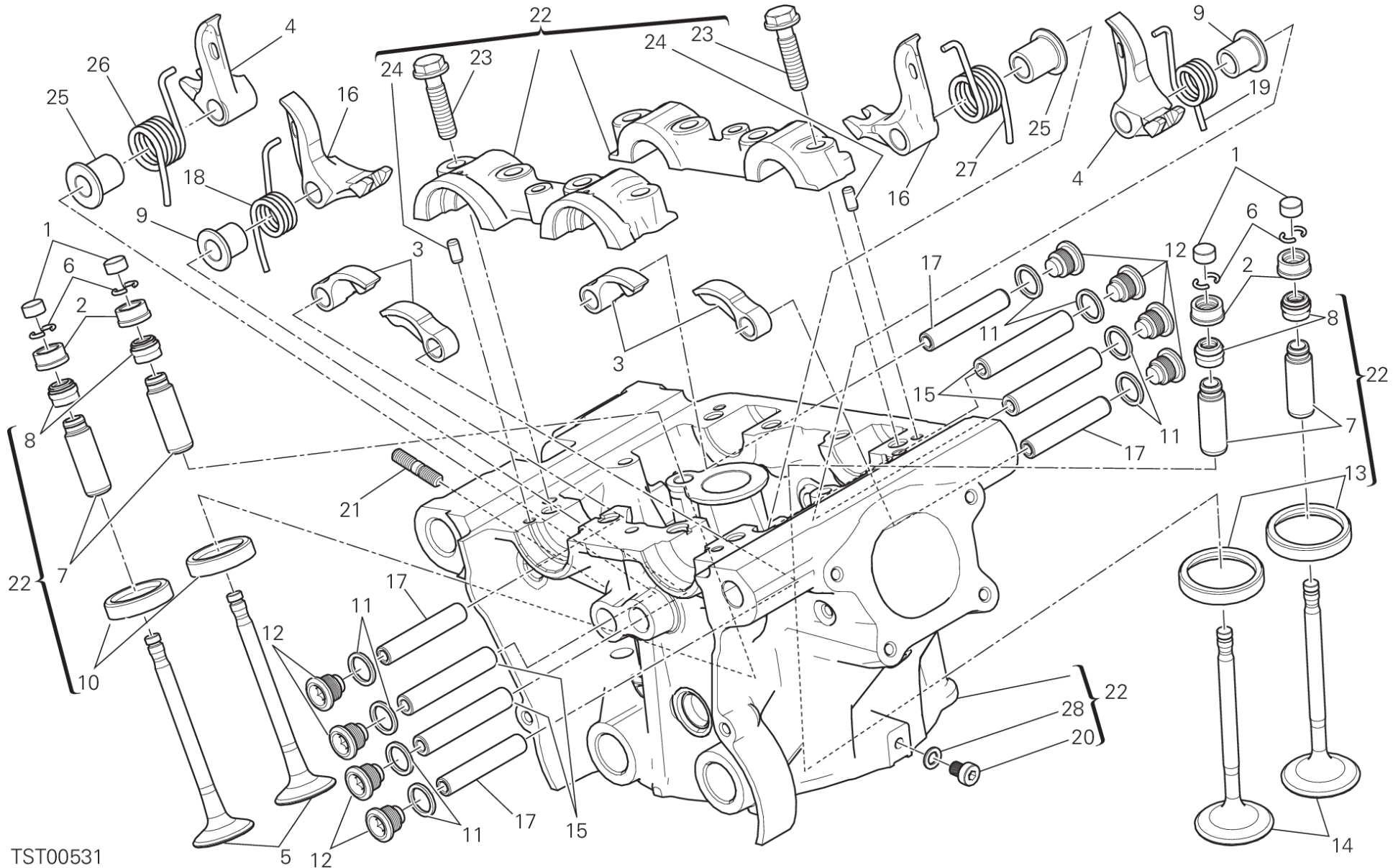
TST00531

# DRAWING 014 - VERTICAL HEAD [MOD:M 821]

## GROUP ENGINE



POS.	CODE	DESCRIPTION	QTY	START DATE	END DATE	VALIDITY	NOTES
	84010682B	ADJUSTER, CLOSING ROCKER ARM 3.55 MM	4	24/12/2009			
	84010692B	ADJUSTER, CLOSING ROCKER ARM 3.60 MM	4	24/12/2009			
	84010702B	ADJUSTER, CLOSING ROCKER ARM 3.65 MM	4	24/12/2009			
	84010712B	ADJUSTER, CLOSING ROCKER ARM 3.70 MM	4	24/12/2009			
	84010722B	ADJUSTER, CLOSING ROCKER ARM 3.75 MM	4	24/12/2009			
	84010732B	ADJUSTER, CLOSING ROCKER ARM 3.80 MM	4	24/12/2009			
	84010742B	ADJUSTER, CLOSING ROCKER ARM 3.85 MM	4	24/12/2009			
	84010752B	ADJUSTER, CLOSING ROCKER ARM 3.90 MM	4	24/12/2009			
	84010762B	ADJUSTER, CLOSING ROCKER ARM 3.95 MM	4	24/12/2009			
	84010772B	ADJUSTER, CLOSING ROCKER ARM 4.00 MM	4	24/12/2009			
	84010782B	ADJUSTER, CLOSING ROCKER ARM 4.05 MM	4	24/12/2009			
	84010792B	ADJUSTER, CLOSING ROCKER ARM 4.10 MM	4	24/12/2009			
	84010802B	ADJUSTER, CLOSING ROCKER ARM 4.15 MM	4	24/12/2009			
	84010812B	ADJUSTER, CLOSING ROCKER ARM 4.20 MM	4	24/12/2009			
	84010822B	ADJUSTER, CLOSING ROCKER ARM 4.25 MM	4	24/12/2009			
	84010832B	ADJUSTER, CLOSING ROCKER ARM 4.30 MM	4	24/12/2009			
	84010842B	ADJUSTER, CLOSING ROCKER ARM 4.35 MM	4	24/12/2009			
	84010852B	ADJUSTER, CLOSING ROCKER ARM 4.40 MM	4	24/12/2009			
	84010862B	ADJUSTER, CLOSING ROCKER ARM 4.45 MM	4	24/12/2009			
	84010872B	ADJUSTER, CLOSING ROCKER ARM 4.50 MM	4	24/12/2009			
3	20810321A	OPEN. ROCKER ARM	4	07/12/2012			
4	20910501A	CLOSING ROCKER ARM LEFT	2	07/12/2012			
5	21110991A	EXHAUST VALVE	2	27/06/2013			
6	66910011E	C RING	8	07/12/2012			
7	30310631BB	GUIDE, VALVE OVERSIZED 0.03 MM	4	21/03/2013			
	30310631BC	GUIDE, VALVE OVERSIZED 0.06 MM	4	25/03/2013			
	30310631BD	GUIDE, VALVE OVERSIZED 0.09 MM	4	21/03/2013			
8	76440572A	SEAL VALVE STEM	4	26/06/2014			
9	71312921A	SPACER	2	07/12/2012			
10	30411011AB	SEAT, EXHAUST VALVE +0.03 MM	2	17/07/2013			
	30411011AC	SEAT, EXHAUST VALVE +0.06 MM	2	17/07/2013			
11	85250261B	GASKET, ALUMINIUM 12X16X1.5	8	07/12/2012			
12	78010511E	PLUG	8	07/12/2012			
13	30411001AB	SEAT, INLET VALVE +0.03 MM	2	17/07/2013			
	30411001AC	SEAT, INLET VALVE +0.06 MM	2	17/07/2013			



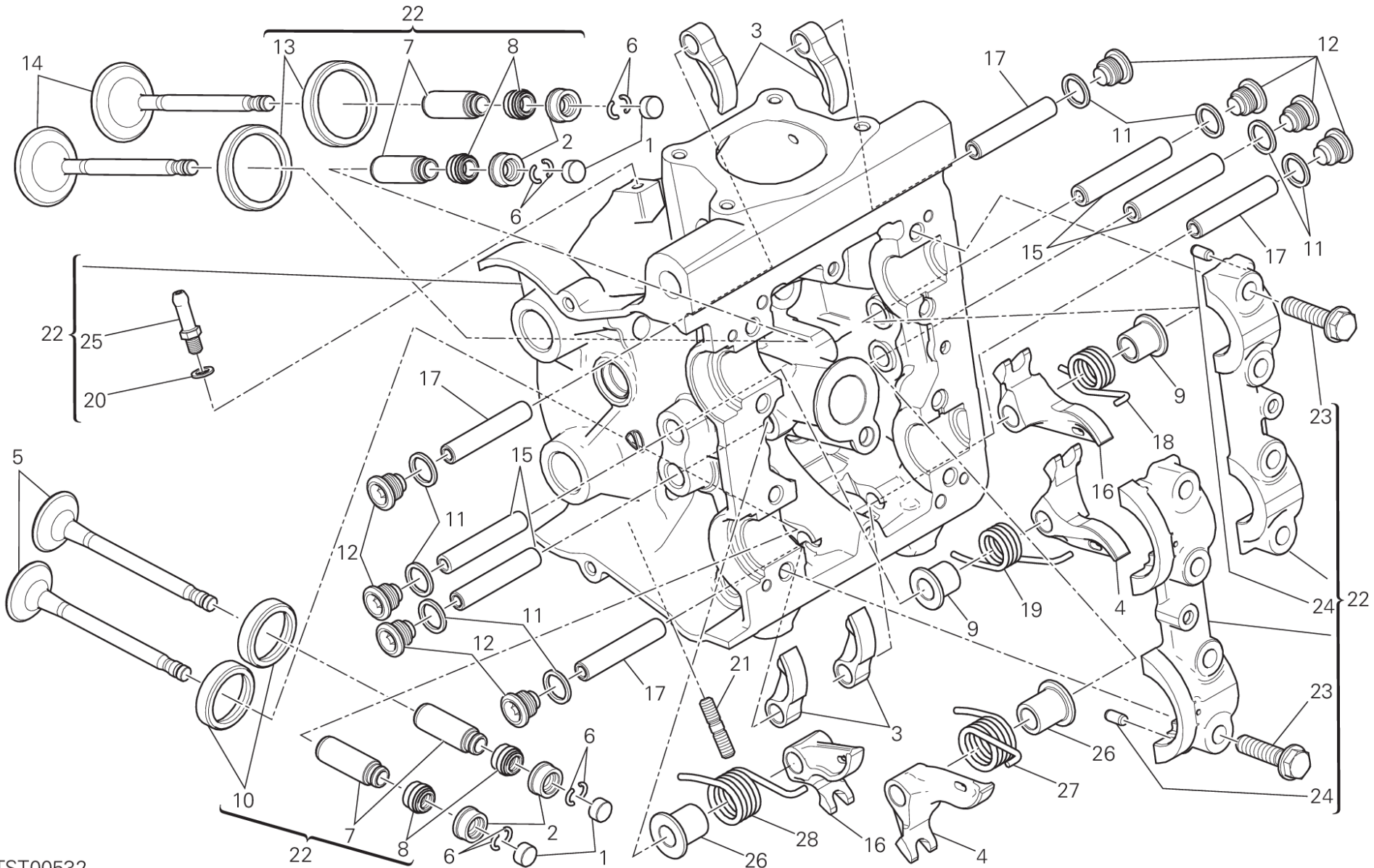
TST00531

## DRAWING 014 - VERTICAL HEAD [MOD:M 821]

## GROUP ENGINE



POS.	CODE	DESCRIPTION	QTY	START DATE	END DATE	VALIDITY	NOTES
14	21010991A	INTAKE VALVE	2	27/06/2013			
15	82112951A	CLOSE ROCKER ARM AXLE	4	05/11/2014			
16	20910491A	CLOSING ROCKER ARM RIGHT	2	07/12/2012			
17	82112941A	SHAFT, OPENING ROCKER	4	05/11/2014			
18	79914861A	VALVE RETURN SPRING RH.	1	07/12/2012			
19	79914851A	VALVE RETURN SPRING LH.	1	07/12/2012			
20	77350618B	SCREW TCEIR M6X8	1	03/04/2012			
21	76640191A	STUD BOLT M6X16	3	13/12/2012			
22	30123724AC	COMPLETE VERTICAL HEAD	1	03/03/2016			
23	77914211A	SCREW TEF M8X32	8	03/04/2012			
24	86050061A	PIN M5X10	4	03/04/2012			
25	71312921B	SPACER	2	07/12/2012			
26	79915181B	LEFT VALVE RETURN SPRING	1	07/12/2012			
27	79915191B	RIGHT VALVE RETURN SPRING	1	07/12/2012			
28	85250231A	GASKET	1	03/04/2012			



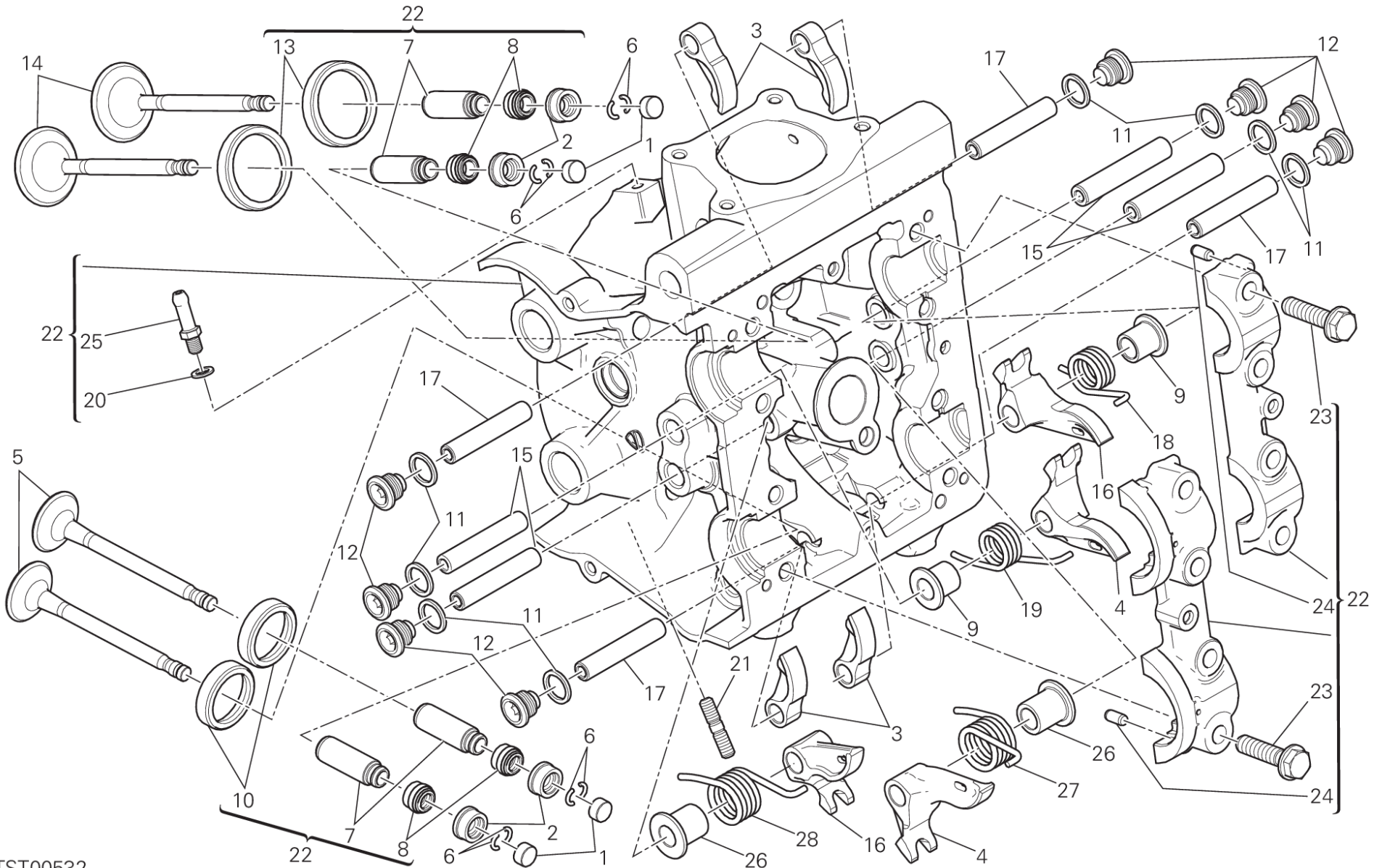
TST00532

# DRAWING 015 - HORIZONTAL HEAD [MOD:M 821]

## GROUP ENGINE



POS.	CODE	DESCRIPTION	QTY	START DATE	END DATE	VALIDITY	NOTES
1	84010012A	ADJUSTER, OPENING ROCKER ARM 2.00 MM	4	20/06/2012			
	84010022A	ADJUSTER, OPENING ROCKER ARM 2.05 MM	4	20/06/2012			
	84010032A	ADJUSTER, OPENING ROCKER ARM 2.10 MM	4	20/06/2012			
	84010042A	ADJUSTER, OPENING ROCKER ARM 2.15 MM	4	20/06/2012			
	84010052A	ADJUSTER, OPENING ROCKER ARM 2.20 MM	4	20/06/2012			
	84010062A	ADJUSTER, OPENING ROCKER ARM 2.25 MM	4	20/06/2012			
	84010072A	ADJUSTER, OPENING ROCKER ARM 2.30 MM	4	20/06/2012			
	84010082A	ADJUSTER, OPENING ROCKER ARM 2.35 MM	4	20/06/2012			
	84010092A	ADJUSTER, OPENING ROCKER ARM 2.40 MM	4	20/06/2012			
	84010102A	ADJUSTER, OPENING ROCKER ARM 2.45 MM	4	20/06/2012			
	84010112A	ADJUSTER, OPENING ROCKER ARM 2.50 MM	4	20/06/2012			
	84010122A	ADJUSTER, OPENING ROCKER ARM 2.55 MM	4	20/06/2012			
	84010132A	ADJUSTER, OPENING ROCKER ARM 2.60 MM	4	20/06/2012			
	84010142A	ADJUSTER, OPENING ROCKER ARM 2.65 MM	4	20/06/2012			
	84010152A	ADJUSTER, OPENING ROCKER ARM 2.70 MM	4	20/06/2012			
	84010162A	ADJUSTER, OPENING ROCKER ARM 2.75 MM	4	20/06/2012			
	84010172A	ADJUSTER, OPENING ROCKER ARM 2.80 MM	4	20/06/2012			
	84010182A	ADJUSTER, OPENING ROCKER ARM 2.85 MM	4	20/06/2012			
	84010192A	ADJUSTER, OPENING ROCKER ARM 2.90 MM	4	20/06/2012			
	84010202A	ADJUSTER, OPENING ROCKER ARM 2.95 MM	4	20/06/2012			
	84010212A	ADJUSTER, OPENING ROCKER ARM 3.00 MM	4	20/06/2012			
	84010222A	ADJUSTER, OPENING ROCKER ARM 3.05 MM	4	20/06/2012			
	84010232A	ADJUSTER, OPENING ROCKER ARM 3.10 MM	4	20/06/2012			
	84010242A	ADJUSTER, OPENING ROCKER ARM 3.15 MM	4	20/06/2012			
	84010252A	ADJUSTER, OPENING ROCKER ARM 3.20 MM	4	20/06/2012			
	84010262A	ADJUSTER, OPENING ROCKER ARM 3.25 MM	4	20/06/2012			
	84010272A	ADJUSTER, OPENING ROCKER ARM 3.30 MM	4	20/06/2012			
	84010282A	ADJUSTER, OPENING ROCKER ARM 3.35 MM	4	20/06/2012			
	84010292A	ADJUSTER, OPENING ROCKER ARM 3.40 MM	4	20/06/2012			
	84010302A	ADJUSTER, OPENING ROCKER ARM 3.45 MM	4	20/06/2012			
	84010312A	ADJUSTER, OPENING ROCKER ARM 1.80 MM	4	20/06/2012			
	84010322A	ADJUSTER, OPENING ROCKER ARM 1.85 MM	4	20/06/2012			
	84010332A	ADJUSTER, OPENING ROCKER ARM 1.90 MM	4	20/06/2012			
	84010342A	ADJUSTER, OPENING ROCKER ARM 1.95 MM	4	20/06/2012			
	84010722A	ADJUSTER, OPENING ROCKER ARM 3.60 MM	4	20/06/2012			



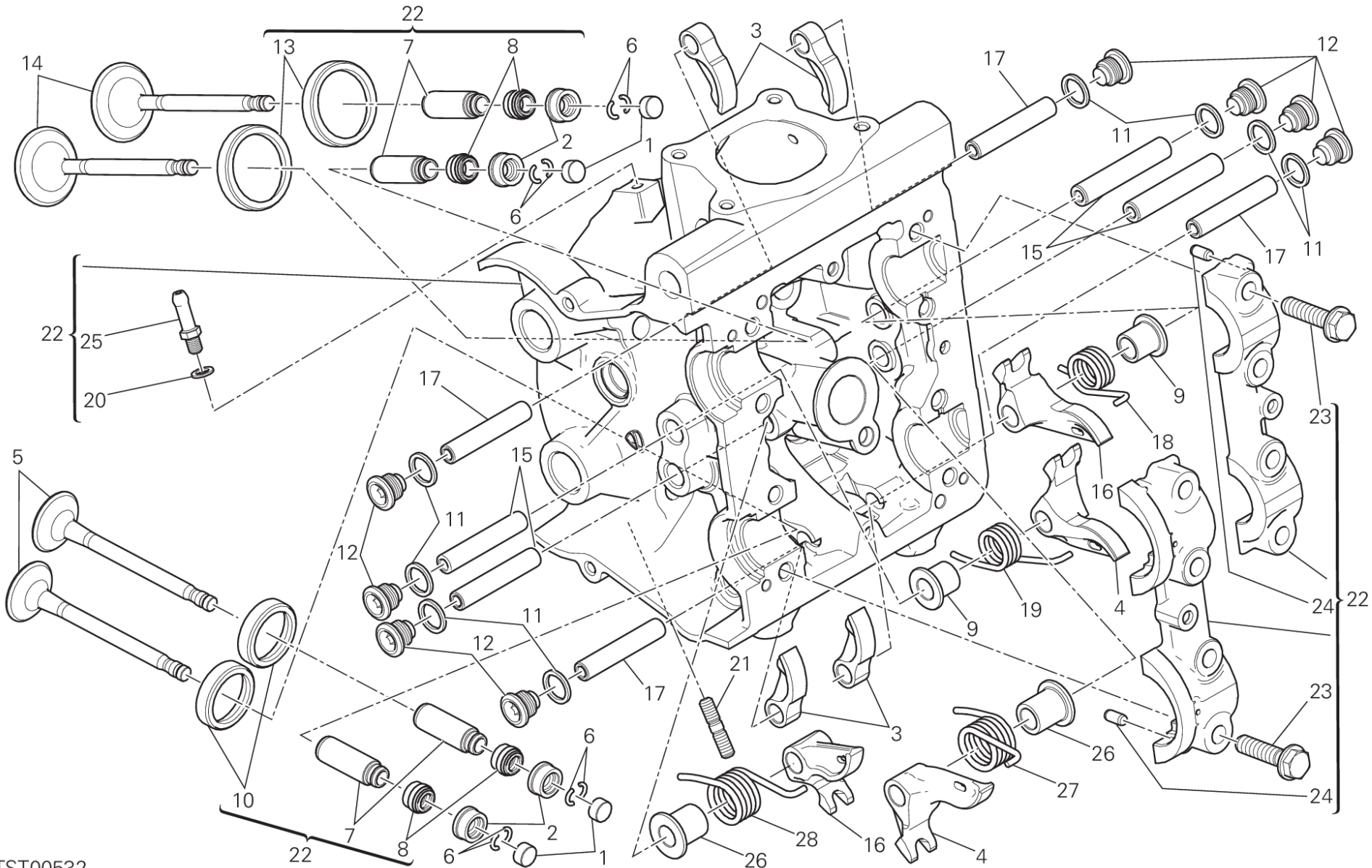
TST00532

# DRAWING 015 - HORIZONTAL HEAD [MOD:M 821]

## GROUP ENGINE



POS.	CODE	DESCRIPTION	QTY	START DATE	END DATE	VALIDITY	NOTES
	84010732A	ADJUSTER, OPENING ROCKER ARM 3.80 MM	4	20/06/2012			
	84011082A	ADJUSTER, OPENING ROCKER ARM 3.50 MM	4	20/06/2012			
	84011092A	ADJUSTER, OPENING ROCKER ARM 3.55 MM	4	20/06/2012			
	84011102A	ADJUSTER, OPENING ROCKER ARM 3.65 MM	4	20/06/2012			
	84011112A	ADJUSTER, OPENING ROCKER ARM 3.70 MM	4	20/06/2012			
	84011122A	ADJUSTER, OPENING ROCKER ARM 3.75 MM	4	20/06/2012			
	84011132A	ADJUSTER, OPENING ROCKER ARM 3.85 MM	4	20/06/2012			
	84011142A	ADJUSTER, OPENING ROCKER ARM 3.9 MM	4	20/06/2012			
2	84010412B	ADJUSTER, CLOSING ROCKER ARM 2.20 MM	4	24/12/2009			
	84010422B	ADJUSTER, CLOSING ROCKER ARM 2.25 MM	4	24/12/2009			
	84010432B	ADJUSTER, CLOSING ROCKER ARM 2.30 MM	4	24/12/2009			
	84010442B	ADJUSTER, CLOSING ROCKER ARM 2.35 MM	4	24/12/2009			
	84010452B	ADJUSTER, CLOSING ROCKER ARM 2.40 MM	4	24/12/2009			
	84010462B	ADJUSTER, CLOSING ROCKER ARM 2.45 MM	4	24/12/2009			
	84010472B	ADJUSTER, CLOSING ROCKER ARM 2.50 MM	4	24/12/2009			
	84010482B	ADJUSTER, CLOSING ROCKER ARM 2.55 MM	4	24/12/2009			
	84010492B	ADJUSTER, CLOSING ROCKER ARM 2.60 MM	4	24/12/2009			
	84010502B	ADJUSTER, CLOSING ROCKER ARM 2.65 MM	4	24/12/2009			
	84010512B	ADJUSTER, CLOSING ROCKER ARM 2.70 MM	4	24/12/2009			
	84010522B	ADJUSTER, CLOSING ROCKER ARM 2.75 MM	4	24/12/2009			
	84010532B	ADJUSTER, CLOSING ROCKER ARM 2.80 MM	4	24/12/2009			
	84010542B	ADJUSTER, CLOSING ROCKER ARM 2.85 MM	4	24/12/2009			
	84010552B	ADJUSTER, CLOSING ROCKER ARM 2.90 MM	4	24/12/2009			
	84010562B	ADJUSTER, CLOSING ROCKER ARM 2.95 MM	4	24/12/2009			
	84010572B	ADJUSTER, CLOSING ROCKER ARM 3.00 MM	4	24/12/2009			
	84010582B	ADJUSTER, CLOSING ROCKER ARM 3.05 MM	4	24/12/2009			
	84010592B	ADJUSTER, CLOSING ROCKER ARM 3.10 MM	4	24/12/2009			
	84010602B	ADJUSTER, CLOSING ROCKER ARM 3.15 MM	4	24/12/2009			
	84010612B	ADJUSTER, CLOSING ROCKER ARM 3.20 MM	4	24/12/2009			
	84010622B	ADJUSTER, CLOSING ROCKER ARM 3.25 MM	4	24/12/2009			
	84010632B	ADJUSTER, CLOSING ROCKER ARM 3.30 MM	4	24/12/2009			
	84010642B	ADJUSTER, CLOSING ROCKER ARM 3.35 MM	4	24/12/2009			
	84010652B	ADJUSTER, CLOSING ROCKER ARM 3.40 MM	4	24/12/2009			
	84010662B	ADJUSTER, CLOSING ROCKER ARM 3.45 MM	4	24/12/2009			
	84010672B	ADJUSTER, CLOSING ROCKER ARM 3.50 MM	4	24/12/2009			



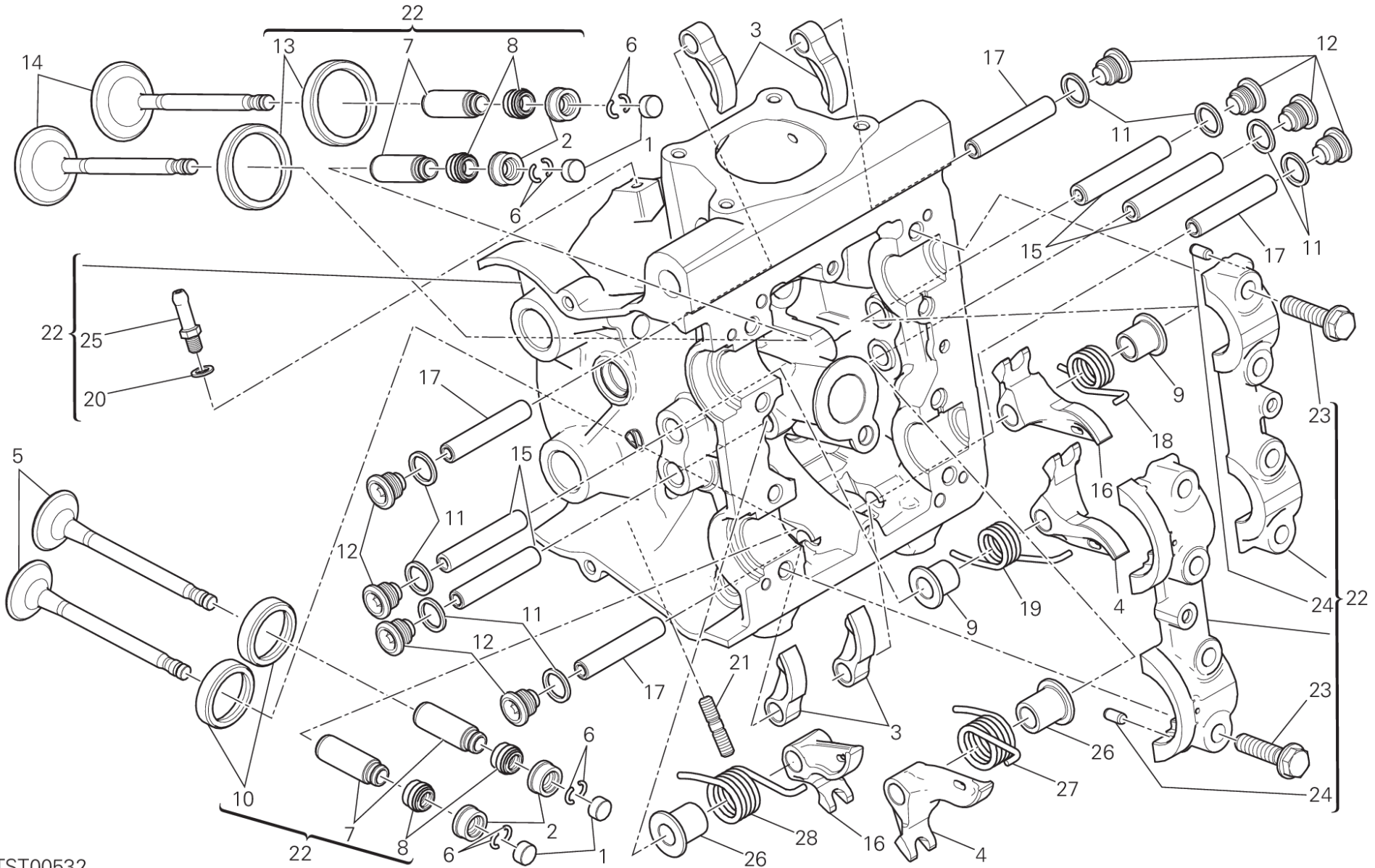
TST00532

# DRAWING 015 - HORIZONTAL HEAD [MOD:M 821]

## GROUP ENGINE



POS.	CODE	DESCRIPTION	QTY	START DATE	END DATE	VALIDITY	NOTES
	84010682B	ADJUSTER, CLOSING ROCKER ARM 3.55 MM	4	24/12/2009			
	84010692B	ADJUSTER, CLOSING ROCKER ARM 3.60 MM	4	24/12/2009			
	84010702B	ADJUSTER, CLOSING ROCKER ARM 3.65 MM	4	24/12/2009			
	84010712B	ADJUSTER, CLOSING ROCKER ARM 3.70 MM	4	24/12/2009			
	84010722B	ADJUSTER, CLOSING ROCKER ARM 3.75 MM	4	24/12/2009			
	84010732B	ADJUSTER, CLOSING ROCKER ARM 3.80 MM	4	24/12/2009			
	84010742B	ADJUSTER, CLOSING ROCKER ARM 3.85 MM	4	24/12/2009			
	84010752B	ADJUSTER, CLOSING ROCKER ARM 3.90 MM	4	24/12/2009			
	84010762B	ADJUSTER, CLOSING ROCKER ARM 3.95 MM	4	24/12/2009			
	84010772B	ADJUSTER, CLOSING ROCKER ARM 4.00 MM	4	24/12/2009			
	84010782B	ADJUSTER, CLOSING ROCKER ARM 4.05 MM	4	24/12/2009			
	84010792B	ADJUSTER, CLOSING ROCKER ARM 4.10 MM	4	24/12/2009			
	84010802B	ADJUSTER, CLOSING ROCKER ARM 4.15 MM	4	24/12/2009			
	84010812B	ADJUSTER, CLOSING ROCKER ARM 4.20 MM	4	24/12/2009			
	84010822B	ADJUSTER, CLOSING ROCKER ARM 4.25 MM	4	24/12/2009			
	84010832B	ADJUSTER, CLOSING ROCKER ARM 4.30 MM	4	24/12/2009			
	84010842B	ADJUSTER, CLOSING ROCKER ARM 4.35 MM	4	24/12/2009			
	84010852B	ADJUSTER, CLOSING ROCKER ARM 4.40 MM	4	24/12/2009			
	84010862B	ADJUSTER, CLOSING ROCKER ARM 4.45 MM	4	24/12/2009			
	84010872B	ADJUSTER, CLOSING ROCKER ARM 4.50 MM	4	24/12/2009			
3	20810321A	OPEN. ROCKER ARM	4	07/12/2012			
4	20910501A	CLOSING ROCKER ARM LEFT	2	07/12/2012			
5	21110991A	EXHAUST VALVE	2	27/06/2013			
6	66910011E	C RING	8	07/12/2012			
7	30310631BB	GUIDE, VALVE OVERSIZED 0.03 MM	4	25/03/2013			
	30310631BC	GUIDE, VALVE OVERSIZED 0.06 MM	4	25/03/2013			
	30310631BD	GUIDE, VALVE OVERSIZED 0.09 MM	4	25/03/2013			
8	76440572A	SEAL VALVE STEM	4	26/06/2014			
9	71312921A	SPACER	2	07/12/2012			
10	30411011AB	SEAT, EXHAUST VALVE +0.03 MM	2	17/07/2013			
	30411011AC	SEAT, EXHAUST VALVE +0.06 MM	2	17/07/2013			
11	85250261B	GASKET, ALUMINIUM 12X16X1.5	8	07/12/2012			
12	78010511E	PLUG	8	07/12/2012			
13	30411001AB	SEAT, INLET VALVE +0.03 MM	2	17/07/2013			
	30411001AC	SEAT, INLET VALVE +0.06 MM	2	17/07/2013			



TST00532

# DRAWING 015 - HORIZONTAL HEAD [MOD:M 821]

## GROUP ENGINE

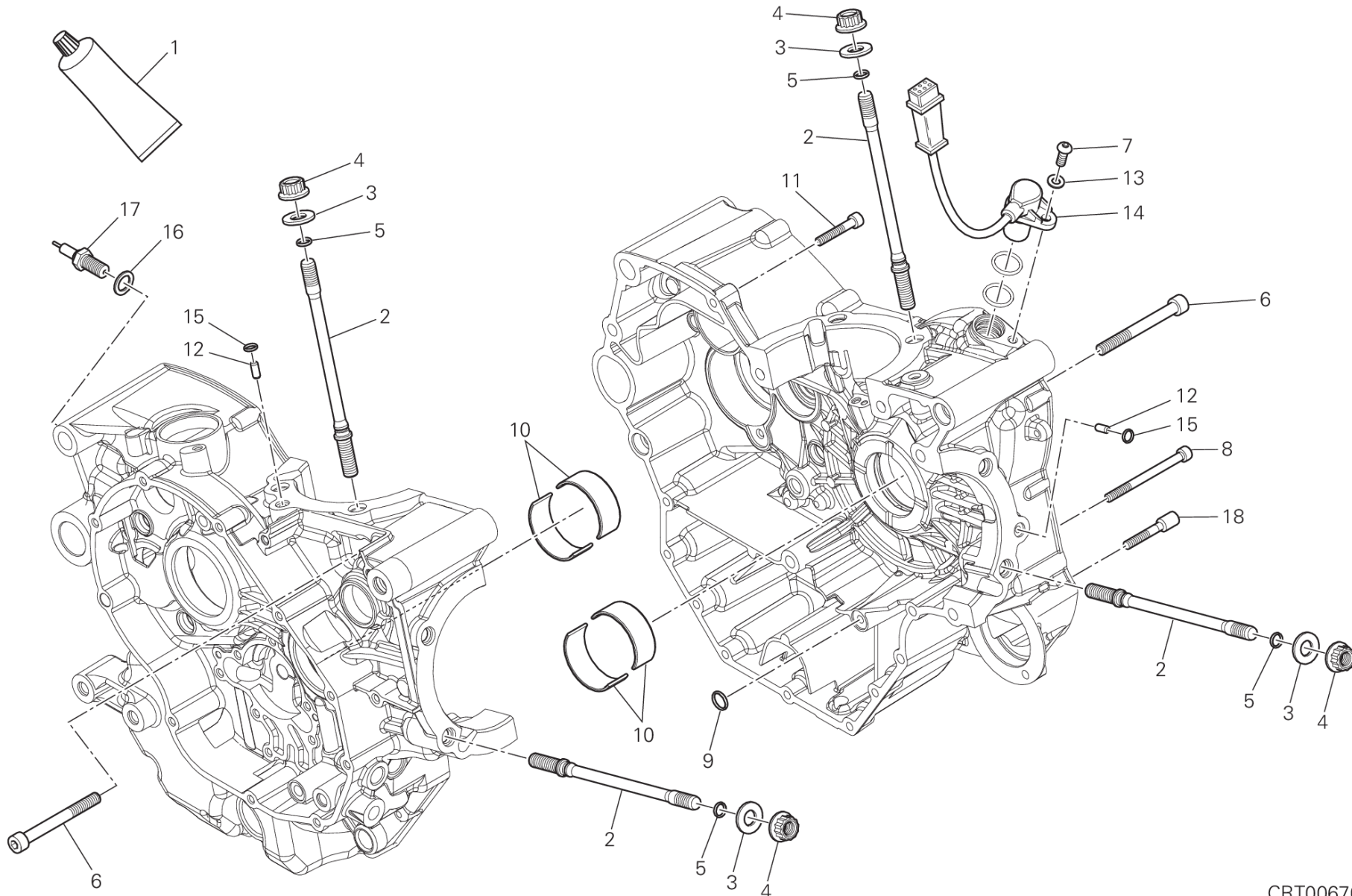


POS.	CODE	DESCRIPTION	QTY	START DATE	END DATE	VALIDITY	NOTES
14	21010991A	INTAKE VALVE	2	27/06/2013			
15	82112951A	CLOSE ROCKER ARM AXLE	4	05/11/2014			
16	20910491A	CLOSING ROCKER ARM RIGHT	2	07/12/2012			
17	82112941A	SHAFT, OPENING ROCKER	4	05/11/2014			
18	79914861A	VALVE RETURN SPRING RH.	1	07/12/2012			
19	79914851A	VALVE RETURN SPRING LH.	1	07/12/2012			
20	85250231A	GASKET	1	03/04/2012			
21	76640191A	STUD BOLT M6X16	3	13/12/2012			
22	30123714AC	COMPLETE HORIZONTAL HEAD	1	03/03/2016			
23	77914211A	SCREW TEF M8X32	8	03/04/2012			
24	86050061A	PIN M5X10	4	03/04/2012			
25	81411881A	NIPPLE, HOSE	1	03/04/2012			
26	71312921B	SPACER	2	07/12/2012			
27	79915181B	LEFT VALVE RETURN SPRING	1	07/12/2012			
28	79915191B	RIGHT VALVE RETURN SPRING	1	07/12/2012			



# DRAWING 10A - HALF-CRANKCASES PAIR [MOD:M 821]

GROUP ENGINE



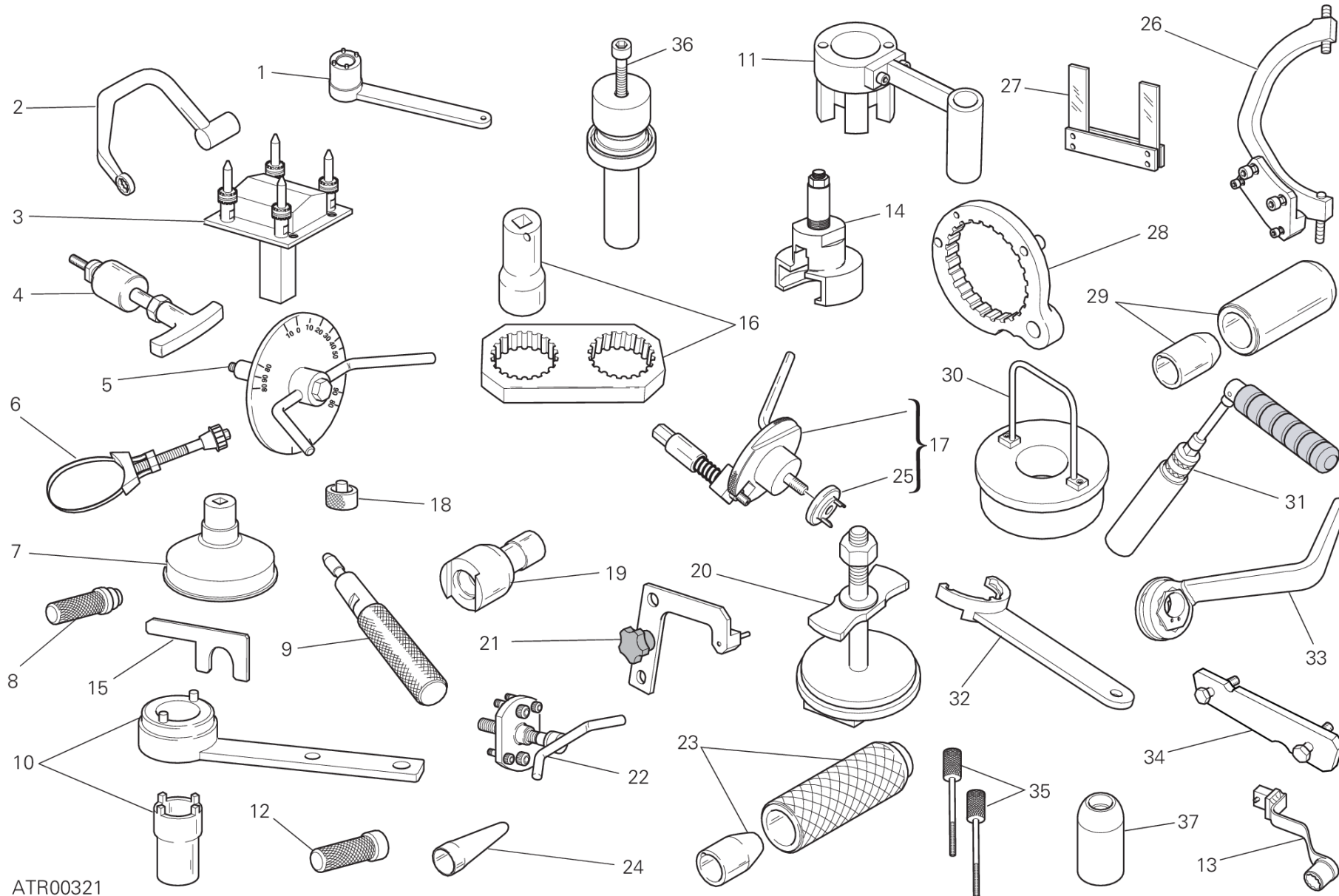
CRT00670

# DRAWING 10A - HALF-CRANKCASES PAIR [MOD:M 821]

## GROUP ENGINE



POS.	CODE	DESCRIPTION	QTY	START DATE	END DATE	VALIDITY	NOTES
1	942470014	LIQUID GASKET	1	16/04/2013			
2	76610553B	STUD BOLT FASTENING HEAD CYLINDER	8	16/04/2013			
3	85610642A	WASHER, SPECIAL 10.5X21X2	8	16/04/2013			
4	74810501A	NUT M10X1.5	8	16/04/2013			
5	88641181A	O-RING	8	16/04/2013			
6	77151363B	SCREW TCEI M8X75 UNI 5931	7	16/04/2013			
7	77550211B	SCREW TBEI M6X16 ISO7380 10.9	1	23/09/2011			
8	77150808B	SCREW TCEI M6X75	2	16/04/2013			
9	88641321A	O-RING 11.11X1.78	1	16/04/2013			
10	11210791AA	HALF-BEARING RED	4	05/07/2013			
	11210791AB	HALF-BEARING BLUE	4	05/07/2013			
	11210791AC	HALF-BEARING YELLOW	4	05/07/2013			
	11210791AD	HALF-BEARING BLACK	4	05/07/2013			
	11210791AE	HALF-BEARING GREEN	4	05/07/2013			
11	77150723B	SCREW TCEI M6X35 UNI 5931	5	16/04/2013			
12	86010051B	DOWEL	2	16/04/2013			
13	85310031A	SPRING WASHER 6 MM	1	16/04/2013			
14	55241321C	SENSOR, TIMING & RPM	1	16/04/2013			
15	88610241A	O-RING 5.23X2.62	2	16/04/2013			
16	85250241A	WASHER 10X14X1	1	29/01/2014			
17	53910211B	NEUTRAL SWITCH ASSY	1	29/01/2014			
18	77916041C	SCREW, SPECIAL	3	28/04/2014			



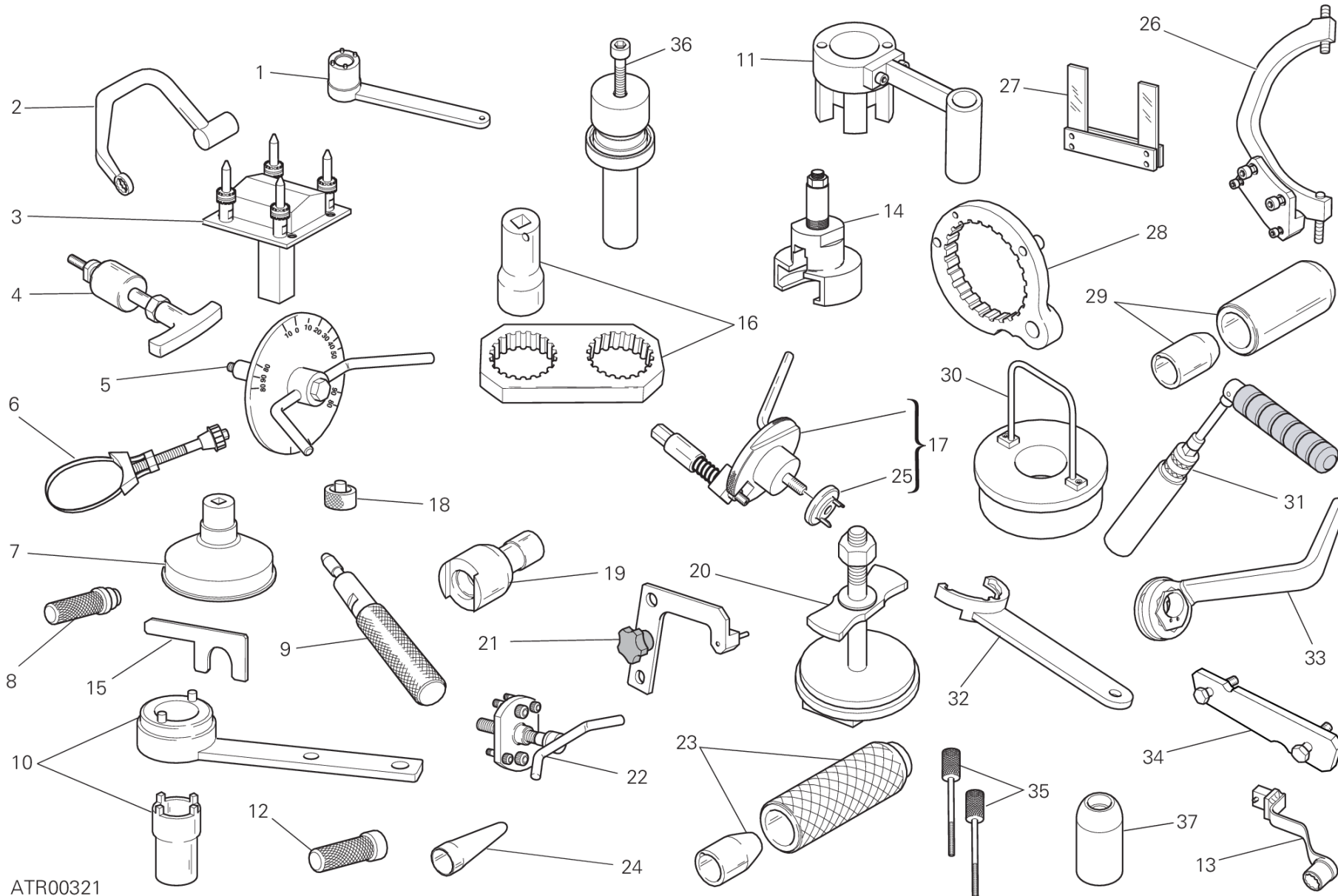
ATR00321

# DRAWING 001 - WORKSHOP SERVICE TOOLS, ENGINE [MOD:M 821]

## GROUP TOOLS



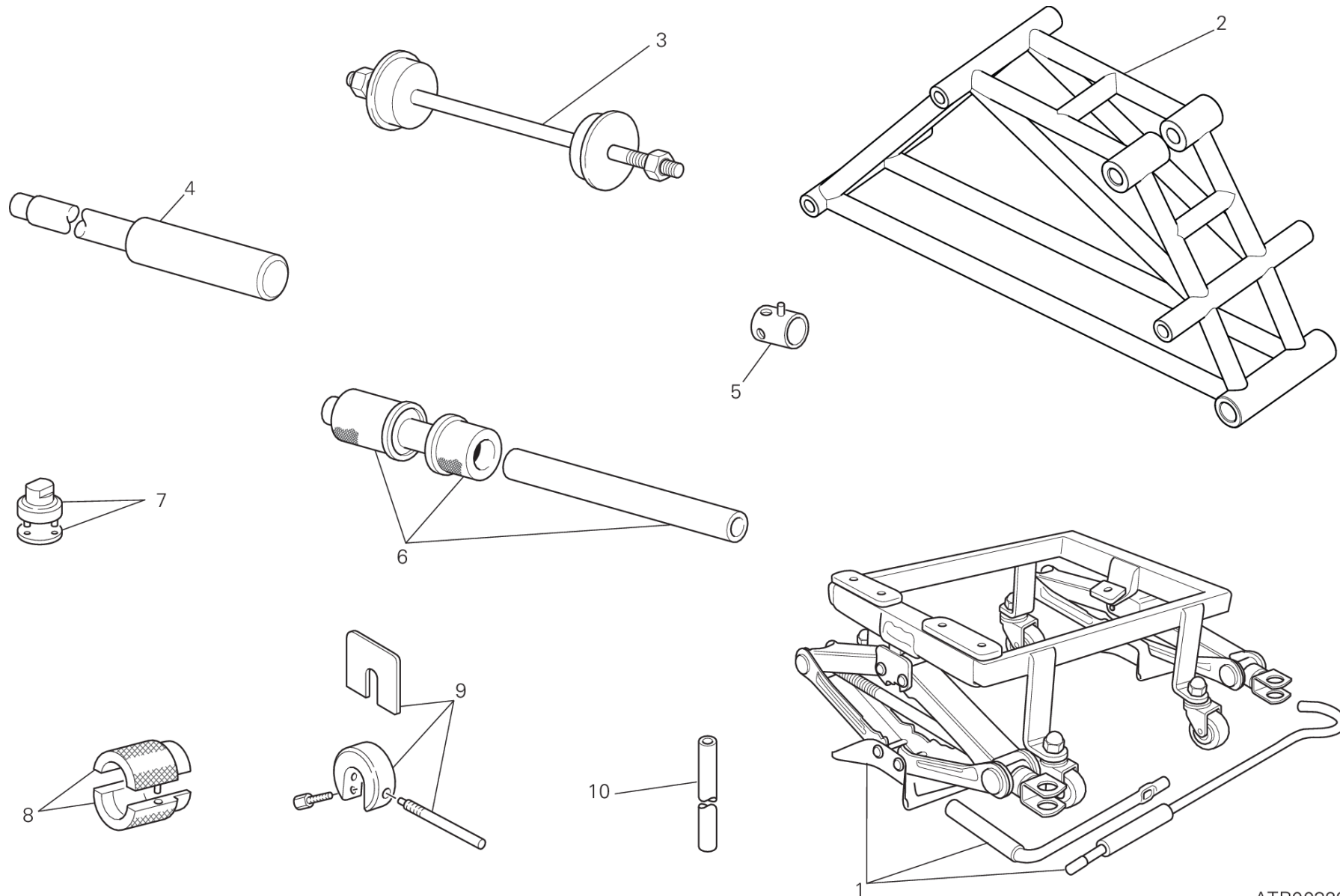
POS.	CODE	DESCRIPTION	QTY	START DATE	END DATE	VALIDITY	NOTES
1	887130137	CRANKSHAFT GEAR RETAINING WRENCH	1				
2	887132676	HEAD NUTS HOLDER WRENCH (M10)	1				
3	887132863	HEAD MOUNTING BASE	1				
4	887131994	ROCKER PIN EXTRACTOR	1				
5	887651635	DEGREE WHEEL HOLDER TOOL FOR IGNITION ADVANCE CHECK	1				
6	887132906	WRENCH, OIL FILTER CARTRIDGE	1				
7	887130944	WRENCH TO TIGHTEN OIL FILTER CARTRIDGE	1				
8	887130869	TOOL, WATER PUMP FRONT SEAL ASSEMBLING	1				
9	887132442	TOOL, OIL SEAL MOUNTING (Ø7)	1				
10	887131805	DRIVING ROLLER TIGHTENING TOOL	1				
11	887134284	REACTION TOOL FOR WET CLUTCH	1				
12	887130870	TOOL ASSEMBLING WATER PUMP FRONT SEAL	1				
13	887134198	EXHAUST NUTS HOLDER WRENCH	1				
14	887134882	EXTRACTOR FOR PRIMARY DRIVE GEAR	1				
15	887132878	SPACER AND FORK FEELER GAUGE 0.2/0.3 MM	1				
16	887131806	REACTION TOOL BELT ROLLER TIGHTENING	1				
17	887132011	CRANKSHAFT RESET TOOL	1				
18	887651298	SPACER FOR CHECKING LOWER VALVE SHIM	1				
19	887131821	WRENCH TO TIGHTEN TENSIONING BOLTS	1				
20	887134286	CLUTCH PLATES SET HOLDER	1				
21	887133334	PLATE POSITIONING GEAR ENGAGEMENT FORK	1				
22	887131749	DRIVE ROLLER PULLER	1				
23	887132834	TOOL SNAP RING INSTALLATION	1				
24	887131920	TOOL TO FIT O-RINGS ONTO STUD BOLTS	1				
25	887134411	INSERT	1				
26	887133367	FLYWHEEL WRENCH	1				
27	887651000	FORK FEELER GAUGE 0.1 MM	1				
	887651005	FORK FEELER GAUGE 0.2 MM	1				
	887651006	FORK FEELER GAUGE 0.3 MM	1				
28	887132556	WRENCH HOLD CLUCH HOUSING DRUM STEADY	1				
29	887132861	TOOL TO FIT SEALS ON CAMSHAFTS	1				
30	887132870	TOOL, CON-ROD GUIDING	1				
31	887132877	SPARK PLUG WRENCH	1				
32	887133219	TIMING BELT ROLLER REACTION TOOL	1				
33	887133497	WRENCH FOR TENSIONING MOBILE BELT TENSIO	1				



ATR00321



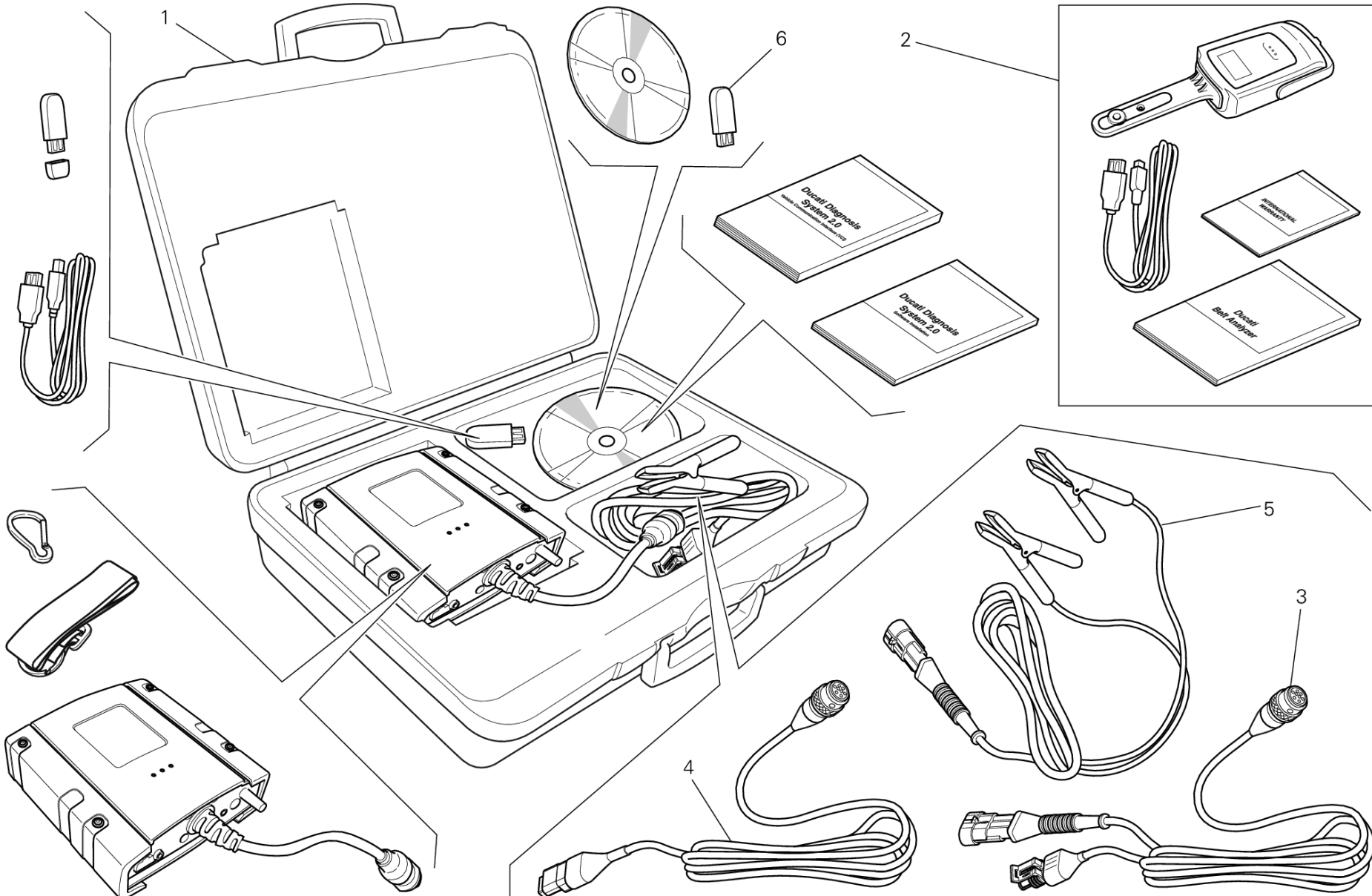
POS.	CODE	DESCRIPTION	QTY	START DATE	END DATE	VALIDITY	NOTES
34	887651623	BELT ROLLER TIMING TOOL	1				
35	887134285	CLUTCH SCREW	1				
36	887134145	HALF-BEARINGS FITTING TOOL	1				
37	887135013	PAD CRANKSHAFT	1				



ATR00322



POS.	CODE	DESCRIPTION	QTY	START DATE	END DATE	VALIDITY	NOTES
1	887133220	BENCH FOR ENGINE REPAIR	1				
2	887134513	FRAME/MOTOR SUPPORT	1				
3	887131062	TOOL ASSEMBLING STEERING TUBE BEARING	1				
4	887131074	TOOL DISASSEMBLING SWINGARM PIVOT	1				
5	800070139	WRENCH FOR FRONT WHEEL SPINDLE	1				
6	887132409	TOOL ASSEMBLING SWINGARM BALL BEARING	1				
7	887131058	SPANNER TO ASSEMBLE THE STEERING SLEEVE	1				
8	887131096	TOOL TO OVERHAUL FORKS	1				
9	887130957	TOOL TO KEEP THE SPACER SHOWA FORKS	1				
10	887130958	TRACTION BAR SHOWA FORKS OVERHAULING	1				





POS.	CODE	DESCRIPTION	QTY	START DATE	END DATE	VALIDITY	NOTES
1	979000252	DDS 2 (Ducati Diagnosis System 2.0)	1				
2	979000253	BELT TENSIONING KIT	1				
3	979000254	MAIN CABLE	1				
4	979000255	MAIN CABLE (CAN)	1				
5	979000256	MAIN CABLE DDS	1				
6	28620441A	CHIAVE "PC HASP DDS2.0"	1				



# DRAWING A - TYRES [MOD:M 821]

## GROUP TYRES



POS.	CODE	DESCRIPTION	QTY	START DATE	END DATE	VALIDITY	NOTES
1	49040663A	FRONT TYRE DIABLO™ ROSSO II (120-70 ZR17)	1	25/03/2013			(*)=Pneumatico di primo equipaggiamento
2	49140991A	REAR TYRE DIABLO™ ROSSO II (180-60 ZR17)	1	21/01/2014			(*)=Pneumatico di primo equipaggiamento
3	49040692A	FRONT TYRE DIABLO™ ROSSO CORSA (120-70 ZR17)	1				
4	49140921A	REAR TYRE DIABLO™ ROSSO CORSA (180-60 ZR17)	1				



# DRAWING B - (\*) PIRELLI DIABLO™ ROSSO II [MOD:M 821]

## GROUP TYRES



POS.	CODE	DESCRIPTION	QTY	START DATE	END DATE	VALIDITY	NOTES
1	49040663A	FRONT TYRE DIABLO™ ROSSO II (120-70 ZR17)	1	25/03/2013			
2	49140991A	REAR TYRE DIABLO™ ROSSO II (180-60 ZR17)	1	21/01/2014			

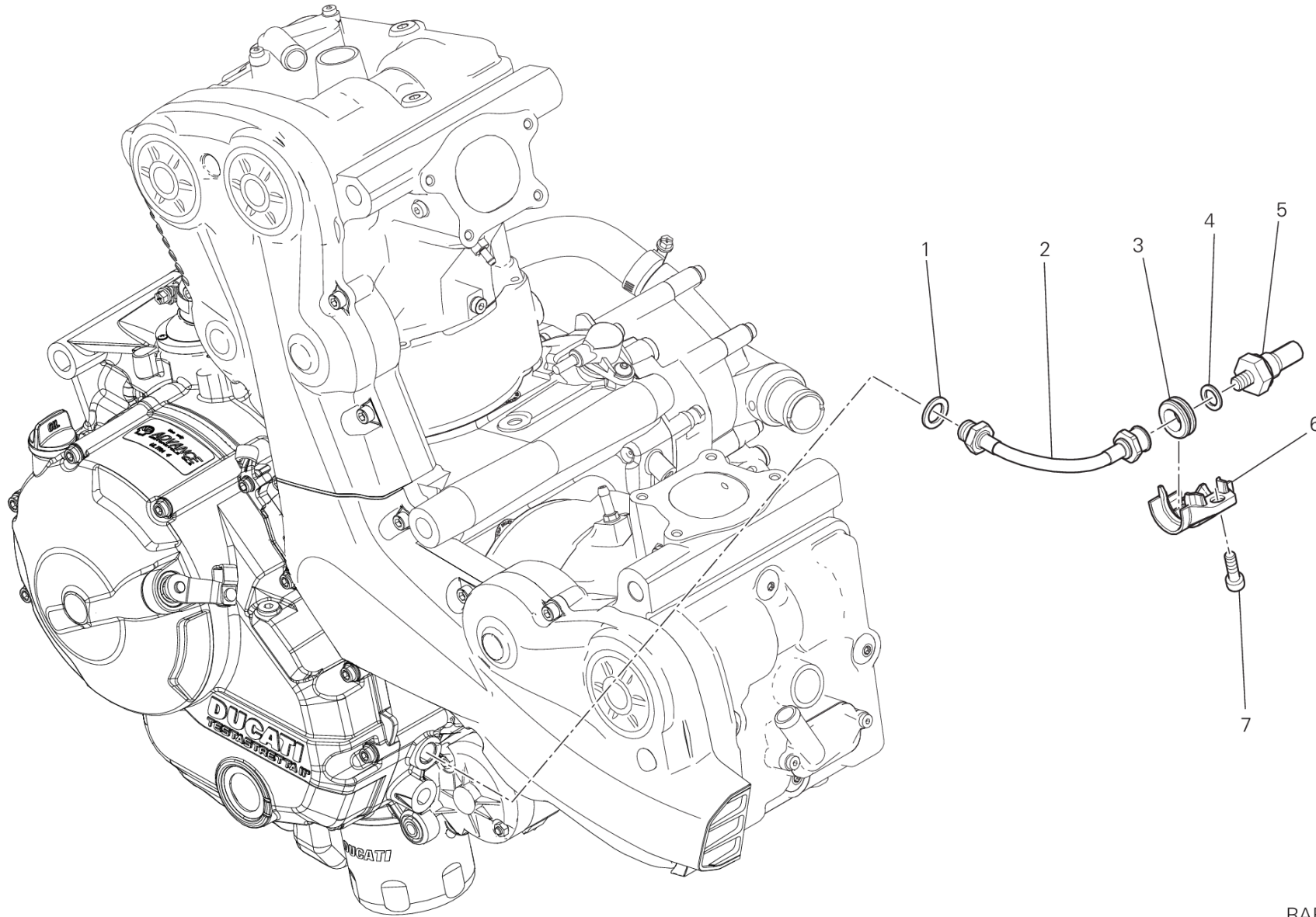


# DRAWING C - PIRELLI DIABLO™ ROSSO CORSA [MOD:M 821]

## GROUP TYRES



POS.	CODE	DESCRIPTION	QTY	START DATE	END DATE	VALIDITY	NOTES
1	49040692A	FRONT TYRE DIABLO™ ROSSO CORSA (120-70 ZR17)	1	25/10/2013			
2	49140921A	REAR TYRE DIABLO™ ROSSO CORSA (180-60 ZR17)	1	28/05/2015			



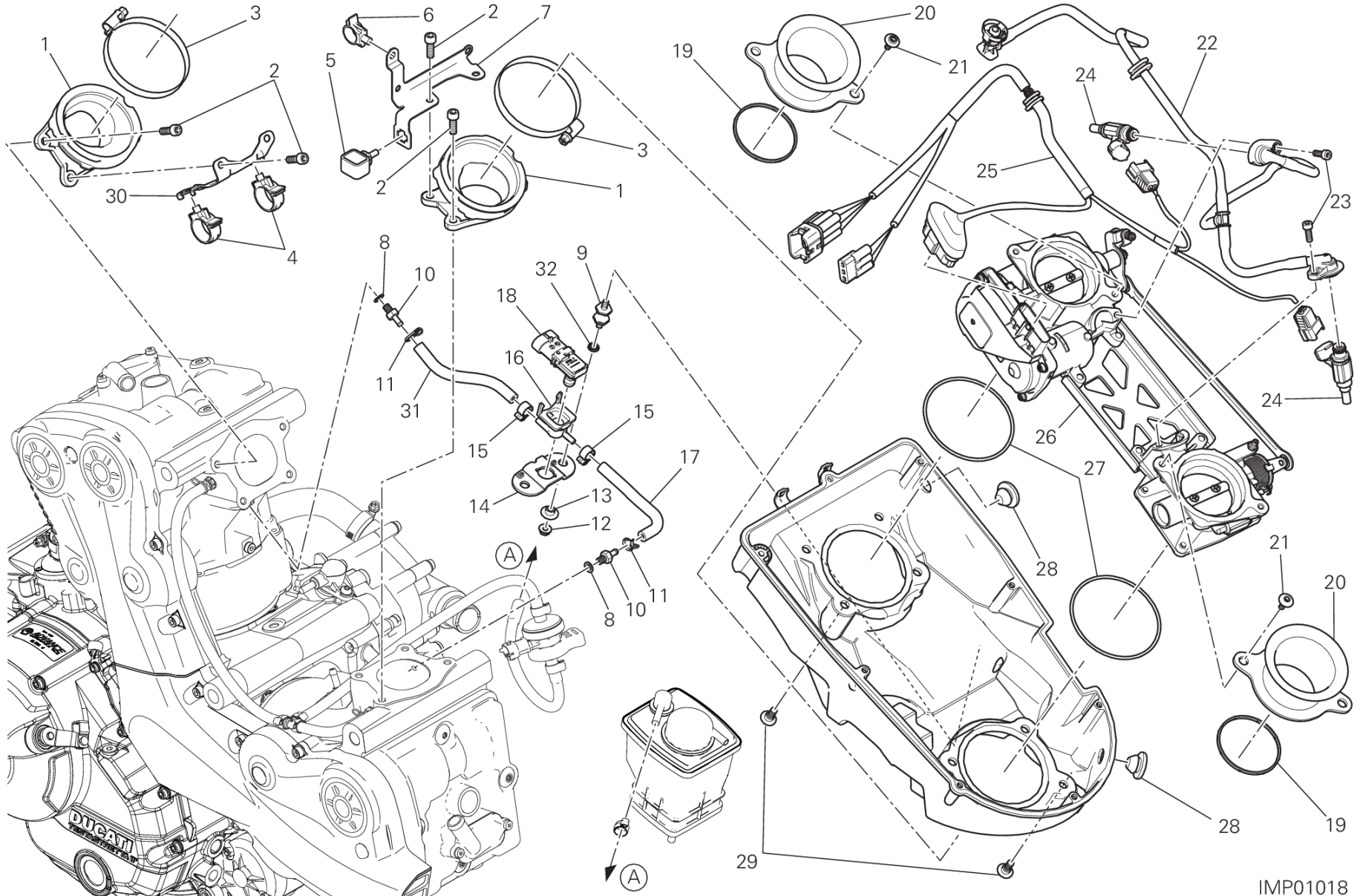
RAF00516

# DRAWING 016 - SWITCH ASSY, OIL PRESSURE [MOD:M 821]

## GROUP FRAME



POS.	CODE	DESCRIPTION	QTY	START DATE	END DATE	VALIDITY	NOTES
1	78710111A	GASKET, ALUMINIUM 14X22X2	1	15/11/2012			
2	87711572A	HOSE, OIL	1	15/11/2012			
3	76440581A	RUBBER PAD	1	15/11/2012			
4	85211951A	GASKET 10.5X17X2	1	15/11/2012			
5	53940302A	SWITCH ASSY, OIL PRESSURE	1	15/11/2012			
6	82916531A	HOLDER SENSOR	1	15/11/2012			
7	77140653CC	SCREW	1	15/11/2012			



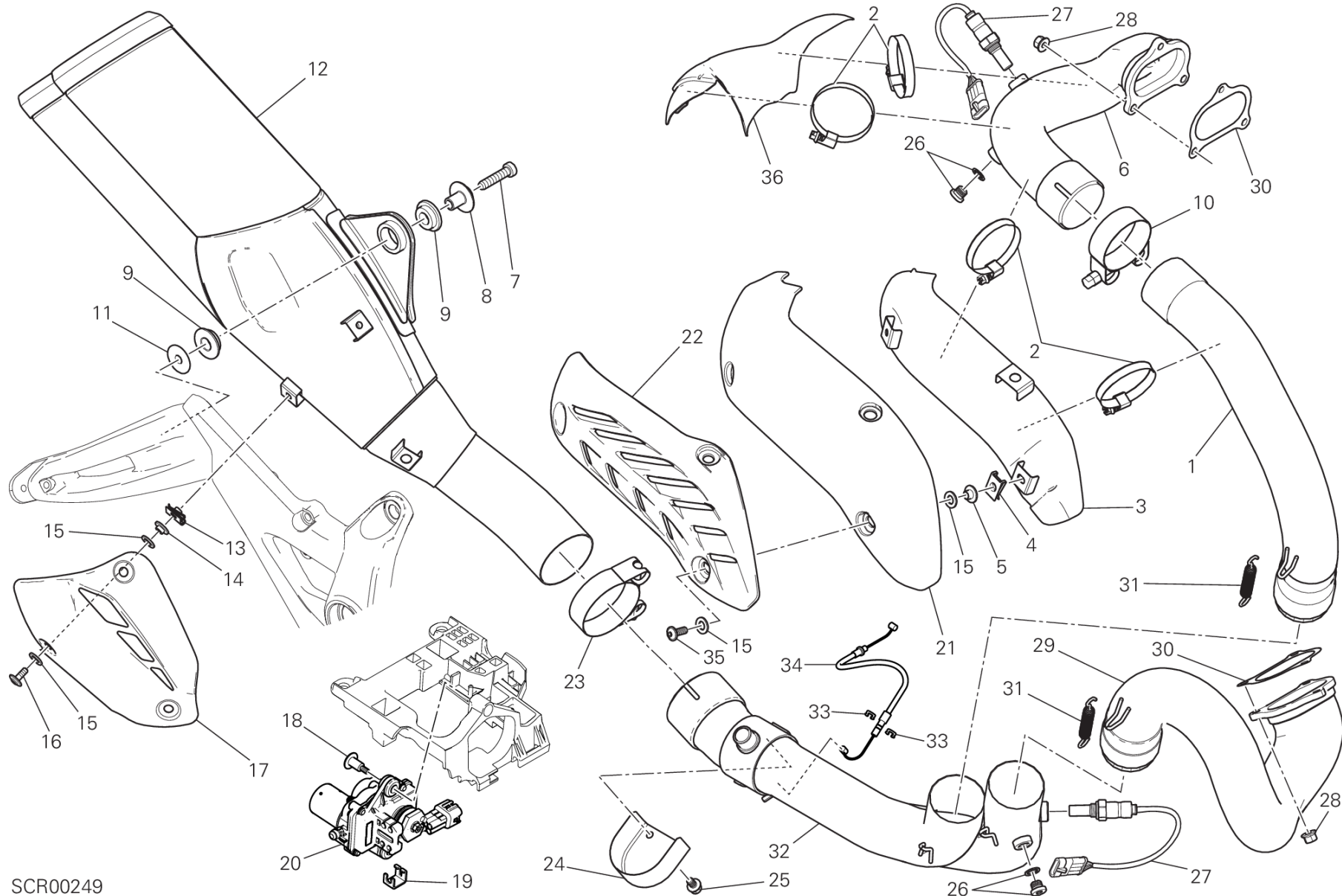
IMP01018

# DRAWING 017 - THROTTLE BODY [MOD:M 821]

## GROUP FRAME



POS.	CODE	DESCRIPTION	QTY	START DATE	END DATE	VALIDITY	NOTES
1	14010763B	INTAKE MANIFOLD	2	05/09/2013			
2	77110391B	SCREW	8	31/05/2013			
3	74141871A	CLAMP 60-80 MM	2	22/10/2013			
4	75840641A	HOSE GUIDE	2	22/10/2013			
5	82911901A	MOUNT RUBBER	1	01/08/2013			
6	75840721A	HOSE GUIDE	1	01/08/2013			
7	83018421BA	BRACKET, WATER TANK	1	01/08/2013			
8	85250231A	GASKET	2	22/02/2013			
9	70010901A	VIBRATION DAMPER	2	08/09/2014			
10	81413341A	UNION	2	31/05/2013			
11	74140431A	CLAMP	2	12/03/2013			
12	74840261C	NUT	2	08/09/2014			
13	71611071B	SPACER	2	08/09/2014			
14	86611991A	RUBBER PAD SENSOR, PRESSURE	1	08/09/2014			
15	74141711A	CLAMP 10-7 MM	2	12/03/2013			
16	81415251B	BRACKET SENSOR PRESSURE	1	08/09/2014			
17	59014111A	DEPRESSURE/PRESSURE LINE HORIZONTAL	1	01/11/2013			
18	55241441A	SENSOR, PRESSURE	1	12/03/2013			
19	78811301A	GASKET AIR FUNNEL	2	12/03/2013			
20	13510401A	AIR FUNNEL	2	12/03/2013			
21	77210852C	SCREW	4	12/03/2013			
22	59024001C	COMPLETE PIPE SET	1	01/09/2013			
23	77150408B	SCREW TCEI M5X14	2	12/03/2013			
24	28040411A	INJECTOR	2	09/12/2013			
25	5101A081B	INJECTION WIRING	1	10/06/2014			
26	28240932A	THROTTLE BODY	1	09/01/2014			
27	88642231A	O-RING	2	12/03/2013			
28	76411851A	BYPASS CAP	2	12/03/2013			
29	77912741A	SCREW TBEI M6X14	8	12/03/2013			
30	83018221A	HOLDER WIRING	1	22/10/2013			
31	59014101A	DEPRESSURE/PRESSURE LINE VERTICAL	1	01/11/2013			
32	46240461A	WASHER, SPRING	2	08/09/2014			



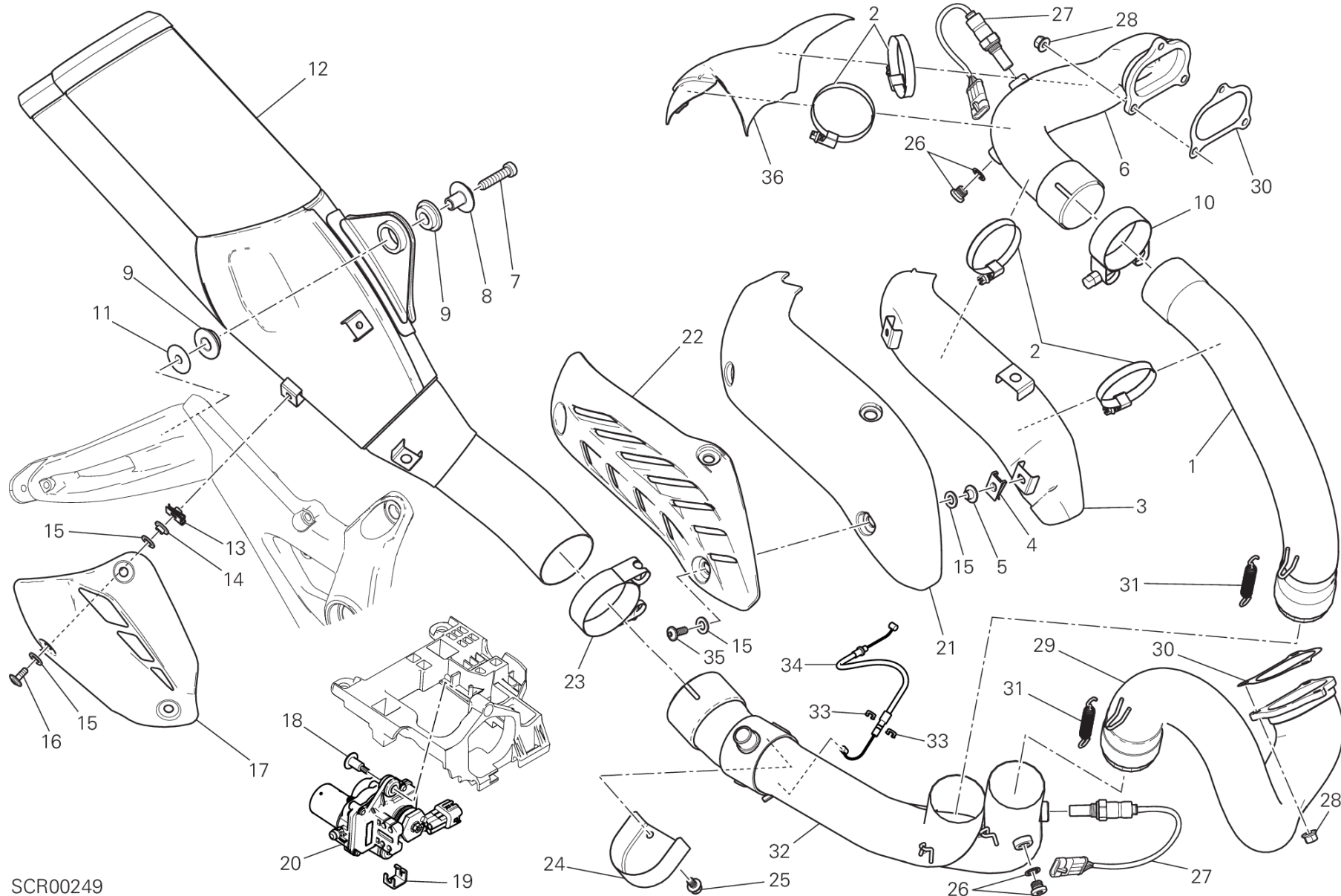
SCR00249

# DRAWING 019 - EXHAUST SYSTEM [MOD:M 821]

## GROUP FRAME



POS.	CODE	DESCRIPTION	QTY	START DATE	END DATE	VALIDITY	NOTES
1	57113261A	EXHAUST PIPE VERTICAL	1	22/10/2013			
2	74142381A	CLAMP 40/60 MM	4	22/10/2013			
3	4601B284A	HOLDER HEAT GUARD VERTICAL	1	22/10/2013			
4	85040381A	QUICK FASTENING	3	22/10/2013			
5	71614691AA	SPACER	3	22/10/2013			
6	57113251A	EXHAUST MANIFOLD	1	22/10/2013			
7	77355068B	SCREW TCEIR M8X35	1	22/10/2013			
8	71314361AB	BUSH	1	22/10/2013			
9	76410011A	DAMPER	2	22/10/2013			
10	74141461A	CLAMP 53/20 MM	1	22/10/2013			
11	85213681A	WASHER	1	18/07/2014			
12	57322311AA	SILENZIATORE COMPLETO	1	10/03/2016		XST:JAP	
	57322351AA	SILENZIATORE COMPLETO	1	02/10/2016		XST:EUR	
13	85040551A	QUICK FASTENING	3	22/10/2013			
14	71614601AA	SPACER	3	22/10/2013			
15	85210721B	WASHER	12	22/10/2013			
16	77210882B	SCREW TBEI M5X12	3	22/10/2013			
17	4601C251A	HEAT GUARD SILENCER	1	05/05/2014			
18	77211401BA	SCREW, SPECIAL	2	24/07/2015			
19	75910251A	SPRING	1	28/07/2015			
20	59340301C	ELECTRIC MOTOR, EXHAUST VALVE	1	24/07/2015			
21	4602B331A	COVER ASSEMBLY HEAT GUARD VERTICAL	1	22/10/2013			
22	4601B881A	HEAT GUARD UPPER VERTICAL	1	22/10/2013			
23	74142651A	CLAMP	1	10/03/2016			
24	4601B921A	GUARD, EXHAUST VALVE	1	22/10/2013			
25	77253268C	SCREW	2	05/05/2014			
26	78020011A	PLUG ASSY	2				
27	55214011A	SENSOR LAMBDA SOND	2	22/10/2013			
28	74810241A	NUT	6	22/10/2013			
29	57013382A	HORIZONTAL HEAD EXHAUST PIPE	1	22/10/2013			
30	79010211A	GASKET, EXHAUST PIPE	2	22/10/2013			
31	79925941A	COMPLETE SPRING	2	22/10/2013			
32	57211632A	PIPE, EXHAUST CENTER	1	22/10/2013			
33	88450661A	SNAP RING	2	10/03/2016			
34	73210542A	CABLE, EXHAUST VALVE	1	24/07/2015			



SCR00249

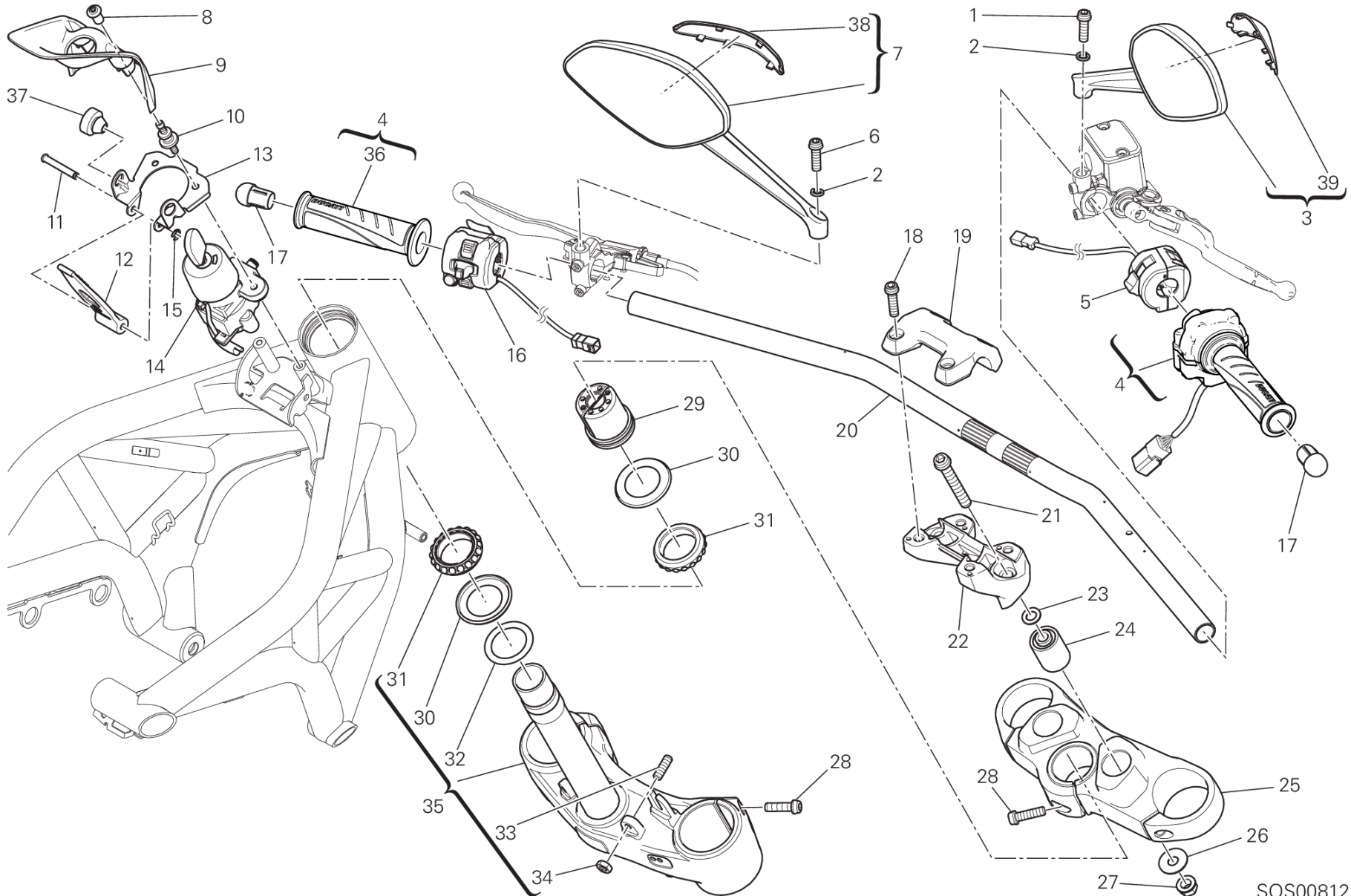


POS.	CODE	DESCRIPTION	QTY	START DATE	END DATE	VALIDITY	NOTES
35	77240423C	SCREW TBEIF M6X16 10.9	3	22/10/2013			
36	4601B275A	HEAT GUARD REAR VERTICAL	1	16/03/2015			



# DRAWING 021 - HANDLEBAR AND CONTROLS [MOD:M 821]

GROUP FRAME



SOS00812

# DRAWING 021 - HANDLEBAR AND CONTROLS [MOD:M 821]

## GROUP FRAME



POS.	CODE	DESCRIPTION	QTY	START DATE	END DATE	VALIDITY	NOTES
1	77113731A	SCREW TCEIF M8X25, LEFT THREAD	1	22/10/2013			
2	46210021A	SPRING WASHER 8 MM	2	22/10/2013			
3	52310441B	REAR-VIEW MIRROR R.H.	1	24/04/2015			
4	66020092B	THROTTLE CONTROL (Unit)	1	22/04/2016			
5	65010121E	RIGHT HANDLE SWITCH	1	24/02/2016			
6	77113741A	SCREW TCEIF M8X25	1	22/10/2013			
7	52310451B	REAR-VIEW MIRROR L.H.	1	24/04/2015			
8	75011491AB	NUT, SPECIAL	2	22/10/2013			
9	4601A883A	COVER, IGNITION SWITCH	1	22/10/2013			
10	77110501A	SCREW, SPECIAL	2	22/10/2013			
11	82110901B	FOOTREST PIN	1	22/10/2013			
12	75910301B	RUBBER BAND FUEL TANK	1	15/01/2014			
13	83018601DA	BRACKET, FUEL TANK	1	09/06/2014			
14	65240231A	KEY-OPERATED SWITCH	1	04/04/2013			
15	88450031A	CIRCLIP E-TYPE	1	22/10/2013			
16	65110141A	LEFT HANDLE SWITCH	1	24/02/2016			
17	87210281A	BALANCER SET, HANDLE BAR	2	06/05/2014			
18	77157273B	SCREW	4	01/08/2013			
19	36015332AB	HANDLEBAR BRACKET, UPPER	1	01/06/2014			
20	36011901AA	HANDLEBAR	1	24/02/2016			
21	77159418B	SCREW M10X1.25X70	2	01/08/2013			
22	36015352AB	HOLDER, HANDLE LOWER	1	25/11/2013			
23	85250401A	WASHER 10.5X18X1.6	2	01/08/2013			
24	70010541A	CUSHION, HANDLEBAR	2	01/08/2013			
25	34110992AC	STEERING HEAD	1	01/08/2013			
26	85210491B	WASHER 10.5X28X1.5	2	01/08/2013			
27	74840241AB	NUT M10X1.25X10	2	01/08/2013			
28	77157268B	SCREW	7	01/08/2013			
29	70310761AA	THREAD, STEERING HEAD TOP	1	22/10/2013			
30	93010041B	SEAL RING	2	31/07/2013			
31	70241231A	BEARING, STEERING NTN SF07A17P	2				
32	85211031A	WASHER	1	31/07/2013			
33	77850281A	THREADED DOWEL STEI M8X25	2	31/07/2013			
34	74750071A	NUT	2	31/07/2013			
35	342P0781BC	STEERING HEAD BASE (Unit)	1	01/08/2013			

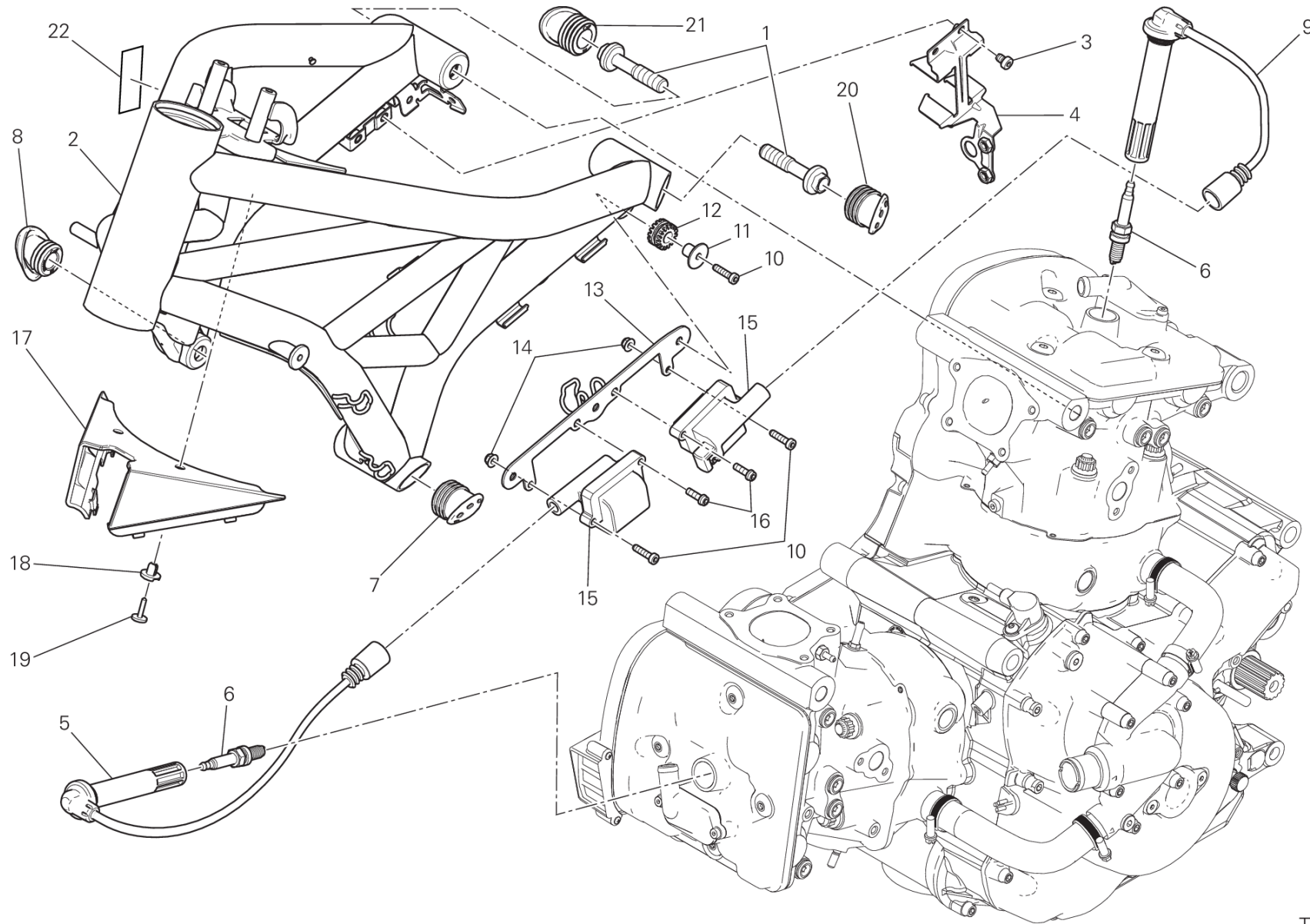


# DRAWING 021 - HANDLEBAR AND CONTROLS [MOD:M 821]

## GROUP FRAME



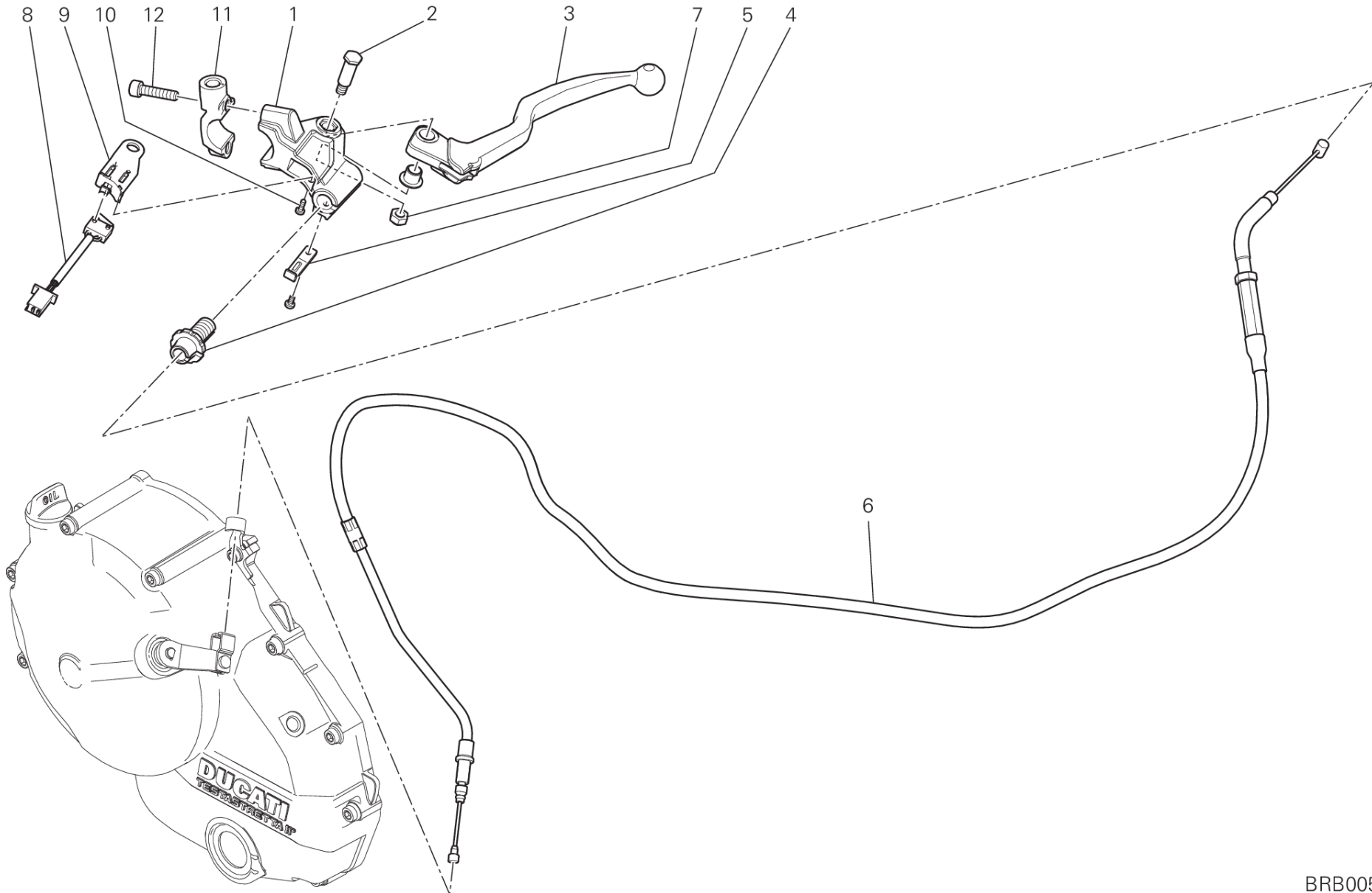
POS.	CODE	DESCRIPTION	QTY	START DATE	END DATE	VALIDITY	NOTES
36	36140161A	HAND GRIP LH	1	24/02/2016			
37	86611001A	PAD	2	09/06/2014			
38	24715051A	LEFT COVER	1				
39	24715041A	RIGHT COVER	1				



TEL00997



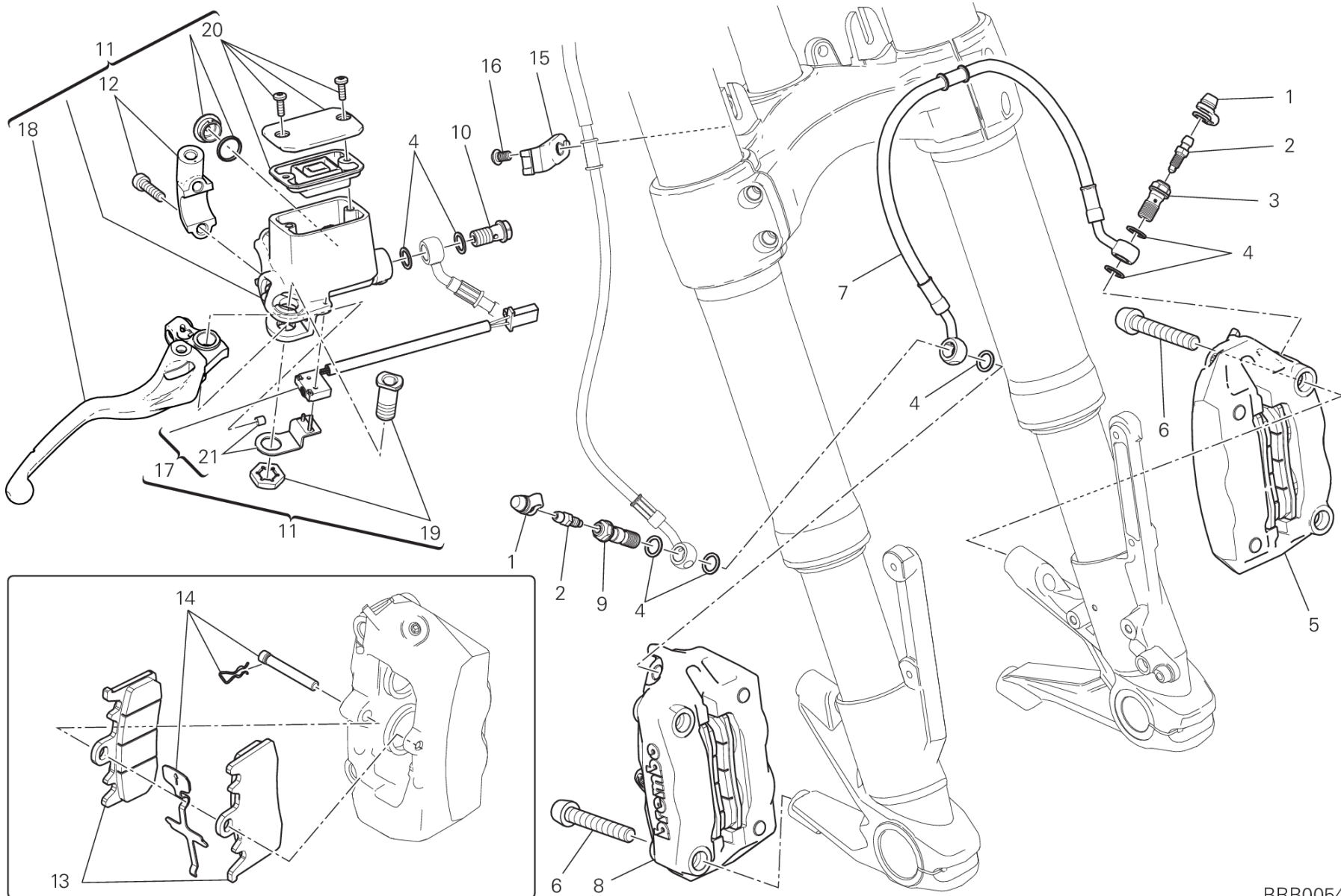
POS.	CODE	DESCRIPTION	QTY	START DATE	END DATE	VALIDITY	NOTES
1	77918291AA	SCREW, SPECIAL	4	22/10/2013			
2	47012901AA	FRAME RED	1	10/03/2016			
3	77350618B	SCREW TCEIR M6X8	2	22/10/2013			
4	83018172AA	BRACKET, FUSE BOX	1	22/10/2013			
5	67110601B	SPARK PLUG CABLE, HORIZONTAL HEAD	1	22/10/2013			
6	67040451A	SPARK PLUG NGK MAR9A-J	2	26/02/2013			
7	87210951A	LEFT PAD Front	1	05/05/2014			
8	87210941A	RIGHT PAD Front	1	05/05/2014			
9	67110591B	SPARK PLUG CABLE, VERTICAL HEAD	1	22/10/2013			
10	77354743B	SCREW TCEIR M5X20 DIN6912 8.8	5	22/10/2013			
11	71611641AA	SPACER	3	10/03/2016			
12	76410241A	VIBRATION DAMPER PAD	3	22/10/2013			
13	83018431AA	BRACKET, COIL	1	22/10/2013			
14	74810351B	NUT	2	22/10/2013			
15	38010151A	IGNITION COIL	2	05/05/2014			
16	77156413B	SCREW TCEIF M5X16	2	22/10/2013			
17	48211951A	COVER TUBE	1	22/10/2013			
18	85041051A	RIVET, FEMALE	2	22/10/2013			
19	85041041A	RIVET, MALE	2	22/10/2013			
20	87210922A	LEFT PAD	1	10/01/2014			
21	87210912A	RIGHT PAD	1	10/01/2014			
22	92610051A	GUARD	2	10/03/2016			



BRB00542



POS.	CODE	DESCRIPTION	QTY	START DATE	END DATE	VALIDITY	NOTES
1	8291B271AA	HOLDER	1	19/10/2016			
2	77917741AA	SCREW, SPECIAL	1	19/10/2016			
3	63640011B	CLUTCH LEVER	1	01/06/2014			DMT
4	77917731AA	REGULATOR	1	19/10/2016			
5	79940161B	SPRING	1	01/01/2012			
6	73210561A	FLEXIBLE CABLE	1	10/03/2016			
7	74841021A	NUT	1	05/05/2016			
8	53940731A	MICROSWITCH	1	05/05/2016			
9	53940021B	HOLDER	1	19/10/2016			
10	77140901A	SCREW	1	19/10/2016			
11	62640911A	BRACKET, CLUTCH MASTER CYLINDER	1	30/05/2014			
12	77150693B	SCREW	2	01/06/2014			



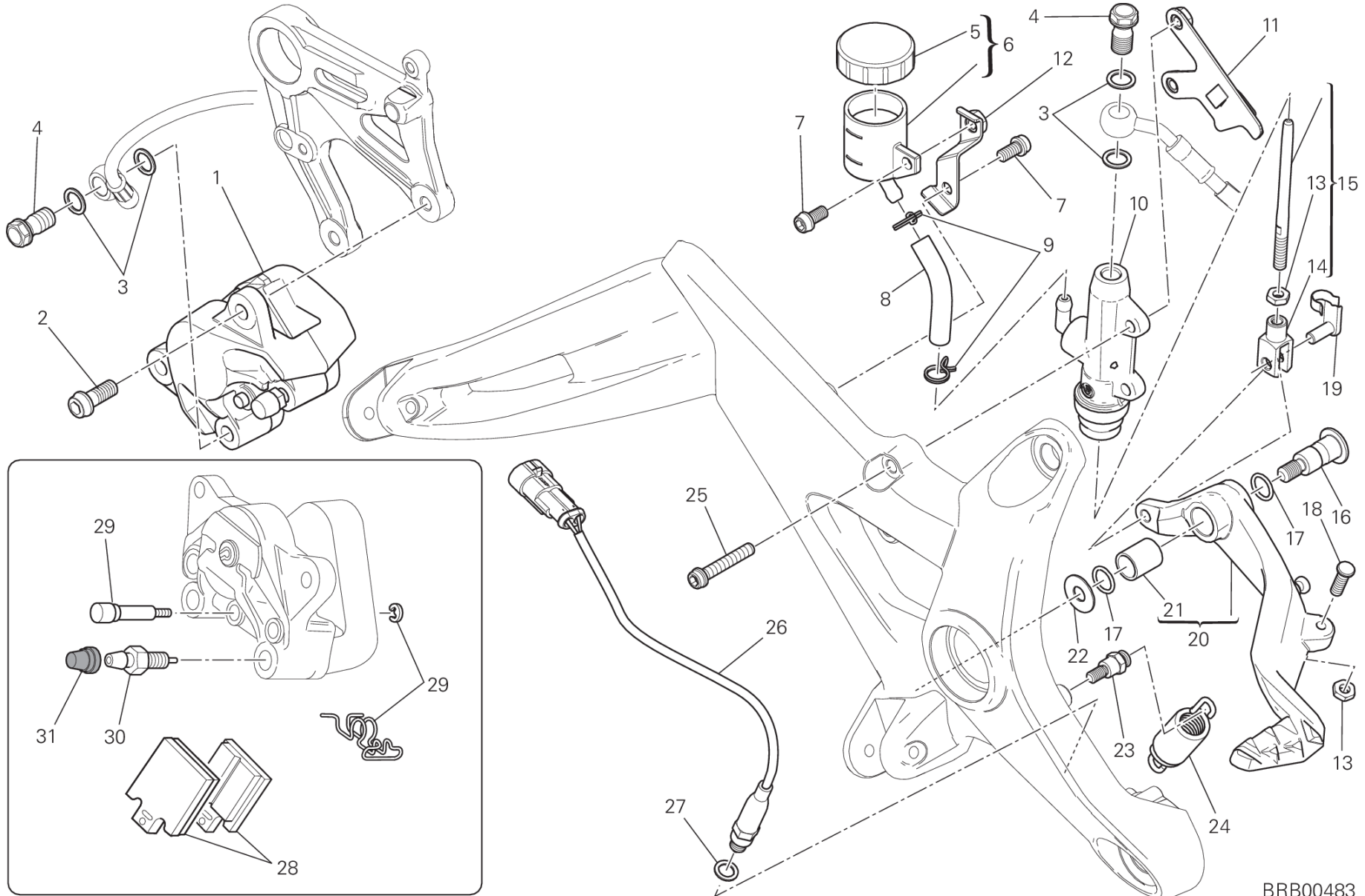
BRB00543

# DRAWING 024 - FRONT BRAKE SYSTEM [MOD:M 821]

## GROUP FRAME



POS.	CODE	DESCRIPTION	QTY	START DATE	END DATE	VALIDITY	NOTES
1	61240052A	DUST COVER (SACCHETTO Q.tà 20)	2	05/12/2012			
2	18710021A	VALVE, BREATHER	2	05/12/2012			
3	77913971A	BOLT, BRAKE HOSE	1	05/12/2012			
4	85250241A	WASHER 10X14X1	7	05/12/2012			
5	61041292C	LEFT FRONT BRAKE CALIPER	1	09/09/2016			
6	77913311D	SCREW M 10 X 60	4	15/11/2012			
7	61810871A	HOSE, FRONT BRAKE CALIPER-CALIPER	1	24/07/2015			
8	61041302C	RIGHT FRONT BRAKE CALIPER	1	09/09/2016			
9	77914651A	BOLT, BRAKE HOSE	1	05/12/2012			
10	77914151A	BOLT, BRAKE HOSE	1	05/12/2012			
11	62441041A	FRONT BRAKE PUMP	1	24/07/2015			
12	62640901A	BRACKET, MASTER CYLINDER	1	02/04/2014			
13	61341021A	FRONT BRAKE PADS SET	2	01/07/2012			
14	61240511A	SPARE PIN AND SPRING	1	01/07/2012			
15	83018691A	GUIDE, FRONT BRAKE HOSE	3	05/05/2014			
16	77240403C	SCREW	1	15/11/2012			
	77510541A	SCREW TBEI M6X10	1	05/05/2014			
17	53940721A	MICROSWITCH	1				
18	63140591A	LEVER, FRONT BRAKE	1	29/07/2015			
19	62640601A	BOLT, PIVOT	1				
20	89340091A	THE BRAKE CAP	1				
21	58540271A	HOLDER MICROSWITCH	1				



BRB00483

# DRAWING 025 - REAR BRAKE SYSTEM [MOD:M 821]

## GROUP FRAME



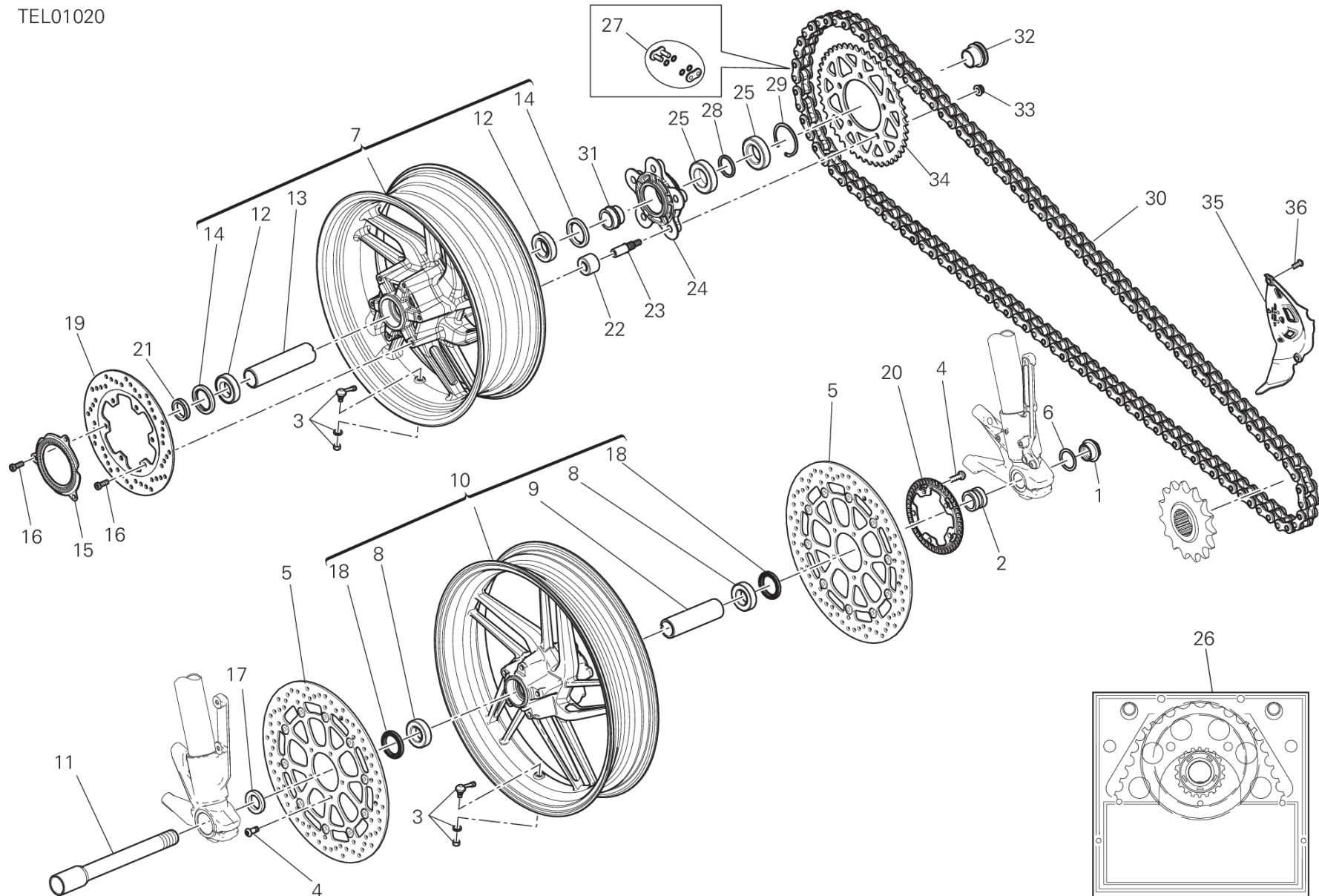
POS.	CODE	DESCRIPTION	QTY	START DATE	END DATE	VALIDITY	NOTES
1	61140421A	REAR BRAKE CALIPER	1	20/09/2013			
2	77157238B	SCREW TCEIF M8X20	2	22/10/2013			
3	85250241A	WASHER 10X14X1	4	20/09/2013			
4	77913662AB	BOLT, BRAKE HOSE	2	20/09/2013			
5	89340051A	COVER MASTER CYLINDER	1	01/05/2011			
6	58540081A	RESERVOIR, BRAKE FLUID	1	20/09/2013			
7	77113691A	SCREW TCEIF M6X12	2	22/10/2013			
8	87710381A	HOSE, OIL	1	20/09/2013			
9	74140431A	CLAMP	2	20/09/2013			
10	62540201A	REAR BRAKE PUMP	1	20/09/2013			
11	8291C861BA	CONNECTOR HOLDER SWITCH, STOP	1	22/10/2013			
12	82717201BA	BRACKET, BRAKE FLUID TANK	1	19/09/2013			
13	74750051B	NUT	2	01/03/2013			
14	18410051A	FORK HEADS DIN 71752	1	01/03/2013			
15	11723531AA	ROD, BRAKE (Unit)	1	22/10/2013			
16	82111701CA	PIN PEDAL	1	19/09/2013			
17	88641161A	O-RING	2	19/09/2013			
18	77919121AA	SCREW	1	07/02/2014			
19	85010151A	QUICK FASTENING	1	22/10/2013			
20	45720571AA	BRAKE CONTROL LEVER (Unit)	1	19/09/2013			
21	71210341A	BUSH	1	01/03/2013			
22	85210532A	WASHER 8.2X20X1	1	19/09/2013			
23	82112731A	PIN	1	19/09/2013			
24	79925771B	COMPLETE SPRING	1	19/09/2013			
25	77156723B	SCREW	2	22/10/2013			
26	53940031C	SWITCH, STOP	1	19/09/2013			
27	42020008A	COPPER GASKET 11X8.2X1	1	19/09/2013			
28	61340951A	REAR BRAKE PADS SET	1	10/06/2013			
29	61240161A	PAD PINS OVERHAUL KIT	1				
30	63140161A	FRONT CALIPER DRAIN SCREW	1				
31	61240081A	DUST PLUG	1				



# DRAWING 026 - RUOTA ANTERIORE E POSTERIORE [MOD:M 821]

GROUP FRAME

TEL01020



## DRAWING 026 - RUOTA ANTERIORE E POSTERIORE [MOD:M 821]

## GROUP FRAME



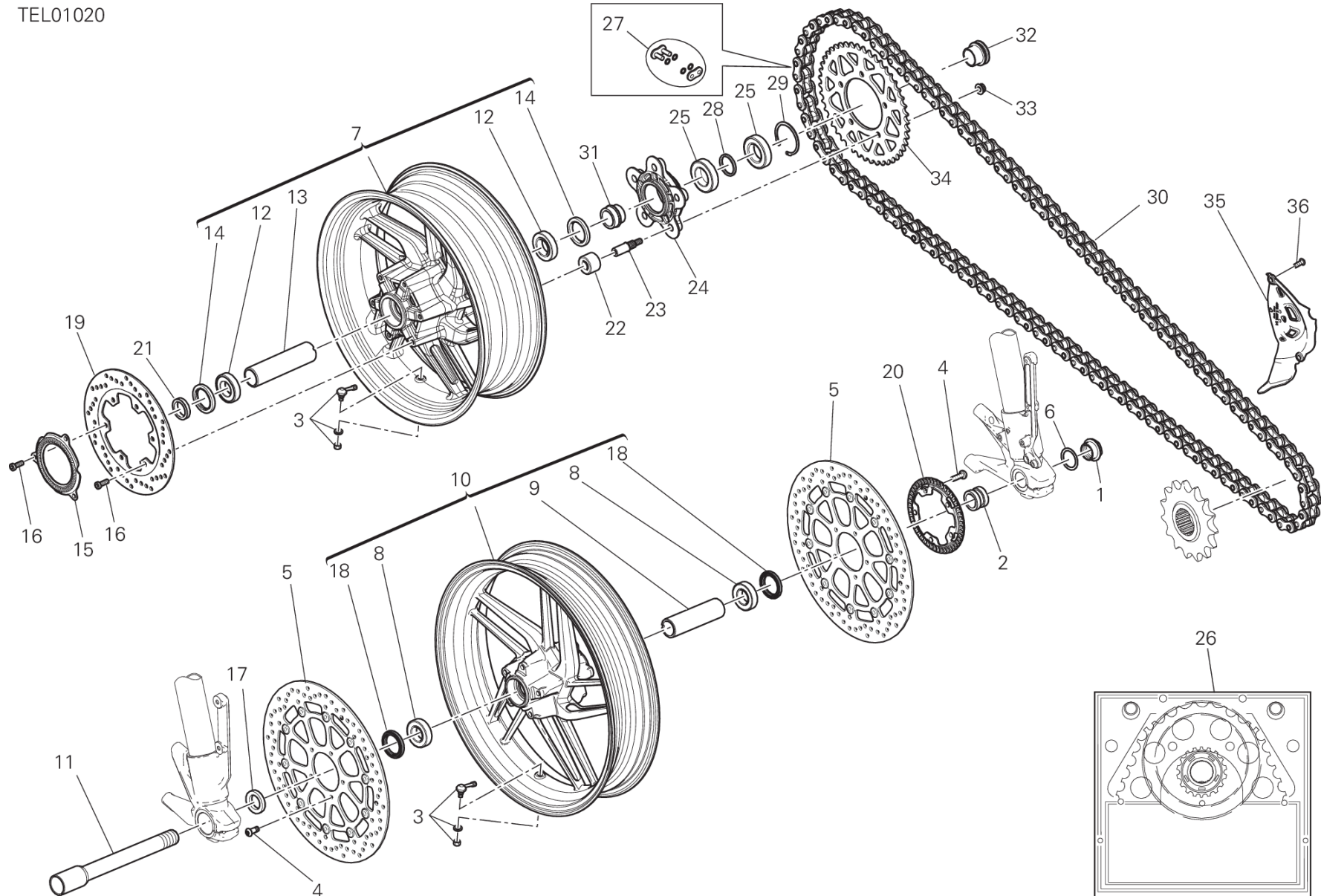
POS.	CODE	DESCRIPTION	QTY	START DATE	END DATE	VALIDITY	NOTES
1	74810651A	NUT	1				
2	71311973A	LEFT SPACER	1	05/05/2014			
3	49720071A	VALVE, TUBELESS TIRE	2				
4	72010513C	SCREW	10				
5	49241011A	FRONT BRAKE DISC	2	01/03/2013			
6	85212221A	WASHER 30X40X1	1				
7	50221612AA	REAR WHEEL RIM RED	1	24/02/2016		XCO:DG	
	50221671AA	REAR WHEEL RIM BLACK	1	21/01/2014		XCO:R	
8	70250621A	BEARING	2	15/04/2013			
9	71410941A	INNER SPACER	1	11/03/2014		XCO:DG	
	71413241AA	INNER SPACER	1	15/10/2014		XCO:R	
10	50121761AB	FRONT WHEEL RIM RED	1	24/02/2016		XCO:DG	
	50121811AA	FRONT WHEEL RIM BLACK	1	15/10/2014		XCO:R	
11	81910601A	FRONT WHEEL SPINDLE	1	05/05/2014			
12	70250681A	BEARING	2	31/05/2013			
13	71411041AA	SPACER	1	29/11/2012		XCO:DG	
	71411341AA	SPACER	1	25/11/2013		XCO:R	
14	93040391A	SEAL RING 40X55X7	2	10/05/2013		XCO:R	
	93042191A	SEAL RING	2	28/05/2015		XCO:DG	
15	50410061A	REAR PHONIC WHEEL	1	10/05/2013			
16	77310071A	SCREW	6	31/05/2013			
17	71311961A	RIGHT SPACER	1	05/05/2014			
18	93040521A	SEAL RING 35X47.15X6.8	2	15/10/2014		XCO:R	
	93041501A	SEAL RING	2			XCO:DG	
19	49240032A	REAR BRAKE DISC	1	10/05/2013			
20	50410051A	FRONT PHONIC WHEEL	1				
21	71312051A	INNER SPACER	1	20/07/2013			
22	70010591A	WHEEL RUNNER BUSH	5	31/05/2013			
23	82114741AA	SPRING DRIVE FIXING BUSH	5	23/09/2013			
24	16010922A	REAR SPROCKET FLANGE	1	18/01/2013			
25	70250501A	BEARING	2	29/11/2012			
26	67620901A	FINAL DRIVE KIT	1	05/05/2014			
27	67740201A	CHAIN LINK	1	10/04/2013			
28	71311841A	INNER SPACER	1	18/04/2013			
29	88440061A	CIRCLIP	1	18/04/2013			



# DRAWING 026 - RUOTA ANTERIORE E POSTERIORE [MOD:M 821]

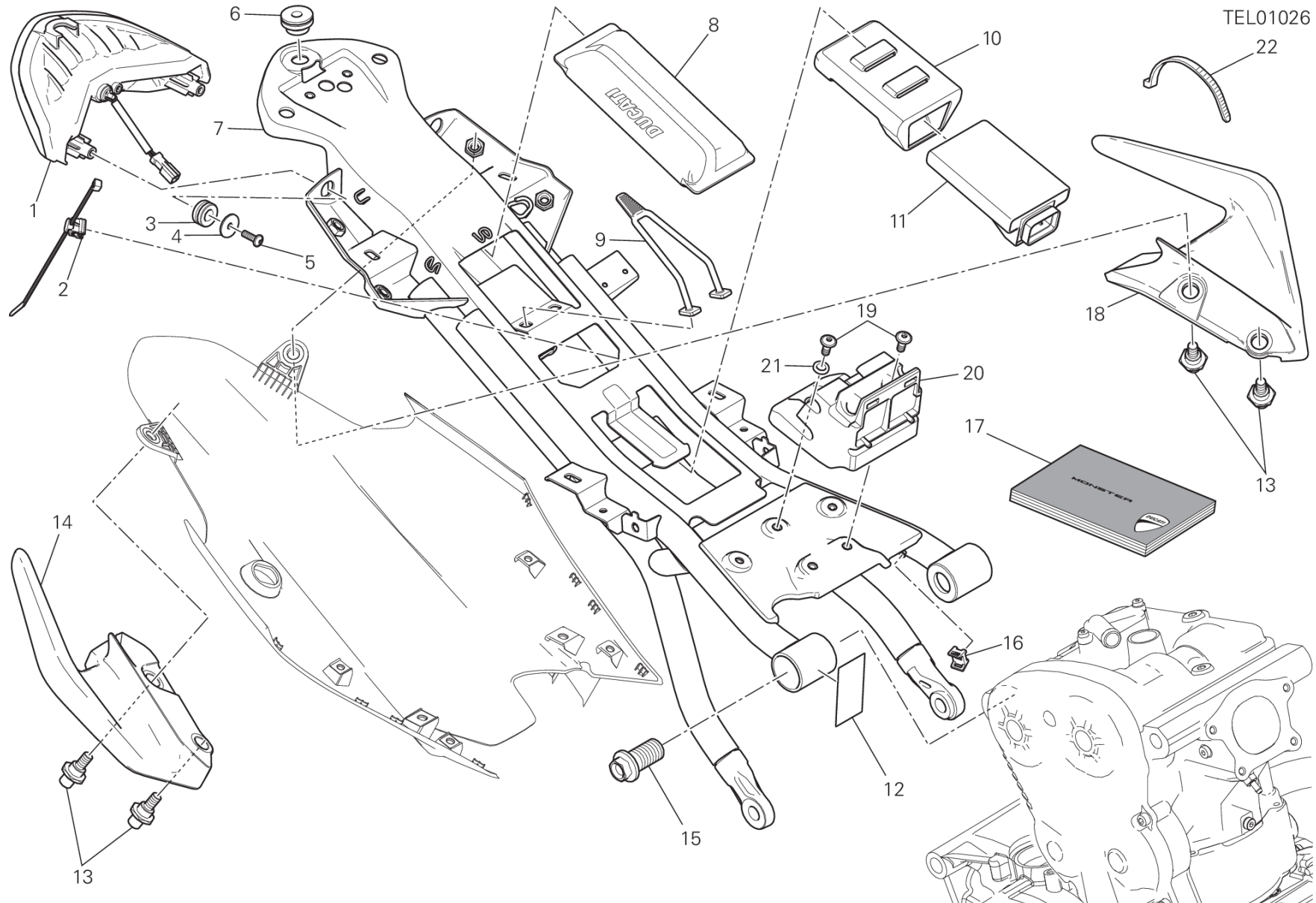
GROUP FRAME

TEL01020





POS.	CODE	DESCRIPTION	QTY	START DATE	END DATE	VALIDITY	NOTES
30	67640941A	CHAIN 107+1	1	05/05/2014			
31	7131A371AA	SPACER	1	12/03/2013			
32	7131A361AA	FINAL SPROKET SLEEVE	1	12/03/2013			
33	74810461A	NUT, FLANGE M10X1	5	12/03/2013			
34	49411651AA	REAR SPROCKET T46	1	28/04/2014			
35	46016391A	CHAIN COVER	1	05/05/2014			
36	77550213C	SCREW TBEI M6X16	2	05/05/2014			

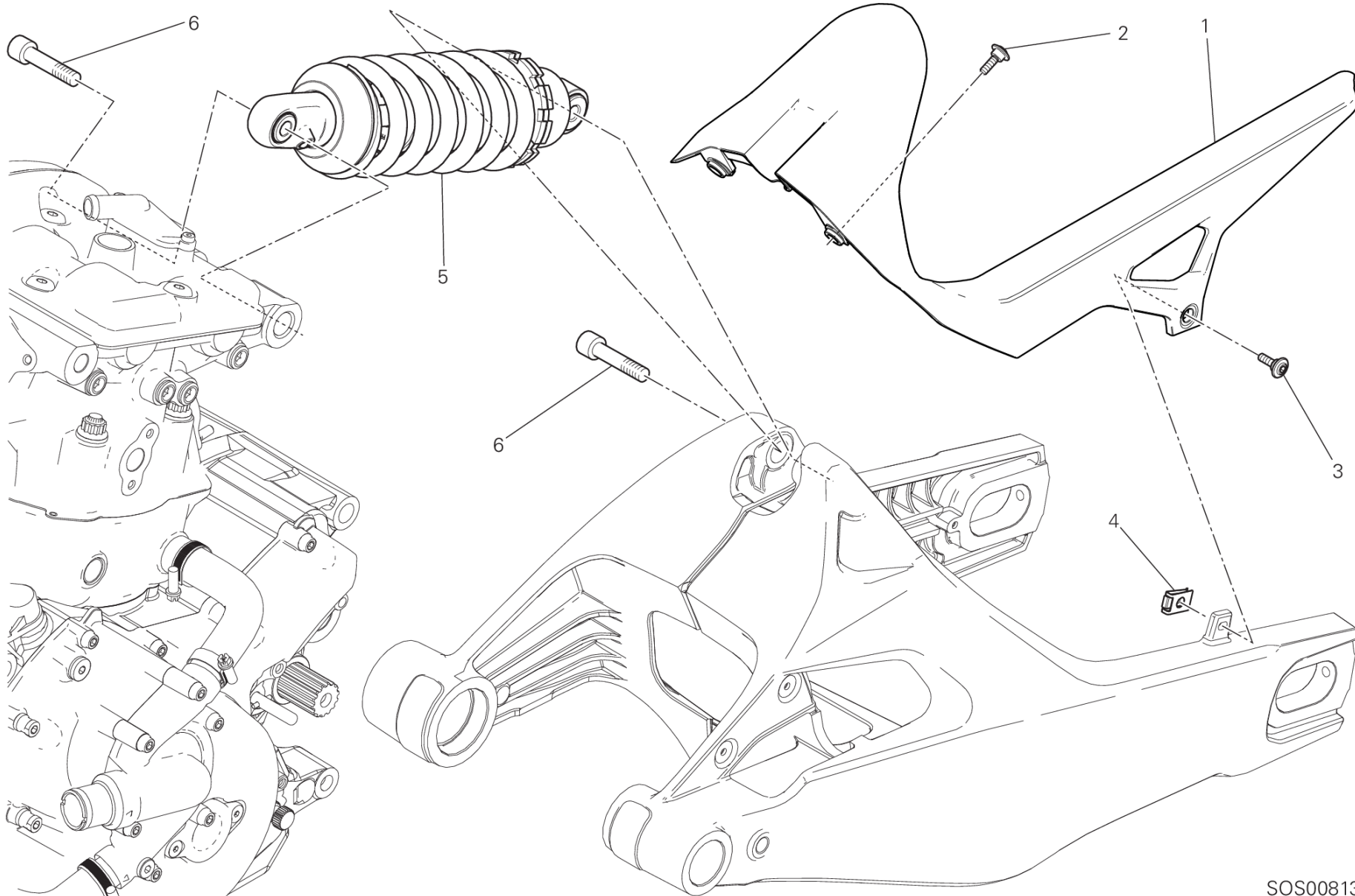


# DRAWING 027 - REAR FRAME COMP. [MOD:M 821]

## GROUP FRAME



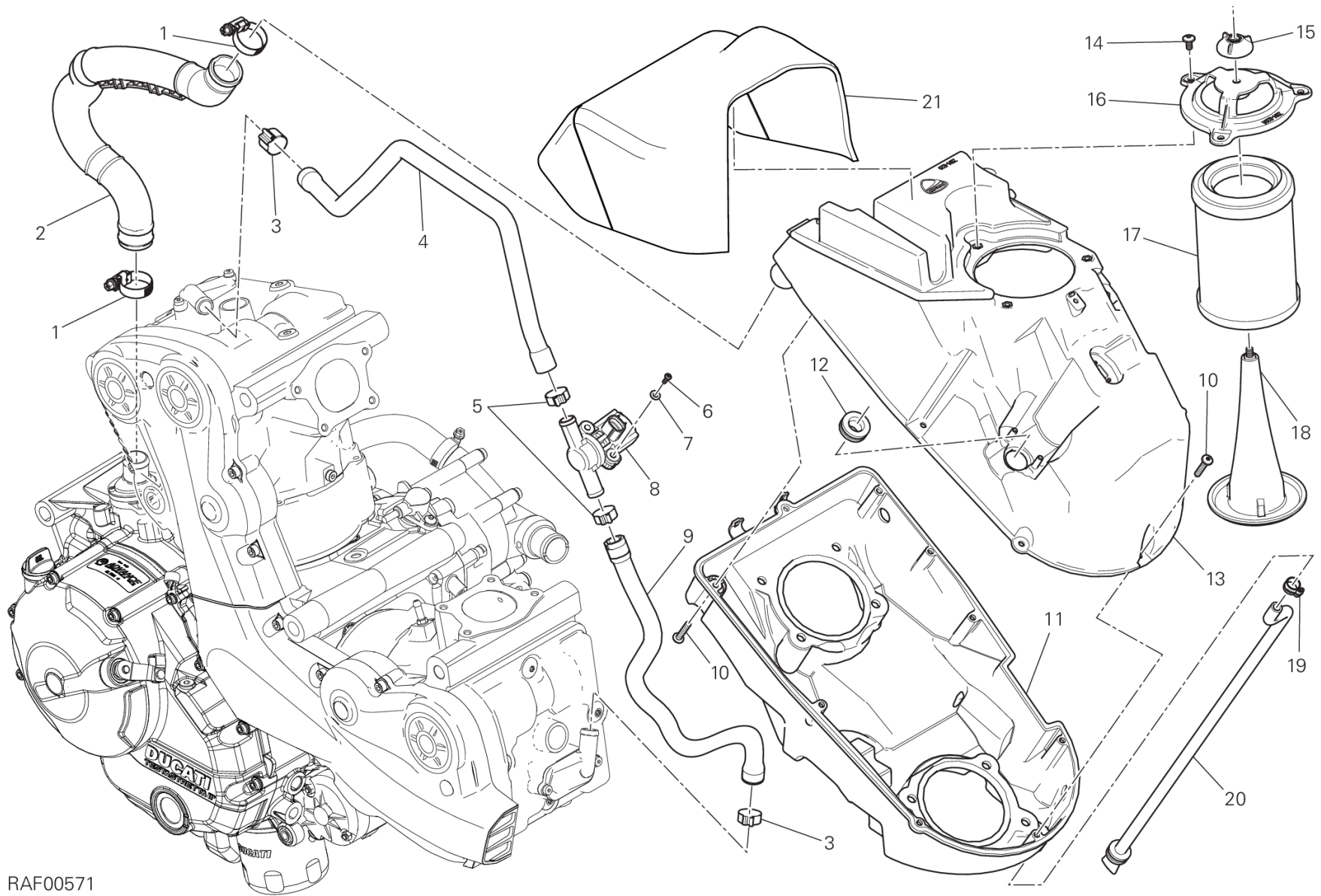
POS.	CODE	DESCRIPTION	QTY	START DATE	END DATE	VALIDITY	NOTES
1	52510483B	TAILLIGHT	1	25/11/2015			
2	75840771A	FAIRLEAD	1	01/08/2013			
3	76412101A	RUBBER PAD	2	05/06/2014			
4	71614921AA	SPACER	2	08/07/2016			
5	77440041A	SCREW, TAPPING M5X16	2	22/10/2013			
6	76412091A	VIBRATION DAMPER PAD	1	05/06/2014			
7	47017251EA	REAR FRAME COMP.	1	08/07/2016			
8	69720291B	TOOLS KIT	1	20/10/2013			
9	75910311A	RUBBER BAND, TOOLS KIT	1	20/10/2013			
10	86611521A	VIBRATION DAMPER HOLDER	1	01/08/2013			
11	38510691C	BLACKBOX UNIT	1	08/07/2016			
12	92610051A	GUARD	1	01/08/2013			
13	77918671AA	SCREW, SPECIAL	4	01/10/2013			
14	80610381B	GRIP,GRAB RAIL,RH	1	25/10/2013			
15	77918301AB	SCREW, SPECIAL	2	05/05/2014			
16	85040671A	CLAMP TUCKER	6	25/11/2013			
17	91373311A	OWNER'S MANUAL	1	10/03/2016		XST:EUR	IT-GB-FR-DE
	91373311B	OWNER'S MANUAL	1	10/03/2016		XST:EUR,JAP	GB-ES-FR-JP
	91373311C	OWNER'S MANUAL	1			XST:EUR	ES-PT-GR
	91373311D	OWNER'S MANUAL	1			XST:EUR	FR-NL-GB
	91373311E	OWNER'S MANUAL	1			XST:EUR	SE-FI-DK
	91373311F	OWNER'S MANUAL	1			XST:EUR	PL-CZ-SK-SL
	91373311G	OWNER'S MANUAL	1			XST:EUR	HU-RO-BG-RU
18	80610371B	GRIP,GRAB RAIL,LH	1	25/10/2013			
19	77240418C	SCREW	3	01/10/2013			
20	8291C091A	SEAT SUPPORT	1	01/08/2013			
21	85211671B	WASHER	1	01/01/2016			
22	74142461A	CLAMP	2	24/07/2015			



SOS00813



POS.	CODE	DESCRIPTION	QTY	START DATE	END DATE	VALIDITY	NOTES
1	56510871A	REAR MUDGUARD	1	10/03/2016			
2	77210941C	SCREW	2	05/05/2014			
3	77210943B	SCREW, SPECIAL	1	05/05/2014			
4	85041421A	QUICK FASTENING	1	05/05/2014			
5	36521332A	REAR SHOCK ABSORBER	1	05/05/2014			
6	77915041A	SCREW, SPECIAL	2	22/10/2013			



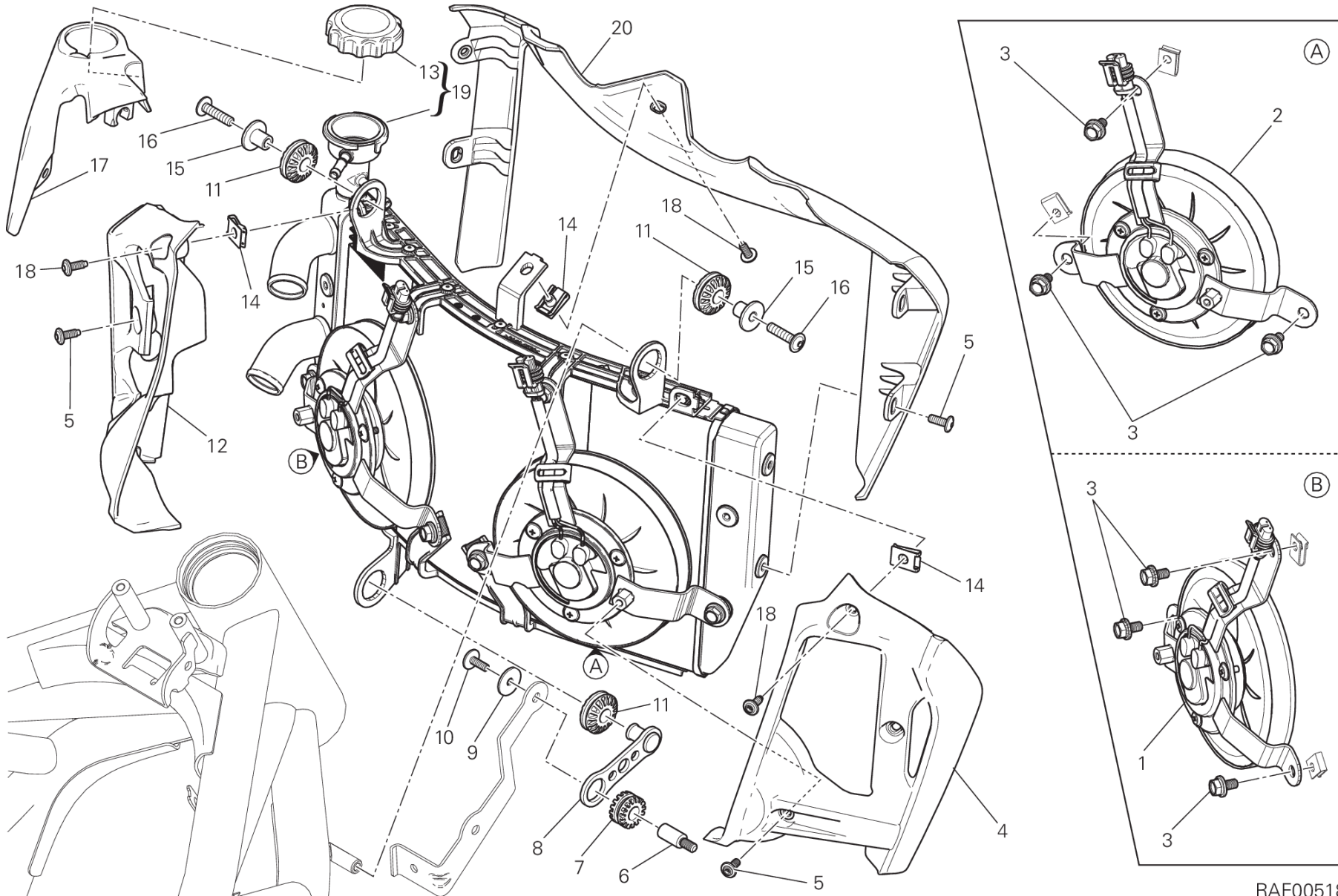
RAF00571

## DRAWING 029 - AIR INTAKE - OIL BREATHER [MOD:M 821]

## GROUP FRAME



POS.	CODE	DESCRIPTION	QTY	START DATE	END DATE	VALIDITY	NOTES
1	74142581A	CLAMP 16-27 MM	2	22/10/2013			
2	87611232A	HOSE, BLOW-BY	1	22/10/2013			
3	74142371A	CLAMP	2	05/05/2014			
4	87611211A	DUCT, AIR VERTICAL	1	12/03/2013			
5	74142401A	CLAMP	2	25/10/2013			
6	77440213C	SCREW	1	12/03/2013			
7	85240211A	WASHER 4.7X10X1	1	12/03/2013			
8	65540091A	ACTUATOR	1	12/03/2013			
9	87611221B	DUCT, AIR HORIZONTAL	1	01/09/2013			
10	77440131A	SCREW, TAPPING 5X25 WN1411	9	12/03/2013			
11	44212781B	AIR FILTER BOX LOWER	1	29/03/2014			
12	76411621A	RUBBER PAD	1	12/03/2013			
13	44212791D	AIR FILTER BOX UPPER	1	17/06/2014			
14	77240253C	SCREW	3	12/03/2013			
15	70310481A	RING NUT	1	12/03/2013			
16	24612162A	FILTER COVER UNIT	1	01/09/2013			
17	42610191A	FILTER, AIR	1	12/03/2013			
18	82919611A	CAGE, AIR FILTER	1	12/03/2013			
19	74140651A	CLAMP	1	12/03/2013			
20	59014471A	HOSE, DRAIN AIRBOX	1	12/03/2013			
21	48611101C	DAMPER, SOUND ARRESTER	1				



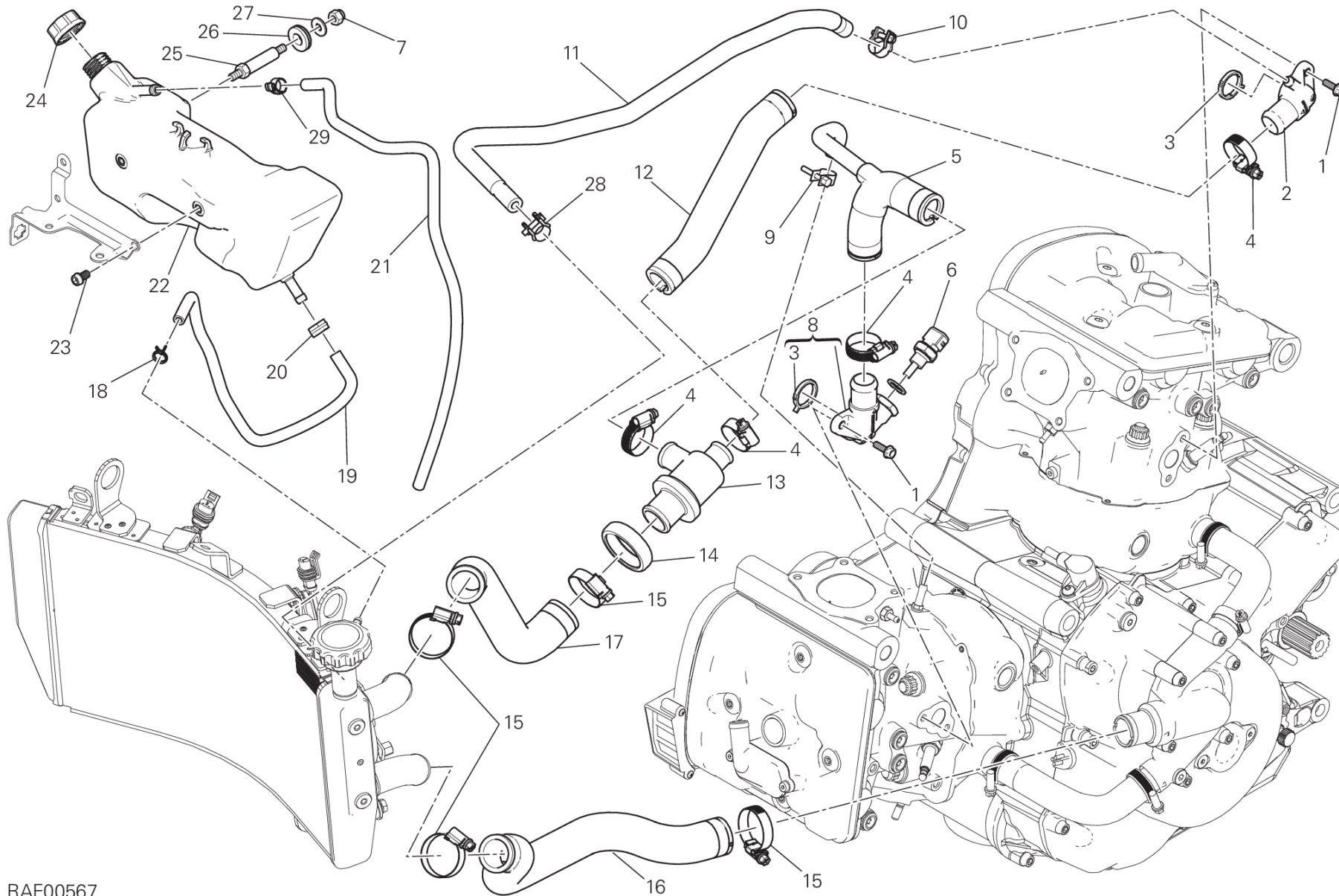
RAF00518

## DRAWING 030 - WATER COOLER [MOD:M 821]

## GROUP FRAME



POS.	CODE	DESCRIPTION	QTY	START DATE	END DATE	VALIDITY	NOTES
1	55040271A	ELECTRIC FAN, LEFT	1				
2	55040281A	ELECTRIC FAN, RIGHT	1				
3	77250988B	SCREW TEF M6X14	6				
4	48016481A	AIR SHROUD CYLINDER RIGHT	1	25/11/2013			
5	77211091A	SCREW TBEI M5X12	8	28/10/2013			
6	77916081A	SCREW, SPECIAL	1	22/10/2013			
7	76410241A	VIBRATION DAMPER PAD	1	28/10/2013			
8	83018971A	BRACKET	1	19/09/2013			
9	85241711A	WASHER 5.3X20X1.5	1	22/10/2013			
10	77510471A	SCREW TBEI M5X14	1	22/10/2013			
11	76411361A	VIBRATION DAMPER PAD	3	28/10/2013			
12	48016471A	AIR SHROUD CYLINDER LEFT	1	25/11/2013			
13	87240921A	RADIATOR CAP	1				
14	85040551A	QUICK FASTENING	3	19/09/2013			
15	71614971AA	SPACER	2	18/03/2015			
16	77550191A	SCREW	2	16/03/2015			
17	48016242B	COVER	1	22/10/2013			
18	77211091C	SCREW	3	28/10/2013			
19	54841033A	WATER COOLER ASSY	1	18/03/2015			
20	48016171B	COVER Front	1	28/10/2013			



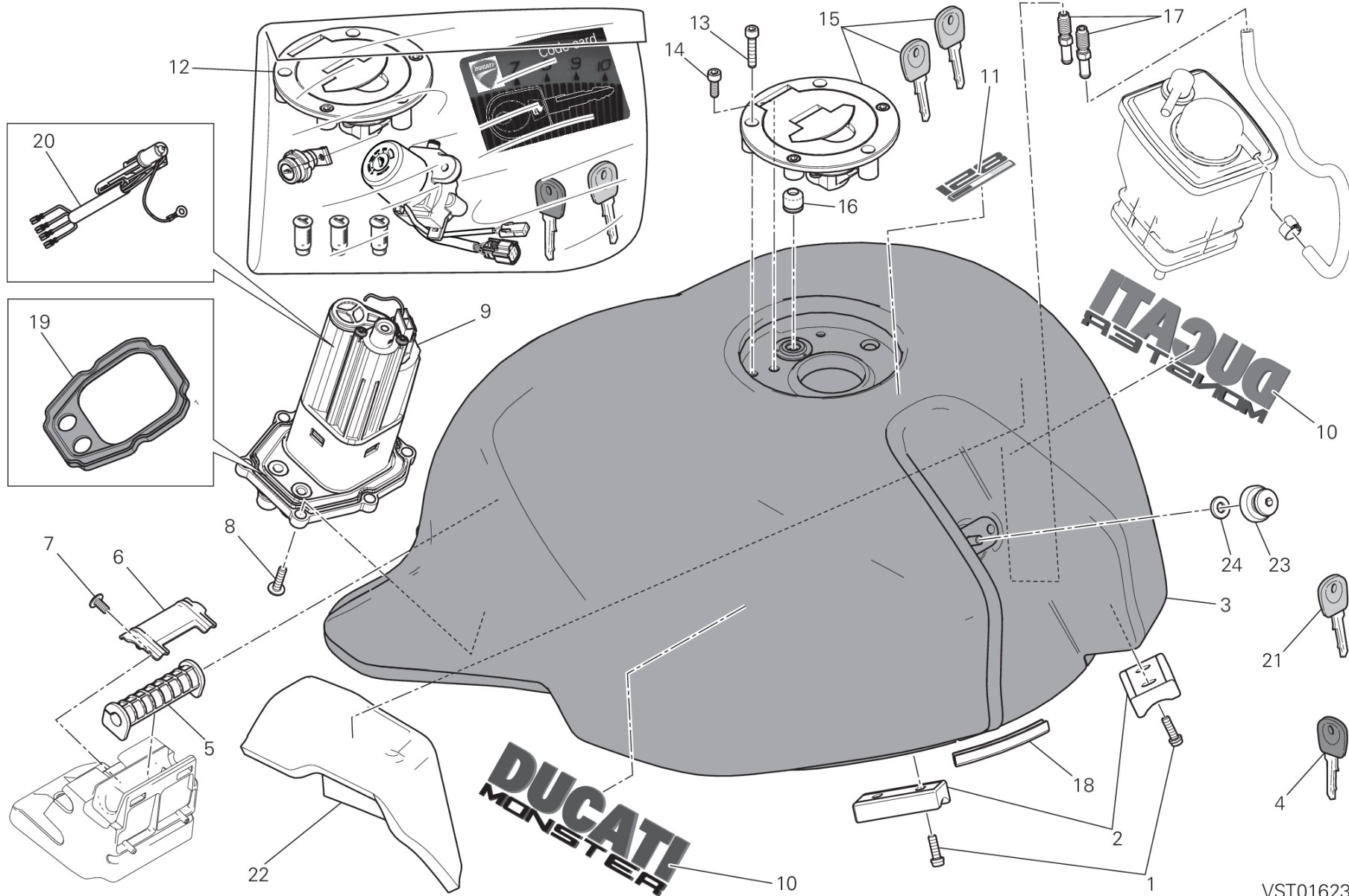
RAF00567

# DRAWING 031 - COOLING SYSTEM [MOD:M 821]

## GROUP FRAME



POS.	CODE	DESCRIPTION	QTY	START DATE	END DATE	VALIDITY	NOTES
1	77210623B	SCREW	4	18/02/2013			
2	81413261A	JOINT, WATER HOSE VERTICAL	1	18/02/2013			
3	88641031A	O-RING	2	01/06/2016			
4	74142581A	CLAMP 16-27 MM	4	18/02/2013			
5	80012311A	THERMOSTAT PUMP HOSE HORIZONTAL	1	22/10/2013			
6	55240131A	WATER TEMPERATURE SENSOR	1	18/02/2013			
7	74941113B	NUT	1	22/10/2013			
8	81420051A	JOINT, WATER HOSE HORIZONTAL	1	29/02/2016			
9	74142501A	CLAMP	1	16/03/2015			
10	74142121A	CLAMP	1	22/10/2013			
11	80012301A	BREATHER PIPE VERTICAL HEAD	1	28/10/2013			
12	80012321A	THERMOSTAT PUMP HOSE VERTICAL	1	22/10/2013			
13	55340041A	THERMO-SWITCH	1	22/10/2013			
14	88110461A	THERMOSTAT PROTECTION RING	1	22/10/2013			
15	74142591A	CLAMP 20-35 MM	4	10/03/2016			
16	80012521A	HOSE PUMP/COOLER	1	10/03/2016			
17	80012332A	HOSE COOLER/THERMOSTAT	1	22/10/2013			
18	74140571A	CLAMP	1	22/10/2013			
19	87610581A	PIPE	1	25/10/2013			
20	74140641A	CLAMP	1	01/08/2013			
21	93410212A	HOSE, DRAIN	1	12/02/2014			
22	58510822B	TANK, WATER RESERVOIR	1	01/08/2013			
23	77156623B	SCREW TCEIF M6X10 8.8	2	01/08/2013			
24	89310143A	TANK CAP	1	01/08/2013			
25	77116671AA	HOLDER	1	01/08/2013			
26	76410981A	VIBRATION DAMPER PAD	1	22/10/2013			
27	85211911A	WASHER 6.4X16X1.5	1	22/10/2013			
28	74142181A	CLAMP	1	25/11/2013			
29	74141711A	CLAMP 10-7 MM	1	12/02/2014			



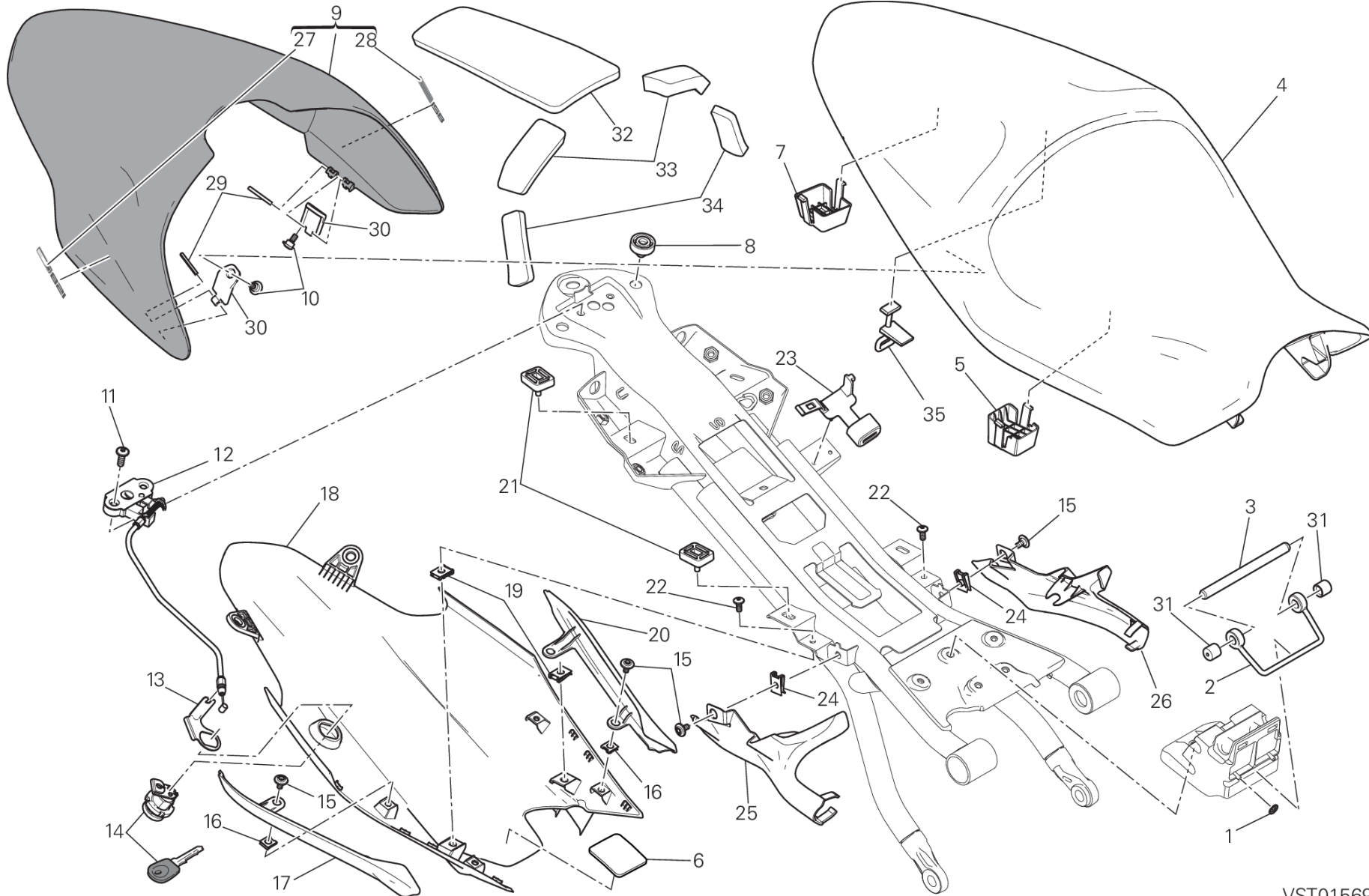
VST01623

## DRAWING 032 - FUEL TANK [MOD:M 821]

## GROUP FRAME



POS.	CODE	DESCRIPTION	QTY	START DATE	END DATE	VALIDITY	NOTES
1	77156413B	SCREW TCEIF M5X16	4	01/03/2013			
2	86611721C	PAD, FUEL TANK	2	01/03/2013			
3	58612001CA	FUEL TANK RED	1	17/04/2014		XCO:R	
	58612001CG	FUEL TANK, GRAY	1	06/05/2016		XCO:DG	
4	59840361A	KEY WITH TRANSPONDER	1	04/04/2013			
5	70010811A	RUBBER PAD	1	25/06/2013			
6	82610351BA	PLATE	1	22/10/2013			
7	77244168B	SCREW	1	22/10/2013			
8	77244213B	SCREW	6	25/06/2013			
9	16024291A	FLANGE	1	25/06/2013			
10	43819291AA	EMBLEM DUCATI FOR RED	2	17/04/2014		XCO:R	
	43819291AW	EMBLEM DUCATI FOR WHITE	2	06/05/2016		XCO:DG	
11	43819281AA	ITALIAN FLAG DECAL FOR RED, BLACK	1	17/04/2014		XCO:R	
	43819281AW	ITALIAN FLAG DECAL FOR WHITE	1	06/05/2016		XCO:DG	
12	59821061A	LOCKS KIT	1	01/08/2013			
13	77150457E	SCREW M5X25	3	22/10/2013			
14	77150408B	SCREW TCEI M5X14	1	22/10/2013			
15	89520072A	TANK CAP	1	04/04/2013			
16	79111111A	GASKET	1	25/06/2013			
17	81413251A	UNION	2	25/06/2013			
18	76412061A	RUBBER SECTION	1	17/04/2014			
19	69926951A	GASKET KIT	1				
20	55243191A	THERMISTOR	1				
21	59840183A	KEY WITHOUT TRANSPONDER	1	04/04/2013			
22	4601B901B	GUARD CONTROL UNIT	1	16/07/2013			
23	83510162A	KNOB	1				
24	85610421A	WASHER, NYLON 6X12X0.5	1				



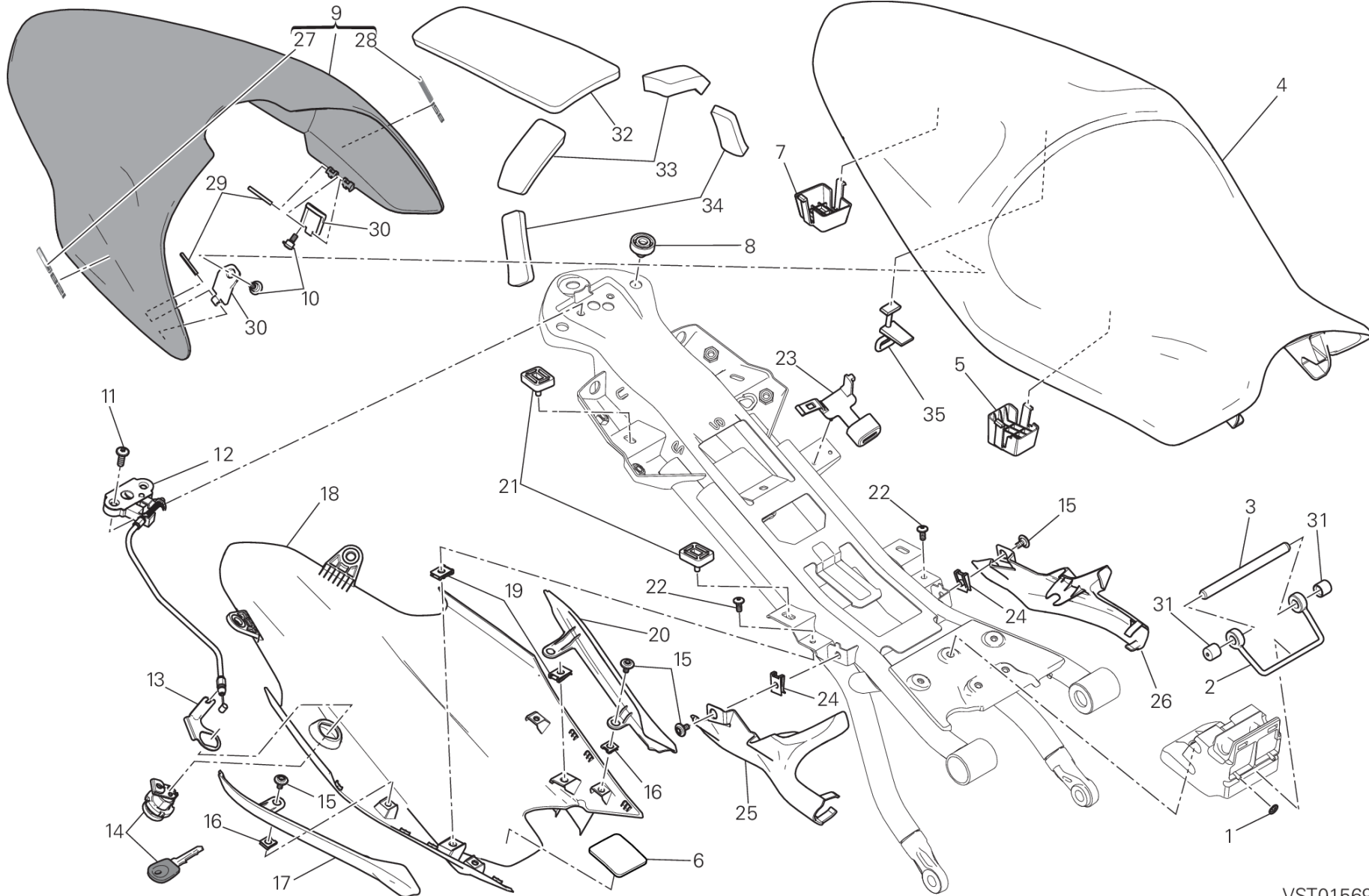
VST01569

# DRAWING 033 - SEAT [MOD:M 821]

## GROUP FRAME



POS.	CODE	DESCRIPTION	QTY	START DATE	END DATE	VALIDITY	NOTES
1	85040561A	WASHER, LOCK	2	01/08/2013			
2	86611751C	CUSHION, SEAT	1	01/08/2013			
3	82114711CA	PIN	1	01/08/2013			
4	59512401A	SEAT	1	05/05/2014			
5	8291C362A	SEAT SUPPORT Front	2	05/05/2014			
6	86611811A	PAD BLACKBOX UNIT	1	01/08/2013			
7	8291C372A	SEAT SUPPORT	2	05/05/2014			
8	76410631B	RUBBER PAD	2	25/11/2013			
9	595P2681AA	COVER SEAT RED (Unit)	1	05/05/2014		XCO:R	
	595P2681AG	COVER SEAT GRAY	1	12/05/2016		XCO:DG	
10	77210852A	SCREW TCEI M5X9	2	22/10/2013			
11	77240438C	SCREW TBEIF M6X18	2	01/08/2013			
12	59920101A	LOCK LATCH	1	01/08/2013			
13	83014401A	BRACKET, SEAT LOCK	1	01/08/2013			
14	59820572A	SEAT LOCK	1	04/04/2013			
15	77211251B	SCREW M5X9	8	22/10/2013			
16	85040471A	QUICK FASTENING M5	4	01/08/2013			
17	4601B241A	CAP RH	1	22/10/2013			
18	4601B224A	MUDFLAP BOTTOM	1	24/03/2015			
19	85040551A	QUICK FASTENING	2	01/08/2013			
20	4601B231A	CAP LH	1	22/10/2013			
21	86611701A	RUBBER PAD	4	01/08/2013			
22	77240263C	SCREW	2	01/08/2013			
23	74110401A	CLAMP	1	01/08/2013			
24	85041031A	NUT, SPRING M5	2	01/08/2013			
25	48211881A	COVER , FRAME RH	1	01/08/2013			
26	48211891A	COVER , FRAME LH	1	01/08/2013			
27	43511591A	RIGHT STICKER FOR RED	1	22/05/2014		XCO:R	
	43511611A	RIGHT STICKER FOR WHITE	1	06/05/2016		XCO:DG	
28	43511581A	LEFT STICKER FOR RED	1	22/05/2014		XCO:R	
	43511601A	LEFT STICKER FOR WHITE	1	06/05/2016		XCO:DG	
29	86150251A	PIN, SPRING	2	22/10/2013			
30	83016241A	BRACKET	2	22/10/2013			
31	87210901A	PLUG	2				
32	86611891A	CUSHION, SEAT UPPER	1	05/05/2014			



VST01569

# DRAWING 033 - SEAT [MOD:M 821]

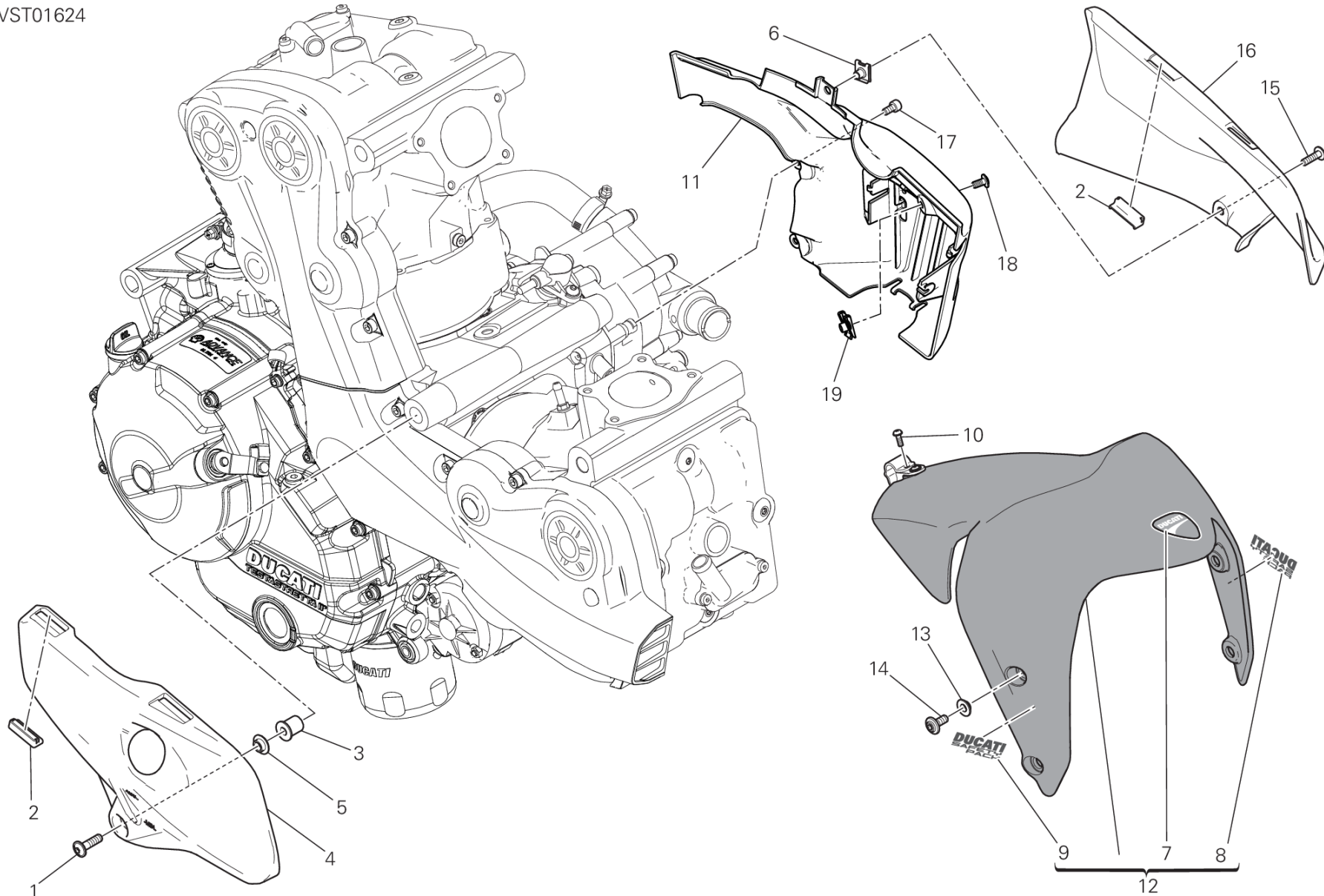
## GROUP FRAME



POS.	CODE	DESCRIPTION	QTY	START DATE	END DATE	VALIDITY	NOTES
33	86611881A	CUSHION, SEAT MIDDLE	2	05/05/2014			
34	86611871A	PAD LOWER	2	05/05/2014			
35	75910291A	RUBBER BAND	1				



VST01624

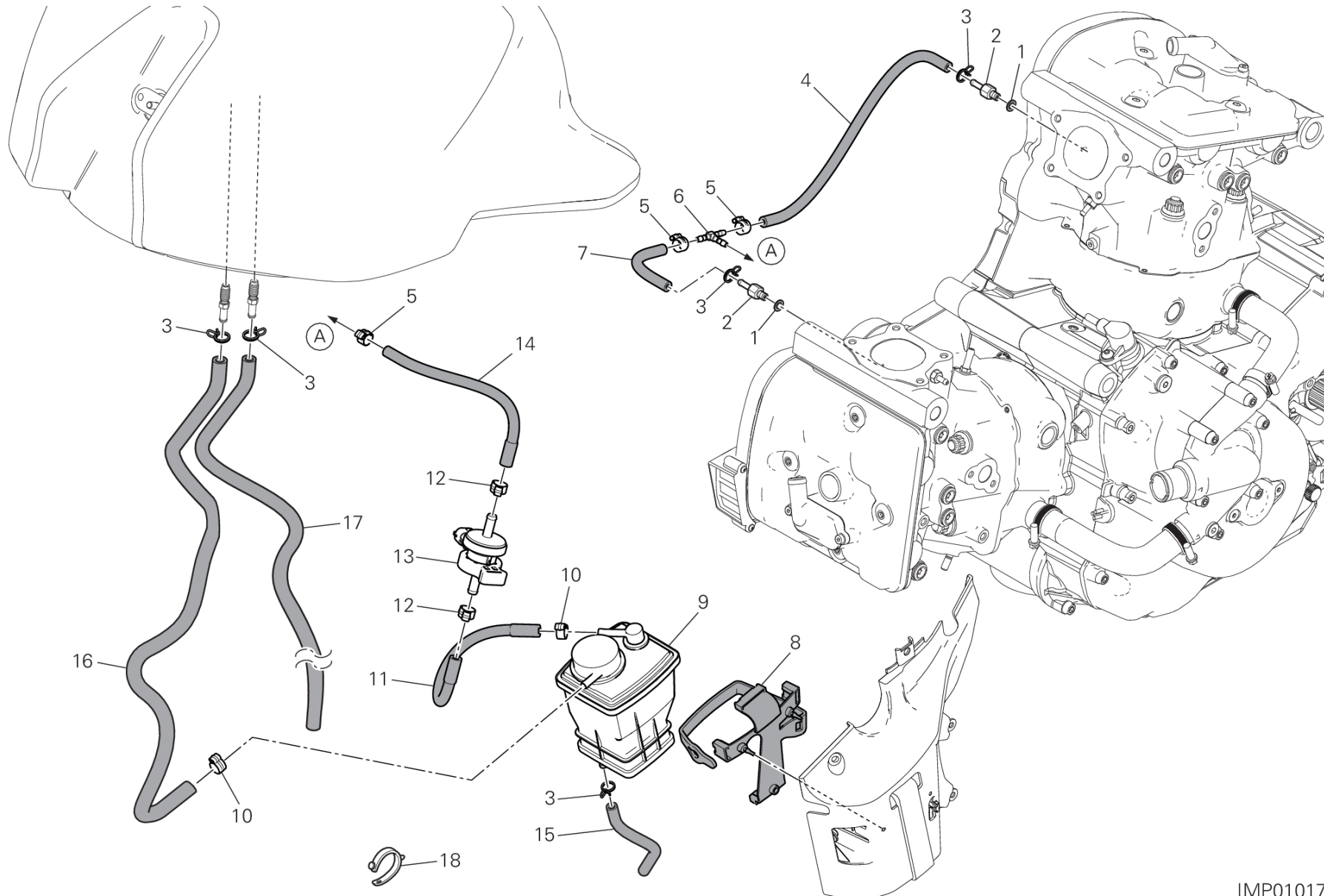


# DRAWING 034 - HALF FAIRING [MOD:M 821]

## GROUP FRAME



POS.	CODE	DESCRIPTION	QTY	START DATE	END DATE	VALIDITY	NOTES
1	77240453C	SCREW TBEIF M6X22 10.9	1	22/10/2013			
2	76411881A	RUBBER PAD	4	22/10/2013			
3	85041121A	BUSH	1	22/10/2013			
4	48211861B	RIGHT COVER	1	22/10/2013			
5	71614811AA	SPACER	1	22/10/2013			
6	85040471A	QUICK FASTENING M5	1	01/10/2013			
7	43814741A	EMBLEM DUCATI	1	23/09/2013			
8	43713501A	DECAL DUCATI SAFETY PACK L.H.	1	23/09/2013			
9	43713511A	DECAL DUCATI SAFETY PACK R.H.	1	23/09/2013			
10	77440101A	SCREW, TAPPING 3.5X10	1	22/10/2013			
11	8291E731B	BRACKET, CANISTER	1	14/03/2016			
12	564P6442AA	FRONT MUDGUARD ASSEMBLY RED	1	10/03/2016		XCO:R	
	564P6442AG	FRONT MUDGUARD GREY	1	12/05/2016		XCO:DG	
13	71614011B	SPACER 6.2X8.5X14	4	22/10/2013			
14	77210893B	SCREW	4	22/10/2013			
15	77240293C	SCREW	1	19/09/2013			
16	48211871A	LEFT COVER UPPER	1	22/10/2013			
17	77150388B	SCREW TCEI M5X10	2	22/10/2013			
18	77240253C	SCREW	1	14/03/2016			
19	85040551A	QUICK FASTENING	1	10/03/2016			



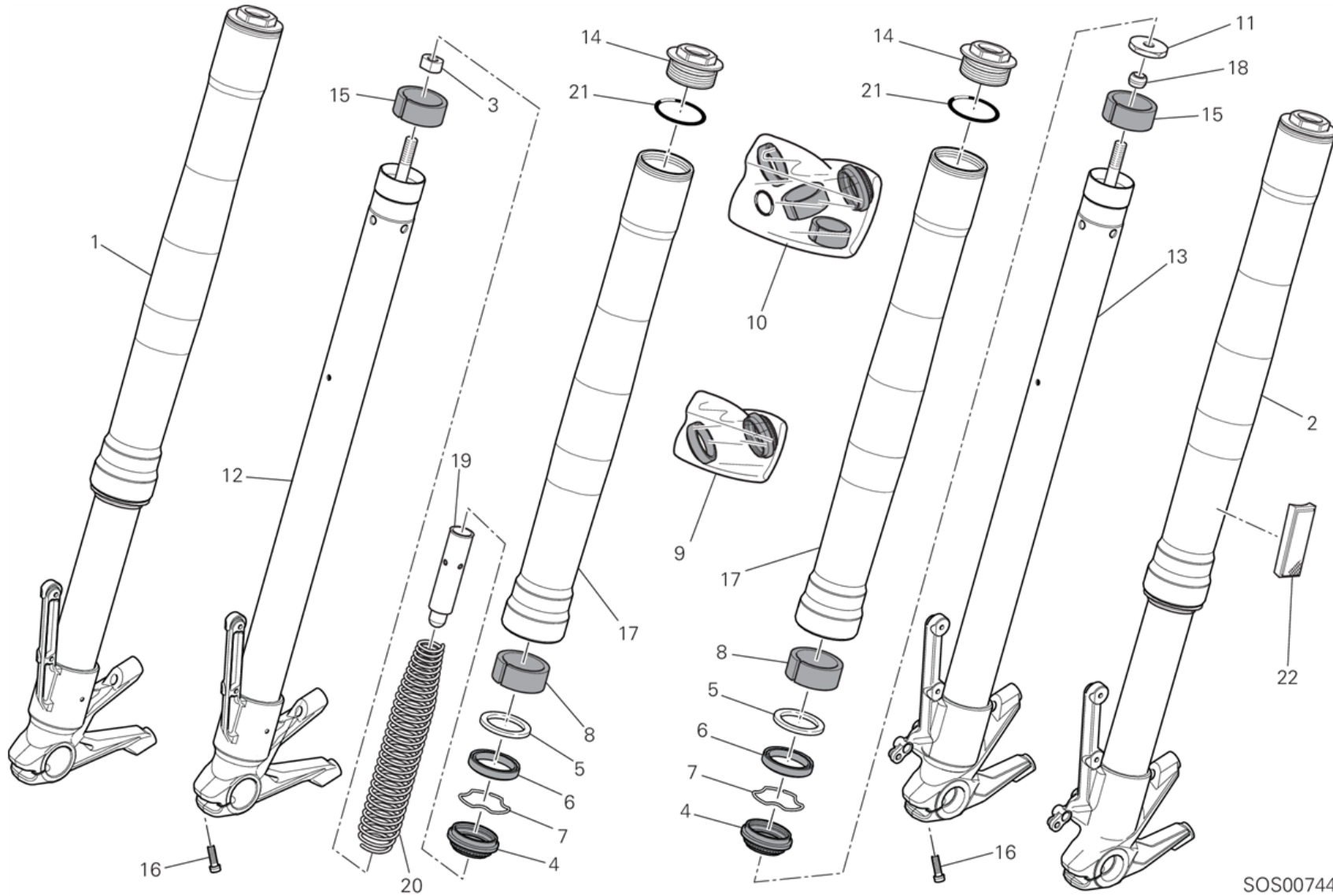
IMP01017

## DRAWING 035 - HOT AIR PIPE CANISTER [MOD:M 821]

## GROUP FRAME



POS.	CODE	DESCRIPTION	QTY	START DATE	END DATE	VALIDITY	NOTES
1	85250231A	GASKET	2	26/02/2013			
2	81411111C	NIPPLE, HOSE	2	08/10/2015			
3	74140431A	CLAMP	5	22/10/2013			
4	93510251B	PIPE	1	24/04/2015			
5	74141001A	CLAMP 8.5/7	3	24/04/2015			
6	81411831A	THREE-WAYS UNION	1	24/12/2009			
7	93510261B	PIPE	1	24/04/2015			
8	70010751A	VIBRATION DAMPER	1	16/10/2015			
9	42640041B	CANISTER FILTER	1	24/04/2015			
10	74141711A	CLAMP 10-7 MM	2	24/04/2015			
11	93510271B	PIPE	1	24/04/2015			
12	74140651A	CLAMP	2	24/04/2015			
13	65540101A	VALVE, BREATHER	1	24/04/2015			
14	93510291B	PIPE	1	24/04/2015			
15	87611181A	BREATHER PIPE	1	24/04/2015			
16	93510281B	PIPE	1	16/10/2015			
17	59017821A	HOSE, DRAIN	1	22/10/2013			
18	74110121A	CLAMP, RUBBER 62MM	1	10/03/2016			

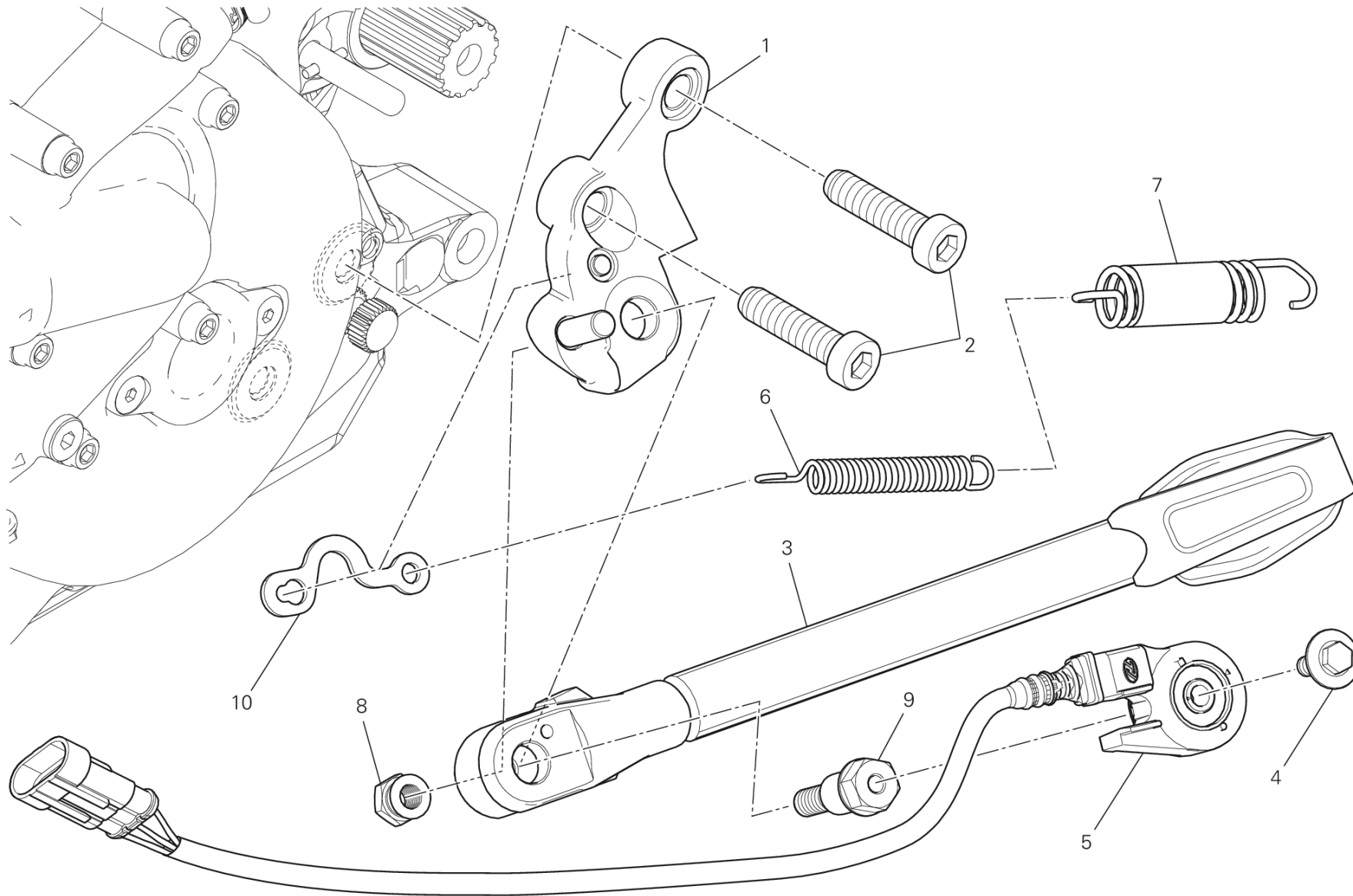


# DRAWING 21A - FRONT FORK [MOD:M 821]

## GROUP FRAME



POS.	CODE	DESCRIPTION	QTY	START DATE	END DATE	VALIDITY	NOTES
1	34420571B	RIGHT FORK LEG ASSY	1	11/04/2014			
2	34520571B	LEFT FORK LEG ASSY	1	11/04/2014			
3	34913621A	NUT	1				
4	34913531A	DUST COVER	2				
5	34913561A	WASHER	2				
6	34913551A	SEAL RING	2				
7	34913541A	STOP RING	2				
8	34913571A	LOWER BUSH	2				
9	34921051A	SEAL KIT	2				
10	34921041A	OVERHAUL KIT	2				
11	34913991A	NUT, SPECIAL	1				
12	34921851A	FORK BOTTOM END + SLEEVE UNIT (R.H.)	1				
13	34921811A	FORK BOTTOM END + SLEEVE UNIT (L.H.)	1				
14	34913981A	CAP,FORK TOP	2				
15	34913581A	UPPER BUSHING	2				
16	77310021A	SCREW TCEIR M6X25	4	25/11/2013			
17	34921831A	STANCHION TUBE	2				
18	34914001A	RUBBER PAD	1				
19	34914241A	PRELOAD TUBE	1				
20	34914281A	FORK SPRING	1				
21	34913671A	O-RING	2				
22	52910012A	REFLEX REFLECTOR AMBER	2	26/06/2014			



TEI 00814

## DRAWING 22A - SIDE STAND [MOD:M 821]

## GROUP FRAME



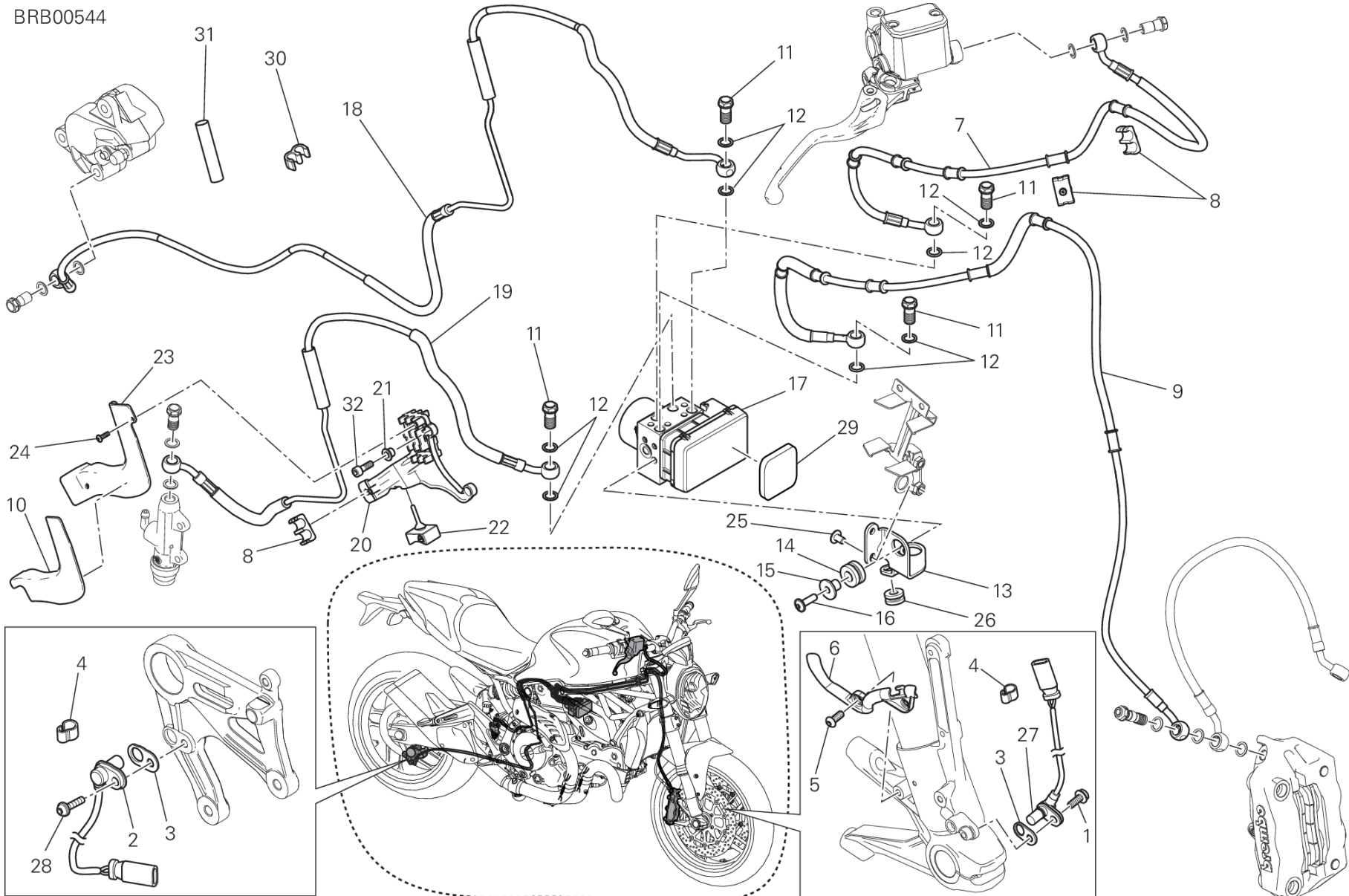
POS.	CODE	DESCRIPTION	QTY	START DATE	END DATE	VALIDITY	NOTES
1	55610791C	BRACKET, SIDE STAND	1	02/10/2013			
2	77355203C	SCREW M10x35	2	16/03/2015			
3	55610801C	SIDE STAND	1	02/10/2013			
4	77917241AA	SCREW	1	05/05/2014			
5	53910341A	SWITCH ASSY, SIDE STAND	1	10/01/2014			
6	79910891C	INNER SPRING	1	02/10/2013			
7	79920881C	COMPLETE SPRING	1	02/10/2013			
8	75010481A	NUT	1	02/10/2013			
9	82118401AA	AXLE, SIDE STAND	1	02/10/2013			
10	82717631AA	PLATE	1	01/08/2014			



# DRAWING 24A - ANTILOCK BRAKING SYSTEM (ABS) [MOD:M 821]

GROUP FRAME

BRB00544

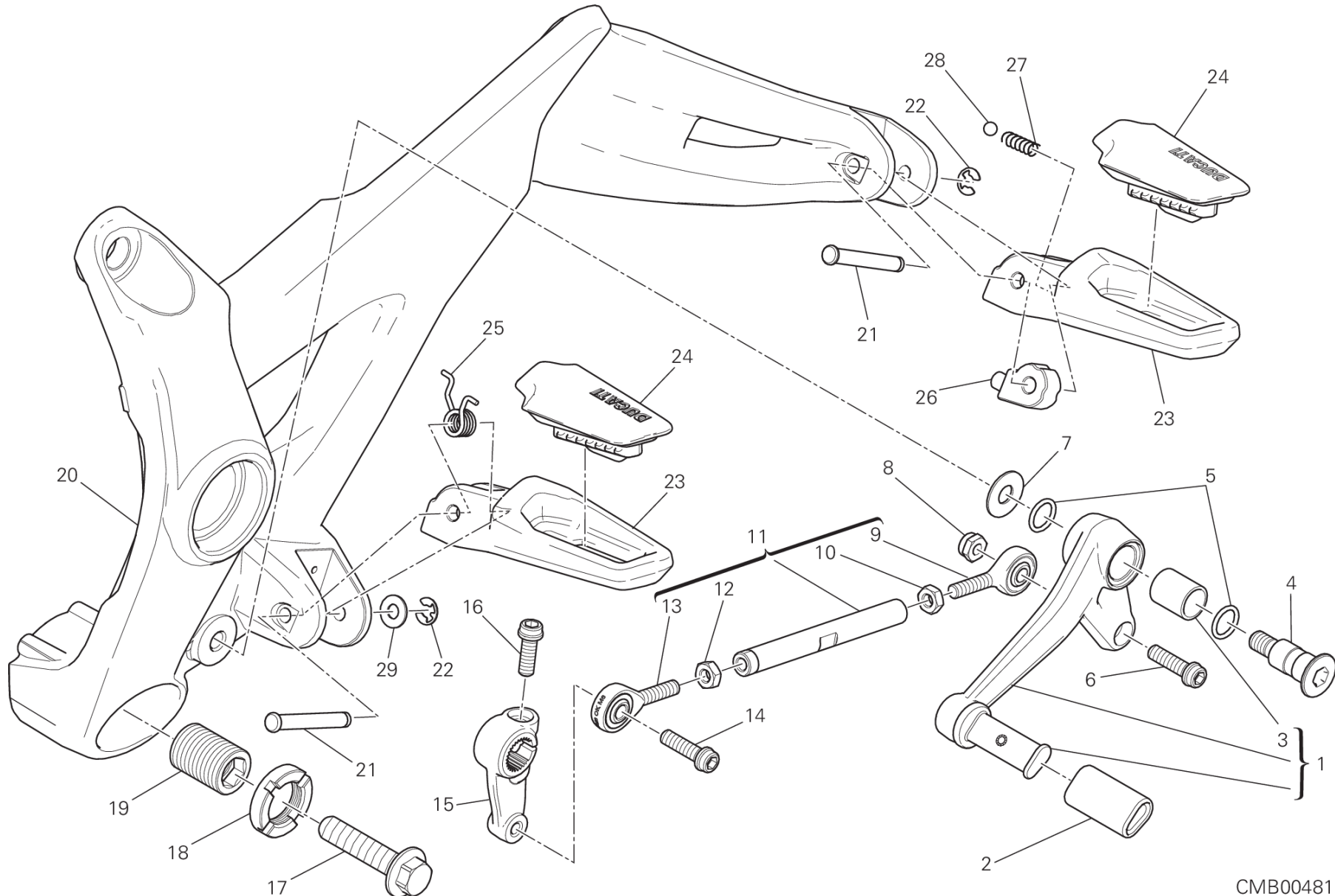


# DRAWING 24A - ANTILOCK BRAKING SYSTEM (ABS) [MOD:M 821]

## GROUP FRAME



POS.	CODE	DESCRIPTION	QTY	START DATE	END DATE	VALIDITY	NOTES
1	77110401B	SCREW	1	22/10/2013			
2	55212121B	SENSOR, SPEED	1	01/08/2013			
3	71314901A	GASKET TH.02	4	22/10/2013			
	71319201A	GASKET 0.5 MM	6	22/10/2013			
4	75840601A	FAIRLEAD	10	22/10/2013			
5	77550213C	SCREW TBEI M6X16	2	01/08/2013			
6	75810642A	FAIRLEAD	1	01/08/2013			
7	61810881A	FRONT MASTER CYLINDER - CPU LINE	1	24/07/2015			
8	86611121A	RUBBER PAD	5	22/10/2013			
9	61810521C	CPU - FRONT CALIPERS LINE	1	24/07/2015			
10	4601A871A	HEAT GUARD	1	22/10/2013			
11	77913662AB	BOLT, BRAKE HOSE	4	20/09/2013			
12	85250241A	WASHER 10X14X1	8	20/09/2013			
13	83018181AA	BRACKET	1	22/10/2013			
14	76410641A	VIBRATION DAMPER PAD	2	22/10/2013			
15	71610031A	SPACER	2	22/10/2013			
16	77240443C	SCREW	2	22/10/2013			
17	54240451B	CONTROL UNIT ABS	1	20/01/2014			
18	61910651D	CPU - REAR CALIPER LINE	1	19/03/2015			
19	61910481C	REAR MASTER CYLINDER - CPU LINE	1	19/03/2015			
20	83018341B	BRACKET, BRAKE HOSE	1	22/10/2013			
21	71614581AA	SPACER	2	22/10/2013			
22	76411711A	RUBBER PAD	1	22/10/2013			
23	8291C142A	COVER	1	22/10/2013			
24	77440111A	SCREW	2	22/10/2013			
25	77211021A	SCREW TBEIF M6X10	2	22/10/2013			
26	76411141A	VIBRATION DAMPER PAD	1	22/10/2013			
27	55212111B	SENSOR, SPEED	1	22/10/2013			
28	77210423C	SCREW TBEIF M6X16	1	05/05/2014			
29	86611861A	PAD	1	16/03/2015			
30	75840611A	FAIRLEAD	1	10/03/2016			
31	4601C581A	PROTECTION SHEATH	1	10/03/2016			
32	77110518B	SCREW TCEI M6X25	2	10/03/2016			



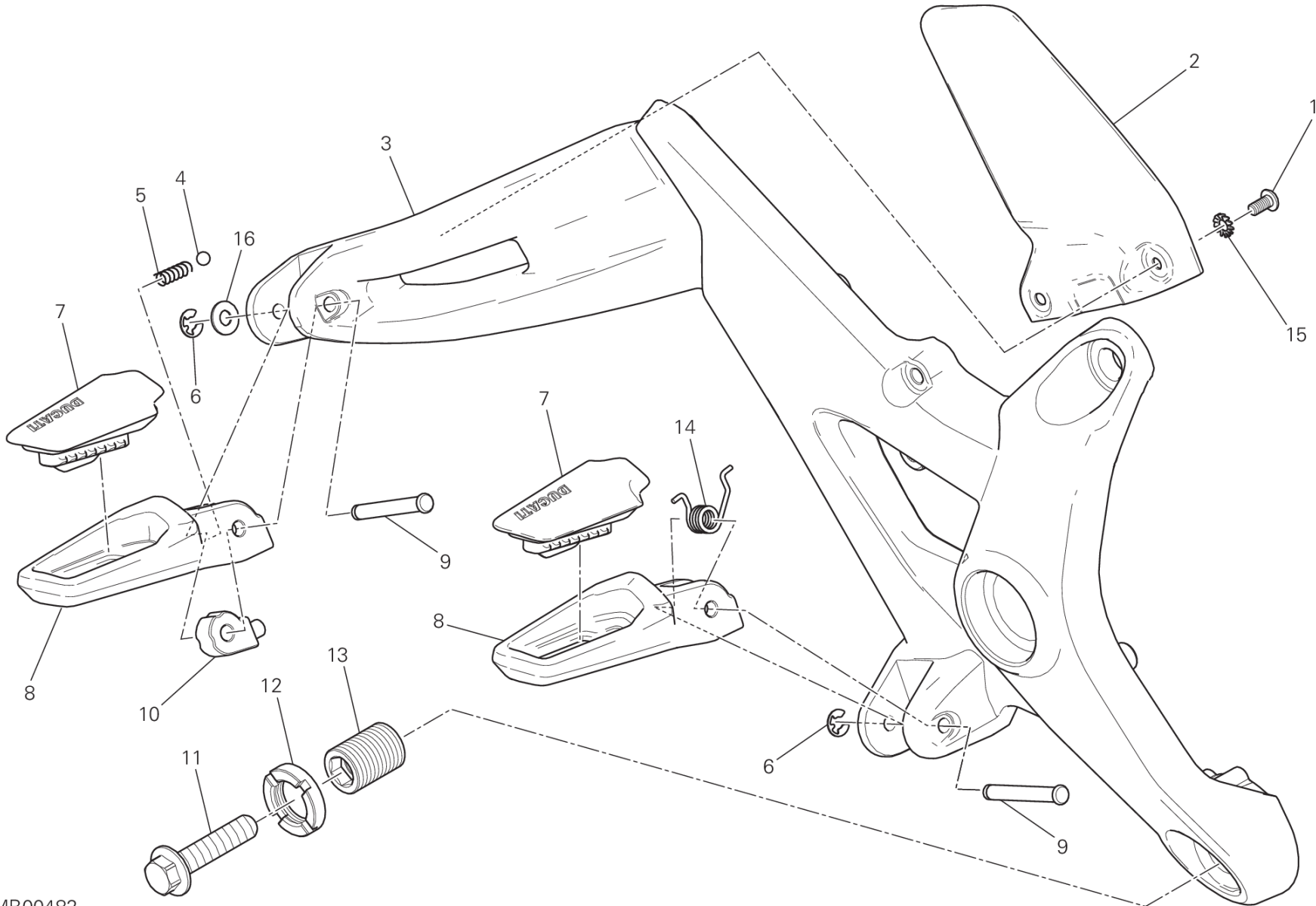
CMB00481

## DRAWING 27A - FOOTRESTS, LEFT [MOD:M 821]

## GROUP FRAME



POS.	CODE	DESCRIPTION	QTY	START DATE	END DATE	VALIDITY	NOTES
1	45622071CA	GEARCHANGE LEVER (Unit)	1	13/01/2014			
2	76410112A	COVER PEDAL	1				
3	71210341A	BUSH	1	01/03/2013			
4	82111701CA	PIN PEDAL	1	14/10/2013			
5	88641161A	O-RING	2	14/10/2013			
6	77156688B	SCREW TCEIF M6X22X18	1	14/10/2013			
7	85210532A	WASHER 8.2X20X1	1	14/10/2013			
8	74940041A	NUT, SELF-LOCKING M6	1	14/10/2013			
9	84850021A	BALL JOINT, RIGHT	1	14/10/2013			
10	74750101A	NUT 6MM	1	14/10/2013			
11	11721442AA	GEARBOX DRIVING ROD (Unit)	1	14/10/2013			
12	74750011AB	NUT, LEFT THREAD M6	1	14/10/2013			
13	84850011A	BALL JOINT, LEFT	1	14/10/2013			
14	77113691A	SCREW TCEIF M6X12	1	19/09/2013			
15	45612071AA	GEAR CONTROL LEVER GRAY	1	14/10/2013			
16	77110191A	SCREW TCEIF M6X20	1	30/01/2014			
17	77253988C	SCREW	1	22/10/2013			
18	70310512AA	RING NUT	1	14/10/2013			
19	77916411A	THREADED DOWEL	1	14/10/2013			
20	82412811AB	L.H. FOOT PEG HOLDER PLATE	1	14/10/2013			
21	82115101AA	FOOTREST PIN	2	24/11/2015			
22	88450441A	CIRCLIP	2	18/11/2014			
23	46410971AA	LEFT FOOTREST	2	08/07/2015			
24	76510081D	FOOT PEG RUBBER COVER L.H.	2	14/10/2013			
25	79914991A	SPRING. FOOTREST	1	14/10/2013			
26	69610131A	SPRING RETAINER	1	14/10/2013			
27	79910241A	SPRING	1	14/10/2013			
28	84740021A	BALL	1	14/10/2013			
29	85213661AA	WASHER	2	10/06/2016			



CMB00482

# DRAWING 27B - FOOTRESTS, RIGHT [MOD:M 821]

## GROUP FRAME

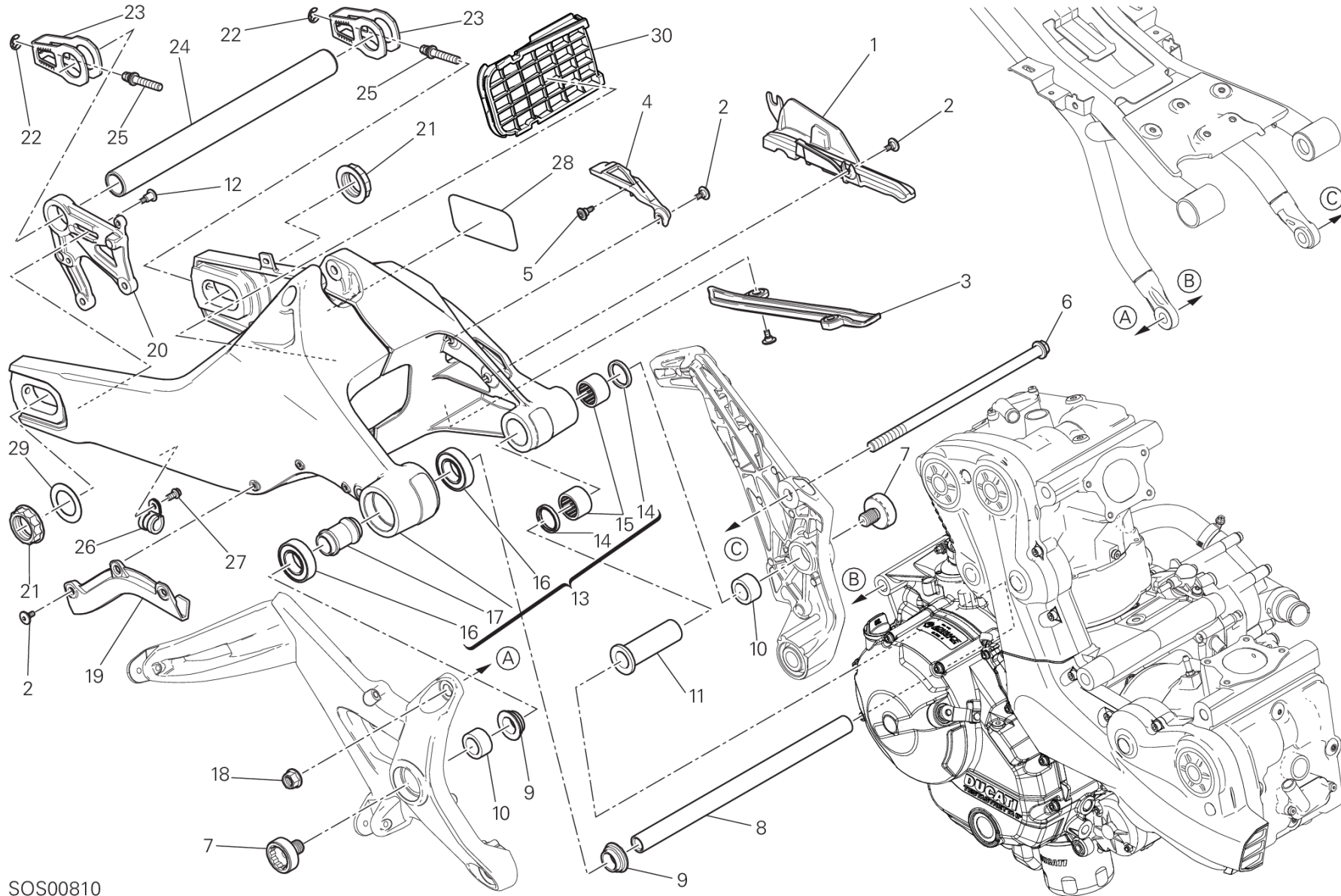


POS.	CODE	DESCRIPTION	QTY	START DATE	END DATE	VALIDITY	NOTES
1	77510511A	SCREW TBEI M5X10	2	05/05/2014			
2	4601C261A	HEEL GUARD R.H.	1	05/05/2014			
3	82412801AB	R.H. FOOT PEG HOLDER PLATE	1	19/09/2013			
4	84740021A	BALL	1	19/09/2013			
5	79910241A	SPRING	1	19/09/2013			
6	88450441A	CIRCLIP	2	18/11/2014			
7	76510071D	FOOT PEG RUBBER COVER R.H.	2	19/09/2013			
8	46410961AA	RIGHT FOOTREST	2	24/11/2015			
9	82115101AA	FOOTREST PIN	2	24/11/2015			
10	69610131A	SPRING RETAINER	1	19/09/2013			
11	77253988C	SCREW	1	22/10/2013			
12	70310512AA	RING NUT	1	19/09/2013			
13	77916411A	THREADED DOWEL	1	19/09/2013			
14	79914991A	SPRING. FOOTREST	1	19/09/2013			
15	46240461A	WASHER, SPRING	2	05/05/2014			
16	85213661AA	WASHER	2	10/06/2016			



# DRAWING 28A - FORCELLONE POSTERIORE [MOD:M 821]

GROUP FRAME



SOS00810

## DRAWING 28A - FORCELLONE POSTERIORE [MOD:M 821]

## GROUP FRAME



POS.	CODE	DESCRIPTION	QTY	START DATE	END DATE	VALIDITY	NOTES
1	44711251A	CHAIN SLIDER	1	21/05/2014			
2	77914871C	SCREW	7	01/08/2013			
3	44711211A	LOWER CHAIN SLIDING SHOE	1	21/05/2014			
4	44711201A	UPPER CHAIN SLIDING SHOE	1	21/05/2014			
5	77210841C	SCREW	1	21/05/2014			
6	77918431AA	SCREW, SPECIAL	1	22/10/2013			
7	77918421AB	SCREW, SPECIAL	2	22/10/2013			
8	36911341AA	AXLE, REAR SWING ARM	1	22/10/2013			
9	71210301A	RIGHT SPACER	2	22/10/2013			
10	71210491AA	SPACER	2	22/10/2013			
11	71011891A	BUSHING	1	01/08/2013			
12	77214221AA	SCREW, SPECIAL	1	21/05/2014			
13	37021762AA	COMPLETE SWINGARM	1	09/02/2015			
14	93050121A	SEAL RING	2	01/08/2013			
15	70140171A	BEARING, NEEDLE	2	01/08/2013			
16	70250451A	BEARING	2	01/08/2013			
17	7131A211AA	INNER SPACER	1	01/08/2013			
18	74841011AA	NUT, FLANGE	1	05/05/2014			
19	4601C401A	COVER, FR BRAKE PIPE	1	05/05/2014			
20	82510501AA	CALIPER HOLDER BRACKET	1	21/05/2014			
21	75011891AA	NUT	2	05/05/2014			
22	88450341B	SPRING RING	2	10/12/2013			
23	37310881AA	PULLER, CHAIN	2	10/12/2013			
24	81910742AA	REAR WHEEL SPINDLE	1	05/05/2014			
25	77919021AA	SCREW	2	10/12/2013			
26	74142241A	CLAMP	1	05/05/2014			
27	77210501C	SCREW TEF M6X12	1	05/05/2014			
28	43314011D	CHAIN ADJUSTMENT STICKER	1	15/09/2014		XST:EUR	(EU - USA)
	43314011E	CHAIN ADJUSTMENT STICKER	1	10/03/2016		XST:JAP	
29	71313882A	WASHER, THRUST	1	05/05/2014			
30	87211011A	PLUG	1	16/03/2015			



CODE	NO. TABLE	POS.	CODE	NO. TABLE	POS.	CODE	NO. TABLE	POS.	CODE	NO. TABLE	POS.
027291090	002	8	16010941A	013	10	24511421B	008	1	30411011AC	014	10
040009050	002	21	16024291A	032	9	24511431A	008	2	30411011AC	015	10
040029126	002	17	160Z0041A	012	15	24521071A	008	21	34110992AC	021	25
061950065	012	8	17021361A	006	6	24612162A	029	16	342P0781BC	021	35
066013143	002	9	17122271A	008	13	24713331A	28B	5	34420571B	21A	1
066549680	005	8	17210021B	003	10	24713331A	28B	5	34520571B	21A	2
067016145	003	7	17210081C	003	22	24713571AH	011	23	34913531A	21A	4
067016155	003	19	17210103C	003	20	24714141AC	013	5	34913541A	21A	7
069191030	18B	12	17210113C	003	23	24714151AC	013	6	34913551A	21A	6
11210791AA	10A	10	17212182A	003	18	24714171A	013	24	34913561A	21A	5
11210791AB	10A	10	17212192A	003	24	24714612A	010	7	34913571A	21A	8
11210791AC	10A	10	17214591A	003	8	24714651A	018	41	34913581A	21A	15
11210791AD	10A	10	17214601A	003	5	24714782A	20A	6	34913621A	21A	3
11210791AE	10A	10	17214611A	003	9	24714891A	013	25	34913671A	21A	21
11210801AA	006	8	17214621A	003	21	24715041A	021	39	34913981A	21A	14
11210801AB	006	8	17310291A	012	11	24715051A	021	38	34913991A	21A	11
11721442AA	27A	11	17410621B	009	1	24715281A	018	11	34914001A	21A	18
11723531AA	025	15	17420591A	010	4	24724481A	011	31	34914241A	21A	19
120Z01111AC	007	5	176Z0021A	012	7	25120131A	011	29	34914281A	21A	20
120Z01211AC	007	10	180Z0261A	002	6	25440012A	005	4	34921041A	21A	10
12111741B	007	2	180Z0031A	002	11	25510104B	008	18	34921051A	21A	9
12112921C	007	3	180Z0041A	002	12	25510193A	013	7	34921811A	21A	13
12120531B	007	4	182Z0042A	002	18	26420501A	011	1	34921831A	21A	17
12221876A	007	1	18410051A	025	14	27040104A	012	1	34921851A	21A	12
13510401A	017	20	18710021A	024	2	27610901A	012	13	36011901AA	021	20
14010763B	017	1	19020232A	004	9	28040411A	017	24	36015332AB	021	19
14621983AA	006	1	19410511A	004	4	28240932A	017	26	36015352AB	021	22
14621983AB	006	1	19610542C	004	11	28620441A	01B	6	36140161A	021	36
14621983AC	006	1	19610681A	004	12	28642821A	18A	14	36521332A	028	5
14710811A	008	3	19820441A	004	14	28642821F	18A	14	36911341AA	28A	8
14710951B	010	3	20810321A	014	3	30123714AC	015	22	37021762AA	28A	13
14720921D	005	20	20810321A	015	3	30123724AC	014	22	37310881AA	28A	23
14824222A	013	15	20910491A	014	16	30310631BB	014	7	38010151A	022	15
14824232A	013	11	20910491A	015	16	30310631BB	015	7	38510691C	027	11
14824242A	013	14	20910501A	014	4	30310631BC	014	7	38940191A	18B	5
14824252A	013	18	20910501A	015	4	30310631BC	015	7	38940201A	18B	5
14911101A	003	2	21010991A	014	14	30310631BD	014	7	38940211A	18B	5
14911111B	003	25	21010991A	015	14	30310631BD	015	7	38940221A	18B	5
15021821A	003	26	21110991A	014	5	30411001AB	014	13	38940231A	018	40
15021831B	003	16	21110991A	015	5	30411001AB	015	13	38940241A	18B	5
15620821AA	006	5	22032083A	010	5	30411001AC	014	13	38940251A	18B	5
15620821AB	006	5	225Z0073B	010	1	30411001AC	015	13	38940261A	18B	5
15620821AC	006	5	24221181AB	011	13	30411011AB	014	10	38940301A	18B	5
16010922A	026	24	24321511AC	005	1	30411011AB	015	10	39040162A	28B	11



CODE	NO. TABLE	POS.	CODE	NO. TABLE	POS.	CODE	NO. TABLE	POS.	CODE	NO. TABLE	POS.
39040162A	28B	11	4601A883A	021	9	49140991A	B	2	55040271A	030	1
39040211A	020	13	4601B224A	033	18	49240032A	026	19	55040281A	030	2
39040211A	28B	13	4601B231A	033	20	49241011A	026	5	55212111B	24A	27
39040211A	28B	13	4601B241A	033	17	49411651AA	026	34	55212121B	24A	2
39040291A	020	22	4601B275A	019	36	49720071A	026	3	55214011A	019	27
39040311A	020	21	4601B284A	019	3	50121761AB	026	10	55240121A	020	4
39110033A	28B	10	4601B881A	019	22	50121811AA	026	10	55240121A	18A	8
39110033A	28B	10	4601B901B	032	22	50221612AA	026	7	55240131A	031	6
39740081B	018	39	4601B921A	019	24	50221671AA	026	7	55241321C	10A	14
40611301B	20A	1	4601C251A	019	17	50410051A	026	20	55241441A	017	18
42020008A	025	27	4601C261A	27B	2	50410061A	026	15	55243191A	032	20
42610191A	029	17	4601C401A	28A	19	51019721A	18B	4	55340041A	031	13
42640041B	035	9	4601C581A	24A	31	51019761C	18B	3	55610791C	22A	1
43314011D	28A	28	4601D231A	018	3	51019771C	18B	2	55610801C	22A	3
43314011E	28A	28	4602B331A	019	21	5101A081B	017	25	56113191A	28B	25
43511581A	033	28	46210021A	021	2	5101B281A	18B	1	56113191A	28B	25
43511591A	033	27	46240461A	017	32	51310281B	018	43	56113201C	28B	3
43511601A	033	28	46240461A	18A	16	51410711A	018	44	56113201C	28B	3
43511611A	033	27	46240461A	27B	15	51410721B	018	36	56113381AA	28B	26
43713501A	034	8	46320222A	010	10	51640011AB	18A	32	56113391A	28B	22
43713511A	034	9	46320537A	003	14	52010271C	020	23	56113391A	28B	22
43814741A	034	7	46410961AA	27B	8	52310441B	021	3	564P6442AA	034	12
43819281AA	032	11	46410971AA	27A	23	52310451B	021	7	564P6442AG	034	12
43819281AW	032	11	47012901AA	022	2	52510483B	027	1	56510871A	028	1
43819291AA	032	10	47017251EA	027	7	52910012A	21A	22	57013382A	019	29
43819291AW	032	10	48016171B	030	20	52910061A	28B	21	57113251A	019	6
44212781B	029	11	48016242B	030	17	52910061A	28B	21	57113261A	019	1
44212791D	029	13	48016351B	18A	27	53010226A	28B	17	57211632A	019	32
44440035A	009	7	48016471A	030	12	53010226A	28B	17	57322311AA	019	12
44711201A	28A	4	48016481A	030	4	53010226B	020	18	57322351AA	019	12
44711211A	28A	3	48211861B	034	4	53010236A	28B	14	58510822B	031	22
44711251A	28A	1	48211871A	034	16	53010236A	28B	14	58540081A	025	6
44910681A	003	12	48211881A	033	25	53010236B	020	14	58540271A	024	21
45110182A	008	9	48211891A	033	26	53910211B	10A	17	58612001CA	032	3
45110461A	008	4	48211951A	022	17	53910341A	22A	5	58612001CG	032	3
45110491A	008	10	48611061A	005	22	53940021B	023	9	59014101A	017	31
45120241A	008	23	48611101C	029	21	53940031C	025	26	59014111A	017	17
45520181A	010	8	49040663A	A	1	53940302A	016	5	59014471A	029	20
45612071AA	27A	15	49040663A	B	1	53940721A	024	17	59017821A	035	17
45622071CA	27A	1	49040692A	A	3	53940731A	023	8	59024001C	017	22
45720571AA	025	20	49040692A	C	1	54040321A	018	5	59310601B	010	11
46016391A	026	35	49140921A	A	4	54140101A	18B	7	59310801B	010	57
4601A611B	018	23	49140921A	C	2	54240451B	24A	17	59320581B	010	9
4601A871A	24A	10	49140991A	A	2	54841033A	030	19	59340301C	019	20



CODE	NO. TABLE	POS.	CODE	NO. TABLE	POS.	CODE	NO. TABLE	POS.	CODE	NO. TABLE	POS.
59512401A	033	4	67740201A	026	27	70450091A	010	23	71610031A	24A	15
595P2681AA	033	9	68010131A	006	10	71011891A	28A	11	71610061A	18A	2
595P2681AG	033	9	68010131A	008	16	71110922A	011	33	71610381B	018	10
59820572A	033	14	68050061A	013	12	71110951A	010	6	71610722A	008	20
59821061A	032	12	68050101A	010	17	71111601A	005	13	71611071B	017	13
59840183A	032	21	69610131A	27A	26	71111601A	011	14	71611281A	008	17
59840361A	032	4	69610131A	27B	10	71112191A	007	12	71611521A	20A	4
59920101A	033	12	69720291B	027	8	71113741A	013	19	71611641AA	022	11
61041292C	024	5	69926751A	018	14	71210301A	28A	9	71614011B	034	13
61041302C	024	8	69926951A	032	19	71210341A	025	21	71614071A	018	7
61140421A	025	1	70010362A	010	18	71210341A	27A	3	71614251A	020	19
61240052A	024	1	70010431A	18A	17	71210491AA	28A	10	71614271A	018	31
61240081A	025	31	70010481B	020	24	71310141E	003	11	71614581AA	24A	21
61240161A	025	29	70010541A	021	24	71311281B	011	27	71614601AA	019	14
61240511A	024	14	70010591A	026	22	71311841A	026	28	71614691AA	019	5
61340951A	025	28	70010751A	035	8	71311961A	026	17	71614811AA	034	5
61341021A	024	13	70010811A	032	5	71311973A	026	2	71614921AA	027	4
61810521C	24A	9	70010901A	017	9	71312051A	026	21	71614971AA	030	15
61810871A	024	7	70140031A	012	9	71312661A	003	15	72010513C	026	4
61810881A	24A	7	70140051A	003	4	71312921A	014	9	720941616	010	24
61910481C	24A	19	70140171A	28A	15	71312921A	015	9	73210542A	019	34
61910651D	24A	18	70140431A	005	18	71312921B	014	25	73210561A	023	6
62441041A	024	11	70140471A	012	14	71312921B	015	26	735001542	002	15
62540201A	025	10	70240091A	011	11	71313091A	004	13	735033380	010	26
62640601A	024	19	70240102A	011	9	71313882A	28A	29	735033380	011	17
62640901A	024	12	70240131D	010	19	71314361AB	019	8	735033804	008	26
62640911A	023	11	70240331A	010	20	71314703A	28B	15	73740251A	008	5
63140161A	025	30	70240581A	008	27	71314703A	28B	15	74110101A	18B	14
63140591A	024	18	70241231A	021	31	71314831B	004	6	74110121A	035	18
63640011B	023	3	70250081A	010	21	71314901A	24A	3	74110131A	18B	11
65010121E	021	5	70250081A	011	4	71319151A	002	2	74110401A	033	23
65110141A	021	16	70250193A	010	22	71319191A	012	5	74110551A	18B	15
65240231A	021	14	70250451A	28A	16	71319201A	24A	3	74113321A	008	24
65540091A	029	8	70250501A	026	25	71319241A	28B	12	74113331AA	005	6
65540101A	035	13	70250601A	004	10	71319241A	28B	12	74140381A	18B	13
66020092B	021	4	70250621A	026	8	71319951A	003	1	74140431A	017	11
66810482A	007	14	70250681A	026	12	7131A211AA	28A	17	74140431A	025	9
66910011E	014	6	70310481A	029	15	7131A361AA	026	32	74140431A	035	3
66910011E	015	6	70310512AA	27A	18	7131A371AA	026	31	74140571A	031	18
67040451A	022	6	70310512AA	27B	12	7131A481A	020	12	74140641A	031	20
67110591B	022	9	70310761AA	021	29	71410941A	026	9	74140651A	029	19
67110601B	022	5	70350024A	013	2	71411041AA	026	13	74140651A	035	12
67620901A	026	26	70350062A	008	12	71411341AA	026	13	74141001A	035	5
67640941A	026	30	70450091A	009	8	71413241AA	026	9	74141461A	019	10



CODE	NO. TABLE	POS.	CODE	NO. TABLE	POS.	CODE	NO. TABLE	POS.	CODE	NO. TABLE	POS.
74141711A	017	15	75011601A	008	15	76412091A	027	6	77150408B	017	23
74141711A	031	29	75011891AA	28A	21	76412101A	027	3	77150408B	032	14
74141711A	035	10	75040141A	018	2	76412131A	018	49	77150408B	18A	23
74141871A	017	3	75050011B	020	1	76412161A	28B	2	77150457E	032	13
74142121A	031	10	75050051A	012	18	76412161A	28B	2	77150498B	020	16
74142181A	031	28	757941542	010	27	76440572A	014	8	77150653B	010	29
74142241A	28A	26	75810642A	24A	6	76440572A	015	8	77150670ZF	002	3
74142371A	029	3	75810782A	18A	19	76440581A	016	3	77150693B	023	12
74142381A	019	2	75840601A	24A	4	76510071D	27B	7	77150723B	10A	11
74142401A	029	5	75840611A	24A	30	76510081D	27A	24	77150738B	011	5
74142461A	027	22	75840641A	017	4	76610553B	10A	2	77150758B	010	30
74142501A	031	9	75840721A	017	6	76640191A	014	21	77150808B	10A	8
74142581A	007	7	75840771A	018	12	76640191A	015	21	77151250ZF	002	1
74142581A	029	1	75840771A	027	2	768351134	002	10	77151283B	018	33
74142581A	031	4	75840801A	018	48	77052508B	011	6	77151363B	10A	6
74142591A	031	15	75840861A	018	47	77110191A	020	5	77156413B	022	16
74142651A	019	23	75910251A	019	19	77110191A	27A	16	77156413B	032	1
74710151A	010	25	75910291A	033	35	77110391B	017	2	77156413B	20A	5
74750011AB	27A	12	75910301B	021	12	77110401B	24A	1	77156623B	031	23
74750051B	025	13	75910311A	027	9	77110441A	28B	16	77156628B	018	38
74750071A	021	34	764020002	003	17	77110441A	28B	16	77156633B	005	16
74750101A	27A	10	76410011A	019	9	77110501A	021	10	77156688B	27A	6
74810241A	019	28	76410112A	27A	2	77110518B	24A	32	77156723B	025	25
74810351B	022	14	76410241A	022	12	77110521A	012	17	77157238B	025	2
74810461A	026	33	76410241A	030	7	77113691A	025	7	77157268B	021	28
74810501A	10A	4	76410241A	18A	3	77113691A	18A	30	77157273B	021	18
74810651A	026	1	76410621B	018	45	77113691A	27A	14	77159418B	021	21
74840241AB	021	27	76410631B	033	8	77113731A	021	1	77210423C	24A	28
74840261C	017	12	76410641A	020	7	77113741A	021	6	77210501C	28A	27
74841011AA	28A	18	76410641A	24A	14	77113801A	008	6	77210623B	031	1
74841021A	023	7	76410841A	20A	2	77113961A	011	35	77210841C	28A	5
74850061A	18A	15	76410901A	28B	7	77116671AA	031	25	77210852A	033	10
74940041A	27A	8	76410901A	28B	7	77140653CC	016	7	77210852C	017	21
74940081A	008	7	76410971A	020	3	77140667CF	012	4	77210853B	018	42
74941113B	031	7	76410981A	031	26	77140697CF	012	3	77210882B	019	16
74941333B	018	19	76411141A	24A	26	77140713C	005	5	77210893B	034	14
74950011B	28B	18	76411361A	030	11	77140713C	011	19	77210941C	028	2
74950011B	28B	18	76411421A	018	32	77140723C	011	15	77210943B	028	3
75010071A	003	3	76411431A	018	26	77140813C	005	3	77211021A	24A	25
75010071E	004	7	76411621A	029	12	77140833C	005	2	77211061A	18B	9
75010121D	006	11	76411711A	24A	22	77140901A	023	10	77211091A	030	5
75010481A	22A	8	76411851A	017	28	77150078B	010	12	77211091C	030	18
75011131A	006	13	76411881A	034	2	77150388B	034	17	77211201A	004	3
75011491AB	021	8	76412061A	032	18	77150408B	011	2	77211251B	033	15



CODE	NO. TABLE	POS.	CODE	NO. TABLE	POS.	CODE	NO. TABLE	POS.	CODE	NO. TABLE	POS.
77211401BA	019	18	77350658B	010	31	77915041A	028	6	79111111A	032	16
77211411AA	018	4	77354743B	022	10	77915093A	013	3	79120521B	007	6
77214061AA	18A	1	77355068B	019	7	77915471A	006	4	79710721A	004	1
77214161AA	20A	3	77355203C	22A	2	77916041C	10A	18	79910241A	27A	27
77214221AA	28A	12	77355213C	018	18	77916041D	011	36	79910241A	27B	5
77240253C	029	14	77440041A	020	17	77916081A	030	6	79910491A	010	39
77240253C	034	18	77440041A	027	5	77916411A	27A	19	79910891C	22A	6
77240253C	28B	4	77440061A	28B	9	77916411A	27B	13	79912961A	002	20
77240253C	28B	4	77440061A	28B	9	77917241AA	22A	4	79914851A	014	19
77240258C	018	22	77440101A	034	10	77917731AA	023	4	79914851A	015	19
77240263C	033	22	77440111A	24A	24	77917741AA	023	2	79914861A	014	18
77240278C	18A	20	77440131A	029	10	77918132A	002	7	79914861A	015	18
77240293C	034	15	77440141A	18A	5	77918141A	013	22	79914991A	27A	25
77240403C	024	16	77440213C	029	6	77918291AA	022	1	79914991A	27B	14
77240403C	18A	29	77440213C	18A	7	77918301AB	027	15	79915061A	002	4
77240418C	027	19	77440431AA	018	35	77918421AB	28A	7	79915181B	014	26
77240418C	28B	23	77510311B	010	32	77918431AA	28A	6	79915181B	015	27
77240418C	28B	23	77510471A	030	10	77918671AA	027	13	79915191B	014	27
77240423C	011	3	77510511A	27B	1	77918711BA	018	46	79915191B	015	28
77240423C	019	35	77510541A	024	16	77919021AA	28A	25	79915671A	005	17
77240438C	033	11	77550191A	030	16	77919121AA	025	18	79915741B	010	58
77240443C	24A	16	77550200C	005	23	77919531AA	28B	1	79920881C	22A	7
77240453C	034	1	77550211B	10A	7	77919531AA	28B	1	79925771B	025	24
77244168B	032	7	77550213C	026	36	77927171A	010	35	79925941A	019	31
77244168B	18A	10	77550213C	24A	5	77950302A	013	16	79940161B	023	5
77244173B	18A	26	77750493C	011	24	77950621A	010	37	79940171A	010	40
77244183B	018	1	77750508C	012	16	78010161B	006	3	800070139	01A	5
77244203B	020	20	77850281A	021	33	78010511E	014	12	80011841A	007	9
77244213B	032	8	77910262A	011	10	78010511E	015	12	80011851A	007	8
77250341B	010	13	77910391A	010	33	78010921A	010	38	80012301A	031	11
77250341C	008	22	77911092A	006	2	78010941B	010	59	80012311A	031	5
77250988B	030	3	77911871A	008	25	78020011A	019	26	80012321A	031	12
77251008B	018	9	77911982A	010	34	78050012A	005	14	80012332A	031	17
77251043B	018	21	77912741A	017	29	78050012A	011	32	80012521A	031	16
77251593B	018	29	77913311D	024	6	78611224A	007	11	80610371B	027	18
77253268C	019	25	77913662AB	025	4	78611251A	007	13	80610381B	027	14
77253300ZF	012	12	77913662AB	24A	11	78710111A	016	1	81110021A	010	15
77253988C	27A	17	77913971A	024	3	78810542A	012	2	81140012B	013	21
77253988C	27B	11	77914041A	006	9	78810931A	013	9	81411111C	035	2
77310021A	21A	16	77914151A	024	10	78811041A	18A	9	81411831A	035	6
77310071A	026	16	77914211A	014	23	78811151A	010	14	81411881A	015	25
77350403B	013	23	77914211A	015	23	78811211A	013	8	81413251A	032	17
77350618B	014	20	77914651A	024	9	78811301A	017	19	81413261A	031	2
77350618B	022	3	77914871C	28A	2	79010211A	019	30	81413341A	017	10



CODE	NO. TABLE	POS.	CODE	NO. TABLE	POS.	CODE	NO. TABLE	POS.	CODE	NO. TABLE	POS.
81415251B	017	16	8291B771AA	18A	11	84010082A	015	1	84010302A	015	1
81420051A	031	8	8291C091A	027	20	84010092A	014	1	84010312A	014	1
81510281A	010	41	8291C142A	24A	23	84010092A	015	1	84010312A	015	1
81810431A	004	5	8291C362A	033	5	84010102A	014	1	84010322A	014	1
81910601A	026	11	8291C372A	033	7	84010102A	015	1	84010322A	015	1
81910742AA	28A	24	8291C661D	18A	22	84010112A	014	1	84010332A	014	1
82110901B	021	11	8291C861BA	025	11	84010112A	015	1	84010332A	015	1
82111701CA	025	16	8291E731B	034	11	84010122A	014	1	84010342A	014	1
82111701CA	27A	4	83014401A	033	13	84010122A	015	1	84010342A	015	1
82112731A	025	23	83015483A	28B	6	84010132A	014	1	84010412B	014	2
82112941A	014	17	83015483A	28B	6	84010132A	015	1	84010412B	015	2
82112941A	015	17	83015581B	011	30	84010142A	014	1	84010422B	014	2
82112951A	014	15	83016241A	033	30	84010142A	015	1	84010422B	015	2
82112951A	015	15	83018081AA	018	20	84010152A	014	1	84010432B	014	2
82113331A	002	5	83018091AA	018	27	84010152A	015	1	84010432B	015	2
82113471A	012	6	83018172AA	022	4	84010162A	014	1	84010442B	014	2
82113571A	020	11	83018181AA	24A	13	84010162A	015	1	84010442B	015	2
82113881A	002	13	83018221A	017	30	84010172A	014	1	84010452B	014	2
82114571AA	018	25	83018341B	24A	20	84010172A	015	1	84010452B	015	2
82114581BA	018	17	83018352AA	018	34	84010182A	014	1	84010462B	014	2
82114711CA	033	3	83018421BA	017	7	84010182A	015	1	84010462B	015	2
82114741AA	026	23	83018431AA	022	13	84010192A	014	1	84010472B	014	2
82115101AA	27A	21	83018601DA	021	13	84010192A	015	1	84010472B	015	2
82115101AA	27B	9	83018691A	024	15	84010202A	014	1	84010482B	014	2
82118401AA	22A	9	83018731AA	020	2	84010202A	015	1	84010482B	015	2
82412801AB	27B	3	83018872AA	18A	28	84010212A	014	1	84010492B	014	2
82412811AB	27A	20	83018971A	030	8	84010212A	015	1	84010492B	015	2
82510501AA	28A	20	83110151B	010	42	84010222A	014	1	84010502B	014	2
82610261A	002	16	83510162A	032	23	84010222A	015	1	84010502B	015	2
82610351BA	032	6	84010012A	014	1	84010232A	014	1	84010512B	014	2
82714931A	020	15	84010012A	015	1	84010232A	015	1	84010512B	015	2
82716031A	010	16	84010022A	014	1	84010242A	014	1	84010522B	014	2
82716351A	013	20	84010022A	015	1	84010242A	015	1	84010522B	015	2
82717201BA	025	12	84010032A	014	1	84010252A	014	1	84010532B	014	2
82717631AA	22A	10	84010032A	015	1	84010252A	015	1	84010532B	015	2
82717901A	005	24	84010042A	014	1	84010262A	014	1	84010542B	014	2
82911901A	017	5	84010042A	015	1	84010262A	015	1	84010542B	015	2
82916531A	016	6	84010052A	014	1	84010272A	014	1	84010552B	014	2
82919611A	029	18	84010052A	015	1	84010272A	015	1	84010552B	015	2
8291B271AA	023	1	84010062A	014	1	84010282A	014	1	84010562B	014	2
8291B632B	018	30	84010062A	015	1	84010282A	015	1	84010562B	015	2
8291B641C	18A	4	84010072A	014	1	84010292A	014	1	84010572B	014	2
8291B651AA	020	8	84010072A	015	1	84010292A	015	1	84010572B	015	2
8291B661BB	020	10	84010082A	014	1	84010302A	014	1	84010582B	014	2



CODE	NO. TABLE	POS.	CODE	NO. TABLE	POS.	CODE	NO. TABLE	POS.	CODE	NO. TABLE	POS.
84010582B	015	2	84010782B	015	2	85040471A	033	16	85213021A	010	46
84010592B	014	2	84010792B	014	2	85040471A	034	6	85213661AA	27A	29
84010592B	015	2	84010792B	015	2	85040471A	18A	25	85213661AA	27B	16
84010602B	014	2	84010802B	014	2	85040471A	28B	20	85213681A	019	11
84010602B	015	2	84010802B	015	2	85040471A	28B	20	85240211A	029	7
84010612B	014	2	84010812B	014	2	85040551A	018	24	85241711A	030	9
84010612B	015	2	84010812B	015	2	85040551A	019	13	85241711A	28B	8
84010622B	014	2	84010822B	014	2	85040551A	030	14	85241711A	28B	8
84010622B	015	2	84010822B	015	2	85040551A	033	19	85250011C	28B	19
84010632B	014	2	84010832B	014	2	85040551A	034	19	85250011C	28B	19
84010632B	015	2	84010832B	015	2	85040561A	018	13	85250051A	009	5
84010642B	014	2	84010842B	014	2	85040561A	033	1	85250231A	014	28
84010642B	015	2	84010842B	015	2	85040671A	027	16	85250231A	015	20
84010652B	014	2	84010852B	014	2	85040671A	18B	16	85250231A	017	8
84010652B	015	2	84010852B	015	2	85041031A	033	24	85250231A	035	1
84010662B	014	2	84010862B	014	2	85041041A	022	19	85250241A	005	7
84010662B	015	2	84010862B	015	2	85041051A	022	18	85250241A	011	21
84010672B	014	2	84010872B	014	2	85041121A	034	3	85250241A	024	4
84010672B	015	2	84010872B	015	2	85041421A	028	4	85250241A	025	3
84010682B	014	2	84011082A	014	1	85041711A	18A	6	85250241A	10A	16
84010682B	015	2	84011082A	015	1	85041951AA	018	8	85250241A	24A	12
84010692B	014	2	84011092A	014	1	85110041A	003	13	85250261A	011	25
84010692B	015	2	84011092A	015	1	85110131A	008	14	85250261B	014	11
84010702B	014	2	84011102A	014	1	85110201A	004	8	85250261B	015	11
84010702B	015	2	84011102A	015	1	85140031A	006	12	85250401A	021	23
84010712B	014	2	84011112A	014	1	85210051A	002	14	85250421A	010	47
84010712B	015	2	84011112A	015	1	85210491B	021	26	85250481A	011	34
84010722A	014	1	84011122A	014	1	85210532A	010	44	85250601A	018	28
84010722A	015	1	84011122A	015	1	85210532A	025	22	85310021A	008	8
84010722B	014	2	84011132A	014	1	85210532A	27A	7	85310031A	10A	13
84010722B	015	2	84011132A	015	1	85210721B	019	15	85350101A	012	19
84010732A	014	1	84011142A	014	1	85210941A	002	19	85350101A	018	37
84010732A	015	1	84011142A	015	1	85211031A	021	32	85550001B	18B	10
84010732B	014	2	84740021A	27A	28	85211201A	010	45	85610011A	003	6
84010732B	015	2	84740021A	27B	4	85211351A	005	10	85610421A	032	24
84010742B	014	2	84740061A	010	43	85211671B	027	21	85610623A	008	19
84010742B	015	2	84850011A	27A	13	85211721A	011	7	85610642A	10A	3
84010752B	014	2	84850021A	27A	9	85211761A	020	6	85610743A	013	4
84010752B	015	2	85010151A	025	19	85211911A	031	27	85611391B	004	2
84010762B	014	2	85040381A	018	6	85211951A	016	4	85611481A	010	48
84010762B	015	2	85040381A	019	4	85212221A	026	6	85640141A	010	60
84010772B	014	2	85040381A	18A	31	85212691A	006	7	86010051B	10A	12
84010772B	015	2	85040381A	28B	24	85213011A	010	2	86050061A	010	49
84010782B	014	2	85040381A	28B	24	85213021A	009	6	86050061A	014	24



CODE	NO. TABLE	POS.	CODE	NO. TABLE	POS.	CODE	NO. TABLE	POS.	CODE	NO. TABLE	POS.
86050061A	015	24	88110461A	031	14	887131821	001	19	91373311C	027	17
86150251A	033	29	88110931A	020	25	887131920	001	24	91373311D	027	17
86610361A	18A	24	88110961A	020	26	887131994	001	4	91373311E	027	17
86610731A	18A	18	88210031A	008	11	887132011	001	17	91373311F	027	17
86611001A	021	37	88440061A	026	29	887132409	01A	6	91373311G	027	17
86611121A	24A	8	88450031A	021	15	887132442	001	9	92610051A	022	22
86611521A	027	10	88450131A	005	11	887132556	001	28	92610051A	027	12
86611611A	18A	12	88450341B	002	22	887132676	001	2	93010041B	021	30
86611681A	018	15	88450341B	005	21	887132834	001	23	93040211A	005	9
86611692B	020	9	88450341B	28A	22	887132861	001	29	93040221A	010	56
86611701A	033	21	88450371A	009	4	887132863	001	3	93040391A	026	14
86611721C	032	2	88450371A	010	52	887132870	001	30	93040521A	026	18
86611731A	18A	21	88450431A	011	8	887132877	001	31	93040931A	010	51
86611751C	033	2	88450441A	27A	22	887132878	001	15	93041231A	010	28
86611811A	033	6	88450441A	27B	6	887132906	001	6	93041501A	026	18
86611861A	24A	29	88450661A	018	16	887133219	001	32	93041591A	005	19
86611871A	033	34	88450661A	019	33	887133220	01A	1	93042191A	026	14
86611881A	033	33	88610241A	10A	15	887133334	001	21	93050051A	011	26
86611891A	033	32	88610951A	011	22	887133367	001	26	93050062B	011	28
86611981A	18A	13	88640331A	010	53	887133497	001	33	93050072A	013	17
86611991A	017	14	88641031A	031	3	887134145	001	36	93050121A	28A	14
87210281A	021	17	88641161A	025	17	887134198	001	13	93410212A	031	21
87210532A	18B	6	88641161A	27A	5	887134284	001	11	93510251B	035	4
87210641A	18B	8	88641181A	10A	5	887134285	001	35	93510261B	035	7
87210901A	033	31	88641321A	005	12	887134286	001	20	93510271B	035	11
87210912A	022	21	88641321A	10A	9	887134411	001	25	93510281B	035	16
87210922A	022	20	88641731A	011	16	887134513	01A	2	93510291B	035	14
87210941A	022	8	88641961A	010	36	887134882	001	14	937831524	011	18
87210951A	022	7	88642231A	017	27	887135013	001	37	942470014	011	12
87211011A	28A	30	88650131A	010	54	887651000	001	27	942470014	10A	1
87240921A	030	13	88650511A	013	1	887651005	001	27	942470014	01B	1
87310051A	013	13	887130137	001	1	887651006	001	27	979000252	01B	2
87310371A	009	2	887130869	001	8	887651298	001	18	979000253	01B	2
87321271A	011	20	887130870	001	12	887651298	001	18	979000254	01B	3
87511801A	010	50	887130870	001	12	887651623	001	34	979000255	01B	4
87610581A	031	19	887130944	001	7	887651635	001	5	979000256	01B	5
87611181A	035	15	887130957	01A	9	89310143A	031	24			
87611211A	029	4	887130958	01A	10	89320062A	010	55			
87611221B	029	9	887131058	01A	7	89320121A	005	15			
87611232A	029	2	887131062	01A	3	89340051A	025	5			
87710381A	025	8	887131074	01A	4	89340091A	024	20			
87711572A	016	2	887131096	01A	8	89420121F	009	3			
88110101C	012	10	887131749	001	22	89520072A	032	15			
88110121A	002	23	887131805	001	10	91373311A	027	17			
			887131806	001	16	91373311B	027	17			







**Ducati Motor Holding S.p.A.**

Uffici Commerciali Amministrativi:

Via A. Cavalieri Ducati n. 3

40132 Bologna, Italy

Telefono 051 6413111

Fax 051 406580

Internet [www.ducati.com](http://www.ducati.com)