



# 1199 Panigale ABS

## Model Year 2012

*SUPERBIKE*

Chassis prefix: H800AB,H801AB  
Cylinder capacity: 1200

494.12  
SPARE PARTS CATALOGUE  
en-US





The present spare parts order exactly the right spare parts.

When ordering specify:

1. the part's code number followed by its description and quantity needed;
2. the motorcycle's serial number, stamped on the steering head.

Reference to right and left apply to the vehicle in terms of its direction of movement.

Spare parts drawings are general and do not represent the part.

The contents of this catalogue are general and can undergo changes without prior notice.

## CHARACTERISTICS LEGENDA

| CHARACTERISTIC CODE | CHARACTERISTIC DESCRIPTION | VALUE CODE | VALUE DESCRIPTION  |
|---------------------|----------------------------|------------|--------------------|
| MOD                 | MODEL                      | 1199 ABS   | 1199 Panigale ABS  |
| XCO                 | MAIN COLOUR                | R          | Red                |
| XCR                 | FRAME / WHEEL COLOUR       | -B         | BLACK              |
| XPO                 | OPTIONS                    | STD        | MOTO STANDARD      |
| XST                 | STANDARD COUNTRY           | AUS        | VERSIONE AUSTRALIA |
| XST                 | STANDARD COUNTRY           | EUR        | VERSIONE EUROPA    |
| XST                 | STANDARD COUNTRY           | FRA        | VERSIONE FRANCIA   |



| COLOUR   | COLOUR CODE | COLOUR DESCRIPTION | FINISHED PRODUCTS   |
|--|-------------|--------------------|---|
|  | R           | RED DUCATI         | (D15022012) 1199 ABS PANIGALE 12 EUR R -B STD<br>(D15022912) 1199 ABS PANIGALE 12 FRA R -B STD<br>(D15023412) 1199 ABS PANIGALE 12 AUS R -B STD |



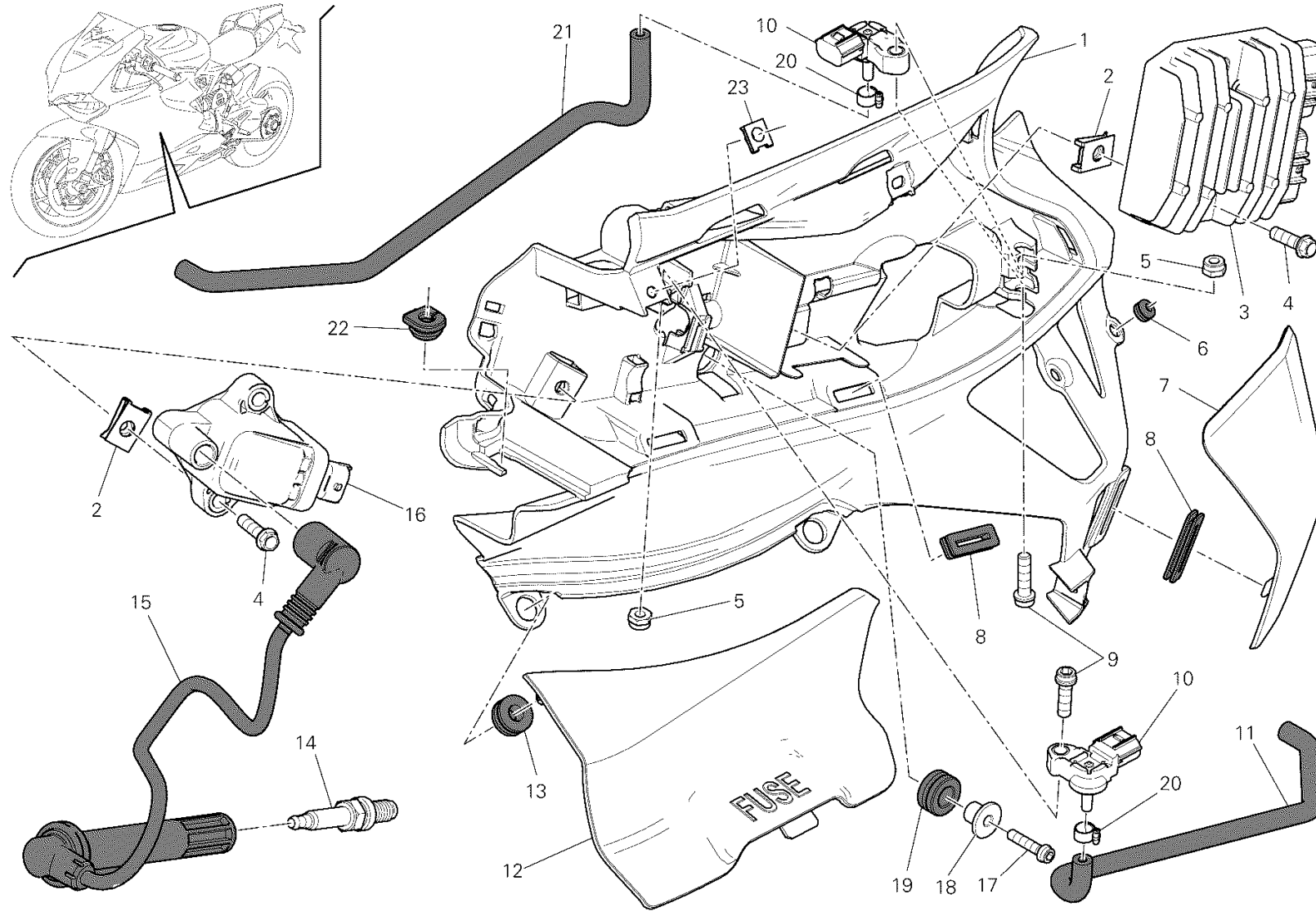
|   |    |
|---|----|
| General information.....                        | 3  |
| Colours.....                                    | 4  |
| Group ELECTRIC.....                             | 8  |
| Drawing 018 - VOLTAGE REGULATOR.....            | 8  |
| Drawing 020 - HEADLIGHT.....                    | 10 |
| Drawing 18A - BATTERY.....                      | 12 |
| Drawing 18B - CONTROL UNIT.....                 | 14 |
| Drawing 18C - WIRING HARNESS.....               | 16 |
| Drawing 27A - TAILLIGHT.....                    | 18 |
| Drawing 27B - TAILLIGHT AUS.....                | 20 |
| Group OIL.....                                  | 22 |
| Drawing L - SHELL ADVANCE.....                  | 22 |
| Group ENGINE.....                               | 24 |
| Drawing 002 - SHIFT CAM - FORK.....             | 24 |
| Drawing 003 - GEAR BOX.....                     | 26 |
| Drawing 004 - CLUTCH.....                       | 28 |
| Drawing 005 - CLUTCH COVER, OUTER.....          | 30 |
| Drawing 006 - CRANKSHAFT.....                   | 32 |
| Drawing 007 - CYLINDER - PISTON.....            | 34 |
| Drawing 008 - TIMING BELT.....                  | 36 |
| Drawing 009 - OIL PUMP - FILTER.....            | 38 |
| Drawing 010 - CRANKCASE.....                    | 40 |
| Drawing 011 - GENERATOR COVER - WATER PUMP..... | 44 |
| Drawing 012 - STARTING MOTOR.....               | 46 |
| Drawing 013 - HORIZONTAL HEAD.....              | 48 |
| Drawing 014 - HORIZONTAL CYLINDER HEAD.....     | 50 |
| Drawing 015 - VERTICAL CYLINDER HEAD.....       | 60 |
| Drawing 016 - FOOTRESTS, LEFT.....              | 70 |
| Drawing 017 - THROTTLE BODY.....                | 72 |



|  |     |
|--|-----|
| Drawing 05A - CLUTCH-SIDE CRANKCASE COVER (JAP)..... | 74  |
| Drawing 10A - CRANKCASE BEARINGS.....                | 76  |
| Drawing 13A - VERTICAL HEAD.....                     | 78  |
| Group TOOLS.....                                     | 82  |
| Drawing 001 - CHECK INSTRUMENT DDS.....              | 82  |
| Drawing 01A - WORKSHOP SERVICE TOOLS, ENGINE I.....  | 84  |
| Drawing 01B - WORKSHOP SERVICE TOOLS, ENGINE II..... | 88  |
| Drawing 01C - WORKSHOP SERVICE TOOLS, FRAME.....     | 90  |
| Group TYRES.....                                     | 92  |
| Drawing A - TYRES.....                               | 92  |
| Drawing B - (*) PIRELLI DIABLO™ SUPERCORSA SP.....   | 94  |
| Drawing D - PIRELLI DIABLO™ ROSSO III.....           | 96  |
| Drawing E - PIRELLI DIABLO™ ROSSO CORSA II.....      | 98  |
| Drawing F - (#) PIRELLI DIABLO™ SUPERBIKE.....       | 100 |
| Drawing G - (#) DIABLO™ WET.....                     | 102 |
| Drawing H - (#) DIABLO™ RAIN.....                    | 104 |
| Drawing I - (#) DIABLO™ SUPERCORSA SC V2.....        | 106 |
| Drawing J - (#) DIABLO™ SUPERCORSA SC.....           | 108 |
| Drawing K - PIRELLI DIABLO™ SUPERCORSA SP V3.....    | 110 |
| Drawing M - (#) DIABLO™ SUPERCORSA SC V3.....        | 112 |
| Drawing N - PIRELLI DIABLO™ ROSSO IV.....            | 114 |
| Group FRAME.....                                     | 116 |
| Drawing 019 - EXHAUST SYSTEM.....                    | 116 |
| Drawing 021 - HANDLEBAR.....                         | 120 |
| Drawing 022 - FRAME.....                             | 122 |
| Drawing 023 - CLUTCH MASTER CYLINDER.....            | 124 |
| Drawing 024 - FRONT BRAKE SYSTEM.....                | 126 |
| Drawing 025 - REAR BRAKE SYSTEM.....                 | 128 |
| Drawing 026 - WHEELS.....                            | 132 |
| Drawing 027 - REAR FRAME.....                        | 134 |



|   |     |
|---|-----|
| Drawing 028 - REAR SHOCK ABSORBER.....  | 138 |
| Drawing 029 - INTAKE.....               | 140 |
| Drawing 030 - WATER COOLER.....         | 142 |
| Drawing 031 - COOLING CIRCUIT.....      | 144 |
| Drawing 032 - FUEL TANK.....            | 146 |
| Drawing 033 - SEAT.....                 | 148 |
| Drawing 034 - COWLING.....              | 152 |
| Drawing 19A - EXHAUST SYSTEM (JAP)..... | 154 |
| Drawing 21A - FRONT FORK.....           | 158 |
| Drawing 22A - SIDE STAND.....           | 160 |
| Drawing 24A - BRAKING SYSTEM ABS.....   | 162 |
| Drawing 26A - REAR WHEEL SPINDLE.....   | 164 |
| Drawing 28A - SWING ARM.....            | 166 |
| Drawing 34A - FAIRING.....              | 168 |
| Alphanumeric index.....                 | 170 |



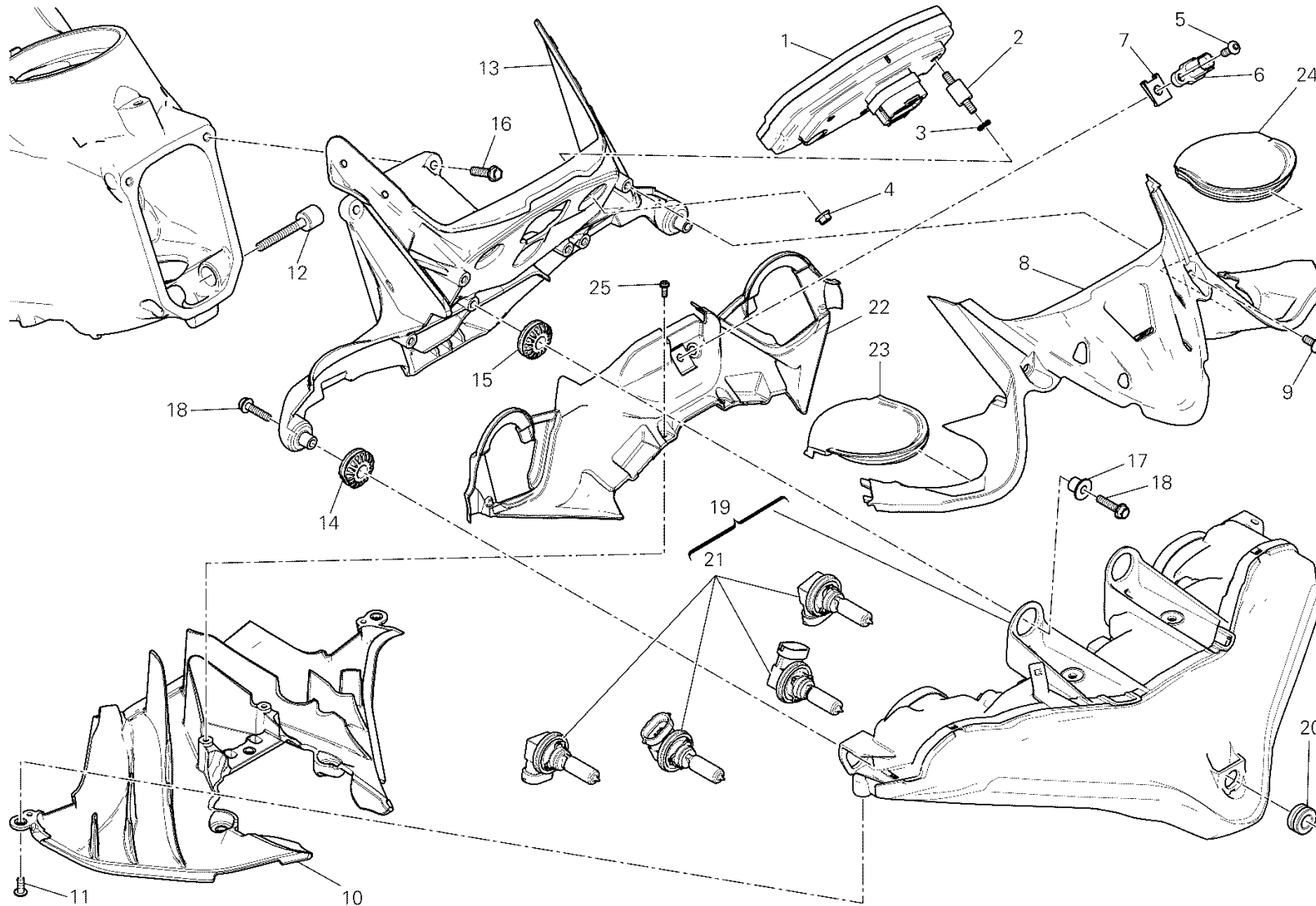
IMP00769

# DRAWING 018 - VOLTAGE REGULATOR

GROUP ELECTRIC



| POS. | CODE       | DESCRIPTION            | QTY | START DATE | END DATE | VALIDITY | NOTES |
|------|------------|------------------------|-----|------------|----------|----------|-------|
| 1    | 829PA361A  | LEFT HOLDER            | 1   |            |          |          |       |
| 2    | 85041581A  | CLIP NUT               | 4   |            |          |          |       |
| 3    | 54040301B  | VOLTAGE REGULATOR      | 1   |            |          |          |       |
| 4    | 77251038B  | SCREW TEF M6X25        | 4   |            |          |          |       |
| 5    | 74940041A  | NUT, SELF-LOCKING M6   | 2   |            |          |          |       |
| 6    | 76440561A  | RUBBER PAD             | 2   |            |          |          |       |
| 7    | 46015482A  | COVER                  | 1   |            |          |          |       |
| 8    | 76411411B  | RUBBER PAD             | 3   |            |          |          |       |
| 9    | 77156688B  | SCREW TCEIF            | 2   |            |          |          |       |
| 10   | 55241571A  | SENSOR, PRESSURE       | 2   |            |          |          |       |
| 11   | 59013941A  | TUBE VERTICAL          | 1   |            |          |          |       |
| 12   | 46015351A  | COVER                  | 1   |            |          |          |       |
| 13   | 76410841B  | RUBBER PAD             | 2   |            |          |          |       |
| 14   | 67040451A  | SPARK PLUG NGK MAR9A-J | 1   |            |          |          |       |
| 15   | 67110511C  | SPARK PLUG WIRING      | 1   |            |          |          |       |
| 16   | 38040221B  | IGNITION COIL ASSY     | 1   |            |          |          |       |
| 17   | 77156443B  | SCREW                  | 3   |            |          |          |       |
| 18   | 71614342AA | SPACER                 | 3   |            |          |          |       |
| 19   | 76410901A  | RUBBER PAD             | 3   |            |          |          |       |
| 20   | 74141711A  | CLAMP 10-7 MM          | 2   |            |          |          |       |
| 21   | 59013951A  | TUBE HORIZONTAL        | 1   |            |          |          |       |
| 22   | 76410741A  | HOSE GUIDE             | 1   |            |          |          |       |
| 23   | 85040471A  | QUICK FASTENING M5     | 2   |            |          |          |       |



FAN00227

# DRAWING 020 - HEADLIGHT

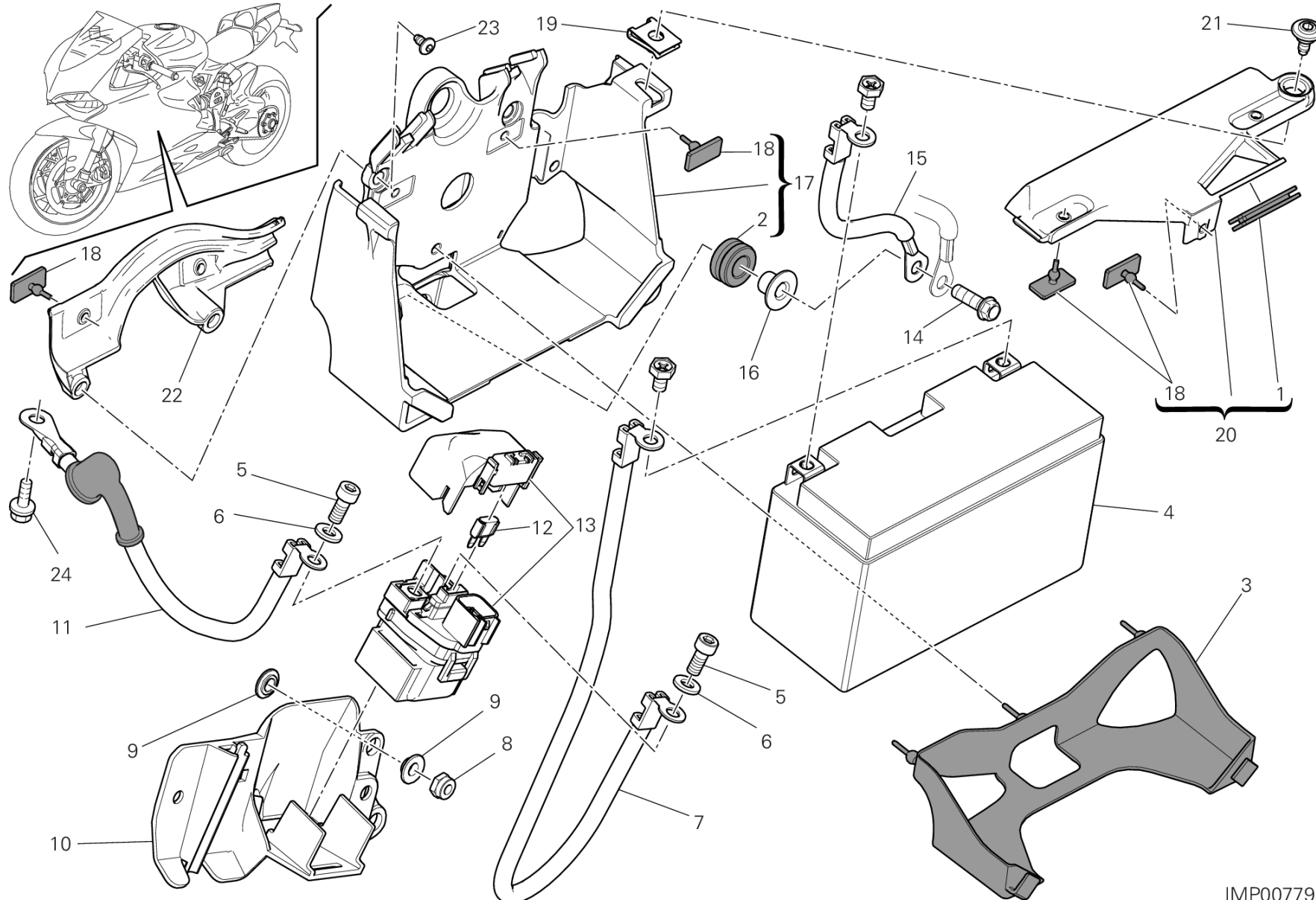
## GROUP ELECTRIC



| POS. | CODE       | DESCRIPTION               | QTY | START DATE | END DATE | VALIDITY | NOTES |
|------|------------|---------------------------|-----|------------|----------|----------|-------|
| 1    | 40610931D  | INSTRUMENT PANEL          | 1   |            |          |          |       |
| 2    | 70010431A  | DAMPER                    | 3   |            |          |          |       |
| 3    | 46240461A  | WASHER, SPRING            | 3   |            |          |          |       |
| 4    | 74840381A  | NUT M5                    | 3   |            |          |          |       |
| 5    | 77510041A  | SCREW TBEI M5X14          | 1   |            |          |          |       |
| 6    | 55241581A  | SENSOR, AIR TEMPERATURE   | 1   |            |          |          |       |
| 7    | 85040551A  | QUICK FASTENING           | 1   |            |          |          |       |
| 8    | 46015281A  | COVER, METER              | 1   |            |          |          |       |
| 9    | 77240253C  | SCREW                     | 4   |            |          |          |       |
| 10   | 48411091A  | AIR CONVEYOR              | 1   |            |          |          |       |
| 11   | 77240263C  | SCREW                     | 5   |            |          |          |       |
| 12   | 77916821BA | SCREW, SPECIAL            | 1   |            |          |          |       |
| 13   | 8291A553BA | HEAD-LIGHT SUPPORT        | 1   |            |          |          |       |
| 14   | 76411641A  | SEAT RUBBER               | 2   |            |          |          |       |
| 15   | 76411361A  | VIBRATION DAMPER PAD      | 2   |            |          |          |       |
| 16   | 77251018B  | SCREW TEF M6X20           | 2   |            |          |          |       |
| 17   | 71614381AA | SPACER                    | 2   |            |          |          |       |
| 18   | 77250788B  | SCREW                     | 4   |            |          |          |       |
| 19   | 52010252A  | HEADLIGHT FRONT           | 1   |            |          |          |       |
| 20   | 76410901A  | RUBBER PAD                | 1   |            |          |          |       |
| 21   | 39040201A  | BULB 12V, 55W             | 4   |            |          |          |       |
| 22   | 24714332A  | AIR MANIFOLD COVER        | 1   |            |          |          |       |
| 23   | 24714361B  | INSTRUMENT PANEL COVER RH | 1   |            |          |          |       |
| 24   | 24714371B  | INSTRUMENT PANEL COVER LH | 1   |            |          |          |       |
| 25   | 77440101A  | SCREW, TAPPING 3.5X10     | 4   |            |          |          |       |



# DRAWING 18A - BATTERY GROUP ELECTRIC



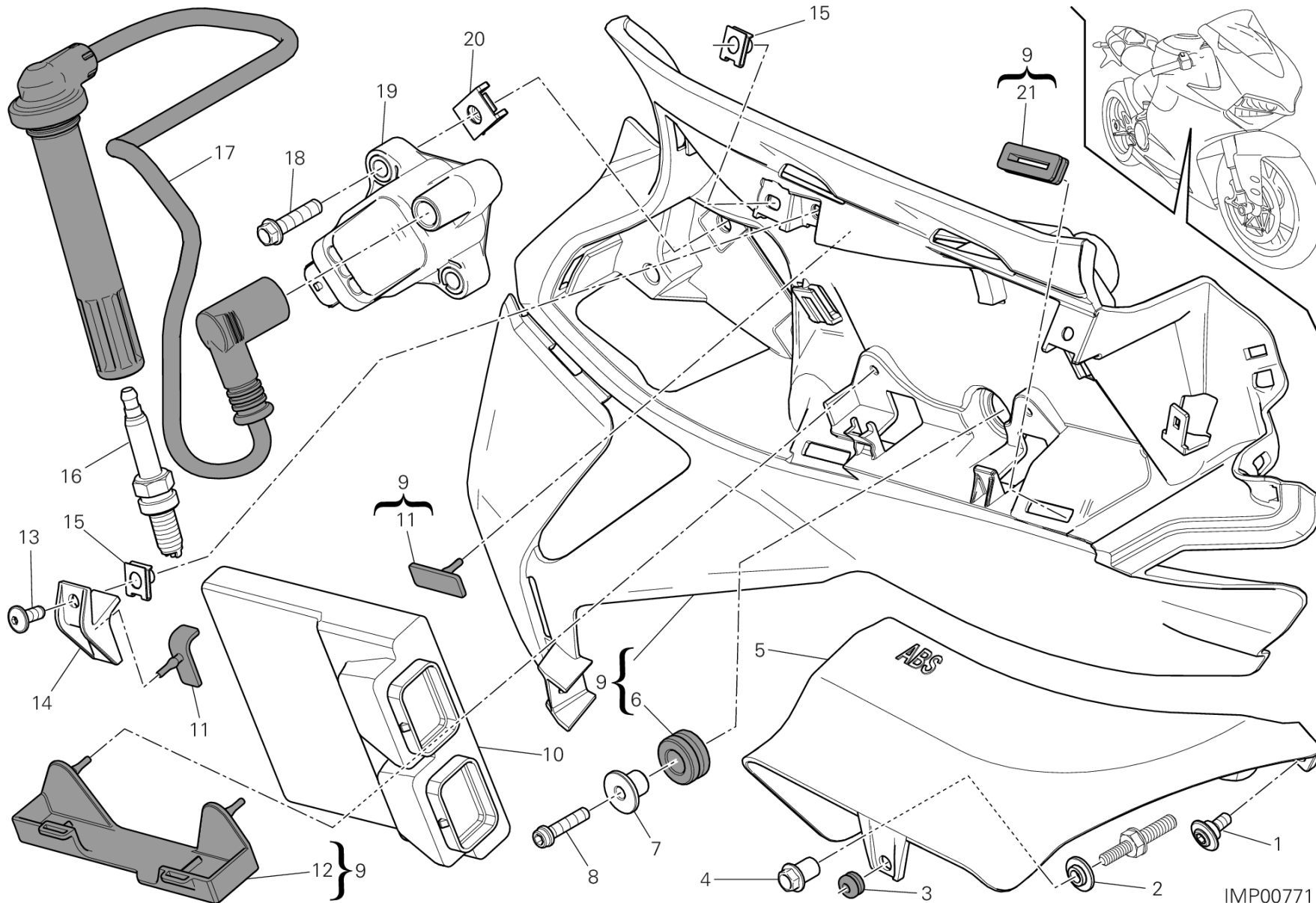
IMP00779

# DRAWING 18A - BATTERY

## GROUP ELECTRIC



| POS. | CODE      | DESCRIPTION                            | QTY | START DATE | END DATE | VALIDITY | NOTES |
|------|-----------|--|-----|------------|----------|----------|-------|
| 1    | 76411411B | RUBBER PAD                             | 1   |            |          |          |       |
| 2    | 76410901A | RUBBER PAD                             | 3   |            |          |          |       |
| 3    | 46015052A | BATTERY CARPET                         | 1   |            |          |          |       |
| 4    | 39520311A | BATTERY                                | 1   |            |          |          |       |
| 5    | 77156628B | SCREW TCEIF M6X10                      | 2   |            |          |          |       |
| 6    | 85350101A | WASHER, SPRING                         | 2   |            |          |          |       |
| 7    | 51410671A | BATTERY - SOLENOID STARTER CABLE       | 1   |            |          |          |       |
| 8    | 74840381A | NUT M5                                 | 2   |            |          |          |       |
| 9    | 71614071A | SPACER 5.2X8.4X2                       | 4   |            |          |          |       |
| 10   | 83016833A | HOLDER                                 | 1   |            |          |          |       |
| 11   | 51410681A | SOLENOID STARTER - STARTER MOTOR CABLE | 1   |            |          |          |       |
| 12   | 38940251A | FUSE 30A                               | 1   |            |          |          |       |
| 13   | 39740071A | STARTER RELAY                          | 1   |            |          |          |       |
| 14   | 77251023C | SCREW TEF M6X22 10.9                   | 3   |            |          |          |       |
| 15   | 51310261A | CABLE                                  | 1   |            |          |          |       |
| 16   | 71611061A | SPACER 7X10X20                         | 3   |            |          |          |       |
| 17   | 829PA541B | BATTERY HOLDER                         | 1   |            |          |          |       |
| 18   | 86610361A | RUBBER PAD                             | 7   |            |          |          |       |
| 19   | 85040551A | QUICK FASTENING                        | 1   |            |          |          |       |
| 20   | 247P4072A | COVER ASSEMBLY                         | 1   |            |          |          |       |
| 21   | 77211131A | SCREW M5X9                             | 1   |            |          |          |       |
| 22   | 46015681A | GUARD                                  | 1   |            |          |          |       |
| 23   | 77440203C | SCREW                                  | 2   |            |          |          |       |
| 24   | 77210461B | SCREW TEF M5X8                         | 1   |            |          |          |       |

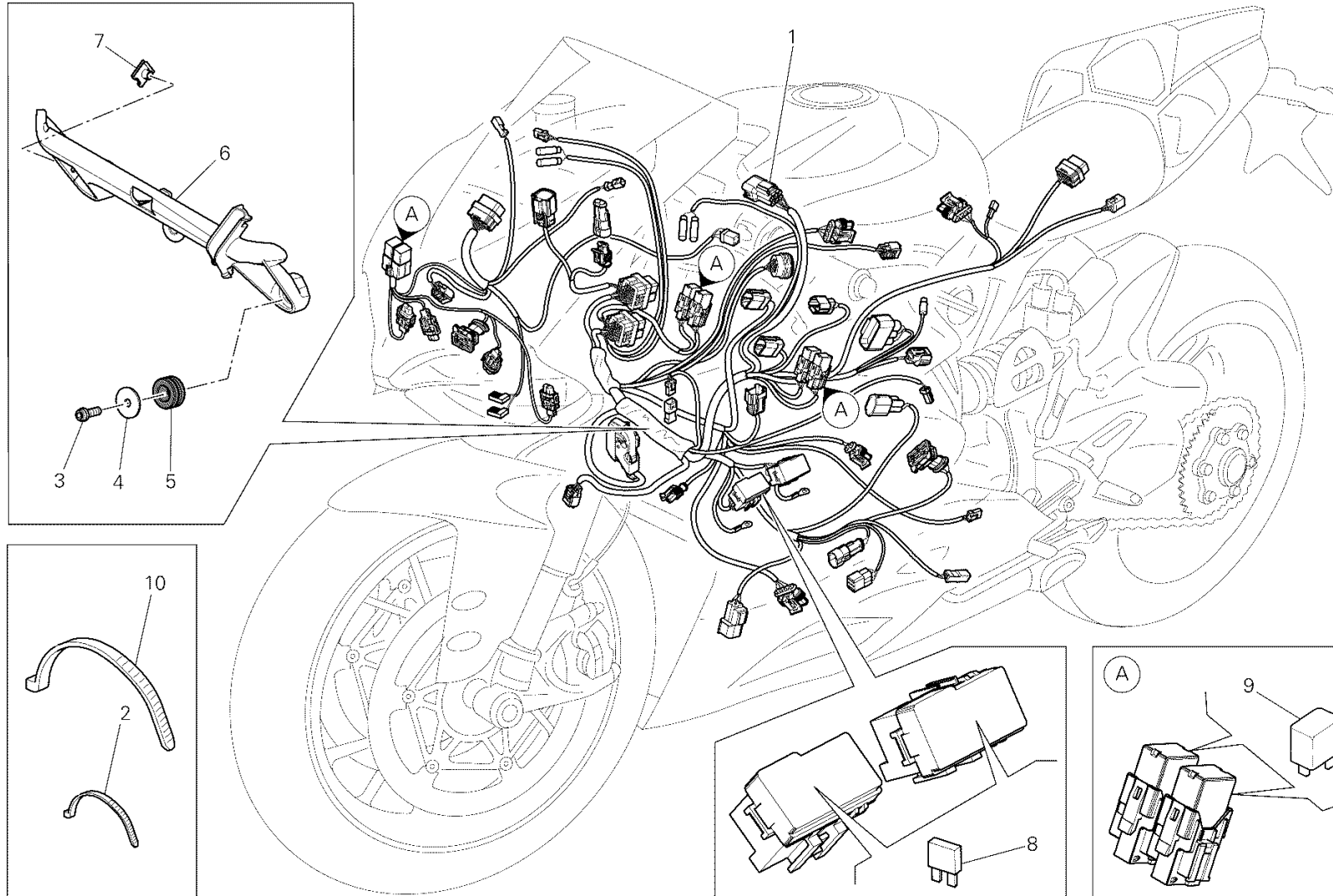


# DRAWING 18B - CONTROL UNIT

## GROUP ELECTRIC



| POS. | CODE       | DESCRIPTION            | QTY | START DATE | END DATE | VALIDITY | NOTES |
|------|------------|------------------------|-----|------------|----------|----------|-------|
| 1    | 77210853B  | SCREW                  | 1   |            |          |          |       |
| 2    | 71614071A  | SPACER 5.2X8.4X2       | 1   |            |          |          |       |
| 3    | 76440561A  | RUBBER PAD             | 1   |            |          |          |       |
| 4    | 75011742AA | NUT, SPECIAL           | 1   |            |          |          |       |
| 5    | 46015631B  | COVER                  | 1   |            |          |          |       |
| 6    | 76410901A  | RUBBER PAD             | 3   |            |          |          |       |
| 7    | 71614342AA | SPACER                 | 3   |            |          |          |       |
| 8    | 77156443B  | SCREW                  | 3   |            |          |          |       |
| 9    | 829PA371A  | RIGHT HOLDER           | 1   |            |          |          |       |
| 10   | 28642211A  | ENGINE CONTROL UNIT    | 1   |            |          |          |       |
|      | 28642211E  | ENGINE CONTROL UNIT    | 1   |            |          |          | FRA   |
|      | 28642211F  | ENGINE CONTROL UNIT    | 1   |            |          |          | JPN   |
| 11   | 86611241A  | RUBBER PAD             | 2   |            |          |          |       |
| 12   | 70010711A  | VIBRATION DAMPER       | 1   |            |          |          |       |
| 13   | 77240258C  | SCREW                  | 1   |            |          |          |       |
| 14   | 83016861A  | BRACKET                | 1   |            |          |          |       |
| 15   | 85040471A  | QUICK FASTENING M5     | 3   |            |          |          |       |
| 16   | 67040451A  | SPARK PLUG NGK MAR9A-J | 1   |            |          |          |       |
| 17   | 67110511C  | SPARK PLUG WIRING      | 1   |            |          |          |       |
| 18   | 77251038B  | SCREW TEF M6X25        | 2   |            |          |          |       |
| 19   | 38040221B  | IGNITION COIL ASSY     | 1   |            |          |          |       |
| 20   | 85041581A  | CLIP NUT               | 2   |            |          |          |       |
| 21   | 76411411B  | RUBBER PAD             | 2   |            |          |          |       |



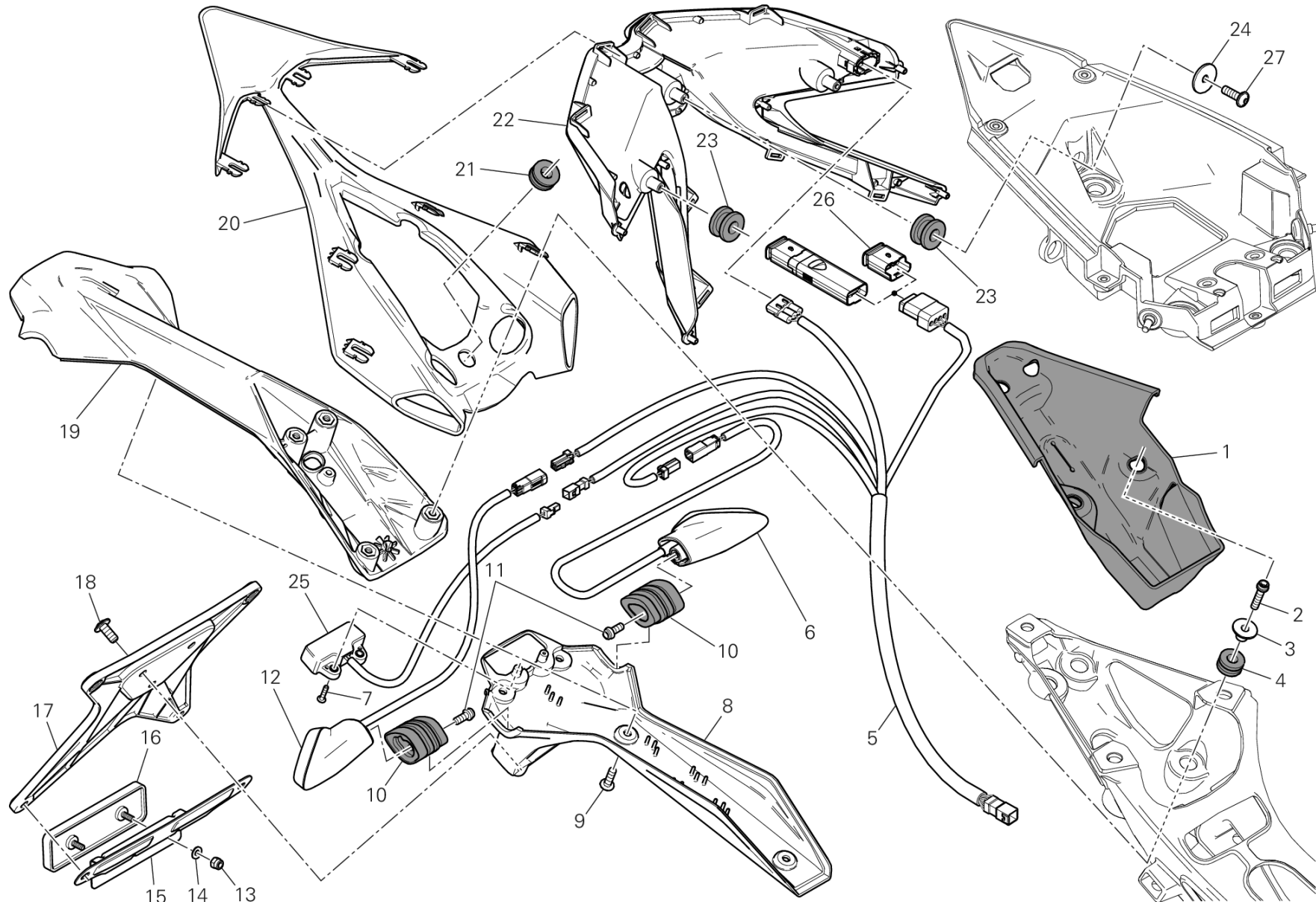
IMP00791

# DRAWING 18C - WIRING HARNESS

## GROUP ELECTRIC



| POS. | CODE       | DESCRIPTION         | QTY | START DATE | END DATE | VALIDITY | NOTES |
|------|------------|---------------------|-----|------------|----------|----------|-------|
| 1    | 51017881A  | MAIN WIRING HARNESS | 1   |            |          |          |       |
| 2    | 74140381A  | CLAMP               | 10  |            |          |          |       |
| 3    | 77210882B  | SCREW TBEI M5X12    | 2   |            |          |          |       |
| 4    | 71614431AA | SPACER              | 2   |            |          |          |       |
| 5    | 76410901A  | RUBBER PAD          | 2   |            |          |          |       |
| 6    | 83017071A  | BRACKET, FRONT      | 1   |            |          |          |       |
| 7    | 85040471A  | QUICK FASTENING M5  | 1   |            |          |          |       |
| 8    | 38940191A  | FUSE 5A             | 1   |            |          |          |       |
|      | 38940201A  | FUSE 10A            | 1   |            |          |          |       |
|      | 38940211A  | FUSE 15A            | 1   |            |          |          |       |
|      | 38940221A  | FUSE 20A            | 1   |            |          |          |       |
|      | 38940241A  | FUSE 7,5A           | 1   |            |          |          |       |
| 9    | 54140101A  | RELAY               | 6   |            |          |          |       |
| 10   | 069191030  | CLAMP               | 9   |            |          |          |       |

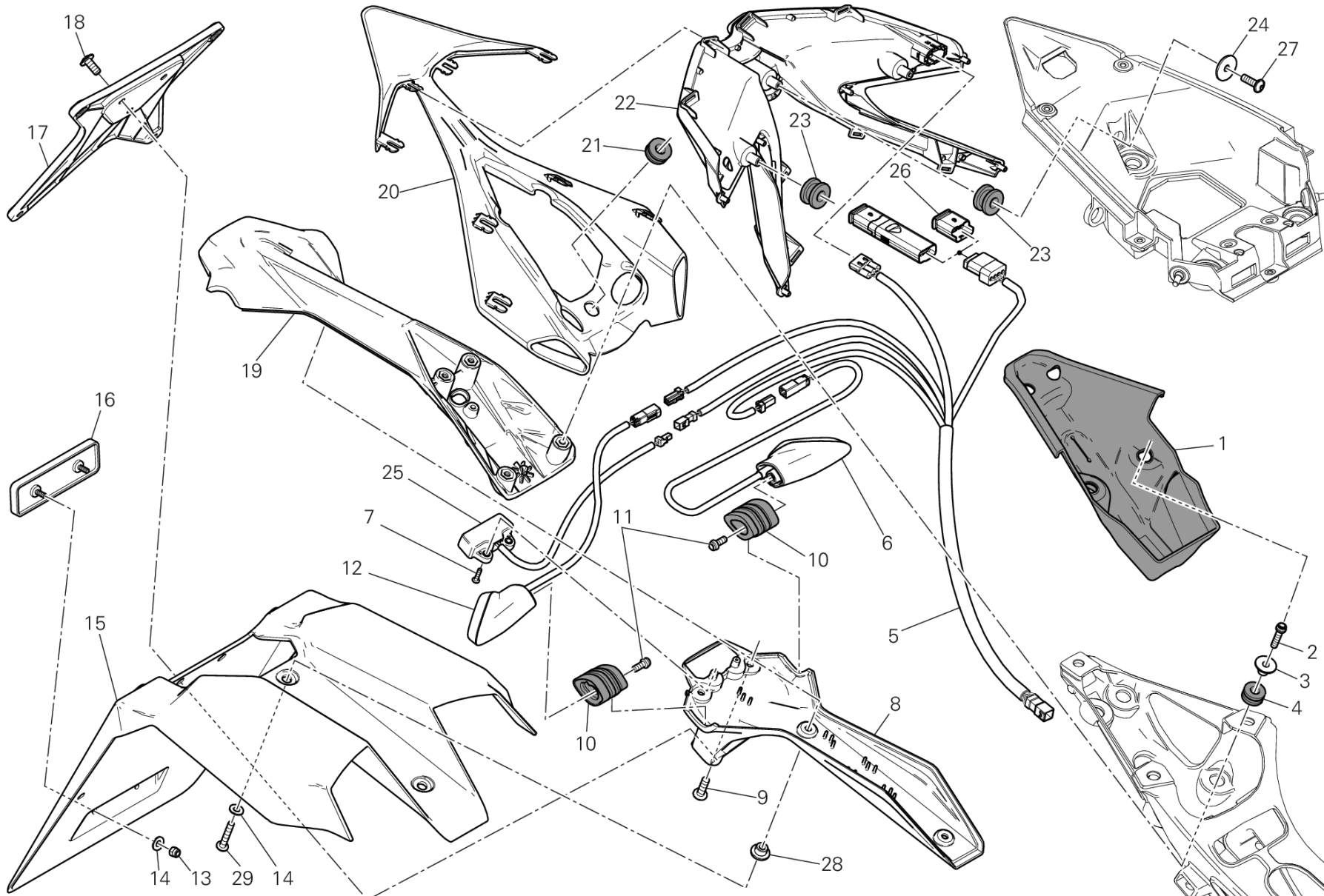


# DRAWING 27A - TAILLIGHT

## GROUP ELECTRIC



| POS. | CODE       | DESCRIPTION                      | QTY | START DATE | END DATE | VALIDITY | NOTES |
|------|------------|----------------------------------|-----|------------|----------|----------|-------|
| 1    | 48311731A  | RUBBER SECTION                   | 1   |            |          |          |       |
| 2    | 77156443B  | SCREW                            | 4   |            |          |          |       |
| 3    | 71614102AA | SPACER                           | 4   |            |          |          |       |
| 4    | 76411141A  | VIBRATION DAMPER PAD             | 4   |            |          |          |       |
| 5    | 51017721A  | REAR WIRING                      | 1   |            |          |          |       |
| 6    | 53010282A  | FLASHER LIGHT FRONT RH- REAR LH  | 1   |            |          |          |       |
| 7    | 77440183C  | SCREW                            | 2   |            |          |          |       |
| 8    | 56113043A  | NUMBER PLATE HOLDER BOTTOM       | 1   |            |          |          |       |
| 9    | 77440203C  | SCREW                            | 4   |            |          |          |       |
| 10   | 71314703A  | SPACER                           | 2   |            |          |          |       |
| 11   | 77156398B  | SCREW TCEIF M5X12                | 2   |            |          |          |       |
| 12   | 53010292A  | FLASHER LIGHT FRONT LH - REAR RH | 1   |            |          |          |       |
| 13   | 74950011B  | NUT, SPRING                      | 2   |            |          |          |       |
| 14   | 85250011C  | WASHER 4.3X9X0.8                 | 2   |            |          |          |       |
| 15   | 82712981B  | BRACKET, REFLECTOR               | 1   |            |          |          |       |
| 16   | 52910061B  | CATADIOTTRO POSTERIORE OVALE     | 1   |            |          |          |       |
| 17   | 56110261A  | NUMBER PLATE HOLDER              | 1   |            |          |          |       |
| 18   | 77240418C  | SCREW                            | 3   |            |          |          |       |
| 19   | 56113033A  | NUMBER PLATE HOLDER UPPER        | 1   |            |          |          |       |
| 20   | 46014901A  | COVER, LOWER                     | 1   |            |          |          |       |
| 21   | 76410841B  | RUBBER PAD                       | 1   |            |          |          |       |
| 22   | 52510445C  | TAILLIGHT                        | 1   |            |          |          |       |
| 23   | 76411491A  | RUBBER PAD                       | 3   |            |          |          |       |
| 24   | 85213111AA | WASHER                           | 1   |            |          |          |       |
| 25   | 52510432D  | LAMP, LICENSE PLATE              | 1   |            |          |          |       |
| 26   | 87210532A  | CAP DDA                          | 1   |            |          |          |       |
| 27   | 77440071A  | SCREW, TAPPING M4.5X12           | 1   |            |          |          |       |



# DRAWING 27B - TAILLIGHT AUS

## GROUP ELECTRIC



| POS. | CODE       | DESCRIPTION                      | QTY | START DATE | END DATE | VALIDITY | NOTES |
|------|------------|----------------------------------|-----|------------|----------|----------|-------|
| 1    | 48311731A  | RUBBER SECTION                   | 1   |            |          |          |       |
| 2    | 77156443B  | SCREW                            | 4   |            |          |          |       |
| 3    | 71614102AA | SPACER                           | 4   |            |          |          |       |
| 4    | 76411141A  | VIBRATION DAMPER PAD             | 4   |            |          |          |       |
| 5    | 51017721A  | REAR WIRING                      | 1   |            |          |          |       |
| 6    | 53010282A  | FLASHER LIGHT FRONT RH- REAR LH  | 1   |            |          |          |       |
| 7    | 77440183C  | SCREW                            | 2   |            |          |          |       |
| 8    | 56113043A  | NUMBER PLATE HOLDER BOTTOM       | 1   |            |          |          |       |
| 9    | 77440203C  | SCREW                            | 2   |            |          |          |       |
| 10   | 71314703A  | SPACER                           | 2   |            |          |          |       |
| 11   | 77156398B  | SCREW TCEIF M5X12                | 2   |            |          |          |       |
| 12   | 53010292A  | FLASHER LIGHT FRONT LH - REAR RH | 1   |            |          |          |       |
| 13   | 74950011B  | NUT, SPRING                      | 2   |            |          |          |       |
| 14   | 85240131A  | WASHER 5.3X15X1                  | 2   |            |          |          |       |
| 15   | 46015771A  | MUDFLAP                          | 1   |            |          |          |       |
| 16   | 52910061B  | CATADIOTTRO POSTERIORE OVALE     | 1   |            |          |          |       |
| 17   | 56110261A  | NUMBER PLATE HOLDER              | 1   |            |          |          |       |
| 18   | 77240423C  | SCREW TBEIF M6X16 10.9           | 3   |            |          |          |       |
| 19   | 56113033A  | NUMBER PLATE HOLDER UPPER        | 1   |            |          |          |       |
| 20   | 46014901A  | COVER, LOWER                     | 1   |            |          |          |       |
| 21   | 76410841B  | RUBBER PAD                       | 1   |            |          |          |       |
| 22   | 52510445C  | TAILLIGHT                        | 1   |            |          |          |       |
| 23   | 76411491A  | RUBBER PAD                       | 3   |            |          |          |       |
| 24   | 85213111AA | WASHER                           | 1   |            |          |          |       |
| 25   | 52510432D  | LAMP, LICENSE PLATE              | 1   |            |          |          |       |
| 26   | 87210532A  | CAP DDA                          | 1   |            |          |          |       |
| 27   | 77440071A  | SCREW, TAPPING M4.5X12           | 1   |            |          |          |       |
| 28   | 71614421AA | SPACER                           | 2   |            |          |          |       |
| 29   | 77440121A  | SCREW                            | 2   |            |          |          |       |

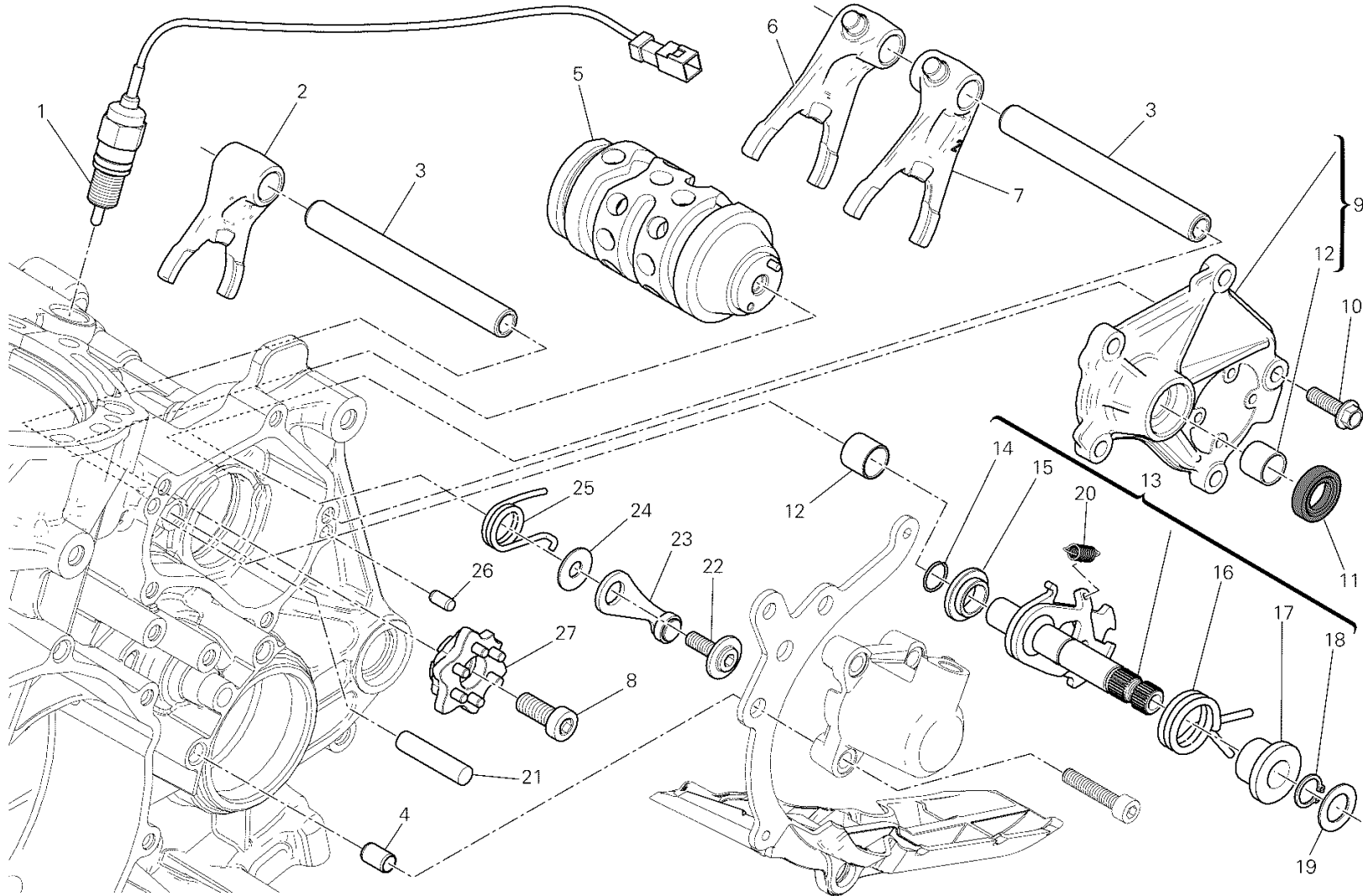


# DRAWING L - SHELL ADVANCE

## GROUP OIL



| POS. | CODE      | DESCRIPTION                            | QTY | START DATE | END DATE | VALIDITY | NOTES |
|------|-----------|--|-----|------------|----------|----------|-------|
| 1    | 944650035 | SHELL ADVANCE DUCATI 15W50 - 1L BOTTLE | 1   |            |          |          |       |
| 2    | 944650037 | SHELL ADVANCE DUCATI 15W50 – 209L DRUM | 1   |            |          |          |       |



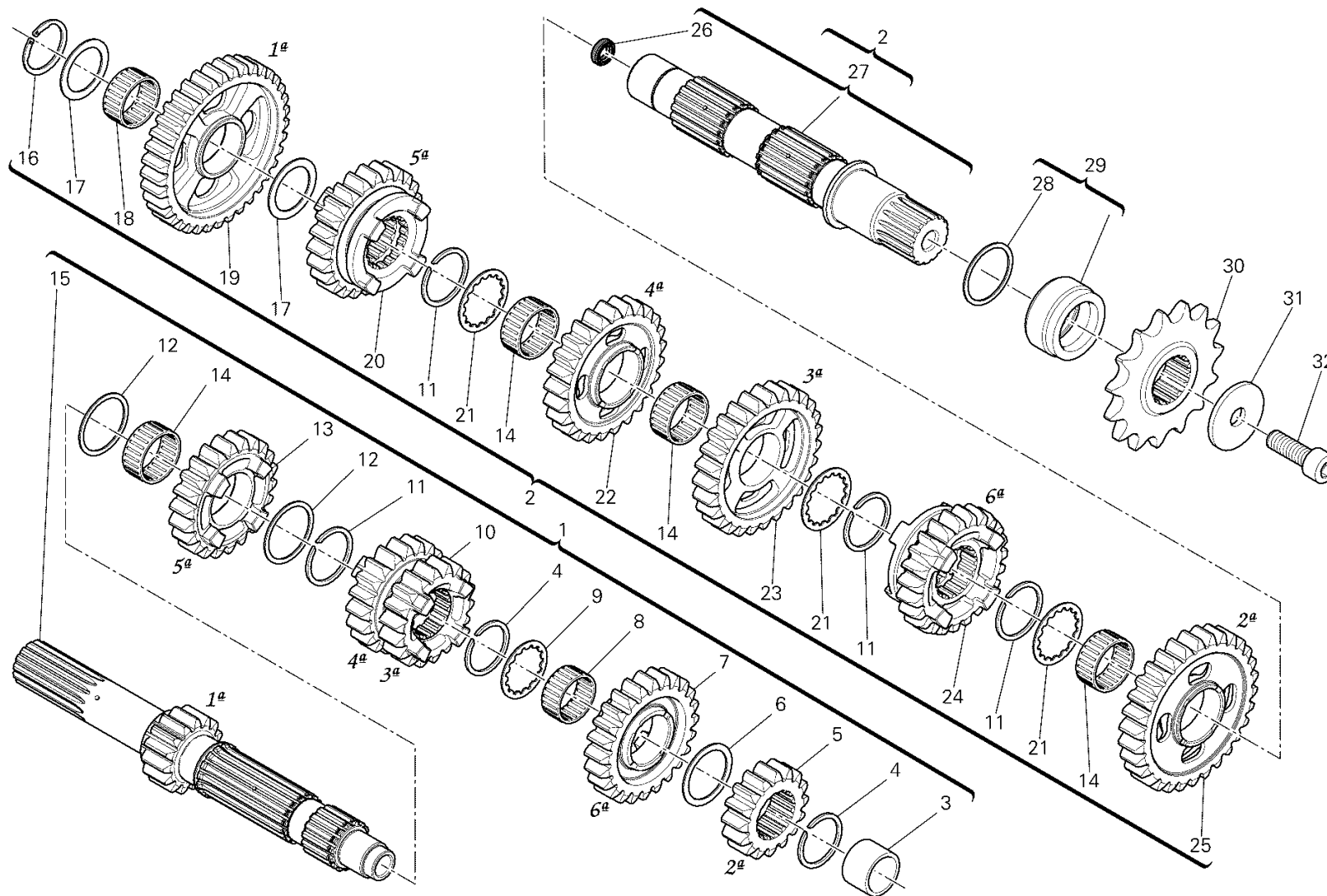
CMB00313

# DRAWING 002 - SHIFT CAM - FORK

## GROUP ENGINE



| POS. | CODE      | DESCRIPTION                  | QTY | START DATE | END DATE | VALIDITY | NOTES |
|------|-----------|------------------------------|-----|------------|----------|----------|-------|
| 1    | 55241612C | GEARBOX POSITION SENSOR      | 1   |            |          |          |       |
| 2    | 18010271D | 5TH,6TH GEAR SELECTOR FORK   | 1   |            |          |          |       |
| 3    | 82113441B | FORK PIN                     | 2   |            |          |          |       |
| 4    | 71113631A | BUSH                         | 2   |            |          |          |       |
| 5    | 18220353C | COMPLETE GEARBOX DRUM        | 1   |            |          |          |       |
| 6    | 18010281D | 1TH,4TH GEAR SELECTOR FORK   | 1   |            |          |          |       |
| 7    | 18010291D | 2TH,3TH GEAR SELECTOR FORK   | 1   |            |          |          |       |
| 8    | 77355038B | SCREW                        | 1   |            |          |          |       |
| 9    | 24723652A | GEARBOX CONTROL COVER (Unit) | 1   |            |          |          |       |
| 10   | 77253317C | SCREW                        | 5   |            |          |          |       |
| 11   | 93041591A | SEAL RING                    | 1   |            |          |          |       |
| 12   | 71240231A | BUSH                         | 1   |            |          |          |       |
| 13   | 18120051C | GEAR CHANGE MECHANISM (Unit) | 1   |            |          |          |       |
| 14   | 88450311A | STOP RING                    | 1   |            |          |          |       |
| 15   | 71611581C | SPACER                       | 1   |            |          |          |       |
| 16   | 79915141C | SPRING                       | 1   |            |          |          |       |
| 17   | 71611571C | SPACER                       | 1   |            |          |          |       |
| 18   | 88450361A | CIRCLIP                      | 1   |            |          |          |       |
| 19   | 85212651A | WASHER                       | 1   |            |          |          |       |
| 20   | 79915131C | SPRING                       | 1   |            |          |          |       |
| 21   | 86050091A | PIN                          | 1   |            |          |          |       |
| 22   | 77916241A | SCREW, SPECIAL               | 1   |            |          |          |       |
| 23   | 45520171A | GEAR STOPPER LEVER ASSEMBLY  | 1   |            |          |          |       |
| 24   | 85212661A | WASHER                       | 1   |            |          |          |       |
| 25   | 79915101C | SPRING                       | 1   |            |          |          |       |
| 26   | 86050061A | PIN M5X10                    | 2   |            |          |          |       |
| 27   | 18220381B | GEARBOX DRUM FLANGE ASSEMBLY | 1   |            |          |          |       |



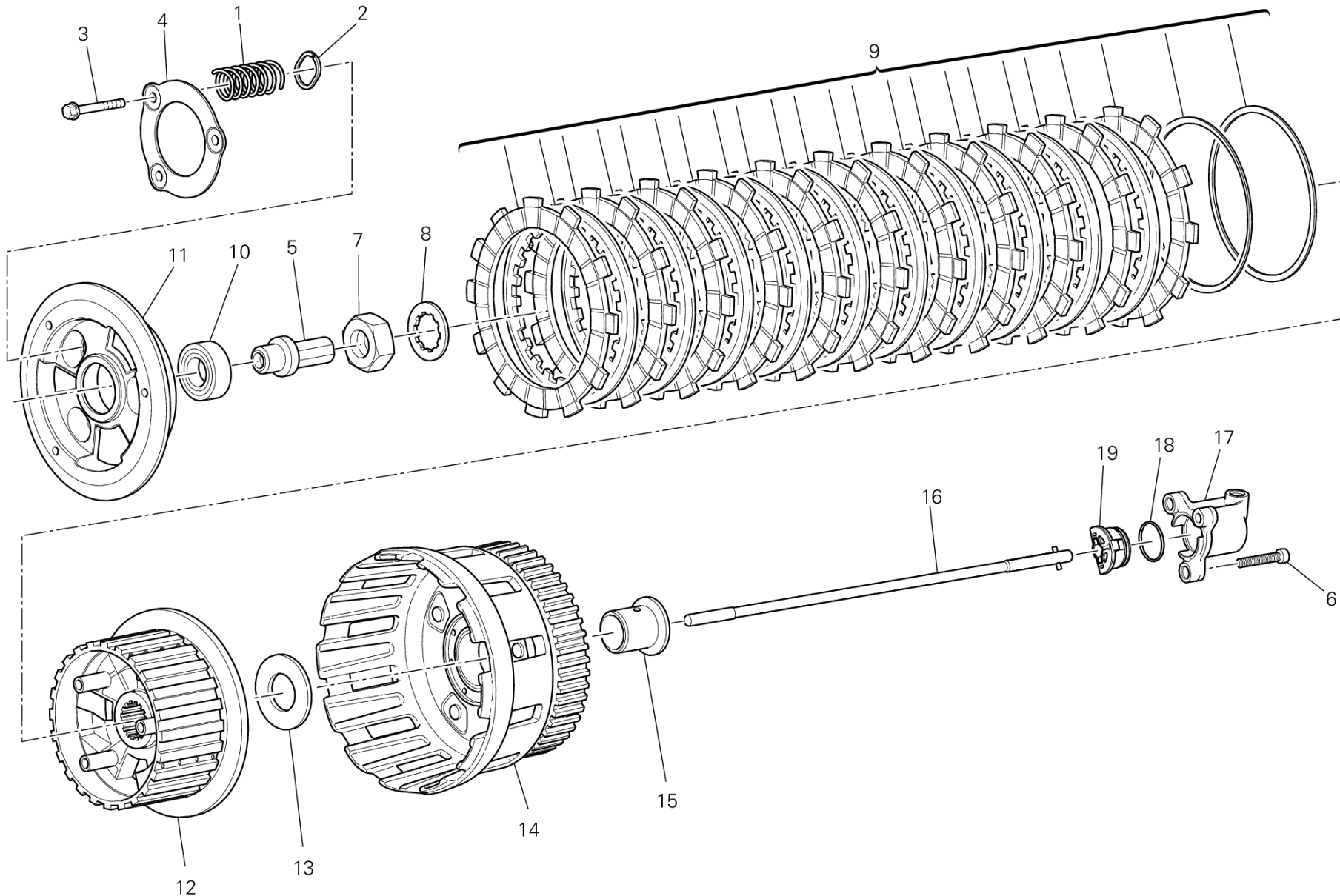
CMB00314

# DRAWING 003 - GEAR BOX

## GROUP ENGINE



| POS. | CODE      | DESCRIPTION                  | QTY | START DATE | END DATE | VALIDITY | NOTES |
|------|-----------|------------------------------|-----|------------|----------|----------|-------|
| 1    | 15021492D | COMPLETE MAIN SHAFT          | 1   |            |          |          |       |
| 2    | 15021504D | COMPLETE LAY SHAFT           | 1   |            |          |          |       |
| 3    | 88140161B | INNER RING                   | 1   |            |          |          |       |
| 4    | 88440621A | SPRING RING                  | 2   |            |          |          |       |
| 5    | 17213172B | DRIVING GEAR 2ND SP.         | 1   |            |          |          |       |
| 6    | 85212981A | THRUST WASHER                | 1   |            |          |          |       |
| 7    | 17213201D | DRIVING GEAR 6TH SP.         | 1   |            |          |          |       |
| 8    | 70140311A | NEEDLE BEARING               | 1   |            |          |          |       |
| 9    | 85611372A | WASHER LOCK 28X32.5X1        | 1   |            |          |          |       |
| 10   | 17213181D | DRIVING GEAR 3RD/4TH SP.     | 1   |            |          |          |       |
| 11   | 88440381A | SPRING RING                  | 4   |            |          |          |       |
| 12   | 85212621A | THRUST WASHER                | 2   |            |          |          |       |
| 13   | 17213191D | DRIVING GEAR 5TH SP.         | 1   |            |          |          |       |
| 14   | 70140321A | NEEDLE BEARING               | 4   |            |          |          |       |
| 15   | 15021511D | MAIN SHAFT                   | 1   |            |          |          |       |
| 16   | 88440281A | CIRCLIP                      | 1   |            |          |          |       |
| 17   | 85212631A | THRUST WASHER                | 2   |            |          |          |       |
| 18   | 70140331A | NEEDLE BEARING               | 1   |            |          |          |       |
| 19   | 17213211D | DRIVEN GEAR 1ST SP.          | 1   |            |          |          |       |
| 20   | 17213251D | DRIVEN GEAR 5TH SP.          | 1   |            |          |          |       |
| 21   | 85611381A | GROOVED WASHER               | 3   |            |          |          |       |
| 22   | 17213241D | DRIVEN GEAR 4TH SP.          | 1   |            |          |          |       |
| 23   | 17213231D | DRIVEN GEAR 3RD SP.          | 1   |            |          |          |       |
| 24   | 17213261D | DRIVEN GEAR 6TH SP.          | 1   |            |          |          |       |
| 25   | 17213221D | DRIVEN GEAR 2ND SP.          | 1   |            |          |          |       |
| 26   | 93041771A | SEAL RING                    | 1   |            |          |          |       |
| 27   | 15021542D | LAY SHAFT                    | 1   |            |          |          |       |
| 28   | 88640042A | O-RING                       | 1   |            |          |          |       |
| 29   | 71320021B | CHAIN SPROCKET SPACER (Unit) | 1   |            |          |          |       |
| 30   | 44910611A | SPROCKET T15                 | 1   |            |          |          |       |
| 31   | 85212801A | THRUST WASHER                | 1   |            |          |          |       |
| 32   | 77154337C | SCREW                        | 1   |            |          |          |       |



# DRAWING 004 - CLUTCH

## GROUP ENGINE

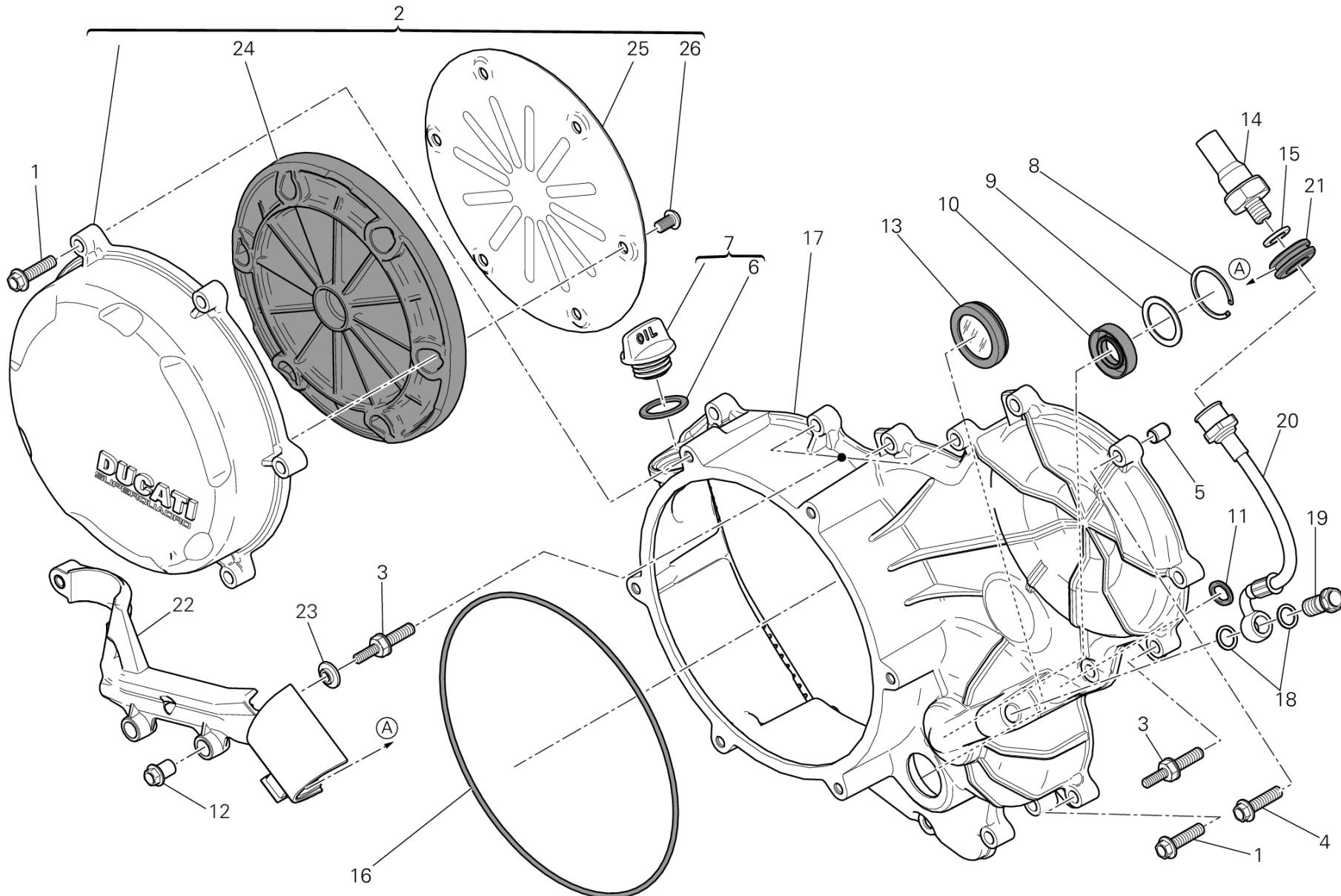


| POS. | CODE      | DESCRIPTION                 | QTY | START DATE | END DATE | VALIDITY | NOTES |
|------|-----------|-----------------------------|-----|------------|----------|----------|-------|
| 1    | 79710531B | SPRING                      | 3   |            |          |          |       |
| 2    | 85611391A | THRUST WASHER               | 3   |            |          |          |       |
| 3    | 77211201A | SCREW                       | 3   |            |          |          |       |
| 4    | 19410511A | RING                        | 1   |            |          |          |       |
| 5    | 81810162A | CLUTCH CONTROL PIN (FCC)    | 1   |            |          |          |       |
| 6    | 77110471A | SCREW                       | 3   |            |          |          |       |
| 7    | 75010071A | NUT                         | 1   |            |          |          |       |
| 8    | 85110201A | LOCK WASHER                 | 1   |            |          |          |       |
| 9    | 19020232A | CLUTCH DISC SET             | 1   |            |          |          |       |
| 10   | 70250601A | BEARING                     | 1   |            |          |          |       |
| 11   | 19610541A | DISK, CLUTCH PRESSURE (FCC) | 1   |            |          |          |       |
| 12   | 19610531A | PLATE HOLDER HUB (FCC)      | 1   |            |          |          |       |
| 13   | 71313091A | SPACER                      | 1   |            |          |          |       |
| 14   | 19820401A | CLUTCH HOUSING              | 1   |            |          |          |       |
| 15   | 71314831A | SPACER                      | 1   |            |          |          |       |
| 16   | 11721331B | CLUTCH CONTROL ROD          | 1   |            |          |          |       |
| 17   | 19540061A | PISTON ASSEMBLY             | 1   |            |          |          |       |
| 18   | 88650541A | O-RING                      | 1   |            |          |          |       |
| 19   | 71319442A | ANTI-ROTATION INSERT        | 1   |            |          |          |       |



# DRAWING 005 - CLUTCH COVER, OUTER

GROUP ENGINE

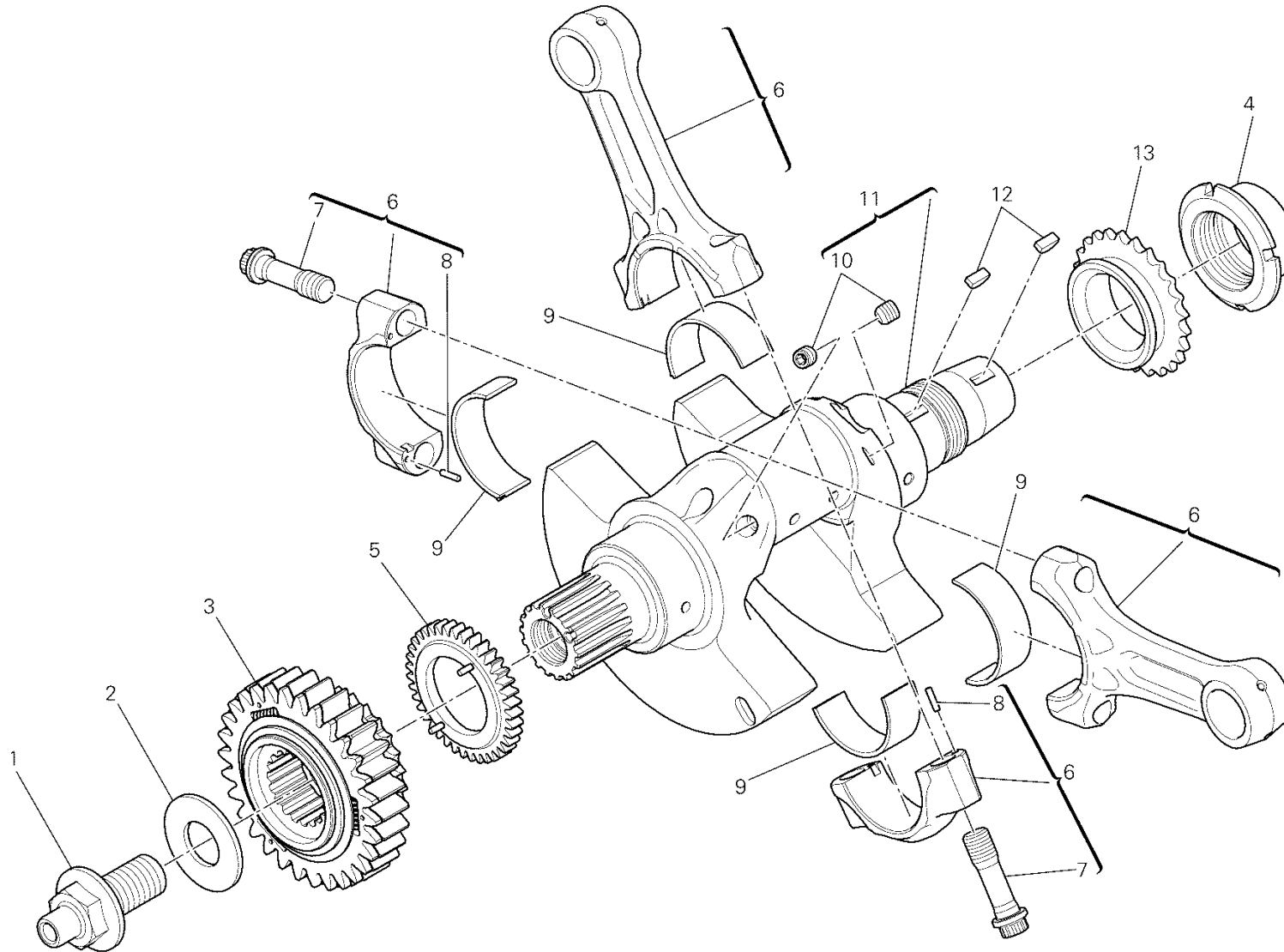


# DRAWING 005 - CLUTCH COVER, OUTER

## GROUP ENGINE



| POS. | CODE       | DESCRIPTION                    | QTY | START DATE | END DATE | VALIDITY | NOTES |
|------|------------|--------------------------------|-----|------------|----------|----------|-------|
| 1    | 77253337C  | SCREW                          | 18  | 11/11/2010 |          |          |       |
| 2    | 24321344A  | CLUTCH PROTECTION COVER (Unit) | 1   | 01/01/2012 |          |          |       |
| 3    | 77917161B  | SCREW, SPECIAL                 | 4   | 21/11/2011 |          |          |       |
| 4    | 77253357C  | SCREW                          | 1   | 11/11/2010 |          |          |       |
| 5    | 71113171A  | LOCATING DOWEL                 | 2   | 11/11/2010 |          |          |       |
| 6    | 88640891A  | O-RING 18.64X3.53              | 1   | 24/12/2009 |          |          |       |
| 7    | 89320121A  | PLUG ASSY                      | 1   | 26/10/2011 |          |          |       |
| 8    | 88450291A  | SNAP RING                      | 1   | 26/10/2011 |          |          |       |
| 9    | 85212721A  | THRUST WASHER                  | 1   | 26/10/2011 |          |          |       |
| 10   | 93041521A  | SEAL RING                      | 1   | 26/10/2011 |          |          |       |
| 11   | 88641761A  | O-RING                         | 1   | 11/11/2010 |          |          |       |
| 12   | 75011742AA | NUT, SPECIAL                   | 1   | 26/10/2011 |          |          |       |
| 13   | 25440012A  | WINDOW, OIL LEVEL CHECK        | 1   | 26/10/2011 |          |          |       |
| 14   | 53940302A  | SWITCH ASSY, OIL PRESSURE      | 1   | 01/12/2011 |          |          |       |
| 15   | 85211951A  | GASKET 10.5X17X2               | 1   | 01/12/2011 |          |          |       |
| 16   | 88610281A  | O-RING                         | 1   | 26/10/2011 |          |          |       |
| 17   | 24311274A  | TIMING COVER                   | 1   | 01/01/2012 |          |          |       |
| 18   | 85250241A  | WASHER 10X14X1                 | 2   | 01/12/2011 |          |          |       |
| 19   | 78110121AA | SCREW, SPECIAL                 | 1   | 01/12/2011 |          |          |       |
| 20   | 87721561A  | OIL PRESSURE LINE              | 1   | 01/12/2011 |          |          |       |
| 21   | 76440581A  | RUBBER PAD                     | 1   | 01/12/2011 |          |          |       |
| 22   | 75810701A  | FAIRLEAD                       | 1   | 01/12/2011 |          |          |       |
| 23   | 71614071A  | SPACER 5.2X8.4X2               | 3   | 01/12/2011 |          |          |       |
| 24   | 48610851A  | DAMPER, SOUND ARRESTER         | 1   | 02/05/2012 |          |          |       |
| 25   | 82716012A  | SHEET ACOUSTIC DAMPER          | 1   | 02/05/2012 |          |          |       |
| 26   | 77550200C  | SCREW                          | 6   | 02/05/2012 |          |          |       |



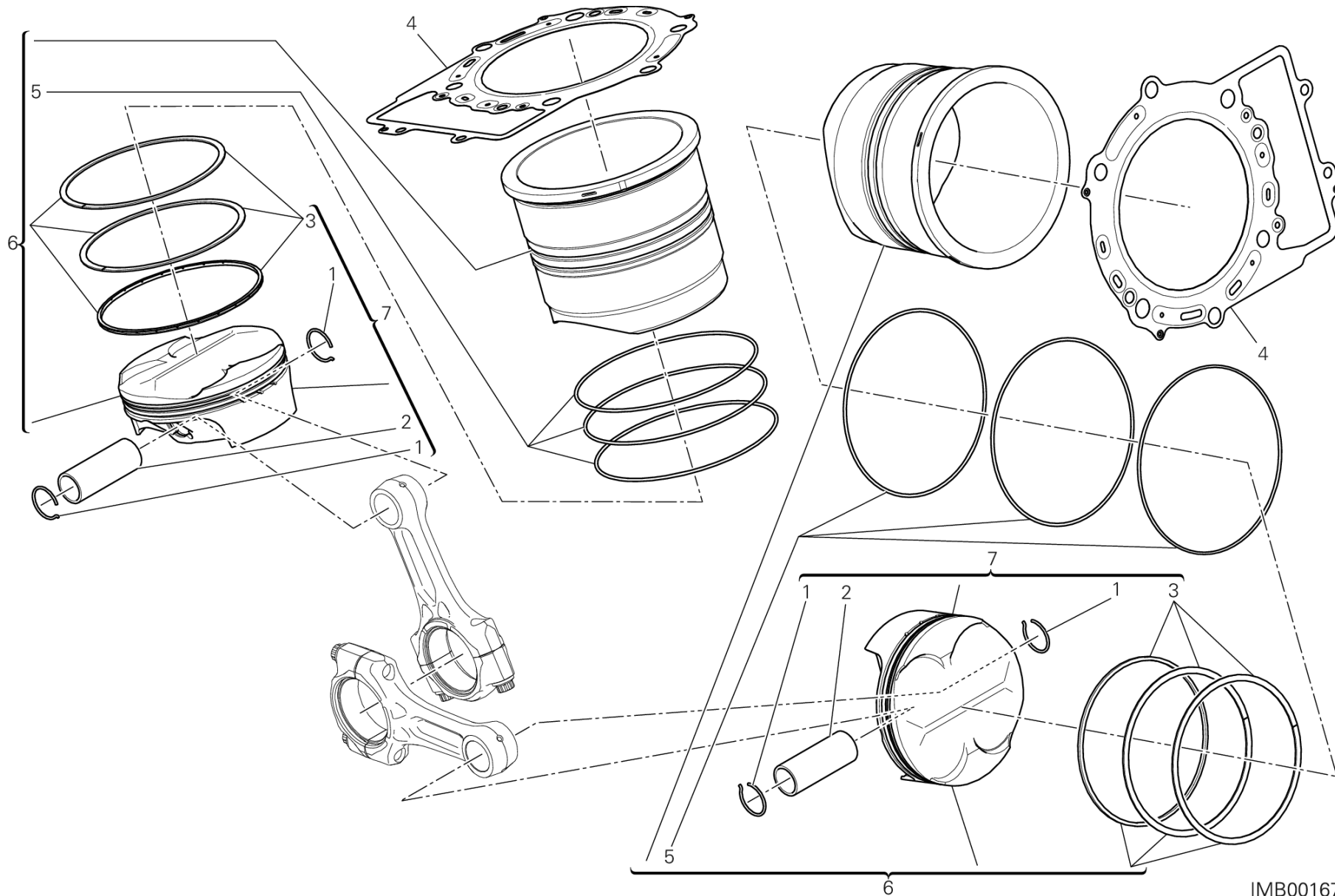
IMB00166

# DRAWING 006 - CRANKSHAFT

## GROUP ENGINE



| POS. | CODE       | DESCRIPTION                  | QTY | START DATE | END DATE | VALIDITY | NOTES |
|------|------------|------------------------------|-----|------------|----------|----------|-------|
| 1    | 77916551C  | SCREW, SPECIAL               | 1   |            |          |          |       |
| 2    | 85212791A  | THRUST WASHER                | 1   |            |          |          |       |
| 3    | 17021262A  | PRIMARY DRIVE FRONT SPROCKET | 1   |            |          |          |       |
| 4    | 70310593A  | RING NUT                     | 1   |            |          |          |       |
| 5    | 17420581A  | PUMP DRIVING GEAR (Unit)     | 1   |            |          |          |       |
| 6    | 15620881CA | CONNECTING ROD (Class 1)     | 1   |            |          |          |       |
|      | 15620881CB | CONNECTING ROD (Class 2)     | 1   |            |          |          |       |
|      | 15620881CC | CONNECTING ROD (Class 3)     | 1   |            |          |          |       |
| 7    | 77916192C  | SCREW, SPECIAL               | 4   |            |          |          |       |
| 8    | 742240570  | PIN 2.5X10 SW                | 4   |            |          |          |       |
| 9    | 11210711AA | SEMICUSCINETTO (Red)         | 4   |            |          |          |       |
|      | 11210711AB | SEMICUSCINETTO (Blue)        | 4   |            |          |          |       |
|      | 11210711AC | SEMICUSCINETTO (Yellow)      | 4   |            |          |          |       |
|      | 11210711AD | SEMICUSCINETTO (Black)       | 4   |            |          |          |       |
|      | 11210711AE | SEMICUSCINETTO (Green)       | 4   |            |          |          |       |
|      | 11210711AF | SEMICUSCINETTO (Brown)       | 4   |            |          |          |       |
| 10   | 77915471A  | THREADED DOWEL STEI M8X8     | 2   |            |          |          |       |
| 11   | 14621871CB | CRANKSHAFT CLASS B           | 1   |            |          |          |       |
|      | 14621872AC | CRANKSHAFT CLASS C           | 1   |            |          |          |       |
|      | 14621874AA | CRANKSHAFT CLASS A           | 1   |            |          |          |       |
| 12   | 68010171A  | PLATE                        | 2   |            |          |          |       |
| 13   | 171Z0071A  | SPROCKET                     | 1   |            |          |          |       |



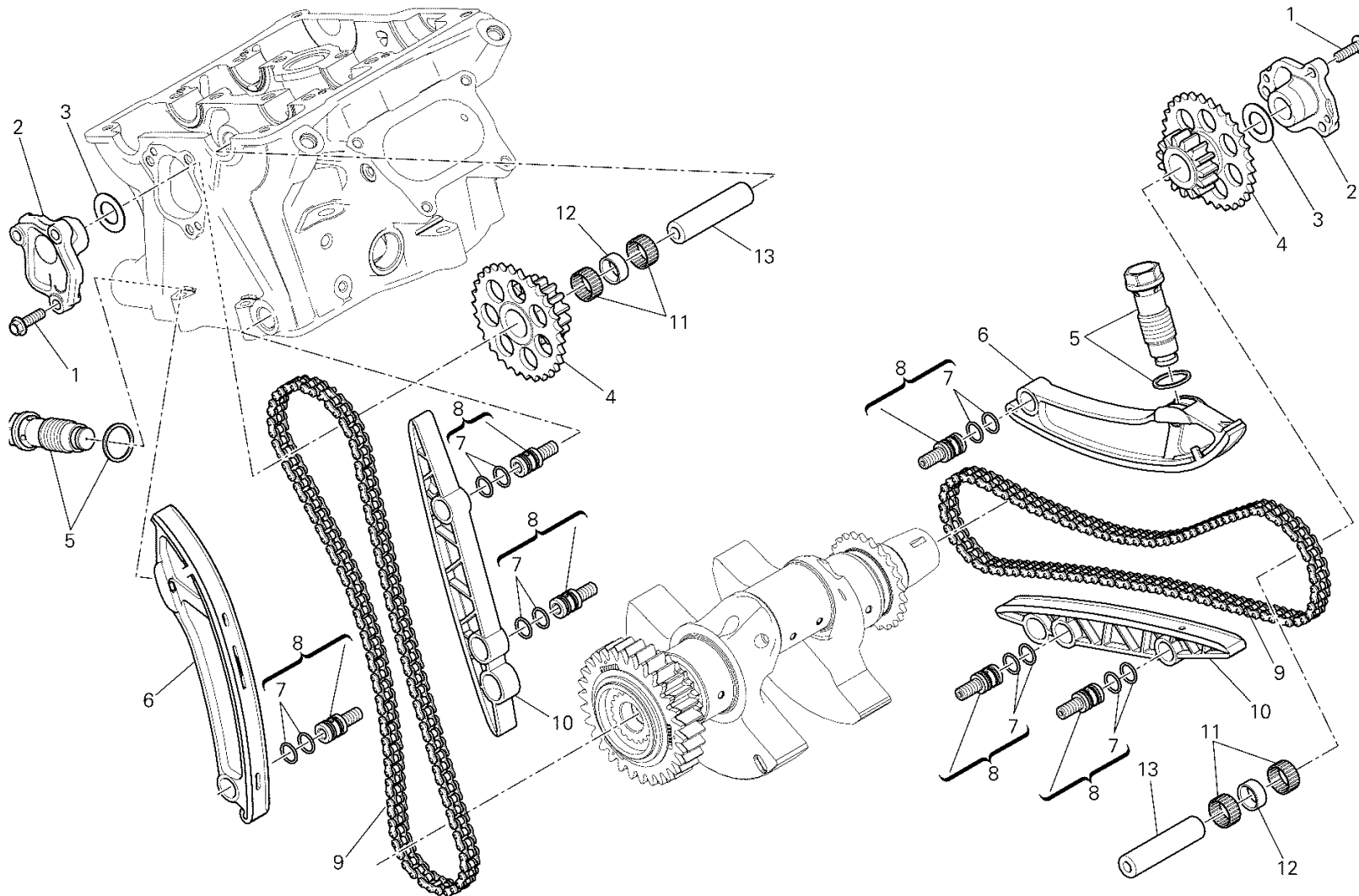
IMB00167

# DRAWING 007 - CYLINDER - PISTON

## GROUP ENGINE



| POS. | CODE       | DESCRIPTION               | QTY | START DATE | END DATE | VALIDITY | NOTES |
|------|------------|---------------------------|-----|------------|----------|----------|-------|
| 1    | 12112601B  | PISTON PIN CIRCLIP        | 4   | 01/09/2011 |          |          |       |
| 2    | 12112551C  | PISTON PIN                | 2   | 07/04/2011 |          |          |       |
| 3    | 12120561B  | PISTON RING SET           | 1   | 15/09/2011 |          |          |       |
| 4    | 78611212C  | HEAD-CYLINDER GASKET      | 2   | 01/01/2012 |          |          |       |
| 5    | 79120531B  | GASKETS SET (BAG Qty 3)   | 2   | 13/12/2011 |          |          |       |
| 6    | 12021984D  | CYLINDER LINER-PISTON FIT | 2   | 19/07/2012 |          |          |       |
| 7    | 12221712DA | PISTON ASSY (Class A)     | 2   | 17/07/2012 |          |          |       |
|      | 12221712DB | PISTON ASSY (Class B)     | 2   | 17/07/2012 |          |          |       |
|      | 12221712DC | PISTON ASSY (Class C)     | 2   | 17/07/2012 |          |          |       |



TST00451

# DRAWING 008 - TIMING BELT

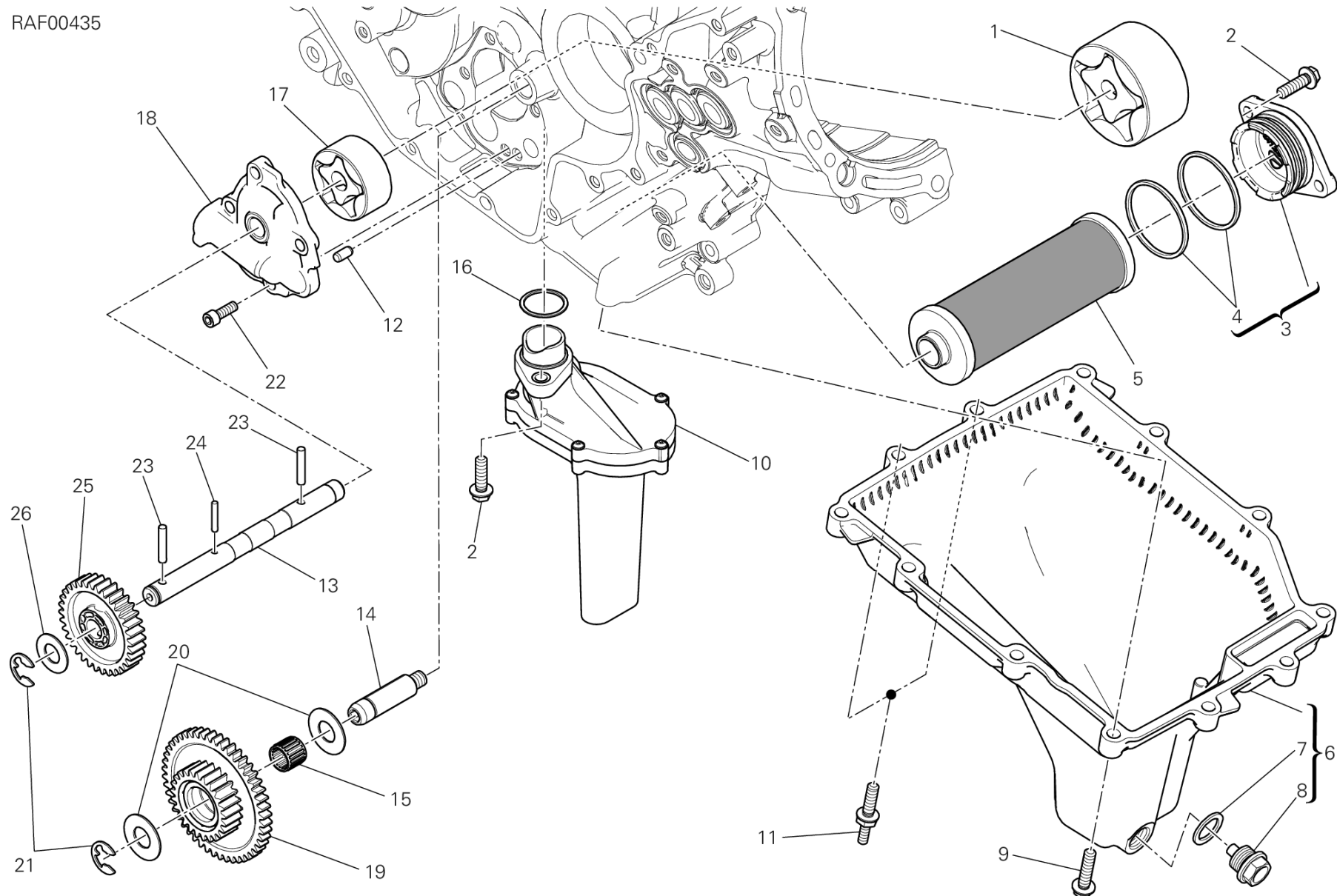
## GROUP ENGINE



| POS. | CODE      | DESCRIPTION                       | QTY | START DATE | END DATE | VALIDITY | NOTES |
|------|-----------|-----------------------------------|-----|------------|----------|----------|-------|
| 1    | 77253317C | SCREW                             | 6   |            |          |          |       |
| 2    | 24713912A | COVER                             | 2   |            |          |          |       |
| 3    | 85212741A | WASHER, THRUST                    | 2   |            |          |          |       |
| 4    | 17112311A | GEAR Z=15 30                      | 2   |            |          |          |       |
| 5    | 45140013A | COMPLETE TENSIONER ROLLER         | 2   |            |          |          |       |
| 6    | 44740051A | COMPLETE MOVABLE TENSIONER ROLLER | 2   |            |          |          |       |
| 7    | 88642081A | O-RING                            | 12  |            |          |          |       |
| 8    | 82123692A | TENSIONER ROLLER PIN              | 6   |            |          |          |       |
| 9    | 73840011A | CHAIN                             | 2   |            |          |          |       |
| 10   | 44740021B | COMPLETE FIXED TENSIONER ROLLER   | 2   |            |          |          |       |
| 11   | 70140301C | NEEDLE BEARING                    | 4   |            |          |          |       |
| 12   | 71319291A | SPACER                            | 2   |            |          |          |       |
| 13   | 82010151A | PIN                               | 2   |            |          |          |       |



RAF00435

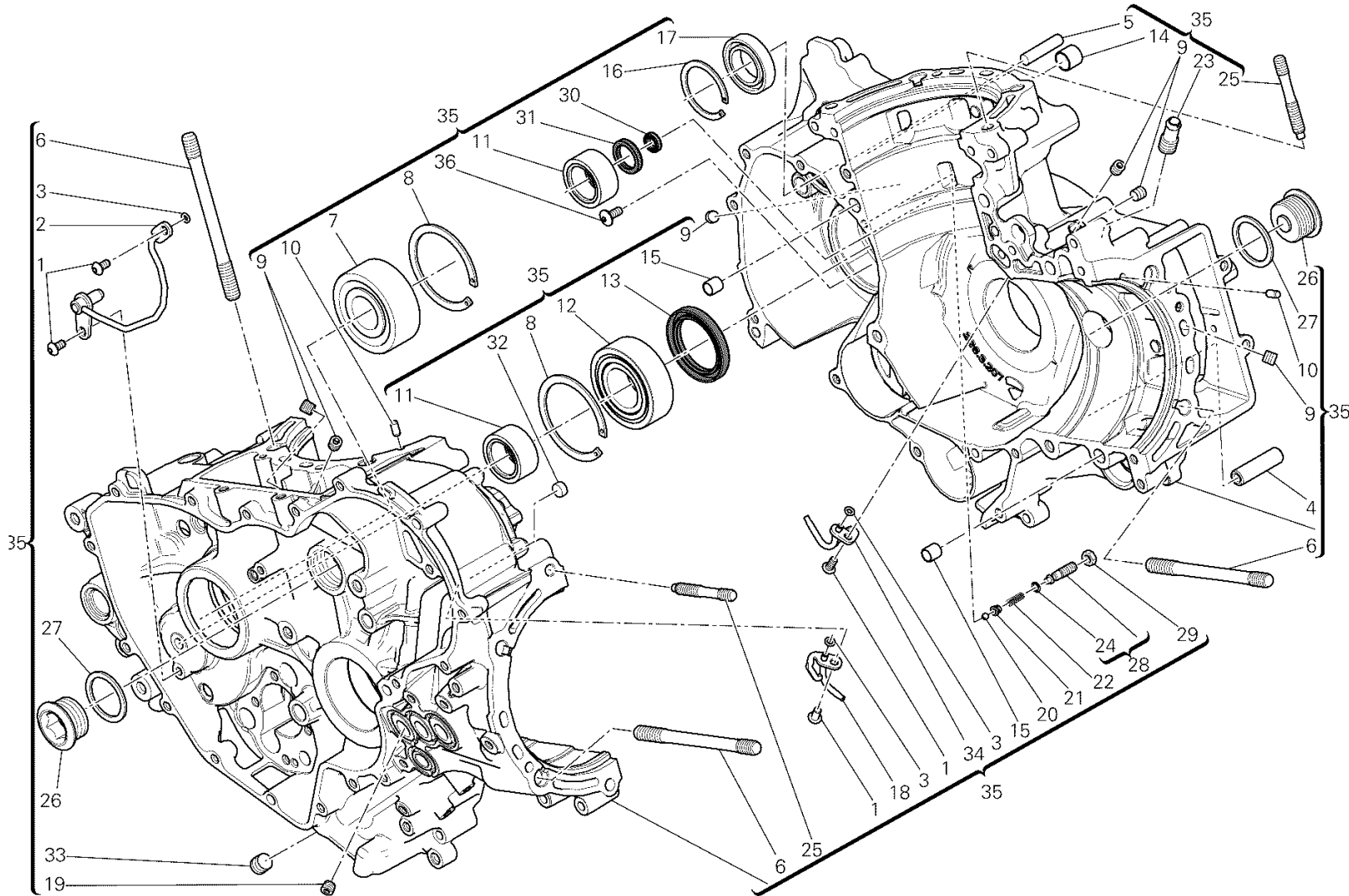


# DRAWING 009 - OIL PUMP - FILTER

## GROUP ENGINE



| POS. | CODE      | DESCRIPTION                | QTY | START DATE | END DATE | VALIDITY | NOTES |
|------|-----------|----------------------------|-----|------------|----------|----------|-------|
| 1    | 17420571A | OIL PUMP RETURN            | 1   |            |          |          |       |
| 2    | 77253317C | SCREW                      | 3   |            |          |          |       |
| 3    | 24723842A | FILTER COVER UNIT          | 1   |            |          |          |       |
| 4    | 88650561A | O-RING                     | 2   |            |          |          |       |
| 5    | 44440291C | FILTER, OIL                | 1   |            |          |          |       |
| 6    | 25220071A | OIL PAN                    | 1   |            |          |          |       |
| 7    | 85250541A | WASHER                     | 1   |            |          |          |       |
| 8    | 89310151A | OIL DRAIN PLUG WITH MAGNET | 1   |            |          |          |       |
| 9    | 77253337C | SCREW                      | 10  |            |          |          |       |
| 10   | 89420112B | MESH FILTER ASSEMBLY       | 1   |            |          |          |       |
| 11   | 77917161B | SCREW, SPECIAL             | 2   |            |          |          |       |
| 12   | 86050061A | PIN M5X10                  | 1   |            |          |          |       |
| 13   | 14710903A | OIL PUMP DRIVE SHAFT       | 1   |            |          |          |       |
| 14   | 82010162A | STARTER REDUCTION SHAFT    | 1   |            |          |          |       |
| 15   | 70140371A | BEARING, NEEDLE            | 1   |            |          |          |       |
| 16   | 88641331A | O-RING                     | 1   |            |          |          |       |
| 17   | 17420561A | OIL PUMP DELIVERY          | 1   |            |          |          |       |
| 18   | 24723712A | OIL PUMP COVER             | 1   |            |          |          |       |
| 19   | 17410601A | IDLE GEAR                  | 1   |            |          |          |       |
| 20   | 85212681A | WASHER, THRUST             | 2   |            |          |          |       |
| 21   | 88450371A | SNAP RING                  | 2   |            |          |          |       |
| 22   | 77150678B | SCREW TCEI M6X16           | 4   |            |          |          |       |
| 23   | 70450091A | ROLLER                     | 2   |            |          |          |       |
| 24   | 70450051A | ROLLER                     | 1   |            |          |          |       |
| 25   | 17410611A | GEAR, PUMP DRIVEN          | 1   |            |          |          |       |
| 26   | 85213021A | WASHER, THRUST             | 1   |            |          |          |       |



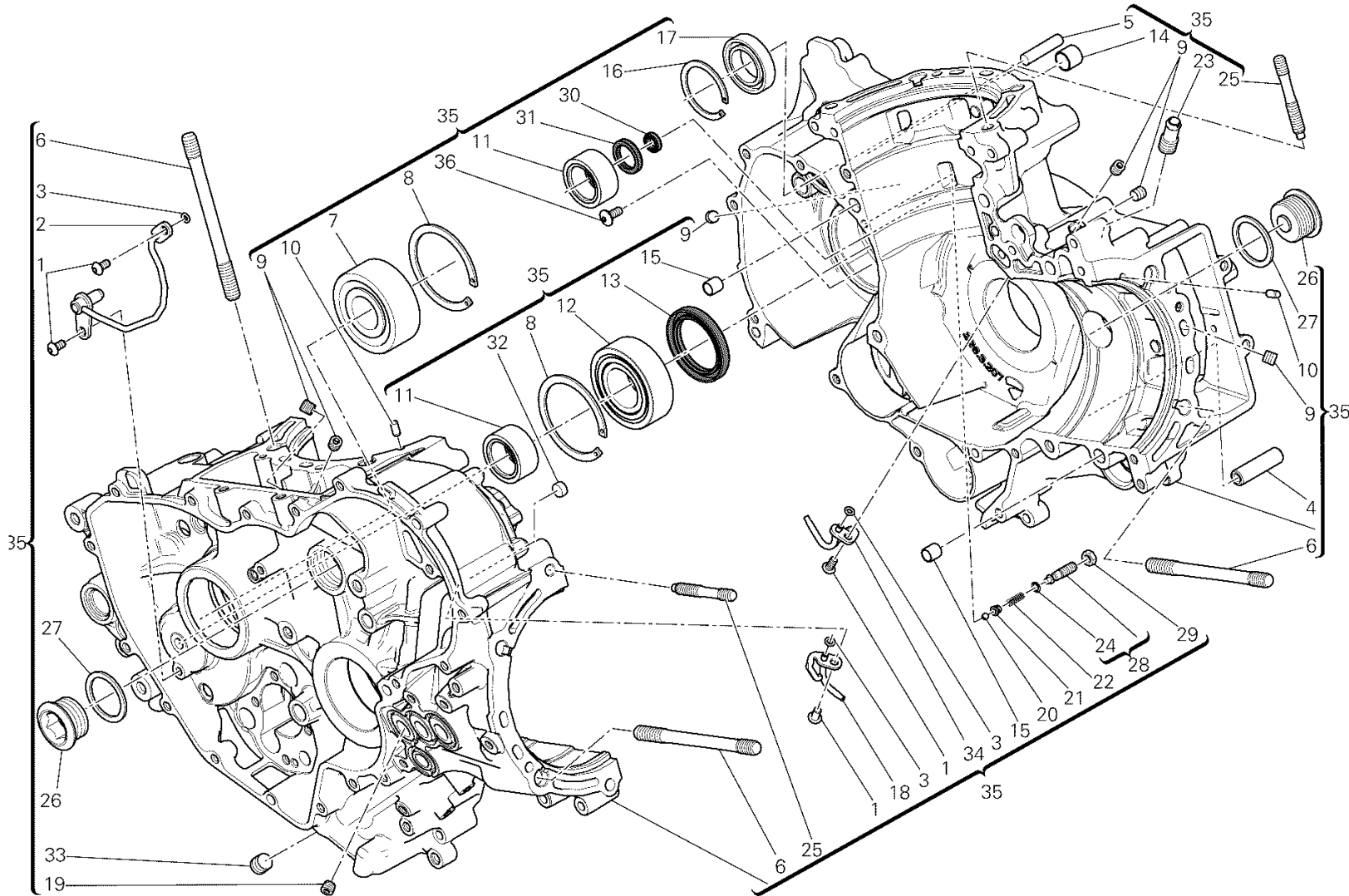
CRT00562

# DRAWING 010 - CRANKCASE

## GROUP ENGINE



| POS. | CODE       | DESCRIPTION                       | QTY | START DATE | END DATE | VALIDITY | NOTES |
|------|------------|-----------------------------------|-----|------------|----------|----------|-------|
| 1    | 77510311B  | SCREW TBEI M5X10                  | 4   |            |          |          |       |
| 2    | 87511791B  | HOSE, OIL                         | 1   |            |          |          |       |
| 3    | 88650131A  | O-RING 3.68X1.78                  | 3   |            |          |          |       |
| 4    | 82010141A  | STARTER REDUCTION SHAFT           | 1   |            |          |          |       |
| 5    | 86050091A  | PIN                               | 1   |            |          |          |       |
| 6    | 76610781A  | STUD BOLT FASTENING HEAD CYLINDER | 8   |            |          |          |       |
| 7    | 70240131D  | BEARING                           | 1   |            |          |          |       |
| 8    | 735034405  | SNAP RING                         | 2   |            |          |          |       |
| 9    | 78010871A  | THREADED DOWEL                    | 6   |            |          |          |       |
| 10   | 86050061A  | PIN M5X10                         | 2   |            |          |          |       |
| 11   | 70240251B  | BEARING                           | 2   |            |          |          |       |
| 12   | 70241091A  | BEARING, NEEDLE                   | 1   |            |          |          |       |
| 13   | 93040431A  | SEAL, OIL 40X55X7                 | 1   |            |          |          |       |
| 14   | 71240231A  | BUSH                              | 1   |            |          |          |       |
| 15   | 71113181A  | LOCAT. DOWEL                      | 4   |            |          |          |       |
| 16   | 735033804  | CIRCLIP                           | 1   |            |          |          |       |
| 17   | 70250411A  | BEARING 25X42X9                   | 1   |            |          |          |       |
| 18   | 87511651BB | JET RH                            | 1   |            |          |          |       |
| 19   | 78010861A  | SPECIAL SCREW                     | 1   |            |          |          |       |
| 20   | 84740061A  | BALL                              | 1   |            |          |          |       |
| 21   | 83110151A  | PLATE                             | 1   |            |          |          |       |
| 22   | 79940121A  | SPRING                            | 1   |            |          |          |       |
| 23   | 81413421B  | UNION RETURN                      | 1   |            |          |          |       |
| 24   | 88641961A  | O-RING                            | 1   |            |          |          |       |
| 25   | 76610801A  | STUD BOLT FASTENING HEAD CYLINDER | 2   |            |          |          |       |
| 26   | 78010801A  | PLUG                              | 2   |            |          |          |       |
| 27   | 85250491A  | WASHER                            | 2   |            |          |          |       |
| 28   | 77927171A  | SCREW                             | 1   |            |          |          |       |
| 29   | 74750151A  | NUT                               | 1   |            |          |          |       |
| 30   | 93041771A  | SEAL RING                         | 1   |            |          |          |       |
| 31   | 93040931A  | SEAL, OIL 17X25X4                 | 1   |            |          |          |       |
| 32   | 87310021A  | PLUG 10 MM                        | 2   |            |          |          |       |
| 33   | 78010771A  | THREADED DOWEL                    | 1   |            |          |          |       |
| 34   | 87511641BB | JET LH                            | 1   |            |          |          |       |
| 35   | 22522602B  | COMPLETE HALF-CRANKCASES PAIR     | 1   |            |          |          |       |



CRT00562

# DRAWING 010 - CRANKCASE

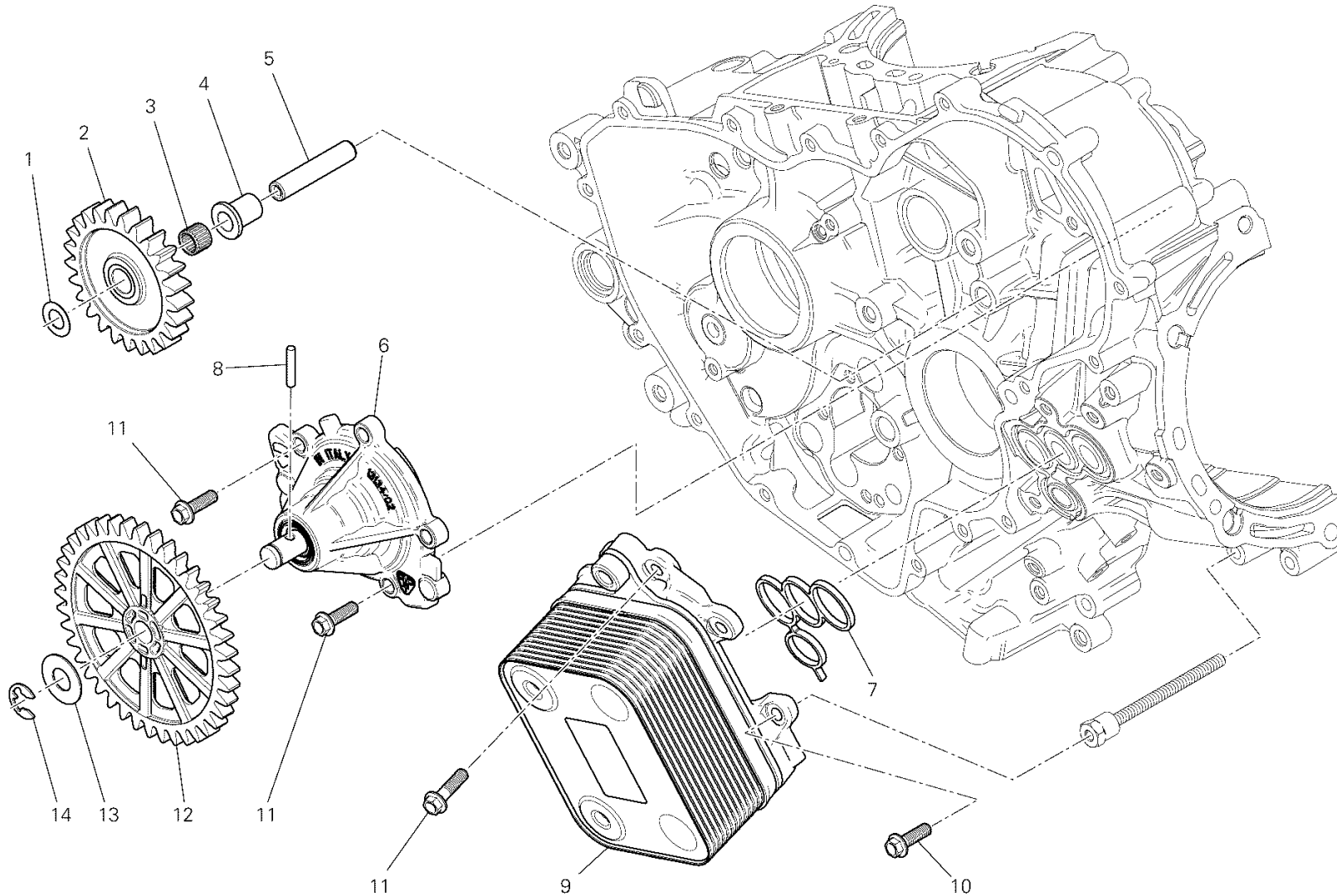
## GROUP ENGINE



| POS. | CODE      | DESCRIPTION       | QTY | START DATE | END DATE | VALIDITY | NOTES |
|------|-----------|-------------------|-----|------------|----------|----------|-------|
| 36   | 77240398C | SCREW TBEIF M6X10 | 2   |            |          |          |       |



# DRAWING 011 - GENERATOR COVER - WATER PUMP GROUP ENGINE



CRT00563

# DRAWING 011 - GENERATOR COVER - WATER PUMP

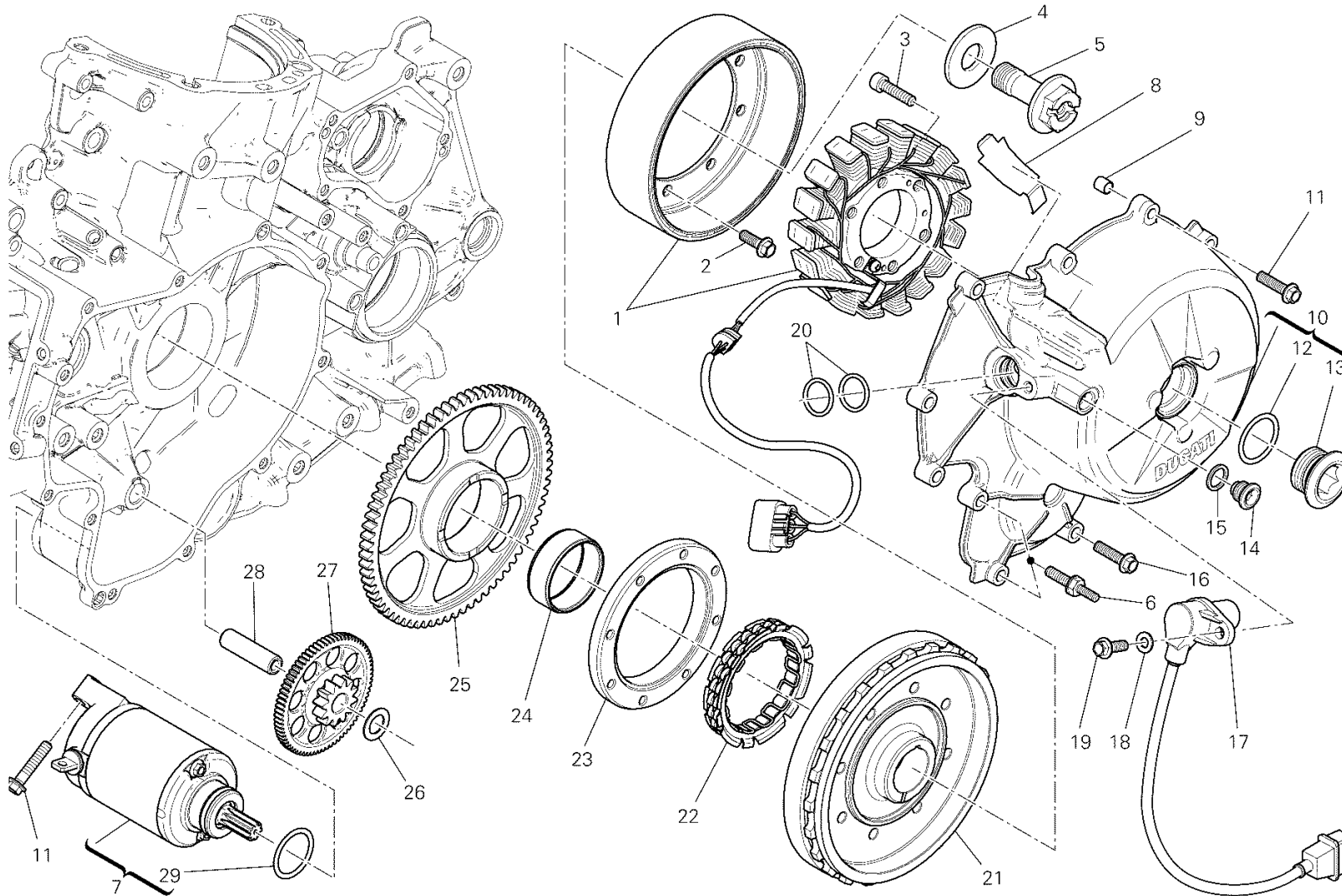
## GROUP ENGINE



| POS. | CODE      | DESCRIPTION             | QTY | START DATE | END DATE | VALIDITY | NOTES |
|------|-----------|-------------------------|-----|------------|----------|----------|-------|
| 1    | 064770010 | WASHER, THRUST          | 1   |            |          |          |       |
| 2    | 17410511A | PUMP GEAR               | 1   |            |          |          |       |
| 3    | 70140361A | BEARING, NEEDLE         | 1   |            |          |          |       |
| 4    | 71113221A | BUSH                    | 1   |            |          |          |       |
| 5    | 82010171A | STARTER REDUCTION SHAFT | 1   |            |          |          |       |
| 6    | 24723701C | COMPLETE WATER PUMP     | 1   |            |          |          |       |
| 7    | 78811191A | GASKET                  | 1   |            |          |          |       |
| 8    | 70450091A | ROLLER                  | 1   |            |          |          |       |
| 9    | 54710022B | HEAT EXCHANGER          | 1   |            |          |          |       |
| 10   | 77253297C | SCREW                   | 2   |            |          |          |       |
| 11   | 77253317C | SCREW                   | 9   |            |          |          |       |
| 12   | 17410501A | PUMP GEAR               | 1   |            |          |          |       |
| 13   | 85212681A | WASHER, THRUST          | 1   |            |          |          |       |
| 14   | 88450371A | SNAP RING               | 1   |            |          |          |       |



# DRAWING 012 - STARTING MOTOR GROUP ENGINE



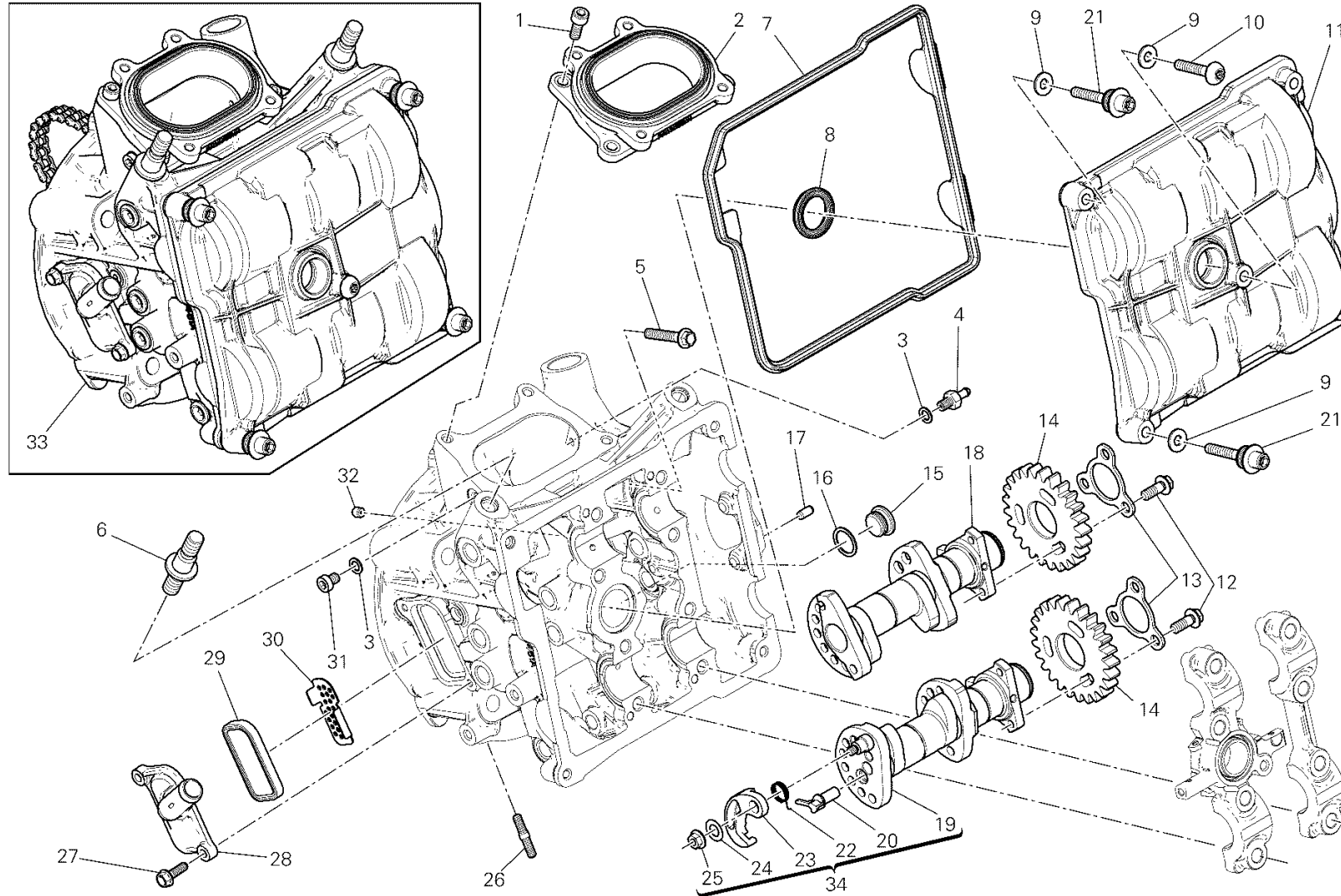
IMP00739

# DRAWING 012 - STARTING MOTOR

## GROUP ENGINE



| POS. | CODE       | DESCRIPTION                  | QTY | START DATE | END DATE | VALIDITY | NOTES |
|------|------------|------------------------------|-----|------------|----------|----------|-------|
| 1    | 26420161A  | GENERATOR DENSO              | 1   |            |          |          |       |
| 2    | 77253300ZF | SCREW                        | 8   |            |          |          |       |
| 3    | 77110518B  | SCREW TCEI M6X25             | 3   |            |          |          |       |
| 4    | 85212941B  | WASHER                       | 1   |            |          |          |       |
| 5    | 77916661B  | SCREW, SPECIAL               | 1   |            |          |          |       |
| 6    | 77917161B  | SCREW, SPECIAL               | 2   |            |          |          |       |
| 7    | 27040134A  | COMPLETE STARTER MOTOR       | 1   |            |          |          |       |
| 8    | 82716091A  | PLATE                        | 1   |            |          |          |       |
| 9    | 71113171A  | LOCATING DOWEL               | 1   |            |          |          |       |
| 10   | 24221081BB | GENERATOR COVER              | 1   |            |          |          |       |
| 11   | 77253357C  | SCREW                        | 3   |            |          |          |       |
| 12   | 88640741A  | O-RING                       | 1   |            |          |          |       |
| 13   | 78010841A  | PLUG                         | 1   |            |          |          |       |
| 14   | 78010511C  | PLUG                         | 1   |            |          |          |       |
| 15   | 85250261A  | GASKET, ALUMINIUM 12X16X1.5  | 1   |            |          |          |       |
| 16   | 77253337C  | SCREW                        | 8   |            |          |          |       |
| 17   | 55241321B  | SENSOR, TIMING & RPM         | 1   |            |          |          |       |
| 18   | 85310031A  | SPRING WASHER 6 MM           | 1   |            |          |          |       |
| 19   | 77253307C  | SCREW                        | 1   |            |          |          |       |
| 20   | 88640331A  | O-RING 17.96X2.62            | 2   |            |          |          |       |
| 21   | 27610602A  | IGNITION FLYWHEEL            | 1   |            |          |          |       |
| 22   | 70140351A  | CLUTCH, ONE WAY              | 1   |            |          |          |       |
| 23   | 16014151A  | FLANGE                       | 1   |            |          |          |       |
| 24   | 70240181B  | NEEDLE BEARING               | 1   |            |          |          |       |
| 25   | 17310241A  | ELECTRIC STARTER DRIVEN GEAR | 1   |            |          |          |       |
| 26   | 85212651A  | WASHER                       | 1   |            |          |          |       |
| 27   | 17610221A  | DRIVEN GEAR DOUBLE           | 1   |            |          |          |       |
| 28   | 82010141A  | STARTER REDUCTION SHAFT      | 1   |            |          |          |       |
| 29   | 88641971A  | O-RING                       | 1   |            |          |          |       |



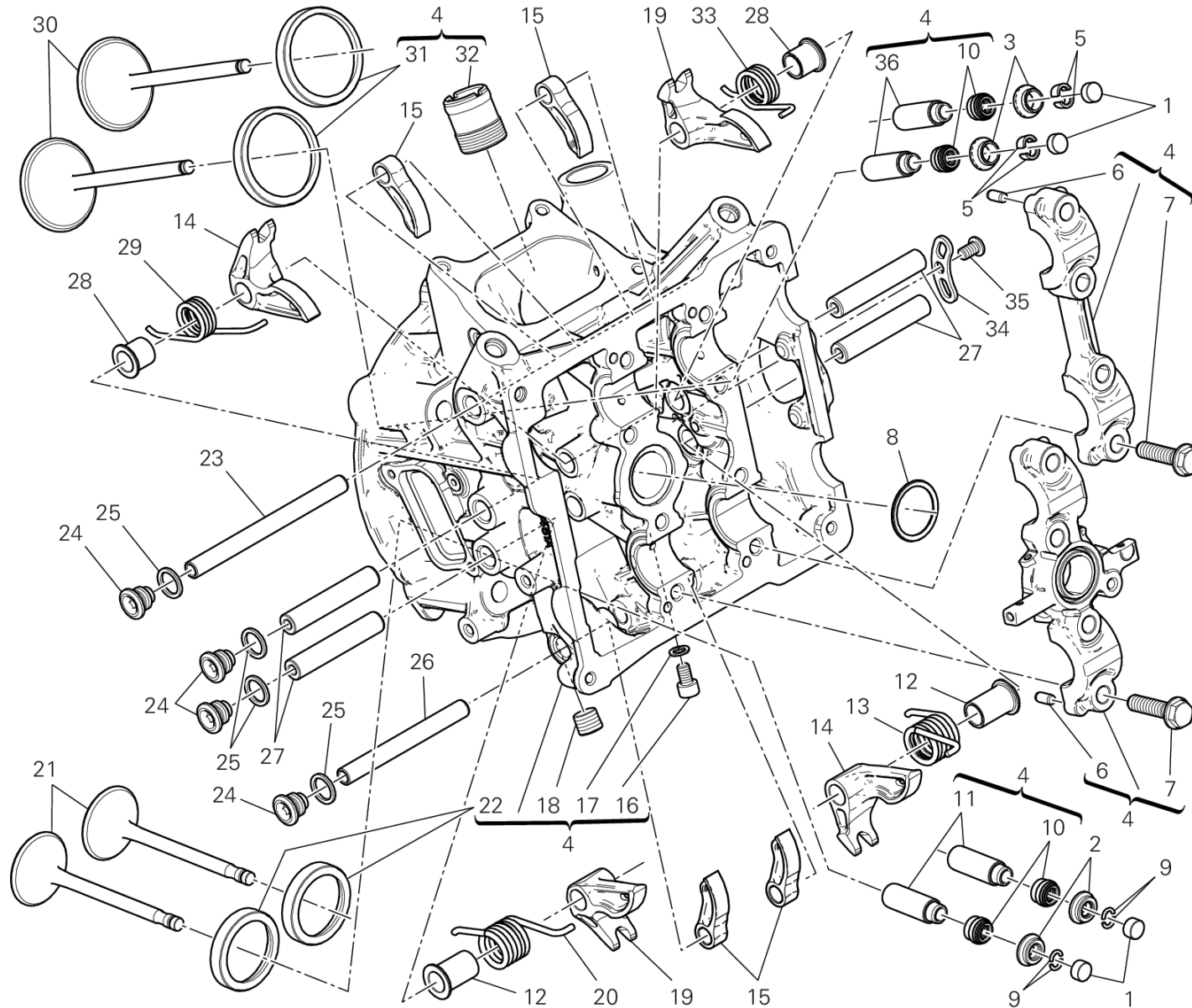
TST00452

# DRAWING 013 - HORIZONTAL HEAD

## GROUP ENGINE



| POS. | CODE      | DESCRIPTION                        | QTY | START DATE | END DATE | VALIDITY | NOTES |
|------|-----------|------------------------------------|-----|------------|----------|----------|-------|
| 1    | 77112331A | SCREW TCEI M6X16                   | 4   |            |          |          |       |
| 2    | 14010691A | INTAKE MANIFOLD                    | 1   |            |          |          |       |
| 3    | 85250231A | GASKET                             | 2   |            |          |          |       |
| 4    | 81413341A | UNION                              | 1   |            |          |          |       |
| 5    | 77253367C | SCREW                              | 2   |            |          |          |       |
| 6    | 76610821A | STUD BOLT                          | 2   |            |          |          |       |
| 7    | 78811101C | VALVE COVER GASKET EXTERNAL        | 1   |            |          |          |       |
| 8    | 78811131A | VALVE COVER GASKET INTERNAL        | 1   |            |          |          |       |
| 9    | 85212781A | WASHER                             | 5   |            |          |          |       |
| 10   | 77916441A | SCREW                              | 1   |            |          |          |       |
| 11   | 24713941B | COVER CYLINDER HEAD, HORIZONTAL    | 1   |            |          |          |       |
| 12   | 77253290Z | SCREW                              | 6   |            |          |          |       |
| 13   | 85611471A | PLATE, RETAINER                    | 2   |            |          |          |       |
| 14   | 17111153A | GEAR Z=25                          | 2   |            |          |          |       |
| 15   | 77913541A | THREADED PLUG M15X1                | 1   |            |          |          |       |
| 16   | 85211201A | ALUMINIUM GASKET                   | 1   |            |          |          |       |
| 17   | 86050061A | PIN M5X10                          | 2   |            |          |          |       |
| 18   | 14814381A | HORIZONTAL INTAKE CAMSHAFT         | 1   |            |          |          |       |
| 19   | 14824491C | HORIZONTAL EXHAUST CAMSHAFT        | 1   |            |          |          |       |
| 20   | 82113832A | PIN                                | 1   |            |          |          |       |
| 21   | 77916971B | SCREW, SPECIAL                     | 4   |            |          |          |       |
| 22   | 79915534A | SPRING                             | 1   |            |          |          |       |
| 23   | 30710021A | DECOMPRESSION DEVICE               | 1   |            |          |          |       |
| 24   | 85240231A | WASHER 8.2X14X0.5                  | 1   |            |          |          |       |
| 25   | 74810791A | NUT                                | 1   |            |          |          |       |
| 26   | 76610891A | STUD BOLT                          | 3   |            |          |          |       |
| 27   | 77210621A | SCREW TEF M5X16                    | 2   |            |          |          |       |
| 28   | 24714101A | COVER                              | 1   |            |          |          |       |
| 29   | 81140012B | VALVE                              | 1   |            |          |          |       |
| 30   | 82716351A | PLATE                              | 1   |            |          |          |       |
| 31   | 77350618B | SCREW TCEIR M6X8                   | 1   |            |          |          |       |
| 32   | 86010061A | PIN                                | 1   |            |          |          |       |
| 33   | 30124503A | COMPLETE HORIZONTAL HEAD           | 1   |            |          |          |       |
| 34   | 14823811C | HORIZONTAL EXHAUST CAMSHAFT (Unit) | 1   |            |          |          |       |



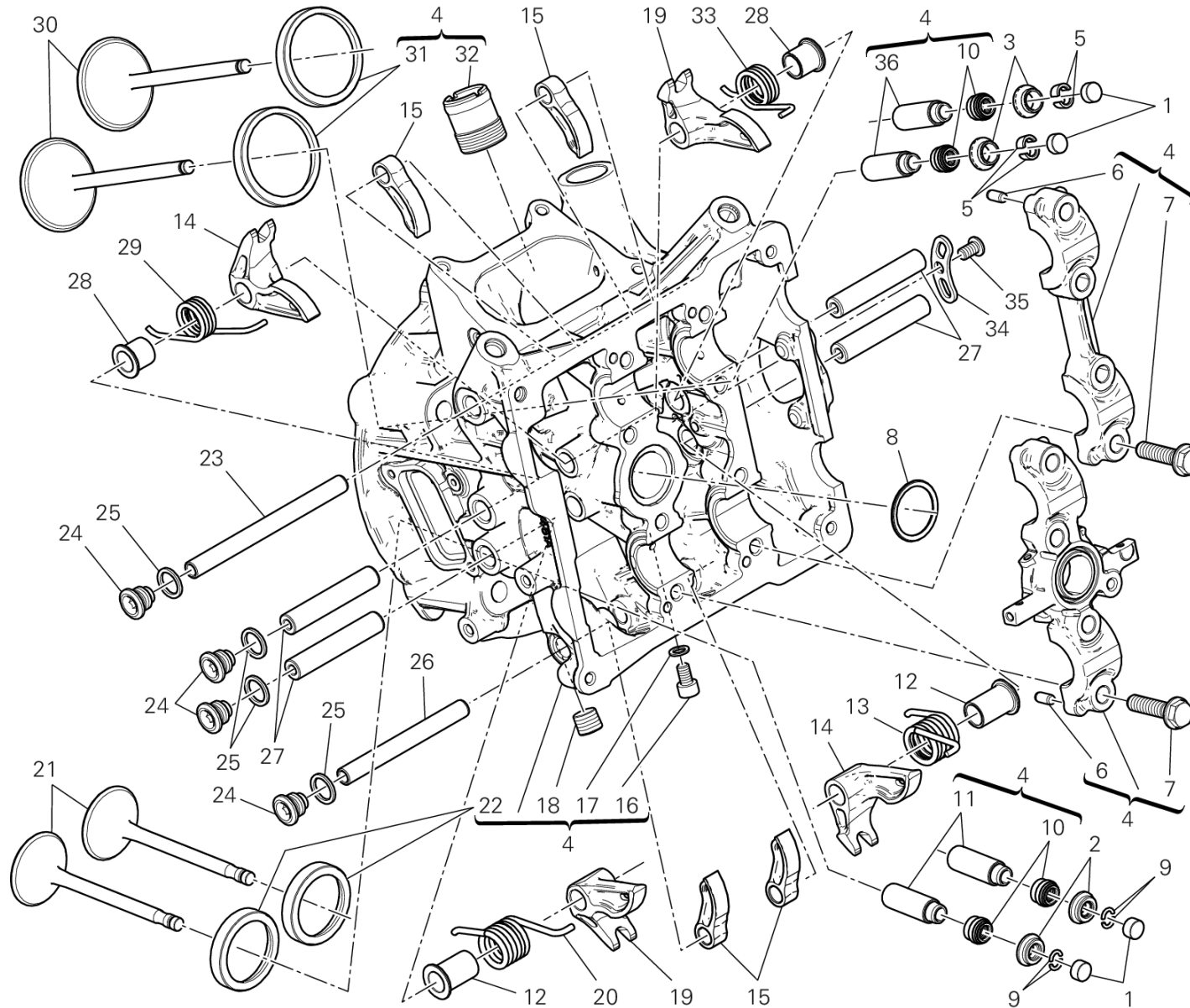
TST00488

# DRAWING 014 - HORIZONTAL CYLINDER HEAD

## GROUP ENGINE



| POS. | CODE      | DESCRIPTION                          | QTY | START DATE | END DATE | VALIDITY | NOTES |
|------|-----------|--------------------------------------|-----|------------|----------|----------|-------|
| 1    | 84010013A | ADJUSTER, OPENING ROCKER ARM 2.00 MM | 4   |            |          |          |       |
|      | 84010023A | ADJUSTER, OPENING ROCKER ARM 2.05 MM | 4   |            |          |          |       |
|      | 84010033A | ADJUSTER, OPENING ROCKER ARM 2.10 MM | 4   |            |          |          |       |
|      | 84010043A | ADJUSTER, OPENING ROCKER ARM 2.15 MM | 4   |            |          |          |       |
|      | 84010053A | ADJUSTER, OPENING ROCKER ARM 2.20 MM | 4   |            |          |          |       |
|      | 84010063A | ADJUSTER, OPENING ROCKER ARM 2.25 MM | 4   |            |          |          |       |
|      | 84010073A | ADJUSTER, OPENING ROCKER ARM 2.30 MM | 4   |            |          |          |       |
|      | 84010083A | ADJUSTER, OPENING ROCKER ARM 2.35 MM | 4   |            |          |          |       |
|      | 84010093A | ADJUSTER, OPENING ROCKER ARM 2.40 MM | 4   |            |          |          |       |
|      | 84010103A | ADJUSTER, OPENING ROCKER ARM 2.45 MM | 4   |            |          |          |       |
|      | 84010113A | ADJUSTER, OPENING ROCKER ARM 2.50 MM | 4   |            |          |          |       |
|      | 84010123A | ADJUSTER, OPENING ROCKER ARM 2.55 MM | 4   |            |          |          |       |
|      | 84010133A | ADJUSTER, OPENING ROCKER ARM 2.60 MM | 4   |            |          |          |       |
|      | 84010143A | ADJUSTER, OPENING ROCKER ARM 2.65 MM | 4   |            |          |          |       |
|      | 84010153A | ADJUSTER, OPENING ROCKER ARM 2.70 MM | 4   |            |          |          |       |
|      | 84010163A | ADJUSTER, OPENING ROCKER ARM 2.75 MM | 4   |            |          |          |       |
|      | 84010173A | ADJUSTER, OPENING ROCKER ARM 2.80 MM | 4   |            |          |          |       |
|      | 84010183A | ADJUSTER, OPENING ROCKER ARM 2.85 MM | 4   |            |          |          |       |
|      | 84010193A | ADJUSTER, OPENING ROCKER ARM 2.90 MM | 4   |            |          |          |       |
|      | 84010203A | ADJUSTER, OPENING ROCKER ARM 2.95 MM | 4   |            |          |          |       |
|      | 84010213A | ADJUSTER, OPENING ROCKER ARM 3.00 MM | 4   |            |          |          |       |
|      | 84010223A | ADJUSTER, OPENING ROCKER ARM 3.05 MM | 4   |            |          |          |       |
|      | 84010233A | ADJUSTER, OPENING ROCKER ARM 3.10 MM | 4   |            |          |          |       |
|      | 84010243A | ADJUSTER, OPENING ROCKER ARM 3.15 MM | 4   |            |          |          |       |
|      | 84010253A | ADJUSTER, OPENING ROCKER ARM 3.20 MM | 4   |            |          |          |       |
|      | 84010263A | ADJUSTER, OPENING ROCKER ARM 3.25 MM | 4   |            |          |          |       |
|      | 84010273A | ADJUSTER, OPENING ROCKER ARM 3.30 MM | 4   |            |          |          |       |
|      | 84010283A | ADJUSTER, OPENING ROCKER ARM 3.35 MM | 4   |            |          |          |       |
|      | 84010293A | ADJUSTER, OPENING ROCKER ARM 3.40 MM | 4   |            |          |          |       |
|      | 84010303A | ADJUSTER, OPENING ROCKER ARM 3.45 MM | 4   |            |          |          |       |
|      | 84010313A | ADJUSTER, OPENING ROCKER ARM 1.80 MM | 4   |            |          |          |       |
|      | 84010323A | ADJUSTER, OPENING ROCKER ARM 1.85 MM | 4   |            |          |          |       |
|      | 84010333A | ADJUSTER, OPENING ROCKER ARM 1.90 MM | 4   |            |          |          |       |
|      | 84010343A | ADJUSTER, OPENING ROCKER ARM 1.95 MM | 4   |            |          |          |       |
|      | 84010723A | ADJUSTER, OPENING ROCKER ARM 3.60 MM | 4   |            |          |          |       |



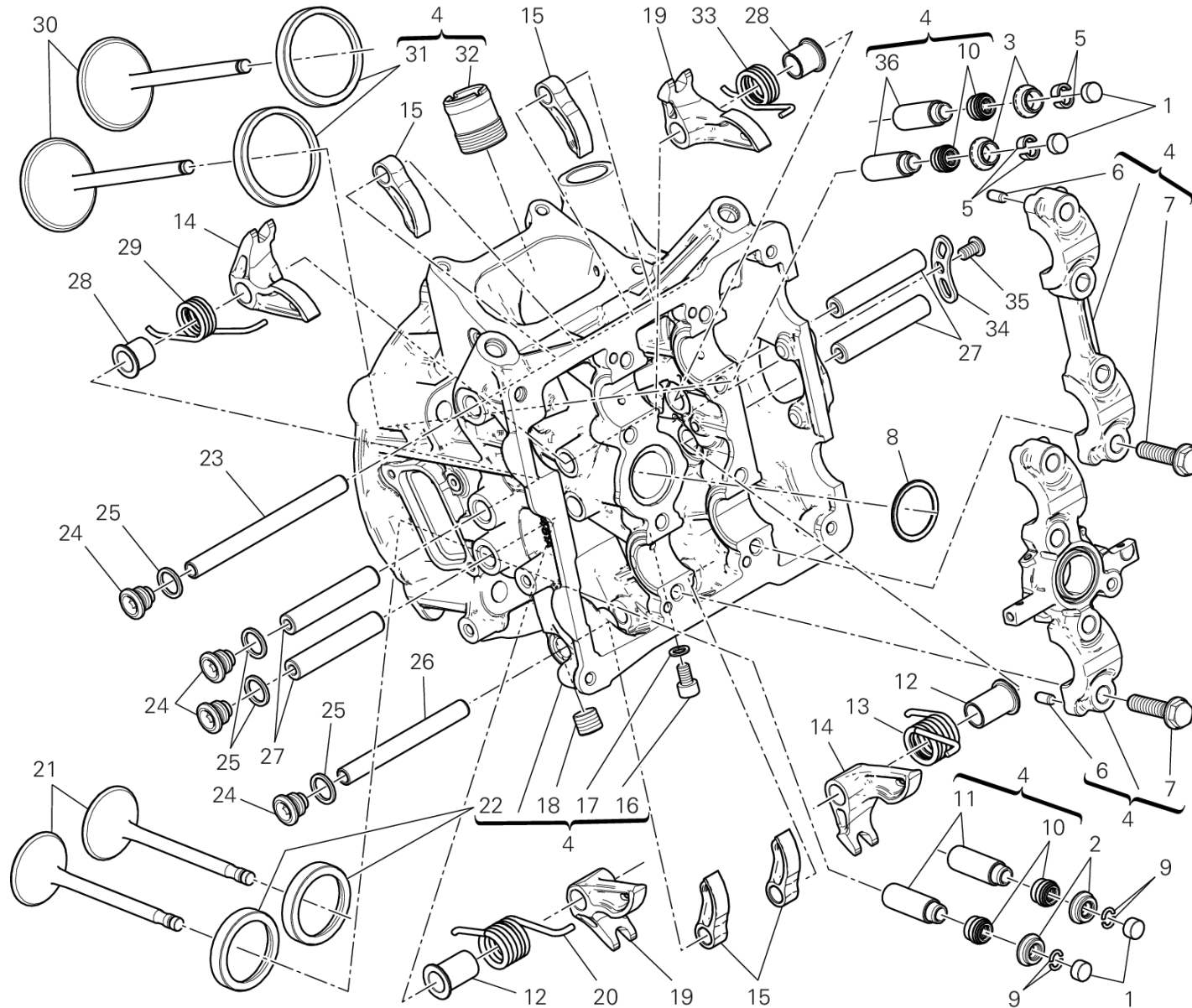
TST00488

# DRAWING 014 - HORIZONTAL CYLINDER HEAD

## GROUP ENGINE



| POS. | CODE      | DESCRIPTION                          | QTY | START DATE | END DATE | VALIDITY | NOTES |
|------|-----------|--------------------------------------|-----|------------|----------|----------|-------|
|      | 84010733A | ADJUSTER, OPENING ROCKER ARM 3.80 MM | 4   |            |          |          |       |
|      | 84011083A | ADJUSTER, OPENING ROCKER ARM 3.50 MM | 4   |            |          |          |       |
|      | 84011093A | ADJUSTER, OPENING ROCKER ARM 3.55 MM | 4   |            |          |          |       |
|      | 84011103A | ADJUSTER, OPENING ROCKER ARM 3.65 MM | 4   |            |          |          |       |
|      | 84011113A | ADJUSTER, OPENING ROCKER ARM 3.70 MM | 4   |            |          |          |       |
|      | 84011123A | ADJUSTER, OPENING ROCKER ARM 3.75 MM | 4   |            |          |          |       |
|      | 84011133A | ADJUSTER, OPENING ROCKER ARM 3.85 MM | 4   |            |          |          |       |
|      | 84011143A | ADJUSTER, OPENING ROCKER ARM 3.9 MM  | 4   |            |          |          |       |
| 2    | 84010412B | ADJUSTER, CLOSING ROCKER ARM 2.20 MM | 4   |            |          |          |       |
|      | 84010422B | ADJUSTER, CLOSING ROCKER ARM 2.25 MM | 4   |            |          |          |       |
|      | 84010432B | ADJUSTER, CLOSING ROCKER ARM 2.30 MM | 4   |            |          |          |       |
|      | 84010442B | ADJUSTER, CLOSING ROCKER ARM 2.35 MM | 4   |            |          |          |       |
|      | 84010452B | ADJUSTER, CLOSING ROCKER ARM 2.40 MM | 4   |            |          |          |       |
|      | 84010462B | ADJUSTER, CLOSING ROCKER ARM 2.45 MM | 4   |            |          |          |       |
|      | 84010472B | ADJUSTER, CLOSING ROCKER ARM 2.50 MM | 4   |            |          |          |       |
|      | 84010482B | ADJUSTER, CLOSING ROCKER ARM 2.55 MM | 4   |            |          |          |       |
|      | 84010492B | ADJUSTER, CLOSING ROCKER ARM 2.60 MM | 4   |            |          |          |       |
|      | 84010502B | ADJUSTER, CLOSING ROCKER ARM 2.65 MM | 4   |            |          |          |       |
|      | 84010512B | ADJUSTER, CLOSING ROCKER ARM 2.70 MM | 4   |            |          |          |       |
|      | 84010522B | ADJUSTER, CLOSING ROCKER ARM 2.75 MM | 4   |            |          |          |       |
|      | 84010532B | ADJUSTER, CLOSING ROCKER ARM 2.80 MM | 4   |            |          |          |       |
|      | 84010542B | ADJUSTER, CLOSING ROCKER ARM 2.85 MM | 4   |            |          |          |       |
|      | 84010552B | ADJUSTER, CLOSING ROCKER ARM 2.90 MM | 4   |            |          |          |       |
|      | 84010562B | ADJUSTER, CLOSING ROCKER ARM 2.95 MM | 4   |            |          |          |       |
|      | 84010572B | ADJUSTER, CLOSING ROCKER ARM 3.00 MM | 4   |            |          |          |       |
|      | 84010582B | ADJUSTER, CLOSING ROCKER ARM 3.05 MM | 4   |            |          |          |       |
|      | 84010592B | ADJUSTER, CLOSING ROCKER ARM 3.10 MM | 4   |            |          |          |       |
|      | 84010602B | ADJUSTER, CLOSING ROCKER ARM 3.15 MM | 4   |            |          |          |       |
|      | 84010612B | ADJUSTER, CLOSING ROCKER ARM 3.20 MM | 4   |            |          |          |       |
|      | 84010622B | ADJUSTER, CLOSING ROCKER ARM 3.25 MM | 4   |            |          |          |       |
|      | 84010632B | ADJUSTER, CLOSING ROCKER ARM 3.30 MM | 4   |            |          |          |       |
|      | 84010642B | ADJUSTER, CLOSING ROCKER ARM 3.35 MM | 4   |            |          |          |       |
|      | 84010652B | ADJUSTER, CLOSING ROCKER ARM 3.40 MM | 4   |            |          |          |       |
|      | 84010662B | ADJUSTER, CLOSING ROCKER ARM 3.45 MM | 4   |            |          |          |       |
|      | 84010672B | ADJUSTER, CLOSING ROCKER ARM 3.50 MM | 4   |            |          |          |       |



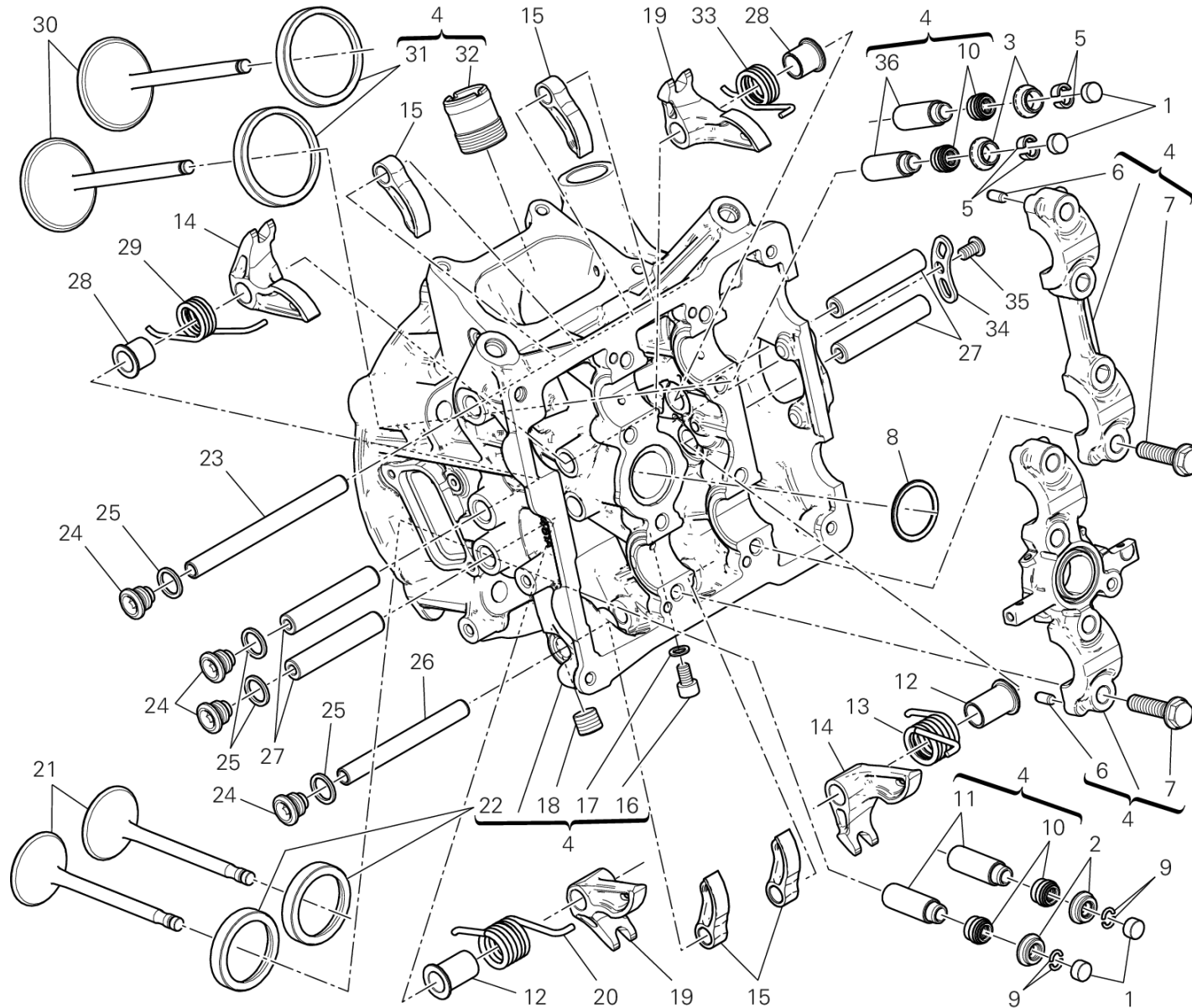
TST00488

# DRAWING 014 - HORIZONTAL CYLINDER HEAD

## GROUP ENGINE



| POS. | CODE       | DESCRIPTION                          | QTY | START DATE | END DATE | VALIDITY | NOTES |
|------|------------|--------------------------------------|-----|------------|----------|----------|-------|
|      | 84010682B  | ADJUSTER, CLOSING ROCKER ARM 3.55 MM | 4   |            |          |          |       |
|      | 84010692B  | ADJUSTER, CLOSING ROCKER ARM 3.60 MM | 4   |            |          |          |       |
|      | 84010702B  | ADJUSTER, CLOSING ROCKER ARM 3.65 MM | 4   |            |          |          |       |
|      | 84010712B  | ADJUSTER, CLOSING ROCKER ARM 3.70 MM | 4   |            |          |          |       |
|      | 84010722B  | ADJUSTER, CLOSING ROCKER ARM 3.75 MM | 4   |            |          |          |       |
|      | 84010732B  | ADJUSTER, CLOSING ROCKER ARM 3.80 MM | 4   |            |          |          |       |
|      | 84010742B  | ADJUSTER, CLOSING ROCKER ARM 3.85 MM | 4   |            |          |          |       |
|      | 84010752B  | ADJUSTER, CLOSING ROCKER ARM 3.90 MM | 4   |            |          |          |       |
|      | 84010762B  | ADJUSTER, CLOSING ROCKER ARM 3.95 MM | 4   |            |          |          |       |
|      | 84010772B  | ADJUSTER, CLOSING ROCKER ARM 4.00 MM | 4   |            |          |          |       |
|      | 84010782B  | ADJUSTER, CLOSING ROCKER ARM 4.05 MM | 4   |            |          |          |       |
|      | 84010792B  | ADJUSTER, CLOSING ROCKER ARM 4.10 MM | 4   |            |          |          |       |
|      | 84010802B  | ADJUSTER, CLOSING ROCKER ARM 4.15 MM | 4   |            |          |          |       |
|      | 84010812B  | ADJUSTER, CLOSING ROCKER ARM 4.20 MM | 4   |            |          |          |       |
|      | 84010822B  | ADJUSTER, CLOSING ROCKER ARM 4.25 MM | 4   |            |          |          |       |
|      | 84010832B  | ADJUSTER, CLOSING ROCKER ARM 4.30 MM | 4   |            |          |          |       |
|      | 84010842B  | ADJUSTER, CLOSING ROCKER ARM 4.35 MM | 4   |            |          |          |       |
|      | 84010852B  | ADJUSTER, CLOSING ROCKER ARM 4.40 MM | 4   |            |          |          |       |
|      | 84010862B  | ADJUSTER, CLOSING ROCKER ARM 4.45 MM | 4   |            |          |          |       |
|      | 84010872B  | ADJUSTER, CLOSING ROCKER ARM 4.50 MM | 4   |            |          |          |       |
| 3    | 84011901AA | ADJUSTER, CLOSING ROCKER ARM 4.15 MM | 4   |            |          |          |       |
|      | 84011901AB | ADJUSTER, CLOSING ROCKER ARM 4.20 MM | 4   |            |          |          |       |
|      | 84011901AC | ADJUSTER, CLOSING ROCKER ARM 4.25 MM | 4   |            |          |          |       |
|      | 84011901AD | ADJUSTER, CLOSING ROCKER ARM 4.30 MM | 4   |            |          |          |       |
|      | 84011901AE | ADJUSTER, CLOSING ROCKER ARM 4.35 MM | 4   |            |          |          |       |
|      | 84011901AF | ADJUSTER, CLOSING ROCKER ARM 4.40 MM | 4   |            |          |          |       |
|      | 84011901AG | ADJUSTER, CLOSING ROCKER ARM 4.45 MM | 4   |            |          |          |       |
|      | 84011901AH | ADJUSTER, CLOSING ROCKER ARM 4.50 MM | 4   |            |          |          |       |
|      | 84011901AI | CLOSE ROCKER ARM ADJUSTMENT 4.55 MM  | 4   |            |          |          |       |
|      | 84011901AJ | CLOSE ROCKER ARM ADJUSTMENT 4.60 MM  | 4   |            |          |          |       |
|      | 84011901AK | CLOSE ROCKER ARM ADJUSTMENT 4.65 MM  | 4   |            |          |          |       |
|      | 84011901AL | CLOSE ROCKER ARM ADJUSTMENT 4.70 MM  | 4   |            |          |          |       |
|      | 84011901AM | CLOSE ROCKER ARM ADJUSTMENT 4.75 MM  | 4   |            |          |          |       |
|      | 84011901AN | CLOSE ROCKER ARM ADJUSTMENT 4.80 MM  | 4   |            |          |          |       |
|      | 84011901AO | CLOSE ROCKER ARM ADJUSTMENT 4.85 MM  | 4   |            |          |          |       |



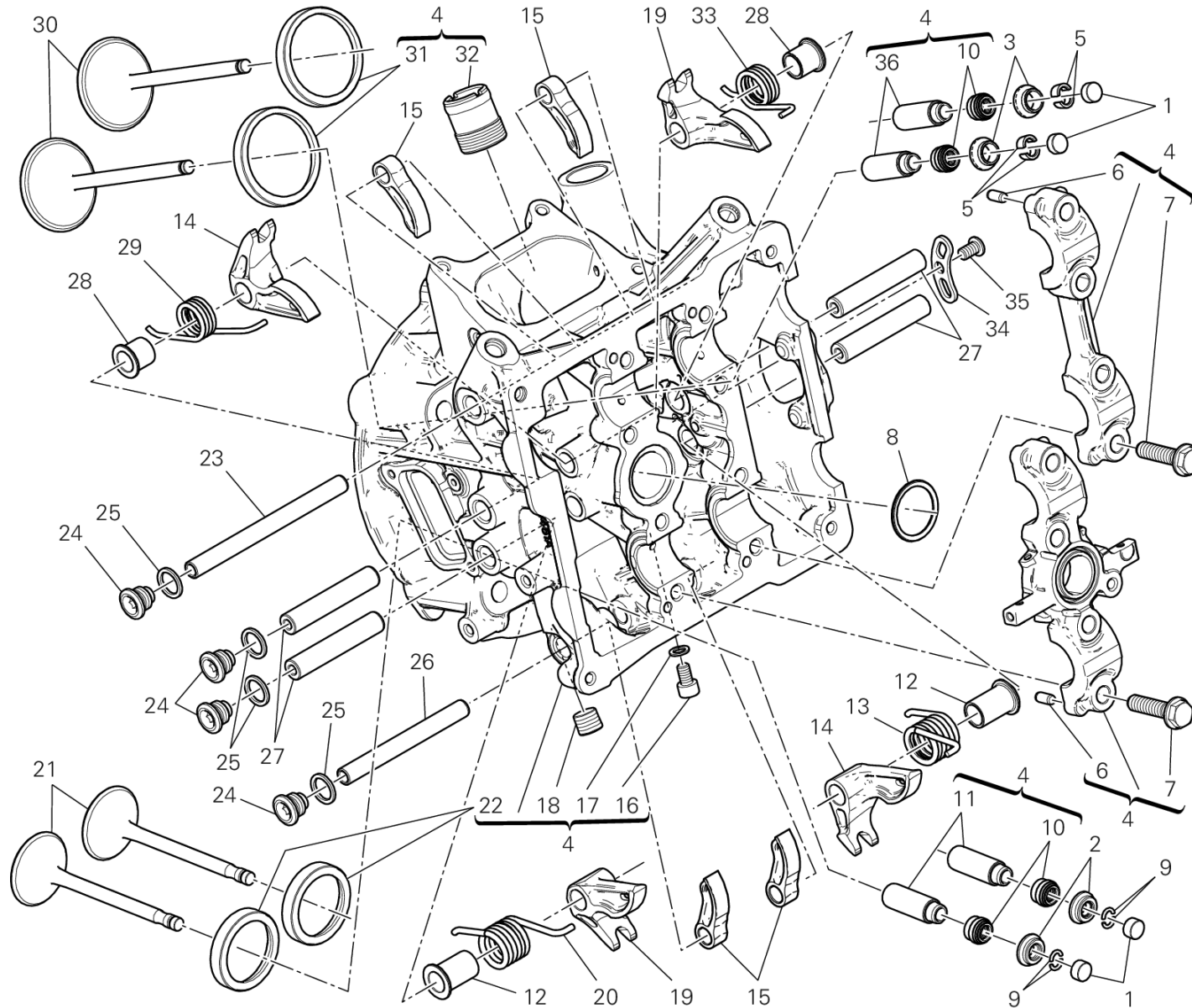
TST00488

# DRAWING 014 - HORIZONTAL CYLINDER HEAD

## GROUP ENGINE



| POS. | CODE       | DESCRIPTION                         | QTY | START DATE | END DATE | VALIDITY | NOTES |
|------|------------|-------------------------------------|-----|------------|----------|----------|-------|
|      | 84011901AP | CLOSE ROCKER ARM ADJUSTMENT 4.90 MM | 4   |            |          |          |       |
|      | 84011901AQ | CLOSE ROCKER ARM ADJUSTMENT 4.95 MM | 4   |            |          |          |       |
|      | 84011901AR | CLOSE ROCKER ARM ADJUSTMENT 5.00 MM | 4   |            |          |          |       |
| 4    | 30123461C  | HORIZONTAL HEAD                     | 1   |            |          |          |       |
| 5    | 84510061A  | VALVE COLLET PAIR                   | 2   |            |          |          |       |
| 6    | 86050061A  | PIN M5X10                           | 4   |            |          |          |       |
| 7    | 77914211A  | SCREW TEF M8X32                     | 8   |            |          |          |       |
| 8    | 88640881A  | O-RING 26.64X2.62                   | 1   |            |          |          |       |
| 9    | 66910011E  | C RING                              | 4   |            |          |          |       |
| 10   | 76410871A  | SEAL VALVE STEM                     | 4   |            |          |          |       |
| 11   | 30310671AA | GUIDE, VALVE OVERSIZED 0.03 MM      | 2   |            |          |          |       |
|      | 30310671AB | GUIDE, VALVE OVERSIZED 0.06 MM      | 2   |            |          |          |       |
|      | 30310671AC | GUIDE, VALVE OVERSIZED 0.09 MM      | 2   |            |          |          |       |
| 12   | 71319271A  | SPACER                              | 2   |            |          |          |       |
| 13   | 79915231A  | EXHAUST VALVE RETURN SPRING LH      | 1   |            |          |          |       |
| 14   | 20910651A  | CLOSING ROCKER ARM LEFT             | 2   |            |          |          |       |
| 15   | 20810381A  | OPEN. ROCKER ARM                    | 4   |            |          |          |       |
| 16   | 77150628B  | SCREW TCEI M6X10                    | 2   |            |          |          |       |
| 17   | 85240261A  | WASHER                              | 2   |            |          |          |       |
| 18   | 78010771A  | THREADED DOWEL                      | 2   |            |          |          |       |
| 19   | 20910641A  | CLOSING ROCKER ARM RIGHT            | 2   |            |          |          |       |
| 20   | 79915221A  | EXHAUST VALVE RETURN SPRING RH      | 1   |            |          |          |       |
| 21   | 21110802A  | EXHAUST VALVE                       | 2   |            |          |          |       |
| 22   | 304A0931A  | SEAT, EXHAUST VALVE                 | 2   |            |          |          |       |
| 23   | 82114041A  | OPENING ROCKER SHAFT LONG           | 1   |            |          |          |       |
| 24   | 78010511C  | PLUG                                | 4   |            |          |          |       |
| 25   | 85250261B  | GASKET                              | 4   |            |          |          |       |
| 26   | 82113361A  | OPENING ROCKER SHAFT SHORT          | 1   |            |          |          |       |
| 27   | 82113371B  | CLOSE ROCKER ARM AXLE               | 4   |            |          |          |       |
| 28   | 71319281A  | SPACER                              | 2   |            |          |          |       |
| 29   | 79915211A  | INTAKE VALVE RETURN SPRING LH       | 1   |            |          |          |       |
| 30   | 21010811B  | INTAKE VALVE                        | 2   |            |          |          |       |
| 31   | 304A0921A  | SEAT, INTAKE VALVE                  | 2   |            |          |          |       |
| 32   | 66810491A  | FILLER                              | 1   |            |          |          |       |
| 33   | 79915201A  | INTAKE VALVE RETURN SPRING RH       | 1   |            |          |          |       |



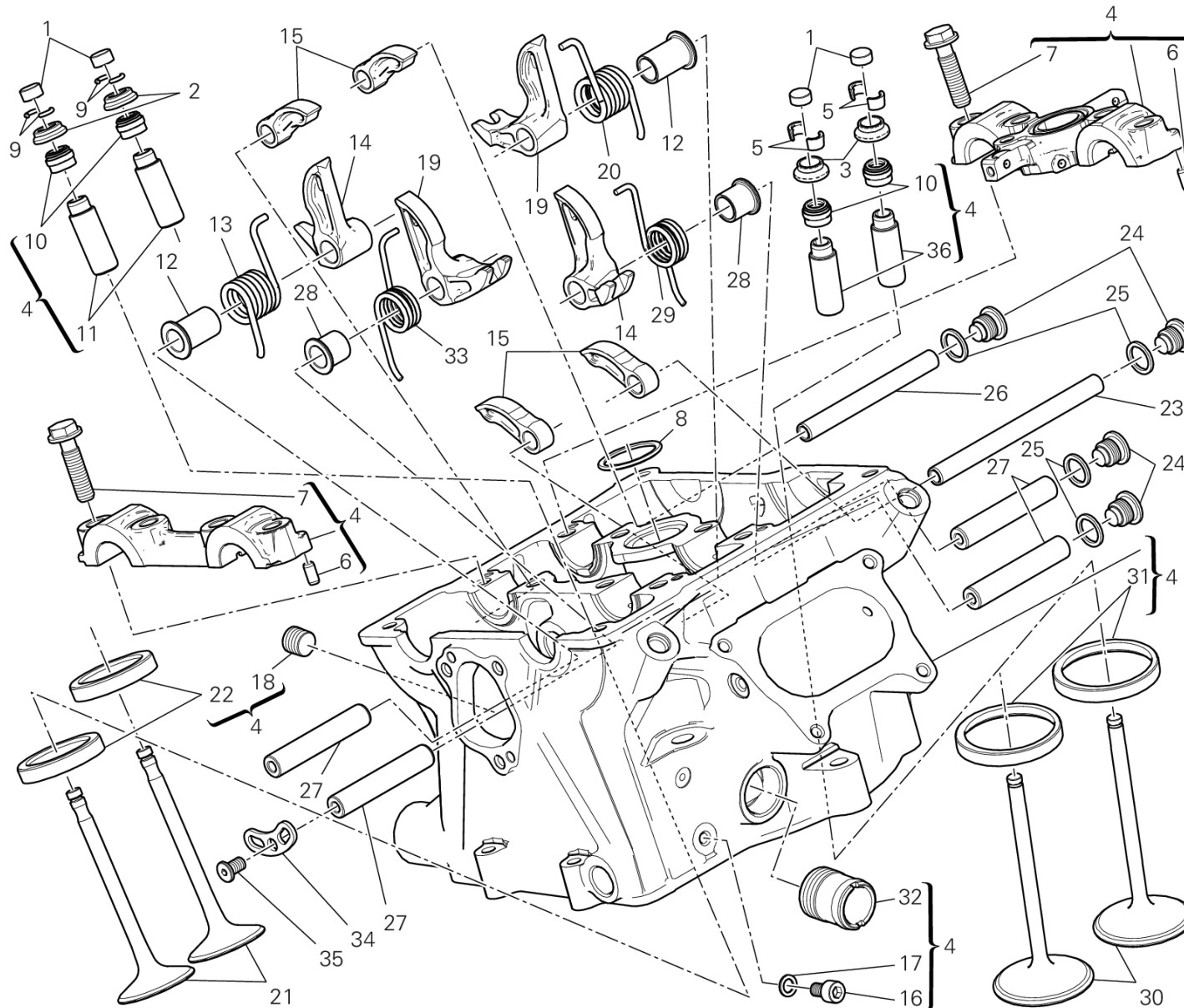
TST00488

# DRAWING 014 - HORIZONTAL CYLINDER HEAD

## GROUP ENGINE



| POS. | CODE       | DESCRIPTION                 | QTY | START DATE | END DATE | VALIDITY | NOTES |
|------|------------|-----------------------------|-----|------------|----------|----------|-------|
| 34   | 82716021A  | PLATE, RETAINER             | 1   |            |          |          |       |
| 35   | 77917231A  | SCREW, SPECIAL              | 1   |            |          |          |       |
| 36   | 30310691A  | GUIDE-VALVE, INTAKE         | 2   |            |          |          |       |
|      | 30310691AA | GUIDE INTAKE VALVE +0.03 MM | 2   |            |          |          |       |
|      | 30310691AB | GUIDE INTAKE VALVE +0.06 MM | 2   |            |          |          |       |
|      | 30310691AC | GUIDE INTAKE VALVE +0.09 MM | 2   |            |          |          |       |



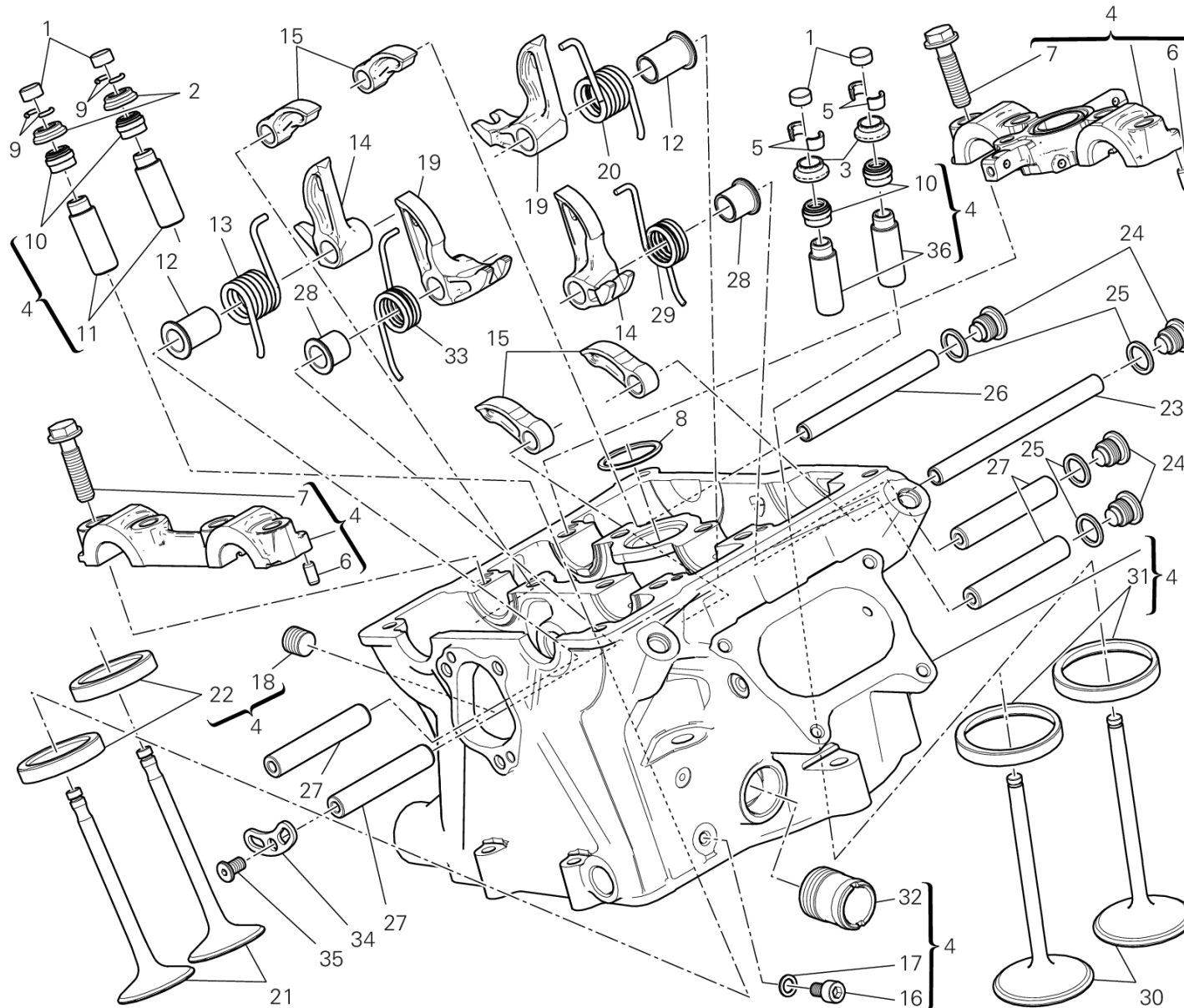
TST00487

# DRAWING 015 - VERTICAL CYLINDER HEAD

## GROUP ENGINE



| POS. | CODE      | DESCRIPTION                          | QTY | START DATE | END DATE | VALIDITY | NOTES |
|------|-----------|--------------------------------------|-----|------------|----------|----------|-------|
| 1    | 84010013A | ADJUSTER, OPENING ROCKER ARM 2.00 MM | 4   |            |          |          |       |
|      | 84010023A | ADJUSTER, OPENING ROCKER ARM 2.05 MM | 4   |            |          |          |       |
|      | 84010033A | ADJUSTER, OPENING ROCKER ARM 2.10 MM | 4   |            |          |          |       |
|      | 84010043A | ADJUSTER, OPENING ROCKER ARM 2.15 MM | 4   |            |          |          |       |
|      | 84010053A | ADJUSTER, OPENING ROCKER ARM 2.20 MM | 4   |            |          |          |       |
|      | 84010063A | ADJUSTER, OPENING ROCKER ARM 2.25 MM | 4   |            |          |          |       |
|      | 84010073A | ADJUSTER, OPENING ROCKER ARM 2.30 MM | 4   |            |          |          |       |
|      | 84010083A | ADJUSTER, OPENING ROCKER ARM 2.35 MM | 4   |            |          |          |       |
|      | 84010093A | ADJUSTER, OPENING ROCKER ARM 2.40 MM | 4   |            |          |          |       |
|      | 84010103A | ADJUSTER, OPENING ROCKER ARM 2.45 MM | 4   |            |          |          |       |
|      | 84010113A | ADJUSTER, OPENING ROCKER ARM 2.50 MM | 4   |            |          |          |       |
|      | 84010123A | ADJUSTER, OPENING ROCKER ARM 2.55 MM | 4   |            |          |          |       |
|      | 84010133A | ADJUSTER, OPENING ROCKER ARM 2.60 MM | 4   |            |          |          |       |
|      | 84010143A | ADJUSTER, OPENING ROCKER ARM 2.65 MM | 4   |            |          |          |       |
|      | 84010153A | ADJUSTER, OPENING ROCKER ARM 2.70 MM | 4   |            |          |          |       |
|      | 84010163A | ADJUSTER, OPENING ROCKER ARM 2.75 MM | 4   |            |          |          |       |
|      | 84010173A | ADJUSTER, OPENING ROCKER ARM 2.80 MM | 4   |            |          |          |       |
|      | 84010183A | ADJUSTER, OPENING ROCKER ARM 2.85 MM | 4   |            |          |          |       |
|      | 84010193A | ADJUSTER, OPENING ROCKER ARM 2.90 MM | 4   |            |          |          |       |
|      | 84010203A | ADJUSTER, OPENING ROCKER ARM 2.95 MM | 4   |            |          |          |       |
|      | 84010213A | ADJUSTER, OPENING ROCKER ARM 3.00 MM | 4   |            |          |          |       |
|      | 84010223A | ADJUSTER, OPENING ROCKER ARM 3.05 MM | 4   |            |          |          |       |
|      | 84010233A | ADJUSTER, OPENING ROCKER ARM 3.10 MM | 4   |            |          |          |       |
|      | 84010243A | ADJUSTER, OPENING ROCKER ARM 3.15 MM | 4   |            |          |          |       |
|      | 84010253A | ADJUSTER, OPENING ROCKER ARM 3.20 MM | 4   |            |          |          |       |
|      | 84010263A | ADJUSTER, OPENING ROCKER ARM 3.25 MM | 4   |            |          |          |       |
|      | 84010273A | ADJUSTER, OPENING ROCKER ARM 3.30 MM | 4   |            |          |          |       |
|      | 84010283A | ADJUSTER, OPENING ROCKER ARM 3.35 MM | 4   |            |          |          |       |
|      | 84010293A | ADJUSTER, OPENING ROCKER ARM 3.40 MM | 4   |            |          |          |       |
|      | 84010303A | ADJUSTER, OPENING ROCKER ARM 3.45 MM | 4   |            |          |          |       |
|      | 84010313A | ADJUSTER, OPENING ROCKER ARM 1.80 MM | 4   |            |          |          |       |
|      | 84010323A | ADJUSTER, OPENING ROCKER ARM 1.85 MM | 4   |            |          |          |       |
|      | 84010333A | ADJUSTER, OPENING ROCKER ARM 1.90 MM | 4   |            |          |          |       |
|      | 84010343A | ADJUSTER, OPENING ROCKER ARM 1.95 MM | 4   |            |          |          |       |
|      | 84010723A | ADJUSTER, OPENING ROCKER ARM 3.60 MM | 4   |            |          |          |       |



TST00487

# DRAWING 015 - VERTICAL CYLINDER HEAD

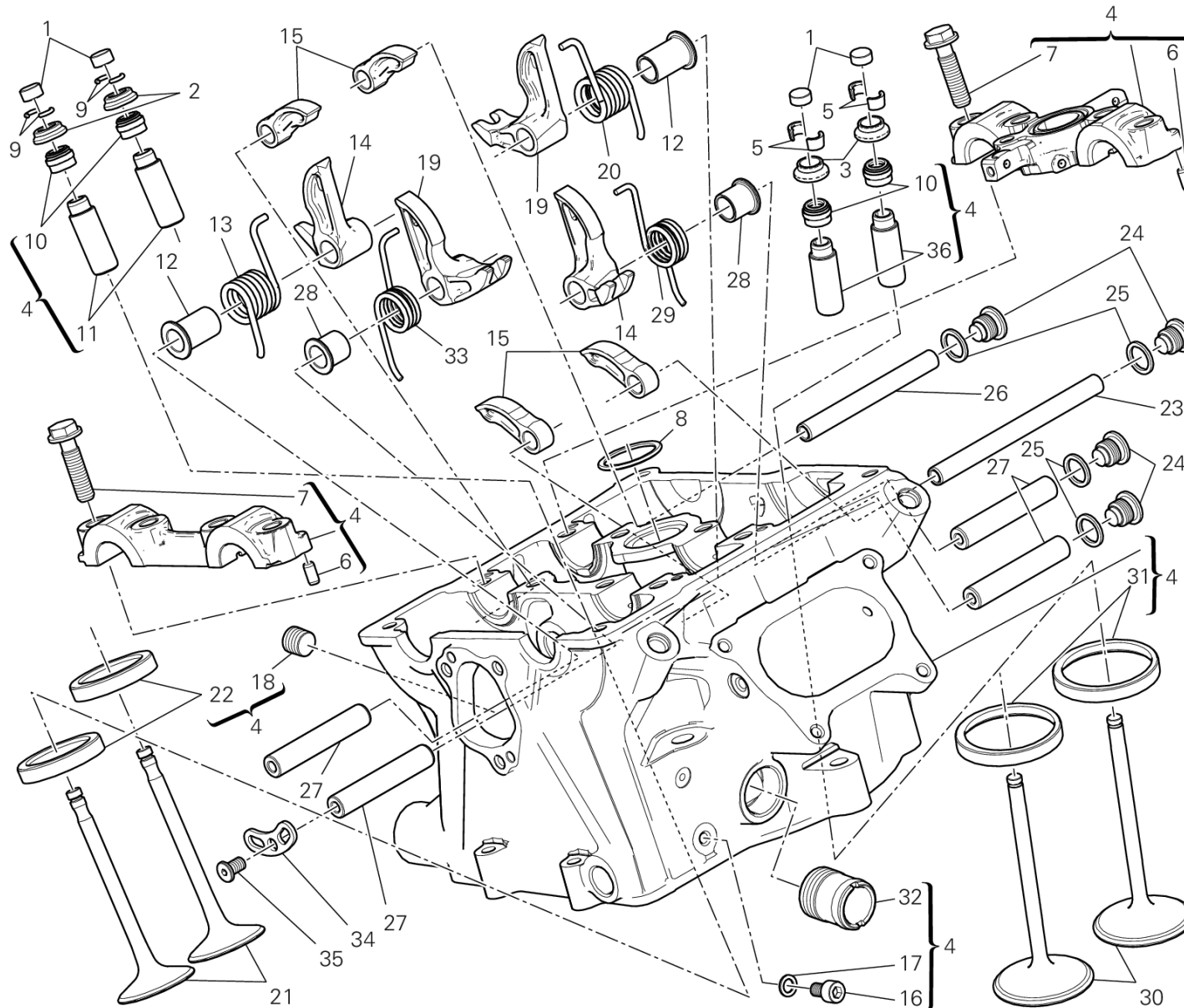
## GROUP ENGINE



| POS. | CODE      | DESCRIPTION                          | QTY | START DATE | END DATE | VALIDITY | NOTES |
|------|-----------|--------------------------------------|-----|------------|----------|----------|-------|
|      | 84010733A | ADJUSTER, OPENING ROCKER ARM 3.80 MM | 4   |            |          |          |       |
|      | 84011083A | ADJUSTER, OPENING ROCKER ARM 3.50 MM | 4   |            |          |          |       |
|      | 84011093A | ADJUSTER, OPENING ROCKER ARM 3.55 MM | 4   |            |          |          |       |
|      | 84011103A | ADJUSTER, OPENING ROCKER ARM 3.65 MM | 4   |            |          |          |       |
|      | 84011113A | ADJUSTER, OPENING ROCKER ARM 3.70 MM | 4   |            |          |          |       |
|      | 84011123A | ADJUSTER, OPENING ROCKER ARM 3.75 MM | 4   |            |          |          |       |
|      | 84011133A | ADJUSTER, OPENING ROCKER ARM 3.85 MM | 4   |            |          |          |       |
|      | 84011143A | ADJUSTER, OPENING ROCKER ARM 3.9 MM  | 4   |            |          |          |       |
| 2    | 84010412B | ADJUSTER, CLOSING ROCKER ARM 2.20 MM | 4   |            |          |          |       |
|      | 84010422B | ADJUSTER, CLOSING ROCKER ARM 2.25 MM | 4   |            |          |          |       |
|      | 84010432B | ADJUSTER, CLOSING ROCKER ARM 2.30 MM | 4   |            |          |          |       |
|      | 84010442B | ADJUSTER, CLOSING ROCKER ARM 2.35 MM | 4   |            |          |          |       |
|      | 84010452B | ADJUSTER, CLOSING ROCKER ARM 2.40 MM | 4   |            |          |          |       |
|      | 84010462B | ADJUSTER, CLOSING ROCKER ARM 2.45 MM | 4   |            |          |          |       |
|      | 84010472B | ADJUSTER, CLOSING ROCKER ARM 2.50 MM | 4   |            |          |          |       |
|      | 84010482B | ADJUSTER, CLOSING ROCKER ARM 2.55 MM | 4   |            |          |          |       |
|      | 84010492B | ADJUSTER, CLOSING ROCKER ARM 2.60 MM | 4   |            |          |          |       |
|      | 84010502B | ADJUSTER, CLOSING ROCKER ARM 2.65 MM | 4   |            |          |          |       |
|      | 84010512B | ADJUSTER, CLOSING ROCKER ARM 2.70 MM | 4   |            |          |          |       |
|      | 84010522B | ADJUSTER, CLOSING ROCKER ARM 2.75 MM | 4   |            |          |          |       |
|      | 84010532B | ADJUSTER, CLOSING ROCKER ARM 2.80 MM | 4   |            |          |          |       |
|      | 84010542B | ADJUSTER, CLOSING ROCKER ARM 2.85 MM | 4   |            |          |          |       |
|      | 84010552B | ADJUSTER, CLOSING ROCKER ARM 2.90 MM | 4   |            |          |          |       |
|      | 84010562B | ADJUSTER, CLOSING ROCKER ARM 2.95 MM | 4   |            |          |          |       |
|      | 84010572B | ADJUSTER, CLOSING ROCKER ARM 3.00 MM | 4   |            |          |          |       |
|      | 84010582B | ADJUSTER, CLOSING ROCKER ARM 3.05 MM | 4   |            |          |          |       |
|      | 84010592B | ADJUSTER, CLOSING ROCKER ARM 3.10 MM | 4   |            |          |          |       |
|      | 84010602B | ADJUSTER, CLOSING ROCKER ARM 3.15 MM | 4   |            |          |          |       |
|      | 84010612B | ADJUSTER, CLOSING ROCKER ARM 3.20 MM | 4   |            |          |          |       |
|      | 84010622B | ADJUSTER, CLOSING ROCKER ARM 3.25 MM | 4   |            |          |          |       |
|      | 84010632B | ADJUSTER, CLOSING ROCKER ARM 3.30 MM | 4   |            |          |          |       |
|      | 84010642B | ADJUSTER, CLOSING ROCKER ARM 3.35 MM | 4   |            |          |          |       |
|      | 84010652B | ADJUSTER, CLOSING ROCKER ARM 3.40 MM | 4   |            |          |          |       |
|      | 84010662B | ADJUSTER, CLOSING ROCKER ARM 3.45 MM | 4   |            |          |          |       |
|      | 84010672B | ADJUSTER, CLOSING ROCKER ARM 3.50 MM | 4   |            |          |          |       |



# DRAWING 015 - VERTICAL CYLINDER HEAD GROUP ENGINE



TST00487

# DRAWING 015 - VERTICAL CYLINDER HEAD

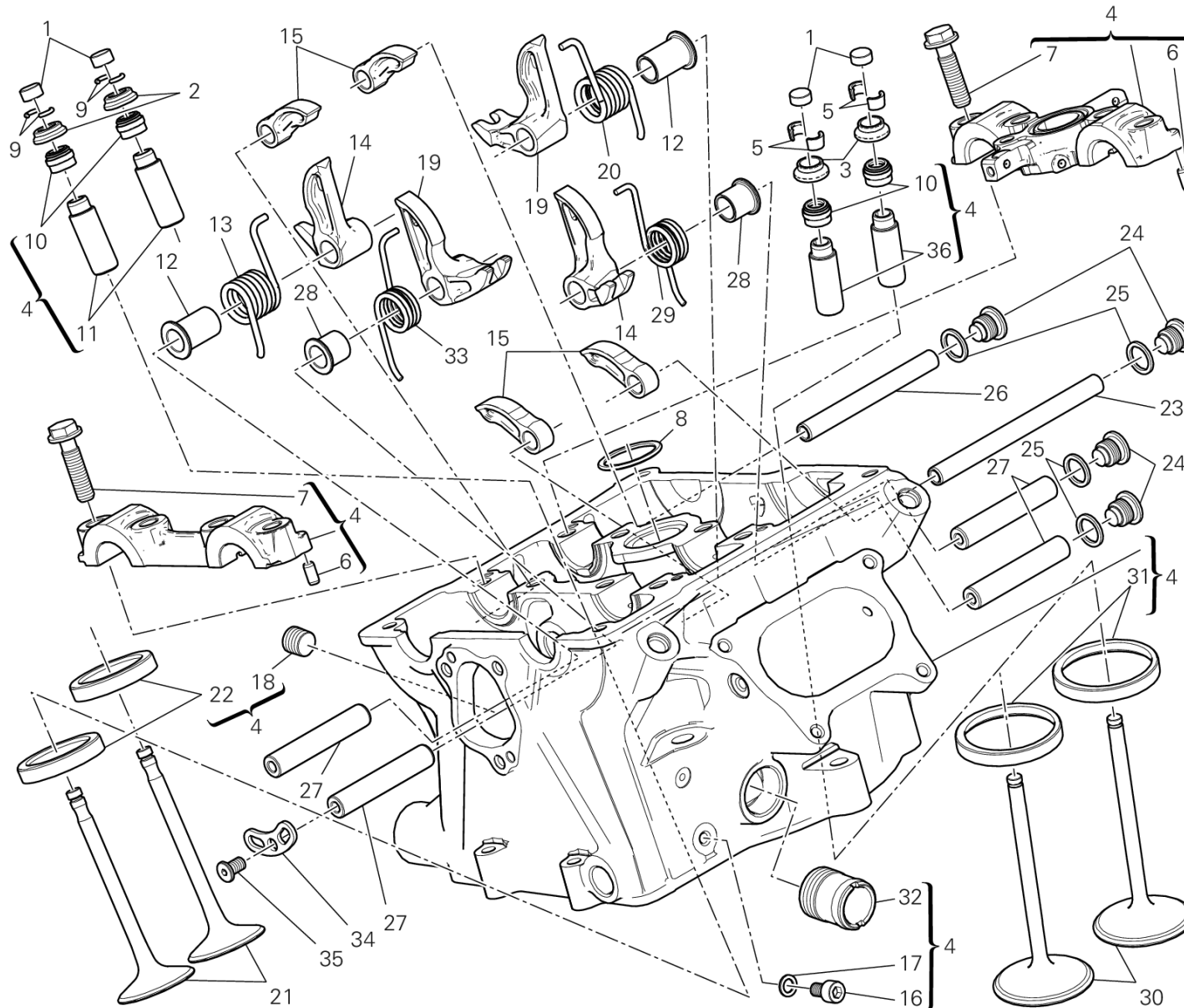
## GROUP ENGINE



| POS. | CODE       | DESCRIPTION                          | QTY | START DATE | END DATE | VALIDITY | NOTES |
|------|------------|--------------------------------------|-----|------------|----------|----------|-------|
|      | 84010682B  | ADJUSTER, CLOSING ROCKER ARM 3.55 MM | 4   |            |          |          |       |
|      | 84010692B  | ADJUSTER, CLOSING ROCKER ARM 3.60 MM | 4   |            |          |          |       |
|      | 84010702B  | ADJUSTER, CLOSING ROCKER ARM 3.65 MM | 4   |            |          |          |       |
|      | 84010712B  | ADJUSTER, CLOSING ROCKER ARM 3.70 MM | 4   |            |          |          |       |
|      | 84010722B  | ADJUSTER, CLOSING ROCKER ARM 3.75 MM | 4   |            |          |          |       |
|      | 84010732B  | ADJUSTER, CLOSING ROCKER ARM 3.80 MM | 4   |            |          |          |       |
|      | 84010742B  | ADJUSTER, CLOSING ROCKER ARM 3.85 MM | 4   |            |          |          |       |
|      | 84010752B  | ADJUSTER, CLOSING ROCKER ARM 3.90 MM | 4   |            |          |          |       |
|      | 84010762B  | ADJUSTER, CLOSING ROCKER ARM 3.95 MM | 4   |            |          |          |       |
|      | 84010772B  | ADJUSTER, CLOSING ROCKER ARM 4.00 MM | 4   |            |          |          |       |
|      | 84010782B  | ADJUSTER, CLOSING ROCKER ARM 4.05 MM | 4   |            |          |          |       |
|      | 84010792B  | ADJUSTER, CLOSING ROCKER ARM 4.10 MM | 4   |            |          |          |       |
|      | 84010802B  | ADJUSTER, CLOSING ROCKER ARM 4.15 MM | 4   |            |          |          |       |
|      | 84010812B  | ADJUSTER, CLOSING ROCKER ARM 4.20 MM | 4   |            |          |          |       |
|      | 84010822B  | ADJUSTER, CLOSING ROCKER ARM 4.25 MM | 4   |            |          |          |       |
|      | 84010832B  | ADJUSTER, CLOSING ROCKER ARM 4.30 MM | 4   |            |          |          |       |
|      | 84010842B  | ADJUSTER, CLOSING ROCKER ARM 4.35 MM | 4   |            |          |          |       |
|      | 84010852B  | ADJUSTER, CLOSING ROCKER ARM 4.40 MM | 4   |            |          |          |       |
|      | 84010862B  | ADJUSTER, CLOSING ROCKER ARM 4.45 MM | 4   |            |          |          |       |
|      | 84010872B  | ADJUSTER, CLOSING ROCKER ARM 4.50 MM | 4   |            |          |          |       |
| 3    | 84011901AA | ADJUSTER, CLOSING ROCKER ARM 4.15 MM | 4   |            |          |          |       |
|      | 84011901AB | ADJUSTER, CLOSING ROCKER ARM 4.20 MM | 4   |            |          |          |       |
|      | 84011901AC | ADJUSTER, CLOSING ROCKER ARM 4.25 MM | 4   |            |          |          |       |
|      | 84011901AD | ADJUSTER, CLOSING ROCKER ARM 4.30 MM | 4   |            |          |          |       |
|      | 84011901AE | ADJUSTER, CLOSING ROCKER ARM 4.35 MM | 4   |            |          |          |       |
|      | 84011901AF | ADJUSTER, CLOSING ROCKER ARM 4.40 MM | 4   |            |          |          |       |
|      | 84011901AG | ADJUSTER, CLOSING ROCKER ARM 4.45 MM | 4   |            |          |          |       |
|      | 84011901AH | ADJUSTER, CLOSING ROCKER ARM 4.50 MM | 4   |            |          |          |       |
|      | 84011901AI | CLOSE ROCKER ARM ADJUSTMENT 4.55 MM  | 4   |            |          |          |       |
|      | 84011901AJ | CLOSE ROCKER ARM ADJUSTMENT 4.60 MM  | 4   |            |          |          |       |
|      | 84011901AK | CLOSE ROCKER ARM ADJUSTMENT 4.65 MM  | 4   |            |          |          |       |
|      | 84011901AL | CLOSE ROCKER ARM ADJUSTMENT 4.70 MM  | 4   |            |          |          |       |
|      | 84011901AM | CLOSE ROCKER ARM ADJUSTMENT 4.75 MM  | 4   |            |          |          |       |
|      | 84011901AN | CLOSE ROCKER ARM ADJUSTMENT 4.80 MM  | 4   |            |          |          |       |
|      | 84011901AO | CLOSE ROCKER ARM ADJUSTMENT 4.85 MM  | 4   |            |          |          |       |



# DRAWING 015 - VERTICAL CYLINDER HEAD GROUP ENGINE



TST00487

# DRAWING 015 - VERTICAL CYLINDER HEAD

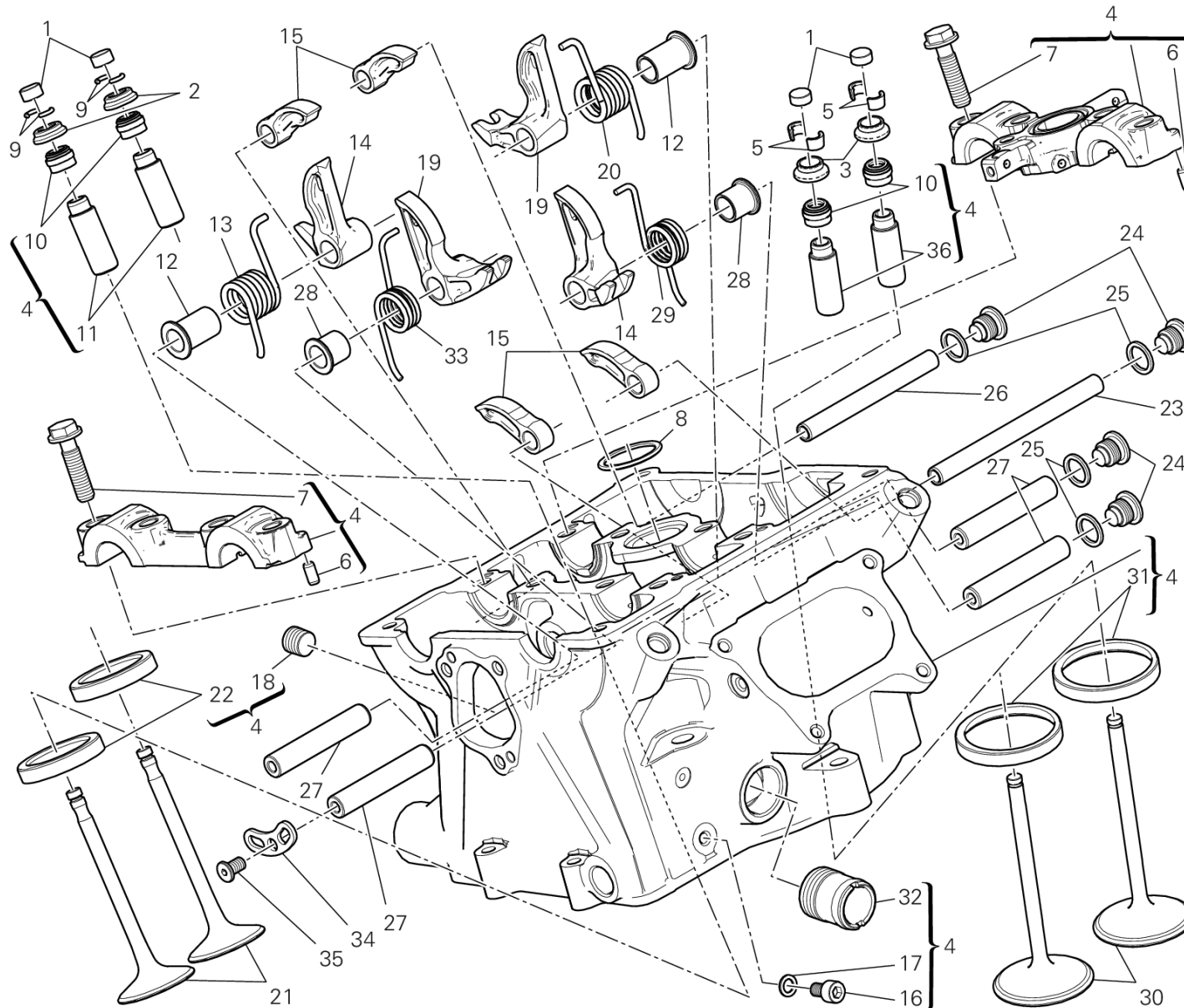
## GROUP ENGINE



| POS. | CODE       | DESCRIPTION                         | QTY | START DATE | END DATE | VALIDITY | NOTES |
|------|------------|-------------------------------------|-----|------------|----------|----------|-------|
|      | 84011901AP | CLOSE ROCKER ARM ADJUSTMENT 4.90 MM | 4   |            |          |          |       |
|      | 84011901AQ | CLOSE ROCKER ARM ADJUSTMENT 4.95 MM | 4   |            |          |          |       |
|      | 84011901AR | CLOSE ROCKER ARM ADJUSTMENT 5.00 MM | 4   |            |          |          |       |
| 4    | 30123471C  | VERTICAL HEAD                       | 1   |            |          |          |       |
| 5    | 84510061A  | VALVE COLLET PAIR                   | 2   |            |          |          |       |
| 6    | 86050061A  | PIN M5X10                           | 4   |            |          |          |       |
| 7    | 77914211A  | SCREW TEF M8X32                     | 8   |            |          |          |       |
| 8    | 88640881A  | O-RING 26.64X2.62                   | 1   |            |          |          |       |
| 9    | 66910011E  | C RING                              | 4   |            |          |          |       |
| 10   | 76410871A  | SEAL VALVE STEM                     | 4   |            |          |          |       |
| 11   | 30310671AA | GUIDE, VALVE OVERSIZED 0.03 MM      | 2   |            |          |          |       |
|      | 30310671AB | GUIDE, VALVE OVERSIZED 0.06 MM      | 2   |            |          |          |       |
|      | 30310671AC | GUIDE, VALVE OVERSIZED 0.09 MM      | 2   |            |          |          |       |
| 12   | 71319271A  | SPACER                              | 2   |            |          |          |       |
| 13   | 79915231A  | EXHAUST VALVE RETURN SPRING LH      | 1   |            |          |          |       |
| 14   | 20910651A  | CLOSING ROCKER ARM LEFT             | 2   |            |          |          |       |
| 15   | 20810381A  | OPEN. ROCKER ARM                    | 4   |            |          |          |       |
| 16   | 77150628B  | SCREW TCEI M6X10                    | 2   |            |          |          |       |
| 17   | 85240261A  | WASHER                              | 2   |            |          |          |       |
| 18   | 78010771A  | THREADED DOWEL                      | 2   |            |          |          |       |
| 19   | 20910641A  | CLOSING ROCKER ARM RIGHT            | 2   |            |          |          |       |
| 20   | 79915221A  | EXHAUST VALVE RETURN SPRING RH      | 1   |            |          |          |       |
| 21   | 21110802A  | EXHAUST VALVE                       | 2   |            |          |          |       |
| 22   | 304A0931A  | SEAT, EXHAUST VALVE                 | 2   |            |          |          |       |
| 23   | 82114041A  | OPENING ROCKER SHAFT LONG           | 1   |            |          |          |       |
| 24   | 78010511C  | PLUG                                | 4   |            |          |          |       |
| 25   | 85250261B  | GASKET                              | 4   |            |          |          |       |
| 26   | 82113361A  | OPENING ROCKER SHAFT SHORT          | 1   |            |          |          |       |
| 27   | 82113371B  | CLOSE ROCKER ARM AXLE               | 4   |            |          |          |       |
| 28   | 71319281A  | SPACER                              | 2   |            |          |          |       |
| 29   | 79915211A  | INTAKE VALVE RETURN SPRING LH       | 1   |            |          |          |       |
| 30   | 21010811B  | INTAKE VALVE                        | 2   |            |          |          |       |
| 31   | 304A0921A  | SEAT, INTAKE VALVE                  | 2   |            |          |          |       |
| 32   | 66810491A  | FILLER                              | 1   |            |          |          |       |
| 33   | 79915201A  | INTAKE VALVE RETURN SPRING RH       | 1   |            |          |          |       |



# DRAWING 015 - VERTICAL CYLINDER HEAD GROUP ENGINE



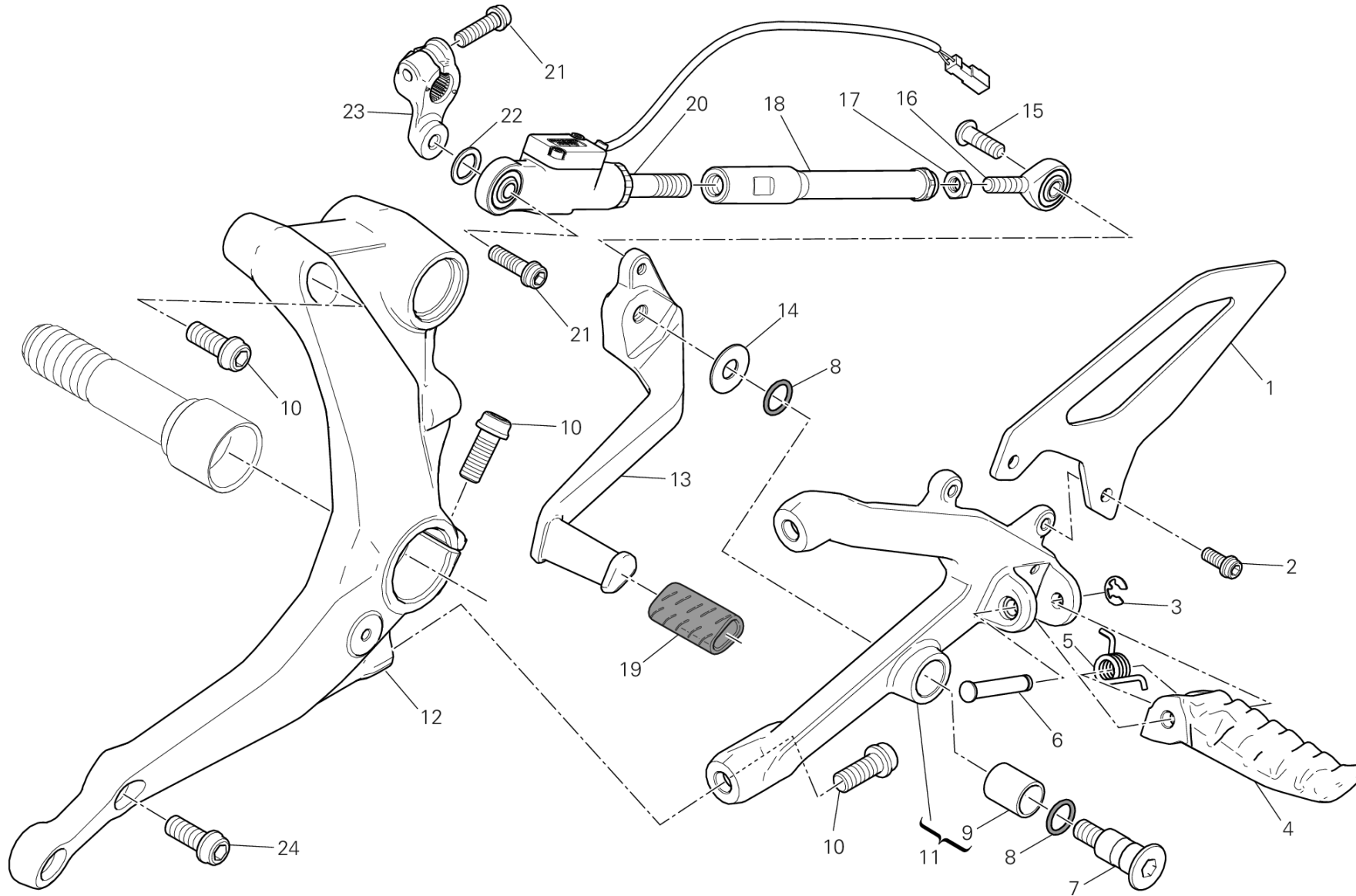
TST00487

# DRAWING 015 - VERTICAL CYLINDER HEAD

## GROUP ENGINE



| POS. | CODE       | DESCRIPTION                 | QTY | START DATE | END DATE | VALIDITY | NOTES |
|------|------------|-----------------------------|-----|------------|----------|----------|-------|
| 34   | 82716021A  | PLATE, RETAINER             | 1   |            |          |          |       |
| 35   | 77917231A  | SCREW, SPECIAL              | 1   |            |          |          |       |
| 36   | 30310691A  | GUIDE-VALVE, INTAKE         | 2   |            |          |          |       |
|      | 30310691AA | GUIDE INTAKE VALVE +0.03 MM | 2   |            |          |          |       |
|      | 30310691AB | GUIDE INTAKE VALVE +0.06 MM | 2   |            |          |          |       |
|      | 30310691AC | GUIDE INTAKE VALVE +0.09 MM | 2   |            |          |          |       |



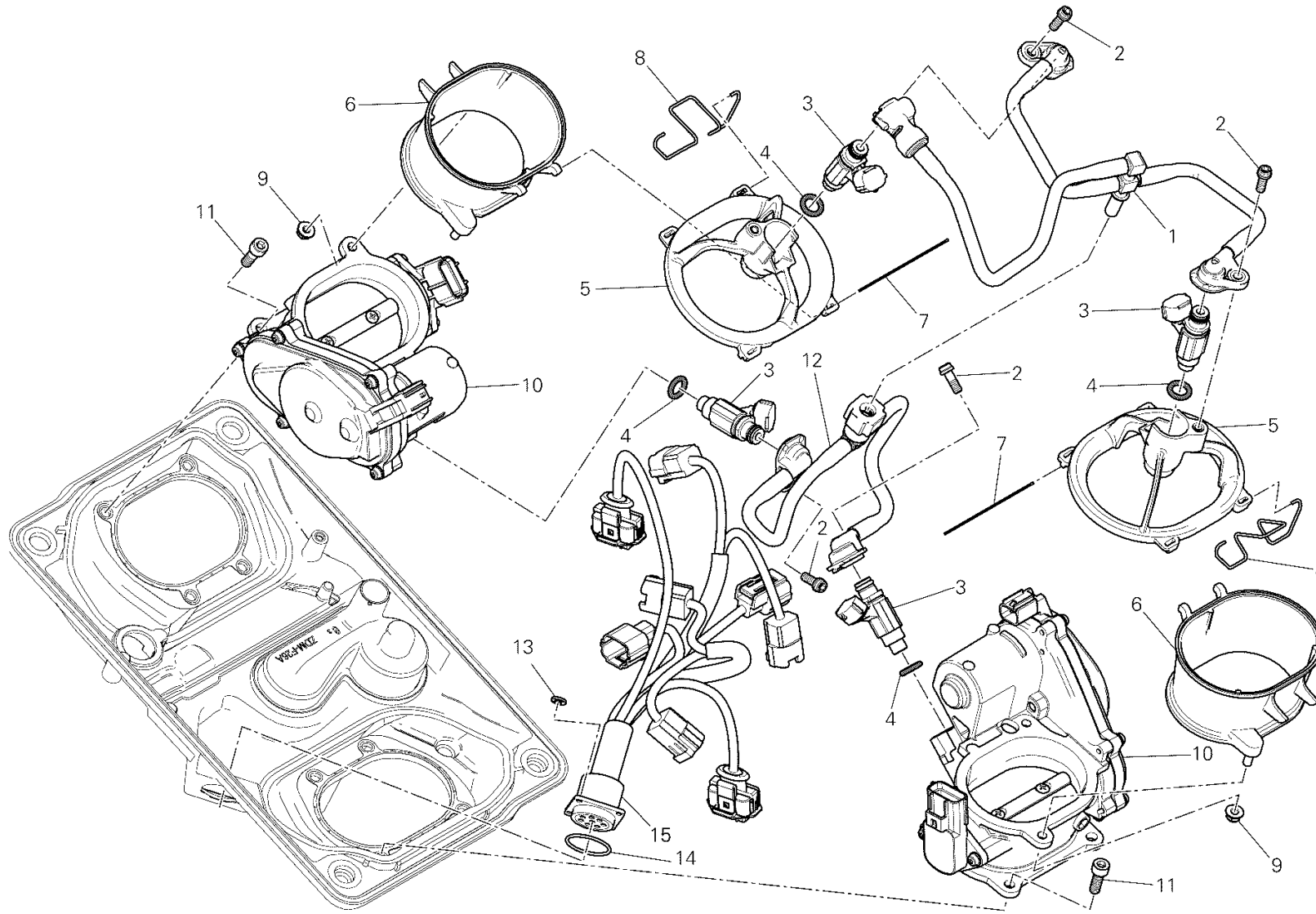
CMB00336

# DRAWING 016 - FOOTRESTS, LEFT

## GROUP ENGINE



| POS. | CODE       | DESCRIPTION          | QTY | START DATE | END DATE | VALIDITY | NOTES |
|------|------------|----------------------|-----|------------|----------|----------|-------|
| 1    | 24714041AA | HEEL GUARD FRONT LH  | 1   |            |          |          |       |
| 2    | 77156398B  | SCREW TCEIF M5X12    | 2   |            |          |          |       |
| 3    | 88450031A  | CIRCLIP E-TYPE       | 1   |            |          |          |       |
| 4    | 46410801AA | LEFT FOOTREST        | 1   |            |          |          |       |
| 5    | 79911661A  | SPRING. FOOTREST     | 1   |            |          |          |       |
| 6    | 82110511AB | FOOTREST PIN         | 1   |            |          |          |       |
| 7    | 82111701B  | PIN PEDAL            | 1   |            |          |          |       |
| 8    | 88641161A  | O-RING               | 2   |            |          |          |       |
| 9    | 71210341A  | BUSH                 | 1   |            |          |          |       |
| 10   | 77157238B  | SCREW TCEIF M8X20    | 4   |            |          |          |       |
| 11   | 82421861AA | FRONT L.H. PLATE     | 1   |            |          |          |       |
| 12   | 8291A431BA | HOLDER               | 1   |            |          |          |       |
| 13   | 45612092BA | GEARCHANGE LEVER     | 1   |            |          |          |       |
| 14   | 85211511A  | WASHER               | 1   |            |          |          |       |
| 15   | 77550131A  | SCREW                | 1   |            |          |          |       |
| 16   | 84850021A  | BALL JOINT, RIGHT    | 1   |            |          |          |       |
| 17   | 74750101A  | NUT 6MM              | 1   |            |          |          |       |
| 18   | 11711261CA | GEARBOX DRIVING ROD  | 1   |            |          |          |       |
| 19   | 76410112A  | COVER PEDAL          | 1   |            |          |          |       |
| 20   | 55212881C  | DETECTOR Quick Shift | 1   |            |          |          |       |
| 21   | 77156678B  | SCREW TCEIF M6X20    | 2   |            |          |          |       |
| 22   | 85611271A  | WASHER               | 1   |            |          |          |       |
| 23   | 45612101AA | GEAR CONTROL LEVER   | 1   |            |          |          |       |
| 24   | 77157288B  | SCREW TCEIF M8X35    | 2   |            |          |          |       |



IMP00768

# DRAWING 017 - THROTTLE BODY

## GROUP ENGINE

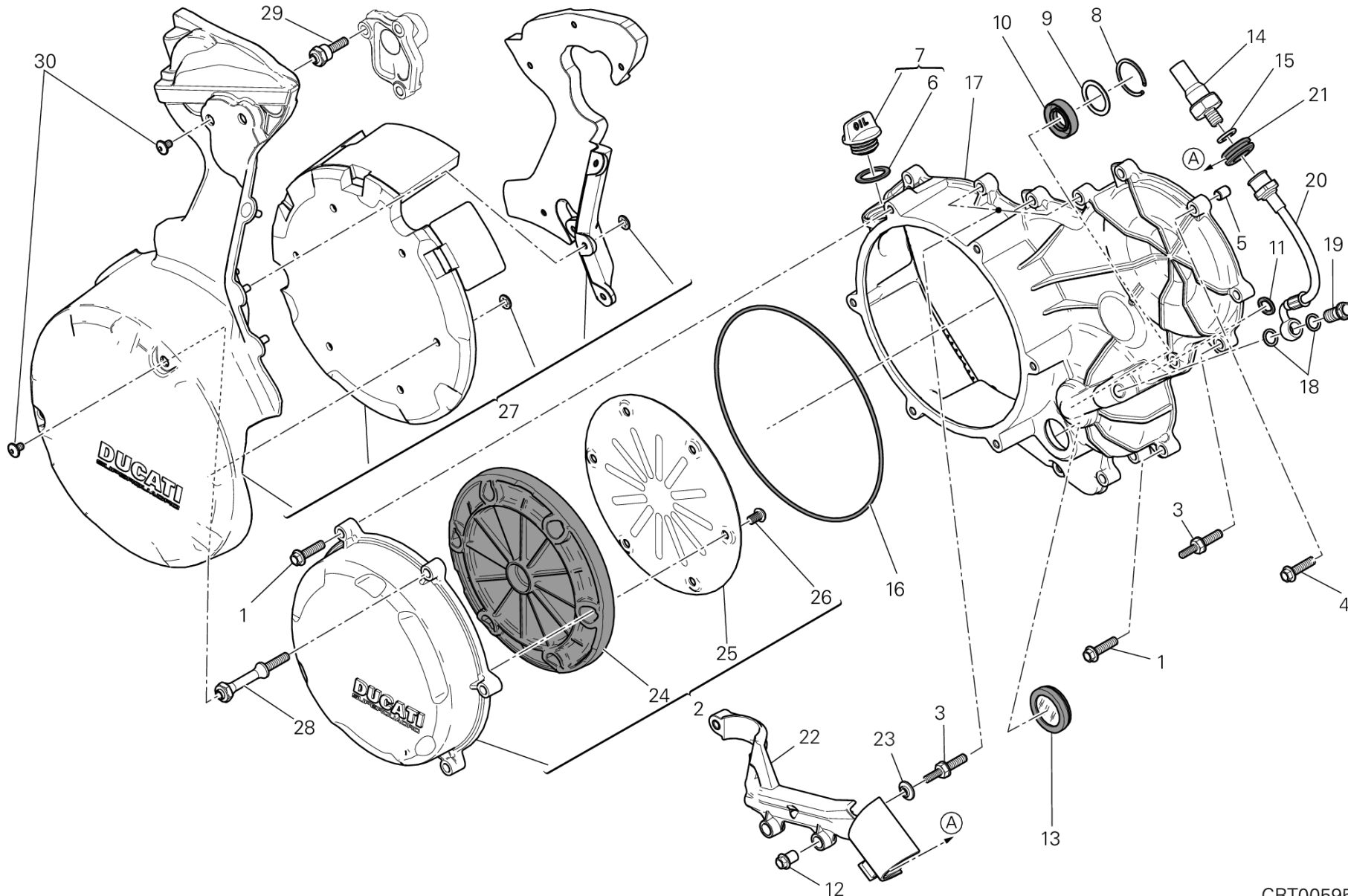


| POS. | CODE      | DESCRIPTION              | QTY | START DATE | END DATE | VALIDITY | NOTES |
|------|-----------|--------------------------|-----|------------|----------|----------|-------|
| 1    | 59023511A | COMPLETE PIPE SET UPPER  | 1   |            |          |          |       |
| 2    | 77156408B | SCREW TCEIF M5X14        | 4   |            |          |          |       |
| 3    | 28040331A | INJECTOR                 | 4   |            |          |          |       |
| 4    | 88610961A | O-RING                   | 4   |            |          |          |       |
| 5    | 13510371B | INJECTOR HOLDER UPPER    | 2   |            |          |          |       |
| 6    | 13510361B | PIPE                     | 2   |            |          |          |       |
| 7    | 79915421B | PIN                      | 2   |            |          |          |       |
| 8    | 79915432B | SPRING                   | 2   |            |          |          |       |
| 9    | 74810351B | NUT                      | 4   |            |          |          |       |
| 10   | 28240893A | THROTTLE BODY            | 2   |            |          |          |       |
| 11   | 77150668B | SCREW TCEI M6X18         | 8   |            |          |          |       |
| 12   | 59023531A | COMPLETE PIPE SET BOTTOM | 1   |            |          |          |       |
| 13   | 85041811A | REAR SPROCKET            | 4   |            |          |          |       |
| 14   | 88642061A | O-RING                   | 1   |            |          |          |       |
| 15   | 51017731B | INJECTION WIRING         | 1   |            |          |          |       |



# DRAWING 05A - CLUTCH-SIDE CRANKCASE COVER (JAP)

GROUP ENGINE



CRT00595

# DRAWING 05A - CLUTCH-SIDE CRANKCASE COVER (JAP)

## GROUP ENGINE

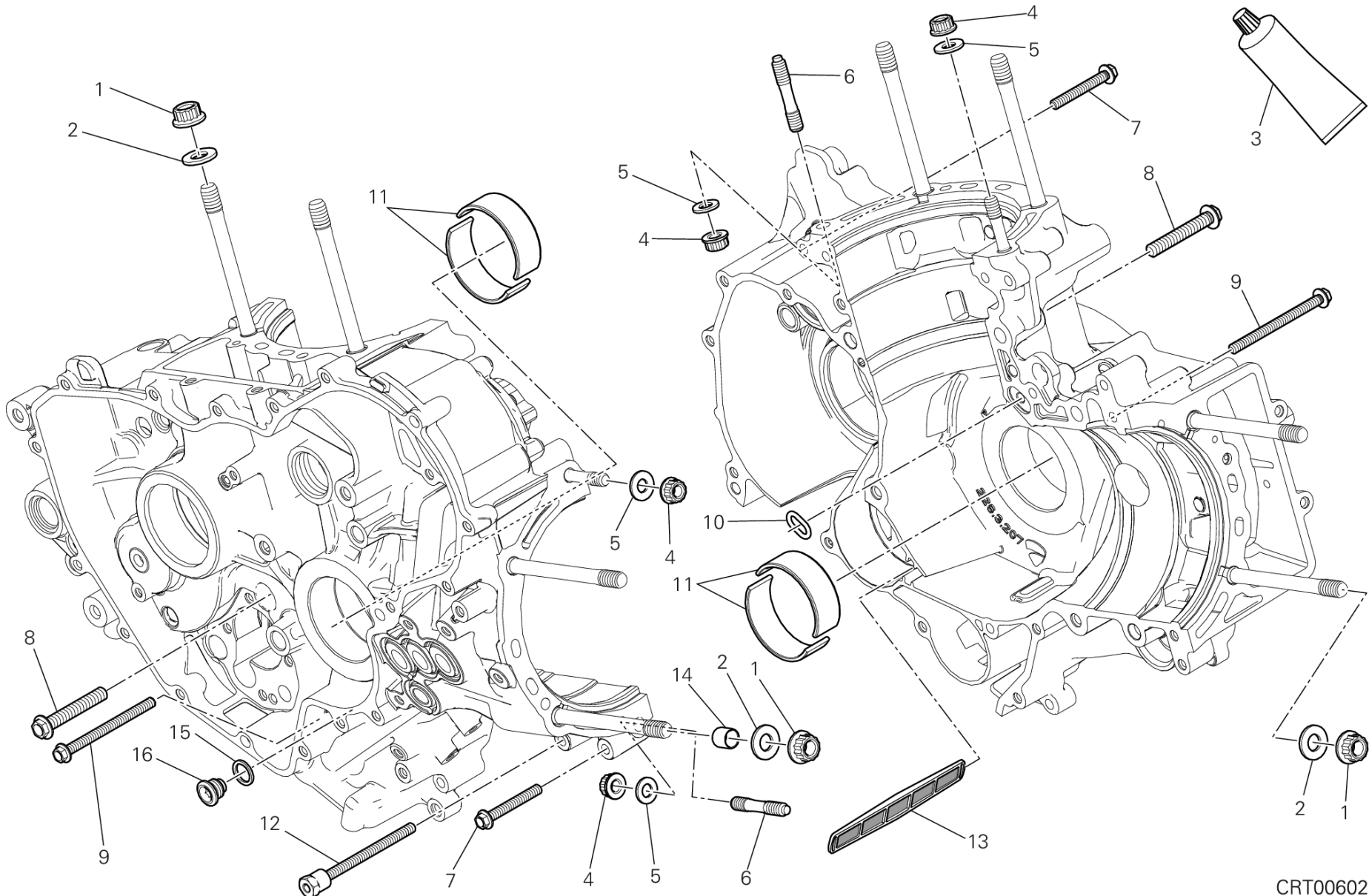


| POS. | CODE       | DESCRIPTION                    | QTY | START DATE | END DATE | VALIDITY | NOTES |
|------|------------|--------------------------------|-----|------------|----------|----------|-------|
| 1    | 77253337C  | SCREW                          | 18  | 11/11/2010 |          |          |       |
| 2    | 24321344A  | CLUTCH PROTECTION COVER (Unit) | 1   | 02/05/2012 |          |          |       |
| 3    | 77917161B  | SCREW, SPECIAL                 | 4   | 21/11/2011 |          |          |       |
| 4    | 77253357C  | SCREW                          | 1   | 11/11/2010 |          |          |       |
| 5    | 71113171A  | LOCATING DOWEL                 | 2   | 11/11/2010 |          |          |       |
| 6    | 88640891A  | O-RING 18.64X3.53              | 1   | 24/12/2009 |          |          |       |
| 7    | 89320121A  | PLUG ASSY                      | 1   | 26/10/2011 |          |          |       |
| 8    | 88450291A  | SNAP RING                      | 1   | 26/10/2011 |          |          |       |
| 9    | 85212721A  | THRUST WASHER                  | 1   | 26/10/2011 |          |          |       |
| 10   | 93041521A  | SEAL RING                      | 1   | 26/10/2011 |          |          |       |
| 11   | 88641761A  | O-RING                         | 1   | 11/11/2010 |          |          |       |
| 12   | 75011742AA | NUT, SPECIAL                   | 1   | 26/10/2011 |          |          |       |
| 13   | 25440012A  | WINDOW, OIL LEVEL CHECK        | 1   | 26/10/2011 |          |          |       |
| 14   | 53940302A  | SWITCH ASSY, OIL PRESSURE      | 1   | 01/12/2011 |          |          |       |
| 15   | 85211951A  | GASKET 10.5X17X2               | 1   | 01/12/2011 |          |          |       |
| 16   | 88610281A  | O-RING                         | 1   | 26/10/2011 |          |          |       |
| 17   | 24311274A  | TIMING COVER                   | 1   | 01/01/2012 |          |          |       |
| 18   | 85250241A  | WASHER 10X14X1                 | 2   | 01/12/2011 |          |          |       |
| 19   | 77913661AB | BOLT, BRAKE HOSE M10X1         | 1   | 01/12/2011 |          |          |       |
| 20   | 87721561A  | OIL PRESSURE LINE              | 1   | 01/12/2011 |          |          |       |
| 21   | 76440581A  | RUBBER PAD                     | 1   | 01/12/2011 |          |          |       |
| 22   | 75810701A  | FAIRLEAD                       | 1   | 01/12/2011 |          |          |       |
| 23   | 71614071A  | SPACER 5.2X8.4X2               | 3   | 01/12/2011 |          |          |       |
| 24   | 48610851A  | DAMPER, SOUND ARRESTER         | 1   | 02/05/2012 |          |          |       |
| 25   | 82716012A  | SHEET ACOUSTIC DAMPER          | 1   | 02/05/2012 |          |          |       |
| 26   | 77550200C  | SCREW                          | 6   | 02/05/2012 |          |          |       |
| 27   | 48610911A  | CAP RH (Unit)                  | 1   |            |          |          |       |
| 28   | 77917961AA | SCREW, SPECIAL                 | 2   | 20/06/2012 |          |          |       |
| 29   | 77917951AA | SPECIAL SCREW SHORT            | 2   | 20/06/2012 |          |          |       |
| 30   | 77240243C  | SCREW                          | 4   | 29/03/2012 |          |          |       |



# DRAWING 10A - CRANKCASE BEARINGS

GROUP ENGINE



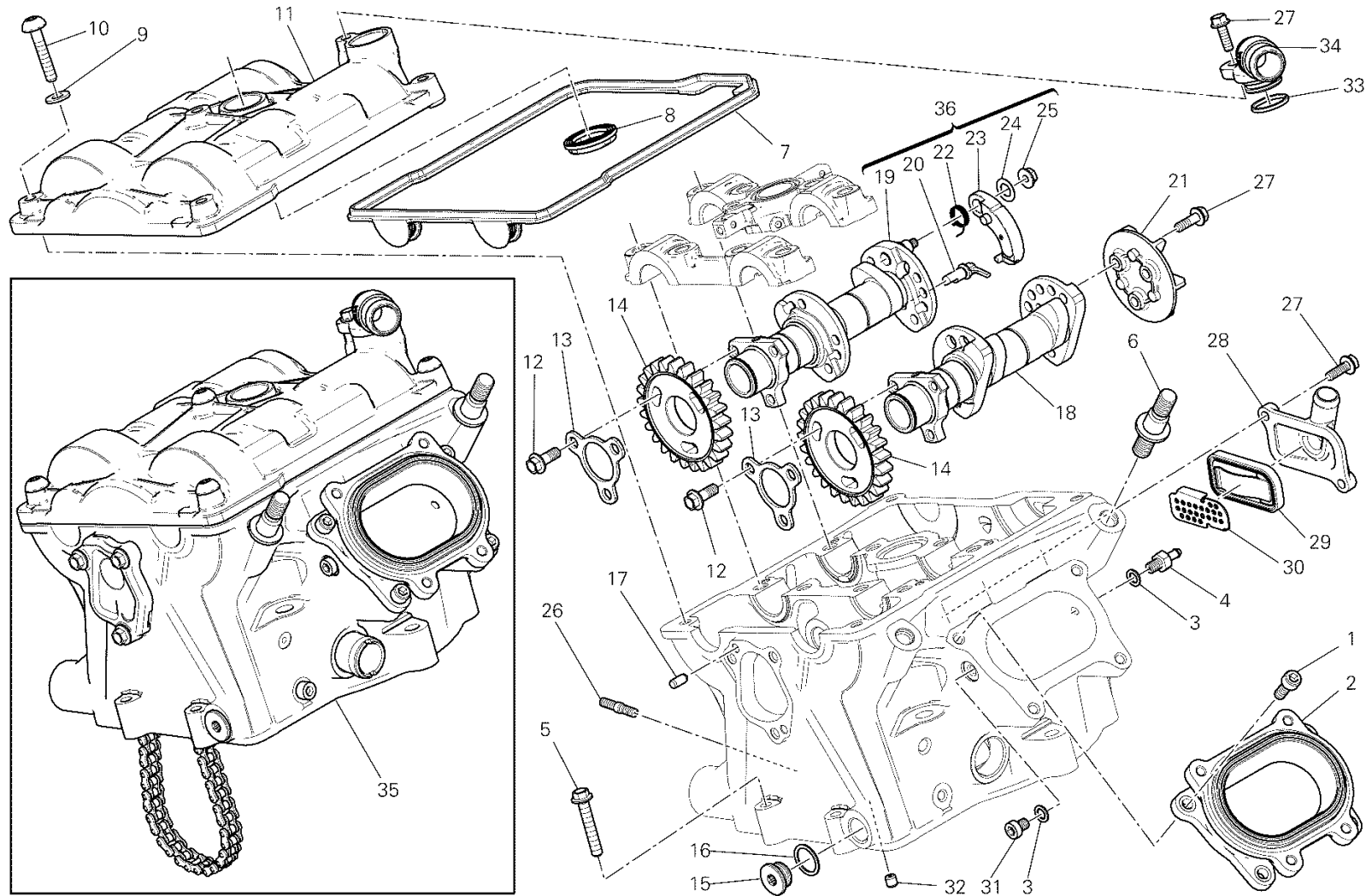
CRT00602

# DRAWING 10A - CRANKCASE BEARINGS

## GROUP ENGINE



| POS. | CODE       | DESCRIPTION                       | QTY | START DATE | END DATE | VALIDITY | NOTES |
|------|------------|-----------------------------------|-----|------------|----------|----------|-------|
| 1    | 74810461A  | NUT, FLANGE M10X1                 | 8   |            |          |          |       |
| 2    | 85610642A  | WASHER, SPECIAL 10.5X21X2         | 8   |            |          |          |       |
| 3    | 942470014  | LIQUID GASKET                     | 1   |            |          |          |       |
| 4    | 74840481A  | NUT, SPECIAL M8                   | 4   |            |          |          |       |
| 5    | 85212771A  | WASHER                            | 4   |            |          |          |       |
| 6    | 76610811A  | STUD BOLT FASTENING HEAD CYLINDER | 2   |            |          |          |       |
| 7    | 77253387C  | SCREW                             | 14  |            |          |          |       |
| 8    | 77251387C  | SCREW                             | 6   |            |          |          |       |
| 9    | 77253447C  | SCREW                             | 4   |            |          |          |       |
| 10   | 88641701A  | O-RING                            | 1   |            |          |          |       |
| 11   | 11210771AA | HALF-BEARING RED                  | 4   |            |          |          |       |
|      | 11210771AB | HALF-BEARING BLUE                 | 4   |            |          |          |       |
|      | 11210771AC | HALF-BEARING YELLOW               | 4   |            |          |          |       |
|      | 11210771AD | HALF-BEARING BLACK                | 4   |            |          |          |       |
|      | 11210771AE | HALF-BEARING GREEN                | 4   |            |          |          |       |
| 12   | 77916991A  | SCREW, SPECIAL                    | 1   |            |          |          |       |
| 13   | 42710171A  | OIL NET FILTER                    | 1   |            |          |          |       |
| 14   | 71110932A  | PIN DOWEL                         | 4   |            |          |          |       |
| 15   | 85250261A  | GASKET, ALUMINIUM 12X16X1.5       | 1   |            |          |          |       |
| 16   | 78010511C  | PLUG                              | 1   |            |          |          |       |



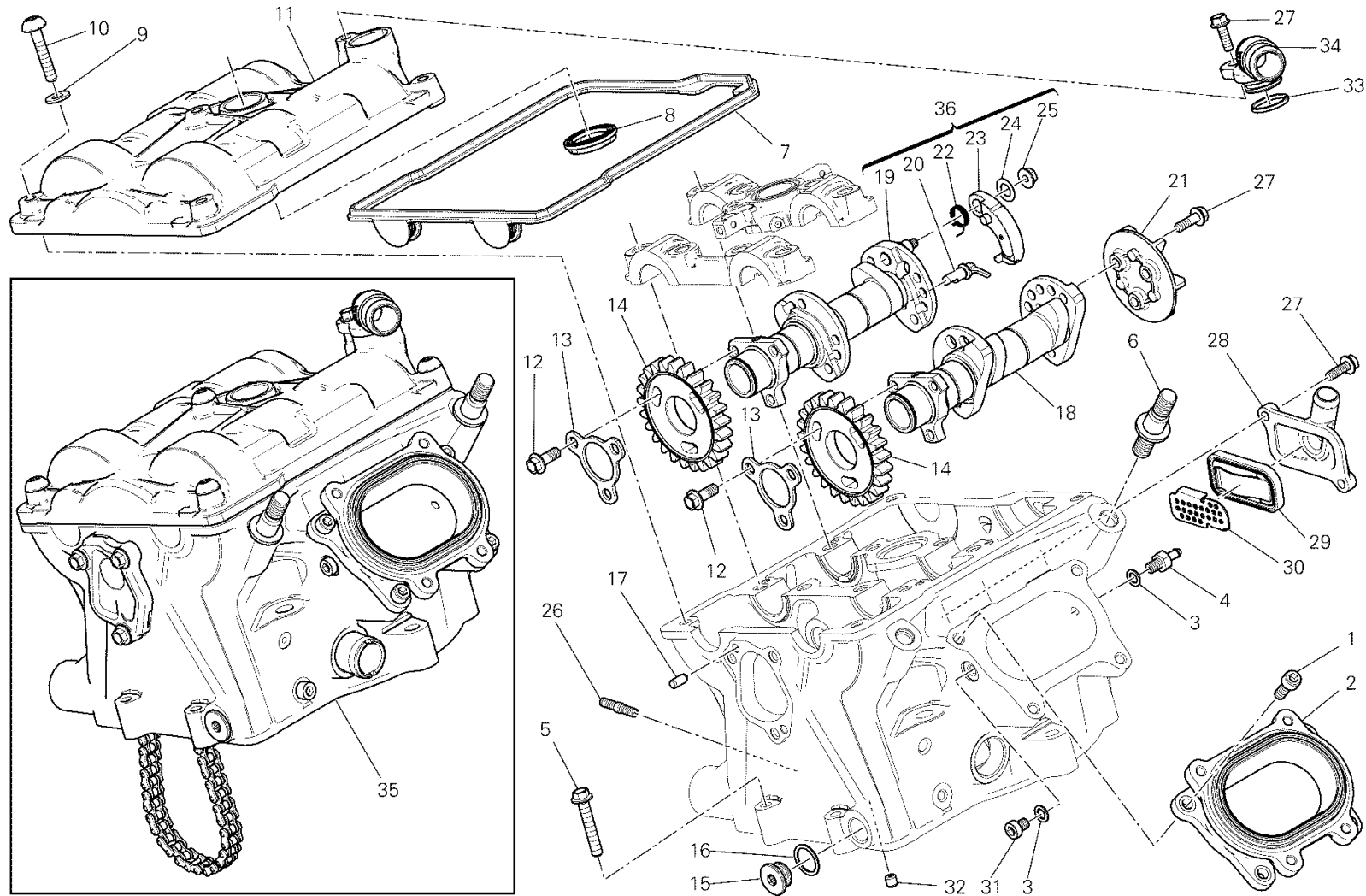
TST00453

# DRAWING 13A - VERTICAL HEAD

## GROUP ENGINE



| POS. | CODE      | DESCRIPTION                   | QTY | START DATE | END DATE | VALIDITY | NOTES |
|------|-----------|-------------------------------|-----|------------|----------|----------|-------|
| 1    | 77112331A | SCREW TCEI M6X16              | 4   |            |          |          |       |
| 2    | 14010691A | INTAKE MANIFOLD               | 1   |            |          |          |       |
| 3    | 85250231A | GASKET                        | 2   |            |          |          |       |
| 4    | 81413341A | UNION                         | 1   |            |          |          |       |
| 5    | 77253367C | SCREW                         | 2   |            |          |          |       |
| 6    | 76610821A | STUD BOLT                     | 2   |            |          |          |       |
| 7    | 78811101C | VALVE COVER GASKET EXTERNAL   | 1   |            |          |          |       |
| 8    | 78811131A | VALVE COVER GASKET INTERNAL   | 1   |            |          |          |       |
| 9    | 85212781A | WASHER                        | 5   |            |          |          |       |
| 10   | 77916441A | SCREW                         | 5   |            |          |          |       |
| 11   | 24713931B | COVER CYLINDER HEAD, VERTICAL | 1   |            |          |          |       |
| 12   | 77253290Z | SCREW                         | 6   |            |          |          |       |
| 13   | 85611471A | PLATE, RETAINER               | 2   |            |          |          |       |
| 14   | 17111153A | GEAR Z=25                     | 2   |            |          |          |       |
| 15   | 77913541A | THREADED PLUG M15X1           | 1   |            |          |          |       |
| 16   | 85211201A | ALUMINIUM GASKET              | 1   |            |          |          |       |
| 17   | 86050061A | PIN M5X10                     | 2   |            |          |          |       |
| 18   | 14814361B | VERTICAL INTAKE CAMSHAFT      | 1   |            |          |          |       |
| 19   | 14824481B | VERTICAL EXHAUST CAMSHAFT     | 1   |            |          |          |       |
| 20   | 82113832A | PIN                           | 1   |            |          |          |       |
| 21   | 25130081B | FAN                           | 1   |            |          |          |       |
| 22   | 79915534A | SPRING                        | 1   |            |          |          |       |
| 23   | 30710021A | DECOMPRESSION DEVICE          | 1   |            |          |          |       |
| 24   | 85240231A | WASHER 8.2X14X0.5             | 1   |            |          |          |       |
| 25   | 74810791A | NUT                           | 1   |            |          |          |       |
| 26   | 76610891A | STUD BOLT                     | 3   |            |          |          |       |
| 27   | 77210621A | SCREW TEF M5X16               | 6   |            |          |          |       |
| 28   | 24714101A | COVER                         | 1   |            |          |          |       |
| 29   | 81140012B | VALVE                         | 1   |            |          |          |       |
| 30   | 82716351A | PLATE                         | 1   |            |          |          |       |
| 31   | 77350618B | SCREW TCEIR M6X8              | 1   |            |          |          |       |
| 32   | 86010061A | PIN                           | 1   |            |          |          |       |
| 33   | 88641791A | O-RING                        | 1   |            |          |          |       |
| 34   | 81413531A | OUTLET UNION BLOW-BY          | 1   |            |          |          |       |
| 35   | 30124503B | COMPLETE VERTICAL HEAD        | 1   |            |          |          |       |



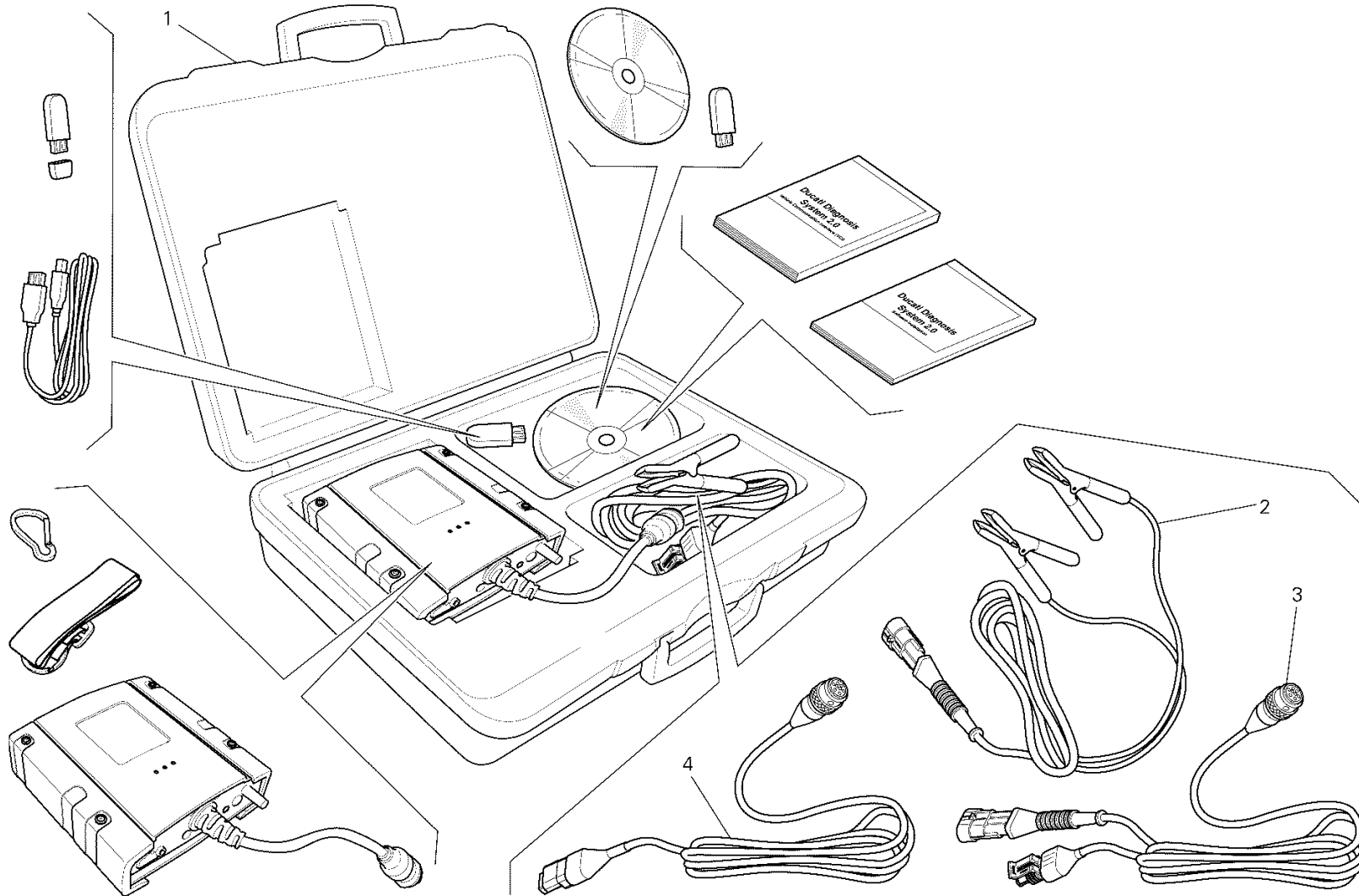
TST00453

# DRAWING 13A - VERTICAL HEAD

## GROUP ENGINE



| POS. | CODE      | DESCRIPTION                      | QTY | START DATE | END DATE | VALIDITY | NOTES |
|------|-----------|----------------------------------|-----|------------|----------|----------|-------|
| 36   | 14823751C | VERTICAL EXHAUST CAMSHAFT (Unit) | 1   |            |          |          |       |



ATR00267

# DRAWING 001 - CHECK INSTRUMENT DDS

## GROUP TOOLS



| POS. | CODE      | DESCRIPTION                         | QTY | START DATE | END DATE | VALIDITY | NOTES |
|------|-----------|-------------------------------------|-----|------------|----------|----------|-------|
| 1    | 979000252 | DDS 2 (Ducati Diagnosis System 2.0) | 1   |            |          |          |       |
| 2    | 979000256 | MAIN CABLE DDS                      | 1   |            |          |          |       |
| 3    | 979000254 | MAIN CABLE                          | 1   |            |          |          |       |
| 4    | 979000255 | MAIN CABLE (CAN)                    | 1   |            |          |          |       |

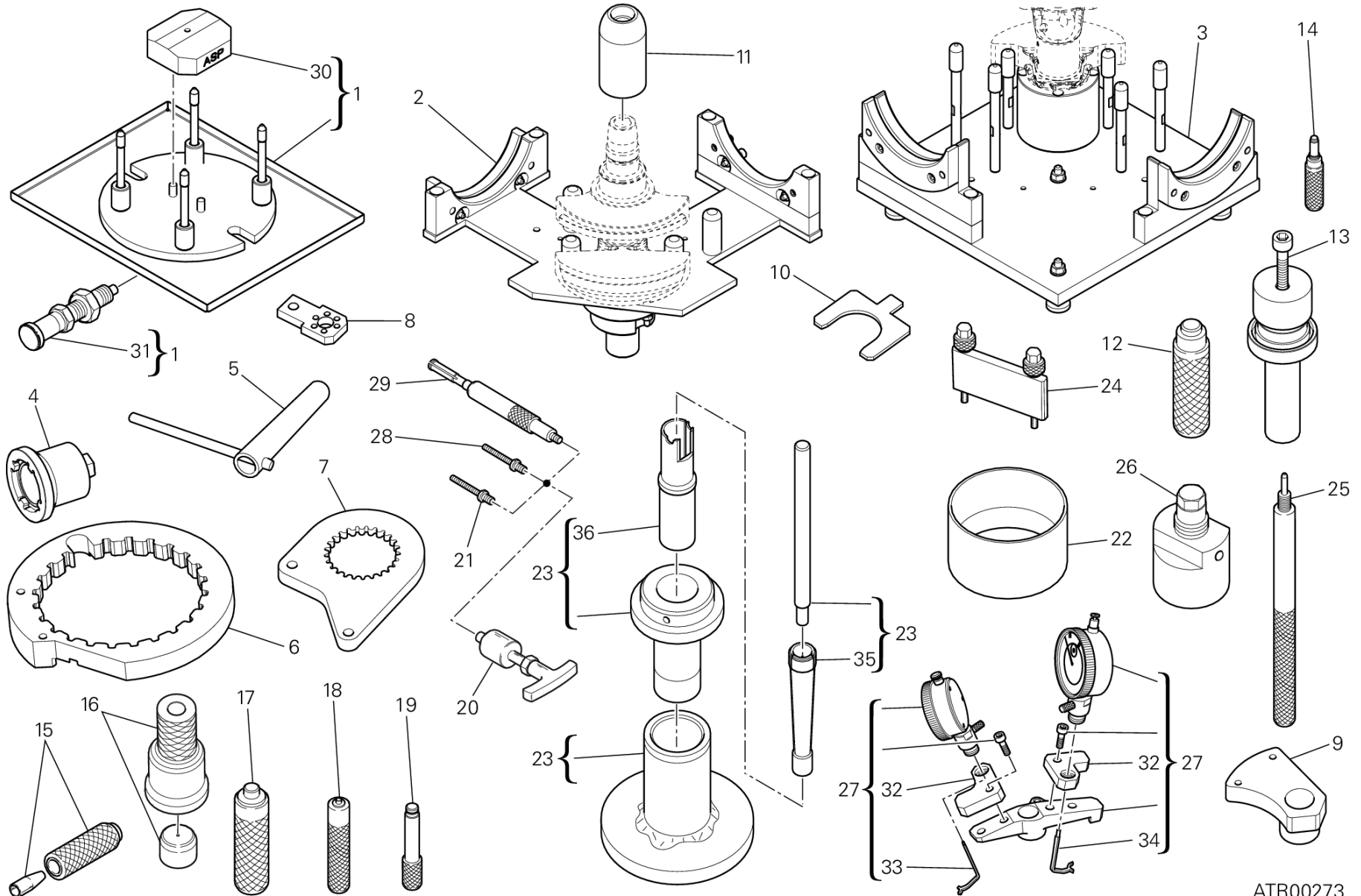


# DRAWING 01A - WORKSHOP SERVICE TOOLS, ENGINE I

## GROUP TOOLS



| POS. | CODE      | DESCRIPTION                                    | QTY | START DATE | END DATE | VALIDITY | NOTES |
|------|-----------|--|-----|------------|----------|----------|-------|
| 1    | 887133422 | HEAD MOUNTING BASE                             | 1   |            |          |          |       |
| 2    | 887133437 | PLATE (Complete connecting rods assembly)      | 1   |            |          |          |       |
| 3    | 887133440 | HOSE GUIDE (Complete connecting rods assembly) | 1   |            |          |          |       |
| 4    | 887133773 | WRENCH FOR TIGHTENING RING NUT                 | 1   |            |          |          |       |
| 5    | 887133795 | LEVER  | 1   |            |          |          |       |
| 6    | 887133524 | REACTION TOOL FOR IGNITION FLYWHEEL            | 1   |            |          |          |       |
| 7    | 887133774 | REACTION TOOL (SPROCKET)                       | 1   |            |          |          |       |
| 8    | 887133853 | REACTION TOOL FOR FLANGE (Gearbox drum)        | 1   |            |          |          |       |
| 9    | 887133549 | GEARBOX LAY SHAFT TRUING TOOL                  | 1   |            |          |          |       |
| 10   | 887133510 | FORK FEELER GAUGE                              | 1   |            |          |          |       |
| 11   | 887133436 | PAD  | 1   |            |          |          |       |
| 12   | 887133511 | TOOL FOR OIL SEAL POSITIONING (17x25x4)        | 1   |            |          |          |       |
| 13   | 887133452 | HALF-BEARINGS FITTING TOOL                     | 1   |            |          |          |       |
| 14   | 887133500 | TOOL TO HOLD CRANKSHAFT IN TDC POSITION        | 1   |            |          |          |       |
| 15   | 887133507 | TOOL FOR OIL SEAL POSITIONING (12x22x5)        | 1   |            |          |          |       |
| 16   | 887133508 | TOOL FOR OIL SEAL POSITIONING (40x55x7)        | 1   |            |          |          |       |
| 17   | 887133509 | TOOL FOR OIL SEAL POSITIONING (14x28x6,5)      | 1   |            |          |          |       |
| 18   | 887133512 | TOOL FOR OIL SEAL POSITIONING (8x14x4)         | 1   |            |          |          |       |
| 19   | 887133758 | TOOL FOR BUSH POSITIONING                      | 1   |            |          |          |       |
| 20   | 887131994 | ROCKER PIN EXTRACTOR                           | 1   |            |          |          |       |
| 21   | 887133760 | SCREW, SPECIAL (M7)                            | 1   |            |          |          |       |
| 22   | 887133820 | TOOL TO ASSEMBLE PISTON                        | 1   |            |          |          |       |
| 23   | 887133502 | TOOL TO FIT PISTON GUDGEON PIN CIRCLIPS        | 1   |            |          |          |       |
| 24   | 887651678 | CAMSHAFT STROKE CHECKING TOOL                  | 1   |            |          |          |       |
| 25   | 887132574 | T.D.C. CONTROL GAUGE                           | 1   |            |          |          |       |
| 26   | 887133880 | IGNITION FLYWHEEL EXTRACTOR                    | 1   |            |          |          |       |
| 27   | 887651632 | VALVE LIFT GAUGE (GAUGES NOT INCLUDED)         | 1   |            |          |          |       |
| 28   | 887133943 | SCREW, SPECIAL (M6)                            | 1   |            |          |          |       |
| 29   | 887133517 | PISTON PIN DISASSEMBLING TOOL                  | 1   |            |          |          |       |
| 30   | 887134131 | SOSTEGNO VALVOLE                               | 1   |            |          |          |       |
| 31   | 887134132 | KNOB   | 1   |            |          |          |       |
| 32   | 887651702 | HOLDER   | 2   |            |          |          |       |
| 33   | 887651703 | CONTROL ROD SHORT                              | 1   |            |          |          |       |
| 34   | 887651704 | CONTROL ROD LONG                               | 1   |            |          |          |       |
| 35   | 887134139 | FLEXIBLE BUSH                                  | 1   |            |          |          |       |



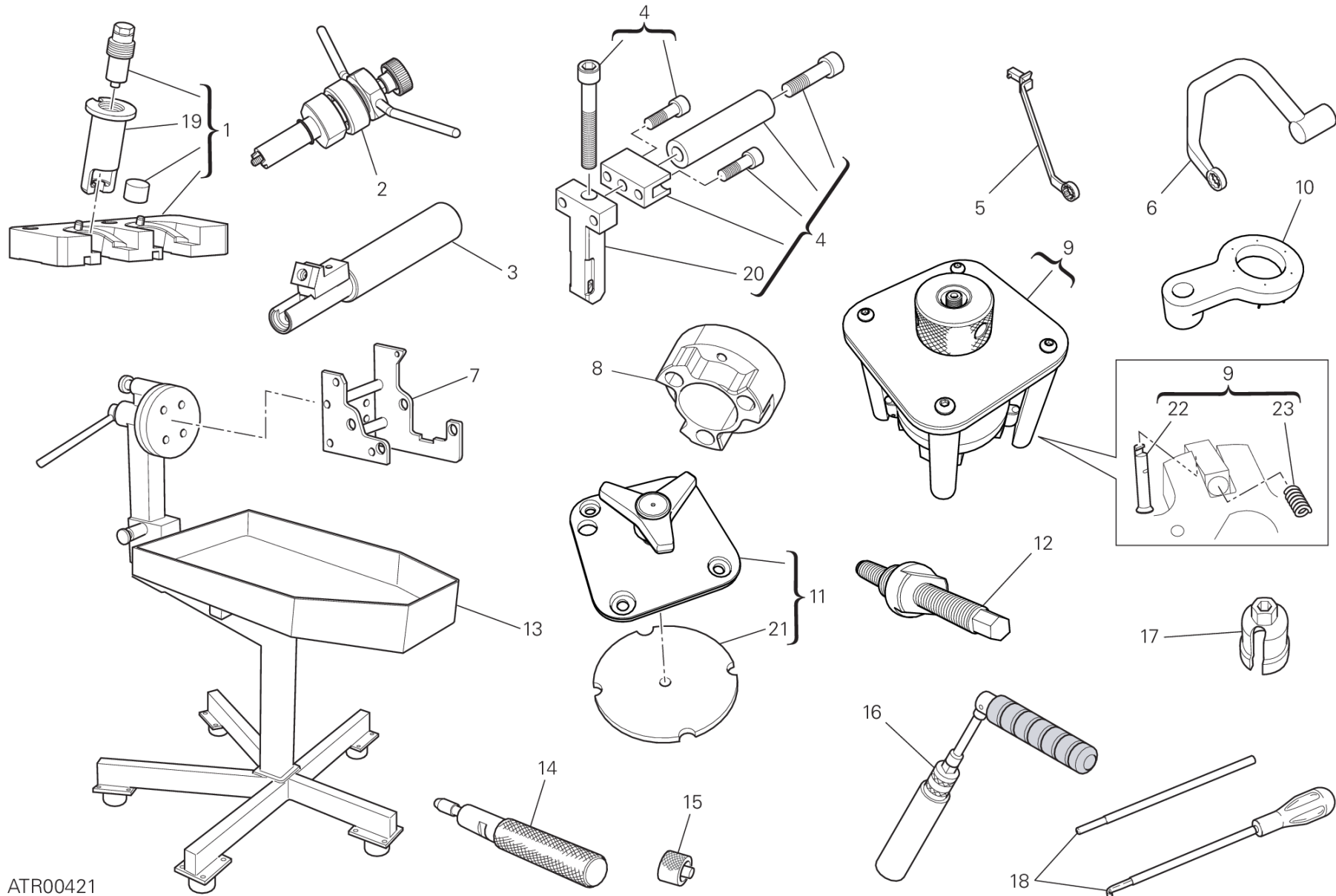
ATR00273

# DRAWING 01A - WORKSHOP SERVICE TOOLS, ENGINE I

## GROUP TOOLS



| POS. | CODE      | DESCRIPTION | QTY | START DATE | END DATE | VALIDITY | NOTES |
|------|-----------|-------------|-----|------------|----------|----------|-------|
| 36   | 887134138 | TUBE        | 1   |            |          |          |       |



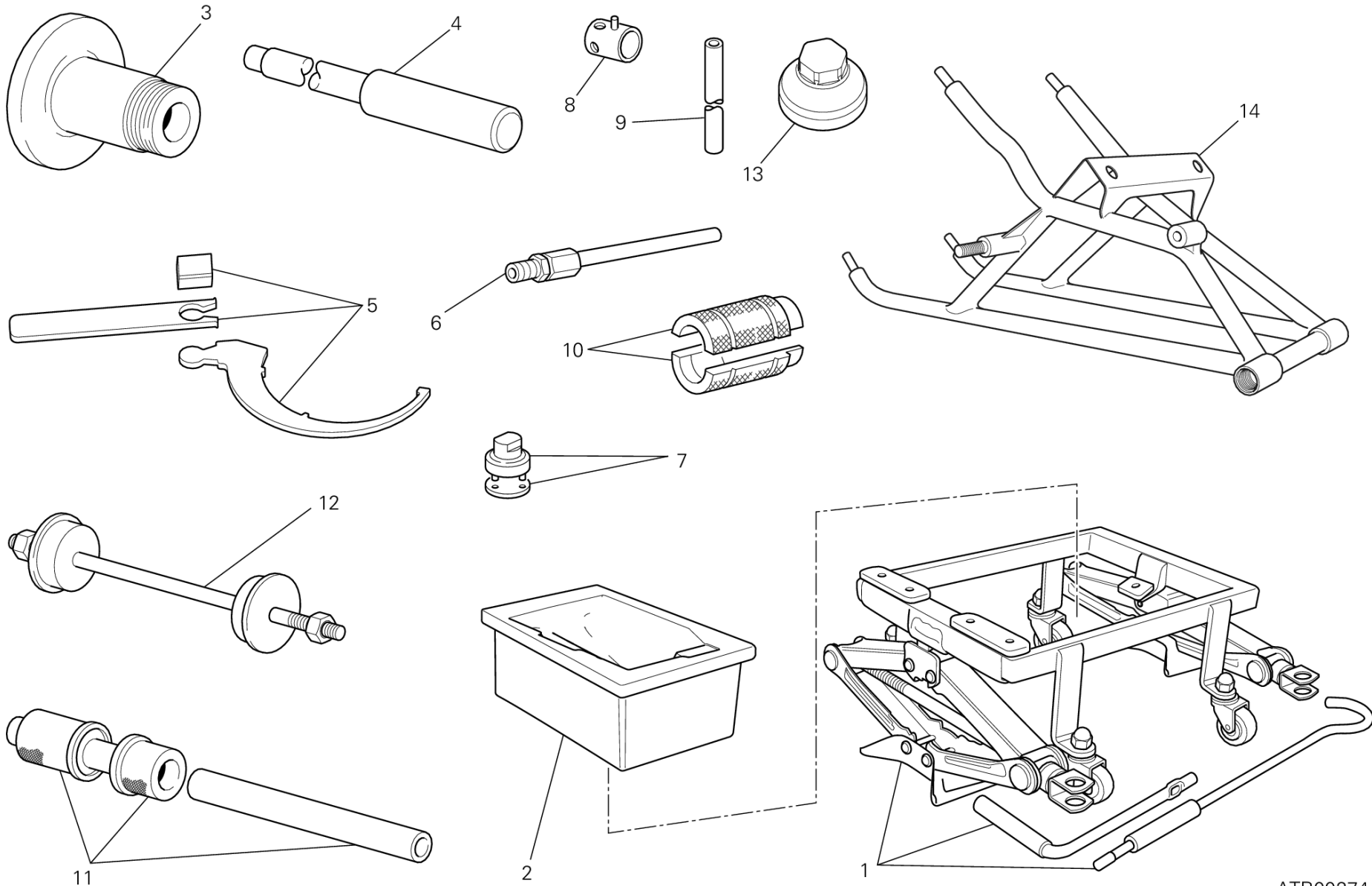
ATR00421

# DRAWING 01B - WORKSHOP SERVICE TOOLS, ENGINE II

## GROUP TOOLS



| POS. | CODE      | DESCRIPTION   | QTY | START DATE | END DATE | VALIDITY | NOTES |
|------|-----------|---|-----|------------|----------|----------|-------|
| 1    | 887133924 | TOOL TO REMOVE THE HALF-CONES                       | 1   |            |          |          |       |
| 2    | 887133824 | DEGREE WHEEL HOLDER TOOL FOR IGNITION ADVANCE CHECK | 1   |            |          |          |       |
| 3    | 887133468 | TOOL TO REMOVE THE HALF-CONES / SPLIT RINGS         | 1   |            |          |          |       |
| 4    | 887133467 | TOOL TO FIT VALVE COLLETS                           | 1   |            |          |          |       |
| 5    | 887133926 | HEAD NUTS HOLDER WRENCH (M8)                        | 1   |            |          |          |       |
| 6    | 887132676 | HEAD NUTS HOLDER WRENCH (M10)                       | 1   |            |          |          |       |
| 7    | 887133875 | ENGINE MOUNT  | 1   |            |          |          |       |
| 8    | 887133879 | WRENCH FOR TIGHTENING CLUTCH DRUM                   | 1   |            |          |          |       |
| 9    | 887133878 | CYLINDER DISASSEMBLING TOOL                         | 1   |            |          |          |       |
| 10   | 887133925 | PRIMARY DRIVE GEAR TIGHTENING TOOL                  | 1   |            |          |          |       |
| 11   | 887133923 | CYLINDER FITTING TOOL                               | 1   |            |          |          |       |
| 12   | 887133922 | PULLER TO REMOVE ALTERNATOR COVER                   | 1   |            |          |          |       |
| 13   | 887131832 | BENCH FOR ENGINE REPAIR                             | 1   |            |          |          |       |
| 14   | 887132442 | TOOL, OIL SEAL MOUNTING (Ø7)                        | 1   |            |          |          |       |
| 15   | 887651298 | SPACER FOR CHECKING LOWER VALVE SHIM                | 1   |            |          |          |       |
| 16   | 887132877 | SPARK PLUG WRENCH                                   | 1   |            |          |          |       |
| 17   | 887133407 | SPINDLE, TAPER (Gearbox position sensor)            | 1   |            |          |          |       |
| 18   | 887132069 | ROCKER SPRING PRE-LOAD COMPOUND KIT                 | 1   |            |          |          |       |
| 19   | 887134137 | REACTION TOOL                                       | 1   |            |          |          |       |
| 20   | 887134133 | REACTION TOOL                                       | 1   |            |          |          |       |
| 21   | 887134136 | PLATE   | 1   |            |          |          |       |
| 22   | 887134134 | HOOK  | 4   |            |          |          |       |
| 23   | 887134135 | SPRING  | 4   |            |          |          |       |



ATR00274

# DRAWING 01C - WORKSHOP SERVICE TOOLS, FRAME

## GROUP TOOLS



| POS. | CODE      | DESCRIPTION                              | QTY | START DATE | END DATE | VALIDITY | NOTES |
|------|-----------|--|-----|------------|----------|----------|-------|
| 1    | 887133220 | BENCH FOR ENGINE REPAIR                  | 1   |            |          |          |       |
| 2    | 887133927 | ENGINE MOUNT                             | 1   |            |          |          |       |
| 3    | 887132951 | TOOL BALANCING REAR WHEEL                | 1   |            |          |          |       |
| 4    | 887131074 | TOOL DISASSEMBLING SWINGARM PIVOT        | 1   |            |          |          |       |
| 5    | 887133211 | SPANNER FOR ADJUSTING THE ECCENTRIC HUB  | 1   |            |          |          |       |
| 6    | 887131010 | CONNECTOR FOR EXHAUST GAS TAKE-UP POINT  | 1   |            |          |          |       |
| 7    | 887131058 | SPANNER TO ASSEMBLE THE STEERING SLEEVE  | 1   |            |          |          |       |
| 8    | 800070139 | WRENCH FOR FRONT WHEEL SPINDLE           | 1   |            |          |          |       |
| 9    | 887133203 | DRAW BAR FOR MARZOCCHI FORKS OVERHAULING | 1   |            |          |          |       |
| 10   | 887133204 | TOOL TO OVERHAUL MARZOCCHI FORKS         | 1   |            |          |          |       |
| 11   | 887132409 | TOOL ASSEMBLING SWINGARM BALL BEARING    | 1   |            |          |          |       |
| 12   | 887131062 | TOOL ASSEMBLING STEERING TUBE BEARING    | 1   |            |          |          |       |
| 13   | 887133091 | BUSH INSTALLING/REMOVING PLUG            | 1   |            |          |          |       |
| 14   | 887134207 | BRACKET                                  | 1   |            |          |          |       |



# DRAWING A - TYRES

## GROUP TYRES



| POS. | CODE      | DESCRIPTION  | QTY | START DATE | END DATE | VALIDITY | NOTES                                   |
|------|-----------|--|-----|------------|----------|----------|---|
| 1    | 49040711A | FRONT TYRE DIABLO™ SUPERCORSA SP (120-70 ZR17)       | 1   | 01/09/2012 |          |          | (*)=Pneumatico di primo equipaggiamento |
| 2    | 49140911A | REAR TYRE DIABLO™ SUPERCORSA SP (200-55 ZR17)        | 1   | 01/09/2012 |          |          | (*)=Pneumatico di primo equipaggiamento |
| 3    | 490P0324A | FRONT TYRE DIABLO™ ROSSO IV (120-70 ZR17)            | 1   |            |          |          |   |
| 4    | 491P0389A | REAR TYRE DIABLO™ ROSSO IV (200-55 ZR17)             | 1   |            |          |          |   |
| 5    | 490P0272A | FRONT TYRE DIABLO™ ROSSO III D (120-70 ZR17)         | 1   |            |          |          |   |
| 6    | 491P0073A | REAR TYRE DIABLO™ ROSSO III (200-55 ZR17)            | 1   |            |          |          |   |
| 7    | 49041081A | FRONT TYRE DIABLO™ ROSSO CORSA II (120-70 ZR17)      | 1   |            |          |          |   |
| 8    | 49141641A | REAR TYRE DIABLO™ ROSSO CORSA II (200-55 ZR17)       | 1   |            |          |          |   |
| 9    | 490P0002A | FRONT TYRE DIABLO™ SUPERBIKE (120-70 R17 SC1)        | 1   |            |          |          | (#)=For competition use only            |
| 10   | 490P0003A | FRONT TYRE DIABLO™ SUPERBIKE (120-70 R17 SC2)        | 1   |            |          |          | (#)=For competition use only            |
| 11   | 490P0004A | FRONT TYRE DIABLO™ SUPERBIKE (120-70 R17 SC3)        | 1   |            |          |          | (#)=For competition use only            |
| 12   | 491P0015A | REAR TYRE DIABLO™ SUPERBIKE (200-60 R17 SC0)         | 1   |            |          |          | (#)=For competition use only            |
| 13   | 491P0016A | REAR TYRE DIABLO™ SUPERBIKE (200-60 R17 SC1)         | 1   |            |          |          | (#)=For competition use only            |
| 14   | 491P0017A | REAR TYRE DIABLO™ SUPERBIKE (200-60 R17 SC2)         | 1   |            |          |          | (#)=For competition use only            |
| 15   | 491P0018A | REAR TYRE DIABLO™ SUPERBIKE (200-60 R17 SC3)         | 1   |            |          |          | (#)=For competition use only            |
| 16   | 490P0019A | FRONT TYRE DIABLO™ WET (120-70 R17)                  | 1   |            |          |          | (#)=For competition use only            |
| 17   | 490P0022A | FRONT TYRE DIABLO™ RAIN (120-70 R17)                 | 1   |            |          |          | (#)=For competition use only            |
| 18   | 490P0029A | FRONT TYRE DIABLO™ SUPERCORSA SC V2 (120-70 R17 SC1) | 1   |            |          |          | (#)=For competition use only            |
| 19   | 490P0030A | FRONT TYRE DIABLO™ SUPERCORSA SC V2 (120-70 R17 SC2) | 1   |            |          |          | (#)=For competition use only            |
| 20   | 491P0041A | REAR TYRE DIABLO™ SUPERCORSA SC V2 (200-55 R17 SC0)  | 1   |            |          |          |   |
| 21   | 491P0042A | REAR TYRE DIABLO™ SUPERCORSA SC V2 (200-55 R17 SC1)  | 1   |            |          |          | (#)=For competition use only            |
| 22   | 491P0043A | REAR TYRE DIABLO™ SUPERCORSA SC V2 (200-55 R17 SC2)  | 1   |            |          |          | (#)=For competition use only            |
| 23   | 490P0044A | FRONT TYRE DIABLO™ SUPERCORSA SC (120-70 R17 SC2)    | 1   |            |          |          | (#)=For competition use only            |
| 24   | 490P0248A | FRONT TYRE DIABLO™ SUPERCORSA SC (120-70 R17 SC1)    | 1   |            |          |          | (#)=For competition use only            |
| 25   | 49041071A | FRONT TYRE DIABLO™ SUPERCORSA SP V3 (120-70 ZR17)    | 1   |            |          |          |   |
| 26   | 491P0347A | REAR TYRE DIABLO™ SUPERCORSA SP V3 (200-55 ZR17)     | 1   |            |          |          |   |
| 27   | 490P0297A | FRONT TYRE DIABLO™ SUPERCORSA SC V3 (120-70 ZR17)    | 1   |            |          |          | (#)=For competition use only            |
| 28   | 490P0298A | FRONT TYRE DIABLO™ SUPERCORSA SC V3 (120-70 ZR17 TL) | 1   |            |          |          | (#)=For competition use only            |
| 29   | 491P0339A | REAR TYRE DIABLO™ SUPERCORSA SC V3 (200-55 ZR17 78V) | 1   |            |          |          | (#)=For competition use only            |
| 30   | 491P0340A | REAR TYRE DIABLO™ SUPERCORSA SC V3 (200-55 ZR17 78W) | 1   |            |          |          | (#)=For competition use only            |
| 31   | 491P0341A | REAR TYRE DIABLO™ SUPERCORSA SC V3 (200-55 ZR17 78W) | 1   |            |          |          | (#)=For competition use only            |
| 32   | 491P0342A | REAR TYRE DIABLO™ SUPERCORSA SC V3 (200-60 ZR17)     | 1   |            |          |          | (#)=For competition use only            |



# DRAWING B - (\*) PIRELLI DIABLO™ SUPERCORSA SP

## GROUP TYRES



| POS. | CODE      | DESCRIPTION                                    | QTY | START DATE | END DATE | VALIDITY | NOTES                                   |
|------|-----------|--|-----|------------|----------|----------|---|
| 1    | 49040711A | FRONT TYRE DIABLO™ SUPERCORSA SP (120-70 ZR17) | 1   | 01/09/2012 |          |          | (*)=Pneumatico di primo equipaggiamento |
| 2    | 49140911A | REAR TYRE DIABLO™ SUPERCORSA SP (200-55 ZR17)  | 1   | 01/09/2012 |          |          | (*)=Pneumatico di primo equipaggiamento |



# DRAWING D - PIRELLI DIABLO™ ROSSO III

## GROUP TYRES



| POS. | CODE      | DESCRIPTION                                  | QTY | START DATE | END DATE | VALIDITY | NOTES |
|------|-----------|--|-----|------------|----------|----------|-------|
| 1    | 490P0272A | FRONT TYRE DIABLO™ ROSSO III D (120-70 ZR17) | 1   | 19/01/2017 |          |          |       |
| 2    | 491P0073A | REAR TYRE DIABLO™ ROSSO III (200-55 ZR17)    | 1   | 19/12/2016 |          |          |       |



# DRAWING E - PIRELLI DIABLO™ ROSSO CORSA II

## GROUP TYRES



| POS. | CODE      | DESCRIPTION                                     | QTY | START DATE | END DATE | VALIDITY | NOTES |
|------|-----------|---|-----|------------|----------|----------|-------|
| 1    | 49041081A | FRONT TYRE DIABLO™ ROSSO CORSA II (120-70 ZR17) | 1   | 25/10/2013 |          |          |       |
| 2    | 49141641A | REAR TYRE DIABLO™ ROSSO CORSA II (200-55 ZR17)  | 1   | 28/05/2015 |          |          |       |



# DRAWING F - (#) PIRELLI DIABLO™ SUPERBIKE

## GROUP TYRES



| POS. | CODE      | DESCRIPTION                                   | QTY | START DATE | END DATE | VALIDITY | NOTES                        |
|------|-----------|---|-----|------------|----------|----------|------------------------------|
| 1    | 490P0002A | FRONT TYRE DIABLO™ SUPERBIKE (120-70 R17 SC1) | 1   |            |          |          | (#)=For competition use only |
| 2    | 490P0003A | FRONT TYRE DIABLO™ SUPERBIKE (120-70 R17 SC2) | 1   |            |          |          | (#)=For competition use only |
| 3    | 490P0004A | FRONT TYRE DIABLO™ SUPERBIKE (120-70 R17 SC3) | 1   |            |          |          | (#)=For competition use only |
| 4    | 491P0015A | REAR TYRE DIABLO™ SUPERBIKE (200-60 R17 SC0)  | 1   |            |          |          | (#)=For competition use only |
| 5    | 491P0016A | REAR TYRE DIABLO™ SUPERBIKE (200-60 R17 SC1)  | 1   |            |          |          | (#)=For competition use only |
| 6    | 491P0017A | REAR TYRE DIABLO™ SUPERBIKE (200-60 R17 SC2)  | 1   |            |          |          | (#)=For competition use only |
| 7    | 491P0018A | REAR TYRE DIABLO™ SUPERBIKE (200-60 R17 SC3)  | 1   |            |          |          | (#)=For competition use only |



# DRAWING G - (#) DIABLO™ WET

## GROUP TYRES



| POS. | CODE      | DESCRIPTION                         | QTY | START DATE | END DATE | VALIDITY | NOTES                        |
|------|-----------|-------------------------------------|-----|------------|----------|----------|------------------------------|
| 1    | 490P0019A | FRONT TYRE DIABLO™ WET (120-70 R17) | 1   |            |          |          | (#)=For competition use only |



# DRAWING H - (#) DIABLO™ RAIN

## GROUP TYRES



| POS. | CODE      | DESCRIPTION                          | QTY | START DATE | END DATE | VALIDITY | NOTES                        |
|------|-----------|--------------------------------------|-----|------------|----------|----------|------------------------------|
| 1    | 490P0022A | FRONT TYRE DIABLO™ RAIN (120-70 R17) | 1   |            |          |          | (#)=For competition use only |



# DRAWING I - (#) DIABLO™ SUPERCORSA SC V2

## GROUP TYRES



| POS. | CODE      | DESCRIPTION  | QTY | START DATE | END DATE | VALIDITY | NOTES                        |
|------|-----------|--|-----|------------|----------|----------|------------------------------|
| 1    | 490P0029A | FRONT TYRE DIABLO™ SUPERCORSA SC V2 (120-70 R17 SC1) | 1   |            |          |          | (#)=For competition use only |
| 2    | 490P0030A | FRONT TYRE DIABLO™ SUPERCORSA SC V2 (120-70 R17 SC2) | 1   |            |          |          | (#)=For competition use only |
| 3    | 491P0041A | REAR TYRE DIABLO™ SUPERCORSA SC V2 (200-55 R17 SC0)  | 1   |            |          |          |                              |
| 4    | 491P0042A | REAR TYRE DIABLO™ SUPERCORSA SC V2 (200-55 R17 SC1)  | 1   |            |          |          | (#)=For competition use only |
| 5    | 491P0043A | REAR TYRE DIABLO™ SUPERCORSA SC V2 (200-55 R17 SC2)  | 1   |            |          |          | (#)=For competition use only |



# DRAWING J - (#) DIABLO™ SUPERCORSA SC

## GROUP TYRES



| POS. | CODE      | DESCRIPTION                                       | QTY | START DATE | END DATE | VALIDITY | NOTES                        |
|------|-----------|---|-----|------------|----------|----------|------------------------------|
| 1    | 490P0248A | FRONT TYRE DIABLO™ SUPERCORSA SC (120-70 R17 SC1) | 1   |            |          |          | (#)=For competition use only |
| 2    | 490P0044A | FRONT TYRE DIABLO™ SUPERCORSA SC (120-70 R17 SC2) | 1   |            |          |          | (#)=For competition use only |



# DRAWING K - PIRELLI DIABLO™ SUPERCORSA SP V3

## GROUP TYRES



| POS. | CODE      | DESCRIPTION                                       | QTY | START DATE | END DATE | VALIDITY | NOTES |
|------|-----------|---|-----|------------|----------|----------|-------|
| 1    | 49041071A | FRONT TYRE DIABLO™ SUPERCORSA SP V3 (120-70 ZR17) | 1   | 01/09/2012 |          |          |       |
| 2    | 491P0347A | REAR TYRE DIABLO™ SUPERCORSA SP V3 (200-55 ZR17)  | 1   | 01/09/2012 |          |          |       |



# DRAWING M - (#) DIABLO™ SUPERCORSA SC V3

## GROUP TYRES



| POS. | CODE      | DESCRIPTION  | QTY | START DATE | END DATE | VALIDITY | NOTES                        |
|------|-----------|--|-----|------------|----------|----------|------------------------------|
| 1    | 490P0297A | FRONT TYRE DIABLO™ SUPERCORSA SC V3 (120-70 ZR17)    | 1   |            |          |          | (#)=For competition use only |
| 2    | 490P0298A | FRONT TYRE DIABLO™ SUPERCORSA SC V3 (120-70 ZR17 TL) | 1   |            |          |          | (#)=For competition use only |
| 3    | 491P0339A | REAR TYRE DIABLO™ SUPERCORSA SC V3 (200-55 ZR17 78V) | 1   |            |          |          | (#)=For competition use only |
| 4    | 491P0340A | REAR TYRE DIABLO™ SUPERCORSA SC V3 (200-55 ZR17 78W) | 1   |            |          |          | (#)=For competition use only |
| 5    | 491P0341A | REAR TYRE DIABLO™ SUPERCORSA SC V3 (200-55 ZR17 78W) | 1   |            |          |          | (#)=For competition use only |
| 6    | 491P0342A | REAR TYRE DIABLO™ SUPERCORSA SC V3 (200-60 ZR17)     | 1   |            |          |          | (#)=For competition use only |



# DRAWING N - PIRELLI DIABLO™ ROSSO IV

## GROUP TYRES

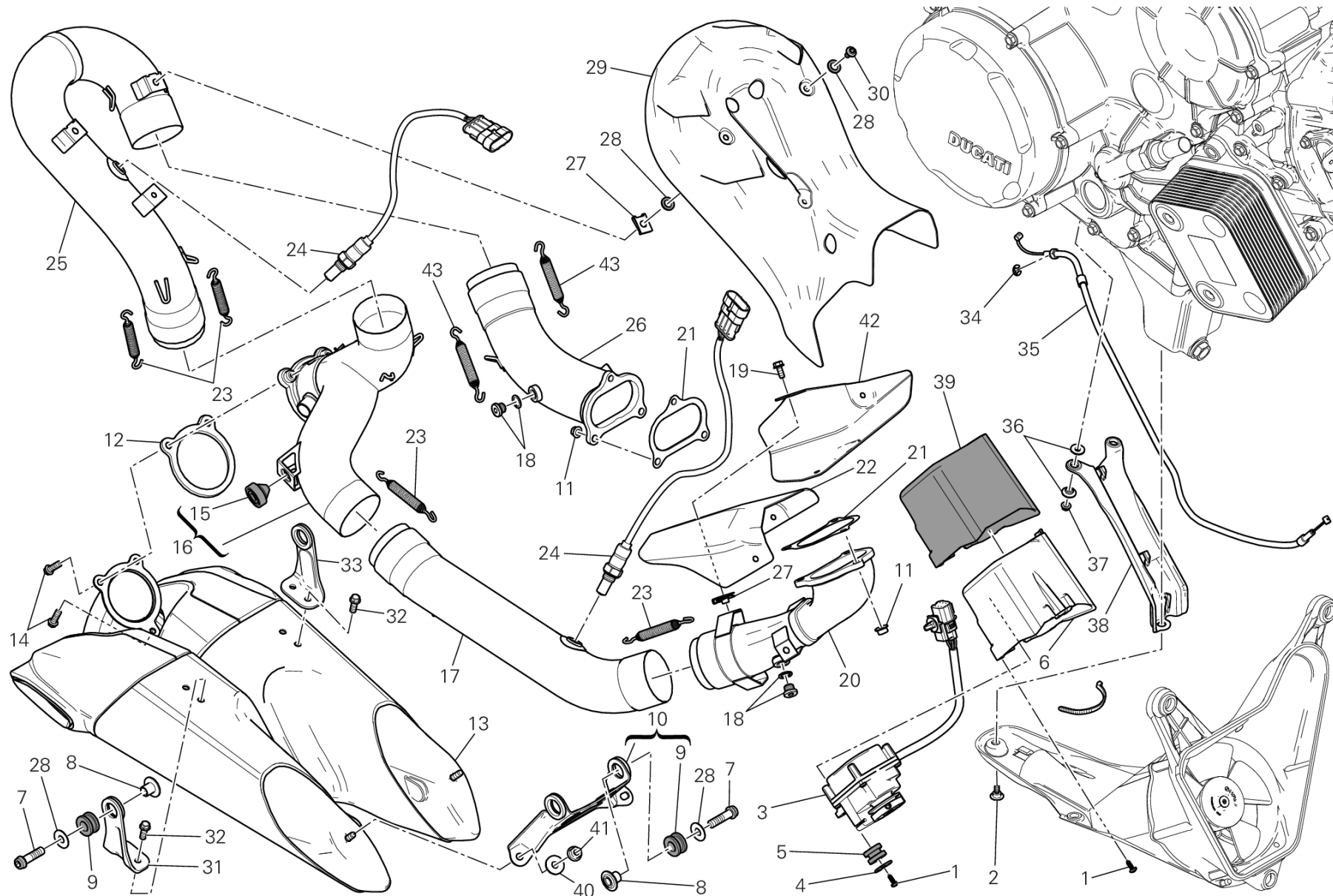


| POS. | CODE      | DESCRIPTION                               | QTY | START DATE | END DATE | VALIDITY | NOTES |
|------|-----------|---|-----|------------|----------|----------|-------|
| 1    | 490P0324A | FRONT TYRE DIABLO™ ROSSO IV (120-70 ZR17) | 1   | 19/01/2017 |          |          |       |
| 2    | 491P0389A | REAR TYRE DIABLO™ ROSSO IV (200-55 ZR17)  | 1   | 19/12/2016 |          |          |       |



# DRAWING 019 - EXHAUST SYSTEM

## GROUP FRAME



# DRAWING 019 - EXHAUST SYSTEM

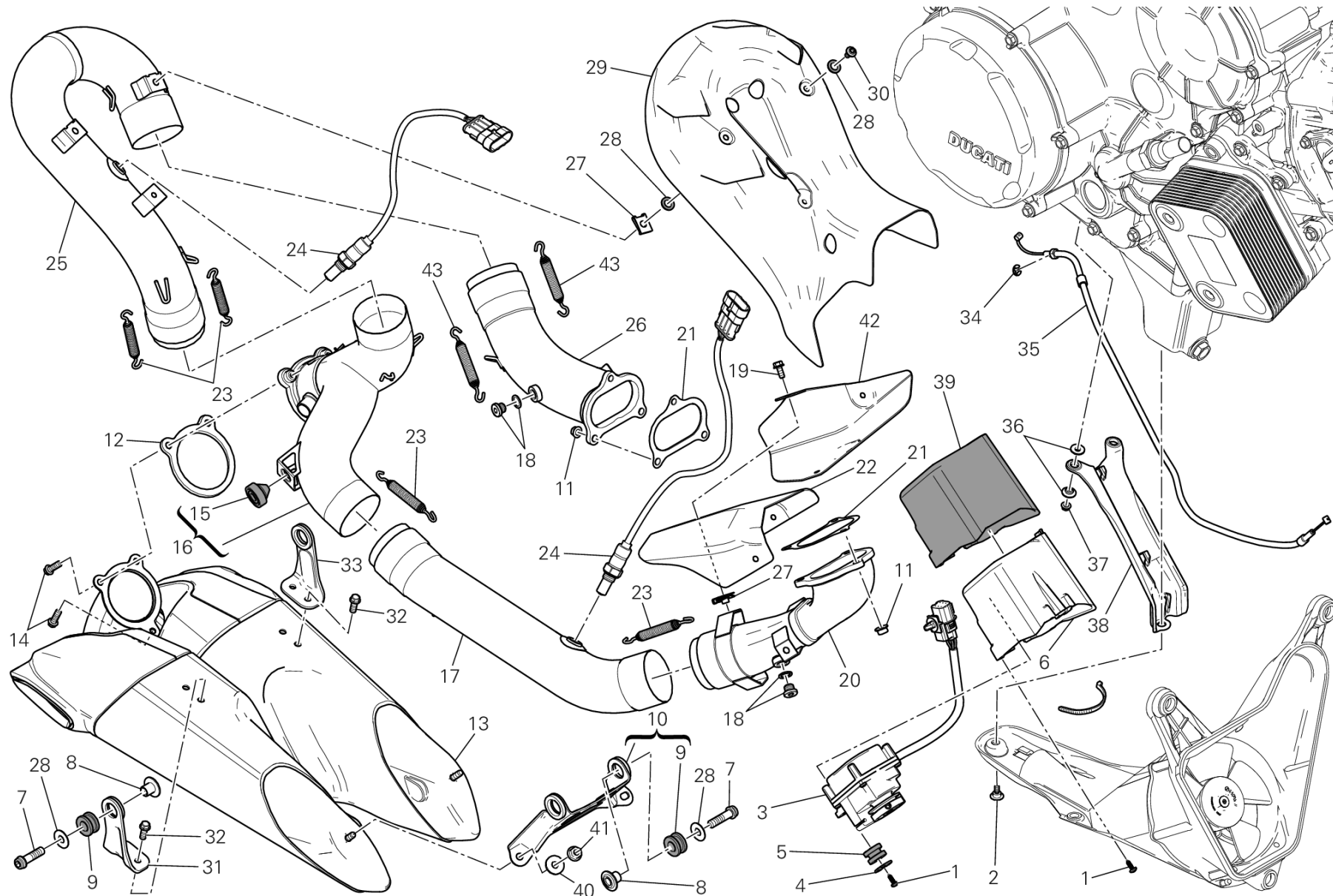
## GROUP FRAME



| POS. | CODE       | DESCRIPTION                         | QTY | START DATE | END DATE | VALIDITY | NOTES |
|------|------------|-------------------------------------|-----|------------|----------|----------|-------|
| 1    | 77440203C  | SCREW                               | 6   |            |          |          |       |
| 2    | 77210852C  | SCREW                               | 1   |            |          |          |       |
| 3    | 59340392A  | ELECTRIC MOTOR, EXHAUST VALVE       | 1   |            |          |          |       |
| 4    | 85213111AA | WASHER                              | 2   |            |          |          |       |
| 5    | 76411301A  | RUBBER PAD                          | 2   |            |          |          |       |
| 6    | 46015262A  | COVER ELECTRIC MOTOR, EXHAUST VALVE | 1   |            |          |          |       |
| 7    | 77157278B  | SCREW TCEIF M8X30                   | 4   |            |          |          |       |
| 8    | 71614391AA | SPACER                              | 4   |            |          |          |       |
| 9    | 76411481A  | RUBBER PAD                          | 4   |            |          |          |       |
| 10   | 83026511BA | BRACKET FRONT                       | 1   |            |          |          |       |
| 11   | 74810241A  | NUT                                 | 6   |            |          |          |       |
| 12   | 79010251A  | GASKET, EXHAUST PIPE                | 1   |            |          |          |       |
| 13   | 57413243B  | SILENCER                            | 1   |            |          |          |       |
| 14   | 77156658B  | SCREW TCEIF M6X16                   | 3   |            |          |          |       |
| 15   | 76410631A  | RUBBER PAD                          | 1   |            |          |          |       |
| 16   | 57013152B  | PIPE, EXHAUST CENTER                | 1   |            |          |          |       |
| 17   | 57013072A  | EXHAUST PIPE HORIZONTAL             | 1   |            |          |          |       |
| 18   | 78020011A  | PLUG ASSY                           | 2   |            |          |          |       |
| 19   | 77250728B  | SCREW TEF M5X12                     | 4   |            |          |          |       |
| 20   | 57013061C  | EXHAUST MANIFOLD HORIZONTAL         | 1   |            |          |          |       |
| 21   | 79010231B  | GASKET, EXHAUST PIPE                | 2   |            |          |          |       |
| 22   | 46015331BA | HEAT GUARD HORIZONTAL               | 1   |            |          |          |       |
| 23   | 79912632A  | SPRING, EXHAUST PIPE                | 4   |            |          |          |       |
| 24   | 55212092A  | SENSOR LAMBDA SOND                  | 2   |            |          |          |       |
| 25   | 57113002C  | PIPE, EXHAUST VERTICAL              | 1   |            |          |          |       |
| 26   | 57112992C  | EXHAUST MANIFOLD VERTICAL           | 1   |            |          |          |       |
| 27   | 85040551A  | QUICK FASTENING                     | 7   |            |          |          |       |
| 28   | 85210532A  | WASHER 8.2X20X1                     | 4   |            |          |          |       |
| 29   | 46015031AA | HEAT GUARD VERTICAL                 | 1   |            |          |          |       |
| 30   | 77244168B  | SCREW                               | 7   |            |          |          |       |
| 31   | 83016491AA | BRACKET REAR RH                     | 1   |            |          |          |       |
| 32   | 77251018B  | SCREW TEF M6X20                     | 4   |            |          |          |       |
| 33   | 83016501AA | BRACKET REAR L.H.                   | 1   |            |          |          |       |
| 34   | 88450031A  | CIRCLIP E-TYPE                      | 1   |            |          |          |       |
| 35   | 73210331B  | EXHAUST VALVE ENGINE CABLE          | 1   |            |          |          |       |



# DRAWING 019 - EXHAUST SYSTEM GROUP FRAME



# DRAWING 019 - EXHAUST SYSTEM

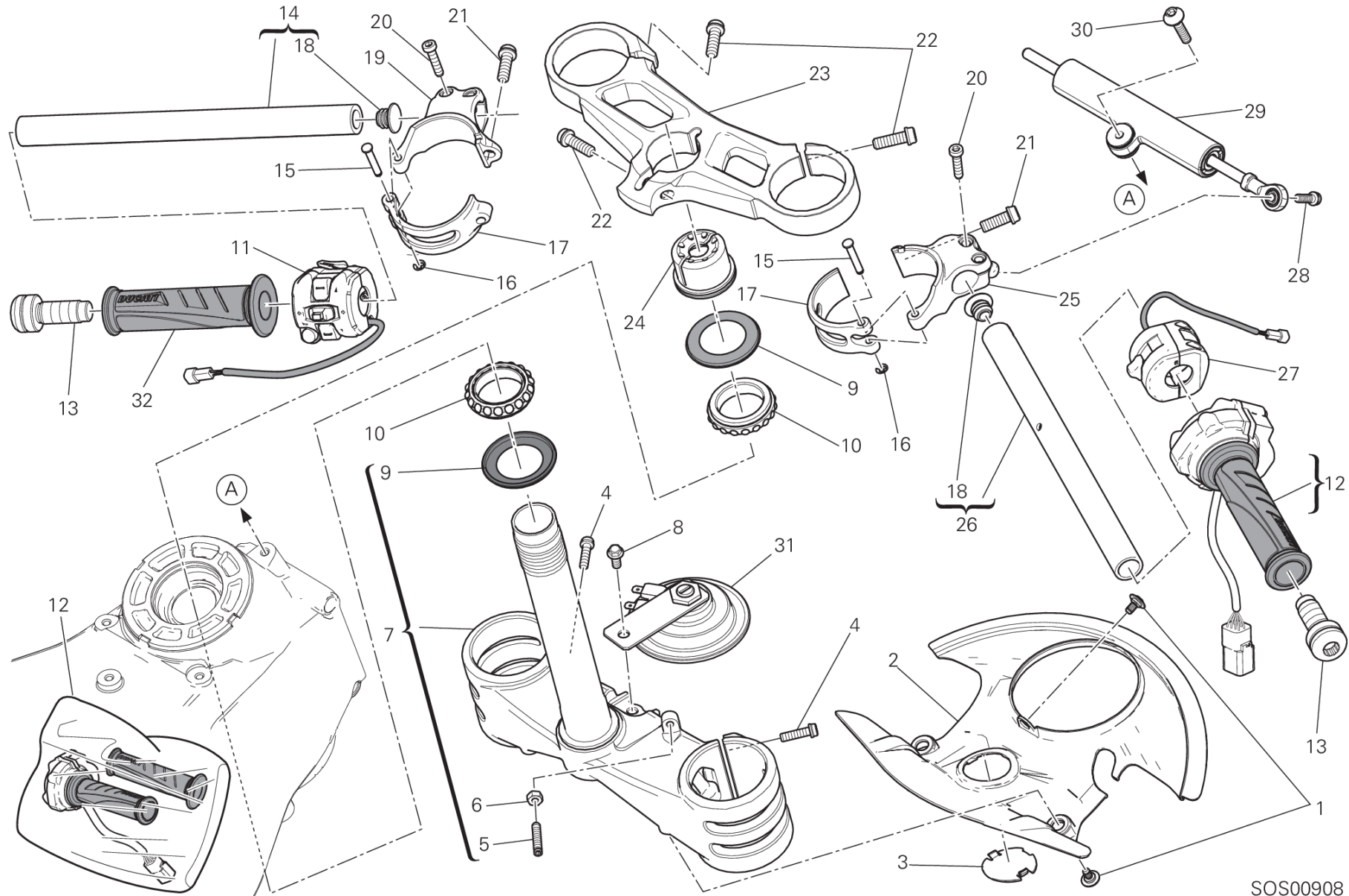
## GROUP FRAME



| POS. | CODE       | DESCRIPTION                                    | QTY | START DATE | END DATE | VALIDITY | NOTES |
|------|------------|--|-----|------------|----------|----------|-------|
| 36   | 71614071A  | SPACER 5.2X8.4X2                               | 4   |            |          |          |       |
| 37   | 74840381A  | NUT M5   | 2   |            |          |          |       |
| 38   | 46015393A  | HEAT GUARD BOTTOM                              | 1   |            |          |          |       |
| 39   | 46015741A  | PROTECTION, HEAT ELECTRIC MOTOR, EXHAUST VALVE | 1   |            |          |          |       |
| 40   | 85250291A  | WASHER   | 2   |            |          |          |       |
| 41   | 74810361A  | NUT  | 2   |            |          |          |       |
| 42   | 46015781AA | GUARD HORIZONTAL                               | 1   |            |          |          |       |
| 43   | 79915651A  | SPRING   | 2   |            |          |          |       |



# DRAWING 021 - HANDLEBAR GROUP FRAME



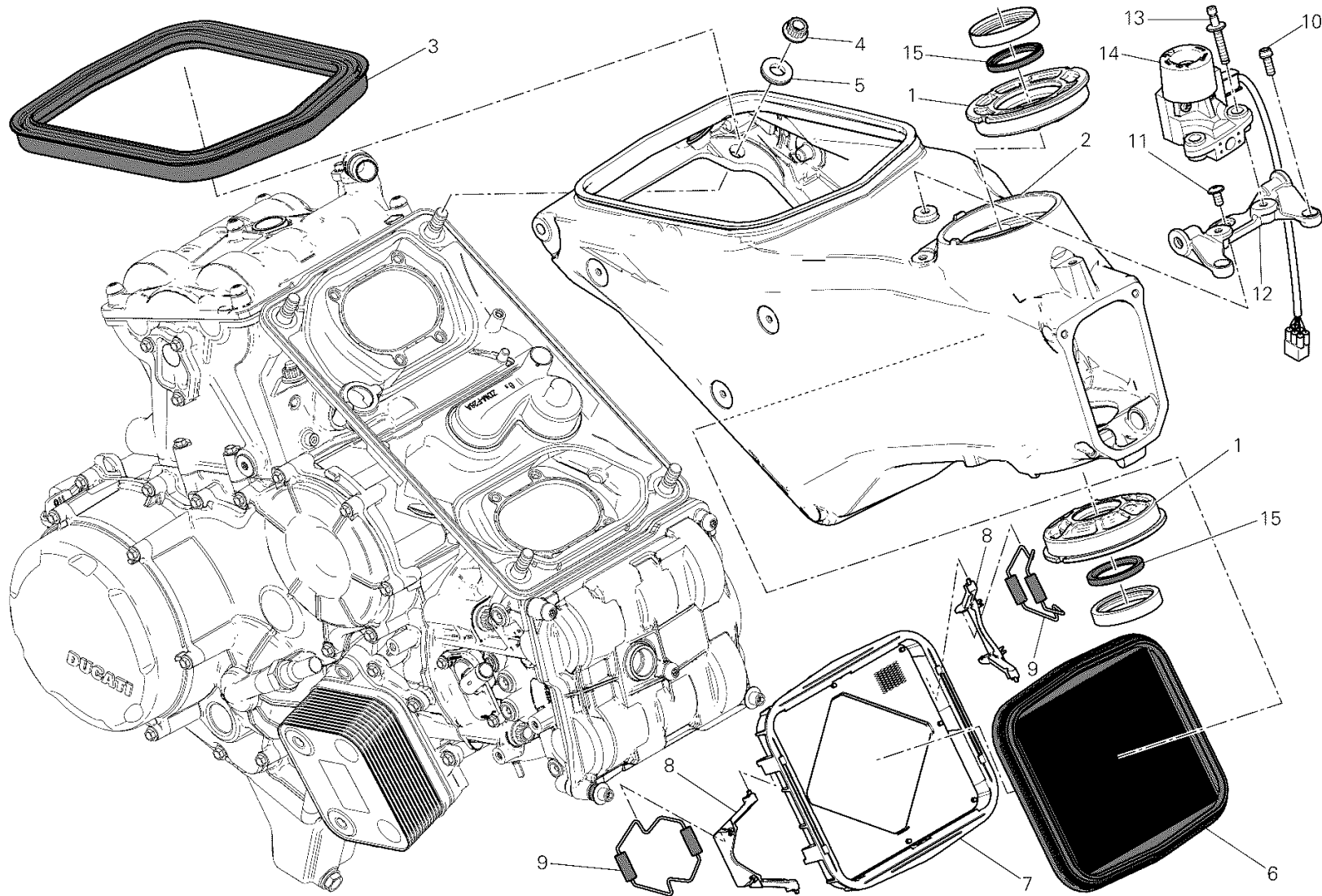
SOS00908

## DRAWING 021 - HANDLEBAR

## GROUP FRAME



| POS. | CODE       | DESCRIPTION                    | QTY | START DATE | END DATE | VALIDITY | NOTES |
|------|------------|--------------------------------|-----|------------|----------|----------|-------|
| 1    | 77211251B  | SCREW M5X9                     | 3   |            |          |          |       |
| 2    | 46014971B  | MUDFLAP                        | 1   |            |          |          |       |
| 3    | 87210722A  | PLUG                           | 1   |            |          |          |       |
| 4    | 77156688B  | SCREW TCEIF                    | 6   |            |          |          |       |
| 5    | 77912981A  | SCREW, SPECIAL                 | 2   |            |          |          |       |
| 6    | 74750031A  | NUT 6MM                        | 2   |            |          |          |       |
| 7    | 342P0681BA | STEERING HEAD BASE             | 1   |            |          |          |       |
| 8    | 77211341A  | SCREW                          | 1   |            |          |          |       |
| 9    | 93010041B  | SEAL RING                      | 2   |            |          |          |       |
| 10   | 70241231A  | BEARING, STEERING NTN SF07A17P | 2   |            |          |          |       |
| 11   | 65110161A  | LEFT SWITCH                    | 1   |            |          |          |       |
| 12   | 66020011B  | THROTTLE CONTROL               | 1   |            |          |          |       |
| 13   | 15310121A  | COUNTERWEIGHT                  | 2   |            |          |          |       |
| 14   | 875P1731BA | HANDLEBAR TUBE L.H.            | 1   |            |          |          |       |
| 15   | 82113822BA | PIN                            | 2   |            |          |          |       |
| 16   | 88450021A  | SPRING RING                    | 2   |            |          |          |       |
| 17   | 36011591AA | CLAMP REAR                     | 2   |            |          |          |       |
| 18   | 87210481A  | CAP                            | 2   |            |          |          |       |
| 19   | 36011581AA | CLAMP FRONT LH                 | 1   |            |          |          |       |
| 20   | 77354888B  | SCREW                          | 4   |            |          |          |       |
| 21   | 77157248B  | SCREW TCEIF M8X22              | 2   |            |          |          |       |
| 22   | 77157258B  | SCREW TCEIF M8X25              | 3   |            |          |          |       |
| 23   | 34110881CA | STEERING HEAD                  | 1   |            |          |          |       |
| 24   | 70310601BA | RING NUT                       | 1   |            |          |          |       |
| 25   | 36011571AA | CLAMP FRONT RH                 | 1   |            |          |          |       |
| 26   | 875P1741BA | HANDLEBAR TUBE R.H.            | 1   |            |          |          |       |
| 27   | 65010092I  | RIGHT SWITCH                   | 1   |            |          |          |       |
| 28   | 77156668B  | SCREW TCEIF M6X18              | 1   |            |          |          |       |
| 29   | 36420101A  | STEERING DAMPER                | 1   |            |          |          |       |
| 30   | 77917392AA | SCREW, SPECIAL                 | 1   |            |          |          |       |
| 31   | 51640013AB | HORN                           | 1   |            |          |          |       |
| 32   | 36140161A  | HAND GRIP LH                   | 1   | 01/06/2011 |          |          |       |



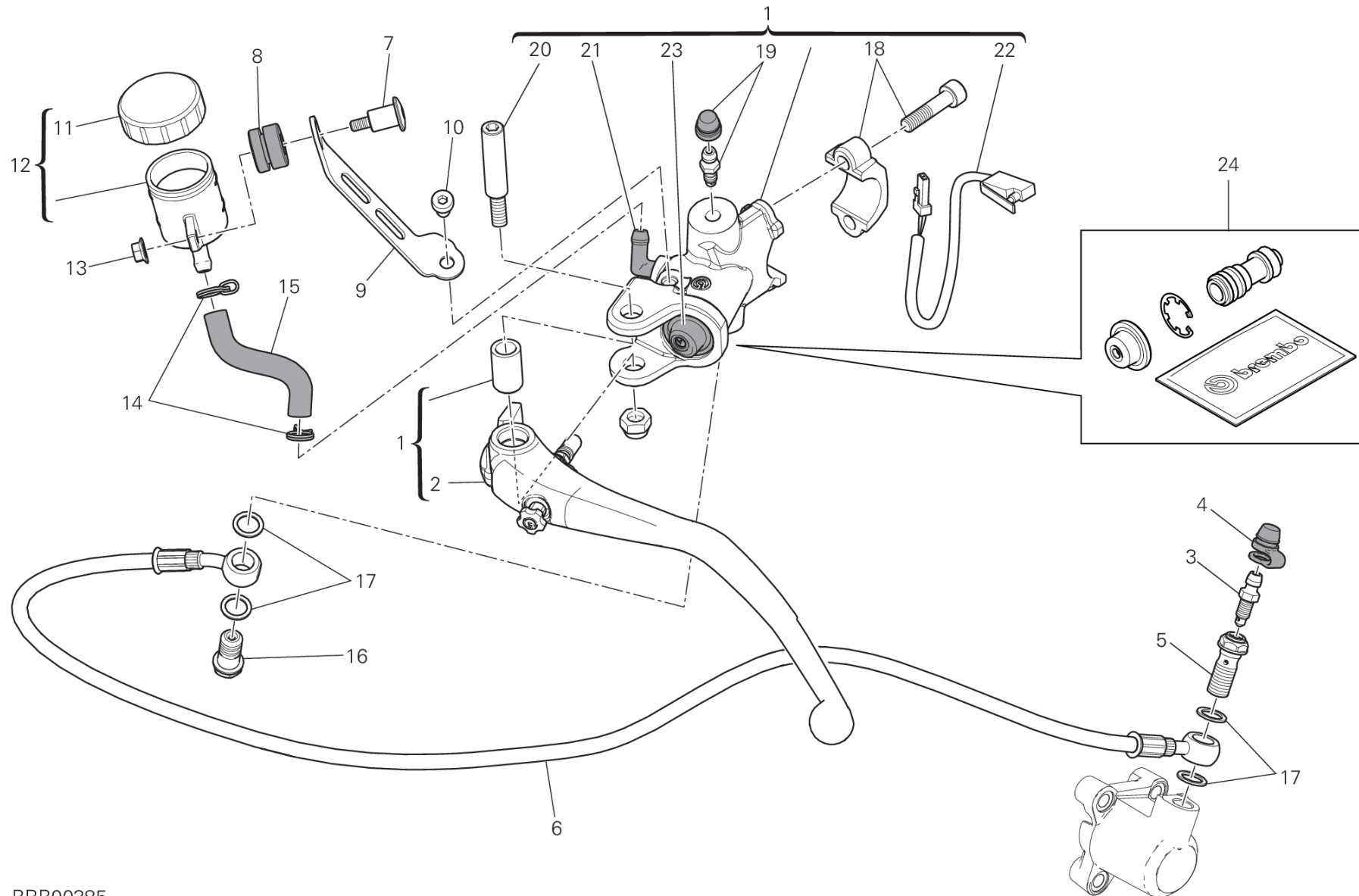
TEL00707



| POS. | CODE       | DESCRIPTION         | QTY | START DATE | END DATE | VALIDITY | NOTES |
|------|------------|---------------------|-----|------------|----------|----------|-------|
| 1    | 75610142AA | BUSH                | 2   |            |          |          |       |
| 2    | 47012051CA | FRAME               | 1   |            |          |          |       |
| 3    | 78811182A  | GASKET              | 1   |            |          |          |       |
| 4    | 74810461A  | NUT, FLANGE M10X1   | 4   |            |          |          |       |
| 5    | 85540031A  | WASHER, SPRING      | 4   |            |          |          |       |
| 6    | 42610341B  | FILTER, AIR         | 1   |            |          |          |       |
| 7    | 8291A481B  | BRACKET, FILTER     | 1   |            |          |          |       |
| 8    | 83016582A  | BRACKET             | 2   |            |          |          |       |
| 9    | 79915493A  | SPRING              | 2   |            |          |          |       |
| 10   | 77156658B  | SCREW TCEIF M6X16   | 2   |            |          |          |       |
| 11   | 77240408C  | SCREW               | 1   |            |          |          |       |
| 12   | 83016471AA | BRACKET             | 1   |            |          |          |       |
| 13   | 77916811AA | SCREW, SPECIAL      | 2   |            |          |          |       |
| 14   | 38510201B  | KEY-OPERATED SWITCH | 1   |            |          |          |       |
| 15   | 93041911A  | DUST COVER          | 2   |            |          |          |       |



# DRAWING 023 - CLUTCH MASTER CYLINDER GROUP FRAME



BRB00385

# DRAWING 023 - CLUTCH MASTER CYLINDER

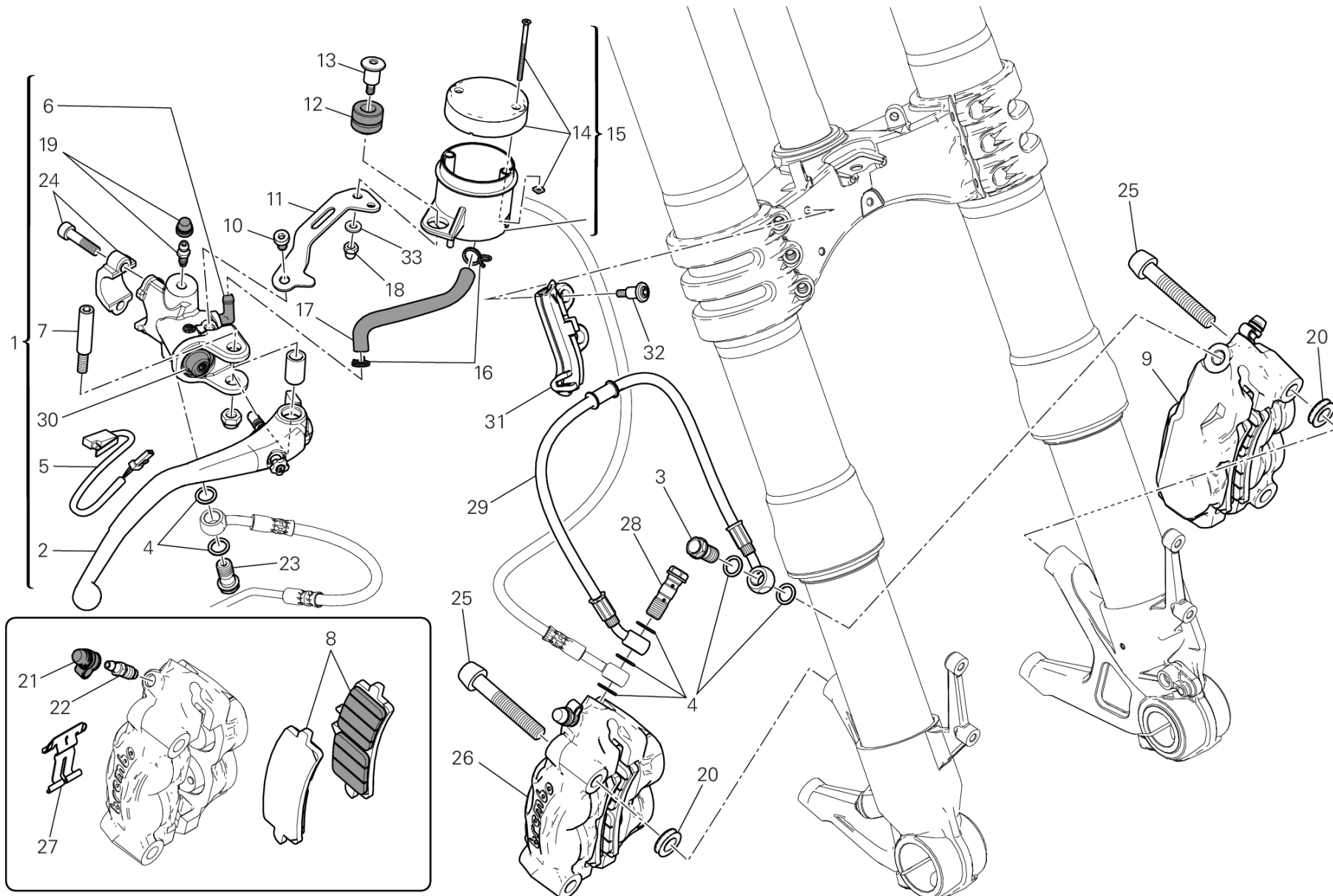
## GROUP FRAME



| POS. | CODE       | DESCRIPTION                       | QTY | START DATE | END DATE | VALIDITY | NOTES |
|------|------------|-----------------------------------|-----|------------|----------|----------|-------|
| 1    | 63040603B  | CLUTCH MASTER CYLINDER            | 1   |            |          |          |       |
| 2    | 63140631A  | LEVER, CLUTCH LIFTER              | 1   |            |          |          |       |
| 3    | 18710021A  | VALVE, BREATHER                   | 1   |            |          |          |       |
| 4    | 61240052A  | DUST COVER                        | 1   |            |          |          |       |
| 5    | 77913971A  | BOLT, BRAKE HOSE                  | 1   |            |          |          |       |
| 6    | 63210611A  | CLUTCH CONTROL PIPE METAL PLAIED  | 1   |            |          |          |       |
| 7    | 77910921A  | SCREW                             | 1   |            |          |          |       |
| 8    | 037072020  | DAMPER                            | 1   |            |          |          |       |
| 9    | 8291A701AA | BRACKET                           | 1   |            |          |          |       |
| 10   | 77350623B  | SCREW TCEIR M6X10                 | 1   |            |          |          |       |
| 11   | 89340241A  | COVER MASTER CYLINDER             | 1   |            |          |          |       |
| 12   | 58540321A  | SUB TANK, OIL                     | 1   |            |          |          |       |
| 13   | 74941108B  | NUT                               | 1   |            |          |          |       |
| 14   | 74140431A  | CLAMP                             | 2   |            |          |          |       |
| 15   | 87711131A  | PIPE                              | 1   |            |          |          |       |
| 16   | 78110121AA | SCREW, SPECIAL                    | 1   |            |          |          |       |
| 17   | 85250241A  | WASHER 10X14X1                    | 4   |            |          |          |       |
| 18   | 62640571A  | BRACKET, MASTER CYLINDER          | 1   |            |          |          |       |
| 19   | 63140281A  | DRAIN                             | 1   |            |          |          |       |
| 20   | 62640561A  | BOLT, LEVER                       | 1   |            |          |          |       |
| 21   | 63140081A  | JOINT, HOSE                       | 1   |            |          |          |       |
| 22   | 53940361A  | SWITCH, CLUTCH                    | 1   |            |          |          |       |
| 23   | 61240391A  | DUST COVER                        | 1   |            |          |          |       |
| 24   | 61041991A  | BREMBO CLUTCH FLOATING PISTON KIT | 1   |            |          |          |       |



# DRAWING 024 - FRONT BRAKE SYSTEM GROUP FRAME



# DRAWING 024 - FRONT BRAKE SYSTEM

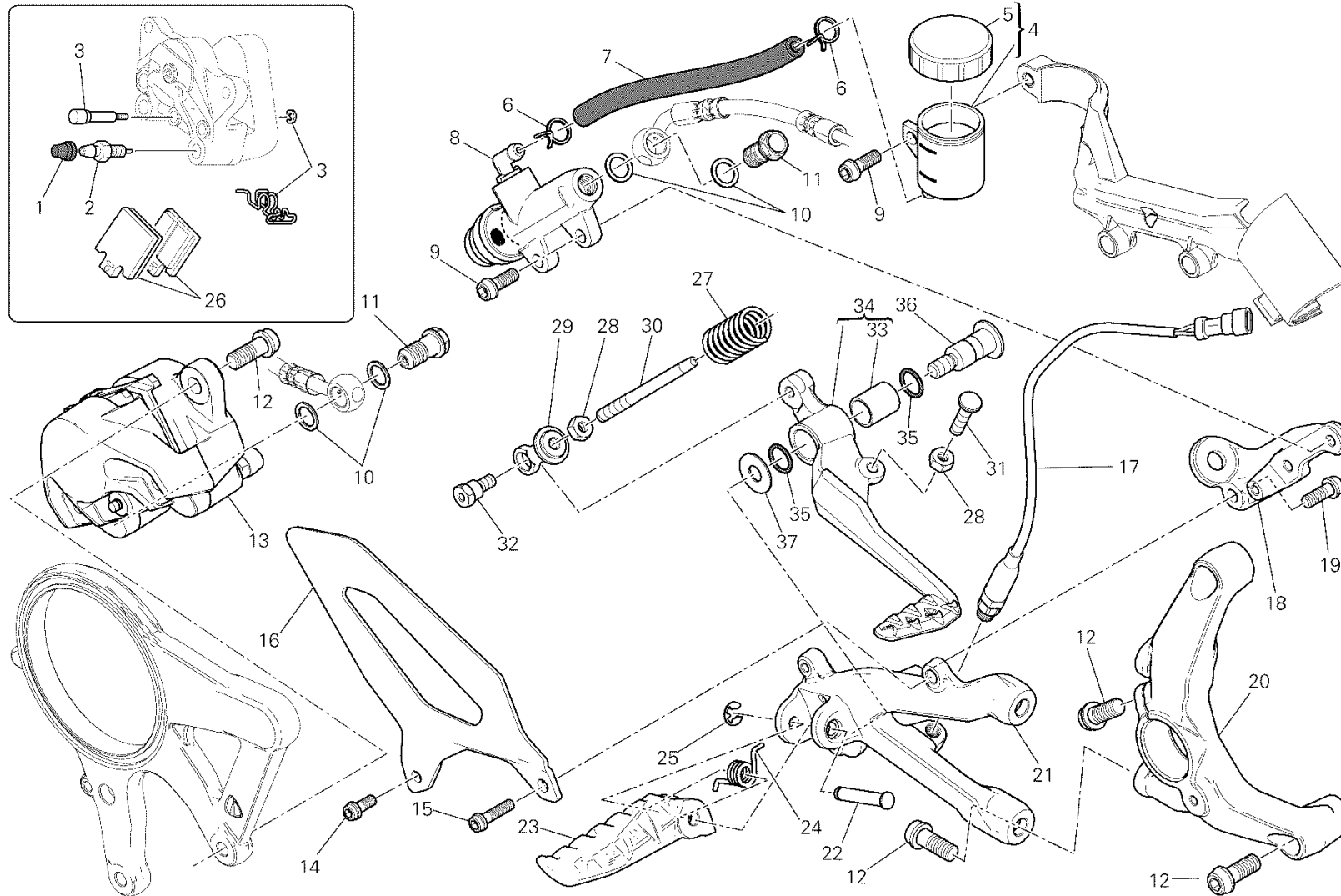
## GROUP FRAME



| POS. | CODE       | DESCRIPTION               | QTY | START DATE | END DATE | VALIDITY | NOTES |
|------|------------|---------------------------|-----|------------|----------|----------|-------|
| 1    | 62440761B  | FRONT BRAKE PUMP          | 1   |            |          |          |       |
| 2    | 63140491A  | BRAKE CONTROL LEVER       | 1   |            |          |          |       |
| 3    | 78110121AA | SCREW, SPECIAL            | 1   |            |          |          |       |
| 4    | 85250241A  | WASHER 10X14X1            | 7   |            |          |          |       |
| 5    | 53940351A  | FRONT BRAKE LIGHT SWITCH  | 1   |            |          |          |       |
| 6    | 63140081A  | JOINT, HOSE               | 1   |            |          |          |       |
| 7    | 62640561A  | BOLT, LEVER               | 1   |            |          |          |       |
| 8    | 61340961A  | PADS PAIR                 | 2   |            |          |          |       |
| 9    | 61041371A  | LEFT BRAKE CALIPER        | 1   |            |          |          |       |
| 10   | 77950591A  | SCREW TCEIR M6X10         | 1   |            |          |          |       |
| 11   | 8291A691AA | BRACKET                   | 1   |            |          |          |       |
| 12   | 037072020  | DAMPER                    | 1   |            |          |          |       |
| 13   | 77910921A  | SCREW                     | 1   |            |          |          |       |
| 14   | 800068490  | CAP BRAKE FLUID TANK      | 1   |            |          |          |       |
| 15   | 58540181A  | RESERVOIR, BRAKE FLUID    | 1   |            |          |          |       |
| 16   | 74140431A  | CLAMP                     | 2   |            |          |          |       |
| 17   | 87711111A  | HOSE, OIL                 | 1   |            |          |          |       |
| 18   | 74941108B  | NUT                       | 1   |            |          |          |       |
| 19   | 63140281A  | DRAIN                     | 1   |            |          |          |       |
| 20   | 71313641A  | SPACER                    | 4   |            |          |          |       |
| 21   | 61240052A  | DUST COVER                | 2   |            |          |          |       |
| 22   | 61240201A  | FRONT CALIPER DRAIN SCREW | 2   |            |          |          |       |
| 23   | 77914151A  | BOLT, BRAKE HOSE          | 1   |            |          |          |       |
| 24   | 62640571A  | BRACKET, MASTER CYLINDER  | 1   |            |          |          |       |
| 25   | 77913311D  | SCREW M 10 X 60           | 4   |            |          |          |       |
| 26   | 61041381A  | RIGHT BRAKE CALIPER       | 1   |            |          |          |       |
| 27   | 61240371A  | SPRING, PAD STOPPER       | 2   |            |          |          |       |
| 28   | 77913091AB | SCREW, SPECIAL            | 1   |            |          |          |       |
| 29   | 61810361A  | FRONT BRAKE HOSE          | 1   |            |          |          |       |
| 30   | 61240391A  | DUST COVER                | 1   |            |          |          |       |
| 31   | 83016541B  | HOSE GUIDE                | 1   |            |          |          |       |
| 32   | 77211271A  | SCREW, SPECIAL M5X10      | 2   |            |          |          |       |
| 33   | 85250191A  | WASHER 5X15X1.5           | 1   |            |          |          |       |



# DRAWING 025 - REAR BRAKE SYSTEM GROUP FRAME



BRB00388

# DRAWING 025 - REAR BRAKE SYSTEM

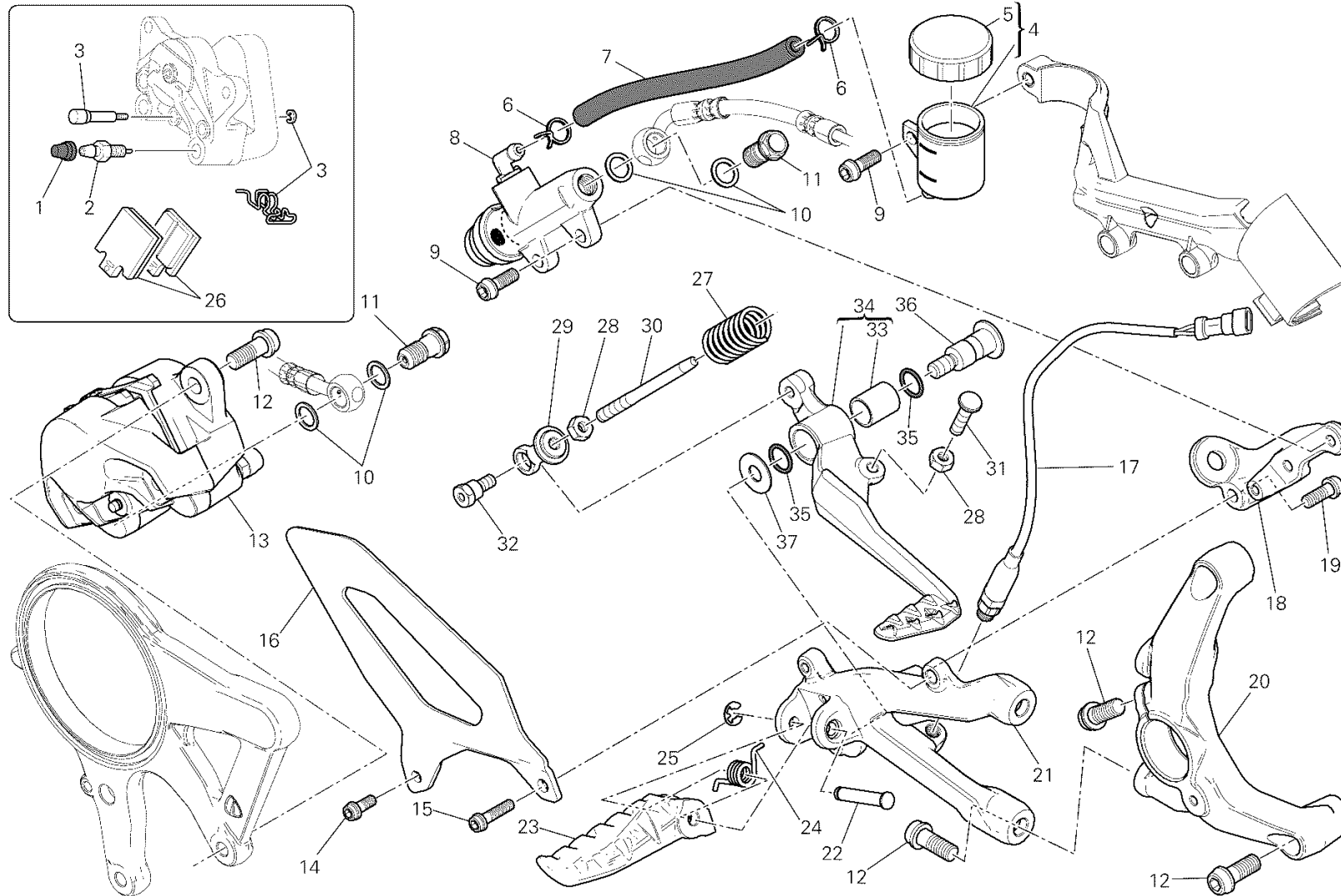
## GROUP FRAME



| POS. | CODE       | DESCRIPTION                        | QTY | START DATE | END DATE | VALIDITY | NOTES |
|------|------------|------------------------------------|-----|------------|----------|----------|-------|
| 1    | 61240081A  | DUST PLUG (confezione da 20 pezzi) | 1   |            |          |          |       |
| 2    | 63140161A  | FRONT CALIPER DRAIN SCREW          | 1   |            |          |          |       |
| 3    | 61240161A  | PAD PINS OVERHAUL KIT              | 1   |            |          |          |       |
| 4    | 58540081A  | RESERVOIR, BRAKE FLUID             | 1   |            |          |          |       |
| 5    | 89340051A  | CLUTCH BRAKE PUMP COVER KIT        | 1   |            |          |          |       |
| 6    | 74140431A  | CLAMP                              | 2   |            |          |          |       |
| 7    | 87711491A  | PIPE                               | 1   |            |          |          |       |
| 8    | 62540311C  | REAR BRAKE PUMP                    | 1   |            |          |          |       |
| 9    | 77156658B  | SCREW TCEIF M6X16                  | 3   |            |          |          |       |
| 10   | 85250241A  | WASHER 10X14X1                     | 4   |            |          |          |       |
| 11   | 78110121AA | SCREW, SPECIAL                     | 2   |            |          |          |       |
| 12   | 77157238B  | SCREW TCEIF M8X20                  | 7   |            |          |          |       |
| 13   | 61140411A  | REAR BRAKE CALIPER                 | 1   |            |          |          |       |
| 14   | 77156398B  | SCREW TCEIF M5X12                  | 1   |            |          |          |       |
| 15   | 77156438B  | SCREW                              | 1   |            |          |          |       |
| 16   | 24714051BA | HEEL GUARD FRONT RH                | 1   |            |          |          |       |
| 17   | 53940031A  | SWITCH, REAR BRAKE                 | 1   |            |          |          |       |
| 18   | 8291A511BA | BRACKET, PUMP                      | 1   |            |          |          |       |
| 19   | 77156688B  | SCREW TCEIF                        | 1   |            |          |          |       |
| 20   | 8291A441AA | RIGHT HOLDER                       | 1   |            |          |          |       |
| 21   | 82411871BA | FRONT R.H. PLATE                   | 1   |            |          |          |       |
| 22   | 82110511AB | FOOTREST PIN                       | 1   |            |          |          |       |
| 23   | 46410811AA | RIGHT FOOTREST                     | 1   |            |          |          |       |
| 24   | 79911661A  | SPRING. FOOTREST                   | 1   |            |          |          |       |
| 25   | 88450031A  | CIRCLIP E-TYPE                     | 1   |            |          |          |       |
| 26   | 61340381A  | REAR BRAKE PADS SET                | 1   |            |          |          |       |
| 27   | 79915511A  | SPRING                             | 1   |            |          |          |       |
| 28   | 74750031A  | NUT 6MM                            | 2   |            |          |          |       |
| 29   | 18410152AA | JOINT                              | 1   |            |          |          |       |
| 30   | 11711272AA | PIN                                | 1   |            |          |          |       |
| 31   | 77912371B  | SCREW                              | 1   |            |          |          |       |
| 32   | 82113811AA | PIN                                | 1   |            |          |          |       |
| 33   | 71210341A  | BUSH                               | 1   |            |          |          |       |
| 34   | 45720552AA | BRAKE LEVER ASSEMBLY               | 1   |            |          |          |       |
| 35   | 88641161A  | O-RING                             | 2   |            |          |          |       |



# DRAWING 025 - REAR BRAKE SYSTEM GROUP FRAME



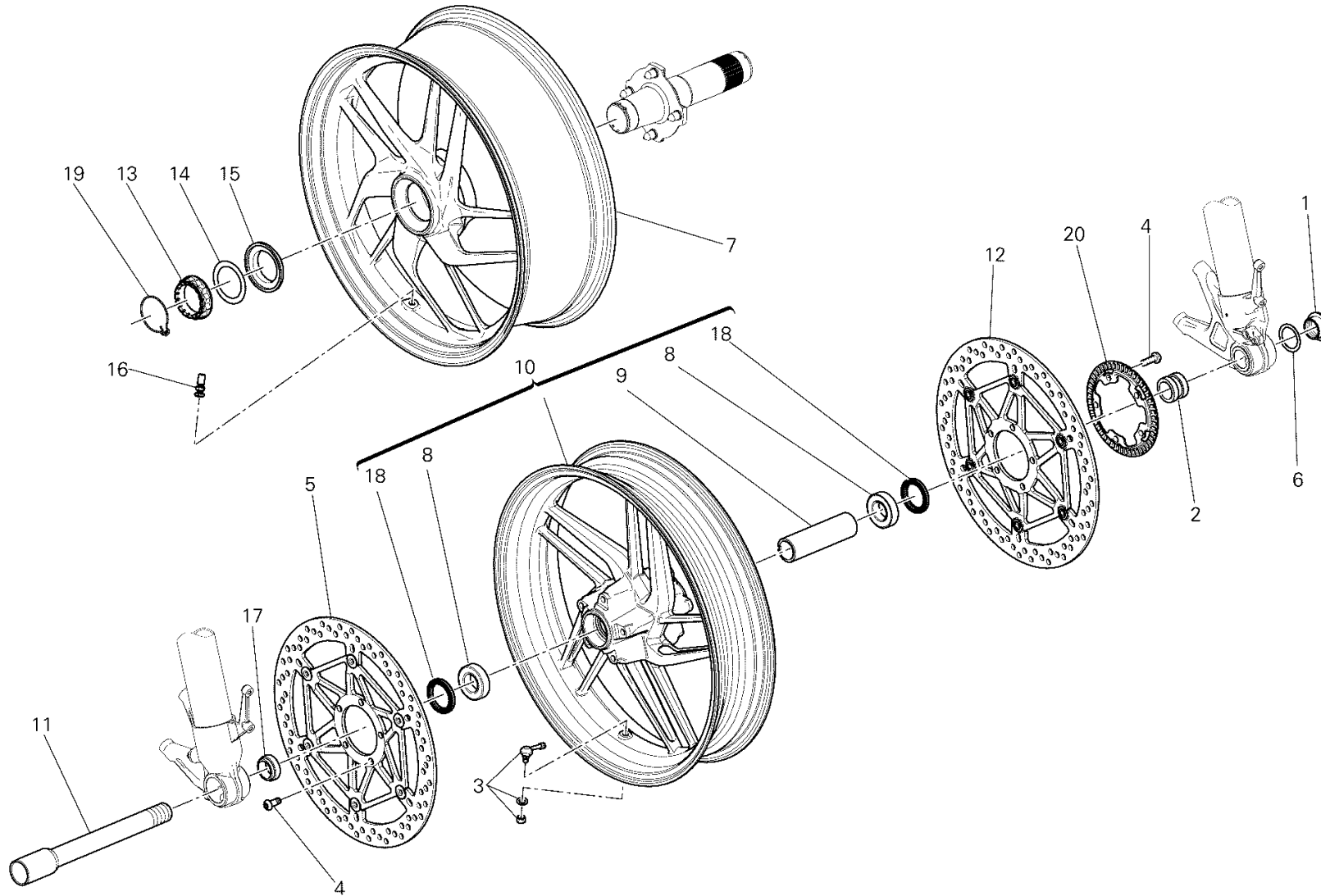
BRB00388

# DRAWING 025 - REAR BRAKE SYSTEM

## GROUP FRAME



| POS. | CODE      | DESCRIPTION | QTY | START DATE | END DATE | VALIDITY | NOTES |
|------|-----------|-------------|-----|------------|----------|----------|-------|
| 36   | 82111701B | PIN PEDAL   | 1   |            |          |          |       |
| 37   | 85211511A | WASHER      | 1   |            |          |          |       |



TEL00708

# DRAWING 026 - WHEELS

## GROUP FRAME

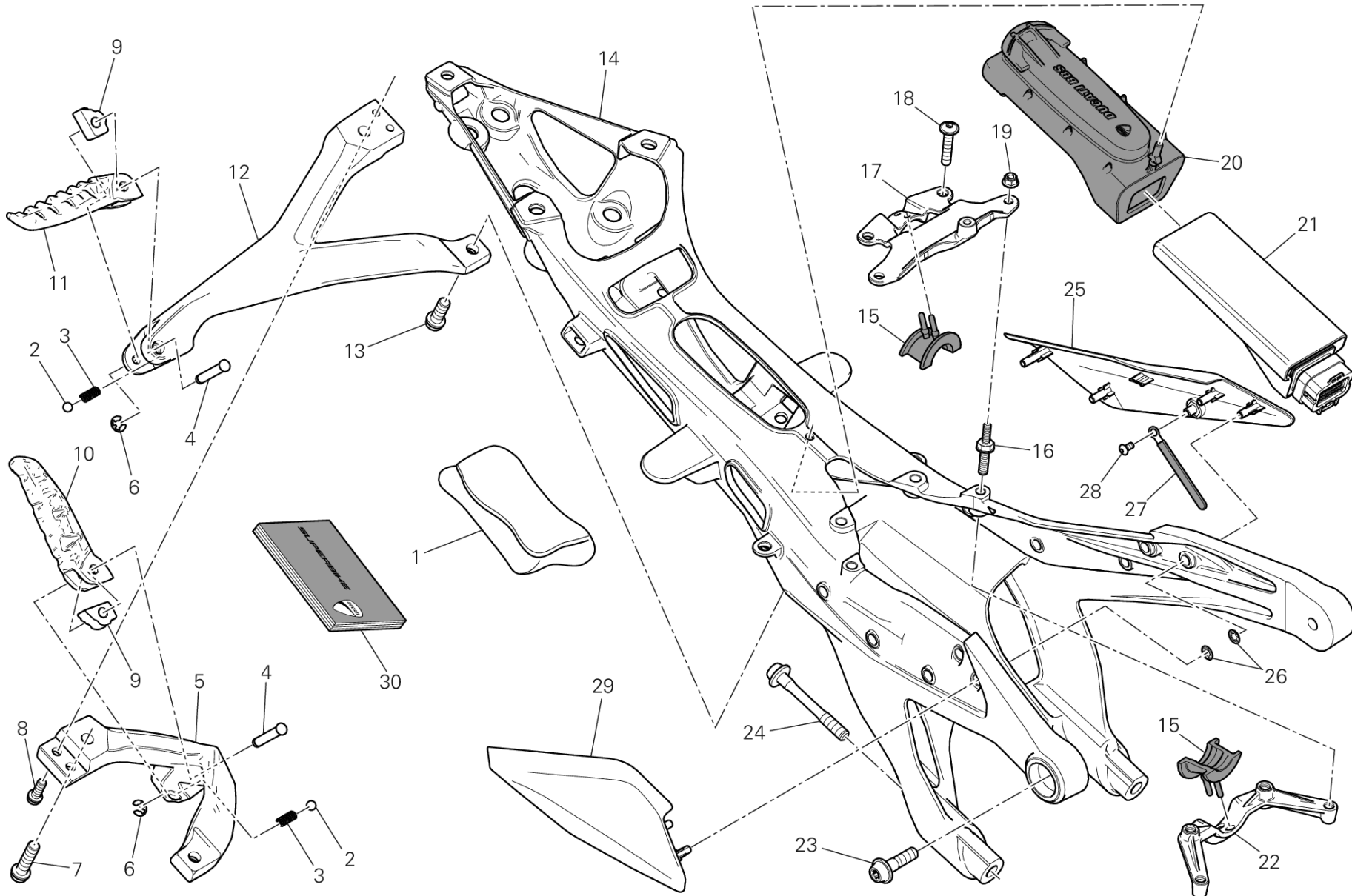


| POS. | CODE       | DESCRIPTION            | QTY | START DATE | END DATE | VALIDITY | NOTES |
|------|------------|------------------------|-----|------------|----------|----------|-------|
| 1    | 74810651A  | NUT                    | 1   |            |          |          |       |
| 2    | 71413271AA | LEFT SPACER            | 1   |            |          |          |       |
| 3    | 49720012A  | VALVE, TUBELESS TIRE   | 1   |            |          |          |       |
| 4    | 77913991A  | SCREW M8X20            | 10  |            |          |          |       |
| 5    | 49240901A  | DISC, FRONT BRAKE RH   | 1   |            |          |          |       |
| 6    | 85212221A  | WASHER                 | 1   |            |          |          |       |
| 7    | 50211482AB | REAR WHEEL RIM         | 1   |            |          |          |       |
| 8    | 70250451A  | BEARING                | 2   |            |          |          |       |
| 9    | 71413281AA | INNER SPACER           | 1   |            |          |          |       |
| 10   | 50121541A  | FRONT WHEEL RIM        | 1   |            |          |          |       |
| 11   | 81910691A  | FRONT WHEEL SPINDLE    | 1   |            |          |          |       |
| 12   | 49240891A  | DISC, FRONT BRAKE LH   | 1   |            |          |          |       |
| 13   | 75011391A  | NUT                    | 1   |            |          |          |       |
| 14   | 85212211A  | WASHER 48.5X65X0.5     | 1   |            |          |          |       |
| 15   | 71413231AA | SPACER                 | 1   |            |          |          |       |
| 16   | 49720031A  | VALVE, TUBELESS TIRE   | 1   |            |          |          |       |
| 17   | 71413261AA | RIGHT SPACER           | 1   |            |          |          |       |
| 18   | 93040521A  | SEAL RING 35X47.15X6.8 | 2   |            |          |          |       |
| 19   | 75910222A  | CLIP                   | 1   |            |          |          |       |
| 20   | 50410051A  | PHONIC WHEEL           | 1   |            |          |          |       |



# DRAWING 027 - REAR FRAME

## GROUP FRAME



# DRAWING 027 - REAR FRAME

## GROUP FRAME

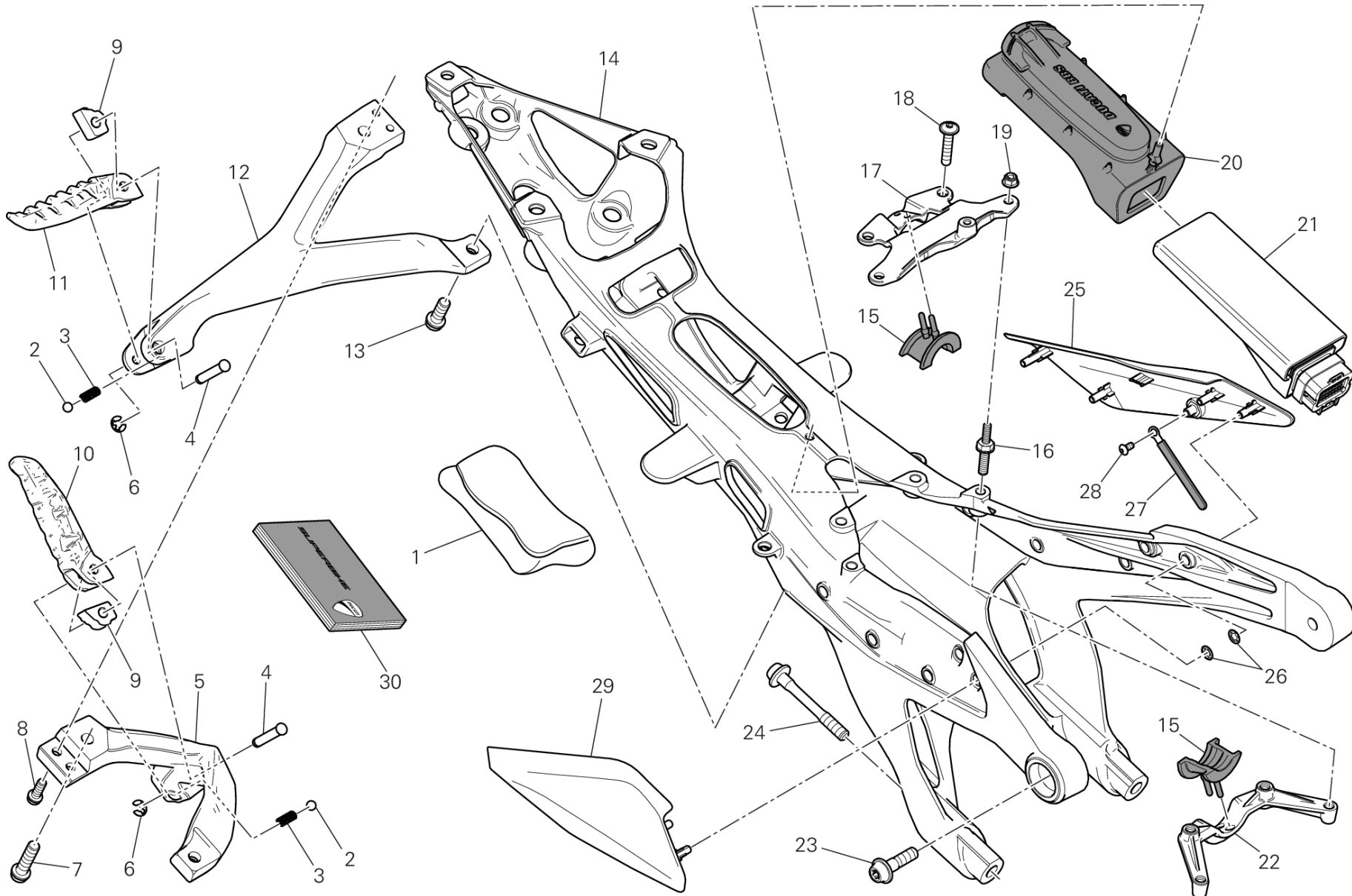


| POS. | CODE       | DESCRIPTION             | QTY | START DATE | END DATE | VALIDITY | NOTES           |
|------|------------|-------------------------|-----|------------|----------|----------|-----------------|
| 1    | 69720283A  | TOOL BAG                | 1   |            |          |          |                 |
| 2    | 84740021A  | BALL                    | 2   |            |          |          |                 |
| 3    | 79910241A  | SPRING                  | 2   |            |          |          |                 |
| 4    | 82110511AB | FOOTREST PIN            | 2   |            |          |          |                 |
| 5    | 82411881BA | REAR L.H. PLATE         | 1   |            |          |          |                 |
| 6    | 88450031A  | CIRCLIP E-TYPE          | 2   |            |          |          |                 |
| 7    | 77157278B  | SCREW TCEIF M8X30       | 2   |            |          |          |                 |
| 8    | 77156658B  | SCREW TCEIF M6X16       | 2   |            |          |          |                 |
| 9    | 69610121A  | BLOCK                   | 2   |            |          |          |                 |
| 10   | 46410801AA | LEFT FOOTREST           | 1   |            |          |          |                 |
| 11   | 46410811AA | RIGHT FOOTREST          | 1   |            |          |          |                 |
| 12   | 82411891BA | REAR R.H. PLATE         | 1   |            |          |          |                 |
| 13   | 77157238B  | SCREW TCEIF M8X20       | 2   |            |          |          |                 |
| 14   | 47110252BA | REAR FRAME COMP.        | 1   |            |          |          |                 |
| 15   | 76411472A  | RUBBER PAD              | 2   |            |          |          |                 |
| 16   | 77916783AA | SCREW, SPECIAL          | 2   |            |          |          |                 |
| 17   | 83016452AA | BRACKET UPPER           | 1   |            |          |          |                 |
| 18   | 77240483C  | SCREW                   | 2   |            |          |          |                 |
| 19   | 74810351B  | NUT                     | 2   |            |          |          |                 |
| 20   | 70010701A  | VIBRATION DAMPER HOLDER | 1   |            |          |          |                 |
| 21   | 38510121D  | BLACKBOX UNIT           | 1   |            |          |          |                 |
| 22   | 83016442AA | BRACKET                 | 1   |            |          |          |                 |
| 23   | 77916763AA | SCREW, SPECIAL          | 2   |            |          |          |                 |
| 24   | 77916773AA | SPECIAL SCREW BOTTOM    | 2   |            |          |          |                 |
| 25   | 46015011B  | CAP LH                  | 1   |            |          |          |                 |
| 26   | 85040521A  | CLIP                    | 9   |            |          |          |                 |
| 27   | 74141671A  | PLATE                   | 1   |            |          |          |                 |
| 28   | 77510161A  | SCREW                   | 1   |            |          |          |                 |
| 29   | 46015022A  | CAP RH                  | 1   |            |          |          |                 |
| 30   | 91371921A  | OWNER'S MANUAL          | 1   |            |          |          | DEU-FRA-GBR-ITA |
|      | 91371921B  | OWNER'S MANUAL          | 1   |            |          |          | ESP-FRA-GBR-JPN |
|      | 91371921C  | OWNER'S MANUAL          | 1   |            |          |          | ESP-GRC-PRT     |
|      | 91371921D  | OWNER'S MANUAL          | 1   |            |          |          | CHN-FRA-NLD     |
|      | 91371921E  | OWNER'S MANUAL          | 1   |            |          |          | DNK-FIN-NOR-SWE |
|      | 91371921F  | OWNER'S MANUAL          | 1   |            |          |          | CZE-POL-SVK-SLO |



# DRAWING 027 - REAR FRAME

## GROUP FRAME



# DRAWING 027 - REAR FRAME

## GROUP FRAME



| POS. | CODE      | DESCRIPTION    | QTY | START DATE | END DATE | VALIDITY | NOTES           |
|------|-----------|----------------|-----|------------|----------|----------|-----------------|
|      | 91371921G | OWNER'S MANUAL | 1   |            |          |          | BGR-HUN-ROU-RUS |

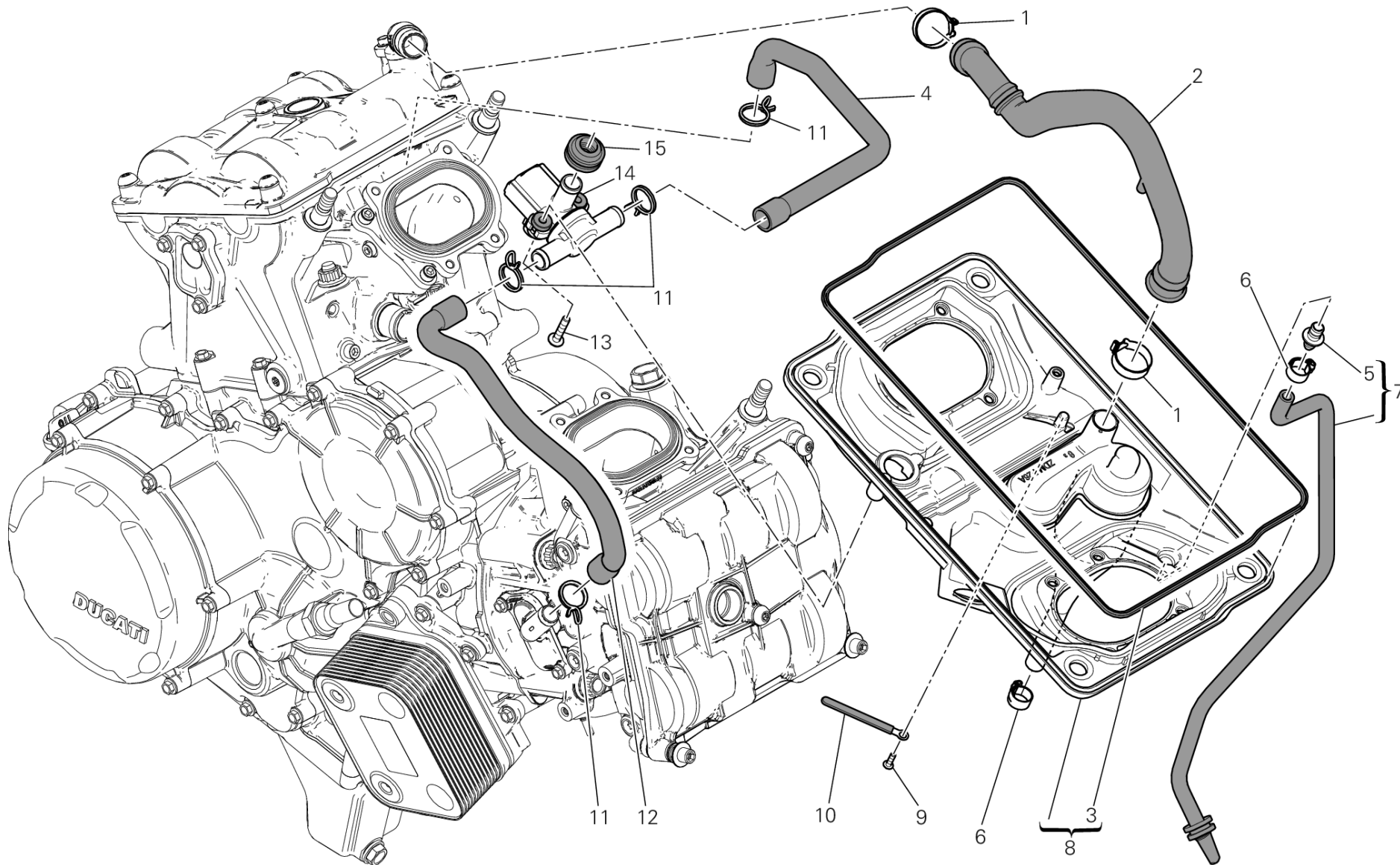


# DRAWING 028 - REAR SHOCK ABSORBER

## GROUP FRAME



| POS. | CODE       | DESCRIPTION         | QTY | START DATE | END DATE | VALIDITY | NOTES |
|------|------------|---------------------|-----|------------|----------|----------|-------|
| 1    | 77151598C  | SCREW               | 1   |            |          |          |       |
| 2    | 8291A333AA | BRACKET, FRONT      | 1   |            |          |          |       |
| 3    | 77157238B  | SCREW TCEIF M8X20   | 3   |            |          |          |       |
| 4    | 36521022A  | REAR SHOCK ABSORBER | 1   |            |          |          |       |
| 5    | 71611441B  | SPACER              | 3   |            |          |          |       |
| 6    | 46015341A  | GUARD               | 1   |            |          |          |       |
| 7    | 77213173B  | SCREW               | 3   |            |          |          |       |
| 8    | 71011642AA | SPINDLE, TAPER      | 4   |            |          |          |       |
| 9    | 88640091A  | O-RING              | 4   |            |          |          |       |
| 10   | 71319971AA | SPACER              | 1   |            |          |          |       |
| 11   | 71319421A  | SPACER              | 1   |            |          |          |       |
| 12   | 71319522AA | PLATE               | 1   |            |          |          |       |
| 13   | 77157618B  | SCREW               | 2   |            |          |          |       |
| 14   | 87521941AA | ROD                 | 1   |            |          |          |       |
| 15   | 77915041A  | SCREW, SPECIAL      | 1   |            |          |          |       |
| 16   | 70241191A  | BUSH                | 2   |            |          |          |       |
| 17   | 93041271A  | SEAL RING 20X26X4   | 2   |            |          |          |       |
| 18   | 77211361AA | SCREW, SPECIAL      | 2   |            |          |          |       |
| 19   | 37211171BA | REAR ROCKER ARM RH  | 1   |            |          |          |       |
| 20   | 37211161BA | REAR ROCKER ARM LH  | 1   |            |          |          |       |
| 21   | 74940141A  | NUT                 | 1   |            |          |          |       |



RAF00478



| POS. | CODE      | DESCRIPTION   | QTY | START DATE | END DATE | VALIDITY | NOTES |
|------|-----------|---|-----|------------|----------|----------|-------|
| 1    | 74142141A | CLAMP   | 2   |            |          |          |       |
| 2    | 87611081A | BREATHER PIPE   | 1   |            |          |          |       |
| 3    | 78811161A | GASKET  | 1   |            |          |          |       |
| 4    | 87611121A | PIPE VERTICAL   | 1   |            |          |          |       |
| 5    | 81510371A | NIPPLE  | 1   |            |          |          |       |
| 6    | 74140631A | CLAMP   | 2   |            |          |          |       |
| 7    | 59013861A | BREATHER PIPE   | 1   |            |          |          |       |
| 8    | 44212342B | AIRBOX Before replacing the component, refer to Technical Bulletin 901-SAT (SVC-14-010 for US). | 1   |            |          |          |       |
| 9    | 77440111A | SCREW   | 1   |            |          |          |       |
| 10   | 74141671A | PLATE   | 1   |            |          |          |       |
| 11   | 74142251A | CLAMP   | 4   |            |          |          |       |
| 12   | 87611131A | PIPE HORIZONTAL   | 1   |            |          |          |       |
| 13   | 77240323C | SCREW   | 2   |            |          |          |       |
| 14   | 65540081A | ACTUATOR  | 1   |            |          |          |       |
| 15   | 76411621A | RUBBER PAD  | 1   |            |          |          |       |



# DRAWING 030 - WATER COOLER

## GROUP FRAME

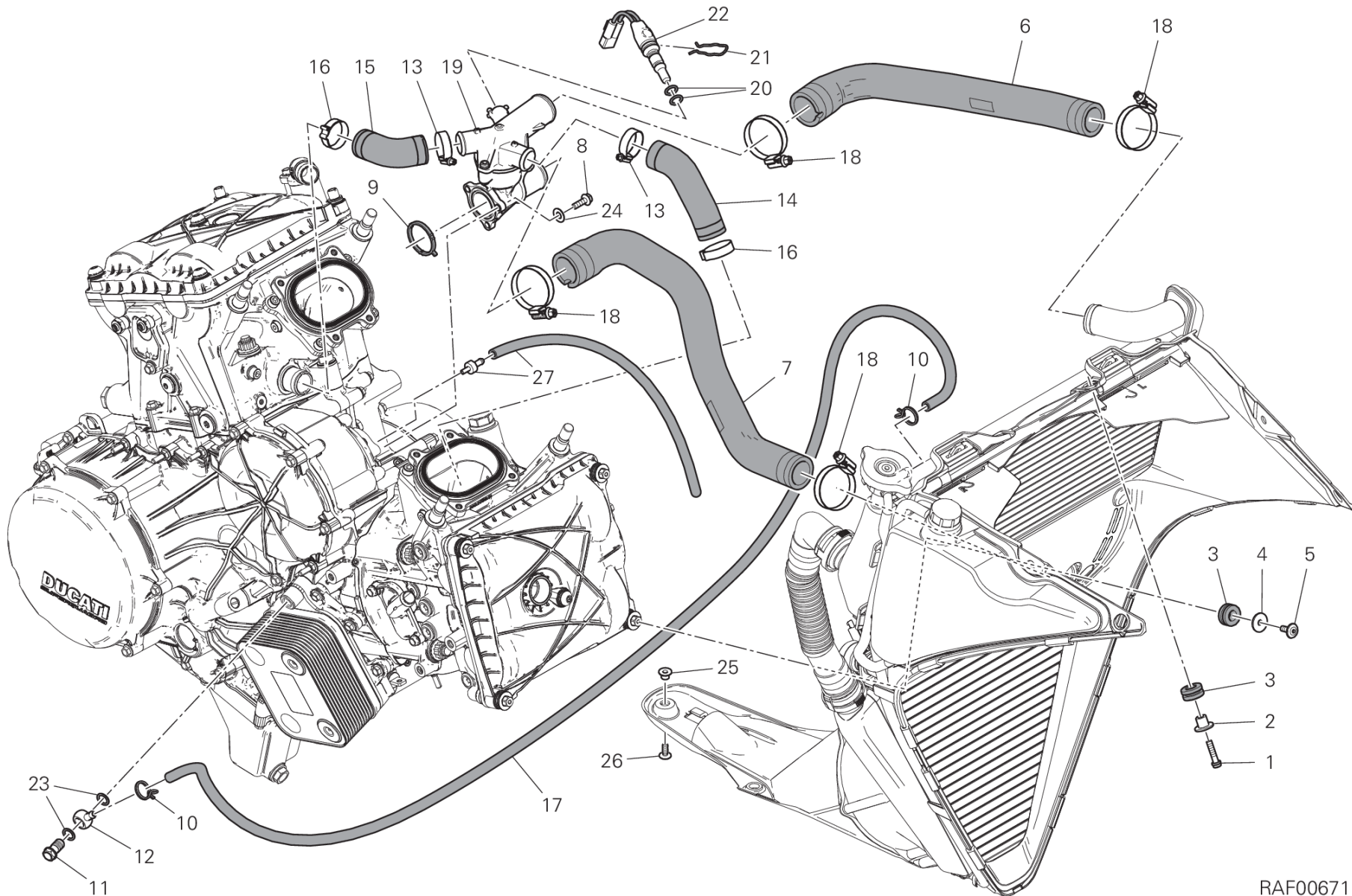


| POS. | CODE       | DESCRIPTION           | QTY | START DATE | END DATE | VALIDITY | NOTES |
|------|------------|-----------------------|-----|------------|----------|----------|-------|
| 1    | 82113751A  | PIN                   | 2   |            |          |          |       |
| 2    | 48410992B  | BRACE, RADIATOR       | 1   |            |          |          |       |
| 3    | 79915441A  | SPRING                | 2   |            |          |          |       |
| 4    | 48411043A  | DEFLECTOR LH          | 1   |            |          |          |       |
| 5    | 48411053A  | DEFLECTOR RH          | 1   |            |          |          |       |
| 6    | 85040551A  | QUICK FASTENING       | 1   |            |          |          |       |
| 7    | 59013911B  | BREATHER PIPE         | 1   |            |          |          |       |
| 8    | 93410152A  | PIPE                  | 1   |            |          |          |       |
| 9    | 76411411B  | RUBBER PAD            | 3   |            |          |          |       |
| 10   | 54840972B  | RADIATOR, WATER LOWER | 1   |            |          |          |       |
| 11   | 8291A352B  | ESTRATTORE (REAR)     | 1   |            |          |          |       |
| 12   | 77440203C  | SCREW                 | 6   |            |          |          |       |
| 13   | 77156443B  | SCREW                 | 3   |            |          |          |       |
| 14   | 71614331AA | SPACER                | 3   |            |          |          |       |
| 15   | 76411491A  | RUBBER PAD            | 3   |            |          |          |       |
| 16   | 85213111AA | WASHER                | 5   |            |          |          |       |
| 17   | 76411501A  | RUBBER PAD            | 4   |            |          |          |       |
| 18   | 8292A342A  | ESTRATTORE (Unit)     | 1   |            |          |          |       |
| 19   | 74140431A  | CLAMP                 | 2   |            |          |          |       |
| 20   | 79110831A  | GASKET                | 1   |            |          |          |       |
| 21   | 80012121A  | COOLER COOLER HOSE    | 1   |            |          |          |       |
| 22   | 54840962B  | RADIATOR, WATER UPPER | 1   |            |          |          |       |
| 23   | 77156408B  | SCREW TCEIF M5X14     | 2   |            |          |          |       |
| 24   | 89310143A  | EXPANSION TANK CAP    | 1   |            |          |          |       |
| 25   | 77211091C  | SCREW                 | 2   |            |          |          |       |
| 26   | 24714291A  | COVER                 | 1   |            |          |          |       |
| 27   | 85040471A  | QUICK FASTENING M5    | 2   |            |          |          |       |
| 28   | 74141851A  | CLAMP 25-40 MM        | 2   |            |          |          |       |
| 29   | 87240881A  | RADIATOR CAP          | 1   |            |          |          |       |
| 30   | 76411541A  | RUBBER PAD            | 10  |            |          |          |       |
| 31   | 77942571A  | PLUG                  | 1   |            |          |          |       |



# DRAWING 031 - COOLING CIRCUIT

## GROUP FRAME



RAF00671

# DRAWING 031 - COOLING CIRCUIT

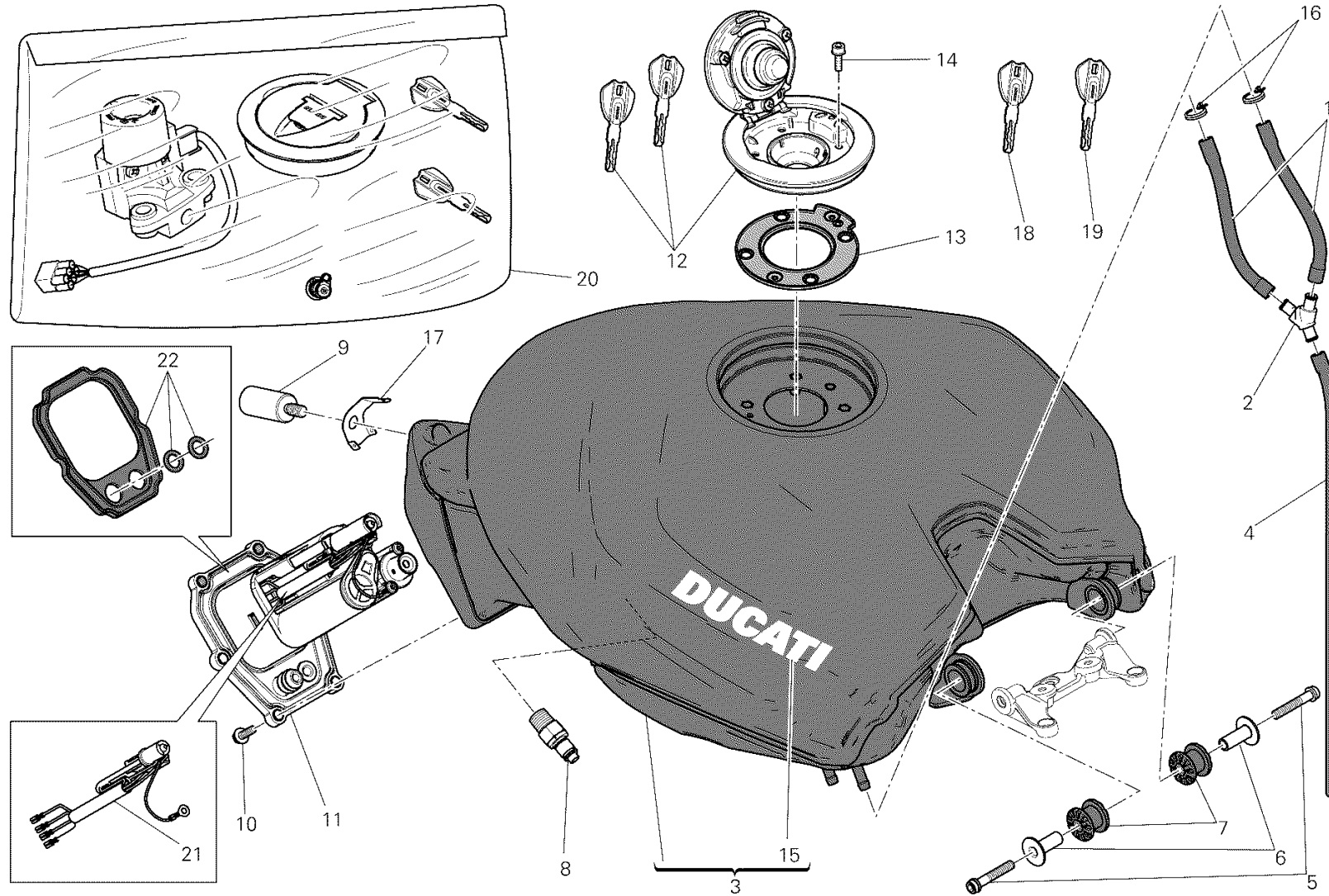
## GROUP FRAME



| POS. | CODE       | DESCRIPTION                       | QTY | START DATE | END DATE | VALIDITY | NOTES |
|------|------------|-----------------------------------|-----|------------|----------|----------|-------|
| 1    | 77156443B  | SCREW                             | 2   |            |          |          |       |
| 2    | 71614342AA | SPACER                            | 2   |            |          |          |       |
| 3    | 76410901A  | RUBBER PAD                        | 4   |            |          |          |       |
| 4    | 71614431AA | SPACER                            | 2   |            |          |          |       |
| 5    | 77210882B  | SCREW TBEI M5X12                  | 2   | 09/12/2015 |          |          |       |
| 6    | 80012111A  | COOLER THERMOSTAT HOSE UPPER      | 1   |            |          |          |       |
| 7    | 80012131A  | COOLER THERMOSTAT HOSE BOTTOM     | 1   |            |          |          |       |
| 8    | 77210623B  | SCREW                             | 3   |            |          |          |       |
| 9    | 78811201A  | GASKET                            | 1   |            |          |          |       |
| 10   | 74140431A  | CLAMP                             | 2   |            |          |          |       |
| 11   | 78110121AA | SCREW, SPECIAL                    | 1   | 11/06/2012 |          |          |       |
| 12   | 81415081AA | UNION                             | 1   |            |          |          |       |
| 13   | 74141861A  | CLAMP 20-32 MM                    | 2   |            |          |          |       |
| 14   | 80012051A  | THERMOSTAT PUMP HOSE HORIZONTAL   | 1   |            |          |          |       |
| 15   | 80012061A  | THERMOSTAT PUMP HOSE VERTICAL     | 1   |            |          |          |       |
| 16   | 74142231A  | CLAMP                             | 2   |            |          |          |       |
| 17   | 93410173A  | PIPE                              | 1   |            |          |          |       |
| 18   | 74141881A  | CLAMP 23-35 MM                    | 4   | 09/05/2012 |          |          |       |
| 19   | 55320122A  | SQUIRTER UNIT                     | 1   |            |          |          |       |
| 20   | 88641981A  | O-RING                            | 2   |            |          |          |       |
| 21   | 79915581A  | SPRING                            | 1   |            |          |          |       |
| 22   | 55242631A  | ENGINE WATER TEMPERATURE SENSOR   | 1   |            |          |          |       |
| 23   | 85250241A  | WASHER 10X14X1                    | 2   |            |          |          |       |
| 24   | 85250301A  | WASHER 5.3X10X1                   | 3   | 20/02/2012 |          |          |       |
| 25   | 71615111AA | SPACER                            | 1   | 14/04/2017 |          |          |       |
| 26   | 77244203B  | SCREW                             | 1   | 14/04/2017 |          |          |       |
| 27   | 81420081A  | BREATHER PIPE COMPLETE WATER PUMP | 1   |            |          |          |       |



# DRAWING 032 - FUEL TANK GROUP FRAME



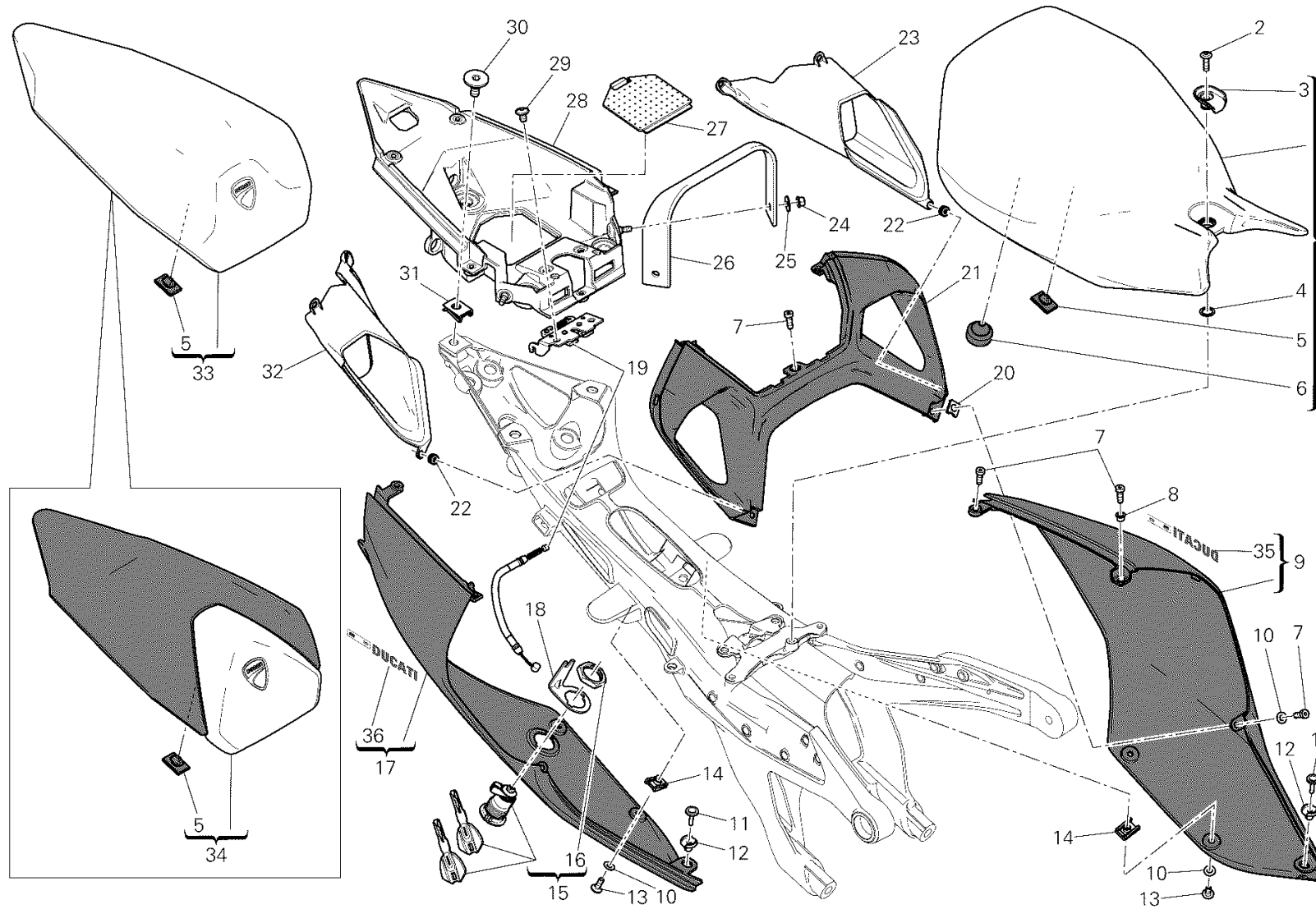
VST01088

# DRAWING 032 - FUEL TANK

## GROUP FRAME



| POS. | CODE       | DESCRIPTION                           | QTY | START DATE | END DATE | VALIDITY | NOTES |
|------|------------|---------------------------------------|-----|------------|----------|----------|-------|
| 1    | 59013901A  | PIPE                                  | 2   |            |          |          |       |
| 2    | 61610021A  | THREE-WAYS UNION                      | 1   |            |          |          |       |
| 3    | 58611923AA | TANK RED                              | 1   |            |          |          |       |
| 4    | 59013911B  | BREATHER PIPE                         | 1   |            |          |          |       |
| 5    | 77156728B  | SCREW TCEIF M6X35                     | 2   |            |          |          |       |
| 6    | 71614351AA | SPACER                                | 2   |            |          |          |       |
| 7    | 76411521A  | RUBBER PAD                            | 2   |            |          |          |       |
| 8    | 81440681A  | QUICK FASTENING                       | 1   |            |          |          |       |
| 9    | 82114211AA | PIN REAR                              | 1   |            |          |          |       |
| 10   | 77213203B  | SCREW TBEIF M5X18                     | 6   |            |          |          |       |
| 11   | 16024272A  | FLANGE                                | 1   |            |          |          |       |
| 12   | 89520221A  | TANK CAP COMPLETE                     | 1   |            |          |          |       |
| 13   | 86640061A  | GASKET, FUEL TANK CAP                 | 1   |            |          |          |       |
| 14   | 77156418B  | SCREW TCEIF M5X16                     | 4   |            |          |          |       |
| 15   | 43818151A  | EMBLEM DUCATI FOR RED                 | 2   |            |          |          |       |
| 16   | 74140431A  | CLAMP                                 | 2   |            |          |          |       |
| 17   | 38710041A  | PLATE                                 | 1   |            |          |          |       |
| 18   | 59840321A  | KEY WITH TRANSPONDER                  | 1   |            |          |          |       |
| 19   | 59840291A  | KEY, NON INDENTED WITHOUT TRANSPONDER | 1   |            |          |          |       |
| 20   | 59821041A  | LOCKS KIT                             | 1   |            |          |          |       |
| 21   | 69926431A  | THERMISTOR                            | 1   |            |          |          |       |
| 22   | 69926441A  | GASKET KIT                            | 1   |            |          |          |       |



VST01087

## DRAWING 033 - SEAT

## GROUP FRAME

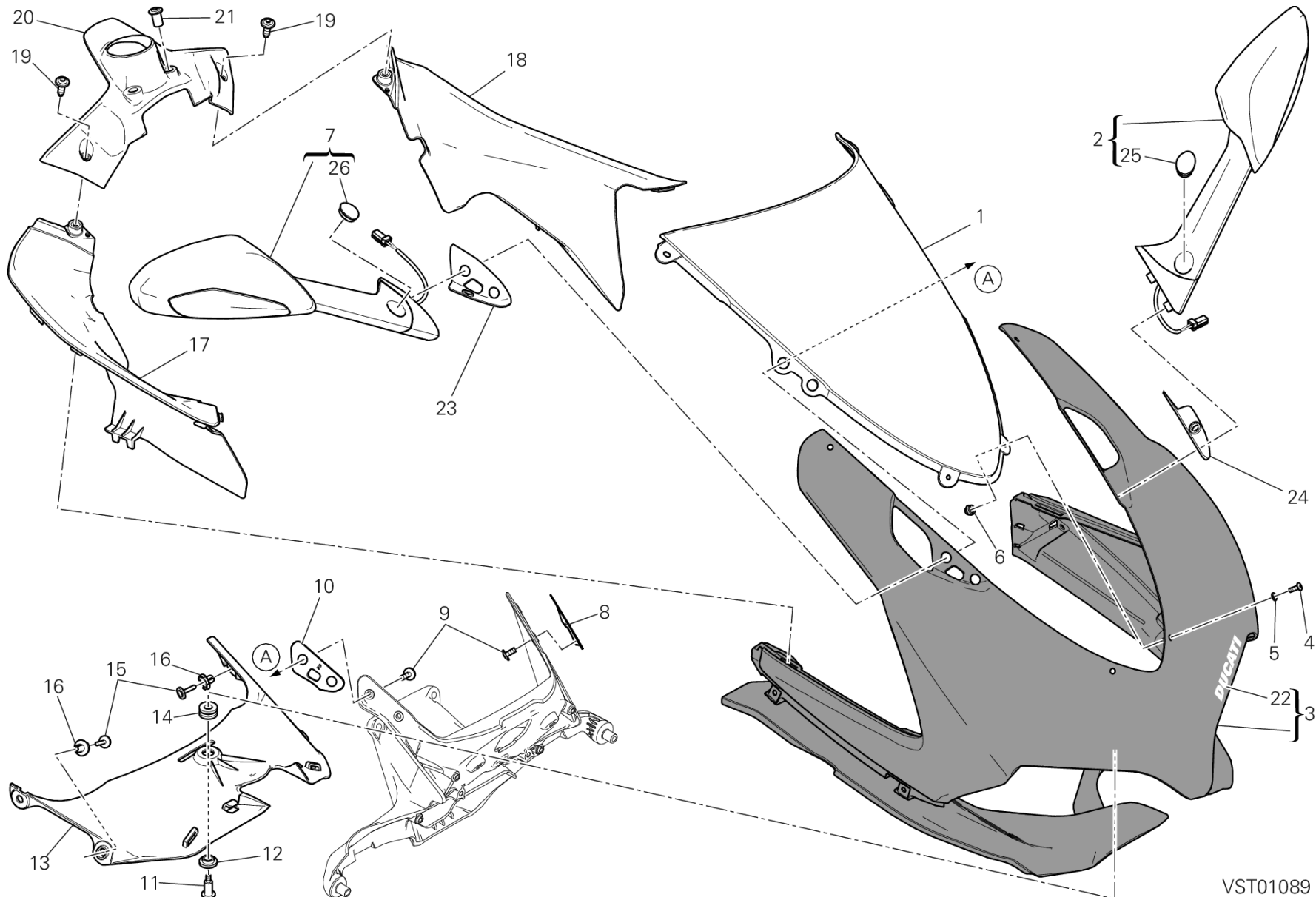


| POS. | CODE       | DESCRIPTION                        | QTY | START DATE | END DATE | VALIDITY | NOTES |
|------|------------|------------------------------------|-----|------------|----------|----------|-------|
| 1    | 59521081B  | SEAT                               | 1   |            |          |          |       |
| 2    | 77210861B  | SCREW TBEI M5X18                   | 1   |            |          |          |       |
| 3    | 71319471AA | SPACER                             | 1   |            |          |          |       |
| 4    | 88440331A  | SPRING RING                        | 1   |            |          |          |       |
| 5    | 86610301A  | PAD                                | 20  |            |          |          |       |
| 6    | 86610611A  | RUBBER PAD                         | 2   |            |          |          |       |
| 7    | 77350403B  | SCREW                              | 7   |            |          |          |       |
| 8    | 71611491A  | SPACER                             | 2   |            |          |          |       |
| 9    | 48211661AA | COVER FRAME LH RED                 | 1   |            |          |          |       |
| 10   | 85611401A  | WASHER                             | 6   |            |          |          |       |
| 11   | 85041041A  | RIVET, MALE                        | 2   |            |          |          |       |
| 12   | 85041051A  | RIVET, FEMALE                      | 2   |            |          |          |       |
| 13   | 77211091C  | SCREW                              | 4   |            |          |          |       |
| 14   | 85040551A  | QUICK FASTENING                    | 4   |            |          |          |       |
| 15   | 59820611A  | SEAT LOCK                          | 1   |            |          |          |       |
| 16   | 75011551A  | NUT M22X1.5                        | 1   |            |          |          |       |
| 17   | 48211671AA | COVER FRAME RH RED                 | 1   |            |          |          |       |
| 18   | 82716141A  | PLATE                              | 1   |            |          |          |       |
| 19   | 59940011A  | SEAT LOCK                          | 1   |            |          |          |       |
| 20   | 85040471A  | QUICK FASTENING M5                 | 2   |            |          |          |       |
| 21   | 48311722AA | TAIL GUARD CENTRE RED              | 1   |            |          |          |       |
| 22   | 76440561A  | RUBBER PAD                         | 8   |            |          |          |       |
| 23   | 48411011A  | COWLING, INNER LH                  | 1   |            |          |          |       |
| 24   | 74941118B  | NUT 6MM                            | 2   |            |          |          |       |
| 25   | 85211671B  | WASHER                             | 2   |            |          |          |       |
| 26   | 59511281B  | BELT                               | 1   |            |          |          |       |
| 27   | 24714062A  | COVER                              | 1   |            |          |          |       |
| 28   | 48311711B  | TRAY                               | 1   |            |          |          |       |
| 29   | 77240393C  | SCREW TBEIF M6X10 10.9             | 2   |            |          |          |       |
| 30   | 77916792AA | SCREW, SPECIAL                     | 3   |            |          |          |       |
| 31   | 85041471A  | CLIP NUT                           | 3   |            |          |          |       |
| 32   | 48411021A  | PANEL QUARTER, INNER               | 1   |            |          |          |       |
| 33   | 59521091A  | PILLION RIDER SEAT                 | 1   |            |          |          |       |
| 34   | 247P4022AA | COVER SEAT RED                     | 1   |            |          |          |       |
| 35   | 43818081A  | ITA FLAG STICKER DUCATI LH FOR RED | 1   |            |          |          |       |





| POS. | CODE      | DESCRIPTION                        | QTY | START DATE | END DATE | VALIDITY | NOTES |
|------|-----------|------------------------------------|-----|------------|----------|----------|-------|
| 36   | 43818091A | ITA FLAG STICKER DUCATI RH FOR RED | 1   |            |          |          |       |



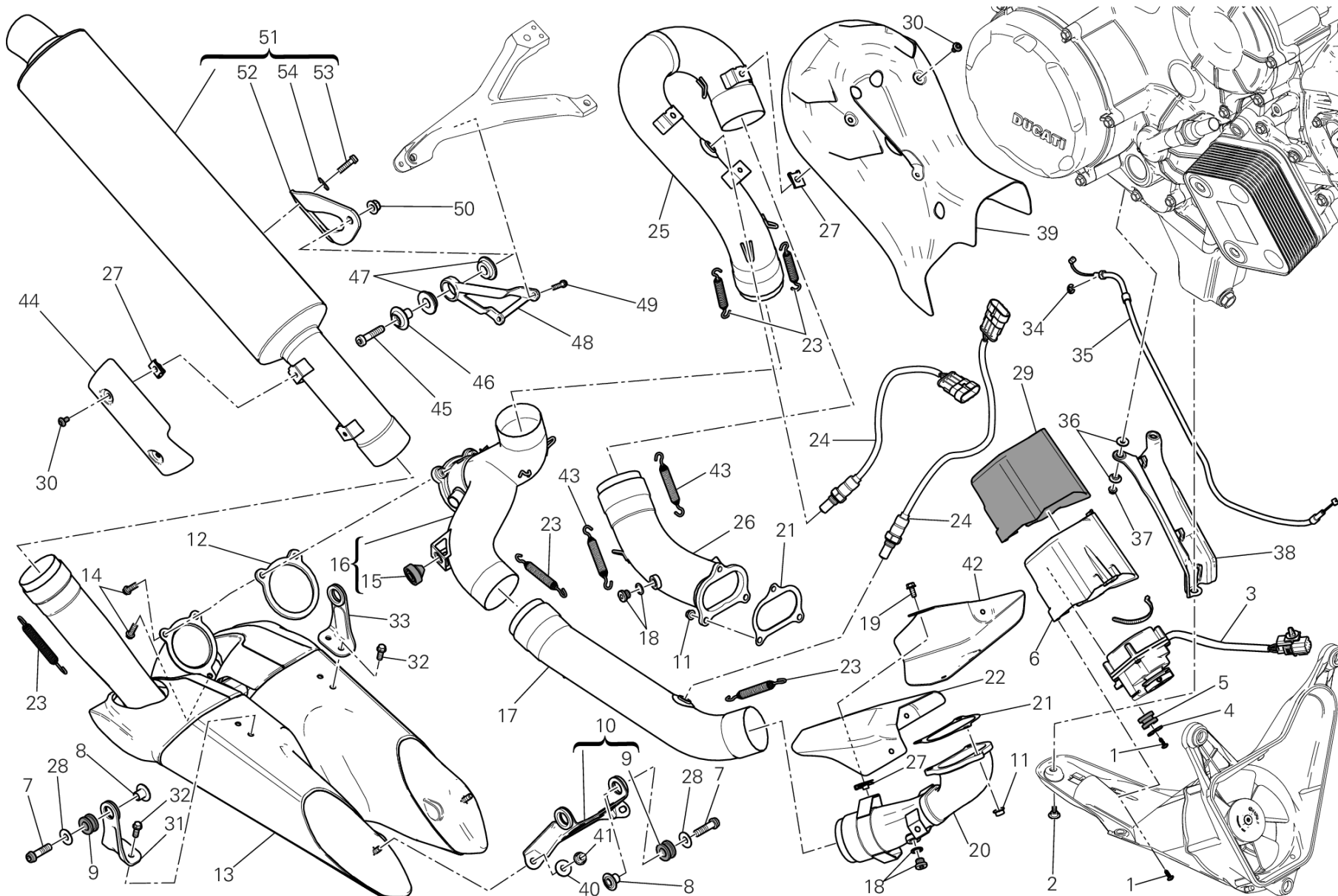
VST01089

# DRAWING 034 - COWLING

## GROUP FRAME



| POS. | CODE       | DESCRIPTION                    | QTY | START DATE | END DATE | VALIDITY | NOTES |
|------|------------|--------------------------------|-----|------------|----------|----------|-------|
| 1    | 48710562A  | WINDSHIELD                     | 1   |            |          |          |       |
| 2    | 523S0291A  | REAR-VIEW MIRROR L.H.          | 1   |            |          |          |       |
| 3    | 48120742AA | COMPLETE HEADLIGHT FAIRING RED | 1   |            |          |          |       |
| 4    | 77510071AB | SCREW, SPECIAL                 | 4   |            |          |          |       |
| 5    | 85210241A  | WASHER, NYLON 4X8X0.5          | 4   |            |          |          |       |
| 6    | 75010281A  | NUT, SPRING                    | 4   |            |          |          |       |
| 7    | 523S0281A  | REAR-VIEW MIRROR R.H.          | 1   |            |          |          |       |
| 8    | 78811221A  | GASKET INTERNAL LH             | 1   |            |          |          |       |
| 9    | 77240288C  | SCREW                          | 4   |            |          |          |       |
| 10   | 78811231A  | GASKET INTERNAL RH             | 1   |            |          |          |       |
| 11   | 77916951AA | SCREW, SPECIAL                 | 1   |            |          |          |       |
| 12   | 76411511A  | RUBBER PAD                     | 1   |            |          |          |       |
| 13   | 48411002A  | MUDFLAP                        | 1   |            |          |          |       |
| 14   | 76411141A  | VIBRATION DAMPER PAD           | 1   |            |          |          |       |
| 15   | 85041041A  | RIVET, MALE                    | 4   |            |          |          |       |
| 16   | 85041051A  | RIVET, FEMALE                  | 4   |            |          |          |       |
| 17   | 46014951C  | RIGHT COVER                    | 1   |            |          |          |       |
| 18   | 46014941C  | PROTECTION, LEFT               | 1   |            |          |          |       |
| 19   | 77211091C  | SCREW                          | 2   |            |          |          |       |
| 20   | 46014961C  | PROTECTION CENTRE              | 1   |            |          |          |       |
| 21   | 75011491AB | NUT, SPECIAL                   | 2   |            |          |          |       |
| 22   | 43818111A  | EMBLEM DUCATI FOR RED          | 1   |            |          |          |       |
| 23   | 78811281A  | GASKET, MIRROR RH              | 1   |            |          |          |       |
| 24   | 78811291A  | GASKET, MIRROR LH              | 1   |            |          |          |       |
| 25   | 87210781A  | PLUG                           | 1   |            |          |          |       |
| 26   | 87210791A  | PLUG, RH                       | 1   |            |          |          |       |

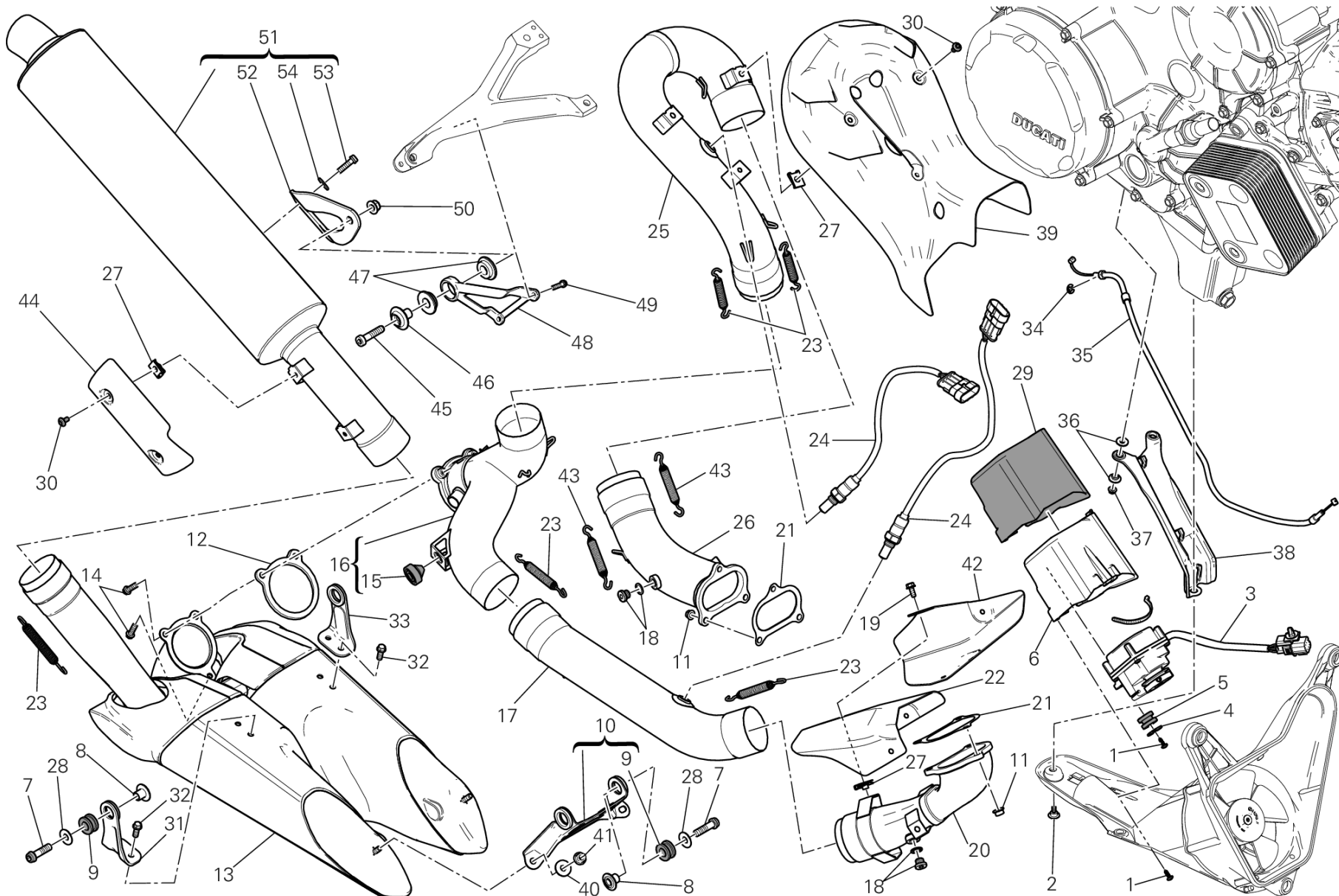


# DRAWING 19A - EXHAUST SYSTEM (JAP)

## GROUP FRAME



| POS. | CODE       | DESCRIPTION                         | QTY | START DATE | END DATE | VALIDITY | NOTES |
|------|------------|-------------------------------------|-----|------------|----------|----------|-------|
| 1    | 77440203C  | SCREW                               | 6   |            |          |          |       |
| 2    | 77210852C  | SCREW                               | 1   |            |          |          |       |
| 3    | 59340392A  | ELECTRIC MOTOR, EXHAUST VALVE       | 1   |            |          |          |       |
| 4    | 85213111AA | WASHER                              | 2   |            |          |          |       |
| 5    | 76411301A  | RUBBER PAD                          | 2   |            |          |          |       |
| 6    | 46015262A  | COVER ELECTRIC MOTOR, EXHAUST VALVE | 1   |            |          |          |       |
| 7    | 77157278B  | SCREW TCEIF M8X30                   | 4   |            |          |          |       |
| 8    | 71614391AA | SPACER                              | 4   |            |          |          |       |
| 9    | 76411481A  | RUBBER PAD                          | 4   |            |          |          |       |
| 10   | 83026511BA | BRACKET FRONT                       | 1   |            |          |          |       |
| 11   | 74810241A  | NUT                                 | 6   |            |          |          |       |
| 12   | 79010251A  | GASKET, EXHAUST PIPE                | 1   |            |          |          |       |
| 13   | 57413301A  | SILENCER                            | 1   |            |          |          |       |
| 14   | 77156658B  | SCREW TCEIF M6X16                   | 3   |            |          |          |       |
| 15   | 76410631A  | RUBBER PAD                          | 1   |            |          |          |       |
| 16   | 57013152B  | PIPE, EXHAUST CENTER                | 1   |            |          |          |       |
| 17   | 57013072A  | EXHAUST PIPE HORIZONTAL             | 1   |            |          |          |       |
| 18   | 78020011A  | PLUG ASSY                           | 2   |            |          |          |       |
| 19   | 77250728B  | SCREW TEF M5X12                     | 4   |            |          |          |       |
| 20   | 57013061C  | EXHAUST MANIFOLD HORIZONTAL         | 1   |            |          |          |       |
| 21   | 79010231B  | GASKET, EXHAUST PIPE                | 2   |            |          |          |       |
| 22   | 46015331BA | HEAT GUARD HORIZONTAL               | 1   |            |          |          |       |
| 23   | 79912632A  | SPRING, EXHAUST PIPE                | 5   |            |          |          |       |
| 24   | 55212092A  | SENSOR LAMBDA SOND                  | 2   |            |          |          |       |
| 25   | 57113002C  | PIPE, EXHAUST VERTICAL              | 1   |            |          |          |       |
| 26   | 57112992C  | EXHAUST MANIFOLD VERTICAL           | 1   |            |          |          |       |
| 27   | 85040551A  | QUICK FASTENING                     | 9   |            |          |          |       |
| 28   | 85210532A  | WASHER 8.2X20X1                     | 4   |            |          |          |       |
| 29   | 46015031AA | HEAT GUARD VERTICAL                 | 1   |            |          |          |       |
| 30   | 77244168B  | SCREW                               | 3   |            |          |          |       |
| 31   | 83016491AA | BRACKET REAR RH                     | 1   |            |          |          |       |
| 32   | 77251018B  | SCREW TEF M6X20                     | 4   |            |          |          |       |
| 33   | 83016501AA | BRACKET REAR L.H.                   | 1   |            |          |          |       |
| 34   | 88450031A  | CIRCLIP E-TYPE                      | 2   |            |          |          |       |
| 35   | 73210331B  | EXHAUST VALVE ENGINE CABLE          | 1   |            |          |          |       |

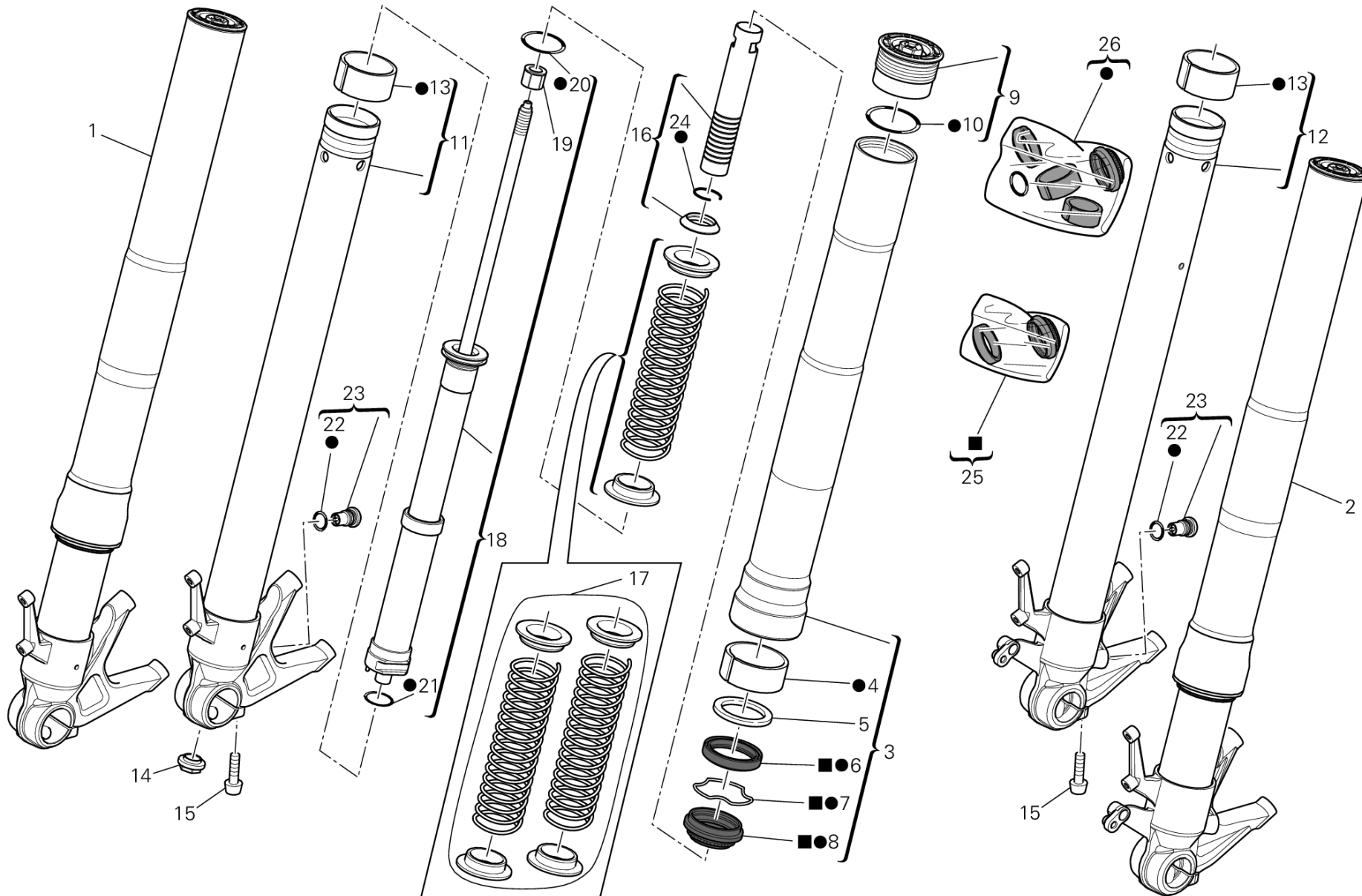


# DRAWING 19A - EXHAUST SYSTEM (JAP)

## GROUP FRAME



| POS. | CODE       | DESCRIPTION                                    | QTY | START DATE | END DATE | VALIDITY | NOTES |
|------|------------|--|-----|------------|----------|----------|-------|
| 36   | 71614071A  | SPACER 5.2X8.4X2                               | 4   |            |          |          |       |
| 37   | 74840381A  | NUT M5   | 2   |            |          |          |       |
| 38   | 46015393A  | HEAT GUARD BOTTOM                              | 1   |            |          |          |       |
| 39   | 46015741A  | PROTECTION, HEAT ELECTRIC MOTOR, EXHAUST VALVE | 1   |            |          |          |       |
| 40   | 85250291A  | WASHER   | 2   |            |          |          |       |
| 41   | 74810361A  | NUT  | 2   |            |          |          |       |
| 42   | 46015781AA | GUARD HORIZONTAL                               | 1   |            |          |          |       |
| 43   | 79915651A  | SPRING   | 2   |            |          |          |       |
| 44   | 46110011AA | HEAT GUARD REAR                                | 1   |            |          |          |       |
| 45   | 77355068B  | SCREW TCEIR M8X35                              | 1   |            |          |          |       |
| 46   | 71314361A  | COLLAR, SILENCER MOUNTING                      | 1   |            |          |          |       |
| 47   | 76410011A  | DAMPER   | 2   |            |          |          |       |
| 48   | 83017791AA | BRACKET, MUFFLER SUPPORT                       | 1   |            |          |          |       |
| 49   | 77156438B  | SCREW  | 2   |            |          |          |       |
| 50   | 74941128B  | NUT M8   | 1   |            |          |          |       |
| 51   | 573P3392A  | RIGHT SILENCER                                 | 1   |            |          |          |       |
| 52   | 57610791AA | BRACKET, RIGHT SILENCER                        | 1   |            |          |          |       |
| 53   | 77110211A  | SCREW  | 2   |            |          |          |       |
| 54   | 85240161A  | WASHER 8.4X20X1.2                              | 2   |            |          |          |       |

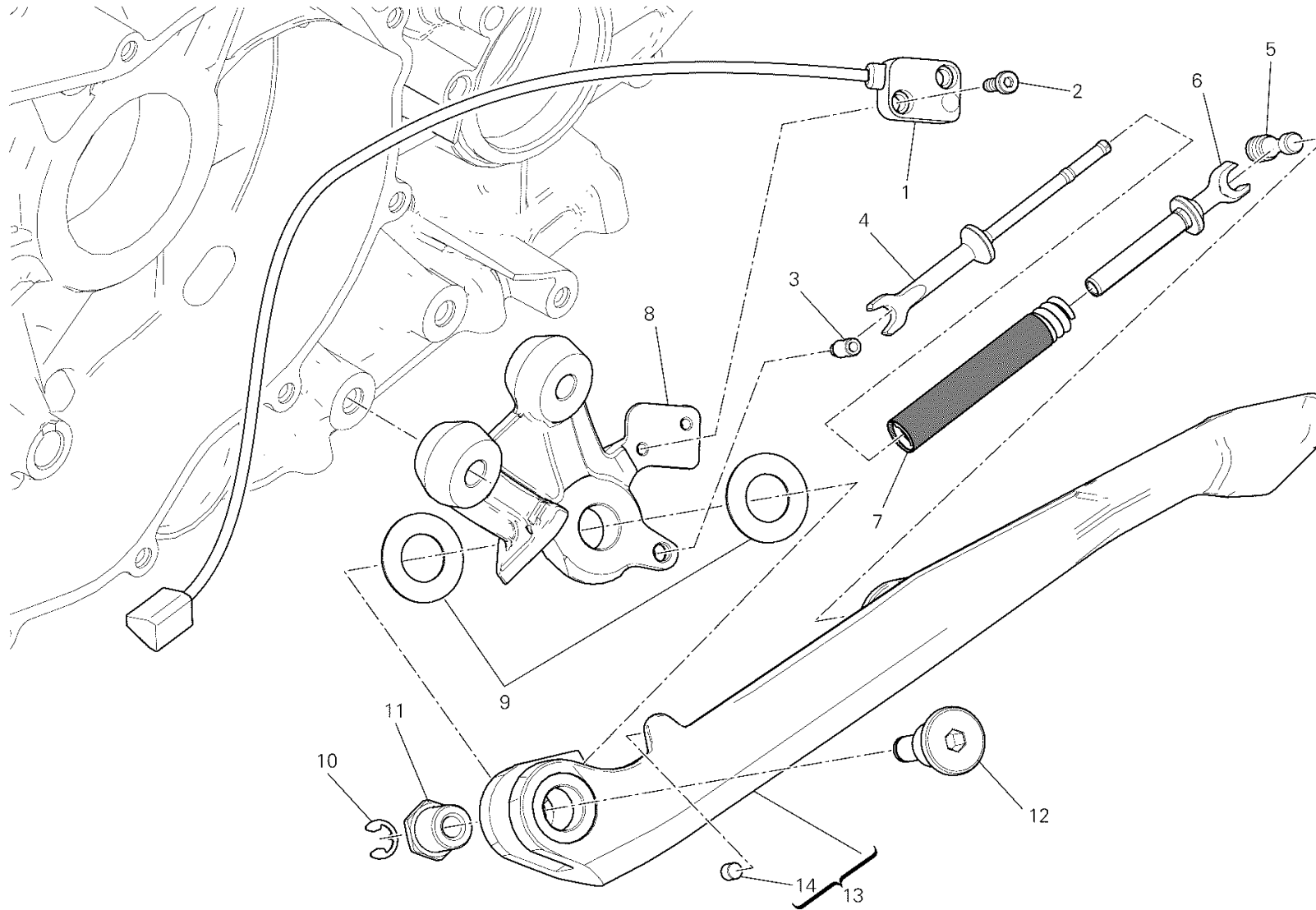


# DRAWING 21A - FRONT FORK

## GROUP FRAME



| POS. | CODE      | DESCRIPTION            | QTY | START DATE | END DATE | VALIDITY | NOTES |
|------|-----------|------------------------|-----|------------|----------|----------|-------|
| 1    | 34420401D | RIGHT FORK LEG ASSY    | 1   |            |          |          |       |
| 2    | 34520401D | LEFT FORK LEG ASSY     | 1   |            |          |          |       |
| 3    | 34921191A | STANCHION TUBE         | 2   |            |          |          |       |
| 4    | 34913251A | UPPER BUSHING          | 2   |            |          |          |       |
| 5    | 34913721A | RETAINER               | 2   |            |          |          |       |
| 6    | 34913221A | SEAL OIL, FORK         | 2   |            |          |          |       |
| 7    | 34913161A | STOP RING              | 2   |            |          |          |       |
| 8    | 34913731A | SCAPER RING            | 2   |            |          |          |       |
| 9    | 34921201A | PLUG                   | 2   |            |          |          |       |
| 10   | 34913181A | O-RING 3193 2.62X48.89 | 2   |            |          |          |       |
| 11   | 34921211A | FORK OUTER TUBE RH     | 1   |            |          |          |       |
| 12   | 34921221A | FORK OUTER TUBE, LEFT  | 1   |            |          |          |       |
| 13   | 34912151A | LOWER BUSH             | 2   |            |          |          |       |
| 14   | 34913741A | NUT                    | 2   |            |          |          |       |
| 15   | 34913751A | SCREW                  | 4   |            |          |          |       |
| 16   | 34921231A | PRELOAD TUBE           | 2   |            |          |          |       |
| 17   | 34921241A | SPRING KIT             | 2   |            |          |          |       |
| 18   | 34921251A | PLUNGER ASSY           | 2   |            |          |          |       |
| 19   | 34913761A | NUT                    | 2   |            |          |          |       |
| 20   | 46320200A | O RING                 | 2   |            |          |          |       |
| 21   | 34913771A | O-RING                 | 2   |            |          |          |       |
| 22   | 34913781A | O-RING                 | 2   |            |          |          |       |
| 23   | 34921261A | ADJUSTING SCREW UNIT   | 2   |            |          |          |       |
| 24   | 34913791A | STOP RING              | 2   |            |          |          |       |
| 25   | 34921271A | SEAL KIT               | 1   |            |          |          |       |
| 26   | 34921291A | OVERHAUL KIT           | 1   |            |          |          |       |



TEL00706

# DRAWING 22A - SIDE STAND

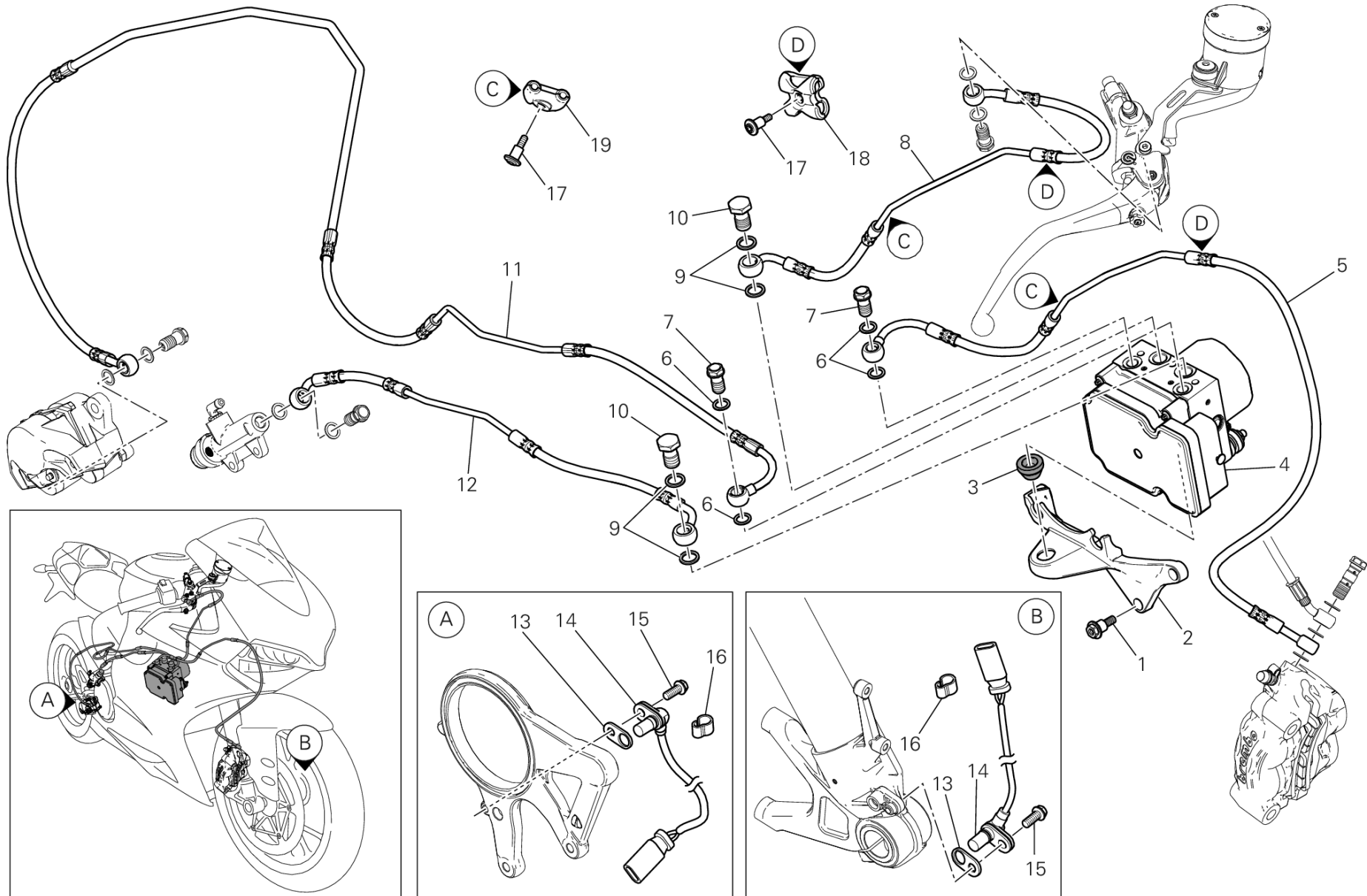
## GROUP FRAME



| POS. | CODE       | DESCRIPTION                   | QTY | START DATE | END DATE | VALIDITY | NOTES |
|------|------------|-------------------------------|-----|------------|----------|----------|-------|
| 1    | 53940601A  | SWITCH, STAND                 | 1   |            |          |          |       |
| 2    | 77354623B  | SCREW M4X10                   | 2   |            |          |          |       |
| 3    | 86050361AA | PIN                           | 1   |            |          |          |       |
| 4    | 11711252AA | ROD                           | 1   |            |          |          |       |
| 5    | 82113731AA | PIN                           | 1   |            |          |          |       |
| 6    | 71011611AA | BUSHING WITH CENTER ROD JOINT | 1   |            |          |          |       |
| 7    | 79925411AA | COMPLETE SPRING               | 1   |            |          |          |       |
| 8    | 55610601BA | PLATE                         | 1   |            |          |          |       |
| 9    | 85210681B  | SPACER,15X28X1                | 2   |            |          |          |       |
| 10   | 88450031A  | CIRCLIP E-TYPE                | 1   |            |          |          |       |
| 11   | 71210471AA | BUSH                          | 1   |            |          |          |       |
| 12   | 82113711BA | LOCATING PIN                  | 1   |            |          |          |       |
| 13   | 55610612AA | SIDE STAND                    | 1   |            |          |          |       |
| 14   | 53940651A  | MAGNETE                       | 1   |            |          |          |       |



# DRAWING 24A - BRAKING SYSTEM ABS GROUP FRAME



# DRAWING 24A - BRAKING SYSTEM ABS

## GROUP FRAME



| POS. | CODE       | DESCRIPTION                      | QTY | START DATE | END DATE | VALIDITY | NOTES |
|------|------------|----------------------------------|-----|------------|----------|----------|-------|
| 1    | 77917291AA | SCREW, SPECIAL                   | 3   |            |          |          |       |
| 2    | 8291A743A  | HOLDER ABS                       | 1   |            |          |          |       |
| 3    | 86640051A  | RUBBER PAD                       | 1   |            |          |          |       |
| 4    | 54240363A  | CONTROL UNIT ABS                 | 1   |            |          |          |       |
| 5    | 61841151C  | CPU - FRONT CALIPERS LINE        | 1   |            |          |          |       |
| 6    | 85250241A  | WASHER 10X14X1                   | 4   |            |          |          |       |
| 7    | 78110121AA | SCREW, SPECIAL                   | 1   |            |          |          |       |
| 8    | 61841141C  | FRONT MASTER CYLINDER - CPU LINE | 1   |            |          |          |       |
| 9    | 85250261B  | GASKET                           | 4   |            |          |          |       |
| 10   | 77913141B  | SCREW, SPECIAL                   | 2   |            |          |          |       |
| 11   | 61940541B  | CPU - REAR CALIPER LINE          | 1   |            |          |          |       |
| 12   | 61940531B  | REAR MASTER CYLINDER - CPU LINE  | 1   |            |          |          |       |
| 13   | 71314901A  | GASKET TH.02                     | 4   |            |          |          |       |
|      | 71319201A  | GASKET 0.5 MM                    | 6   |            |          |          |       |
| 14   | 55212111B  | SENSOR, SPEED                    | 2   |            |          |          |       |
| 15   | 77210601A  | SCREW TEF M6X16                  | 2   |            |          |          |       |
| 16   | 75840601A  | FAIRLEAD                         | 10  |            |          |          |       |
| 17   | 77211271A  | SCREW, SPECIAL M5X10             | 2   |            |          |          |       |
| 18   | 75810722A  | HOSE GUIDE ABS UPPER             | 1   |            |          |          |       |
| 19   | 75810711A  | HOSE GUIDE ABS BOTTOM            | 1   |            |          |          |       |



# DRAWING 26A - REAR WHEEL SPINDLE

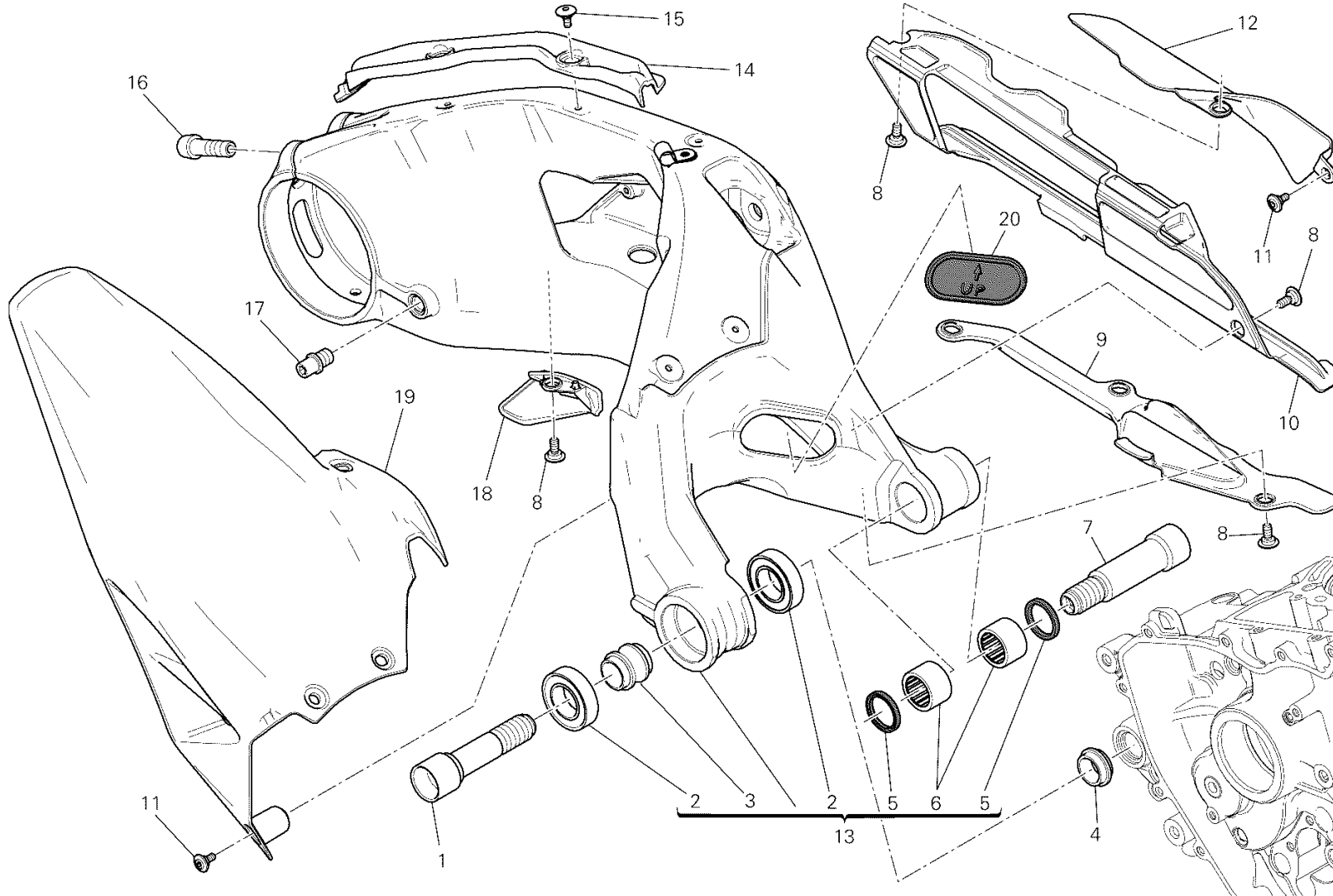
## GROUP FRAME



| POS. | CODE       | DESCRIPTION              | QTY | START DATE | END DATE | VALIDITY | NOTES |
|------|------------|--------------------------|-----|------------|----------|----------|-------|
| 1    | 77510631A  | SCREW TBEI M5X8          | 4   |            |          |          |       |
| 2    | 75011391A  | NUT                      | 1   |            |          |          |       |
| 3    | 85212211A  | WASHER 48.5X65X0.5       | 1   |            |          |          |       |
| 4    | 74810461A  | NUT, FLANGE M10X1        | 6   |            |          |          |       |
| 5    | 16014201A  | REAR SPROCKET FLANGE     | 1   |            |          |          |       |
| 6    | 81920021A  | REAR WHEEL SPINDLE       | 1   |            |          |          |       |
| 7    | 88110541A  | INNER SPACER             | 1   |            |          |          |       |
| 8    | 67640831A  | CHAIN 103+1              | 1   |            |          |          |       |
| 9    | 70090563A  | ABSORBER, HUB SHOCK      | 6   |            |          |          |       |
| 10   | 49411501AA | REAR SPROCKET T39        | 1   |            |          |          |       |
| 11   | 77240243C  | SCREW                    | 2   |            |          |          |       |
| 12   | 71410751A  | SPACER                   | 1   |            |          |          |       |
| 13   | 75620131A  | HUB                      | 1   |            |          |          |       |
| 14   | 46015061A  | CHAIN COVER              | 1   |            |          |          |       |
| 15   | 85212171A  | WASHER 85.5X101X1        | 2   |            |          |          |       |
| 16   | 88641241A  | O-RING 89.5X3            | 2   |            |          |          |       |
| 17   | 82510441A  | CALIPER HOLDER PLATE ABS | 1   |            |          |          |       |
| 18   | 88440511A  | CIRCLIP 85X3             | 1   |            |          |          |       |
| 19   | 49210061A  | REAR BRAKE DISC          | 1   |            |          |          |       |
| 20   | 75910222A  | CLIP                     | 1   |            |          |          |       |
| 21   | 77914881A  | SCREW                    | 4   |            |          |          |       |
| 22   | 50410361AA | REAR PHONIC WHEEL        | 1   |            |          |          |       |
| 23   | 43313751A  | CHAIN ADJUSTMENT STICKER | 1   |            |          |          |       |
|      | 43313751B  | CHAIN ADJUSTMENT STICKER | 1   |            |          |          | JPN   |
| 24   | 77140663C  | SCREW TCEIF M6X18 10.9   | 1   |            |          |          |       |
| 25   | 46015791A  | MUDFLAP                  | 1   |            |          |          |       |
| 26   | 67620811A  | FINAL DRIVE KIT          | 1   |            |          |          |       |
| 27   | 67740141A  | CHAIN LINK               | 1   |            |          |          |       |
| 28   | 93010102A  | DUST COVER               | 1   |            |          |          |       |



# DRAWING 28A - SWING ARM GROUP FRAME



SOS00621

# DRAWING 28A - SWING ARM

## GROUP FRAME



| POS. | CODE       | DESCRIPTION              | QTY | START DATE | END DATE | VALIDITY | NOTES |
|------|------------|--------------------------|-----|------------|----------|----------|-------|
| 1    | 36911291AA | SWINGARM PIVOT RH        | 1   |            |          |          |       |
| 2    | 70250451A  | BEARING                  | 2   |            |          |          |       |
| 3    | 71311871A  | INNER SPACER             | 1   |            |          |          |       |
| 4    | 71319452AA | RIGHT SPACER             | 1   |            |          |          |       |
| 5    | 93050121A  | SEAL RING                | 2   |            |          |          |       |
| 6    | 70140171A  | BEARING, NEEDLE          | 2   |            |          |          |       |
| 7    | 36911301AA | SWINGARM PIVOT LH        | 1   |            |          |          |       |
| 8    | 77914401B  | SCREW TBEI M6X15         | 6   |            |          |          |       |
| 9    | 44710901A  | LOWER CHAIN SLIDING SHOE | 1   |            |          |          |       |
| 10   | 44710891A  | UPPER CHAIN SLIDING SHOE | 1   |            |          |          |       |
| 11   | 77210852C  | SCREW                    | 1   |            |          |          |       |
| 12   | 46015451A  | MUDFLAP UPPER            | 1   |            |          |          |       |
| 13   | 37021103BA | REAR SWINGING ARM        | 1   |            |          |          |       |
| 14   | 83016641A  | GUIDE                    | 1   |            |          |          |       |
| 15   | 77210841B  | SCREW                    | 3   |            |          |          |       |
| 16   | 77915031A  | SCREW TCEI M12X1.25X40   | 2   |            |          |          |       |
| 17   | 83210031C  | PIN                      | 1   |            |          |          |       |
| 18   | 46014981A  | MUDFLAP BOTTOM           | 1   |            |          |          |       |
| 19   | 56510582A  | REAR MUDGUARD            | 1   |            |          |          |       |
| 20   | 87210601A  | CAP, SWINGARM COVER      | 1   |            |          |          |       |



# DRAWING 34A - FAIRING

## GROUP FRAME



| POS. | CODE       | DESCRIPTION                 | QTY | START DATE | END DATE | VALIDITY | NOTES |
|------|------------|-----------------------------|-----|------------|----------|----------|-------|
| 1    | 77211091C  | SCREW                       | 19  |            |          |          |       |
| 2    | 85611401A  | WASHER                      | 15  |            |          |          |       |
| 3    | 85040471A  | QUICK FASTENING M5          | 17  |            |          |          |       |
| 4    | 56420941AA | FRONT FENDER RED            | 1   |            |          |          |       |
| 5    | 77210893B  | SCREW                       | 4   |            |          |          |       |
| 6    | 71614011B  | SPACER                      | 4   |            |          |          |       |
| 7    | 48013333AA | LEFT LOWER FAIRING RED      | 1   |            |          |          |       |
| 8    | 77210841B  | SCREW                       | 1   |            |          |          |       |
| 9    | 85212181A  | WASHER, NYLON 9X14X1        | 3   |            |          |          |       |
| 10   | 77210853B  | SCREW                       | 4   |            |          |          |       |
| 11   | 48013354AA | FAIRING, LOWER RH RED       | 1   |            |          |          |       |
| 12   | 43814741A  | EMBLEM DUCATI               | 1   |            |          |          |       |
| 13   | 43818101A  | DECAL 1199 PANIGALE FOR RED | 2   |            |          |          |       |
| 14   | 48013343AA | RIGHT FAIRING RED           | 1   |            |          |          |       |
| 15   | 48013325AA | LEFT UPPER HALF-FAIRING RED | 1   |            |          |          |       |



| CODE       | NO. TABLE | POS. | CODE       | NO. TABLE | POS. | CODE       | NO. TABLE | POS. | CODE       | NO. TABLE | POS. |
|------------|-----------|------|------------|-----------|------|------------|-----------|------|------------|-----------|------|
| 037072020  | 023       | 8    | 15310121A  | 021       | 13   | 19820401A  | 004       | 14   | 28642211A  | 18B       | 10   |
| 037072020  | 024       | 12   | 15620881CA | 006       | 6    | 20810381A  | 014       | 15   | 28642211E  | 18B       | 10   |
| 064770010  | 011       | 1    | 15620881CB | 006       | 6    | 20810381A  | 015       | 15   | 28642211F  | 18B       | 10   |
| 069191030  | 18C       | 10   | 15620881CC | 006       | 6    | 20910641A  | 014       | 19   | 30123461C  | 014       | 4    |
| 11210711AA | 006       | 9    | 16014151A  | 012       | 23   | 20910641A  | 015       | 19   | 30123471C  | 015       | 4    |
| 11210711AB | 006       | 9    | 16014201A  | 26A       | 5    | 20910651A  | 014       | 14   | 30124503A  | 013       | 33   |
| 11210711AC | 006       | 9    | 16024272A  | 032       | 11   | 20910651A  | 015       | 14   | 30124503B  | 13A       | 35   |
| 11210711AD | 006       | 9    | 17021262A  | 006       | 3    | 21010811B  | 014       | 30   | 30310671AA | 014       | 11   |
| 11210711AE | 006       | 9    | 17111153A  | 013       | 14   | 21010811B  | 015       | 30   | 30310671AA | 015       | 11   |
| 11210711AF | 006       | 9    | 17111153A  | 13A       | 14   | 21110802A  | 014       | 21   | 30310671AB | 014       | 11   |
| 11210771AA | 10A       | 11   | 17112311A  | 008       | 4    | 21110802A  | 015       | 21   | 30310671AB | 015       | 11   |
| 11210771AB | 10A       | 11   | 171Z0071A  | 006       | 13   | 22522602B  | 010       | 35   | 30310671AC | 014       | 11   |
| 11210771AC | 10A       | 11   | 17213172B  | 003       | 5    | 24221081BB | 012       | 10   | 30310671AC | 015       | 11   |
| 11210771AD | 10A       | 11   | 17213181D  | 003       | 10   | 24311274A  | 005       | 17   | 30310691A  | 014       | 36   |
| 11210771AE | 10A       | 11   | 17213191D  | 003       | 13   | 24311274A  | 05A       | 17   | 30310691A  | 015       | 36   |
| 11711252AA | 22A       | 4    | 17213201D  | 003       | 7    | 24321344A  | 005       | 2    | 30310691AA | 014       | 36   |
| 11711261CA | 016       | 18   | 17213211D  | 003       | 19   | 24321344A  | 05A       | 2    | 30310691AA | 015       | 36   |
| 11711272AA | 025       | 30   | 17213221D  | 003       | 25   | 24713912A  | 008       | 2    | 30310691AB | 014       | 36   |
| 11721331B  | 004       | 16   | 17213231D  | 003       | 23   | 24713931B  | 13A       | 11   | 30310691AB | 015       | 36   |
| 12021984D  | 007       | 6    | 17213241D  | 003       | 22   | 24713941B  | 013       | 11   | 30310691AC | 014       | 36   |
| 12112551C  | 007       | 2    | 17213251D  | 003       | 20   | 24714041AA | 016       | 1    | 30310691AC | 015       | 36   |
| 12112601B  | 007       | 1    | 17213261D  | 003       | 24   | 24714051BA | 025       | 16   | 304A0921A  | 014       | 31   |
| 12120561B  | 007       | 3    | 17310241A  | 012       | 25   | 24714062A  | 033       | 27   | 304A0921A  | 015       | 31   |
| 12221712DA | 007       | 7    | 17410501A  | 011       | 12   | 24714101A  | 013       | 28   | 304A0931A  | 014       | 22   |
| 12221712DB | 007       | 7    | 17410511A  | 011       | 2    | 24714101A  | 13A       | 28   | 304A0931A  | 015       | 22   |
| 12221712DC | 007       | 7    | 17410601A  | 009       | 19   | 24714291A  | 030       | 26   | 30710021A  | 013       | 23   |
| 13510361B  | 017       | 6    | 17410611A  | 009       | 25   | 24714332A  | 020       | 22   | 30710021A  | 13A       | 23   |
| 13510371B  | 017       | 5    | 17420561A  | 009       | 17   | 24714361B  | 020       | 23   | 34110881CA | 021       | 23   |
| 14010691A  | 013       | 2    | 17420571A  | 009       | 1    | 24714371B  | 020       | 24   | 342P0681BA | 021       | 7    |
| 14010691A  | 13A       | 2    | 17420581A  | 006       | 5    | 24723652A  | 002       | 9    | 34420401D  | 21A       | 1    |
| 14621871CB | 006       | 11   | 17610221A  | 012       | 27   | 24723701C  | 011       | 6    | 34520401D  | 21A       | 2    |
| 14621872AC | 006       | 11   | 18010271D  | 002       | 2    | 24723712A  | 009       | 18   | 34912151A  | 21A       | 13   |
| 14621874AA | 006       | 11   | 18010281D  | 002       | 6    | 24723842A  | 009       | 3    | 34913161A  | 21A       | 7    |
| 14710903A  | 009       | 13   | 18010291D  | 002       | 7    | 247P4022AA | 033       | 34   | 34913181A  | 21A       | 10   |
| 14814361B  | 13A       | 18   | 18120051C  | 002       | 13   | 247P4072A  | 18A       | 20   | 34913221A  | 21A       | 6    |
| 14814381A  | 013       | 18   | 18220353C  | 002       | 5    | 25130081B  | 13A       | 21   | 34913251A  | 21A       | 4    |
| 14823751C  | 13A       | 36   | 18220381B  | 002       | 27   | 25220071A  | 009       | 6    | 34913721A  | 21A       | 5    |
| 14823811C  | 013       | 34   | 18410152AA | 025       | 29   | 25440012A  | 005       | 13   | 34913731A  | 21A       | 8    |
| 14824481B  | 13A       | 19   | 18710021A  | 023       | 3    | 25440012A  | 05A       | 13   | 34913741A  | 21A       | 14   |
| 14824491C  | 013       | 19   | 19020232A  | 004       | 9    | 26420161A  | 012       | 1    | 34913751A  | 21A       | 15   |
| 15021492D  | 003       | 1    | 19410511A  | 004       | 4    | 27040134A  | 012       | 7    | 34913761A  | 21A       | 19   |
| 15021504D  | 003       | 2    | 19540061A  | 004       | 17   | 27610602A  | 012       | 21   | 34913771A  | 21A       | 21   |
| 15021511D  | 003       | 15   | 19610531A  | 004       | 12   | 28040331A  | 017       | 3    | 34913781A  | 21A       | 22   |
| 15021542D  | 003       | 27   | 19610541A  | 004       | 11   | 28240893A  | 017       | 10   | 34913791A  | 21A       | 24   |



| CODE       | NO. TABLE | POS. | CODE       | NO. TABLE | POS. | CODE       | NO. TABLE | POS. | CODE      | NO. TABLE | POS. |
|------------|-----------|------|------------|-----------|------|------------|-----------|------|-----------|-----------|------|
| 34921191A  | 21A       | 3    | 43818111A  | 034       | 22   | 46015781AA | 19A       | 42   | 490P0004A | F         | 3    |
| 34921201A  | 21A       | 9    | 43818151A  | 032       | 15   | 46015791A  | 26A       | 25   | 490P0019A | A         | 16   |
| 34921211A  | 21A       | 11   | 44212342B  | 029       | 8    | 46110011AA | 19A       | 44   | 490P0019A | G         | 1    |
| 34921221A  | 21A       | 12   | 44440291C  | 009       | 5    | 46240461A  | 020       | 3    | 490P0022A | A         | 17   |
| 34921231A  | 21A       | 16   | 44710891A  | 28A       | 10   | 46320200A  | 21A       | 20   | 490P0022A | H         | 1    |
| 34921241A  | 21A       | 17   | 44710901A  | 28A       | 9    | 46410801AA | 016       | 4    | 490P0029A | A         | 18   |
| 34921251A  | 21A       | 18   | 44740021B  | 008       | 10   | 46410801AA | 027       | 10   | 490P0029A | I         | 1    |
| 34921261A  | 21A       | 23   | 44740051A  | 008       | 6    | 46410811AA | 025       | 23   | 490P0030A | A         | 19   |
| 34921271A  | 21A       | 25   | 44910611A  | 003       | 30   | 46410811AA | 027       | 11   | 490P0030A | I         | 2    |
| 34921291A  | 21A       | 26   | 45140013A  | 008       | 5    | 47012051CA | 022       | 2    | 490P0044A | A         | 23   |
| 36011571AA | 021       | 25   | 45520171A  | 002       | 23   | 47110252BA | 027       | 14   | 490P0044A | J         | 2    |
| 36011581AA | 021       | 19   | 45612092BA | 016       | 13   | 48013325AA | 34A       | 15   | 490P0248A | A         | 24   |
| 36011591AA | 021       | 17   | 45612101AA | 016       | 23   | 48013333AA | 34A       | 7    | 490P0248A | J         | 1    |
| 36140161A  | 021       | 32   | 45720552AA | 025       | 34   | 48013343AA | 34A       | 14   | 490P0272A | A         | 5    |
| 36420101A  | 021       | 29   | 46014901A  | 27A       | 20   | 48013354AA | 34A       | 11   | 490P0272A | D         | 1    |
| 36521022A  | 028       | 4    | 46014901A  | 27B       | 20   | 48120742AA | 034       | 3    | 490P0297A | A         | 27   |
| 36911291AA | 28A       | 1    | 46014941C  | 034       | 18   | 48211661AA | 033       | 9    | 490P0297A | M         | 1    |
| 36911301AA | 28A       | 7    | 46014951C  | 034       | 17   | 48211671AA | 033       | 17   | 490P0298A | A         | 28   |
| 37021103BA | 28A       | 13   | 46014961C  | 034       | 20   | 48311711B  | 033       | 28   | 490P0298A | M         | 2    |
| 37211161BA | 028       | 20   | 46014971B  | 021       | 2    | 48311722AA | 033       | 21   | 490P0324A | A         | 3    |
| 37211171BA | 028       | 19   | 46014981A  | 28A       | 18   | 48311731A  | 27A       | 1    | 490P0324A | N         | 1    |
| 38040221B  | 018       | 16   | 46015011B  | 027       | 25   | 48311731A  | 27B       | 1    | 49140911A | A         | 2    |
| 38040221B  | 18B       | 19   | 46015022A  | 027       | 29   | 48410992B  | 030       | 2    | 49140911A | B         | 2    |
| 38510121D  | 027       | 21   | 46015031AA | 019       | 29   | 48411002A  | 034       | 13   | 49141641A | A         | 8    |
| 38510201B  | 022       | 14   | 46015031AA | 19A       | 29   | 48411011A  | 033       | 23   | 49141641A | E         | 2    |
| 38710041A  | 032       | 17   | 46015052A  | 18A       | 3    | 48411021A  | 033       | 32   | 491P0015A | A         | 12   |
| 38940191A  | 18C       | 8    | 46015061A  | 26A       | 14   | 48411043A  | 030       | 4    | 491P0015A | F         | 4    |
| 38940201A  | 18C       | 8    | 46015262A  | 019       | 6    | 48411053A  | 030       | 5    | 491P0016A | A         | 13   |
| 38940211A  | 18C       | 8    | 46015262A  | 19A       | 6    | 48411091A  | 020       | 10   | 491P0016A | F         | 5    |
| 38940221A  | 18C       | 8    | 46015281A  | 020       | 8    | 48610851A  | 005       | 24   | 491P0017A | A         | 14   |
| 38940241A  | 18C       | 8    | 46015331BA | 019       | 22   | 48610851A  | 05A       | 24   | 491P0017A | F         | 6    |
| 38940251A  | 18A       | 12   | 46015331BA | 19A       | 22   | 48610911A  | 05A       | 27   | 491P0018A | A         | 15   |
| 39040201A  | 020       | 21   | 46015341A  | 028       | 6    | 48710562A  | 034       | 1    | 491P0018A | F         | 7    |
| 39520311A  | 18A       | 4    | 46015351A  | 018       | 12   | 49040711A  | A         | 1    | 491P0041A | A         | 20   |
| 39740071A  | 18A       | 13   | 46015393A  | 019       | 38   | 49040711A  | B         | 1    | 491P0041A | I         | 3    |
| 40610931D  | 020       | 1    | 46015393A  | 19A       | 38   | 49041071A  | A         | 25   | 491P0042A | A         | 21   |
| 42610341B  | 022       | 6    | 46015451A  | 28A       | 12   | 49041071A  | K         | 1    | 491P0042A | I         | 4    |
| 42710171A  | 10A       | 13   | 46015482A  | 018       | 7    | 49041081A  | A         | 7    | 491P0043A | A         | 22   |
| 43313751A  | 26A       | 23   | 46015631B  | 18B       | 5    | 49041081A  | E         | 1    | 491P0043A | I         | 5    |
| 43313751B  | 26A       | 23   | 46015681A  | 18A       | 22   | 490P0002A  | A         | 9    | 491P0073A | A         | 6    |
| 43814741A  | 34A       | 12   | 46015741A  | 019       | 39   | 490P0002A  | F         | 1    | 491P0073A | D         | 2    |
| 43818081A  | 033       | 35   | 46015741A  | 19A       | 39   | 490P0003A  | A         | 10   | 491P0339A | A         | 29   |
| 43818091A  | 033       | 36   | 46015771A  | 27B       | 15   | 490P0003A  | F         | 2    | 491P0339A | M         | 3    |
| 43818101A  | 34A       | 13   | 46015781AA | 019       | 42   | 490P0004A  | A         | 11   | 491P0340A | A         | 30   |



| CODE       | NO. TABLE | POS. | CODE       | NO. TABLE | POS. | CODE       | NO. TABLE | POS. | CODE      | NO. TABLE | POS. |
|------------|-----------|------|------------|-----------|------|------------|-----------|------|-----------|-----------|------|
| 491P0340A  | M         | 4    | 53940361A  | 023       | 22   | 58540181A  | 024       | 15   | 62640561A | 024       | 7    |
| 491P0341A  | A         | 31   | 53940601A  | 22A       | 1    | 58540321A  | 023       | 12   | 62640571A | 023       | 18   |
| 491P0341A  | M         | 5    | 53940651A  | 22A       | 14   | 58611923AA | 032       | 3    | 62640571A | 024       | 24   |
| 491P0342A  | A         | 32   | 54040301B  | 018       | 3    | 59013861A  | 029       | 7    | 63040603B | 023       | 1    |
| 491P0342A  | M         | 6    | 54140101A  | 18C       | 9    | 59013901A  | 032       | 1    | 63140081A | 023       | 21   |
| 491P0347A  | A         | 26   | 54240363A  | 24A       | 4    | 59013911B  | 030       | 7    | 63140081A | 024       | 6    |
| 491P0347A  | K         | 2    | 54710022B  | 011       | 9    | 59013911B  | 032       | 4    | 63140161A | 025       | 2    |
| 491P0389A  | A         | 4    | 54840962B  | 030       | 22   | 59013941A  | 018       | 11   | 63140281A | 023       | 19   |
| 491P0389A  | N         | 2    | 54840972B  | 030       | 10   | 59013951A  | 018       | 21   | 63140281A | 024       | 19   |
| 49210061A  | 26A       | 19   | 55212092A  | 019       | 24   | 59023511A  | 017       | 1    | 63140491A | 024       | 2    |
| 49240891A  | 026       | 12   | 55212092A  | 19A       | 24   | 59023531A  | 017       | 12   | 63140631A | 023       | 2    |
| 49240901A  | 026       | 5    | 55212111B  | 24A       | 14   | 59340392A  | 019       | 3    | 63210611A | 023       | 6    |
| 49411501AA | 26A       | 10   | 55212881C  | 016       | 20   | 59340392A  | 19A       | 3    | 65010092I | 021       | 27   |
| 49720012A  | 026       | 3    | 55241321B  | 012       | 17   | 59511281B  | 033       | 26   | 65110161A | 021       | 11   |
| 49720031A  | 026       | 16   | 55241571A  | 018       | 10   | 59521081B  | 033       | 1    | 65540081A | 029       | 14   |
| 50121541A  | 026       | 10   | 55241581A  | 020       | 6    | 59521091A  | 033       | 33   | 66020011B | 021       | 12   |
| 50211482AB | 026       | 7    | 55241612C  | 002       | 1    | 59820611A  | 033       | 15   | 66810491A | 014       | 32   |
| 50410051A  | 026       | 20   | 55242631A  | 031       | 22   | 59821041A  | 032       | 20   | 66810491A | 015       | 32   |
| 50410361AA | 26A       | 22   | 55320122A  | 031       | 19   | 59840291A  | 032       | 19   | 66910011E | 014       | 9    |
| 51017721A  | 27A       | 5    | 55610601BA | 22A       | 8    | 59840321A  | 032       | 18   | 66910011E | 015       | 9    |
| 51017721A  | 27B       | 5    | 55610612AA | 22A       | 13   | 59940011A  | 033       | 19   | 67040451A | 018       | 14   |
| 51017731B  | 017       | 15   | 56110261A  | 27A       | 17   | 61041371A  | 024       | 9    | 67040451A | 18B       | 16   |
| 51017881A  | 18C       | 1    | 56110261A  | 27B       | 17   | 61041381A  | 024       | 26   | 67110511C | 018       | 15   |
| 51310261A  | 18A       | 15   | 56113033A  | 27A       | 19   | 61041991A  | 023       | 24   | 67110511C | 18B       | 17   |
| 51410671A  | 18A       | 7    | 56113033A  | 27B       | 19   | 61140411A  | 025       | 13   | 67620811A | 26A       | 26   |
| 51410681A  | 18A       | 11   | 56113043A  | 27A       | 8    | 61240052A  | 023       | 4    | 67640831A | 26A       | 8    |
| 51640013AB | 021       | 31   | 56113043A  | 27B       | 8    | 61240052A  | 024       | 21   | 67740141A | 26A       | 27   |
| 52010252A  | 020       | 19   | 56420941AA | 34A       | 4    | 61240081A  | 025       | 1    | 68010171A | 006       | 12   |
| 52350281A  | 034       | 7    | 56510582A  | 28A       | 19   | 61240161A  | 025       | 3    | 69610121A | 027       | 9    |
| 52350291A  | 034       | 2    | 57013061C  | 019       | 20   | 61240201A  | 024       | 22   | 69720283A | 027       | 1    |
| 52510432D  | 27A       | 25   | 57013061C  | 19A       | 20   | 61240371A  | 024       | 27   | 69926431A | 032       | 21   |
| 52510432D  | 27B       | 25   | 57013072A  | 019       | 17   | 61240391A  | 023       | 23   | 69926441A | 032       | 22   |
| 52510445C  | 27A       | 22   | 57013072A  | 19A       | 17   | 61240391A  | 024       | 30   | 70010431A | 020       | 2    |
| 52510445C  | 27B       | 22   | 57013152B  | 019       | 16   | 61340381A  | 025       | 26   | 70010701A | 027       | 20   |
| 52910061B  | 27A       | 16   | 57013152B  | 19A       | 16   | 61340961A  | 024       | 8    | 70010711A | 18B       | 12   |
| 52910061B  | 27B       | 16   | 57112992C  | 019       | 26   | 61610021A  | 032       | 2    | 70090563A | 26A       | 9    |
| 53010282A  | 27A       | 6    | 57112992C  | 19A       | 26   | 61810361A  | 024       | 29   | 70140171A | 28A       | 6    |
| 53010282A  | 27B       | 6    | 57113002C  | 019       | 25   | 61841141C  | 24A       | 8    | 70140301C | 008       | 11   |
| 53010292A  | 27A       | 12   | 57113002C  | 19A       | 25   | 61841151C  | 24A       | 5    | 70140311A | 003       | 8    |
| 53010292A  | 27B       | 12   | 573P3392A  | 19A       | 51   | 61940531B  | 24A       | 12   | 70140321A | 003       | 14   |
| 53940031A  | 025       | 17   | 57413243B  | 019       | 13   | 61940541B  | 24A       | 11   | 70140331A | 003       | 18   |
| 53940302A  | 005       | 14   | 57413301A  | 19A       | 13   | 62440761B  | 024       | 1    | 70140351A | 012       | 22   |
| 53940302A  | 05A       | 14   | 57610791AA | 19A       | 52   | 62540311C  | 025       | 8    | 70140361A | 011       | 3    |
| 53940351A  | 024       | 5    | 58540081A  | 025       | 4    | 62640561A  | 023       | 20   | 70140371A | 009       | 15   |



| CODE       | NO. TABLE | POS. | CODE       | NO. TABLE | POS. | CODE      | NO. TABLE | POS. | CODE       | NO. TABLE | POS. |
|------------|-----------|------|------------|-----------|------|-----------|-----------|------|------------|-----------|------|
| 70240131D  | 010       | 7    | 71319442A  | 004       | 19   | 74140431A | 024       | 16   | 74950011B  | 27B       | 13   |
| 70240181B  | 012       | 24   | 71319452AA | 28A       | 4    | 74140431A | 025       | 6    | 75010071A  | 004       | 7    |
| 70240251B  | 010       | 11   | 71319471AA | 033       | 3    | 74140431A | 030       | 19   | 75010281A  | 034       | 6    |
| 70241091A  | 010       | 12   | 71319522AA | 028       | 12   | 74140431A | 031       | 10   | 75011391A  | 026       | 13   |
| 70241191A  | 028       | 16   | 71319971AA | 028       | 10   | 74140431A | 032       | 16   | 75011391A  | 26A       | 2    |
| 70241231A  | 021       | 10   | 71320021B  | 003       | 29   | 74140631A | 029       | 6    | 75011491AB | 034       | 21   |
| 70250411A  | 010       | 17   | 71410751A  | 26A       | 12   | 74141671A | 027       | 27   | 75011551A  | 033       | 16   |
| 70250451A  | 026       | 8    | 71413231AA | 026       | 15   | 74141671A | 029       | 10   | 75011742AA | 005       | 12   |
| 70250451A  | 28A       | 2    | 71413261AA | 026       | 17   | 74141711A | 018       | 20   | 75011742AA | 05A       | 12   |
| 70250601A  | 004       | 10   | 71413271AA | 026       | 2    | 74141851A | 030       | 28   | 75011742AA | 18B       | 4    |
| 70310593A  | 006       | 4    | 71413281AA | 026       | 9    | 74141861A | 031       | 13   | 75610142AA | 022       | 1    |
| 70310601BA | 021       | 24   | 71611061A  | 18A       | 16   | 74141881A | 031       | 18   | 75620131A  | 26A       | 13   |
| 70450051A  | 009       | 24   | 71611441B  | 028       | 5    | 74142141A | 029       | 1    | 75810701A  | 005       | 22   |
| 70450091A  | 009       | 23   | 71611491A  | 033       | 8    | 74142231A | 031       | 16   | 75810701A  | 05A       | 22   |
| 70450091A  | 011       | 8    | 71611571C  | 002       | 17   | 74142251A | 029       | 11   | 75810711A  | 24A       | 19   |
| 71011611AA | 22A       | 6    | 71611581C  | 002       | 15   | 742240570 | 006       | 8    | 75810722A  | 24A       | 18   |
| 71011642AA | 028       | 8    | 71614011B  | 34A       | 6    | 74750031A | 021       | 6    | 75840601A  | 24A       | 16   |
| 71110932A  | 10A       | 14   | 71614071A  | 005       | 23   | 74750031A | 025       | 28   | 75910222A  | 026       | 19   |
| 71113171A  | 005       | 5    | 71614071A  | 019       | 36   | 74750101A | 016       | 17   | 75910222A  | 26A       | 20   |
| 71113171A  | 012       | 9    | 71614071A  | 05A       | 23   | 74750151A | 010       | 29   | 76410011A  | 19A       | 47   |
| 71113171A  | 05A       | 5    | 71614071A  | 18A       | 9    | 74810241A | 019       | 11   | 76410112A  | 016       | 19   |
| 71113181A  | 010       | 15   | 71614071A  | 18B       | 2    | 74810241A | 19A       | 11   | 76410631A  | 019       | 15   |
| 71113221A  | 011       | 4    | 71614071A  | 19A       | 36   | 74810351B | 017       | 9    | 76410631A  | 19A       | 15   |
| 71113631A  | 002       | 4    | 71614102AA | 27A       | 3    | 74810351B | 027       | 19   | 76410741A  | 018       | 22   |
| 71210341A  | 016       | 9    | 71614102AA | 27B       | 3    | 74810361A | 019       | 41   | 76410841B  | 018       | 13   |
| 71210341A  | 025       | 33   | 71614331AA | 030       | 14   | 74810361A | 19A       | 41   | 76410841B  | 27A       | 21   |
| 71210471AA | 22A       | 11   | 71614342AA | 018       | 18   | 74810461A | 022       | 4    | 76410841B  | 27B       | 21   |
| 71240231A  | 002       | 12   | 71614342AA | 031       | 2    | 74810461A | 10A       | 1    | 76410871A  | 014       | 10   |
| 71240231A  | 010       | 14   | 71614342AA | 18B       | 7    | 74810461A | 26A       | 4    | 76410871A  | 015       | 10   |
| 71311871A  | 28A       | 3    | 71614351AA | 032       | 6    | 74810651A | 026       | 1    | 76410901A  | 018       | 19   |
| 71313091A  | 004       | 13   | 71614381AA | 020       | 17   | 74810791A | 013       | 25   | 76410901A  | 020       | 20   |
| 71313641A  | 024       | 20   | 71614391AA | 019       | 8    | 74810791A | 13A       | 25   | 76410901A  | 031       | 3    |
| 71314361A  | 19A       | 46   | 71614391AA | 19A       | 8    | 74840381A | 019       | 37   | 76410901A  | 18A       | 2    |
| 71314703A  | 27A       | 10   | 71614421AA | 27B       | 28   | 74840381A | 020       | 4    | 76410901A  | 18B       | 6    |
| 71314703A  | 27B       | 10   | 71614431AA | 031       | 4    | 74840381A | 18A       | 8    | 76410901A  | 18C       | 5    |
| 71314831A  | 004       | 15   | 71614431AA | 18C       | 4    | 74840381A | 19A       | 37   | 76411141A  | 034       | 14   |
| 71314901A  | 24A       | 13   | 71615111AA | 031       | 25   | 74840481A | 10A       | 4    | 76411141A  | 27A       | 4    |
| 71319201A  | 24A       | 13   | 73210331B  | 019       | 35   | 74940041A | 018       | 5    | 76411141A  | 27B       | 4    |
| 71319271A  | 014       | 12   | 73210331B  | 19A       | 35   | 74940141A | 028       | 21   | 76411301A  | 019       | 5    |
| 71319271A  | 015       | 12   | 735033804  | 010       | 16   | 74941108B | 023       | 13   | 76411301A  | 19A       | 5    |
| 71319281A  | 014       | 28   | 735034405  | 010       | 8    | 74941108B | 024       | 18   | 76411361A  | 020       | 15   |
| 71319281A  | 015       | 28   | 73840011A  | 008       | 9    | 74941118B | 033       | 24   | 76411411B  | 018       | 8    |
| 71319291A  | 008       | 12   | 74140381A  | 18C       | 2    | 74941128B | 19A       | 50   | 76411411B  | 030       | 9    |
| 71319421A  | 028       | 11   | 74140431A  | 023       | 14   | 74950011B | 27A       | 13   | 76411411B  | 18A       | 1    |



| CODE      | NO. TABLE | POS. | CODE      | NO. TABLE | POS. | CODE       | NO. TABLE | POS. | CODE       | NO. TABLE | POS. |
|-----------|-----------|------|-----------|-----------|------|------------|-----------|------|------------|-----------|------|
| 76411411B | 18B       | 21   | 77156438B | 025       | 15   | 77210882B  | 031       | 5    | 77253297C  | 011       | 10   |
| 76411472A | 027       | 15   | 77156438B | 19A       | 49   | 77210882B  | 18C       | 3    | 77253300ZF | 012       | 2    |
| 76411481A | 019       | 9    | 77156443B | 018       | 17   | 77210893B  | 34A       | 5    | 77253307C  | 012       | 19   |
| 76411481A | 19A       | 9    | 77156443B | 030       | 13   | 77211091C  | 030       | 25   | 77253317C  | 002       | 10   |
| 76411491A | 030       | 15   | 77156443B | 031       | 1    | 77211091C  | 033       | 13   | 77253317C  | 008       | 1    |
| 76411491A | 27A       | 23   | 77156443B | 18B       | 8    | 77211091C  | 034       | 19   | 77253317C  | 009       | 2    |
| 76411491A | 27B       | 23   | 77156443B | 27A       | 2    | 77211091C  | 34A       | 1    | 77253317C  | 011       | 11   |
| 76411501A | 030       | 17   | 77156443B | 27B       | 2    | 77211131A  | 18A       | 21   | 77253337C  | 005       | 1    |
| 76411511A | 034       | 12   | 77156628B | 18A       | 5    | 77211201A  | 004       | 3    | 77253337C  | 009       | 9    |
| 76411521A | 032       | 7    | 77156658B | 019       | 14   | 77211251B  | 021       | 1    | 77253337C  | 012       | 16   |
| 76411541A | 030       | 30   | 77156658B | 022       | 10   | 77211271A  | 024       | 32   | 77253337C  | 05A       | 1    |
| 76411621A | 029       | 15   | 77156658B | 025       | 9    | 77211271A  | 24A       | 17   | 77253357C  | 005       | 4    |
| 76411641A | 020       | 14   | 77156658B | 027       | 8    | 77211341A  | 021       | 8    | 77253357C  | 012       | 11   |
| 76440561A | 018       | 6    | 77156658B | 19A       | 14   | 77211361AA | 028       | 18   | 77253357C  | 05A       | 4    |
| 76440561A | 033       | 22   | 77156668B | 021       | 28   | 77213173B  | 028       | 7    | 77253367C  | 013       | 5    |
| 76440561A | 18B       | 3    | 77156678B | 016       | 21   | 77213203B  | 032       | 10   | 77253367C  | 13A       | 5    |
| 76440581A | 005       | 21   | 77156688B | 018       | 9    | 77240243C  | 05A       | 30   | 77253387C  | 10A       | 7    |
| 76440581A | 05A       | 21   | 77156688B | 021       | 4    | 77240243C  | 26A       | 11   | 77253447C  | 10A       | 9    |
| 76610781A | 010       | 6    | 77156688B | 025       | 19   | 77240253C  | 020       | 9    | 77350403B  | 033       | 7    |
| 76610801A | 010       | 25   | 77156728B | 032       | 5    | 77240258C  | 18B       | 13   | 77350618B  | 013       | 31   |
| 76610811A | 10A       | 6    | 77157238B | 016       | 10   | 77240263C  | 020       | 11   | 77350618B  | 13A       | 31   |
| 76610821A | 013       | 6    | 77157238B | 025       | 12   | 77240288C  | 034       | 9    | 77350623B  | 023       | 10   |
| 76610821A | 13A       | 6    | 77157238B | 027       | 13   | 77240323C  | 029       | 13   | 77354623B  | 22A       | 2    |
| 76610891A | 013       | 26   | 77157238B | 028       | 3    | 77240393C  | 033       | 29   | 77354888B  | 021       | 20   |
| 76610891A | 13A       | 26   | 77157248B | 021       | 21   | 77240398C  | 010       | 36   | 77355038B  | 002       | 8    |
| 77110211A | 19A       | 53   | 77157258B | 021       | 22   | 77240408C  | 022       | 11   | 77355068B  | 19A       | 45   |
| 77110471A | 004       | 6    | 77157278B | 019       | 7    | 77240418C  | 27A       | 18   | 77440071A  | 27A       | 27   |
| 77110518B | 012       | 3    | 77157278B | 027       | 7    | 77240423C  | 27B       | 18   | 77440071A  | 27B       | 27   |
| 77112331A | 013       | 1    | 77157278B | 19A       | 7    | 77240483C  | 027       | 18   | 77440101A  | 020       | 25   |
| 77112331A | 13A       | 1    | 77157288B | 016       | 24   | 77244168B  | 019       | 30   | 77440111A  | 029       | 9    |
| 77140663C | 26A       | 24   | 77157618B | 028       | 13   | 77244168B  | 19A       | 30   | 77440121A  | 27B       | 29   |
| 77150628B | 014       | 16   | 77210461B | 18A       | 24   | 77244203B  | 031       | 26   | 77440183C  | 27A       | 7    |
| 77150628B | 015       | 16   | 77210601A | 24A       | 15   | 77250728B  | 019       | 19   | 77440183C  | 27B       | 7    |
| 77150668B | 017       | 11   | 77210621A | 013       | 27   | 77250728B  | 19A       | 19   | 77440203C  | 019       | 1    |
| 77150678B | 009       | 22   | 77210621A | 13A       | 27   | 77250788B  | 020       | 18   | 77440203C  | 030       | 12   |
| 77151598C | 028       | 1    | 77210623B | 031       | 8    | 77251018B  | 019       | 32   | 77440203C  | 18A       | 23   |
| 77154337C | 003       | 32   | 77210841B | 28A       | 15   | 77251018B  | 020       | 16   | 77440203C  | 19A       | 1    |
| 77156398B | 016       | 2    | 77210841B | 34A       | 8    | 77251018B  | 19A       | 32   | 77440203C  | 27A       | 9    |
| 77156398B | 025       | 14   | 77210852C | 019       | 2    | 77251023C  | 18A       | 14   | 77440203C  | 27B       | 9    |
| 77156398B | 27A       | 11   | 77210852C | 19A       | 2    | 77251038B  | 018       | 4    | 77510041A  | 020       | 5    |
| 77156398B | 27B       | 11   | 77210852C | 28A       | 11   | 77251038B  | 18B       | 18   | 77510071AB | 034       | 4    |
| 77156408B | 017       | 2    | 77210853B | 18B       | 1    | 77251387C  | 10A       | 8    | 77510161A  | 027       | 28   |
| 77156408B | 030       | 23   | 77210853B | 34A       | 10   | 77253290Z  | 013       | 12   | 77510311B  | 010       | 1    |
| 77156418B | 032       | 14   | 77210861B | 033       | 2    | 77253290Z  | 13A       | 12   | 77510631A  | 26A       | 1    |



| CODE       | NO. TABLE | POS. | CODE       | NO. TABLE | POS. | CODE       | NO. TABLE | POS. | CODE       | NO. TABLE | POS. |
|------------|-----------|------|------------|-----------|------|------------|-----------|------|------------|-----------|------|
| 77550131A  | 016       | 15   | 77917291AA | 24A       | 1    | 79120531B  | 007       | 5    | 81420081A  | 031       | 27   |
| 77550200C  | 005       | 26   | 77917392AA | 021       | 30   | 79710531B  | 004       | 1    | 81440681A  | 032       | 8    |
| 77550200C  | 05A       | 26   | 77917951AA | 05A       | 29   | 79910241A  | 027       | 3    | 81510371A  | 029       | 5    |
| 77910921A  | 023       | 7    | 77917961AA | 05A       | 28   | 79911661A  | 016       | 5    | 81810162A  | 004       | 5    |
| 77910921A  | 024       | 13   | 77927171A  | 010       | 28   | 79911661A  | 025       | 24   | 81910691A  | 026       | 11   |
| 77912371B  | 025       | 31   | 77942571A  | 030       | 31   | 79912632A  | 019       | 23   | 819Z0021A  | 26A       | 6    |
| 77912981A  | 021       | 5    | 77950591A  | 024       | 10   | 79912632A  | 19A       | 23   | 82010141A  | 010       | 4    |
| 77913091AB | 024       | 28   | 78010511C  | 012       | 14   | 79915101C  | 002       | 25   | 82010141A  | 012       | 28   |
| 77913141B  | 24A       | 10   | 78010511C  | 014       | 24   | 79915131C  | 002       | 20   | 82010151A  | 008       | 13   |
| 77913311D  | 024       | 25   | 78010511C  | 015       | 24   | 79915141C  | 002       | 16   | 82010162A  | 009       | 14   |
| 77913541A  | 013       | 15   | 78010511C  | 10A       | 16   | 79915201A  | 014       | 33   | 82010171A  | 011       | 5    |
| 77913541A  | 13A       | 15   | 78010771A  | 010       | 33   | 79915201A  | 015       | 33   | 82110511AB | 016       | 6    |
| 77913661AB | 05A       | 19   | 78010771A  | 014       | 18   | 79915211A  | 014       | 29   | 82110511AB | 025       | 22   |
| 77913971A  | 023       | 5    | 78010771A  | 015       | 18   | 79915211A  | 015       | 29   | 82110511AB | 027       | 4    |
| 77913991A  | 026       | 4    | 78010801A  | 010       | 26   | 79915221A  | 014       | 20   | 82111701B  | 016       | 7    |
| 77914151A  | 024       | 23   | 78010841A  | 012       | 13   | 79915221A  | 015       | 20   | 82111701B  | 025       | 36   |
| 77914211A  | 014       | 7    | 78010861A  | 010       | 19   | 79915231A  | 014       | 13   | 82113361A  | 014       | 26   |
| 77914211A  | 015       | 7    | 78010871A  | 010       | 9    | 79915231A  | 015       | 13   | 82113361A  | 015       | 26   |
| 77914401B  | 28A       | 8    | 78020011A  | 019       | 18   | 79915421B  | 017       | 7    | 82113371B  | 014       | 27   |
| 77914881A  | 26A       | 21   | 78020011A  | 19A       | 18   | 79915432B  | 017       | 8    | 82113371B  | 015       | 27   |
| 77915031A  | 28A       | 16   | 78110121AA | 005       | 19   | 79915441A  | 030       | 3    | 82113441B  | 002       | 3    |
| 77915041A  | 028       | 15   | 78110121AA | 023       | 16   | 79915493A  | 022       | 9    | 82113711BA | 22A       | 12   |
| 77915471A  | 006       | 10   | 78110121AA | 024       | 3    | 79915511A  | 025       | 27   | 82113731AA | 22A       | 5    |
| 77916192C  | 006       | 7    | 78110121AA | 025       | 11   | 79915534A  | 013       | 22   | 82113751A  | 030       | 1    |
| 77916241A  | 002       | 22   | 78110121AA | 031       | 11   | 79915534A  | 13A       | 22   | 82113811AA | 025       | 32   |
| 77916441A  | 013       | 10   | 78110121AA | 24A       | 7    | 79915581A  | 031       | 21   | 82113822BA | 021       | 15   |
| 77916441A  | 13A       | 10   | 78611212C  | 007       | 4    | 79915651A  | 019       | 43   | 82113832A  | 013       | 20   |
| 77916551C  | 006       | 1    | 78811101C  | 013       | 7    | 79915651A  | 19A       | 43   | 82113832A  | 13A       | 20   |
| 77916661B  | 012       | 5    | 78811101C  | 13A       | 7    | 79925411AA | 22A       | 7    | 82114041A  | 014       | 23   |
| 77916763AA | 027       | 23   | 78811131A  | 013       | 8    | 79940121A  | 010       | 22   | 82114041A  | 015       | 23   |
| 77916773AA | 027       | 24   | 78811131A  | 13A       | 8    | 800068490  | 024       | 14   | 82114211AA | 032       | 9    |
| 77916783AA | 027       | 16   | 78811161A  | 029       | 3    | 800070139  | 01C       | 8    | 82123692A  | 008       | 8    |
| 77916792AA | 033       | 30   | 78811182A  | 022       | 3    | 80012051A  | 031       | 14   | 82411871BA | 025       | 21   |
| 77916811AA | 022       | 13   | 78811191A  | 011       | 7    | 80012061A  | 031       | 15   | 82411881BA | 027       | 5    |
| 77916821BA | 020       | 12   | 78811201A  | 031       | 9    | 80012111A  | 031       | 6    | 82411891BA | 027       | 12   |
| 77916951AA | 034       | 11   | 78811221A  | 034       | 8    | 80012121A  | 030       | 21   | 82421861AA | 016       | 11   |
| 77916971B  | 013       | 21   | 78811231A  | 034       | 10   | 80012131A  | 031       | 7    | 82510441A  | 26A       | 17   |
| 77916991A  | 10A       | 12   | 78811281A  | 034       | 23   | 81140012B  | 013       | 29   | 82712981B  | 27A       | 15   |
| 77917161B  | 005       | 3    | 78811291A  | 034       | 24   | 81140012B  | 13A       | 29   | 82716012A  | 005       | 25   |
| 77917161B  | 009       | 11   | 79010231B  | 019       | 21   | 81413341A  | 013       | 4    | 82716012A  | 05A       | 25   |
| 77917161B  | 012       | 6    | 79010231B  | 19A       | 21   | 81413341A  | 13A       | 4    | 82716021A  | 014       | 34   |
| 77917161B  | 05A       | 3    | 79010251A  | 019       | 12   | 81413421B  | 010       | 23   | 82716021A  | 015       | 34   |
| 77917231A  | 014       | 35   | 79010251A  | 19A       | 12   | 81413531A  | 13A       | 34   | 82716091A  | 012       | 8    |
| 77917231A  | 015       | 35   | 79110831A  | 030       | 20   | 81415081AA | 031       | 12   | 82716141A  | 033       | 18   |



| CODE       | NO. TABLE | POS. | CODE      | NO. TABLE | POS. | CODE      | NO. TABLE | POS. | CODE      | NO. TABLE | POS. |
|------------|-----------|------|-----------|-----------|------|-----------|-----------|------|-----------|-----------|------|
| 82716351A  | 013       | 30   | 84010063A | 014       | 1    | 84010283A | 014       | 1    | 84010562B | 014       | 2    |
| 82716351A  | 13A       | 30   | 84010063A | 015       | 1    | 84010283A | 015       | 1    | 84010562B | 015       | 2    |
| 8291A333AA | 028       | 2    | 84010073A | 014       | 1    | 84010293A | 014       | 1    | 84010572B | 014       | 2    |
| 8291A352B  | 030       | 11   | 84010073A | 015       | 1    | 84010293A | 015       | 1    | 84010572B | 015       | 2    |
| 8291A431BA | 016       | 12   | 84010083A | 014       | 1    | 84010303A | 014       | 1    | 84010582B | 014       | 2    |
| 8291A441AA | 025       | 20   | 84010083A | 015       | 1    | 84010303A | 015       | 1    | 84010582B | 015       | 2    |
| 8291A481B  | 022       | 7    | 84010093A | 014       | 1    | 84010313A | 014       | 1    | 84010592B | 014       | 2    |
| 8291A511BA | 025       | 18   | 84010093A | 015       | 1    | 84010313A | 015       | 1    | 84010592B | 015       | 2    |
| 8291A553BA | 020       | 13   | 84010103A | 014       | 1    | 84010323A | 014       | 1    | 84010602B | 014       | 2    |
| 8291A691AA | 024       | 11   | 84010103A | 015       | 1    | 84010323A | 015       | 1    | 84010602B | 015       | 2    |
| 8291A701AA | 023       | 9    | 84010113A | 014       | 1    | 84010333A | 014       | 1    | 84010612B | 014       | 2    |
| 8291A743A  | 24A       | 2    | 84010113A | 015       | 1    | 84010333A | 015       | 1    | 84010612B | 015       | 2    |
| 8292A342A  | 030       | 18   | 84010123A | 014       | 1    | 84010343A | 014       | 1    | 84010622B | 014       | 2    |
| 829PA361A  | 018       | 1    | 84010123A | 015       | 1    | 84010343A | 015       | 1    | 84010622B | 015       | 2    |
| 829PA371A  | 18B       | 9    | 84010133A | 014       | 1    | 84010412B | 014       | 2    | 84010632B | 014       | 2    |
| 829PA541B  | 18A       | 17   | 84010133A | 015       | 1    | 84010412B | 015       | 2    | 84010632B | 015       | 2    |
| 83016442AA | 027       | 22   | 84010143A | 014       | 1    | 84010422B | 014       | 2    | 84010642B | 014       | 2    |
| 83016452AA | 027       | 17   | 84010143A | 015       | 1    | 84010422B | 015       | 2    | 84010642B | 015       | 2    |
| 83016471AA | 022       | 12   | 84010153A | 014       | 1    | 84010432B | 014       | 2    | 84010652B | 014       | 2    |
| 83016491AA | 019       | 31   | 84010153A | 015       | 1    | 84010432B | 015       | 2    | 84010652B | 015       | 2    |
| 83016491AA | 19A       | 31   | 84010163A | 014       | 1    | 84010442B | 014       | 2    | 84010662B | 014       | 2    |
| 83016501AA | 019       | 33   | 84010163A | 015       | 1    | 84010442B | 015       | 2    | 84010662B | 015       | 2    |
| 83016501AA | 19A       | 33   | 84010173A | 014       | 1    | 84010452B | 014       | 2    | 84010672B | 014       | 2    |
| 83016541B  | 024       | 31   | 84010173A | 015       | 1    | 84010452B | 015       | 2    | 84010672B | 015       | 2    |
| 83016582A  | 022       | 8    | 84010183A | 014       | 1    | 84010462B | 014       | 2    | 84010682B | 014       | 2    |
| 83016641A  | 28A       | 14   | 84010183A | 015       | 1    | 84010462B | 015       | 2    | 84010682B | 015       | 2    |
| 83016833A  | 18A       | 10   | 84010193A | 014       | 1    | 84010472B | 014       | 2    | 84010692B | 014       | 2    |
| 83016861A  | 18B       | 14   | 84010193A | 015       | 1    | 84010472B | 015       | 2    | 84010692B | 015       | 2    |
| 83017071A  | 18C       | 6    | 84010203A | 014       | 1    | 84010482B | 014       | 2    | 84010702B | 014       | 2    |
| 83017791AA | 19A       | 48   | 84010203A | 015       | 1    | 84010482B | 015       | 2    | 84010702B | 015       | 2    |
| 83026511BA | 019       | 10   | 84010213A | 014       | 1    | 84010492B | 014       | 2    | 84010712B | 014       | 2    |
| 83026511BA | 19A       | 10   | 84010213A | 015       | 1    | 84010492B | 015       | 2    | 84010712B | 015       | 2    |
| 83110151A  | 010       | 21   | 84010223A | 014       | 1    | 84010502B | 014       | 2    | 84010722B | 014       | 2    |
| 83210031C  | 28A       | 17   | 84010223A | 015       | 1    | 84010502B | 015       | 2    | 84010722B | 015       | 2    |
| 84010013A  | 014       | 1    | 84010233A | 014       | 1    | 84010512B | 014       | 2    | 84010723A | 014       | 1    |
| 84010013A  | 015       | 1    | 84010233A | 015       | 1    | 84010512B | 015       | 2    | 84010723A | 015       | 1    |
| 84010023A  | 014       | 1    | 84010243A | 014       | 1    | 84010522B | 014       | 2    | 84010732B | 014       | 2    |
| 84010023A  | 015       | 1    | 84010243A | 015       | 1    | 84010522B | 015       | 2    | 84010732B | 015       | 2    |
| 84010033A  | 014       | 1    | 84010253A | 014       | 1    | 84010532B | 014       | 2    | 84010733A | 014       | 1    |
| 84010033A  | 015       | 1    | 84010253A | 015       | 1    | 84010532B | 015       | 2    | 84010733A | 015       | 1    |
| 84010043A  | 014       | 1    | 84010263A | 014       | 1    | 84010542B | 014       | 2    | 84010742B | 014       | 2    |
| 84010043A  | 015       | 1    | 84010263A | 015       | 1    | 84010542B | 015       | 2    | 84010742B | 015       | 2    |
| 84010053A  | 014       | 1    | 84010273A | 014       | 1    | 84010552B | 014       | 2    | 84010752B | 014       | 2    |
| 84010053A  | 015       | 1    | 84010273A | 015       | 1    | 84010552B | 015       | 2    | 84010752B | 015       | 2    |



| CODE       | NO. TABLE | POS. | CODE       | NO. TABLE | POS. | CODE      | NO. TABLE | POS. | CODE       | NO. TABLE | POS. |
|------------|-----------|------|------------|-----------|------|-----------|-----------|------|------------|-----------|------|
| 84010762B  | 014       | 2    | 84011901AD | 014       | 3    | 85040551A | 030       | 6    | 85212941B  | 012       | 4    |
| 84010762B  | 015       | 2    | 84011901AD | 015       | 3    | 85040551A | 033       | 14   | 85212981A  | 003       | 6    |
| 84010772B  | 014       | 2    | 84011901AE | 014       | 3    | 85040551A | 18A       | 19   | 85213021A  | 009       | 26   |
| 84010772B  | 015       | 2    | 84011901AE | 015       | 3    | 85040551A | 19A       | 27   | 85213111AA | 019       | 4    |
| 84010782B  | 014       | 2    | 84011901AF | 014       | 3    | 85041041A | 033       | 11   | 85213111AA | 030       | 16   |
| 84010782B  | 015       | 2    | 84011901AF | 015       | 3    | 85041041A | 034       | 15   | 85213111AA | 19A       | 4    |
| 84010792B  | 014       | 2    | 84011901AG | 014       | 3    | 85041051A | 033       | 12   | 85213111AA | 27A       | 24   |
| 84010792B  | 015       | 2    | 84011901AG | 015       | 3    | 85041051A | 034       | 16   | 85213111AA | 27B       | 24   |
| 84010802B  | 014       | 2    | 84011901AH | 014       | 3    | 85041471A | 033       | 31   | 85240131A  | 27B       | 14   |
| 84010802B  | 015       | 2    | 84011901AH | 015       | 3    | 85041581A | 018       | 2    | 85240161A  | 19A       | 54   |
| 84010812B  | 014       | 2    | 84011901AI | 014       | 3    | 85041581A | 18B       | 20   | 85240231A  | 013       | 24   |
| 84010812B  | 015       | 2    | 84011901AI | 015       | 3    | 85041811A | 017       | 13   | 85240231A  | 13A       | 24   |
| 84010822B  | 014       | 2    | 84011901AJ | 014       | 3    | 85110201A | 004       | 8    | 85240261A  | 014       | 17   |
| 84010822B  | 015       | 2    | 84011901AJ | 015       | 3    | 85210241A | 034       | 5    | 85240261A  | 015       | 17   |
| 84010832B  | 014       | 2    | 84011901AK | 014       | 3    | 85210532A | 019       | 28   | 85250011C  | 27A       | 14   |
| 84010832B  | 015       | 2    | 84011901AK | 015       | 3    | 85210532A | 19A       | 28   | 85250191A  | 024       | 33   |
| 84010842B  | 014       | 2    | 84011901AL | 014       | 3    | 85210681B | 22A       | 9    | 85250231A  | 013       | 3    |
| 84010842B  | 015       | 2    | 84011901AL | 015       | 3    | 85211201A | 013       | 16   | 85250231A  | 13A       | 3    |
| 84010852B  | 014       | 2    | 84011901AM | 014       | 3    | 85211201A | 13A       | 16   | 85250241A  | 005       | 18   |
| 84010852B  | 015       | 2    | 84011901AM | 015       | 3    | 85211511A | 016       | 14   | 85250241A  | 023       | 17   |
| 84010862B  | 014       | 2    | 84011901AN | 014       | 3    | 85211511A | 025       | 37   | 85250241A  | 024       | 4    |
| 84010862B  | 015       | 2    | 84011901AN | 015       | 3    | 85211671B | 033       | 25   | 85250241A  | 025       | 10   |
| 84010872B  | 014       | 2    | 84011901AO | 014       | 3    | 85211951A | 005       | 15   | 85250241A  | 031       | 23   |
| 84010872B  | 015       | 2    | 84011901AO | 015       | 3    | 85211951A | 05A       | 15   | 85250241A  | 05A       | 18   |
| 84011083A  | 014       | 1    | 84011901AP | 014       | 3    | 85212171A | 26A       | 15   | 85250241A  | 24A       | 6    |
| 84011083A  | 015       | 1    | 84011901AP | 015       | 3    | 85212181A | 34A       | 9    | 85250261A  | 012       | 15   |
| 84011093A  | 014       | 1    | 84011901AQ | 014       | 3    | 85212211A | 026       | 14   | 85250261A  | 10A       | 15   |
| 84011093A  | 015       | 1    | 84011901AQ | 015       | 3    | 85212211A | 26A       | 3    | 85250261B  | 014       | 25   |
| 84011103A  | 014       | 1    | 84011901AR | 014       | 3    | 85212221A | 026       | 6    | 85250261B  | 015       | 25   |
| 84011103A  | 015       | 1    | 84011901AR | 015       | 3    | 85212621A | 003       | 12   | 85250261B  | 24A       | 9    |
| 84011113A  | 014       | 1    | 84510061A  | 014       | 5    | 85212631A | 003       | 17   | 85250291A  | 019       | 40   |
| 84011113A  | 015       | 1    | 84510061A  | 015       | 5    | 85212651A | 002       | 19   | 85250291A  | 19A       | 40   |
| 84011123A  | 014       | 1    | 84740021A  | 027       | 2    | 85212651A | 012       | 26   | 85250301A  | 031       | 24   |
| 84011123A  | 015       | 1    | 84740061A  | 010       | 20   | 85212661A | 002       | 24   | 85250491A  | 010       | 27   |
| 84011133A  | 014       | 1    | 84850021A  | 016       | 16   | 85212681A | 009       | 20   | 85250541A  | 009       | 7    |
| 84011133A  | 015       | 1    | 85040471A  | 018       | 23   | 85212681A | 011       | 13   | 85310031A  | 012       | 18   |
| 84011143A  | 014       | 1    | 85040471A  | 030       | 27   | 85212721A | 005       | 9    | 85350101A  | 18A       | 6    |
| 84011143A  | 015       | 1    | 85040471A  | 033       | 20   | 85212721A | 05A       | 9    | 85540031A  | 022       | 5    |
| 84011901AA | 014       | 3    | 85040471A  | 18B       | 15   | 85212741A | 008       | 3    | 85610642A  | 10A       | 2    |
| 84011901AA | 015       | 3    | 85040471A  | 18C       | 7    | 85212771A | 10A       | 5    | 85611271A  | 016       | 22   |
| 84011901AB | 014       | 3    | 85040471A  | 34A       | 3    | 85212781A | 013       | 9    | 85611372A  | 003       | 9    |
| 84011901AB | 015       | 3    | 85040521A  | 027       | 26   | 85212781A | 13A       | 9    | 85611381A  | 003       | 21   |
| 84011901AC | 014       | 3    | 85040551A  | 019       | 27   | 85212791A | 006       | 2    | 85611391A  | 004       | 2    |
| 84011901AC | 015       | 3    | 85040551A  | 020       | 7    | 85212801A | 003       | 31   | 85611401A  | 033       | 10   |



| CODE       | NO. TABLE | POS. | CODE      | NO. TABLE | POS. | CODE      | NO. TABLE | POS. | CODE      | NO. TABLE | POS. |
|------------|-----------|------|-----------|-----------|------|-----------|-----------|------|-----------|-----------|------|
| 85611401A  | 34A       | 2    | 88110541A | 26A       | 7    | 88650131A | 010       | 3    | 887133795 | 01A       | 5    |
| 85611471A  | 013       | 13   | 88140161B | 003       | 3    | 88650541A | 004       | 18   | 887133820 | 01A       | 22   |
| 85611471A  | 13A       | 13   | 88440281A | 003       | 16   | 88650561A | 009       | 4    | 887133824 | 01B       | 2    |
| 86010061A  | 013       | 32   | 88440331A | 033       | 4    | 887131010 | 01C       | 6    | 887133853 | 01A       | 8    |
| 86010061A  | 13A       | 32   | 88440381A | 003       | 11   | 887131058 | 01C       | 7    | 887133875 | 01B       | 7    |
| 86050061A  | 002       | 26   | 88440511A | 26A       | 18   | 887131062 | 01C       | 12   | 887133878 | 01B       | 9    |
| 86050061A  | 009       | 12   | 88440621A | 003       | 4    | 887131074 | 01C       | 4    | 887133879 | 01B       | 8    |
| 86050061A  | 010       | 10   | 88450021A | 021       | 16   | 887131832 | 01B       | 13   | 887133880 | 01A       | 26   |
| 86050061A  | 013       | 17   | 88450031A | 016       | 3    | 887131994 | 01A       | 20   | 887133922 | 01B       | 12   |
| 86050061A  | 014       | 6    | 88450031A | 019       | 34   | 887132069 | 01B       | 18   | 887133923 | 01B       | 11   |
| 86050061A  | 015       | 6    | 88450031A | 025       | 25   | 887132409 | 01C       | 11   | 887133924 | 01B       | 1    |
| 86050061A  | 13A       | 17   | 88450031A | 027       | 6    | 887132442 | 01B       | 14   | 887133925 | 01B       | 10   |
| 86050091A  | 002       | 21   | 88450031A | 19A       | 34   | 887132574 | 01A       | 25   | 887133926 | 01B       | 5    |
| 86050091A  | 010       | 5    | 88450031A | 22A       | 10   | 887132676 | 01B       | 6    | 887133927 | 01C       | 2    |
| 86050361AA | 22A       | 3    | 88450291A | 005       | 8    | 887132877 | 01B       | 16   | 887133943 | 01A       | 28   |
| 86610301A  | 033       | 5    | 88450291A | 05A       | 8    | 887132951 | 01C       | 3    | 887134131 | 01A       | 30   |
| 86610361A  | 18A       | 18   | 88450311A | 002       | 14   | 887133091 | 01C       | 13   | 887134132 | 01A       | 31   |
| 86610611A  | 033       | 6    | 88450361A | 002       | 18   | 887133203 | 01C       | 9    | 887134133 | 01B       | 20   |
| 86611241A  | 18B       | 11   | 88450371A | 009       | 21   | 887133204 | 01C       | 10   | 887134134 | 01B       | 22   |
| 86640051A  | 24A       | 3    | 88450371A | 011       | 14   | 887133211 | 01C       | 5    | 887134135 | 01B       | 23   |
| 86640061A  | 032       | 13   | 88610281A | 005       | 16   | 887133220 | 01C       | 1    | 887134136 | 01B       | 21   |
| 87210481A  | 021       | 18   | 88610281A | 05A       | 16   | 887133407 | 01B       | 17   | 887134137 | 01B       | 19   |
| 87210532A  | 27A       | 26   | 88610961A | 017       | 4    | 887133422 | 01A       | 1    | 887134138 | 01A       | 36   |
| 87210532A  | 27B       | 26   | 88640042A | 003       | 28   | 887133436 | 01A       | 11   | 887134139 | 01A       | 35   |
| 87210601A  | 28A       | 20   | 88640091A | 028       | 9    | 887133437 | 01A       | 2    | 887134207 | 01C       | 14   |
| 87210722A  | 021       | 3    | 88640331A | 012       | 20   | 887133440 | 01A       | 3    | 887651298 | 01B       | 15   |
| 87210781A  | 034       | 25   | 88640741A | 012       | 12   | 887133452 | 01A       | 13   | 887651632 | 01A       | 27   |
| 87210791A  | 034       | 26   | 88640881A | 014       | 8    | 887133467 | 01B       | 4    | 887651678 | 01A       | 24   |
| 87240881A  | 030       | 29   | 88640881A | 015       | 8    | 887133468 | 01B       | 3    | 887651702 | 01A       | 32   |
| 87310021A  | 010       | 32   | 88640891A | 005       | 6    | 887133500 | 01A       | 14   | 887651703 | 01A       | 33   |
| 87511641BB | 010       | 34   | 88640891A | 05A       | 6    | 887133502 | 01A       | 23   | 887651704 | 01A       | 34   |
| 87511651BB | 010       | 18   | 88641161A | 016       | 8    | 887133507 | 01A       | 15   | 89310143A | 030       | 24   |
| 87511791B  | 010       | 2    | 88641161A | 025       | 35   | 887133508 | 01A       | 16   | 89310151A | 009       | 8    |
| 87521941AA | 028       | 14   | 88641241A | 26A       | 16   | 887133509 | 01A       | 17   | 89320121A | 005       | 7    |
| 875P1731BA | 021       | 14   | 88641331A | 009       | 16   | 887133510 | 01A       | 10   | 89320121A | 05A       | 7    |
| 875P1741BA | 021       | 26   | 88641701A | 10A       | 10   | 887133511 | 01A       | 12   | 89340051A | 025       | 5    |
| 87611081A  | 029       | 2    | 88641761A | 005       | 11   | 887133512 | 01A       | 18   | 89340241A | 023       | 11   |
| 87611121A  | 029       | 4    | 88641761A | 05A       | 11   | 887133517 | 01A       | 29   | 89420112B | 009       | 10   |
| 87611131A  | 029       | 12   | 88641791A | 13A       | 33   | 887133524 | 01A       | 6    | 89520221A | 032       | 12   |
| 87711111A  | 024       | 17   | 88641961A | 010       | 24   | 887133549 | 01A       | 9    | 91371921A | 027       | 30   |
| 87711131A  | 023       | 15   | 88641971A | 012       | 29   | 887133758 | 01A       | 19   | 91371921B | 027       | 30   |
| 87711491A  | 025       | 7    | 88641981A | 031       | 20   | 887133760 | 01A       | 21   | 91371921C | 027       | 30   |
| 87721561A  | 005       | 20   | 88642061A | 017       | 14   | 887133773 | 01A       | 4    | 91371921D | 027       | 30   |
| 87721561A  | 05A       | 20   | 88642081A | 008       | 7    | 887133774 | 01A       | 7    | 91371921E | 027       | 30   |



| CODE      | NO. TABLE | POS. |
|-----------|-----------|------|
| 91371921F | 027       | 30   |
| 91371921G | 027       | 30   |
| 93010041B | 021       | 9    |
| 93010102A | 26A       | 28   |
| 93040431A | 010       | 13   |
| 93040521A | 026       | 18   |
| 93040931A | 010       | 31   |
| 93041271A | 028       | 17   |
| 93041521A | 005       | 10   |
| 93041521A | 05A       | 10   |
| 93041591A | 002       | 11   |
| 93041771A | 003       | 26   |
| 93041771A | 010       | 30   |
| 93041911A | 022       | 15   |
| 93050121A | 28A       | 5    |
| 93410152A | 030       | 8    |
| 93410173A | 031       | 17   |
| 942470014 | 10A       | 3    |
| 944650035 | L         | 1    |
| 944650037 | L         | 2    |
| 979000252 | 001       | 1    |
| 979000254 | 001       | 3    |
| 979000255 | 001       | 4    |
| 979000256 | 001       | 2    |







**Ducati Motor Holding S.p.A.**

Uffici Commerciali Amministrativi:

Via A. Cavalieri Ducati n. 3

40132 Bologna, Italy

Telefono 051 6413111

Fax 051 406580

Internet [www.ducati.com](http://www.ducati.com)