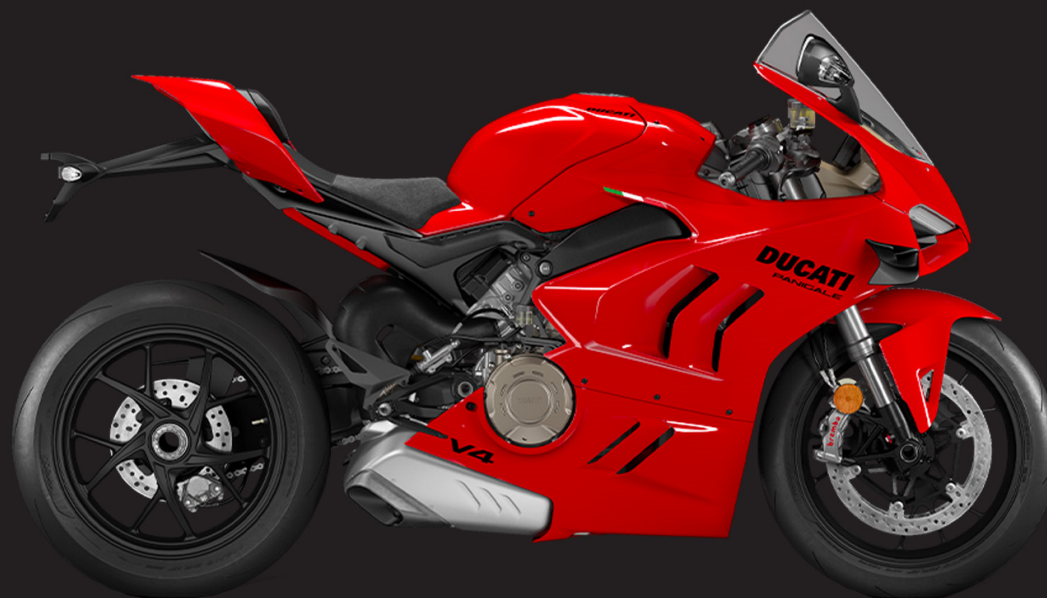




PANIGALE V4
Model Year 2023



SUPERBIKE

Chassis prefix:
Cylinder capacity: 1103

027000023
SPARE PARTS CATALOGUE
en-US



The present spare parts order exactly the right spare parts.

When ordering specify:

1. the part's code number followed by its description and quantity needed;
2. the motorcycle's serial number, stamped on the steering head.

Reference to right and left apply to the vehicle in terms of its direction of movement.


Spare parts drawings are general and do not represent the part.

The contents of this catalogue are general and can undergo changes without prior notice.

CHARACTERISTICS LEGENDA

CHARACTERISTIC CODE	CHARACTERISTIC DESCRIPTION	VALUE CODE	VALUE DESCRIPTION
DFR	DFR	N	NO
MOD	MODEL	PANV4	Panigale V4
PLT	PLANT	DB10	DMH
XCO	MAIN CLR	R	Red
XCR	FR/W COL	G-B	GRIGIO MONOSCOCCA, BLACK WHEELS
XPO	OPTIONS	STD	MOTO STANDARD
XST	STD CNTY	AUS	VERSIONE AUSTRALIA
XST	STD CNTY	BLG	VERSIONE BELGIO
XST	STD CNTY	EUR	VERSIONE EUROPA
XST	STD CNTY	GSO	VERSIONE PAESI DEL GOLFO
XST	STD CNTY	JPN	VERSIONE JAPAN
XST	STD CNTY	ROK	VERSIONE SOUTH COREA
XST	STD CNTY	TUR	VERSIONE TURCHIA



COLOUR	COLOUR CODE	COLOUR DESCRIPTION	FINISHED PRODUCTS
	R	Red	(D27008023) PANV4 23 EUR R G-B STD DMH (D27008123) PANV4 23 AUS R G-B STD DMH (D27008323) PANV4 23 BLG R G-B STD DMH (D27008523) PANV4 23 ROK R G-B STD DMH (D27008623) PANV4 23 GSO R G-B STD DMH (D27013723) PANV4 23 JPN R G-B STD DMH (D27014823) PANV4 23 TUR R G-B STD DMH



General information.....	3
Colours.....	4
Group ELECTRIC.....	10
Drawing 13A - ENGINE ELECTRIC SYSTEM.....	10
Drawing 13B - SECONDARY AIR SYSTEM.....	12
Drawing 13C - VEHICLE ELECTRIC SYSTEM.....	14
Drawing 13D - BATTERY HOLDER [XST:AUS,BLG,EUR,GSO,ROK,TUR].....	16
Drawing 13D - BATTERY HOLDER [XST:JPN].....	18
Drawing 13E - ELECTRICAL DEVICES.....	20
Drawing 13F - ELECTRICAL DEVICES.....	22
Drawing 14A - HEADLIGHT.....	24
Drawing 14B - TAILLIGHT.....	26
Drawing 15A - INSTRUMENT PANEL.....	28
Group OIL.....	30
Drawing L - SHELL ADVANCE.....	30
Group ENGINE.....	32
Drawing 02A - SHIFT CAM - FORK.....	32
Drawing 03A - GEAR BOX.....	34
Drawing 03B - CLUTCH.....	36
Drawing 04A - CLUTCH COVER.....	38
Drawing 04B - GENERATOR COVER.....	42
Drawing 04C - OIL PAN.....	44
Drawing 05A - CONNECTING RODS.....	46
Drawing 06A - CYLINDERS - PISTONS.....	48
Drawing 07A - TIMING SYSTEM.....	50
Drawing 08A - OIL PUMP.....	52
Drawing 09A - HALF-CRANKCASES PAIR.....	54
Drawing 09B - HALF-CRANKCASES PAIR.....	58
Drawing 10A - WATER PUMP.....	60



Drawing 11A - ELECTRIC STARTING AND IGNITION.....	62
Drawing 12A - FRONT HEAD - TIMING SYSTEM.....	64
Drawing 12B - REAR HEAD - TIMING SYSTEM.....	66
Drawing 12C - FRONT HEAD.....	68
Drawing 12D - REAR HEAD.....	74
Group TOOLS.....	80
Drawing 01A - DDS TESTER.....	80
Drawing 01B - WORKSHOP SERVICE TOOLS (ENGINE).....	82
Drawing 01C - WORKSHOP SERVICE TOOLS (ENGINE).....	84
Drawing 01D - WORKSHOP SERVICE TOOLS (FRAME).....	86
Group TYRES.....	88
Drawing A - TYRES.....	88
Drawing B - ORIGINAL EQUIPMENT TYRES.....	90
Drawing C - (#) PIRELLI DIABLO™ SUPERBIKE.....	92
Drawing D - (#) DIABLO™ WET.....	94
Drawing E - (#) DIABLO™ RAIN.....	96
Drawing F - (#) DIABLO™ SUPERCORSA SC V2.....	98
Drawing G - (#) DIABLO™ SUPERCORSA SC.....	100
Drawing H - PIRELLI DIABLO™ ROSSO CORSA II.....	102
Drawing I - (#) DIABLO SUPERCORSA SC V3.....	104
Drawing K -	106
Group FRAME.....	108
Drawing 16A - STAND.....	108
Drawing 17A - FRONT SPROCKET - CHAIN [XST:BLG,EUR,JPN,GSO,ROK,TUR].....	110
Drawing 17A - FRONT SPROCKET - CHAIN [XST:AUS].....	112
Drawing 18A - STEERING ASSEMBLY [XST:AUS,BLG,EUR,JPN,GSO,TUR].....	114
Drawing 18A - STEERING ASSEMBLY [XST:ROK].....	116
Drawing 18B - FRONT FORK.....	118
Drawing 19A - REAR SWINGING ARM.....	120
Drawing 20A - FRONT BRAKE PUMP.....	122



Drawing 20B - FRONT BRAKE SYSTEM.....	124
Drawing 20C - BRAKING SYSTEM ABS.....	126
Drawing 20D - REAR BRAKE SYSTEM.....	128
Drawing 21A - PLATE HOLDER [XST:AUS,BLG,EUR,GSO,ROK,TUR].....	130
Drawing 21A - PLATE HOLDER [XST:JPN].....	132
Drawing 22A - HALF-HANDLEBARS.....	134
Drawing 22B - CLUTCH CONTROL.....	136
Drawing 23A - REAR SHOCK ABSORBER.....	138
Drawing 24A - FRONT MUDGUARD.....	140
Drawing 25A - WATER COOLER.....	142
Drawing 25C - COOLING CIRCUIT.....	144
Drawing 25D - TANK, WATER RESERVOIR.....	146
Drawing 26A - FOOTRESTS, LEFT [XST:BLG,EUR,JPN,GSO,ROK,TUR].....	148
Drawing 26A - FOOTRESTS, LEFT [XST:AUS].....	150
Drawing 26B - FOOTRESTS, RIGHT.....	152
Drawing 26C - REAR FOOTREST.....	154
Drawing 27A - REAR MUDGUARD.....	156
Drawing 28A - FRONT WHEEL.....	158
Drawing 29A - REAR WHEEL.....	160
Drawing 29B - REAR WHEEL SPINDLE.....	162
Drawing 30A - TANK.....	164
Drawing 31A - EXHAUST SYSTEM.....	166
Drawing 31B - EXHAUST SYSTEM.....	168
Drawing 32A - SEAT.....	170
Drawing 32B - PILLION RIDER SEAT.....	172
Drawing 33A - FRAME.....	174
Drawing 33B - REAR FRAME COMP.....	176
Drawing 33C - LOCKER.....	178
Drawing 34A - OIL COOLER.....	180
Drawing 35A - AIR INTAKE - OIL BREATHER.....	182



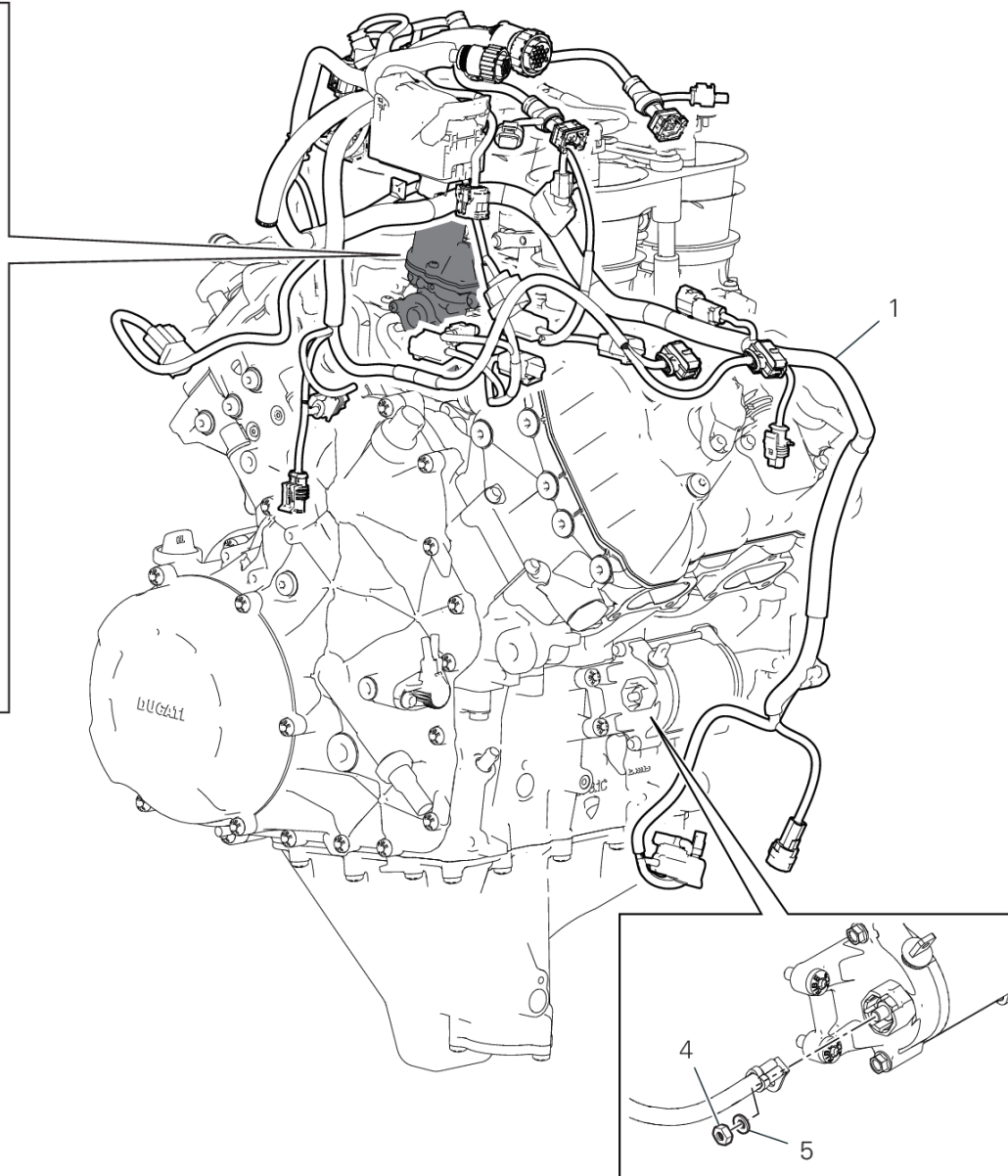
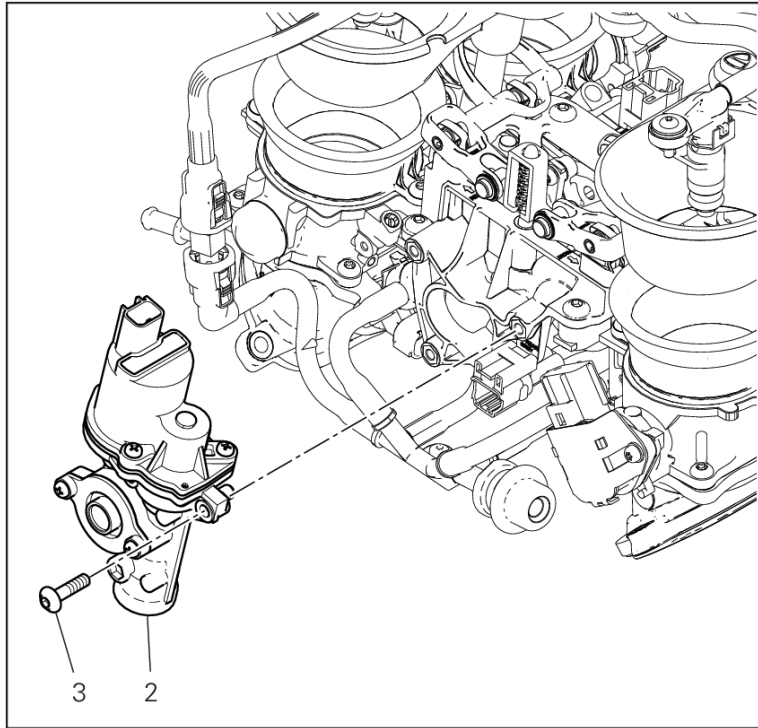
Drawing 36A - THROTTLE BODY.....	184
Drawing 36B - THROTTLE BODY.....	186
Drawing 36C - CANISTER FILTER.....	188
Drawing 37A - COWLING.....	190
Drawing 37B - FAIRING, RH.....	192
Drawing 37C - FAIRING, LH.....	194
Drawing 37D - REAR FAIRING.....	196
Drawing 38A - POSITIONING PLATES [XST:JPN].....	198
Alphanumeric index.....	200





DRAWING 13A - ENGINE ELECTRIC SYSTEM

GROUP ELECTRIC



IMP01099

PANIGALE V4 /23

027000023

DRAWING 13A - ENGINE ELECTRIC SYSTEM

GROUP ELECTRIC

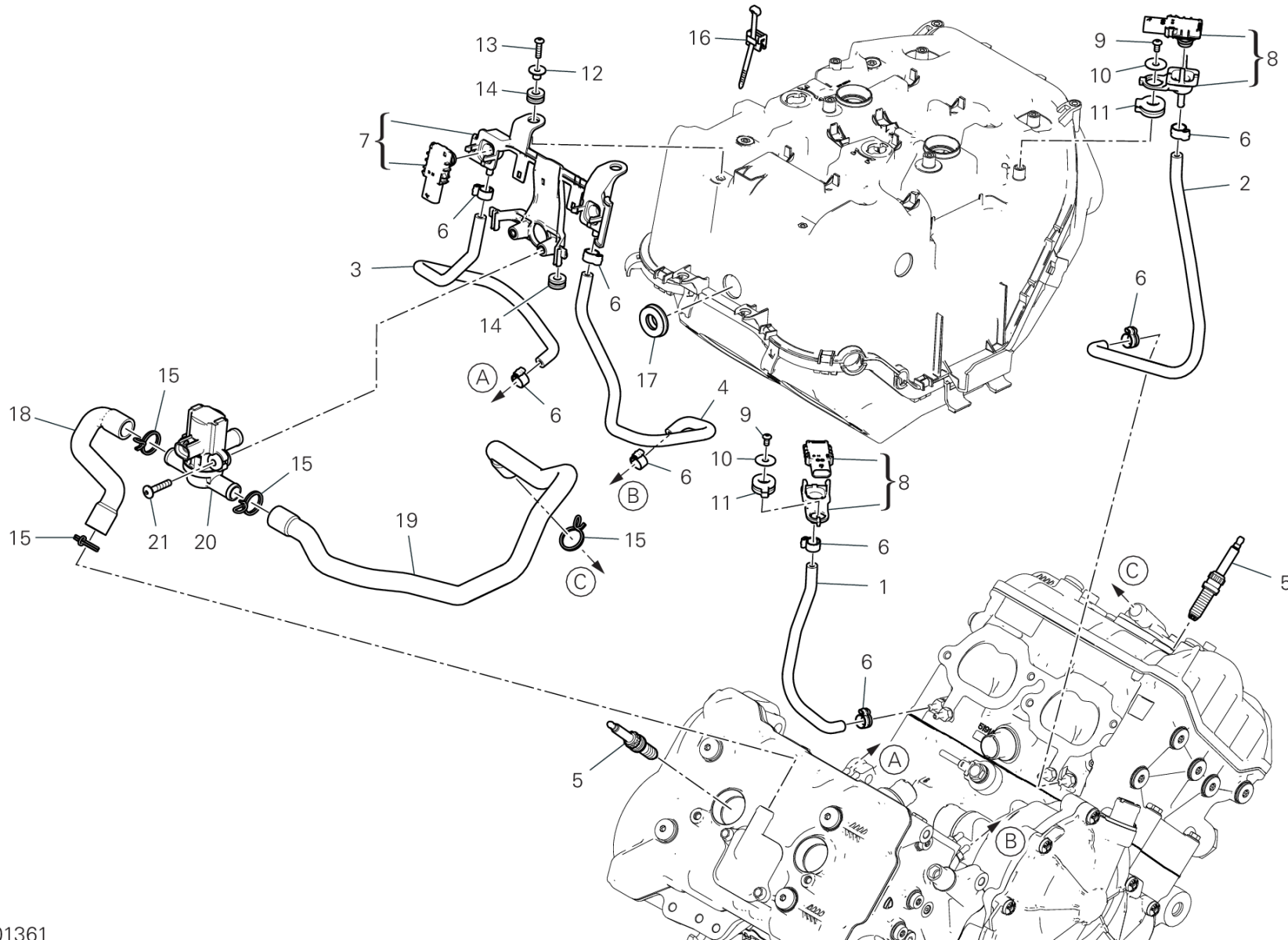


POS.	CODE	DESCRIPTION	QTY	VALIDITY	NOTES
1	5101H711E	ELECTRIC WIRING	1		
2	59340661A	ACTUATOR	1		
3	77244213B	SCREW	3		
4	75011211A	NUT	1		
5	85310031A	SPRING WASHER 6 MM	1		



DRAWING 13B - SECONDARY AIR SYSTEM

GROUP ELECTRIC



IMP01361

PANIGALE V4 /23

027000023

DRAWING 13B - SECONDARY AIR SYSTEM

GROUP ELECTRIC

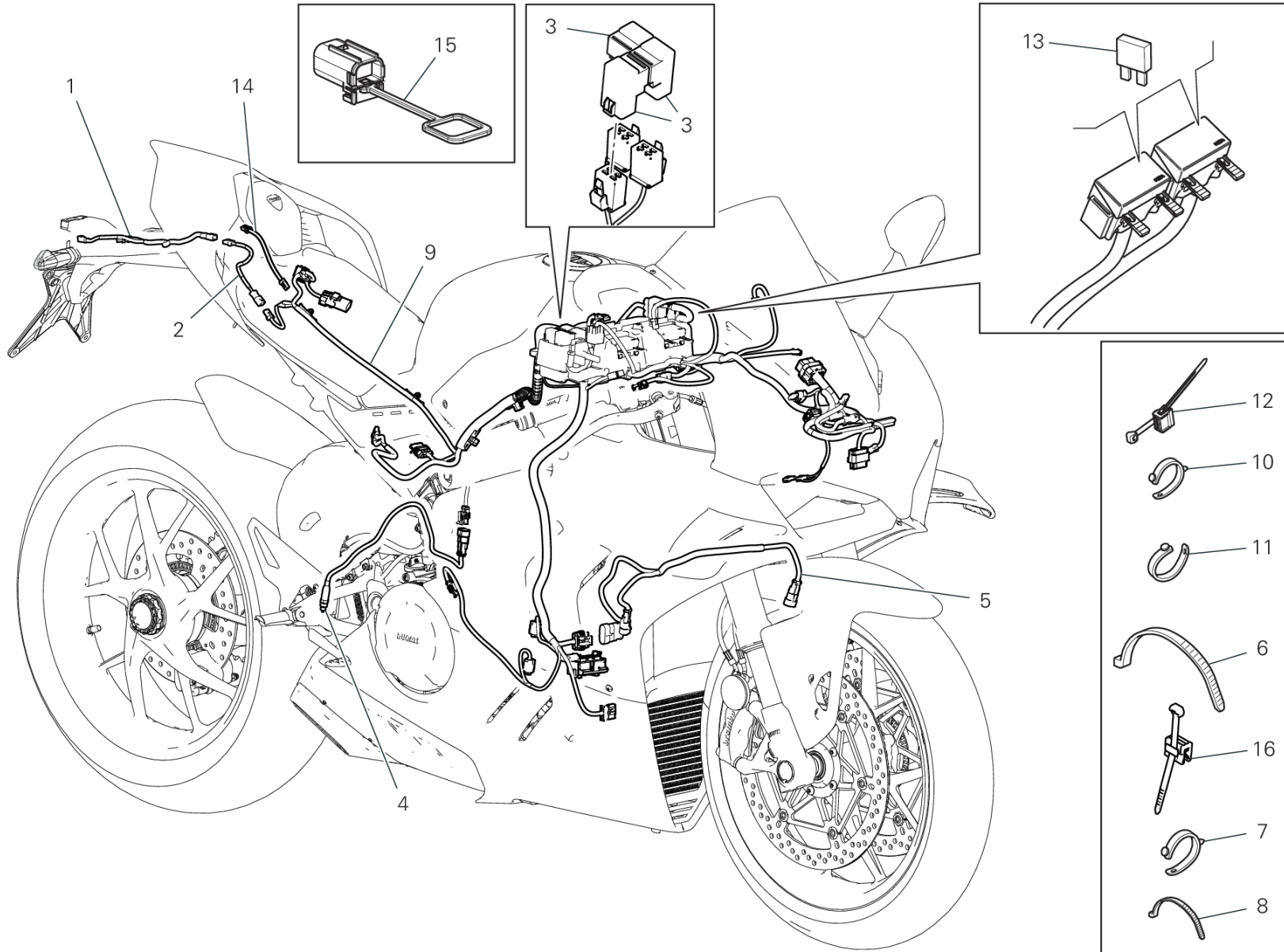


POS.	CODE	DESCRIPTION	QTY	VALIDITY	NOTES
1	590Z0021A	LEFT-HAND FRONT PIPE	1		
2	935Z0021A	RIGHT-HAND FRONT PIPE	1		
3	590Z0031A	LEFT-HAND REAR PIPE	1		
4	590Z0011A	RIGHT-HAND REAR PIPE	1		
5	67040511A	SPARK PLUG	4		
6	74141711A	CLAMP 10-7 MM	8		
7	69929311A	PRESSURE SENSOR KIT AND SUPPORT	1		
8	69929291A	PRESSURE SENSOR KIT AND SUPPORT	2		
9	77550171A	SCREW TBEI M4X8	2		
10	85250311AB	WASHER	2		
11	76412451A	RUBBER PAD	2		
12	71615501AA	SPACER	2		
13	77150208B	SCREW TCEIF M6X14 8.8	2		
14	76411671A	RUBBER PAD	4		
15	74142371A	CLAMP	4		
16	75840801A	CLAMP	2		
17	76414251A	RUBBER PAD	1		
18	87613921A	DUCT, AIR	1		
19	87613931A	DUCT, AIR	1		
20	65540081A	ACTUATOR	1		
21	77240323C	SCREW	2		



DRAWING 13C - VEHICLE ELECTRIC SYSTEM

GROUP ELECTRIC



IMP01452

PANIGALE V4 /23

027000023

Page 14 / 212

SPARE PARTS CATALOGUE

20/01/2023

DRAWING 13C - VEHICLE ELECTRIC SYSTEM

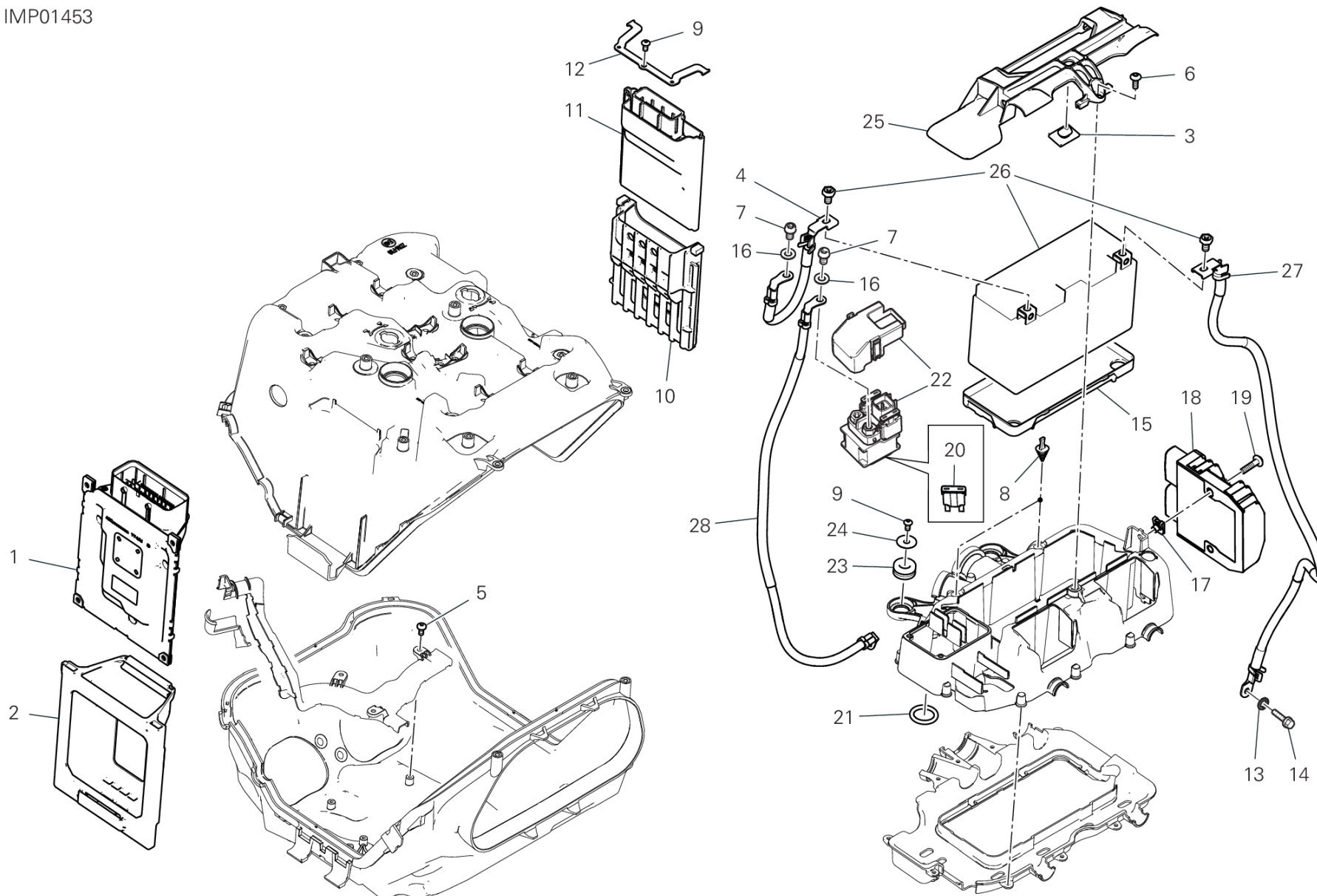
GROUP ELECTRIC



POS.	CODE	DESCRIPTION	QTY	VALIDITY	NOTES
1	5101G101B	WIRING	1		
2	5101H741A	REAR WIRING	1		
3	54140151A	RELAY	3		
4	53940035A	SWITCH, REAR BRAKE	1		
5	5101C391C	ELECTRIC WIRING	1		
6	069191030	CLAMP	13		
7	74110551A	CLAMP, RUBBER 39MM	7		
8	74140381A	CLAMP	17		
9	5101H721A	MAIN WIRING HARNESS	1		
10	74110121A	CLAMP, RUBBER 62MM	2		
11	74110131A	CLAMP, RUBBER 82MM	1		
12	75840801A	CLAMP	18		
13	38940191A	FUSE 5A	1		
	38940201A	FUSE 10A	1		
	38940211A	FUSE 15A	1		
	38940221A	FUSE 20A	1		
	38940241A	FUSE 7,5A	1		
	38940261A	FUSE 25A	1		
14	5101F301A	EXTENSION, WIRE HARNESS	1		
15	87211681A	CAP DDA	1		
16	75840951A	CLAMP	2		



IMP01453





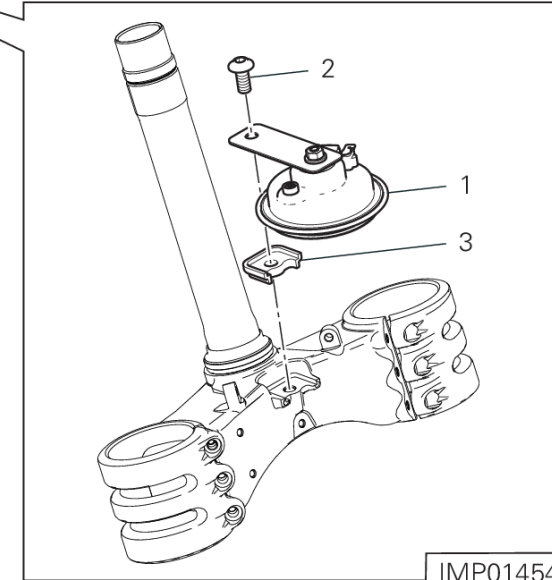
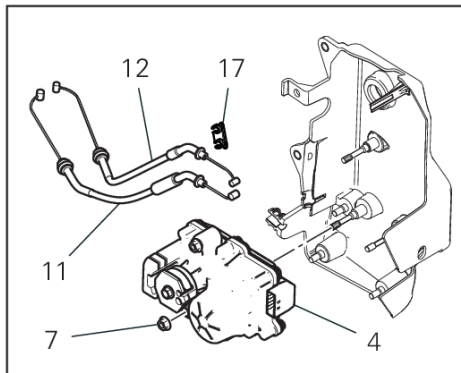
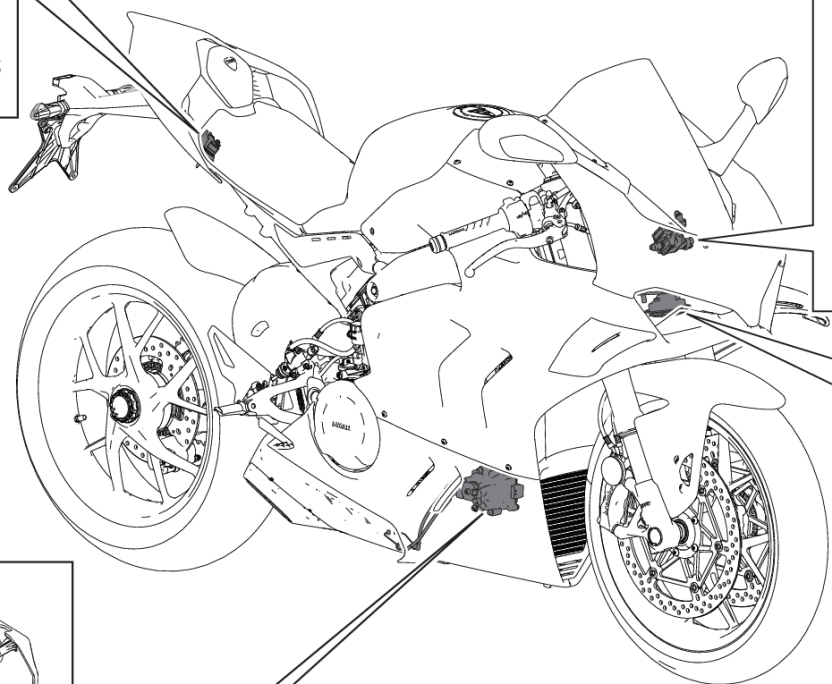
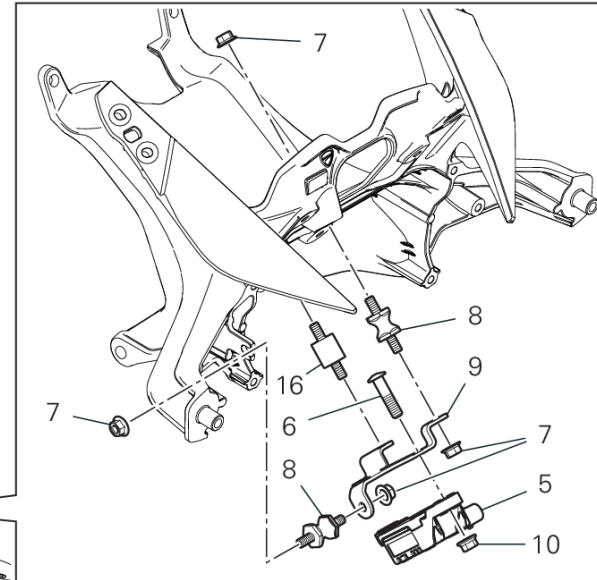
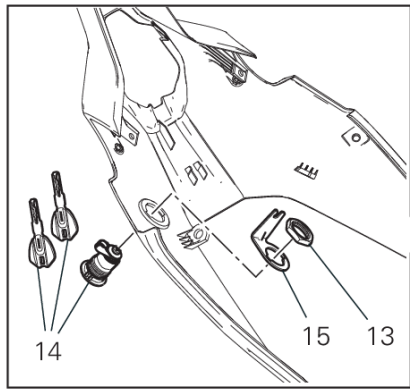
POS.	CODE	DESCRIPTION	QTY	VALIDITY	NOTES
1	28643691A	ENGINE CONTROL UNIT	1	XST:EUR,GSO,TUR	
	28643691E	ENGINE CONTROL UNIT	1	XST:BLG	
	28643691J	ENGINE CONTROL UNIT	1	XST:ROK	
	28643691N	ENGINE CONTROL UNIT	1	XST:AUS	
2	70011071A	VIBRATION DAMPER HOLDER	1		
3	86610301A	PAD	5		
4	51410831C	BATTERY - SOLENOID STARTER CABLE	1		
5	77440141A	SCREW, TAPPING 4X8 WN1412	3		
6	77244183B	SCREW	1		
7	77156628B	SCREW TCEIF M6X10	2		
8	87241271A	CAP, RUBBER	2		
9	77550171A	SCREW TBEI M4X8	6		
10	70011061A	VIBRATION DAMPER HOLDER	1		
11	38511494A	BLACKBOX UNIT	1		
12	83019481AB	BRACKET	1		
13	85550001B	SPRING WASHER	1		
14	77211061A	SCREW TEF M6X14	1		
15	8291H531A	BATTERY HOLDER	1		
16	85350101A	WASHER, SPRING	2		
17	85041951AA	QUICK FASTENING	2		
18	54040301B	VOLTAGE REGULATOR	1		
19	77244213B	SCREW	2		
20	38940251A	FUSE 30A	1		
21	88640891A	O-RING 18.64X3.53	2		
22	39740081B	STARTER RELAY	1		
23	76410901A	RUBBER PAD	4		
24	85250311AB	WASHER	4		
25	8301G771A	BRACKET, BATTERY BAND	1		
26	69926761A	BATTERY	1		
27	51310821A	CABLE	1		
28	51410841D	CABLE	1		

DRAWING 13D - BATTERY HOLDER [XST:JPN]

GROUP ELECTRIC



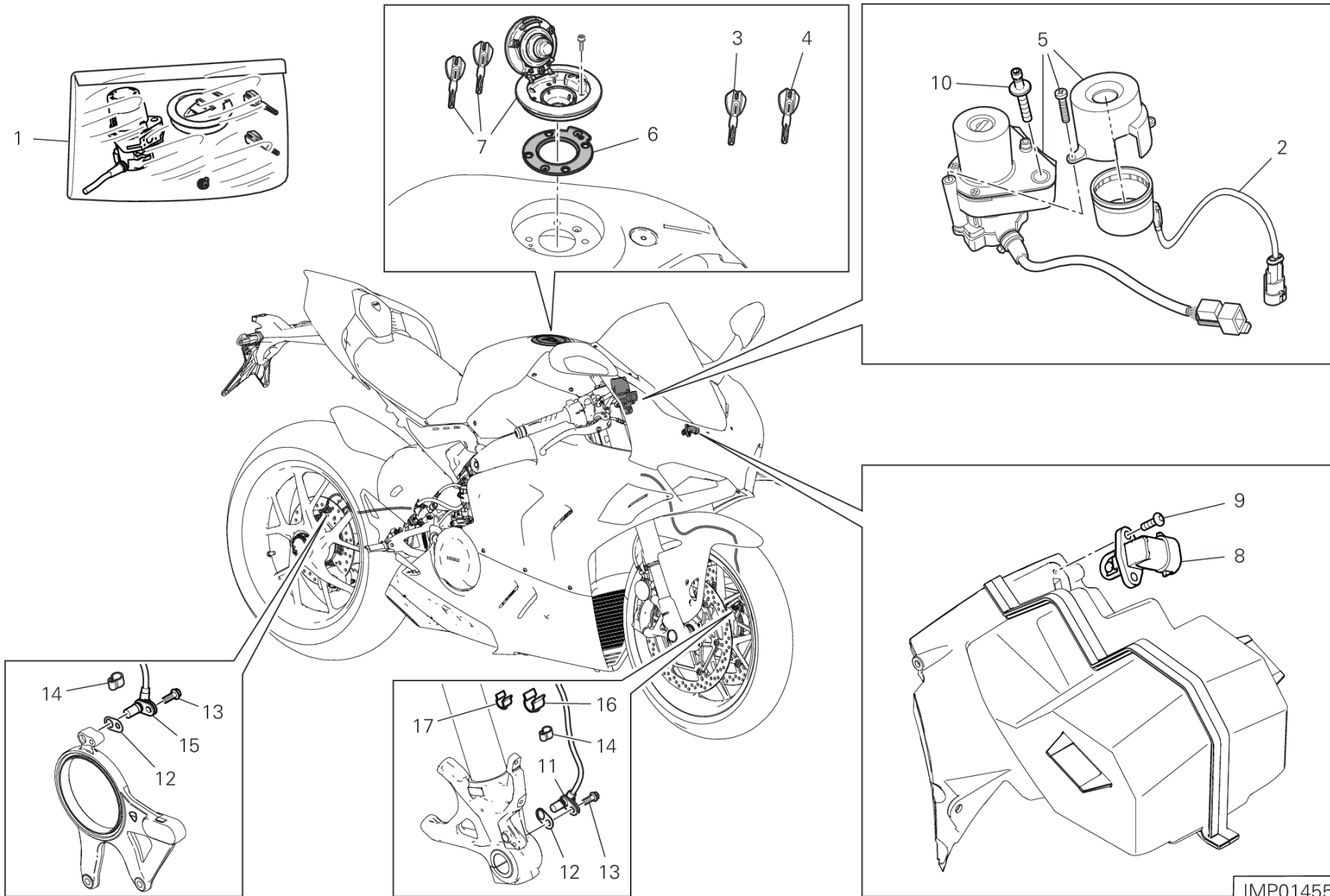
POS.	CODE	DESCRIPTION	QTY	VALIDITY	NOTES
1	28643691A	ENGINE CONTROL UNIT	1		
2	70011071A	VIBRATION DAMPER HOLDER	1		
3	86610301A	PAD	5		
4	51410831C	BATTERY - SOLENOID STARTER CABLE	1		
5	77440141A	SCREW, TAPPING 4X8 WN1412	3		
6	77244183B	SCREW	1		
7	77156628B	SCREW TCEIF M6X10	2		
8	87241271A	CAP, RUBBER	2		
9	77550171A	SCREW TBEI M4X8	6		
10	70011061A	VIBRATION DAMPER HOLDER	1		
11	38511494A	BLACKBOX UNIT	1		
12	83019481AB	BRACKET	1		
13	85550001B	SPRING WASHER	1		
14	77211061A	SCREW TEF M6X14	1		
15	8291H531A	BATTERY HOLDER	1		
16	85350101A	WASHER, SPRING	2		
17	85041951AA	QUICK FASTENING	2		
18	54040301B	VOLTAGE REGULATOR	1		
19	77244213B	SCREW	2		
20	38940251A	FUSE 30A	1		
21	88640891A	O-RING 18.64X3.53	2		
22	39740081B	STARTER RELAY	1		
23	76410901A	RUBBER PAD	4		
24	85250311AB	WASHER	4		
25	8301G771A	BRACKET, BATTERY BAND	1		
26	69926761A	BATTERY	1		
27	51310821A	CABLE	1		
28	51410841D	CABLE	1		
29	43312541A	MARKING PLATE	1		



IMP01454



POS.	CODE	DESCRIPTION	QTY	VALIDITY	NOTES
1	51610053C	HORN	1		
2	77244503B	SCREW M8X18	1		
3	71316061AA	SPACER	1		
4	59340621A	ELECTRIC MOTOR, EXHAUST VALVE	1		
5	38540093B	PIATTAFORMA INERZIALE	1		
6	77240453C	SCREW TBEIF M6X22 10.9	2		
7	74841091AA	NUT	9		
8	70010901A	VIBRATION DAMPER	2		
9	8301H291AA	BRACKET	1		
10	74810361A	NUT	2		
11	73210665A	CABLE, EXHAUST VALVE OPEN	1		
12	73210673A	CABLE, EXHAUST VALVE CLOSE	1		
13	75011551A	NUT M22X1.5	1		
14	59820611A		1		
15	82716141A	PLATE	1		
16	70010431A	DAMPER	1		
17	75840281A	HOSE GUIDE	1		



IMP01455

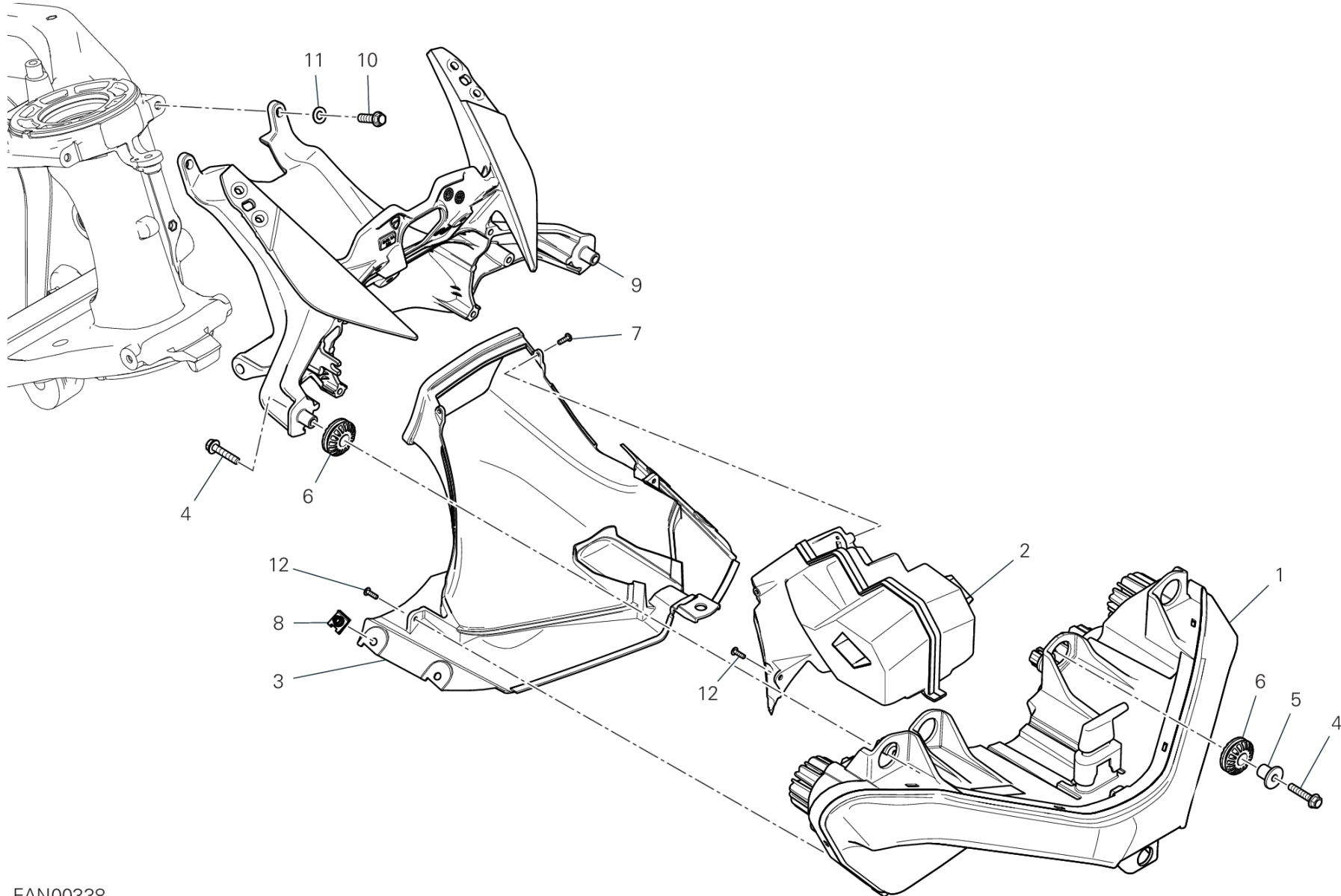


POS.	CODE	DESCRIPTION	QTY	VALIDITY	NOTES
1	59822511A	LOCKS KIT	1		
2	51840051B	COIL ANTENNA, IMMOBILIZER	1		
3	59810431A	KEY WITH TRANSPONDER ACTIVE	1		
4	59840291A	KEY, NON INDENTED WITHOUT TRANSPONDER	1		
5	65220331C	KEY-OPERATED SWITCH	1		
6	86642771A	GASKET, FUEL TANK CAP	1		
7	89520411AB	TANK CAP COMPLETE	1		
8	55240121A	SENSOR, AIR TEMPERATURE	1		
9	77440213C	SCREW	2		
10	77916811AA	SCREW, SPECIAL	2		
11	55212121B	SENSOR, SPEED	1		
12	71314901A	GASKET TH.02	4		
	71319201A	GASKET 0.5 MM	6		
13	77210601A	SCREW TEF M6X16	2		
14	75840601A	FAIRLEAD	9		
15	55212111B	SENSOR, SPEED	1		
16	75841091A	FEMALE CABLE RING	1		
17	75841101A	MALE CABLE RING	1		



DRAWING 14A - HEADLIGHT

GROUP ELECTRIC



FAN00338

PANIGALE V4 /23

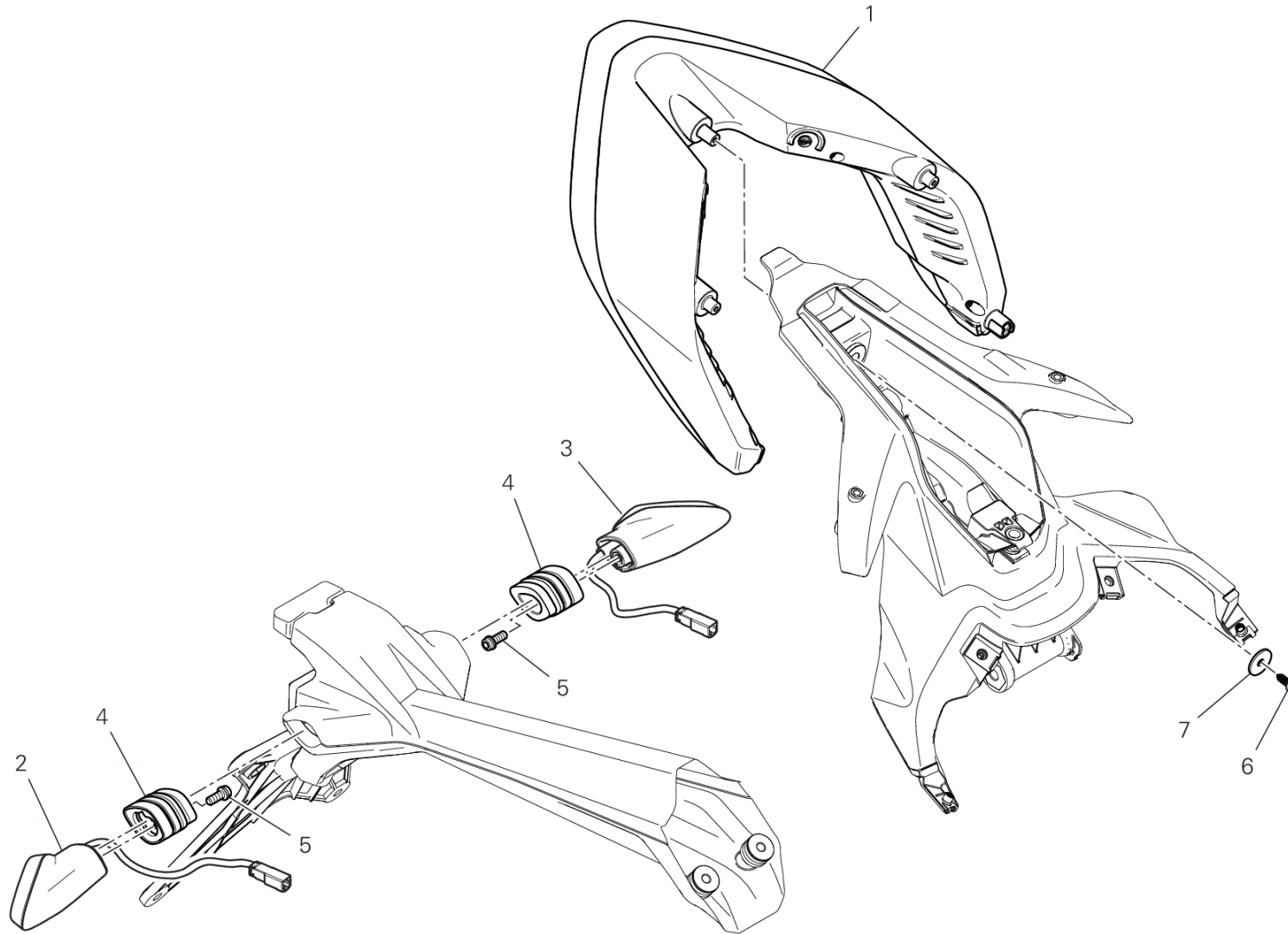
027000023

DRAWING 14A - HEADLIGHT

GROUP ELECTRIC



POS.	CODE	DESCRIPTION	QTY	VALIDITY	NOTES
1	52010422E	HEADLIGHT FRONT	1		
2	44218952A	RESONATOR, AIR INTAKE	1		
3	48411512A	AIR CONVEYOR	1		
4	77156458B	SCREW TCEIF M5X25	4		
5	71614381AA	SPACER	2		
6	76411361A	VIBRATION DAMPER PAD	4		
7	77440213C	SCREW	2		
8	85041951AA	QUICK FASTENING	4		
9	8291G492AA	HEADLIGHT BRACKET	1		
10	77251018B	SCREW TEF M6X20	4		
11	85211601B	WASHER 6.4X14X1.2	4		
12	77440183C	SCREW	4		



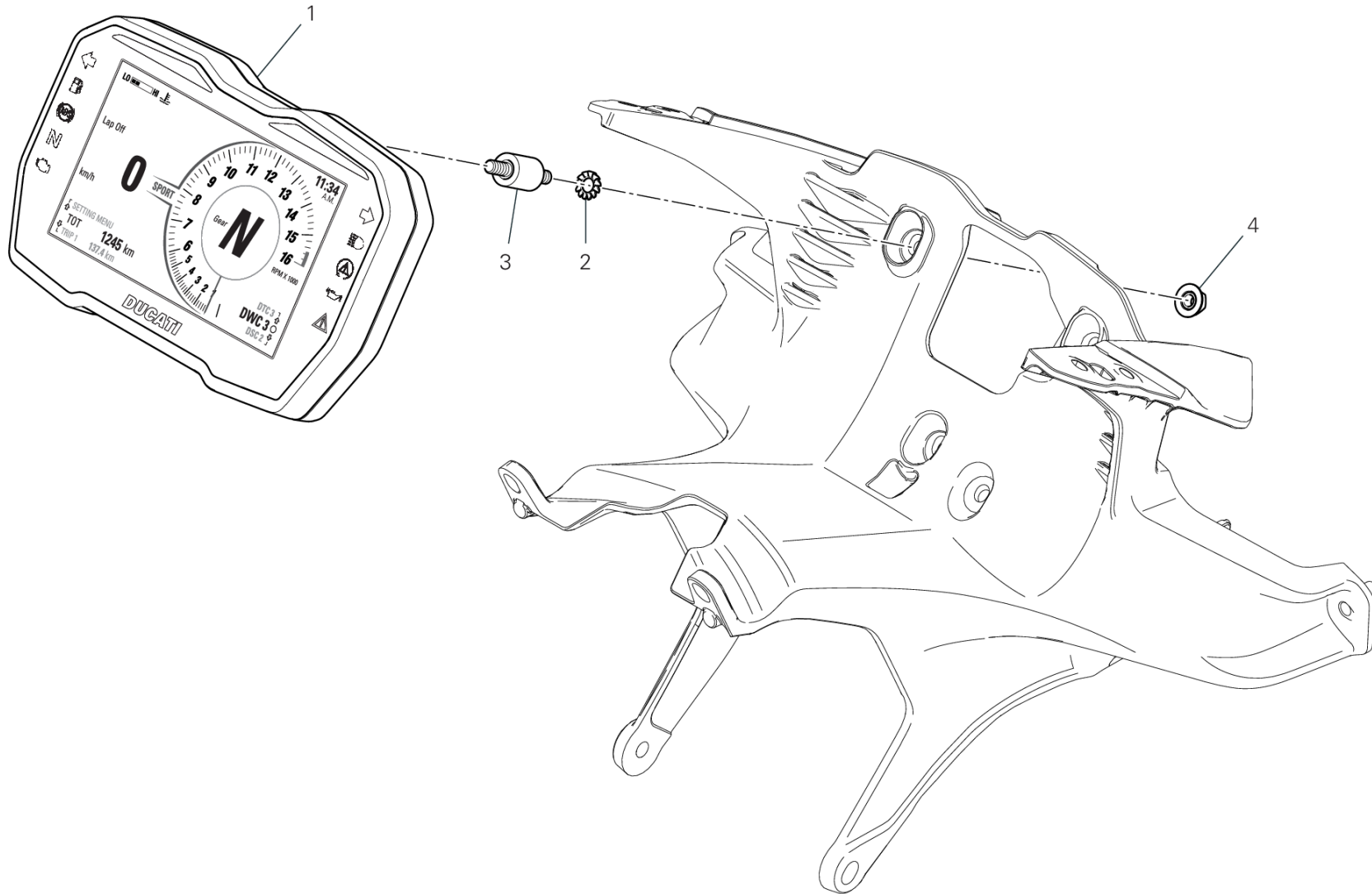
FAN00339

DRAWING 14B - TAILLIGHT

GROUP ELECTRIC



POS.	CODE	DESCRIPTION	QTY	VALIDITY	NOTES
1	52510692A	TAILLIGHT	1		
2	53010333B	FLASHER LIGHT FRONT LH - REAR RH	1		
3	53010323B	FLASHER LIGHT FRONT RH- REAR LH	1		
4	71314703A	SPACER	2		
5	77156398B	SCREW TCEIF M5X12	2		
6	77440551A	SCREW	1		
7	85213111AA	WASHER	1		



FAN00418

DRAWING 15A - INSTRUMENT PANEL

GROUP ELECTRIC



POS.	CODE	DESCRIPTION	QTY	VALIDITY	NOTES
1	40611941B	INSTRUMENT PANEL	1		
2	46240461A	WASHER, SPRING	3		
3	70010431A	DAMPER	3		
4	74841091AA	NUT	3		



DRAWING L - SHELL ADVANCE

GROUP OIL

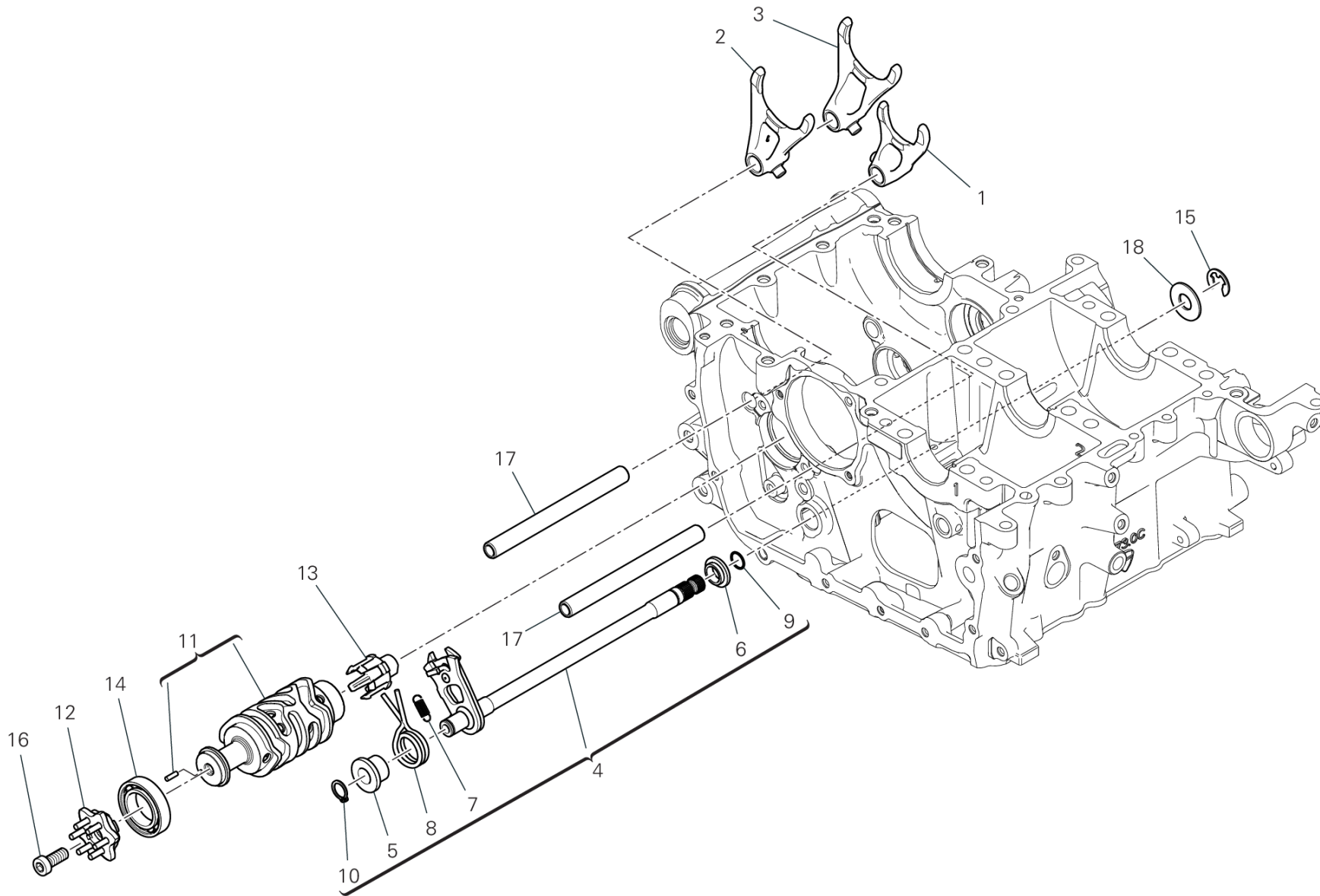


POS.	CODE	DESCRIPTION	QTY	VALIDITY	NOTES
1	944650035	SHELL ADVANCE DUCATI 15W50 - 1L BOTTLE	1		
2	944650037	SHELL ADVANCE DUCATI 15W50 – 209L DRUM	1		



DRAWING 02A - SHIFT CAM - FORK

GROUP ENGINE



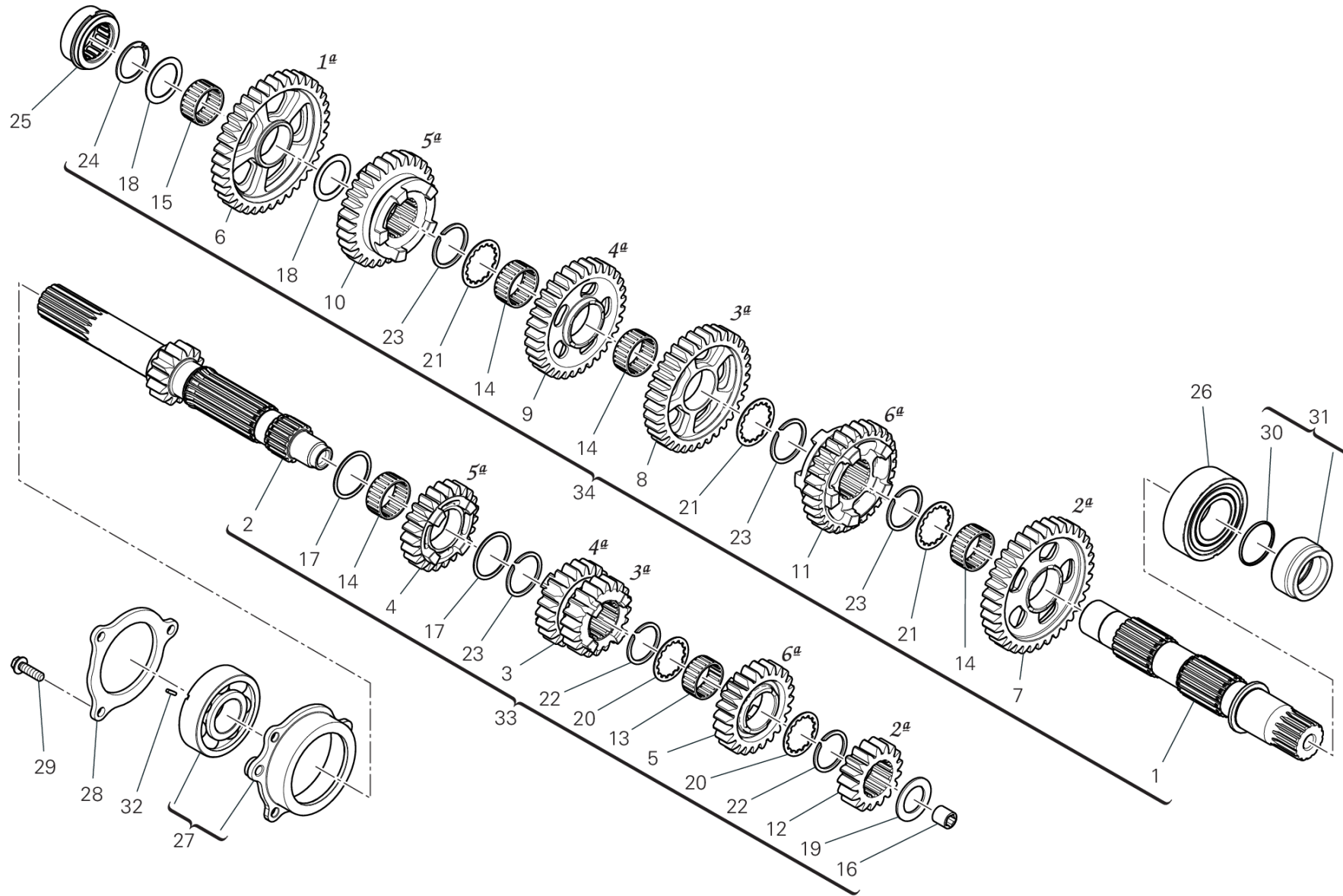
CMB00513

DRAWING 02A - SHIFT CAM - FORK

GROUP ENGINE



POS.	CODE	DESCRIPTION	QTY	VALIDITY	NOTES
1	18010472A	5TH,6TH GEAR SELECTOR FORK	1		
2	18010482A	1TH,4TH GEAR SELECTOR FORK	1		
3	18010492A	2TH,3TH GEAR SELECTOR FORK	1		
4	18120071A	GEAR CHANGE MECHANISM	1		
5	71611571C	SPACER	1		
6	71611581C	SPACER	1		
7	79915131C	SPRING	1		
8	79915141D	SPRING	1		
9	88450311A	STOP RING	1		
10	88450361A	CIRCLIP	1		
11	182P0011A	COMPLETE GEARBOX DRUM	1		
12	18220381B	GEARBOX DRUM FLANGE ASSEMBLY	1		
13	55215371A	GEARBOX POSITION SENSOR	1		
14	70250412A	BALL BEARING	1		
15	88450391B	SPRING RING	1		
16	77355038B	SCREW	1		
17	82118261A	PIN	2		
18	85213981A	WASHER	1		



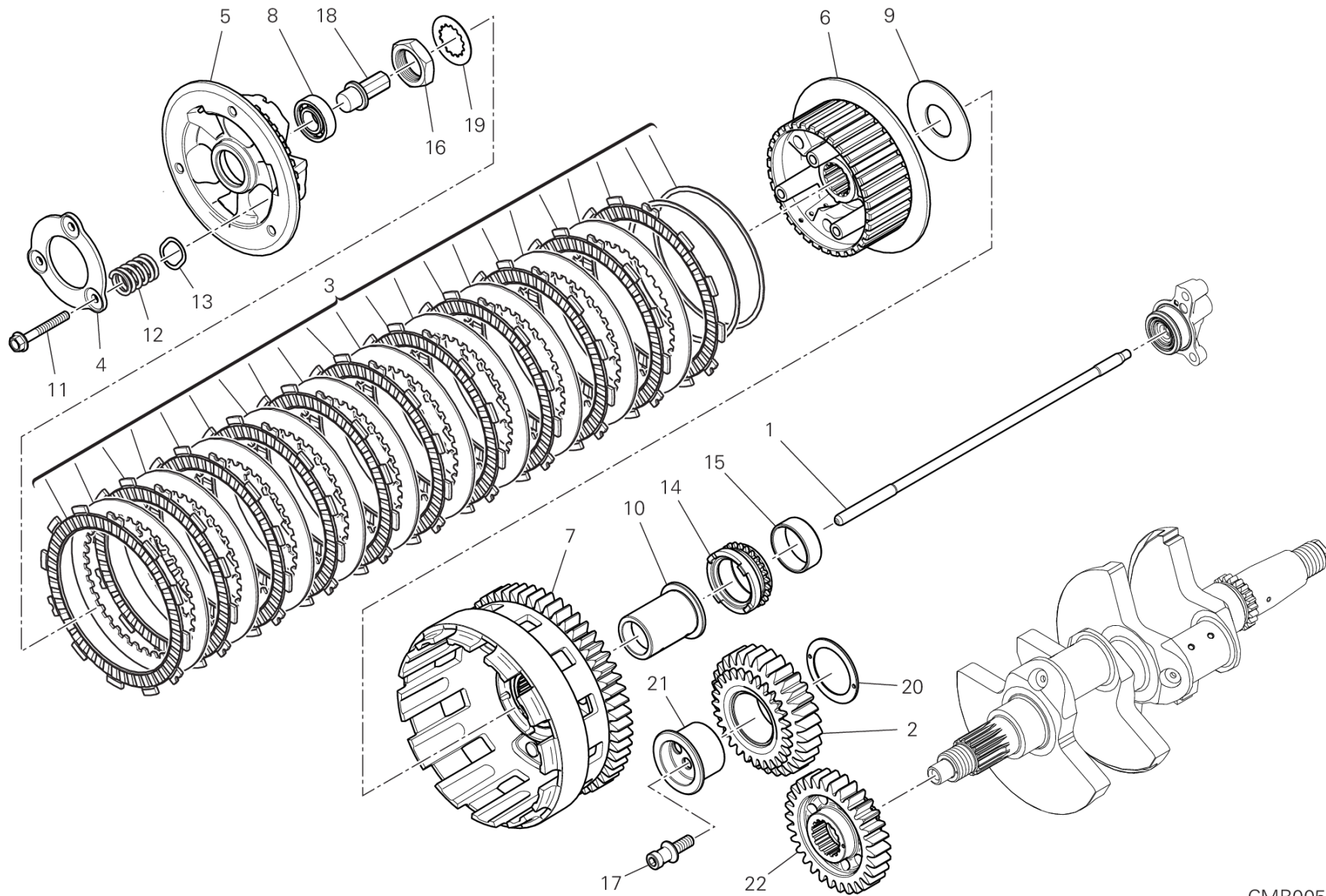
CMB00559

DRAWING 03A - GEAR BOX

GROUP ENGINE



POS.	CODE	DESCRIPTION	QTY	VALIDITY	NOTES
1	14912531A	LAY SHAFT	1		
2	14912641B	MAIN SHAFT	1		
3	17216191A	DRIVING GEAR 3RD/4TH SP.	1		
4	17216201A	DRIVING GEAR 5TH SP.	1		
5	17216461A	DRIVING GEAR 6TH SP.	1		
6	17216471A	DRIVEN GEAR 1ST SP.	1		
7	17216481A	DRIVEN GEAR 2ND SP.	1		
8	17216231A	DRIVEN GEAR 3RD SP.	1		
9	17216241A	DRIVEN GEAR 4TH SP.	1		
10	17216251A	DRIVEN GEAR 5TH SP.	1		
11	17216491A	DRIVEN GEAR 6TH SP.	1		
12	17216451A	DRIVING GEAR 2ND SP.	1		
13	70140651A	NEEDLE BEARING	1		
14	70140661A	NEEDLE BEARING	4		
15	70140671A	NEEDLE BEARING	1		
16	71210691A	BUSH	1		
17	85214621A	THRUST WASHER	2		
18	85214631A	THRUST WASHER	2		
19	85214641A	THRUST WASHER	1		
20	85611801A	WASHER LOCK	2		
21	85611811A	TOOTHED LOCK WASHER	3		
22	88441201A	SPRING RING	2		
23	88441211A	SPRING RING	4		
24	88441221A	SPRING RING	1		
25	70241761A	NEEDLE BEARING	1		
26	70241781A	BEARING, NEEDLE	1		
27	710P0021A	BEARING	1		
28	71012021B	PLATE	1		
29	77253314CF	SCREW	3		
30	88640042A	O-RING	1		
31	713P0011C	CHAIN SPROCKET SPACER	1		
32	68050101A	KEY 2X2X10	1		
33	15022541B	COMPLETE MAIN SHAFT	1		
34	15022551A	COMPLETE LAY SHAFT	1		



CMB00578

DRAWING 03B - CLUTCH

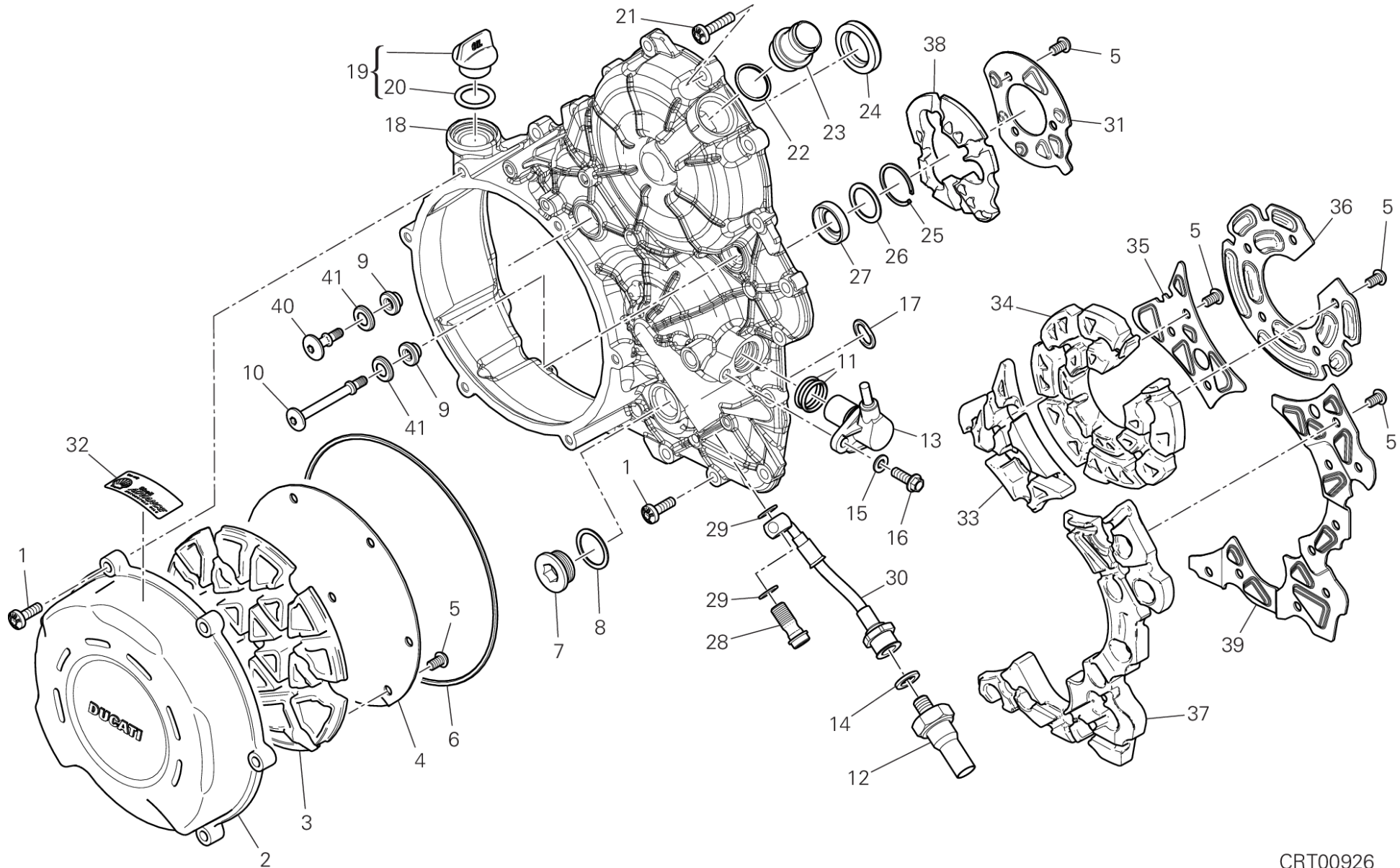
GROUP ENGINE



POS.	CODE	DESCRIPTION	QTY	VALIDITY	NOTES
1	11711771A	ROD	1		
2	17021622A	IDLE GEAR	1		
3	19020361D	CLUTCH DISC SET	1		
4	19410511A	RING	1		
5	19610711A	DISK, CLUTCH PRESSURE	1		
6	19610721A	PLATE HOLDER HUB	1		
7	19820501A	PRIMARY DRIVEN GEAR COMP.	1		
8	70250601A	BEARING	1		
9	71313091A	SPACER	1		
10	71316011B	SPACER	1		
11	77211201A	SCREW	3		
12	79710771A	SPRING	3		
13	85611391B	THRUST WASHER	3		
14	44910732B	SPROCKET	1		
15	71240331A	BUSH	1		
16	75010072E	NUT	1		
17	7791C031A	SCREW, SPECIAL	1		
18	81810162A	CLUTCH CONTROL PIN	1		
19	85110201A	LOCK WASHER	1		
20	85214051B	THRUST WASHER	1		
21	88111152B	INNER RING	1		
22	17011661A	PRIMARY DRIVE FRONT SPROCKET	1		



DRAWING 04A - CLUTCH COVER GROUP ENGINE



CRT00926

DRAWING 04A - CLUTCH COVER

GROUP ENGINE

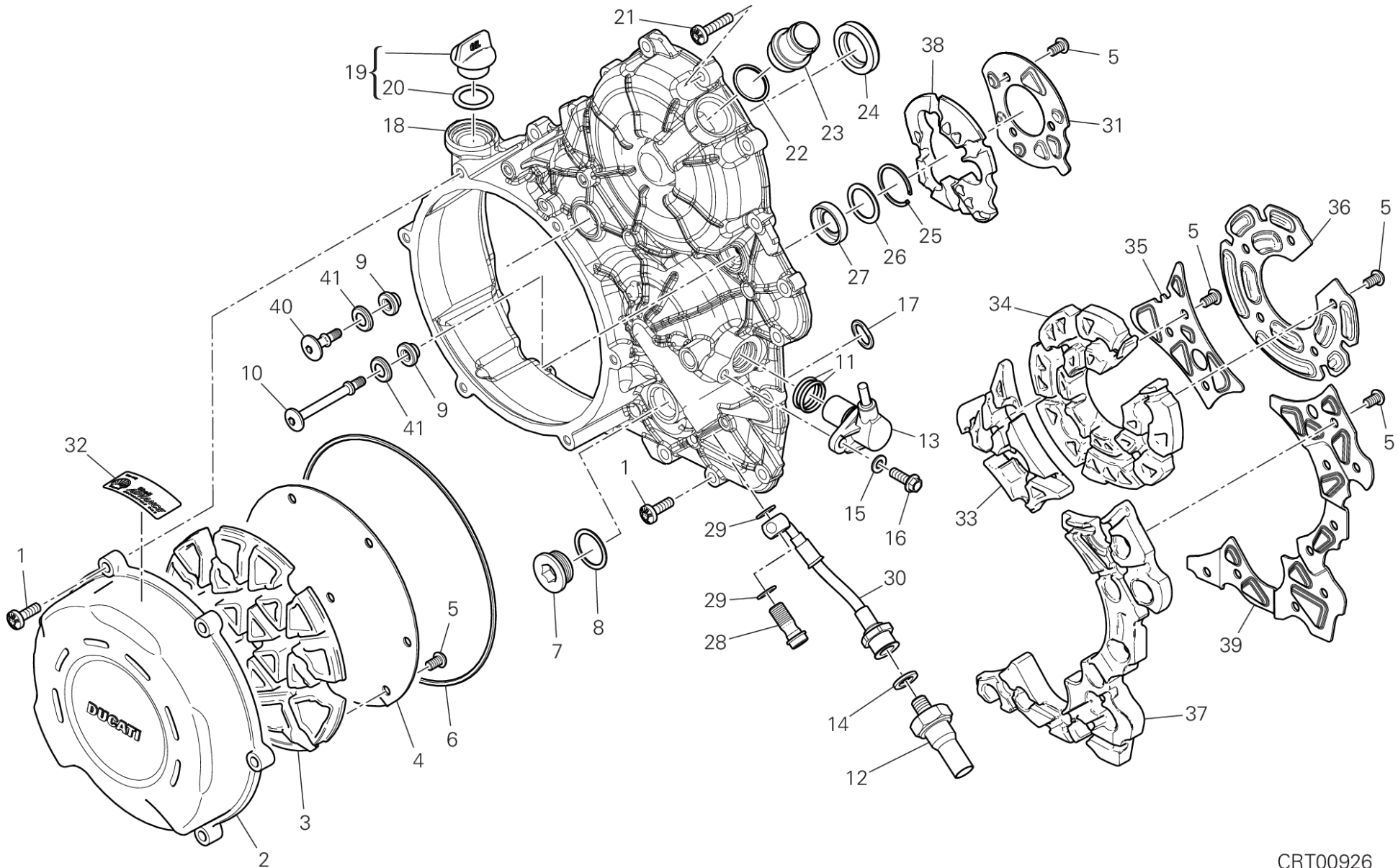


POS.	CODE	DESCRIPTION	QTY	VALIDITY	NOTES
1	77941992A	SCREW	22		
2	24311541AH	CLUTCH PROTECTION COVER	1		
3	48611191A	DAMPER, SOUND ARRESTER	1		
4	82718692A	SHEET ACOUSTIC DAMPER	1		
5	77550200CC	SCREW	34		
6	88641201A	O-RING	1		
7	78010921A	PLUG	1		
8	85250261A	GASKET, ALUMINIUM 12X16X1.5	1		
9	76412121A	VIBRATION DAMPER PAD	2		
10	7791B491A	SCREW, SPECIAL	1		
11	88640331A	O-RING 17.96X2.62	2		
12	53940302A	SWITCH ASSY, OIL PRESSURE	1		
13	55241321C	SENSOR, TIMING & RPM	1		
14	85211951A	GASKET 10.5X17X2	1		
15	85310031A	SPRING WASHER 6 MM	1		
16	77253304C	SCREW	1		
17	88650321A	O-RING	1		
18	24311643AH	CLUTCH COVER	1		
19	89320121A	PLUG ASSY	1		
20	88640891A	O-RING 18.64X3.53	1		
21	77942002A	SCREW	2		
22	88642721A	O-RING	1		
23	66810591A	FILLER	1		
24	93042231A	SEAL RING	1		
25	88450291A	SNAP RING	1		
26	85212721A	THRUST WASHER	1		
27	93041521A	SEAL RING	1		
28	78110121AA	SCREW, SPECIAL	1		
29	85250241A	WASHER 10X14X1	2		
30	87712481A	OIL PRESSURE LINE	1		
31	82718991A	SHEET ACOUSTIC DAMPER	1		
32	43312502C	TRANSFER	1		
33	48612293A	DAMPER, SOUND ARRESTER	1		
34	48612271A	DAMPER, SOUND ARRESTER	1		
35	82718944A	LAMIERA FONOASSORBENTE CENTRALE	1		



DRAWING 04A - CLUTCH COVER

GROUP ENGINE



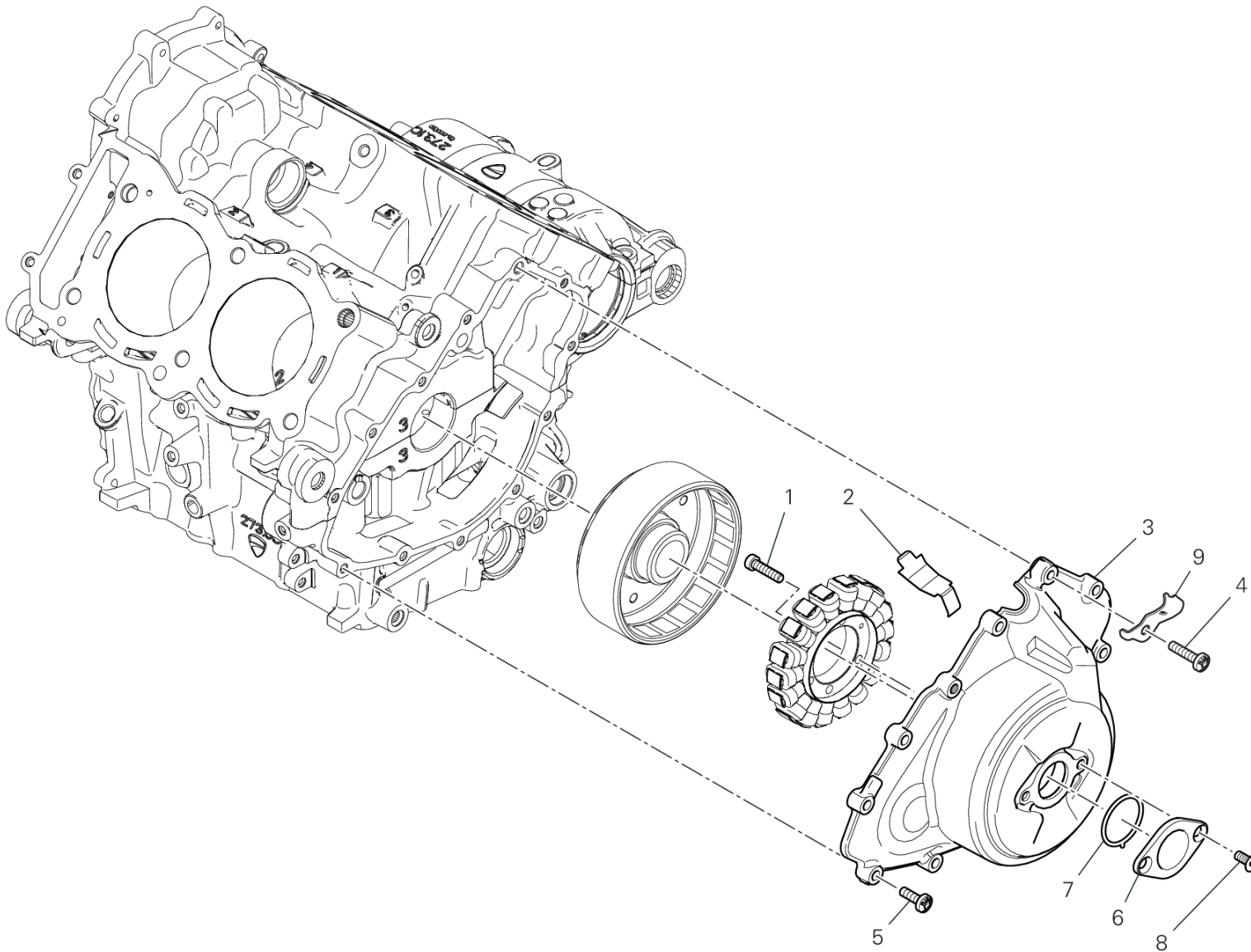
CRT00926

DRAWING 04A - CLUTCH COVER

GROUP ENGINE



POS.	CODE	DESCRIPTION	QTY	VALIDITY	NOTES
36	82718923A	SHEET ACOUSTIC DAMPER	1		
37	48612281A	PERIMETER SOUNDDEADENING PANEL	1		
38	48612551A	DAMPER, SOUND ARRESTER	1		
39	82718933A	PERIMETER SOUNDDEADENING METAL SHEET	1		
40	7791A751B	SCREW, SPECIAL	1		
41	85611551A	WASHER	2		



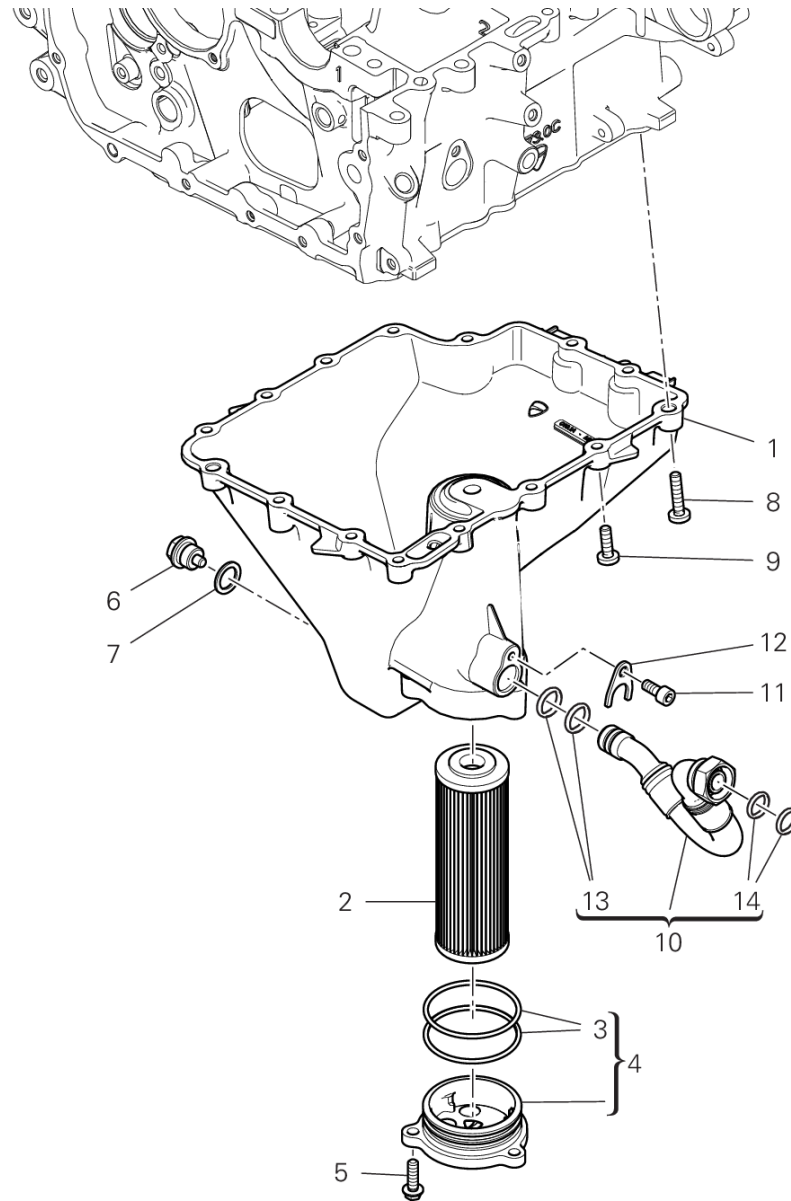
CRT00881

DRAWING 04B - GENERATOR COVER

GROUP ENGINE



POS.	CODE	DESCRIPTION	QTY	VALIDITY	NOTES
1	71950370CF	SCREW	3		
2	82716091A	PLATE	1		
3	24211142AH	GENERATOR COVER	1		
4	77942002A	SCREW	1		
5	77941992A	SCREW	11		
6	24735581AH	COVER, SENSOR	1		
7	88610951A	O-RING 32.99X2.62	1		
8	77750494C	SCREW	2		
9	8301H812AA	BRACKET	1		



CRT00810

DRAWING 04C - OIL PAN

GROUP ENGINE

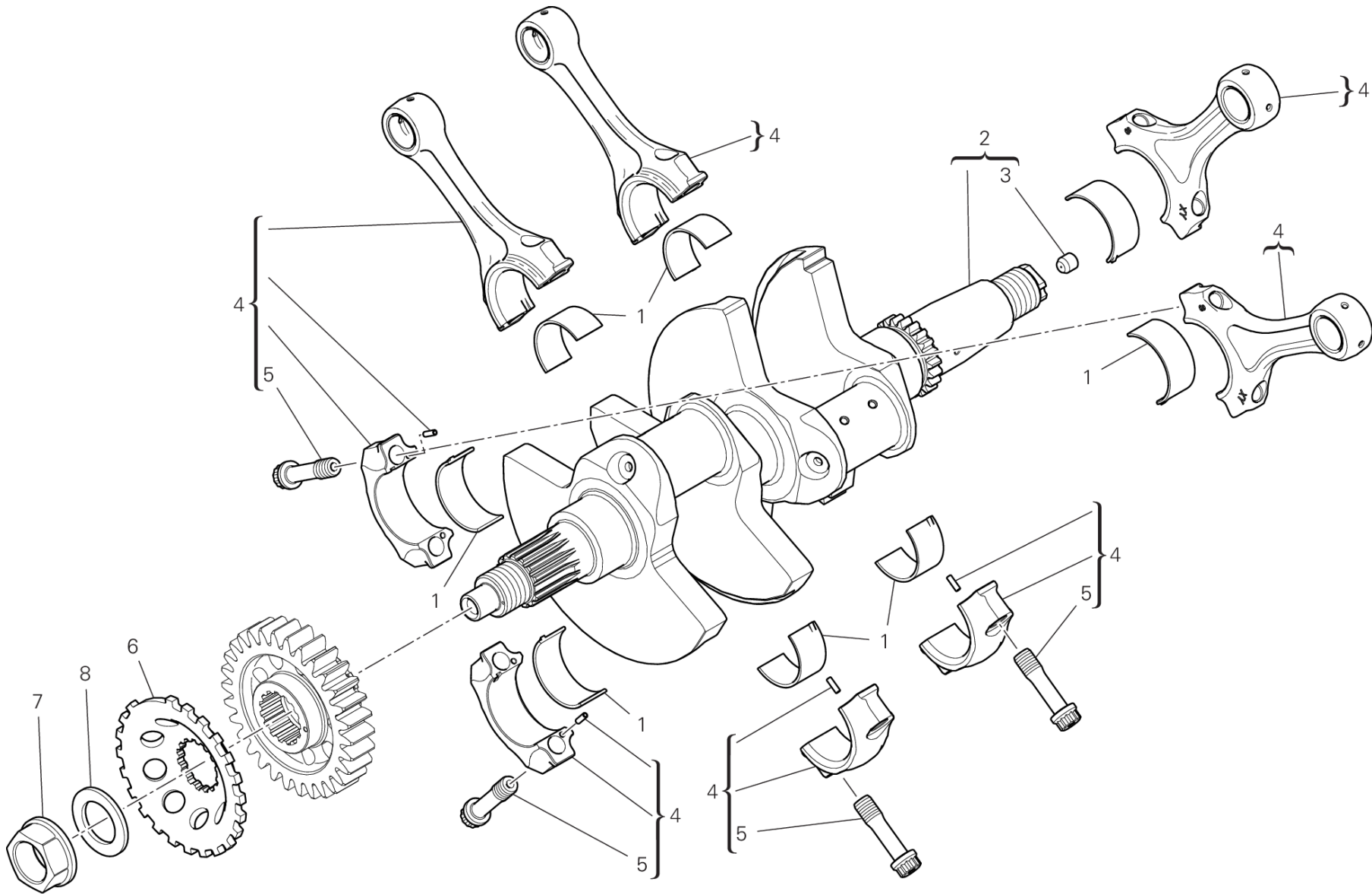


POS.	CODE	DESCRIPTION	QTY	VALIDITY	NOTES
1	25210191AH	OIL PAN	1		
2	44440312B	FILTER, OIL	1		
3	88650761A	O-RING	2		
4	247P5863A	COVER, OIL ELEMENT	1		
5	77253314CF	SCREW	3		
6	89310153A	OIL DRAIN PLUG WITH MAGNET	1		
7	85250541A	WASHER	1		
8	77942002A	SCREW	3		
9	77941992A	SCREW	12		
10	54911412A	PIPE	1		
11	77150648B	SCREW TCEI M6X14	1		
12	82718471AA	PLATE	1		
13	88643141A	O-RING	2		
14	88643121A	O-RING	2		



DRAWING 05A - CONNECTING RODS

GROUP ENGINE



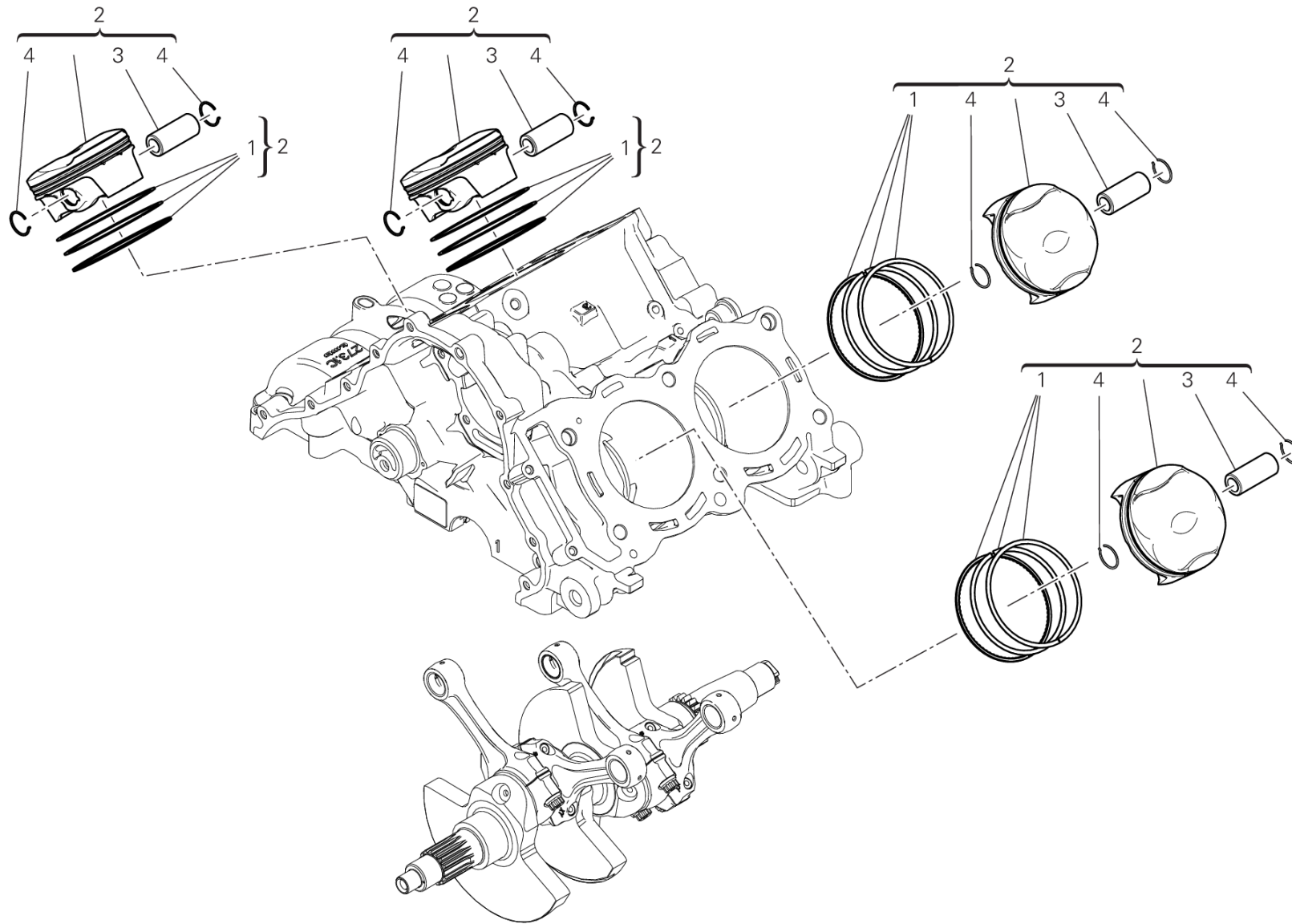
IMB00243

DRAWING 05A - CONNECTING RODS

GROUP ENGINE



POS.	CODE	DESCRIPTION	QTY	VALIDITY	NOTES
1	11210961AA	HALF-BEARING RED	8		
	11210961AB	HALF-BEARING BLUE	8		
	11210961AC	HALF-BEARING YELLOW	8		
	11210961AD	HALF-BEARING BLACK	8		
	11210961AE	HALF-BEARING GREEN	8		
	11210961AF	PURPLE BEARING SHELLS	8		
	11210961AG	PURPLE BEARING SHELLS	8		
	2	14622691AA	CRANKSHAFT	1	
14622691AB		CRANKSHAFT	1		
14622691AC		CRANKSHAFT	1		
14622691AD		CRANKSHAFT	1		
77911092A		SCREW, SPECIAL	1		
3	15621143AA	CONNECTING ROD	4		
	15621143AB	CONNECTING ROD	4		
	15621143AC	CONNECTING ROD	4		
	15621143AD	CONNECTING ROD	4		
	7791A571A	SCREW, SPECIAL	8		
6	50410271B	PHONIC WHEEL	1		
7	74811021B	NUT, FLANGE	1		
8	85214071B	WASHER	1		



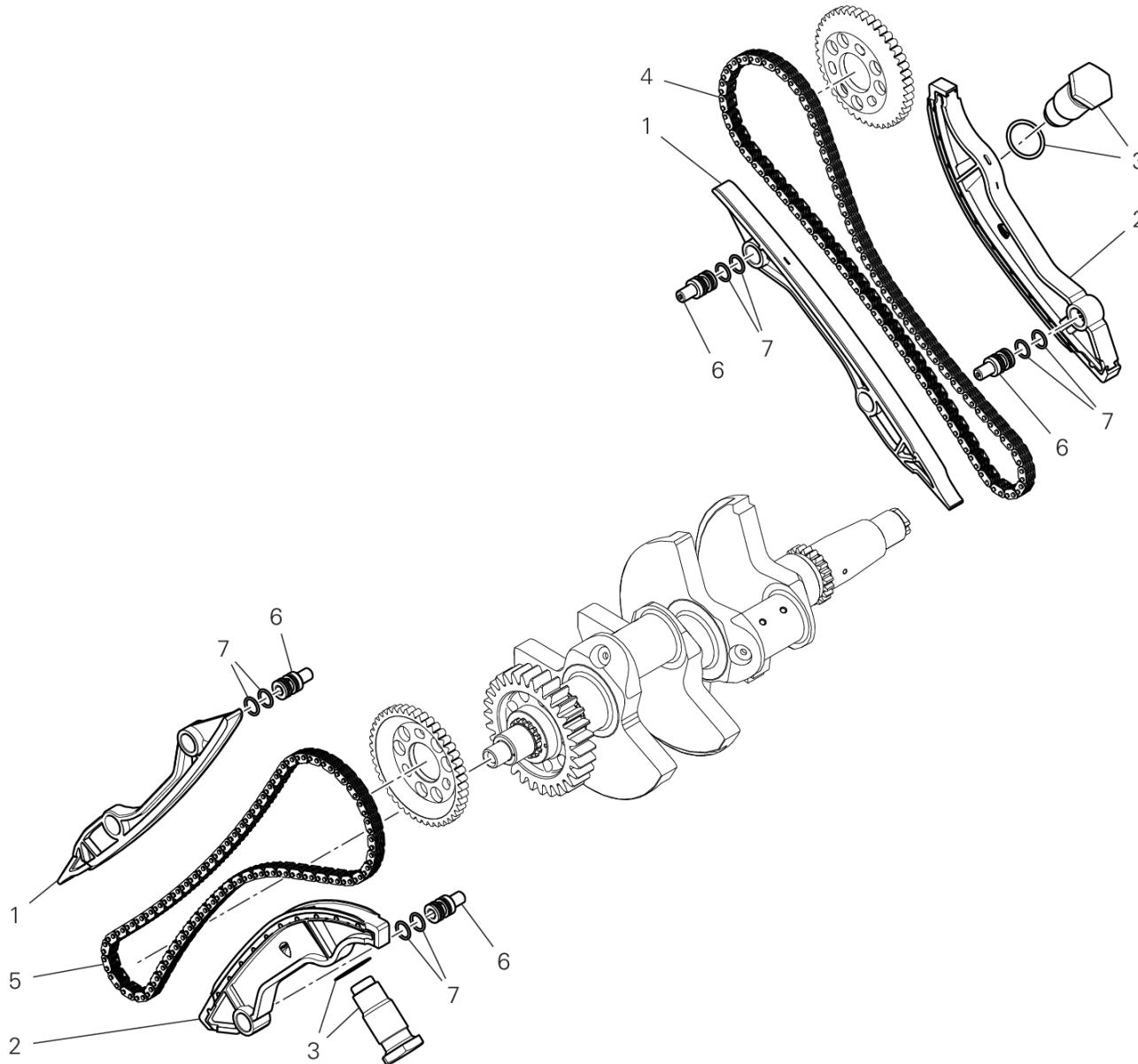
IMB00244

DRAWING 06A - CYLINDERS - PISTONS

GROUP ENGINE



POS.	CODE	DESCRIPTION	QTY	VALIDITY	NOTES
1	12120772A	PISTON RING SET	1		
2	12222331C	PISTON ASSY	4		
3	12113712A	PISTON PIN	4		
4	12113721A	RING	8		



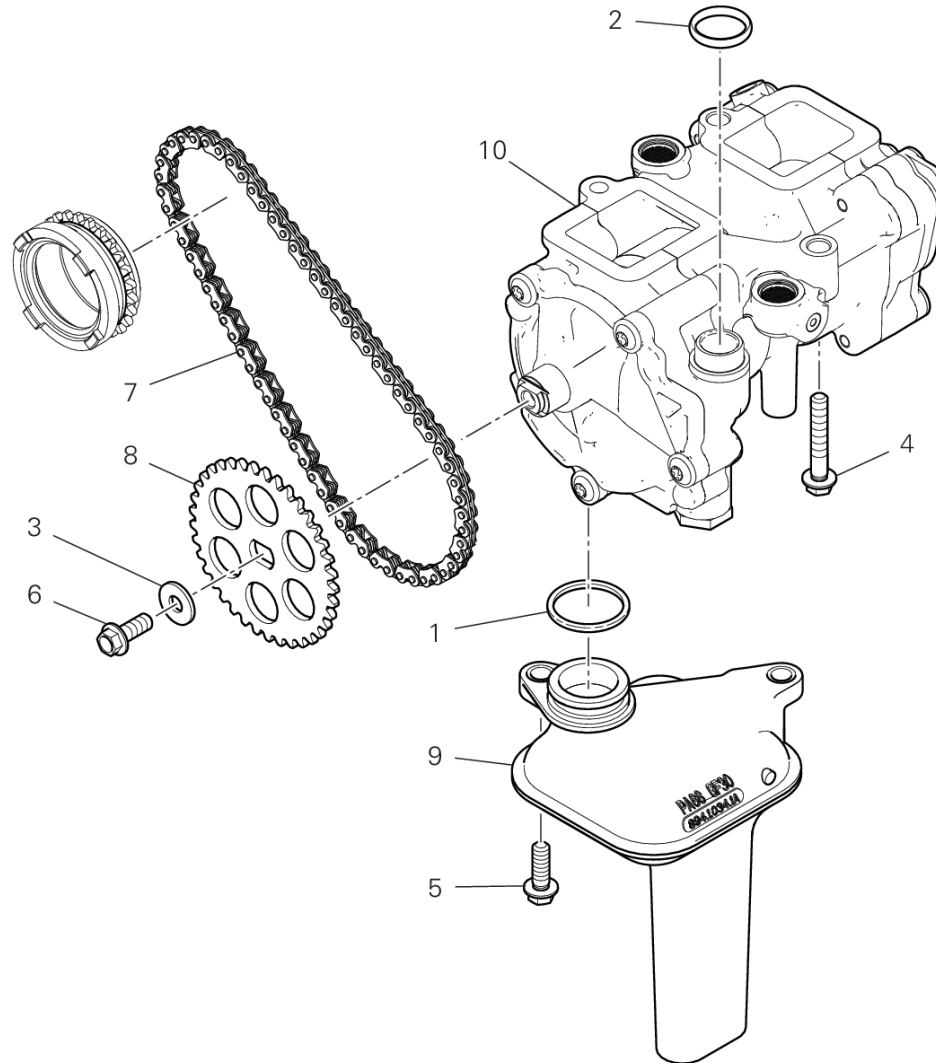
TST00613

DRAWING 07A - TIMING SYSTEM

GROUP ENGINE



POS.	CODE	DESCRIPTION	QTY	VALIDITY	NOTES
1	44740112A	COMPLETE FIXED TENSIONER ROLLER	2		
2	44740122A	COMPLETE MOVABLE TENSIONER ROLLER	2		
3	45140021C	COMPLETE TENSIONER ROLLER	2		
4	73840052A	CHAIN	1		
5	73840062A	CHAIN	1		
6	82115622A	PIN	4		
7	88642081A	O-RING	8		



RAF00677

DRAWING 08A - OIL PUMP

GROUP ENGINE

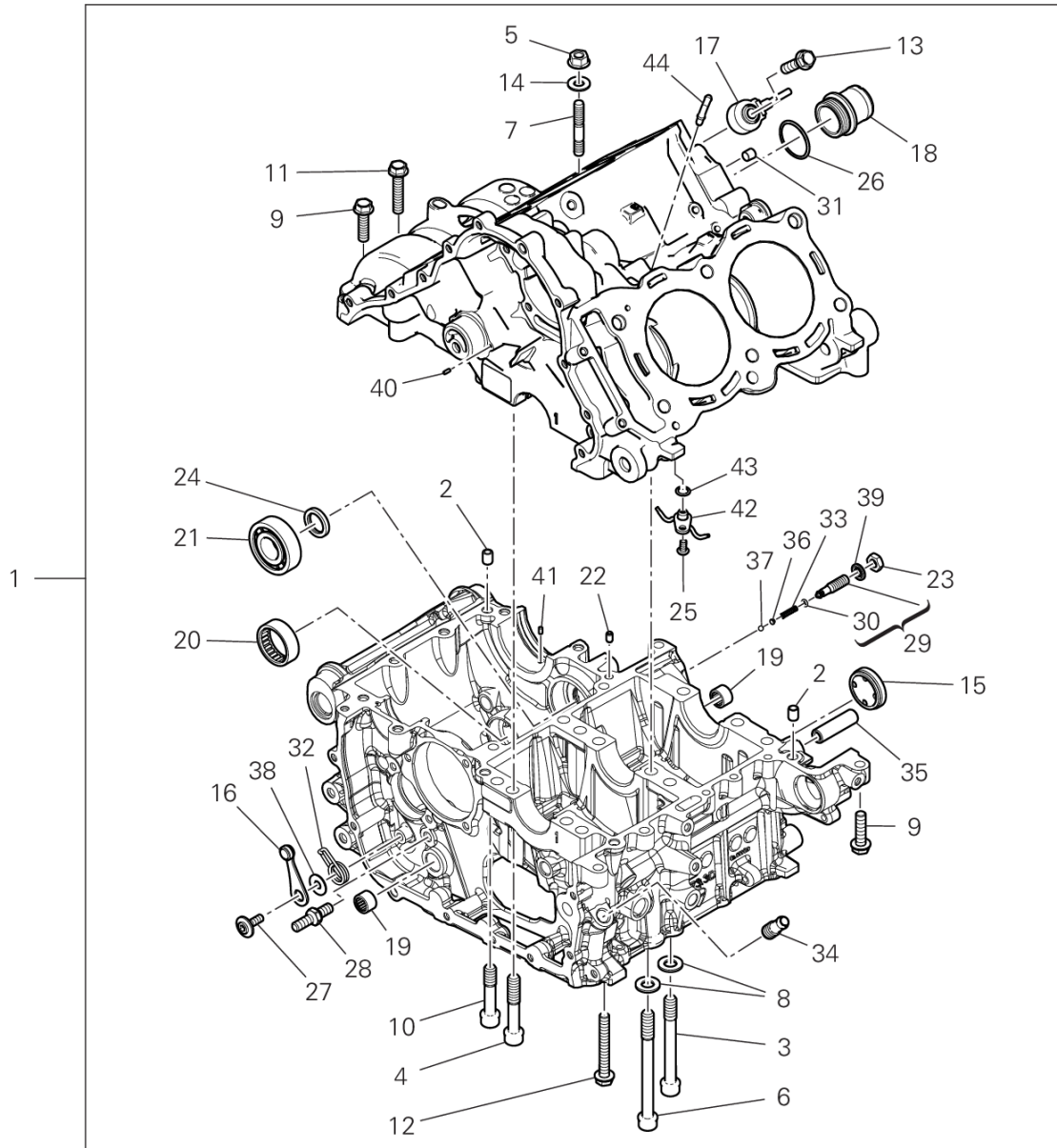


POS.	CODE	DESCRIPTION	QTY	VALIDITY	NOTES
1	88642651A	O-RING	1		
2	88640541A	O-RING	1		
3	85214421A	WASHER	1		
4	77253364CF	SCREW	3		
5	77253304CF	SCREW	2		
6	77253290ZF	SCREW	1		
7	67641142A	CHAIN	1		
8	44910741A	REAR SPROCKET T37	1		
9	89420231B	STRAINER, OIL	1		
10	24920593A	OIL PUMP	1	XST:AUS,EUR,JPN,GSO,ROK,TUR	



DRAWING 09A - HALF-CRANKCASES PAIR

GROUP ENGINE



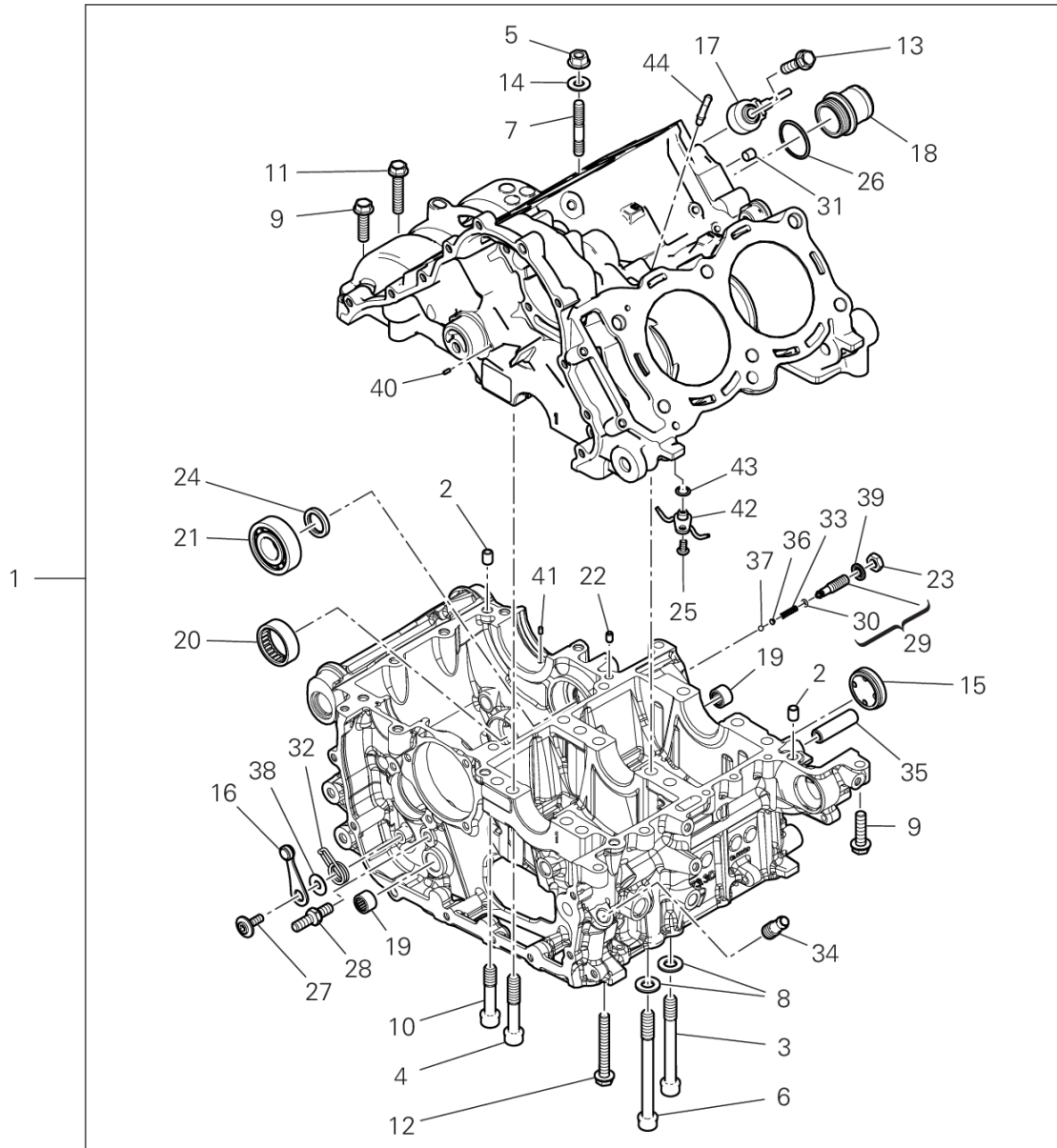
CRT00912

DRAWING 09A - HALF-CRANKCASES PAIR

GROUP ENGINE



POS.	CODE	DESCRIPTION	QTY	VALIDITY	NOTES
1	225P0011G	COMPLETE HALF-CRANKCASES PAIR	1		
2	71112191A	PIN DOWEL	3		
3	7791A651A	SCREW	2		
4	7791A631A	SCREW	2		
5	74840481B	NUT	1		
6	7791A661A	SCREW	4		
7	76611231A	STUD BOLT	1		
8	85651691B	WASHER	4		
9	77251344C	SCREW	6		
10	7791C361A	SCREW	2		
11	77251364C	SCREW	1		
12	77251404C	SCREW	1		
13	77251324CF	SCREW	2		
14	85212771A	WASHER	1		
15	25440013A	WINDOW, OIL LEVEL CHECK	1		
16	45520172A	GEAR STOPPER LEVER ASSEMBLY	1		
17	55243181A	DETECTOR	2		
18	66810581B	FILLER	1		
19	70140111B	BEARING, NEEDLE	2		
20	70241801A	NEEDLE BUSH	1		
21	70241901A	BEARING, NEEDLE	1		
22	71115051E	BUSH	1		
23	74710151B	NUT	1		
24	93040932A	OIL SEAL	1		
25	77510311B	SCREW TBEI M5X10	2		
26	88642791A	O-RING	1		
27	77916241A	SCREW, SPECIAL	1		
28	7791A381A	SCREW, SPECIAL	1		
29	77927172B	SCREW	1		
30	88641961A	O-RING	1		
31	78010871B	PLUG	1		
32	79915101C	SPRING	1		
33	79940121A	SPRING	1		
34	81413421B	UNION RETURN	1		
35	82010141A	STARTER REDUCTION SHAFT	1		



CRT00912

DRAWING 09A - HALF-CRANKCASES PAIR

GROUP ENGINE

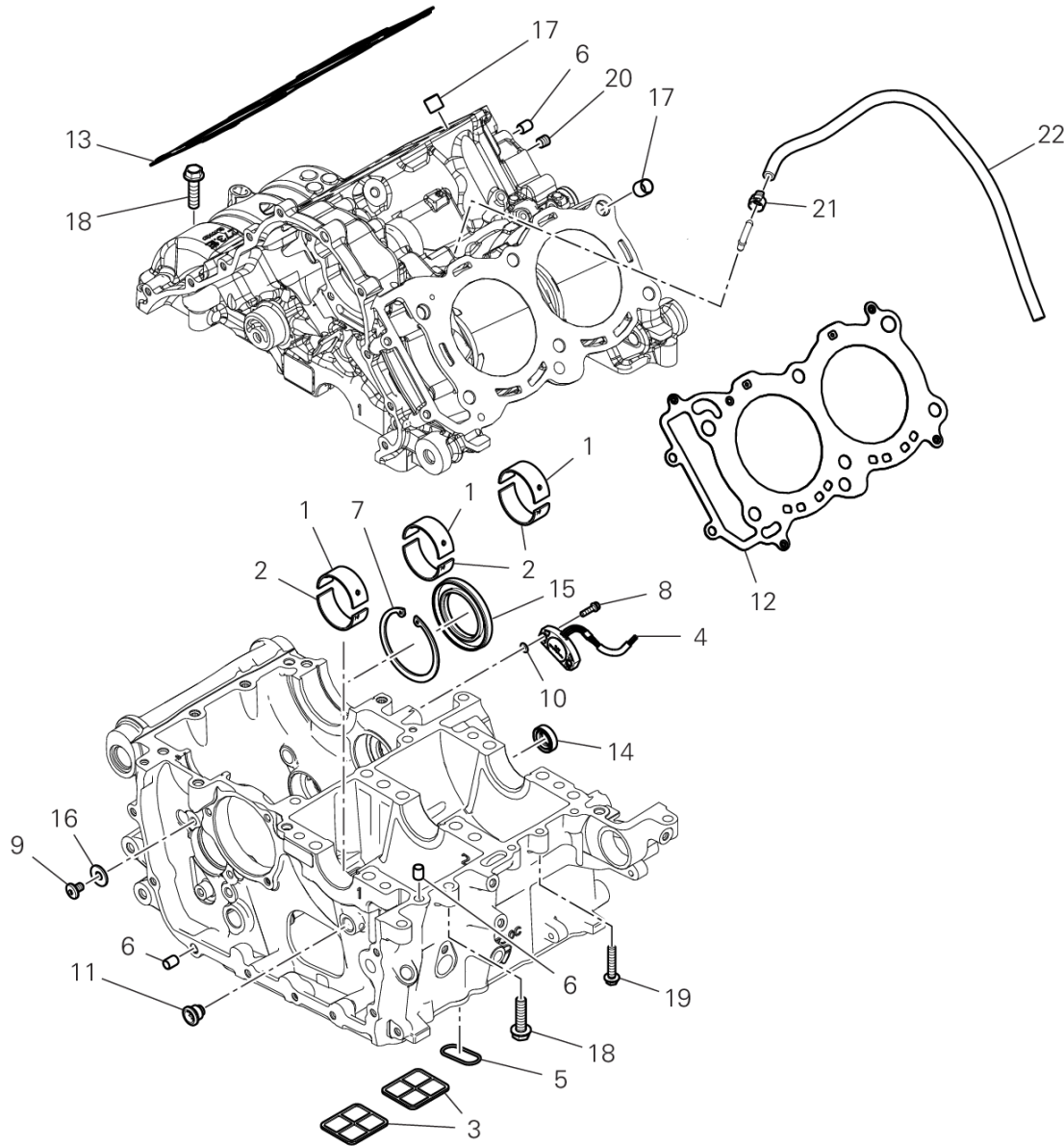


POS.	CODE	DESCRIPTION	QTY	VALIDITY	NOTES
36	83110151A	PLATE	1		
37	84740061A	BALL	1		
38	85212661A	WASHER	1		
39	85640141A	WASHER	1		
40	86040071A	PIN	2		
41	86050341A	PIN	1		
42	87512492B	JET	2		
43	88650751A	O-RING	2		
44	81417151B	UNION	1		



DRAWING 09B - HALF-CRANKCASES PAIR

GROUP ENGINE



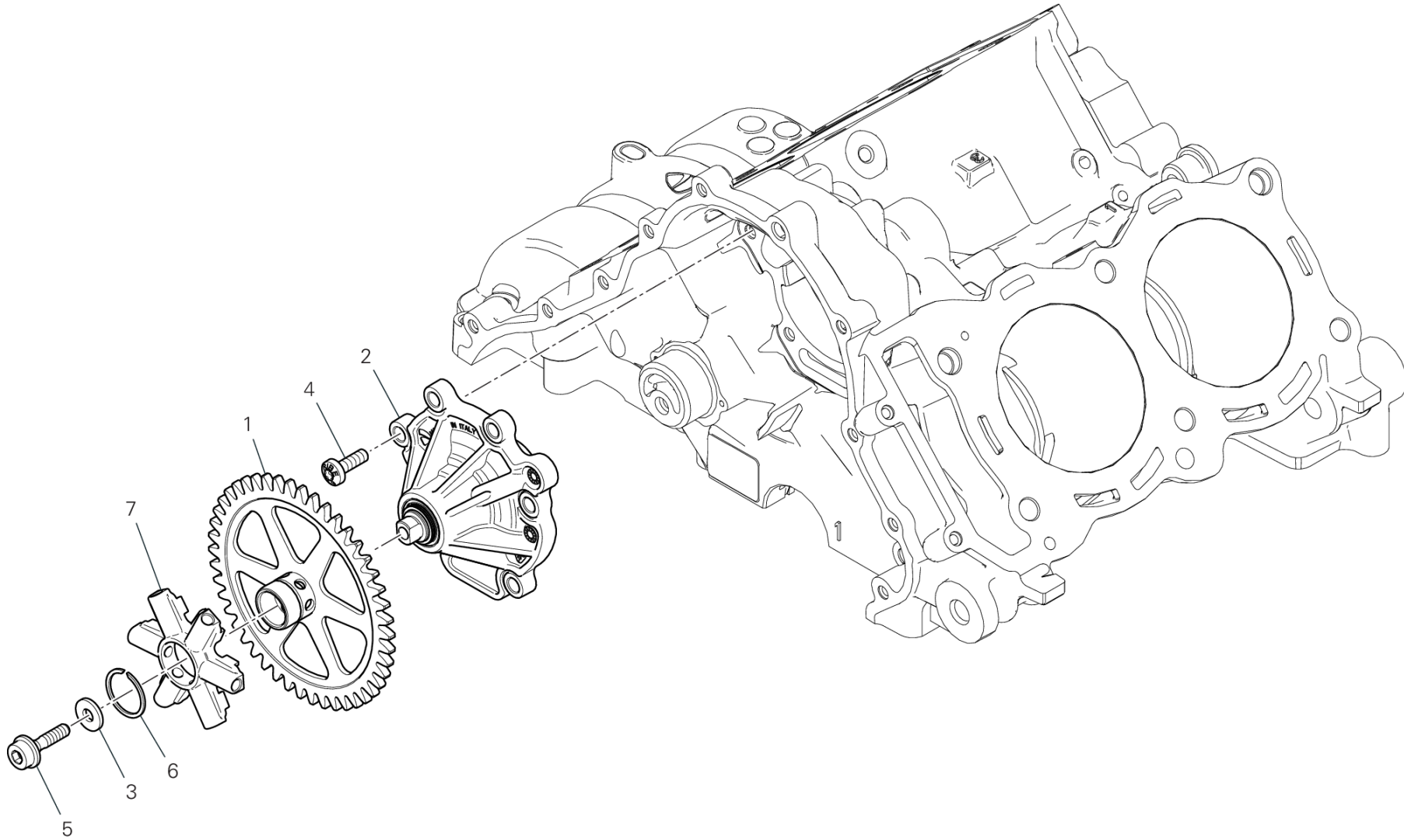
CRT00918

DRAWING 09B - HALF-CRANKCASES PAIR

GROUP ENGINE



POS.	CODE	DESCRIPTION	QTY	VALIDITY	NOTES
1	11210942AA	HALF-BEARING RED	3		
	11210942AB	HALF-BEARING BLUE	3		
	11210942AC	HALF-BEARING YELLOW	3		
	11210942AD	HALF-BEARING BLACK	3		
	11210942AE	HALF-BEARING GREEN	3		
2	11210952AA	HALF-BEARING RED	3		
	11210952AB	HALF-BEARING BLUE	3		
	11210952AC	HALF-BEARING YELLOW	3		
	11210952AD	HALF-BEARING BLACK	3		
	11210952AE	HALF-BEARING GREEN	3		
3	42710241A	OIL NET FILTER	2		
4	55244421A	GEARBOX POSITION SENSOR	1		
5	88650831A	O-RING	1		
6	71113171A	LOCATING DOWEL	10		
7	735034405	SNAP RING	1		
8	7791C751B	SCREW, SPECIAL	2		
9	77240393C	SCREW TBEIF M6X10 10.9	2		
10	85250871A	WASHER	2		
11	78010511C	PLUG	1		
12	78611421D	GASKET, CYLINDER HEAD	1		
13	78611431D	GASKET, CYLINDER HEAD	1		
14	93041591A	SEAL RING	1		
15	93042221A	SEAL RING	1		
16	85212661A	WASHER	2		
17	71116941A	BUSH	4		
18	77251344C	SCREW	3		
19	77253354C	SCREW	4		
20	78010871B	PLUG	1		
21	74141001A	CLAMP 8.5/7	1		
22	93410551A	HOSE, DRAIN	1		



RAF00625

DRAWING 10A - WATER PUMP

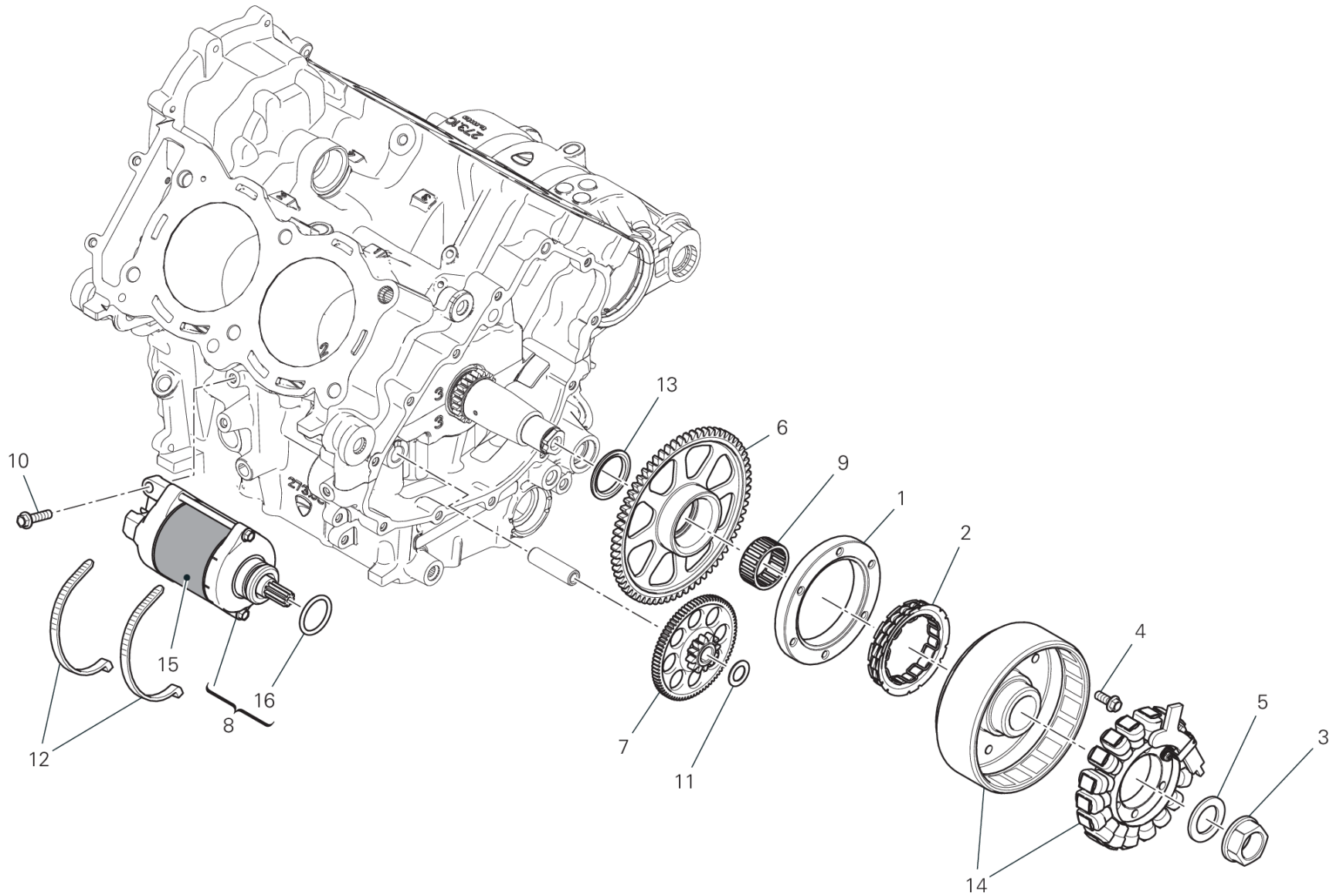
GROUP ENGINE



POS.	CODE	DESCRIPTION	QTY	VALIDITY	NOTES
1	17410851C	PUMP GEAR	1		
2	24920511H	COMPLETE WATER PUMP	1		
3	85214421A	WASHER	1		
4	77941992A	SCREW	6		
5	7791B121A	SCREW, SPECIAL	1		
6	88441031A	SPRING RING	1		
7	25110101A	FAN	1		



DRAWING 11A - ELECTRIC STARTING AND IGNITION GROUP ENGINE



IMP01240

DRAWING 11A - ELECTRIC STARTING AND IGNITION

GROUP ENGINE

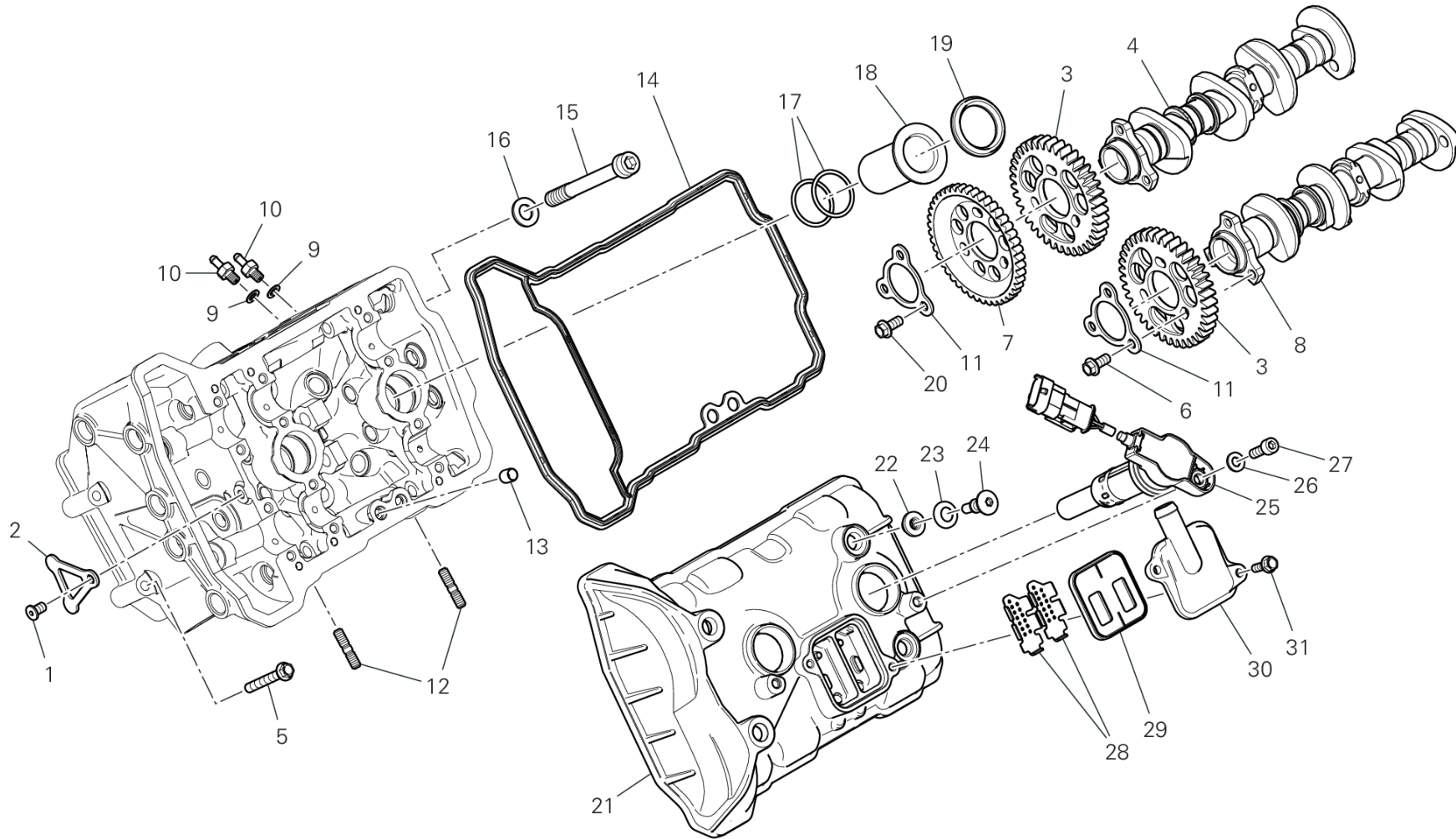


POS.	CODE	DESCRIPTION	QTY	VALIDITY	NOTES
1	16015522B	FLANGE STARTING CLUTCH	1		
2	70140471A	CLUTCH, ONE WAY	1		
3	74811021B	NUT, FLANGE	1		
4	77253290ZF	SCREW	6		
5	85214071B	WASHER	1		
6	17310411A	DRIVEN GEAR	1		
7	17610281A	IDLE GEAR	1		
8	27040193A	STARTING MOTOR	1		
9	70250801A	NEEDLE CAGE	1		
10	77253334CF	SCREW	2		
11	85212651A	WASHER	1		
12	74142441A	CLAMP	2		
13	71316102A	SPACER	1		
14	26420572C	GENERATOR	1		
15	4601F472A	THERMOREFLECTING PROTECTION	1		
16	88643151A	O RING	1		



DRAWING 12A - FRONT HEAD - TIMING SYSTEM

GROUP ENGINE



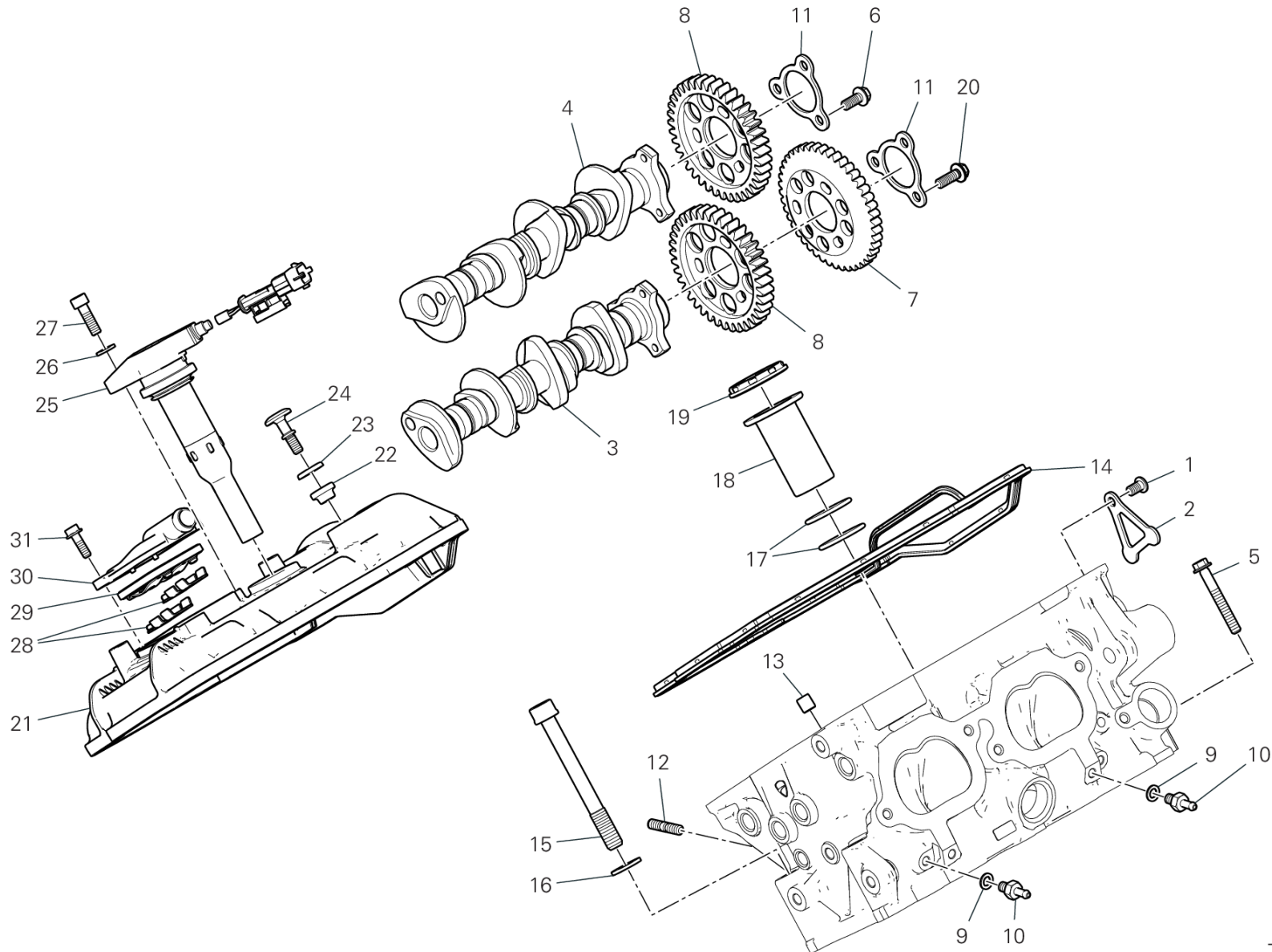
TST00681

DRAWING 12A - FRONT HEAD - TIMING SYSTEM

GROUP ENGINE



POS.	CODE	DESCRIPTION	QTY	VALIDITY	NOTES
1	77917231A	SCREW, SPECIAL	1		
2	8271F271A	PLATE	1		
3	17112222B	GEAR T39	2		
4	14815572A	FRONT INTAKE CAMSHAFT	1		
5	77253384C	SCREW	2		
6	77253280Z	SCREW	3		
7	17112211A	IDLE GEAR	1		
8	14815582A	FRONT EXHAUST CAMSHAFT	1		
9	85250231A	GASKET	4		
10	81413341A	UNION	4		
11	85611621A	PLATE	2		
12	76640381A	STUD BOLT	6		
13	71113742A	BUSH	2		
14	78811622B	GASKET	1		
15	7791A621B	SCREW	6		
16	85651691B	WASHER	6		
17	88650741A	O-RING	4		
18	8291G311C	GUIDE	2		
19	78811612A	GASKET	2		
20	77253300ZF	SCREW	3		
21	24715882AH	COVER	1		
22	76412121A	VIBRATION DAMPER PAD	4		
23	85611551A	WASHER	4		
24	7791A751B	SCREW, SPECIAL	4		
25	38010211D	IGNITION COIL ASSY	2		
26	85212641A	WASHER 6.4X12.5X1.6	2		
27	77110401B	SCREW	2		
28	82718441A	PLATE	2		
29	81140021A	REED VALVE ASSY	1		
30	24715791A	COVER	1		
31	77250744BA	SCREW	2		



TST00682

DRAWING 12B - REAR HEAD - TIMING SYSTEM

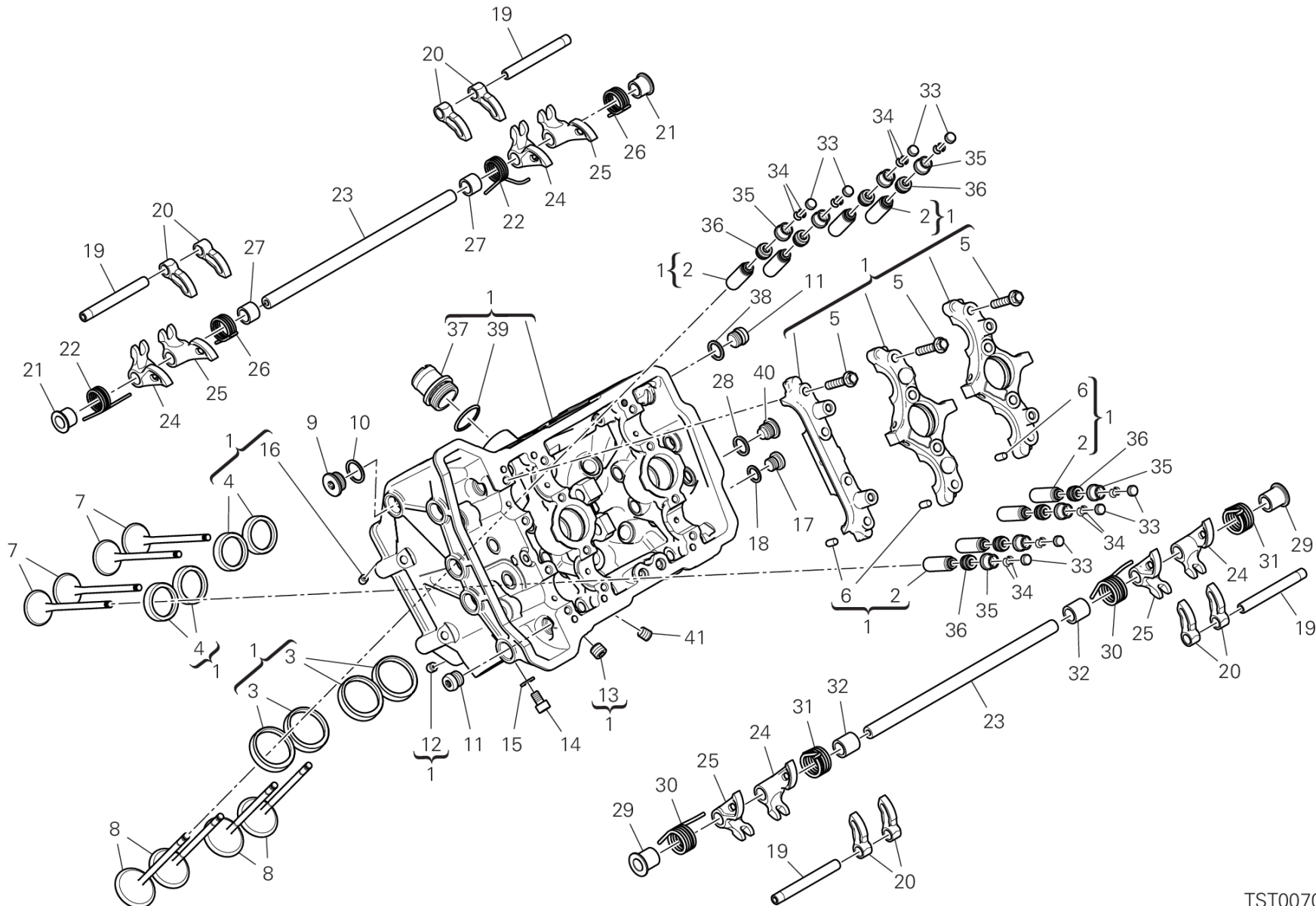
GROUP ENGINE



POS.	CODE	DESCRIPTION	QTY	VALIDITY	NOTES
1	77917231A	SCREW, SPECIAL	1		
2	8271F271A	PLATE	1		
3	14815562A	REAR EXHAUST CAMSHAFT	1		
4	14815552A	REAR INTAKE CAMSHAFT	1		
5	77253384C	SCREW	2		
6	77253280Z	SCREW	3		
7	17112211A	IDLE GEAR	1		
8	17112222B	GEAR T39	2		
9	85250231A	GASKET	4		
10	81413341A	UNION	4		
11	85611621A	PLATE	2		
12	76640191A	STUD BOLT M6X16	6		
13	71113742A	BUSH	2		
14	78811602B	GASKET	1		
15	7791A621B	SCREW	6		
16	85651691B	WASHER	6		
17	88650741A	O-RING	4		
18	8291G311C	GUIDE	2		
19	78811612A	GASKET	2		
20	77253300ZF	SCREW	3		
21	24715873AH	COVER	1		
22	76412121A	VIBRATION DAMPER PAD	4		
23	85611551A	WASHER	4		
24	7791A751B	SCREW, SPECIAL	4		
25	38010211D	IGNITION COIL ASSY	2		
26	85212641A	WASHER 6.4X12.5X1.6	2		
27	77110401B	SCREW	2		
28	82718441A	PLATE	2		
29	81140021A	REED VALVE ASSY	1		
30	24715791A	COVER	1		
31	77250744BA	SCREW	2		



DRAWING 12C - FRONT HEAD GROUP ENGINE



TST00706

DRAWING 12C - FRONT HEAD

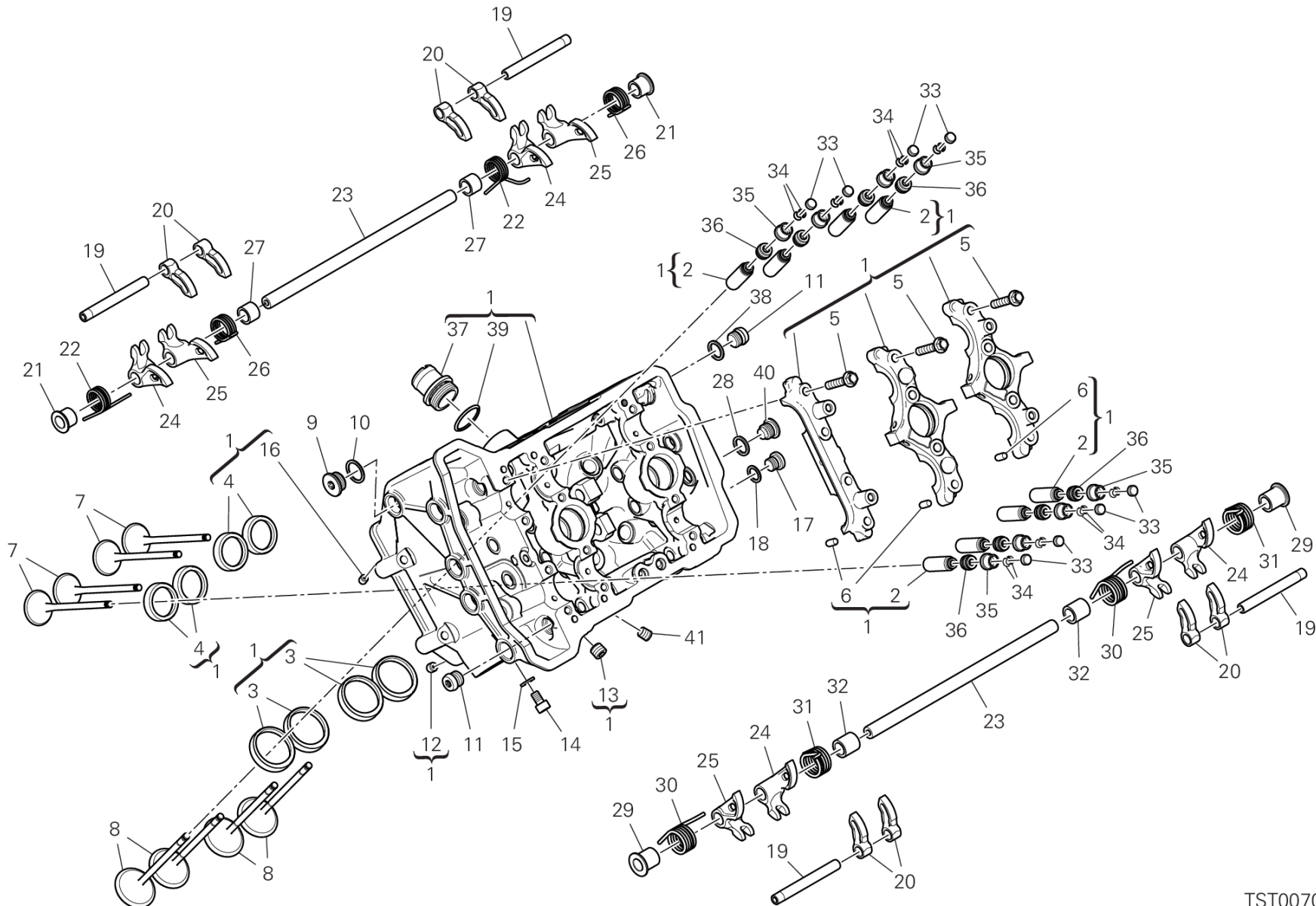
GROUP ENGINE



POS.	CODE	DESCRIPTION	QTY	VALIDITY	NOTES
1	30125711BR	FRONT HEAD	1		
2	303A0741A	VALVE GUIDE	8		
3	304A1091A	SEAT, INTAKE VALVE	4		
4	304A1101A	SEAT, EXHAUST VALVE	4		
5	77253350Z	SCREW	12		
6	86050061A	PIN M5X10	6		
7	21111191A	EXHAUST VALVE	4		
8	21011194A	INTAKE VALVE	4		
9	77913541A	THREADED PLUG M15X1	5		
10	85211201A	ALUMINIUM GASKET	5		
11	77913611A	THREADED PLUG	4		
12	86010151A	PIN	1		
13	78011262A	PLUG	4		
14	77150624B	SCREW	1		
15	85240261A	WASHER	1		
16	86010061A	PIN	1		
17	78050011B	THREADED PLUG	1		
18	85250241A	WASHER 10X14X1	1		
19	82115561A	SHAFT, OPENING ROCKER	4		
20	20810461A	OPEN. ROCKER ARM	8		
21	7131C231A	SPACER	2		
22	79916091C	INTAKE VALVE RETURN SPRING LH	2		
23	82115801A	CLOSE ROCKER ARM AXLE	2		
24	20910791A	CLOSING ROCKER ARM LEFT	4		
25	20910781A	CLOSING ROCKER ARM RIGHT	4		
26	79916101C	INTAKE VALVE RETURN SPRING RH	2		
27	7131C211A	SPACER	2		
28	85250261B	GASKET	2		
29	7131C241A	SPACER	2		
30	79916121B	EXHAUST VALVE RETURN SPRING RH	2		
31	79916111B	EXHAUST VALVE RETURN SPRING LH	2		
32	7131C221A	SPACER	2		
33	84012011AA	ADJUSTER, OPENING ROCKER ARM 1.85 MM	8		
	84012011AB	ADJUSTER, OPENING ROCKER ARM 1.90 MM	8		
	84012011AC	ADJUSTER, OPENING ROCKER ARM 1.95 MM	8		



DRAWING 12C - FRONT HEAD GROUP ENGINE



TST00706

DRAWING 12C - FRONT HEAD

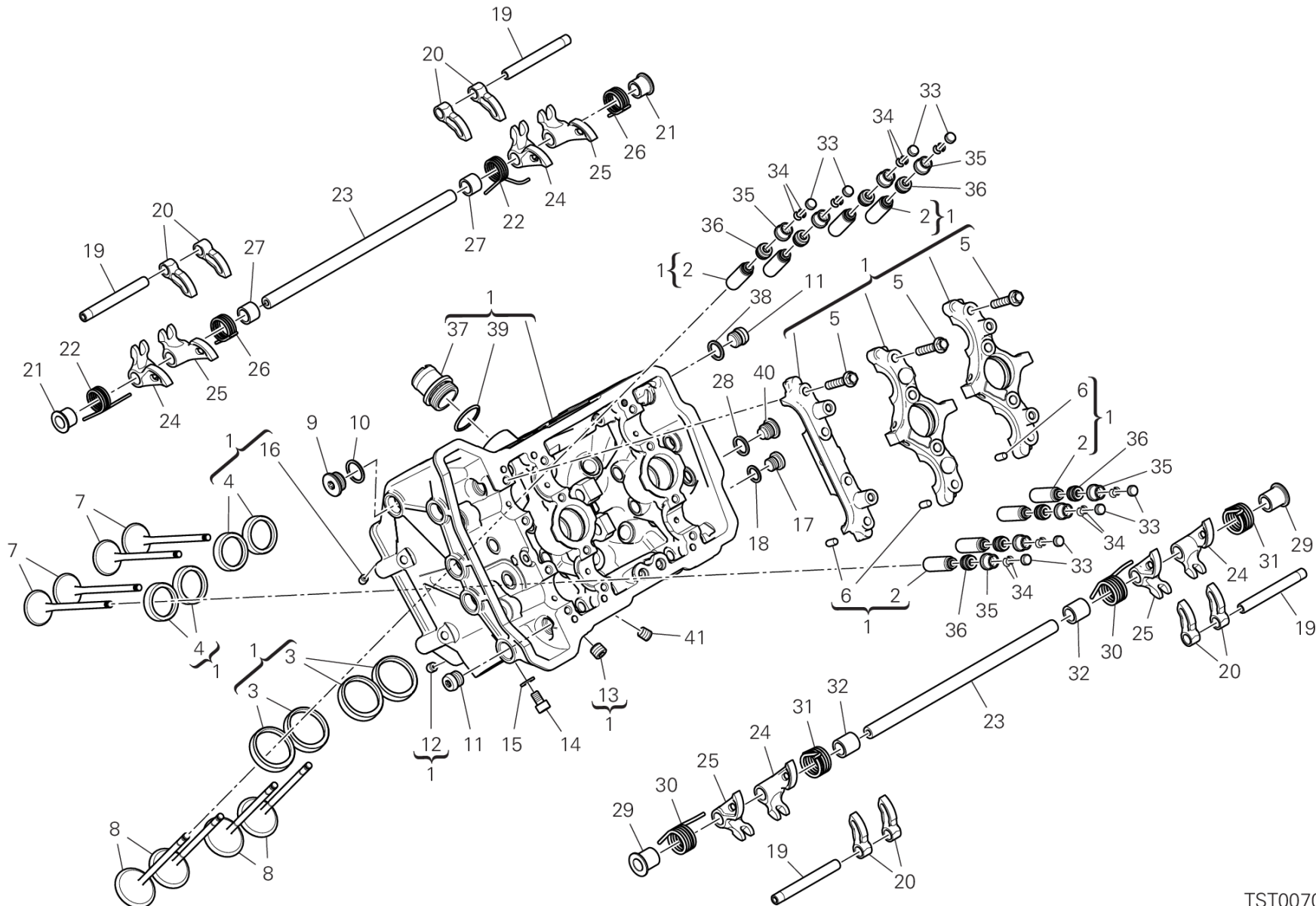
GROUP ENGINE



POS.	CODE	DESCRIPTION	QTY	VALIDITY	NOTES
	84012011AD	ADJUSTER, OPENING ROCKER ARM 2.00 MM	8		
	84012011AE	ADJUSTER, OPENING ROCKER ARM 2.05 MM	8		
	84012011AF	ADJUSTER, OPENING ROCKER ARM 2.10 MM	8		
	84012011AG	ADJUSTER, OPENING ROCKER ARM 2.15 MM	8		
	84012011AH	ADJUSTER, OPENING ROCKER ARM 2.20 MM	8		
	84012011AI	ADJUSTER, OPENING ROCKER ARM 2.25 MM	8		
	84012011AJ	ADJUSTER, OPENING ROCKER ARM 2.30 MM	8		
	84012011AK	ADJUSTER, OPENING ROCKER ARM 2.35 MM	8		
	84012011AL	ADJUSTER, OPENING ROCKER ARM 2.40 MM	8		
	84012011AM	ADJUSTER, OPENING ROCKER ARM 2.45 MM	8		
	84012011AN	ADJUSTER, OPENING ROCKER ARM 2.50 MM	8		
	84012011AO	ADJUSTER, OPENING ROCKER ARM 2.55 MM	8		
	84012011AP	ADJUSTER, OPENING ROCKER ARM 2.60 MM	8		
	84012011AQ	ADJUSTER, OPENING ROCKER ARM 2.65 MM	8		
34	84510111A	VALVE COLLET	16		
35	84012001BD	ADJUSTER, CLOSING ROCKER ARM 2.60 MM	8		
	84012001BE	ADJUSTER, CLOSING ROCKER ARM 2.65 MM	8		
	84012001BF	ADJUSTER, CLOSING ROCKER ARM 2.70 MM	8		
	84012001BG	ADJUSTER, CLOSING ROCKER ARM 2.75 MM	8		
	84012001BH	ADJUSTER, CLOSING ROCKER ARM 2.80 MM	8		
	84012001BI	ADJUSTER, CLOSING ROCKER ARM 2.85 MM	8		
	84012001BJ	ADJUSTER, CLOSING ROCKER ARM 2.90 MM	8		
	84012001BK	ADJUSTER, CLOSING ROCKER ARM 2.95 MM	8		
	84012001BL	ADJUSTER, CLOSING ROCKER ARM 3.00 MM	8		
	84012001BM	ADJUSTER, CLOSING ROCKER ARM 3.05 MM	8		
	84012001BN	ADJUSTER, CLOSING ROCKER ARM 3.10 MM	8		
	84012001BO	ADJUSTER, CLOSING ROCKER ARM 3.15 MM	8		
	84012001BP	ADJUSTER, CLOSING ROCKER ARM 3.20 MM	8		
	84012001BQ	ADJUSTER, CLOSING ROCKER ARM 3.25 MM	8		
	84012001BR	ADJUSTER, CLOSING ROCKER ARM 3.30 MM	8		
	84012001BS	ADJUSTER, CLOSING ROCKER ARM 3.35 MM	8		
	84012001BT	ADJUSTER, CLOSING ROCKER ARM 3.40 MM	8		
	84012001BU	ADJUSTER, CLOSING ROCKER ARM 3.45 MM	8		
	84012001BV	ADJUSTER, CLOSING ROCKER ARM 3.50 MM	8		
	84012001BW	ADJUSTER, CLOSING ROCKER ARM 3.55 MM	8		



DRAWING 12C - FRONT HEAD GROUP ENGINE



TST00706

DRAWING 12C - FRONT HEAD

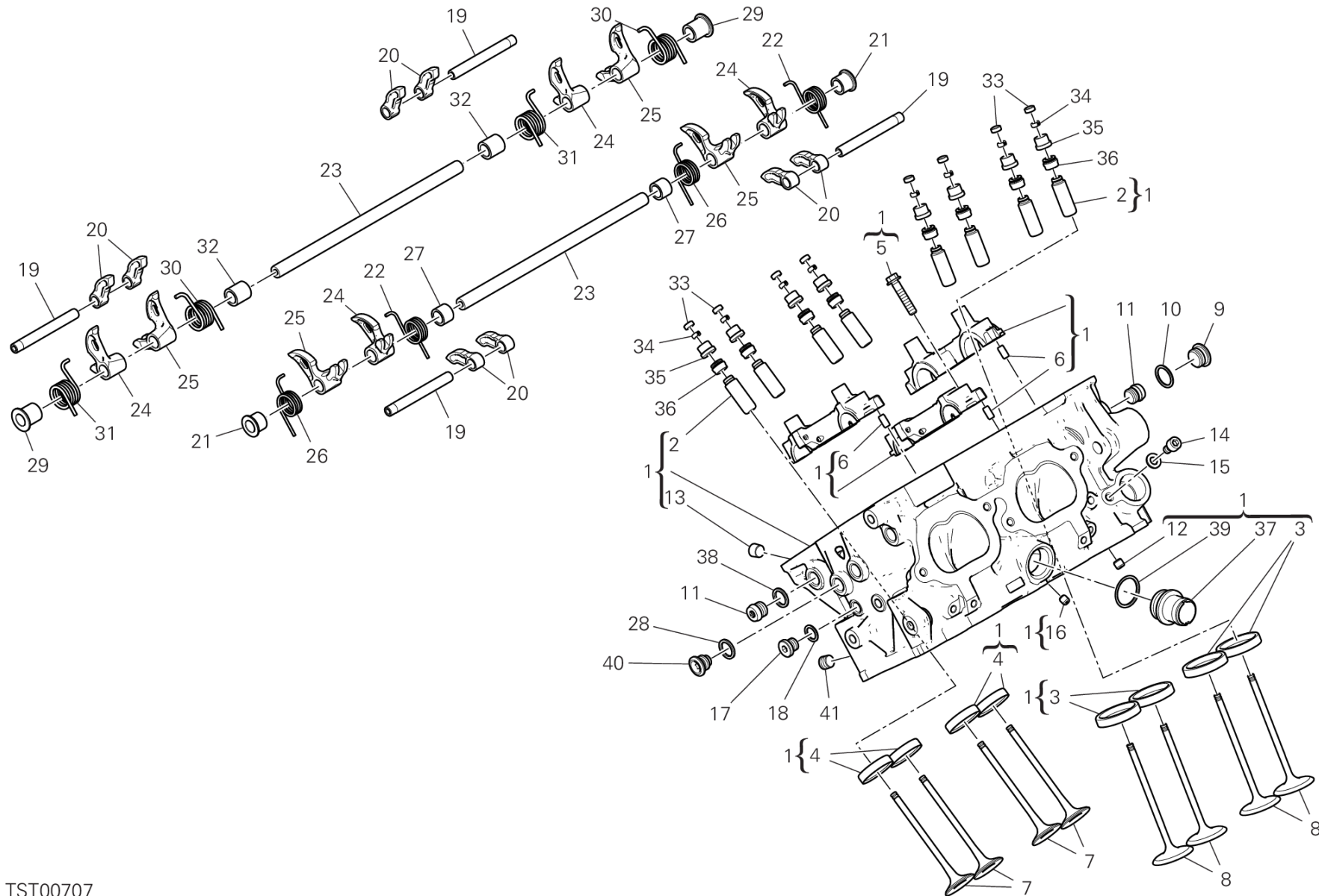
GROUP ENGINE



POS.	CODE	DESCRIPTION	QTY	VALIDITY	NOTES
	84012001BZ	ADJUSTER, CLOSING ROCKER ARM 3.60 MM	8		
36	76440091B	SEAL VALVE STEM	8		
37	66810591A	FILLER	1		
38	85241831A	WASHER	2		
39	88642721A	O-RING	1		
40	78010511C	PLUG	2		
41	78010871B	PLUG	2		



DRAWING 12D - REAR HEAD GROUP ENGINE



TST00707

PANIGALE V4 /23

027000023

DRAWING 12D - REAR HEAD

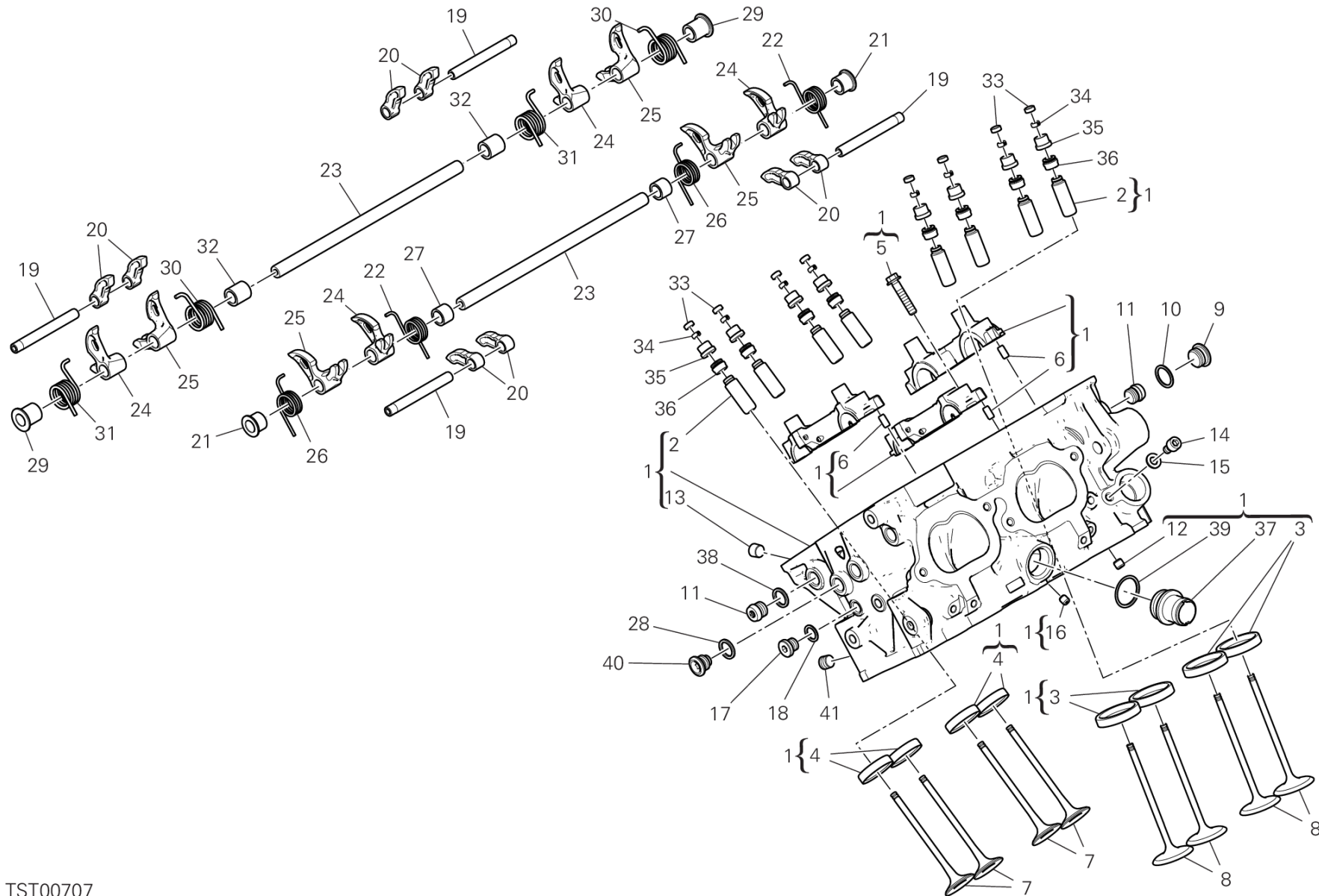
GROUP ENGINE



POS.	CODE	DESCRIPTION	QTY	VALIDITY	NOTES
1	30125701BR	REAR HEAD	1		
2	303A0741A	VALVE GUIDE	8		
3	304A1091A	SEAT, INTAKE VALVE	4		
4	304A1101A	SEAT, EXHAUST VALVE	4		
5	77253350Z	SCREW	12		
6	86050061A	PIN M5X10	6		
7	21111191A	EXHAUST VALVE	4		
8	21011194A	INTAKE VALVE	4		
9	77913541A	THREADED PLUG M15X1	5		
10	85211201A	ALUMINIUM GASKET	5		
11	77913611A	THREADED PLUG	4		
12	86010151A	PIN	1		
13	78011262A	PLUG	4		
14	77150624B	SCREW	1		
15	85240261A	WASHER	1		
16	86010061A	PIN	1		
17	78050011B	THREADED PLUG	1		
18	85250241A	WASHER 10X14X1	1		
19	82115561A	SHAFT, OPENING ROCKER	4		
20	20810461A	OPEN. ROCKER ARM	8		
21	7131C231A	SPACER	2		
22	79916091C	INTAKE VALVE RETURN SPRING LH	2		
23	82115801A	CLOSE ROCKER ARM AXLE	2		
24	20910791A	CLOSING ROCKER ARM LEFT	4		
25	20910781A	CLOSING ROCKER ARM RIGHT	4		
26	79916101C	INTAKE VALVE RETURN SPRING RH	2		
27	7131C211A	SPACER	2		
28	85250261B	GASKET	2		
29	7131C241A	SPACER	2		
30	79916121B	EXHAUST VALVE RETURN SPRING RH	2		
31	79916111B	EXHAUST VALVE RETURN SPRING LH	2		
32	7131C221A	SPACER	2		
33	84012011AA	ADJUSTER, OPENING ROCKER ARM 1.85 MM	8		
	84012011AB	ADJUSTER, OPENING ROCKER ARM 1.90 MM	8		
	84012011AC	ADJUSTER, OPENING ROCKER ARM 1.95 MM	8		



DRAWING 12D - REAR HEAD GROUP ENGINE



TST00707

PANIGALE V4 /23

027000023

DRAWING 12D - REAR HEAD

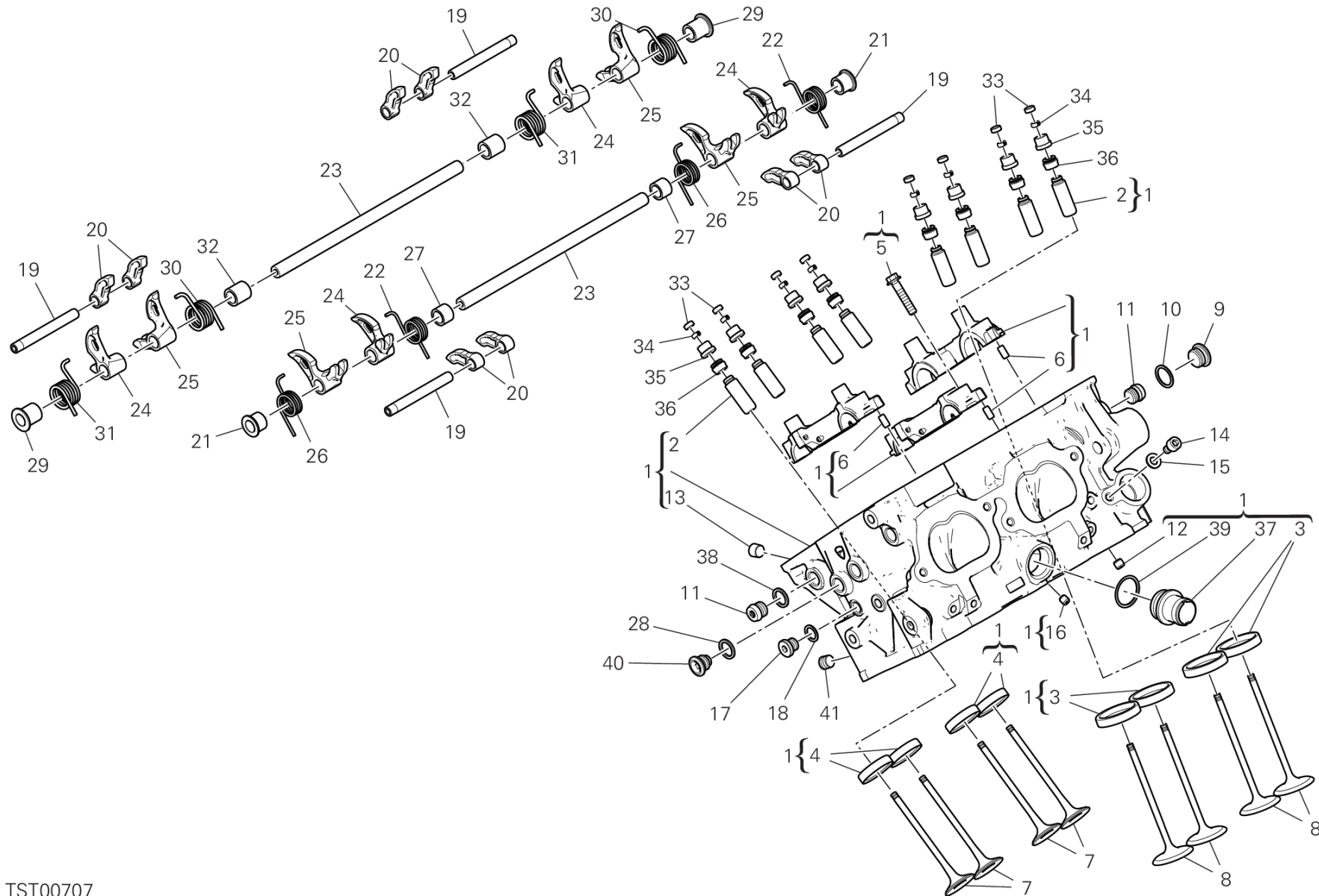
GROUP ENGINE



POS.	CODE	DESCRIPTION	QTY	VALIDITY	NOTES
	84012011AD	ADJUSTER, OPENING ROCKER ARM 2.00 MM	8		
	84012011AE	ADJUSTER, OPENING ROCKER ARM 2.05 MM	8		
	84012011AF	ADJUSTER, OPENING ROCKER ARM 2.10 MM	8		
	84012011AG	ADJUSTER, OPENING ROCKER ARM 2.15 MM	8		
	84012011AH	ADJUSTER, OPENING ROCKER ARM 2.20 MM	8		
	84012011AI	ADJUSTER, OPENING ROCKER ARM 2.25 MM	8		
	84012011AJ	ADJUSTER, OPENING ROCKER ARM 2.30 MM	8		
	84012011AK	ADJUSTER, OPENING ROCKER ARM 2.35 MM	8		
	84012011AL	ADJUSTER, OPENING ROCKER ARM 2.40 MM	8		
	84012011AM	ADJUSTER, OPENING ROCKER ARM 2.45 MM	8		
	84012011AN	ADJUSTER, OPENING ROCKER ARM 2.50 MM	8		
	84012011AO	ADJUSTER, OPENING ROCKER ARM 2.55 MM	8		
	84012011AP	ADJUSTER, OPENING ROCKER ARM 2.60 MM	8		
	84012011AQ	ADJUSTER, OPENING ROCKER ARM 2.65 MM	8		
34	84510111A	VALVE COLLET	16		
35	84012001BD	ADJUSTER, CLOSING ROCKER ARM 2.60 MM	8		
	84012001BE	ADJUSTER, CLOSING ROCKER ARM 2.65 MM	8		
	84012001BF	ADJUSTER, CLOSING ROCKER ARM 2.70 MM	8		
	84012001BG	ADJUSTER, CLOSING ROCKER ARM 2.75 MM	8		
	84012001BH	ADJUSTER, CLOSING ROCKER ARM 2.80 MM	8		
	84012001BI	ADJUSTER, CLOSING ROCKER ARM 2.85 MM	8		
	84012001BJ	ADJUSTER, CLOSING ROCKER ARM 2.90 MM	8		
	84012001BK	ADJUSTER, CLOSING ROCKER ARM 2.95 MM	8		
	84012001BL	ADJUSTER, CLOSING ROCKER ARM 3.00 MM	8		
	84012001BM	ADJUSTER, CLOSING ROCKER ARM 3.05 MM	8		
	84012001BN	ADJUSTER, CLOSING ROCKER ARM 3.10 MM	8		
	84012001BO	ADJUSTER, CLOSING ROCKER ARM 3.15 MM	8		
	84012001BP	ADJUSTER, CLOSING ROCKER ARM 3.20 MM	8		
	84012001BQ	ADJUSTER, CLOSING ROCKER ARM 3.25 MM	8		
	84012001BR	ADJUSTER, CLOSING ROCKER ARM 3.30 MM	8		
	84012001BS	ADJUSTER, CLOSING ROCKER ARM 3.35 MM	8		
	84012001BT	ADJUSTER, CLOSING ROCKER ARM 3.40 MM	8		
	84012001BU	ADJUSTER, CLOSING ROCKER ARM 3.45 MM	8		
	84012001BV	ADJUSTER, CLOSING ROCKER ARM 3.50 MM	8		
	84012001BW	ADJUSTER, CLOSING ROCKER ARM 3.55 MM	8		



DRAWING 12D - REAR HEAD GROUP ENGINE



TST00707

PANIGALE V4 /23

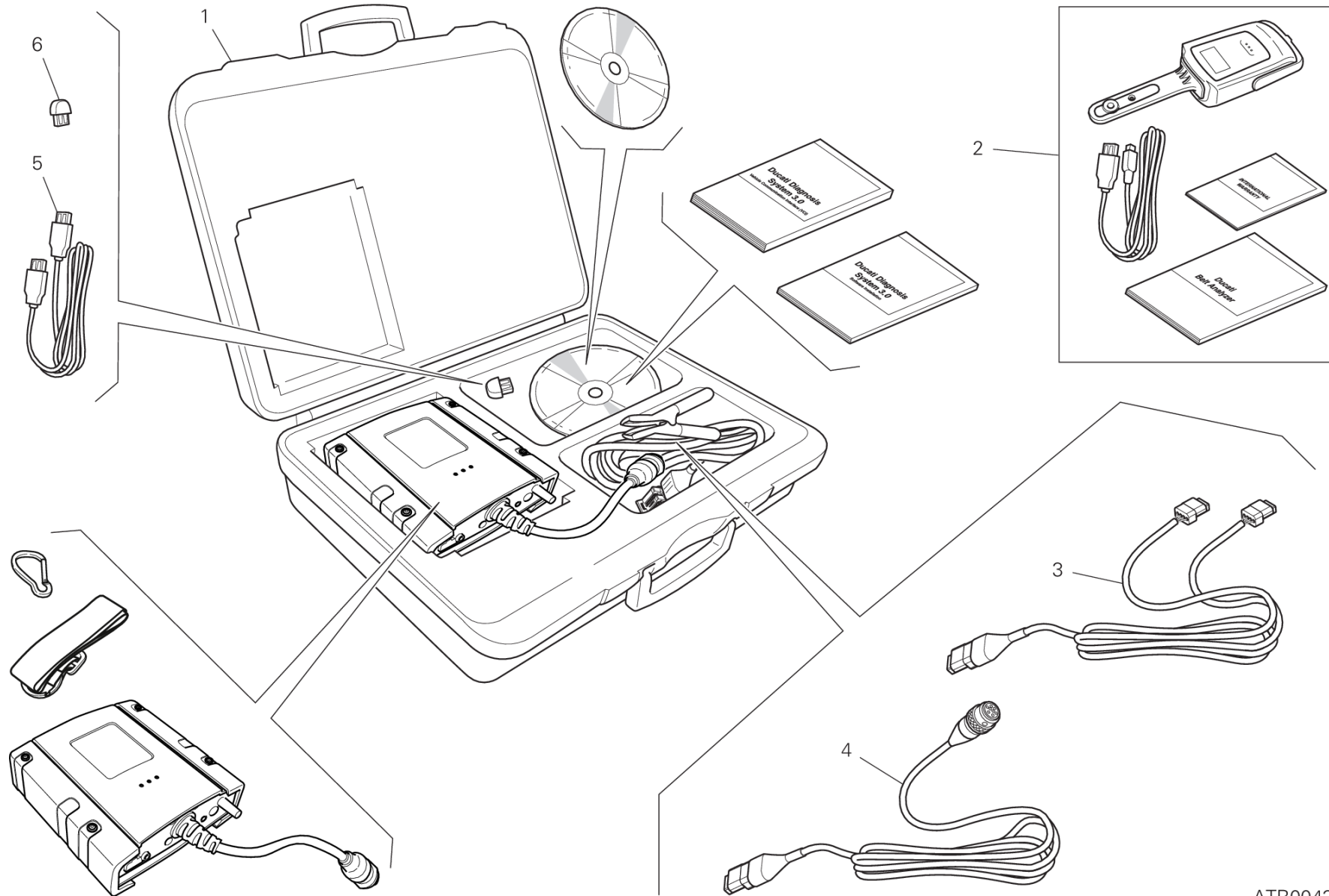
027000023

DRAWING 12D - REAR HEAD

GROUP ENGINE



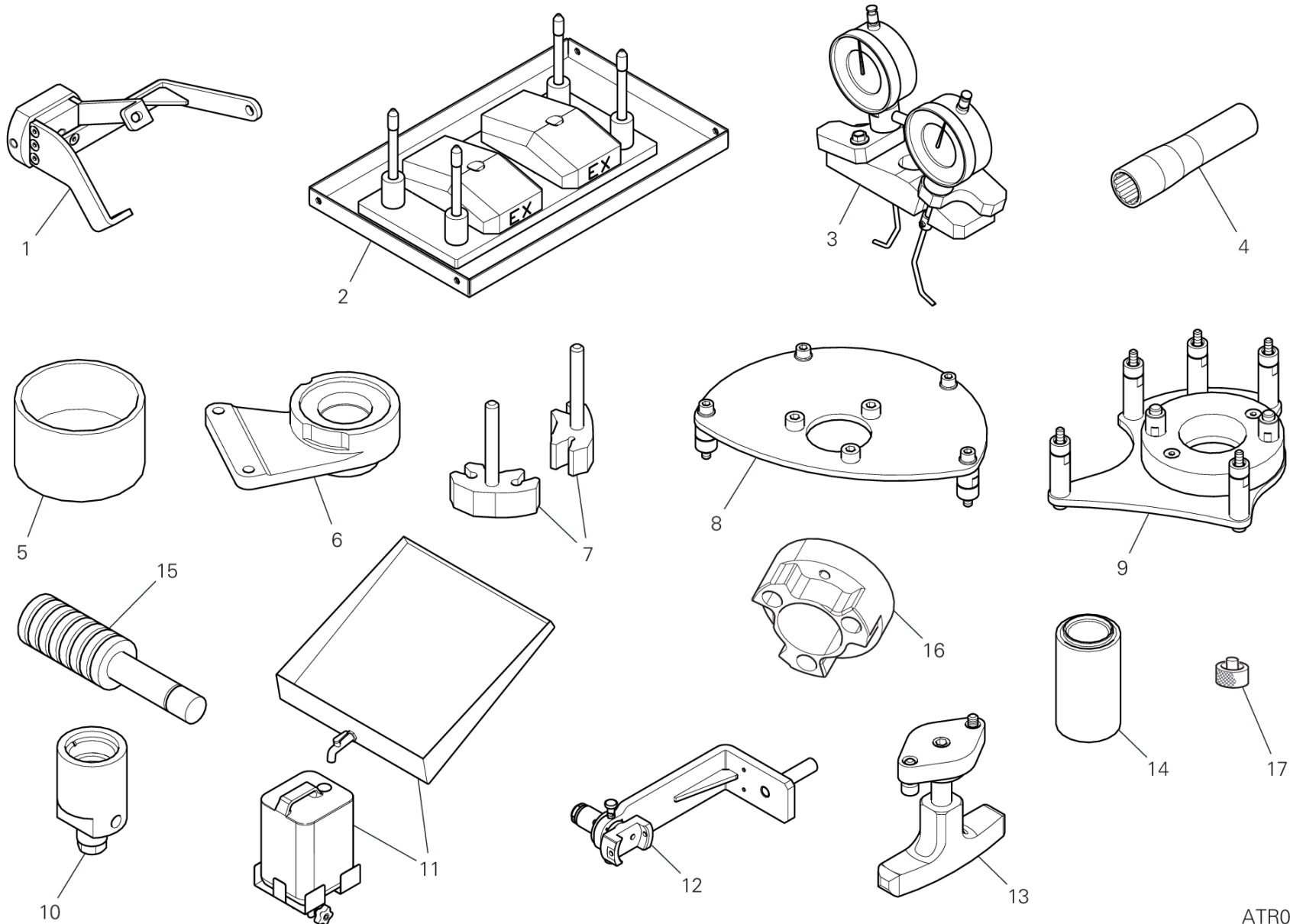
POS.	CODE	DESCRIPTION	QTY	VALIDITY	NOTES
	84012001BZ	ADJUSTER, CLOSING ROCKER ARM 3.60 MM	8		
36	76440091B	SEAL VALVE STEM	8		
37	66810591A	FILLER	1		
38	85241831A	WASHER	2		
39	88642721A	O-RING	1		
40	78010511C	PLUG	2		
41	78010871B	PLUG	2		



ATR00435



POS.	CODE	DESCRIPTION	QTY	VALIDITY	NOTES
1	979000279	DDS 3	1		
2	979000253	BELT TENSIONING KIT	1		
3	979000282	DIAGNOSIS CABLE	1		
4	979000283	CONNECTING CABLE	1		
5	979000284	USB CABLE	1		
6	979000281	HASP DDS3 KEY	1		



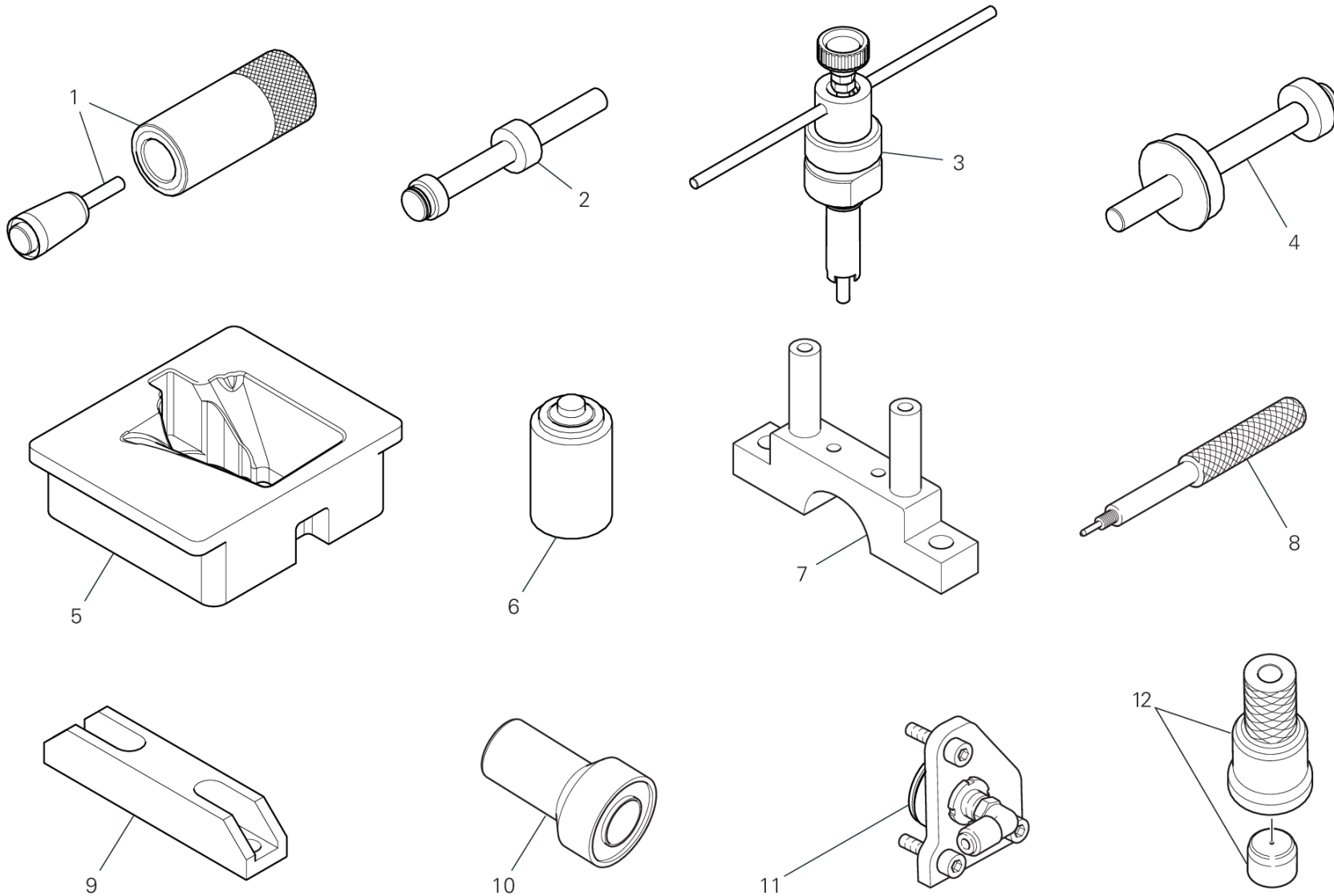
ATR00452

DRAWING 01B - WORKSHOP SERVICE TOOLS (ENGINE)

GROUP TOOLS



POS.	CODE	DESCRIPTION	QTY	VALIDITY	NOTES
1	887133003	ENGINE MOUNT	1		
2	887133004	HEAD MOUNTING BASE	1		
3	887133614	VALVE LIFT GAUGE	1		
4	887133633	SPARK PLUG WRENCH	1		
5	887135387	TOOL, PISTON MOUNTING	1		
6	887135840	GEARBOX FASTENING TOOL	1		
7	887138851	PRIMARY DRIVE GEAR TIGHTENING TOOL	1		
8	887138852	CLUTCH HUB NUT TIGHTENING TOOL	1		
9	887138853	WRENCH FLYWHEEL NUT	1		
10	887138854	IGNITION FLYWHEEL EXTRACTOR	1		
11	887138855	FLUID RECOVERY RESERVOIR	1		
12	887138856	ENGINE ROTATION TOOL	1		
13	887138857	PULLER TO REMOVE ALTERNATOR COVER	1		
14	887138858	SEAL RING DRIVING TOOL	1		
15	889450103	ROLLER BEARING CONTROL GAUGE	1		
16	887133879	WRENCH FOR TIGHTENING CLUTCH DRUM	1		
17	889450107	SPACER FOR CHECKING LOWER VALVE SHIM	1		



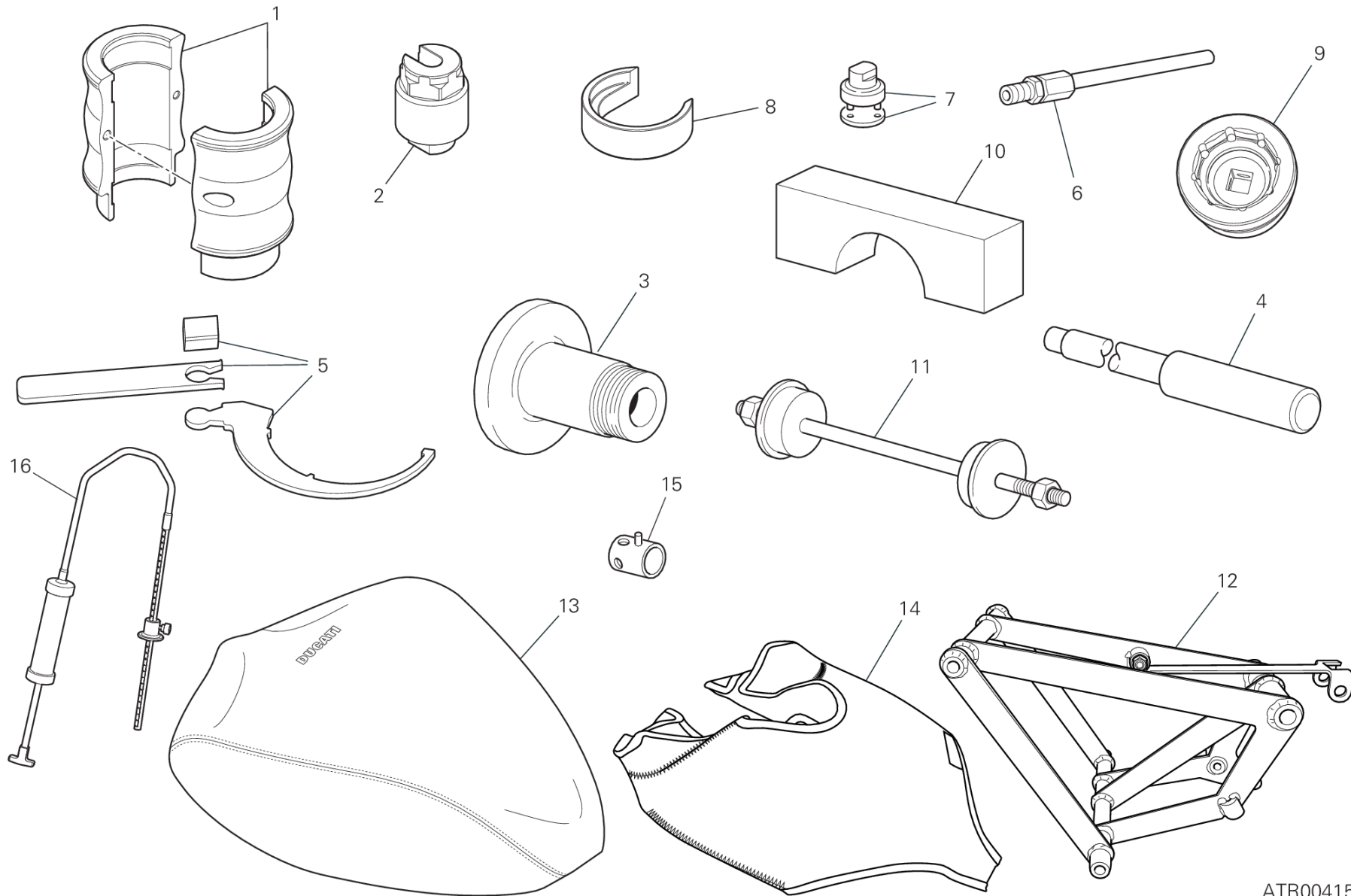
ATR00402

DRAWING 01C - WORKSHOP SERVICE TOOLS (ENGINE)

GROUP TOOLS



POS.	CODE	DESCRIPTION	QTY	VALIDITY	NOTES
1	887138859	SEAL RING DRIVING TOOL	1		
2	887138860	STOPPER FOR INTRODUCTION OF THE BEARING	1		
3	887138861	DEGREE WHEEL HOLDER TOOL	1		
4	887138862	STOPPER FOR INTRODUCTION OF THE BEARING	1		
5	887138863	ENGINE MOUNT	1		
6	887138864	SEAL RING DRIVING TOOL	1		
7	887135389	HOLDER	1		
8	887135396	TOOL TO HOLD CRANKSHAFT IN TDC POSITION	1		
9	887135397	PLATE	1		
10	887135962	ASSEMBLING BEARINGS TOOL	1		
11	887136155	OIL PRESSURE FITTING	1		
12	887138869	GEARBOX SHAFT OIL SEAL FITTING TOOL	1		



ATR00415

DRAWING 01D - WORKSHOP SERVICE TOOLS (FRAME)

GROUP TOOLS



POS.	CODE	DESCRIPTION	QTY	VALIDITY	NOTES
1	887134484	SEAL RING DRIVING TOOL	1		
2	887134485	TOOL TO KEEP THE SPACER SHOWA FORKS	1		
3	887132951	TOOL BALANCING REAR WHEEL	1		
4	887131074	TOOL DISASSEMBLING SWINGARM PIVOT	1		
5	887133211	SPANNER FOR ADJUSTING THE ECCENTRIC HUB	1		
6	887131010	CONNECTOR FOR EXHAUST GAS TAKE-UP POINT	1		
7	887131058	SPANNER TO ASSEMBLE THE STEERING SLEEVE	1		
8	887134486	SPACER	1		
9	887134487	BUSH FOR INSTALLING/REMOVING THE FORK PLUG	1		
10	887134302	ATTREZZO SERRAGGIO STELO FORCELLE	1		
11	887131062	TOOL ASSEMBLING STEERING TUBE BEARING	1		
12	889450081	FAKE ENGINE FRAME	1		
13	889450082	PROTECTOR, FUEL TANK	1		
14	889450086	TAIL GUARD PROTECTION	1		
15	800070139	WRENCH FOR FRONT WHEEL SPINDLE	1		
16	887134488	FORK OIL LEVEL SYRINGE	1		



DRAWING A - TYRES

GROUP TYRES



POS.	CODE	DESCRIPTION	QTY	VALIDITY	NOTES
1	49041071A	FRONT TYRE	1		(*)=Pneumatico di primo equipaggiamento
2	49141581A	REAR TYRE	1		(*)=Pneumatico di primo equipaggiamento
3	490P0002A	FRONT TYRE	1		(#)=For competition use only
4	490P0003A	FRONT TYRE	1		(#)=For competition use only
5	490P0004A	FRONT TYRE	1		(#)=For competition use only
6	491P0015A	REAR TYRE	1		(#)=For competition use only
7	491P0016A	REAR TYRE	1		(#)=For competition use only
8	491P0017A	REAR TYRE	1		(#)=For competition use only
9	491P0018A	REAR TYRE	1		(#)=For competition use only
10	490P0333A	FRONT TYRE	1		
11	491P0408A	REAR TYRE	1		
12	490P0029A	FRONT TYRE	1		(#)=For competition use only
13	490P0030A	FRONT TYRE	1		(#)=For competition use only
14	491P0041A	REAR TYRE	1		(#)=For competition use only
15	491P0042A	REAR TYRE	1		(#)=For competition use only
16	491P0043A	REAR TYRE	1		(#)=For competition use only
17	490P0044A	FRONT TYRE	1		(#)=For competition use only
18	490P0248A	FRONT TYRE	1		(#)=For competition use only
19	49041081A	FRONT TYRE	1		
20	491P0348A	REAR TYRE	1		
21	490P0297A	FRONT TYRE	1		(#)=For competition use only
22	490P0298A	FRONT TYRE	1		(#)=For competition use only
23	491P0339A	REAR TYRE	1		(#)=For competition use only
24	491P0340A	REAR TYRE	1		(#)=For competition use only
25	491P0341A	REAR TYRE	1		(#)=For competition use only
26	491P0342A	REAR TYRE	1		(#)=For competition use only
27	490P0019A	FRONT TYRE	1		(#)=For competition use only
28	490P0022A	FRONT TYRE	1		(#)=For competition use only



DRAWING B - ORIGINAL EQUIPMENT TYRES

GROUP TYRES



POS.	CODE	DESCRIPTION	QTY	VALIDITY	NOTES
1	49041071A	FRONT TYRE	1		(*)=Pneumatico di primo equipaggiamento
2	49141581A	REAR TYRE	1		(*)=Pneumatico di primo equipaggiamento



DRAWING C - (#) PIRELLI DIABLO™ SUPERBIKE

GROUP TYRES



POS.	CODE	DESCRIPTION	QTY	VALIDITY	NOTES
1	490P0002A	FRONT TYRE	1		(#)=For competition use only
2	490P0003A	FRONT TYRE	1		(#)=For competition use only
3	490P0004A	FRONT TYRE	1		(#)=For competition use only
4	491P0015A	REAR TYRE	1		(#)=For competition use only
5	491P0016A	REAR TYRE	1		(#)=For competition use only
6	491P0017A	REAR TYRE	1		(#)=For competition use only
7	491P0018A	REAR TYRE	1		(#)=For competition use only



DRAWING D - (#) DIABLO™ WET

GROUP TYRES



POS.	CODE	DESCRIPTION	QTY	VALIDITY	NOTES
1	490P0019A	FRONT TYRE	1		(#)=For competition use only



DRAWING E - (#) DIABLO™ RAIN

GROUP TYRES



POS.	CODE	DESCRIPTION	QTY	VALIDITY	NOTES
1	490P0022A	FRONT TYRE	1		(#)=For competition use only



DRAWING F - (#) DIABLO™ SUPERCORSA SC V2

GROUP TYRES



POS.	CODE	DESCRIPTION	QTY	VALIDITY	NOTES
1	490P0029A	FRONT TYRE	1		(#)=For competition use only
2	490P0030A	FRONT TYRE	1		(#)=For competition use only
3	491P0041A	REAR TYRE	1		(#)=For competition use only
4	491P0042A	REAR TYRE	1		(#)=For competition use only
5	491P0043A	REAR TYRE	1		(#)=For competition use only



DRAWING G - (#) DIABLO™ SUPERCORSA SC

GROUP TYRES



POS.	CODE	DESCRIPTION	QTY	VALIDITY	NOTES
1	490P0248A	FRONT TYRE	1		(#)=For competition use only
2	490P0044A	FRONT TYRE	1		(#)=For competition use only



DRAWING H - PIRELLI DIABLO™ ROSSO CORSA II

GROUP TYRES



POS.	CODE	DESCRIPTION	QTY	VALIDITY	NOTES
1	49041081A	FRONT TYRE	1		
2	491P0348A	REAR TYRE	1		



DRAWING I - (#) DIABLO SUPERCORSA SC V3

GROUP TYRES



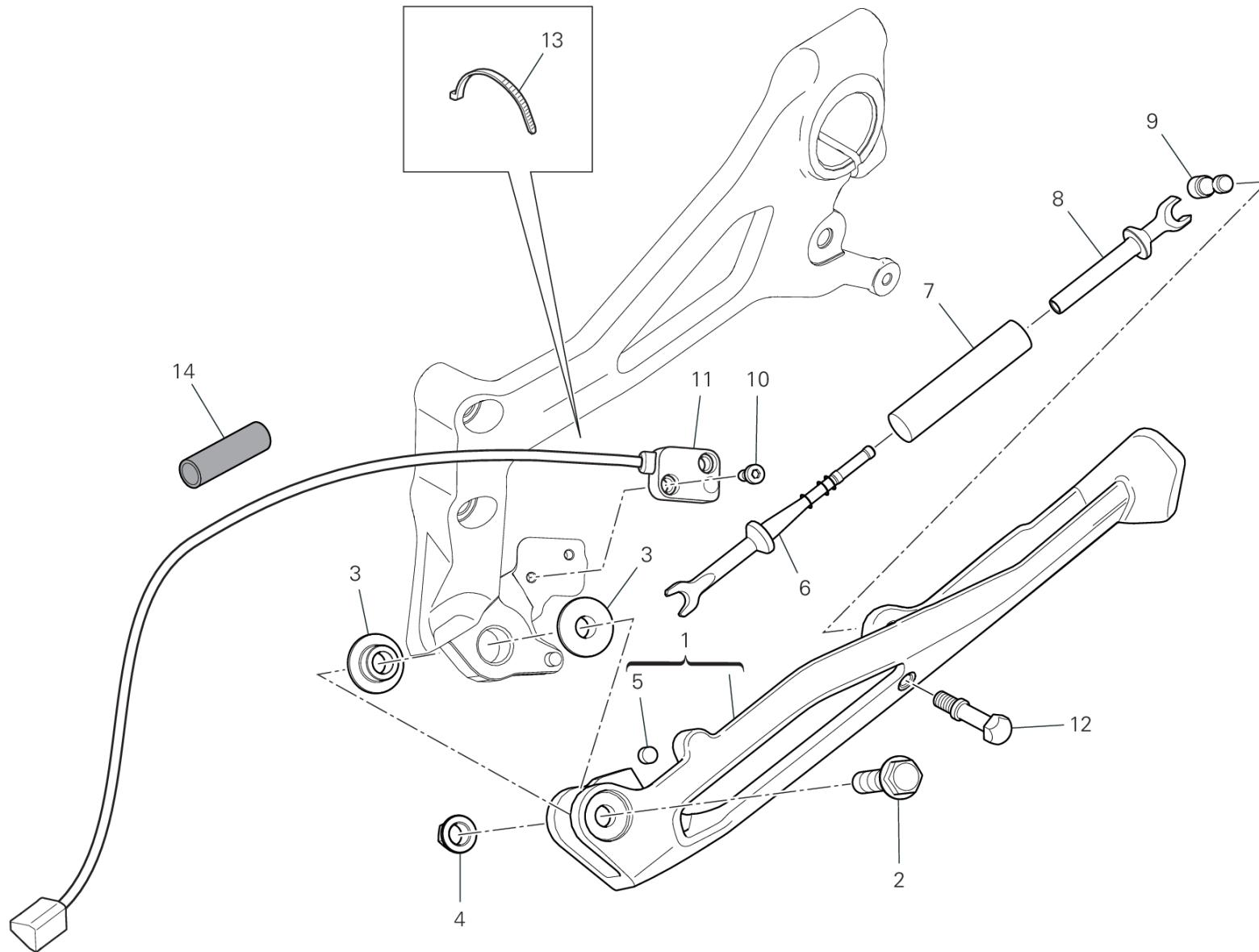
POS.	CODE	DESCRIPTION	QTY	VALIDITY	NOTES
1	490P0297A	FRONT TYRE	1		(#)=For competition use only
2	490P0298A	FRONT TYRE	1		(#)=For competition use only
3	491P0339A	REAR TYRE	1		(#)=For competition use only
4	491P0340A	REAR TYRE	1		(#)=For competition use only
5	491P0341A	REAR TYRE	1		(#)=For competition use only
6	491P0342A	REAR TYRE	1		(#)=For competition use only



DRAWING K - GROUP TYRES



POS.	CODE	DESCRIPTION	QTY	VALIDITY	NOTES
1	490P0333A	FRONT TYRE	1		
2	491P0408A	REAR TYRE	1		



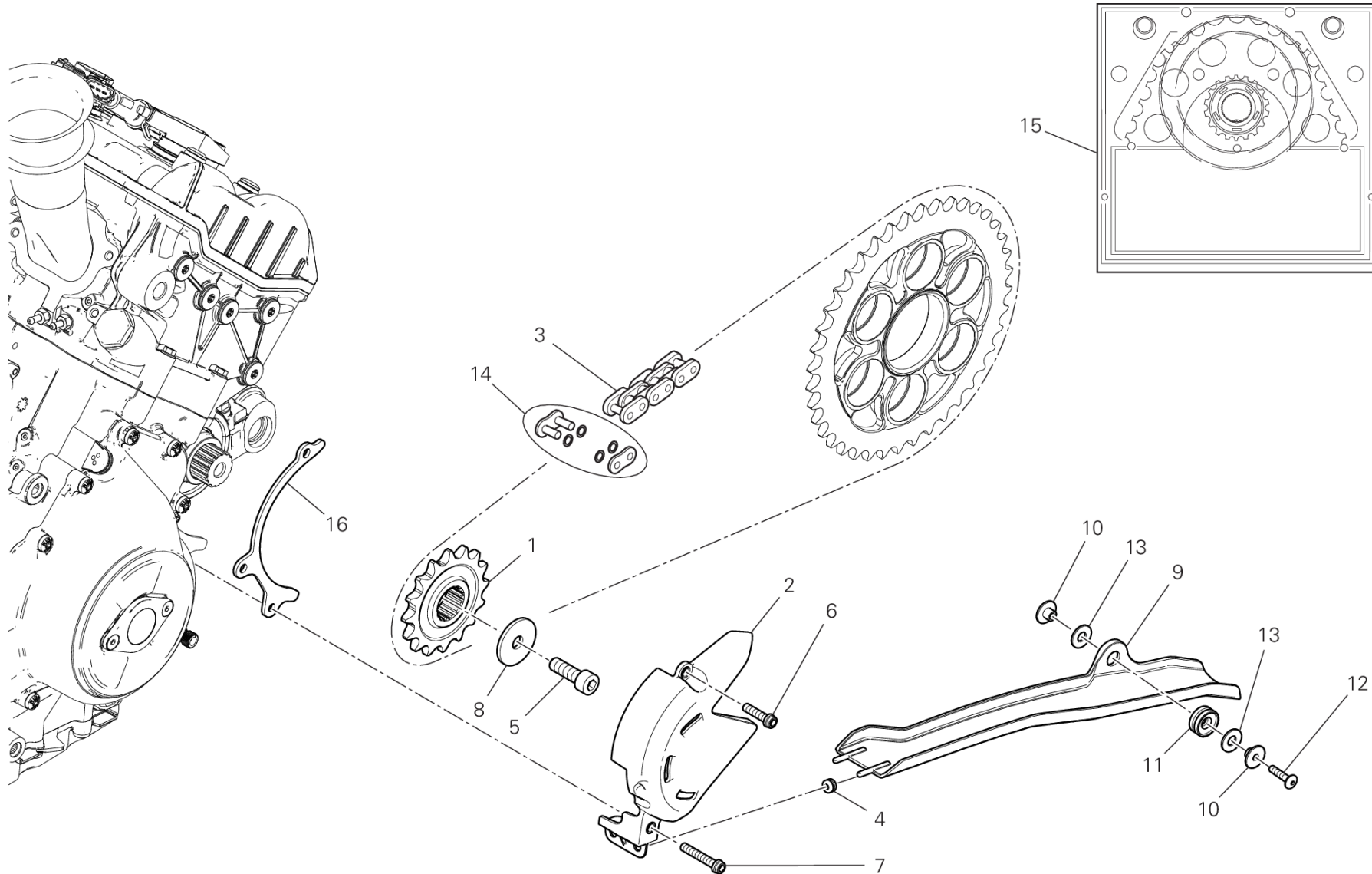
TEL01594

DRAWING 16A - STAND

GROUP FRAME



POS.	CODE	DESCRIPTION	QTY	VALIDITY	NOTES
1	55621141AA	SIDE STAND	1		
2	77244661A	SCREW	1		
3	71611661AA	SPACER	2		
4	74840341B	NUT M8	1		
5	53940651A	MAGNETE	1		
6	11711252AA	ROD	1		
7	79925411AA	COMPLETE SPRING	1		
8	71012111AA	SPINDLE, TAPER	1		
9	82113731AA	PIN	1		
10	77354623B	SCREW M4X10	2		
11	53940601A	SWITCH, STAND	1		
12	83210742A	PIN	1		
13	74140381A	CLAMP	2		
14	4601F481A	PROTECTION, HEAT	1		



TEL01554

DRAWING 17A - FRONT SPROCKET - CHAIN [XST:BLG,EUR,JPN,GSO,ROK,TUR]

GROUP FRAME



POS.	CODE	DESCRIPTION	QTY	VALIDITY	NOTES
1	44910801A	SPROCKET, CHAIN T16	1		
2	4601G582A	CHAIN PINION COVER	1		
3	67641601A	CHAIN 113+1	1	XST:BLG,EUR,JPN,GSO,ROK,TUR	
4	76440561A	RUBBER PAD	2		
5	77154337C	SCREW	1		
6	77156683B	SCREW	1		
7	77156733B	SCREW	1		
8	85212801A	THRUST WASHER	1		
9	46016762A	MUDFLAP	1		
10	71615691AA	SPACER	2		
11	76411821A	VIBRATION DAMPER PAD	1		
12	77244213B	SCREW	1		
13	85640121A	WASHER	2		
14	67740033A	CHAIN LINK	1		
15	67621381A	FINAL DRIVE KIT	1	XST:BLG,EUR,JPN,GSO,ROK,TUR	
16	44712181A	CHAIN SLIDER	1		

DRAWING 17A - FRONT SPROCKET - CHAIN [XST:AUS]

GROUP FRAME

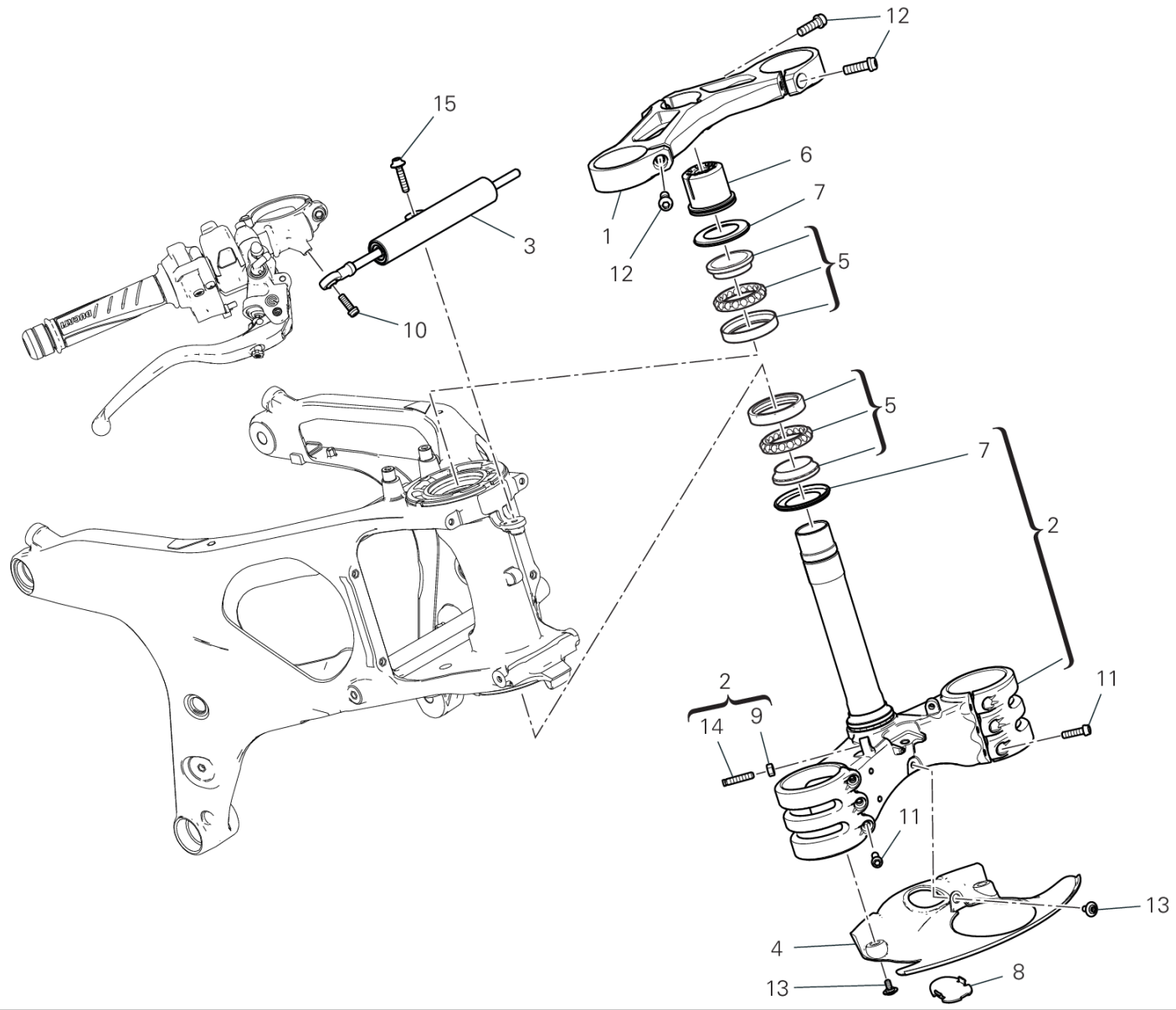


POS.	CODE	DESCRIPTION	QTY	VALIDITY	NOTES
1	44910801A	SPROCKET, CHAIN T16	1		
2	4601G582A	CHAIN PINION COVER	1		
3	67641601A	CHAIN 113+1	1		
4	76440561A	RUBBER PAD	2		
5	77154337C	SCREW	1		
6	77156743C	SCREW	1		
7	77156733B	SCREW	1		
8	85212801A	THRUST WASHER	1		
9	46016762A	MUDFLAP	1		
10	71615691AA	SPACER	2		
11	76411821A	VIBRATION DAMPER PAD	1		
12	77244213B	SCREW	1		
13	85640121A	WASHER	2		
14	67740033A	CHAIN LINK	1		
15	67621381A	FINAL DRIVE KIT	1		
16	44610401AA	CHAIN GUARD	1		
17	71611701AA	SPACER	1		
18	44712181A	CHAIN SLIDER	1		



DRAWING 18A - STEERING ASSEMBLY [XST:AUS,BLG,EUR,JPN,GSO,TUR]

GROUP FRAME



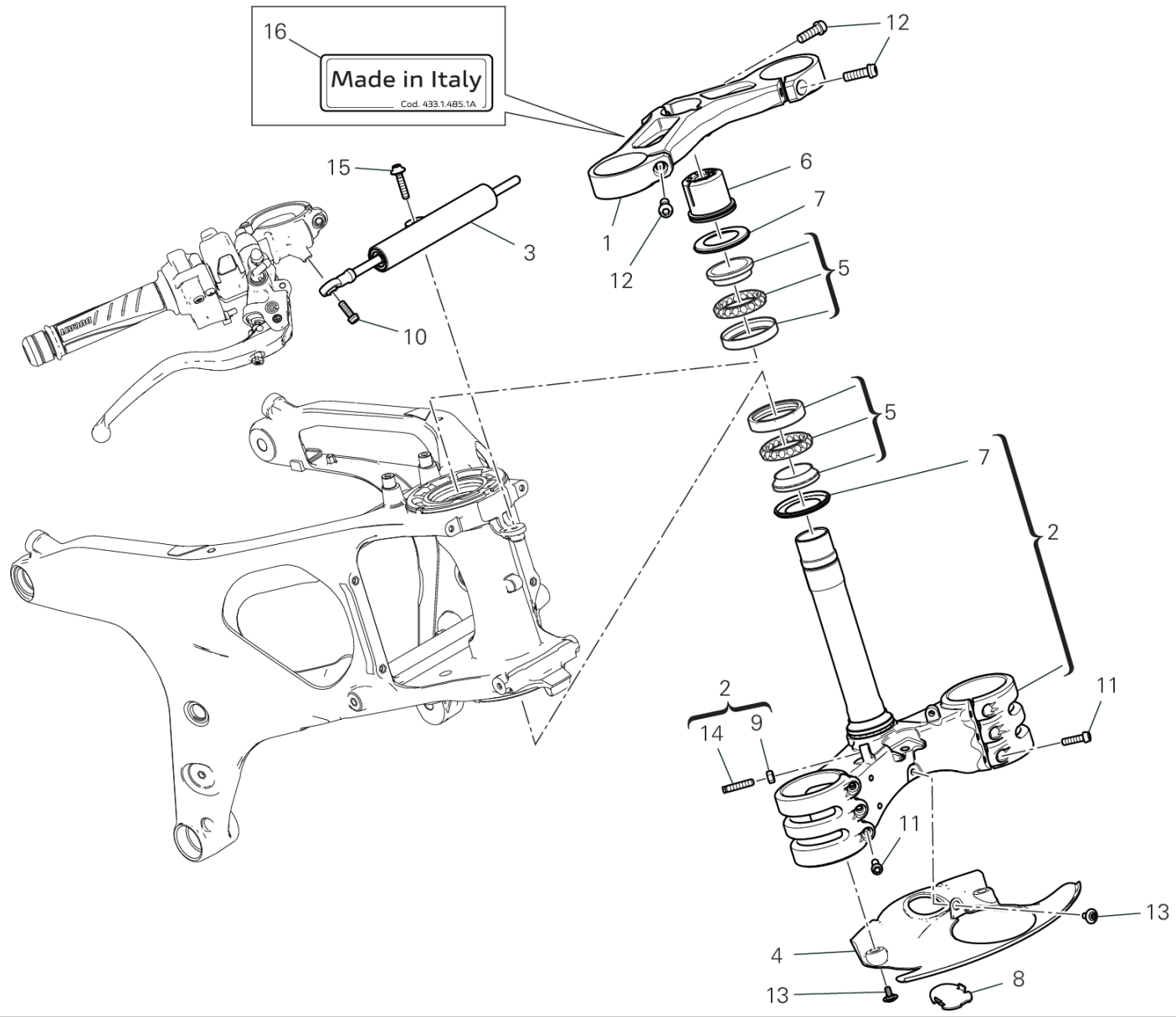
SOS01174

DRAWING 18A - STEERING ASSEMBLY [XST:AUS,BLG,EUR,JPN,GSO,TUR]

GROUP FRAME



POS.	CODE	DESCRIPTION	QTY	VALIDITY	NOTES
1	34111202BA	STEERING HEAD	1		
2	342P1041AA	STEERING HEAD BASE	1		
3	36420101A	STEERING DAMPER	1		
4	4601F921B	MUDFLAP	1		
5	70241231A	BEARING, STEERING NTN SF07A17P	2		
6	70310931AA	THREAD, STEERING HEAD TOP	1		
7	93010041B	SEAL RING	1		
8	87210722A	PLUG	1		
9	74750031A	NUT 6MM	2		
10	77156678B	SCREW TCEIF M6X20	1		
11	77156688B	SCREW TCEIF	6		
12	77157258B	SCREW TCEIF M8X25	3		
13	77211251B	SCREW M5X9	3		
14	77912981A	SCREW, SPECIAL	2		
15	77917391BA	SCREW, SPECIAL	1		



SOS01188

DRAWING 18A - STEERING ASSEMBLY [XST:ROK]

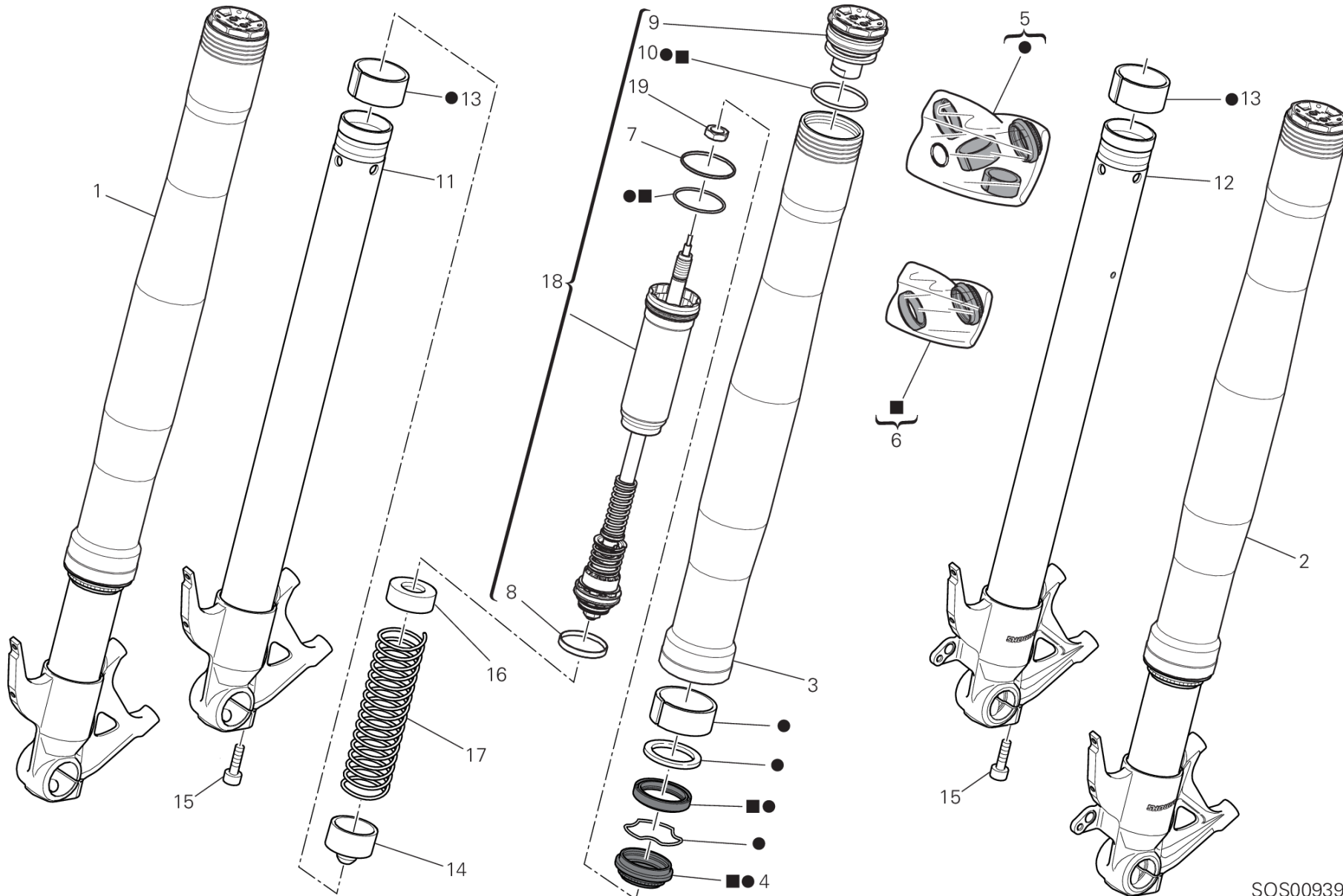
GROUP FRAME



POS.	CODE	DESCRIPTION	QTY	VALIDITY	NOTES
1	34111202BA	STEERING HEAD	1		
2	342P1041AA	STEERING HEAD BASE	1		
3	36420101A	STEERING DAMPER	1		
4	4601F921B	MUDFLAP	1		
5	70241231A	BEARING, STEERING NTN SF07A17P	2		
6	70310931AA	THREAD, STEERING HEAD TOP	1		
7	93010041B	SEAL RING	1		
8	87210722A	PLUG	1		
9	74750031A	NUT 6MM	2		
10	77156678B	SCREW TCEIF M6X20	1		
11	77156688B	SCREW TCEIF	6		
12	77157258B	SCREW TCEIF M8X25	3		
13	77211251B	SCREW M5X9	3		
14	77912981A	SCREW, SPECIAL	2		
15	77917391BA	SCREW, SPECIAL	1		
16	43314851A	MARKING PLATE	1		



DRAWING 18B - FRONT FORK GROUP FRAME



SOS00939

DRAWING 18B - FRONT FORK

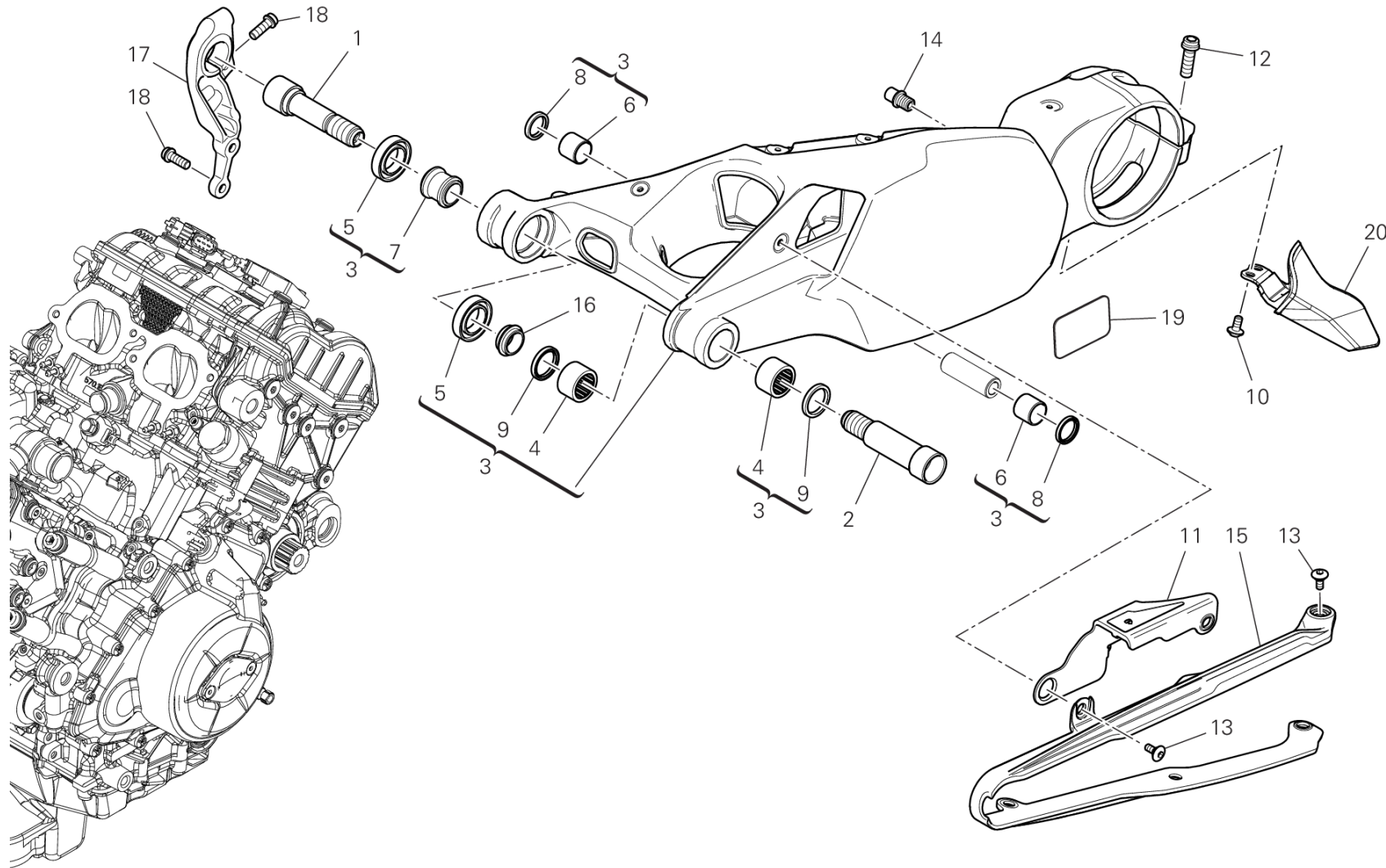
GROUP FRAME



POS.	CODE	DESCRIPTION	QTY	VALIDITY	NOTES
1	34421171A	RIGHT FORK LEG ASSY	1		
2	34521171A	LEFT FORK LEG ASSY	1		
3	34914171A	STANCHION TUBE	2		
4	34914861A	DUST COVER	2		
5	34922481A	OVERHAUL KIT	2		
6	34922491A	SEAL KIT	2		
7	34914211A	GASKET	2		
8	34914191A	GASKET	2		
9	34921671A	PLUG	2		
10	34912141A	O-RING	2		
11	34914071A	FORK BOTTOM END + SLEEVE UNIT (R.H.)	1		
12	34914081A	FORK BOTTOM END + SLEEVE UNIT (L.H.)	1		
13	34913091A	BUSH	2		
14	34914141A	SPINDLE, TAPER	2		
15	34914091A	SCREW	4		
16	34914161A	SPACER	2		
17	34914851A	SPRING	2		
18	34914841A	PLUNGER ASSY	2		
19	34914221A	NUT	2		



DRAWING 19A - REAR SWINGING ARM GROUP FRAME



SOS01175

DRAWING 19A - REAR SWINGING ARM

GROUP FRAME

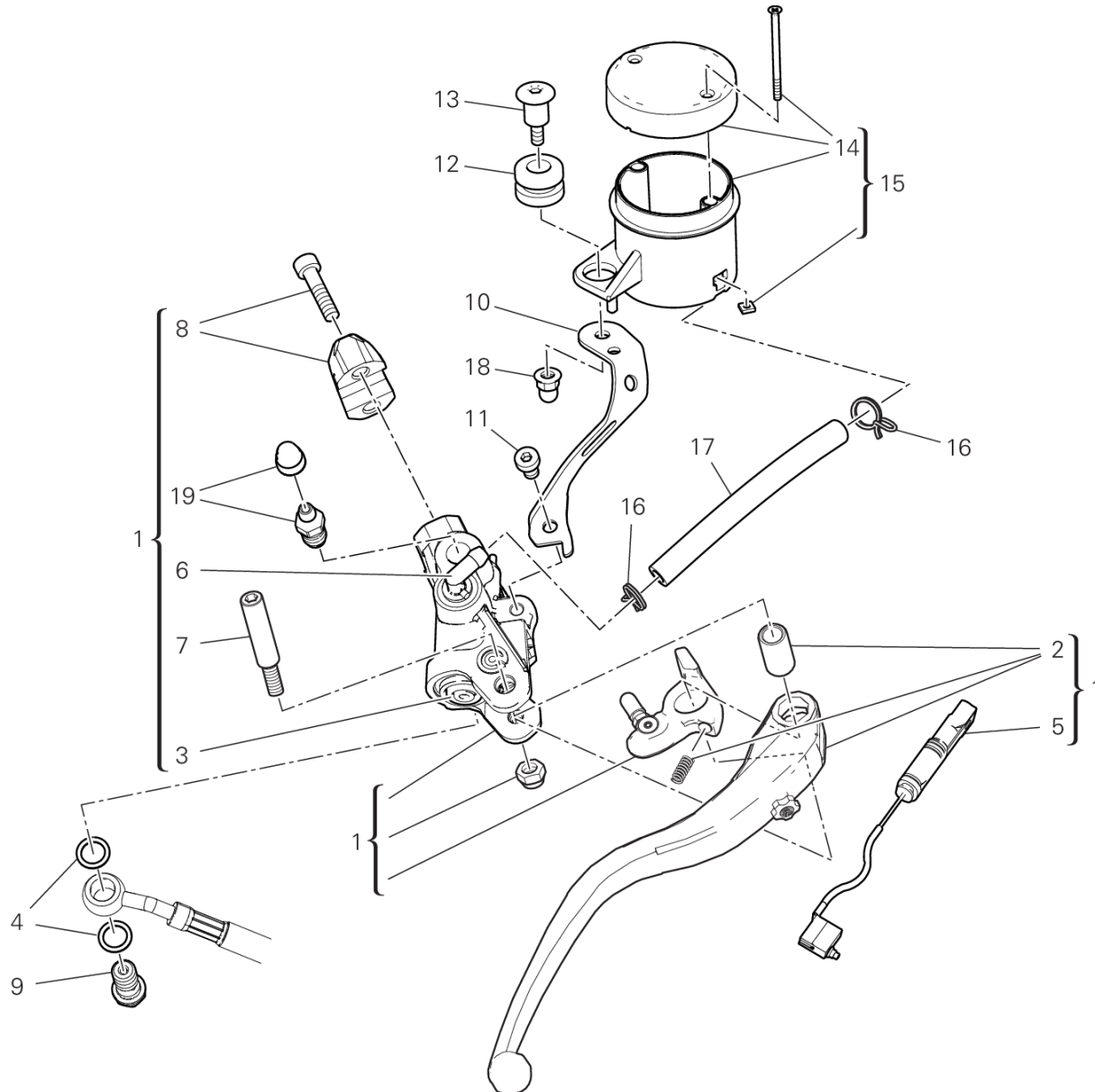


POS.	CODE	DESCRIPTION	QTY	VALIDITY	NOTES
1	36911521AA	SWINGARM PIVOT RH	1		
2	36911302AA	SWINGARM PIVOT LH	1		
3	37022191DA	REAR SWINGING ARM	1		
4	70140171A	BEARING, NEEDLE	2		
5	70240081A	BEARING	2		
6	70241191A	BUSH	2		
7	7131C821AA	INNER SPACER	1		
8	93041271A	SEAL RING 20X26X4	2		
9	93050121A	SEAL RING	2		
10	77244163BA	SCREW TBEI M5X10	2		
11	44711961A	CHAIN GUARD	1		
12	77157578B	SCREW	2		
13	77914401B	SCREW TBEI M6X15	6		
14	83210031E	PIN	1		
15	44711971B	CHAIN SLIDER	1		
16	71319452AA	RIGHT SPACER	1		
17	8291N631AB	RIGHT HOLDER	1		
18	77157248B	SCREW TCEIF M8X22	3		
19	43315041A	CHAIN ADJUSTMENT STICKER	1	XST:AUS,BLG,EUR,GSO,ROK,TUR	
	43315041B	CHAIN ADJUSTMENT STICKER	1	XST:JPN	
20	4601821A	CHAIN GUARD FIN	1		



DRAWING 20A - FRONT BRAKE PUMP GROUP FRAME

BRB00807



DRAWING 20A - FRONT BRAKE PUMP

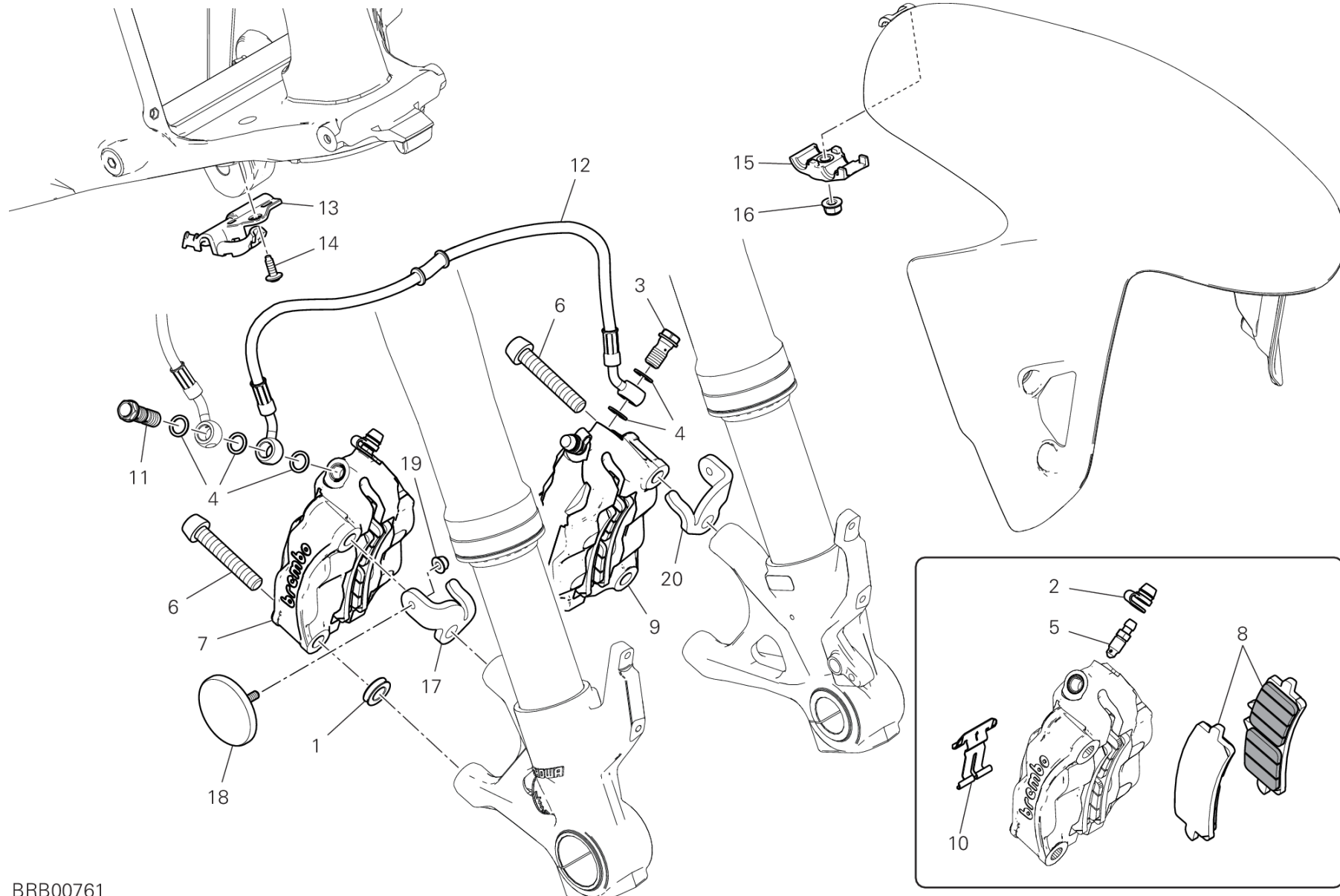
GROUP FRAME



POS.	CODE	DESCRIPTION	QTY	VALIDITY	NOTES
1	62441341AA	FRONT BRAKE PUMP	1		
2	63140601A	LEVER, FRONT BRAKE	1		
3	61240391A	DUST COVER	1		
4	85250241A	WASHER 10X14X1	2		
5	53940991A	MICROSWITCH	1		
6	63140081A	JOINT, HOSE	1		
7	62640561A	BOLT, LEVER	1		
8	62640571A	BRACKET, MASTER CYLINDER	1		
9	77914151A	BOLT, BRAKE HOSE	1		
10	82919222AA	BRACKET	1		
11	71950303C	SCREW	1		
12	76414191A	DAMPER	1		
13	77910921B	SCREW	1		
14	89340251A	COVER MASTER CYLINDER	1		
15	58540341A	RESERVOIR, BRAKE FLUID	1		
16	74142951A	CLAMP	2		
17	93310831A	HOSE	1		
18	75011921A	NUT	1		
19	63140281A	DRAIN	1		



DRAWING 20B - FRONT BRAKE SYSTEM GROUP FRAME



BRB00761

DRAWING 20B - FRONT BRAKE SYSTEM

GROUP FRAME

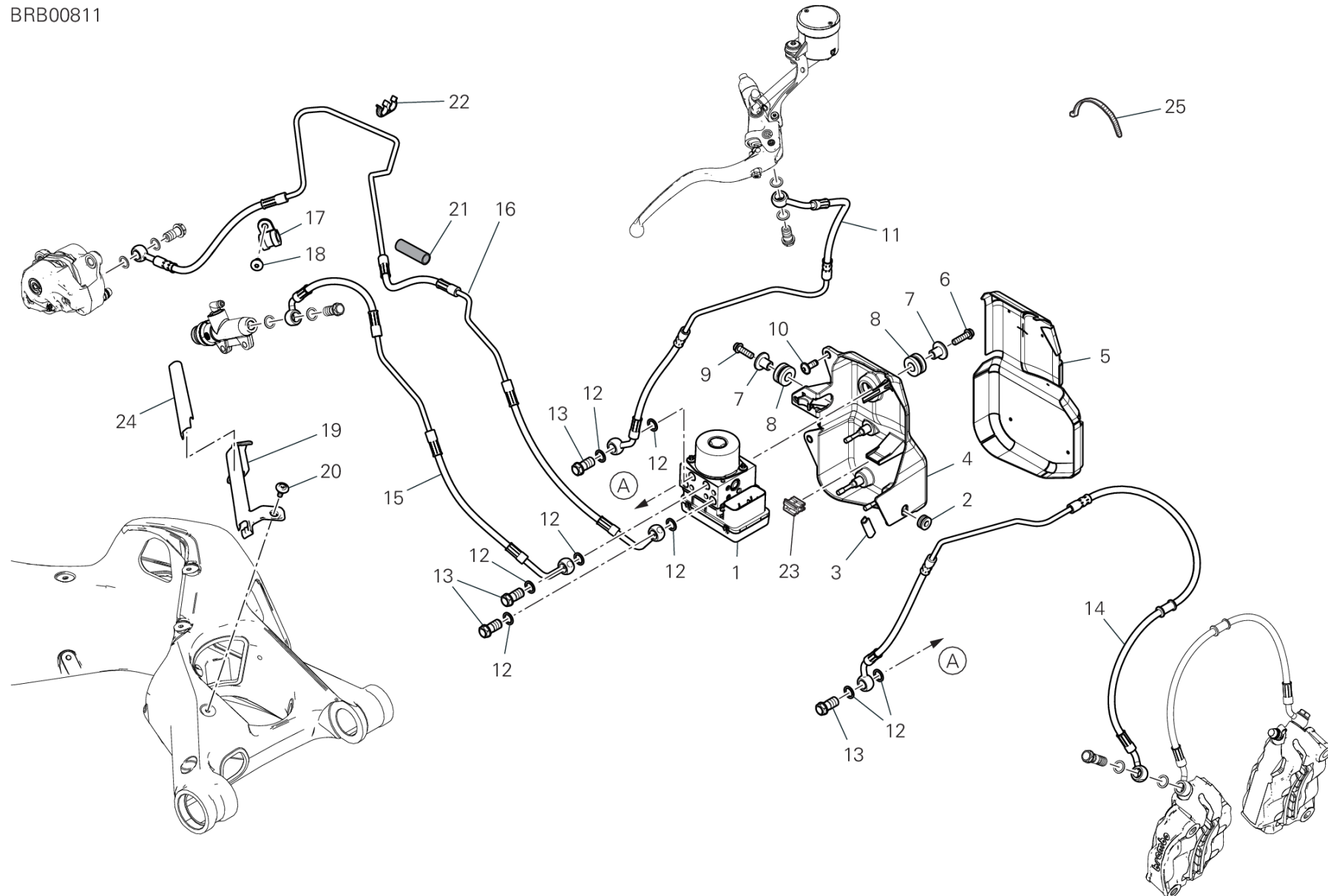


POS.	CODE	DESCRIPTION	QTY	VALIDITY	NOTES
1	71313641A	SPACER	2		
2	61240052A	DUST COVER	2		
3	77913662AB	SCREW, SPECIAL	1		
4	85250241A	WASHER 10X14X1	5		
5	61240201A	FRONT CALIPER DRAIN SCREW	2		
6	77915111B	SCREW	4		
7	61041821A	RIGHT FRONT BRAKE CALIPER	1		
8	61341271A	BRAKE PADS SET	2		
9	61041831A	LEFT FRONT BRAKE CALIPER	1		
10	61240371A	SPRING, PAD STOPPER	2		
11	77913091AB	SCREW, SPECIAL	1		
12	61841411A	HOSE, FRONT BRAKE CALIPER-CALIPER	1		
13	8301G011A	GUIDE, FRONT BRAKE HOSE	1		
14	77244173B	SCREW	1		
15	8291G861A	BRACKET, BRAKE HOSE	1		
16	74941113B	NUT	1		
17	82718841AA	RIGHT PLATE	1		
18	52910261A	REFLEX REFLECTOR AMBER	2		
19	74810351B	NUT	2		
20	82718851AA	LEFT PLATE	1		



DRAWING 20C - BRAKING SYSTEM ABS GROUP FRAME

BRB00811



DRAWING 20C - BRAKING SYSTEM ABS

GROUP FRAME

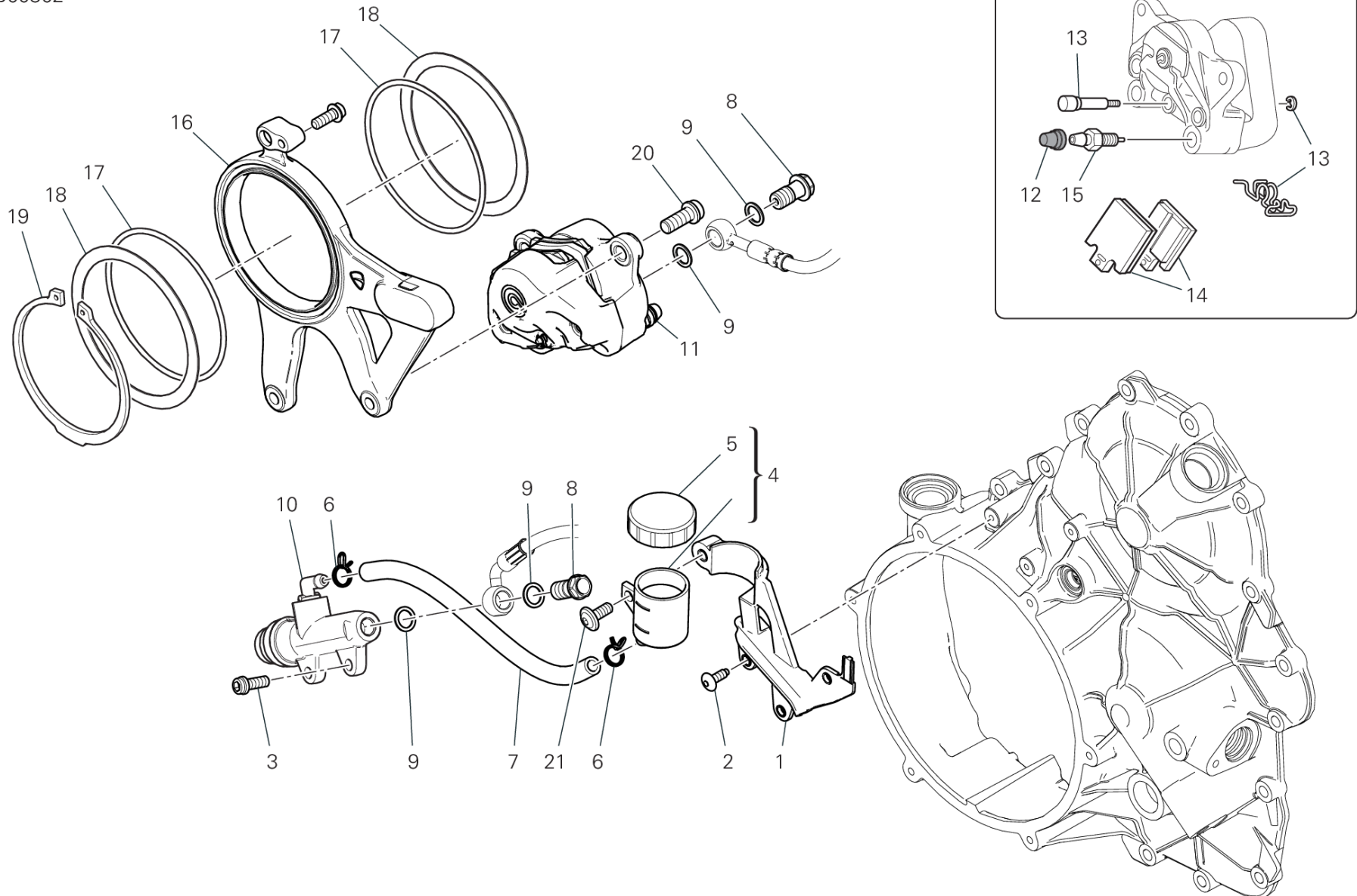


POS.	CODE	DESCRIPTION	QTY	VALIDITY	NOTES
1	54240991A	CONTROL UNIT ABS	1		
2	76411671A	RUBBER PAD	1		
3	78510181A	PROTECTION RUBBER	1		
4	8291H921A	BRACKET	1		
5	4601H171A	THERMOREFLECTING PROTECTION	1		
6	77251023C	SCREW TEF M6X22 10.9	1		
7	71610031A	SPACER	2		
8	76410641B	VIBRATION DAMPER PAD	2		
9	77251018B	SCREW TEF M6X20	1		
10	77914272A	SCREW	2		
11	61811651A	FRONT MASTER CYLINDER - CPU LINE	1		
12	85250241A	WASHER 10X14X1	8		
13	77913662AB	SCREW, SPECIAL	4		
14	61811441A	CPU - FRONT CALIPERS LINE	1		
15	61911531A	REAR MASTER CYLINDER-CPU LINE	1		
16	61911631A	CPU-REAR CALIPER LINE	1		
17	74140331A	CLAMP	1		
18	77210423C	SCREW TBEIF M6X16	1		
19	75811382A	HOSE GUIDE ABS	1		
20	77214411BA	SCREW, SPECIAL	2		
21	4601F481A	PROTECTION, HEAT	1		
22	75810681A	HOSE GUIDE ABS	4		
23	75841051A	CLIP	1		
24	4601M061A	TERMORIFLETTENTE GUIDATUBO FORCELLONE	1		
25	069191030	CLAMP	2		



DRAWING 20D - REAR BRAKE SYSTEM GROUP FRAME

BRB00802



DRAWING 20D - REAR BRAKE SYSTEM

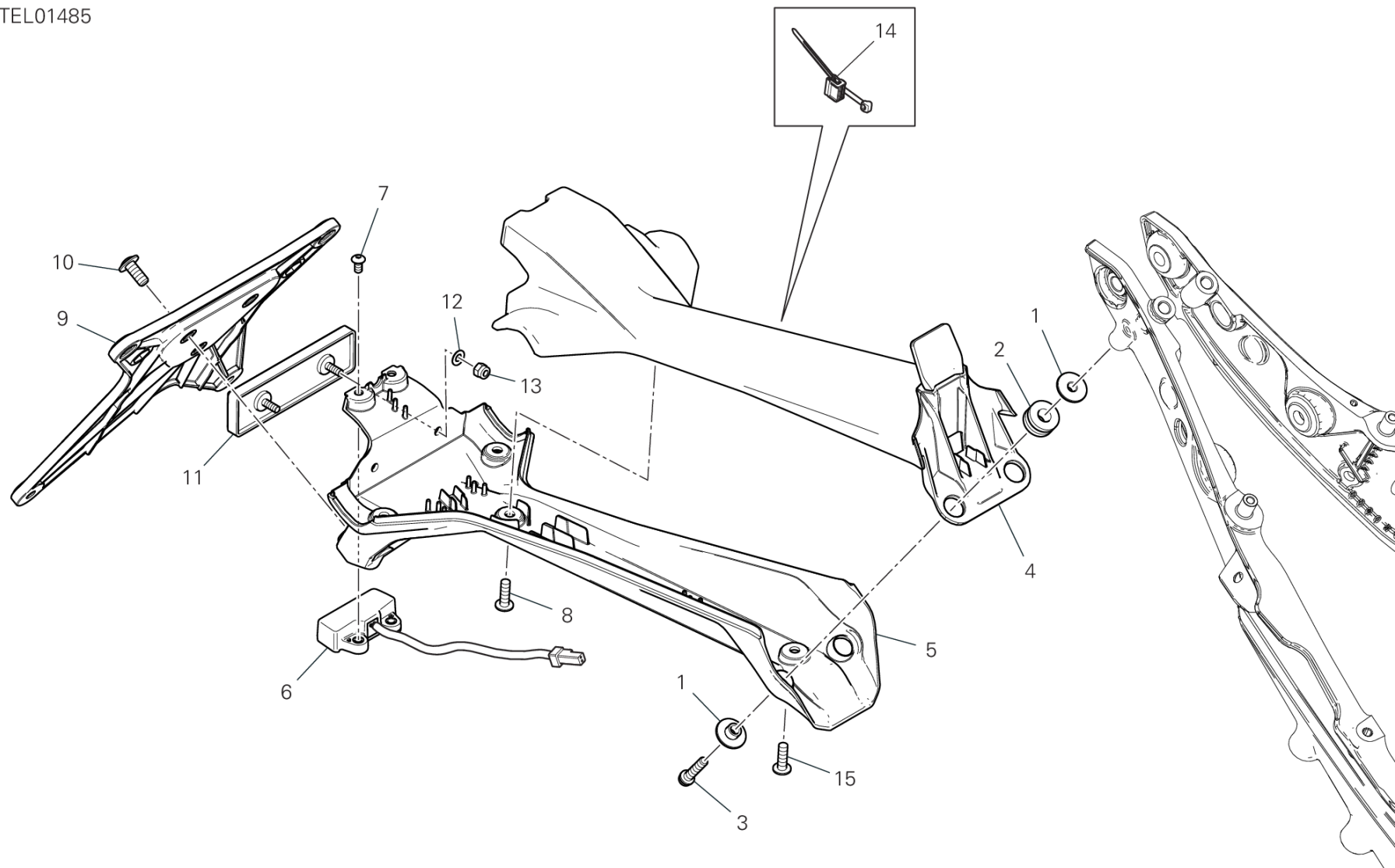
GROUP FRAME



POS.	CODE	DESCRIPTION	QTY	VALIDITY	NOTES
1	8291N811A	BRACKET	1		
2	72050313C	SCREW	3		
3	77156658B	SCREW TCEIF M6X16	2		
4	58540351A	SUB TANK, OIL	1		
5	89340241A	COVER MASTER CYLINDER	1		
6	74142951A	CLAMP	2		
7	93310671A	HOSE	1		
8	77913662AB	SCREW, SPECIAL	2		
9	85250241A	WASHER 10X14X1	4		
10	62540311C	REAR BRAKE PUMP	1		
11	61140471A	REAR BRAKE CALIPER	1		
12	61240081A	DUST PLUG	1		
13	61240161A	PAD PINS OVERHAUL KIT	1		
14	61340951A	REAR BRAKE PADS SET	1		
15	63140161A	FRONT CALIPER DRAIN SCREW	1		
16	82510641AA	PLATE	1		
17	88641241A	O-RING 89.5X3	2		
18	85212171A	WASHER 85.5X101X1	2		
19	88440511A	CIRCLIP 85X3	1		
20	77157238B	SCREW TCEIF M8X20	2		
21	77210893B	SCREW	1		



TEL01485

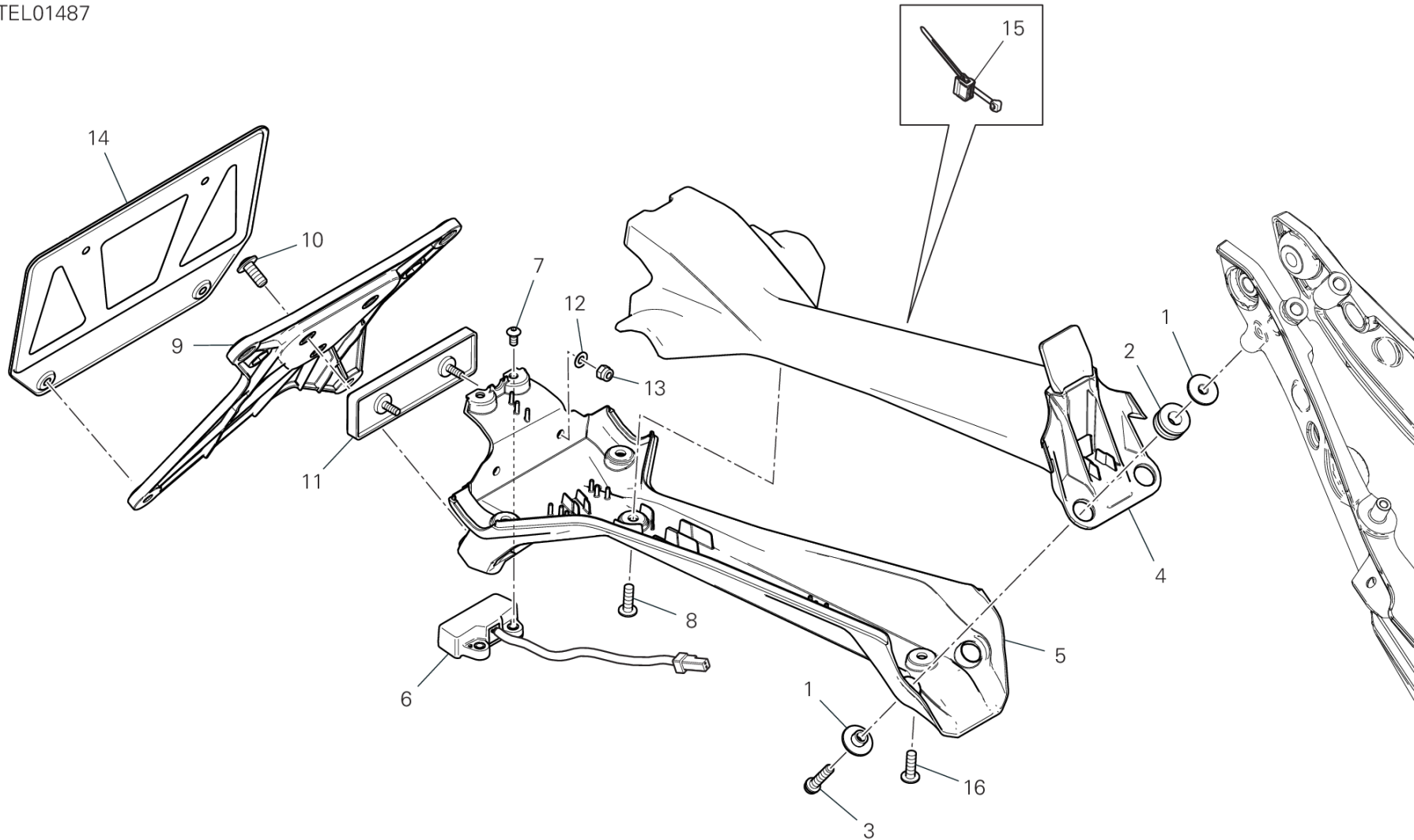




POS.	CODE	DESCRIPTION	QTY	VALIDITY	NOTES
1	71615691AA	SPACER	4		
2	76412501A	RUBBER PAD	2		
3	77156443B	SCREW	2		
4	56113501C	NUMBER PLATE HOLDER UPPER	1		
5	56113681A	NUMBER PLATE HOLDER BOTTOM	1		
6	52510611A	LAMP, LICENSE PLATE	1		
7	77550171A	SCREW TBEI M4X8	2		
8	77440203C	SCREW	3		
9	56113392A	PLATE HOLDER	1		
10	77240408C	SCREW	3		
11	52910231A	REFLEX REFLECTOR, REAR	1		
12	85212511A	WASHER 4.5X9X0.5	2		
13	74950011B	NUT, SPRING	2		
14	75840801A	CLAMP	1		
15	72050173CA	SCREW	1		



TEL01487



DRAWING 21A - PLATE HOLDER [XST:JPN]

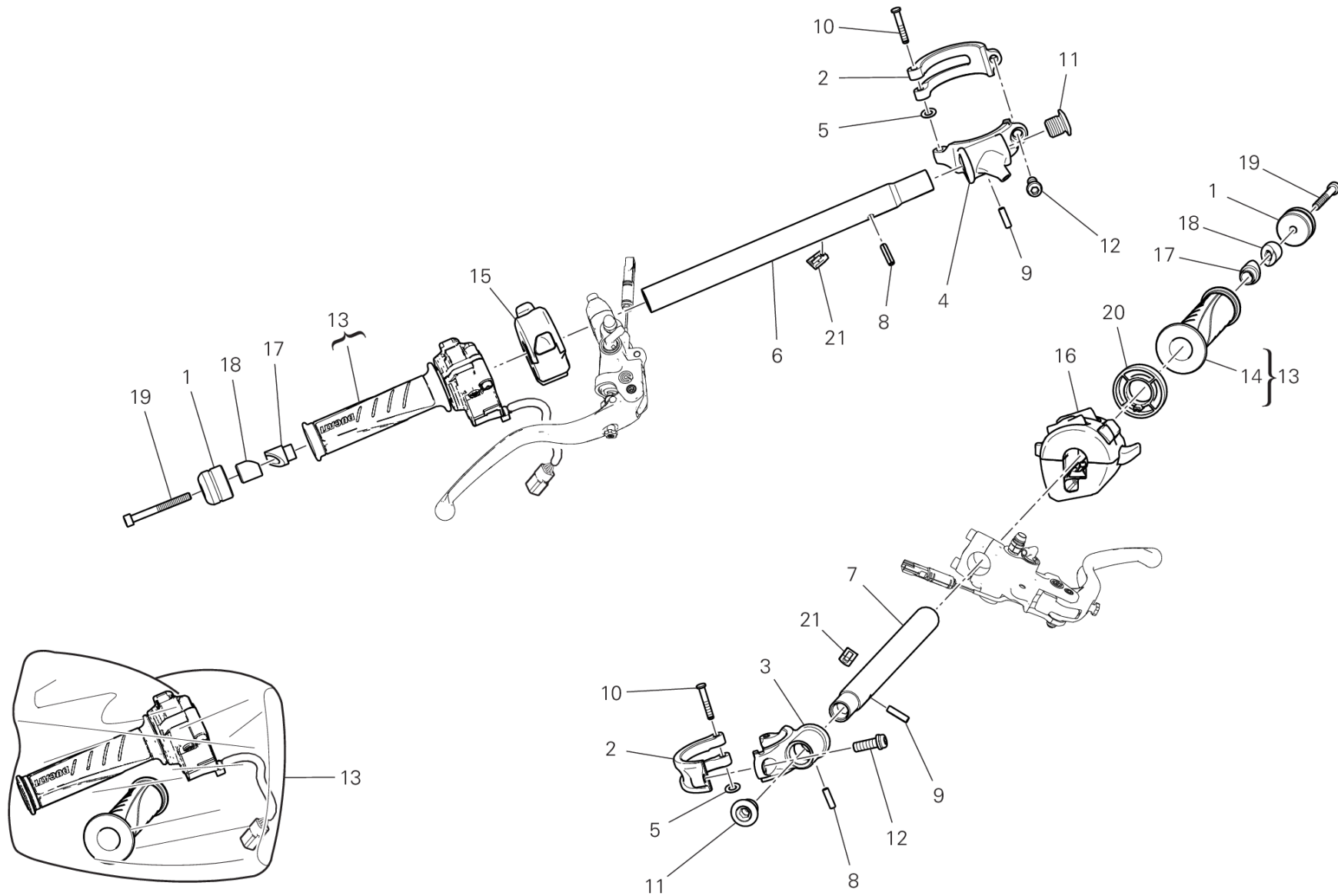
GROUP FRAME



POS.	CODE	DESCRIPTION	QTY	VALIDITY	NOTES
1	71615691AA	SPACER	4		
2	76412501A	RUBBER PAD	2		
3	77156443B	SCREW	2		
4	56113501C	NUMBER PLATE HOLDER UPPER	1		
5	56113681A	NUMBER PLATE HOLDER BOTTOM	1		
6	52510611A	LAMP, LICENSE PLATE	1		
7	77550171A	SCREW TBEI M4X8	2		
8	77440203C	SCREW	3		
9	56113392A	PLATE HOLDER	1		
10	77240408C	SCREW	3		
11	52910231A	REFLEX REFLECTOR, REAR	1		
12	85212511A	WASHER 4.5X9X0.5	2		
13	74950011B	NUT, SPRING	2		
14	56113381AA	PLATE	1		
15	75840801A	CLAMP	1		
16	72050173CA	SCREW	1		



DRAWING 22A - HALF-HANDLEBARS GROUP FRAME



SOS01177

DRAWING 22A - HALF-HANDLEBARS

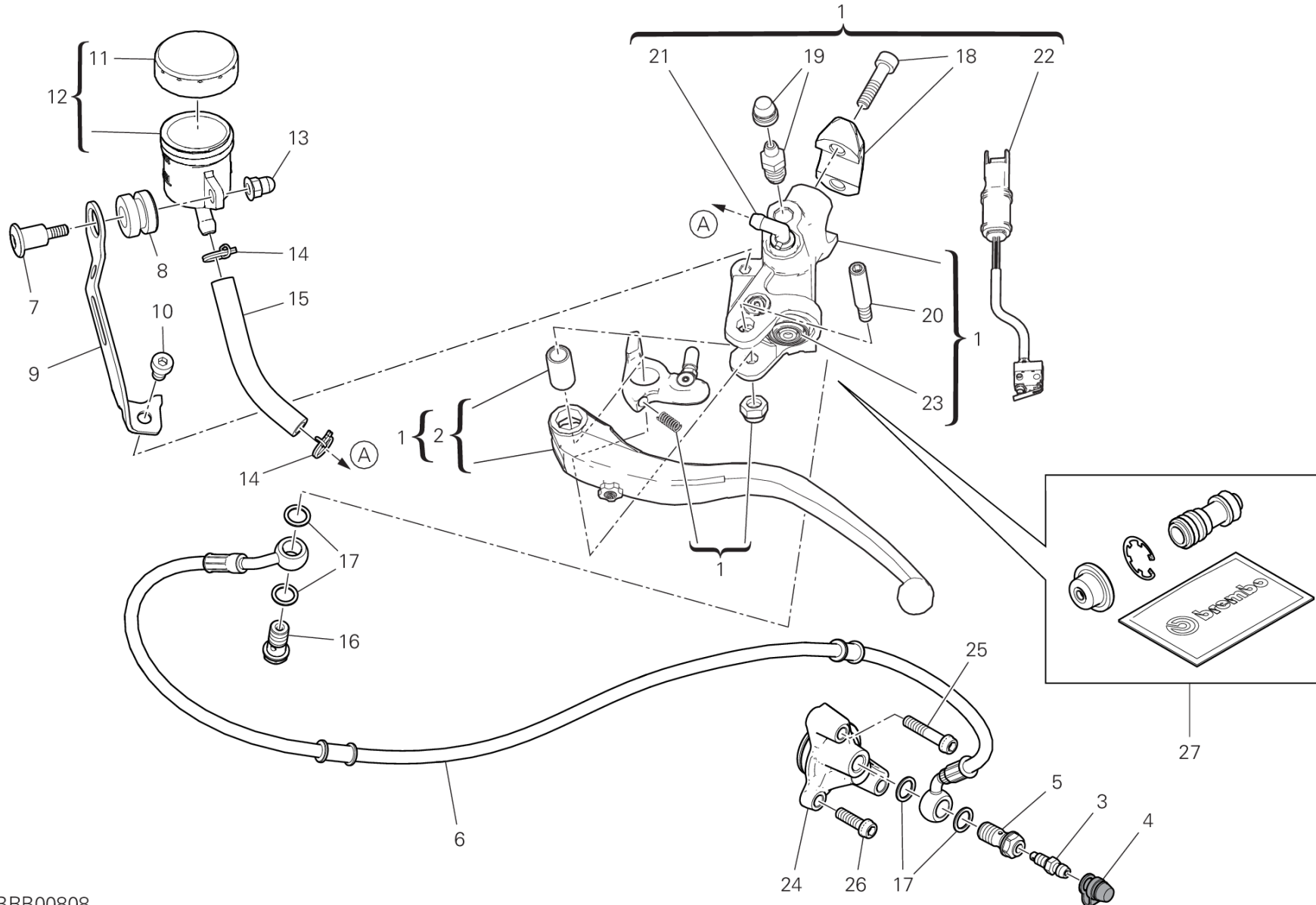
GROUP FRAME



POS.	CODE	DESCRIPTION	QTY	VALIDITY	NOTES
1	15310271A	BALANCER SET, HANDLE BAR	2		
2	36012172AA	CLAMP REAR	2		
3	36011981AA	CLAMP FRONT LH	1		
4	36011991AA	CLAMP FRONT RH	1		
5	88450021A	SPRING RING	2		
6	87512772CA	HANDLEBAR TUBE R.H.	1		
7	87512763CA	HANDLEBAR TUBE L.H.	1		
8	86150331A	PIN, SPRING	2		
9	86050171A	PIN, SPRING	2		
10	82113822BA	PIN	2		
11	7791A871AA	SCREW, SPECIAL	2		
12	77157248B	SCREW TCEIF M8X22	2		
13	66020102B	THROTTLE CONTROL	1		
14	36140161A	HAND GRIP LH	1		
15	65010362A	RIGHT SWITCH	1		
16	65110301C	LEFT SWITCH	1		
17	71011451A	BUSH	2		
18	71112791A	BUSH	2		
19	77150768B	SCREW TCEI M6X55	2		
20	7131D051A	SPACER	1		
21	83040071A	CLIP	2		



DRAWING 22B - CLUTCH CONTROL GROUP FRAME



BRB00808

PANIGALE V4 /23

027000023

DRAWING 22B - CLUTCH CONTROL

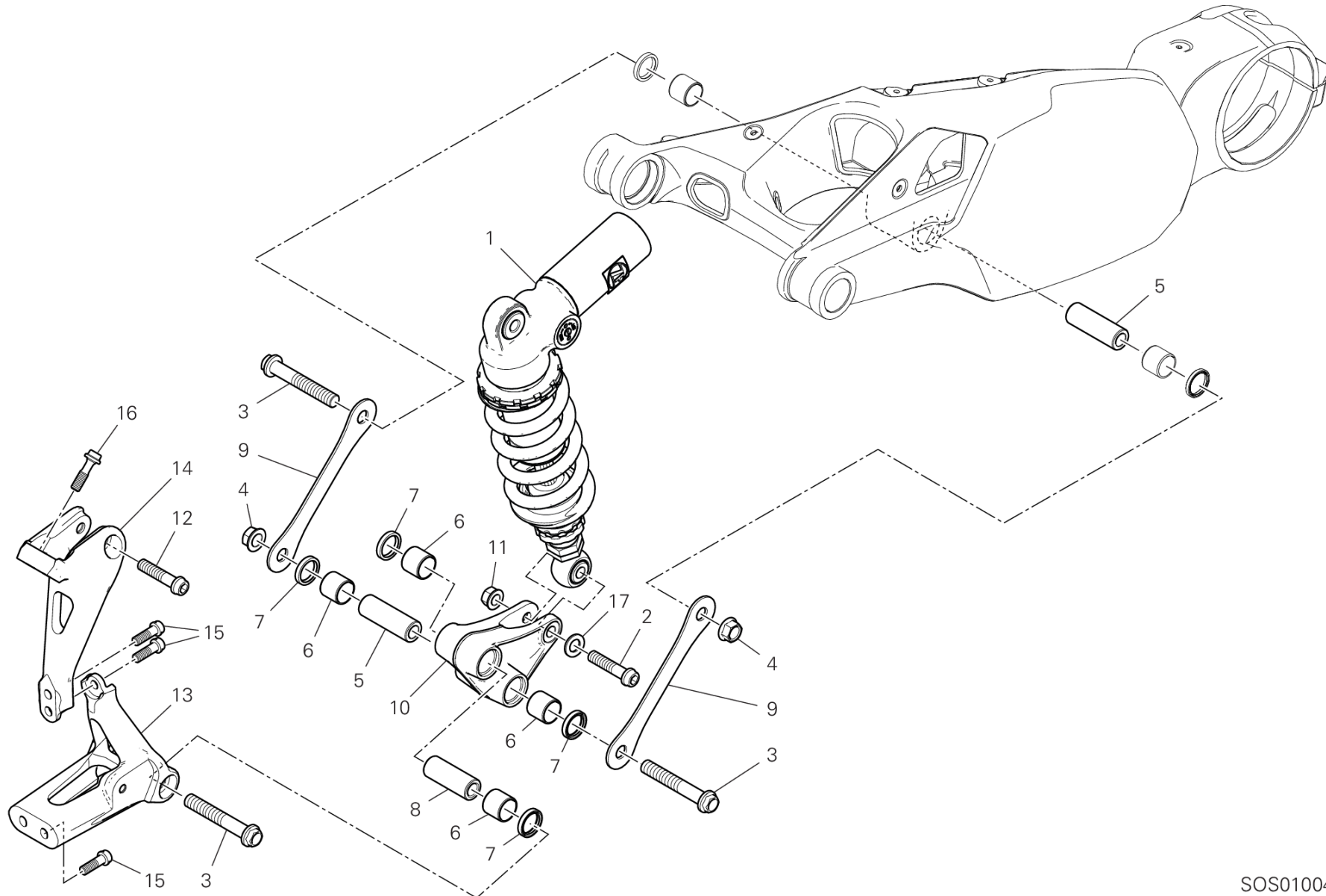
GROUP FRAME



POS.	CODE	DESCRIPTION	QTY	VALIDITY	NOTES
1	63040932AA	CLUTCH PUMP	1		
2	63140631A	LEVER, CLUTCH LIFTER	1		
3	18710021A	VALVE, BREATHER	1		
4	61240052A	DUST COVER	1		
5	77913971A	BOLT, BRAKE HOSE	1		
6	63210981A	CLUTCH OIL HOSE	1		
7	77910921B	SCREW	1		
8	76414191A	DAMPER	1		
9	82919232AA	BRACKET	1		
10	71950303C	SCREW	1		
11	89340241A	COVER MASTER CYLINDER	1		
12	58540351A	SUB TANK, OIL	1		
13	75011921A	NUT	1		
14	74142951A	CLAMP	2		
15	93310611A	HOSE, OIL	1		
16	77913662AB	SCREW, SPECIAL	1		
17	85250241A	WASHER 10X14X1	4		
18	62640571A	BRACKET, MASTER CYLINDER	1		
19	63140281A	DRAIN	1		
20	62640561A	BOLT, LEVER	1		
21	63140081A	JOINT, HOSE	1		
22	53940981A	SWITCH, CLUTCH	1		
23	61240391A	DUST COVER	1		
24	19540091D	PISTON ASSEMBLY	1		
25	77156728B	SCREW TCEIF M6X35	1		
26	77156678B	SCREW TCEIF M6X20	1		
27	61041991A	BREMBO CLUTCH FLOATING PISTON KIT	1		



DRAWING 23A - REAR SHOCK ABSORBER GROUP FRAME



SOS01004

DRAWING 23A - REAR SHOCK ABSORBER

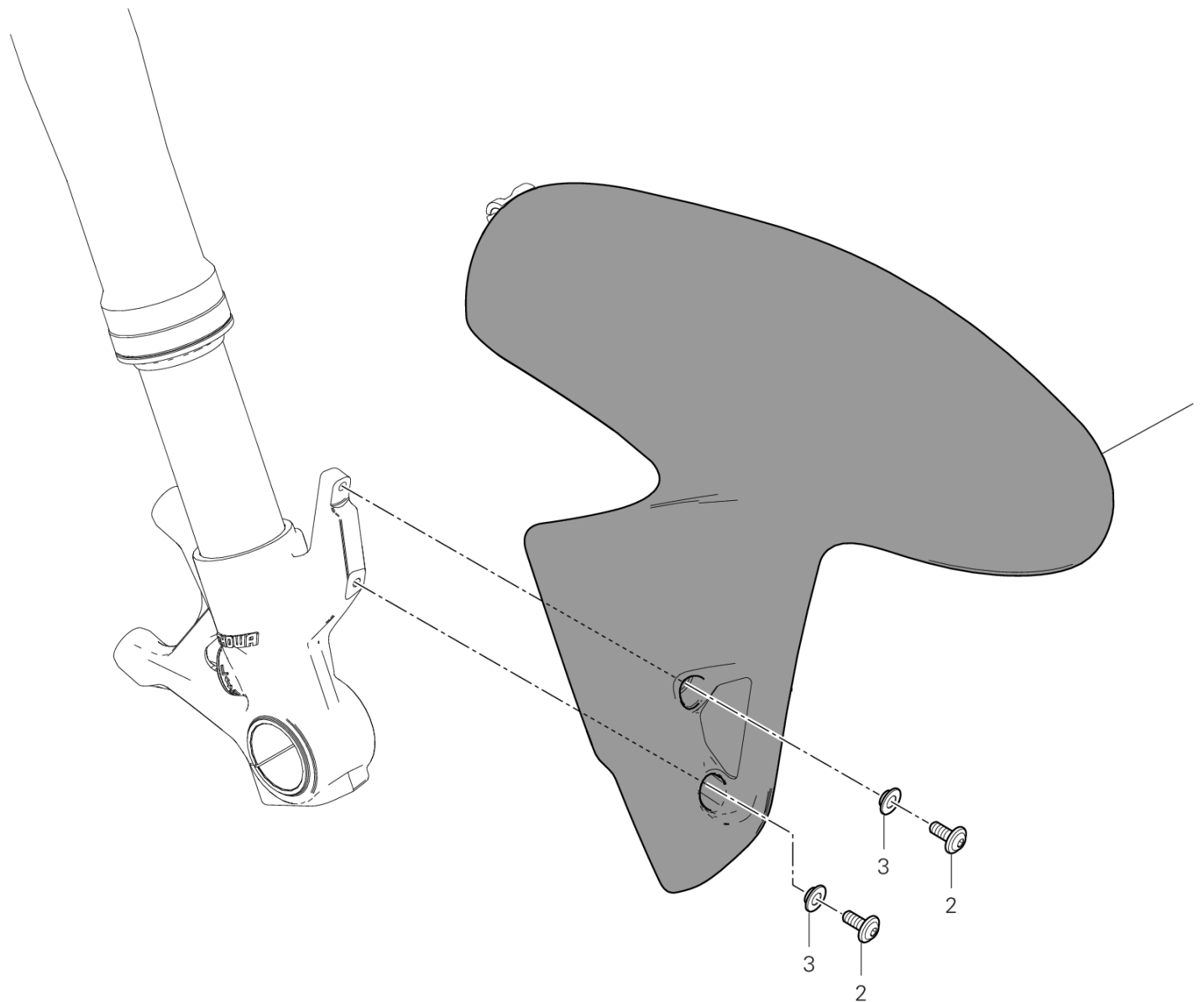
GROUP FRAME



POS.	CODE	DESCRIPTION	QTY	VALIDITY	NOTES
1	36521891A	REAR SHOCK ABSORBER	1		
2	7715936BG	SCREW	1		
3	7725202BG	SCREW	3		
4	74941511AB	NUT, FLANGE	2		
5	7131C691A	SPACER	2		
6	70241191A	BUSH	4		
7	93041271A	SEAL RING 20X26X4	4		
8	7131C701A	SPACER	1		
9	37212211AA	TIE ROD	2		
10	37211971BA	LEVER SET, REAR CUSHION	1		
11	74840241AB	NUT	1		
12	7715937BG	SCREW	1		
13	8291G911BA	LOWER HOLDER	1		
14	8291G901CA	BRACKET UPPER	1		
15	7725364BG	SCREW	4		
16	7791B321AA	SCREW, SPECIAL	2		
17	85250401A	WASHER 10.5X18X1.6	1		



VST01809



DRAWING 24A - FRONT MUDGUARD

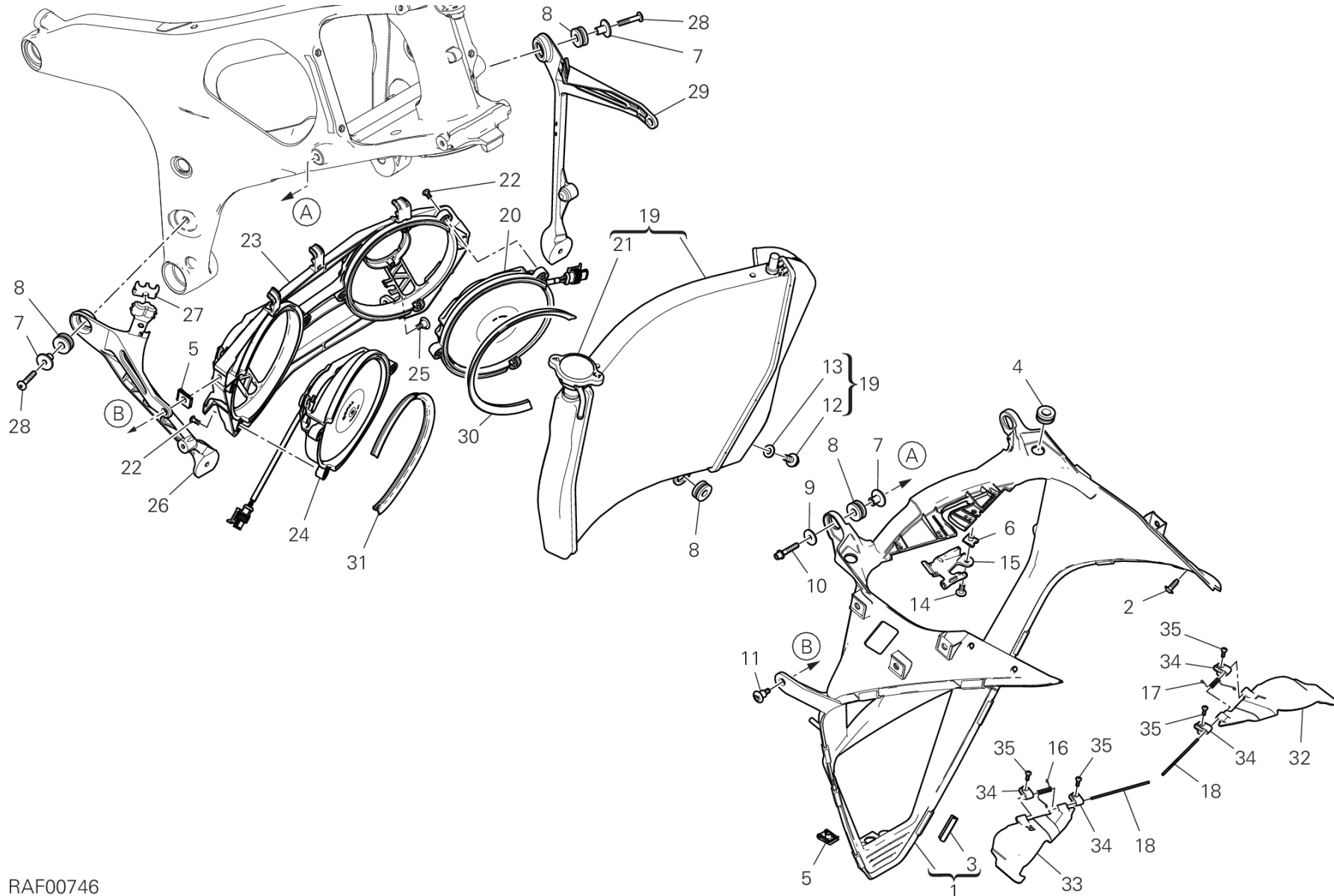
GROUP FRAME



POS.	CODE	DESCRIPTION	QTY	VALIDITY	NOTES
1	56416632AA	FRONT FENDER RED	1		
2	77210893B	SCREW	4		
3	71614011B	SPACER	4		



DRAWING 25A - WATER COOLER GROUP FRAME



RAF00746

DRAWING 25A - WATER COOLER

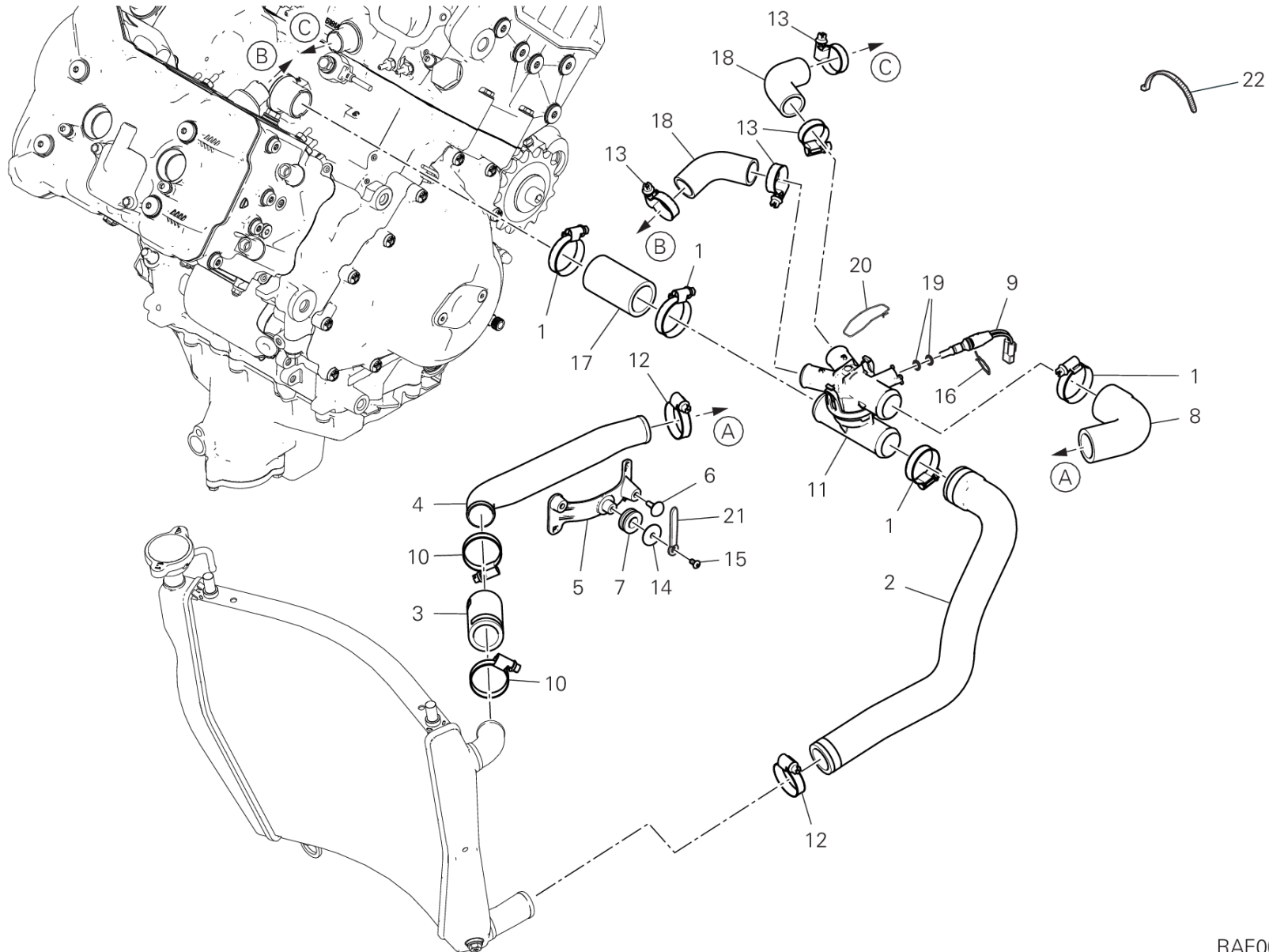
GROUP FRAME



POS.	CODE	DESCRIPTION	QTY	VALIDITY	NOTES
1	48411501C	RADIATOR PROTECTION	1		
2	77211091C	SCREW	4		
3	76414331A	RUBBER PAD	10		
4	76410901A	RUBBER PAD	2		
5	85044691A	QUICK FASTENING	5		
6	85041951AA	QUICK FASTENING	1		
7	71611671AA	SPACER	4		
8	76411501A	RUBBER PAD	6		
9	85213111AA	WASHER	2		
10	77156453B	SCREW	2		
11	77214221AA	SCREW, SPECIAL	2		
12	78050181A	RADIATOR CAP	1		
13	85250771A	WASHER	1		
14	77244173B	SCREW	1		
15	8301G961A	GUIDE, FRONT BRAKE HOSE	1		
16	79916751AA	SPRING	1		
17	79916741AA	SPRING	1		
18	82119451A	PIN	2		
19	54811355A	WATER COOLER	1		
20	55020331A	ELECTRIC FAN, LEFT	1		
21	89310241A	RADIATOR CAP	1		
22	77440511A	SCREW	6		
23	82718832A	BRACKET ELECTRIC FAN	1		
24	55020321A	ELECTRIC FAN, RIGHT	1		
25	77214411AA	SCREW	2		
26	82718822A	RIGHT HOLDER	1		
27	86611121A	RUBBER PAD	1		
28	77244233B	SCREW	2		
29	82718811A	LEFT HOLDER	1		
30	79110931A	LEFT GASKET	1		
31	79110941A	RIGHT GASKET	1		
32	48411781A	DEFLECTOR LH	1		
33	48411791A	DEFLECTOR RH	1		
34	8291H771A	HOLDER	4		
35	77440213C	SCREW	4		



DRAWING 25C - COOLING CIRCUIT GROUP FRAME



RAF00747

DRAWING 25C - COOLING CIRCUIT

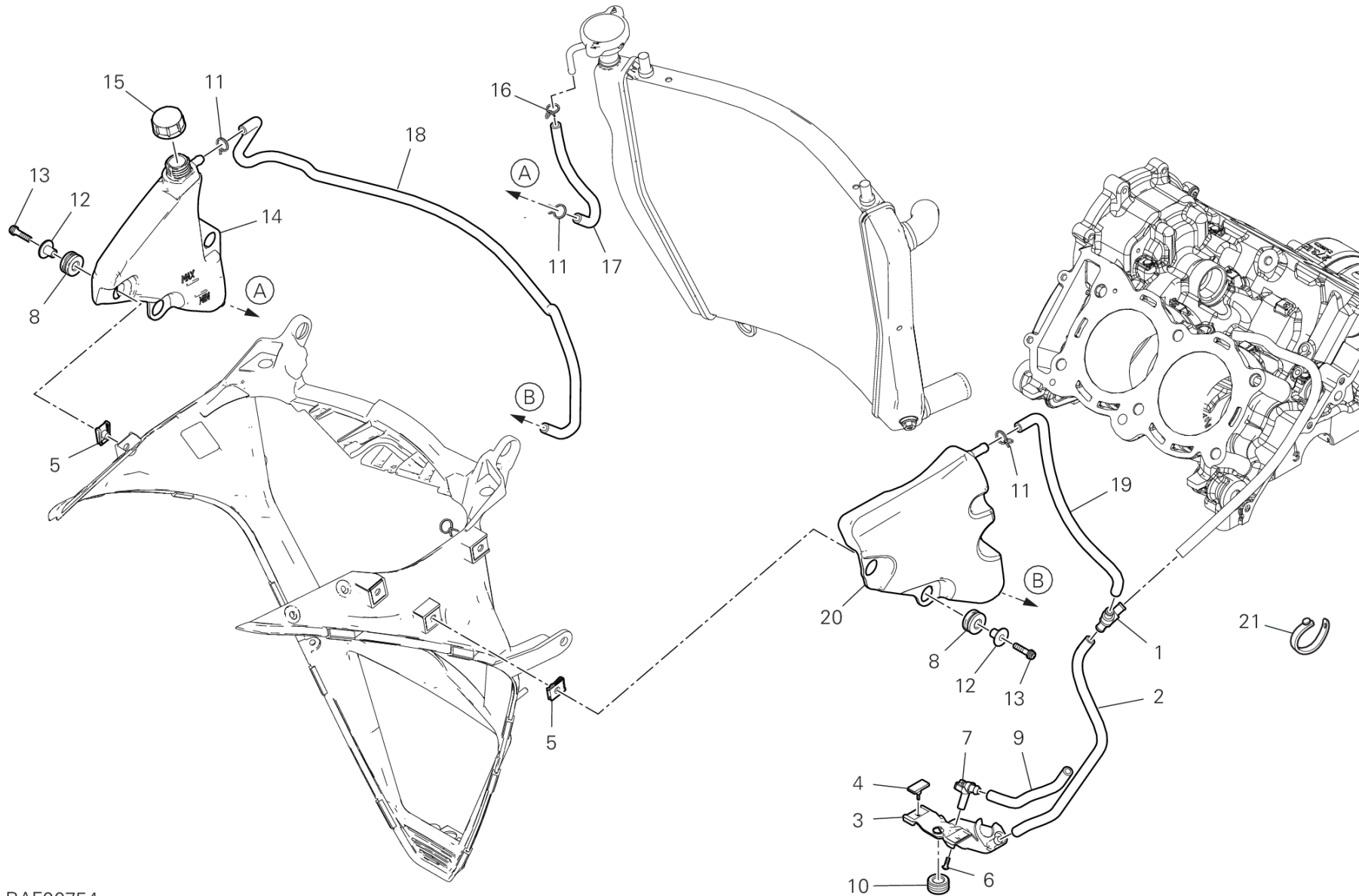
GROUP FRAME



POS.	CODE	DESCRIPTION	QTY	VALIDITY	NOTES
1	74141851A	CLAMP 25-40 MM	4		
2	80018072A	SLEEVE	1		
3	80018131A	WATER HOSE	1		
4	80018111AA	SLEEVE	1		
5	8291G891A	HOLDER	1		
6	86610751A	PAD	2		
7	76411381A	VIBRATION DAMPER PAD	1		
8	80018121A	WATER HOSE	1		
9	55244081A	ENGINE WATER TEMPERATURE SENSOR	1		
10	74142591A	CLAMP 20-35 MM	2		
11	55320161A	SQUIRTER UNIT	1		
12	74141881A	CLAMP 23-35 MM	2		
13	74141811A	CLAMP 16-27 MM	4		
14	85611711AA	WASHER	1		
15	77550171A	SCREW TBEI M4X8	1		
16	79915581A	SPRING	1		
17	80018061A	MIXER - PUMP COUPLING	1		
18	80018081A	HOSE THERMOSTAT/HEAD	2		
19	88641981A	O-RING	2		
20	75910391A	CLIP	1		
21	74141671A	PLATE	1		
22	069191030	CLAMP	2		



DRAWING 25D - TANK, WATER RESERVOIR GROUP FRAME



RAF00754

PANIGALE V4 /23

027000023

Page 146 / 212

SPARE PARTS CATALOGUE

20/01/2023

DRAWING 25D - TANK, WATER RESERVOIR

GROUP FRAME

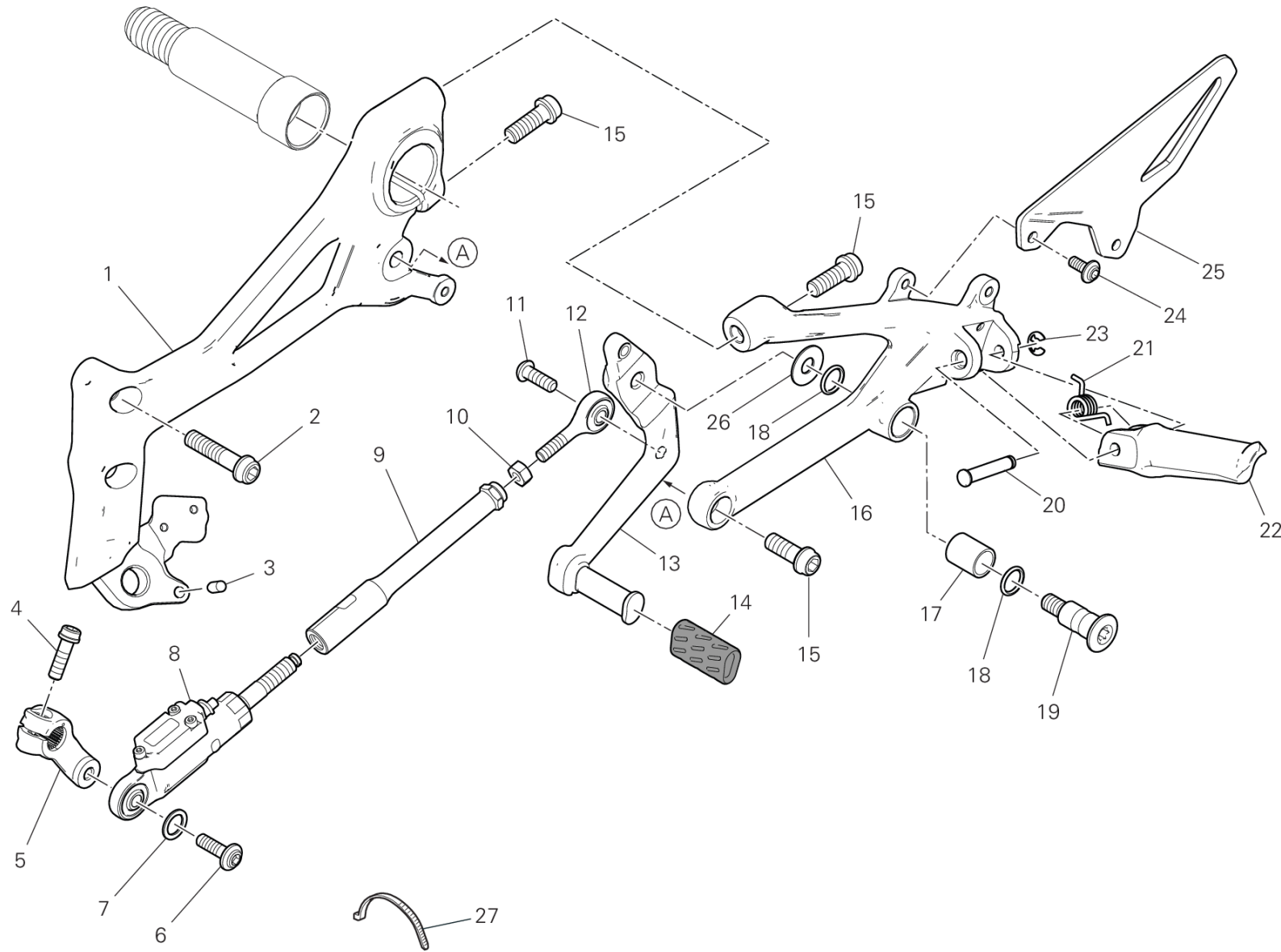


POS.	CODE	DESCRIPTION	QTY	VALIDITY	NOTES
1	61610021A	JOINT Y	1		
2	93410531A	HOSE, DRAIN	1		
3	8301L831A	BRACKET	1		
4	86610361A	RUBBER PAD	2		
5	85044691A	QUICK FASTENING	6		
6	77440213C	SCREW	1		
7	81417581A	UNION	1		
8	76411501A	RUBBER PAD	6		
9	59019051A	HOSE, DRAIN	1		
10	76410901A	RUBBER PAD	1		
11	74141721A	CLAMP	4		
12	71615151AA	SPACER	6		
13	77156438B	SCREW	6		
14	58511131B	WATER TANK, RIGHT	1		
15	89310143A	EXPANSION TANK CAP	1		
16	74140431A	CLAMP	1		
17	93410302A	HOSE	1		
18	93410331A	PIPE	1		
19	93410541A	HOSE, DRAIN	1		
20	58511191A	WATER TANK, LEFT	1		
21	74110551A	CLAMP, RUBBER 39MM	1		



DRAWING 26A - FOOTRESTS, LEFT [XST:BLG,EUR,JPN,GSO,ROK,TUR]

GROUP FRAME



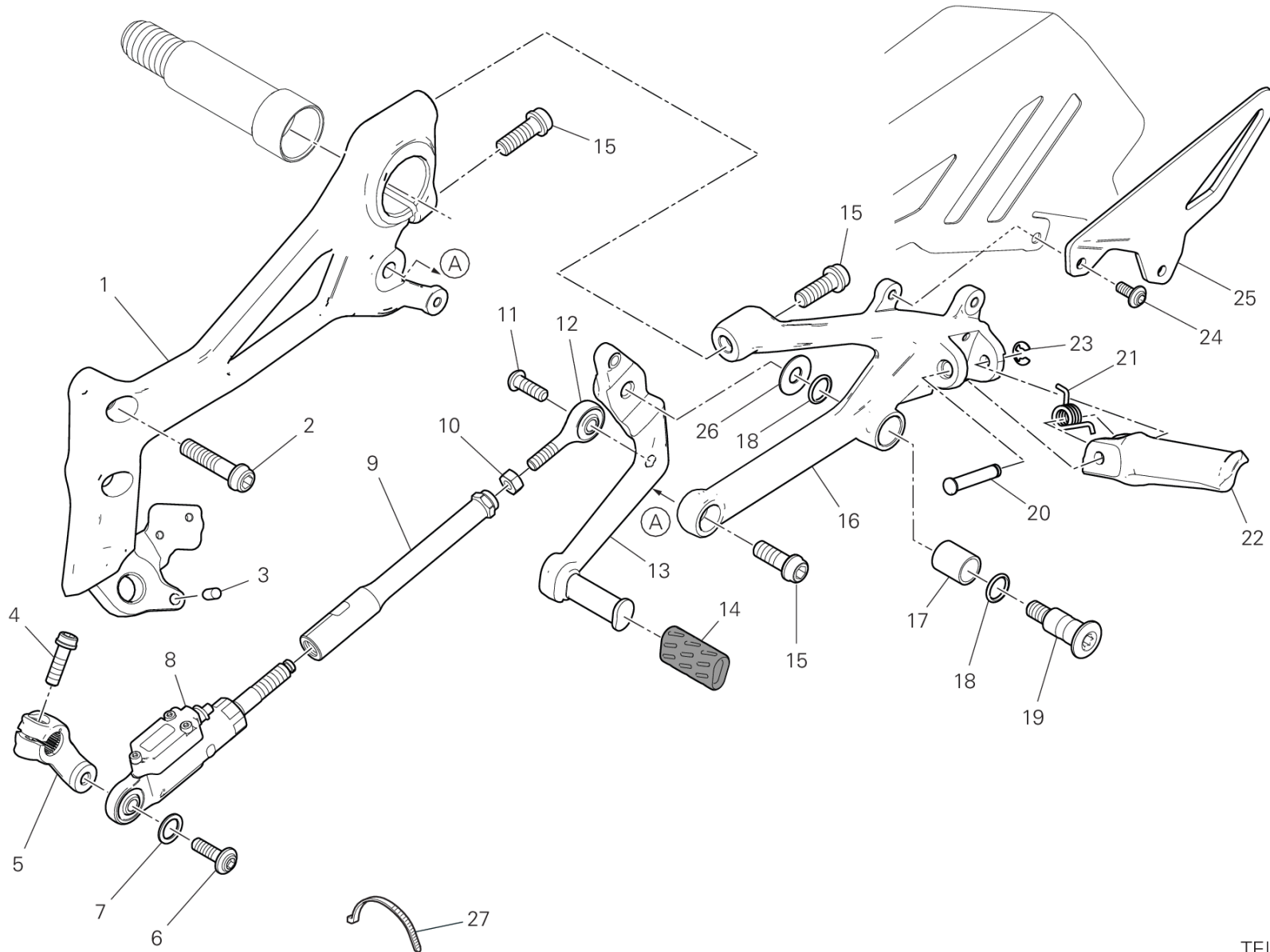
TEL01559

DRAWING 26A - FOOTRESTS, LEFT [XST:BLG,EUR,JPN,GSO,ROK,TUR]

GROUP FRAME



POS.	CODE	DESCRIPTION	QTY	VALIDITY	NOTES
1	8291N621AB	LEFT HOLDER	1		
2	77157288B	SCREW TCEIF M8X35	2		
3	86050361AA	PIN	1		
4	77110191A	SCREW TCEIF M6X20	1		
5	45612521AA	GEAR CONTROL LEVER	1		
6	77244358BA	SCREW	1		
7	85611271A	WASHER	1		
8	55215481D	Quick Shift	1		
9	11711821AA	GEARBOX DRIVING ROD	1		
10	74750031A	NUT 6MM	1		
11	77550131B	SCREW	1		
12	84850021A	BALL JOINT, RIGHT	1		
13	45613411AB	GEARCHANGE LEVER BLACK	1		
14	76410112A	COVER PEDAL	1		
15	77157248B	SCREW TCEIF M8X22	3		
16	82413461AA	FRONT L.H. PLATE	1		
	82413461AB	FRONT L.H. PLATE	1		
17	71210341A	BUSH	1		
18	88641161A	O-RING	2		
19	82111701CA	PIN PEDAL	1		
20	82110512AA	FOOTREST PIN	1		
21	79915871AA	SPRING. FOOTREST	1		
22	46410541B	LEFT FOOTREST	1		
23	88450031A	CIRCLIP E-TYPE	1		
24	77244173B	SCREW	2		
25	24716141AB	HEEL GUARD FRONT LH	1		
26	85211511A	WASHER	1		
27	069191030	CLAMP	1		



TEL01588

DRAWING 26A - FOOTRESTS, LEFT [XST:AUS]

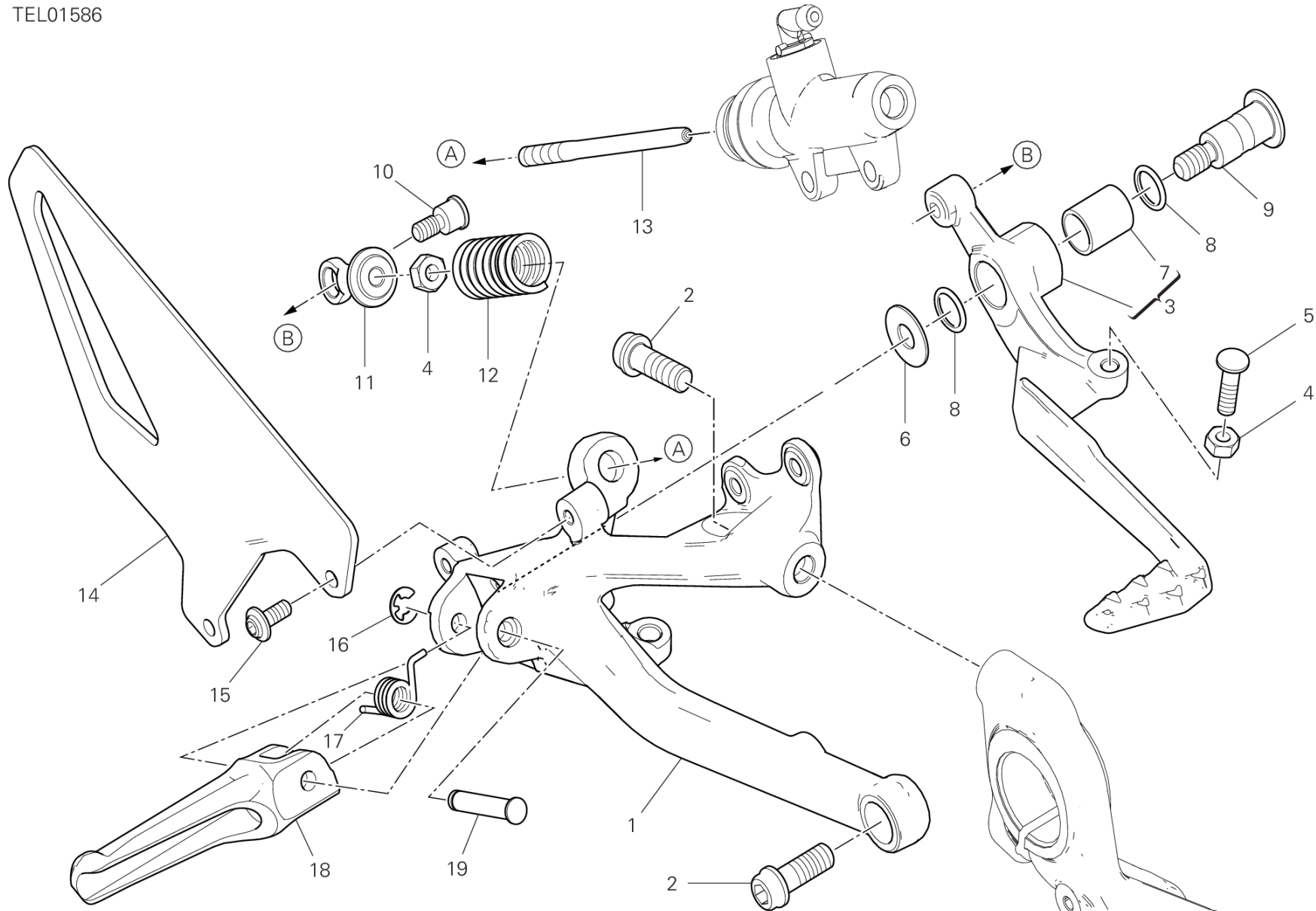
GROUP FRAME



POS.	CODE	DESCRIPTION	QTY	VALIDITY	NOTES
1	8291N621AB	LEFT HOLDER	1		
2	77157288B	SCREW TCEIF M8X35	2		
3	86050361AA	PIN	1		
4	77110191A	SCREW TCEIF M6X20	1		
5	45612521AA	GEAR CONTROL LEVER	1		
6	77244358BA	SCREW	1		
7	85611271A	WASHER	1		
8	55215481D	Quick Shift	1		
9	11711821AA	GEARBOX DRIVING ROD	1		
10	74750031A	NUT 6MM	1		
11	77550131B	SCREW	1		
12	84850021A	BALL JOINT, RIGHT	1		
13	45613411AB	GEARCHANGE LEVER BLACK	1		
14	76410112A	COVER PEDAL	1		
15	77157248B	SCREW TCEIF M8X22	3		
16	82413461AA	FRONT L.H. PLATE	1		
	82413461AB	FRONT L.H. PLATE	1		
17	71210341A	BUSH	1		
18	88641161A	O-RING	2		
19	82111701CA	PIN PEDAL	1		
20	82110512AA	FOOTREST PIN	1		
21	79915871AA	SPRING. FOOTREST	1		
22	46410541B	LEFT FOOTREST	1		
23	88450031A	CIRCLIP E-TYPE	1		
24	77244173B	SCREW	2		
25	24716141AB	HEEL GUARD FRONT LH	1		
26	85211511A	WASHER	1		
27	069191030	CLAMP	1		



TEL01586



DRAWING 26B - FOOTRESTS, RIGHT

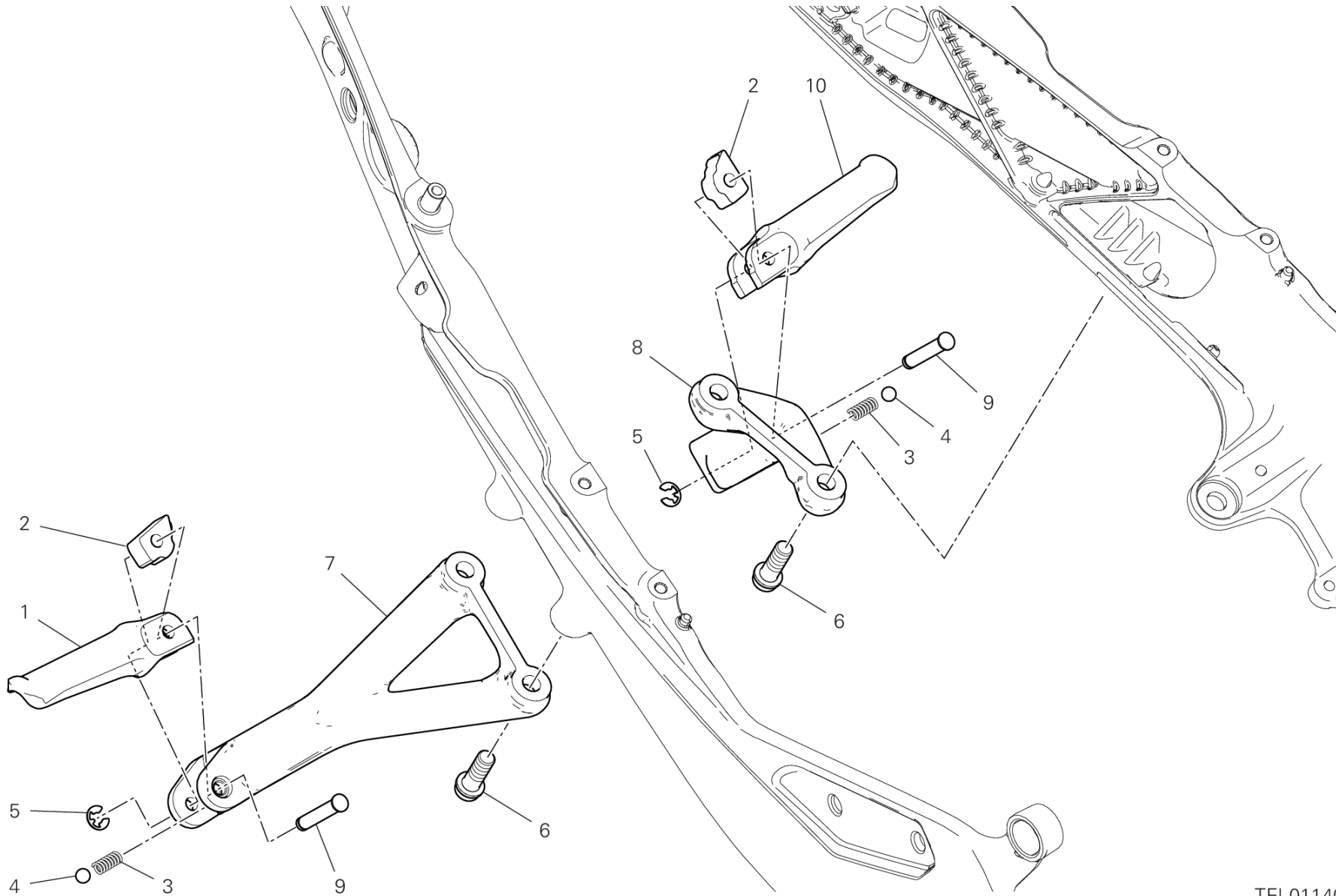
GROUP FRAME



POS.	CODE	DESCRIPTION	QTY	VALIDITY	NOTES
1	82413471BB	R.H. FOOT PEG HOLDER PLATE	1		
2	77157248B	SCREW TCEIF M8X22	2		
3	45720991BB	BRAKE LEVER ASSEMBLY	1		
4	74750031A	NUT 6MM	2		
5	77912371B	SCREW	1		
6	85211511A	WASHER	1		
7	71210341A	BUSH	1		
8	88641161A	O-RING	2		
9	82111701CA	PIN PEDAL	1		
10	82113811AA	PIN	1		
11	18410152AA	JOINT	1		
12	79915511A	SPRING	1		
13	11711831AA	PIN	1		
14	24716131AB	HEEL GUARD FRONT RH	1		
15	77244173B	SCREW	2		
16	88450031A	CIRCLIP E-TYPE	1		
17	79915871AA	SPRING. FOOTREST	1		
18	46410531B	RIGHT FOOTREST	1		
19	82110512AA	FOOTREST PIN	1		



DRAWING 26C - REAR FOOTREST GROUP FRAME



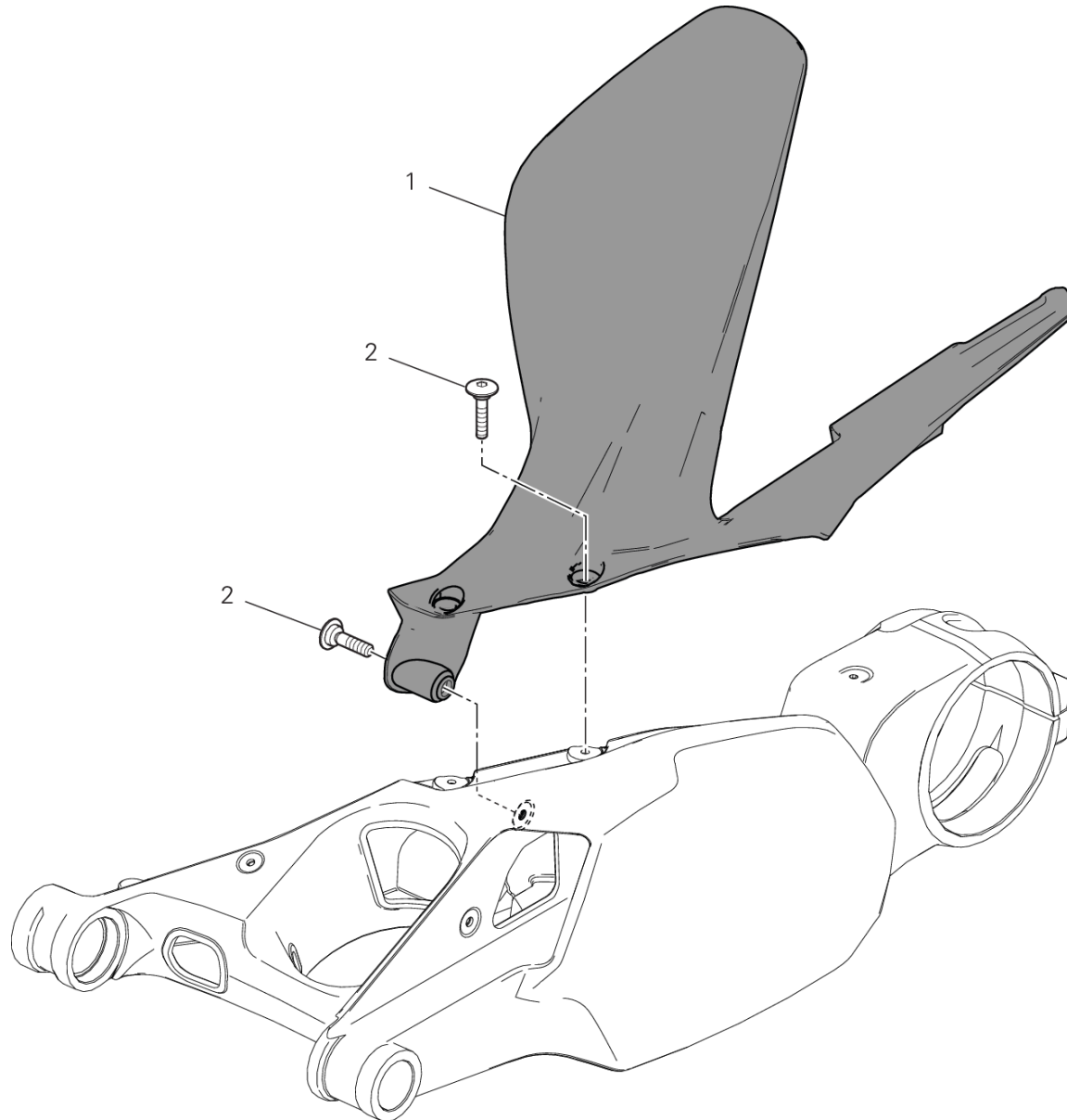
TEL01140

DRAWING 26C - REAR FOOTREST

GROUP FRAME



POS.	CODE	DESCRIPTION	QTY	VALIDITY	NOTES
1	46410531B	RIGHT FOOTREST	1		
2	69610121A	BLOCK	2		
3	79910241B	SPRING	2		
4	84740021A	BALL	2		
5	88450031A	CIRCLIP E-TYPE	2		
6	77157248B	SCREW TCEIF M8X22	4		
7	82413591AB	REAR R.H. PLATE	1		
8	82413601AB	REAR L.H. PLATE	1		
9	82110512AA	FOOTREST PIN	2		
10	46410541B	LEFT FOOTREST	1		



TEL01135

DRAWING 27A - REAR MUDGUARD

GROUP FRAME

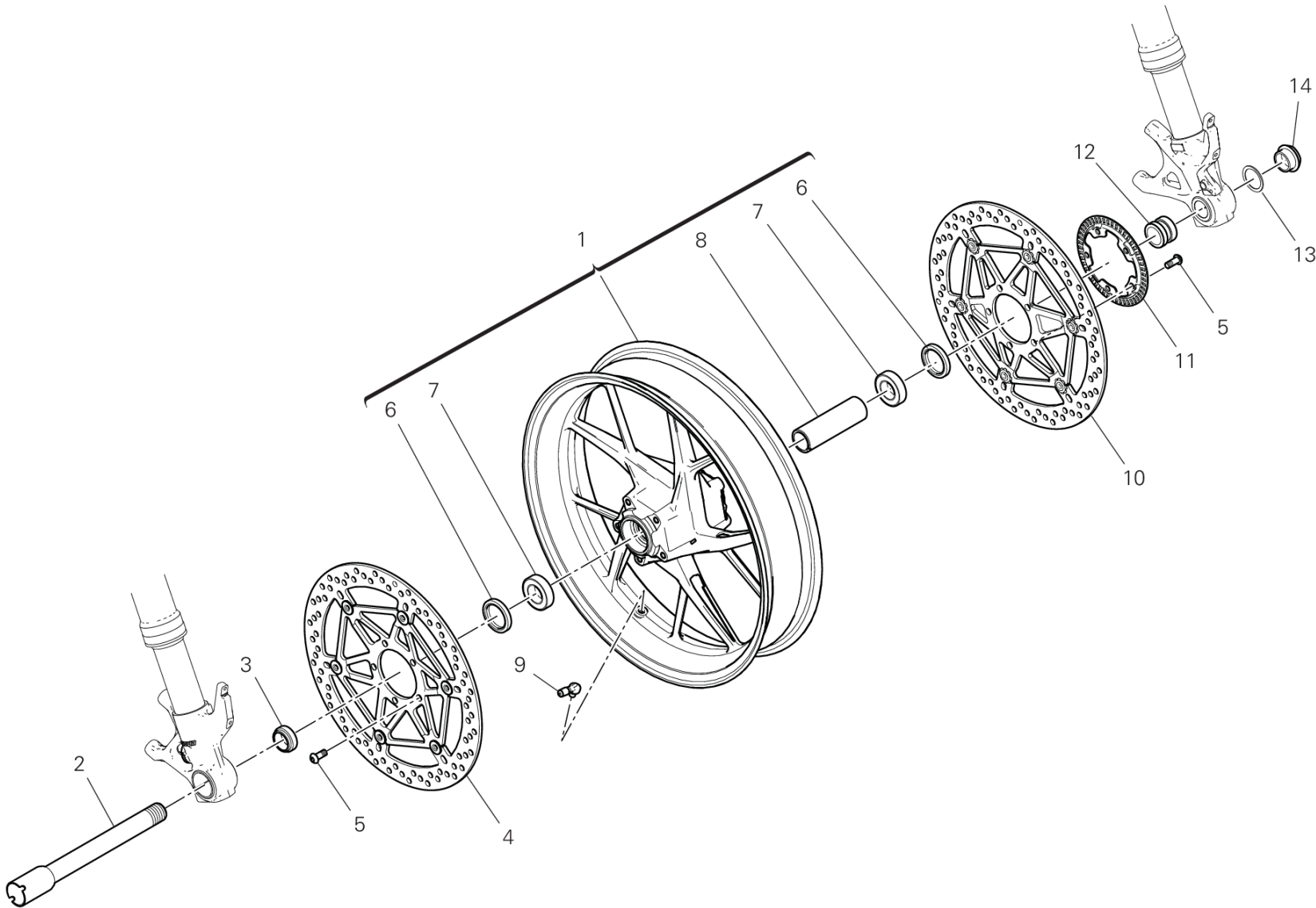


POS.	CODE	DESCRIPTION	QTY	VALIDITY	NOTES
1	56511231A	REAR MUDGUARD	1		
2	77214411BA	SCREW, SPECIAL	5		



DRAWING 28A - FRONT WHEEL GROUP FRAME

TEL01142



DRAWING 28A - FRONT WHEEL

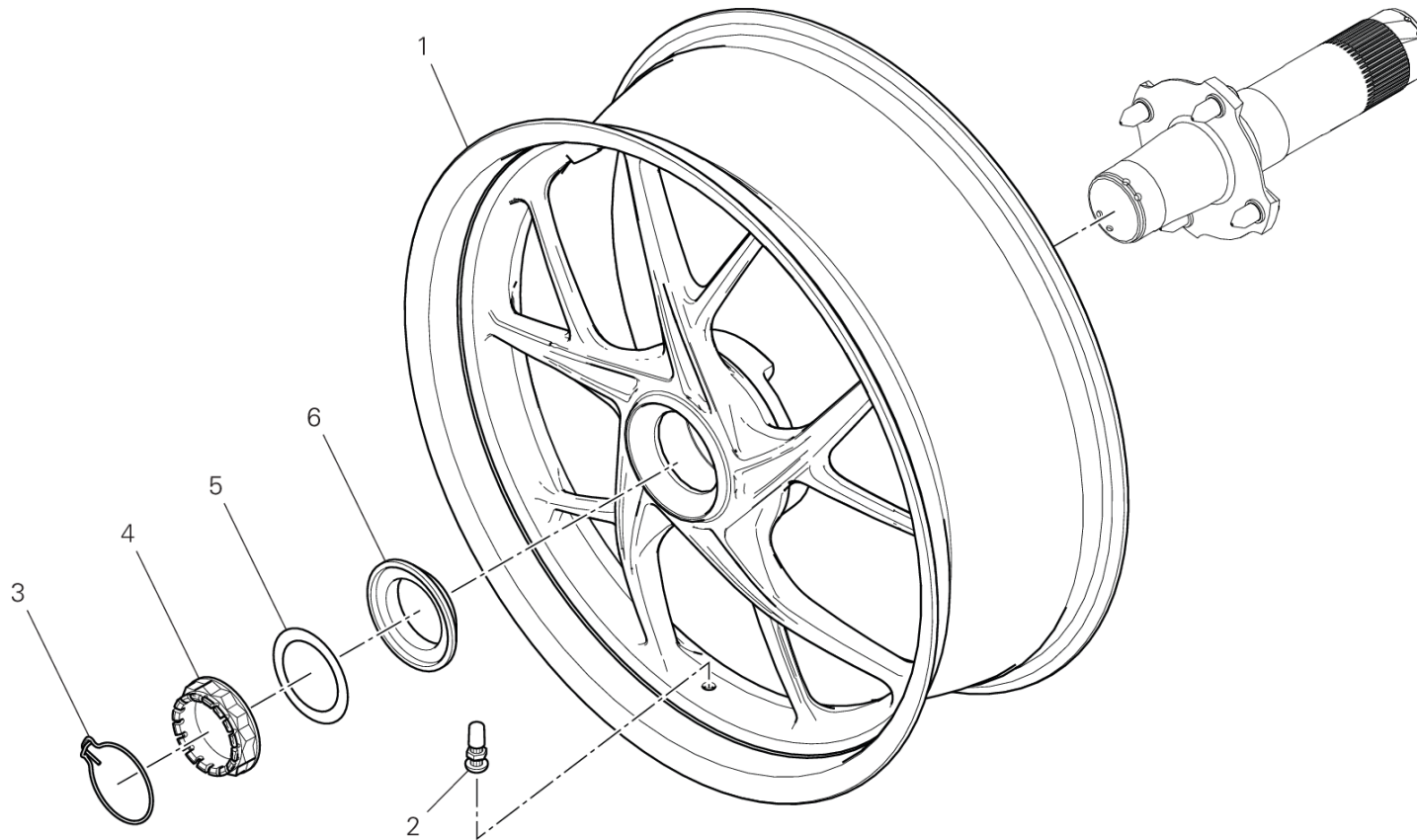
GROUP FRAME



POS.	CODE	DESCRIPTION	QTY	VALIDITY	NOTES
1	50122341AA	FRONT WHEEL RIM	1		
2	81910692AA	FRONT WHEEL SPINDLE	1		
3	71413261AA	RIGHT SPACER	1		
4	49240901A	DISC, FRONT BRAKE RH	1		
5	72010513C	SCREW	10		
6	93041501A	SEAL RING	2		
7	70250451A	BEARING	2		
8	71413341AA	INNER SPACER	1		
9	49720071AC	VALVE, TUBELESS TIRE	1		
10	49240891A	DISC, FRONT BRAKE LH	1		
11	504Z0381AA	PHONIC WHEEL	1		
12	71413271AA	LEFT SPACER	1		
13	85212221A	WASHER	1		
14	74810651A	NUT	1		



TEL01560



DRAWING 29A - REAR WHEEL

GROUP FRAME

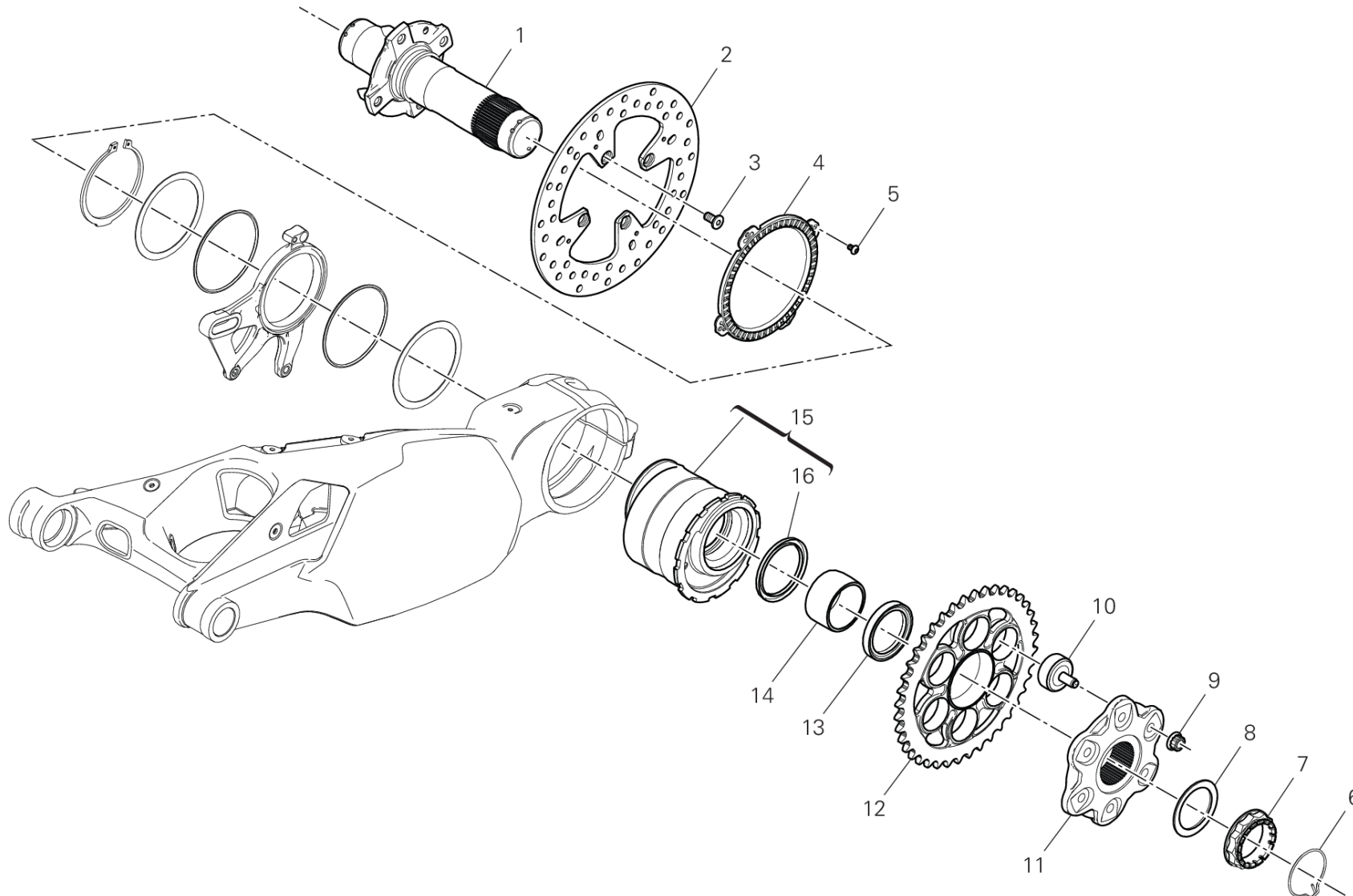


POS.	CODE	DESCRIPTION	QTY	VALIDITY	NOTES
1	50212101AA	REAR WHEEL RIM	1		
2	49720031A	VALVE, TUBELESS TIRE	1		
3	75910222A	CLIP	1		
4	75012072AA	NUT	1		
5	85212211A	WASHER 48.5X65X0.5	1		
6	71411352AA	SPACER	1		



DRAWING 29B - REAR WHEEL SPINDLE GROUP FRAME

TEL01136



DRAWING 29B - REAR WHEEL SPINDLE

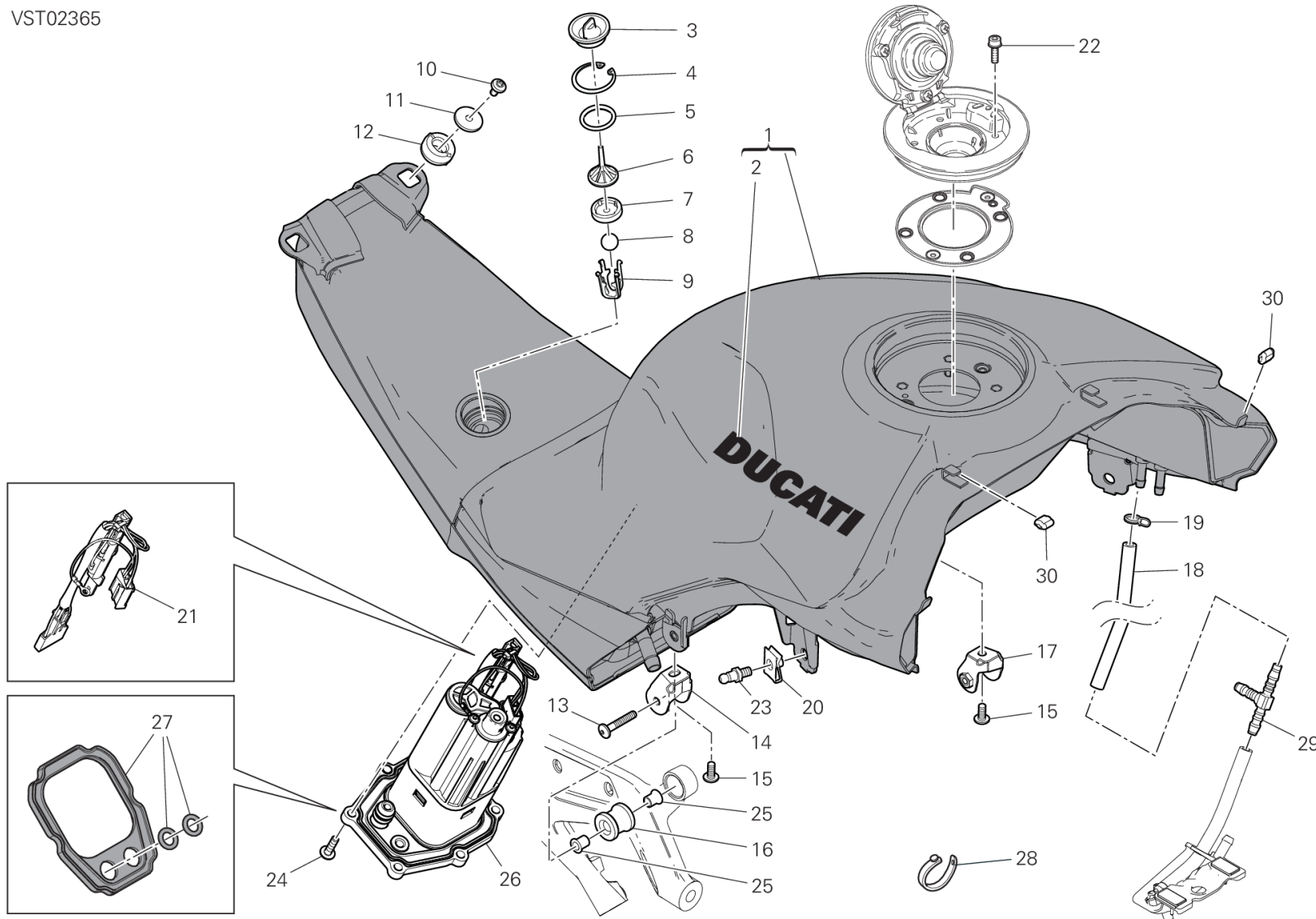
GROUP FRAME



POS.	CODE	DESCRIPTION	QTY	VALIDITY	NOTES
1	81920831AA	REAR WHEEL SPINDLE	1		
2	49210061A	REAR BRAKE DISC	1		
3	77918261AA	SCREW	4		
4	50410091A	REAR PHONIC WHEEL	1		
5	72050159EA	SCREW	4		
6	75910222A	CLIP	1		
7	75012072AA	NUT	1		
8	85212211A	WASHER 48.5X65X0.5	1		
9	74810461A	NUT, FLANGE M10X1	6		
10	70010571A	RUBBER CUSH DRIVE HUB	6		
11	16016861AA	REAR SPROCKET FLANGE	1		
12	49411911AA	REAR SPROCKET T41	1		
13	71413531AA	FINAL SPROCKET SLEEVE	1		
14	88110541A	INNER SPACER	1		
15	75620131A	HUB	1		
16	93010102A	DUST COVER	1		



VST02365



DRAWING 30A - TANK

GROUP FRAME



POS.	CODE	DESCRIPTION	QTY	VALIDITY	NOTES
1	58613082AA	FUEL TANK, RED	1		
2	43818151C	EMBLEM DUCATI	2		
3	87211343A	PLUG	1		
4	88450351A	CIRCLIP	1		
5	46320226A	O-RING	1		
6	7131C961A	SPACER	1		
7	79111312A	GASKET	1		
8	84740161A	BALL	1		
9	8291H141A	HOLDER	1		
10	77244168B	SCREW	2		
11	85611711AA	WASHER	2		
12	76411861A	RUBBER PAD	2		
13	71850253C	SCREW	2		
14	8301G051AB	RIGHT BRACKET	1		
15	77244178B	SCREW	2		
16	76414272A	VIBRATION DAMPER PAD	2		
17	8301G061AB	LEFT BRACKET	1		
18	59019081A	HOSE, DRAIN	1		
19	74140431A	CLAMP	1		
20	85040381A	QUICK FASTENING	2		
21	69928751A	THERMISTOR	1		
22	77156418B	SCREW TCEIF M5X16	4		
23	85044441A	PIN	2		
24	77244213B	SCREW	6		
25	7131C881BA	SPACER	4		
26	16024371A	FUEL PUMP	1		
27	69926441A	GASKET KIT	1		
28	74110551A	CLAMP, RUBBER 39MM	4		
29	81446871A	THREE-WAYS UNION	1		
30	86613311A	RUBBER PAD	4		

DRAWING 31A - EXHAUST SYSTEM

GROUP FRAME

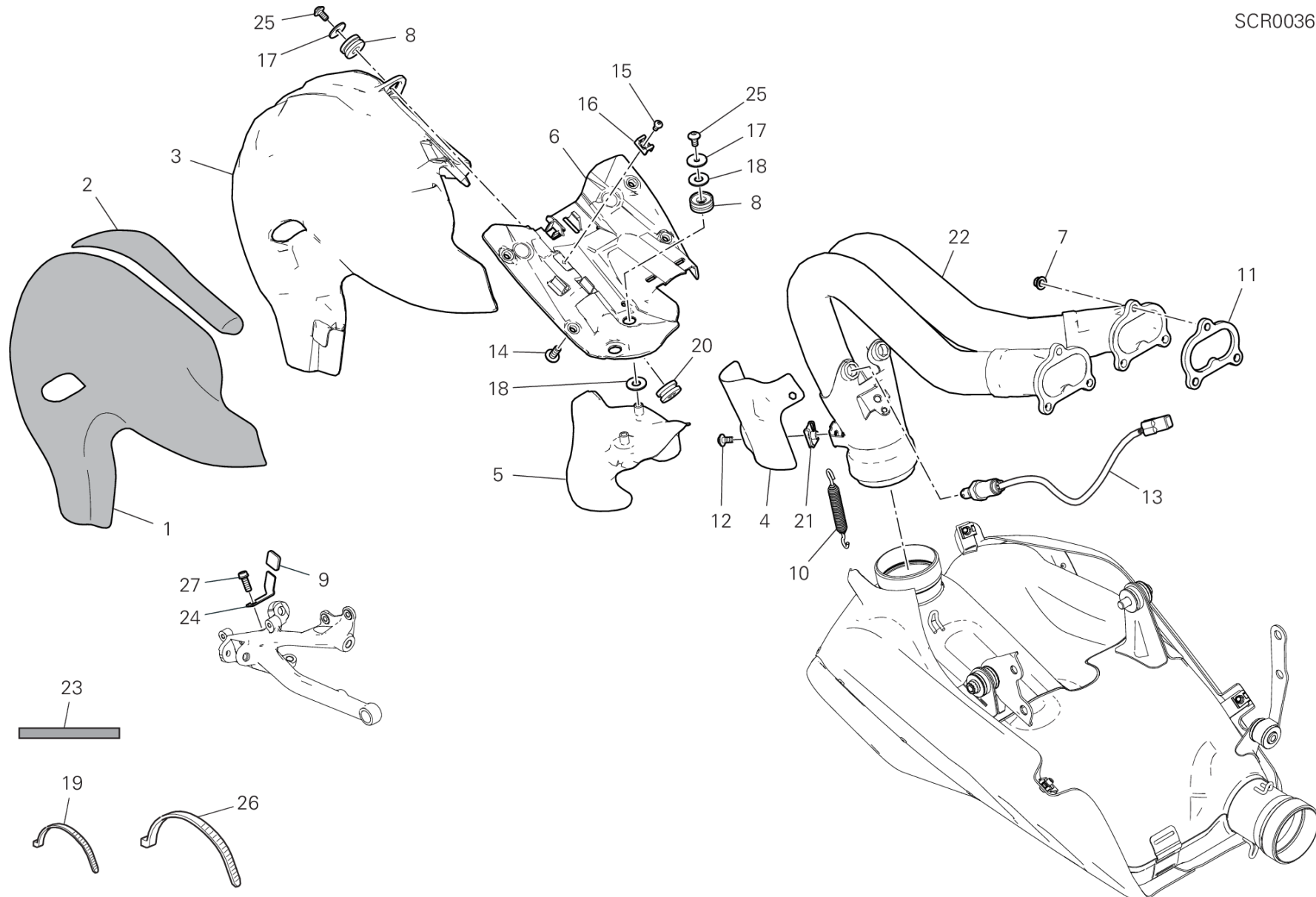


POS.	CODE	DESCRIPTION	QTY	VALIDITY	NOTES
1	57414931A	SILENZIATORE COMPLETO	1	XST:BLG,EUR,JPN,GSO	
	57414951A	SILENZIATORE COMPLETO	1	XST:AUS	
	57415041A	SILENZIATORE COMPLETO	1	XST:ROK	
	57415042A	SILENZIATORE COMPLETO	1	XST:TUR	
2	46026981AA	CAP LH	1		
3	46027001AA	CAP RH	1		
4	46110553B	HEAT GUARD	1		
5	46110561B	HEAT GUARD	1		
6	57015222A	FRONT EXHAUST MANIFOLD	1		
7	74810361A	NUT	6		
8	77244168B	SCREW	9		
9	85044691A	QUICK FASTENING	5		
10	79925941A	COMPLETE SPRING	2		
11	57610991AA	BRACKET, MUFFLER SUPPORT	1		
12	57610981AA	BRACKET, MUFFLER SUPPORT	1		
13	77157278B	SCREW TCEIF M8X30	1		
14	77113851A	SCREW TCEIF M8X35	1		
15	71615551AA	SPACER	4		
16	76412472A	RUBBER PAD	3		
17	85041951AA	QUICK FASTENING	6		
18	48810093AA	PLATE	2		
19	55215021A	SENSOR LAMBDA SOND	2		
20	48611271A	DAMPER, SOUND ARRESTER	1		
21	79010341B	GASKET, EXHAUST PIPE	2		
22	48611281A	ACOUSTIC INSULATION PANEL, RH	1		
23	79010511A	GASKET	2		
24	77244188B	SCREW	1		
25	85213111AB	WASHER	2		



DRAWING 31B - EXHAUST SYSTEM GROUP FRAME

SCR00360



DRAWING 31B - EXHAUST SYSTEM

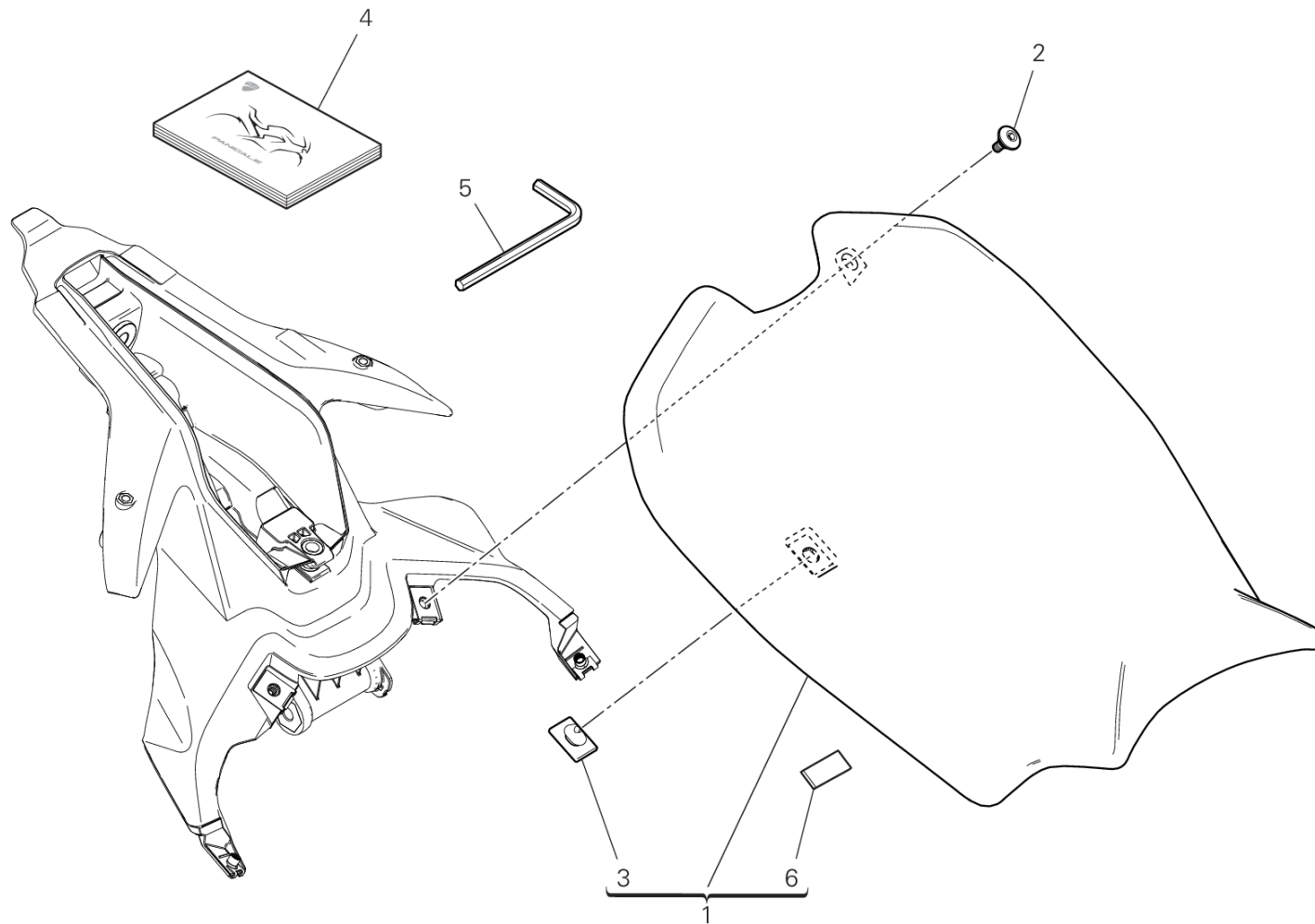
GROUP FRAME



POS.	CODE	DESCRIPTION	QTY	VALIDITY	NOTES
1	4601L211A	THERMOREFLECTING PROTECTION	1		
2	4601L252A	THERMOREFLECTING PROTECTION	1		
3	46111102A	HEAT GUARD REAR	1		
4	46111141A	HEAT GUARD BOTTOM	1		
5	46111132A	HEAT GUARD UPPER	1		
6	46111202A	HEAT GUARD	1		
7	74810361A	NUT	6		
8	76411821A	VIBRATION DAMPER PAD	2		
9	76414381A	RUBBER PAD	1		
10	79925941A	COMPLETE SPRING	4		
11	79010321B	GASKET, EXHAUST PIPE	2		
12	77244163B	SCREW TBEI M5X10	2		
13	55215021A	SENSOR LAMBDA SOND	2		
14	77240423C	SCREW	4		
15	77440141A	SCREW, TAPPING 4X8 WN1412	3		
16	85041711A	HOSE GUIDE	1		
17	85213111AA	WASHER	3		
18	85640121A	WASHER	4		
19	069191030	CLAMP	3		
20	76411501A	RUBBER PAD	1		
21	85044691A	QUICK FASTENING	4		
22	57015211A	EXHAUST PIPE	1		
23	4601I521A	THERMOREFLECTING PROTECTION	4		
24	8271G111AA	PLATE	1		
25	77240253C	SCREW	3		
26	74142941A	CLAMP	1		
27	77156658B	SCREW TCEIF M6X16	1		



VST02366



DRAWING 32A - SEAT

GROUP FRAME

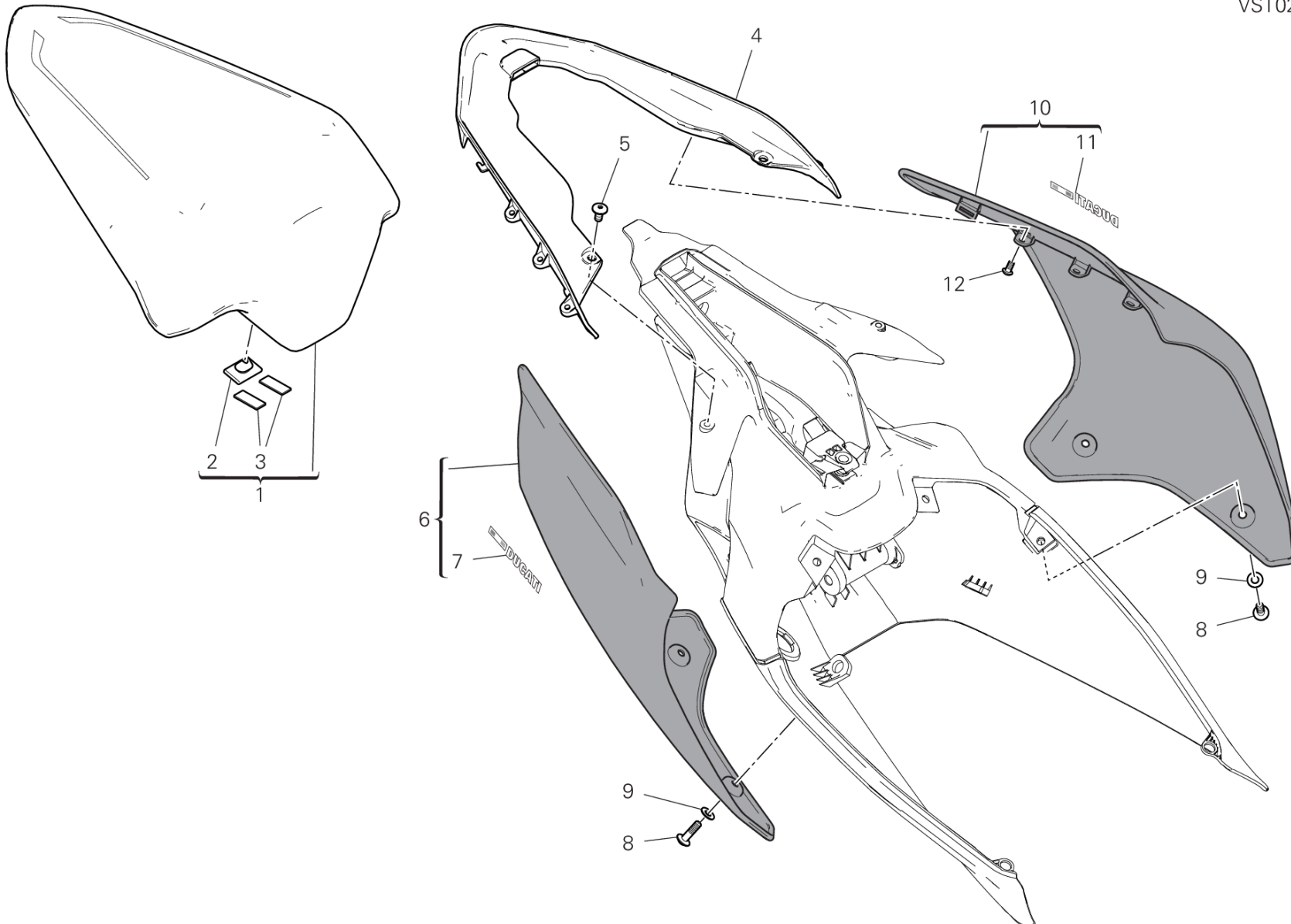


POS.	CODE	DESCRIPTION	QTY	VALIDITY	NOTES
1	595P7031AA	SEAT	1		
2	77214411AA	SCREW	2		
3	86610301A	PAD	11		
4	91376391AR	OWNER'S MANUAL	1		ARABIC
	91376391BG	OWNER'S MANUAL	1		BULGARIAN
	91376391CA	OWNER'S MANUAL	1		CANADA/FRA
	91376391CS	OWNER'S MANUAL	1		CZECH REPUBLIC
	91376391DA	OWNER'S MANUAL	1		DENMARK
	91376391DE	OWNER'S MANUAL	1		GERMAN
	91376391EL	OWNER'S MANUAL	1		GREECE
	91376391EN	OWNER'S MANUAL	1		ENGLISH
	91376391ES	OWNER'S MANUAL	1		SPANISH
	91376391FI	OWNER'S MANUAL	1		FINLAND
	91376391FR	OWNER'S MANUAL	1		FRENCH
	91376391HR	OWNER'S MANUAL	1		CROATIA
	91376391HU	OWNER'S MANUAL	1		HUNGARY
	91376391IT	OWNER'S MANUAL	1		ITALY
	91376391JA	OWNER'S MANUAL	1		JAPAN
	91376391KO	OWNER'S MANUAL	1		KOREA
	91376391MX	OWNER'S MANUAL	1		MEXICO/ESP
	91376391NL	OWNER'S MANUAL	1		HOLLAND
	91376391NO	OWNER'S MANUAL	1		NORWAY
	91376391PL	OWNER'S MANUAL	1		POLAND
	91376391PT	OWNER'S MANUAL	1		PORTUGUESE
	91376391RO	OWNER'S MANUAL	1		ROMANIA
	91376391RU	OWNER'S MANUAL	1		RUSSIAN
	91376391SK	OWNER'S MANUAL	1		SLOVAK
	91376391SL	OWNER'S MANUAL	1		SLOVENIA
	91376391SV	OWNER'S MANUAL	1		SWEDEN
	91376391US	OWNER'S MANUAL	1		USA
	91376391ZH	OWNER'S MANUAL	1		TRADITIONAL CHINESE
	91376401TE	OWNER'S MANUAL	1		THAILAND - ENGLISH
5	69710151A	4 MM ALLEN WRENCH	1		
6	78812011A	RUBBER PAD	1		



DRAWING 32B - PILLION RIDER SEAT GROUP FRAME

VST02024



DRAWING 32B - PILLION RIDER SEAT

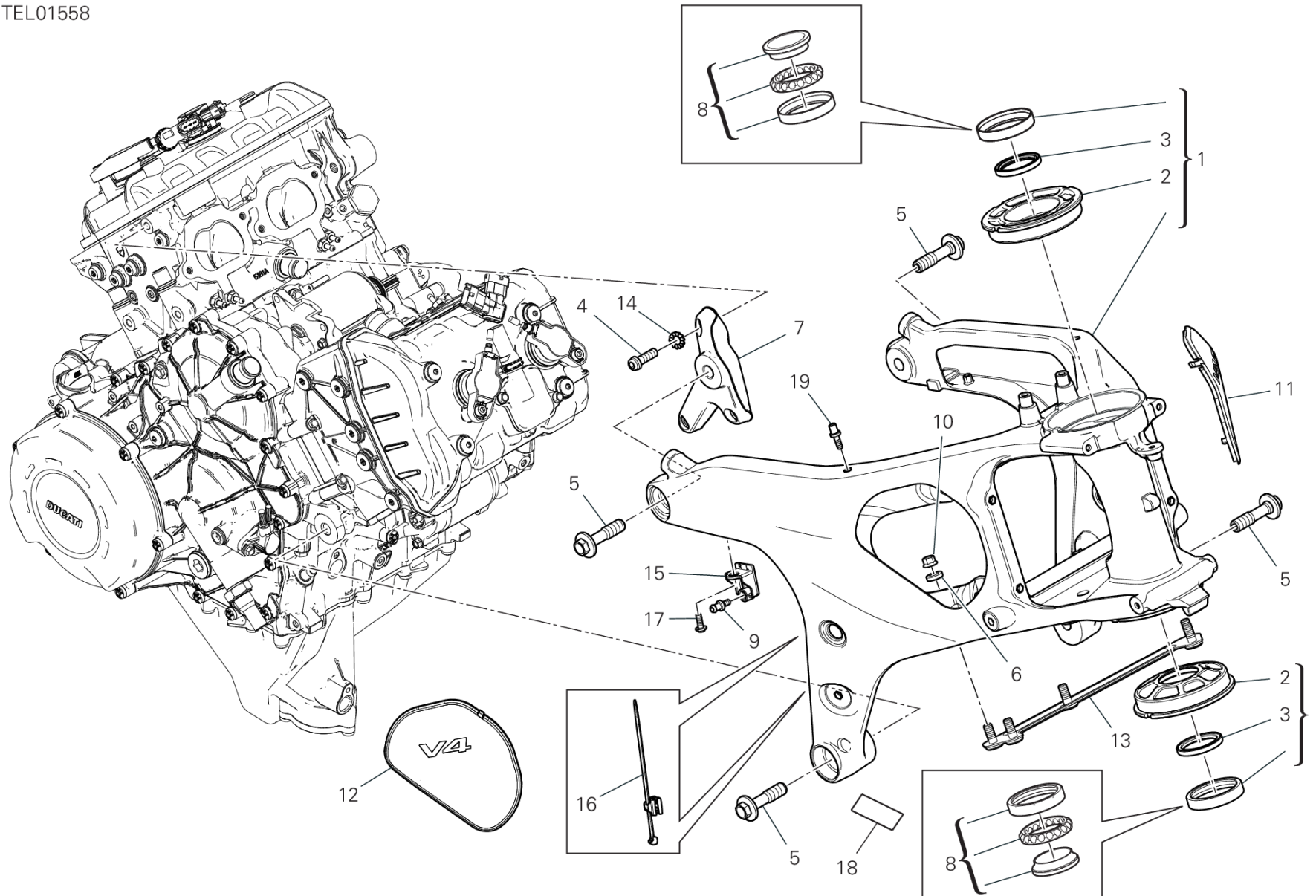
GROUP FRAME



POS.	CODE	DESCRIPTION	QTY	VALIDITY	NOTES
1	595P6401AB	PILLION RIDER SEAT	1		
2	86610301A	PAD	6		
3	86612791A	RUBBER PAD	2		
4	48222551A	HOLDER	1		
5	77240253C	SCREW	2		
6	482P2471AA	COVER , FRAME RH	1		
7	4381D261A	ITA FLAG STICKER DUCATI RH	1		
8	77210861B	SCREW TBEI M5X18	4		
9	85611401A	WASHER	4		
10	482P2461AA	COVER , FRAME LH	1		
11	4381D251A	ITA FLAG STICKER DUCATI LH	1		
12	77215101AA	SCREW, SPECIAL	6		



TEL01558

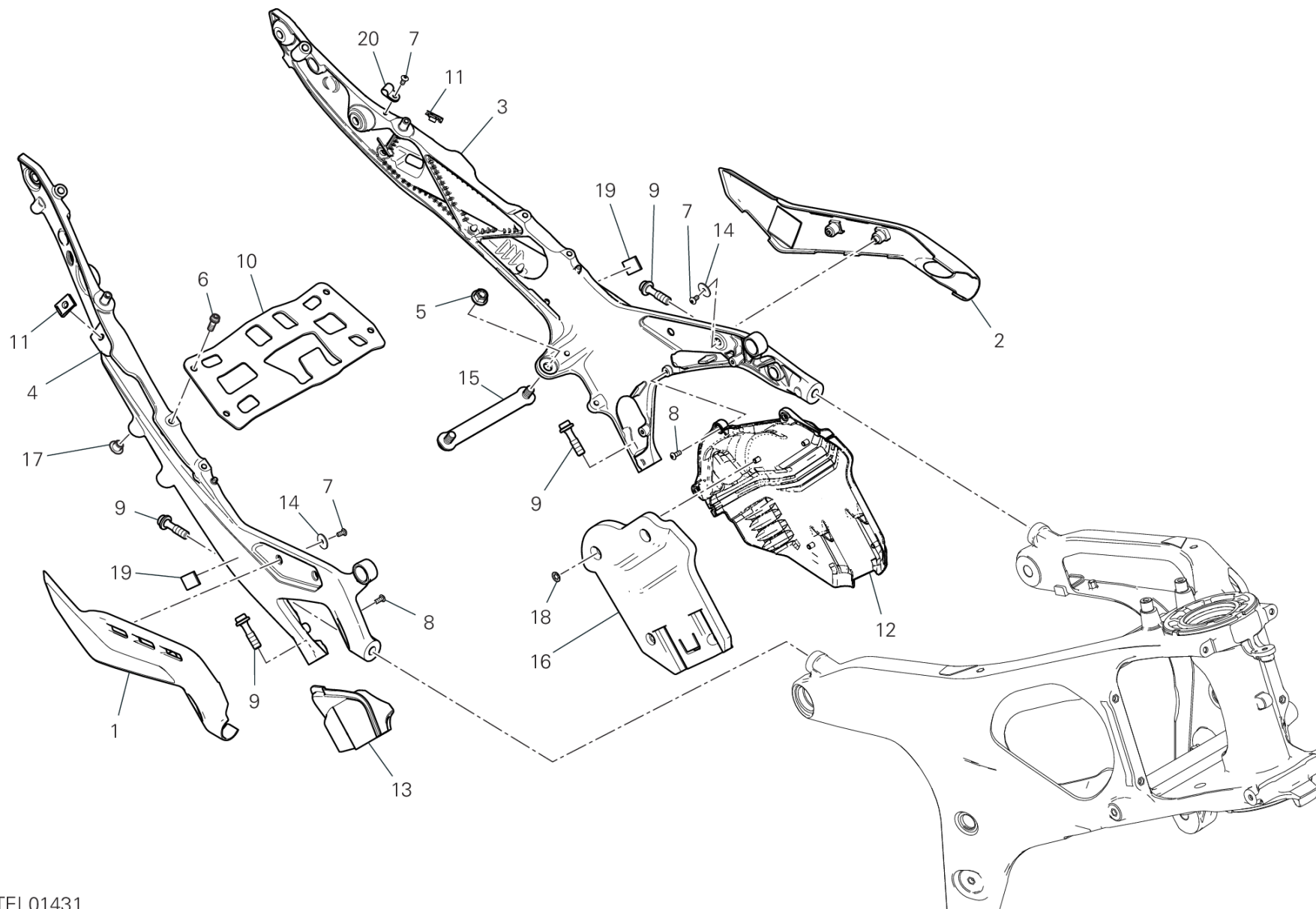


DRAWING 33A - FRAME

GROUP FRAME



POS.	CODE	DESCRIPTION	QTY	VALIDITY	NOTES
1	47023223AA	FRAME	1		
2	75610361AA	BUSH	2		
3	93041911A	DUST COVER	2		
4	7715725BG	SCREW	3		
5	7791A842AA	SCREW, SPECIAL	4		
6	7131D641AA	SPACER	4		
7	82919242AA	RIGHT HOLDER	1		
8	70241231A	BEARING, STEERING NTN SF07A17P	2		
9	7791B103AA	SCREW, SPECIAL	2		
10	74840341B	NUT M8	4		
11	46017141A	CAP LH	1		
12	46017151A	CAP RH	1		
13	48810121AA	ROD	1		
14	85540091A	TOOTHED LOCK WASHER	3		
15	8291I191A	BRACKET, FAIRING	2		
16	75841031A	CLAMP	2		
17	77244183B	SCREW	2		
18	92610051A	GUARD	1		
19	7791B311AA	SCREW, SPECIAL	2		



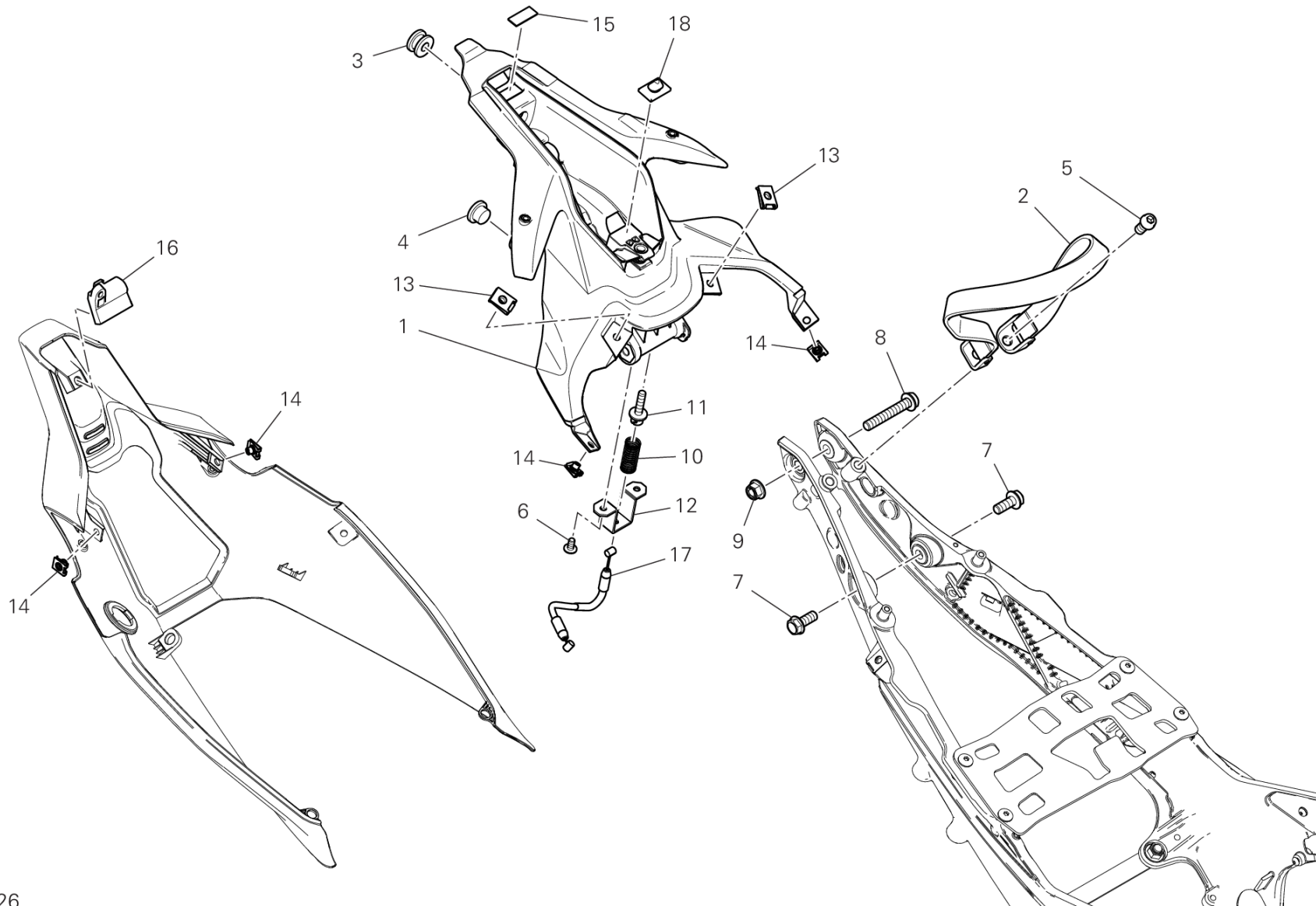
TEL01431

DRAWING 33B - REAR FRAME COMP.

GROUP FRAME



POS.	CODE	DESCRIPTION	QTY	VALIDITY	NOTES
1	46016881A	CAP RH	1		
2	46016871A	CAP LH	1		
3	47111174AA	REAR FRAME L.H.	1		
4	47111184AA	REAR FRAME R.H.	1		
5	74941128B	NUT M8	2		
6	77156643B	SCREW TCEIF M6X14 8.8	4		
7	77550171A	SCREW TBEI M4X8	5		
8	77550221A	SCREW TBEI M4X10	6		
9	7791B321AA	SCREW, SPECIAL	4		
10	8291G821AA	SEAT SUPPORT	1		
11	85044691A	QUICK FASTENING	2		
12	46011311A	CAP LH	1		
13	4601G561A	CAP RH	1		
14	85213751AA	WASHER	4		
15	48810082AA	BRACKET	1		
16	48612041B	DAMPER, SOUND ARRESTER	1		
17	87240821A	PLUG	4		
18	85040521A	CLIP	4		
19	85042461A	DUAL LOCK	4		
20	75840911A	FAIRLEAD	1		



TEL01126

DRAWING 33C - LOCKER

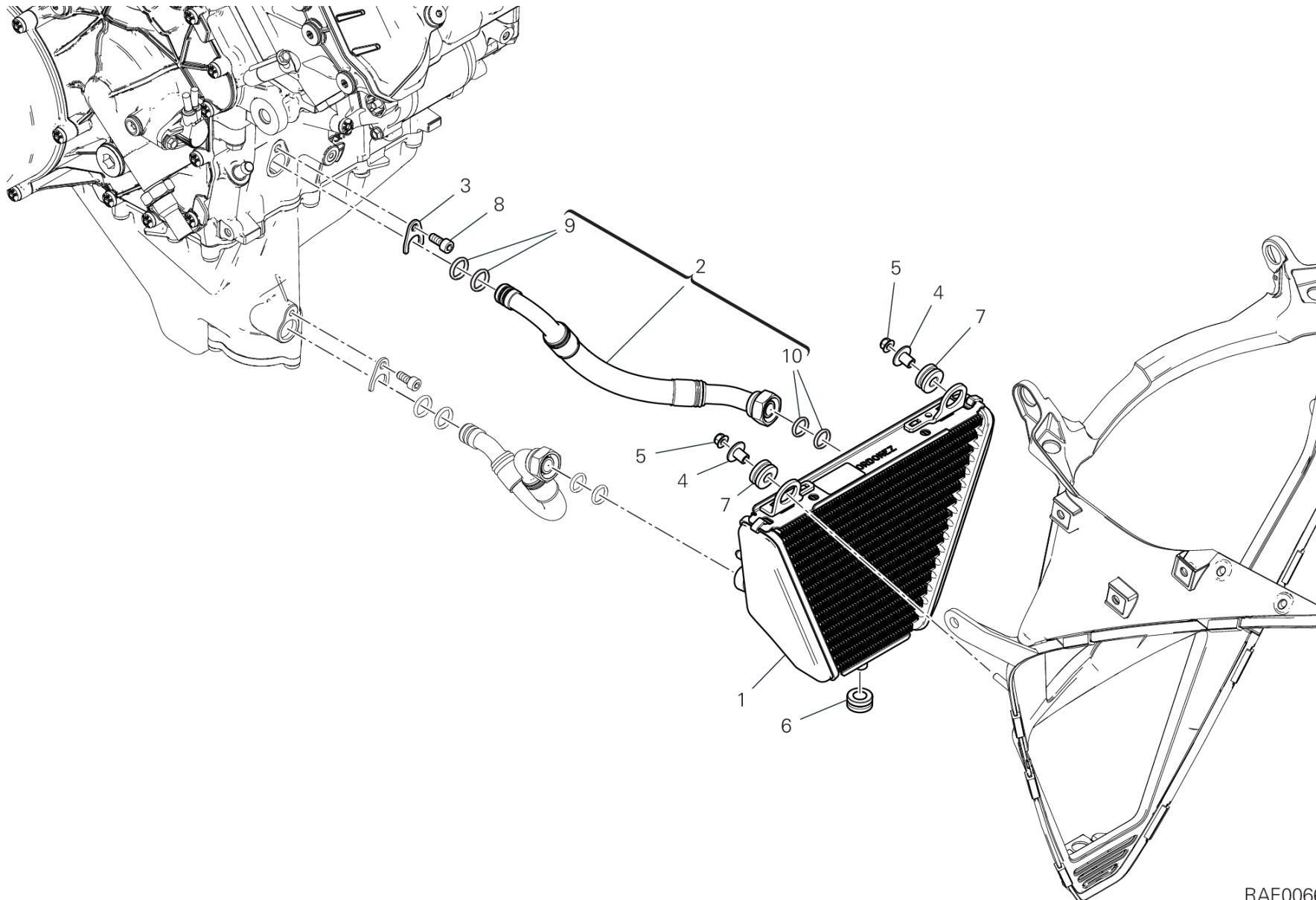
GROUP FRAME



POS.	CODE	DESCRIPTION	QTY	VALIDITY	NOTES
1	48312054A	LOCKER	1		
2	59513412A	BELT	1		
3	76411491A	RUBBER PAD	1		
4	76414282A	RUBBER PAD	2		
5	77157213B	SCREW TCEIF M8X16	2		
6	77240253C	SCREW	2		
7	77251308B	SCREW	2		
8	77251388B	SCREW	1		
9	74941128B	NUT M8	1		
10	79913021A	SPRING	1		
11	82115751AA	PIN	1		
12	82718481AA	BRACKET	1		
13	85044691A	QUICK FASTENING	2		
14	85041951AA	QUICK FASTENING	4		
15	86611821A	RUBBER PAD	1		
16	86612771B	PAD	1		
17	73210651B	CABLE, SEAT LOCK	1		
18	86610301A	PAD	1		



DRAWING 34A - OIL COOLER GROUP FRAME



RAF00660

DRAWING 34A - OIL COOLER

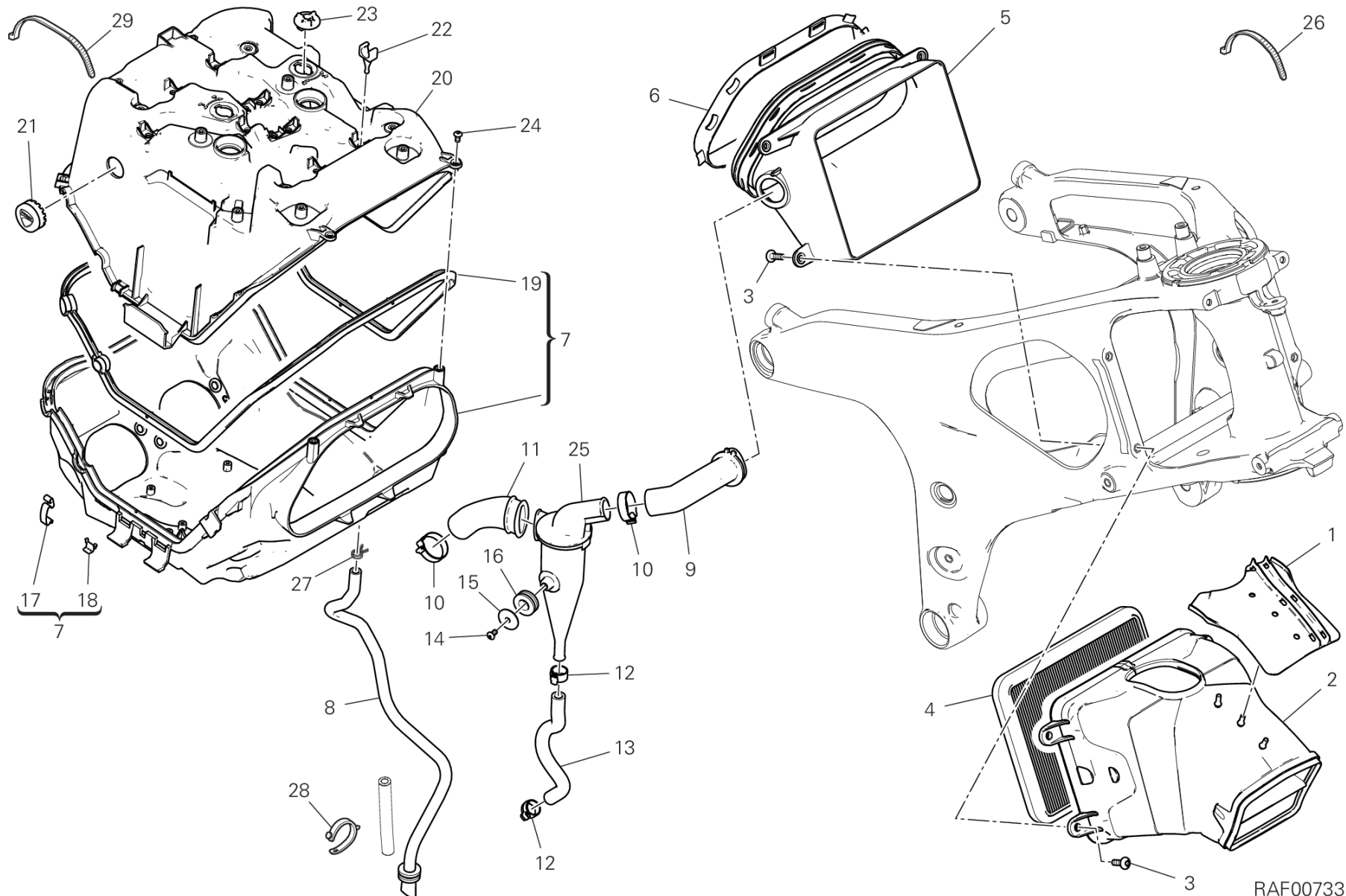
GROUP FRAME



POS.	CODE	DESCRIPTION	QTY	VALIDITY	NOTES
1	54811364A	OIL COOLER	1		
2	54911402A	OIL DELIVERY PIPE	1		
3	82718471AA	PLATE	1		
4	71615151AA	SPACER	2		
5	74941108B	NUT	2		
6	76410901A	RUBBER PAD	1		
7	76411501A	RUBBER PAD	2		
8	77116648B	SCREW M6X14	1		
9	88643141A	O-RING	2		
10	88643121A	O-RING	2		



DRAWING 35A - AIR INTAKE - OIL BREATHER GROUP FRAME



RAF00733

DRAWING 35A - AIR INTAKE - OIL BREATHER

GROUP FRAME

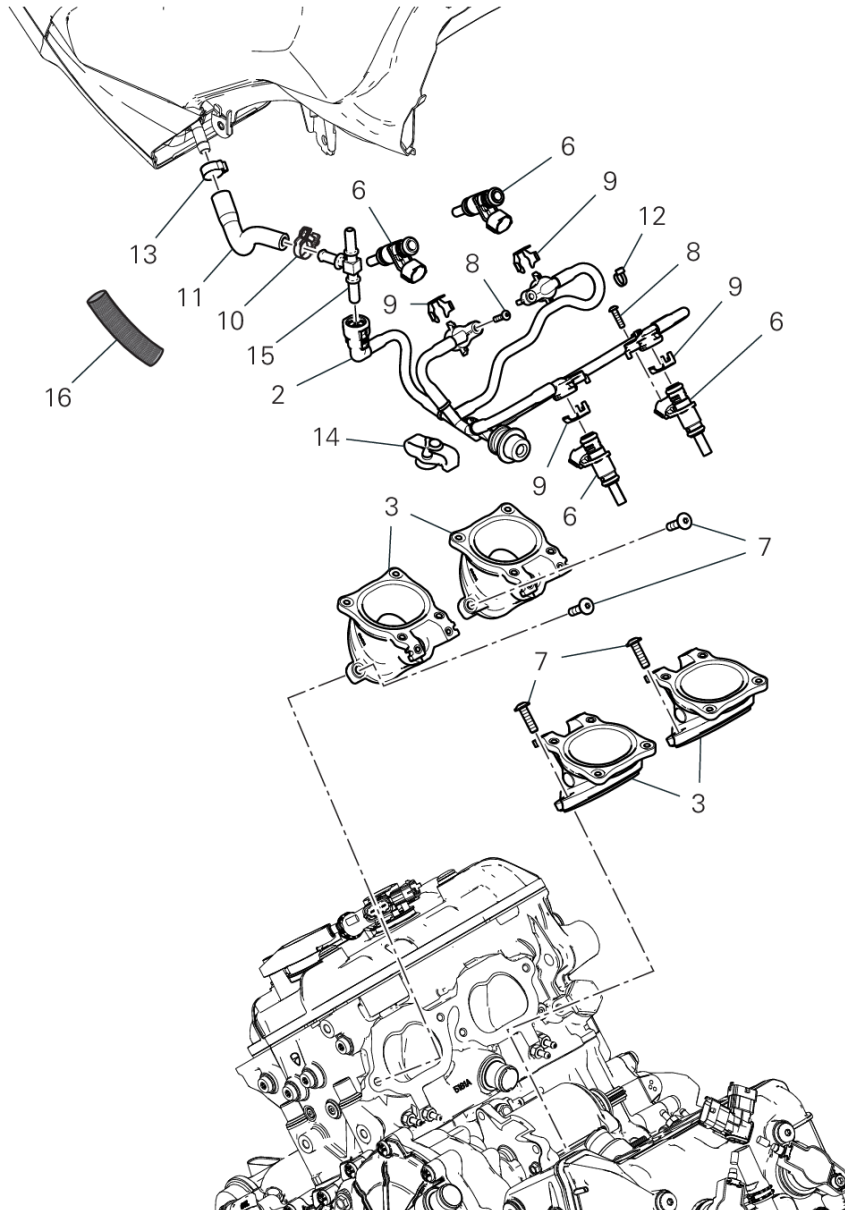


POS.	CODE	DESCRIPTION	QTY	VALIDITY	NOTES
1	8291H031A	HOLDER WIRING	1		
2	48411492A	DUCT, AIR INLET	1		
3	77244198B	SCREW	8		
4	42610672A	FILTER, AIR	1		
5	48411531A	DUCT, AIR INLET	1		
6	8291H082A	FLANGE	1		
7	442P3201B	COVER AIR BOX , UPPER	1		
8	59019071A	HOSE, DRAIN AIRBOX	1		
9	87611481A	HOSE, BLOW-BY	1		
10	74142141A	CLAMP	2		
11	87611472A	HOSE, BLOW-BY	1		
12	74140631A	CLAMP	2		
13	93310501A	HOSE	1		
14	77550171A	SCREW TBEI M4X8	1		
15	85611711AA	WASHER	1		
16	76411381A	VIBRATION DAMPER PAD	1		
17	8501A671AA	CLIP	11		
18	8501A701A	HOLDER	11		
19	79111241A	GASKET	1		
20	44213212D	COVER AIR BOX , UPPER	1		
21	76410621B	RUBBER PAD	1		
22	86612411A	HOLDER	5		
23	87211261AB	PLUG	2		
24	77354623B	SCREW M4X10	2		
25	58511121A	CYCLONE SEPARATOR	1		
26	74140381A	CLAMP	3		
27	74141721A	CLAMP	1		
28	74110551A	CLAMP, RUBBER 39MM	1		
29	069191030	CLAMP	1		



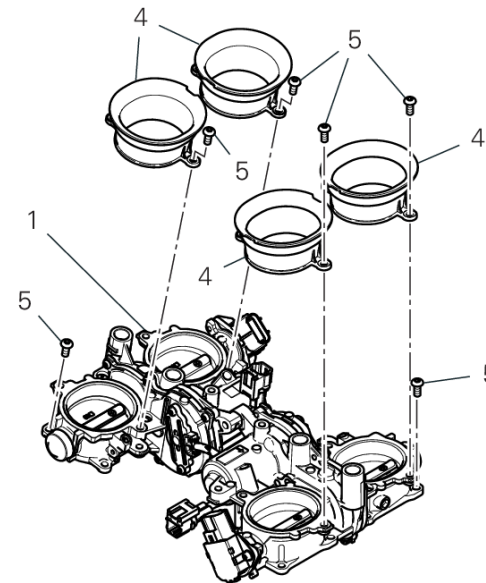
DRAWING 36A - THROTTLE BODY

GROUP FRAME



⚠ Important!

In the event of disconnection (detachment), the pipe (11) and relevant ties (10, 13) must ALWAYS be replaced.



IMP01458

DRAWING 36A - THROTTLE BODY

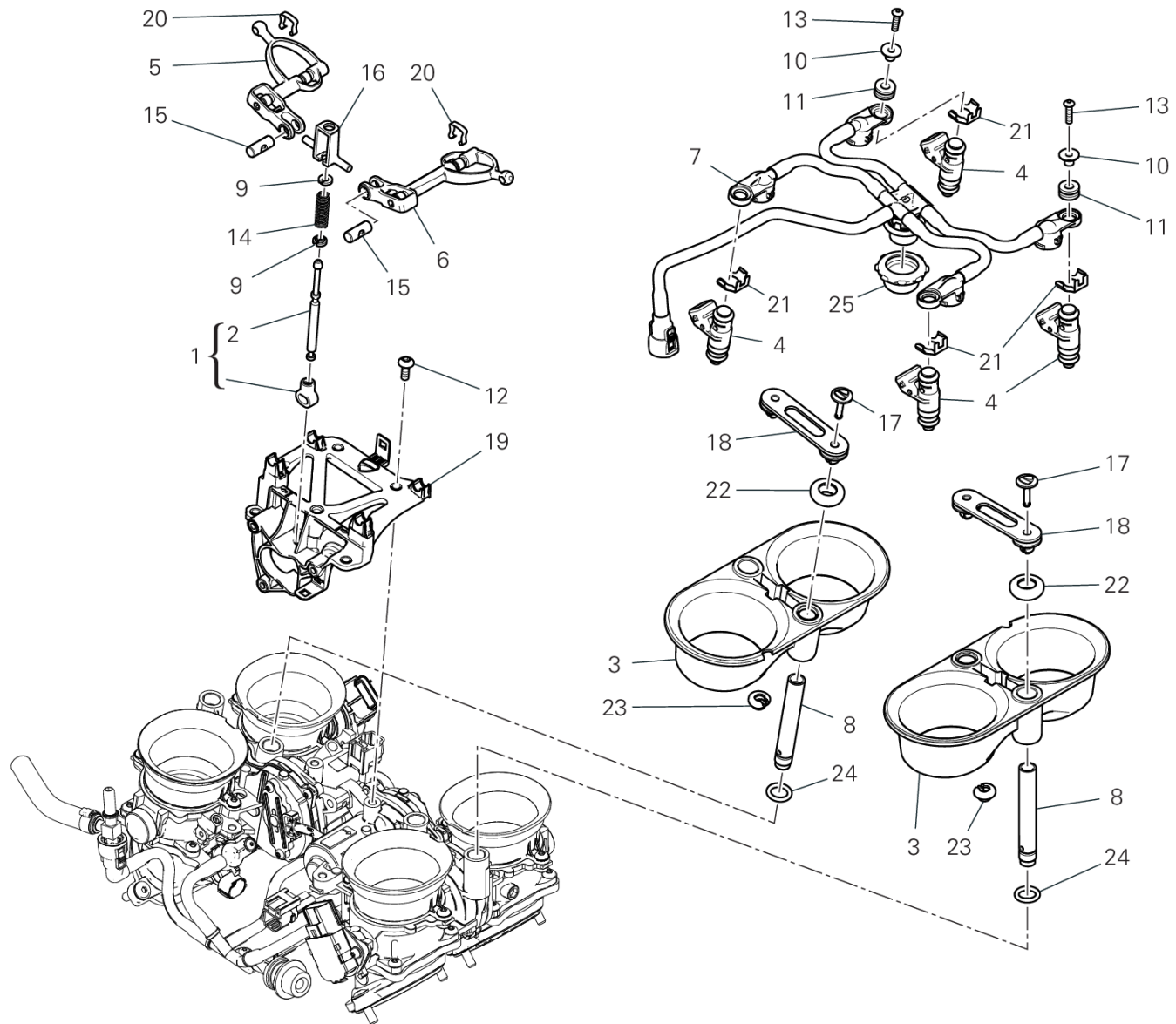
GROUP FRAME



POS.	CODE	DESCRIPTION	QTY	VALIDITY	NOTES
1	28221212B	THROTTLE BODY	1		
2	59024144B	COMPLETE PIPE SET BOTTOM	1		
3	14010881A	INTAKE MANIFOLD	4		
4	13510661A	AIR FUNNEL	4		
5	72050173CF	SCREW	24		
6	28040461B	INJECTOR	4		
7	77240453CA	SCREW TBEIF M6X22 10.9	8		
8	77150208B	SCREW TCEIF M6X14 8.8	4		
9	85042371A	CLIP	4		
10	74142121A	CLAMP	1		Important! In the event of disconnection (detachment), the pipe (11) and relevant ties (10, 13) must ALWAYS be replaced.
11	59018461C	PIPE	1		Important! In the event of disconnection (detachment), the pipe (11) and relevant ties (10, 13) must ALWAYS be replaced.
12	74140381A	CLAMP	2		
13	74142151A	CLAMP	1		Important! In the event of disconnection (detachment), the pipe (11) and relevant ties (10, 13) must ALWAYS be replaced.
14	70011241AA	VIBRATION DAMPER	1		
15	81416301A	THREE-WAYS UNION	1		
16	4601H512A	PROTECTION SHEATH	1		



DRAWING 36B - THROTTLE BODY GROUP FRAME



IMP01273

DRAWING 36B - THROTTLE BODY

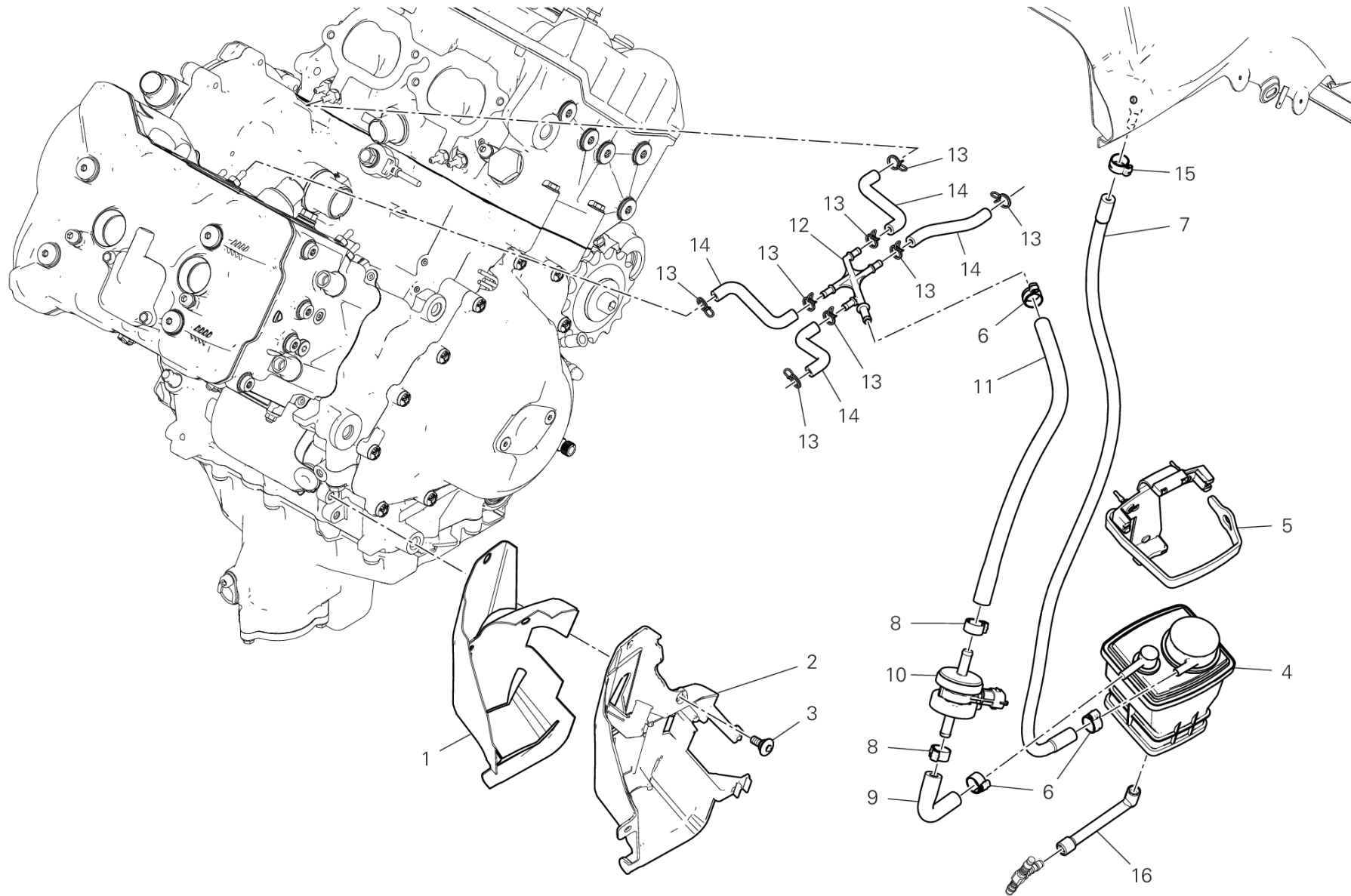
GROUP FRAME



POS.	CODE	DESCRIPTION	QTY	VALIDITY	NOTES
1	11711781A	ROD	1		
2	11711791A	ROD	1		
3	13510532A	PIPE	2		
4	28040471B	INJECTOR	4		
5	45510391A	LEVER	1		
6	45510401A	LEVER	1		
7	59024133B	COMPLETE PIPE SET UPPER	1		
8	68411362BA	COLUMN	4		
9	71116721A	BUSH	2		
10	71615501AA	SPACER	4		
11	76411671A	RUBBER PAD	4		
12	77244183B	SCREW	4		
13	77150208B	SCREW TCEIF M6X14 8.8	4		
14	79916471A	SPRING	1		
15	82118391A	PIN	2		
16	82119211A	SPRING SEAT	1		
17	82119222A	PIN	4		
18	82718461A	PLATE	2		
19	82919202A	HOLDER	1		
20	8501A661A	CLIP	4		
21	85042371A	CLIP	4		
22	86612371A	PAD	4		
23	86612381A	LOWER SUPPORT	2		
24	88642751A	O-RING	4		
25	70011231AA	VIBRATION DAMPER	1		



DRAWING 36C - CANISTER FILTER GROUP FRAME



IMPO1469

DRAWING 36C - CANISTER FILTER

GROUP FRAME

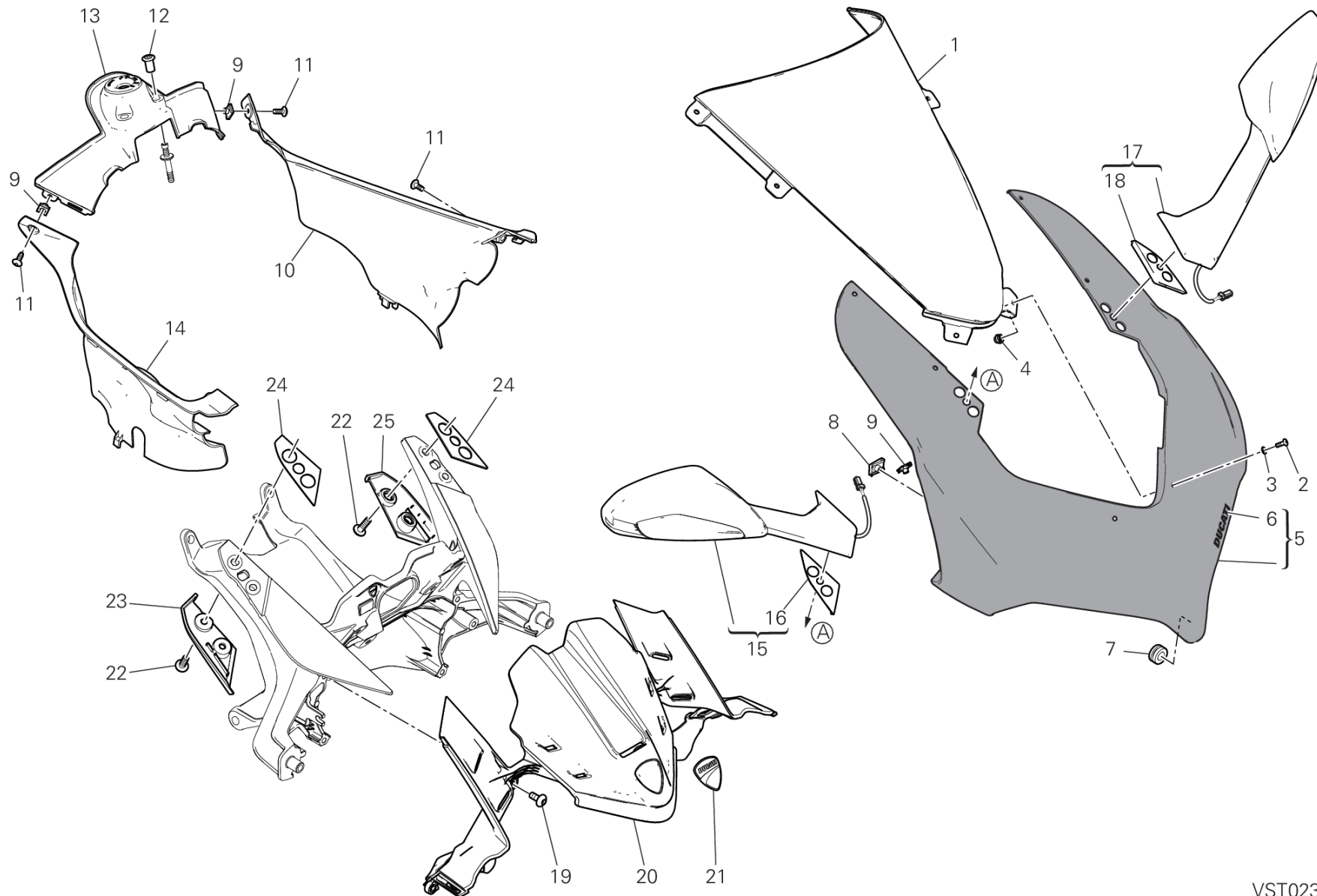


POS.	CODE	DESCRIPTION	QTY	VALIDITY	NOTES
1	4601F961B	THERMOREFLECTING PROTECTION	1		
2	8291G771B	BRACKET, CANISTER	1		
3	77914391C	SCREW	2		
4	42610681A	HOT AIR PIPE CANISTER	1		
5	70010751A	VIBRATION DAMPER	1		
6	74140631A	CLAMP	3		
7	93510281B	PIPE	1		
8	74140641A	CLAMP	2		
9	93510431A	HOSE	1		
10	65540101A	VALVE, BREATHER	1		
11	93510441A	HOSE	1		
12	81416431A	UNION	1		
13	74140431A	CLAMP	8		
14	93510401A	HOSE	4		
15	74140651A	FASCETTA 11-7 MM	1		
16	81417511A	UNION	1		



DRAWING 37A - COWLING

GROUP FRAME



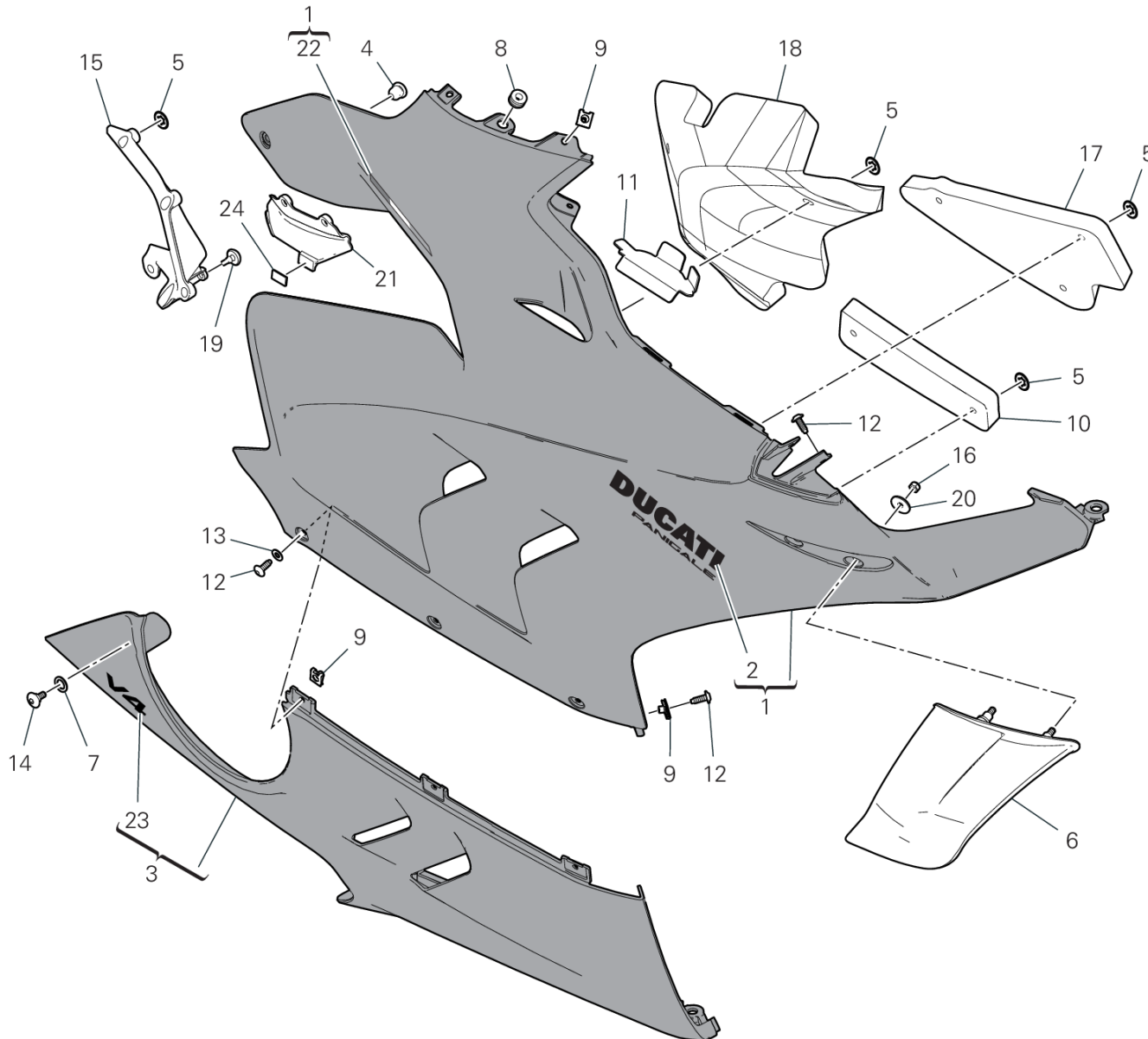
VST02381

DRAWING 37A - COWLING

GROUP FRAME



POS.	CODE	DESCRIPTION	QTY	VALIDITY	NOTES
1	48711171A	WINDSHIELD	1		
2	77510071AB	SCREW, SPECIAL	6		
3	85210241A	WASHER, NYLON 4X8X0.5	6		
4	75010281A	NUT, SPRING	6		
5	48114261AD	COWLING	1		
6	4381G391A	STICKER DUCATI	1		
7	76410901A	RUBBER PAD	1		
8	85044691A	QUICK FASTENING	2		
9	85041951AA	QUICK FASTENING	6		
10	4601G212A	COVER, BODY COWL LH	1		
11	77211091C	SCREW	4		
12	75012341AA	NUT, SPECIAL	2		
13	4601L221A	COVER, IGNITION SWITCH	1		
14	4601G202A	COVER, BODY COWL RH	1		
15	523S0655A	REAR-VIEW MIRROR R.H.	1		
16	78811781A	RIGHT GASKET	1		
17	523S0645A	REAR-VIEW MIRROR L.H.	1		
18	78811771A	LEFT GASKET	1		
19	77244173B	SCREW	4		
20	4601M351A	COVER	1		
21	43815511A	EMBLEM DUCATI	1		
22	77244198B	SCREW	4		
23	4601G191A	CAP RH	1		
24	78811791A	GASKET	2		
25	4601G181A	CAP LH	1		



VST02367

DRAWING 37B - FAIRING, RH

GROUP FRAME

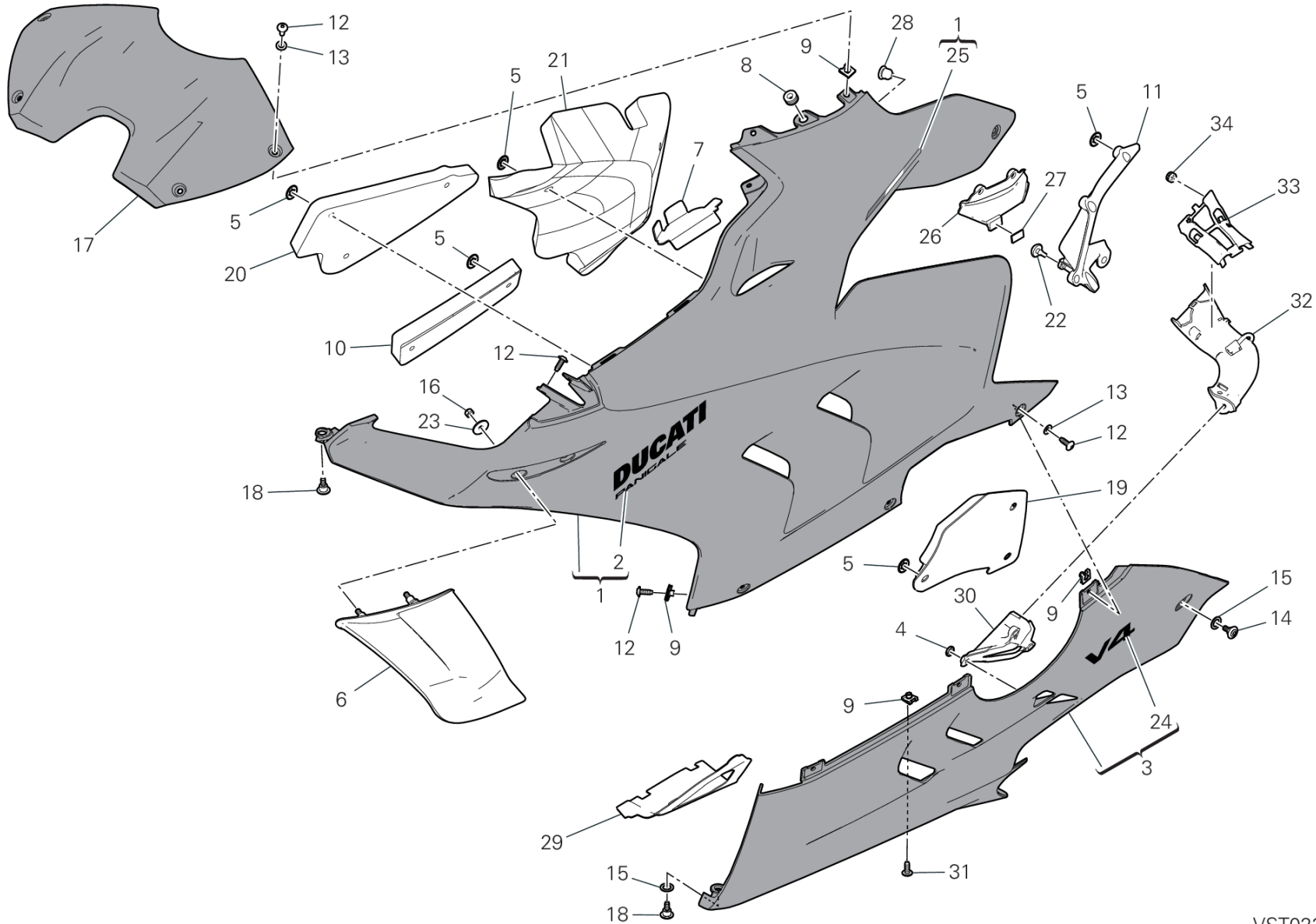


POS.	CODE	DESCRIPTION	QTY	VALIDITY	NOTES
1	4801C491AA	RIGHT UPPER HALF-FAIRING	1		
2	4381G351A	DECALCOMANIA DUCATI DESTRA	1		
3	4801C471AA	RIGHT LOWER FAIRING RED	1		
4	85044431A	RUBBER PAD	1		
5	85041091A	WASHER, SPRING	22		
6	4801C431AA	ALA DESTRA	1		
7	85212181A	WASHER, NYLON 9X14X1	1		
8	76411671A	RUBBER PAD	3		
9	85041951AA	QUICK FASTENING	6		
10	48612821A	DAMPER, SOUND ARRESTER	1		
11	4601H341AA	RIGHT MASH	1		
12	77211091C	SCREW	6		
13	85611401A	WASHER	3		
14	77214411AA	SCREW	1		
15	4801C691A	RH FRAME CLOSING	1		
16	74841091AA	NUT	2		
17	48612791A	DAMPER, SOUND ARRESTER	1		
18	48612251A	DAMPER, SOUND ARRESTER	1		
19	86610751A	PAD	1		
20	85213111AA	WASHER	2		
21	4801C711A	RH SUBFRAME CLOSING	1		
22	4381G331A	ITA FLAG STICKER RH	1		
23	4381G321A	TRANSFER	1		
24	86613041A	PAD	1		



DRAWING 37C - FAIRING, LH

GROUP FRAME



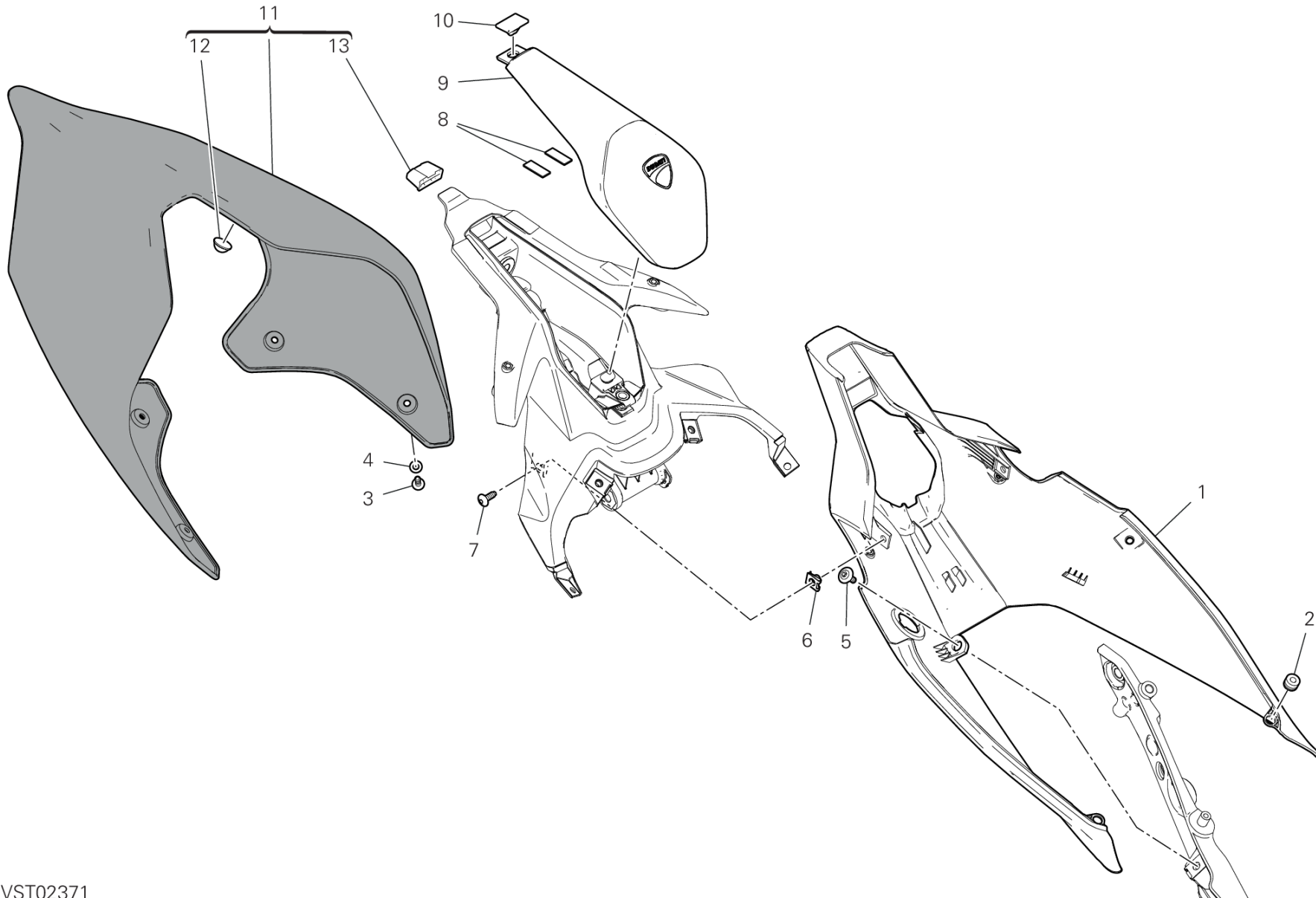
VST02368

DRAWING 37C - FAIRING, LH

GROUP FRAME



POS.	CODE	DESCRIPTION	QTY	VALIDITY	NOTES
1	4801C501AA	LEFT UPPER HALF-FAIRING	1		
2	4381G361A	L.H. STICKER DUCATI	1		
3	4801C483AA	LEFT LOWER FAIRING RED	1		
4	85040521A	CLIP	3		
5	85041091A	WASHER, SPRING	15		
6	4801C421AA	ALA SINISTRA	1		
7	4601H331AA	LEFT MASH	1		
8	76411671A	RUBBER PAD	3		
9	85041951AA	QUICK FASTENING	8		
10	48612821A	DAMPER, SOUND ARRESTER	1		
11	4801C681A	LH FRAME CLOSING	1		
12	77211091C	SCREW	13		
13	85611401A	WASHER	7		
14	77214411AA	SCREW	1		
15	85212181A	WASHER, NYLON 9X14X1	2		
16	74841091AA	NUT	2		
17	4801C461AA	TANK COVER	1		
18	77210842A	SCREW TCEI M5X8.5	2		
19	48612061A	DAMPER, SOUND ARRESTER	1		
20	48612811A	DAMPER, SOUND ARRESTER	1		
21	48612231A	DAMPER, SOUND ARRESTER	1		
22	86610751A	PAD	1		
23	85213111AA	WASHER	2		
24	4381G321A	TRANSFER	1		
25	4381G341A	ITA FLAG STICKER LH	1		
26	4801C701A	LH SUBFRAME CLOSING	1		
27	86613041A	PAD	1		
28	85044431A	RUBBER PAD	1		
29	4601M311A	THERMOREFLECTING PROTECTION	1		
30	8291N711A	AIR CONVEYOR	1		
31	77244173B	SCREW	2		
32	48412771A	AIR CONVEYOR	1		
33	8291N521A	HOLDER	1		
34	76440561A	RUBBER PAD	2		



VST02371

PANIGALE V4 /23

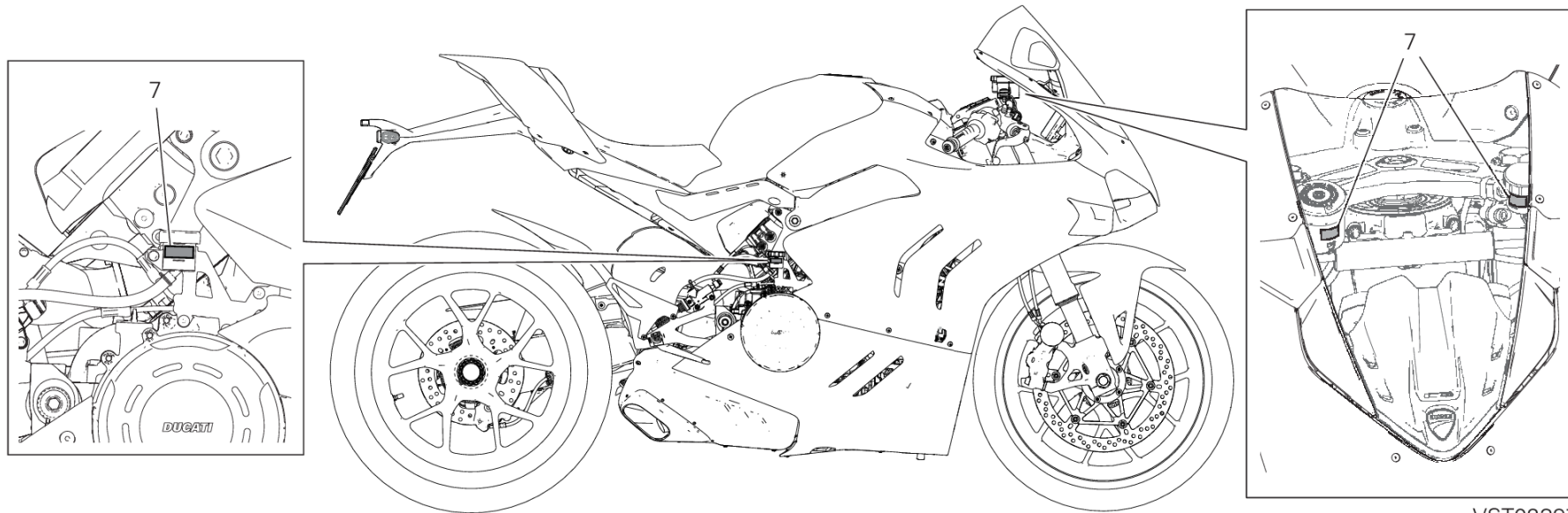
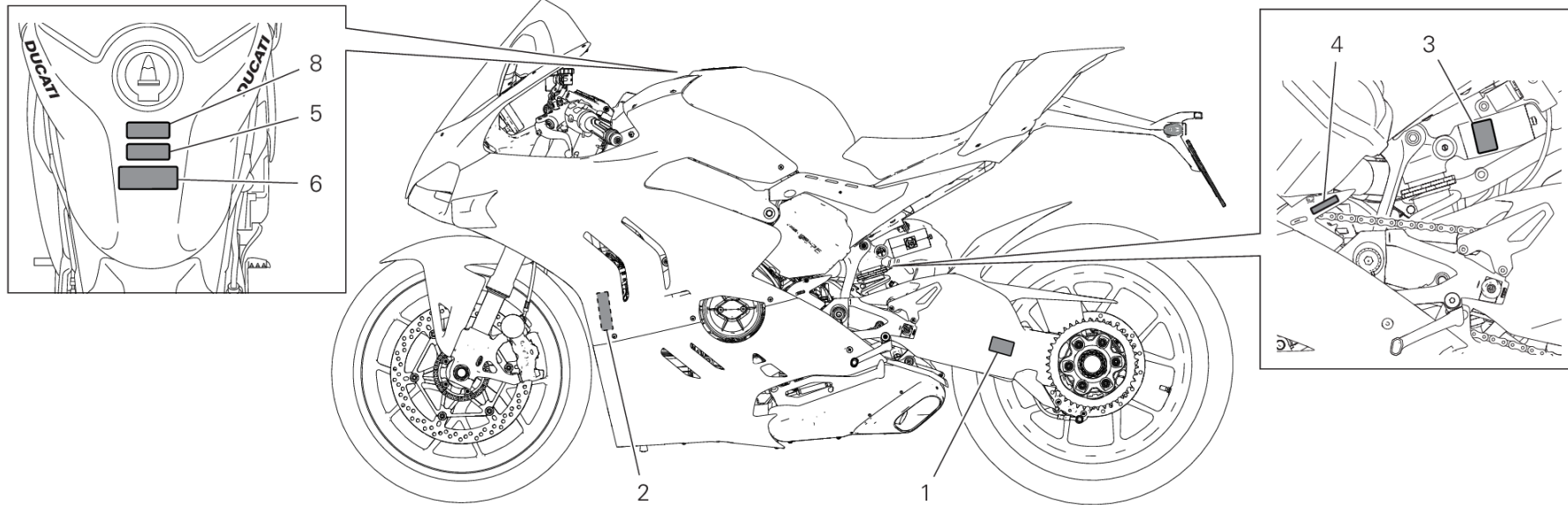
027000023

DRAWING 37D - REAR FAIRING

GROUP FRAME



POS.	CODE	DESCRIPTION	QTY	VALIDITY	NOTES
1	48212441A	COVER, LOWER	1		
2	76414341A	RUBBER PAD	2		
3	77244183B	SCREW	4		
4	85611401A	WASHER	4		
5	77210943B	SCREW, SPECIAL	2		
6	85041951AA	QUICK FASTENING	2		
7	77211091C	SCREW	2		
8	86612791A	RUBBER PAD	2		
9	24716171A	SEAT BACK	1		
10	86610301A	PAD	1		
11	48222451AK	REAR FAIRING	1		
12	86612801A	RUBBER PAD	2		
13	86612671A	RUBBER PAD	1		



VST02397

DRAWING 38A - POSITIONING PLATES [XST:JPN]

GROUP FRAME



POS.	CODE	DESCRIPTION	QTY	VALIDITY	NOTES
1	43314621A	TIRE SIZE AND PRESSURE PLATE	1		
2	43312531A	WATER RADIATOR PLATE	1		
3	43312561A	REAR SHOCK ABSORBER PLATE	1		
4	43312551A	GEAR SEQUENCE PLATE	1		
5	43310051B	TANK "WARNING" PLATE	1		
6	43310051C	TARGHETTA IMPORTANTE SERBATOIO	1		
7	43910071A	CLUTCH-BRAKE MASTER CYLINDER PLATE	3		
8	43217911Z	TANK "WARNING" PLATE	1		



CODE	NO. TABLE	POS.	CODE	NO. TABLE	POS.	CODE	NO. TABLE	POS.	CODE	NO. TABLE	POS.
069191030	13C	6	14815572A	12A	4	19610711A	03B	5	303A0741A	12C	2
069191030	20C	25	14815582A	12A	8	19610721A	03B	6	303A0741A	12D	2
069191030	25C	22	14912531A	03A	1	19820501A	03B	7	304A1091A	12C	3
069191030	26A	27	14912641B	03A	2	20810461A	12C	20	304A1091A	12D	3
069191030	26A	27	15022541B	03A	33	20810461A	12D	20	304A1101A	12C	4
069191030	31B	19	15022551A	03A	34	20910781A	12C	25	304A1101A	12D	4
069191030	35A	29	15310271A	22A	1	20910781A	12D	25	34111202BA	18A	1
11210942AA	09B	1	15621143AA	05A	4	20910791A	12C	24	34111202BA	18A	1
11210942AB	09B	1	15621143AB	05A	4	20910791A	12D	24	342P1041AA	18A	2
11210942AC	09B	1	15621143AC	05A	4	21011194A	12C	8	342P1041AA	18A	2
11210942AD	09B	1	15621143AD	05A	4	21011194A	12D	8	34421171A	18B	1
11210942AE	09B	1	16015522B	11A	1	21111191A	12C	7	34521171A	18B	2
11210952AA	09B	2	16016861AA	29B	11	21111191A	12D	7	34912141A	18B	10
11210952AB	09B	2	16024371A	30A	26	225P0011G	09A	1	34913091A	18B	13
11210952AC	09B	2	17011661A	03B	22	24211142AH	04B	3	34914071A	18B	11
11210952AD	09B	2	17021622A	03B	2	24311541AH	04A	2	34914081A	18B	12
11210952AE	09B	2	17112211A	12A	7	24311643AH	04A	18	34914091A	18B	15
11210961AA	05A	1	17112211A	12B	7	24715791A	12A	30	34914141A	18B	14
11210961AB	05A	1	17112222B	12A	3	24715791A	12B	30	34914161A	18B	16
11210961AC	05A	1	17112222B	12B	8	24715873AH	12B	21	34914171A	18B	3
11210961AD	05A	1	17216191A	03A	3	24715882AH	12A	21	34914191A	18B	8
11210961AE	05A	1	17216201A	03A	4	24716131AB	26B	14	34914211A	18B	7
11210961AF	05A	1	17216231A	03A	8	24716141AB	26A	25	34914221A	18B	19
11210961AG	05A	1	17216241A	03A	9	24716141AB	26A	25	34914841A	18B	18
11711252AA	16A	6	17216251A	03A	10	24716171A	37D	9	34914851A	18B	17
11711771A	03B	1	17216451A	03A	12	24735581AH	04B	6	34914861A	18B	4
11711781A	36B	1	17216461A	03A	5	247P5863A	04C	4	34921671A	18B	9
11711791A	36B	2	17216471A	03A	6	24920511H	10A	2	34922481A	18B	5
11711821AA	26A	9	17216481A	03A	7	24920593A	08A	10	34922491A	18B	6
11711821AA	26A	9	17216491A	03A	11	25110101A	10A	7	36011981AA	22A	3
11711831AA	26B	13	17310411A	11A	6	25210191AH	04C	1	36011991AA	22A	4
12113712A	06A	3	17410851C	10A	1	25440013A	09A	15	36012172AA	22A	2
12113721A	06A	4	17610281A	11A	7	26420572C	11A	14	36140161A	22A	14
12120772A	06A	1	18010472A	02A	1	27040193A	11A	8	36420101A	18A	3
12222331C	06A	2	18010482A	02A	2	28040461B	36A	6	36420101A	18A	3
13510532A	36B	3	18010492A	02A	3	28040471B	36B	4	36521891A	23A	1
13510661A	36A	4	18120071A	02A	4	28221212B	36A	1	36911302AA	19A	2
14010881A	36A	3	18220381B	02A	12	28643691A	13D	1	36911521AA	19A	1
14622691AA	05A	2	182P0011A	02A	11	28643691A	13D	1	37022191DA	19A	3
14622691AB	05A	2	18410152AA	26B	11	28643691E	13D	1	37211971BA	23A	10
14622691AC	05A	2	18710021A	22B	3	28643691J	13D	1	37212211AA	23A	9
14622691AD	05A	2	19020361D	03B	3	28643691N	13D	1	38010211D	12A	25
14815552A	12B	4	19410511A	03B	4	30125701BR	12D	1	38010211D	12B	25
14815562A	12B	3	19540091D	22B	24	30125711BR	12C	1	38511494A	13D	11



CODE	NO. TABLE	POS.	CODE	NO. TABLE	POS.	CODE	NO. TABLE	POS.	CODE	NO. TABLE	POS.
38511494A	13D	11	44610401AA	17A	16	46011521A	31B	23	48411492A	35A	2
38540093B	13E	5	44711961A	19A	11	46011821A	19A	20	48411501C	25A	1
38940191A	13C	13	44711971B	19A	15	4601L211A	31B	1	48411512A	14A	3
38940201A	13C	13	44712181A	17A	16	4601L221A	37A	13	48411531A	35A	5
38940211A	13C	13	44712181A	17A	18	4601L252A	31B	2	48411781A	25A	32
38940221A	13C	13	44740112A	07A	1	4601M061A	20C	24	48411791A	25A	33
38940241A	13C	13	44740122A	07A	2	4601M311A	37C	29	48412771A	37C	32
38940251A	13D	20	44910732B	03B	14	4601M351A	37A	20	48611191A	04A	3
38940251A	13D	20	44910741A	08A	8	46026981AA	31A	2	48611271A	31A	20
38940261A	13C	13	44910801A	17A	1	46027001AA	31A	3	48611281A	31A	22
39740081B	13D	22	44910801A	17A	1	46110553B	31A	4	48612041B	33B	16
39740081B	13D	22	44910801A	07A	3	46110561B	31A	5	48612061A	37C	19
40611941B	15A	1	45140021C	07A	3	46111102A	31B	3	48612231A	37C	21
42610672A	35A	4	45510391A	36B	5	46111102A	31B	3	48612231A	37C	21
42610681A	36C	4	45510401A	36B	6	46111132A	31B	5	48612251A	37B	18
42710241A	09B	3	45520172A	09A	16	46111141A	31B	4	48612271A	04A	34
43217911Z	38A	8	45612521AA	26A	5	46111202A	31B	6	48612281A	04A	37
43310051B	38A	5	45612521AA	26A	5	46240461A	15A	2	48612293A	04A	33
43310051B	38A	5	45613411AB	26A	13	46320226A	30A	5	48612551A	04A	38
43310051C	38A	6	45613411AB	26A	13	46410531B	26B	18	48612791A	37B	17
43312502C	04A	32	45720991BB	26B	3	46410531B	26C	1	48612811A	37C	20
43312531A	38A	2	46016762A	17A	9	46410541B	26A	22	48612821A	37B	10
43312541A	13D	29	46016762A	17A	9	46410541B	26A	22	48612821A	37C	10
43312551A	38A	4	46016871A	33B	2	46410541B	26C	10	48711171A	37A	1
43312561A	38A	3	46016881A	33B	1	47023223AA	33A	1	48810082AA	33B	15
43314621A	38A	1	46017141A	33A	11	47111174AA	33B	3	48810093AA	31A	18
43314851A	18A	16	46017151A	33A	12	47111184AA	33B	4	48810121AA	33A	13
43315041A	19A	19	4601F472A	11A	15	4801C421AA	37C	6	49041071A	A	1
43315041B	19A	19	4601F481A	16A	14	4801C431AA	37B	6	49041071A	B	1
43815511A	37A	21	4601F481A	20C	21	4801C461AA	37C	17	49041081A	A	19
43818151C	30A	2	4601F921B	18A	4	4801C471AA	37B	3	49041081A	H	1
4381D251A	32B	11	4601F921B	18A	4	4801C483AA	37C	3	490P0002A	A	3
4381D261A	32B	7	4601F961B	36C	1	4801C491AA	37B	1	490P0002A	C	1
4381G321A	37B	23	4601G181A	37A	25	4801C501AA	37C	1	490P0003A	A	4
4381G321A	37C	24	4601G191A	37A	23	4801C681A	37C	11	490P0003A	C	2
4381G331A	37B	22	4601G202A	37A	14	4801C691A	37B	15	490P0004A	A	5
4381G341A	37C	25	4601G212A	37A	10	4801C701A	37C	26	490P0004A	C	3
4381G351A	37B	2	4601G561A	33B	13	4801C711A	37B	21	490P0019A	A	27
4381G361A	37C	2	4601G582A	17A	2	48114261AD	37A	5	490P0019A	D	1
4381G391A	37A	6	4601G582A	17A	2	48212441A	37D	1	490P0022A	A	28
43910071A	38A	7	4601H171A	20C	5	48222451AK	37D	11	490P0022A	E	1
44213212D	35A	20	4601H331AA	37C	7	48222551A	32B	4	490P0029A	A	12
44218952A	14A	2	4601H341AA	37B	11	482P2461AA	32B	10	490P0029A	F	1
442P3201B	35A	7	4601H512A	36A	16	482P2471AA	32B	6	490P0030A	A	13
44440312B	04C	2	4601I311A	33B	12	48312054A	33C	1	490P0030A	F	2



CODE	NO. TABLE	POS.	CODE	NO. TABLE	POS.	CODE	NO. TABLE	POS.	CODE	NO. TABLE	POS.
490P0044A	A	17	50122341AA	28A	1	55020321A	25A	24	59024133B	36B	7
490P0044A	G	2	50212101AA	29A	1	55020331A	25A	20	59024144B	36A	2
490P0248A	A	18	50410091A	29B	4	55212111B	13F	15	59020011A	13B	4
490P0248A	G	1	50410271B	05A	6	55212121B	13F	11	59020021A	13B	1
490P0297A	A	21	504Z0381AA	28A	11	55215021A	31A	19	59020031A	13B	3
490P0297A	I	1	5101C391C	13C	5	55215021A	31B	13	59340621A	13E	4
490P0298A	A	22	5101F301A	13C	14	55215371A	02A	13	59340661A	13A	2
490P0298A	I	2	5101G101B	13C	1	55215481D	26A	8	59513412A	33C	2
490P0333A	A	10	5101H711E	13A	1	55215481D	26A	8	595P6401AB	32B	1
490P0333A	K	1	5101H721A	13C	9	55240121A	13F	8	595P7031AA	32A	1
49141581A	A	2	5101H741A	13C	2	55241321C	04A	13	59810431A	13F	3
49141581A	B	2	51310821A	13D	27	55243181A	09A	17	59820611A	13E	14
491P0015A	A	6	51310821A	13D	27	55244081A	25C	9	59822511A	13F	1
491P0015A	C	4	51410831C	13D	4	55244421A	09B	4	59840291A	13F	4
491P0016A	A	7	51410831C	13D	4	55320161A	25C	11	61041821A	20B	7
491P0016A	C	5	51410841D	13D	28	55621141AA	16A	1	61041831A	20B	9
491P0017A	A	8	51410841D	13D	28	56113381AA	21A	14	61041991A	22B	27
491P0017A	C	6	51610053C	13E	1	56113392A	21A	9	61140471A	20D	11
491P0018A	A	9	51840051B	13F	2	56113392A	21A	9	61240052A	20B	2
491P0018A	C	7	52010422E	14A	1	56113501C	21A	4	61240052A	22B	4
491P0041A	A	14	523S0645A	37A	17	56113501C	21A	4	61240081A	20D	12
491P0041A	F	3	523S0655A	37A	15	56113681A	21A	5	61240161A	20D	13
491P0042A	A	15	52510611A	21A	6	56113681A	21A	5	61240201A	20B	5
491P0042A	F	4	52510611A	21A	6	56416632AA	24A	1	61240371A	20B	10
491P0043A	A	16	52510692A	14B	1	56511231A	27A	1	61240391A	20A	3
491P0043A	F	5	52910231A	21A	11	57015211A	31B	22	61240391A	22B	23
491P0339A	A	23	52910231A	21A	11	57015222A	31A	6	61340951A	20D	14
491P0339A	I	3	52910261A	20B	18	57414931A	31A	1	61341271A	20B	8
491P0340A	A	24	53010323B	14B	3	57414951A	31A	1	61610021A	25D	1
491P0340A	I	4	53010333B	14B	2	57415041A	31A	1	61811441A	20C	14
491P0341A	A	25	53940035A	13C	4	57415042A	31A	1	61811651A	20C	11
491P0341A	I	5	53940302A	04A	12	57610981AA	31A	12	61841411A	20B	12
491P0342A	A	26	53940601A	16A	11	57610991AA	31A	11	61911531A	20C	15
491P0342A	I	6	53940651A	16A	5	58511121A	35A	25	61911631A	20C	16
491P0348A	A	20	53940981A	22B	22	58511131B	25D	14	62441341AA	20A	1
491P0348A	H	2	53940991A	20A	5	58511191A	25D	20	62540311C	20D	10
491P0408A	A	11	54040301B	13D	18	58540341A	20A	15	62640561A	20A	7
491P0408A	K	2	54040301B	13D	18	58540351A	20D	4	62640561A	22B	20
49210061A	29B	2	54140151A	13C	3	58540351A	22B	12	62640571A	20A	8
49240891A	28A	10	54240991A	20C	1	58613082AA	30A	1	62640571A	22B	18
49240901A	28A	4	54811335A	25A	19	59018461C	36A	11	63040932AA	22B	1
49411911AA	29B	12	54811364A	34A	1	59019051A	25D	9	63140081A	20A	6
49720031A	29A	2	54911402A	34A	2	59019071A	35A	8	63140081A	22B	21
49720071AC	28A	9	54911412A	04C	10	59019081A	30A	18	63140161A	20D	15



CODE	NO. TABLE	POS.	CODE	NO. TABLE	POS.	CODE	NO. TABLE	POS.	CODE	NO. TABLE	POS.
63140281A	20A	19	70140111B	09A	19	71316061AA	13E	3	71950303C	22B	10
63140281A	22B	19	70140171A	19A	4	71316102A	11A	13	71950370CF	04B	1
63140601A	20A	2	70140471A	11A	2	71319201A	13F	12	72010513C	28A	5
63140631A	22B	2	70140651A	03A	13	71319452AA	19A	16	72050159EA	29B	5
63210981A	22B	6	70140661A	03A	14	7131C211A	12C	27	72050173CA	21A	15
65010362A	22A	15	70140671A	03A	15	7131C211A	12D	27	72050173CA	21A	16
65110301C	22A	16	70240081A	19A	5	7131C221A	12C	32	72050173CF	36A	5
65220331C	13F	5	70241191A	19A	6	7131C221A	12D	32	72050313C	20D	2
65540081A	13B	20	70241191A	23A	6	7131C231A	12C	21	73210651B	33C	17
65540101A	36C	10	70241231A	18A	5	7131C231A	12D	21	73210665A	13E	11
66020102B	22A	13	70241231A	18A	5	7131C241A	12C	29	73210673A	13E	12
66810581B	09A	18	70241231A	33A	8	7131C241A	12D	29	735034405	09B	7
66810591A	04A	23	70241761A	03A	25	7131C691A	23A	5	73840052A	07A	4
66810591A	12C	37	70241781A	03A	26	7131C701A	23A	8	73840062A	07A	5
66810591A	12D	37	70241801A	09A	20	7131C821AA	19A	7	74110121A	13C	10
67040511A	13B	5	70241901A	09A	21	7131C881BA	30A	25	74110131A	13C	11
67621381A	17A	15	70250412A	02A	14	7131C961A	30A	6	74110551A	13C	7
67621381A	17A	15	70250451A	28A	7	7131D051A	22A	20	74110551A	25D	21
67641142A	08A	7	70250601A	03B	8	7131D641AA	33A	6	74110551A	30A	28
67641601A	17A	3	70250801A	11A	9	713P0011C	03A	31	74110551A	35A	28
67641601A	17A	3	70310931AA	18A	6	71411352AA	29A	6	74140331A	20C	17
67740033A	17A	14	70310931AA	18A	6	71413261AA	28A	3	74140381A	13C	8
67740033A	17A	14	71011451A	22A	17	71413271AA	28A	12	74140381A	16A	13
68050101A	03A	32	71012021B	03A	28	71413341AA	28A	8	74140381A	35A	26
68411362BA	36B	8	71012111AA	16A	8	71413531AA	29B	13	74140381A	36A	12
69610121A	26C	2	710P0021A	03A	27	71610031A	20C	7	74140431A	25D	16
69710151A	32A	5	71112191A	09A	2	71611571C	02A	5	74140431A	30A	19
69926441A	30A	27	71112791A	22A	18	71611581C	02A	6	74140431A	36C	13
69926761A	13D	26	71113171A	09B	6	71611661AA	16A	3	74140631A	35A	12
69926761A	13D	26	71113742A	12A	13	71611671AA	25A	7	74140631A	36C	6
69928751A	30A	21	71113742A	12B	13	71611701AA	17A	17	74140641A	36C	8
69929291A	13B	8	71115051E	09A	22	71614011B	24A	3	74140651A	36C	15
69929311A	13B	7	71116721A	36B	9	71614381AA	14A	5	74141001A	09B	21
70010431A	13E	16	71116941A	09B	17	71615151AA	25D	12	74141671A	25C	21
70010431A	15A	3	71210341A	26A	17	71615151AA	34A	4	74141711A	13B	6
70010571A	29B	10	71210341A	26A	17	71615501AA	13B	12	74141721A	25D	11
70010751A	36C	5	71210341A	26B	7	71615501AA	36B	10	74141721A	35A	27
70010901A	13E	8	71210691A	03A	16	71615551AA	31A	15	74141811A	25C	13
70011061A	13D	10	71240331A	03B	15	71615691AA	17A	10	74141851A	25C	1
70011061A	13D	10	71313091A	03B	9	71615691AA	17A	10	74141881A	25C	12
70011071A	13D	2	71313641A	20B	1	71615691AA	21A	1	74142121A	36A	10
70011071A	13D	2	71314703A	14B	4	71615691AA	21A	1	74142141A	35A	10
70011231AA	36B	25	71314901A	13F	12	71850253C	30A	13	74142151A	36A	13
70011241AA	36A	14	71316011B	03B	10	71950303C	20A	11	74142371A	13B	15



CODE	NO. TABLE	POS.	CODE	NO. TABLE	POS.	CODE	NO. TABLE	POS.	CODE	NO. TABLE	POS.
74142441A	11A	12	75610361AA	33A	2	76411821A	31B	8	77156443B	21A	3
74142591A	25C	10	75620131A	29B	15	76411861A	30A	12	77156453B	25A	10
74142941A	31B	26	75810681A	20C	22	76412121A	04A	9	77156458B	14A	4
74142951A	20A	16	75811382A	20C	19	76412121A	12A	22	77156628B	13D	7
74142951A	20D	6	75840281A	13E	17	76412121A	12B	22	77156628B	13D	7
74142951A	22B	14	75840601A	13F	14	76412451A	13B	11	77156643B	33B	6
74710151B	09A	23	75840801A	13B	16	76412472A	31A	16	77156658B	20D	3
74750031A	18A	9	75840801A	13C	12	76412501A	21A	2	77156658B	31B	27
74750031A	18A	9	75840801A	21A	14	76412501A	21A	2	77156678B	18A	10
74750031A	26A	10	75840801A	21A	15	76414191A	20A	12	77156678B	18A	10
74750031A	26A	10	75840911A	33B	20	76414191A	22B	8	77156678B	22B	26
74750031A	26B	4	75840951A	13C	16	76414251A	13B	17	77156683B	17A	6
74810351B	20B	19	75841031A	33A	16	76414272A	30A	16	77156688B	18A	11
74810361A	13E	10	75841051A	20C	23	76414282A	33C	4	77156688B	18A	11
74810361A	31A	7	75841091A	13F	16	76414331A	25A	3	77156728B	22B	25
74810361A	31B	7	75841101A	13F	17	76414341A	37D	2	77156733B	17A	7
74810461A	29B	9	75910222A	29A	3	76414381A	31B	9	77156733B	17A	7
74810651A	28A	14	75910222A	29B	6	76440091B	12C	36	77156743C	17A	6
74811021B	05A	7	75910391A	25C	20	76440091B	12D	36	77157213B	33C	5
74811021B	11A	3	76410112A	26A	14	76440561A	17A	4	77157238B	20D	20
74840241AB	23A	11	76410112A	26A	14	76440561A	17A	4	77157248B	19A	18
74840341B	16A	4	76410621B	35A	21	76440561A	37C	34	77157248B	22A	12
74840341B	33A	10	76410641B	20C	8	76611231A	09A	7	77157248B	26A	15
74840481B	09A	5	76410901A	13D	23	76640191A	12B	12	77157248B	26A	15
74841091AA	13E	7	76410901A	13D	23	76640381A	12A	12	77157248B	26B	2
74841091AA	15A	4	76410901A	25A	4	77110191A	26A	4	77157248B	26C	6
74841091AA	37B	16	76410901A	25D	10	77110191A	26A	4	77157258B	18A	12
74841091AA	37C	16	76410901A	34A	6	77110401B	12A	27	77157258B	18A	12
74941108B	34A	5	76410901A	37A	7	77110401B	12B	27	77157258B	33A	4
74941113B	20B	16	76411361A	14A	6	77113851A	31A	14	77157278B	31A	13
74941128B	33B	5	76411381A	25C	7	77116648B	34A	8	77157288B	26A	2
74941128B	33C	9	76411381A	35A	16	77150208B	13B	13	77157288B	26A	2
74941511AB	23A	4	76411491A	33C	3	77150208B	36A	8	77157578B	19A	12
74950011B	21A	13	76411501A	25A	8	77150208B	36B	13	7715936BG	23A	2
74950011B	21A	13	76411501A	25D	8	77150624B	12C	14	7715937BG	23A	12
75010072E	03B	16	76411501A	31B	20	77150624B	12D	14	77210423C	20C	18
75010281A	37A	4	76411501A	34A	7	77150648B	04C	11	77210601A	13F	13
75011211A	13A	4	76411671A	13B	14	77150768B	22A	19	77210842A	37C	18
75011551A	13E	13	76411671A	20C	2	77154337C	17A	5	77210861B	32B	8
75011921A	20A	18	76411671A	36B	11	77154337C	17A	5	77210893B	20D	21
75011921A	22B	13	76411671A	37B	8	77156398B	14B	5	77210893B	24A	2
75012072AA	29A	4	76411671A	37C	8	77156418B	30A	22	77210943B	37D	5
75012072AA	29B	7	76411821A	17A	11	77156438B	25D	13	77211061A	13D	14
75012341AA	37A	12	76411821A	17A	11	77156443B	21A	3	77211061A	13D	14



CODE	NO. TABLE	POS.	CODE	NO. TABLE	POS.	CODE	NO. TABLE	POS.	CODE	NO. TABLE	POS.
77211091C	25A	2	77244198B	35A	3	77354623B	16A	10	77913662AB	22B	16
77211091C	37A	11	77244198B	37A	22	77354623B	35A	24	77913971A	22B	5
77211091C	37B	12	77244213B	13A	3	77355038B	02A	16	77914151A	20A	9
77211091C	37C	12	77244213B	13D	19	77440141A	13D	5	77914272A	20C	10
77211091C	37D	7	77244213B	13D	19	77440141A	13D	5	77914391C	36C	3
77211201A	03B	11	77244213B	17A	12	77440141A	31B	15	77914401B	19A	13
77211251B	18A	13	77244213B	17A	12	77440183C	14A	12	77915111B	20B	6
77211251B	18A	13	77244213B	30A	24	77440203C	21A	8	77916241A	09A	27
77214221AA	25A	11	77244233B	25A	28	77440203C	21A	8	77916811AA	13F	10
77214411AA	25A	25	77244358BA	26A	6	77440213C	13F	9	77917231A	12A	1
77214411AA	32A	2	77244358BA	26A	6	77440213C	14A	7	77917231A	12B	1
77214411AA	37B	14	77244503B	13E	2	77440213C	25A	35	77917391BA	18A	15
77214411AA	37C	14	77244661A	16A	2	77440213C	25D	6	77917391BA	18A	15
77214411BA	20C	20	77250744BA	12A	31	77440511A	25A	22	77918261AA	29B	3
77214411BA	27A	2	77250744BA	12B	31	77440551A	14B	6	7791A381A	09A	28
77215101AA	32B	12	77251018B	14A	10	77510071AB	37A	2	7791A571A	05A	5
77240253C	31B	25	77251018B	20C	9	77510311B	09A	25	7791A621B	12A	15
77240253C	32B	5	77251023C	20C	6	77550131B	26A	11	7791A621B	12B	15
77240253C	33C	6	77251308B	33C	7	77550131B	26A	11	7791A631A	09A	4
77240323C	13B	21	77251324CF	09A	13	77550171A	13B	9	7791A651A	09A	3
77240393C	09B	9	77251344C	09A	9	77550171A	13D	9	7791A661A	09A	6
77240408C	21A	10	77251344C	09B	18	77550171A	13D	9	7791A751B	04A	40
77240408C	21A	10	77251364C	09A	11	77550171A	21A	7	7791A751B	12A	24
77240423C	31B	14	77251388B	33C	8	77550171A	21A	7	7791A751B	12B	24
77240453C	13E	6	77251404C	09A	12	77550171A	25C	15	7791A842AA	33A	5
77240453CA	36A	7	7725202BG	23A	3	77550171A	33B	7	7791A871AA	22A	11
77244163B	31B	12	77253280Z	12A	6	77550171A	35A	14	7791B103AA	33A	9
77244163BA	19A	10	77253280Z	12B	6	77550200CC	04A	5	7791B121A	10A	5
77244168B	30A	10	77253290ZF	08A	6	77550221A	33B	8	7791B311AA	33A	19
77244168B	31A	8	77253290ZF	11A	4	77750494C	04B	8	7791B321AA	23A	16
77244173B	20B	14	77253300ZF	12A	20	77910921B	20A	13	7791B321AA	33B	9
77244173B	25A	14	77253300ZF	12B	20	77910921B	22B	7	7791B491A	04A	10
77244173B	26A	24	77253304C	04A	16	77911092A	05A	3	7791C031A	03B	17
77244173B	26A	24	77253304CF	08A	5	77912371B	26B	5	7791C361A	09A	10
77244173B	26B	15	77253314CF	03A	29	77912981A	18A	14	7791C751B	09B	8
77244173B	37A	19	77253314CF	04C	5	77912981A	18A	14	77927172B	09A	29
77244173B	37C	31	77253334CF	11A	10	77913091AB	20B	11	77941992A	04A	1
77244178B	30A	15	77253350Z	12C	5	77913541A	12C	9	77941992A	04B	5
77244183B	13D	6	77253350Z	12D	5	77913541A	12D	9	77941992A	04C	9
77244183B	13D	6	77253354C	09B	19	77913611A	12C	11	77941992A	10A	4
77244183B	33A	17	77253364CF	08A	4	77913611A	12D	11	77942002A	04A	21
77244183B	36B	12	77253384C	12A	5	77913662AB	20B	3	77942002A	04B	4
77244183B	37D	3	77253384C	12B	5	77913662AB	20C	13	77942002A	04C	8
77244188B	31A	24	7725364BG	23A	15	77913662AB	20D	8	78010511C	09B	11



CODE	NO. TABLE	POS.	CODE	NO. TABLE	POS.	CODE	NO. TABLE	POS.	CODE	NO. TABLE	POS.
78010511C	12C	40	79916101C	12C	26	82113822BA	22A	10	82919242AA	33A	7
78010511C	12D	40	79916101C	12D	26	82115561A	12C	19	8291G311C	12A	18
78010871B	09A	31	79916111B	12C	31	82115561A	12D	19	8291G311C	12B	18
78010871B	09B	20	79916111B	12D	31	82115622A	07A	6	8291G492AA	14A	9
78010871B	12C	41	79916121B	12C	30	82115751AA	33C	11	8291G771B	36C	2
78010871B	12D	41	79916121B	12D	30	82115801A	12C	23	8291G821AA	33B	10
78010921A	04A	7	79916471A	36B	14	82115801A	12D	23	8291G861A	20B	15
78011262A	12C	13	79916741AA	25A	17	82118261A	02A	17	8291G891A	25C	5
78011262A	12D	13	79916751AA	25A	16	82118391A	36B	15	8291G901CA	23A	14
78050011B	12C	17	79925411AA	16A	7	82119211A	36B	16	8291G911BA	23A	13
78050011B	12D	17	79925941A	31A	10	82119222A	36B	17	8291H031A	35A	1
78050181A	25A	12	79925941A	31B	10	82119451A	25A	18	8291H082A	35A	6
78110121AA	04A	28	79940121A	09A	33	82413461AA	26A	16	8291H141A	30A	9
78510181A	20C	3	800070139	01D	15	82413461AA	26A	16	8291H531A	13D	15
78611421D	09B	12	80018061A	25C	17	82413461AB	26A	16	8291H531A	13D	15
78611431D	09B	13	80018072A	25C	2	82413461AB	26A	16	8291H771A	25A	34
78811602B	12B	14	80018081A	25C	18	82413471BB	26B	1	8291H921A	20C	4
78811612A	12A	19	80018111AA	25C	4	82413591AB	26C	7	8291I191A	33A	15
78811612A	12B	19	80018121A	25C	8	82413601AB	26C	8	8291N521A	37C	33
78811622B	12A	14	80018131A	25C	3	82510641AA	20D	16	8291N621AB	26A	1
78811771A	37A	18	81140021A	12A	29	82716091A	04B	2	8291N621AB	26A	1
78811781A	37A	16	81140021A	12B	29	82716141A	13E	15	8291N631AB	19A	17
78811791A	37A	24	81413341A	12A	10	82718441A	12A	28	8291N711A	37C	30
78812011A	32A	6	81413341A	12B	10	82718441A	12B	28	8291N811A	20D	1
79010321B	31B	11	81413421B	09A	34	82718461A	36B	18	83019481AB	13D	12
79010341B	31A	21	81416301A	36A	15	82718471AA	04C	12	83019481AB	13D	12
79010511A	31A	23	81416431A	36C	12	82718471AA	34A	3	8301G011A	20B	13
79110931A	25A	30	81417151B	09A	44	82718481AA	33C	12	8301G051AB	30A	14
79110941A	25A	31	81417511A	36C	16	82718692A	04A	4	8301G061AB	30A	17
79111241A	35A	19	81417581A	25D	7	82718811A	25A	29	8301G771A	13D	25
79111312A	30A	7	81446871A	30A	29	82718822A	25A	26	8301G771A	13D	25
79710771A	03B	12	81810162A	03B	18	82718832A	25A	23	8301G961A	25A	15
79910241B	26C	3	81910692AA	28A	2	82718841AA	20B	17	8301H291AA	13E	9
79913021A	33C	10	81920831AA	29B	1	82718851AA	20B	20	8301H812AA	04B	9
79915101C	09A	32	82010141A	09A	35	82718923A	04A	36	8301L831A	25D	3
79915131C	02A	7	82110512AA	26A	20	82718933A	04A	39	83040071A	22A	21
79915141D	02A	8	82110512AA	26A	20	82718944A	04A	35	83110151A	09A	36
79915511A	26B	12	82110512AA	26B	19	82718991A	04A	31	83210031E	19A	14
79915581A	25C	16	82110512AA	26C	9	8271F271A	12A	2	83210742A	16A	12
79915871AA	26A	21	82111701CA	26A	19	8271F271A	12B	2	84012001BD	12C	35
79915871AA	26A	21	82111701CA	26A	19	8271G111AA	31B	24	84012001BD	12D	35
79915871AA	26B	17	82111701CA	26B	9	82919202A	36B	19	84012001BE	12C	35
79916091C	12C	22	82113731AA	16A	9	82919222AA	20A	10	84012001BE	12D	35
79916091C	12D	22	82113811AA	26B	10	82919232AA	22B	9	84012001BF	12C	35



CODE	NO. TABLE	POS.	CODE	NO. TABLE	POS.	CODE	NO. TABLE	POS.	CODE	NO. TABLE	POS.
84012001BF	12D	35	84012011AD	12D	33	85041951AA	13D	17	85212721A	04A	26
84012001BG	12C	35	84012011AE	12C	33	85041951AA	14A	8	85212771A	09A	14
84012001BG	12D	35	84012011AE	12D	33	85041951AA	25A	6	85212801A	17A	8
84012001BH	12C	35	84012011AF	12C	33	85041951AA	31A	17	85212801A	17A	8
84012001BH	12D	35	84012011AF	12D	33	85041951AA	33C	14	85213111AA	14B	7
84012001BI	12C	35	84012011AG	12C	33	85041951AA	37A	9	85213111AA	25A	9
84012001BI	12D	35	84012011AG	12D	33	85041951AA	37B	9	85213111AA	31B	17
84012001BJ	12C	35	84012011AH	12C	33	85041951AA	37C	9	85213111AA	37B	20
84012001BJ	12D	35	84012011AH	12D	33	85041951AA	37D	6	85213111AA	37C	23
84012001BK	12C	35	84012011AI	12C	33	85042371A	36A	9	85213111AB	31A	25
84012001BK	12D	35	84012011AI	12D	33	85042371A	36B	21	85213751AA	33B	14
84012001BL	12C	35	84012011AJ	12C	33	85042461A	33B	19	85213981A	02A	18
84012001BL	12D	35	84012011AJ	12D	33	85044431A	37B	4	85214051B	03B	20
84012001BM	12C	35	84012011AK	12C	33	85044431A	37C	28	85214071B	05A	8
84012001BM	12D	35	84012011AK	12D	33	85044441A	30A	23	85214071B	11A	5
84012001BN	12C	35	84012011AL	12C	33	85044691A	25A	5	85214421A	08A	3
84012001BN	12D	35	84012011AL	12D	33	85044691A	25D	5	85214421A	10A	3
84012001BO	12C	35	84012011AM	12C	33	85044691A	31A	9	85214621A	03A	17
84012001BO	12D	35	84012011AM	12D	33	85044691A	31B	21	85214631A	03A	18
84012001BP	12C	35	84012011AN	12C	33	85044691A	33B	11	85214641A	03A	19
84012001BP	12D	35	84012011AN	12D	33	85044691A	33C	13	85240261A	12C	15
84012001BQ	12C	35	84012011AO	12C	33	85044691A	37A	8	85240261A	12D	15
84012001BQ	12D	35	84012011AO	12D	33	85110201A	03B	19	85241831A	12C	38
84012001BR	12C	35	84012011AP	12C	33	85210241A	37A	3	85241831A	12D	38
84012001BR	12D	35	84012011AP	12D	33	85211201A	12C	10	85250231A	12A	9
84012001BS	12C	35	84012011AQ	12C	33	85211201A	12D	10	85250231A	12B	9
84012001BS	12D	35	84012011AQ	12D	33	85211511A	26A	26	85250241A	04A	29
84012001BT	12C	35	84510111A	12C	34	85211511A	26A	26	85250241A	12C	18
84012001BT	12D	35	84510111A	12D	34	85211511A	26B	6	85250241A	12D	18
84012001BU	12C	35	84740021A	26C	4	85211601B	14A	11	85250241A	20A	4
84012001BU	12D	35	84740061A	09A	37	85211951A	04A	14	85250241A	20B	4
84012001BV	12C	35	84740161A	30A	8	85212171A	20D	18	85250241A	20C	12
84012001BV	12D	35	84850021A	26A	12	85212181A	37B	7	85250241A	20D	9
84012001BW	12C	35	84850021A	26A	12	85212181A	37C	15	85250241A	22B	17
84012001BW	12D	35	8501A661A	36B	20	85212211A	29A	5	85250261A	04A	8
84012001BZ	12C	35	8501A671AA	35A	17	85212211A	29B	8	85250261B	12C	28
84012001BZ	12D	35	8501A701A	35A	18	85212221A	28A	13	85250261B	12D	28
84012011AA	12C	33	85040381A	30A	20	85212511A	21A	12	85250311AB	13B	10
84012011AA	12D	33	85040521A	33B	18	85212511A	21A	12	85250311AB	13D	24
84012011AB	12C	33	85040521A	37C	4	85212641A	12A	26	85250311AB	13D	24
84012011AB	12D	33	85041091A	37B	5	85212641A	12B	26	85250401A	23A	17
84012011AC	12C	33	85041091A	37C	5	85212651A	11A	11	85250541A	04C	7
84012011AC	12D	33	85041711A	31B	16	85212661A	09A	38	85250771A	25A	13
84012011AD	12C	33	85041951AA	13D	17	85212661A	09B	16	85250871A	09B	10



CODE	NO. TABLE	POS.	CODE	NO. TABLE	POS.	CODE	NO. TABLE	POS.	CODE	NO. TABLE	POS.
85310031A	04A	15	86610301A	13D	3	88441211A	03A	23	887131010	01D	6
85310031A	13A	5	86610301A	32A	3	88441221A	03A	24	887131058	01D	7
85350101A	13D	16	86610301A	32B	2	88450021A	22A	5	887131062	01D	11
85350101A	13D	16	86610301A	33C	18	88450031A	26A	23	887131074	01D	4
85540091A	33A	14	86610301A	37D	10	88450031A	26A	23	887132951	01D	3
85550001B	13D	13	86610361A	25D	4	88450031A	26B	16	887133003	01B	1
85550001B	13D	13	86610751A	25C	6	88450031A	26C	5	887133004	01B	2
85611271A	26A	7	86610751A	37B	19	88450291A	04A	25	887133211	01D	5
85611271A	26A	7	86610751A	37C	22	88450311A	02A	9	887133614	01B	3
85611391B	03B	13	86611121A	25A	27	88450351A	30A	4	887133633	01B	4
85611401A	32B	9	86611821A	33C	15	88450361A	02A	10	887133879	01B	16
85611401A	37B	13	86612371A	36B	22	88450391B	02A	15	887134302	01D	10
85611401A	37C	13	86612381A	36B	23	88610951A	04B	7	887134484	01D	1
85611401A	37D	4	86612411A	35A	22	88640042A	03A	30	887134485	01D	2
85611551A	04A	41	86612671A	37D	13	88640331A	04A	11	887134486	01D	8
85611551A	12A	23	86612771B	33C	16	88640541A	08A	2	887134487	01D	9
85611551A	12B	23	86612791A	32B	3	88640891A	04A	20	887134488	01D	16
85611621A	12A	11	86612791A	37D	8	88640891A	13D	21	887135387	01B	5
85611621A	12B	11	86612801A	37D	12	88640891A	13D	21	887135389	01C	7
85611711AA	25C	14	86613041A	37B	24	88641161A	26A	18	887135396	01C	8
85611711AA	30A	11	86613041A	37C	27	88641161A	26A	18	887135397	01C	9
85611711AA	35A	15	86613311A	30A	30	88641161A	26B	8	887135840	01B	6
85611801A	03A	20	86642771A	13F	6	88641201A	04A	6	887135962	01C	10
85611811A	03A	21	87210722A	18A	8	88641241A	20D	17	887136155	01C	11
85640121A	17A	13	87210722A	18A	8	88641961A	09A	30	887138851	01B	7
85640121A	17A	13	87211261AB	35A	23	88641981A	25C	19	887138852	01B	8
85640121A	31B	18	87211343A	30A	3	88642081A	07A	7	887138853	01B	9
85640141A	09A	39	87211681A	13C	15	88642651A	08A	1	887138854	01B	10
85651691B	09A	8	87240821A	33B	17	88642721A	04A	22	887138855	01B	11
85651691B	12A	16	87241271A	13D	8	88642721A	12C	39	887138856	01B	12
85651691B	12B	16	87241271A	13D	8	88642721A	12D	39	887138857	01B	13
86010061A	12C	16	87512492B	09A	42	88642751A	36B	24	887138858	01B	14
86010061A	12D	16	87512763CA	22A	7	88642791A	09A	26	887138859	01C	1
86010151A	12C	12	87512772CA	22A	6	88643121A	04C	14	887138860	01C	2
86010151A	12D	12	87611472A	35A	11	88643121A	34A	10	887138861	01C	3
86040071A	09A	40	87611481A	35A	9	88643141A	04C	13	887138862	01C	4
86050061A	12C	6	87613921A	13B	18	88643141A	34A	9	887138863	01C	5
86050061A	12D	6	87613931A	13B	19	88643151A	11A	16	887138864	01C	6
86050171A	22A	9	87712481A	04A	30	88650321A	04A	17	887138869	01C	12
86050341A	09A	41	88110541A	29B	14	88650741A	12A	17	889450081	01D	12
86050361AA	26A	3	88111152B	03B	21	88650741A	12B	17	889450082	01D	13
86050361AA	26A	3	88440511A	20D	19	88650751A	09A	43	889450086	01D	14
86150331A	22A	8	88441031A	10A	6	88650761A	04C	3	889450103	01B	15
86610301A	13D	3	88441201A	03A	22	88650831A	09B	5	889450107	01B	17



CODE	NO. TABLE	POS.	CODE	NO. TABLE	POS.
89310143A	25D	15	93041271A	23A	7
89310153A	04C	6	93041501A	28A	6
89310241A	25A	21	93041521A	04A	27
89320121A	04A	19	93041591A	09B	14
89340241A	20D	5	93041911A	33A	3
89340241A	22B	11	93042221A	09B	15
89340251A	20A	14	93042231A	04A	24
89420231B	08A	9	93050121A	19A	9
89520411AB	13F	7	93310501A	35A	13
91376391AR	32A	4	93310611A	22B	15
91376391BG	32A	4	93310671A	20D	7
91376391CA	32A	4	93310831A	20A	17
91376391CS	32A	4	93410302A	25D	17
91376391DA	32A	4	93410331A	25D	18
91376391DE	32A	4	93410531A	25D	2
91376391EL	32A	4	93410541A	25D	19
91376391EN	32A	4	93410551A	09B	22
91376391ES	32A	4	93510281B	36C	7
91376391FI	32A	4	93510401A	36C	14
91376391FR	32A	4	93510431A	36C	9
91376391HR	32A	4	93510441A	36C	11
91376391HU	32A	4	935Z0021A	13B	2
91376391IT	32A	4	944650035	L	1
91376391JA	32A	4	944650037	L	2
91376391KO	32A	4	979000253	01A	2
91376391MX	32A	4	979000279	01A	1
91376391NL	32A	4	979000281	01A	6
91376391NO	32A	4	979000282	01A	3
91376391PL	32A	4	979000283	01A	4
91376391PT	32A	4	979000284	01A	5
91376391RO	32A	4			
91376391RU	32A	4			
91376391SK	32A	4			
91376391SL	32A	4			
91376391SV	32A	4			
91376391US	32A	4			
91376391ZH	32A	4			
91376401TE	32A	4			
92610051A	33A	18			
93010041B	18A	7			
93010041B	18A	7			
93010102A	29B	16			
93040932A	09A	24			
93041271A	19A	8			





Ducati Motor Holding S.p.A.

Uffici Commerciali Amministrativi:

Via A. Cavalieri Ducati n. 3

40132 Bologna, Italy

Telefono 051 6413111

Fax 051 406580

Internet www.ducati.com