



STREETFIGHTER V4

Model Year 2023



STREETFIGHTER

Chassis prefix:

Cylinder capacity: 1103

032000023

SPARE PARTS CATALOGUE

en-US



The present spare parts order exactly the right spare parts.

When ordering specify:

1. the part's code number followed by its description and quantity needed;
2. the motorcycle's serial number, stamped on the steering head.

Reference to right and left apply to the vehicle in terms of its direction of movement.


Spare parts drawings are general and do not represent the part.

The contents of this catalogue are general and can undergo changes without prior notice.

CHARACTERISTICS LEGENDA

CHARACTERISTIC CODE	CHARACTERISTIC DESCRIPTION	VALUE CODE	VALUE DESCRIPTION
DFR	DFR	N	NO
MOD	MODEL	SFV4	Streetfighter V4
PLT	PLANT	DB10	DMH
XCO	MAIN CLR	R	Red
XCR	FR/W COL	G-B	GRIGIO MONOSCOCCA, BLACK WHEELS
XPO	OPTIONS	STD	MOTO STANDARD
XST	STD CNTY	BLG	VERSIONE BELGIO
XST	STD CNTY	EUR	VERSIONE EUROPA
XST	STD CNTY	JPN	VERSIONE JAPAN
XST	STD CNTY	ROK	VERSIONE SOUTH COREA
XST	STD CNTY	TWN	VERSIONE TAIWAN



COLOUR	COLOUR CODE	COLOUR DESCRIPTION	FINISHED PRODUCTS
	R	Red	(D32000123) SFV4 23 EUR R G-B STD DMH (D32000623) SFV4 23 ROK R G-B STD DMH (D32000723) SFV4 23 TWN R G-B STD DMH (D32000923) SFV4 23 BLG R G-B STD DMH (D32006823) SFV4 23 JPN R G-B STD DMH



General information.....	3
Colours.....	4
Group TOOLS.....	10
Drawing 01A - DDS TESTER.....	10
Drawing 01B - WORKSHOP SERVICE TOOLS (ENGINE).....	12
Drawing 01C - WORKSHOP SERVICE TOOLS (ENGINE).....	14
Drawing 01D - WORKSHOP SERVICE TOOLS (FRAME).....	16
Group ELECTRIC.....	18
Drawing 13A - ENGINE ELECTRIC SYSTEM.....	18
Drawing 13B - SECONDARY AIR SYSTEM.....	20
Drawing 13C - VEHICLE ELECTRIC SYSTEM.....	22
Drawing 13D - BATTERY HOLDER.....	24
Drawing 13E - ELECTRICAL DEVICES.....	26
Drawing 13F - ELECTRICAL DEVICES.....	28
Drawing 14A - HEADLIGHT.....	30
Drawing 14B - TAILLIGHT.....	32
Drawing 15A - INSTRUMENT PANEL.....	34
Group OIL.....	36
Drawing L - OIL.....	36
Group ENGINE.....	38
Drawing 02A - SHIFT CAM - FORK.....	38
Drawing 03A - GEAR BOX [XST:BLG,EUR,JPN,ROK].....	40
Drawing 03A - GEAR BOX [XST:TWN].....	42
Drawing 03B - CLUTCH.....	44
Drawing 04A - CLUTCH COVER.....	46
Drawing 04B - GENERATOR COVER.....	50
Drawing 04C - OIL PAN.....	52
Drawing 05A - CONNECTING RODS.....	54
Drawing 06A - CYLINDERS - PISTONS.....	56



Drawing 07A - TIMING SYSTEM.....	58
Drawing 08A - OIL PUMP.....	60
Drawing 09A - HALF-CRANKCASES PAIR.....	62
Drawing 09B - HALF-CRANKCASES PAIR.....	66
Drawing 10A - WATER PUMP.....	68
Drawing 11A - ELECTRIC STARTING AND IGNITION.....	70
Drawing 12A - FRONT HEAD - TIMING SYSTEM.....	72
Drawing 12B - REAR HEAD - TIMING SYSTEM.....	74
Drawing 12C - FRONT HEAD.....	76
Drawing 12D - REAR HEAD.....	82
Group TYRES.....	88
Drawing A - TYRES.....	88
Drawing B - ORIGINAL EQUIPMENT TYRES.....	90
Drawing C - PIRELLI DIABLO™ SUPERCORSA SP V3.....	92
Drawing D - (#) PIRELLI DIABLO™ SUPERBIKE.....	94
Drawing E - (#) DIABLO™ WET.....	96
Drawing F - (#) DIABLO™ RAIN.....	98
Drawing G - (#) DIABLO™ SUPERCORSA SC V2.....	100
Drawing H - (#) DIABLO™ SUPERCORSA SC.....	102
Drawing I - (#) DIABLO SUPERCORSA SC V3.....	104
Drawing J - PIRELLI DIABLO™ ROSSO IV.....	106
Drawing K -	108
Group FRAME.....	110
Drawing 16A - SIDE STAND.....	110
Drawing 17A - FRONT SPROCKET - CHAIN.....	112
Drawing 18A - STEERING ASSEMBLY [XST:BLG,EUR,JPN,TWN].....	114
Drawing 18A - STEERING ASSEMBLY [XST:ROK].....	116
Drawing 18B - FRONT FORK.....	118
Drawing 19A - REAR SWINGING ARM.....	120
Drawing 20A - FRONT BRAKE PUMP.....	122

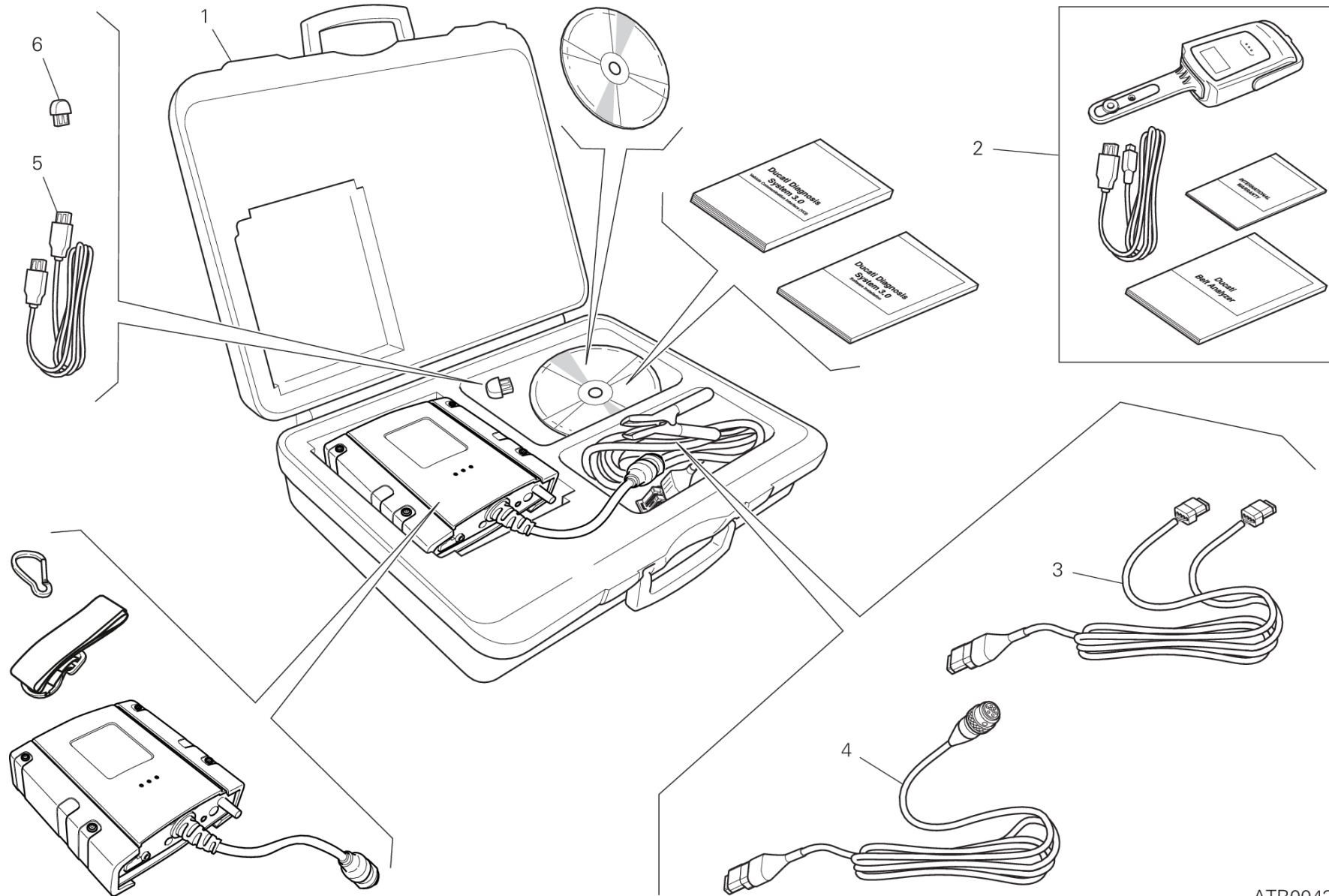


Drawing 20B - FRONT BRAKE SYSTEM.....	124
Drawing 20C - BRAKING SYSTEM ABS.....	126
Drawing 20D - REAR BRAKE SYSTEM.....	128
Drawing 21A - PLATE HOLDER [XST:BLG,EUR,ROK,TWN].....	130
Drawing 21A - PLATE HOLDER [XST:JPN].....	132
Drawing 22A - HANDLEBAR.....	134
Drawing 22B - CLUTCH CONTROL.....	136
Drawing 23A - REAR SHOCK ABSORBER.....	138
Drawing 24A - FRONT MUDGUARD.....	140
Drawing 25A - WATER COOLER.....	142
Drawing 25B - COOLING CIRCUIT.....	144
Drawing 26A - FOOTRESTS, LEFT.....	146
Drawing 26B - FOOTRESTS, RIGHT.....	148
Drawing 26C - REAR FOOTREST.....	150
Drawing 27A - REAR MUDGUARD.....	152
Drawing 28A - FRONT WHEEL.....	154
Drawing 29A - REAR WHEEL.....	156
Drawing 29B - REAR WHEEL SPINDLE.....	158
Drawing 30A - TANK.....	160
Drawing 31A - EXHAUST SYSTEM.....	162
Drawing 31B - EXHAUST SYSTEM [XST:BLG,EUR,JPN,ROK].....	164
Drawing 31B - EXHAUST SYSTEM [XST:TWN].....	166
Drawing 32A - SEAT.....	168
Drawing 32B - PILLION RIDER SEAT.....	170
Drawing 33A - FRAME.....	172
Drawing 33B - REAR FRAME COMP.....	174
Drawing 33C - LOCKER.....	176
Drawing 34A - OIL COOLER.....	178
Drawing 35A - AIR INTAKE - OIL BREATHER.....	180
Drawing 36A - THROTTLE BODY.....	182



Drawing 36B - CANISTER FILTER [XST:BLG,EUR,JPN,ROK].....	184
Drawing 36B - CANISTER FILTER [XST:TWN].....	186
Drawing 37A - FRONT FAIRING.....	190
Drawing 37B - RH FAIRING.....	192
Drawing 37C - LH FAIRING.....	194
Drawing 37D - REAR FAIRING.....	196
Drawing 38A - POSITIONING PLATES [XST:JPN].....	198
Alphanumeric index.....	200

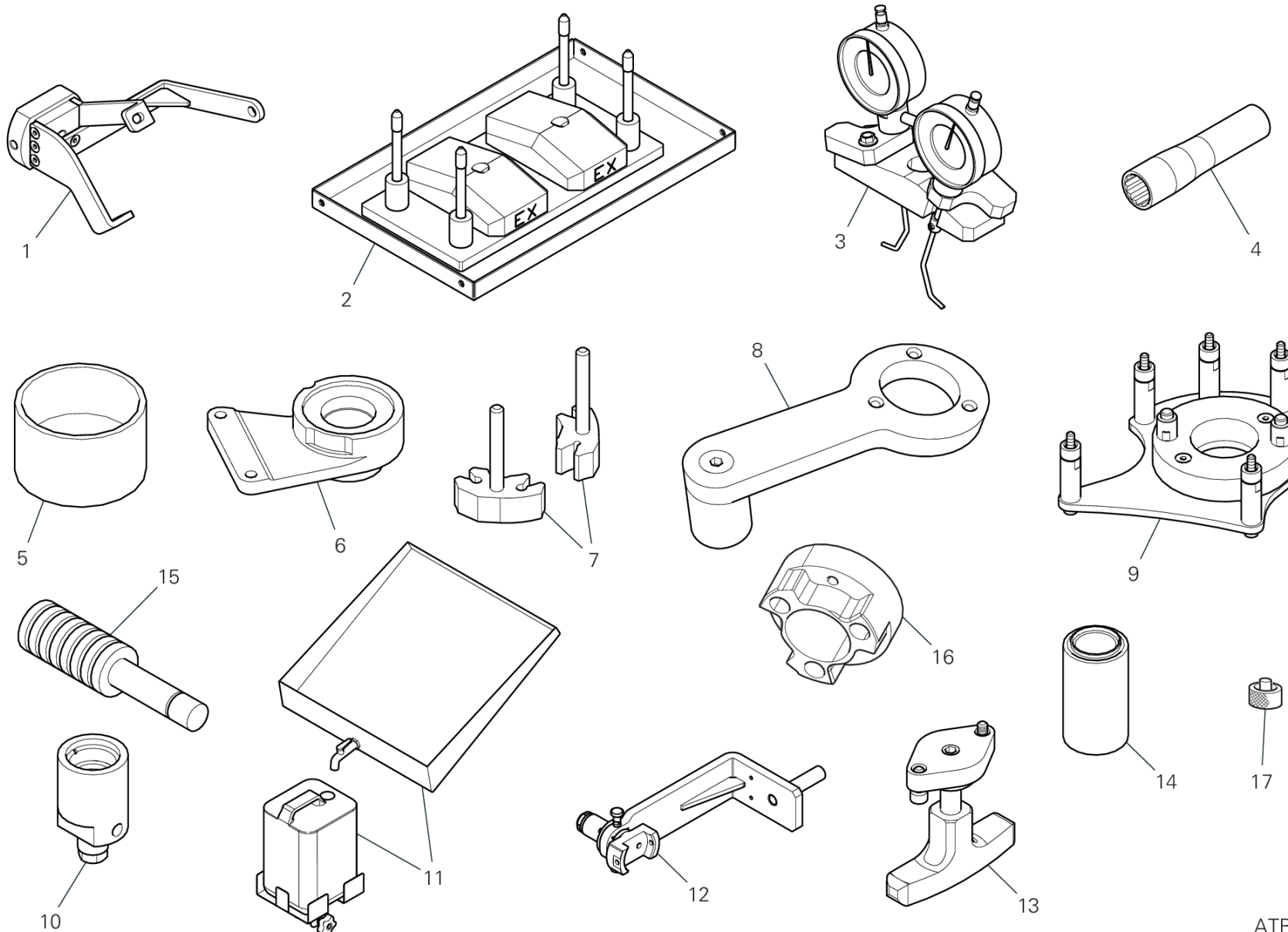




ATR00435



POS.	CODE	DESCRIPTION	QTY	VALIDITY	NOTES
1	979000279	DDS 3	1		
2	979000253	BELT TENSIONING KIT	1		
3	979000282	DIAGNOSIS CABLE	1		
4	979000283	CONNECTING CABLE	1		
5	979000284	USB CABLE	1		
6	979000281	HASP DDS3 KEY	1		



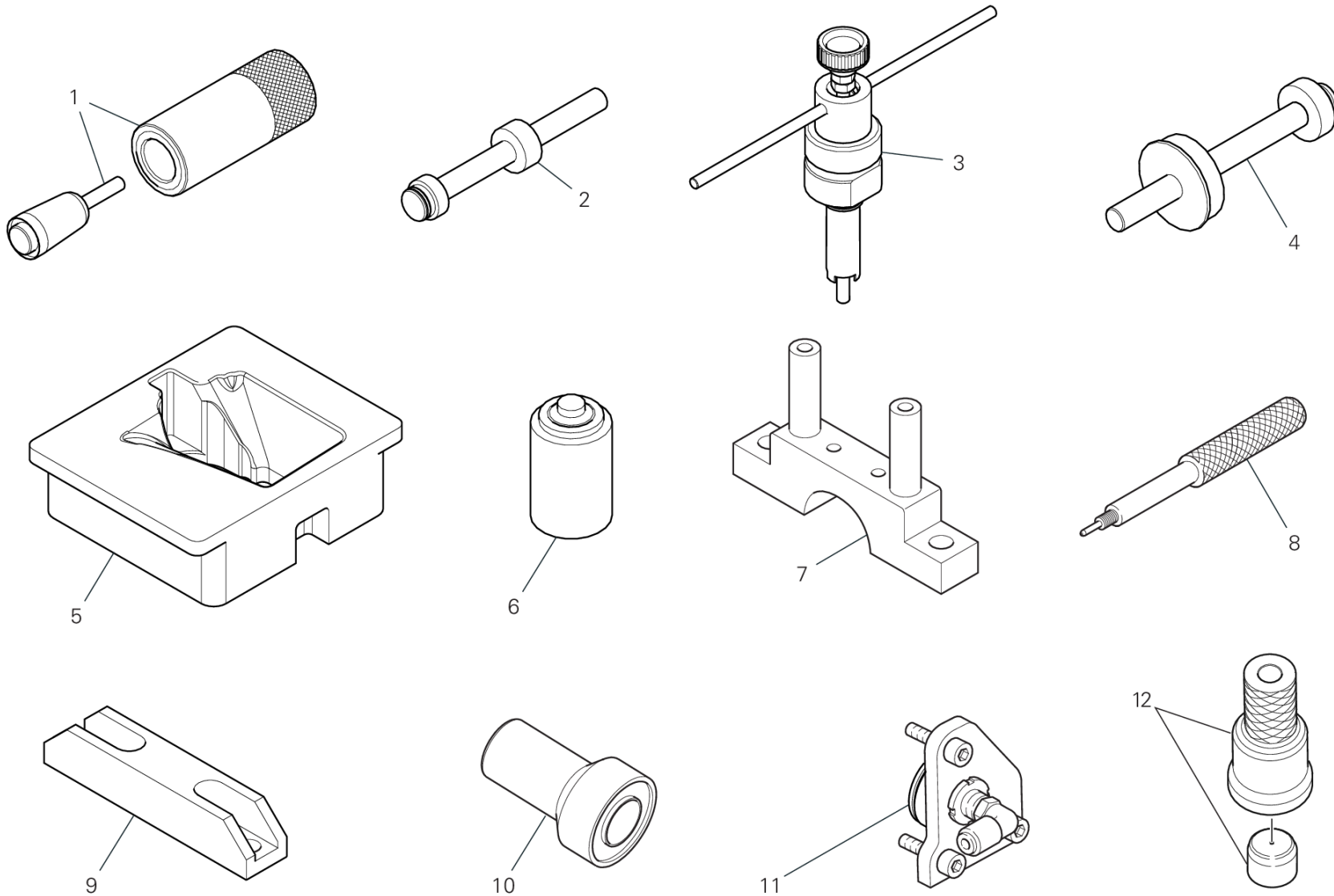
ATR00454

DRAWING 01B - WORKSHOP SERVICE TOOLS (ENGINE)

GROUP TOOLS



POS.	CODE	DESCRIPTION	QTY	VALIDITY	NOTES
1	887133003	ENGINE MOUNT	1		
2	887133004	HEAD MOUNTING BASE	1		
3	887133614	VALVE LIFT GAUGE	1		
4	887133633	SPARK PLUG WRENCH	1		
5	887135387	TOOL, PISTON MOUNTING	1		
6	887135840	GEARBOX FASTENING TOOL	1		
7	887138851	PRIMARY DRIVE GEAR TIGHTENING TOOL	1		
8	889450110	CLUTCH HUB NUT TIGHTENING TOOL	1		
9	887138853	WRENCH FLYWHEEL NUT	1		
10	887138854	IGNITION FLYWHEEL EXTRACTOR	1		
11	887138855	FLUID RECOVERY RESERVOIR	1		
12	887138856	ENGINE ROTATION TOOL	1		
13	887138857	PULLER TO REMOVE ALTERNATOR COVER	1		
14	887138858	SEAL RING DRIVING TOOL	1		
15	889450103	ROLLER BEARING CONTROL GAUGE	1		
16	887133879	WRENCH FOR TIGHTENING CLUTCH DRUM	1		
17	889450107	SPACER FOR CHECKING LOWER VALVE SHIM	1		



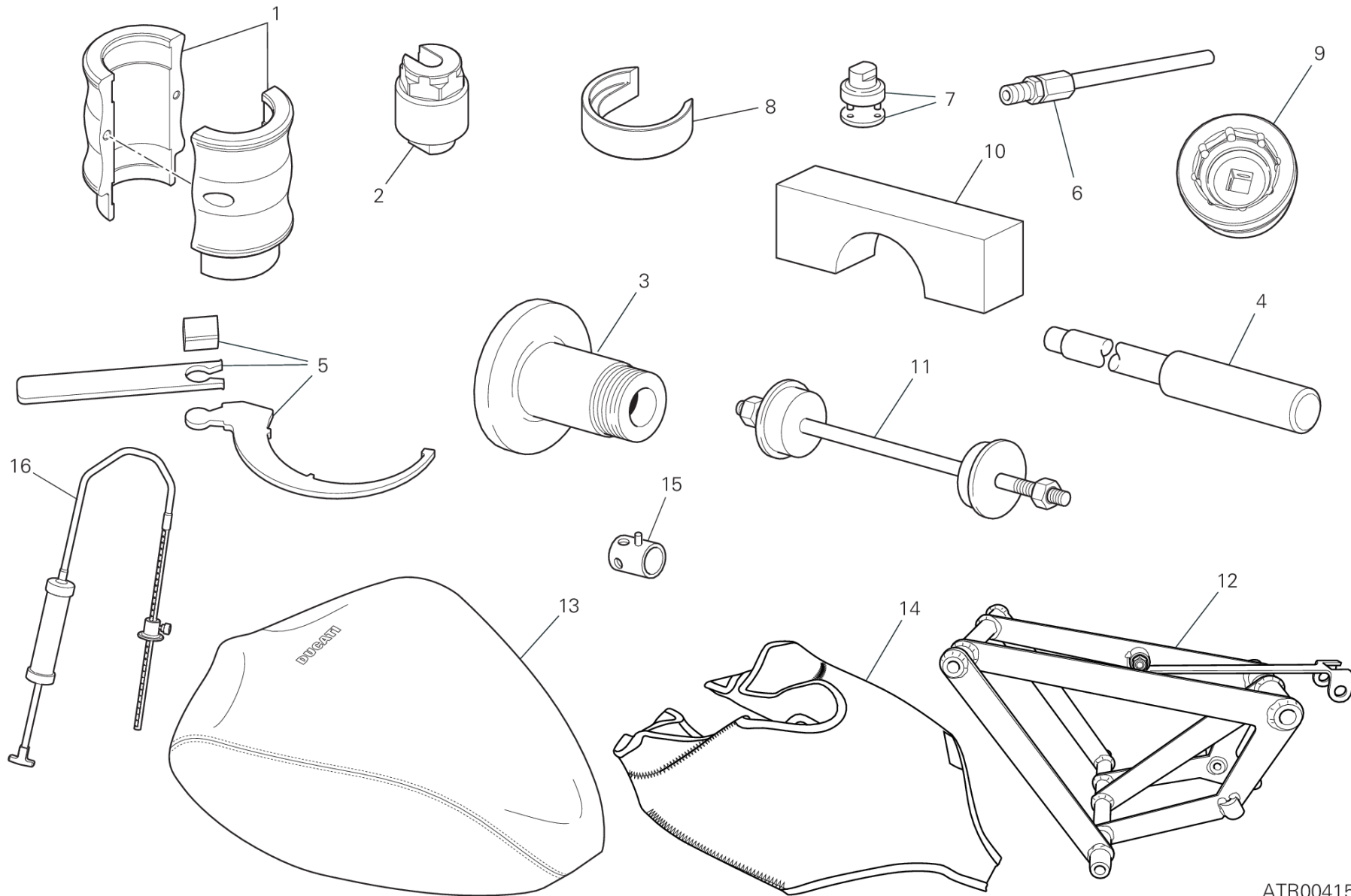
ATR00402

DRAWING 01C - WORKSHOP SERVICE TOOLS (ENGINE)

GROUP TOOLS



POS.	CODE	DESCRIPTION	QTY	VALIDITY	NOTES
1	887138859	SEAL RING DRIVING TOOL	1		
2	887138860	STOPPER FOR INTRODUCTION OF THE BEARING	1		
3	887138861	DEGREE WHEEL HOLDER TOOL	1		
4	887138862	STOPPER FOR INTRODUCTION OF THE BEARING	1		
5	887138863	ENGINE MOUNT	1		
6	887138864	SEAL RING DRIVING TOOL	1		
7	887135389	HOLDER	1		
8	887135396	TOOL TO HOLD CRANKSHAFT IN TDC POSITION	1		
9	887135397	PLATE	1		
10	887135962	ASSEMBLING BEARINGS TOOL	1		
11	887136155	OIL PRESSURE FITTING	1		
12	887138869	GEARBOX SHAFT OIL SEAL FITTING TOOL	1		



ATR00415

DRAWING 01D - WORKSHOP SERVICE TOOLS (FRAME)

GROUP TOOLS



POS.	CODE	DESCRIPTION	QTY	VALIDITY	NOTES
1	887134484	SEAL RING DRIVING TOOL	1		
2	887134485	TOOL TO KEEP THE SPACER SHOWA FORKS	1		
3	887132951	TOOL BALANCING REAR WHEEL	1		
4	887131074	TOOL DISASSEMBLING SWINGARM PIVOT	1		
5	887133211	SPANNER FOR ADJUSTING THE ECCENTRIC HUB	1		
6	887131010	CONNECTOR FOR EXHAUST GAS TAKE-UP POINT	1		
7	887131058	SPANNER TO ASSEMBLE THE STEERING SLEEVE	1		
8	887134486	SPACER	1		
9	887134487	BUSH FOR INSTALLING/REMOVING THE FORK PLUG	1		
10	887134302	ATTREZZO SERRAGGIO STELO FORCELLE	1		
11	887131062	TOOL ASSEMBLING STEERING TUBE BEARING	1		
12	889450081	FAKE ENGINE FRAME	1		
13	889450082	PROTECTOR, FUEL TANK	1		
14	889450086	TAIL GUARD PROTECTION	1		
15	800070139	WRENCH FOR FRONT WHEEL SPINDLE	1		
16	887134488	FORK OIL LEVEL SYRINGE	1		



IMP01278

DRAWING 13A - ENGINE ELECTRIC SYSTEM

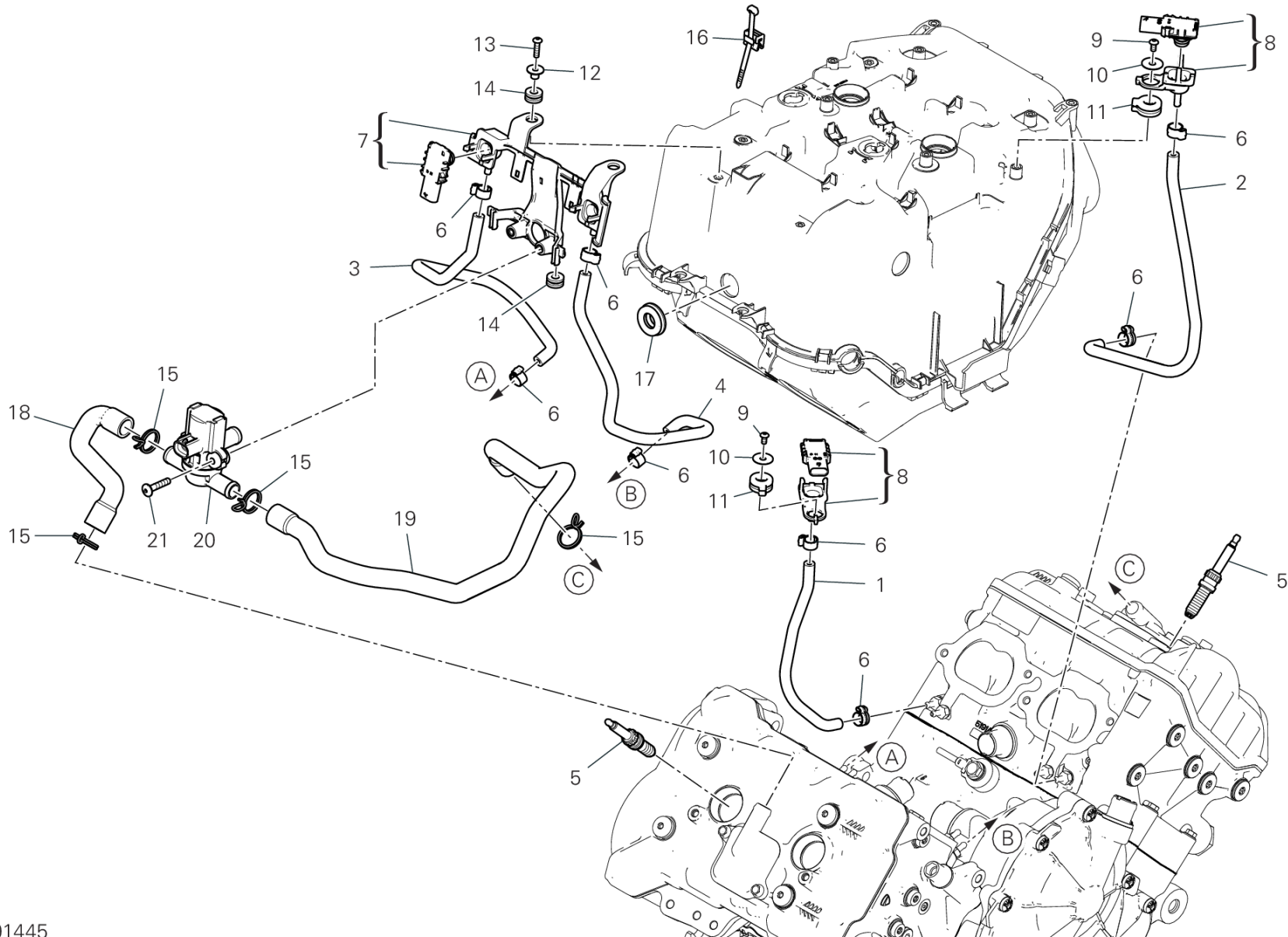
GROUP ELECTRIC



POS.	CODE	DESCRIPTION	QTY	VALIDITY	NOTES
1	5101M281C	ELECTRIC WIRING	1	XST:BLG,EUR,JPN,ROK	
	5101M611A	ELECTRIC WIRING	1	XST:TWN	
2	85310031A	SPRING WASHER 6 MM	1		
3	75011211A	NUT	1		



DRAWING 13B - SECONDARY AIR SYSTEM GROUP ELECTRIC



IMP01445

STREETFIGHTER V4 /23

032000023

Page 20 / 212

SPARE PARTS CATALOGUE

22/12/2022

DRAWING 13B - SECONDARY AIR SYSTEM

GROUP ELECTRIC



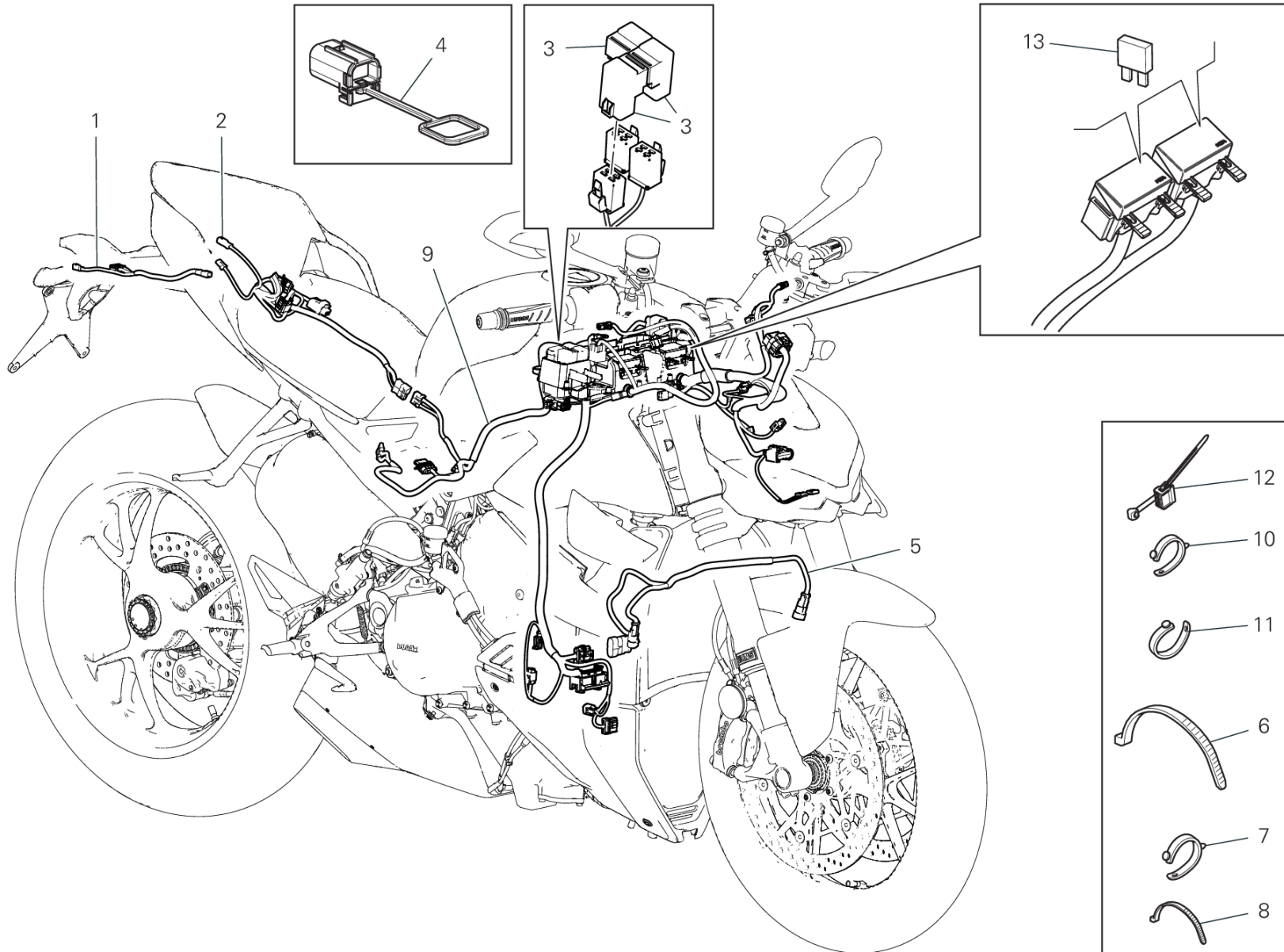
POS.	CODE	DESCRIPTION	QTY	VALIDITY	NOTES
1	590Z0021A	LEFT-HAND FRONT PIPE	1		
2	935Z0021A	RIGHT-HAND FRONT PIPE	1		
3	590Z0031A	LEFT-HAND REAR PIPE	1		
4	590Z0011A	RIGHT-HAND REAR PIPE	1		
5	67040511A	SPARK PLUG	4		
6	74141711A	CLAMP 10-7 MM	8		
7	69929311A	PRESSURE SENSOR KIT AND SUPPORT	1		
8	69929291A	PRESSURE SENSOR KIT AND SUPPORT	2		
9	77550171A	SCREW TBEI M4X8	2		
10	85250311AB	WASHER	2		
11	76412451A	RUBBER PAD	2		
12	71615501AA	SPACER	2		
13	77150208B	SCREW TCEIF M6X14 8.8	2		
14	76411671A	RUBBER PAD	4		
15	74142371A	CLAMP	4		
16	75840801A	CLAMP	2		
17	76414251A	RUBBER PAD	1		
18	87613921A	DUCT, AIR	1		
19	87613931A	DUCT, AIR	1		
20	65540081A	ACTUATOR	1		
21	77240323C	SCREW	2		



DRAWING 13C - VEHICLE ELECTRIC SYSTEM

GROUP ELECTRIC

IMP01487



DRAWING 13C - VEHICLE ELECTRIC SYSTEM

GROUP ELECTRIC

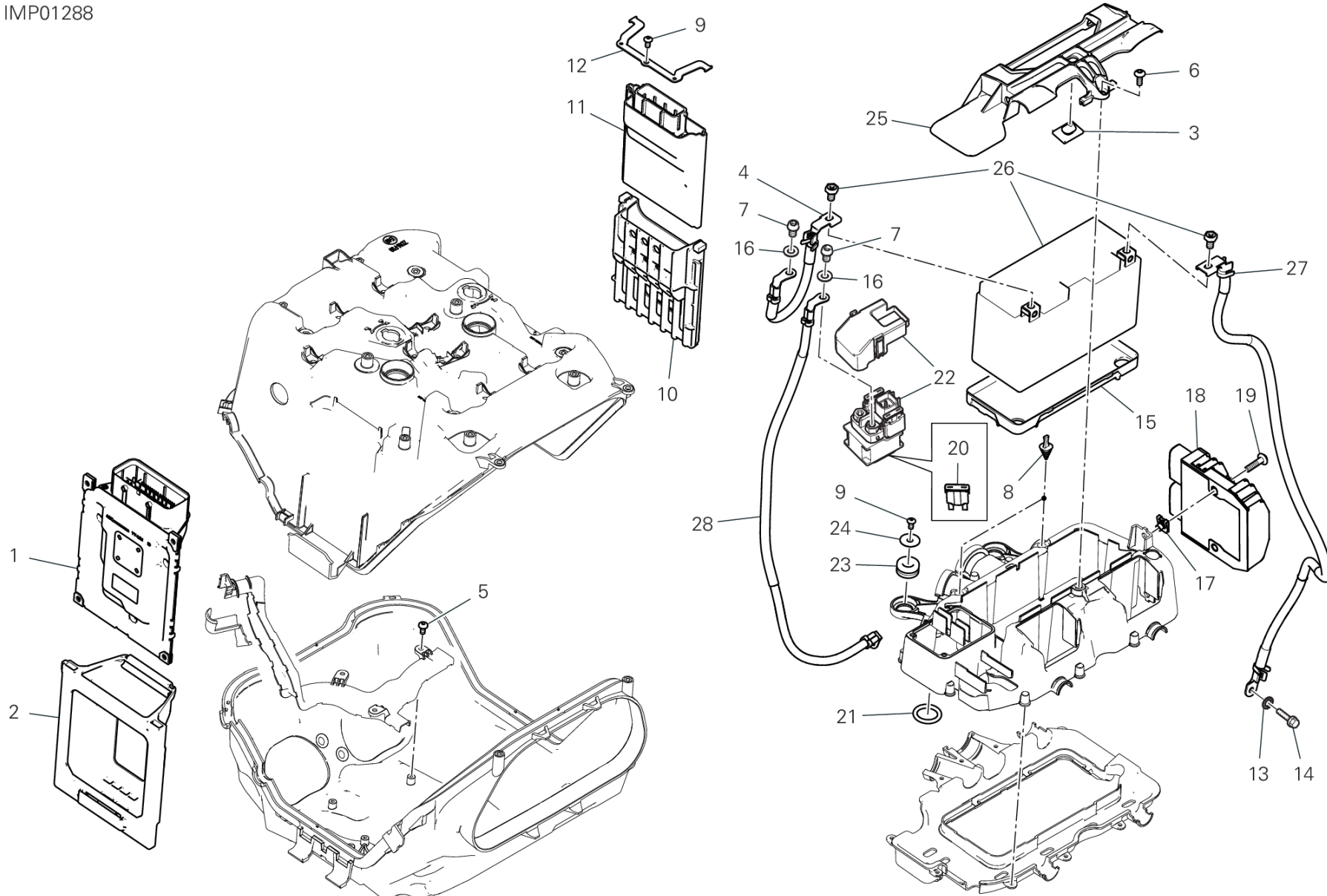


POS.	CODE	DESCRIPTION	QTY	VALIDITY	NOTES
1	5101C401E	ELECTRIC WIRING	1		
2	5101I071A	REAR WIRING	1		
3	54140151A	RELAY	3		
4	87211681A	CAP DDA	1		
5	5101E422A	ELECTRIC WIRING	1		
6	069191030	CLAMP	12		
7	74110551A	CLAMP, RUBBER 39MM	8		
8	74140381A	CLAMP	13		
9	5101M271C	MAIN WIRING HARNESS	1		
10	74110121A	CLAMP, RUBBER 62MM	2		
11	74110131A	CLAMP, RUBBER 82MM	1		
12	75840801A	CLAMP	9		
13	38940191A	FUSE 5A	1		
	38940201A	FUSE 10A	1		
	38940211A	FUSE 15A	1		
	38940221A	FUSE 20A	1		
	38940241A	FUSE 7,5A	1		
	38940261A	FUSE 25A	1		



DRAWING 13D - BATTERY HOLDER GROUP ELECTRIC

IMP01288

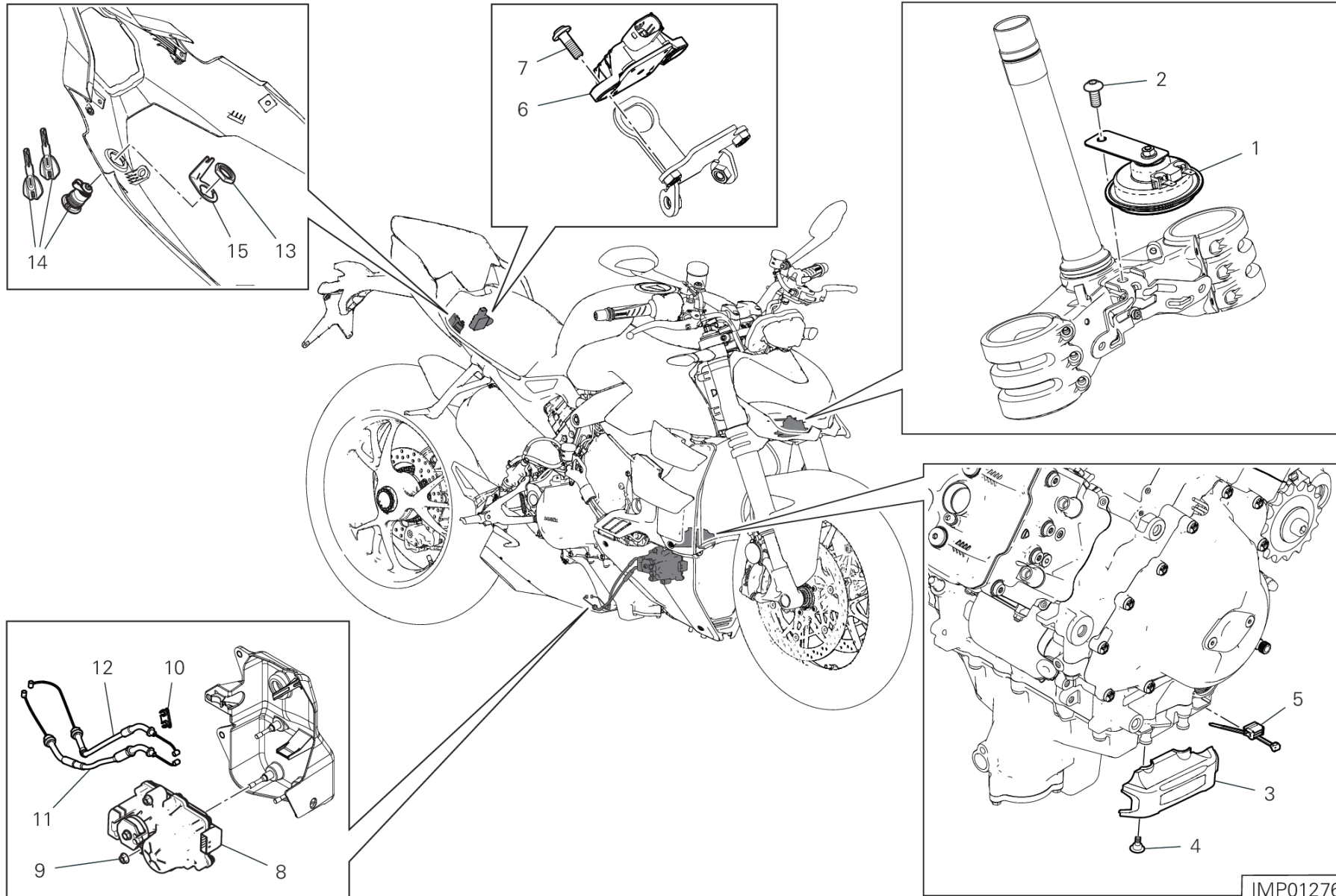


DRAWING 13D - BATTERY HOLDER

GROUP ELECTRIC



POS.	CODE	DESCRIPTION	QTY	VALIDITY	NOTES
1	28643631H	ENGINE CONTROL UNIT	1	XST:TWN	
	28643771A	ENGINE CONTROL UNIT	1	XST:EUR,JPN	
	28643771E	ENGINE CONTROL UNIT	1	XST:BLG	
	28643771O	ENGINE CONTROL UNIT	1	XST:ROK	
2	70011071A	VIBRATION DAMPER HOLDER	1		
3	86610301A	PAD	5		
4	51410831C	BATTERY - SOLENOID STARTER CABLE	1		
5	77440141A	SCREW, TAPPING 4X8 WN1412	3		
6	77244183B	SCREW	1		
7	77156628B	SCREW TCEIF M6X10	2		
8	87241271A	CAP, RUBBER	2		
9	77550171A	SCREW TBEI M4X8	5		
10	70011061A	VIBRATION DAMPER HOLDER	1		
12	83019481AB	BRACKET	1		
13	85550001B	SPRING WASHER	1		
14	77211061A	SCREW TEF M6X14	1		
15	8291H531A	BATTERY HOLDER	1		
16	85350101A	WASHER, SPRING	2		
17	85041951AA	QUICK FASTENING	2		
18	54040331A	VOLTAGE REGULATOR	1		
19	77244213B	SCREW	2		
20	38940251A	FUSE 30A	1		
21	88640891A	O-RING 18.64X3.53	2		
22	39740081B	STARTER RELAY	1		
23	76410901A	RUBBER PAD	4		
24	85250311AB	WASHER	4		
25	8301G771A	BRACKET, BATTERY BAND	1		
26	69926761A	BATTERY	1		
27	51310821A	CABLE	1		
28	51410841D	CABLE	1		



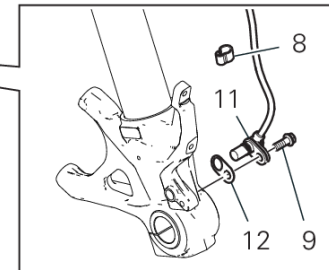
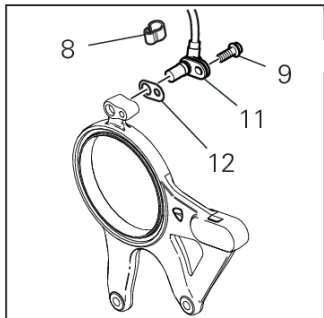
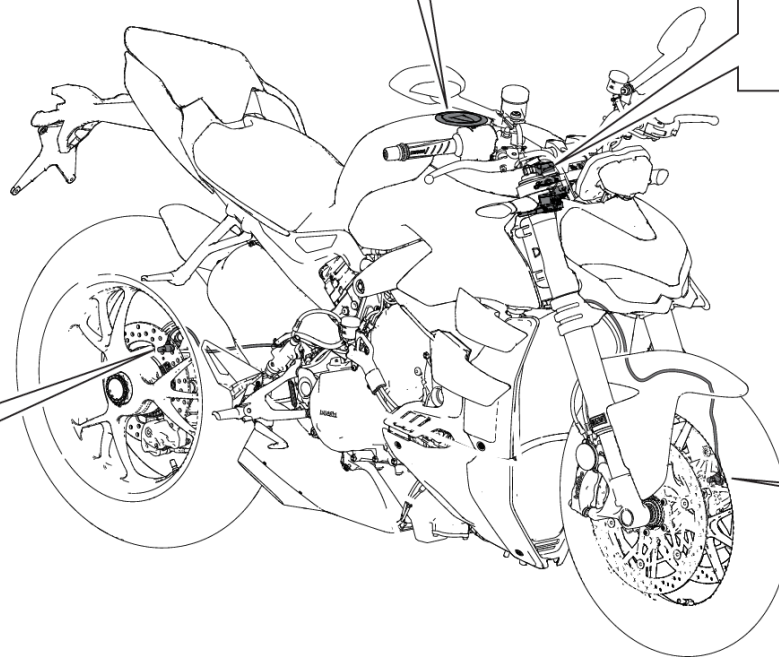
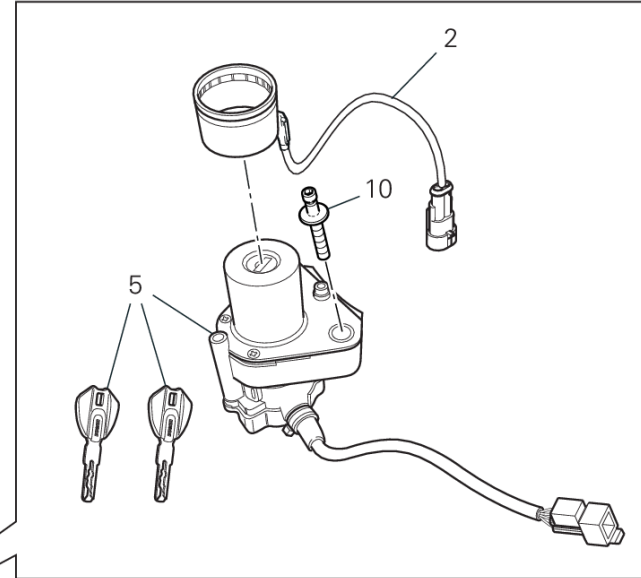
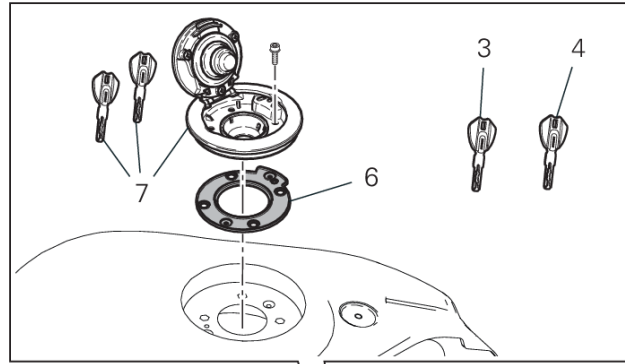
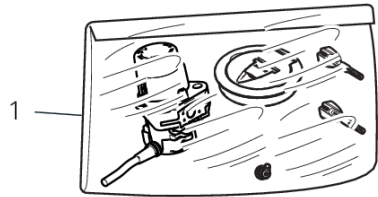
IMP01276



POS.	CODE	DESCRIPTION	QTY	VALIDITY	NOTES
1	51610051F	HORN	1		
2	77244503B	SCREW M8X18	1		
3	24716721A	COVER	1		
4	77214411BA	SCREW, SPECIAL	2		
5	75840801A	CLAMP	2		
6	38540093B	PIATTAFORMA INERZIALE	1		
7	77244348B	SCREW	2		
8	59340621A	ELECTRIC MOTOR, EXHAUST VALVE	1		
9	74841091AA	NUT	3		
10	75840281A	HOSE GUIDE	1		
11	73210665A	CABLE, EXHAUST VALVE OPEN	1		
12	73210672A	CABLE, EXHAUST VALVE CLOSE	1		
13	75011551A	NUT M22X1.5	1		
14	59820611A		1		
15	82716141A	PLATE	1		



IMP01279



DRAWING 13F - ELECTRICAL DEVICES

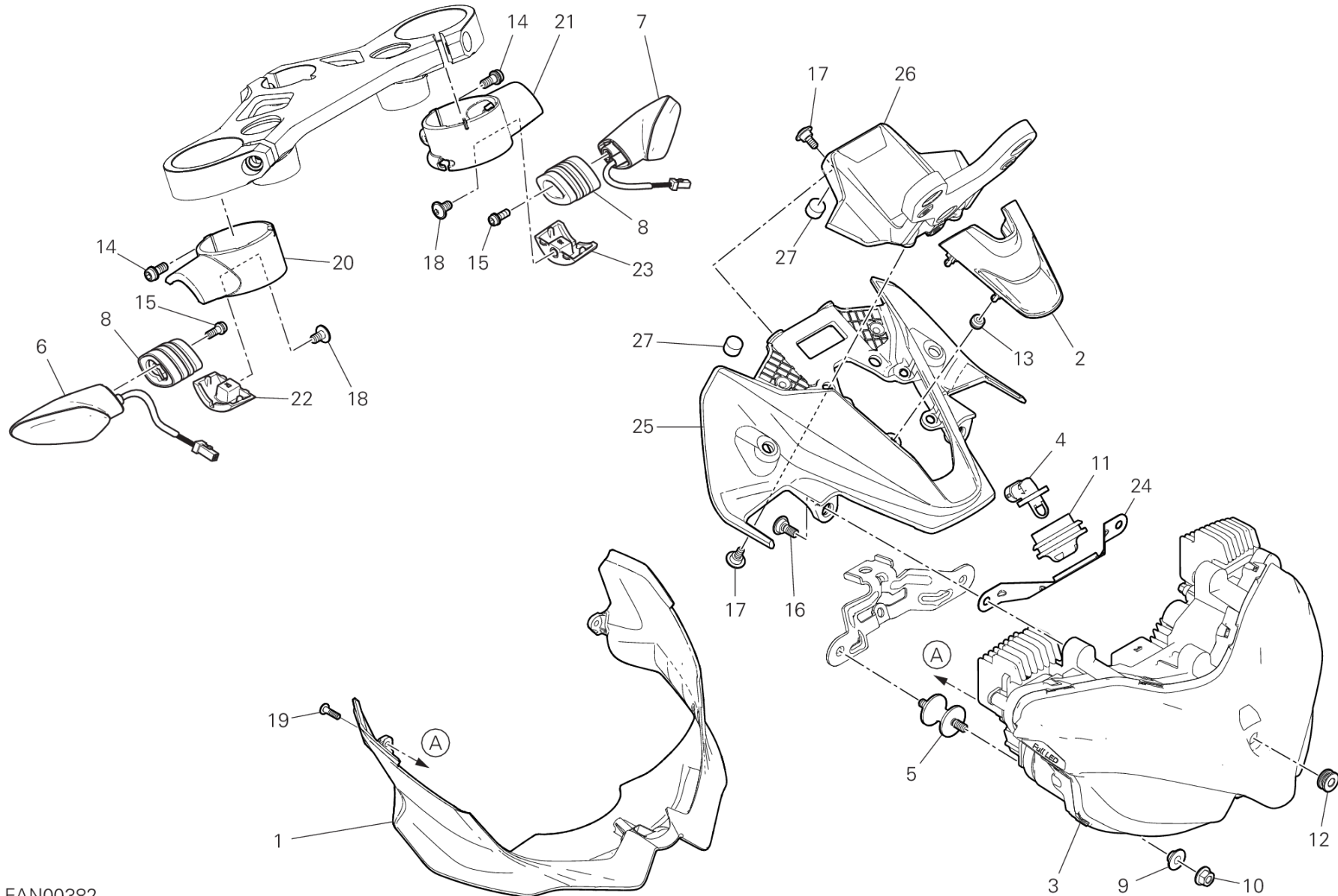
GROUP ELECTRIC



POS.	CODE	DESCRIPTION	QTY	VALIDITY	NOTES
1	59822511A	LOCKS KIT	1		
2	51840051B	COIL ANTENNA, IMMOBILIZER	1		
3	59810431A	KEY WITH TRANSPONDER ACTIVE	1		
4	59840291A	KEY, NON INDENTED WITHOUT TRANSPONDER	1		
5	65220331C	KEY-OPERATED SWITCH	1		
6	86642771A	GASKET, FUEL TANK CAP	1		
7	89520411AB	TANK CAP COMPLETE	1		
8	75840601A	FAIRLEAD	10		
9	77210601A	SCREW TEF M6X16	3		
10	77916811AA	SCREW, SPECIAL	2		
11	55212111B	SENSOR, SPEED	2		
12	71314901A	GASKET TH.02	4		
	71319201A	GASKET 0.5 MM	6		



DRAWING 14A - HEADLIGHT GROUP ELECTRIC



FAN00382

STREETFIGHTER V4 /23

032000023

Page 30 / 212

SPARE PARTS CATALOGUE

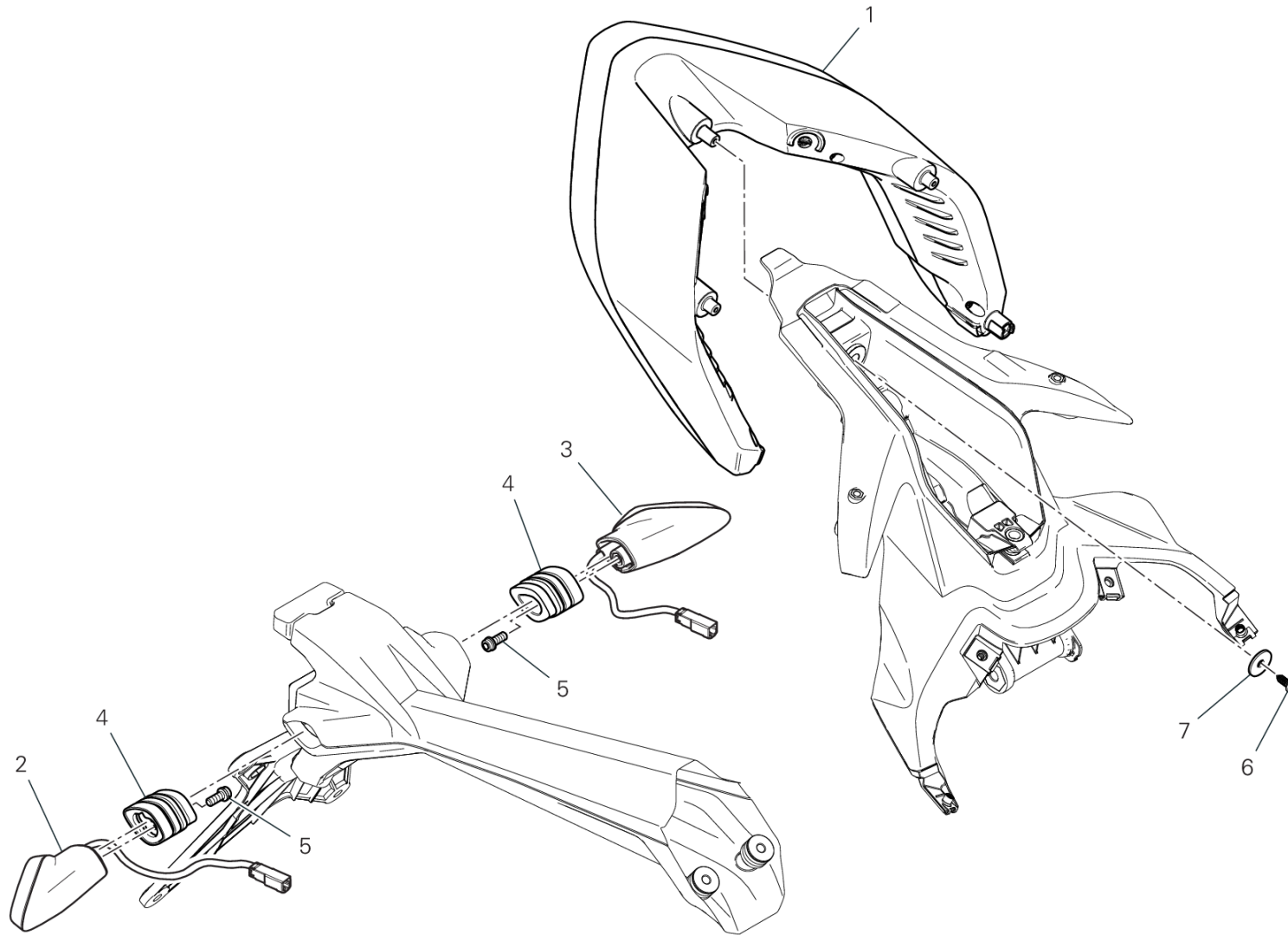
22/12/2022

DRAWING 14A - HEADLIGHT

GROUP ELECTRIC



POS.	CODE	DESCRIPTION	QTY	VALIDITY	NOTES
1	4801B231A	GUARD	1		
2	4801B421A	COVER	1		
3	52010522B	HEADLIGHT	1		
4	55240121A	SENSOR, AIR TEMPERATURE	1		
5	70011281A	VIBRATION DAMPER	2		
6	53010322A	FLASHER LIGHT FRONT RH- REAR LH	1		
7	53010332A	FRONT FLASHER LIGHT, LEFT	1		
8	71314703A	SPACER	2		
9	71615971AA	SPACER	2		
10	74841101AA	NUT 6MM	2		
11	76410971A	RUBBER PAD	1		
12	76412441A	VIBRATION DAMPER PAD	1		
13	76440561A	RUBBER PAD	4		
14	77113691C	SCREW	2		
15	77156398B	SCREW TCEIF M5X12	2		
16	77211221B	SCREW, SPECIAL	3		
17	77214411BA	SCREW, SPECIAL	4		
18	77240393C	SCREW TBEIF M6X10 10.9	2		
19	77440251A	SCREW	3		
20	8291I991A	HOLDER, FLASHER LIGHT RH	1		
21	8291J001A	HOLDER, FLASHER LIGHT LH	1		
22	87210802A	RIGHT COVER	1		
23	87210812A	LEFT COVER	1		
24	8301H711AA	BRACKET	1		
25	8301I192A	BRACKET, HEADLIGHT	1		
26	8301I201A	HOLDER	1		
27	86612211A	PAD	4		



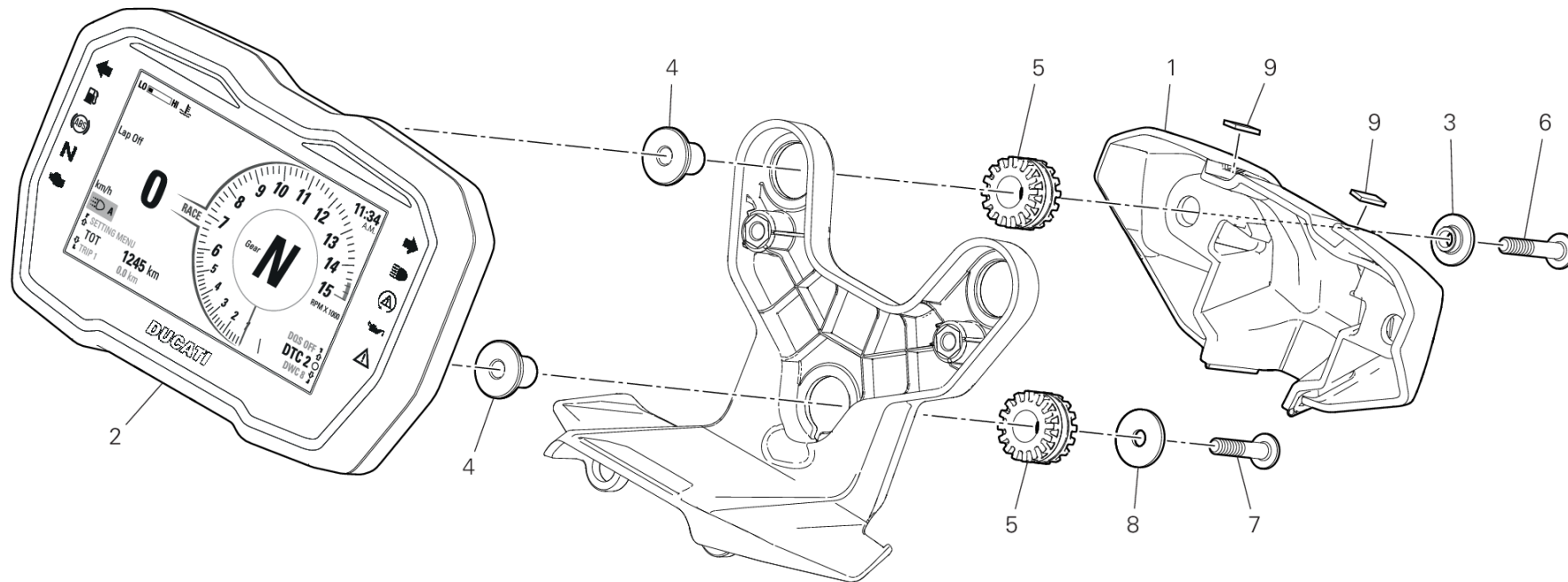
FAN00339

DRAWING 14B - TAILLIGHT

GROUP ELECTRIC



POS.	CODE	DESCRIPTION	QTY	VALIDITY	NOTES
1	52510692A	TAILLIGHT	1		
2	53010333B	FLASHER LIGHT FRONT LH - REAR RH	1		
3	53010323B	FLASHER LIGHT FRONT RH- REAR LH	1		
4	71314703A	SPACER	2		
5	77156398B	SCREW TCEIF M5X12	2		
6	77440551A	SCREW	1		
7	85213111AA	WASHER	1		



FAN00383

STREETFIGHTER V4 /23

032000023

DRAWING 15A - INSTRUMENT PANEL

GROUP ELECTRIC



POS.	CODE	DESCRIPTION	QTY	VALIDITY	NOTES
1	24716732A	COVER	1		
2	40612022A	INSTRUMENT PANEL	1		
3	71611071B	SPACER	2		
4	71615941AA	SPACER	3		
5	76410241A	VIBRATION DAMPER PAD	3		
6	77240333C	SCREW	2		
7	77244233B	SCREW	1		
8	85213111AA	WASHER	1		
9	86612431B	PAD	2		



DRAWING L - OIL

GROUP OIL

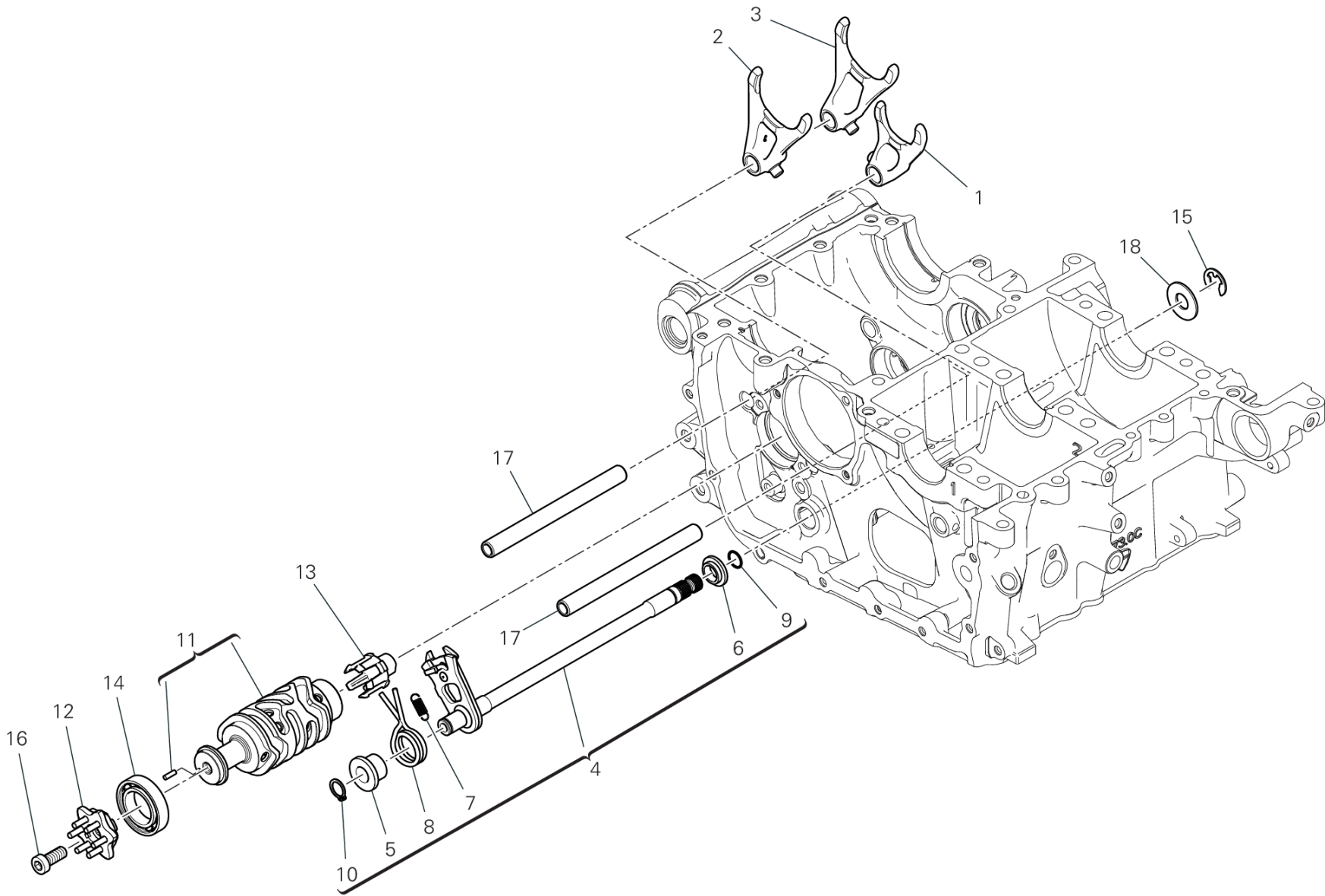


POS.	CODE	DESCRIPTION	QTY	VALIDITY	NOTES
1	944650035	SHELL ADVANCE DUCATI 15W50 - 1L BOTTLE	1		
2	944650037	SHELL ADVANCE DUCATI 15W50 – 209L DRUM	1		



DRAWING 02A - SHIFT CAM - FORK

GROUP ENGINE



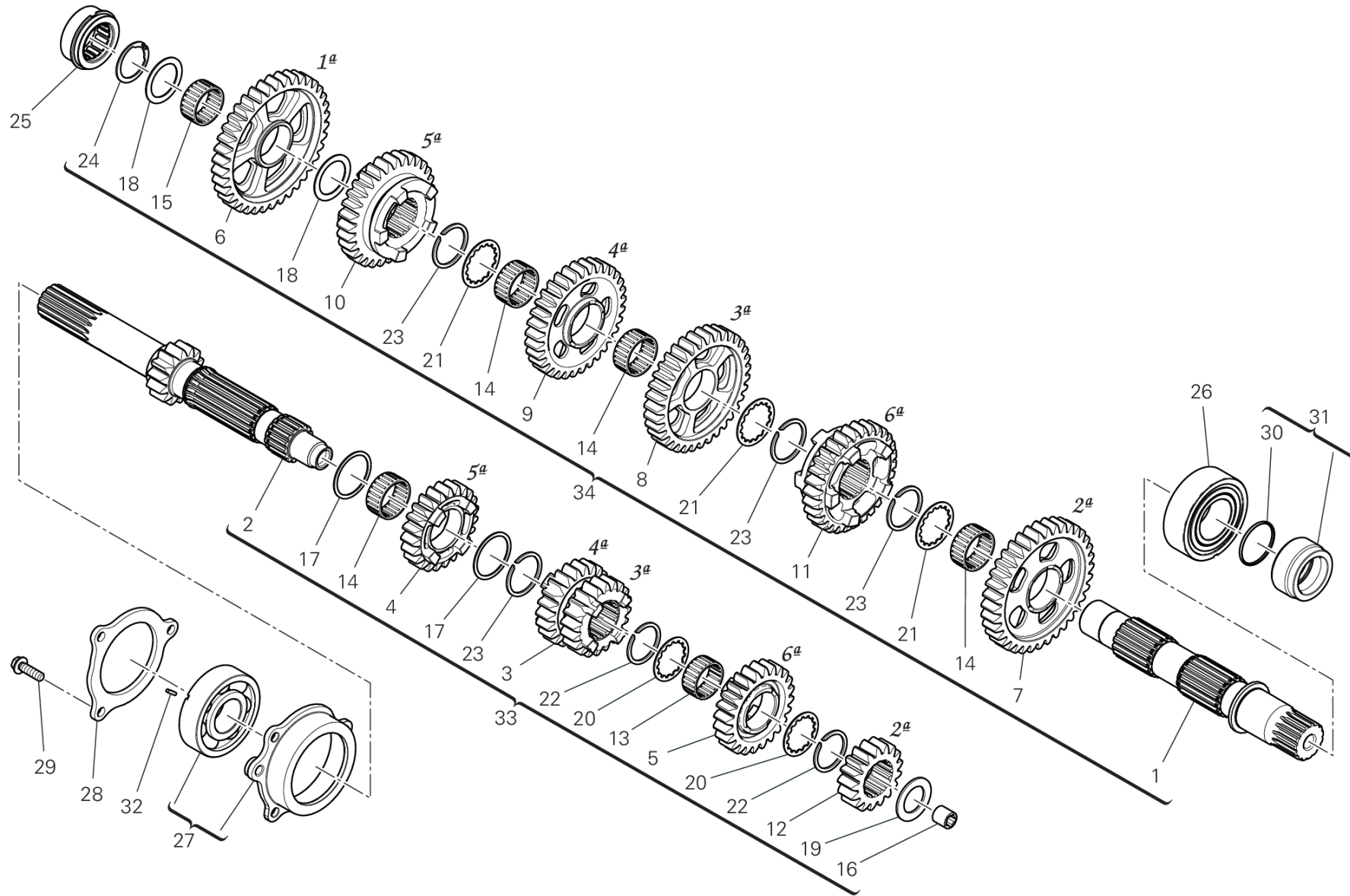
CMB00513

DRAWING 02A - SHIFT CAM - FORK

GROUP ENGINE



POS.	CODE	DESCRIPTION	QTY	VALIDITY	NOTES
1	18010472A	5TH,6TH GEAR SELECTOR FORK	1		
2	18010482A	1TH,4TH GEAR SELECTOR FORK	1		
3	18010492A	2TH,3TH GEAR SELECTOR FORK	1		
4	18120071A	GEAR CHANGE MECHANISM	1		
5	71611571C	SPACER	1		
6	71611581C	SPACER	1		
7	79915131C	SPRING	1		
8	79915141D	SPRING	1		
9	88450311A	STOP RING	1		
10	88450361A	CIRCLIP	1		
11	182P0011A	COMPLETE GEARBOX DRUM	1		
12	18220381B	GEARBOX DRUM FLANGE ASSEMBLY	1		
13	55243931A	GEARBOX POSITION SENSOR	1		
14	70250412A	BALL BEARING	1		
15	88450391B	SPRING RING	1		
16	77355038B	SCREW	1		
17	82118261A	PIN	2		
18	85213981A	WASHER	1		



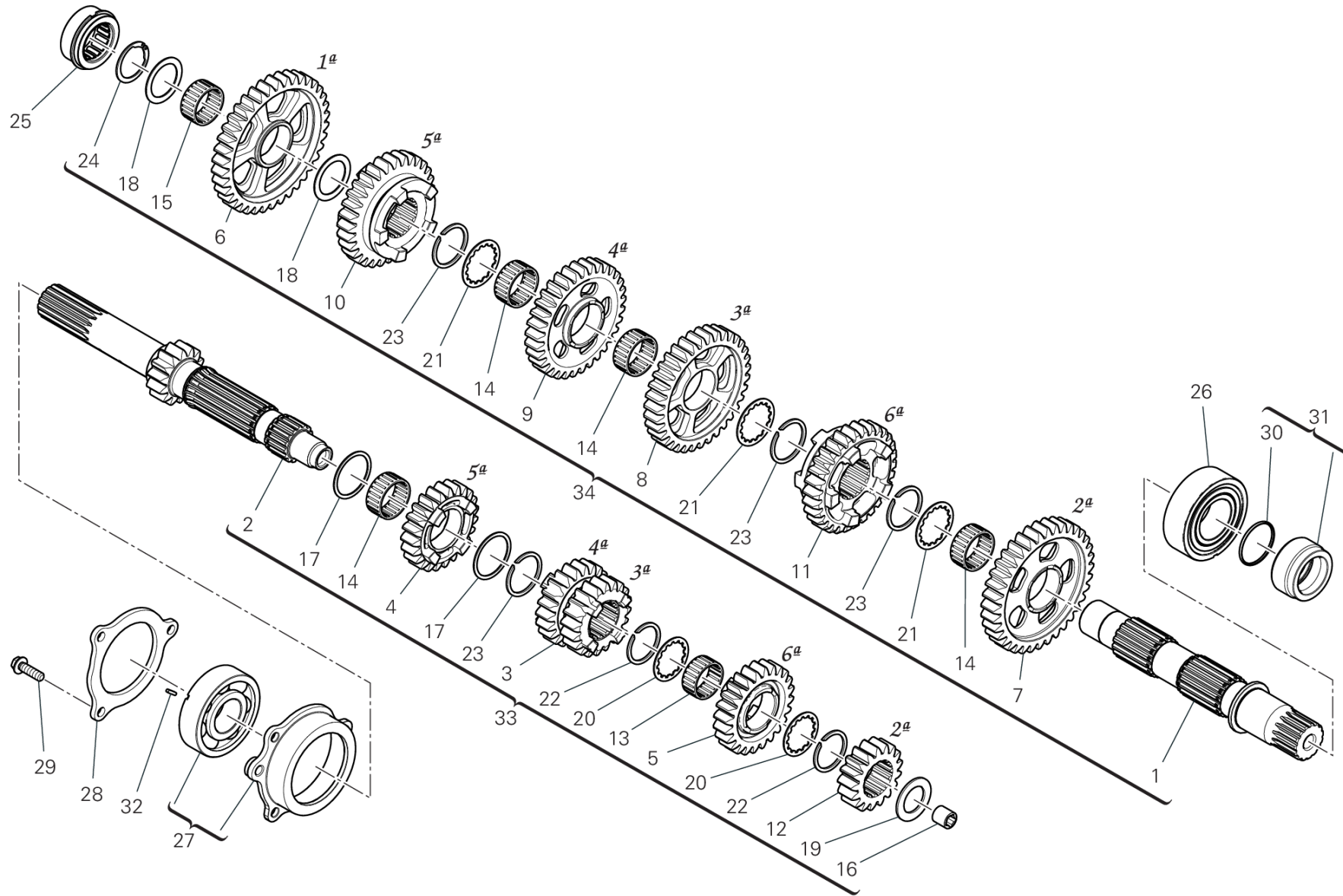
CMB00559

DRAWING 03A - GEAR BOX [XST:BLG,EUR,JPN,ROK]

GROUP ENGINE



POS.	CODE	DESCRIPTION	QTY	VALIDITY	NOTES
1	14911351C	LAY SHAFT	1		
2	14911372A	MAIN SHAFT	1		
3	17215581B	DRIVING GEAR 3RD/4TH SP.	1		
4	17215591B	DRIVING GEAR 5TH SP.	1		
5	17215601B	DRIVING GEAR 6TH SP.	1		
6	17215611A	DRIVEN GEAR 1ST SP.	1		
7	17215621A	DRIVEN GEAR 2ND SP.	1		
8	17215631B	DRIVEN GEAR 3RD SP.	1		
9	17215641B	DRIVEN GEAR 4TH SP.	1		
10	17215651B	DRIVEN GEAR 5TH SP.	1		
11	17215661B	DRIVEN GEAR 6TH SP.	1		
12	17215671A	DRIVING GEAR 2ND SP.	1		
13	70140311A	NEEDLE BEARING	1		
14	70140321A	NEEDLE BEARING	4		
15	70140331A	NEEDLE BEARING	1		
16	71210631A	BUSH	1		
17	85213291A	THRUST WASHER	2		
18	85213311A	THRUST WASHER	2		
19	85214141A	THRUST WASHER	1		
20	85611372A	WASHER LOCK 28X32.5X1	2		
21	85611491A	GROOVED WASHER	3		
22	88440731A	SPRING RING	2		
23	88440741A	SPRING RING	4		
24	88440751A	CIRCLIP	1		
25	70241761A	NEEDLE BEARING	1		
26	70241781A	BEARING, NEEDLE	1		
27	710P0021A	BEARING	1		
28	71012021B	PLATE	1		
29	77253314CF	SCREW	3		
30	88640042A	O-RING	1		
31	713P0011C	CHAIN SPROCKET SPACER	1		
32	68050101A	KEY 2X2X10	1		
33	15022302B	COMPLETE MAIN SHAFT	1		
34	15022311C	COMPLETE LAY SHAFT	1		



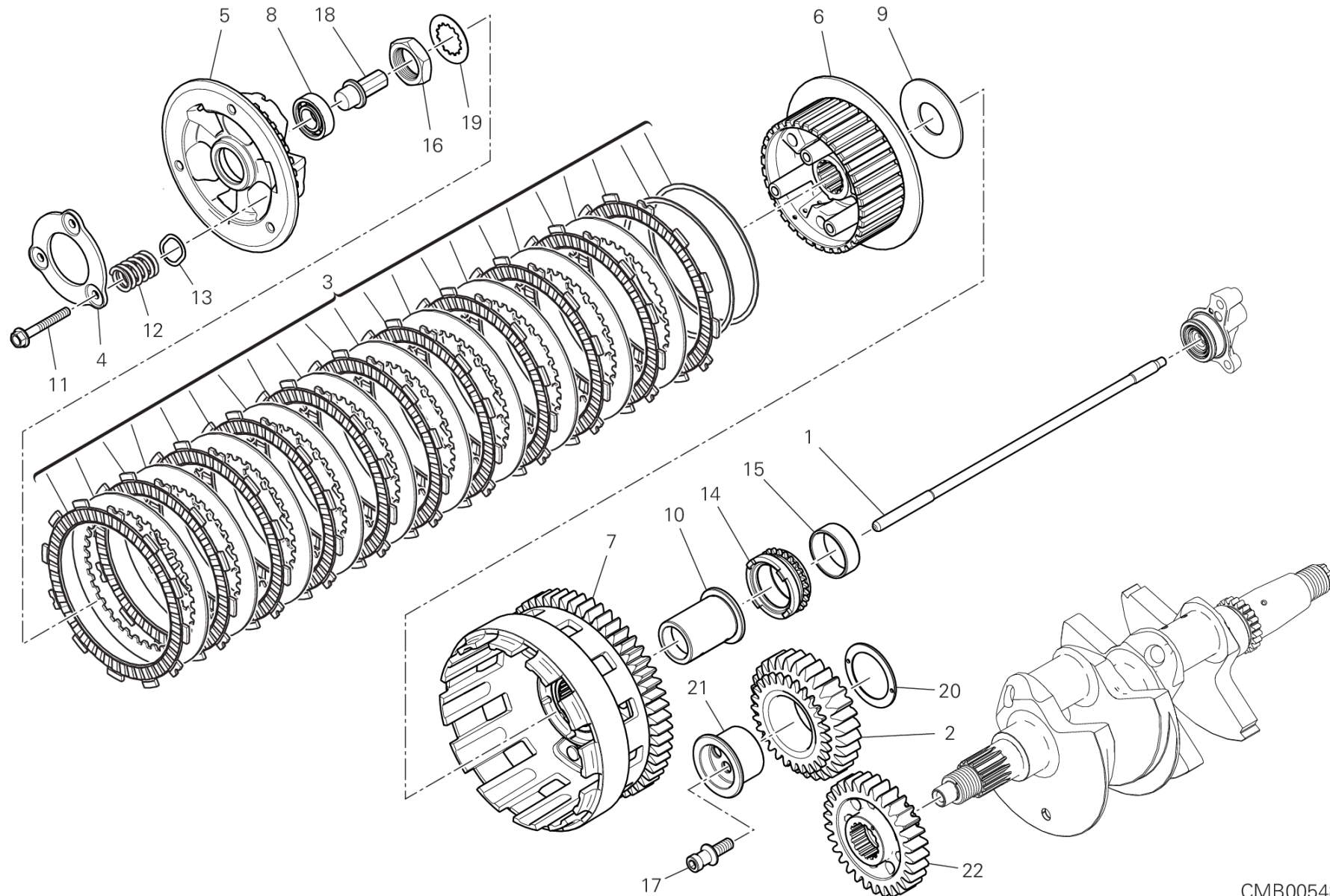
CMB00559

DRAWING 03A - GEAR BOX [XST:TWN]

GROUP ENGINE



POS.	CODE	DESCRIPTION	QTY	VALIDITY	NOTES
1	14912531A	LAY SHAFT	1		
2	14912641B	MAIN SHAFT	1	XST:TWN	
3	17216191A	DRIVING GEAR 3RD/4TH SP.	1	XST:TWN	
4	17216201A	DRIVING GEAR 5TH SP.	1	XST:TWN	
5	17216461A	DRIVING GEAR 6TH SP.	1	XST:TWN	
6	17216471A	DRIVEN GEAR 1ST SP.	1	XST:TWN	
7	17216481A	DRIVEN GEAR 2ND SP.	1	XST:TWN	
8	17216231A	DRIVEN GEAR 3RD SP.	1	XST:TWN	
9	17216241A	DRIVEN GEAR 4TH SP.	1	XST:TWN	
10	17216251A	DRIVEN GEAR 5TH SP.	1	XST:TWN	
11	17216491A	DRIVEN GEAR 6TH SP.	1	XST:TWN	
12	17216451A	DRIVING GEAR 2ND SP.	1	XST:TWN	
13	70140651A	NEEDLE BEARING	1		
14	70140661A	NEEDLE BEARING	4		
15	70140671A	NEEDLE BEARING	1		
16	71210691A	BUSH	1		
17	85214621A	THRUST WASHER	2		
18	85214631A	THRUST WASHER	2		
19	85214641A	THRUST WASHER	1		
20	85611801A	WASHER LOCK	2		
21	85611811A	TOOTHED LOCK WASHER	3		
22	88441201A	SPRING RING	2		
23	88441211A	SPRING RING	4		
24	88441221A	SPRING RING	1		
25	70241761A	NEEDLE BEARING	1		
26	70241781A	BEARING, NEEDLE	1		
27	710P0021A	BEARING	1		
28	71012021B	PLATE	1		
29	77253314CF	SCREW	3		
30	88640042A	O-RING	1		
31	713P0011C	CHAIN SPROCKET SPACER	1		
32	68050101A	KEY 2X2X10	1		
33	15022541B	COMPLETE MAIN SHAFT	1	XST:TWN	
34	15022551A	COMPLETE LAY SHAFT	1	XST:TWN	



CMB00548

DRAWING 03B - CLUTCH

GROUP ENGINE

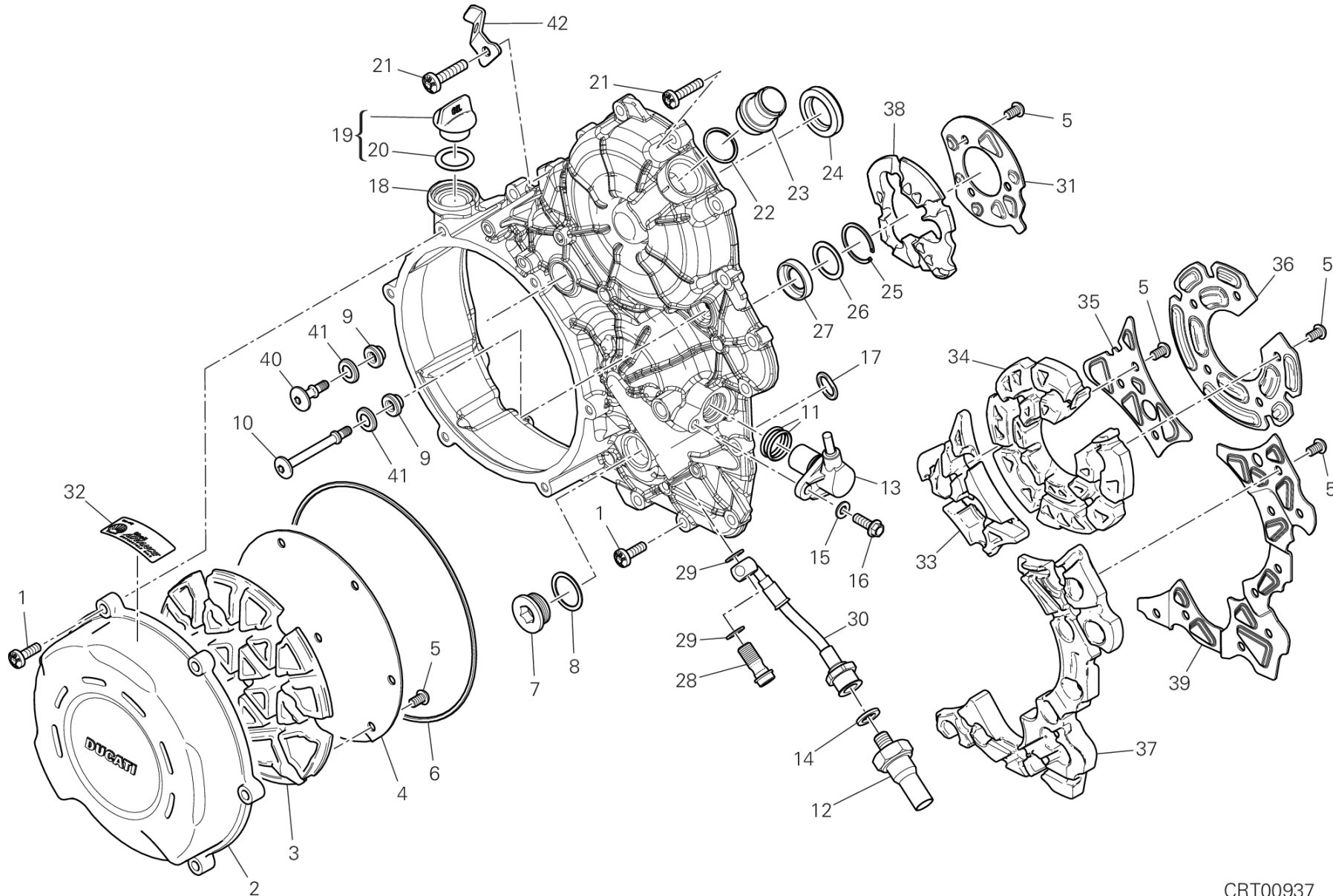


POS.	CODE	DESCRIPTION	QTY	VALIDITY	NOTES
1	11711771A	ROD	1		
2	17021622A	IDLE GEAR	1		
3	19020361D	CLUTCH DISC SET	1		
4	19410511A	RING	1		
5	19610711A	DISK, CLUTCH PRESSURE	1		
6	19610721A	PLATE HOLDER HUB	1		
7	19820502A	PRIMARY DRIVEN GEAR COMP.	1		
8	70250601A	BEARING	1		
9	71313091A	SPACER	1		
10	71316011B	SPACER	1		
11	77211201A	SCREW	3		
12	79710771A	SPRING	3		
13	85611391B	THRUST WASHER	3		
14	44910732B	SPROCKET	1		
15	71240331A	BUSH	1		
16	75010072E	NUT	1		
17	7791C031A	SCREW, SPECIAL	1		
18	81810162A	CLUTCH CONTROL PIN	1		
19	85110201A	LOCK WASHER	1		
20	85214051B	THRUST WASHER	1		
21	88111152B	INNER RING	1		
22	17011661A	PRIMARY DRIVE FRONT SPROCKET	1		



DRAWING 04A - CLUTCH COVER

GROUP ENGINE



CRT00937

DRAWING 04A - CLUTCH COVER

GROUP ENGINE

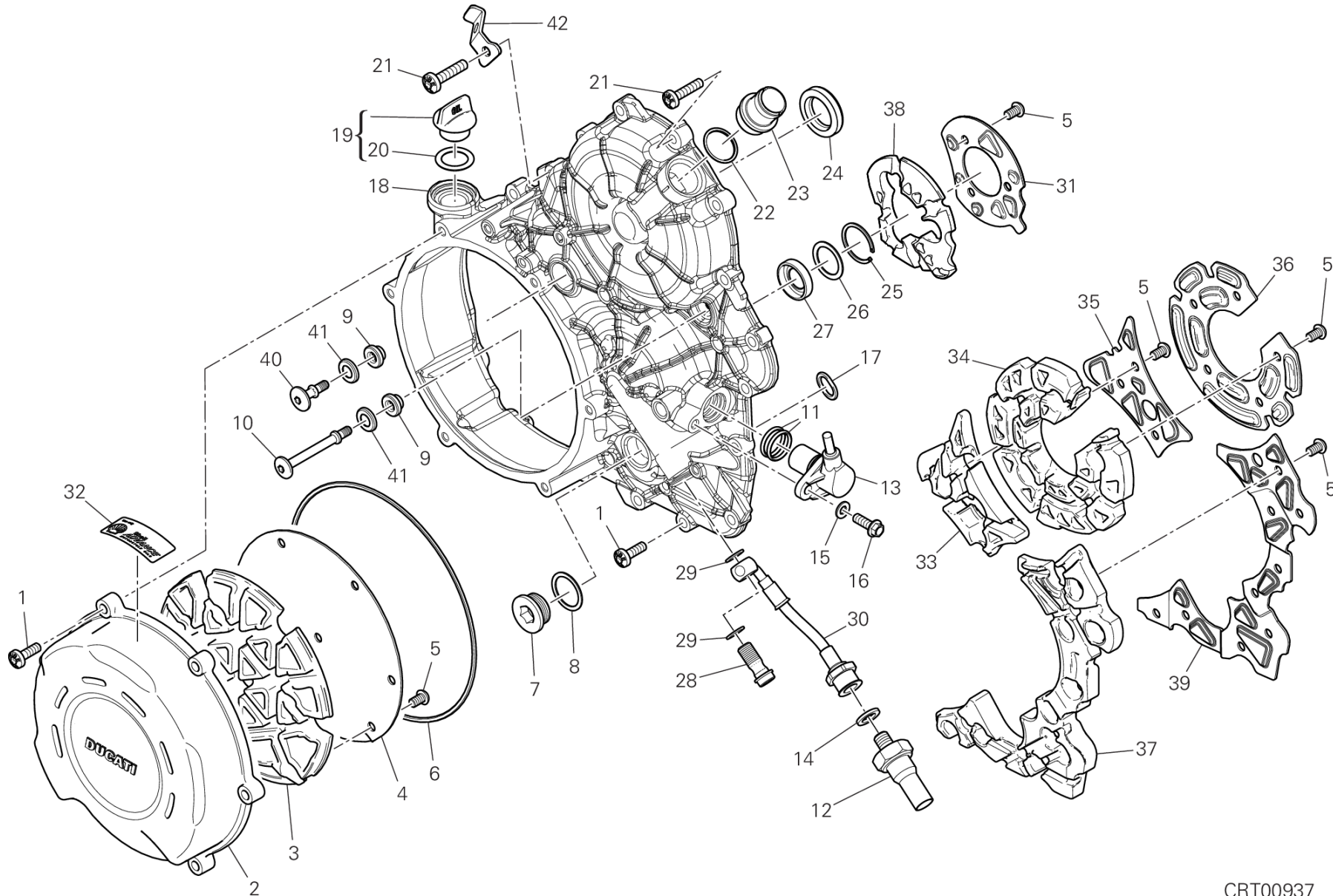


POS.	CODE	DESCRIPTION	QTY	VALIDITY	NOTES
1	77941992A	SCREW	22		
2	24311541AH	CLUTCH PROTECTION COVER	1		
3	48611191A	DAMPER, SOUND ARRESTER	1		
4	82718692A	SHEET ACOUSTIC DAMPER	1		
5	77550200CC	SCREW	34		
6	88641201A	O-RING	1		
7	78010921A	PLUG	1		
8	22032083A	ALUMINIUM GASKET	1		
9	76412121A	VIBRATION DAMPER PAD	2		
10	7791B491A	SCREW, SPECIAL	1		
11	88640331A	O-RING 17.96X2.62	2		
12	53940302A	SWITCH ASSY, OIL PRESSURE	1		
13	55241321C	SENSOR, TIMING & RPM	1		
14	85211951A	GASKET 10.5X17X2	1		
15	85310031A	SPRING WASHER 6 MM	1		
16	77253304C	SCREW	1		
17	88650321A	O-RING	1		
18	24311644AH	CLUTCH COVER	1		
19	89320121A	PLUG ASSY	1		
20	88640891A	O-RING 18.64X3.53	1		
21	77942002A	SCREW	2		
22	88642721A	O-RING	1		
23	66810591A	FILLER	1		
24	93042231A	SEAL RING	1		
25	88450291A	SNAP RING	1		
26	85212721A	THRUST WASHER	1		
27	93041521A	SEAL RING	1		
28	78110121AA	SCREW, SPECIAL	1		
29	85250241A	WASHER 10X14X1	2		
30	87712481A	OIL PRESSURE LINE	1		
31	82718991A	SHEET ACOUSTIC DAMPER	1		
32	43312502C	TRANSFER	1		
33	48612293A	DAMPER, SOUND ARRESTER	1		
34	48612271A	DAMPER, SOUND ARRESTER	1		
35	82718944A	LAMIERA FONOASSORBENTE CENTRALE	1		



DRAWING 04A - CLUTCH COVER

GROUP ENGINE



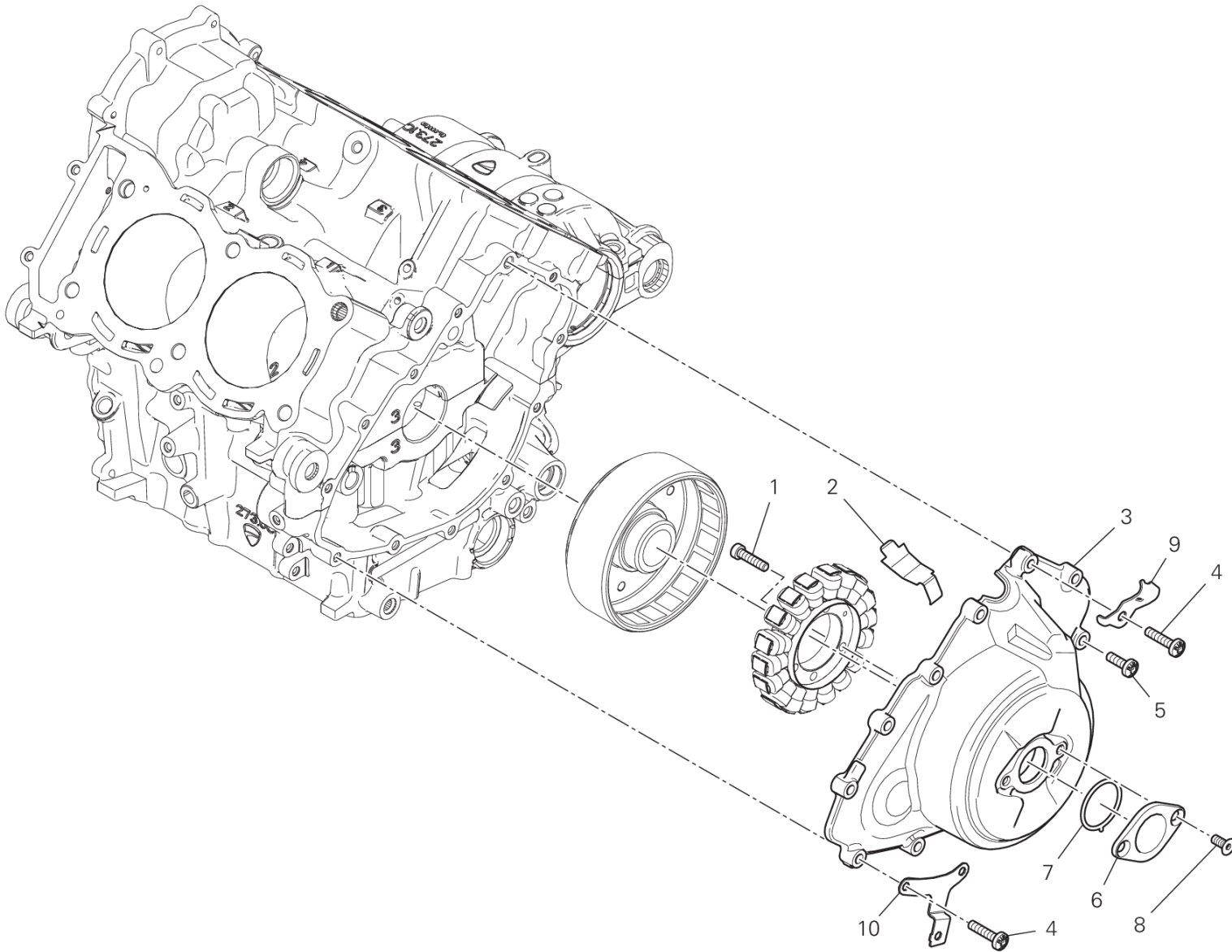
CRT00937

DRAWING 04A - CLUTCH COVER

GROUP ENGINE



POS.	CODE	DESCRIPTION	QTY	VALIDITY	NOTES
36	82718923A	SHEET ACOUSTIC DAMPER	1		
37	48612281A	PERIMETER SOUNDDEADENING PANEL	1		
38	48612551A	DAMPER, SOUND ARRESTER	1		
39	82718933A	PERIMETER SOUNDDEADENING METAL SHEET	1		
40	7791A751B	SCREW, SPECIAL	1		
41	85611551A	WASHER	2		
42	8291J241AA	CONNECTOR HOLDER	1		



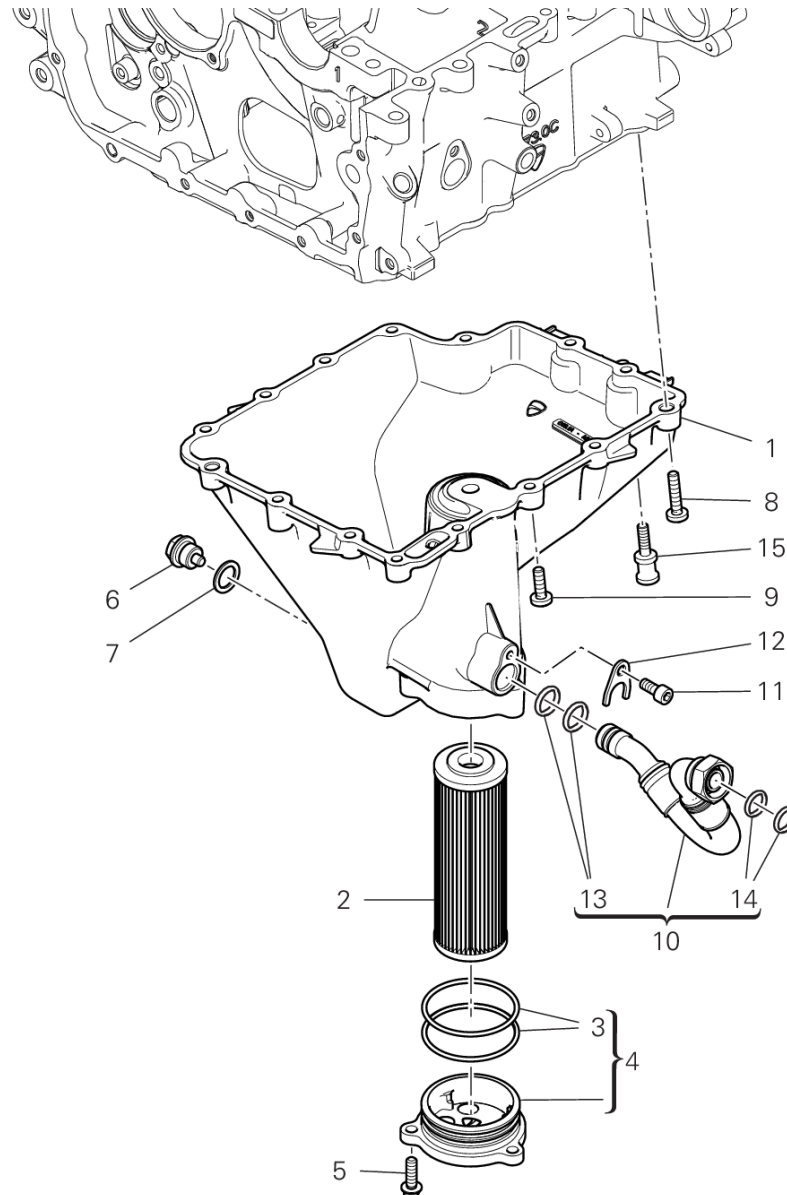
CRT00861

DRAWING 04B - GENERATOR COVER

GROUP ENGINE



POS.	CODE	DESCRIPTION	QTY	VALIDITY	NOTES
1	71950370CF	SCREW	3		
2	82716091A	PLATE	1		
3	24211141BH	GENERATOR COVER	1		
4	77942002A	SCREW	3		
5	77941992A	SCREW	9		
6	24735581AH	COVER, SENSOR	1		
7	88610951A	O-RING 32.99X2.62	1		
8	77750494C	SCREW	2		
9	8301H812AA	BRACKET	1		
10	8301H841BA	LEFT BRACKET	1		



CRT00862

DRAWING 04C - OIL PAN

GROUP ENGINE

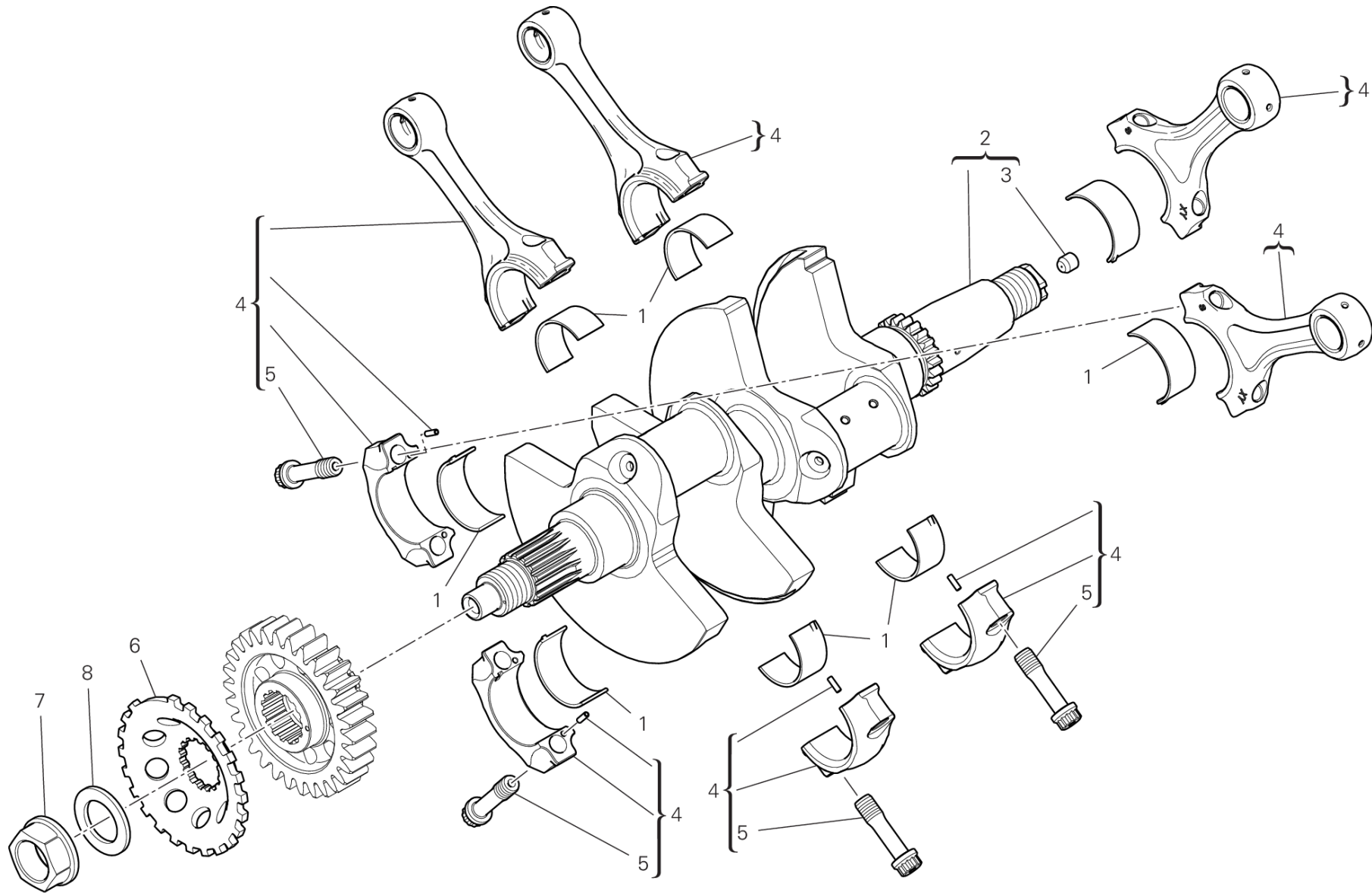


POS.	CODE	DESCRIPTION	QTY	VALIDITY	NOTES
1	25210191AH	OIL PAN	1		
2	44440312B	FILTER, OIL	1		
3	88650761A	O-RING	2		
4	247P5863A	COVER, OIL ELEMENT	1		
5	77253314CF	SCREW	3		
6	89310153A	OIL DRAIN PLUG WITH MAGNET	1		
7	85250541A	WASHER	1		
8	77942002A	SCREW	3		
9	77941992A	SCREW	10		
10	54911412A	PIPE	1		
11	77150648B	SCREW TCEI M6X14	1		
12	82718471AA	PLATE	1		
13	88643141A	O-RING	2		
14	88643121A	O-RING	2		
15	7791B851BA	SCREW, SPECIAL	2		



DRAWING 05A - CONNECTING RODS

GROUP ENGINE



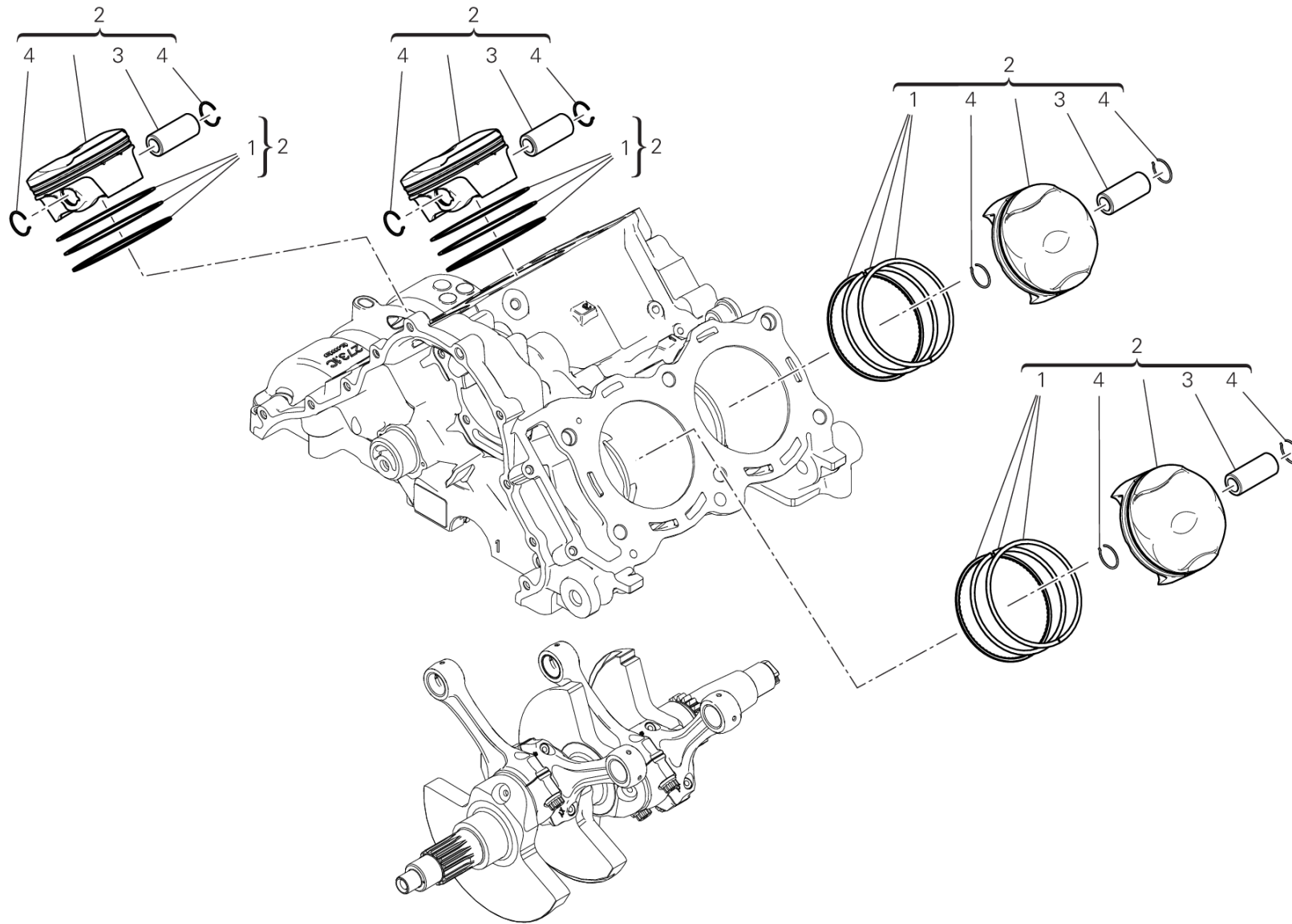
IMB00243

DRAWING 05A - CONNECTING RODS

GROUP ENGINE



POS.	CODE	DESCRIPTION	QTY	VALIDITY	NOTES
1	11210961AA	HALF-BEARING RED	8		
	11210961AB	HALF-BEARING BLUE	8		
	11210961AC	HALF-BEARING YELLOW	8		
	11210961AD	HALF-BEARING BLACK	8		
	11210961AE	HALF-BEARING GREEN	8		
	11210961AF	PURPLE BEARING SHELLS	8		
	11210961AG	PURPLE BEARING SHELLS	8		
2	14622691AA	CRANKSHAFT	1		
	14622691AB	CRANKSHAFT	1		
	14622691AC	CRANKSHAFT	1		
	14622691AD	CRANKSHAFT	1		
3	77911092A	SCREW, SPECIAL	1		
4	15621143AA	CONNECTING ROD	4		
	15621143AB	CONNECTING ROD	4		
	15621143AC	CONNECTING ROD	4		
	15621143AD	CONNECTING ROD	4		
5	7791A571A	SCREW, SPECIAL	8		
6	50410271B	PHONIC WHEEL	1		
7	74811021B	NUT, FLANGE	1		
8	85214071B	WASHER	1		



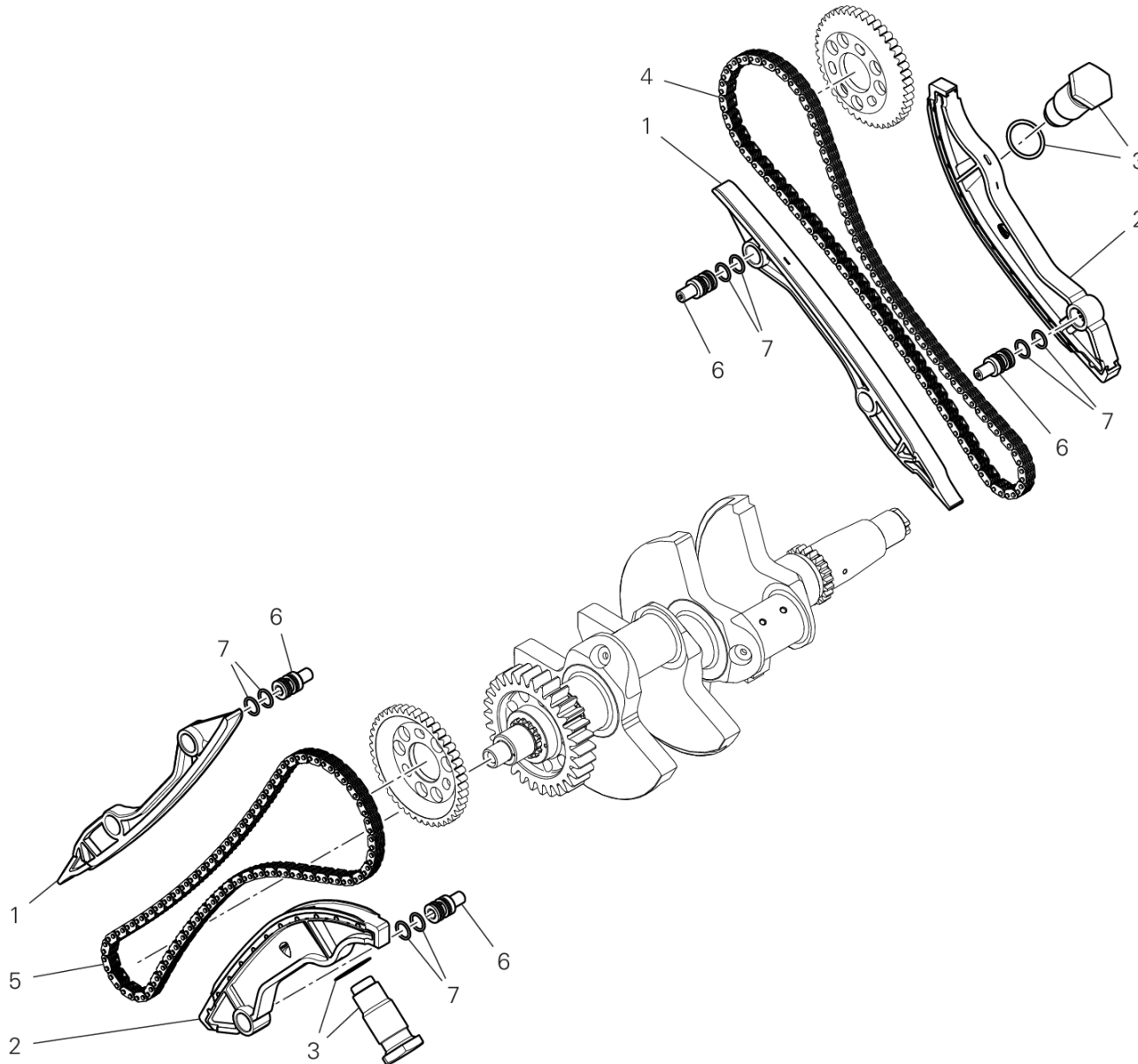
IMB00244

DRAWING 06A - CYLINDERS - PISTONS

GROUP ENGINE



POS.	CODE	DESCRIPTION	QTY	VALIDITY	NOTES
1	12120772A	PISTON RING SET	1		
2	12222331C	PISTON ASSY	4		
3	12113712A	PISTON PIN	4		
4	12113721A	RING	8		



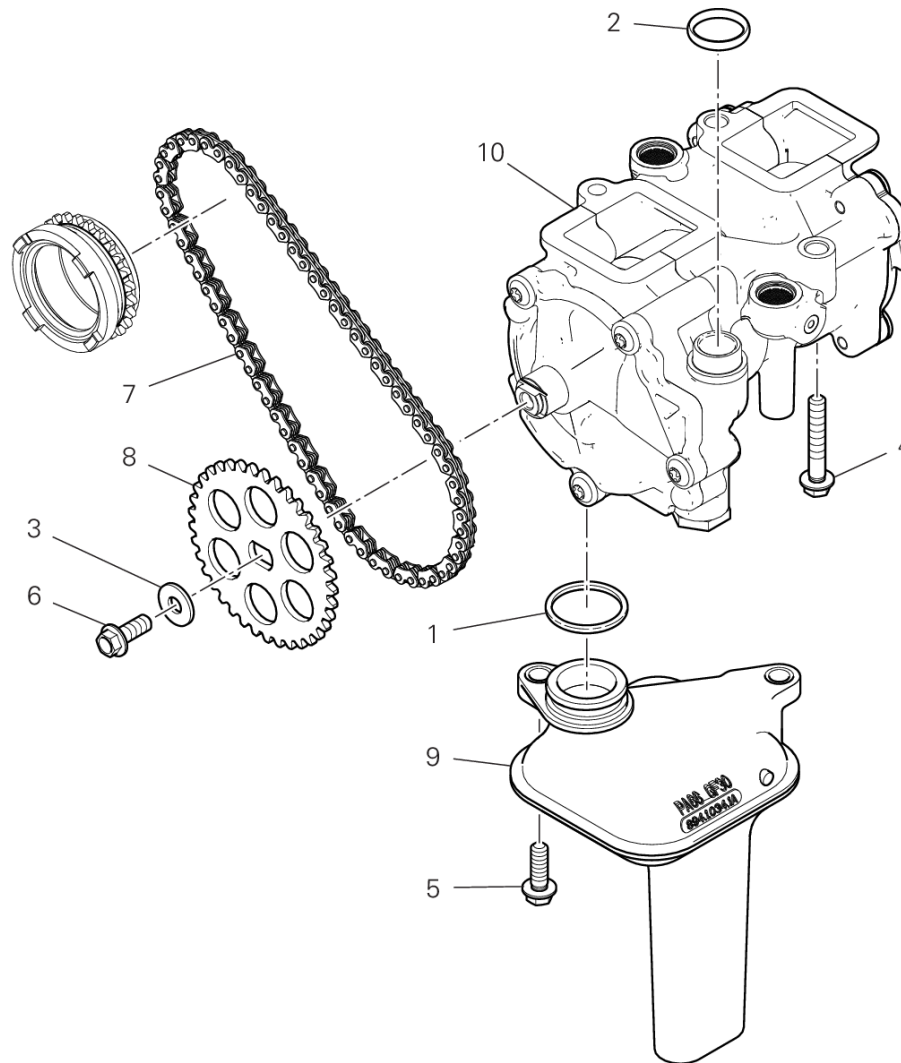
TST00613

DRAWING 07A - TIMING SYSTEM

GROUP ENGINE



POS.	CODE	DESCRIPTION	QTY	VALIDITY	NOTES
1	44740112A	COMPLETE FIXED TENSIONER ROLLER	2		
2	44740122A	COMPLETE MOVABLE TENSIONER ROLLER	2		
3	45140021C	COMPLETE TENSIONER ROLLER	2		
4	73840052A	CHAIN	1		
5	73840062A	CHAIN	1		
6	82115622A	PIN	4		
7	88642081A	O-RING	8		



RAF00692

DRAWING 08A - OIL PUMP

GROUP ENGINE

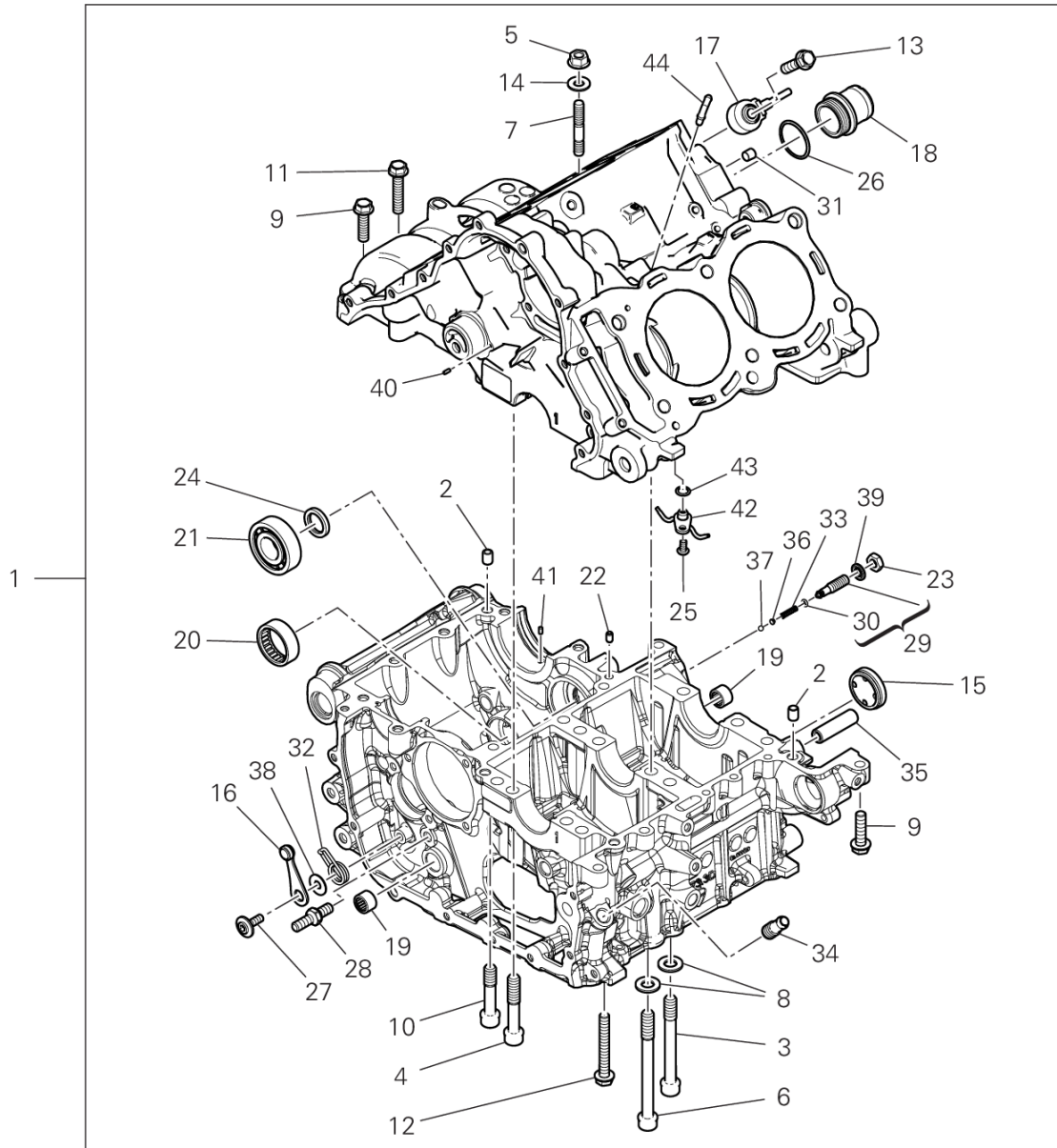


POS.	CODE	DESCRIPTION	QTY	VALIDITY	NOTES
1	88642651A	O-RING	1		
2	88640541A	O-RING	1		
3	85214421A	WASHER	1		
4	77253364CF	SCREW	3		
5	77253304CF	SCREW	2		
6	77253290ZF	SCREW	1		
7	67641142A	CHAIN	1		
8	44910741A	REAR SPROCKET T37	1		
9	89420231B	STRAINER, OIL	1		
10	249Z0012A	OIL PUMP	1		



DRAWING 09A - HALF-CRANKCASES PAIR

GROUP ENGINE



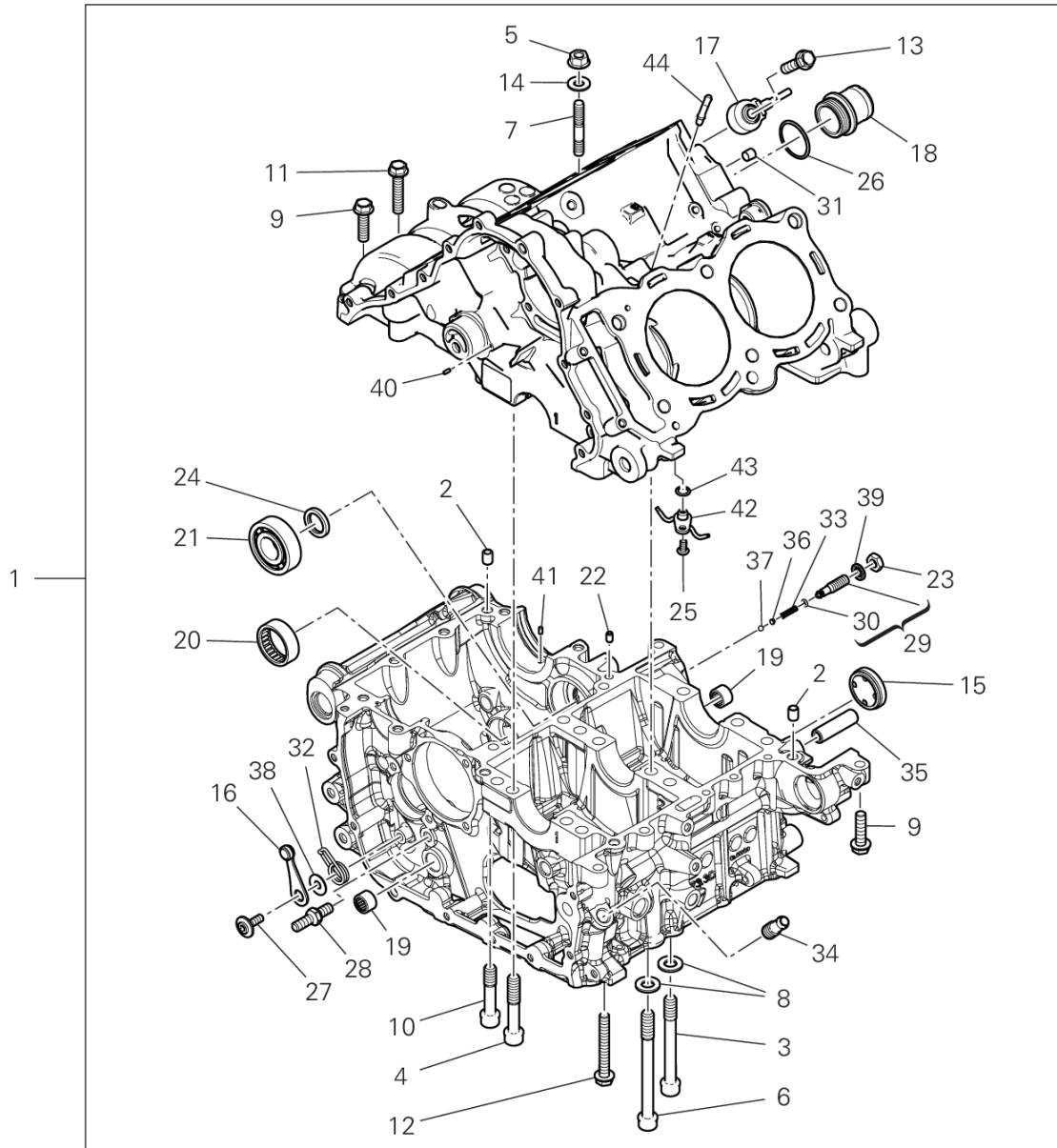
CRT00912

DRAWING 09A - HALF-CRANKCASES PAIR

GROUP ENGINE



POS.	CODE	DESCRIPTION	QTY	VALIDITY	NOTES
1	225P0012G	COMPLETE HALF-CRANKCASES PAIR	1		
2	71112191A	PIN DOWEL	3		
3	7791A651A	SCREW	2		
4	7791A631A	SCREW	2		
5	74840481B	NUT	1		
6	7791A661A	SCREW	4		
7	76611231A	STUD BOLT	1		
8	85651691B	WASHER	4		
9	77251344C	SCREW	6		
10	7791C361A	SCREW	2		
11	77251364C	SCREW	1		
12	77251404C	SCREW	1		
13	77251324CF	SCREW	2		
14	85212771A	WASHER	1		
15	25440013A	WINDOW, OIL LEVEL CHECK	1		
16	45520172A	GEAR STOPPER LEVER ASSEMBLY	1		
17	55243181A	DETECTOR	2		
18	66810581B	FILLER	1		
19	70140111B	BEARING, NEEDLE	2		
20	70241801A	NEEDLE BUSH	1		
21	70241901C	BEARING, NEEDLE	1		
22	71115051E	BUSH	1		
23	74710151B	NUT	1		
24	93040932A	OIL SEAL	1		
25	77510311B	SCREW TBEI M5X10	2		
26	88642791A	O-RING	1		
27	77916241A	SCREW, SPECIAL	1		
28	7791A381A	SCREW, SPECIAL	1		
29	77927171B	SCREW	1		
30	88641961A	O-RING	1		
31	78010871B	PLUG	1		
32	79915101C	SPRING	1		
33	79940121A	SPRING	1		
34	81413421B	UNION RETURN	1		
35	82010141A	STARTER REDUCTION SHAFT	1		



CRT00912

DRAWING 09A - HALF-CRANKCASES PAIR

GROUP ENGINE

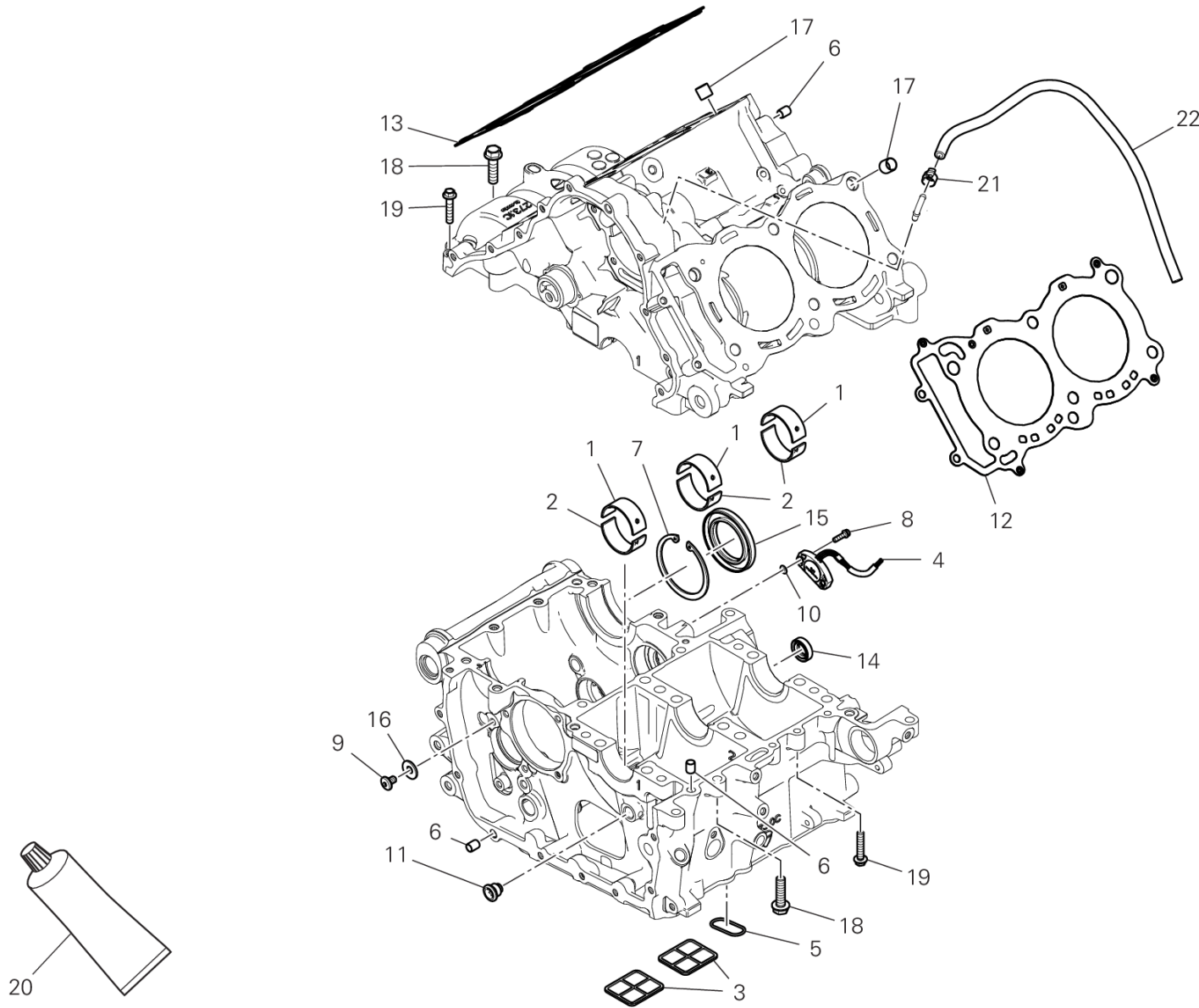


POS.	CODE	DESCRIPTION	QTY	VALIDITY	NOTES
36	83110151A	PLATE	1		
37	84740061A	BALL	1		
38	85212661A	WASHER	1		
39	85640141A	WASHER	1		
40	86040071A	PIN	2		
41	86050341A	PIN	1		
42	87512492B	JET	2		
43	88650751A	O-RING	2		
44	81417151B	UNION	1		



DRAWING 09B - HALF-CRANKCASES PAIR

GROUP ENGINE



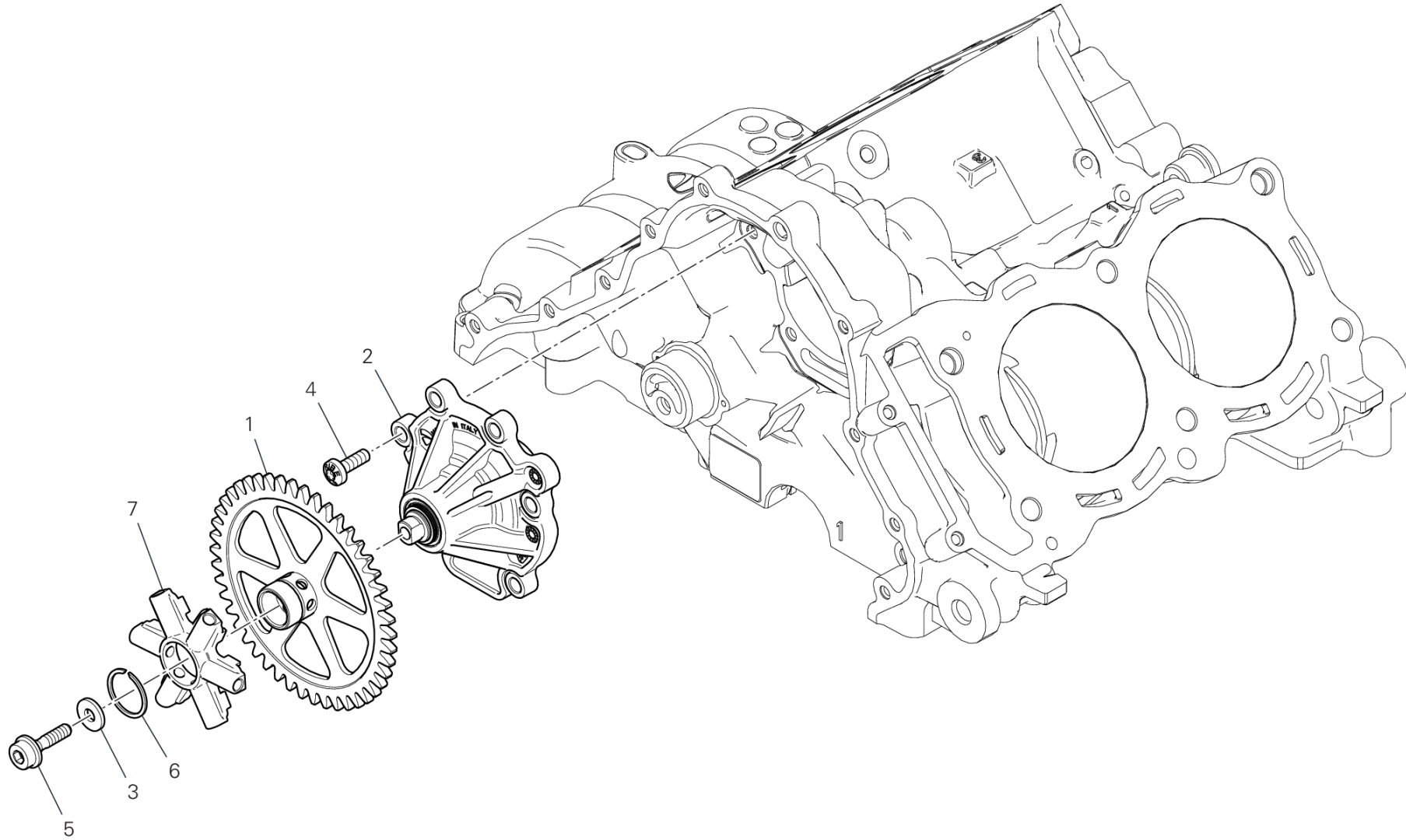
CRT00938

DRAWING 09B - HALF-CRANKCASES PAIR

GROUP ENGINE



POS.	CODE	DESCRIPTION	QTY	VALIDITY	NOTES
1	11210942AA	HALF-BEARING RED	3		
	11210942AB	HALF-BEARING BLUE	3		
	11210942AC	HALF-BEARING YELLOW	3		
	11210942AD	HALF-BEARING BLACK	3		
	11210942AE	HALF-BEARING GREEN	3		
2	11210952AA	HALF-BEARING RED	3		
	11210952AB	HALF-BEARING BLUE	3		
	11210952AC	HALF-BEARING YELLOW	3		
	11210952AD	HALF-BEARING BLACK	3		
	11210952AE	HALF-BEARING GREEN	3		
3	42710241A	OIL NET FILTER	2		
4	55243942A	GEARBOX POSITION SENSOR	1		
5	88650831A	O-RING	1		
6	71113171A	LOCATING DOWEL	10		
7	735034405	SNAP RING	1		
8	77156209E	SCREW	2		
9	77240393C	SCREW TBEIF M6X10 10.9	2		
10	85250871A	WASHER	2		
11	78010511C	PLUG	1		
12	78611421D	GASKET, CYLINDER HEAD	1		
13	78611431D	GASKET, CYLINDER HEAD	1		
14	93041592A	SEAL RING	1		
15	93042221A	SEAL RING	1		
16	85212661A	WASHER	2		
17	71116941A	BUSH	4		
18	77251344C	SCREW	3		
19	77253354C	SCREW	4		
20	942470036	FLUID SEALANT BLACK	1		
21	74141001A	CLAMP 8.5/7	1		
22	93410601A	HOSE, DRAIN	1		



RAF00625

DRAWING 10A - WATER PUMP

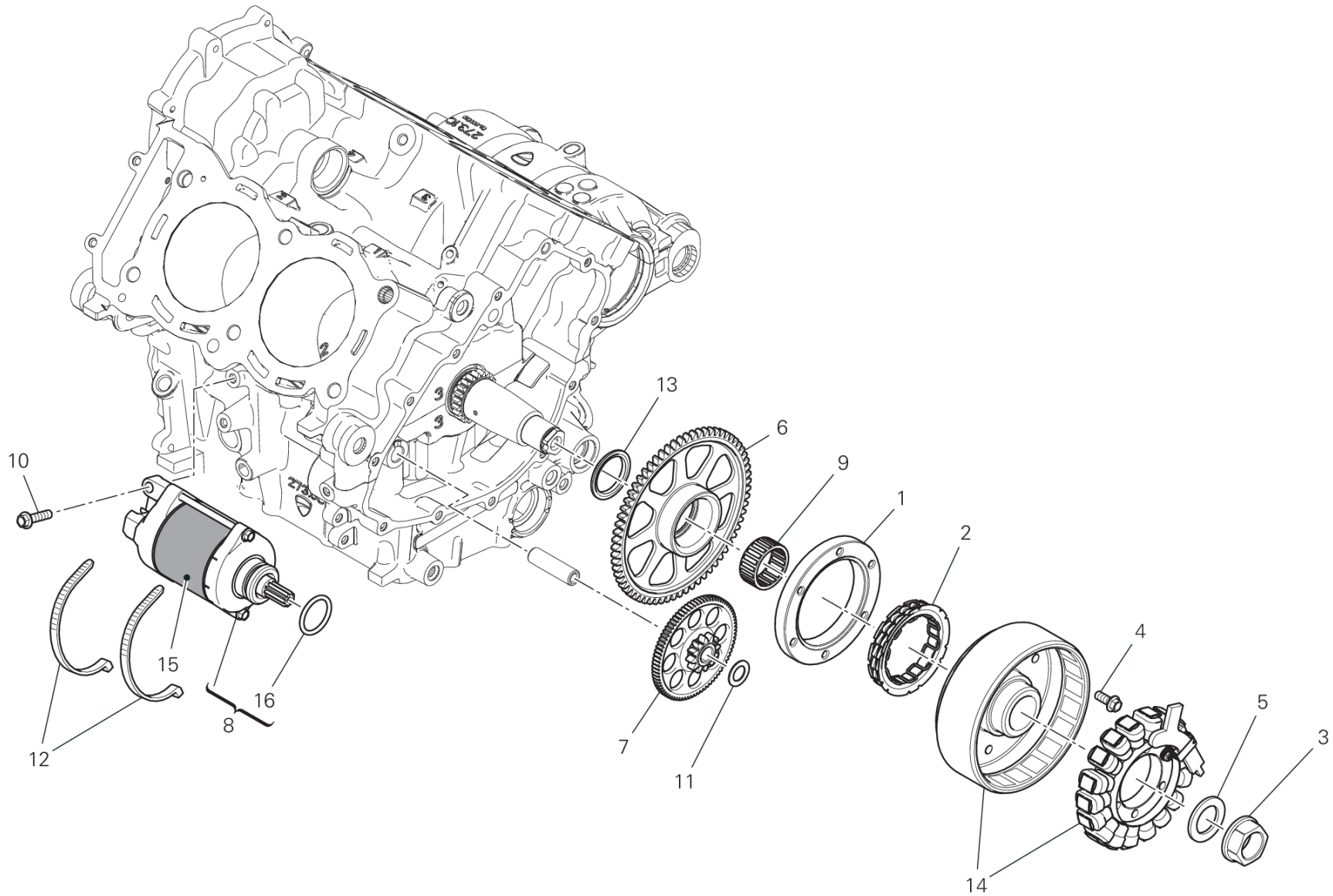
GROUP ENGINE



POS.	CODE	DESCRIPTION	QTY	VALIDITY	NOTES
1	17410851C	PUMP GEAR	1		
2	24920511K	COMPLETE WATER PUMP	1		
3	85214421A	WASHER	1		
4	77941992A	SCREW	6		
5	7791B121A	SCREW, SPECIAL	1		
6	88441031A	SPRING RING	1		
7	25110101A	FAN	1		



DRAWING 11A - ELECTRIC STARTING AND IGNITION GROUP ENGINE



IMP01240

DRAWING 11A - ELECTRIC STARTING AND IGNITION

GROUP ENGINE

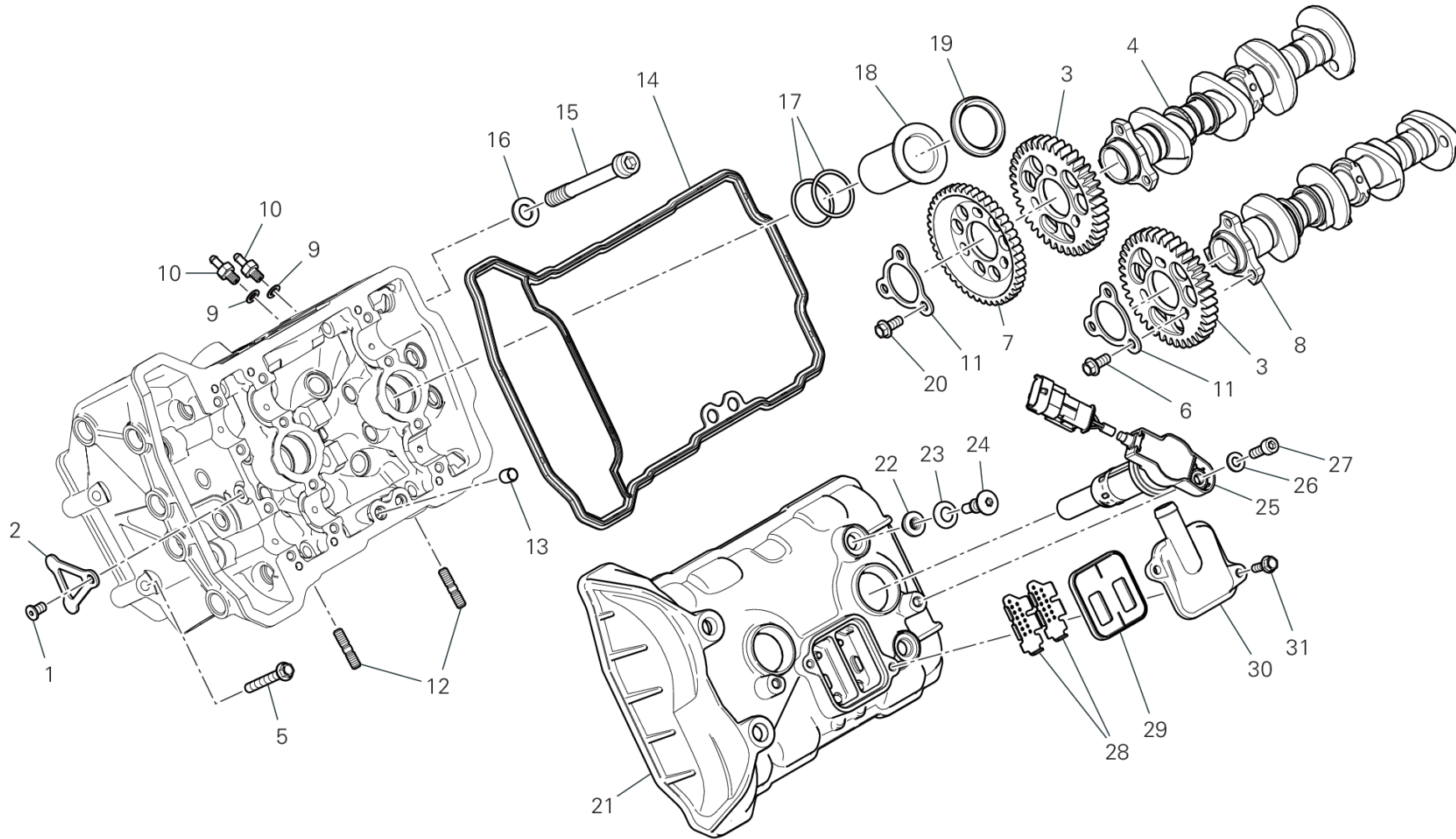


POS.	CODE	DESCRIPTION	QTY	VALIDITY	NOTES
1	16015522B	FLANGE STARTING CLUTCH	1		
2	70140471A	CLUTCH, ONE WAY	1		
3	74811021B	NUT, FLANGE	1		
4	77253290ZF	SCREW	6		
5	85214071B	WASHER	1		
6	17310411A	DRIVEN GEAR	1		
7	17610281A	IDLE GEAR	1		
8	27040193A	STARTING MOTOR	1		
9	70250801A	NEEDLE CAGE	1		
10	77253334CF	SCREW	2		
11	85212651A	WASHER	1		
12	74142441A	CLAMP	2		
13	71316102A	SPACER	1		
14	26420572C	GENERATOR	1		
15	4601F472A	THERMOREFLECTING PROTECTION	2		
16	88643151A	O RING	1		



DRAWING 12A - FRONT HEAD - TIMING SYSTEM

GROUP ENGINE



TST00681

DRAWING 12A - FRONT HEAD - TIMING SYSTEM

GROUP ENGINE

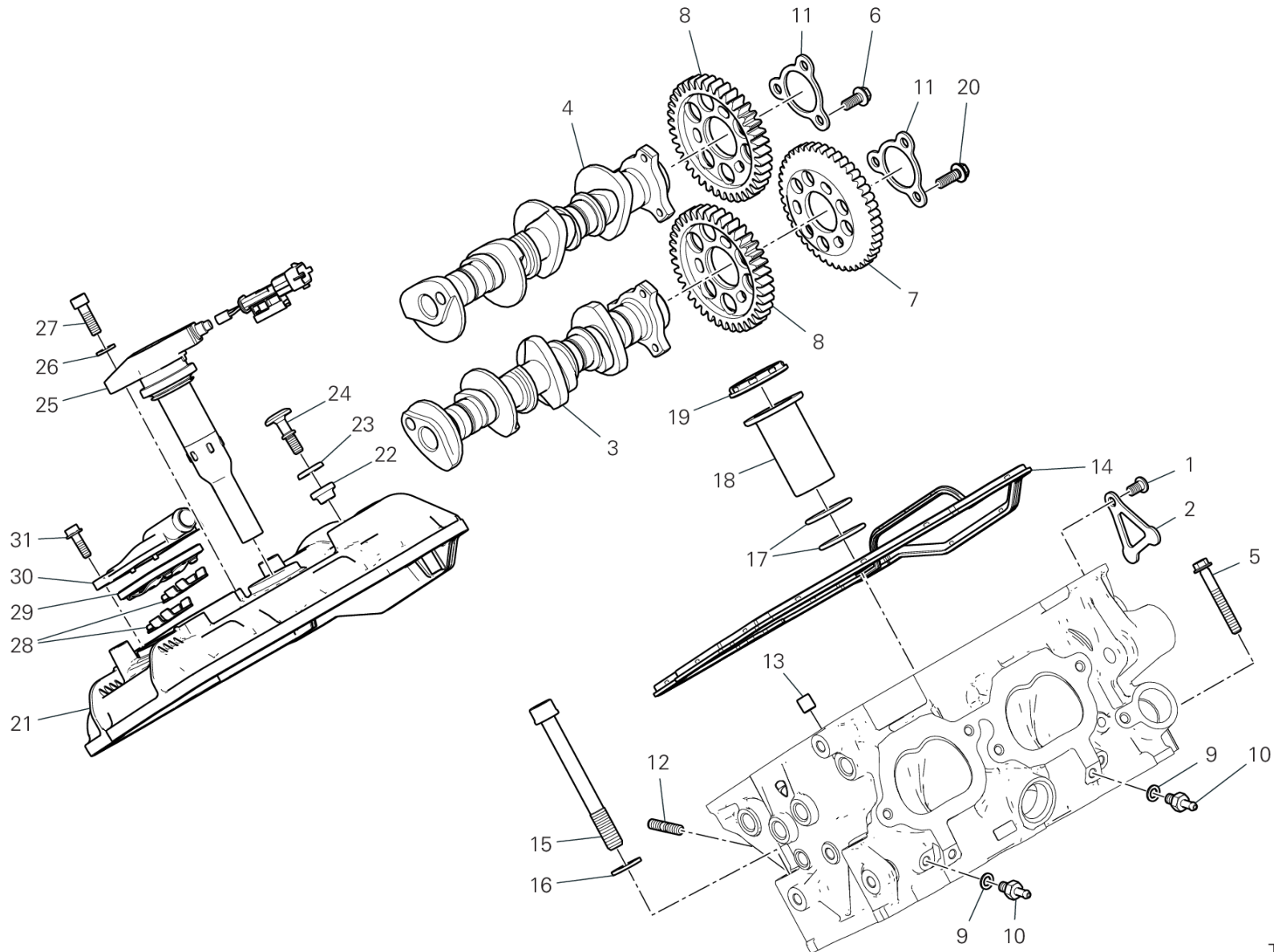


POS.	CODE	DESCRIPTION	QTY	VALIDITY	NOTES
1	77917231A	SCREW, SPECIAL	1		
2	8271F271A	PLATE	1		
3	17112222B	GEAR T39	2		
4	14815572A	FRONT INTAKE CAMSHAFT	1		
5	77253384C	SCREW	2		
6	77253280Z	SCREW	3		
7	17112211A	IDLE GEAR	1		
8	14815582A	FRONT EXHAUST CAMSHAFT	1		
9	85250231A	GASKET	4		
10	81413341A	UNION	4		
11	85611621A	PLATE	2		
12	76640381A	STUD BOLT	6		
13	71113742A	BUSH	2		
14	78811622B	GASKET	1		
15	7791A621B	SCREW	6		
16	85651691B	WASHER	6		
17	88650741A	O-RING	4		
18	8291G311C	GUIDE	2		
19	78811612A	GASKET	2		
20	77253300ZF	SCREW	3		
21	24715882AH	COVER	1		
22	76412121A	VIBRATION DAMPER PAD	4		
23	85611551A	WASHER	4		
24	7791A751B	SCREW, SPECIAL	4		
25	38010211D	IGNITION COIL ASSY	2		
26	85212641A	WASHER 6.4X12.5X1.6	2		
27	77110401B	SCREW	2		
28	82718441A	PLATE	2		
29	81140021A	REED VALVE ASSY	1		
30	24715791A	COVER	1		
31	77250744BA	SCREW	2		



DRAWING 12B - REAR HEAD - TIMING SYSTEM

GROUP ENGINE



TST00682

DRAWING 12B - REAR HEAD - TIMING SYSTEM

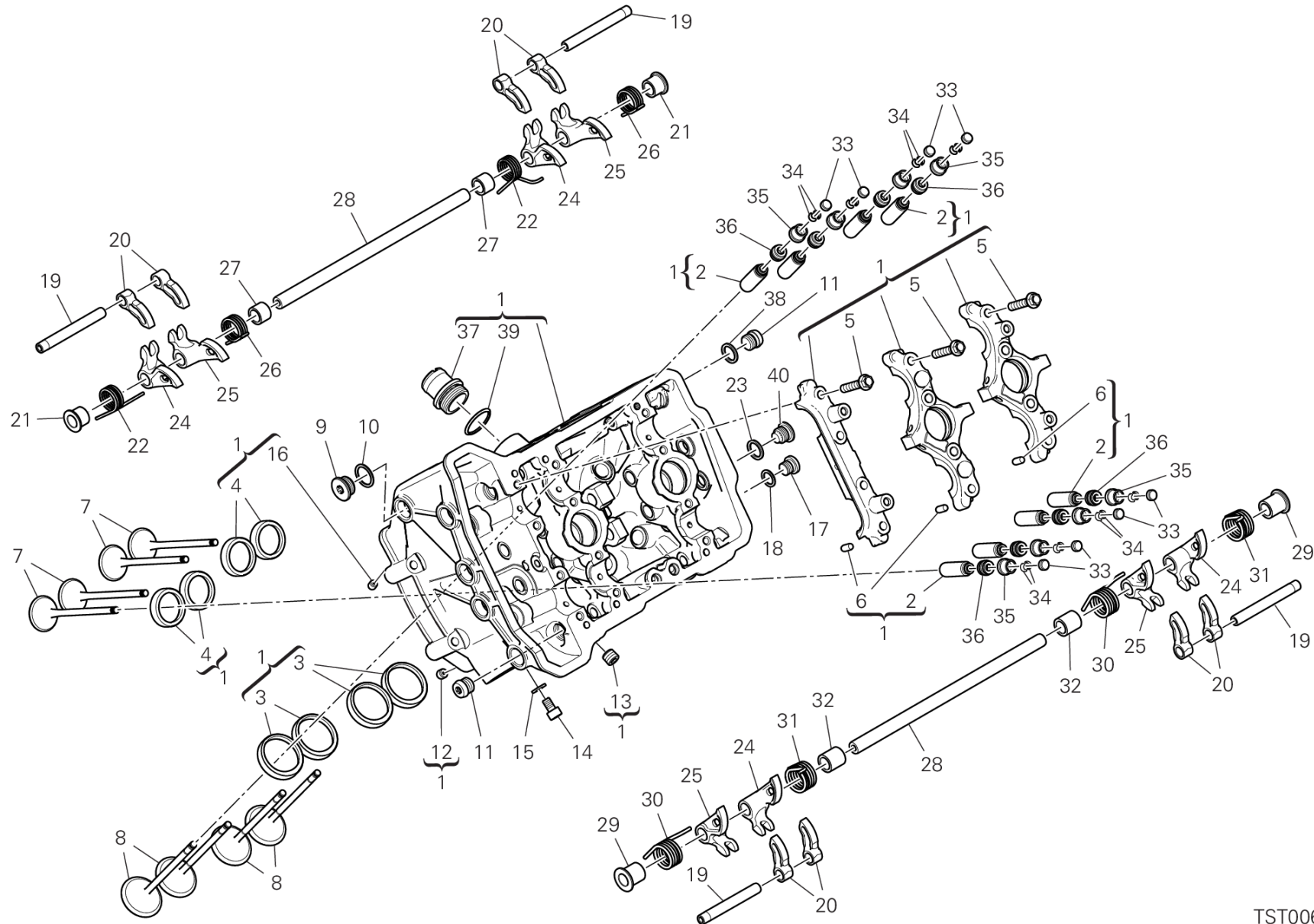
GROUP ENGINE



POS.	CODE	DESCRIPTION	QTY	VALIDITY	NOTES
1	77917231A	SCREW, SPECIAL	1		
2	8271F271A	PLATE	1		
3	14815562A	REAR EXHAUST CAMSHAFT	1		
4	14815552A	REAR INTAKE CAMSHAFT	1		
5	77253384C	SCREW	2		
6	77253280Z	SCREW	3		
7	17112211A	IDLE GEAR	1		
8	17112222B	GEAR T39	2		
9	85250231A	GASKET	4		
10	81413341A	UNION	4		
11	85611621A	PLATE	2		
12	76640381A	STUD BOLT	6		
13	71113742A	BUSH	2		
14	78811602B	GASKET	1		
15	7791A621B	SCREW	6		
16	85651691B	WASHER	6		
17	88650741A	O-RING	4		
18	8291G311C	GUIDE	2		
19	78811612A	GASKET	2		
20	77253300ZF	SCREW	3		
21	24715873AH	COVER	1		
22	76412121A	VIBRATION DAMPER PAD	4		
23	85611551A	WASHER	4		
24	7791A751B	SCREW, SPECIAL	4		
25	38010211D	IGNITION COIL ASSY	2		
26	85212641A	WASHER 6.4X12.5X1.6	2		
27	77110401B	SCREW	2		
28	82718441A	PLATE	2		
29	81140021A	REED VALVE ASSY	1		
30	24715791A	COVER	1		
31	77250744BA	SCREW	2		



DRAWING 12C - FRONT HEAD GROUP ENGINE



TST00683

DRAWING 12C - FRONT HEAD

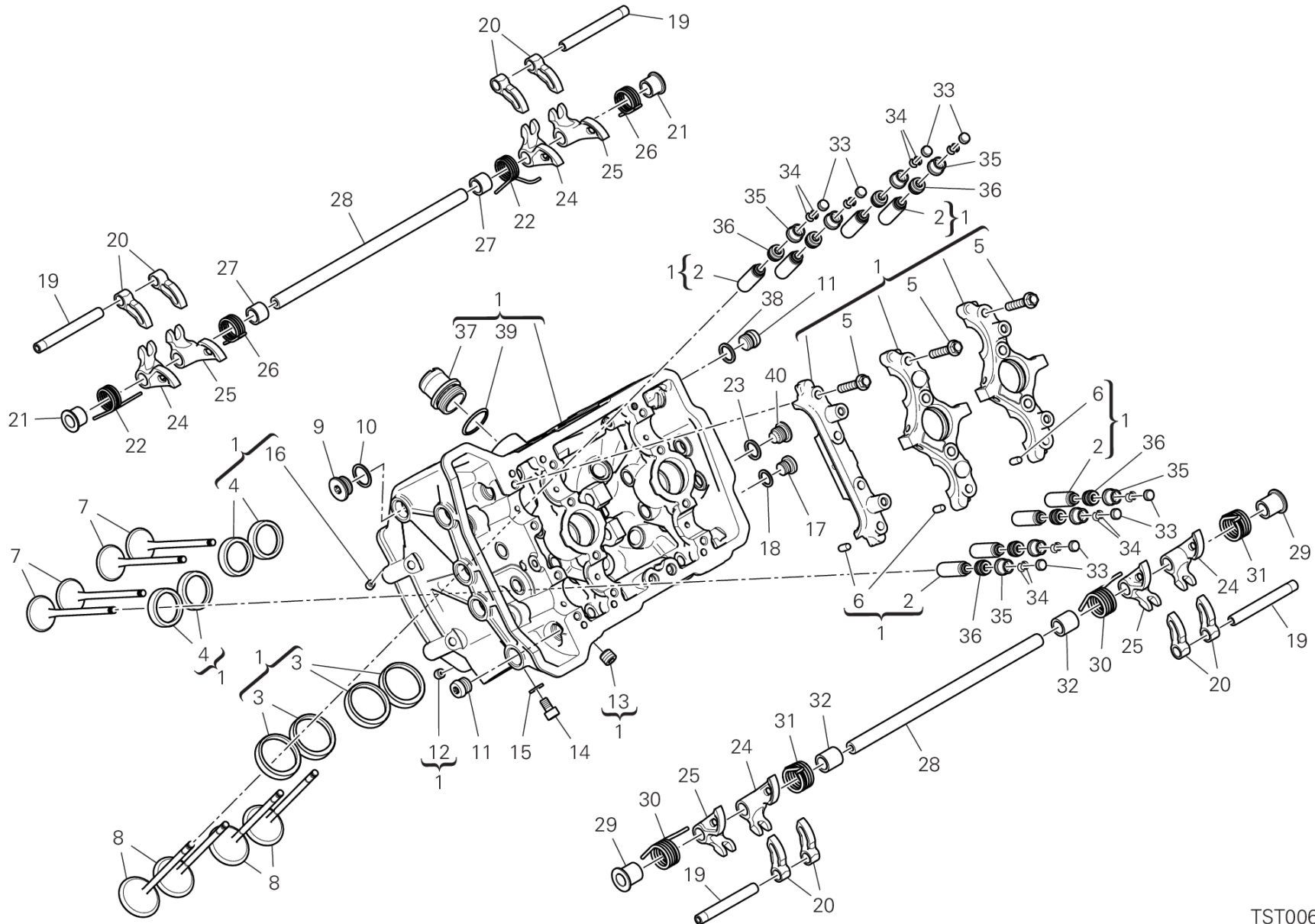
GROUP ENGINE



POS.	CODE	DESCRIPTION	QTY	VALIDITY	NOTES
1	30125711BR	FRONT HEAD	1		
2	303A0741A	VALVE GUIDE	8		
3	304A1091A	SEAT, INTAKE VALVE	4		
4	304A1101A	SEAT, EXHAUST VALVE	4		
5	77253350Z	SCREW	12		
6	86050061A	PIN M5X10	6		
7	21111191A	EXHAUST VALVE	4		
8	21011193A	INTAKE VALVE	4		
9	77913541A	THREADED PLUG M15X1	5		
10	85211201A	ALUMINIUM GASKET	5		
11	77913611A	THREADED PLUG	4		
12	86010151A	PIN	1		
13	78011262A	PLUG	4		
14	77150624B	SCREW	1		
15	85240261A	WASHER	1		
16	86010061A	PIN	1		
17	78050011B	THREADED PLUG	1		
18	85250241A	WASHER 10X14X1	1		
19	82115561A	SHAFT, OPENING ROCKER	4		
20	20810461A	OPEN. ROCKER ARM	8		
21	7131C231A	SPACER	2		
22	79916091C	INTAKE VALVE RETURN SPRING LH	2		
23	85250261B	GASKET	2		
24	20910791A	CLOSING ROCKER ARM LEFT	4		
25	20910781A	CLOSING ROCKER ARM RIGHT	4		
26	79916101C	INTAKE VALVE RETURN SPRING RH	2		
27	7131C211A	SPACER	2		
28	82115801A	CLOSE ROCKER ARM AXLE	2		
29	7131C241A	SPACER	2		
30	79916121B	EXHAUST VALVE RETURN SPRING RH	2		
31	79916111B	EXHAUST VALVE RETURN SPRING LH	2		
32	7131C221A	SPACER	2		
33	84012011AA	ADJUSTER, OPENING ROCKER ARM 1.85 MM	8		
	84012011AB	ADJUSTER, OPENING ROCKER ARM 1.90 MM	8		
	84012011AC	ADJUSTER, OPENING ROCKER ARM 1.95 MM	8		



DRAWING 12C - FRONT HEAD GROUP ENGINE



TST00683

DRAWING 12C - FRONT HEAD

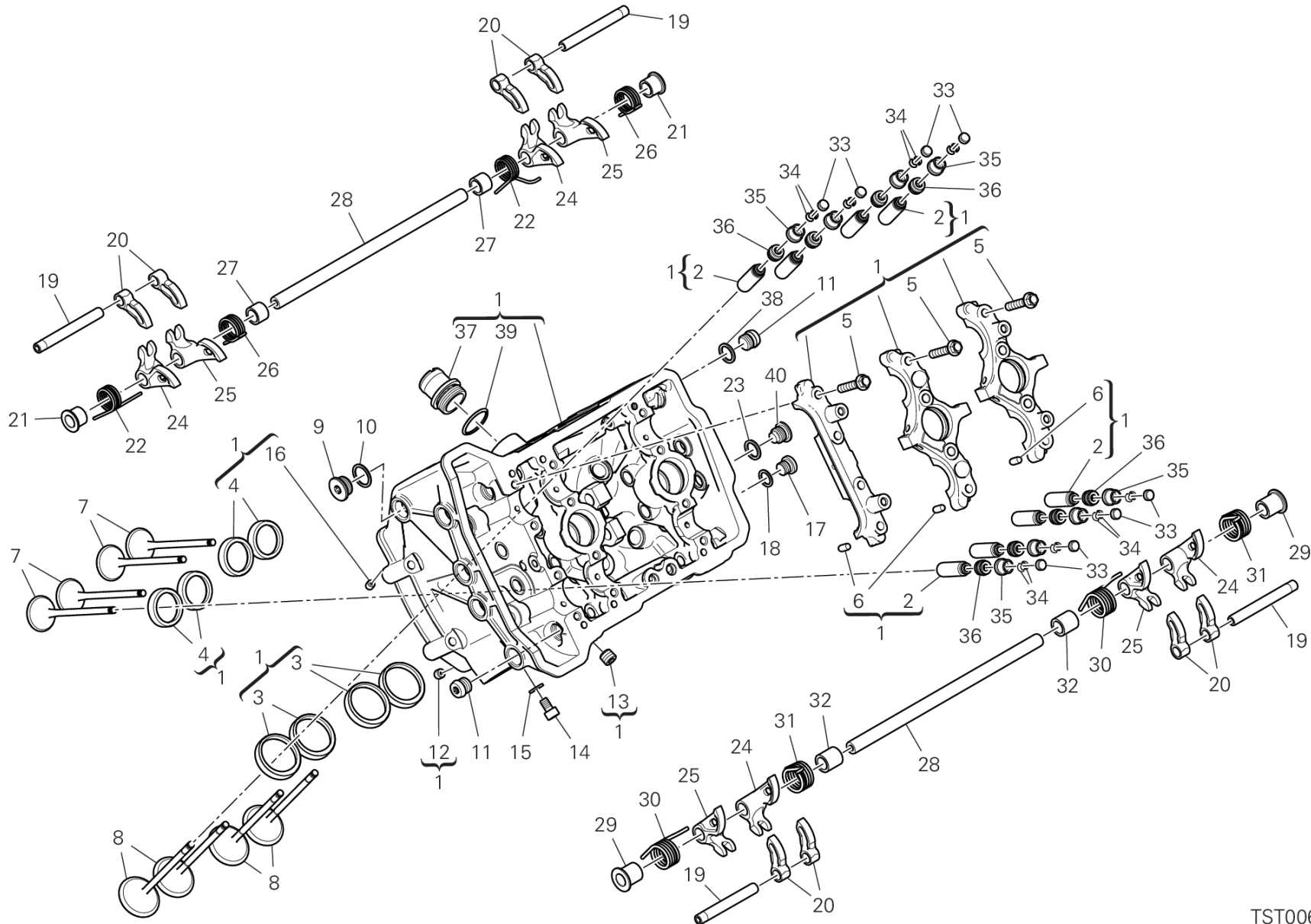
GROUP ENGINE



POS.	CODE	DESCRIPTION	QTY	VALIDITY	NOTES
	84012011AD	ADJUSTER, OPENING ROCKER ARM 2.00 MM	8		
	84012011AE	ADJUSTER, OPENING ROCKER ARM 2.05 MM	8		
	84012011AF	ADJUSTER, OPENING ROCKER ARM 2.10 MM	8		
	84012011AG	ADJUSTER, OPENING ROCKER ARM 2.15 MM	8		
	84012011AH	ADJUSTER, OPENING ROCKER ARM 2.20 MM	8		
	84012011AI	ADJUSTER, OPENING ROCKER ARM 2.25 MM	8		
	84012011AJ	ADJUSTER, OPENING ROCKER ARM 2.30 MM	8		
	84012011AK	ADJUSTER, OPENING ROCKER ARM 2.35 MM	8		
	84012011AL	ADJUSTER, OPENING ROCKER ARM 2.40 MM	8		
	84012011AM	ADJUSTER, OPENING ROCKER ARM 2.45 MM	8		
	84012011AN	ADJUSTER, OPENING ROCKER ARM 2.50 MM	8		
	84012011AO	ADJUSTER, OPENING ROCKER ARM 2.55 MM	8		
	84012011AP	ADJUSTER, OPENING ROCKER ARM 2.60 MM	8		
	84012011AQ	ADJUSTER, OPENING ROCKER ARM 2.65 MM	8		
34	84510111A	VALVE COLLET	16		
35	84012001BD	ADJUSTER, CLOSING ROCKER ARM 2.60 MM	8		
	84012001BE	ADJUSTER, CLOSING ROCKER ARM 2.65 MM	8		
	84012001BF	ADJUSTER, CLOSING ROCKER ARM 2.70 MM	8		
	84012001BG	ADJUSTER, CLOSING ROCKER ARM 2.75 MM	8		
	84012001BH	ADJUSTER, CLOSING ROCKER ARM 2.80 MM	8		
	84012001BI	ADJUSTER, CLOSING ROCKER ARM 2.85 MM	8		
	84012001BJ	ADJUSTER, CLOSING ROCKER ARM 2.90 MM	8		
	84012001BK	ADJUSTER, CLOSING ROCKER ARM 2.95 MM	8		
	84012001BL	ADJUSTER, CLOSING ROCKER ARM 3.00 MM	8		
	84012001BM	ADJUSTER, CLOSING ROCKER ARM 3.05 MM	8		
	84012001BN	ADJUSTER, CLOSING ROCKER ARM 3.10 MM	8		
	84012001BO	ADJUSTER, CLOSING ROCKER ARM 3.15 MM	8		
	84012001BP	ADJUSTER, CLOSING ROCKER ARM 3.20 MM	8		
	84012001BQ	ADJUSTER, CLOSING ROCKER ARM 3.25 MM	8		
	84012001BR	ADJUSTER, CLOSING ROCKER ARM 3.30 MM	8		
	84012001BS	ADJUSTER, CLOSING ROCKER ARM 3.35 MM	8		
	84012001BT	ADJUSTER, CLOSING ROCKER ARM 3.40 MM	8		
	84012001BU	ADJUSTER, CLOSING ROCKER ARM 3.45 MM	8		
	84012001BV	ADJUSTER, CLOSING ROCKER ARM 3.50 MM	8		
	84012001BW	ADJUSTER, CLOSING ROCKER ARM 3.55 MM	8		



DRAWING 12C - FRONT HEAD GROUP ENGINE



TST00683

DRAWING 12C - FRONT HEAD

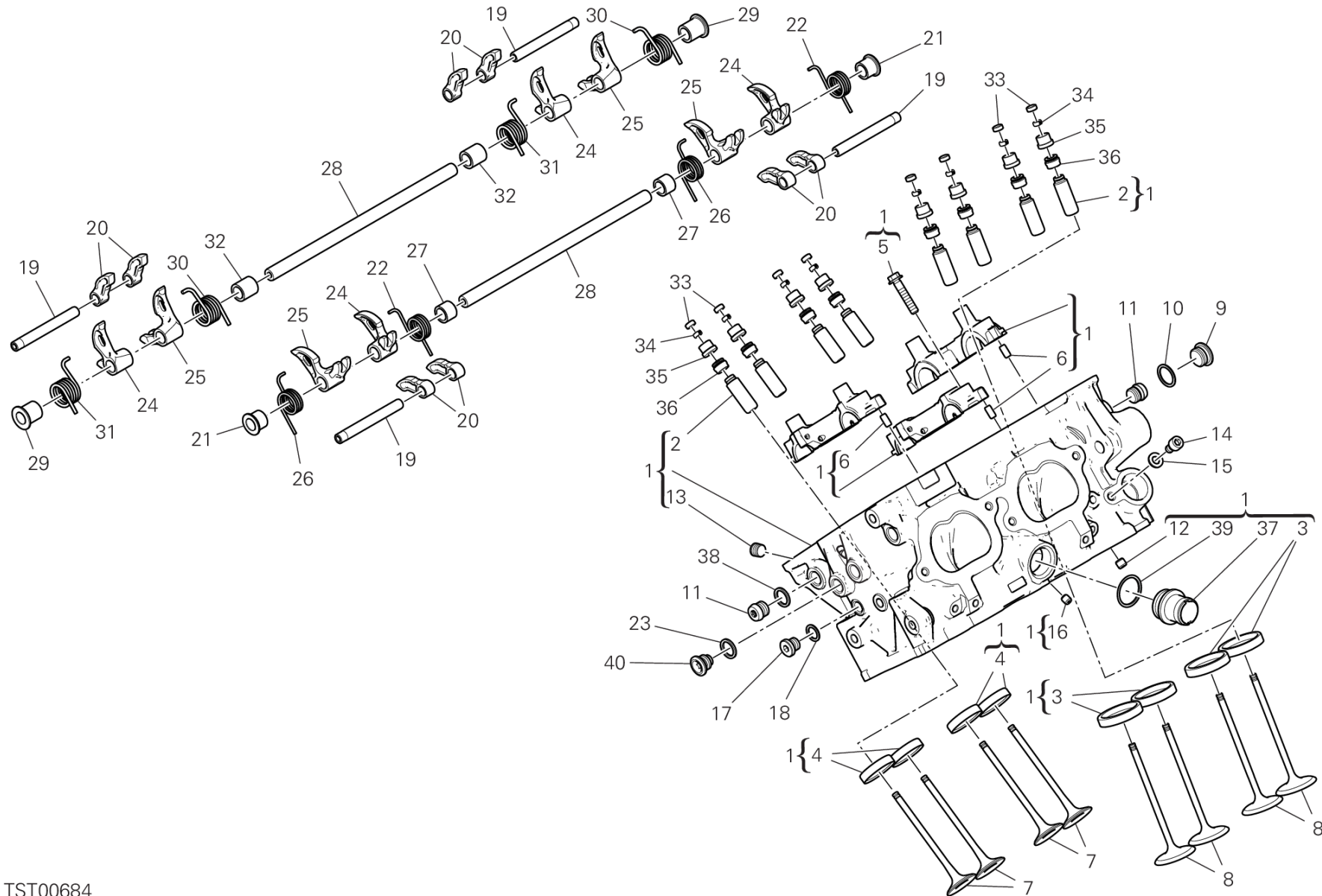
GROUP ENGINE



POS.	CODE	DESCRIPTION	QTY	VALIDITY	NOTES
	84012001BZ	ADJUSTER, CLOSING ROCKER ARM 3.60 MM	8		
36	76440091B	SEAL VALVE STEM	8		
37	66810591A	FILLER	1		
38	85241831A	WASHER	2		
39	88642721A	O-RING	1		
40	78010511C	PLUG	2		



DRAWING 12D - REAR HEAD GROUP ENGINE



TST00684

DRAWING 12D - REAR HEAD

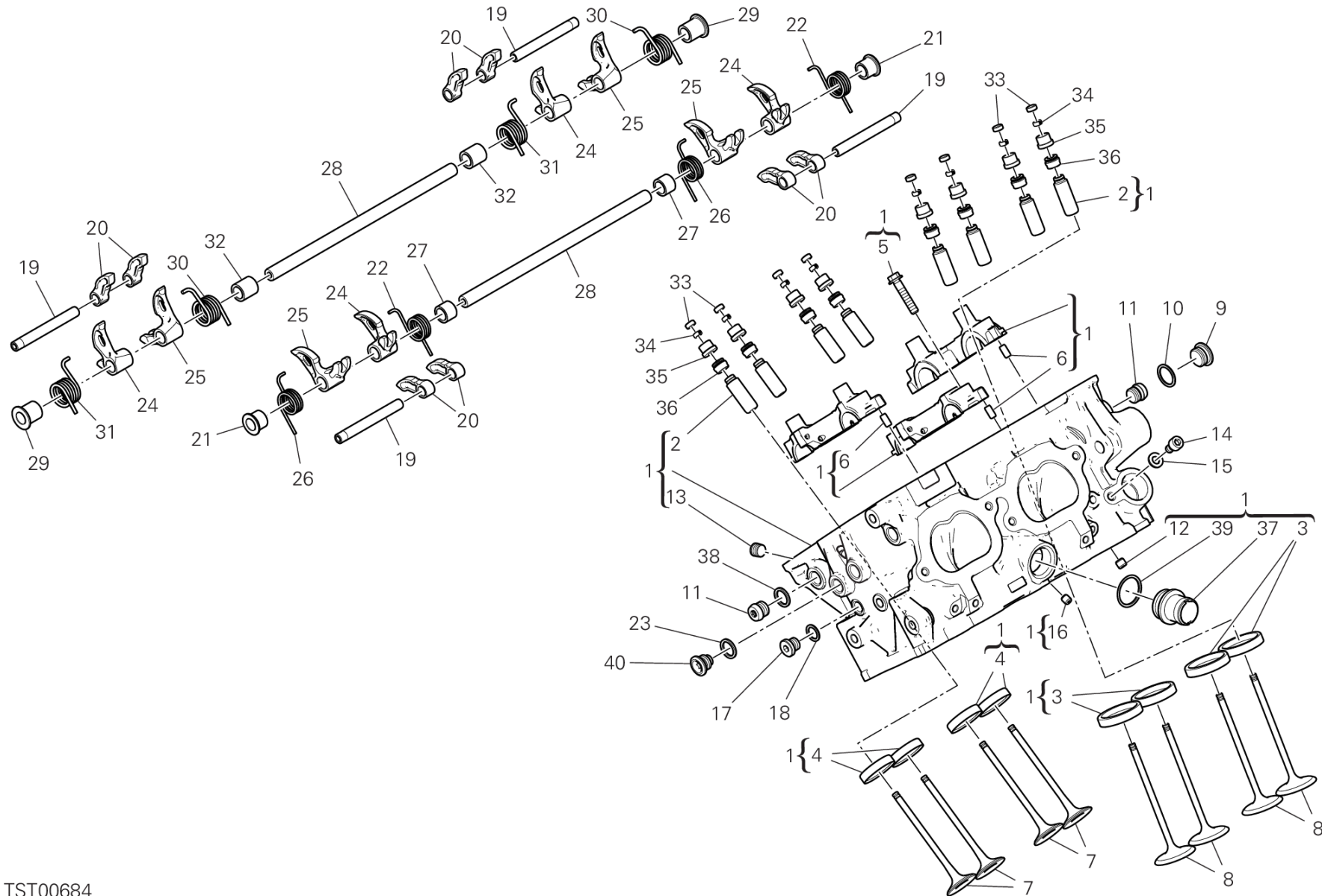
GROUP ENGINE



POS.	CODE	DESCRIPTION	QTY	VALIDITY	NOTES
1	30125701BR	REAR HEAD	1		
2	303A0741A	VALVE GUIDE	8		
3	304A1091A	SEAT, INTAKE VALVE	4		
4	304A1101A	SEAT, EXHAUST VALVE	4		
5	77253350Z	SCREW	12		
6	86050061A	PIN M5X10	6		
7	21111191A	EXHAUST VALVE	4		
8	21011193A	INTAKE VALVE	4		
9	77913541A	THREADED PLUG M15X1	5		
10	85211201A	ALUMINIUM GASKET	5		
11	77913611A	THREADED PLUG	4		
12	86010151A	PIN	1		
13	78011262A	PLUG	4		
14	77150624B	SCREW	1		
15	85240261A	WASHER	1		
16	86010061A	PIN	1		
17	78050011B	THREADED PLUG	1		
18	85250241A	WASHER 10X14X1	1		
19	82115561A	SHAFT, OPENING ROCKER	4		
20	20810461A	OPEN. ROCKER ARM	8		
21	7131C231A	SPACER	2		
22	79916091C	INTAKE VALVE RETURN SPRING LH	2		
23	85250261B	GASKET	2		
24	20910791A	CLOSING ROCKER ARM LEFT	4		
25	20910781A	CLOSING ROCKER ARM RIGHT	4		
26	79916101C	INTAKE VALVE RETURN SPRING RH	2		
27	7131C211A	SPACER	2		
28	82115801A	CLOSE ROCKER ARM AXLE	2		
29	7131C241A	SPACER	2		
30	79916121B	EXHAUST VALVE RETURN SPRING RH	2		
31	79916111B	EXHAUST VALVE RETURN SPRING LH	2		
32	7131C221A	SPACER	2		
33	84012011AA	ADJUSTER, OPENING ROCKER ARM 1.85 MM	8		
	84012011AB	ADJUSTER, OPENING ROCKER ARM 1.90 MM	8		
	84012011AC	ADJUSTER, OPENING ROCKER ARM 1.95 MM	8		



DRAWING 12D - REAR HEAD GROUP ENGINE



TST00684

DRAWING 12D - REAR HEAD

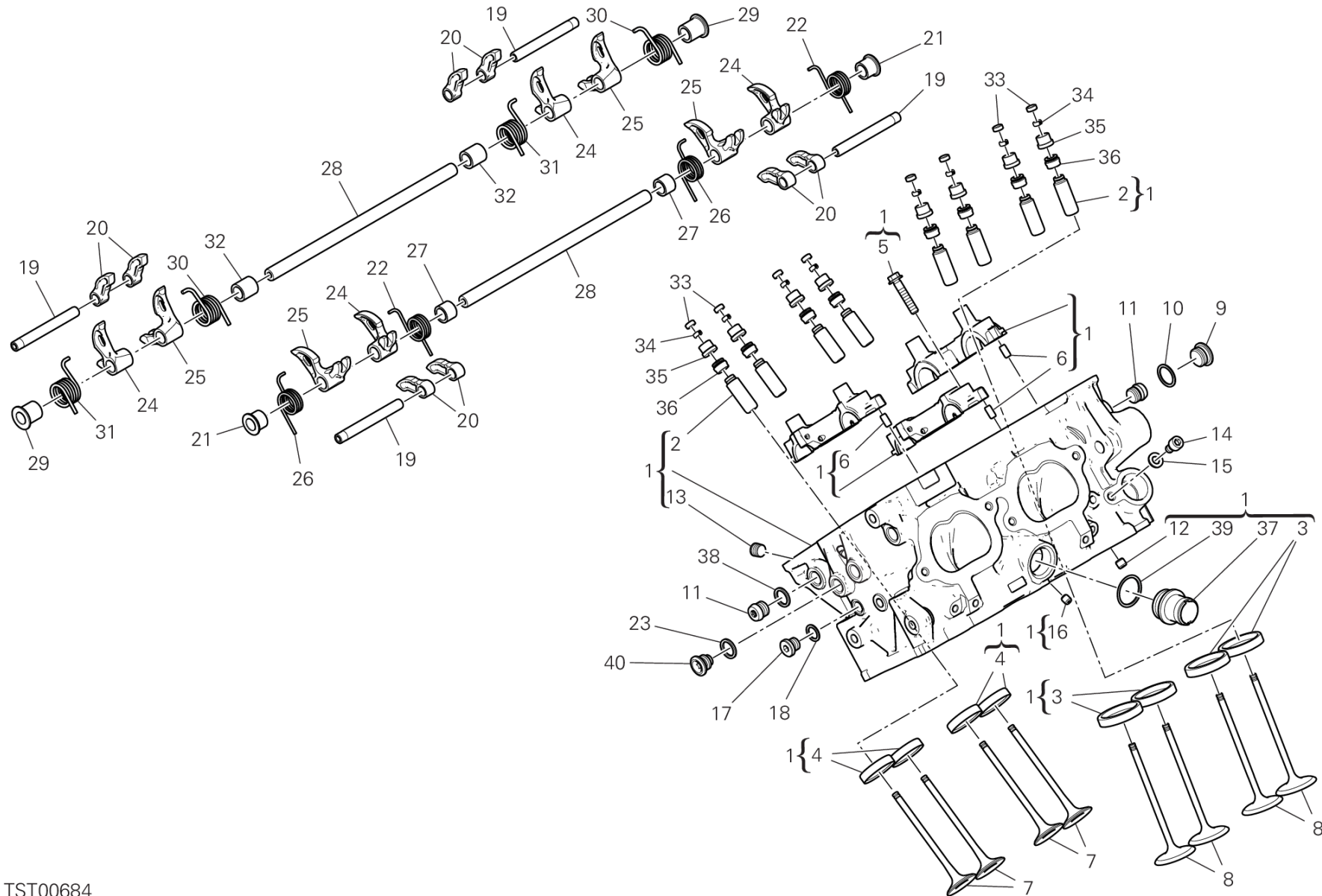
GROUP ENGINE



POS.	CODE	DESCRIPTION	QTY	VALIDITY	NOTES
	84012011AD	ADJUSTER, OPENING ROCKER ARM 2.00 MM	8		
	84012011AE	ADJUSTER, OPENING ROCKER ARM 2.05 MM	8		
	84012011AF	ADJUSTER, OPENING ROCKER ARM 2.10 MM	8		
	84012011AG	ADJUSTER, OPENING ROCKER ARM 2.15 MM	8		
	84012011AH	ADJUSTER, OPENING ROCKER ARM 2.20 MM	8		
	84012011AI	ADJUSTER, OPENING ROCKER ARM 2.25 MM	8		
	84012011AJ	ADJUSTER, OPENING ROCKER ARM 2.30 MM	8		
	84012011AK	ADJUSTER, OPENING ROCKER ARM 2.35 MM	8		
	84012011AL	ADJUSTER, OPENING ROCKER ARM 2.40 MM	8		
	84012011AM	ADJUSTER, OPENING ROCKER ARM 2.45 MM	8		
	84012011AN	ADJUSTER, OPENING ROCKER ARM 2.50 MM	8		
	84012011AO	ADJUSTER, OPENING ROCKER ARM 2.55 MM	8		
	84012011AP	ADJUSTER, OPENING ROCKER ARM 2.60 MM	8		
	84012011AQ	ADJUSTER, OPENING ROCKER ARM 2.65 MM	8		
34	84510111A	VALVE COLLET	16		
35	84012001BD	ADJUSTER, CLOSING ROCKER ARM 2.60 MM	8		
	84012001BE	ADJUSTER, CLOSING ROCKER ARM 2.65 MM	8		
	84012001BF	ADJUSTER, CLOSING ROCKER ARM 2.70 MM	8		
	84012001BG	ADJUSTER, CLOSING ROCKER ARM 2.75 MM	8		
	84012001BH	ADJUSTER, CLOSING ROCKER ARM 2.80 MM	8		
	84012001BI	ADJUSTER, CLOSING ROCKER ARM 2.85 MM	8		
	84012001BJ	ADJUSTER, CLOSING ROCKER ARM 2.90 MM	8		
	84012001BK	ADJUSTER, CLOSING ROCKER ARM 2.95 MM	8		
	84012001BL	ADJUSTER, CLOSING ROCKER ARM 3.00 MM	8		
	84012001BM	ADJUSTER, CLOSING ROCKER ARM 3.05 MM	8		
	84012001BN	ADJUSTER, CLOSING ROCKER ARM 3.10 MM	8		
	84012001BO	ADJUSTER, CLOSING ROCKER ARM 3.15 MM	8		
	84012001BP	ADJUSTER, CLOSING ROCKER ARM 3.20 MM	8		
	84012001BQ	ADJUSTER, CLOSING ROCKER ARM 3.25 MM	8		
	84012001BR	ADJUSTER, CLOSING ROCKER ARM 3.30 MM	8		
	84012001BS	ADJUSTER, CLOSING ROCKER ARM 3.35 MM	8		
	84012001BT	ADJUSTER, CLOSING ROCKER ARM 3.40 MM	8		
	84012001BU	ADJUSTER, CLOSING ROCKER ARM 3.45 MM	8		
	84012001BV	ADJUSTER, CLOSING ROCKER ARM 3.50 MM	8		
	84012001BW	ADJUSTER, CLOSING ROCKER ARM 3.55 MM	8		



DRAWING 12D - REAR HEAD GROUP ENGINE



TST00684

DRAWING 12D - REAR HEAD

GROUP ENGINE



POS.	CODE	DESCRIPTION	QTY	VALIDITY	NOTES
	84012001BZ	ADJUSTER, CLOSING ROCKER ARM 3.60 MM	8		
36	76440091B	SEAL VALVE STEM	8		
37	66810591A	FILLER	1		
38	85241831A	WASHER	2		
39	88642721A	O-RING	1		
40	78010511C	PLUG	2		



DRAWING A - TYRES

GROUP TYRES



POS.	CODE	DESCRIPTION	QTY	VALIDITY	NOTES
1	49041081A	FRONT TYRE	1		(*)=Pneumatico di primo equipaggiamento
2	491P0348A	REAR TYRE	1		(*)=Pneumatico di primo equipaggiamento
3	490P0333A	FRONT TYRE	1		
4	491P0408A	REAR TYRE	1		
5	49041071A	FRONT TYRE	1		
6	49141581A	REAR TYRE	1		
7	490P0002A	FRONT TYRE	1		(#)=For competition use only
8	490P0003A	FRONT TYRE	1		(#)=For competition use only
9	490P0004A	FRONT TYRE	1		(#)=For competition use only
10	491P0015A	REAR TYRE	1		(#)=For competition use only
11	491P0016A	REAR TYRE	1		(#)=For competition use only
12	491P0017A	REAR TYRE	1		(#)=For competition use only
13	491P0018A	REAR TYRE	1		(#)=For competition use only
14	490P0324A	FRONT TYRE	1		
15	491P0400A	REAR TYRE	1		
16	490P0029A	FRONT TYRE	1		(#)=For competition use only
17	490P0030A	FRONT TYRE	1		(#)=For competition use only
18	491P0041A	REAR TYRE	1		(#)=For competition use only
19	491P0042A	REAR TYRE	1		(#)=For competition use only
20	491P0043A	REAR TYRE	1		(#)=For competition use only
21	490P0044A	FRONT TYRE	1		(#)=For competition use only
22	490P0248A	FRONT TYRE	1		(#)=For competition use only
23	490P0297A	FRONT TYRE	1		(#)=For competition use only
24	490P0298A	FRONT TYRE	1		(#)=For competition use only
25	491P0339A	REAR TYRE	1		(#)=For competition use only
26	491P0340A	REAR TYRE	1		(#)=For competition use only
27	491P0341A	REAR TYRE	1		(#)=For competition use only
28	491P0342A	REAR TYRE	1		(#)=For competition use only
29	490P0019A	FRONT TYRE	1		(#)=For competition use only
30	490P0022A	FRONT TYRE	1		(#)=For competition use only



DRAWING B - ORIGINAL EQUIPMENT TYRES

GROUP TYRES



POS.	CODE	DESCRIPTION	QTY	VALIDITY	NOTES
1	49041081A	FRONT TYRE	1		(*)=Pneumatico di primo equipaggiamento
2	491P0348A	REAR TYRE	1		(*)=Pneumatico di primo equipaggiamento



DRAWING C - PIRELLI DIABLO™ SUPERCORSA SP V3

GROUP TYRES



POS.	CODE	DESCRIPTION	QTY	VALIDITY	NOTES
1	49041071A	FRONT TYRE	1		
2	49141581A	REAR TYRE	1		



DRAWING D - (#) PIRELLI DIABLO™ SUPERBIKE

GROUP TYRES



POS.	CODE	DESCRIPTION	QTY	VALIDITY	NOTES
1	490P0002A	FRONT TYRE	1		(#)=For competition use only
2	490P0003A	FRONT TYRE	1		(#)=For competition use only
3	490P0004A	FRONT TYRE	1		(#)=For competition use only
4	491P0015A	REAR TYRE	1		(#)=For competition use only
5	491P0016A	REAR TYRE	1		(#)=For competition use only
6	491P0017A	REAR TYRE	1		(#)=For competition use only
7	491P0018A	REAR TYRE	1		(#)=For competition use only



DRAWING E - (#) DIABLO™ WET

GROUP TYRES



POS.	CODE	DESCRIPTION	QTY	VALIDITY	NOTES
1	490P0019A	FRONT TYRE	1		(#)=For competition use only



DRAWING F - (#) DIABLO™ RAIN

GROUP TYRES



POS.	CODE	DESCRIPTION	QTY	VALIDITY	NOTES
1	490P0022A	FRONT TYRE	1		(#)=For competition use only



DRAWING G - (#) DIABLO™ SUPERCORSA SC V2

GROUP TYRES



POS.	CODE	DESCRIPTION	QTY	VALIDITY	NOTES
1	490P0029A	FRONT TYRE	1		(#)=For competition use only
2	490P0030A	FRONT TYRE	1		(#)=For competition use only
3	491P0041A	REAR TYRE	1		(#)=For competition use only
4	491P0042A	REAR TYRE	1		(#)=For competition use only
5	491P0043A	REAR TYRE	1		(#)=For competition use only



DRAWING H - (#) DIABLO™ SUPERCORSA SC

GROUP TYRES



POS.	CODE	DESCRIPTION	QTY	VALIDITY	NOTES
1	490P0248A	FRONT TYRE	1		(#)=For competition use only
2	490P0044A	FRONT TYRE	1		(#)=For competition use only





POS.	CODE	DESCRIPTION	QTY	VALIDITY	NOTES
1	490P0297A	FRONT TYRE	1		(#)=For competition use only
2	490P0298A	FRONT TYRE	1		(#)=For competition use only
3	491P0339A	REAR TYRE	1		(#)=For competition use only
4	491P0340A	REAR TYRE	1		(#)=For competition use only
5	491P0341A	REAR TYRE	1		(#)=For competition use only
6	491P0342A	REAR TYRE	1		(#)=For competition use only



DRAWING J - PIRELLI DIABLO™ ROSSO IV

GROUP TYRES



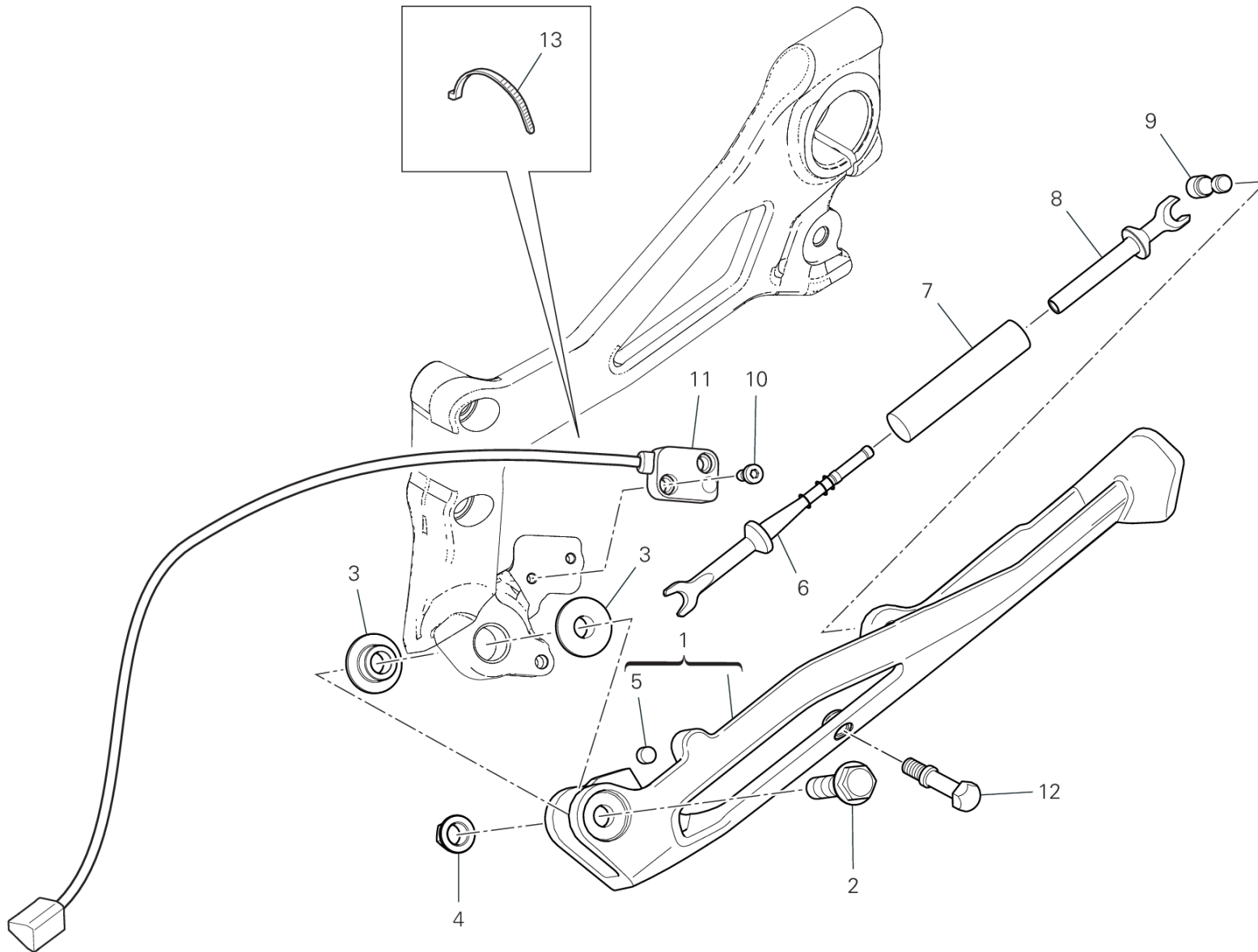
POS.	CODE	DESCRIPTION	QTY	VALIDITY	NOTES
1	490P0324A	FRONT TYRE	1		
2	491P0400A	REAR TYRE	1		



DRAWING K - GROUP TYRES



POS.	CODE	DESCRIPTION	QTY	VALIDITY	NOTES
1	490P0333A	FRONT TYRE	1		
2	491P0408A	REAR TYRE	1		



TEL01344

DRAWING 16A - SIDE STAND

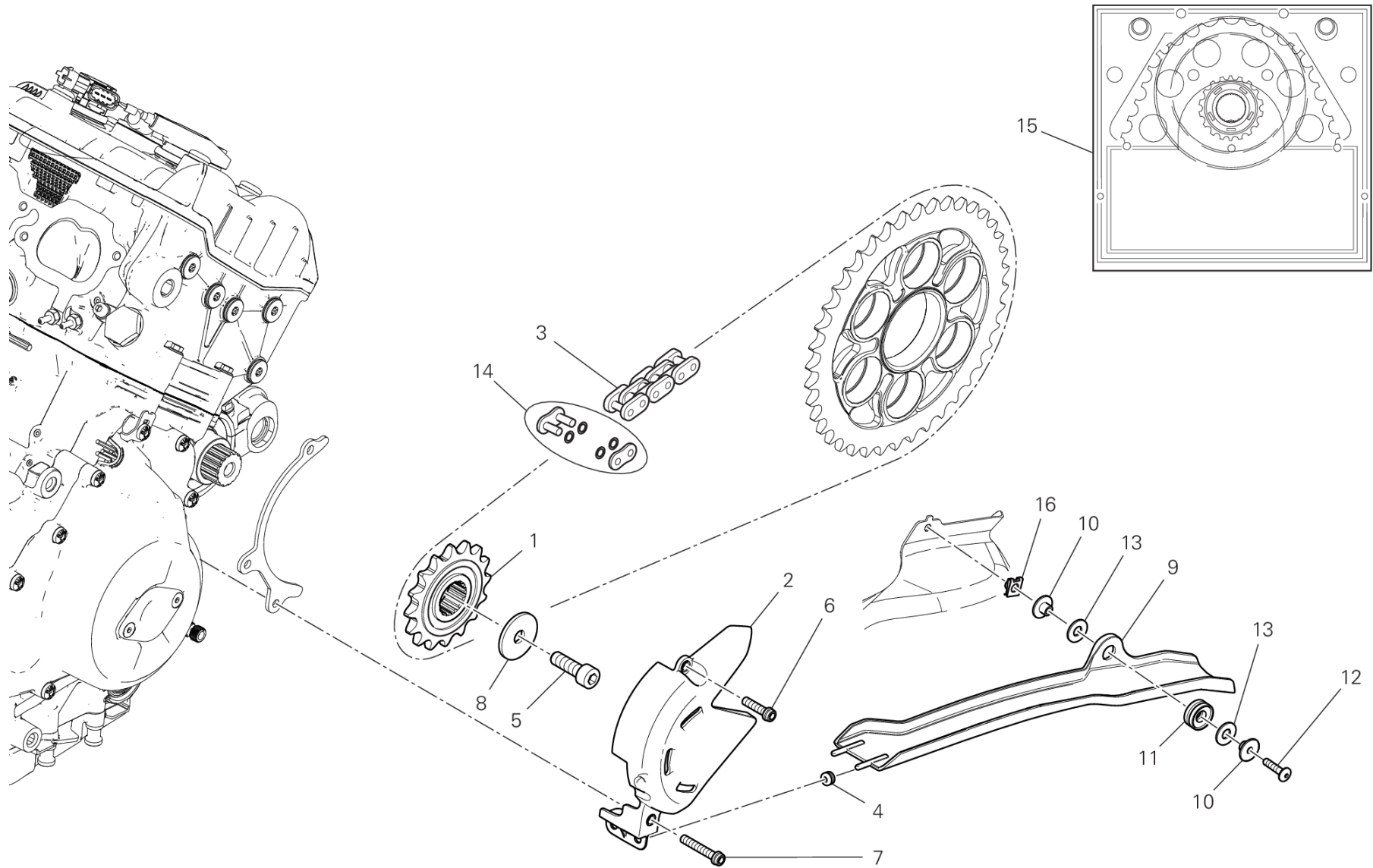
GROUP FRAME



POS.	CODE	DESCRIPTION	QTY	VALIDITY	NOTES
1	55621111AA	SIDE STAND	1		
2	77244661A	SCREW	1		
3	71611661AA	SPACER	2		
4	74840341B	NUT M8	1		
5	53940651A	MAGNETE	1		
6	11711252AA	ROD	1		
7	79925411AA	COMPLETE SPRING	1		
8	71012111AA	SPINDLE, TAPER	1		
9	82113731AA	PIN	1		
10	77354623B	SCREW M4X10	2		
11	53940601A	SWITCH, STAND	1		
12	83210742A	PIN	1		
13	74140381A	CLAMP	2		



DRAWING 17A - FRONT SPROCKET - CHAIN GROUP FRAME



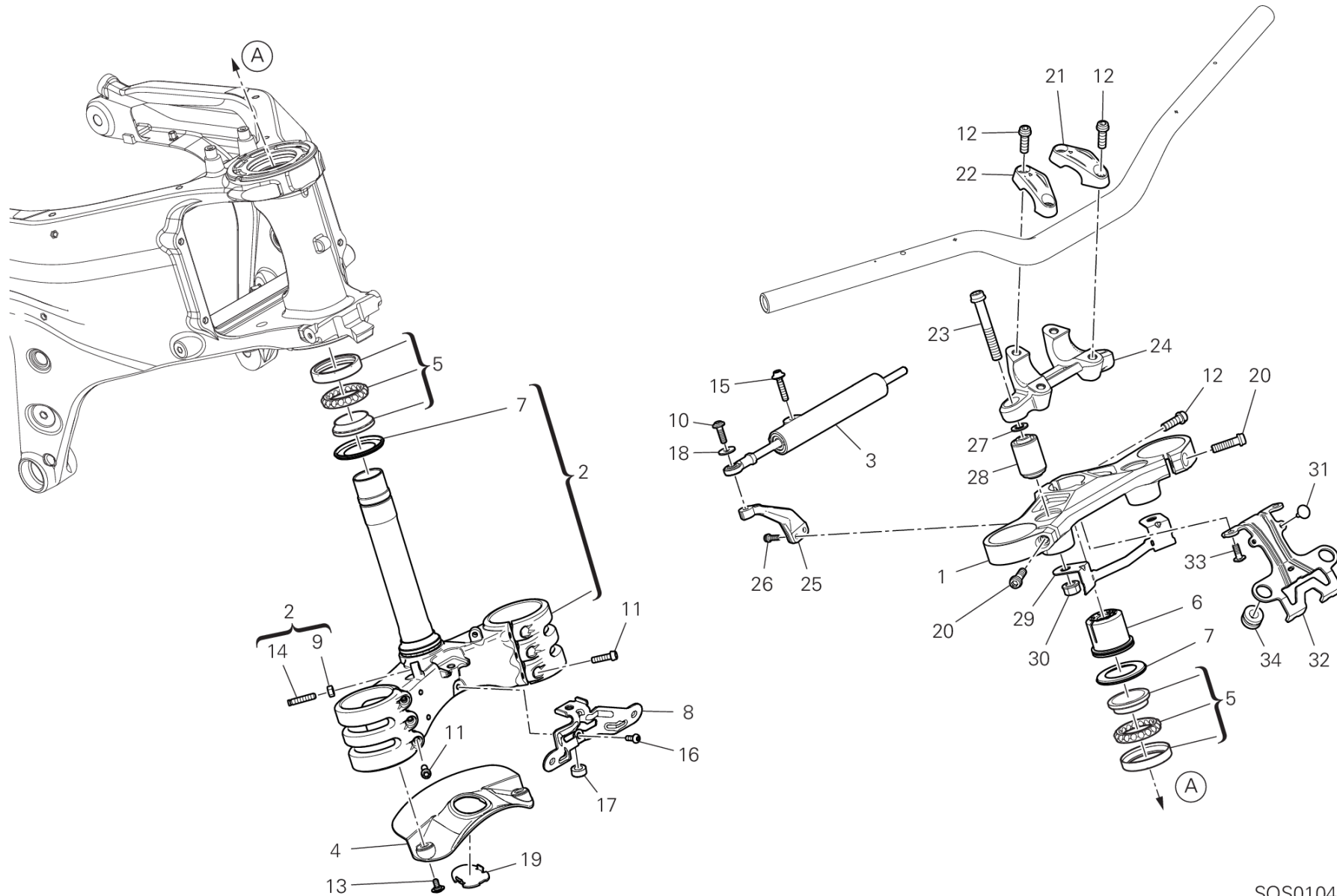
TEL01345

DRAWING 17A - FRONT SPROCKET - CHAIN

GROUP FRAME



POS.	CODE	DESCRIPTION	QTY	VALIDITY	NOTES
1	44910801A	SPROCKET, CHAIN T16	1	XST:TWN	
	44910841B	SPROCKET T15	1	XST:BLG,EUR,JPN,ROK	
2	4601G582A	CHAIN PINION COVER	1		
3	67641601A	CHAIN 113+1	1	XST:TWN	
	67641661A	CHAIN 115+1	1	XST:BLG,EUR,JPN,ROK	
4	76440561A	RUBBER PAD	2		
5	77154337C	SCREW	1		
6	77156683B	SCREW	1		
7	77156733B	SCREW	1		
8	85212801A	THRUST WASHER	1		
9	46016762A	MUDFLAP	1		
10	71615691AA	SPACER	2		
11	76411821A	VIBRATION DAMPER PAD	1		
12	77244213B	SCREW	1		
13	85640121A	WASHER	2		
14	67740033A	CHAIN LINK	1		
15	67621211A	FINAL DRIVE KIT	1	XST:BLG,EUR,JPN,ROK	
	67621211B	FINAL DRIVE KIT	1	XST:TWN	
16	85041951AA	QUICK FASTENING	1		



SOS01043

DRAWING 18A - STEERING ASSEMBLY [XST:BLG,EUR,JPN,TWN]

GROUP FRAME



POS.	CODE	DESCRIPTION	QTY	VALIDITY	NOTES
1	34111594AA	STEERING HEAD	1		
2	342P1041AA	STEERING HEAD BASE	1		
3	36420181A	STEERING DAMPER	1		
4	4601I001AA	MUDFLAP	1		
5	70241231A	BEARING, STEERING NTN SF07A17P	2		
6	70310931AA	THREAD, STEERING HEAD TOP	1		
7	93010041B	SEAL RING	1		
8	8301H591AA	BRACKET	1		
9	74750031A	NUT 6MM	2		
10	77244358BA	SCREW	1		
11	77156688B	SCREW TCEIF	6		
12	77157253B	SCREW	5		
13	77211251B	SCREW M5X9	2		
14	77912981A	SCREW, SPECIAL	2		
15	77917391BA	SCREW, SPECIAL	1		
16	72050173C	SCREW M5X12	1		
17	7131D661AA	SPACER	1		
18	85250291A	WASHER	1		
19	87210722A	PLUG	1		
20	77157273B	SCREW	2		
21	36015901AA	HANDLEBAR BRACKET, UPPER	1		
22	36015911AA	HANDLEBAR BRACKET, UPPER	1		
23	77159414B	SCREW	2		
24	36015891AA	HOLDER, HANDLE LOWER	1		
25	8301H621AB	BRACKET	1		
26	77156403BA	SCREW	2		
27	85250401A	WASHER 10.5X18X1.6	2		
28	70011151A	VIBRATION DAMPER	2		
29	83019541BA	HOSE GUIDE	1		
30	74840241AB	NUT	2		
31	86610751A	PAD	2		
32	8301H601AA	BRACKET UPPER	1		
33	77210423C	SCREW TBEIF M6X16	2		
34	76410641A	VIBRATION DAMPER PAD	2		

DRAWING 18A - STEERING ASSEMBLY [XST:ROK]

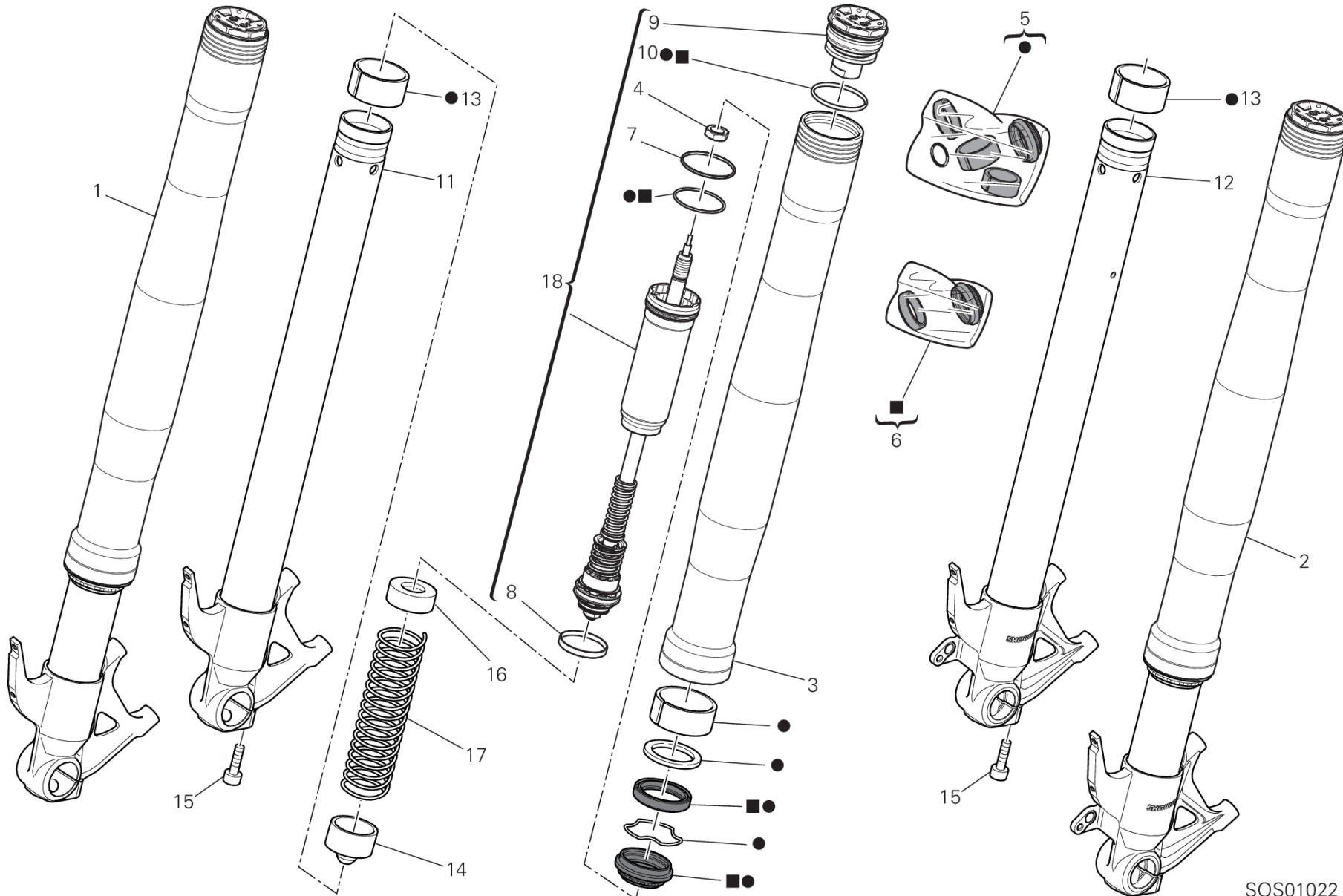
GROUP FRAME



POS.	CODE	DESCRIPTION	QTY	VALIDITY	NOTES
1	34111594AA	STEERING HEAD	1		
2	342P1041AA	STEERING HEAD BASE	1		
3	36420181A	STEERING DAMPER	1		
4	4601I001AA	MUDFLAP	1		
5	70241231A	BEARING, STEERING NTN SF07A17P	2		
6	70310931AA	THREAD, STEERING HEAD TOP	1		
7	93010041B	SEAL RING	1		
8	8301H591AA	BRACKET	1		
9	74750031A	NUT 6MM	2		
10	77244358BA	SCREW	1		
11	77156688B	SCREW TCEIF	6		
12	77157253B	SCREW	5		
13	77211251B	SCREW M5X9	2		
14	77912981A	SCREW, SPECIAL	2		
15	77917391BA	SCREW, SPECIAL	1		
16	72050173C	SCREW M5X12	1		
17	7131D661AA	SPACER	1		
18	85250291A	WASHER	1		
19	87210722A	PLUG	1		
20	77157273B	SCREW	2		
21	36015901AA	HANDLEBAR BRACKET, UPPER	1		
22	36015911AA	HANDLEBAR BRACKET, UPPER	1		
23	77159414B	SCREW	2		
24	36015891AA	HOLDER, HANDLE LOWER	1		
25	8301H621AB	BRACKET	1		
26	77156403BA	SCREW	2		
27	85250401A	WASHER 10.5X18X1.6	2		
28	70011151A	VIBRATION DAMPER	2		
29	83019541BA	HOSE GUIDE	1		
30	74840241AB	NUT	2		
31	86610751A	PAD	2		
32	8301H601AA	BRACKET UPPER	1		
33	77210423C	SCREW TBEIF M6X16	2		
34	76410641A	VIBRATION DAMPER PAD	2		
35	43314851A	MARKING PLATE	1		



DRAWING 18B - FRONT FORK GROUP FRAME



SOS01022

DRAWING 18B - FRONT FORK

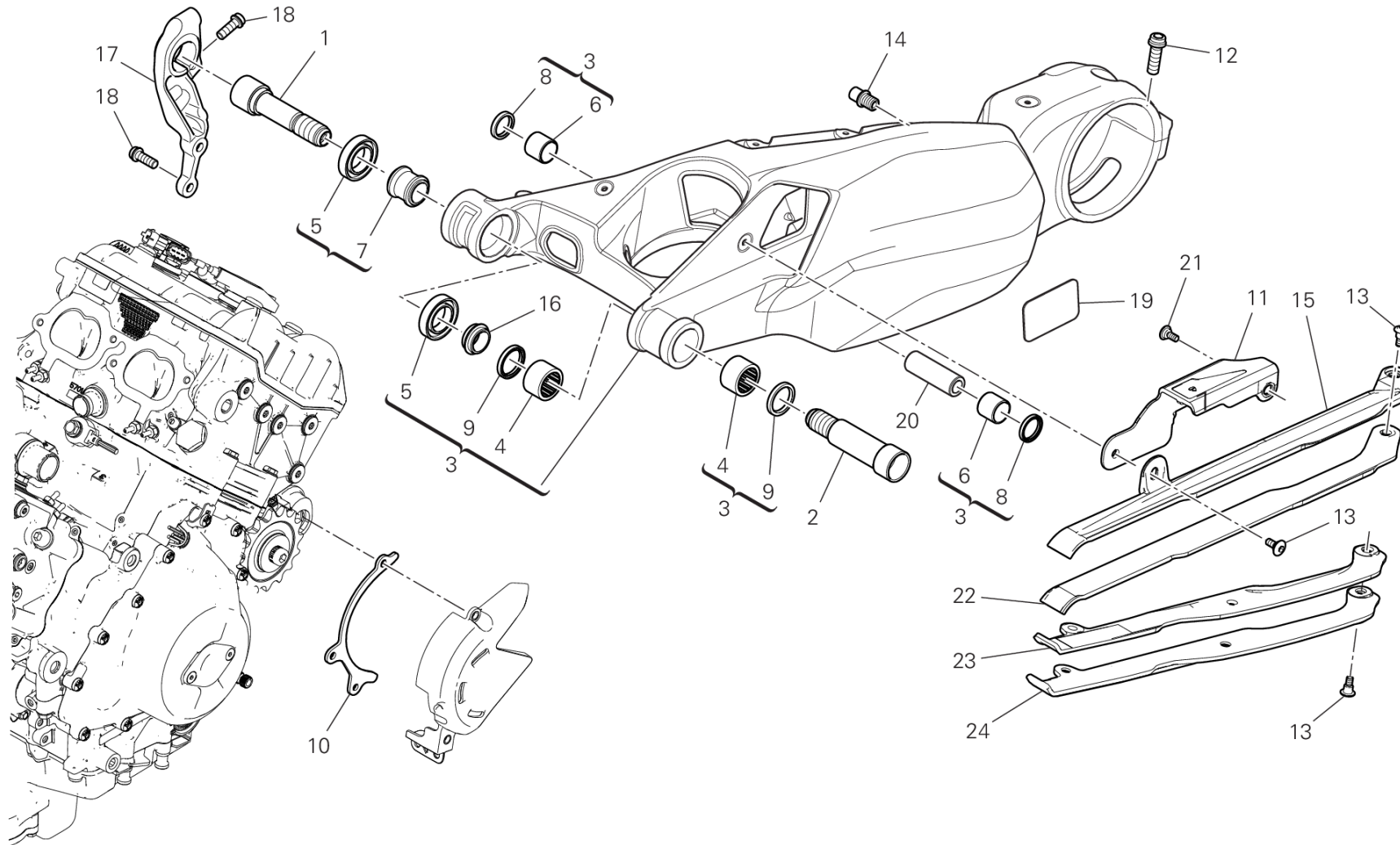
GROUP FRAME



POS.	CODE	DESCRIPTION	QTY	VALIDITY	NOTES
1	34421121A	RIGHT FORK LEG ASSY	1		
2	34521121A	LEFT FORK LEG ASSY	1		
3	34914171A	STANCHION TUBE	2		
4	34914221A	NUT	2		
5	34922481A	OVERHAUL KIT	2		
6	34922491A	SEAL KIT	2		
7	34914211A	GASKET	2		
8	34914191A	GASKET	2		
9	34921671A	PLUG	2		
10	34912141A	O-RING	2		
11	34914071A	FORK BOTTOM END + SLEEVE UNIT (R.H.)	1		
12	34914081A	FORK BOTTOM END + SLEEVE UNIT (L.H.)	1		
13	34913091A	BUSH	2		
14	34914141A	SPINDLE, TAPER	2		
15	34914091A	SCREW	4		
16	34914161A	SPACER	2		
17	34914151A	SPRING	2		
18	34914941A	PLUNGER ASSY	2		



DRAWING 19A - REAR SWINGING ARM GROUP FRAME



SOS01235

DRAWING 19A - REAR SWINGING ARM

GROUP FRAME

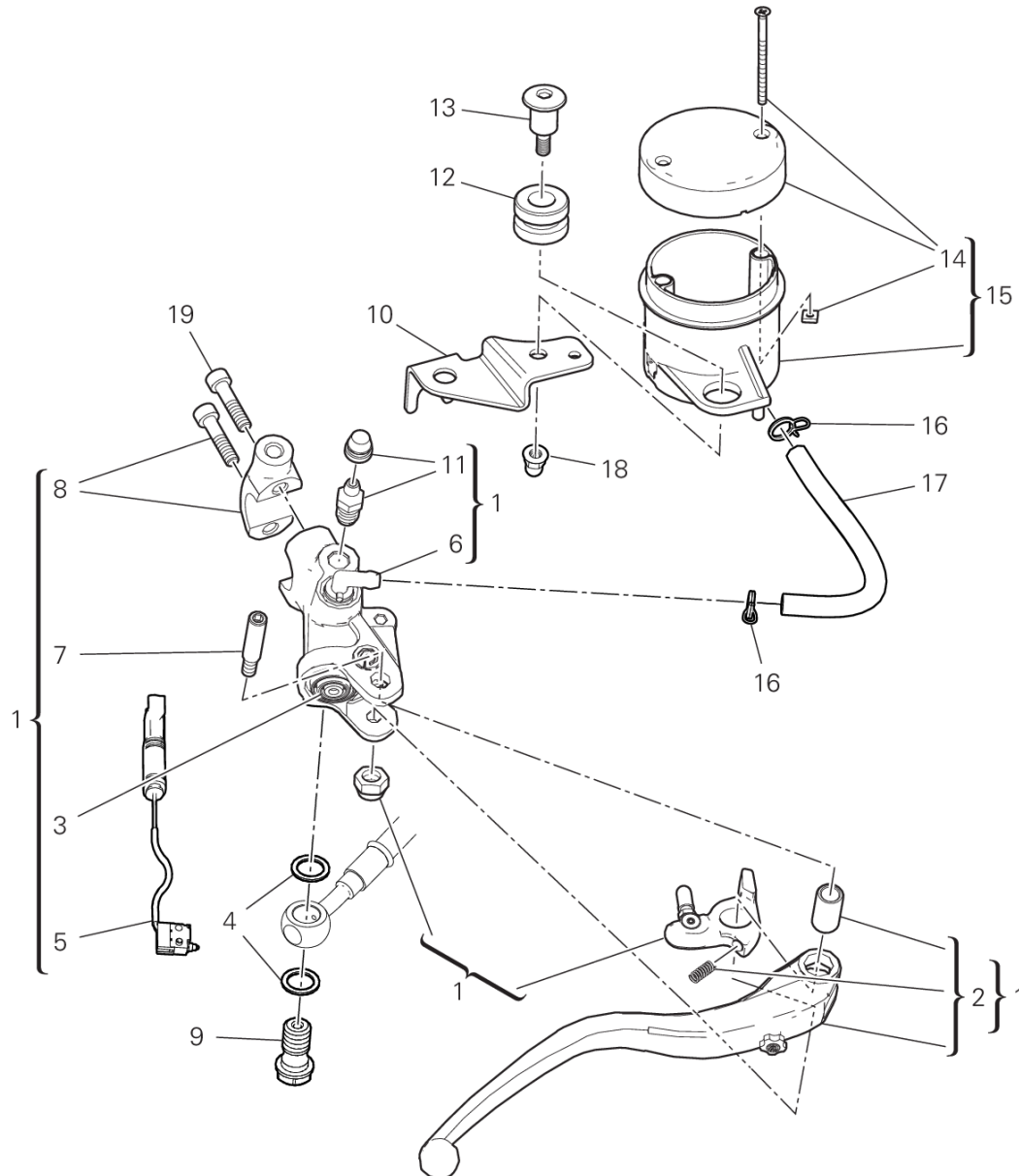


POS.	CODE	DESCRIPTION	QTY	VALIDITY	NOTES
1	36911521AA	SWINGARM PIVOT RH	1		
2	36911302AA	SWINGARM PIVOT LH	1		
3	37022371BA	REAR SWINGING ARM	1		
4	70140171A	BEARING, NEEDLE	2		
5	70240081A	BEARING	2		
6	70241191A	BUSH	2		
7	7131C821AA	INNER SPACER	1		
8	93041271A	SEAL RING 20X26X4	2		
9	93050121A	SEAL RING	2		
10	44712181A	CHAIN SLIDER	1		
11	44712741A	CHAIN GUARD	1		
12	77157578B	SCREW	2		
13	77214231A	SCREW	5		
14	83210031E	PIN	1		
15	44712731A	UPPER CHAIN SLIDING SHOE	1		
16	71319452AA	RIGHT SPACER	1		
17	8291N631AB	RIGHT HOLDER	1		
18	77157248B	SCREW TCEIF M8X22	3		
19	43315131A	CHAIN ADJUSTMENT STICKER	1	XST:BLG,EUR,ROK	
	43315131B	CHAIN ADJUSTMENT STICKER	1	XST:JPN	
	43315131CH	CHAIN ADJUSTMENT STICKER	1	XST:TWN	
20	7131C691A	SPACER	1		
21	77211221B	SCREW, SPECIAL	1		
22	86613741A		1		
23	86613731A	LOWER SUPPORT	1		
24	44712721A	LOWER CHAIN SLIDING SHOE	1		



DRAWING 20A - FRONT BRAKE PUMP GROUP FRAME

BRB00743



DRAWING 20A - FRONT BRAKE PUMP

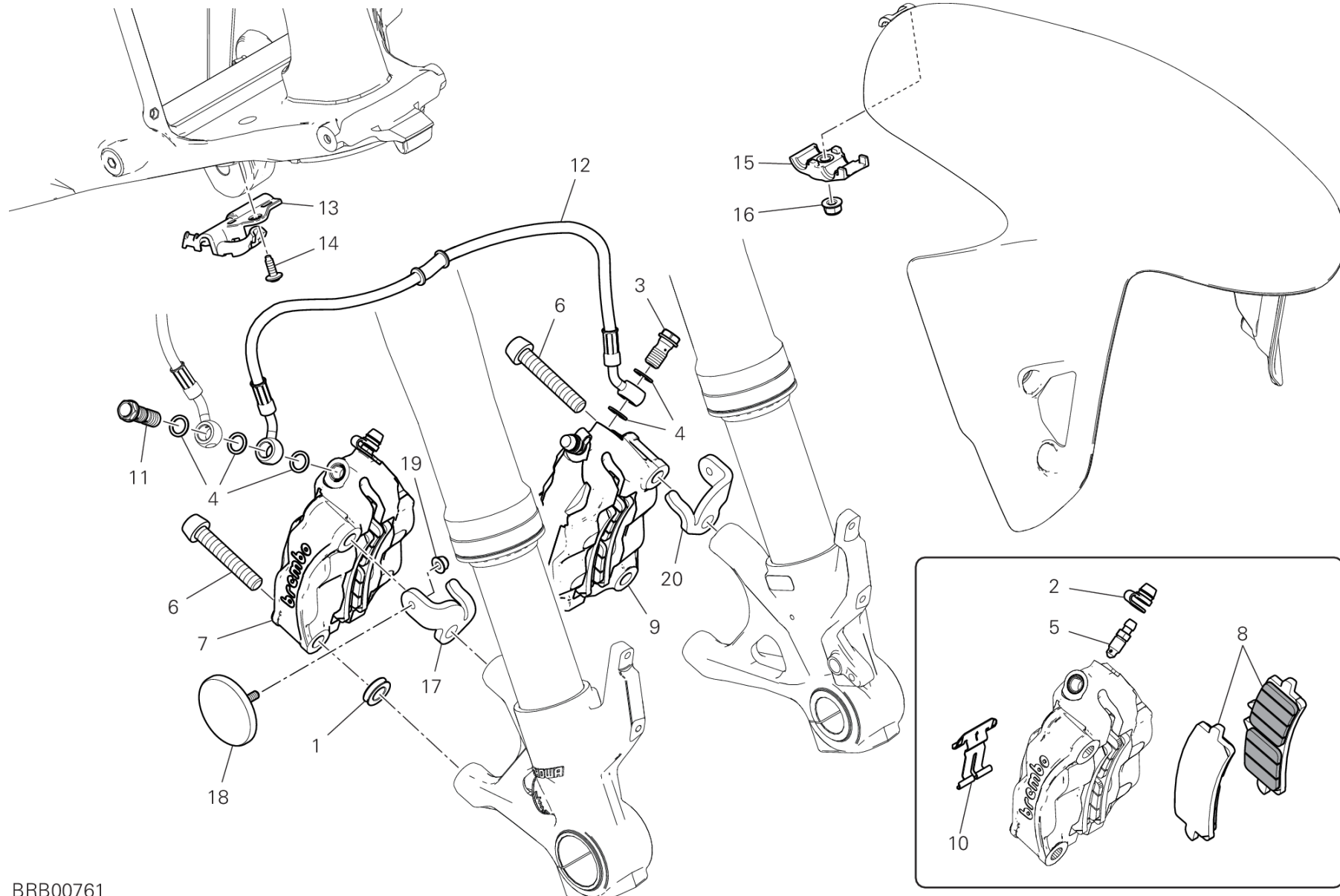
GROUP FRAME



POS.	CODE	DESCRIPTION	QTY	VALIDITY	NOTES
1	62441362A	FRONT BRAKE PUMP	1		
2	63140601A	LEVER, FRONT BRAKE	1		
3	61241241A	DUST COVER	1		
4	85250241A	WASHER 10X14X1	2		
5	53941011A	MICROSWITCH	1		
6	63140081A	JOINT, HOSE	1		
7	62640561A	BOLT, LEVER	1		
8	62641111A	BRACKET, MASTER CYLINDER	1		
9	77914151A	BOLT, BRAKE HOSE	1		
10	8291B911BA	BRACKET, BRAKE FLUID TANK	1		
11	63140281A	DRAIN	1		
12	76414191A	DAMPER	1		
13	77910921B	SCREW	1		
14	89340251A	COVER MASTER CYLINDER	1		
15	58540341A	RESERVOIR, BRAKE FLUID	1		
16	74142951A	CLAMP	2		
17	87711111A	HOSE, OIL	1		
18	75011921A	NUT	1		
19	77110471A	SCREW	1		



DRAWING 20B - FRONT BRAKE SYSTEM GROUP FRAME



BRB00761

DRAWING 20B - FRONT BRAKE SYSTEM

GROUP FRAME

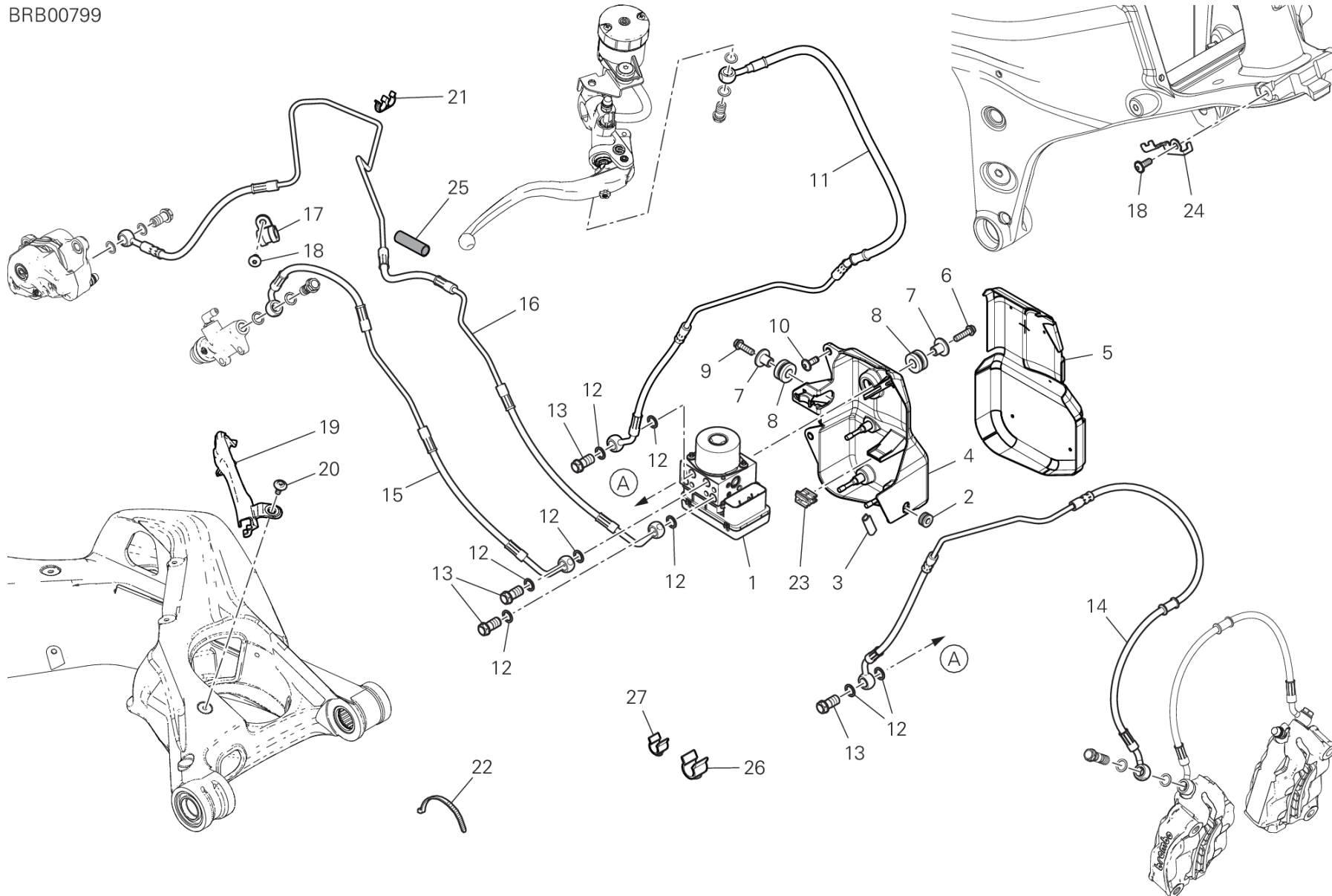


POS.	CODE	DESCRIPTION	QTY	VALIDITY	NOTES
1	71313641A	SPACER	2		
2	61240052A	DUST COVER	2		
3	77913662AB	SCREW, SPECIAL	1		
4	85250241A	WASHER 10X14X1	5		
5	61240201A	FRONT CALIPER DRAIN SCREW	2		
6	77915111B	SCREW	4		
7	61041971A	RIGHT FRONT BRAKE CALIPER	1		
8	61341341A	FRONT BRAKE PADS SET	2		
9	61041981A	LEFT FRONT BRAKE CALIPER	1		
10	61240371A	SPRING, PAD STOPPER	2		
11	77913091AB	SCREW, SPECIAL	1		
12	61841411A	HOSE, FRONT BRAKE CALIPER-CALIPER	1		
13	8301G011A	GUIDE, FRONT BRAKE HOSE	1		
14	77244173B	SCREW	1		
15	8291G861A	BRACKET, BRAKE HOSE	1		
16	74941113B	NUT	1		
17	82718841AA	RIGHT PLATE	1		
18	52910261A	REFLEX REFLECTOR AMBER	2		
19	74810351B	NUT	2		
20	82718851AA	LEFT PLATE	1		



DRAWING 20C - BRAKING SYSTEM ABS GROUP FRAME

BRB00799



DRAWING 20C - BRAKING SYSTEM ABS

GROUP FRAME

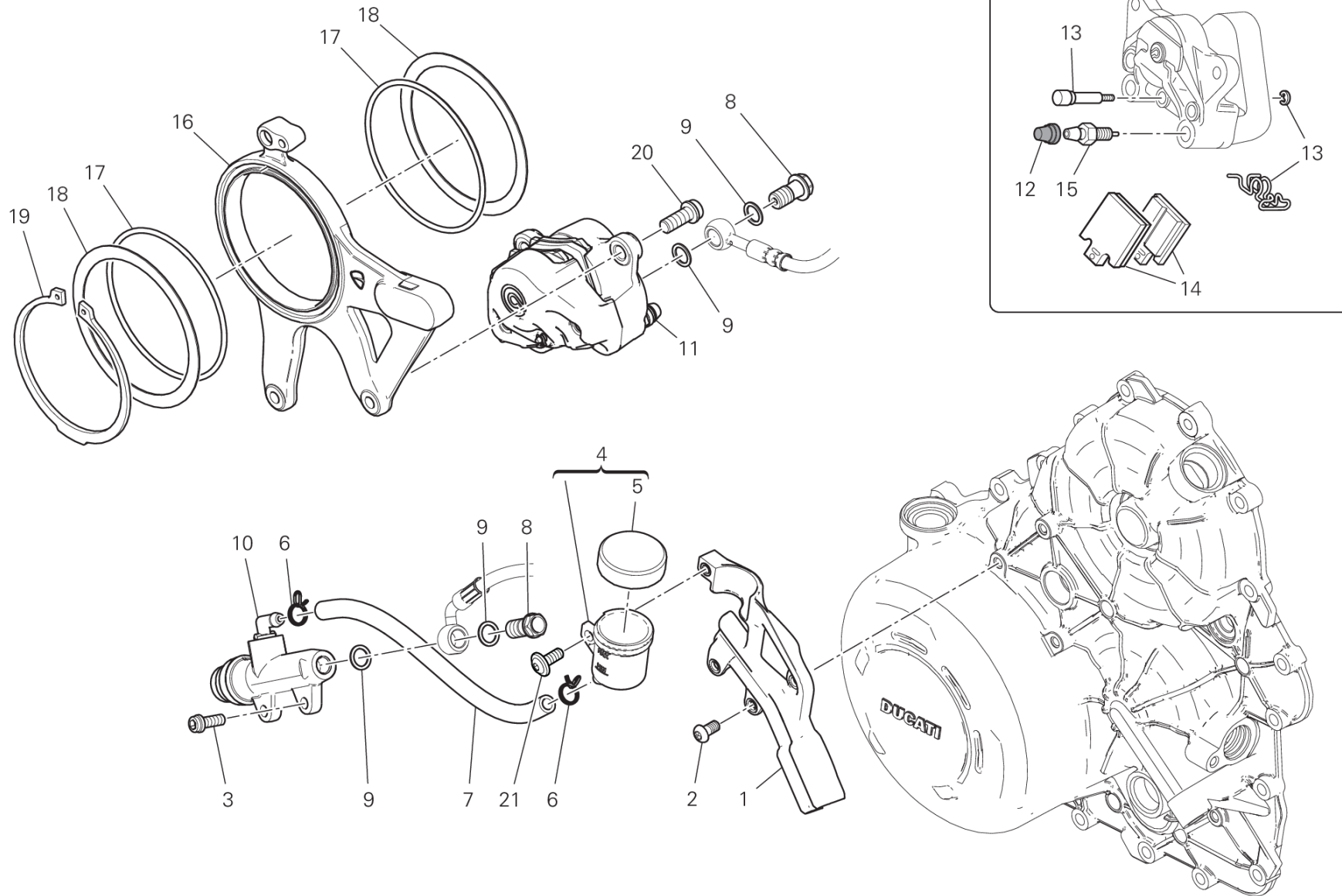


POS.	CODE	DESCRIPTION	QTY	VALIDITY	NOTES
1	54241131A	CONTROL UNIT ABS	1		
2	76411671A	RUBBER PAD	1		
3	78510181A	PROTECTION RUBBER	1		
4	8291H921A	BRACKET	1		
5	4601H171A	THERMOREFLECTING PROTECTION	1		
6	77251023C	SCREW TEF M6X22 10.9	1		
7	71610031A	SPACER	2		
8	76410641B	VIBRATION DAMPER PAD	2		
9	77251018B	SCREW TEF M6X20	1		
10	77914272A	SCREW	2		
11	61811431A	FRONT MASTER CYLINDER - CPU LINE	1		
12	85250241A	WASHER 10X14X1	8		
13	77913662AB	SCREW, SPECIAL	4		
14	61811441A	CPU - FRONT CALIPERS LINE	1		
15	61912071A	REAR MASTER CYLINDER-CPU LINE	1		
16	61911261A	CPU-REAR CALIPER LINE	1		
17	74140331A	CLAMP	1		
18	77210423C	SCREW TBEIF M6X16	2		
19	75811591A	HOSE GUIDE ABS	1		
20	77214411BA	SCREW, SPECIAL	2		
21	75810681A	HOSE GUIDE ABS	4		
22	069191030	CLAMP	4		
23	75841051A	CLIP	1		
24	8301I051AA	BRACKET	1		
25	4601F481A	PROTECTION, HEAT	1		
26	75841091A	FEMALE CABLE RING	1		
27	75841101A	MALE CABLE RING	1		



DRAWING 20D - REAR BRAKE SYSTEM GROUP FRAME

BRB00864



DRAWING 20D - REAR BRAKE SYSTEM

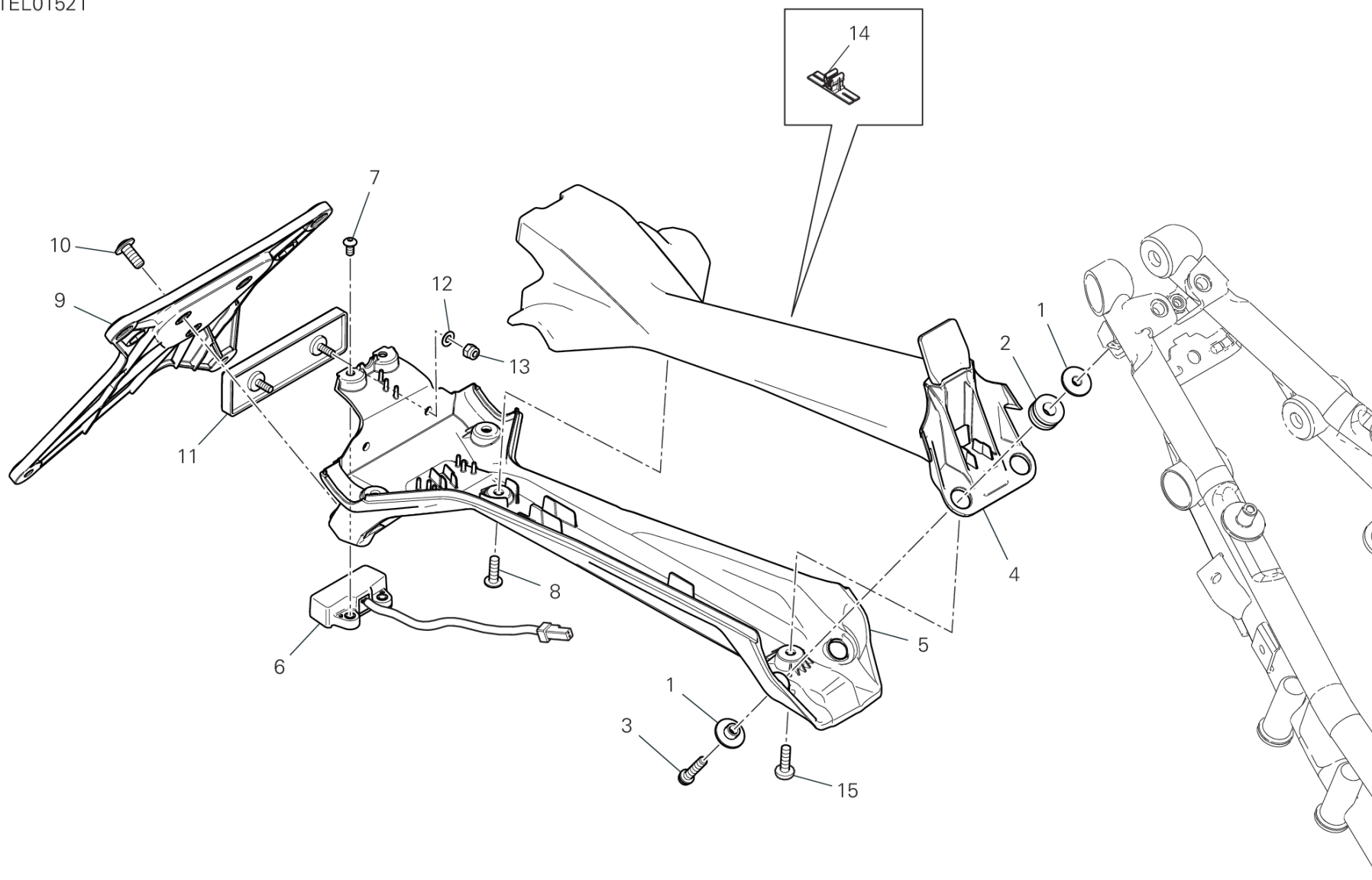
GROUP FRAME



POS.	CODE	DESCRIPTION	QTY	VALIDITY	NOTES
1	75811921A	BRACKET	1		
2	72050313C	SCREW	3		
3	77156678B	SCREW TCEIF M6X20	2		
4	58540351A	SUB TANK, OIL	1		
5	89340241A	COVER MASTER CYLINDER	1		
6	74142951A	CLAMP	2		
7	87712801A	HOSE	1		
8	77913662AB	SCREW, SPECIAL	2		
9	85250241A	WASHER 10X14X1	4		
10	62540311C	REAR BRAKE PUMP	1		
11	61140471A	REAR BRAKE CALIPER	1		
12	61240081A	DUST PLUG	1		
13	61240161A	PAD PINS OVERHAUL KIT	1		
14	61340951A	REAR BRAKE PADS SET	1		
15	63140161A	FRONT CALIPER DRAIN SCREW	1		
16	82510641AA	PLATE	1		
17	88641241A	O-RING 89.5X3	2		
18	85212171A	WASHER 85.5X101X1	2		
19	88440511A	CIRCLIP 85X3	1		
20	77157238B	SCREW TCEIF M8X20	2		
21	77210893B	SCREW	1		



TEL01521



DRAWING 21A - PLATE HOLDER [XST:BLG,EUR,ROK,TWN]

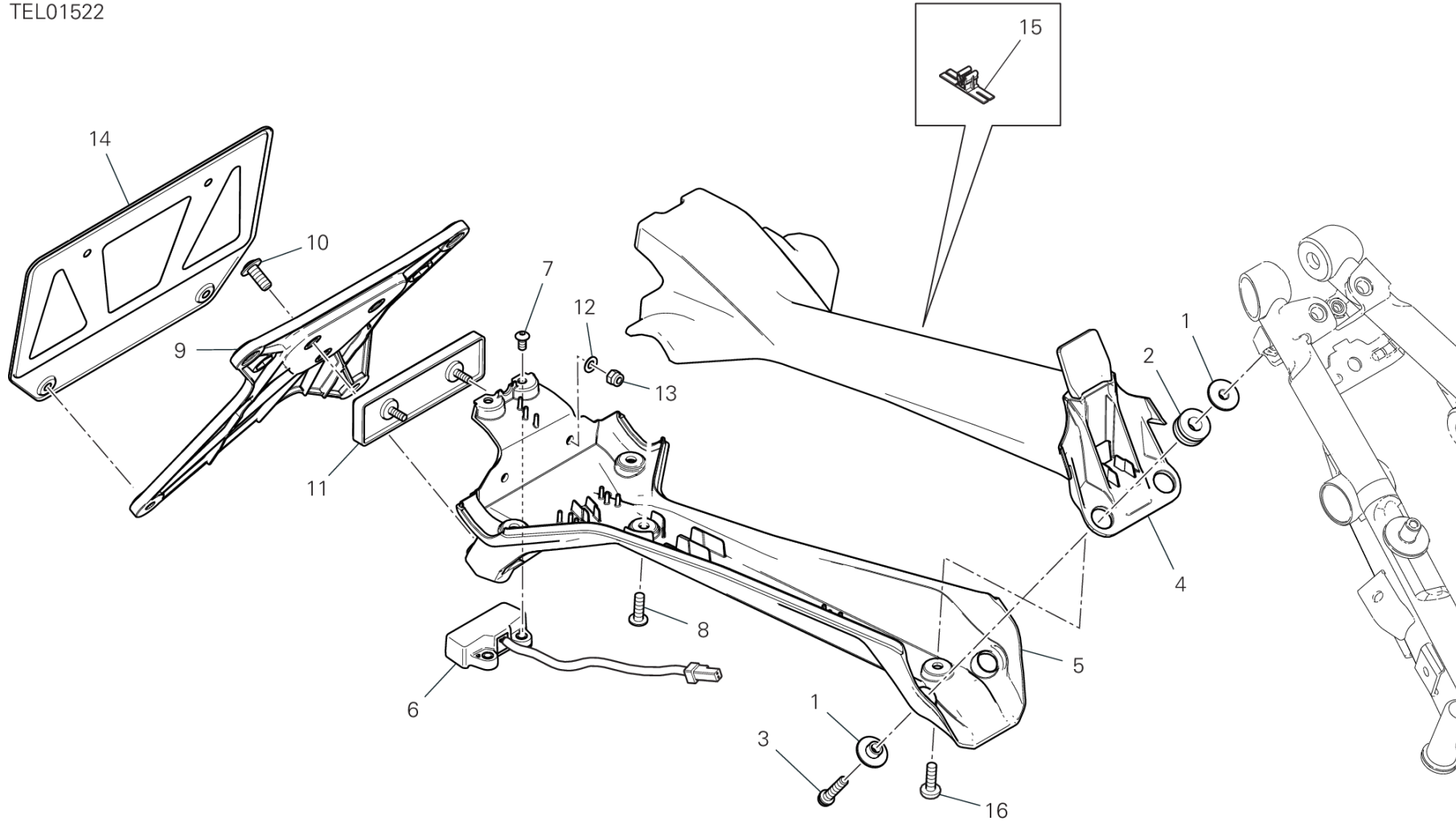
GROUP FRAME



POS.	CODE	DESCRIPTION	QTY	VALIDITY	NOTES
1	71615691AA	SPACER	4		
2	76412501A	RUBBER PAD	2		
3	77156443B	SCREW	2		
4	56116361B	NUMBER PLATE HOLDER UPPER	1		
5	56116371C	NUMBER PLATE HOLDER BOTTOM	1		
6	52510611A	LAMP, LICENSE PLATE	1		
7	77550171A	SCREW TBEI M4X8	2		
8	77440203C	SCREW	3		
9	56113392A	PLATE HOLDER	1		
10	77240408C	SCREW	3		
11	52910231A	REFLEX REFLECTOR, REAR	1		
12	85212511A	WASHER 4.5X9X0.5	2		
13	74950011B	NUT, SPRING	2		
14	75840901A	FAIRLEAD	1		
15	72050173CA	SCREW	1		



TEL01522



DRAWING 21A - PLATE HOLDER [XST:JPN]

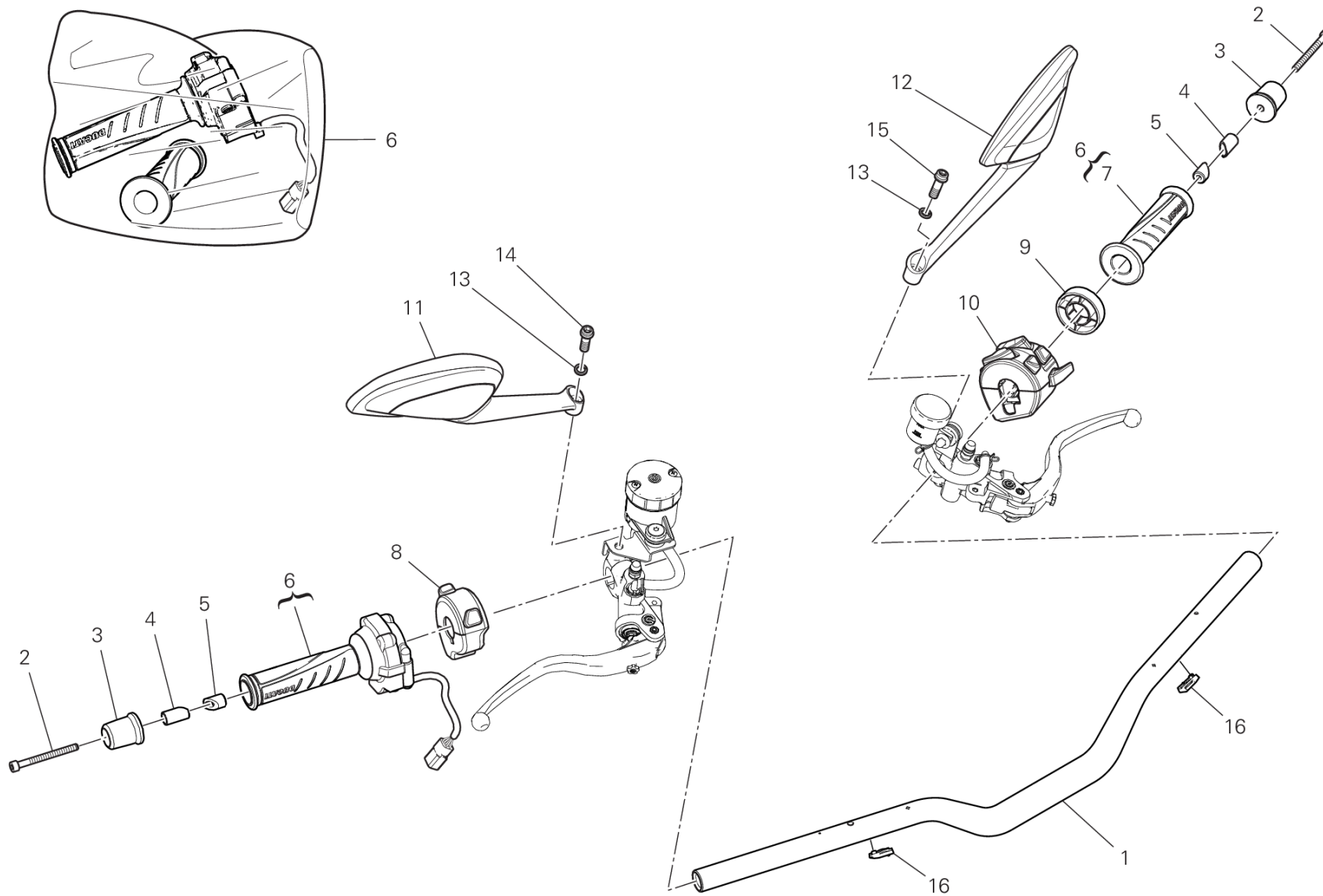
GROUP FRAME



POS.	CODE	DESCRIPTION	QTY	VALIDITY	NOTES
1	71615691AA	SPACER	4		
2	76412501A	RUBBER PAD	2		
3	77156443B	SCREW	2		
4	56116361B	NUMBER PLATE HOLDER UPPER	1		
5	56116371C	NUMBER PLATE HOLDER BOTTOM	1		
6	52510611A	LAMP, LICENSE PLATE	1		
7	77550171A	SCREW TBEI M4X8	2		
8	77440203C	SCREW	3		
9	56113392A	PLATE HOLDER	1		
10	77240408C	SCREW	3		
11	52910231A	REFLEX REFLECTOR, REAR	1		
12	85212511A	WASHER 4.5X9X0.5	2		
13	74950011B	NUT, SPRING	2		
14	56113381AA	PLATE	1		
15	75840901A	FAIRLEAD	1		
16	72050173CA	SCREW	1		



DRAWING 22A - HANDLEBAR GROUP FRAME



SOS01097

DRAWING 22A - HANDLEBAR

GROUP FRAME

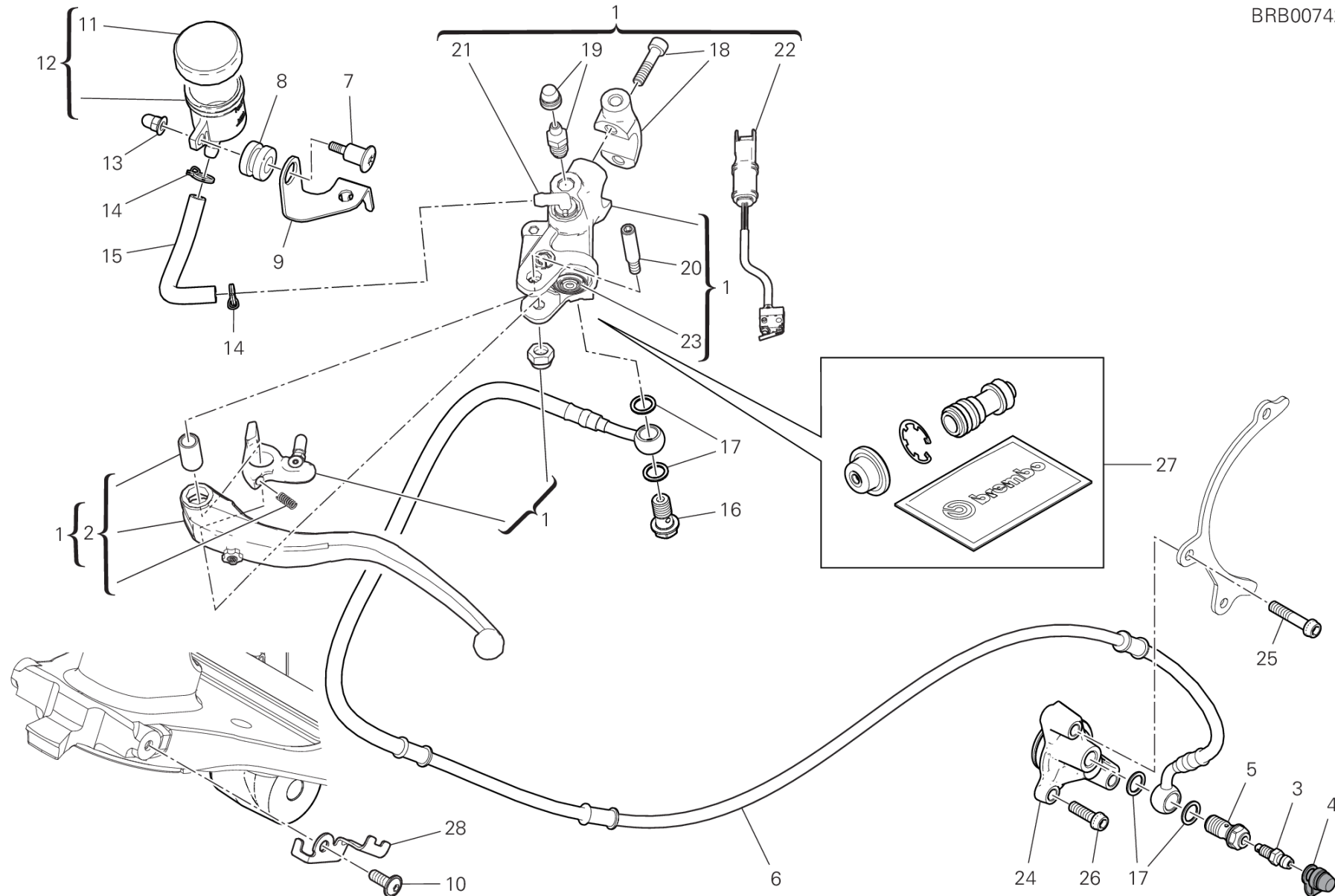


POS.	CODE	DESCRIPTION	QTY	VALIDITY	NOTES
1	36015883BA	HANDLEBAR	1		
2	77150788B	SCREW TCEI M6X65	2		
3	15310131A	BALANCER SET, HANDLE BAR	2		
4	71011071A	BUSH	2		
5	71111301A	SPINDLE, TAPER	2		
6	66020102B	THROTTLE CONTROL	1		
7	36140161A	HAND GRIP LH	1		
8	65010361C	RIGHT SWITCH	1		
9	71316161A	SPACER	1		
10	65110571B	LEFT SWITCH	1		
11	52310541A	REAR-VIEW MIRROR R.H.	1		
12	52310551A	REAR-VIEW MIRROR L.H.	1		
13	46210021A	SPRING WASHER 8 MM	2		
14	77113731A	SCREW TCEIF M8X25, LEFT THREAD	1		
15	77113741A	SCREW TCEIF M8X25	1		
16	83040071A	CLIP	2		



DRAWING 22B - CLUTCH CONTROL GROUP FRAME

BRB00742



DRAWING 22B - CLUTCH CONTROL

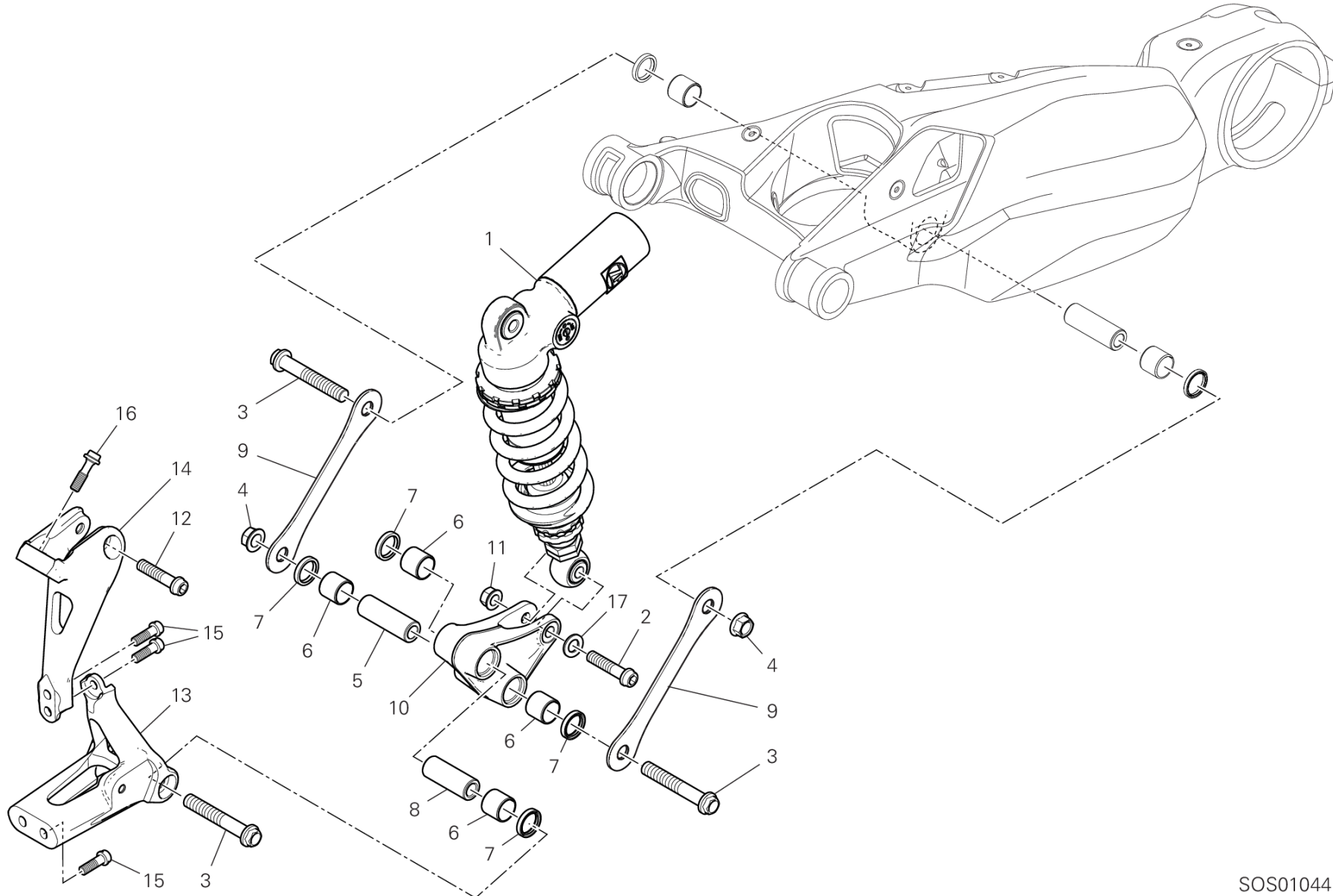
GROUP FRAME



POS.	CODE	DESCRIPTION	QTY	VALIDITY	NOTES
1	63040952A	CLUTCH PUMP	1		
2	63140631A	LEVER, CLUTCH LIFTER	1		
3	18710021A	VALVE, BREATHER	1		
4	61240052A	DUST COVER	1		
5	77913971A	BOLT, BRAKE HOSE	1		
6	63211071A	CLUTCH OIL HOSE	1		
7	77910921B	SCREW	1		
8	76414191A	DAMPER	1		
9	8291B951BA	BRACKET, BRAKE FLUID TANK	1		
10	77210423C	SCREW TBEIF M6X16	1		
11	89340241A	COVER MASTER CYLINDER	1		
12	58540351A	SUB TANK, OIL	1		
13	75011921A	NUT	1		
14	74142951A	CLAMP	2		
15	87710681A	PIPE	1		
16	77913662AB	SCREW, SPECIAL	1		
17	85250241A	WASHER 10X14X1	4		
18	62641121A	BRACKET, MASTER CYLINDER	1		
19	63140281A	DRAIN	1		
20	62640561A	BOLT, LEVER	1		
21	63140081A	JOINT, HOSE	1		
22	53941021A	MICROSWITCH	1		
23	61241241A	DUST COVER	1		
24	19540091D	PISTON ASSEMBLY	1		
25	77156728B	SCREW TCEIF M6X35	1		
26	77156678B	SCREW TCEIF M6X20	1		
27	61041991A	BREMBO CLUTCH FLOATING PISTON KIT	1		
28	8301I061AA	BRACKET	1		



DRAWING 23A - REAR SHOCK ABSORBER GROUP FRAME



SOS01044

DRAWING 23A - REAR SHOCK ABSORBER

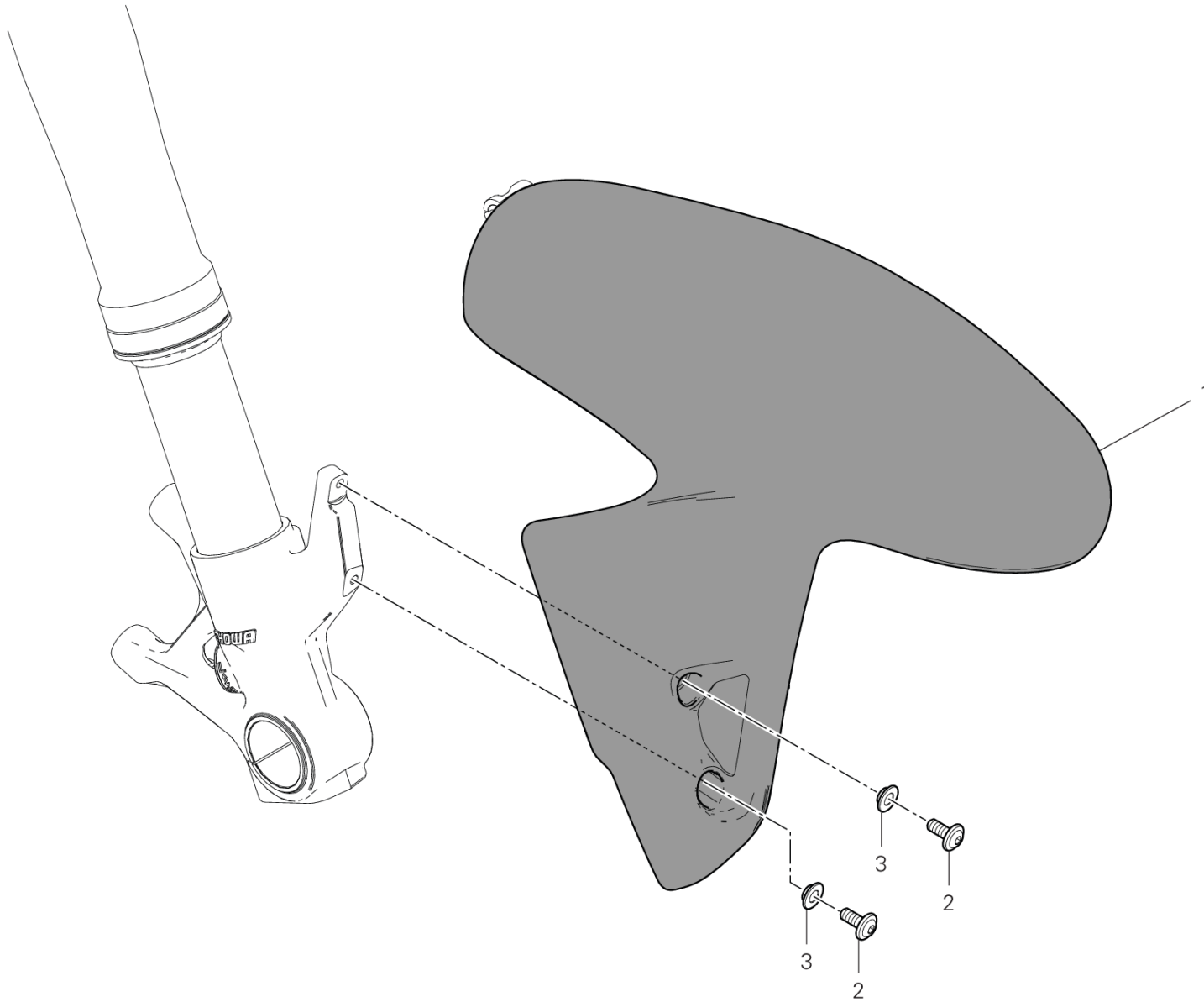
GROUP FRAME



POS.	CODE	DESCRIPTION	QTY	VALIDITY	NOTES
1	36521891A	REAR SHOCK ABSORBER	1		
2	7715936BG	SCREW	1		
3	7725202BG	SCREW	3		
4	74941511AB	NUT, FLANGE	2		
5	7131C691A	SPACER	1		
6	70241191A	BUSH	4		
7	93041271A	SEAL RING 20X26X4	4		
8	7131C701A	SPACER	1		
9	37211983AA	TIE ROD	2		
10	37211971BA	LEVER SET, REAR CUSHION	1		
11	74840241AB	NUT	1		
12	7715937BG	SCREW	1		
13	8291G911BA	LOWER HOLDER	1		
14	8291G901CA	BRACKET UPPER	1		
15	7725364BG	SCREW	4		
16	7791B321AA	SCREW, SPECIAL	2		
17	85250401A	WASHER 10.5X18X1.6	1		



VST01809



DRAWING 24A - FRONT MUDGUARD

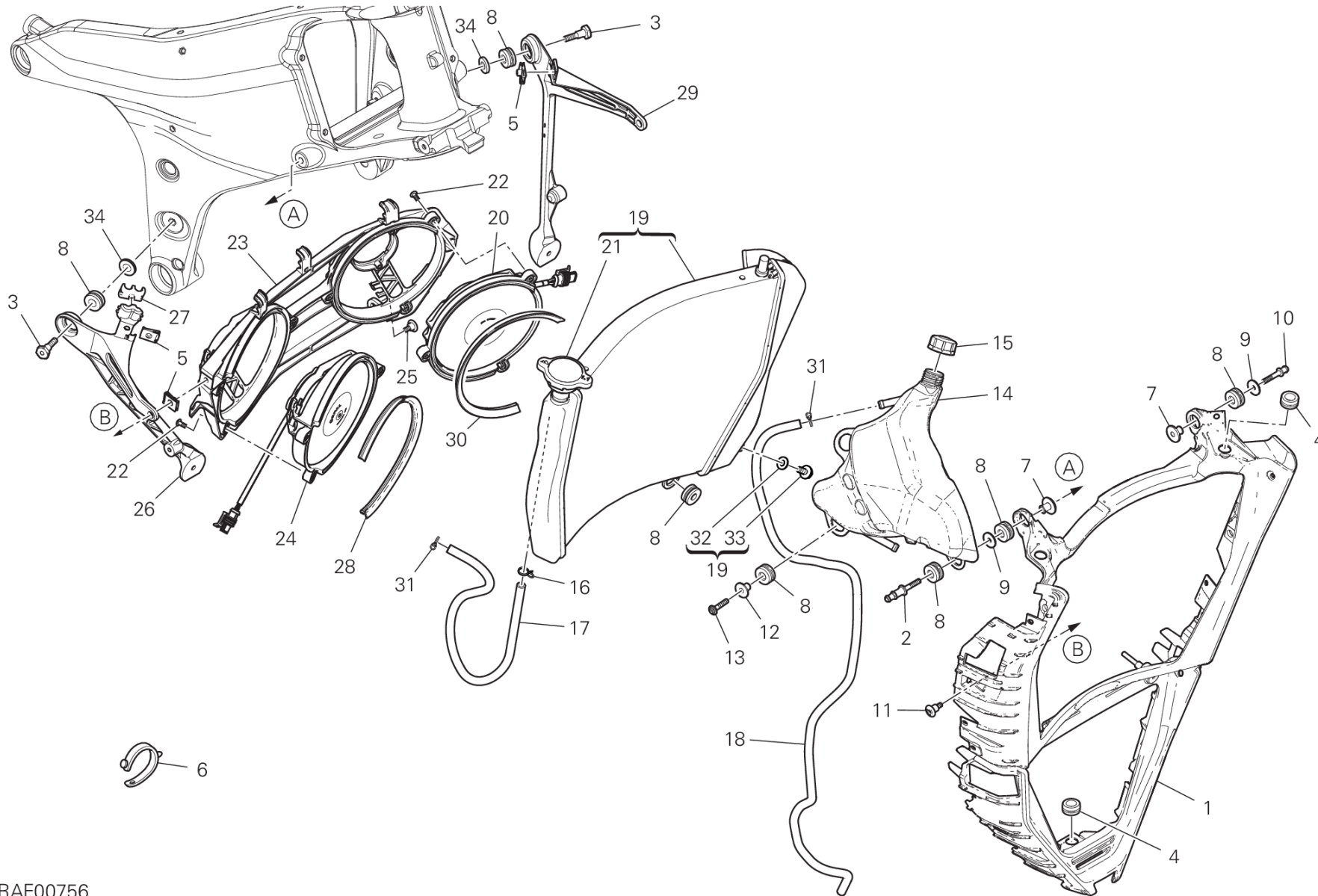
GROUP FRAME



POS.	CODE	DESCRIPTION	QTY	VALIDITY	NOTES
1	56416632AK	FRONT MUDGUARD BLACK DARK	1		
2	71614011B	SPACER	4		
3	77210893B	SCREW	4		



DRAWING 25A - WATER COOLER GROUP FRAME



RAF00756

STREETFIGHTER V4 /23

032000023

Page 142 / 212

SPARE PARTS CATALOGUE

22/12/2022

DRAWING 25A - WATER COOLER

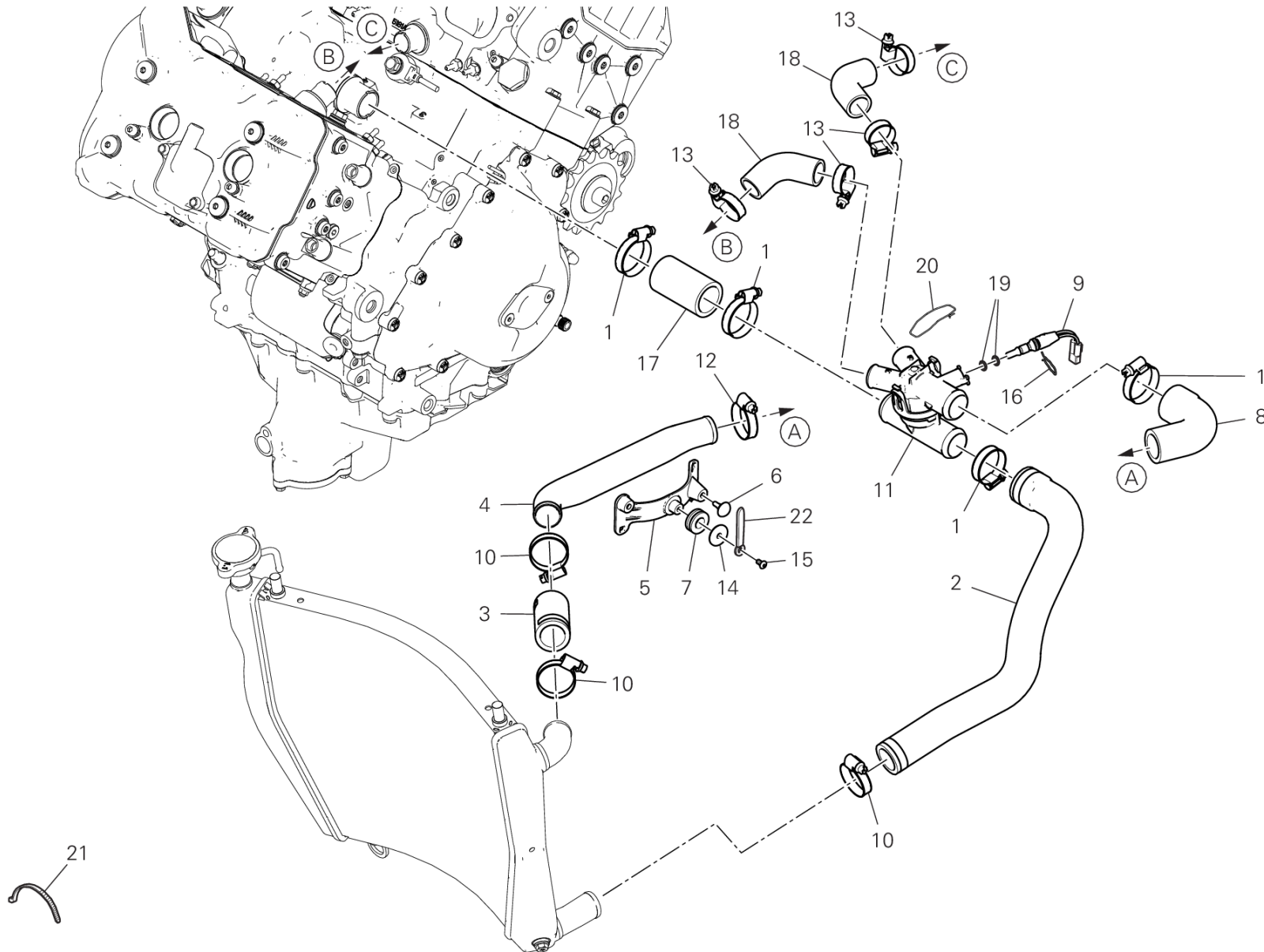
GROUP FRAME



POS.	CODE	DESCRIPTION	QTY	VALIDITY	NOTES
1	48411672B	RADIATOR PROTECTION	1		
2	7791B891AA	SCREW, SPECIAL	1		
3	7791B911AA	SCREW, SPECIAL	2		
4	76410901A	RUBBER PAD	3		
5	85044691A	QUICK FASTENING	2		
6	74110551A	CLAMP, RUBBER 39MM	6		
7	71611671AA	SPACER	2		
8	76411501A	RUBBER PAD	9		
9	85213111AA	WASHER	2		
10	7791B112AA	SCREW, SPECIAL	1		
11	77214221AA	SCREW, SPECIAL	2		
12	71615151AA	SPACER	2		
13	77244233B	SCREW	2		
14	58511252A	TANK, WATER RESERVOIR	1		
15	89310143A	EXPANSION TANK CAP	1		
16	74140431A	CLAMP	1		
17	93410561A	BREATHER PIPE	1		
18	93410461A	HOSE	1		
19	54812531A	WATER COOLER	1		
20	55020331A	ELECTRIC FAN, LEFT	1		
21	89310241A	RADIATOR CAP	1		
22	77440511A	SCREW	6		
23	82718832A	BRACKET ELECTRIC FAN	1		
24	55020321A	ELECTRIC FAN, RIGHT	1		
25	77214411AA	SCREW	2		
26	82718822A	RIGHT HOLDER	1		
27	86611121A	RUBBER PAD	1		
28	79110941A	RIGHT GASKET	1		
29	82718811A	LEFT HOLDER	1		
30	79110931A	LEFT GASKET	1		
31	74141721A	CLAMP	2		
32	85250771A	WASHER	1		
33	78050181A	RADIATOR CAP	1		
34	85211671B	WASHER	2		



DRAWING 25B - COOLING CIRCUIT GROUP FRAME



RAF00694

DRAWING 25B - COOLING CIRCUIT

GROUP FRAME



POS.	CODE	DESCRIPTION	QTY	VALIDITY	NOTES
1	74141851A	CLAMP 25-40 MM	4		
2	80018072A	SLEEVE	1		
3	80018131A	WATER HOSE	1		
4	80018111AA	SLEEVE	1		
5	8291G891A	HOLDER	1		
6	86610751A	PAD	2		
7	76411381A	VIBRATION DAMPER PAD	1		
8	80018121A	WATER HOSE	1		
9	55244081A	ENGINE WATER TEMPERATURE SENSOR	1		
10	74142591A	CLAMP 20-35 MM	3		
11	55320161A	SQUIRTER UNIT	1		
12	74141881A	CLAMP 23-35 MM	1		
13	74141811A	CLAMP 16-27 MM	4		
14	85611711AA	WASHER	1		
15	77550171A	SCREW TBEI M4X8	1		
16	79915581A	SPRING	1		
17	80018061A	MIXER - PUMP COUPLING	1		
18	80018081A	HOSE THERMOSTAT/HEAD	2		
19	88641981A	O-RING	2		
20	75910391A	CLIP	1		
21	069191030	CLAMP	2		
22	74141671A	PLATE	1		

DRAWING 26A - FOOTRESTS, LEFT

GROUP FRAME

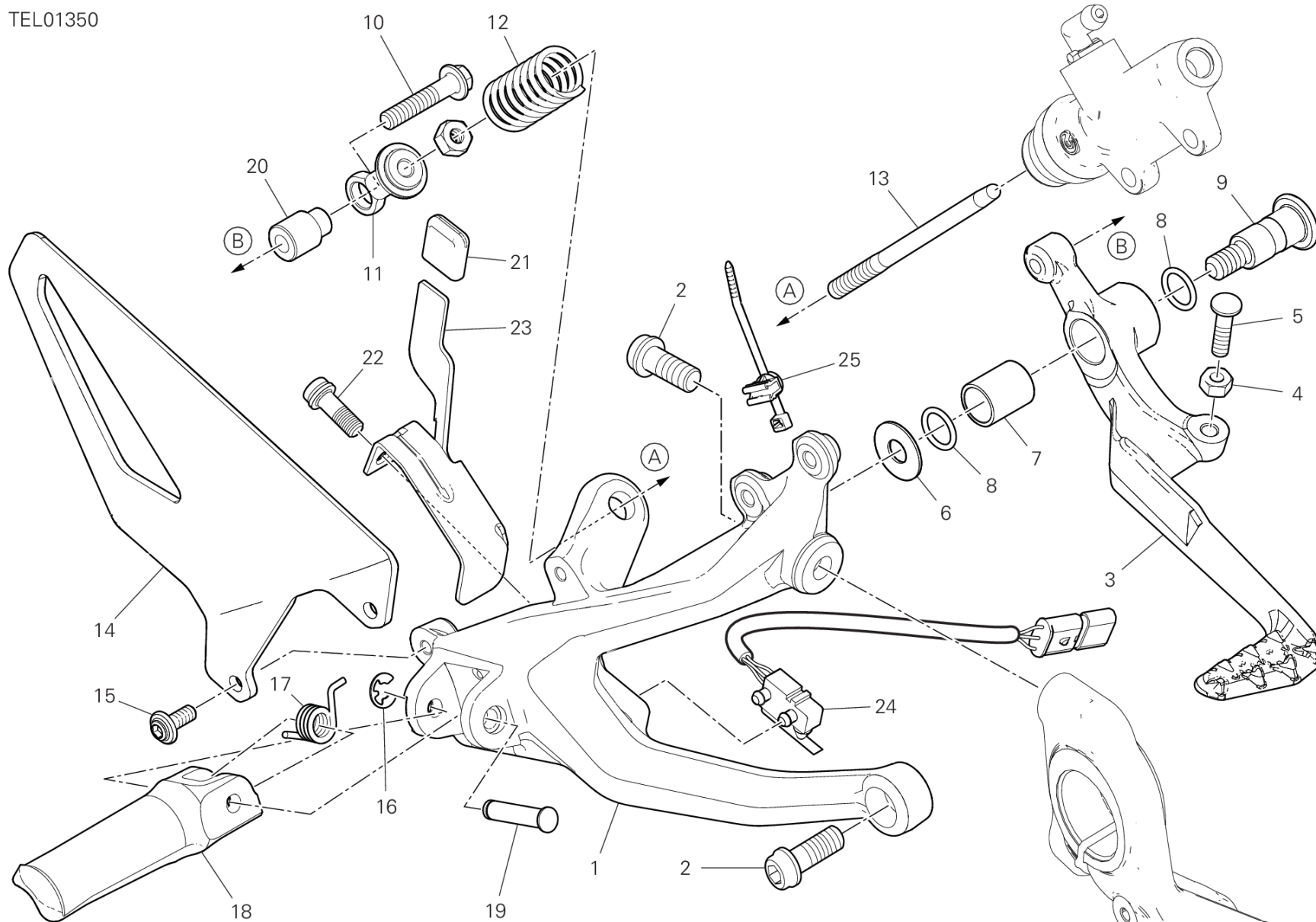


POS.	CODE	DESCRIPTION	QTY	VALIDITY	NOTES
1	8291P781AB	LEFT HOLDER	1		
2	77157288B	SCREW TCEIF M8X35	2		
3	86050361AA	PIN	1		
4	77110191A	SCREW TCEIF M6X20	1		
5	45612521AA	GEAR CONTROL LEVER	1		
6	77244358BA	SCREW	1		
7	71610111AB	SPACER	1		
8	5521A291E	Quick Shift	1		
9	11712011AA	GEARBOX DRIVING ROD	1		
10	74750031A	NUT 6MM	1		
11	77550131B	SCREW	1		
12	84850021A	BALL JOINT, RIGHT	1		
13	45613411AB	GEARCHANGE LEVER BLACK	1		
14	76410112A	COVER PEDAL	1		
15	77157248B	SCREW TCEIF M8X22	3		
16	82413951AB	REAR L.H. PLATE	1		
17	71210341A	BUSH	1		
18	88641161A	O-RING	2		
19	82111701CA	PIN PEDAL	1		
20	82110512AA	FOOTREST PIN	1		
21	79915871AA	SPRING. FOOTREST	1		
22	46410541B	LEFT FOOTREST	1		
23	88450031A	CIRCLIP E-TYPE	1		
24	77244178B	SCREW	2		
25	24716141AB	HEEL GUARD FRONT LH	1		
26	85211511A	WASHER	1		
27	74110121A	CLAMP, RUBBER 62MM	1		



DRAWING 26B - FOOTRESTS, RIGHT GROUP FRAME

TEL01350



DRAWING 26B - FOOTRESTS, RIGHT

GROUP FRAME

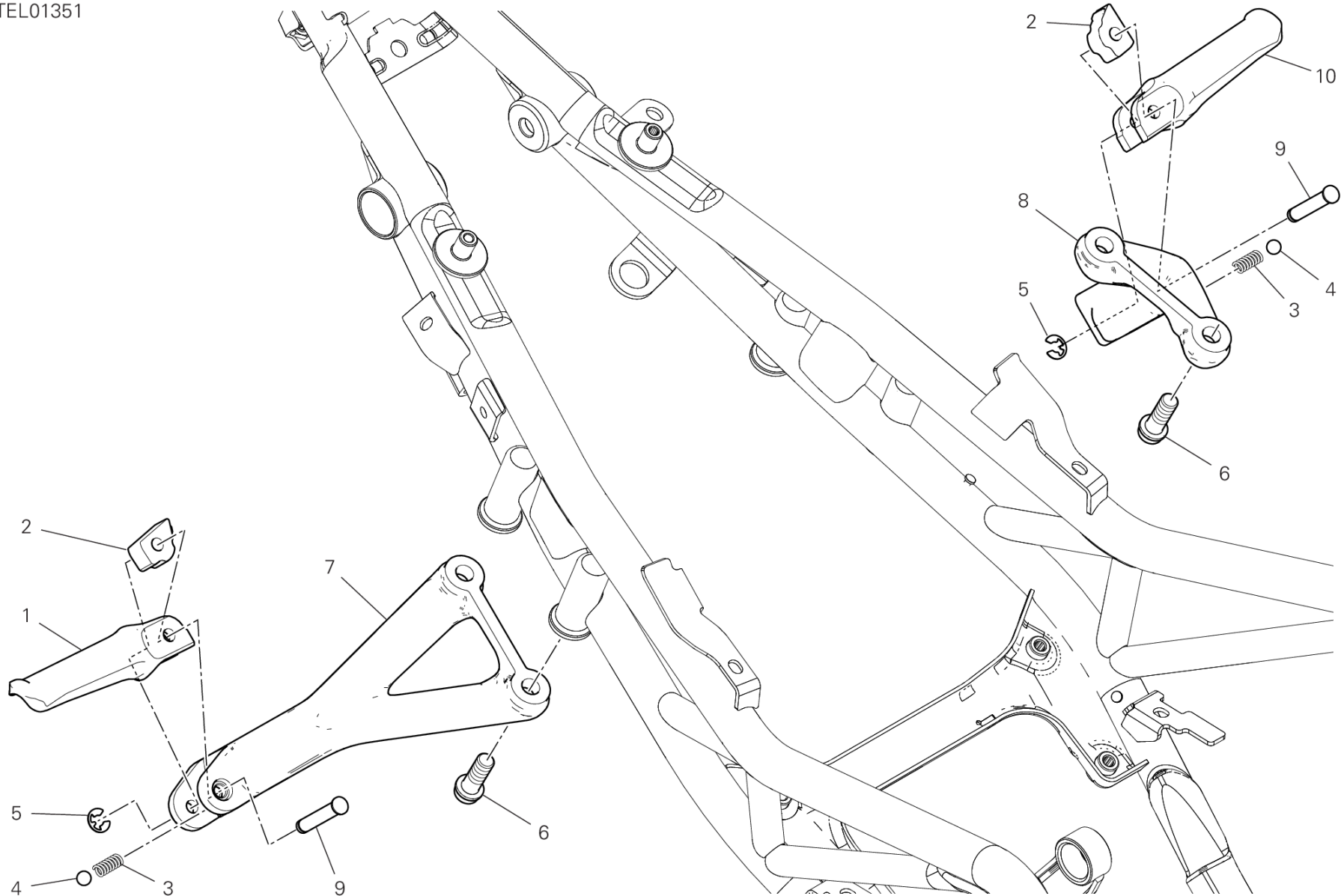


POS.	CODE	DESCRIPTION	QTY	VALIDITY	NOTES
1	82414001AB	FRONT R.H. PLATE	1		
2	77157248B	SCREW TCEIF M8X22	2		
3	45720991BB	BRAKE LEVER ASSEMBLY	1		
4	74750031A	NUT 6MM	2		
5	7791C511AA	SCREW, SPECIAL	1		
6	85211511A	WASHER	1		
7	71210341A	BUSH	1		
8	88641161A	O-RING	2		
9	82111701CA	PIN PEDAL	1		
10	77253350Z	SCREW	1		
11	18410152AA	JOINT	1		
12	79915511A	SPRING	1		
13	11711831AA	PIN	1		
14	24716131AB	HEEL GUARD FRONT RH	1		
15	77244178B	SCREW	2		
16	88450031A	CIRCLIP E-TYPE	1		
17	79915871AA	SPRING. FOOTREST	1		
18	46410531B	RIGHT FOOTREST	1		
19	82110512AA	FOOTREST PIN	1		
20	71611741AA	SPACER	1		
21	76414381A	RUBBER PAD	1		
22	77156658B	SCREW TCEIF M6X16	1		
23	8271H012AA	PLATE	1		
24	53920421C	SWITCH, REAR BRAKE	1		
25	75840771A	FAIRLEAD	1		



DRAWING 26C - REAR FOOTREST GROUP FRAME

TEL01351

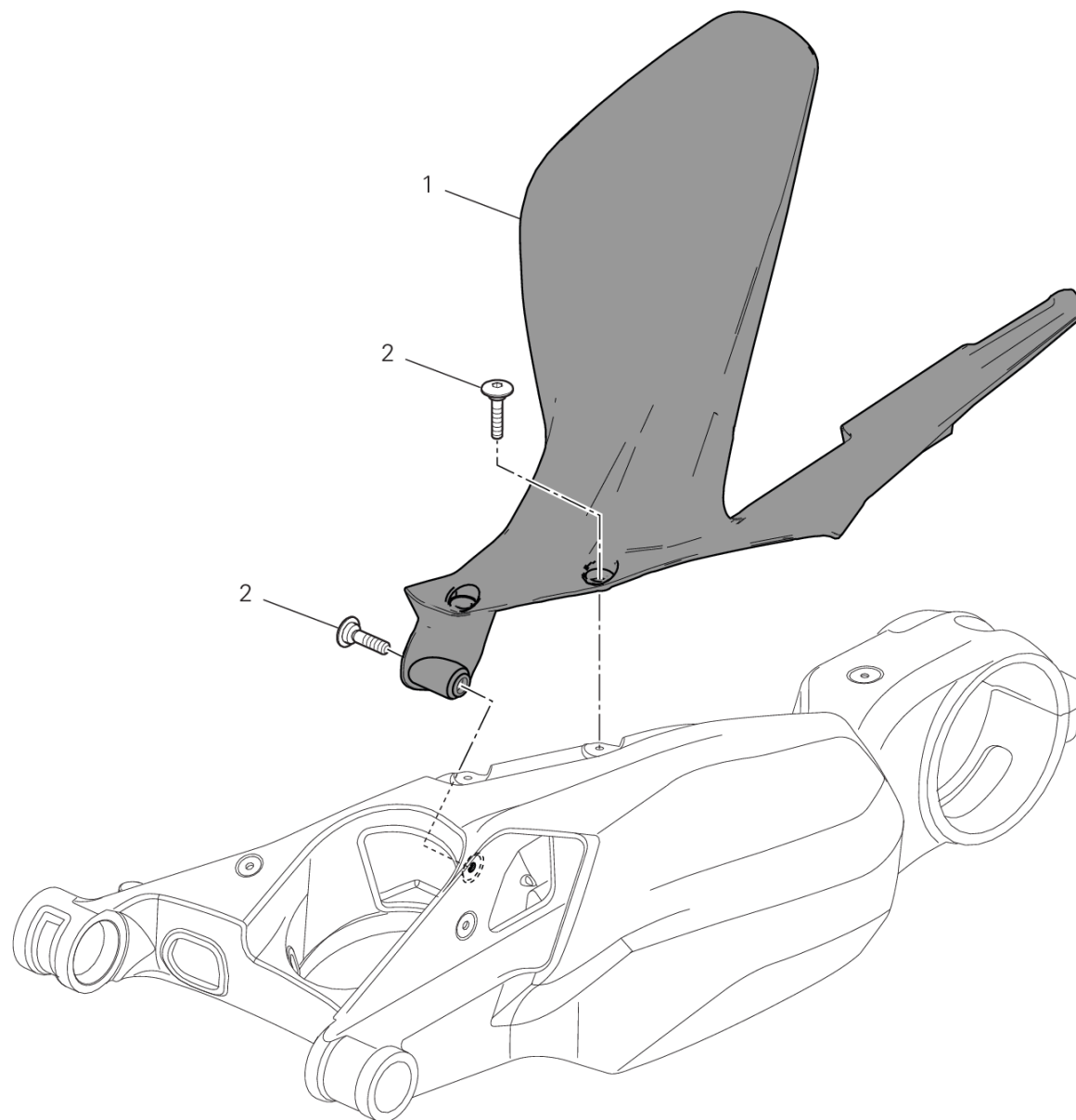


DRAWING 26C - REAR FOOTREST

GROUP FRAME



POS.	CODE	DESCRIPTION	QTY	VALIDITY	NOTES
1	46410982AA	RIGHT FOOTREST	1		
2	69610121A	BLOCK	2		
3	79910241B	SPRING	2		
4	84740021A	BALL	2		
5	88450031A	CIRCLIP E-TYPE	2		
6	77157248B	SCREW TCEIF M8X22	4		
7	82413591AB	REAR R.H. PLATE	1		
8	82413601AB	REAR L.H. PLATE	1		
9	82110512AA	FOOTREST PIN	2		
10	46410992AA	LEFT FOOTREST	1		



TEL01347

DRAWING 27A - REAR MUDGUARD

GROUP FRAME

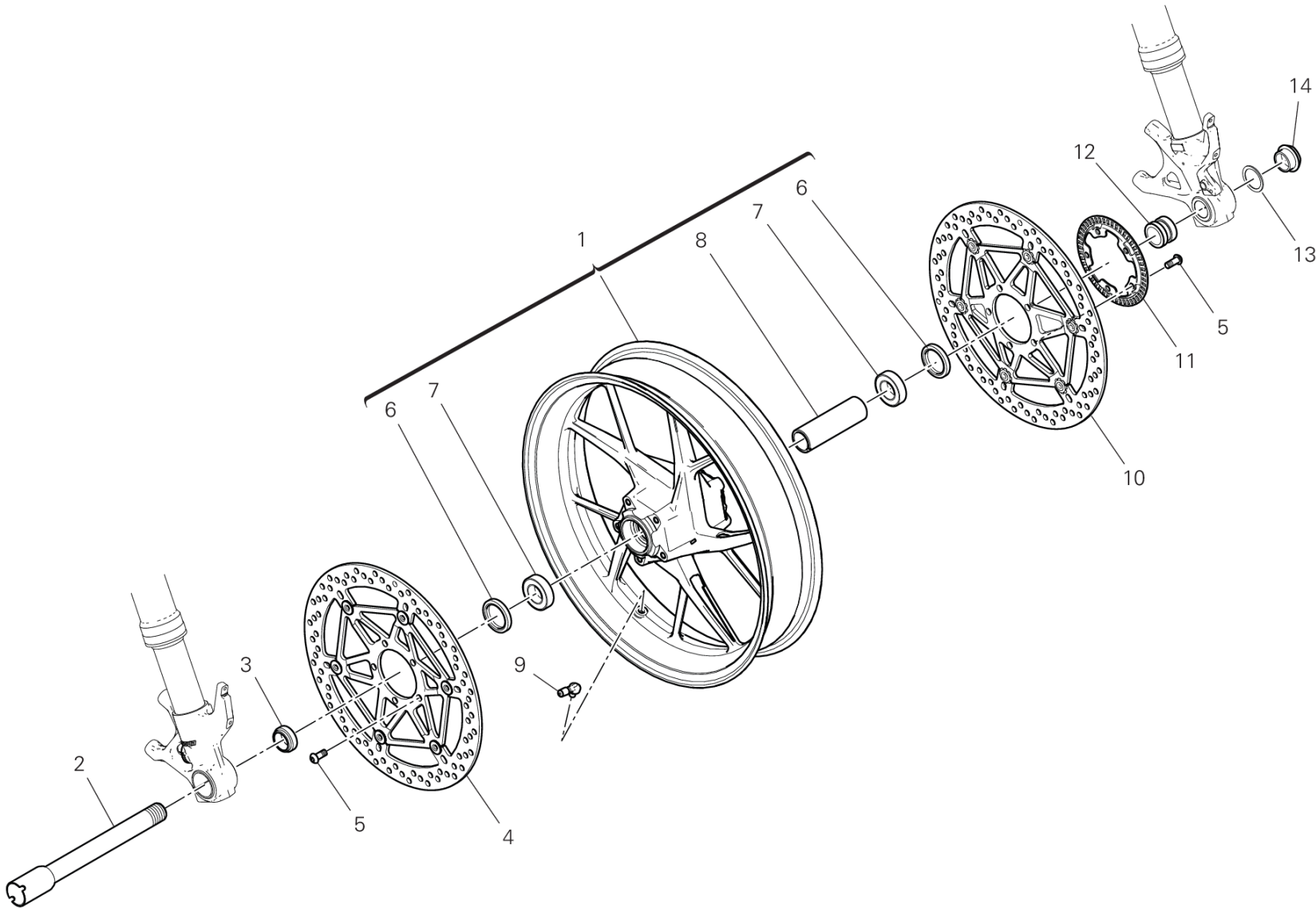


POS.	CODE	DESCRIPTION	QTY	VALIDITY	NOTES
1	56511231A	REAR MUDGUARD	1		
2	77214411BA	SCREW, SPECIAL	4		



DRAWING 28A - FRONT WHEEL GROUP FRAME

TEL01142

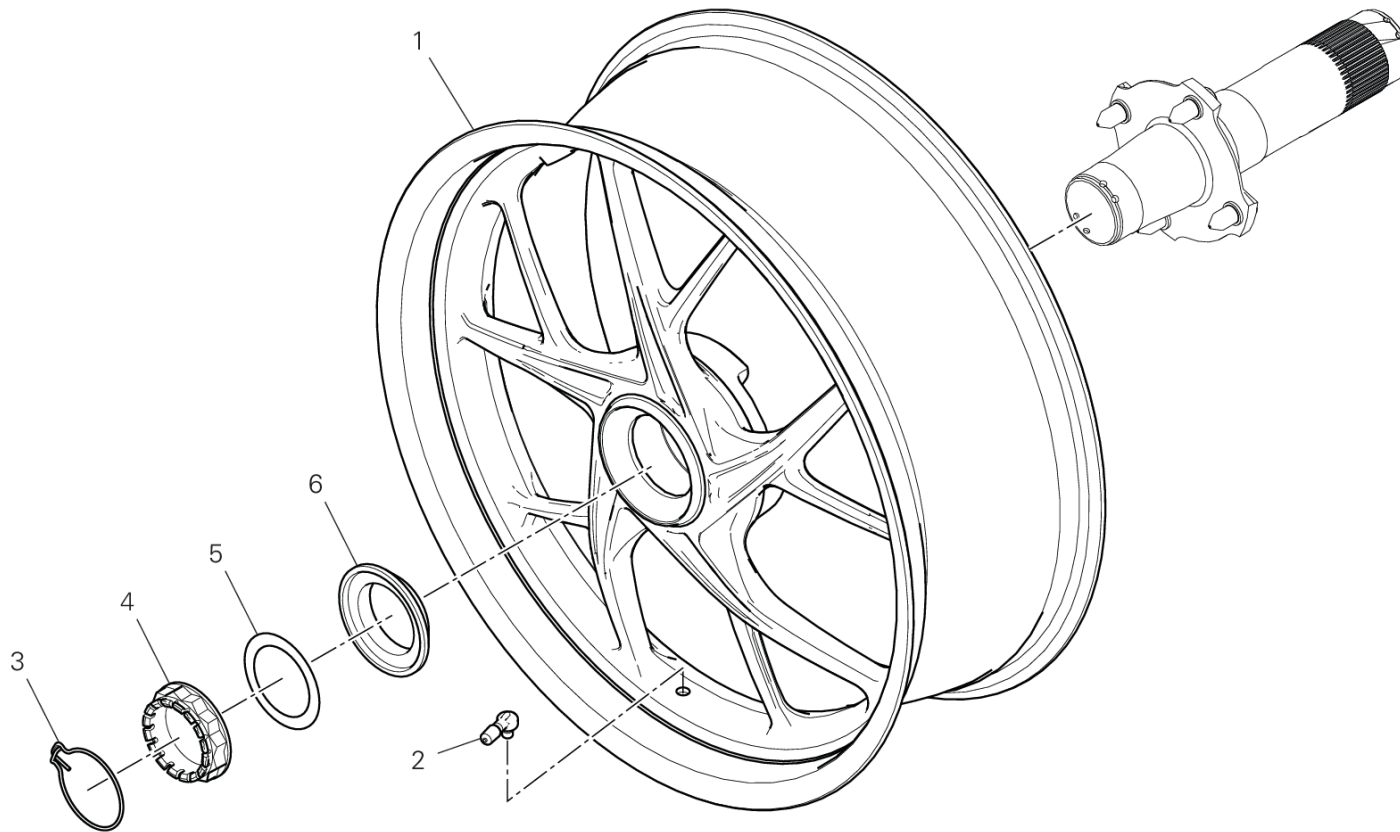


DRAWING 28A - FRONT WHEEL

GROUP FRAME



POS.	CODE	DESCRIPTION	QTY	VALIDITY	NOTES
1	50122341AA	FRONT WHEEL RIM	1		
2	81910692AA	FRONT WHEEL SPINDLE	1		
3	71413261AA	RIGHT SPACER	1		
4	49240901A	DISC, FRONT BRAKE RH	1		
5	72010513C	SCREW	10		
6	93041501A	SEAL RING	2		
7	70250451A	BEARING	2		
8	71413341AA	INNER SPACER	1		
9	49720071AC	VALVE, TUBELESS TIRE	1		
10	49240891A	DISC, FRONT BRAKE LH	1		
11	504Z0381AA	PHONIC WHEEL	1		
12	71413271AA	LEFT SPACER	1		
13	85212221A	WASHER	1		
14	74810651A	NUT	1		



TEL01318

DRAWING 29A - REAR WHEEL

GROUP FRAME

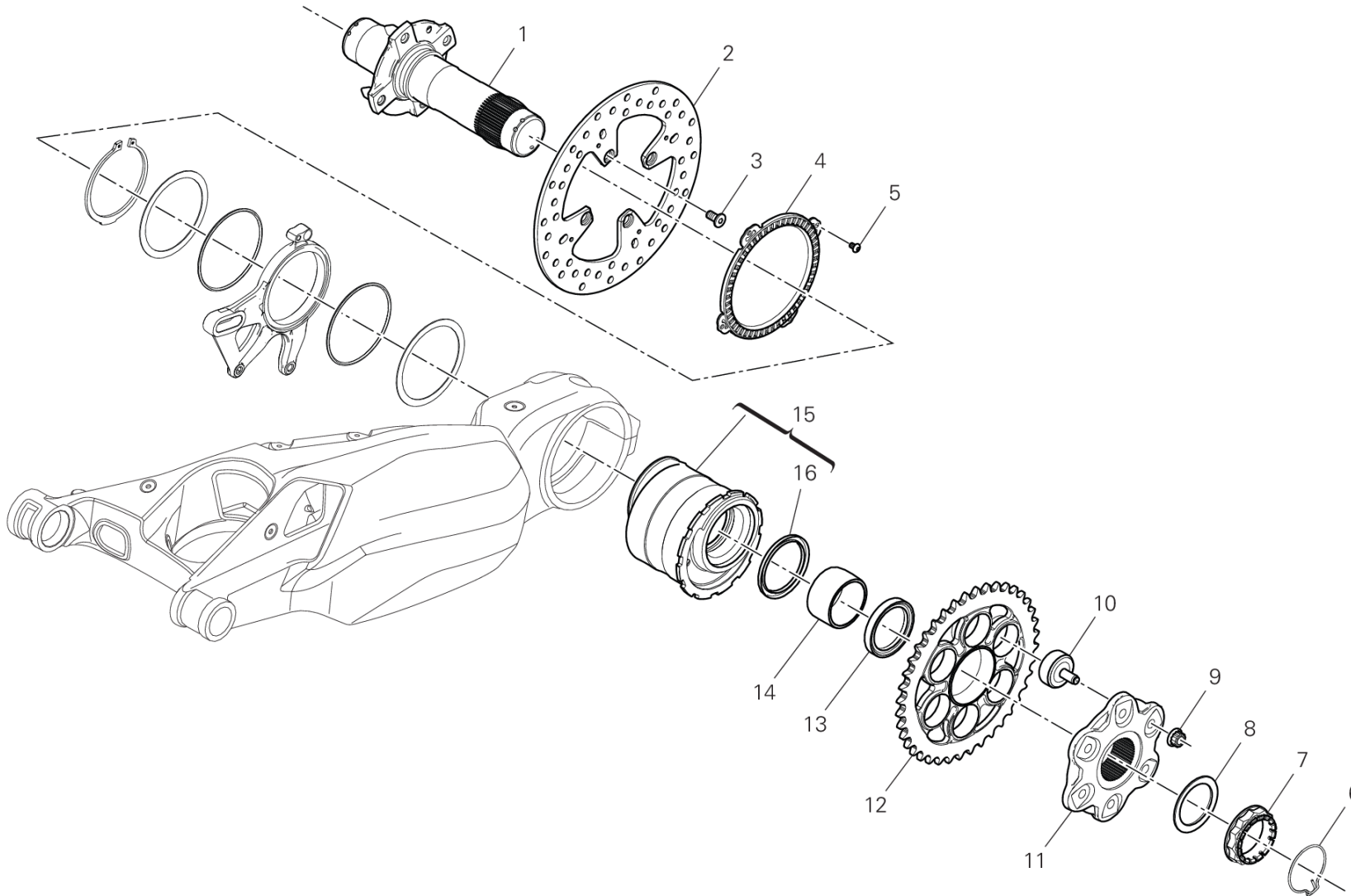


POS.	CODE	DESCRIPTION	QTY	VALIDITY	NOTES
1	50212101AA	REAR WHEEL RIM	1		
2	49720071AC	VALVE, TUBELESS TIRE	1		
3	75910222A	CLIP	1		
4	75012072AA	NUT	1		
5	85212211A	WASHER 48.5X65X0.5	1		
6	71411352AA	SPACER	1		



DRAWING 29B - REAR WHEEL SPINDLE GROUP FRAME

TEL01348



DRAWING 29B - REAR WHEEL SPINDLE

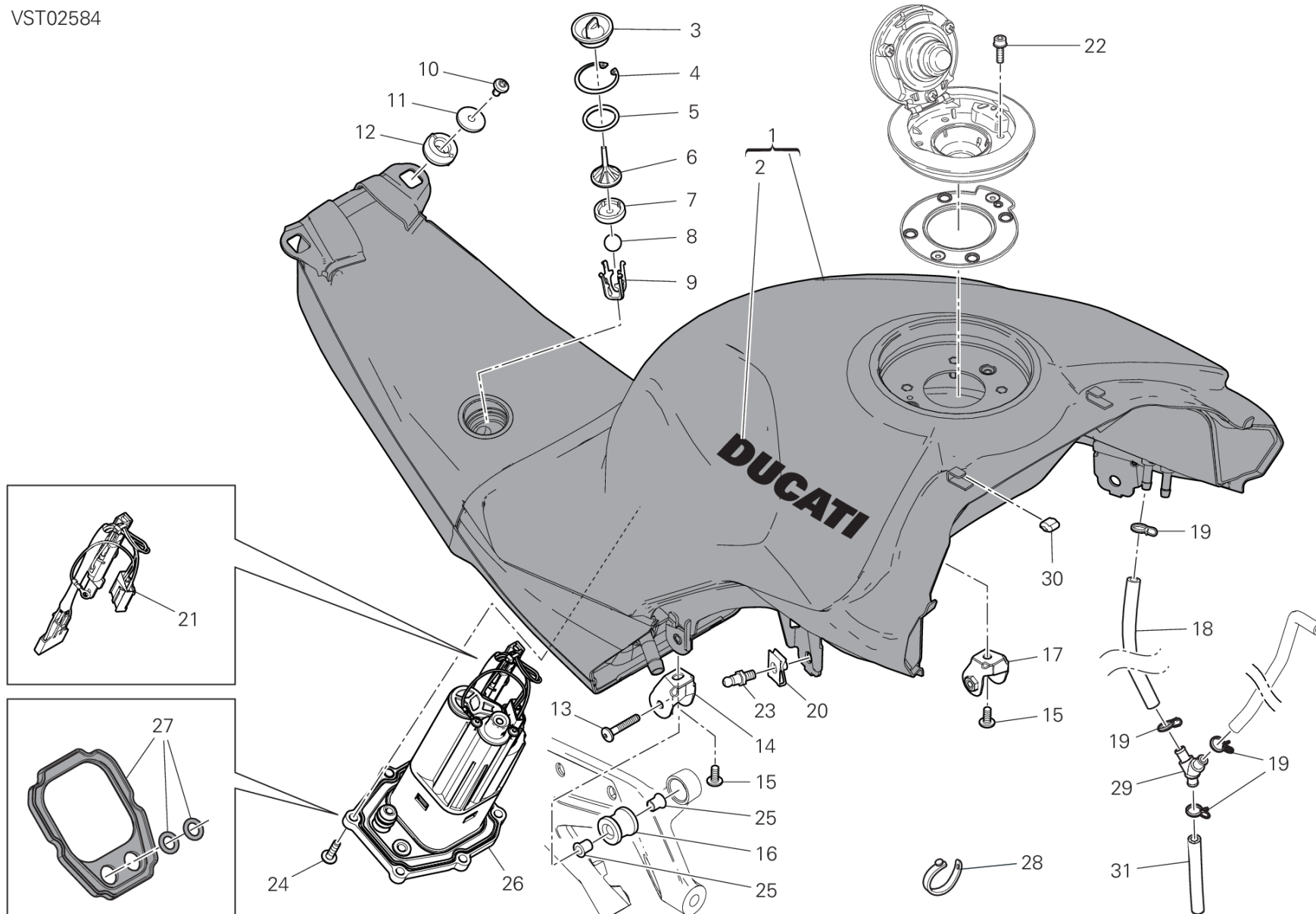
GROUP FRAME



POS.	CODE	DESCRIPTION	QTY	VALIDITY	NOTES
1	81920831AA	REAR WHEEL SPINDLE	1		
2	49210061A	REAR BRAKE DISC	1		
3	77918261AA	SCREW	4		
4	50410091A	REAR PHONIC WHEEL	1		
5	72050159EA	SCREW	4		
6	75910222A	CLIP	1		
7	75012072AA	NUT	1		
8	85212211A	WASHER 48.5X65X0.5	1		
9	74810461A	NUT, FLANGE M10X1	6		
10	70010571A	RUBBER CUSH DRIVE HUB	6		
11	16016861AA	REAR SPROCKET FLANGE	1		
12	49411911AA	REAR SPROCKET T41	1	XST:TWN	
	49412041AA	REAR SPROCKET T42	1	XST:BLG,EUR,JPN,ROK	
13	71413531AA	FINAL SPROCKET SLEEVE	1		
14	88110541A	INNER SPACER	1		
15	75620131A	HUB	1		
16	93010102A	DUST COVER	1		



VST02584



DRAWING 30A - TANK

GROUP FRAME

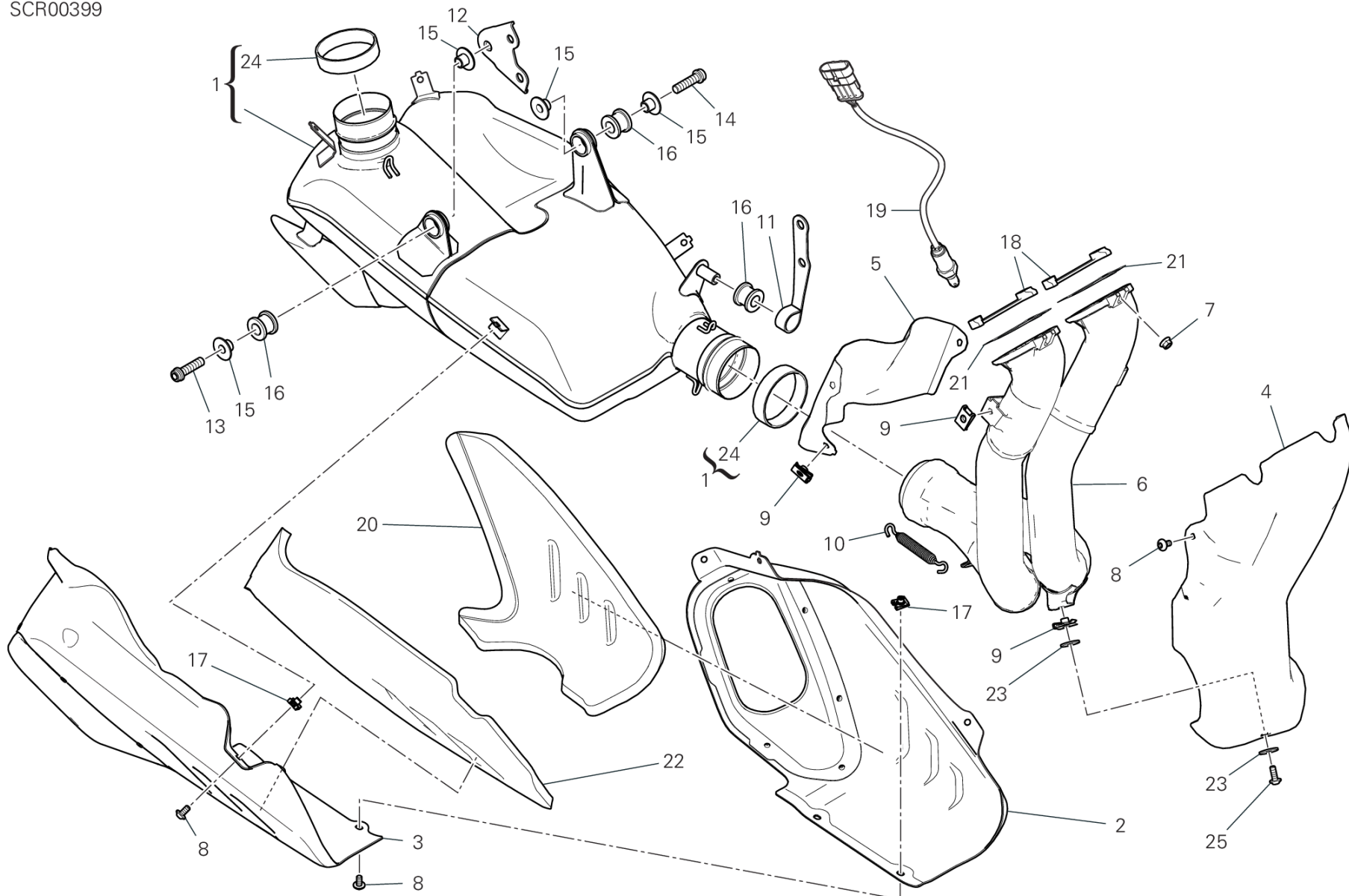


POS.	CODE	DESCRIPTION	QTY	VALIDITY	NOTES
1	58613201BA	SERBATOIO CARBURANTE ALLUMINIO	1		
2	4381C651B	EMBLEM DUCATI	2		
3	87211343A	PLUG	1		
4	88450351A	CIRCLIP	1		
5	46320226A	O-RING	1		
6	7131C961A	SPACER	1		
7	79111312A	GASKET	1		
8	84740161A	BALL	1		
9	8291H141A	HOLDER	1		
10	77244168B	SCREW	2		
11	85213002A	WASHER	2		
12	76411861A	RUBBER PAD	2		
13	71850253C	SCREW	2		
14	8301G051AB	RIGHT BRACKET	1		
15	77244178B	SCREW	2		
16	76414272A	VIBRATION DAMPER PAD	2		
17	8301G061AB	LEFT BRACKET	1		
18	59019251A	HOSE, DRAIN	1		
19	74140431A	CLAMP	4		
20	85040381A	QUICK FASTENING	2		
21	69928751A	THERMISTOR	1		
22	77156418B	SCREW TCEIF M5X16	4		
23	85044441A	PIN	2		
24	77244213B	SCREW	6		
25	7131C881BA	SPACER	4		
26	16024481A	FUEL PUMP	1		
27	69926441A	GASKET KIT	1		
28	74110551A	CLAMP, RUBBER 39MM	4		
29	61610021A	JOINT Y	1		
30	86613311A	RUBBER PAD	2		
31	59019451A	HOSE, DRAIN	1		



DRAWING 31A - EXHAUST SYSTEM GROUP FRAME

SCR00399



DRAWING 31A - EXHAUST SYSTEM

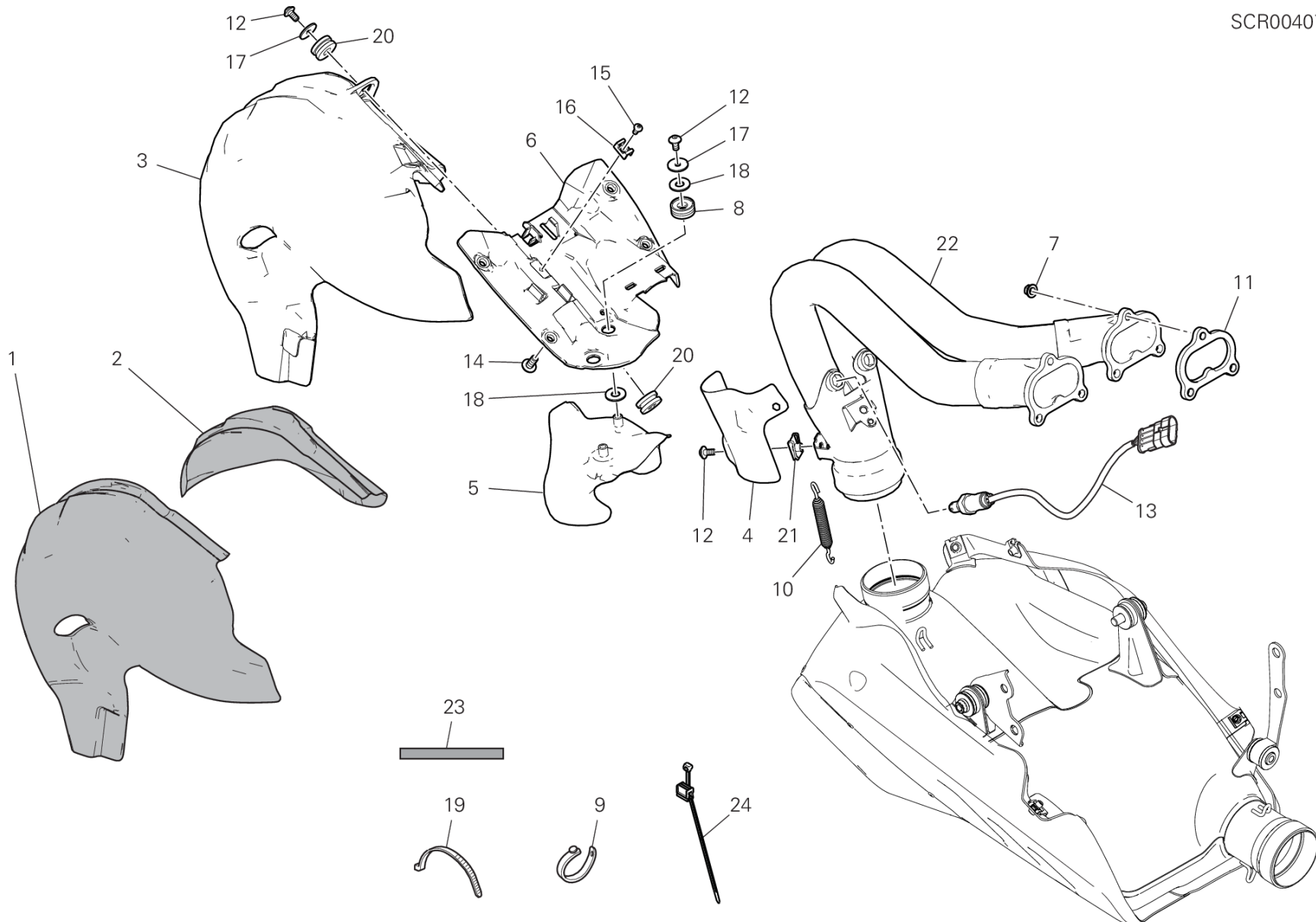
GROUP FRAME



POS.	CODE	DESCRIPTION	QTY	VALIDITY	NOTES
1	57415041A	SILENZIATORE COMPLETO	1		
	57415101A	SILENZIATORE COMPLETO	1	XST:TWN	
2	46026981AA	CAP LH	1		
3	46021011AA	CAP RH	1		
4	46110551B	HEAT GUARD	1		
5	46110561B	HEAT GUARD	1		
6	57015222A	FRONT EXHAUST MANIFOLD	1		
7	74810361A	NUT	6		
8	77244168B	SCREW	12		
9	85044691A	QUICK FASTENING	4		
10	79925941A	COMPLETE SPRING	2		
11	57610991AA	BRACKET, MUFFLER SUPPORT	1		
12	57610981AA	BRACKET, MUFFLER SUPPORT	1		
13	77157278B	SCREW TCEIF M8X30	1		
14	77113851A	SCREW TCEIF M8X35	1		
15	71615551AA	SPACER	4		
16	76412472A	RUBBER PAD	3		
17	85041951AA	QUICK FASTENING	8		
18	48810093AA	PLATE	2		
19	55215021A	SENSOR LAMBDA SOND	2		
20	48611271A	DAMPER, SOUND ARRESTER	1		
21	79010341B	GASKET, EXHAUST PIPE	2		
22	48611281A	ACOUSTIC INSULATION PANEL, RH	1		
23	85213111AB	WASHER	2		
24	79010511A	GASKET	2		
25	77244188B	SCREW	1		



SCR00407



DRAWING 31B - EXHAUST SYSTEM [XST:BLG,EUR,JPN,ROK]

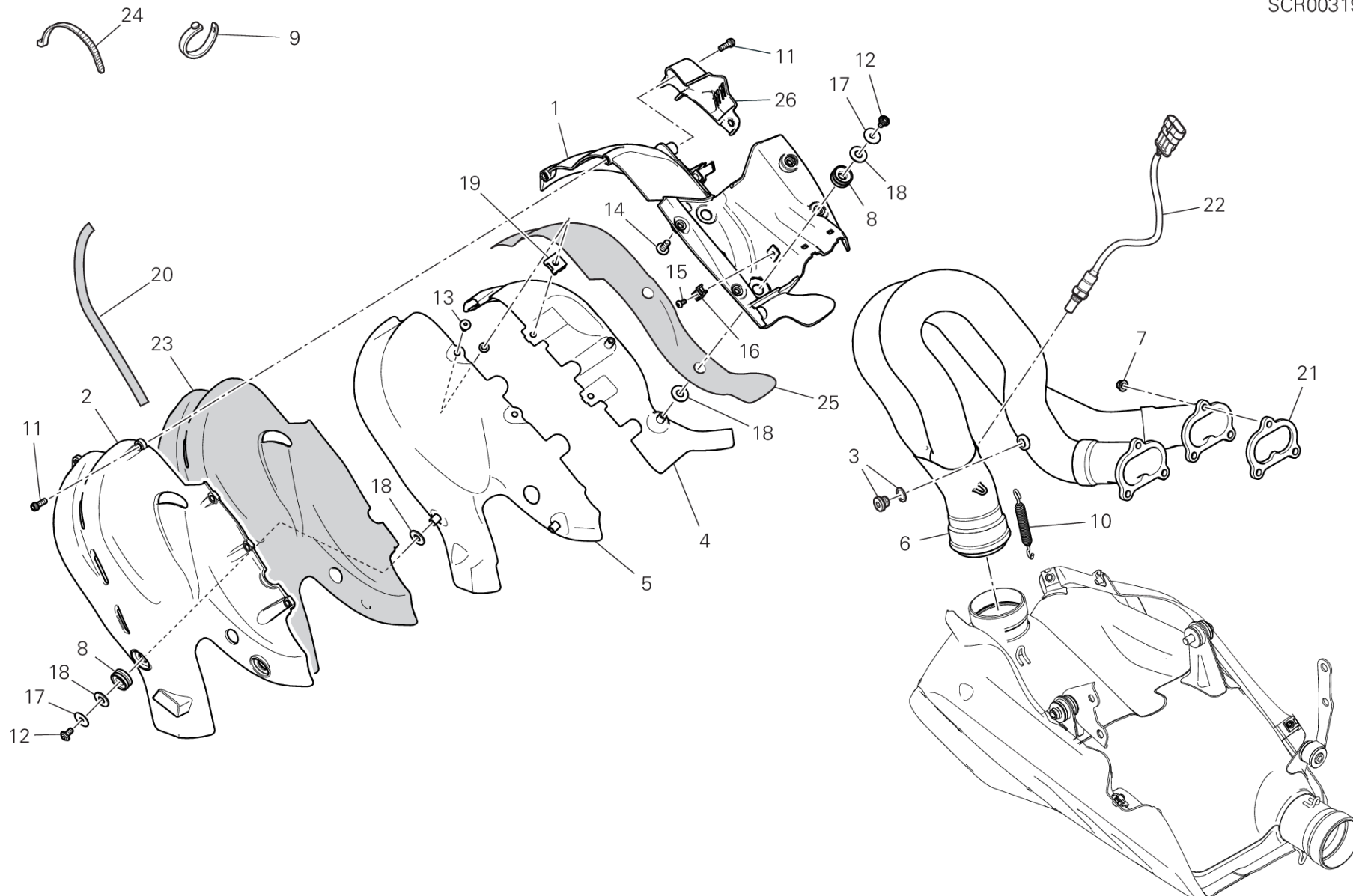
GROUP FRAME



POS.	CODE	DESCRIPTION	QTY	VALIDITY	NOTES
1	4601L211A	THERMOREFLECTING PROTECTION	1		
2	4601L252A	THERMOREFLECTING PROTECTION	1		
3	46111102A	HEAT GUARD REAR	1		
4	46111141A	HEAT GUARD BOTTOM	1		
5	46111132A	HEAT GUARD UPPER	1		
6	46111201A	HEAT GUARD	1		
7	74810361A	NUT	6		
8	76411821A	VIBRATION DAMPER PAD	2		
9	74110131A	CLAMP, RUBBER 82MM	1		
10	79925941A	COMPLETE SPRING	2		
11	79010321B	GASKET, EXHAUST PIPE	2		
12	77244163B	SCREW TBEI M5X10	6		
13	55215021A	SENSOR LAMBDA SOND	2		
14	77240423C	SCREW	4		
15	77440141A	SCREW, TAPPING 4X8 WN1412	3		
16	85041711A	HOSE GUIDE	3		
17	85213111AA	WASHER	8		
18	85640121A	WASHER	8		
19	069191030	CLAMP	2		
20	76411501A	RUBBER PAD	2		
21	85044691A	QUICK FASTENING	2		
22	57015211A	EXHAUST PIPE	1		
23	4601I521A	THERMOREFLECTING PROTECTION	1		
24	74142941A	CLAMP	1		



SCR00319



DRAWING 31B - EXHAUST SYSTEM [XST:TWN]

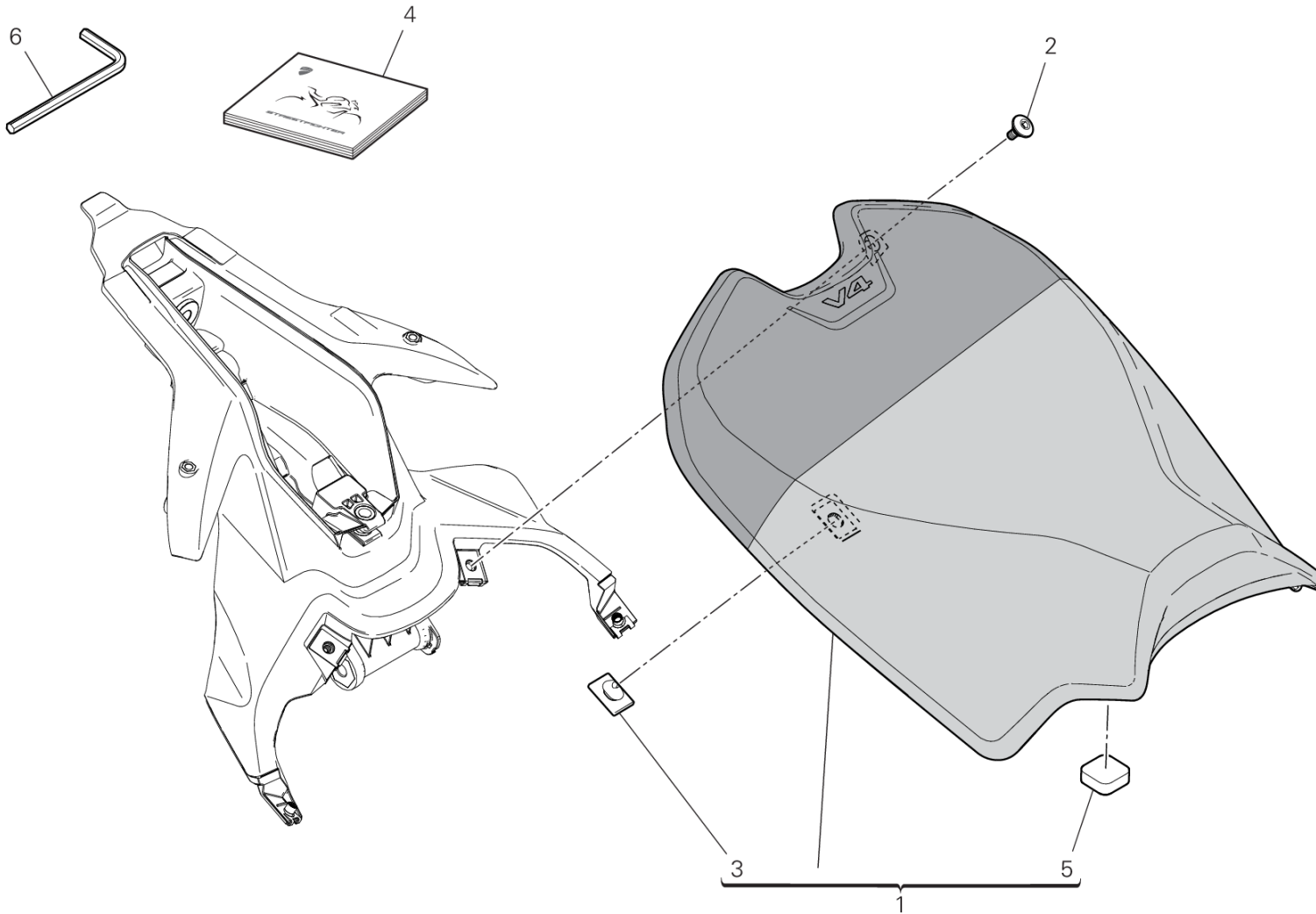
GROUP FRAME



POS.	CODE	DESCRIPTION	QTY	VALIDITY	NOTES
1	4601F402A	HEAT GUARD L.H.	1		
2	4601G351B	HEAT GUARD R.H.	1		
3	78020011A	PLUG ASSY	2		
4	46110572B	HEAT GUARD REAR	1		
5	46110581C	HEAT GUARD REAR	1		
6	57014874C	EXHAUST MANIFOLD	1	XST:TWN	
7	74810361A	NUT	6		
8	76411821A	VIBRATION DAMPER PAD	4		
9	74110131A	CLAMP, RUBBER 82MM	1		
10	79925941A	COMPLETE SPRING	2		
11	77156403B	SCREW	7		
12	77244163B	SCREW TBEI M5X10	4		
13	77240253C	SCREW	3		
14	77240423C	SCREW	4		
15	77440141A	SCREW, TAPPING 4X8 WN1412	3		
16	85041711A	HOSE GUIDE	3		
17	85213111AA	WASHER	6		
18	85640121A	WASHER	8		
19	85041931A	CLIP	3		
20	4601I521A	THERMOREFLECTING PROTECTION	1		
21	79010321B	GASKET, EXHAUST PIPE	2		
22	55215021A	SENSOR LAMBDA SOND	1		
23	4601F461A	THERMOREFLECTING PROTECTION	1		
24	069191030	CLAMP	3		
25	4601F451A	THERMOREFLECTING PROTECTION	1		
26	4601G571A	PROTECTION WIRING	1		



VST02595



DRAWING 32A - SEAT

GROUP FRAME

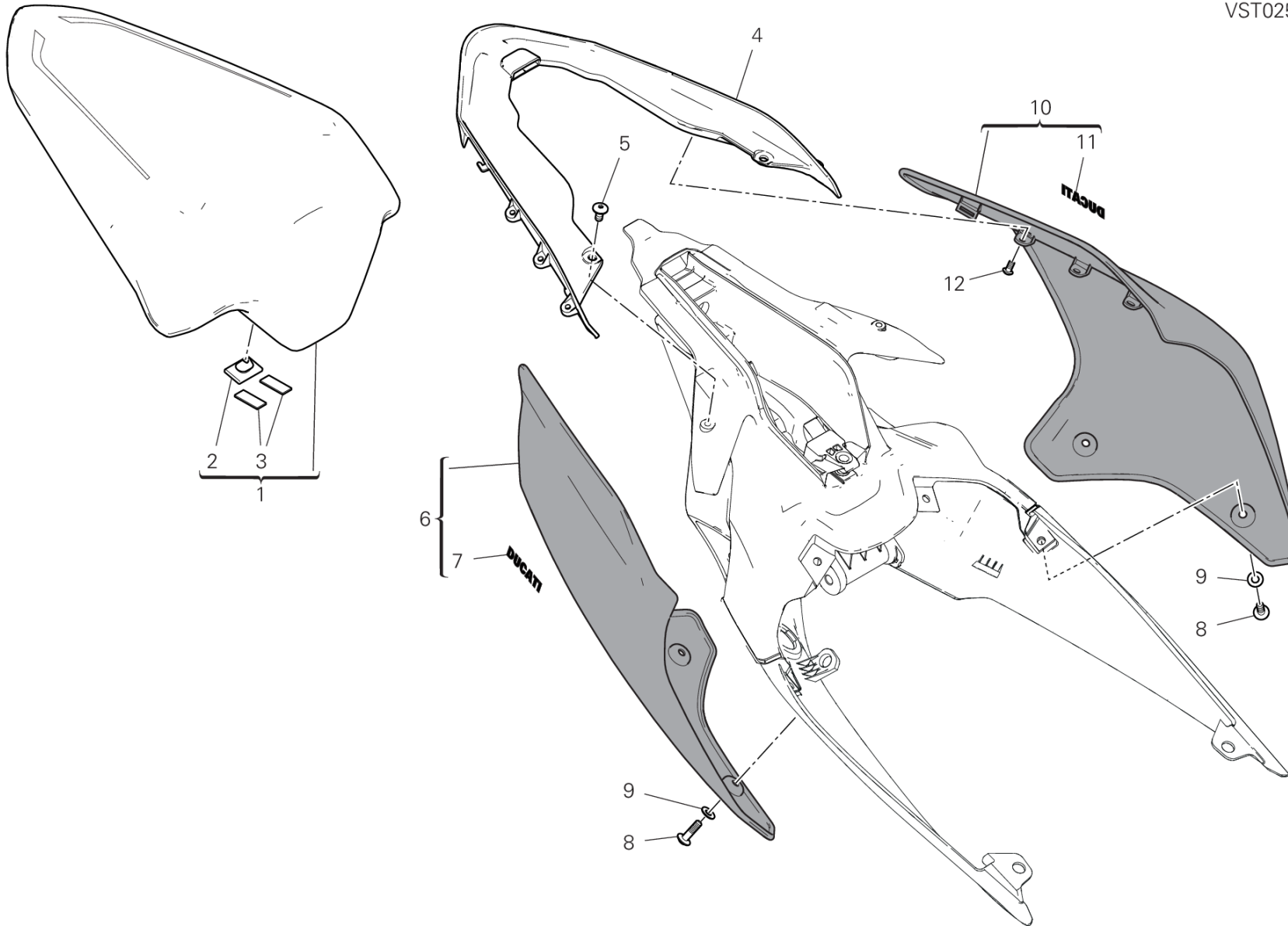


POS.	CODE	DESCRIPTION	QTY	VALIDITY	NOTES
1	595P7311AA		1		
2	77214411AA	SCREW	2		
3	86610301A	PAD	6		
4	91376611AR	OWNER'S MANUAL	1		ARABIC
	91376611BG	OWNER'S MANUAL	1		BULGARIAN
	91376611CA	OWNER'S MANUAL	1		CANADA/FRA
	91376611CS	OWNER'S MANUAL	1		CZECH REPUBLIC
	91376611DA	OWNER'S MANUAL	1		DENMARK
	91376611DE	OWNER'S MANUAL	1		GERMAN
	91376611EL	OWNER'S MANUAL	1		GREECE
	91376611EN	OWNER'S MANUAL	1		ENGLISH
	91376611ES	OWNER'S MANUAL	1		SPANISH
	91376611FI	OWNER'S MANUAL	1		FINLAND
	91376611FR	OWNER'S MANUAL	1		FRENCH
	91376611HR	OWNER'S MANUAL	1		CROATIA
	91376611HU	OWNER'S MANUAL	1		HUNGARY
	91376611IT	OWNER'S MANUAL	1		ITALY
	91376611JA	OWNER'S MANUAL	1		JAPAN
	91376611KO	OWNER'S MANUAL	1		KOREA
	91376611MX	OWNER'S MANUAL	1		MEXICO/ESP
	91376611NL	OWNER'S MANUAL	1		HOLLAND
	91376611NO	OWNER'S MANUAL	1		NORWAY
	91376611PL	OWNER'S MANUAL	1		POLAND
	91376611PT	OWNER'S MANUAL	1		PORTUGHESE
	91376611RO	OWNER'S MANUAL	1		ROMANIA
	91376611RU	OWNER'S MANUAL	1		RUSSIAN
	91376611SK	OWNER'S MANUAL	1		SLOVAK
	91376611SL	OWNER'S MANUAL	1		SLOVENIAN
	91376611SV	OWNER'S MANUAL	1		SWEDISH
	91376611US	OWNER'S MANUAL	1		USA
	91376611ZH	OWNER'S MANUAL	1		TRADITIONAL CHINESE
5	86612441A	RUBBER PAD	2		
6	69710151A	4 MM ALLEN WRENCH	1		



DRAWING 32B - PILLION RIDER SEAT GROUP FRAME

VST02586



DRAWING 32B - PILLION RIDER SEAT

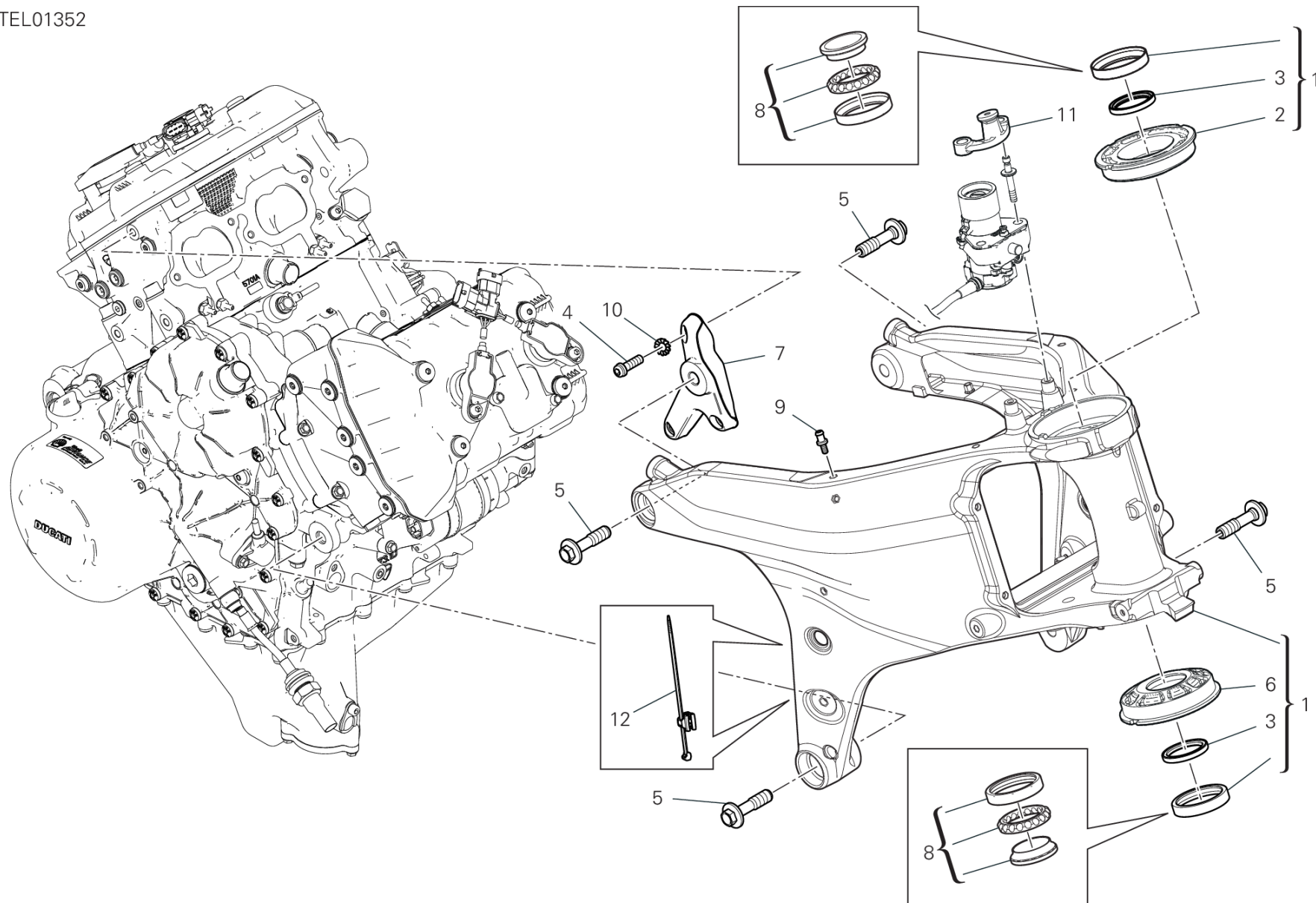
GROUP FRAME



POS.	CODE	DESCRIPTION	QTY	VALIDITY	NOTES
1	595P6401AG	PILLION RIDER SEAT	1		
2	86610301A	PAD	6		
3	86612791A	RUBBER PAD	2		
4	48222551A	HOLDER	1		
5	77240253C	SCREW	2		
6	48212471AH	COVER FRAME RH RED	1		
7	4381F681A	GRAPHIC DUCATI BLACK	1		
8	77210861B	SCREW TBEI M5X18	4		
9	85611401A	WASHER	4		
10	48212461AH	COVER FRAME LH RED	1		
11	4381F691A	GRAPHIC DUCATI BLACK	1		
12	77215101AA	SCREW, SPECIAL	6		



TEL01352



DRAWING 33A - FRAME

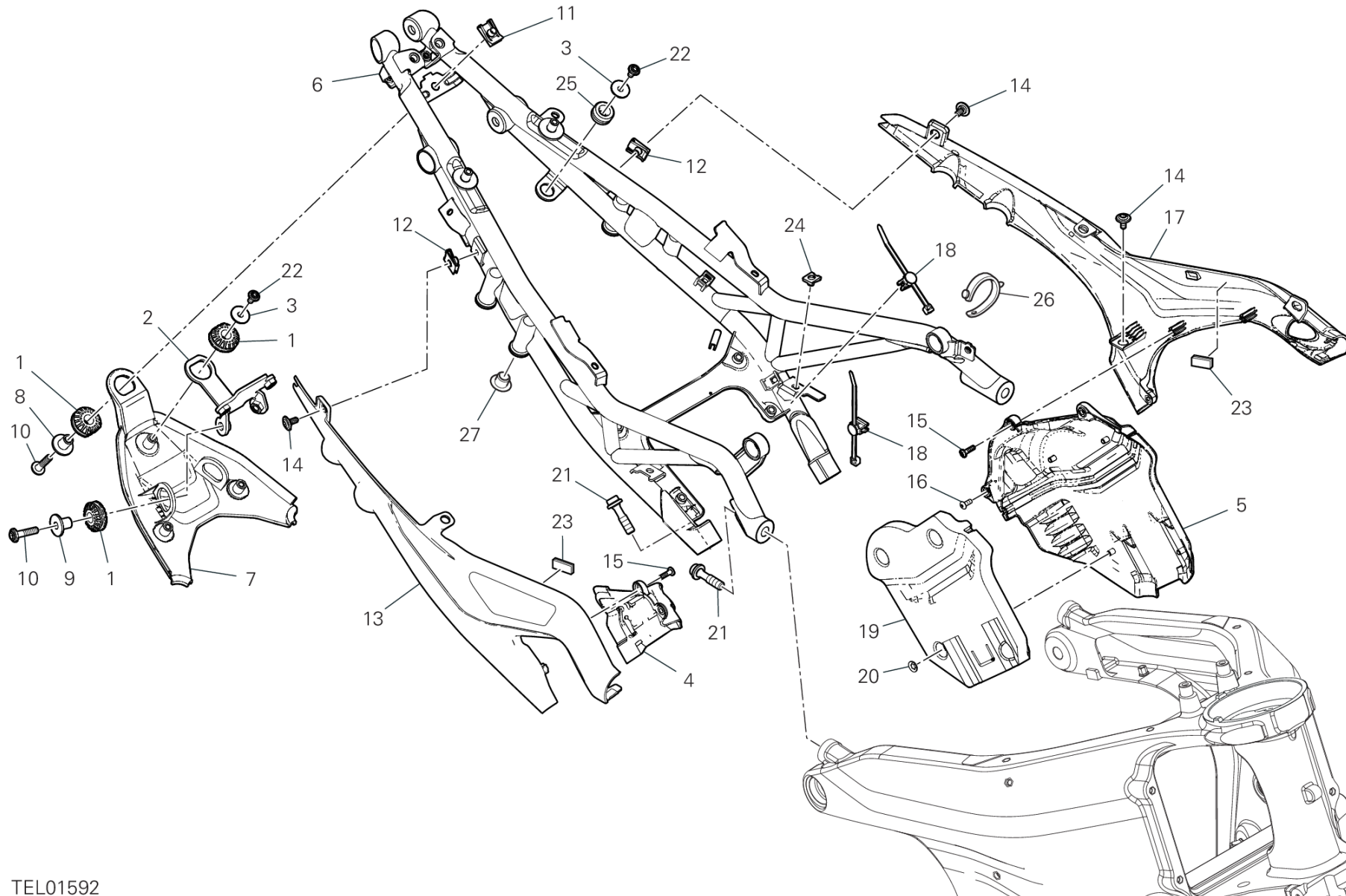
GROUP FRAME



POS.	CODE	DESCRIPTION	QTY	VALIDITY	NOTES
1	47028201BB	FRAME	1		
2	75610911AA	BUSH	1		
3	93041911A	DUST COVER	2		
4	7715725BG	SCREW	3		
5	7791A842AA	SCREW, SPECIAL	4		
6	75610921AA	BUSH	1		
7	82919242AA	RIGHT HOLDER	1		
8	70241231A	BEARING, STEERING NTN SF07A17P	2		
9	7791B311AA	SCREW, SPECIAL	2		
10	85540091A	TOOTHED LOCK WASHER	3		
11	8301H611AA	BRACKET	1		
12	75841031A	CLAMP	2		



DRAWING 33B - REAR FRAME COMP. GROUP FRAME



TEL01592

STREETFIGHTER V4 /23

032000023

Page 174 / 212

SPARE PARTS CATALOGUE

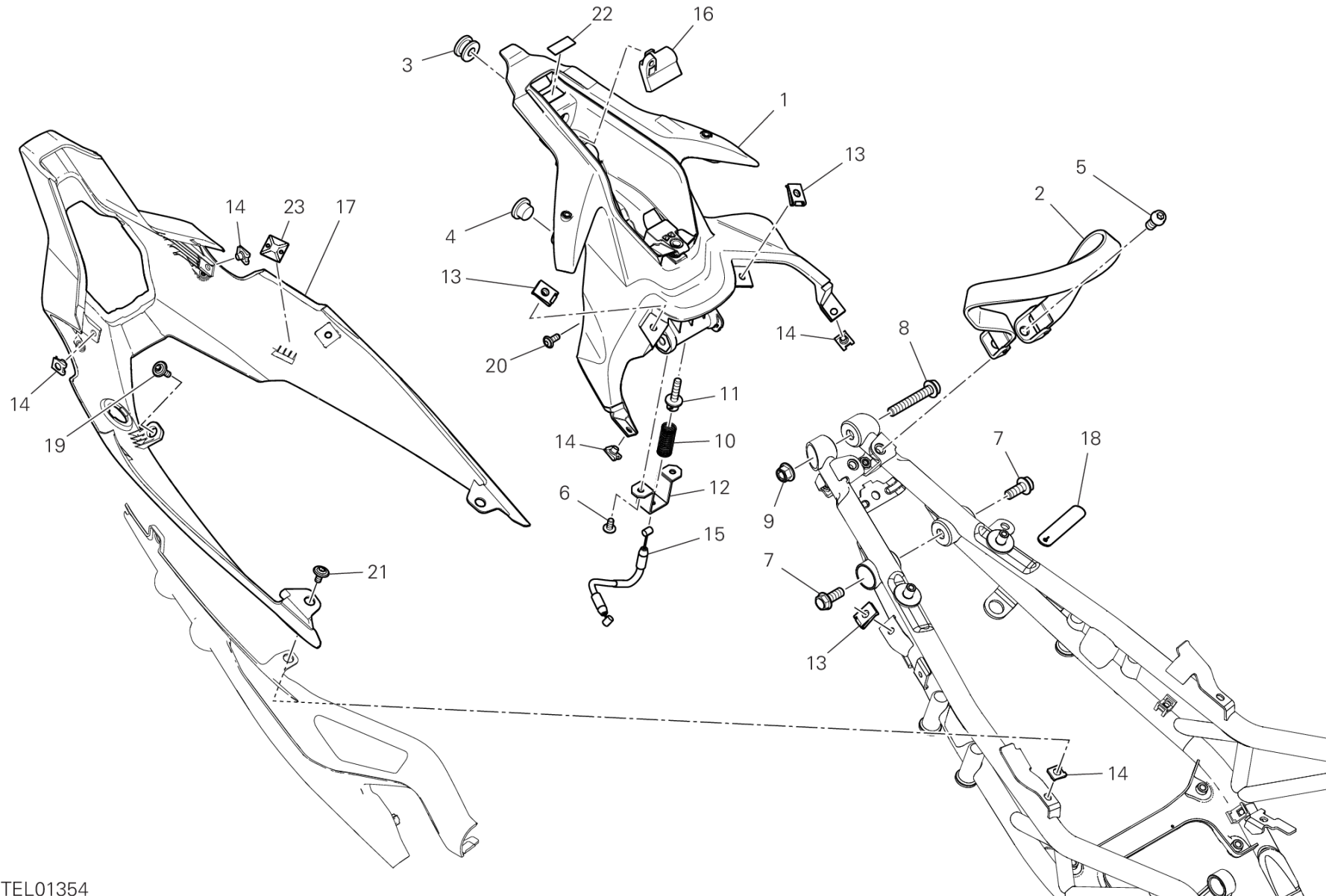
22/12/2022

DRAWING 33B - REAR FRAME COMP.

GROUP FRAME



POS.	CODE	DESCRIPTION	QTY	VALIDITY	NOTES
1	76411641A	SEAT RUBBER	3		
2	83011231BA	BRACKET	1		
3	85213111AA	WASHER	2		
4	4601G561A	CAP RH	1		
5	4601I311A	CAP LH	1		
6	47018334DA	REAR FRAME COMP.	1		
7	48216941A	GUARD	1		
8	71610061A	SPACER	1		
9	71615921AA	SPACER	2		
10	77244373B	SCREW	3		
11	85040381A	QUICK FASTENING	1		
12	85044691A	QUICK FASTENING	2		
13	48216971A	CAP RH	1		
14	77211251A	SCREW	6		
15	77440251A	SCREW	5		
16	77550221A	SCREW TBEI M4X10	1		
17	48216961A	CAP LH	1		
18	75840771A	FAIRLEAD	2		
19	48612041B	DAMPER, SOUND ARRESTER	1		
20	85040521A	CLIP	4		
21	7791B321AA	SCREW, SPECIAL	4		
22	77244163B	SCREW TBEI M5X10	3		
23	8501B151A	DUAL LOCK	2		
24	85041951AA	QUICK FASTENING	2		
25	76412101A	RUBBER PAD	2		
26	74110551A	CLAMP, RUBBER 39MM	1		
27	87240821A	PLUG	1		



TEL01354

DRAWING 33C - LOCKER

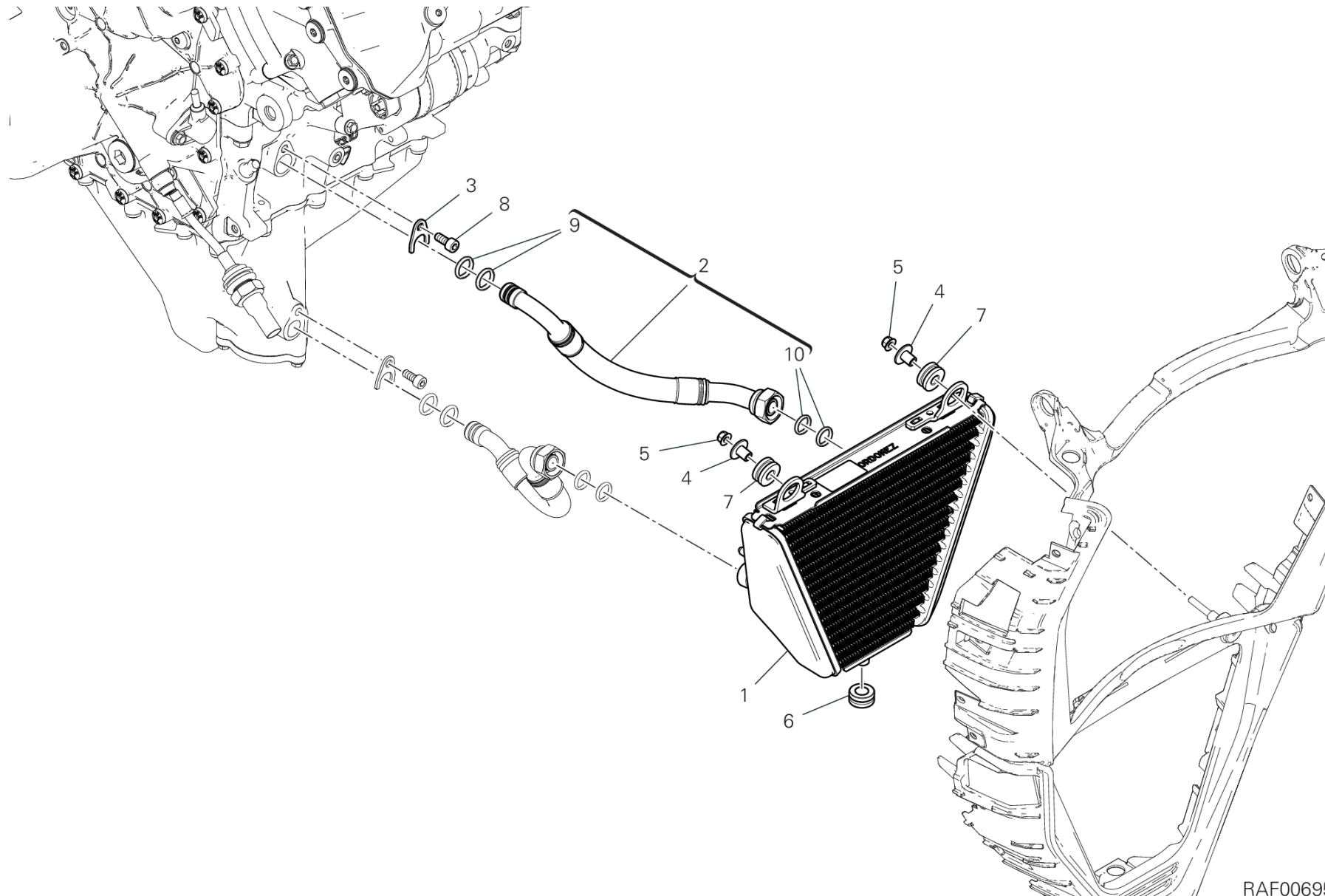
GROUP FRAME



POS.	CODE	DESCRIPTION	QTY	VALIDITY	NOTES
1	48312054A	LOCKER	1		
2	59513412A	BELT	1		
3	76411491A	RUBBER PAD	1		
4	76414282A	RUBBER PAD	2		
5	77110212A	SCREW	2		
6	77240253C	SCREW	2		
7	77251308B	SCREW	2		
8	77251388B	SCREW	1		
9	74941128B	NUT M8	1		
10	79913021A	SPRING	1		
11	82115751AA	PIN	1		
12	82718481AA	BRACKET	1		
13	85044691A	QUICK FASTENING	4		
14	85041951AA	QUICK FASTENING	6		
15	73210651B	CABLE, SEAT LOCK	1		
16	86612771B	PAD	1		
17	48216953A	COVER	1		
18	74110101A	CLAMP 70MM	1		
19	77210943B	SCREW, SPECIAL	2		
20	77211091C	SCREW	2		
21	77214411BA	SCREW, SPECIAL	2		
22	86611821A	RUBBER PAD	1		
23	75841061A	CLAMP	1		



DRAWING 34A - OIL COOLER GROUP FRAME



RAF00695

DRAWING 34A - OIL COOLER

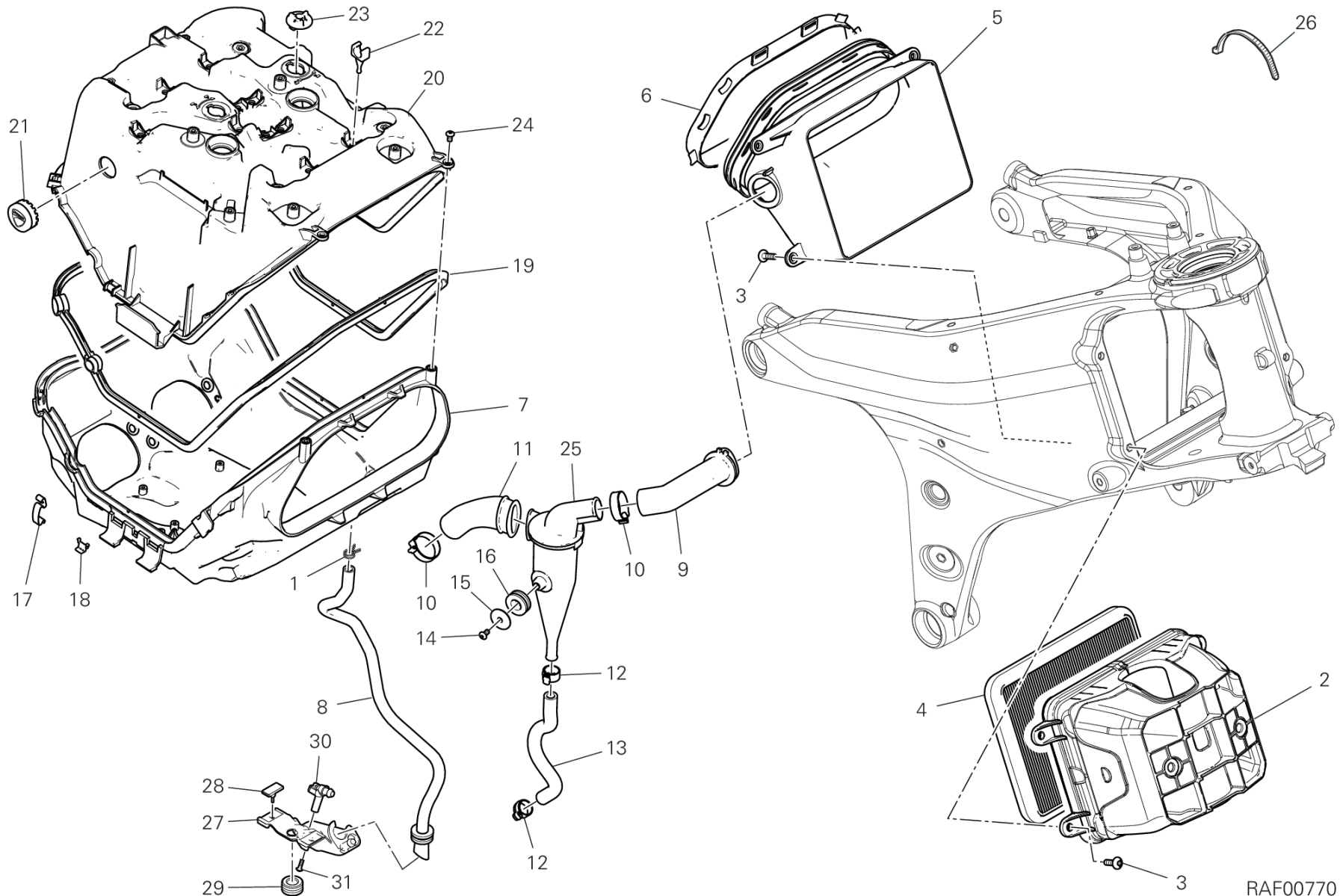
GROUP FRAME



POS.	CODE	DESCRIPTION	QTY	VALIDITY	NOTES
1	54811364A	OIL COOLER	1		
2	54911402A	OIL DELIVERY PIPE	1		
3	82718471AA	PLATE	1		
4	71615151AA	SPACER	2		
5	74810351B	NUT	2		
6	76410901A	RUBBER PAD	1		
7	76411501A	RUBBER PAD	2		
8	77116648B	SCREW M6X14	1		
9	88643141A	O-RING	2		
10	88643121A	O-RING	2		



DRAWING 35A - AIR INTAKE - OIL BREATHER GROUP FRAME



RAF00770

DRAWING 35A - AIR INTAKE - OIL BREATHER

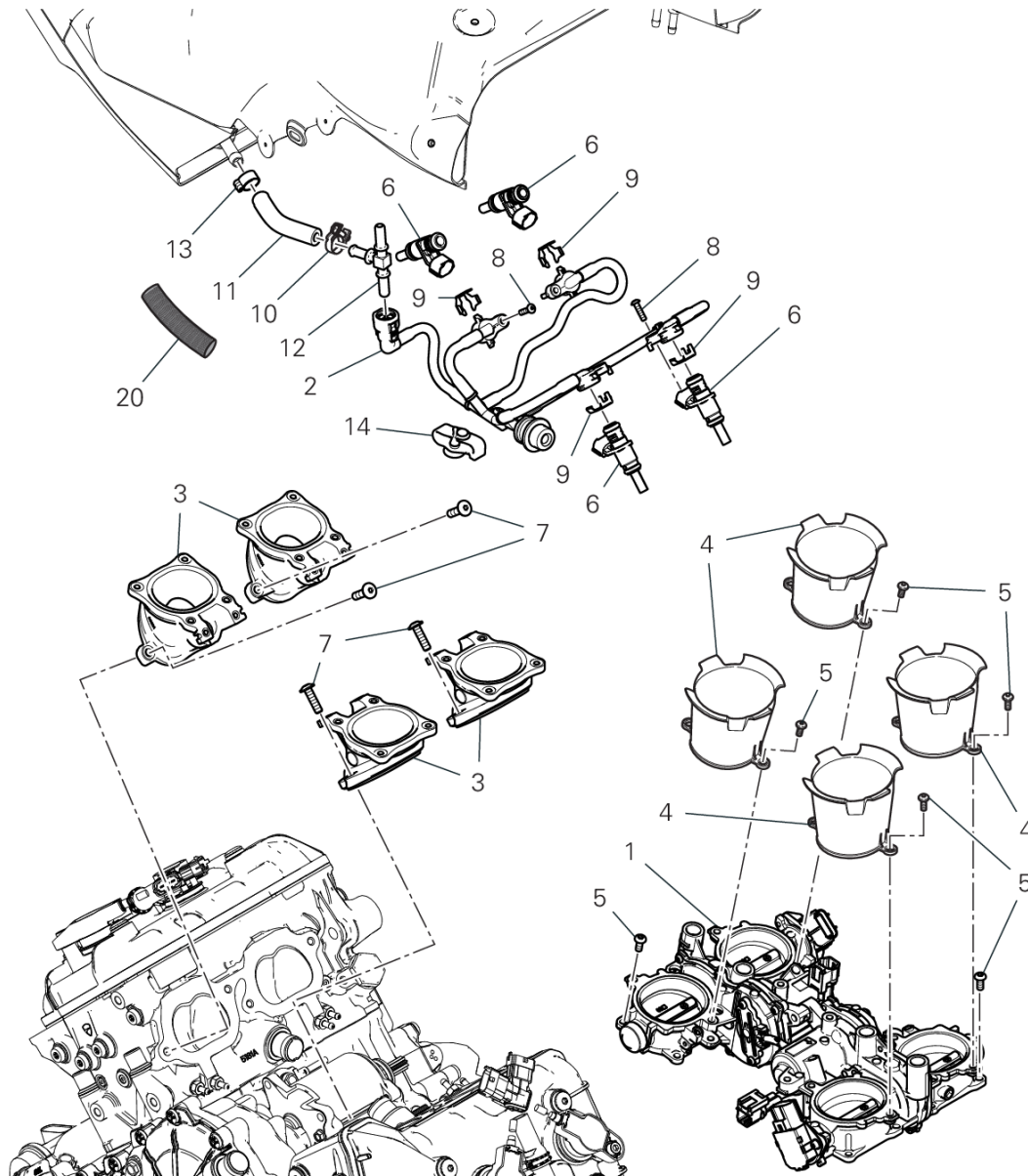
GROUP FRAME



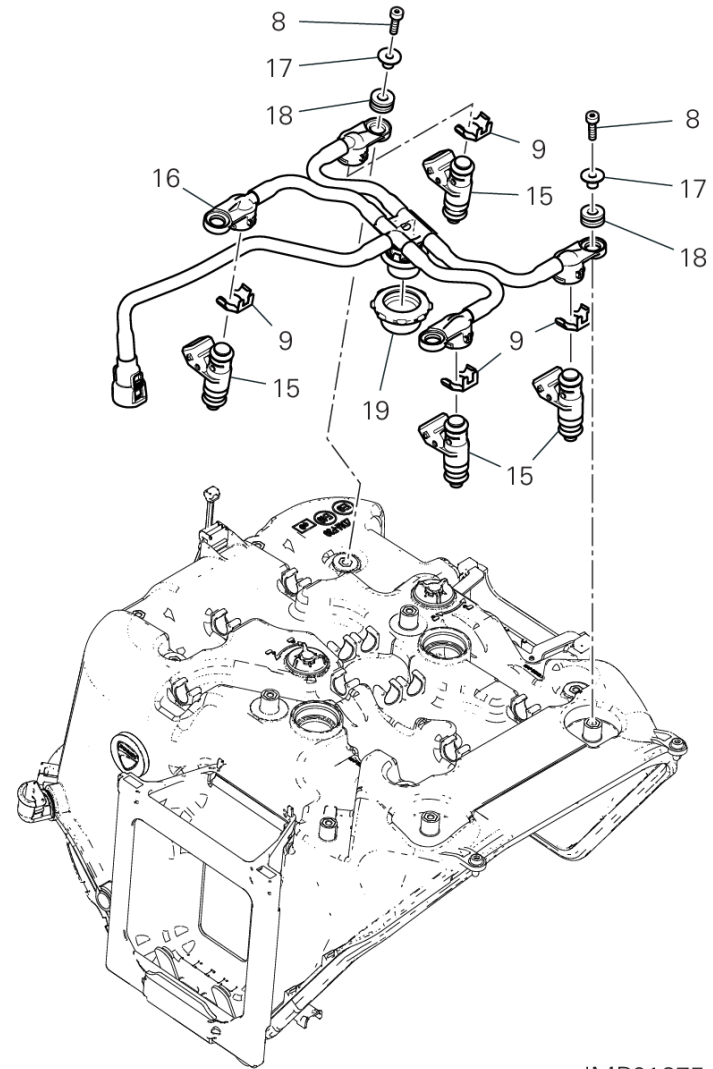
POS.	CODE	DESCRIPTION	QTY	VALIDITY	NOTES
1	74141721A	CLAMP	1		
2	48412011AA	DUCT, AIR INLET	1		
3	77244198B	SCREW	8		
4	42610672A	FILTER, AIR	1		
5	48411531A	DUCT, AIR INLET	1		
6	8291H082A	FLANGE	1		
7	442P3201B	COVER AIR BOX , UPPER	1		
8	59019281A	HOSE, DRAIN AIRBOX	1		
9	87611481A	HOSE, BLOW-BY	1		
10	74142141A	CLAMP	2		
11	87611472A	HOSE, BLOW-BY	1		
12	74140631A	CLAMP	2		
13	93310501A	HOSE	1		
14	77550171A	SCREW TBEI M4X8	1		
15	85611711AA	WASHER	1		
16	76411381A	VIBRATION DAMPER PAD	1		
17	8501A671AA	CLIP	11		
18	8501A701A	HOLDER	11		
19	79111241A	GASKET	1		
20	44213212D	COVER AIR BOX , UPPER	1		
21	76410621B	RUBBER PAD	1		
22	86612411A	HOLDER	5		
23	87211261A	PLUG	2		
24	77354623B	SCREW M4X10	2		
25	58511121A	CYCLONE SEPARATOR	1		
26	069191030	CLAMP	1		
27	8301L831A	BRACKET	1		
28	86610361A	RUBBER PAD	2		
29	76410901A	RUBBER PAD	1		
30	81417581A	UNION	1		
31	77440213C	SCREW	1		



DRAWING 36A - THROTTLE BODY GROUP FRAME



⚠ Important!
In the event of disconnection (detachment), the pipe (11) and relevant ties (10, 13) must ALWAYS be replaced.



IMP01275

DRAWING 36A - THROTTLE BODY

GROUP FRAME

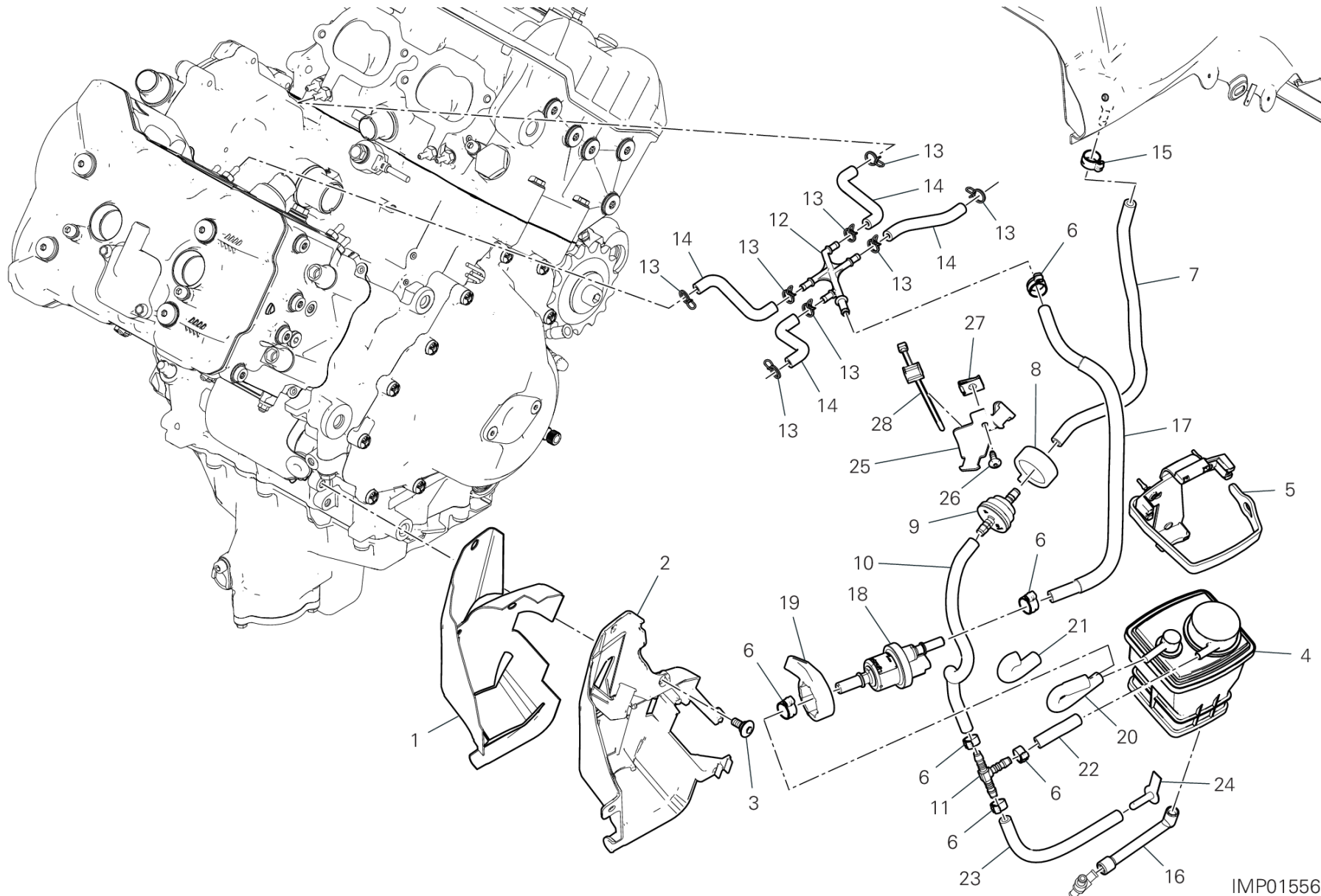


POS.	CODE	DESCRIPTION	QTY	VALIDITY	NOTES
1	28221213B	THROTTLE BODY	1		
2	59024144B	COMPLETE PIPE SET BOTTOM	1		
3	14010881A	INTAKE MANIFOLD	4		
4	13510692A	AIR FUNNEL	4		
5	72050173CF	SCREW	24		
6	28040461B	INJECTOR	4		
7	77240453CA	SCREW TBEIF M6X22 10.9	8		
8	77150208B	SCREW TCEIF M6X14 8.8	8		
9	85042371A	CLIP	8		
10	74142121A	CLAMP	1		
11	59018461C	PIPE	1		Important! In the event of disconnection (detachment) the fuel line (11) must ALWAYS be replaced.
12	81416301A	THREE-WAYS UNION	1		
13	74142151A	CLAMP	1		
14	70011241AA	VIBRATION DAMPER	1		
15	28040471B	INJECTOR	4		
16	59024133B	COMPLETE PIPE SET UPPER	1		
17	71615501AA	SPACER	4		
18	76411671A	RUBBER PAD	4		
19	70011231AA	VIBRATION DAMPER	1		
20	4601H512A	PROTECTION SHEATH	1		



DRAWING 36B - CANISTER FILTER [XST:BLG, EUR, JPN, ROK]

GROUP FRAME



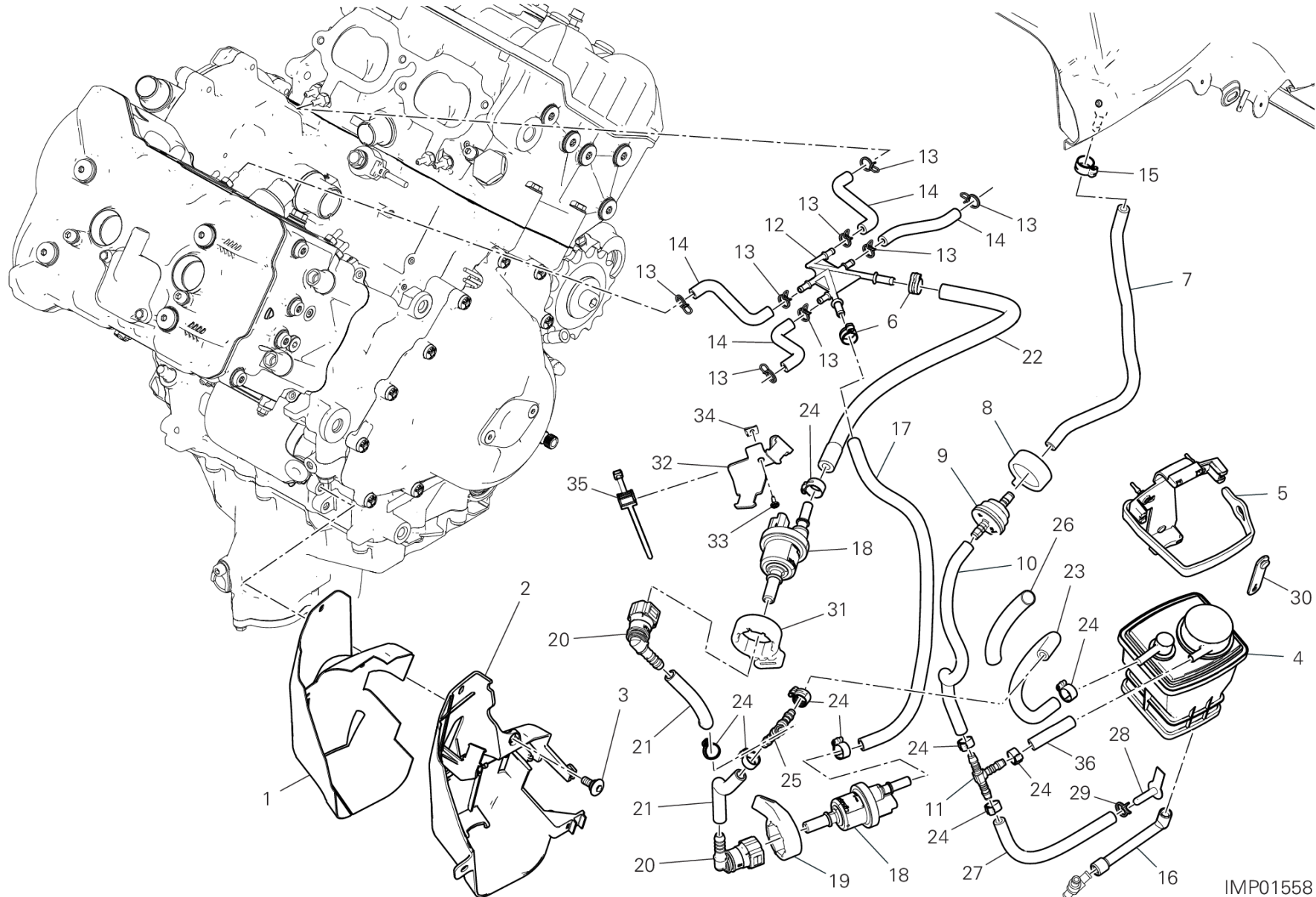
IMP01556

DRAWING 36B - CANISTER FILTER [XST:BLG,EUR,JPN,ROK]

GROUP FRAME



POS.	CODE	DESCRIPTION	QTY	VALIDITY	NOTES
1	4601F961B	THERMOREFLECTING PROTECTION	1		
2	8291G771B	BRACKET, CANISTER	1		
3	77914391C	SCREW	2		
4	42610681A	HOT AIR PIPE CANISTER	1		
5	70010751A	VIBRATION DAMPER	1		
6	74140651A	FASCETTA 11-7 MM	6		
7	93512211A	PIPE	1		
8	70011431A		1		
9	59341071A	VALVE	1		
10	93512221A	PIPE	1		
11	81446871A	THREE-WAYS UNION	1		
12	81416431A	UNION	1		
13	74140431A	CLAMP	8		
14	93510401A	HOSE	4		
15	74140641A	CLAMP	1		
16	81417511A	UNION	1		
17	93511392A	PIPE	1		
18	65540132A	VALVE, BREATHER	1		
19	70011401A		1		
20	93511422A	PIPE	1		
21	4601N221A	PROTECTION SHEATH	1		
22	93511452A	PIPE	1		
23	93511442A		1		
24	87211751A	PLUG	1		
25	8271L031AA	PLATE	1		
26	77211091C	SCREW	1		
27	85044691A	QUICK FASTENING	1		
28	75840801A	CLAMP	1		



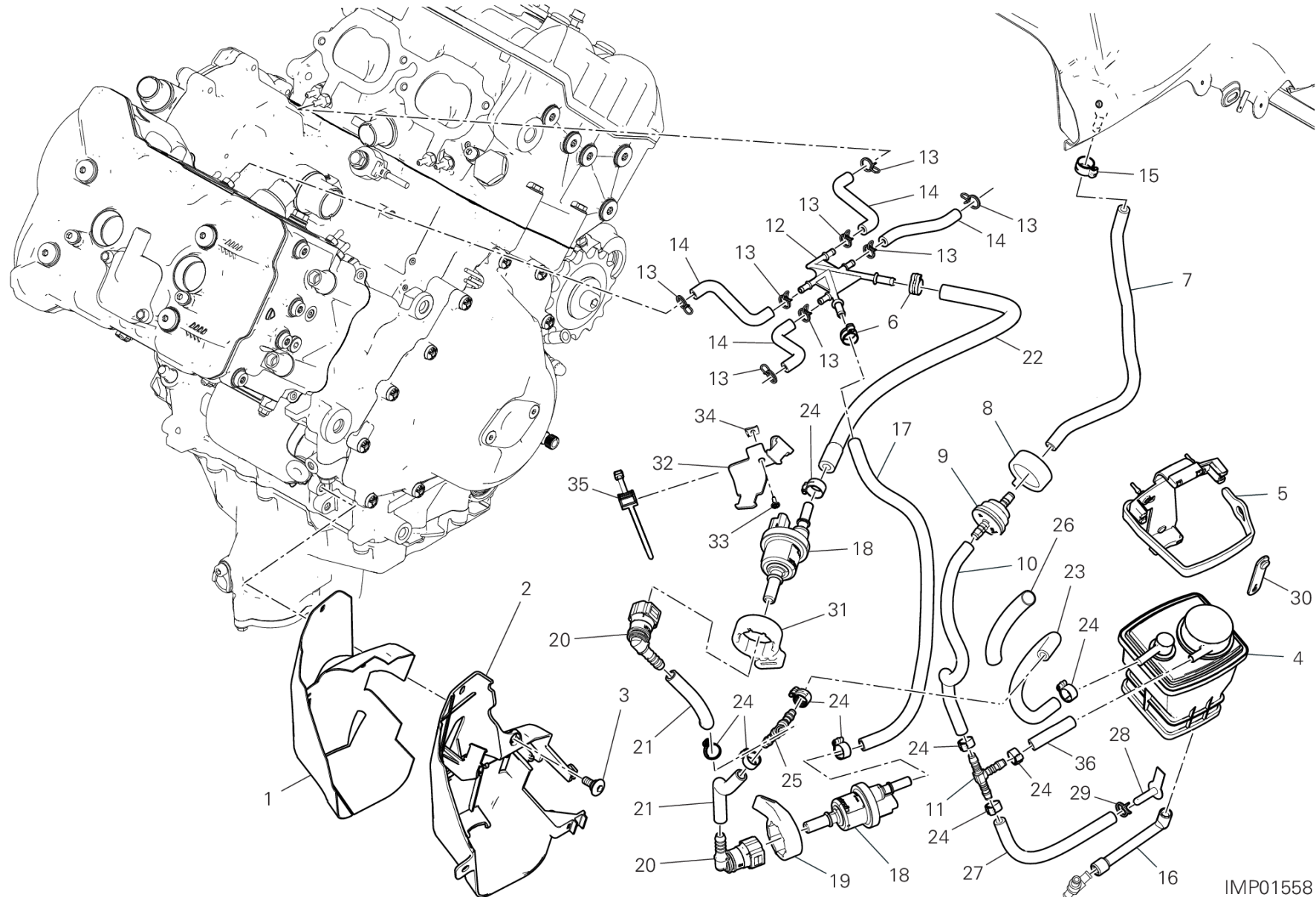
IMP01558

DRAWING 36B - CANISTER FILTER [XST:TWN]

GROUP FRAME



POS.	CODE	DESCRIPTION	QTY	VALIDITY	NOTES
1	4601F961B	THERMOREFLECTING PROTECTION	1		
2	8291G771B	BRACKET, CANISTER	1		
3	77914391C	SCREW	2		
4	42610681A	HOT AIR PIPE CANISTER	1		
5	70010751A	VIBRATION DAMPER	1		
6	74140631A	CLAMP	2		
7	93512211A	PIPE	1		
8	70011431A		1		
9	59341071A	VALVE	1		
10	93512221A	PIPE	1		
11	81446871A	THREE-WAYS UNION	1		
12	81417251A	UNION	1		
13	74140431A	CLAMP	8		
14	93510401A	HOSE	4		
15	74140641A	CLAMP	1		
16	81417511A	UNION	1		
17	93510441A	HOSE	1		
18	65540132A	VALVE, BREATHER	2		
19	70011401A		1		
20	81441431A	UNION, QUICK-COUPLING	2		
21	93512231A	PIPE	2		
22	93510741A	HOSE	1		
23	93512241A	PIPE	1		
24	74140651A	FASCETTA 11-7 MM	9		
25	81447031A	JOINT Y	1		
26	4601N221A	PROTECTION SHEATH	1		
27	93511442A		1		
28	87211751A	PLUG	1		
29	74142951A	CLAMP	1		
30	74110551A	CLAMP, RUBBER 39MM	1		
31	70011411A		1		
32	8271L031AA	PLATE	1		
33	77211091C	SCREW	1		
34	85041951AA	QUICK FASTENING	1		
35	75840801A	CLAMP	1		



IMP01558

DRAWING 36B - CANISTER FILTER [XST:TWN]

GROUP FRAME

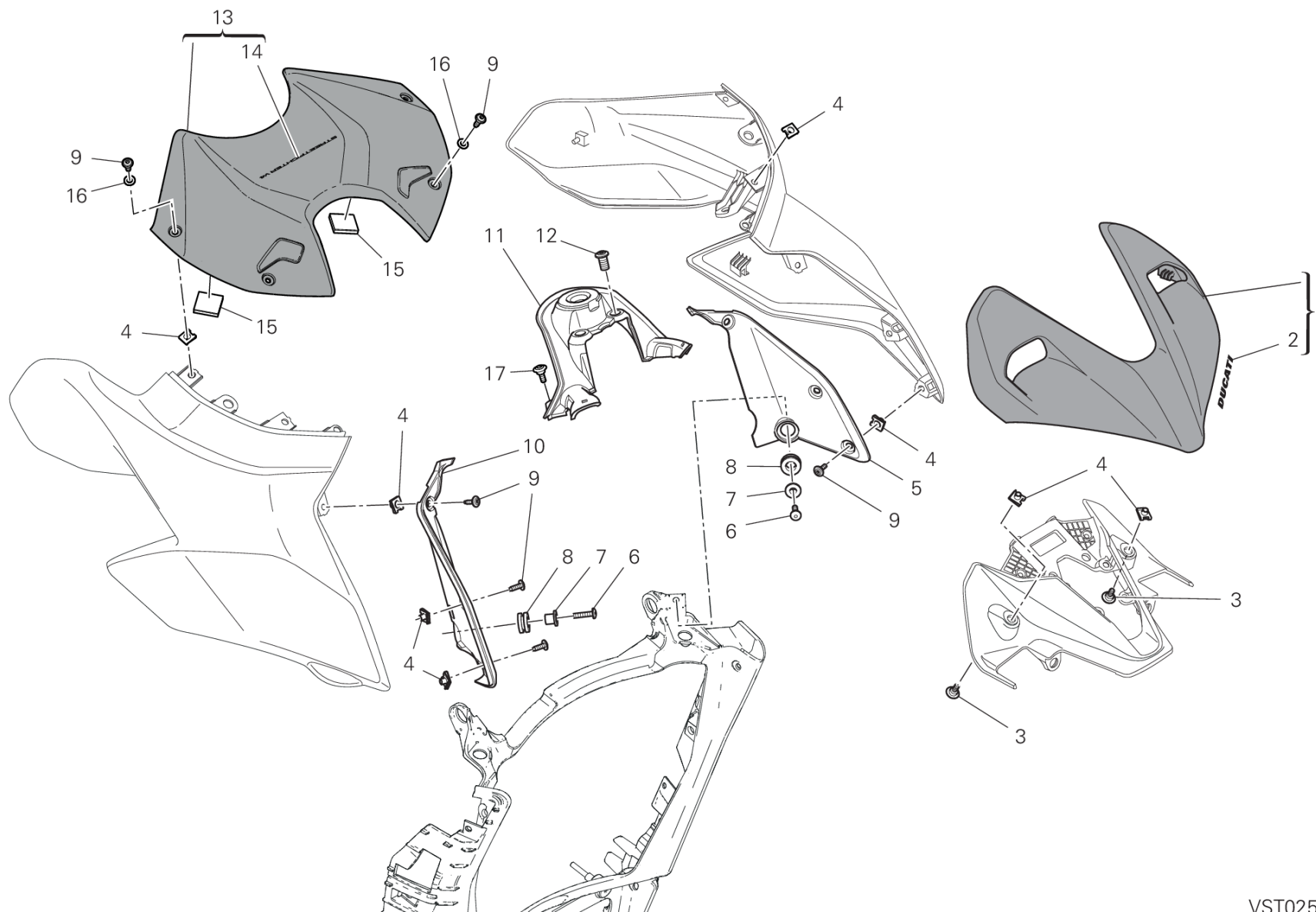


POS.	CODE	DESCRIPTION	QTY	VALIDITY	NOTES
36	93511452A	PIPE	1		



DRAWING 37A - FRONT FAIRING

GROUP FRAME



VST02588

DRAWING 37A - FRONT FAIRING

GROUP FRAME

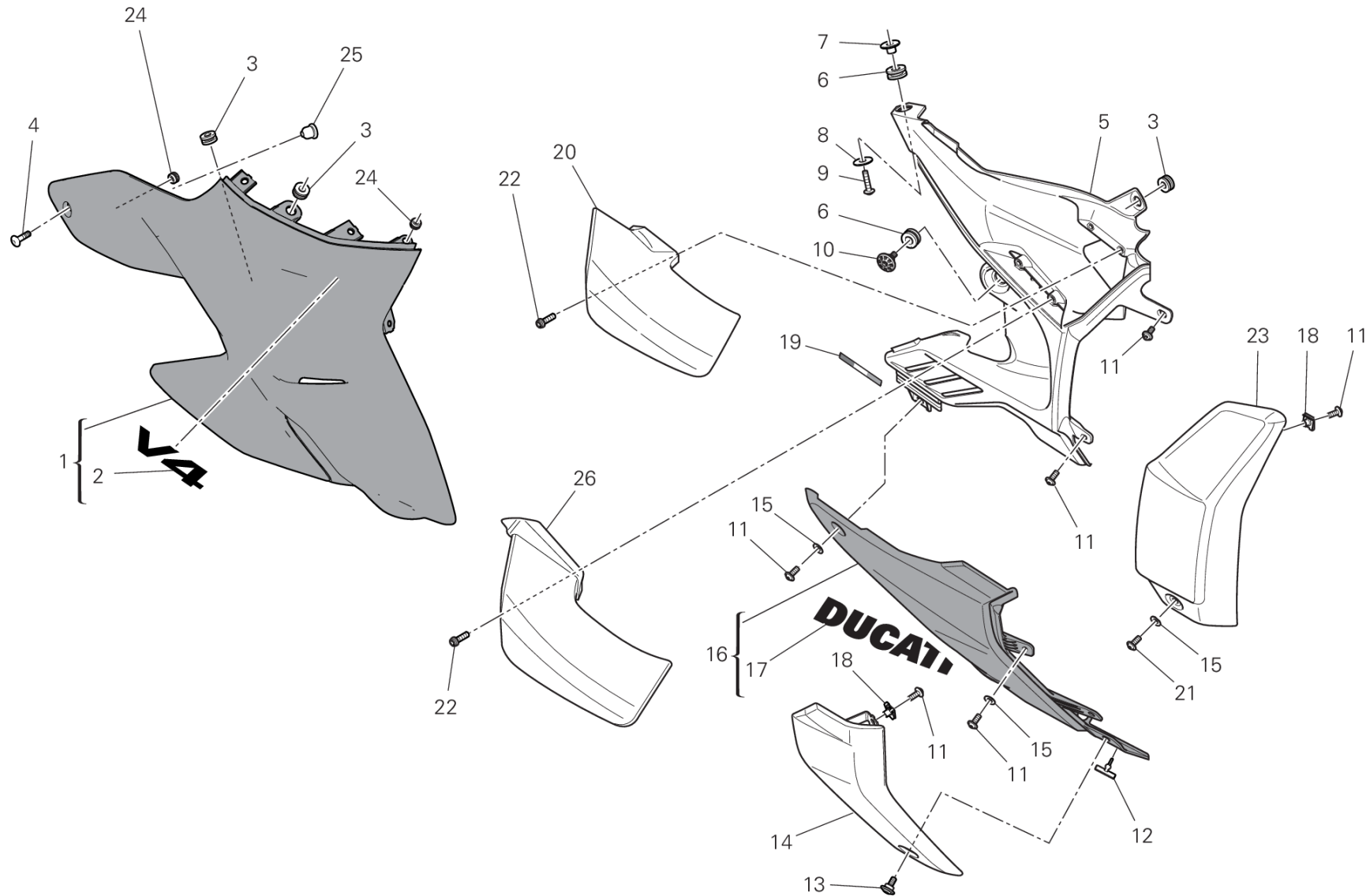


POS.	CODE	DESCRIPTION	QTY	VALIDITY	NOTES
1	4801B161AI	COVER PROIETTORE	1		
2	4381F641A	STICKER DUCATI	1		
3	77214411AA	SCREW	2		
4	85041951AA	QUICK FASTENING	12		
5	4801A731A	LH INSIDE PANEL	1		
6	77240303C	SCREW M5X20	2		
7	71611431A	SPACER 5.5X10X16	2		
8	76410901A	RUBBER PAD	2		
9	77211091C	SCREW	10		
10	4801A742A	RH INSIDE PANEL	1		
11	4601H321A	COVER, IGNITION SWITCH	1		
12	75012231AA	SCREW, SPECIAL	2		
13	4801D692AA	TANK COVER	1		
14	4381D191B	TRANSFER	1		
15	85042242A	DUAL LOCK	2		
16	85611401A	WASHER	4		
17	77214081AA	SCREW, SPECIAL	2		



DRAWING 37B - RH FAIRING

GROUP FRAME



VST02590

DRAWING 37B - RH FAIRING

GROUP FRAME

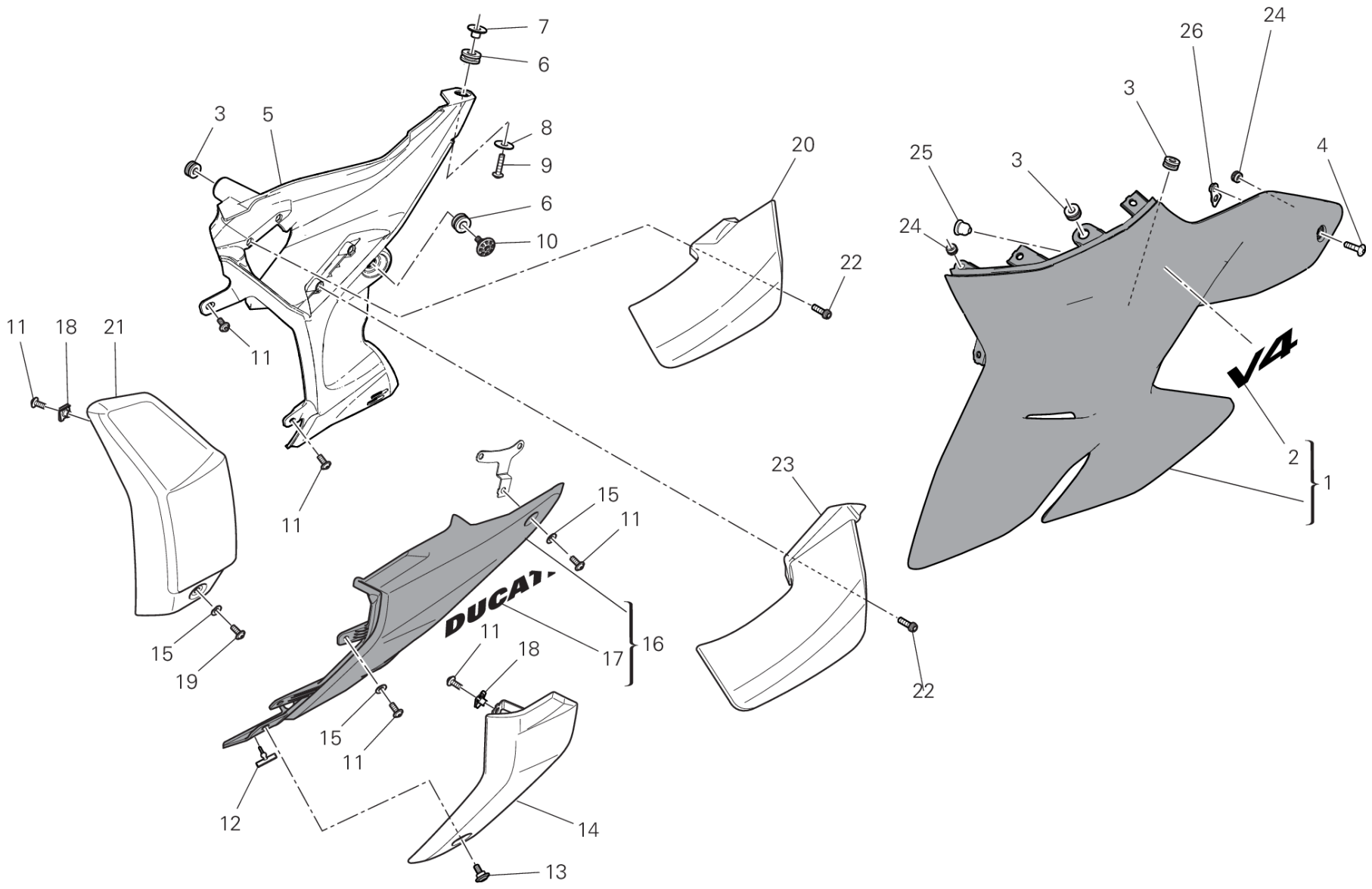


POS.	CODE	DESCRIPTION	QTY	VALIDITY	NOTES
1	4802D701AA	CAP RH	1		
2	4381F651A	TRANSFER	1		
3	76411671A	RUBBER PAD	3		
4	77210861B	SCREW TBEI M5X18	1		
5	4801A671A	EXTRACTOR RH SIDE BODY PANEL	1		
6	76410841A	VIBRATION DAMPER PAD	2		
7	71614252AB	SPACER	1		
8	85213111AA	WASHER	1		
9	77244213B	SCREW	1		
10	7791B901AA	SCREW, SPECIAL	1		
11	77244173B	SCREW	6		
12	86610361A	RUBBER PAD	1		
13	77214411AB	SCREW	1		
14	4801A711BB	CAP RH	1		
15	85611401A	WASHER	5		
16	4801A651AG	PUSH ROD R.H. RED	1		
17	4381F701A	TRANSFER	1		
18	85041951AA	QUICK FASTENING	4		
19	43819461D	EMBLEM ITALIAN FLAG	1		
20	480PB111A	UPPER RH WING	1		
21	77244178B	SCREW	1		
22	77156413BA	SCREW	4		
23	4801A691BB		1		
24	76440561A	RUBBER PAD	2		
25	85044431A	RUBBER PAD	1		
26	480PB121A	LOWER RH WING	1		



DRAWING 37C - LH FAIRING

GROUP FRAME



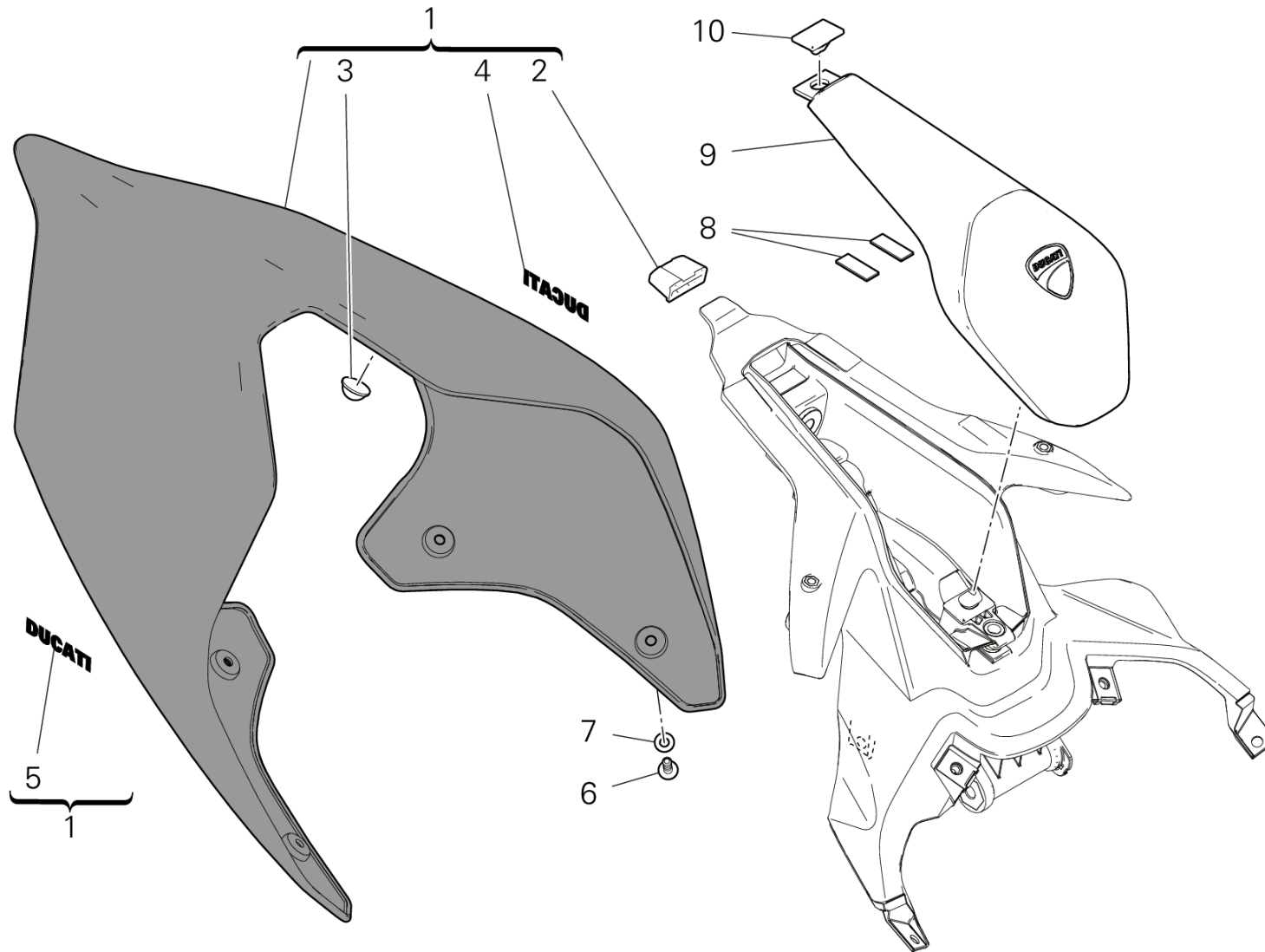
VST02589

DRAWING 37C - LH FAIRING

GROUP FRAME



POS.	CODE	DESCRIPTION	QTY	VALIDITY	NOTES
1	4802D711AA	CAP LH	1		
2	4381F651A	TRANSFER	1		
3	76411671A	RUBBER PAD	3		
4	77210861B	SCREW TBEI M5X18	1		
5	4801A681A	EXTRACTOR LH SIDE BODY PANEL	1		
6	76410841A	VIBRATION DAMPER PAD	2		
7	71614252AB	SPACER	1		
8	85213111AA	WASHER	1		
9	77244213B	SCREW	1		
10	7791B901AA	SCREW, SPECIAL	1		
11	77244173B	SCREW	6		
12	86610361A	RUBBER PAD	1		
13	77214411AA	SCREW	1		
14	4801A721BB	CAP LH	1		
15	85611401A	WASHER	5		
16	4801A661BA	PUSH ROD L.H. RED	1		
17	4381F711A		1		
18	85041951AA	QUICK FASTENING	4		
19	77244178B	SCREW	1		
20	480PB131A	UPPER LH WING	1		
21	4801A701BB	CAP LH	1		
22	77156413BA	SCREW	4		
23	480PB141A	LOWER LH WING	1		
24	76440561A	RUBBER PAD	2		
25	85044431A	RUBBER PAD	1		
26	8271L041AA	PLATE	1		



VST02591

STREETFIGHTER V4 /23

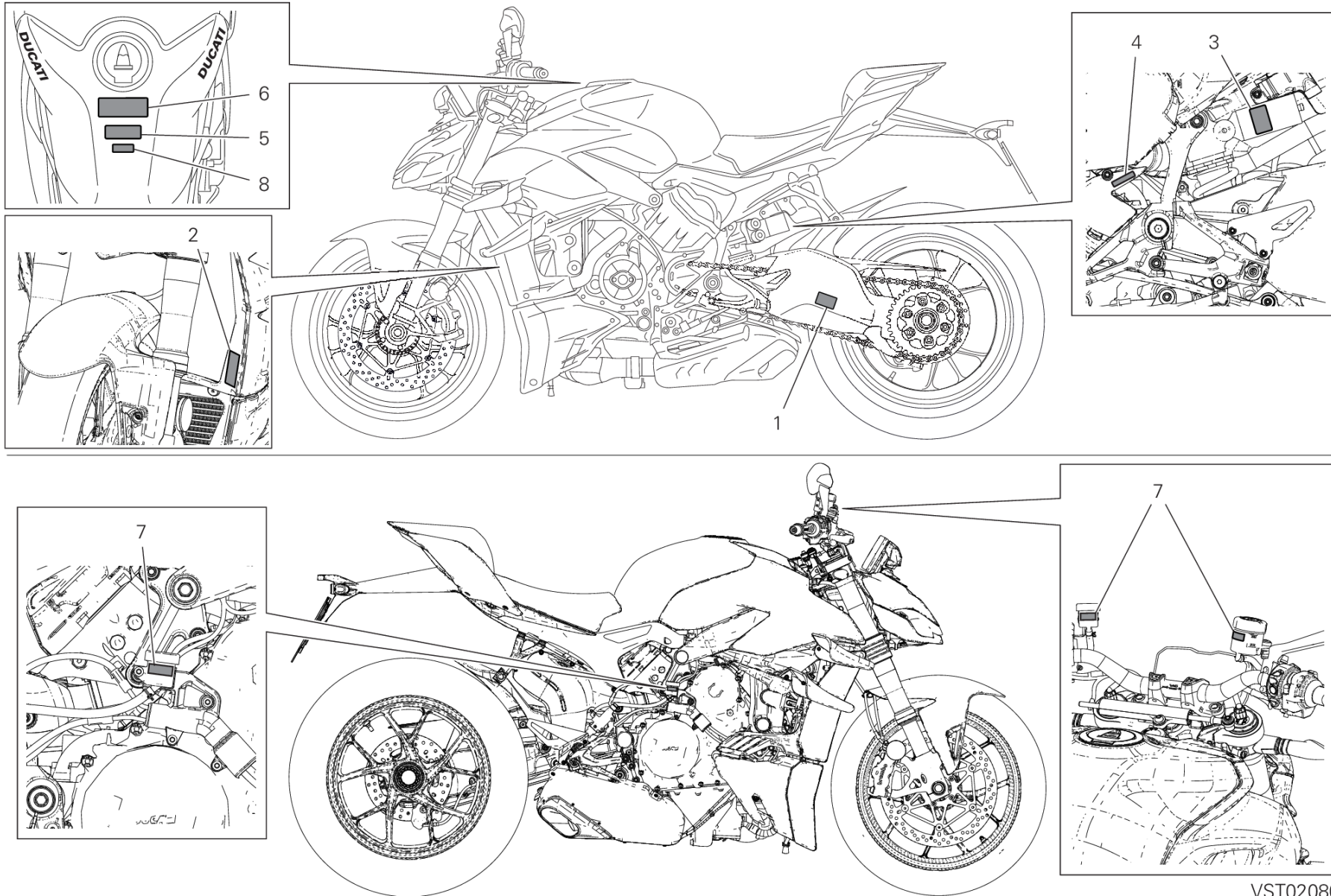
032000023

DRAWING 37D - REAR FAIRING

GROUP FRAME



POS.	CODE	DESCRIPTION	QTY	VALIDITY	NOTES
1	48222451AR	REAR FAIRING	1		
2	86612671A	RUBBER PAD	1		
3	86612801A	RUBBER PAD	2		
4	4381F691A	GRAPHIC DUCATI BLACK	1		
5	4381F681A	GRAPHIC DUCATI BLACK	1		
6	77210861B	SCREW TBEI M5X18	4		
7	85611401A	WASHER	4		
8	86612791A	RUBBER PAD	2		
9	24716171A	SEAT BACK	1		
10	86610301A	PAD	2		



VST02080

DRAWING 38A - POSITIONING PLATES [XST:JPN]

GROUP FRAME



POS.	CODE	DESCRIPTION	QTY	VALIDITY	NOTES
1	43314871A	TIRE SIZE AND PRESSURE PLATE	1		
2	43312531A	WATER RADIATOR PLATE	1		
3	43312561A	REAR SHOCK ABSORBER PLATE	1		
4	43312551A	GEAR SEQUENCE PLATE	1		
5	43310051B	TANK "WARNING" PLATE	1		
6	43310051C	TARGHETTA IMPORTANTE SERBATOIO	1		
7	43910071A	CLUTCH-BRAKE MASTER CYLINDER PLATE	3		
8	43217911Z	TANK "WARNING" PLATE	1		



CODE	NO. TABLE	POS.	CODE	NO. TABLE	POS.	CODE	NO. TABLE	POS.	CODE	NO. TABLE	POS.
069191030	13C	6	14912641B	03A	2	18010492A	02A	3	27040193A	11A	8
069191030	20C	22	15022302B	03A	33	18120071A	02A	4	28040461B	36A	6
069191030	25B	21	15022311C	03A	34	18220381B	02A	12	28040471B	36A	15
069191030	31B	19	15022541B	03A	33	182P0011A	02A	11	28221213B	36A	1
069191030	31B	24	15022551A	03A	34	18410152AA	26B	11	28643631H	13D	1
069191030	35A	26	15310131A	22A	3	18710021A	22B	3	28643771A	13D	1
11210942AA	09B	1	15621143AA	05A	4	19020361D	03B	3	28643771E	13D	1
11210942AB	09B	1	15621143AB	05A	4	19410511A	03B	4	28643771O	13D	1
11210942AC	09B	1	15621143AC	05A	4	19540091D	22B	24	30125701BR	12D	1
11210942AD	09B	1	15621143AD	05A	4	19610711A	03B	5	30125711BR	12C	1
11210942AE	09B	1	16015522B	11A	1	19610721A	03B	6	303A0741A	12C	2
11210952AA	09B	2	16016861AA	29B	11	19820502A	03B	7	303A0741A	12D	2
11210952AB	09B	2	16024481A	30A	26	20810461A	12C	20	304A1091A	12C	3
11210952AC	09B	2	17011661A	03B	22	20810461A	12D	20	304A1091A	12D	3
11210952AD	09B	2	17021622A	03B	2	20910781A	12C	25	304A1101A	12C	4
11210952AE	09B	2	17112211A	12A	7	20910781A	12D	25	304A1101A	12D	4
11210961AA	05A	1	17112211A	12B	7	20910791A	12C	24	34111594AA	18A	1
11210961AB	05A	1	17112222B	12A	3	20910791A	12D	24	34111594AA	18A	1
11210961AC	05A	1	17112222B	12B	8	21011193A	12C	8	342P1041AA	18A	2
11210961AD	05A	1	17215581B	03A	3	21011193A	12D	8	342P1041AA	18A	2
11210961AE	05A	1	17215591B	03A	4	21111191A	12C	7	34421121A	18B	1
11210961AF	05A	1	17215601B	03A	5	21111191A	12D	7	34521121A	18B	2
11210961AG	05A	1	17215611A	03A	6	22032083A	04A	8	34912141A	18B	10
11711252AA	16A	6	17215621A	03A	7	225P0012G	09A	1	34913091A	18B	13
11711771A	03B	1	17215631B	03A	8	24211141BH	04B	3	34914071A	18B	11
11711831AA	26B	13	17215641B	03A	9	24311541AH	04A	2	34914081A	18B	12
11712011AA	26A	9	17215651B	03A	10	24311644AH	04A	18	34914091A	18B	15
12113712A	06A	3	17215661B	03A	11	24715791A	12A	30	34914141A	18B	14
12113721A	06A	4	17215671A	03A	12	24715791A	12B	30	34914151A	18B	17
12120772A	06A	1	17216191A	03A	3	24715873AH	12B	21	34914161A	18B	16
12222331C	06A	2	17216201A	03A	4	24715882AH	12A	21	34914171A	18B	3
13510692A	36A	4	17216231A	03A	8	24716131AB	26B	14	34914191A	18B	8
14010881A	36A	3	17216241A	03A	9	24716141AB	26A	25	34914211A	18B	7
14622691AA	05A	2	17216251A	03A	10	24716171A	37D	9	34914221A	18B	4
14622691AB	05A	2	17216451A	03A	12	24716721A	13E	3	34914941A	18B	18
14622691AC	05A	2	17216461A	03A	5	24716732A	15A	1	34921671A	18B	9
14622691AD	05A	2	17216471A	03A	6	24735581AH	04B	6	34922481A	18B	5
14815552A	12B	4	17216481A	03A	7	247P5863A	04C	4	34922491A	18B	6
14815562A	12B	3	17216491A	03A	11	24920511K	10A	2	36015883BA	22A	1
14815572A	12A	4	17310411A	11A	6	24920012A	08A	10	36015891AA	18A	24
14815582A	12A	8	17410851C	10A	1	25110101A	10A	7	36015891AA	18A	24
14911351C	03A	1	17610281A	11A	7	25210191AH	04C	1	36015901AA	18A	21
14911372A	03A	2	18010472A	02A	1	25440013A	09A	15	36015901AA	18A	21
14912531A	03A	1	18010482A	02A	2	26420572C	11A	14	36015911AA	18A	22



CODE	NO. TABLE	POS.	CODE	NO. TABLE	POS.	CODE	NO. TABLE	POS.	CODE	NO. TABLE	POS.
36015911AA	18A	22	4381F681A	32B	7	4601I521A	31B	23	48212471AH	32B	6
36140161A	22A	7	4381F681A	37D	5	4601L211A	31B	1	48216941A	33B	7
36420181A	18A	3	4381F691A	32B	11	4601L252A	31B	2	48216953A	33C	17
36420181A	18A	3	4381F691A	37D	4	4601N221A	36B	21	48216961A	33B	17
36521891A	23A	1	4381F701A	37B	17	4601N221A	36B	26	48216971A	33B	13
36911302AA	19A	2	4381F711A	37C	17	46026981AA	31A	2	48222451AR	37D	1
36911521AA	19A	1	43910071A	38A	7	4602I011AA	31A	3	48222551A	32B	4
37022371BA	19A	3	44213212D	35A	20	46110551B	31A	4	48312054A	33C	1
37211971BA	23A	10	442P3201B	35A	7	46110561B	31A	5	48411531A	35A	5
37211983AA	23A	9	44440312B	04C	2	46110572B	31B	4	48411672B	25A	1
38010211D	12A	25	44712181A	19A	10	46110581C	31B	5	48412011AA	35A	2
38010211D	12B	25	44712721A	19A	24	46111102A	31B	3	48611191A	04A	3
38540093B	13E	6	44712731A	19A	15	46111132A	31B	5	48611271A	31A	20
38940191A	13C	13	44712741A	19A	11	46111141A	31B	4	48611281A	31A	22
38940201A	13C	13	44740112A	07A	1	46111201A	31B	6	48612041B	33B	19
38940211A	13C	13	44740122A	07A	2	46210021A	22A	13	48612271A	04A	34
38940221A	13C	13	44910732B	03B	14	46320226A	30A	5	48612281A	04A	37
38940241A	13C	13	44910741A	08A	8	46410531B	26B	18	48612293A	04A	33
38940251A	13D	20	44910801A	17A	1	46410541B	26A	22	48612551A	04A	38
38940261A	13C	13	44910841B	17A	1	46410982AA	26C	1	48810093AA	31A	18
39740081B	13D	22	45140021C	07A	3	46410992AA	26C	10	49041071A	A	5
40612022A	15A	2	45520172A	09A	16	47018334DA	33B	6	49041071A	C	1
42610672A	35A	4	45612521AA	26A	5	47028201BB	33A	1	49041081A	A	1
42610681A	36B	4	45613411AB	26A	13	4801A651AG	37B	16	49041081A	B	1
42610681A	36B	4	45720991BB	26B	3	4801A661BA	37C	16	490P0002A	A	7
42710241A	09B	3	46016762A	17A	9	4801A671A	37B	5	490P0002A	D	1
43217911Z	38A	8	4601F402A	31B	1	4801A681A	37C	5	490P0003A	A	8
43310051B	38A	5	4601F451A	31B	25	4801A691BB	37B	23	490P0003A	D	2
43310051C	38A	6	4601F461A	31B	23	4801A701BB	37C	21	490P0004A	A	9
43312502C	04A	32	4601F472A	11A	15	4801A711BB	37B	14	490P0004A	D	3
43312531A	38A	2	4601F481A	20C	25	4801A721BB	37C	14	490P0019A	A	29
43312551A	38A	4	4601F961B	36B	1	4801A731A	37A	5	490P0019A	E	1
43312561A	38A	3	4601F961B	36B	1	4801A742A	37A	10	490P0022A	A	30
43314851A	18A	35	4601G351B	31B	2	4801B161AI	37A	1	490P0022A	F	1
43314871A	38A	1	4601G561A	33B	4	4801B231A	14A	1	490P0029A	A	16
43315131A	19A	19	4601G571A	31B	26	4801B421A	14A	2	490P0029A	G	1
43315131B	19A	19	4601G582A	17A	2	4801D692AA	37A	13	490P0030A	A	17
43315131CH	19A	19	4601H171A	20C	5	4802D701AA	37B	1	490P0030A	G	2
43819461D	37B	19	4601H321A	37A	11	4802D711AA	37C	1	490P0044A	A	21
4381C651B	30A	2	4601H512A	36A	20	480PB111A	37B	20	490P0044A	H	2
4381D191B	37A	14	4601I001AA	18A	4	480PB121A	37B	26	490P0248A	A	22
4381F641A	37A	2	4601I001AA	18A	4	480PB131A	37C	20	490P0248A	H	1
4381F651A	37B	2	4601I311A	33B	5	480PB141A	37C	23	490P0297A	A	23
4381F651A	37C	2	4601I521A	31B	20	48212461AH	32B	10	490P0297A	I	1



CODE	NO. TABLE	POS.	CODE	NO. TABLE	POS.	CODE	NO. TABLE	POS.	CODE	NO. TABLE	POS.
490P0298A	A	24	50212101AA	29A	1	55215021A	31A	19	59341071A	36B	9
490P0298A	I	2	50410091A	29B	4	55215021A	31B	13	59341071A	36B	9
490P0324A	A	14	50410271B	05A	6	55215021A	31B	22	59513412A	33C	2
490P0324A	J	1	50420381AA	28A	11	5521A291E	26A	8	595P6401AG	32B	1
490P0333A	A	3	5101C401E	13C	1	55240121A	14A	4	595P7311AA	32A	1
490P0333A	K	1	5101E422A	13C	5	55241321C	04A	13	59810431A	13F	3
49141581A	A	6	5101I071A	13C	2	55243181A	09A	17	59820611A	13E	14
49141581A	C	2	5101M271C	13C	9	55243931A	02A	13	59822511A	13F	1
491P0015A	A	10	5101M281C	13A	1	55243942A	09B	4	59840291A	13F	4
491P0015A	D	4	5101M611A	13A	1	55244081A	25B	9	61041971A	20B	7
491P0016A	A	11	51310821A	13D	27	55320161A	25B	11	61041981A	20B	9
491P0016A	D	5	51410831C	13D	4	55621111AA	16A	1	61041991A	22B	27
491P0017A	A	12	51410841D	13D	28	56113381AA	21A	14	61140471A	20D	11
491P0017A	D	6	51610051F	13E	1	56113392A	21A	9	61240052A	20B	2
491P0018A	A	13	51840051B	13F	2	56113392A	21A	9	61240052A	22B	4
491P0018A	D	7	52010522B	14A	3	56116361B	21A	4	61240081A	20D	12
491P0041A	A	18	52310541A	22A	11	56116361B	21A	4	61240161A	20D	13
491P0041A	G	3	52310551A	22A	12	56116371C	21A	5	61240201A	20B	5
491P0042A	A	19	52510611A	21A	6	56116371C	21A	5	61240371A	20B	10
491P0042A	G	4	52510611A	21A	6	56416632AK	24A	1	61241241A	20A	3
491P0043A	A	20	52510692A	14B	1	56511231A	27A	1	61241241A	22B	23
491P0043A	G	5	52910231A	21A	11	57014874C	31B	6	61340951A	20D	14
491P0339A	A	25	52910231A	21A	11	57015211A	31B	22	61341341A	20B	8
491P0339A	I	3	52910261A	20B	18	57015222A	31A	6	61610021A	30A	29
491P0340A	A	26	53010322A	14A	6	57415041A	31A	1	61811431A	20C	11
491P0340A	I	4	53010323B	14B	3	57415101A	31A	1	61811441A	20C	14
491P0341A	A	27	53010332A	14A	7	57610981AA	31A	12	61841411A	20B	12
491P0341A	I	5	53010333B	14B	2	57610991AA	31A	11	61911261A	20C	16
491P0342A	A	28	53920421C	26B	24	58511121A	35A	25	61912071A	20C	15
491P0342A	I	6	53940302A	04A	12	58511252A	25A	14	62441362A	20A	1
491P0348A	A	2	53940601A	16A	11	58540341A	20A	15	62540311C	20D	10
491P0348A	B	2	53940651A	16A	5	58540351A	20D	4	62640561A	20A	7
491P0400A	A	15	53941011A	20A	5	58540351A	22B	12	62640561A	22B	20
491P0400A	J	2	53941021A	22B	22	58613201BA	30A	1	62641111A	20A	8
491P0408A	A	4	54040331A	13D	18	59018461C	36A	11	62641121A	22B	18
491P0408A	K	2	54140151A	13C	3	59019251A	30A	18	63040952A	22B	1
49210061A	29B	2	54241131A	20C	1	59019281A	35A	8	63140081A	20A	6
49240891A	28A	10	54811364A	34A	1	59019451A	30A	31	63140081A	22B	21
49240901A	28A	4	54812531A	25A	19	59024133B	36A	16	63140161A	20D	15
49411911AA	29B	12	54911402A	34A	2	59024144B	36A	2	63140281A	20A	11
49412041AA	29B	12	54911412A	04C	10	590Z0011A	13B	4	63140281A	22B	19
49720071AC	28A	9	55020321A	25A	24	590Z0021A	13B	1	63140601A	20A	2
49720071AC	29A	2	55020331A	25A	20	590Z0031A	13B	3	63140631A	22B	2
50122341AA	28A	1	55212111B	13F	11	59340621A	13E	8	63211071A	22B	6



CODE	NO. TABLE	POS.	CODE	NO. TABLE	POS.	CODE	NO. TABLE	POS.	CODE	NO. TABLE	POS.
65010361C	22A	8	70140311A	03A	13	71313641A	20B	1	71614252AB	37C	7
65110571B	22A	10	70140321A	03A	14	71314703A	14A	8	71615151AA	25A	12
65220331C	13F	5	70140331A	03A	15	71314703A	14B	4	71615151AA	34A	4
65540081A	13B	20	70140471A	11A	2	71314901A	13F	12	71615501AA	13B	12
65540132A	36B	18	70140651A	03A	13	71316011B	03B	10	71615501AA	36A	17
65540132A	36B	18	70140661A	03A	14	71316102A	11A	13	71615551AA	31A	15
66020102B	22A	6	70140671A	03A	15	71316161A	22A	9	71615691AA	17A	10
66810581B	09A	18	70240081A	19A	5	71319201A	13F	12	71615691AA	21A	1
66810591A	04A	23	70241191A	19A	6	71319452AA	19A	16	71615691AA	21A	1
66810591A	12C	37	70241191A	23A	6	7131C211A	12C	27	71615921AA	33B	9
66810591A	12D	37	70241231A	18A	5	7131C211A	12D	27	71615941AA	15A	4
67040511A	13B	5	70241231A	18A	5	7131C221A	12C	32	71615971AA	14A	9
67621211A	17A	15	70241231A	33A	8	7131C221A	12D	32	71850253C	30A	13
67621211B	17A	15	70241761A	03A	25	7131C231A	12C	21	71950370CF	04B	1
67641142A	08A	7	70241761A	03A	25	7131C231A	12D	21	72010513C	28A	5
67641601A	17A	3	70241781A	03A	26	7131C241A	12C	29	72050159EA	29B	5
67641661A	17A	3	70241781A	03A	26	7131C241A	12D	29	72050173C	18A	16
67740033A	17A	14	70241801A	09A	20	7131C691A	19A	20	72050173C	18A	16
68050101A	03A	32	70241901C	09A	21	7131C691A	23A	5	72050173CA	21A	15
68050101A	03A	32	70250412A	02A	14	7131C701A	23A	8	72050173CA	21A	16
69610121A	26C	2	70250451A	28A	7	7131C821AA	19A	7	72050173CF	36A	5
69710151A	32A	6	70250601A	03B	8	7131C881BA	30A	25	72050313C	20D	2
69926441A	30A	27	70250801A	11A	9	7131C961A	30A	6	73210651B	33C	15
69926761A	13D	26	70310931AA	18A	6	7131D661AA	18A	17	73210665A	13E	11
69928751A	30A	21	70310931AA	18A	6	7131D661AA	18A	17	73210672A	13E	12
69929291A	13B	8	71011071A	22A	4	713P0011C	03A	31	735034405	09B	7
69929311A	13B	7	71012021B	03A	28	713P0011C	03A	31	73840052A	07A	4
70010571A	29B	10	71012021B	03A	28	71411352AA	29A	6	73840062A	07A	5
70010751A	36B	5	71012021B	03A	28	71413261AA	28A	3	74110101A	33C	18
70010751A	36B	5	71012111AA	16A	8	71413271AA	28A	12	74110121A	13C	10
70011061A	13D	10	710P0021A	03A	27	71413341AA	28A	8	74110121A	26A	27
70011071A	13D	2	71111301A	22A	5	71413531AA	29B	13	74110131A	13C	11
70011151A	18A	28	71111301A	22A	5	71610031A	20C	7	74110131A	31B	9
70011151A	18A	28	71112191A	09A	2	71610061A	33B	8	74110131A	31B	9
70011231AA	36A	19	71113171A	09B	6	71610111AB	26A	7	74110551A	13C	7
70011241AA	36A	14	71113742A	12A	13	71611071B	15A	3	74110551A	25A	6
70011281A	14A	5	71113742A	12B	13	71611431A	37A	7	74110551A	30A	28
70011401A	36B	19	71115051E	09A	22	71611571C	02A	5	74110551A	33B	26
70011401A	36B	19	71116941A	09B	17	71611581C	02A	6	74110551A	36B	30
70011401A	36B	19	71210341A	26A	17	71611661AA	16A	3	74140331A	20C	17
70011411A	36B	31	71210341A	26B	7	71611671AA	25A	7	74140381A	13C	8
70011431A	36B	8	71210631A	03A	16	71611741AA	26B	20	74140381A	16A	13
70011431A	36B	8	71210691A	03A	16	71614011B	24A	2	74140431A	25A	16
70140111B	09A	19	71240331A	03B	15	71614252AB	37B	7	74140431A	30A	19
70140171A	19A	4	71313091A	03B	9						



CODE	NO. TABLE	POS.	CODE	NO. TABLE	POS.	CODE	NO. TABLE	POS.	CODE	NO. TABLE	POS.
74140431A	36B	13	74840341B	16A	4	76410621B	35A	21	76440091B	12D	36
74140431A	36B	13	74840481B	09A	5	76410641A	18A	34	76440561A	14A	13
74140631A	35A	12	74841091AA	13E	9	76410641A	18A	34	76440561A	17A	4
74140631A	36B	6	74841101AA	14A	10	76410641B	20C	8	76440561A	37B	24
74140641A	36B	15	74941113B	20B	16	76410841A	37B	6	76440561A	37C	24
74140641A	36B	15	74941128B	33C	9	76410841A	37C	6	76611231A	09A	7
74140651A	36B	24	74941511AB	23A	4	76410901A	13D	23	76640381A	12A	12
74140651A	36B	6	74950011B	21A	13	76410901A	25A	4	76640381A	12B	12
74141001A	09B	21	74950011B	21A	13	76410901A	34A	6	77110191A	26A	4
74141671A	25B	22	75010072E	03B	16	76410901A	35A	29	77110212A	33C	5
74141711A	13B	6	75011211A	13A	3	76410901A	37A	8	77110401B	12A	27
74141721A	25A	31	75011551A	13E	13	76410971A	14A	11	77110401B	12B	27
74141721A	35A	1	75011921A	20A	18	76411381A	25B	7	77110471A	20A	19
74141811A	25B	13	75011921A	22B	13	76411381A	35A	16	77113691C	14A	14
74141851A	25B	1	75012072AA	29A	4	76411491A	33C	3	77113731A	22A	14
74141881A	25B	12	75012072AA	29B	7	76411501A	25A	8	77113741A	22A	15
74142121A	36A	10	75012231AA	37A	12	76411501A	31B	20	77113851A	31A	14
74142141A	35A	10	75610911AA	33A	2	76411501A	34A	7	77116648B	34A	8
74142151A	36A	13	75610921AA	33A	6	76411641A	33B	1	77150208B	13B	13
74142371A	13B	15	75620131A	29B	15	76411671A	13B	14	77150208B	36A	8
74142441A	11A	12	75810681A	20C	21	76411671A	20C	2	77150624B	12C	14
74142591A	25B	10	75811591A	20C	19	76411671A	36A	18	77150624B	12D	14
74142941A	31B	24	75811921A	20D	1	76411671A	37B	3	77150648B	04C	11
74142951A	20A	16	75840281A	13E	10	76411671A	37C	3	77150788B	22A	2
74142951A	20D	6	75840601A	13F	8	76411821A	17A	11	77154337C	17A	5
74142951A	22B	14	75840771A	26B	25	76411821A	31B	8	77156209E	09B	8
74142951A	36B	29	75840771A	33B	18	76411821A	31B	8	77156398B	14A	15
74710151B	09A	23	75840801A	13B	16	76411861A	30A	12	77156398B	14B	5
74750031A	18A	9	75840801A	13C	12	76412101A	33B	25	77156403B	31B	11
74750031A	18A	9	75840801A	13E	5	76412121A	04A	9	77156403BA	18A	26
74750031A	26A	10	75840801A	36B	28	76412121A	12A	22	77156403BA	18A	26
74750031A	26B	4	75840801A	36B	35	76412121A	12B	22	77156413BA	37B	22
74810351B	20B	19	75840901A	21A	14	76412441A	14A	12	77156413BA	37C	22
74810351B	34A	5	75840901A	21A	15	76412451A	13B	11	77156418B	30A	22
74810361A	31A	7	75841031A	33A	12	76412472A	31A	16	77156443B	21A	3
74810361A	31B	7	75841051A	20C	23	76412501A	21A	2	77156443B	21A	3
74810361A	31B	7	75841061A	33C	23	76412501A	21A	2	77156628B	13D	7
74810461A	29B	9	75841091A	20C	26	76414191A	20A	12	77156658B	26B	22
74810651A	28A	14	75841101A	20C	27	76414191A	22B	8	77156678B	20D	3
74811021B	05A	7	75910222A	29A	3	76414251A	13B	17	77156678B	22B	26
74811021B	11A	3	75910222A	29B	6	76414272A	30A	16	77156683B	17A	6
74840241AB	18A	30	75910391A	25B	20	76414282A	33C	4	77156688B	18A	11
74840241AB	18A	30	76410112A	26A	14	76414381A	26B	21	77156688B	18A	11
74840241AB	23A	11	76410241A	15A	5	76440091B	12C	36	77156728B	22B	25



CODE	NO. TABLE	POS.	CODE	NO. TABLE	POS.	CODE	NO. TABLE	POS.	CODE	NO. TABLE	POS.
77156733B	17A	7	77214411AA	25A	25	77244213B	37C	9	77355038B	02A	16
77157238B	20D	20	77214411AA	32A	2	77244233B	15A	7	77440141A	13D	5
77157248B	19A	18	77214411AA	37A	3	77244233B	25A	13	77440141A	31B	15
77157248B	26A	15	77214411AA	37C	13	77244348B	13E	7	77440141A	31B	15
77157248B	26B	2	77214411AB	37B	13	77244358BA	18A	10	77440203C	21A	8
77157248B	26C	6	77214411BA	13E	4	77244358BA	18A	10	77440203C	21A	8
77157253B	18A	12	77214411BA	14A	17	77244358BA	26A	6	77440213C	35A	31
77157253B	18A	12	77214411BA	20C	20	77244373B	33B	10	77440251A	14A	19
7715725BG	33A	4	77214411BA	27A	2	77244503B	13E	2	77440251A	33B	15
77157273B	18A	20	77214411BA	33C	21	77244661A	16A	2	77440511A	25A	22
77157273B	18A	20	77215101AA	32B	12	77250744BA	12A	31	77440551A	14B	6
77157278B	31A	13	77240253C	31B	13	77250744BA	12B	31	77510311B	09A	25
77157288B	26A	2	77240253C	32B	5	77251018B	20C	9	77550131B	26A	11
77157578B	19A	12	77240253C	33C	6	77251023C	20C	6	77550171A	13B	9
77159368B	23A	2	77240303C	37A	6	77251308B	33C	7	77550171A	13D	9
77159378B	23A	12	77240323C	13B	21	77251324CF	09A	13	77550171A	21A	7
77159414B	18A	23	77240333C	15A	6	77251344C	09A	9	77550171A	21A	7
77159414B	18A	23	77240393C	09B	9	77251344C	09B	18	77550171A	25B	15
77210423C	18A	33	77240393C	14A	18	77251364C	09A	11	77550171A	35A	14
77210423C	18A	33	77240408C	21A	10	77251388B	33C	8	77550200CC	04A	5
77210423C	20C	18	77240408C	21A	10	77251404C	09A	12	77550221A	33B	16
77210423C	22B	10	77240423C	31B	14	7725202BG	23A	3	77750494C	04B	8
77210601A	13F	9	77240423C	31B	14	77253280Z	12A	6	77910921B	20A	13
77210861B	32B	8	77240453CA	36A	7	77253280Z	12B	6	77910921B	22B	7
77210861B	37B	4	77244163B	31B	12	77253290ZF	08A	6	77911092A	05A	3
77210861B	37C	4	77244163B	31B	12	77253290ZF	11A	4	77912981A	18A	14
77210861B	37D	6	77244163B	33B	22	77253300ZF	12A	20	77912981A	18A	14
77210893B	20D	21	77244168B	30A	10	77253300ZF	12B	20	77913091AB	20B	11
77210893B	24A	3	77244168B	31A	8	77253304C	04A	16	77913541A	12C	9
77210943B	33C	19	77244173B	20B	14	77253304CF	08A	5	77913541A	12D	9
77211061A	13D	14	77244173B	37B	11	77253314CF	03A	29	77913611A	12C	11
77211091C	33C	20	77244173B	37C	11	77253314CF	03A	29	77913611A	12D	11
77211091C	36B	26	77244178B	26A	24	77253314CF	04C	5	77913662AB	20B	3
77211091C	36B	33	77244178B	26B	15	77253334CF	11A	10	77913662AB	20C	13
77211091C	37A	9	77244178B	30A	15	77253350Z	12C	5	77913662AB	20D	8
77211201A	03B	11	77244178B	37B	21	77253350Z	12D	5	77913662AB	22B	16
77211221B	14A	16	77244178B	37C	19	77253350Z	26B	10	77913971A	22B	5
77211221B	19A	21	77244183B	13D	6	77253354C	09B	19	77914151A	20A	9
77211251A	33B	14	77244188B	31A	25	77253364CF	08A	4	77914272A	20C	10
77211251B	18A	13	77244198B	35A	3	77253384C	12A	5	77914391C	36B	3
77211251B	18A	13	77244213B	13D	19	77253384C	12B	5	77914391C	36B	3
77214081AA	37A	17	77244213B	17A	12	7725364BG	23A	15	77915111B	20B	6
77214221AA	25A	11	77244213B	30A	24	77354623B	16A	10	77916241A	09A	27
77214231A	19A	13	77244213B	37B	9	77354623B	35A	24	77916811AA	13F	10



CODE	NO. TABLE	POS.	CODE	NO. TABLE	POS.	CODE	NO. TABLE	POS.	CODE	NO. TABLE	POS.
77917231A	12A	1	78011262A	12D	13	800070139	01D	15	82510641AA	20D	16
77917231A	12B	1	78020011A	31B	3	80018061A	25B	17	82716091A	04B	2
77917391BA	18A	15	78050011B	12C	17	80018072A	25B	2	82716141A	13E	15
77917391BA	18A	15	78050011B	12D	17	80018081A	25B	18	82718441A	12A	28
77918261AA	29B	3	78050181A	25A	33	80018111AA	25B	4	82718441A	12B	28
7791A381A	09A	28	78110121AA	04A	28	80018121A	25B	8	82718471AA	04C	12
7791A571A	05A	5	78510181A	20C	3	80018131A	25B	3	82718471AA	34A	3
7791A621B	12A	15	78611421D	09B	12	81140021A	12A	29	82718481AA	33C	12
7791A621B	12B	15	78611431D	09B	13	81140021A	12B	29	82718692A	04A	4
7791A631A	09A	4	78811602B	12B	14	81413341A	12A	10	82718811A	25A	29
7791A651A	09A	3	78811612A	12A	19	81413341A	12B	10	82718822A	25A	26
7791A661A	09A	6	78811612A	12B	19	81413421B	09A	34	82718832A	25A	23
7791A751B	04A	40	78811622B	12A	14	81416301A	36A	12	82718841AA	20B	17
7791A751B	12A	24	79010321B	31B	11	81416431A	36B	12	82718851AA	20B	20
7791A751B	12B	24	79010321B	31B	21	81417151B	09A	44	82718923A	04A	36
7791A842AA	33A	5	79010341B	31A	21	81417251A	36B	12	82718933A	04A	39
7791B112AA	25A	10	79010511A	31A	24	81417511A	36B	16	82718944A	04A	35
7791B121A	10A	5	79110931A	25A	30	81417511A	36B	16	82718991A	04A	31
7791B311AA	33A	9	79110941A	25A	28	81417581A	35A	30	8271F271A	12A	2
7791B321AA	23A	16	79111241A	35A	19	81441431A	36B	20	8271F271A	12B	2
7791B321AA	33B	21	79111312A	30A	7	81446871A	36B	11	8271H012AA	26B	23
7791B491A	04A	10	79710771A	03B	12	81446871A	36B	11	8271L031AA	36B	25
7791B851BA	04C	15	79910241B	26C	3	81447031A	36B	25	8271L031AA	36B	32
7791B891AA	25A	2	79913021A	33C	10	81810162A	03B	18	8271L041AA	37C	26
7791B901AA	37B	10	79915101C	09A	32	81910692AA	28A	2	82919242AA	33A	7
7791B901AA	37C	10	79915131C	02A	7	81920831AA	29B	1	8291B911BA	20A	10
7791B911AA	25A	3	79915141D	02A	8	82010141A	09A	35	8291B951BA	22B	9
7791C031A	03B	17	79915511A	26B	12	82110512AA	26A	20	8291G311C	12A	18
7791C361A	09A	10	79915581A	25B	16	82110512AA	26B	19	8291G311C	12B	18
7791C511AA	26B	5	79915871AA	26A	21	82110512AA	26C	9	8291G771B	36B	2
77927171B	09A	29	79915871AA	26B	17	82111701CA	26A	19	8291G771B	36B	2
77941992A	04A	1	79916091C	12C	22	82111701CA	26B	9	8291G861A	20B	15
77941992A	04B	5	79916091C	12D	22	82113731AA	16A	9	8291G891A	25B	5
77941992A	04C	9	79916101C	12C	26	82115561A	12C	19	8291G901CA	23A	14
77941992A	10A	4	79916101C	12D	26	82115561A	12D	19	8291G911BA	23A	13
77942002A	04A	21	79916111B	12C	31	82115622A	07A	6	8291H082A	35A	6
77942002A	04B	4	79916111B	12D	31	82115751AA	33C	11	8291H141A	30A	9
77942002A	04C	8	79916121B	12C	30	82115801A	12C	28	8291H531A	13D	15
78010511C	09B	11	79916121B	12D	30	82115801A	12D	28	8291H921A	20C	4
78010511C	12C	40	79925411AA	16A	7	82118261A	02A	17	8291I991A	14A	20
78010511C	12D	40	79925941A	31A	10	82413591AB	26C	7	8291J001A	14A	21
78010871B	09A	31	79925941A	31B	10	82413601AB	26C	8	8291J241AA	04A	42
78010921A	04A	7	79925941A	31B	10	82413951AB	26A	16	8291N631AB	19A	17
78011262A	12C	13	79940121A	09A	33	82414001AB	26B	1	8291P781AB	26A	1



CODE	NO. TABLE	POS.	CODE	NO. TABLE	POS.	CODE	NO. TABLE	POS.	CODE	NO. TABLE	POS.
83019481AB	13D	12	84012001BL	12D	35	84012011AJ	12D	33	85044691A	25A	5
83019541BA	18A	29	84012001BM	12C	35	84012011AK	12C	33	85044691A	31A	9
83019541BA	18A	29	84012001BM	12D	35	84012011AK	12D	33	85044691A	31B	21
8301G011A	20B	13	84012001BN	12C	35	84012011AL	12C	33	85044691A	33B	12
8301G051AB	30A	14	84012001BN	12D	35	84012011AL	12D	33	85044691A	33C	13
8301G061AB	30A	17	84012001BO	12C	35	84012011AM	12C	33	85044691A	36B	27
8301G771A	13D	25	84012001BO	12D	35	84012011AM	12D	33	85110201A	03B	19
8301H591AA	18A	8	84012001BP	12C	35	84012011AN	12C	33	85211201A	12C	10
8301H591AA	18A	8	84012001BP	12D	35	84012011AN	12D	33	85211201A	12D	10
8301H601AA	18A	32	84012001BQ	12C	35	84012011AO	12C	33	85211511A	26A	26
8301H601AA	18A	32	84012001BQ	12D	35	84012011AO	12D	33	85211511A	26B	6
8301H611AA	33A	11	84012001BR	12C	35	84012011AP	12C	33	85211671B	25A	34
8301H621AB	18A	25	84012001BR	12D	35	84012011AP	12D	33	85211951A	04A	14
8301H621AB	18A	25	84012001BS	12C	35	84012011AQ	12C	33	85212171A	20D	18
8301H711AA	14A	24	84012001BS	12D	35	84012011AQ	12D	33	85212211A	29A	5
8301H812AA	04B	9	84012001BT	12C	35	84510111A	12C	34	85212211A	29B	8
8301H841BA	04B	10	84012001BT	12D	35	84510111A	12D	34	85212221A	28A	13
8301I051AA	20C	24	84012001BU	12C	35	84740021A	26C	4	85212511A	21A	12
8301I061AA	22B	28	84012001BU	12D	35	84740061A	09A	37	85212511A	21A	12
8301I192A	14A	25	84012001BV	12C	35	84740161A	30A	8	85212641A	12A	26
8301I201A	14A	26	84012001BV	12D	35	84850021A	26A	12	85212641A	12B	26
8301I231BA	33B	2	84012001BW	12C	35	8501A671AA	35A	17	85212651A	11A	11
8301L831A	35A	27	84012001BW	12D	35	8501A701A	35A	18	85212661A	09A	38
83040071A	22A	16	84012001BZ	12C	35	8501B151A	33B	23	85212661A	09B	16
83110151A	09A	36	84012001BZ	12D	35	85040381A	30A	20	85212721A	04A	26
83210031E	19A	14	84012011AA	12C	33	85040381A	33B	11	85212771A	09A	14
83210742A	16A	12	84012011AA	12D	33	85040521A	33B	20	85212801A	17A	8
84012001BD	12C	35	84012011AB	12C	33	85041711A	31B	16	85213002A	30A	11
84012001BD	12D	35	84012011AB	12D	33	85041711A	31B	16	85213111AA	14B	7
84012001BE	12C	35	84012011AC	12C	33	85041931A	31B	19	85213111AA	15A	8
84012001BE	12D	35	84012011AC	12D	33	85041951AA	13D	17	85213111AA	25A	9
84012001BF	12C	35	84012011AD	12C	33	85041951AA	17A	16	85213111AA	31B	17
84012001BF	12D	35	84012011AD	12D	33	85041951AA	31A	17	85213111AA	31B	17
84012001BG	12C	35	84012011AE	12C	33	85041951AA	33B	24	85213111AA	33B	3
84012001BG	12D	35	84012011AE	12D	33	85041951AA	33C	14	85213111AA	37B	8
84012001BH	12C	35	84012011AF	12C	33	85041951AA	36B	34	85213111AA	37C	8
84012001BH	12D	35	84012011AF	12D	33	85041951AA	37A	4	85213111AB	31A	23
84012001BI	12C	35	84012011AG	12C	33	85041951AA	37B	18	85213291A	03A	17
84012001BI	12D	35	84012011AG	12D	33	85041951AA	37C	18	85213311A	03A	18
84012001BJ	12C	35	84012011AH	12C	33	85042242A	37A	15	85213981A	02A	18
84012001BJ	12D	35	84012011AH	12D	33	85042371A	36A	9	85214051B	03B	20
84012001BK	12C	35	84012011AI	12C	33	85044431A	37B	25	85214071B	05A	8
84012001BK	12D	35	84012011AI	12D	33	85044431A	37C	25	85214071B	11A	5
84012001BL	12C	35	84012011AJ	12C	33	85044441A	30A	23	85214141A	03A	19



CODE	NO. TABLE	POS.	CODE	NO. TABLE	POS.	CODE	NO. TABLE	POS.	CODE	NO. TABLE	POS.
85214421A	08A	3	85611551A	04A	41	86612791A	37D	8	88610951A	04B	7
85214421A	10A	3	85611551A	12A	23	86612801A	37D	3	88640042A	03A	30
85214621A	03A	17	85611551A	12B	23	86613311A	30A	30	88640042A	03A	30
85214631A	03A	18	85611621A	12A	11	86613731A	19A	23	88640331A	04A	11
85214641A	03A	19	85611621A	12B	11	86613741A	19A	22	88640541A	08A	2
85240261A	12C	15	85611711AA	25B	14	86642771A	13F	6	88640891A	04A	20
85240261A	12D	15	85611711AA	35A	15	87210722A	18A	19	88640891A	13D	21
85241831A	12C	38	85611801A	03A	20	87210722A	18A	19	88641161A	26A	18
85241831A	12D	38	85611811A	03A	21	87210802A	14A	22	88641161A	26B	8
85250231A	12A	9	85640121A	17A	13	87210812A	14A	23	88641201A	04A	6
85250231A	12B	9	85640121A	31B	18	87211261A	35A	23	88641241A	20D	17
85250241A	04A	29	85640121A	31B	18	87211343A	30A	3	88641961A	09A	30
85250241A	12C	18	85640141A	09A	39	87211681A	13C	4	88641981A	25B	19
85250241A	12D	18	85651691B	09A	8	87211751A	36B	24	88642081A	07A	7
85250241A	20A	4	85651691B	12A	16	87211751A	36B	28	88642651A	08A	1
85250241A	20B	4	85651691B	12B	16	87240821A	33B	27	88642721A	04A	22
85250241A	20C	12	86010061A	12C	16	87241271A	13D	8	88642721A	12C	39
85250241A	20D	9	86010061A	12D	16	87512492B	09A	42	88642721A	12D	39
85250241A	22B	17	86010151A	12C	12	87611472A	35A	11	88642791A	09A	26
85250261B	12C	23	86010151A	12D	12	87611481A	35A	9	88643121A	04C	14
85250261B	12D	23	86040071A	09A	40	87613921A	13B	18	88643121A	34A	10
85250291A	18A	18	86050061A	12C	6	87613931A	13B	19	88643141A	04C	13
85250291A	18A	18	86050061A	12D	6	87710681A	22B	15	88643141A	34A	9
85250311AB	13B	10	86050341A	09A	41	87711111A	20A	17	88643151A	11A	16
85250311AB	13D	24	86050361AA	26A	3	87712481A	04A	30	88650321A	04A	17
85250401A	18A	27	86610301A	13D	3	87712801A	20D	7	88650741A	12A	17
85250401A	18A	27	86610301A	32A	3	88110541A	29B	14	88650741A	12B	17
85250401A	23A	17	86610301A	32B	2	88111152B	03B	21	88650751A	09A	43
85250541A	04C	7	86610301A	37D	10	88440511A	20D	19	88650761A	04C	3
85250771A	25A	32	86610361A	35A	28	88440731A	03A	22	88650831A	09B	5
85250871A	09B	10	86610361A	37B	12	88440741A	03A	23	887131010	01D	6
85310031A	04A	15	86610361A	37C	12	88440751A	03A	24	887131058	01D	7
85310031A	13A	2	86610751A	18A	31	88441031A	10A	6	887131062	01D	11
85350101A	13D	16	86610751A	18A	31	88441201A	03A	22	887131074	01D	4
85540091A	33A	10	86610751A	25B	6	88441211A	03A	23	887132951	01D	3
85550001B	13D	13	86611121A	25A	27	88441221A	03A	24	887133003	01B	1
85611372A	03A	20	86611821A	33C	22	88450031A	26A	23	887133004	01B	2
85611391B	03B	13	86612211A	14A	27	88450031A	26B	16	887133211	01D	5
85611401A	32B	9	86612411A	35A	22	88450031A	26C	5	887133614	01B	3
85611401A	37A	16	86612431B	15A	9	88450291A	04A	25	887133633	01B	4
85611401A	37B	15	86612441A	32A	5	88450311A	02A	9	887133879	01B	16
85611401A	37C	15	86612671A	37D	2	88450351A	30A	4	887134302	01D	10
85611401A	37D	7	86612771B	33C	16	88450361A	02A	10	887134484	01D	1
85611491A	03A	21	86612791A	32B	3	88450391B	02A	15	887134485	01D	2



CODE	NO. TABLE	POS.	CODE	NO. TABLE	POS.	CODE	NO. TABLE	POS.
887134486	01D	8	91376611DE	32A	4	93511392A	36B	17
887134487	01D	9	91376611EL	32A	4	93511422A	36B	20
887134488	01D	16	91376611EN	32A	4	93511442A	36B	23
887135387	01B	5	91376611ES	32A	4	93511442A	36B	27
887135389	01C	7	91376611FI	32A	4	93511452A	36B	22
887135396	01C	8	91376611FR	32A	4	93511452A	36B	36
887135397	01C	9	91376611HR	32A	4	93512211A	36B	7
887135840	01B	6	91376611HU	32A	4	93512211A	36B	7
887135962	01C	10	91376611IT	32A	4	93512221A	36B	10
887136155	01C	11	91376611JA	32A	4	93512221A	36B	10
887138851	01B	7	91376611KO	32A	4	93512231A	36B	21
887138853	01B	9	91376611MX	32A	4	93512241A	36B	23
887138854	01B	10	91376611NL	32A	4	93520021A	13B	2
887138855	01B	11	91376611NO	32A	4	942470036	09B	20
887138856	01B	12	91376611PL	32A	4	944650035	L	1
887138857	01B	13	91376611PT	32A	4	944650037	L	2
887138858	01B	14	91376611RO	32A	4	979000253	01A	2
887138859	01C	1	91376611RU	32A	4	979000279	01A	1
887138860	01C	2	91376611SK	32A	4	979000281	01A	6
887138861	01C	3	91376611SL	32A	4	979000282	01A	3
887138862	01C	4	91376611SV	32A	4	979000283	01A	4
887138863	01C	5	91376611US	32A	4	979000284	01A	5
887138864	01C	6	91376611ZH	32A	4			
887138869	01C	12	93010041B	18A	7			
889450081	01D	12	93010041B	18A	7			
889450082	01D	13	93010102A	29B	16			
889450086	01D	14	93040932A	09A	24			
889450103	01B	15	93041271A	19A	8			
889450107	01B	17	93041271A	23A	7			
889450110	01B	8	93041501A	28A	6			
89310143A	25A	15	93041521A	04A	27			
89310153A	04C	6	93041592A	09B	14			
89310241A	25A	21	93041911A	33A	3			
89320121A	04A	19	93042221A	09B	15			
89340241A	20D	5	93042231A	04A	24			
89340241A	22B	11	93050121A	19A	9			
89340251A	20A	14	93310501A	35A	13			
89420231B	08A	9	93410461A	25A	18			
89520411AB	13F	7	93410561A	25A	17			
91376611AR	32A	4	93410601A	09B	22			
91376611BG	32A	4	93510401A	36B	14			
91376611CA	32A	4	93510401A	36B	14			
91376611CS	32A	4	93510441A	36B	17			
91376611DA	32A	4	93510741A	36B	22			





Ducati Motor Holding S.p.A.

Uffici Commerciali Amministrativi:

Via A. Cavalieri Ducati n. 3

40132 Bologna, Italy

Telefono 051 6413111

Fax 051 406580

Internet www.ducati.com