



1199 Panigale ABS

Model Year 2013

SUPERBIKE

Chassis prefix:
Cylinder capacity: 1200

D15000013 - 1199
SPARE PARTS CATALOGUE
en-US



The present spare parts order exactly the right spare parts.

When ordering specify:

1. the part's code number followed by its description and quantity needed;
2. the motorcycle's serial number, stamped on the steering head.

Reference to right and left apply to the vehicle in terms of its direction of movement.


Spare parts drawings are general and do not represent the part.

The contents of this catalogue are general and can undergo changes without prior notice.

CHARACTERISTICS LEGENDA

CHARACTERISTIC CODE	CHARACTERISTIC DESCRIPTION	VALUE CODE	VALUE DESCRIPTION
DFR	DAFRA	N	NO
MOD	MODEL	1199 ABS	1199 Panigale ABS
PLT	PLANT	DB10	DMH
XCO	MAIN COLOUR	AW	WHITE
XCO	MAIN COLOUR	R	Red
XCR	FRAME / WHEEL COLOUR	-B	BLACK
XPO	OPTIONS	STD	MOTO STANDARD
XST	STANDARD COUNTRY	AUS	VERSIONE AUSTRALIA
XST	STANDARD COUNTRY	CHN	VERSIONE CINA
XST	STANDARD COUNTRY	EUR	VERSIONE EUROPA
XST	STANDARD COUNTRY	FRA	VERSIONE FRANCIA
XST	STANDARD COUNTRY	JAP	VERSIONE GIAPPONE
XST	STANDARD COUNTRY	THA	VERSIONE THAILANDIA



COLOUR	COLOUR CODE	COLOUR DESCRIPTION	FINISHED PRODUCTS
	AW	ARTIC WHITE	(D15026113) 1199 ABS PANIGALE 13 EUR AW -B STD DMH (D15026313) 1199 ABS PANIGALE 13 JAP AW -B STD DMH (D15026413) 1199 ABS PANIGALE 13 FRA AW -B STD DMH (D15026613) 1199 ABS PANIGALE 13 AUS AW -B STD DMH (D15026713) 1199 ABS PANIGALE 13 CHN AW -B STD DMH
	R	RED DUCATI	(D15022013) 1199 ABS PANIGALE 13 EUR R -B STD DMH (D15029813) 1199 ABS PANIGALE 13 THAI R -B STD DMH (D15024513) 1199 ABS PANIGALE 13 JAP R -B STD DMH (D15024913) 1199 ABS PANIGALE 13 CHN R -B STD DMH (D15022913) 1199 ABS PANIGALE 13 FRA R -B STD DMH (D15023413) 1199 ABS PANIGALE 13 AUS R -B STD DMH



General information.....	3
Colours.....	4
Group ELECTRIC.....	8
Drawing 018 - IMPIANTO ELETTRICO SINISTRO [MOD:1199 ABS;XST:AUS,CHN,EUR,FRA,JAP,THA].....	8
Drawing 18A - BATTERY HOLDER [MOD:1199 ABS;XST:AUS,CHN,EUR,FRA,JAP,THA].....	10
Drawing 18B - IMPIANTO ELETTRICO DESTRO [MOD:1199 ABS;XST:AUS,CHN,EUR,FRA,JAP,THA].....	12
Drawing 18C - WIRING HARNESS [MOD:1199 ABS;XST:AUS,CHN,EUR,FRA,JAP,THA].....	14
Group OIL.....	16
Drawing L - SHELL ADVANCE.....	16
Group ENGINE.....	18
Drawing 002 - GEARCHANGE CONTROL [MOD:1199 ABS;XST:AUS,CHN,EUR,FRA,JAP,THA].....	18
Drawing 003 - GEAR BOX [MOD:1199 ABS;XST:AUS,CHN,EUR,FRA,JAP,THA].....	20
Drawing 004 - CLUTCH [MOD:1199 ABS;XST:AUS,CHN,EUR,FRA,JAP,THA].....	24
Drawing 005 - CLUTCH - SIDE CRANKCASE COVER [MOD:1199 ABS;XST:AUS,CHN,EUR,FRA,THA].....	26
Drawing 006 - CONNECTING RODS [MOD:1199 ABS;XST:AUS,CHN,EUR,FRA,JAP,THA].....	28
Drawing 007 - CYLINDERS - PISTONS [MOD:1199 ABS;XST:AUS,CHN,EUR,FRA,JAP,THA].....	30
Drawing 008 - TIMING SYSTEM [MOD:1199 ABS;XST:AUS,CHN,EUR,FRA,JAP,THA].....	32
Drawing 009 - FILTERS AND OIL PUMP [MOD:1199 ABS;XST:AUS,CHN,EUR,FRA,JAP,THA].....	34
Drawing 010 - HALF-CRANKCASES PAIR [MOD:1199 ABS;XST:AUS,CHN,EUR,FRA,JAP,THA].....	36
Drawing 011 - WATER PUMP [MOD:1199 ABS;XST:AUS,CHN,EUR,FRA,JAP,THA].....	40
Drawing 012 - ELECTRIC STARTING AND IGNITION [MOD:1199 ABS;XST:AUS,CHN,EUR,FRA,JAP,THA].....	42
Drawing 013 - HORIZONTAL HEAD – TIMING SYSTEM [MOD:1199 ABS;XST:AUS,EUR,FRA,JAP].....	44
Drawing 013 - HORIZONTAL HEAD – TIMING SYSTEM [MOD:1199 ABS;XST:CHN,THA].....	46
Drawing 014 - HORIZONTAL HEAD [MOD:1199 ABS;XST:AUS,CHN,EUR,FRA,JAP,THA].....	48
Drawing 015 - VERTICAL HEAD [MOD:1199 ABS;XST:AUS,CHN,EUR,FRA,JAP,THA].....	58
Drawing 05A - CLUTCH-SIDE CRANKCASE COVER (JAP) [MOD:1199 ABS;XST:JAP].....	68
Drawing 10A - HALF-CRANKCASES PAIR [MOD:1199 ABS;XST:AUS,CHN,EUR,FRA,JAP,THA].....	70
Drawing 13A - VERTICAL CYLINDER HEAD - TIMING [MOD:1199 ABS;XST:AUS,EUR,FRA,JAP].....	72
Drawing 13A - VERTICAL CYLINDER HEAD - TIMING [MOD:1199 ABS;XST:CHN,THA].....	76



Group TOOLS.....	80
Drawing 001 - DDS (2) TESTER [MOD:1199 ABS;XST:AUS,CHN,EUR,FRA,JAP,THA].....	80
Drawing 01A - WORKSHOP SERVICE TOOLS [MOD:1199 ABS;XST:AUS,CHN,EUR,FRA,JAP,THA].....	82
Drawing 01B - WORKSHOP SERVICE TOOLS [MOD:1199 ABS;XST:AUS,CHN,EUR,FRA,JAP,THA].....	86
Drawing 01C - WORKSHOP SERVICE TOOLS [MOD:1199 ABS;XST:AUS,CHN,EUR,FRA,JAP,THA].....	88
Group TYRES.....	90
Drawing A1 - TYRES [MOD:1199 ABS].....	90
Drawing B1 - (*) PIRELLI DIABLO™ SUPERCORSA SP [MOD:1199 ABS].....	92
Drawing D1 - PIRELLI DIABLO™ ROSSO III [MOD:1199 ABS].....	94
Drawing F - PIRELLI DIABLO™ ROSSO CORSA II [MOD:1199 ABS].....	96
Drawing G1 - (#) PIRELLI DIABLO™ SUPERBIKE [MOD:1199 ABS].....	98
Drawing H1 - (#) DIABLO™ WET [MOD:1199 ABS].....	100
Drawing I1 - (#) DIABLO™ RAIN [MOD:1199 ABS].....	102
Drawing J1 - (#) DIABLO™ SUPERCORSA SC V2 [MOD:1199 ABS].....	104
Drawing K1 - (#) DIABLO™ SUPERCORSA SC [MOD:1199 ABS].....	106
Drawing M - PIRELLI DIABLO™ SUPERCORSA SP V3 [MOD:1199 ABS].....	108
Drawing N - (#) DIABLO™ SUPERCORSA SC V3 [MOD:1199 ABS].....	110
Drawing O - PIRELLI DIABLO™ ROSSO IV [MOD:1199 ABS].....	112
Group FRAME.....	114
Drawing 016 - FOOTRESTS, LEFT [MOD:1199 ABS;XST:AUS,CHN,EUR,FRA,JAP,THA].....	114
Drawing 017 - THROTTLE BODY [MOD:1199 ABS;XST:AUS,CHN,EUR,FRA,JAP,THA].....	116
Drawing 019 - EXHAUST SYSTEM [MOD:1199 ABS;XST:AUS,CHN,EUR,FRA,THA].....	118
Drawing 020 - FANALE ANTERIORE E CRUSCOTTO [MOD:1199 ABS;XST:AUS,CHN,EUR,FRA,JAP,THA].....	122
Drawing 021 - HALF-HANDLEBAR - STEERING DAMPER [MOD:1199 ABS;XST:AUS,CHN,EUR,FRA,JAP,THA].....	124
Drawing 022 - FRAME [MOD:1199 ABS;XST:AUS,CHN,EUR,FRA,JAP,THA].....	126
Drawing 023 - CLUTCH CONTROL [MOD:1199 ABS;XST:AUS,CHN,EUR,FRA,JAP,THA].....	128
Drawing 024 - FRONT BRAKE SYSTEM [MOD:1199 ABS;XST:AUS,CHN,EUR,FRA,JAP,THA].....	130
Drawing 025 - REAR BRAKE SYSTEM [MOD:1199 ABS;XST:AUS,CHN,EUR,FRA,JAP,THA].....	132
Drawing 026 - RUOTA ANTERIORE E POSTERIORE [MOD:1199 ABS;XST:AUS,CHN,EUR,FRA,JAP,THA].....	136
Drawing 027 - REAR FRAME COMP. [MOD:1199 ABS;XST:AUS,CHN,EUR,FRA,JAP,THA].....	138

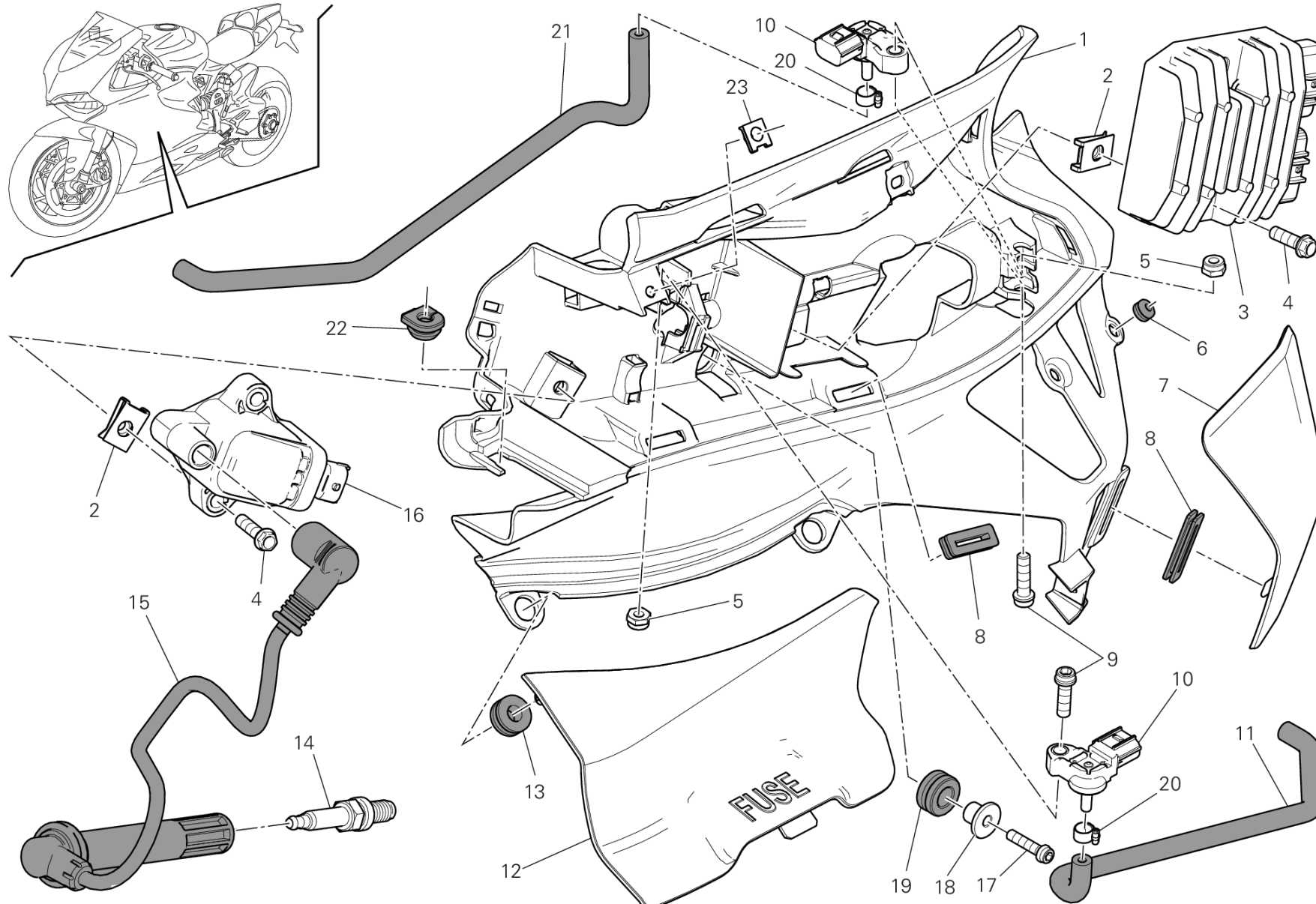


Drawing 028 - SOSPENSIONE POSTERIORE [MOD:1199 ABS;XST:AUS,CHN,EUR,FRA,JAP,THA].....	142
Drawing 029 - AIR INTAKE - OIL BREATHER [MOD:1199 ABS;XST:AUS,CHN,EUR,FRA,JAP,THA].....	144
Drawing 030 - WATER COOLER [MOD:1199 ABS;XST:AUS,CHN,EUR,FRA,JAP,THA].....	146
Drawing 031 - COOLING SYSTEM [MOD:1199 ABS].....	148
Drawing 032 - TANK [MOD:1199 ABS;XST:AUS,EUR,FRA,JAP].....	150
Drawing 032 - TANK [MOD:1199 ABS;XST:CHN,THA].....	152
Drawing 033 - SEAT [MOD:1199 ABS;XST:AUS,CHN,EUR,FRA,JAP,THA].....	154
Drawing 034 - COWLING [MOD:1199 ABS;XST:AUS,CHN,EUR,FRA,JAP,THA].....	158
Drawing 035 - CANISTER FILTER [MOD:1199 ABS;XST:CHN,THA].....	160
Drawing 19A - EXHAUST SYSTEM (JAP) [MOD:1199 ABS;XST:JAP].....	162
Drawing 21A - FRONT FORK [MOD:1199 ABS;XST:CHN].....	166
Drawing 21A - FRONT FORK [MOD:1199 ABS;XST:AUS,EUR,FRA,JAP,THA].....	168
Drawing 22A - STAND [MOD:1199 ABS;XST:AUS,CHN,EUR,FRA,JAP,THA].....	170
Drawing 24A - ANTILOCK BRAKING SYSTEM (ABS) [MOD:1199 ABS;XST:AUS,CHN,EUR,FRA,JAP,THA].....	172
Drawing 26A - REAR WHEEL SPINDLE [MOD:1199 ABS;XST:AUS,CHN,EUR,FRA,JAP,THA].....	174
Drawing 27A - NUMBER PLATE HOLDER - TAIL LIGHT [MOD:1199 ABS;XST:CHN,EUR,FRA,JAP,THA].....	176
Drawing 27B - NUMBER PLATE HOLDER - TAIL LIGHT - (AUS) [MOD:1199 ABS;XST:AUS].....	178
Drawing 28A - REAR SWINGING ARM [MOD:1199 ABS;XST:AUS,CHN,EUR,FRA,JAP,THA].....	180
Drawing 34A - FAIRING [MOD:1199 ABS;XST:AUS,CHN,EUR,FRA,JAP,THA].....	182
Alphanumeric index.....	184



DRAWING 018 - IMPIANTO ELETTRICO SINISTRO [MOD:1199 ABS;XST:AUS,CHN,EUR,FRA,JAP,THA]

GROUP ELECTRIC



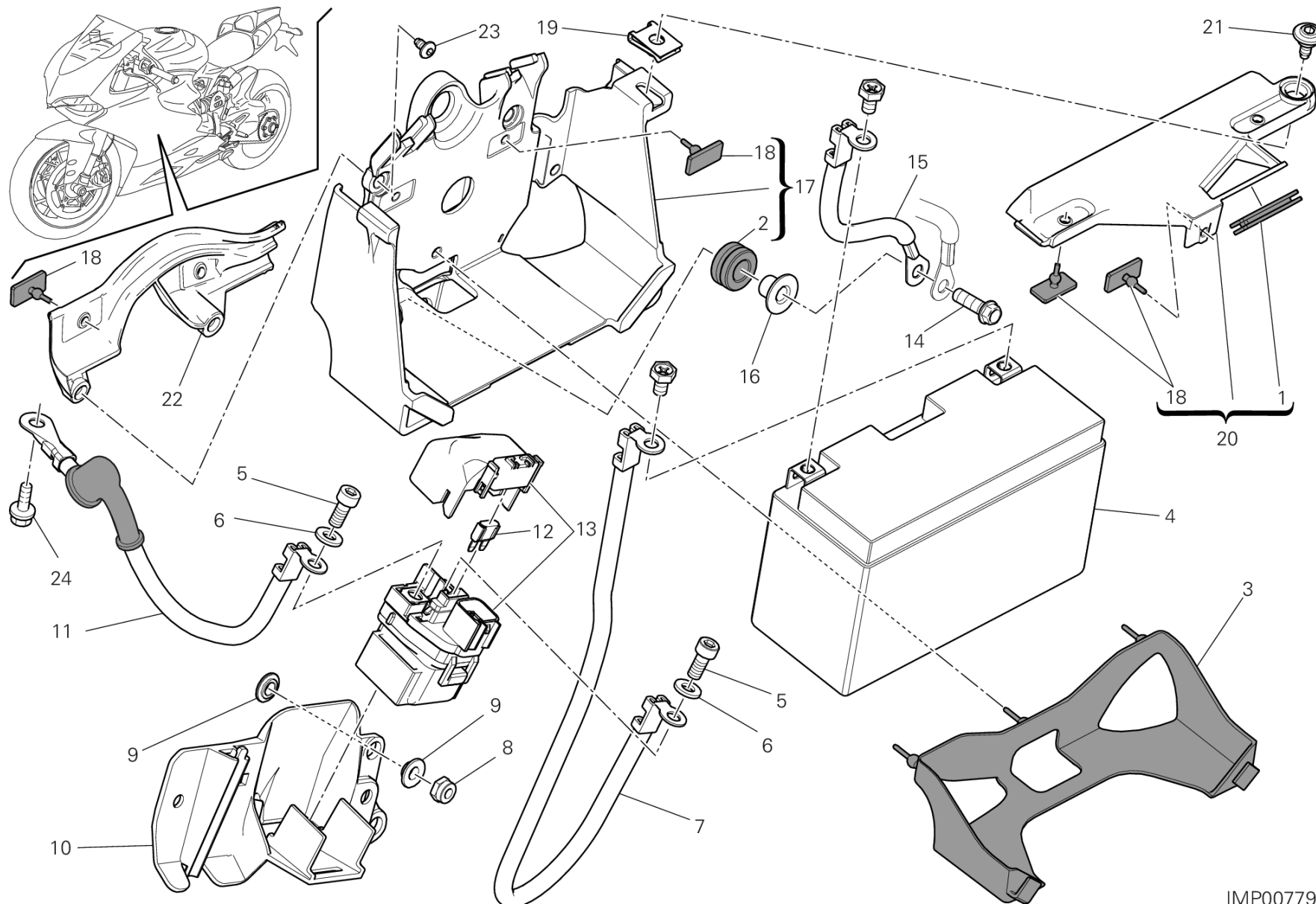
DRAWING 018 - IMPIANTO ELETTRICO SINISTRO [MOD:1199

ABS;XST:AUS,CHN,EUR,FRA,JAP,THA]

GROUP ELECTRIC



POS.	CODE	DESCRIPTION	QTY	START DATE	END DATE	VALIDITY	NOTES
1	829PA361A	LEFT HOLDER	1				
2	85041581A	CLIP NUT	4				
3	54040301B	VOLTAGE REGULATOR	1				
4	77251038B	SCREW TEF M6X25	4				
5	74940041A	NUT, SELF-LOCKING M6	2				
6	76440561A	RUBBER PAD	2				
7	46015482A	COVER	1				
8	76411411B	RUBBER PAD	3				
9	77156688B	SCREW TCEIF	2	01/11/2012			
10	55241571A	SENSOR, PRESSURE	2				
11	59013941A	TUBE VERTICAL	1				
12	46015351A	COVER	1				
13	76410841B	RUBBER PAD	2				
14	67040451A	SPARK PLUG NGK MAR9A-J	1				
15	67110511C	SPARK PLUG WIRING	1				
16	38040221B	IGNITION COIL ASSY	1				
17	77156443B	SCREW	3				
18	71614342AA	SPACER	3				
19	76410901A	RUBBER PAD	3				
20	74141711A	CLAMP 10-7 MM	2				
21	59013951A	TUBE HORIZONTAL	1				
22	76410741A	HOSE GUIDE	1				
23	85040471A	QUICK FASTENING M5	2				



IMP00779

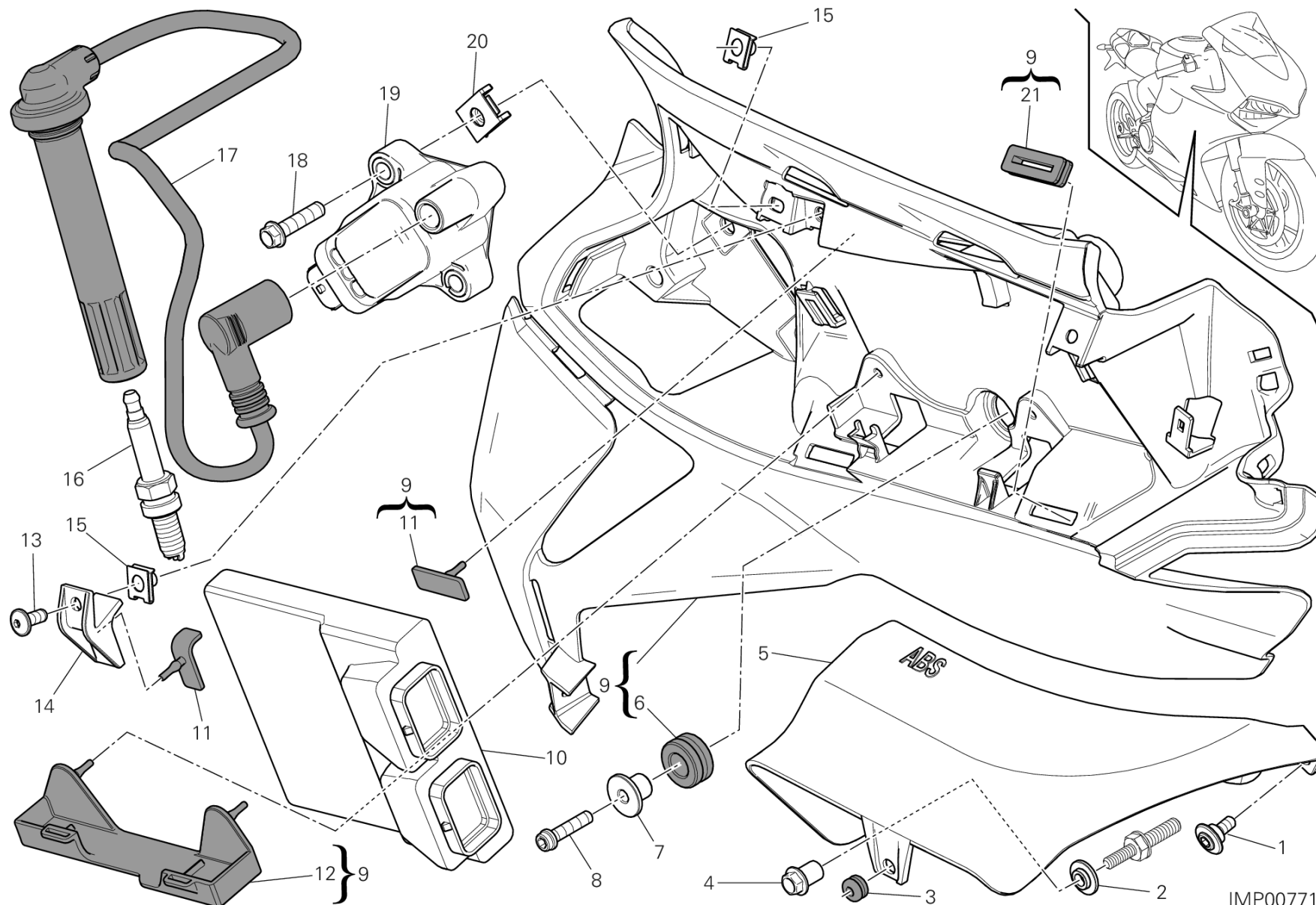


POS.	CODE	DESCRIPTION	QTY	START DATE	END DATE	VALIDITY	NOTES
1	76411411B	RUBBER PAD	1				
2	76410901A	RUBBER PAD	3				
3	46015052A	BATTERY CARPET	1				
4	39520311A	BATTERY	1				
5	77156628B	SCREW TCEIF M6X10	2				
6	85350101A	WASHER, SPRING	2				
7	51410671A	BATTERY - SOLENOID STARTER CABLE	1				
8	74840381A	NUT M5	2				
9	71614071A	SPACER 5.2X8.4X2	4				
10	83016833A	HOLDER	1				
11	51410681A	SOLENOID STARTER - STARTER MOTOR CABLE	1				
12	38940251A	FUSE 30A	1				
13	39740071A	STARTER RELAY	1				
14	77251023C	SCREW TEF M6X22 10.9	3				
15	51310261A	CABLE	1				
16	71611061A	SPACER 7X10X20	3				
17	829PA541B	BATTERY HOLDER	1				
18	86610361A	RUBBER PAD	7				
19	85040551A	QUICK FASTENING	1				
20	247P4072A	COVER ASSEMBLY	1				
21	77211131A	SCREW M5X9	1				
22	46015681A	GUARD	1				
23	77440203C	SCREW	2				
24	77210461B	SCREW TEF M5X8	1				



DRAWING 18B - IMPIANTO ELETTRICO DESTRO [MOD:1199 ABS;XST:AUS,CHN,EUR,FRA,JAP,THA]

GROUP ELECTRIC



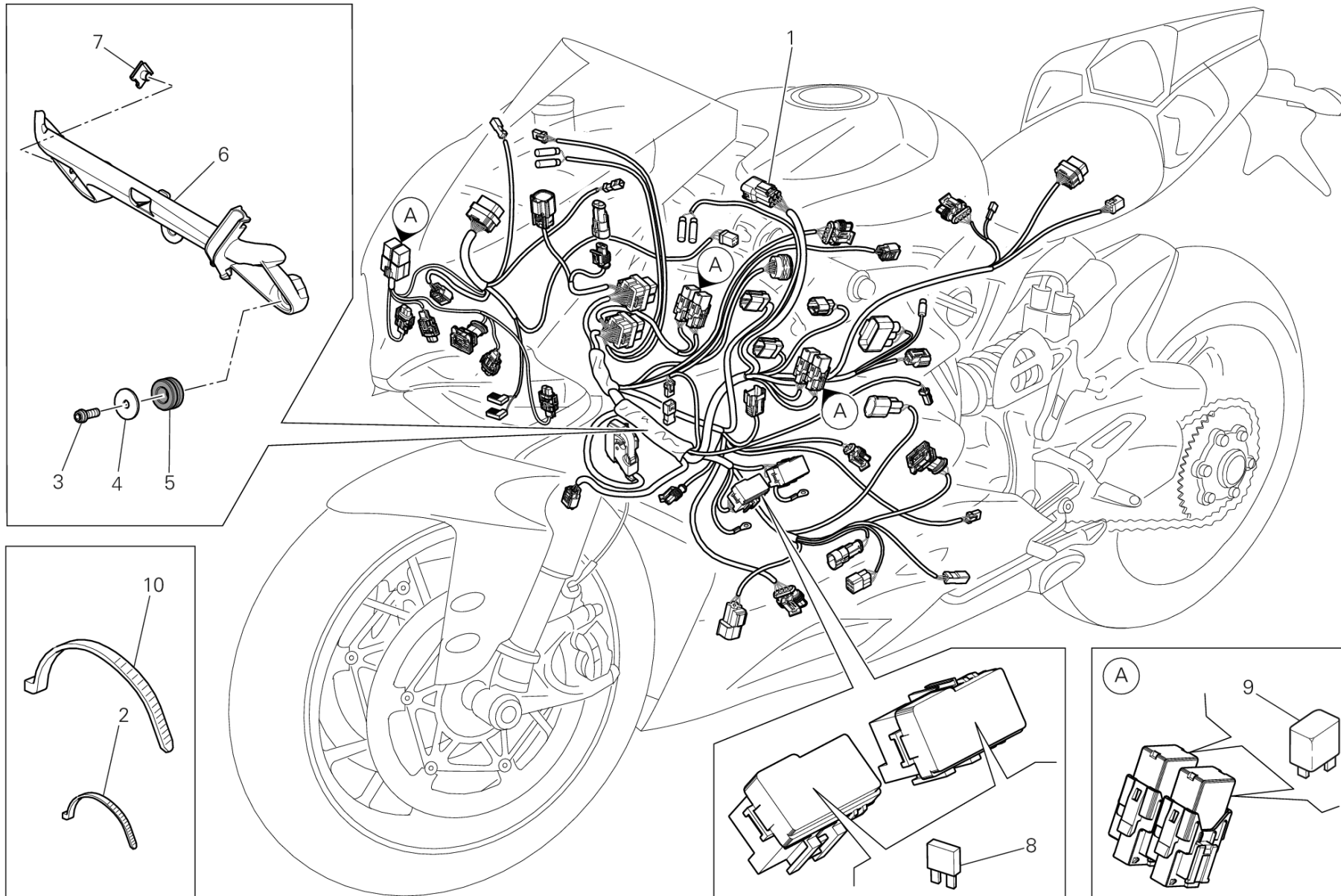
DRAWING 18B - IMPIANTO ELETTRICO DESTRO [MOD:1199

ABS;XST:AUS,CHN,EUR,FRA,JAP,THA]

GROUP ELECTRIC



POS.	CODE	DESCRIPTION	QTY	START DATE	END DATE	VALIDITY	NOTES
1	77210853B	SCREW	1				
2	71614071A	SPACER 5.2X8.4X2	1				
3	76440561A	RUBBER PAD	1				
4	75011742AA	NUT, SPECIAL	1				
5	46015631B	COVER	1				
6	76410901A	RUBBER PAD	3				
7	71614342AA	SPACER	3				
8	77156443B	SCREW	3				
9	829PA371A	RIGHT HOLDER	1				
10	28642211A	ENGINE CONTROL UNIT	1			MOD:1199 ABS;XST:AUS,EUR,THA	EUR - AUS - BRA - THAI
	28642211C	ENGINE CONTROL UNIT	1	29/03/2012		MOD:1199 ABS;XST:CHN	CAL - CDN - CHN
	28642211E	ENGINE CONTROL UNIT	1			MOD:1199 ABS;XST:FRA	FRA
	28642211F	ENGINE CONTROL UNIT	1			MOD:1199 ABS;XST:JAP	JPN - TWN
11	86611241A	RUBBER PAD	2				
12	70010711A	VIBRATION DAMPER	1				
13	77240258C	SCREW	1				
14	83016861A	BRACKET	1				
15	85040471A	QUICK FASTENING M5	3				
16	67040451A	SPARK PLUG NGK MAR9A-J	1				
17	67110511C	SPARK PLUG WIRING	1				
18	77251038B	SCREW TEF M6X25	2				
19	38040221B	IGNITION COIL ASSY	1				
20	85041581A	CLIP NUT	2				
21	76411411B	RUBBER PAD	2				



DRAWING 18C - WIRING HARNESS [MOD:1199 ABS;XST:AUS,CHN,EUR,FRA,JAP,THA]

GROUP ELECTRIC



POS.	CODE	DESCRIPTION	QTY	START DATE	END DATE	VALIDITY	NOTES
1	51017881A	MAIN WIRING HARNESS	1				
2	74140381A	CLAMP	39				
3	77210882B	SCREW TBEI M5X12	2				
4	71614431AA	SPACER	2				
5	76410901A	RUBBER PAD	2				
6	83017071A	BRACKET, FRONT	1				
7	85040471A	QUICK FASTENING M5	1				
8	38940191A	FUSE 5A	1				
	38940201A	FUSE 10A	1				
	38940211A	FUSE 15A	1				
	38940221A	FUSE 20A	1				
	38940241A	FUSE 7,5A	1				
9	54140101A	RELAY	4				
10	069191030	CLAMP	27				



DRAWING L - SHELL ADVANCE

GROUP OIL

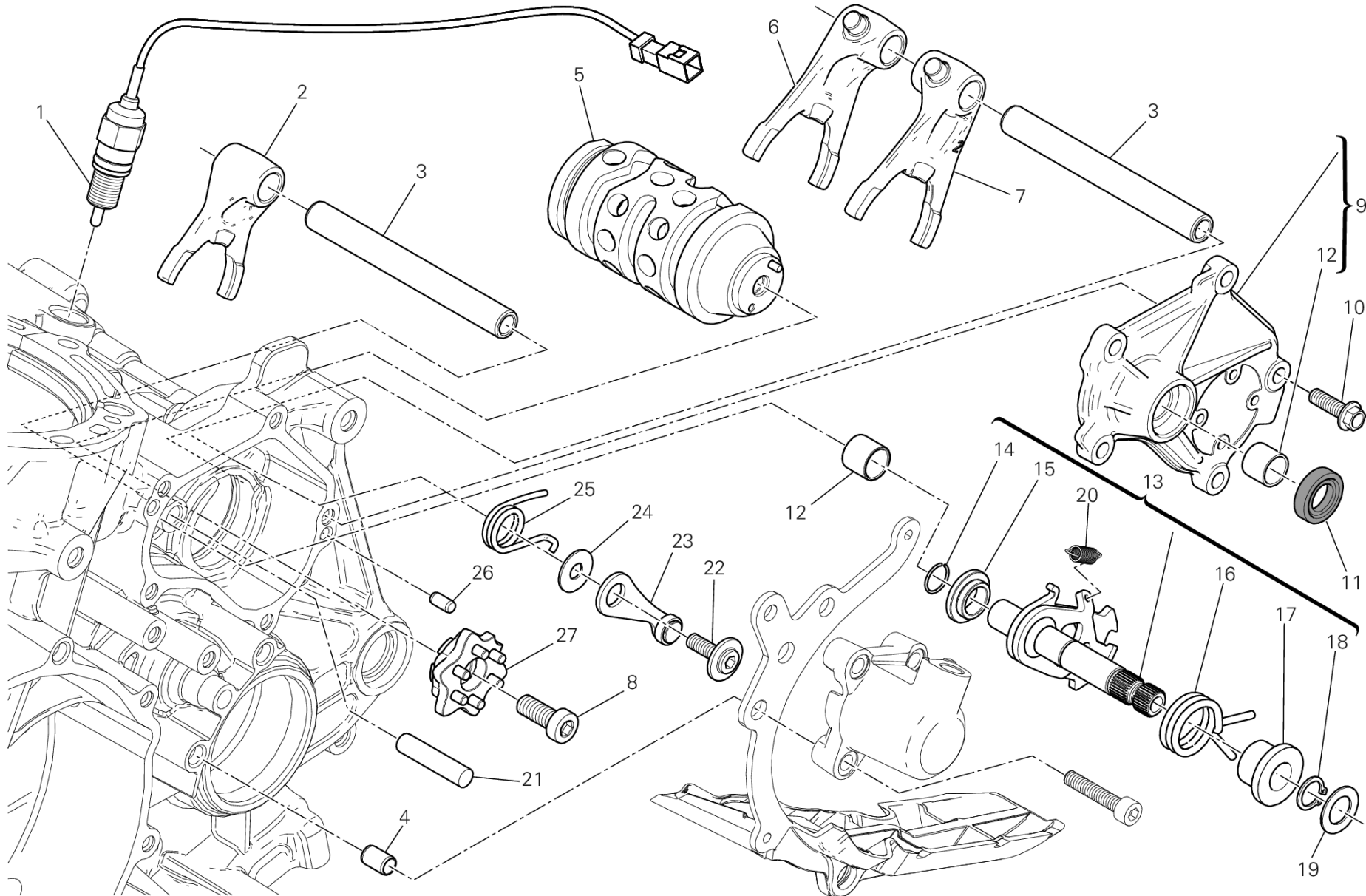


POS.	CODE	DESCRIPTION	QTY	START DATE	END DATE	VALIDITY	NOTES
1	944650035	SHELL ADVANCE DUCATI 15W50 - 1L BOTTLE	1				
2	944650037	SHELL ADVANCE DUCATI 15W50 – 209L DRUM	1				



DRAWING 002 - GEARCHANGE CONTROL [MOD:1199 ABS;XST:AUS,CHN,EUR,FRA,JAP,THA]

GROUP ENGINE



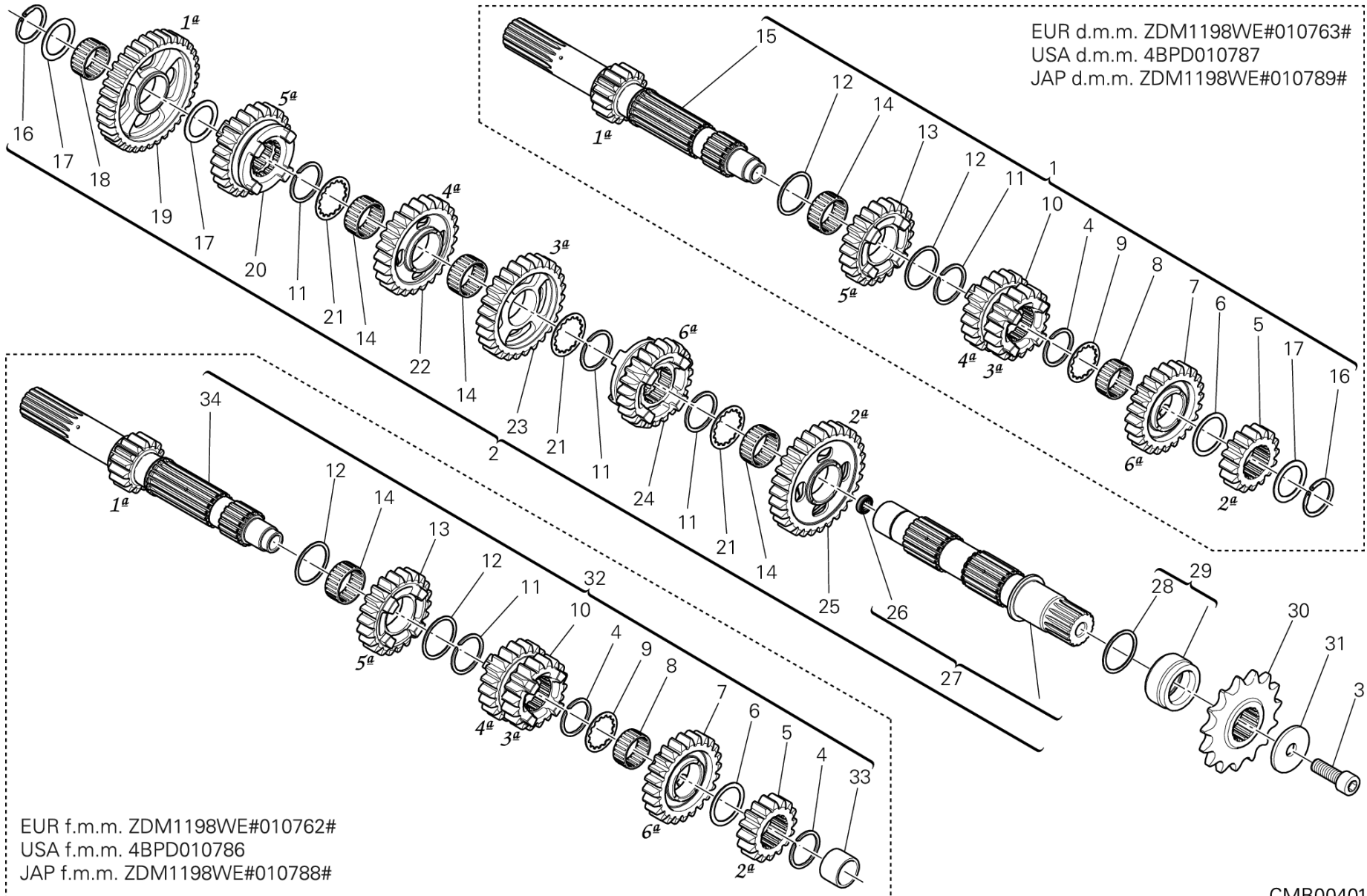
DRAWING 002 - GEARCHANGE CONTROL [MOD:1199

ABS;XST:AUS,CHN,EUR,FRA,JAP,THA]

GROUP ENGINE



POS.	CODE	DESCRIPTION	QTY	START DATE	END DATE	VALIDITY	NOTES
1	55241612C	GEARBOX POSITION SENSOR	1	11/11/2010			
2	18010271D	5TH,6TH GEAR SELECTOR FORK	1	26/03/2012			
3	82113441B	FORK PIN	2	26/03/2012			
4	71113631A	BUSH	2	26/03/2012			
5	18220353C	COMPLETE GEARBOX DRUM	1	26/03/2012			
6	18010281D	1TH,4TH GEAR SELECTOR FORK	1	26/03/2012			
7	18010291D	2TH,3TH GEAR SELECTOR FORK	1	26/03/2012			
8	77355038B	SCREW	1	26/03/2012			
9	24723652A	GEARBOX CONTROL COVER (Unit)	1	08/05/2012			
10	77253317C	SCREW	5	26/03/2012			
11	93041591A	SEAL RING	1	23/11/2010			
12	71240231A	BUSH	2	24/04/2012			
13	18120051C	GEAR CHANGE MECHANISM (Unit)	1	02/04/2012			
14	88450311A	STOP RING	1	19/12/2011			
15	71611581C	SPACER	1	19/12/2011			
16	79915141C	SPRING	1	19/12/2011			
17	71611571C	SPACER	1	19/12/2011			
18	88450361A	CIRCLIP	1	19/12/2011			
19	85212651A	WASHER	1	10/11/2010			
20	79915131C	SPRING	1	19/12/2011			
21	86050371A	PIN	1	20/12/2012			
22	77916241A	SCREW, SPECIAL	1	02/11/2011			
23	45520172A	GEAR STOPPER LEVER ASSEMBLY	1	02/11/2011			
24	85212661A	WASHER	1	02/11/2011			
25	79915101C	SPRING	1	02/11/2011			
26	86050061A	PIN M5X10	2	02/11/2011			
27	18220381B	GEARBOX DRUM FLANGE ASSEMBLY	1	26/07/2011			



EUR d.m.m. ZDM1198WE#010763#
USA d.m.m. 4BPD010787
JAP d.m.m. ZDM1198WE#010789#

EUR f.m.m. ZDM1198WE#010762#
USA f.m.m. 4BPD010786
JAP f.m.m. ZDM1198WE#010788#

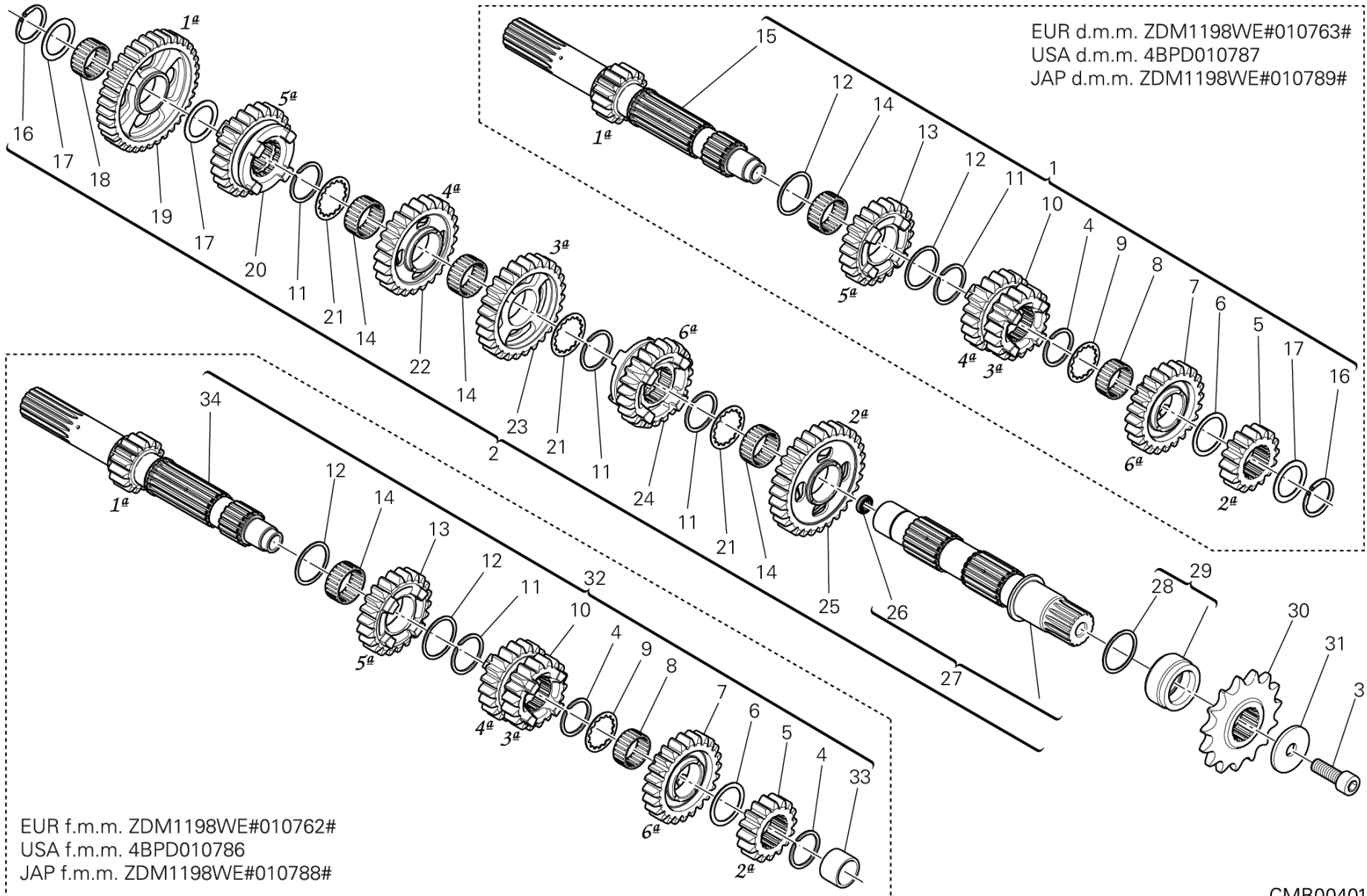
CMB00401

DRAWING 003 - GEAR BOX [MOD:1199 ABS;XST:AUS,CHN,EUR,FRA,JAP,THA]

GROUP ENGINE



POS.	CODE	DESCRIPTION	QTY	START DATE	END DATE	VALIDITY	NOTES
1	15021491E	COMPLETE MAIN SHAFT	1	18/07/2012			EUR d.m.m. ZDM1198WE#010763# USA d.m.m. 4BPD010787 JAP d.m.m. ZDM1198WE#010789#
2	15021504D	COMPLETE LAY SHAFT	1	18/07/2012			
3	77154337C	SCREW	1	01/12/2011			
4	88440621A	SPRING RING	1	07/12/2011			EUR d.m.m. ZDM1198WE#010763# USA d.m.m. 4BPD010787 JAP d.m.m. ZDM1198WE#010789#
	88440621A	SPRING RING	2				EUR f.m.m. ZDM1198WE#010762# USA f.m.m. 4BPD010786 JAP f.m.m. ZDM1198WE#010788#
5	17213172B	DRIVING GEAR 2ND SP.	1	07/12/2011			
6	85212981A	THRUST WASHER	1	07/12/2011			
7	17213201D	DRIVING GEAR 6TH SP.	1	07/12/2011			
8	70140311A	NEEDLE BEARING	1	07/12/2011			
9	85611372A	WASHER LOCK 28X32.5X1	1	07/12/2011			
10	17213181D	DRIVING GEAR 3RD/4TH SP.	1	07/12/2011			
11	88440381A	SPRING RING	4	01/01/2011			
12	85212621A	THRUST WASHER	2	07/12/2011			
13	17213191D	DRIVING GEAR 5TH SP.	1	07/12/2011			
14	70140321A	NEEDLE BEARING	4	01/01/2011			
15	14910871E	MAIN SHAFT	1	18/07/2012			EUR d.m.m. ZDM1198WE#010763# USA d.m.m. 4BPD010787 JAP d.m.m. ZDM1198WE#010789#
16	88440281A	CIRCLIP	1				EUR f.m.m. ZDM1198WE#010762# USA f.m.m. 4BPD010786 JAP f.m.m. ZDM1198WE#010788#
	88440281A	CIRCLIP	2	01/01/2011			EUR d.m.m. ZDM1198WE#010763# USA d.m.m. 4BPD010787 JAP d.m.m. ZDM1198WE#010789#



EUR d.m.m. ZDM1198WE#010763#
USA d.m.m. 4BPD010787
JAP d.m.m. ZDM1198WE#010789#

EUR f.m.m. ZDM1198WE#010762#
USA f.m.m. 4BPD010786
JAP f.m.m. ZDM1198WE#010788#

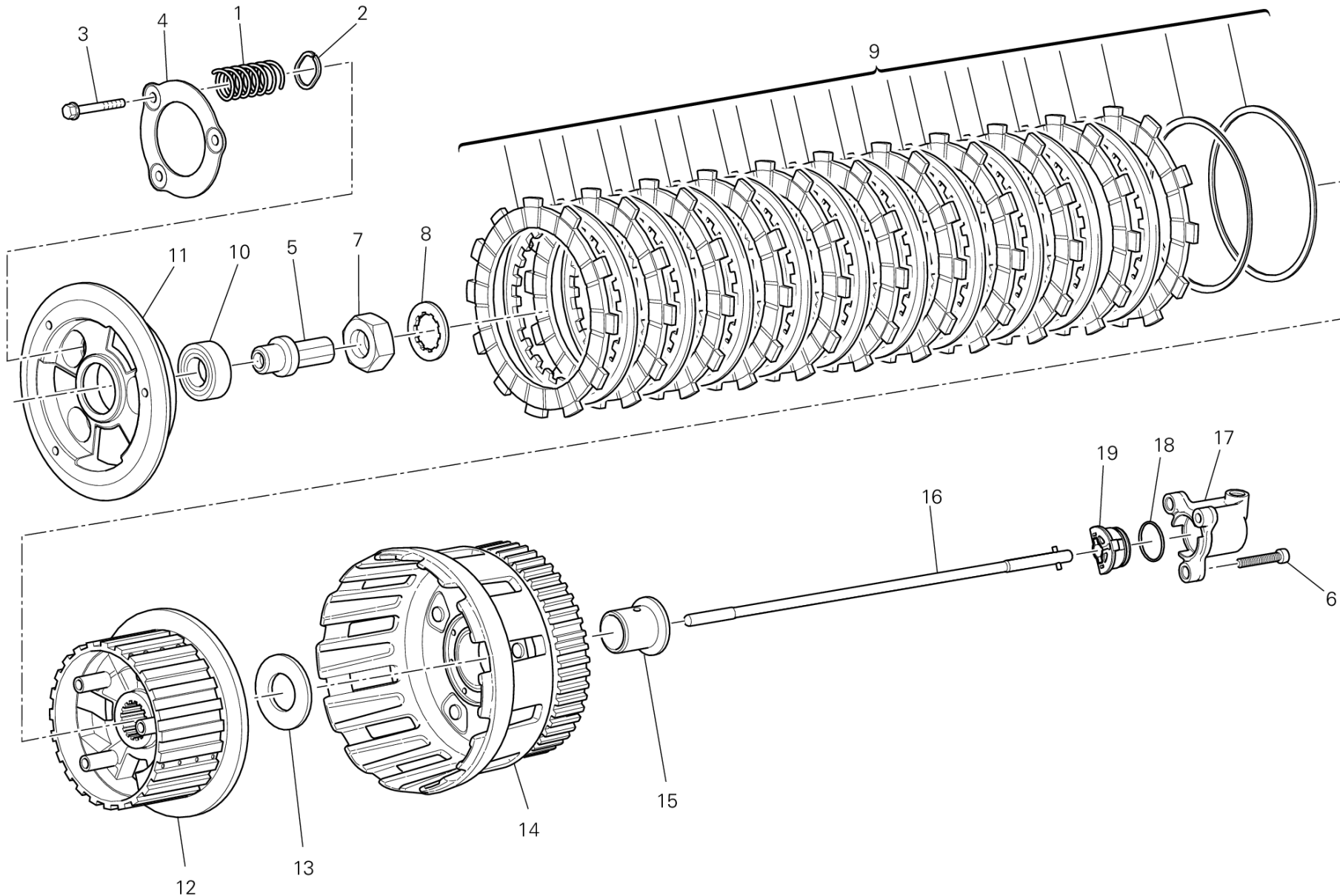
CMB00401

DRAWING 003 - GEAR BOX [MOD:1199 ABS;XST:AUS,CHN,EUR,FRA,JAP,THA]

GROUP ENGINE



POS.	CODE	DESCRIPTION	QTY	START DATE	END DATE	VALIDITY	NOTES
17	85212631A	THRUST WASHER	3	01/01/2011			EUR d.m.m. ZDM1198WE#010763# USA d.m.m. 4BPD010787 JAP d.m.m. ZDM1198WE#010789#
	85212631A	THRUST WASHER	2				EUR f.m.m. ZDM1198WE#010762# USA f.m.m. 4BPD010786 JAP f.m.m. ZDM1198WE#010788#
18	70140331A	NEEDLE BEARING	1	01/01/2011			
19	17213211D	DRIVEN GEAR 1ST SP.	1	07/12/2011			
20	17213251D	DRIVEN GEAR 5TH SP.	1	07/12/2011			
21	85611381A	GROOVED WASHER	3	01/01/2011			
22	17213241D	DRIVEN GEAR 4TH SP.	1	07/12/2011			
23	17213231D	DRIVEN GEAR 3RD SP.	1	07/12/2011			
24	17213261D	DRIVEN GEAR 6TH SP.	1	01/01/2011			
25	17213221D	DRIVEN GEAR 2ND SP.	1	07/12/2011			
26	93041771A	SEAL RING	1	23/11/2011			
27	15021542D	LAY SHAFT	1	28/06/2012			
28	88640042A	O-RING	1	21/04/2011			
29	71320021B	CHAIN SPROCKET SPACER (Unit)	1	11/11/2010			
30	44910611A	SPROCKET T15	1	01/12/2011			
31	85212801A	THRUST WASHER	1	01/12/2011			
32	15021492D	COMPLETE MAIN SHAFT	1				EUR f.m.m. ZDM1198WE#010762# USA f.m.m. 4BPD010786 JAP f.m.m. ZDM1198WE#010788#
33	88140161B	INNER RING	1				EUR f.m.m. ZDM1198WE#010762# USA f.m.m. 4BPD010786 JAP f.m.m. ZDM1198WE#010788#
34	15021511D	MAIN SHAFT	1				EUR f.m.m. ZDM1198WE#010762# USA f.m.m. 4BPD010786 JAP f.m.m. ZDM1198WE#010788#



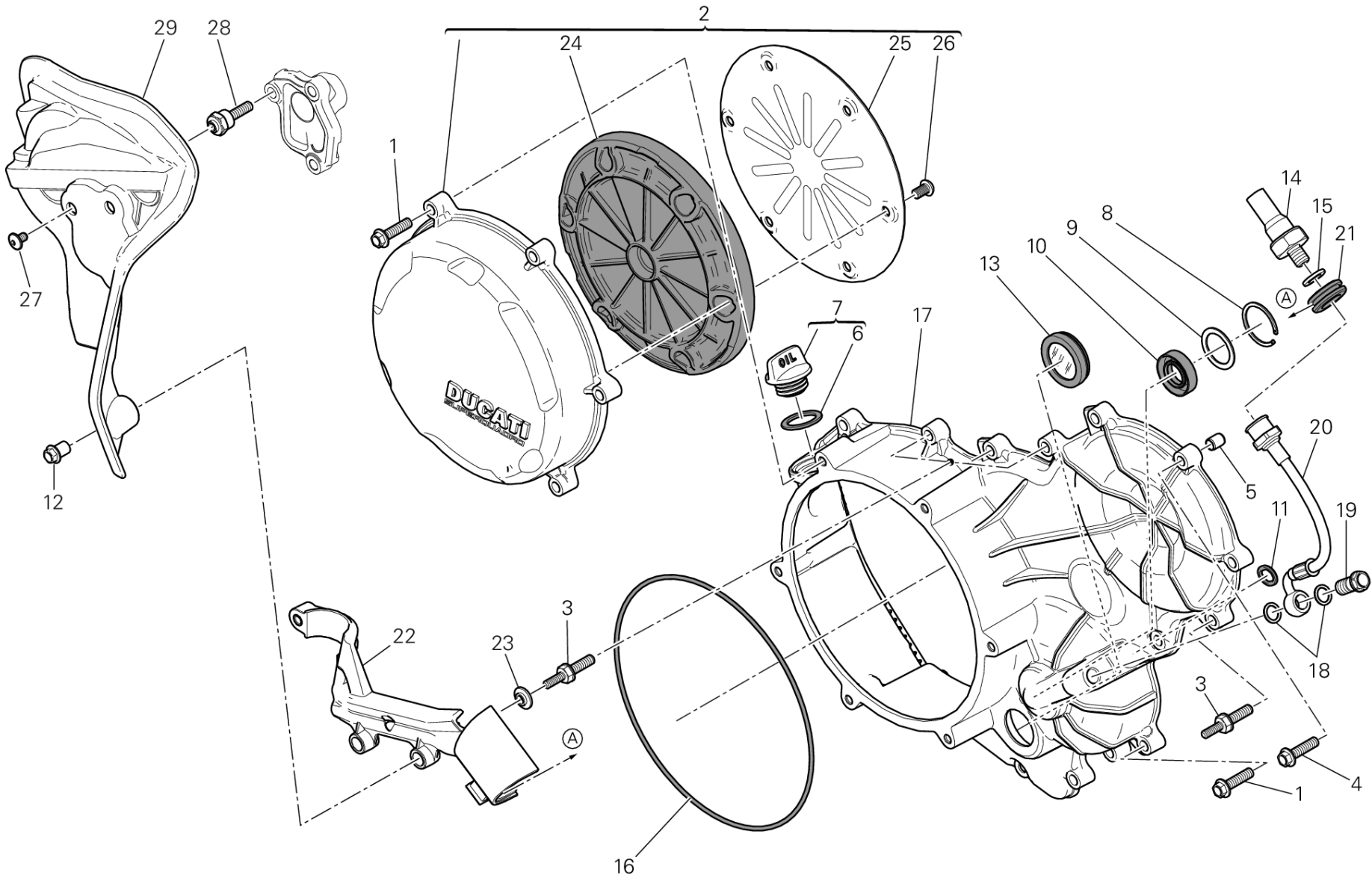


POS.	CODE	DESCRIPTION	QTY	START DATE	END DATE	VALIDITY	NOTES
1	79710531B	SPRING	3	19/11/2010			
2	85611391A	THRUST WASHER	3	19/11/2010			
3	77211201A	SCREW	3	19/11/2010			
4	19410511A	RING	1	19/11/2010			
5	81810162A	CLUTCH CONTROL PIN (FCC)	1	11/11/2010			
6	77110471A	SCREW	3	29/03/2012			
7	75010071A	NUT	1	11/11/2010			
8	85110201A	LOCK WASHER	1	11/11/2010			
9	19020232A	CLUTCH DISC SET	1	19/11/2010			
10	70250601A	BEARING	1	19/11/2010			
11	19610541A	DISK, CLUTCH PRESSURE (FCC)	1	19/11/2010			
12	19610531A	PLATE HOLDER HUB (FCC)	1	19/11/2010			
13	71313091A	SPACER	1	19/11/2010			
14	19820401A	CLUTCH HOUSING	1	19/11/2010			
15	71314831A	SPACER	1	19/11/2010			
16	11721332B	CLUTCH CONTROL ROD	1	23/01/2013			
17	19540061A	PISTON ASSEMBLY	1	19/10/2011			
18	88650541A	O-RING	1	01/12/2011			
19	71319442A	ANTI-ROTATION INSERT	1	01/06/2012			



DRAWING 005 - CLUTCH - SIDE CRANKCASE COVER [MOD:1199 ABS;XST:AUS,CHN,EUR,FRA,THA]

GROUP ENGINE



CRT00636

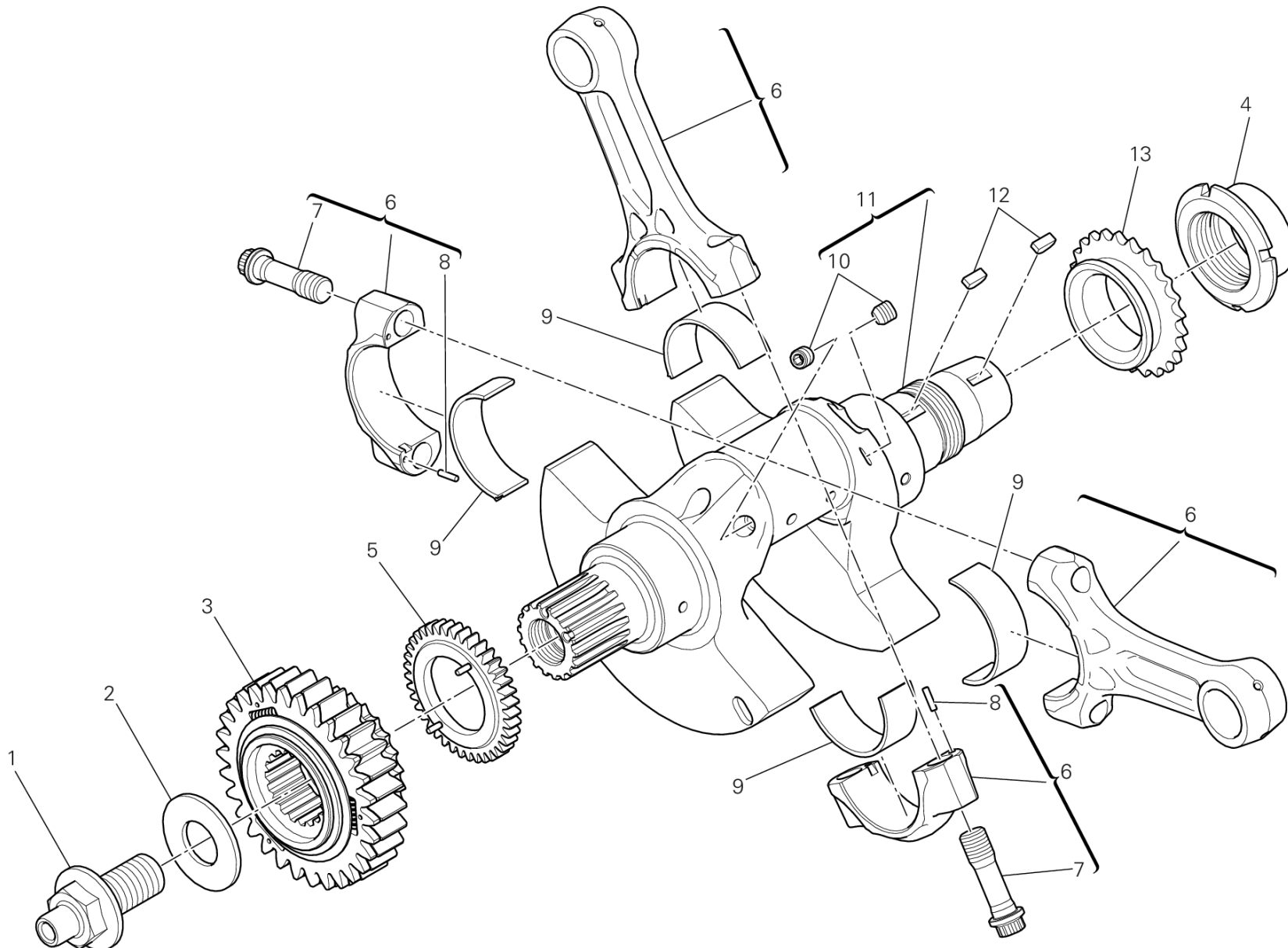
DRAWING 005 - CLUTCH - SIDE CRANKCASE COVER [MOD:1199

ABS;XST:AUS,CHN,EUR,FRA,THA]

GROUP ENGINE



POS.	CODE	DESCRIPTION	QTY	START DATE	END DATE	VALIDITY	NOTES
1	77253337C	SCREW	18	11/11/2010			
2	24321344A	CLUTCH PROTECTION COVER (Unit)	1	02/05/2012			
3	77917161B	SCREW, SPECIAL	4	21/11/2011			
4	77253357C	SCREW	1	11/11/2010			
5	71113171A	LOCATING DOWEL	2	11/11/2010			
6	88640891A	O-RING 18.64X3.53	1	24/12/2009			
7	89320121A	PLUG ASSY	1	26/10/2011			
8	88450291A	SNAP RING	1	26/10/2011			
9	85212721A	THRUST WASHER	1	26/10/2011			
10	93041521A	SEAL RING	1	26/10/2011			
11	88641761A	O-RING	1	11/11/2010			
12	75011841AA	NUT, SPECIAL	1	26/10/2011			
13	25440012A	WINDOW, OIL LEVEL CHECK	1	26/10/2011			
14	53940302A	SWITCH ASSY, OIL PRESSURE	1	01/12/2011			
15	85211951A	GASKET 10.5X17X2	1	01/12/2011			
16	88610281A	O-RING	1	26/10/2011			
17	24311274A	TIMING COVER	1	01/01/2012			
18	85250241A	WASHER 10X14X1	2	01/12/2011			
19	78110121AA	SCREW, SPECIAL	1	01/12/2011			
20	87721561A	OIL PRESSURE LINE	1	01/12/2011			
21	76440581A	RUBBER PAD	1	01/12/2011			
22	75810701B	FAIRLEAD	1	01/12/2011			
23	71614071A	SPACER 5.2X8.4X2	3	01/12/2011			
24	48610851A	DAMPER, SOUND ARRESTER	1	02/05/2012			
25	82716012A	SHEET ACOUSTIC DAMPER	1	02/05/2012			
26	77550200C	SCREW	6	02/05/2012			
27	77240243C	SCREW	2	29/03/2012			
28	77917951AA	SPECIAL SCREW SHORT	2	25/01/2013			
29	46016251A	RIGHT BULKHEAD	1	23/01/2013			



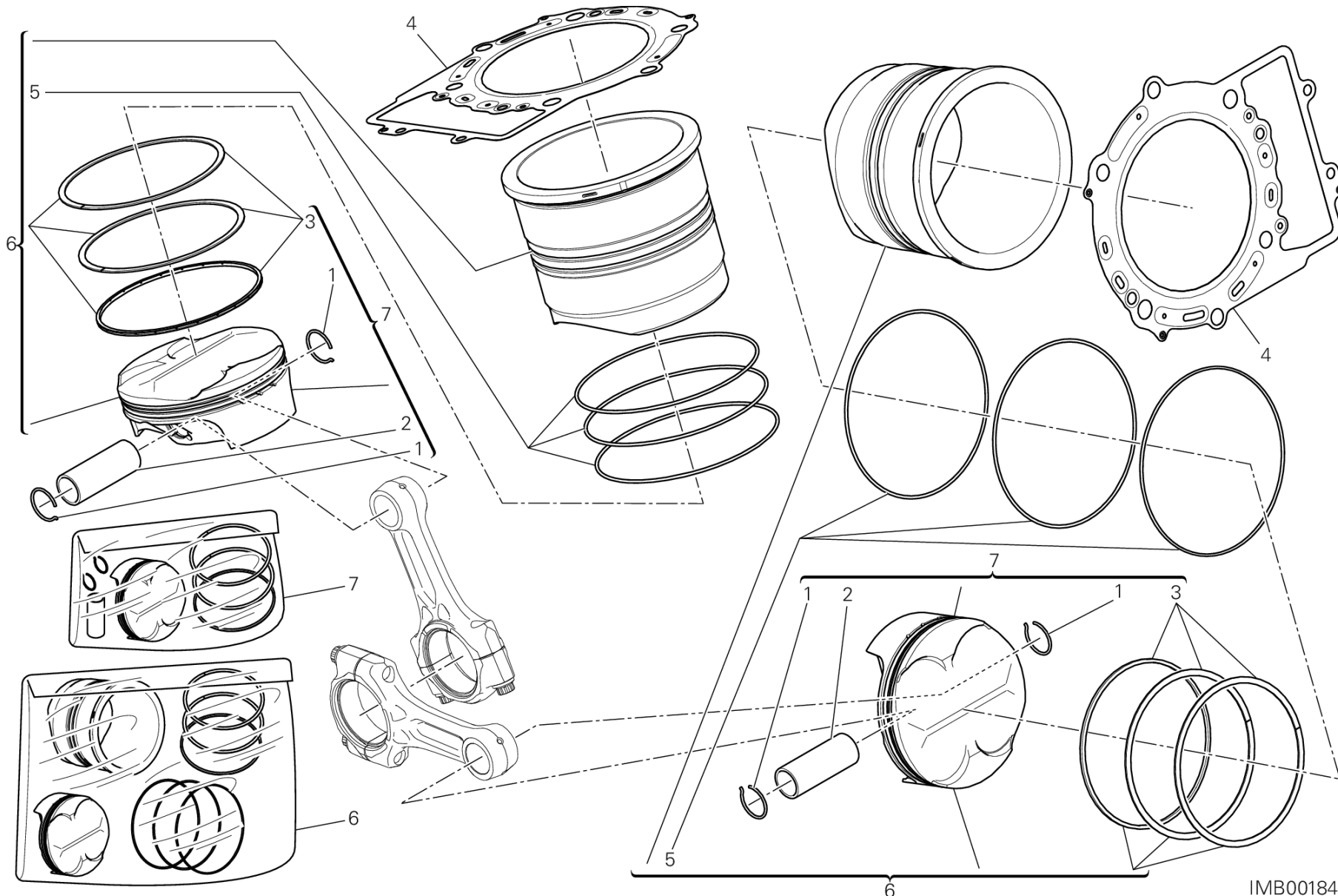


POS.	CODE	DESCRIPTION	QTY	START DATE	END DATE	VALIDITY	NOTES
1	77916551C	SCREW, SPECIAL	1	07/03/2012			
2	85212791A	THRUST WASHER	1	11/11/2010			
3	17021262A	PRIMARY DRIVE FRONT SPROCKET	1	19/11/2010			
4	70310593A	RING NUT	1	01/01/2012			
5	17420581B	PUMP DRIVING GEAR (Unit)	1	28/03/2011			
6	15620881CA	CONNECTING ROD (Class 1)	2	13/01/2012			
	15620881CB	CONNECTING ROD (Class 2)	2	13/01/2012			
	15620881CC	CONNECTING ROD (Class 3)	2	13/01/2012			
7	77916192C	SCREW, SPECIAL	4	07/07/2011			
8	742240570	PIN 2.5X10 SW	4	07/07/2011			
9	11210711AA	SEMICUSCINETTO (Red)	4	15/12/2011			
	11210711AB	SEMICUSCINETTO (Blue)	4	15/12/2011			
	11210711AC	SEMICUSCINETTO (Yellow)	4	15/12/2011			
	11210711AD	SEMICUSCINETTO (Black)	4	15/12/2011			
	11210711AE	SEMICUSCINETTO (Green)	4	15/12/2011			
	11210711AF	SEMICUSCINETTO (Brown)	4	15/12/2011			
10	77915471A	THREADED DOWEL STEI M8X8	2	13/01/2012			
11	14621871CB	CRANKSHAFT CLASS B	1	26/03/2012			
	14621873AC	CRANKSHAFT CLASS C	1	26/03/2012			
	14621874AA	CRANKSHAFT CLASS A	1	26/03/2012			
12	68010171A	PLATE	2	01/01/2012			
13	17120071A	SPROCKET	1	05/06/2012			



DRAWING 007 - CYLINDERS - PISTONS [MOD:1199 ABS;XST:AUS,CHN,EUR,FRA,JAP,THA]

GROUP ENGINE



IMB00184

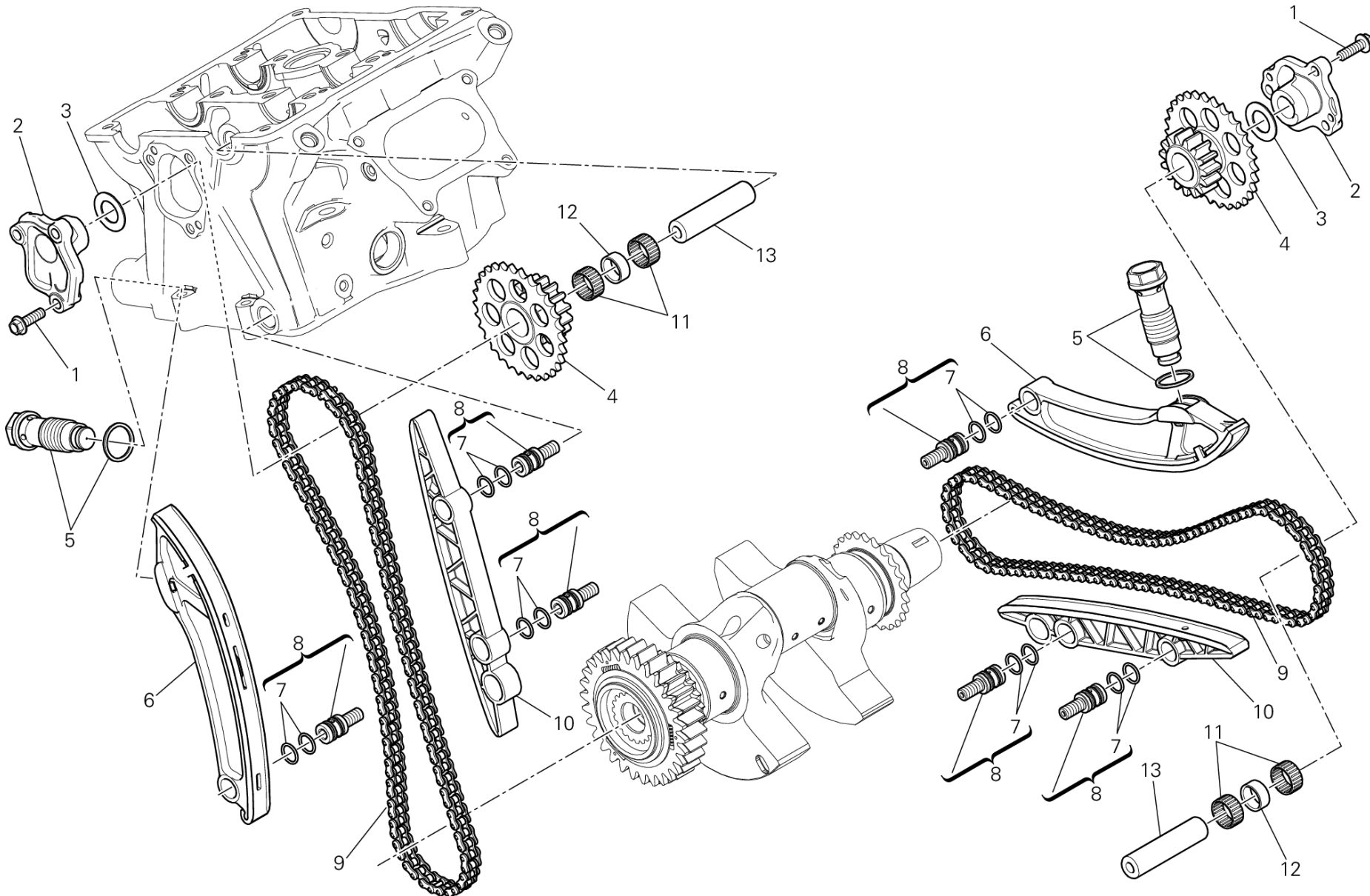
DRAWING 007 - CYLINDERS - PISTONS [MOD:1199

ABS;XST:AUS,CHN,EUR,FRA,JAP,THA]

GROUP ENGINE



POS.	CODE	DESCRIPTION	QTY	START DATE	END DATE	VALIDITY	NOTES
1	12112601B	PISTON PIN CIRCLIP	4	01/09/2011			
2	12112551C	PISTON PIN	2	07/04/2011			
3	12120561B	PISTON RING SET	2	17/07/2012			
4	78611212C	HEAD-CYLINDER GASKET	2	01/01/2012			
5	79120531B	GASKETS SET (BAG Qty 3)	2	19/07/2012			
6	12021984D	CYLINDER LINER-PISTON FIT	2	24/09/2012			
7	12221711EA	PISTON ASSY (Class A)	2	02/10/2012			
	12221711EB	PISTON ASSY (Class B)	2	02/10/2012			
	12221711EC	PISTON ASSY (Class C)	2	02/10/2012			





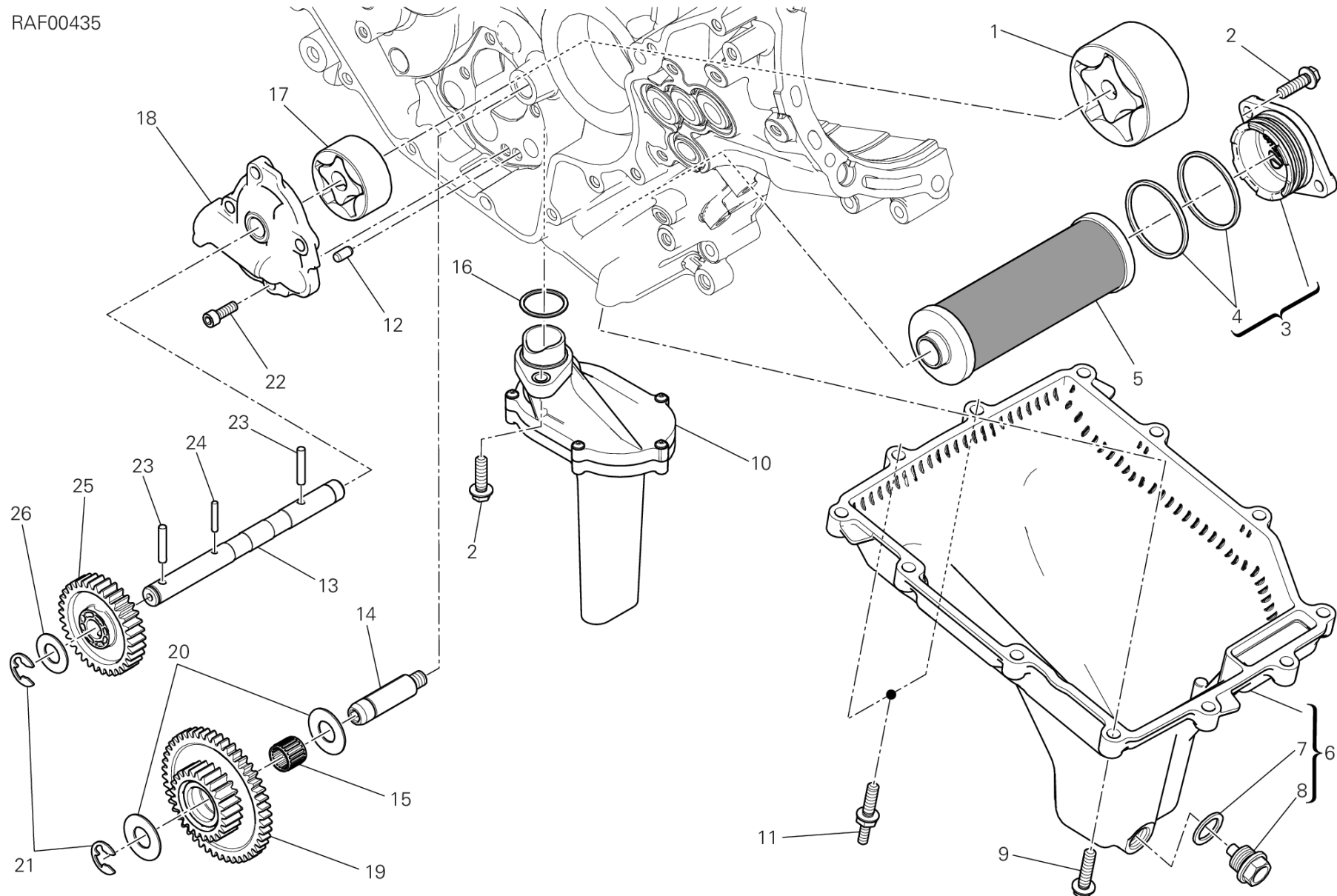
POS.	CODE	DESCRIPTION	QTY	START DATE	END DATE	VALIDITY	NOTES
1	77253317C	SCREW	4	22/10/2012			
2	24713912A	COVER	2	01/08/2011			
3	85212741A	WASHER, THRUST	2	11/11/2010			
4	17112311A	GEAR Z=15 30	2	12/01/2012			
5	45140013A	COMPLETE TENSIONER ROLLER	2	01/01/2012			
6	44740051A	COMPLETE MOVABLE TENSIONER ROLLER	2	25/06/2012			
7	88642081A	O-RING	12	22/03/2012			
8	82123692A	TENSIONER ROLLER PIN	6	22/06/2012			
9	73840011A	CHAIN	2	12/01/2012			
10	44740021B	COMPLETE FIXED TENSIONER ROLLER	2	22/11/2010			
11	70140301C	NEEDLE BEARING	4	23/04/2012			
12	71319291A	SPACER	2	11/11/2010			
13	82010151A	PIN	2	06/04/2011			



DRAWING 009 - FILTERS AND OIL PUMP [MOD:1199 ABS;XST:AUS,CHN,EUR,FRA,JAP,THA]

GROUP ENGINE

RAF00435



DRAWING 009 - FILTERS AND OIL PUMP [MOD:1199

ABS;XST:AUS,CHN,EUR,FRA,JAP,THA]

GROUP ENGINE

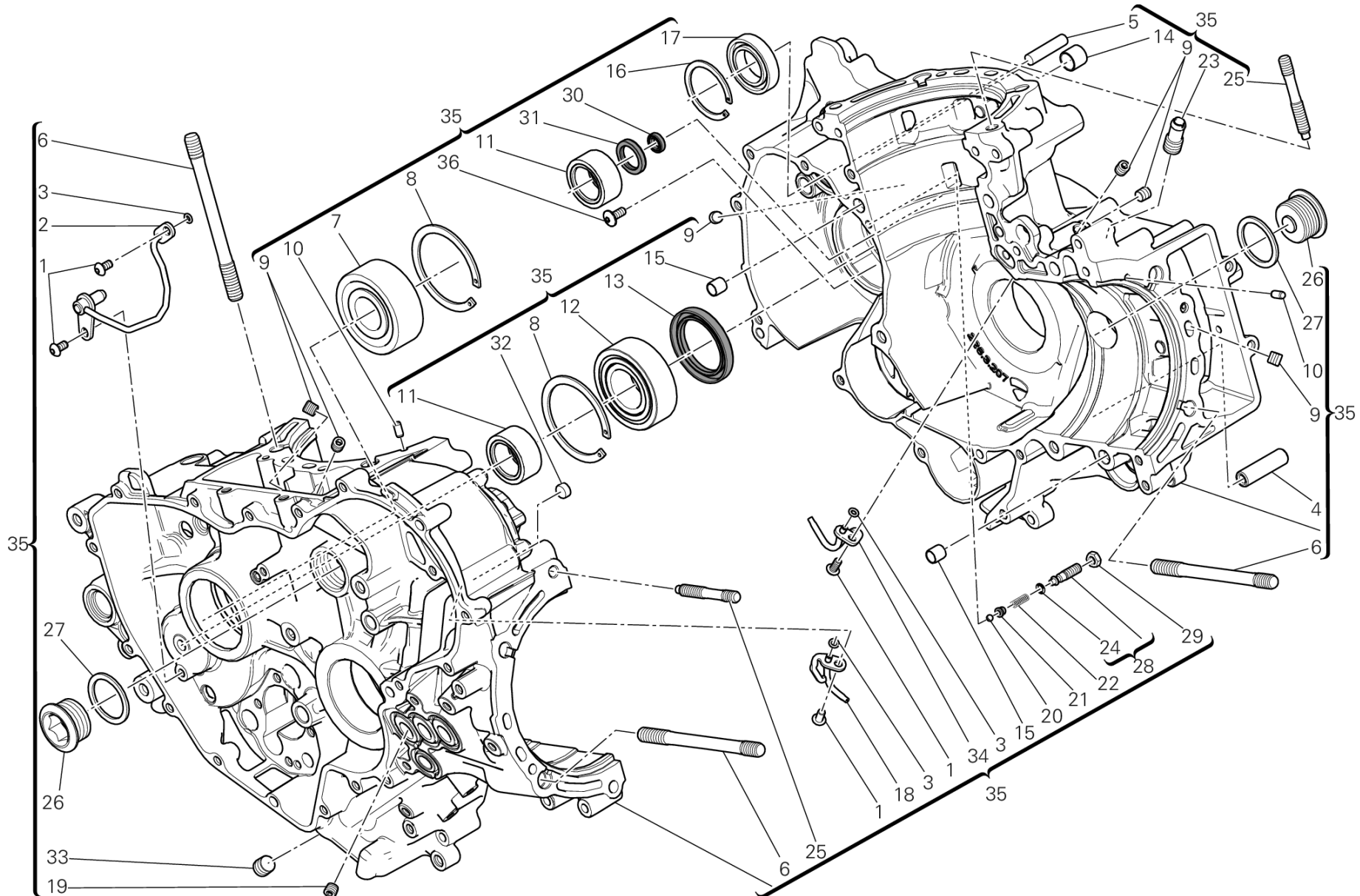


POS.	CODE	DESCRIPTION	QTY	START DATE	END DATE	VALIDITY	NOTES
1	17420571A	OIL PUMP RETURN	1	11/11/2010			
2	77253317C	SCREW	3	11/11/2010			
3	24723842A	FILTER COVER UNIT	1	17/09/2012			
4	88650561A	O-RING	2	25/11/2010			
5	44440291C	FILTER, OIL	1	03/07/2012			
6	25220071A	OIL PAN	1	11/11/2010			
7	85250541A	WASHER	1	29/03/2011			
8	89310151A	OIL DRAIN PLUG WITH MAGNET	1	29/03/2011			
9	77253337C	SCREW	10	11/11/2010			
10	89420112B	MESH FILTER ASSEMBLY	1	01/08/2011			
11	77917161B	SCREW, SPECIAL	2	08/11/2011			
12	86050061A	PIN M5X10	1	02/11/2011			
13	14710903A	OIL PUMP DRIVE SHAFT	1	02/05/2011			
14	82010162A	STARTER REDUCTION SHAFT	1	02/11/2011			
15	70140371A	BEARING, NEEDLE	1	11/11/2010			
16	88641331A	O-RING	1	01/07/2011			
17	17420561A	OIL PUMP DELIVERY	1	11/11/2010			
18	24723712A	OIL PUMP COVER	1	12/03/2012			
19	17410601A	IDLE GEAR	1	01/01/2012			
20	85212681A	WASHER, THRUST	2	25/11/2010			
21	88450371A	SNAP RING	2	11/11/2010			
22	77150678B	SCREW TCEI M6X16	4	11/11/2010			
23	70450091A	ROLLER	2	11/11/2010			
24	70450051A	ROLLER	1	11/11/2010			
25	17410611A	GEAR, PUMP DRIVEN	1	01/01/2012			
26	85213021A	WASHER, THRUST	1	26/11/2010			



DRAWING 010 - HALF-CRANKCASES PAIR [MOD:1199 ABS;XST:AUS,CHN,EUR,FRA,JAP,THA]

GROUP ENGINE



DRAWING 010 - HALF-CRANKCASES PAIR [MOD:1199

ABS;XST:AUS,CHN,EUR,FRA,JAP,THA]

GROUP ENGINE

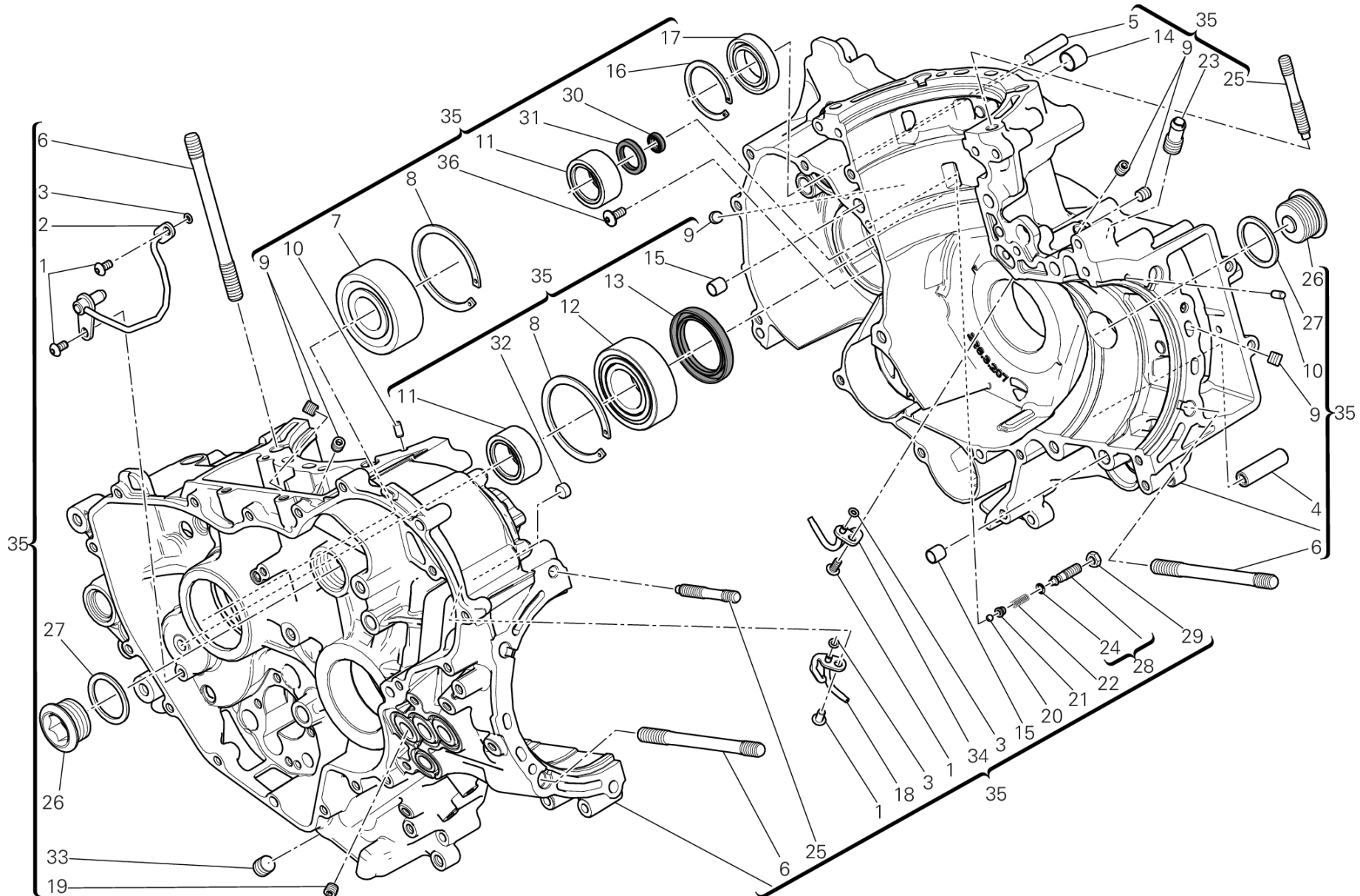


POS.	CODE	DESCRIPTION	QTY	START DATE	END DATE	VALIDITY	NOTES
1	77510311B	SCREW TBEI M5X10	4	02/11/2011			
2	87511791C	HOSE, OIL	1	02/11/2011			
3	88650131A	O-RING 3.68X1.78	3	02/11/2011			
4	82010141A	STARTER REDUCTION SHAFT	1	02/11/2011			
5	86050371A	PIN	1	20/12/2012			
6	76610781A	STUD BOLT FASTENING HEAD CYLINDER	8	02/11/2011			
7	70240131A	BEARING	1	02/11/2011			
8	735034405	SNAP RING	2	02/11/2011			
9	78010871A	THREADED DOWEL	6	02/11/2011			
10	86050061A	PIN M5X10	2	02/11/2011			
11	70240251B	BEARING	2	02/11/2011			
12	70241091A	BEARING, NEEDLE	1	02/11/2011			
13	93040431A	SEAL, OIL 40X55X7	1	02/11/2011			
14	71240231A	BUSH	1	02/11/2011			
15	71113181A	LOCAT. DOWEL	4	02/11/2011			
16	735033804	CIRCLIP	1	02/11/2011			
17	70250411A	BEARING 25X42X9	1	02/11/2011			
18	87511651BB	JET RH	1	02/11/2011			
19	78010861A	SPECIAL SCREW	1	02/11/2011			
20	84740061A	BALL	1	02/11/2011			
21	83110151A	PLATE	1	02/11/2011			
22	79940121A	SPRING	1	02/11/2011			
23	81413421B	UNION RETURN	1	08/11/2011			
24	88641961A	O-RING	1	18/04/2011			
25	76610801A	STUD BOLT FASTENING HEAD CYLINDER	2	02/11/2011			
26	78010801A	PLUG	2	02/11/2011			
27	85250491A	WASHER	2	02/11/2011			
28	77927171A	SCREW	1	02/11/2011			
29	74710151A	NUT	1	02/11/2011			
30	93041771A	SEAL RING	1	02/11/2011			
31	93040931A	SEAL, OIL 17X25X4	1	02/11/2011			
32	87310021A	PLUG 10 MM	2	02/11/2011			
33	78010771A	THREADED DOWEL	1	02/11/2011			
34	87511641BB	JET LH	1	02/11/2011			



DRAWING 010 - HALF-CRANKCASES PAIR [MOD:1199 ABS;XST:AUS,CHN,EUR,FRA,JAP,THA]

GROUP ENGINE



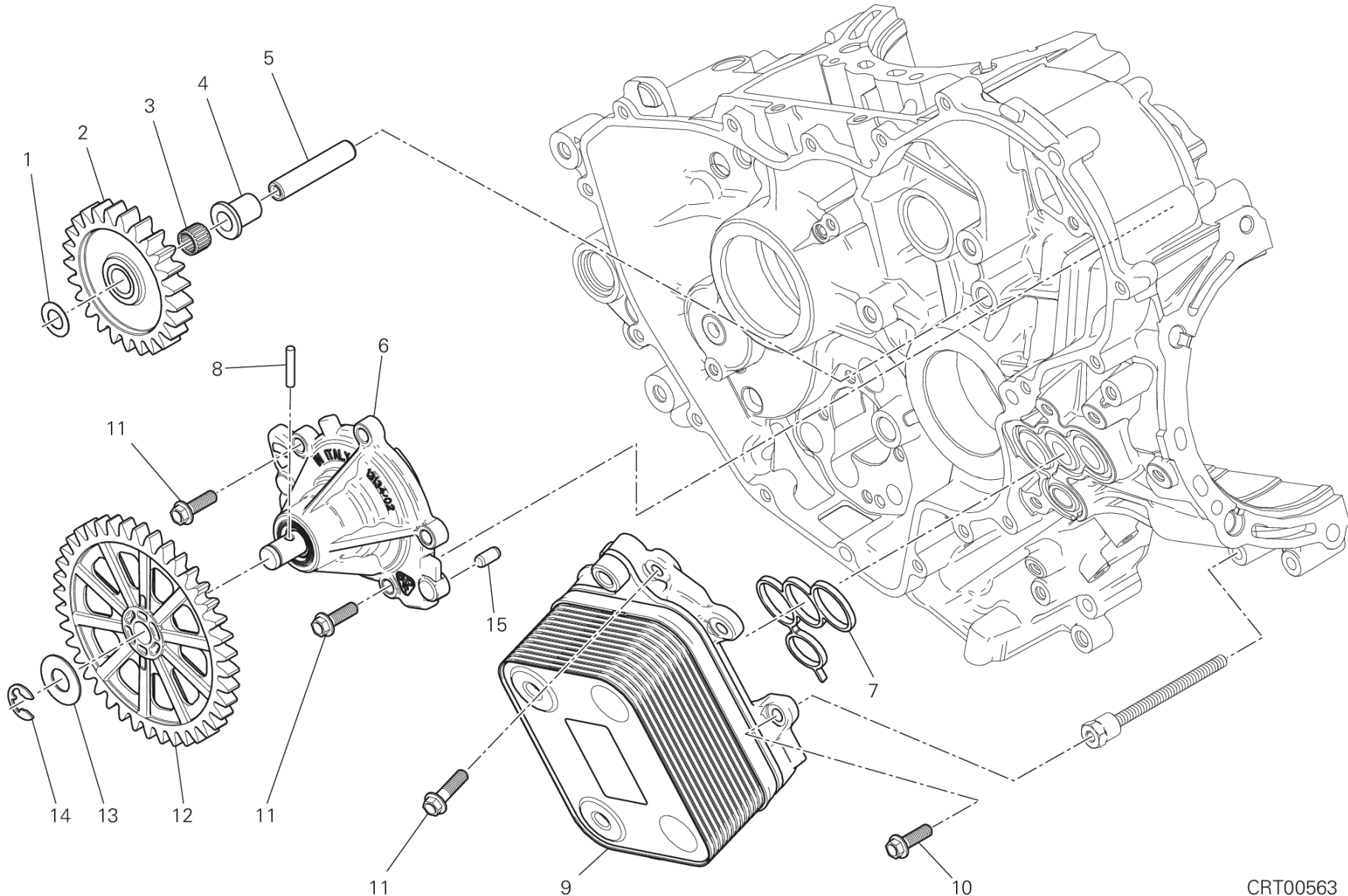
DRAWING 010 - HALF-CRANKCASES PAIR [MOD:1199

ABS;XST:AUS,CHN,EUR,FRA,JAP,THA]

GROUP ENGINE



POS.	CODE	DESCRIPTION	QTY	START DATE	END DATE	VALIDITY	NOTES
35	22522606B	COMPLETE HALF-CRANKCASES PAIR	1	19/04/2012		MOD:1199 ABS;XST:AUS,CHN,EUR,FRA,JAP,THA	
36	77240398C	SCREW TBEIF M6X10	2	02/11/2011			



CRT00563

DRAWING 011 - WATER PUMP [MOD:1199 ABS;XST:AUS,CHN,EUR,FRA,JAP,THA]

GROUP ENGINE

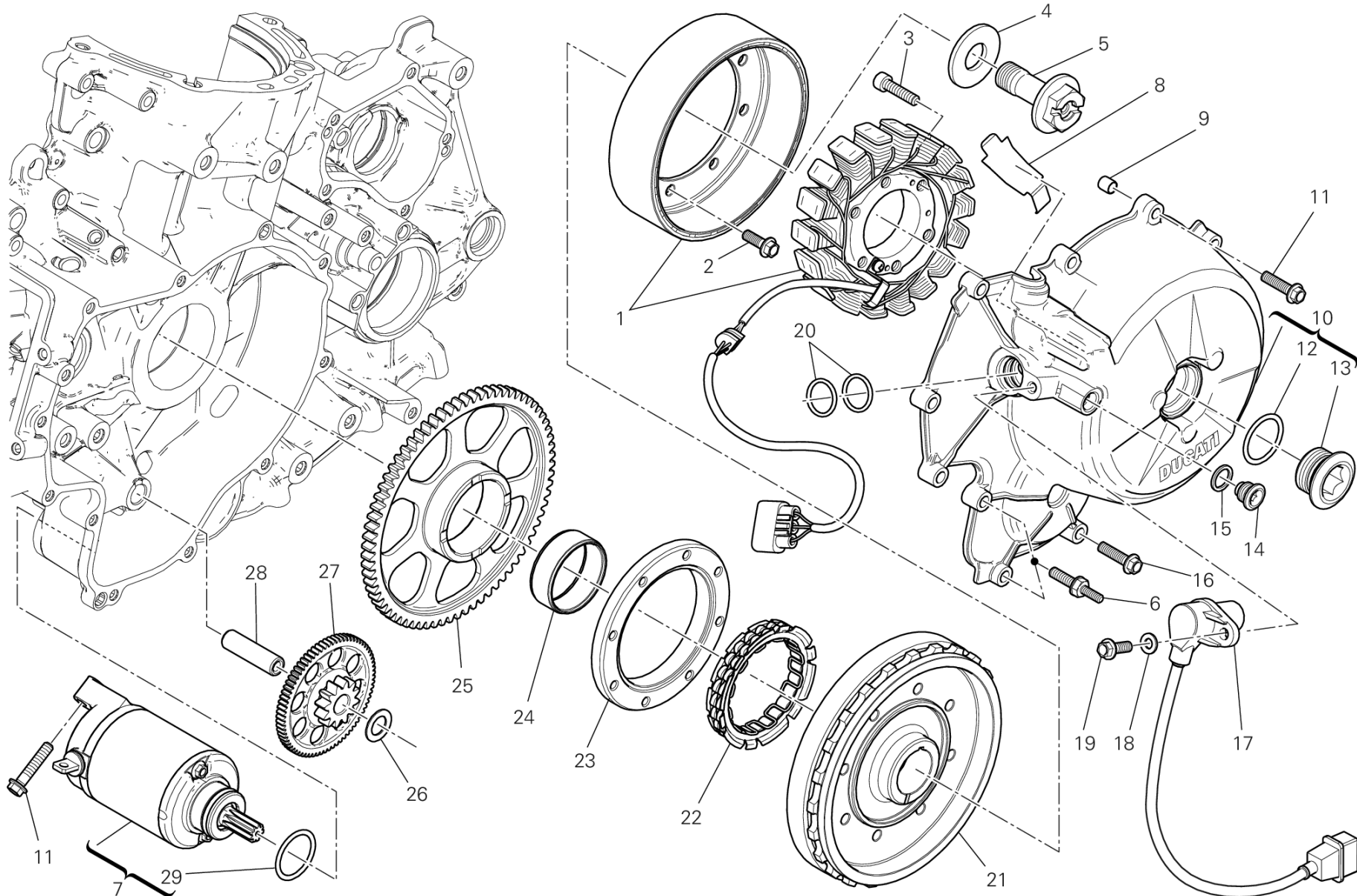


POS.	CODE	DESCRIPTION	QTY	START DATE	END DATE	VALIDITY	NOTES
1	064770010	WASHER, THRUST	1	11/11/2010			
2	17410511A	PUMP GEAR	1	11/11/2010			
3	70140361A	BEARING, NEEDLE	1	11/11/2010			
4	71113221A	BUSH	1	11/11/2010			
5	82010171A	STARTER REDUCTION SHAFT	1	09/12/2010			
6	24723701C	COMPLETE WATER PUMP	1	02/11/2011			
7	78811191A	GASKET	1	26/11/2010			
8	70450091A	ROLLER	1	11/11/2010			
9	54710022B	HEAT EXCHANGER	1	27/01/2012			
10	77253297C	SCREW	2	01/11/2011			
11	77253317C	SCREW	9	01/09/2011			
12	17410501A	PUMP GEAR	1	11/11/2010			
13	85212681A	WASHER, THRUST	1	03/12/2010			
14	88450371A	SNAP RING	1	11/11/2010			
15	86050061A	PIN M5X10	2	21/03/2013			



DRAWING 012 - ELECTRIC STARTING AND IGNITION [MOD:1199 ABS;XST:AUS,CHN,EUR,FRA,JAP,THA]

GROUP ENGINE



DRAWING 012 - ELECTRIC STARTING AND IGNITION [MOD:1199

ABS;XST:AUS,CHN,EUR,FRA,JAP,THA]

GROUP ENGINE



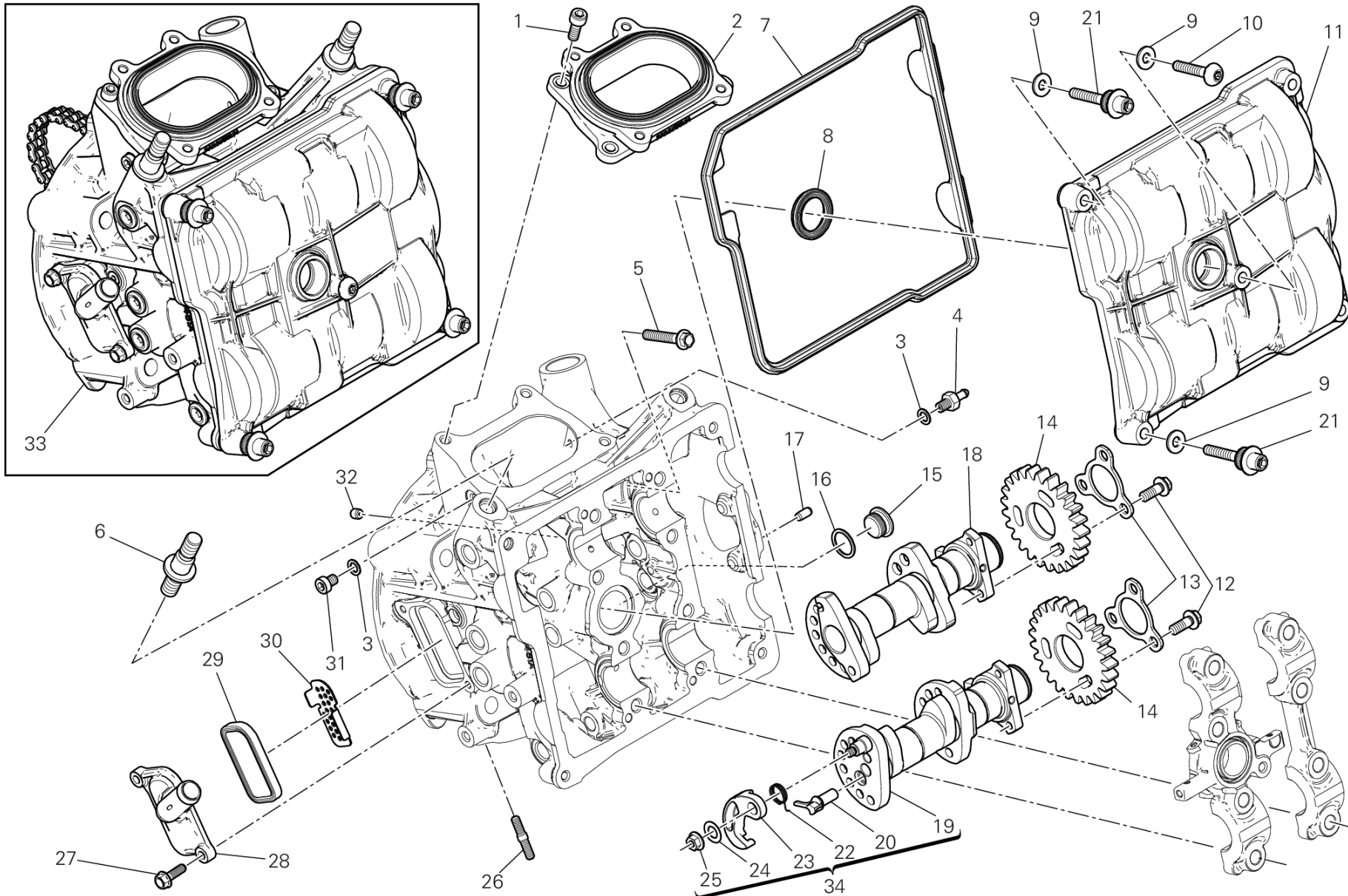
POS.	CODE	DESCRIPTION	QTY	START DATE	END DATE	VALIDITY	NOTES
1	26420161A	GENERATOR DENSO	1	13/01/2012			
2	77253300ZF	SCREW	8	22/11/2010			
3	77110518B	SCREW TCEI M6X25	3	01/04/2011			
4	85212941B	WASHER	1	01/08/2011			
5	77916662B	SCREW, SPECIAL	1	01/08/2011			
6	77917161B	SCREW, SPECIAL	2	08/11/2011			
7	27040131B	COMPLETE STARTER MOTOR	1				
8	82716091A	PLATE	1	01/04/2011			
9	71113171A	LOCATING DOWEL	1	11/11/2010			
10	24221081CB	GENERATOR COVER	1	15/09/2011			
11	77253357C	SCREW	3	11/11/2010			
12	88640741A	O-RING	1	15/09/2011			
13	78010841A	PLUG	1	15/09/2011			
14	78010511C	PLUG	1	01/04/2011			
15	85250261A	GASKET, ALUMINIUM 12X16X1.5	1	01/04/2011			
16	77253337C	SCREW	8	11/11/2010			
17	55241321C	SENSOR, TIMING & RPM	1	01/04/2011			
18	85310031A	SPRING WASHER 6 MM	1	01/04/2011			
19	77253307C	SCREW	1	01/04/2011			
20	88640331A	O-RING 17.96X2.62	2	01/04/2011			
21	27610602A	IGNITION FLYWHEEL	1	01/08/2011			
22	70140351A	CLUTCH, ONE WAY	1	22/11/2010			
23	16014151A	FLANGE	1	22/11/2010			
24	70240181B	NEEDLE BEARING	1	11/11/2010			
25	17320031A	DRIVEN GEAR	1	22/11/2010			
26	85212651A	WASHER	1	11/11/2010			
27	17610221A	DRIVEN GEAR DOUBLE	1	26/11/2010			
28	82010141A	STARTER REDUCTION SHAFT	1	02/11/2011			
29	88641971A	O-RING	1	13/01/2012			



DRAWING 013 - HORIZONTAL HEAD – TIMING SYSTEM [MOD:1199

ABS;XST:AUS,EUR,FRA,JAP]

GROUP ENGINE



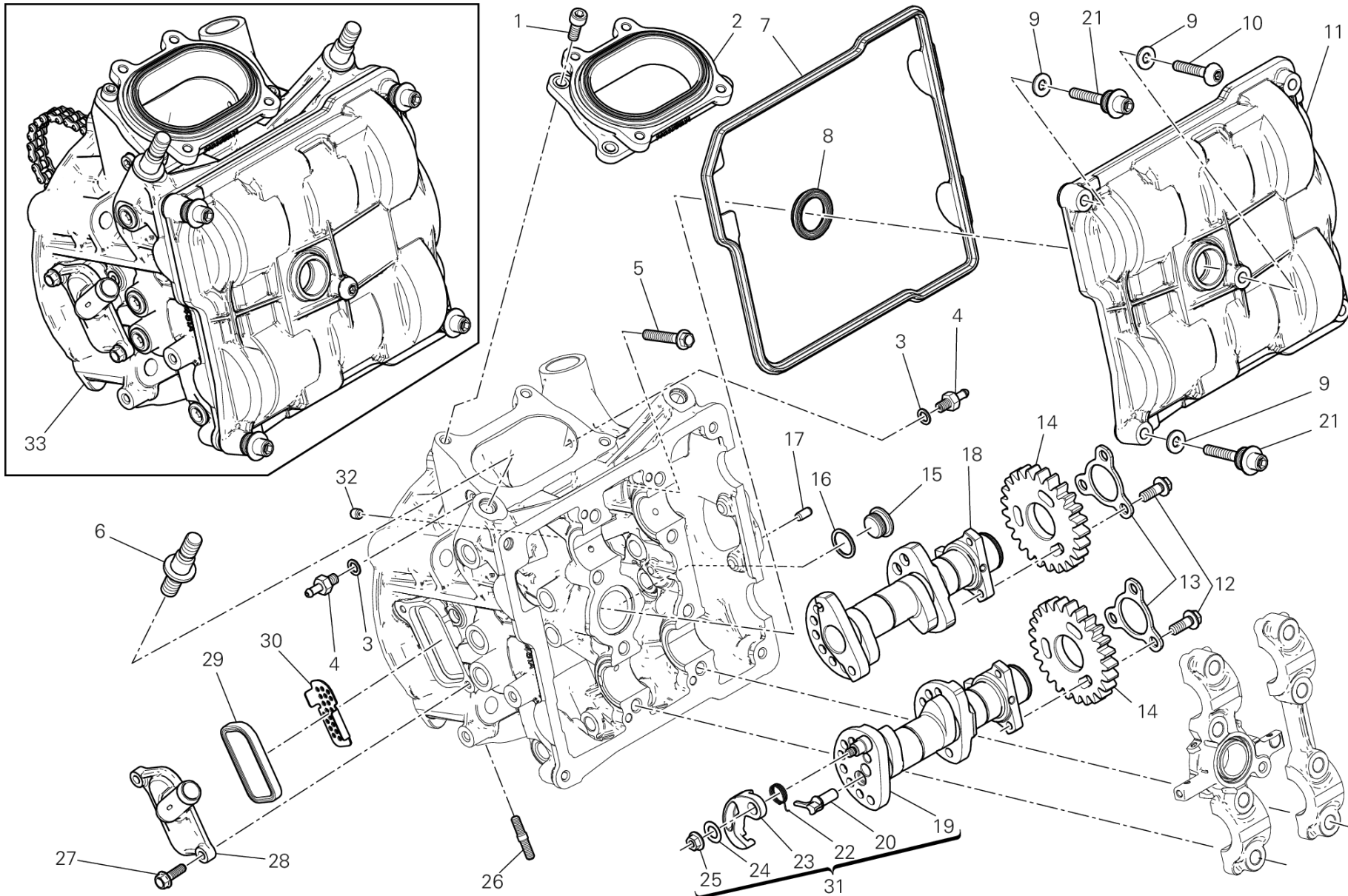
DRAWING 013 - HORIZONTAL HEAD – TIMING SYSTEM [MOD:1199

ABS;XST:AUS,EUR,FRA,JAP]

GROUP ENGINE



POS.	CODE	DESCRIPTION	QTY	START DATE	END DATE	VALIDITY	NOTES
1	77112331A	SCREW TCEI M6X16	4	12/01/2012			
2	14010691A	INTAKE MANIFOLD	1	12/01/2012			
3	85250231A	GASKET	2	01/08/2011			
4	81413341A	UNION	1	12/01/2012			
5	77253367C	SCREW	2	05/04/2011			
6	76610821A	STUD BOLT	2	12/01/2012			
7	78811101C	VALVE COVER GASKET EXTERNAL	1	12/01/2012			
8	78811131A	VALVE COVER GASKET INTERNAL	1	12/01/2012			
9	85212781A	WASHER	5	12/01/2012			
10	77916441A	SCREW	1	01/09/2011			
11	24713941B	COVER CYLINDER HEAD, HORIZONTAL	1	12/01/2012			
12	77253290Z	SCREW	6	01/08/2011			
13	85611471A	PLATE, RETAINER	2	12/01/2012			
14	17111154A	GEAR Z=25	2	12/01/2012			
15	77913541A	THREADED PLUG M15X1	1	06/04/2011			
16	85211201A	ALUMINIUM GASKET	1	06/04/2011			
17	86050061A	PIN M5X10	2	06/07/2011			
18	14814381A	HORIZONTAL INTAKE CAMSHAFT	1	12/01/2012			
19	14824491C	HORIZONTAL EXHAUST CAMSHAFT	1	12/01/2012			
20	82113832A	PIN	1	12/01/2012			
21	77916971B	SCREW, SPECIAL	4	08/11/2011			
22	79915534A	SPRING	1	12/01/2012			
23	30710021A	DECOMPRESSION DEVICE	1	12/01/2012			
24	85240231A	WASHER 8.2X14X0.5	1	13/01/2012			
25	74810791A	NUT	1	12/01/2012			
26	76610841A	STUD BOLT	3	12/01/2012			
27	77210621A	SCREW TEF M5X16	2	12/01/2012			
28	24714101A	COVER	1	12/01/2012			
29	81140012B	VALVE	1	12/01/2012			
30	82716351A	PLATE	1	12/01/2012			
31	77350618B	SCREW TCEIR M6X8	1	06/04/2011			
32	86010061A	PIN	1	12/01/2012			
33	30124701A	COMPLETE HORIZONTAL HEAD	1	04/06/2013	25/02/2014		
34	14823811C	HORIZONTAL EXHAUST CAMSHAFT (Unit)	1	13/01/2012			

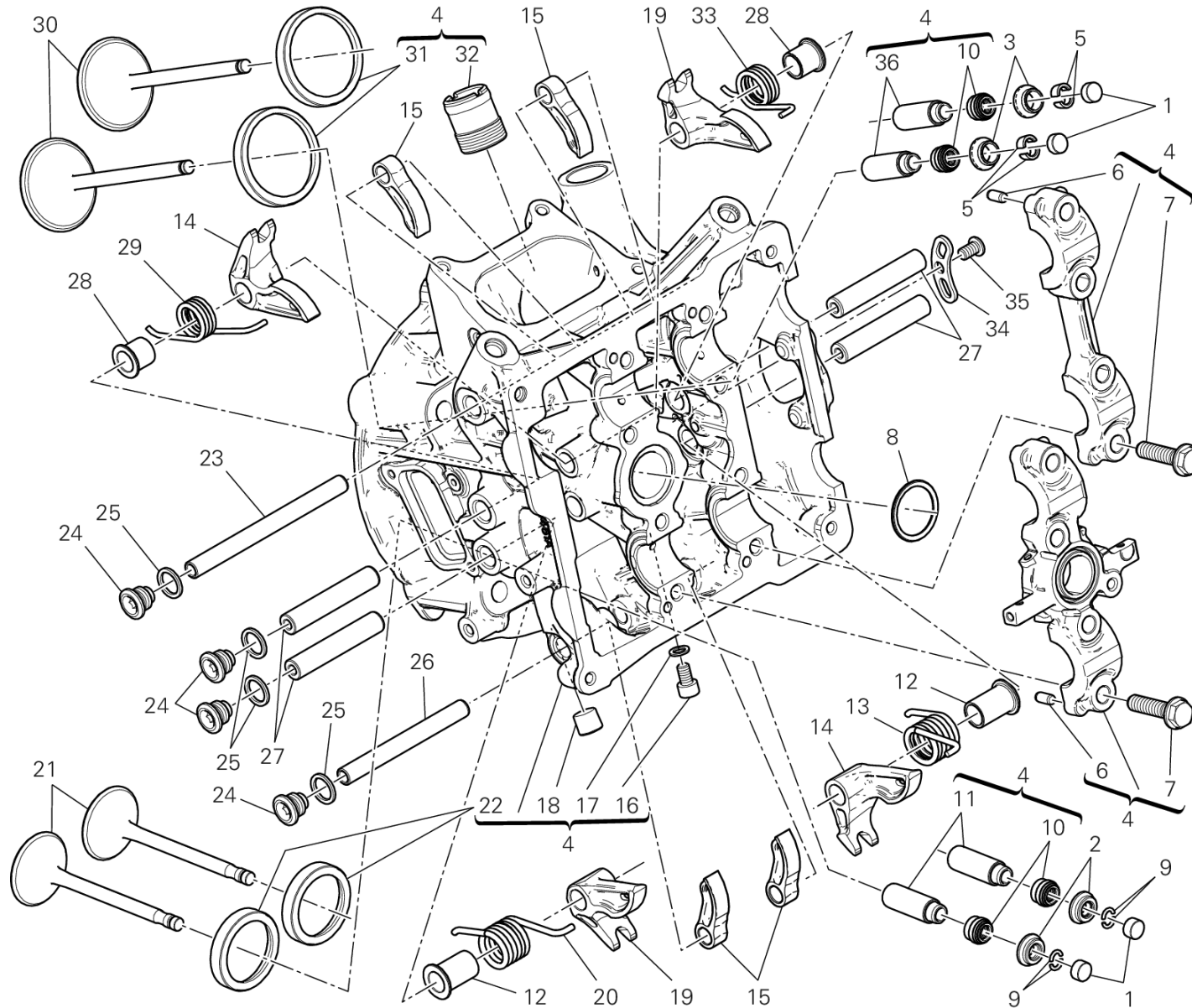


DRAWING 013 - HORIZONTAL HEAD – TIMING SYSTEM [MOD:1199 ABS;XST:CHN,THA]

GROUP ENGINE



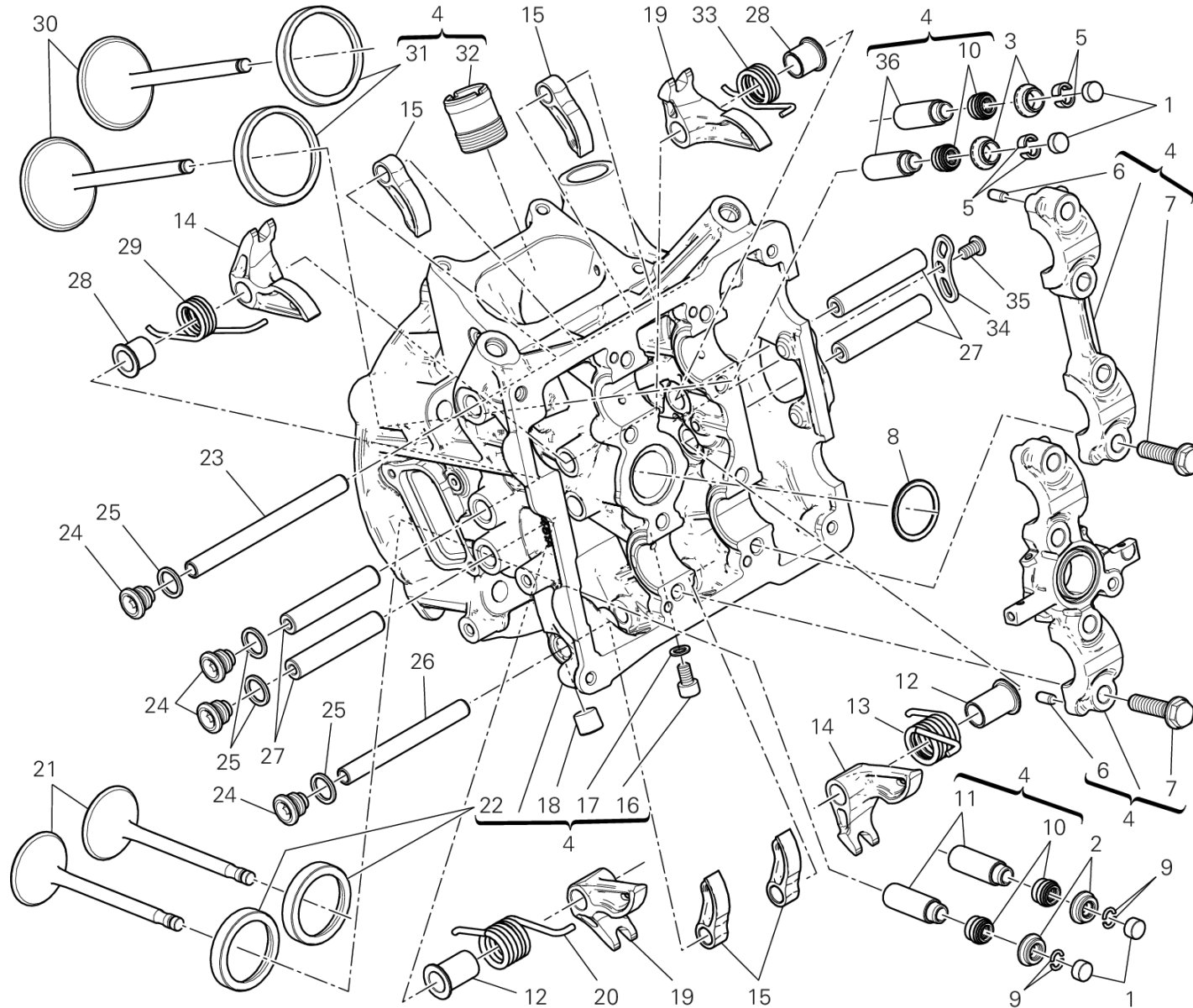
POS.	CODE	DESCRIPTION	QTY	START DATE	END DATE	VALIDITY	NOTES
1	77112331A	SCREW TCEI M6X16	4	07/12/2011			
2	14010691A	INTAKE MANIFOLD	1	07/12/2011			
3	85250231A	GASKET	2	07/12/2011			
4	81413341A	UNION	2	07/12/2011			
5	77253367C	SCREW	2	03/11/2011			
6	76610821A	STUD BOLT	2	07/12/2011			
7	78811101C	VALVE COVER GASKET EXTERNAL	1	12/01/2012			
8	78811131A	VALVE COVER GASKET INTERNAL	1	07/12/2011			
9	85212781A	WASHER	5	07/12/2011			
10	77916441A	SCREW	1	07/12/2011			
11	24713941B	COVER CYLINDER HEAD, HORIZONTAL	1	12/01/2012			
12	77253290Z	SCREW	6	03/11/2011			
13	85611471A	PLATE, RETAINER	2	07/12/2011			
14	17111154A	GEAR Z=25	2	07/12/2011			
15	77913541A	THREADED PLUG M15X1	1	03/11/2011			
16	85211201A	ALUMINIUM GASKET	1	03/11/2011			
17	86050061A	PIN M5X10	2	07/12/2011			
18	14814381A	HORIZONTAL INTAKE CAMSHAFT	1	07/12/2011			
19	14824491C	HORIZONTAL EXHAUST CAMSHAFT	1	07/12/2011			
20	82113832A	PIN	1	12/01/2012			
21	77916971B	SCREW, SPECIAL	4	08/11/2011			
22	79915534A	SPRING	1	12/01/2012			
23	30710021A	DECOMPRESSION DEVICE	1	07/12/2011			
24	85240231A	WASHER 8.2X14X0.5	1	07/12/2011			
25	74810791A	NUT	1	12/01/2012			
26	76610841A	STUD BOLT	3	07/12/2011			
27	77210621A	SCREW TEF M5X16	2	07/12/2011			
28	24714101A	COVER	1	07/12/2011			
29	81140012B	VALVE	1	07/12/2011			
30	82716351A	PLATE	1	07/12/2011			
31	14823811C	HORIZONTAL EXHAUST CAMSHAFT (Unit)	1	13/01/2012			
32	86010061A	PIN	1	07/12/2011			
33	30124701A	COMPLETE HORIZONTAL HEAD	1	22/06/2012	31/12/2030		



TST00497



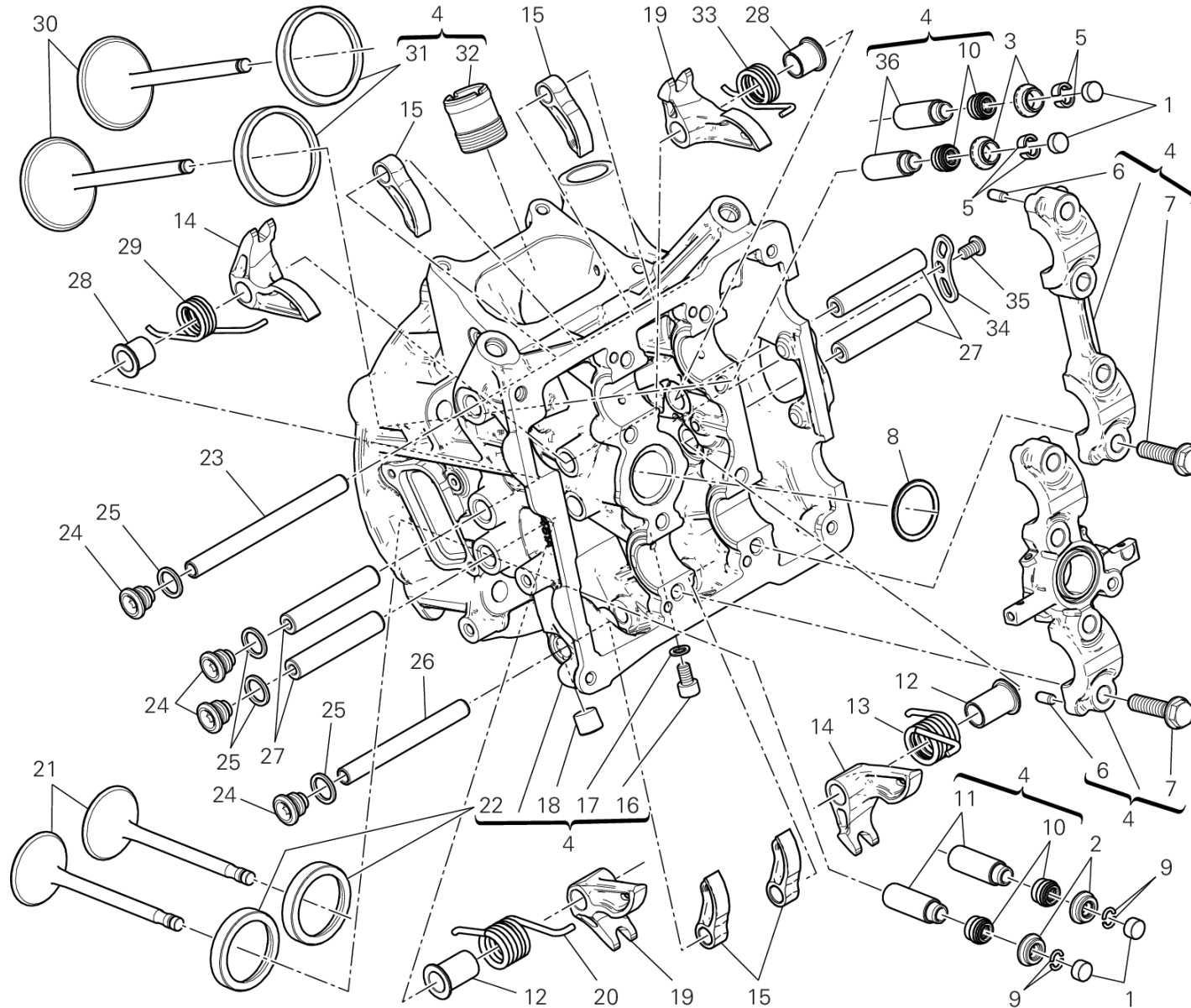
POS.	CODE	DESCRIPTION	QTY	START DATE	END DATE	VALIDITY	NOTES
1	84010012A	ADJUSTER, OPENING ROCKER ARM 2.00 MM	4	09/11/2011			
	84010022A	ADJUSTER, OPENING ROCKER ARM 2.05 MM	4	09/11/2011			
	84010032A	ADJUSTER, OPENING ROCKER ARM 2.10 MM	4	09/11/2011			
	84010042A	ADJUSTER, OPENING ROCKER ARM 2.15 MM	4	09/11/2011			
	84010052A	ADJUSTER, OPENING ROCKER ARM 2.20 MM	4	09/11/2011			
	84010062A	ADJUSTER, OPENING ROCKER ARM 2.25 MM	4	09/11/2011			
	84010072A	ADJUSTER, OPENING ROCKER ARM 2.30 MM	4	09/11/2011			
	84010082A	ADJUSTER, OPENING ROCKER ARM 2.35 MM	4	09/11/2011			
	84010092A	ADJUSTER, OPENING ROCKER ARM 2.40 MM	4	09/11/2011			
	84010102A	ADJUSTER, OPENING ROCKER ARM 2.45 MM	4	09/11/2011			
	84010112A	ADJUSTER, OPENING ROCKER ARM 2.50 MM	4	09/11/2011			
	84010122A	ADJUSTER, OPENING ROCKER ARM 2.55 MM	4	09/11/2011			
	84010132A	ADJUSTER, OPENING ROCKER ARM 2.60 MM	4	09/11/2011			
	84010142A	ADJUSTER, OPENING ROCKER ARM 2.65 MM	4	09/11/2011			
	84010152A	ADJUSTER, OPENING ROCKER ARM 2.70 MM	4	09/11/2011			
	84010162A	ADJUSTER, OPENING ROCKER ARM 2.75 MM	4	09/11/2011			
	84010172A	ADJUSTER, OPENING ROCKER ARM 2.80 MM	4	09/11/2011			
	84010182A	ADJUSTER, OPENING ROCKER ARM 2.85 MM	4	09/11/2011			
	84010192A	ADJUSTER, OPENING ROCKER ARM 2.90 MM	4	09/11/2011			
	84010202A	ADJUSTER, OPENING ROCKER ARM 2.95 MM	4	09/11/2011			
	84010212A	ADJUSTER, OPENING ROCKER ARM 3.00 MM	4	09/11/2011			
	84010222A	ADJUSTER, OPENING ROCKER ARM 3.05 MM	4	09/11/2011			
	84010232A	ADJUSTER, OPENING ROCKER ARM 3.10 MM	4	09/11/2011			
	84010242A	ADJUSTER, OPENING ROCKER ARM 3.15 MM	4	09/11/2011			
	84010252A	ADJUSTER, OPENING ROCKER ARM 3.20 MM	4	09/11/2011			
	84010262A	ADJUSTER, OPENING ROCKER ARM 3.25 MM	4	09/11/2011			
	84010272A	ADJUSTER, OPENING ROCKER ARM 3.30 MM	4	09/11/2011			
	84010282A	ADJUSTER, OPENING ROCKER ARM 3.35 MM	4	09/11/2011			
	84010292A	ADJUSTER, OPENING ROCKER ARM 3.40 MM	4	09/11/2011			
	84010302A	ADJUSTER, OPENING ROCKER ARM 3.45 MM	4	09/11/2011			
	84010312A	ADJUSTER, OPENING ROCKER ARM 1.80 MM	4	09/11/2011			
	84010322A	ADJUSTER, OPENING ROCKER ARM 1.85 MM	4	09/11/2011			
	84010332A	ADJUSTER, OPENING ROCKER ARM 1.90 MM	4	09/11/2011			
	84010342A	ADJUSTER, OPENING ROCKER ARM 1.95 MM	4	09/11/2011			
	84010722A	ADJUSTER, OPENING ROCKER ARM 3.60 MM	4	09/11/2011			



TST00497



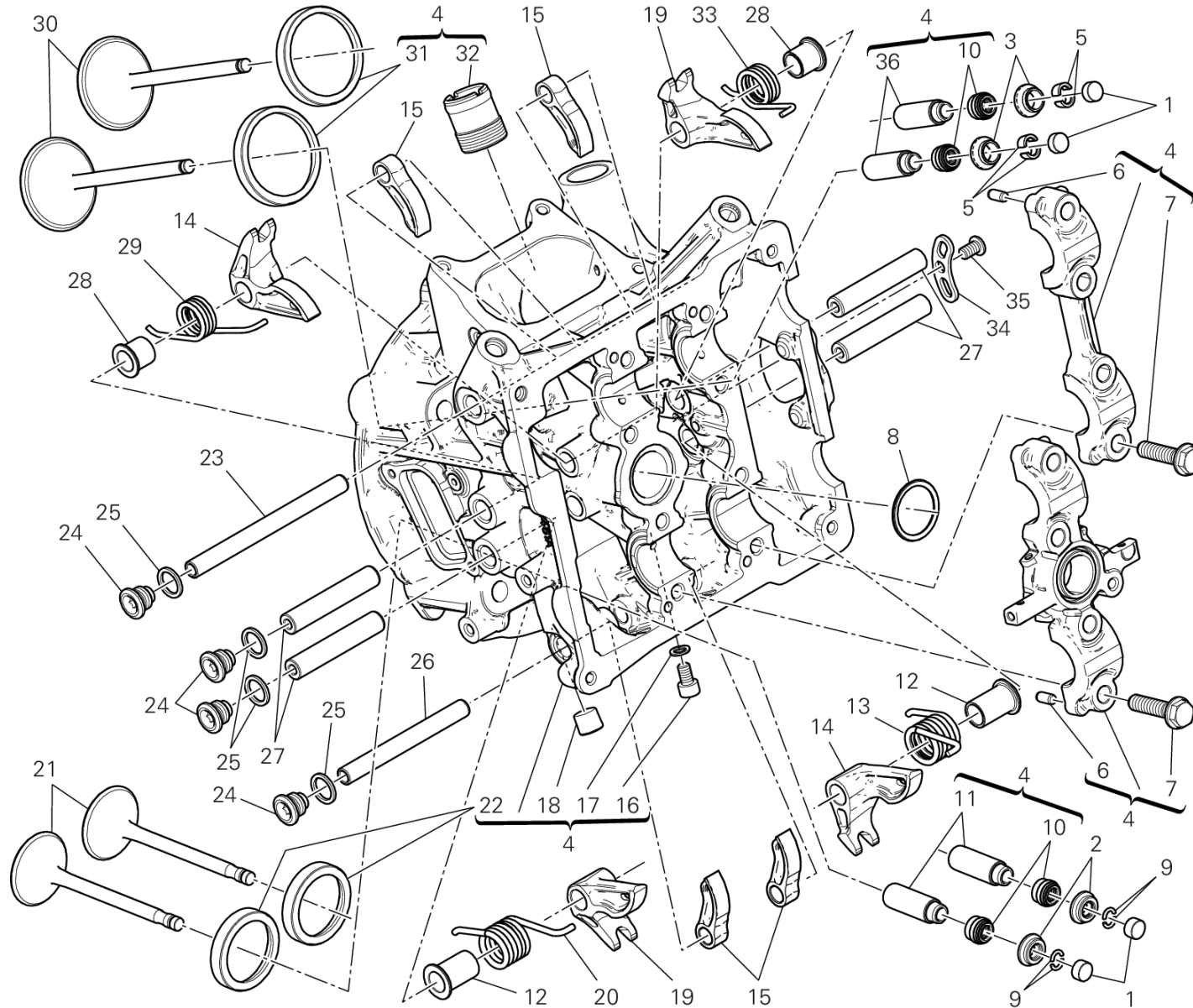
POS.	CODE	DESCRIPTION	QTY	START DATE	END DATE	VALIDITY	NOTES
	84010732A	ADJUSTER, OPENING ROCKER ARM 3.80 MM	4	09/11/2011			
	84011082A	ADJUSTER, OPENING ROCKER ARM 3.50 MM	4	09/11/2011			
	84011092A	ADJUSTER, OPENING ROCKER ARM 3.55 MM	4	09/11/2011			
	84011102A	ADJUSTER, OPENING ROCKER ARM 3.65 MM	4	09/11/2011			
	84011112A	ADJUSTER, OPENING ROCKER ARM 3.70 MM	4	09/11/2011			
	84011122A	ADJUSTER, OPENING ROCKER ARM 3.75 MM	4	09/11/2011			
	84011132A	ADJUSTER, OPENING ROCKER ARM 3.85 MM	4	09/11/2011			
	84011142A	ADJUSTER, OPENING ROCKER ARM 3.9 MM	4	09/11/2011			
2	84010412B	ADJUSTER, CLOSING ROCKER ARM 2.20 MM	2	24/12/2009			
	84010422B	ADJUSTER, CLOSING ROCKER ARM 2.25 MM	2	24/12/2009			
	84010432B	ADJUSTER, CLOSING ROCKER ARM 2.30 MM	2	24/12/2009			
	84010442B	ADJUSTER, CLOSING ROCKER ARM 2.35 MM	2	24/12/2009			
	84010452B	ADJUSTER, CLOSING ROCKER ARM 2.40 MM	2	24/12/2009			
	84010462B	ADJUSTER, CLOSING ROCKER ARM 2.45 MM	2	24/12/2009			
	84010472B	ADJUSTER, CLOSING ROCKER ARM 2.50 MM	2	24/12/2009			
	84010482B	ADJUSTER, CLOSING ROCKER ARM 2.55 MM	2	24/12/2009			
	84010492B	ADJUSTER, CLOSING ROCKER ARM 2.60 MM	2	24/12/2009			
	84010502B	ADJUSTER, CLOSING ROCKER ARM 2.65 MM	2	24/12/2009			
	84010512B	ADJUSTER, CLOSING ROCKER ARM 2.70 MM	2	24/12/2009			
	84010522B	ADJUSTER, CLOSING ROCKER ARM 2.75 MM	2	24/12/2009			
	84010532B	ADJUSTER, CLOSING ROCKER ARM 2.80 MM	2	24/12/2009			
	84010542B	ADJUSTER, CLOSING ROCKER ARM 2.85 MM	2	24/12/2009			
	84010552B	ADJUSTER, CLOSING ROCKER ARM 2.90 MM	2	24/12/2009			
	84010562B	ADJUSTER, CLOSING ROCKER ARM 2.95 MM	2	24/12/2009			
	84010572B	ADJUSTER, CLOSING ROCKER ARM 3.00 MM	2	24/12/2009			
	84010582B	ADJUSTER, CLOSING ROCKER ARM 3.05 MM	2	24/12/2009			
	84010592B	ADJUSTER, CLOSING ROCKER ARM 3.10 MM	2	24/12/2009			
	84010602B	ADJUSTER, CLOSING ROCKER ARM 3.15 MM	2	24/12/2009			
	84010612B	ADJUSTER, CLOSING ROCKER ARM 3.20 MM	2	24/12/2009			
	84010622B	ADJUSTER, CLOSING ROCKER ARM 3.25 MM	2	24/12/2009			
	84010632B	ADJUSTER, CLOSING ROCKER ARM 3.30 MM	2	24/12/2009			
	84010642B	ADJUSTER, CLOSING ROCKER ARM 3.35 MM	2	24/12/2009			
	84010652B	ADJUSTER, CLOSING ROCKER ARM 3.40 MM	2	24/12/2009			
	84010662B	ADJUSTER, CLOSING ROCKER ARM 3.45 MM	2	24/12/2009			
	84010672B	ADJUSTER, CLOSING ROCKER ARM 3.50 MM	2	24/12/2009			



TST00497



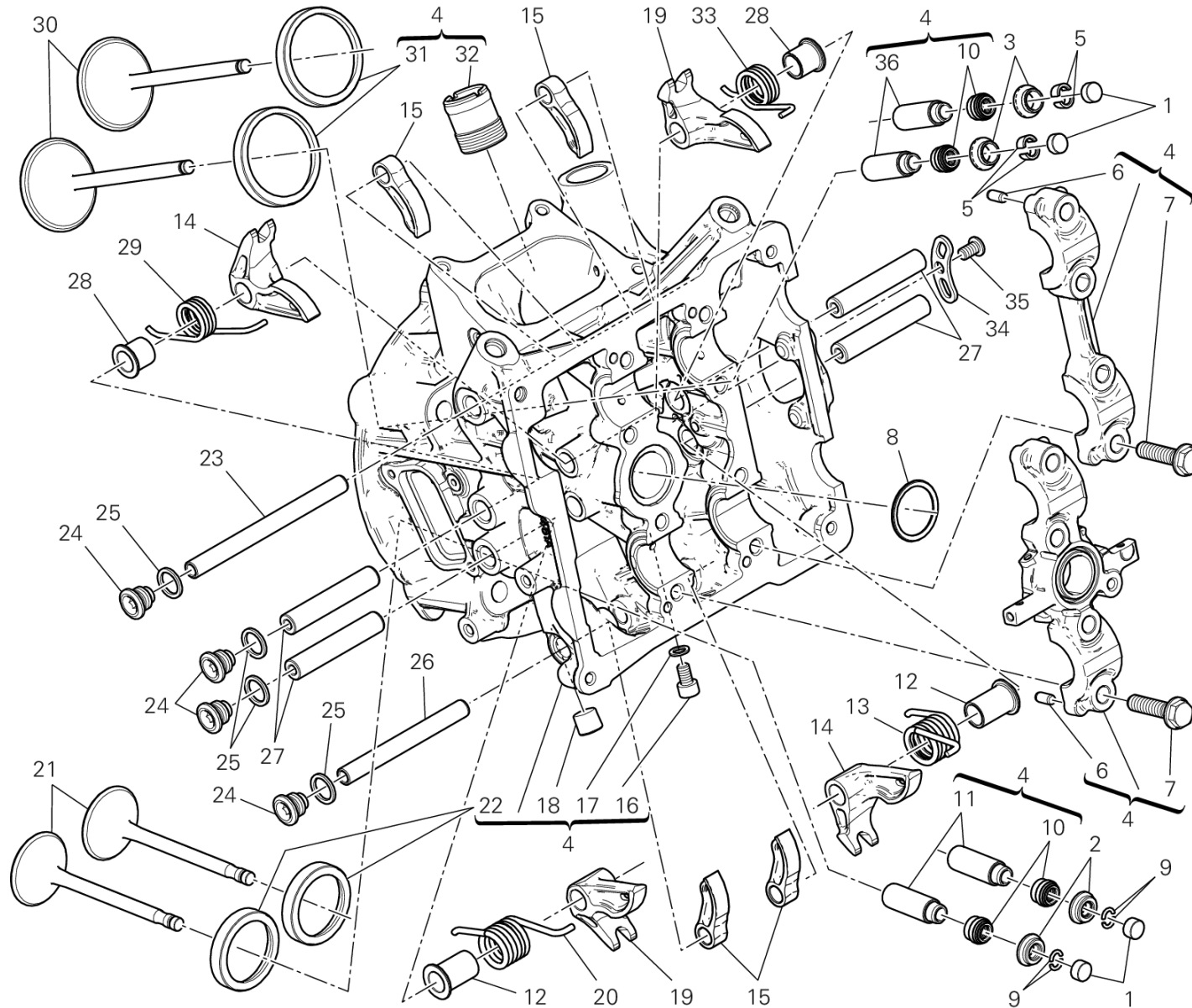
POS.	CODE	DESCRIPTION	QTY	START DATE	END DATE	VALIDITY	NOTES
	84010682B	ADJUSTER, CLOSING ROCKER ARM 3.55 MM	2	24/12/2009			
	84010692B	ADJUSTER, CLOSING ROCKER ARM 3.60 MM	2	24/12/2009			
	84010702B	ADJUSTER, CLOSING ROCKER ARM 3.65 MM	2	24/12/2009			
	84010712B	ADJUSTER, CLOSING ROCKER ARM 3.70 MM	2	24/12/2009			
	84010722B	ADJUSTER, CLOSING ROCKER ARM 3.75 MM	2	24/12/2009			
	84010732B	ADJUSTER, CLOSING ROCKER ARM 3.80 MM	2	24/12/2009			
	84010742B	ADJUSTER, CLOSING ROCKER ARM 3.85 MM	2	24/12/2009			
	84010752B	ADJUSTER, CLOSING ROCKER ARM 3.90 MM	2	24/12/2009			
	84010762B	ADJUSTER, CLOSING ROCKER ARM 3.95 MM	2	24/12/2009			
	84010772B	ADJUSTER, CLOSING ROCKER ARM 4.00 MM	2	24/12/2009			
	84010782B	ADJUSTER, CLOSING ROCKER ARM 4.05 MM	2	24/12/2009			
	84010792B	ADJUSTER, CLOSING ROCKER ARM 4.10 MM	2	24/12/2009			
	84010802B	ADJUSTER, CLOSING ROCKER ARM 4.15 MM	2	24/12/2009			
	84010812B	ADJUSTER, CLOSING ROCKER ARM 4.20 MM	2	24/12/2009			
	84010822B	ADJUSTER, CLOSING ROCKER ARM 4.25 MM	2	24/12/2009			
	84010832B	ADJUSTER, CLOSING ROCKER ARM 4.30 MM	2	24/12/2009			
	84010842B	ADJUSTER, CLOSING ROCKER ARM 4.35 MM	2	24/12/2009			
	84010852B	ADJUSTER, CLOSING ROCKER ARM 4.40 MM	2	24/12/2009			
	84010862B	ADJUSTER, CLOSING ROCKER ARM 4.45 MM	2	24/12/2009			
	84010872B	ADJUSTER, CLOSING ROCKER ARM 4.50 MM	2	24/12/2009			
3	84011901AA	ADJUSTER, CLOSING ROCKER ARM 4.15 MM	2	02/11/2011			
	84011901AB	ADJUSTER, CLOSING ROCKER ARM 4.20 MM	2	02/11/2011			
	84011901AC	ADJUSTER, CLOSING ROCKER ARM 4.25 MM	2	02/11/2011			
	84011901AD	ADJUSTER, CLOSING ROCKER ARM 4.30 MM	2	02/11/2011			
	84011901AE	ADJUSTER, CLOSING ROCKER ARM 4.35 MM	2	02/11/2011			
	84011901AF	ADJUSTER, CLOSING ROCKER ARM 4.40 MM	2	02/11/2011			
	84011901AG	ADJUSTER, CLOSING ROCKER ARM 4.45 MM	2	02/11/2011			
	84011901AH	ADJUSTER, CLOSING ROCKER ARM 4.50 MM	2	02/11/2011			
	84011901AI	CLOSE ROCKER ARM ADJUSTMENT 4.55 MM	2	02/11/2011			
	84011901AJ	CLOSE ROCKER ARM ADJUSTMENT 4.60 MM	2	02/11/2011			
	84011901AK	CLOSE ROCKER ARM ADJUSTMENT 4.65 MM	2	02/11/2011			
	84011901AL	CLOSE ROCKER ARM ADJUSTMENT 4.70 MM	2	02/11/2011			
	84011901AM	CLOSE ROCKER ARM ADJUSTMENT 4.75 MM	2	02/11/2011			
	84011901AN	CLOSE ROCKER ARM ADJUSTMENT 4.80 MM	2	02/11/2011			
	84011901AO	CLOSE ROCKER ARM ADJUSTMENT 4.85 MM	2	02/11/2011			



TST00497



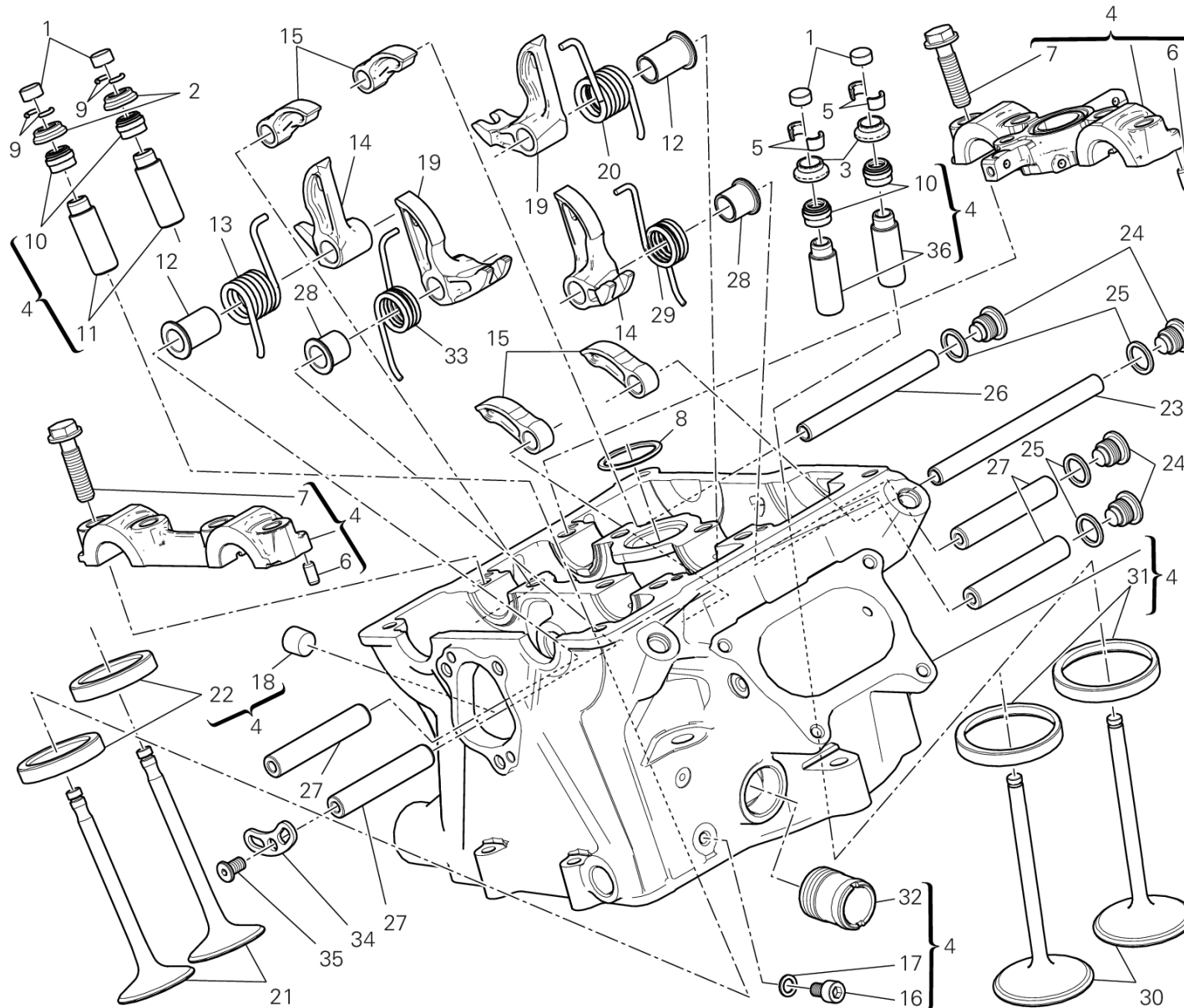
POS.	CODE	DESCRIPTION	QTY	START DATE	END DATE	VALIDITY	NOTES
	84011901AP	CLOSE ROCKER ARM ADJUSTMENT 4.90 MM	2	02/11/2011			
	84011901AQ	CLOSE ROCKER ARM ADJUSTMENT 4.95 MM	2	02/11/2011			
	84011901AR	CLOSE ROCKER ARM ADJUSTMENT 5.00 MM	2	02/11/2011			
4	30123461D	HORIZONTAL HEAD	1	08/10/2012			
5	84510061A	VALVE COLLET PAIR	2	12/01/2012			
6	86050061A	PIN M5X10	4	10/12/2010			
7	77914211A	SCREW TEF M8X32	8	10/12/2010			
8	88640881A	O-RING 26.64X2.62	1	12/01/2012			
9	66910011E	C RING	4	12/01/2012			
10	76410871A	SEAL VALVE STEM	4	21/01/2011			
11	30310671AA	GUIDE, VALVE OVERSIZED 0.03 MM	2	13/01/2012			
	30310671AB	GUIDE, VALVE OVERSIZED 0.06 MM	2	02/10/2012			
	30310671AC	GUIDE, VALVE OVERSIZED 0.09 MM	2	02/10/2012			
12	71319271A	SPACER	2	12/01/2012			
13	79915231A	EXHAUST VALVE RETURN SPRING LH	1	12/01/2012			
14	20910751A	CLOSING ROCKER ARM LEFT	2	01/08/2011			
15	20810381A	OPEN. ROCKER ARM	4	01/08/2011			
16	77150628B	SCREW TCEI M6X10	2	01/08/2011			
17	85240261A	WASHER	2	25/06/2012			
18	87350251A	PLUG	2	20/02/2013			
19	20910741A	CLOSING ROCKER ARM RIGHT	2	01/08/2011			
20	79915221A	EXHAUST VALVE RETURN SPRING RH	1	12/01/2012			
21	21110802A	EXHAUST VALVE	2	12/01/2012			
22	304A0931A	SEAT, EXHAUST VALVE	2	29/11/2010			
23	82114041A	OPENING ROCKER SHAFT LONG	1	12/01/2012			
24	78010511C	PLUG	4	12/01/2012			
25	85250261B	GASKET	4	12/01/2012			
26	82113361A	OPENING ROCKER SHAFT SHORT	1	12/01/2012			
27	82113371B	CLOSE ROCKER ARM AXLE	4	12/01/2012			
28	71319281A	SPACER	2	12/01/2012			
29	79915211A	INTAKE VALVE RETURN SPRING LH	1	12/01/2012			
30	21010811D	INTAKE VALVE	2	08/10/2012			
31	304A0921A	SEAT, INTAKE VALVE	2	29/11/2010			
32	66810491A	FILLER	1	21/01/2011			
33	79915201A	INTAKE VALVE RETURN SPRING RH	1	12/01/2012			



TST00497



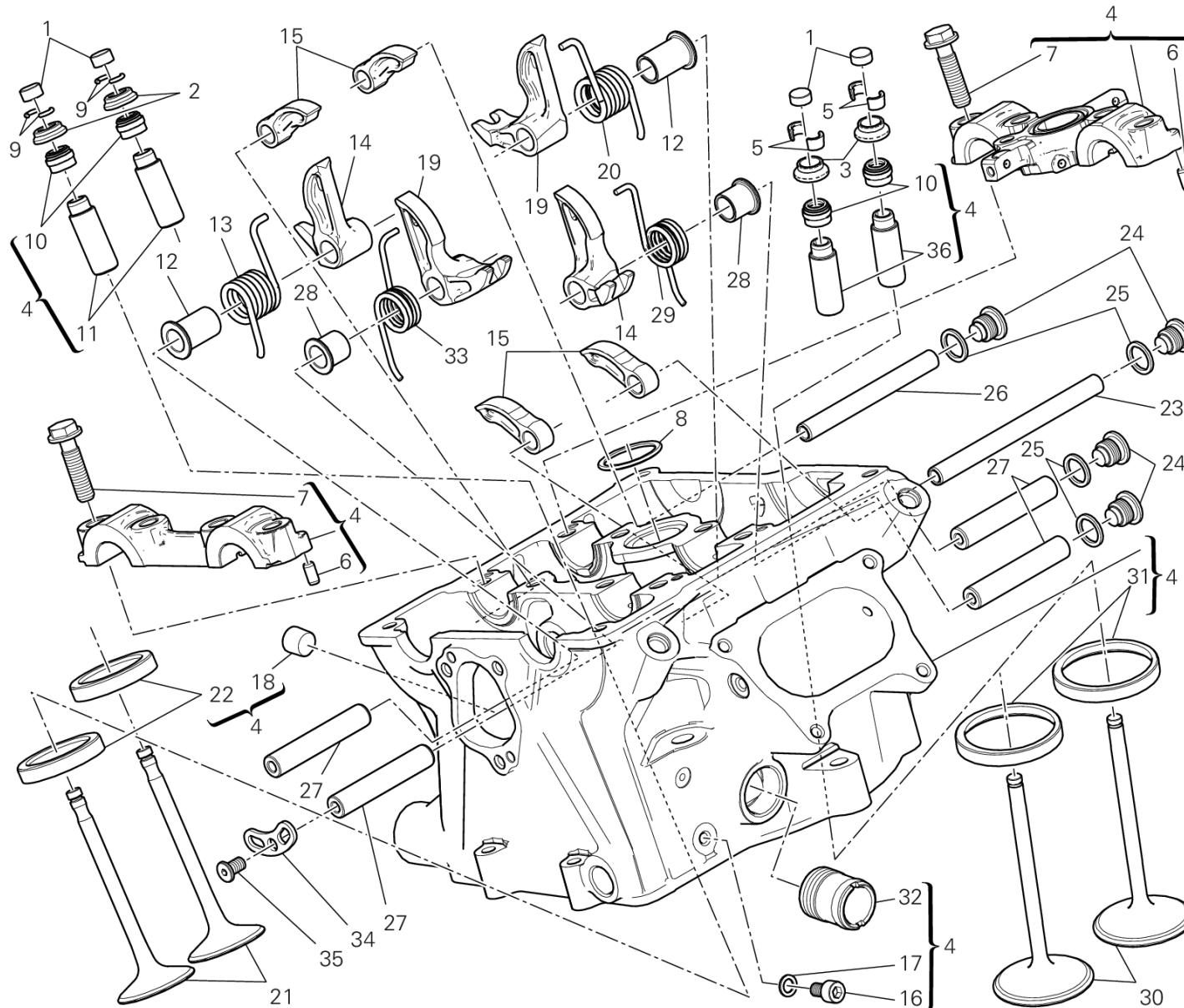
POS.	CODE	DESCRIPTION	QTY	START DATE	END DATE	VALIDITY	NOTES
34	82716021A	PLATE, RETAINER	1	12/01/2012			
35	77917231A	SCREW, SPECIAL	1	12/01/2012			
36	30310691A	GUIDE-VALVE, INTAKE	2				
	30310691AA	GUIDE INTAKE VALVE +0.03 MM	2				
	30310691AB	GUIDE INTAKE VALVE +0.06 MM	2				
	30310691AC	GUIDE INTAKE VALVE +0.09 MM	2				



TST00498



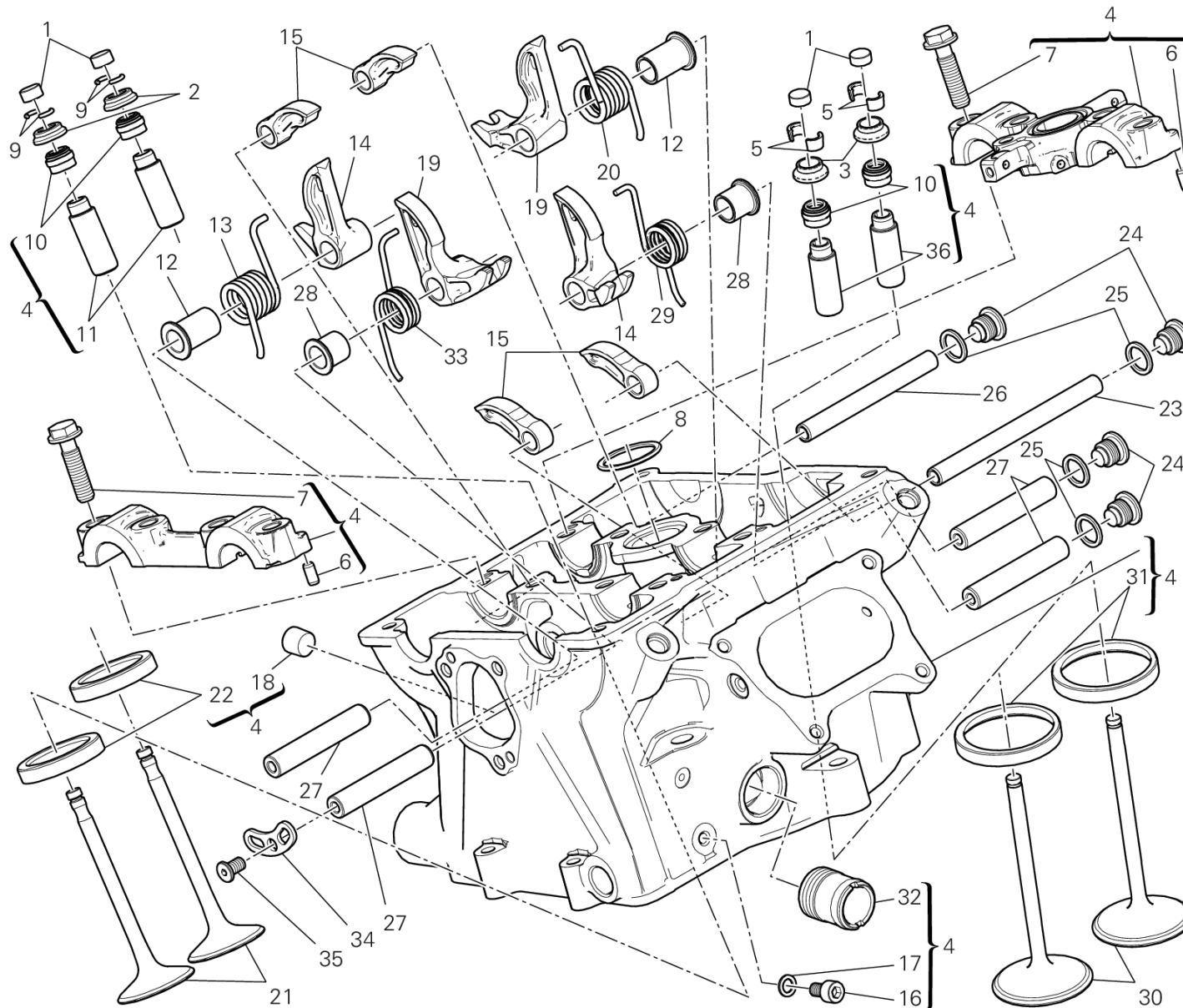
POS.	CODE	DESCRIPTION	QTY	START DATE	END DATE	VALIDITY	NOTES
1	84010012A	ADJUSTER, OPENING ROCKER ARM 2.00 MM	4	09/11/2011			
	84010022A	ADJUSTER, OPENING ROCKER ARM 2.05 MM	4	09/11/2011			
	84010032A	ADJUSTER, OPENING ROCKER ARM 2.10 MM	4	09/11/2011			
	84010042A	ADJUSTER, OPENING ROCKER ARM 2.15 MM	4	09/11/2011			
	84010052A	ADJUSTER, OPENING ROCKER ARM 2.20 MM	4	09/11/2011			
	84010062A	ADJUSTER, OPENING ROCKER ARM 2.25 MM	4	09/11/2011			
	84010072A	ADJUSTER, OPENING ROCKER ARM 2.30 MM	4	09/11/2011			
	84010082A	ADJUSTER, OPENING ROCKER ARM 2.35 MM	4	09/11/2011			
	84010092A	ADJUSTER, OPENING ROCKER ARM 2.40 MM	4	09/11/2011			
	84010102A	ADJUSTER, OPENING ROCKER ARM 2.45 MM	4	09/11/2011			
	84010112A	ADJUSTER, OPENING ROCKER ARM 2.50 MM	4	09/11/2011			
	84010122A	ADJUSTER, OPENING ROCKER ARM 2.55 MM	4	09/11/2011			
	84010132A	ADJUSTER, OPENING ROCKER ARM 2.60 MM	4	09/11/2011			
	84010142A	ADJUSTER, OPENING ROCKER ARM 2.65 MM	4	09/11/2011			
	84010152A	ADJUSTER, OPENING ROCKER ARM 2.70 MM	4	09/11/2011			
	84010162A	ADJUSTER, OPENING ROCKER ARM 2.75 MM	4	09/11/2011			
	84010172A	ADJUSTER, OPENING ROCKER ARM 2.80 MM	4	09/11/2011			
	84010182A	ADJUSTER, OPENING ROCKER ARM 2.85 MM	4	09/11/2011			
	84010192A	ADJUSTER, OPENING ROCKER ARM 2.90 MM	4	09/11/2011			
	84010202A	ADJUSTER, OPENING ROCKER ARM 2.95 MM	4	09/11/2011			
	84010212A	ADJUSTER, OPENING ROCKER ARM 3.00 MM	4	09/11/2011			
	84010222A	ADJUSTER, OPENING ROCKER ARM 3.05 MM	4	09/11/2011			
	84010232A	ADJUSTER, OPENING ROCKER ARM 3.10 MM	4	09/11/2011			
	84010242A	ADJUSTER, OPENING ROCKER ARM 3.15 MM	4	09/11/2011			
	84010252A	ADJUSTER, OPENING ROCKER ARM 3.20 MM	4	09/11/2011			
	84010262A	ADJUSTER, OPENING ROCKER ARM 3.25 MM	4	09/11/2011			
	84010272A	ADJUSTER, OPENING ROCKER ARM 3.30 MM	4	09/11/2011			
	84010282A	ADJUSTER, OPENING ROCKER ARM 3.35 MM	4	09/11/2011			
	84010292A	ADJUSTER, OPENING ROCKER ARM 3.40 MM	4	09/11/2011			
	84010302A	ADJUSTER, OPENING ROCKER ARM 3.45 MM	4	09/11/2011			
	84010312A	ADJUSTER, OPENING ROCKER ARM 1.80 MM	4	09/11/2011			
	84010322A	ADJUSTER, OPENING ROCKER ARM 1.85 MM	4	09/11/2011			
	84010332A	ADJUSTER, OPENING ROCKER ARM 1.90 MM	4	09/11/2011			
	84010342A	ADJUSTER, OPENING ROCKER ARM 1.95 MM	4	09/11/2011			
	84010722A	ADJUSTER, OPENING ROCKER ARM 3.60 MM	4	09/11/2011			



TST00498



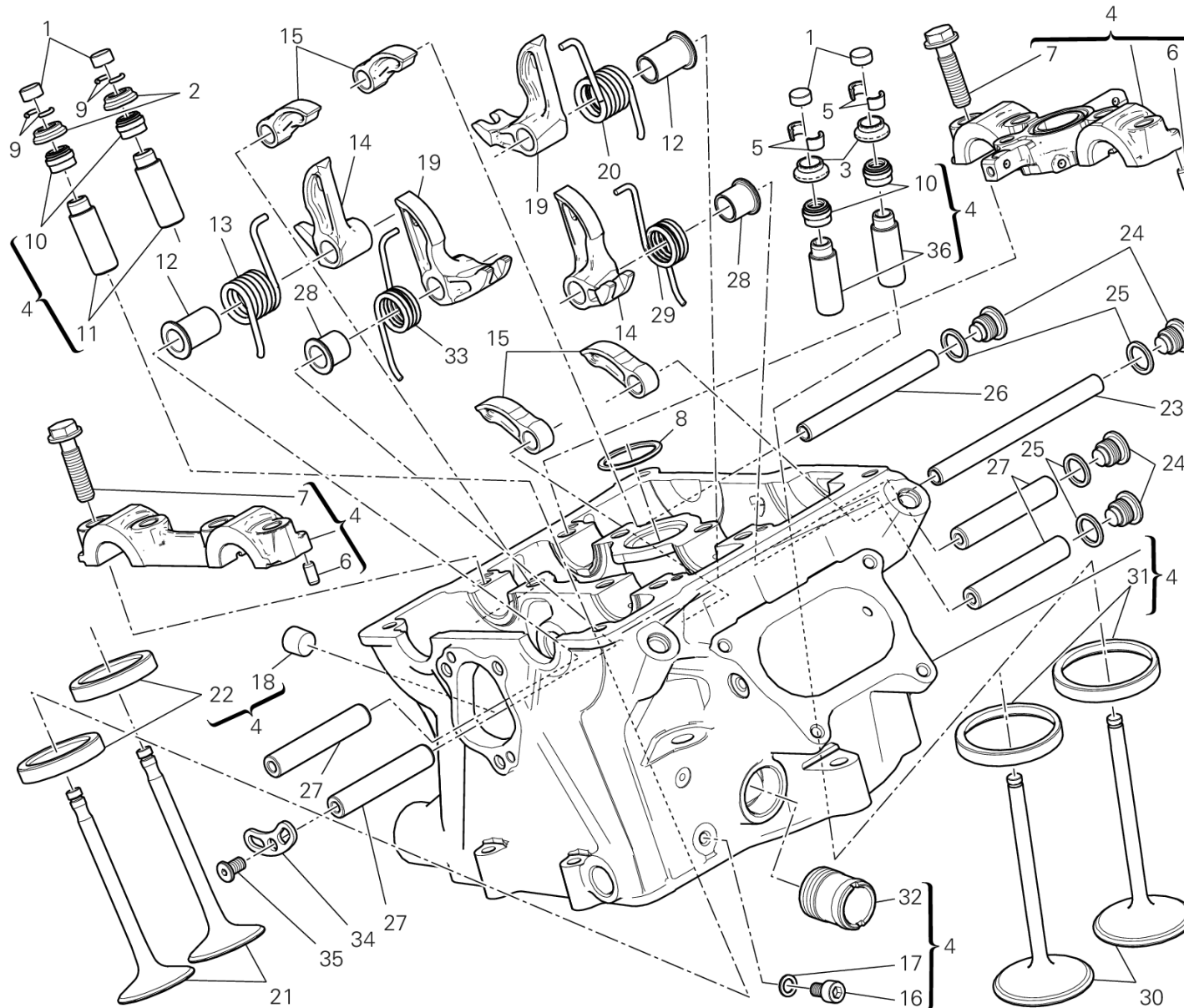
POS.	CODE	DESCRIPTION	QTY	START DATE	END DATE	VALIDITY	NOTES
	84010732A	ADJUSTER, OPENING ROCKER ARM 3.80 MM	4	09/11/2011			
	84011082A	ADJUSTER, OPENING ROCKER ARM 3.50 MM	4	09/11/2011			
	84011092A	ADJUSTER, OPENING ROCKER ARM 3.55 MM	4	09/11/2011			
	84011102A	ADJUSTER, OPENING ROCKER ARM 3.65 MM	4	09/11/2011			
	84011112A	ADJUSTER, OPENING ROCKER ARM 3.70 MM	4	09/11/2011			
	84011122A	ADJUSTER, OPENING ROCKER ARM 3.75 MM	4	09/11/2011			
	84011132A	ADJUSTER, OPENING ROCKER ARM 3.85 MM	4	09/11/2011			
	84011142A	ADJUSTER, OPENING ROCKER ARM 3.9 MM	4	09/11/2011			
2	84010412B	ADJUSTER, CLOSING ROCKER ARM 2.20 MM	2	24/12/2009			
	84010422B	ADJUSTER, CLOSING ROCKER ARM 2.25 MM	2	24/12/2009			
	84010432B	ADJUSTER, CLOSING ROCKER ARM 2.30 MM	2	24/12/2009			
	84010442B	ADJUSTER, CLOSING ROCKER ARM 2.35 MM	2	24/12/2009			
	84010452B	ADJUSTER, CLOSING ROCKER ARM 2.40 MM	2	24/12/2009			
	84010462B	ADJUSTER, CLOSING ROCKER ARM 2.45 MM	2	24/12/2009			
	84010472B	ADJUSTER, CLOSING ROCKER ARM 2.50 MM	2	24/12/2009			
	84010482B	ADJUSTER, CLOSING ROCKER ARM 2.55 MM	2	24/12/2009			
	84010492B	ADJUSTER, CLOSING ROCKER ARM 2.60 MM	2	24/12/2009			
	84010502B	ADJUSTER, CLOSING ROCKER ARM 2.65 MM	2	24/12/2009			
	84010512B	ADJUSTER, CLOSING ROCKER ARM 2.70 MM	2	24/12/2009			
	84010522B	ADJUSTER, CLOSING ROCKER ARM 2.75 MM	2	24/12/2009			
	84010532B	ADJUSTER, CLOSING ROCKER ARM 2.80 MM	2	24/12/2009			
	84010542B	ADJUSTER, CLOSING ROCKER ARM 2.85 MM	2	24/12/2009			
	84010552B	ADJUSTER, CLOSING ROCKER ARM 2.90 MM	2	24/12/2009			
	84010562B	ADJUSTER, CLOSING ROCKER ARM 2.95 MM	2	24/12/2009			
	84010572B	ADJUSTER, CLOSING ROCKER ARM 3.00 MM	2	24/12/2009			
	84010582B	ADJUSTER, CLOSING ROCKER ARM 3.05 MM	2	24/12/2009			
	84010592B	ADJUSTER, CLOSING ROCKER ARM 3.10 MM	2	24/12/2009			
	84010602B	ADJUSTER, CLOSING ROCKER ARM 3.15 MM	2	24/12/2009			
	84010612B	ADJUSTER, CLOSING ROCKER ARM 3.20 MM	2	24/12/2009			
	84010622B	ADJUSTER, CLOSING ROCKER ARM 3.25 MM	2	24/12/2009			
	84010632B	ADJUSTER, CLOSING ROCKER ARM 3.30 MM	2	24/12/2009			
	84010642B	ADJUSTER, CLOSING ROCKER ARM 3.35 MM	2	24/12/2009			
	84010652B	ADJUSTER, CLOSING ROCKER ARM 3.40 MM	2	24/12/2009			
	84010662B	ADJUSTER, CLOSING ROCKER ARM 3.45 MM	2	24/12/2009			
	84010672B	ADJUSTER, CLOSING ROCKER ARM 3.50 MM	2	24/12/2009			



TST00498



POS.	CODE	DESCRIPTION	QTY	START DATE	END DATE	VALIDITY	NOTES
	84010682B	ADJUSTER, CLOSING ROCKER ARM 3.55 MM	2	24/12/2009			
	84010692B	ADJUSTER, CLOSING ROCKER ARM 3.60 MM	2	24/12/2009			
	84010702B	ADJUSTER, CLOSING ROCKER ARM 3.65 MM	2	24/12/2009			
	84010712B	ADJUSTER, CLOSING ROCKER ARM 3.70 MM	2	24/12/2009			
	84010722B	ADJUSTER, CLOSING ROCKER ARM 3.75 MM	2	24/12/2009			
	84010732B	ADJUSTER, CLOSING ROCKER ARM 3.80 MM	2	24/12/2009			
	84010742B	ADJUSTER, CLOSING ROCKER ARM 3.85 MM	2	24/12/2009			
	84010752B	ADJUSTER, CLOSING ROCKER ARM 3.90 MM	2	24/12/2009			
	84010762B	ADJUSTER, CLOSING ROCKER ARM 3.95 MM	2	24/12/2009			
	84010772B	ADJUSTER, CLOSING ROCKER ARM 4.00 MM	2	24/12/2009			
	84010782B	ADJUSTER, CLOSING ROCKER ARM 4.05 MM	2	24/12/2009			
	84010792B	ADJUSTER, CLOSING ROCKER ARM 4.10 MM	2	24/12/2009			
	84010802B	ADJUSTER, CLOSING ROCKER ARM 4.15 MM	2	24/12/2009			
	84010812B	ADJUSTER, CLOSING ROCKER ARM 4.20 MM	2	24/12/2009			
	84010822B	ADJUSTER, CLOSING ROCKER ARM 4.25 MM	2	24/12/2009			
	84010832B	ADJUSTER, CLOSING ROCKER ARM 4.30 MM	2	24/12/2009			
	84010842B	ADJUSTER, CLOSING ROCKER ARM 4.35 MM	2	24/12/2009			
	84010852B	ADJUSTER, CLOSING ROCKER ARM 4.40 MM	2	24/12/2009			
	84010862B	ADJUSTER, CLOSING ROCKER ARM 4.45 MM	2	24/12/2009			
	84010872B	ADJUSTER, CLOSING ROCKER ARM 4.50 MM	2	24/12/2009			
3	84011901AA	ADJUSTER, CLOSING ROCKER ARM 4.15 MM	2	02/11/2011			
	84011901AB	ADJUSTER, CLOSING ROCKER ARM 4.20 MM	2	02/11/2011			
	84011901AC	ADJUSTER, CLOSING ROCKER ARM 4.25 MM	2	02/11/2011			
	84011901AD	ADJUSTER, CLOSING ROCKER ARM 4.30 MM	2	02/11/2011			
	84011901AE	ADJUSTER, CLOSING ROCKER ARM 4.35 MM	2	02/11/2011			
	84011901AF	ADJUSTER, CLOSING ROCKER ARM 4.40 MM	2	02/11/2011			
	84011901AG	ADJUSTER, CLOSING ROCKER ARM 4.45 MM	2	02/11/2011			
	84011901AH	ADJUSTER, CLOSING ROCKER ARM 4.50 MM	2	02/11/2011			
	84011901AI	CLOSE ROCKER ARM ADJUSTMENT 4.55 MM	2	02/11/2011			
	84011901AJ	CLOSE ROCKER ARM ADJUSTMENT 4.60 MM	2	02/11/2011			
	84011901AK	CLOSE ROCKER ARM ADJUSTMENT 4.65 MM	2	02/11/2011			
	84011901AL	CLOSE ROCKER ARM ADJUSTMENT 4.70 MM	2	02/11/2011			
	84011901AM	CLOSE ROCKER ARM ADJUSTMENT 4.75 MM	2	02/11/2011			
	84011901AN	CLOSE ROCKER ARM ADJUSTMENT 4.80 MM	2	02/11/2011			
	84011901AO	CLOSE ROCKER ARM ADJUSTMENT 4.85 MM	2	02/11/2011			



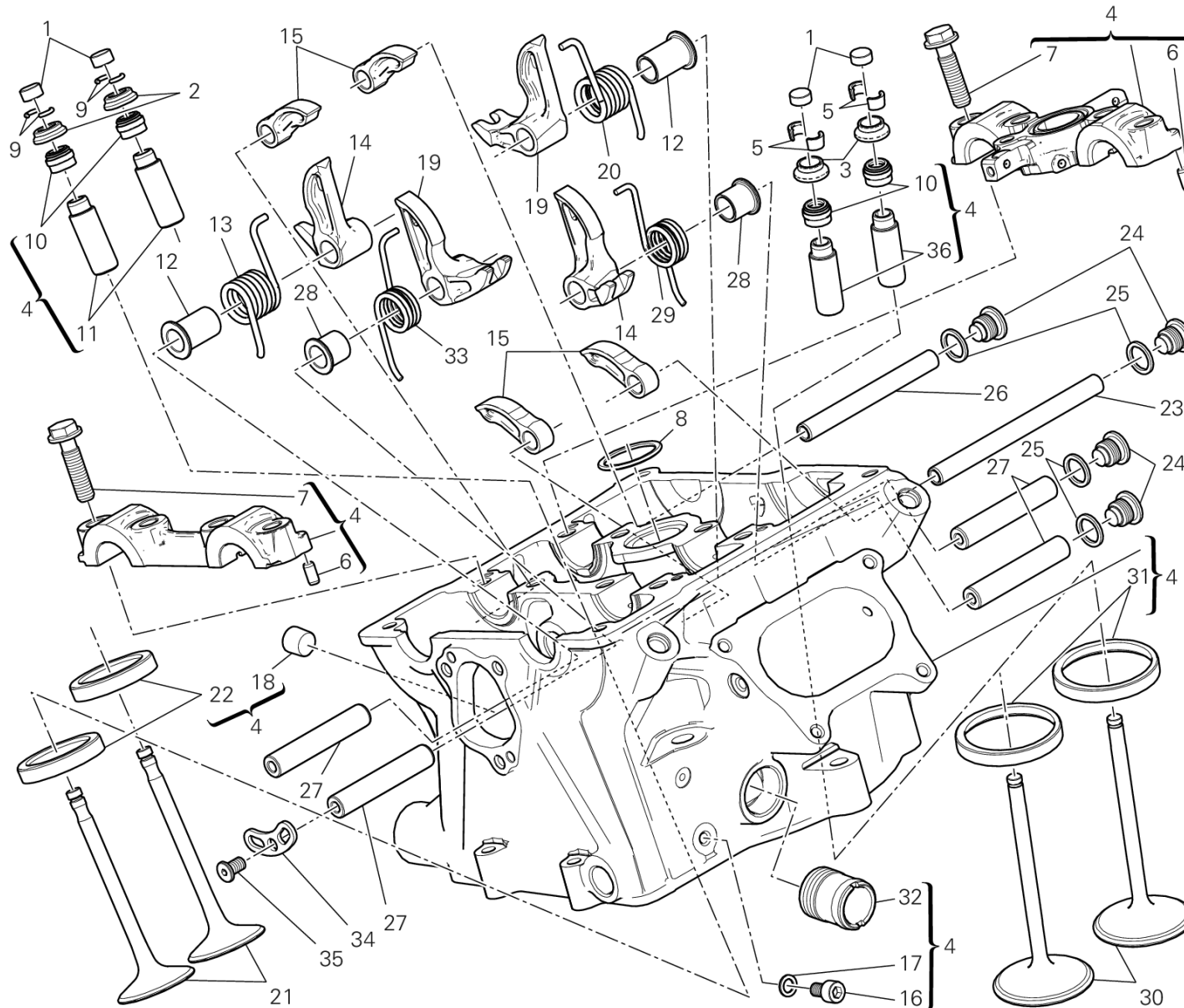
TST00498

DRAWING 015 - VERTICAL HEAD [MOD:1199 ABS;XST:AUS,CHN,EUR,FRA,JAP,THA]

GROUP ENGINE



POS.	CODE	DESCRIPTION	QTY	START DATE	END DATE	VALIDITY	NOTES
	84011901AP	CLOSE ROCKER ARM ADJUSTMENT 4.90 MM	2	02/11/2011			
	84011901AQ	CLOSE ROCKER ARM ADJUSTMENT 4.95 MM	2	02/11/2011			
	84011901AR	CLOSE ROCKER ARM ADJUSTMENT 5.00 MM	2	02/11/2011			
4	30123471D	VERTICAL HEAD	1	08/10/2012			
5	84510061A	VALVE COLLET PAIR	2	12/01/2012			
6	86050061A	PIN M5X10	4	10/12/2010			
7	77914211A	SCREW TEF M8X32	8	10/12/2010			
8	88640881A	O-RING 26.64X2.62	1	12/01/2012			
9	66910011E	C RING	4	12/01/2012			
10	76410871A	SEAL VALVE STEM	4	21/01/2011			
11	30310671AA	GUIDE, VALVE OVERSIZED 0.03 MM	2	13/01/2012			
	30310671AB	GUIDE, VALVE OVERSIZED 0.06 MM	2	02/10/2012			
	30310671AC	GUIDE, VALVE OVERSIZED 0.09 MM	2	02/10/2012			
12	71319271A	SPACER	2	12/01/2012			
13	79915231A	EXHAUST VALVE RETURN SPRING LH	1	12/01/2012			
14	20910751A	CLOSING ROCKER ARM LEFT	2	01/08/2011			
15	20810381A	OPEN. ROCKER ARM	4	01/08/2011			
16	77150628B	SCREW TCEI M6X10	2	01/08/2011			
17	85240261A	WASHER	2	25/06/2012			
18	87350251A	PLUG	2	20/02/2013			
19	20910741A	CLOSING ROCKER ARM RIGHT	2	01/08/2011			
20	79915221A	EXHAUST VALVE RETURN SPRING RH	1	12/01/2012			
21	21110802A	EXHAUST VALVE	2	12/01/2012			
22	304A0931A	SEAT, EXHAUST VALVE	2	29/11/2010			
23	82114041A	OPENING ROCKER SHAFT LONG	1	12/01/2012			
24	78010511C	PLUG	4	12/01/2012			
25	85250261B	GASKET	4	12/01/2012			
26	82113361A	OPENING ROCKER SHAFT SHORT	1	12/01/2012			
27	82113371B	CLOSE ROCKER ARM AXLE	4	12/01/2012			
28	71319281A	SPACER	2	12/01/2012			
29	79915211A	INTAKE VALVE RETURN SPRING LH	1	12/01/2012			
30	21010811D	INTAKE VALVE	2	08/10/2012			
31	304A0921A	SEAT, INTAKE VALVE	2	29/11/2010			
32	66810491A	FILLER	1	21/01/2011			
33	79915201A	INTAKE VALVE RETURN SPRING RH	1	12/01/2012			



TST00498

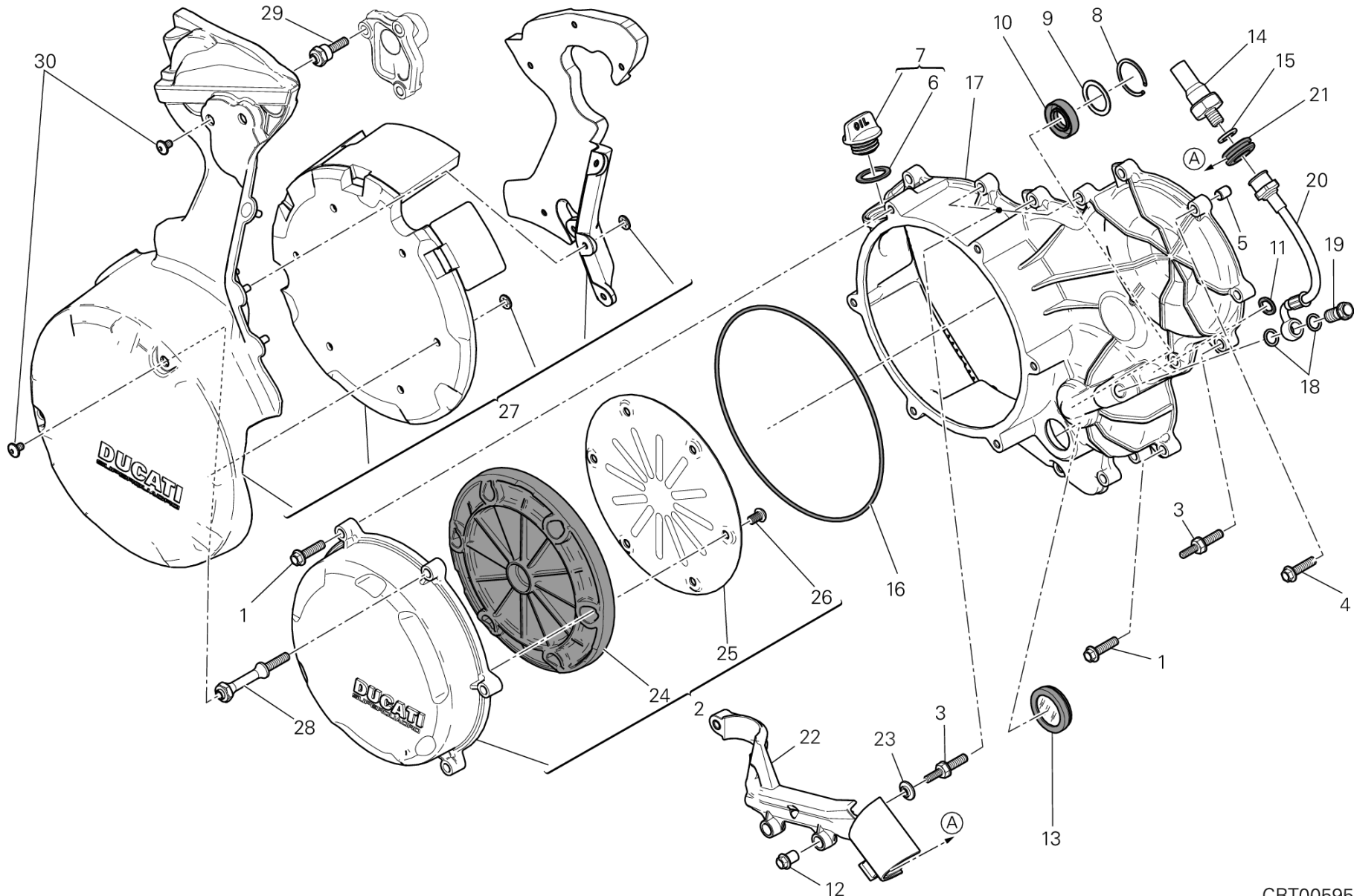


POS.	CODE	DESCRIPTION	QTY	START DATE	END DATE	VALIDITY	NOTES
34	82716021A	PLATE, RETAINER	1	12/01/2012			
35	77917231A	SCREW, SPECIAL	1	12/01/2012			
36	30310691A	GUIDE-VALVE, INTAKE	2				
	30310691AA	GUIDE INTAKE VALVE +0.03 MM	2				
	30310691AB	GUIDE INTAKE VALVE +0.06 MM	2				
	30310691AC	GUIDE INTAKE VALVE +0.09 MM	2				



DRAWING 05A - CLUTCH-SIDE CRANKCASE COVER (JAP) [MOD:1199 ABS;XST:JAP]

GROUP ENGINE



CRT00595

DRAWING 05A - CLUTCH-SIDE CRANKCASE COVER (JAP) [MOD:1199 ABS;XST:JAP]

GROUP ENGINE

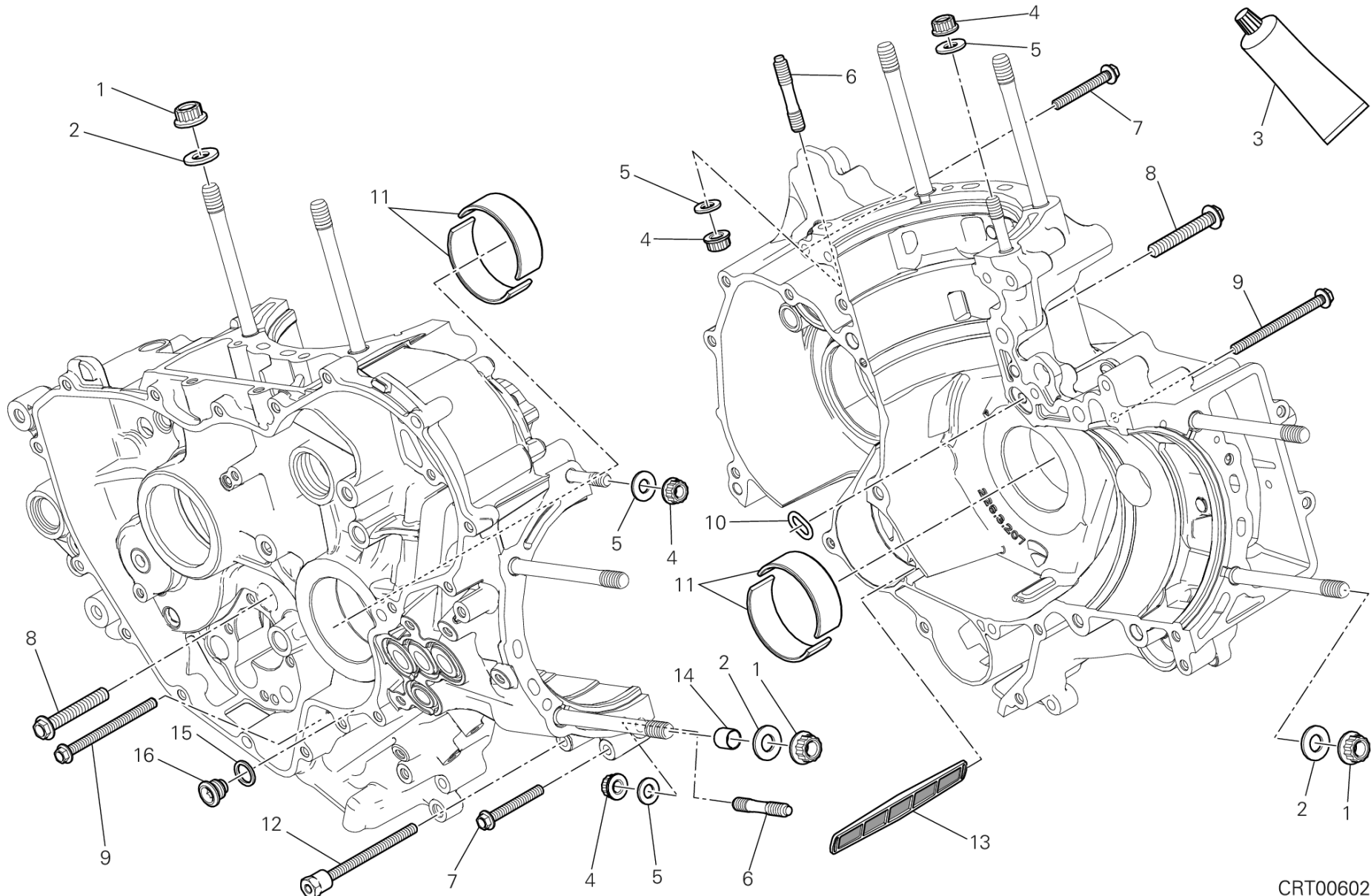


POS.	CODE	DESCRIPTION	QTY	START DATE	END DATE	VALIDITY	NOTES
1	77253337C	SCREW	18	11/11/2010			
2	24321344A	CLUTCH PROTECTION COVER (Unit)	1	02/05/2012			
3	77917161B	SCREW, SPECIAL	4	21/11/2011			
4	77253357C	SCREW	1	11/11/2010			
5	71113171A	LOCATING DOWEL	2	11/11/2010			
6	88640891A	O-RING 18.64X3.53	1	24/12/2009			
7	89320121A	PLUG ASSY	1	26/10/2011			
8	88450291A	SNAP RING	1	26/10/2011			
9	85212721A	THRUST WASHER	1	26/10/2011			
10	93041521A	SEAL RING	1	26/10/2011			
11	88641761A	O-RING	1	11/11/2010			
12	75011742AA	NUT, SPECIAL	1	26/10/2011			
13	25440012A	WINDOW, OIL LEVEL CHECK	1	26/10/2011			
14	53940302A	SWITCH ASSY, OIL PRESSURE	1	01/12/2011			
15	85211951A	GASKET 10.5X17X2	1	01/12/2011			
16	88610281A	O-RING	1	26/10/2011			
17	24311274A	TIMING COVER	1	01/01/2012			
18	85250241A	WASHER 10X14X1	2	01/12/2011			
19	78110121AA	SCREW, SPECIAL	1	01/12/2011			
20	87721561A	OIL PRESSURE LINE	1	01/12/2011			
21	76440581A	RUBBER PAD	1	01/12/2011			
22	75810701B	FAIRLEAD	1	01/12/2011			
23	71614071A	SPACER 5.2X8.4X2	3	01/12/2011			
24	48610851A	DAMPER, SOUND ARRESTER	1	02/05/2012			
25	82716012A	SHEET ACOUSTIC DAMPER	1	02/05/2012			
26	77550200C	SCREW	6	02/05/2012			
27	48610912A	CAP RH (Unit)	1	29/03/2012	14/11/2012		
28	77917961AA	SCREW, SPECIAL	2	20/06/2012			
29	77917951AA	SPECIAL SCREW SHORT	2	20/06/2012			
30	77240243C	SCREW	4	29/03/2012			



DRAWING 10A - HALF-CRANKCASES PAIR [MOD:1199 ABS;XST:AUS,CHN,EUR,FRA,JAP,THA]

GROUP ENGINE



CRT00602

DRAWING 10A - HALF-CRANKCASES PAIR [MOD:1199

ABS;XST:AUS,CHN,EUR,FRA,JAP,THA]

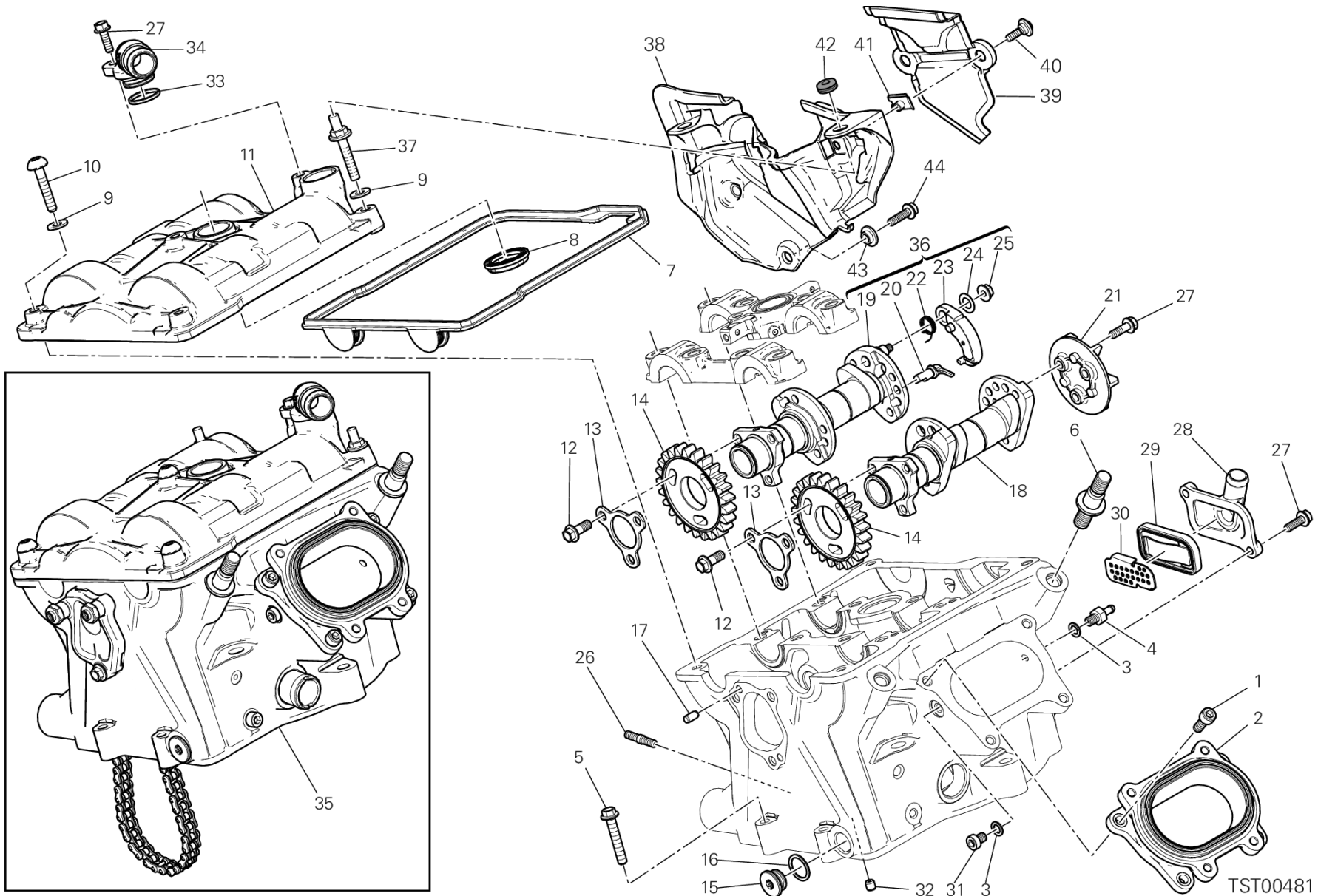
GROUP ENGINE



POS.	CODE	DESCRIPTION	QTY	START DATE	END DATE	VALIDITY	NOTES
1	74810461A	NUT, FLANGE M10X1	8	13/12/2010			
2	85610642A	WASHER, SPECIAL 10.5X21X2	8	13/12/2010			
3	942470036	FLUID SEALANT BLACK	1				
4	74840481A	NUT, SPECIAL M8	4	13/12/2010			
5	85212771A	WASHER	4	13/12/2010			
6	76610811A	STUD BOLT FASTENING HEAD CYLINDER	2	12/01/2012			
7	77253387C	SCREW	14	11/11/2010			
8	77251387C	SCREW	6	11/11/2010			
9	77253447C	SCREW	4	11/11/2010			
10	88641701A	O-RING	1	24/11/2010			
11	11210771AA	HALF-BEARING RED	1	15/12/2011			
	11210771AB	HALF-BEARING BLUE	1	15/12/2011			
	11210771AC	HALF-BEARING YELLOW	1	15/12/2011			
	11210771AD	HALF-BEARING BLACK	1	15/12/2011			
	11210771AE	HALF-BEARING GREEN	1	15/12/2011			
12	77916991A	SCREW, SPECIAL	1	02/12/2010			
13	42710171A	OIL NET FILTER	1	09/12/2010			
14	71110932A	PIN DOWEL	4	11/11/2010			
15	85250261A	GASKET, ALUMINIUM 12X16X1.5	1	11/11/2010			
16	78010511C	PLUG	1	28/02/2011			



DRAWING 13A - VERTICAL CYLINDER HEAD - TIMING [MOD:1199 ABS;XST:AUS,EUR,FRA,JAP] GROUP ENGINE



DRAWING 13A - VERTICAL CYLINDER HEAD - TIMING [MOD:1199

ABS;XST:AUS,EUR,FRA,JAP]

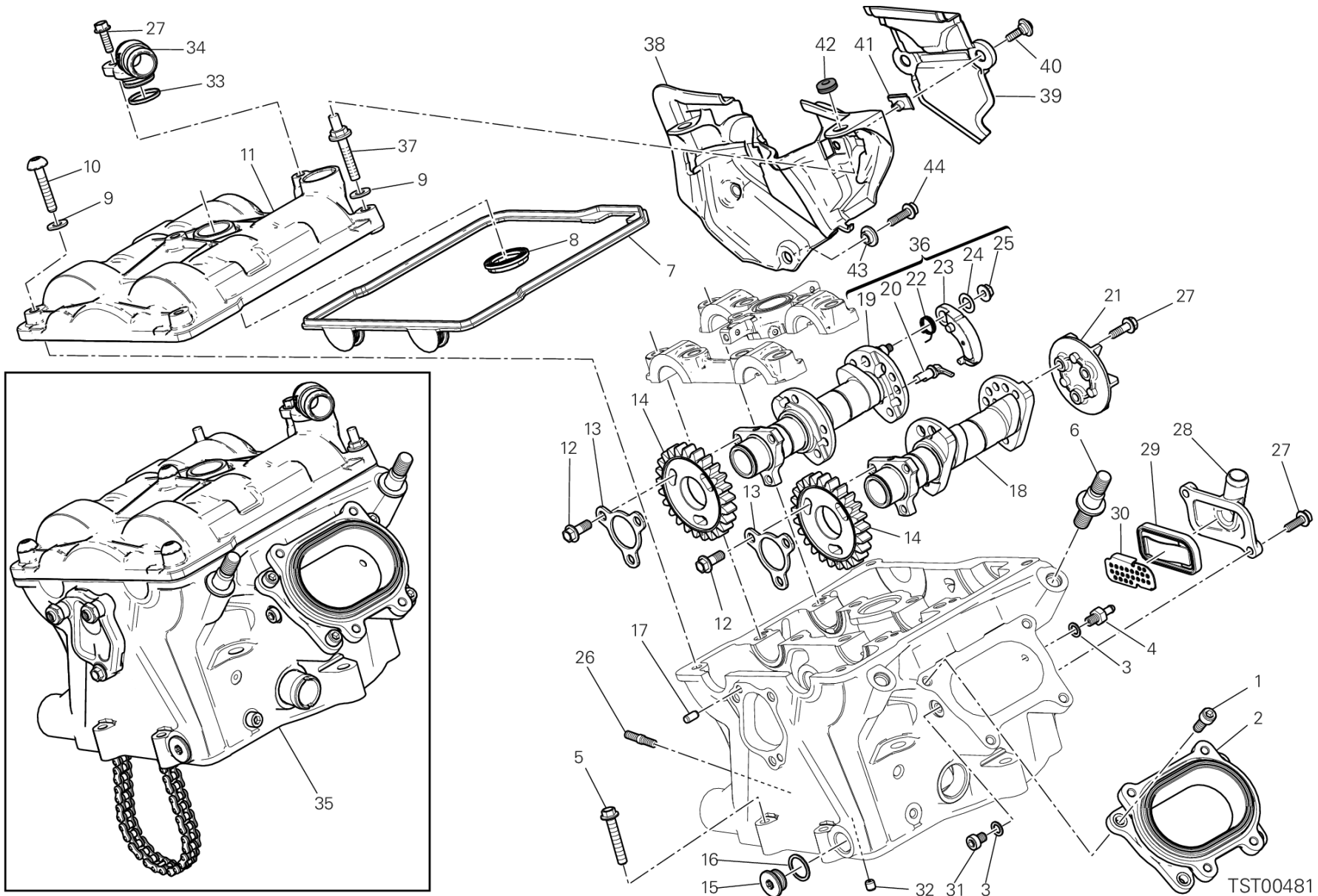
GROUP ENGINE



POS.	CODE	DESCRIPTION	QTY	START DATE	END DATE	VALIDITY	NOTES
1	77112331A	SCREW TCEI M6X16	4	12/01/2012			
2	14010691A	INTAKE MANIFOLD	1	12/01/2012			
3	85250231A	GASKET	2	01/08/2011			
4	81413341A	UNION	1	12/01/2012			
5	77253367C	SCREW	2	05/04/2011			
6	76610821A	STUD BOLT	2	12/01/2012			
7	78811101C	VALVE COVER GASKET EXTERNAL	1	12/01/2012			
8	78811131A	VALVE COVER GASKET INTERNAL	1	12/01/2012			
9	85212781A	WASHER	5	12/01/2012			
10	77916441A	SCREW	3	12/01/2012			
11	24713931B	COVER CYLINDER HEAD, VERTICAL	1	12/01/2012			
12	77253290Z	SCREW	6	01/08/2011			
13	85611471A	PLATE, RETAINER	2	12/01/2012			
14	17111154A	GEAR Z=25	2	12/01/2012			
15	77913541A	THREADED PLUG M15X1	1	06/04/2011			
16	85211201A	ALUMINIUM GASKET	1	06/04/2011			
17	86050061A	PIN M5X10	2	12/01/2012			
18	14814361B	VERTICAL INTAKE CAMSHAFT	1	12/01/2012			
19	14824481B	VERTICAL EXHAUST CAMSHAFT	1	13/01/2012			
20	82113832A	PIN	1	12/01/2012			
21	25130081B	FAN	1	12/01/2012			
22	79915534A	SPRING	1	12/01/2012			
23	30710021A	DECOMPRESSION DEVICE	1	12/01/2012			
24	85240231A	WASHER 8.2X14X0.5	1	13/01/2012			
25	74810791A	NUT	1	12/01/2012			
26	76610841A	STUD BOLT	3	12/01/2012			
27	77210621A	SCREW TEF M5X16	6	12/01/2012			
28	24714101A	COVER	1	12/01/2012			
29	81140012B	VALVE	1	07/12/2011			
30	82716351A	PLATE	1	12/01/2012			
31	77350618B	SCREW TCEIR M6X8	1	06/04/2011			
32	86010061A	PIN	1	12/01/2012			
33	88641791A	O-RING	1	12/01/2012			
34	81413531A	OUTLET UNION BLOW-BY	1	12/01/2012			
35	30124701B	COMPLETE VERTICAL HEAD	1	08/10/2012			



DRAWING 13A - VERTICAL CYLINDER HEAD - TIMING [MOD:1199 ABS;XST:AUS,EUR,FRA,JAP] GROUP ENGINE



DRAWING 13A - VERTICAL CYLINDER HEAD - TIMING [MOD:1199

ABS;XST:AUS,EUR,FRA,JAP]

GROUP ENGINE

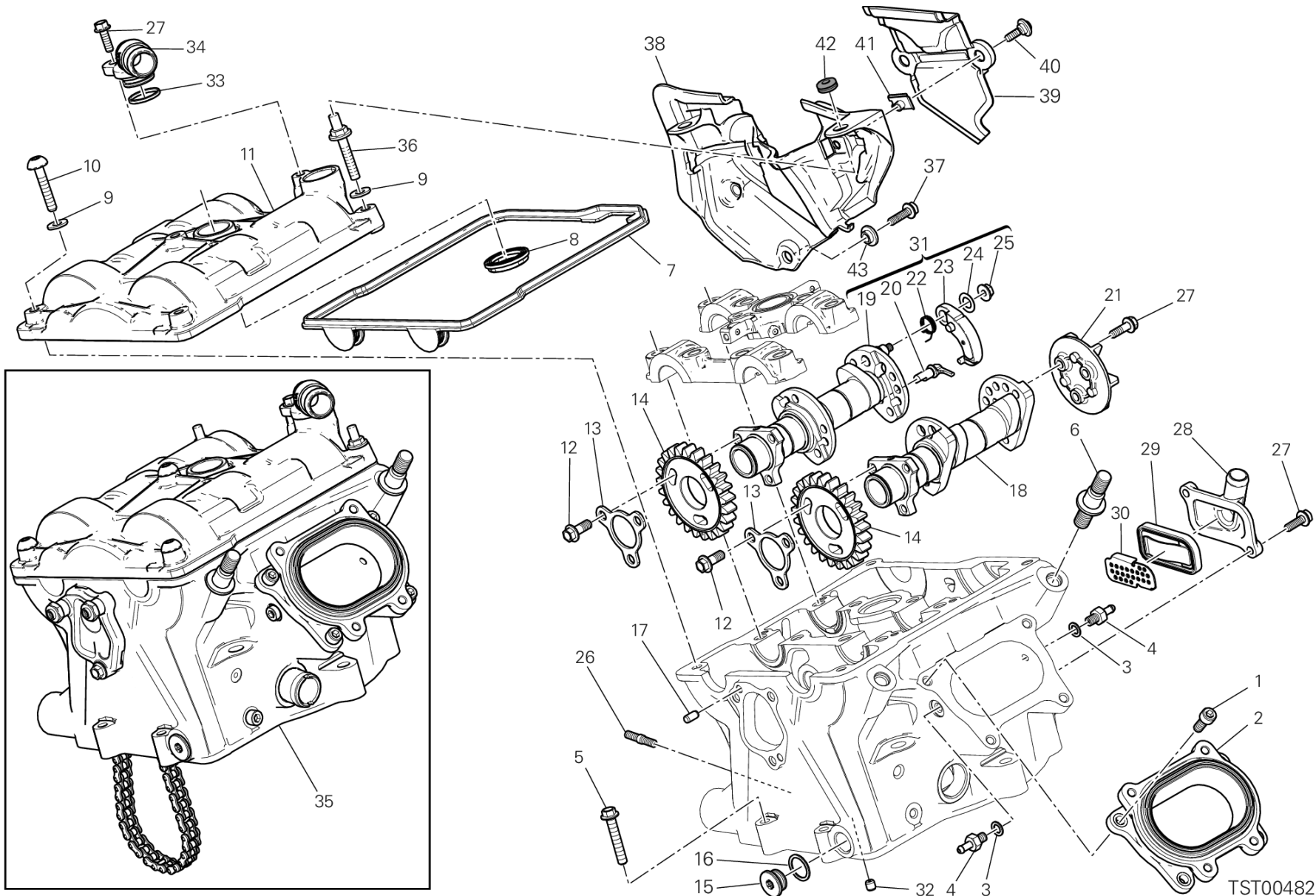


POS.	CODE	DESCRIPTION	QTY	START DATE	END DATE	VALIDITY	NOTES
36	14823751C	VERTICAL EXHAUST CAMSHAFT (Unit)	1	13/01/2012			
37	77918341A	SCREW, SPECIAL	2	31/01/2013			
38	46016361A	LEFT PANEL	1	23/01/2013			
39	46016371A	COVER	1	23/01/2013			
40	77211251B	SCREW M5X9	2	23/01/2013			
41	85040471A	QUICK FASTENING M5	2	23/01/2013			
42	76411671A	RUBBER PAD	2	23/01/2013			
43	71611441A	SPACER	1	23/01/2013			
44	77253063C	SCREW	1	23/01/2013			



DRAWING 13A - VERTICAL CYLINDER HEAD - TIMING [MOD:1199 ABS;XST:CHN,THA]

GROUP ENGINE



DRAWING 13A - VERTICAL CYLINDER HEAD - TIMING [MOD:1199 ABS;XST:CHN,THA]

GROUP ENGINE

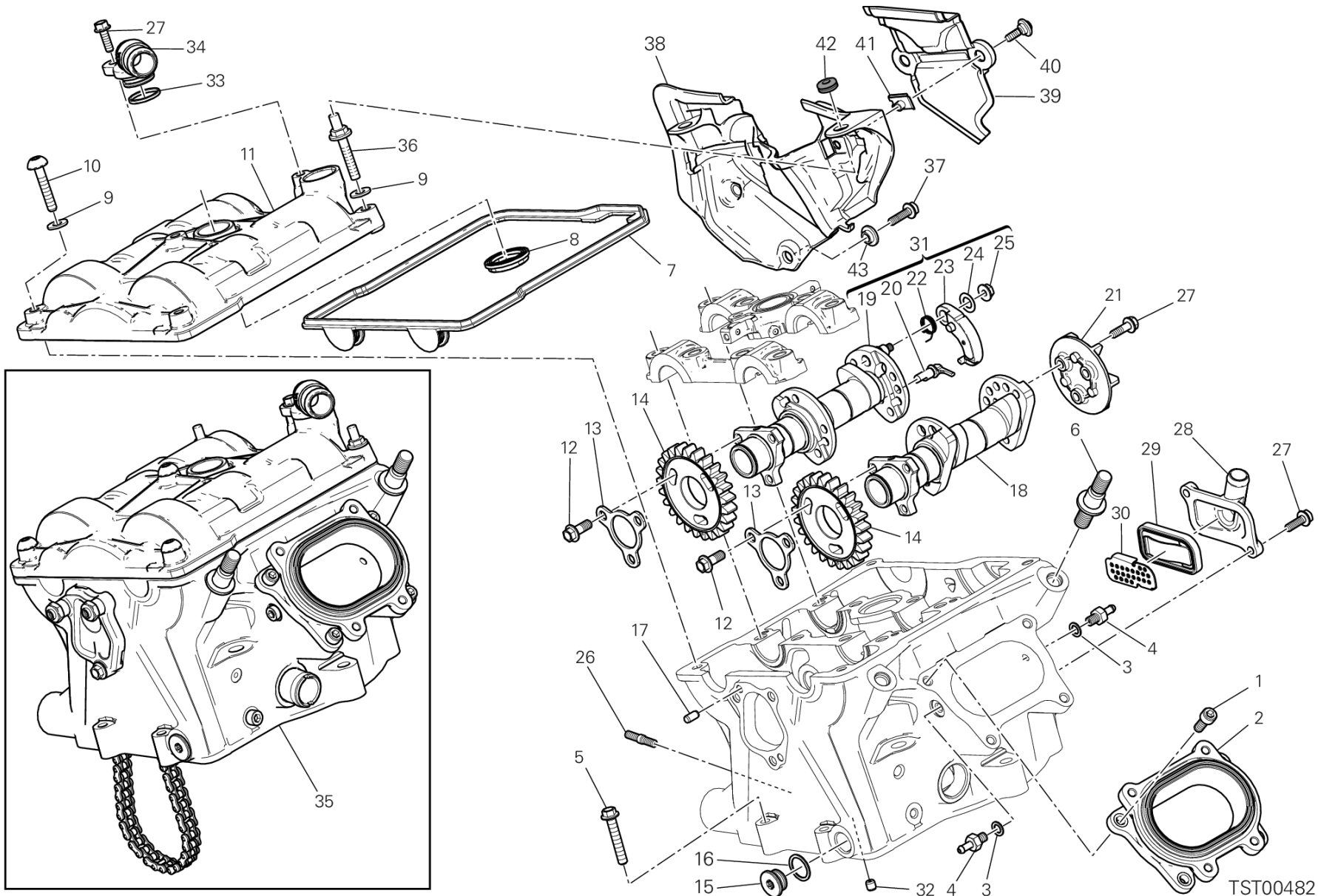


POS.	CODE	DESCRIPTION	QTY	START DATE	END DATE	VALIDITY	NOTES
1	77112331A	SCREW TCEI M6X16	4	07/12/2011			
2	14010691A	INTAKE MANIFOLD	1	07/12/2011			
3	85250231A	GASKET	2	07/12/2011			
4	81413341A	UNION	2	07/12/2011			
5	77253367C	SCREW	2	03/11/2011			
6	76610821A	STUD BOLT	2	07/12/2011			
7	78811101C	VALVE COVER GASKET EXTERNAL	1	07/12/2011			
8	78811131A	VALVE COVER GASKET INTERNAL	1	07/12/2011			
9	85212781A	WASHER	5	07/12/2011			
10	77916441A	SCREW	3	07/12/2011			
11	24713931B	COVER CYLINDER HEAD, VERTICAL	1	07/12/2011			
12	77253290Z	SCREW	6	03/11/2011			
13	85611471A	PLATE, RETAINER	2	07/12/2011			
14	17111154A	GEAR Z=25	2	07/12/2011			
15	77913541A	THREADED PLUG M15X1	1	03/11/2011			
16	85211201A	ALUMINIUM GASKET	1	03/11/2011			
17	86050061A	PIN M5X10	2	07/12/2011			
18	14814361B	VERTICAL INTAKE CAMSHAFT	1	07/12/2011			
19	14824481B	VERTICAL EXHAUST CAMSHAFT	1	07/12/2011			
20	82113832A	PIN	1	07/12/2011			
21	25130081B	FAN	1	07/12/2011			
22	79915534A	SPRING	1	07/12/2011			
23	30710021A	DECOMPRESSION DEVICE	1	07/12/2011			
24	85240231A	WASHER 8.2X14X0.5	1	07/12/2011			
25	74810791A	NUT	1	07/12/2011			
26	76610841A	STUD BOLT	3	07/12/2011			
27	77210621A	SCREW TEF M5X16	6	07/12/2011			
28	24714101A	COVER	1	07/12/2011			
29	81140012B	VALVE	1	07/12/2011			
30	82716351A	PLATE	1	07/12/2011			
31	14823751C	VERTICAL EXHAUST CAMSHAFT (Unit)	1	13/01/2012			
32	86010061A	PIN	1	07/12/2011			
33	88641791A	O-RING	1	07/12/2011			
34	81413531A	OUTLET UNION BLOW-BY	1	07/12/2011			
35	30124701B	COMPLETE VERTICAL HEAD	1	08/10/2012			



DRAWING 13A - VERTICAL CYLINDER HEAD - TIMING [MOD:1199 ABS;XST:CHN,THA]

GROUP ENGINE

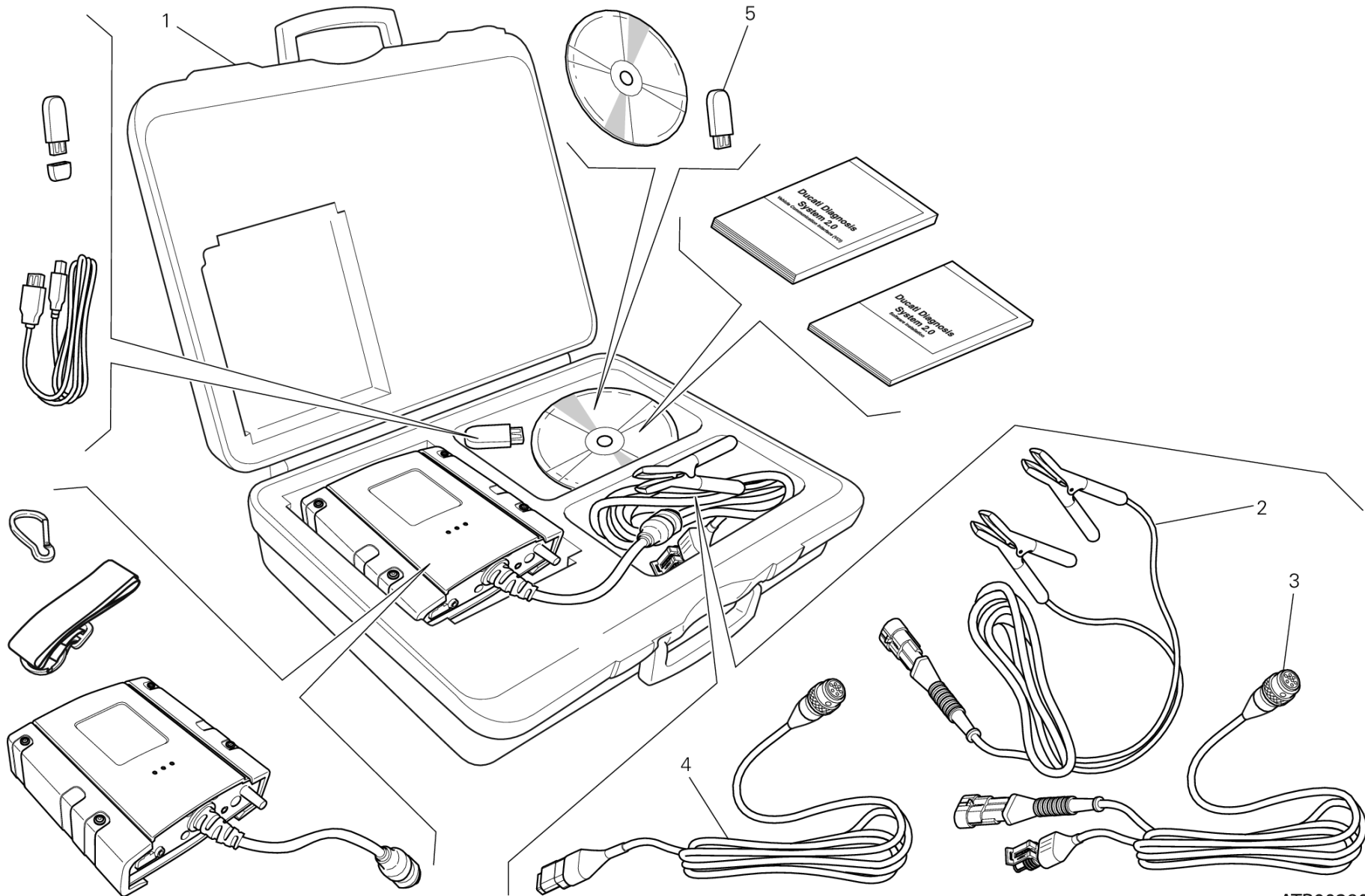


DRAWING 13A - VERTICAL CYLINDER HEAD - TIMING [MOD:1199 ABS;XST:CHN,THA]

GROUP ENGINE



POS.	CODE	DESCRIPTION	QTY	START DATE	END DATE	VALIDITY	NOTES
36	77918341A	SCREW, SPECIAL	2	31/01/2013			
37	77253063C	SCREW	1	23/01/2013			
38	46016361A	LEFT PANEL	1	23/01/2013			
39	46016371A	COVER	1	23/01/2013			
40	77211251B	SCREW M5X9	2	23/01/2013			
41	85040471A	QUICK FASTENING M5	2	23/01/2013			
42	76411671A	RUBBER PAD	2	23/01/2013			
43	71611441A	SPACER	1	23/01/2013			



ATR00280

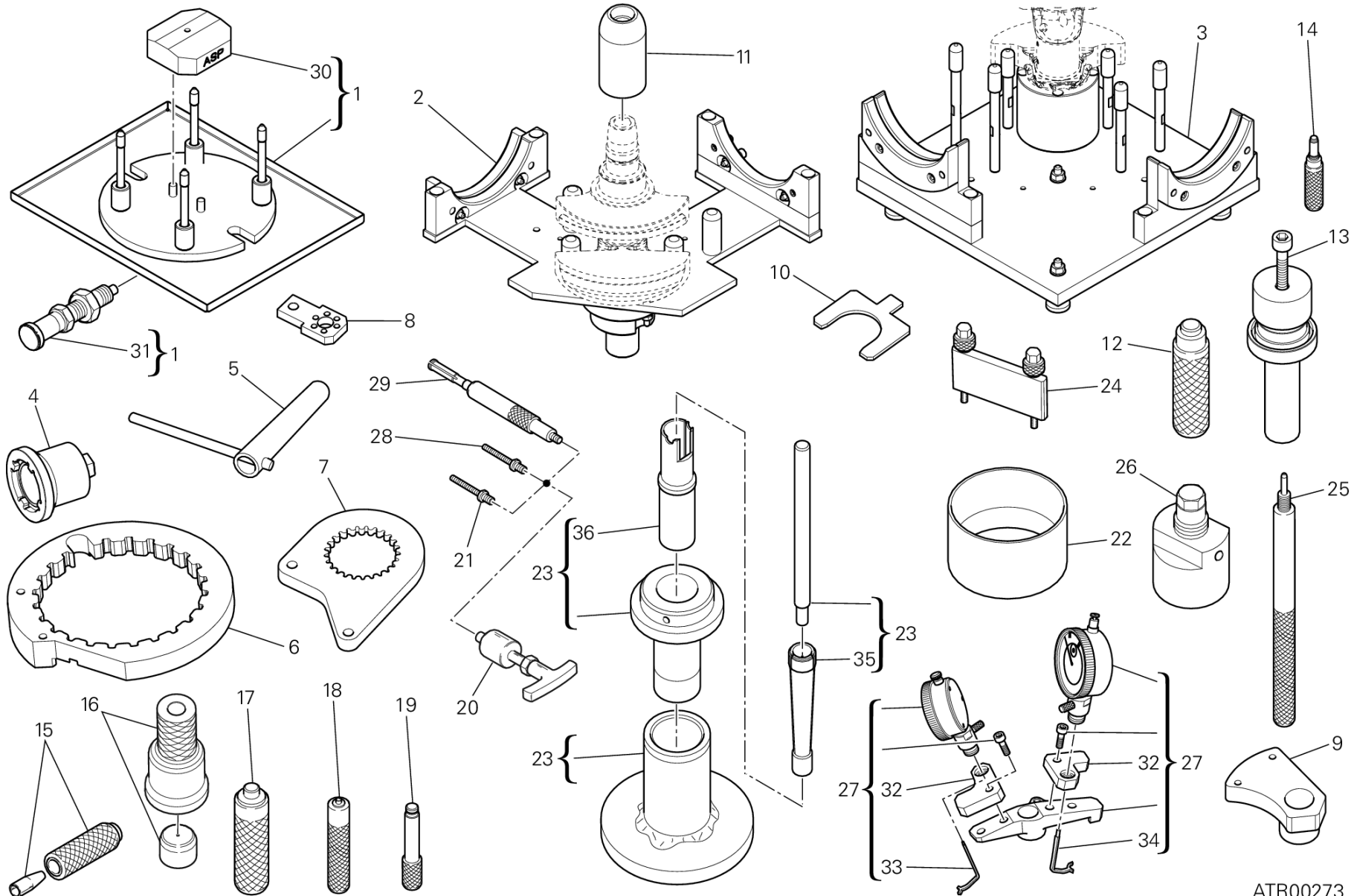


POS.	CODE	DESCRIPTION	QTY	START DATE	END DATE	VALIDITY	NOTES
1	979000252	DDS 2 (Ducati Diagnosis System 2.0)	1				
2	979000256	MAIN CABLE DDS	1				
3	979000254	MAIN CABLE	1				
4	979000255	MAIN CABLE (CAN)	1				
5	28620441A	CHIAVE "PC HASP DDS2.0"	1				



DRAWING 01A - WORKSHOP SERVICE TOOLS [MOD:1199 ABS;XST:AUS,CHN,EUR,FRA,JAP,THA]

GROUP TOOLS



ATR00273

DRAWING 01A - WORKSHOP SERVICE TOOLS [MOD:1199

ABS;XST:AUS,CHN,EUR,FRA,JAP,THA]

GROUP TOOLS

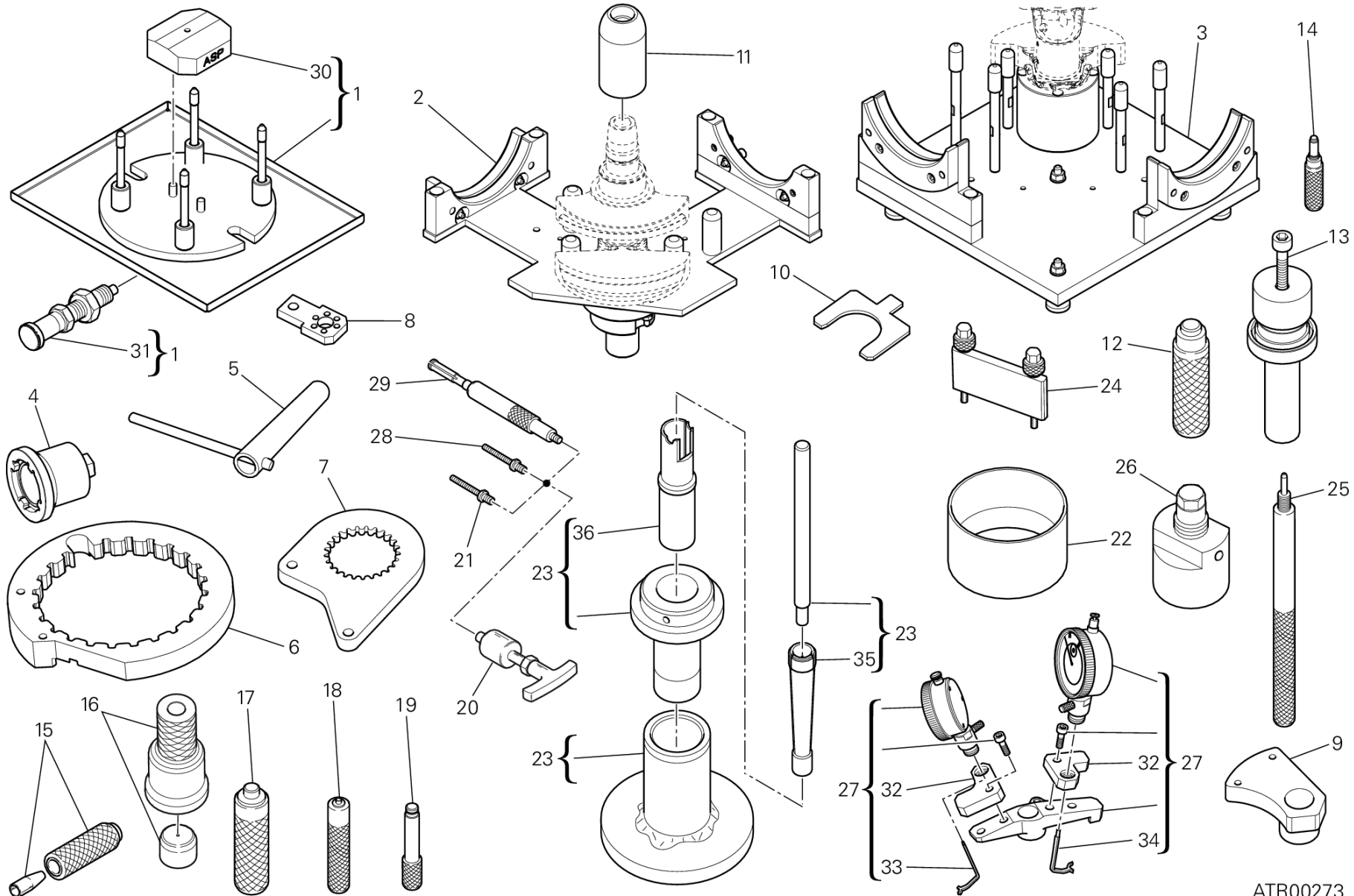


POS.	CODE	DESCRIPTION	QTY	START DATE	END DATE	VALIDITY	NOTES
1	887133422	HEAD MOUNTING BASE	1				
2	887133437	PLATE (Complete connecting rods assembly)	1				
3	887133440	HOSE GUIDE (Complete connecting rods assembly)	1				
4	887133773	WRENCH FOR TIGHTENING RING NUT	1				
5	887133795	LEVER	1				
6	887133524	REACTION TOOL FOR IGNITION FLYWHEEL	1				
7	887133774	REACTION TOOL (SPROCKET)	1				
8	887133853	REACTION TOOL FOR FLANGE (Gearbox drum)	1				
9	887133549	GEARBOX LAY SHAFT TRUING TOOL	1				
10	887133510	FORK FEELER GAUGE	1				
11	887133436	PAD	1				
12	887133511	TOOL FOR OIL SEAL POSITIONING (17x25x4)	1				
13	887133452	HALF-BEARINGS FITTING TOOL	1				
14	887133500	TOOL TO HOLD CRANKSHAFT IN TDC POSITION	1				
15	887133507	TOOL FOR OIL SEAL POSITIONING (12x22x5)	1				
16	887133508	TOOL FOR OIL SEAL POSITIONING (40x55x7)	1				
17	887133509	TOOL FOR OIL SEAL POSITIONING (14x28x6,5)	1				
18	887133512	TOOL FOR OIL SEAL POSITIONING (8x14x4)	1				
19	887133758	TOOL FOR BUSH POSITIONING	1				
20	887131994	ROCKER PIN EXTRACTOR	1				
21	887133760	SCREW, SPECIAL (M7)	1				
22	887133820	TOOL TO ASSEMBLE PISTON	1				
23	887133502	TOOL TO FIT PISTON GUDGEON PIN CIRCLIPS	1				
24	887651678	CAMSHAFT STROKE CHECKING TOOL	1				
25	887132574	T.D.C. CONTROL GAUGE	1				
26	887133880	IGNITION FLYWHEEL EXTRACTOR	1				
27	887651632	VALVE LIFT GAUGE (GAUGES NOT INCLUDED)	1				
28	887133943	SCREW, SPECIAL (M6)	1				
29	887133517	PISTON PIN DISASSEMBLING TOOL	1				
30	887134131	SOSTEGNO VALVOLE	1				
31	887134132	KNOB	1				
32	887651702	HOLDER	2				
33	887651703	CONTROL ROD SHORT	1				
34	887651704	CONTROL ROD LONG	1				
35	887134139	FLEXIBLE BUSH	1				



DRAWING 01A - WORKSHOP SERVICE TOOLS [MOD:1199 ABS;XST:AUS,CHN,EUR,FRA,JAP,THA]

GROUP TOOLS



ATR00273

DRAWING 01A - WORKSHOP SERVICE TOOLS [MOD:1199

ABS;XST:AUS,CHN,EUR,FRA,JAP,THA]

GROUP TOOLS

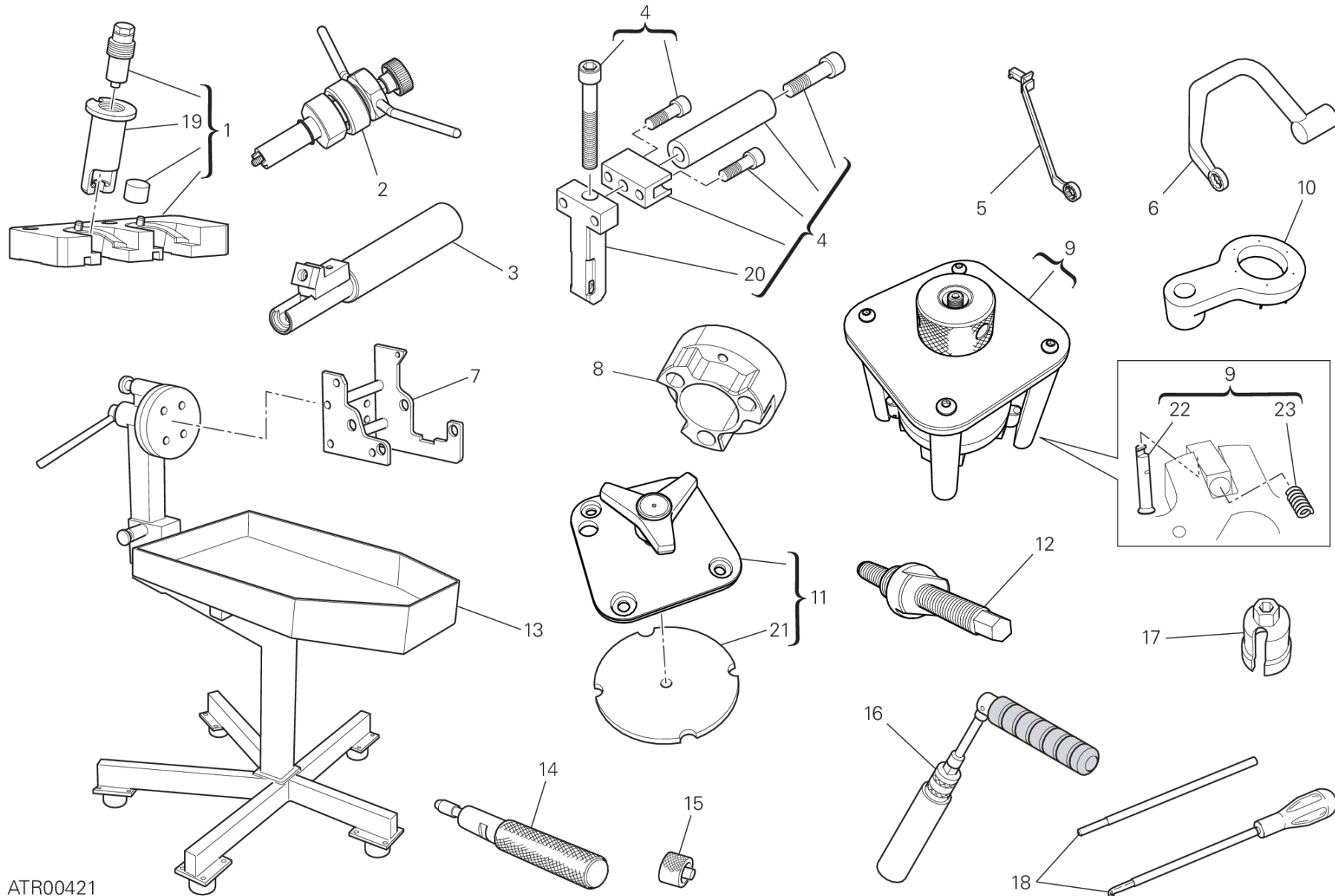


POS.	CODE	DESCRIPTION	QTY	START DATE	END DATE	VALIDITY	NOTES
36	887134138	TUBE	1				



DRAWING 01B - WORKSHOP SERVICE TOOLS [MOD:1199 ABS;XST:AUS,CHN,EUR,FRA,JAP,THA]

GROUP TOOLS



ATR00421

DRAWING 01B - WORKSHOP SERVICE TOOLS [MOD:1199

ABS;XST:AUS,CHN,EUR,FRA,JAP,THA]

GROUP TOOLS

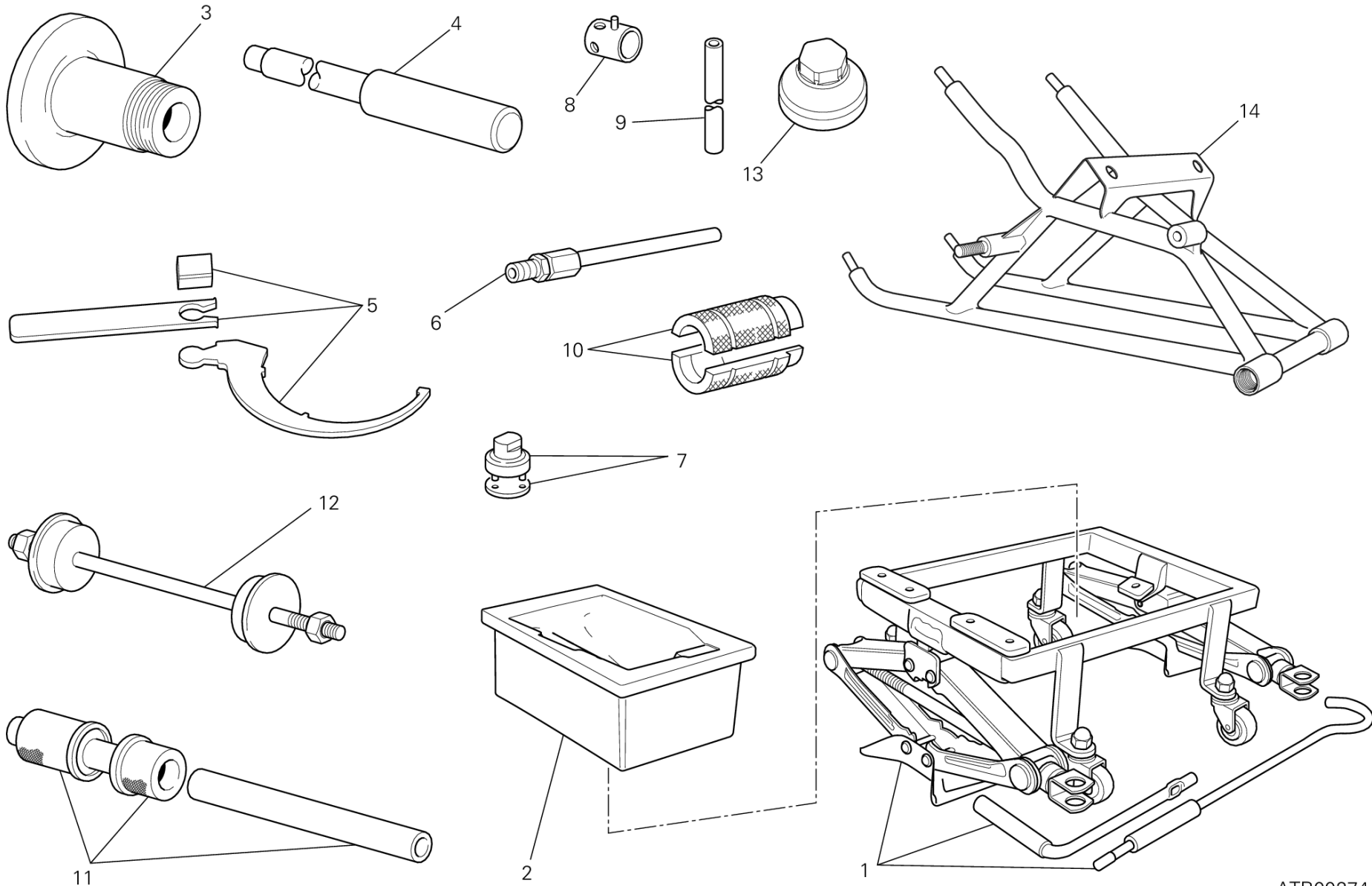


POS.	CODE	DESCRIPTION	QTY	START DATE	END DATE	VALIDITY	NOTES
1	887133924	TOOL TO REMOVE THE HALF-CONES	1				
2	887133824	DEGREE WHEEL HOLDER TOOL FOR IGNITION ADVANCE CHECK	1				
3	887133468	TOOL TO REMOVE THE HALF-CONES / SPLIT RINGS	1				
4	887133467	TOOL TO FIT VALVE COLLETS	1				
5	887133926	HEAD NUTS HOLDER WRENCH (M8)	1				
6	887132676	HEAD NUTS HOLDER WRENCH (M10)	1				
7	887133875	ENGINE MOUNT	1				
8	887133879	WRENCH FOR TIGHTENING CLUTCH DRUM	1				
9	887133878	CYLINDER DISASSEMBLING TOOL	1				
10	887133925	PRIMARY DRIVE GEAR TIGHTENING TOOL	1				
11	887133923	CYLINDER FITTING TOOL	1				
12	887133922	PULLER TO REMOVE ALTERNATOR COVER	1				
13	887131832	BENCH FOR ENGINE REPAIR	1				
14	887132442	TOOL, OIL SEAL MOUNTING (Ø7)	1				
15	887651298	SPACER FOR CHECKING LOWER VALVE SHIM	1				
16	887132877	SPARK PLUG WRENCH	1				
17	887133407	SPINDLE, TAPER (Gearbox position sensor)	1				
18	887132069	ROCKER SPRING PRE-LOAD COMPOUND KIT	1				
19	887134137	REACTION TOOL	1				
20	887134133	REACTION TOOL	1				
21	887134136	PLATE	1				
22	887134134	HOOK	4				
23	887134135	SPRING	4				



DRAWING 01C - WORKSHOP SERVICE TOOLS [MOD:1199 ABS;XST:AUS,CHN,EUR,FRA,JAP,THA]

GROUP TOOLS



ATR00274

GROUP TOOLS



POS.	CODE	DESCRIPTION	QTY	START DATE	END DATE	VALIDITY	NOTES
1	887133220	BENCH FOR ENGINE REPAIR	1				
2	887133927	ENGINE MOUNT	1				
3	887132951	TOOL BALANCING REAR WHEEL	1				
4	887131074	TOOL DISASSEMBLING SWINGARM PIVOT	1				
5	887133211	SPANNER FOR ADJUSTING THE ECCENTRIC HUB	1				
6	887131010	CONNECTOR FOR EXHAUST GAS TAKE-UP POINT	1				
7	887131058	SPANNER TO ASSEMBLE THE STEERING SLEEVE	1				
8	800070139	WRENCH FOR FRONT WHEEL SPINDLE	1				
9	887133203	DRAW BAR FOR MARZOCCHI FORKS OVERHAULING	1				
10	887133204	TOOL TO OVERHAUL MARZOCCHI FORKS	1				
11	887132409	TOOL ASSEMBLING SWINGARM BALL BEARING	1				
12	887131062	TOOL ASSEMBLING STEERING TUBE BEARING	1				
13	887133091	BUSH INSTALLING/REMOVING PLUG	1				
14	887134207	BRACKET	1				



DRAWING A1 - TYRES [MOD:1199 ABS]

GROUP TYRES



POS.	CODE	DESCRIPTION	QTY	START DATE	END DATE	VALIDITY	NOTES
1	49040711A	FRONT TYRE DIABLO™ SUPERCORSA SP (120-70 ZR17)	1	01/09/2012			(*)=Pneumatico di primo equipaggiamento
2	49140911A	REAR TYRE DIABLO™ SUPERCORSA SP (200-55 ZR17)	1	01/09/2012			(*)=Pneumatico di primo equipaggiamento
3	490P0324A	FRONT TYRE DIABLO™ ROSSO IV (120-70 ZR17)	1				
4	491P0389A	REAR TYRE DIABLO™ ROSSO IV (200-55 ZR17)	1				
5	490P0272A	FRONT TYRE DIABLO™ ROSSO III D (120-70 ZR17)	1				
6	491P0073A	REAR TYRE DIABLO™ ROSSO III (200-55 ZR17)	1				
7	49041081A	FRONT TYRE DIABLO™ ROSSO CORSA II (120-70 ZR17)	1				
8	49141641A	REAR TYRE DIABLO™ ROSSO CORSA II (200-55 ZR17)	1				
9	490P0002A	FRONT TYRE DIABLO™ SUPERBIKE (120-70 R17 SC1)	1				(#)=For competition use only
10	490P0003A	FRONT TYRE DIABLO™ SUPERBIKE (120-70 R17 SC2)	1				(#)=For competition use only
11	490P0004A	FRONT TYRE DIABLO™ SUPERBIKE (120-70 R17 SC3)	1				(#)=For competition use only
12	491P0015A	REAR TYRE DIABLO™ SUPERBIKE (200-60 R17 SC0)	1				(#)=For competition use only
13	491P0016A	REAR TYRE DIABLO™ SUPERBIKE (200-60 R17 SC1)	1				(#)=For competition use only
14	491P0017A	REAR TYRE DIABLO™ SUPERBIKE (200-60 R17 SC2)	1				(#)=For competition use only
15	491P0018A	REAR TYRE DIABLO™ SUPERBIKE (200-60 R17 SC3)	1				(#)=For competition use only
16	490P0019A	FRONT TYRE DIABLO™ WET (120-70 R17)	1				(#)=For competition use only
17	490P0022A	FRONT TYRE DIABLO™ RAIN (120-70 R17)	1				(#)=For competition use only
18	490P0029A	FRONT TYRE DIABLO™ SUPERCORSA SC V2 (120-70 R17 SC1)	1				(#)=For competition use only
19	490P0030A	FRONT TYRE DIABLO™ SUPERCORSA SC V2 (120-70 R17 SC2)	1				(#)=For competition use only
20	491P0041A	REAR TYRE DIABLO™ SUPERCORSA SC V2 (200-55 R17 SC0)	1				
21	491P0042A	REAR TYRE DIABLO™ SUPERCORSA SC V2 (200-55 R17 SC1)	1				(#)=For competition use only
22	491P0043A	REAR TYRE DIABLO™ SUPERCORSA SC V2 (200-55 R17 SC2)	1				(#)=For competition use only
23	490P0044A	FRONT TYRE DIABLO™ SUPERCORSA SC (120-70 R17 SC2)	1				(#)=For competition use only
24	490P0248A	FRONT TYRE DIABLO™ SUPERCORSA SC (120-70 R17 SC1)	1				(#)=For competition use only
25	49041071A	FRONT TYRE DIABLO™ SUPERCORSA SP V3 (120-70 ZR17)	1				
26	491P0347A	REAR TYRE DIABLO™ SUPERCORSA SP V3 (200-55 ZR17)	1				
27	490P0297A	FRONT TYRE DIABLO™ SUPERCORSA SC V3 (120-70 ZR17)	1				(#)=For competition use only
28	490P0298A	FRONT TYRE DIABLO™ SUPERCORSA SC V3 (120-70 ZR17 TL)	1				(#)=For competition use only
29	491P0339A	REAR TYRE DIABLO™ SUPERCORSA SC V3 (200-55 ZR17 78V)	1				(#)=For competition use only
30	491P0340A	REAR TYRE DIABLO™ SUPERCORSA SC V3 (200-55 ZR17 78W)	1				(#)=For competition use only
31	491P0341A	REAR TYRE DIABLO™ SUPERCORSA SC V3 (200-55 ZR17 78W)	1				(#)=For competition use only
32	491P0342A	REAR TYRE DIABLO™ SUPERCORSA SC V3 (200-60 ZR17)	1				(#)=For competition use only



DRAWING B1 - (*) PIRELLI DIABLO™ SUPERCORSA SP [MOD:1199 ABS]

GROUP TYRES



POS.	CODE	DESCRIPTION	QTY	START DATE	END DATE	VALIDITY	NOTES
1	49040711A	FRONT TYRE DIABLO™ SUPERCORSA SP (120-70 ZR17)	1	01/09/2012			(*)=Pneumatico di primo equipaggiamento
2	49140911A	REAR TYRE DIABLO™ SUPERCORSA SP (200-55 ZR17)	1	01/09/2012			(*)=Pneumatico di primo equipaggiamento



DRAWING D1 - PIRELLI DIABLO™ ROSSO III [MOD:1199 ABS]

GROUP TYRES



POS.	CODE	DESCRIPTION	QTY	START DATE	END DATE	VALIDITY	NOTES
1	490P0272A	FRONT TYRE DIABLO™ ROSSO III D (120-70 ZR17)	1	19/01/2017			
2	491P0073A	REAR TYRE DIABLO™ ROSSO III (200-55 ZR17)	1	19/12/2016			



DRAWING F - PIRELLI DIABLO™ ROSSO CORSA II [MOD:1199 ABS]

GROUP TYRES



POS.	CODE	DESCRIPTION	QTY	START DATE	END DATE	VALIDITY	NOTES
1	49041081A	FRONT TYRE DIABLO™ ROSSO CORSA II (120-70 ZR17)	1	25/10/2013			
2	49141641A	REAR TYRE DIABLO™ ROSSO CORSA II (200-55 ZR17)	1	28/05/2015			



DRAWING G1 - (#) PIRELLI DIABLO™ SUPERBIKE [MOD:1199 ABS]

GROUP TYRES



POS.	CODE	DESCRIPTION	QTY	START DATE	END DATE	VALIDITY	NOTES
1	490P0002A	FRONT TYRE DIABLO™ SUPERBIKE (120-70 R17 SC1)	1				(#)=For competition use only
2	490P0003A	FRONT TYRE DIABLO™ SUPERBIKE (120-70 R17 SC2)	1				(#)=For competition use only
3	490P0004A	FRONT TYRE DIABLO™ SUPERBIKE (120-70 R17 SC3)	1				(#)=For competition use only
4	491P0015A	REAR TYRE DIABLO™ SUPERBIKE (200-60 R17 SC0)	1				(#)=For competition use only
5	491P0016A	REAR TYRE DIABLO™ SUPERBIKE (200-60 R17 SC1)	1				(#)=For competition use only
6	491P0017A	REAR TYRE DIABLO™ SUPERBIKE (200-60 R17 SC2)	1				(#)=For competition use only
7	491P0018A	REAR TYRE DIABLO™ SUPERBIKE (200-60 R17 SC3)	1				(#)=For competition use only



DRAWING H1 - (#) DIABLO™ WET [MOD:1199 ABS]

GROUP TYRES



POS.	CODE	DESCRIPTION	QTY	START DATE	END DATE	VALIDITY	NOTES
1	490P0019A	FRONT TYRE DIABLO™ WET (120-70 R17)	1				(#)=For competition use only



DRAWING I1 - (#) DIABLO™ RAIN [MOD:1199 ABS]

GROUP TYRES



POS.	CODE	DESCRIPTION	QTY	START DATE	END DATE	VALIDITY	NOTES
1	490P0022A	FRONT TYRE DIABLO™ RAIN (120-70 R17)	1				(#)=For competition use only



DRAWING J1 - (#) DIABLO™ SUPERCORSA SC V2 [MOD:1199 ABS]

GROUP TYRES



POS.	CODE	DESCRIPTION	QTY	START DATE	END DATE	VALIDITY	NOTES
1	490P0029A	FRONT TYRE DIABLO™ SUPERCORSA SC V2 (120-70 R17 SC1)	1				(#)=For competition use only
2	490P0030A	FRONT TYRE DIABLO™ SUPERCORSA SC V2 (120-70 R17 SC2)	1				(#)=For competition use only
3	491P0041A	REAR TYRE DIABLO™ SUPERCORSA SC V2 (200-55 R17 SC0)	1				
4	491P0042A	REAR TYRE DIABLO™ SUPERCORSA SC V2 (200-55 R17 SC1)	1				(#)=For competition use only
5	491P0043A	REAR TYRE DIABLO™ SUPERCORSA SC V2 (200-55 R17 SC2)	1				(#)=For competition use only



DRAWING K1 - (#) DIABLO™ SUPERCORSA SC [MOD:1199 ABS]

GROUP TYRES



POS.	CODE	DESCRIPTION	QTY	START DATE	END DATE	VALIDITY	NOTES
1	490P0248A	FRONT TYRE DIABLO™ SUPERCORSA SC (120-70 R17 SC1)	1				(#)=For competition use only
2	490P0044A	FRONT TYRE DIABLO™ SUPERCORSA SC (120-70 R17 SC2)	1				(#)=For competition use only



DRAWING M - PIRELLI DIABLO™ SUPERCORSA SP V3 [MOD:1199 ABS]

GROUP TYRES



POS.	CODE	DESCRIPTION	QTY	START DATE	END DATE	VALIDITY	NOTES
1	49041071A	FRONT TYRE DIABLO™ SUPERCORSA SP V3 (120-70 ZR17)	1	01/09/2012			
2	491P0347A	REAR TYRE DIABLO™ SUPERCORSA SP V3 (200-55 ZR17)	1	01/09/2012			



DRAWING N - (#) DIABLO™ SUPERCORSA SC V3 [MOD:1199 ABS]

GROUP TYRES



POS.	CODE	DESCRIPTION	QTY	START DATE	END DATE	VALIDITY	NOTES
1	490P0297A	FRONT TYRE DIABLO™ SUPERCORSA SC V3 (120-70 ZR17)	1				(#)=For competition use only
2	490P0298A	FRONT TYRE DIABLO™ SUPERCORSA SC V3 (120-70 ZR17 TL)	1				(#)=For competition use only
3	491P0339A	REAR TYRE DIABLO™ SUPERCORSA SC V3 (200-55 ZR17 78V)	1				(#)=For competition use only
4	491P0340A	REAR TYRE DIABLO™ SUPERCORSA SC V3 (200-55 ZR17 78W)	1				(#)=For competition use only
5	491P0341A	REAR TYRE DIABLO™ SUPERCORSA SC V3 (200-55 ZR17 78W)	1				(#)=For competition use only
6	491P0342A	REAR TYRE DIABLO™ SUPERCORSA SC V3 (200-60 ZR17)	1				(#)=For competition use only

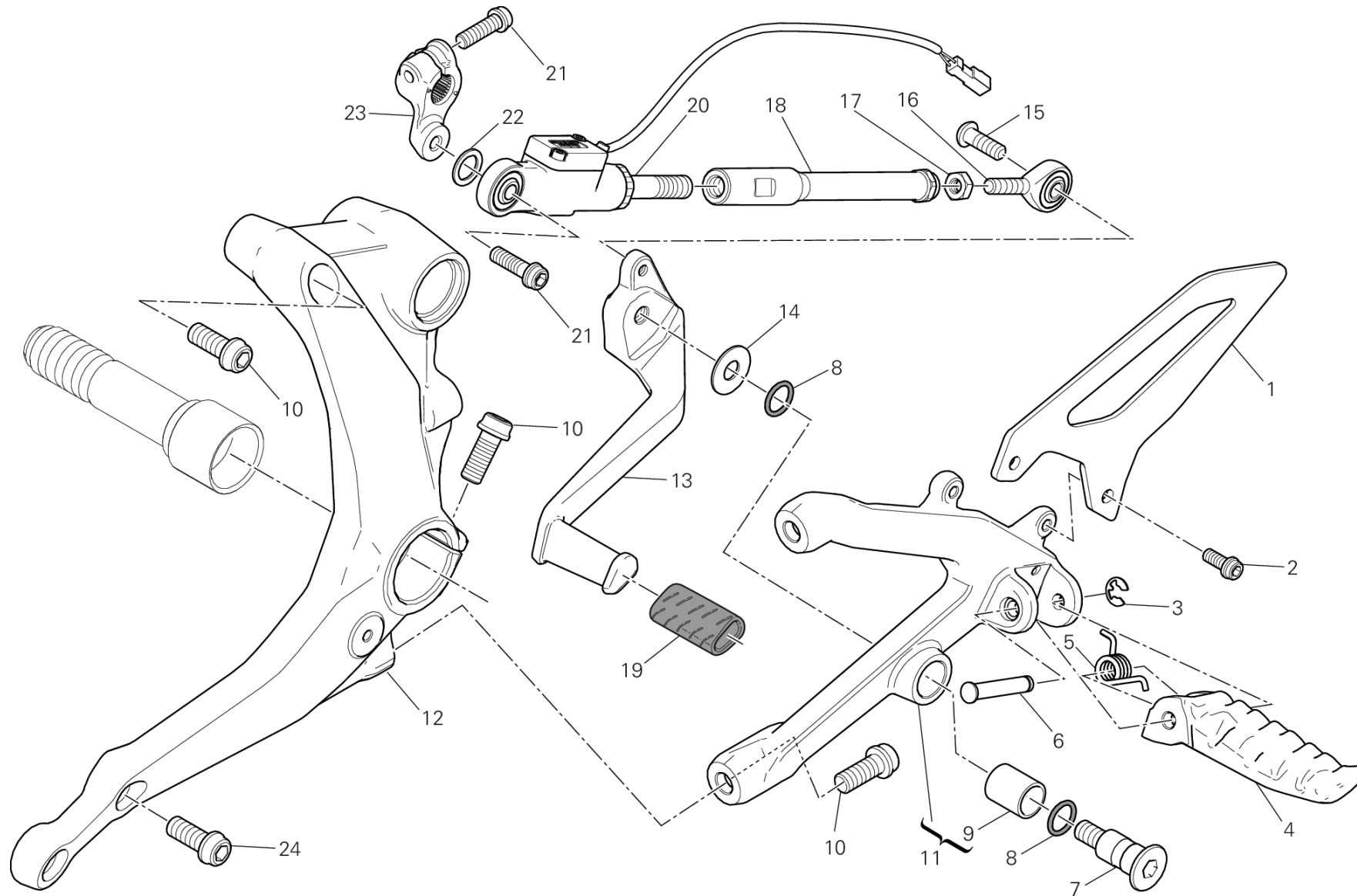


DRAWING O - PIRELLI DIABLO™ ROSSO IV [MOD:1199 ABS]

GROUP TYRES



POS.	CODE	DESCRIPTION	QTY	START DATE	END DATE	VALIDITY	NOTES
1	490P0324A	FRONT TYRE DIABLO™ ROSSO IV (120-70 ZR17)	1	19/01/2017			
2	491P0389A	REAR TYRE DIABLO™ ROSSO IV (200-55 ZR17)	1	19/12/2016			



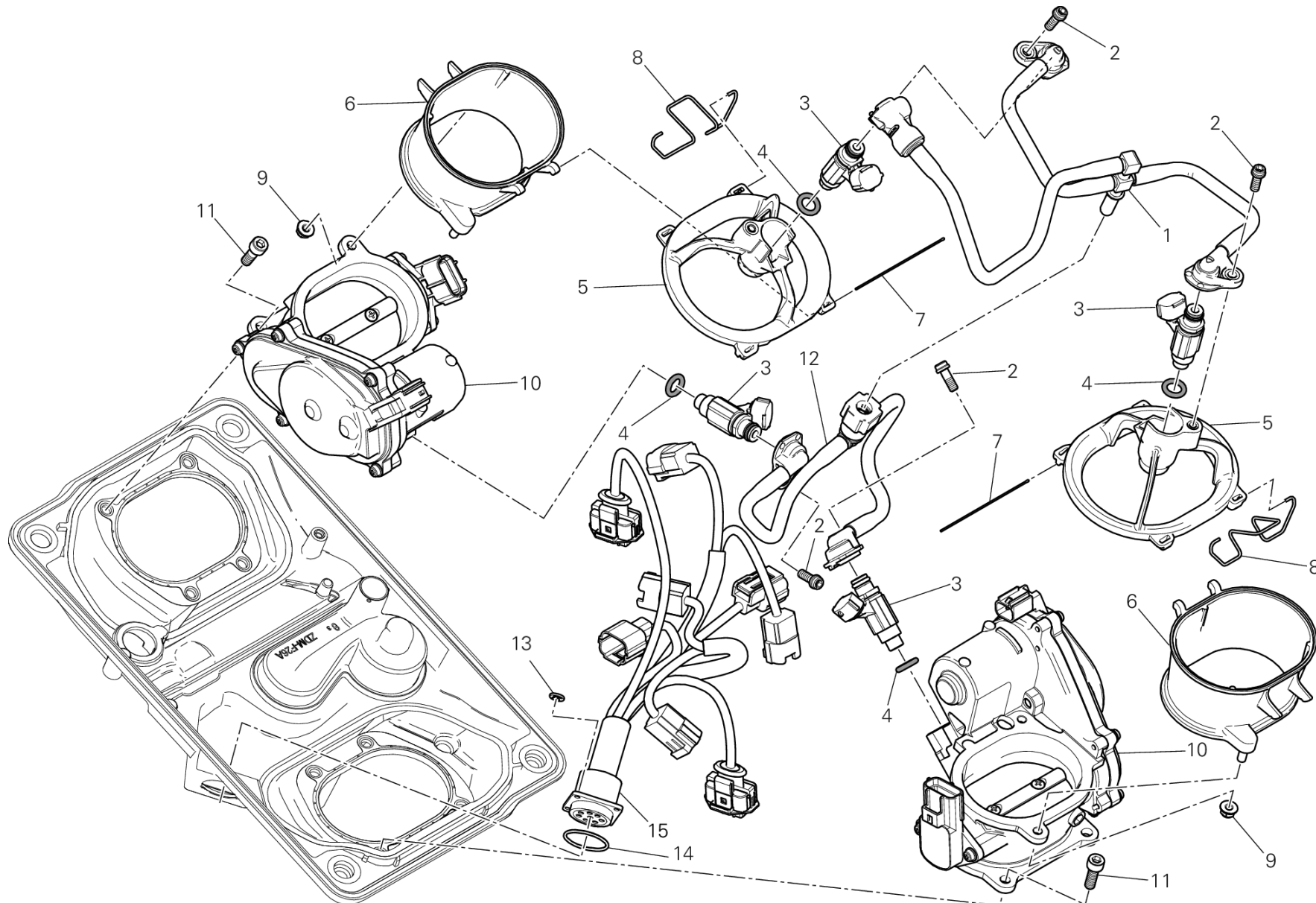
CMB00336

DRAWING 016 - FOOTRESTS, LEFT [MOD:1199 ABS;XST:AUS,CHN,EUR,FRA,JAP,THA]

GROUP FRAME



POS.	CODE	DESCRIPTION	QTY	START DATE	END DATE	VALIDITY	NOTES
1	24714041AA	HEEL GUARD FRONT LH	1				
2	77156398B	SCREW TCEIF M5X12	2				
3	88450031A	CIRCLIP E-TYPE	1				
4	46410801AA	LEFT FOOTREST	1				
5	79911661A	SPRING. FOOTREST	1				
6	82110511AB	FOOTREST PIN	1				
7	82111701B	PIN PEDAL	1				
8	88641161A	O-RING	2				
9	71210341A	BUSH	1				
10	77157238B	SCREW TCEIF M8X20	4				
11	82421862AA	FRONT L.H. PLATE	1				
12	8291A431BA	HOLDER	1				
13	45612092BA	GEARCHANGE LEVER	1				
14	85211511A	WASHER	1				
15	77550131A	SCREW	1				
16	84850021A	BALL JOINT, RIGHT	1				
17	74750101A	NUT 6MM	1				
18	11711261CA	GEARBOX DRIVING ROD	1				
19	76410112A	COVER PEDAL	1				
20	55212881D	DETECTOR Quick Shift	1				
21	77156678B	SCREW TCEIF M6X20	2				
22	85611271A	WASHER	1				
23	45612101AA	GEAR CONTROL LEVER	1				
24	77157288B	SCREW TCEIF M8X35	2	29/03/2012			

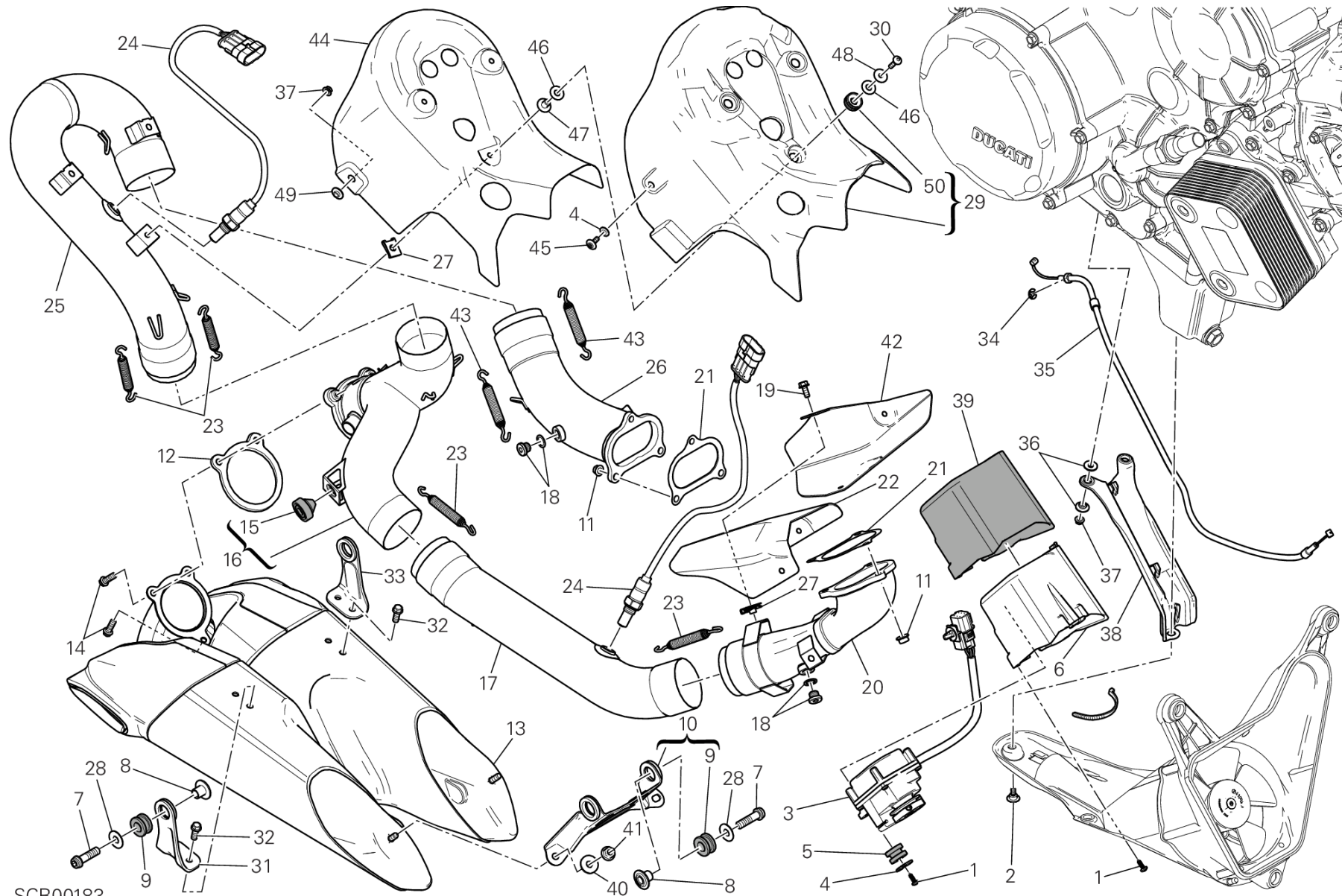


DRAWING 017 - THROTTLE BODY [MOD:1199 ABS;XST:AUS,CHN,EUR,FRA,JAP,THA]

GROUP FRAME



POS.	CODE	DESCRIPTION	QTY	START DATE	END DATE	VALIDITY	NOTES
1	59023512A	COMPLETE PIPE SET UPPER	1				
2	77156408B	SCREW TCEIF M5X14	4				
3	28040331A	INJECTOR	4				
4	88610961A	O-RING	4				
5	13510371B	INJECTOR HOLDER UPPER	2				
6	13510361B	PIPE	2				
7	79915421B	PIN	2				
8	79915432B	SPRING	2				
9	74810351B	NUT	4				
10	28240893A	THROTTLE BODY	2				
11	77150668B	SCREW TCEI M6X18	8				
12	59023532A	COMPLETE PIPE SET BOTTOM	1				
13	85041811A	REAR SPROCKET	4				
14	88642061A	O-RING	1				
15	51017731C	INJECTION WIRING	1				



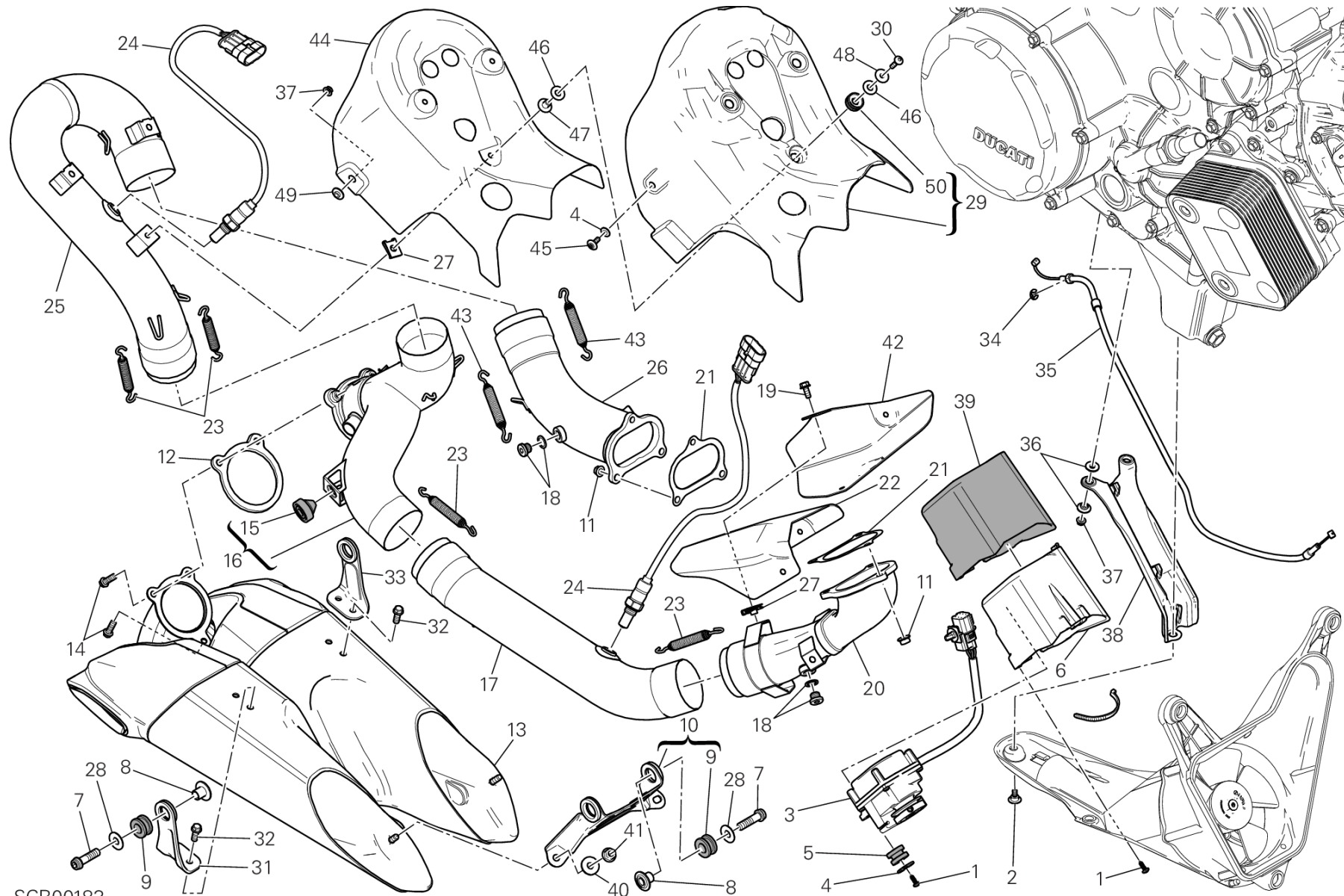
SCR00183

DRAWING 019 - EXHAUST SYSTEM [MOD:1199 ABS;XST:AUS,CHN,EUR,FRA,THA]

GROUP FRAME



POS.	CODE	DESCRIPTION	QTY	START DATE	END DATE	VALIDITY	NOTES
1	77440203C	SCREW	6				
2	77210852C	SCREW	1				
3	59340393A	ELECTRIC MOTOR, EXHAUST VALVE	1				
4	85213111AA	WASHER	3				
5	76411301A	RUBBER PAD	2				
6	46015262A	COVER ELECTRIC MOTOR, EXHAUST VALVE	1				
7	77157278B	SCREW TCEIF M8X30	4				
8	71614391AA	SPACER	4				
9	76411481A	RUBBER PAD	4				
10	830P6512BA	BRACKET FRONT	1				
11	74810241A	NUT	6				
12	79010251A	GASKET, EXHAUST PIPE	1				
13	57413246B	SILENCER	1	01/11/2012		XST:AUS,CHN,EUR,FRA,THA	EUR - AUS - FRA - BRA - CHN - THAI
14	77116648B	SCREW M6X14	3	01/11/2012			
15	86611001B	PAD	1				
16	570P3152B	PIPE, EXHAUST CENTER	1				
17	57013073A	EXHAUST PIPE HORIZONTAL	1				
18	78020011A	PLUG ASSY	2				
19	77250728B	SCREW TEF M5X12	4				
20	57013062C	EXHAUST MANIFOLD HORIZONTAL	1				
21	79010231B	GASKET, EXHAUST PIPE	2				
22	46015331BA	HEAT GUARD HORIZONTAL	1				
23	79912632A	SPRING, EXHAUST PIPE	4				
24	55212092A	SENSOR LAMBDA SOND	2				
25	57113002C	PIPE, EXHAUST VERTICAL	1				
26	57112992C	EXHAUST MANIFOLD VERTICAL	1				
27	85040551A	QUICK FASTENING	7				
28	85210532A	WASHER 8.2X20X1	2				
29	460P6241AA	HEAT GUARD VERTICAL UPPER	1	23/01/2013			
30	77244213B	SCREW	3	01/02/2013			
31	83016491AA	BRACKET REAR RH	1				
32	77251018B	SCREW TEF M6X20	4				
33	83016501AA	BRACKET REAR L.H.	1				
34	88450031A	CIRCLIP E-TYPE	2				



SCR00183

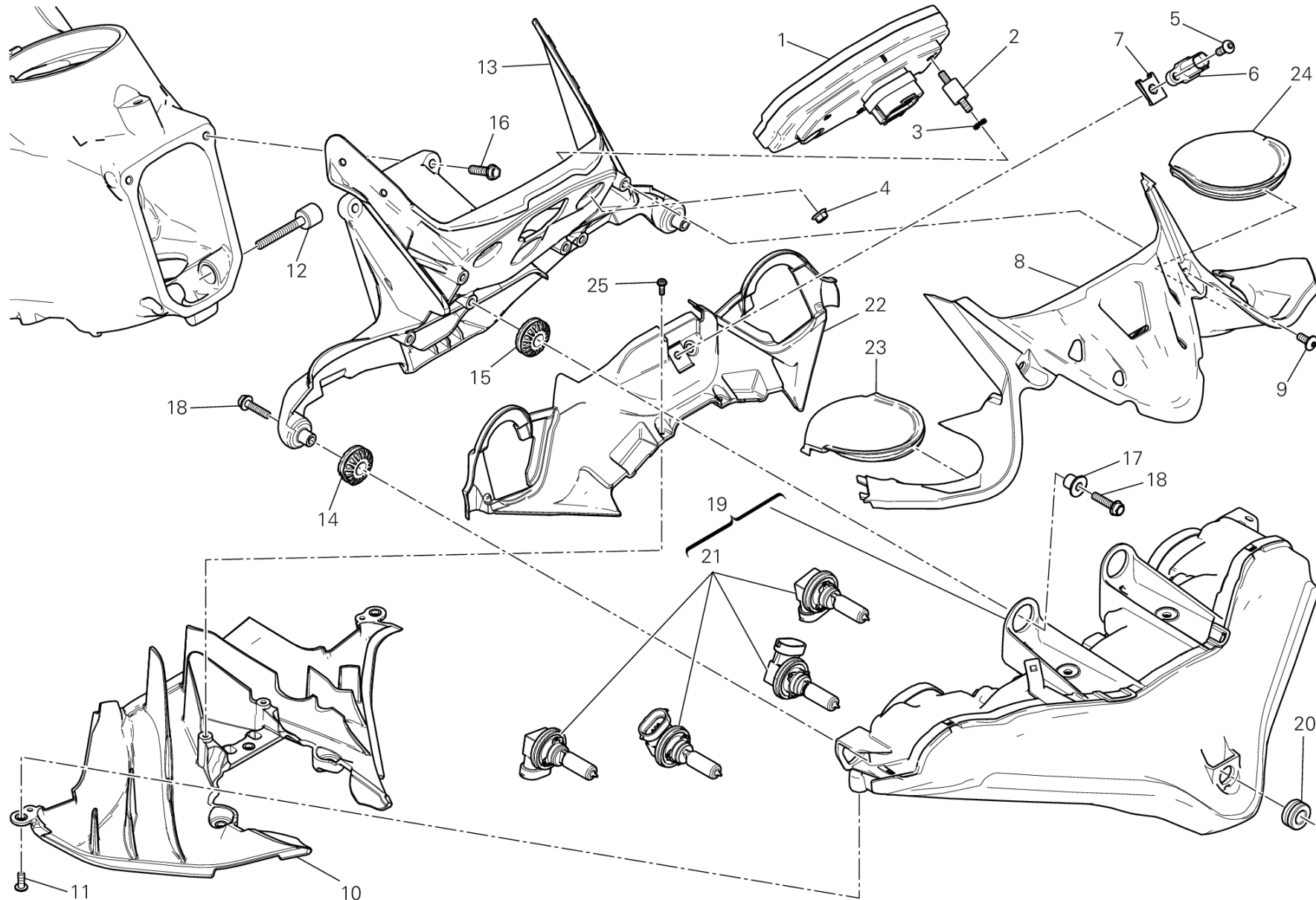


POS.	CODE	DESCRIPTION	QTY	START DATE	END DATE	VALIDITY	NOTES
35	73210331B	EXHAUST VALVE ENGINE CABLE	1				
36	71614071A	SPACER 5.2X8.4X2	4				
37	74840381A	NUT M5	3				
38	46015393A	HEAT GUARD BOTTOM	1				
39	46015741A	PROTECTION, HEAT ELECTRIC MOTOR, EXHAUST VALVE	1				
40	85250291A	WASHER	2				
41	74810361A	NUT	2				
42	46015781AA	GUARD HORIZONTAL	1				
43	79915651A	SPRING	2				
44	46016231AA	HEAT GUARD VERTICAL LOWER	1	01/02/2013			
45	77210882B	SCREW TBEI M5X12	1	01/02/2013			
46	85640121A	WASHER	6	01/02/2013			
47	71614102AA	SPACER	3	01/02/2013			
48	85213002A	WASHER	3				
49	71611071B	SPACER	1	01/02/2013			
50	76411821A	VIBRATION DAMPER PAD	3	06/11/2012			



DRAWING 020 - FANALE ANTERIORE E CRUSCOTTO [MOD:1199 ABS;XST:AUS,CHN,EUR,FRA,JAP,THA]

GROUP FRAME



DRAWING 020 - FANALE ANTERIORE E CRUSCOTTO [MOD:1199

ABS;XST:AUS,CHN,EUR,FRA,JAP,THA]

GROUP FRAME



POS.	CODE	DESCRIPTION	QTY	START DATE	END DATE	VALIDITY	NOTES
1	40610931D	INSTRUMENT PANEL	1				
2	70010431A	DAMPER	3				
3	46240461A	WASHER, SPRING	3				
4	74840381A	NUT M5	3				
5	77510041A	SCREW TBEI M5X14	1				
6	55241581A	SENSOR, AIR TEMPERATURE	1				
7	85040551A	QUICK FASTENING	1				
8	46015281A	COVER, METER	1				
9	77240253C	SCREW	4				
10	48411091A	AIR CONVEYOR	1				
11	77240263C	SCREW	5				
12	77916821BA	SCREW, SPECIAL	1				
13	8291A553BA	HEAD-LIGHT SUPPORT	1				
14	76411641A	SEAT RUBBER	2				
15	76411361A	VIBRATION DAMPER PAD	2				
16	77251018B	SCREW TEF M6X20	2				
17	71614381AA	SPACER	2				
18	77250788B	SCREW	4				
19	52010252A	HEADLIGHT FRONT	1				
20	76410901A	RUBBER PAD	1				
21	39040201A	BULB 12V, 55W	4				
22	24714332A	AIR MANIFOLD COVER	1				
23	24714361B	INSTRUMENT PANEL COVER RH	1				
24	24714371B	INSTRUMENT PANEL COVER LH	1				
25	77440101A	SCREW, TAPPING 3.5X10	4				

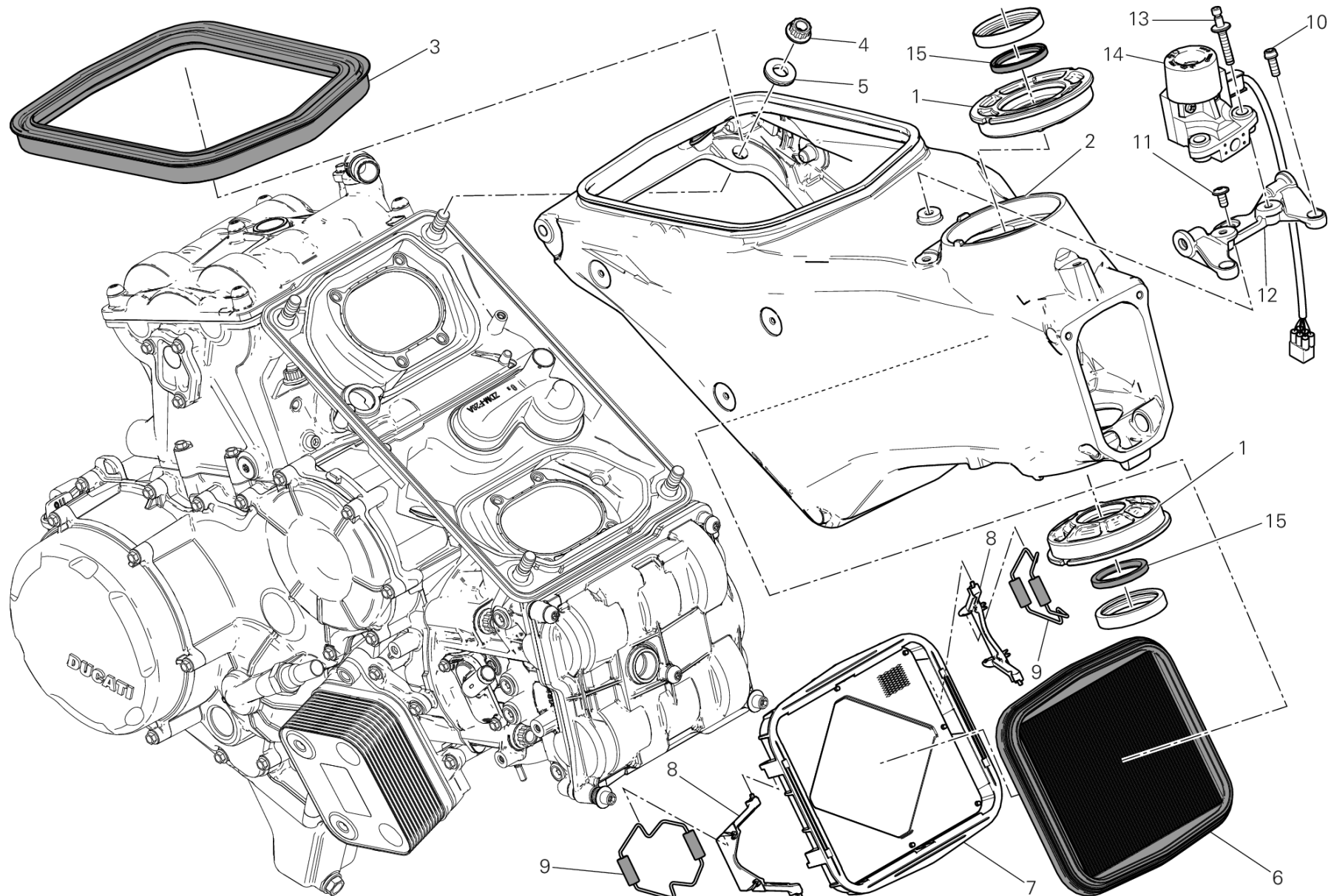
DRAWING 021 - HALF-HANDLEBAR - STEERING DAMPER [MOD:1199

ABS;XST:AUS,CHN,EUR,FRA,JAP,THA]

GROUP FRAME

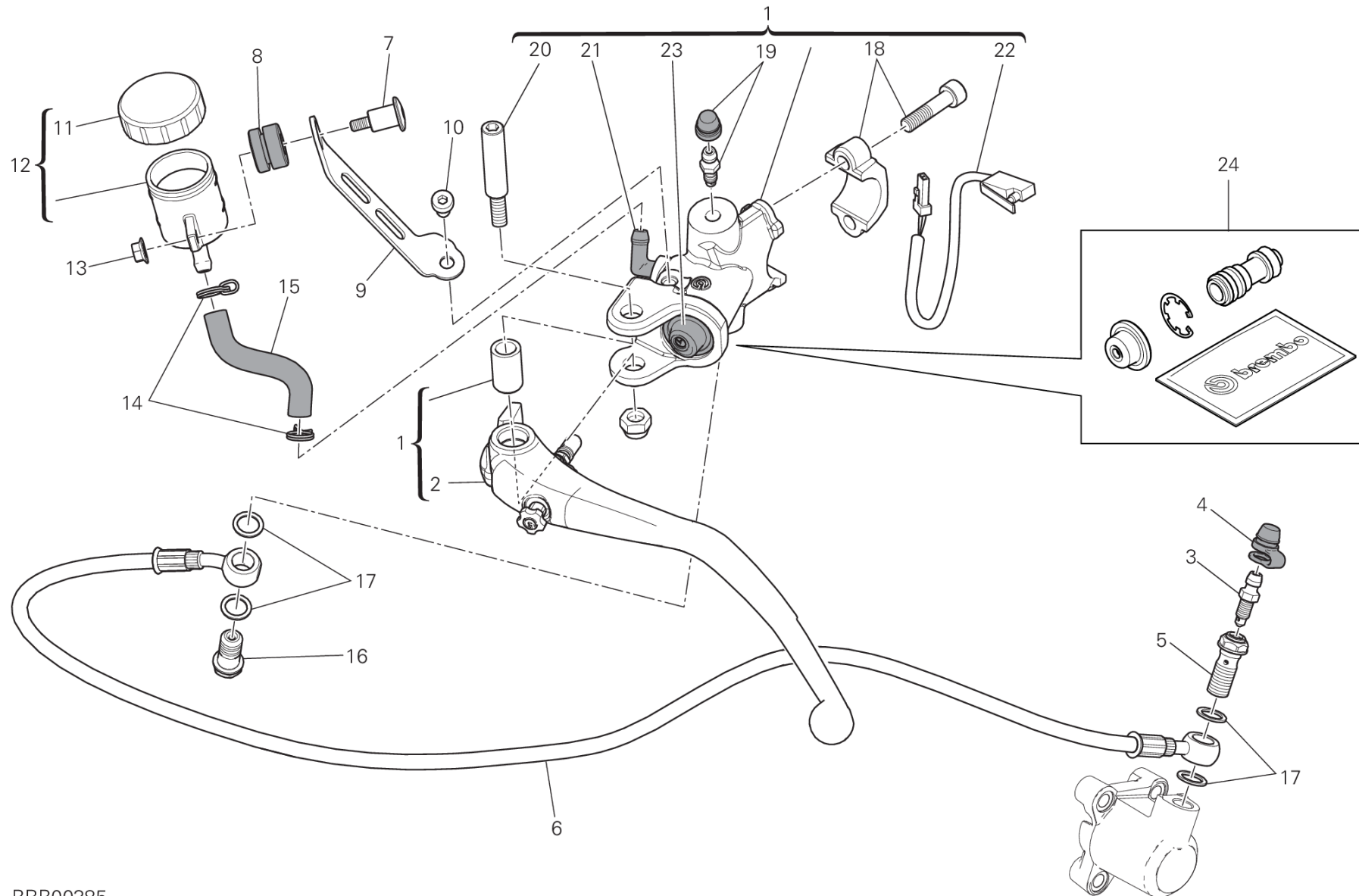


POS.	CODE	DESCRIPTION	QTY	START DATE	END DATE	VALIDITY	NOTES
1	77211251B	SCREW M5X9	3				
2	46014971B	MUDFLAP	1				
3	87210722A	PLUG	1				
4	77156688B	SCREW TCEIF	6				
5	77912981A	SCREW, SPECIAL	2				
6	74750031A	NUT 6MM	2				
7	342P0681BA	STEERING HEAD BASE	1				
8	77211341A	SCREW	1				
9	93010041B	SEAL RING	2				
10	70241231A	BEARING, STEERING NTN SF07A17P	2				
11	65110161A	LEFT SWITCH	1				
12	66020011B	THROTTLE CONTROL	1				
13	15310121A	COUNTERWEIGHT	2				
14	875P1731BA	HANDLEBAR TUBE L.H.	1				
15	82113822BA	PIN	2				
16	88450021A	SPRING RING	2				
17	36011591AA	CLAMP REAR	2				
18	87210481A	CAP	2				
19	36011581AA	CLAMP FRONT LH	1				
20	77354888B	SCREW	4				
21	77157248B	SCREW TCEIF M8X22	2				
22	77157258B	SCREW TCEIF M8X25	3				
23	34110881CA	STEERING HEAD	1				
24	70310601BA	RING NUT	1				
25	36011571AA	CLAMP FRONT RH	1				
26	875P1741BA	HANDLEBAR TUBE R.H.	1				
27	65010092I	RIGHT SWITCH	1				
28	77156678B	SCREW TCEIF M6X20	1				
29	36420101A	STEERING DAMPER	1				
30	77917392AA	SCREW, SPECIAL	1				
31	51640013AB	HORN	1				
32	36140161A	HAND GRIP LH	1	01/06/2011			





POS.	CODE	DESCRIPTION	QTY	START DATE	END DATE	VALIDITY	NOTES
1	75610142AA	BUSH	2				
2	47012051CA	FRAME	1				
3	78811182A	GASKET	1				
4	74810461A	NUT, FLANGE M10X1	4				
5	85540031A	WASHER, SPRING	4				
6	42610341B	FILTER, AIR	1				
7	8291A481B	BRACKET, FILTER	1				
8	83016582A	BRACKET	2				
9	79915493A	SPRING	2				
10	77156658B	SCREW TCEIF M6X16	2				
11	77240408C	SCREW	1				
12	83016471AA	BRACKET	1				
13	77916811AA	SCREW, SPECIAL	2				
14	38510201B	KEY-OPERATED SWITCH	1				
15	93041911A	DUST COVER	2				



BRB00385

DRAWING 023 - CLUTCH CONTROL [MOD:1199 ABS;XST:AUS,CHN,EUR,FRA,JAP,THA]

GROUP FRAME



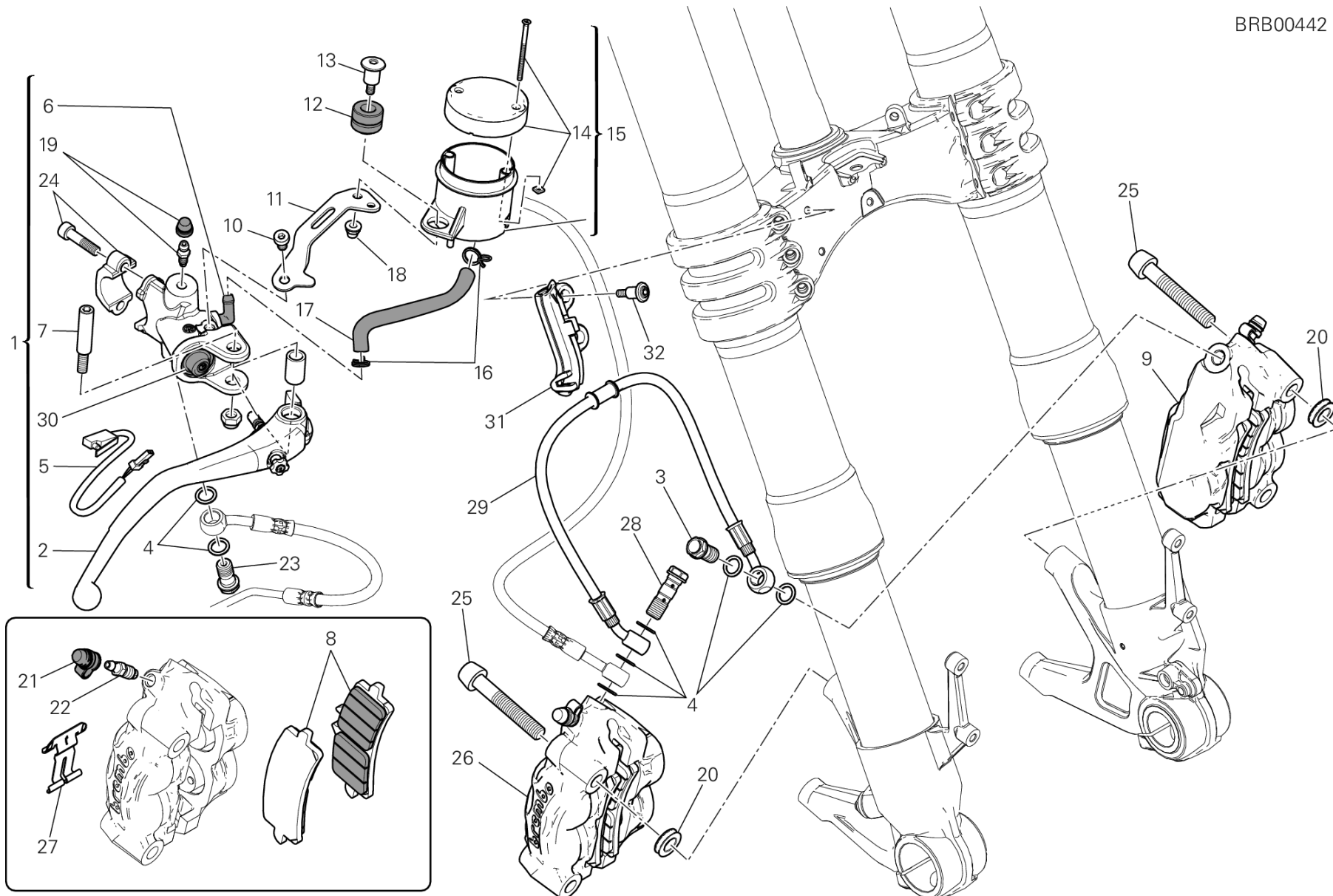
POS.	CODE	DESCRIPTION	QTY	START DATE	END DATE	VALIDITY	NOTES
1	63040603B	CLUTCH MASTER CYLINDER	1				
2	63140631A	LEVER, CLUTCH LIFTER	1				
3	18710021A	VALVE, BREATHER	1				
4	61240052A	DUST COVER	1				
5	77913971A	BOLT, BRAKE HOSE	1				
6	63210611A	CLUTCH CONTROL PIPE METAL PLAIED	1			MOD:1199 ABS;XST:AUS,CHN,EUR,FRA,JAP,THA	(ABS)
7	77910921A	SCREW	1				
8	037072020	DAMPER	1				
9	8291A701AA	BRACKET	1				
10	77350623B	SCREW TCEIR M6X10	1				
11	89340241A	COVER MASTER CYLINDER	1				
12	58540321A	SUB TANK, OIL	1				
13	74941108B	NUT	1				
14	74140431A	CLAMP	2				
15	87711131A	PIPE	1				
16	78110121AA	SCREW, SPECIAL	1				
17	85250241A	WASHER 10X14X1	4				
18	62640571A	BRACKET, MASTER CYLINDER	1				
19	63140281A	DRAIN	1				
20	62640561A	BOLT, LEVER	1				
21	63140081A	JOINT, HOSE	1				
22	53940361A	SWITCH, CLUTCH	1				
23	61240391A	DUST COVER	1				
24	61041991A	BREMBO CLUTCH FLOATING PISTON KIT	1				



DRAWING 024 - FRONT BRAKE SYSTEM [MOD:1199 ABS;XST:AUS,CHN,EUR,FRA,JAP,THA]

GROUP FRAME

BRB00442



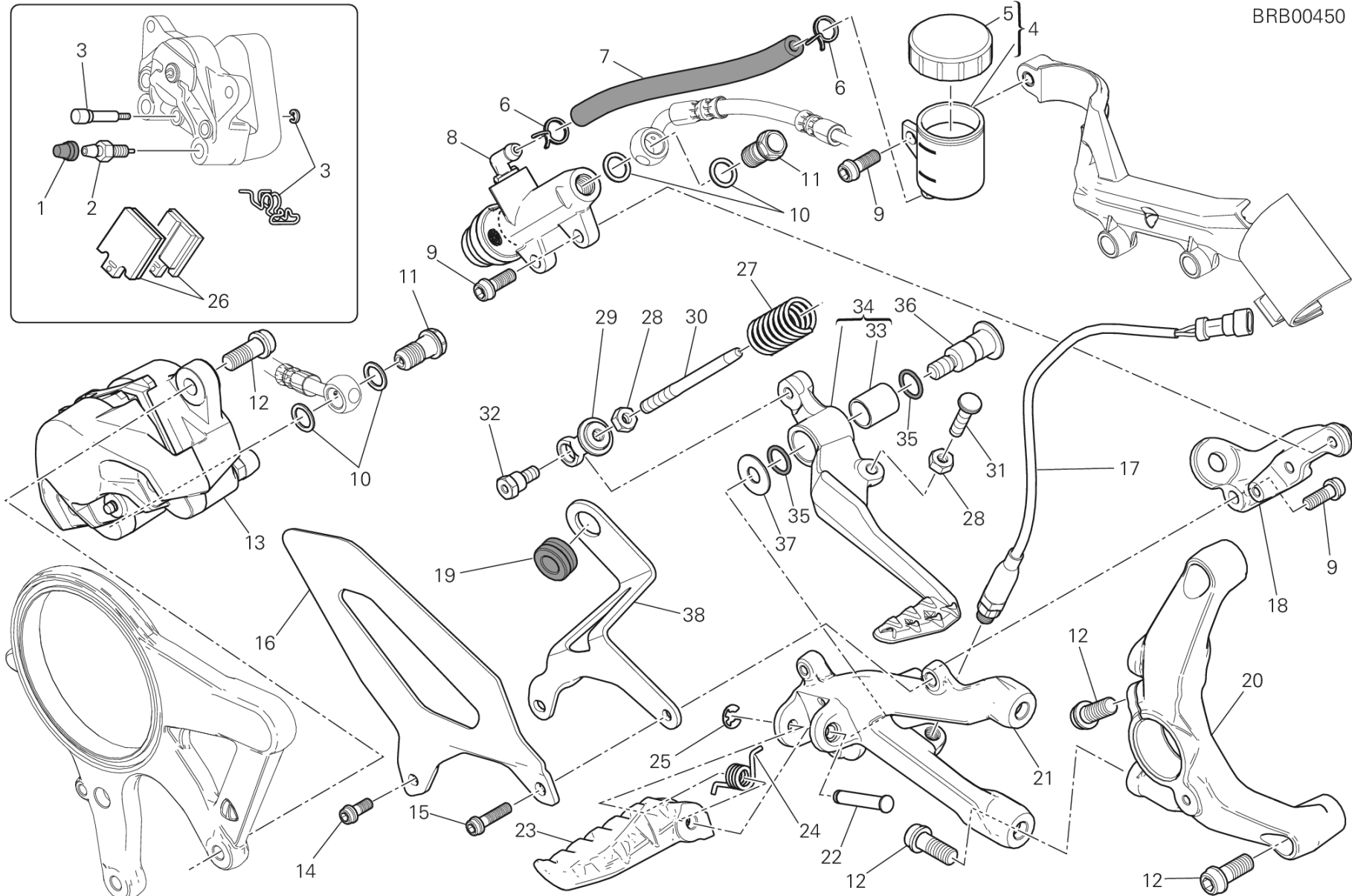
DRAWING 024 - FRONT BRAKE SYSTEM [MOD:1199

ABS;XST:AUS,CHN,EUR,FRA,JAP,THA]

GROUP FRAME



POS.	CODE	DESCRIPTION	QTY	START DATE	END DATE	VALIDITY	NOTES
1	62440761B	FRONT BRAKE PUMP	1				
2	63140491A	BRAKE CONTROL LEVER	1				
3	78110121AA	SCREW, SPECIAL	1				
4	85250241A	WASHER 10X14X1	7				
5	53940351A	FRONT BRAKE LIGHT SWITCH	1				
6	63140081A	JOINT, HOSE	1				
7	62640561A	BOLT, LEVER	1				
8	61340961A	PADS PAIR	2				
9	61041371A	LEFT BRAKE CALIPER	1				
10	77350623B	SCREW TCEIR M6X10	1				
11	8291A691AA	BRACKET	1				
12	037072020	DAMPER	1				
13	77910921A	SCREW	1				
14	800068490	CAP BRAKE FLUID TANK	1				
15	58540181A	RESERVOIR, BRAKE FLUID	1				
16	74140431A	CLAMP	2				
17	87711411A	HOSE	1				
18	74941108B	NUT	1				
19	63140281A	DRAIN	1				
20	71313641A	SPACER	4				
21	61240052A	DUST COVER	2				
22	61240201A	FRONT CALIPER DRAIN SCREW	2				
23	77914151A	BOLT, BRAKE HOSE	1				
24	62640571A	BRACKET, MASTER CYLINDER	1				
25	77913311D	SCREW M 10 X 60	4				
26	61041381A	RIGHT BRAKE CALIPER	1				
27	61240371A	SPRING, PAD STOPPER	2				
28	77913091AB	SCREW, SPECIAL	1				
29	61810361A	FRONT BRAKE HOSE	1				
30	61240391A	DUST COVER	1				
31	83016541B	HOSE GUIDE	1				
32	77211271A	SCREW, SPECIAL M5X10	2				



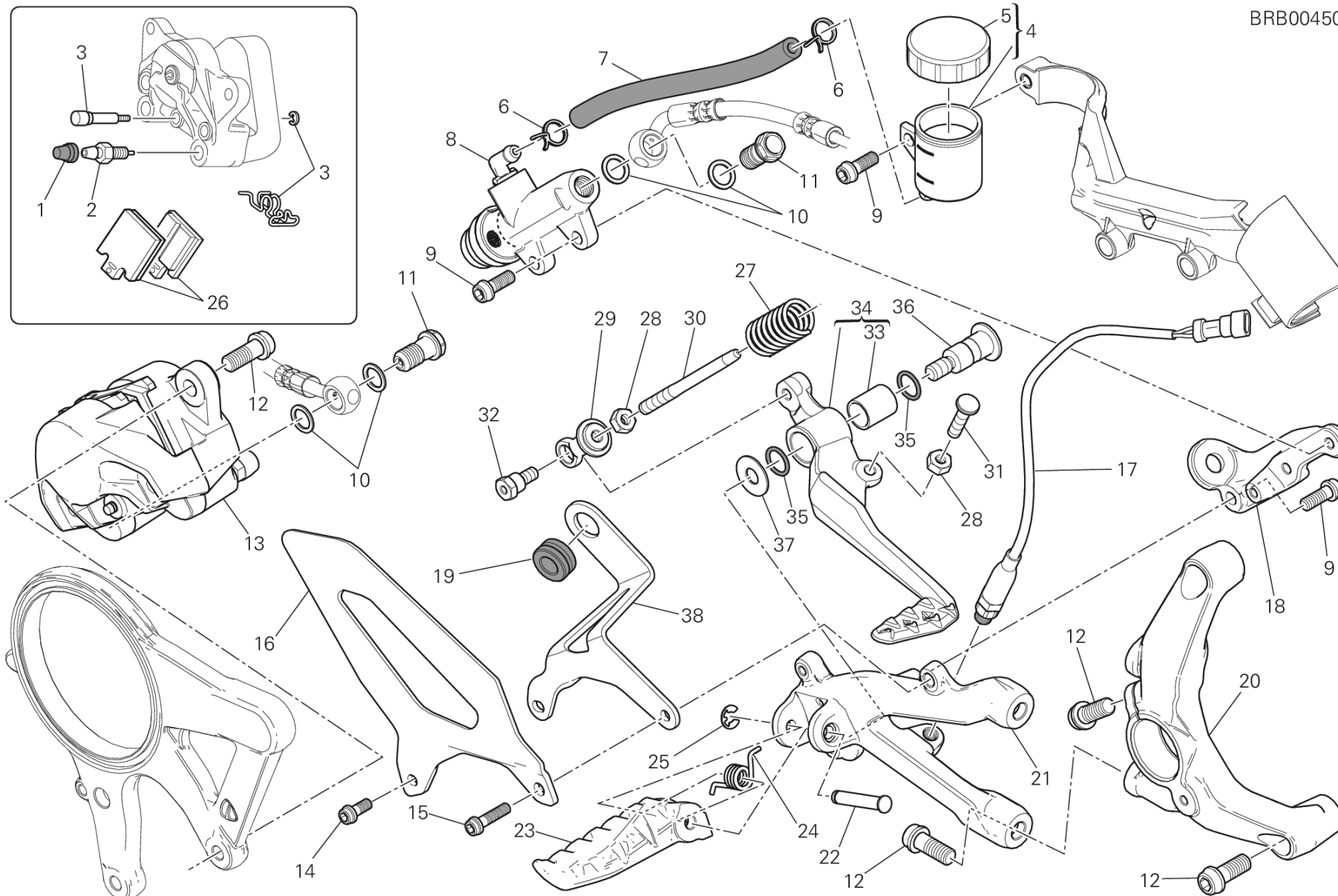
BRB00450

DRAWING 025 - REAR BRAKE SYSTEM [MOD:1199 ABS;XST:AUS,CHN,EUR,FRA,JAP,THA]

GROUP FRAME



POS.	CODE	DESCRIPTION	QTY	START DATE	END DATE	VALIDITY	NOTES
1	61240081A	DUST PLUG (confezione da 20 pezzi)	1				
2	63140161A	FRONT CALIPER DRAIN SCREW	1				
3	61240161A	PAD PINS OVERHAUL KIT	1				
4	58540081A	RESERVOIR, BRAKE FLUID	1				
5	89340051A	CLUTCH BRAKE PUMP COVER KIT	1				
6	74140431A	CLAMP	2				
7	87711491A	PIPE	1				
8	62540311C	REAR BRAKE PUMP	1				
9	77156658B	SCREW TCEIF M6X16	4				
10	85250241A	WASHER 10X14X1	4				
11	78110121AA	SCREW, SPECIAL	2				
12	77157238B	SCREW TCEIF M8X20	7				
13	61140411A	REAR BRAKE CALIPER	1				
14	77156408B	SCREW TCEIF M5X14	1				
15	77156448B	SCREW	1				
16	24714051BA	HEEL GUARD FRONT RH	1				
17	53940031A	SWITCH, REAR BRAKE	1				
18	8291A511BA	BRACKET, PUMP	1				
19	76410901A	RUBBER PAD	1				
20	8291A441AA	RIGHT HOLDER	1				
21	82411871BA	FRONT R.H. PLATE	1				
22	82110511AB	FOOTREST PIN	1				
23	46410811AA	RIGHT FOOTREST	1				
24	79911661A	SPRING. FOOTREST	1				
25	88450031A	CIRCLIP E-TYPE	1				
26	61340381A	REAR BRAKE PADS SET	1				
27	79915511A	SPRING	1				
28	74750031A	NUT 6MM	2				
29	18410152AA	JOINT	1				
30	11711272AA	PIN	1				
31	77912371B	SCREW	1				
32	82113811AA	PIN	1				
33	71210341A	BUSH	1				
34	45720552AA	BRAKE LEVER ASSEMBLY	1				
35	88641161A	O-RING	2				



BRB00450

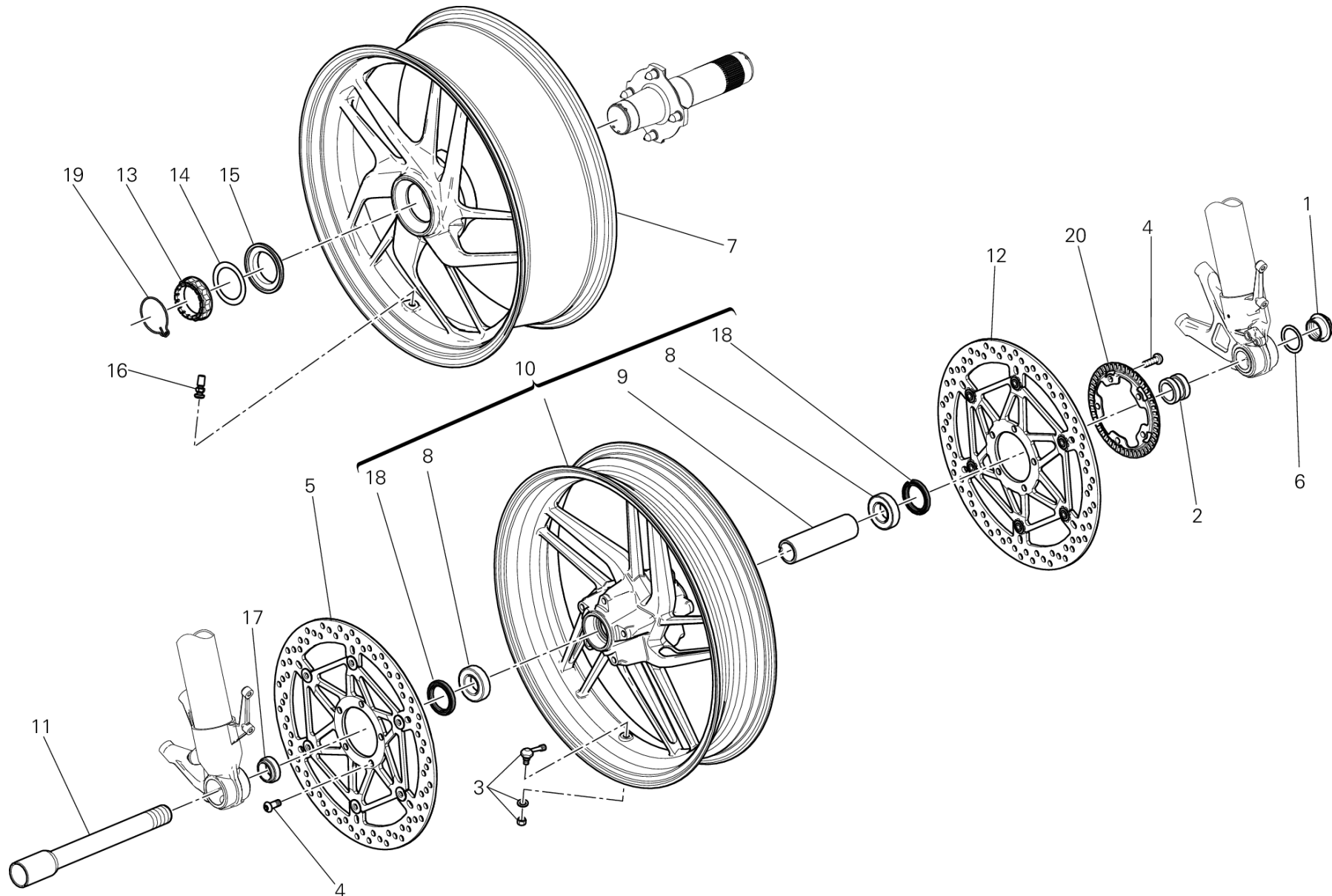


POS.	CODE	DESCRIPTION	QTY	START DATE	END DATE	VALIDITY	NOTES
36	82111701B	PIN PEDAL	1				
37	85211511A	WASHER	1				
38	82716921AA	PLATE	1				



DRAWING 026 - RUOTA ANTERIORE E POSTERIORE [MOD:1199 ABS;XST:AUS,CHN,EUR,FRA,JAP,THA]

GROUP FRAME

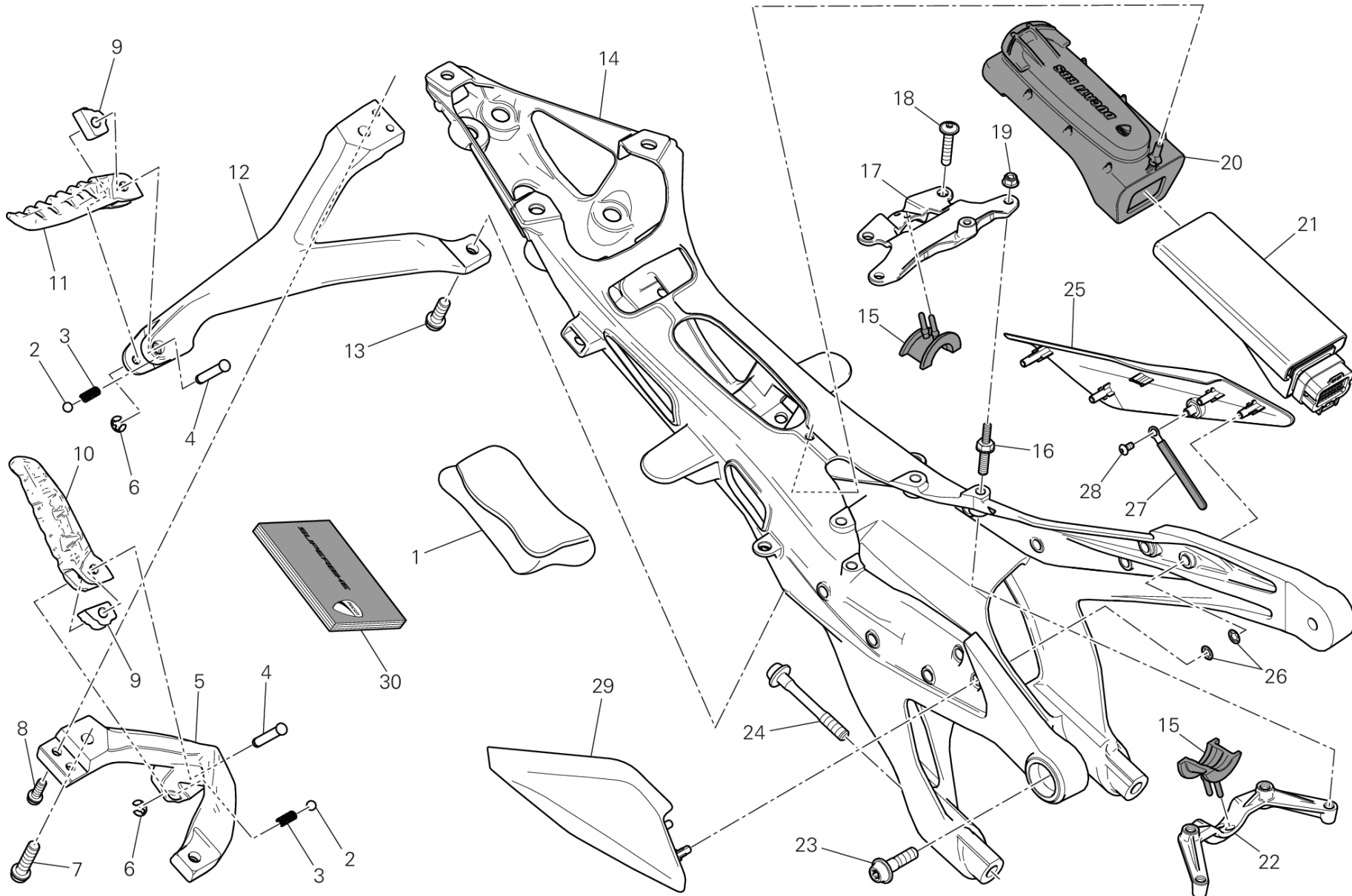


DRAWING 026 - RUOTA ANTERIORE E POSTERIORE [MOD:1199 ABS;XST:AUS,CHN,EUR,FRA,JAP,THA]



GROUP FRAME

POS.	CODE	DESCRIPTION	QTY	START DATE	END DATE	VALIDITY	NOTES
1	74810651A	NUT	1				
2	71413271AA	LEFT SPACER	1				
3	49720041A	VALVE, TUBELESS TIRE	1				
4	72010513C	SCREW	10				
5	49240901A	DISC, FRONT BRAKE RH	1				
6	85212221A	WASHER	1				
7	50211482AB	REAR WHEEL RIM	1				
8	70250451A	BEARING	2				
9	71413281AA	INNER SPACER	1				
10	50121541A	FRONT WHEEL RIM	1				
11	81910691A	FRONT WHEEL SPINDLE	1				
12	49240891A	DISC, FRONT BRAKE LH	1				
13	75011391A	NUT	1				
14	85212211A	WASHER 48.5X65X0.5	1				
15	71413231AA	SPACER	1				
16	49720031A	VALVE, TUBELESS TIRE	1				
17	71413261AA	RIGHT SPACER	1				
18	93041501A	SEAL RING	2				
19	75910222A	CLIP	1				
20	50410051A	PHONIC WHEEL	1				

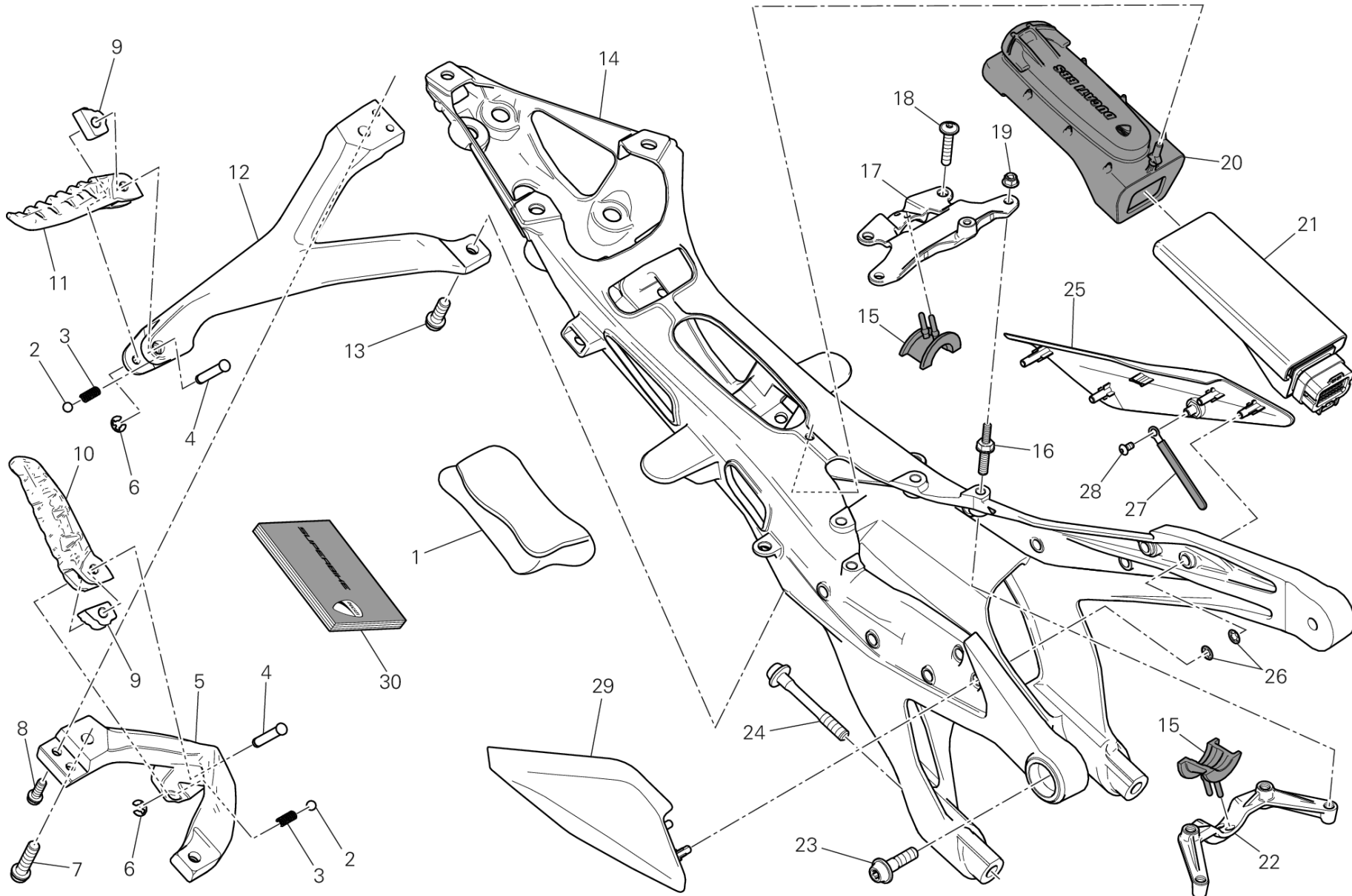


DRAWING 027 - REAR FRAME COMP. [MOD:1199 ABS;XST:AUS,CHN,EUR,FRA,JAP,THA]

GROUP FRAME



POS.	CODE	DESCRIPTION	QTY	START DATE	END DATE	VALIDITY	NOTES
1	69720283A	TOOL BAG	1				
2	84740021A	BALL	2				
3	79910241A	SPRING	2				
4	82110511AB	FOOTREST PIN	2				
5	82411881BA	REAR L.H. PLATE	1				
6	88450031A	CIRCLIP E-TYPE	2				
7	77157278B	SCREW TCEIF M8X30	2				
8	77156658B	SCREW TCEIF M6X16	2				
9	69610121A	BLOCK	2				
10	46410801AA	LEFT FOOTREST	1				
11	46410811AA	RIGHT FOOTREST	1				
12	82411892BA	REAR R.H. PLATE	1			MOD:1199 ABS;XST:AUS,CHN,EUR,FRA,THA	
	82412251AA	REAR R.H. PLATE	1	01/03/2012		MOD:1199 ABS;XST:JAP	JAP - TWN
13	77157238B	SCREW TCEIF M8X20	2				
14	47110252BA	REAR FRAME COMP.	1				
15	76411472A	RUBBER PAD	2				
16	77916783AA	SCREW, SPECIAL	2				
17	83016452AA	BRACKET UPPER	1				
18	77240483C	SCREW	2				
19	74810351B	NUT	2				
20	70010701A	VIBRATION DAMPER HOLDER	1				
21	38510162A	BLACKBOX UNIT	1	04/07/2012		MOD:1199 ABS;XST:AUS,CHN,EUR,FRA,JAP	1199 / 1199 ABS
22	83016442AA	BRACKET	1				
23	77916763AA	SCREW, SPECIAL	2				
24	77916773AA	SPECIAL SCREW BOTTOM	2				
25	46015011B	CAP LH	1				
26	85040521A	CLIP	9				
27	74141671A	PLATE	1				
28	77510161A	SCREW	1				
29	46015022A	CAP RH	1				
30	91371921L	OWNER'S MANUAL	1			MOD:1199 ABS;XST:AUS,EUR,FRA,THA	(1199 / ABS) DEU-FRA-GBR-ITA
	91371921M	OWNER'S MANUAL	1	29/03/2012		MOD:1199 ABS;XST:JAP	(1199 / ABS) ESP-FRA-GBR-JPN



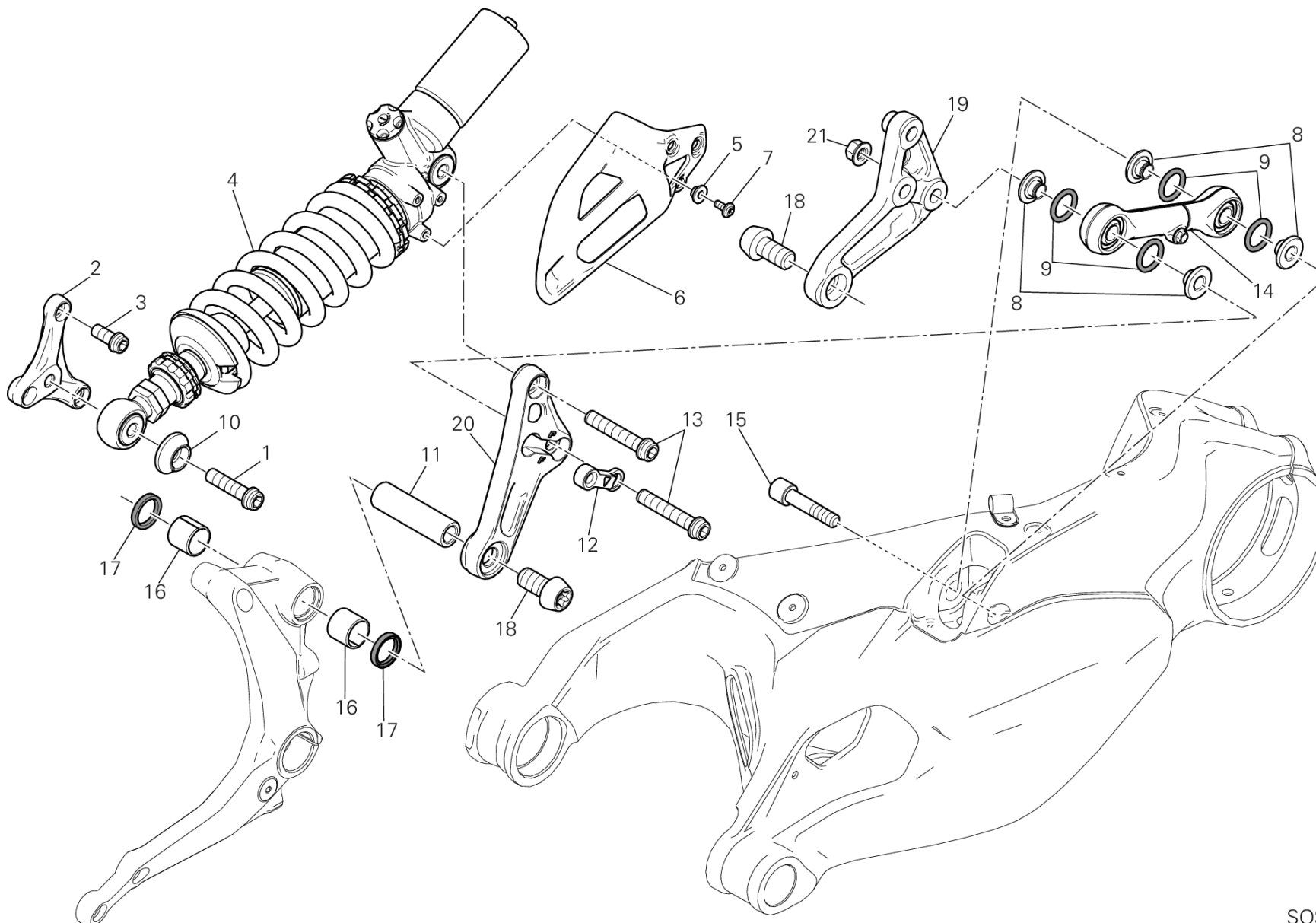


POS.	CODE	DESCRIPTION	QTY	START DATE	END DATE	VALIDITY	NOTES
	91371921N	OWNER'S MANUAL	1			MOD:1199 ABS;XST:EUR	(1199 / ABS) ESP-GRC-PRT
	91371921P	OWNER'S MANUAL	1			MOD:1199 ABS;XST:EUR,FRA	(1199 / ABS) FRA-NLD
	91371921Q	OWNER'S MANUAL	1			MOD:1199 ABS;XST:EUR	(1199 / ABS) DNK-FIN-NOR-SWE
	91371921R	OWNER'S MANUAL	1			MOD:1199 ABS;XST:EUR	(1199 / ABS) CZE-POL-SVK-SLO
	91371921S	OWNER'S MANUAL	1			MOD:1199 ABS;XST:EUR	(1199 / ABS) BGR-HUN-ROU-RUS
	91371921W	OWNER'S MANUAL	1	29/03/2012		MOD:1199 ABS;XST:CHN	(1199 / ABS) CHN



DRAWING 028 - SOSPENSIONE POSTERIORE [MOD:1199
ABS;XST:AUS,CHN,EUR,FRA,JAP,THA]

GROUP FRAME



SOS00620

DRAWING 028 - SOSPENSIONE POSTERIORE [MOD:1199

ABS;XST:AUS,CHN,EUR,FRA,JAP,THA]

GROUP FRAME

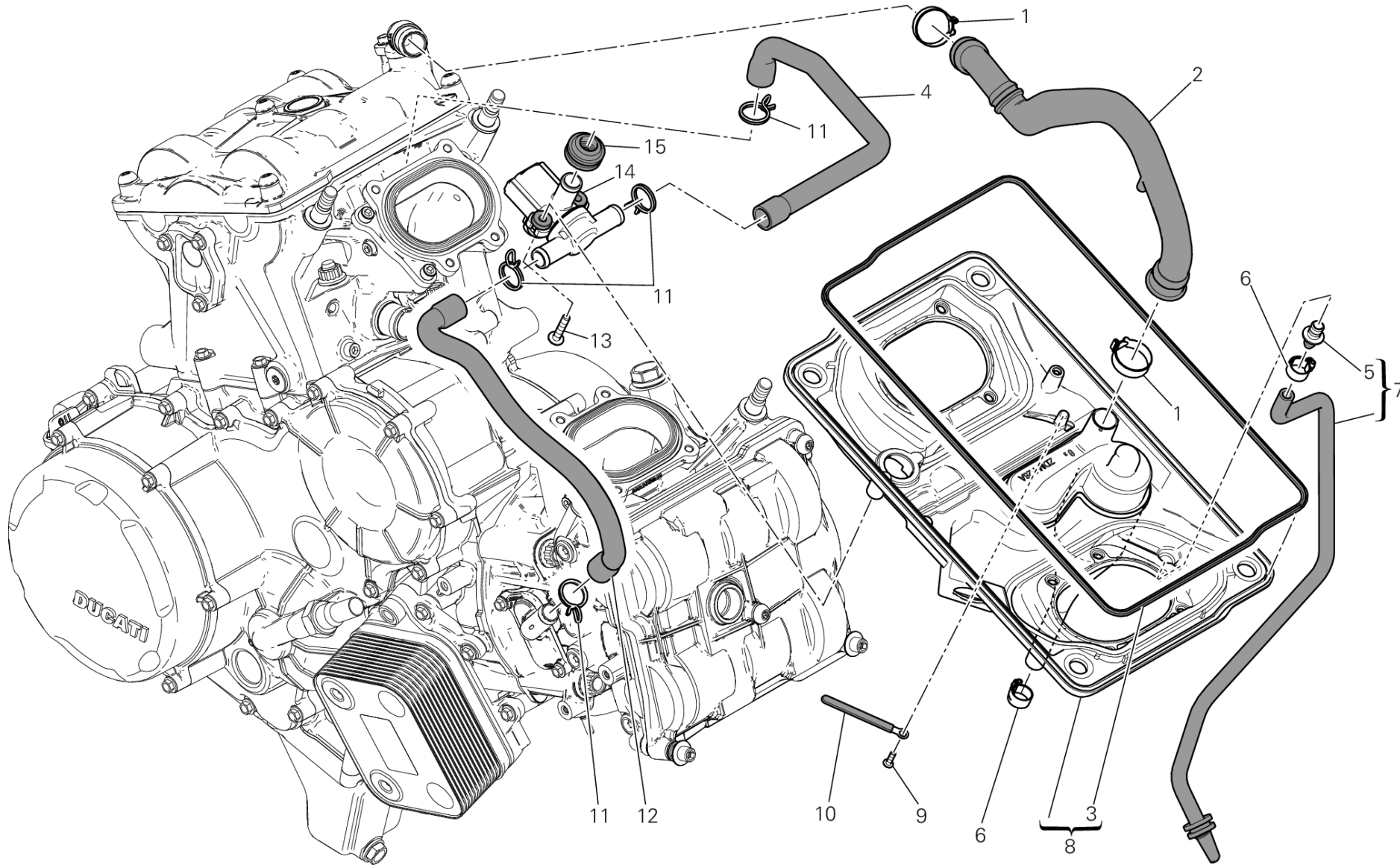


POS.	CODE	DESCRIPTION	QTY	START DATE	END DATE	VALIDITY	NOTES
1	77151598C	SCREW	1				
2	8291A333AA	BRACKET, FRONT	1				
3	77157238B	SCREW TCEIF M8X20	3				
4	36521022A	REAR SHOCK ABSORBER	1				
5	71611441B	SPACER	3				
6	46015341A	GUARD	1				
7	77244173B	SCREW	3				
8	71011642AA	SPINDLE, TAPER	4				
9	88640091A	O-RING	4				
10	71319971AA	SPACER	1				
11	71319421A	SPACER	1				
12	71319522AA	PLATE	1				
13	77157618B	SCREW	2				
14	87521941AA	ROD	1				
15	77915041A	SCREW, SPECIAL	1				
16	70241191A	BUSH	2				
17	93041271A	SEAL RING 20X26X4	2				
18	77211361AA	SCREW, SPECIAL	2				
19	37211171BA	REAR ROCKER ARM RH	1				
20	37211161BA	REAR ROCKER ARM LH	1				
21	74940141A	NUT	1				



DRAWING 029 - AIR INTAKE - OIL BREATHER [MOD:1199 ABS;XST:AUS,CHN,EUR,FRA,JAP,THA]

GROUP FRAME



RAF00478

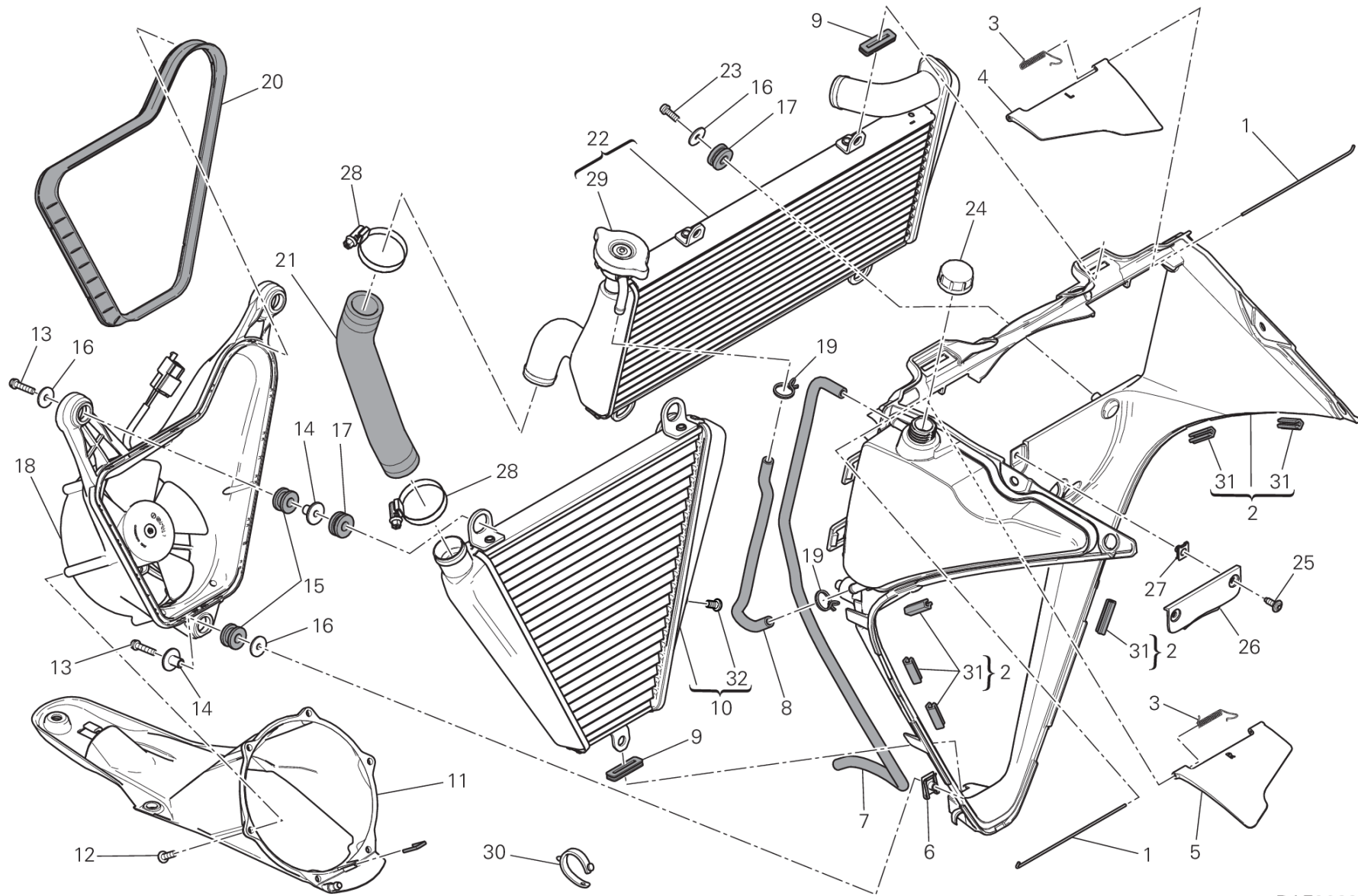
DRAWING 029 - AIR INTAKE - OIL BREATHER [MOD:1199

ABS;XST:AUS,CHN,EUR,FRA,JAP,THA]

GROUP FRAME



POS.	CODE	DESCRIPTION	QTY	START DATE	END DATE	VALIDITY	NOTES
1	74142141A	CLAMP	2				
2	87611081A	BREATHER PIPE	1				
3	78811161A	GASKET	1				
4	87611121A	PIPE VERTICAL	1				
5	81510371A	NIPPLE	1				
6	74140631A	CLAMP	2				
7	59013861A	BREATHER PIPE	1				
8	44212342B	AIRBOX Before replacing the component, refer to Technical Bulletin 901-SAT (SVC-14-010 for US).	1				
9	77440111A	SCREW	1				
10	74141671A	PLATE	1				
11	74142251A	CLAMP	4				
12	87611131A	PIPE HORIZONTAL	1				
13	77240323C	SCREW	2				
14	65540081A	ACTUATOR	1				
15	76411621A	RUBBER PAD	1				



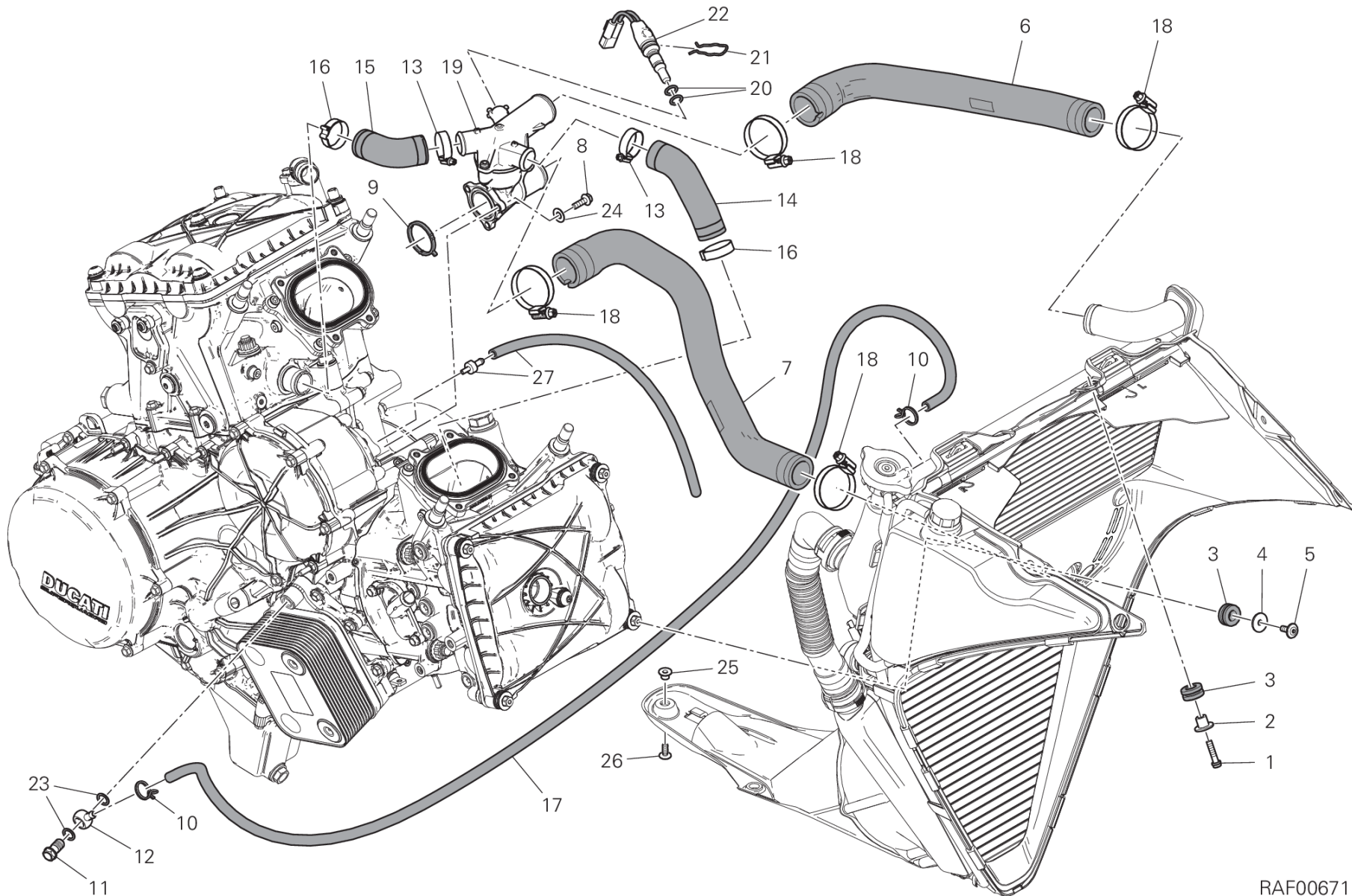
RAF00689

DRAWING 030 - WATER COOLER [MOD:1199 ABS;XST:AUS,CHN,EUR,FRA,JAP,THA]

GROUP FRAME



POS.	CODE	DESCRIPTION	QTY	START DATE	END DATE	VALIDITY	NOTES
1	82113751A	PIN	2				
2	48410992B	BRACE, RADIATOR	1				
3	79915441A	SPRING	2				
4	48411043A	DEFLECTOR LH	1				
5	48411053A	DEFLECTOR RH	1				
6	85040551A	QUICK FASTENING	1				
7	59013911B	BREATHER PIPE	1				
8	93410152A	PIPE	1				
9	76411411B	RUBBER PAD	3				
10	54840972B	RADIATOR, WATER LOWER	1				
11	8291A352B	ESTRATTORE (REAR)	1				
12	77440203C	SCREW	6				
13	77156443B	SCREW	3				
14	71614331AA	SPACER	3				
15	76411491A	RUBBER PAD	3				
16	85213111AA	WASHER	5				
17	76411501A	RUBBER PAD	4				
18	8292A342A	ESTRATTORE (Unit)	1				
19	74140431A	CLAMP	2				
20	79110831A	GASKET	1				
21	80012121A	COOLER COOLER HOSE	1				
22	54840962B	RADIATOR, WATER UPPER	1				
23	77156408B	SCREW TCEIF M5X14	2				
24	89310143A	EXPANSION TANK CAP	1				
25	77211091C	SCREW	2				
26	24714291A	COVER	1				
27	85040471A	QUICK FASTENING M5	2				
28	74141851A	CLAMP 25-40 MM	2				
29	87240881A	RADIATOR CAP	1				
30	74110551A	CLAMP, RUBBER 39MM	1	25/03/2013			
31	76411541A	RUBBER PAD	10				
32	77942571A	PLUG	1				



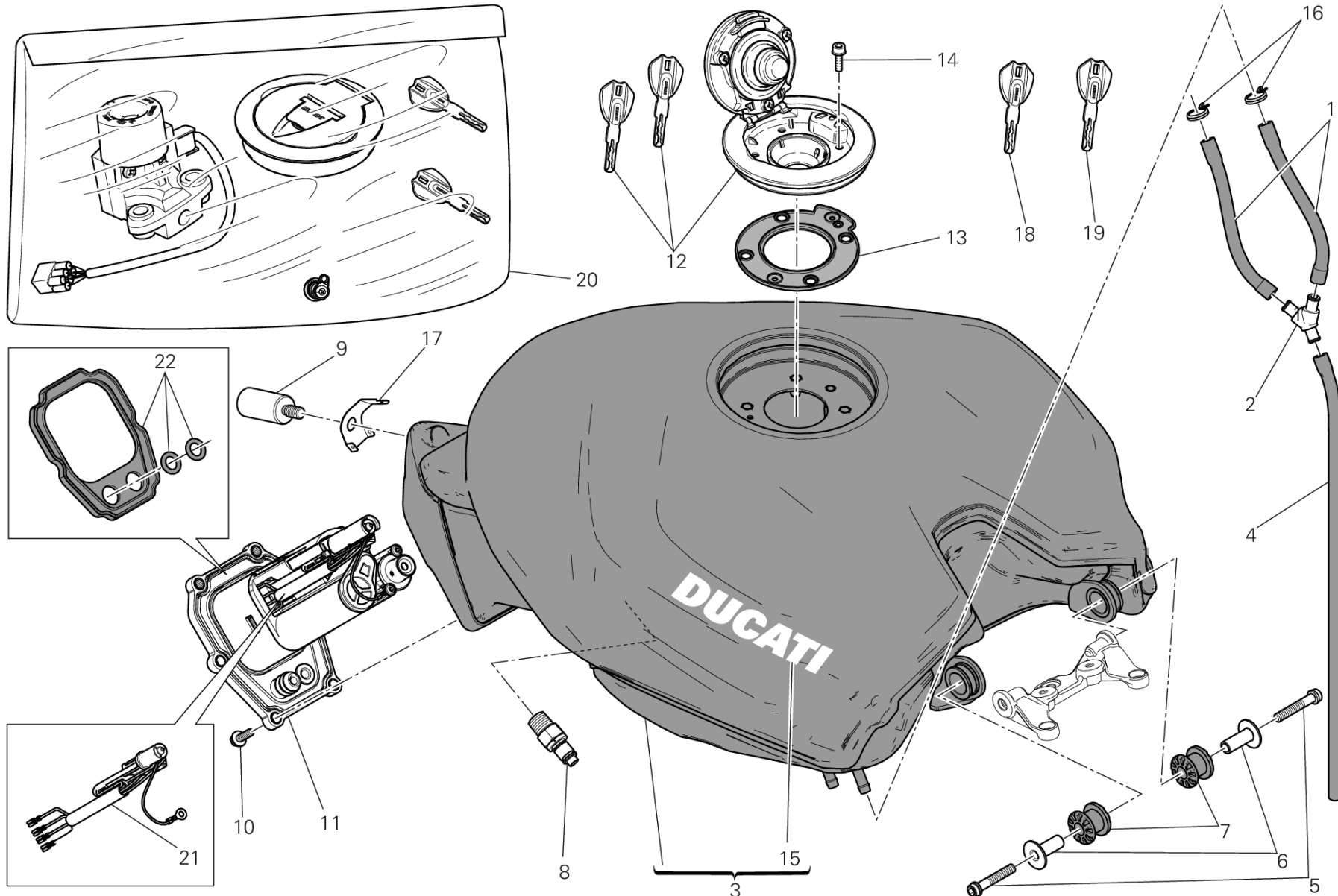
RAF00671

DRAWING 031 - COOLING SYSTEM [MOD:1199 ABS]

GROUP FRAME

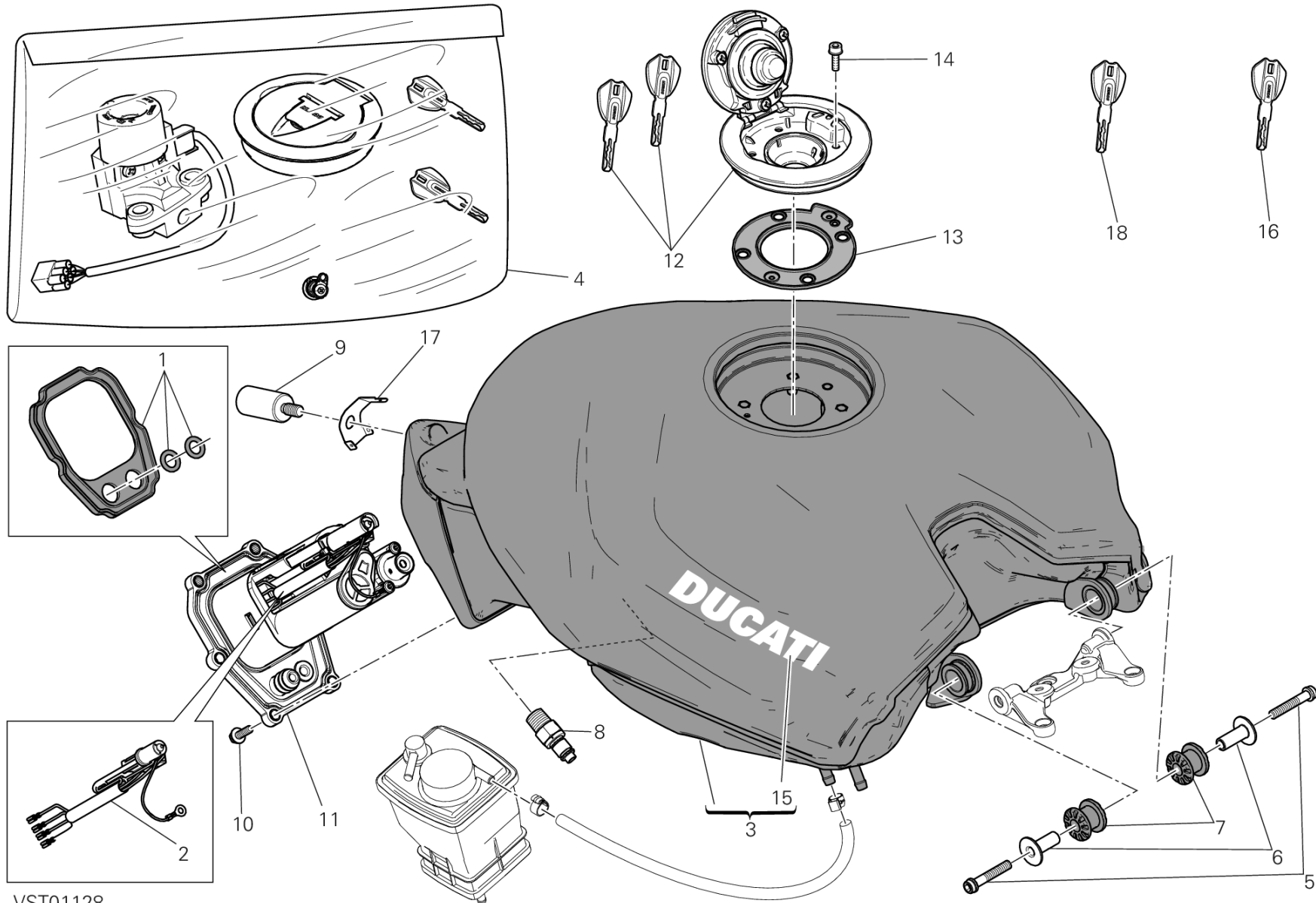


POS.	CODE	DESCRIPTION	QTY	START DATE	END DATE	VALIDITY	NOTES
1	77156443B	SCREW	2				
2	71614342AA	SPACER	2				
3	76410901A	RUBBER PAD	4				
4	71614431AA	SPACER	2				
5	77210882B	SCREW TBEI M5X12	2	09/12/2015			
6	80012111A	COOLER THERMOSTAT HOSE UPPER	1				
7	80012131A	COOLER THERMOSTAT HOSE BOTTOM	1				
8	77210623B	SCREW	3				
9	78811201A	GASKET	1				
10	74140431A	CLAMP	2				
11	78110121AA	SCREW, SPECIAL	1	11/06/2012			
12	81415081AA	UNION	1				
13	74141861A	CLAMP 20-32 MM	2				
14	80012051A	THERMOSTAT PUMP HOSE HORIZONTAL	1				
15	80012061A	THERMOSTAT PUMP HOSE VERTICAL	1				
16	74142231A	CLAMP	2				
17	93410173A	PIPE	1				
18	74141881A	CLAMP 23-35 MM	4	09/05/2012			
19	55320122A	SQUIRTER UNIT	1				
20	88641981A	O-RING	2				
21	79915581A	SPRING	1				
22	55242631A	ENGINE WATER TEMPERATURE SENSOR	1				
23	85250241A	WASHER 10X14X1	2				
24	85250301A	WASHER 5.3X10X1	3	20/02/2012			
25	71615111AA	SPACER	1	14/04/2017			
26	77244203B	SCREW	1	14/04/2017			
27	81420081A	BREATHER PIPE COMPLETE WATER PUMP	1				





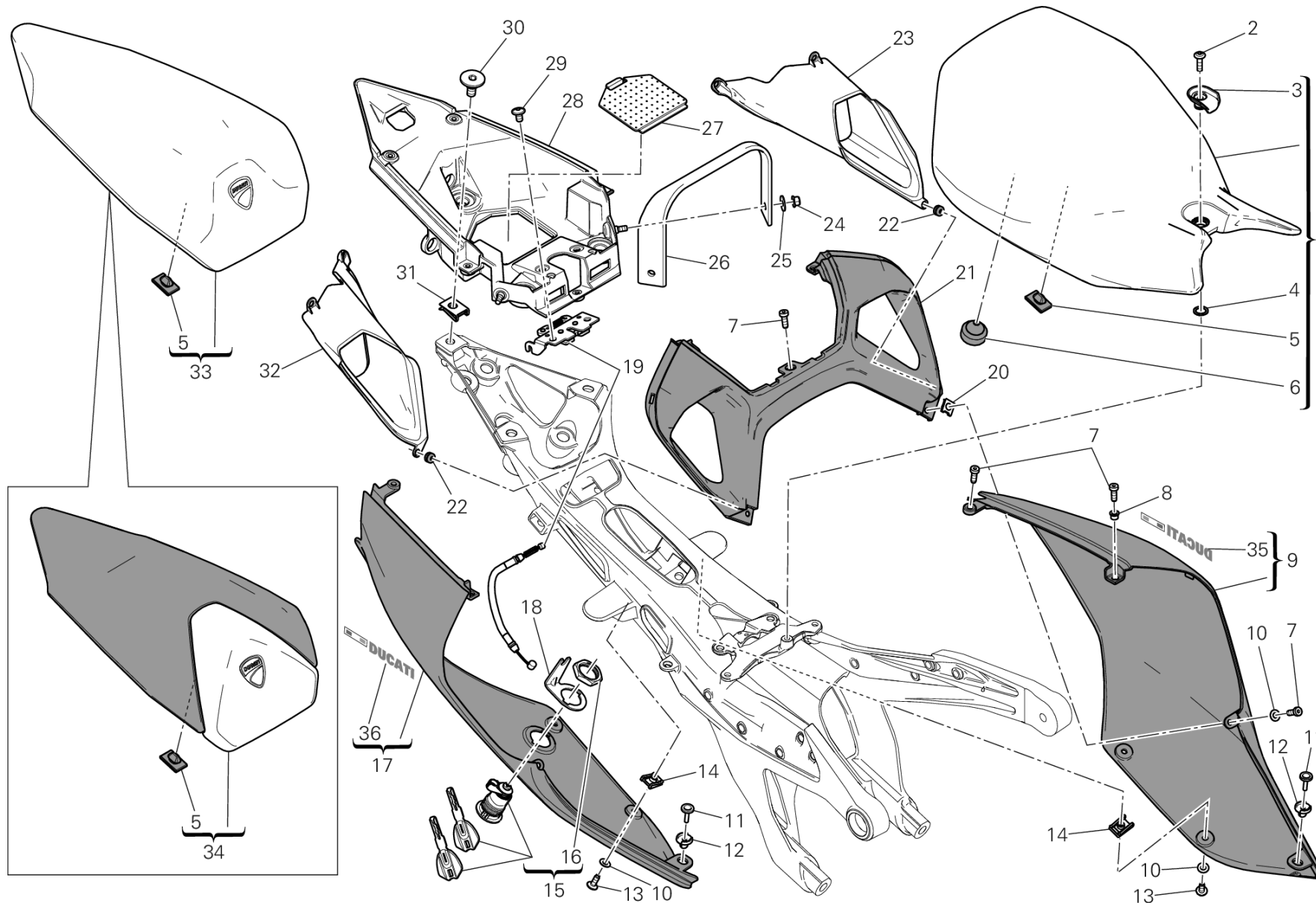
POS.	CODE	DESCRIPTION	QTY	START DATE	END DATE	VALIDITY	NOTES
1	59013901A	PIPE	2				
2	61610021A	THREE-WAYS UNION	1				
3	58611923AA	TANK RED	1			MOD:1199 ABS;XST:AUS,EUR,FRA,JAP	
	58611923AW	TANK WHITE	1	01/01/2011		MOD:1199 ABS;XST:AUS,EUR,FRA,JAP	
4	59013911B	BREATHER PIPE	1				
5	77156728B	SCREW TCEIF M6X35	2				
6	71614351AA	SPACER	2				
7	76411521A	RUBBER PAD	2				
8	81440681A	QUICK FASTENING	1				
9	82114211AA	PIN REAR	1				
10	77244203B	SCREW	6				
11	16024272A	FLANGE	1				
12	89520221A	TANK CAP COMPLETE	1				
13	86640061A	GASKET, FUEL TANK CAP	1				
14	77156418B	SCREW TCEIF M5X16	4				
15	43818151A	EMBLEM DUCATI FOR RED	2			MOD:1199 ABS;XST:AUS,EUR,FRA,JAP	
	43818151B	EMBLEM DUCATI FOR WHITE, BLACK	2	01/10/2011		MOD:1199 ABS;XST:AUS,EUR,FRA,JAP	
16	74140431A	CLAMP	2				
17	38710041A	PLATE	1				
18	59840321A	KEY WITH TRANSPONDER	1				
19	59840291A	KEY, NON INDENTED WITHOUT TRANSPONDER	1				
20	59821041A	LOCKS KIT	1				
21	69926431A	THERMISTOR	1				
22	69926441A	GASKET KIT	1				



VST01128



POS.	CODE	DESCRIPTION	QTY	START DATE	END DATE	VALIDITY	NOTES
1	69926441A	GASKET KIT	1				
2	69926431A	THERMISTOR	1				
3	58611923AA	TANK RED	1			MOD:1199 ABS;XST:CHN,THA	
	58611923AW	TANK WHITE	1	01/01/2011		MOD:1199 ABS;XST:CHN,THA	
4	59821051A	LOCKS KIT	1			MOD:1199 ABS;XST:CHN	
	59821301A	LOCKS KIT	1			MOD:1199 ABS;XST:THA	
5	77156728B	SCREW TCEIF M6X35	2				
6	71614351AA	SPACER	2				
7	76411521A	RUBBER PAD	2				
8	81440681A	QUICK FASTENING	1				
9	82114211AA	PIN REAR	1				
10	77244203B	SCREW	6				
11	16024272A	FLANGE	1				
12	89520221A	TANK CAP COMPLETE	1				
13	86640061A	GASKET, FUEL TANK CAP	1				
14	77156418B	SCREW TCEIF M5X16	4				
15	43818151A	EMBLEM DUCATI FOR RED	2			MOD:1199 ABS;XST:CHN,THA	
	43818151B	EMBLEM DUCATI FOR WHITE, BLACK	2	01/10/2011		MOD:1199 ABS;XST:CHN,THA	
16	59840291A	KEY, NON INDENTED WITHOUT TRANSPONDER	1				
17	38710041A	PLATE	1				
18	59840321A	KEY WITH TRANSPONDER	1				

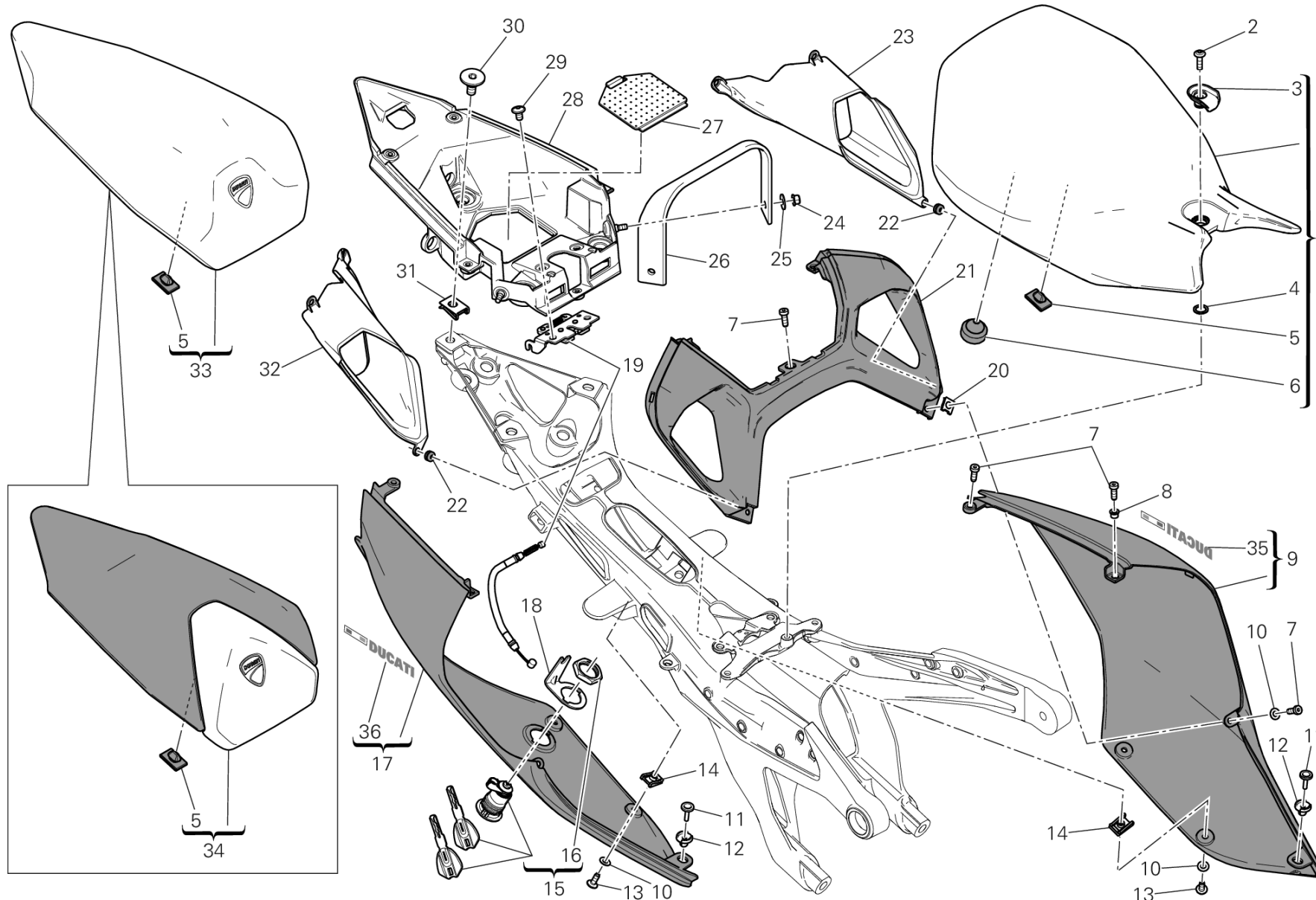


DRAWING 033 - SEAT [MOD:1199 ABS;XST:AUS,CHN,EUR,FRA,JAP,THA]

GROUP FRAME

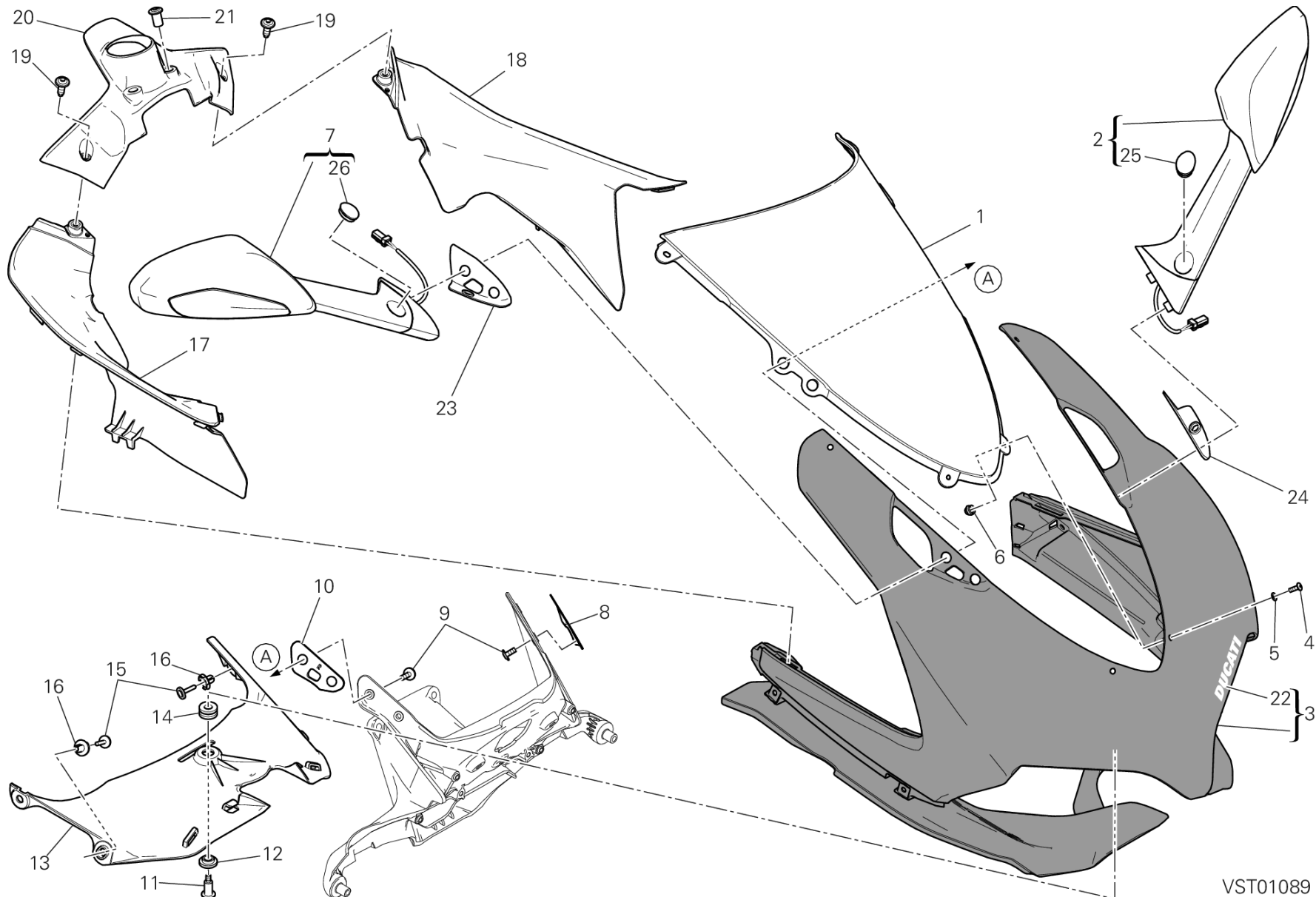


POS.	CODE	DESCRIPTION	QTY	START DATE	END DATE	VALIDITY	NOTES
1	59521081B	SEAT	1				
2	77210861B	SCREW TBEI M5X18	1				
3	71319471AA	SPACER	1				
4	88440331A	SPRING RING	1				
5	86610301A	PAD	20				
6	86610611A	RUBBER PAD	2				
7	77350403B	SCREW	7				
8	71611491A	SPACER	2				
9	48211661AA	COVER FRAME LH RED	1				
	48211661AW	COVER FRAME LH WHITE	1	29/03/2012			
10	85611401A	WASHER	6				
11	85041041A	RIVET, MALE	2				
12	85041051A	RIVET, FEMALE	2				
13	77211091C	SCREW	4				
14	85040551A	QUICK FASTENING	4				
15	59820611A	SEAT LOCK	1				
16	75011551A	NUT M22X1.5	1				
17	48211671AA	COVER FRAME RH RED	1				
	48211671AW	COVER-SIDE, RH, S.WHITE	1	29/03/2012			
18	82716141A	PLATE	1				
19	59940011A	SEAT LOCK	1				
20	85040471A	QUICK FASTENING M5	2				
21	48311722AA	TAIL GUARD CENTRE RED	1				
	48311722AW	CODONE CENTRALE BIANCO	1	29/03/2012			
22	76440561A	RUBBER PAD	8				
23	48411011A	COWLING, INNER LH	1				
24	74941118B	NUT 6MM	2				
25	85211671B	WASHER	2				
26	59511281B	BELT	1				
27	24714062A	COVER	1				
28	48311711B	TRAY	1				
29	77240393C	SCREW TBEIF M6X10 10.9	2				
30	77916792AA	SCREW, SPECIAL	3				
31	85041471A	CLIP NUT	3				
32	48411021A	PANEL QUARTER, INNER	1				





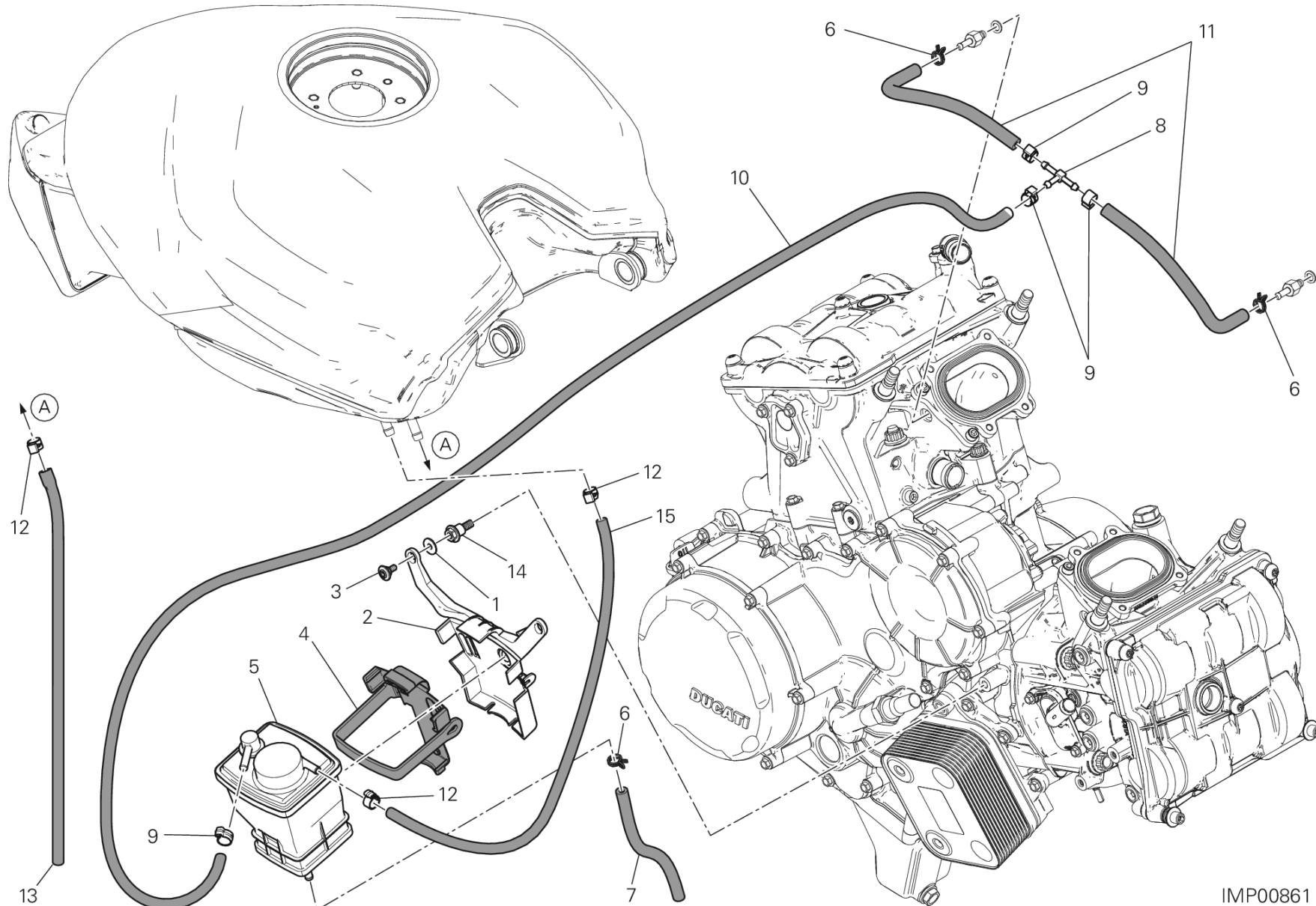
POS.	CODE	DESCRIPTION	QTY	START DATE	END DATE	VALIDITY	NOTES
33	59521091A	PILLION RIDER SEAT	1				
34	247P4022AA	COVER SEAT RED	1				
	247P4022AW	COVER SEAT WHITE	1	29/03/2012			
35	43818081A	ITA FLAG STICKER DUCATI LH FOR RED	1				
	43818081AT	ITA FLAG STICKER DUCATI LH FOR WHITE, BLACK	1	25/06/2012			
36	43818091A	ITA FLAG STICKER DUCATI RH FOR RED	1				
	43818091AT	ITA FLAG STICKER DUCATI RH FOR WHITE, BLACK	1	25/06/2012			



VST01089



POS.	CODE	DESCRIPTION	QTY	START DATE	END DATE	VALIDITY	NOTES
1	48710563A	WINDSHIELD	1				
2	523S0291A	REAR-VIEW MIRROR L.H.	1				
3	48120742AA	COMPLETE HEADLIGHT FAIRING RED	1				
	48120742AW	COMPLETE HEADLIGHT FAIRING WHITE	1	29/03/2012			
4	77510071AB	SCREW, SPECIAL	4				
5	85210241A	WASHER, NYLON 4X8X0.5	4				
6	75010281A	NUT, SPRING	4				
7	523S0281A	REAR-VIEW MIRROR R.H.	1				
8	78811221A	GASKET INTERNAL LH	1				
9	77240288C	SCREW	4				
10	78811231A	GASKET INTERNAL RH	1				
11	77916951AA	SCREW, SPECIAL	1				
12	76411511A	RUBBER PAD	1				
13	48411002A	MUDFLAP	1				
14	76411141A	VIBRATION DAMPER PAD	1				
15	85041041A	RIVET, MALE	4				
16	85041051A	RIVET, FEMALE	4				
17	46014951C	RIGHT COVER	1				
18	46014941C	PROTECTION, LEFT	1				
19	77211091C	SCREW	2				
20	46014961C	PROTECTION CENTRE	1				
21	75011491AB	NUT, SPECIAL	2				
22	43818111A	EMBLEM DUCATI FOR RED	1				
	43818111AT	EMBLEM DUCATI FOR WHITE, BLACK	1	25/06/2012			
23	78811281A	GASKET, MIRROR RH	1	01/07/2012			
24	78811291A	GASKET, MIRROR LH	1	01/07/2012			
25	87210781A	PLUG	1	15/02/2013			
26	87210791A	PLUG, RH	1	15/02/2013			



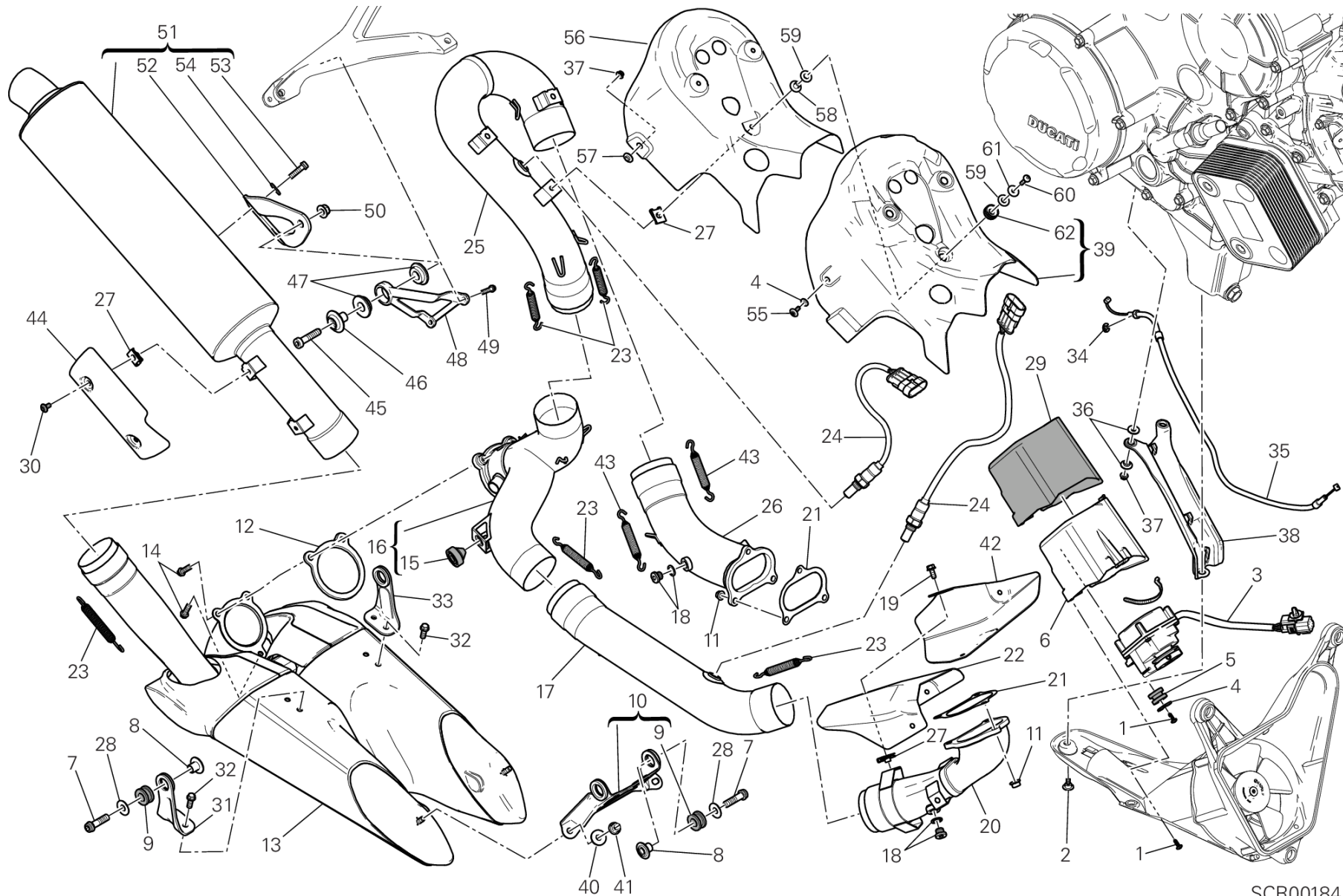
IMP00861

DRAWING 035 - CANISTER FILTER [MOD:1199 ABS;XST:CHN,THA]

GROUP FRAME



POS.	CODE	DESCRIPTION	QTY	START DATE	END DATE	VALIDITY	NOTES
1	85240091A	WASHER 5.3X15X1	3				
2	8291A901A	HOLDER	1				
3	77210852C	SCREW	3				
4	70010751A	VIBRATION DAMPER	1				
5	42640041B	CANISTER FILTER	1				
6	74140431A	CLAMP	3				
7	87611181A	BREATHER PIPE	1				
8	81411831A	THREE-WAYS UNION	1				
9	74140581A	CLAMP	4				
10	93510091A	PIPE	1				
11	93510081A	PIPE	2				
12	74140651A	CLAMP	3				
13	87611191A	HOSE, DRAIN	1				
14	77917291AA	SCREW, SPECIAL	3				
15	93510101A	BREATHER PIPE	1				



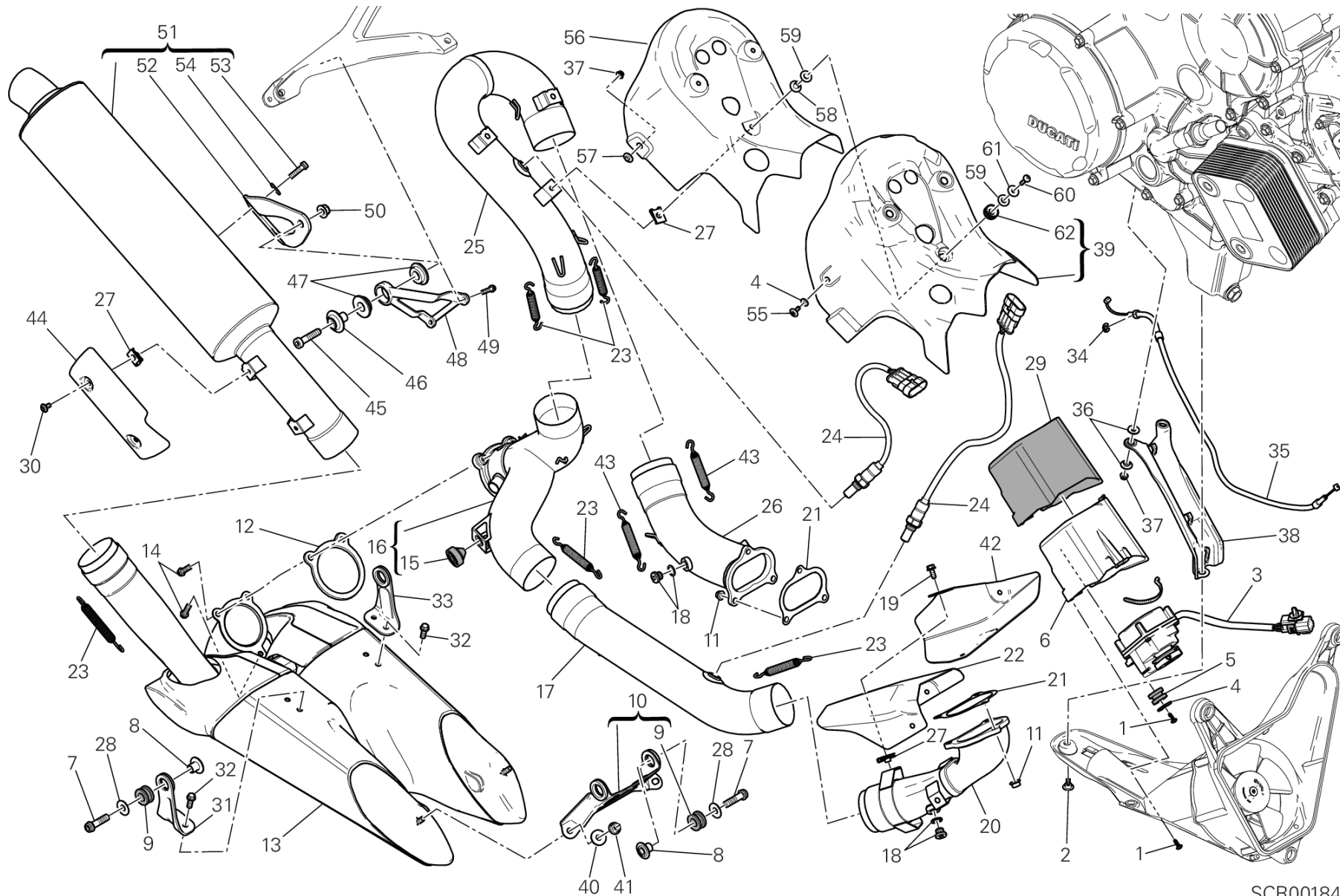
SCR00184

DRAWING 19A - EXHAUST SYSTEM (JAP) [MOD:1199 ABS;XST:JAP]

GROUP FRAME



POS.	CODE	DESCRIPTION	QTY	START DATE	END DATE	VALIDITY	NOTES
1	77440203C	SCREW	6	01/06/2011			
2	77210852C	SCREW	1	01/11/2012			
3	59340393A	ELECTRIC MOTOR, EXHAUST VALVE	1	01/06/2011			
4	85213111AA	WASHER	3	28/01/2013			
5	76411301A	RUBBER PAD	2	01/06/2011			
6	46015262A	COVER ELECTRIC MOTOR, EXHAUST VALVE	1	06/06/2012			
7	77157278B	SCREW TCEIF M8X30	4	01/11/2012			
8	71614391AA	SPACER	4	01/11/2012			
9	76411481A	RUBBER PAD	4	01/11/2012			
10	83026511BA	BRACKET FRONT	1	01/11/2012			
11	74810241A	NUT	6	01/11/2012			
12	79010251A	GASKET, EXHAUST PIPE	1	01/11/2012			
13	57413301A	SILENCER	1	01/11/2012			
14	77116648B	SCREW M6X14	3	01/11/2012			
15	86611001B	PAD	1	01/01/2001			
16	570P3152B	PIPE, EXHAUST CENTER	1	01/11/2012			
17	57013073A	EXHAUST PIPE HORIZONTAL	1	01/11/2012			
18	78020011A	PLUG ASSY	2				
19	77250728B	SCREW TEF M5X12	4	01/11/2012			
20	57013062C	EXHAUST MANIFOLD HORIZONTAL	1	01/11/2012			
21	79010231B	GASKET, EXHAUST PIPE	2	01/11/2012			
22	46015331BA	HEAT GUARD HORIZONTAL	1	01/11/2012			
23	79912632A	SPRING, EXHAUST PIPE	5	01/11/2012			
24	55212092A	SENSOR LAMBDA SOND	2	01/11/2012			
25	57113002C	PIPE, EXHAUST VERTICAL	1	01/11/2012			
26	57112992C	EXHAUST MANIFOLD VERTICAL	1	01/11/2012			
27	85040551A	QUICK FASTENING	9	01/11/2012			
28	85210532A	WASHER 8.2X20X1	4	01/11/2012			
29	46015741A	PROTECTION, HEAT ELECTRIC MOTOR, EXHAUST VALVE	1	08/11/2011			
30	77240253C	SCREW	2	01/11/2012			
31	83016491AA	BRACKET REAR RH	1	01/11/2012			
32	77251018B	SCREW TEF M6X20	4	01/11/2012			
33	83016501AA	BRACKET REAR L.H.	1	01/11/2012			
34	88450031A	CIRCLIP E-TYPE	2	01/11/2012			
35	73210331B	EXHAUST VALVE ENGINE CABLE	1	01/06/2011			



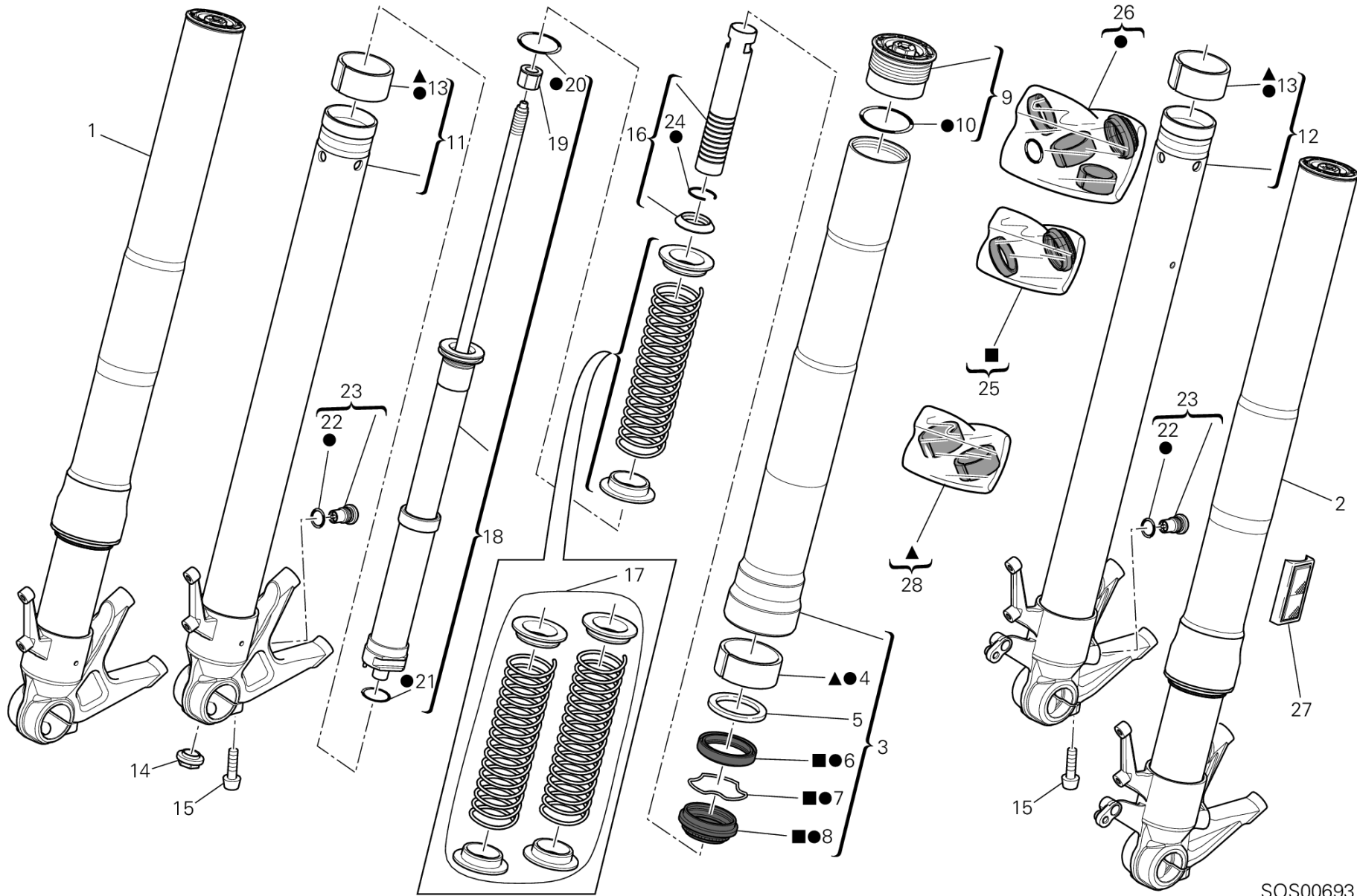
SCR00184

DRAWING 19A - EXHAUST SYSTEM (JAP) [MOD:1199 ABS;XST:JAP]

GROUP FRAME



POS.	CODE	DESCRIPTION	QTY	START DATE	END DATE	VALIDITY	NOTES
36	71614071A	SPACER 5.2X8.4X2	4	01/11/2012			
37	74840381A	NUT M5	3	01/11/2012			
38	46015393A	HEAT GUARD BOTTOM	1	01/11/2012			
39	460P6241AA	HEAT GUARD VERTICAL UPPER	1	23/01/2013			
40	85250291A	WASHER	2	01/11/2012			
41	74810361A	NUT	2	01/11/2012			
42	46015781AA	GUARD HORIZONTAL	1	01/11/2012			
43	79915651A	SPRING	2	01/11/2012			
44	46110012AA	HEAT GUARD REAR	1	01/11/2012			
45	77355068B	SCREW TCEIR M8X35	1	01/11/2012			
46	71314361A	COLLAR, SILENCER MOUNTING	1	01/11/2012			
47	76410011A	DAMPER	2	01/11/2012			
48	83017791AA	BRACKET, MUFFLER SUPPORT	1	01/03/2012			
49	77156438B	SCREW	2	01/03/2012			
50	74941128B	NUT M8	1	01/11/2012			
51	573P3392A	RIGHT SILENCER	1	01/11/2012			
52	57610791AA	BRACKET, RIGHT SILENCER	1	25/05/2012			
53	77110211A	SCREW	2	25/05/2012			
54	85240161A	WASHER 8.4X20X1.2	2	25/05/2012			
55	77210882B	SCREW TBEI M5X12	1	28/01/2013			
56	46016231AA	HEAT GUARD VERTICAL LOWER	1	28/01/2013			
57	71611071B	SPACER	1	28/01/2013			
58	71614102AA	SPACER	3	28/01/2013			
59	85640121A	WASHER	6	28/01/2013			
60	77244213B	SCREW	3	28/01/2013			
61	85213002A	WASHER	3				
62	76411821A	VIBRATION DAMPER PAD	3	06/11/2012			



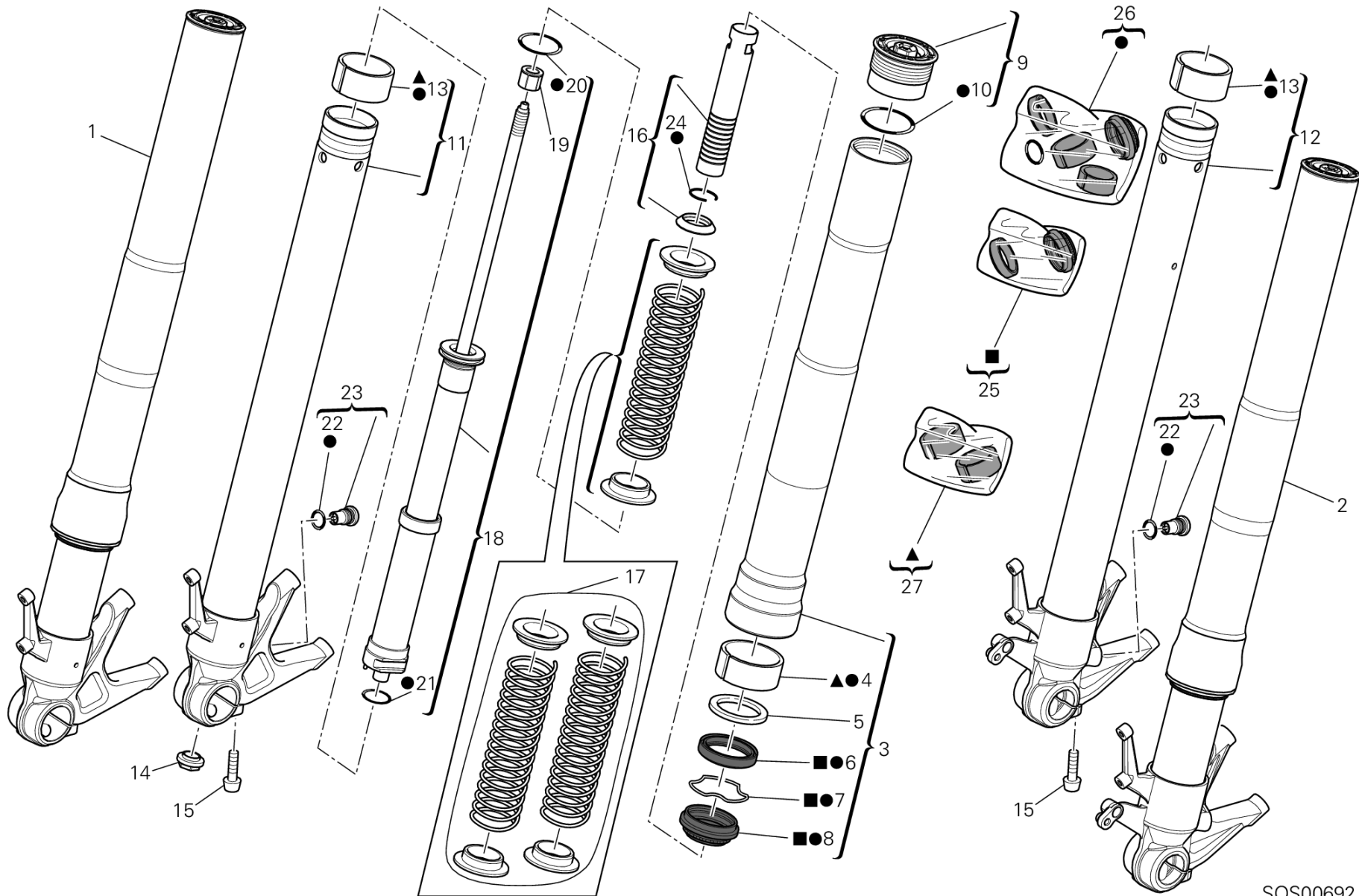
SOS00693

DRAWING 21A - FRONT FORK [MOD:1199 ABS;XST:CHN]

GROUP FRAME



POS.	CODE	DESCRIPTION	QTY	START DATE	END DATE	VALIDITY	NOTES
1	34420402D	RIGHT FORK LEG ASSY	1				
2	34520402D	LEFT FORK LEG ASSY	1				
3	34921191A	STANCHION TUBE	2				
4	34913251A	UPPER BUSHING	2				
5	34913721A	RETAINER	2				
6	34913221A	SEAL OIL, FORK	2				
7	34913161A	STOP RING	2				
8	34913731A	SCAPER RING	2				
9	34921201A	PLUG	2				
10	34913181A	O-RING 3193 2.62X48.89	2				
11	34921211A	FORK OUTER TUBE RH	1				
12	34921221A	FORK OUTER TUBE, LEFT	1				
13	34912151A	LOWER BUSH	2				
14	34913741A	NUT	2				
15	34913751A	SCREW	4				
16	34921231A	PRELOAD TUBE	2				
17	34921241A	SPRING KIT	2				
18	34921701A	PLUNGER ASSY	2				
19	34913761A	NUT	2				
20	46320200A	O RING	2				
21	34913771A	O-RING	2				
22	34913781A	O-RING	2				
23	34921261A	ADJUSTING SCREW UNIT	2				
24	34913791A	STOP RING	2				
25	34921271A	SEAL KIT	1				
26	34921291A	OVERHAUL KIT	1				
27	52910151A	REFLECTOR, ADHESIVE AMBER	2				
28	34921281A	REPAIR KIT	1				



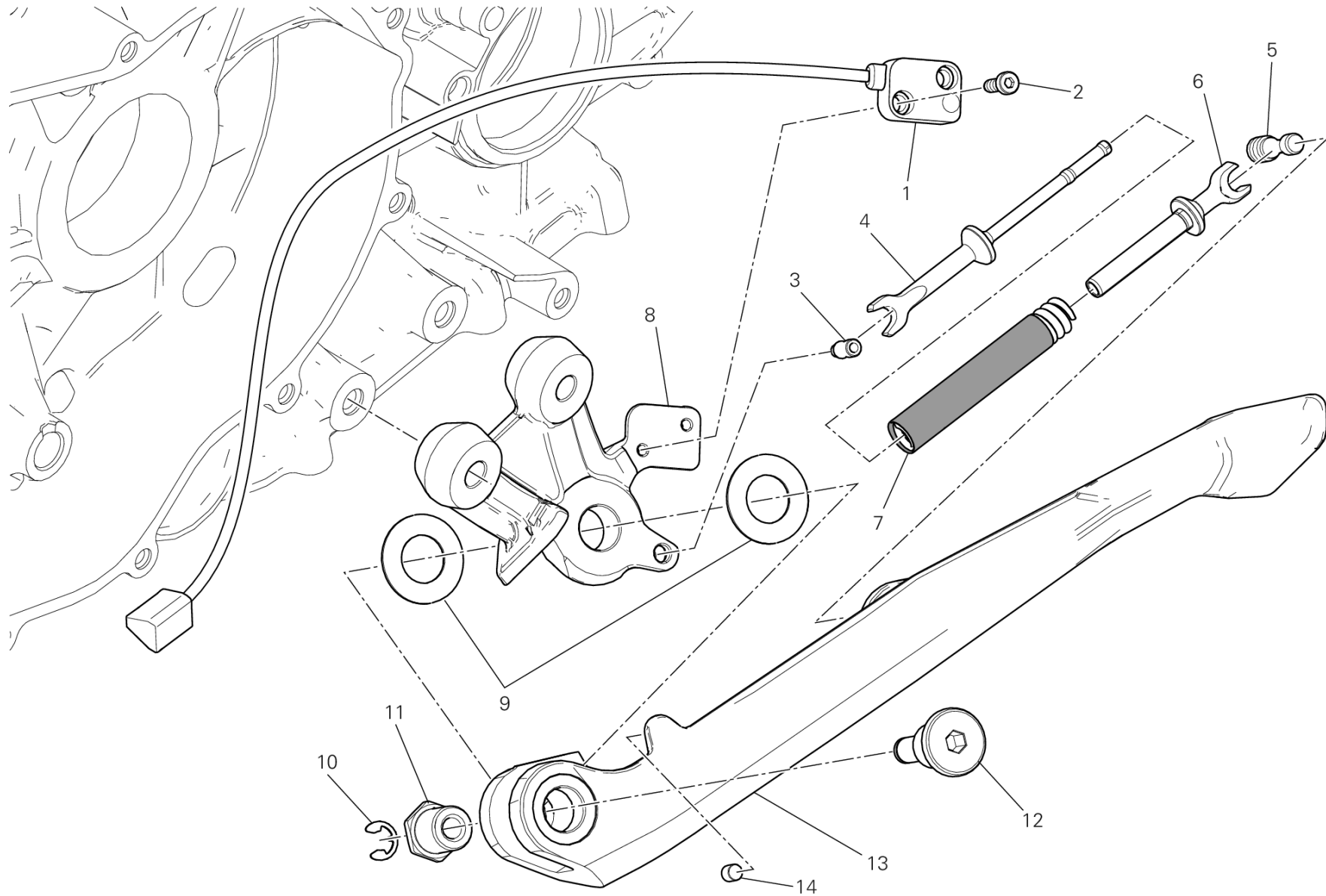
SOS00692

DRAWING 21A - FRONT FORK [MOD:1199 ABS;XST:AUS,EUR,FRA,JAP,THA]

GROUP FRAME



POS.	CODE	DESCRIPTION	QTY	START DATE	END DATE	VALIDITY	NOTES
1	34420402D	RIGHT FORK LEG ASSY	1				
2	34520402D	LEFT FORK LEG ASSY	1				
3	34921191A	STANCHION TUBE	2				
4	34913251A	UPPER BUSHING	2				
5	34913721A	RETAINER	2				
6	34913221A	SEAL OIL, FORK	2				
7	34913161A	STOP RING	2				
8	34913731A	SCAPER RING	2				
9	34921201A	PLUG	2				
10	34913181A	O-RING 3193 2.62X48.89	2				
11	34921211A	FORK OUTER TUBE RH	1				
12	34921221A	FORK OUTER TUBE, LEFT	1				
13	34912151A	LOWER BUSH	2				
14	34913741A	NUT	2				
15	34913751A	SCREW	4				
16	34921231A	PRELOAD TUBE	2				
17	34921241A	SPRING KIT	1				
18	34921701A	PLUNGER ASSY	2				
19	34913761A	NUT	2				
20	46320200A	O RING	2				
21	34913771A	O-RING	2				
22	34913781A	O-RING	2				
23	34921261A	ADJUSTING SCREW UNIT	2				
24	34913791A	STOP RING	2				
25	34921271A	SEAL KIT	1				
26	34921291A	OVERHAUL KIT	1				
27	34921281A	REPAIR KIT	1				



TEL00785



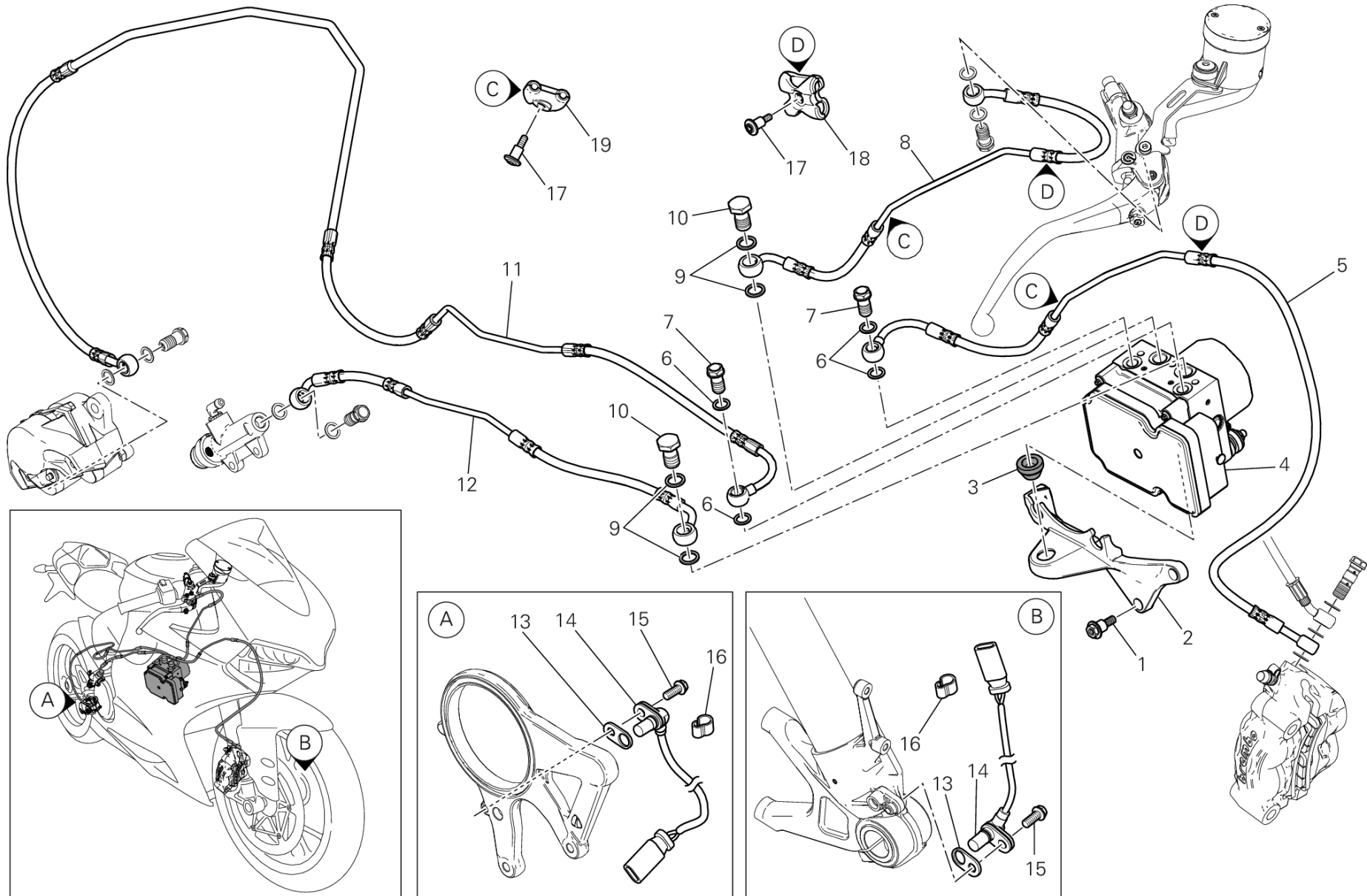
POS.	CODE	DESCRIPTION	QTY	START DATE	END DATE	VALIDITY	NOTES
1	53940601A	SWITCH, STAND	1				
2	77354623B	SCREW M4X10	2				
3	86050361AA	PIN	1				
4	11711252AA	ROD	1				
5	82113731AA	PIN	1				
6	71011611AA	BUSHING WITH CENTER ROD JOINT	1				
7	79925411AA	COMPLETE SPRING	1				
8	55610601BA	PLATE	1				
9	85210681B	SPACER,15X28X1	2				
10	88450031A	CIRCLIP E-TYPE	1				
11	71210471AA	BUSH	1				
12	82113711BA	LOCATING PIN	1				
13	55610612AA	SIDE STAND	1				
14	53940651A	MAGNETE	1				



DRAWING 24A - ANTILOCK BRAKING SYSTEM (ABS) [MOD:1199

ABS;XST:AUS,CHN,EUR,FRA,JAP,THA]

GROUP FRAME



DRAWING 24A - ANTILOCK BRAKING SYSTEM (ABS) [MOD:1199

ABS;XST:AUS,CHN,EUR,FRA,JAP,THA]

GROUP FRAME



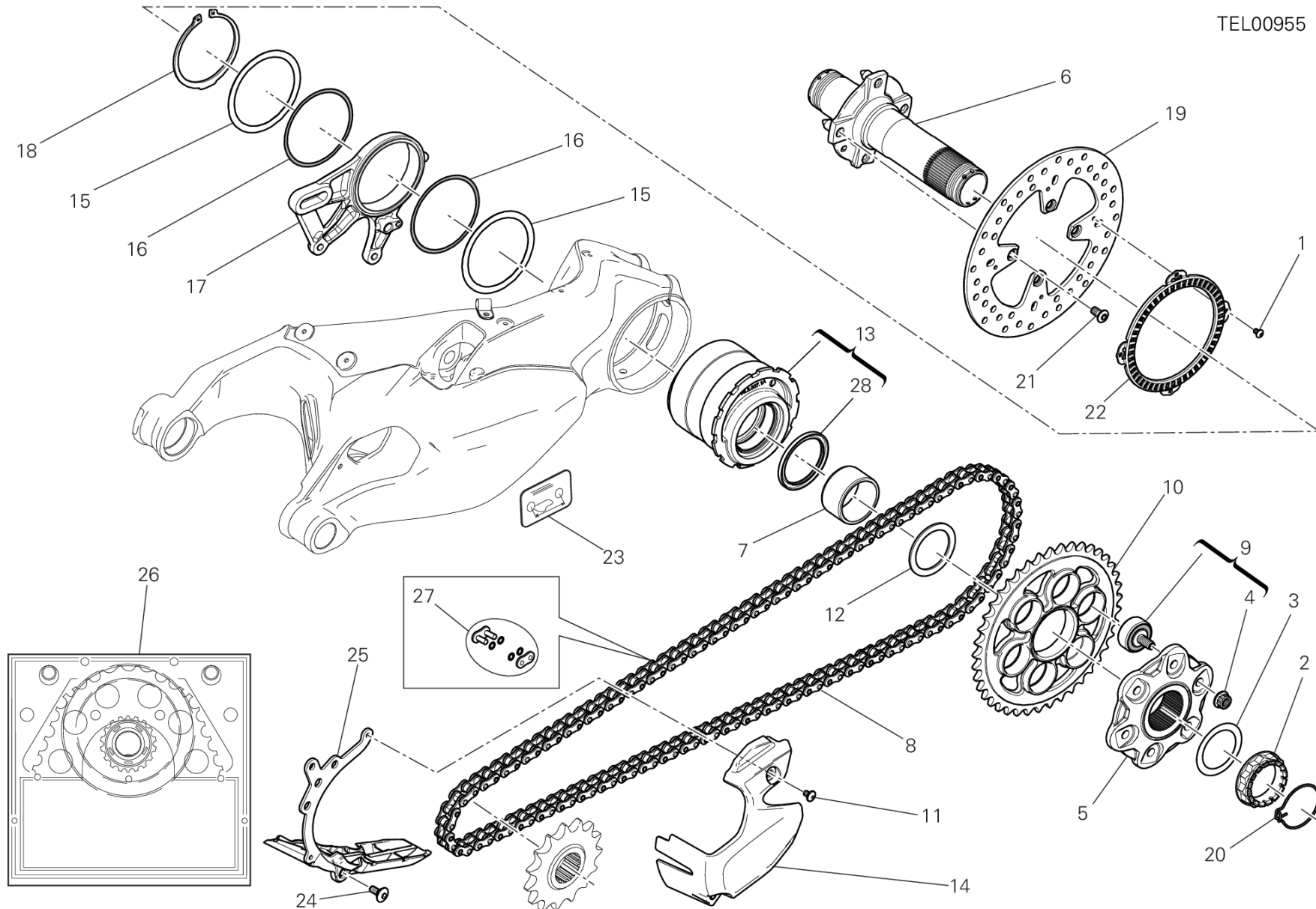
POS.	CODE	DESCRIPTION	QTY	START DATE	END DATE	VALIDITY	NOTES
1	77917291AA	SCREW, SPECIAL	3				
2	8291A743A	HOLDER ABS	1				
3	86640051A	RUBBER PAD	1				
4	54240363A	CONTROL UNIT ABS	1				
5	61841151C	CPU - FRONT CALIPERS LINE	1	14/03/2013			
6	85250241A	WASHER 10X14X1	4				
7	77913662AB	SCREW, SPECIAL	2				
8	61841141C	FRONT MASTER CYLINDER - CPU LINE	1				
9	85250261B	GASKET	4				
10	77913141B	SCREW, SPECIAL	2				
11	61940541B	CPU - REAR CALIPER LINE	1				
12	61940531B	REAR MASTER CYLINDER - CPU LINE	1				
13	71314901A	GASKET TH.02	4				
	71319201A	GASKET 0.5 MM	6				
14	55212111B	SENSOR, SPEED	2				
15	77210601A	SCREW TEF M6X16	2				
16	75840601A	FAIRLEAD	10				
17	77211271A	SCREW, SPECIAL M5X10	2				
18	75810722A	HOSE GUIDE ABS UPPER	1				
19	75810711A	HOSE GUIDE ABS BOTTOM	1				



DRAWING 26A - REAR WHEEL SPINDLE [MOD:1199 ABS;XST:AUS,CHN,EUR,FRA,JAP,THA]

GROUP FRAME

TEL00955



DRAWING 26A - REAR WHEEL SPINDLE [MOD:1199 ABS;XST:AUS,CHN,EUR,FRA,JAP,THA]



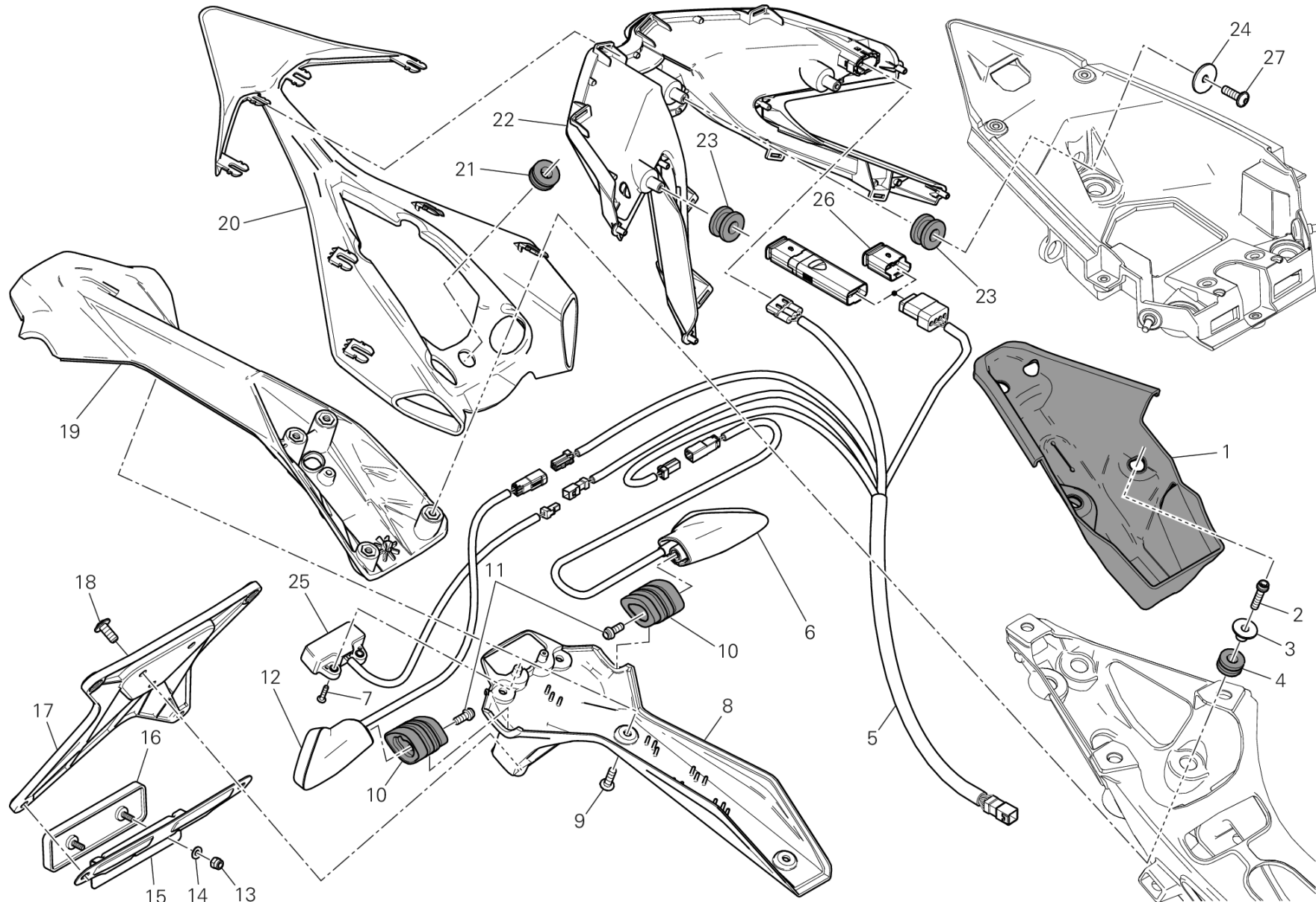
GROUP FRAME

POS.	CODE	DESCRIPTION	QTY	START DATE	END DATE	VALIDITY	NOTES
1	77510631A	SCREW TBEI M5X8	4				
2	75011391A	NUT	1				
3	85212211A	WASHER 48.5X65X0.5	1				
4	74810461A	NUT, FLANGE M10X1	6				
5	16014201A	REAR SPROCKET FLANGE	1				
6	81920021B	REAR WHEEL SPINDLE	1				
7	88110541A	INNER SPACER	1				
8	67640831A	CHAIN 103+1	1			MOD:1199 ABS;XST:AUS,CHN,EUR,FRA,JAP,THA	
9	70090563A	ABSORBER, HUB SHOCK	6				
10	49411501AA	REAR SPROCKET T39	1			MOD:1199 ABS;XST:AUS,CHN,EUR,FRA,JAP,THA	
11	77240243C	SCREW	2				
12	71410751A	SPACER	1				
13	75620131A	HUB	1				
14	46015061A	CHAIN COVER	1				
15	85212171A	WASHER 85.5X101X1	2				
16	88641241A	O-RING 89.5X3	2				
17	82510441A	CALIPER HOLDER PLATE ABS	1				
18	88440511A	CIRCLIP 85X3	1				
19	49210061A	REAR BRAKE DISC	1				
20	75910222A	CLIP	1				
21	77914881A	SCREW	4				
22	50410361AA	REAR PHONIC WHEEL	1				
23	43313751A	CHAIN ADJUSTMENT STICKER	1			MOD:1199 ABS;XST:AUS,CHN,EUR,FRA,THA	
	43313751B	CHAIN ADJUSTMENT STICKER	1			MOD:1199 ABS;XST:JAP	JAP
24	77140663C	SCREW TCEIF M6X18 10.9	1				
25	46015792B	MUDFLAP CHAIN	1	22/10/2012	02/05/2013		
26	67620811A	FINAL DRIVE KIT	1			MOD:1199 ABS;XST:AUS,CHN,EUR,FRA,JAP,THA	
27	67740141A	CHAIN LINK	1				
28	93010102A	DUST COVER	1				



DRAWING 27A - NUMBER PLATE HOLDER - TAIL LIGHT [MOD:1199 ABS;XST:CHN,EUR,FRA,JAP,THA]

GROUP FRAME



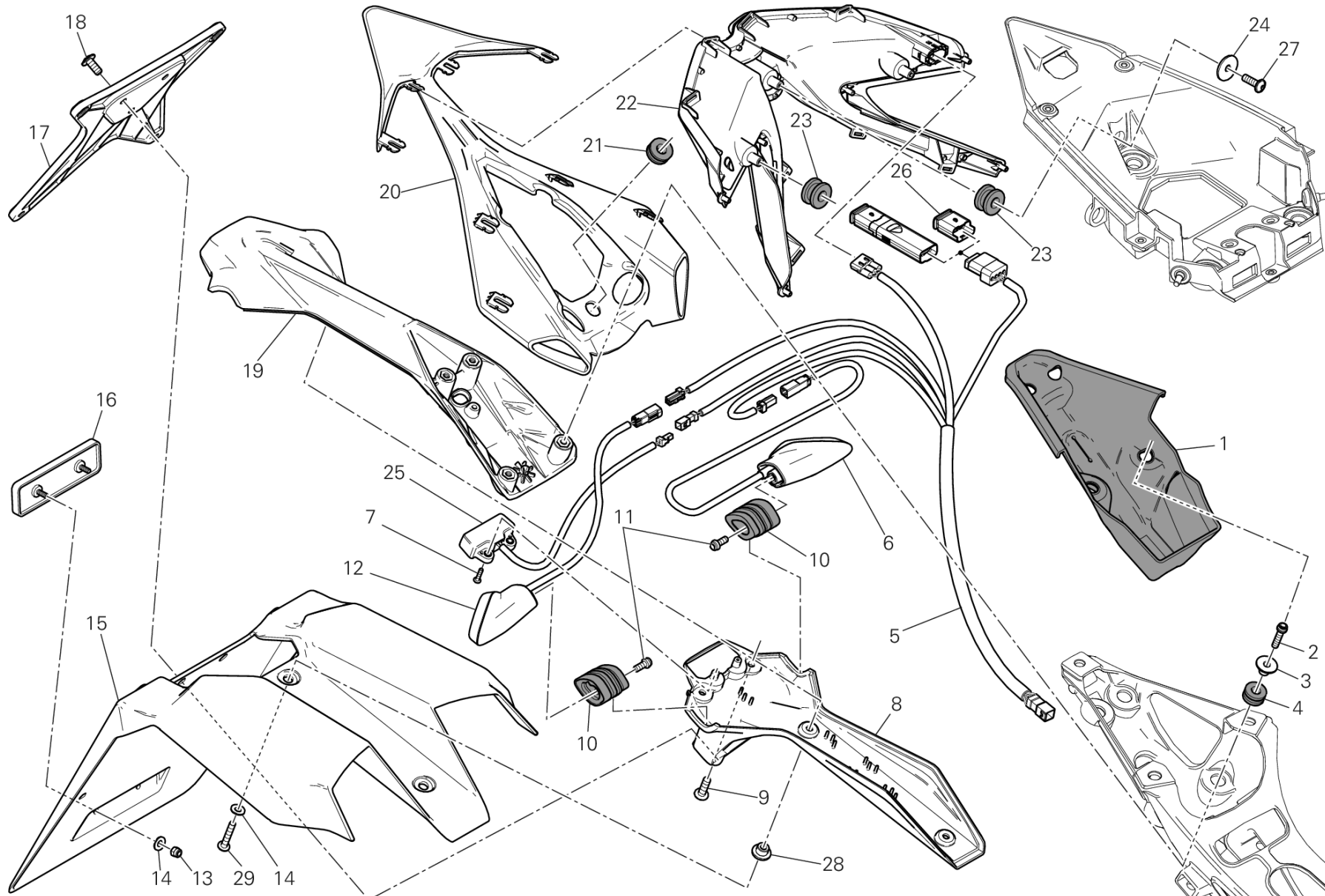
DRAWING 27A - NUMBER PLATE HOLDER - TAIL LIGHT [MOD:1199

ABS;XST:CHN,EUR,FRA,JAP,THA]

GROUP FRAME



POS.	CODE	DESCRIPTION	QTY	START DATE	END DATE	VALIDITY	NOTES
1	48311731A	RUBBER SECTION	1	01/02/2012			
2	77156443B	SCREW	4	01/02/2012			
3	71614102AA	SPACER	4	01/02/2012			
4	76411141A	VIBRATION DAMPER PAD	4	01/02/2012			
5	51017721A	REAR WIRING	1	01/02/2012		MOD:1199 ABS;XST:CHN,EUR,FRA,JAP,THA	
6	53010282A	FLASHER LIGHT FRONT RH- REAR LH	1	24/02/2012			
7	77440183C	SCREW	2	01/02/2012			
8	56113043A	NUMBER PLATE HOLDER BOTTOM	1	01/02/2012			
9	77440203C	SCREW	4	01/02/2012			
10	71314703A	SPACER	2	01/02/2012			
11	77156398B	SCREW TCEIF M5X12	2	01/02/2012			
12	53010292A	FLASHER LIGHT FRONT LH - REAR RH	1	24/02/2012			
13	74950011B	NUT, SPRING	2	22/09/2010			
14	85250011C	WASHER 4.3X9X0.8	2	22/09/2010			
15	82712981B	BRACKET, REFLECTOR	1	22/09/2010			
16	52910061B	CATADIOTTRO POSTERIORE OVALE	1	22/09/2010			
17	56110261A	NUMBER PLATE HOLDER	1	01/02/2012			
18	77240418C	SCREW	3	01/02/2012			
19	56113033A	NUMBER PLATE HOLDER UPPER	1	01/02/2012			
20	46014902A	COVER, LOWER	1	01/02/2012			
21	76410841B	RUBBER PAD	1	01/02/2012			
22	52510445C	TAILLIGHT	1	02/04/2012			
23	76411491A	RUBBER PAD	3	01/02/2012			
24	85213111AA	WASHER	1	01/02/2012			
25	52510432D	LAMP, LICENSE PLATE	1	01/02/2012			
26	87210532A	CAP DDA	1				
27	77440071A	SCREW, TAPPING M4.5X12	1	01/02/2012			



DRAWING 27B - NUMBER PLATE HOLDER - TAIL LIGHT - (AUS) [MOD:1199 ABS;XST:AUS]

GROUP FRAME

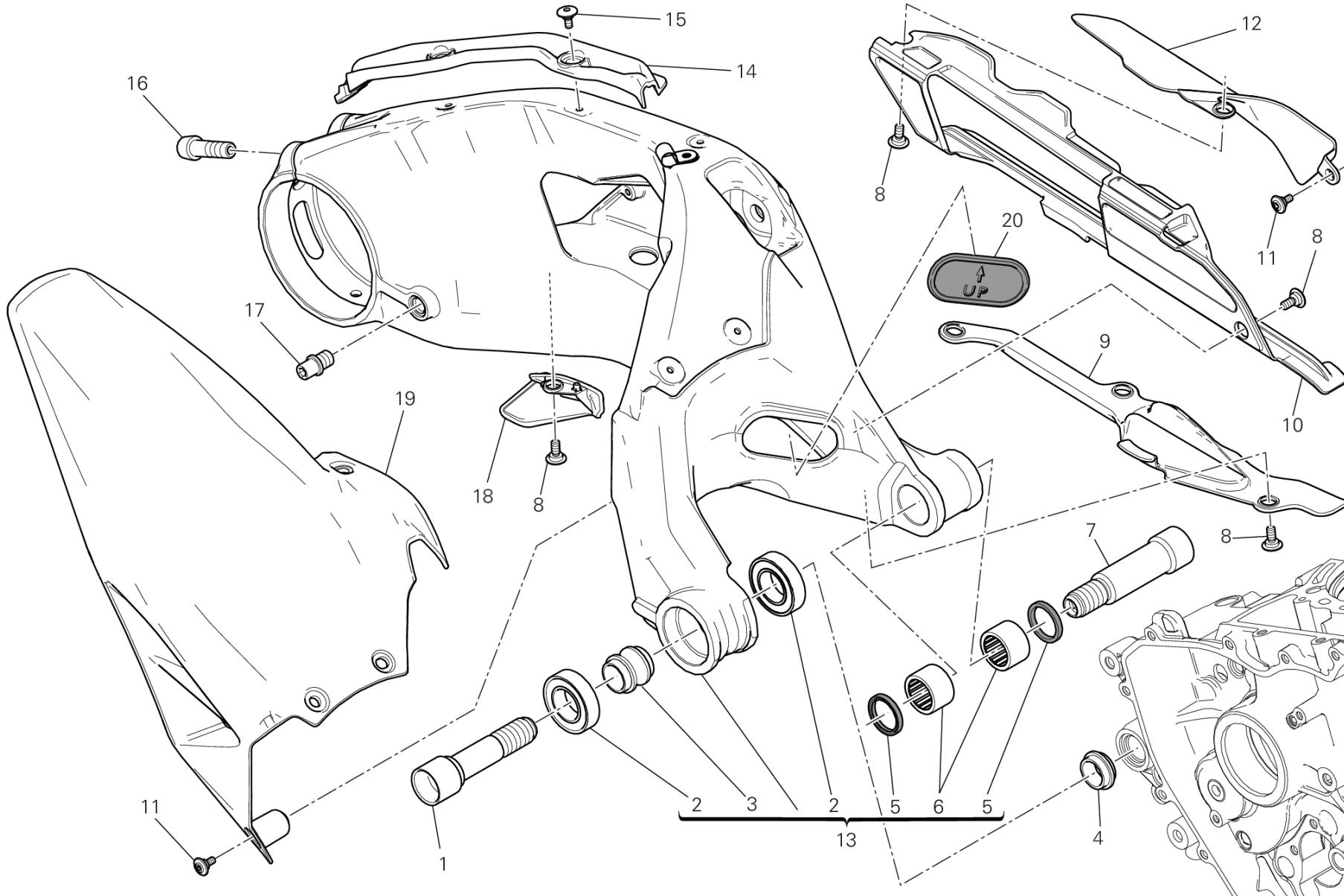


POS.	CODE	DESCRIPTION	QTY	START DATE	END DATE	VALIDITY	NOTES
1	48311731A	RUBBER SECTION	1				
2	77156443B	SCREW	4				
3	71614102AA	SPACER	4				
4	76411141A	VIBRATION DAMPER PAD	4				
5	51017721A	REAR WIRING	1			MOD:1199 ABS;XST:AUS	
6	53010282A	FLASHER LIGHT FRONT RH- REAR LH	1				
7	77440183C	SCREW	2				
8	56113043A	NUMBER PLATE HOLDER BOTTOM	1				
9	77440203C	SCREW	2				
10	71314703A	SPACER	2				
11	77156398B	SCREW TCEIF M5X12	2				
12	53010292A	FLASHER LIGHT FRONT LH - REAR RH	1				
13	74950011B	NUT, SPRING	2				
14	85240131A	WASHER 5.3X15X1	4				
15	46015771A	MUDFLAP	1				
16	52910061B	CATADIOTTRO POSTERIORE OVALE	1				
17	56110261A	NUMBER PLATE HOLDER	1				
18	77240423C	SCREW TBEIF M6X16 10.9	3				
19	56113033A	NUMBER PLATE HOLDER UPPER	1				
20	46014902A	COVER, LOWER	1				
21	76410841B	RUBBER PAD	1				
22	52510445C	TAILLIGHT	1				
23	76411491A	RUBBER PAD	3				
24	85213111AA	WASHER	1				
25	52510432D	LAMP, LICENSE PLATE	1				
26	87210532A	CAP DDA	1				
27	77440071A	SCREW, TAPPING M4.5X12	1				
28	71614421AA	SPACER	2				
29	77440121A	SCREW	2				



DRAWING 28A - REAR SWINGING ARM [MOD:1199 ABS;XST:AUS,CHN,EUR,FRA,JAP,THA]

GROUP FRAME



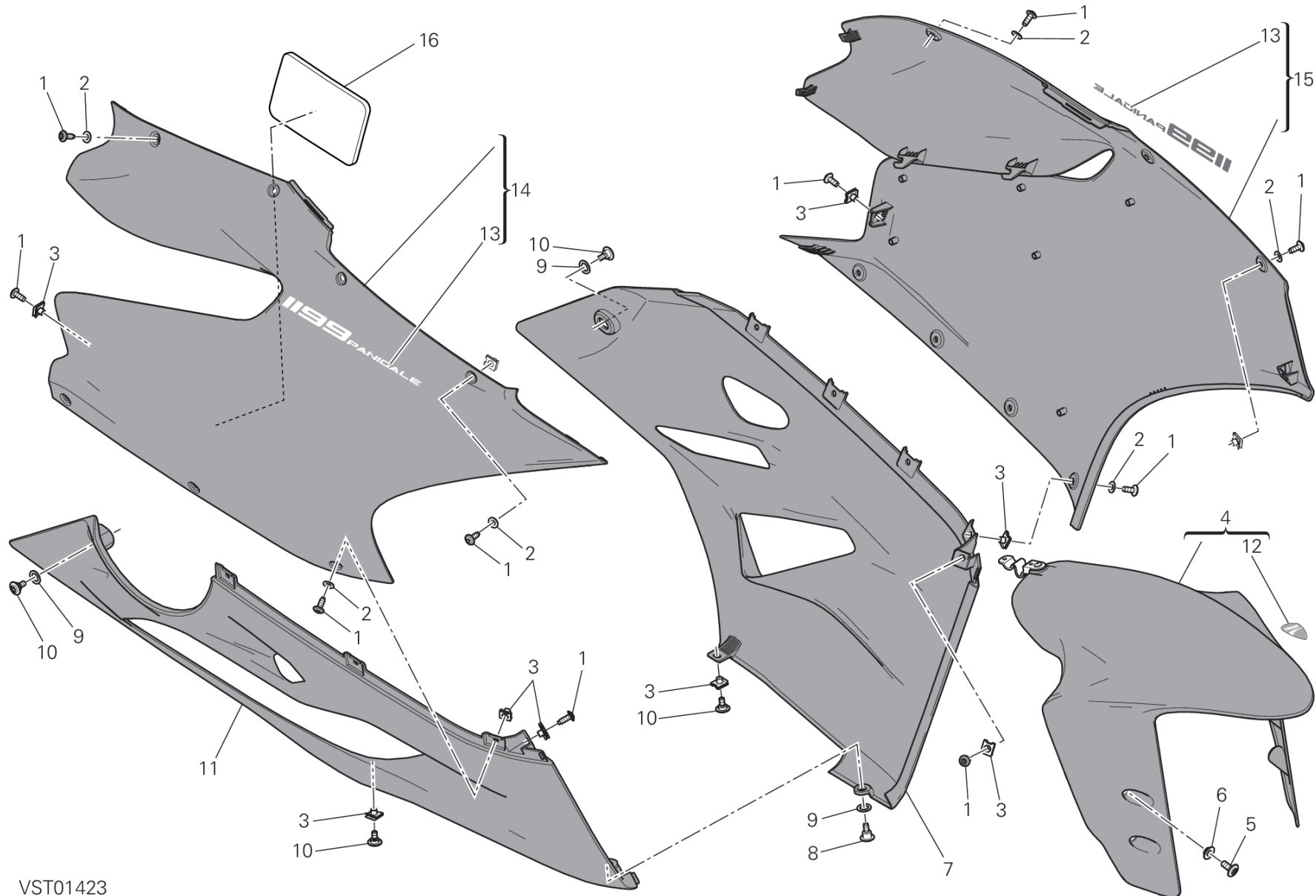
DRAWING 28A - REAR SWINGING ARM [MOD:1199

ABS;XST:AUS,CHN,EUR,FRA,JAP,THA]

GROUP FRAME



POS.	CODE	DESCRIPTION	QTY	START DATE	END DATE	VALIDITY	NOTES
1	36911291AA	SWINGARM PIVOT RH	1				
2	70250451A	BEARING	2				
3	71311871A	INNER SPACER	1				
4	71319452AA	RIGHT SPACER	1				
5	93050121A	SEAL RING	2				
6	70140171A	BEARING, NEEDLE	2				
7	36911301AA	SWINGARM PIVOT LH	1				
8	77914401B	SCREW TBEI M6X15	6				
9	44710901A	LOWER CHAIN SLIDING SHOE	1				
10	44710891A	UPPER CHAIN SLIDING SHOE	1				
11	77210852C	SCREW	5				
12	46015451A	MUDFLAP UPPER	1				
13	37021103BA	REAR SWINGING ARM	1				
14	83016641A	GUIDE	1				
15	77210841B	SCREW	3				
16	77915031A	SCREW TCEI M12X1.25X40	2				
17	83210031C	PIN	1				
18	46014981A	MUDFLAP BOTTOM	1				
19	56510582A	REAR MUDGUARD	1				
20	87210601A	CAP, SWINGARM COVER	1				



VST01423



POS.	CODE	DESCRIPTION	QTY	START DATE	END DATE	VALIDITY	NOTES
1	77211091C	SCREW	19				
2	85611401A	WASHER	15				
3	85040471A	QUICK FASTENING M5	17				
4	56420941AA	FRONT FENDER RED	1				
	56420941AW	FRONT MUDGUARD WHITE	1	29/03/2012			
5	77210893B	SCREW	4				
6	71614011B	SPACER	4				
7	48013333AA	LEFT LOWER FAIRING RED	1				
	48013333AW	FAIRING, LOWER LH WHITE	1	25/06/2012			
8	77210841B	SCREW	1				
9	85212181A	WASHER, NYLON 9X14X1	7				
10	77210853B	SCREW	4				
11	48013354AA	FAIRING, LOWER RH RED	1				
	48013354AW	FAIRING, LOWER RH WHITE	1	25/06/2012			
12	43814741A	EMBLEM DUCATI	1				
13	43818101A	DECAL 1199 PANIGALE FOR RED	2				
	43818101AT	DECAL 1199 PANIGALE (WHITE)	2	25/06/2012			
14	48013345AA	RIGHT UPPER HALF-FAIRING RED	1				
	48013345AW	FAIRING UPPER RH WHITE	1	25/06/2012			
15	48013325AA	LEFT UPPER HALF-FAIRING RED	1				
	48013325AW	FAIRING UPPER LH WHITE	1	25/06/2012			
16	86611661A	PAD	1	23/11/2012			



CODE	NO. TABLE	POS.	CODE	NO. TABLE	POS.	CODE	NO. TABLE	POS.	CODE	NO. TABLE	POS.
037072020	023	8	14824481B	13A	19	18010271D	002	2	24714361B	020	23
037072020	024	12	14824481B	13A	19	18010281D	002	6	24714371B	020	24
064770010	011	1	14824491C	013	19	18010291D	002	7	24723652A	002	9
069191030	18C	10	14824491C	013	19	18120051C	002	13	24723701C	011	6
11210711AA	006	9	14910871E	003	15	18220353C	002	5	24723712A	009	18
11210711AB	006	9	15021491E	003	1	18220381B	002	27	24723842A	009	3
11210711AC	006	9	15021492D	003	32	18410152AA	025	29	247P4022AA	033	34
11210711AD	006	9	15021504D	003	2	18710021A	023	3	247P4022AW	033	34
11210711AE	006	9	15021511D	003	34	19020232A	004	9	247P4072A	18A	20
11210711AF	006	9	15021542D	003	27	19410511A	004	4	25130081B	13A	21
11210771AA	10A	11	15310121A	021	13	19540061A	004	17	25130081B	13A	21
11210771AB	10A	11	15620881CA	006	6	19610531A	004	12	25220071A	009	6
11210771AC	10A	11	15620881CB	006	6	19610541A	004	11	25440012A	005	13
11210771AD	10A	11	15620881CC	006	6	19820401A	004	14	25440012A	05A	13
11210771AE	10A	11	16014151A	012	23	20810381A	014	15	26420161A	012	1
11711252AA	22A	4	16014201A	26A	5	20810381A	015	15	27040131B	012	7
11711261CA	016	18	16024272A	032	11	20910741A	014	19	27610602A	012	21
11711272AA	025	30	16024272A	032	11	20910741A	015	19	28040331A	017	3
11721332B	004	16	17021262A	006	3	20910751A	014	14	28240893A	017	10
12021984D	007	6	17111154A	013	14	20910751A	015	14	28620441A	001	5
12112551C	007	2	17111154A	013	14	21010811D	014	30	28642211A	18B	10
12112601B	007	1	17111154A	13A	14	21010811D	015	30	28642211C	18B	10
12120561B	007	3	17111154A	13A	14	21110802A	014	21	28642211E	18B	10
12221711EA	007	7	17112311A	008	4	21110802A	015	21	28642211F	18B	10
12221711EB	007	7	17120071A	006	13	22522606B	010	35	30123461D	014	4
12221711EC	007	7	17213172B	003	5	24221081CB	012	10	30123471D	015	4
13510361B	017	6	17213181D	003	10	24311274A	005	17	30124701A	013	33
13510371B	017	5	17213191D	003	13	24311274A	05A	17	30124701A	013	33
14010691A	013	2	17213201D	003	7	24321344A	005	2	30124701B	13A	35
14010691A	013	2	17213211D	003	19	24321344A	05A	2	30124701B	13A	35
14010691A	13A	2	17213221D	003	25	24713912A	008	2	30310671AA	014	11
14010691A	13A	2	17213231D	003	23	24713931B	13A	11	30310671AA	015	11
14621871CB	006	11	17213241D	003	22	24713931B	13A	11	30310671AB	014	11
14621873AC	006	11	17213251D	003	20	24713941B	013	11	30310671AB	015	11
14621874AA	006	11	17213261D	003	24	24713941B	013	11	30310671AC	014	11
14710903A	009	13	17320031A	012	25	24714041AA	016	1	30310671AC	015	11
14814361B	13A	18	17410501A	011	12	24714051BA	025	16	30310691A	014	36
14814361B	13A	18	17410511A	011	2	24714062A	033	27	30310691A	015	36
14814381A	013	18	17410601A	009	19	24714101A	013	28	30310691AA	014	36
14814381A	013	18	17410611A	009	25	24714101A	013	28	30310691AA	015	36
14823751C	13A	31	17420561A	009	17	24714101A	13A	28	30310691AB	014	36
14823751C	13A	36	17420571A	009	1	24714101A	13A	28	30310691AB	015	36
14823811C	013	31	17420581B	006	5	24714291A	030	26	30310691AC	014	36
14823811C	013	34	17610221A	012	27	24714332A	020	22	30310691AC	015	36



CODE	NO. TABLE	POS.	CODE	NO. TABLE	POS.	CODE	NO. TABLE	POS.	CODE	NO. TABLE	POS.
304A0921A	014	31	34921211A	21A	11	40610931D	020	1	46015281A	020	8
304A0921A	015	31	34921211A	21A	11	42610341B	022	6	46015331BA	019	22
304A0931A	014	22	34921221A	21A	12	42640041B	035	5	46015331BA	19A	22
304A0931A	015	22	34921221A	21A	12	42710171A	10A	13	46015341A	028	6
30710021A	013	23	34921231A	21A	16	43313751A	26A	23	46015351A	018	12
30710021A	013	23	34921231A	21A	16	43313751B	26A	23	46015393A	019	38
30710021A	13A	23	34921241A	21A	17	43814741A	34A	12	46015393A	19A	38
30710021A	13A	23	34921241A	21A	17	43818081A	033	35	46015451A	28A	12
34110881CA	021	23	34921261A	21A	23	43818081AT	033	35	46015482A	018	7
342P0681BA	021	7	34921261A	21A	23	43818091A	033	36	46015631B	18B	5
34420402D	21A	1	34921271A	21A	25	43818091AT	033	36	46015681A	18A	22
34420402D	21A	1	34921271A	21A	25	43818101A	34A	13	46015741A	019	39
34520402D	21A	2	34921281A	21A	27	43818101AT	34A	13	46015741A	19A	29
34520402D	21A	2	34921281A	21A	28	43818111A	034	22	46015771A	27B	15
34912151A	21A	13	34921291A	21A	26	43818111AT	034	22	46015781AA	019	42
34912151A	21A	13	34921291A	21A	26	43818151A	032	15	46015781AA	19A	42
34913161A	21A	7	34921701A	21A	18	43818151A	032	15	46015792B	26A	25
34913161A	21A	7	34921701A	21A	18	43818151B	032	15	46016231AA	019	44
34913181A	21A	10	36011571AA	021	25	43818151B	032	15	46016231AA	19A	56
34913181A	21A	10	36011581AA	021	19	44212342B	029	8	46016251A	005	29
34913221A	21A	6	36011591AA	021	17	44440291C	009	5	46016361A	13A	38
34913221A	21A	6	36140161A	021	32	44710891A	28A	10	46016361A	13A	38
34913251A	21A	4	36420101A	021	29	44710901A	28A	9	46016371A	13A	39
34913251A	21A	4	36521022A	028	4	44740021B	008	10	46016371A	13A	39
34913721A	21A	5	36911291AA	28A	1	44740051A	008	6	460P6241AA	019	29
34913721A	21A	5	36911301AA	28A	7	44910611A	003	30	460P6241AA	19A	39
34913731A	21A	8	37021103BA	28A	13	45140013A	008	5	46110012AA	19A	44
34913731A	21A	8	37211161BA	028	20	45520172A	002	23	46240461A	020	3
34913741A	21A	14	37211171BA	028	19	45612092BA	016	13	46320200A	21A	20
34913741A	21A	14	38040221B	018	16	45612101AA	016	23	46320200A	21A	20
34913751A	21A	15	38040221B	18B	19	45720552AA	025	34	46410801AA	016	4
34913751A	21A	15	38510162A	027	21	46014902A	27A	20	46410801AA	027	10
34913761A	21A	19	38510201B	022	14	46014902A	27B	20	46410811AA	025	23
34913761A	21A	19	38710041A	032	17	46014941C	034	18	46410811AA	027	11
34913771A	21A	21	38710041A	032	17	46014951C	034	17	47012051CA	022	2
34913771A	21A	21	38940191A	18C	8	46014961C	034	20	47110252BA	027	14
34913771A	21A	21	38940201A	18C	8	46014971B	021	2	48013325AA	34A	15
34913781A	21A	22	38940211A	18C	8	46014981A	28A	18	48013325AW	34A	15
34913791A	21A	24	38940221A	18C	8	46015011B	027	25	48013333AA	34A	7
34913791A	21A	24	38940241A	18C	8	46015022A	027	29	48013333AW	34A	7
34921191A	21A	3	38940251A	18A	12	46015052A	18A	3	48013345AA	34A	14
34921191A	21A	3	39040201A	020	21	46015061A	26A	14	48013345AW	34A	14
34921201A	21A	9	39520311A	18A	4	46015262A	019	6	48013354AA	34A	11
34921201A	21A	9	39740071A	18A	13	46015262A	19A	6	48013354AW	34A	11



CODE	NO. TABLE	POS.	CODE	NO. TABLE	POS.	CODE	NO. TABLE	POS.	CODE	NO. TABLE	POS.
48120742AA	034	3	490P0248A	A1	24	49240901A	026	5	55212092A	19A	24
48120742AW	034	3	490P0248A	K1	1	49411501AA	26A	10	55212111B	24A	14
48211661AA	033	9	490P0272A	A1	5	49720031A	026	16	55212881D	016	20
48211661AW	033	9	490P0272A	D1	1	49720041A	026	3	55241321C	012	17
48211671AA	033	17	490P0297A	A1	27	50121541A	026	10	55241571A	018	10
48211671AW	033	17	490P0297A	N	1	50211482AB	026	7	55241581A	020	6
48311711B	033	28	490P0298A	A1	28	50410051A	026	20	55241612C	002	1
48311722AA	033	21	490P0298A	N	2	50410361AA	26A	22	55242631A	031	22
48311722AW	033	21	490P0324A	A1	3	51017721A	27A	5	55320122A	031	19
48311731A	27A	1	490P0324A	O	1	51017721A	27B	5	55610601BA	22A	8
48311731A	27B	1	49140911A	A1	2	51017731C	017	15	55610612AA	22A	13
48410992B	030	2	49140911A	B1	2	51017881A	18C	1	56110261A	27A	17
48411002A	034	13	49141641A	A1	8	51310261A	18A	15	56110261A	27B	17
48411011A	033	23	49141641A	F	2	51410671A	18A	7	56113033A	27A	19
48411021A	033	32	491P0015A	A1	12	51410681A	18A	11	56113033A	27B	19
48411043A	030	4	491P0015A	G1	4	51640013AB	021	31	56113043A	27A	8
48411053A	030	5	491P0016A	A1	13	52010252A	020	19	56113043A	27B	8
48411091A	020	10	491P0016A	G1	5	523S0281A	034	7	56420941AA	34A	4
48610851A	005	24	491P0017A	A1	14	523S0291A	034	2	56420941AW	34A	4
48610851A	05A	24	491P0017A	G1	6	52510432D	27A	25	56510582A	28A	19
48610912A	05A	27	491P0018A	A1	15	52510432D	27B	25	57013062C	019	20
48710563A	034	1	491P0018A	G1	7	52510445C	27A	22	57013062C	19A	20
49040711A	A1	1	491P0041A	A1	20	52510445C	27B	22	57013073A	019	17
49040711A	B1	1	491P0041A	J1	3	52910061B	27A	16	57013073A	19A	17
49041071A	A1	25	491P0042A	A1	21	52910061B	27B	16	570P3152B	019	16
49041071A	M	1	491P0042A	J1	4	52910151A	21A	27	570P3152B	19A	16
49041081A	A1	7	491P0043A	A1	22	53010282A	27A	6	57112992C	019	26
49041081A	F	1	491P0043A	J1	5	53010282A	27B	6	57112992C	19A	26
490P0002A	A1	9	491P0073A	A1	6	53010292A	27A	12	57113002C	019	25
490P0002A	G1	1	491P0073A	D1	2	53010292A	27B	12	57113002C	19A	25
490P0003A	A1	10	491P0339A	A1	29	53940031A	025	17	573P3392A	19A	51
490P0003A	G1	2	491P0339A	N	3	53940302A	005	14	57413246B	019	13
490P0004A	A1	11	491P0340A	A1	30	53940302A	05A	14	57413301A	19A	13
490P0004A	G1	3	491P0340A	N	4	53940351A	024	5	57610791AA	19A	52
490P0019A	A1	16	491P0341A	A1	31	53940361A	023	22	58540081A	025	4
490P0019A	H1	1	491P0341A	N	5	53940601A	22A	1	58540181A	024	15
490P0022A	A1	17	491P0342A	A1	32	53940651A	22A	14	58540321A	023	12
490P0022A	I1	1	491P0342A	N	6	54040301B	018	3	58611923AA	032	3
490P0029A	A1	18	491P0347A	A1	26	54140101A	18C	9	58611923AA	032	3
490P0029A	J1	1	491P0347A	M	2	54240363A	24A	4	58611923AW	032	3
490P0030A	A1	19	491P0389A	A1	4	54710022B	011	9	58611923AW	032	3
490P0030A	J1	2	491P0389A	O	2	54840962B	030	22	59013861A	029	7
490P0044A	A1	23	49210061A	26A	19	54840972B	030	10	59013901A	032	1
490P0044A	K1	2	49240891A	026	12	55212092A	019	24	59013911B	030	7



CODE	NO. TABLE	POS.	CODE	NO. TABLE	POS.	CODE	NO. TABLE	POS.	CODE	NO. TABLE	POS.
59013911B	032	4	62640571A	024	24	70140371A	009	15	71319421A	028	11
59013941A	018	11	63040603B	023	1	70240131A	010	7	71319442A	004	19
59013951A	018	21	63140081A	023	21	70240181B	012	24	71319452AA	28A	4
59023512A	017	1	63140081A	024	6	70240251B	010	11	71319471AA	033	3
59023532A	017	12	63140161A	025	2	70241091A	010	12	71319522AA	028	12
59340393A	019	3	63140281A	023	19	70241191A	028	16	71319971AA	028	10
59340393A	19A	3	63140281A	024	19	70241231A	021	10	71320021B	003	29
59511281B	033	26	63140491A	024	2	70250411A	010	17	71410751A	26A	12
59521081B	033	1	63140631A	023	2	70250451A	026	8	71413231AA	026	15
59521091A	033	33	63210611A	023	6	70250451A	28A	2	71413261AA	026	17
59820611A	033	15	65010092I	021	27	70250601A	004	10	71413271AA	026	2
59821041A	032	20	65110161A	021	11	70310593A	006	4	71413281AA	026	9
59821051A	032	4	65540081A	029	14	70310601BA	021	24	71611061A	18A	16
59821301A	032	4	66020011B	021	12	70450051A	009	24	71611071B	019	49
59840291A	032	16	66810491A	014	32	70450091A	009	23	71611071B	19A	57
59840291A	032	19	66810491A	015	32	70450091A	011	8	71611441A	13A	43
59840321A	032	18	66910011E	014	9	71011611AA	22A	6	71611441A	13A	43
59840321A	032	18	66910011E	015	9	71011642AA	028	8	71611441B	028	5
59940011A	033	19	67040451A	018	14	71110932A	10A	14	71611491A	033	8
61041371A	024	9	67040451A	18B	16	71113171A	005	5	71611571C	002	17
61041381A	024	26	67110511C	018	15	71113171A	012	9	71611581C	002	15
61041991A	023	24	67110511C	18B	17	71113171A	05A	5	71614011B	34A	6
61140411A	025	13	67620811A	26A	26	71113181A	010	15	71614071A	005	23
61240052A	023	4	67640831A	26A	8	71113221A	011	4	71614071A	019	36
61240052A	024	21	67740141A	26A	27	71113631A	002	4	71614071A	05A	23
61240081A	025	1	68010171A	006	12	71210341A	016	9	71614071A	18A	9
61240161A	025	3	69610121A	027	9	71210341A	025	33	71614071A	18B	2
61240201A	024	22	69720283A	027	1	71210471AA	22A	11	71614071A	19A	36
61240371A	024	27	69926431A	032	2	71240231A	002	12	71614102AA	019	47
61240391A	023	23	69926431A	032	21	71240231A	010	14	71614102AA	19A	58
61240391A	024	30	69926441A	032	1	71311871A	28A	3	71614102AA	27A	3
61340381A	025	26	69926441A	032	22	71313091A	004	13	71614102AA	27B	3
61340961A	024	8	70010431A	020	2	71313641A	024	20	71614331AA	030	14
61610021A	032	2	70010701A	027	20	71314361A	19A	46	71614342AA	018	18
61810361A	024	29	70010711A	18B	12	71314703A	27A	10	71614342AA	031	2
61841141C	24A	8	70010751A	035	4	71314703A	27B	10	71614342AA	18B	7
61841151C	24A	5	70090563A	26A	9	71314831A	004	15	71614351AA	032	6
61940531B	24A	12	70140171A	28A	6	71314901A	24A	13	71614351AA	032	6
61940541B	24A	11	70140301C	008	11	71319201A	24A	13	71614381AA	020	17
62440761B	024	1	70140311A	003	8	71319271A	014	12	71614391AA	019	8
62540311C	025	8	70140321A	003	14	71319271A	015	12	71614391AA	19A	8
62640561A	023	20	70140331A	003	18	71319281A	014	28	71614421AA	27B	28
62640561A	024	7	70140351A	012	22	71319281A	015	28	71614431AA	031	4
62640571A	023	18	70140361A	011	3	71319291A	008	12	71614431AA	18C	4



CODE	NO. TABLE	POS.	CODE	NO. TABLE	POS.	CODE	NO. TABLE	POS.	CODE	NO. TABLE	POS.
71615111AA	031	25	74810791A	013	25	76410901A	025	19	76610841A	013	26
72010513C	026	4	74810791A	13A	25	76410901A	031	3	76610841A	013	26
73210331B	019	35	74810791A	13A	25	76410901A	18A	2	76610841A	13A	26
73210331B	19A	35	74840381A	019	37	76410901A	18B	6	76610841A	13A	26
73503380A	010	16	74840381A	020	4	76410901A	18C	5	77110211A	19A	53
735034405	010	8	74840381A	18A	8	76411141A	034	14	77110471A	004	6
73840011A	008	9	74840381A	19A	37	76411141A	27A	4	77110518B	012	3
74110551A	030	30	74840481A	10A	4	76411141A	27B	4	77112331A	013	1
74140381A	18C	2	74940041A	018	5	76411301A	019	5	77112331A	013	1
74140431A	023	14	74940141A	028	21	76411301A	19A	5	77112331A	13A	1
74140431A	024	16	74941108B	023	13	76411361A	020	15	77112331A	13A	1
74140431A	025	6	74941108B	024	18	76411411B	018	8	77116648B	019	14
74140431A	030	19	74941118B	033	24	76411411B	030	9	77116648B	19A	14
74140431A	031	10	74941128B	19A	50	76411411B	18A	1	77140663C	26A	24
74140431A	032	16	74950011B	27A	13	76411411B	18B	21	77150628B	014	16
74140431A	035	6	74950011B	27B	13	76411472A	027	15	77150628B	015	16
74140581A	035	9	75010071A	004	7	76411481A	019	9	77150668B	017	11
74140631A	029	6	75010281A	034	6	76411481A	19A	9	77150678B	009	22
74140651A	035	12	75011391A	026	13	76411491A	030	15	77151598C	028	1
74141671A	027	27	75011391A	26A	2	76411491A	27A	23	77154337C	003	3
74141671A	029	10	75011491AB	034	21	76411491A	27B	23	77156398B	016	2
74141711A	018	20	75011551A	033	16	76411501A	030	17	77156398B	27A	11
74141851A	030	28	75011742AA	05A	12	76411511A	034	12	77156398B	27B	11
74141861A	031	13	75011742AA	18B	4	76411521A	032	7	77156408B	017	2
74141881A	031	18	75011841AA	005	12	76411521A	032	7	77156408B	025	14
74142141A	029	1	75610142AA	022	1	76411541A	030	31	77156408B	030	23
74142231A	031	16	75620131A	26A	13	76411621A	029	15	77156418B	032	14
74142251A	029	11	75810701B	005	22	76411641A	020	14	77156418B	032	14
742240570	006	8	75810701B	05A	22	76411671A	13A	42	77156438B	19A	49
74710151A	010	29	75810711A	24A	19	76411671A	13A	42	77156443B	018	17
74750031A	021	6	75810722A	24A	18	76411821A	019	50	77156443B	030	13
74750031A	025	28	75840601A	24A	16	76411821A	19A	62	77156443B	031	1
74750101A	016	17	75910222A	026	19	76440561A	018	6	77156443B	18B	8
74810241A	019	11	75910222A	26A	20	76440561A	033	22	77156443B	27A	2
74810241A	19A	11	76410011A	19A	47	76440561A	18B	3	77156443B	27B	2
74810351B	017	9	76410112A	016	19	76440581A	005	21	77156448B	025	15
74810351B	027	19	76410741A	018	22	76440581A	05A	21	77156628B	18A	5
74810361A	019	41	76410841B	018	13	76610781A	010	6	77156658B	022	10
74810361A	19A	41	76410841B	27A	21	76610801A	010	25	77156658B	025	9
74810461A	022	4	76410841B	27B	21	76610811A	10A	6	77156658B	027	8
74810461A	10A	1	76410871A	014	10	76610821A	013	6	77156678B	016	21
74810461A	26A	4	76410871A	015	10	76610821A	013	6	77156678B	021	28
74810651A	026	1	76410901A	018	19	76610821A	13A	6	77156688B	018	9
74810791A	013	25	76410901A	020	20	76610821A	13A	6	77156688B	021	4



CODE	NO. TABLE	POS.	CODE	NO. TABLE	POS.	CODE	NO. TABLE	POS.	CODE	NO. TABLE	POS.
77156728B	032	5	77211271A	24A	17	77253317C	008	1	77550200C	005	26
77156728B	032	5	77211341A	021	8	77253317C	009	2	77550200C	05A	26
77157238B	016	10	77211361AA	028	18	77253317C	011	11	77910921A	023	7
77157238B	025	12	77240243C	005	27	77253337C	005	1	77910921A	024	13
77157238B	027	13	77240243C	05A	30	77253337C	009	9	77912371B	025	31
77157238B	028	3	77240243C	26A	11	77253337C	012	16	77912981A	021	5
77157248B	021	21	77240253C	020	9	77253337C	05A	1	77913091AB	024	28
77157258B	021	22	77240253C	19A	30	77253357C	005	4	77913141B	24A	10
77157278B	019	7	77240258C	18B	13	77253357C	012	11	77913311D	024	25
77157278B	027	7	77240263C	020	11	77253357C	05A	4	77913541A	013	15
77157278B	19A	7	77240288C	034	9	77253367C	013	5	77913541A	013	15
77157288B	016	24	77240323C	029	13	77253367C	013	5	77913541A	13A	15
77157618B	028	13	77240393C	033	29	77253367C	13A	5	77913541A	13A	15
77210461B	18A	24	77240398C	010	36	77253367C	13A	5	77913662AB	24A	7
77210601A	24A	15	77240408C	022	11	77253387C	10A	7	77913971A	023	5
77210621A	013	27	77240418C	27A	18	77253447C	10A	9	77914151A	024	23
77210621A	013	27	77240423C	27B	18	77350403B	033	7	77914211A	014	7
77210621A	13A	27	77240483C	027	18	77350618B	013	31	77914211A	015	7
77210621A	13A	27	77244173B	028	7	77350618B	13A	31	77914401B	28A	8
77210623B	031	8	77244203B	031	26	77350623B	023	10	77914881A	26A	21
77210841B	28A	15	77244203B	032	10	77350623B	024	10	77915031A	28A	16
77210841B	34A	8	77244203B	032	10	77354623B	22A	2	77915041A	028	15
77210852C	019	2	77244213B	019	30	77354888B	021	20	77915471A	006	10
77210852C	035	3	77244213B	19A	60	77355038B	002	8	77916192C	006	7
77210852C	19A	2	77250728B	019	19	77355068B	19A	45	77916241A	002	22
77210852C	28A	11	77250728B	19A	19	77440071A	27A	27	77916441A	013	10
77210853B	18B	1	77250788B	020	18	77440071A	27B	27	77916441A	013	10
77210853B	34A	10	77251018B	019	32	77440101A	020	25	77916441A	13A	10
77210861B	033	2	77251018B	020	16	77440111A	029	9	77916441A	13A	10
77210882B	019	45	77251018B	19A	32	77440121A	27B	29	77916551C	006	1
77210882B	031	5	77251023C	18A	14	77440183C	27A	7	77916662B	012	5
77210882B	18C	3	77251038B	018	4	77440183C	27B	7	77916763AA	027	23
77210882B	19A	55	77251038B	18B	18	77440203C	019	1	77916773AA	027	24
77210893B	34A	5	77251387C	10A	8	77440203C	030	12	77916783AA	027	16
77211091C	030	25	77253063C	13A	37	77440203C	18A	23	77916792AA	033	30
77211091C	033	13	77253063C	13A	44	77440203C	19A	1	77916811AA	022	13
77211091C	034	19	77253290Z	013	12	77440203C	27A	9	77916821BA	020	12
77211091C	34A	1	77253290Z	013	12	77440203C	27B	9	77916951AA	034	11
77211131A	18A	21	77253290Z	13A	12	77510041A	020	5	77916971B	013	21
77211201A	004	3	77253290Z	13A	12	77510071AB	034	4	77916971B	013	21
77211251B	021	1	77253297C	011	10	77510161A	027	28	77916991A	10A	12
77211251B	13A	40	77253300ZF	012	2	77510311B	010	1	77917161B	005	3
77211251B	13A	40	77253307C	012	19	77510631A	26A	1	77917161B	009	11
77211271A	024	32	77253317C	002	10	77550131A	016	15	77917161B	012	6



CODE	NO. TABLE	POS.	CODE	NO. TABLE	POS.	CODE	NO. TABLE	POS.	CODE	NO. TABLE	POS.
77917161B	05A	3	78811231A	034	10	80012111A	031	6	82113832A	013	20
77917231A	014	35	78811281A	034	23	80012121A	030	21	82113832A	13A	20
77917231A	015	35	78811291A	034	24	80012131A	031	7	82113832A	13A	20
77917291AA	035	14	79010231B	019	21	81140012B	013	29	82114041A	014	23
77917291AA	24A	1	79010231B	19A	21	81140012B	013	29	82114041A	015	23
77917392AA	021	30	79010251A	019	12	81140012B	13A	29	82114211AA	032	9
77917951AA	005	28	79010251A	19A	12	81140012B	13A	29	82114211AA	032	9
77917951AA	05A	29	79110831A	030	20	81411831A	035	8	82123692A	008	8
77917961AA	05A	28	79120531B	007	5	81413341A	013	4	82411871BA	025	21
77918341A	13A	36	79710531B	004	1	81413341A	013	4	82411881BA	027	5
77918341A	13A	37	79910241A	027	3	81413341A	13A	4	82411892BA	027	12
77927171A	010	28	79911661A	016	5	81413341A	13A	4	82412251AA	027	12
77942571A	030	32	79911661A	025	24	81413421B	010	23	82421862AA	016	11
78010511C	012	14	79912632A	019	23	81413531A	13A	34	82510441A	26A	17
78010511C	014	24	79912632A	19A	23	81413531A	13A	34	82712981B	27A	15
78010511C	015	24	79915101C	002	25	81415081AA	031	12	82716012A	005	25
78010511C	10A	16	79915131C	002	20	81420081A	031	27	82716012A	05A	25
78010771A	010	33	79915141C	002	16	81440681A	032	8	82716021A	014	34
78010801A	010	26	79915201A	014	33	81440681A	032	8	82716021A	015	34
78010841A	012	13	79915201A	015	33	81510371A	029	5	82716091A	012	8
78010861A	010	19	79915211A	014	29	81810162A	004	5	82716141A	033	18
78010871A	010	9	79915211A	015	29	81910691A	026	11	82716351A	013	30
78020011A	019	18	79915221A	014	20	81920021B	26A	6	82716351A	013	30
78020011A	19A	18	79915221A	015	20	82010141A	010	4	82716351A	13A	30
78110121AA	005	19	79915231A	014	13	82010141A	012	28	82716351A	13A	30
78110121AA	023	16	79915231A	015	13	82010151A	008	13	82716921AA	025	38
78110121AA	024	3	79915421B	017	7	82010162A	009	14	8291A333AA	028	2
78110121AA	025	11	79915432B	017	8	82010171A	011	5	8291A352B	030	11
78110121AA	031	11	79915441A	030	3	82110511AB	016	6	8291A431BA	016	12
78110121AA	05A	19	79915493A	022	9	82110511AB	025	22	8291A441AA	025	20
78611212C	007	4	79915511A	025	27	82110511AB	027	4	8291A481B	022	7
78811101C	013	7	79915534A	013	22	82111701B	016	7	8291A511BA	025	18
78811101C	013	7	79915534A	013	22	82111701B	025	36	8291A553BA	020	13
78811101C	13A	7	79915534A	13A	22	82113361A	014	26	8291A691AA	024	11
78811101C	13A	7	79915534A	13A	22	82113361A	015	26	8291A701AA	023	9
78811131A	013	8	79915581A	031	21	82113371B	014	27	8291A743A	24A	2
78811131A	013	8	79915651A	019	43	82113371B	015	27	8291A901A	035	2
78811131A	13A	8	79915651A	19A	43	82113441B	002	3	8292A342A	030	18
78811131A	13A	8	79925411AA	22A	7	82113711BA	22A	12	829PA361A	018	1
78811161A	029	3	79940121A	010	22	82113731AA	22A	5	829PA371A	18B	9
78811182A	022	3	800068490	024	14	82113751A	030	1	829PA541B	18A	17
78811191A	011	7	800070139	01C	8	82113811AA	025	32	83016442AA	027	22
78811201A	031	9	80012051A	031	14	82113822BA	021	15	83016452AA	027	17
78811221A	034	8	80012061A	031	15	82113832A	013	20	83016471AA	022	12



CODE	NO. TABLE	POS.	CODE	NO. TABLE	POS.	CODE	NO. TABLE	POS.	CODE	NO. TABLE	POS.
83016491AA	019	31	84010152A	015	1	84010432B	015	2	84010652B	015	2
83016491AA	19A	31	84010162A	014	1	84010442B	014	2	84010662B	014	2
83016501AA	019	33	84010162A	015	1	84010442B	015	2	84010662B	015	2
83016501AA	19A	33	84010172A	014	1	84010452B	014	2	84010672B	014	2
83016541B	024	31	84010172A	015	1	84010452B	015	2	84010672B	015	2
83016582A	022	8	84010182A	014	1	84010462B	014	2	84010682B	014	2
83016641A	28A	14	84010182A	015	1	84010462B	015	2	84010682B	015	2
83016833A	18A	10	84010192A	014	1	84010472B	014	2	84010692B	014	2
83016861A	18B	14	84010192A	015	1	84010472B	015	2	84010692B	015	2
83017071A	18C	6	84010202A	014	1	84010482B	014	2	84010702B	014	2
83017791AA	19A	48	84010202A	015	1	84010482B	015	2	84010702B	015	2
83026511BA	19A	10	84010212A	014	1	84010492B	014	2	84010712B	014	2
830P6512BA	019	10	84010212A	015	1	84010492B	015	2	84010712B	015	2
83110151A	010	21	84010222A	014	1	84010502B	014	2	84010722A	014	1
83210031C	28A	17	84010222A	015	1	84010502B	015	2	84010722A	015	1
84010012A	014	1	84010232A	014	1	84010512B	014	2	84010722B	014	2
84010012A	015	1	84010232A	015	1	84010512B	015	2	84010722B	015	2
84010022A	014	1	84010242A	014	1	84010522B	014	2	84010732A	014	1
84010022A	015	1	84010242A	015	1	84010522B	015	2	84010732A	015	1
84010032A	014	1	84010252A	014	1	84010532B	014	2	84010732B	014	2
84010032A	015	1	84010252A	015	1	84010532B	015	2	84010732B	015	2
84010042A	014	1	84010262A	014	1	84010542B	014	2	84010742B	014	2
84010042A	015	1	84010262A	015	1	84010542B	015	2	84010742B	015	2
84010052A	014	1	84010272A	014	1	84010552B	014	2	84010752B	014	2
84010052A	015	1	84010272A	015	1	84010552B	015	2	84010752B	015	2
84010062A	014	1	84010282A	014	1	84010562B	014	2	84010762B	014	2
84010062A	015	1	84010282A	015	1	84010562B	015	2	84010762B	015	2
84010072A	014	1	84010292A	014	1	84010572B	014	2	84010772B	014	2
84010072A	015	1	84010292A	015	1	84010572B	015	2	84010772B	015	2
84010082A	014	1	84010302A	014	1	84010582B	014	2	84010782B	014	2
84010082A	015	1	84010302A	015	1	84010582B	015	2	84010782B	015	2
84010092A	014	1	84010312A	014	1	84010592B	014	2	84010792B	014	2
84010092A	015	1	84010312A	015	1	84010592B	015	2	84010792B	015	2
84010102A	014	1	84010322A	014	1	84010602B	014	2	84010802B	014	2
84010102A	015	1	84010322A	015	1	84010602B	015	2	84010802B	015	2
84010112A	014	1	84010332A	014	1	84010612B	014	2	84010812B	014	2
84010112A	015	1	84010332A	015	1	84010612B	015	2	84010812B	015	2
84010122A	014	1	84010342A	014	1	84010622B	014	2	84010822B	014	2
84010122A	015	1	84010342A	015	1	84010622B	015	2	84010822B	015	2
84010132A	014	1	84010412B	014	2	84010632B	014	2	84010832B	014	2
84010132A	015	1	84010412B	015	2	84010632B	015	2	84010832B	015	2
84010142A	014	1	84010422B	014	2	84010642B	014	2	84010842B	014	2
84010142A	015	1	84010422B	015	2	84010642B	015	2	84010842B	015	2
84010152A	014	1	84010432B	014	2	84010652B	014	2	84010852B	014	2



CODE	NO. TABLE	POS.	CODE	NO. TABLE	POS.	CODE	NO. TABLE	POS.	CODE	NO. TABLE	POS.
84010852B	015	2	84011901AM	015	3	85211201A	013	16	85240161A	19A	54
84010862B	014	2	84011901AN	014	3	85211201A	013	16	85240231A	013	24
84010862B	015	2	84011901AN	015	3	85211201A	13A	16	85240231A	013	24
84010872B	014	2	84011901AO	014	3	85211201A	13A	16	85240231A	13A	24
84010872B	015	2	84011901AO	015	3	85211511A	016	14	85240231A	13A	24
84011082A	014	1	84011901AP	014	3	85211511A	025	37	85240261A	014	17
84011082A	015	1	84011901AP	015	3	85211671B	033	25	85240261A	015	17
84011092A	014	1	84011901AQ	014	3	85211951A	005	15	85250011C	27A	14
84011092A	015	1	84011901AQ	015	3	85211951A	05A	15	85250231A	013	3
84011102A	014	1	84011901AR	014	3	85212171A	26A	15	85250231A	013	3
84011102A	015	1	84011901AR	015	3	85212181A	34A	9	85250231A	13A	3
84011112A	014	1	84510061A	014	5	85212211A	026	14	85250231A	13A	3
84011112A	015	1	84510061A	015	5	85212211A	26A	3	85250241A	005	18
84011122A	014	1	84740021A	027	2	85212221A	026	6	85250241A	023	17
84011122A	015	1	84740061A	010	20	85212621A	003	12	85250241A	024	4
84011132A	014	1	84850021A	016	16	85212631A	003	17	85250241A	025	10
84011132A	015	1	85040471A	018	23	85212631A	003	17	85250241A	031	23
84011142A	014	1	85040471A	030	27	85212651A	002	19	85250241A	05A	18
84011142A	015	1	85040471A	033	20	85212651A	012	26	85250241A	24A	6
84011901AA	014	3	85040471A	13A	41	85212661A	002	24	85250261A	012	15
84011901AA	015	3	85040471A	13A	41	85212681A	009	20	85250261A	10A	15
84011901AB	014	3	85040471A	18B	15	85212681A	011	13	85250261B	014	25
84011901AB	015	3	85040471A	18C	7	85212721A	005	9	85250261B	015	25
84011901AC	014	3	85040471A	34A	3	85212721A	05A	9	85250261B	24A	9
84011901AC	015	3	85040521A	027	26	85212741A	008	3	85250291A	019	40
84011901AD	014	3	85040551A	019	27	85212771A	10A	5	85250291A	19A	40
84011901AD	015	3	85040551A	020	7	85212781A	013	9	85250301A	031	24
84011901AE	014	3	85040551A	030	6	85212781A	013	9	85250491A	010	27
84011901AE	015	3	85040551A	033	14	85212781A	13A	9	85250541A	009	7
84011901AF	014	3	85040551A	18A	19	85212781A	13A	9	85310031A	012	18
84011901AF	015	3	85040551A	19A	27	85212791A	006	2	85350101A	18A	6
84011901AG	014	3	85041041A	033	11	85212801A	003	31	85540031A	022	5
84011901AG	015	3	85041041A	034	15	85212941B	012	4	85610642A	10A	2
84011901AH	014	3	85041051A	033	12	85212981A	003	6	85611271A	016	22
84011901AH	015	3	85041051A	034	16	85213002A	019	48	85611372A	003	9
84011901AI	014	3	85041471A	033	31	85213002A	19A	61	85611381A	003	21
84011901AI	015	3	85041581A	018	2	85213021A	009	26	85611391A	004	2
84011901AJ	014	3	85041581A	18B	20	85213111AA	019	4	85611401A	033	10
84011901AJ	015	3	85041811A	017	13	85213111AA	030	16	85611401A	34A	2
84011901AK	014	3	85110201A	004	8	85213111AA	19A	4	85611471A	013	13
84011901AK	015	3	85210241A	034	5	85213111AA	27A	24	85611471A	013	13
84011901AL	014	3	85210532A	019	28	85213111AA	27B	24	85611471A	13A	13
84011901AL	015	3	85210532A	19A	28	85240091A	035	1	85611471A	13A	13
84011901AM	014	3	85210681B	22A	9	85240131A	27B	14	85640121A	019	46



CODE	NO. TABLE	POS.	CODE	NO. TABLE	POS.	CODE	NO. TABLE	POS.	CODE	NO. TABLE	POS.
85640121A	19A	59	875P1741BA	021	26	88641161A	016	8	887133502	01A	23
86010061A	013	32	87611081A	029	2	88641161A	025	35	887133507	01A	15
86010061A	013	32	87611121A	029	4	88641241A	26A	16	887133508	01A	16
86010061A	13A	32	87611131A	029	12	88641331A	009	16	887133509	01A	17
86010061A	13A	32	87611181A	035	7	88641701A	10A	10	887133510	01A	10
86050061A	002	26	87611191A	035	13	88641761A	005	11	887133511	01A	12
86050061A	009	12	87711131A	023	15	88641761A	05A	11	887133512	01A	18
86050061A	010	10	87711411A	024	17	88641791A	13A	33	887133517	01A	29
86050061A	011	15	87711491A	025	7	88641791A	13A	33	887133524	01A	6
86050061A	013	17	87721561A	005	20	88641961A	010	24	887133549	01A	9
86050061A	013	17	87721561A	05A	20	88641971A	012	29	887133758	01A	19
86050061A	014	6	88110541A	26A	7	88641981A	031	20	887133760	01A	21
86050061A	015	6	88140161B	003	33	88642061A	017	14	887133773	01A	4
86050061A	13A	17	88440281A	003	16	88642081A	008	7	887133774	01A	7
86050061A	13A	17	88440281A	003	16	88650131A	010	3	887133795	01A	5
86050361AA	22A	3	88440331A	033	4	88650541A	004	18	887133820	01A	22
86050371A	002	21	88440381A	003	11	88650561A	009	4	887133824	01B	2
86050371A	010	5	88440511A	26A	18	887131010	01C	6	887133853	01A	8
86610301A	033	5	88440621A	003	4	887131058	01C	7	887133875	01B	7
86610361A	18A	18	88440621A	003	4	887131062	01C	12	887133878	01B	9
86610611A	033	6	88450021A	021	16	887131074	01C	4	887133879	01B	8
86611001B	019	15	88450031A	016	3	887131832	01B	13	887133880	01A	26
86611001B	19A	15	88450031A	019	34	887131994	01A	20	887133922	01B	12
86611241A	18B	11	88450031A	025	25	887132069	01B	18	887133923	01B	11
86611661A	34A	16	88450031A	027	6	887132409	01C	11	887133924	01B	1
86640051A	24A	3	88450031A	19A	34	887132442	01B	14	887133925	01B	10
86640061A	032	13	88450031A	22A	10	887132574	01A	25	887133926	01B	5
86640061A	032	13	88450291A	005	8	887132676	01B	6	887133927	01C	2
87210481A	021	18	88450291A	05A	8	887132877	01B	16	887133943	01A	28
87210532A	27A	26	88450311A	002	14	887132951	01C	3	887134131	01A	30
87210532A	27B	26	88450361A	002	18	887133091	01C	13	887134132	01A	31
87210601A	28A	20	88450371A	009	21	887133203	01C	9	887134133	01B	20
87210722A	021	3	88450371A	011	14	887133204	01C	10	887134134	01B	22
87210781A	034	25	88610281A	005	16	887133211	01C	5	887134135	01B	23
87210791A	034	26	88610281A	05A	16	887133220	01C	1	887134136	01B	21
87240881A	030	29	88610961A	017	4	887133407	01B	17	887134137	01B	19
87310021A	010	32	88640042A	003	28	887133422	01A	1	887134138	01A	36
87350251A	014	18	88640091A	028	9	887133436	01A	11	887134139	01A	35
87350251A	015	18	88640331A	012	20	887133437	01A	2	887134207	01C	14
87511641BB	010	34	88640741A	012	12	887133440	01A	3	887651298	01B	15
87511651BB	010	18	88640881A	014	8	887133452	01A	13	887651632	01A	27
87511791C	010	2	88640881A	015	8	887133467	01B	4	887651678	01A	24
87521941AA	028	14	88640891A	005	6	887133468	01B	3	887651702	01A	32
875P1731BA	021	14	88640891A	05A	6	887133500	01A	14	887651703	01A	33



CODE	NO. TABLE	POS.
887651704	01A	34
89310143A	030	24
89310151A	009	8
89320121A	005	7
89320121A	05A	7
89340051A	025	5
89340241A	023	11
89420112B	009	10
89520221A	032	12
89520221A	032	12
91371921L	027	30
91371921M	027	30
91371921N	027	30
91371921P	027	30
91371921Q	027	30
91371921R	027	30
91371921S	027	30
91371921W	027	30
93010041B	021	9
93010102A	26A	28
93040431A	010	13
93040931A	010	31
93041271A	028	17
93041501A	026	18
93041521A	005	10
93041521A	05A	10
93041591A	002	11
93041771A	003	26
93041771A	010	30
93041911A	022	15
93050121A	28A	5
93410152A	030	8
93410173A	031	17
93510081A	035	11
93510091A	035	10
93510101A	035	15
942470036	10A	3
944650035	L	1
944650037	L	2
979000252	001	1
979000254	001	3
979000255	001	4
979000256	001	2



Ducati Motor Holding S.p.A.

Uffici Commerciali Amministrativi:

Via A. Cavalieri Ducati n. 3

40132 Bologna, Italy

Telefono 051 6413111

Fax 051 406580

Internet www.ducati.com