



1199 Panigale R
Model Year 2013



SUPERBIKE

Chassis prefix:
Cylinder capacity: 1199

D15000013 - 1199
SPARE PARTS CATALOGUE
en-US



The present spare parts order exactly the right spare parts.

When ordering specify:

1. the part's code number followed by its description and quantity needed;
2. the motorcycle's serial number, stamped on the steering head.

Reference to right and left apply to the vehicle in terms of its direction of movement.


Spare parts drawings are general and do not represent the part.

The contents of this catalogue are general and can undergo changes without prior notice.

CHARACTERISTICS LEGENDA

CHARACTERISTIC CODE	CHARACTERISTIC DESCRIPTION	VALUE CODE	VALUE DESCRIPTION
DFR	DAFRA	N	NO
MOD	MODEL	1199R	
PLT	PLANT	DB10	
XCO	MAIN COLOUR	SP	
XCR	FRAME / WHEEL COLOUR	-B	
XPO	OPTIONS	STD	
XST	STANDARD COUNTRY	AUS	
XST	STANDARD COUNTRY	EUR	
XST	STANDARD COUNTRY	FRA	
XST	STANDARD COUNTRY	JAP	



COLOUR	COLOUR CODE	COLOUR DESCRIPTION	FINISHED PRODUCTS
	SP	SPECIAL	(D15028813) 1199 PANIGALE R 13 EUR SP -B STD DMH (D15029013) 1199 PANIGALE R 13 JAP SP -B STD DMH (D15029213) 1199 PANIGALE R 13 FRA SP -B STD DMH (D15029313) 1199 PANIGALE R 13 AUS SP -B STD DMH



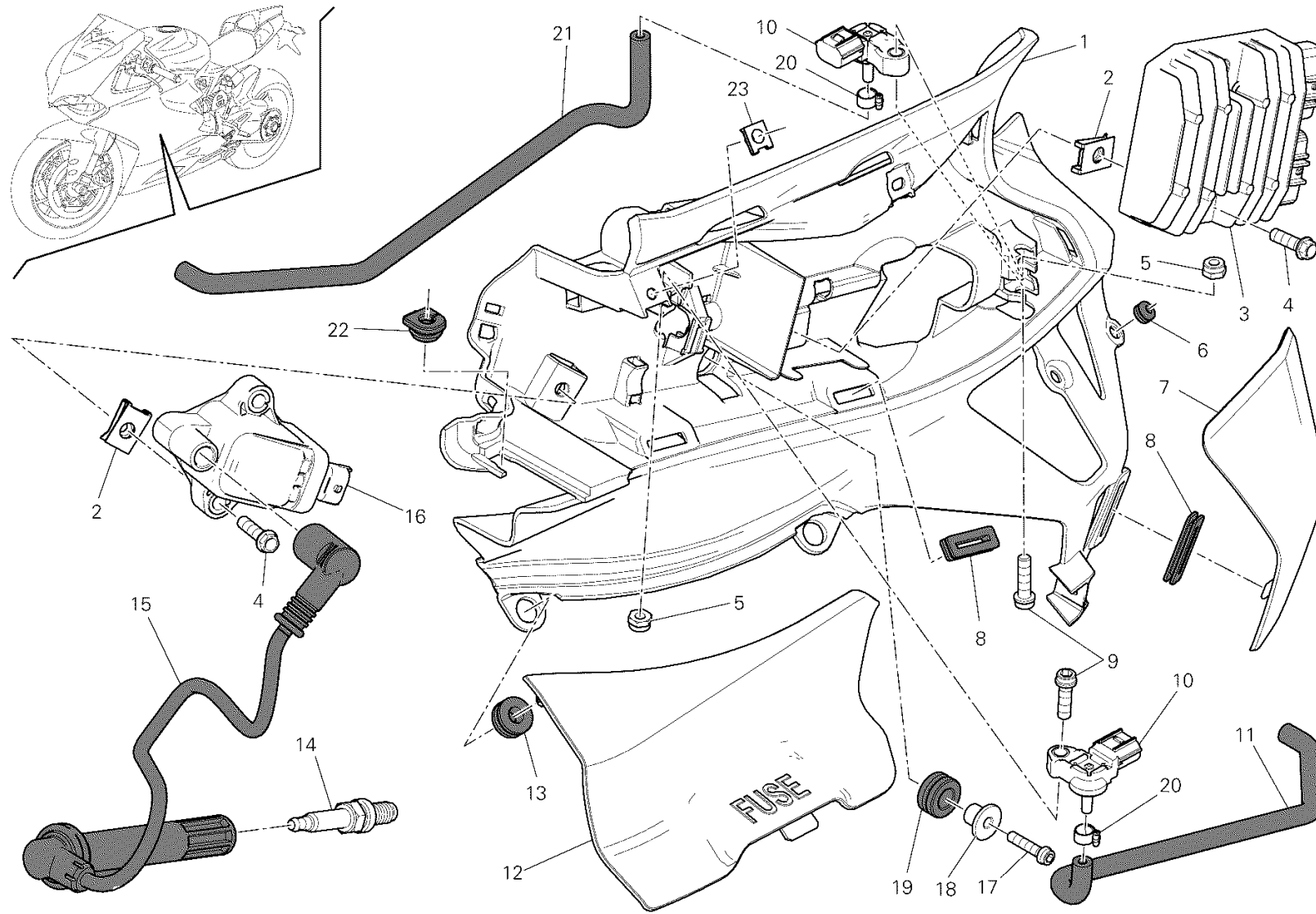
General information.....	3
Colours.....	4
Group ELECTRIC.....	8
Drawing 018 - IMPIANTO ELETTRICO SINISTRO [MOD:1199R;XST:AUS,EUR,FRA,JAP].....	8
Drawing 18A - BATTERY HOLDER [MOD:1199R;XST:AUS,EUR,FRA,JAP].....	10
Drawing 18B - IMPIANTO ELETTRICO DESTRO [MOD:1199R;XST:AUS,EUR,FRA,JAP].....	12
Drawing 18C - WIRING HARNESS [MOD:1199R;XST:AUS,EUR,FRA,JAP].....	14
Group ENGINE.....	16
Drawing 002 - GEARCHANGE CONTROL [MOD:1199R;XST:AUS,EUR,FRA,JAP].....	16
Drawing 003 - GEAR BOX [MOD:1199R;XST:AUS,EUR,FRA,JAP].....	18
Drawing 004 - CLUTCH [MOD:1199R;XST:AUS,EUR,FRA,JAP].....	20
Drawing 005 - CLUTCH - SIDE CRANKCASE COVER [MOD:1199R;XST:AUS,EUR,FRA].....	22
Drawing 006 - IMBIELLAGGIO [MOD:1199R;XST:AUS,EUR,FRA,JAP].....	24
Drawing 007 - CYLINDERS - PISTONS [MOD:1199R;XST:AUS,EUR,FRA,JAP].....	26
Drawing 008 - DISTRIBUZIONE [MOD:1199R;XST:AUS,EUR,FRA,JAP].....	28
Drawing 009 - FILTRI E POMPA OLIO [MOD:1199R;XST:AUS,EUR,FRA,JAP].....	30
Drawing 010 - HALF-CRANKCASES PAIR [MOD:1199R;XST:AUS,EUR,FRA,JAP].....	32
Drawing 011 - POMPA ACQUA [MOD:1199R;XST:AUS,EUR,FRA,JAP].....	36
Drawing 012 - ELECTRIC STARTING AND IGNITION [MOD:1199R;XST:AUS,EUR,FRA,JAP].....	38
Drawing 013 - TESTA ORIZZONTALE - DISTRIBUZIONE [MOD:1199R;XST:AUS,EUR,FRA,JAP].....	40
Drawing 014 - HORIZONTAL HEAD [MOD:1199R;XST:AUS,EUR,FRA,JAP].....	42
Drawing 015 - VERTICAL HEAD [MOD:1199R;XST:AUS,EUR,FRA,JAP].....	52
Drawing 05A - CLUTCH-SIDE CRANKCASE COVER (JAP) [MOD:1199R;XST:JAP].....	62
Drawing 10A - HALF-CRANKCASES PAIR [MOD:1199R;XST:AUS,EUR,FRA,JAP].....	64
Drawing 13A - VERTICAL CYLINDER HEAD - TIMING [MOD:1199R;XST:AUS,EUR,FRA,JAP].....	66
Group TOOLS.....	70
Drawing 001 - DDS (2) TESTER [MOD:1199R;XST:AUS,EUR,FRA,JAP].....	70
Drawing 01A - WORKSHOP SERVICE TOOLS [MOD:1199R;XST:AUS,EUR,FRA,JAP].....	72
Drawing 01B - WORKSHOP SERVICE TOOLS [MOD:1199R;XST:AUS,EUR,FRA,JAP].....	74



Drawing 01C - WORKSHOP SERVICE TOOLS [MOD:1199R;XST:AUS,EUR,FRA,JAP].....	76
Group FRAME.....	78
Drawing 016 - FOOTRESTS, LEFT [MOD:1199R;XST:AUS,EUR,FRA,JAP].....	78
Drawing 017 - THROTTLE BODY [MOD:1199R;XST:AUS,EUR,FRA,JAP].....	80
Drawing 019 - GRUPPO SCARICO [MOD:1199R;XST:AUS,EUR,FRA].....	82
Drawing 020 - FANALE ANTERIORE E CRUSCOTTO [MOD:1199R;XST:AUS,EUR,FRA,JAP].....	86
Drawing 021 - SEMIMANUBRI - AMMORTIZZATORE DI STERZO [MOD:1199R;XST:AUS,EUR,FRA,JAP].....	88
Drawing 022 - FRAME [MOD:1199R;XST:AUS,EUR,FRA,JAP].....	90
Drawing 023 - CLUTCH CONTROL [MOD:1199R;XST:AUS,EUR,FRA,JAP].....	92
Drawing 024 - FRENO ANTERIORE [MOD:1199R;XST:AUS,EUR,FRA,JAP].....	94
Drawing 025 - FRENO POSTERIORE [MOD:1199R;XST:AUS,EUR,FRA,JAP].....	96
Drawing 026 - RUOTA ANTERIORE E POSTERIORE [MOD:1199R;XST:AUS,EUR,FRA,JAP].....	100
Drawing 027 - REAR FRAME COMP. [MOD:1199R;XST:AUS,EUR,FRA,JAP].....	102
Drawing 028 - SOSPENSIONE POSTERIORE [MOD:1199R;XST:AUS,EUR,FRA,JAP].....	106
Drawing 029 - AIR INTAKE - OIL BREATHER [MOD:1199R;XST:AUS,EUR,FRA,JAP].....	108
Drawing 030 - WATER COOLER [MOD:1199R;XST:AUS,EUR,FRA,JAP].....	110
Drawing 031 - COOLING SYSTEM [MOD:1199R;XST:AUS,EUR,FRA,JAP].....	112
Drawing 032 - TANK [MOD:1199R;XST:AUS,EUR,FRA,JAP].....	114
Drawing 033 - SEAT [MOD:1199R;XST:AUS,EUR,FRA,JAP].....	116
Drawing 034 - COWLING [MOD:1199R;XST:AUS,EUR,FRA,JAP].....	120
Drawing 19A - EXHAUST SYSTEM (JAP) [MOD:1199R;XST:JAP].....	122
Drawing 21A - FRONT FORK [MOD:1199R;XST:AUS,EUR,FRA,JAP].....	126
Drawing 22A - STAND [MOD:1199R;XST:AUS,EUR,FRA,JAP].....	128
Drawing 24A - ANTILOCK BRAKING SYSTEM (ABS) [MOD:1199R;XST:AUS,EUR,FRA,JAP].....	130
Drawing 26A - REAR WHEEL SPINDLE [MOD:1199R;XST:AUS,EUR,FRA,JAP].....	132
Drawing 27A - PORTATARGA - FANALE POSTERIORE [MOD:1199R;XST:EUR,FRA,JAP].....	134
Drawing 27B - NUMBER PLATE HOLDER - TAIL LIGHT - (AUS) [MOD:1199R;XST:AUS].....	136
Drawing 28A - FORCELLONE POSTERIORE [MOD:1199R;XST:AUS,EUR,FRA,JAP].....	138
Drawing 34A - FAIRING [MOD:1199R;XST:AUS,EUR,FRA,JAP].....	140
Drawing 34B - ACCESSORIES [MOD:1199R;XST:AUS,EUR,FRA,JAP].....	142



Drawing 34C - ACCESSORIES [MOD:1199R;XST:AUS,EUR,FRA,JAP].....	144
Alphanumeric index.....	146



IMP00769



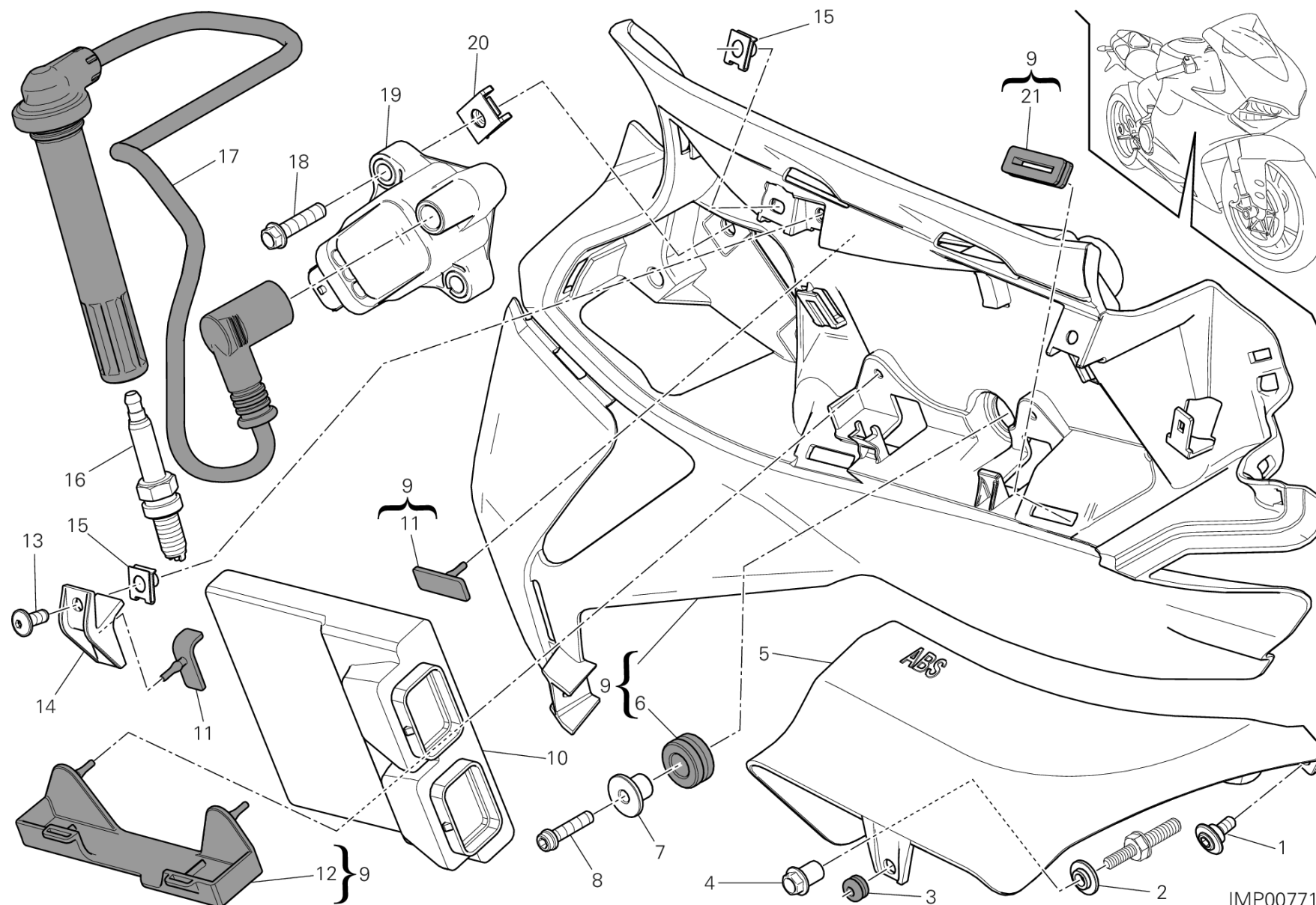
POS.	CODE	DESCRIPTION	QTY	START DATE	END DATE	VALIDITY	NOTES
1	829PA361A	LEFT HOLDER	1			MOD:1199R;XST:AUS,EUR,FRA,JAP	
3	54040301B	VOLTAGE REGULATOR	1			MOD:1199R;XST:AUS,EUR,FRA,JAP	
4	77251038B	SCREW TEF M6X25	4			MOD:1199R;XST:AUS,EUR,FRA,JAP	
5	74940041A	NUT, SELF-LOCKING M6	2			MOD:1199R;XST:AUS,EUR,FRA,JAP	
6	76440561A	RUBBER PAD	2			MOD:1199R;XST:AUS,EUR,FRA,JAP	
7	46015482A	COVER	1			MOD:1199R;XST:AUS,EUR,FRA,JAP	
8	76411411B	RUBBER PAD	3			MOD:1199R;XST:AUS,EUR,FRA,JAP	
9	77156688B	SCREW TCEIF M6X22X18	2	01/11/2012		MOD:1199R;XST:AUS,EUR,FRA,JAP	
10	55241571A	SENSOR, PRESSURE	2			MOD:1199R;XST:AUS,EUR,FRA,JAP	
11	59013941A	TUBE VERTICAL	1			MOD:1199R;XST:AUS,EUR,FRA,JAP	
12	46015351A	COVER	1			MOD:1199R;XST:AUS,EUR,FRA,JAP	
13	76410841B	RUBBER PAD	2			MOD:1199R;XST:AUS,EUR,FRA,JAP	
14	67040451A	SPARK PLUG	1			MOD:1199R;XST:AUS,EUR,FRA,JAP	
15	67110511C	SPARK PLUG WIRING	1			MOD:1199R;XST:AUS,EUR,FRA,JAP	
16	38040221B	IGNITION COIL ASSY	1			MOD:1199R;XST:AUS,EUR,FRA,JAP	
17	77156443B	SCREW	3			MOD:1199R;XST:AUS,EUR,FRA,JAP	
18	71614342AA	SPACER	3			MOD:1199R;XST:AUS,EUR,FRA,JAP	
19	76410901A	RUBBER PAD	3			MOD:1199R;XST:AUS,EUR,FRA,JAP	
20	74141711A	CLAMP 10-7 MM	2			MOD:1199R;XST:AUS,EUR,FRA,JAP	
21	59013951A	TUBE HORIZONTAL	1			MOD:1199R;XST:AUS,EUR,FRA,JAP	
22	76410741A	HOSE GUIDE	1			MOD:1199R;XST:AUS,EUR,FRA,JAP	
23	85040471A	QUICK FASTENING M5	2			MOD:1199R;XST:AUS,EUR,FRA,JAP	

DRAWING 18A - BATTERY HOLDER [MOD:1199R;XST:AUS,EUR,FRA,JAP]

GROUP ELECTRIC

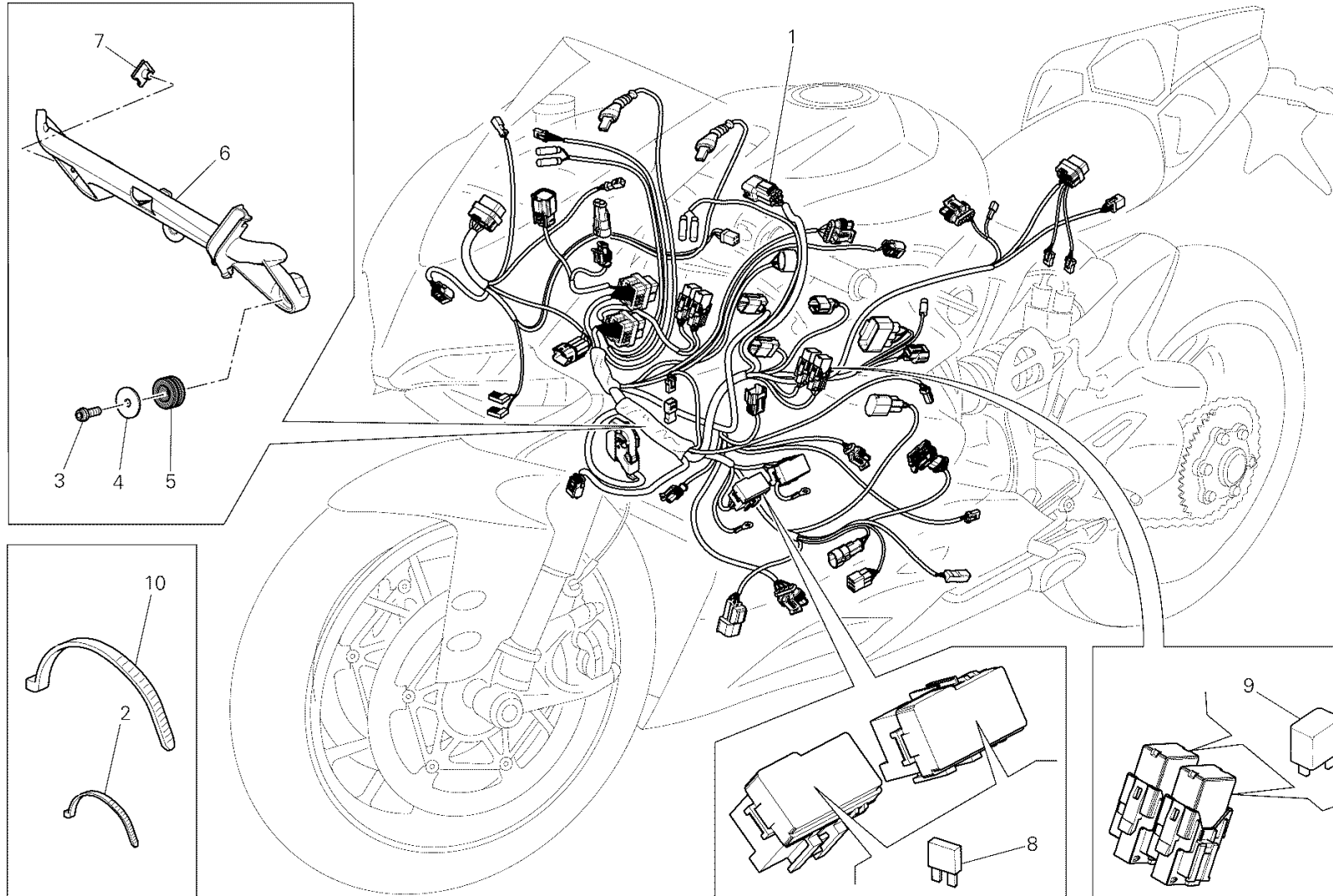


POS.	CODE	DESCRIPTION	QTY	START DATE	END DATE	VALIDITY	NOTES
1	76411411B	RUBBER PAD	1			MOD:1199R;XST:AUS,EUR,FRA,JAP	
2	76410901A	RUBBER PAD	3			MOD:1199R;XST:AUS,EUR,FRA,JAP	
3	46015052A	BATTERY CARPET	1			MOD:1199R;XST:AUS,EUR,FRA,JAP	
4	39520311A	BATTERY	1			MOD:1199R;XST:AUS,EUR,FRA,JAP	
5	77156628B	SCREW TCEIF M6X10	2			MOD:1199R;XST:AUS,EUR,FRA,JAP	
6	85350101A	WASHER, SPRING	2			MOD:1199R;XST:AUS,EUR,FRA,JAP	
7	51410671A	BATTERY - SOLENOID STARTER CABLE	1			MOD:1199R;XST:AUS,EUR,FRA,JAP	
8	74840381A	NUT M5	2			MOD:1199R;XST:AUS,EUR,FRA,JAP	
9	71614071A	SPACER 5.2X8.4X2	4			MOD:1199R;XST:AUS,EUR,FRA,JAP	
10	83016833A	HOLDER	1			MOD:1199R;XST:AUS,EUR,FRA,JAP	
11	51410681A	SOLENOID STARTER - STARTER MOTOR CABLE	1			MOD:1199R;XST:AUS,EUR,FRA,JAP	
12	38940251A	FUSE 30A	1			MOD:1199R;XST:AUS,EUR,FRA,JAP	
13	39740071A	STARTER RELAY	1			MOD:1199R;XST:AUS,EUR,FRA,JAP	
14	77251023C	SCREW TEF M6X22 10.9	3			MOD:1199R;XST:AUS,EUR,FRA,JAP	
15	51310261A	CABLE	1			MOD:1199R;XST:AUS,EUR,FRA,JAP	
16	71611061A	SPACER 7X10X20	3			MOD:1199R;XST:AUS,EUR,FRA,JAP	
17	829PA541B	BATTERY HOLDER	1			MOD:1199R;XST:AUS,EUR,FRA,JAP	
18	86610361A	RUBBER PAD	7			MOD:1199R;XST:AUS,EUR,FRA,JAP	
19	85040551A	QUICK FASTENING	1			MOD:1199R;XST:AUS,EUR,FRA,JAP	
20	247P4072A	COVER ASSEMBLY	1			MOD:1199R;XST:AUS,EUR,FRA,JAP	
21	77211131A	SCREW	1			MOD:1199R;XST:AUS,EUR,FRA,JAP	
22	46015681A	GUARD	1			MOD:1199R;XST:AUS,EUR,FRA,JAP	
23	77440203C	SCREW	2			MOD:1199R;XST:AUS,EUR,FRA,JAP	
24	77210461B	SCREW TEF M5X8	1			MOD:1199R;XST:AUS,EUR,FRA,JAP	





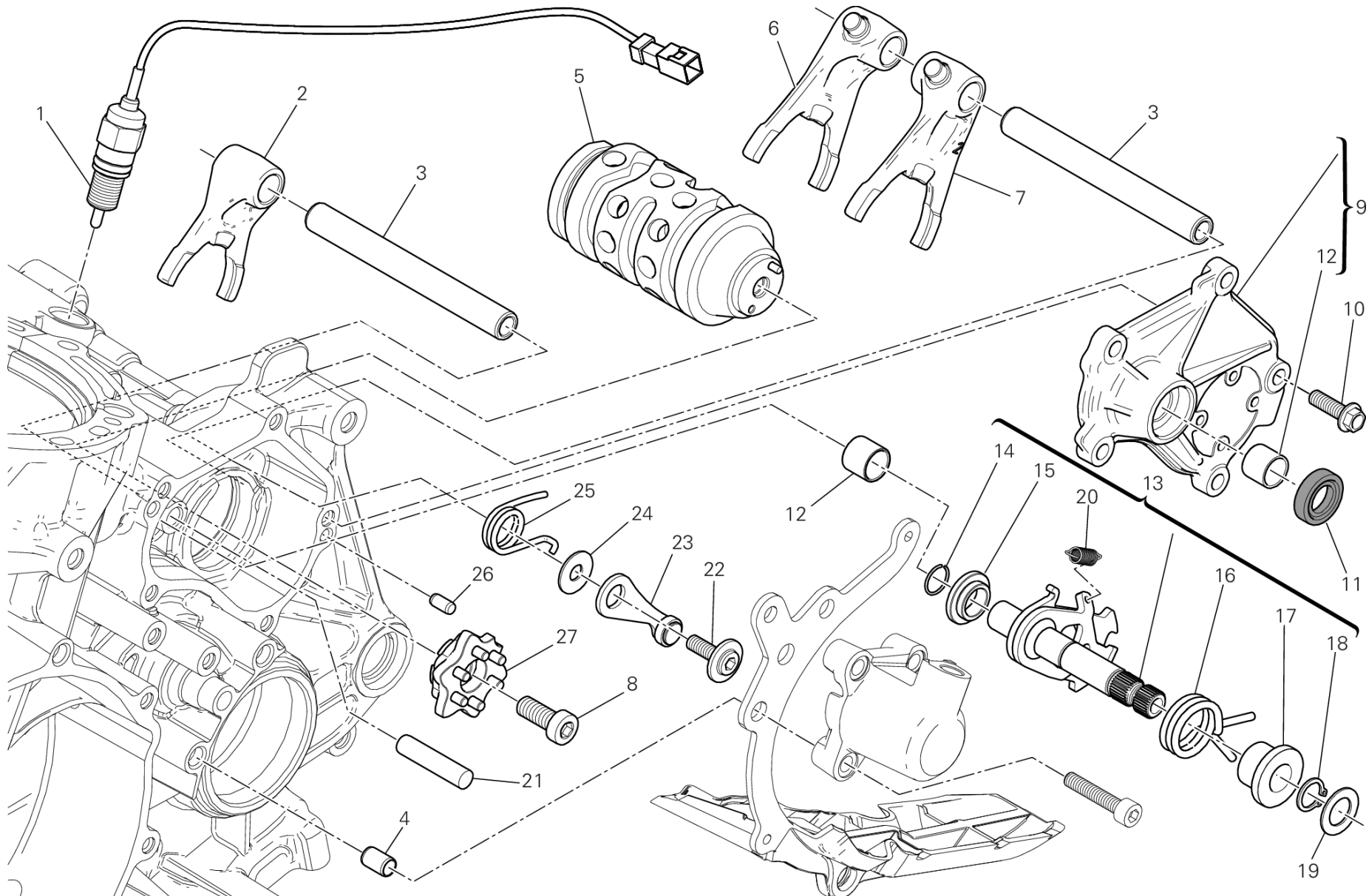
POS.	CODE	DESCRIPTION	QTY	START DATE	END DATE	VALIDITY	NOTES
1	77210853B	SCREW TCEI M5X9	1			MOD:1199R;XST:AUS,EUR,FRA,JAP	
2	71614071A	SPACER 5.2X8.4X2	1			MOD:1199R;XST:AUS,EUR,FRA,JAP	
3	76440561A	RUBBER PAD	1			MOD:1199R;XST:AUS,EUR,FRA,JAP	
4	75011742AA	NUT, SPECIAL	1			MOD:1199R;XST:AUS,EUR,FRA,JAP	
5	46015631B	COVER	1			MOD:1199R;XST:AUS,EUR,FRA,JAP	
6	76410901A	RUBBER PAD	3			MOD:1199R;XST:AUS,EUR,FRA,JAP	
7	71614342AA	SPACER	3			MOD:1199R;XST:AUS,EUR,FRA,JAP	
8	77156443B	SCREW	3			MOD:1199R;XST:AUS,EUR,FRA,JAP	
9	829PA371A	RIGHT HOLDER	1			MOD:1199R;XST:AUS,EUR,FRA,JAP	
10	28642211F	ENGINE CONTROL UNIT	1			MOD:1199R;XST:JAP	JPN
	28642341A	CONTROL UNIT	1			MOD:1199R;XST:AUS,EUR	EUR - AUS - BRA
	28642341E	CONTROL UNIT	1			MOD:1199R;XST:FRA	FRA
	28642341F	CONTROL UNIT	1			MOD:1199R;XST:JAP	JAP
11	86611241A	RUBBER PAD	2			MOD:1199R;XST:AUS,EUR,FRA,JAP	
12	70010711A	VIBRATION DAMPER	1			MOD:1199R;XST:AUS,EUR,FRA,JAP	
13	77240258C	SCREW	1			MOD:1199R;XST:AUS,EUR,FRA,JAP	
14	83016861A	BRACKET	1			MOD:1199R;XST:AUS,EUR,FRA,JAP	
15	85040471A	QUICK FASTENING M5	3			MOD:1199R;XST:AUS,EUR,FRA,JAP	
16	67040451A	SPARK PLUG	1			MOD:1199R;XST:AUS,EUR,FRA,JAP	
17	67110511C	SPARK PLUG WIRING	1			MOD:1199R;XST:AUS,EUR,FRA,JAP	
18	77251038B	SCREW TEF M6X25	2			MOD:1199R;XST:AUS,EUR,FRA,JAP	
19	38040221B	IGNITION COIL ASSY	1			MOD:1199R;XST:AUS,EUR,FRA,JAP	
20	85041581A	CLIP NUT	2			MOD:1199R;XST:AUS,EUR,FRA,JAP	
21	76411411B	RUBBER PAD	2			MOD:1199R;XST:AUS,EUR,FRA,JAP	



IMP00775

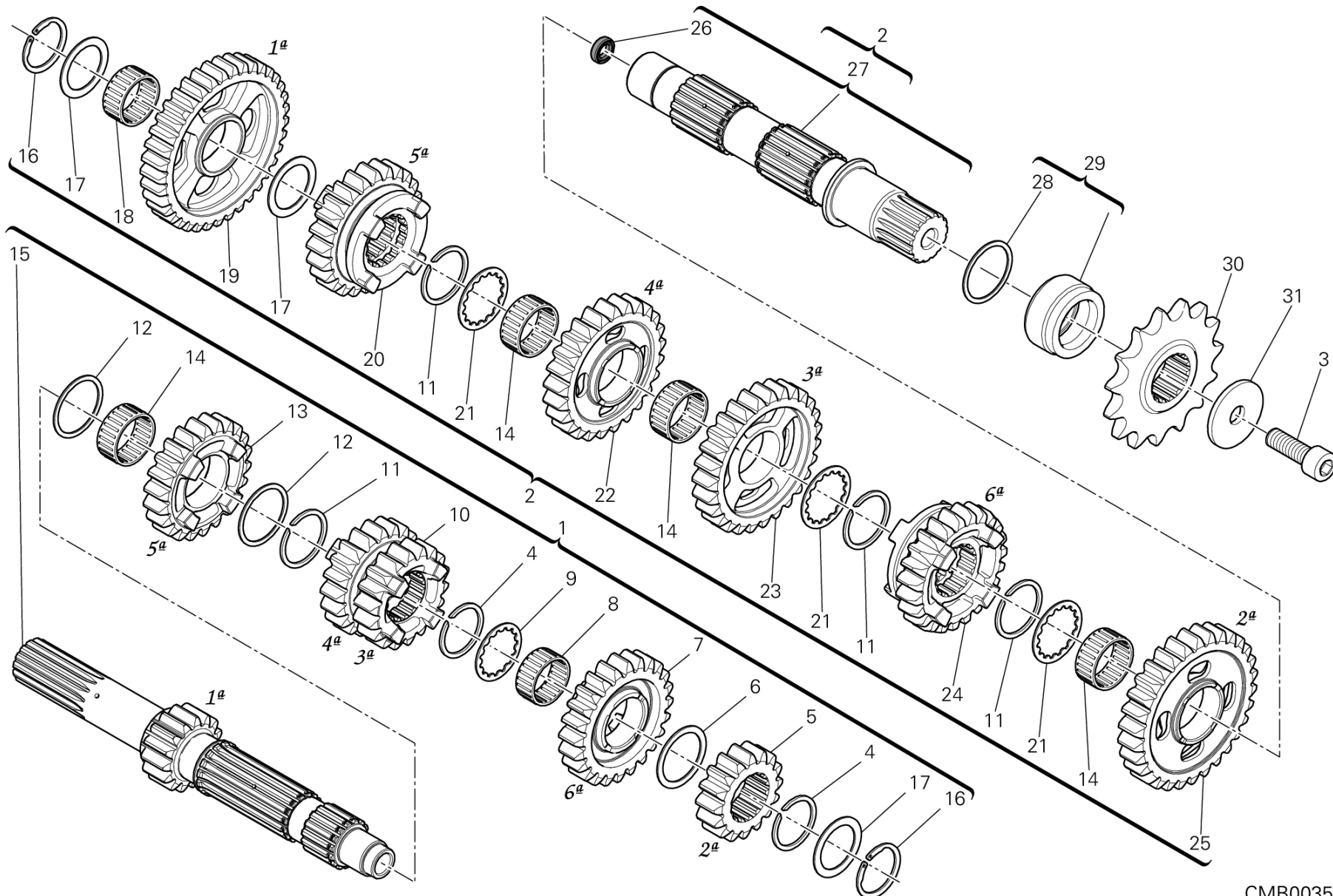


POS.	CODE	DESCRIPTION	QTY	START DATE	END DATE	VALIDITY	NOTES
1	51017921C	MAIN WIRING HARNESS	1			MOD:1199R;XST:AUS,EUR,FRA,JAP	
2	74140381A	CLAMP	39			MOD:1199R;XST:AUS,EUR,FRA,JAP	
3	77210882B	SCREW TBEI M5X12	2			MOD:1199R;XST:AUS,EUR,FRA,JAP	
4	71614431AA	SPACER	2			MOD:1199R;XST:AUS,EUR,FRA,JAP	
5	76410901A	RUBBER PAD	2			MOD:1199R;XST:AUS,EUR,FRA,JAP	
6	83017071A	BRACKET, FRONT	1			MOD:1199R;XST:AUS,EUR,FRA,JAP	
7	85040471A	QUICK FASTENING M5	1			MOD:1199R;XST:AUS,EUR,FRA,JAP	
8	38940191A	FUSE 5A	1			MOD:1199R;XST:AUS,EUR,FRA,JAP	
	38940201A	FUSE 10A	1			MOD:1199R;XST:AUS,EUR,FRA,JAP	
	38940211A	FUSE 15A	1			MOD:1199R;XST:AUS,EUR,FRA,JAP	
	38940221A	FUSE 20A	1			MOD:1199R;XST:AUS,EUR,FRA,JAP	
	38940241A	FUSE 7,5A	1			MOD:1199R;XST:AUS,EUR,FRA,JAP	
9	54140101A	RELAY	4			MOD:1199R;XST:AUS,EUR,FRA,JAP	
10	069191030	CLAMP	27			MOD:1199R;XST:AUS,EUR,FRA,JAP	





POS.	CODE	DESCRIPTION	QTY	START DATE	END DATE	VALIDITY	NOTES
1	55241612C	GEARBOX POSITION SENSOR	1	11/11/2010		MOD:1199R;XST:AUS,EUR,FRA,JAP	
2	18010271D	5TH,6TH GEAR SELECTOR FORK	1	26/03/2012		MOD:1199R;XST:AUS,EUR,FRA,JAP	
3	82113441B	FORK PIN	2	26/03/2012		MOD:1199R;XST:AUS,EUR,FRA,JAP	
4	71113631A	BUSH	2	26/03/2012		MOD:1199R;XST:AUS,EUR,FRA,JAP	
5	18220353C	COMPLETE GEARBOX DRUM	1	26/03/2012		MOD:1199R;XST:AUS,EUR,FRA,JAP	
6	18010281D	1TH,4TH GEAR SELECTOR FORK	1	26/03/2012		MOD:1199R;XST:AUS,EUR,FRA,JAP	
7	18010291D	2TH,3TH GEAR SELECTOR FORK	1	26/03/2012		MOD:1199R;XST:AUS,EUR,FRA,JAP	
8	77355038B	SCREW	1	26/03/2012		MOD:1199R;XST:AUS,EUR,FRA,JAP	
9	24723652A	GEARBOX CONTROL COVER (Unit)	1	08/05/2012		MOD:1199R;XST:AUS,EUR,FRA,JAP	
10	77253317C	SCREW	5	26/03/2012		MOD:1199R;XST:AUS,EUR,FRA,JAP	
11	93041591A	SEAL RING	1	23/11/2010		MOD:1199R;XST:AUS,EUR,FRA,JAP	
12	71240231A	BUSH	2	24/04/2012		MOD:1199R;XST:AUS,EUR,FRA,JAP	
13	18120051C	GEAR CHANGE MECHANISM (Unit)	1	02/04/2012		MOD:1199R;XST:AUS,EUR,FRA,JAP	
14	88450311A	STOP RING	1	19/12/2011		MOD:1199R;XST:AUS,EUR,FRA,JAP	
15	71611581C	SPACER	1	19/12/2011		MOD:1199R;XST:AUS,EUR,FRA,JAP	
16	79915141C	SPRING	1	19/12/2011		MOD:1199R;XST:AUS,EUR,FRA,JAP	
17	71611571C	SPACER	1	19/12/2011		MOD:1199R;XST:AUS,EUR,FRA,JAP	
18	88450361A	CIRCLIP	1	19/12/2011		MOD:1199R;XST:AUS,EUR,FRA,JAP	
19	85212651A	WASHER	1	10/11/2010		MOD:1199R;XST:AUS,EUR,FRA,JAP	
20	79915131C	SPRING	1	19/12/2011		MOD:1199R;XST:AUS,EUR,FRA,JAP	
21	86050371A	PIN	1	20/12/2012		MOD:1199R;XST:AUS,EUR,FRA,JAP	
22	77916241A	SCREW, SPECIAL	1	02/11/2011		MOD:1199R;XST:AUS,EUR,FRA,JAP	
23	45520171A	GEAR STOPPER LEVER ASSEMBLY	1	02/11/2011		MOD:1199R;XST:AUS,EUR,FRA,JAP	
24	85212661A	WASHER	1	02/11/2011		MOD:1199R;XST:AUS,EUR,FRA,JAP	
25	79915101C	SPRING	1	02/11/2011		MOD:1199R;XST:AUS,EUR,FRA,JAP	
26	86050061A	PIN M5X10	2	02/11/2011		MOD:1199R;XST:AUS,EUR,FRA,JAP	
27	18220381B	GEARBOX DRUM FLANGE ASSEMBLY	1	26/07/2011		MOD:1199R;XST:AUS,EUR,FRA,JAP	



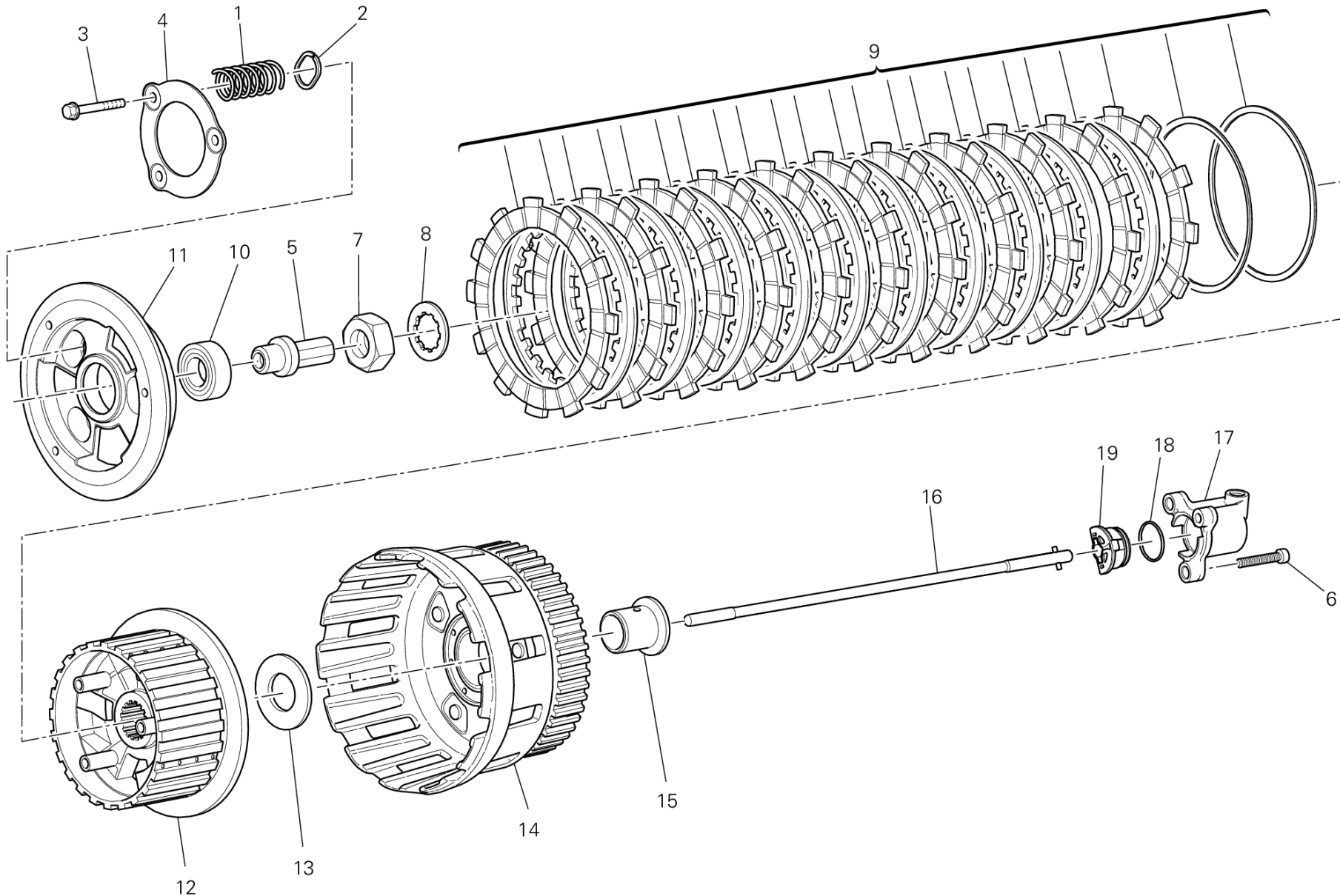
CMB00357

DRAWING 003 - GEAR BOX [MOD:1199R;XST:AUS,EUR,FRA,JAP]

GROUP ENGINE



POS.	CODE	DESCRIPTION	QTY	START DATE	END DATE	VALIDITY	NOTES
1	15021491E	COMPLETE MAIN SHAFT	1	18/07/2012		MOD:1199R;XST:AUS,EUR,FRA,JAP	
2	15021504D	COMPLETE LAY SHAFT	1	18/07/2012		MOD:1199R;XST:AUS,EUR,FRA,JAP	
3	77154337C	SCREW	1	01/12/2011		MOD:1199R;XST:AUS,EUR,FRA,JAP	
4	88440621A	SPRING RING	2	07/12/2011		MOD:1199R;XST:AUS,EUR,FRA,JAP	
5	17213172B	DRIVING GEAR 2ND SP.	1	07/12/2011		MOD:1199R;XST:AUS,EUR,FRA,JAP	
6	85212981A	THRUST WASHER	1	07/12/2011		MOD:1199R;XST:AUS,EUR,FRA,JAP	
7	17213201D	DRIVING GEAR 6TH SP.	1	07/12/2011		MOD:1199R;XST:AUS,EUR,FRA,JAP	
8	70140311A	NEEDLE BEARING	1	07/12/2011		MOD:1199R;XST:AUS,EUR,FRA,JAP	
9	85611372A	WASHER LOCK 28X32.5X1	1	07/12/2011		MOD:1199R;XST:AUS,EUR,FRA,JAP	
10	17213181D	DRIVING GEAR 3RD/4TH SP.	1	07/12/2011		MOD:1199R;XST:AUS,EUR,FRA,JAP	
11	88440381A	SPRING RING	4	01/01/2011		MOD:1199R;XST:AUS,EUR,FRA,JAP	
12	85212621A	THRUST WASHER	2	07/12/2011		MOD:1199R;XST:AUS,EUR,FRA,JAP	
13	17213191D	DRIVING GEAR 5TH SP.	1	07/12/2011		MOD:1199R;XST:AUS,EUR,FRA,JAP	
14	70140321A	NEEDLE BEARING	4	01/01/2011		MOD:1199R;XST:AUS,EUR,FRA,JAP	
15	14910871E	MAIN SHAFT	1	18/07/2012		MOD:1199R;XST:AUS,EUR,FRA,JAP	
16	88440281A	CIRCLIP	2	01/01/2011		MOD:1199R;XST:AUS,EUR,FRA,JAP	
17	85212631A	THRUST WASHER	3	01/01/2011		MOD:1199R;XST:AUS,EUR,FRA,JAP	
18	70140331A	NEEDLE BEARING	1	01/01/2011		MOD:1199R;XST:AUS,EUR,FRA,JAP	
19	17213211D	DRIVEN GEAR 1ST SP.	1	07/12/2011		MOD:1199R;XST:AUS,EUR,FRA,JAP	
20	17213251D	DRIVEN GEAR 5TH SP.	1	07/12/2011		MOD:1199R;XST:AUS,EUR,FRA,JAP	
21	85611381A	GROOVED WASHER	3	01/01/2011		MOD:1199R;XST:AUS,EUR,FRA,JAP	
22	17213241D	DRIVEN GEAR 4TH SP.	1	07/12/2011		MOD:1199R;XST:AUS,EUR,FRA,JAP	
23	17213231D	DRIVEN GEAR 3RD SP.	1	07/12/2011		MOD:1199R;XST:AUS,EUR,FRA,JAP	
24	17213261D	DRIVEN GEAR 6TH SP.	1	01/01/2011		MOD:1199R;XST:AUS,EUR,FRA,JAP	
25	17213221D	DRIVEN GEAR 2ND SP.	1	07/12/2011		MOD:1199R;XST:AUS,EUR,FRA,JAP	
26	93041771A	SEAL RING	1	23/11/2011		MOD:1199R;XST:AUS,EUR,FRA,JAP	
27	15021542D	LAY SHAFT	1	28/06/2012		MOD:1199R;XST:AUS,EUR,FRA,JAP	
28	88640042A	O-RING	1	21/04/2011		MOD:1199R;XST:AUS,EUR,FRA,JAP	
29	71320021B	CHAIN SPROCKET SPACER (Unit)	1	11/11/2010		MOD:1199R;XST:AUS,EUR,FRA,JAP	
30	44910611A	SPROCKET T15	1	01/12/2011		MOD:1199R;XST:AUS,EUR,FRA,JAP	
31	85212801A	THRUST WASHER	1	01/12/2011		MOD:1199R;XST:AUS,EUR,FRA,JAP	

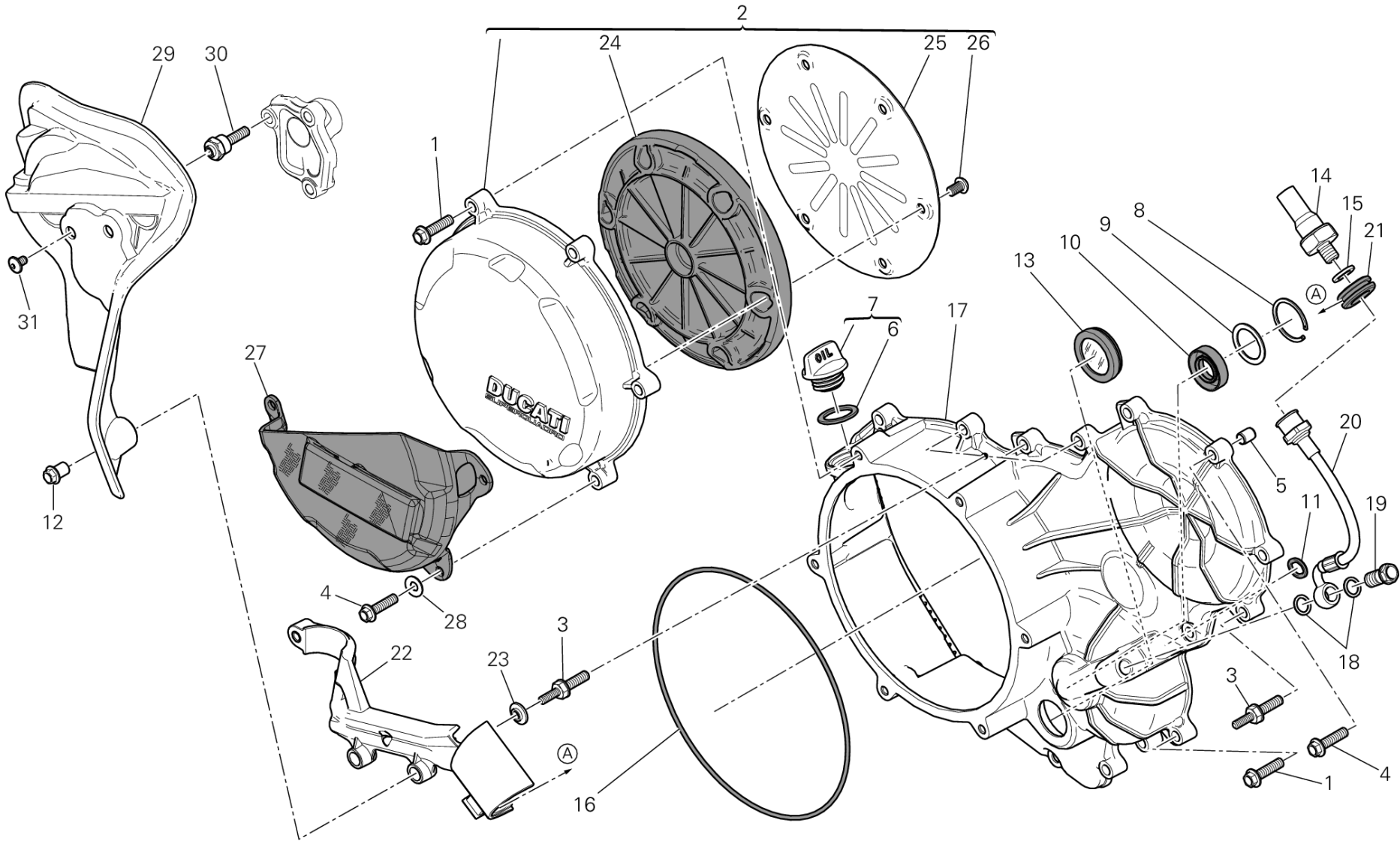


DRAWING 004 - CLUTCH [MOD:1199R;XST:AUS,EUR,FRA,JAP]

GROUP ENGINE



POS.	CODE	DESCRIPTION	QTY	START DATE	END DATE	VALIDITY	NOTES
1	79710531B	SPRING	3	19/11/2010		MOD:1199R;XST:AUS,EUR,FRA,JAP	
2	85611391A	THRUST WASHER	3	19/11/2010		MOD:1199R;XST:AUS,EUR,FRA,JAP	
3	77211201A	SCREW	3	19/11/2010		MOD:1199R;XST:AUS,EUR,FRA,JAP	
4	19410511A	RING	1	19/11/2010		MOD:1199R;XST:AUS,EUR,FRA,JAP	
5	81810162A	CLUTCH CONTROL PIN (FCC)	1	11/11/2010		MOD:1199R;XST:AUS,EUR,FRA,JAP	
6	77110471A	SCREW	3	29/03/2012		MOD:1199R;XST:AUS,EUR,FRA,JAP	
7	75010071A	NUT M25X1.5	1	11/11/2010		MOD:1199R;XST:AUS,EUR,FRA,JAP	
8	85110201A	LOCK WASHER	1	11/11/2010		MOD:1199R;XST:AUS,EUR,FRA,JAP	
9	19020232A	CLUTCH DISC SET	1	19/11/2010		MOD:1199R;XST:AUS,EUR,FRA,JAP	
10	70250601A	BEARING	1	19/11/2010		MOD:1199R;XST:AUS,EUR,FRA,JAP	
11	19610541A	DISK, CLUTCH PRESSURE (FCC)	1	19/11/2010		MOD:1199R;XST:AUS,EUR,FRA,JAP	
12	19610531A	PLATE HOLDER HUB (FCC)	1	19/11/2010		MOD:1199R;XST:AUS,EUR,FRA,JAP	
13	71313091A	SPACER 25.2X46X2	1	19/11/2010		MOD:1199R;XST:AUS,EUR,FRA,JAP	
14	19820401A	CLUTCH HOUSING	1	19/11/2010		MOD:1199R;XST:AUS,EUR,FRA,JAP	
15	71314831A	SPACER	1	19/11/2010		MOD:1199R;XST:AUS,EUR,FRA,JAP	
16	11721332B	CLUTCH CONTROL ROD	1	23/01/2013		MOD:1199R;XST:AUS,EUR,FRA,JAP	
17	19540061A	PISTON ASSEMBLY	1	19/10/2011		MOD:1199R;XST:AUS,EUR,FRA,JAP	
18	88650541A	O-RING	1	01/12/2011		MOD:1199R;XST:AUS,EUR,FRA,JAP	
19	71319442A	ANTI-ROTATION INSERT	1	01/06/2012		MOD:1199R;XST:AUS,EUR,FRA,JAP	



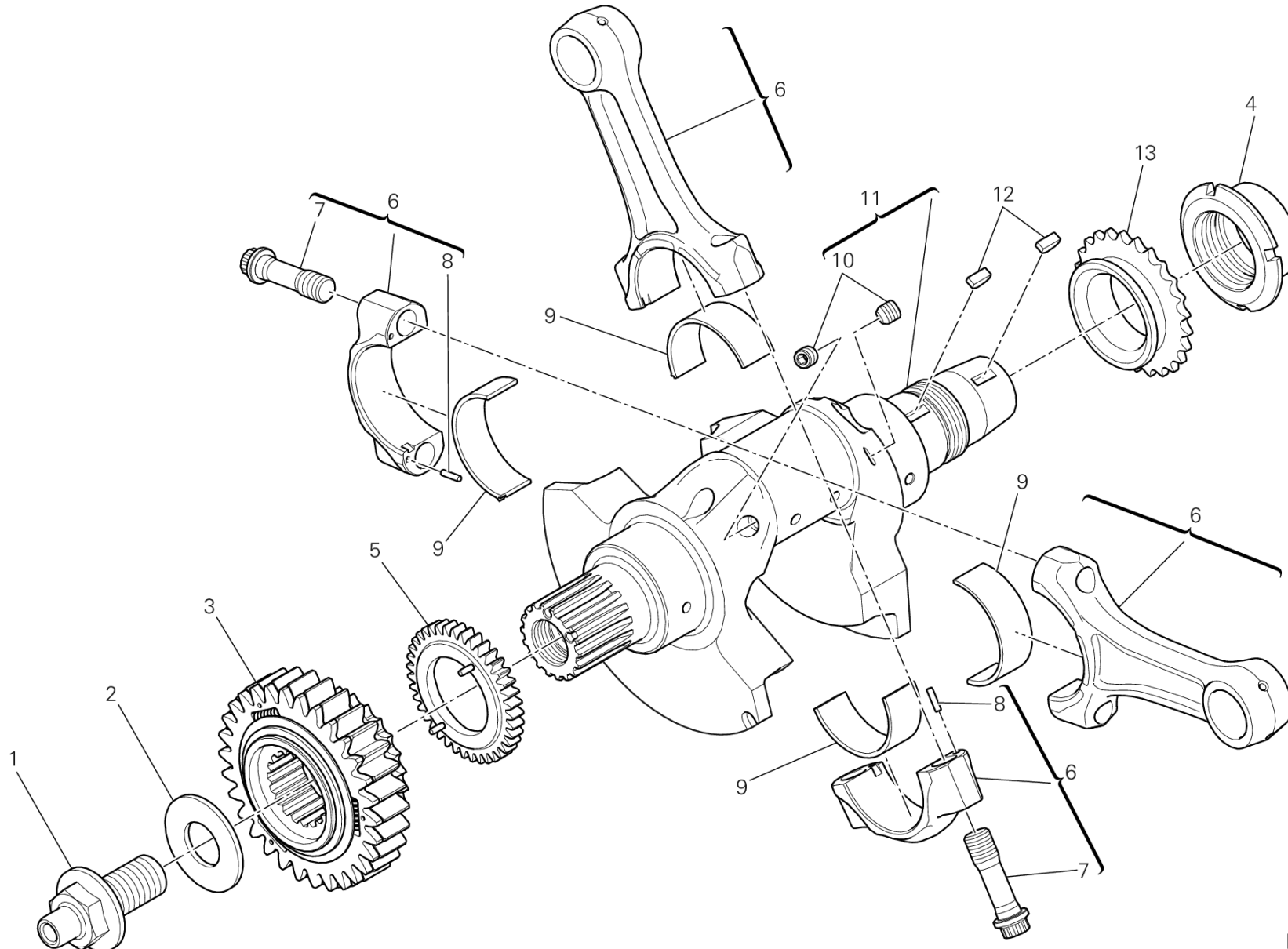
CRT00613

DRAWING 005 - CLUTCH - SIDE CRANKCASE COVER [MOD:1199R;XST:AUS,EUR,FRA]

GROUP ENGINE



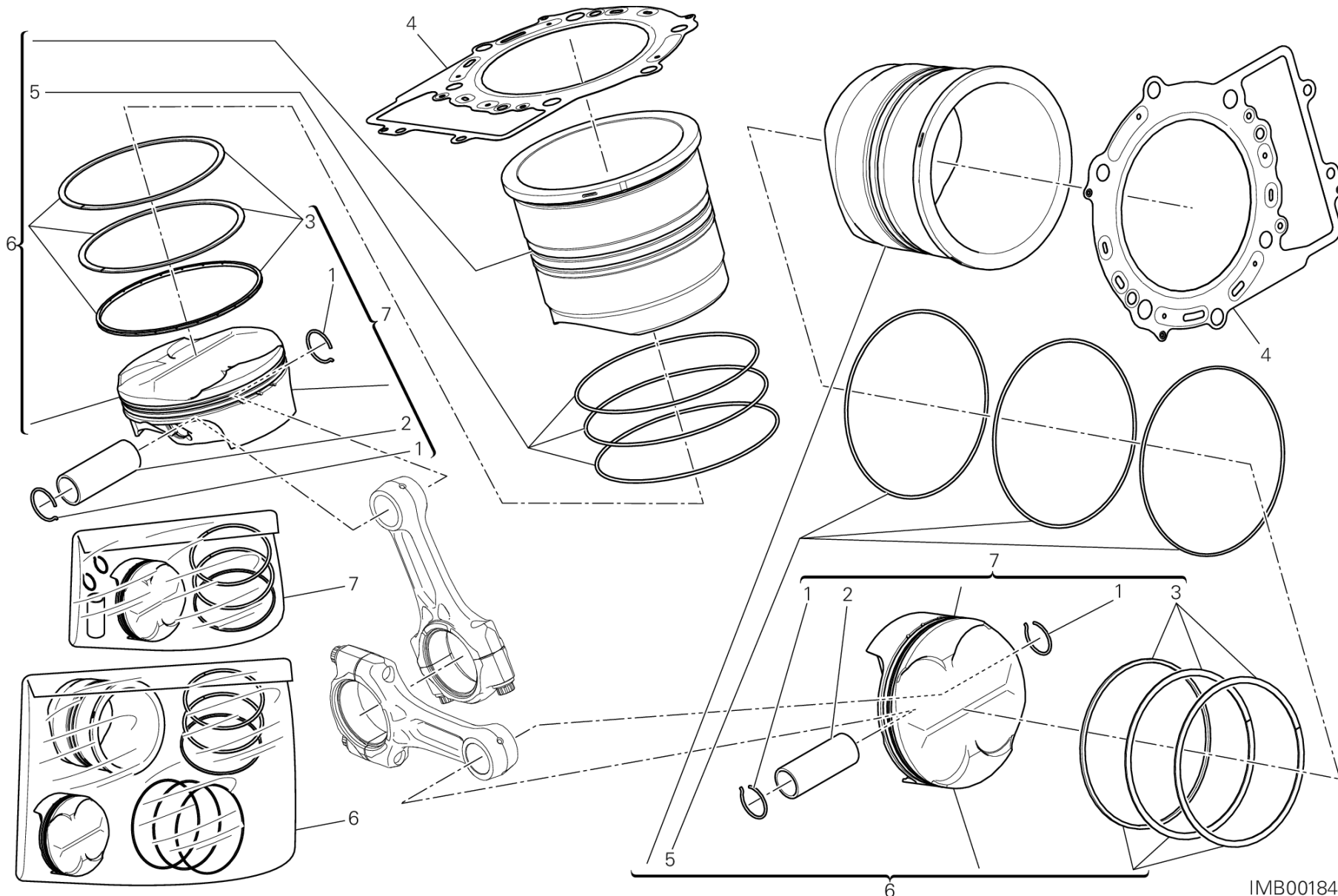
POS.	CODE	DESCRIPTION	QTY	START DATE	END DATE	VALIDITY	NOTES
1	77253337C	SCREW	14	11/11/2010		MOD:1199R;XST:AUS,EUR,FRA	
2	24321344A	CLUTCH PROTECTION COVER (Unit)	1	02/05/2012		MOD:1199R;XST:AUS,EUR,FRA	
3	77917161B	SCREW, SPECIAL	4	21/11/2011		MOD:1199R;XST:AUS,EUR,FRA	
4	77253357C	SCREW	5	11/11/2010		MOD:1199R;XST:AUS,EUR,FRA	
5	71113171A	LOCATING DOWEL	2	11/11/2010		MOD:1199R;XST:AUS,EUR,FRA	
6	88640891A	O-RING 18.64X3.53	1	24/12/2009		MOD:1199R;XST:AUS,EUR,FRA	
7	89320121A	PLUG ASSY	1	26/10/2011		MOD:1199R;XST:AUS,EUR,FRA	
8	88450291A	SNAP RING	1	26/10/2011		MOD:1199R;XST:AUS,EUR,FRA	
9	85212721A	THRUST WASHER	1	26/10/2011		MOD:1199R;XST:AUS,EUR,FRA	
10	93041521A	SEAL RING	1	26/10/2011		MOD:1199R;XST:AUS,EUR,FRA	
11	88641761A	O-RING	1	11/11/2010		MOD:1199R;XST:AUS,EUR,FRA	
12	75011841AA	NUT, SPECIAL	3	01/02/2013		MOD:1199R;XST:AUS,EUR,FRA	
13	25440012A	WINDOW, OIL LEVEL CHECK	1	26/10/2011		MOD:1199R;XST:AUS,EUR,FRA	
14	53940302A	SWITCH ASSY, OIL PRESSURE	1	01/12/2011		MOD:1199R;XST:AUS,EUR,FRA	
15	85211951A	GASKET 10.5X17X2	1	01/12/2011		MOD:1199R;XST:AUS,EUR,FRA	
16	88610281A	O-RING	1	26/10/2011		MOD:1199R;XST:AUS,EUR,FRA	
17	24311274A	TIMING COVER	1	01/01/2012		MOD:1199R;XST:AUS,EUR,FRA	
18	85250241A	WASHER 10X14X1	2	01/12/2011		MOD:1199R;XST:AUS,EUR,FRA	
19	78110121AA	SCREW, SPECIAL	1	26/10/2012		MOD:1199R;XST:AUS,EUR,FRA	
20	87721561A	OIL PRESSURE LINE	1	01/12/2011		MOD:1199R;XST:AUS,EUR,FRA	
21	76440581A	RUBBER PAD	1	01/12/2011		MOD:1199R;XST:AUS,EUR,FRA	
22	75810701B	FAIRLEAD	1	01/02/2013		MOD:1199R;XST:AUS,EUR,FRA	
23	71614071A	SPACER 5.2X8.4X2	3	01/12/2011		MOD:1199R;XST:AUS,EUR,FRA	
24	48610851A	DAMPER, SOUND ARRESTER	1	02/05/2012		MOD:1199R;XST:AUS,EUR,FRA	
25	82716012A	SHEET ACOUSTIC DAMPER	1	02/05/2012		MOD:1199R;XST:AUS,EUR,FRA	
26	77550200C	SCREW	6	02/05/2012		MOD:1199R;XST:AUS,EUR,FRA	
27	46014601A	CARBON CLUTCH CASING PROTECTION	1	27/11/2012		MOD:1199R;XST:AUS,EUR,FRA	
28	85250271A	WASHER 6.2X12X1	4	09/10/2012		MOD:1199R;XST:AUS,EUR,FRA	
29	46016251A	RIGHT BULKHEAD	1	23/01/2013		MOD:1199R;XST:AUS,EUR,FRA	
30	77917951AA	SPECIAL SCREW SHORT	2	23/01/2013		MOD:1199R;XST:AUS,EUR,FRA	
31	77240243C	SCREW	2	23/01/2013		MOD:1199R;XST:AUS,EUR,FRA	



IMB00183



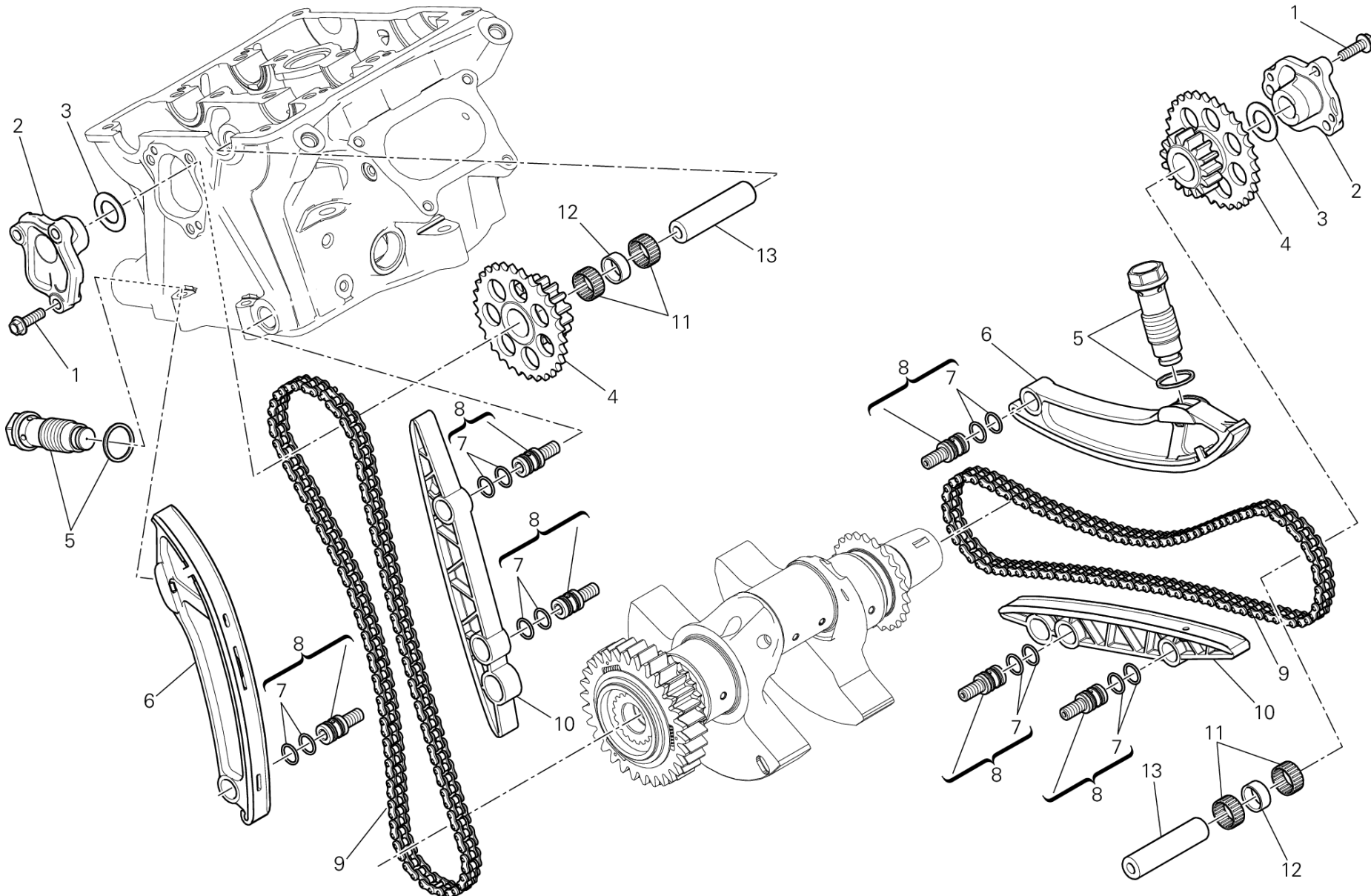
POS.	CODE	DESCRIPTION	QTY	START DATE	END DATE	VALIDITY	NOTES
1	77916551B	SCREW, SPECIAL	1	07/03/2012		MOD:1199R;XST:AUS,EUR,FRA,JAP	
2	85212791A	THRUST WASHER	1	11/11/2010		MOD:1199R;XST:AUS,EUR,FRA,JAP	
3	17021261A	PRIMARY DRIVE FRONT SPROCKET	1	19/11/2010		MOD:1199R;XST:AUS,EUR,FRA,JAP	
4	70310593A	RING NUT	1	01/01/2012		MOD:1199R;XST:AUS,EUR,FRA,JAP	
5	17420581B	PUMP DRIVING GEAR (Unit)	1	05/12/2012		MOD:1199R;XST:AUS,EUR,FRA,JAP	
6	15620711BA	CONNECTING ROD (Class 1)	2	02/10/2012		MOD:1199R;XST:AUS,EUR,FRA,JAP	
	15620711BB	CONNECTING ROD (Class 2)	2	02/10/2012		MOD:1199R;XST:AUS,EUR,FRA,JAP	
	15620711BC	CONNECTING ROD (Class 3)	2	02/10/2012		MOD:1199R;XST:AUS,EUR,FRA,JAP	
	15620711BD	CONNECTING ROD (Class 4)	2	02/10/2012		MOD:1199R;XST:AUS,EUR,FRA,JAP	
7	77916211A	SCREW, SPECIAL	4	02/10/2012		MOD:1199R;XST:AUS,EUR,FRA,JAP	
8	86250011A	PIN 2.5X8	4	02/10/2012		MOD:1199R;XST:AUS,EUR,FRA,JAP	
9	11210711AA	SEMICUSCINETTO (Red)	4	15/12/2011		MOD:1199R;XST:AUS,EUR,FRA,JAP	
	11210711AB	SEMICUSCINETTO (Blue)	4	15/12/2011		MOD:1199R;XST:AUS,EUR,FRA,JAP	
	11210711AC	SEMICUSCINETTO (Yellow)	4	15/12/2011		MOD:1199R;XST:AUS,EUR,FRA,JAP	
	11210711AD	SEMICUSCINETTO (Black)	4	15/12/2011		MOD:1199R;XST:AUS,EUR,FRA,JAP	
	11210711AE	SEMICUSCINETTO (Green)	4	15/12/2011		MOD:1199R;XST:AUS,EUR,FRA,JAP	
	11210711AF	SEMICUSCINETTO (Brown)	4	15/12/2011		MOD:1199R;XST:AUS,EUR,FRA,JAP	
10	77915471A	THREADED DOWEL STEI M8X8	2	13/01/2012		MOD:1199R;XST:AUS,EUR,FRA,JAP	
11	14621991AA	CRANKSHAFT (Class A)	1	02/10/2012		MOD:1199R;XST:AUS,EUR,FRA,JAP	
	14621991AB	CRANKSHAFT (Class B)	1	02/10/2012		MOD:1199R;XST:AUS,EUR,FRA,JAP	
	14621991AC	CRANKSHAFT (Class C)	1	02/10/2012		MOD:1199R;XST:AUS,EUR,FRA,JAP	
	14621991AD	CRANKSHAFT (Class D)	1	02/10/2012		MOD:1199R;XST:AUS,EUR,FRA,JAP	
12	68010171A	PLATE	2	01/01/2012		MOD:1199R;XST:AUS,EUR,FRA,JAP	
13	17112351B	SPROCKET	1	05/06/2012		MOD:1199R;XST:AUS,EUR,FRA,JAP	



IMB00184

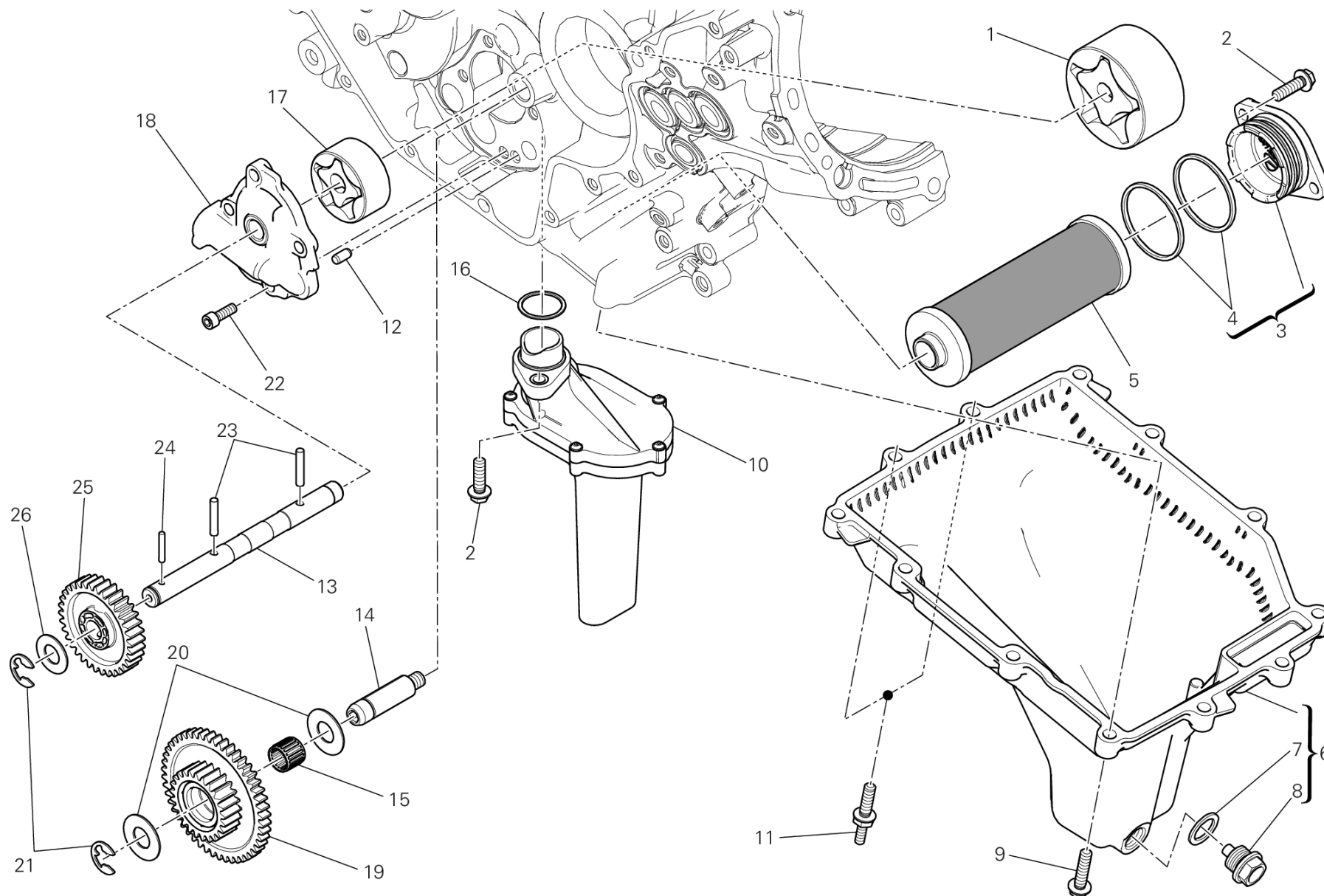


POS.	CODE	DESCRIPTION	QTY	START DATE	END DATE	VALIDITY	NOTES
1	12112601B	PISTON PIN CIRCLIP	4	01/09/2011		MOD:1199R;XST:AUS,EUR,FRA,JAP	
2	12112551C	PISTON PIN	2	07/04/2011		MOD:1199R;XST:AUS,EUR,FRA,JAP	
3	12120561B	PISTON RING SET	2	17/07/2012		MOD:1199R;XST:AUS,EUR,FRA,JAP	
4	78611212C	HEAD-CYLINDER GASKET	2	01/01/2012		MOD:1199R;XST:AUS,EUR,FRA,JAP	
5	79120531B	GASKETS SET	2	19/07/2012		MOD:1199R;XST:AUS,EUR,FRA,JAP	
6	12021984D	CYLINDER LINER-PISTON FIT	2	02/10/2012		MOD:1199R;XST:AUS,EUR,FRA,JAP	
7	12221711EA	PISTON ASSY (Class A)	2	02/10/2012		MOD:1199R;XST:AUS,EUR,FRA,JAP	
	12221711EB	PISTON ASSY (Class B)	2	02/10/2012		MOD:1199R;XST:AUS,EUR,FRA,JAP	
	12221711EC	PISTON ASSY (Class C)	2	02/10/2012		MOD:1199R;XST:AUS,EUR,FRA,JAP	



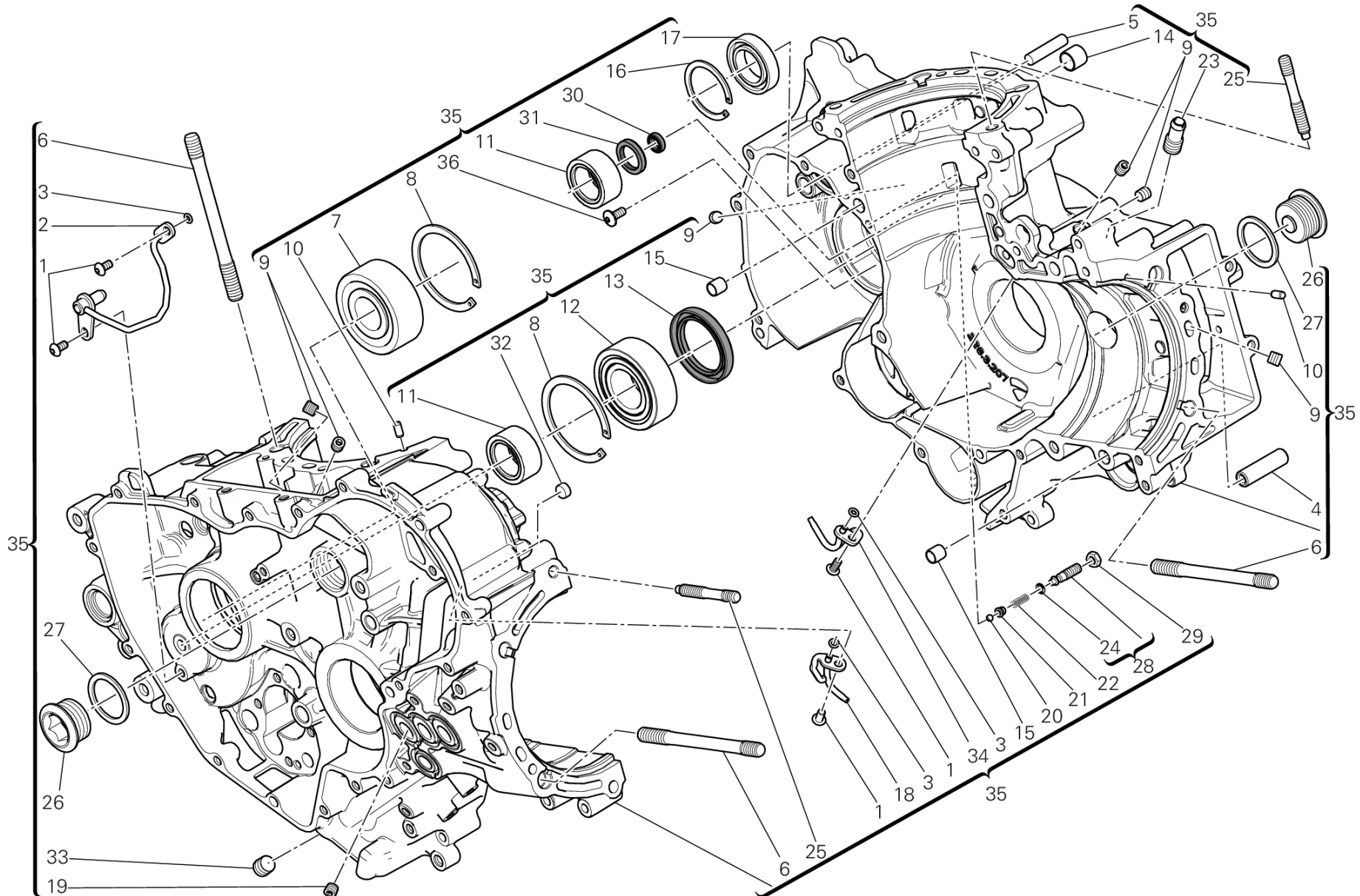


POS.	CODE	DESCRIPTION	QTY	START DATE	END DATE	VALIDITY	NOTES
1	77253317C	SCREW	4	22/10/2012		MOD:1199R;XST:AUS,EUR,FRA,JAP	
2	24713912A	COVER	2	01/08/2011		MOD:1199R;XST:AUS,EUR,FRA,JAP	
3	85212741A	WASHER, THRUST	2	11/11/2010		MOD:1199R;XST:AUS,EUR,FRA,JAP	
4	17112311A	GEAR Z=15 30	2	12/01/2012		MOD:1199R;XST:AUS,EUR,FRA,JAP	
5	45140013A	COMPLETE TENSIONER ROLLER	2	01/01/2012		MOD:1199R;XST:AUS,EUR,FRA,JAP	
6	44740051A	COMPLETE MOVABLE TENSIONER ROLLER	2	25/06/2012		MOD:1199R;XST:AUS,EUR,FRA,JAP	
7	88642081A	O-RING	12	22/03/2012		MOD:1199R;XST:AUS,EUR,FRA,JAP	
8	82123692A	TENSIONER ROLLER PIN	6	22/06/2012		MOD:1199R;XST:AUS,EUR,FRA,JAP	
9	73840011A	CHAIN	2	12/01/2012		MOD:1199R;XST:AUS,EUR,FRA,JAP	
10	44740021B	COMPLETE FIXED TENSIONER ROLLER	2	22/11/2010		MOD:1199R;XST:AUS,EUR,FRA,JAP	
11	70140301C	NEEDLE BEARING	4	23/04/2012		MOD:1199R;XST:AUS,EUR,FRA,JAP	
12	71319291A	SPACER	2	11/11/2010		MOD:1199R;XST:AUS,EUR,FRA,JAP	
13	82010151A	PIN	2	06/04/2011		MOD:1199R;XST:AUS,EUR,FRA,JAP	





POS.	CODE	DESCRIPTION	QTY	START DATE	END DATE	VALIDITY	NOTES
1	17420571A	OIL PUMP RETURN	1	11/11/2010		MOD:1199R;XST:AUS,EUR,FRA,JAP	
2	77253317C	SCREW	3	11/11/2010		MOD:1199R;XST:AUS,EUR,FRA,JAP	
3	24723842A	FILTER COVER UNIT	1	17/09/2012		MOD:1199R;XST:AUS,EUR,FRA,JAP	
4	88650561A	O-RING	2	25/11/2010		MOD:1199R;XST:AUS,EUR,FRA,JAP	
5	44440291C	FILTER, OIL	1	03/07/2012		MOD:1199R;XST:AUS,EUR,FRA,JAP	
6	25220071A	OIL PAN	1	11/11/2010		MOD:1199R;XST:AUS,EUR,FRA,JAP	
7	85250541A	WASHER	1	29/03/2011		MOD:1199R;XST:AUS,EUR,FRA,JAP	
8	89310151A	OIL DRAIN PLUG WITH MAGNET	1	29/03/2011		MOD:1199R;XST:AUS,EUR,FRA,JAP	
9	77253337C	SCREW	10	11/11/2010		MOD:1199R;XST:AUS,EUR,FRA,JAP	
10	89420112B	MESH FILTER ASSEMBLY	1	01/08/2011		MOD:1199R;XST:AUS,EUR,FRA,JAP	
11	77917161B	SCREW, SPECIAL	2	08/11/2011		MOD:1199R;XST:AUS,EUR,FRA,JAP	
12	86050061A	PIN M5X10	1	02/11/2011		MOD:1199R;XST:AUS,EUR,FRA,JAP	
13	14710903A	OIL PUMP DRIVE SHAFT	1	02/05/2011		MOD:1199R;XST:AUS,EUR,FRA,JAP	
14	82010162A	STARTER REDUCTION SHAFT	1	02/11/2011		MOD:1199R;XST:AUS,EUR,FRA,JAP	
15	70140371A	BEARING, NEEDLE	1	11/11/2010		MOD:1199R;XST:AUS,EUR,FRA,JAP	
16	88641331A	O-RING	1	01/07/2011		MOD:1199R;XST:AUS,EUR,FRA,JAP	
17	17420561A	OIL PUMP DELIVERY	1	11/11/2010		MOD:1199R;XST:AUS,EUR,FRA,JAP	
18	24723712A	OIL PUMP COVER	1	12/03/2012		MOD:1199R;XST:AUS,EUR,FRA,JAP	
19	17410601A	GEAR, PUMP DRIVEN	1	01/01/2012		MOD:1199R;XST:AUS,EUR,FRA,JAP	
20	85212681A	WASHER, THRUST	2	25/11/2010		MOD:1199R;XST:AUS,EUR,FRA,JAP	
21	88450371A	SNAP RING	2	11/11/2010		MOD:1199R;XST:AUS,EUR,FRA,JAP	
22	77150678B	SCREW TCEI M6X16	4	11/11/2010		MOD:1199R;XST:AUS,EUR,FRA,JAP	
23	70450091A	ROLLER	2	11/11/2010		MOD:1199R;XST:AUS,EUR,FRA,JAP	
24	70450051A	ROLLER	1	11/11/2010		MOD:1199R;XST:AUS,EUR,FRA,JAP	
25	17410611A	PUMP GEAR	1	01/01/2012		MOD:1199R;XST:AUS,EUR,FRA,JAP	
26	85213021A	WASHER, THRUST	1	26/11/2010		MOD:1199R;XST:AUS,EUR,FRA,JAP	

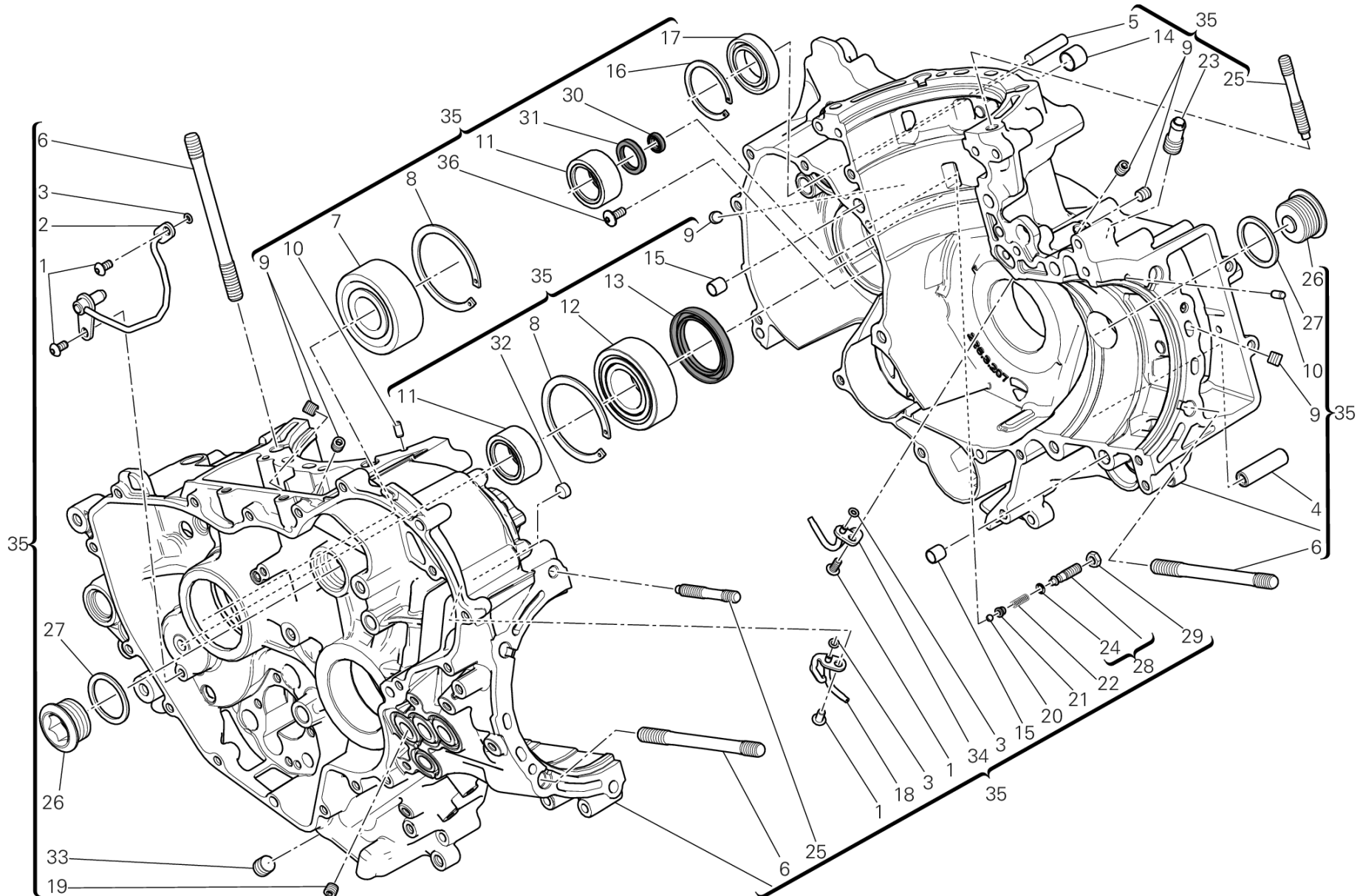


DRAWING 010 - HALF-CRANKCASES PAIR [MOD:1199R;XST:AUS,EUR,FRA,JAP]

GROUP ENGINE

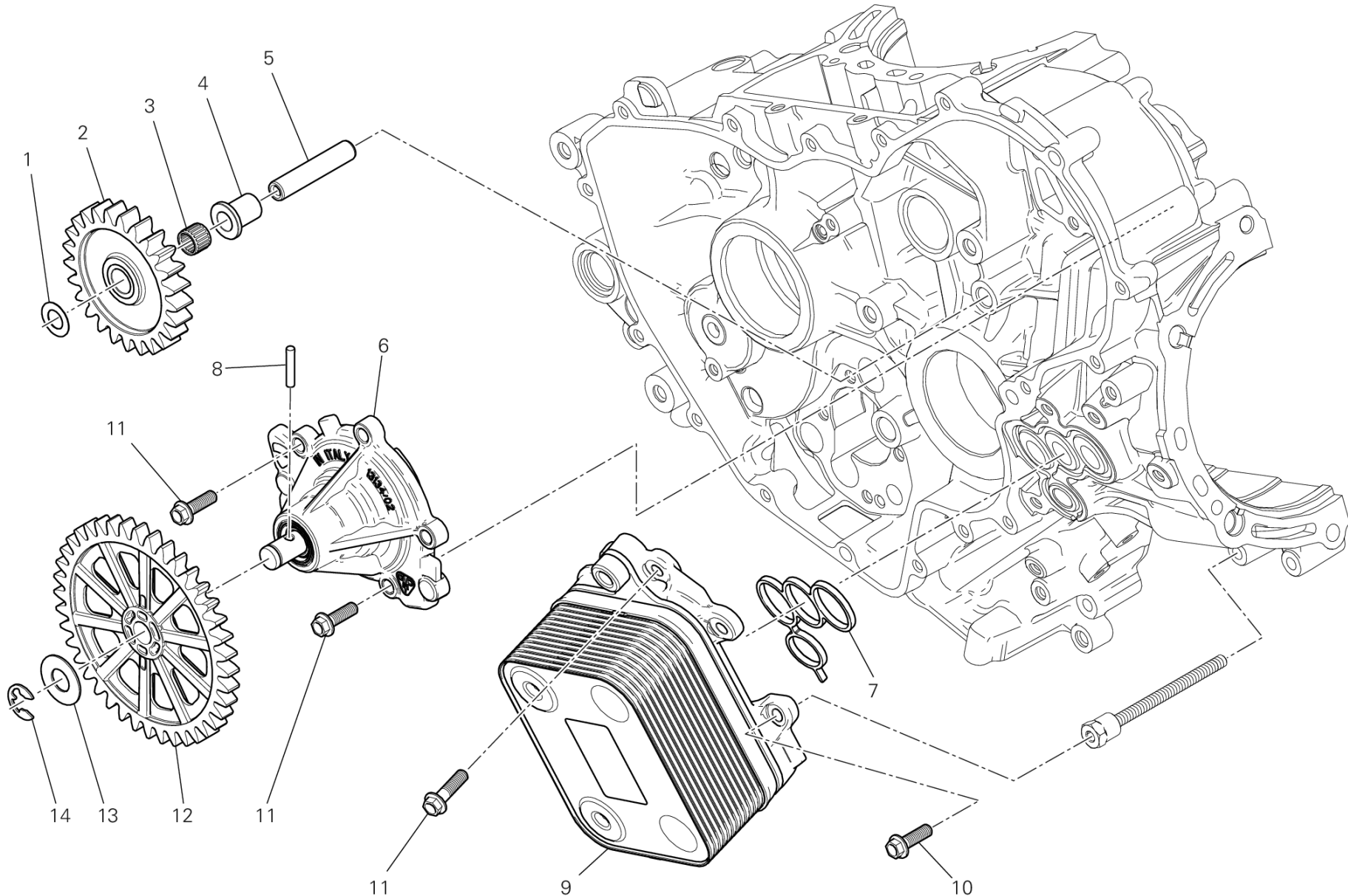


POS.	CODE	DESCRIPTION	QTY	START DATE	END DATE	VALIDITY	NOTES
1	77510311B	SCREW TBEI M5X10	4	02/11/2011		MOD:1199R;XST:AUS,EUR,FRA,JAP	
2	87511791B	HOSE, OIL	1	02/11/2011		MOD:1199R;XST:AUS,EUR,FRA,JAP	
3	88650131A	O-RING 3.68X1.78	3	02/11/2011		MOD:1199R;XST:AUS,EUR,FRA,JAP	
4	82010141A	STARTER REDUCTION SHAFT	1	02/11/2011		MOD:1199R;XST:AUS,EUR,FRA,JAP	
5	86050371A	PIN	1	20/12/2012		MOD:1199R;XST:AUS,EUR,FRA,JAP	
6	76610781A	STUD BOLT FASTENING HEAD CYLINDER	8	02/11/2011		MOD:1199R;XST:AUS,EUR,FRA,JAP	
7	70240131D	BEARING	1	02/11/2011		MOD:1199R;XST:AUS,EUR,FRA,JAP	
8	735034405	SNAP RING	2	02/11/2011		MOD:1199R;XST:AUS,EUR,FRA,JAP	
9	78010871A	THREADED DOWEL	6	02/11/2011		MOD:1199R;XST:AUS,EUR,FRA,JAP	
10	86050061A	PIN M5X10	2	02/11/2011		MOD:1199R;XST:AUS,EUR,FRA,JAP	
11	70240251B	BEARING	2	02/11/2011		MOD:1199R;XST:AUS,EUR,FRA,JAP	
12	70241091A	BEARING, NEEDLE	1	02/11/2011		MOD:1199R;XST:AUS,EUR,FRA,JAP	
13	93040431A	SEAL, OIL 40X55X7	1	02/11/2011		MOD:1199R;XST:AUS,EUR,FRA,JAP	
14	71240231A	BUSH	1	02/11/2011		MOD:1199R;XST:AUS,EUR,FRA,JAP	
15	71113181A	LOCAT. DOWEL	4	02/11/2011		MOD:1199R;XST:AUS,EUR,FRA,JAP	
16	735033804	CIRCLIP	1	02/11/2011		MOD:1199R;XST:AUS,EUR,FRA,JAP	
17	70250411A	BEARING 25X42X9	1	02/11/2011		MOD:1199R;XST:AUS,EUR,FRA,JAP	
18	87511651BB	JET RH	1	02/11/2011		MOD:1199R;XST:AUS,EUR,FRA,JAP	
19	78010861A	SPECIAL SCREW	1	02/11/2011		MOD:1199R;XST:AUS,EUR,FRA,JAP	
20	84740061A	BALL	1	02/11/2011		MOD:1199R;XST:AUS,EUR,FRA,JAP	
21	83110151A	PLATE	1	02/11/2011		MOD:1199R;XST:AUS,EUR,FRA,JAP	
22	79940121A	SPRING	1	02/11/2011		MOD:1199R;XST:AUS,EUR,FRA,JAP	
23	81413421B	UNION RETURN	1	08/11/2011		MOD:1199R;XST:AUS,EUR,FRA,JAP	
24	88641961A	O-RING	1	18/04/2011		MOD:1199R;XST:AUS,EUR,FRA,JAP	
25	76610801A	STUD BOLT FASTENING HEAD CYLINDER	2	02/11/2011		MOD:1199R;XST:AUS,EUR,FRA,JAP	
26	78010801A	PLUG	2	02/11/2011		MOD:1199R;XST:AUS,EUR,FRA,JAP	
27	85250491A	WASHER	2	02/11/2011		MOD:1199R;XST:AUS,EUR,FRA,JAP	
28	77927171A	SCREW	1	02/11/2011		MOD:1199R;XST:AUS,EUR,FRA,JAP	
29	74750151A	NUT	1	02/11/2011		MOD:1199R;XST:AUS,EUR,FRA,JAP	
30	93041771A	SEAL RING	1	02/11/2011		MOD:1199R;XST:AUS,EUR,FRA,JAP	
31	93040931A	SEAL, OIL 17X25X4	1	02/11/2011		MOD:1199R;XST:AUS,EUR,FRA,JAP	
32	87310021A	PLUG 10 MM	2	02/11/2011		MOD:1199R;XST:AUS,EUR,FRA,JAP	
33	78010771A	THREADED DOWEL	1	02/11/2011		MOD:1199R;XST:AUS,EUR,FRA,JAP	
34	87511641BB	JET LH	1	02/11/2011		MOD:1199R;XST:AUS,EUR,FRA,JAP	
35	22522941A	COMPLETE HALF-CRANKCASES PAIR	1	29/10/2012		MOD:1199R;XST:AUS,EUR,FRA,JAP	





POS.	CODE	DESCRIPTION	QTY	START DATE	END DATE	VALIDITY	NOTES
36	77240398C	SCREW TBEIF M6X10	2	02/11/2011		MOD:1199R;XST:AUS,EUR,FRA,JAP	





POS.	CODE	DESCRIPTION	QTY	START DATE	END DATE	VALIDITY	NOTES
1	064770010	WASHER, THRUST	1	11/11/2010		MOD:1199R;XST:AUS,EUR,FRA,JAP	
2	17410511A	PUMP GEAR	1	11/11/2010		MOD:1199R;XST:AUS,EUR,FRA,JAP	
3	70140361A	BEARING, NEEDLE	1	11/11/2010		MOD:1199R;XST:AUS,EUR,FRA,JAP	
4	71113221A	BUSH	1	11/11/2010		MOD:1199R;XST:AUS,EUR,FRA,JAP	
5	82010171A	STARTER REDUCTION SHAFT	1	09/12/2010		MOD:1199R;XST:AUS,EUR,FRA,JAP	
6	24723701C	COMPLETE WATER PUMP	1	02/11/2011		MOD:1199R;XST:AUS,EUR,FRA,JAP	
7	78811191A	GASKET	1	26/11/2010		MOD:1199R;XST:AUS,EUR,FRA,JAP	
8	70450091A	ROLLER	1	11/11/2010		MOD:1199R;XST:AUS,EUR,FRA,JAP	
9	54710022B	HEAT EXCHANGER	1	27/01/2012		MOD:1199R;XST:AUS,EUR,FRA,JAP	
10	77253297C	SCREW	2	01/11/2011		MOD:1199R;XST:AUS,EUR,FRA,JAP	
11	77253317C	SCREW	9	01/09/2011	27/01/2012	MOD:1199R;XST:AUS,EUR,FRA,JAP	
12	17410501A	PUMP GEAR	1	11/11/2010		MOD:1199R;XST:AUS,EUR,FRA,JAP	
13	85212681A	WASHER, THRUST	1	03/12/2010		MOD:1199R;XST:AUS,EUR,FRA,JAP	
14	88450371A	SNAP RING	1	11/11/2010		MOD:1199R;XST:AUS,EUR,FRA,JAP	

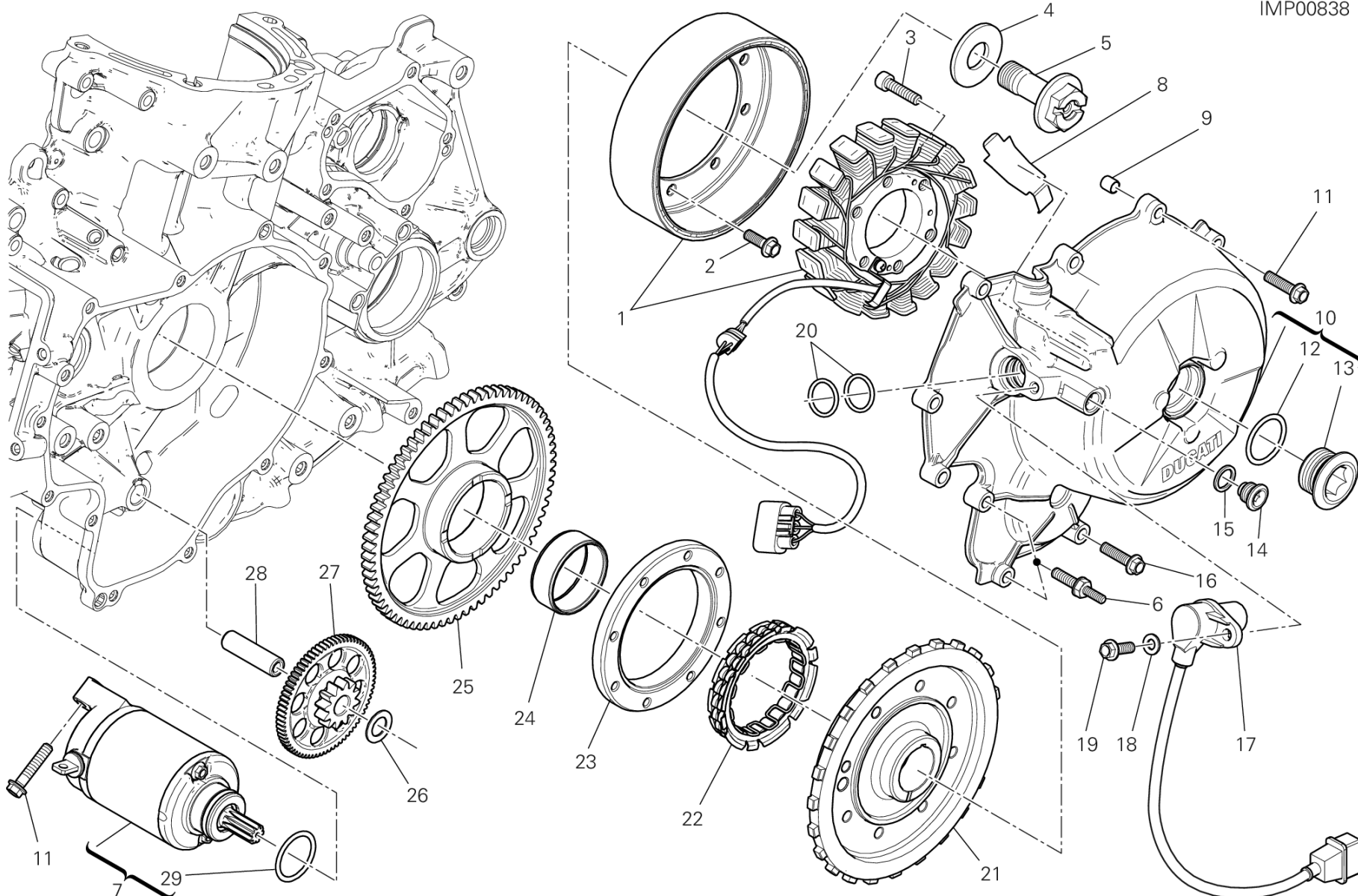


DRAWING 012 - ELECTRIC STARTING AND IGNITION

[MOD:1199R;XST:AUS,EUR,FRA,JAP]

GROUP ENGINE

IMP00838



DRAWING 012 - ELECTRIC STARTING AND IGNITION

[MOD:1199R;XST:AUS,EUR,FRA,JAP]

GROUP ENGINE

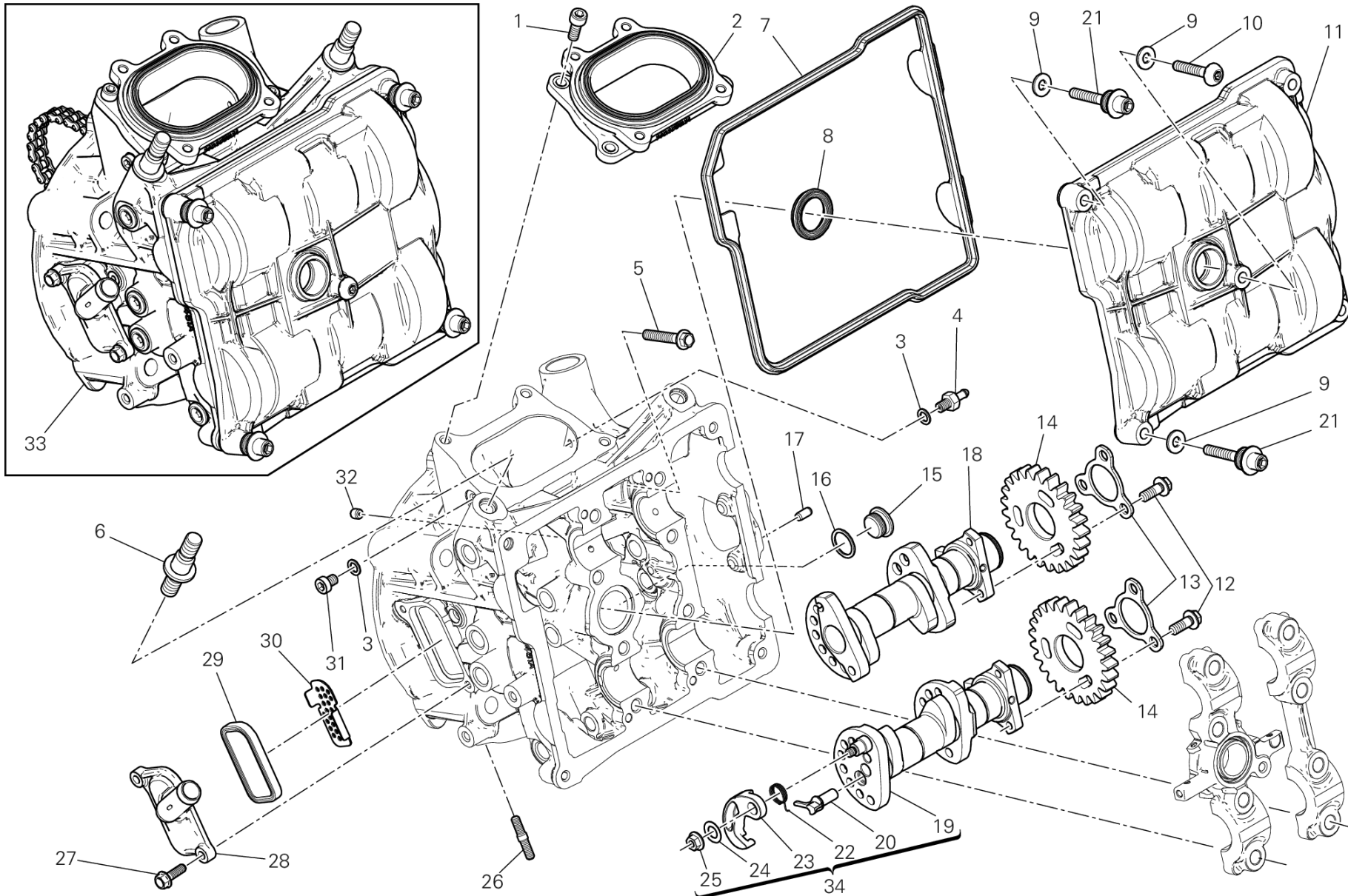


POS.	CODE	DESCRIPTION	QTY	START DATE	END DATE	VALIDITY	NOTES
1	26420161A	GENERATOR DENSO	1	13/01/2012		MOD:1199R;XST:AUS,EUR,FRA,JAP	
2	77253300ZF	SCREW	8	02/10/2012		MOD:1199R;XST:AUS,EUR,FRA,JAP	
3	77110518B	SCREW TCEI M6X25	3	01/04/2011		MOD:1199R;XST:AUS,EUR,FRA,JAP	
4	85212941B	WASHER	1	01/08/2011		MOD:1199R;XST:AUS,EUR,FRA,JAP	
5	77916661B	SCREW, SPECIAL	1	01/08/2011		MOD:1199R;XST:AUS,EUR,FRA,JAP	
6	77917161B	SCREW, SPECIAL	2	08/11/2011		MOD:1199R;XST:AUS,EUR,FRA,JAP	
7	27040134A	COMPLETE STARTER MOTOR	1	08/11/2012		MOD:1199R;XST:AUS,EUR,FRA,JAP	
8	82716091A	PLATE	1	01/04/2011		MOD:1199R;XST:AUS,EUR,FRA,JAP	
9	71113171A	LOCATING DOWEL	1	11/11/2010		MOD:1199R;XST:AUS,EUR,FRA,JAP	
10	24221081BB	GENERATOR COVER	1	15/09/2011		MOD:1199R;XST:AUS,EUR,FRA,JAP	
11	77253357C	SCREW	3	11/11/2010		MOD:1199R;XST:AUS,EUR,FRA,JAP	
12	88640741A	O-RING	1	15/09/2011		MOD:1199R;XST:AUS,EUR,FRA,JAP	
13	78010841A	PLUG	1	15/09/2011		MOD:1199R;XST:AUS,EUR,FRA,JAP	
14	78010511C	PLUG	1	01/04/2011		MOD:1199R;XST:AUS,EUR,FRA,JAP	
15	85250261A	GASKET, ALUMINIUM 12X16X1.5	1	01/04/2011		MOD:1199R;XST:AUS,EUR,FRA,JAP	
16	77253337C	SCREW	8	11/11/2010		MOD:1199R;XST:AUS,EUR,FRA,JAP	
17	55241321B	SENSOR, TIMING & RPM	1	01/04/2011		MOD:1199R;XST:AUS,EUR,FRA,JAP	
18	85310031A	SPRING WASHER 6 MM	1	01/04/2011		MOD:1199R;XST:AUS,EUR,FRA,JAP	
19	77253307C	SCREW	1	01/04/2011		MOD:1199R;XST:AUS,EUR,FRA,JAP	
20	88640331A	O-RING 17.96X2.62	2	01/04/2011		MOD:1199R;XST:AUS,EUR,FRA,JAP	
21	27610701A	IGNITION FLYWHEEL	1	02/10/2012		MOD:1199R;XST:AUS,EUR,FRA,JAP	
22	70140351A	CLUTCH, ONE WAY	1	22/11/2010		MOD:1199R;XST:AUS,EUR,FRA,JAP	
23	16014151A	FLANGE	1	22/11/2010		MOD:1199R;XST:AUS,EUR,FRA,JAP	
24	70240181B	NEEDLE BEARING	1	11/11/2010		MOD:1199R;XST:AUS,EUR,FRA,JAP	
25	17310241A	ELECTRIC STARTER DRIVEN GEAR	1	22/11/2010		MOD:1199R;XST:AUS,EUR,FRA,JAP	
26	85212651A	WASHER	1	11/11/2010		MOD:1199R;XST:AUS,EUR,FRA,JAP	
27	17610221A	DRIVEN GEAR DOUBLE	1	26/11/2010		MOD:1199R;XST:AUS,EUR,FRA,JAP	
28	82010141A	STARTER REDUCTION SHAFT	1	02/11/2011		MOD:1199R;XST:AUS,EUR,FRA,JAP	
29	88641971A	O-RING	1	13/01/2012		MOD:1199R;XST:AUS,EUR,FRA,JAP	



DRAWING 013 - TESTA ORIZZONTALE - DISTRIBUZIONE [MOD:1199R;XST:AUS,EUR,FRA,JAP]

GROUP ENGINE



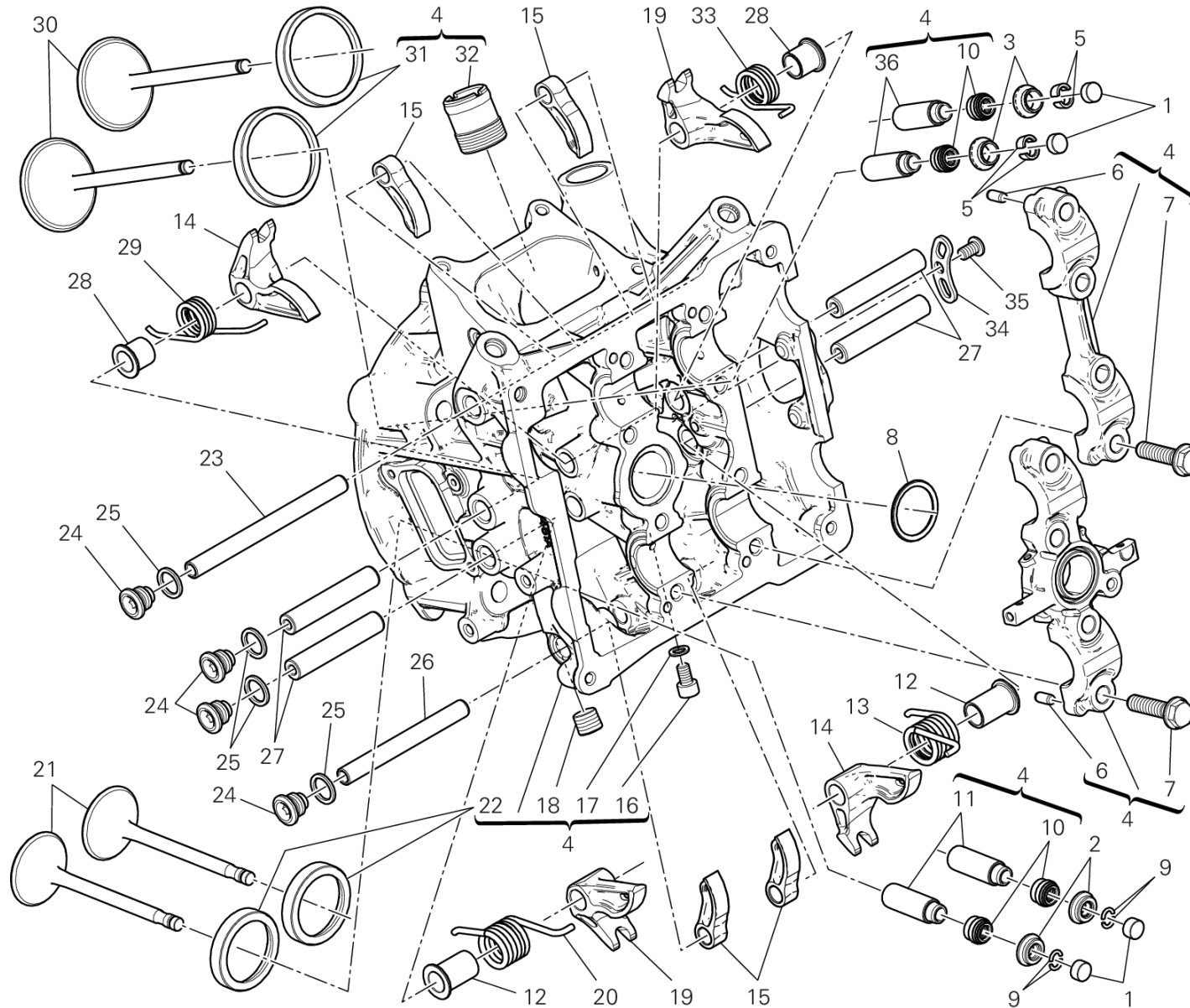
DRAWING 013 - TESTA ORIZZONTALE - DISTRIBUZIONE

[MOD:1199R;XST:AUS,EUR,FRA,JAP]

GROUP ENGINE



POS.	CODE	DESCRIPTION	QTY	START DATE	END DATE	VALIDITY	NOTES
1	77112331A	SCREW TCEI M6X16	4	12/01/2012		MOD:1199R;XST:AUS,EUR,FRA,JAP	
2	14010691A	INTAKE MANIFOLD	1	12/01/2012		MOD:1199R;XST:AUS,EUR,FRA,JAP	
3	85250231A	GASKET	2	01/08/2011		MOD:1199R;XST:AUS,EUR,FRA,JAP	
4	81413341A	UNION	1	12/01/2012		MOD:1199R;XST:AUS,EUR,FRA,JAP	
5	77253367C	SCREW	2	05/04/2011		MOD:1199R;XST:AUS,EUR,FRA,JAP	
6	76610821A	STUD BOLT	2	12/01/2012		MOD:1199R;XST:AUS,EUR,FRA,JAP	
7	78811101C	VALVE COVER GASKET EXTERNAL	1	12/01/2012		MOD:1199R;XST:AUS,EUR,FRA,JAP	
8	78811131A	VALVE COVER GASKET INTERNAL	1	12/01/2012		MOD:1199R;XST:AUS,EUR,FRA,JAP	
9	85212781A	WASHER	5	12/01/2012		MOD:1199R;XST:AUS,EUR,FRA,JAP	
10	77916441A	SCREW	1	01/09/2011		MOD:1199R;XST:AUS,EUR,FRA,JAP	
11	24713941B	COVER CYLINDER HEAD, HORIZONTAL	1	12/01/2012		MOD:1199R;XST:AUS,EUR,FRA,JAP	
12	77253290Z	SCREW	6	01/08/2011		MOD:1199R;XST:AUS,EUR,FRA,JAP	
13	85611471A	PLATE, RETAINER	2	12/01/2012		MOD:1199R;XST:AUS,EUR,FRA,JAP	
14	17111153A	GEAR Z=25	2	12/01/2012		MOD:1199R;XST:AUS,EUR,FRA,JAP	
15	77913541A	THREADED PLUG M15X1	1	06/04/2011		MOD:1199R;XST:AUS,EUR,FRA,JAP	
16	85211201A	ALUMINIUM GASKET	1	06/04/2011		MOD:1199R;XST:AUS,EUR,FRA,JAP	
17	86050061A	PIN M5X10	2	06/07/2011		MOD:1199R;XST:AUS,EUR,FRA,JAP	
18	14814381A	HORIZONTAL INTAKE CAMSHAFT	1	12/01/2012		MOD:1199R;XST:AUS,EUR,FRA,JAP	
19	14824491C	HORIZONTAL EXHAUST CAMSHAFT	1	12/01/2012		MOD:1199R;XST:AUS,EUR,FRA,JAP	
20	82113832A	PIN	1	12/01/2012		MOD:1199R;XST:AUS,EUR,FRA,JAP	
21	77916971B	SCREW, SPECIAL	4	08/11/2011		MOD:1199R;XST:AUS,EUR,FRA,JAP	
22	79915534A	SPRING	1	12/01/2012		MOD:1199R;XST:AUS,EUR,FRA,JAP	
23	30710021A	ARM	1	12/01/2012		MOD:1199R;XST:AUS,EUR,FRA,JAP	
24	85240231A	WASHER 8.2X14X0.5	1	13/01/2012		MOD:1199R;XST:AUS,EUR,FRA,JAP	
25	74810791A	NUT	1	12/01/2012		MOD:1199R;XST:AUS,EUR,FRA,JAP	
26	76610891A	STUD BOLT	3	12/01/2012		MOD:1199R;XST:AUS,EUR,FRA,JAP	
27	77210621A	SCREW TEF M5X16	2	12/01/2012		MOD:1199R;XST:AUS,EUR,FRA,JAP	
28	24714101A	COVER	1	12/01/2012		MOD:1199R;XST:AUS,EUR,FRA,JAP	
29	81140012B	VALVE	1	12/01/2012		MOD:1199R;XST:AUS,EUR,FRA,JAP	
30	82716351A	PLATE	1	12/01/2012		MOD:1199R;XST:AUS,EUR,FRA,JAP	
31	77350618B	SCREW TCEIR M6X8	1	06/04/2011		MOD:1199R;XST:AUS,EUR,FRA,JAP	
32	86010061A	PIN	1	12/01/2012		MOD:1199R;XST:AUS,EUR,FRA,JAP	
33	30123461D	HORIZONTAL HEAD	1	08/10/2012		MOD:1199R;XST:AUS,EUR,FRA,JAP	
34	14823811C	HORIZONTAL EXHAUST CAMSHAFT (Unit)	1	13/01/2012		MOD:1199R;XST:AUS,EUR,FRA,JAP	



TST00488

DRAWING 014 - HORIZONTAL HEAD [MOD:1199R;XST:AUS,EUR,FRA,JAP]

GROUP ENGINE

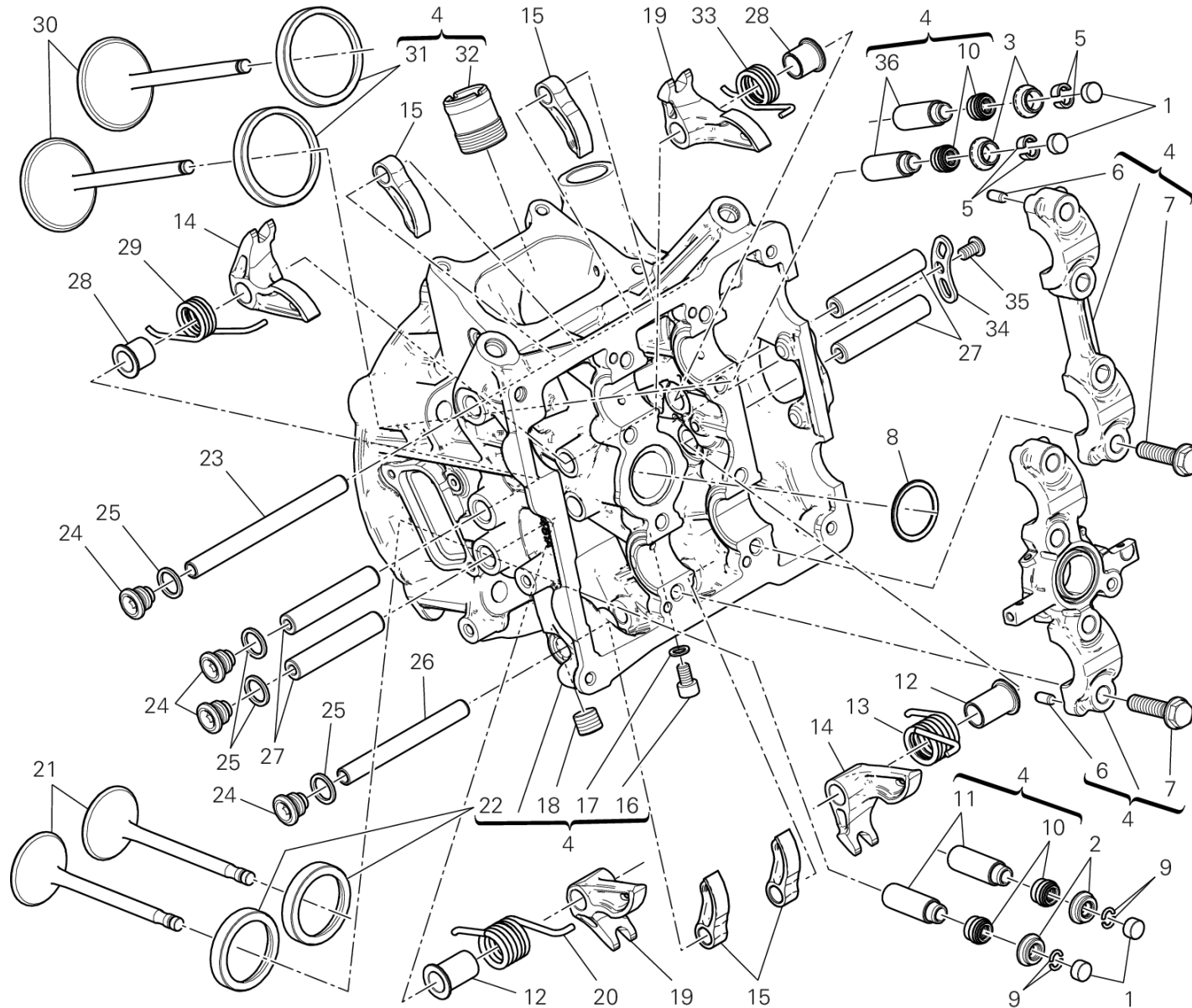


POS.	CODE	DESCRIPTION	QTY	START DATE	END DATE	VALIDITY	NOTES
1	84010012A	ADJUSTER, OPENING ROCKER ARM 2.00 MM	4	09/11/2011		MOD:1199R;XST:AUS,EUR,FRA,JAP	
	84010022A	ADJUSTER, OPENING ROCKER ARM 2.05 MM	4	09/11/2011		MOD:1199R;XST:AUS,EUR,FRA,JAP	
	84010032A	ADJUSTER, OPENING ROCKER ARM 2.10 MM	4	09/11/2011		MOD:1199R;XST:AUS,EUR,FRA,JAP	
	84010042A	ADJUSTER, OPENING ROCKER ARM 2.15 MM	4	09/11/2011		MOD:1199R;XST:AUS,EUR,FRA,JAP	
	84010052A	ADJUSTER, OPENING ROCKER ARM 2.20 MM	4	09/11/2011		MOD:1199R;XST:AUS,EUR,FRA,JAP	
	84010062A	ADJUSTER, OPENING ROCKER ARM 2.25 MM	4	09/11/2011		MOD:1199R;XST:AUS,EUR,FRA,JAP	
	84010072A	ADJUSTER, OPENING ROCKER ARM 2.30 MM	4	09/11/2011		MOD:1199R;XST:AUS,EUR,FRA,JAP	
	84010082A	ADJUSTER, OPENING ROCKER ARM 2.35 MM	4	09/11/2011		MOD:1199R;XST:AUS,EUR,FRA,JAP	
	84010092A	ADJUSTER, OPENING ROCKER ARM 2.40 MM	4	09/11/2011		MOD:1199R;XST:AUS,EUR,FRA,JAP	
	84010102A	ADJUSTER, OPENING ROCKER ARM 2.45 MM	4	09/11/2011		MOD:1199R;XST:AUS,EUR,FRA,JAP	
	84010112A	ADJUSTER, OPENING ROCKER ARM 2.50 MM	4	09/11/2011		MOD:1199R;XST:AUS,EUR,FRA,JAP	
	84010122A	ADJUSTER, OPENING ROCKER ARM 2.55 MM	4	09/11/2011		MOD:1199R;XST:AUS,EUR,FRA,JAP	
	84010132A	ADJUSTER, OPENING ROCKER ARM 2.60 MM	4	09/11/2011		MOD:1199R;XST:AUS,EUR,FRA,JAP	
	84010142A	ADJUSTER, OPENING ROCKER ARM 2.65 MM	4	09/11/2011		MOD:1199R;XST:AUS,EUR,FRA,JAP	
	84010152A	ADJUSTER, OPENING ROCKER ARM 2.70 MM	4	09/11/2011		MOD:1199R;XST:AUS,EUR,FRA,JAP	
	84010162A	ADJUSTER, OPENING ROCKER ARM 2.75 MM	4	09/11/2011		MOD:1199R;XST:AUS,EUR,FRA,JAP	
	84010172A	ADJUSTER, OPENING ROCKER ARM 2.80 MM	4	09/11/2011		MOD:1199R;XST:AUS,EUR,FRA,JAP	
	84010182A	ADJUSTER, OPENING ROCKER ARM 2.85 MM	4	09/11/2011		MOD:1199R;XST:AUS,EUR,FRA,JAP	
	84010192A	ADJUSTER, OPENING ROCKER ARM 2.90 MM	4	09/11/2011		MOD:1199R;XST:AUS,EUR,FRA,JAP	
	84010202A	ADJUSTER, OPENING ROCKER ARM 2.95 MM	4	09/11/2011		MOD:1199R;XST:AUS,EUR,FRA,JAP	
	84010212A	ADJUSTER, OPENING ROCKER ARM 3.00 MM	4	09/11/2011		MOD:1199R;XST:AUS,EUR,FRA,JAP	
	84010222A	ADJUSTER, OPENING ROCKER ARM 3.05 MM	4	09/11/2011		MOD:1199R;XST:AUS,EUR,FRA,JAP	
	84010232A	ADJUSTER, OPENING ROCKER ARM 3.10 MM	4	09/11/2011		MOD:1199R;XST:AUS,EUR,FRA,JAP	
	84010242A	ADJUSTER, OPENING ROCKER ARM 3.15 MM	4	09/11/2011		MOD:1199R;XST:AUS,EUR,FRA,JAP	
	84010252A	ADJUSTER, OPENING ROCKER ARM 3.20 MM	4	09/11/2011		MOD:1199R;XST:AUS,EUR,FRA,JAP	
	84010262A	ADJUSTER, OPENING ROCKER ARM 3.25 MM	4	09/11/2011		MOD:1199R;XST:AUS,EUR,FRA,JAP	
	84010272A	ADJUSTER, OPENING ROCKER ARM 3.30 MM	4	09/11/2011		MOD:1199R;XST:AUS,EUR,FRA,JAP	
	84010282A	ADJUSTER, OPENING ROCKER ARM 3.35 MM	4	09/11/2011		MOD:1199R;XST:AUS,EUR,FRA,JAP	
	84010292A	ADJUSTER, OPENING ROCKER ARM 3.40 MM	4	09/11/2011		MOD:1199R;XST:AUS,EUR,FRA,JAP	
	84010302A	ADJUSTER, OPENING ROCKER ARM 3.45 MM	4	09/11/2011		MOD:1199R;XST:AUS,EUR,FRA,JAP	
	84010312A	ADJUSTER, OPENING ROCKER ARM 1.80 MM	4	09/11/2011		MOD:1199R;XST:AUS,EUR,FRA,JAP	
	84010322A	ADJUSTER, OPENING ROCKER ARM 1.85 MM	4	09/11/2011		MOD:1199R;XST:AUS,EUR,FRA,JAP	
	84010332A	ADJUSTER, OPENING ROCKER ARM 1.90 MM	4	09/11/2011		MOD:1199R;XST:AUS,EUR,FRA,JAP	
	84010342A	ADJUSTER, OPENING ROCKER ARM 1.95 MM	4	09/11/2011		MOD:1199R;XST:AUS,EUR,FRA,JAP	
	84010722A	ADJUSTER, OPENING ROCKER ARM 3.60 MM	4	09/11/2011		MOD:1199R;XST:AUS,EUR,FRA,JAP	



DRAWING 014 - HORIZONTAL HEAD [MOD:1199R;XST:AUS,EUR,FRA,JAP]

GROUP ENGINE



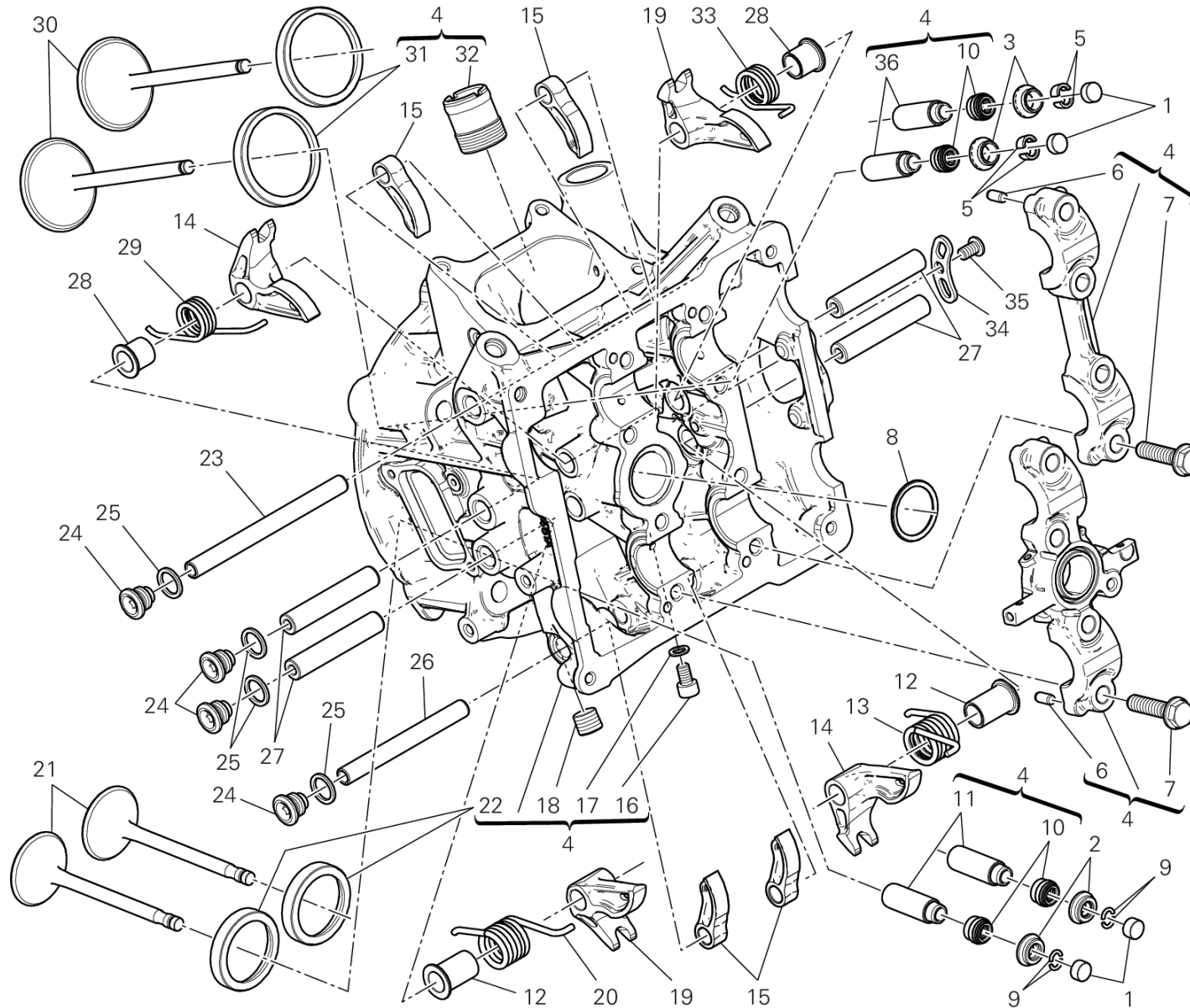
TST00488

DRAWING 014 - HORIZONTAL HEAD [MOD:1199R;XST:AUS,EUR,FRA,JAP]

GROUP ENGINE



POS.	CODE	DESCRIPTION	QTY	START DATE	END DATE	VALIDITY	NOTES
	84010732A	ADJUSTER, OPENING ROCKER ARM 3.80 MM	4	09/11/2011		MOD:1199R;XST:AUS,EUR,FRA,JAP	
	84011082A	ADJUSTER, OPENING ROCKER ARM 3.50 MM	4	09/11/2011		MOD:1199R;XST:AUS,EUR,FRA,JAP	
	84011092A	ADJUSTER, OPENING ROCKER ARM 3.55 MM	4	09/11/2011		MOD:1199R;XST:AUS,EUR,FRA,JAP	
	84011102A	ADJUSTER, OPENING ROCKER ARM 3.65 MM	4	09/11/2011		MOD:1199R;XST:AUS,EUR,FRA,JAP	
	84011112A	ADJUSTER, OPENING ROCKER ARM 3.70 MM	4	09/11/2011		MOD:1199R;XST:AUS,EUR,FRA,JAP	
	84011122A	ADJUSTER, OPENING ROCKER ARM 3.75 MM	4	09/11/2011		MOD:1199R;XST:AUS,EUR,FRA,JAP	
	84011132A	ADJUSTER, OPENING ROCKER ARM 3.85 MM	4	09/11/2011		MOD:1199R;XST:AUS,EUR,FRA,JAP	
	84011142A	ADJUSTER, OPENING ROCKER ARM 3.9 MM	4	09/11/2011		MOD:1199R;XST:AUS,EUR,FRA,JAP	
2	84010412B	ADJUSTER, CLOSING ROCKER ARM 2.20 MM	2	24/12/2009		MOD:1199R;XST:AUS,EUR,FRA,JAP	
	84010422B	ADJUSTER, CLOSING ROCKER ARM 2.25 MM	2	24/12/2009		MOD:1199R;XST:AUS,EUR,FRA,JAP	
	84010432B	ADJUSTER, CLOSING ROCKER ARM 2.30 MM	2	24/12/2009		MOD:1199R;XST:AUS,EUR,FRA,JAP	
	84010442B	ADJUSTER, CLOSING ROCKER ARM 2.35 MM	2	24/12/2009		MOD:1199R;XST:AUS,EUR,FRA,JAP	
	84010452B	ADJUSTER, CLOSING ROCKER ARM 2.40 MM	2	24/12/2009		MOD:1199R;XST:AUS,EUR,FRA,JAP	
	84010462B	ADJUSTER, CLOSING ROCKER ARM 2.45 MM	2	24/12/2009		MOD:1199R;XST:AUS,EUR,FRA,JAP	
	84010472B	ADJUSTER, CLOSING ROCKER ARM 2.50 MM	2	24/12/2009		MOD:1199R;XST:AUS,EUR,FRA,JAP	
	84010482B	ADJUSTER, CLOSING ROCKER ARM 2.55 MM	2	24/12/2009		MOD:1199R;XST:AUS,EUR,FRA,JAP	
	84010492B	ADJUSTER, CLOSING ROCKER ARM 2.60 MM	2	24/12/2009		MOD:1199R;XST:AUS,EUR,FRA,JAP	
	84010502B	ADJUSTER, CLOSING ROCKER ARM 2.65 MM	2	24/12/2009		MOD:1199R;XST:AUS,EUR,FRA,JAP	
	84010512B	ADJUSTER, CLOSING ROCKER ARM 2.70 MM	2	24/12/2009		MOD:1199R;XST:AUS,EUR,FRA,JAP	
	84010522B	ADJUSTER, CLOSING ROCKER ARM 2.75 MM	2	24/12/2009		MOD:1199R;XST:AUS,EUR,FRA,JAP	
	84010532B	ADJUSTER, CLOSING ROCKER ARM 2.80 MM	2	24/12/2009		MOD:1199R;XST:AUS,EUR,FRA,JAP	
	84010542B	ADJUSTER, CLOSING ROCKER ARM 2.85 MM	2	24/12/2009		MOD:1199R;XST:AUS,EUR,FRA,JAP	
	84010552B	ADJUSTER, CLOSING ROCKER ARM 2.90 MM	2	24/12/2009		MOD:1199R;XST:AUS,EUR,FRA,JAP	
	84010562B	ADJUSTER, CLOSING ROCKER ARM 2.95 MM	2	24/12/2009		MOD:1199R;XST:AUS,EUR,FRA,JAP	
	84010572B	ADJUSTER, CLOSING ROCKER ARM 3.00 MM	2	24/12/2009		MOD:1199R;XST:AUS,EUR,FRA,JAP	
	84010582B	ADJUSTER, CLOSING ROCKER ARM 3.05 MM	2	24/12/2009		MOD:1199R;XST:AUS,EUR,FRA,JAP	
	84010592B	ADJUSTER, CLOSING ROCKER ARM 3.10 MM	2	24/12/2009		MOD:1199R;XST:AUS,EUR,FRA,JAP	
	84010602B	ADJUSTER, CLOSING ROCKER ARM 3.15 MM	2	24/12/2009		MOD:1199R;XST:AUS,EUR,FRA,JAP	
	84010612B	ADJUSTER, CLOSING ROCKER ARM 3.20 MM	2	24/12/2009		MOD:1199R;XST:AUS,EUR,FRA,JAP	
	84010622B	ADJUSTER, CLOSING ROCKER ARM 3.25 MM	2	24/12/2009		MOD:1199R;XST:AUS,EUR,FRA,JAP	
	84010632B	ADJUSTER, CLOSING ROCKER ARM 3.30 MM	2	24/12/2009		MOD:1199R;XST:AUS,EUR,FRA,JAP	
	84010642B	ADJUSTER, CLOSING ROCKER ARM 3.35 MM	2	24/12/2009		MOD:1199R;XST:AUS,EUR,FRA,JAP	
	84010652B	ADJUSTER, CLOSING ROCKER ARM 3.40 MM	2	24/12/2009		MOD:1199R;XST:AUS,EUR,FRA,JAP	
	84010662B	ADJUSTER, CLOSING ROCKER ARM 3.45 MM	2	24/12/2009		MOD:1199R;XST:AUS,EUR,FRA,JAP	
	84010672B	ADJUSTER, CLOSING ROCKER ARM 3.50 MM	2	24/12/2009		MOD:1199R;XST:AUS,EUR,FRA,JAP	



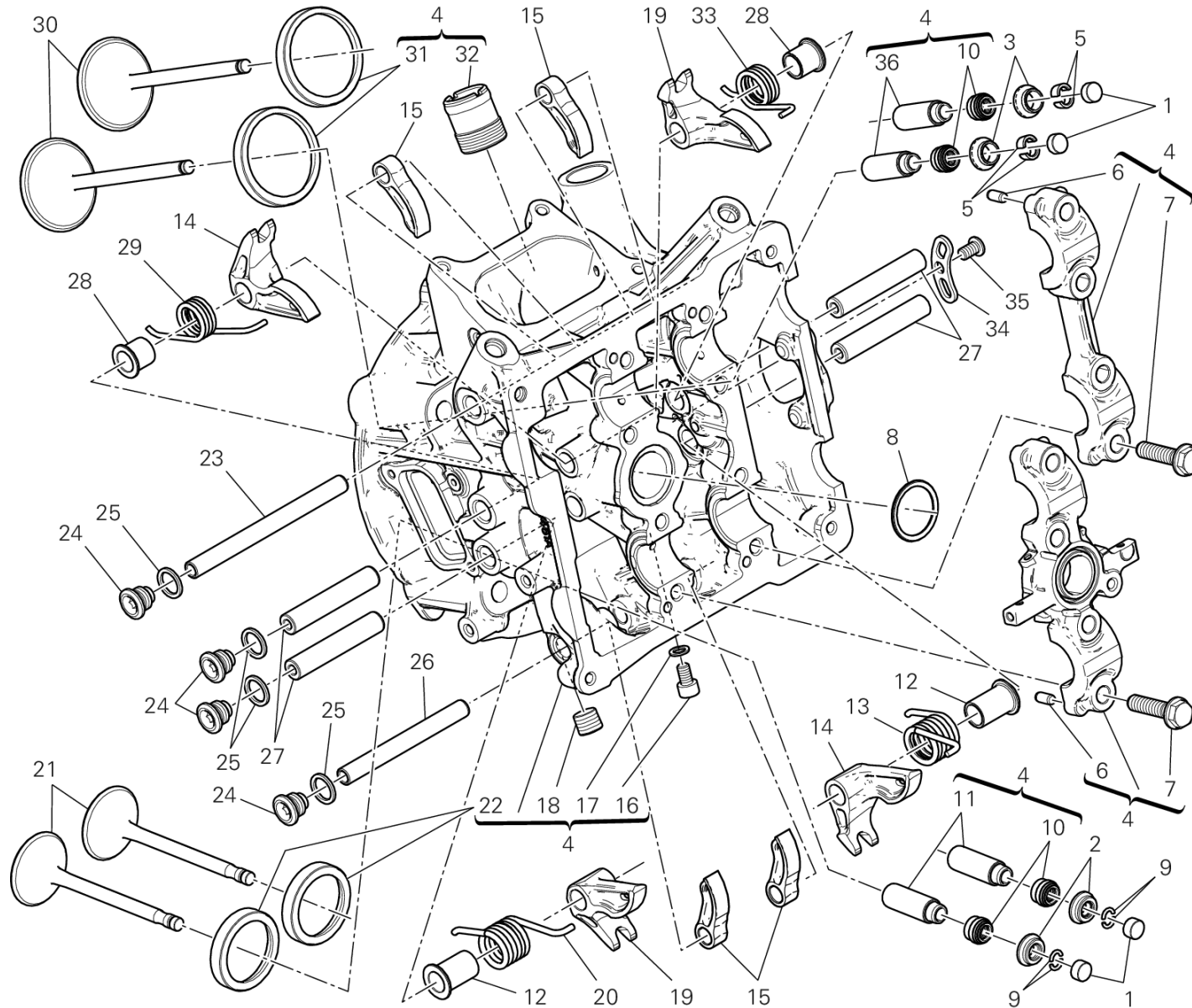
TST00488

DRAWING 014 - HORIZONTAL HEAD [MOD:1199R;XST:AUS,EUR,FRA,JAP]

GROUP ENGINE



POS.	CODE	DESCRIPTION	QTY	START DATE	END DATE	VALIDITY	NOTES
	84010682B	ADJUSTER, CLOSING ROCKER ARM 3.55 MM	2	24/12/2009		MOD:1199R;XST:AUS,EUR,FRA,JAP	
	84010692B	ADJUSTER, CLOSING ROCKER ARM 3.60 MM	2	24/12/2009		MOD:1199R;XST:AUS,EUR,FRA,JAP	
	84010702B	ADJUSTER, CLOSING ROCKER ARM 3.65 MM	2	24/12/2009		MOD:1199R;XST:AUS,EUR,FRA,JAP	
	84010712B	ADJUSTER, CLOSING ROCKER ARM 3.70 MM	2	24/12/2009		MOD:1199R;XST:AUS,EUR,FRA,JAP	
	84010722B	ADJUSTER, CLOSING ROCKER ARM 3.75 MM	2	24/12/2009		MOD:1199R;XST:AUS,EUR,FRA,JAP	
	84010732B	ADJUSTER, CLOSING ROCKER ARM 3.80 MM	2	24/12/2009		MOD:1199R;XST:AUS,EUR,FRA,JAP	
	84010742B	ADJUSTER, CLOSING ROCKER ARM 3.85 MM	2	24/12/2009		MOD:1199R;XST:AUS,EUR,FRA,JAP	
	84010752B	ADJUSTER, CLOSING ROCKER ARM 3.90 MM	2	24/12/2009		MOD:1199R;XST:AUS,EUR,FRA,JAP	
	84010762B	ADJUSTER, CLOSING ROCKER ARM 3.95 MM	2	24/12/2009		MOD:1199R;XST:AUS,EUR,FRA,JAP	
	84010772B	ADJUSTER, CLOSING ROCKER ARM 4.00 MM	2	24/12/2009		MOD:1199R;XST:AUS,EUR,FRA,JAP	
	84010782B	ADJUSTER, CLOSING ROCKER ARM 4.05 MM	2	24/12/2009		MOD:1199R;XST:AUS,EUR,FRA,JAP	
	84010792B	ADJUSTER, CLOSING ROCKER ARM 4.10 MM	2	24/12/2009		MOD:1199R;XST:AUS,EUR,FRA,JAP	
	84010802B	ADJUSTER, CLOSING ROCKER ARM 4.15 MM	2	24/12/2009		MOD:1199R;XST:AUS,EUR,FRA,JAP	
	84010812B	ADJUSTER, CLOSING ROCKER ARM 4.20 MM	2	24/12/2009		MOD:1199R;XST:AUS,EUR,FRA,JAP	
	84010822B	ADJUSTER, CLOSING ROCKER ARM 4.25 MM	2	24/12/2009		MOD:1199R;XST:AUS,EUR,FRA,JAP	
	84010832B	ADJUSTER, CLOSING ROCKER ARM 4.30 MM	2	24/12/2009		MOD:1199R;XST:AUS,EUR,FRA,JAP	
	84010842B	ADJUSTER, CLOSING ROCKER ARM 4.35 MM	2	24/12/2009		MOD:1199R;XST:AUS,EUR,FRA,JAP	
	84010852B	ADJUSTER, CLOSING ROCKER ARM 4.40 MM	2	24/12/2009		MOD:1199R;XST:AUS,EUR,FRA,JAP	
	84010862B	ADJUSTER, CLOSING ROCKER ARM 4.45 MM	2	24/12/2009		MOD:1199R;XST:AUS,EUR,FRA,JAP	
	84010872B	ADJUSTER, CLOSING ROCKER ARM 4.50 MM	2	24/12/2009		MOD:1199R;XST:AUS,EUR,FRA,JAP	
3	84011901AA	ADJUSTER, CLOSING ROCKER ARM 4.15 MM	2	02/11/2011		MOD:1199R;XST:AUS,EUR,FRA,JAP	
	84011901AB	ADJUSTER, CLOSING ROCKER ARM 4.20 MM	2	02/11/2011		MOD:1199R;XST:AUS,EUR,FRA,JAP	
	84011901AC	ADJUSTER, CLOSING ROCKER ARM 4.25 MM	2	02/11/2011		MOD:1199R;XST:AUS,EUR,FRA,JAP	
	84011901AD	ADJUSTER, CLOSING ROCKER ARM 4.30 MM	2	02/11/2011		MOD:1199R;XST:AUS,EUR,FRA,JAP	
	84011901AE	ADJUSTER, CLOSING ROCKER ARM 4.35 MM	2	02/11/2011		MOD:1199R;XST:AUS,EUR,FRA,JAP	
	84011901AF	ADJUSTER, CLOSING ROCKER ARM 4.40 MM	2	02/11/2011		MOD:1199R;XST:AUS,EUR,FRA,JAP	
	84011901AG	ADJUSTER, CLOSING ROCKER ARM 4.45 MM	2	02/11/2011		MOD:1199R;XST:AUS,EUR,FRA,JAP	
	84011901AH	ADJUSTER, CLOSING ROCKER ARM 4.50 MM	2	02/11/2011		MOD:1199R;XST:AUS,EUR,FRA,JAP	
	84011901AI	CLOSE ROCKER ARM ADJUSTMENT 4.55 MM	2	02/11/2011		MOD:1199R;XST:AUS,EUR,FRA,JAP	
	84011901AJ	CLOSE ROCKER ARM ADJUSTMENT 4.60 MM	2	02/11/2011		MOD:1199R;XST:AUS,EUR,FRA,JAP	
	84011901AK	CLOSE ROCKER ARM ADJUSTMENT 4.65 MM	2	02/11/2011		MOD:1199R;XST:AUS,EUR,FRA,JAP	
	84011901AL	CLOSE ROCKER ARM ADJUSTMENT 4.70 MM	2	02/11/2011		MOD:1199R;XST:AUS,EUR,FRA,JAP	
	84011901AM	CLOSE ROCKER ARM ADJUSTMENT 4.75 MM	2	02/11/2011		MOD:1199R;XST:AUS,EUR,FRA,JAP	
	84011901AN	CLOSE ROCKER ARM ADJUSTMENT 4.80 MM	2	02/11/2011		MOD:1199R;XST:AUS,EUR,FRA,JAP	
	84011901AO	CLOSE ROCKER ARM ADJUSTMENT 4.85 MM	2	02/11/2011		MOD:1199R;XST:AUS,EUR,FRA,JAP	



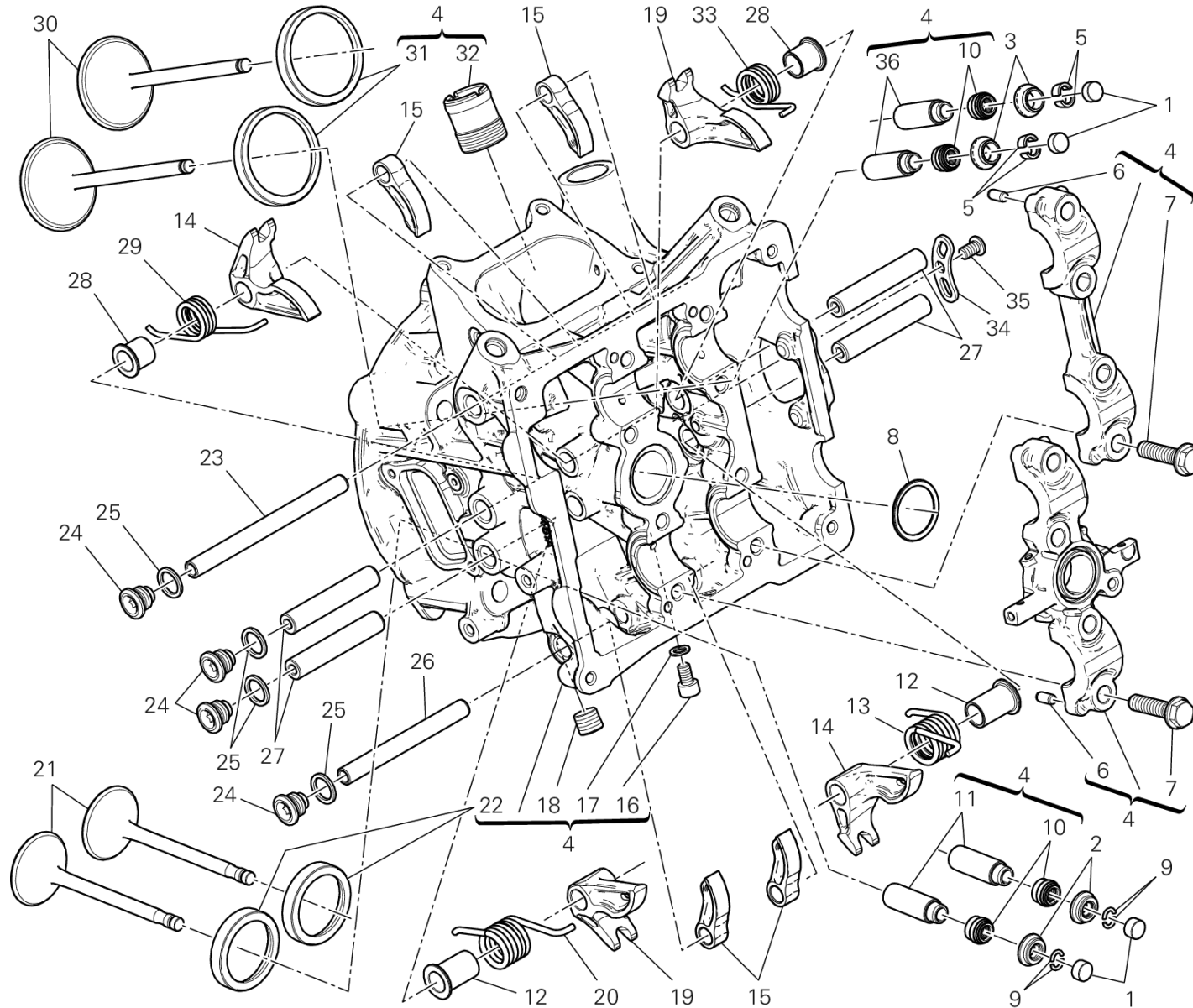
TST00488

DRAWING 014 - HORIZONTAL HEAD [MOD:1199R;XST:AUS,EUR,FRA,JAP]

GROUP ENGINE



POS.	CODE	DESCRIPTION	QTY	START DATE	END DATE	VALIDITY	NOTES
	84011901AP	CLOSE ROCKER ARM ADJUSTMENT 4.90 MM	2	02/11/2011		MOD:1199R;XST:AUS,EUR,FRA,JAP	
	84011901AQ	CLOSE ROCKER ARM ADJUSTMENT 4.95 MM	2	02/11/2011		MOD:1199R;XST:AUS,EUR,FRA,JAP	
	84011901AR	CLOSE ROCKER ARM ADJUSTMENT 5.00 MM	2	02/11/2011		MOD:1199R;XST:AUS,EUR,FRA,JAP	
4	30123461D	HORIZONTAL HEAD	1	08/10/2012		MOD:1199R;XST:AUS,EUR,FRA,JAP	
5	84510061A	HALF CONE	2	12/01/2012		MOD:1199R;XST:AUS,EUR,FRA,JAP	
6	86050061A	PIN M5X10	4	10/12/2010		MOD:1199R;XST:AUS,EUR,FRA,JAP	
7	77914211A	SCREW TEF M8X32	8	10/12/2010		MOD:1199R;XST:AUS,EUR,FRA,JAP	
8	88640881A	O-RING 26.64X2.62	1	12/01/2012		MOD:1199R;XST:AUS,EUR,FRA,JAP	
9	66910011E	C RING	4	12/01/2012		MOD:1199R;XST:AUS,EUR,FRA,JAP	
10	76410871A	SEAL VALVE STEM	4	21/01/2011		MOD:1199R;XST:AUS,EUR,FRA,JAP	
11	30310671AA	GUIDE, VALVE OVERSIZED 0.03 MM	2	13/01/2012		MOD:1199R;XST:AUS,EUR,FRA,JAP	
	30310671AB	GUIDE, VALVE OVERSIZED 0.06 MM	2	02/10/2012		MOD:1199R;XST:AUS,EUR,FRA,JAP	
	30310671AC	GUIDE, VALVE OVERSIZED 0.09 MM	2	02/10/2012		MOD:1199R;XST:AUS,EUR,FRA,JAP	
12	71319271A	SPACER	2	12/01/2012		MOD:1199R;XST:AUS,EUR,FRA,JAP	
13	79915231A	EXHAUST VALVE RETURN SPRING LH	1	12/01/2012		MOD:1199R;XST:AUS,EUR,FRA,JAP	
14	20910651A	CLOSING ROCKER ARM LEFT	2	01/08/2011		MOD:1199R;XST:AUS,EUR,FRA,JAP	
15	20810381A	OPEN. ROCKER ARM	4	01/08/2011		MOD:1199R;XST:AUS,EUR,FRA,JAP	
16	77150628B	SCREW TCEI M6X10	2	01/08/2011		MOD:1199R;XST:AUS,EUR,FRA,JAP	
17	85240261A	WASHER	2	25/06/2012		MOD:1199R;XST:AUS,EUR,FRA,JAP	
18	78010771A	THREADED DOWEL	2	10/12/2010		MOD:1199R;XST:AUS,EUR,FRA,JAP	
19	20910641A	CLOSING ROCKER ARM RIGHT	2	01/08/2011		MOD:1199R;XST:AUS,EUR,FRA,JAP	
20	79915221A	EXHAUST VALVE RETURN SPRING RH	1	12/01/2012		MOD:1199R;XST:AUS,EUR,FRA,JAP	
21	21110802A	EXHAUST VALVE	2	12/01/2012		MOD:1199R;XST:AUS,EUR,FRA,JAP	
22	304A0931A	SEAT, EXHAUST VALVE	2	29/11/2010		MOD:1199R;XST:AUS,EUR,FRA,JAP	
23	82114041A	OPENING ROCKER SHAFT LONG	1	12/01/2012		MOD:1199R;XST:AUS,EUR,FRA,JAP	
24	78010511C	PLUG	4	12/01/2012		MOD:1199R;XST:AUS,EUR,FRA,JAP	
25	85250261B	GASKET, ALUMINIUM 12X16X1.5	4	12/01/2012		MOD:1199R;XST:AUS,EUR,FRA,JAP	
26	82113361A	OPENING ROCKER SHAFT SHORT	1	12/01/2012		MOD:1199R;XST:AUS,EUR,FRA,JAP	
27	82113371B	CLOSE ROCKER ARM AXLE	4	12/01/2012		MOD:1199R;XST:AUS,EUR,FRA,JAP	
28	71319281A	SPACER	2	12/01/2012		MOD:1199R;XST:AUS,EUR,FRA,JAP	
29	79915211A	INTAKE VALVE RETURN SPRING LH	1	12/01/2012		MOD:1199R;XST:AUS,EUR,FRA,JAP	
30	21010811D	INTAKE VALVE	2	08/10/2012		MOD:1199R;XST:AUS,EUR,FRA,JAP	
31	304A0921A	SEAT, INTAKE VALVE	2	29/11/2010		MOD:1199R;XST:AUS,EUR,FRA,JAP	
32	66810491A	FILLER	1	21/01/2011		MOD:1199R;XST:AUS,EUR,FRA,JAP	
33	79915201A	INTAKE VALVE RETURN SPRING RH	1	12/01/2012		MOD:1199R;XST:AUS,EUR,FRA,JAP	



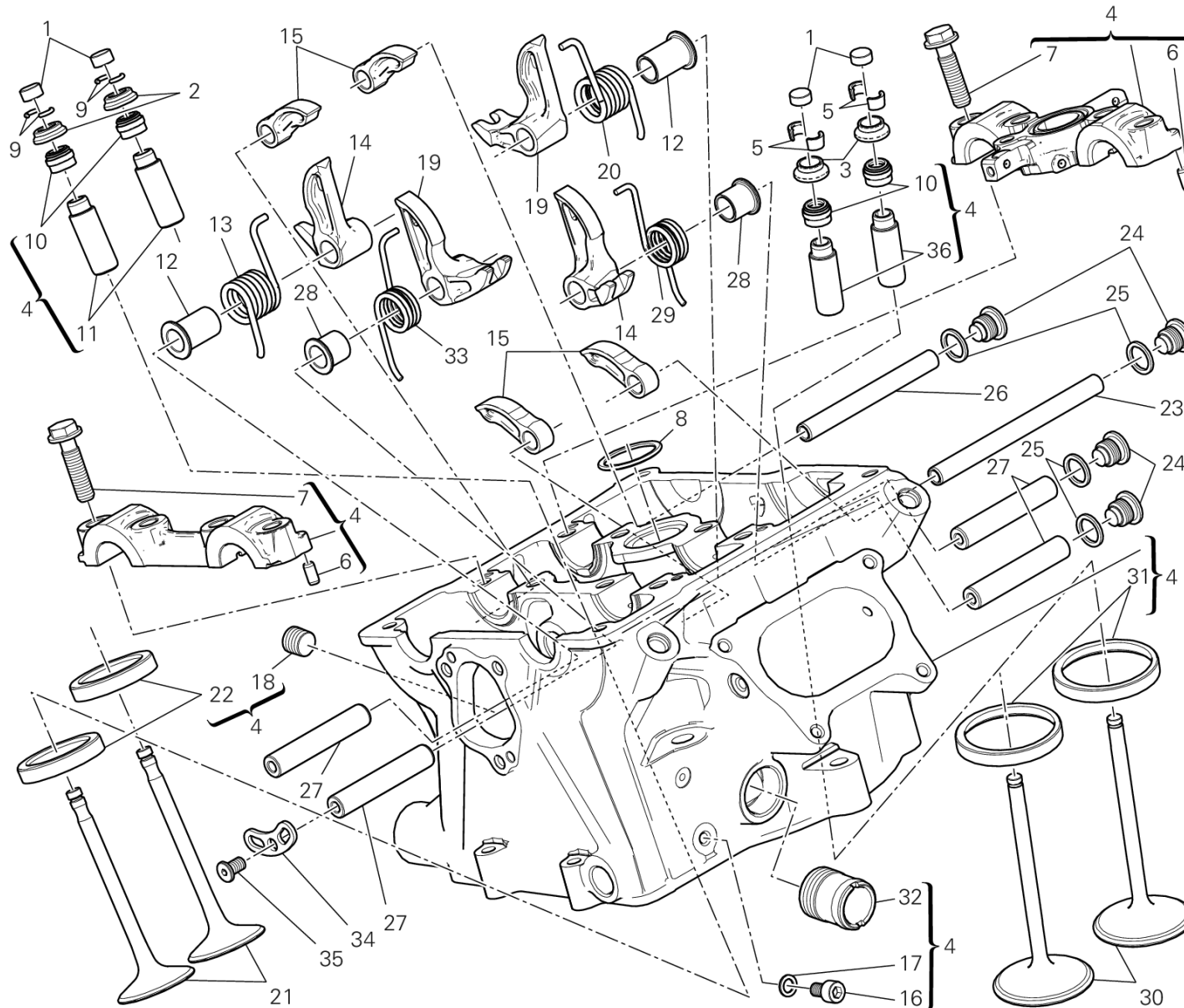
TST00488

DRAWING 014 - HORIZONTAL HEAD [MOD:1199R;XST:AUS,EUR,FRA,JAP]

GROUP ENGINE



POS.	CODE	DESCRIPTION	QTY	START DATE	END DATE	VALIDITY	NOTES
34	82716021A	PLATE, RETAINER	1	12/01/2012		MOD:1199R;XST:AUS,EUR,FRA,JAP	
35	77917231A	SCREW, SPECIAL	1	12/01/2012		MOD:1199R;XST:AUS,EUR,FRA,JAP	
36	30310691A	GUIDE-VALVE, INTAKE	2			MOD:1199R;XST:AUS,EUR,FRA,JAP	
	30310691AA	GUIDE INTAKE VALVE +0.03 MM	2			MOD:1199R;XST:AUS,EUR,FRA,JAP	
	30310691AB	GUIDE INTAKE VALVE +0.06 MM	2			MOD:1199R;XST:AUS,EUR,FRA,JAP	
	30310691AC	GUIDE INTAKE VALVE +0.09 MM	2			MOD:1199R;XST:AUS,EUR,FRA,JAP	



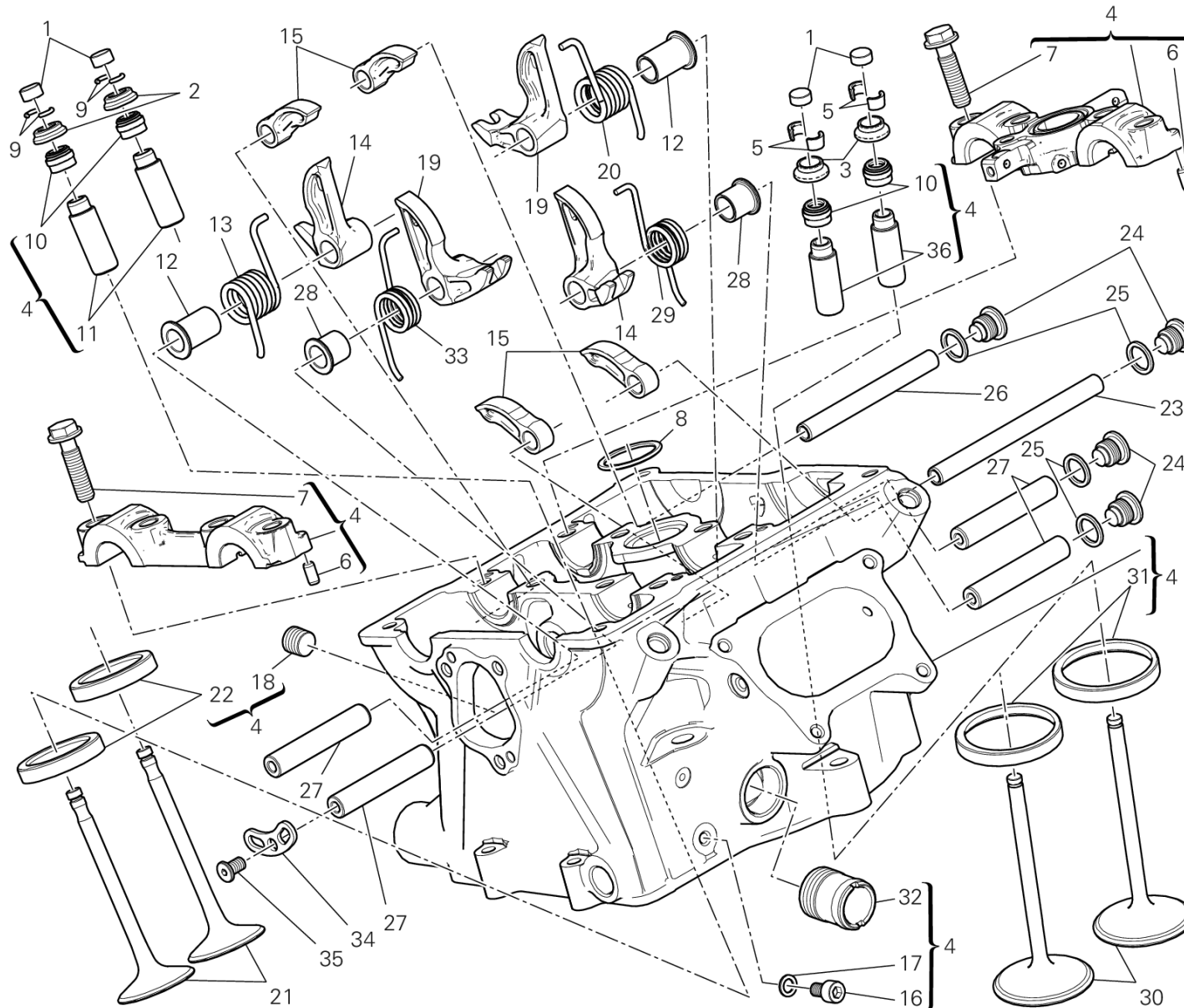
TST00487

DRAWING 015 - VERTICAL HEAD [MOD:1199R;XST:AUS,EUR,FRA,JAP]

GROUP ENGINE



POS.	CODE	DESCRIPTION	QTY	START DATE	END DATE	VALIDITY	NOTES
1	84010012A	ADJUSTER, OPENING ROCKER ARM 2.00 MM	4	09/11/2011		MOD:1199R;XST:AUS,EUR,FRA,JAP	
	84010022A	ADJUSTER, OPENING ROCKER ARM 2.05 MM	4	09/11/2011		MOD:1199R;XST:AUS,EUR,FRA,JAP	
	84010032A	ADJUSTER, OPENING ROCKER ARM 2.10 MM	4	09/11/2011		MOD:1199R;XST:AUS,EUR,FRA,JAP	
	84010042A	ADJUSTER, OPENING ROCKER ARM 2.15 MM	4	09/11/2011		MOD:1199R;XST:AUS,EUR,FRA,JAP	
	84010052A	ADJUSTER, OPENING ROCKER ARM 2.20 MM	4	09/11/2011		MOD:1199R;XST:AUS,EUR,FRA,JAP	
	84010062A	ADJUSTER, OPENING ROCKER ARM 2.25 MM	4	09/11/2011		MOD:1199R;XST:AUS,EUR,FRA,JAP	
	84010072A	ADJUSTER, OPENING ROCKER ARM 2.30 MM	4	09/11/2011		MOD:1199R;XST:AUS,EUR,FRA,JAP	
	84010082A	ADJUSTER, OPENING ROCKER ARM 2.35 MM	4	09/11/2011		MOD:1199R;XST:AUS,EUR,FRA,JAP	
	84010092A	ADJUSTER, OPENING ROCKER ARM 2.40 MM	4	09/11/2011		MOD:1199R;XST:AUS,EUR,FRA,JAP	
	84010102A	ADJUSTER, OPENING ROCKER ARM 2.45 MM	4	09/11/2011		MOD:1199R;XST:AUS,EUR,FRA,JAP	
	84010112A	ADJUSTER, OPENING ROCKER ARM 2.50 MM	4	09/11/2011		MOD:1199R;XST:AUS,EUR,FRA,JAP	
	84010122A	ADJUSTER, OPENING ROCKER ARM 2.55 MM	4	09/11/2011		MOD:1199R;XST:AUS,EUR,FRA,JAP	
	84010132A	ADJUSTER, OPENING ROCKER ARM 2.60 MM	4	09/11/2011		MOD:1199R;XST:AUS,EUR,FRA,JAP	
	84010142A	ADJUSTER, OPENING ROCKER ARM 2.65 MM	4	09/11/2011		MOD:1199R;XST:AUS,EUR,FRA,JAP	
	84010152A	ADJUSTER, OPENING ROCKER ARM 2.70 MM	4	09/11/2011		MOD:1199R;XST:AUS,EUR,FRA,JAP	
	84010162A	ADJUSTER, OPENING ROCKER ARM 2.75 MM	4	09/11/2011		MOD:1199R;XST:AUS,EUR,FRA,JAP	
	84010172A	ADJUSTER, OPENING ROCKER ARM 2.80 MM	4	09/11/2011		MOD:1199R;XST:AUS,EUR,FRA,JAP	
	84010182A	ADJUSTER, OPENING ROCKER ARM 2.85 MM	4	09/11/2011		MOD:1199R;XST:AUS,EUR,FRA,JAP	
	84010192A	ADJUSTER, OPENING ROCKER ARM 2.90 MM	4	09/11/2011		MOD:1199R;XST:AUS,EUR,FRA,JAP	
	84010202A	ADJUSTER, OPENING ROCKER ARM 2.95 MM	4	09/11/2011		MOD:1199R;XST:AUS,EUR,FRA,JAP	
	84010212A	ADJUSTER, OPENING ROCKER ARM 3.00 MM	4	09/11/2011		MOD:1199R;XST:AUS,EUR,FRA,JAP	
	84010222A	ADJUSTER, OPENING ROCKER ARM 3.05 MM	4	09/11/2011		MOD:1199R;XST:AUS,EUR,FRA,JAP	
	84010232A	ADJUSTER, OPENING ROCKER ARM 3.10 MM	4	09/11/2011		MOD:1199R;XST:AUS,EUR,FRA,JAP	
	84010242A	ADJUSTER, OPENING ROCKER ARM 3.15 MM	4	09/11/2011		MOD:1199R;XST:AUS,EUR,FRA,JAP	
	84010252A	ADJUSTER, OPENING ROCKER ARM 3.20 MM	4	09/11/2011		MOD:1199R;XST:AUS,EUR,FRA,JAP	
	84010262A	ADJUSTER, OPENING ROCKER ARM 3.25 MM	4	09/11/2011		MOD:1199R;XST:AUS,EUR,FRA,JAP	
	84010272A	ADJUSTER, OPENING ROCKER ARM 3.30 MM	4	09/11/2011		MOD:1199R;XST:AUS,EUR,FRA,JAP	
	84010282A	ADJUSTER, OPENING ROCKER ARM 3.35 MM	4	09/11/2011		MOD:1199R;XST:AUS,EUR,FRA,JAP	
	84010292A	ADJUSTER, OPENING ROCKER ARM 3.40 MM	4	09/11/2011		MOD:1199R;XST:AUS,EUR,FRA,JAP	
	84010302A	ADJUSTER, OPENING ROCKER ARM 3.45 MM	4	09/11/2011		MOD:1199R;XST:AUS,EUR,FRA,JAP	
	84010312A	ADJUSTER, OPENING ROCKER ARM 1.80 MM	4	09/11/2011		MOD:1199R;XST:AUS,EUR,FRA,JAP	
	84010322A	ADJUSTER, OPENING ROCKER ARM 1.85 MM	4	09/11/2011		MOD:1199R;XST:AUS,EUR,FRA,JAP	
	84010332A	ADJUSTER, OPENING ROCKER ARM 1.90 MM	4	09/11/2011		MOD:1199R;XST:AUS,EUR,FRA,JAP	
	84010342A	ADJUSTER, OPENING ROCKER ARM 1.95 MM	4	09/11/2011		MOD:1199R;XST:AUS,EUR,FRA,JAP	
	84010722A	ADJUSTER, OPENING ROCKER ARM 3.60 MM	4	09/11/2011		MOD:1199R;XST:AUS,EUR,FRA,JAP	



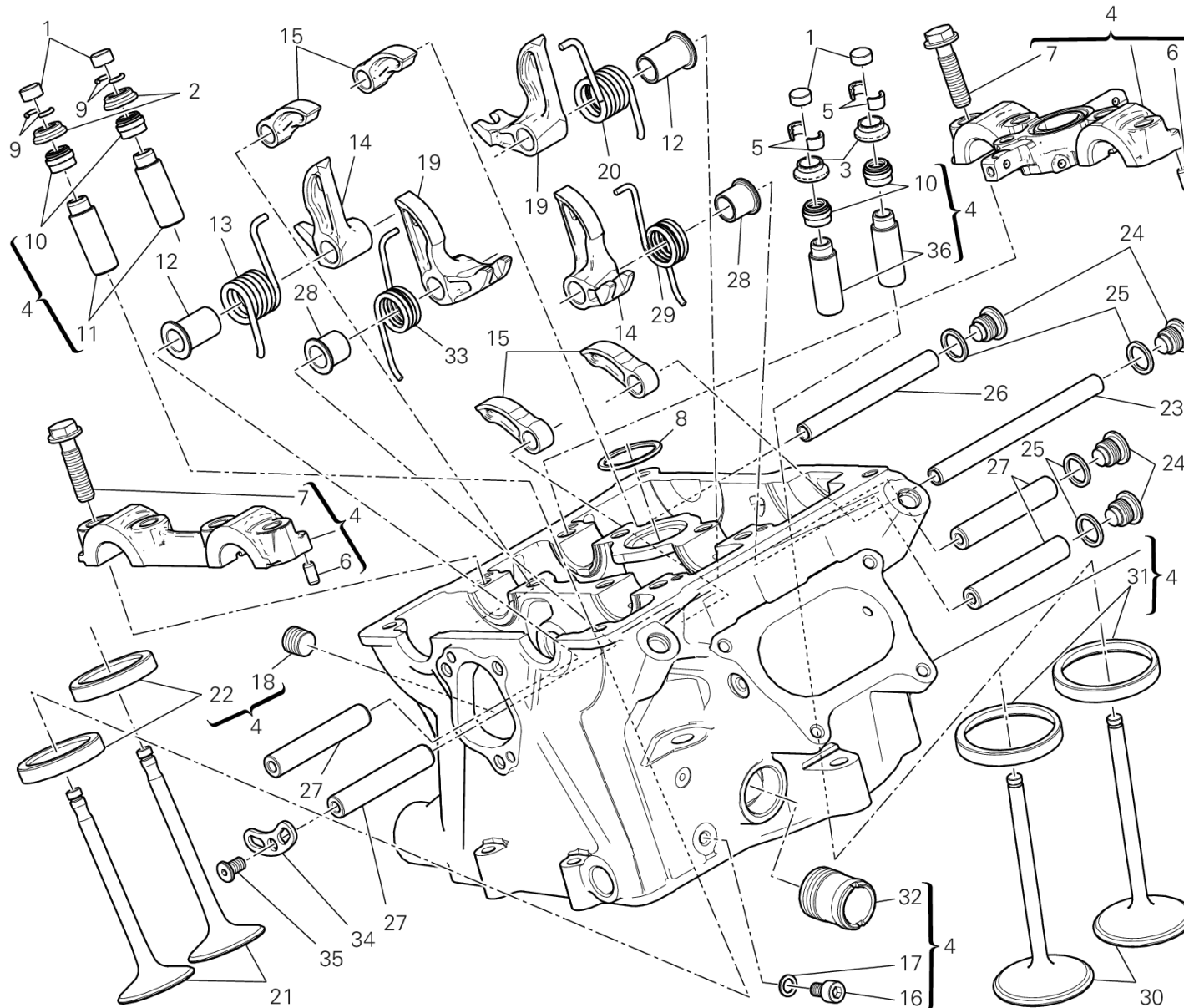
TST00487

DRAWING 015 - VERTICAL HEAD [MOD:1199R;XST:AUS,EUR,FRA,JAP]

GROUP ENGINE



POS.	CODE	DESCRIPTION	QTY	START DATE	END DATE	VALIDITY	NOTES
	84010732A	ADJUSTER, OPENING ROCKER ARM 3.80 MM	4	09/11/2011		MOD:1199R;XST:AUS,EUR,FRA,JAP	
	84011082A	ADJUSTER, OPENING ROCKER ARM 3.50 MM	4	09/11/2011		MOD:1199R;XST:AUS,EUR,FRA,JAP	
	84011092A	ADJUSTER, OPENING ROCKER ARM 3.55 MM	4	09/11/2011		MOD:1199R;XST:AUS,EUR,FRA,JAP	
	84011102A	ADJUSTER, OPENING ROCKER ARM 3.65 MM	4	09/11/2011		MOD:1199R;XST:AUS,EUR,FRA,JAP	
	84011112A	ADJUSTER, OPENING ROCKER ARM 3.70 MM	4	09/11/2011		MOD:1199R;XST:AUS,EUR,FRA,JAP	
	84011122A	ADJUSTER, OPENING ROCKER ARM 3.75 MM	4	09/11/2011		MOD:1199R;XST:AUS,EUR,FRA,JAP	
	84011132A	ADJUSTER, OPENING ROCKER ARM 3.85 MM	4	09/11/2011		MOD:1199R;XST:AUS,EUR,FRA,JAP	
	84011142A	ADJUSTER, OPENING ROCKER ARM 3.9 MM	4	09/11/2011		MOD:1199R;XST:AUS,EUR,FRA,JAP	
2	84010412B	ADJUSTER, CLOSING ROCKER ARM 2.20 MM	2	24/12/2009		MOD:1199R;XST:AUS,EUR,FRA,JAP	
	84010422B	ADJUSTER, CLOSING ROCKER ARM 2.25 MM	2	24/12/2009		MOD:1199R;XST:AUS,EUR,FRA,JAP	
	84010432B	ADJUSTER, CLOSING ROCKER ARM 2.30 MM	2	24/12/2009		MOD:1199R;XST:AUS,EUR,FRA,JAP	
	84010442B	ADJUSTER, CLOSING ROCKER ARM 2.35 MM	2	24/12/2009		MOD:1199R;XST:AUS,EUR,FRA,JAP	
	84010452B	ADJUSTER, CLOSING ROCKER ARM 2.40 MM	2	24/12/2009		MOD:1199R;XST:AUS,EUR,FRA,JAP	
	84010462B	ADJUSTER, CLOSING ROCKER ARM 2.45 MM	2	24/12/2009		MOD:1199R;XST:AUS,EUR,FRA,JAP	
	84010472B	ADJUSTER, CLOSING ROCKER ARM 2.50 MM	2	24/12/2009		MOD:1199R;XST:AUS,EUR,FRA,JAP	
	84010482B	ADJUSTER, CLOSING ROCKER ARM 2.55 MM	2	24/12/2009		MOD:1199R;XST:AUS,EUR,FRA,JAP	
	84010492B	ADJUSTER, CLOSING ROCKER ARM 2.60 MM	2	24/12/2009		MOD:1199R;XST:AUS,EUR,FRA,JAP	
	84010502B	ADJUSTER, CLOSING ROCKER ARM 2.65 MM	2	24/12/2009		MOD:1199R;XST:AUS,EUR,FRA,JAP	
	84010512B	ADJUSTER, CLOSING ROCKER ARM 2.70 MM	2	24/12/2009		MOD:1199R;XST:AUS,EUR,FRA,JAP	
	84010522B	ADJUSTER, CLOSING ROCKER ARM 2.75 MM	2	24/12/2009		MOD:1199R;XST:AUS,EUR,FRA,JAP	
	84010532B	ADJUSTER, CLOSING ROCKER ARM 2.80 MM	2	24/12/2009		MOD:1199R;XST:AUS,EUR,FRA,JAP	
	84010542B	ADJUSTER, CLOSING ROCKER ARM 2.85 MM	2	24/12/2009		MOD:1199R;XST:AUS,EUR,FRA,JAP	
	84010552B	ADJUSTER, CLOSING ROCKER ARM 2.90 MM	2	24/12/2009		MOD:1199R;XST:AUS,EUR,FRA,JAP	
	84010562B	ADJUSTER, CLOSING ROCKER ARM 2.95 MM	2	24/12/2009		MOD:1199R;XST:AUS,EUR,FRA,JAP	
	84010572B	ADJUSTER, CLOSING ROCKER ARM 3.00 MM	2	24/12/2009		MOD:1199R;XST:AUS,EUR,FRA,JAP	
	84010582B	ADJUSTER, CLOSING ROCKER ARM 3.05 MM	2	24/12/2009		MOD:1199R;XST:AUS,EUR,FRA,JAP	
	84010592B	ADJUSTER, CLOSING ROCKER ARM 3.10 MM	2	24/12/2009		MOD:1199R;XST:AUS,EUR,FRA,JAP	
	84010602B	ADJUSTER, CLOSING ROCKER ARM 3.15 MM	2	24/12/2009		MOD:1199R;XST:AUS,EUR,FRA,JAP	
	84010612B	ADJUSTER, CLOSING ROCKER ARM 3.20 MM	2	24/12/2009		MOD:1199R;XST:AUS,EUR,FRA,JAP	
	84010622B	ADJUSTER, CLOSING ROCKER ARM 3.25 MM	2	24/12/2009		MOD:1199R;XST:AUS,EUR,FRA,JAP	
	84010632B	ADJUSTER, CLOSING ROCKER ARM 3.30 MM	2	24/12/2009		MOD:1199R;XST:AUS,EUR,FRA,JAP	
	84010642B	ADJUSTER, CLOSING ROCKER ARM 3.35 MM	2	24/12/2009		MOD:1199R;XST:AUS,EUR,FRA,JAP	
	84010652B	ADJUSTER, CLOSING ROCKER ARM 3.40 MM	2	24/12/2009		MOD:1199R;XST:AUS,EUR,FRA,JAP	
	84010662B	ADJUSTER, CLOSING ROCKER ARM 3.45 MM	2	24/12/2009		MOD:1199R;XST:AUS,EUR,FRA,JAP	
	84010672B	ADJUSTER, CLOSING ROCKER ARM 3.50 MM	2	24/12/2009		MOD:1199R;XST:AUS,EUR,FRA,JAP	



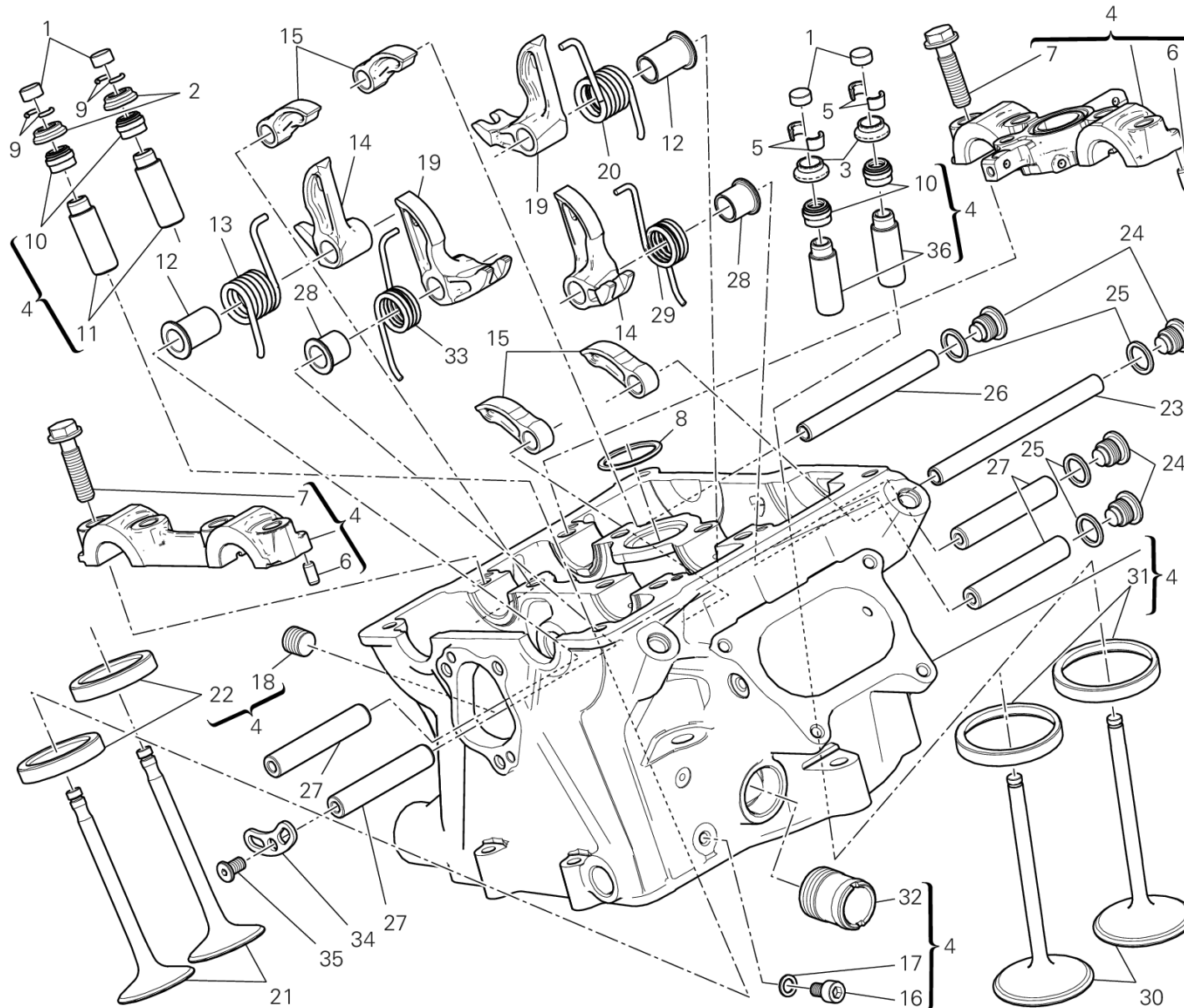
TST00487

DRAWING 015 - VERTICAL HEAD [MOD:1199R;XST:AUS,EUR,FRA,JAP]

GROUP ENGINE



POS.	CODE	DESCRIPTION	QTY	START DATE	END DATE	VALIDITY	NOTES
	84010682B	ADJUSTER, CLOSING ROCKER ARM 3.55 MM	2	24/12/2009		MOD:1199R;XST:AUS,EUR,FRA,JAP	
	84010692B	ADJUSTER, CLOSING ROCKER ARM 3.60 MM	2	24/12/2009		MOD:1199R;XST:AUS,EUR,FRA,JAP	
	84010702B	ADJUSTER, CLOSING ROCKER ARM 3.65 MM	2	24/12/2009		MOD:1199R;XST:AUS,EUR,FRA,JAP	
	84010712B	ADJUSTER, CLOSING ROCKER ARM 3.70 MM	2	24/12/2009		MOD:1199R;XST:AUS,EUR,FRA,JAP	
	84010722B	ADJUSTER, CLOSING ROCKER ARM 3.75 MM	2	24/12/2009		MOD:1199R;XST:AUS,EUR,FRA,JAP	
	84010732B	ADJUSTER, CLOSING ROCKER ARM 3.80 MM	2	24/12/2009		MOD:1199R;XST:AUS,EUR,FRA,JAP	
	84010742B	ADJUSTER, CLOSING ROCKER ARM 3.85 MM	2	24/12/2009		MOD:1199R;XST:AUS,EUR,FRA,JAP	
	84010752B	ADJUSTER, CLOSING ROCKER ARM 3.90 MM	2	24/12/2009		MOD:1199R;XST:AUS,EUR,FRA,JAP	
	84010762B	ADJUSTER, CLOSING ROCKER ARM 3.95 MM	2	24/12/2009		MOD:1199R;XST:AUS,EUR,FRA,JAP	
	84010772B	ADJUSTER, CLOSING ROCKER ARM 4.00 MM	2	24/12/2009		MOD:1199R;XST:AUS,EUR,FRA,JAP	
	84010782B	ADJUSTER, CLOSING ROCKER ARM 4.05 MM	2	24/12/2009		MOD:1199R;XST:AUS,EUR,FRA,JAP	
	84010792B	ADJUSTER, CLOSING ROCKER ARM 4.10 MM	2	24/12/2009		MOD:1199R;XST:AUS,EUR,FRA,JAP	
	84010802B	ADJUSTER, CLOSING ROCKER ARM 4.15 MM	2	24/12/2009		MOD:1199R;XST:AUS,EUR,FRA,JAP	
	84010812B	ADJUSTER, CLOSING ROCKER ARM 4.20 MM	2	24/12/2009		MOD:1199R;XST:AUS,EUR,FRA,JAP	
	84010822B	ADJUSTER, CLOSING ROCKER ARM 4.25 MM	2	24/12/2009		MOD:1199R;XST:AUS,EUR,FRA,JAP	
	84010832B	ADJUSTER, CLOSING ROCKER ARM 4.30 MM	2	24/12/2009		MOD:1199R;XST:AUS,EUR,FRA,JAP	
	84010842B	ADJUSTER, CLOSING ROCKER ARM 4.35 MM	2	24/12/2009		MOD:1199R;XST:AUS,EUR,FRA,JAP	
	84010852B	ADJUSTER, CLOSING ROCKER ARM 4.40 MM	2	24/12/2009		MOD:1199R;XST:AUS,EUR,FRA,JAP	
	84010862B	ADJUSTER, CLOSING ROCKER ARM 4.45 MM	2	24/12/2009		MOD:1199R;XST:AUS,EUR,FRA,JAP	
	84010872B	ADJUSTER, CLOSING ROCKER ARM 4.50 MM	2	24/12/2009		MOD:1199R;XST:AUS,EUR,FRA,JAP	
3	84011901AA	ADJUSTER, CLOSING ROCKER ARM 4.15 MM	2	02/11/2011		MOD:1199R;XST:AUS,EUR,FRA,JAP	
	84011901AB	ADJUSTER, CLOSING ROCKER ARM 4.20 MM	2	02/11/2011		MOD:1199R;XST:AUS,EUR,FRA,JAP	
	84011901AC	ADJUSTER, CLOSING ROCKER ARM 4.25 MM	2	02/11/2011		MOD:1199R;XST:AUS,EUR,FRA,JAP	
	84011901AD	ADJUSTER, CLOSING ROCKER ARM 4.30 MM	2	02/11/2011		MOD:1199R;XST:AUS,EUR,FRA,JAP	
	84011901AE	ADJUSTER, CLOSING ROCKER ARM 4.35 MM	2	02/11/2011		MOD:1199R;XST:AUS,EUR,FRA,JAP	
	84011901AF	ADJUSTER, CLOSING ROCKER ARM 4.40 MM	2	02/11/2011		MOD:1199R;XST:AUS,EUR,FRA,JAP	
	84011901AG	ADJUSTER, CLOSING ROCKER ARM 4.45 MM	2	02/11/2011		MOD:1199R;XST:AUS,EUR,FRA,JAP	
	84011901AH	ADJUSTER, CLOSING ROCKER ARM 4.50 MM	2	02/11/2011		MOD:1199R;XST:AUS,EUR,FRA,JAP	
	84011901AI	CLOSE ROCKER ARM ADJUSTMENT 4.55 MM	2	02/11/2011		MOD:1199R;XST:AUS,EUR,FRA,JAP	
	84011901AJ	CLOSE ROCKER ARM ADJUSTMENT 4.60 MM	2	02/11/2011		MOD:1199R;XST:AUS,EUR,FRA,JAP	
	84011901AK	CLOSE ROCKER ARM ADJUSTMENT 4.65 MM	2	02/11/2011		MOD:1199R;XST:AUS,EUR,FRA,JAP	
	84011901AL	CLOSE ROCKER ARM ADJUSTMENT 4.70 MM	2	02/11/2011		MOD:1199R;XST:AUS,EUR,FRA,JAP	
	84011901AM	CLOSE ROCKER ARM ADJUSTMENT 4.75 MM	2	02/11/2011		MOD:1199R;XST:AUS,EUR,FRA,JAP	
	84011901AN	CLOSE ROCKER ARM ADJUSTMENT 4.80 MM	2	02/11/2011		MOD:1199R;XST:AUS,EUR,FRA,JAP	
	84011901AO	CLOSE ROCKER ARM ADJUSTMENT 4.85 MM	2	02/11/2011		MOD:1199R;XST:AUS,EUR,FRA,JAP	



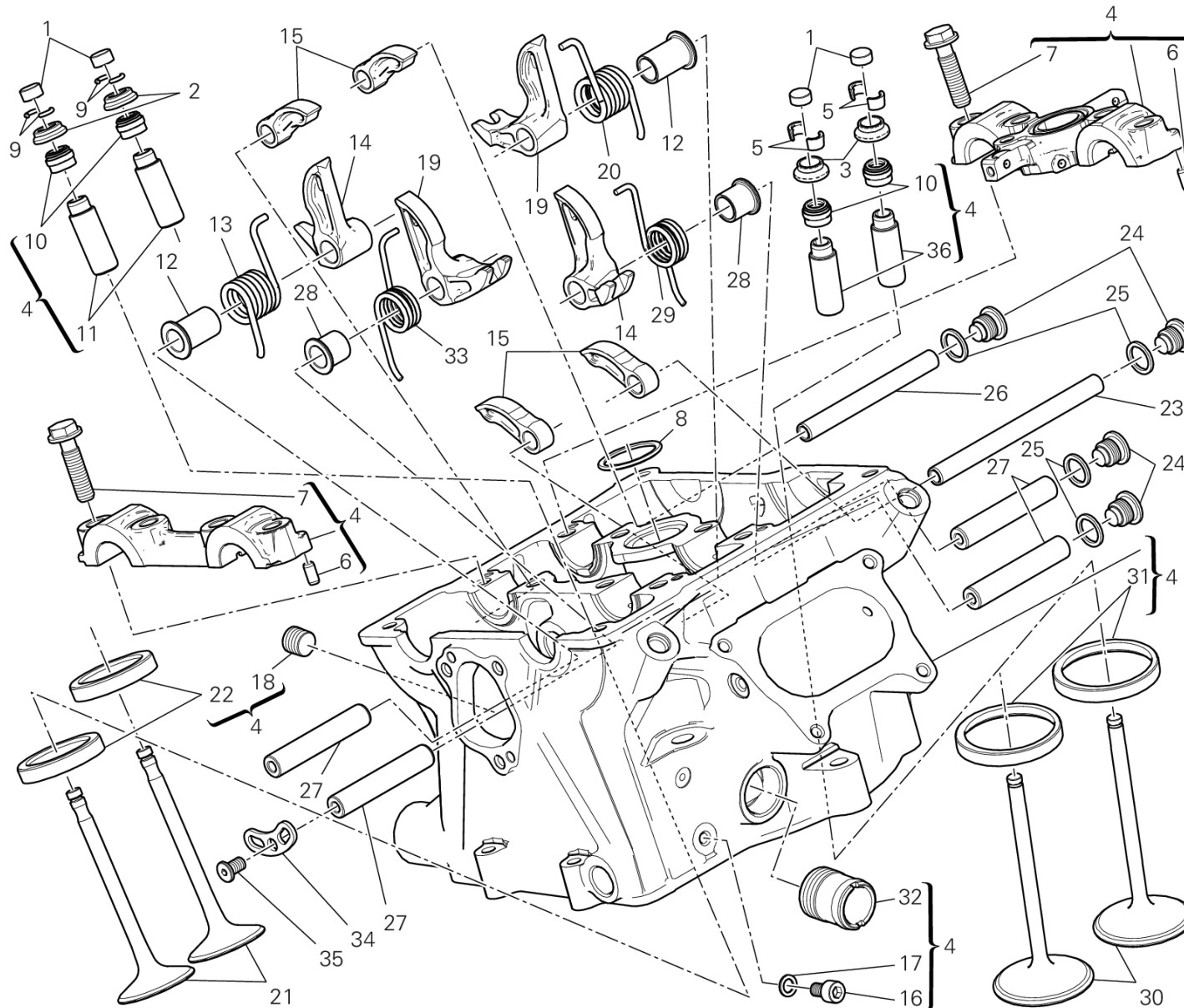
TST00487

DRAWING 015 - VERTICAL HEAD [MOD:1199R;XST:AUS,EUR,FRA,JAP]

GROUP ENGINE



POS.	CODE	DESCRIPTION	QTY	START DATE	END DATE	VALIDITY	NOTES
	84011901AP	CLOSE ROCKER ARM ADJUSTMENT 4.90 MM	2	02/11/2011		MOD:1199R;XST:AUS,EUR,FRA,JAP	
	84011901AQ	CLOSE ROCKER ARM ADJUSTMENT 4.95 MM	2	02/11/2011		MOD:1199R;XST:AUS,EUR,FRA,JAP	
	84011901AR	CLOSE ROCKER ARM ADJUSTMENT 5.00 MM	2	02/11/2011		MOD:1199R;XST:AUS,EUR,FRA,JAP	
4	30123471D	VERTICAL HEAD	1	08/10/2012		MOD:1199R;XST:AUS,EUR,FRA,JAP	
5	84510061A	HALF CONE	2	12/01/2012		MOD:1199R;XST:AUS,EUR,FRA,JAP	
6	86050061A	PIN M5X10	4	10/12/2010		MOD:1199R;XST:AUS,EUR,FRA,JAP	
7	77914211A	SCREW TEF M8X32	8	10/12/2010		MOD:1199R;XST:AUS,EUR,FRA,JAP	
8	88640881A	O-RING 26.64X2.62	1	12/01/2012		MOD:1199R;XST:AUS,EUR,FRA,JAP	
9	66910011E	C RING	4	12/01/2012		MOD:1199R;XST:AUS,EUR,FRA,JAP	
10	76410871A	SEAL VALVE STEM	4	21/01/2011		MOD:1199R;XST:AUS,EUR,FRA,JAP	
11	30310671AA	GUIDE, VALVE OVERSIZED 0.03 MM	2	13/01/2012		MOD:1199R;XST:AUS,EUR,FRA,JAP	
	30310671AB	GUIDE, VALVE OVERSIZED 0.06 MM	2	02/10/2012		MOD:1199R;XST:AUS,EUR,FRA,JAP	
	30310671AC	GUIDE, VALVE OVERSIZED 0.09 MM	2	02/10/2012		MOD:1199R;XST:AUS,EUR,FRA,JAP	
12	71319271A	SPACER	2	12/01/2012		MOD:1199R;XST:AUS,EUR,FRA,JAP	
13	79915231A	EXHAUST VALVE RETURN SPRING LH	1	12/01/2012		MOD:1199R;XST:AUS,EUR,FRA,JAP	
14	20910651A	CLOSING ROCKER ARM LEFT	2	01/08/2011		MOD:1199R;XST:AUS,EUR,FRA,JAP	
15	20810381A	OPEN. ROCKER ARM	4	01/08/2011		MOD:1199R;XST:AUS,EUR,FRA,JAP	
16	77150628B	SCREW TCEI M6X10	2	01/08/2011		MOD:1199R;XST:AUS,EUR,FRA,JAP	
17	85240261A	WASHER	2	25/06/2012		MOD:1199R;XST:AUS,EUR,FRA,JAP	
18	78010771A	THREADED DOWEL	2	10/12/2010		MOD:1199R;XST:AUS,EUR,FRA,JAP	
19	20910641A	CLOSING ROCKER ARM RIGHT	2	01/08/2011		MOD:1199R;XST:AUS,EUR,FRA,JAP	
20	79915221A	EXHAUST VALVE RETURN SPRING RH	1	12/01/2012		MOD:1199R;XST:AUS,EUR,FRA,JAP	
21	21110802A	EXHAUST VALVE	2	12/01/2012		MOD:1199R;XST:AUS,EUR,FRA,JAP	
22	304A0931A	SEAT, EXHAUST VALVE	2	29/11/2010		MOD:1199R;XST:AUS,EUR,FRA,JAP	
23	82114041A	OPENING ROCKER SHAFT LONG	1	12/01/2012		MOD:1199R;XST:AUS,EUR,FRA,JAP	
24	78010511C	PLUG	4	12/01/2012		MOD:1199R;XST:AUS,EUR,FRA,JAP	
25	85250261B	GASKET, ALUMINIUM 12X16X1.5	4	12/01/2012		MOD:1199R;XST:AUS,EUR,FRA,JAP	
26	82113361A	OPENING ROCKER SHAFT SHORT	1	12/01/2012		MOD:1199R;XST:AUS,EUR,FRA,JAP	
27	82113371B	CLOSE ROCKER ARM AXLE	4	12/01/2012		MOD:1199R;XST:AUS,EUR,FRA,JAP	
28	71319281A	SPACER	2	12/01/2012		MOD:1199R;XST:AUS,EUR,FRA,JAP	
29	79915211A	INTAKE VALVE RETURN SPRING LH	1	12/01/2012		MOD:1199R;XST:AUS,EUR,FRA,JAP	
30	21010811D	INTAKE VALVE	2	08/10/2012		MOD:1199R;XST:AUS,EUR,FRA,JAP	
31	304A0921A	SEAT, INTAKE VALVE	2	29/11/2010		MOD:1199R;XST:AUS,EUR,FRA,JAP	
32	66810491A	FILLER	1	21/01/2011		MOD:1199R;XST:AUS,EUR,FRA,JAP	
33	79915201A	INTAKE VALVE RETURN SPRING RH	1	12/01/2012		MOD:1199R;XST:AUS,EUR,FRA,JAP	



TST00487

DRAWING 015 - VERTICAL HEAD [MOD:1199R;XST:AUS,EUR,FRA,JAP]

GROUP ENGINE

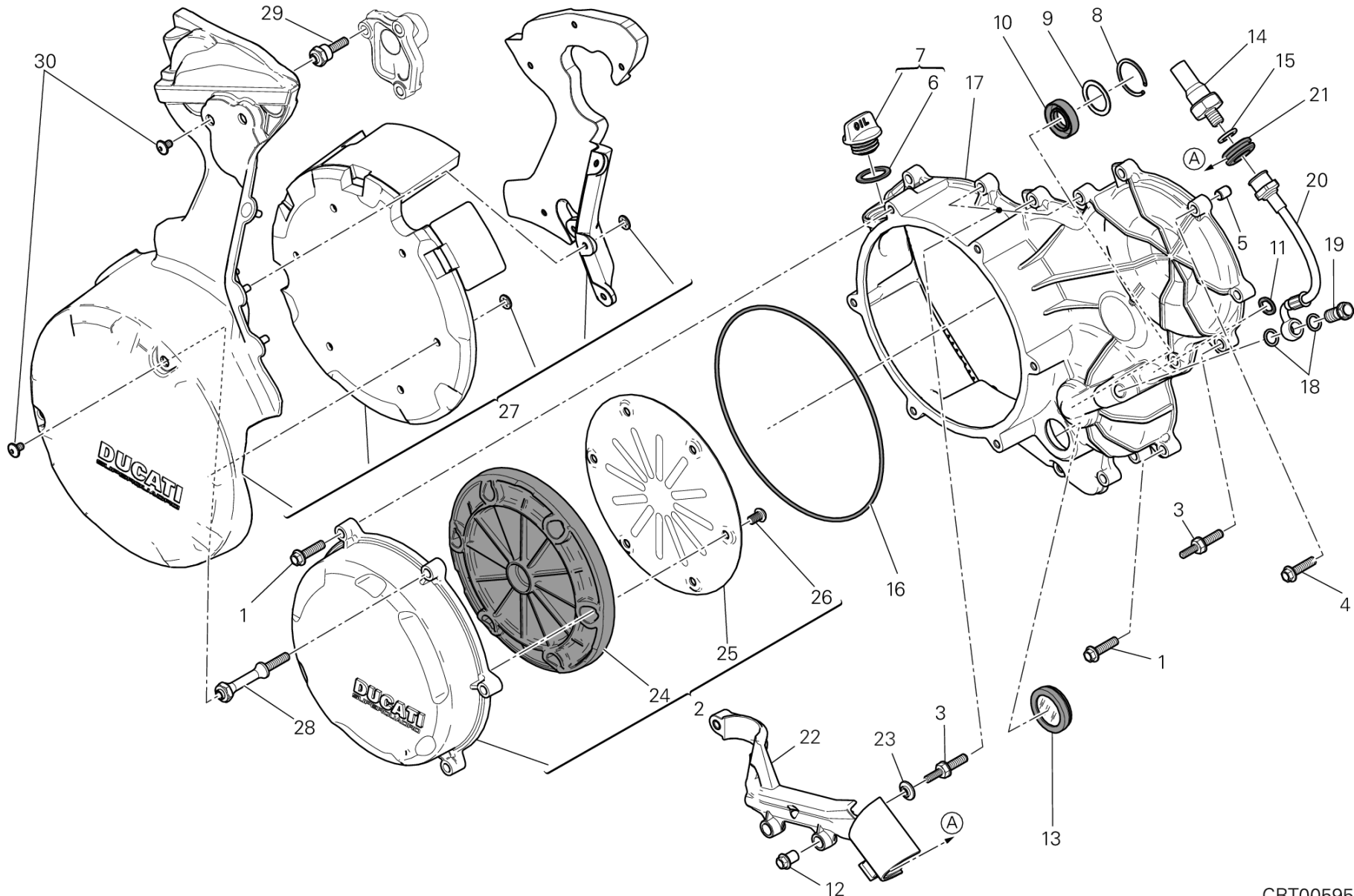


POS.	CODE	DESCRIPTION	QTY	START DATE	END DATE	VALIDITY	NOTES
34	82716021A	PLATE, RETAINER	1	12/01/2012		MOD:1199R;XST:AUS,EUR,FRA,JAP	
35	77917231A	SCREW, SPECIAL	1	12/01/2012		MOD:1199R;XST:AUS,EUR,FRA,JAP	
36	30310691A	GUIDE-VALVE, INTAKE	2			MOD:1199R;XST:AUS,EUR,FRA,JAP	
	30310691AA	GUIDE INTAKE VALVE +0.03 MM	2			MOD:1199R;XST:AUS,EUR,FRA,JAP	
	30310691AB	GUIDE INTAKE VALVE +0.06 MM	2			MOD:1199R;XST:AUS,EUR,FRA,JAP	
	30310691AC	GUIDE INTAKE VALVE +0.09 MM	2			MOD:1199R;XST:AUS,EUR,FRA,JAP	



DRAWING 05A - CLUTCH-SIDE CRANKCASE COVER (JAP) [MOD:1199R;XST:JAP]

GROUP ENGINE



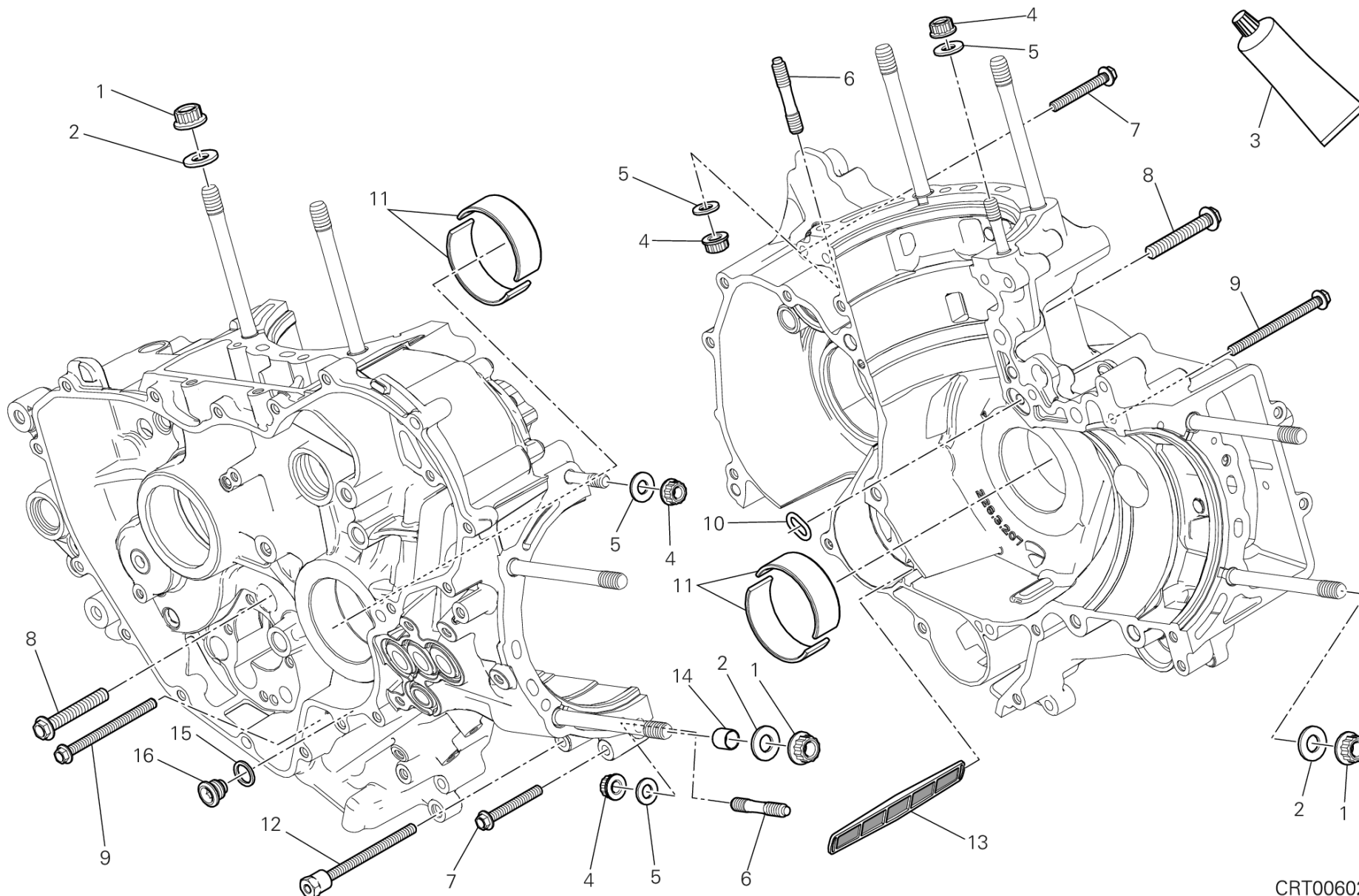
CRT00595

DRAWING 05A - CLUTCH-SIDE CRANKCASE COVER (JAP) [MOD:1199R;XST:JAP]

GROUP ENGINE



POS.	CODE	DESCRIPTION	QTY	START DATE	END DATE	VALIDITY	NOTES
1	77253337C	SCREW	18	11/11/2010		MOD:1199R;XST:JAP	
2	24321344A	CLUTCH PROTECTION COVER (Unit)	1	02/05/2012		MOD:1199R;XST:JAP	
3	77917161B	SCREW, SPECIAL	4	21/11/2011		MOD:1199R;XST:JAP	
4	77253357C	SCREW	1	11/11/2010		MOD:1199R;XST:JAP	
5	71113171A	LOCATING DOWEL	2	11/11/2010		MOD:1199R;XST:JAP	
6	88640891A	O-RING 18.64X3.53	1	24/12/2009		MOD:1199R;XST:JAP	
7	89320121A	PLUG ASSY	1	26/10/2011		MOD:1199R;XST:JAP	
8	88450291A	SNAP RING	1	26/10/2011		MOD:1199R;XST:JAP	
9	85212721A	THRUST WASHER	1	26/10/2011		MOD:1199R;XST:JAP	
10	93041521A	SEAL RING	1	26/10/2011		MOD:1199R;XST:JAP	
11	88641761A	O-RING	1	11/11/2010		MOD:1199R;XST:JAP	
12	75011841AA	NUT, SPECIAL	3	01/02/2013		MOD:1199R;XST:JAP	
13	25440012A	WINDOW, OIL LEVEL CHECK	1	26/10/2011		MOD:1199R;XST:JAP	
14	53940302A	SWITCH ASSY, OIL PRESSURE	1	01/12/2011		MOD:1199R;XST:JAP	
15	85211951A	GASKET 10.5X17X2	1	01/12/2011		MOD:1199R;XST:JAP	
16	88610281A	O-RING	1	26/10/2011		MOD:1199R;XST:JAP	
17	24311274A	TIMING COVER	1	01/01/2012		MOD:1199R;XST:JAP	
18	85250241A	WASHER 10X14X1	2	01/12/2011		MOD:1199R;XST:JAP	
19	78110121AA	SCREW, SPECIAL	1	26/10/2012		MOD:1199R;XST:JAP	
20	87721561A	OIL PRESSURE LINE	1	01/12/2011		MOD:1199R;XST:JAP	
21	76440581A	RUBBER PAD	1	01/12/2011		MOD:1199R;XST:JAP	
22	75810701B	FAIRLEAD	1	01/02/2013		MOD:1199R;XST:JAP	
23	71614071A	SPACER 5.2X8.4X2	3	01/12/2011		MOD:1199R;XST:JAP	
24	48610851A	DAMPER, SOUND ARRESTER	1	02/05/2012		MOD:1199R;XST:JAP	
25	82716012A	SHEET ACOUSTIC DAMPER	1	02/05/2012		MOD:1199R;XST:JAP	
26	77550200C	SCREW	6	02/05/2012		MOD:1199R;XST:JAP	
27	48610912A	CAP RH (Unit)	1	01/11/2012		MOD:1199R;XST:JAP	
28	77917961AA	SPECIAL SCREW LONG	2	20/06/2012		MOD:1199R;XST:JAP	
29	77917951AA	SPECIAL SCREW SHORT	2	20/06/2012		MOD:1199R;XST:JAP	
30	77240243C	SCREW	4	29/03/2012		MOD:1199R;XST:JAP	



CRT00602

DRAWING 10A - HALF-CRANKCASES PAIR [MOD:1199R;XST:AUS,EUR,FRA,JAP]

GROUP ENGINE



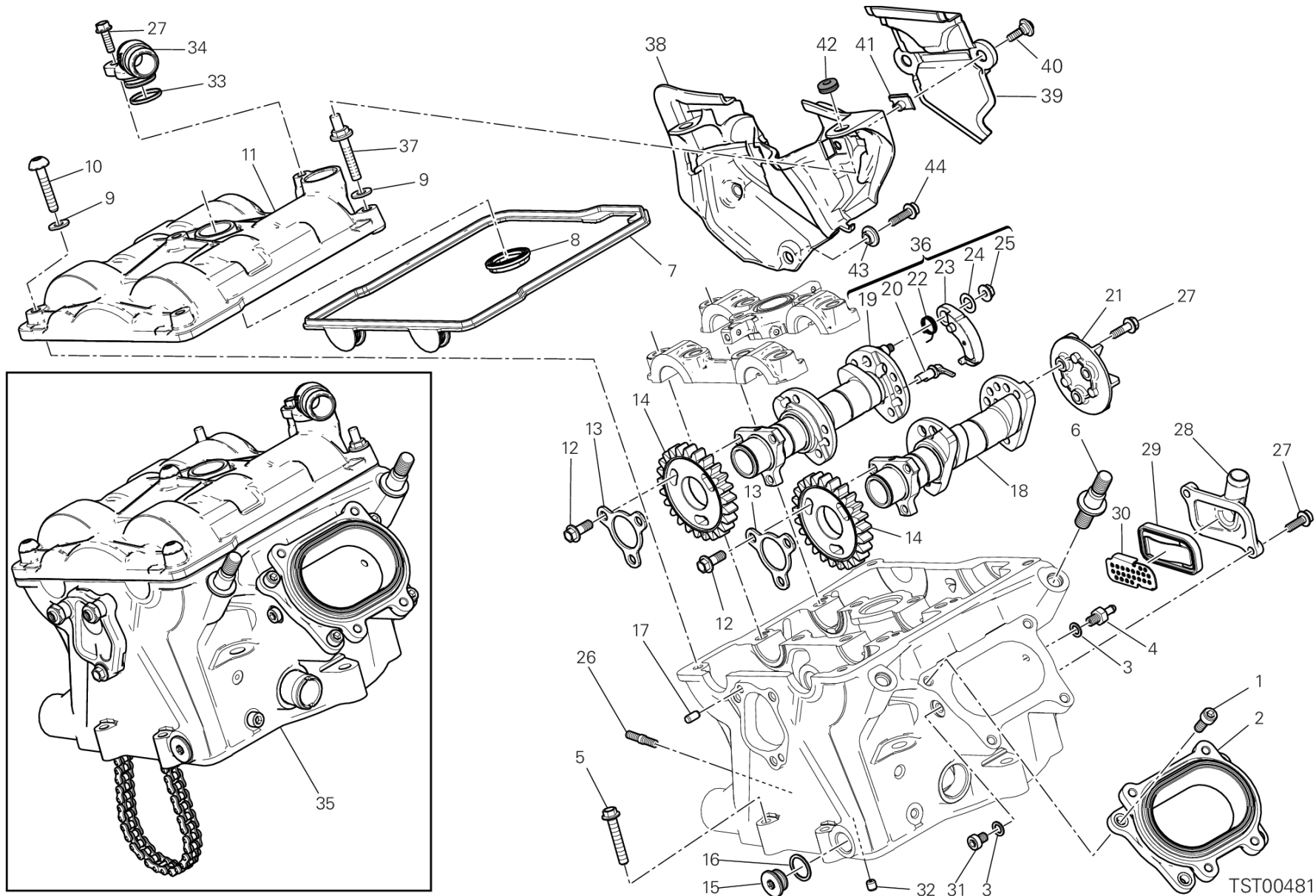
POS.	CODE	DESCRIPTION	QTY	START DATE	END DATE	VALIDITY	NOTES
1	74810461A	NUT, FLANGE M10X1	8	13/12/2010		MOD:1199R;XST:AUS,EUR,FRA,JAP	
2	85610642A	WASHER, SPECIAL 10.5X21X2	8	13/12/2010		MOD:1199R;XST:AUS,EUR,FRA,JAP	
3	942470014	LIQUID GASKET	1			MOD:1199R;XST:AUS,EUR,FRA,JAP	
4	74840481A	NUT, SPECIAL M8	4	13/12/2010		MOD:1199R;XST:AUS,EUR,FRA,JAP	
5	85212771A	WASHER	4	13/12/2010		MOD:1199R;XST:AUS,EUR,FRA,JAP	
6	76610811A	STUD BOLT FASTENING HEAD CYLINDER	2	12/01/2012		MOD:1199R;XST:AUS,EUR,FRA,JAP	
7	77253387C	SCREW	14	11/11/2010		MOD:1199R;XST:AUS,EUR,FRA,JAP	
8	77251387C	SCREW	6	11/11/2010		MOD:1199R;XST:AUS,EUR,FRA,JAP	
9	77253447C	SCREW	4	11/11/2010		MOD:1199R;XST:AUS,EUR,FRA,JAP	
10	88641701A	O-RING	1	24/11/2010		MOD:1199R;XST:AUS,EUR,FRA,JAP	
11	11210771AA	HALF-BEARING RED	1	15/12/2011		MOD:1199R;XST:AUS,EUR,FRA,JAP	
	11210771AB	HALF-BEARING BLUE	1	15/12/2011		MOD:1199R;XST:AUS,EUR,FRA,JAP	
	11210771AC	HALF-BEARING YELLOW	1	15/12/2011		MOD:1199R;XST:AUS,EUR,FRA,JAP	
	11210771AD	HALF-BEARING BLACK	1	15/12/2011		MOD:1199R;XST:AUS,EUR,FRA,JAP	
	11210771AE	HALF-BEARING GREEN	1	15/12/2011		MOD:1199R;XST:AUS,EUR,FRA,JAP	
12	77916991A	SCREW, SPECIAL	1	02/12/2010		MOD:1199R;XST:AUS,EUR,FRA,JAP	
13	42710171A	OIL NET FILTER	1	09/12/2010		MOD:1199R;XST:AUS,EUR,FRA,JAP	
14	71110932A	PIN DOWEL	4	11/11/2010		MOD:1199R;XST:AUS,EUR,FRA,JAP	
15	85250261A	GASKET, ALUMINIUM 12X16X1.5	1	11/11/2010		MOD:1199R;XST:AUS,EUR,FRA,JAP	
16	78010511C	PLUG	1	28/02/2011		MOD:1199R;XST:AUS,EUR,FRA,JAP	



DRAWING 13A - VERTICAL CYLINDER HEAD - TIMING

[MOD:1199R;XST:AUS,EUR,FRA,JAP]

GROUP ENGINE



DRAWING 13A - VERTICAL CYLINDER HEAD - TIMING

[MOD:1199R;XST:AUS,EUR,FRA,JAP]

GROUP ENGINE



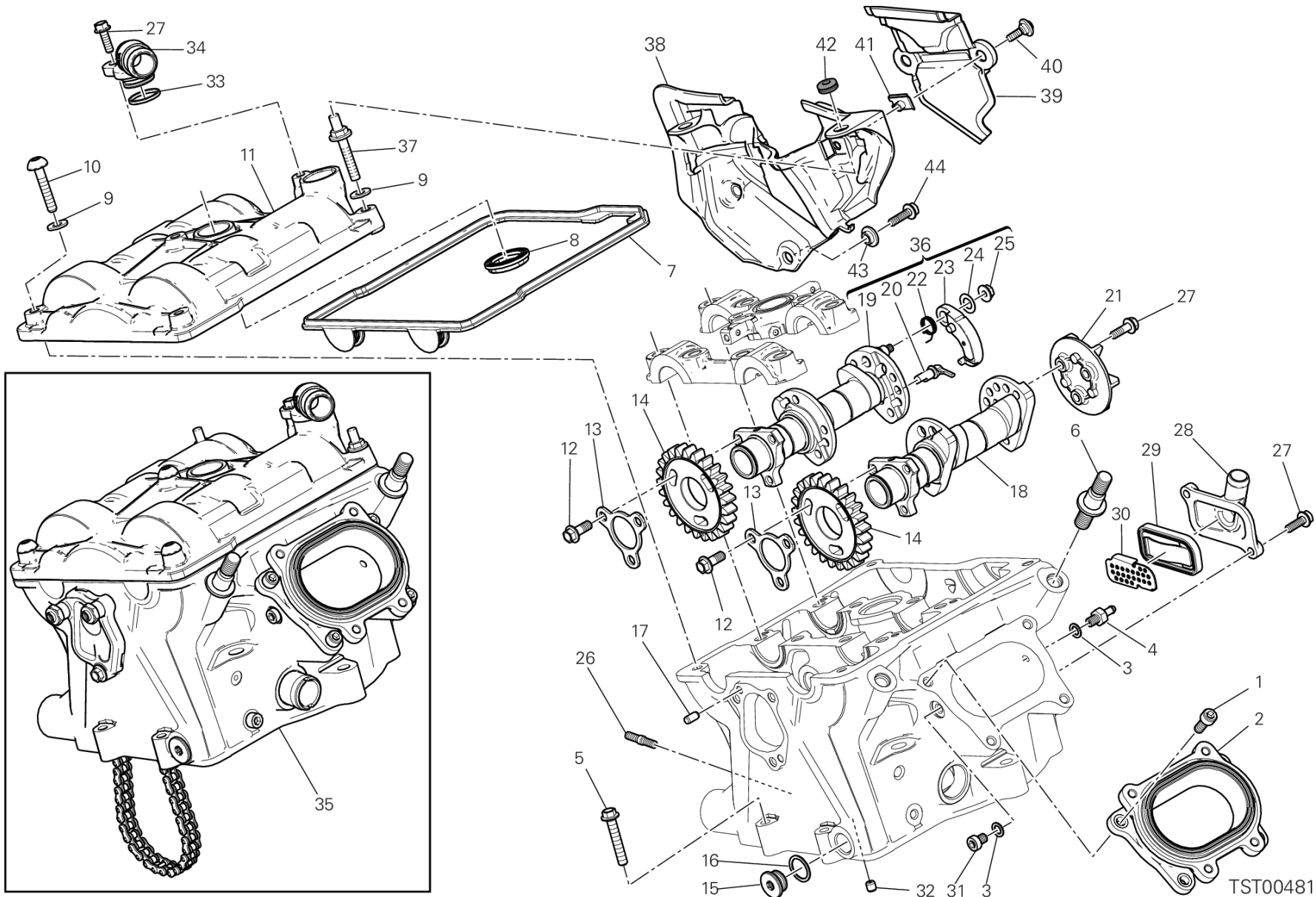
POS.	CODE	DESCRIPTION	QTY	START DATE	END DATE	VALIDITY	NOTES
1	77112331A	SCREW TCEI M6X16	4	12/01/2012		MOD:1199R;XST:AUS,EUR,FRA,JAP	
2	14010691A	INTAKE MANIFOLD	1	12/01/2012		MOD:1199R;XST:AUS,EUR,FRA,JAP	
3	85250231A	GASKET	2	01/08/2011		MOD:1199R;XST:AUS,EUR,FRA,JAP	
4	81413341A	UNION	1	12/01/2012		MOD:1199R;XST:AUS,EUR,FRA,JAP	
5	77253367C	SCREW	2	05/04/2011		MOD:1199R;XST:AUS,EUR,FRA,JAP	
6	76610821A	STUD BOLT	2	12/01/2012		MOD:1199R;XST:AUS,EUR,FRA,JAP	
7	78811101C	VALVE COVER GASKET EXTERNAL	1	12/01/2012		MOD:1199R;XST:AUS,EUR,FRA,JAP	
8	78811131A	VALVE COVER GASKET INTERNAL	1	12/01/2012		MOD:1199R;XST:AUS,EUR,FRA,JAP	
9	85212781A	WASHER	5	12/01/2012		MOD:1199R;XST:AUS,EUR,FRA,JAP	
10	77916441A	SCREW	3	12/01/2012		MOD:1199R;XST:AUS,EUR,FRA,JAP	
11	24713931B	COVER CYLINDER HEAD, VERTICAL	1	12/01/2012		MOD:1199R;XST:AUS,EUR,FRA,JAP	
12	77253290Z	SCREW	6	01/08/2011		MOD:1199R;XST:AUS,EUR,FRA,JAP	
13	85611471A	PLATE, RETAINER	2	12/01/2012		MOD:1199R;XST:AUS,EUR,FRA,JAP	
14	17111153A	GEAR Z=25	2	12/01/2012		MOD:1199R;XST:AUS,EUR,FRA,JAP	
15	77913541A	THREADED PLUG M15X1	1	06/04/2011		MOD:1199R;XST:AUS,EUR,FRA,JAP	
16	85211201A	ALUMINIUM GASKET	1	06/04/2011		MOD:1199R;XST:AUS,EUR,FRA,JAP	
17	86050061A	PIN M5X10	2	12/01/2012		MOD:1199R;XST:AUS,EUR,FRA,JAP	
18	14814361B	VERTICAL INTAKE CAMSHAFT	1	12/01/2012		MOD:1199R;XST:AUS,EUR,FRA,JAP	
19	14824481B	VERTICAL EXHAUST CAMSHAFT	1	13/01/2012		MOD:1199R;XST:AUS,EUR,FRA,JAP	
20	82113832A	PIN	1	12/01/2012		MOD:1199R;XST:AUS,EUR,FRA,JAP	
21	25130081B	FAN	1	12/01/2012		MOD:1199R;XST:AUS,EUR,FRA,JAP	
22	79915534A	SPRING	1	12/01/2012		MOD:1199R;XST:AUS,EUR,FRA,JAP	
23	30710021A	ARM	1	12/01/2012		MOD:1199R;XST:AUS,EUR,FRA,JAP	
24	85240231A	WASHER 8.2X14X0.5	1	13/01/2012		MOD:1199R;XST:AUS,EUR,FRA,JAP	
25	74810791A	NUT	1	12/01/2012		MOD:1199R;XST:AUS,EUR,FRA,JAP	
26	76610891A	STUD BOLT	3	12/01/2012		MOD:1199R;XST:AUS,EUR,FRA,JAP	
27	77210621A	SCREW TEF M5X16	6	12/01/2012		MOD:1199R;XST:AUS,EUR,FRA,JAP	
28	24714101A	COVER	1	12/01/2012		MOD:1199R;XST:AUS,EUR,FRA,JAP	
29	81140012B	VALVE	1	07/12/2011		MOD:1199R;XST:AUS,EUR,FRA,JAP	
30	82716351A	PLATE	1	12/01/2012		MOD:1199R;XST:AUS,EUR,FRA,JAP	
31	77350618B	SCREW TCEIR M6X8	1	06/04/2011		MOD:1199R;XST:AUS,EUR,FRA,JAP	
32	86010061A	PIN	1	12/01/2012		MOD:1199R;XST:AUS,EUR,FRA,JAP	
33	88641791A	O-RING	1	12/01/2012		MOD:1199R;XST:AUS,EUR,FRA,JAP	
34	81413531A	OUTLET UNION BLOW-BY	1	12/01/2012		MOD:1199R;XST:AUS,EUR,FRA,JAP	
35	30123471D	VERTICAL HEAD	1	08/10/2012		MOD:1199R;XST:AUS,EUR,FRA,JAP	



DRAWING 13A - VERTICAL CYLINDER HEAD - TIMING

[MOD:1199R;XST:AUS,EUR,FRA,JAP]

GROUP ENGINE



TST00481

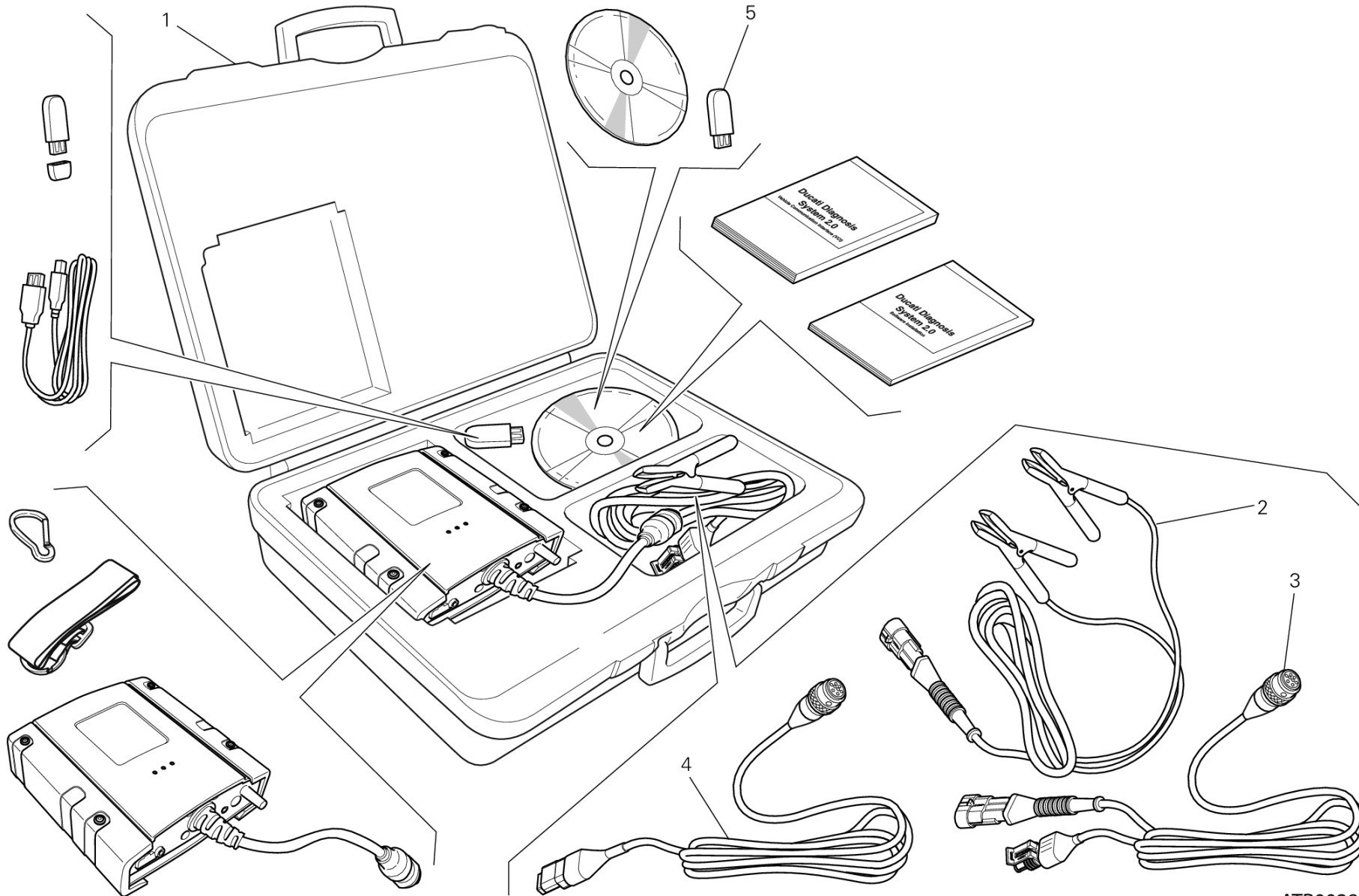
DRAWING 13A - VERTICAL CYLINDER HEAD - TIMING

[MOD:1199R;XST:AUS,EUR,FRA,JAP]

GROUP ENGINE



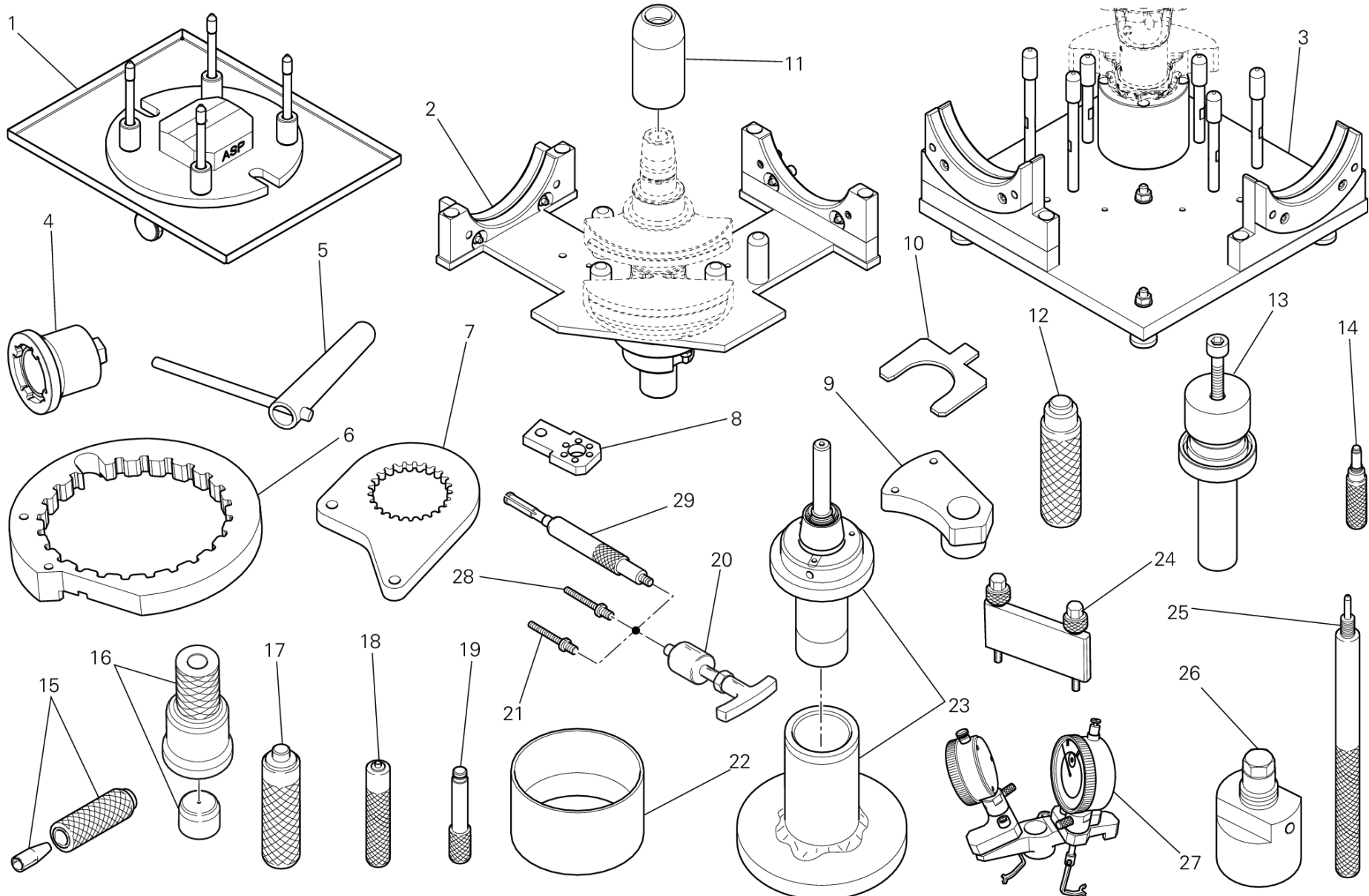
POS.	CODE	DESCRIPTION	QTY	START DATE	END DATE	VALIDITY	NOTES
36	14823751C	VERTICAL EXHAUST CAMSHAFT (Unit)	1	13/01/2012		MOD:1199R;XST:AUS,EUR,FRA,JAP	
37	77918341A	SCREW, SPECIAL	2	31/01/2013		MOD:1199R;XST:AUS,EUR,FRA,JAP	
38	46016361A	LEFT PANEL	1	23/01/2013		MOD:1199R;XST:AUS,EUR,FRA,JAP	
39	46016371A	COVER	1	23/01/2013		MOD:1199R;XST:AUS,EUR,FRA,JAP	
40	77211251B	SCREW M5X9	2	23/01/2013		MOD:1199R;XST:AUS,EUR,FRA,JAP	
41	85040471A	QUICK FASTENING M5	2	23/01/2013		MOD:1199R;XST:AUS,EUR,FRA,JAP	
42	76411671A	RUBBER PAD	2	23/01/2013		MOD:1199R;XST:AUS,EUR,FRA,JAP	
43	71611441A	SPACER	1	23/01/2013		MOD:1199R;XST:AUS,EUR,FRA,JAP	
44	77253063C	SCREW	1	23/01/2013		MOD:1199R;XST:AUS,EUR,FRA,JAP	



ATR00280

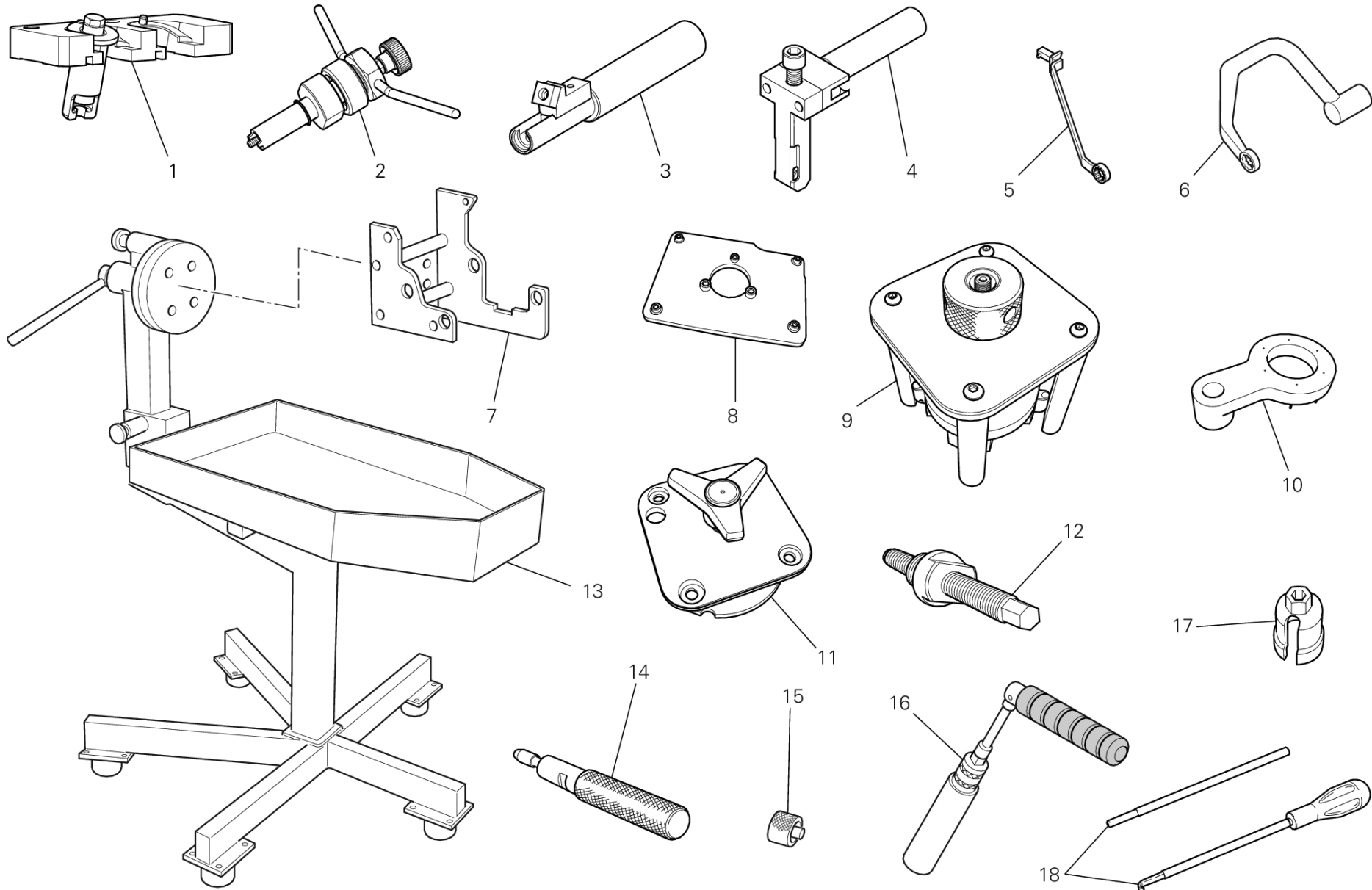


POS.	CODE	DESCRIPTION	QTY	START DATE	END DATE	VALIDITY	NOTES
1	979000252	DDS 2 (Ducati Diagnosis System 2.0)	1			MOD:1199R;XST:AUS,EUR,FRA,JAP	
2	979000256	MAIN CABLE DDS	1			MOD:1199R;XST:AUS,EUR,FRA,JAP	
3	979000254	MAIN CABLE	1			MOD:1199R;XST:AUS,EUR,FRA,JAP	
4	979000255	MAIN CABLE (CAN)	1			MOD:1199R;XST:AUS,EUR,FRA,JAP	
5	28620441A	CHIAVE "PC HASP DDS2.0"	1			MOD:1199R;XST:AUS,EUR,FRA,JAP	



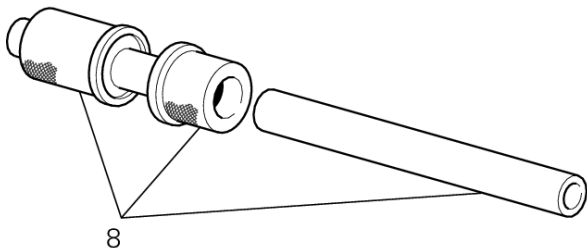
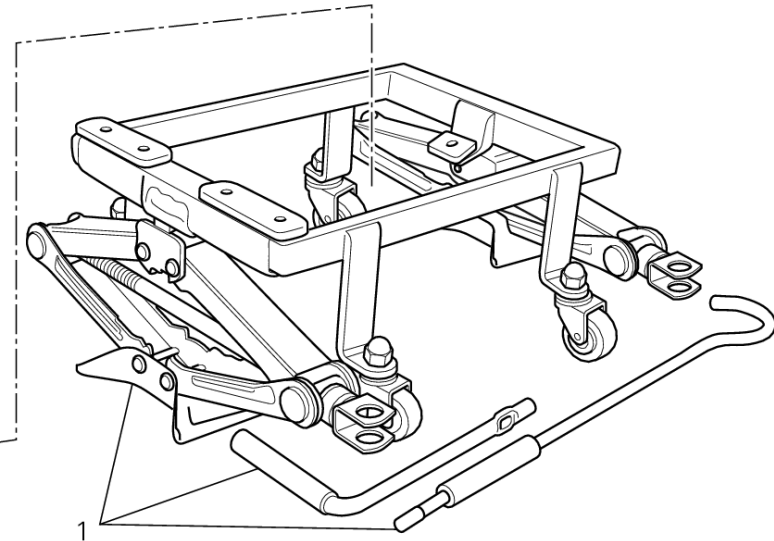
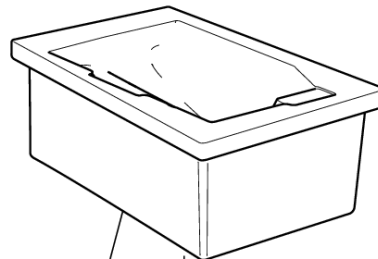
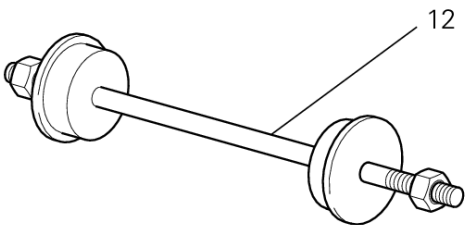
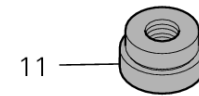
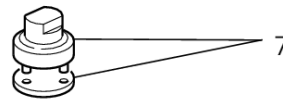
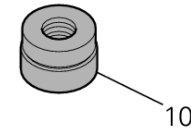
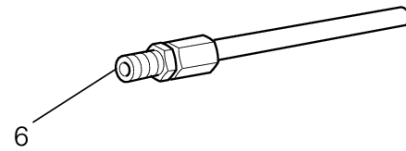
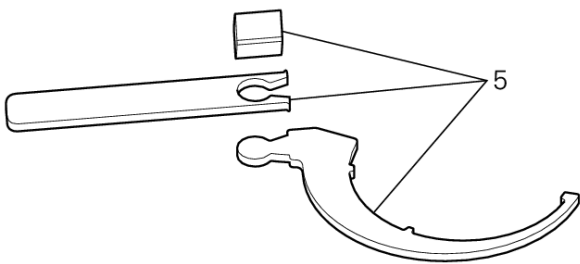
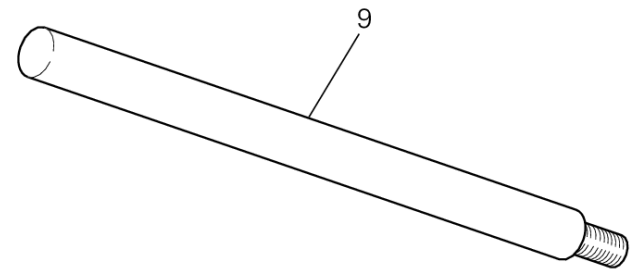
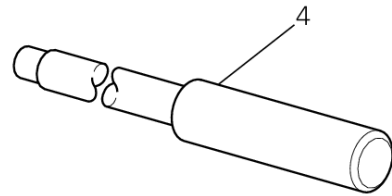
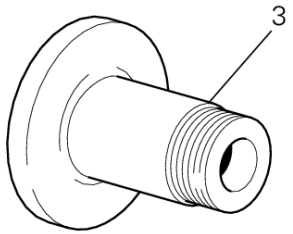


POS.	CODE	DESCRIPTION	QTY	START DATE	END DATE	VALIDITY	NOTES
1	887133422	HEAD MOUNTING BASE	1			MOD:1199R;XST:AUS,EUR,FRA,JAP	
2	887133437	PLATE (Complete connecting rods assembly)	1			MOD:1199R;XST:AUS,EUR,FRA,JAP	
3	887133440	HOSE GUIDE (Complete connecting rods assembly)	1			MOD:1199R;XST:AUS,EUR,FRA,JAP	
4	887133773	WRENCH FOR TIGHTENING RING NUT	1			MOD:1199R;XST:AUS,EUR,FRA,JAP	
5	887133795	LEVER	1			MOD:1199R;XST:AUS,EUR,FRA,JAP	
6	887133524	REACTION TOOL FOR IGNITION FLYWHEEL	1			MOD:1199R;XST:AUS,EUR,FRA,JAP	
7	887133774	REACTION TOOL (SPROCKET)	1			MOD:1199R;XST:AUS,EUR,FRA,JAP	
8	887133853	REACTION TOOL FOR FLANGE (Gearbox drum)	1			MOD:1199R;XST:AUS,EUR,FRA,JAP	
9	887133549	GEARBOX LAY SHAFT TRUING TOOL	1			MOD:1199R;XST:AUS,EUR,FRA,JAP	
10	887133510	FORK FEELER GAUGE	1			MOD:1199R;XST:AUS,EUR,FRA,JAP	
11	887133436	PAD	1			MOD:1199R;XST:AUS,EUR,FRA,JAP	
12	887133511	TOOL FOR OIL SEAL POSITIONING (17x25x4)	1			MOD:1199R;XST:AUS,EUR,FRA,JAP	
13	887133452	HALF-BEARINGS FITTING TOOL	1			MOD:1199R;XST:AUS,EUR,FRA,JAP	
14	887133500	TOOL TO HOLD CRANKSHAFT IN TDC POSITION	1			MOD:1199R;XST:AUS,EUR,FRA,JAP	
15	887133507	TOOL FOR OIL SEAL POSITIONING (12x22x5)	1			MOD:1199R;XST:AUS,EUR,FRA,JAP	
16	887133508	TOOL FOR OIL SEAL POSITIONING (40x55x7)	1			MOD:1199R;XST:AUS,EUR,FRA,JAP	
17	887133509	TOOL FOR OIL SEAL POSITIONING (14x28x6,5)	1			MOD:1199R;XST:AUS,EUR,FRA,JAP	
18	887133512	TOOL FOR OIL SEAL POSITIONING (8x14x4)	1			MOD:1199R;XST:AUS,EUR,FRA,JAP	
19	887133758	TOOL FOR BUSH POSITIONING	1			MOD:1199R;XST:AUS,EUR,FRA,JAP	
20	887131994	ROCKER PIN EXTRACTOR	1			MOD:1199R;XST:AUS,EUR,FRA,JAP	
21	887133760	SCREW, SPECIAL (M7)	1			MOD:1199R;XST:AUS,EUR,FRA,JAP	
22	887133820	TOOL TO ASSEMBLE PISTON	1			MOD:1199R;XST:AUS,EUR,FRA,JAP	
23	887133502	TOOL TO FIT PISTON GUDGEON PIN CIRCLIPS	1			MOD:1199R;XST:AUS,EUR,FRA,JAP	
24	887651678	CAMSHAFT STROKE CHECKING TOOL	1			MOD:1199R;XST:AUS,EUR,FRA,JAP	
25	887132574	T.D.C. CONTROL GAUGE	1			MOD:1199R;XST:AUS,EUR,FRA,JAP	
26	887133880	IGNITION FLYWHEEL EXTRACTOR	1			MOD:1199R;XST:AUS,EUR,FRA,JAP	
27	887651632	VALVE LIFT GAUGE	1			MOD:1199R;XST:AUS,EUR,FRA,JAP	
28	887133943	SCREW, SPECIAL (M6)	1			MOD:1199R;XST:AUS,EUR,FRA,JAP	
29	887133517	PISTON PIN DISASSEMBLING TOOL	1			MOD:1199R;XST:AUS,EUR,FRA,JAP	



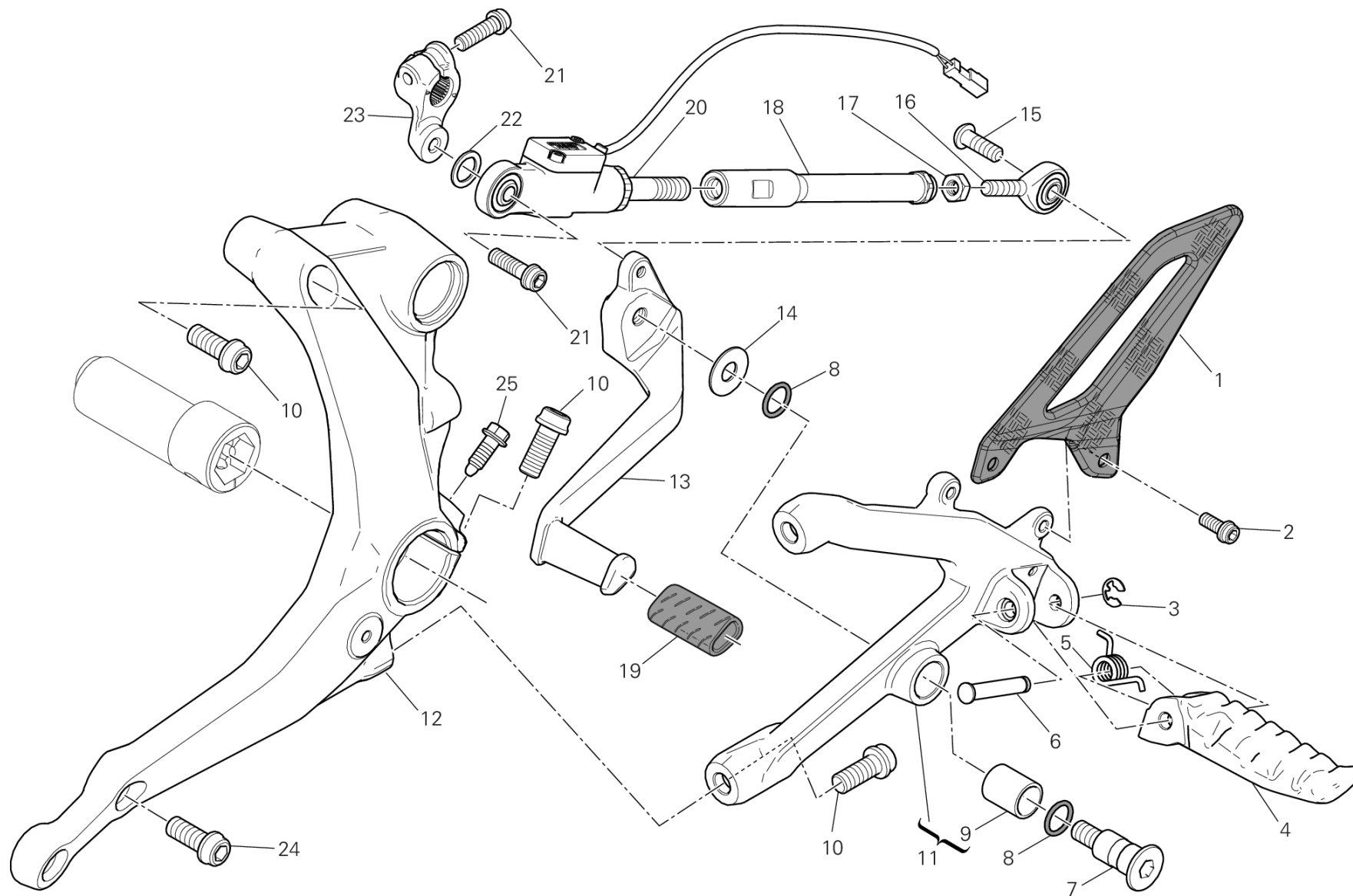


POS.	CODE	DESCRIPTION	QTY	START DATE	END DATE	VALIDITY	NOTES
1	887133924	TOOL TO REMOVE THE HALF-CONES	1			MOD:1199R;XST:AUS,EUR,FRA,JAP	
2	887133824	DEGREE WHEEL HOLDER TOOL FOR IGNITION ADVANCE CHECK	1			MOD:1199R;XST:AUS,EUR,FRA,JAP	
3	887133468	TOOL TO REMOVE THE HALF-CONES / SPLIT RINGS	1			MOD:1199R;XST:AUS,EUR,FRA,JAP	
4	887133467	TOOL TO FIT VALVE COLLETS	1			MOD:1199R;XST:AUS,EUR,FRA,JAP	
5	887133926	HEAD NUTS HOLDER WRENCH (M8)	1			MOD:1199R;XST:AUS,EUR,FRA,JAP	
6	887132676	HEAD NUTS HOLDER WRENCH (M10)	1			MOD:1199R;XST:AUS,EUR,FRA,JAP	
7	887133875	ENGINE MOUNT	1			MOD:1199R;XST:AUS,EUR,FRA,JAP	
8	887133879	WRENCH FOR TIGHTENING CLUTCH DRUM	1			MOD:1199R;XST:AUS,EUR,FRA,JAP	
9	887133878	CYLINDER DISASSEMBLING TOOL	1			MOD:1199R;XST:AUS,EUR,FRA,JAP	
10	887133925	PRIMARY DRIVE GEAR TIGHTENING TOOL	1			MOD:1199R;XST:AUS,EUR,FRA,JAP	
11	887133923	CYLINDER FITTING TOOL	1			MOD:1199R;XST:AUS,EUR,FRA,JAP	
12	887133922	PULLER TO REMOVE ALTERNATOR COVER	1			MOD:1199R;XST:AUS,EUR,FRA,JAP	
13	887131832	BENCH FOR ENGINE REPAIR	1			MOD:1199R;XST:AUS,EUR,FRA,JAP	
14	887132442	TOOL, OIL SEAL MOUNTING (Ø7)	1			MOD:1199R;XST:AUS,EUR,FRA,JAP	
15	887651298	SPACER FOR CHECKING LOWER VALVE SHIM	1			MOD:1199R;XST:AUS,EUR,FRA,JAP	
16	887132877	SPARK PLUG WRENCH	1			MOD:1199R;XST:AUS,EUR,FRA,JAP	
17	887133407	SPINDLE, TAPER (Gearbox position sensor)	1			MOD:1199R;XST:AUS,EUR,FRA,JAP	
18	887132069	ROCKER SPRING PRE-LOAD COMPOUND KIT	1			MOD:1199R;XST:AUS,EUR,FRA,JAP	





POS.	CODE	DESCRIPTION	QTY	START DATE	END DATE	VALIDITY	NOTES
1	887133220	BENCH FOR ENGINE REPAIR	1			MOD:1199R;XST:AUS,EUR,FRA,JAP	
2	887133927	ENGINE MOUNT	1			MOD:1199R;XST:AUS,EUR,FRA,JAP	
3	887132951	TOOL BALANCING REAR WHEEL	1			MOD:1199R;XST:AUS,EUR,FRA,JAP	
4	887131074	TOOL DISASSEMBLING SWINGARM PIVOT	1			MOD:1199R;XST:AUS,EUR,FRA,JAP	
5	887133211	SPANNER FOR ADJUSTING THE ECCENTRIC HUB	1			MOD:1199R;XST:AUS,EUR,FRA,JAP	
6	887131010	CONNECTOR FOR EXHAUST GAS TAKE-UP POINT	1			MOD:1199R;XST:AUS,EUR,FRA,JAP	
7	887131058	SPANNER TO ASSEMBLE THE STEERING SLEEVE	1			MOD:1199R;XST:AUS,EUR,FRA,JAP	
8	887132409	TOOL ASSEMBLING SWINGARM BALL BEARING	1			MOD:1199R;XST:AUS,EUR,FRA,JAP	
9	887133529	BAR BUSHING SUPPORT (OHLINS)	1			MOD:1199R;XST:AUS,EUR,FRA,JAP	
10	887133527	TOOL INSTALLING SLIDING BUSHINGS (OHLINS)	1			MOD:1199R;XST:AUS,EUR,FRA,JAP	
11	887133528	TOOL REMOVING SLIDING BUSHINGS (OHLINS)	1			MOD:1199R;XST:AUS,EUR,FRA,JAP	
12	887131062	TOOL ASSEMBLING STEERING TUBE BEARING	1			MOD:1199R;XST:AUS,EUR,FRA,JAP	



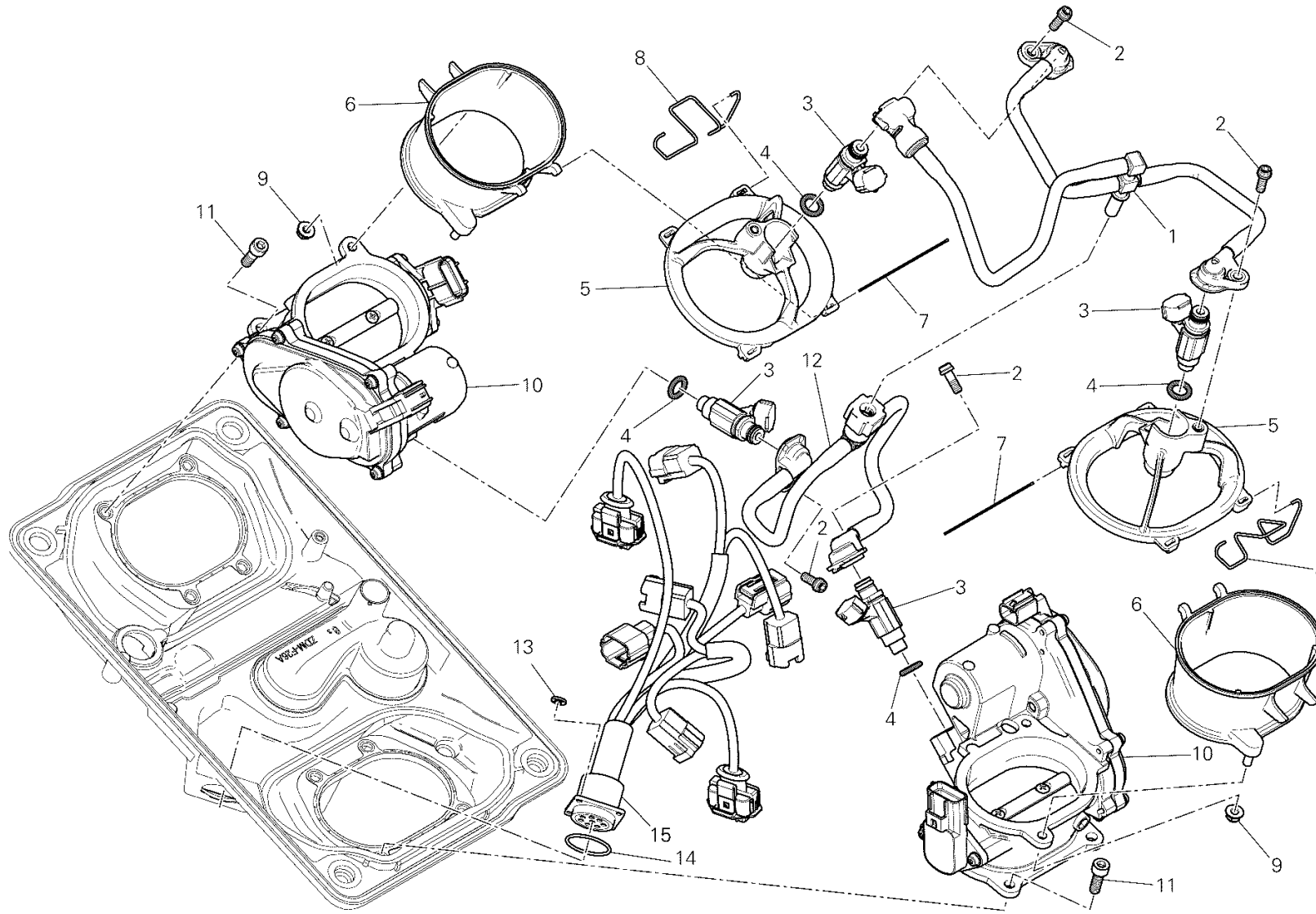
CMB00375

DRAWING 016 - FOOTRESTS, LEFT [MOD:1199R;XST:AUS,EUR,FRA,JAP]

GROUP FRAME



POS.	CODE	DESCRIPTION	QTY	START DATE	END DATE	VALIDITY	NOTES
1	24714721AA	HEEL GUARD FRONT LH CARBON	1	01/11/2012		MOD:1199R;XST:AUS,EUR,FRA,JAP	
2	77156398B	SCREW TCEIF M5X12	2			MOD:1199R;XST:AUS,EUR,FRA,JAP	
3	88450031A	CIRCLIP E-TYPE	1			MOD:1199R;XST:AUS,EUR,FRA,JAP	
4	46410801AA	LEFT FOOTREST	1			MOD:1199R;XST:AUS,EUR,FRA,JAP	
5	79911661A	SPRING. FOOTREST	1			MOD:1199R;XST:AUS,EUR,FRA,JAP	
6	82110511AB	FOOTREST PIN	1			MOD:1199R;XST:AUS,EUR,FRA,JAP	
7	82111701B	PIN PEDAL	1			MOD:1199R;XST:AUS,EUR,FRA,JAP	
8	88641161A	O-RING	2			MOD:1199R;XST:AUS,EUR,FRA,JAP	
9	71210341A	BUSH	1			MOD:1199R;XST:AUS,EUR,FRA,JAP	
10	77157238B	SCREW TCEIF M8X20	4			MOD:1199R;XST:AUS,EUR,FRA,JAP	
11	82421861AA	FRONT L.H. PLATE	1			MOD:1199R;XST:AUS,EUR,FRA,JAP	
12	8291B721AA	LEFT HOLDER	1	17/09/2012		MOD:1199R;XST:AUS,EUR,FRA,JAP	
13	45612092BA	LEVA COMANDO CAMBIO	1			MOD:1199R;XST:AUS,EUR,FRA,JAP	
14	85211511A	WASHER	1			MOD:1199R;XST:AUS,EUR,FRA,JAP	
15	77550131A	SCREW	1			MOD:1199R;XST:AUS,EUR,FRA,JAP	
16	84850021A	BALL JOINT, RIGHT	1			MOD:1199R;XST:AUS,EUR,FRA,JAP	
17	74750101A	NUT 6MM	1			MOD:1199R;XST:AUS,EUR,FRA,JAP	
18	11711261CA	GEARBOX DRIVING ROD	1			MOD:1199R;XST:AUS,EUR,FRA,JAP	
19	76410112A	COVER PEDAL	1			MOD:1199R;XST:AUS,EUR,FRA,JAP	
20	55212881C	DETECTOR Quick Shift	1			MOD:1199R;XST:AUS,EUR,FRA,JAP	
21	77156678B	SCREW TCEIF M6X20	2			MOD:1199R;XST:AUS,EUR,FRA,JAP	
22	85611271A	WASHER	1			MOD:1199R;XST:AUS,EUR,FRA,JAP	
23	45612101AA	GEAR CONTROL LEVER	1			MOD:1199R;XST:AUS,EUR,FRA,JAP	
24	77157288B	SCREW TCEIF M8X35	2	29/03/2012		MOD:1199R;XST:AUS,EUR,FRA,JAP	
25	77214151AA	SCREW	1	23/11/2012		MOD:1199R;XST:AUS,EUR,FRA,JAP	



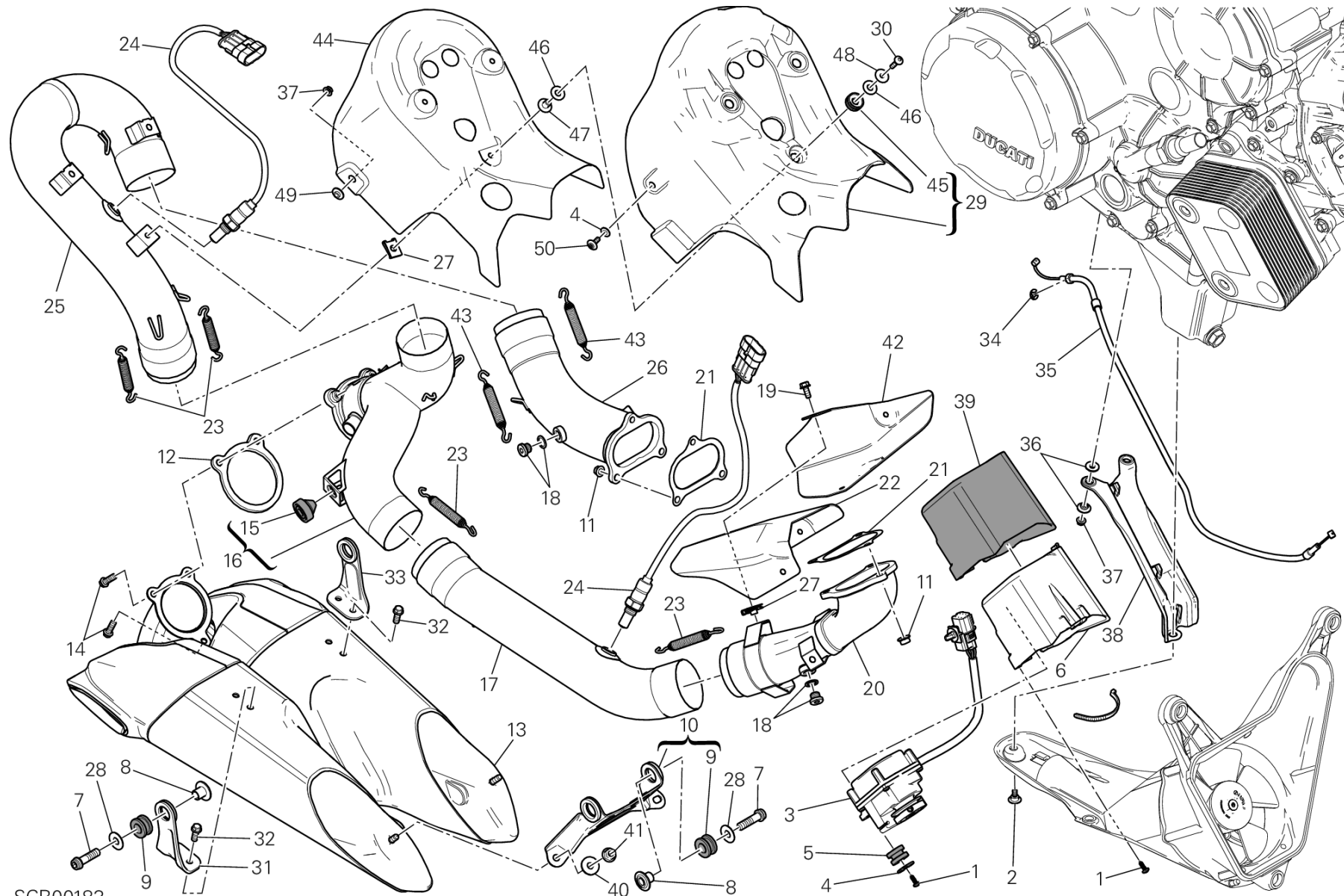
IMP00768

DRAWING 017 - THROTTLE BODY [MOD:1199R;XST:AUS,EUR,FRA,JAP]

GROUP FRAME



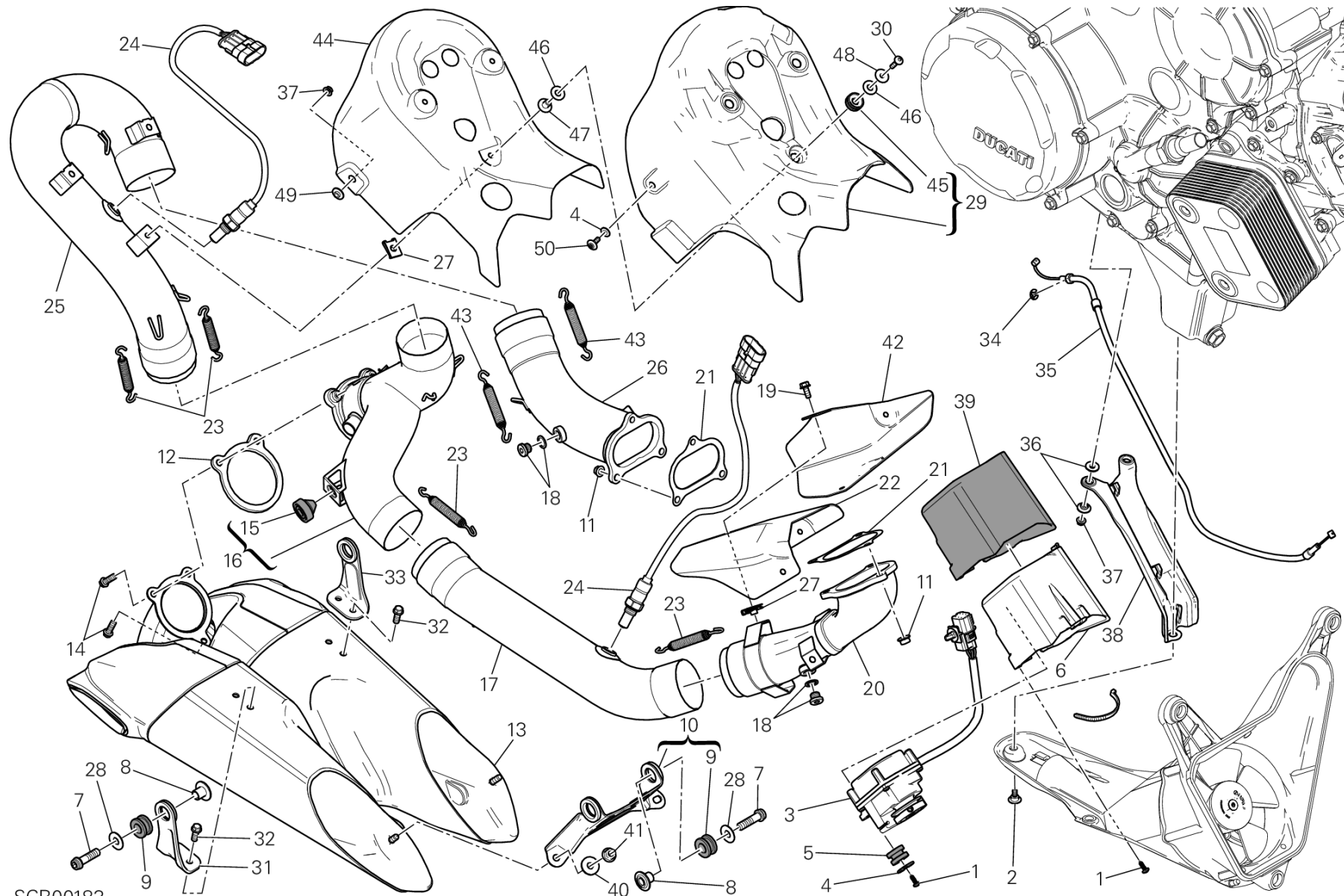
POS.	CODE	DESCRIPTION	QTY	START DATE	END DATE	VALIDITY	NOTES
1	59023512A	COMPLETE PIPE SET UPPER	1			MOD:1199R;XST:AUS,EUR,FRA,JAP	
2	77156408B	SCREW TCEIF M5X14	4			MOD:1199R;XST:AUS,EUR,FRA,JAP	
3	28040331A	INJECTOR	4			MOD:1199R;XST:AUS,EUR,FRA,JAP	
4	88610961A	O-RING	4			MOD:1199R;XST:AUS,EUR,FRA,JAP	
5	13510371B	INJECTOR HOLDER UPPER	2			MOD:1199R;XST:AUS,EUR,FRA,JAP	
6	13510361B	PIPE	2			MOD:1199R;XST:AUS,EUR,FRA,JAP	
7	79915421B	PIN	2			MOD:1199R;XST:AUS,EUR,FRA,JAP	
8	79915432B	SPRING	2			MOD:1199R;XST:AUS,EUR,FRA,JAP	
9	74810351B	NUT	4			MOD:1199R;XST:AUS,EUR,FRA,JAP	
10	28240893A	THROTTLE BODY	2			MOD:1199R;XST:AUS,EUR,FRA,JAP	
11	77150668B	SCREW TCEI M6X18	8			MOD:1199R;XST:AUS,EUR,FRA,JAP	
12	59023532A	COMPLETE PIPE SET BOTTOM	1			MOD:1199R;XST:AUS,EUR,FRA,JAP	
13	85041811A	REAR SPROCKET	4			MOD:1199R;XST:AUS,EUR,FRA,JAP	
14	88642061A	O-RING	1			MOD:1199R;XST:AUS,EUR,FRA,JAP	
15	51017731C	INJECTION WIRING	1			MOD:1199R;XST:AUS,EUR,FRA,JAP	



SCR00183



POS.	CODE	DESCRIPTION	QTY	START DATE	END DATE	VALIDITY	NOTES
1	77440203C	SCREW	6			MOD:1199R;XST:AUS,EUR,FRA	
2	77210852C	SCREW	1			MOD:1199R;XST:AUS,EUR,FRA	
3	59340392A	ELECTRIC MOTOR, EXHAUST VALVE	1			MOD:1199R;XST:AUS,EUR,FRA	
4	85213111AA	WASHER	3			MOD:1199R;XST:AUS,EUR,FRA	
5	76411301A	RUBBER PAD	2			MOD:1199R;XST:AUS,EUR,FRA	
6	46015262A	COVER	1			MOD:1199R;XST:AUS,EUR,FRA	
7	77157278B	SCREW TCEIF M8X30	4			MOD:1199R;XST:AUS,EUR,FRA	
8	71614391AA	SPACER	4			MOD:1199R;XST:AUS,EUR,FRA	
9	76411481A	RUBBER PAD	4			MOD:1199R;XST:AUS,EUR,FRA	
10	83026511BA	BRACKET Front	1			MOD:1199R;XST:AUS,EUR,FRA	
11	74810241A	NUT	6			MOD:1199R;XST:AUS,EUR,FRA	
12	79010251A	GASKET, EXHAUST PIPE	1			MOD:1199R;XST:AUS,EUR,FRA	
13	57413243B	SILENCER	1	01/11/2012		MOD:1199R;XST:AUS,EUR,FRA	EUR - AUS - FRA - BRA - CHN - TWN
14	77116648B	SCREW	3	01/11/2012		MOD:1199R;XST:AUS,EUR,FRA	
15	76410631A	RUBBER PAD	1			MOD:1199R;XST:AUS,EUR,FRA	
16	57013152B	PIPE, EXHAUST CENTER	1			MOD:1199R;XST:AUS,EUR,FRA	
17	57013072A	EXHAUST PIPE HORIZONTAL	1			MOD:1199R;XST:AUS,EUR,FRA	
18	78020011A	PLUG	2			MOD:1199R;XST:AUS,EUR,FRA	
19	77250728B	SCREW TEF M5X12	4			MOD:1199R;XST:AUS,EUR,FRA	
20	57013061C	EXHAUST MANIFOLD HORIZONTAL	1			MOD:1199R;XST:AUS,EUR,FRA	
21	79010231B	GASKET, EXHAUST PIPE	2			MOD:1199R;XST:AUS,EUR,FRA	
22	46015331BA	HEAT GUARD HORIZONTAL	1			MOD:1199R;XST:AUS,EUR,FRA	
23	79912632A	SPRING, EXHAUST PIPE	4			MOD:1199R;XST:AUS,EUR,FRA	
24	55212092A	SENSOR LAMBDA SOND	2			MOD:1199R;XST:AUS,EUR,FRA	
25	57113002C	PIPE, EXHAUST Verticale	1			MOD:1199R;XST:AUS,EUR,FRA	
26	57112992C	EXHAUST MANIFOLD VERTICAL	1			MOD:1199R;XST:AUS,EUR,FRA	
27	85040551A	QUICK FASTENING	7			MOD:1199R;XST:AUS,EUR,FRA	
28	85210532A	WASHER 8.2X20X1	2			MOD:1199R;XST:AUS,EUR,FRA	
29	460P6241AA	HEAT GUARD VERTICAL UPPER	1	23/01/2013		MOD:1199R;XST:AUS,EUR,FRA	
30	77244213B	SCREW	3	01/02/2013		MOD:1199R;XST:AUS,EUR,FRA	
31	83016491AA	BRACKET REAR RH	1			MOD:1199R;XST:AUS,EUR,FRA	
32	77251018B	SCREW TEF M6X20	4			MOD:1199R;XST:AUS,EUR,FRA	
33	83016501AA	BRACKET REAR L.H.	1			MOD:1199R;XST:AUS,EUR,FRA	
34	88450031A	CIRCLIP E-TYPE	2			MOD:1199R;XST:AUS,EUR,FRA	



SCR00183

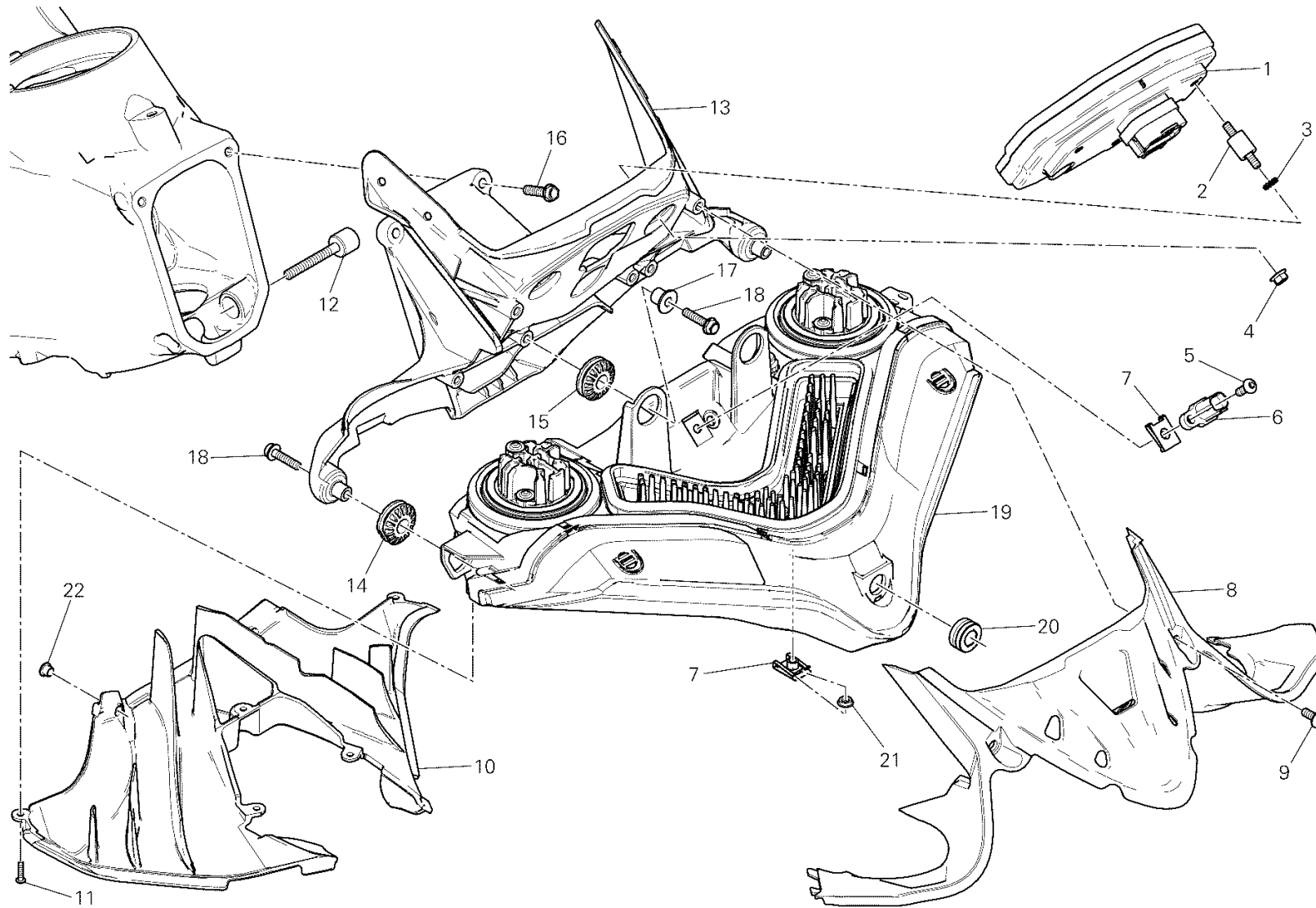


POS.	CODE	DESCRIPTION	QTY	START DATE	END DATE	VALIDITY	NOTES
35	73210331B	EXHAUST VALVE ENGINE CABLE	1			MOD:1199R;XST:AUS,EUR,FRA	
36	71614071A	SPACER 5.2X8.4X2	4			MOD:1199R;XST:AUS,EUR,FRA	
37	74840381A	NUT M5	3			MOD:1199R;XST:AUS,EUR,FRA	
38	46015393A	HEAT GUARD BOTTOM	1			MOD:1199R;XST:AUS,EUR,FRA	
39	46015741A	PROTECTION, HEAT	1			MOD:1199R;XST:AUS,EUR,FRA	
40	85250291A	WASHER 6.4X18X1.6	2			MOD:1199R;XST:AUS,EUR,FRA	
41	74810361A	NUT 6MM	2			MOD:1199R;XST:AUS,EUR,FRA	
42	46015781AA	GUARD Orizzontale	1			MOD:1199R;XST:AUS,EUR,FRA	
43	79915651A	SPRING	2			MOD:1199R;XST:AUS,EUR,FRA	
44	46016231AA	HEAT GUARD VERTICAL LOWER	1	01/02/2013		MOD:1199R;XST:AUS,EUR,FRA	
45	76411821A	VIBRATION DAMPER PAD	3	06/11/2012		MOD:1199R;XST:AUS,EUR,FRA	
46	85640121A	WASHER	6	01/02/2013		MOD:1199R;XST:AUS,EUR,FRA	
47	71614102AA	SPACER	3	01/02/2013		MOD:1199R;XST:AUS,EUR,FRA	
48	85213002A	WASHER	3			MOD:1199R;XST:AUS,EUR,FRA	
49	71611071B	SPACER	1	01/02/2013		MOD:1199R;XST:AUS,EUR,FRA	
50	77210882B	SCREW TBEI M5X12	1	01/02/2013		MOD:1199R;XST:AUS,EUR,FRA	



DRAWING 020 - FANALE ANTERIORE E CRUSCOTTO [MOD:1199R;XST:AUS,EUR,FRA,JAP]

GROUP FRAME



FAN00229

DRAWING 020 - FANALE ANTERIORE E CRUSCOTTO

[MOD:1199R;XST:AUS,EUR,FRA,JAP]

GROUP FRAME



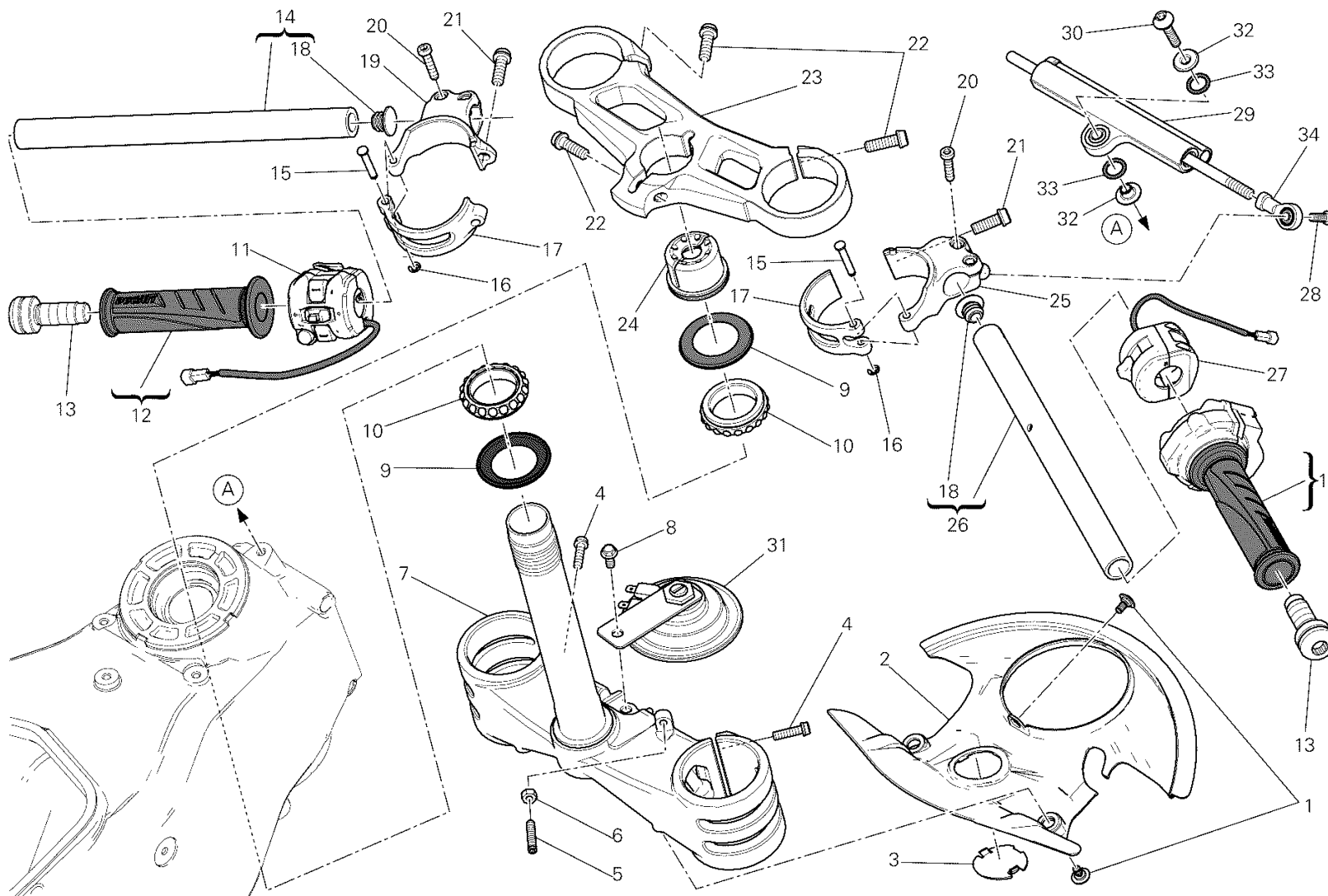
POS.	CODE	DESCRIPTION	QTY	START DATE	END DATE	VALIDITY	NOTES
1	40611001A	INSTRUMENT PANEL	1	01/11/2012		MOD:1199R;XST:AUS,EUR,FRA,JAP	
2	70010431A	DAMPER	3			MOD:1199R;XST:AUS,EUR,FRA,JAP	
3	46240461A	WASHER, SPRING	3			MOD:1199R;XST:AUS,EUR,FRA,JAP	
4	74840381A	NUT M5	3			MOD:1199R;XST:AUS,EUR,FRA,JAP	
5	77510041A	SCREW TBEI M5X14	1			MOD:1199R;XST:AUS,EUR,FRA,JAP	
6	55241581A	SENSOR, AIR TEMPERATURE	1			MOD:1199R;XST:AUS,EUR,FRA,JAP	
7	85040551A	QUICK FASTENING	2			MOD:1199R;XST:AUS,EUR,FRA,JAP	
8	46015281A	COVER, METER	1			MOD:1199R;XST:AUS,EUR,FRA,JAP	
9	77240253C	SCREW	4			MOD:1199R;XST:AUS,EUR,FRA,JAP	
10	48411031B	AIR CONVEYOR	1			MOD:1199R;XST:AUS,EUR,FRA,JAP	
11	77440101A	SCREW, TAPPING 3.5X10	5			MOD:1199R;XST:AUS,EUR,FRA,JAP	
12	77916821BA	SCREW, SPECIAL	1			MOD:1199R;XST:AUS,EUR,FRA,JAP	
13	8291A553BA	HEAD-LIGHT SUPPORT	1			MOD:1199R;XST:AUS,EUR,FRA,JAP	
14	76411641A	SEAT RUBBER	2			MOD:1199R;XST:AUS,EUR,FRA,JAP	
15	76411361A	VIBRATION DAMPER PAD	2			MOD:1199R;XST:AUS,EUR,FRA,JAP	
16	77251018B	SCREW TEF M6X20	2			MOD:1199R;XST:AUS,EUR,FRA,JAP	
17	71614381AA	SPACER	2			MOD:1199R;XST:AUS,EUR,FRA,JAP	
18	77250788B	SCREW	4			MOD:1199R;XST:AUS,EUR,FRA,JAP	
19	52010228B	HEADLIGHT FRONT	1			MOD:1199R;XST:AUS,EUR,FRA,JAP	
20	76410901A	RUBBER PAD	1			MOD:1199R;XST:AUS,EUR,FRA,JAP	
21	71114122AA	SPACER	1			MOD:1199R;XST:AUS,EUR,FRA,JAP	
22	87240761A	PLUG	1			MOD:1199R;XST:AUS,EUR,FRA,JAP	



DRAWING 021 - SEMIMANUBRI - AMMORTIZZATORE DI STERZO

[MOD:1199R;XST:AUS,EUR,FRA,JAP]

GROUP FRAME



SOS00627

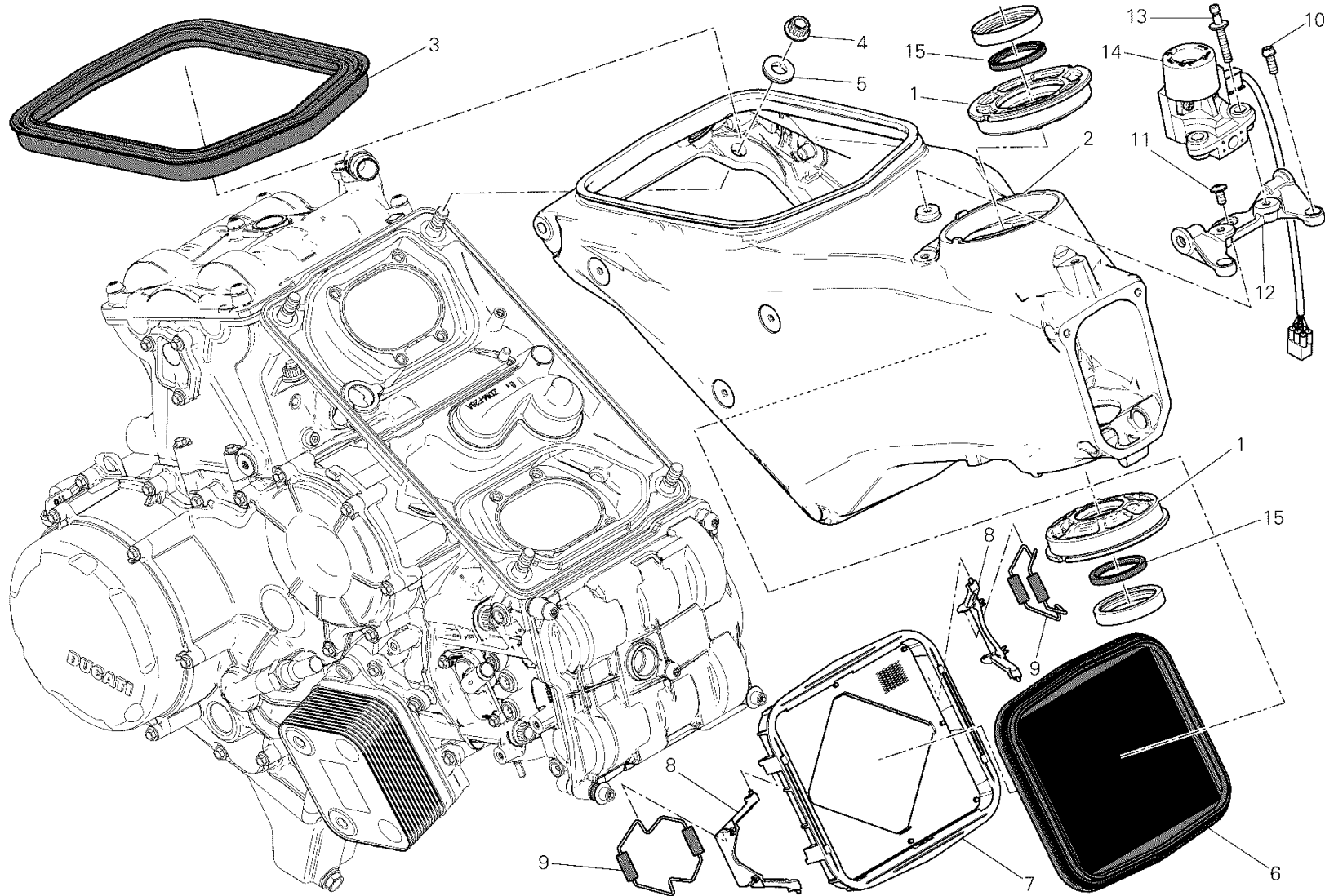
DRAWING 021 - SEMIMANUBRI - AMMORTIZZATORE DI STERZO

[MOD:1199R;XST:AUS,EUR,FRA,JAP]

GROUP FRAME



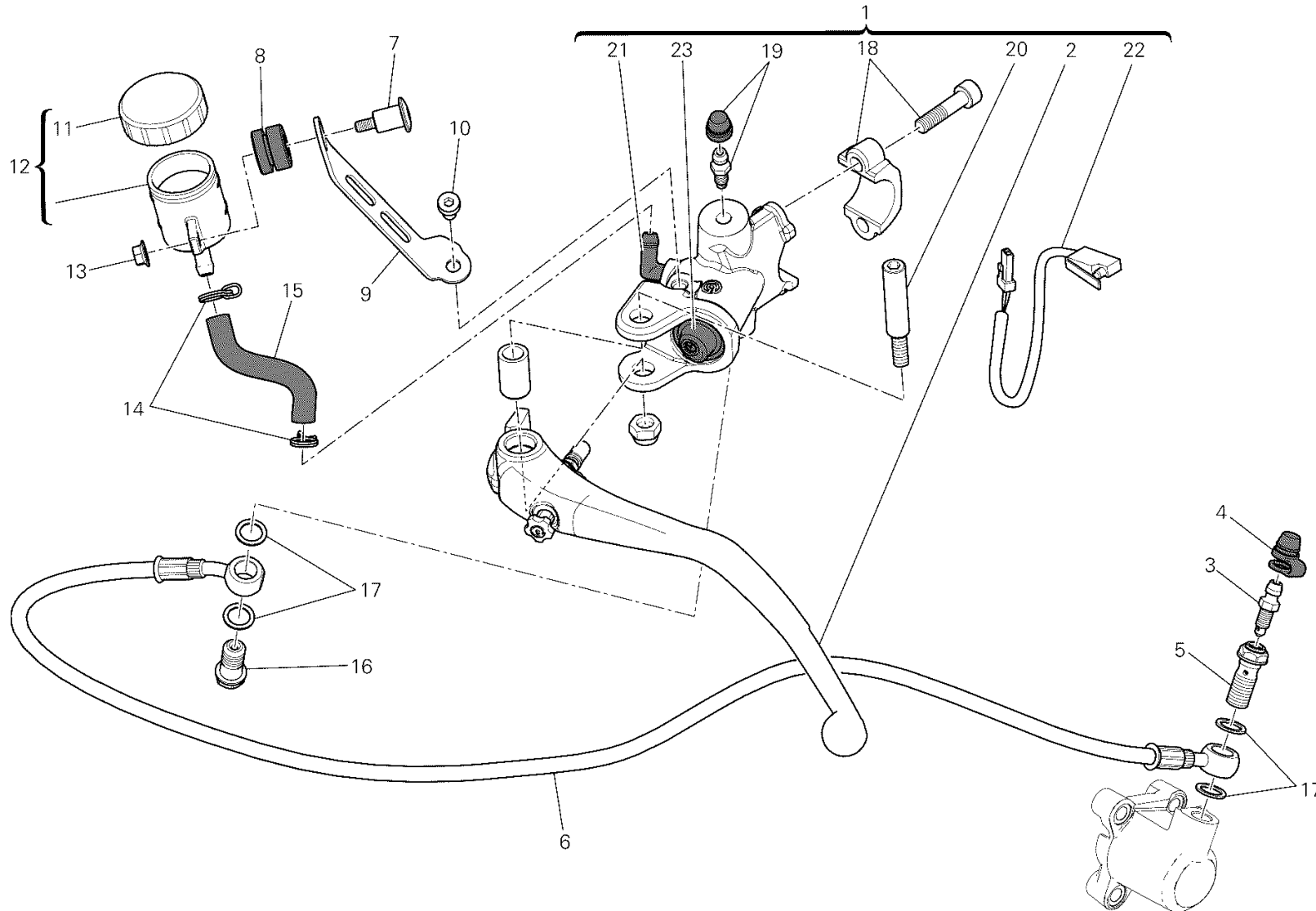
POS.	CODE	DESCRIPTION	QTY	START DATE	END DATE	VALIDITY	NOTES
1	77211251B	SCREW M5X9	3			MOD:1199R;XST:AUS,EUR,FRA,JAP	
2	46014971B	MUDFLAP	1			MOD:1199R;XST:AUS,EUR,FRA,JAP	
3	87210722A	PLUG	1			MOD:1199R;XST:AUS,EUR,FRA,JAP	
4	77156688B	SCREW TCEIF M6X22X18	6			MOD:1199R;XST:AUS,EUR,FRA,JAP	
5	77912981A	SCREW, SPECIAL	2			MOD:1199R;XST:AUS,EUR,FRA,JAP	
6	74750031A	NUT 6MM	2			MOD:1199R;XST:AUS,EUR,FRA,JAP	
7	34220681AA	STEERING HEAD BASE	1			MOD:1199R;XST:AUS,EUR,FRA,JAP	
8	77210741A	SCREW TEF M8X12	1			MOD:1199R;XST:AUS,EUR,FRA,JAP	
9	93010041B	SEAL RING	2			MOD:1199R;XST:AUS,EUR,FRA,JAP	
10	70241231A	BEARING, STEERING NTN SF07A17P	2			MOD:1199R;XST:AUS,EUR,FRA,JAP	
11	65110112E	LEFT SWITCH	1			MOD:1199R;XST:AUS,EUR,FRA,JAP	
12	66020011B	THROTTLE CONTROL	1			MOD:1199R;XST:AUS,EUR,FRA,JAP	
13	15310121A	COUNTERWEIGHT	2			MOD:1199R;XST:AUS,EUR,FRA,JAP	
14	875P1731BA	HANDLEBAR TUBE L.H.	1			MOD:1199R;XST:AUS,EUR,FRA,JAP	
15	82113822BA	PIN	2			MOD:1199R;XST:AUS,EUR,FRA,JAP	
16	88450021A	SPRING RING	2			MOD:1199R;XST:AUS,EUR,FRA,JAP	
17	36011341BA	CLAMP REAR	2			MOD:1199R;XST:AUS,EUR,FRA,JAP	
18	87210481A	CAP	2			MOD:1199R;XST:AUS,EUR,FRA,JAP	
19	36011331BA	CLAMP FRONT LH	1			MOD:1199R;XST:AUS,EUR,FRA,JAP	
20	77354888B	SCREW	4			MOD:1199R;XST:AUS,EUR,FRA,JAP	
21	77157248B	SCREW TCEIF M8X22	2			MOD:1199R;XST:AUS,EUR,FRA,JAP	
22	77157258B	SCREW TCEIF M8X25	3			MOD:1199R;XST:AUS,EUR,FRA,JAP	
23	34110891CA	STEERING HEAD	1			MOD:1199R;XST:AUS,EUR,FRA,JAP	
24	70310601BA	RING NUT	1			MOD:1199R;XST:AUS,EUR,FRA,JAP	
25	36011321BA	CLAMP FRONT RH	1			MOD:1199R;XST:AUS,EUR,FRA,JAP	
26	875P1741BA	HANDLEBAR TUBE R.H.	1			MOD:1199R;XST:AUS,EUR,FRA,JAP	
27	65010092I	RIGHT SWITCH	1			MOD:1199R;XST:AUS,EUR,FRA,JAP	
28	77156678B	SCREW TCEIF M6X20	1			MOD:1199R;XST:AUS,EUR,FRA,JAP	
29	36420111A	STEERING DAMPER	1			MOD:1199R;XST:AUS,EUR,FRA,JAP	
30	77917392AA	SCREW, SPECIAL	1			MOD:1199R;XST:AUS,EUR,FRA,JAP	
31	51640011AB	HORN	1			MOD:1199R;XST:AUS,EUR,FRA,JAP	
32	71319961CA	SPACER	2	03/09/2012		MOD:1199R;XST:AUS,EUR,FRA,JAP	
33	88641061A	O-RING 12.42X1.78	2			MOD:1199R;XST:AUS,EUR,FRA,JAP	
34	84820112AA	BALL JOINT	1			MOD:1199R;XST:AUS,EUR,FRA,JAP	



TEL00707



POS.	CODE	DESCRIPTION	QTY	START DATE	END DATE	VALIDITY	NOTES
1	75610142AA	BUSH	2			MOD:1199R;XST:AUS,EUR,FRA,JAP	
2	47012051CA	FRAME	1			MOD:1199R;XST:AUS,EUR,FRA,JAP	
3	78811182A	GUARNIZIONE AIRBOX - SERBATOIO	1			MOD:1199R;XST:AUS,EUR,FRA,JAP	
4	74810461A	NUT, FLANGE M10X1	4			MOD:1199R;XST:AUS,EUR,FRA,JAP	
5	85540031A	WASHER, SPRING	4			MOD:1199R;XST:AUS,EUR,FRA,JAP	
6	42610341B	FILTER, AIR	1			MOD:1199R;XST:AUS,EUR,FRA,JAP	
7	8291A481B	BRACKET, FILTER	1			MOD:1199R;XST:AUS,EUR,FRA,JAP	
8	83016582A	BRACKET	2			MOD:1199R;XST:AUS,EUR,FRA,JAP	
9	79915493A	SPRING	2			MOD:1199R;XST:AUS,EUR,FRA,JAP	
10	77156658B	SCREW TCEIF M6X16	2			MOD:1199R;XST:AUS,EUR,FRA,JAP	
11	77240408C	SCREW	1			MOD:1199R;XST:AUS,EUR,FRA,JAP	
12	83016471AA	BRACKET	1			MOD:1199R;XST:AUS,EUR,FRA,JAP	
13	77916811AA	SCREW, SPECIAL	2			MOD:1199R;XST:AUS,EUR,FRA,JAP	
14	38510251B	INTERRUTTORE A CHIAVE	1	20/11/2012		MOD:1199R;XST:AUS,EUR,FRA,JAP	
15	93041911A	DUST COVER	2			MOD:1199R;XST:AUS,EUR,FRA,JAP	



BRB00385

DRAWING 023 - CLUTCH CONTROL [MOD:1199R;XST:AUS,EUR,FRA,JAP]

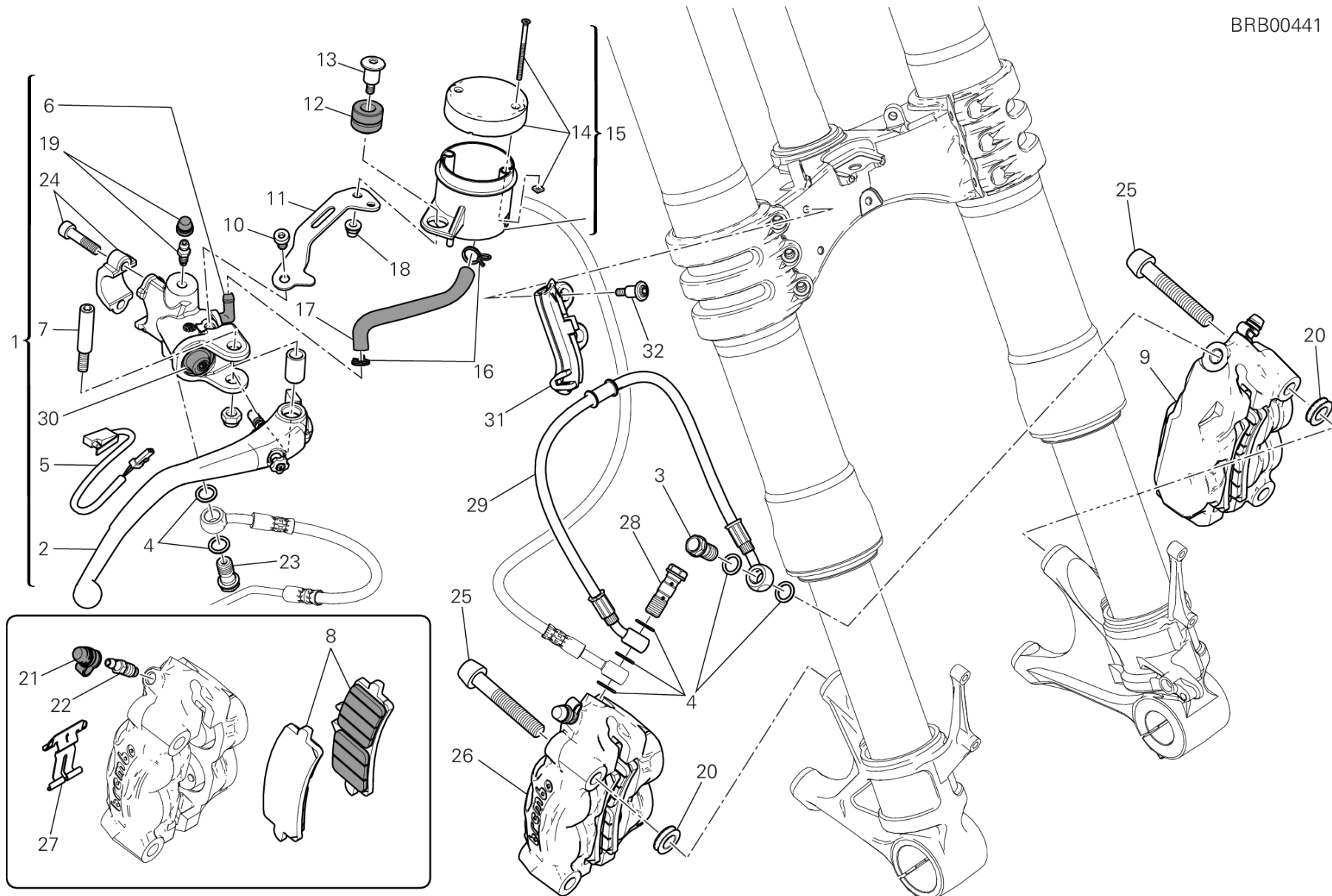
GROUP FRAME



POS.	CODE	DESCRIPTION	QTY	START DATE	END DATE	VALIDITY	NOTES
1	63040601B	CLUTCH PUMP	1			MOD:1199R;XST:AUS,EUR,FRA,JAP	
2	63140501A	LEVER, CLUTCH LIFTER	1			MOD:1199R;XST:AUS,EUR,FRA,JAP	
3	18710021A	VALVE, BREATHER	1			MOD:1199R;XST:AUS,EUR,FRA,JAP	
4	61240052A	DUST COVER (SACCHETTO Q.tà 20)	1			MOD:1199R;XST:AUS,EUR,FRA,JAP	
5	77913971A	BOLT, BRAKE HOSE	1			MOD:1199R;XST:AUS,EUR,FRA,JAP	
6	63210611A	CLUTCH CONTROL PIPE METAL PLAITED	1			MOD:1199R;XST:AUS,EUR,FRA,JAP	(ABS)
7	77910921B	SCREW	1			MOD:1199R;XST:AUS,EUR,FRA,JAP	
8	037072020	DAMPER	1			MOD:1199R;XST:AUS,EUR,FRA,JAP	
9	8291A701AA	BRACKET	1			MOD:1199R;XST:AUS,EUR,FRA,JAP	
10	77350623B	SCREW TCEIR M6X10	1			MOD:1199R;XST:AUS,EUR,FRA,JAP	
11	89340051A	COVER MASTER CYLINDER	1			MOD:1199R;XST:AUS,EUR,FRA,JAP	
12	58540081A	RESERVOIR, BRAKE FLUID	1			MOD:1199R;XST:AUS,EUR,FRA,JAP	
13	75011921A	NUT	1			MOD:1199R;XST:AUS,EUR,FRA,JAP	
14	74140431A	CLAMP	2			MOD:1199R;XST:AUS,EUR,FRA,JAP	
15	87711131A	PIPE	1			MOD:1199R;XST:AUS,EUR,FRA,JAP	
16	78110121AA	SCREW, SPECIAL	1			MOD:1199R;XST:AUS,EUR,FRA,JAP	
17	85250241A	WASHER 10X14X1	4			MOD:1199R;XST:AUS,EUR,FRA,JAP	
18	62640571A	BRACKET, MASTER CYLINDER	1			MOD:1199R;XST:AUS,EUR,FRA,JAP	
19	63140281A	FRONT CALIPER DRAIN SCREW	1			MOD:1199R;XST:AUS,EUR,FRA,JAP	
20	62640561A	BOLT, LEVER	1			MOD:1199R;XST:AUS,EUR,FRA,JAP	
21	63140081A	JOINT, HOSE	1			MOD:1199R;XST:AUS,EUR,FRA,JAP	
22	53940361A	SWITCH, CLUTCH	1			MOD:1199R;XST:AUS,EUR,FRA,JAP	
23	61240391A	DUST COVER	1			MOD:1199R;XST:AUS,EUR,FRA,JAP	



BRB00441



DRAWING 024 - FRENO ANTERIORE [MOD:1199R;XST:AUS,EUR,FRA,JAP]

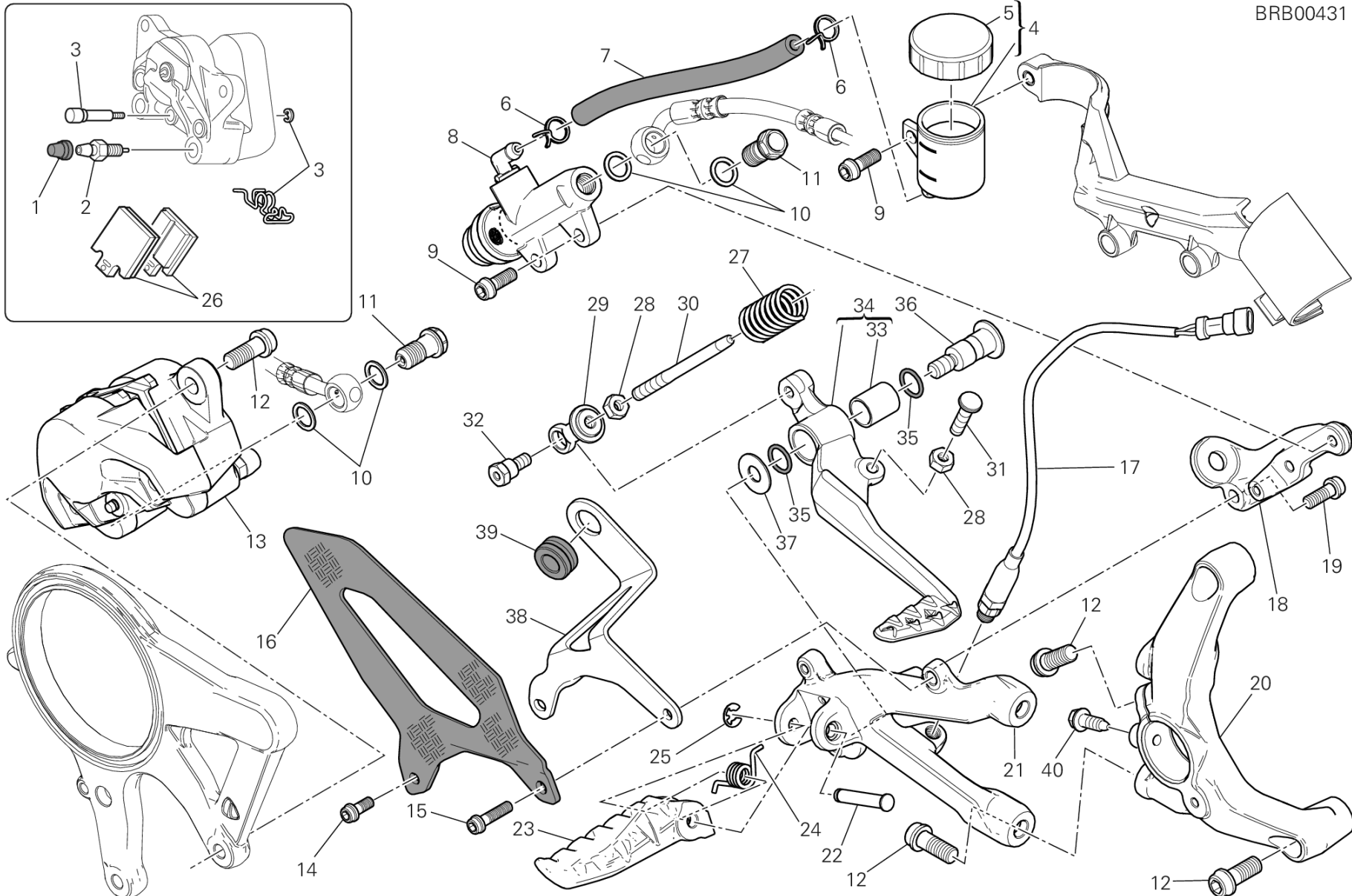
GROUP FRAME



POS.	CODE	DESCRIPTION	QTY	START DATE	END DATE	VALIDITY	NOTES
1	62440761B	FRONT BRAKE PUMP	1			MOD:1199R;XST:AUS,EUR,FRA,JAP	
2	63140491A	BRAKE CONTROL LEVER	1			MOD:1199R;XST:AUS,EUR,FRA,JAP	
3	78110121AA	SCREW, SPECIAL	1			MOD:1199R;XST:AUS,EUR,FRA,JAP	
4	85250241A	WASHER 10X14X1	7			MOD:1199R;XST:AUS,EUR,FRA,JAP	
5	53940351A	FRONT BRAKE LIGHT SWITCH	1			MOD:1199R;XST:AUS,EUR,FRA,JAP	
6	63140081A	JOINT, HOSE	1			MOD:1199R;XST:AUS,EUR,FRA,JAP	
7	62640561A	BOLT, LEVER	1			MOD:1199R;XST:AUS,EUR,FRA,JAP	
8	61340961A	PADS PAIR	2			MOD:1199R;XST:AUS,EUR,FRA,JAP	
9	61041371A	LEFT BRAKE CALIPER	1			MOD:1199R;XST:AUS,EUR,FRA,JAP	
10	77950591A	SCREW TCEIR M6X10	1			MOD:1199R;XST:AUS,EUR,FRA,JAP	
11	8291A691AA	BRACKET	1			MOD:1199R;XST:AUS,EUR,FRA,JAP	
12	037072020	DAMPER	1			MOD:1199R;XST:AUS,EUR,FRA,JAP	
13	77910921B	SCREW	1			MOD:1199R;XST:AUS,EUR,FRA,JAP	
14	800068490	CAP BRAKE FLUID TANK	1			MOD:1199R;XST:AUS,EUR,FRA,JAP	
15	58540181A	RESERVOIR, BRAKE FLUID	1			MOD:1199R;XST:AUS,EUR,FRA,JAP	
16	74140431A	CLAMP	2			MOD:1199R;XST:AUS,EUR,FRA,JAP	
17	87711411A	HOSE	1			MOD:1199R;XST:AUS,EUR,FRA,JAP	
18	75011921A	NUT	1			MOD:1199R;XST:AUS,EUR,FRA,JAP	
19	63140281A	FRONT CALIPER DRAIN SCREW	1			MOD:1199R;XST:AUS,EUR,FRA,JAP	
20	71313641A	SPACER	4			MOD:1199R;XST:AUS,EUR,FRA,JAP	
21	61240052A	DUST COVER (SACCHETTO Q.tà 20)	2			MOD:1199R;XST:AUS,EUR,FRA,JAP	
22	61240201A	FRONT CALIPER DRAIN SCREW	2			MOD:1199R;XST:AUS,EUR,FRA,JAP	
23	77914151A	BOLT, BRAKE HOSE	1			MOD:1199R;XST:AUS,EUR,FRA,JAP	
24	62640571A	BRACKET, MASTER CYLINDER	1			MOD:1199R;XST:AUS,EUR,FRA,JAP	
25	77913311D	SCREW M 10 X 60	4			MOD:1199R;XST:AUS,EUR,FRA,JAP	
26	61041381A	RIGHT BRAKE CALIPER	1			MOD:1199R;XST:AUS,EUR,FRA,JAP	
27	61240371A	SPRING, PAD STOPPER	2			MOD:1199R;XST:AUS,EUR,FRA,JAP	
28	77913091AB	SCREW, SPECIAL	1			MOD:1199R;XST:AUS,EUR,FRA,JAP	
29	61810361A	FRONT BRAKE HOSE	1			MOD:1199R;XST:AUS,EUR,FRA,JAP	
30	61240391A	DUST COVER	1			MOD:1199R;XST:AUS,EUR,FRA,JAP	
31	83016541B	HOSE GUIDE	1			MOD:1199R;XST:AUS,EUR,FRA,JAP	
32	77211271A	SCREW, SPECIAL M5X10	2			MOD:1199R;XST:AUS,EUR,FRA,JAP	



BRB00431



DRAWING 025 - FRENO POSTERIORE [MOD:1199R;XST:AUS,EUR,FRA,JAP]

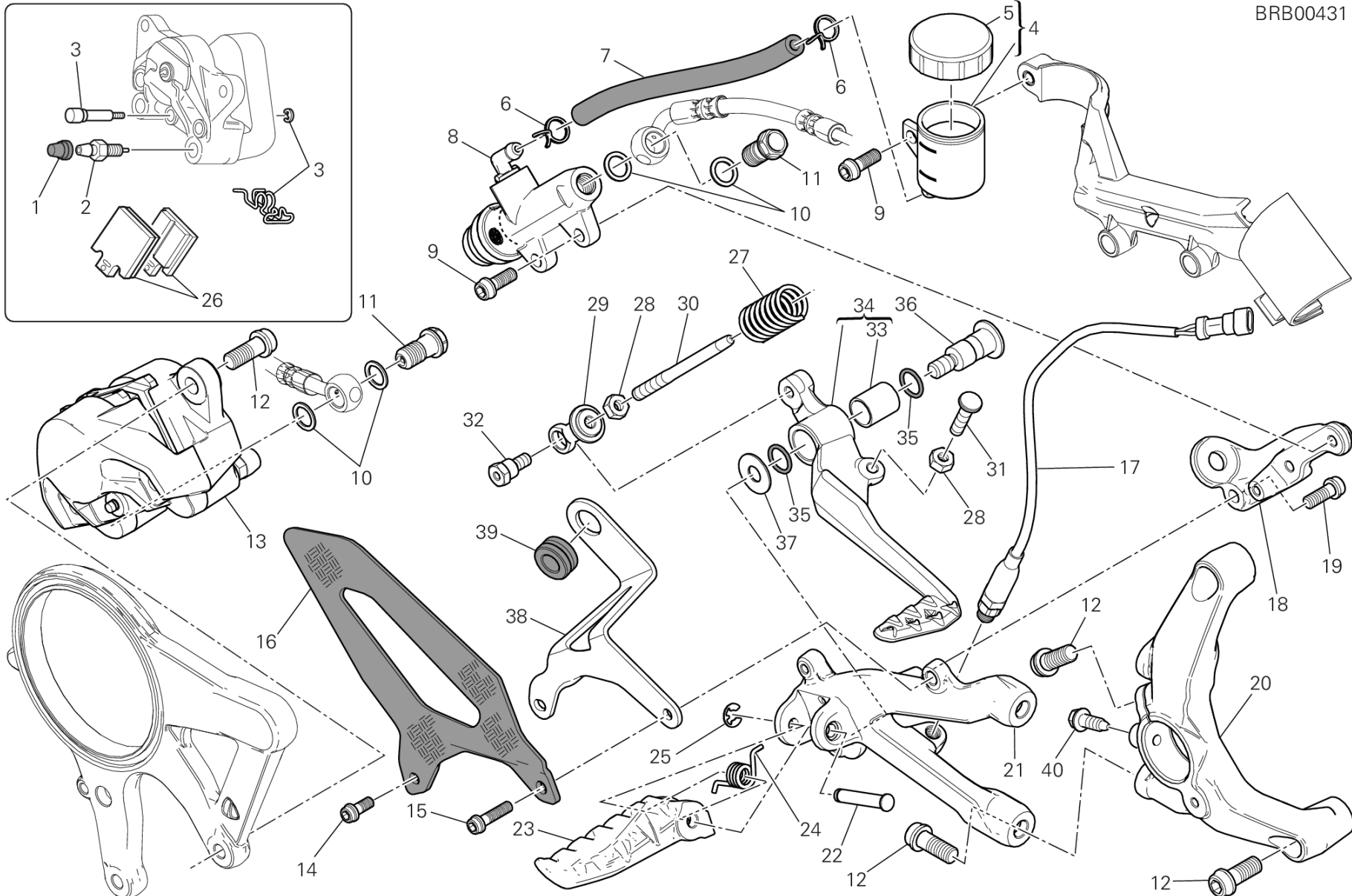
GROUP FRAME



POS.	CODE	DESCRIPTION	QTY	START DATE	END DATE	VALIDITY	NOTES
1	61240081A	DUST PLUG	1			MOD:1199R;XST:AUS,EUR,FRA,JAP	
2	63140161A	FRONT CALIPER DRAIN SCREW	1			MOD:1199R;XST:AUS,EUR,FRA,JAP	
3	61240161A	PAD PINS OVERHAUL KIT	1			MOD:1199R;XST:AUS,EUR,FRA,JAP	
4	58540081A	RESERVOIR, BRAKE FLUID	1			MOD:1199R;XST:AUS,EUR,FRA,JAP	
5	89340051A	COVER MASTER CYLINDER	1			MOD:1199R;XST:AUS,EUR,FRA,JAP	
6	74140431A	CLAMP	2			MOD:1199R;XST:AUS,EUR,FRA,JAP	
7	87711491A	PIPE	1	01/09/2012		MOD:1199R;XST:AUS,EUR,FRA,JAP	
8	62540311C	REAR BRAKE PUMP	1			MOD:1199R;XST:AUS,EUR,FRA,JAP	
9	77156658B	SCREW TCEIF M6X16	3			MOD:1199R;XST:AUS,EUR,FRA,JAP	
10	85250241A	WASHER 10X14X1	4			MOD:1199R;XST:AUS,EUR,FRA,JAP	
11	78110121AA	SCREW, SPECIAL	2			MOD:1199R;XST:AUS,EUR,FRA,JAP	
12	77157238B	SCREW TCEIF M8X20	7			MOD:1199R;XST:AUS,EUR,FRA,JAP	
13	61140411A	REAR BRAKE CALIPER	1			MOD:1199R;XST:AUS,EUR,FRA,JAP	
14	77156408B	SCREW TCEIF M5X14	1	07/12/2012		MOD:1199R;XST:AUS,EUR,FRA,JAP	
15	77156448B	SCREW	1	17/09/2012		MOD:1199R;XST:AUS,EUR,FRA,JAP	
16	24714741A	HEEL GUARD R.H. CARBON	1	01/11/2012		MOD:1199R;XST:AUS,EUR,FRA,JAP	
17	53940031A	SWITCH ASSY, SIDE STAND	1			MOD:1199R;XST:AUS,EUR,FRA,JAP	
18	8291A511BA	BRACKET, PUMP	1			MOD:1199R;XST:AUS,EUR,FRA,JAP	
19	77156688B	SCREW TCEIF M6X22X18	1			MOD:1199R;XST:AUS,EUR,FRA,JAP	
20	8291B731AA	RIGHT HOLDER	1	17/09/2012		MOD:1199R;XST:AUS,EUR,FRA,JAP	
21	82411871BA	FRONT R.H. PLATE	1			MOD:1199R;XST:AUS,EUR,FRA,JAP	
22	82110511AB	FOOTREST PIN	1			MOD:1199R;XST:AUS,EUR,FRA,JAP	
23	46410811AA	RIGHT FOOTREST	1			MOD:1199R;XST:AUS,EUR,FRA,JAP	
24	79911661A	SPRING. FOOTREST	1			MOD:1199R;XST:AUS,EUR,FRA,JAP	
25	88450031A	CIRCLIP E-TYPE	1			MOD:1199R;XST:AUS,EUR,FRA,JAP	
26	61340381A	REAR BRAKE PADS SET	1			MOD:1199R;XST:AUS,EUR,FRA,JAP	
27	79915511A	SPRING	1			MOD:1199R;XST:AUS,EUR,FRA,JAP	
28	74750031A	NUT 6MM	2			MOD:1199R;XST:AUS,EUR,FRA,JAP	
29	18410152AA	JOINT	1			MOD:1199R;XST:AUS,EUR,FRA,JAP	
30	11711272AA	PIN	1			MOD:1199R;XST:AUS,EUR,FRA,JAP	
31	77912371B	SCREW	1			MOD:1199R;XST:AUS,EUR,FRA,JAP	
32	82113811AA	PIN	1			MOD:1199R;XST:AUS,EUR,FRA,JAP	
33	71210341A	BUSH	1			MOD:1199R;XST:AUS,EUR,FRA,JAP	
34	45720552AA	BRAKE LEVER ASSEMBLY	1			MOD:1199R;XST:AUS,EUR,FRA,JAP	
35	88641161A	O-RING	2			MOD:1199R;XST:AUS,EUR,FRA,JAP	



BRB00431





POS.	CODE	DESCRIPTION	QTY	START DATE	END DATE	VALIDITY	NOTES
36	82111701B	PIN PEDAL	1			MOD:1199R;XST:AUS,EUR,FRA,JAP	
37	85211511A	WASHER	1			MOD:1199R;XST:AUS,EUR,FRA,JAP	
38	82716921AA	PLATE	1	01/02/2013		MOD:1199R;XST:AUS,EUR,FRA,JAP	
39	76410901A	RUBBER PAD	1	01/02/2013		MOD:1199R;XST:AUS,EUR,FRA,JAP	
40	77214151AA	SCREW	1	10/11/2012		MOD:1199R;XST:AUS,EUR,FRA,JAP	

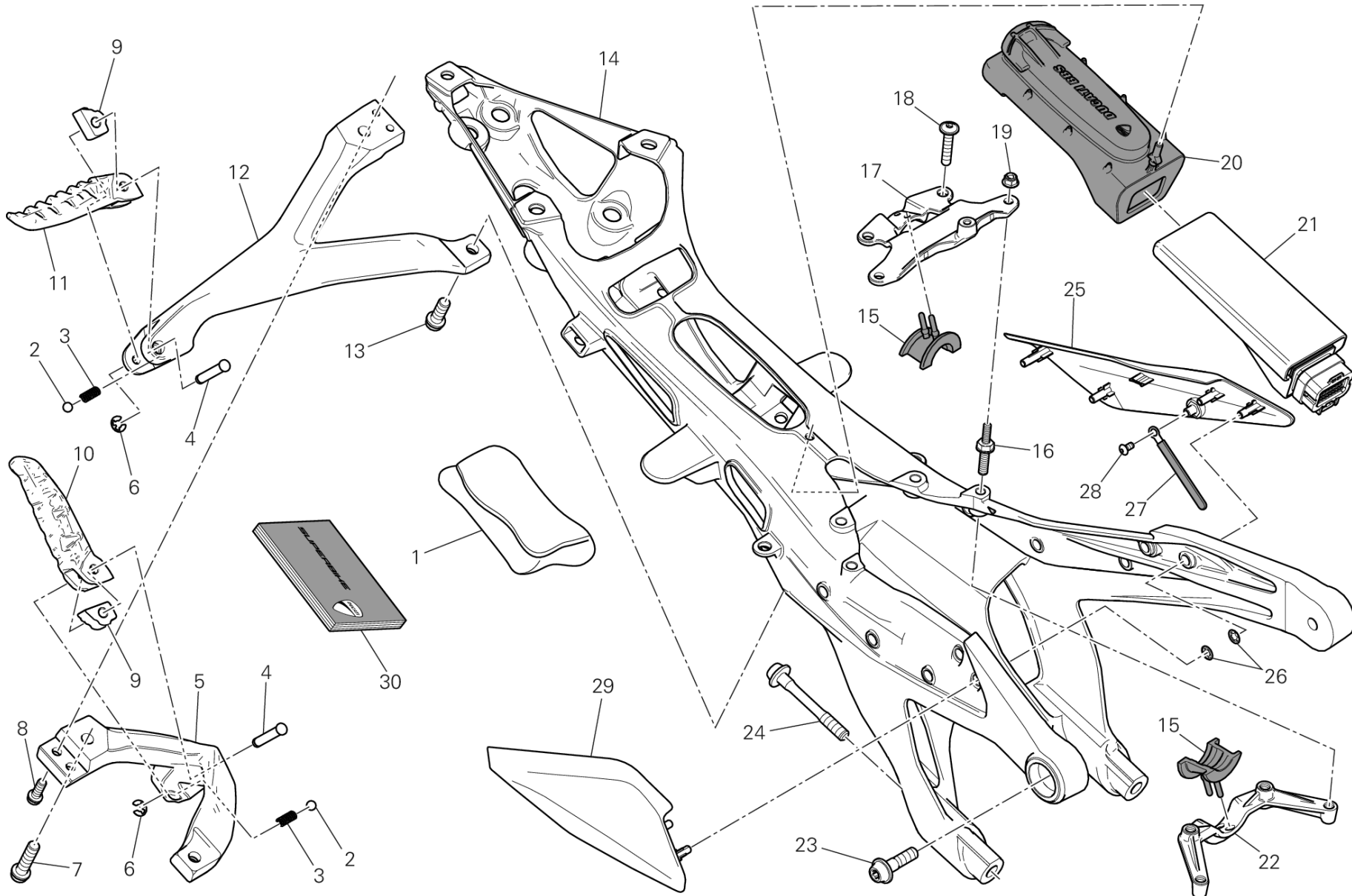
DRAWING 026 - RUOTA ANTERIORE E POSTERIORE

[MOD:1199R;XST:AUS,EUR,FRA,JAP]



GROUP FRAME

POS.	CODE	DESCRIPTION	QTY	START DATE	END DATE	VALIDITY	NOTES
1	74810651A	NUT	1			MOD:1199R;XST:AUS,EUR,FRA,JAP	
2	71413271AA	LEFT SPACER	1			MOD:1199R;XST:AUS,EUR,FRA,JAP	
3	49720012A	VALVE, TUBELESS TIRE	1			MOD:1199R;XST:AUS,EUR,FRA,JAP	
4	77913991A	SCREW M8X20	10			MOD:1199R;XST:AUS,EUR,FRA,JAP	
5	49240901A	DISC, FRONT BRAKE RH	1			MOD:1199R;XST:AUS,EUR,FRA,JAP	
6	85212221A	WASHER 30X40X1	1			MOD:1199R;XST:AUS,EUR,FRA,JAP	
7	50221591AB	REAR WHEEL RIM	1	01/09/2012		MOD:1199R;XST:AUS,EUR,FRA,JAP	
8	70250451A	BEARING	2			MOD:1199R;XST:AUS,EUR,FRA,JAP	
9	71413291A	INNER SPACER	1			MOD:1199R;XST:AUS,EUR,FRA,JAP	
10	50121671AB	FRONT WHEEL RIM	1	01/09/2012		MOD:1199R;XST:AUS,EUR,FRA,JAP	
11	81910691A	FRONT WHEEL SPINDLE	1			MOD:1199R;XST:AUS,EUR,FRA,JAP	
12	49240891A	DISC, FRONT BRAKE LH	1			MOD:1199R;XST:AUS,EUR,FRA,JAP	
13	75011391A	NUT	1			MOD:1199R;XST:AUS,EUR,FRA,JAP	
14	85212211A	WASHER 48.5X65X0.5	1			MOD:1199R;XST:AUS,EUR,FRA,JAP	
15	71413231AA	SPACER	1			MOD:1199R;XST:AUS,EUR,FRA,JAP	
16	49720031A	VALVE, TUBELESS TIRE	1			MOD:1199R;XST:AUS,EUR,FRA,JAP	
17	71413261AA	RIGHT SPACER	1			MOD:1199R;XST:AUS,EUR,FRA,JAP	
18	93040521A	SEAL RING 35X47.15X6.8	2			MOD:1199R;XST:AUS,EUR,FRA,JAP	
19	75910222A	CLIP	1			MOD:1199R;XST:AUS,EUR,FRA,JAP	
20	50410051A	FRONT PHONIC WHEEL	1			MOD:1199R;XST:AUS,EUR,FRA,JAP	
21	43814551A	STICKER "MARCHESINI" YELLO	2			MOD:1199R;XST:AUS,EUR,FRA,JAP	

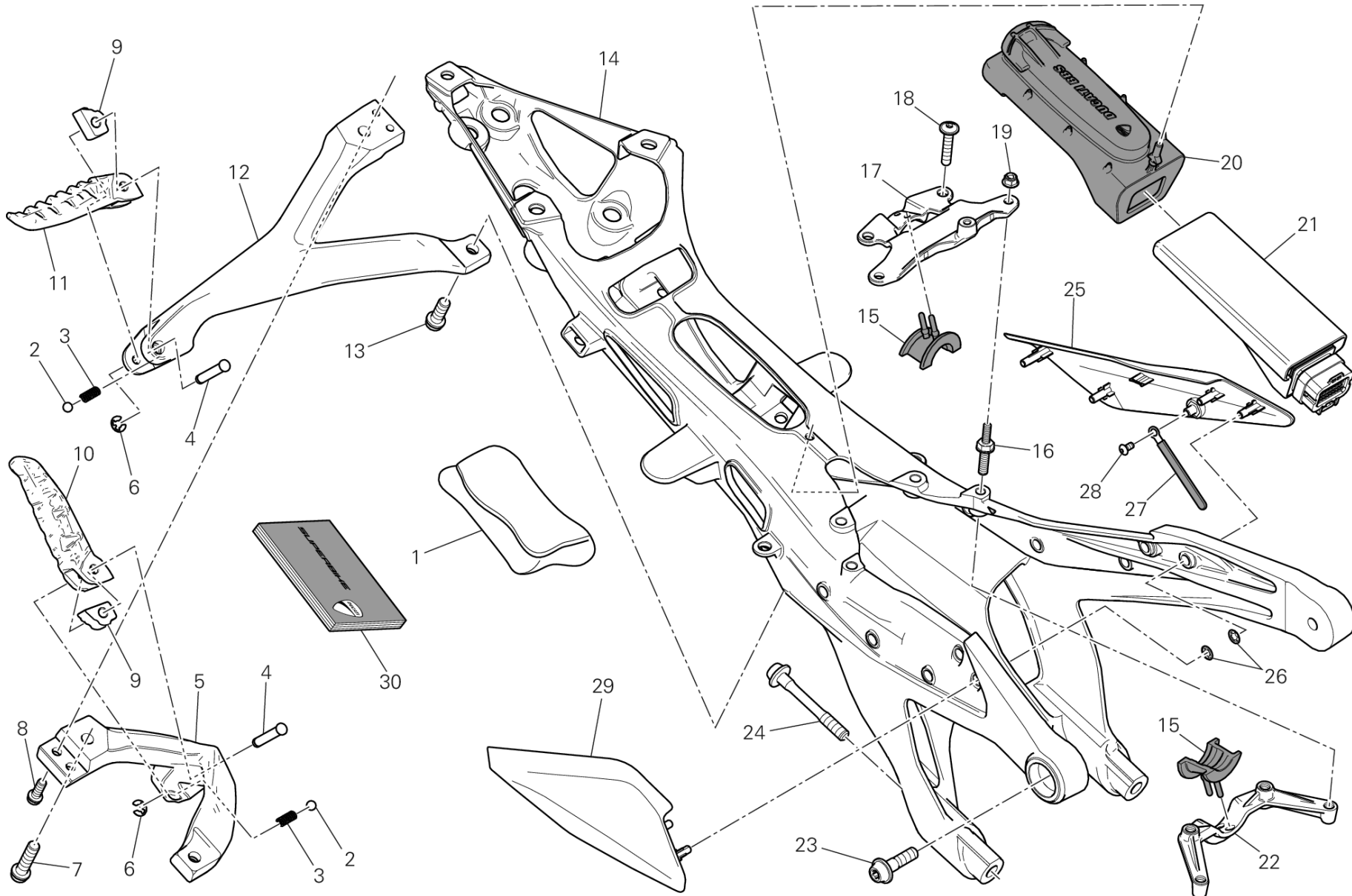


DRAWING 027 - REAR FRAME COMP. [MOD:1199R;XST:AUS,EUR,FRA,JAP]

GROUP FRAME

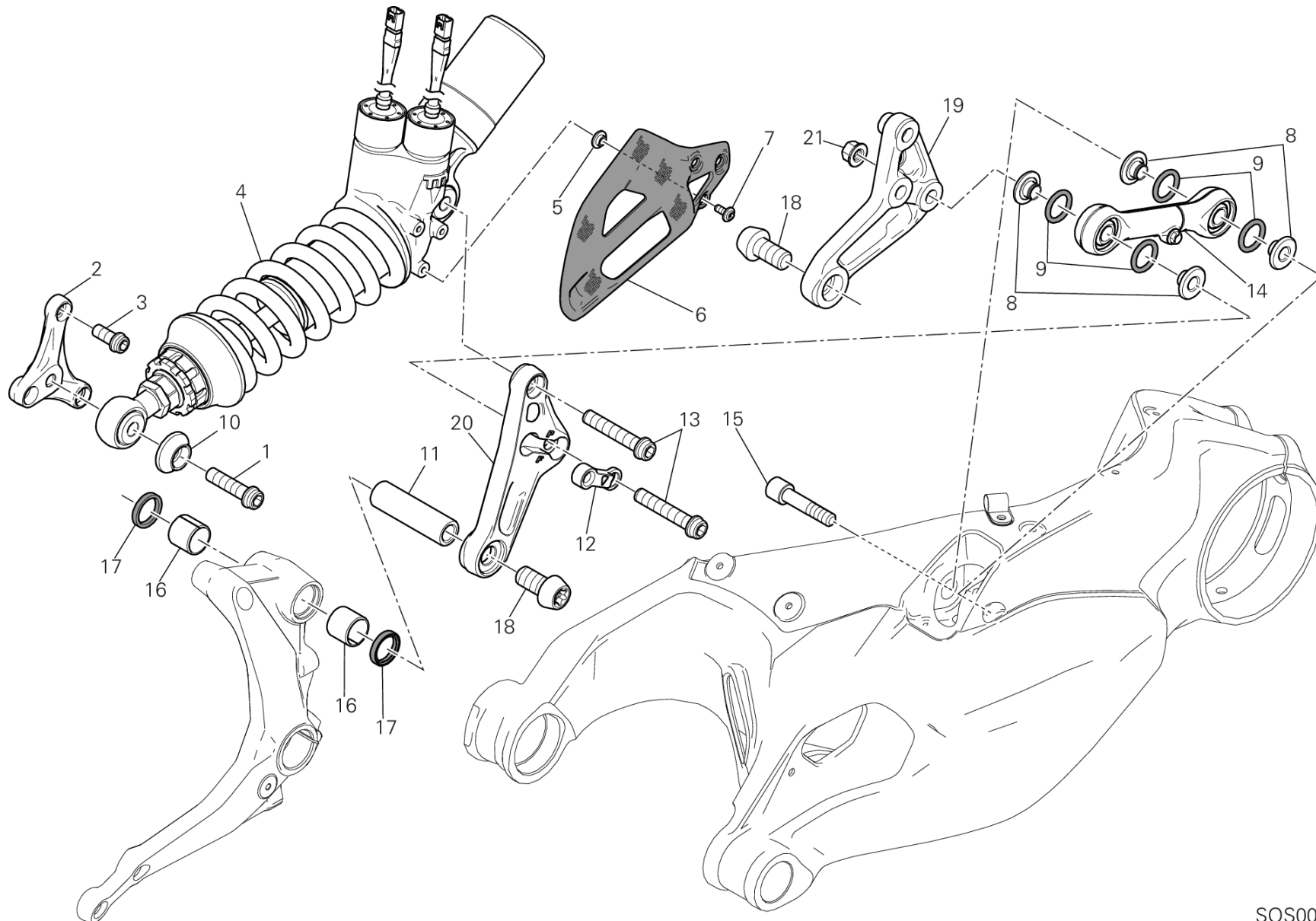


POS.	CODE	DESCRIPTION	QTY	START DATE	END DATE	VALIDITY	NOTES
1	69720283A	TOOL BAG	1			MOD:1199R;XST:AUS,EUR,FRA,JAP	
2	84740021A	BALL	2			MOD:1199R;XST:AUS,EUR,FRA,JAP	
3	79910241A	SPRING	2			MOD:1199R;XST:AUS,EUR,FRA,JAP	
4	82110511AB	FOOTREST PIN	2			MOD:1199R;XST:AUS,EUR,FRA,JAP	
5	82411881BA	REAR L.H. PLATE	1			MOD:1199R;XST:AUS,EUR,FRA,JAP	
6	88450031A	CIRCLIP E-TYPE	2			MOD:1199R;XST:AUS,EUR,FRA,JAP	
7	77157278B	SCREW TCEIF M8X30	2			MOD:1199R;XST:AUS,EUR,FRA,JAP	
8	77156658B	SCREW TCEIF M6X16	2			MOD:1199R;XST:AUS,EUR,FRA,JAP	
9	69610121A	BLOCK	2			MOD:1199R;XST:AUS,EUR,FRA,JAP	
10	46410801AA	LEFT FOOTREST	1			MOD:1199R;XST:AUS,EUR,FRA,JAP	
11	46410811AA	RIGHT FOOTREST	1			MOD:1199R;XST:AUS,EUR,FRA,JAP	
12	82411892BA	REAR R.H. PLATE	1			MOD:1199R;XST:AUS,EUR,FRA	
	82412251AA	REAR R.H. PLATE	1	01/03/2012		MOD:1199R;XST:JAP	JAP
13	77157238B	SCREW TCEIF M8X20	2			MOD:1199R;XST:AUS,EUR,FRA,JAP	
14	47110252BA	REAR FRAME COMP.	1			MOD:1199R;XST:AUS,EUR,FRA,JAP	
15	76411472A	RUBBER PAD	2			MOD:1199R;XST:AUS,EUR,FRA,JAP	
16	77916783AA	SCREW, SPECIAL	2			MOD:1199R;XST:AUS,EUR,FRA,JAP	
17	83016452AA	BRACKET UPPER	1			MOD:1199R;XST:AUS,EUR,FRA,JAP	
18	77240483C	SCREW	2			MOD:1199R;XST:AUS,EUR,FRA,JAP	
19	74810351B	NUT	2			MOD:1199R;XST:AUS,EUR,FRA,JAP	
20	70010701A	VIBRATION DAMPER HOLDER	1			MOD:1199R;XST:AUS,EUR,FRA,JAP	
21	38512081A	BLACKBOX UNIT	1	01/11/2012		MOD:1199R;XST:AUS,EUR,FRA,JAP	1199R
22	83016442AA	BRACKET	1			MOD:1199R;XST:AUS,EUR,FRA,JAP	
23	77916763AA	SCREW, SPECIAL	2			MOD:1199R;XST:AUS,EUR,FRA,JAP	
24	77916773AA	SPECIAL SCREW BOTTOM	2			MOD:1199R;XST:AUS,EUR,FRA,JAP	
25	46015011B	CAP LH	1			MOD:1199R;XST:AUS,EUR,FRA,JAP	
26	85040521A	CLIP	9			MOD:1199R;XST:AUS,EUR,FRA,JAP	
27	74141671A	PLATE	1			MOD:1199R;XST:AUS,EUR,FRA,JAP	
28	77510161A	SCREW	1			MOD:1199R;XST:AUS,EUR,FRA,JAP	
29	46015022A	CAP RH	1			MOD:1199R;XST:AUS,EUR,FRA,JAP	
30	91372331A	OWNER'S MANUAL	1			MOD:1199R;XST:AUS,EUR,FRA	(1199 R) DEU-FRA-GBR-ITA
	91372331B	OWNER'S MANUAL	1			MOD:1199R;XST:EUR,FRA,JAP	(1199 R) ESP-FRA-GBR-JPN
	91372331C	OWNER'S MANUAL	1			MOD:1199R;XST:EUR	(1199 R) ESP-GRC-PRT
	91372331D	OWNER'S MANUAL	1			MOD:1199R;XST:EUR,FRA	(1199 R) FRA-NLD-CHN
	91372331E	OWNER'S MANUAL	1			MOD:1199R;XST:EUR	(1199 R) DNK-FIN-NOR-SWE





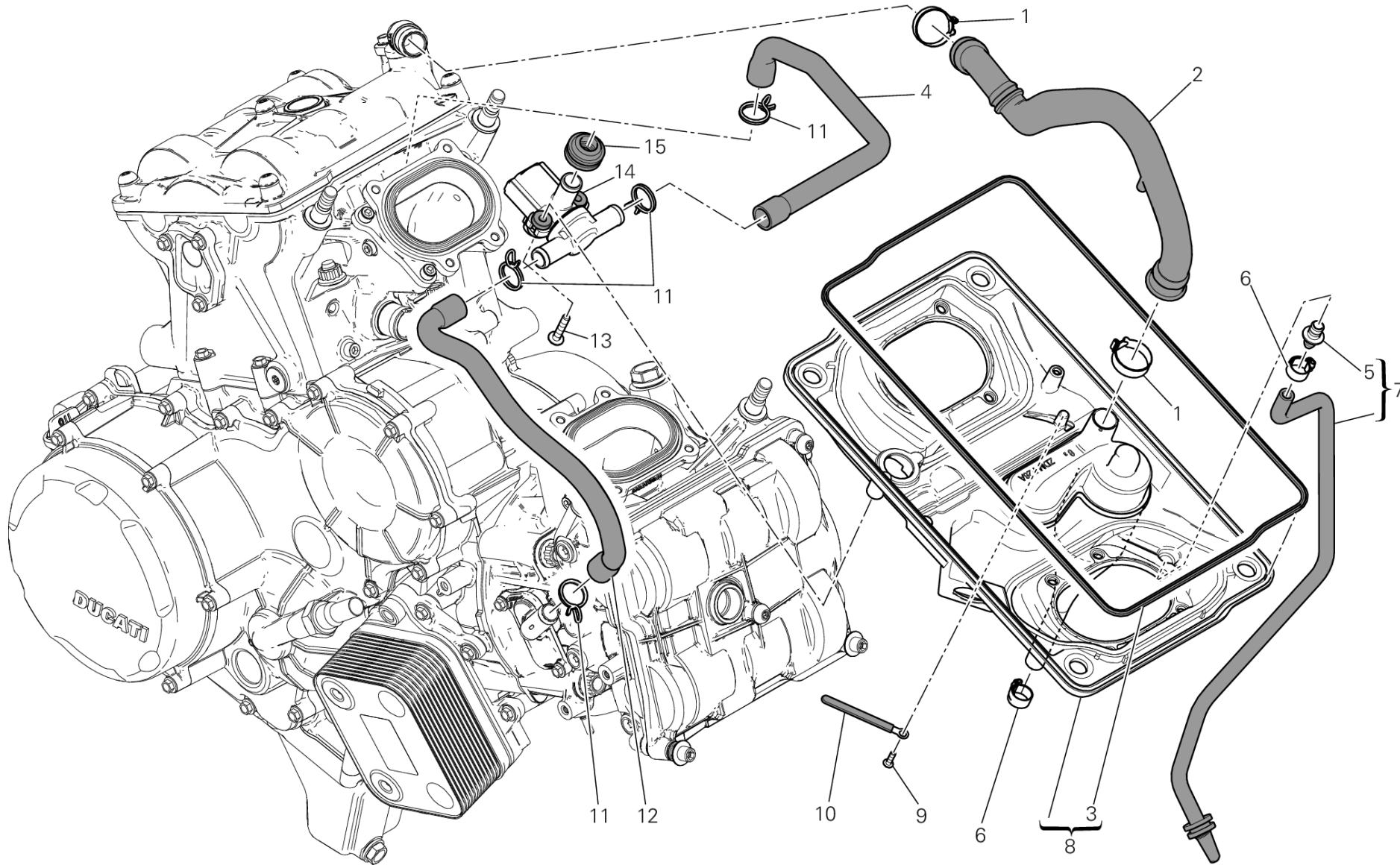
POS.	CODE	DESCRIPTION	QTY	START DATE	END DATE	VALIDITY	NOTES
	91372331F	OWNER'S MANUAL	1			MOD:1199R;XST:EUR	(1199 R) CZE-POL-SVK-SLO
	91372331G	OWNER'S MANUAL	1			MOD:1199R;XST:EUR	(1199 R) BGR-HUN-ROU-RUS



SOS00663



POS.	CODE	DESCRIPTION	QTY	START DATE	END DATE	VALIDITY	NOTES
1	77151598C	SCREW	1			MOD:1199R;XST:AUS,EUR,FRA,JAP	
2	8291A333AA	BRACKET, FRONT	1			MOD:1199R;XST:AUS,EUR,FRA,JAP	
3	77157238B	SCREW TCEIF M8X20	3			MOD:1199R;XST:AUS,EUR,FRA,JAP	
4	36521031A	REAR SHOCK ABSORBER	1			MOD:1199R;XST:AUS,EUR,FRA,JAP	
5	71611441B	SPACER	3			MOD:1199R;XST:AUS,EUR,FRA,JAP	
6	46016191AA	GUARD CARBON	1	01/11/2012		MOD:1199R;XST:AUS,EUR,FRA,JAP	
7	77244173B	SCREW	3	10/01/2013		MOD:1199R;XST:AUS,EUR,FRA,JAP	
8	71011642AA	SPINDLE, TAPER	4			MOD:1199R;XST:AUS,EUR,FRA,JAP	
9	88640091A	O-RING	4			MOD:1199R;XST:AUS,EUR,FRA,JAP	
10	71319971AA	SPACER	1			MOD:1199R;XST:AUS,EUR,FRA,JAP	
11	71319421A	SPACER	1			MOD:1199R;XST:AUS,EUR,FRA,JAP	
12	71319522AA	PLATE	1			MOD:1199R;XST:AUS,EUR,FRA,JAP	
13	77157618B	SCREW	2			MOD:1199R;XST:AUS,EUR,FRA,JAP	
14	87521941AA	ROD	1			MOD:1199R;XST:AUS,EUR,FRA,JAP	
15	77915041A	SCREW	1			MOD:1199R;XST:AUS,EUR,FRA,JAP	
16	70241191A	BUSH	2			MOD:1199R;XST:AUS,EUR,FRA,JAP	
17	93041271A	SEAL RING 20X26X4	2			MOD:1199R;XST:AUS,EUR,FRA,JAP	
18	77211361AA	SCREW, SPECIAL	2			MOD:1199R;XST:AUS,EUR,FRA,JAP	
19	37211161BA	REAR ROCKER ARM LH	1			MOD:1199R;XST:AUS,EUR,FRA,JAP	
20	37211171BA	REAR ROCKER ARM RH	1			MOD:1199R;XST:AUS,EUR,FRA,JAP	
21	74940141A	NUT	1			MOD:1199R;XST:AUS,EUR,FRA,JAP	



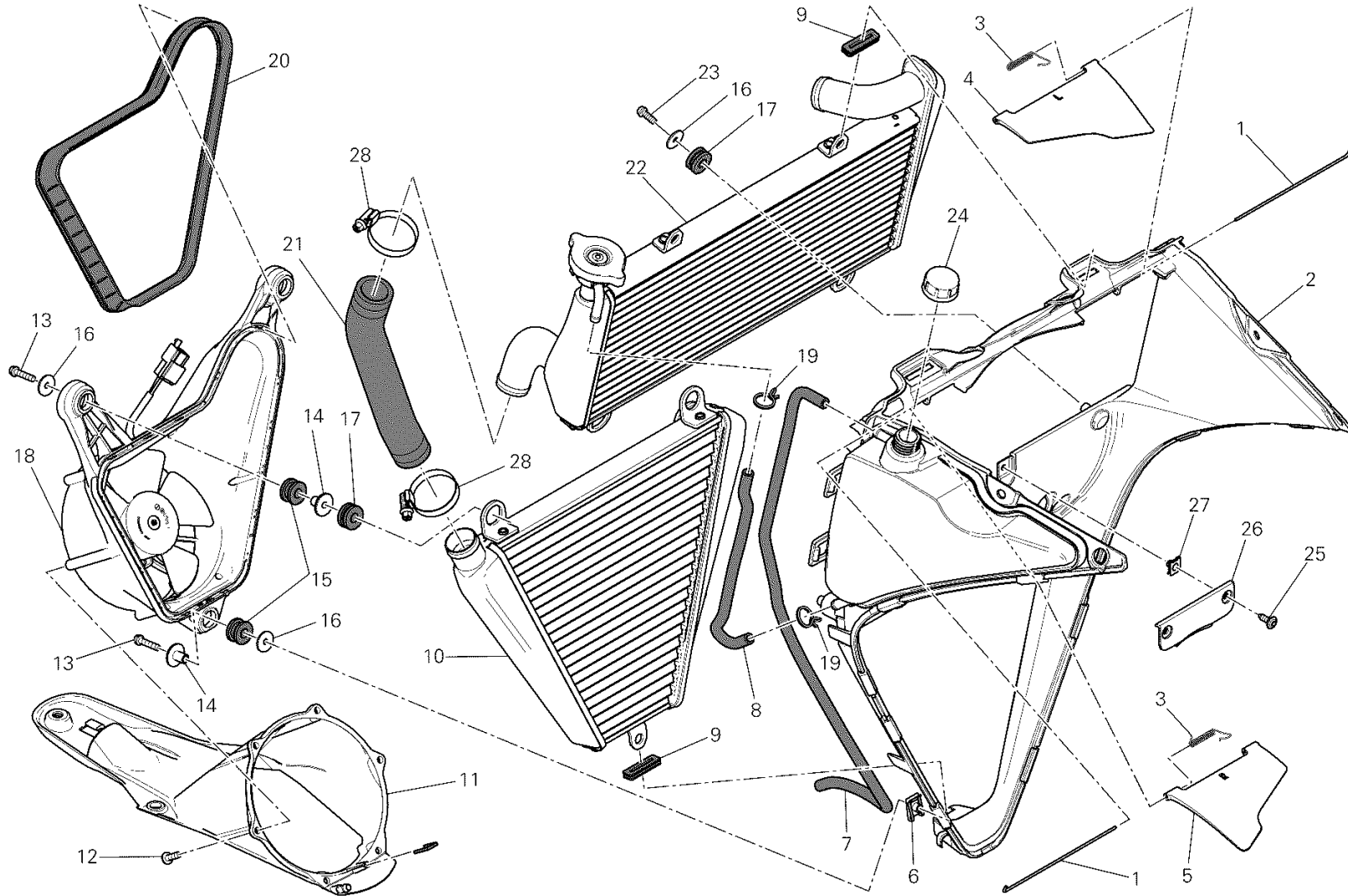
RAF00478

DRAWING 029 - AIR INTAKE - OIL BREATHER [MOD:1199R;XST:AUS,EUR,FRA,JAP]

GROUP FRAME



POS.	CODE	DESCRIPTION	QTY	START DATE	END DATE	VALIDITY	NOTES
1	74142141A	CLAMP	2			MOD:1199R;XST:AUS,EUR,FRA,JAP	
2	87611081A	BREATHER PIPE	1			MOD:1199R;XST:AUS,EUR,FRA,JAP	
3	78811161A	GASKET	1			MOD:1199R;XST:AUS,EUR,FRA,JAP	
4	87611121A	PIPE Verticale	1			MOD:1199R;XST:AUS,EUR,FRA,JAP	
5	81510371A	NIPPLE	1			MOD:1199R;XST:AUS,EUR,FRA,JAP	
6	74140631A	CLAMP	2			MOD:1199R;XST:AUS,EUR,FRA,JAP	
7	59013861A	BREATHER PIPE	1			MOD:1199R;XST:AUS,EUR,FRA,JAP	
8	44212342B	AIRBOX	1			MOD:1199R;XST:AUS,EUR,FRA,JAP	
9	77440111A	SCREW	1			MOD:1199R;XST:AUS,EUR,FRA,JAP	
10	74141671A	PLATE	1			MOD:1199R;XST:AUS,EUR,FRA,JAP	
11	74142251A	CLAMP	4			MOD:1199R;XST:AUS,EUR,FRA,JAP	
12	87611131A	PIPE Orizzontale	1			MOD:1199R;XST:AUS,EUR,FRA,JAP	
13	77240323C	SCREW	2			MOD:1199R;XST:AUS,EUR,FRA,JAP	
14	65540081A	VALVE MOTOR	1			MOD:1199R;XST:AUS,EUR,FRA,JAP	
15	76411621A	RUBBER PAD	1			MOD:1199R;XST:AUS,EUR,FRA,JAP	



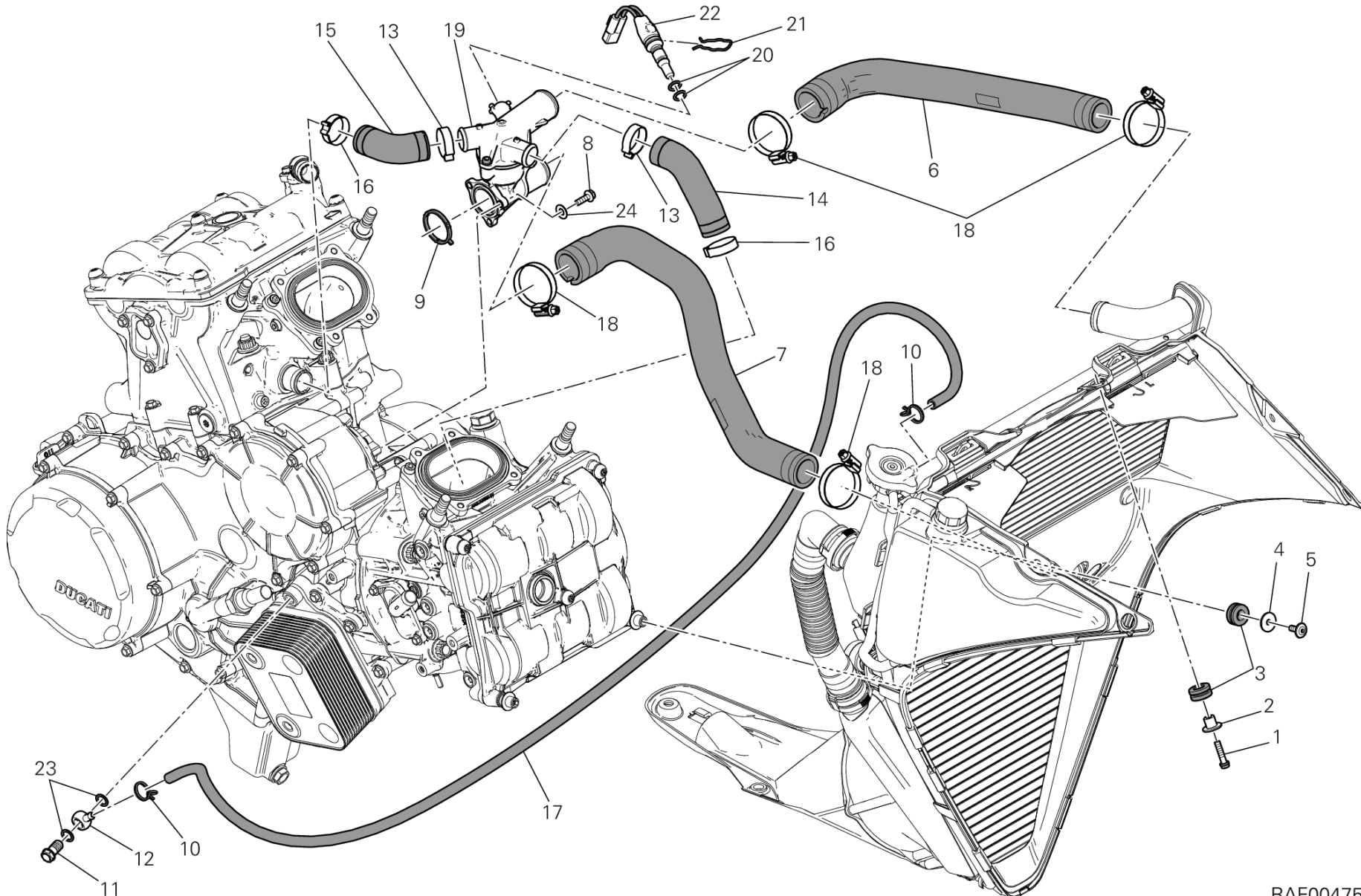
RAF00453

DRAWING 030 - WATER COOLER [MOD:1199R;XST:AUS,EUR,FRA,JAP]

GROUP FRAME



POS.	CODE	DESCRIPTION	QTY	START DATE	END DATE	VALIDITY	NOTES
1	82113751A	PIN	2			MOD:1199R;XST:AUS,EUR,FRA,JAP	
2	48410991B	HOLDER	1			MOD:1199R;XST:AUS,EUR,FRA,JAP	
3	79915441A	SPRING	2			MOD:1199R;XST:AUS,EUR,FRA,JAP	
4	48411043A	DEFLECTOR LH	1			MOD:1199R;XST:AUS,EUR,FRA,JAP	
5	48411053A	DEFLECTOR RH	1			MOD:1199R;XST:AUS,EUR,FRA,JAP	
6	85040551A	QUICK FASTENING	1			MOD:1199R;XST:AUS,EUR,FRA,JAP	
7	59013911B	BREATHER PIPE	1			MOD:1199R;XST:AUS,EUR,FRA,JAP	
8	93410152A	PIPE	1			MOD:1199R;XST:AUS,EUR,FRA,JAP	
9	76411411B	RUBBER PAD	3			MOD:1199R;XST:AUS,EUR,FRA,JAP	
10	54840971B	WATER COOLER	1			MOD:1199R;XST:AUS,EUR,FRA,JAP	
11	8291A352B	ESTRATTORE (REAR)	1			MOD:1199R;XST:AUS,EUR,FRA,JAP	
12	77440203C	SCREW	6			MOD:1199R;XST:AUS,EUR,FRA,JAP	
13	77156443B	SCREW	3			MOD:1199R;XST:AUS,EUR,FRA,JAP	
14	71614331AA	SPACER	3			MOD:1199R;XST:AUS,EUR,FRA,JAP	
15	76411491A	RUBBER PAD	3			MOD:1199R;XST:AUS,EUR,FRA,JAP	
16	85213111AA	WASHER	5			MOD:1199R;XST:AUS,EUR,FRA,JAP	
17	76411501A	RUBBER PAD	4			MOD:1199R;XST:AUS,EUR,FRA,JAP	
18	8292A342A	ESTRATTORE (Unit)	1			MOD:1199R;XST:AUS,EUR,FRA,JAP	
19	74140431A	CLAMP	2			MOD:1199R;XST:AUS,EUR,FRA,JAP	
20	79110831A	GASKET	1			MOD:1199R;XST:AUS,EUR,FRA,JAP	
21	80012121A	COOLER COOLER HOSE	1			MOD:1199R;XST:AUS,EUR,FRA,JAP	
22	54840961B	WATER COOLER	1			MOD:1199R;XST:AUS,EUR,FRA,JAP	
23	77156408B	SCREW TCEIF M5X14	2			MOD:1199R;XST:AUS,EUR,FRA,JAP	
24	89310143A	TANK CAP	1			MOD:1199R;XST:AUS,EUR,FRA,JAP	
25	77211091C	SCREW	2			MOD:1199R;XST:AUS,EUR,FRA,JAP	
26	24714291A	COVER	1			MOD:1199R;XST:AUS,EUR,FRA,JAP	
27	85040471A	QUICK FASTENING M5	2			MOD:1199R;XST:AUS,EUR,FRA,JAP	
28	74141851A	CLAMP 25-40 MM	2			MOD:1199R;XST:AUS,EUR,FRA,JAP	



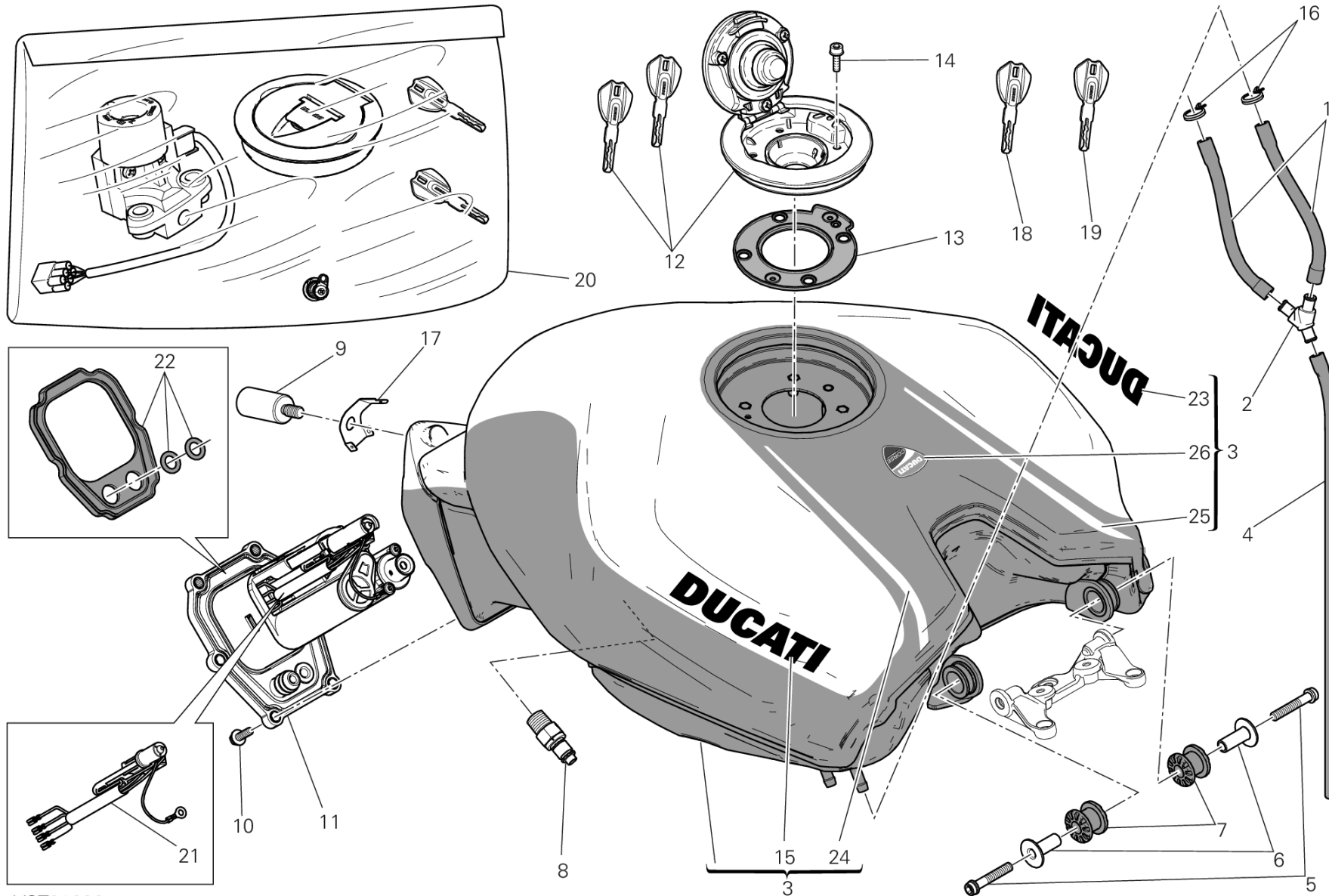
RAF00475

DRAWING 031 - COOLING SYSTEM [MOD:1199R;XST:AUS,EUR,FRA,JAP]

GROUP FRAME



POS.	CODE	DESCRIPTION	QTY	START DATE	END DATE	VALIDITY	NOTES
1	77156443B	SCREW	2			MOD:1199R;XST:AUS,EUR,FRA,JAP	
2	71614342AA	SPACER	2			MOD:1199R;XST:AUS,EUR,FRA,JAP	
3	76410901A	RUBBER PAD	4			MOD:1199R;XST:AUS,EUR,FRA,JAP	
4	71614431AA	SPACER	2			MOD:1199R;XST:AUS,EUR,FRA,JAP	
5	77210882B	SCREW TBEI M5X12	2			MOD:1199R;XST:AUS,EUR,FRA,JAP	
6	80012111A	COOLER THERMOSTAT HOSE UPPER	1			MOD:1199R;XST:AUS,EUR,FRA,JAP	
7	80012131A	COOLER THERMOSTAT HOSE BOTTOM	1			MOD:1199R;XST:AUS,EUR,FRA,JAP	
8	77156408B	SCREW TCEIF M5X14	3			MOD:1199R;XST:AUS,EUR,FRA,JAP	
9	78811201A	GASKET	1			MOD:1199R;XST:AUS,EUR,FRA,JAP	
10	74140431A	CLAMP	2			MOD:1199R;XST:AUS,EUR,FRA,JAP	
11	78110121AA	SCREW, SPECIAL	1	11/06/2012		MOD:1199R;XST:AUS,EUR,FRA,JAP	
12	81415081AA	UNION	1			MOD:1199R;XST:AUS,EUR,FRA,JAP	
13	74141491A	CLAMP 26/8 MM	2			MOD:1199R;XST:AUS,EUR,FRA,JAP	
14	80012051A	THERMOSTAT PUMP HOSE HORIZONTAL	1			MOD:1199R;XST:AUS,EUR,FRA,JAP	
15	80012061A	THERMOSTAT PUMP HOSE VERTICAL	1			MOD:1199R;XST:AUS,EUR,FRA,JAP	
16	74142231A	CLAMP	2			MOD:1199R;XST:AUS,EUR,FRA,JAP	
17	93410173A	PIPE	1			MOD:1199R;XST:AUS,EUR,FRA,JAP	
18	74141881A	CLAMP 23-35 MM	4	09/05/2012		MOD:1199R;XST:AUS,EUR,FRA,JAP	
19	55320121A	SQUIRTER UNIT	1			MOD:1199R;XST:AUS,EUR,FRA,JAP	
20	88641981A	O-RING	2			MOD:1199R;XST:AUS,EUR,FRA,JAP	
21	79915581A	SPRING	1			MOD:1199R;XST:AUS,EUR,FRA,JAP	
22	55242631A	ENGINE WATER TEMPERATURE SENSOR	1			MOD:1199R;XST:AUS,EUR,FRA,JAP	
23	85250241A	WASHER 10X14X1	2			MOD:1199R;XST:AUS,EUR,FRA,JAP	
24	85250071A	WASHER	3	20/02/2012		MOD:1199R;XST:AUS,EUR,FRA,JAP	



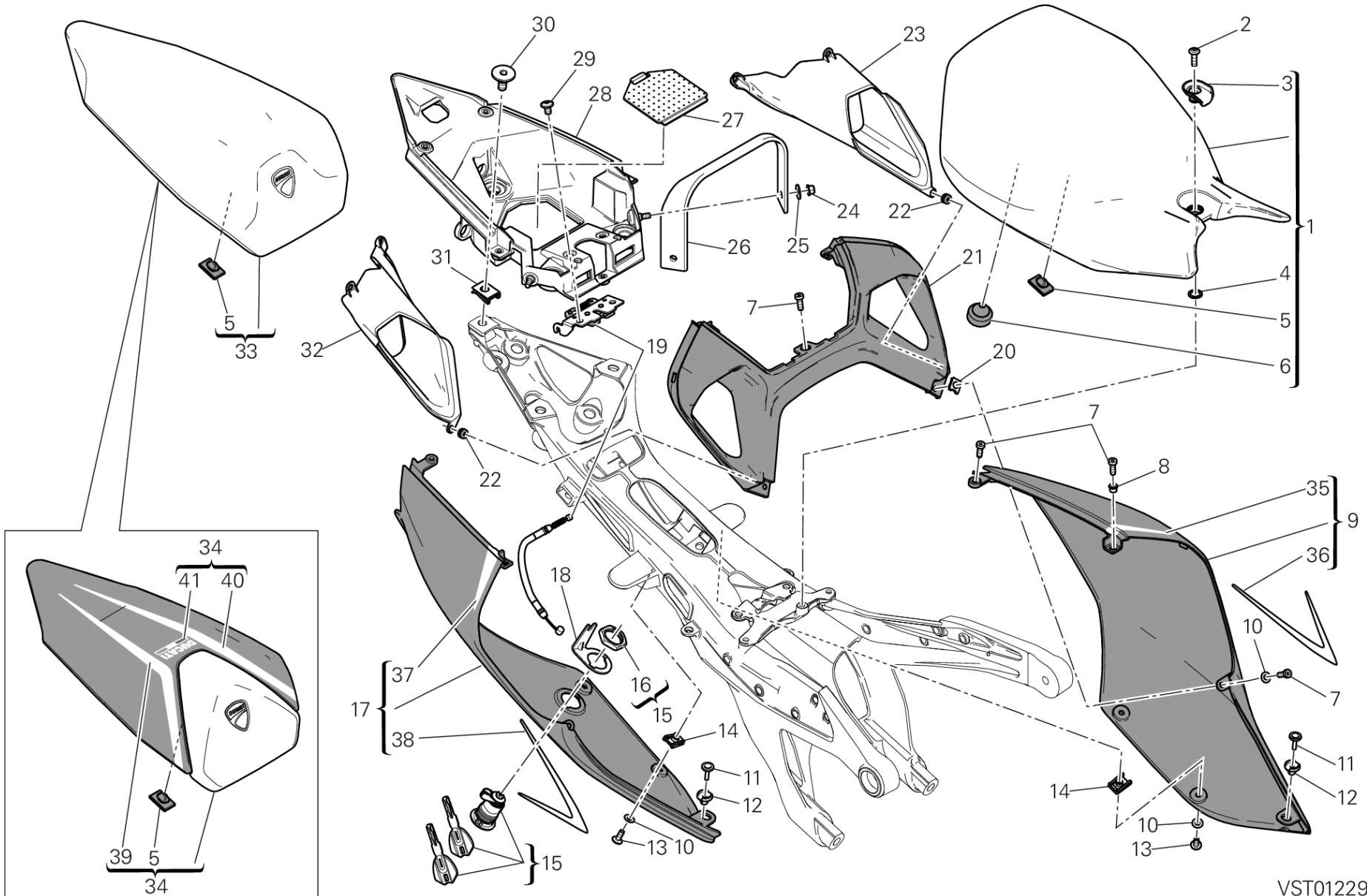
VST01226

DRAWING 032 - TANK [MOD:1199R;XST:AUS,EUR,FRA,JAP]

GROUP FRAME



POS.	CODE	DESCRIPTION	QTY	START DATE	END DATE	VALIDITY	NOTES
1	59013901A	PIPE	2			MOD:1199R;XST:AUS,EUR,FRA,JAP	
2	61610021A	THREE-WAYS UNION	1			MOD:1199R;XST:AUS,EUR,FRA,JAP	
3	58612091AA	FUEL TANK	1	01/09/2012		MOD:1199R;XST:AUS,EUR,FRA,JAP	
4	59013911B	BREATHING PIPE	1			MOD:1199R;XST:AUS,EUR,FRA,JAP	
5	77156728B	SCREW TCEIF M6X35	2			MOD:1199R;XST:AUS,EUR,FRA,JAP	
6	71614351AA	SPACER	2			MOD:1199R;XST:AUS,EUR,FRA,JAP	
7	76411521A	RUBBER PAD	2			MOD:1199R;XST:AUS,EUR,FRA,JAP	
8	81440681A	QUICK FASTENING	1			MOD:1199R;XST:AUS,EUR,FRA,JAP	
9	82114211AA	PIN REAR	1			MOD:1199R;XST:AUS,EUR,FRA,JAP	
10	77244203B	SCREW	6	10/01/2013		MOD:1199R;XST:AUS,EUR,FRA,JAP	
11	16024272A	FLANGE	1			MOD:1199R;XST:AUS,EUR,FRA,JAP	
12	89520221A	TANK CAP COMPLETE	1			MOD:1199R;XST:AUS,EUR,FRA,JAP	
13	86640061A	GASKET, FUEL TANK CAP	1			MOD:1199R;XST:AUS,EUR,FRA,JAP	
14	77156418B	SCREW TCEIF M5X16	4			MOD:1199R;XST:AUS,EUR,FRA,JAP	
15	43818801A	R.H. STICKER DUCATI BLACK	1	01/09/2012		MOD:1199R;XST:AUS,EUR,FRA,JAP	
16	74140431A	CLAMP	2			MOD:1199R;XST:AUS,EUR,FRA,JAP	
17	38710041A	PLATE	1			MOD:1199R;XST:AUS,EUR,FRA,JAP	
18	59840321A	WRENCH WITH TRANSPONDER	1			MOD:1199R;XST:AUS,EUR,FRA,JAP	
19	59840291A	KEY, NON INDENTED WITHOUT TRANSPONDER	1			MOD:1199R;XST:AUS,EUR,FRA,JAP	
20	59821191A	LOCK KIT	1	01/02/2013		MOD:1199R;XST:AUS,EUR,FRA,JAP	
21	69926431A	THERMISTOR	1			MOD:1199R;XST:AUS,EUR,FRA,JAP	
22	69926441A	GASKET KIT	1			MOD:1199R;XST:AUS,EUR,FRA,JAP	
23	43818811A	L.H. STICKER DUCATI BLACK	1	01/09/2012		MOD:1199R;XST:AUS,EUR,FRA,JAP	
24	43818911A	RIGHT STICKER	1	01/09/2012		MOD:1199R;XST:AUS,EUR,FRA,JAP	
25	43818901A	LEFT STICKER	1	01/09/2012		MOD:1199R;XST:AUS,EUR,FRA,JAP	
26	43814531D	STICKER DUCATI CORSE	1	01/09/2012		MOD:1199R;XST:AUS,EUR,FRA,JAP	



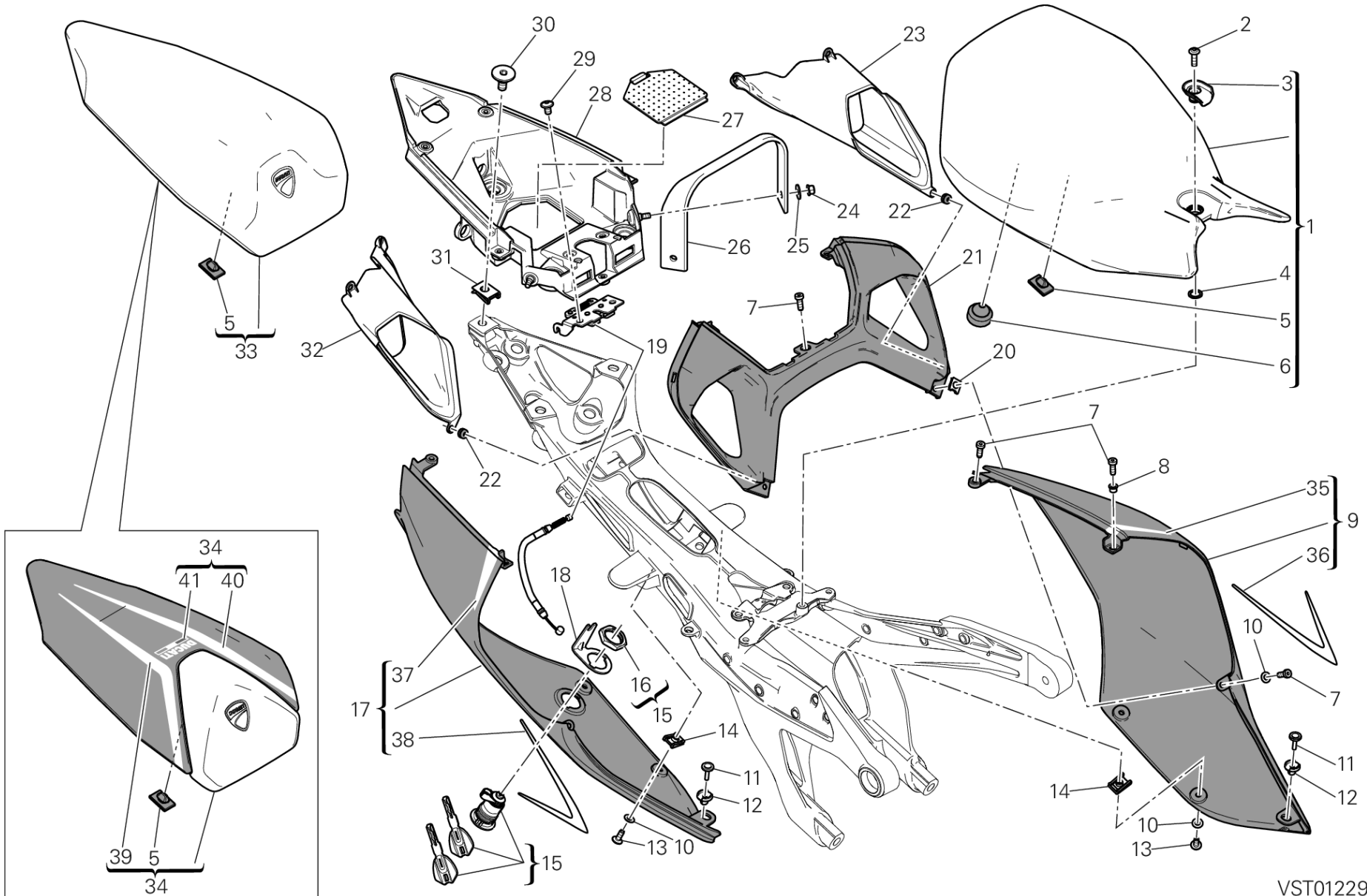
VST01229

DRAWING 033 - SEAT [MOD:1199R;XST:AUS,EUR,FRA,JAP]

GROUP FRAME



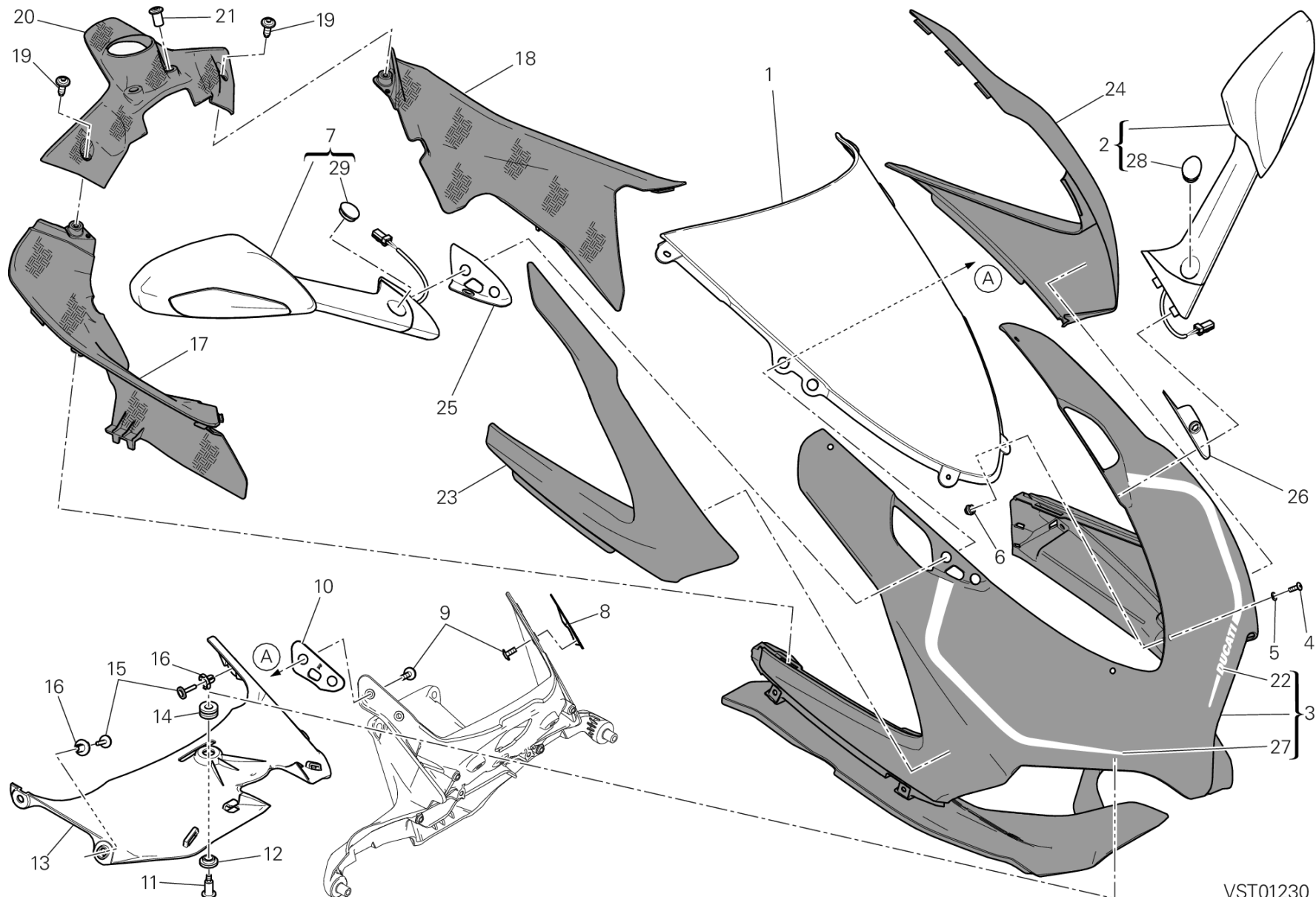
POS.	CODE	DESCRIPTION	QTY	START DATE	END DATE	VALIDITY	NOTES
1	59521911A	SEAT	1	01/11/2012		MOD:1199R;XST:AUS,EUR,FRA,JAP	
2	77210861B	SCREW TBEI M5X18	1			MOD:1199R;XST:AUS,EUR,FRA,JAP	
3	71319471AA	SPACER	1			MOD:1199R;XST:AUS,EUR,FRA,JAP	
4	88440331A	SPRING RING	1			MOD:1199R;XST:AUS,EUR,FRA,JAP	
5	86610301A	PAD	22			MOD:1199R;XST:AUS,EUR,FRA,JAP	
6	86610611A	RUBBER PAD	2			MOD:1199R;XST:AUS,EUR,FRA,JAP	
7	77350403B	SCREW	7			MOD:1199R;XST:AUS,EUR,FRA,JAP	
8	71611491A	SPACER	2			MOD:1199R;XST:AUS,EUR,FRA,JAP	
9	48211821AA	COVER FRAME LH RED	1	01/11/2012		MOD:1199R;XST:AUS,EUR,FRA,JAP	
10	85611401A	WASHER	6			MOD:1199R;XST:AUS,EUR,FRA,JAP	
11	85041041A	RIVET, MALE	2			MOD:1199R;XST:AUS,EUR,FRA,JAP	
12	85041051A	RIVET, FEMALE	2			MOD:1199R;XST:AUS,EUR,FRA,JAP	
13	77211091C	SCREW	4			MOD:1199R;XST:AUS,EUR,FRA,JAP	
14	85040551A	QUICK FASTENING	4			MOD:1199R;XST:AUS,EUR,FRA,JAP	
15	59820611A	SEAT LOCK	1			MOD:1199R;XST:AUS,EUR,FRA,JAP	
16	75011551A	NUT M22X1.5	1			MOD:1199R;XST:AUS,EUR,FRA,JAP	
17	48211831AA	COVER FRAME RH RED	1	01/11/2012		MOD:1199R;XST:AUS,EUR,FRA,JAP	
18	82716141A	PLATE	1			MOD:1199R;XST:AUS,EUR,FRA,JAP	
19	59940011A	SEAT LOCK	1			MOD:1199R;XST:AUS,EUR,FRA,JAP	
20	85040471A	QUICK FASTENING M5	2			MOD:1199R;XST:AUS,EUR,FRA,JAP	
21	48311722AA	TAIL GUARD CENTRE RED	1			MOD:1199R;XST:AUS,EUR,FRA,JAP	
22	76440561A	RUBBER PAD	8			MOD:1199R;XST:AUS,EUR,FRA,JAP	
23	48411011A	COWLING, INNER LH	1			MOD:1199R;XST:AUS,EUR,FRA,JAP	
24	74941118B	NUT 6MM	2			MOD:1199R;XST:AUS,EUR,FRA,JAP	
25	85211671B	WASHER	2			MOD:1199R;XST:AUS,EUR,FRA,JAP	
26	59511281B	BELT	1			MOD:1199R;XST:AUS,EUR,FRA,JAP	
27	24714062A	COVER	1			MOD:1199R;XST:AUS,EUR,FRA,JAP	
28	48311711B	TRAY	1			MOD:1199R;XST:AUS,EUR,FRA,JAP	
29	77240393C	SCREW TBEIF M6X10 10.9	2			MOD:1199R;XST:AUS,EUR,FRA,JAP	
30	77916792AA	SCREW, SPECIAL	3			MOD:1199R;XST:AUS,EUR,FRA,JAP	
31	85041471A	CLIP NUT	3			MOD:1199R;XST:AUS,EUR,FRA,JAP	
32	48411021A	PANEL QUARTER, INNER	1			MOD:1199R;XST:AUS,EUR,FRA,JAP	
33	59521091A	PILLION RIDER SEAT	1			MOD:1199R;XST:AUS,EUR,FRA,JAP	
34	247P4711AA	COVER PILLION RIDER SEAT RED	1	01/11/2012		MOD:1199R;XST:AUS,EUR,FRA,JAP	
35	43818841A	LEFT STICKER UPPER	1	01/09/2012		MOD:1199R;XST:AUS,EUR,FRA,JAP	



VST01229



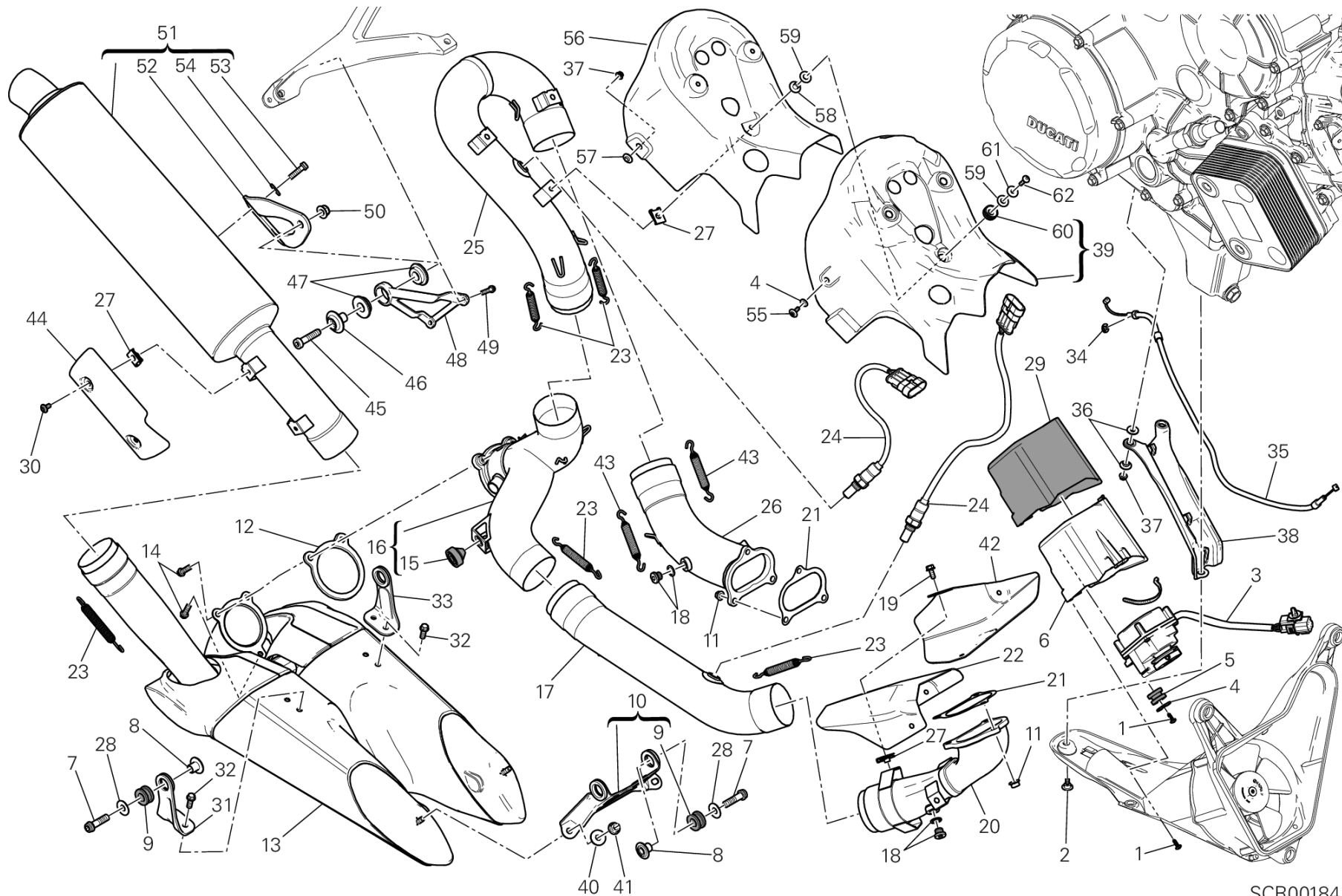
POS.	CODE	DESCRIPTION	QTY	START DATE	END DATE	VALIDITY	NOTES
36	43818861A	LEFT STICKER LOWER	1	01/09/2012		MOD:1199R;XST:AUS,EUR,FRA,JAP	
37	43818851A	RIGHT STICKER UPPER	1	01/09/2012		MOD:1199R;XST:AUS,EUR,FRA,JAP	
38	43818871A	RIGHT STICKER LOWER	1	01/09/2012		MOD:1199R;XST:AUS,EUR,FRA,JAP	
39	43818891A	RIGHT STICKER UPPER	1	01/09/2012		MOD:1199R;XST:AUS,EUR,FRA,JAP	
40	43818881A	LEFT STICKER UPPER	1	01/09/2012		MOD:1199R;XST:AUS,EUR,FRA,JAP	
41	43818921A	EMBLEM DUCATI	1	01/09/2012		MOD:1199R;XST:AUS,EUR,FRA,JAP	



VST01230



POS.	CODE	DESCRIPTION	QTY	START DATE	END DATE	VALIDITY	NOTES
1	48710562A	WINDSHIELD	1			MOD:1199R;XST:AUS,EUR,FRA,JAP	
2	523S0291A	REAR-VIEW MIRROR L.H.	1			MOD:1199R;XST:AUS,EUR,FRA,JAP	
3	48110971AA	COMPLETE HEADLIGHT FAIRING RED	1	01/09/2012		MOD:1199R;XST:AUS,EUR,FRA,JAP	
4	77510071AB	SCREW, SPECIAL	4			MOD:1199R;XST:AUS,EUR,FRA,JAP	
5	85210241A	WASHER, NYLON 4X8X0.5	4			MOD:1199R;XST:AUS,EUR,FRA,JAP	
6	75010281A	NUT, SPRING	4			MOD:1199R;XST:AUS,EUR,FRA,JAP	
7	523S0281A	REAR-VIEW MIRROR R.H.	1			MOD:1199R;XST:AUS,EUR,FRA,JAP	
8	78811221A	GASKET INTERNAL LH	1			MOD:1199R;XST:AUS,EUR,FRA,JAP	
9	77240288C	SCREW	4			MOD:1199R;XST:AUS,EUR,FRA,JAP	
10	78811231A	GASKET INTERNAL RH	1			MOD:1199R;XST:AUS,EUR,FRA,JAP	
11	77916951AA	SCREW, SPECIAL	1			MOD:1199R;XST:AUS,EUR,FRA,JAP	
12	76411511A	RUBBER PAD	1			MOD:1199R;XST:AUS,EUR,FRA,JAP	
13	48411002A	MUDFLAP	1			MOD:1199R;XST:AUS,EUR,FRA,JAP	
14	76411141A	VIBRATION DAMPER PAD	1			MOD:1199R;XST:AUS,EUR,FRA,JAP	
15	85041041A	RIVET, MALE	4			MOD:1199R;XST:AUS,EUR,FRA,JAP	
16	85041051A	RIVET, FEMALE	4			MOD:1199R;XST:AUS,EUR,FRA,JAP	
17	46016211AA	RIGHT COVER CARBON	1	01/11/2012		MOD:1199R;XST:AUS,EUR,FRA,JAP	
18	46016201AA	PROTECTION, LEFT CARBON	1	01/11/2012		MOD:1199R;XST:AUS,EUR,FRA,JAP	
19	77211091C	SCREW	2			MOD:1199R;XST:AUS,EUR,FRA,JAP	
20	46016221AA	PROTECTION CENTRE CARBON	1	01/11/2012		MOD:1199R;XST:AUS,EUR,FRA,JAP	
21	75011491AB	NUT, SPECIAL	2			MOD:1199R;XST:AUS,EUR,FRA,JAP	
22	43818821A	RIGHT STICKER	1	01/09/2012		MOD:1199R;XST:AUS,EUR,FRA,JAP	
23	48110851AA	RIGHT BULKHEAD (Red)	1			MOD:1199R;XST:AUS,EUR,FRA,JAP	
24	48110841AA	LEFT PANEL (Red)	1			MOD:1199R;XST:AUS,EUR,FRA,JAP	
25	78811281A	GASKET, MIRROR RH	1	01/07/2012		MOD:1199R;XST:AUS,EUR,FRA,JAP	
26	78811291A	GASKET, MIRROR LH	1	01/07/2012		MOD:1199R;XST:AUS,EUR,FRA,JAP	
27	43818831A	LEFT STICKER	1	01/09/2012		MOD:1199R;XST:AUS,EUR,FRA,JAP	
28	87210781A	PLUG	1	15/02/2013		MOD:1199R;XST:AUS,EUR,FRA,JAP	
29	87210791A	PLUG, RH	1	15/02/2013		MOD:1199R;XST:AUS,EUR,FRA,JAP	



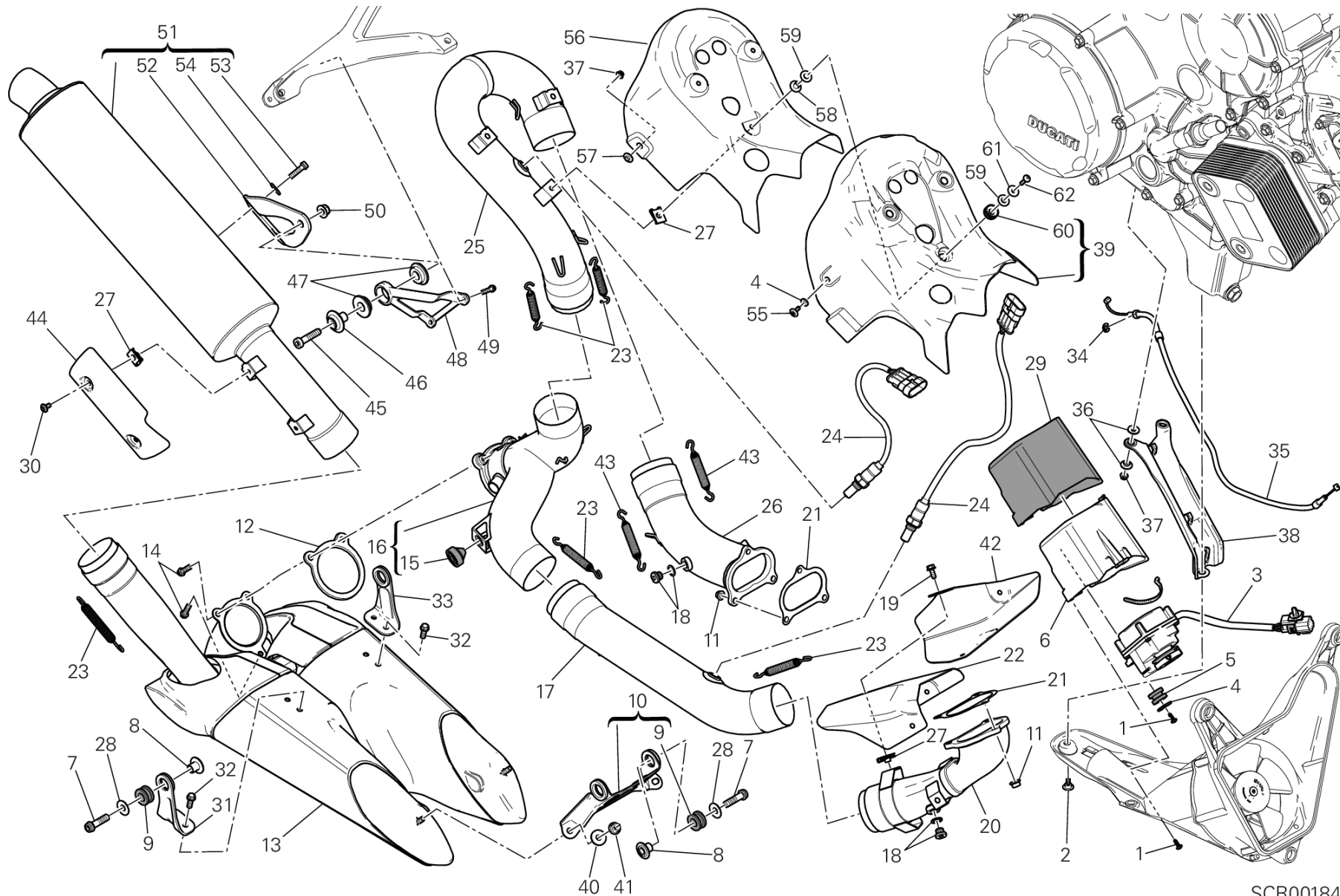
SCR00184

DRAWING 19A - EXHAUST SYSTEM (JAP) [MOD:1199R;XST:JAP]

GROUP FRAME



POS.	CODE	DESCRIPTION	QTY	START DATE	END DATE	VALIDITY	NOTES
1	77440203C	SCREW	6	01/06/2011		MOD:1199R;XST:JAP	
2	77210852C	SCREW	1	01/11/2012		MOD:1199R;XST:JAP	
3	59340392A	ELECTRIC MOTOR, EXHAUST VALVE	1	01/06/2011		MOD:1199R;XST:JAP	
4	85213111AA	WASHER	3	28/01/2013		MOD:1199R;XST:JAP	
5	76411301A	RUBBER PAD	2	01/06/2011		MOD:1199R;XST:JAP	
6	46015262A	COVER	1	06/06/2012		MOD:1199R;XST:JAP	
7	77157278B	SCREW TCEIF M8X30	4	01/11/2012		MOD:1199R;XST:JAP	
8	71614391AA	SPACER	4	01/11/2012		MOD:1199R;XST:JAP	
9	76411481A	RUBBER PAD	4	01/11/2012		MOD:1199R;XST:JAP	
10	83026511BA	BRACKET Front	1	01/11/2012		MOD:1199R;XST:JAP	
11	74810241A	NUT	3	01/11/2012		MOD:1199R;XST:JAP	
12	79010251A	GASKET, EXHAUST PIPE	1	01/11/2012		MOD:1199R;XST:JAP	
13	57413301A	SILENCER	1	01/11/2012		MOD:1199R;XST:JAP	
14	77116648B	SCREW	3	01/11/2012		MOD:1199R;XST:JAP	
15	76410631A	RUBBER PAD	1	01/01/2001		MOD:1199R;XST:JAP	
16	57013152B	PIPE, EXHAUST CENTER	1	01/11/2012		MOD:1199R;XST:JAP	
17	57013072A	EXHAUST PIPE HORIZONTAL	1	01/11/2012		MOD:1199R;XST:JAP	
18	78020011A	PLUG	2			MOD:1199R;XST:JAP	
19	77250728B	SCREW TEF M5X12	4	01/11/2012		MOD:1199R;XST:JAP	
20	57013061C	EXHAUST MANIFOLD HORIZONTAL	1	01/11/2012		MOD:1199R;XST:JAP	
21	79010231B	GASKET, EXHAUST PIPE	2	01/11/2012		MOD:1199R;XST:JAP	
22	46015331BA	HEAT GUARD HORIZONTAL	1	01/11/2012		MOD:1199R;XST:JAP	
23	79912632A	SPRING, EXHAUST PIPE	5	01/11/2012		MOD:1199R;XST:JAP	
24	55212092A	SENSOR LAMBDA SOND	2	01/11/2012		MOD:1199R;XST:JAP	
25	57113002C	PIPE, EXHAUST Verticale	1	01/11/2012		MOD:1199R;XST:JAP	
26	57112992C	EXHAUST MANIFOLD VERTICAL	1	01/11/2012		MOD:1199R;XST:JAP	
27	85040551A	QUICK FASTENING	9	01/11/2012		MOD:1199R;XST:JAP	
28	85210532A	WASHER 8.2X20X1	4	01/11/2012		MOD:1199R;XST:JAP	
29	46015741A	PROTECTION, HEAT	1	08/11/2011		MOD:1199R;XST:JAP	
30	77240253C	SCREW	2	01/11/2012		MOD:1199R;XST:JAP	
31	83016491AA	BRACKET REAR RH	1	01/11/2012		MOD:1199R;XST:JAP	
32	77251018B	SCREW TEF M6X20	4	01/11/2012		MOD:1199R;XST:JAP	
33	83016501AA	BRACKET REAR L.H.	1	01/11/2012		MOD:1199R;XST:JAP	
34	88450031A	CIRCLIP E-TYPE	2	01/11/2012		MOD:1199R;XST:JAP	
35	73210331B	EXHAUST VALVE ENGINE CABLE	1	01/06/2011		MOD:1199R;XST:JAP	



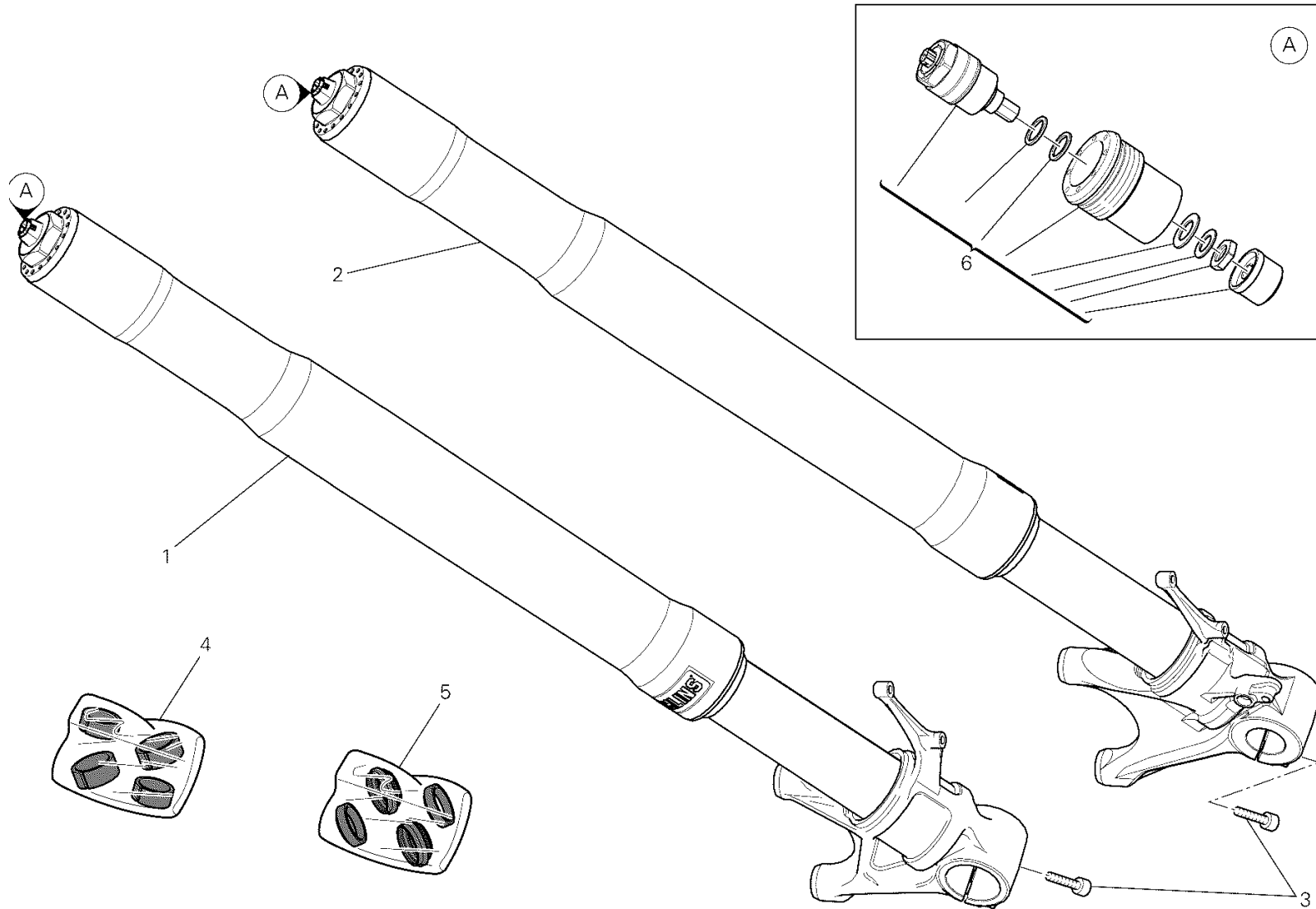
SCR00184

DRAWING 19A - EXHAUST SYSTEM (JAP) [MOD:1199R;XST:JAP]

GROUP FRAME



POS.	CODE	DESCRIPTION	QTY	START DATE	END DATE	VALIDITY	NOTES
36	71614071A	SPACER 5.2X8.4X2	4	01/11/2012		MOD:1199R;XST:JAP	
37	74840381A	NUT M5	3	01/11/2012		MOD:1199R;XST:JAP	
38	46015393A	HEAT GUARD BOTTOM	1	01/11/2012		MOD:1199R;XST:JAP	
39	460P6241AA	HEAT GUARD VERTICAL UPPER	1	23/01/2013		MOD:1199R;XST:JAP	
40	85250291A	WASHER 6.4X18X1.6	2	01/11/2012		MOD:1199R;XST:JAP	
41	74810361A	NUT 6MM	2	01/11/2012		MOD:1199R;XST:JAP	
42	46015781AA	GUARD Orizzontale	1	01/11/2012		MOD:1199R;XST:JAP	
43	79915651A	SPRING	2	01/11/2012		MOD:1199R;XST:JAP	
44	46110012AA	HEAT GUARD REAR	1	01/11/2012		MOD:1199R;XST:JAP	
45	77355068B	SCREW TCEIR M8X35	1	01/11/2012		MOD:1199R;XST:JAP	
46	71314361A	COLLAR, SILENCER MOUNTING	1	01/11/2012		MOD:1199R;XST:JAP	
47	76410011A	DAMPER	2	01/11/2012		MOD:1199R;XST:JAP	
48	83017791AA	BRACKET, MUFFLER SUPPORT	1	01/03/2012		MOD:1199R;XST:JAP	
49	77156438B	SCREW	2	01/03/2012		MOD:1199R;XST:JAP	
50	74941128B	NUT M8	1	01/11/2012		MOD:1199R;XST:JAP	
51	573P3392A	RIGHT SILENCER	1	01/11/2012		MOD:1199R;XST:JAP	
52	57610791AA	BRACKET, RIGHT SILENCER	1	25/05/2012		MOD:1199R;XST:JAP	
53	77110211A	SCREW	2	25/05/2012		MOD:1199R;XST:JAP	
54	85240161A	WASHER 8.4X20X1.2	2	25/05/2012		MOD:1199R;XST:JAP	
55	77210882B	SCREW TBEI M5X12	1	28/01/2013		MOD:1199R;XST:JAP	
56	46016231AA	HEAT GUARD VERTICAL LOWER	1	28/01/2013		MOD:1199R;XST:JAP	
57	71611071B	SPACER	1	28/01/2013		MOD:1199R;XST:JAP	
58	71614102AA	SPACER	3	28/01/2013		MOD:1199R;XST:JAP	
59	85640121A	WASHER	6	28/01/2013		MOD:1199R;XST:JAP	
60	76411821A	VIBRATION DAMPER PAD	3	06/11/2012		MOD:1199R;XST:JAP	
61	85213002A	WASHER	3			MOD:1199R;XST:JAP	
62	77244213B	SCREW	3	28/01/2013		MOD:1199R;XST:JAP	



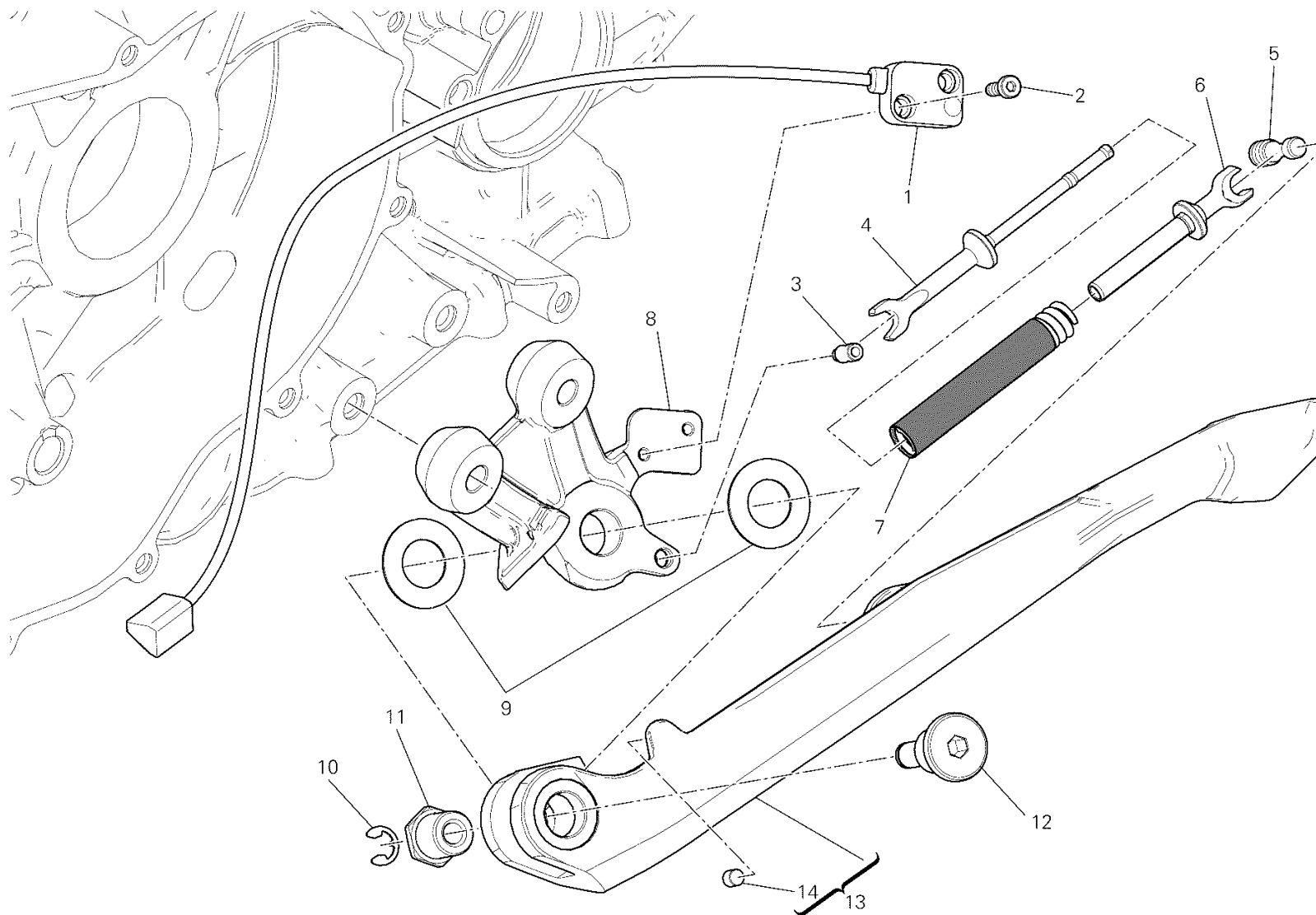
SOS00628

DRAWING 21A - FRONT FORK [MOD:1199R;XST:AUS,EUR,FRA,JAP]

GROUP FRAME



POS.	CODE	DESCRIPTION	QTY	START DATE	END DATE	VALIDITY	NOTES
1	34420411A	FORK LEG ASSEMBLY R.H.	1			MOD:1199R;XST:AUS,EUR,FRA,JAP	
2	34520411A	FORK LEG ASSEMBLY L.H.	1			MOD:1199R;XST:AUS,EUR,FRA,JAP	
3	77110518B	SCREW TCEI M6X25	2			MOD:1199R;XST:AUS,EUR,FRA,JAP	
4	34921301A	OVERHAUL KIT	2			MOD:1199R;XST:AUS,EUR,FRA,JAP	
5	34921311A	SEAT KIT	2			MOD:1199R;XST:AUS,EUR,FRA,JAP	
6	34921321A	CAPS KIT	2			MOD:1199R;XST:AUS,EUR,FRA,JAP	



TEL00706



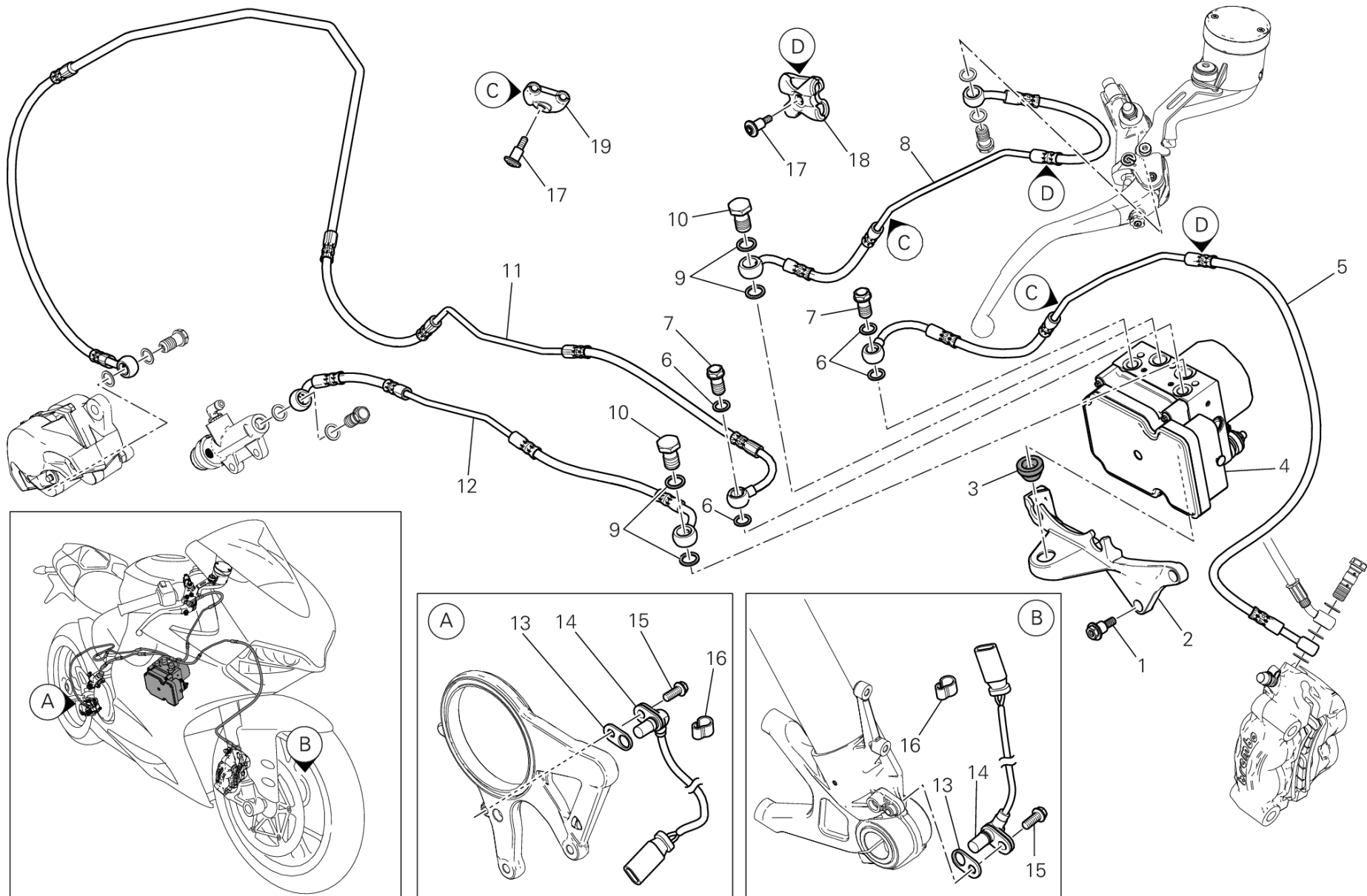
POS.	CODE	DESCRIPTION	QTY	START DATE	END DATE	VALIDITY	NOTES
1	53940601A	SWITCH, STAND	1			MOD:1199R;XST:AUS,EUR,FRA,JAP	
2	77354623B	SCREW M4X10	2			MOD:1199R;XST:AUS,EUR,FRA,JAP	
3	86050361AA	PIN	1			MOD:1199R;XST:AUS,EUR,FRA,JAP	
4	11711252AA	ROD	1			MOD:1199R;XST:AUS,EUR,FRA,JAP	
5	82113731AA	PIN	1			MOD:1199R;XST:AUS,EUR,FRA,JAP	
6	71011611AA	BUSHING WITH CENTER ROD JOINT	1			MOD:1199R;XST:AUS,EUR,FRA,JAP	
7	79925411AA	COMPLETE SPRING	1			MOD:1199R;XST:AUS,EUR,FRA,JAP	
8	55610601BA	PLATE	1			MOD:1199R;XST:AUS,EUR,FRA,JAP	
9	85210681B	SPACER,15X28X1	2			MOD:1199R;XST:AUS,EUR,FRA,JAP	
10	88450031A	CIRCLIP E-TYPE	1			MOD:1199R;XST:AUS,EUR,FRA,JAP	
11	71210471AA	BUSH	1			MOD:1199R;XST:AUS,EUR,FRA,JAP	
12	82113711BA	LOCATING PIN	1			MOD:1199R;XST:AUS,EUR,FRA,JAP	
13	55610612AA	SIDE STAND	1			MOD:1199R;XST:AUS,EUR,FRA,JAP	
14	53940651A	MAGNETE	1			MOD:1199R;XST:AUS,EUR,FRA,JAP	



DRAWING 24A - ANTILOCK BRAKING SYSTEM (ABS)

[MOD:1199R;XST:AUS,EUR,FRA,JAP]

GROUP FRAME



DRAWING 24A - ANTILOCK BRAKING SYSTEM (ABS)

[MOD:1199R;XST:AUS,EUR,FRA,JAP]

GROUP FRAME

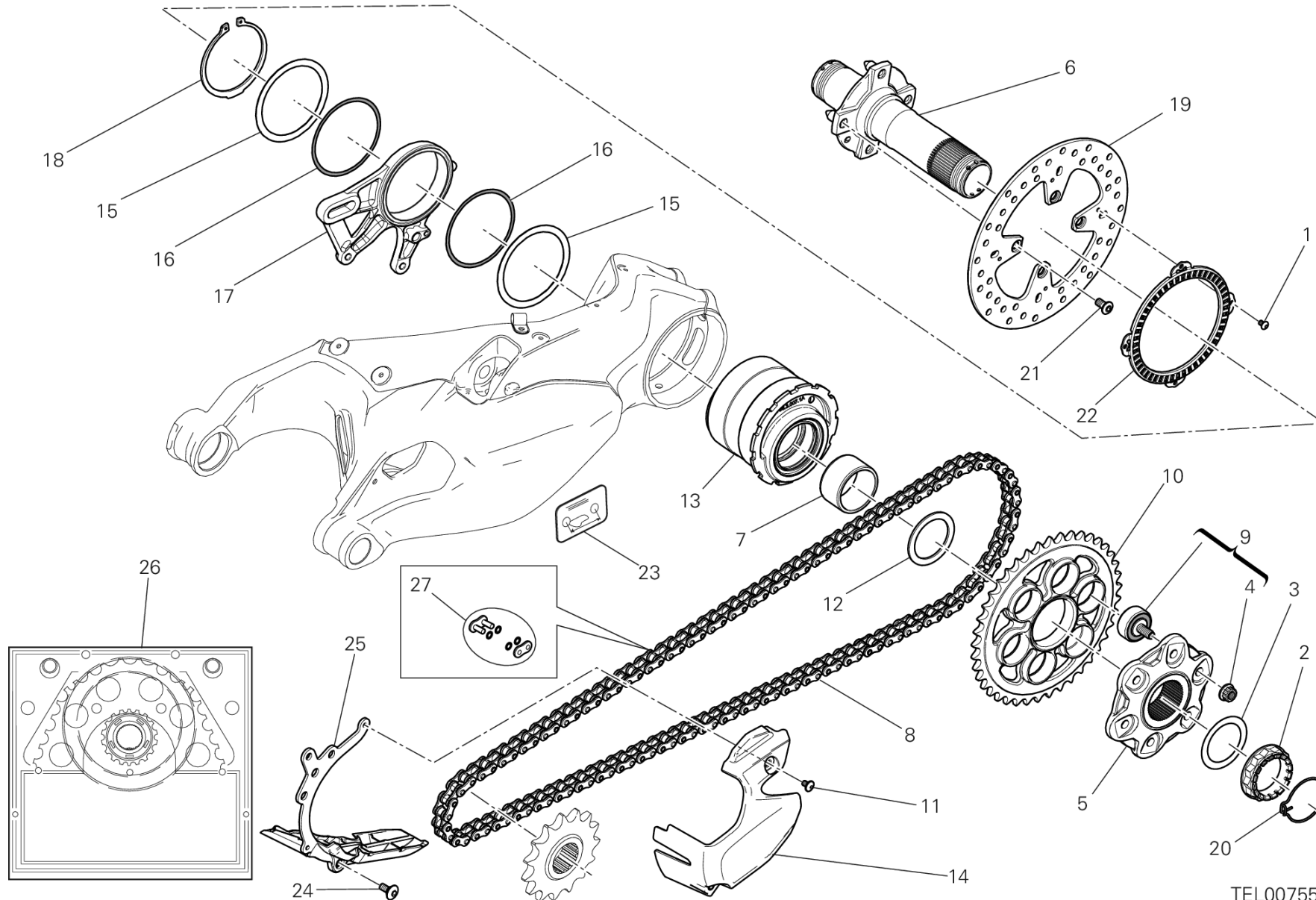


POS.	CODE	DESCRIPTION	QTY	START DATE	END DATE	VALIDITY	NOTES
1	77917291AA	SCREW, SPECIAL	3			MOD:1199R;XST:AUS,EUR,FRA,JAP	
2	8291A743A	HOLDER ABS	1			MOD:1199R;XST:AUS,EUR,FRA,JAP	
3	86640051A	RUBBER PAD	1			MOD:1199R;XST:AUS,EUR,FRA,JAP	
4	54240362A	CONTROL UNIT ABS	1			MOD:1199R;XST:AUS,EUR,FRA,JAP	
5	61841151C	CPU - FRONT CALIPERS LINE	1			MOD:1199R;XST:AUS,EUR,FRA,JAP	
6	85250241A	WASHER 10X14X1	4			MOD:1199R;XST:AUS,EUR,FRA,JAP	
7	77913661AB	BOLT, BRAKE HOSE M10X1	2			MOD:1199R;XST:AUS,EUR,FRA,JAP	
8	61841141C	FRONT MASTER CYLINDER - CPU LINE	1			MOD:1199R;XST:AUS,EUR,FRA,JAP	
9	85250261B	GASKET, ALUMINIUM 12X16X1.5	4			MOD:1199R;XST:AUS,EUR,FRA,JAP	
10	77913141B	SCREW, SPECIAL	2			MOD:1199R;XST:AUS,EUR,FRA,JAP	
11	61940541B	CPU - REAR CALIPER LINE	1			MOD:1199R;XST:AUS,EUR,FRA,JAP	
12	61940531B	REAR MASTER CYLINDER - CPU LINE	1			MOD:1199R;XST:AUS,EUR,FRA,JAP	
13	71314901A	GASKET TH.02	4			MOD:1199R;XST:AUS,EUR,FRA,JAP	
	71319201A	GASKET 0.5 MM	6			MOD:1199R;XST:AUS,EUR,FRA,JAP	
14	55212111B	SPEED SENSOR ABS REAR	2			MOD:1199R;XST:AUS,EUR,FRA,JAP	
15	77210601A	SCREW TEF M6X16	2			MOD:1199R;XST:AUS,EUR,FRA,JAP	
16	75840601A	FAIRLEAD	10			MOD:1199R;XST:AUS,EUR,FRA,JAP	
17	77211271A	SCREW, SPECIAL M5X10	2			MOD:1199R;XST:AUS,EUR,FRA,JAP	
18	75810721A	HOSE GUIDE ABS	1			MOD:1199R;XST:AUS,EUR,FRA,JAP	
19	75810711A	HOSE GUIDE ABS BOTTOM	1			MOD:1199R;XST:AUS,EUR,FRA,JAP	



DRAWING 26A - REAR WHEEL SPINDLE [MOD:1199R;XST:AUS,EUR,FRA,JAP]

GROUP FRAME



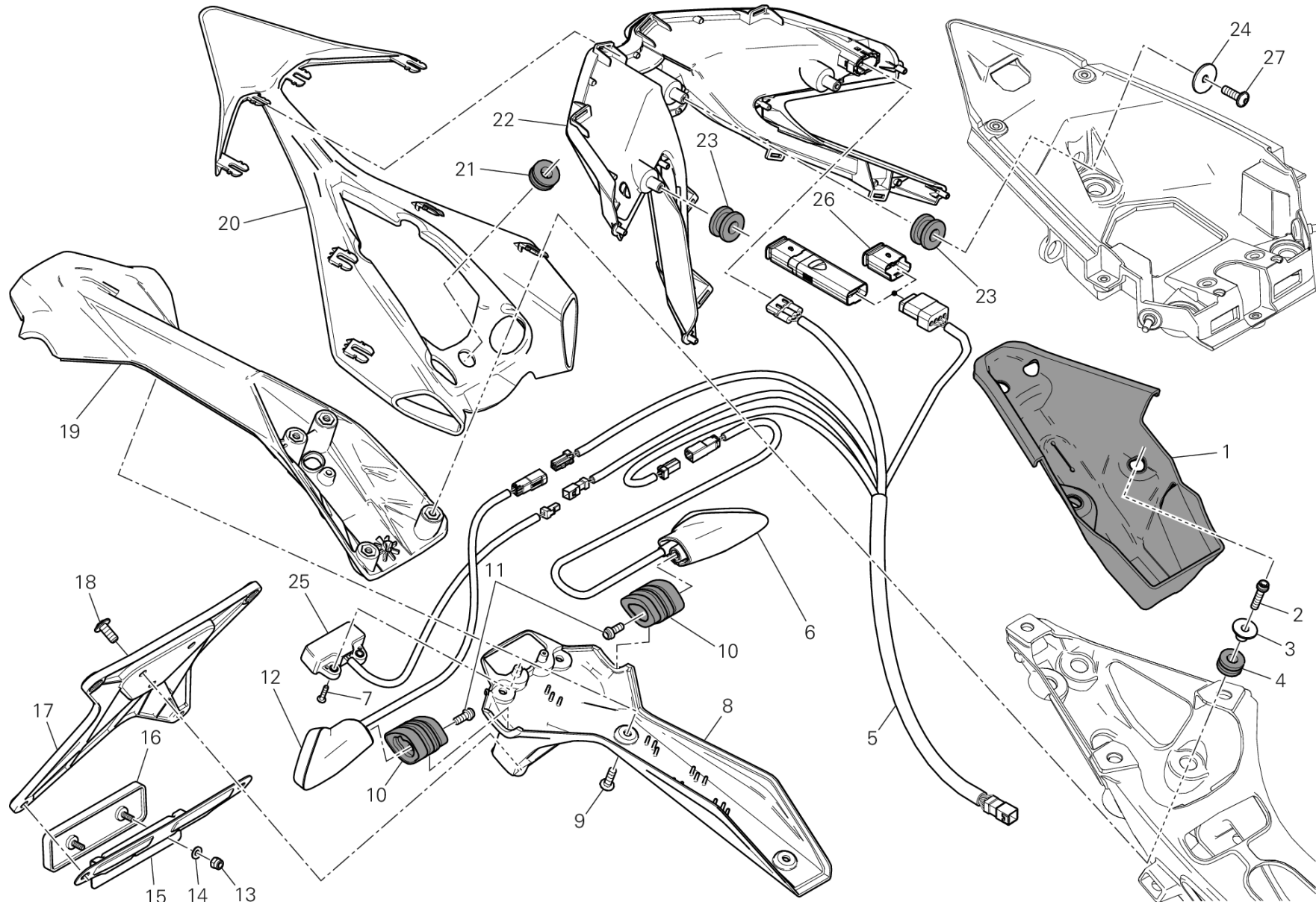
TEL00755

DRAWING 26A - REAR WHEEL SPINDLE [MOD:1199R;XST:AUS,EUR,FRA,JAP]

GROUP FRAME

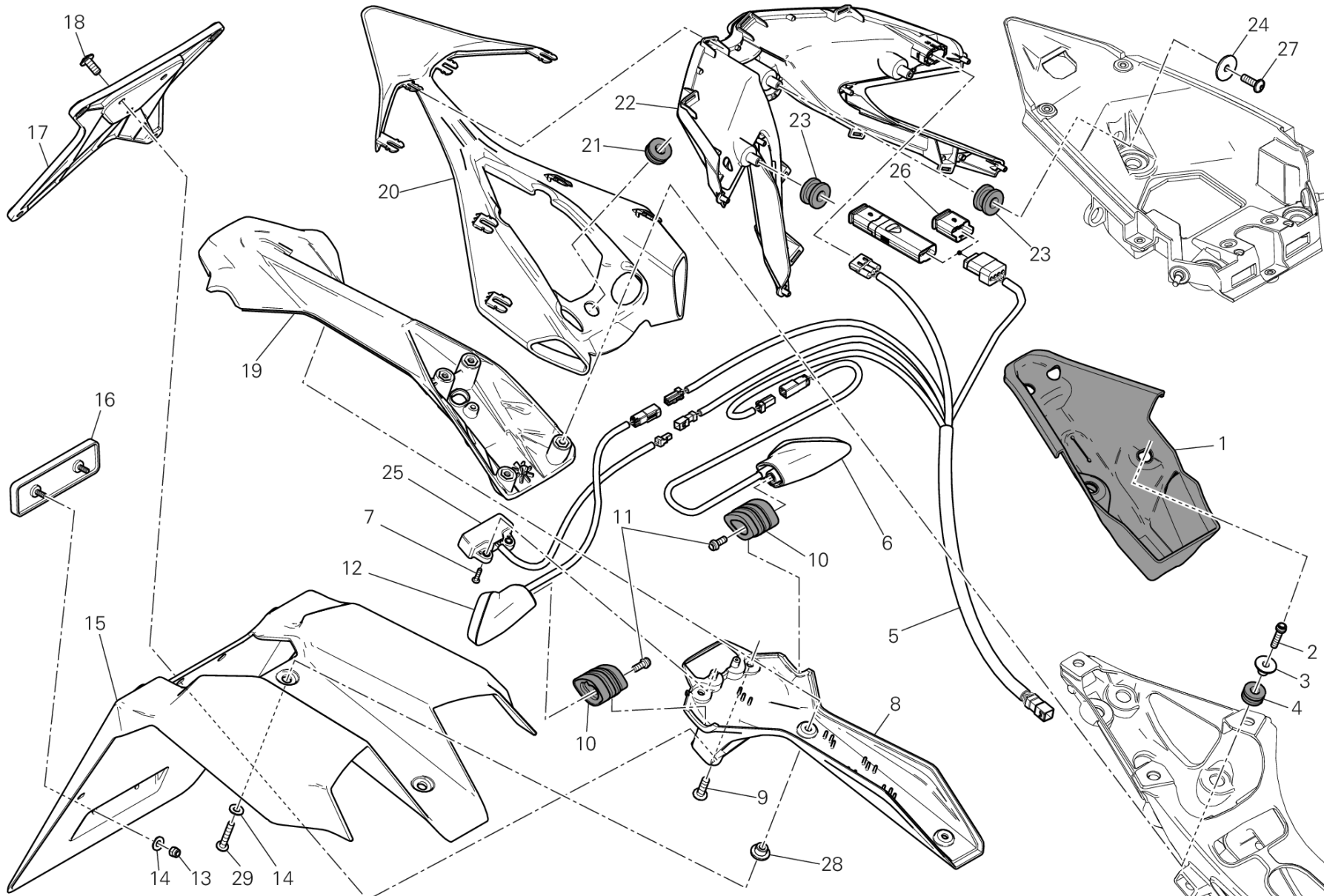


POS.	CODE	DESCRIPTION	QTY	START DATE	END DATE	VALIDITY	NOTES
1	77510631A	SCREW TBEI M5X8	4			MOD:1199R;XST:AUS,EUR,FRA,JAP	
2	75011391A	NUT	1			MOD:1199R;XST:AUS,EUR,FRA,JAP	
3	85212211A	WASHER 48.5X65X0.5	1			MOD:1199R;XST:AUS,EUR,FRA,JAP	
4	74810461A	NUT, FLANGE M10X1	6			MOD:1199R;XST:AUS,EUR,FRA,JAP	
5	16014201A	REAR SPROCKET FLANGE	1			MOD:1199R;XST:AUS,EUR,FRA,JAP	
6	81920021B	REAR WHEEL SPINDLE	1			MOD:1199R;XST:AUS,EUR,FRA,JAP	
7	88110541A	INNER SPACER	1			MOD:1199R;XST:AUS,EUR,FRA,JAP	
8	67640911A	CHAIN 105+1	1	01/10/2012		MOD:1199R;XST:AUS,EUR,FRA,JAP	
9	70090562A	ABSORBER, HUB SHOCK	6			MOD:1199R;XST:AUS,EUR,FRA,JAP	
10	49411581AA	REAR SPROCKET T41	1	01/10/2012		MOD:1199R;XST:AUS,EUR,FRA,JAP	
11	77240243C	SCREW	2			MOD:1199R;XST:AUS,EUR,FRA,JAP	
12	71410751A	SPACER	1			MOD:1199R;XST:AUS,EUR,FRA,JAP	
13	75620131A	HUB	1			MOD:1199R;XST:AUS,EUR,FRA,JAP	
14	46015061A	CHAIN COVER	1			MOD:1199R;XST:AUS,EUR,FRA,JAP	
15	85212171A	WASHER 85.5X101X1	2			MOD:1199R;XST:AUS,EUR,FRA,JAP	
16	88641241A	O-RING 89.5X3	2			MOD:1199R;XST:AUS,EUR,FRA,JAP	
17	82510441A	CALIPER HOLDER PLATE ABS	1			MOD:1199R;XST:AUS,EUR,FRA,JAP	
18	88440511A	CIRCLIP 85X3	1			MOD:1199R;XST:AUS,EUR,FRA,JAP	
19	49210061A	REAR BRAKE DISC	1			MOD:1199R;XST:AUS,EUR,FRA,JAP	
20	75910222A	CLIP	1			MOD:1199R;XST:AUS,EUR,FRA,JAP	
21	77914881A	SCREW	4			MOD:1199R;XST:AUS,EUR,FRA,JAP	
22	50410091A	REAR PHONIC WHEEL	1			MOD:1199R;XST:AUS,EUR,FRA,JAP	
23	43313751A	CHAIN ADJUSTMENT STICKER	1			MOD:1199R;XST:AUS,EUR,FRA	
	43313751B	CHAIN ADJUSTMENT STICKER	1			MOD:1199R;XST:JAP	JAP
24	77140663C	SCREW TCEIF M6X18 10.9	1			MOD:1199R;XST:AUS,EUR,FRA,JAP	
25	46015791B	MUDFLAP	1	22/10/2012	02/05/2013	MOD:1199R;XST:AUS,EUR,FRA,JAP	
26	67620831A	FINAL DRIVE KIT	1	01/11/2012		MOD:1199R;XST:AUS,EUR,FRA,JAP	
27	67740141A	CHAIN LINK	1			MOD:1199R;XST:AUS,EUR,FRA,JAP	





POS.	CODE	DESCRIPTION	QTY	START DATE	END DATE	VALIDITY	NOTES
1	48311731A	RUBBER SECTION	1	01/02/2012		MOD:1199R;XST:EUR,FRA,JAP	
2	77156443B	SCREW	4	01/02/2012		MOD:1199R;XST:EUR,FRA,JAP	
3	71614102AA	SPACER	4	01/02/2012		MOD:1199R;XST:EUR,FRA,JAP	
4	76411141A	VIBRATION DAMPER PAD	4	01/02/2012		MOD:1199R;XST:EUR,FRA,JAP	
5	51017721B	REAR WIRING	1	01/11/2012		MOD:1199R;XST:EUR,FRA,JAP	
6	53010282A	REAR FLASHER LIGHT,LEFT	1	24/02/2012		MOD:1199R;XST:EUR,FRA,JAP	
7	77440183C	SCREW	2	01/02/2012		MOD:1199R;XST:EUR,FRA,JAP	
8	56113043A	NUMBER PLATE HOLDER BOTTOM	1	01/02/2012		MOD:1199R;XST:EUR,FRA,JAP	
9	77440203C	SCREW	4	01/02/2012		MOD:1199R;XST:EUR,FRA,JAP	
10	71314703A	SPACER	2	01/02/2012		MOD:1199R;XST:EUR,FRA,JAP	
11	77156398B	SCREW TCEIF M5X12	2	01/02/2012		MOD:1199R;XST:EUR,FRA,JAP	
12	53010292A	REAR FLASHER LIGHT, RIGHT	1	24/02/2012		MOD:1199R;XST:EUR,FRA,JAP	
13	74950011B	NUT, SPRING	2	22/09/2010		MOD:1199R;XST:EUR,FRA,JAP	
14	85250011C	WASHER 4.3X9X0.8	2	22/09/2010		MOD:1199R;XST:EUR,FRA,JAP	
15	82712981B	BRACKET, REFLECTOR	1	22/09/2010		MOD:1199R;XST:EUR,FRA,JAP	
16	52910061B	REFLEX REFLECTOR, REAR	1	22/09/2010		MOD:1199R;XST:EUR,FRA,JAP	
17	56110261A	NUMBER PLATE HOLDER	1	01/02/2012		MOD:1199R;XST:EUR,FRA,JAP	
18	77240418C	SCREW	3	01/02/2012		MOD:1199R;XST:EUR,FRA,JAP	
19	56113033A	NUMBER PLATE HOLDER UPPER	1	01/02/2012		MOD:1199R;XST:EUR,FRA,JAP	
20	46014901A	COVER, LOWER	1	01/02/2012		MOD:1199R;XST:EUR,FRA,JAP	
21	76410841B	RUBBER PAD	1	01/02/2012		MOD:1199R;XST:EUR,FRA,JAP	
22	52510443C	TAILLIGHT	1	02/04/2012		MOD:1199R;XST:EUR,FRA,JAP	
23	76411491A	RUBBER PAD	3	01/02/2012		MOD:1199R;XST:EUR,FRA,JAP	
24	85213111AA	WASHER	1	01/02/2012		MOD:1199R;XST:EUR,FRA,JAP	
25	52510432D	LAMP, LICENSE PLATE	1	01/02/2012		MOD:1199R;XST:EUR,FRA,JAP	
26	87210532A	CAP DDA	1			MOD:1199R;XST:EUR,FRA,JAP	
27	77440071A	SCREW, TAPPING M4.5X12	1	01/02/2012		MOD:1199R;XST:EUR,FRA,JAP	



DRAWING 27B - NUMBER PLATE HOLDER - TAIL LIGHT - (AUS) [MOD:1199R;XST:AUS]

GROUP FRAME



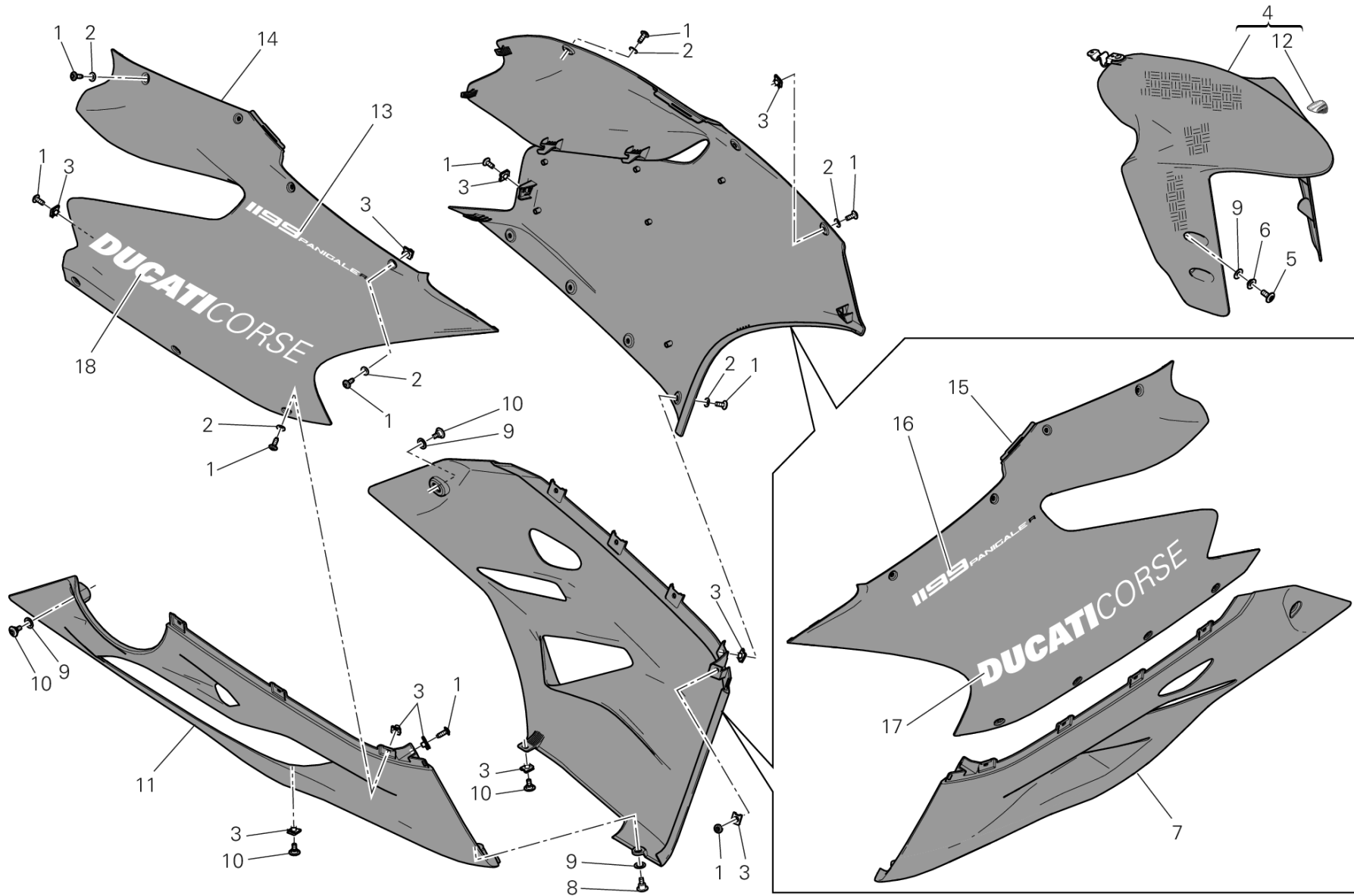
POS.	CODE	DESCRIPTION	QTY	START DATE	END DATE	VALIDITY	NOTES
1	48311731A	RUBBER SECTION	1			MOD:1199R;XST:AUS	
2	77156443B	SCREW	4			MOD:1199R;XST:AUS	
3	71614102AA	SPACER	4			MOD:1199R;XST:AUS	
4	76411141A	VIBRATION DAMPER PAD	4			MOD:1199R;XST:AUS	
5	51017721B	REAR WIRING	1	01/11/2012		MOD:1199R;XST:AUS	
6	53010282A	REAR FLASHER LIGHT,LEFT	1			MOD:1199R;XST:AUS	
7	77440183C	SCREW	2			MOD:1199R;XST:AUS	
8	56113043A	NUMBER PLATE HOLDER BOTTOM	1			MOD:1199R;XST:AUS	
9	77440203C	SCREW	2			MOD:1199R;XST:AUS	
10	71314703A	SPACER	2			MOD:1199R;XST:AUS	
11	77156398B	SCREW TCEIF M5X12	2			MOD:1199R;XST:AUS	
12	53010292A	REAR FLASHER LIGHT, RIGHT	1			MOD:1199R;XST:AUS	
13	74950011B	NUT, SPRING	2			MOD:1199R;XST:AUS	
14	85240131A	WASHER 5.3X15X1	4			MOD:1199R;XST:AUS	
15	46015771A	MUDFLAP	1			MOD:1199R;XST:AUS	
16	52910061B	REFLEX REFLECTOR, REAR	1			MOD:1199R;XST:AUS	
17	56110261A	NUMBER PLATE HOLDER	1			MOD:1199R;XST:AUS	
18	77240423C	SCREW TBEIF M6X16 10.9	3			MOD:1199R;XST:AUS	
19	56113033A	NUMBER PLATE HOLDER UPPER	1			MOD:1199R;XST:AUS	
20	46014901A	COVER, LOWER	1			MOD:1199R;XST:AUS	
21	76410841B	RUBBER PAD	1			MOD:1199R;XST:AUS	
22	52510443C	TAILLIGHT	1			MOD:1199R;XST:AUS	
23	76411491A	RUBBER PAD	3			MOD:1199R;XST:AUS	
24	85213111AA	WASHER	1			MOD:1199R;XST:AUS	
25	52510432D	LAMP, LICENSE PLATE	1			MOD:1199R;XST:AUS	
26	87210532A	CAP DDA	1			MOD:1199R;XST:AUS	
27	77440071A	SCREW, TAPPING M4.5X12	1			MOD:1199R;XST:AUS	
28	71614421AA	SPACER	2			MOD:1199R;XST:AUS	
29	77440121A	SCREW	2			MOD:1199R;XST:AUS	

DRAWING 28A - FORCELLONE POSTERIORE [MOD:1199R;XST:AUS,EUR,FRA,JAP]

GROUP FRAME



POS.	CODE	DESCRIPTION	QTY	START DATE	END DATE	VALIDITY	NOTES
1	75610332AA	OUTSIDE SPACER ECCENTRIC	1	20/01/2013		MOD:1199R;XST:AUS,EUR,FRA,JAP	
2	70250451A	BEARING	2			MOD:1199R;XST:AUS,EUR,FRA,JAP	
3	75610321AA	INNER SPACER ECCENTRIC	1	01/11/2012		MOD:1199R;XST:AUS,EUR,FRA,JAP	
4	75610312AA	INNER SPACER ECCENTRIC	1	20/01/2013		MOD:1199R;XST:AUS,EUR,FRA,JAP	
5	93050121A	SEAL RING	2			MOD:1199R;XST:AUS,EUR,FRA,JAP	
6	70140171A	BEARING, NEEDLE	2			MOD:1199R;XST:AUS,EUR,FRA,JAP	
7	75610301BA	BUSH LEFT	1	20/01/2013		MOD:1199R;XST:AUS,EUR,FRA,JAP	
8	77914401B	SCREW TBEI M6X15	6			MOD:1199R;XST:AUS,EUR,FRA,JAP	
9	44710901A	LOWER CHAIN SLIDING SHOE	1			MOD:1199R;XST:AUS,EUR,FRA,JAP	
10	44710891A	UPPER CHAIN SLIDING SHOE	1			MOD:1199R;XST:AUS,EUR,FRA,JAP	
11	77210852C	SCREW	1			MOD:1199R;XST:AUS,EUR,FRA,JAP	
12	46015451A	MUDFLAP UPPER	1			MOD:1199R;XST:AUS,EUR,FRA,JAP	
13	37021371AA	FORCELLONE POSTERIORE	1	01/11/2012		MOD:1199R;XST:AUS,EUR,FRA,JAP	
14	83016641A	GUIDE	1			MOD:1199R;XST:AUS,EUR,FRA,JAP	
15	77210841B	SCREW	3			MOD:1199R;XST:AUS,EUR,FRA,JAP	
16	77915031A	SCREW TCEI M12X1.25X40	2			MOD:1199R;XST:AUS,EUR,FRA,JAP	
17	83210031C	PIN	1			MOD:1199R;XST:AUS,EUR,FRA,JAP	
18	46016321A	MUDFLAP BOTTOM CARBON	1	01/11/2012		MOD:1199R;XST:AUS,EUR,FRA,JAP	
19	56510641AA	REAR MUDGUARD CARBON	1	01/11/2012		MOD:1199R;XST:AUS,EUR,FRA,JAP	
20	87210601A	CAP, SWINGARM COVER	1			MOD:1199R;XST:AUS,EUR,FRA,JAP	
21	86050051A	PIN	2	01/11/2012		MOD:1199R;XST:AUS,EUR,FRA,JAP	
22	77154459Z	SCREW	2	20/01/2013		MOD:1199R;XST:AUS,EUR,FRA,JAP	
23	71114631BA	BUSH, LH	1	20/01/2013		MOD:1199R;XST:AUS,EUR,FRA,JAP	
24	71114641BA	COLLAR, R. SWINGARM	1	20/01/2013		MOD:1199R;XST:AUS,EUR,FRA,JAP	
25	46016331A	SWINGING ARM CARBON PROTECTION	1	22/11/2012		MOD:1199R;XST:AUS,EUR,FRA,JAP	
26	77210861B	SCREW TBEI M5X18	4	01/11/2012		MOD:1199R;XST:AUS,EUR,FRA,JAP	
27	46016341A	GUARD	1	22/11/2012		MOD:1199R;XST:AUS,EUR,FRA,JAP	
28	74140621A	HOSE CLAMP 8 MM	1	01/11/2012		MOD:1199R;XST:AUS,EUR,FRA,JAP	
29	77550213C	SCREW TBEI M6X16	1	01/11/2012		MOD:1199R;XST:AUS,EUR,FRA,JAP	
30	85611361A	WASHER	4	01/11/2012		MOD:1199R;XST:AUS,EUR,FRA,JAP	
31	96863612B	SPACER	1	01/11/2012		MOD:1199R;XST:AUS,EUR,FRA,JAP	
32	969A9912B	SPACER	1	01/11/2012		MOD:1199R;XST:AUS,EUR,FRA,JAP	



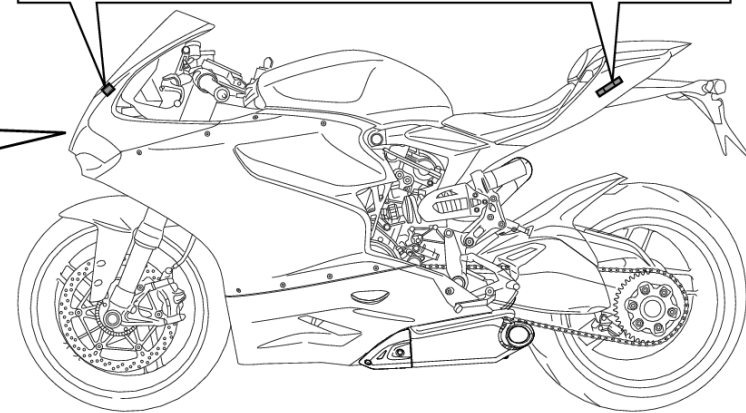
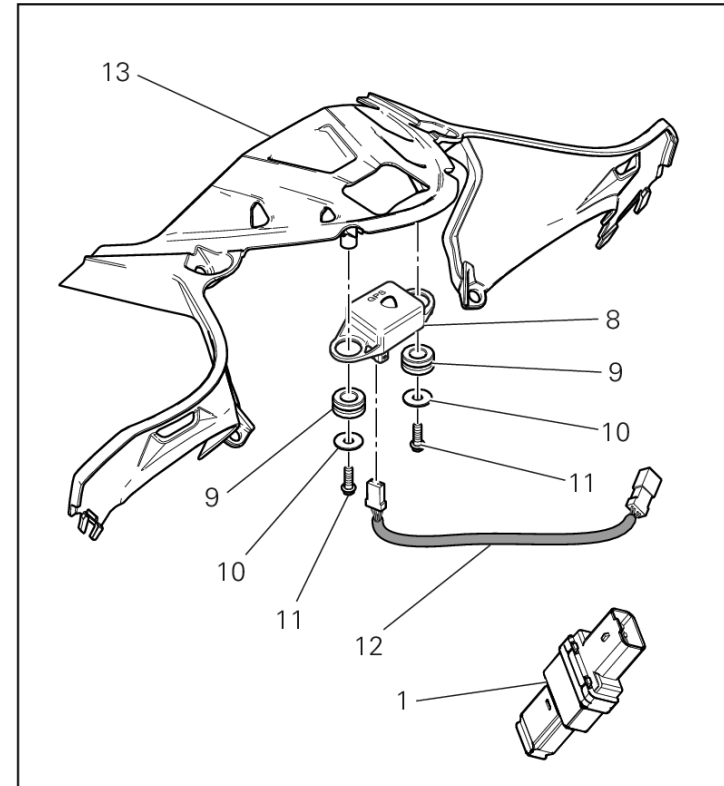
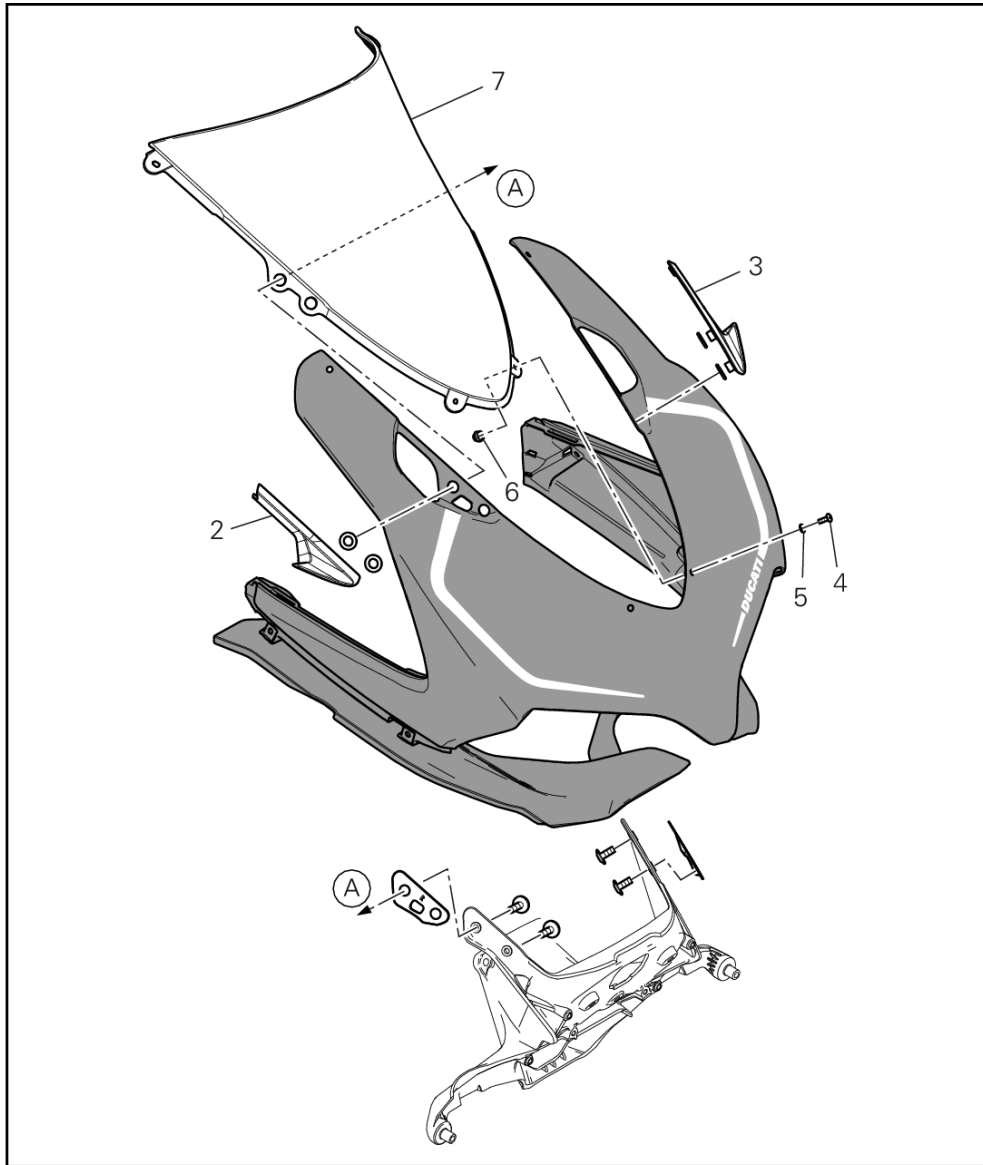
VST01231

DRAWING 34A - FAIRING [MOD:1199R;XST:AUS,EUR,FRA,JAP]

GROUP FRAME



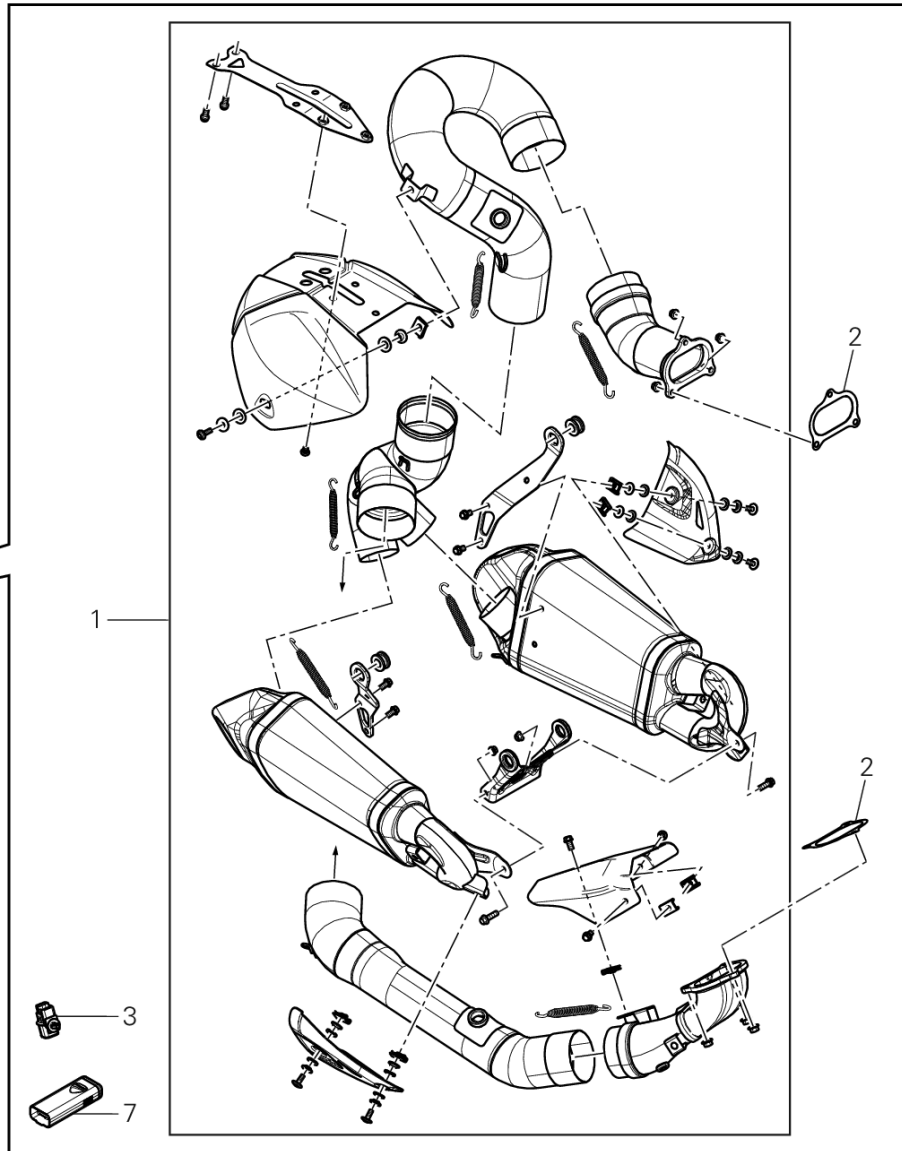
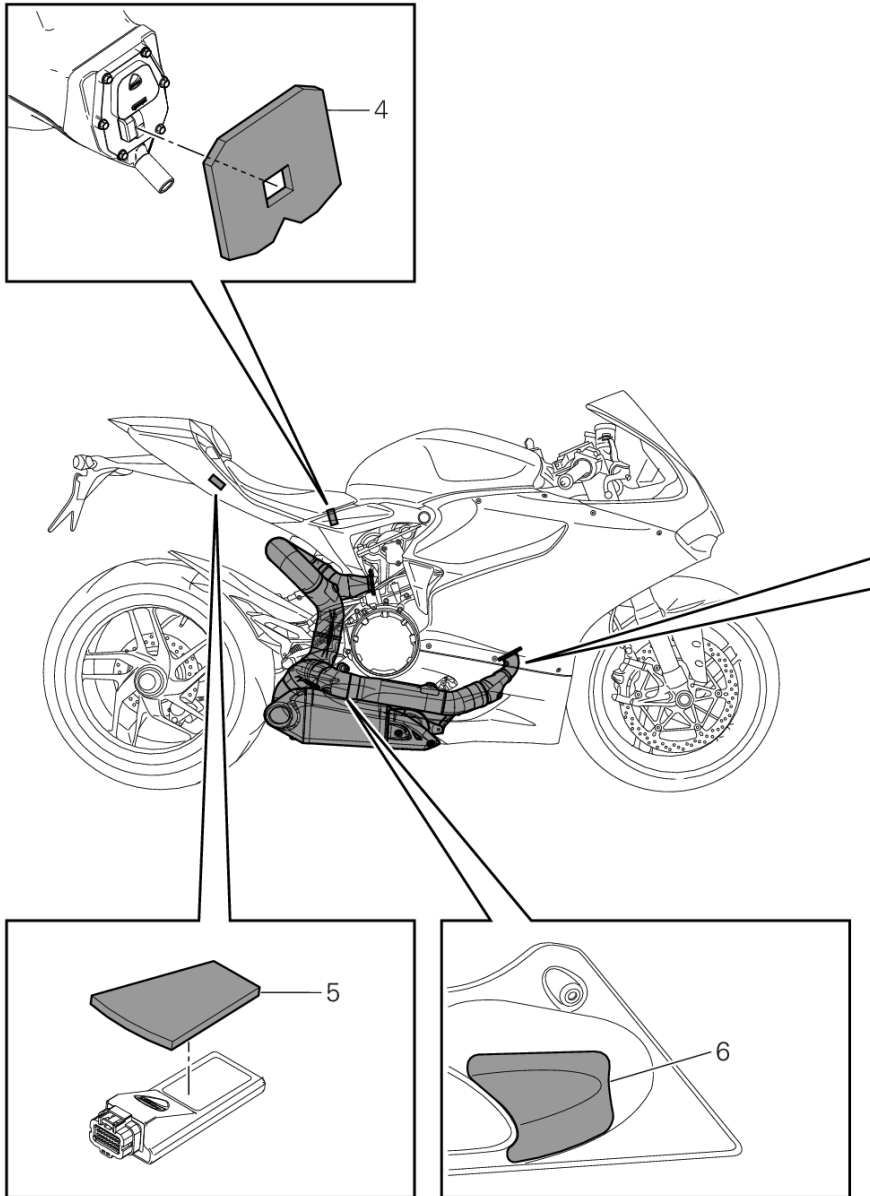
POS.	CODE	DESCRIPTION	QTY	START DATE	END DATE	VALIDITY	NOTES
1	77211091C	SCREW	19			MOD:1199R;XST:AUS,EUR,FRA,JAP	
2	85611401A	WASHER	15			MOD:1199R;XST:AUS,EUR,FRA,JAP	
3	85040471A	QUICK FASTENING M5	17			MOD:1199R;XST:AUS,EUR,FRA,JAP	
4	56420981B	FRONT FENDER CARBON	1	01/11/2012		MOD:1199R;XST:AUS,EUR,FRA,JAP	
5	77210893B	SCREW TBEI M6X14	4			MOD:1199R;XST:AUS,EUR,FRA,JAP	
6	71614011B	SPACER 6.2X8.5X14	4			MOD:1199R;XST:AUS,EUR,FRA,JAP	
7	48013333AA	FAIRING, LOWER LH RED	1	01/09/2012		MOD:1199R;XST:AUS,EUR,FRA,JAP	
8	77210841B	SCREW	1			MOD:1199R;XST:AUS,EUR,FRA,JAP	
9	85212181A	WASHER, NYLON 9X14X1	7			MOD:1199R;XST:AUS,EUR,FRA,JAP	
10	77210853B	SCREW TCEI M5X9	4			MOD:1199R;XST:AUS,EUR,FRA,JAP	
11	48013354AA	FAIRING, LOWER RH RED	1	23/11/2012		MOD:1199R;XST:AUS,EUR,FRA,JAP	
12	43814531D	STICKER DUCATI CORSE	1	01/09/2012		MOD:1199R;XST:AUS,EUR,FRA,JAP	
13	43818791A	DECAL "1199 PANIGALE R" RIGHT	1	01/09/2012		MOD:1199R;XST:AUS,EUR,FRA,JAP	
14	48013711AA	RIGHT UPPER FAIRING RED	1	01/09/2012		MOD:1199R;XST:AUS,EUR,FRA,JAP	
15	48013701AA	LEFT UPPER FAIRING RED	1	01/09/2012		MOD:1199R;XST:AUS,EUR,FRA,JAP	
16	43818781A	DECAL "1199 PANIGALE R" LEFT	1	01/09/2012		MOD:1199R;XST:AUS,EUR,FRA,JAP	
17	43818761A	STICKER DUCATI CORSE LEFT	1	01/09/2012		MOD:1199R;XST:AUS,EUR,FRA,JAP	
18	43818771A	STICKER DUCATI CORSE RIGHT	1	01/09/2012		MOD:1199R;XST:AUS,EUR,FRA,JAP	



IMP00836



POS.	CODE	DESCRIPTION	QTY	START DATE	END DATE	VALIDITY	NOTES
1	38522021A	DDA 16MB CONTROL UNIT	1	01/07/2013		MOD:1199R;XST:AUS,EUR,FRA,JAP	
2	24714631A	CAP RH	1	01/11/2012		MOD:1199R;XST:AUS,EUR,FRA,JAP	
3	24714621A	CAP LH	1	01/11/2012		MOD:1199R;XST:AUS,EUR,FRA,JAP	
4	77510641A	SCREW, SPECIAL	4	19/09/2012		MOD:1199R;XST:AUS,EUR,FRA,JAP	
5	85210241A	WASHER, NYLON 4X8X0.5	4	19/09/2012		MOD:1199R;XST:AUS,EUR,FRA,JAP	
6	75010281A	NUT, SPRING	4	19/09/2012		MOD:1199R;XST:AUS,EUR,FRA,JAP	
7	96700412A	WINDSHIELD OVERSIZE	1	19/09/2012		MOD:1199R;XST:AUS,EUR,FRA,JAP	
8	38510141A	GPS CONTROL UNIT	1			MOD:1199R;XST:AUS,EUR,FRA,JAP	
9	76411141A	VIBRATION DAMPER PAD	2			MOD:1199R;XST:AUS,EUR,FRA,JAP	
10	85210901B	WASHER	2			MOD:1199R;XST:AUS,EUR,FRA,JAP	
11	77510161A	SCREW	2			MOD:1199R;XST:AUS,EUR,FRA,JAP	
12	51018901A	ELECTRIC WIRING	1			MOD:1199R;XST:AUS,EUR,FRA,JAP	
13	46016101A	COVER, METER	1			MOD:1199R;XST:AUS,EUR,FRA,JAP	



IMP00837



POS.	CODE	DESCRIPTION	QTY	START DATE	END DATE	VALIDITY	NOTES
1	96480131A	GRUPPO SCARICO	1	01/10/2012		MOD:1199R;XST:AUS,EUR,FRA,JAP	
2	79010231B	GASKET, EXHAUST PIPE	2	01/10/2012		MOD:1199R;XST:AUS,EUR,FRA,JAP	
3	96700312A	EXHAUST VALVE MOTOR CONNECTOR CAP	1	01/10/2012		MOD:1199R;XST:AUS,EUR,FRA,JAP	
4	96788412B	GAC HEAT INSULATOR	1	01/10/2012		MOD:1199R;XST:AUS,EUR,FRA,JAP	
5	96788512B	BBS HEAT INSULATOR	1	01/10/2012		MOD:1199R;XST:AUS,EUR,FRA,JAP	
6	4601A081A	THERMOREFLECTING PROTECTION	1	26/11/2012		MOD:1199R;XST:AUS,EUR,FRA,JAP	
7	96524311B	ELECTRONIC DEVICE UP-MAP	1	26/10/2012		MOD:1199R;XST:AUS,EUR,FRA,JAP	



CODE	NO. TABLE	POS.	CODE	NO. TABLE	POS.	CODE	NO. TABLE	POS.	CODE	NO. TABLE	POS.
037072020	023	8	15021542D	003	27	19610531A	004	12	28240893A	017	10
037072020	024	12	15310121A	021	13	19610541A	004	11	28620441A	001	5
064770010	011	1	15620711BA	006	6	19820401A	004	14	28642211F	18B	10
069191030	18C	10	15620711BB	006	6	20810381A	014	15	28642341A	18B	10
11210711AA	006	9	15620711BC	006	6	20810381A	015	15	28642341E	18B	10
11210711AB	006	9	15620711BD	006	6	20910641A	014	19	28642341F	18B	10
11210711AC	006	9	16014151A	012	23	20910641A	015	19	30123461D	013	33
11210711AD	006	9	16014201A	26A	5	20910651A	014	14	30123461D	014	4
11210711AE	006	9	16024272A	032	11	20910651A	015	14	30123471D	015	4
11210711AF	006	9	17021261A	006	3	21010811D	014	30	30123471D	13A	35
11210771AA	10A	11	17111153A	013	14	21010811D	015	30	30310671AA	014	11
11210771AB	10A	11	17111153A	13A	14	21110802A	014	21	30310671AA	015	11
11210771AC	10A	11	17112311A	008	4	21110802A	015	21	30310671AB	014	11
11210771AD	10A	11	17112351B	006	13	22522941A	010	35	30310671AB	015	11
11210771AE	10A	11	17213172B	003	5	24221081BB	012	10	30310671AC	014	11
11711252AA	22A	4	17213181D	003	10	24311274A	005	17	30310671AC	015	11
11711261CA	016	18	17213191D	003	13	24311274A	05A	17	30310691A	014	36
11711272AA	025	30	17213201D	003	7	24321344A	005	2	30310691A	015	36
11721332B	004	16	17213211D	003	19	24321344A	05A	2	30310691AA	014	36
12021984D	007	6	17213221D	003	25	24713912A	008	2	30310691AA	015	36
12112551C	007	2	17213231D	003	23	24713931B	13A	11	30310691AB	014	36
12112601B	007	1	17213241D	003	22	24713941B	013	11	30310691AB	015	36
12120561B	007	3	17213251D	003	20	24714062A	033	27	30310691AC	014	36
12221711EA	007	7	17213261D	003	24	24714101A	013	28	30310691AC	015	36
12221711EB	007	7	17310241A	012	25	24714101A	13A	28	304A0921A	014	31
12221711EC	007	7	17410501A	011	12	24714291A	030	26	304A0921A	015	31
13510361B	017	6	17410511A	011	2	24714621A	34B	3	304A0931A	014	22
13510371B	017	5	17410601A	009	19	24714631A	34B	2	304A0931A	015	22
14010691A	013	2	17410611A	009	25	24714721AA	016	1	30710021A	013	23
14010691A	13A	2	17420561A	009	17	24714741A	025	16	30710021A	13A	23
14621991AA	006	11	17420571A	009	1	24723652A	002	9	34110891CA	021	23
14621991AB	006	11	17420581B	006	5	24723701C	011	6	34220681AA	021	7
14621991AC	006	11	17610221A	012	27	24723712A	009	18	34420411A	21A	1
14621991AD	006	11	18010271D	002	2	24723842A	009	3	34520411A	21A	2
14710903A	009	13	18010281D	002	6	247P4072A	18A	20	34921301A	21A	4
14814361B	13A	18	18010291D	002	7	247P4711AA	033	34	34921311A	21A	5
14814381A	013	18	18120051C	002	13	25130081B	13A	21	34921321A	21A	6
14823751C	13A	36	18220353C	002	5	25220071A	009	6	36011321BA	021	25
14823811C	013	34	18220381B	002	27	25440012A	005	13	36011331BA	021	19
14824481B	13A	19	18410152AA	025	29	25440012A	05A	13	36011341BA	021	17
14824491C	013	19	18710021A	023	3	26420161A	012	1	36420111A	021	29
14910871E	003	15	19020232A	004	9	27040134A	012	7	36521031A	028	4
15021491E	003	1	19410511A	004	4	27610701A	012	21	37021371AA	28A	13
15021504D	003	2	19540061A	004	17	28040331A	017	3	37211161BA	028	19



CODE	NO. TABLE	POS.	CODE	NO. TABLE	POS.	CODE	NO. TABLE	POS.	CODE	NO. TABLE	POS.
37211171BA	028	20	44710901A	28A	9	46016331A	28A	25	49720031A	026	16
38040221B	018	16	44740021B	008	10	46016341A	28A	27	50121671AB	026	10
38040221B	18B	19	44740051A	008	6	46016361A	13A	38	50221591AB	026	7
38510141A	34B	8	44910611A	003	30	46016371A	13A	39	50410051A	026	20
38510251B	022	14	45140013A	008	5	4601A081A	34C	6	50410091A	26A	22
38512081A	027	21	45520171A	002	23	460P6241AA	019	29	51017721B	27A	5
38522021A	34B	1	45612092BA	016	13	460P6241AA	19A	39	51017721B	27B	5
38710041A	032	17	45612101AA	016	23	46110012AA	19A	44	51017731C	017	15
38940191A	18C	8	45720552AA	025	34	46240461A	020	3	51017921C	18C	1
38940201A	18C	8	46014601A	005	27	46410801AA	016	4	51018901A	34B	12
38940211A	18C	8	46014901A	27A	20	46410801AA	027	10	51310261A	18A	15
38940221A	18C	8	46014901A	27B	20	46410811AA	025	23	51410671A	18A	7
38940241A	18C	8	46014971B	021	2	46410811AA	027	11	51410681A	18A	11
38940251A	18A	12	46015011B	027	25	47012051CA	022	2	51640011AB	021	31
39520311A	18A	4	46015022A	027	29	47110252BA	027	14	52010228B	020	19
39740071A	18A	13	46015052A	18A	3	48013333AA	34A	7	52350281A	034	7
40611001A	020	1	46015061A	26A	14	48013354AA	34A	11	52350291A	034	2
42610341B	022	6	46015262A	019	6	48013701AA	34A	15	52510432D	27A	25
42710171A	10A	13	46015262A	19A	6	48013711AA	34A	14	52510432D	27B	25
43313751A	26A	23	46015281A	020	8	48110841AA	034	24	52510443C	27A	22
43313751B	26A	23	46015331BA	019	22	48110851AA	034	23	52510443C	27B	22
43814531D	032	26	46015331BA	19A	22	48110971AA	034	3	52910061B	27A	16
43814531D	34A	12	46015351A	018	12	48211821AA	033	9	52910061B	27B	16
43814551A	026	21	46015393A	019	38	48211831AA	033	17	53010282A	27A	6
43818761A	34A	17	46015393A	19A	38	48311711B	033	28	53010282A	27B	6
43818771A	34A	18	46015451A	28A	12	48311722AA	033	21	53010292A	27A	12
43818781A	34A	16	46015482A	018	7	48311731A	27A	1	53010292A	27B	12
43818791A	34A	13	46015631B	18B	5	48311731A	27B	1	53940031A	025	17
43818801A	032	15	46015681A	18A	22	48410991B	030	2	53940302A	005	14
43818811A	032	23	46015741A	019	39	48411002A	034	13	53940302A	05A	14
43818821A	034	22	46015741A	19A	29	48411011A	033	23	53940351A	024	5
43818831A	034	27	46015771A	27B	15	48411021A	033	32	53940361A	023	22
43818841A	033	35	46015781AA	019	42	48411031B	020	10	53940601A	22A	1
43818851A	033	37	46015781AA	19A	42	48411043A	030	4	53940651A	22A	14
43818861A	033	36	46015791B	26A	25	48411053A	030	5	54040301B	018	3
43818871A	033	38	46016101A	34B	13	48610851A	005	24	54140101A	18C	9
43818881A	033	40	46016191AA	028	6	48610851A	05A	24	54240362A	24A	4
43818891A	033	39	46016201AA	034	18	48610912A	05A	27	54710022B	011	9
43818901A	032	25	46016211AA	034	17	48710562A	034	1	54840961B	030	22
43818911A	032	24	46016221AA	034	20	49210061A	26A	19	54840971B	030	10
43818921A	033	41	46016231AA	019	44	49240891A	026	12	55212092A	019	24
44212342B	029	8	46016231AA	19A	56	49240901A	026	5	55212092A	19A	24
44440291C	009	5	46016251A	005	29	49411581AA	26A	10	55212111B	24A	14
44710891A	28A	10	46016321A	28A	18	49720012A	026	3	55212881C	016	20



CODE	NO. TABLE	POS.	CODE	NO. TABLE	POS.	CODE	NO. TABLE	POS.	CODE	NO. TABLE	POS.
55241321B	012	17	59511281B	033	26	65540081A	029	14	70450091A	011	8
55241571A	018	10	59521091A	033	33	66020011B	021	12	71011611AA	22A	6
55241581A	020	6	59521911A	033	1	66810491A	014	32	71011642AA	028	8
55241612C	002	1	59820611A	033	15	66810491A	015	32	71110932A	10A	14
55242631A	031	22	59821191A	032	20	66910011E	014	9	71113171A	005	5
55320121A	031	19	59840291A	032	19	66910011E	015	9	71113171A	012	9
55610601BA	22A	8	59840321A	032	18	67040451A	018	14	71113171A	05A	5
55610612AA	22A	13	59940011A	033	19	67040451A	18B	16	71113181A	010	15
56110261A	27A	17	61041371A	024	9	67110511C	018	15	71113221A	011	4
56110261A	27B	17	61041381A	024	26	67110511C	18B	17	71113631A	002	4
56113033A	27A	19	61140411A	025	13	67620831A	26A	26	71114122AA	020	21
56113033A	27B	19	61240052A	023	4	67640911A	26A	8	71114631BA	28A	23
56113043A	27A	8	61240052A	024	21	67740141A	26A	27	71114641BA	28A	24
56113043A	27B	8	61240081A	025	1	68010171A	006	12	71210341A	016	9
56420981B	34A	4	61240161A	025	3	69610121A	027	9	71210341A	025	33
56510641AA	28A	19	61240201A	024	22	69720283A	027	1	71210471AA	22A	11
57013061C	019	20	61240371A	024	27	69926431A	032	21	71240231A	002	12
57013061C	19A	20	61240391A	023	23	69926441A	032	22	71240231A	010	14
57013072A	019	17	61240391A	024	30	70010431A	020	2	71313091A	004	13
57013072A	19A	17	61340381A	025	26	70010701A	027	20	71313641A	024	20
57013152B	019	16	61340961A	024	8	70010711A	18B	12	71314361A	19A	46
57013152B	19A	16	61610021A	032	2	70090562A	26A	9	71314703A	27A	10
57112992C	019	26	61810361A	024	29	70140171A	28A	6	71314703A	27B	10
57112992C	19A	26	61841141C	24A	8	70140301C	008	11	71314831A	004	15
57113002C	019	25	61841151C	24A	5	70140311A	003	8	71314901A	24A	13
57113002C	19A	25	61940531B	24A	12	70140321A	003	14	71319201A	24A	13
573P3392A	19A	51	61940541B	24A	11	70140331A	003	18	71319271A	014	12
57413243B	019	13	62440761B	024	1	70140351A	012	22	71319271A	015	12
57413301A	19A	13	62540311C	025	8	70140361A	011	3	71319281A	014	28
57610791AA	19A	52	62640561A	023	20	70140371A	009	15	71319281A	015	28
58540081A	023	12	62640561A	024	7	70240131D	010	7	71319291A	008	12
58540081A	025	4	62640571A	023	18	70240181B	012	24	71319421A	028	11
58540181A	024	15	62640571A	024	24	70240251B	010	11	71319442A	004	19
58612091AA	032	3	63040601B	023	1	70241091A	010	12	71319471AA	033	3
59013861A	029	7	63140081A	023	21	70241191A	028	16	71319522AA	028	12
59013901A	032	1	63140081A	024	6	70241231A	021	10	71319961CA	021	32
59013911B	030	7	63140161A	025	2	70250411A	010	17	71319971AA	028	10
59013911B	032	4	63140281A	023	19	70250451A	026	8	71320021B	003	29
59013941A	018	11	63140281A	024	19	70250451A	28A	2	71410751A	26A	12
59013951A	018	21	63140491A	024	2	70250601A	004	10	71413231AA	026	15
59023512A	017	1	63140501A	023	2	70310593A	006	4	71413261AA	026	17
59023532A	017	12	63210611A	023	6	70310601BA	021	24	71413271AA	026	2
59340392A	019	3	65010092I	021	27	70450051A	009	24	71413291A	026	9
59340392A	19A	3	65110112E	021	11	70450091A	009	23	71611061A	18A	16



CODE	NO. TABLE	POS.	CODE	NO. TABLE	POS.	CODE	NO. TABLE	POS.	CODE	NO. TABLE	POS.
71611071B	019	49	74141671A	027	27	75011841AA	05A	12	76411472A	027	15
71611071B	19A	57	74141671A	029	10	75011921A	023	13	76411481A	019	9
71611441A	13A	43	74141711A	018	20	75011921A	024	18	76411481A	19A	9
71611441B	028	5	74141851A	030	28	75610142AA	022	1	76411491A	030	15
71611491A	033	8	74141881A	031	18	75610301BA	28A	7	76411491A	27A	23
71611571C	002	17	74142141A	029	1	75610312AA	28A	4	76411491A	27B	23
71611581C	002	15	74142231A	031	16	75610321AA	28A	3	76411501A	030	17
71614011B	34A	6	74142251A	029	11	75610332AA	28A	1	76411511A	034	12
71614071A	005	23	74750031A	021	6	75620131A	26A	13	76411521A	032	7
71614071A	019	36	74750031A	025	28	75810701B	005	22	76411621A	029	15
71614071A	05A	23	74750101A	016	17	75810701B	05A	22	76411641A	020	14
71614071A	18A	9	74750151A	010	29	75810711A	24A	19	76411671A	13A	42
71614071A	18B	2	74810241A	019	11	75810721A	24A	18	76411821A	019	45
71614071A	19A	36	74810241A	19A	11	75840601A	24A	16	76411821A	19A	60
71614102AA	019	47	74810351B	017	9	75910222A	026	19	76440561A	018	6
71614102AA	19A	58	74810351B	027	19	75910222A	26A	20	76440561A	033	22
71614102AA	27A	3	74810361A	019	41	76410011A	19A	47	76440561A	18B	3
71614102AA	27B	3	74810361A	19A	41	76410112A	016	19	76440581A	005	21
71614331AA	030	14	74810461A	022	4	76410631A	019	15	76440581A	05A	21
71614342AA	018	18	74810461A	10A	1	76410631A	19A	15	76610781A	010	6
71614342AA	031	2	74810461A	26A	4	76410741A	018	22	76610801A	010	25
71614342AA	18B	7	74810651A	026	1	76410841B	018	13	76610811A	10A	6
71614351AA	032	6	74810791A	013	25	76410841B	27A	21	76610821A	013	6
71614381AA	020	17	74810791A	13A	25	76410841B	27B	21	76610821A	13A	6
71614391AA	019	8	74840381A	019	37	76410871A	014	10	76610891A	013	26
71614391AA	19A	8	74840381A	020	4	76410871A	015	10	76610891A	13A	26
71614421AA	27B	28	74840381A	18A	8	76410901A	018	19	77110211A	19A	53
71614431AA	031	4	74840381A	19A	37	76410901A	020	20	77110471A	004	6
71614431AA	18C	4	74840481A	10A	4	76410901A	025	39	77110518B	012	3
73210331B	019	35	74940041A	018	5	76410901A	031	3	77110518B	21A	3
73210331B	19A	35	74940141A	028	21	76410901A	18A	2	77112331A	013	1
735033804	010	16	74941118B	033	24	76410901A	18B	6	77112331A	13A	1
735034405	010	8	74941128B	19A	50	76410901A	18C	5	77116648B	019	14
73840011A	008	9	74950011B	27A	13	76411141A	034	14	77116648B	19A	14
74140381A	18C	2	74950011B	27B	13	76411141A	27A	4	77140663C	26A	24
74140431A	023	14	75010071A	004	7	76411141A	27B	4	77150628B	014	16
74140431A	024	16	75010281A	034	6	76411141A	34B	9	77150628B	015	16
74140431A	025	6	75011301A	34B	6	76411301A	019	5	77150668B	017	11
74140431A	030	19	75011391A	026	13	76411301A	19A	5	77150678B	009	22
74140431A	031	10	75011391A	26A	2	76411361A	020	15	77151598C	028	1
74140431A	032	16	75011491AB	034	21	76411411B	018	8	77154337C	003	3
74140621A	28A	28	75011551A	033	16	76411411B	030	9	77154459Z	28A	22
74140631A	029	6	75011742AA	18B	4	76411411B	18A	1	77156398B	016	2
74141491A	031	13	75011841AA	005	12	76411411B	18B	21	77156398B	27A	11



CODE	NO. TABLE	POS.	CODE	NO. TABLE	POS.	CODE	NO. TABLE	POS.	CODE	NO. TABLE	POS.
77156398B	27B	11	77210852C	28A	11	77251018B	019	32	77440203C	030	12
77156408B	017	2	77210853B	18B	1	77251018B	020	16	77440203C	18A	23
77156408B	025	14	77210853B	34A	10	77251018B	19A	32	77440203C	19A	1
77156408B	030	23	77210861B	033	2	77251023C	18A	14	77440203C	27A	9
77156408B	031	8	77210861B	28A	26	77251038B	018	4	77440203C	27B	9
77156418B	032	14	77210882B	019	50	77251038B	18B	18	77510041A	020	5
77156438B	19A	49	77210882B	031	5	77251387C	10A	8	77510071AB	034	4
77156443B	018	17	77210882B	18C	3	77253063C	13A	44	77510161A	027	28
77156443B	030	13	77210882B	19A	55	77253290Z	013	12	77510161A	34B	11
77156443B	031	1	77210893B	34A	5	77253290Z	13A	12	77510311B	010	1
77156443B	18B	8	77211091C	030	25	77253297C	011	10	77510631A	26A	1
77156443B	27A	2	77211091C	033	13	77253300ZF	012	2	77510641A	34B	4
77156443B	27B	2	77211091C	034	19	77253307C	012	19	77550131A	016	15
77156448B	025	15	77211091C	34A	1	77253317C	002	10	77550200C	005	26
77156628B	18A	5	77211131A	18A	21	77253317C	008	1	77550200C	05A	26
77156658B	022	10	77211201A	004	3	77253317C	009	2	77550213C	28A	29
77156658B	025	9	77211251B	021	1	77253317C	011	11	77910921B	023	7
77156658B	027	8	77211251B	13A	40	77253337C	005	1	77910921B	024	13
77156678B	016	21	77211271A	024	32	77253337C	009	9	77912371B	025	31
77156678B	021	28	77211271A	24A	17	77253337C	012	16	77912981A	021	5
77156688B	018	9	77211361AA	028	18	77253337C	05A	1	77913091AB	024	28
77156688B	021	4	77214151AA	016	25	77253357C	005	4	77913141B	24A	10
77156688B	025	19	77214151AA	025	40	77253357C	012	11	77913311D	024	25
77156728B	032	5	77240243C	005	31	77253357C	05A	4	77913541A	013	15
77157238B	016	10	77240243C	05A	30	77253367C	013	5	77913541A	13A	15
77157238B	025	12	77240243C	26A	11	77253367C	13A	5	77913661AB	24A	7
77157238B	027	13	77240253C	020	9	77253387C	10A	7	77913971A	023	5
77157238B	028	3	77240253C	19A	30	77253447C	10A	9	77913991A	026	4
77157248B	021	21	77240258C	18B	13	77350403B	033	7	77914151A	024	23
77157258B	021	22	77240288C	034	9	77350618B	013	31	77914211A	014	7
77157278B	019	7	77240323C	029	13	77350618B	13A	31	77914211A	015	7
77157278B	027	7	77240393C	033	29	77350623B	023	10	77914401B	28A	8
77157278B	19A	7	77240398C	010	36	77354623B	22A	2	77914881A	26A	21
77157288B	016	24	77240408C	022	11	77354888B	021	20	77915031A	28A	16
77157618B	028	13	77240418C	27A	18	77355038B	002	8	77915041A	028	15
77210461B	18A	24	77240423C	27B	18	77355068B	19A	45	77915471A	006	10
77210601A	24A	15	77240483C	027	18	77440071A	27A	27	77916211A	006	7
77210621A	013	27	77244173B	028	7	77440071A	27B	27	77916241A	002	22
77210621A	13A	27	77244203B	032	10	77440101A	020	11	77916441A	013	10
77210741A	021	8	77244213B	019	30	77440111A	029	9	77916441A	13A	10
77210841B	28A	15	77244213B	19A	62	77440121A	27B	29	77916551B	006	1
77210841B	34A	8	77250728B	019	19	77440183C	27A	7	77916661B	012	5
77210852C	019	2	77250728B	19A	19	77440183C	27B	7	77916763AA	027	23
77210852C	19A	2	77250788B	020	18	77440203C	019	1	77916773AA	027	24



CODE	NO. TABLE	POS.	CODE	NO. TABLE	POS.	CODE	NO. TABLE	POS.	CODE	NO. TABLE	POS.
77916783AA	027	16	78811131A	13A	8	79940121A	010	22	82123692A	008	8
77916792AA	033	30	78811161A	029	3	800068490	024	14	82411871BA	025	21
77916811AA	022	13	78811182A	022	3	80012051A	031	14	82411881BA	027	5
77916821BA	020	12	78811191A	011	7	80012061A	031	15	82411892BA	027	12
77916951AA	034	11	78811201A	031	9	80012111A	031	6	82412251AA	027	12
77916971B	013	21	78811221A	034	8	80012121A	030	21	82421861AA	016	11
77916991A	10A	12	78811231A	034	10	80012131A	031	7	82510441A	26A	17
77917161B	005	3	78811281A	034	25	81140012B	013	29	82712981B	27A	15
77917161B	009	11	78811291A	034	26	81140012B	13A	29	82716012A	005	25
77917161B	012	6	79010231B	019	21	81413341A	013	4	82716012A	05A	25
77917161B	05A	3	79010231B	19A	21	81413341A	13A	4	82716021A	014	34
77917231A	014	35	79010231B	34C	2	81413421B	010	23	82716021A	015	34
77917231A	015	35	79010251A	019	12	81413531A	13A	34	82716091A	012	8
77917291AA	24A	1	79010251A	19A	12	81415081AA	031	12	82716141A	033	18
77917392AA	021	30	79110831A	030	20	81440681A	032	8	82716351A	013	30
77917951AA	005	30	79120531B	007	5	81510371A	029	5	82716351A	13A	30
77917951AA	05A	29	79710531B	004	1	81810162A	004	5	82716921AA	025	38
77917961AA	05A	28	79910241A	027	3	81910691A	026	11	8291A333AA	028	2
77918341A	13A	37	79911661A	016	5	81920021B	26A	6	8291A352B	030	11
77927171A	010	28	79911661A	025	24	82010141A	010	4	8291A481B	022	7
77950591A	024	10	79912632A	019	23	82010141A	012	28	8291A511BA	025	18
78010511C	012	14	79912632A	19A	23	82010151A	008	13	8291A553BA	020	13
78010511C	014	24	79915101C	002	25	82010162A	009	14	8291A691AA	024	11
78010511C	015	24	79915131C	002	20	82010171A	011	5	8291A701AA	023	9
78010511C	10A	16	79915141C	002	16	82110511AB	016	6	8291A743A	24A	2
78010771A	010	33	79915201A	014	33	82110511AB	025	22	8291B721AA	016	12
78010771A	014	18	79915201A	015	33	82110511AB	027	4	8291B731AA	025	20
78010771A	015	18	79915211A	014	29	82111701B	016	7	8292A342A	030	18
78010801A	010	26	79915211A	015	29	82111701B	025	36	829PA361A	018	1
78010841A	012	13	79915221A	014	20	82113361A	014	26	829PA371A	18B	9
78010861A	010	19	79915221A	015	20	82113361A	015	26	829PA541B	18A	17
78010871A	010	9	79915231A	014	13	82113371B	014	27	83016442AA	027	22
78020011A	019	18	79915231A	015	13	82113371B	015	27	83016452AA	027	17
78020011A	19A	18	79915421B	017	7	82113441B	002	3	83016471AA	022	12
78110121AA	005	19	79915432B	017	8	82113711BA	22A	12	83016491AA	019	31
78110121AA	023	16	79915441A	030	3	82113731AA	22A	5	83016491AA	19A	31
78110121AA	024	3	79915493A	022	9	82113751A	030	1	83016501AA	019	33
78110121AA	025	11	79915511A	025	27	82113811AA	025	32	83016501AA	19A	33
78110121AA	031	11	79915534A	013	22	82113822BA	021	15	83016541B	024	31
78110121AA	05A	19	79915534A	13A	22	82113832A	013	20	83016582A	022	8
78611212C	007	4	79915581A	031	21	82113832A	13A	20	83016641A	28A	14
78811101C	013	7	79915651A	019	43	82114041A	014	23	83016833A	18A	10
78811101C	13A	7	79915651A	19A	43	82114041A	015	23	83016861A	18B	14
78811131A	013	8	79925411AA	22A	7	82114211AA	032	9	83017071A	18C	6



CODE	NO. TABLE	POS.	CODE	NO. TABLE	POS.	CODE	NO. TABLE	POS.	CODE	NO. TABLE	POS.
83017791AA	19A	48	84010202A	015	1	84010482B	015	2	84010702B	015	2
83026511BA	019	10	84010212A	014	1	84010492B	014	2	84010712B	014	2
83026511BA	19A	10	84010212A	015	1	84010492B	015	2	84010712B	015	2
83110151A	010	21	84010222A	014	1	84010502B	014	2	84010722A	014	1
83210031C	28A	17	84010222A	015	1	84010502B	015	2	84010722A	015	1
84010012A	014	1	84010232A	014	1	84010512B	014	2	84010722B	014	2
84010012A	015	1	84010232A	015	1	84010512B	015	2	84010722B	015	2
84010022A	014	1	84010242A	014	1	84010522B	014	2	84010732A	014	1
84010022A	015	1	84010242A	015	1	84010522B	015	2	84010732A	015	1
84010032A	014	1	84010252A	014	1	84010532B	014	2	84010732B	014	2
84010032A	015	1	84010252A	015	1	84010532B	015	2	84010732B	015	2
84010042A	014	1	84010262A	014	1	84010542B	014	2	84010742B	014	2
84010042A	015	1	84010262A	015	1	84010542B	015	2	84010742B	015	2
84010052A	014	1	84010272A	014	1	84010552B	014	2	84010752B	014	2
84010052A	015	1	84010272A	015	1	84010552B	015	2	84010752B	015	2
84010062A	014	1	84010282A	014	1	84010562B	014	2	84010762B	014	2
84010062A	015	1	84010282A	015	1	84010562B	015	2	84010762B	015	2
84010072A	014	1	84010292A	014	1	84010572B	014	2	84010772B	014	2
84010072A	015	1	84010292A	015	1	84010572B	015	2	84010772B	015	2
84010082A	014	1	84010302A	014	1	84010582B	014	2	84010782B	014	2
84010082A	015	1	84010302A	015	1	84010582B	015	2	84010782B	015	2
84010092A	014	1	84010312A	014	1	84010592B	014	2	84010792B	014	2
84010092A	015	1	84010312A	015	1	84010592B	015	2	84010792B	015	2
84010102A	014	1	84010322A	014	1	84010602B	014	2	84010802B	014	2
84010102A	015	1	84010322A	015	1	84010602B	015	2	84010802B	015	2
84010112A	014	1	84010332A	014	1	84010612B	014	2	84010812B	014	2
84010112A	015	1	84010332A	015	1	84010612B	015	2	84010812B	015	2
84010122A	014	1	84010342A	014	1	84010622B	014	2	84010822B	014	2
84010122A	015	1	84010342A	015	1	84010622B	015	2	84010822B	015	2
84010132A	014	1	84010412B	014	2	84010632B	014	2	84010832B	014	2
84010132A	015	1	84010412B	015	2	84010632B	015	2	84010832B	015	2
84010142A	014	1	84010422B	014	2	84010642B	014	2	84010842B	014	2
84010142A	015	1	84010422B	015	2	84010642B	015	2	84010842B	015	2
84010152A	014	1	84010432B	014	2	84010652B	014	2	84010852B	014	2
84010152A	015	1	84010432B	015	2	84010652B	015	2	84010852B	015	2
84010162A	014	1	84010442B	014	2	84010662B	014	2	84010862B	014	2
84010162A	015	1	84010442B	015	2	84010662B	015	2	84010862B	015	2
84010172A	014	1	84010452B	014	2	84010672B	014	2	84010872B	014	2
84010172A	015	1	84010452B	015	2	84010672B	015	2	84010872B	015	2
84010182A	014	1	84010462B	014	2	84010682B	014	2	84011082A	014	1
84010182A	015	1	84010462B	015	2	84010682B	015	2	84011082A	015	1
84010192A	014	1	84010472B	014	2	84010692B	014	2	84011092A	014	1
84010192A	015	1	84010472B	015	2	84010692B	015	2	84011092A	015	1
84010202A	014	1	84010482B	014	2	84010702B	014	2	84011102A	014	1



CODE	NO. TABLE	POS.	CODE	NO. TABLE	POS.	CODE	NO. TABLE	POS.	CODE	NO. TABLE	POS.
84011102A	015	1	84011901AR	015	3	85212211A	026	14	85250241A	24A	6
84011112A	014	1	84510061A	014	5	85212211A	26A	3	85250261A	012	15
84011112A	015	1	84510061A	015	5	85212221A	026	6	85250261A	10A	15
84011122A	014	1	84740021A	027	2	85212621A	003	12	85250261B	014	25
84011122A	015	1	84740061A	010	20	85212631A	003	17	85250261B	015	25
84011132A	014	1	84820112AA	021	34	85212651A	002	19	85250261B	24A	9
84011132A	015	1	84850021A	016	16	85212651A	012	26	85250271A	005	28
84011142A	014	1	85040471A	018	23	85212661A	002	24	85250291A	019	40
84011142A	015	1	85040471A	030	27	85212681A	009	20	85250291A	19A	40
84011901AA	014	3	85040471A	033	20	85212681A	011	13	85250491A	010	27
84011901AA	015	3	85040471A	13A	41	85212721A	005	9	85250541A	009	7
84011901AB	014	3	85040471A	18B	15	85212721A	05A	9	85310031A	012	18
84011901AB	015	3	85040471A	18C	7	85212741A	008	3	85350101A	18A	6
84011901AC	014	3	85040471A	34A	3	85212771A	10A	5	85540031A	022	5
84011901AC	015	3	85040521A	027	26	85212781A	013	9	85610642A	10A	2
84011901AD	014	3	85040551A	019	27	85212781A	13A	9	85611271A	016	22
84011901AD	015	3	85040551A	020	7	85212791A	006	2	85611361A	28A	30
84011901AE	014	3	85040551A	030	6	85212801A	003	31	85611372A	003	9
84011901AE	015	3	85040551A	033	14	85212941B	012	4	85611381A	003	21
84011901AF	014	3	85040551A	18A	19	85212981A	003	6	85611391A	004	2
84011901AF	015	3	85040551A	19A	27	85213002A	019	48	85611401A	033	10
84011901AG	014	3	85041041A	033	11	85213002A	19A	61	85611401A	34A	2
84011901AG	015	3	85041041A	034	15	85213021A	009	26	85611471A	013	13
84011901AH	014	3	85041051A	033	12	85213111AA	019	4	85611471A	13A	13
84011901AH	015	3	85041051A	034	16	85213111AA	030	16	85640121A	019	46
84011901AI	014	3	85041471A	033	31	85213111AA	19A	4	85640121A	19A	59
84011901AI	015	3	85041581A	18B	20	85213111AA	27A	24	86010061A	013	32
84011901AJ	014	3	85041811A	017	13	85213111AA	27B	24	86010061A	13A	32
84011901AJ	015	3	85110201A	004	8	85240131A	27B	14	86050051A	28A	21
84011901AK	014	3	85210241A	034	5	85240161A	19A	54	86050061A	002	26
84011901AK	015	3	85210241A	34B	5	85240231A	013	24	86050061A	009	12
84011901AL	014	3	85210532A	019	28	85240231A	13A	24	86050061A	010	10
84011901AL	015	3	85210532A	19A	28	85240261A	014	17	86050061A	013	17
84011901AM	014	3	85210681B	22A	9	85240261A	015	17	86050061A	014	6
84011901AM	015	3	85210901B	34B	10	85250011C	27A	14	86050061A	015	6
84011901AN	014	3	85211201A	013	16	85250071A	031	24	86050061A	13A	17
84011901AN	015	3	85211201A	13A	16	85250231A	013	3	86050361AA	22A	3
84011901AO	014	3	85211511A	016	14	85250231A	13A	3	86050371A	002	21
84011901AO	015	3	85211511A	025	37	85250241A	005	18	86050371A	010	5
84011901AP	014	3	85211671B	033	25	85250241A	023	17	86250011A	006	8
84011901AP	015	3	85211951A	005	15	85250241A	024	4	86610301A	033	5
84011901AQ	014	3	85211951A	05A	15	85250241A	025	10	86610361A	18A	18
84011901AQ	015	3	85212171A	26A	15	85250241A	031	23	86610611A	033	6
84011901AR	014	3	85212181A	34A	9	85250241A	05A	18	86611241A	18B	11



CODE	NO. TABLE	POS.	CODE	NO. TABLE	POS.	CODE	NO. TABLE	POS.	CODE	NO. TABLE	POS.
86640051A	24A	3	88610281A	005	16	887133422	01A	1	89310151A	009	8
86640061A	032	13	88610281A	05A	16	887133436	01A	11	89320121A	005	7
87210481A	021	18	88610961A	017	4	887133437	01A	2	89320121A	05A	7
87210532A	27A	26	88640042A	003	28	887133440	01A	3	89340051A	023	11
87210532A	27B	26	88640091A	028	9	887133452	01A	13	89340051A	025	5
87210601A	28A	20	88640331A	012	20	887133467	01B	4	89420112B	009	10
87210722A	021	3	88640741A	012	12	887133468	01B	3	89520221A	032	12
87210781A	034	28	88640881A	014	8	887133500	01A	14	91372331A	027	30
87210791A	034	29	88640881A	015	8	887133502	01A	23	91372331B	027	30
87240761A	020	22	88640891A	005	6	887133507	01A	15	91372331C	027	30
87310021A	010	32	88640891A	05A	6	887133508	01A	16	91372331D	027	30
87511641BB	010	34	88641061A	021	33	887133509	01A	17	91372331E	027	30
87511651BB	010	18	88641161A	016	8	887133510	01A	10	91372331F	027	30
87511791B	010	2	88641161A	025	35	887133511	01A	12	91372331G	027	30
87521941AA	028	14	88641241A	26A	16	887133512	01A	18	93010041B	021	9
875P1731BA	021	14	88641331A	009	16	887133517	01A	29	93040431A	010	13
875P1741BA	021	26	88641701A	10A	10	887133524	01A	6	93040521A	026	18
87611081A	029	2	88641761A	005	11	887133527	01C	10	93040931A	010	31
87611121A	029	4	88641761A	05A	11	887133528	01C	11	93041271A	028	17
87611131A	029	12	88641791A	13A	33	887133529	01C	9	93041521A	005	10
87711131A	023	15	88641961A	010	24	887133549	01A	9	93041521A	05A	10
87711411A	024	17	88641971A	012	29	887133758	01A	19	93041591A	002	11
87711491A	025	7	88641981A	031	20	887133760	01A	21	93041771A	003	26
87721561A	005	20	88642061A	017	14	887133773	01A	4	93041771A	010	30
87721561A	05A	20	88642081A	008	7	887133774	01A	7	93041911A	022	15
88110541A	26A	7	88650131A	010	3	887133795	01A	5	93050121A	28A	5
88440281A	003	16	88650541A	004	18	887133820	01A	22	93410152A	030	8
88440331A	033	4	88650561A	009	4	887133824	01B	2	93410173A	031	17
88440381A	003	11	887131010	01C	6	887133853	01A	8	942470014	10A	3
88440511A	26A	18	887131058	01C	7	887133875	01B	7	96480131A	34C	1
88440621A	003	4	887131062	01C	12	887133878	01B	9	96524311B	34C	7
88450021A	021	16	887131074	01C	4	887133879	01B	8	96700312A	34C	3
88450031A	016	3	887131832	01B	13	887133880	01A	26	96700412A	34B	7
88450031A	019	34	887131994	01A	20	887133922	01B	12	96788412B	34C	4
88450031A	025	25	887132069	01B	18	887133923	01B	11	96788512B	34C	5
88450031A	027	6	887132409	01C	8	887133924	01B	1	96863612B	28A	31
88450031A	19A	34	887132442	01B	14	887133925	01B	10	969A9912B	28A	32
88450031A	22A	10	887132574	01A	25	887133926	01B	5	979000252	001	1
88450291A	005	8	887132676	01B	6	887133927	01C	2	979000254	001	3
88450291A	05A	8	887132877	01B	16	887133943	01A	28	979000255	001	4
88450311A	002	14	887132951	01C	3	887651298	01B	15	979000256	001	2
88450361A	002	18	887133211	01C	5	887651632	01A	27			
88450371A	009	21	887133220	01C	1	887651678	01A	24			
88450371A	011	14	887133407	01B	17	89310143A	030	24			



Ducati Motor Holding S.p.A.

Uffici Commerciali Amministrativi:

Via A. Cavalieri Ducati n. 3

40132 Bologna, Italy

Telefono 051 6413111

Fax 051 406580

Internet www.ducati.com