



821
Model Year 2019

MONSTER

Chassis prefix:
Cylinder capacity: 821

D19000019 - 3
SPARE PARTS CATALOGUE
en-US



The present spare parts order exactly the right spare parts.

When ordering specify:

1. the part's code number followed by its description and quantity needed;
2. the motorcycle's serial number, stamped on the steering head.

Reference to right and left apply to the vehicle in terms of its direction of movement.



Spare parts drawings are general and do not represent the part.

The contents of this catalogue are general and can undergo changes without prior notice.

CHARACTERISTICS LEGENDA

CHARACTERISTIC CODE	CHARACTERISTIC DESCRIPTION	VALUE CODE	VALUE DESCRIPTION
CPT	PARTICOLAR CHARACTERISTICS	D35	DEPOTENZIATO 35KW
CPT	PARTICOLAR CHARACTERISTICS	STD	MOTO STANDARD
DFR	DAFRA	N	NO
MOD	MODEL	M 821	Monster 821
PLT	PLANT	DB10	DMH
XCO	MAIN COLOUR	NMB	DARK STEALTH
XCO	MAIN COLOUR	R	RED
XCO	MAIN COLOUR	Y	YELLOW
XCR	FRAME / WHEEL COLOUR	MBB	MATT BLACK FRAME, BLACK WHEELS
XCR	FRAME / WHEEL COLOUR	R-B	RED FRAME, WITH BLACK WHEELS
XST	STANDARD COUNTRY	AUS	VERSIONE AUSTRALIA
XST	STANDARD COUNTRY	EUR	VERSIONE EUROPA
XST	STANDARD COUNTRY	GSO	VERSIONE PAESI DEL GOLFO
XST	STANDARD COUNTRY	JAP	VERSIONE GIAPPONE
XST	STANDARD COUNTRY	ROK	VERSIONE SOUTH COREA
XST	STANDARD COUNTRY	SPA	VERSIONE SPAIN
XST	STANDARD COUNTRY	TWN	VERSIONE TAIWAN



COLOUR	COLOUR CODE	COLOUR DESCRIPTION	FINISHED PRODUCTS
	NMB	DARK STEALTH	(D19002619) M 821 19 EUR NMB MBB STD DMH (D19003219) M 821 19 JAP NMB MBB STD DMH (D19003319) M 821 19 AUS NMB MBB STD DMH (D19003819) M 821 19 EUR NMB MBB D35 DMH (D19024419) M 821 19 SPA NMB MBB STD DMH (D19025019) M 821 19 GSO NMB MBB STD DMH (D19025319) M 821 19 SPA NMB MBB D35 DMH (D19025619) M 821 19 TWN NMB MBB STD DMH
	R	RED	(D19002219) M 821 19 EUR R R-B STD DMH (D19002819) M 821 19 JAP R R-B STD DMH (D19002919) M 821 19 AUS R R-B STD DMH (D19003419) M 821 19 EUR R R-B D35 DMH (D19007819) M 821 19 TWN R R-B STD DMH (D19024319) M 821 19 SPA R R-B STD DMH (D19024919) M 821 19 GSO R R-B STD DMH (D19025219) M 821 19 SPA R R-B D35 DMH (D19029619) M 821 19 ROK R R-B STD DMH
	Y	YELLOW	(D19023419) M 821 19 EUR Y MBB STD DMH (D19023519) M 821 19 JAP Y MBB STD DMH (D19023619) M 821 19 AUS Y MBB STD DMH (D19023919) M 821 19 EUR Y MBB D35 DMH (D19024519) M 821 19 SPA Y MBB STD DMH (D19025119) M 821 19 GSO Y MBB STD DMH (D19025419) M 821 19 SPA Y MBB D35 DMH (D19025719) M 821 19 TWN Y MBB STD DMH



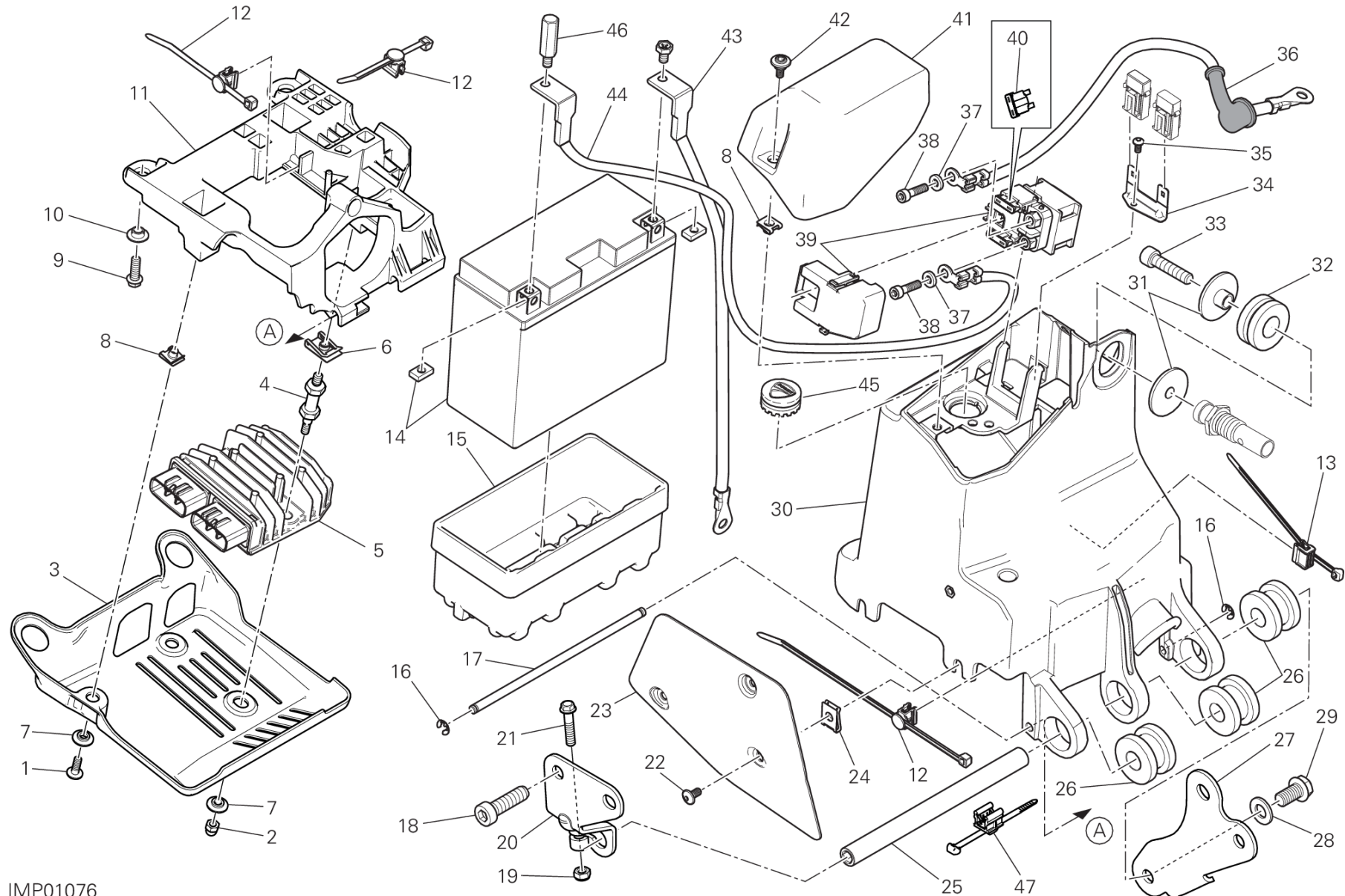
General information.....	3
Colours.....	4
Group ELECTRIC.....	8
Drawing 018 - BATTERY HOLDER [MOD:M 821].....	8
Drawing 020 - HEADLIGHT [MOD:M 821].....	12
Drawing 18A - ENGINE CONTROL UNIT [MOD:M 821].....	14
Drawing 18B - WIRING HARNESS [MOD:M 821].....	16
Drawing 20A - INSTRUMENT PANEL [MOD:M 821].....	18
Drawing 28B - PLATE HOLDER [MOD:M 821;XST:AUS,EUR,GSO,ROK,SPA,TWN].....	20
Drawing 28B - PLATE HOLDER [MOD:M 821;XST:JAP].....	22
Group OIL.....	24
Drawing L - SHELL ADVANCE [MOD:M 821].....	24
Group ENGINE.....	26
Drawing 002 - SHIFT CAM - FORK [MOD:M 821].....	26
Drawing 003 - GEAR BOX [MOD:M 821].....	28
Drawing 004 - CLUTCH [MOD:M 821].....	30
Drawing 005 - CLUTCH COVER [MOD:M 821].....	32
Drawing 006 - CONNECTING RODS [MOD:M 821].....	34
Drawing 007 - CYLINDERS - PISTONS [MOD:M 821].....	36
Drawing 008 - TIMING SYSTEM [MOD:M 821].....	38
Drawing 009 - FILTERS AND OIL PUMP [MOD:M 821].....	40
Drawing 010 - HALF-CRANKCASES PAIR [MOD:M 821].....	42
Drawing 011 - WATER PUMP-ALTR-SIDE CRNKCE COVER [MOD:M 821].....	46
Drawing 012 - ELECTRIC STARTING AND IGNITION [MOD:M 821].....	48
Drawing 013 - CYLINDER HEAD : TIMING SYSTEM [MOD:M 821].....	50
Drawing 014 - VERTICAL HEAD [MOD:M 821].....	52
Drawing 015 - HORIZONTAL HEAD [MOD:M 821].....	60
Drawing 10A - HALF-CRANKCASES PAIR [MOD:M 821].....	68
Group TOOLS.....	70



Drawing 001 - WORKSHOP SERVICE TOOLS, ENGINE [MOD:M 821].....	70
Drawing 01A - WORKSHOP SERVICE TOOLS, FRAME [MOD:M 821].....	74
Drawing 01B - DDS (2) TESTER [MOD:M 821].....	76
Group TYRES.....	78
Drawing A2 - TYRES [MOD:M 821].....	78
Drawing B2 - (*) PIRELLI DIABLO™ ROSSO III [MOD:M 821].....	80
Drawing C2 - PIRELLI DIABLO™ ROSSO CORSA II [MOD:M 821].....	82
Drawing D - PIRELLI DIABLO™ SUPERCORSA SP [MOD:M 821].....	84
Drawing F - PIRELLI ANGEL™ GT [MOD:M 821].....	86
Group FRAME.....	88
Drawing 016 - SWITCH ASSY, OIL PRESSURE [MOD:M 821].....	88
Drawing 017 - THROTTLE BODY [MOD:M 821].....	90
Drawing 019 - EXHAUST SYSTEM [MOD:M 821].....	92
Drawing 021 - HANDLEBAR AND CONTROLS [MOD:M 821].....	96
Drawing 022 - FRAME [MOD:M 821].....	98
Drawing 023 - CLUTCH CONTROL [MOD:M 821].....	100
Drawing 024 - FRONT BRAKE SYSTEM [MOD:M 821].....	102
Drawing 025 - REAR BRAKE SYSTEM [MOD:M 821].....	104
Drawing 026 - RUOTA ANTERIORE E POSTERIORE [MOD:M 821].....	106
Drawing 027 - REAR FRAME COMP. [MOD:M 821].....	110
Drawing 028 - SOSPENSIONE POSTERIORE [MOD:M 821].....	114
Drawing 029 - AIR INTAKE - OIL BREATHER [MOD:M 821].....	116
Drawing 030 - WATER COOLER [MOD:M 821].....	118
Drawing 031 - COOLING SYSTEM [MOD:M 821].....	120
Drawing 032 - FUEL TANK [MOD:M 821;XST:AUS,EUR,GSO,ROK,SPA,TWN].....	122
Drawing 032 - FUEL TANK [MOD:M 821;PLT:DB10;XST:JAP].....	124
Drawing 033 - SEAT [MOD:M 821].....	126
Drawing 034 - HALF FAIRING [MOD:M 821].....	130
Drawing 035 - HOT AIR PIPE CANISTER [MOD:M 821].....	132
Drawing 036 - POSITIONING PLATES [MOD:M 821;XST:JAP].....	134



Drawing 21A - FRONT FORK [MOD:M 821].....	136
Drawing 22A - SIDE STAND [MOD:M 821].....	138
Drawing 24A - ANTILOCK BRAKING SYSTEM (ABS) [MOD:M 821].....	140
Drawing 27A - FOOTRESTS, LEFT [MOD:M 821].....	142
Drawing 27B - FOOTRESTS, RIGHT [MOD:M 821].....	144
Drawing 28A - REAR SWINGING ARM [MOD:M 821;XST:EUR,GSO,JAP,SPA,TWN].....	146
Drawing 28A - REAR SWINGING ARM [MOD:M 821;XST:AUS].....	148
Alphanumeric index.....	150



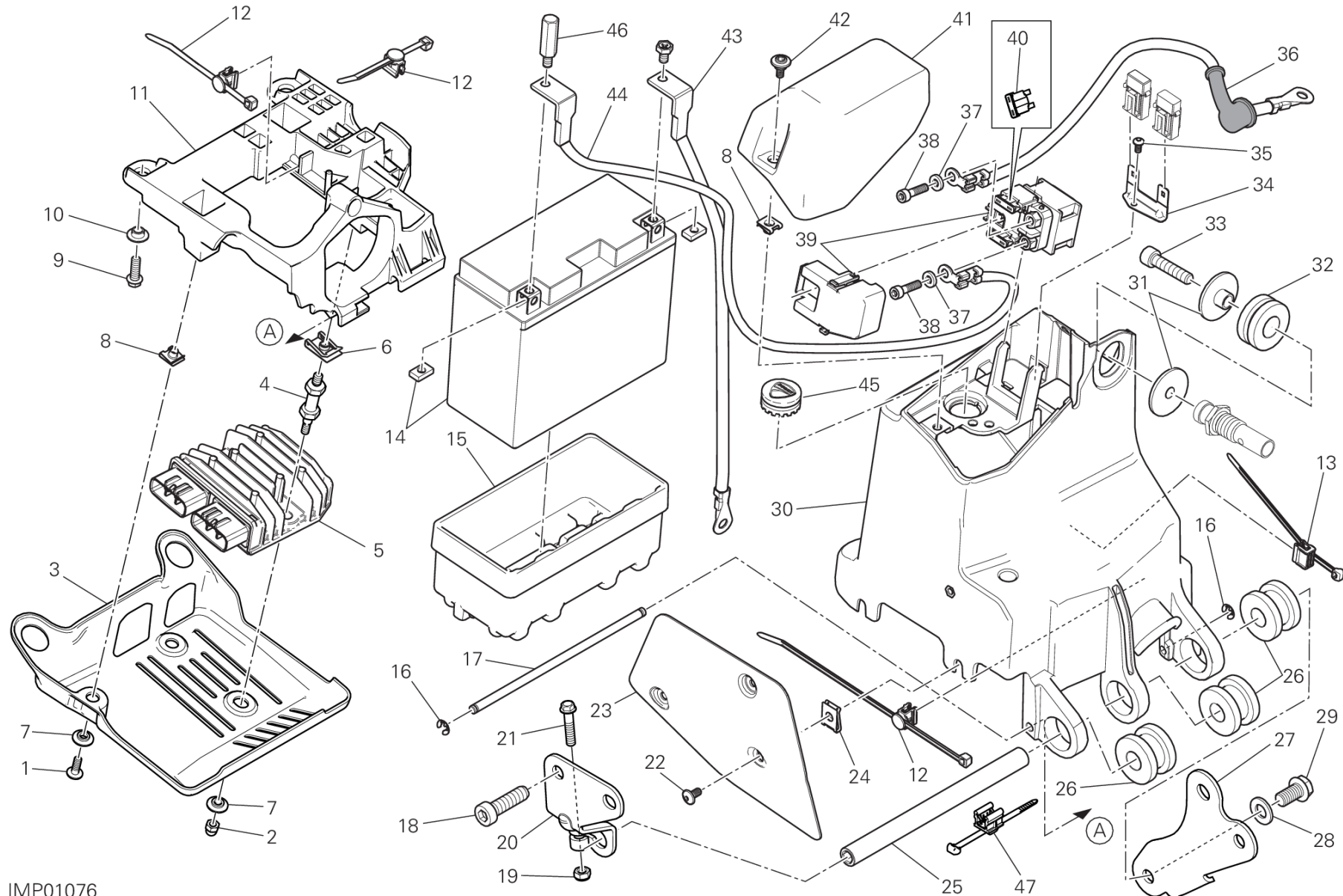
IMP01076

DRAWING 018 - BATTERY HOLDER [MOD:M 821]

GROUP ELECTRIC



POS.	CODE	DESCRIPTION	QTY	START DATE	END DATE	VALIDITY	NOTES
1	77244183B	SCREW	1	01/08/2013			
2	75040141A	NUT	2	10/03/2016			
3	4601D231A	GUARD VOLTAGE REGULATOR	1	10/03/2016			
4	77211411AA	SCREW, SPECIAL	2	24/07/2015			
5	54040321A	VOLTAGE REGULATOR	1	01/08/2013			
6	85040381A	QUICK FASTENING	2	01/08/2013			
7	71614071A	SPACER 5.2X8.4X2	3	01/08/2013			
8	85041951AA	QUICK FASTENING	3	01/08/2013			
9	77251008B	SCREW M6X18	2	22/10/2013			
10	71610381B	SPACER	2	22/10/2013			
11	24715281A	COVER, BATTERY	1	24/07/2015			
12	75840771A	FAIRLEAD	3	01/08/2013			
13	75840801A	CLAMP	1	01/12/2014			
14	69926751A	BATTERY	1	22/10/2013			
15	86611681A	CUSHION, BATTERY	1	22/10/2013			
16	88450661A	SNAP RING	2	22/10/2013			
17	82114581BA	PIN	1	22/10/2013			
18	77355203C	SCREW M10x35	1	22/02/2017			
19	74941113B	NUT	1	23/02/2018			
20	8301A231AA	RIGHT BRACKET	1	22/02/2017			
21	77251043B	SCREW	1	22/10/2013			
22	77240258C	SCREW	3	22/10/2013			
23	4601A611B	BATTERY MOUNT HEAT GUARD	1	16/03/2015			
24	85040551A	QUICK FASTENING	2	01/08/2013			
25	82114571AA	PIN	1	22/10/2013			
26	76411431A	VIBRATION DAMPER PAD	3	01/08/2013			
27	8301A241AA	LEFT BRACKET	1	22/02/2017			
28	85250601A	WASHER	1	22/10/2013			
29	77251593B	SCREW	1	22/10/2013			
30	8291B632B	BATTERY HOLDER	1	01/08/2013			
31	71614271A	SPACER	2	22/10/2013			
32	76411421A	VIBRATION DAMPER PAD	1	01/08/2013			
33	77151283B	SCREW	1	22/10/2013			
34	83018352AA	BRACKET FUSE	1	01/08/2013			
35	77440431AA	SCREW, TAPPING	1	20/01/2015			



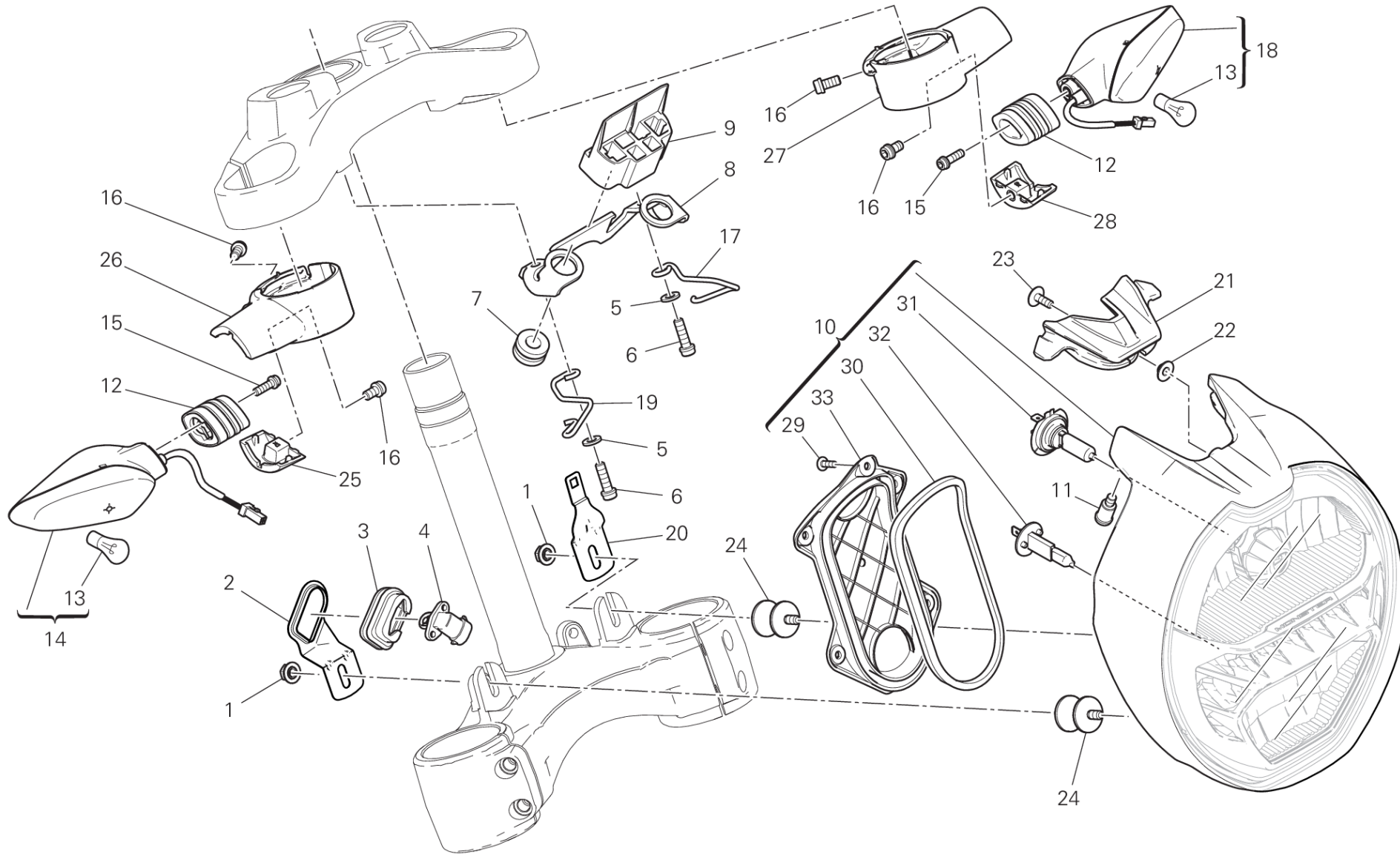
IMP01076

DRAWING 018 - BATTERY HOLDER [MOD:M 821]

GROUP ELECTRIC



POS.	CODE	DESCRIPTION	QTY	START DATE	END DATE	VALIDITY	NOTES
36	51410721C	CABLE	1	01/08/2013			
37	85350101A	WASHER, SPRING	2	01/08/2013			
38	77156628B	SCREW TCEIF M6X10	2	01/08/2013			
39	39740081B	STARTER RELAY	1	01/08/2013			
40	38940231A	FUSE 30A	1				
41	24714651A	COVER UPPER	1	22/10/2013			
42	77214411AA	SCREW	2	22/10/2013			
43	51310281C	BATTERY - ENGINE GROUNDING CABLE	1	01/08/2013			
44	51410711B	BATTERY - SOLENOID STARTER CABLE	1	01/08/2013			
45	76410621B	RUBBER PAD	2	01/08/2013			
46	77918711BA	SCREW, SPECIAL WIRE, BATTERY PLUS LEAD	1	22/10/2013			
47	75840861A	CLAMP	1	01/12/2014			



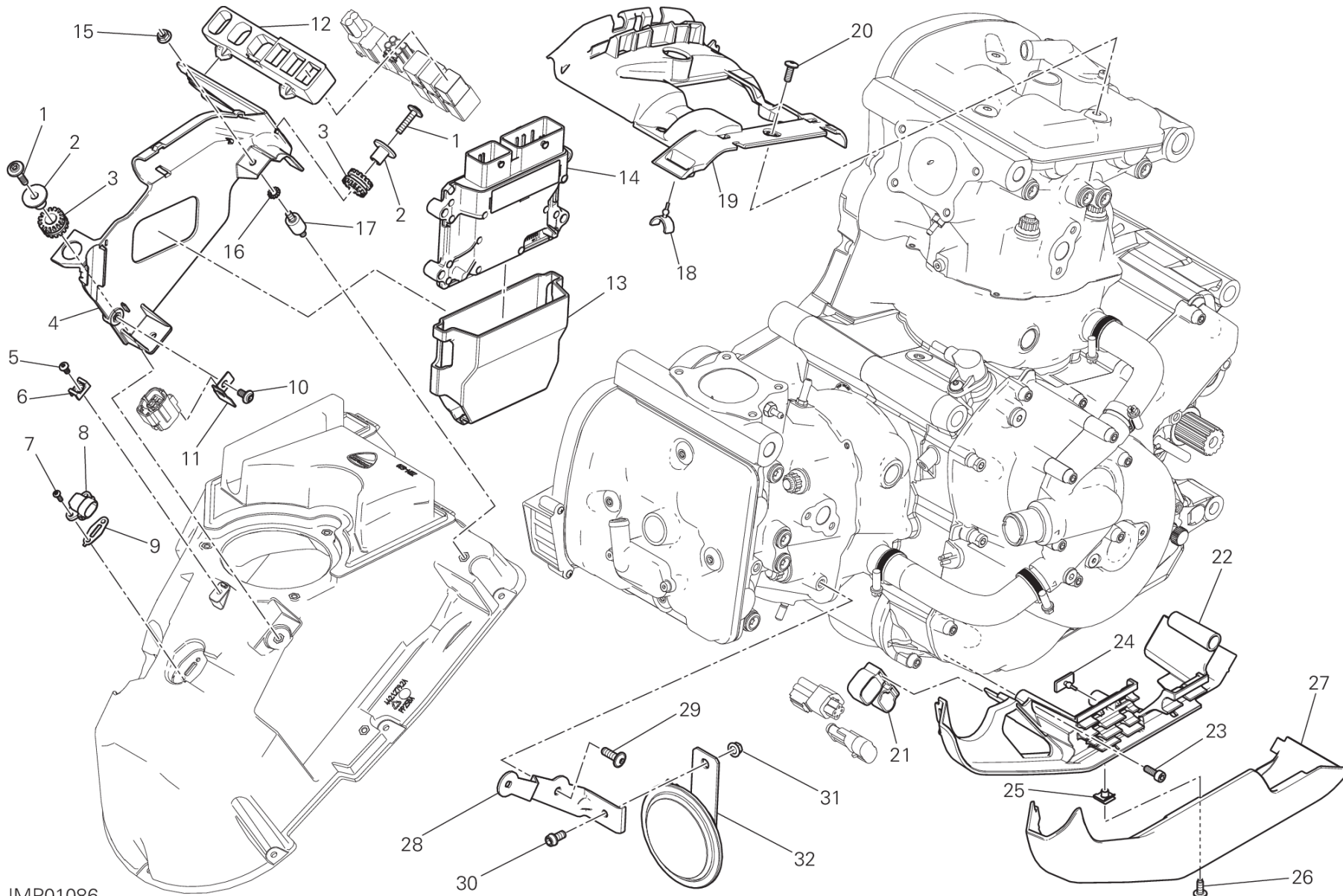
FAN00326

DRAWING 020 - HEADLIGHT [MOD:M 821]

GROUP ELECTRIC



POS.	CODE	DESCRIPTION	QTY	START DATE	END DATE	VALIDITY	NOTES
1	74841101AA	NUT 6MM	2	22/10/2013			
2	8301E661AA	BRACKET	1	10/03/2016			
3	76410971A	RUBBER PAD	1	22/10/2013			
4	55240121A	SENSOR, AIR TEMPERATURE	1	22/10/2013			
5	85211761A	WASHER 6.4X12.5X1.6	2	01/08/2013			
6	77110191A	SCREW TCEIF M6X20	2	01/08/2013			
7	76410641A	VIBRATION DAMPER PAD	2	01/08/2013			
8	8301E561AA	BRACKET, CONNECTOR	1	24/10/2016			
9	86611692B	RUBBER PAD	1	15/01/2014			
10	52010392BA	HEADLIGHT	1	18/04/2018			
11	82115681AA	THREATENED PIN	2	10/03/2016			
12	71314703A	SPACER	2	03/10/2013			
13	39040211A	BULB	2	11/03/2013			
14	53010236B	FLASHER LIGHT FRONT RH- REAR LH	1	01/10/2013			
15	77110441A	SCREW TCEIF M5X16	2	03/10/2013			
16	77113691A	SCREW TCEIF M6X12	4	03/10/2013			
17	88111171B	HOSE GUIDE LEFT	1	21/09/2016			
18	53010226B	FLASHER LIGHT FRONT LH - REAR RH	1	01/10/2013			
19	88111161B	HOSE GUIDE RIGHT	1	21/09/2016			
20	8291F751AA	HOLDER WIRING	1	10/03/2016			
21	24715701A	COVER UPPER	1	10/03/2016			
22	71611351A	SPACER	1	10/03/2016			
23	77210882B	SCREW TBEI M5X12	1	10/03/2016			
24	70010481B	DAMPER M6X12	2	22/10/2013			
25	87210802A	RIGHT COVER	1	03/10/2013			
26	7131A492C	HOLDER, FLASHER LIGHT RH	1	03/10/2013			
27	7131A502C	HOLDER, FLASHER LIGHT LH	1	03/10/2013			
28	87210812A	LEFT COVER	1	03/10/2013			
29	52040341A	SCREW	5				
30	79111271A	GASKET	1				
31	39040111A	BULB 12V, 55W	1				
32	000079672	BULB 12V 55W H1 HALOGEN	1				
33	24716111A	COVER, HEADLAMP	1				



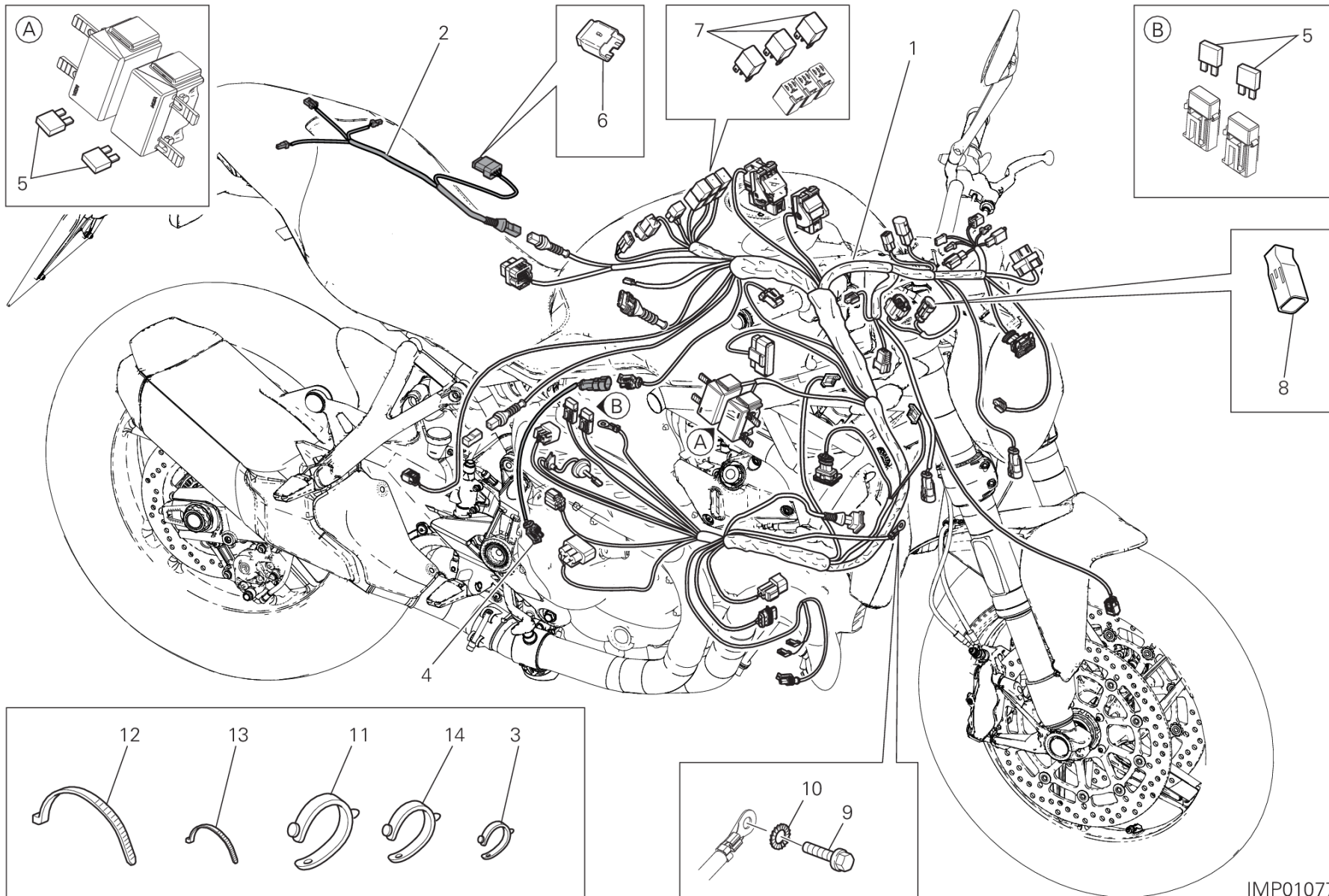
IMP01086

DRAWING 18A - ENGINE CONTROL UNIT [MOD:M 821]

GROUP ELECTRIC



POS.	CODE	DESCRIPTION	QTY	START DATE	END DATE	VALIDITY	NOTES
1	77214061AA	SCREW, SPECIAL TCEI M5x22	2	11/06/2014			
2	71610061A	SPACER	2	11/06/2014			
3	76410241A	VIBRATION DAMPER PAD	2	11/06/2014			
4	8291B641C	BRACKET ENGINE CONTROL UNIT	1	12/03/2013			
5	77440141A	SCREW, TAPPING 4X8 WN1412	1	12/03/2013			
6	85041711A	HOSE GUIDE	1	12/03/2013			
7	77440213C	SCREW	2	12/03/2013			
8	55240121A	SENSOR, AIR TEMPERATURE	1	22/10/2013			
9	78811041A	GASKET, COOLING WATER SENSOR	1	12/03/2013			
10	77244168B	SCREW	1	12/03/2013			
11	8291B771AA	CONNECTOR HOLDER	1	12/03/2013			
12	86611611A	RUBBER PAD UPPER	1	12/03/2013			
13	86611981A	VIBRATION DAMPER ENGINE CONTROL UNIT	1	11/06/2014			
14	28643131A	ENGINE CONTROL UNIT	1	10/10/2017		CPT:STD;XST:AUS,EUR,GSO,JAP	AUS-EUR-JAP-GSO
	28643131Q	ENGINE CONTROL UNIT	1	21/03/2018		CPT:STD;XST:SPA,TWN	SPA
	28643141A	INJECTION CONTROL UNIT DERATED 35 KW	1	23/02/2018		CPT:D35;XST:EUR	DEP 35 KW
15	74850061A	NUT	2	11/06/2014			
16	46240461A	WASHER, SPRING	2	11/06/2014			
17	70010431A	DAMPER	2	11/06/2014			
18	86610731A	VIBRATION DAMPER	2	22/10/2013			
19	75810782A	PROTECTION WIRING VERTICAL HEAD	1	22/10/2013			
20	77240278C	SCREW	3	22/10/2013			
21	86611731A	RUBBER PAD CONNECTOR	1	22/10/2013			
22	8291C661D	HOLDER WIRING LOWER	1	07/05/2014			
23	77150408B	SCREW TCEI M5X14	3	22/10/2013			
24	86610361A	RUBBER PAD	1	22/10/2013			
25	85040471A	QUICK FASTENING M5	1	05/05/2014			
26	77244173B	SCREW	1	22/09/2014			
27	48016351B	COVER, LOWER LEFT	1	16/03/2015			
28	83018872AA	HORN BRACKET	1	05/05/2014			
29	77156658B	SCREW TCEIF M6X16	1	07/09/2017			
30	77113691A	SCREW TCEIF M6X12	1	05/05/2014			
31	74810361A	NUT	1	09/11/2017			
32	51610051B	HORN	1	22/02/2017			



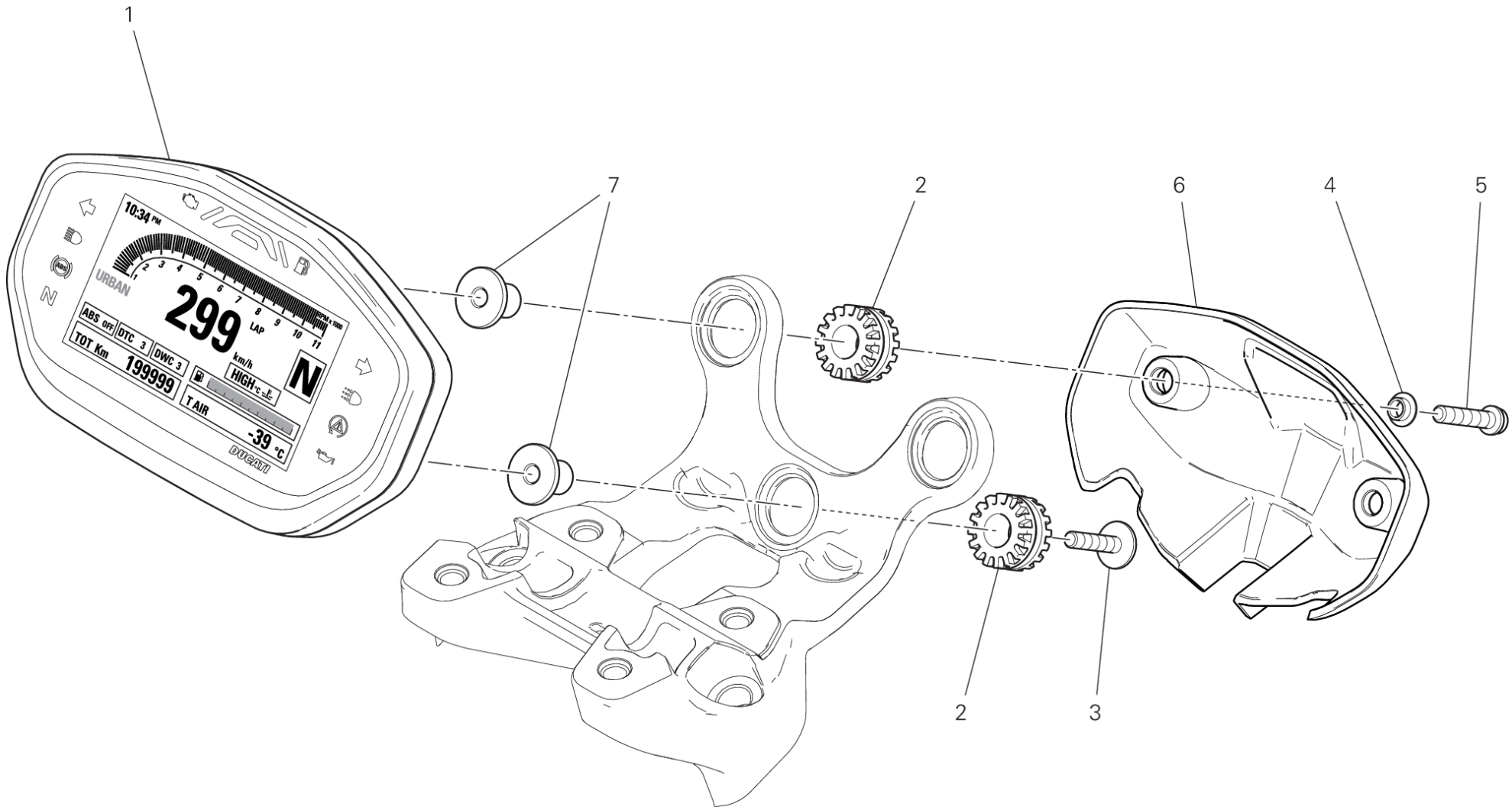
IMP01077

DRAWING 18B - WIRING HARNESS [MOD:M 821]

GROUP ELECTRIC



POS.	CODE	DESCRIPTION	QTY	START DATE	END DATE	VALIDITY	NOTES
1	5101C461C	MAIN WIRING HARNESS	1	17/03/2017			
2	5101B201D	REAR WIRING	1	26/07/2017			
3	74110551A	CLAMP, RUBBER 39MM	10	22/10/2013			
4	51019722A	EXTENSION, WIRE HARNESS SWITCH, REAR BRAKE	1	03/03/2017			
5	38940191A	FUSE 5A	4				
	38940201A	FUSE 10A	3				
	38940211A	FUSE 15A	1				
	38940221A	FUSE 20A	1				
	38940241A	FUSE 7,5A	1				
	38940251A	FUSE 30A	1				
	38940261A	FUSE 25A	1				
	38940301A	FUSE 3A	1				
6	87210532A	CAP DDA	1				
7	54140101A	RELAY	3				
8	87210641A	CAP, CONNECTOR	1				
9	77211061A	SCREW TEF M6X14	1	22/10/2013			
10	85550001B	SPRING WASHER	1	22/10/2013			
11	74110131A	CLAMP, RUBBER 82MM	3	22/10/2013			
12	069191030	CLAMP	52	01/10/2013			
13	74140381A	CLAMP	36	01/08/2013			
14	74110101A	CLAMP 70MM	2	22/10/2013			



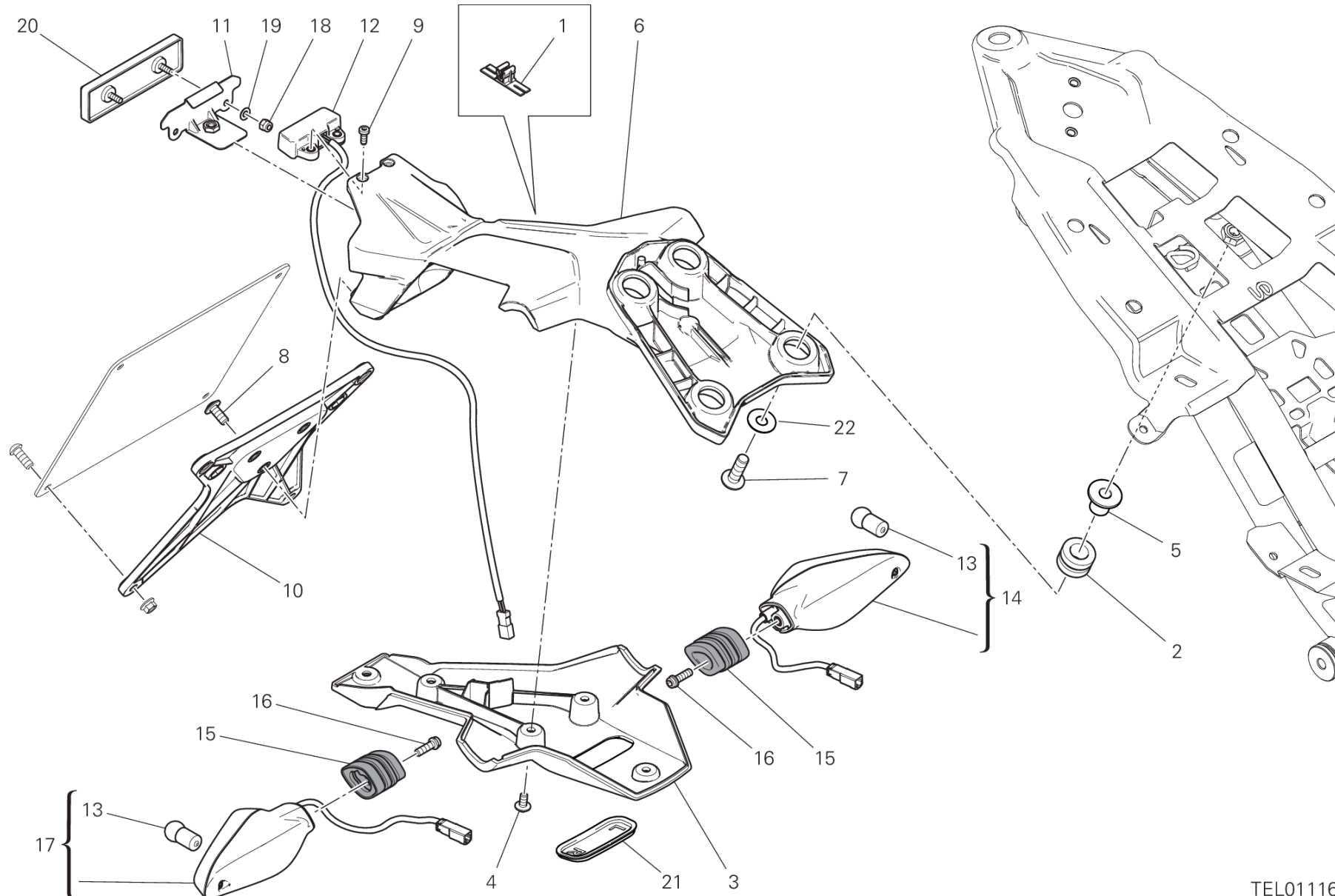
FAN00308

DRAWING 20A - INSTRUMENT PANEL [MOD:M 821]

GROUP ELECTRIC



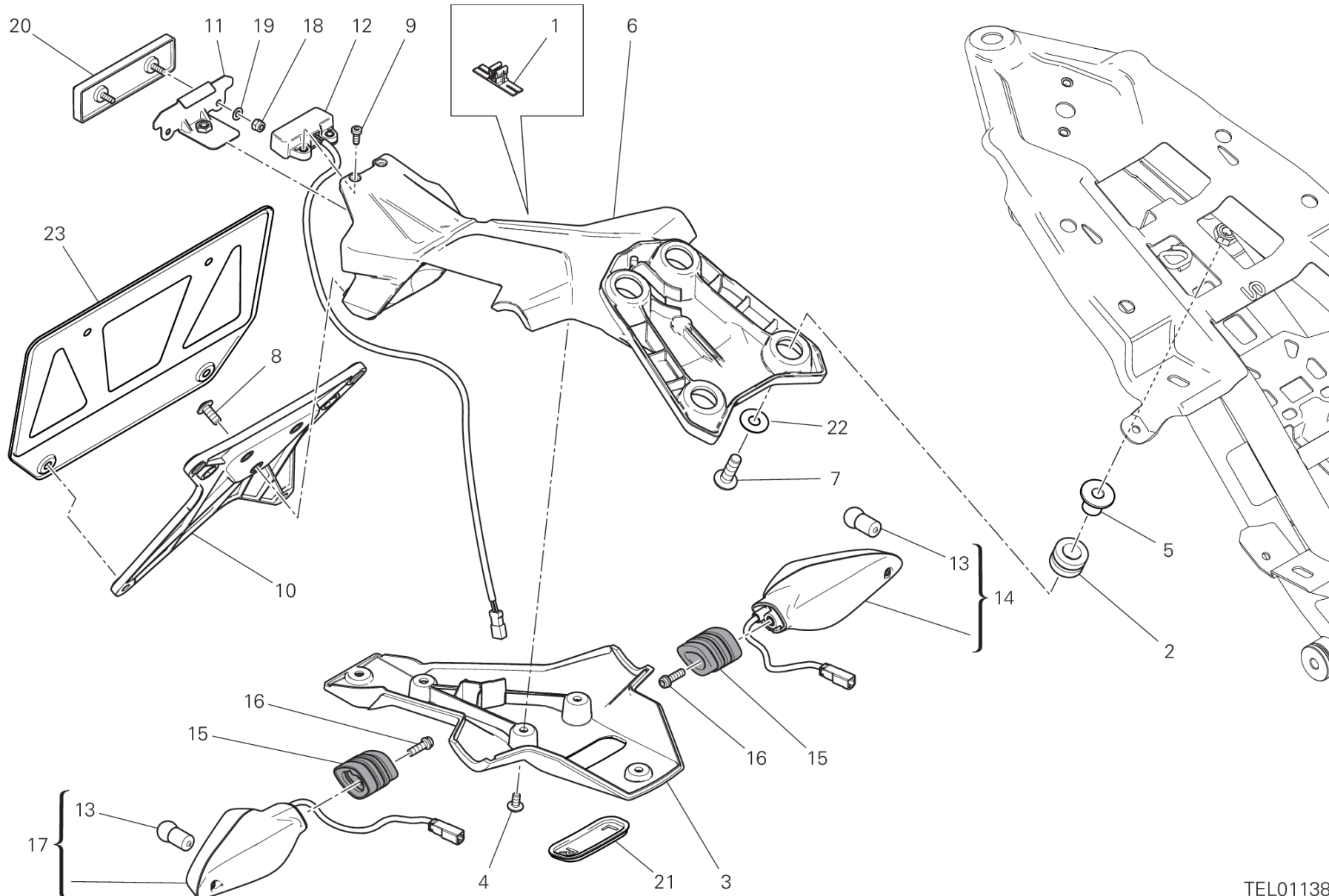
POS.	CODE	DESCRIPTION	QTY	START DATE	END DATE	VALIDITY	NOTES
1	40611502A	INSTRUMENT PANEL	1	01/10/2017			
2	76410241A	VIBRATION DAMPER PAD	3	21/09/2016			
3	77214061AA	SCREW, SPECIAL TCEI M5x22	1	24/10/2016			
4	71611521A	SPACER WITH COLLAR	2	22/10/2013			
5	77156453B	SCREW	2	10/03/2016			
6	24715691A	COVER, METER	1	10/03/2016			
7	71615541AA	SPACER	3	24/10/2016			



TEL01116



POS.	CODE	DESCRIPTION	QTY	START DATE	END DATE	VALIDITY	NOTES
1	75840901A	FAIRLEAD	3	19/09/2016			
2	76412371A	RUBBER PAD	4	19/09/2016			
3	56113442A	NUMBER PLATE HOLDER BOTTOM	1	19/09/2016			
4	77244163B	SCREW M5X10	5	05/09/2016			
5	71615291AA	SPACER	4	19/09/2016			
6	56113461A	NUMBER PLATE HOLDER UPPER	1	19/09/2016			
7	77244538BA	SCREW	4	05/09/2016			
8	77240418C	SCREW	3	01/08/2013			
9	77354623B	SCREW M4X10	2	05/09/2016			
10	56113392A	PLATE HOLDER	1	05/09/2016			
11	8291F761AA	PLATE	1	05/09/2016			
12	52510611A	LAMP, LICENSE PLATE	1	11/01/2017			
13	39040211A	BULB	2	11/03/2013			
14	53010236A	FLASHER LIGHT FRONT RH- REAR LH	1	19/09/2016			
15	71314703A	SPACER	2	19/09/2016			
16	77110441A	SCREW TCEIF M5X16	2	05/09/2016			
17	53010226A	FLASHER LIGHT FRONT LH - REAR RH	1	19/09/2016			
18	74950011B	NUT, SPRING	2	19/09/2016			
19	85212511A	WASHER 4.5X9X0.5	2	19/09/2016			
20	52910231A	REFLEX REFLECTOR, REAR	1	19/09/2016			
21	87211251A	PLUG	1	19/09/2016			
22	85210532A	WASHER 8.2X20X1	4	07/09/2017			



TEL01138

DRAWING 28B - PLATE HOLDER [MOD:M 821;XST:JAP]

GROUP ELECTRIC



POS.	CODE	DESCRIPTION	QTY	START DATE	END DATE	VALIDITY	NOTES
1	75840901A	FAIRLEAD	3	19/09/2016			
2	76412371A	RUBBER PAD	4	19/09/2016			
3	56113442A	NUMBER PLATE HOLDER BOTTOM	1	19/09/2016			
4	77244163B	SCREW M5X10	5	05/09/2016			
5	71615291AA	SPACER	4	19/09/2016			
6	56113461A	NUMBER PLATE HOLDER UPPER	1	19/09/2016			
7	77244538BA	SCREW	4	05/09/2016			
8	77240418C	SCREW	3	01/08/2013			
9	77354623B	SCREW M4X10	2	05/09/2016			
10	56113392A	PLATE HOLDER	1	05/09/2016			
11	8291F761AA	PLATE	1	05/09/2016			
12	52510611A	LAMP, LICENSE PLATE	1	11/01/2017			
13	39040211A	BULB	2	11/03/2013			
14	53010236A	FLASHER LIGHT FRONT RH- REAR LH	1	19/09/2016			
15	71314703A	SPACER	2	19/09/2016			
16	77110441A	SCREW TCEIF M5X16	2	05/09/2016			
17	53010226A	FLASHER LIGHT FRONT LH - REAR RH	1	19/09/2016			
18	74950011B	NUT, SPRING	2	19/09/2016			
19	85212511A	WASHER 4.5X9X0.5	2	19/09/2016			
20	52910231A	REFLEX REFLECTOR, REAR	1	19/09/2016			
21	87211251A	PLUG	1	19/09/2016			
22	85210532A	WASHER 8.2X20X1	4	07/09/2017			
23	56113381AA	PLATE PLATE HOLDER	1	22/02/2017			

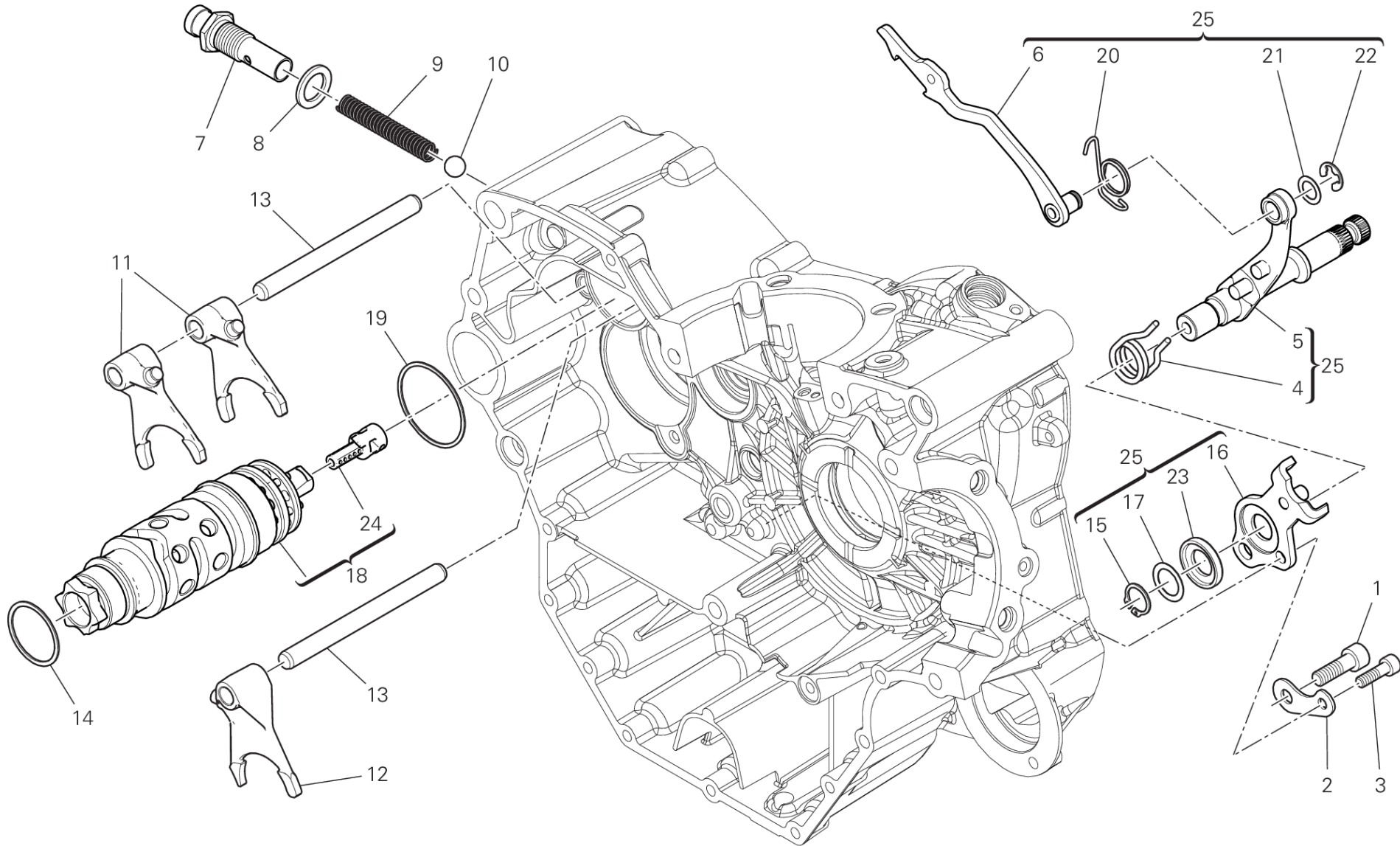


DRAWING L - SHELL ADVANCE [MOD:M 821]

GROUP OIL



POS.	CODE	DESCRIPTION	QTY	START DATE	END DATE	VALIDITY	NOTES
1	944650035	SHELL ADVANCE DUCATI 15W50 - 1L BOTTLE	1				
2	944650037	SHELL ADVANCE DUCATI 15W50 – 209L DRUM	1				



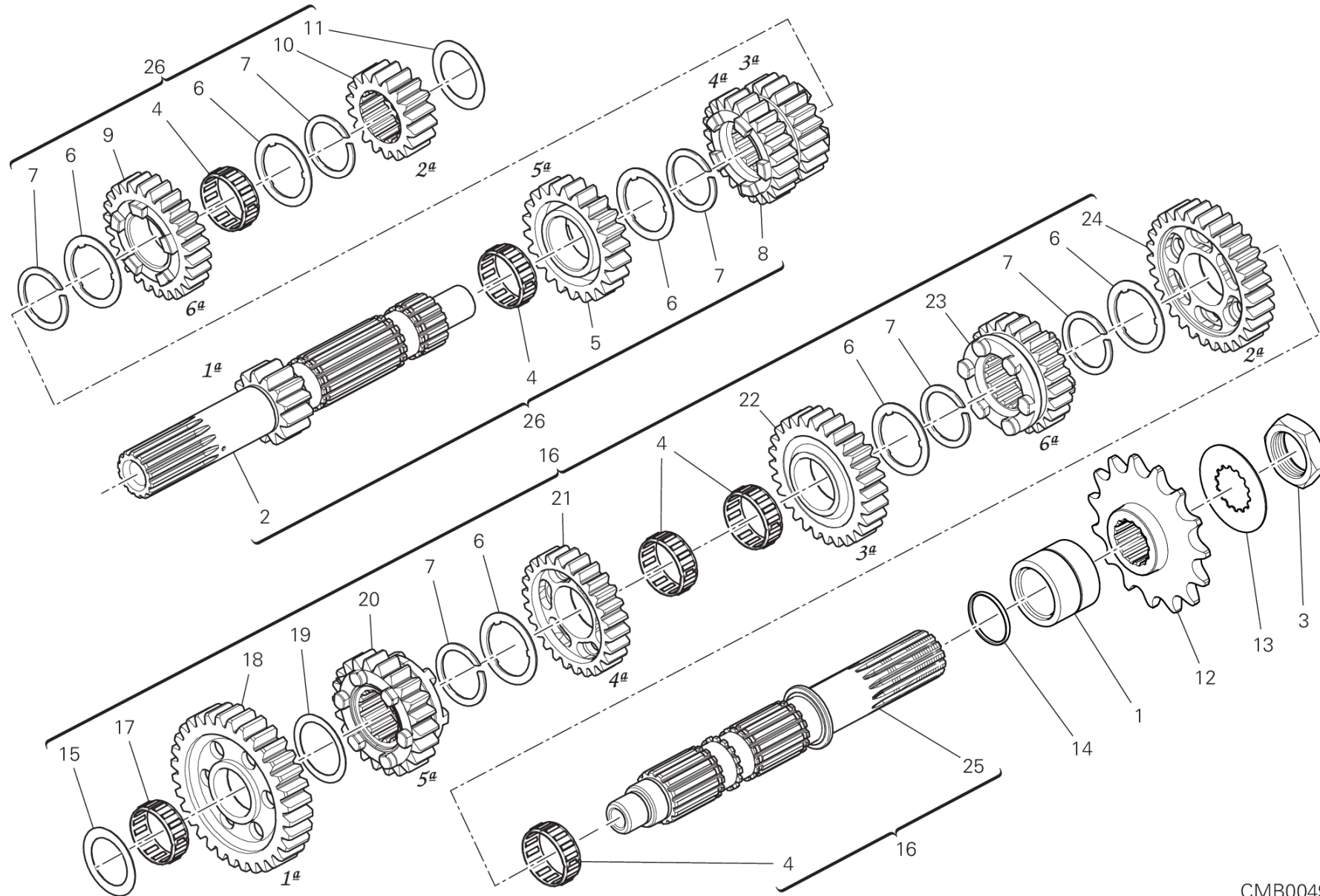
CMB00493

DRAWING 002 - SHIFT CAM - FORK [MOD:M 821]

GROUP ENGINE



POS.	CODE	DESCRIPTION	QTY	START DATE	END DATE	VALIDITY	NOTES
1	77151250ZF	SCREW	1	18/09/2012			
2	71319151A	SPACER	1	19/09/2011			
3	77150670ZF	SCREW	1	18/09/2012			
4	79915061A	SPRING, SHIFT RETURN	1	03/05/2012			
5	82114731A	GEAR SELECTOR SHAFT	1	25/07/2016			
6	18020511A	CONTROL FORK	1	25/07/2016			
7	77918132A	SCREW, SPECIAL	1	02/11/2015			
8	027291090	GASKET 16.2X24X2	1	19/09/2011			
9	066013143	GEAR SELECTOR SPRING	1	19/09/2011			
10	768351134	BALL 11MM	1	19/09/2011			
11	180Z0031A	GEAR SELECTOR FORK,1ST/4TH-2ND/3RD	2	19/09/2011			
12	180Z0041A	FORK-SHIFT, 5TH&6TH	1	19/09/2011			
13	82113881A	FORK PIN	2	19/09/2011			
14	85210051A	THRUST WASHER 1 MM	1	10/02/2012			
15	735001542	CIRCLIP 15 DIN 471	1	24/12/2009			
16	82610261A	STOPPER PLATE	1	24/12/2009			
17	040029126	THRUST WASHER 15.5X22X0.5	1	24/12/2009			
18	18220671B	COMPLETE GEARBOX DRUM	1	12/12/2017			
19	85210941A	THRUST WASHER 45.2X49X0.9	1	10/02/2012			
20	79912961A	RETURN SPRING	1	24/12/2009			
21	040009050	THRUST WASHER 10.5X16X0.5	1	24/12/2009			
22	88450341B	SPRING RING	1	24/12/2009			
23	88110121A	CENTERING RING	1	24/12/2009			
24	55214911A	MAGNETE (Unit)	1	13/10/2015			
25	82120151A	CONTROL FORK	1	02/11/2015			



CMB00494

DRAWING 003 - GEAR BOX [MOD:M 821]

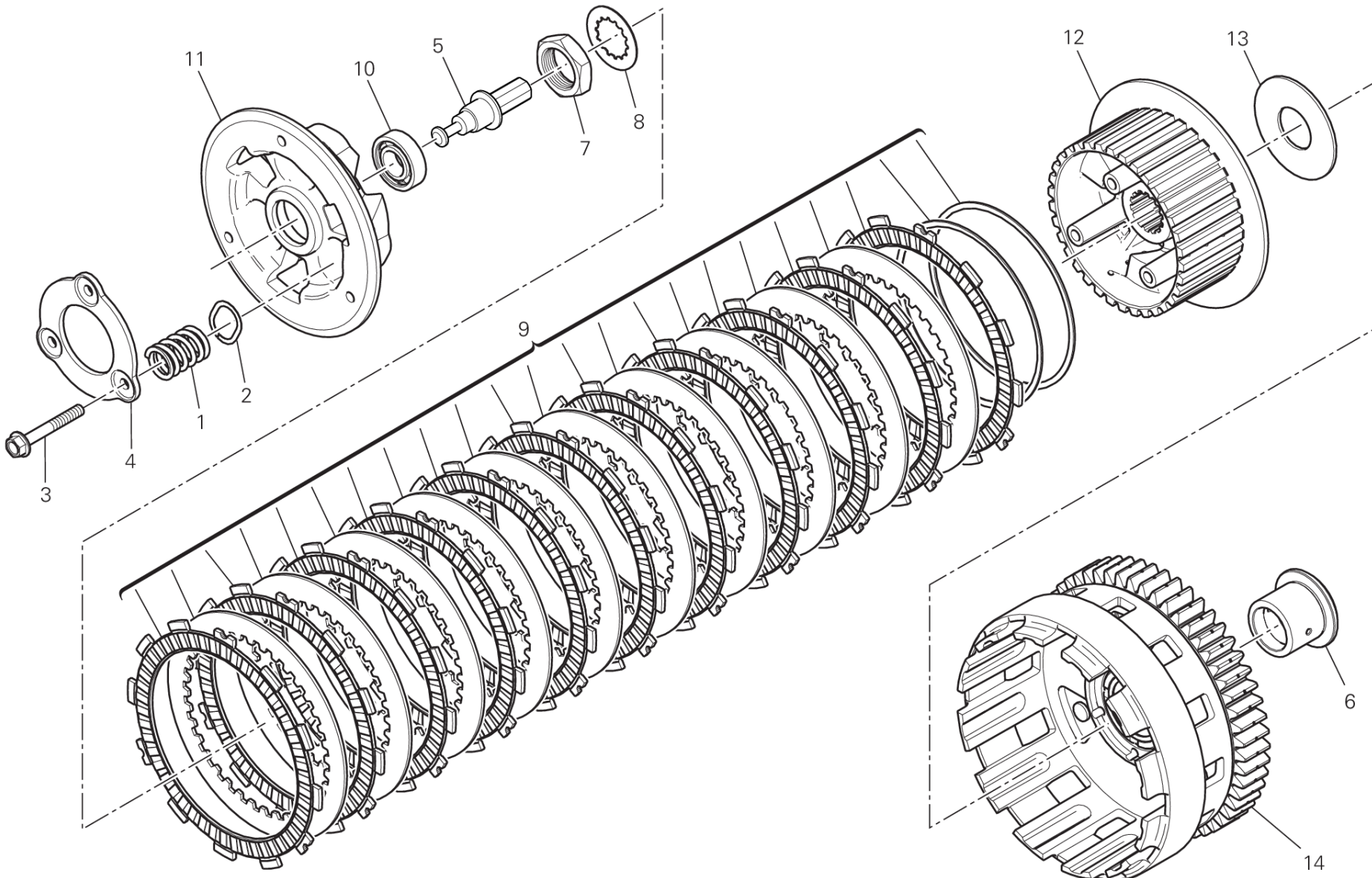
GROUP ENGINE



POS.	CODE	DESCRIPTION	QTY	START DATE	END DATE	VALIDITY	NOTES
1	71319951A	SPACER, ENGINE SPROCKET	1	02/11/2015			
2	14911101A	GEARBOX MAIN SHAFT	1	19/09/2011			
3	75010071A	NUT M25X1.5	1	15/11/2012			
4	70140051A	BEARING, NEEDLE	5	28/10/2011			
5	17214601A	DRIVEN GEAR 5TH SPEED 23T	1	19/09/2011			
6	85610011A	THRUST WASHER 0.5 MM	6	19/09/2011			
7	067016145	SPRING RING	6	19/09/2011			
8	17214591A	GEAR DRIVE 3/4TH SPEED T20/22	1	19/09/2011			
9	17214611A	GEAR DRIVE 6TH SPEED T24	1	19/09/2011			
10	17210021B	GEAR, 2ND DRIVE, NT:17	1	19/09/2011			
11	71310141E	THRUST WASHER 20.3X32X1.6	1	19/09/2011			
12	44910681A	SPROCKET T15	1	25/01/2017			
13	85110041A	WASHER, LOCK	1	15/11/2012			
14	46320537A	O-RING	1	19/09/2011			
15	71312661A	THRUST WASHER 17.3X31X3.15	1	28/10/2011			
16	15021831B	COMPLETE LAY SHAFT	1	28/10/2011			
17	764020002	BEARING, NEEDLE	1	28/10/2011			
18	17212182A	DRIVEN GEAR 1ST SPEED T37	1	28/10/2011			
19	067016155	THRUST WASHER 1 MM	1	28/10/2011			
20	17210103C	DRIVEN GEAR 5TH SPEED T24	1	28/10/2011			
21	17214621A	DRIVEN GEAR 4TH SPEED T:24	1	28/10/2011			
22	17210081C	DRIVEN GEAR 3RD SPEED T28	1	28/10/2011			
23	17210113C	DRIVEN GEAR 6TH SPEED T23	1	28/10/2011			
24	17212192A	DRIVEN GEAR 2ND SPEED T30	1	28/10/2011			
25	14911111B	LAY SHAFT	1	28/10/2011			
26	15021821A	COMPLETE MAIN SHAFT	1	28/10/2011			



CMB00469

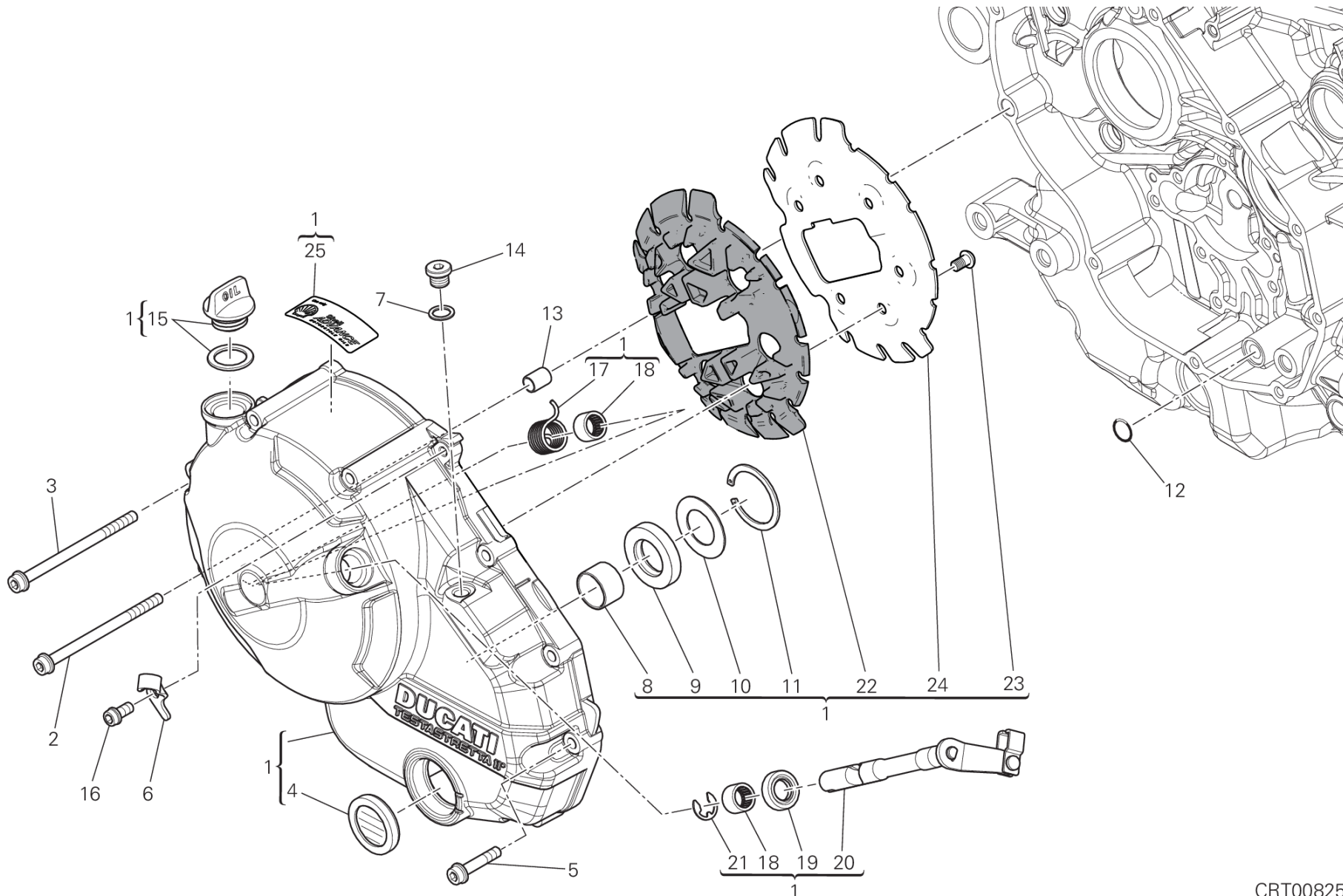


DRAWING 004 - CLUTCH [MOD:M 821]

GROUP ENGINE



POS.	CODE	DESCRIPTION	QTY	START DATE	END DATE	VALIDITY	NOTES
1	79710721A	SPRING	3	01/06/2016			
2	85611391B	THRUST WASHER	3	13/04/2015			
3	77211201A	SCREW	3	19/11/2010			
4	19410511A	RING	1	19/11/2010			
5	81810481A	CLUTCH CONTROL PIN (FCC)	1	10/04/2018			
6	71314831B	SPACER	1	06/10/2014			
7	75010071E	NUT M25X1.5	1	25/11/2014			
8	85110201A	LOCK WASHER	1	11/11/2010			
9	19020232A	CLUTCH DISC SET	1	06/10/2014			
10	70250601A	BEARING	1	19/11/2010			
11	19610542C	DISK, CLUTCH PRESSURE (FCC)	1	06/10/2014			
12	19610681A	PLATE HOLDER HUB (FCC)	1	06/10/2014			
13	71313091A	SPACER	1	19/11/2010			
14	19820441A	PRIMARY DRIVEN GEAR COMP.	1	06/10/2014			



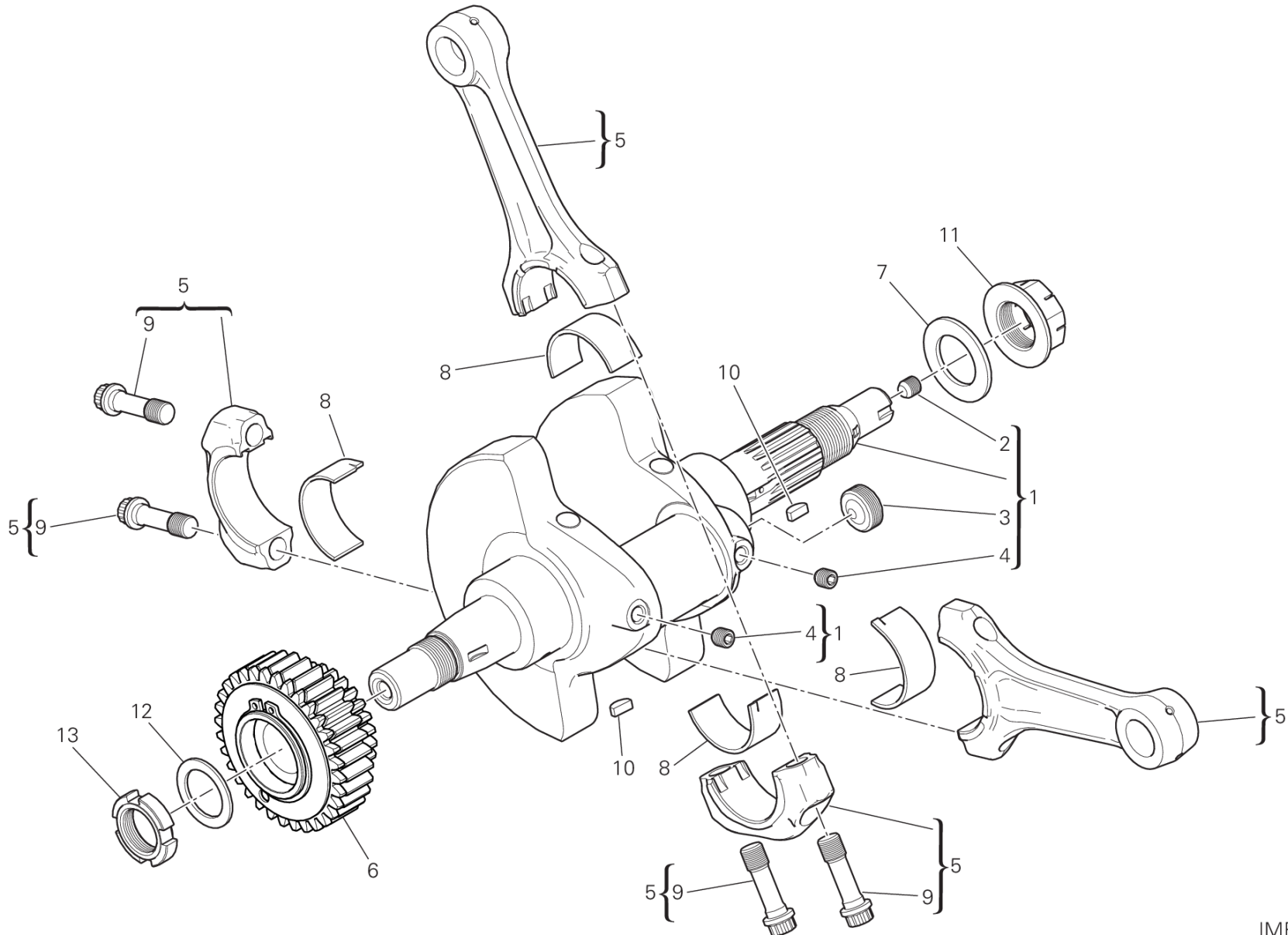
CRT00825

DRAWING 005 - CLUTCH COVER [MOD:M 821]

GROUP ENGINE



POS.	CODE	DESCRIPTION	QTY	START DATE	END DATE	VALIDITY	NOTES
1	24321513AD	CLUTCH COVER	1	19/02/2018			
2	77140833C	SCREW TCEIF M6X90 10.9	1	19/09/2011			
3	77140813C	SCREW TCEIF M6X80 10.9	3	19/09/2011			
4	25440013A	WINDOW, OIL LEVEL CHECK	1	17/01/2013			
5	77140713C	SCREW TCEIF M6X30 10.9	6	19/09/2011			
6	74113331AA	PLATE	1	05/05/2014			
7	85250241A	WASHER 10X14X1	1	19/09/2011			
8	066549680	BUSH	1	17/01/2013			
9	93040211A	OIL SEAL	1	17/01/2013			
10	85211351A	THRUST WASHER 20.8X37.8X1	1	17/01/2013			
11	88450131A	CIRCLIP	1	17/01/2013			
12	88641321A	O-RING 11.11X1.78	1	19/09/2011			
13	71111601A	PIN DOWEL	1	19/09/2011			
14	78011281A	THREADED PLUG	1	10/11/2016			
15	89320121A	PLUG ASSY	1	17/01/2013			
16	77156633B	SCREW	1	20/01/2013			
17	79915671A	SPRING	1	17/01/2013			
18	70140431A	NEEDLE BUSH	2	17/01/2013			
19	93041591A	SEAL RING	1	17/01/2013			
20	14720921D	LEVER, CLUTCH LIFTER	1	17/01/2013			
21	88450341B	SPRING RING	1	17/01/2013			
22	48611061A	DAMPER, SOUND ARRESTER	1	20/01/2015			
23	77550200CC	SCREW	6	20/01/2015			
24	82717901A	SHEET ACOUSTIC DAMPER	1	20/01/2015			
25	43312502C	TRANSFER "SHELL ULTRA"	1	18/12/2017			



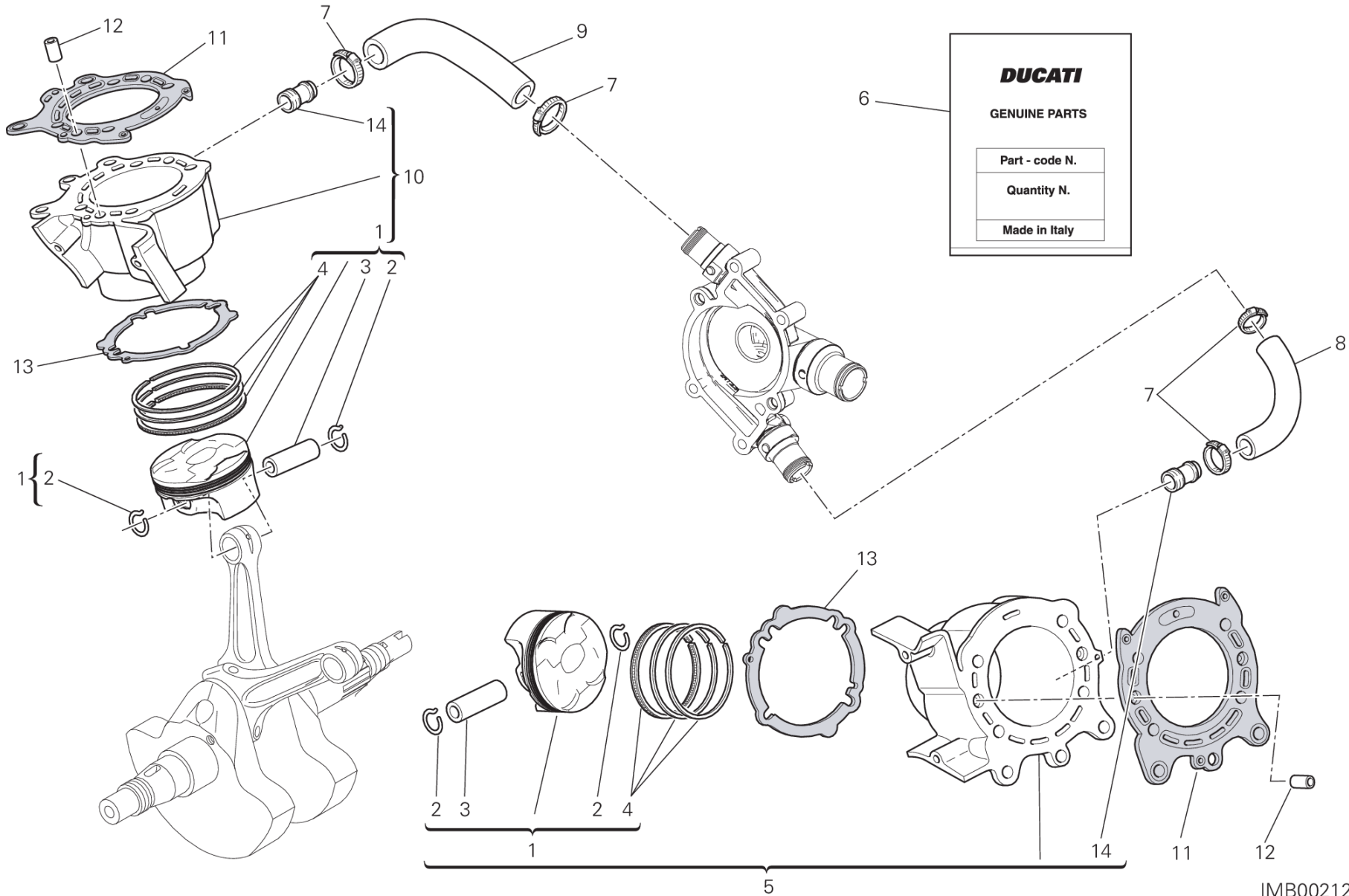
IMB00230

DRAWING 006 - CONNECTING RODS [MOD:M 821]

GROUP ENGINE



POS.	CODE	DESCRIPTION	QTY	START DATE	END DATE	VALIDITY	NOTES
1	14621983AA	DRIVE SHAFT COMPLETO (Class A)	1	10/10/2016			
	14621983AB	DRIVE SHAFT COMPLETO (Class B)	1	10/10/2016			
	14621983AC	DRIVE SHAFT COMPLETO (Class C)	1	10/10/2016			
2	77911092A	SCREW, SPECIAL	1	14/09/2012			
3	78010161B	THREADED PLUG	1	09/05/2016			
4	77915471A	THREADED DOWEL STEI M8X8	2	14/09/2012			
5	15620822AA	CONNECTING ROD (Class 1)	2	18/07/2013			
	15620822AB	CONNECTING ROD (Class 2)	2	29/01/2014			
	15620822AC	CONNECTING ROD (Class 3)	2	09/04/2018			
6	17021361A	PRIMARY DRIVE FRONT SPROCKET (Unit)	1	06/10/2014			
7	85212691A	WASHER	1	01/01/2013			
8	11210801AA	HALF-BEARING RED	2	02/12/2011			
	11210801AB	HALF-BEARING BLUE	2	02/12/2011			
9	77914045B	BOLT, CONNECTING ROD	4	06/11/2017			
10	68010131A	KEY, WOODRUFF 4X5X10	2	19/09/2011			
11	75010121D	NUT, SPECIAL	1	01/01/2013			
12	85140031A	WASHER, LOCK	1	01/06/2016			
13	75011131A	RING NUT	1	01/06/2016			



DUCATI	
GENUINE PARTS	
Part - code N.	
Quantity N.	
Made in Italy	

IMB00212

DRAWING 007 - CYLINDERS - PISTONS [MOD:M 821]

GROUP ENGINE



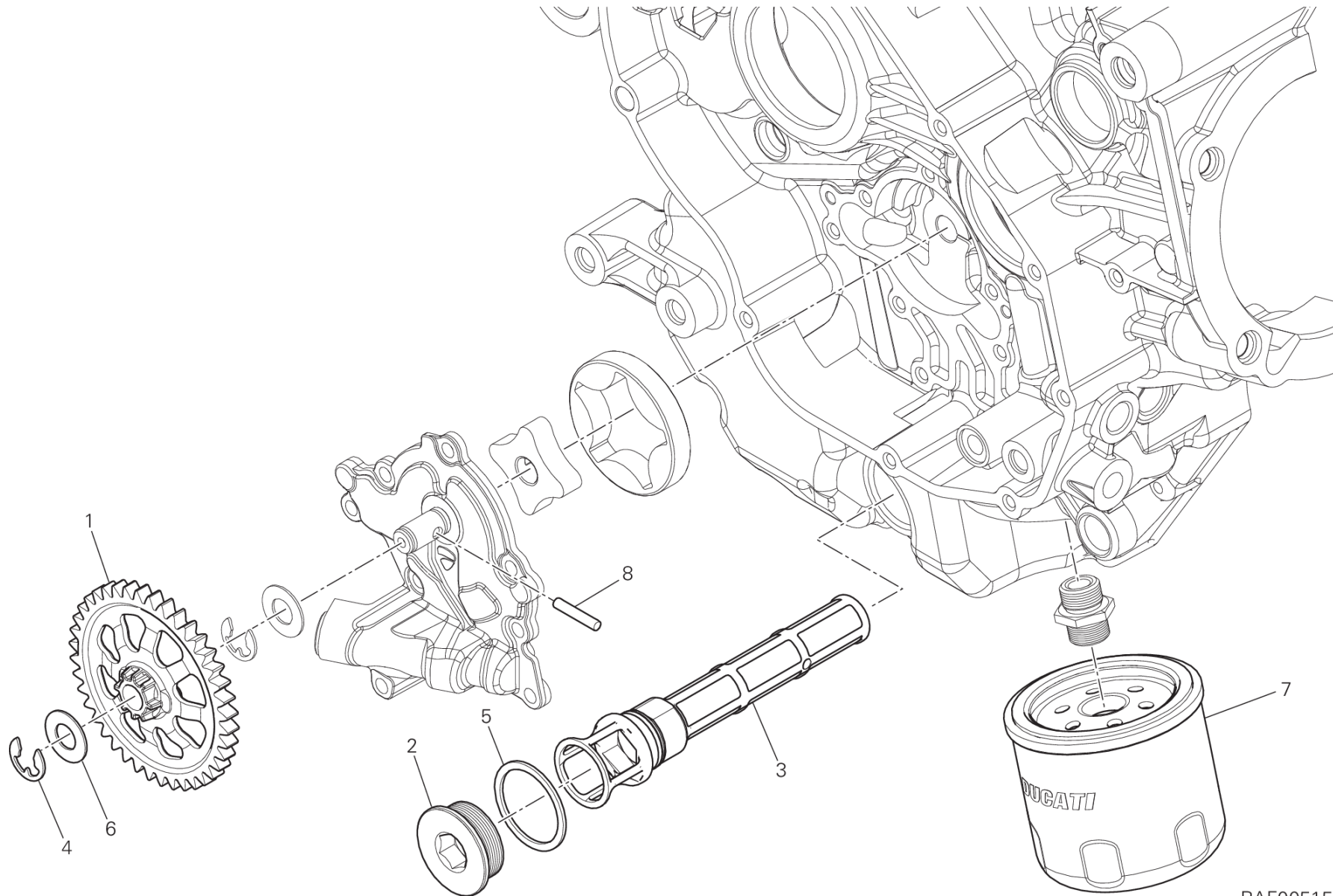
POS.	CODE	DESCRIPTION	QTY	START DATE	END DATE	VALIDITY	NOTES
1	12221877A	PISTON ASSY	2	18/07/2012			
2	12111741B	CIRCLIP, PISTON PIN	4	18/07/2012			
3	12112921C	PISTON PIN	2	18/07/2012			
4	12120531B	PISTON RING SET	2	18/07/2012			
5	120Z0112AC	HORIZONTAL CYLINDER-PISTON ASSY	1	19/10/2017			
6	79120521C	GASKETS SET	1	10/11/2016			
7	74142581A	CLAMP 16-27 MM	4	01/09/2012			
8	80011851A	HOSE, HORIZONTAL CYLINDER WATER INLET	1	17/07/2013			
9	80012483A	HOSE, VERTICAL CYLINDER WATER INLET	1	10/11/2016			
10	120Z0122AC	VERTICAL CYLINDER-PISTON ASSY	1	19/10/2017			
11	78611224A	GASKET, CYLINDER HEAD	2	17/09/2012			
12	71112191A	PIN DOWEL	4	19/09/2011			
13	78611511A	GASKET, CYLINDER	2	07/11/2016			
14	66810482A	WATER PUMP DELIVERY PIPE UNION	2	28/10/2011			



TST00592



POS.	CODE	DESCRIPTION	QTY	START DATE	END DATE	VALIDITY	NOTES
1	24511421B	VERTICAL BELT OUTER COVER	1	10/11/2016			
2	24511431A	HORIZONTAL BELT EXTERNAL COVER	1	24/12/2009			
3	14710811A	LAYSHAFT TIMING	1	19/09/2011			
4	45120241A	COMPLETE MOVABLE TENSIONER ROLLER	2	30/01/2017			
5	73740252A	TIMING DRIVE TOOTHED BELT	2	23/01/2012			
6	77113801A	SCREW	11	19/09/2011			
7	74940081A	NUT M8	2	19/09/2011			
8	85310021A	SPRING WASHER 8 MM	2	01/01/2012			
9	45120122A	TENSIONER TIMING BELT FIXED	2	30/01/2017			
10	77250341C	SCREW	2	31/05/2012			
11	88210031A	SNAP RING	1	19/09/2011			
12	70350062A	ELASTIC-STOP RING NUT	1	19/09/2011			
13	17122271A	TIMING GEARS SET	1	19/09/2011			
14	85110131A	WASHER, LOCK	1	19/09/2011			
15	75011601A	NUT M14X1X7	1	19/09/2011			
16	68010131A	KEY, WOODRUFF 4X5X10	3	19/09/2011			
17	71611281A	SPACER	1	19/09/2011			
18	25510104B	PULLEY, TIMING BELT	2	19/09/2011			
19	85610623A	WASHER, BELT PULLEY	1	17/09/2012			
20	71610722A	SPACER	1	19/09/2011			
21	24521071A	BRACKET, FILTER	1	06/06/2013			
22	74113321A	CLAMP	1	23/05/2016			
23	77911871A	SCREW	2	30/01/2017			



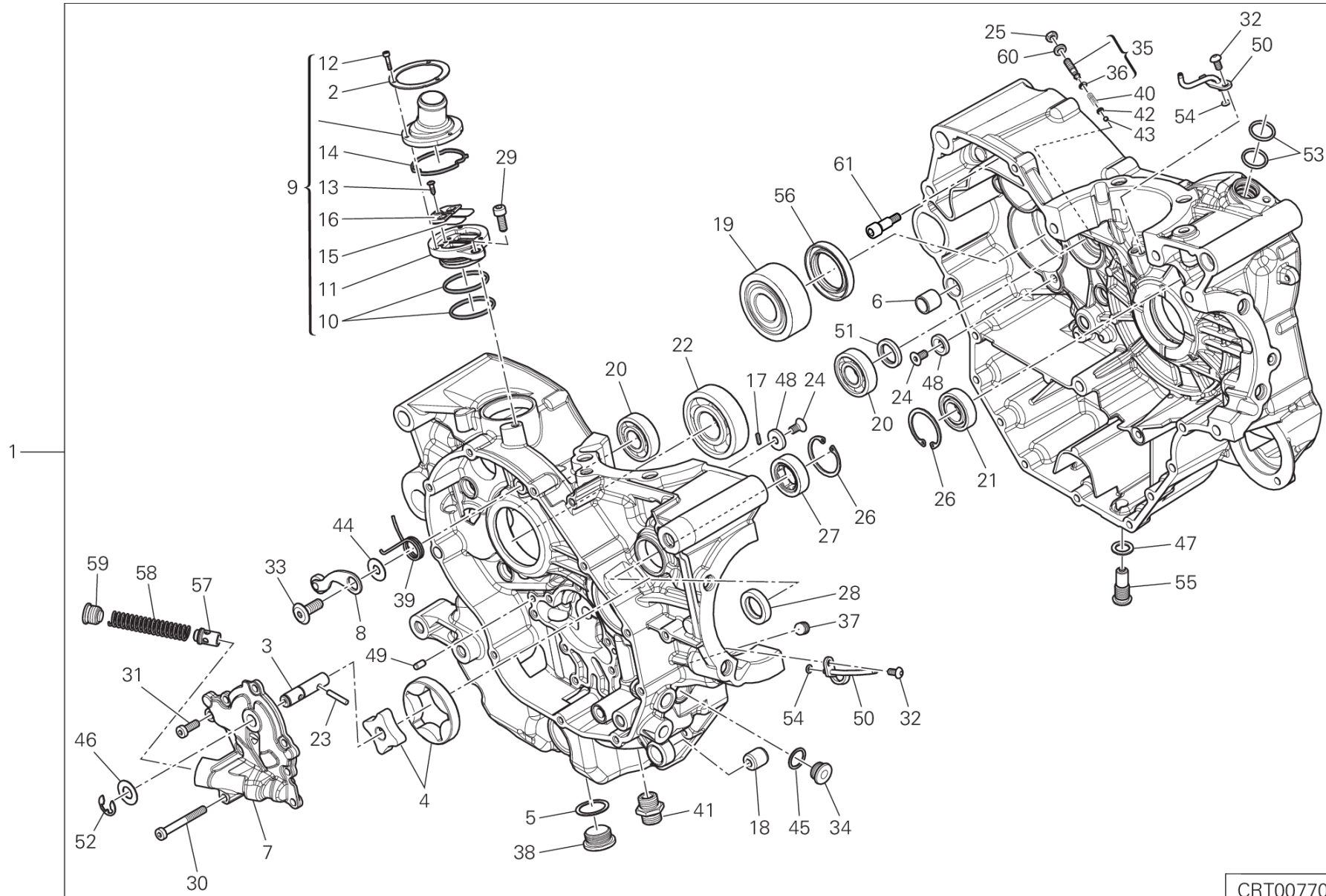
RAF00515

DRAWING 009 - FILTERS AND OIL PUMP [MOD:M 821]

GROUP ENGINE



POS.	CODE	DESCRIPTION	QTY	START DATE	END DATE	VALIDITY	NOTES
1	17410621B	GEAR, OIL PUMP DRIVE	1	29/01/2014			
2	87310371A	THREADED PLUG M32X1.5	1	19/09/2011			
3	89420121F	OIL NET FILTER	1	11/03/2015			
4	88450371A	SNAP RING	1	20/02/2014			
5	85250051A	GASKET 32X38X1.5	1	19/09/2011			
6	85213021A	WASHER, THRUST	1	20/02/2014			
7	44440038A	FILTER, OIL	1	19/09/2011			
8	70450091A	ROLLER	1	20/02/2014			



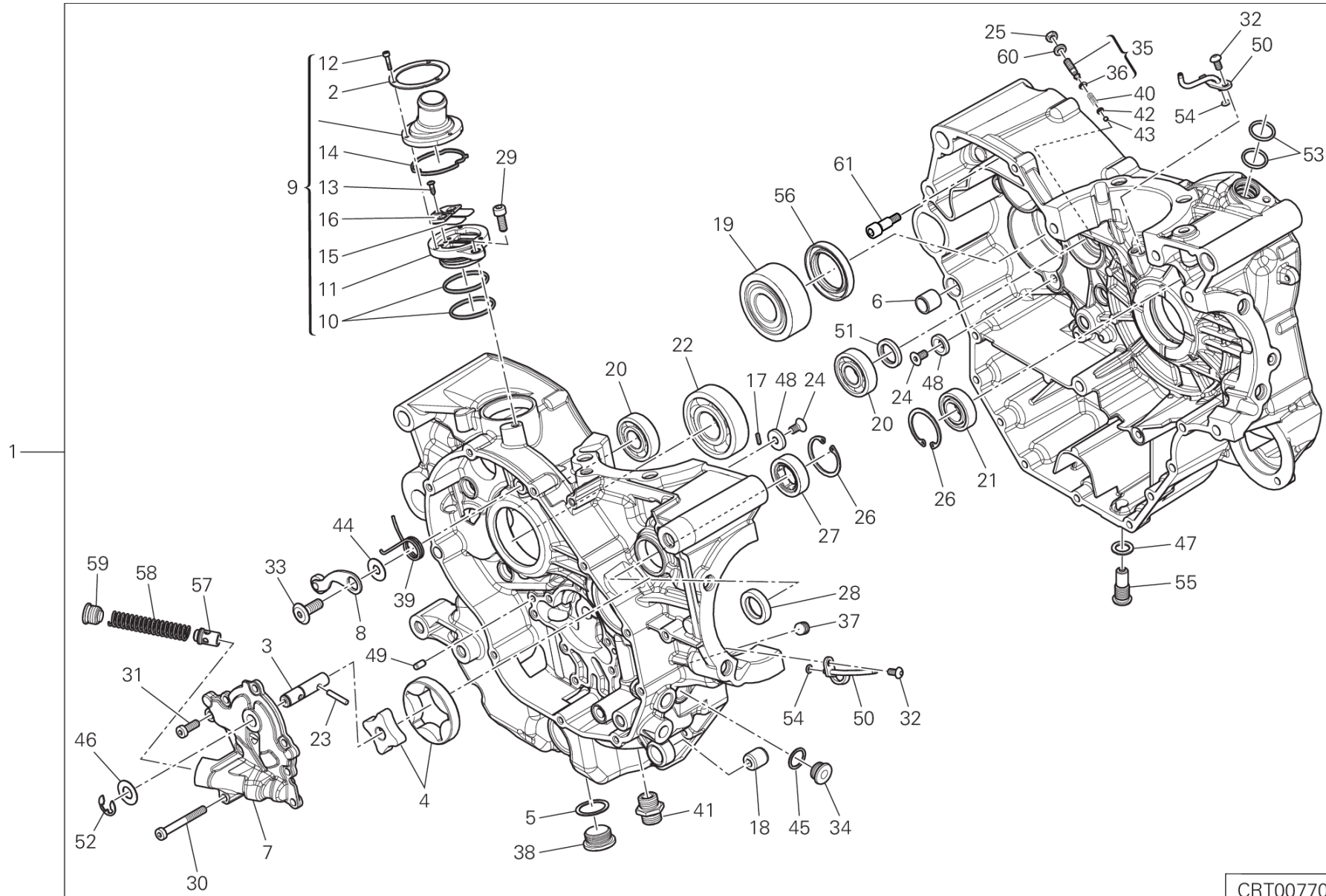
CRT00770

DRAWING 010 - HALF-CRANKCASES PAIR [MOD:M 821]

GROUP ENGINE



POS.	CODE	DESCRIPTION	QTY	START DATE	END DATE	VALIDITY	NOTES
1	22522884C	COMPLETE HALF-CRANKCASES PAIR	1	02/05/2018	04/06/2018		
2	85213011A	RING	1	15/10/2010			
3	14710951B	OIL PUMP DRIVE SHAFT	1	20/02/2014			
4	17420591A	OIL PUMP ROTOR	1	04/04/2014			
5	22032083A	GASKET, ALUMINIUM 28X22.5X1	1	04/02/2014			
6	71110951A	PIN DOWEL	2	07/11/2011			
7	24714612A	OIL PUMP COVER	1	04/04/2014			
8	45520181A	GEAR FIXING CLICK ASSEMBLY	1	23/09/2011			
9	59320581B	VALVE, BREATHER	1	04/04/2014			
10	46320222A	O-RING	2	02/04/2010			
11	59310601B	HOLDER READ VALVE	1	02/04/2010			
12	77150078B	SCREW	3	07/12/2010			
13	77250341B	SCREW, TAPPING 3.5X12	1	02/04/2010			
14	78811151A	GASKET	1	02/04/2010			
15	81110021A	REED VALVE ASSY	1	02/04/2010			
16	82716031A	SPACER	1	02/04/2010			
17	68050101A	KEY 2X2X10	1	23/09/2011			
18	70010362A	DAMPER	1	14/12/2015			
19	70240131D	BEARING	1	04/02/2014			
20	70240331A	BEARING 17X40X12	2	04/02/2014			
21	70250081A	BALL BEARING 6003 TN9 C3	1	04/02/2014			
22	70250193A	BEARING	1	23/09/2011			
23	70450091A	ROLLER	1	20/02/2014			
24	720941616	SCREW TSPEI M6X12	4	04/02/2014			
25	74710151A	NUT	1	04/04/2014			
26	735033380	CIRCLIP	2	04/02/2014			
27	757941542	BEARING	1	04/02/2014			
28	93041631B	SEAL RING	1	16/06/2017			
29	77150653B	SCREW TCEI M6X16 UNI5931 8.8	1	04/02/2014			
30	77150758B	SCREW	1	20/02/2014			
31	77354868B	SCREW TCEIR M6X16	7	28/09/2018			
32	77510311B	SCREW TBEI M5X10	2	23/09/2011			
33	77910391A	SCREW M8X21.5	1	04/02/2014			
34	77911982A	THREADED PLUG M15X1	1	04/02/2014			
35	77927171A	SCREW	1	04/04/2014			



CRT00770

DRAWING 010 - HALF-CRANKCASES PAIR [MOD:M 821]

GROUP ENGINE

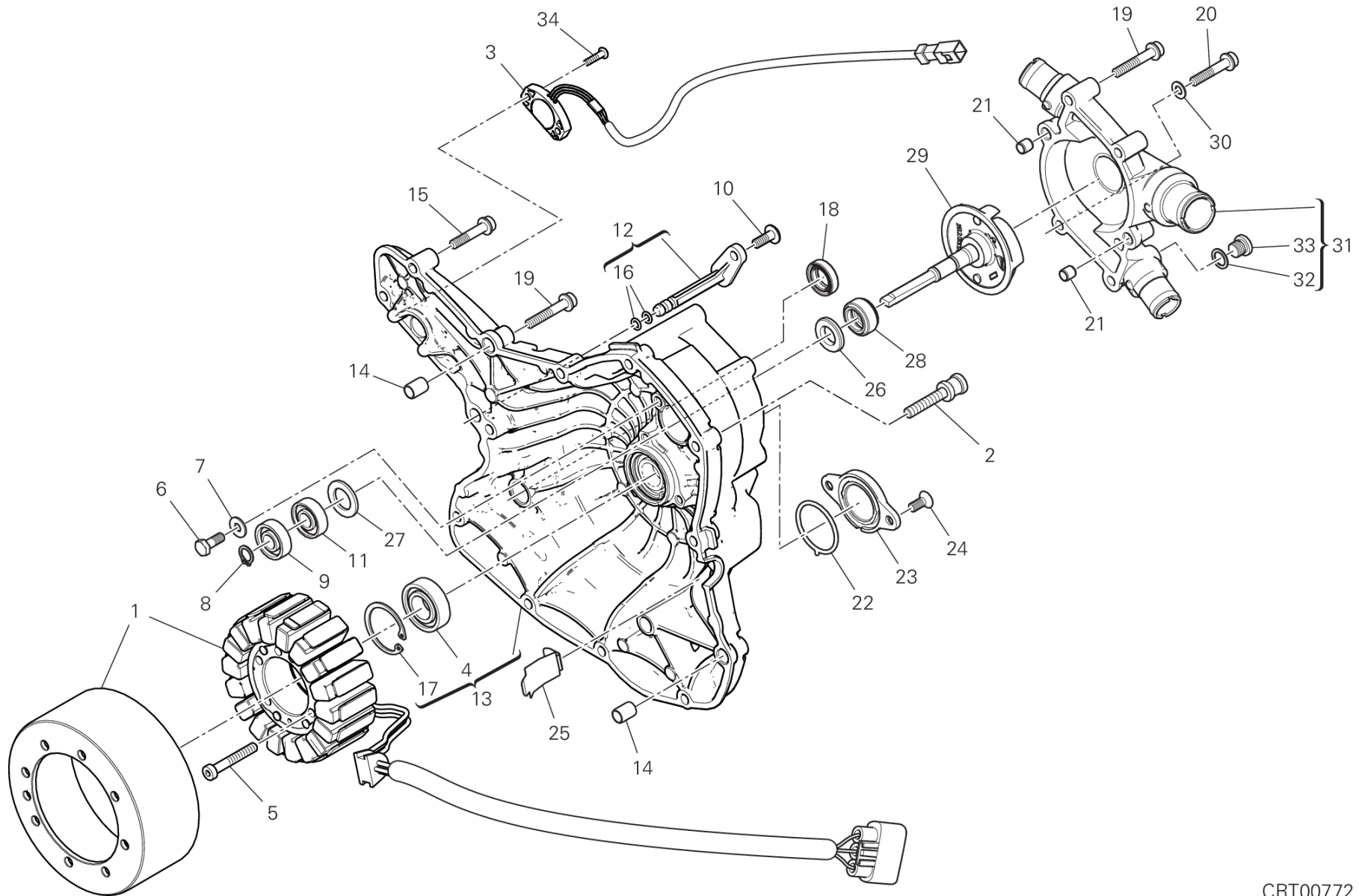


POS.	CODE	DESCRIPTION	QTY	START DATE	END DATE	VALIDITY	NOTES
36	88641961A	O-RING	1	18/04/2011			
37	77950621A	THREADED DOWEL M10X1	1	23/09/2011			
38	78010921A	PLUG	1	04/02/2014			
39	79910491A	SPRING, RETURN	1	04/02/2014			
40	79940171A	SPRING	1	04/02/2014			
41	81510281A	BOLT UNION	1	04/02/2014			
42	83110151B	PLATE	1	04/02/2014			
43	84740061A	BALL	1	04/02/2014			
44	85210532A	WASHER 8.2X20X1	1	04/02/2014			
45	85211201A	ALUMINIUM GASKET	1	04/02/2014			
46	85213021A	WASHER, THRUST	1	20/02/2014			
47	85250421A	COPPER GASKET 12.2X18X1.5 MM	1	04/02/2014			
48	85611481A	WASHER	4	04/02/2014			
49	86050061A	PIN M5X10	2	04/02/2014			
50	87511801A	JET, PISTON COOLING	2	04/02/2014			
51	93040931A	SEAL, OIL 17X25X4	1	04/02/2014			
52	88450371A	SNAP RING	1	20/02/2014			
53	88640331A	O-RING 17.96X2.62	2	04/02/2014			
54	88650131A	O-RING 3.68X1.78	2	04/02/2014			
55	89320062A	PLUG, OIL DRAIN	1	04/02/2014			
56	93040221A	SEAL, OIL 35X52X7	1	04/02/2014			
57	59310801B	BY-PASS VALVE	1	20/02/2014			
58	79915741B	BYPASS SPRING	1	20/02/2014			
59	78010941B	PLUG	1	20/02/2014			
60	85640141A	WASHER	1	14/12/2015			
61	77919881A	SCREW, SPECIAL	2	16/06/2017			



DRAWING 011 - WATER PUMP-ALTR-SIDE CRNKCSE COVER [MOD:M 821]

GROUP ENGINE



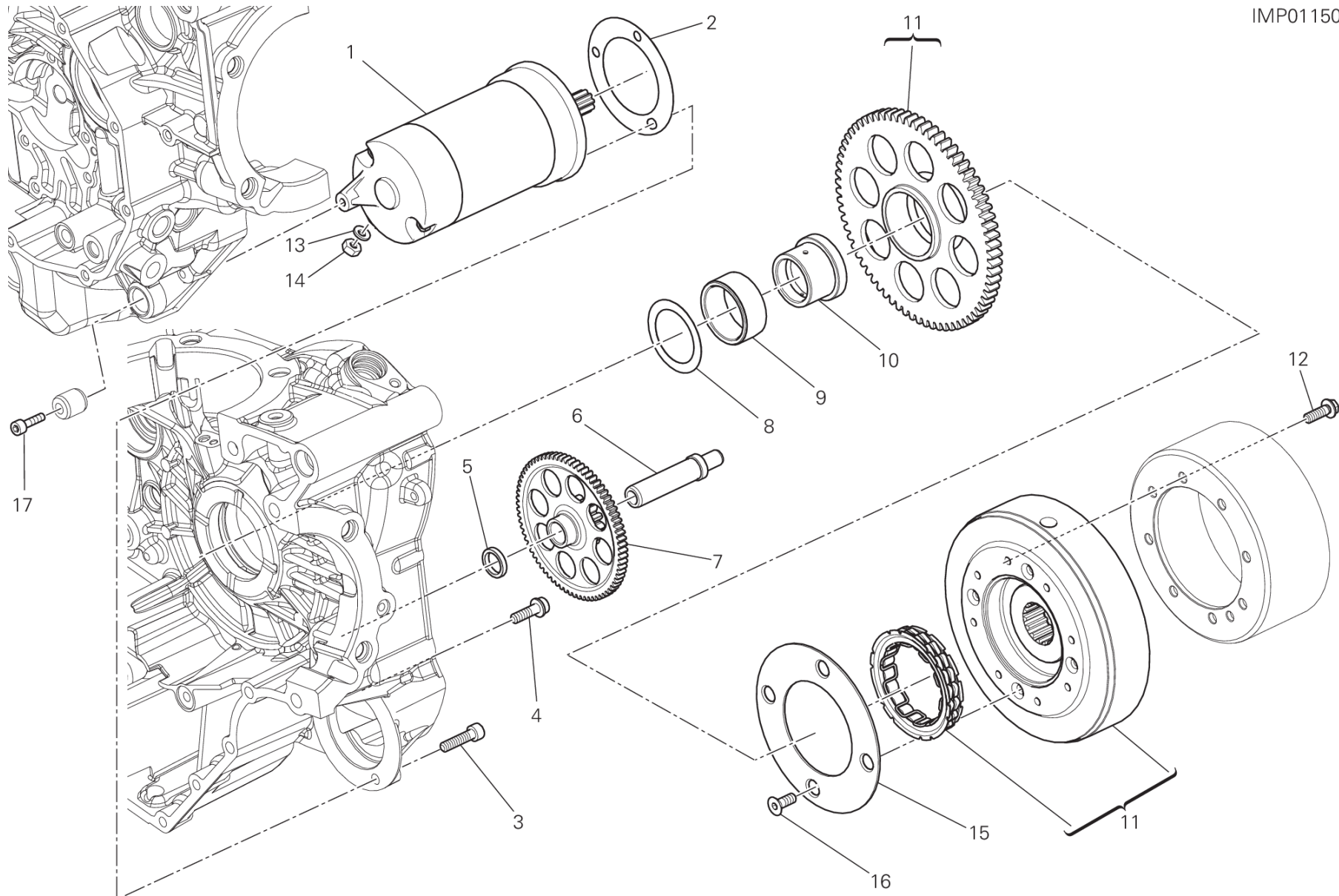
CRT00772

DRAWING 011 - WATER PUMP-ALTR-SIDE CRNKCSE COVER [MOD:M 821]

GROUP ENGINE



POS.	CODE	DESCRIPTION	QTY	START DATE	END DATE	VALIDITY	NOTES
1	26420501B	GENERATOR DENSO	1	10/11/2016			
2	77916041D	SCREW, SPECIAL	2	10/11/2016			
3	55243522A	GEARBOX POSITION SENSOR	1	04/03/2016			
4	70250081A	BALL BEARING 6003 TN9 C3	1	17/10/2011			
5	77350738BC	SCREW	3	04/03/2016			
6	77052508B	SCREW TE M6X16	2	17/10/2011			
7	85211721A	WASHER 6X14.2X1.3	2	19/09/2011			
8	88450431A	CIRCLIP	1	09/03/2015			
9	70240102A	BEARING	1	17/10/2011			
10	77240423C	SCREW TBEIF M6X16 10.9	1	16/04/2013			
11	70240091A	BALL BEARING 6000	1	17/10/2011			
12	87321271A	PLUG	1	02/11/2015			
13	24221491CF	GENERATOR COVER	1	22/06/2017			
14	71111601A	PIN DOWEL	2	19/09/2011			
15	77140713C	SCREW TCEIF M6X30 10.9	9	19/11/2012			
16	88641731A	O-RING 1.78X4.76	2	02/12/2011			
17	735033380	CIRCLIP	1	04/03/2016			
18	937831524	SEAL, OIL 15X24X6	1	17/10/2011			
19	77140723C	SCREW TCEIF M6X35 10.9	6	25/11/2014			
20	77113961A	SCREW	2	09/03/2015			
21	71110922A	BUSH	2	09/03/2015			
22	88610951A	O-RING 32.99X2.62	1	19/09/2011			
23	24713571AN	COVER	1	10/11/2016			
24	77750493C	SCREW	2	19/09/2011			
25	82716091A	PLATE	1	09/03/2015			
26	93050051A	MECHANICAL SEAL	1	19/09/2011			
27	71311281B	SPACER	1	17/10/2011			
28	93050062B	MECHANICAL SEAL	1	19/09/2011			
29	25120131A	WATER PUMP ROTOR	1	09/03/2015			
30	85250481A	GASKET 6X12X1 DIN7603-A	2	09/03/2015			
31	24715241BH	WATER PUMP COVER ASSY	1	07/11/2016			
32	85250631A	WASHER	1	19/09/2011			
33	78011001A	PLUG, THREADED M10X1	1	19/09/2011			
34	72050069E	SCREW	2	04/03/2016			



DRAWING 012 - ELECTRIC STARTING AND IGNITION [MOD:M 821]

GROUP ENGINE

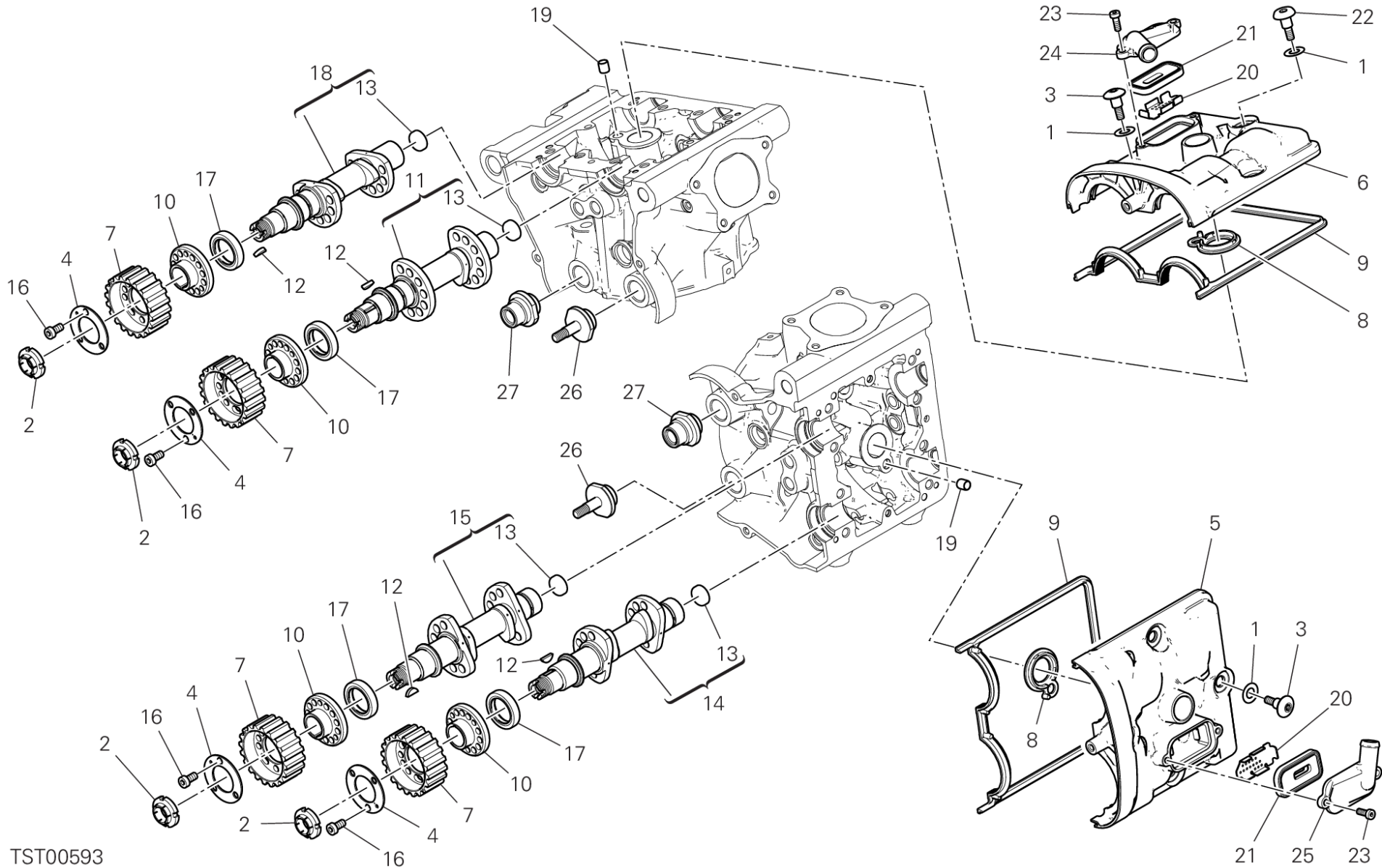


POS.	CODE	DESCRIPTION	QTY	START DATE	END DATE	VALIDITY	NOTES
1	27040106A	STARTING MOTOR	1	04/11/2014			
2	78810542A	ENGINE STARTER GASKET	1	22/02/2012			
3	77140697CF	SCREW 6x25	1	16/03/2015			
4	77140677CF	SCREW TCEIF M6X20	2	20/04/2016			
5	71319191A	SPACER	1	20/03/2014			
6	82113471A	STARTER REDUCTION SHAFT	1	04/11/2014			
7	176Z0021A	IDLE GEAR T74/13	1	20/03/2014			
8	061950065	THRUST WASHER 35.5X48	1	22/02/2012			
9	70140031A	BEARING, NEEDLE	1	22/02/2012			
10	88110101C	BUSH	1	22/02/2012			
11	69928721A	FLYWHEEL FLNAGE KIT M821/SS	1	04/11/2014			
12	77253300ZF	SCREW	8	20/03/2014			
13	85350101A	WASHER, SPRING	1	10/03/2016			
14	75050051A	NUT 6MM	1	10/03/2016			
15	160Z0041A	PLATE CLUTCH, ONE WAY	1	20/03/2014			
16	77750508CC	SCREW	4	20/03/2014			
17	77110521A	SCREW TCEI M6X30	1	11/03/2015			



DRAWING 013 - CYLINDER HEAD : TIMING SYSTEM [MOD:M 821]

GROUP ENGINE



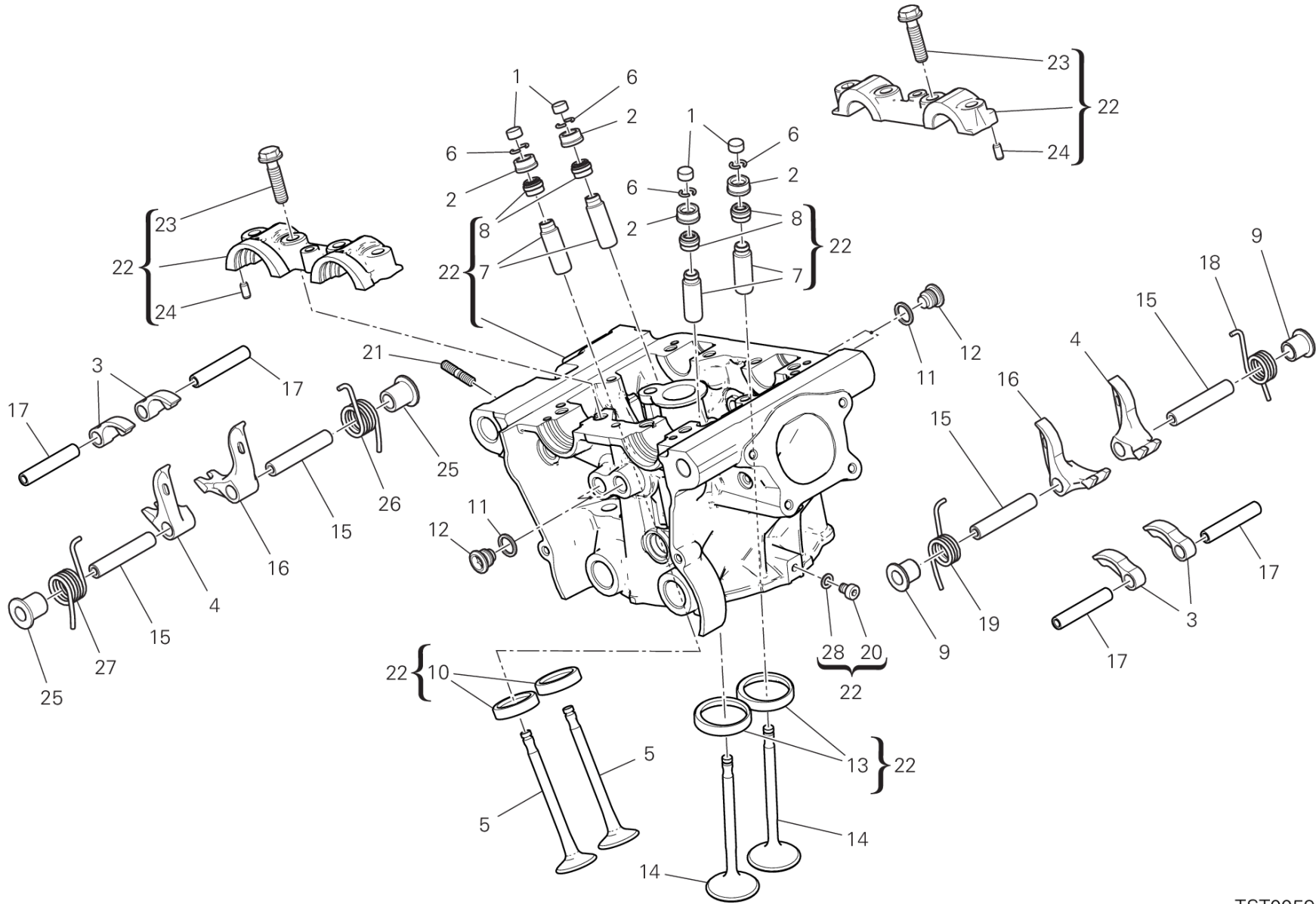
TST00593

DRAWING 013 - CYLINDER HEAD : TIMING SYSTEM [MOD:M 821]

GROUP ENGINE



POS.	CODE	DESCRIPTION	QTY	START DATE	END DATE	VALIDITY	NOTES
1	88650511A	O-RING 12.39X3.53	8	07/12/2012			
2	70350024A	RING NUT	4	07/12/2012			
3	77915093A	SCREW, SPECIAL	5	07/12/2012			
4	85610743A	WASHER, SPECIAL	4	07/12/2012			
5	24714141AC	COVER CYLINDER HEAD, HORIZONTAL	1	31/05/2013			
6	24714151AC	COVER CYLINDER HEAD, VERTICAL	1	31/05/2013			
7	25510193A	TIMING BELT PULLEY, DRIVEN T20	4	07/12/2012			
8	78811211A	GASKET	2	07/12/2012			
9	78810931A	GASKET CYLINDER HEAD COVER	2	07/12/2012			
10	16010941A	FLANGE	4	07/12/2012			
11	14824232A	VERTICAL INTAKE CAMSHAFT	1	13/10/2015			
12	68050061A	WOODRUFF KEY 3X5	4	07/12/2012			
13	87310051A	PLUG 18 MM	4	24/12/2009			
14	14824242A	HORIZONTAL EXHAUST CAMSHAFT	1	13/10/2015			
15	14824222A	HORIZONTAL INTAKE CAMSHAFT	1	13/10/2015			
16	77950302A	SCREW TC M6X12	12	07/12/2012			
17	93050072A	SEAL RING	4	13/10/2015			
18	14824252A	VERTICAL EXHAUST CAMSHAFT	1	13/10/2015			
19	71113741A	BUSH	2	07/12/2012			
20	82716351A	PLATE	2	07/12/2012			
21	81140012B	VALVE	2	07/12/2012			
22	77918141A	SCREW, SPECIAL	3	11/06/2013			
23	77350403B	SCREW	4	07/12/2012			
24	24714171A	COVER VERTICAL	1	07/12/2012			
25	24714891A	COVER HORIZONTAL	1	06/03/2015			
26	45110462A	MOVABLE TENSIONER ROLLER PIN	2	08/04/2015			
27	45110491A	TENSIONER ROLLER PIN	2	10/01/2017			



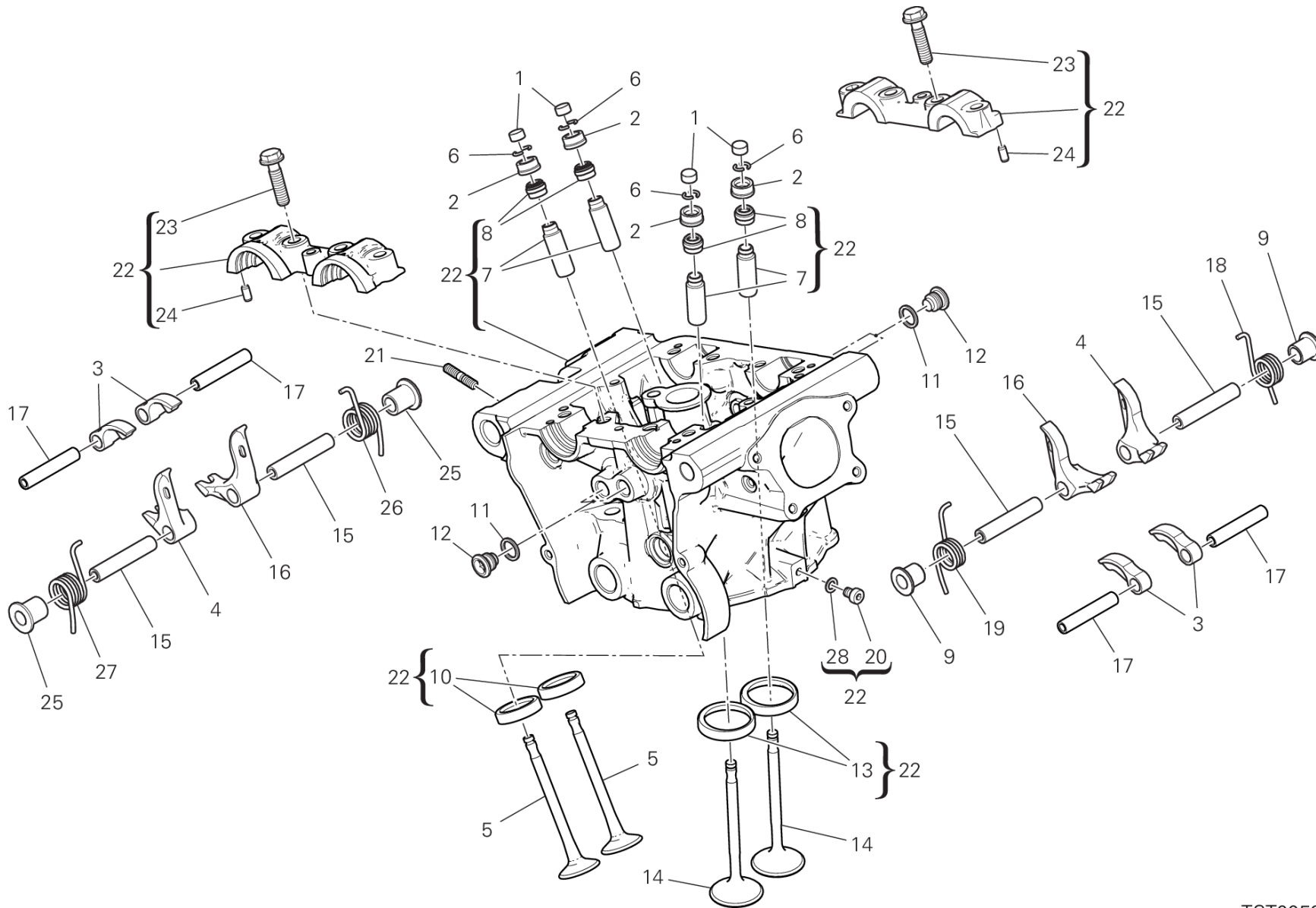
TST00594

DRAWING 014 - VERTICAL HEAD [MOD:M 821]

GROUP ENGINE



POS.	CODE	DESCRIPTION	QTY	START DATE	END DATE	VALIDITY	NOTES
1	84010012A	ADJUSTER, OPENING ROCKER ARM 2.00 MM	4	20/06/2012			
	84010022A	ADJUSTER, OPENING ROCKER ARM 2.05 MM	4	20/06/2012			
	84010032A	ADJUSTER, OPENING ROCKER ARM 2.10 MM	4	20/06/2012			
	84010042A	ADJUSTER, OPENING ROCKER ARM 2.15 MM	4	20/06/2012			
	84010052A	ADJUSTER, OPENING ROCKER ARM 2.20 MM	4	20/06/2012			
	84010062A	ADJUSTER, OPENING ROCKER ARM 2.25 MM	4	20/06/2012			
	84010072A	ADJUSTER, OPENING ROCKER ARM 2.30 MM	4	20/06/2012			
	84010082A	ADJUSTER, OPENING ROCKER ARM 2.35 MM	4	20/06/2012			
	84010092A	ADJUSTER, OPENING ROCKER ARM 2.40 MM	4	20/06/2012			
	84010102A	ADJUSTER, OPENING ROCKER ARM 2.45 MM	4	20/06/2012			
	84010112A	ADJUSTER, OPENING ROCKER ARM 2.50 MM	4	20/06/2012			
	84010122A	ADJUSTER, OPENING ROCKER ARM 2.55 MM	4	20/06/2012			
	84010132A	ADJUSTER, OPENING ROCKER ARM 2.60 MM	4	20/06/2012			
	84010142A	ADJUSTER, OPENING ROCKER ARM 2.65 MM	4	20/06/2012			
	84010152A	ADJUSTER, OPENING ROCKER ARM 2.70 MM	4	20/06/2012			
	84010162A	ADJUSTER, OPENING ROCKER ARM 2.75 MM	4	20/06/2012			
	84010172A	ADJUSTER, OPENING ROCKER ARM 2.80 MM	4	20/06/2012			
	84010182A	ADJUSTER, OPENING ROCKER ARM 2.85 MM	4	20/06/2012			
	84010192A	ADJUSTER, OPENING ROCKER ARM 2.90 MM	4	20/06/2012			
	84010202A	ADJUSTER, OPENING ROCKER ARM 2.95 MM	4	20/06/2012			
	84010212A	ADJUSTER, OPENING ROCKER ARM 3.00 MM	4	20/06/2012			
	84010222A	ADJUSTER, OPENING ROCKER ARM 3.05 MM	4	20/06/2012			
	84010232A	ADJUSTER, OPENING ROCKER ARM 3.10 MM	4	20/06/2012			
	84010242A	ADJUSTER, OPENING ROCKER ARM 3.15 MM	4	20/06/2012			
	84010252A	ADJUSTER, OPENING ROCKER ARM 3.20 MM	4	20/06/2012			
	84010262A	ADJUSTER, OPENING ROCKER ARM 3.25 MM	4	20/06/2012			
	84010272A	ADJUSTER, OPENING ROCKER ARM 3.30 MM	4	20/06/2012			
	84010282A	ADJUSTER, OPENING ROCKER ARM 3.35 MM	4	20/06/2012			
	84010292A	ADJUSTER, OPENING ROCKER ARM 3.40 MM	4	20/06/2012			
	84010302A	ADJUSTER, OPENING ROCKER ARM 3.45 MM	4	20/06/2012			
	84010312A	ADJUSTER, OPENING ROCKER ARM 1.80 MM	4	20/06/2012			
	84010322A	ADJUSTER, OPENING ROCKER ARM 1.85 MM	4	20/06/2012			
	84010332A	ADJUSTER, OPENING ROCKER ARM 1.90 MM	4	20/06/2012			
	84010342A	ADJUSTER, OPENING ROCKER ARM 1.95 MM	4	20/06/2012			
	84010722A	ADJUSTER, OPENING ROCKER ARM 3.60 MM	4	20/06/2012			



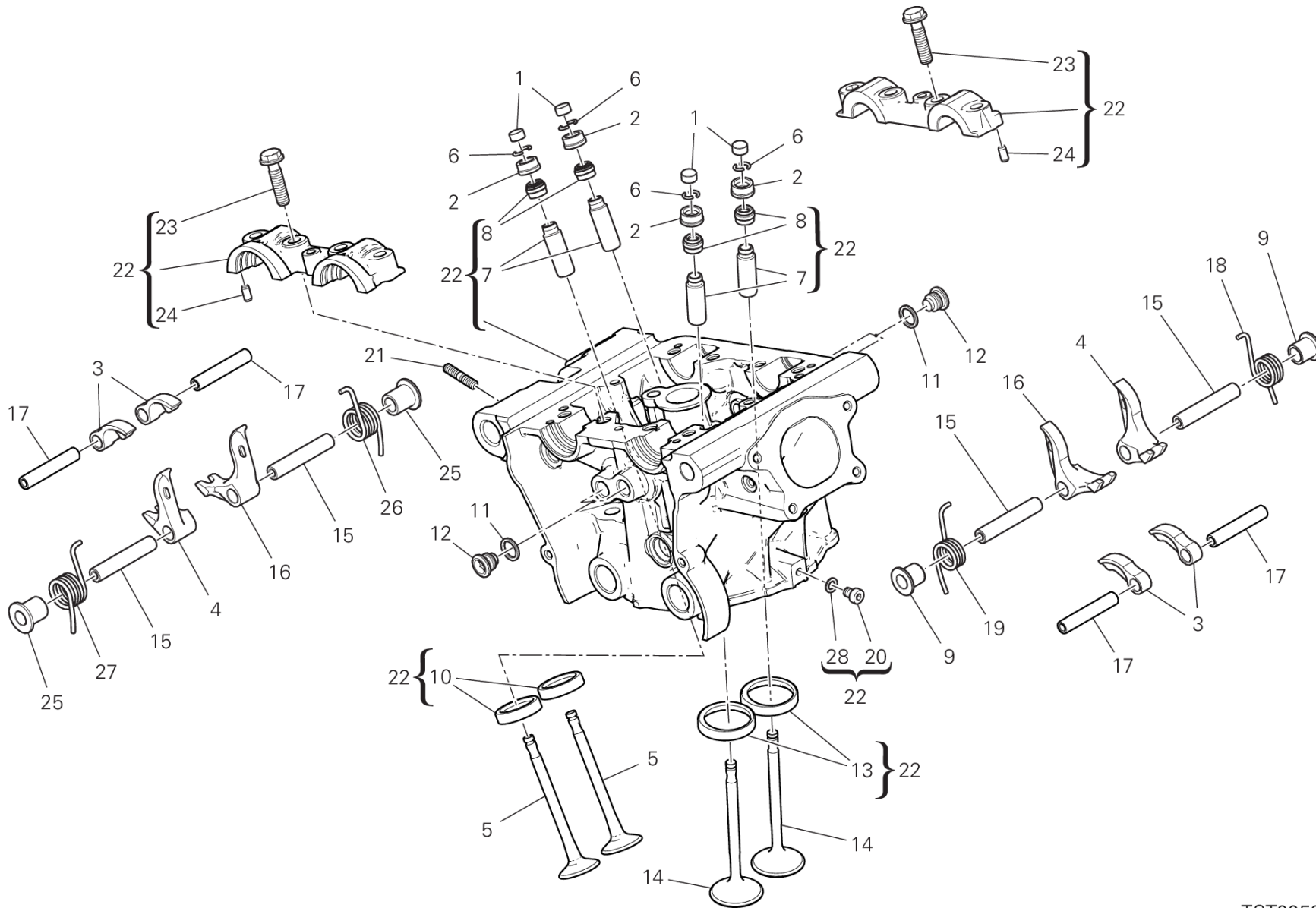
TST00594

DRAWING 014 - VERTICAL HEAD [MOD:M 821]

GROUP ENGINE



POS.	CODE	DESCRIPTION	QTY	START DATE	END DATE	VALIDITY	NOTES
	84010732A	ADJUSTER, OPENING ROCKER ARM 3.80 MM	4	20/06/2012			
	84011082A	ADJUSTER, OPENING ROCKER ARM 3.50 MM	4	20/06/2012			
	84011092A	ADJUSTER, OPENING ROCKER ARM 3.55 MM	4	20/06/2012			
	84011102A	ADJUSTER, OPENING ROCKER ARM 3.65 MM	4	20/06/2012			
	84011112A	ADJUSTER, OPENING ROCKER ARM 3.70 MM	4	20/06/2012			
	84011122A	ADJUSTER, OPENING ROCKER ARM 3.75 MM	4	20/06/2012			
	84011132A	ADJUSTER, OPENING ROCKER ARM 3.85 MM	4	20/06/2012			
	84011142A	ADJUSTER, OPENING ROCKER ARM 3.9 MM	4	20/06/2012			
2	84010412B	ADJUSTER, CLOSING ROCKER ARM 2.20 MM	4	24/12/2009			
	84010422B	ADJUSTER, CLOSING ROCKER ARM 2.25 MM	4	24/12/2009			
	84010432B	ADJUSTER, CLOSING ROCKER ARM 2.30 MM	4	24/12/2009			
	84010442B	ADJUSTER, CLOSING ROCKER ARM 2.35 MM	4	24/12/2009			
	84010452B	ADJUSTER, CLOSING ROCKER ARM 2.40 MM	4	24/12/2009			
	84010462B	ADJUSTER, CLOSING ROCKER ARM 2.45 MM	4	24/12/2009			
	84010472B	ADJUSTER, CLOSING ROCKER ARM 2.50 MM	4	24/12/2009			
	84010482B	ADJUSTER, CLOSING ROCKER ARM 2.55 MM	4	24/12/2009			
	84010492B	ADJUSTER, CLOSING ROCKER ARM 2.60 MM	4	24/12/2009			
	84010502B	ADJUSTER, CLOSING ROCKER ARM 2.65 MM	4	24/12/2009			
	84010512B	ADJUSTER, CLOSING ROCKER ARM 2.70 MM	4	24/12/2009			
	84010522B	ADJUSTER, CLOSING ROCKER ARM 2.75 MM	4	24/12/2009			
	84010532B	ADJUSTER, CLOSING ROCKER ARM 2.80 MM	4	24/12/2009			
	84010542B	ADJUSTER, CLOSING ROCKER ARM 2.85 MM	4	24/12/2009			
	84010552B	ADJUSTER, CLOSING ROCKER ARM 2.90 MM	4	24/12/2009			
	84010562B	ADJUSTER, CLOSING ROCKER ARM 2.95 MM	4	24/12/2009			
	84010572B	ADJUSTER, CLOSING ROCKER ARM 3.00 MM	4	24/12/2009			
	84010582B	ADJUSTER, CLOSING ROCKER ARM 3.05 MM	4	24/12/2009			
	84010592B	ADJUSTER, CLOSING ROCKER ARM 3.10 MM	4	24/12/2009			
	84010602B	ADJUSTER, CLOSING ROCKER ARM 3.15 MM	4	24/12/2009			
	84010612B	ADJUSTER, CLOSING ROCKER ARM 3.20 MM	4	24/12/2009			
	84010622B	ADJUSTER, CLOSING ROCKER ARM 3.25 MM	4	24/12/2009			
	84010632B	ADJUSTER, CLOSING ROCKER ARM 3.30 MM	4	24/12/2009			
	84010642B	ADJUSTER, CLOSING ROCKER ARM 3.35 MM	4	24/12/2009			
	84010652B	ADJUSTER, CLOSING ROCKER ARM 3.40 MM	4	24/12/2009			
	84010662B	ADJUSTER, CLOSING ROCKER ARM 3.45 MM	4	24/12/2009			
	84010672B	ADJUSTER, CLOSING ROCKER ARM 3.50 MM	4	24/12/2009			



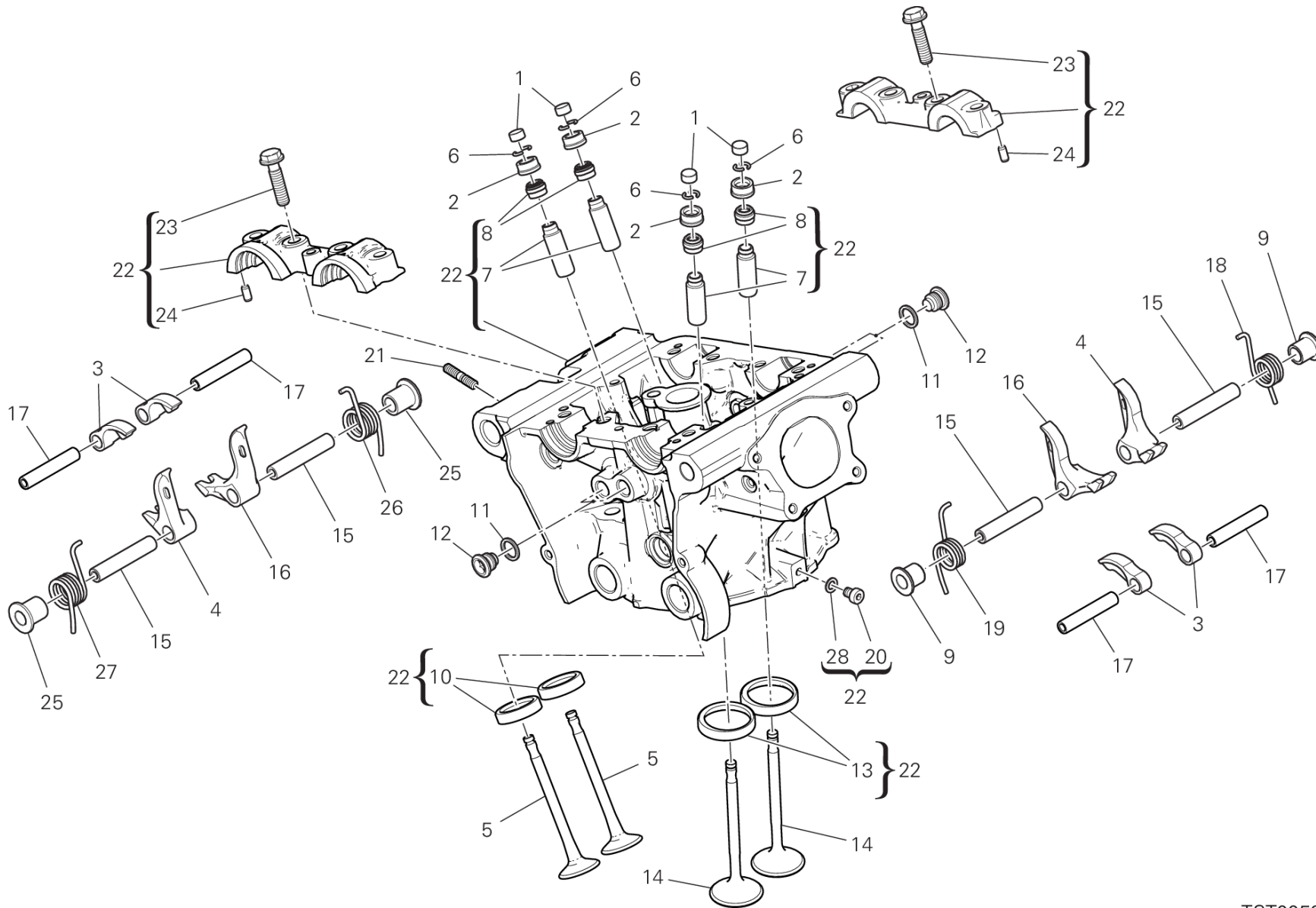
TST00594

DRAWING 014 - VERTICAL HEAD [MOD:M 821]

GROUP ENGINE



POS.	CODE	DESCRIPTION	QTY	START DATE	END DATE	VALIDITY	NOTES
	84010682B	ADJUSTER, CLOSING ROCKER ARM 3.55 MM	4	24/12/2009			
	84010692B	ADJUSTER, CLOSING ROCKER ARM 3.60 MM	4	24/12/2009			
	84010702B	ADJUSTER, CLOSING ROCKER ARM 3.65 MM	4	24/12/2009			
	84010712B	ADJUSTER, CLOSING ROCKER ARM 3.70 MM	4	24/12/2009			
	84010722B	ADJUSTER, CLOSING ROCKER ARM 3.75 MM	4	24/12/2009			
	84010732B	ADJUSTER, CLOSING ROCKER ARM 3.80 MM	4	24/12/2009			
	84010742B	ADJUSTER, CLOSING ROCKER ARM 3.85 MM	4	24/12/2009			
	84010752B	ADJUSTER, CLOSING ROCKER ARM 3.90 MM	4	24/12/2009			
	84010762B	ADJUSTER, CLOSING ROCKER ARM 3.95 MM	4	24/12/2009			
	84010772B	ADJUSTER, CLOSING ROCKER ARM 4.00 MM	4	24/12/2009			
	84010782B	ADJUSTER, CLOSING ROCKER ARM 4.05 MM	4	24/12/2009			
	84010792B	ADJUSTER, CLOSING ROCKER ARM 4.10 MM	4	24/12/2009			
	84010802B	ADJUSTER, CLOSING ROCKER ARM 4.15 MM	4	24/12/2009			
	84010812B	ADJUSTER, CLOSING ROCKER ARM 4.20 MM	4	24/12/2009			
	84010822B	ADJUSTER, CLOSING ROCKER ARM 4.25 MM	4	24/12/2009			
	84010832B	ADJUSTER, CLOSING ROCKER ARM 4.30 MM	4	24/12/2009			
	84010842B	ADJUSTER, CLOSING ROCKER ARM 4.35 MM	4	24/12/2009			
	84010852B	ADJUSTER, CLOSING ROCKER ARM 4.40 MM	4	24/12/2009			
	84010862B	ADJUSTER, CLOSING ROCKER ARM 4.45 MM	4	24/12/2009			
	84010872B	ADJUSTER, CLOSING ROCKER ARM 4.50 MM	4	24/12/2009			
3	20810321A	OPEN. ROCKER ARM	4	07/12/2012			
4	20910501A	CLOSING ROCKER ARM LEFT	2	07/12/2012			
5	21110991A	EXHAUST VALVE	2	13/10/2015			
6	66910011E	C RING	8	07/12/2012			
7	30310631BB	GUIDE, VALVE OVERSIZED 0.03 MM	4	21/03/2013			
	30310631BC	GUIDE, VALVE OVERSIZED 0.06 MM	4	25/03/2013			
	30310631BD	GUIDE, VALVE OVERSIZED 0.09 MM	4	21/03/2013			
8	76440572A	SEAL VALVE STEM	4	06/03/2015			
9	71312921A	SPACER	2	07/12/2012			
10	30411011AB	SEAT, EXHAUST VALVE +0.03 MM	2	02/11/2015			
	30411011AC	SEAT, EXHAUST VALVE +0.06 MM	2	02/11/2015			
11	85250261B	GASKET	8	07/12/2012			
12	78010511E	PLUG	8	07/12/2012			
13	30411001AB	SEAT, INLET VALVE +0.03 MM	2	02/11/2015			
	30411001AC	SEAT, INLET VALVE +0.06 MM	2	02/11/2015			



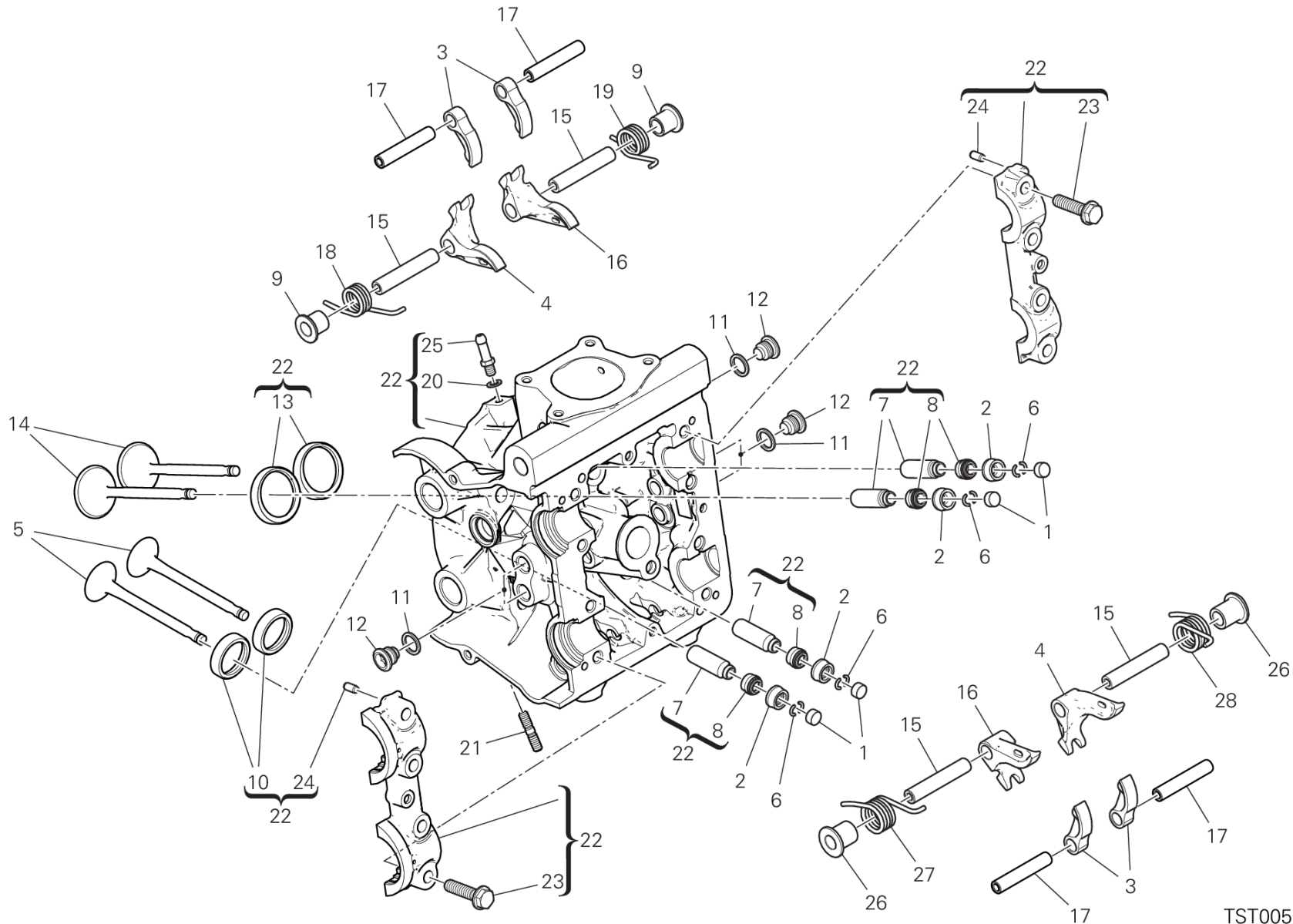
TST00594

DRAWING 014 - VERTICAL HEAD [MOD:M 821]

GROUP ENGINE



POS.	CODE	DESCRIPTION	QTY	START DATE	END DATE	VALIDITY	NOTES
14	21010991A	INTAKE VALVE	2	13/10/2015			
15	82112951A	CLOSE ROCKER ARM AXLE	4	12/03/2015			
16	20910491A	CLOSING ROCKER ARM RIGHT	2	07/12/2012			
17	82112221B	SHAFT, OPENING ROCKER	4	06/03/2015			
18	79915001A	VALVE RETURN SPRING LH.	1	03/05/2017			
19	79915011A	VALVE RETURN SPRING RH.	1	03/05/2017			
20	77350618B	SCREW TCEIR M6X8	1	03/04/2012			
21	76640191A	STUD BOLT M6X16	3	13/12/2012			
22	30123724AC	COMPLETE VERTICAL HEAD	1	03/05/2017			
23	77914211A	SCREW TEF M8X32	8	03/04/2012			
24	86050061A	PIN M5X10	4	03/04/2012			
25	71312921B	SPACER	2	07/12/2012			
26	79915181B	LEFT VALVE RETURN SPRING	1	07/12/2012			
27	79915191B	RIGHT VALVE RETURN SPRING	1	07/12/2012			
28	85250231A	GASKET	1	03/04/2012			



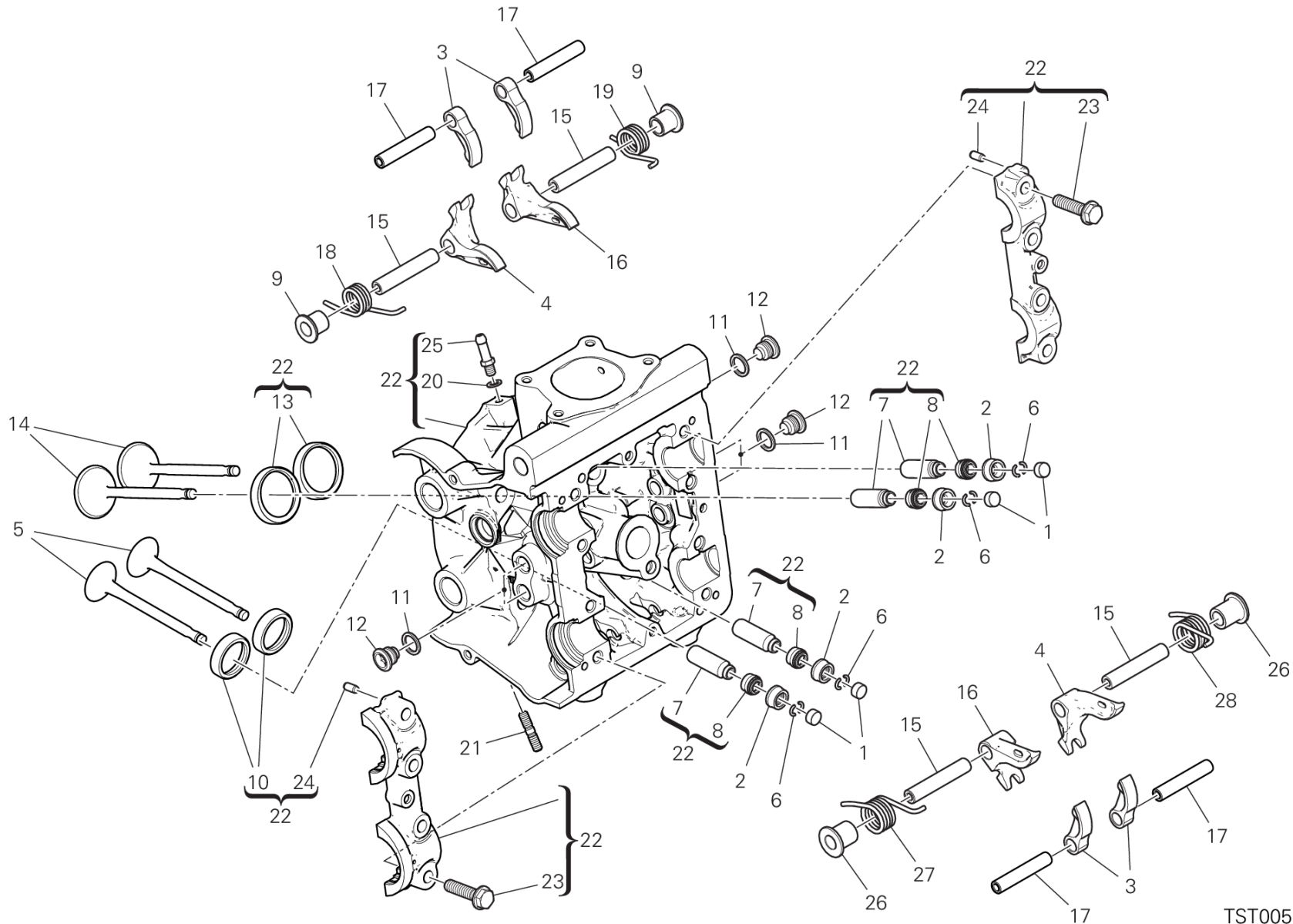
TST00595

DRAWING 015 - HORIZONTAL HEAD [MOD:M 821]

GROUP ENGINE



POS.	CODE	DESCRIPTION	QTY	START DATE	END DATE	VALIDITY	NOTES
1	84010012A	ADJUSTER, OPENING ROCKER ARM 2.00 MM	4	20/06/2012			
	84010022A	ADJUSTER, OPENING ROCKER ARM 2.05 MM	4	20/06/2012			
	84010032A	ADJUSTER, OPENING ROCKER ARM 2.10 MM	4	20/06/2012			
	84010042A	ADJUSTER, OPENING ROCKER ARM 2.15 MM	4	20/06/2012			
	84010052A	ADJUSTER, OPENING ROCKER ARM 2.20 MM	4	20/06/2012			
	84010062A	ADJUSTER, OPENING ROCKER ARM 2.25 MM	4	20/06/2012			
	84010072A	ADJUSTER, OPENING ROCKER ARM 2.30 MM	4	20/06/2012			
	84010082A	ADJUSTER, OPENING ROCKER ARM 2.35 MM	4	20/06/2012			
	84010092A	ADJUSTER, OPENING ROCKER ARM 2.40 MM	4	20/06/2012			
	84010102A	ADJUSTER, OPENING ROCKER ARM 2.45 MM	4	20/06/2012			
	84010112A	ADJUSTER, OPENING ROCKER ARM 2.50 MM	4	20/06/2012			
	84010122A	ADJUSTER, OPENING ROCKER ARM 2.55 MM	4	20/06/2012			
	84010132A	ADJUSTER, OPENING ROCKER ARM 2.60 MM	4	20/06/2012			
	84010142A	ADJUSTER, OPENING ROCKER ARM 2.65 MM	4	20/06/2012			
	84010152A	ADJUSTER, OPENING ROCKER ARM 2.70 MM	4	20/06/2012			
	84010162A	ADJUSTER, OPENING ROCKER ARM 2.75 MM	4	20/06/2012			
	84010172A	ADJUSTER, OPENING ROCKER ARM 2.80 MM	4	20/06/2012			
	84010182A	ADJUSTER, OPENING ROCKER ARM 2.85 MM	4	20/06/2012			
	84010192A	ADJUSTER, OPENING ROCKER ARM 2.90 MM	4	20/06/2012			
	84010202A	ADJUSTER, OPENING ROCKER ARM 2.95 MM	4	20/06/2012			
	84010212A	ADJUSTER, OPENING ROCKER ARM 3.00 MM	4	20/06/2012			
	84010222A	ADJUSTER, OPENING ROCKER ARM 3.05 MM	4	20/06/2012			
	84010232A	ADJUSTER, OPENING ROCKER ARM 3.10 MM	4	20/06/2012			
	84010242A	ADJUSTER, OPENING ROCKER ARM 3.15 MM	4	20/06/2012			
	84010252A	ADJUSTER, OPENING ROCKER ARM 3.20 MM	4	20/06/2012			
	84010262A	ADJUSTER, OPENING ROCKER ARM 3.25 MM	4	20/06/2012			
	84010272A	ADJUSTER, OPENING ROCKER ARM 3.30 MM	4	20/06/2012			
	84010282A	ADJUSTER, OPENING ROCKER ARM 3.35 MM	4	20/06/2012			
	84010292A	ADJUSTER, OPENING ROCKER ARM 3.40 MM	4	20/06/2012			
	84010302A	ADJUSTER, OPENING ROCKER ARM 3.45 MM	4	20/06/2012			
	84010312A	ADJUSTER, OPENING ROCKER ARM 1.80 MM	4	20/06/2012			
	84010322A	ADJUSTER, OPENING ROCKER ARM 1.85 MM	4	20/06/2012			
	84010332A	ADJUSTER, OPENING ROCKER ARM 1.90 MM	4	20/06/2012			
	84010342A	ADJUSTER, OPENING ROCKER ARM 1.95 MM	4	20/06/2012			
	84010722A	ADJUSTER, OPENING ROCKER ARM 3.60 MM	4	20/06/2012			



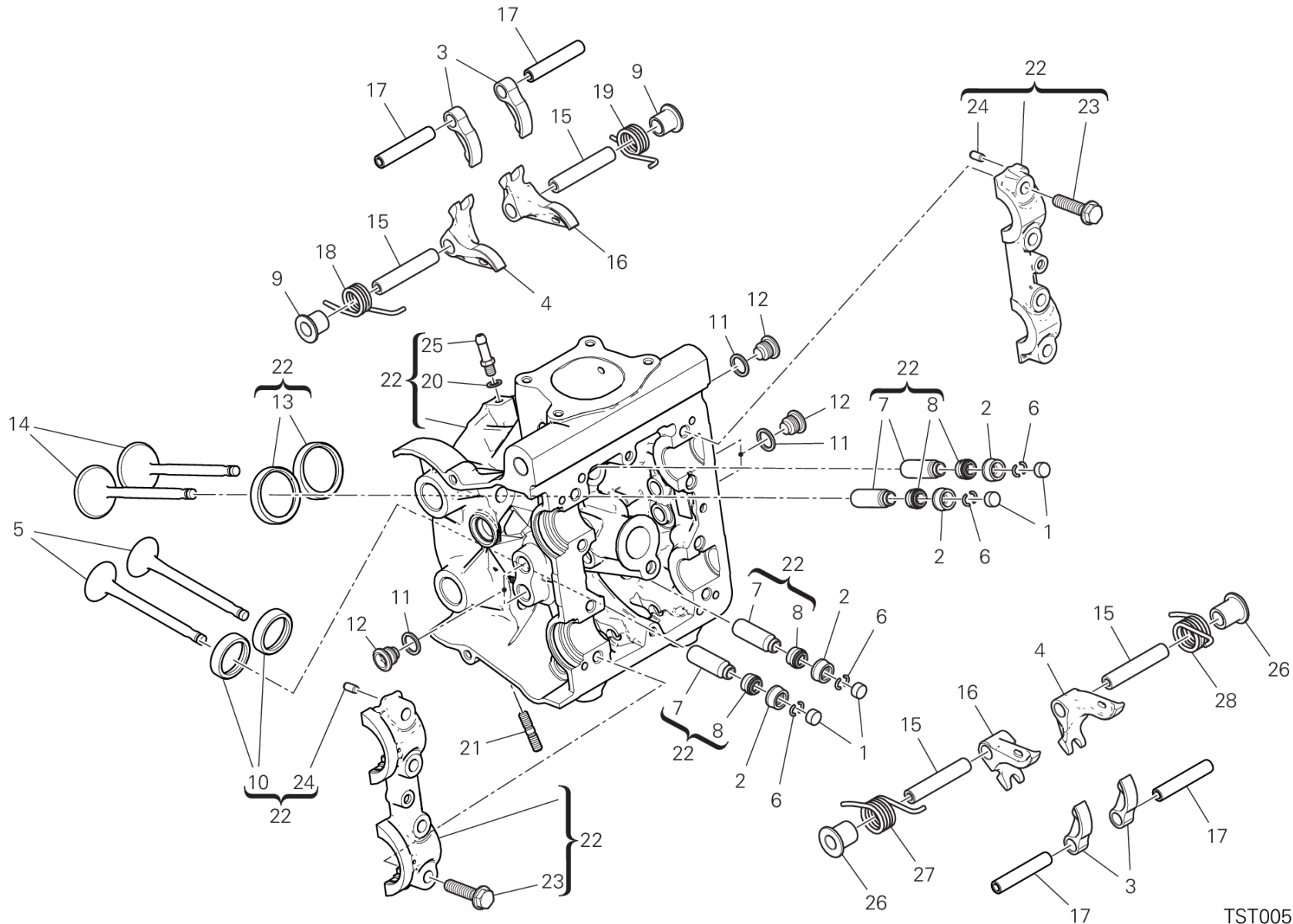
TST00595

DRAWING 015 - HORIZONTAL HEAD [MOD:M 821]

GROUP ENGINE



POS.	CODE	DESCRIPTION	QTY	START DATE	END DATE	VALIDITY	NOTES
	84010732A	ADJUSTER, OPENING ROCKER ARM 3.80 MM	4	20/06/2012			
	84011082A	ADJUSTER, OPENING ROCKER ARM 3.50 MM	4	20/06/2012			
	84011092A	ADJUSTER, OPENING ROCKER ARM 3.55 MM	4	20/06/2012			
	84011102A	ADJUSTER, OPENING ROCKER ARM 3.65 MM	4	20/06/2012			
	84011112A	ADJUSTER, OPENING ROCKER ARM 3.70 MM	4	20/06/2012			
	84011122A	ADJUSTER, OPENING ROCKER ARM 3.75 MM	4	20/06/2012			
	84011132A	ADJUSTER, OPENING ROCKER ARM 3.85 MM	4	20/06/2012			
	84011142A	ADJUSTER, OPENING ROCKER ARM 3.9 MM	4	20/06/2012			
2	84010412B	ADJUSTER, CLOSING ROCKER ARM 2.20 MM	4	24/12/2009			
	84010422B	ADJUSTER, CLOSING ROCKER ARM 2.25 MM	4	24/12/2009			
	84010432B	ADJUSTER, CLOSING ROCKER ARM 2.30 MM	4	24/12/2009			
	84010442B	ADJUSTER, CLOSING ROCKER ARM 2.35 MM	4	24/12/2009			
	84010452B	ADJUSTER, CLOSING ROCKER ARM 2.40 MM	4	24/12/2009			
	84010462B	ADJUSTER, CLOSING ROCKER ARM 2.45 MM	4	24/12/2009			
	84010472B	ADJUSTER, CLOSING ROCKER ARM 2.50 MM	4	24/12/2009			
	84010482B	ADJUSTER, CLOSING ROCKER ARM 2.55 MM	4	24/12/2009			
	84010492B	ADJUSTER, CLOSING ROCKER ARM 2.60 MM	4	24/12/2009			
	84010502B	ADJUSTER, CLOSING ROCKER ARM 2.65 MM	4	24/12/2009			
	84010512B	ADJUSTER, CLOSING ROCKER ARM 2.70 MM	4	24/12/2009			
	84010522B	ADJUSTER, CLOSING ROCKER ARM 2.75 MM	4	24/12/2009			
	84010532B	ADJUSTER, CLOSING ROCKER ARM 2.80 MM	4	24/12/2009			
	84010542B	ADJUSTER, CLOSING ROCKER ARM 2.85 MM	4	24/12/2009			
	84010552B	ADJUSTER, CLOSING ROCKER ARM 2.90 MM	4	24/12/2009			
	84010562B	ADJUSTER, CLOSING ROCKER ARM 2.95 MM	4	24/12/2009			
	84010572B	ADJUSTER, CLOSING ROCKER ARM 3.00 MM	4	24/12/2009			
	84010582B	ADJUSTER, CLOSING ROCKER ARM 3.05 MM	4	24/12/2009			
	84010592B	ADJUSTER, CLOSING ROCKER ARM 3.10 MM	4	24/12/2009			
	84010602B	ADJUSTER, CLOSING ROCKER ARM 3.15 MM	4	24/12/2009			
	84010612B	ADJUSTER, CLOSING ROCKER ARM 3.20 MM	4	24/12/2009			
	84010622B	ADJUSTER, CLOSING ROCKER ARM 3.25 MM	4	24/12/2009			
	84010632B	ADJUSTER, CLOSING ROCKER ARM 3.30 MM	4	24/12/2009			
	84010642B	ADJUSTER, CLOSING ROCKER ARM 3.35 MM	4	24/12/2009			
	84010652B	ADJUSTER, CLOSING ROCKER ARM 3.40 MM	4	24/12/2009			
	84010662B	ADJUSTER, CLOSING ROCKER ARM 3.45 MM	4	24/12/2009			
	84010672B	ADJUSTER, CLOSING ROCKER ARM 3.50 MM	4	24/12/2009			



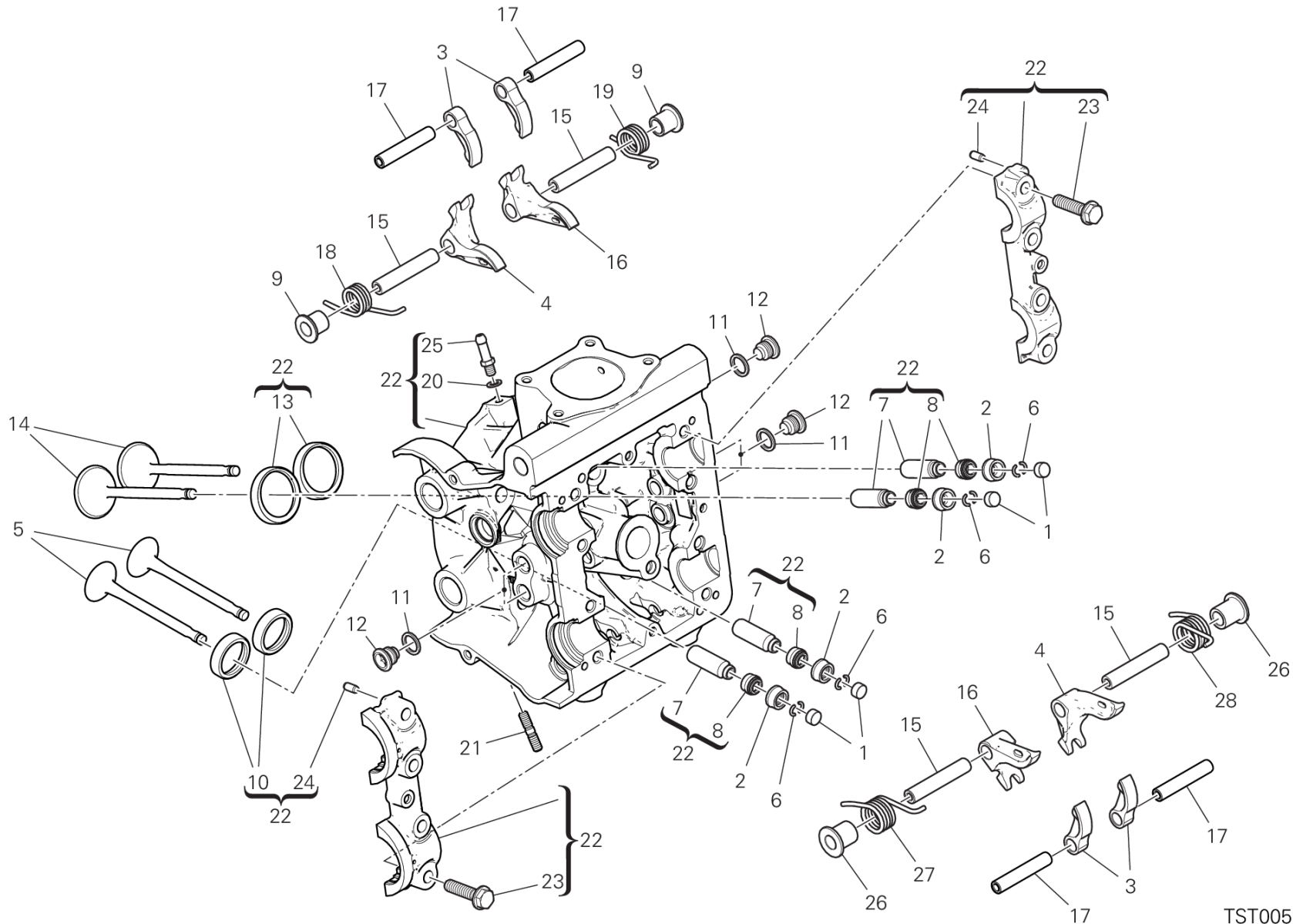
TST00595

DRAWING 015 - HORIZONTAL HEAD [MOD:M 821]

GROUP ENGINE



POS.	CODE	DESCRIPTION	QTY	START DATE	END DATE	VALIDITY	NOTES
	84010682B	ADJUSTER, CLOSING ROCKER ARM 3.55 MM	4	24/12/2009			
	84010692B	ADJUSTER, CLOSING ROCKER ARM 3.60 MM	4	24/12/2009			
	84010702B	ADJUSTER, CLOSING ROCKER ARM 3.65 MM	4	24/12/2009			
	84010712B	ADJUSTER, CLOSING ROCKER ARM 3.70 MM	4	24/12/2009			
	84010722B	ADJUSTER, CLOSING ROCKER ARM 3.75 MM	4	24/12/2009			
	84010732B	ADJUSTER, CLOSING ROCKER ARM 3.80 MM	4	24/12/2009			
	84010742B	ADJUSTER, CLOSING ROCKER ARM 3.85 MM	4	24/12/2009			
	84010752B	ADJUSTER, CLOSING ROCKER ARM 3.90 MM	4	24/12/2009			
	84010762B	ADJUSTER, CLOSING ROCKER ARM 3.95 MM	4	24/12/2009			
	84010772B	ADJUSTER, CLOSING ROCKER ARM 4.00 MM	4	24/12/2009			
	84010782B	ADJUSTER, CLOSING ROCKER ARM 4.05 MM	4	24/12/2009			
	84010792B	ADJUSTER, CLOSING ROCKER ARM 4.10 MM	4	24/12/2009			
	84010802B	ADJUSTER, CLOSING ROCKER ARM 4.15 MM	4	24/12/2009			
	84010812B	ADJUSTER, CLOSING ROCKER ARM 4.20 MM	4	24/12/2009			
	84010822B	ADJUSTER, CLOSING ROCKER ARM 4.25 MM	4	24/12/2009			
	84010832B	ADJUSTER, CLOSING ROCKER ARM 4.30 MM	4	24/12/2009			
	84010842B	ADJUSTER, CLOSING ROCKER ARM 4.35 MM	4	24/12/2009			
	84010852B	ADJUSTER, CLOSING ROCKER ARM 4.40 MM	4	24/12/2009			
	84010862B	ADJUSTER, CLOSING ROCKER ARM 4.45 MM	4	24/12/2009			
	84010872B	ADJUSTER, CLOSING ROCKER ARM 4.50 MM	4	24/12/2009			
3	20810321A	OPEN. ROCKER ARM	4	07/12/2012			
4	20910501A	CLOSING ROCKER ARM LEFT	2	07/12/2012			
5	21110991A	EXHAUST VALVE	2	13/10/2015			
6	66910011E	C RING	8	07/12/2012			
7	30310631BB	GUIDE, VALVE OVERSIZED 0.03 MM	4	25/03/2013			
	30310631BC	GUIDE, VALVE OVERSIZED 0.06 MM	4	25/03/2013			
	30310631BD	GUIDE, VALVE OVERSIZED 0.09 MM	4	25/03/2013			
8	76440572A	SEAL VALVE STEM	4	06/03/2015			
9	71312921A	SPACER	2	07/12/2012			
10	30411011AB	SEAT, EXHAUST VALVE +0.03 MM	4	02/11/2015			
	30411011AC	SEAT, EXHAUST VALVE +0.06 MM	4	02/11/2015			
11	85250261B	GASKET	8	07/12/2012			
12	78010511E	PLUG	8	07/12/2012			
13	30411001AB	SEAT, INLET VALVE +0.03 MM	4	02/11/2015			
	30411001AC	SEAT, INLET VALVE +0.06 MM	4	02/11/2015			



TST00595

DRAWING 015 - HORIZONTAL HEAD [MOD:M 821]

GROUP ENGINE

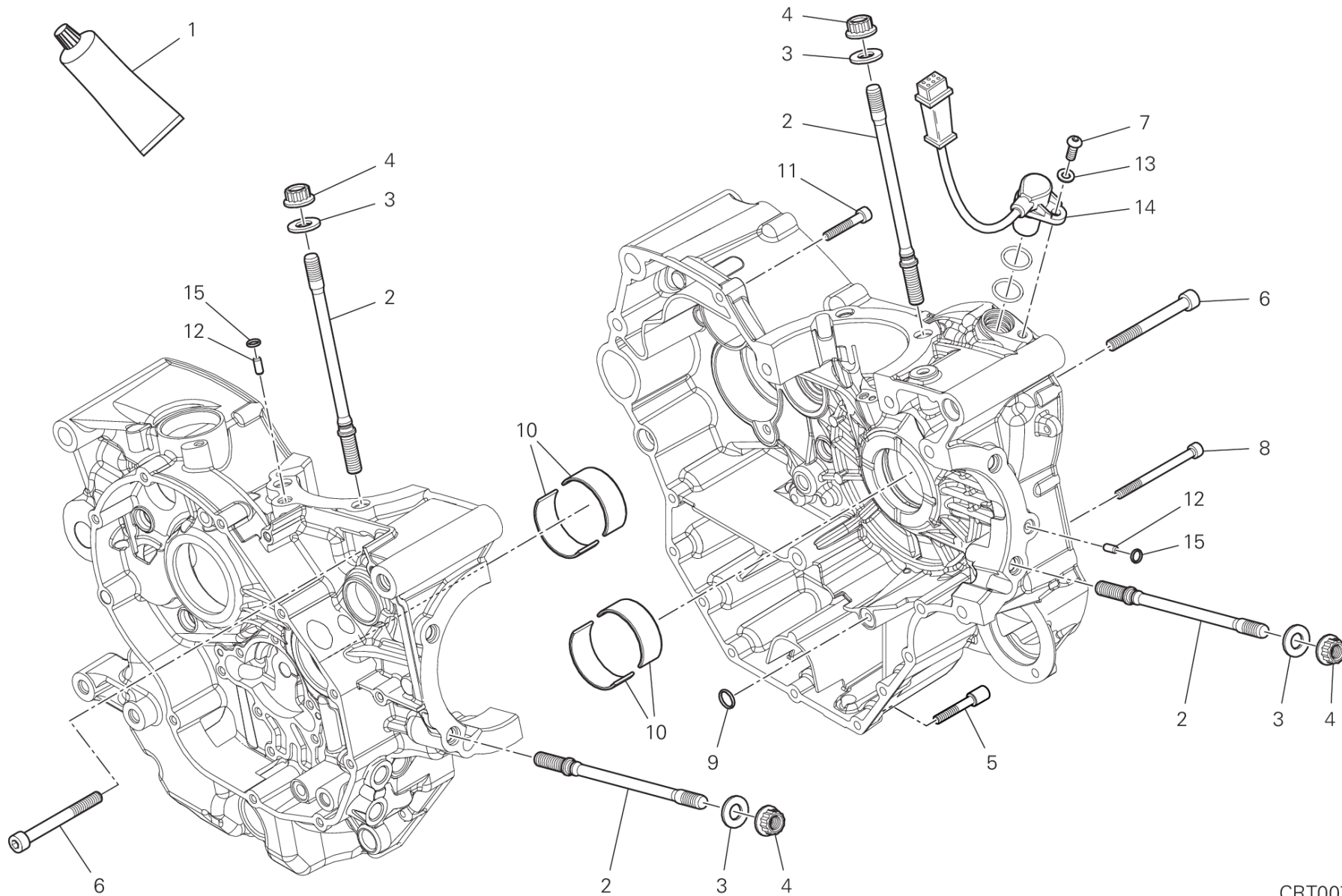


POS.	CODE	DESCRIPTION	QTY	START DATE	END DATE	VALIDITY	NOTES
14	21010991A	INTAKE VALVE	2	13/10/2015			
15	82112951A	CLOSE ROCKER ARM AXLE	4	12/03/2015			
16	20910491A	CLOSING ROCKER ARM RIGHT	2	07/12/2012			
17	82112221B	SHAFT, OPENING ROCKER	4	06/03/2015			
18	79915011A	VALVE RETURN SPRING RH.	1	03/05/2017			
19	79915001A	VALVE RETURN SPRING LH.	1	03/05/2017			
20	85250231A	GASKET	1	03/04/2012			
21	76640191A	STUD BOLT M6X16	3	13/12/2012			
22	30123714AC	COMPLETE HORIZONTAL HEAD	1	03/05/2017			
23	77914211A	SCREW TEF M8X32	8	03/04/2012			
24	86050061A	PIN M5X10	4	03/04/2012			
25	81411881A	NIPPLE, HOSE	1	03/04/2012			
26	71312921B	SPACER	2	07/12/2012			
27	79915181B	LEFT VALVE RETURN SPRING	1	07/12/2012			
28	79915191B	RIGHT VALVE RETURN SPRING	1	07/12/2012			



DRAWING 10A - HALF-CRANKCASES PAIR [MOD:M 821]

GROUP ENGINE



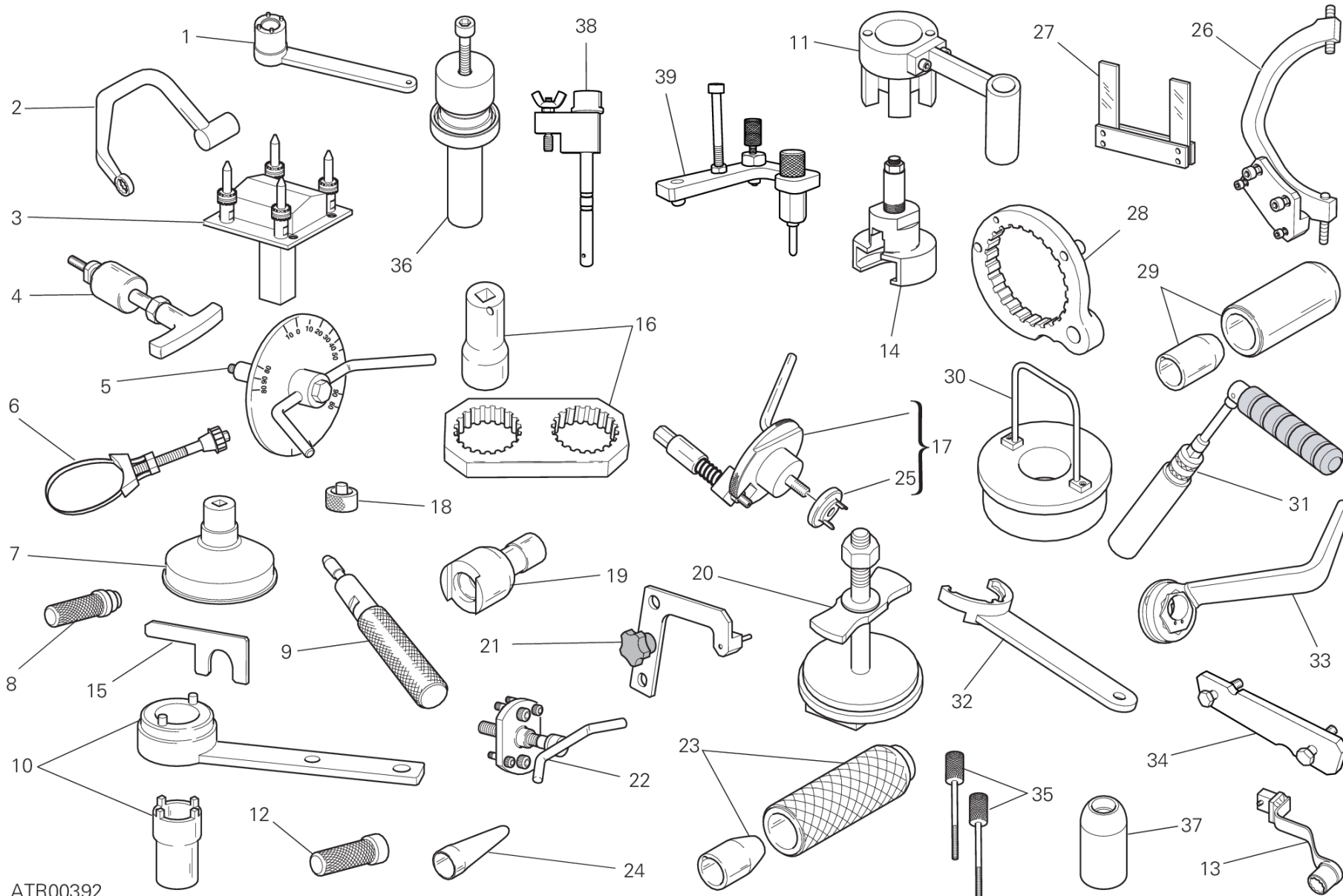
CRT00771

DRAWING 10A - HALF-CRANKCASES PAIR [MOD:M 821]

GROUP ENGINE



POS.	CODE	DESCRIPTION	QTY	START DATE	END DATE	VALIDITY	NOTES
1	942470014	LIQUID GASKET	1	16/04/2013			
2	76610553B	STUD BOLT FASTENING HEAD CYLINDER	8	16/04/2013			
3	85610642A	WASHER, SPECIAL 10.5X21X2	8	16/04/2013			
4	74810501A	NUT M10X1.5	8	16/04/2013			
5	77916041C	SCREW, SPECIAL	3	08/06/2016			
6	77151363B	SCREW TCEI M8X75 UNI 5931	7	16/04/2013			
7	77550211B	SCREW TBEI M6X16 ISO7380 10.9	1	23/09/2011			
8	77150808B	SCREW TCEI M6X75	2	16/04/2013			
9	88641321A	O-RING 11.11X1.78	1	16/04/2013			
10	11210791AA	HALF-BEARING RED	4	05/07/2013			
	11210791AB	HALF-BEARING BLUE	4	05/07/2013			
	11210791AC	HALF-BEARING YELLOW	4	05/07/2013			
	11210791AD	HALF-BEARING BLACK	4	05/07/2013			
	11210791AE	HALF-BEARING GREEN	4	05/07/2013			
11	77150723B	SCREW TCEI M6X35 UNI 5931	5	16/04/2013			
12	86010051B	DOWEL	2	16/04/2013			
13	85310031A	SPRING WASHER 6 MM	1	16/04/2013			
14	55241321C	SENSOR, TIMING & RPM	1	16/04/2013			
15	88610241A	O-RING 5.23X2.62	2	16/04/2013			



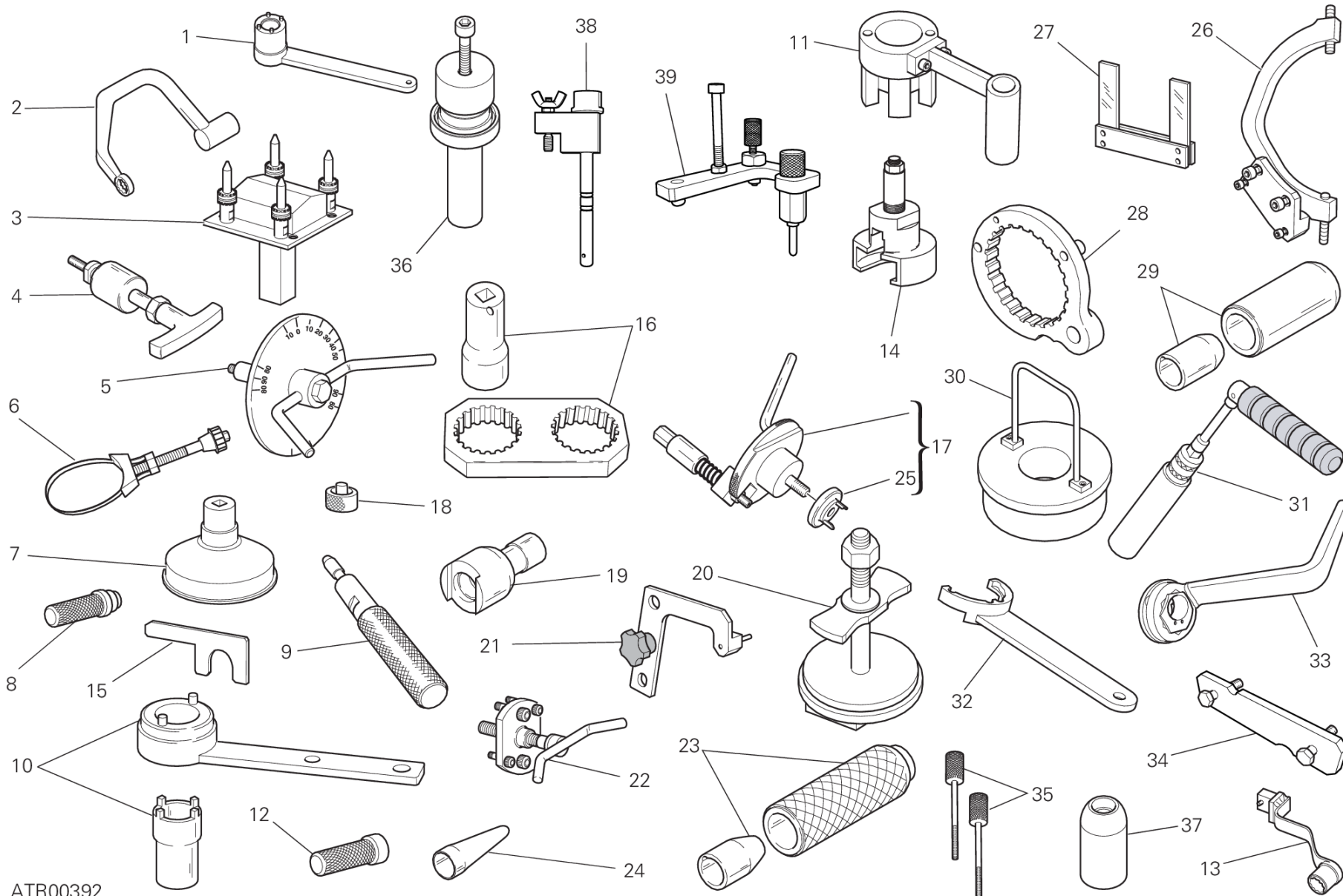
ATR00392

DRAWING 001 - WORKSHOP SERVICE TOOLS, ENGINE [MOD:M 821]

GROUP TOOLS



POS.	CODE	DESCRIPTION	QTY	START DATE	END DATE	VALIDITY	NOTES
1	887130137	CRANKSHAFT GEAR RETAINING WRENCH	1				
2	887132676	HEAD NUTS HOLDER WRENCH (M10)	1				
3	887132863	HEAD MOUNTING BASE	1				
4	887131994	ROCKER PIN EXTRACTOR	1				
5	887651635	DEGREE WHEEL HOLDER TOOL FOR IGNITION ADVANCE CHECK	1				
6	887132906	WRENCH, OIL FILTER CARTRIDGE	1				
7	887130944	WRENCH TO TIGHTEN OIL FILTER CARTRIDGE	1				
8	887130869	TOOL, WATER PUMP FRONT SEAL ASSEMBLING	1				
9	887132442	TOOL, OIL SEAL MOUNTING (Ø7)	1				
10	887131805	DRIVING ROLLER TIGHTENING TOOL	1				
11	887134284	REACTION TOOL FOR WET CLUTCH	1				
12	887130870	TOOL ASSEMBLING WATER PUMP FRONT SEAL	1				
13	887134198	EXHAUST NUTS HOLDER WRENCH	1				
14	887134882	EXTRACTOR FOR PRIMARY DRIVE GEAR	1				
15	887132878	SPACER AND FORK FEELER GAUGE 0.2/0.3 MM	1				
16	887131806	REACTION TOOL BELT ROLLER TIGHTENING	1				
17	887132011	CRANKSHAFT RESET TOOL	1				
18	887651298	SPACER FOR CHECKING LOWER VALVE SHIM	1				
19	887131821	WRENCH TO TIGHTEN TENSIONING BOLTS	1				
20	887134286	CLUTCH PLATES SET HOLDER	1				
21	887133334	PLATE POSITIONING GEAR ENGAGEMENT FORK	1				
22	887131749	DRIVE ROLLER PULLER	1				
23	887132834	TOOL SNAP RING INSTALLATION	1				
24	887131920	TOOL TO FIT O-RINGS ONTO STUD BOLTS	1				
25	887134411	INSERT	1				
26	887133367	FLYWHEEL WRENCH	1				
27	887651000	FORK FEELER GAUGE 0.1 MM	1				
	887651005	FORK FEELER GAUGE 0.2 MM	1				
	887651006	FORK FEELER GAUGE 0.3 MM	1				
28	887132556	WRENCH HOLD CLUCH HOUSING DRUM STEADY	1				
29	887132861	TOOL TO FIT SEALS ON CAMSHAFTS	1				
30	887132870	TOOL, CON-ROD GUIDING	1				
31	887132877	SPARK PLUG WRENCH	1				
32	887133219	TIMING BELT ROLLER REACTION TOOL	1				
33	887133497	WRENCH FOR TENSIONING MOBILE BELT TENSIO	1				



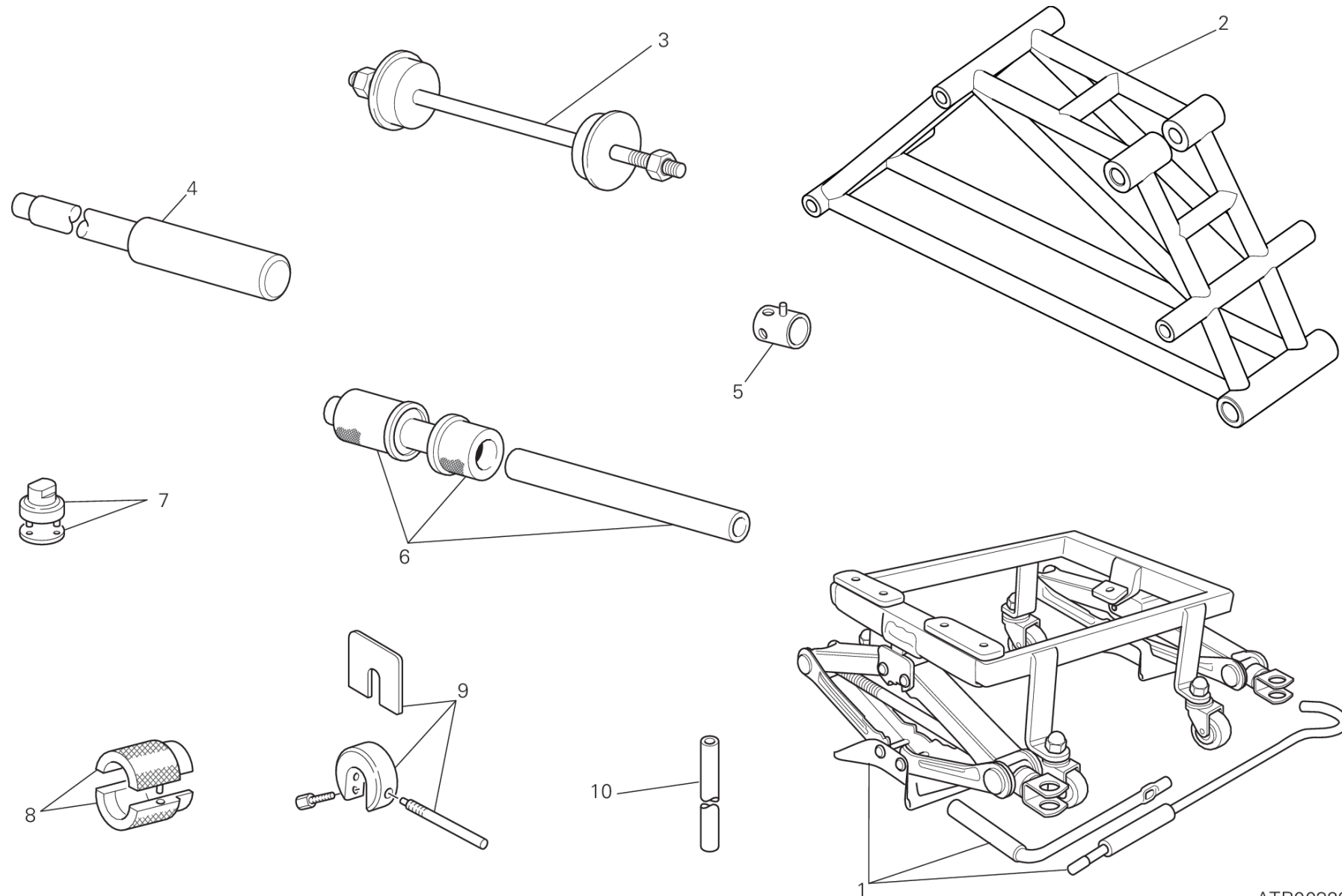
ATR00392

DRAWING 001 - WORKSHOP SERVICE TOOLS, ENGINE [MOD:M 821]

GROUP TOOLS



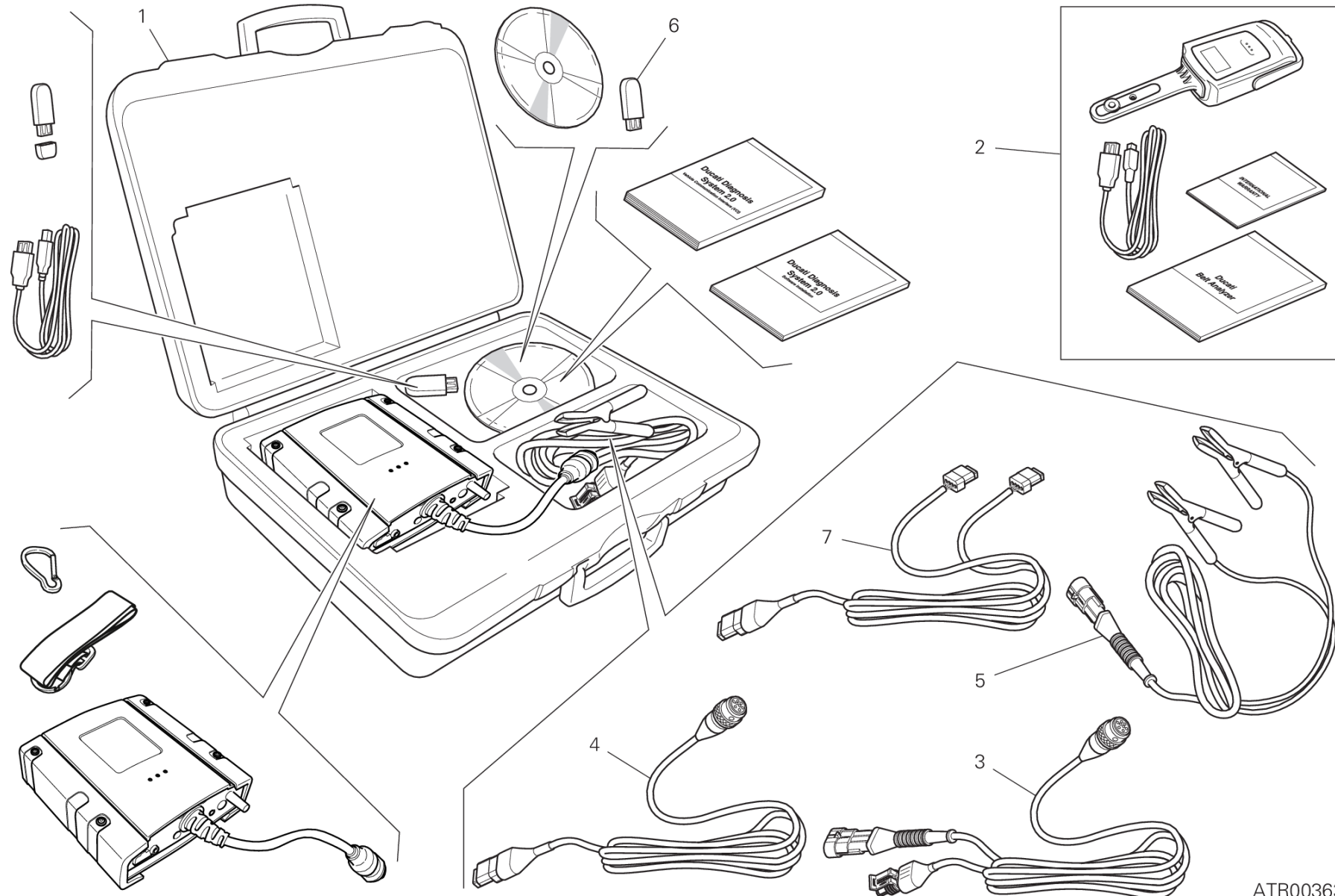
POS.	CODE	DESCRIPTION	QTY	START DATE	END DATE	VALIDITY	NOTES
34	887651623	BELT ROLLER TIMING TOOL	1				
35	887134285	CLUTCH SCREW	1				
36	887134145	HALF-BEARINGS FITTING TOOL	1				
37	887135013	PAD CRANKSHAFT	1				
38	887132695	CLUTCH FLUID PRESSURE MEASURING TOOL	1				
39	887130022	GEARBOX SELECTOR TOOL	1				



ATR00322



POS.	CODE	DESCRIPTION	QTY	START DATE	END DATE	VALIDITY	NOTES
1	887133220	BENCH FOR ENGINE REPAIR	1				
2	887134513	FRAME/MOTOR SUPPORT	1				
3	887131062	TOOL ASSEMBLING STEERING TUBE BEARING	1				
4	887131074	TOOL DISASSEMBLING SWINGARM PIVOT	1				
5	800070139	WRENCH FOR FRONT WHEEL SPINDLE	1				
6	887132409	TOOL ASSEMBLING SWINGARM BALL BEARING	1				
7	887131058	SPANNER TO ASSEMBLE THE STEERING SLEEVE	1				
8	887131096	TOOL TO OVERHAUL FORKS	1				
9	887130957	TOOL TO KEEP THE SPACER SHOWA FORKS	1				
10	887130958	TRACTION BAR SHOWA FORKS OVERHAULING	1				



ATR00363



POS.	CODE	DESCRIPTION	QTY	START DATE	END DATE	VALIDITY	NOTES
1	979000252	DDS 2 (Ducati Diagnosis System 2.0)	1				
2	979000253	BELT TENSIONING KIT	1				
3	979000254	MAIN CABLE	1				
4	979000255	MAIN CABLE (CAN)	1				
5	979000256	MAIN CABLE DDS	1				
6	28620441B	CHIAVE "PC HASP DDS2.0"	1				
7	979000259	WIRING MAP-KEY	1				





POS.	CODE	DESCRIPTION	QTY	START DATE	END DATE	VALIDITY	NOTES
1	490P0067A	FRONT TYRE DIABLO™ ROSSO III (120-70 ZR17)	1	19/01/2017			(*)=Pneumatico di primo equipaggiamento
2	491P0070A	REAR TYRE DIABLO™ ROSSO III (180-55 ZR17)	1	19/12/2016			(*)=Pneumatico di primo equipaggiamento
3	49041081A	FRONT TYRE DIABLO™ ROSSO CORSA II (120-70 ZR17)	1				
4	49141601A	REAR TYRE DIABLO™ ROSSO CORSA II (180-55 ZR17)	1				
5	49040711A	FRONT TYRE DIABLO™ SUPERCORSA SP (120-70 ZR17)	1				
6	49140951A	REAR TYRE DIABLO™ SUPERCORSA SP (180-55 ZR17)	1				
7	49040901A	FRONT TYRE ANGEL™ GT (120-70 ZR17)	1				
8	49141271A	REAR TYRE ANGEL™ GT (180-55 ZR17)	1				



DRAWING B2 - (*) PIRELLI DIABLO™ ROSSO III [MOD:M 821]

GROUP TYRES



POS.	CODE	DESCRIPTION	QTY	START DATE	END DATE	VALIDITY	NOTES
1	490P0067A	FRONT TYRE DIABLO™ ROSSO III (120-70 ZR17)	1	19/01/2017			(*)=Pneumatico di primo equipaggiamento
2	491P0070A	REAR TYRE DIABLO™ ROSSO III (180-55 ZR17)	1	19/12/2016			(*)=Pneumatico di primo equipaggiamento



DRAWING C2 - PIRELLI DIABLO™ ROSSO CORSA II [MOD:M 821]

GROUP TYRES



POS.	CODE	DESCRIPTION	QTY	START DATE	END DATE	VALIDITY	NOTES
1	49041081A	FRONT TYRE DIABLO™ ROSSO CORSA II (120-70 ZR17)	1	25/10/2013			
2	49141601A	REAR TYRE DIABLO™ ROSSO CORSA II (180-55 ZR17)	1	28/05/2015			



DRAWING D - PIRELLI DIABLO™ SUPERCORSA SP [MOD:M 821]

GROUP TYRES



POS.	CODE	DESCRIPTION	QTY	START DATE	END DATE	VALIDITY	NOTES
1	49040711A	FRONT TYRE DIABLO™ SUPERCORSA SP (120-70 ZR17)	1	12/01/2015			
2	49140951A	REAR TYRE DIABLO™ SUPERCORSA SP (180-55 ZR17)	1	24/09/2012			

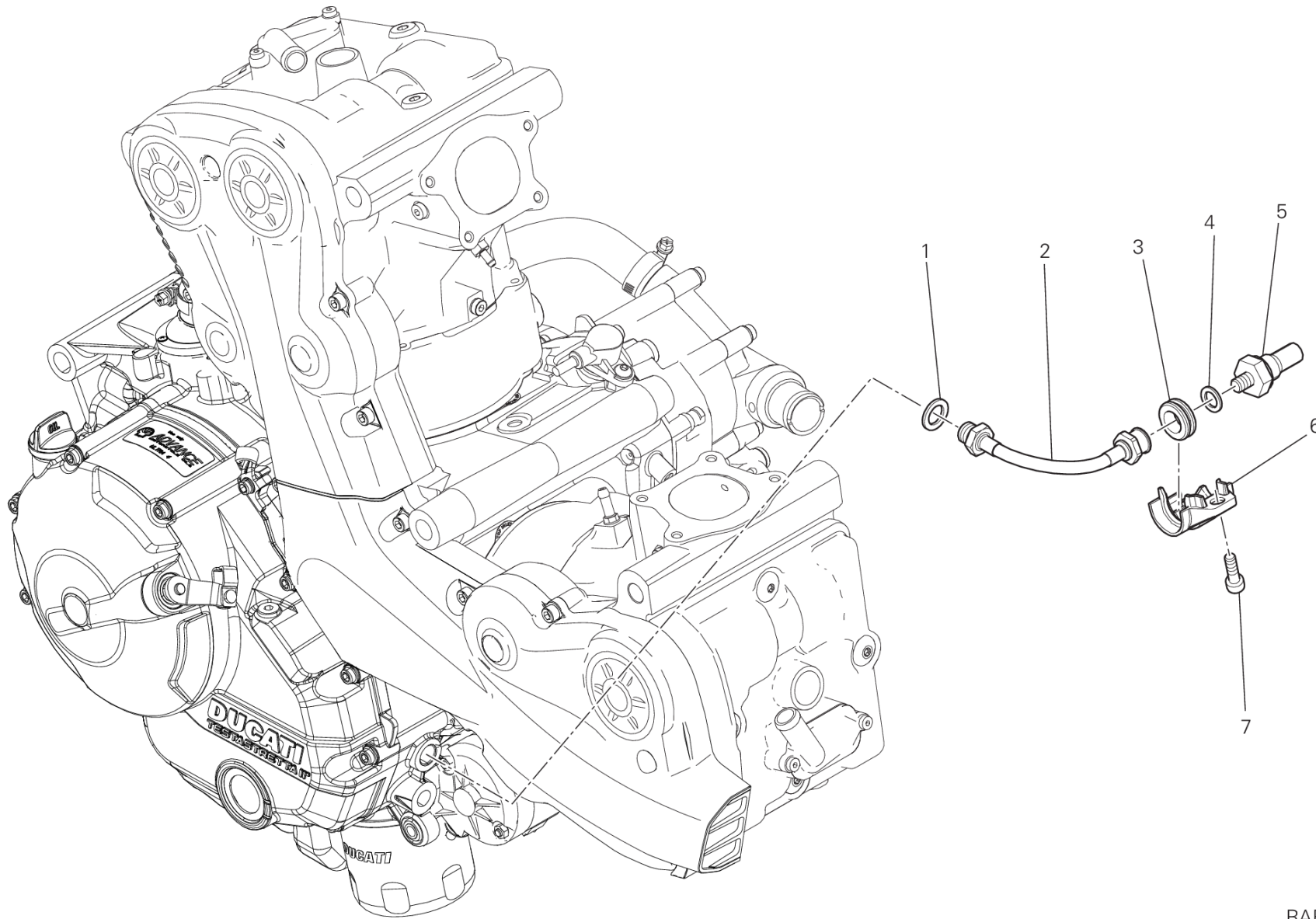


DRAWING F - PIRELLI ANGEL™ GT [MOD:M 821]

GROUP TYRES



POS.	CODE	DESCRIPTION	QTY	START DATE	END DATE	VALIDITY	NOTES
1	49040901A	FRONT TYRE ANGEL™ GT (120-70 ZR17)	1	18/06/2014			
2	49141271A	REAR TYRE ANGEL™ GT (180-55 ZR17)	1	08/03/2013			



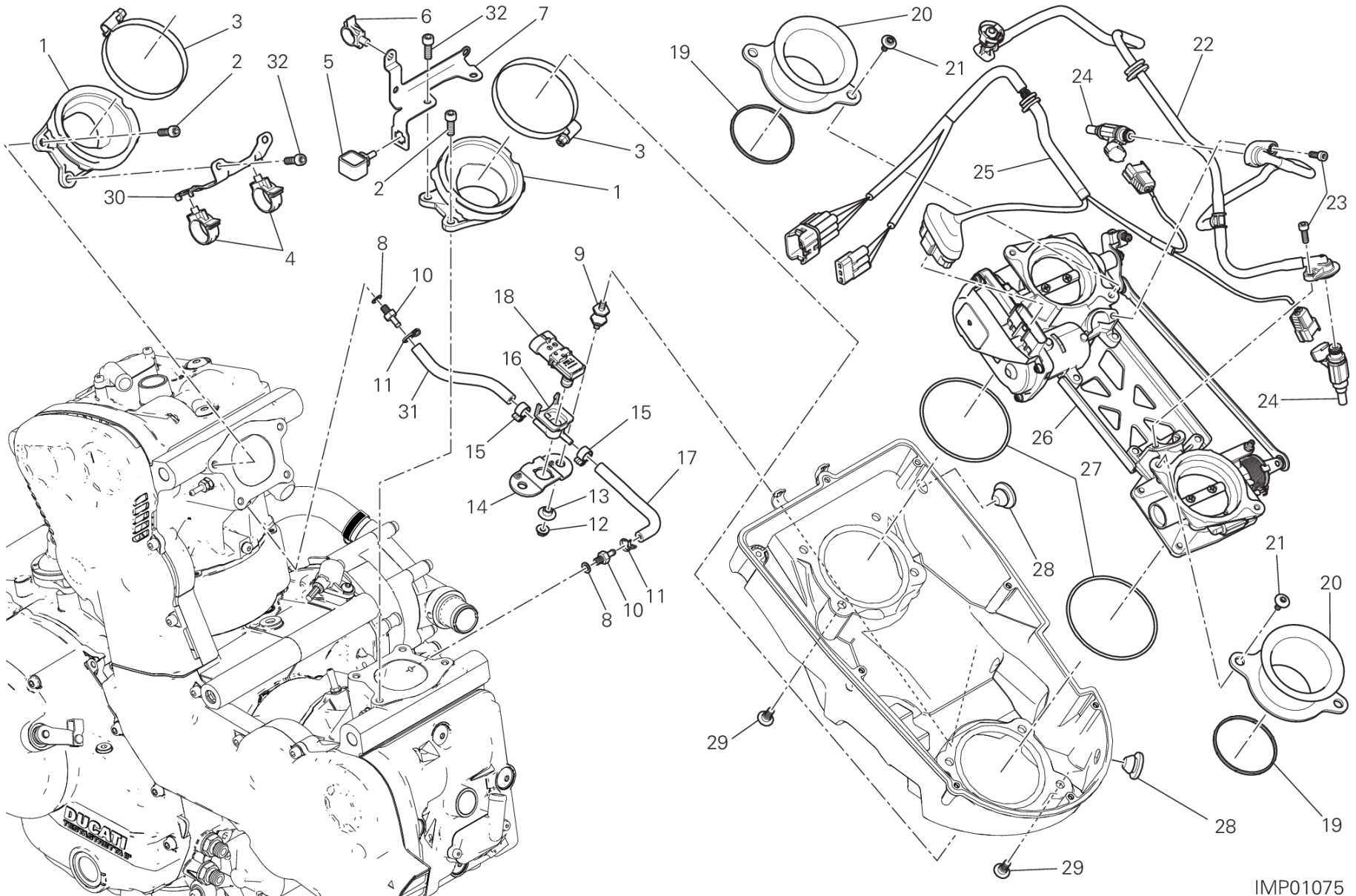
RAF00516

DRAWING 016 - SWITCH ASSY, OIL PRESSURE [MOD:M 821]

GROUP FRAME



POS.	CODE	DESCRIPTION	QTY	START DATE	END DATE	VALIDITY	NOTES
1	78710111A	GASKET, ALUMINIUM 14X22X2	1	15/11/2012			
2	87711572A	HOSE, OIL	1	15/11/2012			
3	76440581A	RUBBER PAD	1	15/11/2012			
4	85211951A	GASKET 10.5X17X2	1	15/11/2012			
5	53940302A	SWITCH ASSY, OIL PRESSURE	1	15/11/2012			
6	82916531A	HOLDER SENSOR	1	15/11/2012			
7	77140653CC	SCREW	1	15/11/2012			



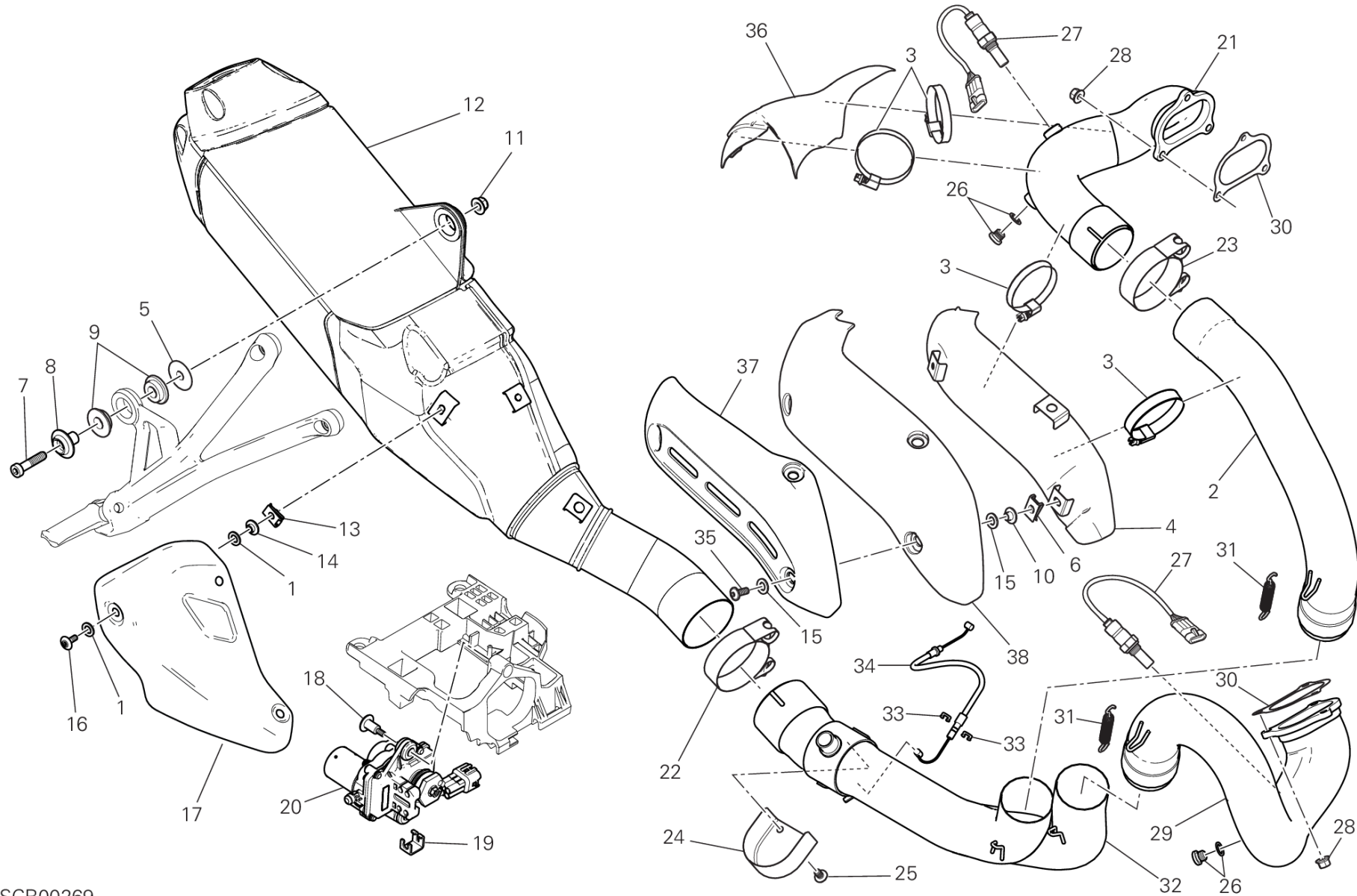
IMP01075

DRAWING 017 - THROTTLE BODY [MOD:M 821]

GROUP FRAME



POS.	CODE	DESCRIPTION	QTY	START DATE	END DATE	VALIDITY	NOTES
1	14010762C	INTAKE MANIFOLD	2	03/05/2017			
2	77110391B	SCREW	4	31/05/2013			
3	74141871A	CLAMP 60-80 MM	2	22/10/2013			
4	75840641A	HOSE GUIDE	2	22/10/2013			
5	82911901A	MOUNT RUBBER	1	01/08/2013			
6	75840721A	HOSE GUIDE	1	01/08/2013			
7	83018421BA	BRACKET, WATER TANK	1	01/08/2013			
8	85250231A	GASKET	2	22/02/2013			
9	70010901A	VIBRATION DAMPER	2	08/09/2014			
10	81413341A	UNION	2	31/05/2013			
11	74140431A	CLAMP	2	12/03/2013			
12	74841091AA	NUT	2	08/09/2014			
13	71611071B	SPACER	2	08/09/2014			
14	86611991A	RUBBER PAD SENSOR, PRESSURE	1	08/09/2014			
15	74141711A	CLAMP 10-7 MM	2	12/03/2013			
16	81415251B	BRACKET SENSOR PRESSURE	1	08/09/2014			
17	59014111A	DEPRESSURE/PRESSURE LINE HORIZONTAL	1	01/11/2013			
18	55241441A	SENSOR, PRESSURE	1	12/03/2013			
19	78811301A	GASKET AIR FUNNEL	2	12/03/2013			
20	13510401A	AIR FUNNEL	2	12/03/2013			
21	77214411BA	SCREW, SPECIAL	4	12/03/2013			
22	59024122A	COMPLETE PIPE SET	1	16/03/2017			
23	77150408B	SCREW TCEI M5X14	2	12/03/2013			
24	28040411A	INJECTOR	2	09/12/2013			
25	5101A082B	INJECTION WIRING	1	16/03/2017			
26	28240932A	THROTTLE BODY	1	09/01/2014			
27	88642231A	O-RING	2	12/03/2013			
28	76411851A	BYPASS CAP	2	12/03/2013			
29	77912741A	SCREW TBEI M6X14	8	12/03/2013			
30	83018221A	HOLDER WIRING	1	22/10/2013			
31	59014101A	DEPRESSURE/PRESSURE LINE VERTICAL	1	01/11/2013			
32	77110401B	SCREW	4	22/02/2017			



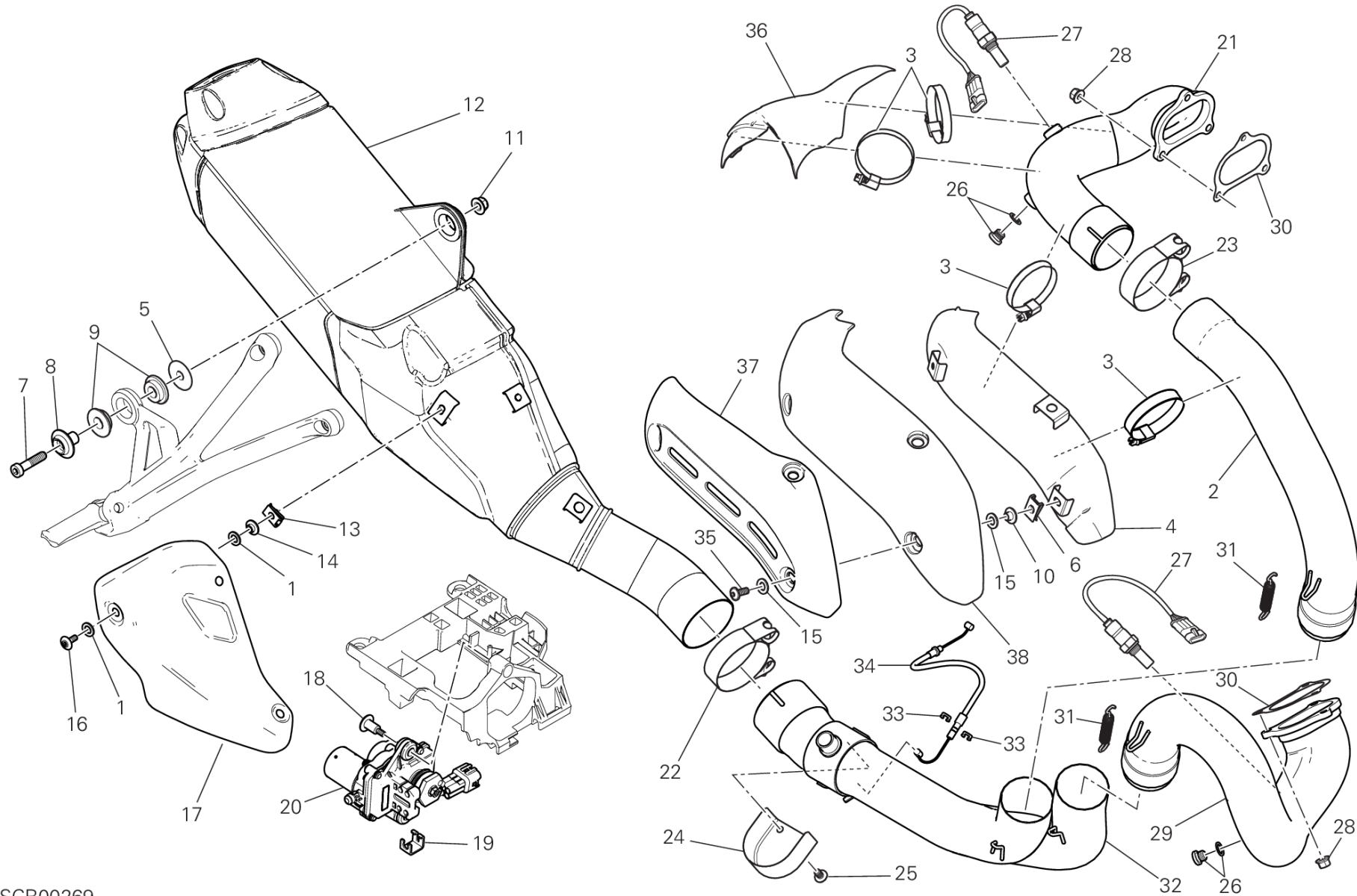
SCR00269

DRAWING 019 - EXHAUST SYSTEM [MOD:M 821]

GROUP FRAME



POS.	CODE	DESCRIPTION	QTY	START DATE	END DATE	VALIDITY	NOTES
1	85212271A	WASHER	6	10/03/2016			
2	57113261A	EXHAUST PIPE VERTICAL	1	10/03/2016			
3	74142381A	CLAMP 40/60 MM	4	22/10/2013			
4	4601B284A	HOLDER HEAT GUARD VERTICAL	1	22/10/2013			
5	85213681A	WASHER	1	07/11/2016			
6	85040381A	QUICK FASTENING	3	22/10/2013			
7	77355068B	SCREW TCEIR M8X35	1	22/10/2013			
8	71314361AB	BUSH	1	05/05/2014			
9	76410011A	DAMPER	2	22/10/2013			
10	71614691AA	SPACER	3	22/10/2013			
11	74940321A	NUT M8	1	07/09/2017			
12	57324481AA	SILENZIATORE COMPLETO	1	22/02/2017		XST:AUS,EUR,GSO,JAP,SPA,TWN	AUS-CHN-EUR-JAP-GSO-SPA-THA-TWN
13	85040551A	QUICK FASTENING	3	22/10/2013			
14	71611071B	SPACER	3	22/02/2017			
15	85210721B	WASHER	6	22/10/2013			
16	77210882B	SCREW TBEI M5X12	3	22/10/2013			
17	4601G511AA	HEAT GUARD SILENCER	1	22/02/2017			
18	77211401BA	SCREW, SPECIAL	2	24/09/2015			
19	75910251A	SPRING	1	24/09/2015			
20	59340301C	ELECTRIC MOTOR, EXHAUST VALVE	1	24/09/2015			
21	57113251A	EXHAUST MANIFOLD	1	10/03/2016			
22	74142651A	CLAMP	1	10/03/2016			
23	74141461A	CLAMP 53/20 MM	1	22/02/2017			
24	4601B921A	GUARD, EXHAUST VALVE	1	22/10/2013			
25	77253268C	SCREW	2	05/05/2014			
26	78020011A	PLUG ASSY	2				
27	55214011A	SENSOR LAMBDA SOND	2	22/10/2013			
28	74810241A	NUT	6	22/10/2013			
29	57013382A	HORIZONTAL HEAD EXHAUST PIPE	1	10/03/2016			
30	79010211A	GASKET, EXHAUST PIPE	2	22/10/2013			
31	79925941A	COMPLETE SPRING	2	22/10/2013			
32	57211632A	PIPE, EXHAUST CENTER	1	10/03/2016			
33	88450661A	SNAP RING	2	22/10/2013			
34	73210543A	CABLE, EXHAUST VALVE	1	15/10/2013			



SCR00269

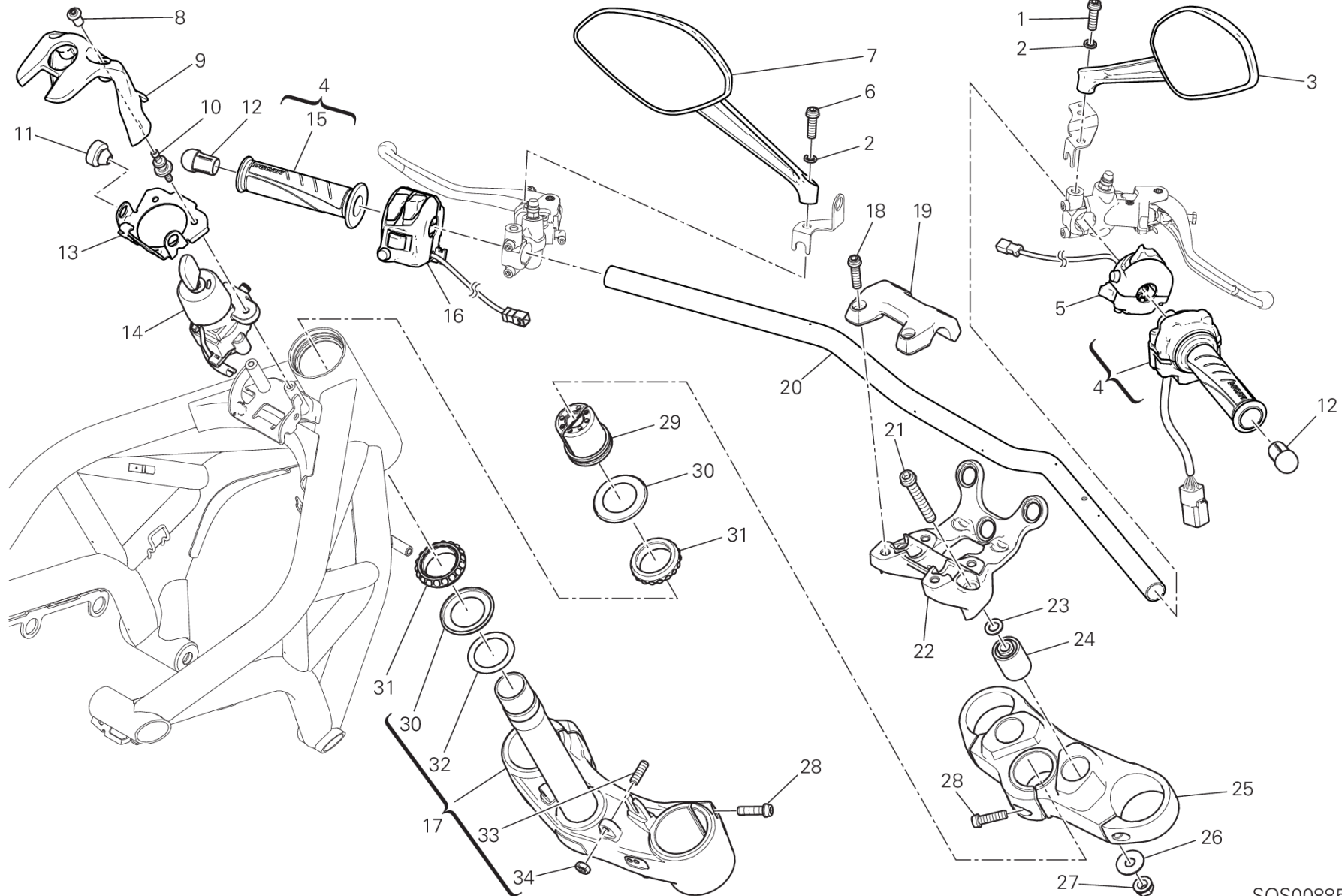


POS.	CODE	DESCRIPTION	QTY	START DATE	END DATE	VALIDITY	NOTES
35	77240433C	SCREW	3	10/03/2016			
36	4601B275A	HEAT GUARD REAR VERTICAL	1	22/10/2013			
37	4601E841A	HEAT GUARD UPPER VERTICAL	1	10/03/2016			
38	4602B332A	COVER ASSEMBLY HEAT GUARD VERTICAL	1	22/10/2013			



DRAWING 021 - HANDLEBAR AND CONTROLS [MOD:M 821]

GROUP FRAME



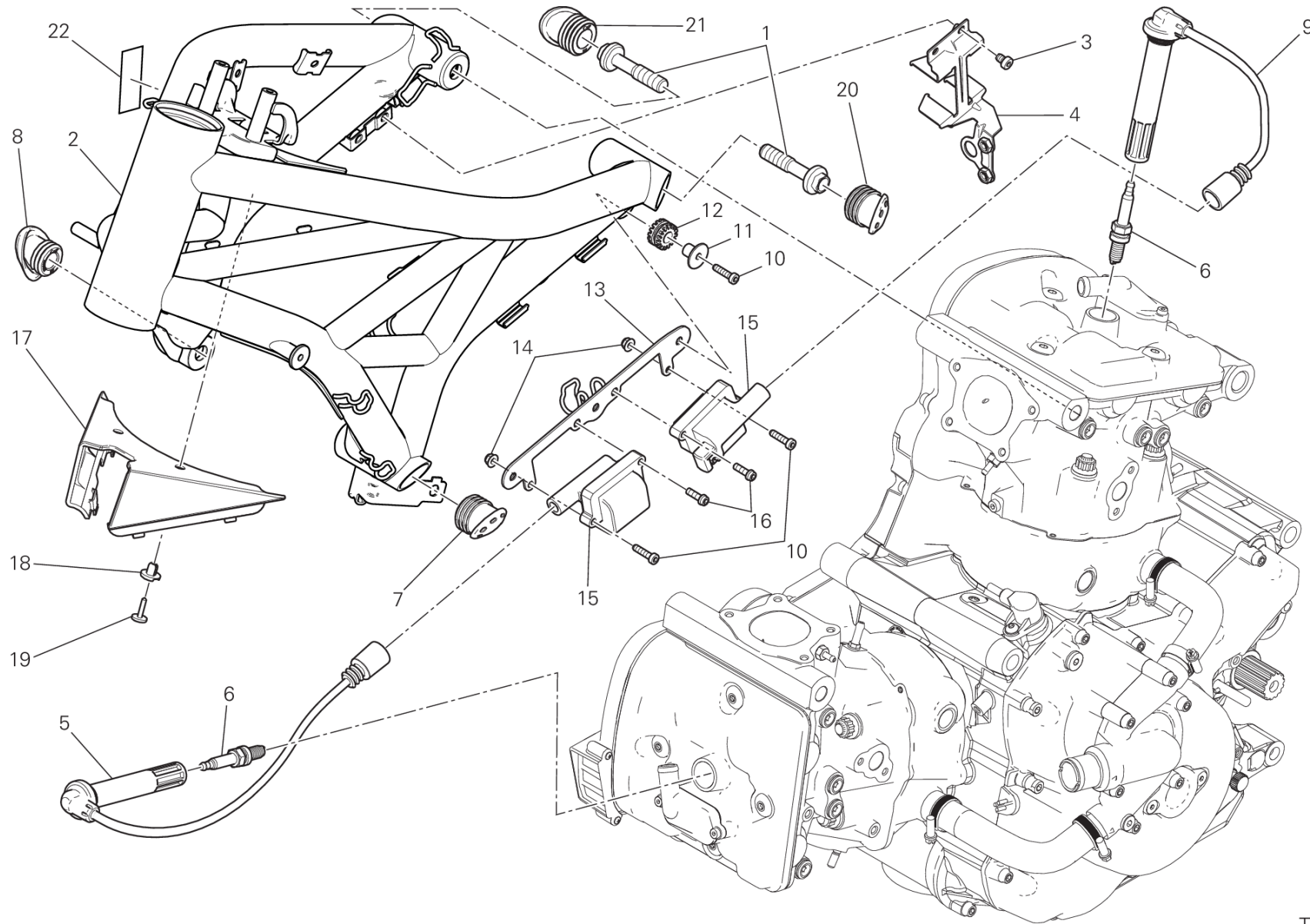
SOS00885

DRAWING 021 - HANDLEBAR AND CONTROLS [MOD:M 821]

GROUP FRAME



POS.	CODE	DESCRIPTION	QTY	START DATE	END DATE	VALIDITY	NOTES
1	77113731A	SCREW TCEIF M8X25, LEFT THREAD	1	22/10/2013			
2	46210021A	SPRING WASHER 8 MM	2	22/10/2013			
3	52310541A	REAR-VIEW MIRROR R.H.	1	22/09/2016			
4	66020093B	THROTTLE CONTROL (Unit)	1	24/10/2016			
5	65010282B	RIGHT HANDLE SWITCH	1	21/09/2016		PLT:DB10	
6	77113741A	SCREW TCEIF M8X25	1	22/10/2013			
7	52310551A	REAR-VIEW MIRROR L.H.	1	22/09/2016			
8	75011491AB	NUT, SPECIAL	2	22/10/2013			
9	4601E221A	COVER, IGNITION SWITCH	1	10/03/2016			
10	77110501A	SCREW, SPECIAL	2	22/10/2013			
11	86611001A	PAD	2	09/06/2014			
12	87210281A	BALANCER SET, HANDLE BAR	2	22/02/2017			
13	8301E411AA	BRACKET, FUEL TANK	1	10/03/2016			
14	65240231A	KEY-OPERATED SWITCH	1	04/04/2013			
15	36140161A	HAND GRIP LH	1	24/10/2016			
16	65110281B	LEFT HANDLE SWITCH	1	21/09/2016			
17	342P0961AB	STEERING HEAD BASE (Unit)	1	24/10/2016			
18	77157273B	SCREW	4	01/08/2013			
19	36015332AA	HANDLEBAR BRACKET, UPPER	1	11/07/2017			
20	36012001BA	HANDLEBAR	1	11/07/2017			
21	77159418B	SCREW M10X1.25X70	2	01/08/2013			
22	36015521AA	HOLDER, HANDLE LOWER	1	11/07/2017			
23	85250401A	WASHER 10.5X18X1.6	2	01/08/2013			
24	70010541A	CUSHION, HANDLEBAR	2	01/08/2013			
25	34110992AC	STEERING HEAD	1	01/08/2013			
26	85210491B	WASHER 10.5X28X1.5	2	01/08/2013			
27	74840241AB	NUT M10X1.25	2	01/08/2013			
28	77157268B	SCREW	7	01/08/2013			
29	70310761AA	THREAD, STEERING HEAD TOP	1	22/10/2013			
30	93010041B	SEAL RING	2	31/07/2013			
31	70241231A	BEARING, STEERING NTN SF07A17P	2				
32	85211031AB	WASHER	1	31/07/2013			
33	77850281A	THREADED DOWEL STEI M8X25	2	31/07/2013			
34	74750071A	NUT	2	31/07/2013			



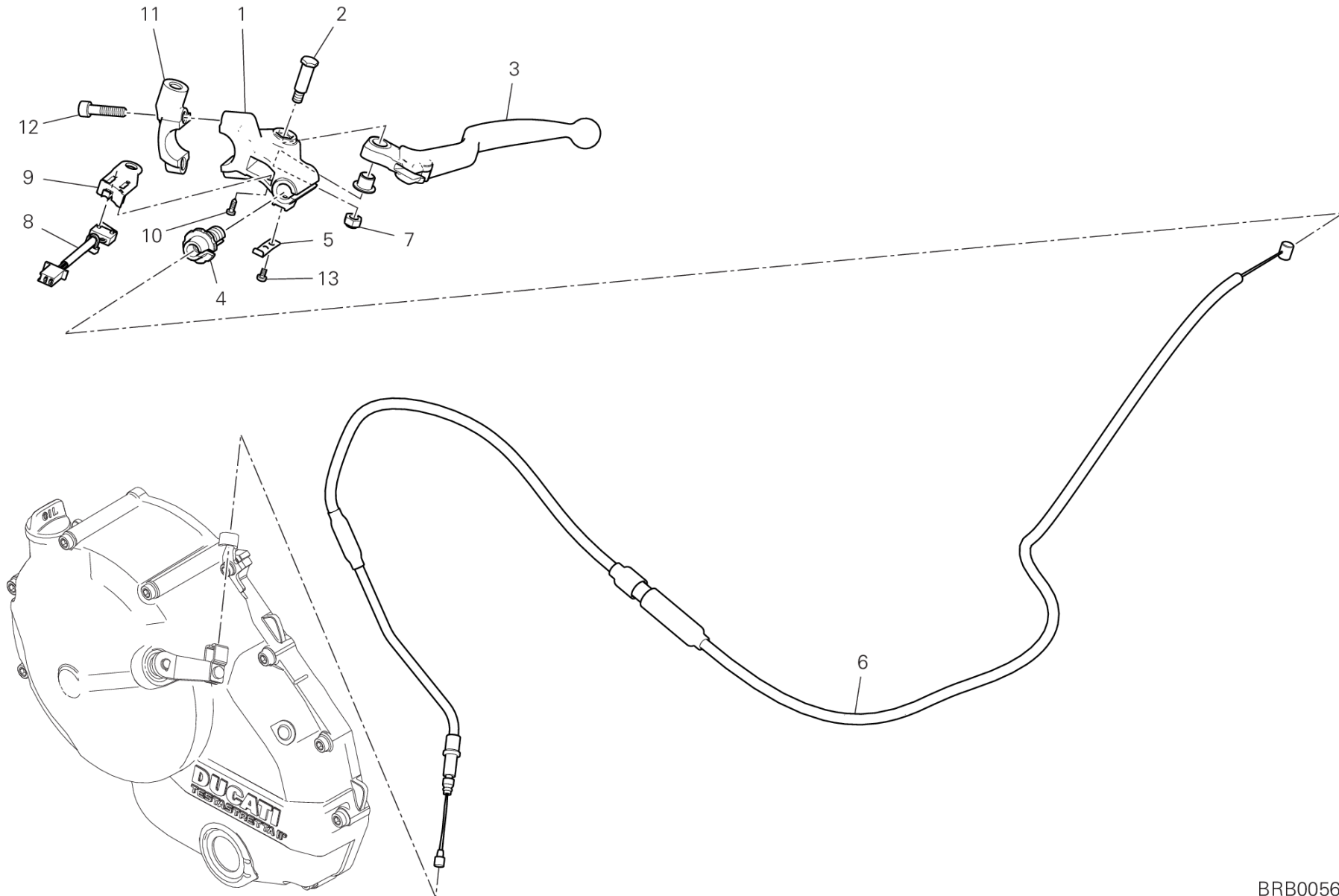
TEL01102

DRAWING 022 - FRAME [MOD:M 821]

GROUP FRAME



POS.	CODE	DESCRIPTION	QTY	START DATE	END DATE	VALIDITY	NOTES
1	77918291AA	SCREW, SPECIAL	4	22/10/2013			
2	47018051AA	FRAME RED	1	22/02/2017		PLT:DB10;XCO:R;XST:EUR,GSO,JAP,SI	
	47018051AC	FRAME BLACK	1	07/09/2017		XCO:NMB,Y;XST:EUR,GSO,JAP,SPA,TV	
	47018121AA	FRAME RED	1	07/09/2017		PLT:DB10;XCO:R;XST:AUS	
	47018121AC	FRAME BLACK	1	23/02/2018		PLT:DB10;XCO:NMB,Y;XST:AUS	
3	77350618B	SCREW TCEIR M6X8	2	22/10/2013			
4	83018172AA	BRACKET, FUSE BOX	1	22/10/2013			
5	67110601D	SPARK PLUG CABLE, HORIZONTAL HEAD	1	22/02/2017			
6	67040451A	SPARK PLUG NGK MAR9A-J	2	26/02/2013			
7	87210951A	LEFT PAD Front	1	05/05/2014			
8	87210941A	RIGHT PAD Front	1	05/05/2014			
9	67110591D	SPARK PLUG CABLE, VERTICAL HEAD	1	22/02/2017			
10	77354743B	SCREW TCEIR M5X20 DIN6912 8.8	5	22/10/2013			
11	71611641AA	SPACER	3	10/03/2016			
12	76410241A	VIBRATION DAMPER PAD	3	22/10/2013			
13	83018431AA	BRACKET, COIL	1	22/10/2013			
14	74810351B	NUT	2	22/10/2013			
15	38010151A	IGNITION COIL	2	05/05/2014			
16	77156413B	SCREW TCEIF M5X16	2	22/10/2013			
17	48211951A	COVER TUBE	1	22/10/2013			
18	85041051A	RIVET, FEMALE	2	22/10/2013			
19	85041041A	RIVET, MALE	2	22/10/2013			
20	87210922A	LEFT PAD	1	10/01/2014			
21	87210912A	RIGHT PAD	1	10/01/2014			
22	92610051A	GUARD	2	10/03/2016			



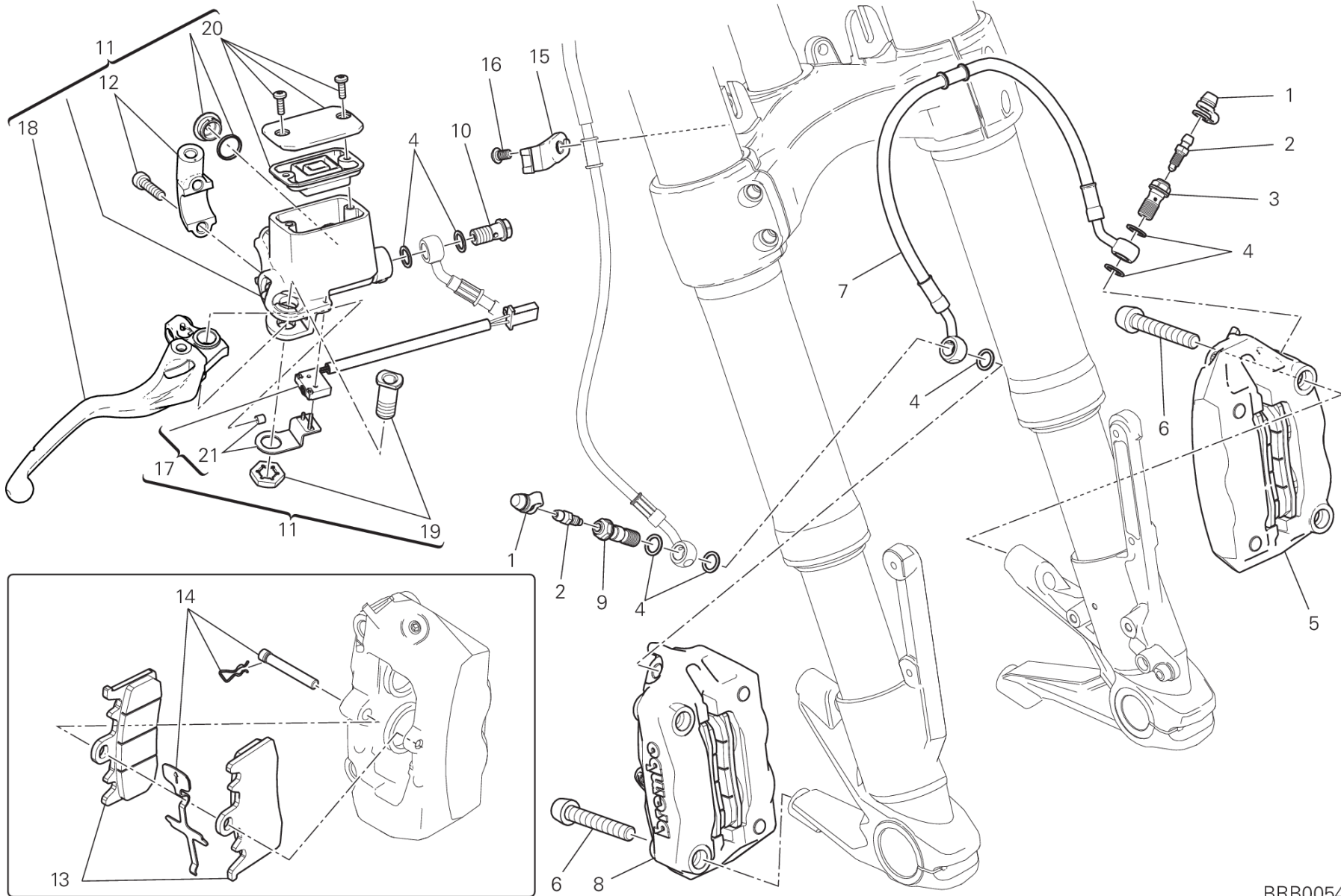
BRB00567

DRAWING 023 - CLUTCH CONTROL [MOD:M 821]

GROUP FRAME



POS.	CODE	DESCRIPTION	QTY	START DATE	END DATE	VALIDITY	NOTES
1	8291F421AA	HOLDER	1	05/05/2016			
2	7791A101AA	SCREW, SPECIAL	1	05/05/2016			
3	63640022A	CLUTCH LEVER	1	16/11/2016			
4	7791A091AA	REGULATOR	1	05/05/2016			
5	79940221A	SPRING	1	01/01/2012			
6	73210711C	FLEXIBLE CABLE	1	22/02/2017			
7	74841081A	NUT, SELF-LOCKING	1	05/05/2016			
8	53940871A	MICROSWITCH	1	16/11/2016			
9	53940811A	HOLDER	1	05/05/2016			
10	77140911A	SCREW	1	05/05/2016			
11	62640931AA	BRACKET, CLUTCH MASTER CYLINDER	1	11/07/2017			
12	77150693B	SCREW	2	01/06/2014			
13	77540071A	SCREW	1	05/05/2016			



BRB00543

DRAWING 024 - FRONT BRAKE SYSTEM [MOD:M 821]

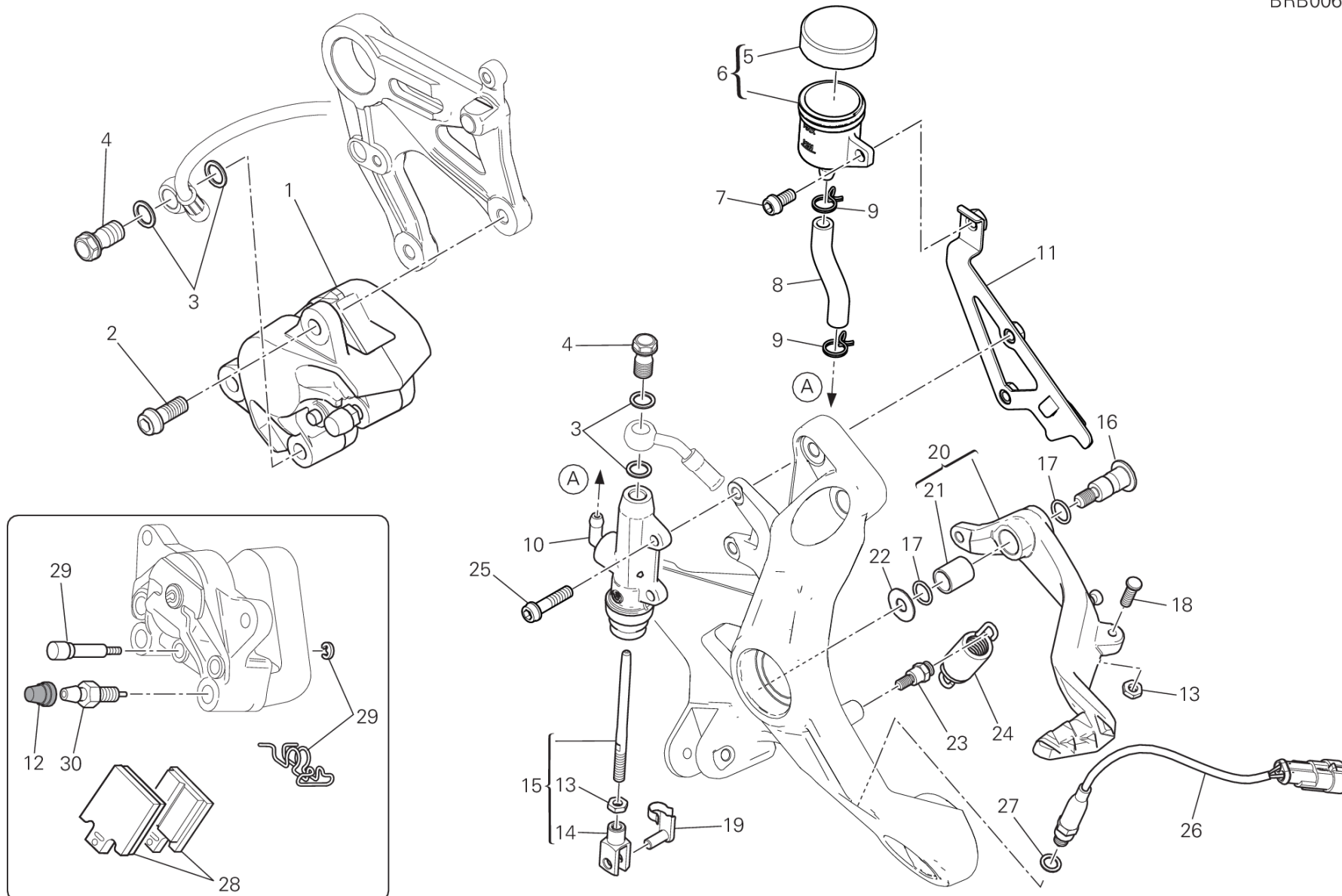
GROUP FRAME



POS.	CODE	DESCRIPTION	QTY	START DATE	END DATE	VALIDITY	NOTES
1	61240052A	DUST COVER	2	05/12/2012			
2	18710021A	VALVE, BREATHER	2	05/12/2012			
3	77913971A	BOLT, BRAKE HOSE	1	05/12/2012			
4	85250241A	WASHER 10X14X1	7	05/12/2012			
5	61041292C	LEFT FRONT BRAKE CALIPER	1	09/09/2016			
6	77913311D	SCREW M 10 X 60	4	15/11/2012			
7	61810871A	HOSE, FRONT BRAKE CALIPER-CALIPER	1	24/07/2015			
8	61041302C	RIGHT FRONT BRAKE CALIPER	1	09/09/2016			
9	77914651A	BOLT, BRAKE HOSE	1	05/12/2012			
10	77914151A	BOLT, BRAKE HOSE	1	05/12/2012			
11	62441042A	FRONT BRAKE PUMP	1	24/07/2015			
12	62640901A	BRACKET, MASTER CYLINDER	1	02/04/2014			
13	61341021A	FRONT BRAKE PADS SET	2	01/07/2012			
14	61240511A	SPARE PIN AND SPRING	1	01/07/2012			
15	83018691A	GUIDE, FRONT BRAKE HOSE	3	05/05/2014			
16	77510541A	SCREW TBEI M6X10	1	05/05/2014			
17	53940721A	MICROSWITCH	1				
18	63140591A	LEVER, FRONT BRAKE	1	29/07/2015			
19	62640601A	BOLT, PIVOT	1				
20	89340091A	THE BRAKE CAP	1				
21	58540271A	HOLDER MICROSWITCH	1				



BRB00607



DRAWING 025 - REAR BRAKE SYSTEM [MOD:M 821]

GROUP FRAME



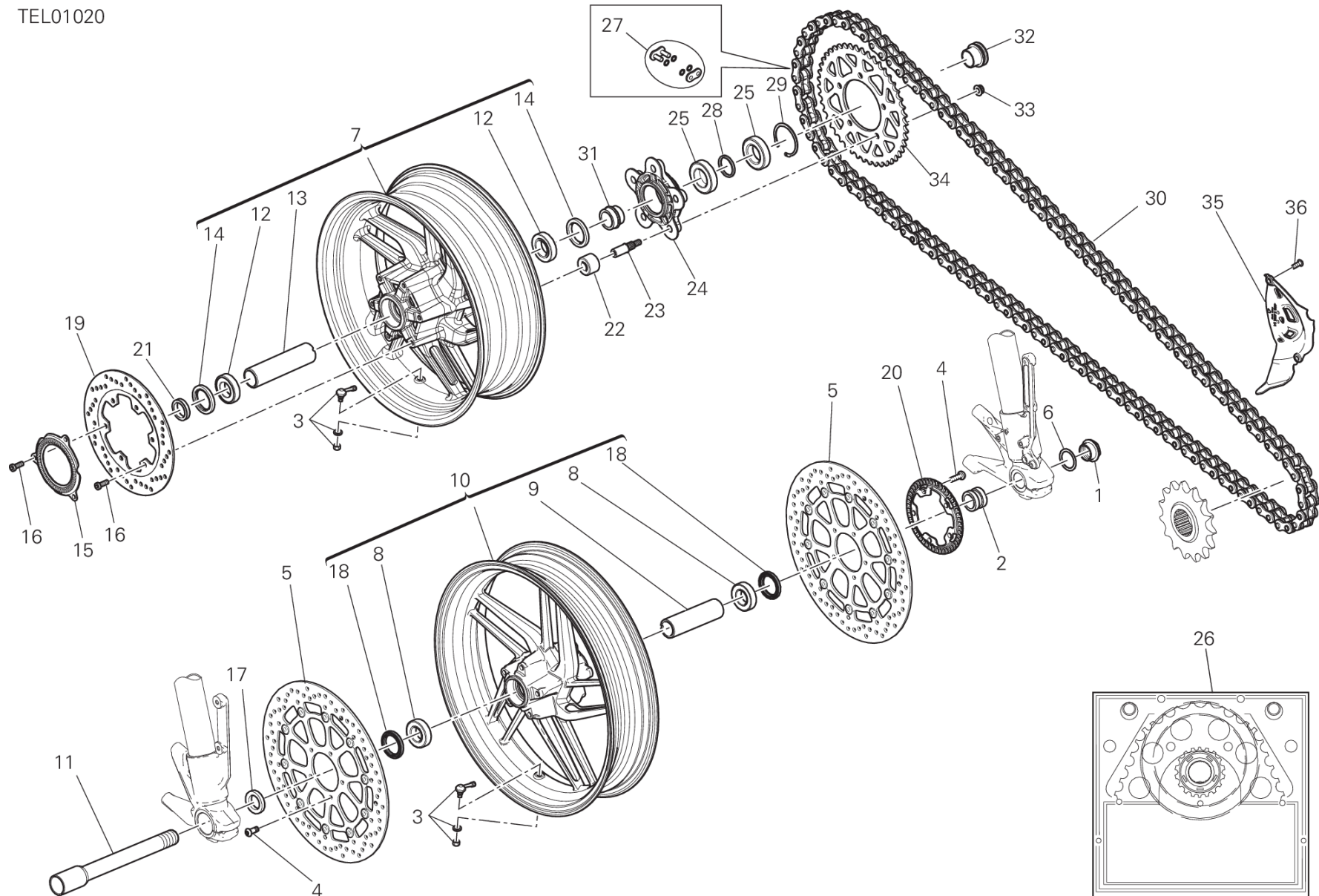
POS.	CODE	DESCRIPTION	QTY	START DATE	END DATE	VALIDITY	NOTES
1	61140421A	REAR BRAKE CALIPER	1	20/09/2013			
2	77157238B	SCREW TCEIF M8X20	2	22/10/2013			
3	85250241A	WASHER 10X14X1	4	20/09/2013			
4	77913662AB	BOLT, BRAKE HOSE	2	20/09/2013			
5	89340241A	TANK CAP CLUTCH	1	01/05/2011			
6	58540311A	RESERVOIR, BRAKE FLUID	1	21/01/2015			
7	77113691A	SCREW TCEIF M6X12	1	01/05/2017			
8	87710691A	HOSE 6.5X10.5	1	09/11/2015			
9	74140431A	CLAMP	2	20/09/2013			
10	62540201A	REAR BRAKE PUMP	1	20/09/2013			
11	82717873BA	BRACKET, TANK	1	14/01/2017			
12	61240081A	DUST PLUG	1				
13	74750051B	NUT	2	01/03/2013			
14	18410051A	FORK HEADS DIN 71752	1	01/03/2013			
15	11723531AA	ROD, BRAKE (Unit)	1	22/10/2013			
16	82111701CA	PIN PEDAL	1	19/09/2013			
17	88641161A	O-RING	2	19/09/2013			
18	77919121AA	SCREW	1	07/02/2014			
19	85010151A	QUICK FASTENING	1	22/10/2013			
20	45720571AA	BRAKE CONTROL LEVER (Unit)	1	19/09/2013			
21	71210341A	BUSH	1	01/03/2013			
22	85210532A	WASHER 8.2X20X1	1	19/09/2013			
23	82112731A	PIN	1	19/09/2013			
24	79925771B	COMPLETE SPRING	1	19/09/2013			
25	77156683B	SCREW	2	10/03/2016			
26	53940031C	SWITCH, STOP	1	19/09/2013			
27	42020008A	COPPER GASKET 11X8.2X1	1	19/09/2013			
28	61340951A	REAR BRAKE PADS SET	1	10/06/2013			
29	61240161A	PAD PINS OVERHAUL KIT	1				
30	63140161A	FRONT CALIPER DRAIN SCREW	1				



DRAWING 026 - RUOTA ANTERIORE E POSTERIORE [MOD:M 821]

GROUP FRAME

TEL01020



DRAWING 026 - RUOTA ANTERIORE E POSTERIORE [MOD:M 821]

GROUP FRAME



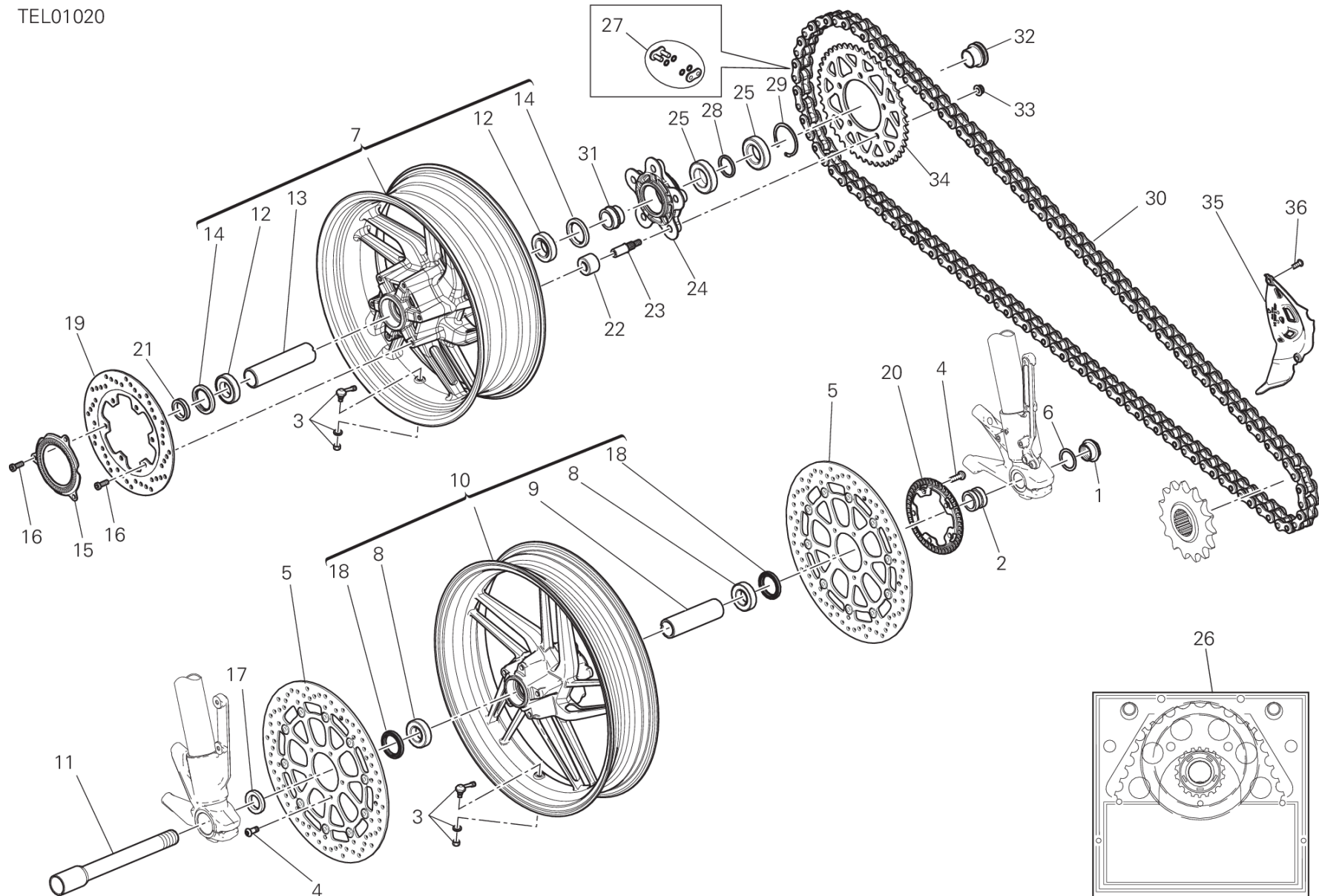
POS.	CODE	DESCRIPTION	QTY	START DATE	END DATE	VALIDITY	NOTES
1	74810651A	NUT	1				
2	71311973A	LEFT SPACER	1	05/05/2014			
3	49720071AB	VALVE, TUBELESS TIRE	1	24/02/2016			
4	72010513C	SCREW	10				
5	49241011A	FRONT BRAKE DISC	2	01/03/2013			
6	85212221A	WASHER 30X40X1	1				
7	50221671AA	REAR WHEEL RIM BLACK	1	21/01/2014		PLT:DB10	
8	70250621A	BEARING	2	15/04/2013			
9	71413321A	INNER SPACER	1	22/03/2017		PLT:DB10	
10	50121812AA	FRONT WHEEL RIM BLACK	1	22/03/2017			
11	81910601A	FRONT WHEEL SPINDLE	1	05/05/2014			
12	70250501A	BEARING	2	25/11/2013		PLT:DB10	
13	71411341AA	SPACER	1	25/11/2013		PLT:DB10	
14	93040391A	SEAL RING 40X55X7	2	10/05/2013		PLT:DB10	
15	50410061A	REAR PHONIC WHEEL	1	10/05/2013			
16	77310071A	SCREW	6	31/05/2013			
17	71311961A	RIGHT SPACER	1	05/05/2014			
18	93040521A	SEAL RING 35X47.15X6.8	2			PLT:DB10	
19	49240032A	REAR BRAKE DISC	1	10/05/2013			
20	50410051A	FRONT PHONIC WHEEL	1				
21	71312051A	INNER SPACER	1	20/07/2013			
22	70010591A	WHEEL RUNNER BUSH	5	31/05/2013			
23	82114741AA	SPRING DRIVE FIXING BUSH	5	23/09/2013			
24	16010922A	REAR SPROCKET FLANGE	1	18/01/2013			
25	70240381A	BEARING, 35X62X14	2	18/04/2013			
26	67620901A	FINAL DRIVE KIT	1	05/05/2014		XST:AUS,EUR,GSO,JAP,ROK,TWN	
	67621021A	FINAL DRIVE KIT	1	22/02/2017		XST:SPA	
27	67740201A	CHAIN LINK	1	10/04/2013			
28	71311841A	INNER SPACER	1	18/04/2013			
29	88440061A	CIRCLIP	1	18/04/2013			
30	67640941A	CHAIN 107+1	1	05/05/2014		XST:AUS,EUR,GSO,JAP,ROK,TWN	
	67640961A	CHAIN 105+1	1	29/01/2018		XST:SPA	
31	7131A371AA	SPACER	1	12/03/2013			
32	7131A361AA	FINAL SPROKET SLEEVE	1	12/03/2013			
33	74810461A	NUT, FLANGE M10X1	5	12/03/2013			



DRAWING 026 - RUOTA ANTERIORE E POSTERIORE [MOD:M 821]

GROUP FRAME

TEL01020

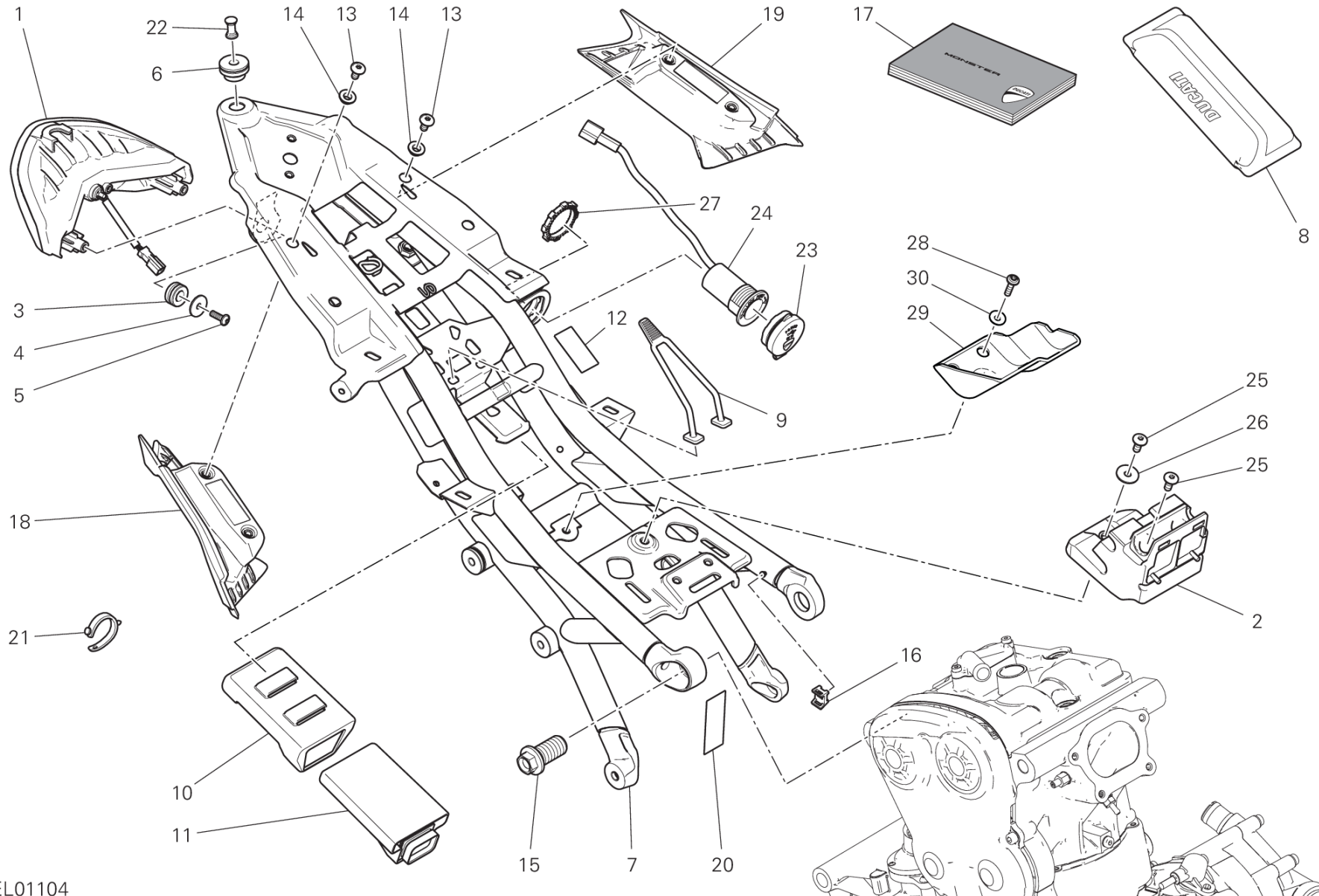


DRAWING 026 - RUOTA ANTERIORE E POSTERIORE [MOD:M 821]

GROUP FRAME



POS.	CODE	DESCRIPTION	QTY	START DATE	END DATE	VALIDITY	NOTES
34	49411651AA	REAR SPROCKET T46	1	28/04/2014		XST:AUS,EUR,GSO,JAP,ROK,TWN	
	49411751AA	REAR SPROCKET T42	1	01/01/2017		XST:SPA	
35	4601E561A	CHAIN PINION COVER	1	22/02/2017			
36	77550213C	SCREW TBEI M6X16	2	05/05/2014			



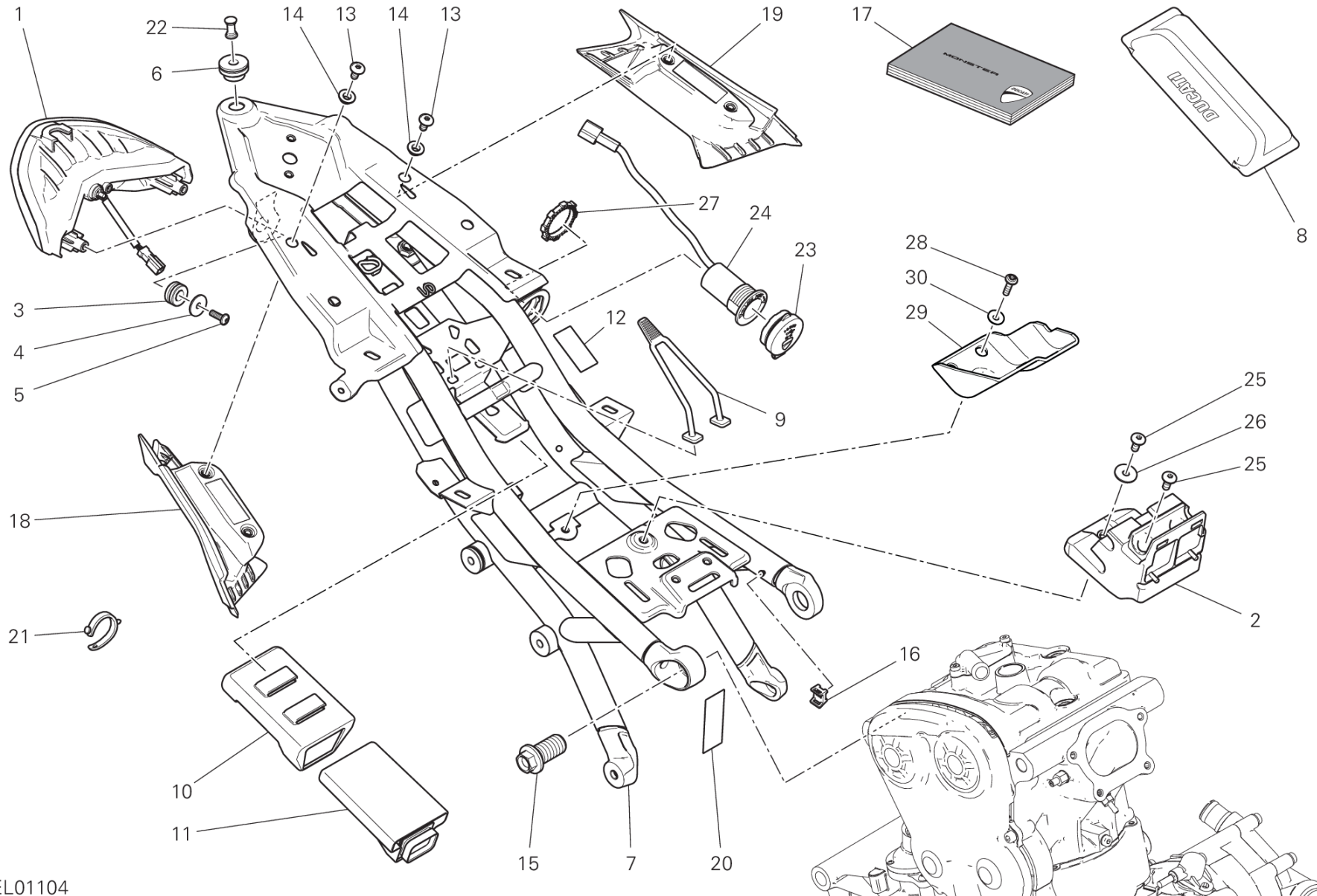
TEL01104

DRAWING 027 - REAR FRAME COMP. [MOD:M 821]

GROUP FRAME



POS.	CODE	DESCRIPTION	QTY	START DATE	END DATE	VALIDITY	NOTES
1	52510483B	TAILLIGHT	1	12/05/2014			
2	8291C091A	SEAT SUPPORT	1	01/08/2013			
3	76412101A	RUBBER PAD	2	12/05/2014			
4	71614921AA	SPACER	2	05/09/2016			
5	77440041A	SCREW, TAPPING M5X16	2	22/10/2013		PLT:DB10	
6	76412091A	VIBRATION DAMPER PAD	1	12/05/2014			
7	47017981BA	REAR FRAME COMP.	1	05/09/2016			
8	69720291B	TOOLS KIT	1	12/05/2014			
9	75910311A	RUBBER BAND, TOOLS KIT	1	20/10/2013			
10	86611521A	VIBRATION DAMPER HOLDER	1	01/08/2013			
11	38510913A	BLACKBOX UNIT	1	26/07/2017			
12	92610051A	GUARD	2	01/08/2013			
13	77240403CA	SCREW M6X12	4	05/09/2016			
14	71615211AA	SPACER	4	05/09/2016			
15	77918301AB	SCREW, SPECIAL	2	01/12/2013			
16	85040671A	CLAMP TUCKER	8	05/09/2016			
17	91373961A	OWNER'S MANUAL	1			PLT:DB10;XST:AUS,EUR	IT-GB-FR-DE
	91373961B	OWNER'S MANUAL	1			PLT:DB10;XST:EUR,JAP	GB-ES-FR-JP
	91373961C	OWNER'S MANUAL	1			PLT:DB10;XST:EUR,SPA	ES-PT-GR
	91373961D	OWNER'S MANUAL	1			PLT:DB10;XST:EUR,ROK,TWN	FR-NL-GB-CHS-CHT
	91373961E	OWNER'S MANUAL	1			PLT:DB10;XST:EUR	SE-FI-DK-NO
	91373961F	OWNER'S MANUAL	1			PLT:DB10;XST:EUR	PL-CZ-SK-SI
	91373961G	OWNER'S MANUAL	1			PLT:DB10;XST:EUR	HU-RO-BG-RU
	91373961R	OWNER'S MANUAL	1			PLT:DB10;XST:EUR,GSO	AR-GB
18	80610432A	GRIP,GRAB RAIL,RH	1	19/09/2016			
19	80610442A	GRIP,GRAB RAIL,LH	1	05/09/2016			
20	92610401A	GUARD	1	19/09/2016			
21	74110121A	CLAMP, RUBBER 62MM	2	10/03/2016			
22	82115511A	PIN	1	05/09/2016			
23	76412421B	HOLDER SOCKET, LOW VOLTAGE	1	19/09/2016			
24	38640591A	SOCKET, LOW VOLTAGE (USB)	1	26/07/2017			
25	77240418C	SCREW	3	19/09/2016			
26	85211671B	WASHER	1	21/06/2016			
27	75040211A	NUT	1	11/01/2016			
28	77244173B	SCREW	3	26/07/2017			



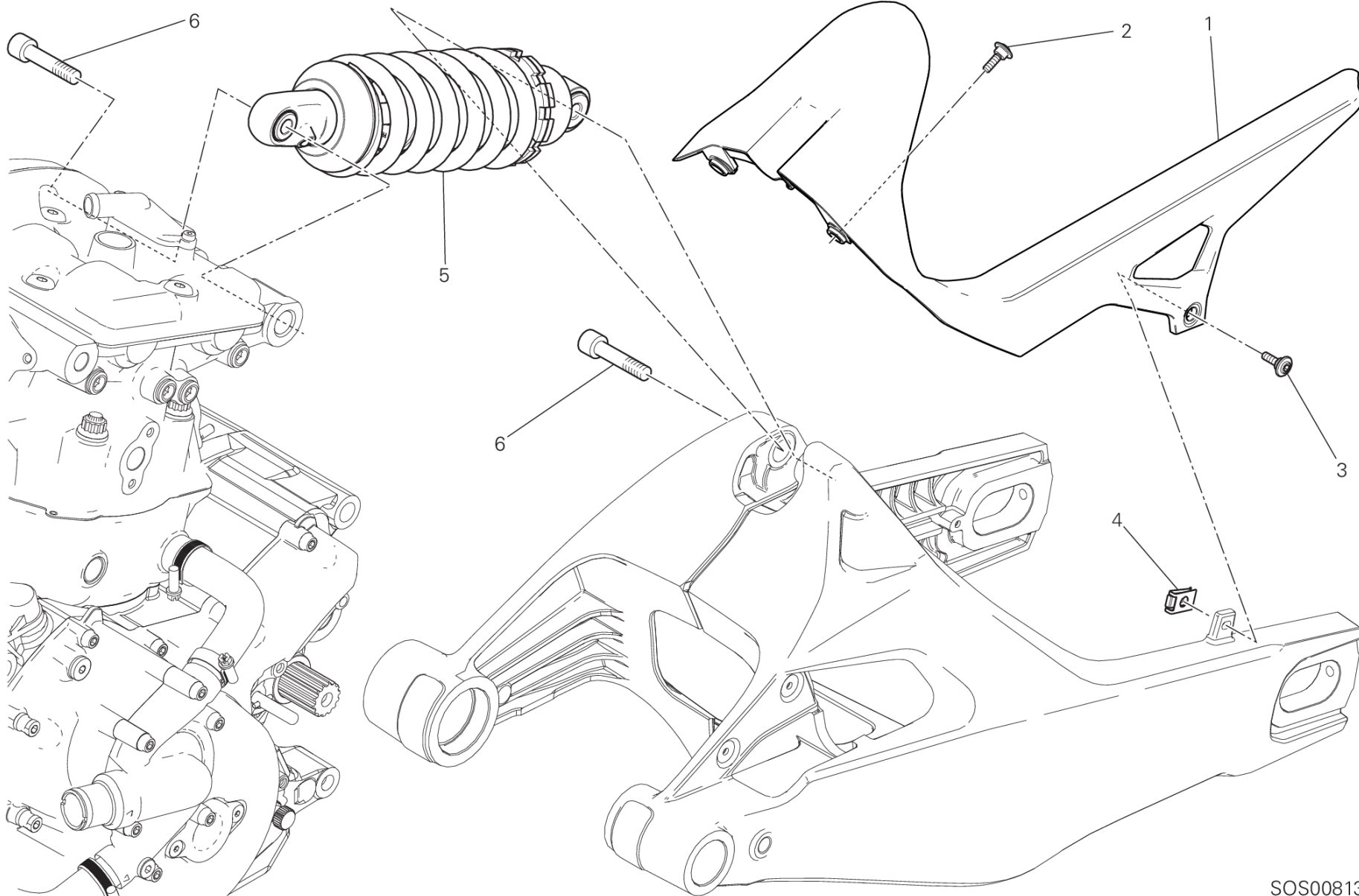
TEL01104

DRAWING 027 - REAR FRAME COMP. [MOD:M 821]

GROUP FRAME



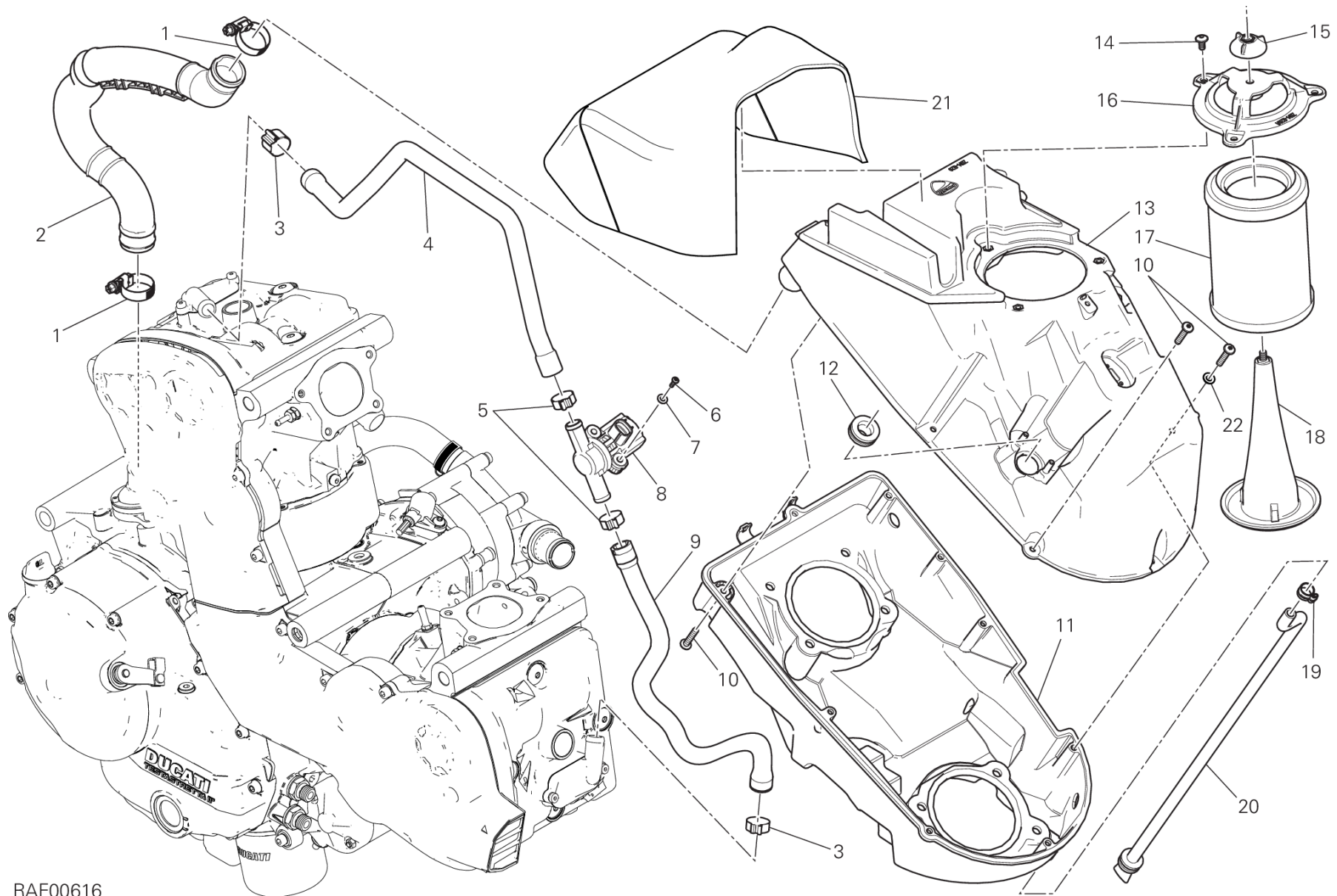
POS.	CODE	DESCRIPTION	QTY	START DATE	END DATE	VALIDITY	NOTES
29	4601G431B	TRAY	1	26/07/2017			
30	71615671AA	SPACER	3	26/09/2017			



SOS00813



POS.	CODE	DESCRIPTION	QTY	START DATE	END DATE	VALIDITY	NOTES
1	56510871A	REAR MUDGUARD	1	10/03/2016			
2	77210941C	SCREW	2	05/05/2014			
3	77210943B	SCREW, SPECIAL	1	05/05/2014			
4	85041421A	QUICK FASTENING	1	05/05/2014			
5	36521332A	REAR SHOCK ABSORBER	1	05/05/2014			
6	77915041A	SCREW, SPECIAL	2	22/10/2013			



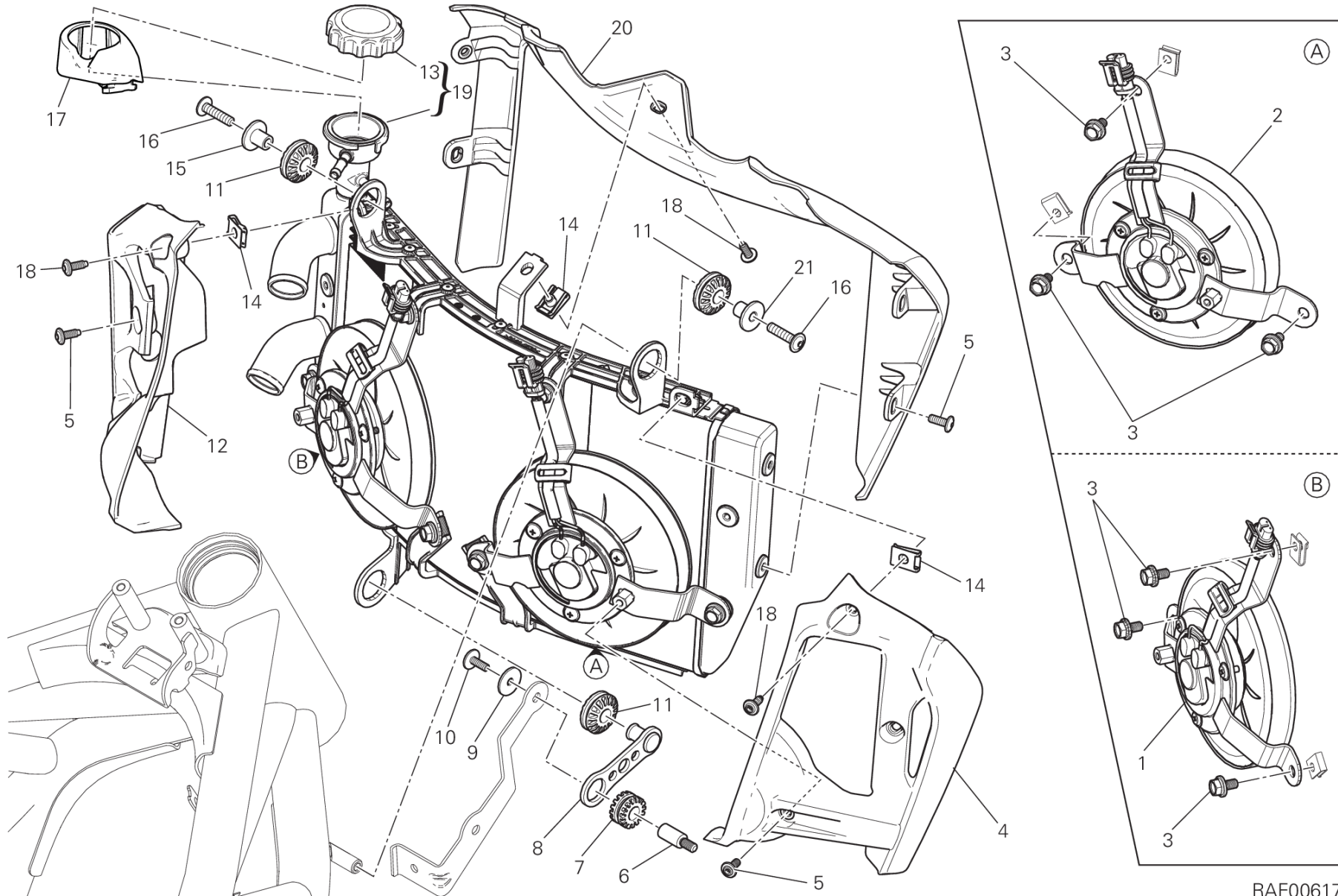
RAF00616

DRAWING 029 - AIR INTAKE - OIL BREATHER [MOD:M 821]

GROUP FRAME



POS.	CODE	DESCRIPTION	QTY	START DATE	END DATE	VALIDITY	NOTES
1	74142581A	CLAMP 16-27 MM	2	22/10/2013			
2	87611232A	HOSE, BLOW-BY	1	22/10/2013			
3	74142371A	CLAMP	2	05/05/2014			
4	87611211A	DUCT, AIR VERTICAL	1	12/03/2013			
5	74142401A	CLAMP	2	25/10/2013			
6	77440101A	SCREW, TAPPING 3.5X10	1	16/03/2017			
7	85240211A	WASHER 4.7X10X1	1	12/03/2013			
8	65540091A	ACTUATOR	1	12/03/2013			
9	87611221B	DUCT, AIR HORIZONTAL	1	01/09/2013			
10	77440131A	SCREW, TAPPING 5X25 WN1411	9	12/03/2013			
11	44212781B	AIR FILTER BOX LOWER	1	29/03/2014			
12	76411621A	RUBBER PAD	1	12/03/2013			
13	44212792D	AIR FILTER BOX UPPER	1	17/06/2014			
14	77240253C	SCREW	3	12/03/2013			
15	70310481A	RING NUT	1	12/03/2013			
16	24612162A	FILTER COVER UNIT	1	01/09/2013			
17	42610191A	FILTER, AIR	1	12/03/2013			
18	82919612A	CAGE, AIR FILTER	1	12/03/2013		PLT:DB10	
19	74140651A	CLAMP	1	12/03/2013			
20	59014471A	HOSE, DRAIN AIRBOX	1	12/03/2013			
21	48611101C	DAMPER, SOUND ARRESTER	1				
22	71615071AA	SPACER	1	16/03/2017			



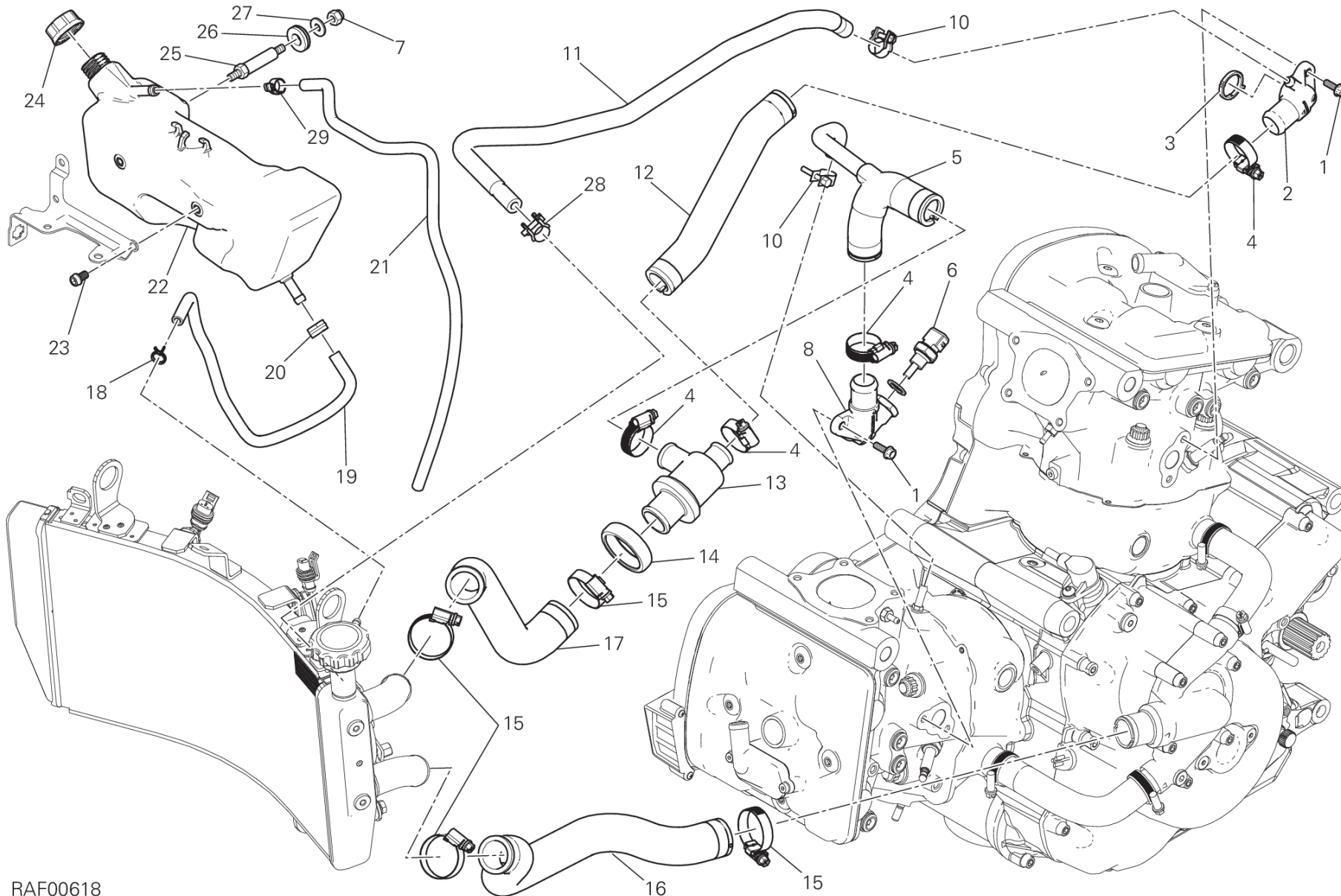
RAF00617

DRAWING 030 - WATER COOLER [MOD:M 821]

GROUP FRAME



POS.	CODE	DESCRIPTION	QTY	START DATE	END DATE	VALIDITY	NOTES
1	55040271A	ELECTRIC FAN, LEFT	1				
2	55040281A	ELECTRIC FAN, RIGHT	1				
3	77250988B	SCREW TEF M6X14	6				
4	48016481A	AIR SHROUD CYLINDER RIGHT	1	25/11/2013			
5	77211091A	SCREW TBEI M5X12	8	28/10/2013			
6	77916081A	SCREW, SPECIAL	1	22/10/2013			
7	76410241A	VIBRATION DAMPER PAD	1	28/10/2013			
8	83018971A	BRACKET	1	19/09/2013			
9	85241711A	WASHER 5.3X20X1.5	1	22/10/2013			
10	77510471A	SCREW TBEI M5X14	1	22/10/2013			
11	76411361A	VIBRATION DAMPER PAD	3	28/10/2013			
12	48016471A	AIR SHROUD CYLINDER LEFT	1	25/11/2013			
13	87240921A	RADIATOR CAP	1				
14	85040551A	QUICK FASTENING	3	19/09/2013			
15	71614971AA	SPACER	1	18/03/2015			
16	77550191A	SCREW	2	16/03/2015			
17	48018812A	COVER	1	07/09/2017			
18	77211091C	SCREW	3	28/10/2013			
19	54841033A	WATER COOLER ASSY	1	18/03/2015			
20	48016171B	COVER Front	1	28/10/2013			
21	71614091A	SPACER	1	18/03/2015			



RAF00618

DRAWING 031 - COOLING SYSTEM [MOD:M 821]

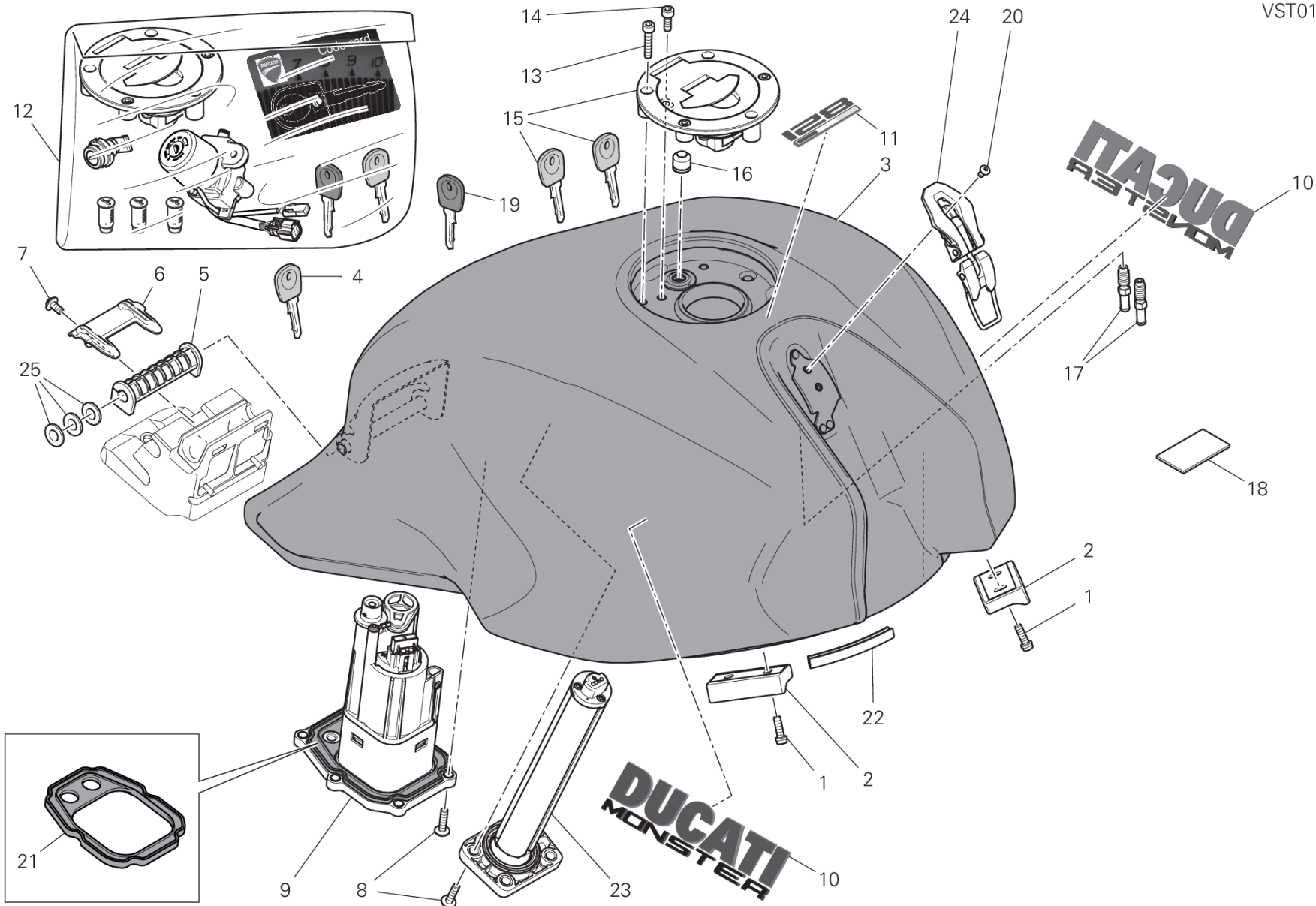
GROUP FRAME



POS.	CODE	DESCRIPTION	QTY	START DATE	END DATE	VALIDITY	NOTES
1	77210623B	SCREW	4	18/02/2013			
2	81413261A	JOINT, WATER HOSE VERTICAL	1	18/02/2013			
3	88641031A	O-RING	1	01/06/2016			
4	74142581A	CLAMP 16-27 MM	4	18/02/2013			
5	80012311A	THERMOSTAT PUMP HOSE HORIZONTAL	1	22/10/2013			
6	55243442A	WATER TEMPERATURE SENSOR	1	10/11/2016			
7	74941113B	NUT	1	22/10/2013			
8	81420051A	JOINT, WATER HOSE HORIZONTAL	1	29/02/2016			
10	74142121A	CLAMP	2	22/10/2013			
11	80012301A	BREATHER PIPE VERTICAL HEAD	1	28/10/2013			
12	80012321A	THERMOSTAT PUMP HOSE VERTICAL	1	22/10/2013			
13	55340041A	THERMO-SWITCH	1	22/10/2013			
14	88110461A	THERMOSTAT PROTECTION RING	1	22/10/2013			
15	74142591A	CLAMP 20-35 MM	4	10/03/2016			
16	80012521A	HOSE PUMP/COOLER	1	10/03/2016			
17	80012332A	HOSE COOLER/THERMOSTAT	1	22/10/2013			
18	74140431A	CLAMP	1	22/10/2013			
19	93410212A	HOSE, DRAIN	1	12/02/2014			
20	74140641A	CLAMP	1	01/08/2013			
21	93410201A	BREATHER PIPE	1	12/02/2014			
22	58510822B	TANK, WATER RESERVOIR	1	01/08/2013			
23	77156623B	SCREW TCEIF M6X10 8.8	2	01/08/2013			
24	89310143A	TANK CAP	1	01/08/2013			
25	77116671AA	HOLDER	1	01/08/2013			
26	76410981A	VIBRATION DAMPER PAD	1	22/10/2013			
27	85211911A	WASHER 6.4X16X1.5	1	22/10/2013			
28	74142181A	CLAMP	1	25/11/2013			
29	74141711A	CLAMP 10-7 MM	1	12/02/2014			



VST01737

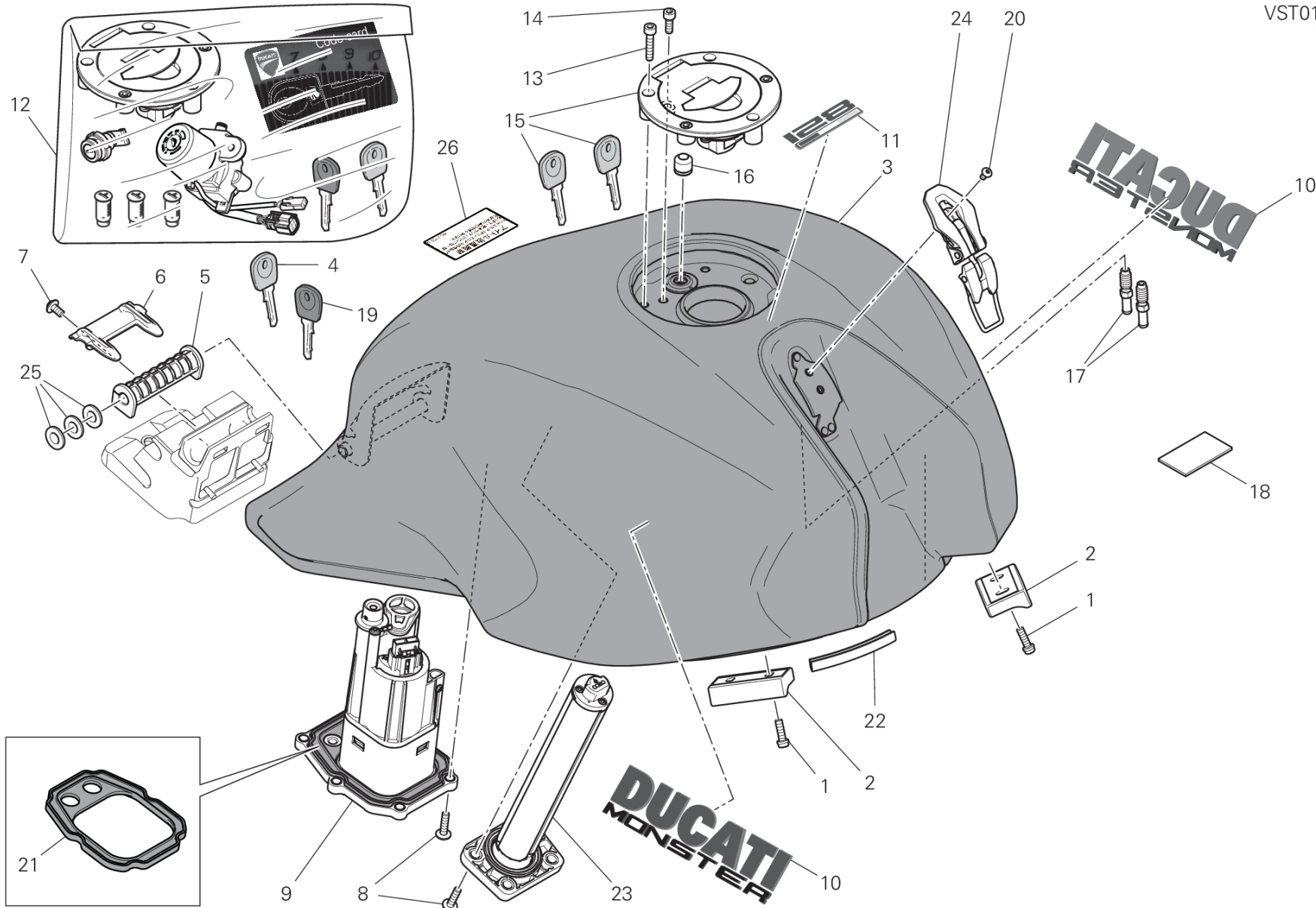




POS.	CODE	DESCRIPTION	QTY	START DATE	END DATE	VALIDITY	NOTES
1	77156413B	SCREW TCEIF M5X16	4	01/03/2013			
2	86611722CA	PAD, FUEL TANK	2	01/03/2013			
3	58612691EA	TANK RED	1	11/05/2017		XCO:R	
	58612691EK	TANK BLACK	1	11/05/2017		XCO:NMB	
	58612691EY	TANK YELLOW	1	16/05/2017		XCO:Y	
4	59840183A	KEY WITHOUT TRANSPONDER	1	04/04/2013			
5	70010811A	RUBBER PAD	1	25/06/2013			
6	82610351BA	PLATE	1	22/10/2013			
7	77244168B	SCREW	2	07/09/2017			
8	77244213B	SCREW	10	25/06/2013			
9	16024181A	FLANGE FUEL PUMP	1	30/08/2016			
10	43819291AA	EMBLEM DUCATI	2	11/05/2017		PLT:DB10;XCO:R	
	43819292AK	EMBLEM DUCATI	2	11/05/2017		PLT:DB10;XCO:NMB	
	4381B131A	EMBLEM DUCATI	2	16/05/2017		PLT:DB10;XCO:Y	
11	43819281AA	ITALIAN FLAG DECAL	1	11/05/2017		PLT:DB10;XCO:R	
	4381B041AK	ITALIAN FLAG DECAL	1	11/05/2017		PLT:DB10;XCO:NMB	
	4381B141A	ITALIAN FLAG DECAL	1	16/05/2017		PLT:DB10;XCO:Y	
12	59821061A	LOCKS KIT	1	01/08/2013			
13	77150457E	SCREW M5X25	3	22/10/2013			
14	77150408B	SCREW TCEI M5X14	1	22/10/2013			
15	89520072A	TANK CAP	1	04/04/2013			
16	79111111A	GASKET	1	25/06/2013			
17	81413251A	UNION	2	25/06/2013			
18	92610051A	GUARD	1	30/08/2016			
19	59840361A	KEY WITH TRANSPONDER	1	04/04/2013			
20	77550171A	SCREW TBEI M4X8	2	30/08/2016			
21	69926951A	GASKET KIT	1				
22	76412061A	RUBBER SECTION	1	01/04/2014			
23	59210251B	FUEL LEVEL GAUGE	1	30/08/2016			
24	76040074B	LEVER	1	30/08/2016			
25	85611271A	WASHER	3	22/02/2017			

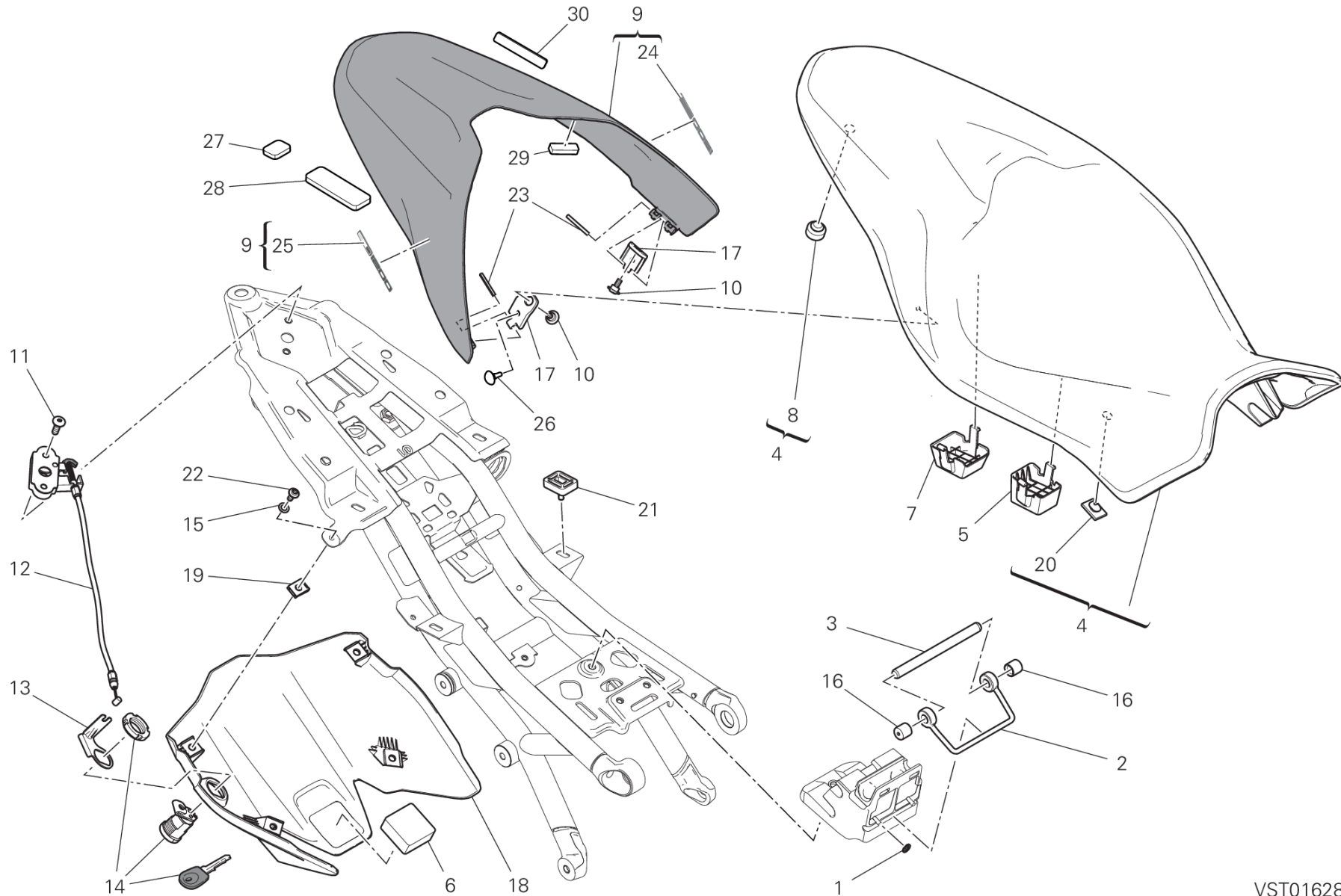


VST01769





POS.	CODE	DESCRIPTION	QTY	START DATE	END DATE	VALIDITY	NOTES
1	77156413B	SCREW TCEIF M5X16	4	01/03/2013			
2	86611722CA	PAD, FUEL TANK	2	01/03/2013			
3	58612691EA	TANK RED	1	11/05/2017		XCO:R	
	58612691EK	TANK BLACK	1	11/05/2017		XCO:NMB	
	58612691EY	TANK YELLOW	1	16/05/2017		XCO:Y	
4	59840183A	KEY WITHOUT TRANSPONDER	1	04/04/2013			
5	70010811A	RUBBER PAD	1	25/06/2013			
6	82610351BA	PLATE	1	22/10/2013			
7	77244168B	SCREW	2	07/09/2017			
8	77244213B	SCREW	10	25/06/2013			
9	16024181A	FLANGE FUEL PUMP	1	30/08/2016			
10	43819291AA	EMBLEM DUCATI	2	11/05/2017		XCO:R	
	43819292AK	EMBLEM DUCATI	2	11/05/2017		XCO:NMB	
	4381B131A	EMBLEM DUCATI	2	16/05/2017		XCO:Y	
11	43819281AA	ITALIAN FLAG DECAL	1	11/05/2017		XCO:R	
	4381B041AK	ITALIAN FLAG DECAL	1	11/05/2017		XCO:NMB	
	4381B141A	ITALIAN FLAG DECAL	1	16/05/2017		XCO:Y	
12	59821061A	LOCKS KIT	1	01/08/2013			
13	77150457E	SCREW M5X25	3	22/10/2013			
14	77150408B	SCREW TCEI M5X14	1	22/10/2013			
15	89520072A	TANK CAP	1	04/04/2013			
16	79111111A	GASKET	1	25/06/2013			
17	81413251A	UNION	2	25/06/2013			
18	92610051A	GUARD	1	30/08/2016			
19	59840361A	KEY WITH TRANSPONDER	1	04/04/2013			
20	77550171A	SCREW TBEI M4X8	2	30/08/2016			
21	69926951A	GASKET KIT	1				
22	76412061A	RUBBER SECTION	1	01/04/2014			
23	59210251B	FUEL LEVEL GAUGE	1	30/08/2016			
24	76040074B	LEVER	1	30/08/2016			
25	85611271A	WASHER	3	22/02/2017			
26	43217911Z	MARKING PLATE	1	22/02/2017			



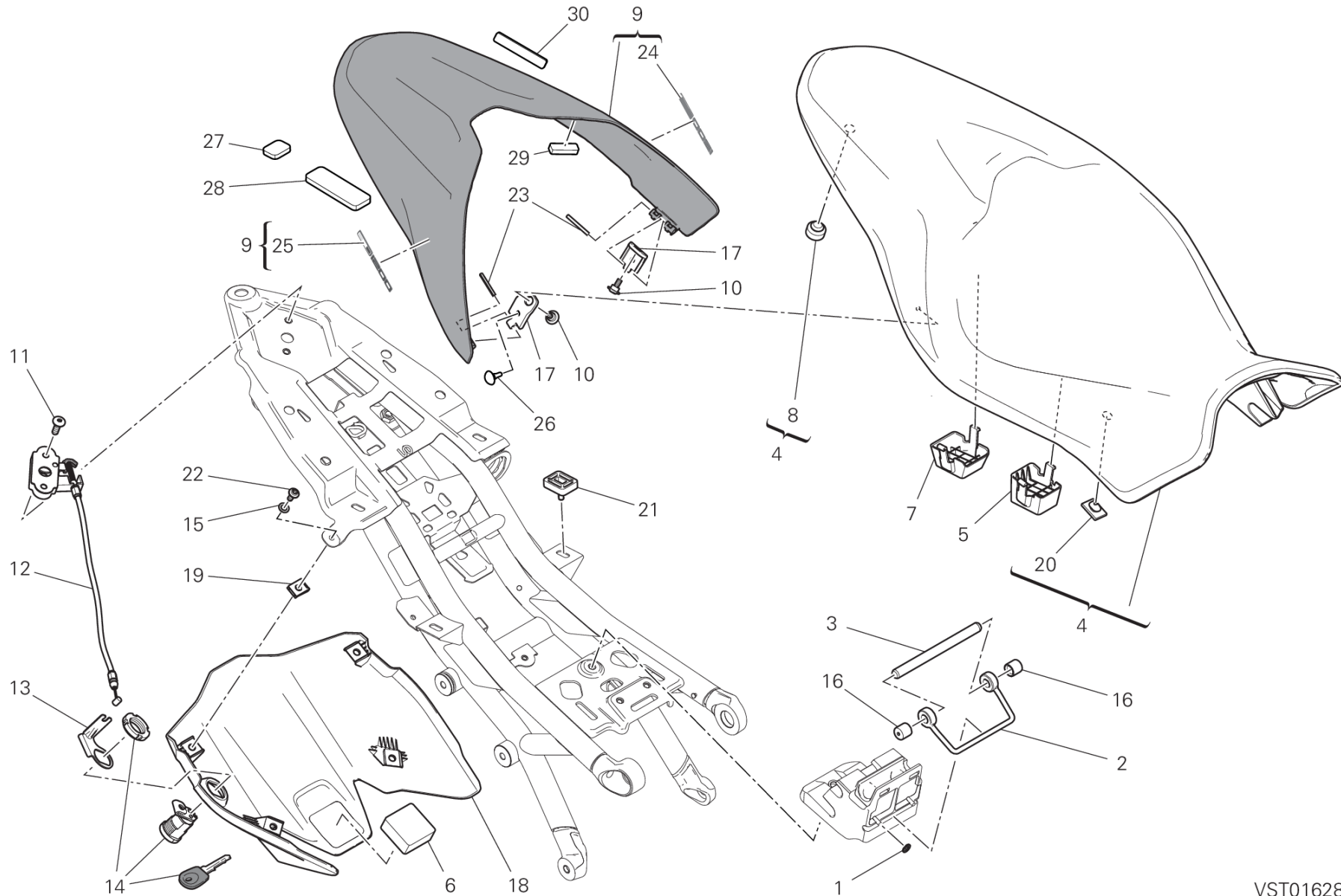
VST01628

DRAWING 033 - SEAT [MOD:M 821]

GROUP FRAME



POS.	CODE	DESCRIPTION	QTY	START DATE	END DATE	VALIDITY	NOTES
1	85040561A	WASHER, LOCK	2	01/08/2013			
2	86611751C	CUSHION, SEAT	1	01/08/2013			
3	82114711CA	PIN	1	01/08/2013			
4	595P3451AA	SEAT	1	11/09/2017			
5	8291C362A	SEAT SUPPORT Front	2	22/10/2013			
6	86612331A	RUBBER PAD	2	10/03/2016			
7	8291F671A	SEAT SUPPORT	2	10/03/2016			
8	86612221A	CUSHION, SEAT	2	16/09/2016			
9	595P3331BA	COVER SEAT RED	1	22/02/2017		XCO:R	
	595P3331BK	COVER SEAT BLACK	1	07/09/2017		XCO:NMB	
	595P3331BY	COVER SEAT YELLOW	1	07/09/2017		XCO:Y	
10	77214411AB	SCREW	2	22/10/2013			
11	77240438C	SCREW TBEIF M6X18	2	01/08/2013			
12	59920101A	LOCK LATCH	1	01/08/2013			
13	83014401A	BRACKET, SEAT LOCK	1	01/08/2013			
14	59820572A	SEAT LOCK	1	04/04/2013			
15	85550001B	SPRING WASHER	4	10/03/2016			
16	87210901A	PLUG	2				
17	83016241B	BRACKET	2	22/10/2013			
18	4601E212B	MUDFLAP BOTTOM	1	01/01/2009			
19	85040551A	QUICK FASTENING	4	01/08/2013			
20	86610301A	PAD	6	16/09/2016			
21	86611701A	RUBBER PAD	4	01/08/2013			
22	77244173B	SCREW	4	10/03/2016			
23	86150251A	PIN, SPRING	2	22/10/2013			
24	43511581A	LEFT STICKER	1	12/04/2017		PLT:DB10;XCO:R	
	43513761A	LEFT STICKER	1	12/04/2017		PLT:DB10;XCO:NMB	
	43513781A	LEFT STICKER	1	19/04/2017		PLT:DB10;XCO:Y	
25	43511591A	RIGHT STICKER	1	12/04/2017		PLT:DB10;XCO:R	
	43513771A	RIGHT STICKER	1	12/04/2017		PLT:DB10;XCO:NMB	
	43513791A	RIGHT STICKER	1	19/04/2017		PLT:DB10;XCO:Y	
26	86610751A	PAD	2	18/11/2016			
27	86612421B	PAD	1	18/11/2016			
28	86612101B	PAD	1	18/11/2016			
29	86612431B	PAD	2	18/11/2016			



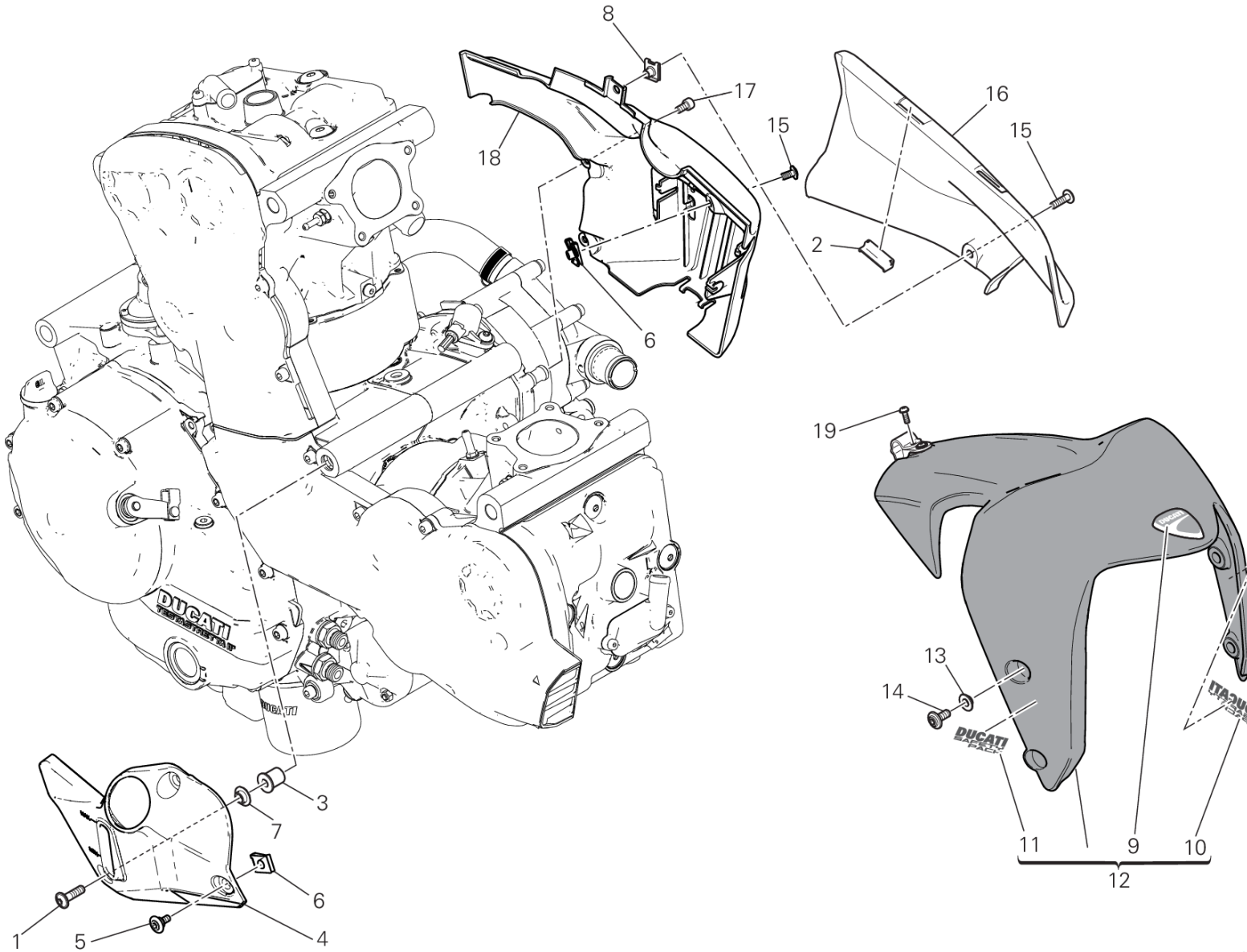
VST01628

DRAWING 033 - SEAT [MOD:M 821]

GROUP FRAME



POS.	CODE	DESCRIPTION	QTY	START DATE	END DATE	VALIDITY	NOTES
30	86612471A	PAD	2	18/11/2016			



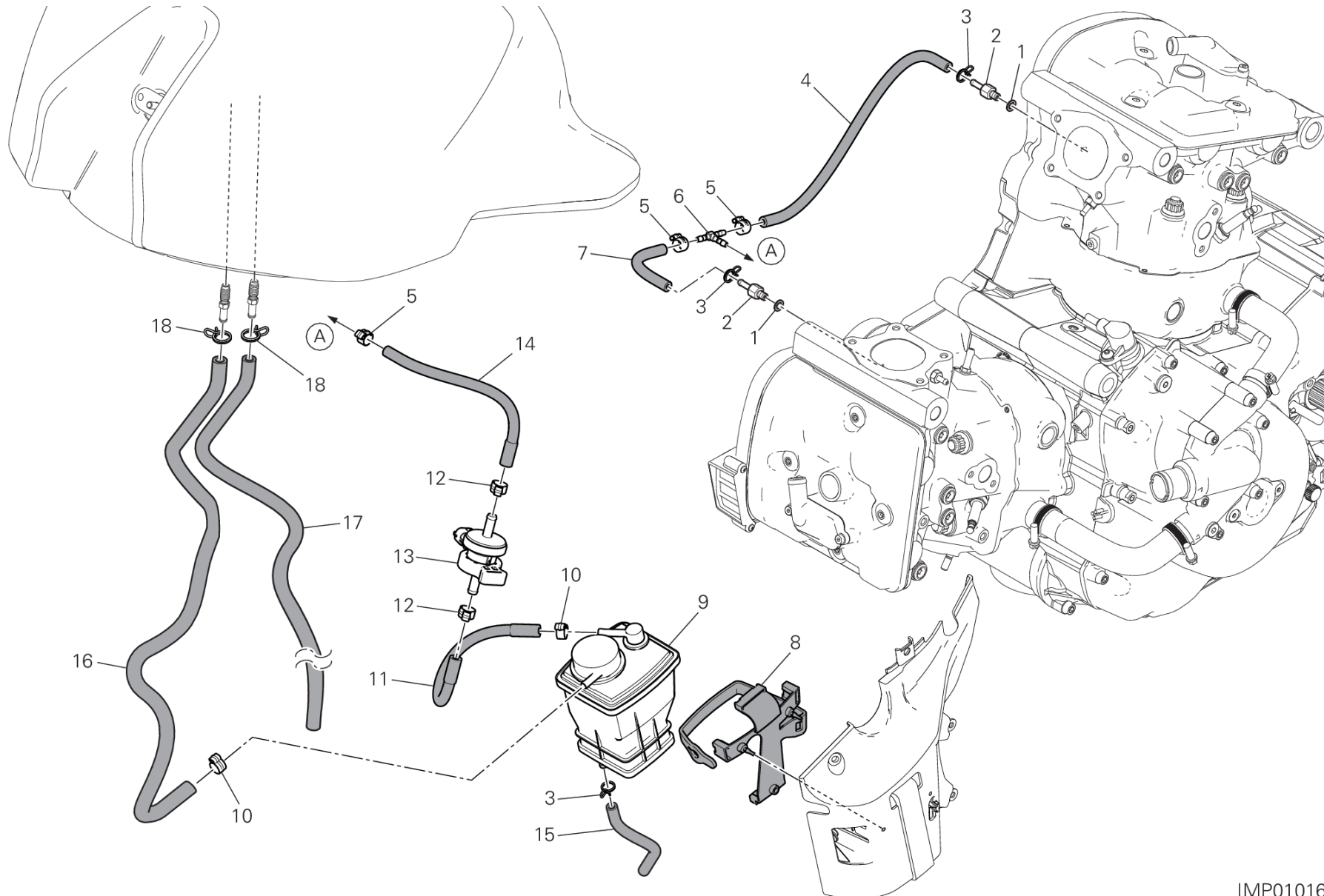
VST01738

DRAWING 034 - HALF FAIRING [MOD:M 821]

GROUP FRAME



POS.	CODE	DESCRIPTION	QTY	START DATE	END DATE	VALIDITY	NOTES
1	77240453C	SCREW TBEIF M6X22 10.9	1	22/10/2013			
2	76411881A	RUBBER PAD	2	22/10/2013			
3	85041121A	BUSH	1	22/10/2013			
4	48212371A	RIGHT COVER	1	10/03/2016			
5	77214411AA	SCREW	2	10/03/2016			
6	85040551A	QUICK FASTENING	3	10/03/2016			
7	71614811AA	SPACER	1	22/10/2013			
8	85040471A	QUICK FASTENING M5	1	01/10/2013			
9	43814741A	EMBLEM DUCATI	1	11/02/2016		PLT:DB10	
10	43713501A	DECAL DUCATI SAFETY PACK L.H.	1	23/09/2013		PLT:DB10;XCO:R,Y	
	43713571A	DECAL DUCATI SAFETY PACK L.H.	1	12/04/2017		PLT:DB10;XCO:NMB	
11	43713511A	DECAL DUCATI SAFETY PACK R.H.	1	23/09/2013		PLT:DB10;XCO:R,Y	
	43713561A	DECAL DUCATI SAFETY PACK R.H.	1	12/04/2017		PLT:DB10;XCO:NMB	
12	564P6442AA	FRONT MUDGUARD ASSEMBLY RED	1	10/03/2016		PLT:DB10;XCO:R	
	564P6442AK	FRONT MUDGUARD ASSEMBLY BLACK	1	07/09/2017		PLT:DB10;XCO:NMB	
	564P6442AY	FRONT MUDGUARD YELLOW	1	31/08/2017		PLT:DB10;XCO:Y	
	564P6611AY	FRONT MUDGUARD YELLOW	1	23/02/2018		PLT:DB10;XCO:Y	
13	71614011B	SPACER 6.2X8.5X14	4	22/10/2013			
14	77210893B	SCREW	4	22/10/2013			
15	77240253C	SCREW	2	11/07/2014			
16	48211871A	LEFT COVER UPPER	1	22/10/2013			
17	77150388B	SCREW TCEI M5X10	2	22/10/2013			
18	8291E731B	BRACKET, CANISTER	1	10/03/2016			
19	77440101A	SCREW, TAPPING 3.5X10	1	22/10/2013			



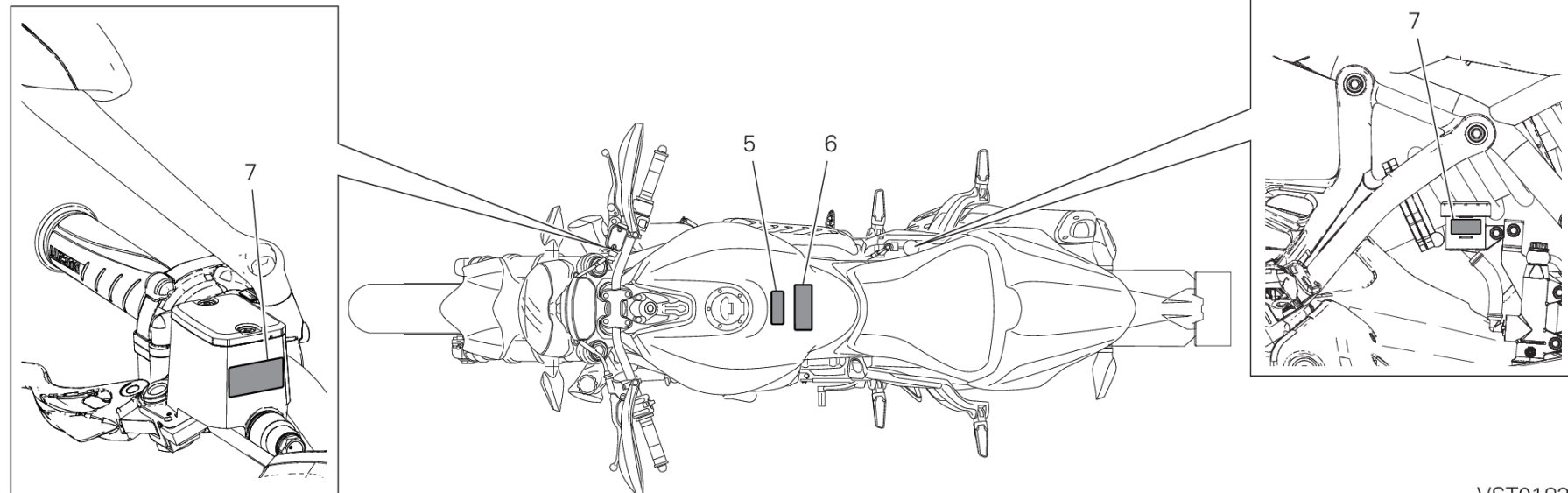
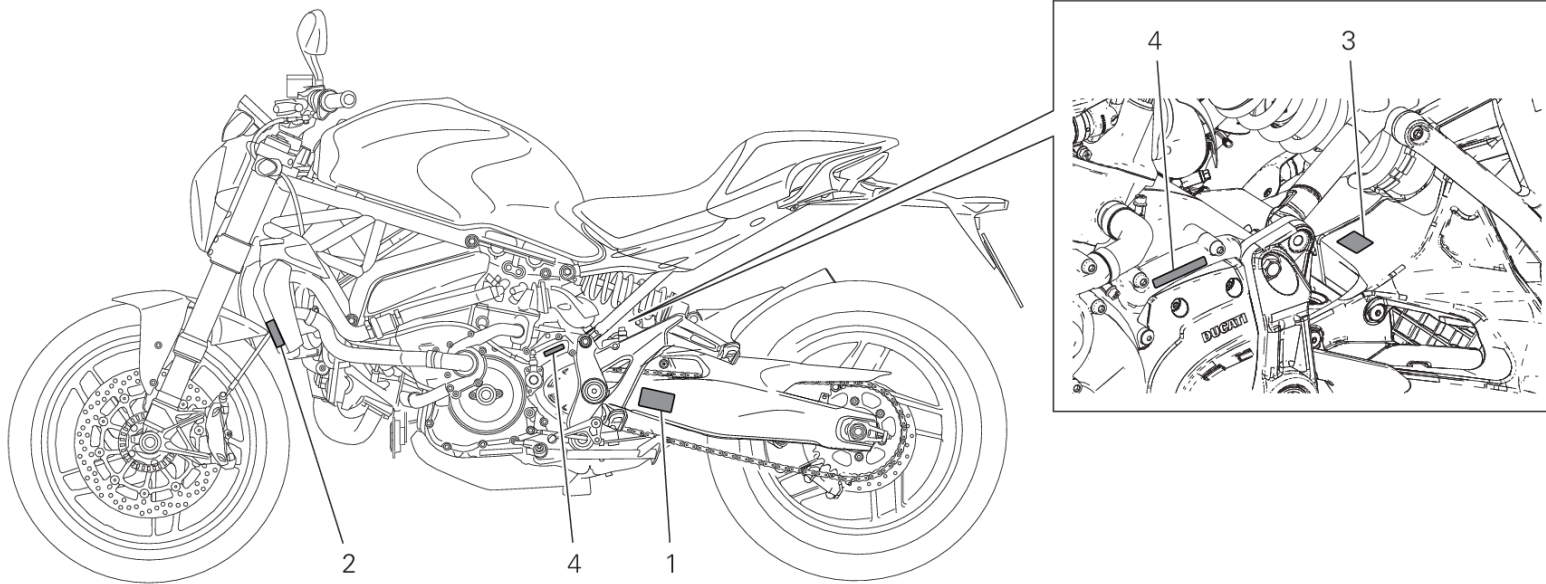
IMP01016

DRAWING 035 - HOT AIR PIPE CANISTER [MOD:M 821]

GROUP FRAME



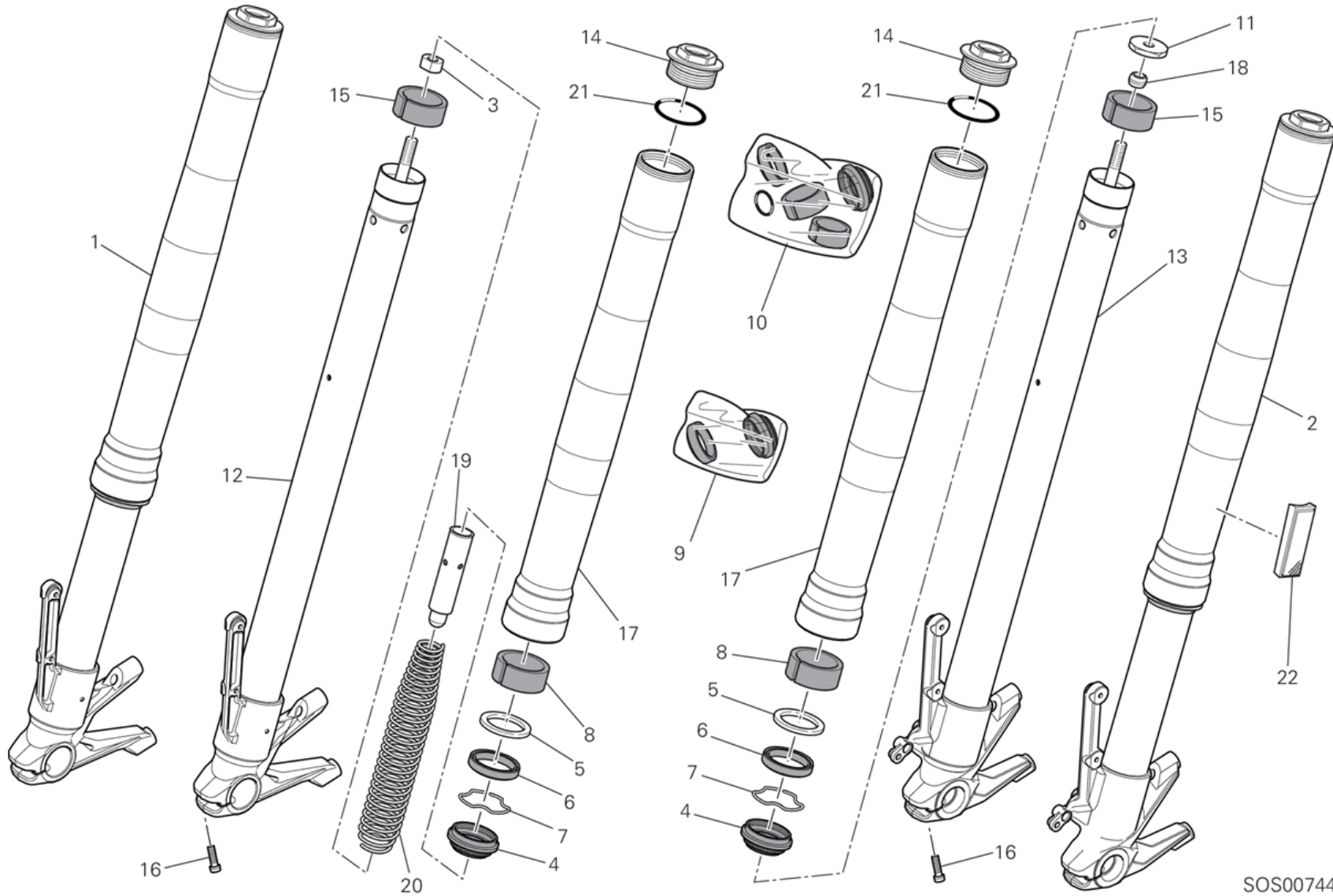
POS.	CODE	DESCRIPTION	QTY	START DATE	END DATE	VALIDITY	NOTES
1	85250231A	GASKET	2	26/02/2013			
2	81411111C	NIPPLE, HOSE	2	26/02/2013			
3	74140431A	CLAMP	3	22/10/2013			
4	93510251B	PIPE	1	24/04/2015			
5	74141001A	CLAMP 8.5/7	3	24/04/2015			
6	81411831A	THREE-WAYS UNION	1	24/12/2009			
7	93510261B	PIPE	1	24/04/2015			
8	70010751A	VIBRATION DAMPER	1	16/10/2015			
9	42640041B	CANISTER FILTER	1	24/04/2015			
10	74141711A	CLAMP 10-7 MM	2	24/04/2015			
11	93510271B	PIPE	1	24/04/2015			
12	74140651A	CLAMP	2	24/04/2015			
13	65540101A	VALVE, BREATHER	1	24/04/2015			
14	93510291B	PIPE	1	24/04/2015			
15	87611181A	BREATHER PIPE	1	24/04/2015			
16	93510281B	PIPE	1	16/10/2015			
17	59017821A	HOSE, DRAIN	1	22/10/2013			
18	74140571A	CLAMP	2	22/10/2013			



VST01839



POS.	CODE	DESCRIPTION	QTY	START DATE	END DATE	VALIDITY	NOTES
1	43314641A	TIRE SIZE AND PRESSURE PLATE	1	23/02/2018			
2	43312531A	WATER RADIATOR PLATE	1	23/02/2018			
3	43312561A	REAR SHOCK ABSORBER PLATE	1	23/02/2018			
4	43312551A	GEAR SEQUENCE PLATE	1	23/02/2018			
5	43310051B	TANK "WARNING" PLATE	1	23/02/2018			
6	43310051C	TARGHETTA IMPORTANTE SERBATOIO	1	23/02/2018			
7	43910071A	CLUTCH-BRAKE MASTER CYLINDER PLATE	2	23/02/2018			



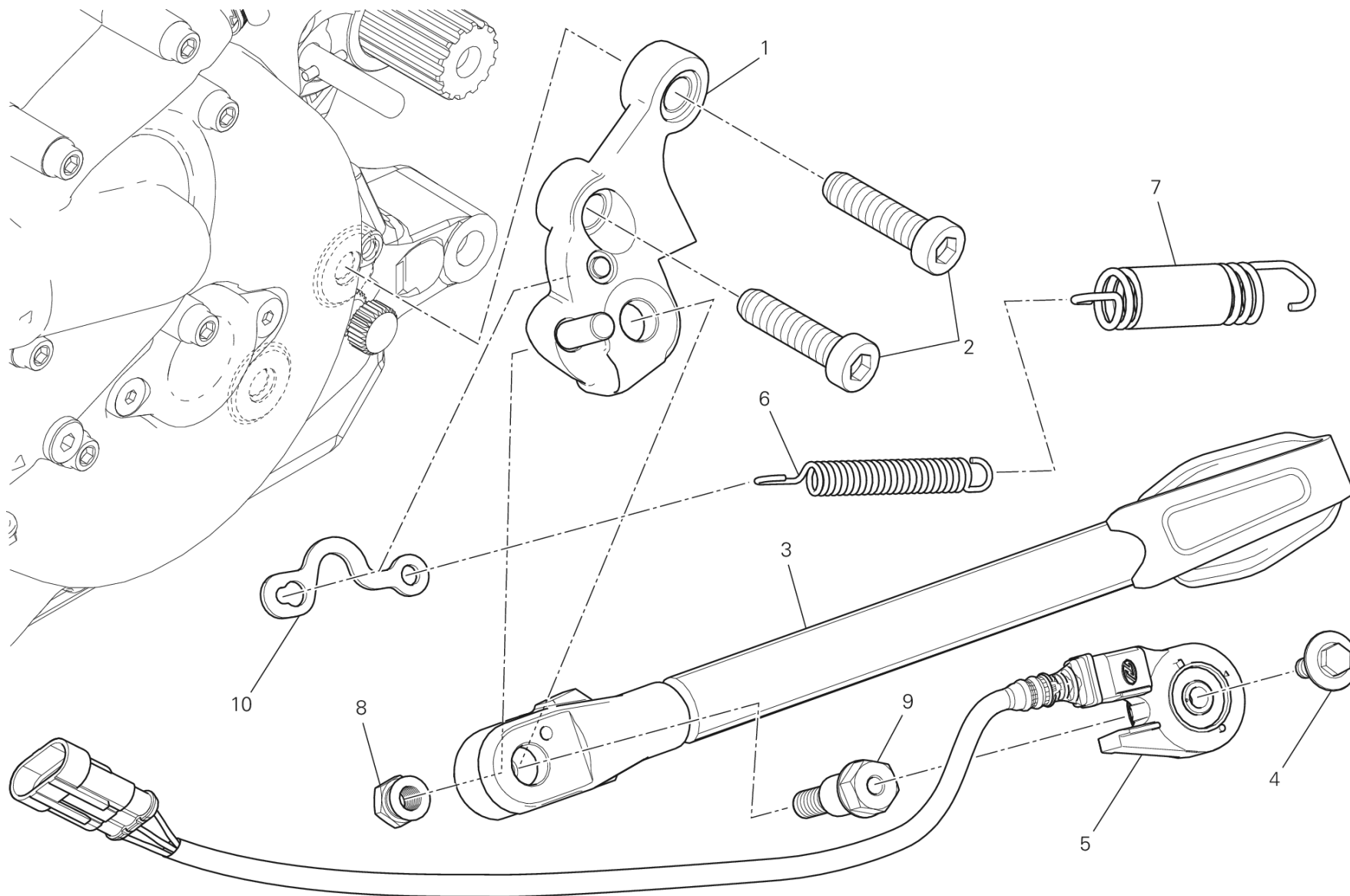
SOS00744

DRAWING 21A - FRONT FORK [MOD:M 821]

GROUP FRAME



POS.	CODE	DESCRIPTION	QTY	START DATE	END DATE	VALIDITY	NOTES
1	34420571B	RIGHT FORK LEG ASSY	1	11/04/2014			
2	34520571B	LEFT FORK LEG ASSY	1	11/04/2014			
3	34913621A	NUT	1				
4	34913531A	DUST COVER	2				
5	34913561A	WASHER	2				
6	34913551A	SEAL RING	2				
7	34913541A	STOP RING	2				
8	34913571A	LOWER BUSH	2				
9	34921051A	SEAL KIT	2				
10	34921041A	OVERHAUL KIT	2				
11	34913991A	NUT, SPECIAL	1				
12	34921851A	FORK BOTTOM END + SLEEVE UNIT (R.H.)	1				
13	34921811A	FORK BOTTOM END + SLEEVE UNIT (L.H.)	1				
14	34913981A	CAP,FORK TOP	2				
15	34913581A	UPPER BUSHING	2				
16	77310021A	SCREW TCEIR M6X25	4	25/11/2013			
17	34921831A	STANCHION TUBE	2				
18	34914001A	RUBBER PAD	1				
19	34914241A	PRELOAD TUBE	1				
20	34914281A	FORK SPRING	1				
21	34913671A	O-RING	2				
22	52910221A	REFLECTOR, ADHESIVE AMBER	2	11/07/2017			



TEI 00814



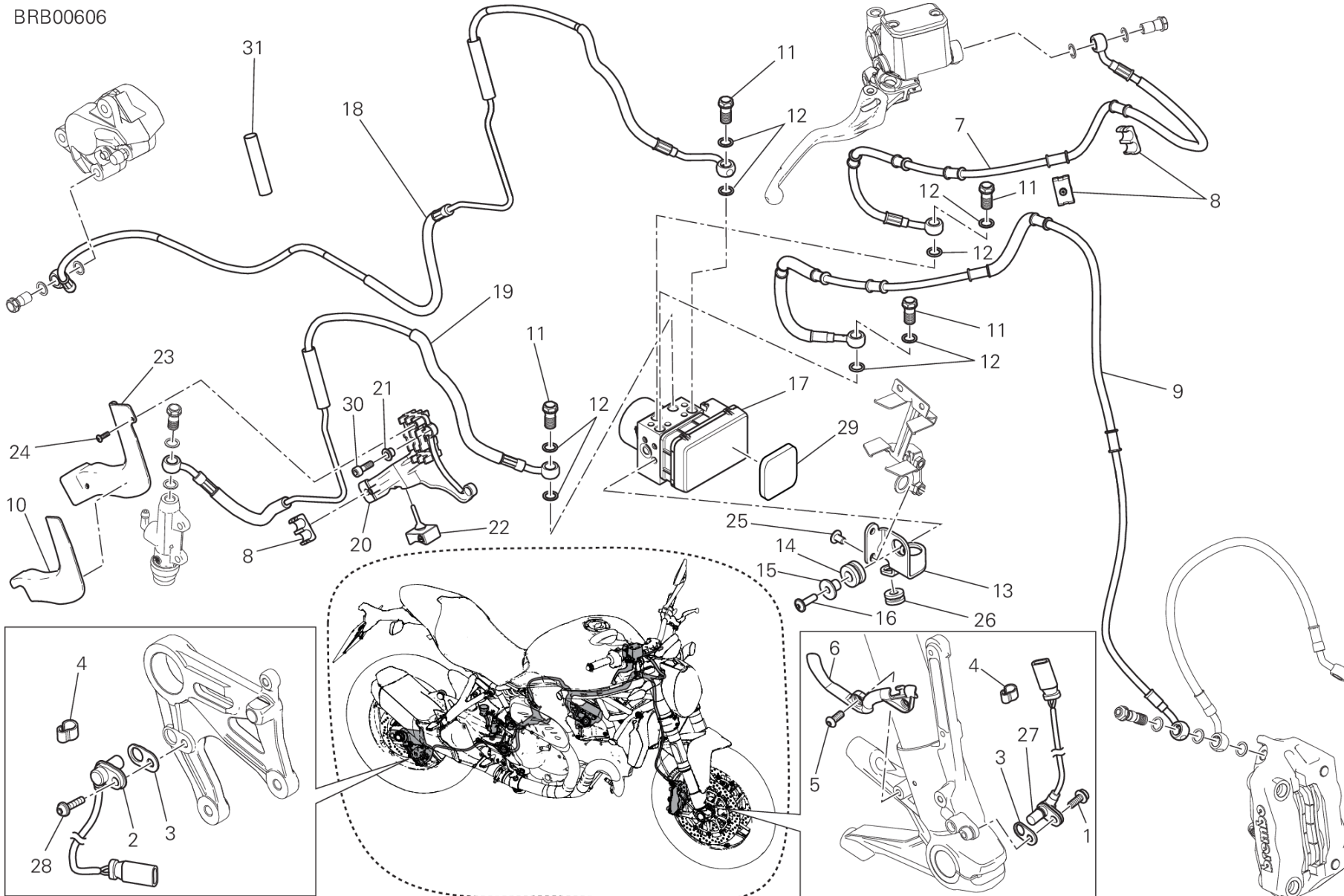
POS.	CODE	DESCRIPTION	QTY	START DATE	END DATE	VALIDITY	NOTES
1	55610791C	BRACKET, SIDE STAND	1	02/10/2013			
2	77355203C	SCREW M10x35	2	16/03/2015			
3	55610802CA	SIDE STAND	1	02/10/2013			
4	77917241AA	SCREW	1	05/05/2014			
5	53910341A	SWITCH ASSY, SIDE STAND	1	10/01/2014			
6	79910891C	INNER SPRING	1	02/10/2013			
7	79920881C	COMPLETE SPRING	1	02/10/2013			
8	75010481A	NUT	1	02/10/2013			
9	82118401AA	AXLE, SIDE STAND	1	02/10/2013			
10	82717631AA	PLATE	1	01/08/2014			



DRAWING 24A - ANTILOCK BRAKING SYSTEM (ABS) [MOD:M 821]

GROUP FRAME

BRB00606



DRAWING 24A - ANTILOCK BRAKING SYSTEM (ABS) [MOD:M 821]

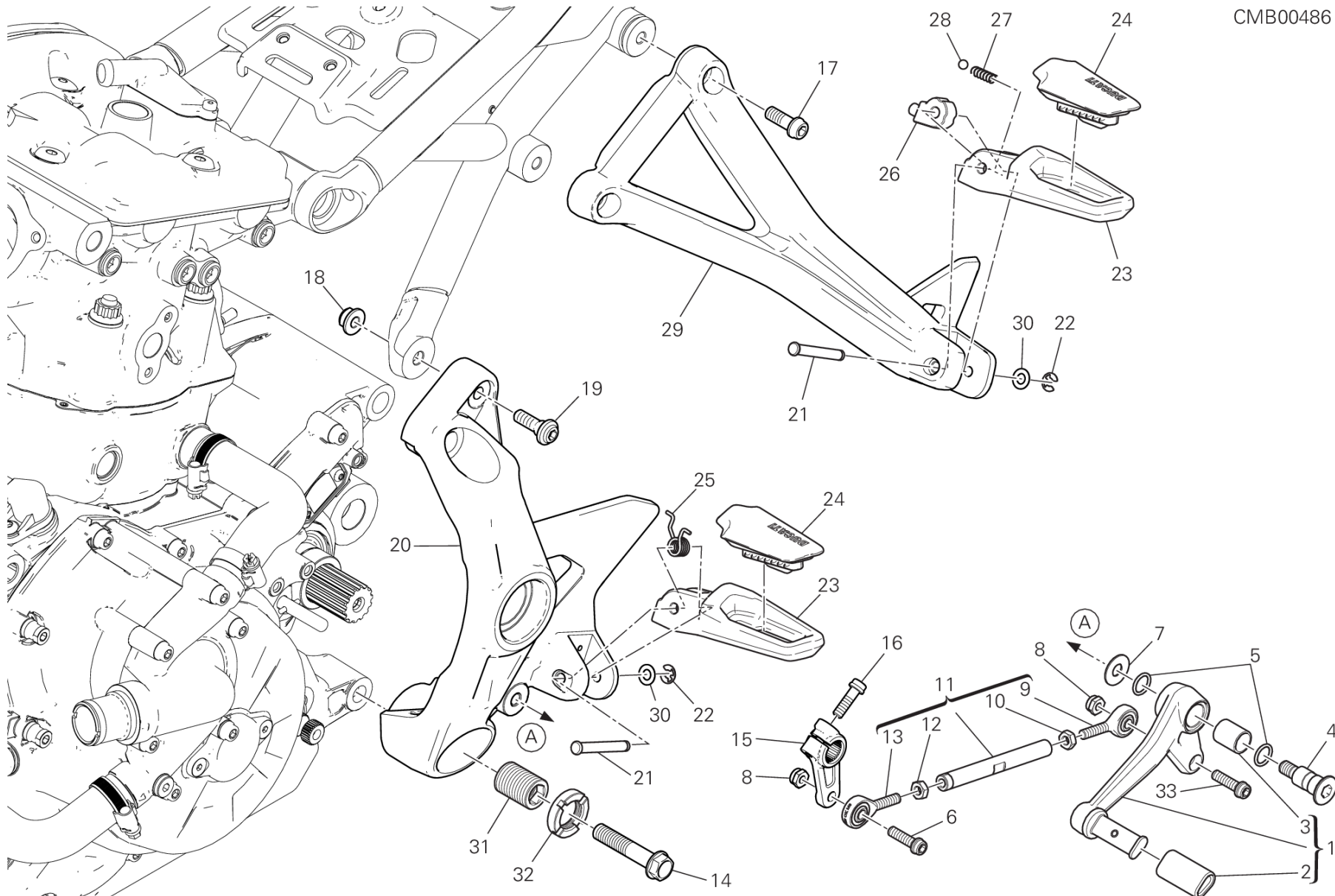
GROUP FRAME



POS.	CODE	DESCRIPTION	QTY	START DATE	END DATE	VALIDITY	NOTES
1	77110401B	SCREW	1	22/10/2013			
2	55212121B	SENSOR, SPEED	1	01/08/2013			
3	71319201A	GASKET 0.5 MM	3	22/10/2013			
	7131C641A	GASKET 0.2 MM	3	07/09/2017			
	7131C651A	GASKET 0.5 MM	5	07/09/2017			
4	75840601A	FAIRLEAD	10	22/10/2013			
5	77550213C	SCREW TBEI M6X16	2	01/08/2013			
6	75810642A	FAIRLEAD	1	01/08/2013			
7	61810881A	FRONT MASTER CYLINDER - CPU LINE	1	24/07/2015			
8	86611121A	RUBBER PAD	5	22/10/2013			
9	61810521C	CPU - FRONT CALIPERS LINE	1	24/07/2015			
10	4601A871A	HEAT GUARD	1	22/10/2013			
11	77913662AB	BOLT, BRAKE HOSE	4	20/09/2013			
12	85250241A	WASHER 10X14X1	8	20/09/2013			
13	83018181AA	BRACKET	1	22/10/2013			
14	76410641A	VIBRATION DAMPER PAD	2	22/10/2013			
15	71610031A	SPACER	2	22/10/2013			
16	77240443C	SCREW	2	22/10/2013			
17	54240761A	CONTROL UNIT ABS	1	20/01/2014			
18	61910651D	CPU - REAR CALIPER LINE	1	19/03/2015			
19	61910481C	REAR MASTER CYLINDER - CPU LINE	1	19/03/2015			
20	83018341B	BRACKET, BRAKE HOSE	1	22/10/2013			
21	71614581AA	SPACER	2	22/10/2013			
22	76411711A	RUBBER PAD	1	22/10/2013			
23	8291C142A	COVER	1	22/10/2013			
24	77440111A	SCREW	2	22/10/2013			
25	77211021A	SCREW TBEIF M6X10	2	22/10/2013			
26	76411141A	VIBRATION DAMPER PAD	1	22/10/2013			
27	55212111B	SENSOR, SPEED	1	22/10/2013			
28	77210423C	SCREW TBEIF M6X16	1	05/05/2014			
29	86611861A	PAD	1	16/03/2015			
30	77150693BD	SCREW	2	18/12/2017			
31	4601C581A	PROTECTION SHEATH	1	24/11/2017			



CMB00486

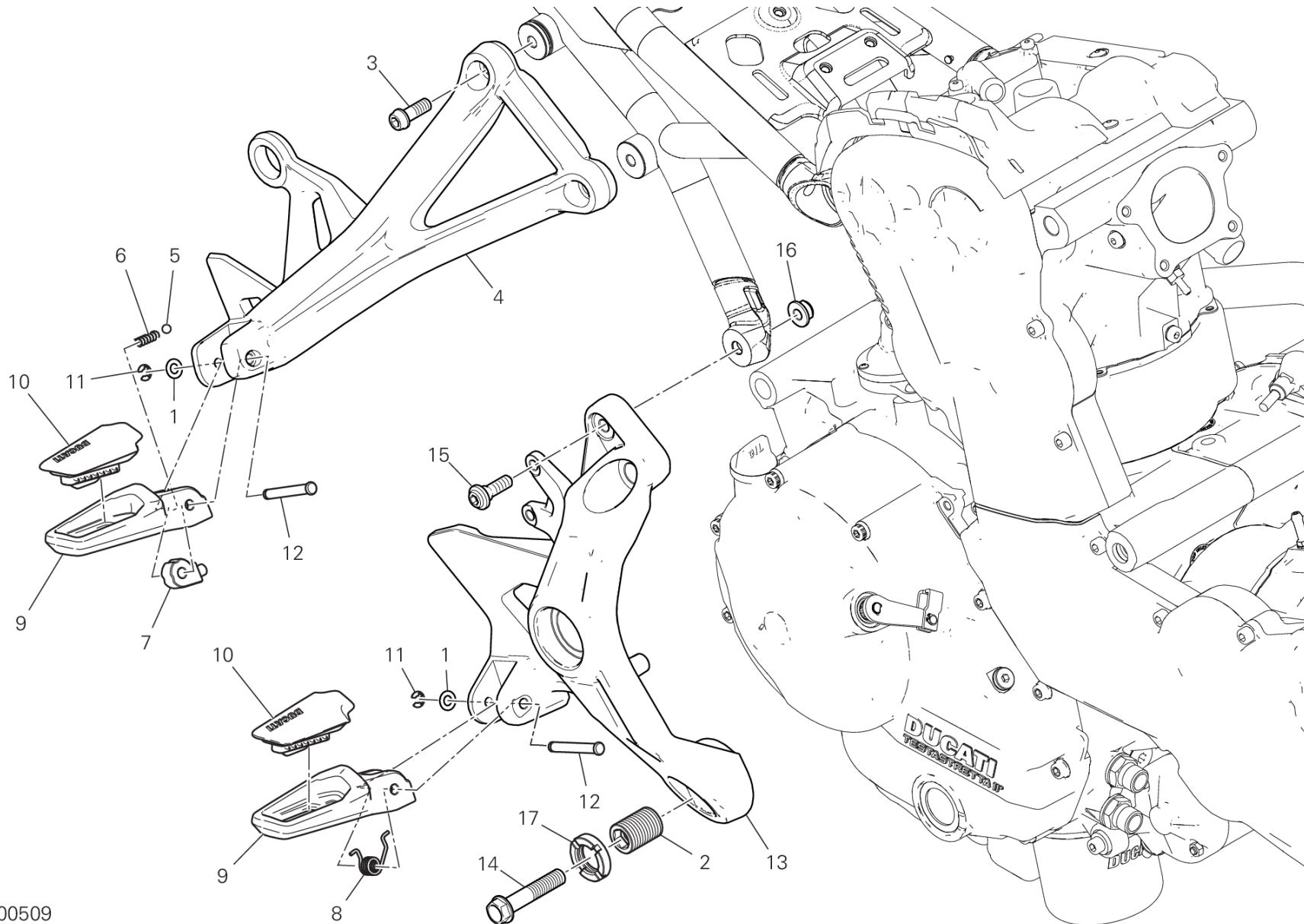


DRAWING 27A - FOOTRESTS, LEFT [MOD:M 821]

GROUP FRAME



POS.	CODE	DESCRIPTION	QTY	START DATE	END DATE	VALIDITY	NOTES
1	45622352AA	GEARCHANGE LEVER (Unit)	1	10/10/2016			
2	76414221A	COVER PEDAL	1	01/05/2016			
3	71210341A	BUSH	1	01/03/2013			
4	82111701CA	PIN PEDAL	1	14/10/2013			
5	88641161A	O-RING	2	14/10/2013			
6	77156688B	SCREW TCEIF M6X22X18	1	14/10/2013			
7	85210532A	WASHER 8.2X20X1	1	14/10/2013			
8	74940041A	NUT, SELF-LOCKING M6	1	14/10/2013			
9	84850021A	BALL JOINT, RIGHT	1	14/10/2013			
10	74750031A	NUT 6MM	1	28/03/2017			
11	11721443AA	GEARBOX DRIVING ROD (Unit)	1	14/10/2013			
12	74750231AA	NUT, LEFT THREAD M6	1	28/03/2017			
13	84850011A	BALL JOINT, LEFT	1	14/10/2013			
14	77253988C	SCREW	1	22/10/2013			
15	45610461AA	GEAR CONTROL LEVER	1	10/10/2016			
16	77110191A	SCREW TCEIF M6X20	1	05/05/2014			
17	77157248CA	SCREW	2	10/03/2016			
18	74941128B	NUT M8	1				
19	77214401AA	SCREW, SPECIAL	1	10/03/2016			
20	82413212BB	FRONT L.H. PLATE	1	17/11/2017		PLT:DB10	
21	82115101AA	FOOTREST PIN	2	18/10/2016			
22	88450441A	CIRCLIP	2	18/11/2014			
23	46410971AA	LEFT FOOTREST	2	10/10/2016			
24	76510081D	FOOT PEG RUBBER COVER L.H.	2	10/10/2016			
25	79914991A	SPRING. FOOTREST	1	06/06/2017			
26	69610131A	SPRING RETAINER	1	14/10/2013			
27	79910241B	SPRING	1	14/10/2013			
28	84740021A	BALL	1	14/10/2013			
29	82413231AB	REAR L.H. PLATE	1	13/11/2017		PLT:DB10	
30	85213661AA	WASHER	2	18/10/2016			
31	77916411A	THREADED DOWEL	1	18/10/2016			
32	70310512AA	RING NUT	1	10/10/2016			
33	77156698B	SCREW TCEIF M6X25	1	10/10/2016			



CMB00509

DRAWING 27B - FOOTRESTS, RIGHT [MOD:M 821]

GROUP FRAME

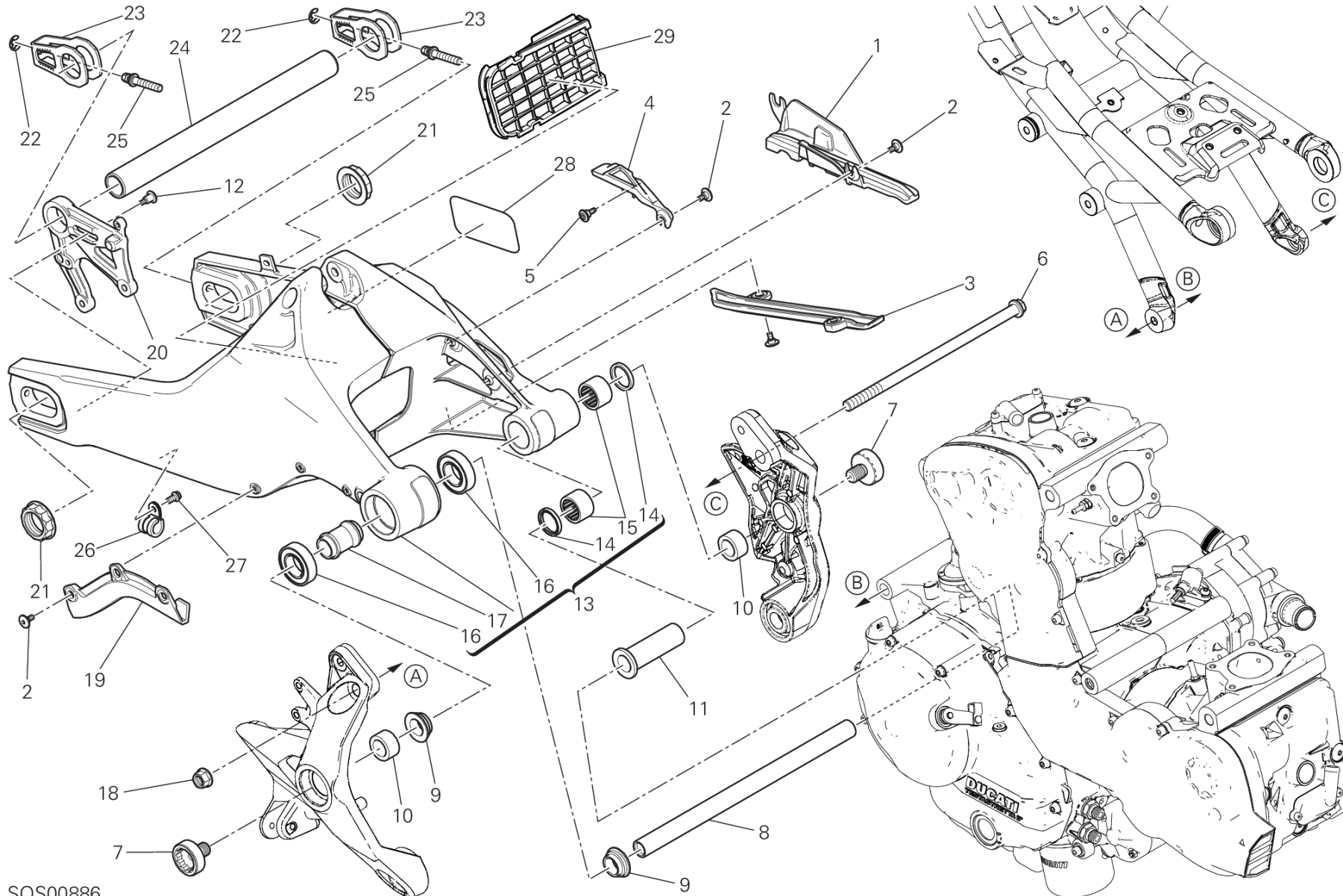


POS.	CODE	DESCRIPTION	QTY	START DATE	END DATE	VALIDITY	NOTES
1	85213661AA	WASHER	2	10/10/2016			
2	77916411A	THREADED DOWEL	1	18/10/2016			
3	77157248CA	SCREW	2	16/10/2015			
4	82413222AB	REAR R.H. PLATE	1	17/11/2017		PLT:DB10	
5	84740021A	BALL	1	14/10/2013			
6	79910241B	SPRING	1	14/10/2013			
7	69610131A	SPRING RETAINER	1	14/10/2013			
8	79914991A	SPRING. FOOTREST	1	18/10/2016			
9	46410961AA	RIGHT FOOTREST	2	30/08/2016			
10	76510071D	FOOT PEG RUBBER COVER R.H.	2	18/10/2016			
11	88450441A	CIRCLIP	2	18/11/2014			
12	82115101AA	FOOTREST PIN	2	30/08/2016			
13	82413202BB	FRONT R.H. PLATE	1	04/12/2017		PLT:DB10	
14	77253988C	SCREW	1	22/10/2013			
15	77214401AA	SCREW, SPECIAL	1	10/03/2016			
16	74941128B	NUT M8	1				
17	70310512AA	RING NUT	1	10/10/2016			



DRAWING 28A - REAR SWINGING ARM [MOD:M 821;XST:EUR,GSO,JAP,SPA,TWN]

GROUP FRAME



SOS00886

DRAWING 28A - REAR SWINGING ARM [MOD:M 821;XST:EUR,GSO,JAP,SPA,TWN]

GROUP FRAME

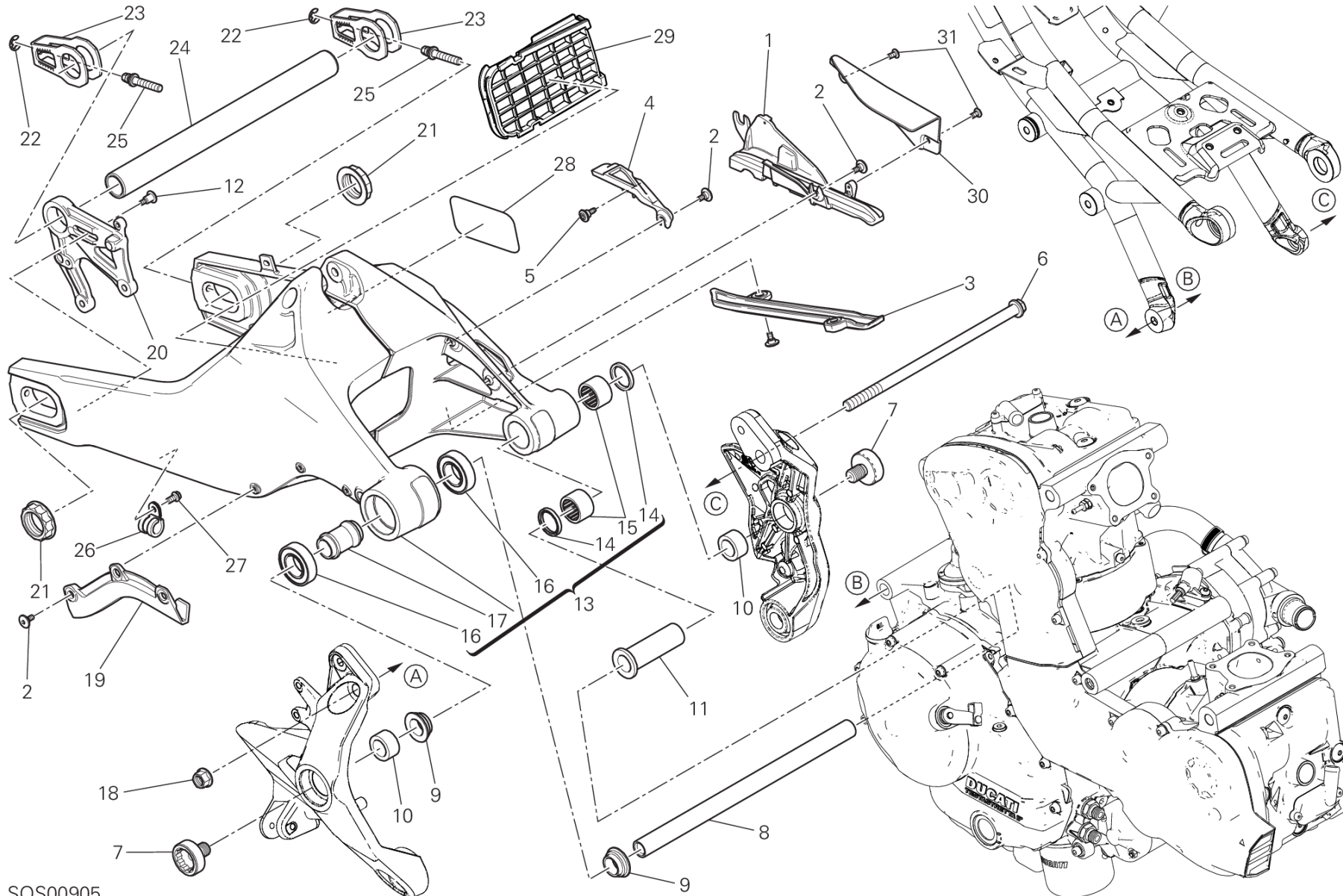


POS.	CODE	DESCRIPTION	QTY	START DATE	END DATE	VALIDITY	NOTES
1	44711251A	CHAIN SLIDER	1	21/05/2014			
2	77914871C	SCREW	7	01/08/2013			
3	44711211A	LOWER CHAIN SLIDING SHOE	1	21/05/2014			
4	44711201A	UPPER CHAIN SLIDING SHOE	1	21/05/2014			
5	77210841C	SCREW	1	21/05/2014			
6	77918431AA	SCREW, SPECIAL	1	22/10/2013			
7	77918421AB	SCREW, SPECIAL	2	22/10/2013			
8	36911341AA	AXLE, REAR SWING ARM	1	22/10/2013			
9	71210301A	RIGHT SPACER	2	22/10/2013			
10	71210491AA	SPACER	2	22/10/2013			
11	71011891A	BUSHING	1	01/08/2013			
12	77214221AA	SCREW, SPECIAL	1	21/05/2014			
13	37021763AB	COMPLETE SWINGARM	1	22/02/2017			
14	93050121A	SEAL RING	2	01/08/2013			
15	70140171A	BEARING, NEEDLE	2	01/08/2013			
16	70250451A	BEARING	2	01/08/2013			
17	7131A211AA	INNER SPACER	1	01/08/2013			
18	74841011AA	NUT, FLANGE	1	05/05/2014			
19	4601C401A	COVER, FR BRAKE PIPE	1	05/05/2014			
20	82510501AA	CALIPER HOLDER BRACKET	1	21/05/2014			
21	75011891AA	NUT	2	05/05/2014			
22	88450341B	SPRING RING	2	10/12/2013			
23	37310881AA	PULLER, CHAIN	2	10/12/2013			
24	81910742AA	REAR WHEEL SPINDLE	1	05/05/2014			
25	77919021AA	SCREW	2	10/12/2013			
26	74142241A	CLAMP	1	05/05/2014			
27	77210501C	SCREW TEF M6X12	1	05/05/2014			
28	43314011B	CHAIN ADJUSTMENT STICKER	1	22/02/2017			XST:JAP
	43314011D	CHAIN ADJUSTMENT STICKER	1	15/09/2014			XST:EUR,GSO,SPA,TWN
29	87211011A	PLUG	1	16/03/2015			



DRAWING 28A - REAR SWINGING ARM [MOD:M 821;XST:AUS]

GROUP FRAME



SOS00905

DRAWING 28A - REAR SWINGING ARM [MOD:M 821;XST:AUS]

GROUP FRAME



POS.	CODE	DESCRIPTION	QTY	START DATE	END DATE	VALIDITY	NOTES
1	44711301A	CHAIN SLIDER	1	21/05/2014			
2	77914871C	SCREW	7	01/08/2013			
3	44711211A	LOWER CHAIN SLIDING SHOE	1	21/05/2014			
4	44711201A	UPPER CHAIN SLIDING SHOE	1	21/05/2014			
5	77210841C	SCREW	1	21/05/2014			
6	77918431AA	SCREW, SPECIAL	1	22/10/2013			
7	77918421AB	SCREW, SPECIAL	2	22/10/2013			
8	36911341AA	AXLE, REAR SWING ARM	1	22/10/2013			
9	71210301A	RIGHT SPACER	2	22/10/2013			
10	71210491AA	SPACER	2	22/10/2013			
11	71011891A	BUSHING	1	01/08/2013			
12	77214221AA	SCREW, SPECIAL	1	21/05/2014			
13	37021762AB	COMPLETE SWINGARM	1	22/02/2017			
14	93050121A	SEAL RING	2	01/08/2013			
15	70140171A	BEARING, NEEDLE	2	01/08/2013			
16	70250451A	BEARING	2	01/08/2013			
17	7131A211AA	INNER SPACER	1	01/08/2013			
18	74841011AA	NUT, FLANGE	1	05/05/2014			
19	4601C401A	COVER, FR BRAKE PIPE	1	05/05/2014			
20	82510501AA	CALIPER HOLDER BRACKET	1	21/05/2014			
21	75011891AA	NUT	2	05/05/2014			
22	88450341B	SPRING RING	2	10/12/2013			
23	37310881AA	PULLER, CHAIN	2	10/12/2013			
24	81910742AA	REAR WHEEL SPINDLE	1	05/05/2014			
25	77919021AA	SCREW	2	10/12/2013			
26	74142241A	CLAMP	1	05/05/2014			
27	77210501C	SCREW TEF M6X12	1	05/05/2014			
28	43314011D	CHAIN ADJUSTMENT STICKER	1	15/09/2014			
29	87211011A	PLUG	1	16/03/2015			
30	44711311A	GUARD	1	12/10/2017			
31	77440391A	SCREW	2	12/10/2017			



CODE	NO. TABLE	POS.	CODE	NO. TABLE	POS.	CODE	NO. TABLE	POS.	CODE	NO. TABLE	POS.
38940261A	18B	5	4381B141A	032	11	47018051AA	022	2	51410711B	018	44
38940301A	18B	5	43910071A	036	7	47018051AC	022	2	51410721C	018	36
39040111A	020	31	44212781B	029	11	47018121AA	022	2	51610051B	18A	32
39040211A	020	13	44212792D	029	13	47018121AC	022	2	52010392BA	020	10
39040211A	28B	13	44440038A	009	7	48016171B	030	20	52040341A	020	29
39040211A	28B	13	44711201A	28A	4	48016351B	18A	27	52310541A	021	3
39740081B	018	39	44711201A	28A	4	48016471A	030	12	52310551A	021	7
40611502A	20A	1	44711211A	28A	3	48016481A	030	4	52510483B	027	1
42020008A	025	27	44711211A	28A	3	48018812A	030	17	52510611A	28B	12
42610191A	029	17	44711251A	28A	1	48211871A	034	16	52510611A	28B	12
42640041B	035	9	44711301A	28A	1	48211951A	022	17	52910221A	21A	22
43217911Z	032	26	44711311A	28A	30	48212371A	034	4	52910231A	28B	20
43310051B	036	5	44910681A	003	12	48611061A	005	22	52910231A	28B	20
43310051C	036	6	45110462A	013	26	48611101C	029	21	53010226A	28B	17
43312502C	005	25	45110491A	013	27	49040711A	A2	5	53010226A	28B	17
43312531A	036	2	45120122A	008	9	49040711A	D	1	53010226B	020	18
43312551A	036	4	45120241A	008	4	49040901A	A2	7	53010236A	28B	14
43312561A	036	3	45520181A	010	8	49040901A	F	1	53010236A	28B	14
43314011B	28A	28	45610461AA	27A	15	49041081A	A2	3	53010236B	020	14
43314011D	28A	28	45622352AA	27A	1	49041081A	C2	1	53910341A	22A	5
43314011D	28A	28	45720571AA	025	20	490P0067A	A2	1	53940031C	025	26
43314641A	036	1	4601A611B	018	23	490P0067A	B2	1	53940302A	016	5
43511581A	033	24	4601A871A	24A	10	49140951A	A2	6	53940721A	024	17
43511591A	033	25	4601B275A	019	36	49140951A	D	2	53940811A	023	9
43513761A	033	24	4601B284A	019	4	49141271A	A2	8	53940871A	023	8
43513771A	033	25	4601B921A	019	24	49141271A	F	2	54040321A	018	5
43513781A	033	24	4601C401A	28A	19	49141601A	A2	4	54140101A	18B	7
43513791A	033	25	4601C401A	28A	19	49141601A	C2	2	54240761A	24A	17
43713501A	034	10	4601C581A	24A	31	491P0070A	A2	2	54841033A	030	19
43713511A	034	11	4601D231A	018	3	491P0070A	B2	2	55040271A	030	1
43713561A	034	11	4601E212B	033	18	49240032A	026	19	55040281A	030	2
43713571A	034	10	4601E221A	021	9	49241011A	026	5	55212111B	24A	27
43814741A	034	9	4601E561A	026	35	49411651AA	026	34	55212121B	24A	2
43819281AA	032	11	4601E841A	019	37	49411751AA	026	34	55214011A	019	27
43819281AA	032	11	4601G431B	027	29	49720071AB	026	3	55214911A	002	24
43819291AA	032	10	4601G511AA	019	17	50121812AA	026	10	55240121A	020	4
43819291AA	032	10	4602B332A	019	38	50221671AA	026	7	55240121A	18A	8
43819292AK	032	10	46210021A	021	2	50410051A	026	20	55241321C	10A	14
43819292AK	032	10	46240461A	18A	16	50410061A	026	15	55241441A	017	18
4381B041AK	032	11	46320222A	010	10	51019722A	18B	4	55243442A	031	6
4381B041AK	032	11	46320537A	003	14	5101A082B	017	25	55243522A	011	3
4381B131A	032	10	46410961AA	27B	9	5101B201D	18B	2	55340041A	031	13
4381B131A	032	10	46410971AA	27A	23	5101C461C	18B	1	55610791C	22A	1
4381B141A	032	11	47017981BA	027	7	51310281C	018	43	55610802CA	22A	3



CODE	NO. TABLE	POS.	CODE	NO. TABLE	POS.	CODE	NO. TABLE	POS.	CODE	NO. TABLE	POS.
7131C641A	24A	3	74140381A	18B	13	74850061A	18A	15	76410641A	020	7
7131C651A	24A	3	74140431A	017	11	74940041A	27A	8	76410641A	24A	14
71411341AA	026	13	74140431A	025	9	74940081A	008	7	76410971A	020	3
71413321A	026	9	74140431A	031	18	74940321A	019	11	76410981A	031	26
71610031A	24A	15	74140431A	035	3	74941113B	018	19	76411141A	24A	26
71610061A	18A	2	74140571A	035	18	74941113B	031	7	76411361A	030	11
71610381B	018	10	74140641A	031	20	74941128B	27A	18	76411421A	018	32
71610722A	008	20	74140651A	029	19	74941128B	27B	16	76411431A	018	26
71611071B	017	13	74140651A	035	12	74950011B	28B	18	76411621A	029	12
71611071B	019	14	74141001A	035	5	74950011B	28B	18	76411711A	24A	22
71611281A	008	17	74141461A	019	23	75010071A	003	3	76411851A	017	28
71611351A	020	22	74141711A	017	15	75010071E	004	7	76411881A	034	2
71611521A	20A	4	74141711A	031	29	75010121D	006	11	76412061A	032	22
71611641AA	022	11	74141711A	035	10	75010481A	22A	8	76412061A	032	22
71614011B	034	13	74141871A	017	3	75011131A	006	13	76412091A	027	6
71614071A	018	7	74142121A	031	10	75011491AB	021	8	76412101A	027	3
71614091A	030	21	74142181A	031	28	75011601A	008	15	76412371A	28B	2
71614271A	018	31	74142241A	28A	26	75011891AA	28A	21	76412371A	28B	2
71614581AA	24A	21	74142241A	28A	26	75011891AA	28A	21	76412421B	027	23
71614691AA	019	10	74142371A	029	3	75040141A	018	2	76414221A	27A	2
71614811AA	034	7	74142381A	019	3	75040211A	027	27	76440572A	014	8
71614921AA	027	4	74142401A	029	5	75050051A	012	14	76440572A	015	8
71614971AA	030	15	74142581A	007	7	757941542	010	27	76440581A	016	3
71615071AA	029	22	74142581A	029	1	75810642A	24A	6	76510071D	27B	10
71615211AA	027	14	74142581A	031	4	75810782A	18A	19	76510081D	27A	24
71615291AA	28B	5	74142591A	031	15	75840601A	24A	4	76610553B	10A	2
71615291AA	28B	5	74142651A	019	22	75840641A	017	4	76640191A	014	21
71615541AA	20A	7	74710151A	010	25	75840721A	017	6	76640191A	015	21
71615671AA	027	30	74750031A	27A	10	75840771A	018	12	768351134	002	10
72010513C	026	4	74750051B	025	13	75840801A	018	13	77052508B	011	6
72050069E	011	34	74750071A	021	34	75840861A	018	47	77110191A	020	6
720941616	010	24	74750231AA	27A	12	75840901A	28B	1	77110191A	27A	16
73210543A	019	34	74810241A	019	28	75840901A	28B	1	77110391B	017	2
73210711C	023	6	74810351B	022	14	75910251A	019	19	77110401B	017	32
735001542	002	15	74810361A	18A	31	75910311A	027	9	77110401B	24A	1
735033380	010	26	74810461A	026	33	76040074B	032	24	77110441A	020	15
735033380	011	17	74810501A	10A	4	76040074B	032	24	77110441A	28B	16
73740252A	008	5	74810651A	026	1	764020002	003	17	77110441A	28B	16
74110101A	18B	14	74840241AB	021	27	76410011A	019	9	77110501A	021	10
74110121A	027	21	74841011AA	28A	18	76410241A	022	12	77110521A	012	17
74110131A	18B	11	74841011AA	28A	18	76410241A	030	7	77113691A	020	16
74110551A	18B	3	74841081A	023	7	76410241A	18A	3	77113691A	025	7
74113321A	008	22	74841091AA	017	12	76410241A	20A	2	77113691A	18A	30
74113331AA	005	6	74841101AA	020	1	76410621B	018	45	77113731A	021	1



ALPHANUMERIC INDEX

CODE	NO. TABLE	POS.	CODE	NO. TABLE	POS.	CODE	NO. TABLE	POS.	CODE	NO. TABLE	POS.
77113741A	021	6	77157248CA	27B	3	77240453C	034	1	77440391A	28A	31
77113801A	008	6	77157268B	021	28	77244163B	28B	4	77440431AA	018	35
77113961A	011	20	77157273B	021	18	77244163B	28B	4	77510311B	010	32
77116671AA	031	25	77159418B	021	21	77244168B	032	7	77510471A	030	10
77140653CC	016	7	77210423C	24A	28	77244168B	032	7	77510541A	024	16
77140677CF	012	4	77210501C	28A	27	77244168B	18A	10	77540071A	023	13
77140697CF	012	3	77210501C	28A	27	77244173B	027	28	77550171A	032	20
77140713C	005	5	77210623B	031	1	77244173B	033	22	77550171A	032	20
77140713C	011	15	77210841C	28A	5	77244173B	18A	26	77550191A	030	16
77140723C	011	19	77210841C	28A	5	77244183B	018	1	77550200CC	005	23
77140813C	005	3	77210882B	019	16	77244213B	032	8	77550211B	10A	7
77140833C	005	2	77210882B	020	23	77244213B	032	8	77550213C	026	36
77140911A	023	10	77210893B	034	14	77244538BA	28B	7	77550213C	24A	5
77150078B	010	12	77210941C	028	2	77244538BA	28B	7	77750493C	011	24
77150388B	034	17	77210943B	028	3	77250341B	010	13	77750508CC	012	16
77150408B	017	23	77211021A	24A	25	77250341C	008	10	77850281A	021	33
77150408B	032	14	77211061A	18B	9	77250988B	030	3	77910391A	010	33
77150408B	032	14	77211091A	030	5	77251008B	018	9	77911092A	006	2
77150408B	18A	23	77211091C	030	18	77251043B	018	21	77911871A	008	23
77150457E	032	13	77211201A	004	3	77251593B	018	29	77911982A	010	34
77150457E	032	13	77211401BA	019	18	77253268C	019	25	77912741A	017	29
77150653B	010	29	77211411AA	018	4	77253300ZF	012	12	77913311D	024	6
77150670ZF	002	3	77214061AA	18A	1	77253988C	27A	14	77913662AB	025	4
77150693B	023	12	77214061AA	20A	3	77253988C	27B	14	77913662AB	24A	11
77150693BD	24A	30	77214221AA	28A	12	77310021A	21A	16	77913971A	024	3
77150723B	10A	11	77214221AA	28A	12	77310071A	026	16	77914045B	006	9
77150758B	010	30	77214401AA	27A	19	77350403B	013	23	77914151A	024	10
77150808B	10A	8	77214401AA	27B	15	77350618B	014	20	77914211A	014	23
77151250ZF	002	1	77214411AA	018	42	77350618B	022	3	77914211A	015	23
77151283B	018	33	77214411AA	034	5	77350738BC	011	5	77914651A	024	9
77151363B	10A	6	77214411AB	033	10	77354623B	28B	9	77914871C	28A	2
77156413B	022	16	77214411BA	017	21	77354623B	28B	9	77914871C	28A	2
77156413B	032	1	77240253C	029	14	77354743B	022	10	77915041A	028	6
77156413B	032	1	77240253C	034	15	77354868B	010	31	77915093A	013	3
77156453B	20A	5	77240258C	018	22	77355068B	019	7	77915471A	006	4
77156623B	031	23	77240278C	18A	20	77355203C	018	18	77916041C	10A	5
77156628B	018	38	77240403CA	027	13	77355203C	22A	2	77916041D	011	2
77156633B	005	16	77240418C	027	25	77440041A	027	5	77916081A	030	6
77156658B	18A	29	77240418C	28B	8	77440101A	029	6	77916411A	27A	31
77156683B	025	25	77240418C	28B	8	77440101A	034	19	77916411A	27B	2
77156688B	27A	6	77240423C	011	10	77440111A	24A	24	77917241AA	22A	4
77156698B	27A	33	77240433C	019	35	77440131A	029	10	77918132A	002	7
77157238B	025	2	77240438C	033	11	77440141A	18A	5	77918141A	013	22
77157248CA	27A	17	77240443C	24A	16	77440213C	18A	7	77918291AA	022	1



CODE	NO. TABLE	POS.	CODE	NO. TABLE	POS.	CODE	NO. TABLE	POS.	CODE	NO. TABLE	POS.
77918301AB	027	15	79914991A	27B	8	82111701CA	27A	4	8291E731B	034	18
77918421AB	28A	7	79915001A	014	18	82112221B	014	17	8291F421AA	023	1
77918421AB	28A	7	79915001A	015	19	82112221B	015	17	8291F671A	033	7
77918431AA	28A	6	79915011A	014	19	82112731A	025	23	8291F751AA	020	20
77918431AA	28A	6	79915011A	015	18	82112951A	014	15	8291F761AA	28B	11
77918711BA	018	46	79915061A	002	4	82112951A	015	15	8291F761AA	28B	11
77919021AA	28A	25	79915181B	014	26	82113471A	012	6	83014401A	033	13
77919021AA	28A	25	79915181B	015	27	82113881A	002	13	83016241B	033	17
77919121AA	025	18	79915191B	014	27	82114571AA	018	25	83018172AA	022	4
77919881A	010	61	79915191B	015	28	82114581BA	018	17	83018181AA	24A	13
7791A091AA	023	4	79915671A	005	17	82114711CA	033	3	83018221A	017	30
7791A101AA	023	2	79915741B	010	58	82114731A	002	5	83018341B	24A	20
77927171A	010	35	79920881C	22A	7	82114741AA	026	23	83018352AA	018	34
77950302A	013	16	79925771B	025	24	82115101AA	27A	21	83018421BA	017	7
77950621A	010	37	79925941A	019	31	82115101AA	27B	12	83018431AA	022	13
78010161B	006	3	79940171A	010	40	82115511A	027	22	83018691A	024	15
78010511E	014	12	79940221A	023	5	82115681AA	020	11	83018872AA	18A	28
78010511E	015	12	800070139	01A	5	82118401AA	22A	9	83018971A	030	8
78010921A	010	38	80011851A	007	8	82120151A	002	25	8301A231AA	018	20
78010941B	010	59	80012301A	031	11	82413202BB	27B	13	8301A241AA	018	27
78011001A	011	33	80012311A	031	5	82413212BB	27A	20	8301E411AA	021	13
78011281A	005	14	80012321A	031	12	82413222AB	27B	4	8301E561AA	020	8
78020011A	019	26	80012332A	031	17	82413231AB	27A	29	8301E661AA	020	2
78611224A	007	11	80012483A	007	9	82510501AA	28A	20	83110151B	010	42
78611511A	007	13	80012521A	031	16	82510501AA	28A	20	84010012A	014	1
78710111A	016	1	80610432A	027	18	82610261A	002	16	84010012A	015	1
78810542A	012	2	80610442A	027	19	82610351BA	032	6	84010022A	014	1
78810931A	013	9	81110021A	010	15	82610351BA	032	6	84010022A	015	1
78811041A	18A	9	81140012B	013	21	82716031A	010	16	84010032A	014	1
78811151A	010	14	81411111C	035	2	82716091A	011	25	84010032A	015	1
78811211A	013	8	81411831A	035	6	82716351A	013	20	84010042A	014	1
78811301A	017	19	81411881A	015	25	82717631AA	22A	10	84010042A	015	1
79010211A	019	30	81413251A	032	17	82717873BA	025	11	84010052A	014	1
791111111A	032	16	81413251A	032	17	82717901A	005	24	84010052A	015	1
791111111A	032	16	81413261A	031	2	82911901A	017	5	84010062A	014	1
79111271A	020	30	81413341A	017	10	82916531A	016	6	84010062A	015	1
79120521C	007	6	81415251B	017	16	82919612A	029	18	84010072A	014	1
79710721A	004	1	81420051A	031	8	8291B632B	018	30	84010072A	015	1
79910241B	27A	27	81510281A	010	41	8291B641C	18A	4	84010082A	014	1
79910241B	27B	6	81810481A	004	5	8291B771AA	18A	11	84010082A	015	1
79910491A	010	39	81910601A	026	11	8291C091A	027	2	84010092A	014	1
79910891C	22A	6	81910742AA	28A	24	8291C142A	24A	23	84010092A	015	1
79912961A	002	20	81910742AA	28A	24	8291C362A	033	5	84010102A	014	1
79914991A	27A	25	82111701CA	025	16	8291C661D	18A	22	84010102A	015	1



CODE	NO. TABLE	POS.	CODE	NO. TABLE	POS.	CODE	NO. TABLE	POS.	CODE	NO. TABLE	POS.
84010112A	014	1	84010332A	014	1	84010612B	014	2	84010812B	014	2
84010112A	015	1	84010332A	015	1	84010612B	015	2	84010812B	015	2
84010122A	014	1	84010342A	014	1	84010622B	014	2	84010822B	014	2
84010122A	015	1	84010342A	015	1	84010622B	015	2	84010822B	015	2
84010132A	014	1	84010412B	014	2	84010632B	014	2	84010832B	014	2
84010132A	015	1	84010412B	015	2	84010632B	015	2	84010832B	015	2
84010142A	014	1	84010422B	014	2	84010642B	014	2	84010842B	014	2
84010142A	015	1	84010422B	015	2	84010642B	015	2	84010842B	015	2
84010152A	014	1	84010432B	014	2	84010652B	014	2	84010852B	014	2
84010152A	015	1	84010432B	015	2	84010652B	015	2	84010852B	015	2
84010162A	014	1	84010442B	014	2	84010662B	014	2	84010862B	014	2
84010162A	015	1	84010442B	015	2	84010662B	015	2	84010862B	015	2
84010172A	014	1	84010452B	014	2	84010672B	014	2	84010872B	014	2
84010172A	015	1	84010452B	015	2	84010672B	015	2	84010872B	015	2
84010182A	014	1	84010462B	014	2	84010682B	014	2	84011082A	014	1
84010182A	015	1	84010462B	015	2	84010682B	015	2	84011082A	015	1
84010192A	014	1	84010472B	014	2	84010692B	014	2	84011092A	014	1
84010192A	015	1	84010472B	015	2	84010692B	015	2	84011092A	015	1
84010202A	014	1	84010482B	014	2	84010702B	014	2	84011102A	014	1
84010202A	015	1	84010482B	015	2	84010702B	015	2	84011102A	015	1
84010212A	014	1	84010492B	014	2	84010712B	014	2	84011112A	014	1
84010212A	015	1	84010492B	015	2	84010712B	015	2	84011112A	015	1
84010222A	014	1	84010502B	014	2	84010722A	014	1	84011122A	014	1
84010222A	015	1	84010502B	015	2	84010722A	015	1	84011122A	015	1
84010232A	014	1	84010512B	014	2	84010722B	014	2	84011132A	014	1
84010232A	015	1	84010512B	015	2	84010722B	015	2	84011132A	015	1
84010242A	014	1	84010522B	014	2	84010732A	014	1	84011142A	014	1
84010242A	015	1	84010522B	015	2	84010732A	015	1	84011142A	015	1
84010252A	014	1	84010532B	014	2	84010732B	014	2	84740021A	27A	28
84010252A	015	1	84010532B	015	2	84010732B	015	2	84740021A	27B	5
84010262A	014	1	84010542B	014	2	84010742B	014	2	84740061A	010	43
84010262A	015	1	84010542B	015	2	84010742B	015	2	84850011A	27A	13
84010272A	014	1	84010552B	014	2	84010752B	014	2	84850021A	27A	9
84010272A	015	1	84010552B	015	2	84010752B	015	2	85010151A	025	19
84010282A	014	1	84010562B	014	2	84010762B	014	2	85040381A	018	6
84010282A	015	1	84010562B	015	2	84010762B	015	2	85040381A	019	6
84010292A	014	1	84010572B	014	2	84010772B	014	2	85040471A	034	8
84010292A	015	1	84010572B	015	2	84010772B	015	2	85040471A	18A	25
84010302A	014	1	84010582B	014	2	84010782B	014	2	85040551A	018	24
84010302A	015	1	84010582B	015	2	84010782B	015	2	85040551A	019	13
84010312A	014	1	84010592B	014	2	84010792B	014	2	85040551A	030	14
84010312A	015	1	84010592B	015	2	84010792B	015	2	85040551A	033	19
84010322A	014	1	84010602B	014	2	84010802B	014	2	85040551A	034	6
84010322A	015	1	84010602B	015	2	84010802B	015	2	85040561A	033	1



CODE	NO. TABLE	POS.	CODE	NO. TABLE	POS.	CODE	NO. TABLE	POS.	CODE	NO. TABLE	POS.
85040671A	027	16	85250231A	017	8	86611722CA	032	2	88440061A	026	29
85041041A	022	19	85250231A	035	1	86611722CA	032	2	88450131A	005	11
85041051A	022	18	85250241A	005	7	86611731A	18A	21	88450341B	002	22
85041121A	034	3	85250241A	024	4	86611751C	033	2	88450341B	005	21
85041421A	028	4	85250241A	025	3	86611861A	24A	29	88450341B	28A	22
85041711A	18A	6	85250241A	24A	12	86611981A	18A	13	88450341B	28A	22
85041951AA	018	8	85250261B	014	11	86611991A	017	14	88450371A	009	4
85110041A	003	13	85250261B	015	11	86612101B	033	28	88450371A	010	52
85110131A	008	14	85250401A	021	23	86612221A	033	8	88450431A	011	8
85110201A	004	8	85250421A	010	47	86612331A	033	6	88450441A	27A	22
85140031A	006	12	85250481A	011	30	86612421B	033	27	88450441A	27B	11
85210051A	002	14	85250601A	018	28	86612431B	033	29	88450661A	018	16
85210491B	021	26	85250631A	011	32	86612471A	033	30	88450661A	019	33
85210532A	010	44	85310021A	008	8	87210281A	021	12	88610241A	10A	15
85210532A	025	22	85310031A	10A	13	87210532A	18B	6	88610951A	011	22
85210532A	27A	7	85350101A	012	13	87210641A	18B	8	88640331A	010	53
85210532A	28B	22	85350101A	018	37	87210802A	020	25	88641031A	031	3
85210532A	28B	22	85550001B	033	15	87210812A	020	28	88641161A	025	17
85210721B	019	15	85550001B	18B	10	87210901A	033	16	88641161A	27A	5
85210941A	002	19	85610011A	003	6	87210912A	022	21	88641321A	005	12
85211031AB	021	32	85610623A	008	19	87210922A	022	20	88641321A	10A	9
85211201A	010	45	85610642A	10A	3	87210941A	022	8	88641731A	011	16
85211351A	005	10	85610743A	013	4	87210951A	022	7	88641961A	010	36
85211671B	027	26	85611271A	032	25	87211011A	28A	29	88642231A	017	27
85211721A	011	7	85611271A	032	25	87211011A	28A	29	88650131A	010	54
85211761A	020	5	85611391B	004	2	87211251A	28B	21	88650511A	013	1
85211911A	031	27	85611481A	010	48	87211251A	28B	21	887130022	001	39
85211951A	016	4	85640141A	010	60	87240921A	030	13	887130137	001	1
85212221A	026	6	86010051B	10A	12	87310051A	013	13	887130869	001	8
85212271A	019	1	86050061A	010	49	87310371A	009	2	887130870	001	12
85212511A	28B	19	86050061A	014	24	87321271A	011	12	887130944	001	7
85212511A	28B	19	86050061A	015	24	87511801A	010	50	887130957	01A	9
85212691A	006	7	86150251A	033	23	87611181A	035	15	887130958	01A	10
85213011A	010	2	86610301A	033	20	87611211A	029	4	887131058	01A	7
85213021A	009	6	86610361A	18A	24	87611221B	029	9	887131062	01A	3
85213021A	010	46	86610731A	18A	18	87611232A	029	2	887131074	01A	4
85213661AA	27A	30	86610751A	033	26	87710691A	025	8	887131096	01A	8
85213661AA	27B	1	86611001A	021	11	87711572A	016	2	887131749	001	22
85213681A	019	5	86611121A	24A	8	88110101C	012	10	887131805	001	10
85240211A	029	7	86611521A	027	10	88110121A	002	23	887131806	001	16
85241711A	030	9	86611611A	18A	12	88110461A	031	14	887131821	001	19
85250051A	009	5	86611681A	018	15	88111161B	020	19	887131920	001	24
85250231A	014	28	86611692B	020	9	88111171B	020	17	887131994	001	4
85250231A	015	20	86611701A	033	21	88210031A	008	11	887132011	001	17



CODE	NO. TABLE	POS.	CODE	NO. TABLE	POS.
887132409	01A	6	91373961E	027	17
887132442	001	9	91373961F	027	17
887132556	001	28	91373961G	027	17
887132676	001	2	91373961R	027	17
887132695	001	38	92610051A	022	22
887132834	001	23	92610051A	027	12
887132861	001	29	92610051A	032	18
887132863	001	3	92610051A	032	18
887132870	001	30	92610401A	027	20
887132877	001	31	93010041B	021	30
887132878	001	15	93040211A	005	9
887132906	001	6	93040221A	010	56
887133219	001	32	93040391A	026	14
887133220	01A	1	93040521A	026	18
887133334	001	21	93040931A	010	51
887133367	001	26	93041591A	005	19
887133497	001	33	93041631B	010	28
887134145	001	36	93050051A	011	26
887134198	001	13	93050062B	011	28
887134284	001	11	93050072A	013	17
887134285	001	35	93050121A	28A	14
887134286	001	20	93050121A	28A	14
887134411	001	25	93410201A	031	21
887134513	01A	2	93410212A	031	19
887134882	001	14	93510251B	035	4
887135013	001	37	93510261B	035	7
887651000	001	27	93510271B	035	11
887651005	001	27	93510281B	035	16
887651006	001	27	93510291B	035	14
887651298	001	18	937831524	011	18
887651623	001	34	942470014	10A	1
887651635	001	5	944650035	L	1
89310143A	031	24	944650037	L	2
89320062A	010	55	979000252	01B	1
89320121A	005	15	979000253	01B	2
89340091A	024	20	979000254	01B	3
89340241A	025	5	979000255	01B	4
89420121F	009	3	979000256	01B	5
89520072A	032	15	979000259	01B	7
89520072A	032	15			
91373961A	027	17			
91373961B	027	17			
91373961C	027	17			
91373961D	027	17			



Ducati Motor Holding S.p.A.

Uffici Commerciali Amministrativi:

Via A. Cavalieri Ducati n. 3

40132 Bologna, Italy

Telefono 051 6413111

Fax 051 406580

Internet www.ducati.com