



MULTISTRADA V4S

Model Year 2022

MULTISTRADA

Chassis prefix:
Cylinder capacity:

033000022
SPARE PARTS CATALOGUE
en-US



The present spare parts order exactly the right spare parts.

When ordering specify:

1. the part's code number followed by its description and quantity needed;
2. the motorcycle's serial number, stamped on the steering head.

Reference to right and left apply to the vehicle in terms of its direction of movement.

Spare parts drawings are general and do not represent the part.

The contents of this catalogue are general and can undergo changes without prior notice.

CHARACTERISTICS LEGENDA

CHARACTERISTIC CODE	CHARACTERISTIC DESCRIPTION	VALUE CODE	VALUE DESCRIPTION
DFR	DFR	N	NO
MOD	MODEL	MSV4S	Multistrada V4 S
PLT	PLANT	DB10	DMH
XCO	MAIN CLR	AG	AVIATOR GREY
XCO	MAIN CLR	AGSW	AVIATOR GREY SPOKED WHEELS
XCO	MAIN CLR	R	Red
XCO	MAIN CLR	RSW	RED SPOKED WHEELS
XCR	FR/W COL	G-B	GRIGIO MONOSCOCCA, BLACK WHEELS
XPO	OPTIONS	STD	MOTO STANDARD
XST	STD CNTY	AUS	VERSIONE AUSTRALIA
XST	STD CNTY	BLG	VERSIONE BELGIO
XST	STD CNTY	EUR	VERSIONE EUROPA
XST	STD CNTY	GSO	VERSIONE PAESI DEL GOLFO
XST	STD CNTY	JAP	VERSIONE GIAPPONE
XST	STD CNTY	ROK	VERSIONE SOUTH COREA
XST	STD CNTY	TWN	VERSIONE TAIWAN



COLOUR	COLOUR CODE	COLOUR DESCRIPTION	FINISHED PRODUCTS
	AG	AVIATOR GREY	(D33016622) MSV4S 22 EUR AG G-B STD DMH (D33016922) MSV4S 22 AUS AG G-B STD DMH (D33017022) MSV4S 22 JPN AG G-B STD DMH (D33017122) MSV4S 22 BLG AG G-B STD DMH (D33017222) MSV4S 22 ROK AG G-B STD DMH (D33017322) MSV4S 22 TWN AG G-B STD DMH (D33017422) MSV4S 22 GSO AG G-B STD DMH
	AGSW	AVIATOR GREY SPOKED WHEELS	(D33017622) MSV4S 22 EUR AGSW G-B STD DMH (D33017922) MSV4S 22 AUS AGSW G-B STD DMH (D33018022) MSV4S 22 JPN AGSW G-B STD DMH (D33018122) MSV4S 22 BLG AGSW G-B STD DMH (D33018222) MSV4S 22 ROK AGSW G-B STD DMH (D33018322) MSV4S 22 TWN AGSW G-B STD DMH (D33018422) MSV4S 22 GSO AGSW G-B STD DMH
	R	Red	(D33000422) MSV4S 22 EUR R G-B STD DMH (D33002722) MSV4S 22 AUS R G-B STD DMH (D33002822) MSV4S 22 JPN R G-B STD DMH (D33002922) MSV4S 22 ROK R G-B STD DMH (D33003022) MSV4S 22 TWN R G-B STD DMH (D33003122) MSV4S 22 GSO R G-B STD DMH (D33007522) MSV4S 22 BLG R G-B STD DMH
	RSW	RED SPOKED WHEELS	(D33008122) MSV4S 22 EUR RSW G-B STD DMH (D33009922) MSV4S 22 AUS RSW G-B STD DMH (D33010022) MSV4S 22 JPN RSW G-B STD DMH (D33010122) MSV4S 22 BLG RSW G-B STD DMH (D33010222) MSV4S 22 ROK RSW G-B STD DMH (D33010322) MSV4S 22 TWN RSW G-B STD DMH (D33010422) MSV4S 22 GSO RSW G-B STD DMH



General information.....	3
Colours.....	4
Group ELECTRIC.....	10
Drawing 13A - ENGINE ELECTRIC SYSTEM.....	10
Drawing 13B - VEHICLE ELECTRIC SYSTEM.....	12
Drawing 13C - CONTROL UNIT.....	14
Drawing 13D - BATTERY HOLDER.....	16
Drawing 13E - ELECTRICAL DEVICES.....	18
Drawing 13F - ELECTRICAL DEVICES.....	20
Drawing 13G - ELECTRICAL DEVICES.....	22
Drawing 14A - HEADLIGHT.....	24
Drawing 14B - TAILLIGHT.....	26
Drawing 14C - TURN INDICATORS.....	28
Drawing 15A - INSTRUMENT PANEL.....	30
Group OIL.....	32
Drawing L - SHELL ADVANCE.....	32
Group ENGINE.....	34
Drawing 02A - SHIFT CAM - FORK.....	34
Drawing 03A - GEAR BOX.....	36
Drawing 03B - CLUTCH.....	38
Drawing 04A - CLUTCH COVER.....	40
Drawing 04B - GENERATOR COVER.....	44
Drawing 04C - OIL PAN.....	46
Drawing 05A - CONNECTING RODS.....	48
Drawing 06A - CYLINDERS - PISTONS.....	50
Drawing 07A - TIMING SYSTEM.....	52
Drawing 08A - OIL PUMP.....	54
Drawing 09A - HALF-CRANKCASES PAIR.....	56
Drawing 09B - HALF-CRANKCASES PAIR.....	60



Drawing 10A - WATER PUMP.....	62
Drawing 11A - ELECTRIC STARTING AND IGNITION.....	64
Drawing 12A - FRONT HEAD - TIMING SYSTEM.....	66
Drawing 12B - REAR HEAD - TIMING SYSTEM.....	68
Drawing 12C - FRONT HEAD.....	70
Drawing 12D - REAR HEAD.....	74
Group TOOLS.....	78
Drawing 01A - DDS TESTER.....	78
Drawing 01B - WORKSHOP SERVICE TOOLS.....	80
Group TYRES.....	82
Drawing A - TYRES.....	82
Drawing B - ORIGINAL EQUIPMENT TYRES.....	84
Drawing C - PIRELLI SCORPION™ RALLY.....	86
Drawing D - PIRELLI SCORPION™ RALLY STR.....	88
Group FRAME.....	90
Drawing 16A - SIDE STAND.....	90
Drawing 17A - FRONT SPROCKET - CHAIN.....	92
Drawing 18A - STEERING HEAD BASE ASSEMBLY.....	94
Drawing 18B - FRONT FORK.....	96
Drawing 19A - REAR SWINGING ARM.....	98
Drawing 20A - FRONT BRAKE PUMP.....	100
Drawing 20B - FRONT BRAKE SYSTEM.....	102
Drawing 20C - ANTI LOCK BRAKE SYSTEM.....	104
Drawing 20D - REAR BRAKE SYSTEM.....	106
Drawing 21A - PLATE HOLDER [XST:AUS,BLG,EUR,GSO,ROK,TWN].....	108
Drawing 21A - PLATE HOLDER [XST:JAP].....	110
Drawing 22A - HANDLEBAR AND CONTROLS.....	112
Drawing 22B - CLUTCH PUMP.....	114
Drawing 23A - REAR SHOCK ABSORBER.....	116
Drawing 24A - FRONT MUDGUARD [XCO:R,RSW].....	118

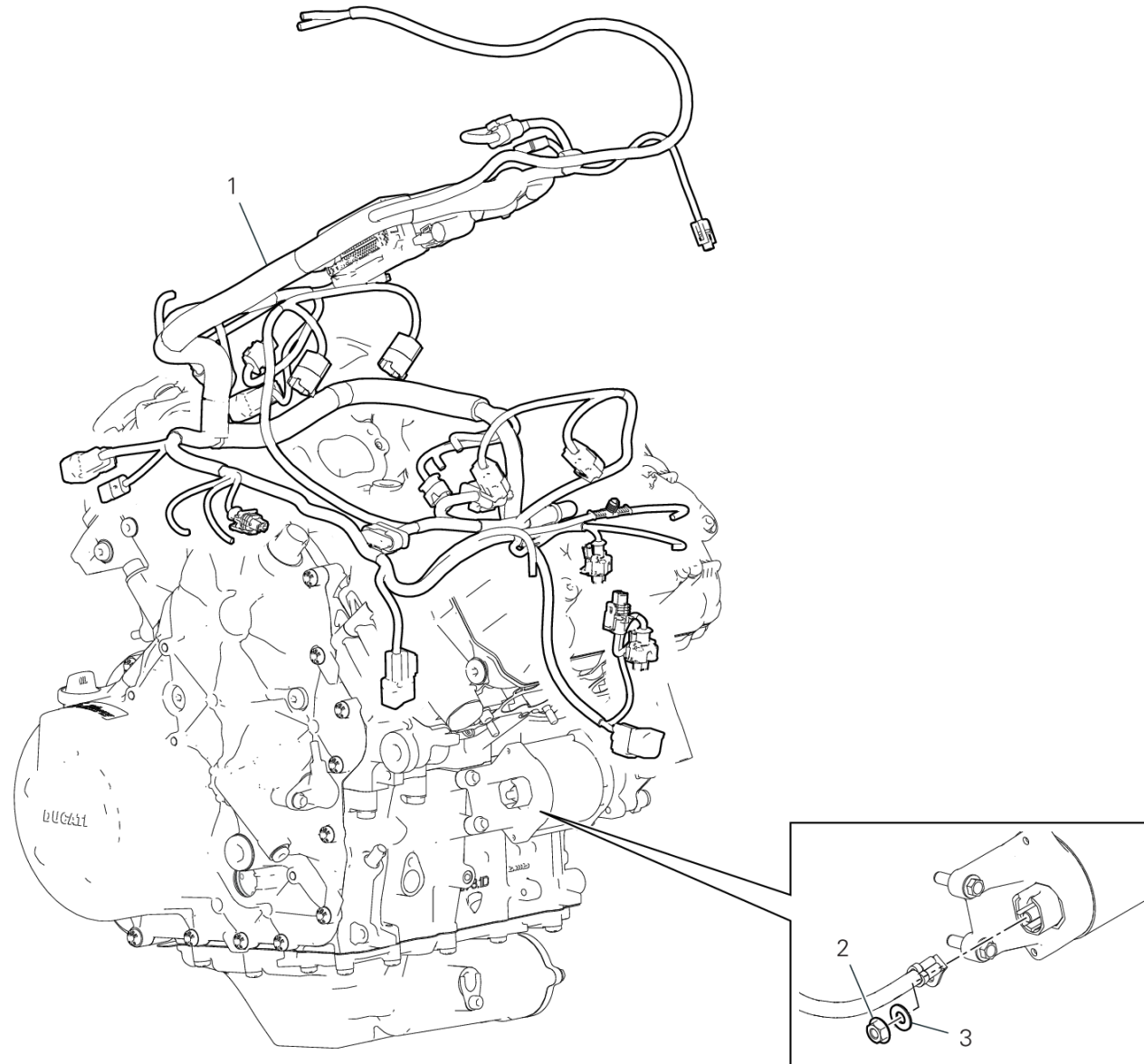


Drawing 24A - FRONT MUDGUARD [XCO:AG,AGSW].....	120
Drawing 25A - RADIATOR, WATER,RH.....	122
Drawing 25B - RADIATOR, WATER, LH.....	124
Drawing 25C - COOLING CIRCUIT.....	126
Drawing 26A - FOOTRESTS, LEFT.....	128
Drawing 26B - FOOTRESTS, RIGHT.....	130
Drawing 26C - REAR FOOTREST.....	132
Drawing 27A - REAR MUDGUARD.....	134
Drawing 28A - FRONT WHEEL [XCO:AG,R].....	136
Drawing 28A - FRONT WHEEL [XCO:AGSW,RSW].....	138
Drawing 29A - REAR WHEEL [XCO:AG,R].....	140
Drawing 29A - REAR WHEEL [XCO:AGSW,RSW].....	142
Drawing 30A - TANK.....	144
Drawing 30B - FUEL PUMP.....	146
Drawing 30C - CANISTER FILTER.....	148
Drawing 31A - EXHAUST MANIFOLD [XST:BLG,EUR,GSO,JAP,ROK,TWN].....	150
Drawing 31A - EXHAUST MANIFOLD [XST:AUS].....	152
Drawing 31B - SILENCER.....	154
Drawing 31C - SECONDARY AIR SYSTEM.....	156
Drawing 32A - RIDER AND PASSENGER SEAT.....	158
Drawing 33A - FRONT SUBFRAME.....	162
Drawing 33B - FRAME.....	164
Drawing 33C - FRAME PLATE UNIT.....	166
Drawing 33D - REAR FRAME COMP. [XST:AUS,BLG,EUR,GSO,JAPTWN].....	168
Drawing 33D - REAR FRAME COMP. [XST:ROK].....	170
Drawing 34A - OIL COOLER.....	172
Drawing 35A - AIR INTAKE - OIL BREATHER.....	174
Drawing 36A - THROTTLE BODY.....	176
Drawing 37A - COWLING.....	178
Drawing 37B - HEALDIGHT FAIRING SUPPORT.....	180



Drawing 37C - AIR CONVEYOR.....	182
Drawing 37D - TANK COVER.....	184
Drawing 37E - COVER , FRAME RH.....	186
Drawing 37F - COVER , FRAME LH.....	188
Drawing 37G - SUMP GUARD.....	190
Drawing 37H - PILLION RIDER GRIP REAR.....	192
Drawing 39A - POSITIONING PLATES [XST:JAP].....	194
Alphanumeric index.....	196





IMP01353

MULTISTRADA V4S /22

033000022

DRAWING 13A - ENGINE ELECTRIC SYSTEM

GROUP ELECTRIC

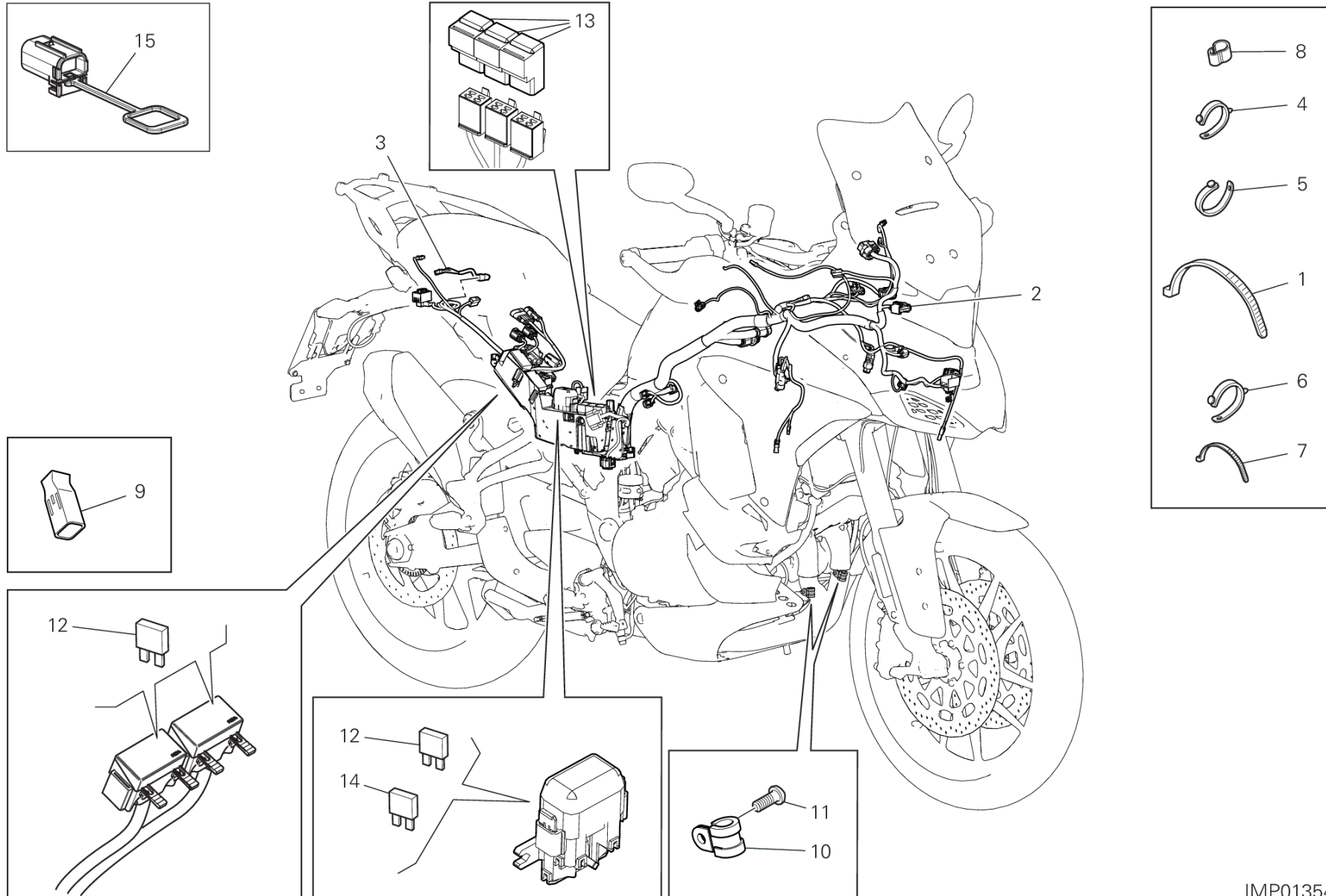


POS.	CODE	DESCRIPTION	QTY	VALIDITY	NOTES
1	5101H911D	ELECTRIC WIRING	1	XST:EUR	
2	75011211A	NUT	1		
3	85310031A	SPRING WASHER 6 MM	1		



DRAWING 13B - VEHICLE ELECTRIC SYSTEM

GROUP ELECTRIC



IMP01354

DRAWING 13B - VEHICLE ELECTRIC SYSTEM

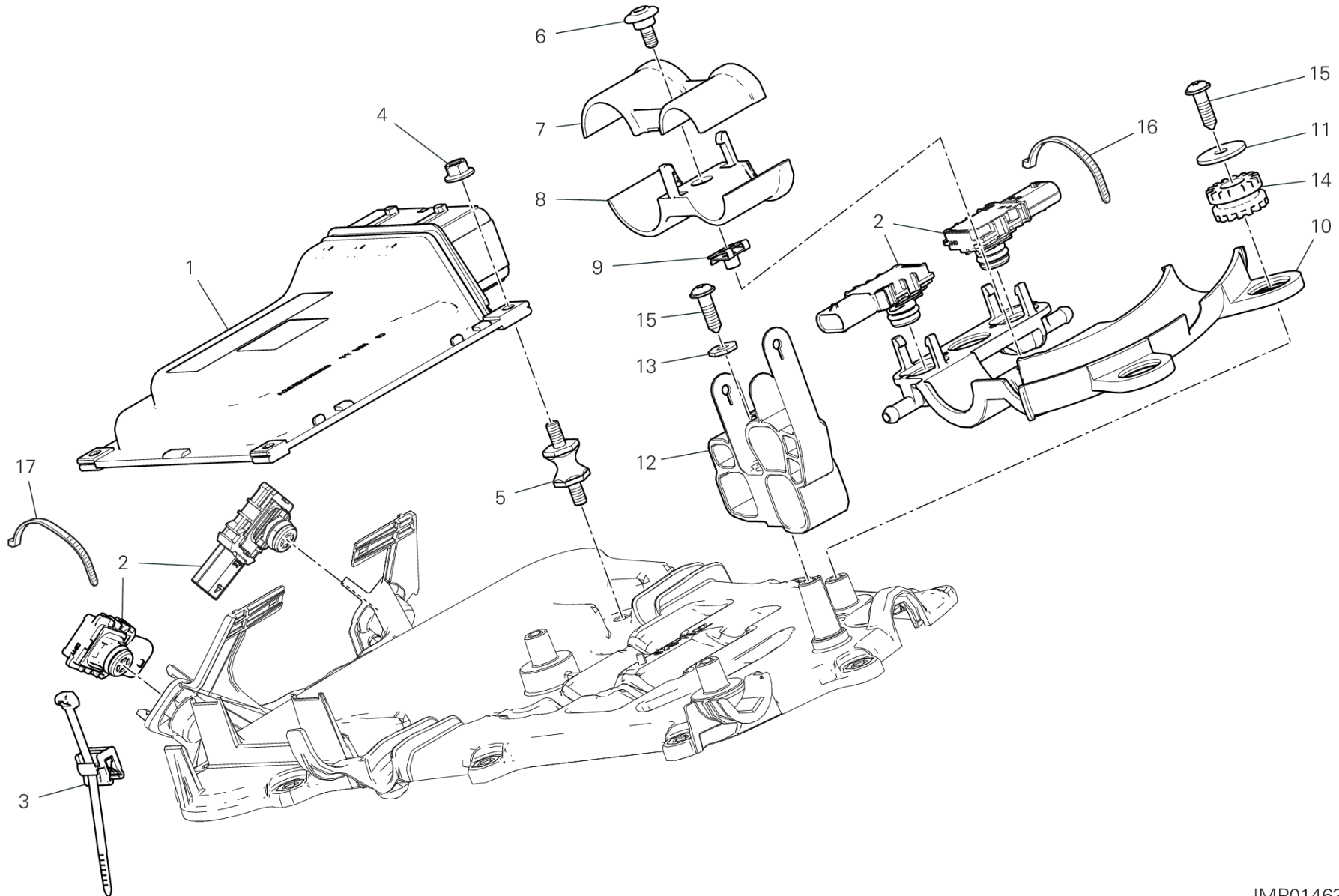
GROUP ELECTRIC



POS.	CODE	DESCRIPTION	QTY	VALIDITY	NOTES
1	069191030	CLAMP	15		
2	5101D751H	MAIN WIRING HARNESS	1		
	5101G631G	MAIN WIRING HARNESS	1		
3	5101F321D	REAR WIRING	1		
4	74110121A	CLAMP, RUBBER 62MM	4		
5	74110131A	CLAMP, RUBBER 82MM	1		
6	74110551A	CLAMP, RUBBER 39MM	22		
7	74140381A	CLAMP	40		
8	75840601A	FAIRLEAD	2		
9	87210641A	CAP, CONNECTOR	1		
10	74140331A	CLAMP	2		
11	77550213C	SCREW TBEI M6X16	2		
12	38940191A	FUSE 5A	1		
	38940201A	FUSE 10A	1		
	38940211A	FUSE 15A	1		
	38940221A	FUSE 20A	1		
	38940241A	FUSE 7,5A	1		
	38940251A	FUSE 30A	1		
	38940261A	FUSE 25A	1		
13	54140151A	RELAY	3		
14	38940351A	FUSE 50A	1		
15	87211681A	CAP DDA	1		



DRAWING 13C - CONTROL UNIT GROUP ELECTRIC



IMP01463

DRAWING 13C - CONTROL UNIT

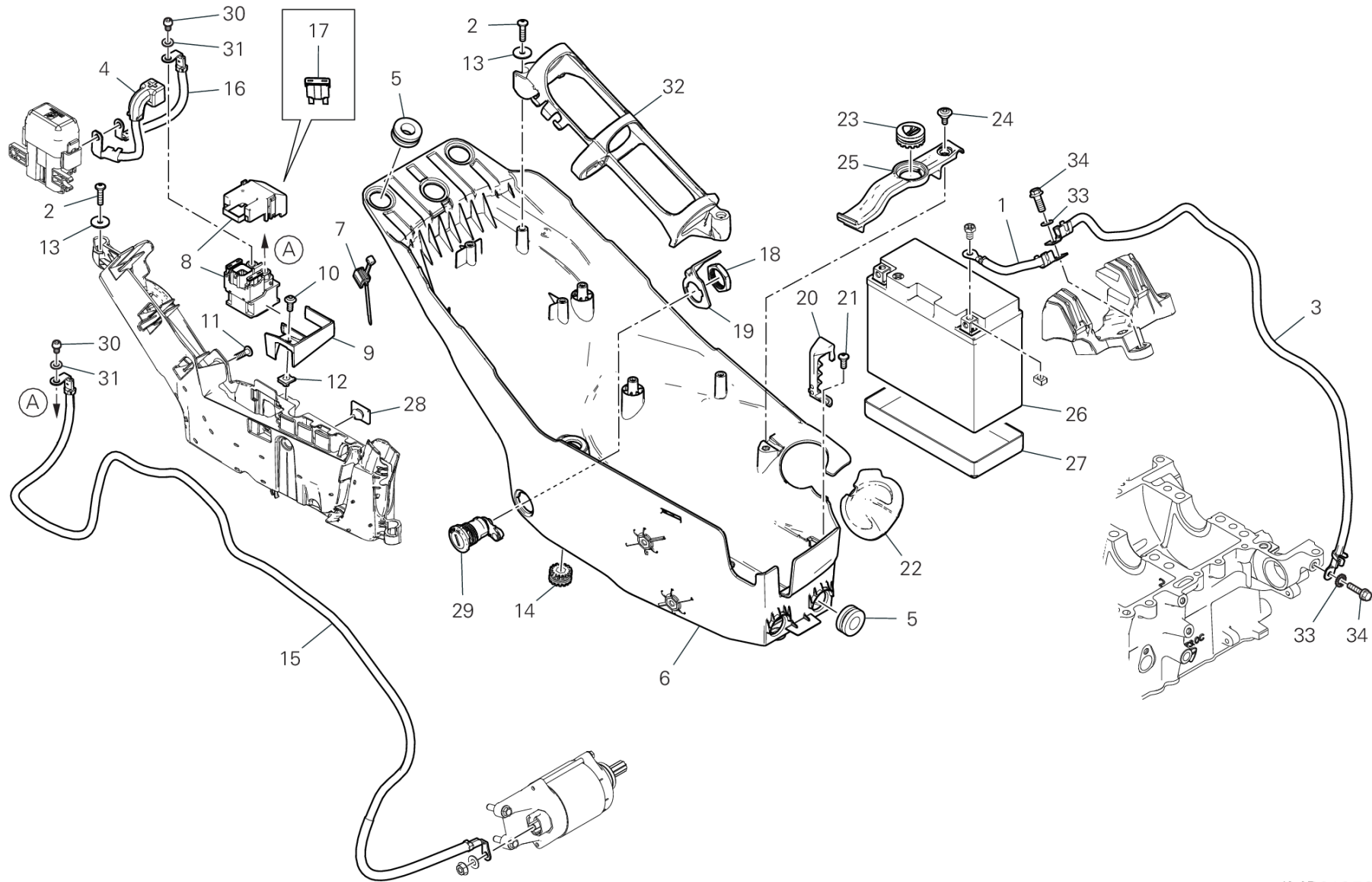
GROUP ELECTRIC



POS.	CODE	DESCRIPTION	QTY	VALIDITY	NOTES
1	28643401A	ENGINE CONTROL UNIT	1	XST:EUR	
	28643401C	ENGINE CONTROL UNIT	1		
	28643401E	ENGINE CONTROL UNIT	1	XST:BLG	
	28643401H	ENGINE CONTROL UNIT	1	XST:TWN	
	28643401N	ENGINE CONTROL UNIT	1	XST:AUS	
2	55243731C	SENSOR, PRESSURE	4		
3	75840801A	CLAMP	2		
4	74841091AA	NUT	4		
5	70010901A	VIBRATION DAMPER	4		
6	77214411AA	SCREW	1		
7	80812492A	CLAMP	1		
8	80812482A	CLAMP	1		
9	85041951AA	QUICK FASTENING	1		
10	81417071AA	HOLDER SENSOR	1		
11	85241711A	WASHER	3		
12	76414441C	RUBBER PAD	1		
13	85213081A	WASHER	1		
14	76410241A	VIBRATION DAMPER PAD	3		
15	77440041A	SCREW, TAPPING M5X16	4		
16	74142461A	CLAMP	2		
17	74140381A	CLAMP	2		



DRAWING 13D - BATTERY HOLDER GROUP ELECTRIC



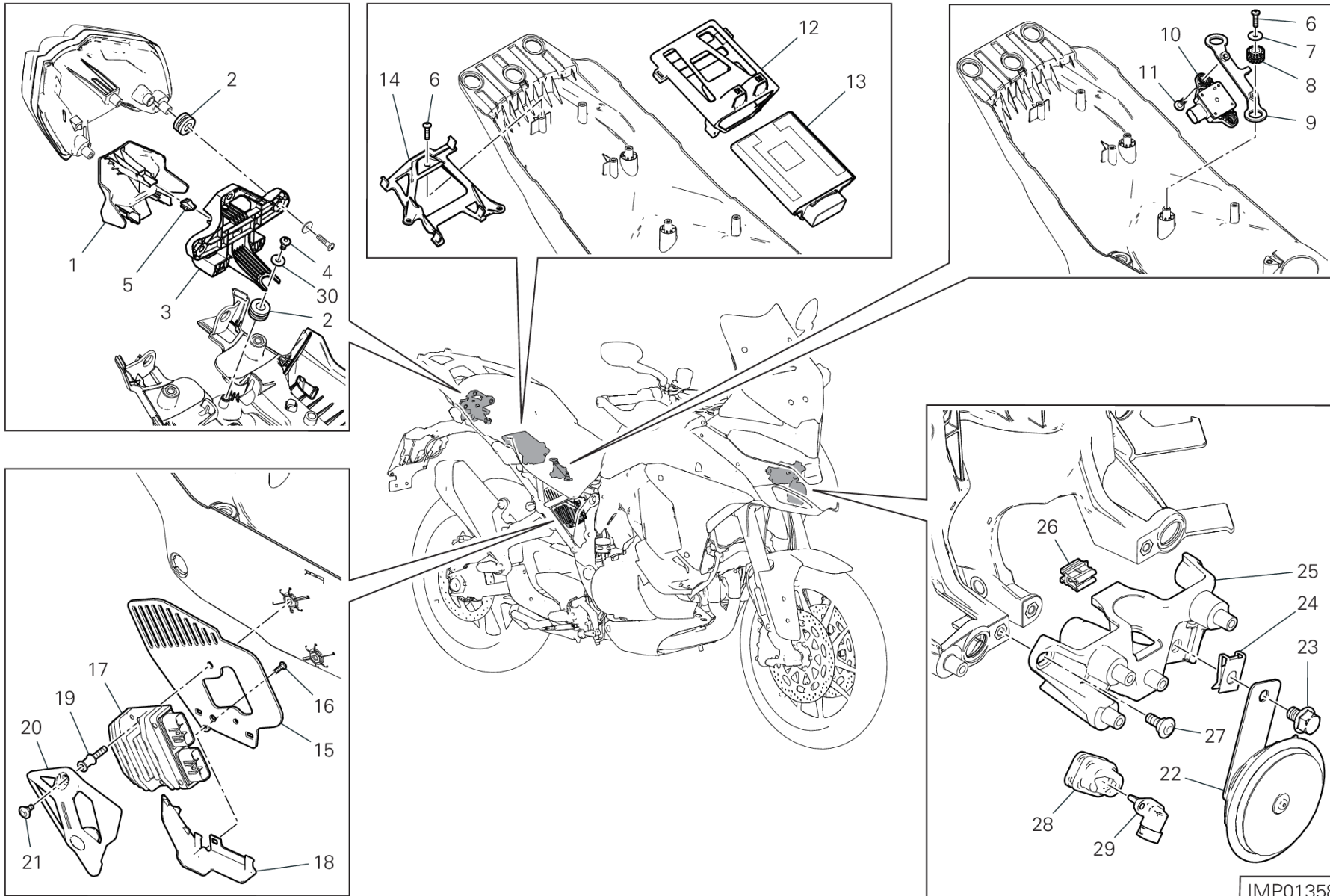
IMP01356

DRAWING 13D - BATTERY HOLDER

GROUP ELECTRIC



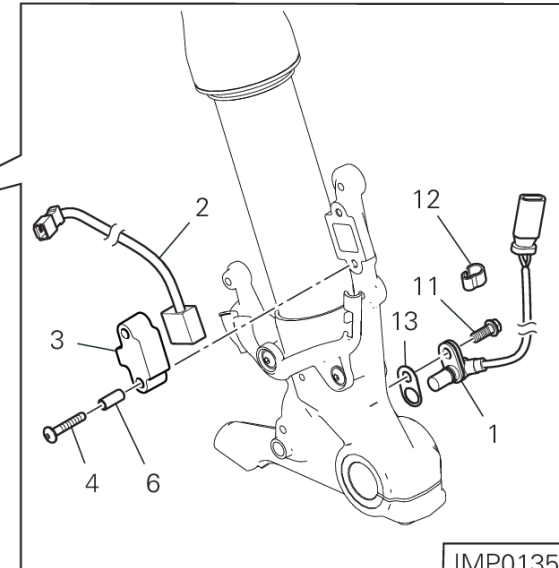
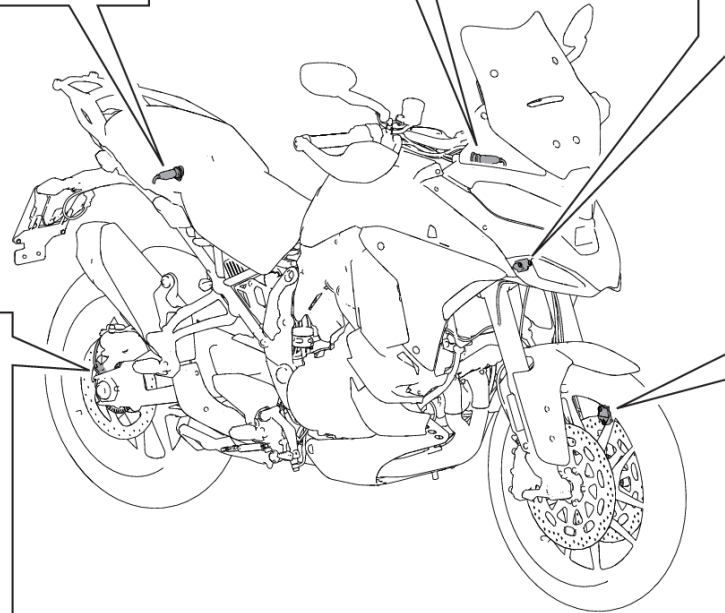
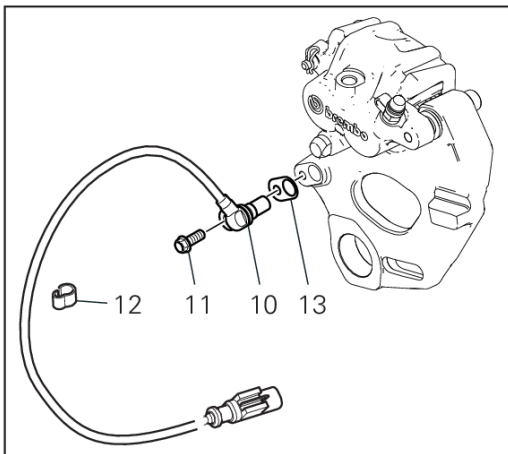
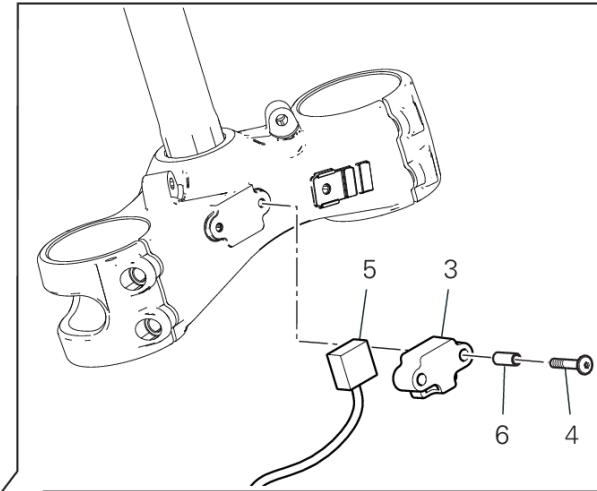
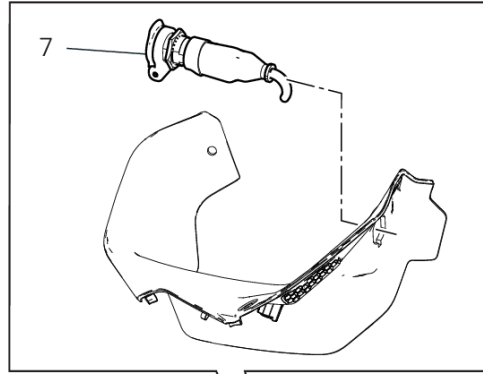
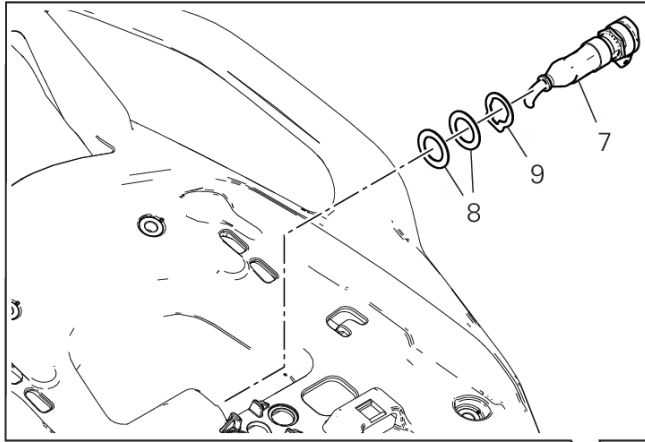
POS.	CODE	DESCRIPTION	QTY	VALIDITY	NOTES
1	51310791D	CABLE	1		
2	77440321A	SCREW, TAPPING	10		
3	51310851E	CABLE	1		
4	51410941C	WIRE, BATTERY PLUS LEAD	1		
5	76412041A	RUBBER PAD	5		
6	82911093A	BATTERY HOLDER	1		
7	75840801A	CLAMP	2		
8	39740081B	STARTER RELAY	1		
9	82911351AA	BRACKET, RELAY	1		
10	77244173B	SCREW	1		
11	77440041A	SCREW, TAPPING M5X16	6		
12	85040471A	QUICK FASTENING M5	1		
13	85213111AA	WASHER	4		
14	76410241A	VIBRATION DAMPER PAD	3		
15	51410951E	SOLENOID STARTER - STARTER MOTOR CABLE	1		
16	51411031A	BATTERY - SOLENOID STARTER CABLE	1		
17	38940231A	FUSE 30A	1		
18	75011551A	NUT M22X1.5	1		
19	82714821A	PLATE	1		
20	8291M101A	ABS PIPE SUPPORT	1		
21	77440171A	SCREW	1		
22	4601H601AA	GUARD	1		
23	76410621B	RUBBER PAD	1		
24	77214411AA	SCREW	1		
25	8301H452A	BRACKET, BATTERY BAND	1		
26	69926751A	BATTERY	1		
27	82917501A	BATTERY HOLDER	1		
28	86610301B	RUBBER PAD	2		
29	59820611A	SEAT LOCK	1		
30	77156628B	SCREW TCEIF M6X10	2		
31	85350101A	WASHER, SPRING	2		
32	82911402A	HOLDER	1		
33	85550001B	SPRING WASHER	2		
34	77211061A	SCREW TEF M6X14	2		



IMP01358



POS.	CODE	DESCRIPTION	QTY	VALIDITY	NOTES
1	4801B311B	COVER	1		
2	76410641A	VIBRATION DAMPER PAD	3		
3	8291I714B	HOLDER	1		
4	71850178C	SCREW	1		
5	85044631A	CLIP	3		
6	77440321A	SCREW, TAPPING	8		
7	85213111AA	WASHER	2		
8	76410241A	VIBRATION DAMPER PAD	2		
9	8301H721AA	BRACKET, IGNITER	1		
10	38540093B	PIATTAFORMA INERZIALE	1		
11	71850338C	SCREW	2		
12	70011181AA	VIBRATION DAMPER	1		
13	38511189A	BLACKBOX UNIT	1		
	38511601A	BLACKBOX UNIT	1		
14	8301H481AA	BRACKET BLACKBOX UNIT	1		
15	4601I811AA	HEAT SINK	1		
16	77440251A	SCREW	1		
17	54040331A	VOLTAGE REGULATOR	1		
18	4601I801A	HEAT GUARD	1		
19	7791C291AA	SCREW, SPECIAL	2		
20	24716652A	COVER	1		
21	77214411BA	SCREW, SPECIAL	2		
22	51610051G	HORN	1		
23	77211341A	SCREW	1		
24	85041471A	CLIP NUT	1		
25	8291I142B	BRACKET	1		
26	75841051A	CLIP	1		
27	77211261A	SCREW	3		
28	76410971A	RUBBER PAD	1		
29	55240121A	SENSOR, AIR TEMPERATURE	1		
30	85250311A	WASHER	1		



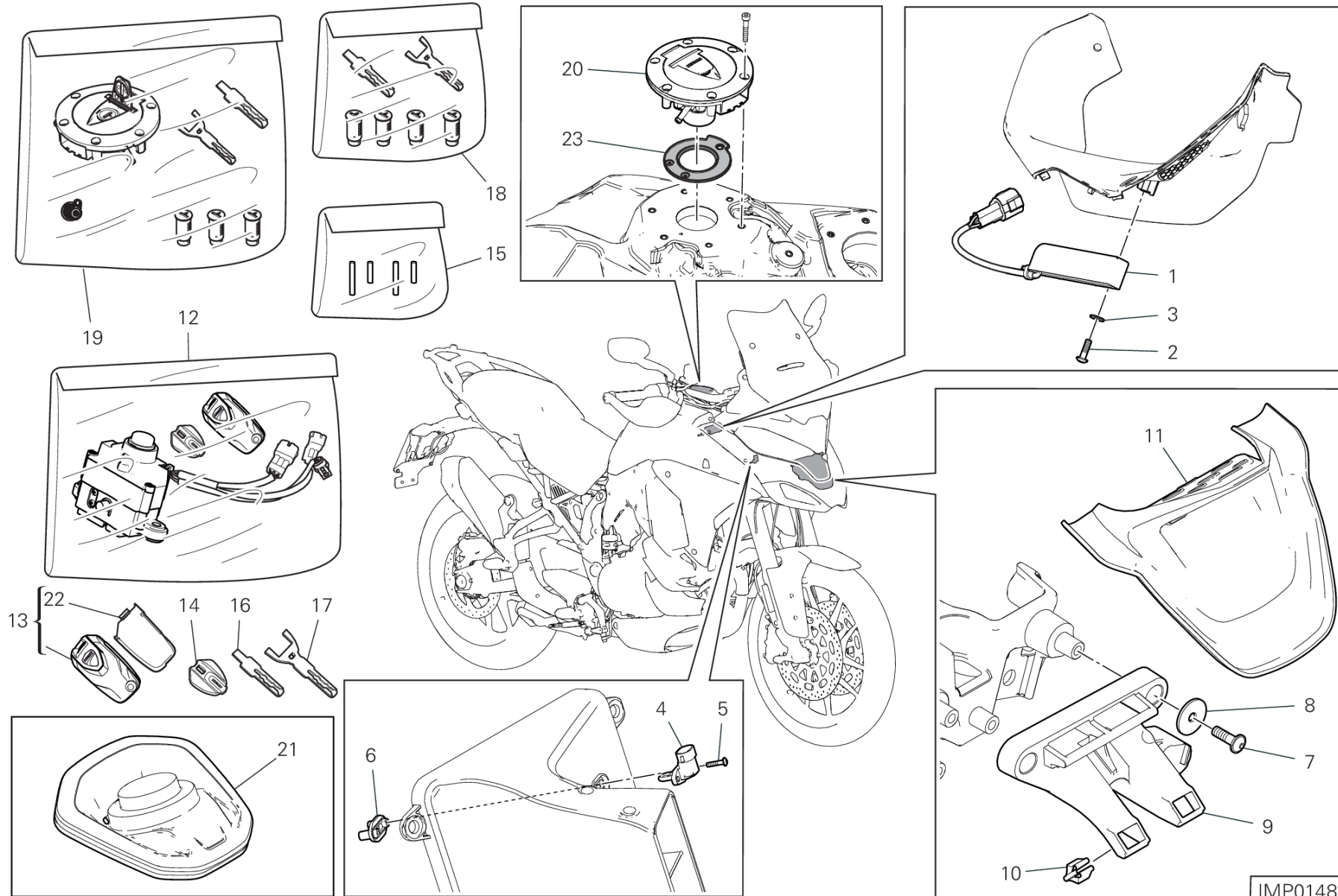
IMP01359

DRAWING 13F - ELECTRICAL DEVICES

GROUP ELECTRIC



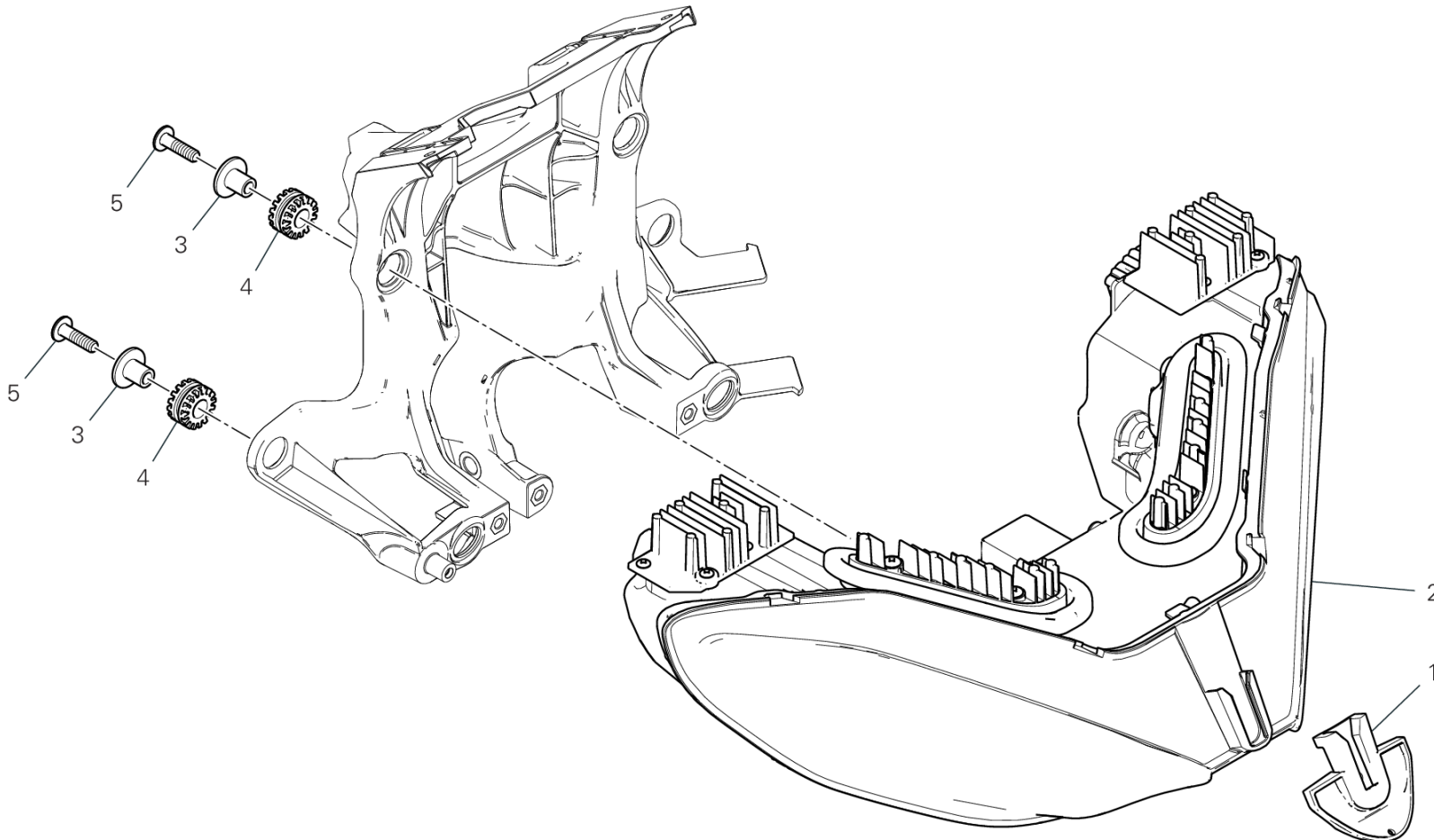
POS.	CODE	DESCRIPTION	QTY	VALIDITY	NOTES
1	55212111B	SENSOR, SPEED	1		
2	55214941A	ACCELEROMETER	1		
3	8291A891A	BRACKET	2		
4	77240343C	SCREW	4		
5	55214281B	ACCELEROMETER	1		
6	71114113AA	BUSH	4		
7	38640132A	SOCKET, LOW VOLTAGE	2		
8	85213761A	WASHER	2		
9	71319331A	SPACER	1		
10	55212121B	SENSOR, SPEED	1		
11	77210601A	SCREW TEF M6X16	2		
12	75840601A	FAIRLEAD	17		
13	71314901A	GASKET TH.02	3		
	71319201A	GASKET 0.5 MM	7		



IMP01482



POS.	CODE	DESCRIPTION	QTY	VALIDITY	NOTES
1	51840251A	ANTENNA IMMOBILIZER	1		
2	77440251A	SCREW	2		
3	85240211A	WASHER 4.7X10X1	2		
4	55240121A	SENSOR, AIR TEMPERATURE	1		
5	77440183C	SCREW	2		
6	82911871A	HOLDER SENSOR	1		
7	77440041A	SCREW, TAPPING M5X16	3		
8	85213002A	WASHER	3		
9	82911481A	HOLDER	1		
10	85044631A	CLIP	2		
11	48014011A	GUARD	1		
12	59821981L	KIT HANDS FREE 434 MHZ	1		
	59821991L	KIT HANDS FREE 315 MHZ	1	XST:JAP	
13	59810361G	KEY WITH TRANSPONDER	1		
	59810381E	KEY WITH TRANSPONDER	1	XST:JAP	
14	59810371B	KEY WITHOUT TRANSPONDER	1		
15	86020011A	KIT SPINE	1		
16	59840511A	INSERT	1		
17	59840521A	INSERT	1		
18	59821961A	LOCK KIT	1		
19	59822521A	LOCKS KIT	1		
20	89510691A	CAP SET, FUEL TANK	1		
21	79111481A	GASKET	1		
22	4601L831A	COVER	1		
23	86640091A	GASKET, CAP	1		



FAN00393

MULTISTRADA V4S /22

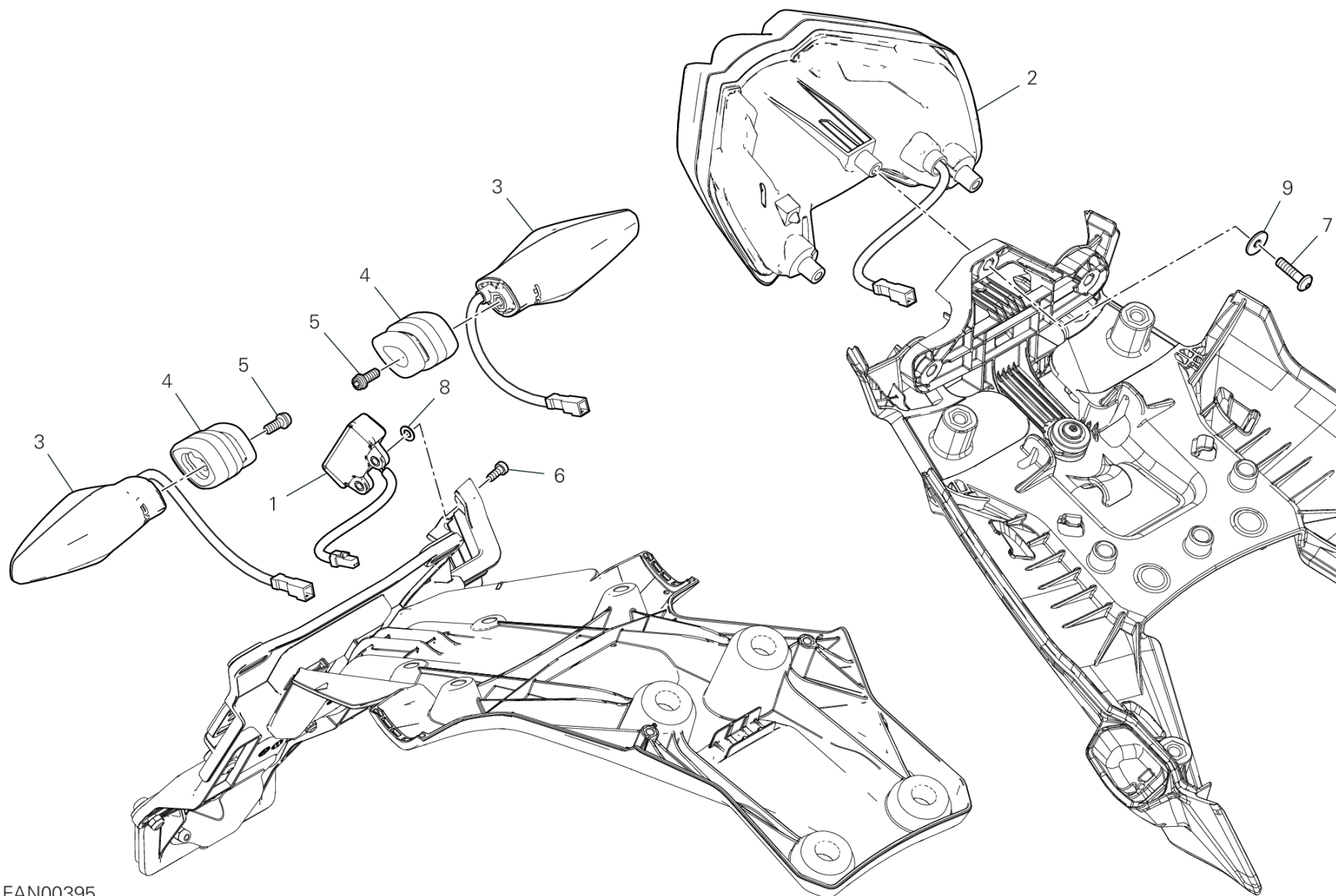
033000022

DRAWING 14A - HEADLIGHT

GROUP ELECTRIC



POS.	CODE	DESCRIPTION	QTY	VALIDITY	NOTES
1	76412552A	RUBBER PAD	1		
2	52010512D	HEADLIGHT	1		
3	71610061A	SPACER	4		
4	76410241A	VIBRATION DAMPER PAD	4		
5	77240453C	SCREW TBEIF M6X22 10.9	4		



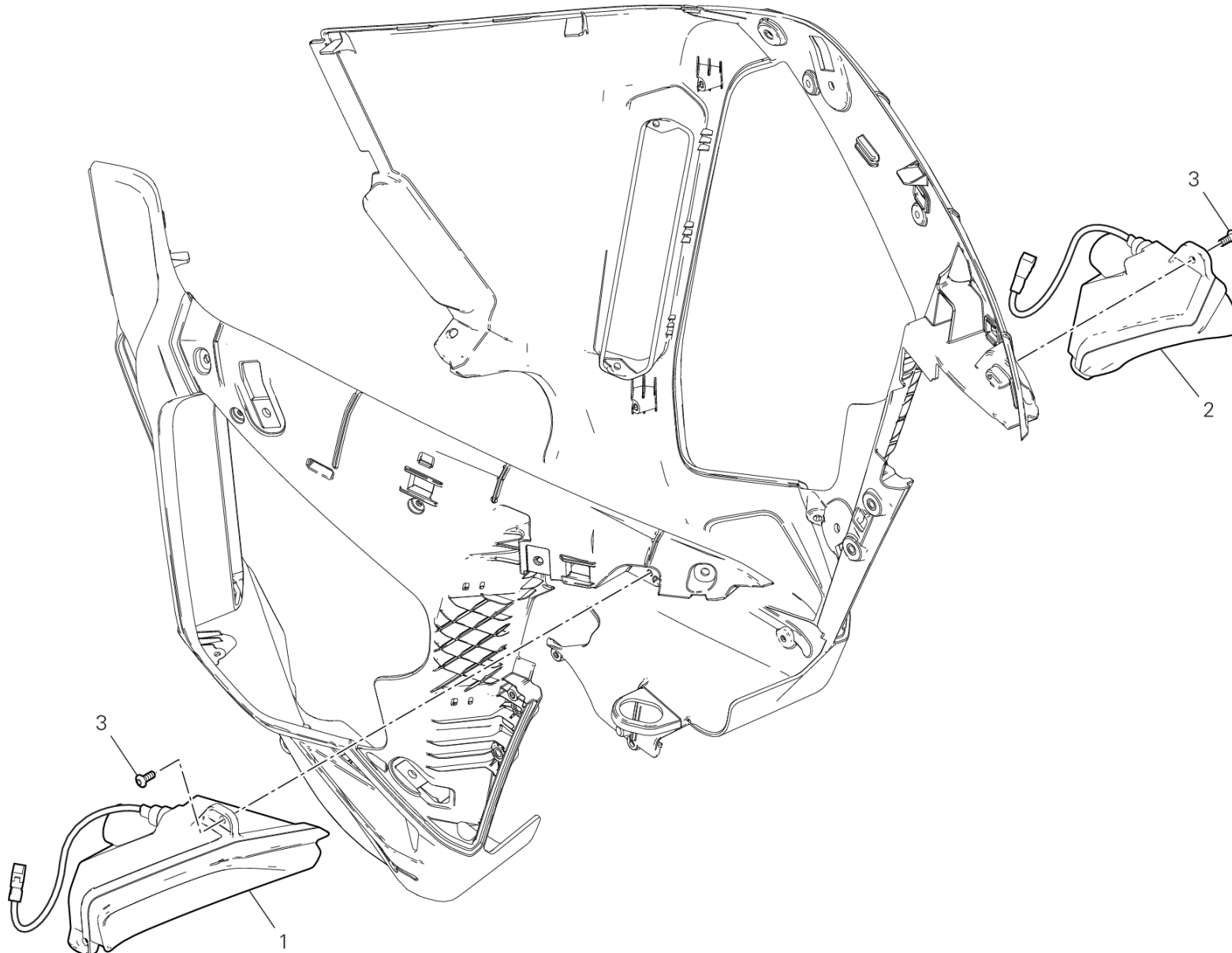
FAN00395

DRAWING 14B - TAILLIGHT

GROUP ELECTRIC



POS.	CODE	DESCRIPTION	QTY	VALIDITY	NOTES
1	52510432B	LAMP, LICENSE PLATE	1		
2	52510672E	TAILLIGHT	1		
3	53010462B	TURN INDICATOR	2		
4	7131A923A	SPACER, FLASHER LIGHT	2		
5	77156398B	SCREW TCEIF M5X12	2		
6	77354623B	SCREW M4X10	2		
7	77440321A	SCREW, TAPPING	3		
8	85212511A	WASHER 4.5X9X0.5	2		
9	85250311A	WASHER	1		



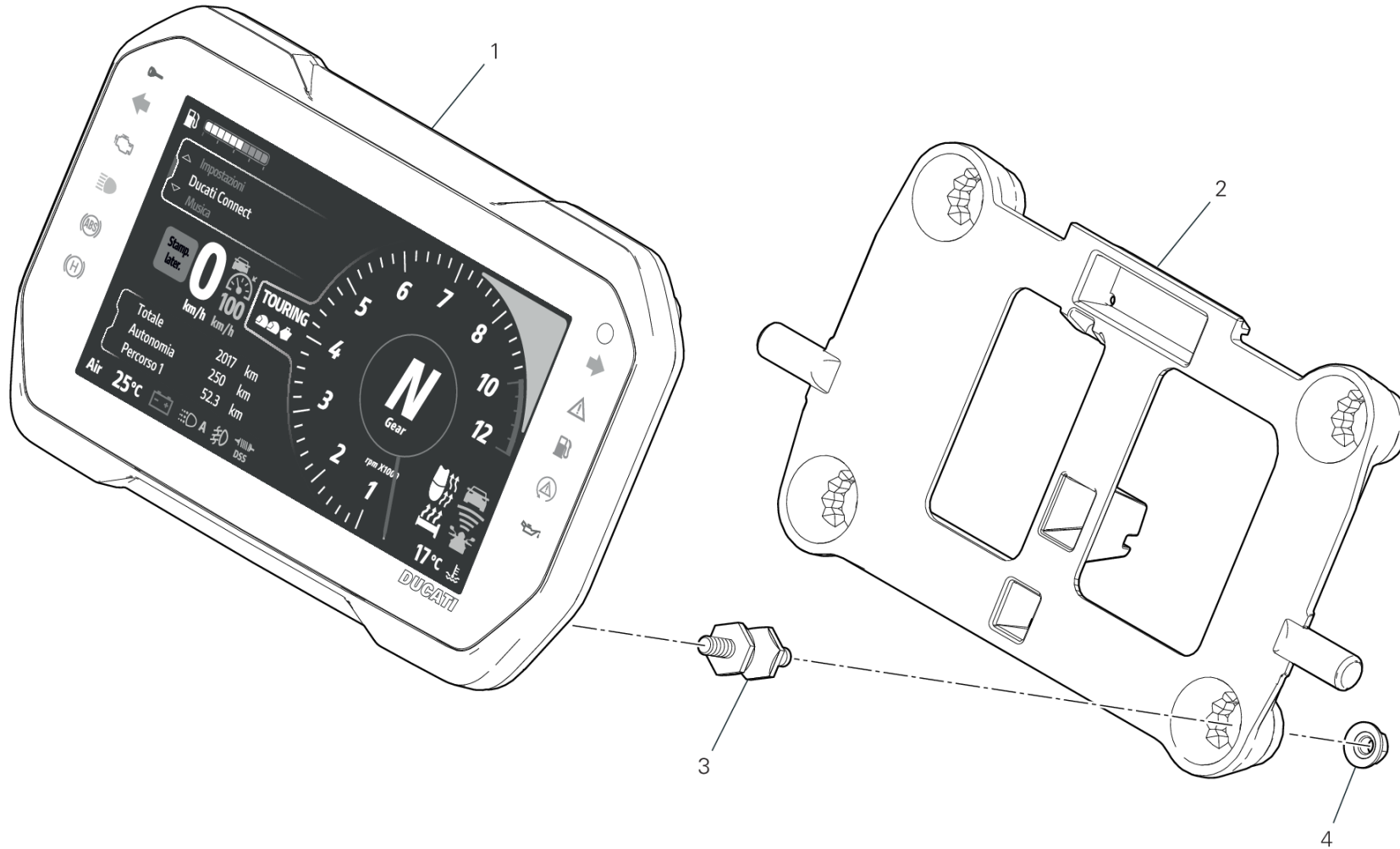
FAN00396

DRAWING 14C - TURN INDICATORS

GROUP ELECTRIC



POS.	CODE	DESCRIPTION	QTY	VALIDITY	NOTES
1	53010441C	TURN INDICATOR FRONT R.H.	1		
2	53010451C	TURN INDICATOR FRONT L.H.	1		
3	77440061A	SCREW, TAPPING	4		



FAN00397

DRAWING 15A - INSTRUMENT PANEL

GROUP ELECTRIC



POS.	CODE	DESCRIPTION	QTY	VALIDITY	NOTES
1	40611741C	INSTRUMENT PANEL	1		
2	8291J071AA	HOLDER	1		
3	70010901A	VIBRATION DAMPER	4		
4	74841091AA	NUT	4		



DRAWING L - SHELL ADVANCE

GROUP OIL

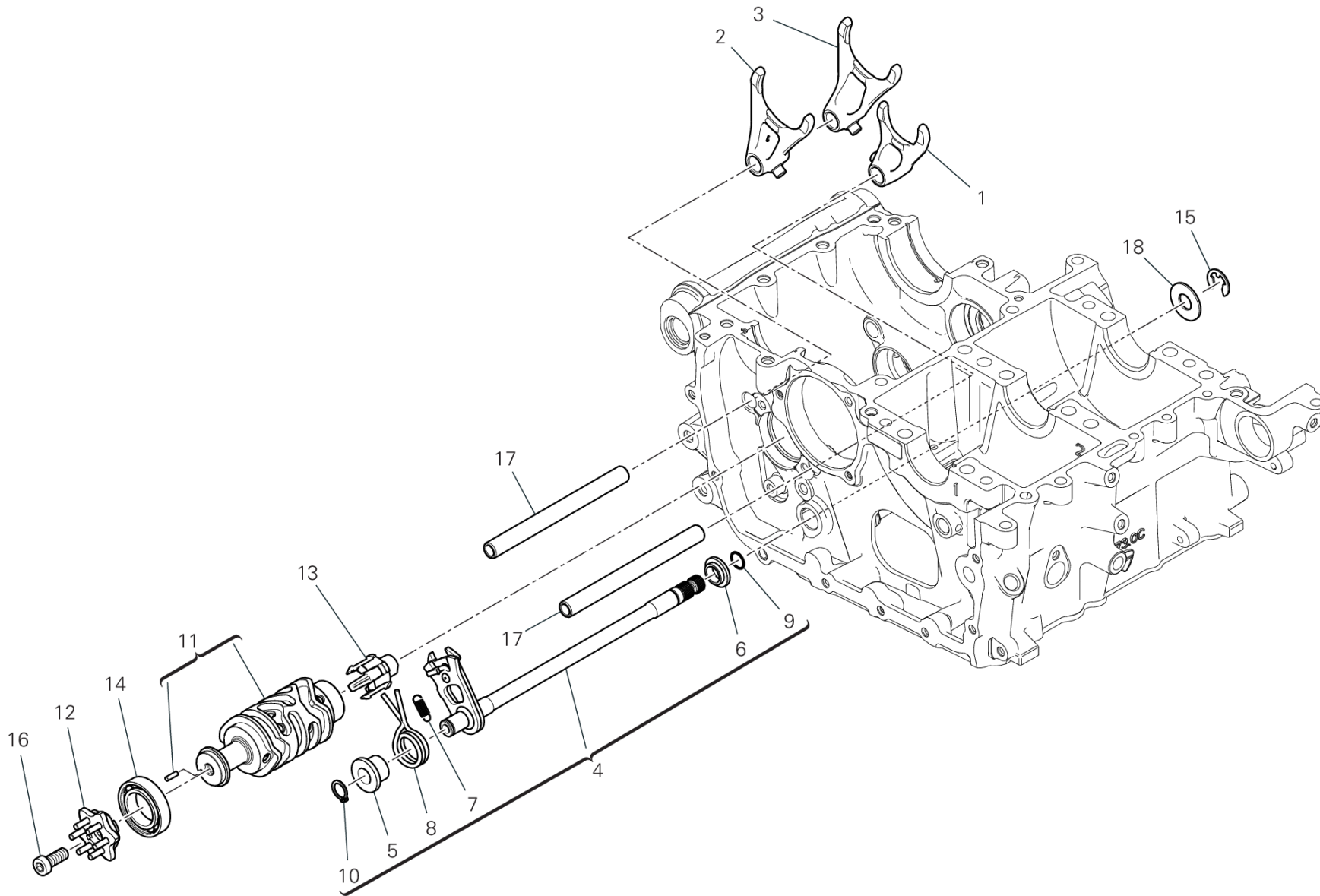


POS.	CODE	DESCRIPTION	QTY	VALIDITY	NOTES
1	944650035	SHELL ADVANCE DUCATI 15W50 - 1L BOTTLE	1		
2	944650037	SHELL ADVANCE DUCATI 15W50 – 209L DRUM	1		



DRAWING 02A - SHIFT CAM - FORK

GROUP ENGINE



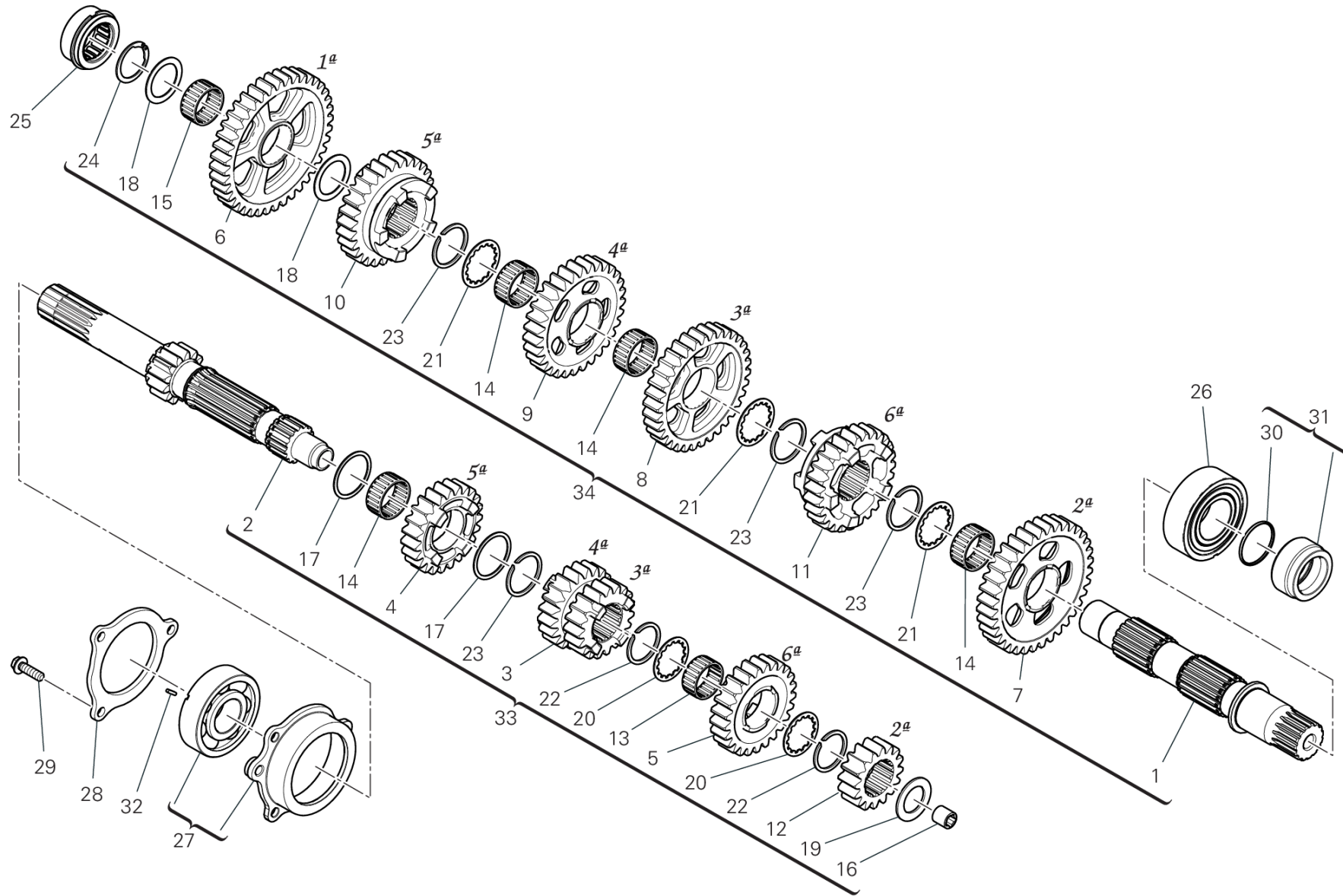
CMB00513

DRAWING 02A - SHIFT CAM - FORK

GROUP ENGINE



POS.	CODE	DESCRIPTION	QTY	VALIDITY	NOTES
1	18010472A	5TH,6TH GEAR SELECTOR FORK	1		
2	18010482A	1TH,4TH GEAR SELECTOR FORK	1		
3	18010492A	2TH,3TH GEAR SELECTOR FORK	1		
4	18120071A	GEAR CHANGE MECHANISM	1		
5	71611571C	SPACER	1		
6	71611581C	SPACER	1		
7	79915131C	SPRING	1		
8	79915141D	SPRING	1		
9	88450311A	STOP RING	1		
10	88450361A	CIRCLIP	1		
11	182P0011A	COMPLETE GEARBOX DRUM	1		
12	18220381B	GEARBOX DRUM FLANGE ASSEMBLY	1		
13	55243931A	GEARBOX POSITION SENSOR	1		
14	70250412A	BALL BEARING	1		
15	88450391B	SPRING RING	1		
16	77355038B	SCREW	1		
17	82118261A	PIN	2		
18	85213981A	WASHER	1		



CMB00562

DRAWING 03A - GEAR BOX

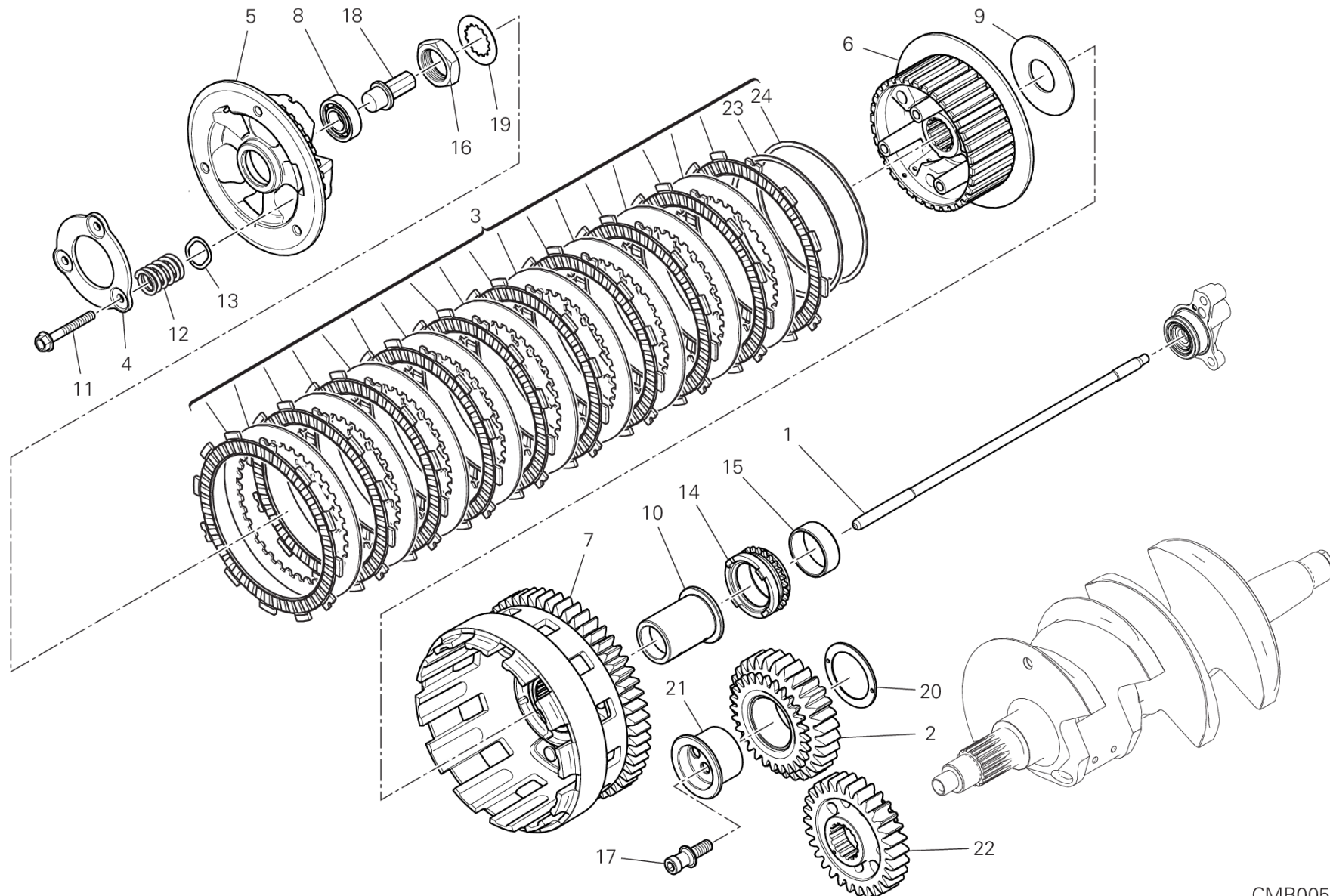
GROUP ENGINE



POS.	CODE	DESCRIPTION	QTY	VALIDITY	NOTES
1	14911351C	LAY SHAFT	1		
2	14911382B	MAIN SHAFT 13T	1		
3	17215741B	GEAR, 3RD-4TH PINION	1		
4	17215751A	GEAR DRIVE 5TH SPEED T23	1		
5	17215761A	DRIVING GEAR 6TH SPEED T25	1		
6	17215721B	DRIVEN GEAR 1ST SPEED T40	1		
7	17215771B	DRIVEN GEAR 2ND SPEED T36	1		
8	17215781B	DRIVEN GEAR 3RD SPEED	1		
9	17215791A	DRIVEN GEAR 4TH SPEED	1		
10	17215801A	DRIVEN GEAR 5TH SPEED	1		
11	17215811A	DRIVEN GEAR 6TH SPEED	1		
12	17215731B	DRIVING GEAR 2ND	1		
13	70140311A	NEEDLE BEARING	1		
14	70140321A	NEEDLE BEARING	4		
15	70140331A	NEEDLE BEARING	1		
16	71210631A	BUSH	1		
17	85213291A	THRUST WASHER	2		
18	85213311A	THRUST WASHER	2		
19	85214141A	THRUST WASHER	1		
20	85611372A	WASHER LOCK 28X32.5X1	2		
21	85611491A	GROOVED WASHER	3		
22	88440731A	SPRING RING	2		
23	88440741A	SPRING RING	4		
24	88440751A	CIRCLIP	1		
25	70241761A	NEEDLE BEARING	1		
26	70241781A	BEARING, NEEDLE	1		
27	710P0021A	BEARING	1		
28	71012021B	PLATE	1		
29	77253314CF	SCREW	3		
30	88640042A	O-RING	1		
31	713P0011C	CHAIN SPROCKET SPACER	1		
32	68050101A	KEY 2X2X10	1		
33	15022362B	GEARBOX MAIN SHAFT	1		
34	15022371B	LAY SHAFT	1		



DRAWING 03B - CLUTCH GROUP ENGINE



CMB00563

DRAWING 03B - CLUTCH

GROUP ENGINE

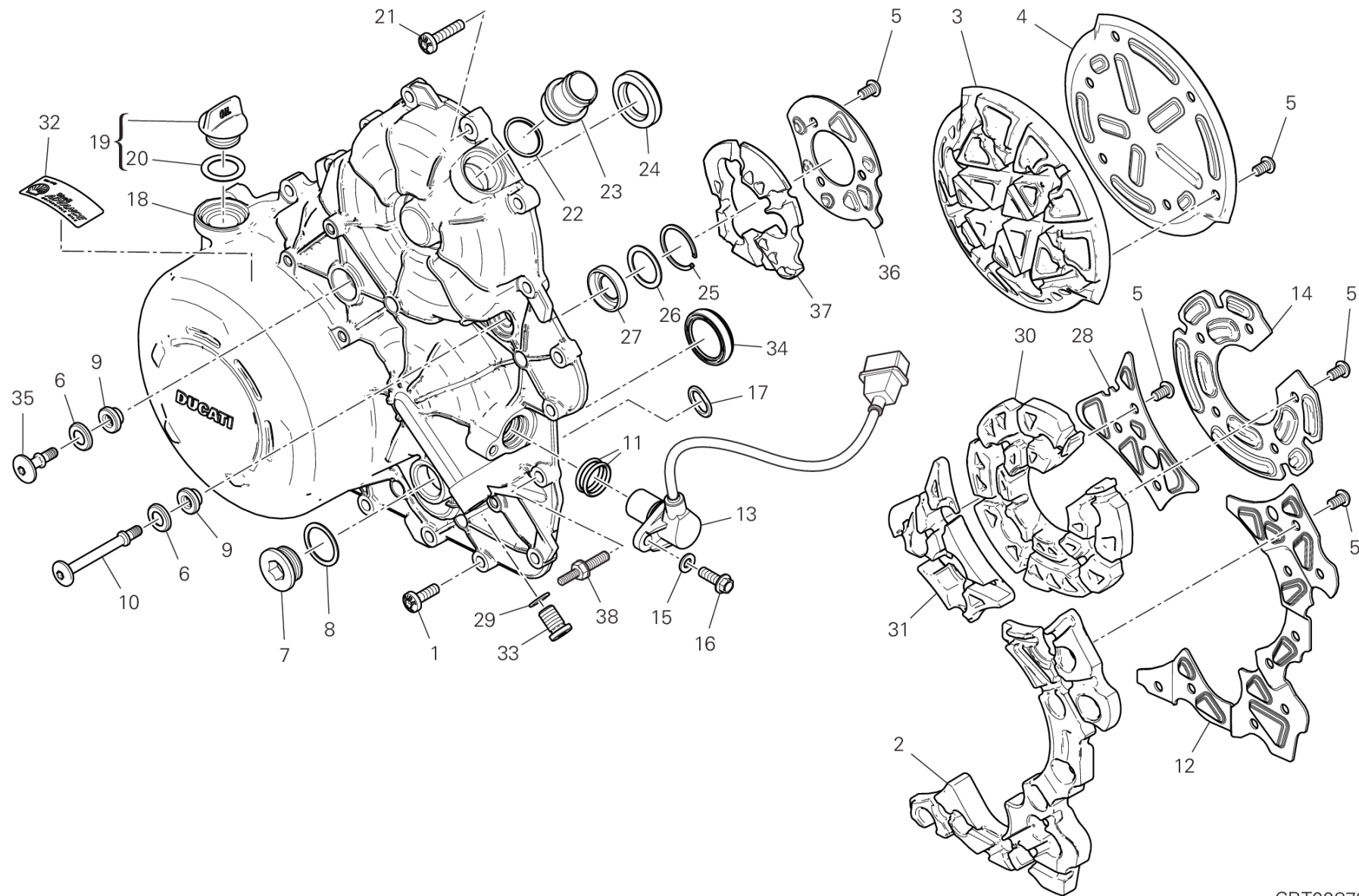


POS.	CODE	DESCRIPTION	QTY	VALIDITY	NOTES
1	11711771A	ROD	1		
2	17021621A	IDLE GEAR	1		
3	19020521A	CLUTCH DISC SET	1		
4	19410511A	RING	1		
5	19610711A	DISK, CLUTCH PRESSURE	1		
6	19610721A	PLATE HOLDER HUB	1		
7	19820502A	PRIMARY DRIVEN GEAR COMP.	1		
8	70250601A	BEARING	1		
9	71313091A	SPACER	1		
10	71316011B	SPACER	1		
11	77211201A	SCREW	3		
12	79710731A	SPRING	3		
13	85611391B	THRUST WASHER	3		
14	44910732B	SPROCKET	1		
15	71240331A	BUSH	1		
16	75010072E	NUT	1		
17	7791C031A	SCREW, SPECIAL	1		
18	81810162A	CLUTCH CONTROL PIN	1		
19	85110201A	LOCK WASHER	1		
20	85214051B	THRUST WASHER	1		
21	88111152B	INNER RING	1		
22	17011662A	PRIMARY DRIVE FRONT SPROCKET	1		
23	79912781A	SPRING WASHER "FCC"	1		
24	19010421A	SPACER TH. 1,2	1		



DRAWING 04A - CLUTCH COVER

GROUP ENGINE



CRT00878

DRAWING 04A - CLUTCH COVER

GROUP ENGINE

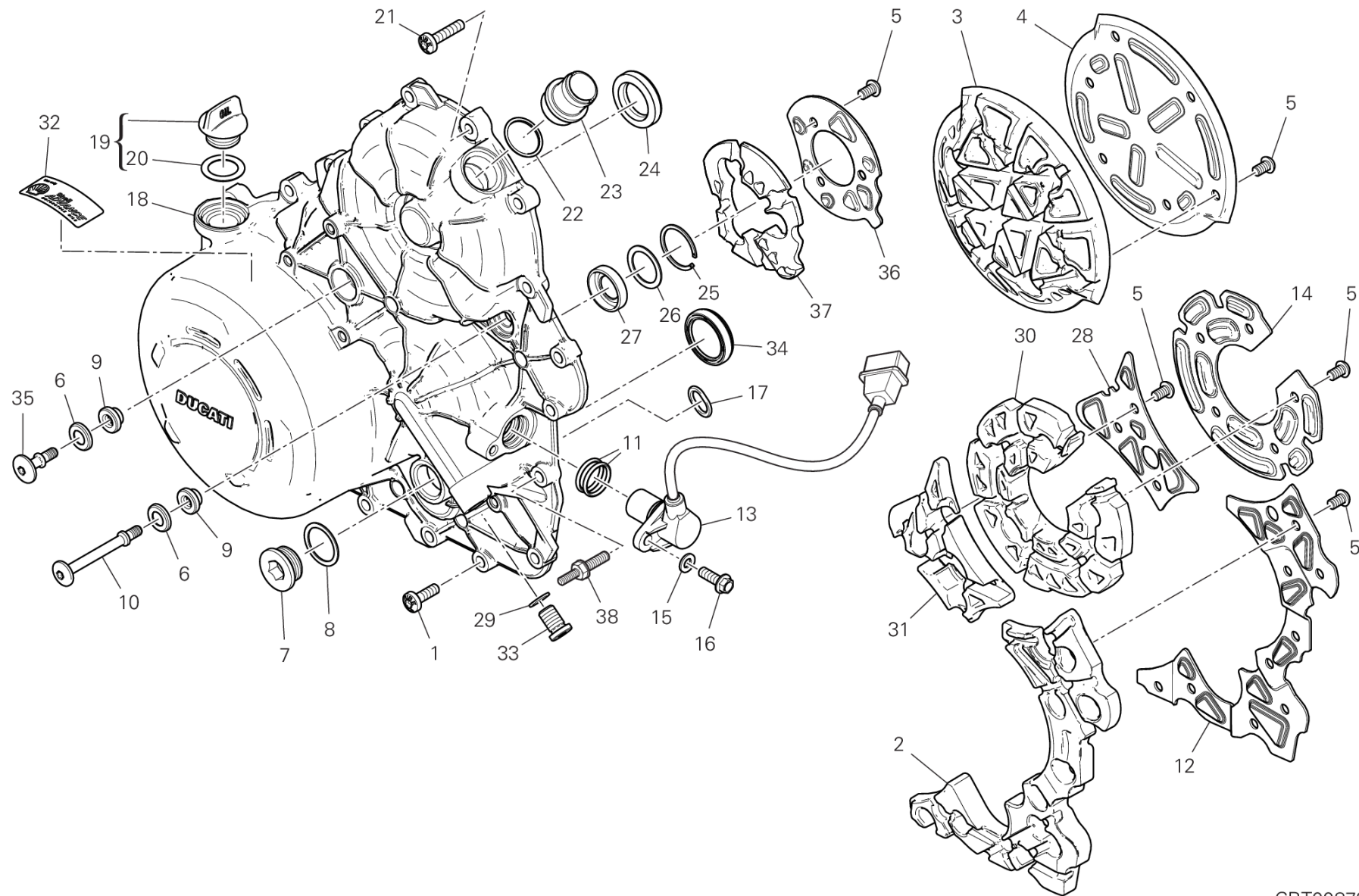


POS.	CODE	DESCRIPTION	QTY	VALIDITY	NOTES
1	77941992A	SCREW	14		
2	48612281A	PERIMETER SOUNDDEADENING PANEL	1		
3	48612261A	DAMPER, SOUND ARRESTER	1		
4	82718913A	SHEET ACOUSTIC DAMPER	1		
5	77550200CC	SCREW	26		
6	85611551A	WASHER	2		
7	78010921A	PLUG	1		
8	22032083A	ALUMINIUM GASKET	1		
9	76412121A	VIBRATION DAMPER PAD	2		
10	7791B491A	SCREW, SPECIAL	1		
11	88640331A	O-RING 17.96X2.62	2		
12	82718933A	PERIMETER SOUNDDEADENING METAL SHEET	1		
13	55241321C	SENSOR, TIMING & RPM	1		
14	82718923A	SHEET ACOUSTIC DAMPER	1		
15	85310031A	SPRING WASHER 6 MM	1		
16	77253304C	SCREW	1		
17	88650321A	O-RING	1		
18	24314311BH	CLUTCH COVER	1		
19	89320121A	PLUG ASSY	1		
20	88640891A	O-RING 18.64X3.53	1		
21	77942002A	SCREW	2		
22	88642721A	O-RING	1		
23	66810591A	FILLER	1		
24	93042231A	SEAL RING	1		
25	88450291A	SNAP RING	1		
26	85212721A	THRUST WASHER	1		
27	93041521A	SEAL RING	1		
28	82718944A	LAMIERA FONOASSORBENTE CENTRALE	1		
29	85250241A	WASHER 10X14X1	1		
30	48612271A	DAMPER, SOUND ARRESTER	1		
31	48612293A	DAMPER, SOUND ARRESTER	1		
32	43312502C	TRANSFER	1		
33	78011281A	PLUG, THREADED M10X1	1		
34	25440013A	WINDOW, OIL LEVEL CHECK	1		
35	7791A751B	SCREW, SPECIAL	1		



DRAWING 04A - CLUTCH COVER

GROUP ENGINE



CRT00878

DRAWING 04A - CLUTCH COVER

GROUP ENGINE

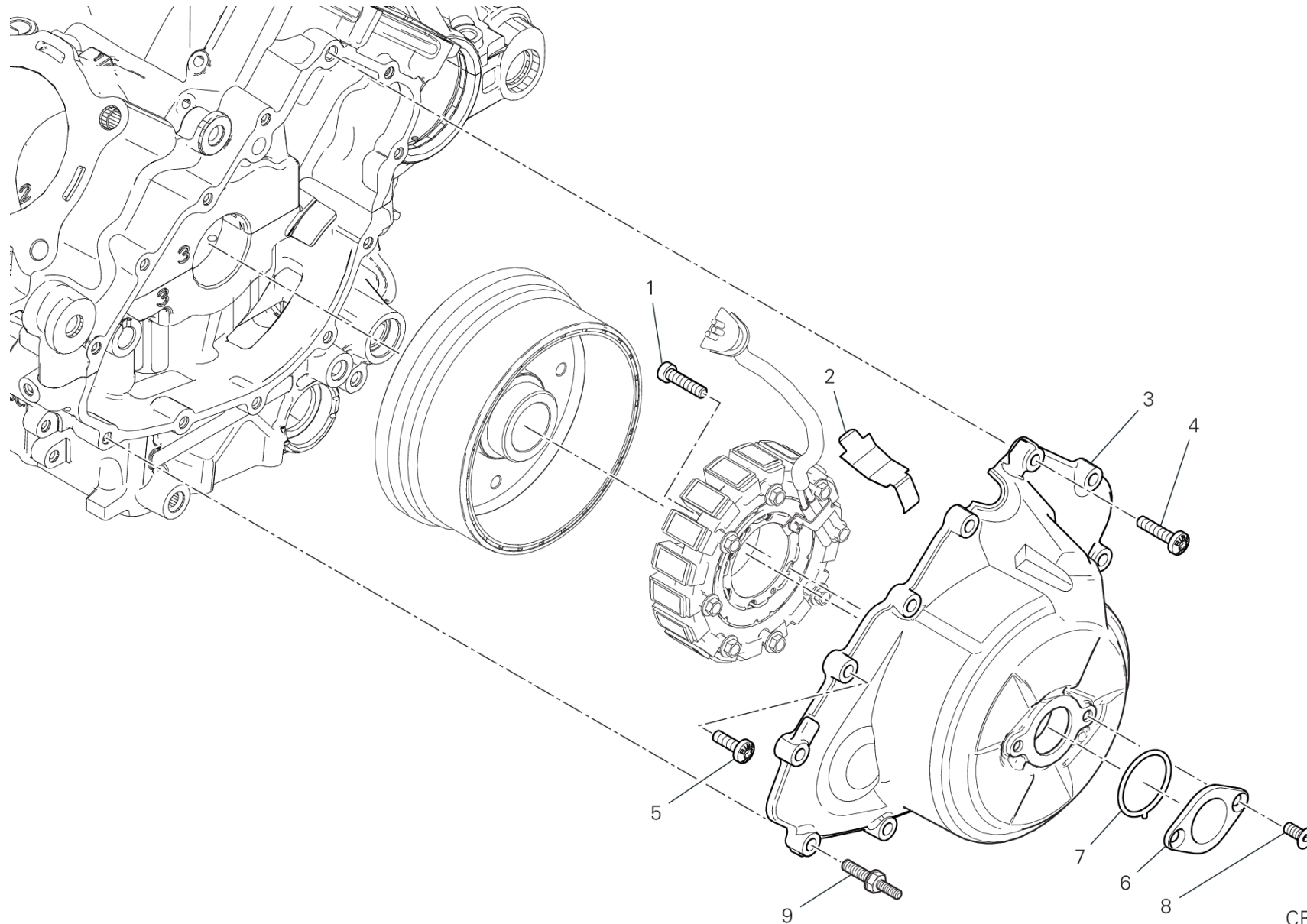


POS.	CODE	DESCRIPTION	QTY	VALIDITY	NOTES
36	82718991A	SHEET ACOUSTIC DAMPER	1		
37	48612551A	DAMPER, SOUND ARRESTER	1		
38	7791C483AA	SCREW, SPECIAL	2	XST:EUR	



DRAWING 04B - GENERATOR COVER

GROUP ENGINE



CRT00879

DRAWING 04B - GENERATOR COVER

GROUP ENGINE

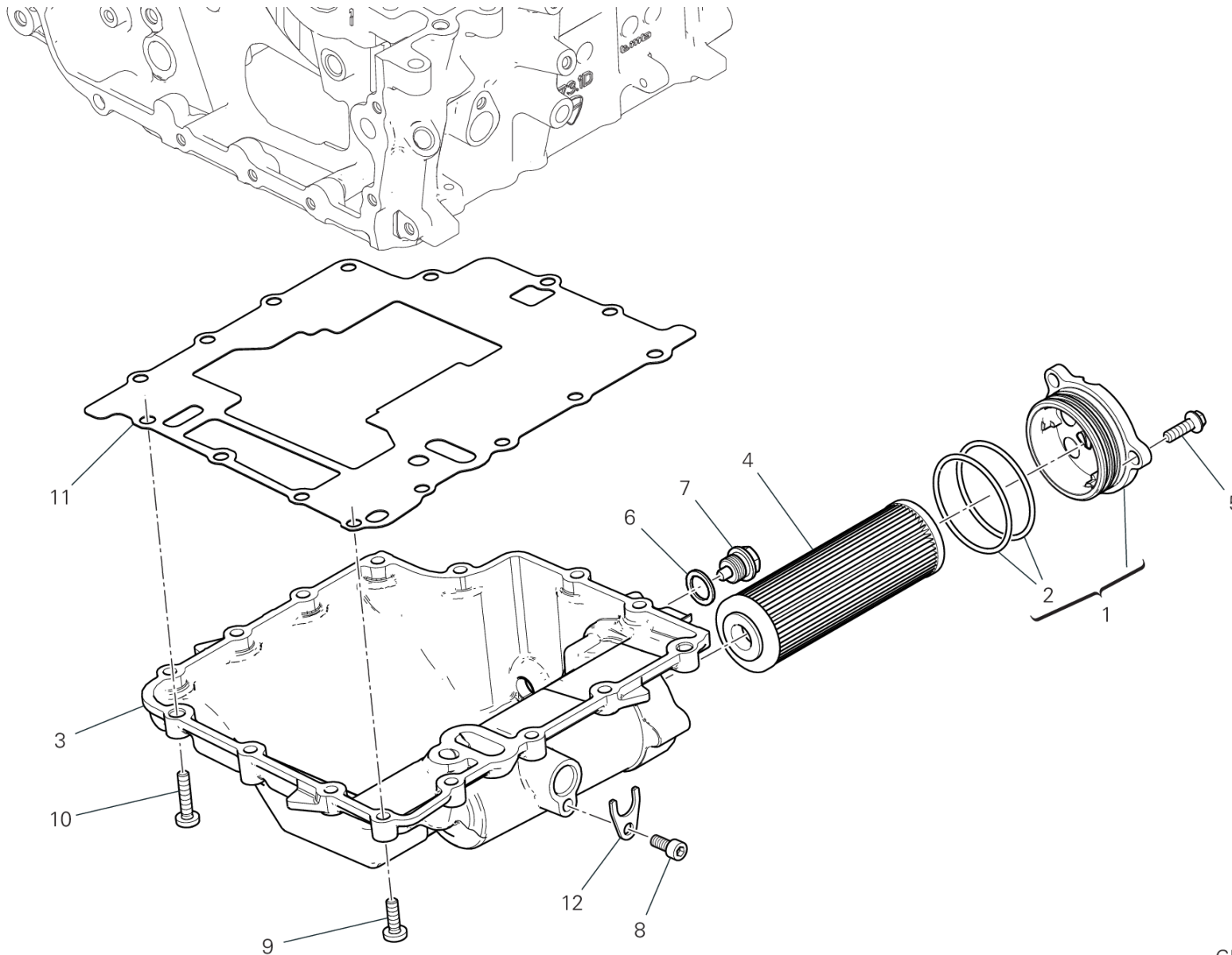


POS.	CODE	DESCRIPTION	QTY	VALIDITY	NOTES
1	71950408CF	SCREW	3		
2	82716091A	PLATE	1		
3	24211302A5	GENERATOR COVER	1		
4	77942002A	SCREW	1		
5	77941992A	SCREW	8		
6	24735581A5	COVER	1		
7	88610951A	O-RING 32.99X2.62	1		
8	77750494C	SCREW	2		
9	7791C483AA	SCREW, SPECIAL	3	XST:EUR	



DRAWING 04C - OIL PAN

GROUP ENGINE



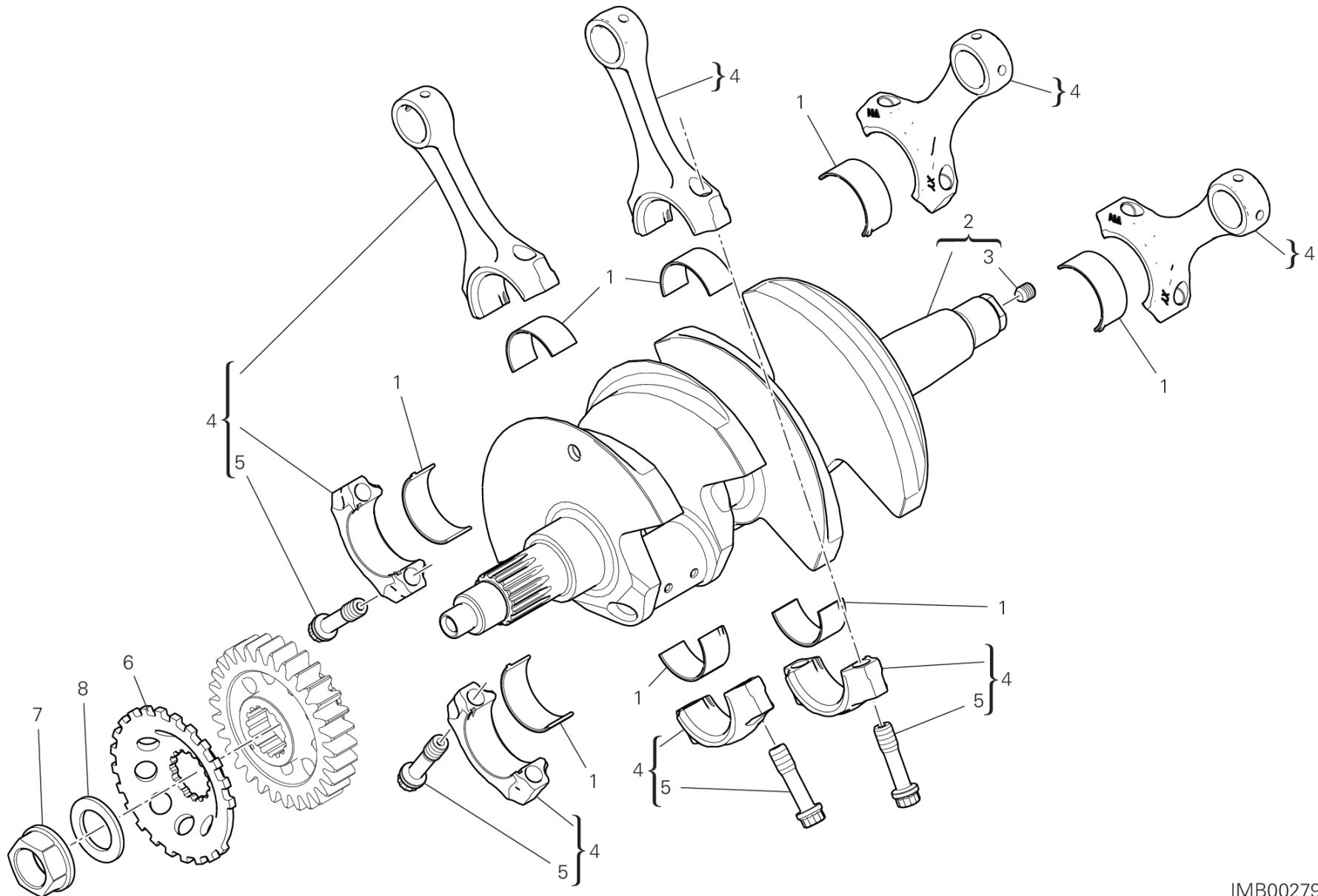
CRT00880

DRAWING 04C - OIL PAN

GROUP ENGINE



POS.	CODE	DESCRIPTION	QTY	VALIDITY	NOTES
1	247P5863A	COVER, OIL ELEMENT	1		
2	88650761A	O-RING	2		
3	25210262AH	OIL PAN	1		
4	44440312B	FILTER, OIL	1		
5	77253314CF	SCREW	3		
6	85250541A	WASHER	1		
7	89310153A	OIL DRAIN PLUG WITH MAGNET	1		
8	77150648B	SCREW TCEI M6X14	1		
9	77941992A	SCREW	12		
10	77942002A	SCREW	3		
11	78611692A	GASKET	1		
12	82718471AA	PLATE	1		



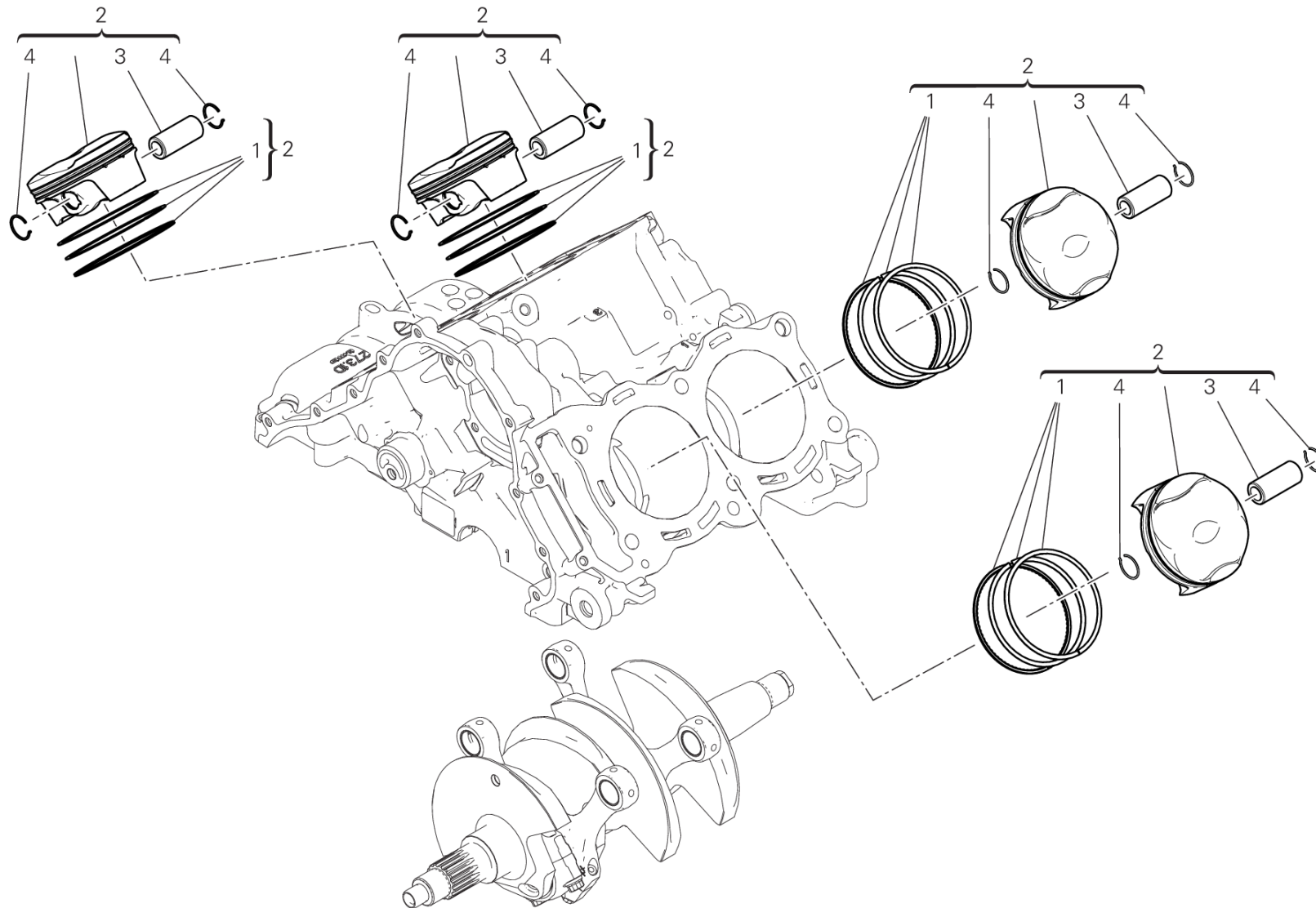
IMB00279

DRAWING 05A - CONNECTING RODS

GROUP ENGINE



POS.	CODE	DESCRIPTION	QTY	VALIDITY	NOTES
1	11210991AB	HALF-BEARING BLUE	8		
	11210991AC	HALF-BEARING YELLOW	8		
	11210991AD	HALF-BEARING BLACK	8		
2	14622712AA	CRANKSHAFT	1		
	14622712AB	CRANKSHAFT	1		
	14622712AC	CRANKSHAFT	1		
	14622712AD	CRANKSHAFT	1		
3	77915471A	THREADED DOWEL STEI M8X8	1		
4	15621191EA	CONNECTING ROD	1		
	15621191EB	CONNECTING ROD	1		
	15621191EC	CONNECTING ROD	1		
	15621191ED	CONNECTING ROD	1		
5	7791A571A	SCREW, SPECIAL	4		
6	50410271B	PHONIC WHEEL	1		
7	74811021B	NUT, FLANGE	1		
8	85214071B	WASHER	1		



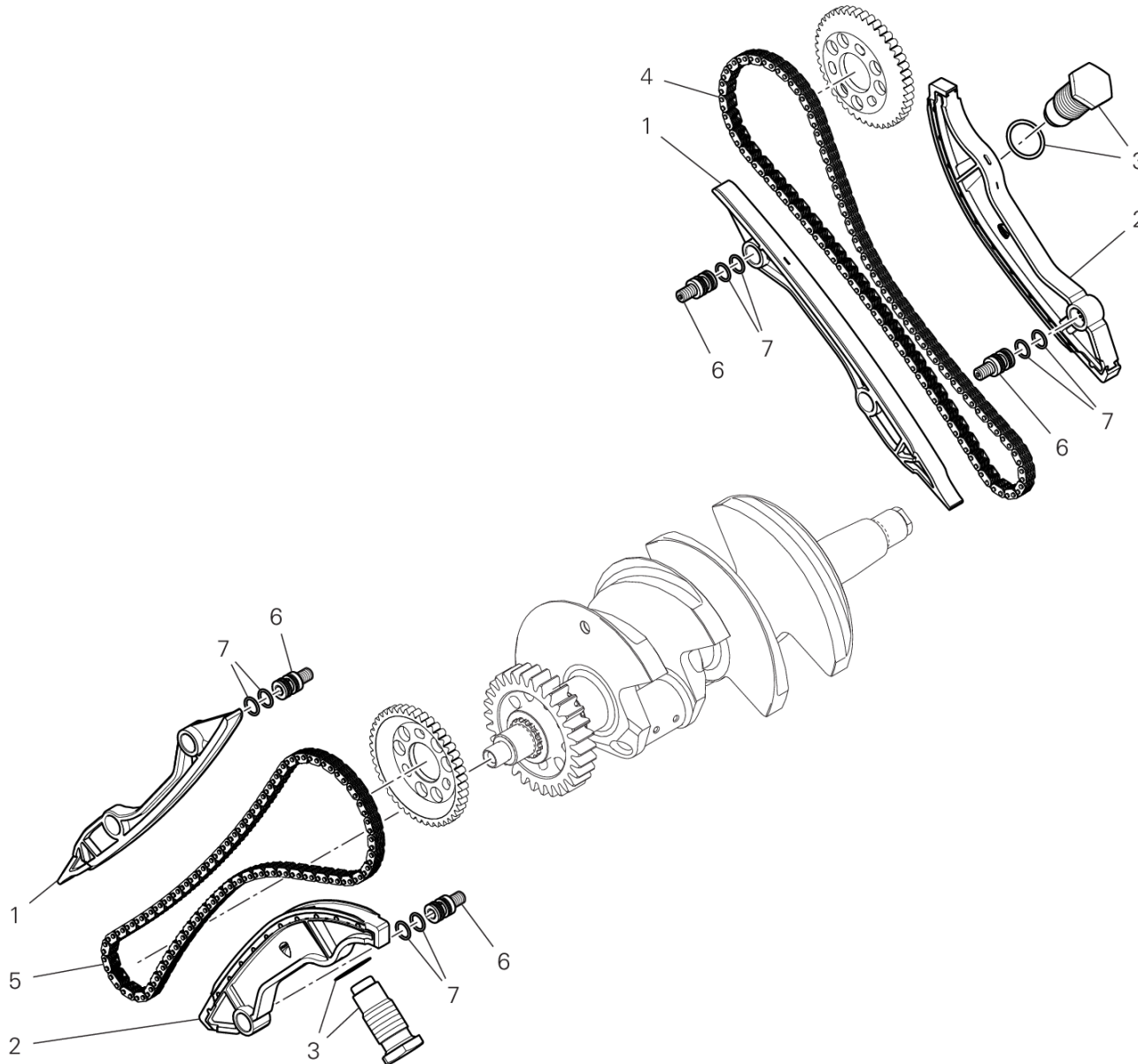
IMB00280

DRAWING 06A - CYLINDERS - PISTONS

GROUP ENGINE



POS.	CODE	DESCRIPTION	QTY	VALIDITY	NOTES
1	12120832A	PISTON RING SET	4		
2	12222471E	PISTON ASSY	4		
3	12113861B	PISTON PIN	4		
4	12113721B	RING	8		



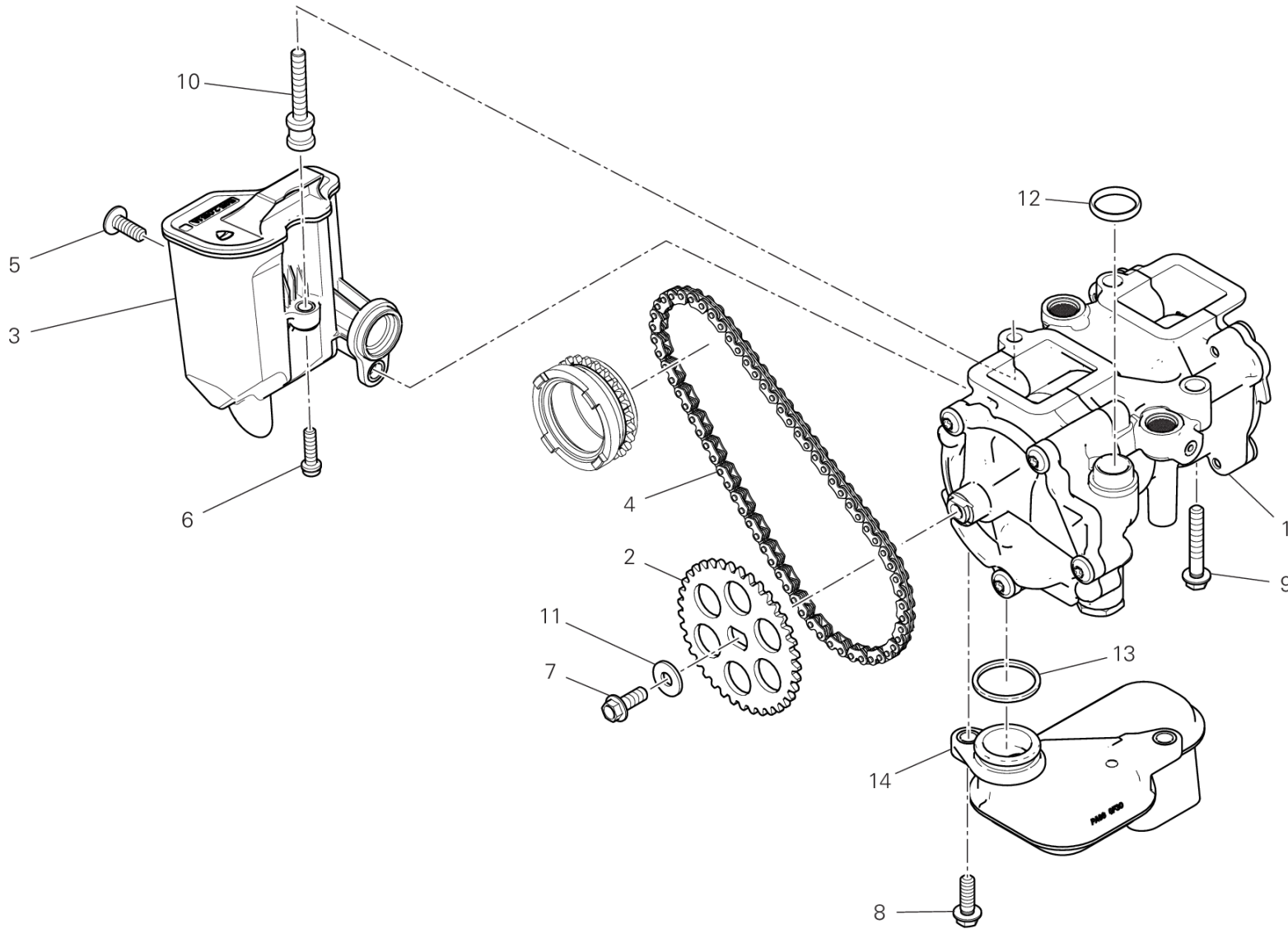
TST00693

DRAWING 07A - TIMING SYSTEM

GROUP ENGINE



POS.	CODE	DESCRIPTION	QTY	VALIDITY	NOTES
1	44740112A	COMPLETE FIXED TENSIONER ROLLER	2		
2	44740122A	COMPLETE MOVABLE TENSIONER ROLLER	2		
3	45140021C	COMPLETE TENSIONER ROLLER	2		
4	73840052A	CHAIN	1		
5	73840062A	CHAIN	1		
6	82115621B	PIN	4	XST:EUR	
7	88642081A	O-RING	8		



RAF00717

DRAWING 08A - OIL PUMP

GROUP ENGINE

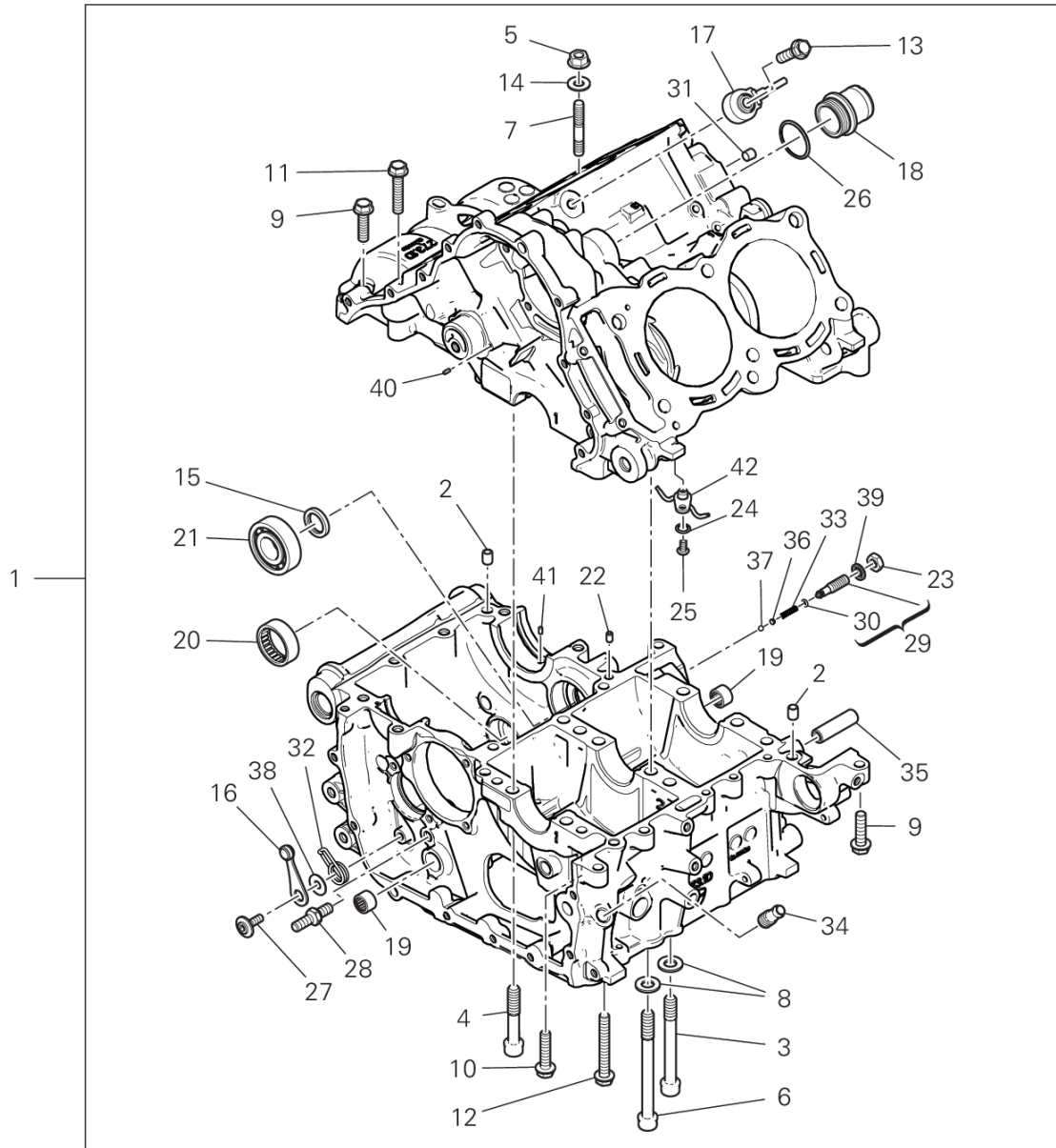


POS.	CODE	DESCRIPTION	QTY	VALIDITY	NOTES
1	249Z0012A	OIL PUMP	1		
2	44910741A	REAR SPROCKET T37	1		
3	58520151B	OIL/GAS SEPARATOR	1		
4	67641142A	CHAIN	1		
5	71850338C	SCREW	1		
6	77156423B	SCREW	1		
7	77253290ZF	SCREW	1		
8	77253304CF	SCREW	2		
9	77253364CF	SCREW	2		
10	77916041DA	SCREW, SPECIAL	1		
11	85214421A	WASHER	1		
12	88640541A	O-RING	1		
13	88642651A	O-RING	1		
14	89420203A	STRAINER, OIL	1		



DRAWING 09A - HALF-CRANKCASES PAIR

GROUP ENGINE



CRT00882

DRAWING 09A - HALF-CRANKCASES PAIR

GROUP ENGINE

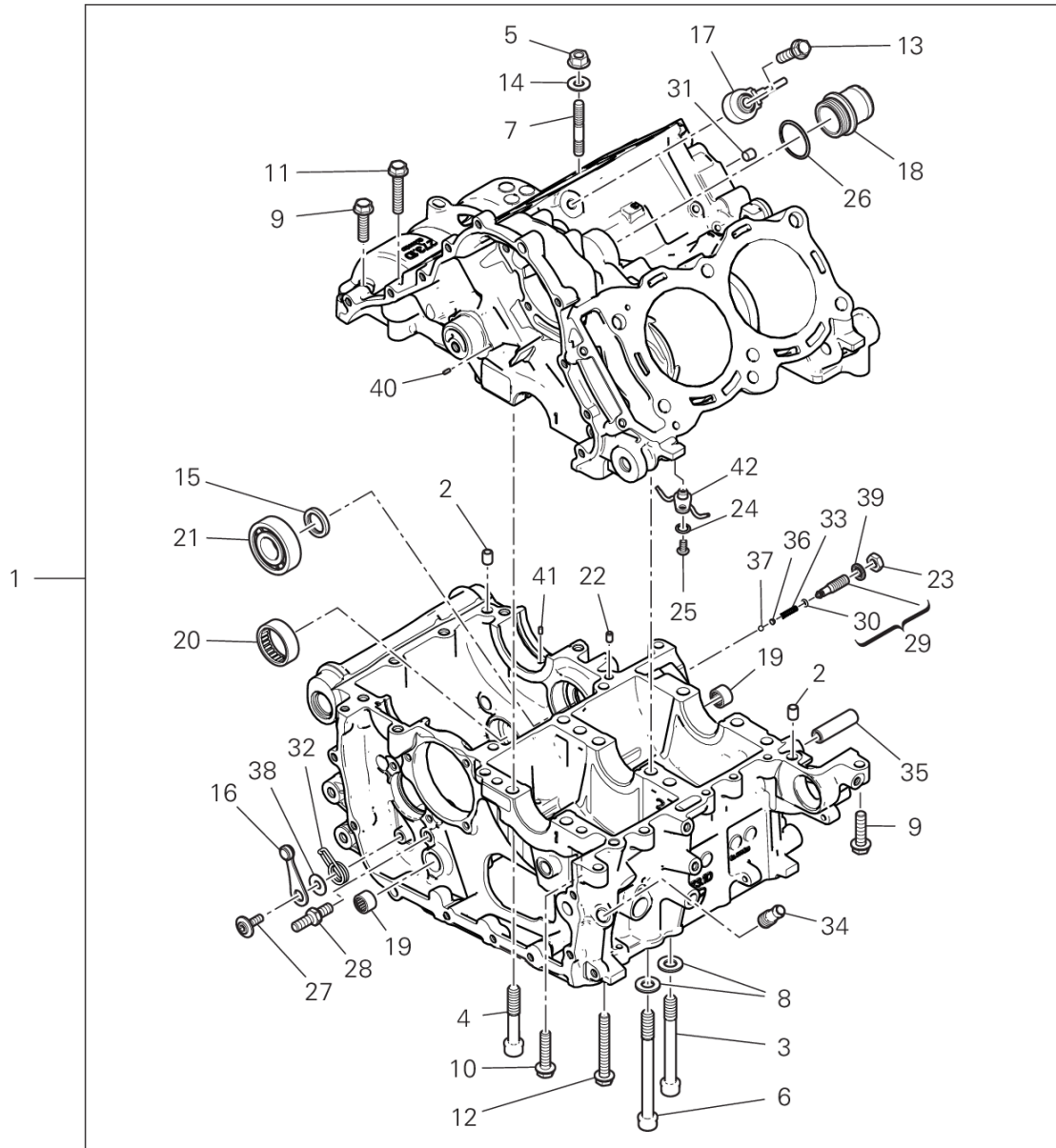


POS.	CODE	DESCRIPTION	QTY	VALIDITY	NOTES
1	225P0031D	COMPLETE HALF-CRANKCASES PAIR	1		
2	71112191A	PIN DOWEL	3		
3	7791A651A	SCREW	2		
4	7791A631A	SCREW	2		
5	74840481B	NUT	1		
6	7791A661A	SCREW	4		
7	76611231A	STUD BOLT	1		
8	85651691B	WASHER	4		
9	77251344C	SCREW	6		
10	7791C361A	SCREW	2		
11	77251364C	SCREW	1		
12	77251404C	SCREW	1		
13	77251324CF	SCREW	2		
14	85212771A	WASHER	1		
15	93040932A	OIL SEAL	1		
16	45520172A	GEAR STOPPER LEVER ASSEMBLY	1		
17	55243181A	DETECTOR	2		
18	66810581B	FILLER	1		
19	70140111B	BEARING, NEEDLE	2		
20	70241801A	NEEDLE BUSH	1		
21	70241901C	BEARING, NEEDLE	1		
22	71115051E	BUSH	1		
23	74710151B	NUT	1		
24	88650751A	O-RING	2		
25	77510314B	SCREW	2		
26	88642791A	O-RING	1		
27	77916241A	SCREW, SPECIAL	1		
28	7791A381A	SCREW, SPECIAL	1		
29	77927172B	SCREW	1		
30	88641961A	O-RING	1		
31	78010871B	PLUG	1		
32	79915101C	SPRING	1		
33	79940121A	SPRING	1		
34	81413421B	UNION RETURN	1		
35	82010141A	STARTER REDUCTION SHAFT	1		



DRAWING 09A - HALF-CRANKCASES PAIR

GROUP ENGINE



CRT00882

DRAWING 09A - HALF-CRANKCASES PAIR

GROUP ENGINE

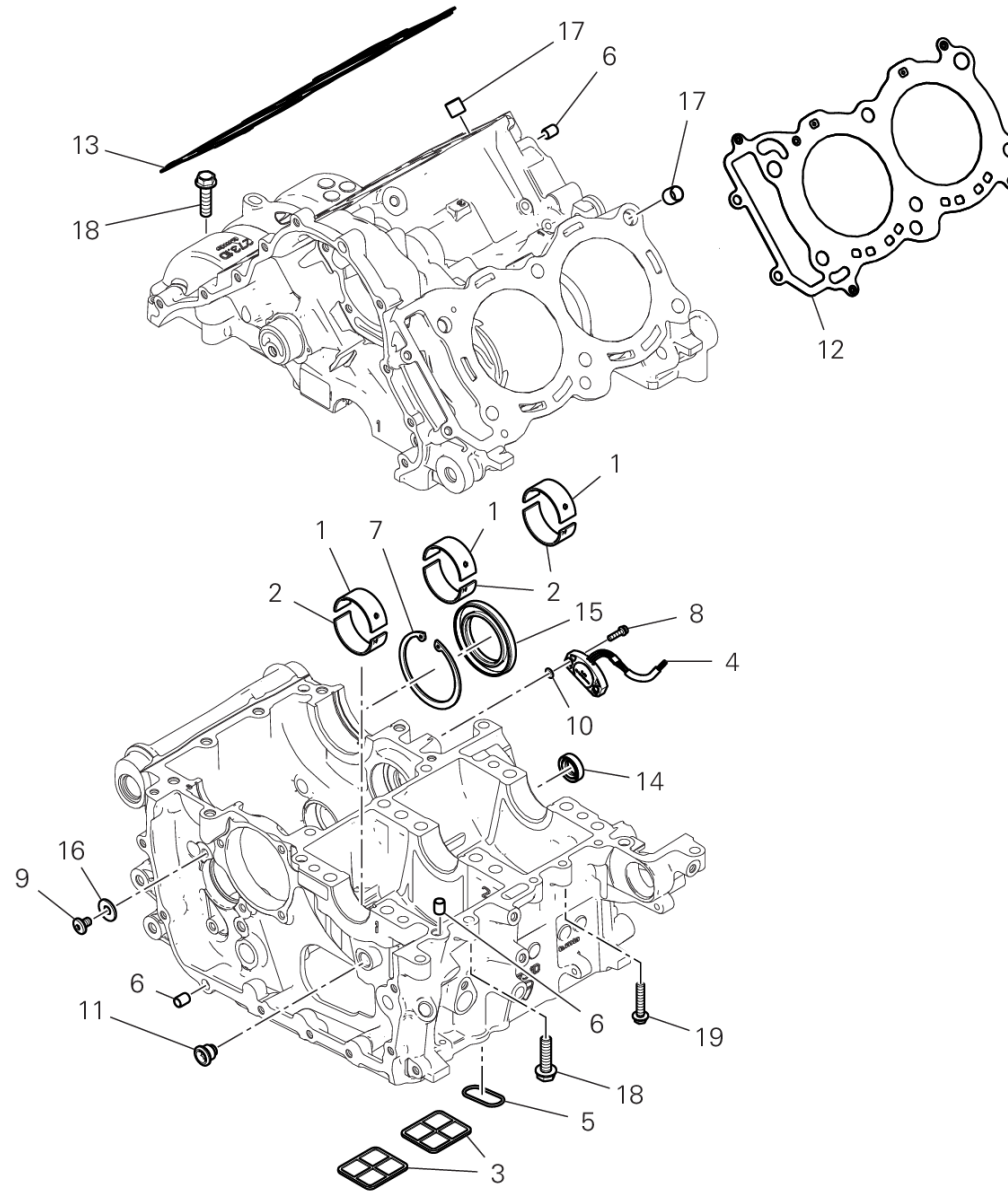


POS.	CODE	DESCRIPTION	QTY	VALIDITY	NOTES
36	83110151A	PLATE	1		
37	84740061A	BALL	1		
38	85212661A	WASHER	2		
39	85640141A	WASHER	1		
40	86040071A	PIN	2		
41	86050341A	PIN	1		
42	87512492B	JET	2		



DRAWING 09B - HALF-CRANKCASES PAIR

GROUP ENGINE



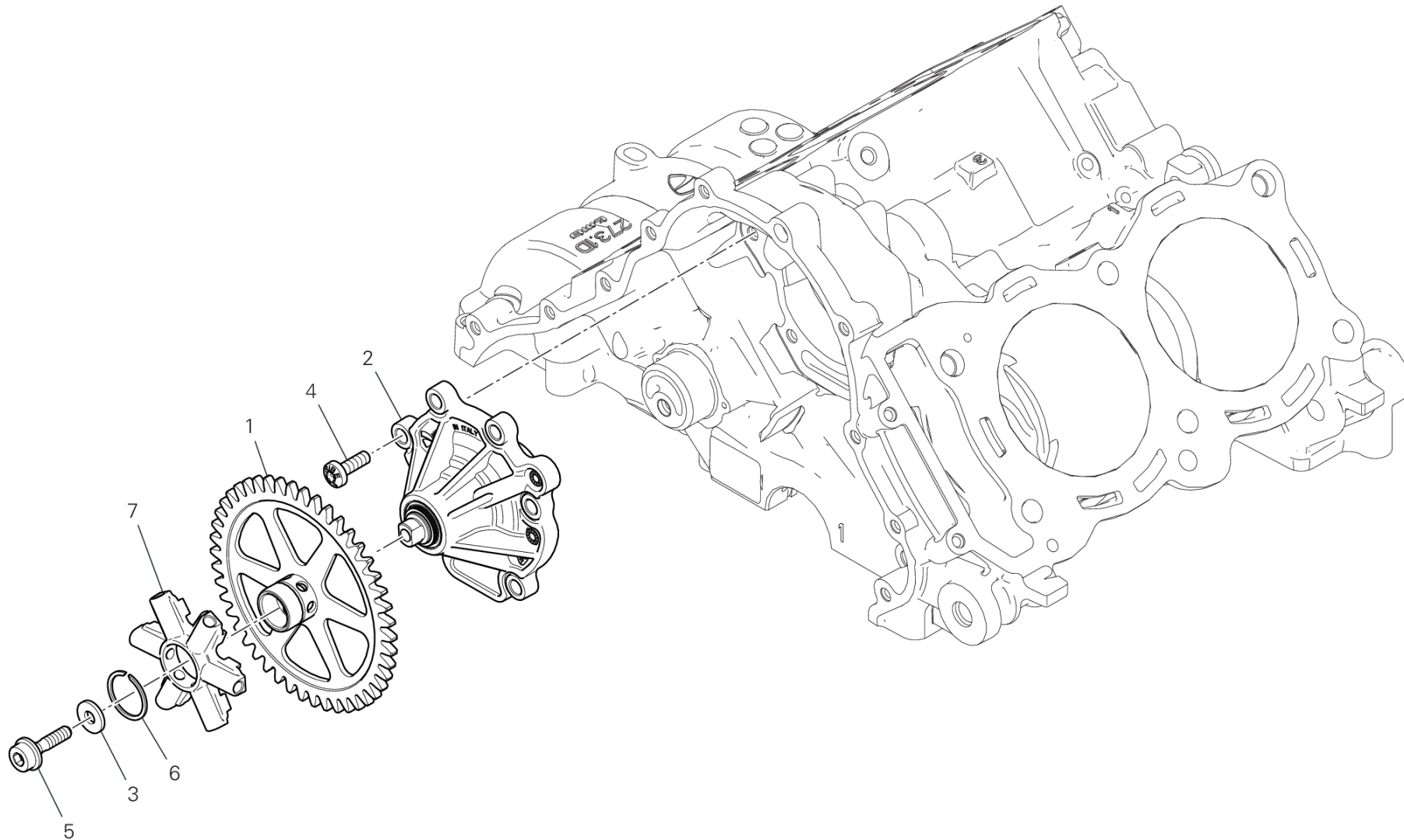
CRT00883

DRAWING 09B - HALF-CRANKCASES PAIR

GROUP ENGINE



POS.	CODE	DESCRIPTION	QTY	VALIDITY	NOTES
1	11210942AA	HALF-BEARING RED	3		
	11210942AB	HALF-BEARING BLUE	3		
	11210942AC	HALF-BEARING YELLOW	3		
	11210942AD	HALF-BEARING BLACK	3		
	11210942AE	HALF-BEARING GREEN	3		
2	11210952AA	HALF-BEARING RED	3		
	11210952AB	HALF-BEARING BLUE	3		
	11210952AC	HALF-BEARING YELLOW	3		
	11210952AD	HALF-BEARING BLACK	3		
	11210952AE	HALF-BEARING GREEN	3		
3	42710241A	OIL NET FILTER	2		
4	55243941B	GEARBOX POSITION SENSOR	1		
5	88650831A	O-RING	1		
6	71113171A	LOCATING DOWEL	10		
7	735034405	SNAP RING	1		
8	77156209E	SCREW	2		
9	77240393C	SCREW TBEIF M6X10 10.9	2		
10	85250871A	WASHER	2		
11	78010511C	PLUG	1		
12	78611541B	GASKET, CYLINDER HEAD	1		
13	78611551B	GASKET, CYLINDER HEAD	1		
14	93041591A	SEAL RING	1		
15	93042221A	SEAL RING	1		
16	85212661A	WASHER	2		
17	71116941A	BUSH	4		
18	77251344C	SCREW	3		
19	77253354C	SCREW	4		



RAF00715

DRAWING 10A - WATER PUMP

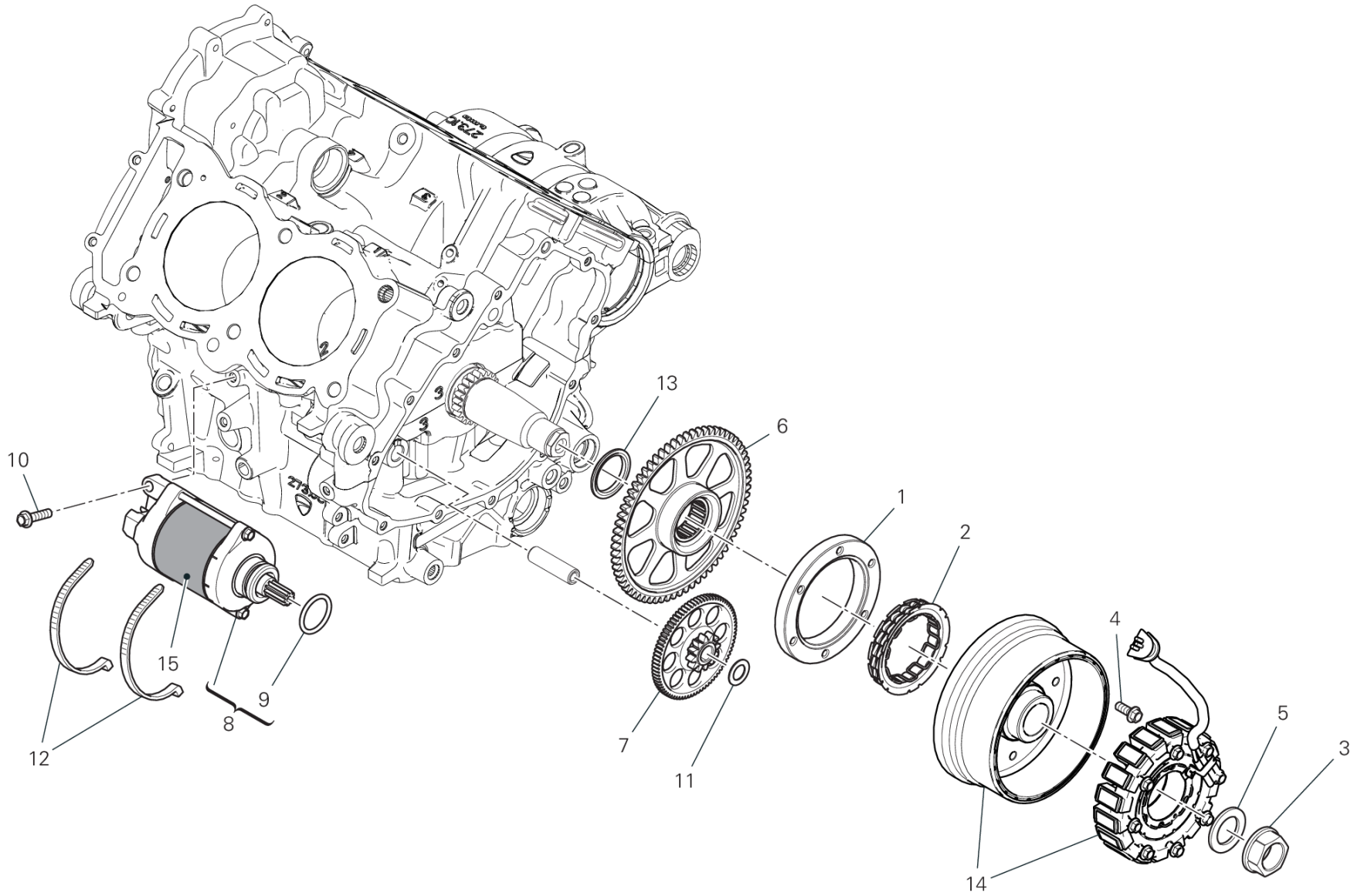
GROUP ENGINE



POS.	CODE	DESCRIPTION	QTY	VALIDITY	NOTES
1	17410851C	PUMP GEAR	1		
2	24920511H	COMPLETE WATER PUMP	1		
3	85214421A	WASHER	1		
4	77941992A	SCREW	6		
5	7791B121A	SCREW, SPECIAL	1		
6	88441031A	SPRING RING	1		
7	25110101A	FAN	1		



DRAWING 11A - ELECTRIC STARTING AND IGNITION GROUP ENGINE



IMP01346

DRAWING 11A - ELECTRIC STARTING AND IGNITION

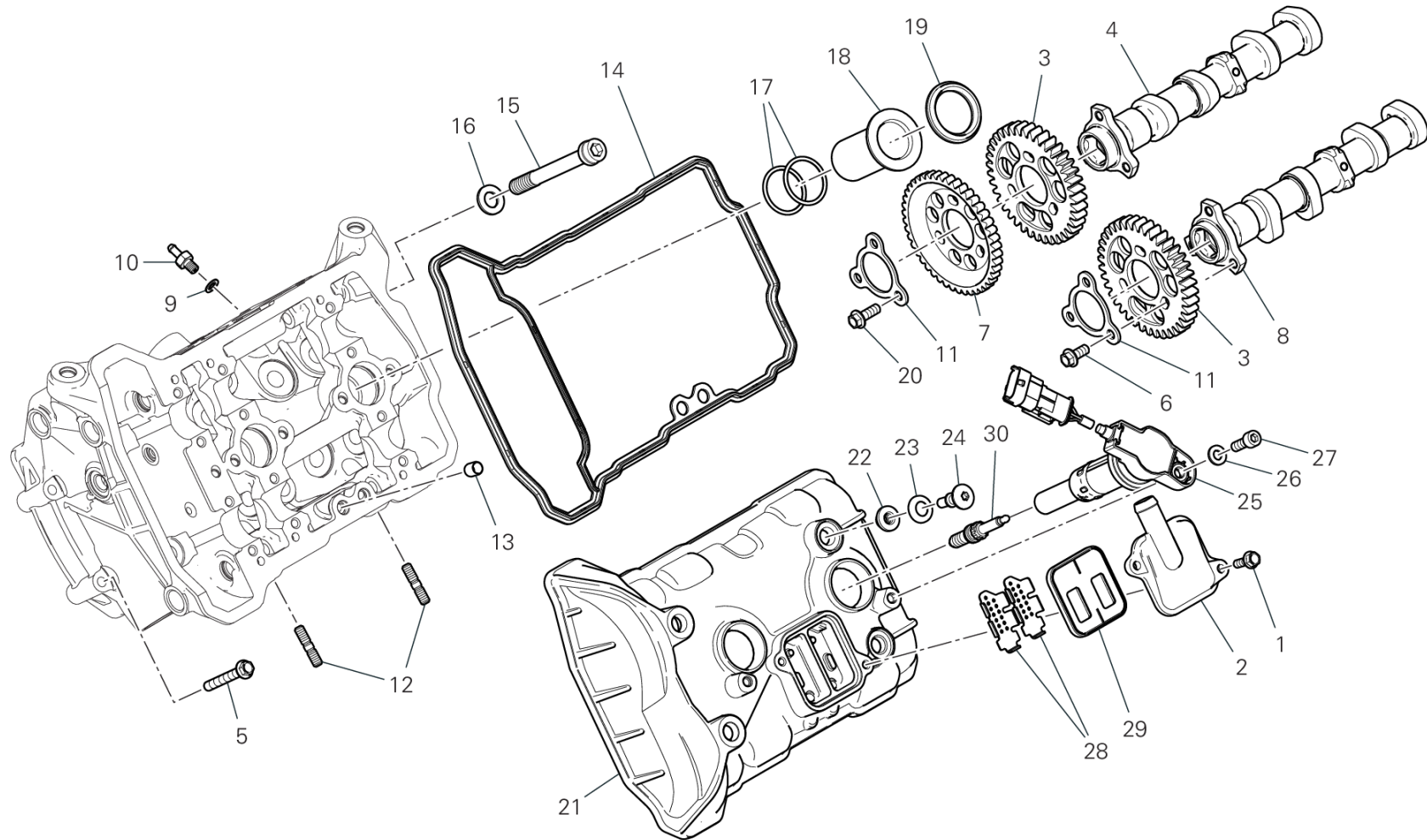
GROUP ENGINE



POS.	CODE	DESCRIPTION	QTY	VALIDITY	NOTES
1	16016931A	FLANGE STARTING CLUTCH	1		
2	70140471A	CLUTCH, ONE WAY	1		
3	74811021B	NUT, FLANGE	1		
4	77253300ZF	SCREW	8		
5	85214071B	WASHER	1		
6	17320331C	DRIVEN GEAR	1		
7	17610281A	IDLE GEAR	1		
8	27040193A	STARTING MOTOR	1		
9	88643151A	O RING	1		
10	77253334CF	SCREW	2		
11	85212651A	WASHER	1		
12	74142441A	CLAMP	2		
13	71316102A	SPACER	1		
14	26420581C	GENERATOR	1		
15	4601F472A	THERMOREFLECTING PROTECTION	1		



DRAWING 12A - FRONT HEAD - TIMING SYSTEM GROUP ENGINE



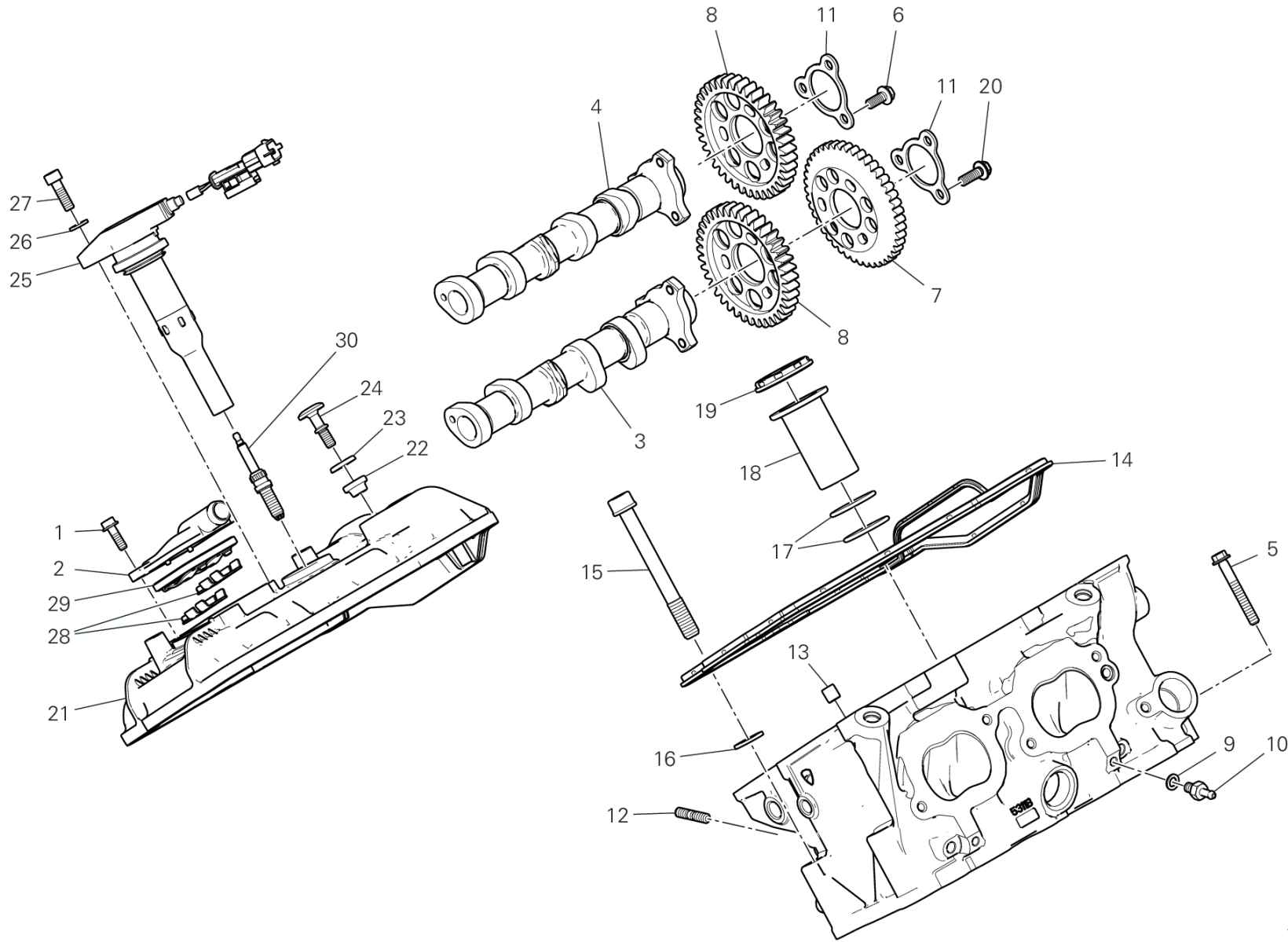
TST00694

DRAWING 12A - FRONT HEAD - TIMING SYSTEM

GROUP ENGINE



POS.	CODE	DESCRIPTION	QTY	VALIDITY	NOTES
1	77250744BA	SCREW	2		
2	24715791A	COVER	1		
3	17112222B	GEAR T39	2		
4	14816151A	FRONT INTAKE CAMSHAFT	1		
5	77253384C	SCREW	2		
6	77253280Z	SCREW	3		
7	17112211A	IDLE GEAR	1		
8	14816161A	FRONT EXHAUST CAMSHAFT	1		
9	85250231A	GASKET	2		
10	81411113B	NIPPLE, HOSE	2		
11	85611621A	PLATE	1		
12	76640191A	STUD BOLT M6X16	6		
13	71113742A	BUSH	2		
14	78811622B	GASKET	1		
15	7791A621B	SCREW	6		
16	85651691B	WASHER	6		
17	88650741A	O-RING	4		
18	8291G311A	GUIDE	2		
19	78811612A	GASKET	2		
20	77253300ZF	SCREW	3		
21	24715882AH	COVER	1		
22	76412121A	VIBRATION DAMPER PAD	4		
23	85611551A	WASHER	4		
24	7791A751B	SCREW, SPECIAL	4		
25	38010211D	IGNITION COIL ASSY	2		
26	85212641A	WASHER 6.4X12.5X1.6	2		
27	77110401B	SCREW	2		
28	82718441A	PLATE	2		
29	81140021A	REED VALVE ASSY	1		
30	67040581B	SPARK PLUG	2		



TST00695

DRAWING 12B - REAR HEAD - TIMING SYSTEM

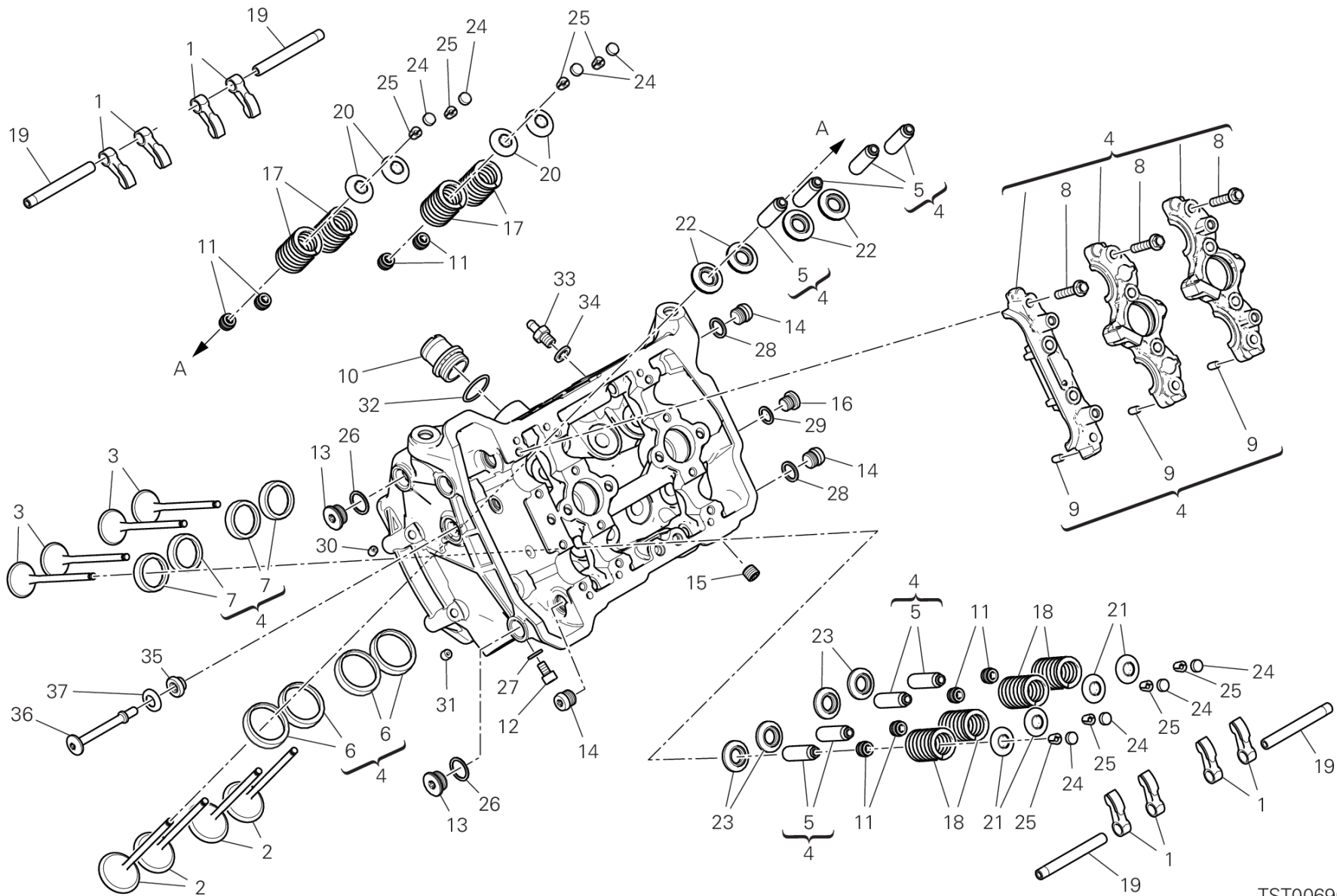
GROUP ENGINE



POS.	CODE	DESCRIPTION	QTY	VALIDITY	NOTES
1	77250744BA	SCREW	2		
2	24715791A	COVER	1		
3	14816141A	REAR EXHAUST CAMSHAFT	1		
4	14816131A	REAR INTAKE CAMSHAFT	1		
5	77253384C	SCREW	2		
6	77253280Z	SCREW	3		
7	17112211A	IDLE GEAR	1		
8	17112222B	GEAR T39	2		
9	85250231A	GASKET	2		
10	81411113B	NIPPLE, HOSE	2		
11	85611621A	PLATE	1		
12	76640191A	STUD BOLT M6X16	6		
13	71113742A	BUSH	2		
14	78811602B	GASKET	1		
15	7791A621B	SCREW	6		
16	85651691B	WASHER	6		
17	88650741A	O-RING	4		
18	8291G311A	GUIDE	2		
19	78811612A	GASKET	2		
20	77253300ZF	SCREW	3		
21	24715873AH	COVER	1		
22	76412121A	VIBRATION DAMPER PAD	4		
23	85611551A	WASHER	4		
24	7791A751B	SCREW, SPECIAL	4		
25	38010211D	IGNITION COIL ASSY	2		
26	85212641A	WASHER 6.4X12.5X1.6	2		
27	77110401B	SCREW	2		
28	82718441A	PLATE	2		
29	81140021A	REED VALVE ASSY	1		
30	67040581B	SPARK PLUG	2		



DRAWING 12C - FRONT HEAD GROUP ENGINE



TST00696

DRAWING 12C - FRONT HEAD

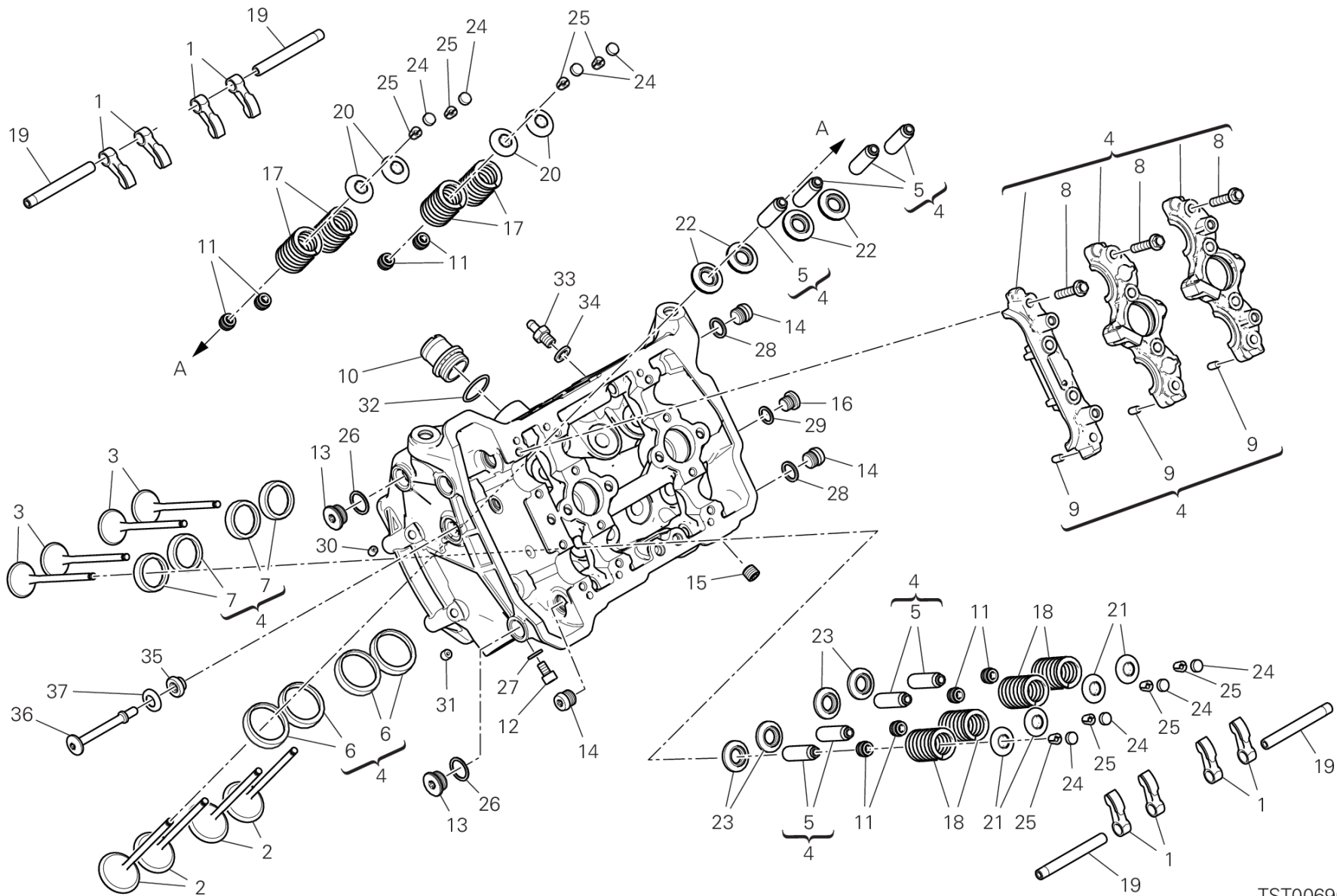
GROUP ENGINE



POS.	CODE	DESCRIPTION	QTY	VALIDITY	NOTES
1	20810521A	ARM	8		
2	21011221D	INTAKE VALVE	4		
3	21111222B	EXHAUST VALVE	4		
4	30125443DR	FRONT HEAD	1		
5	303B0841A	VALVE GUIDE	8		
6	304A1131A	SEAT, INTAKE VALVE	4		
7	304A1141A	SEAT, EXHAUST VALVE	4		
8	77253350Z	SCREW	12		
9	86050061A	PIN M5X10	6		
10	66810591A	FILLER	1		
11	76440091B	SEAL VALVE STEM	8		
12	77150624B	SCREW	1		
13	77913541A	THREADED PLUG M15X1	2		
14	77913611A	THREADED PLUG	4		
15	78011262A	PLUG	4		
16	78050011B	THREADED PLUG	1		
17	79810071A	SPRING	4		
18	79810081A	SPRING	4		
19	82115561A	SHAFT, OPENING ROCKER	4		
20	83810011A	PLATE	4		
21	83810021A	PLATE	4		
22	83910051A	PLATE	4		
23	83910071A	PLATE	4		
24	84012021AA	ADJUSTER, OPENING ROCKER ARM 1.85 MM	8		
	84012021AB	ADJUSTER, OPENING ROCKER ARM 1.90 MM	8		
	84012021AC	ADJUSTER, OPENING ROCKER ARM 1.95 MM	8		
	84012021AD	ADJUSTER, OPENING ROCKER ARM 2.00 MM	8		
	84012021AE	ADJUSTER, OPENING ROCKER ARM 2.05 MM	8		
	84012021AF	ADJUSTER, OPENING ROCKER ARM 2.10 MM	8		
	84012021AG	ADJUSTER, OPENING ROCKER ARM 2.15 MM	8		
	84012021AH	ADJUSTER, OPENING ROCKER ARM 2.20 MM	8		
	84012021AI	ADJUSTER, OPENING ROCKER ARM 2.25 MM	8		
	84012021AJ	ADJUSTER, OPENING ROCKER ARM 2.30 MM	8		
	84012021AK	ADJUSTER, OPENING ROCKER ARM 2.35 MM	8		
	84012021AL	ADJUSTER, OPENING ROCKER ARM 2.40 MM	8		



DRAWING 12C - FRONT HEAD GROUP ENGINE



TST00696

DRAWING 12C - FRONT HEAD

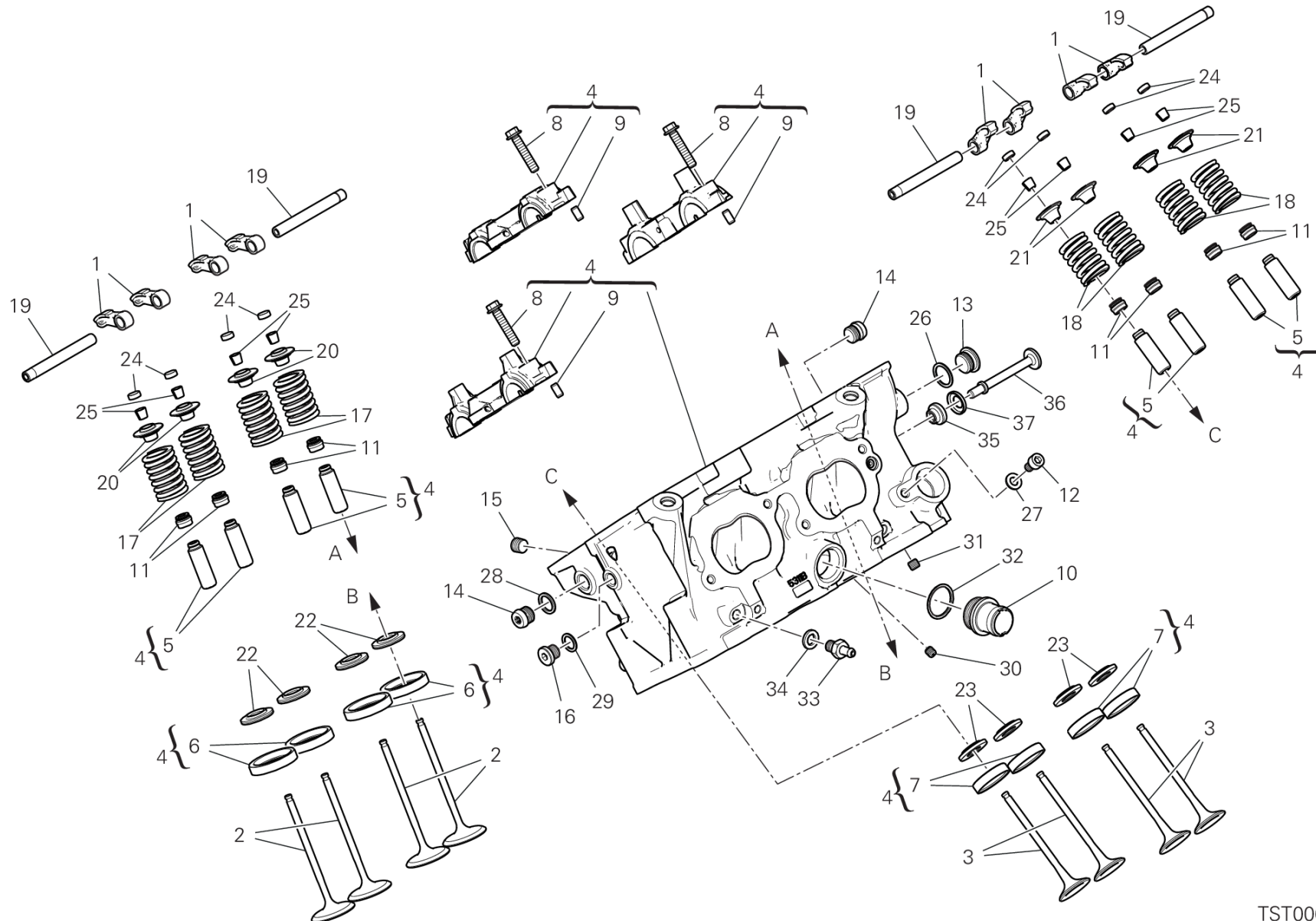
GROUP ENGINE



POS.	CODE	DESCRIPTION	QTY	VALIDITY	NOTES
	84012021AM	ADJUSTER, OPENING ROCKER ARM 2.45 MM	8		
	84012021AN	ADJUSTER, OPENING ROCKER ARM 2.50 MM	8		
	84012021AO	ADJUSTER, OPENING ROCKER ARM 2.55 MM	8		
	84012021AP	ADJUSTER, OPENING ROCKER ARM 2.60 MM	8		
	84012021AQ	ADJUSTER, OPENING ROCKER ARM 2.65 MM	8		
25	84540081A	VALVE COLLET PAIR	16		
26	85211201A	ALUMINIUM GASKET	2		
27	85240261A	WASHER	1		
28	85241831A	WASHER	2		
29	85250241A	WASHER 10X14X1	1		
30	86010061A	PIN	1		
31	86010151A	PIN	1		
32	88642721A	O-RING	1		
33	81416941A	UNION	2		
34	85212971A	COPPER GASKET	2		
35	76412121A	VIBRATION DAMPER PAD	1		
36	7791B491A	SCREW, SPECIAL	1		
37	85611551A	WASHER	1		



DRAWING 12D - REAR HEAD GROUP ENGINE



TST00697

DRAWING 12D - REAR HEAD

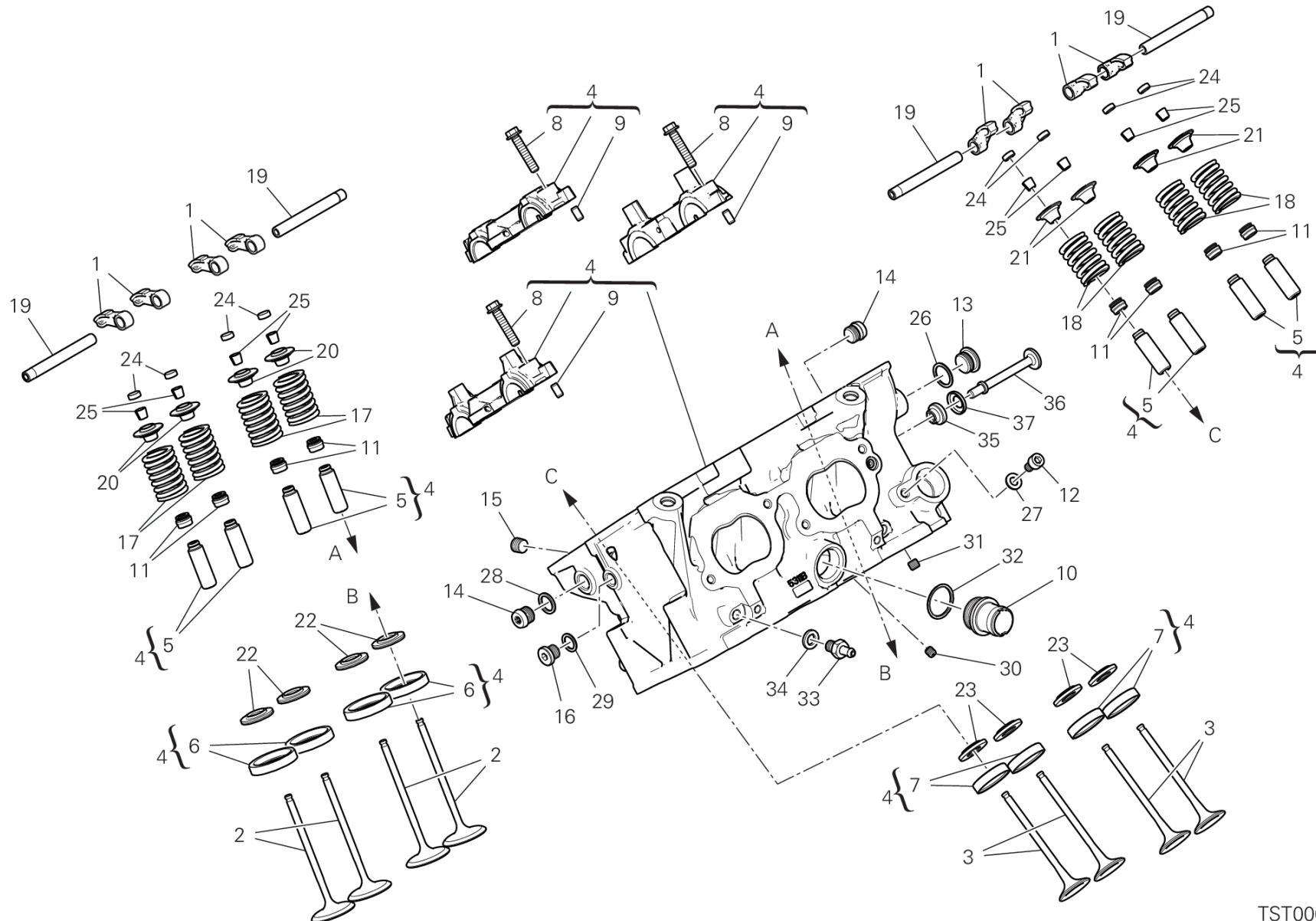
GROUP ENGINE



POS.	CODE	DESCRIPTION	QTY	VALIDITY	NOTES
1	20810521A	ARM	8		
2	21011221D	INTAKE VALVE	4		
3	21111222B	EXHAUST VALVE	4		
4	30125433DR	REAR HEAD	1		
5	303B0841A	VALVE GUIDE	8		
6	304A1131A	SEAT, INTAKE VALVE	4		
7	304A1141A	SEAT, EXHAUST VALVE	4		
8	77253350Z	SCREW	12		
9	86050061A	PIN M5X10	6		
10	66810591A	FILLER	1		
11	76440091B	SEAL VALVE STEM	8		
12	77150624B	SCREW	1		
13	77913541A	THREADED PLUG M15X1	2		
14	77913611A	THREADED PLUG	4		
15	78011262A	PLUG	4		
16	78050011B	THREADED PLUG	1		
17	79810071A	SPRING	4		
18	79810081A	SPRING	4		
19	82115561A	SHAFT, OPENING ROCKER	4		
20	83810011A	PLATE	4		
21	83810021A	PLATE	4		
22	83910051A	PLATE	4		
23	83910071A	PLATE	4		
24	84012021AA	ADJUSTER, OPENING ROCKER ARM 1.85 MM	8		
	84012021AB	ADJUSTER, OPENING ROCKER ARM 1.90 MM	8		
	84012021AC	ADJUSTER, OPENING ROCKER ARM 1.95 MM	8		
	84012021AD	ADJUSTER, OPENING ROCKER ARM 2.00 MM	8		
	84012021AE	ADJUSTER, OPENING ROCKER ARM 2.05 MM	8		
	84012021AF	ADJUSTER, OPENING ROCKER ARM 2.10 MM	8		
	84012021AG	ADJUSTER, OPENING ROCKER ARM 2.15 MM	8		
	84012021AH	ADJUSTER, OPENING ROCKER ARM 2.20 MM	8		
	84012021AI	ADJUSTER, OPENING ROCKER ARM 2.25 MM	8		
	84012021AJ	ADJUSTER, OPENING ROCKER ARM 2.30 MM	8		
	84012021AK	ADJUSTER, OPENING ROCKER ARM 2.35 MM	8		
	84012021AL	ADJUSTER, OPENING ROCKER ARM 2.40 MM	8		



DRAWING 12D - REAR HEAD GROUP ENGINE



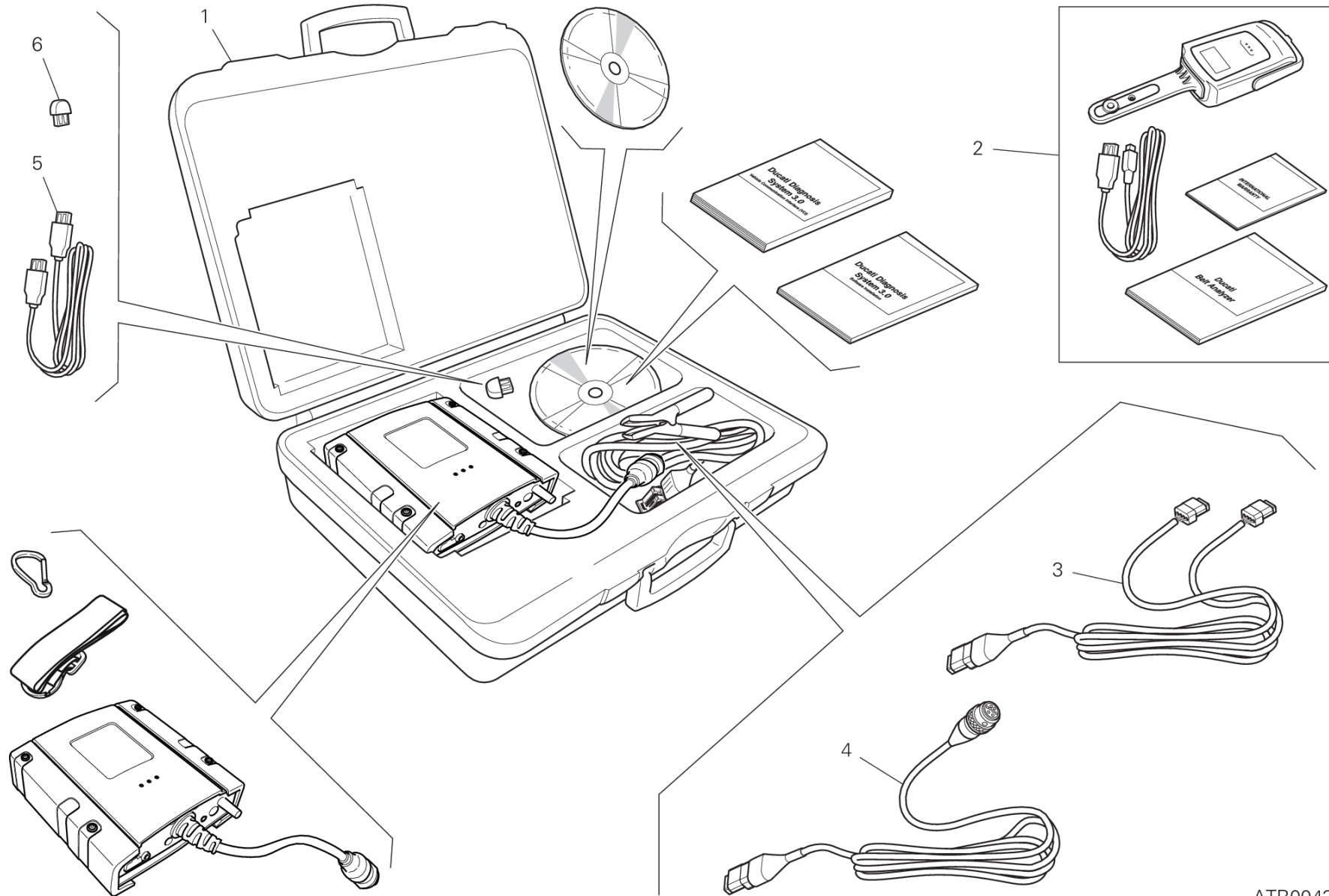
TST00697

DRAWING 12D - REAR HEAD

GROUP ENGINE



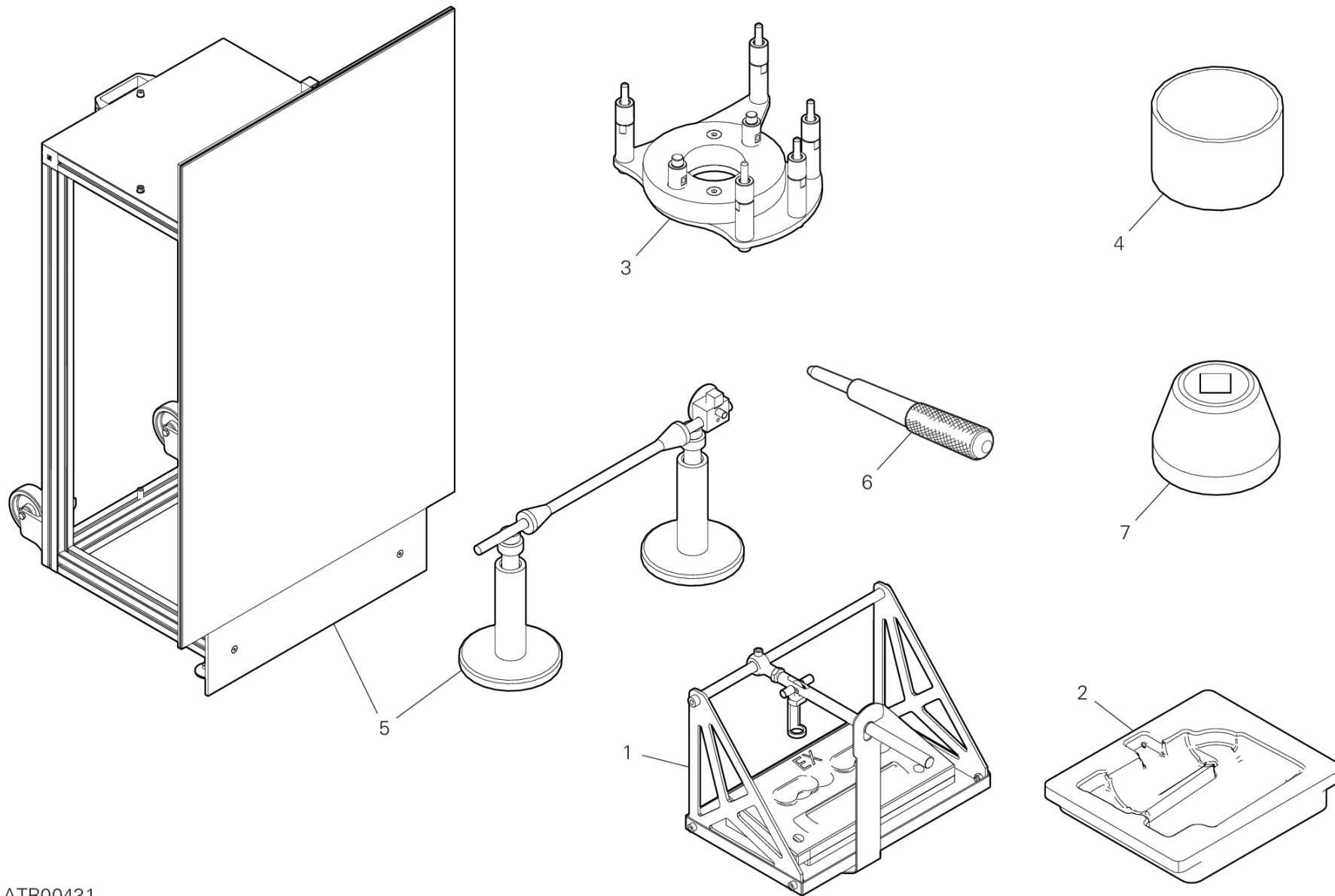
POS.	CODE	DESCRIPTION	QTY	VALIDITY	NOTES
	84012021AM	ADJUSTER, OPENING ROCKER ARM 2.45 MM	8		
	84012021AN	ADJUSTER, OPENING ROCKER ARM 2.50 MM	8		
	84012021AO	ADJUSTER, OPENING ROCKER ARM 2.55 MM	8		
	84012021AP	ADJUSTER, OPENING ROCKER ARM 2.60 MM	8		
	84012021AQ	ADJUSTER, OPENING ROCKER ARM 2.65 MM	8		
25	84540081A	VALVE COLLET PAIR	16		
26	85211201A	ALUMINIUM GASKET	2		
27	85240261A	WASHER	1		
28	85241831A	WASHER	2		
29	85250241A	WASHER 10X14X1	1		
30	86010061A	PIN	1		
31	86010151A	PIN	1		
32	88642721A	O-RING	1		
33	81416941A	UNION	2		
34	85212971A	COPPER GASKET	2		
35	76412121A	VIBRATION DAMPER PAD	1		
36	7791B491A	SCREW, SPECIAL	1		
37	85611551A	WASHER	1		



ATR00435



POS.	CODE	DESCRIPTION	QTY	VALIDITY	NOTES
1	979000279	DDS 3	1		
2	979000253	BELT TENSIONING KIT	1		
3	979000282	DIAGNOSIS CABLE	1		
4	979000283	CONNECTING CABLE	1		
5	979000284	USB CABLE	1		
6	979000281	HASP DDS3 KEY	1		



ATR00431



POS.	CODE	DESCRIPTION	QTY	VALIDITY	NOTES
1	889450087	CYLINDER HEAD REMOVAL TOOL	1		
2	889450111	ENGINE SUPPORT TOOL	1		
3	889450138	FLYWHEEL NUT TIGHTENING TOOL	1		
4	889450137	PISTON DRIVE TOOL	1		
5	889450124	RADAR ADJUSTMENT TOOL	1		
6	887132589	SEAL RING DRIVING PUNCH TOOL	1		
7	887138848	BUSH FOR INSTALLING/REMOVING THE FORK PLUG	1		



DRAWING A - TYRES

GROUP TYRES



POS.	CODE	DESCRIPTION	QTY	VALIDITY	NOTES
1	490PE255A	FRONT TYRE	1		(*)=Pneumatico di primo equipaggiamento
2	491PE355A	REAR TYRE	1		(*)=Pneumatico di primo equipaggiamento
3	490PE323A	FRONT TYRE	1		
4	491PE327A	REAR TYRE	1		
5	490PE333A	FRONT TYRE	1		
6	491PE336A	REAR TYRE	1		



DRAWING B - ORIGINAL EQUIPMENT TYRES

GROUP TYRES



POS.	CODE	DESCRIPTION	QTY	VALIDITY	NOTES
1	490PE255A	FRONT TYRE	1		(*)=Pneumatico di primo equipaggiamento
2	491PE355A	REAR TYRE	1		(*)=Pneumatico di primo equipaggiamento



DRAWING C - PIRELLI SCORPION™ RALLY

GROUP TYRES



POS.	CODE	DESCRIPTION	QTY	VALIDITY	NOTES
1	490PE323A	FRONT TYRE	1		
2	491PE327A	REAR TYRE	1		



DRAWING D - PIRELLI SCORPION™ RALLY STR

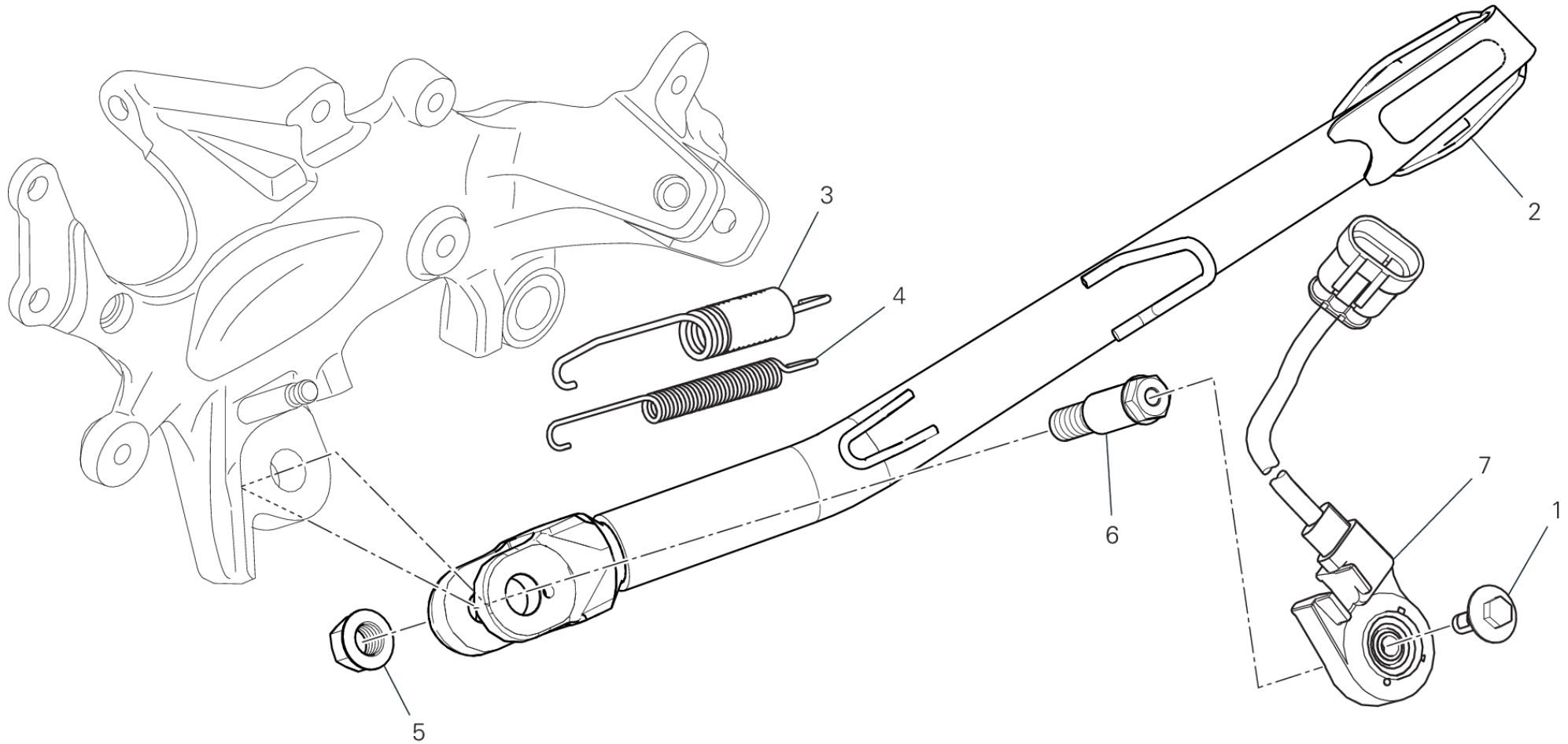
GROUP TYRES



POS.	CODE	DESCRIPTION	QTY	VALIDITY	NOTES
1	490PE333A	FRONT TYRE	1		
2	491PE336A	REAR TYRE	1		



DRAWING 16A - SIDE STAND GROUP FRAME



DRAWING 16A - SIDE STAND

GROUP FRAME

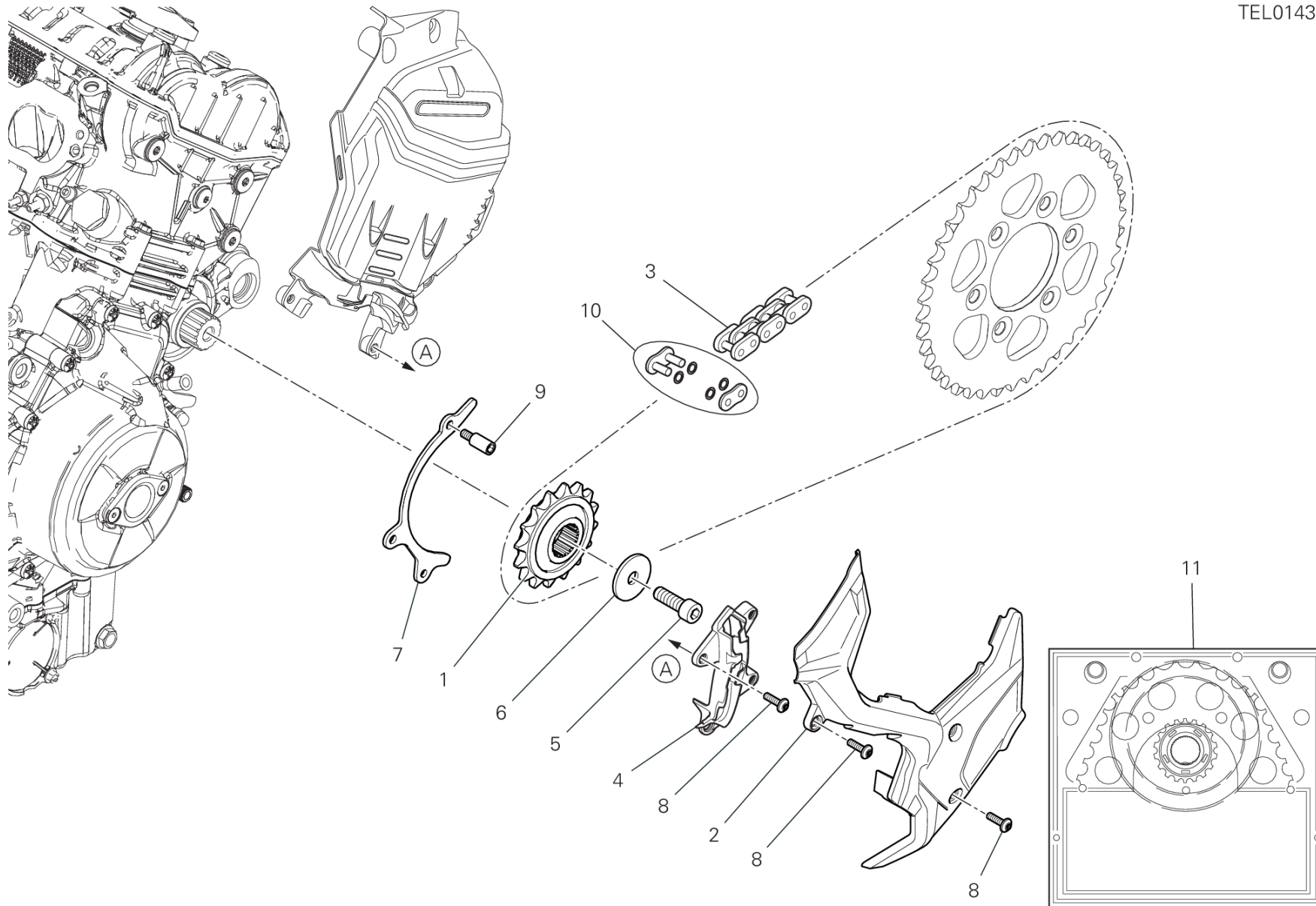


POS.	CODE	DESCRIPTION	QTY	VALIDITY	NOTES
1	77917241AA	SCREW	1		
2	55611101BA	SIDE STAND	1	XST:EUR	
3	79921602A	COMPLETE SPRING	1		
4	79915081A	INNER SPRING	1		
5	74810761A	NUT	1		
6	82119582BA	AXLE, SIDE STAND	1		
7	53910351A	SWITCH, STAND	1		



DRAWING 17A - FRONT SPROCKET - CHAIN GROUP FRAME

TEL01430



DRAWING 17A - FRONT SPROCKET - CHAIN

GROUP FRAME



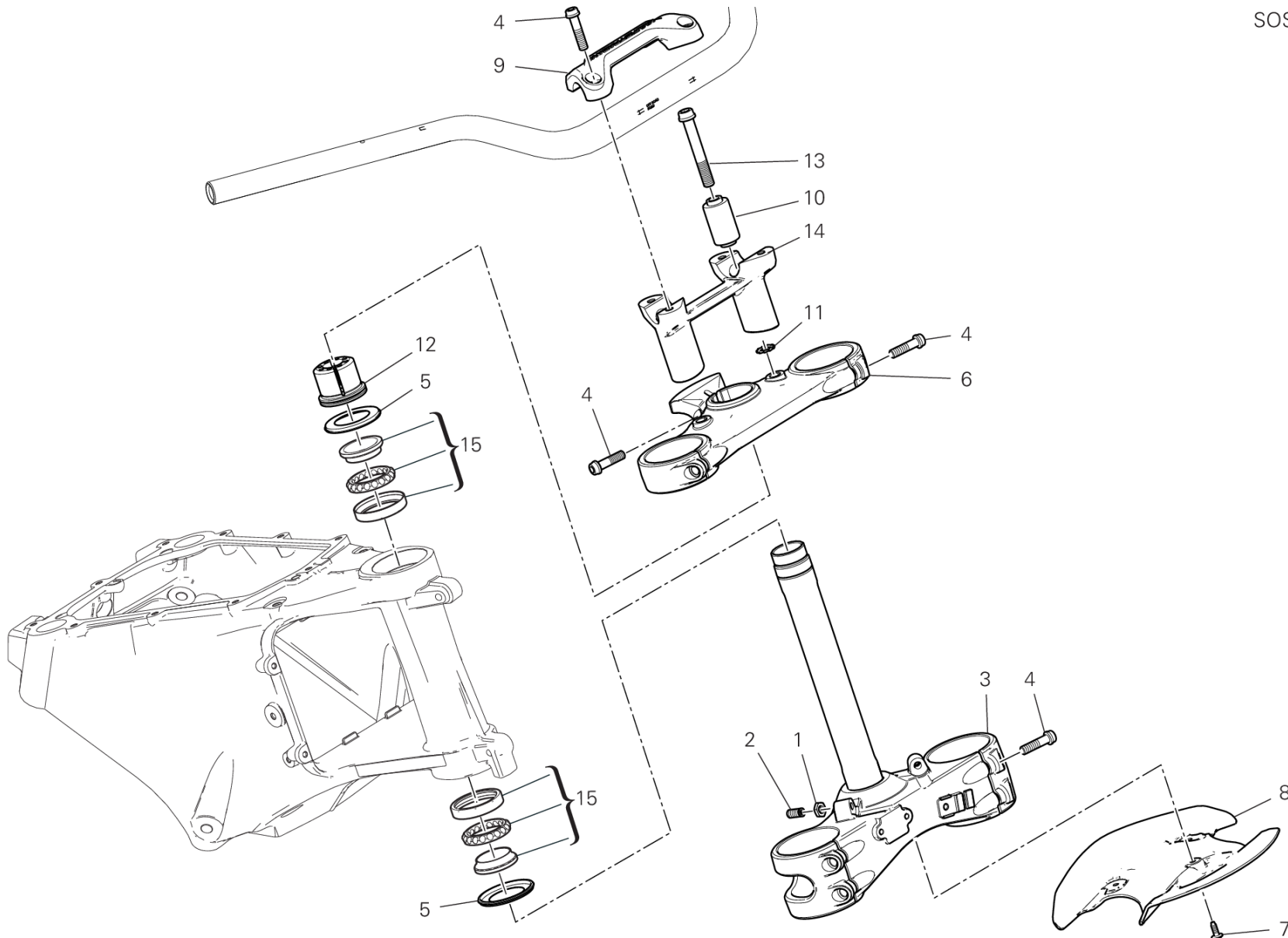
POS.	CODE	DESCRIPTION	QTY	VALIDITY	NOTES
1	44910811B	CHAIN SPROCKET Z16	1		
2	4601071A	CHAIN PINION COVER	1		
3	67641671A	CHAIN 123+1	1		
4	75811641A	FAIRLEAD	1		
5	77154337C	SCREW	1		
6	85212801A	THRUST WASHER	1		
7	44712181A	CHAIN SLIDER	1		
8	77244203B	SCREW	4		
9	77916081A	SCREW, SPECIAL	1		
10	67740033A	CHAIN LINK	1		
11	67621241A	FINAL DRIVE KIT	1		



DRAWING 18A - STEERING HEAD BASE ASSEMBLY

GROUP FRAME

SOS01098



DRAWING 18A - STEERING HEAD BASE ASSEMBLY

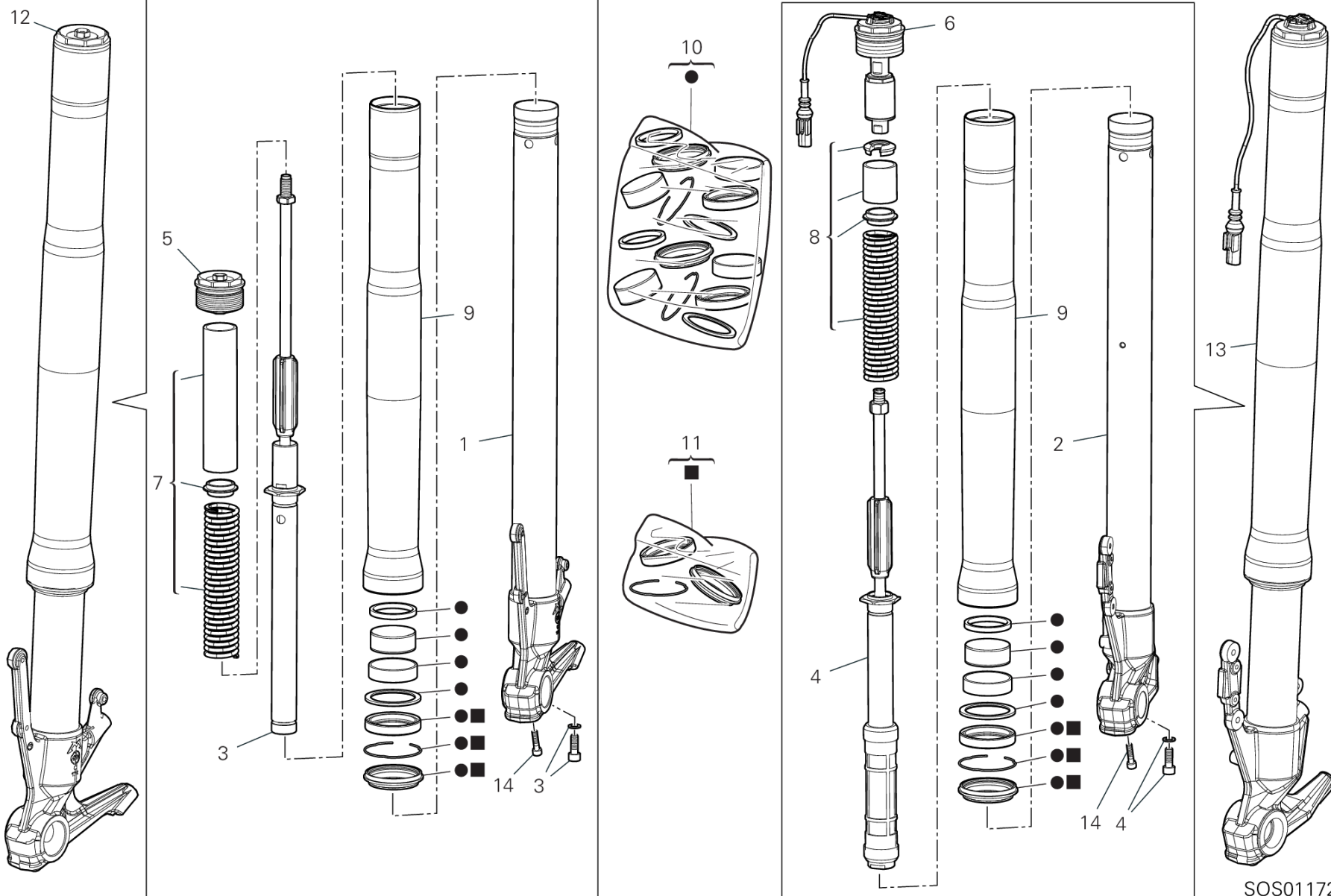
GROUP FRAME



POS.	CODE	DESCRIPTION	QTY	VALIDITY	NOTES
1	74750071A	NUT	2		
2	77910991B	SCREW	2		
3	34221131BA	STEERING HEAD BASE	1		
4	77157278B	SCREW TCEIF M8X30	11		
5	93010041B	SEAL RING	1		
6	34111701BA	STEERING HEAD	1		
7	77211091A	SCREW TBEI M5X12	3		
8	4601H581B	MUDFLAP	1		
9	36015821AA	HANDLEBAR BRACKET, UPPER	1		
10	70011121A	VIBRATION DAMPER	2		
11	85350111A	WASHER, SPRING	2		
12	70310131A	THREAD, STEERING HEAD TOP	1		
13	77159418B	SCREW M10X1.25X70	2		
14	36012131AA	HOLDER, HANDLE LOWER	1		
15	70241231A	BEARING, STEERING NTN SF07A17P	2		



DRAWING 18B - FRONT FORK GROUP FRAME



SOS01172

DRAWING 18B - FRONT FORK

GROUP FRAME



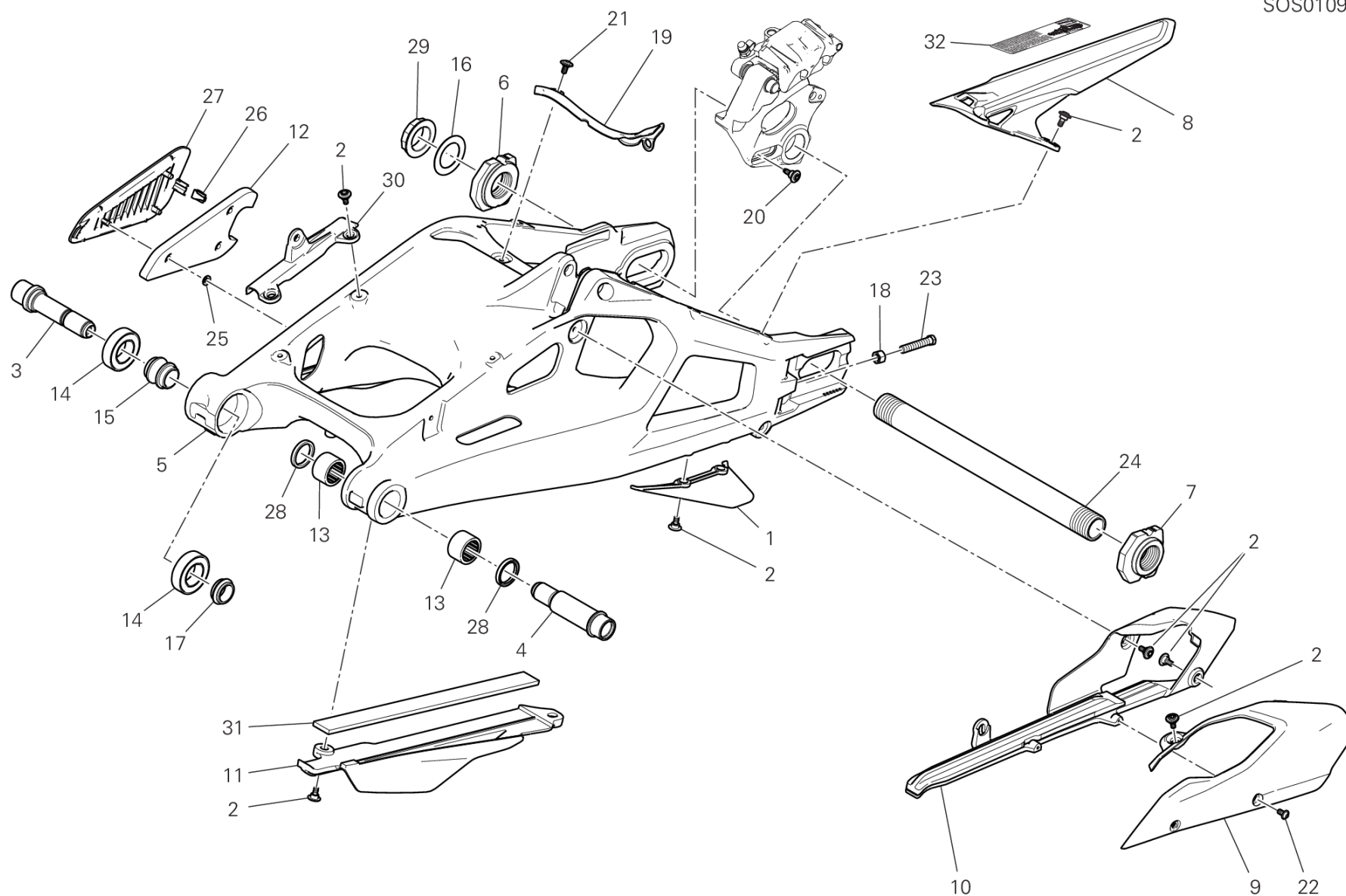
POS.	CODE	DESCRIPTION	QTY	VALIDITY	NOTES
1	34922861A	COMPLETE RIGHT SLIDER	1		
2	34922871A	COMPLETE LEFT SLIDER	1		
3	34922881A	CYLINDER-SET-FORK, RH	1		
4	34922891A	CYLINDER-SET-FORK, LH	1		
5	34922901A	PLUG, RH	1		
6	34922911A	PLUG	1		
7	34922921A	FORK SPRING KIT	1		
8	34922931A	FORK SPRING KIT	1		
9	34922941A	FORK OUTER TUBE	2		
10	34922951A	OVERHAUL KIT	1		
11	34922961A	SEAL KIT	2		
12	34421224A	RIGHT FORK LEG ASSY	1	XST:EUR	
13	34521224A	LEFT FORK LEG ASSY	1	XST:EUR	
14	34913751A	SCREW	4		



DRAWING 19A - REAR SWINGING ARM

GROUP FRAME

SOS01099



DRAWING 19A - REAR SWINGING ARM

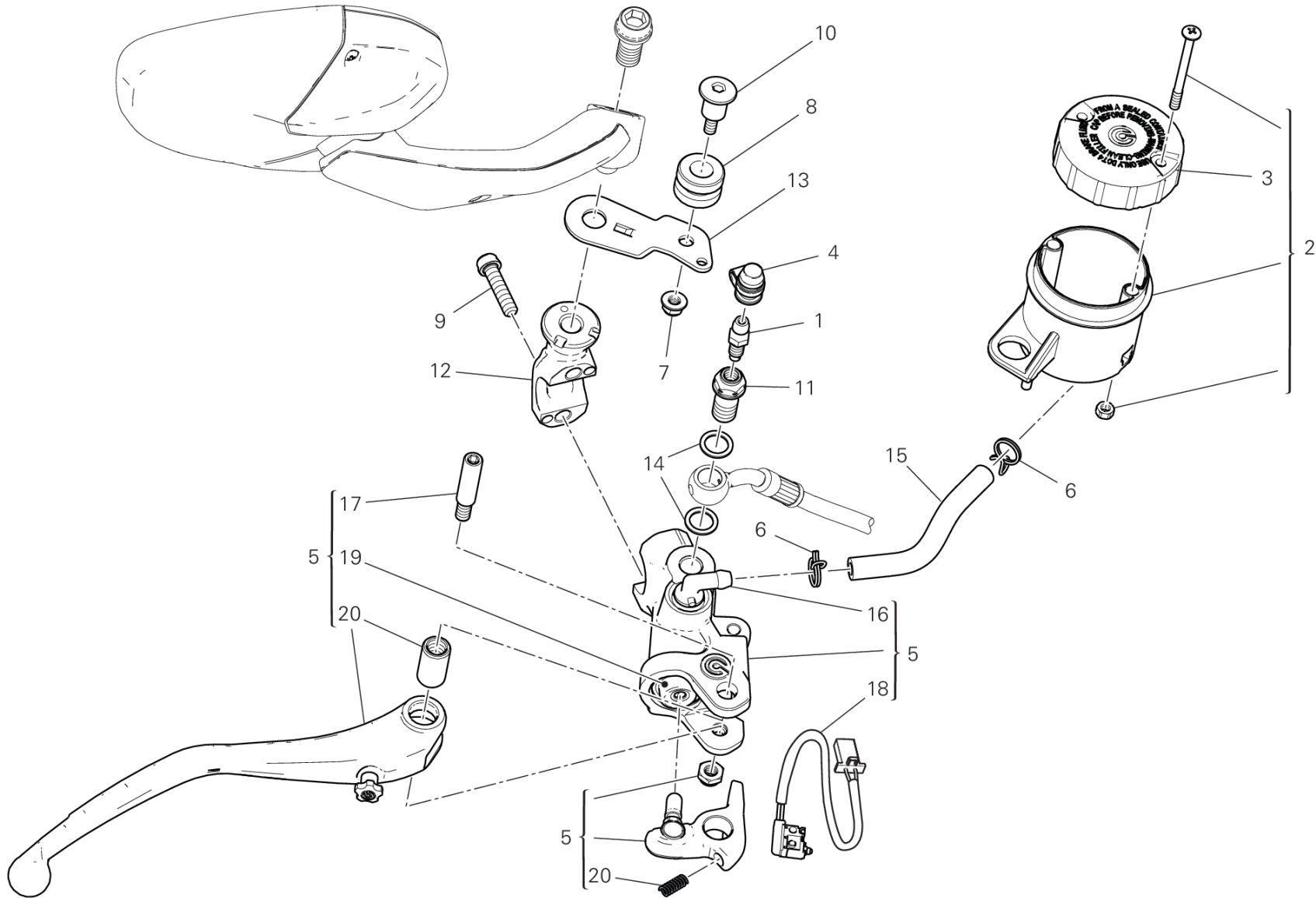
GROUP FRAME



POS.	CODE	DESCRIPTION	QTY	VALIDITY	NOTES
1	44610501A	CHAIN GUARD FIN	1		
2	77214411BA	SCREW, SPECIAL	12		
3	36911581AA	AXLE, REAR SWING ARM	1		
4	36911591AA	AXLE, REAR SWING ARM	1		
5	37012483AA	REAR SWINGING ARM	1		
6	37310861BA	SLIDING SHOE	1		
7	37310871BA	SLIDING SHOE	1		
8	44610491A	CHAIN GUARD FIN	1		
9	44610511B	GUARD	1		
10	44712341B	UPPER CHAIN SLIDING SHOE	1		
11	44712353A	CHAIN SLIDER	1		
12	48612601A	DAMPER, SOUND ARRESTER	1		
13	70140171A	BEARING, NEEDLE	2		
14	70250451A	BEARING	2		
15	71311871A	INNER SPACER	1		
16	71313882A	WASHER, THRUST	1		
17	7131D741AA	SPACER	1		
18	75011251A	NUT, SPECIAL M8	2		
19	75811741A	FAIRLEAD	1		
20	77210841C	SCREW	1		
21	77211251B	SCREW M5X9	2		
22	77440391A	SCREW	2		
23	77913722AA	SCREW, SPECIAL	2		
24	81910891AA	REAR WHEEL SPINDLE	1		
25	85040521A	CLIP	3		
26	85044631A	CLIP	1		
27	87211651A	CAP, SWINGARM COVER	1		
28	93050121A	SEAL RING	2		
29	75011891AA	NUT	1		
30	83011341A	BRACKET	1		
31	86613191A	PAD	1		
32	43314951A	CHAIN ADJUSTMENT STICKER	1	XST:EUR	ITALIAN / ENGLISH
	43314951B	CHAIN ADJUSTMENT STICKER	1	XST:JAP	JAPANESE / ENGLISH



DRAWING 20A - FRONT BRAKE PUMP GROUP FRAME



BRB00746

DRAWING 20A - FRONT BRAKE PUMP

GROUP FRAME

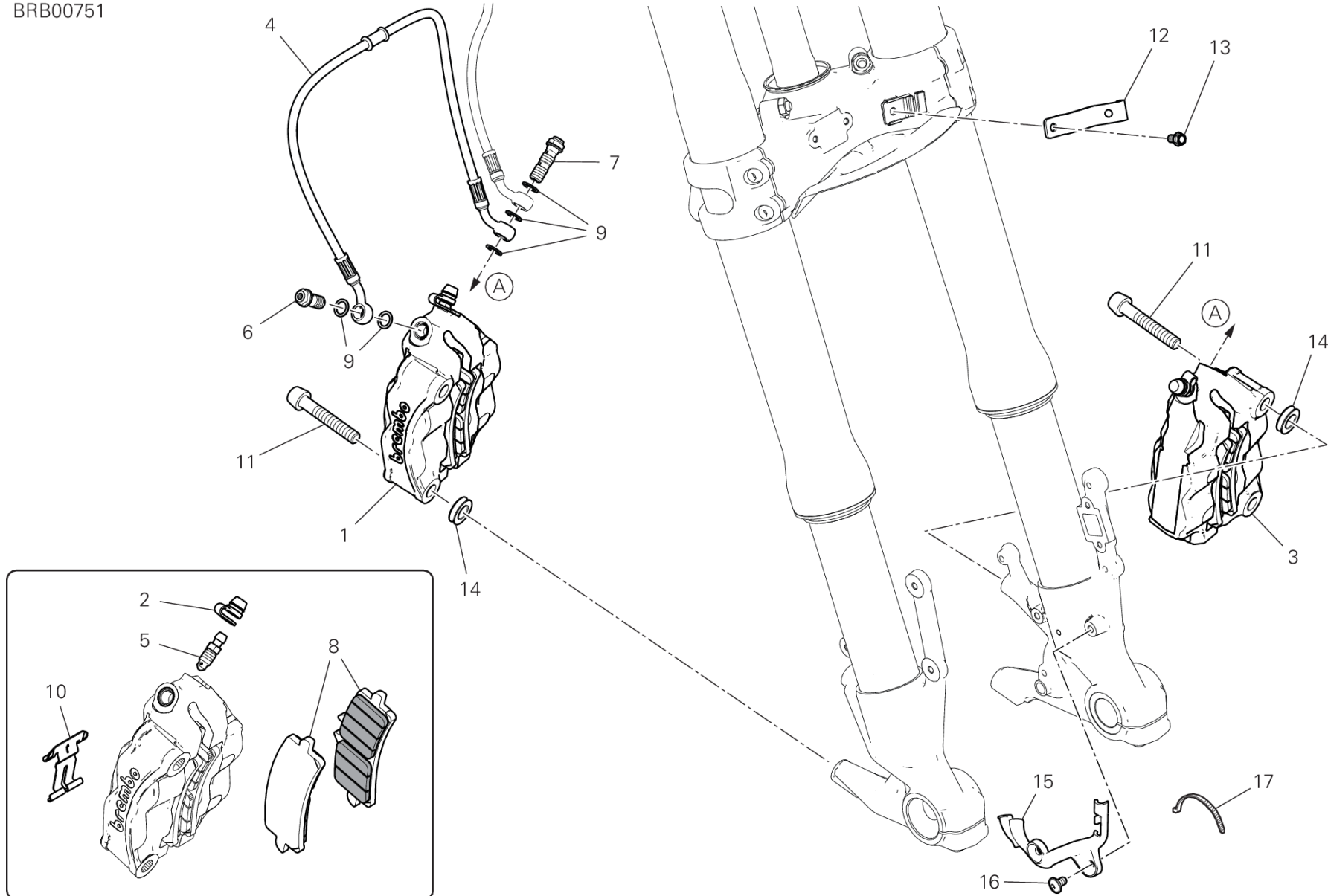


POS.	CODE	DESCRIPTION	QTY	VALIDITY	NOTES
1	18710021A	VALVE, BREATHER	1		
2	58540341A	RESERVOIR, BRAKE FLUID	1		
3	89340251A	COVER MASTER CYLINDER	1		
4	61240052A	DUST COVER	1		
5	62441271A	FRONT BRAKE PUMP	1		
	62441281A	FRONT BRAKE PUMP	1		
6	74140431A	CLAMP	2		
7	74941108B	NUT	1		
8	76414191A	DAMPER	1		
9	77156393B	SCREW M5X12	2		
10	77910921A	SCREW	1		
11	77915511A	SCREW, SPECIAL	1		
12	80812611AB	CLAMP	1		
13	82911371BA	FRONT HOOK	1		
14	85250241A	WASHER 10X14X1	2		
15	87712651A	PIPE	1		
16	63140081A	JOINT, HOSE	1		
17	62640561A	BOLT, LEVER	1		
18	53941012A	MICROSWITCH	1		
19	61241241A	DUST COVER	1		
20	62610121A	LEVER, FRONT BRAKE	1		



DRAWING 20B - FRONT BRAKE SYSTEM GROUP FRAME

BRB00751



DRAWING 20B - FRONT BRAKE SYSTEM

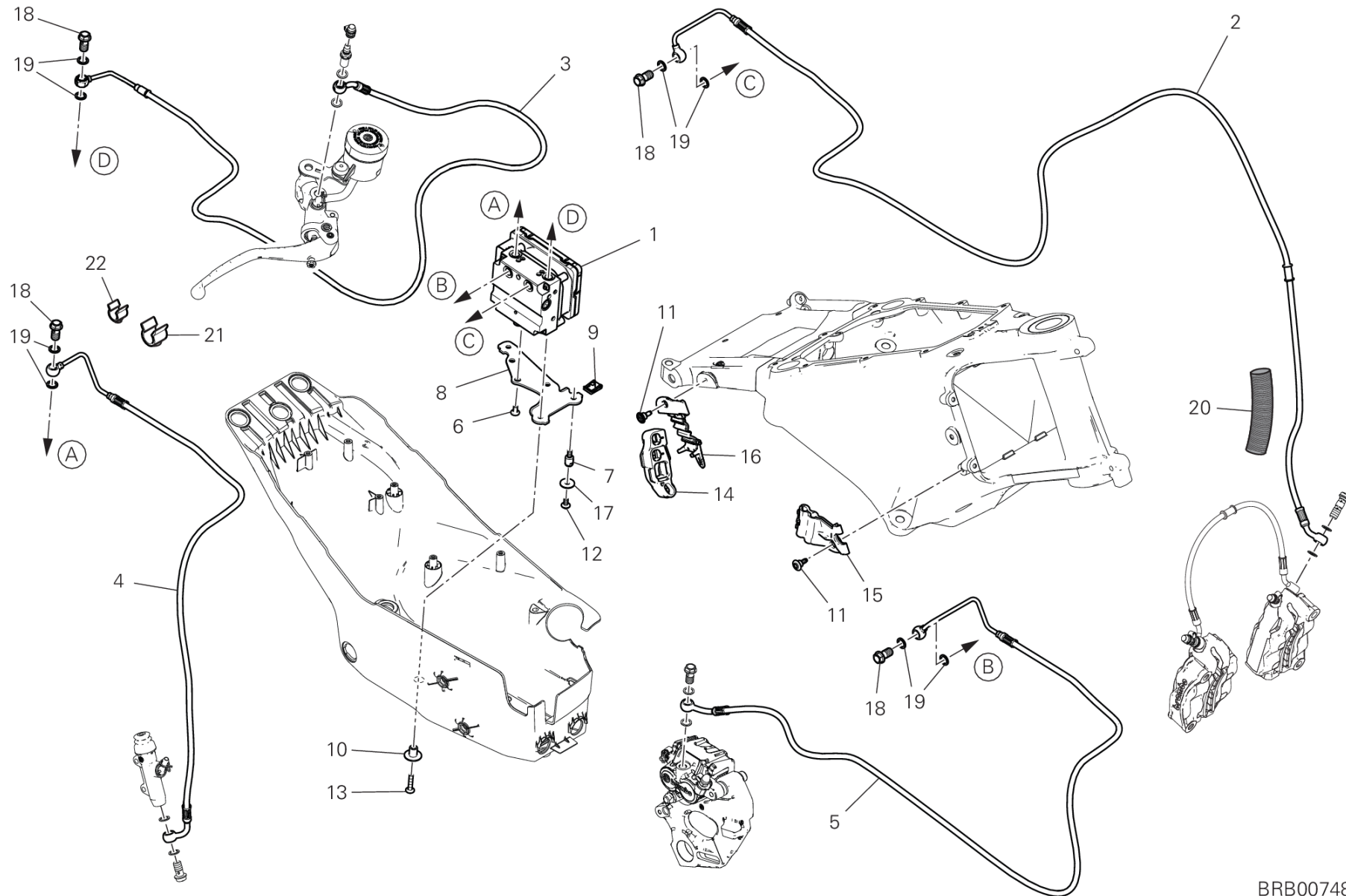
GROUP FRAME



POS.	CODE	DESCRIPTION	QTY	VALIDITY	NOTES
1	61041971A	RIGHT FRONT BRAKE CALIPER	1		
2	61240052A	DUST COVER	1		
3	61041981A	LEFT FRONT BRAKE CALIPER	1		
4	61811461A	FRONT BRAKE HOSE	1		
5	61240201A	FRONT CALIPER DRAIN SCREW	2		
6	77913662AB	SCREW, SPECIAL	1		
7	77913091AB	SCREW, SPECIAL	1		
8	61341341A	FRONT BRAKE PADS SET	2		
9	85250241A	WASHER 10X14X1	5		
10	61241231A	SPRING, PAD STOPPER	2		
11	77913311D	SCREW M 10 X 60	4		
12	8301L042CA	BRACKET	1		
13	77210591A	SCREW TEF M6X10	1		
14	71313641A	SPACER	4		
15	75811652A	FAIRLEAD	1		
16	77211021A	SCREW TBEIF M6X10	2		
17	74140381A	CLAMP	2		



DRAWING 20C - ANTI LOCK BRAKE SYSTEM GROUP FRAME



BRB00748

DRAWING 20C - ANTI LOCK BRAKE SYSTEM

GROUP FRAME



POS.	CODE	DESCRIPTION	QTY	VALIDITY	NOTES
1	54240871B	CONTROL UNIT ABS	1		
2	61811631B	CPU - FRONT CALIPERS LINE	1		
3	61811641B	FRONT MASTER CYLINDER - CPU LINE	1		
4	61911661A	REAR MASTER CYLINDER-CPU LINE	1		
5	61911671A	CPU-REAR CALIPER LINE	1		
6	77240398C	SCREW TBEIF M6X10	3		
7	7791C221AA	SCREW, SPECIAL M5X10	2		
8	8301H501AA	BRACKET, IGNITER	1		
9	85040551A	QUICK FASTENING	3		
10	71611641AA	SPACER	1		
11	77210842A	SCREW TCEI M5X8.5	2		
12	77244163B	SCREW TBEI M5X10	2		
13	77244233B	SCREW	1		
14	8291I691A	BRACKET, CONNECTOR	1		
15	8301H872B	BRACKET, BRAKE HOSE	1		
16	8301H961A	ABS PIPE SUPPORT	1		
17	85213111AA	WASHER	2		
18	77913662AB	SCREW, SPECIAL	4		
19	85250241A	WASHER 10X14X1	8		
20	4601C581A	PROTECTION SHEATH	1		
21	75841091A	FEMALE CABLE RING	1		
22	75841101A	MALE CABLE RING	1		

DRAWING 20D - REAR BRAKE SYSTEM

GROUP FRAME

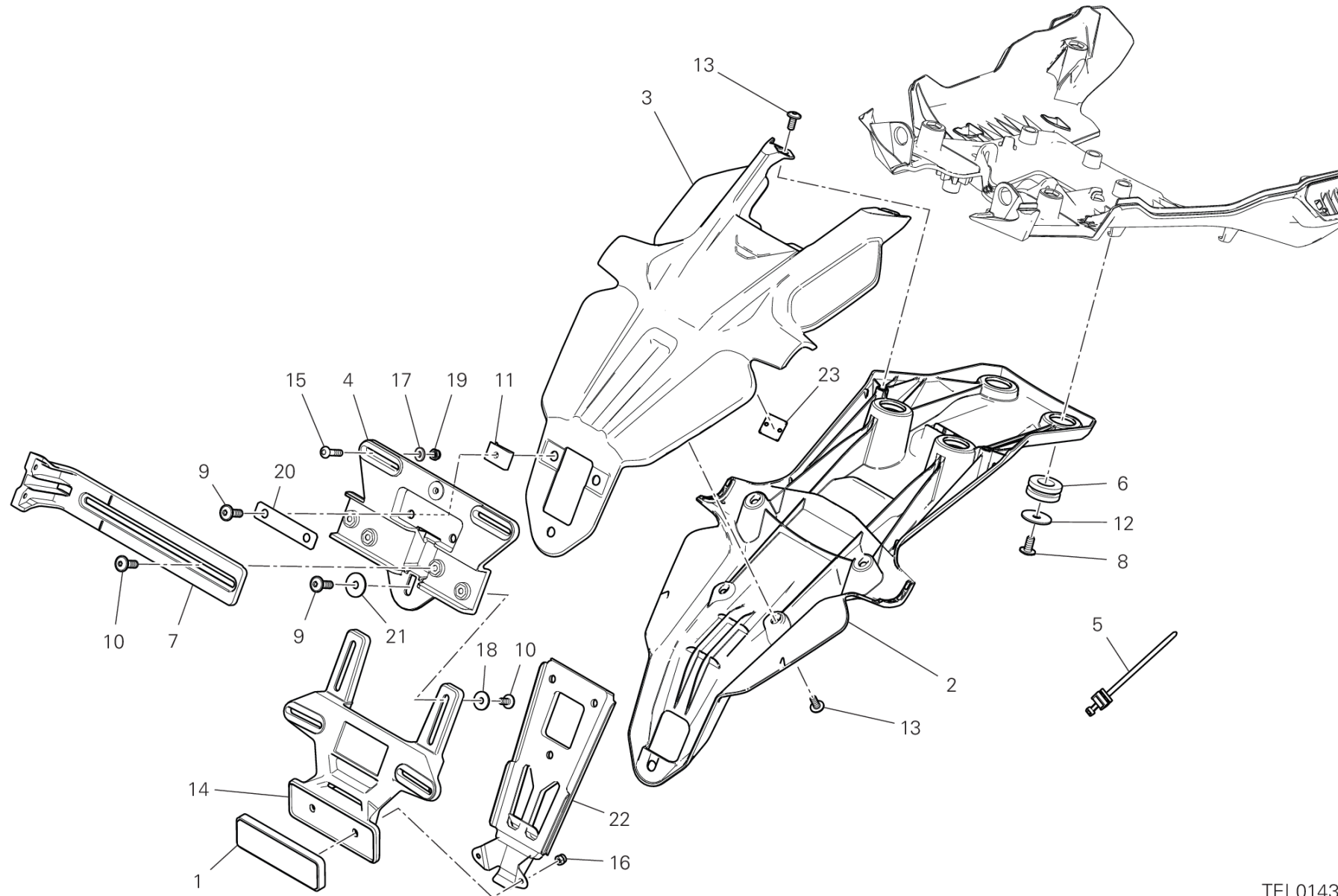


POS.	CODE	DESCRIPTION	QTY	VALIDITY	NOTES
1	11723581A	ROD, PUSH	1		
2	45721111AA	BRAKE LEVER ASSEMBLY	1		
3	71210341A	BUSH	1		
4	53920521A	SWITCH, REAR BRAKE	1		
5	58540151A	RESERVOIR, BRAKE FLUID	1		
6	89340111A	PLUG	1		
7	61141623A	REAR BRAKE CALIPER	1		
8	62540311B	REAR BRAKE PUMP	1		
9	74140431A	CLAMP	2		
10	77913662AB	SCREW, SPECIAL	1		
11	85250241A	WASHER 10X14X1	2		
12	87712761A	REAR BRAKE HOSE	1		
13	71614081A	SPACER 5X6.6X1.5	1		
14	74750031A	NUT 6MM	1		
15	77150708B	SCREW	1		
16	77156393B	SCREW M5X12	1		
17	7791C511AA	SCREW, SPECIAL	1		
18	79915881AA	SPRING	1		
19	82111701CA	PIN PEDAL	1		
20	82119651AA	PIN	1		
21	8291I361AA	BRAKE FLUID RESERVOIR HALF CLAMP	1		
22	8301H752AA	BRACKET	1		
23	85211511A	WASHER	1		
24	88641161A	O-RING	2		
25	77156698B	SCREW TCEIF M6X25	2		
26	61321161A	KIT REAR BRAKE PADS	1		
27	61240311A	PIN BRAKE PAD	1		
28	61240052A	DUST COVER	1		
29	61240301A	DUST COVER	1		
30	61240611A	SPRING, PAD STOPPER	1		
31	63140261A	VALVE, BREATHER	1		
32	85250271A	WASHER 6.2X12X1	2		



DRAWING 21A - PLATE HOLDER [XST:AUS,BLG,EUR,GSO,ROK,TWN]

GROUP FRAME



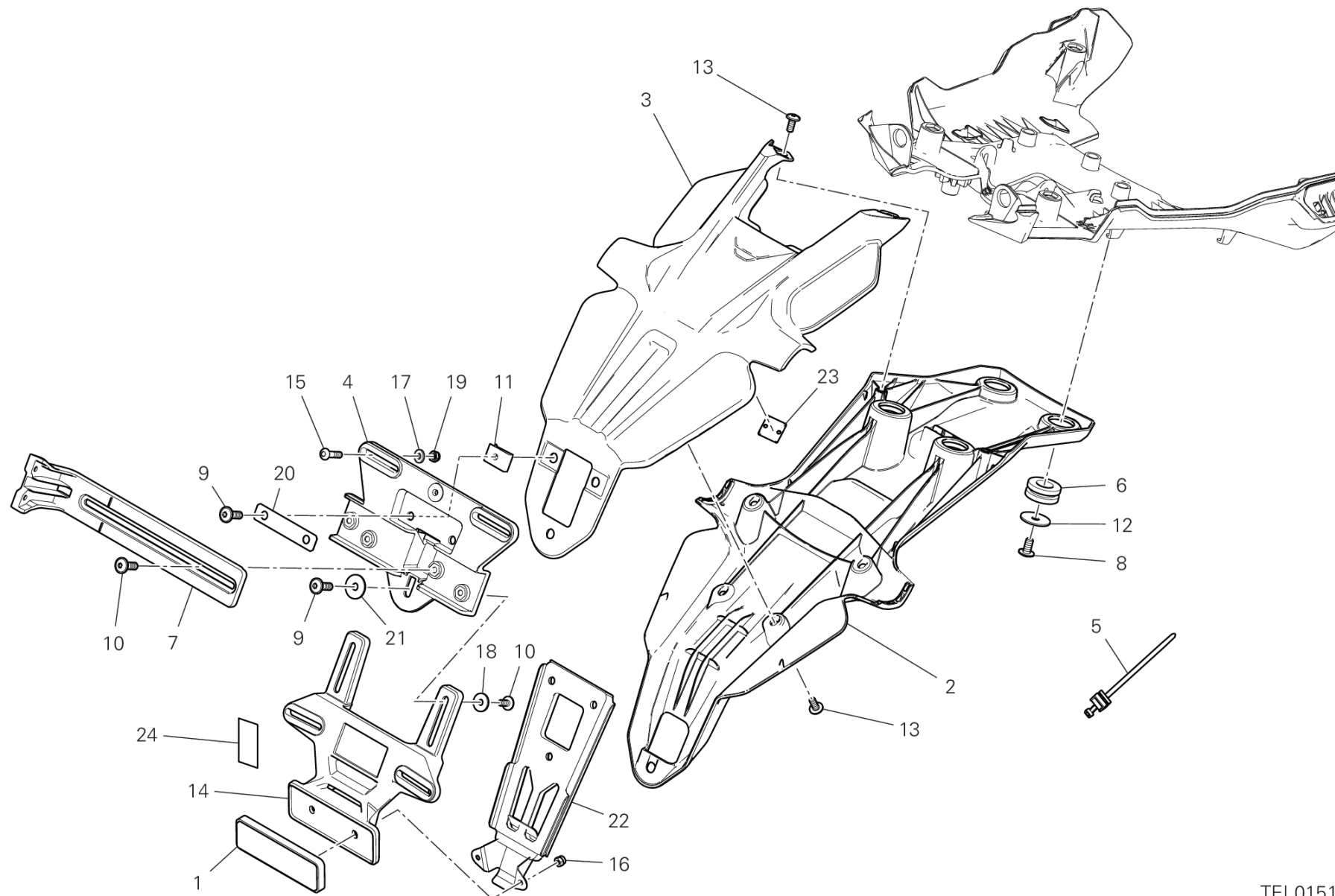
TEL01432

DRAWING 21A - PLATE HOLDER [XST:AUS,BLG,EUR,GSO,ROK,TWN]

GROUP FRAME



POS.	CODE	DESCRIPTION	QTY	VALIDITY	NOTES
1	52910061B	REFLEX REFLECTOR, REAR	1		
	52910231A	REFLEX REFLECTOR, REAR	1		
2	56116331B	NUMBER PLATE SUPPORT	1		
3	56116341B	NUMBER PLATE SUPPORT	1		
4	56116402A	HALF PLATE	1	XST:EUR	
	56116422A	HALF PLATE	1	XST:AUS	
5	75840801A	CLAMP	1		
6	76412041A	RUBBER PAD	4		
7	56116442A	SKID PLATE	1		
8	77240403C	SCREW	4		
9	77211031A	SCREW TBEIF M6X18	3		
10	71850163C	SCREW	4		
11	85040631A	QUICK FASTENING	3		
12	85211961B	WASHER 6.4X25X1.5	4		
13	71850173C	SCREW	6		
14	56116432A	HALF PLATE	1		
15	72050198C	SCREW	4		
16	74950011B	NUT, SPRING	2		
17	85213081A	WASHER	4		
18	85250191A	WASHER 5X15X1.5	2		
19	74941501A	NUT, SELF-LOCKING	4		
20	8271H571AA	PLATE	1		
21	85211671B	WASHER	1		
22	8271H551AA	SKATE	1		
23	75841061A	CLAMP	3		



TEL01512

DRAWING 21A - PLATE HOLDER [XST:JAP]

GROUP FRAME



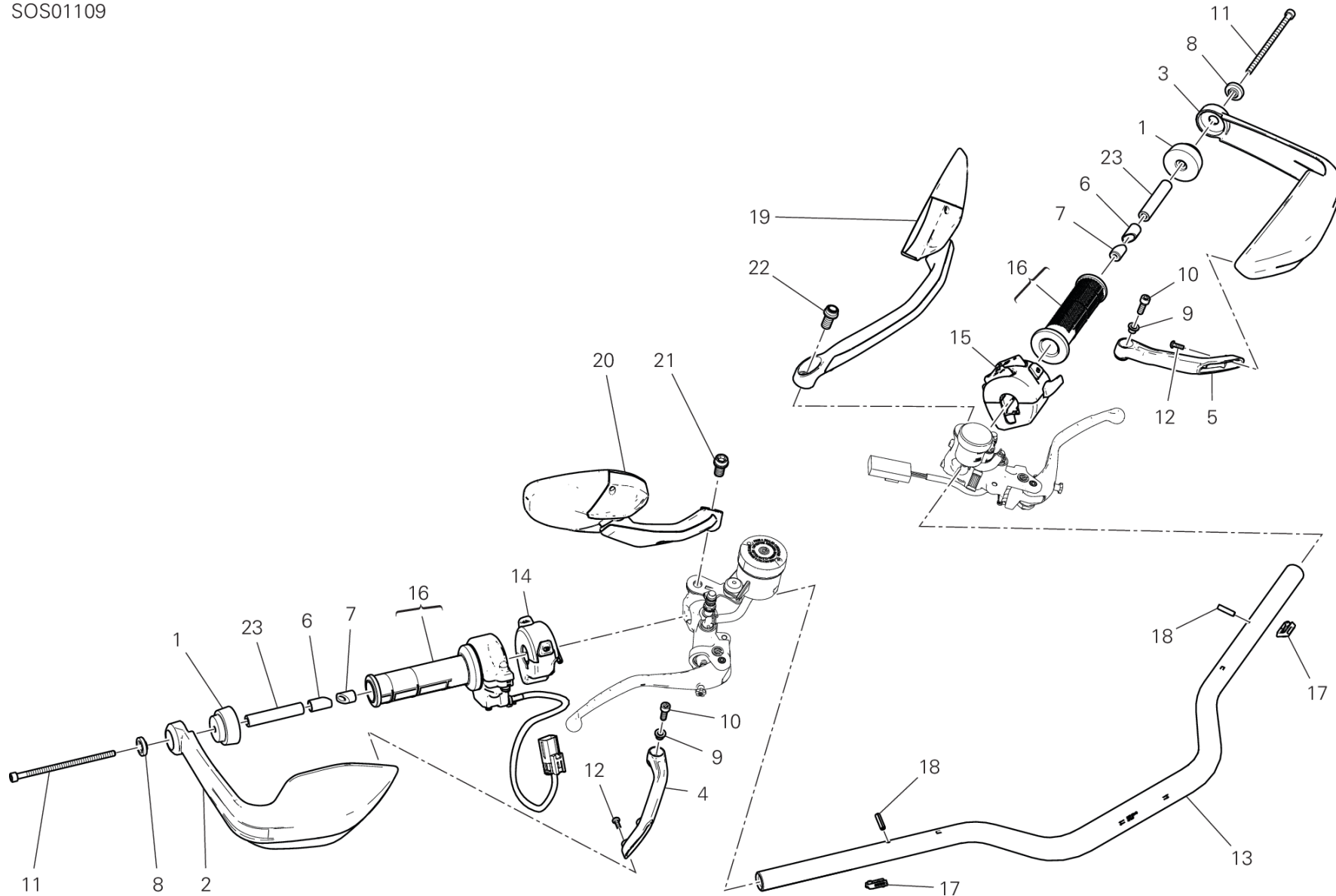
POS.	CODE	DESCRIPTION	QTY	VALIDITY	NOTES
1	52910061B	REFLEX REFLECTOR, REAR	1		
2	56116331B	NUMBER PLATE SUPPORT	1		
3	56116341B	NUMBER PLATE SUPPORT	1		
4	56116422A	HALF PLATE	1		
5	75840801A	CLAMP	1		
6	76412041A	RUBBER PAD	4		
7	56116442A	SKID PLATE	1		
8	77240403C	SCREW	4		
9	77211031A	SCREW TBEIF M6X18	3		
10	71850163C	SCREW	4		
11	85040631A	QUICK FASTENING	3		
12	85211961B	WASHER 6.4X25X1.5	4		
13	71850173C	SCREW	6		
14	56116432A	HALF PLATE	1		
15	72050198C	SCREW	4		
16	74950011B	NUT, SPRING	2		
17	85213081A	WASHER	4		
18	85250191A	WASHER 5X15X1.5	2		
19	74941501A	NUT, SELF-LOCKING	4		
20	8271H571AA	PLATE	1		
21	85211671B	WASHER	1		
22	8271H551AA	SKATE	1		
23	75841061A	CLAMP	3		
24	85012911A	STICKER "DUAL LOCK"	1		



DRAWING 22A - HANDLEBAR AND CONTROLS

GROUP FRAME

SOS01109



DRAWING 22A - HANDLEBAR AND CONTROLS

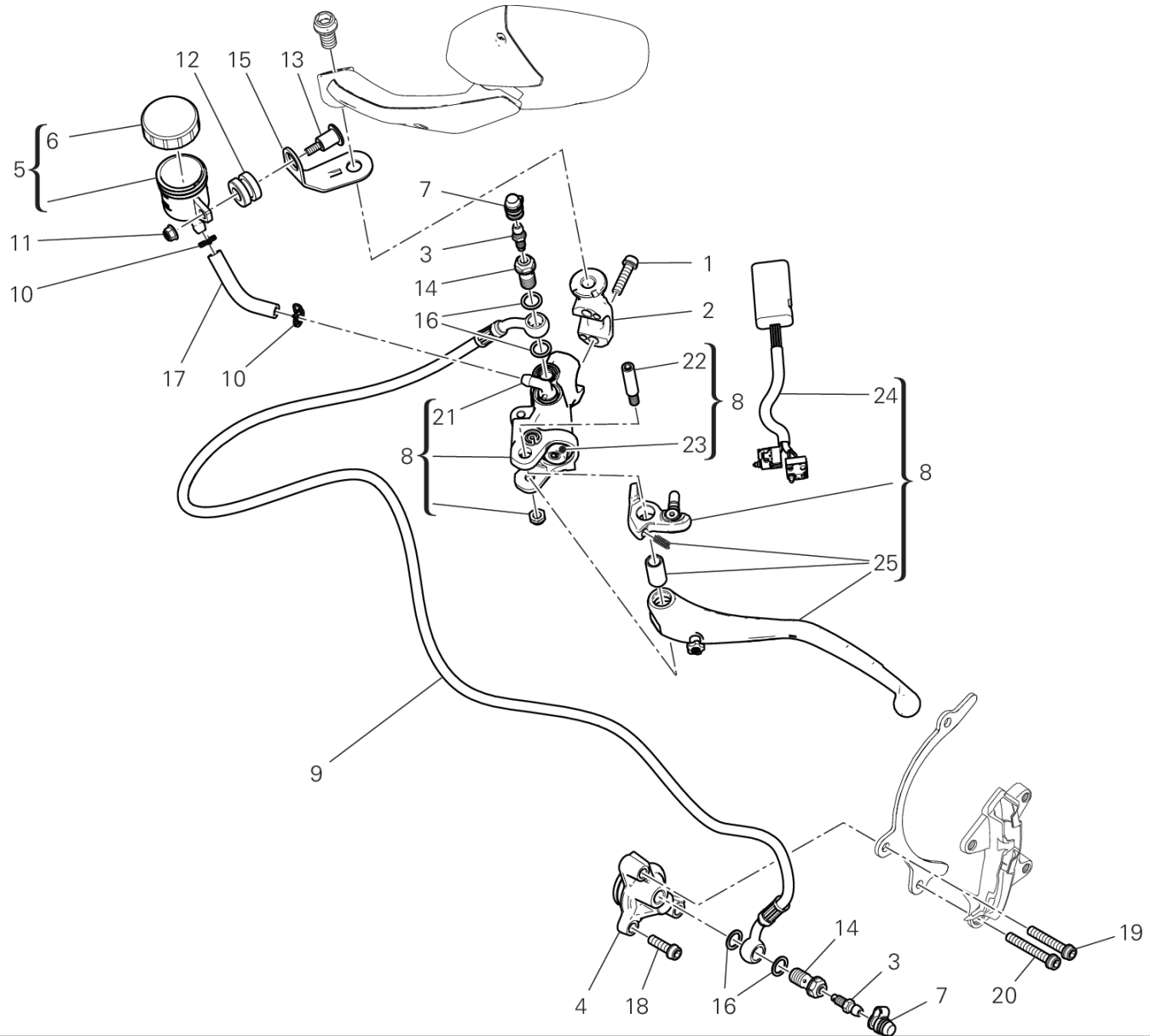
GROUP FRAME



POS.	CODE	DESCRIPTION	QTY	VALIDITY	NOTES
1	15310311BA	BALANCER SET, HANDLE BAR	2		
2	4601H921AA	GUARD, KNUCKLE, RH	1		
3	4601H931AA	GUARD, KNUCKLE, LH	1		
4	4601H941AA	HAND GUARD ARM	1		
5	4601H951AA	HAND GUARD ARM	1		
6	71011071A	BUSH	2		
7	71111301A	SPINDLE, TAPER	2		
8	7131B281AA	SPACER	2		
9	71614581AA	SPACER	2		
10	77150663B	SCREW	2		
11	77150873B	SCREW	2		
12	77440251A	SCREW	4		
13	36012141BA	HANDLEBAR	1		
14	65010341E	RIGHT SWITCH	1		
	65010371D	RIGHT SWITCH	1		
15	65110391G	LEFT SWITCH	1		
	65110401D	LEFT SWITCH	1		
16	66020121B	THROTTLE CONTROL	1		
17	83040071A	CLIP	2		
18	86050171A	PIN, SPRING	2		
19	52310682B	LEFT MIRROR	1		
20	52310692B	RIGHT MIRROR	1		
21	77116791A	SCREW L.H.	1		
22	77159293B	SCREW	1		
23	7131E251AA	SPACER	2		



DRAWING 22B - CLUTCH PUMP GROUP FRAME



BRB00750

MULTISTRADA V4S /22

033000022

DRAWING 22B - CLUTCH PUMP

GROUP FRAME

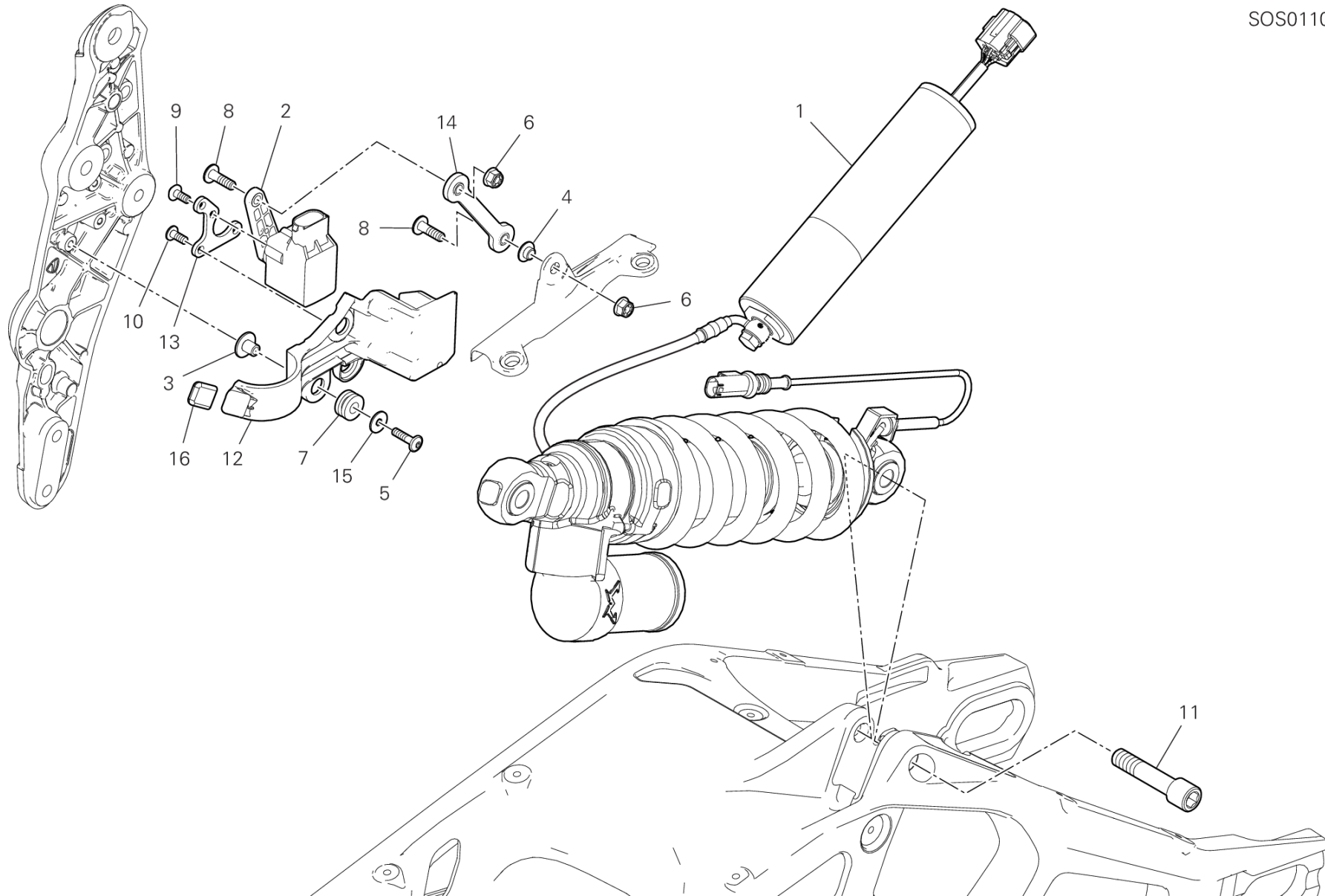


POS.	CODE	DESCRIPTION	QTY	VALIDITY	NOTES
1	77310021A	SCREW TCEIR M6X25	2		
2	80812601AB	CLAMP FRONT LH	1		
3	18710021A	VALVE, BREATHER	2		
4	19540101C	CLUTCH CONTROL DISC	1		
5	58540351A	SUB TANK, OIL	1		
6	89340241A	COVER MASTER CYLINDER	1		
7	61240052A	DUST COVER	2		
8	63040901A	CLUTCH MASTER CYLINDER	1		
9	63210921B	CLUTCH OIL HOSE	1		
10	74140431A	CLAMP	2		
11	74941108B	NUT	1		
12	76414191A	DAMPER	1		
13	77910921A	SCREW	1		
14	77913971A	BOLT, BRAKE HOSE	2		
15	82911381BA	FRONT HOOK	1		
16	85250241A	WASHER 10X14X1	4		
17	87712631A	HOSE, OIL	1		
18	77156678B	SCREW TCEIF M6X20	1		
19	77156718B	SCREW TCEIF	1		
20	77156728B	SCREW TCEIF M6X35	1		
21	63140081A	JOINT, HOSE	1		
22	62640561A	BOLT, LEVER	1		
23	61241241A	DUST COVER	1		
24	53941001A	MICROSWITCH	1		
25	62610131A	CLUTCH LEVER	1		



DRAWING 23A - REAR SHOCK ABSORBER GROUP FRAME

SOS01101

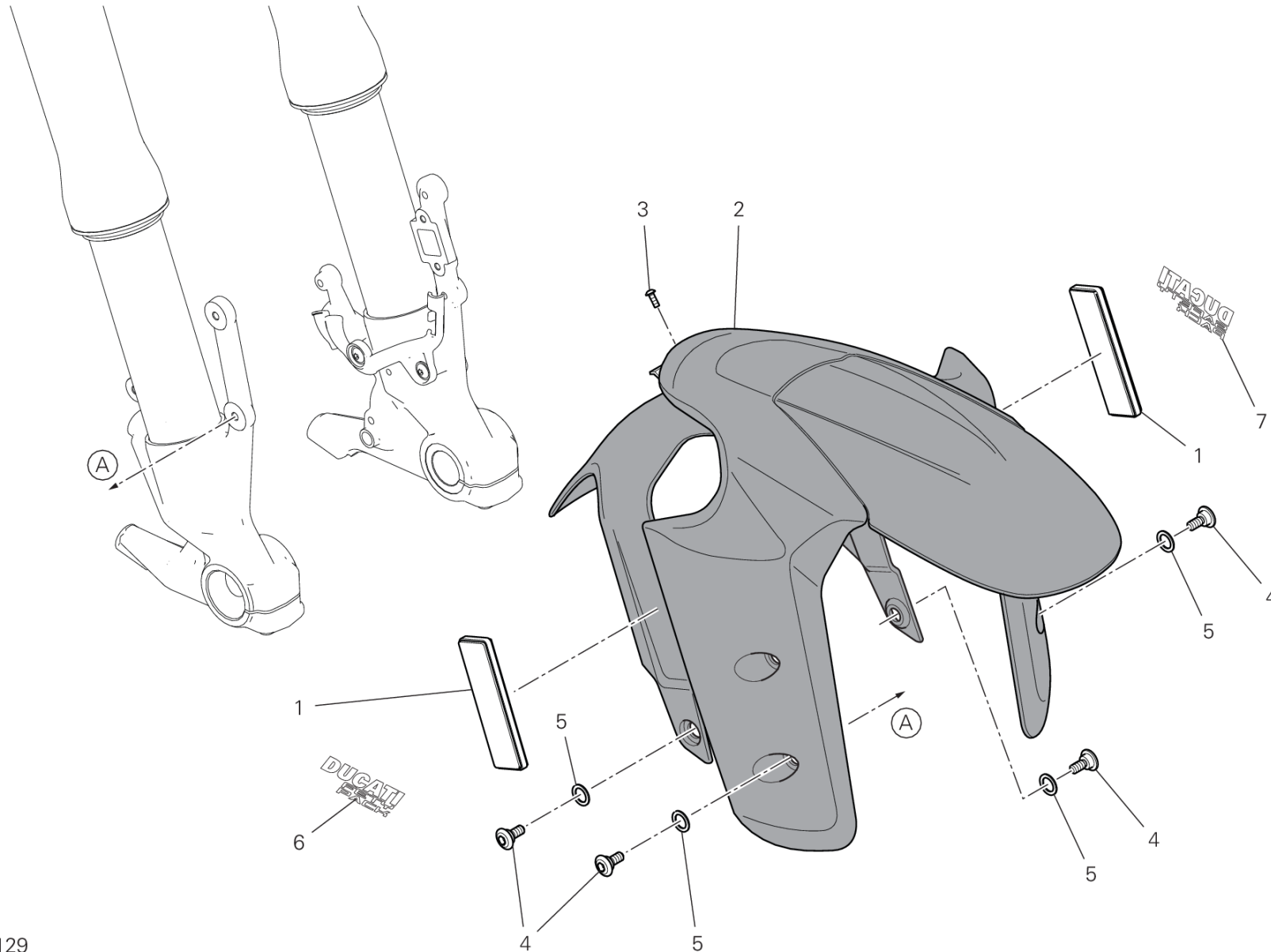


DRAWING 23A - REAR SHOCK ABSORBER

GROUP FRAME



POS.	CODE	DESCRIPTION	QTY	VALIDITY	NOTES
1	36521954B	REAR SHOCK ABSORBER	1	XST:EUR	
2	55243241A	DETECTOR	1		
3	71614102AB	SPACER	3		
4	71614481AA	SPACER	1		
5	77240308C	SCREW	3		
6	74941118B	NUT 6MM	2		
7	76411141A	VIBRATION DAMPER PAD	3		
8	77240443C	SCREW	2		
9	77244173B	SCREW	2		
10	77440171A	SCREW	2		
11	7791C081AA	SCREW, SPECIAL	1		
12	8291I281B	HOLDER SENSOR	1		
13	8301H671AA	BRACKET	1		
14	84810371A	SMALL LINK	1		
15	85250311A	WASHER	3		
16	76414381A	RUBBER PAD	1		



VST02129

MULTISTRADA V4S /22

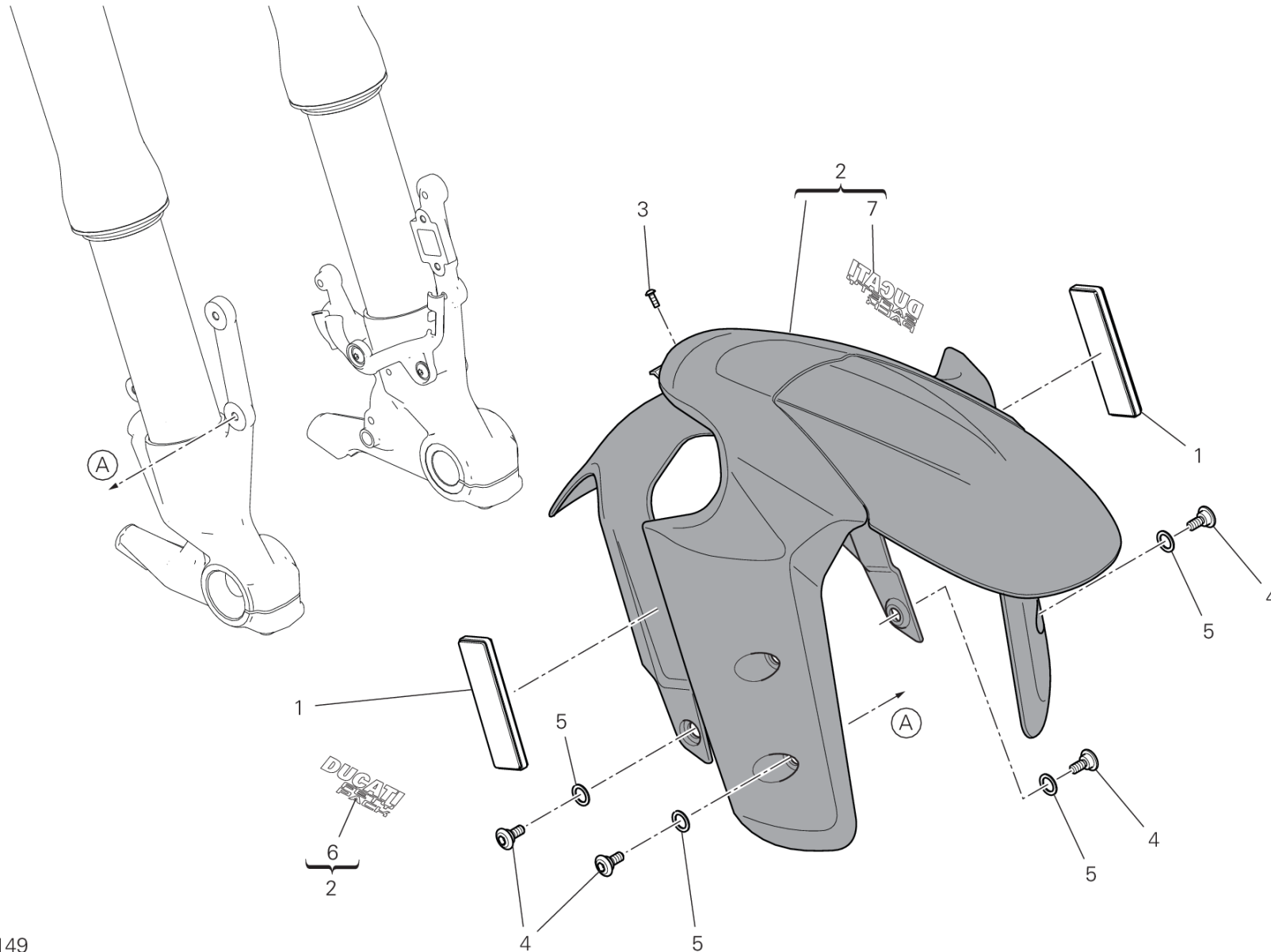
033000022

DRAWING 24A - FRONT MUDGUARD [XCO:R,RSW]

GROUP FRAME



POS.	CODE	DESCRIPTION	QTY	VALIDITY	NOTES
1	52910271A	REFLECTOR, ADHESIVE AMBER	2		
2	564P6782AA	FRONT FENDER RED	1		
3	77440101A	SCREW, TAPPING 3.5X10	1		
4	77914391C	SCREW	6		
5	85611271A	WASHER	6		
6	43713351A	R.H. DECAL (DUCATI SAFETY PACK)	1		
7	43713361A	L.H. DECAL (DUCATI SAFETY PACK)	1		



VST02149

MULTISTRADA V4S /22

033000022

DRAWING 24A - FRONT MUDGUARD [XCO:AG,AGSW]

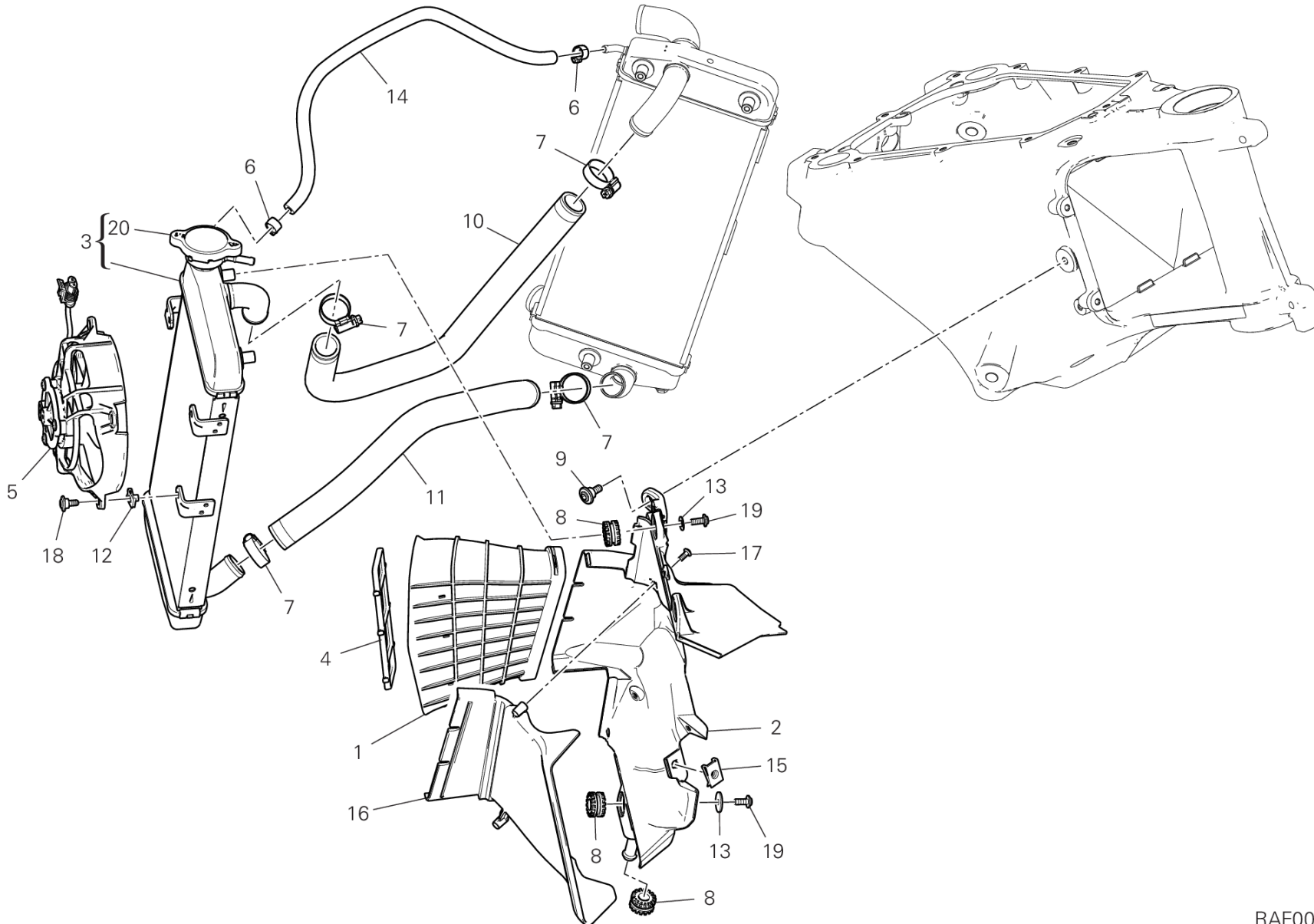
GROUP FRAME



POS.	CODE	DESCRIPTION	QTY	VALIDITY	NOTES
1	52910271A	REFLECTOR, ADHESIVE AMBER	2		
2	564P6782AC	FRONT MUDGUARD	1	XCO:AG,AGSW	
3	77440101A	SCREW, TAPPING 3.5X10	1		
4	77914391C	SCREW	6		
5	85611271A	WASHER	6		
6	43713351A	R.H. DECAL (DUCATI SAFETY PACK)	1		
7	43713361A	L.H. DECAL (DUCATI SAFETY PACK)	1		



DRAWING 25A - RADIATOR, WATER, RH GROUP FRAME



RAF00740

DRAWING 25A - RADIATOR, WATER,RH

GROUP FRAME



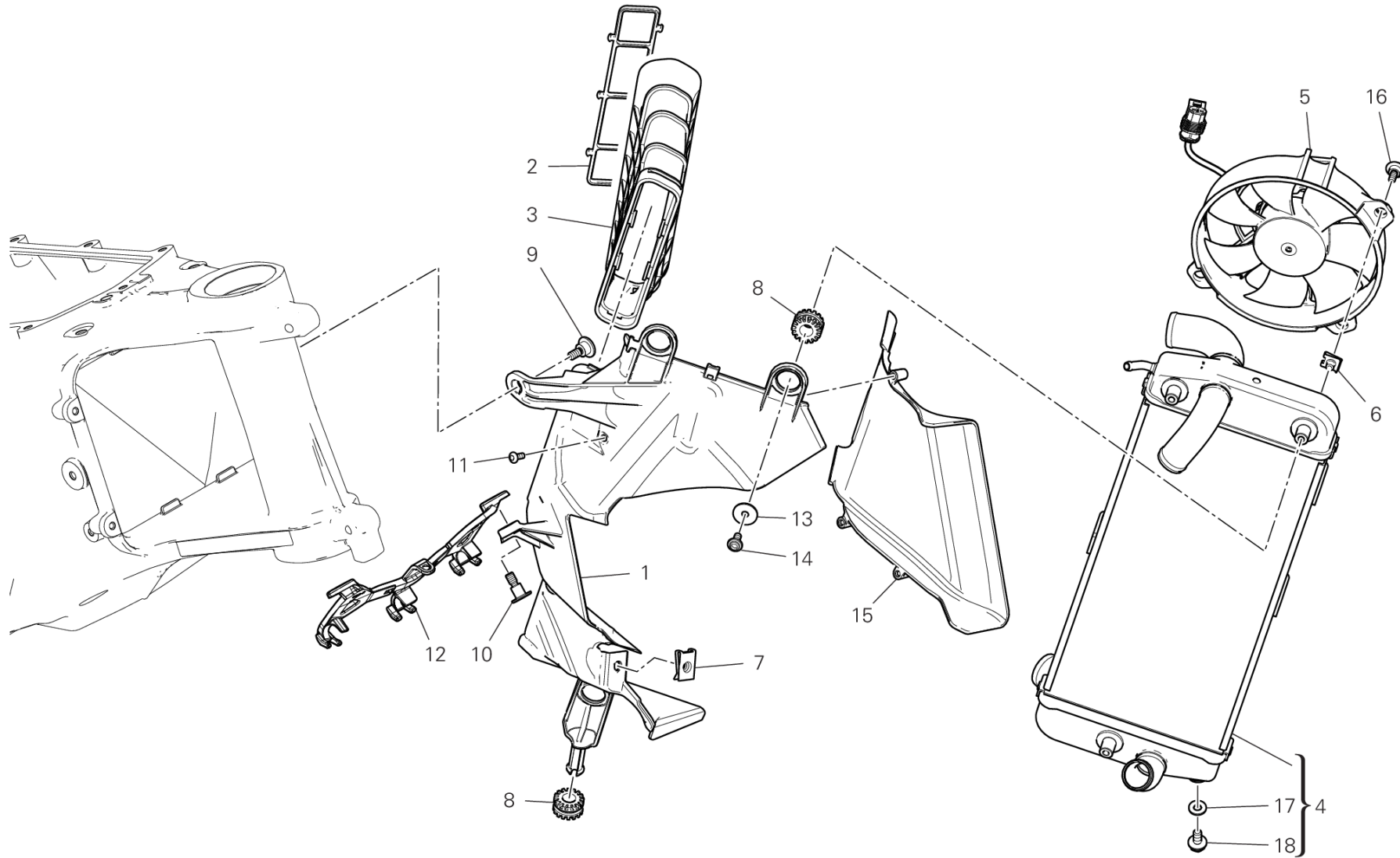
POS.	CODE	DESCRIPTION	QTY	VALIDITY	NOTES
1	80111171B	RIGHT DUCT	1		
2	48412131B	RIGHT AIR MANIFOLD	1		
3	54811601D	WATER COOLER	1		
4	4801C301A	DUCT REINFORCEMENT GRID	1		
5	55040381A	ELECTRIC FAN	1		
6	8A0067610	CLAMP 11MM	2		
7	74142581A	CLAMP 16-27 MM	4		
8	76410241A	VIBRATION DAMPER PAD	3		
9	77211071B	SCREW, SPECIAL	1		
10	80018261A	WATER HOSE	1		
11	80018271A	WATER HOSE	1		
12	85041951AA	QUICK FASTENING	3		
13	85213111AA	WASHER	3		
14	93410431B	BREATHER PIPE	1		
15	85041581A	CLIP NUT	1		
16	48412491A	BAFFLE	1		
17	77440061A	SCREW, TAPPING	3		
18	77214411BA	SCREW, SPECIAL	3		
19	77244173B	SCREW	3		
20	87241051A	CAP, RADIATOR	1		



DRAWING 25B - RADIATOR, WATER, LH

GROUP FRAME

RAF00722



DRAWING 25B - RADIATOR, WATER, LH

GROUP FRAME

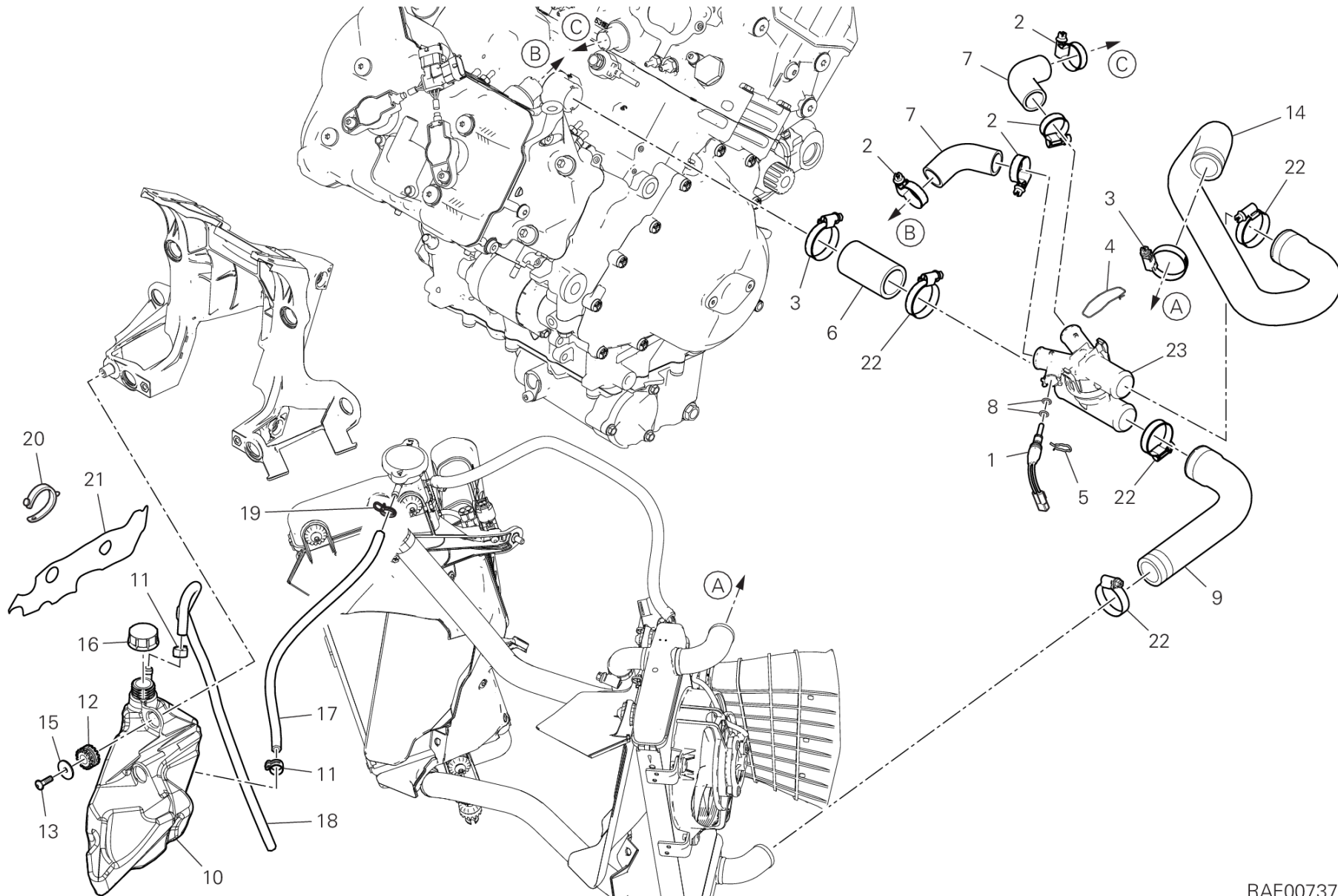


POS.	CODE	DESCRIPTION	QTY	VALIDITY	NOTES
1	48412121B	LEFT AIR MANIFOLD	1		
2	4801C301A	DUCT REINFORCEMENT GRID	1		
3	80111181B	LEFT DUCT	1		
4	54811611D	WATER COOLER	1		
5	55040381A	ELECTRIC FAN	1		
6	85041951AA	QUICK FASTENING	3		
7	85041581A	CLIP NUT	1		
8	76410241A	VIBRATION DAMPER PAD	3		
9	77211071B	SCREW, SPECIAL	1		
10	77917141A	SCREW, SPECIAL	2		
11	77440061A	SCREW, TAPPING	3		
12	83011331A	BRACKET	1		
13	85213111AA	WASHER	3		
14	77244173B	SCREW	3		
15	48412481A	BAFFLE	1		
16	77214411BA	SCREW, SPECIAL	3		
17	85250771A	WASHER	1		
18	78050181A	RADIATOR CAP	1		



DRAWING 25C - COOLING CIRCUIT

GROUP FRAME



RAF00737

DRAWING 25C - COOLING CIRCUIT

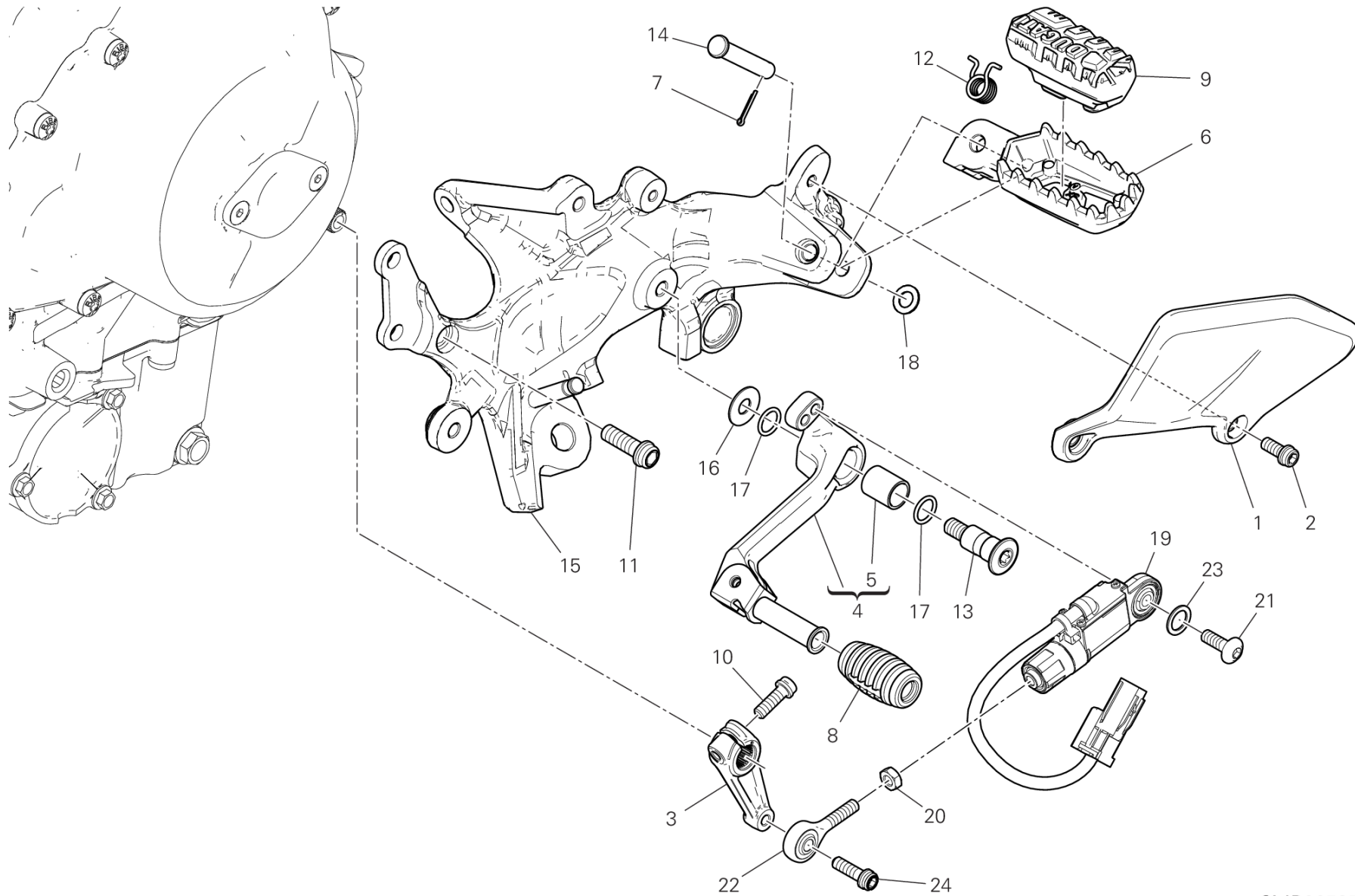
GROUP FRAME



POS.	CODE	DESCRIPTION	QTY	VALIDITY	NOTES
1	55244081A	ENGINE WATER TEMPERATURE SENSOR	1		
2	74141811A	CLAMP 16-27 MM	4		
3	74142591A	CLAMP 20-35 MM	2		
4	75910392A	CLIP	1		
5	79915581A	SPRING	1		
6	80018061A	MIXER - PUMP COUPLING	1		
7	80018281A	RUBBER SLEEVE	2		
8	88641981A	O-RING	2		
9	80018252A	RADIATOR - MIXER COUPLING	1		
10	58511261C	TANK, WATER RESERVOIR	1		
11	74140651A	FASCETTA 11-7 MM	2		
12	76410241A	VIBRATION DAMPER PAD	2		
13	77440041A	SCREW, TAPPING M5X16	2		
14	80018241A	RADIATOR - MIXER COUPLING	1		
15	85241711A	WASHER	2		
16	89310143A	EXPANSION TANK CAP	1		
17	93410411A	HOSE	1		
18	93410422A	BREATHER PIPE	1		
19	74140431A	CLAMP	1		
20	74110551A	CLAMP, RUBBER 39MM	2		
21	4381E401A	TRANSFER	1		
22	74141851A	CLAMP 25-40 MM	4		
23	55320191A	ASSIEME DISTRIBUTORE ACQUA	1		



DRAWING 26A - FOOTRESTS, LEFT GROUP FRAME



CMB00565

DRAWING 26A - FOOTRESTS, LEFT

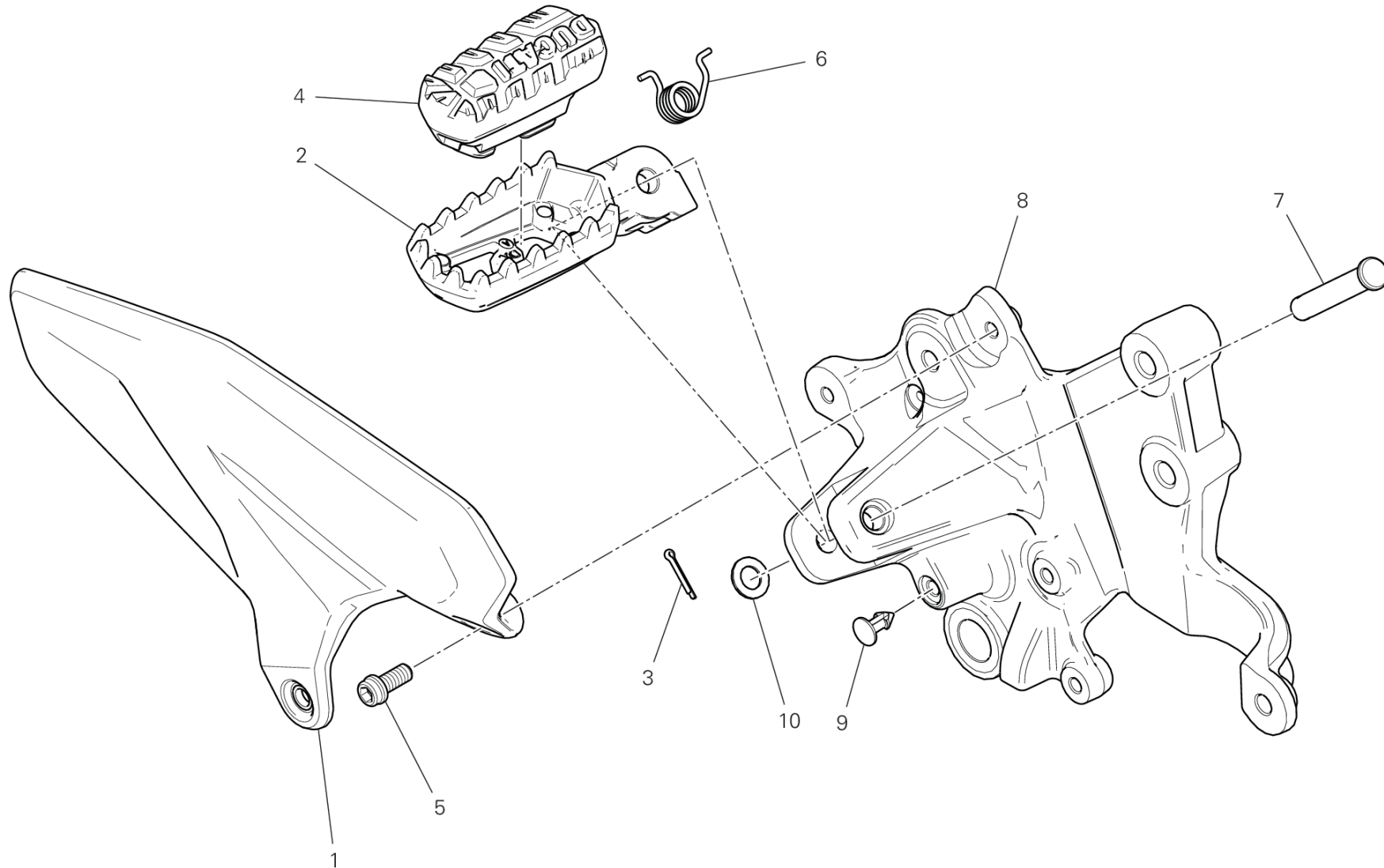
GROUP FRAME



POS.	CODE	DESCRIPTION	QTY	VALIDITY	NOTES
1	46011271A	HEEL GUARD FRONT LH	1		
2	77116648B	SCREW M6X14	2		
3	45613481AA	GEARCHANGE LEVER	1		
4	45623521AA	GEARCHANGE LEVER	1		
5	71210341A	BUSH	1		
6	46411171AA	LEFT FOOTREST	1		
7	68540011A	COTTER PIN	1		
8	76510171A	RUBBER PAD	1		
9	76510231A	INSERT	1		
10	77110401A	SCREW TCEIF M6X18	1		
11	77157258B	SCREW TCEIF M8X25	2		
12	79916201AA	SPRING. FOOTREST	1		
13	82111701CA	PIN PEDAL	1		
14	82119351AA	FOOTREST PIN	1		
15	82423883AA	L.H. FOOT PEG HOLDER PLATE	1		
16	85211511A	WASHER	1		
17	88641161A	O-RING	2		
18	85211561A	SPRING WASHER 8.1X14X1	1		
19	5521A301B	Quick Shift	1		
20	74750101A	NUT 6MM	1		
21	77244348BA	SCREW	1		
22	84850021A	BALL JOINT, RIGHT	1		
23	85611271A	WASHER	1		
24	77110191A	SCREW TCEIF M6X20	1		



TEL01577



DRAWING 26B - FOOTRESTS, RIGHT

GROUP FRAME



POS.	CODE	DESCRIPTION	QTY	VALIDITY	NOTES
1	4601282A	HEEL GUARD FRONT RH	1		
2	46411161AA	RIGHT FOOTREST	1		
3	68540011A	COTTER PIN	1		
4	76510221A	INSERT	1		
5	77116648B	SCREW M6X14	1		
6	79916201AA	SPRING. FOOTREST	1		
7	82119351AA	FOOTREST PIN	1		
8	82423891AA	R.H. FOOT PEG HOLDER PLATE	1		
9	87240561A	PLUG	1		
10	85211561A	SPRING WASHER 8.1X14X1	1		

DRAWING 26C - REAR FOOTREST

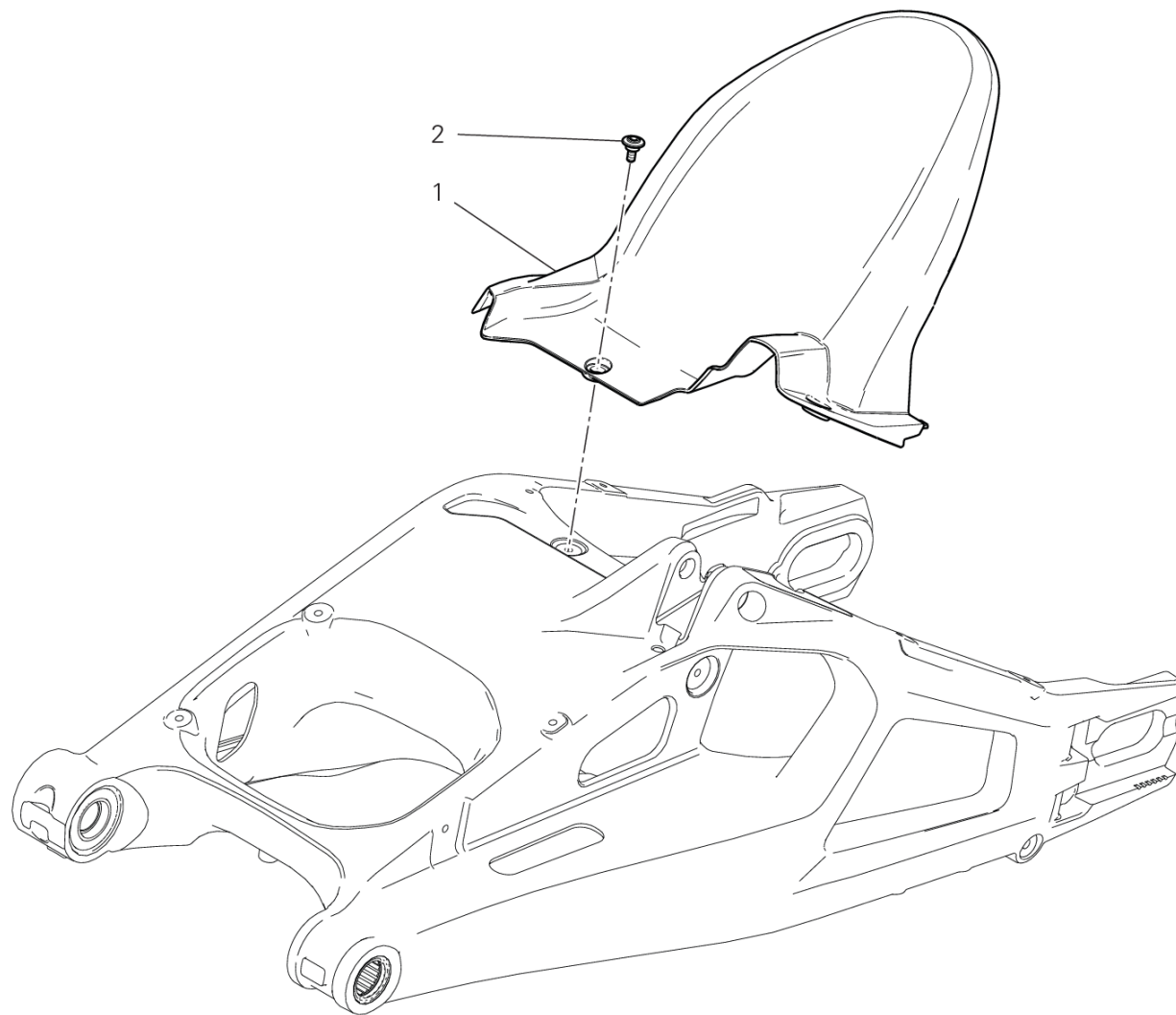
GROUP FRAME



POS.	CODE	DESCRIPTION	QTY	VALIDITY	NOTES
1	87240561A	PLUG	4		
2	46411161AA	RIGHT FOOTREST	1		
3	46411171AA	LEFT FOOTREST	1		
4	68540011A	COTTER PIN	2		
5	69610251A	SPRING RETAINER	2		
6	76510241A	FOOT PEG COVER	1		
7	76510251A	FOOT PEG COVER	1		
8	77110401A	SCREW TCEIF M6X18	2		
9	77157248CA	SCREW	4		
10	79910241B	SPRING	2		
11	82119351AA	FOOTREST PIN	2		
12	82413922BA	REAR R.H. PLATE	1		
13	82413932AA	REAR L.H. PLATE	1		
14	8301I791AA	BRACKET, SILENCER	1		
15	84740021A	BALL	2		
16	85211561A	SPRING WASHER 8.1X14X1	2		



TEL01435



DRAWING 27A - REAR MUDGUARD

GROUP FRAME



POS.	CODE	DESCRIPTION	QTY	VALIDITY	NOTES
1	56511353B	REAR MUDGUARD	1		
2	77214411BA	SCREW, SPECIAL	3		

DRAWING 28A - FRONT WHEEL [XCO:AG,R]

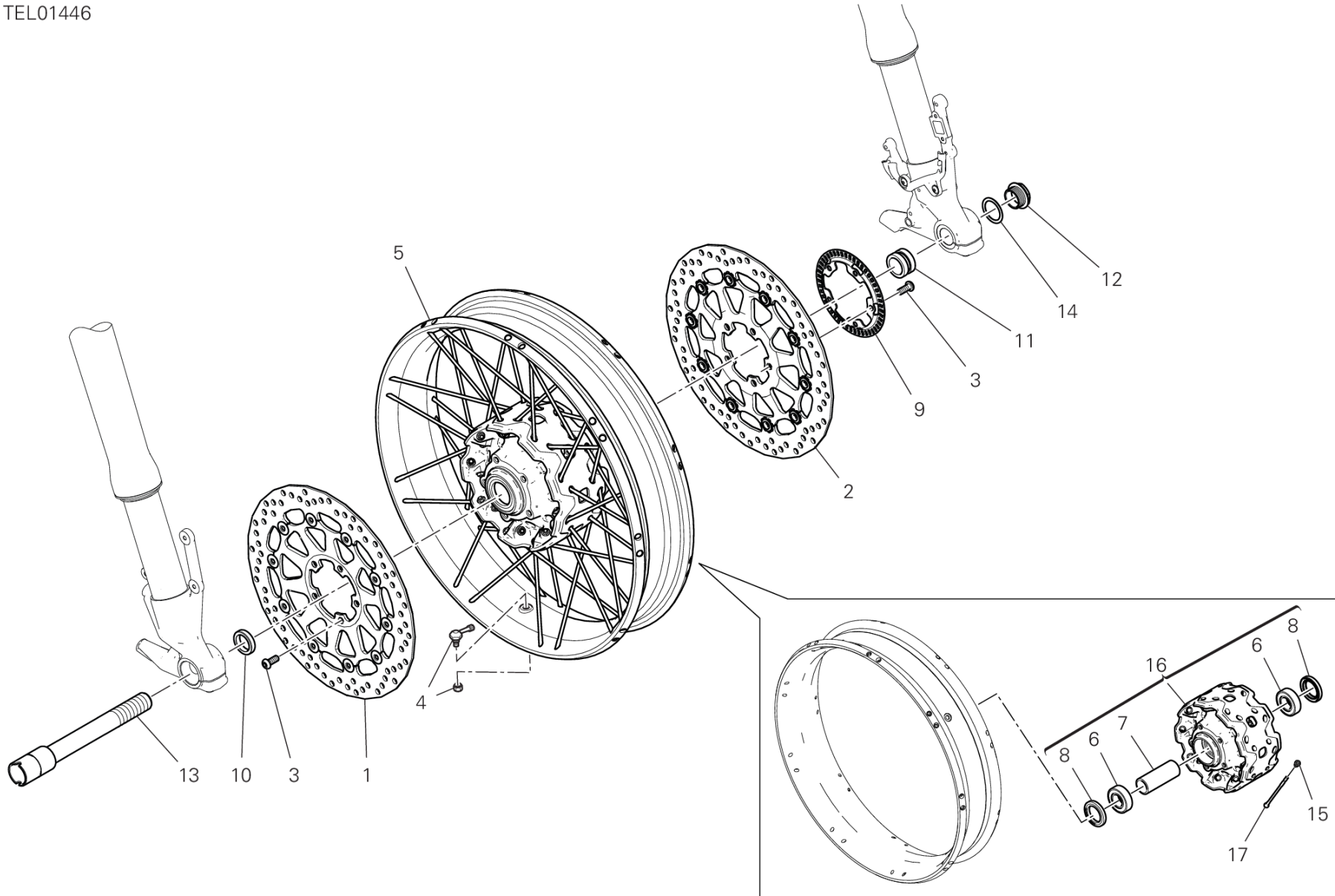
GROUP FRAME



POS.	CODE	DESCRIPTION	QTY	VALIDITY	NOTES
1	49241341A	DISC, FRONT BRAKE RH	1		
2	49241351A	DISC, FRONT BRAKE LH	1		
3	72010513C	SCREW	10		
4	49720071AC	VALVE, TUBELESS TIRE	1		
5	50122532AA	FRONT WHEEL RIM	1		
6	70250621A	BEARING	2		
7	71410941A	INNER SPACER	1		
8	93041501A	SEAL RING	2		
9	50420381AA	PHONIC WHEEL	1		
10	71311961A	RIGHT SPACER	1		
11	71311973A	LEFT SPACER	1		
12	74810651A	NUT	1		
13	81910601BA	FRONT WHEEL SPINDLE	1		
14	85212221A	WASHER	1		
15	4381E001A	TRANSFER	1		



TEL01446



DRAWING 28A - FRONT WHEEL [XCO:AGSW,RSW]

GROUP FRAME



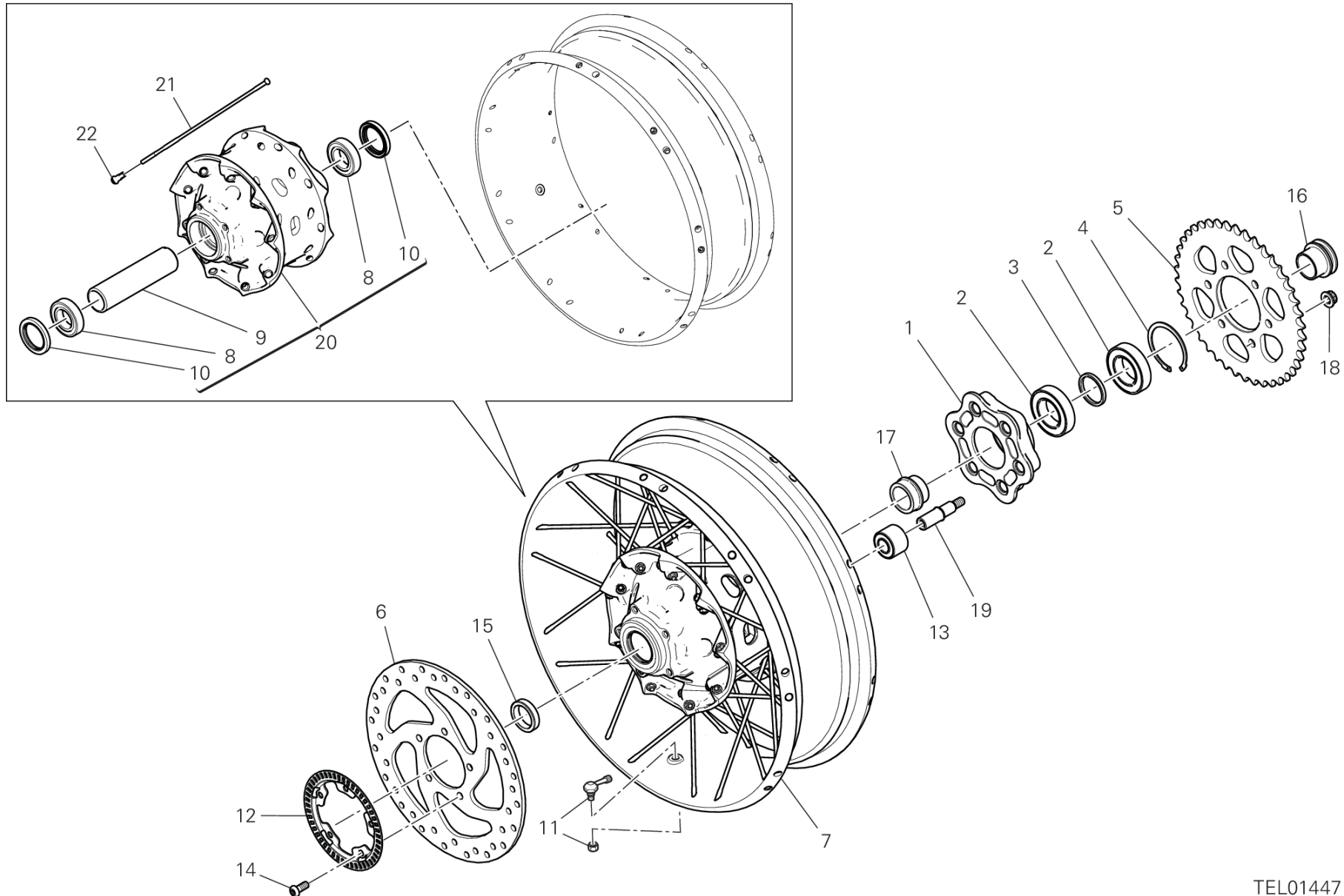
POS.	CODE	DESCRIPTION	QTY	VALIDITY	NOTES
1	49241341A	DISC, FRONT BRAKE RH	1		
2	49241351A	DISC, FRONT BRAKE LH	1		
3	72010513C	SCREW	10		
4	49720071AC	VALVE, TUBELESS TIRE	1		
5	50122571AD	FRONT WHEEL RIM	1		
6	70250721A	BEARING	2		
7	71413412A	INNER SPACER	1		
8	93040221A	OIL SEAL	2		
9	50420381AA	PHONIC WHEEL	1		
10	7131B911AA	RIGHT SPACER	1		
11	7131B901AA	LEFT SPACER	1		
12	74810651A	NUT	1		
13	81910601BA	FRONT WHEEL SPINDLE	1		
14	85212221A	WASHER	1		
15	81540064A	NIPPLE, SPOKE	40		
16	16220711AD	HUB, FRONT WHEEL	1		
17	49610051A	SPOKE, WHEEL	40		

DRAWING 29A - REAR WHEEL [XCO:AG,R]

GROUP FRAME



POS.	CODE	DESCRIPTION	QTY	VALIDITY	NOTES
1	16026971A	REAR SPROCKET FLANGE	1		
2	70240381A	BEARING	2		
3	71311841A	INNER SPACER	1		
4	88440061A	CIRCLIP	1		
5	49416971AA	REAR SPROCKET T42	1		
6	49241531A	REAR BRAKE DISC	1		
7	50222291AA	REAR WHEEL RIM	1		
8	70250681A	BEARING	2		
9	71411381A	INNER SPACER	1		
10	93042191A	SEAL RING	2		
11	49720071AC	VALVE, TUBELESS TIRE	1		
12	504Z0381AA	PHONIC WHEEL	1		
13	70010591A	WHEEL RUNNER BUSH	6		
14	72010513C	SCREW	5		
15	71312051A	INNER SPACER	1		
16	7131A361AA	FINAL SPROKET SLEEVE	1		
17	7131A371AA	SPACER	1		
18	74810461A	NUT, FLANGE M10X1	6		
19	82119711AA	SPRING DRIVE FIXING BUSH	6		
20	4381E011A	TRANSFER	1		



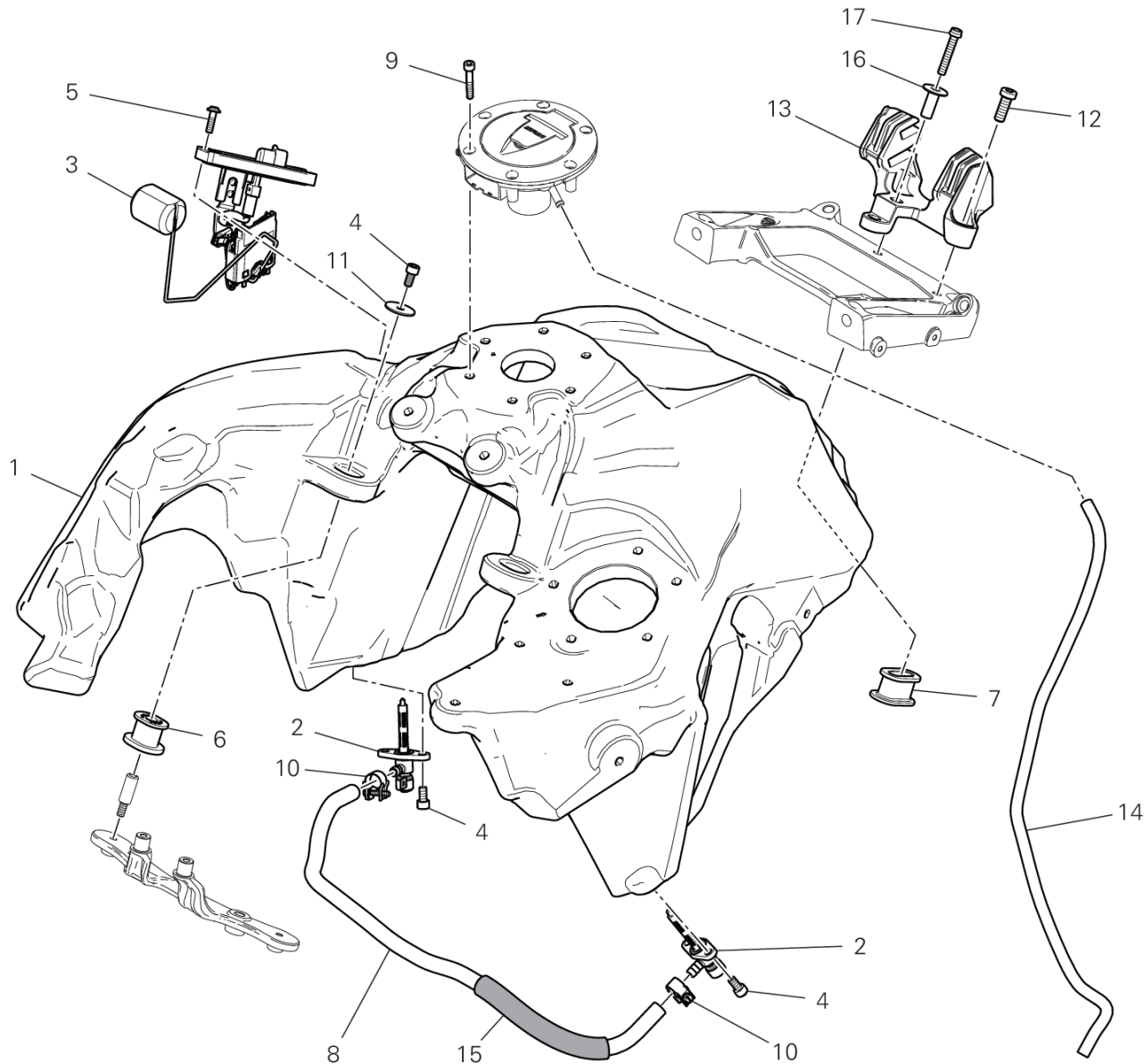
TEL01447

DRAWING 29A - REAR WHEEL [XCO:AGSW,RSW]

GROUP FRAME



POS.	CODE	DESCRIPTION	QTY	VALIDITY	NOTES
1	16026971A	REAR SPROCKET FLANGE	1		
2	70240381A	BEARING	2		
3	71311841A	INNER SPACER	1		
4	88440061A	CIRCLIP	1		
5	49416971AA	REAR SPROCKET T42	1		
6	49241531A	REAR BRAKE DISC	1		
7	50222331AD	REAR WHEEL RIM	1		
8	70250681A	BEARING	2		
9	71413441A	INNER SPACER	1		
10	93040391A	SEAL RING	2		
11	49720071AC	VALVE, TUBELESS TIRE	1		
12	504Z0381AA	PHONIC WHEEL	1		
13	70010591A	WHEEL RUNNER BUSH	6		
14	72010513C	SCREW	5		
15	71312051A	INNER SPACER	1		
16	7131A361AA	FINAL SPROKET SLEEVE	1		
17	7131A371AA	SPACER	1		
18	74810461A	NUT, FLANGE M10X1	6		
19	82119711AA	SPRING DRIVE FIXING BUSH	6		
20	16220721AD	HUB, REAR WHEEL	1		
21	49610061A	SPOKE	40		
22	81540064A	NIPPLE, SPOKE	40		



VST02134

DRAWING 30A - TANK

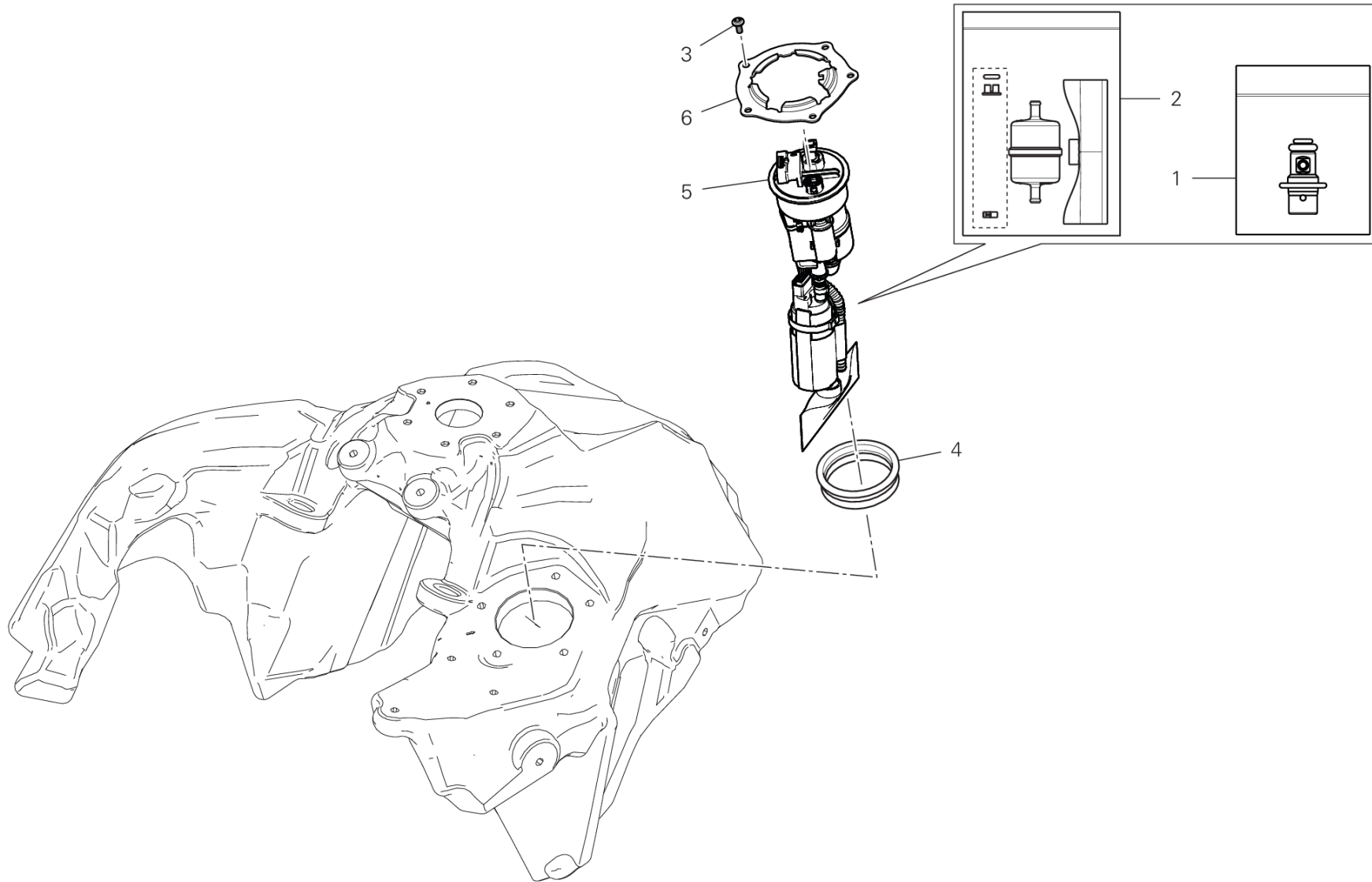
GROUP FRAME



POS.	CODE	DESCRIPTION	QTY	VALIDITY	NOTES
1	58612871D	FUEL TANK	1	XST:EUR	
	58612941B	FUEL TANK	1	XST:AUS,BLG,GSO,JAP	
	58612941B	FUEL TANK	1	XST:EUR	
2	58840232A	FUEL COCK	2		
3	59210291B	FUEL LEVEL GAUGE	1		
4	77150638B	SCREW TCEI M6X12	6		
5	77244203B	SCREW	4		
6	86613051A	PAD, FUEL TANK	2		
7	86613061A	PAD, FUEL TANK	1		
8	59018711C	PIPE	1		
9	77150478B	SCREW TCEI M5X30	6		
10	74142121A	CLAMP	2		
11	85211961B	WASHER 6.4X25X1.5	2		
12	77310071A	SCREW	2		
13	8291I701C	SEAT SUPPORT	1		
14	93510891B	HOSE	1		
15	4601C581A	PROTECTION SHEATH	1		
16	71614351AA	SPACER	1		
17	77156723B	SCREW	1		



DRAWING 30B - FUEL PUMP GROUP FRAME



IMP01362

MULTISTRADA V4S /22

033000022

DRAWING 30B - FUEL PUMP

GROUP FRAME

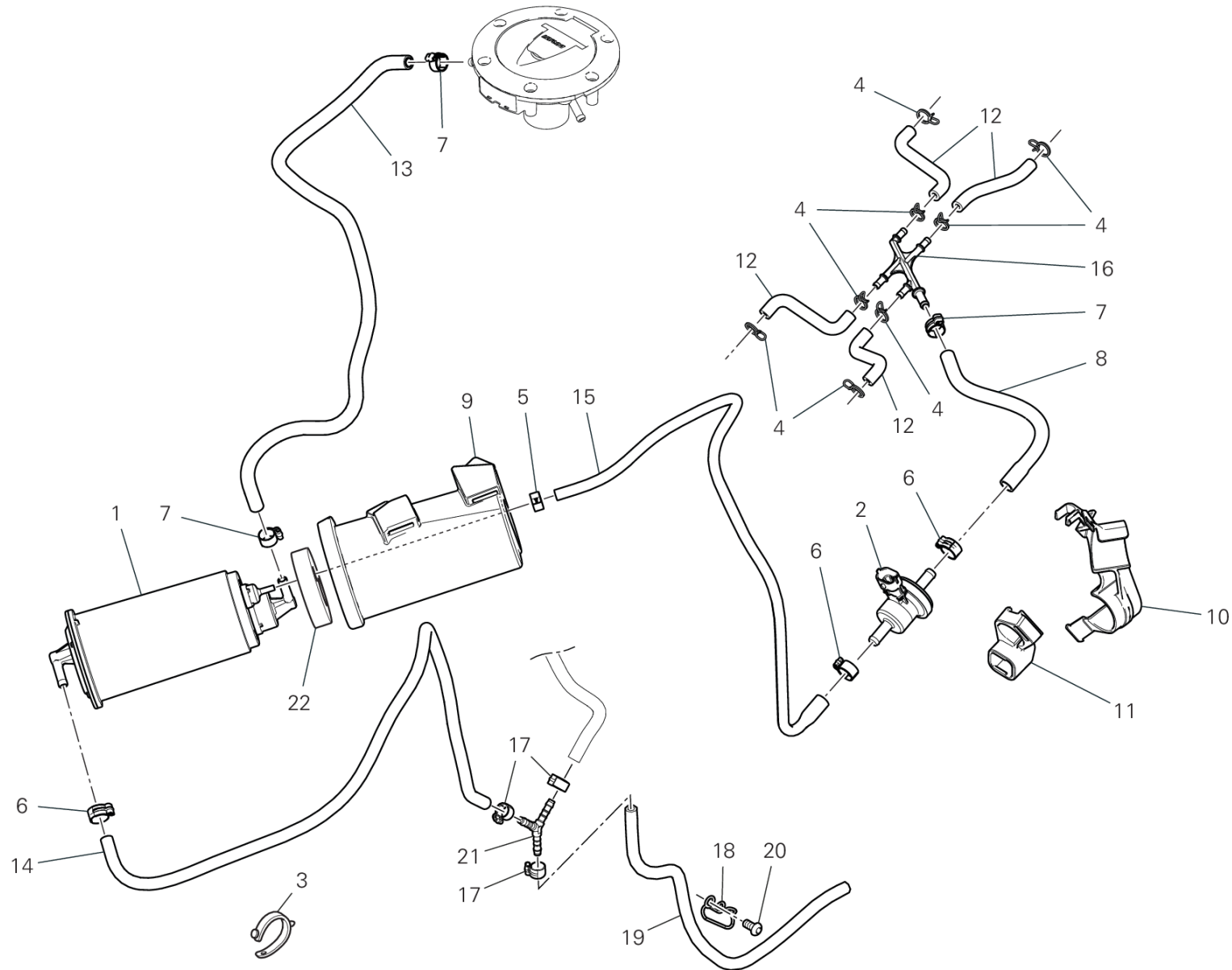


POS.	CODE	DESCRIPTION	QTY	VALIDITY	NOTES
1	42520031A	REPAIR KIT	1		
2	42520021A	REPAIR KIT	1		
3	77244173B	SCREW	5		
4	79111131B	GASKET	1		
5	16024311B	FUEL PUMP	1		
6	16016671AA	BRACKET, FUEL PUMP	1		



DRAWING 30C - CANISTER FILTER

GROUP FRAME



IMP01375

DRAWING 30C - CANISTER FILTER

GROUP FRAME

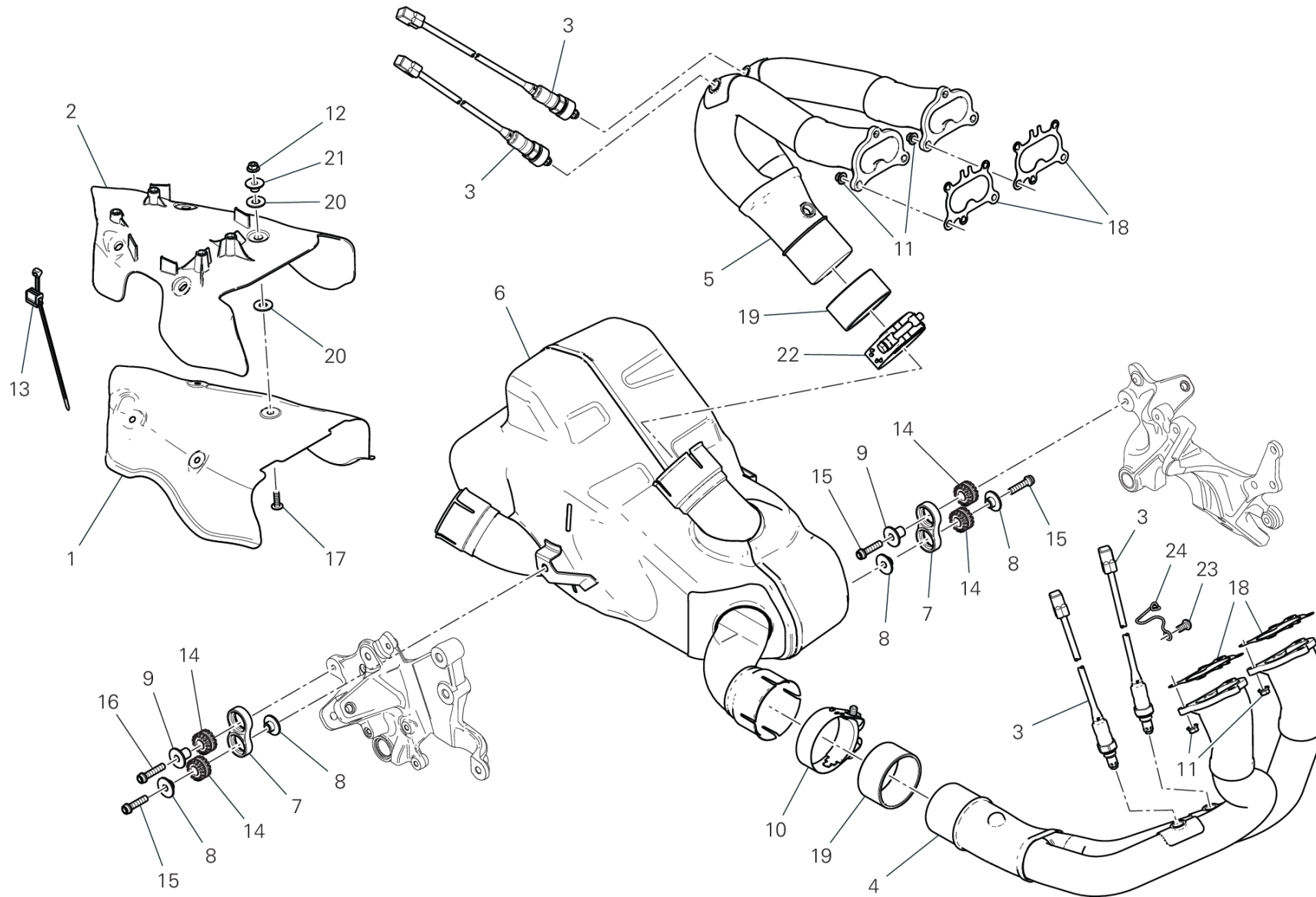


POS.	CODE	DESCRIPTION	QTY	VALIDITY	NOTES
1	42610731A	CANISTER FILTER	1		
2	65540101A	VALVE, BREATHER	1		
3	74110551A	CLAMP, RUBBER 39MM	1		
4	74140431A	CLAMP	8		
5	74140581A	CLAMP	1		
6	74140631A	CLAMP	2		
7	74140651A	FASCETTA 11-7 MM	1		
8	93510941A	HOSE	1		
9	8291M671A	BRACKET, CANISTER	1		
10	8291M691A	HOLDER	1		
11	8291M771A	HOLDER	1		
12	93510401A	HOSE	4		
13	93510891B	HOSE	1		
14	93510991A	HOSE	1		
15	93511001A	HOSE	1		
16	81416431A	UNION	1		
17	74141001A	CLAMP 8.5/7	3		
18	75810412A	FAIRLEAD	1		
19	93511011A	PIPE	1		
20	72050313C	SCREW	1		
21	81417351A	JOINT Y	1		
22	48612731A	DAMPER, SOUND ARRESTER	1		



DRAWING 31A - EXHAUST MANIFOLD [XST:BLG,EUR,GSO,JAP,ROK,TWN]

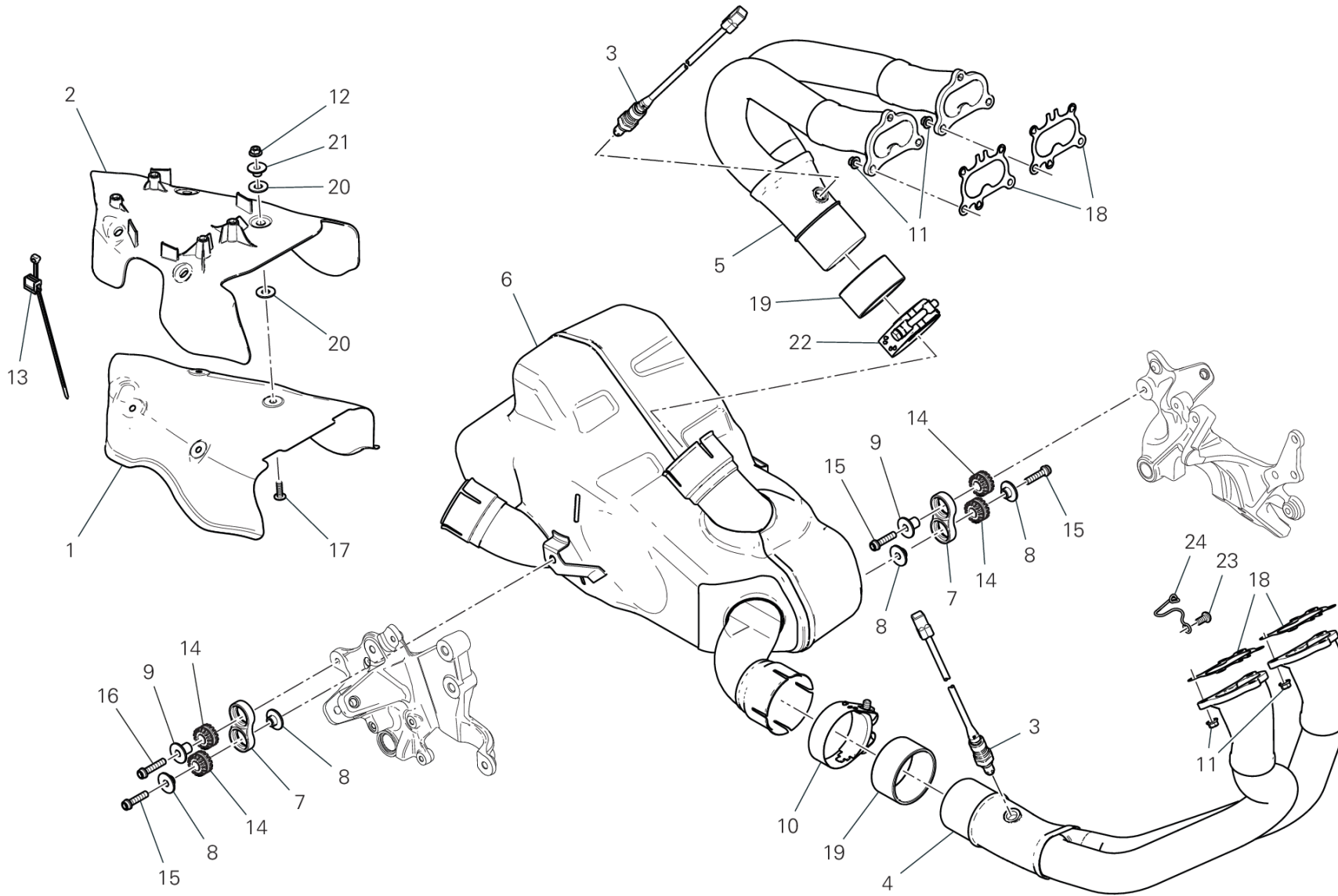
GROUP FRAME



SCR00349



POS.	CODE	DESCRIPTION	QTY	VALIDITY	NOTES
1	4601H281B	HEAT GUARD	1		
2	4601H291B	HEAT GUARD	1		
3	55215021A	SENSOR LAMBDA SOND	4		
4	57015001C	EXHAUST MANIFOLD HORIZONTAL	1		
5	57115011C	EXHAUST MANIFOLD VERTICAL	1		
6	57315165A	PRESILENCER	1		
7	57610671A	BRACKET, SILENCER	2		
8	71614141A	SPACER 6.25X10X5.75	4		
9	71614191A	SPACER	2		
10	74113401A	CLAMP	1		
11	74810361A	NUT	12		
12	74841091AA	NUT	4		
13	75840951A	CLAMP	4		
14	76410241A	VIBRATION DAMPER PAD	4		
15	77156698B	SCREW TCEIF M6X25	3		
16	77156708B	TCEIF SCREW M6X28	2		
17	77240288C	SCREW	4		
18	79010371A	GASKET, EXHAUST PIPE	4		
19	79010481A	GASKET	2		
20	85640121A	WASHER	8		
21	71614251A	SPACER	4		
22	74142651A	CLAMP	1		
23	72050313C	SCREW	1		
24	75810412A	FAIRLEAD	1		



SCR00357

DRAWING 31A - EXHAUST MANIFOLD [XST:AUS]

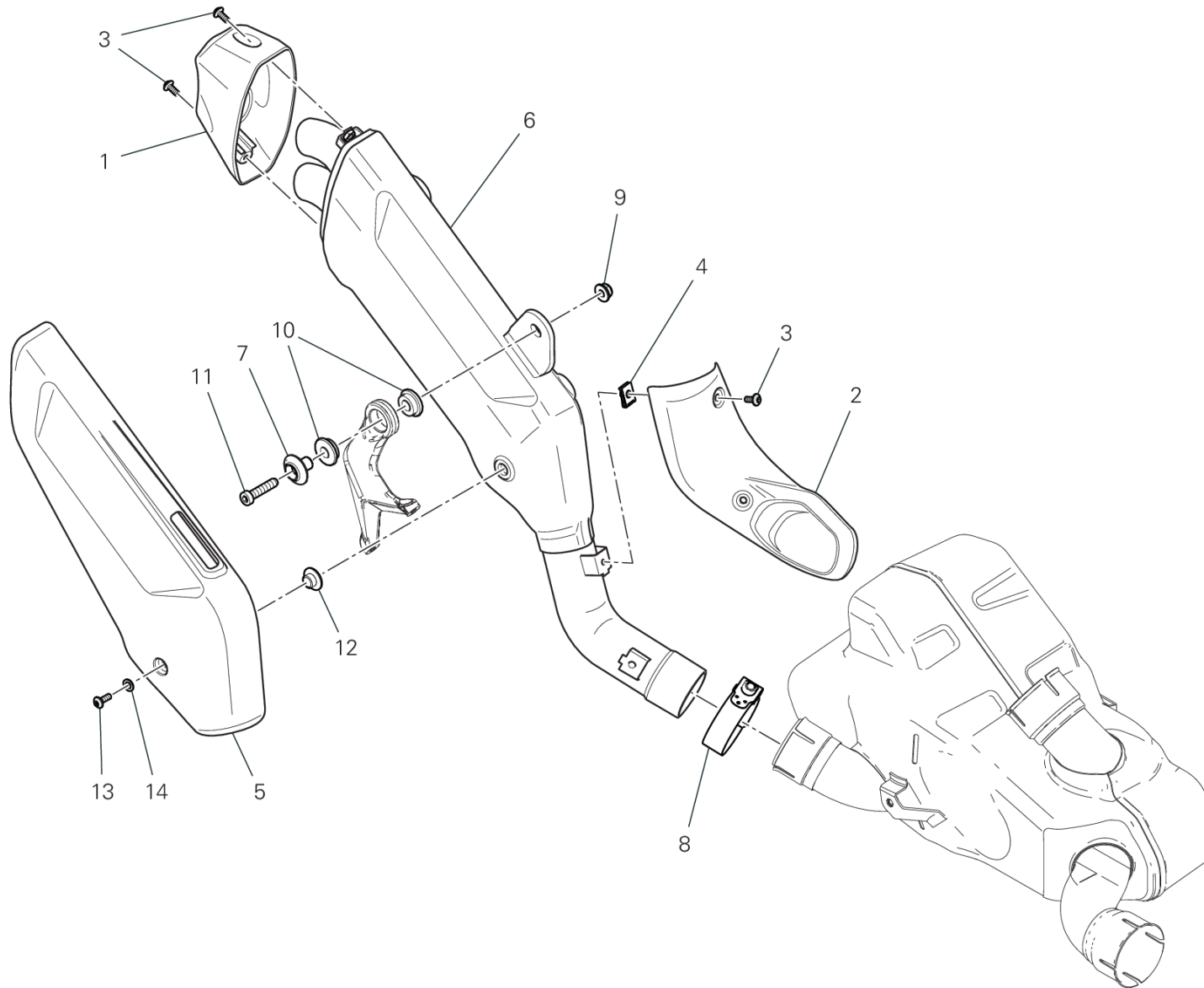
GROUP FRAME



POS.	CODE	DESCRIPTION	QTY	VALIDITY	NOTES
1	4601H281B	HEAT GUARD	1		
2	4601H291B	HEAT GUARD	1		
3	55215021A	SENSOR LAMBDA SOND	2		
4	57015191A	EXHAUST MANIFOLD HORIZONTAL	1		
5	57115151A	EXHAUST MANIFOLD VERTICAL	1		
6	57314851D	PRESILENCER	1		
	57314854C	PRESILENCER	1	XST:AUS	
7	57610671A	BRACKET, SILENCER	2		
8	71614141A	SPACER 6.25X10X5.75	4		
9	71614191A	SPACER	2		
10	74113401A	CLAMP	1		
11	74810361A	NUT	12		
12	74841091AA	NUT	4		
13	75840951A	CLAMP	4		
14	76410241A	VIBRATION DAMPER PAD	4		
15	77156698B	SCREW TCEIF M6X25	3		
16	77156708B	TCEIF SCREW M6X28	2		
17	77240288C	SCREW	4		
18	79010371A	GASKET, EXHAUST PIPE	4		
19	79010481A	GASKET	2		
20	85640121A	WASHER	8		
21	71614251A	SPACER	4		
22	74142651A	CLAMP	1		
23	72050313C	SCREW	1		
24	75810412A	FAIRLEAD	1		



DRAWING 31B - SILENCER GROUP FRAME



SCR00392

MULTISTRADA V4S /22

033000022

Page 154 / 206

SPARE PARTS CATALOGUE

06/02/2022

DRAWING 31B - SILENCER

GROUP FRAME

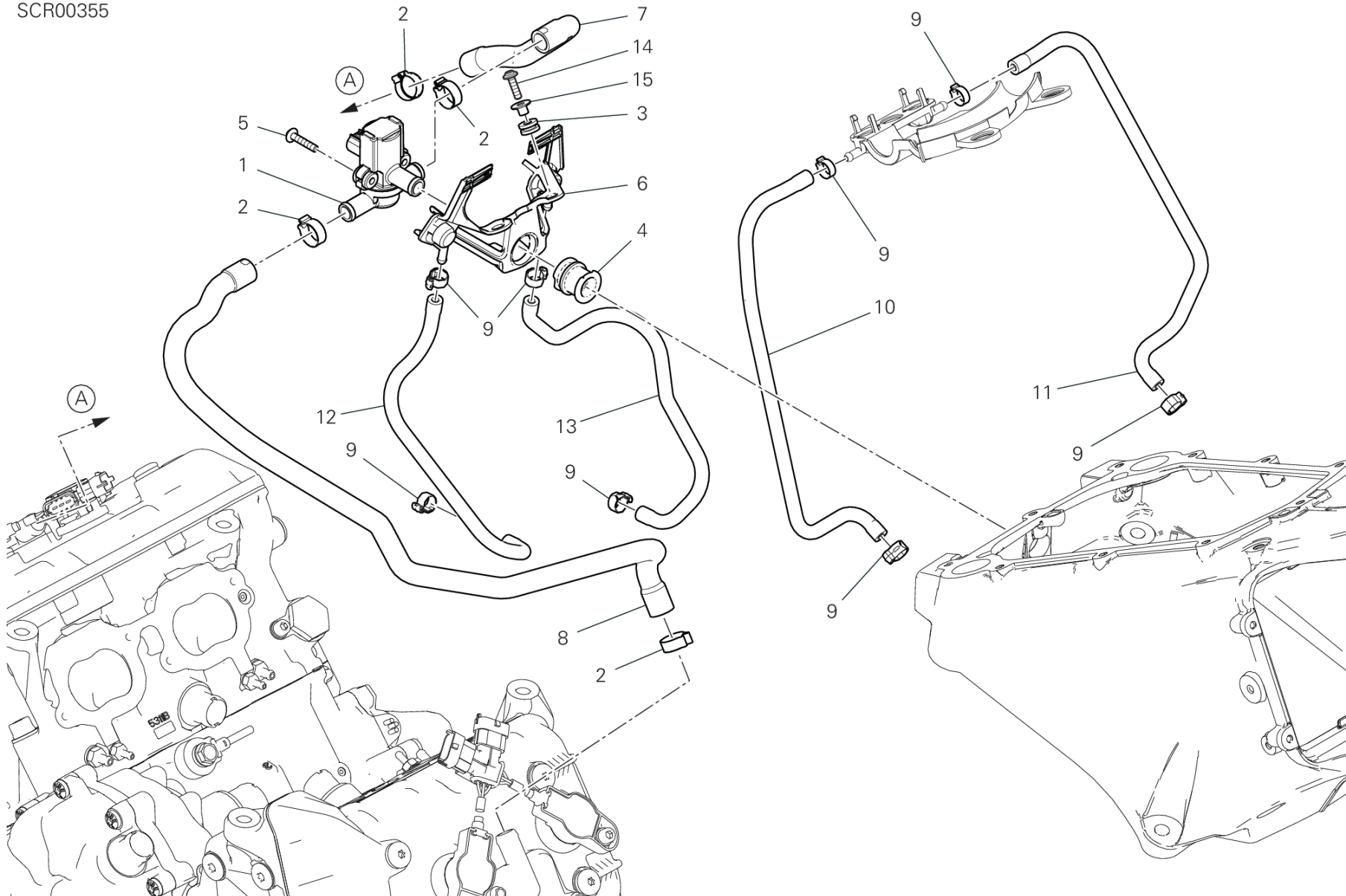


POS.	CODE	DESCRIPTION	QTY	VALIDITY	NOTES
1	4601I451C	SILENCER ENDCAP	1		
2	4601I481AB	HEAT GUARD BOTTOM	1		
3	77244173B	SCREW	8		
4	85044691A	QUICK FASTENING	2		
5	4601I601B	HEAT GUARD	1		
6	57314973B	SILENCER	1		
7	71314361A	COLLAR, SILENCER MOUNTING	1		
8	74142841A	CLAMP	1		
9	74940321A	NUT	1		
10	76410011A	DAMPER	2		
11	77355068B	SCREW TCEIR M8X35	1		
12	71614481AA	SPACER	1		
13	77244203B	SCREW	1		
14	85210721B	WASHER	1		



DRAWING 31C - SECONDARY AIR SYSTEM GROUP FRAME

SCR00355



DRAWING 31C - SECONDARY AIR SYSTEM

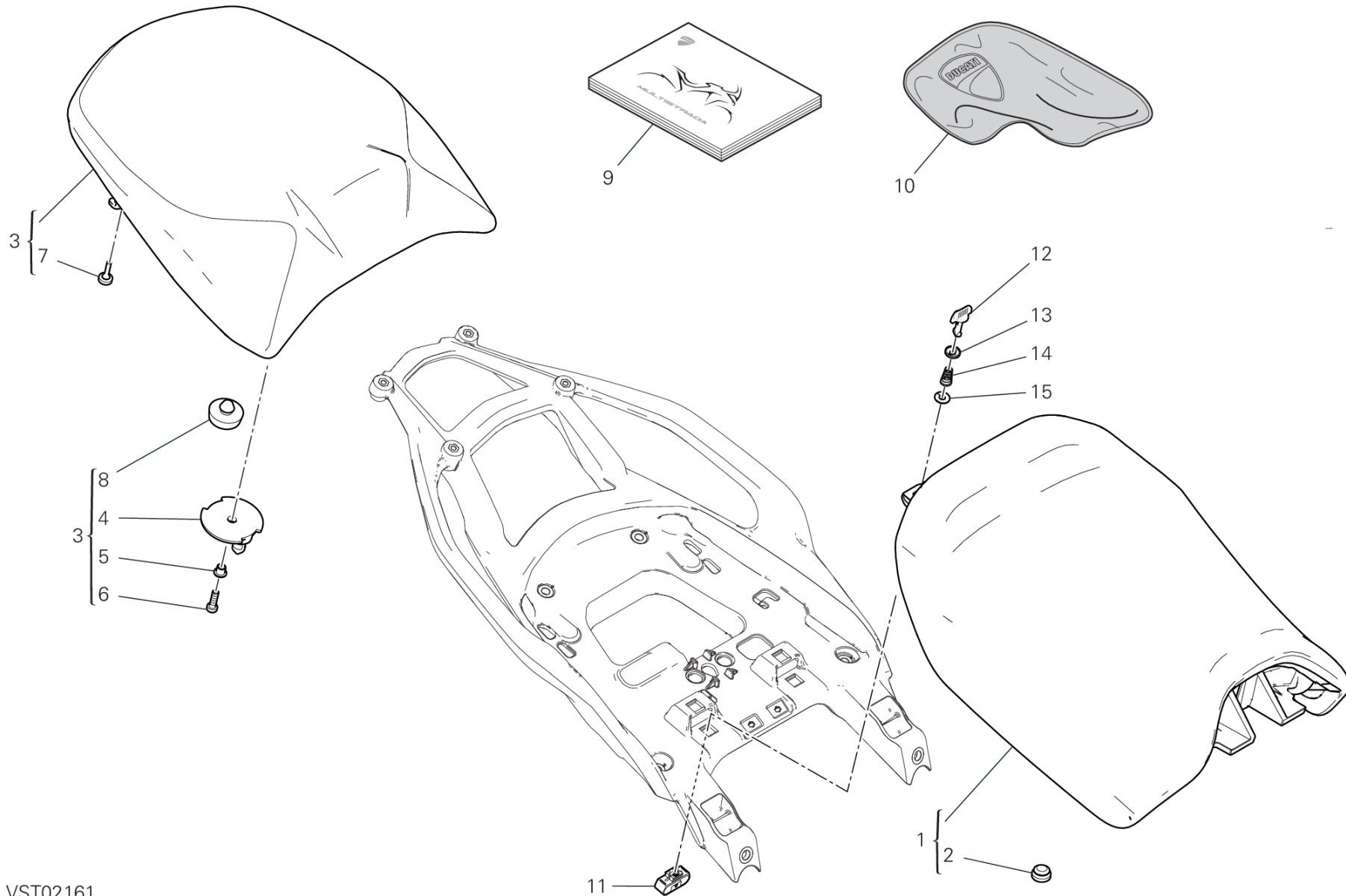
GROUP FRAME



POS.	CODE	DESCRIPTION	QTY	VALIDITY	NOTES
1	65540081A	ACTUATOR	1		
2	74142401A	CLAMP	2		
3	76411671A	RUBBER PAD	2		
4	76414461AA	VIBRATION DAMPER PAD	1		
5	77240323C	SCREW	2		
6	81417081AA	BRACKET ACTUATOR EXHAUST CONTROL	1		
7	87614021AA	DUCT, AIR	1		
8	87614031AA	DUCT, AIR	1		
9	74140651A	FASCETTA 11-7 MM	8		
10	59018721AA	HOSE	1		
11	59018731AA	HOSE	1		
12	59018741AA	HOSE	1		
13	59018751AA	HOSE	1		
14	77244203B	SCREW	2		
15	71615261AA	SPACER	2		



DRAWING 32A - RIDER AND PASSENGER SEAT GROUP FRAME



VST02161

MULTISTRADA V4S /22

033000022

DRAWING 32A - RIDER AND PASSENGER SEAT

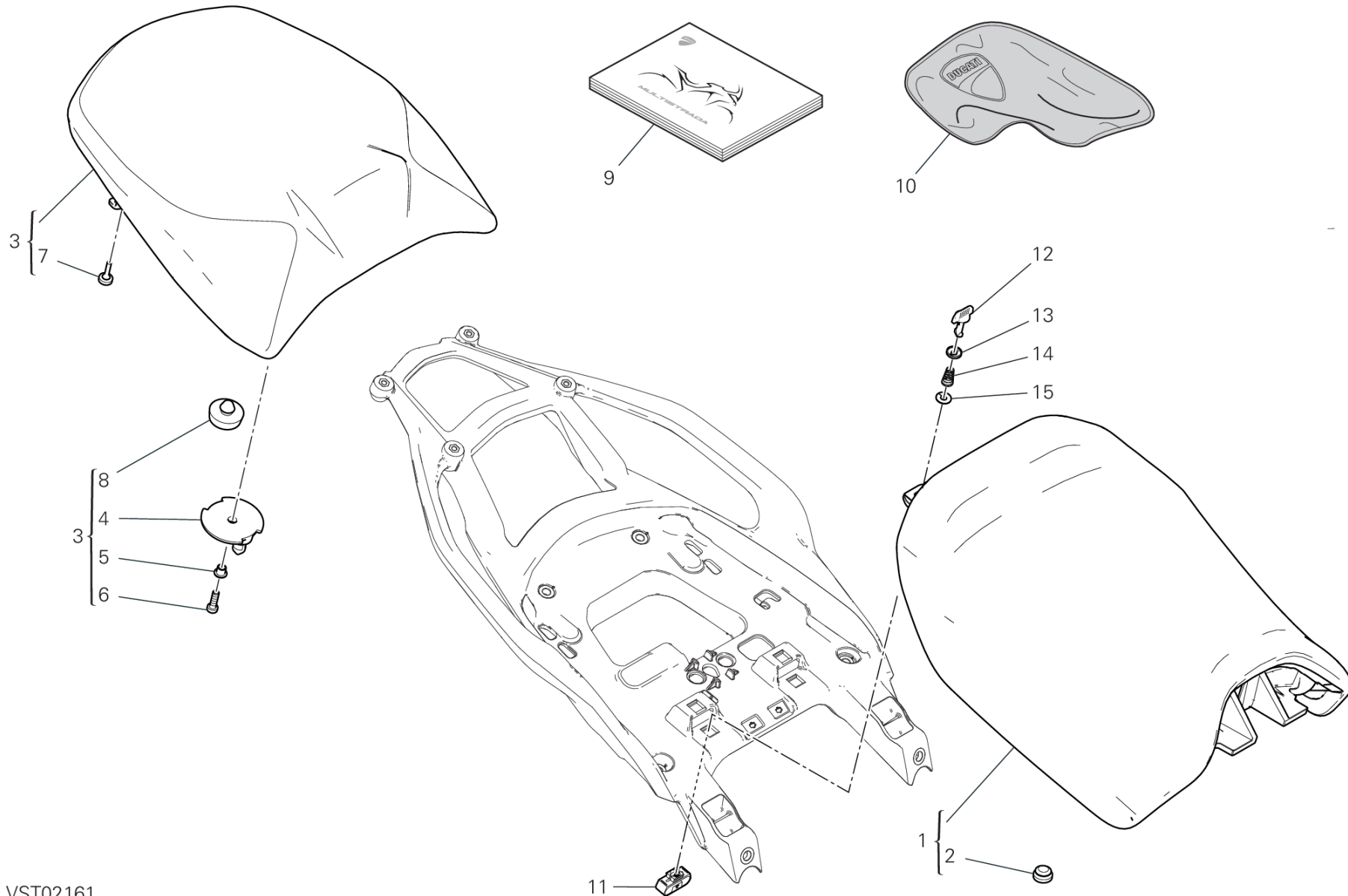
GROUP FRAME



POS.	CODE	DESCRIPTION	QTY	VALIDITY	NOTES
1	59516431BA	SEAT	1	XST:AUS,BLG,GSO,JAP	
	59516431BA	SEAT	1	XST:EUR	
	59516981AA	SEAT	1	XST:EUR	
2	86642741A	RUBBER PAD	2		
3	59516762AA	PILLION RIDER SEAT	1		
4	59516742A	PIN	1		
5	7111D861A	BUSH	1		
6	77350678B	SCREW	1		
7	86642751A	RUBBER PAD	2		
8	86642761A	RUBBER PAD	2		
9	91375771AR	OWNER'S MANUAL	1		ARABIC
	91375771BG	OWNER'S MANUAL	1		BULGARIAN
	91375771CA	OWNER'S MANUAL	1		CANADA/FRA
	91375771CS	OWNER'S MANUAL	1		CZECH REPUBLIC
	91375771DA	OWNER'S MANUAL	1		DENMARK
	91375771DE	OWNER'S MANUAL	1		GERMAN
	91375771EL	OWNER'S MANUAL	1		GREECE
	91375771EN	OWNER'S MANUAL	1		ENGLISH
	91375771ES	OWNER'S MANUAL	1		SPANISH
	91375771FI	OWNER'S MANUAL	1		FINLAND
	91375771FR	OWNER'S MANUAL	1		FRENCH
	91375771HR	OWNER'S MANUAL	1		CROATIA
	91375771HU	OWNER'S MANUAL	1		HUNGARY
	91375771IT	OWNER'S MANUAL	1		ITALY
	91375771JA	OWNER'S MANUAL	1		JAPAN
	91375771KO	OWNER'S MANUAL	1		KOREA
	91375771MX	OWNER'S MANUAL	1		MEXICO/ESP
	91375771NL	OWNER'S MANUAL	1		HOLLAND
	91375771NO	OWNER'S MANUAL	1		NORWAY
91375771PL	OWNER'S MANUAL	1		POLAND	
91375771PT	OWNER'S MANUAL	1		PORTUGUESE	
91375771RO	OWNER'S MANUAL	1		ROMANIA	
91375771RU	OWNER'S MANUAL	1		RUSSIAN	
91375771SK	OWNER'S MANUAL	1		SLOVAK	
91375771SL	OWNER'S MANUAL	1		SLOVENIAN	



DRAWING 32A - RIDER AND PASSENGER SEAT GROUP FRAME



VST02161

DRAWING 32A - RIDER AND PASSENGER SEAT

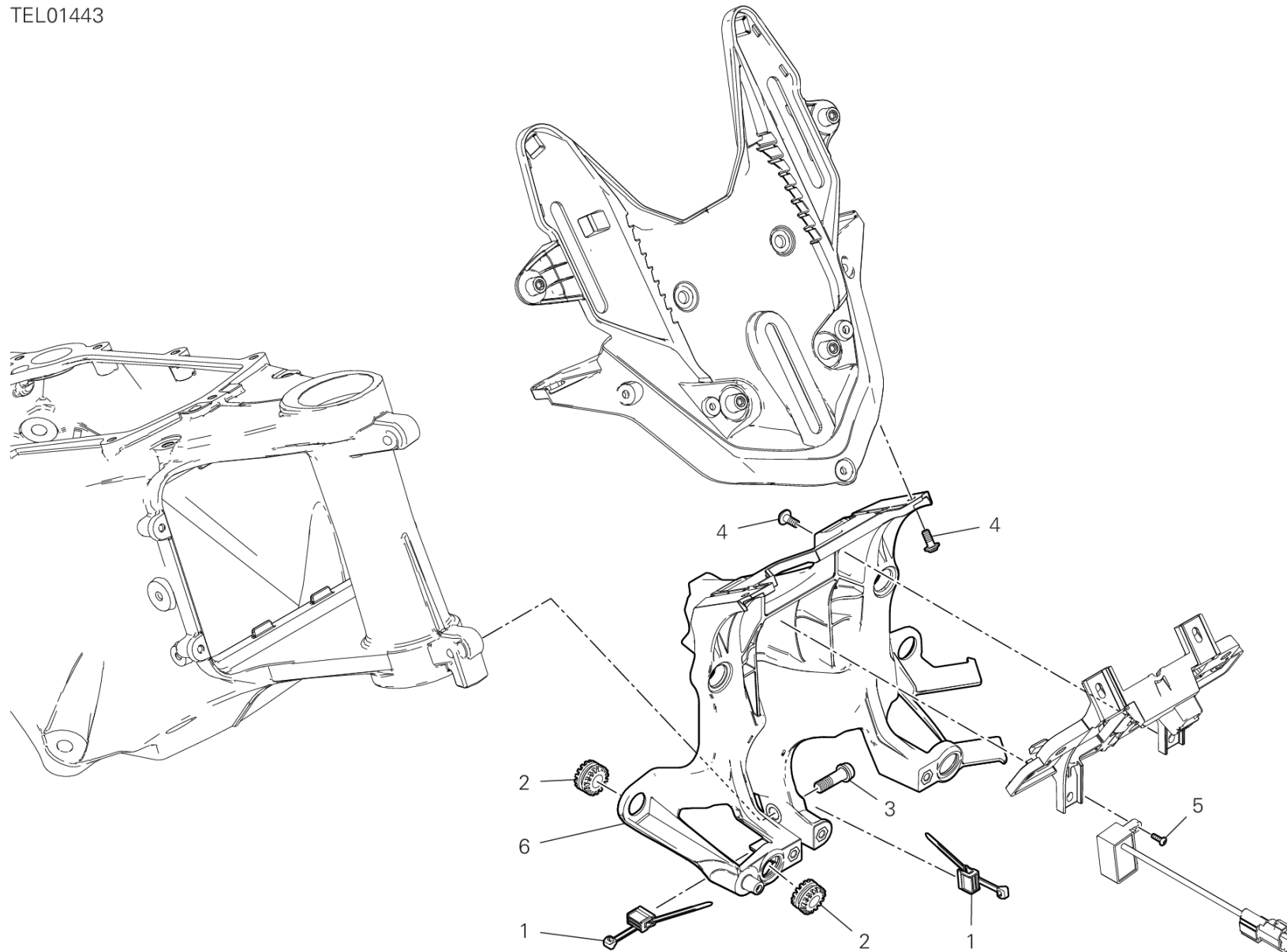
GROUP FRAME



POS.	CODE	DESCRIPTION	QTY	VALIDITY	NOTES
	91375771SV	OWNER'S MANUAL	1		SWEDISH
	91375771US	OWNER'S MANUAL	1		USA
	91375771ZH	OWNER'S MANUAL	1		TRADITIONAL CHINESE
	91375781EN	OWNER'S MANUAL	1		ENGLISH
	91375781TE	OWNER'S MANUAL	1		ENGLISH / THAI
	91375781TH	OWNER'S MANUAL	1		THAI
10	69720391A	TOOL BAG	1		
11	85044491A	QUICK FASTENING	4		
12	85044511A	QUICK FASTENING	2		
13	85044531A	QUICK FASTENING	2		
14	85044521A	SPRING	2		
15	85044541A	QUICK FASTENING	2		



TEL01443



DRAWING 33A - FRONT SUBFRAME

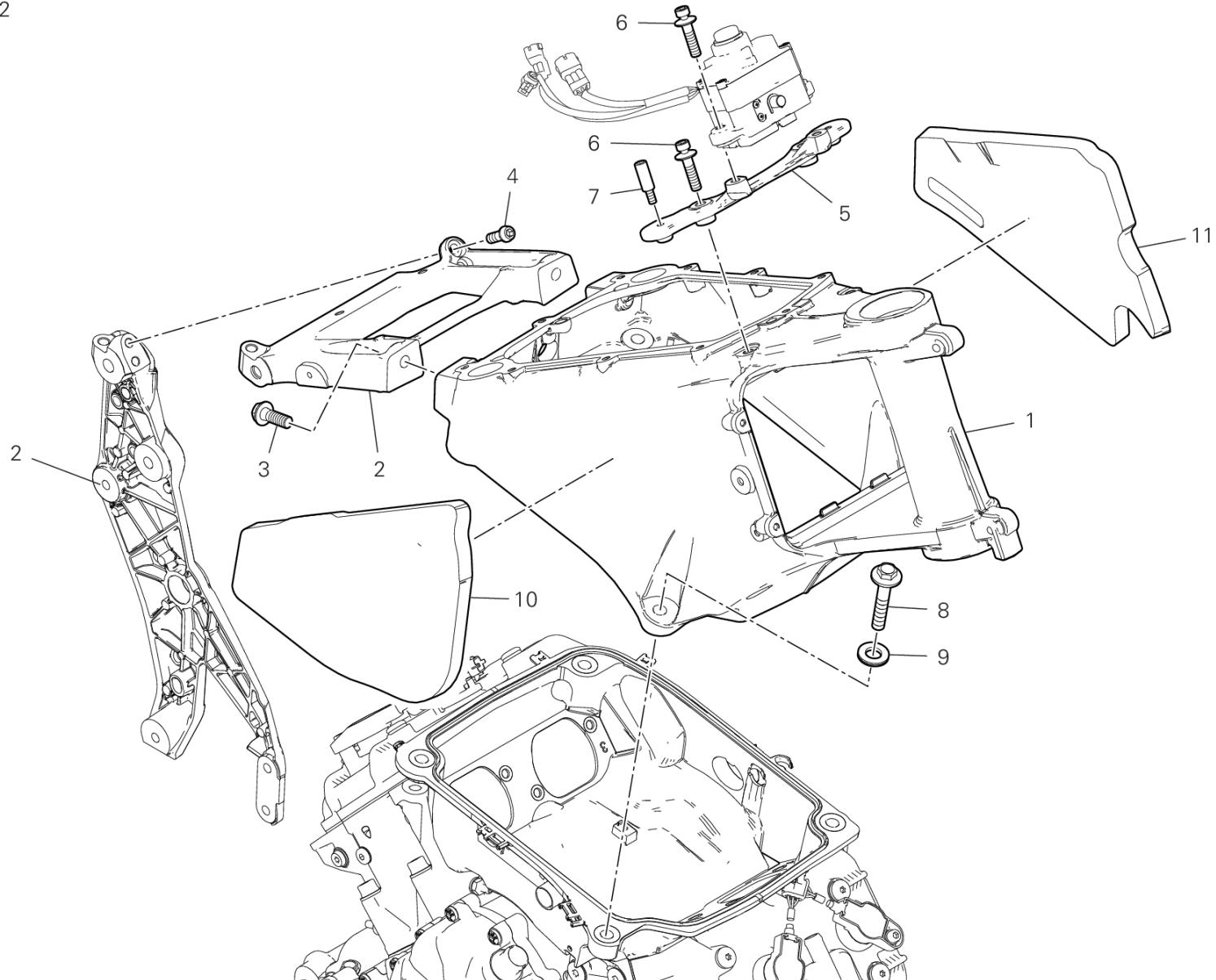
GROUP FRAME



POS.	CODE	DESCRIPTION	QTY	VALIDITY	NOTES
1	75840801A	CLAMP	2		
2	76410241A	VIBRATION DAMPER PAD	6		
3	77113741A	SCREW TCEIF M8X25	2		
4	77244178B	SCREW	4		
5	77440213C	SCREW	1		
6	8291J152B	BRACKET	1		



TEL01442



DRAWING 33B - FRAME

GROUP FRAME



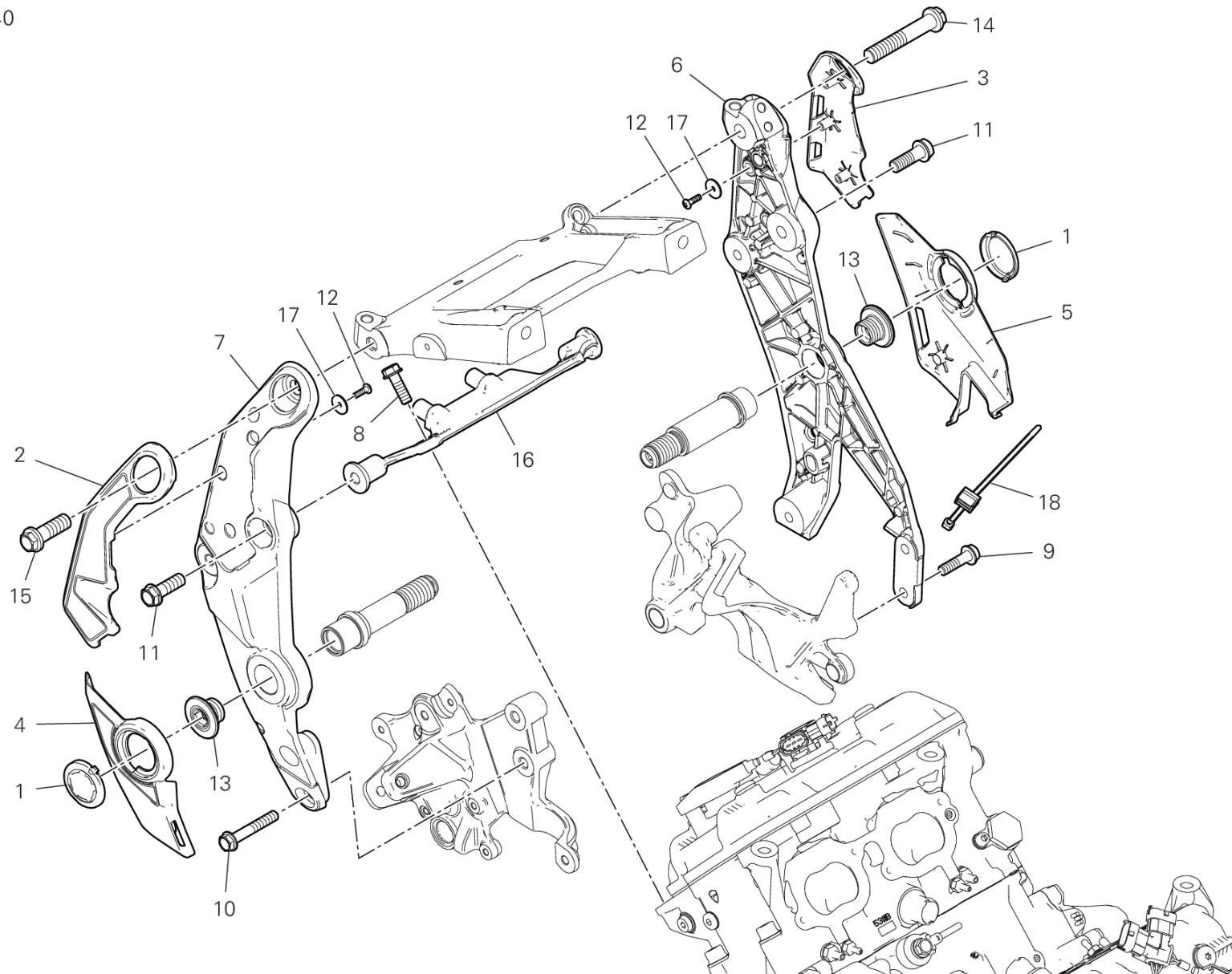
POS.	CODE	DESCRIPTION	QTY	VALIDITY	NOTES
1	47111543BA	FRAME	1		
2	47111581BA	CENTRAL PLATE	1		
3	7791C011AA	SCREW, SPECIAL	2		
4	77157248CA	SCREW	2		
5	8291I231BA	HOLDER	1		
6	7791A821AA	SCREW, SPECIAL	4		
7	7791C231BA	SCREW, SPECIAL	2		
8	7791C071AA	SPECIAL SCREW M10X55	4		
9	85540101AA	TOOTHED LOCK WASHER	4		
10	48612651A	DAMPER, SOUND ARRESTER	1		
11	48612661A	DAMPER, SOUND ARRESTER	1		



DRAWING 33C - FRAME PLATE UNIT

GROUP FRAME

TEL01440

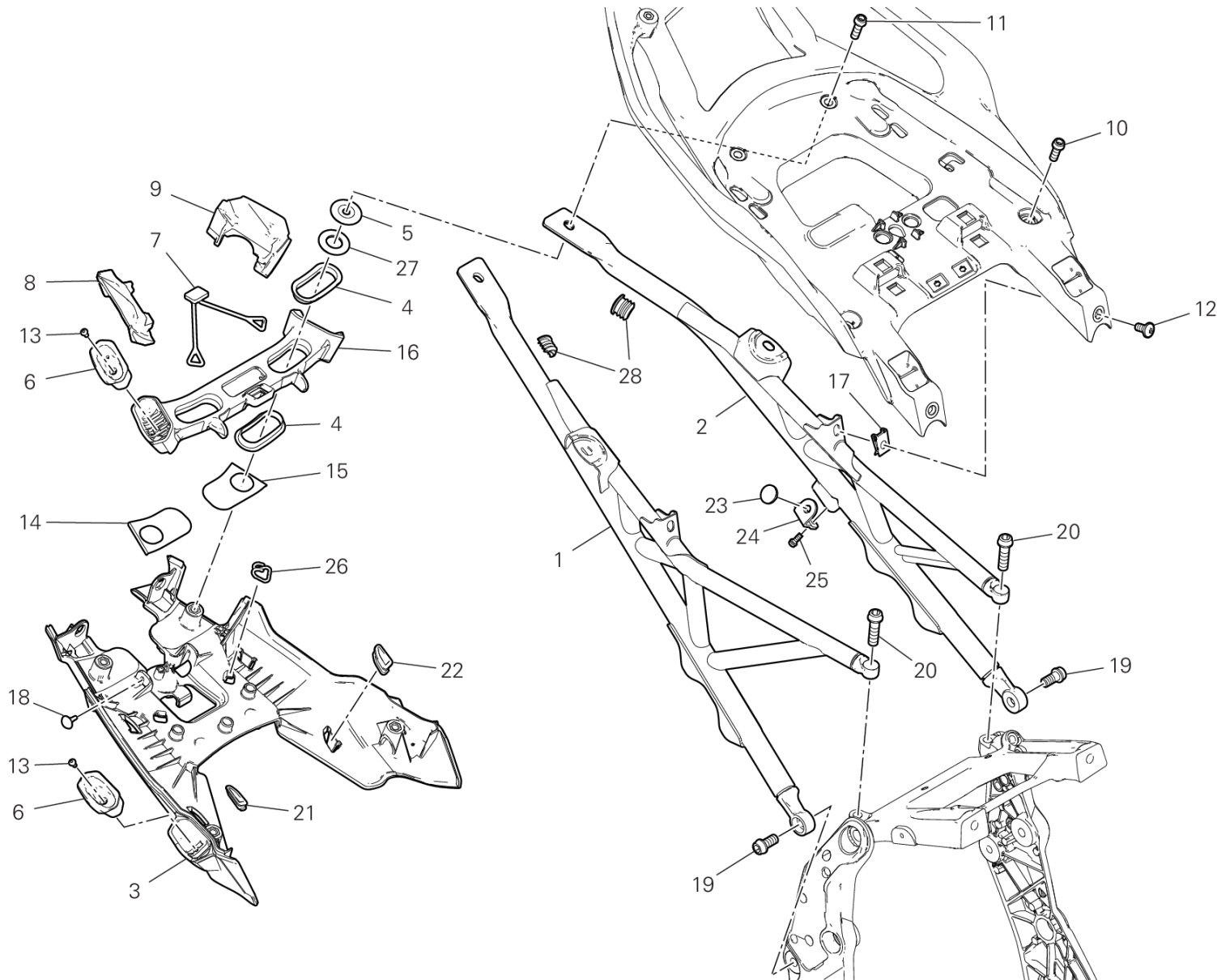


DRAWING 33C - FRAME PLATE UNIT

GROUP FRAME



POS.	CODE	DESCRIPTION	QTY	VALIDITY	NOTES
1	24716891A	PLUG	1		
2	4601H621AA	HEAT GUARD UPPER	1		
3	4601H631AA	HEAT GUARD UPPER	1		
4	4601H721AA	HEAT GUARD BOTTOM	1		
5	4601H731AA	HEAT GUARD BOTTOM	1		
6	47111591BA	PLATE L.H.	1		
7	47111601BA	PLATE R.H.	1		
8	77251324CF	SCREW	2		
9	7725134BFA	SCREW TEF M8X30	3		
10	7725138BFA	SCREW TEF M8X50	2		
11	7725164BG	SCREW TEF M10X30	2		
12	77440251A	SCREW	6		
13	7791B971AA	SCREW, SPECIAL	2		
14	7791C381AA	SCREW, SPECIAL	1		
15	7791C401AA	SCREW, SPECIAL	1		
16	8301I081AA	PLATE	1		
17	85213751AA	WASHER	6		
18	75840801A	CLAMP	1		



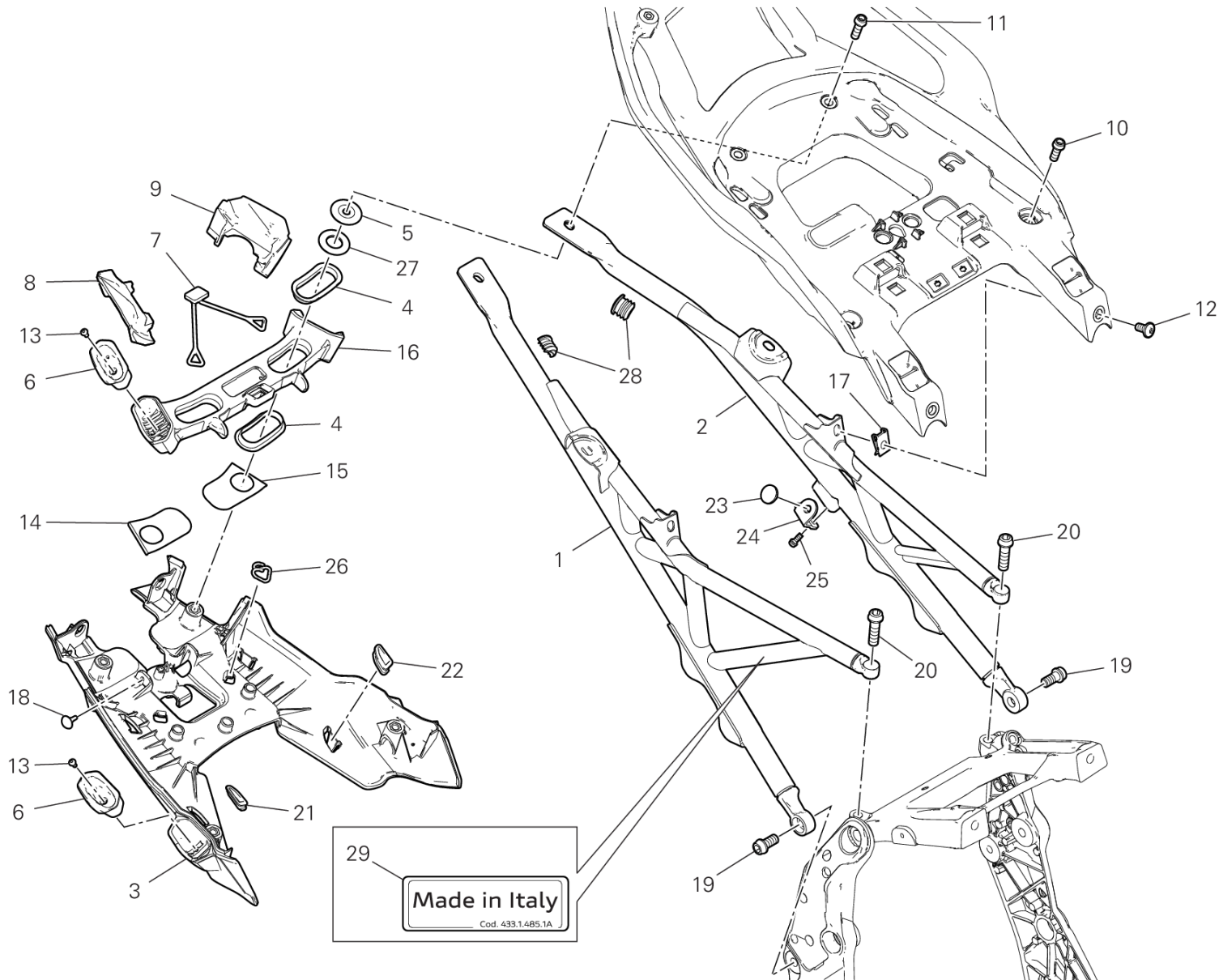
TEL01439

DRAWING 33D - REAR FRAME COMP. [XST:AUS,BLG,EUR,GSO,JAP,TWN]

GROUP FRAME



POS.	CODE	DESCRIPTION	QTY	VALIDITY	NOTES
1	47018262BA	REAR FRAME R.H.	1		
2	47018272BA	REAR FRAME L.H.	1		
3	47111671C	PLATE	1		
4	71210702A	ELLIPTIC BUSHING	4		
5	71615883AA	SPACER	2		
6	76414471AA	SIDE PANNIER COMPARTMENT	4		
7	76414481B	RUBBER PAD	1		
8	76414511A	SEAL, RR RH	1		
9	76414521A	SEAL, RR LH	1		
10	77157243B	SCREW	2		
11	77157253B	SCREW	2		
12	72010513C	SCREW	2		
13	77440581A	SCREW	4		
14	8271H191BA	PLATE	1		
15	8271H201BA	PLATE	1		
16	8291I732A	FLOATING BAG SUPPORT	1		
17	85041471A	CLIP NUT	2		
18	86610751A	PAD	2		
19	77157528CA	SCREW	2		
20	7791C561AA	SCREW	2		
21	87211041A	PLUG, RH	2		
22	87211051A	PLUG	2		
23	86612111A	CUSHION, SEAT	1		
24	8301L281AA	BRACKET	1		
25	77156393B	SCREW M5X12	2		
26	76010391A	HOOK	2		
27	85213101A	WASHER	2		
28	87211711A	PLUG	2		



TEL01484

DRAWING 33D - REAR FRAME COMP. [XST:ROK]

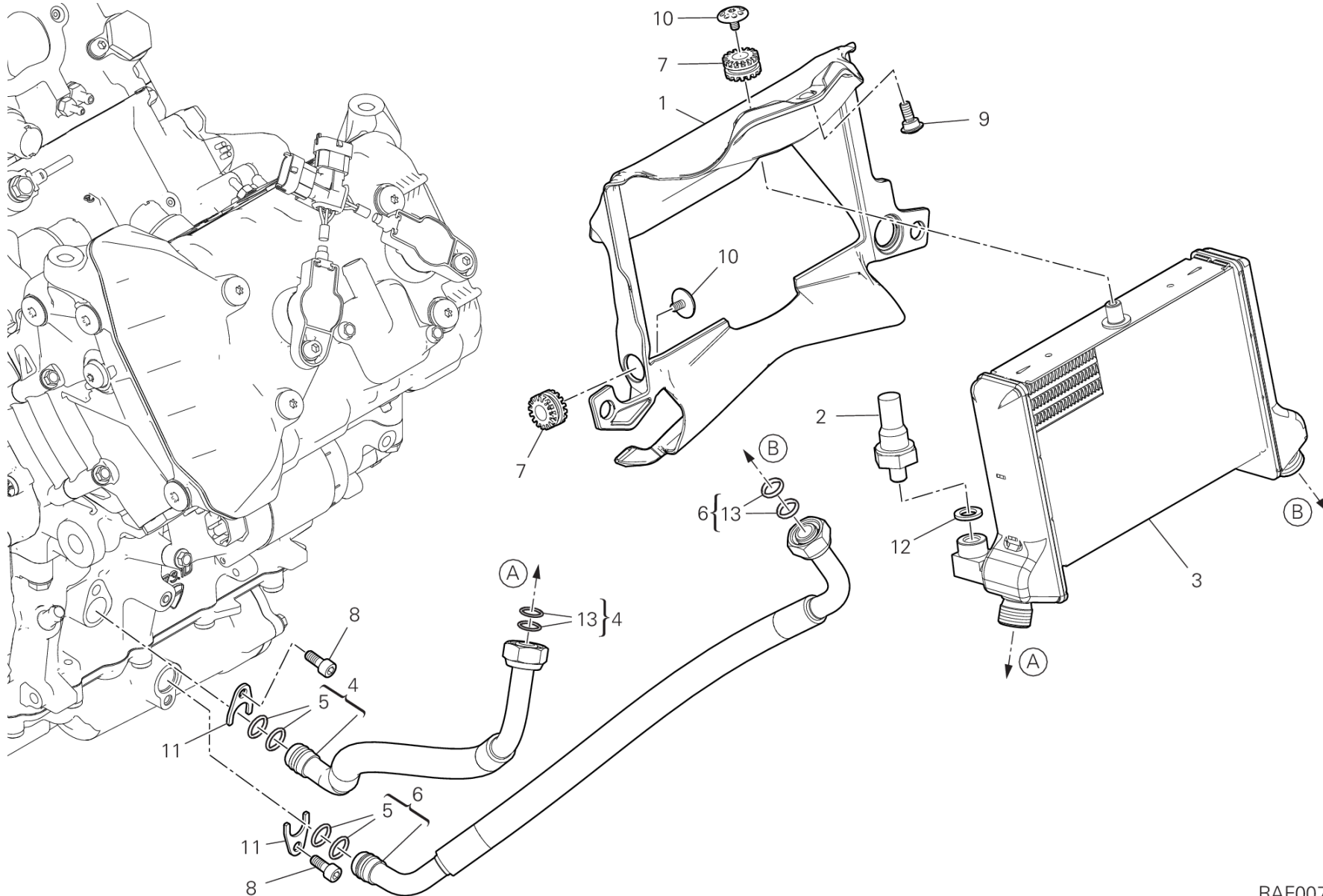
GROUP FRAME



POS.	CODE	DESCRIPTION	QTY	VALIDITY	NOTES
1	47018261BA	REAR FRAME COMP.	1		
2	47018271BA	REAR FRAME COMP.	1		
3	47111671C	PLATE	1		
4	71210702A	ELLIPTIC BUSHING	4		
5	71615883AA	SPACER	2		
6	76414471AA	SIDE PANNIER COMPARTMENT	4		
7	76414481B	RUBBER PAD	1		
8	76414511A	SEAL, RR RH	1		
9	76414521A	SEAL, RR LH	1		
10	77157243B	SCREW	2		
11	77157253B	SCREW	2		
12	72010513C	SCREW	2		
13	77440581A	SCREW	4		
14	8271H191BA	PLATE	1		
15	8271H201BA	PLATE	1		
16	8291I732A	FLOATING BAG SUPPORT	1		
17	85041471A	CLIP NUT	2		
18	86610751A	PAD	2		
19	77157528CA	SCREW	2		
20	7791C561AA	SCREW	2		
21	87211041A	PLUG, RH	2		
22	87211051A	PLUG	2		
23	86612111A	CUSHION, SEAT	1		
24	8301L281AA	BRACKET	1		
25	77156393B	SCREW M5X12	2		
26	76010391A	HOOK	2		
27	85213101A	WASHER	2		
28	87211711A	PLUG	2		
29	43314851A	MARKING PLATE	1		



DRAWING 34A - OIL COOLER GROUP FRAME



RAF00739

DRAWING 34A - OIL COOLER

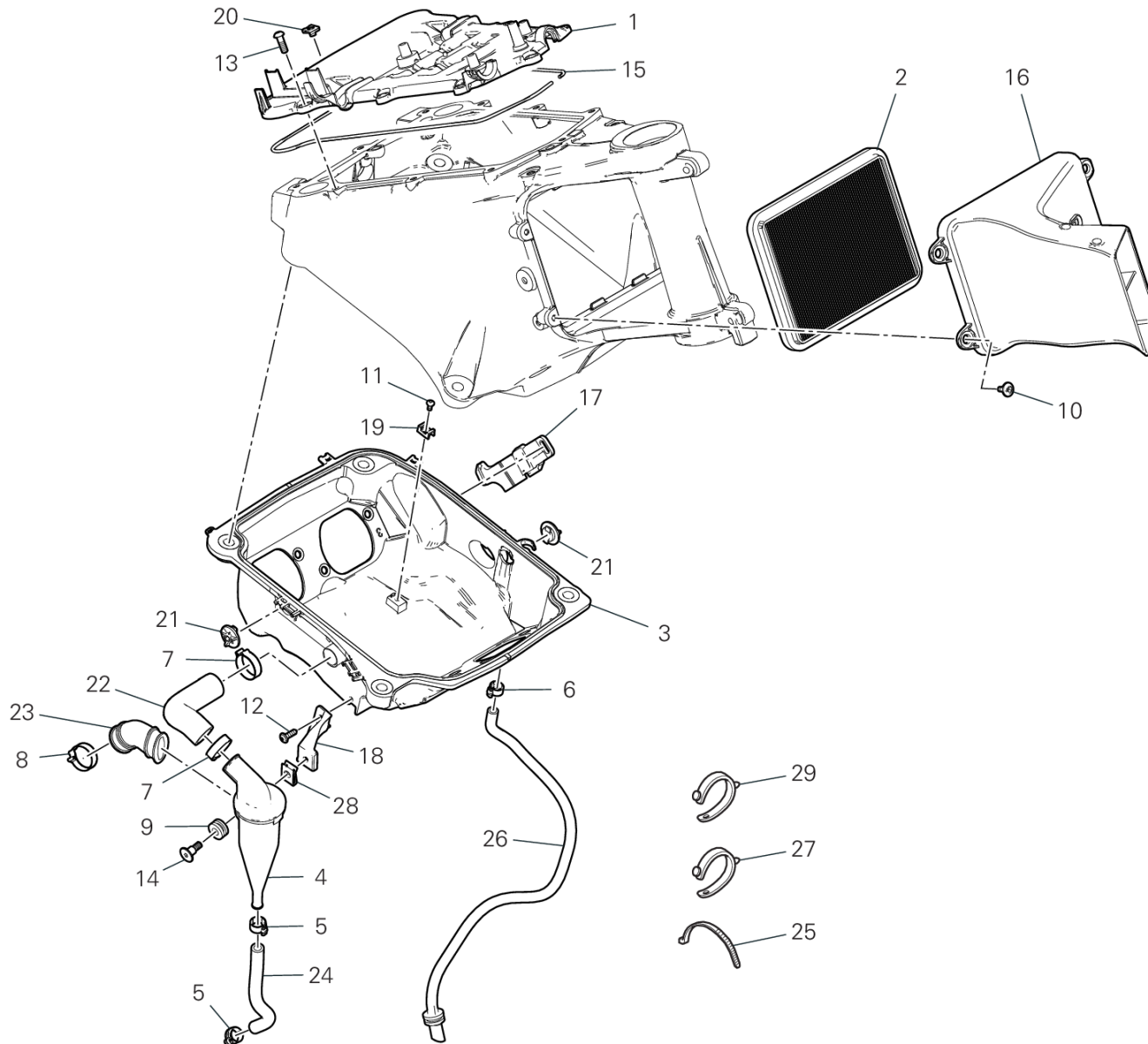
GROUP FRAME



POS.	CODE	DESCRIPTION	QTY	VALIDITY	NOTES
1	48412301B	BAFFLE	1		
2	53940302A	SWITCH ASSY, OIL PRESSURE	1		
3	54811591B	OIL COOLER	1		
4	54911641B	OIL DELIVERY PIPE	1		
5	88643141A	O-RING	4		
6	54911652B	PIPE	1		
7	76410241A	VIBRATION DAMPER PAD	3		
8	77116648B	SCREW M6X14	2		
9	77211261B	SCREW, SPECIAL	3		
10	7791C301AB	SCREW, SPECIAL	3		
11	82718471AA	PLATE	2		
12	85211951A	GASKET 10.5X17X2	1		
13	88643121A	O-RING	4		



DRAWING 35A - AIR INTAKE - OIL BREATHER GROUP FRAME



IMP01365

DRAWING 35A - AIR INTAKE - OIL BREATHER

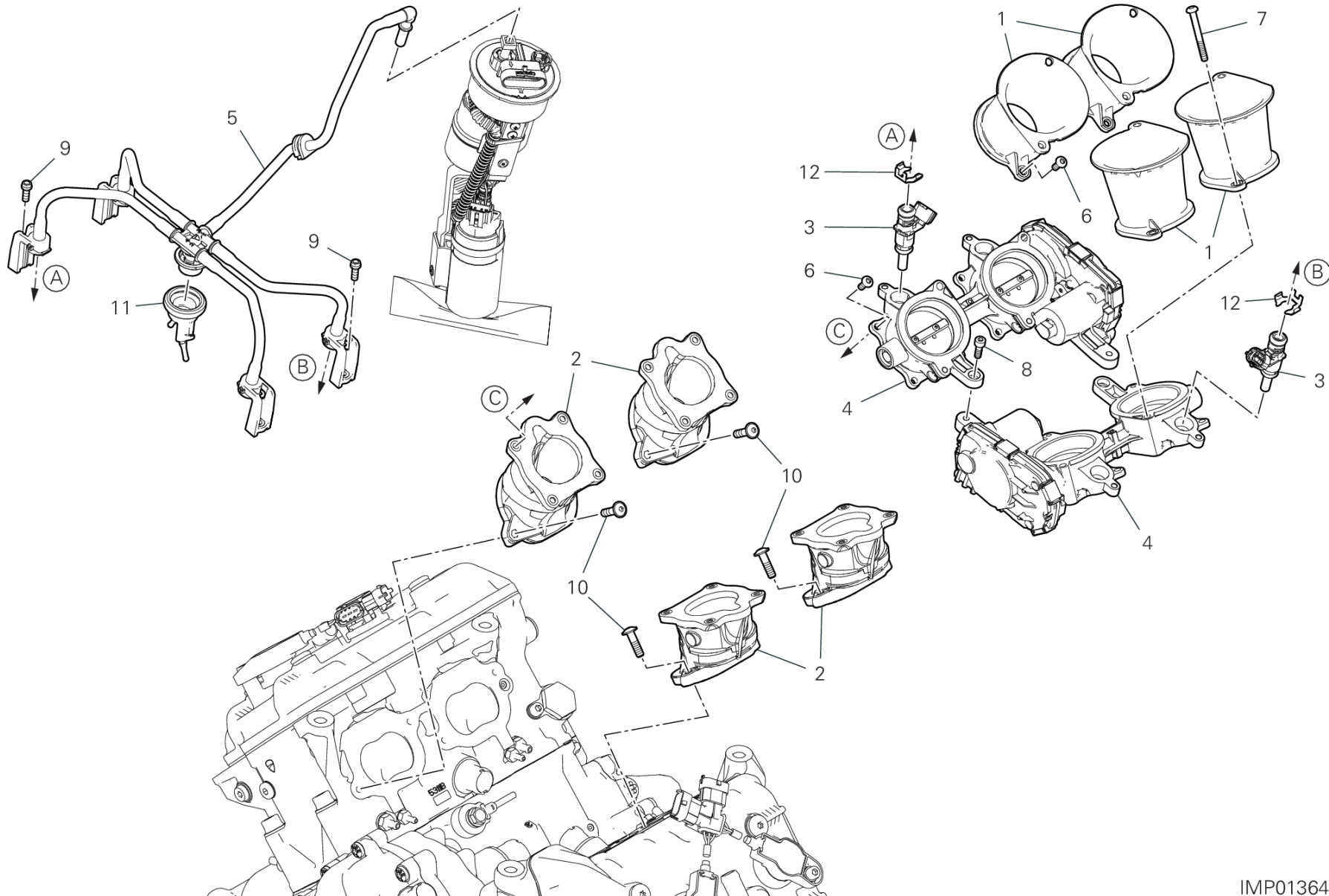
GROUP FRAME



POS.	CODE	DESCRIPTION	QTY	VALIDITY	NOTES
1	24716581AA	COVER AIR BOX , UPPER	1		
2	42610712A	FILTER, AIR	1		
3	44219452A	LOWER FILTER BOX	1		
4	58511271AA	CYCLONE SEPARATOR	1		
5	74140631A	CLAMP	1		
6	74140651A	FASCETTA 11-7 MM	1		
7	74141491A	CLAMP 26/8 MM	1		
8	74142141A	CLAMP	1		
9	76411141A	VIBRATION DAMPER PAD	1		
10	77214411BA	SCREW, SPECIAL	4		
11	77440141A	SCREW, TAPPING 4X8 WN1412	1		
12	77440203C	SCREW	1		
13	77550131A	SCREW	10		
14	77917141A	SCREW, SPECIAL	1		
15	79111442A	GASKET	1		
16	80111091A	DUCT	1		
17	8291M611A	BRACKET, CONNECTOR	1		
18	8301H221AA	BRACKET	1		
19	85041711A	HOSE GUIDE	1		
20	85041951AA	QUICK FASTENING	4		
21	87211261A	PLUG	2		
22	87614042A	PIPE	1		
23	87614051A	HOSE, BLOW-BY	1		
24	93310541AA	HOSE	1		
25	069191030	CLAMP	7		
26	59018921A	BREATHER PIPE	1		
27	74110121A	CLAMP, RUBBER 62MM	2		
28	85041581A	CLIP NUT	1		
29	74110551A	CLAMP, RUBBER 39MM	1		



DRAWING 36A - THROTTLE BODY GROUP FRAME



IMP01364

DRAWING 36A - THROTTLE BODY

GROUP FRAME

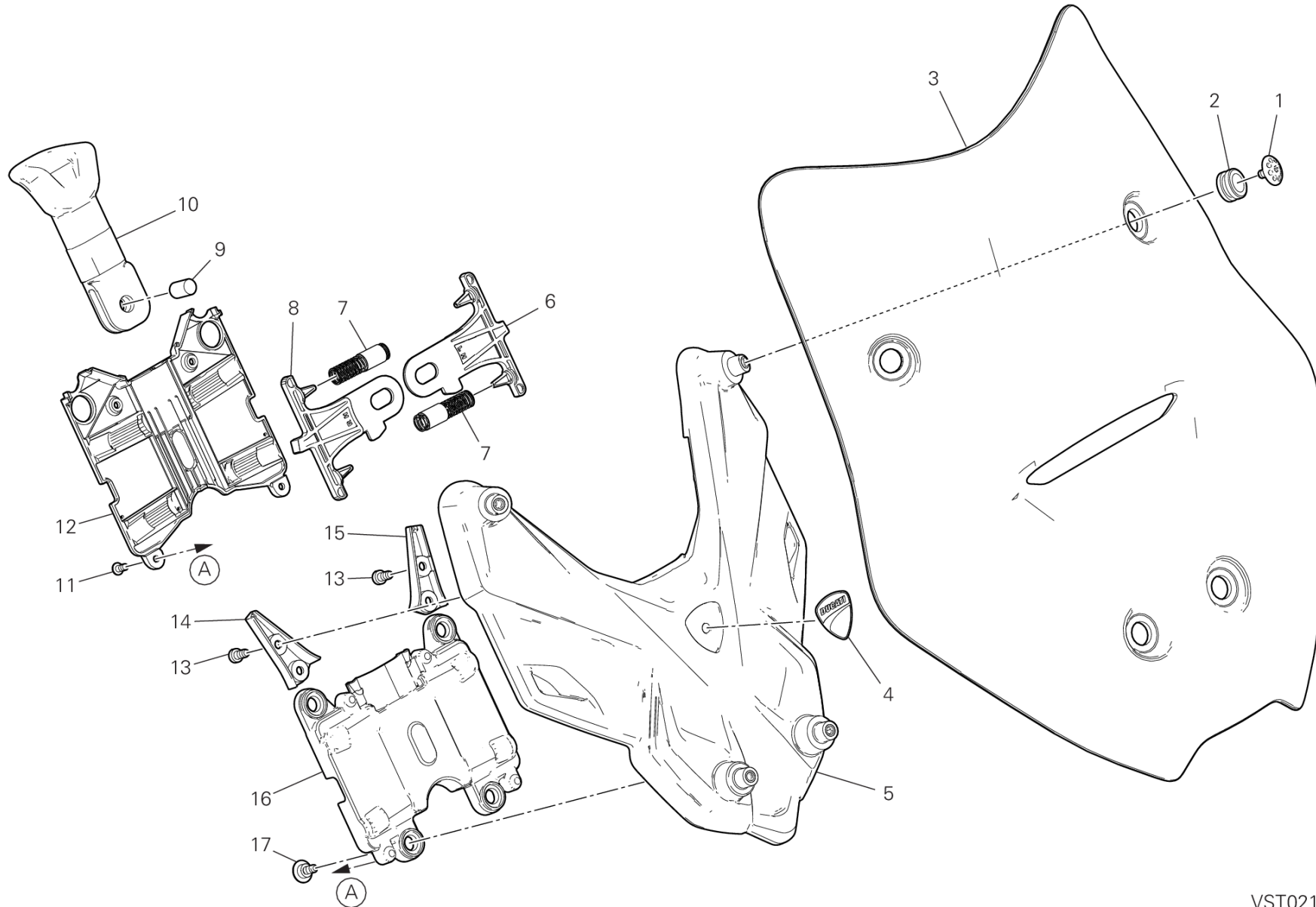


POS.	CODE	DESCRIPTION	QTY	VALIDITY	NOTES
1	13510681AA	AIR FUNNEL	4		
2	14010931A	INTAKE MANIFOLD	4		
3	28040501A	INJECTOR	4		
4	28211321A	THROTTLE BODY	2		
5	59027992B	FUEL TANK PIPES	1		
6	72050173CF	SCREW	4		
7	72050283C	SCREW	4		
8	77110591A	SCREW TCEI M5X14 UNI5931	2		
9	77156408B	SCREW TCEIF M5X14	4		
10	77240453CA	SCREW TBEIF M6X22 10.9	8		
11	8291I901A	HOLDER	1		
12	85042371A	CLIP	4		



DRAWING 37A - COWLING

GROUP FRAME



VST02141

DRAWING 37A - COWLING

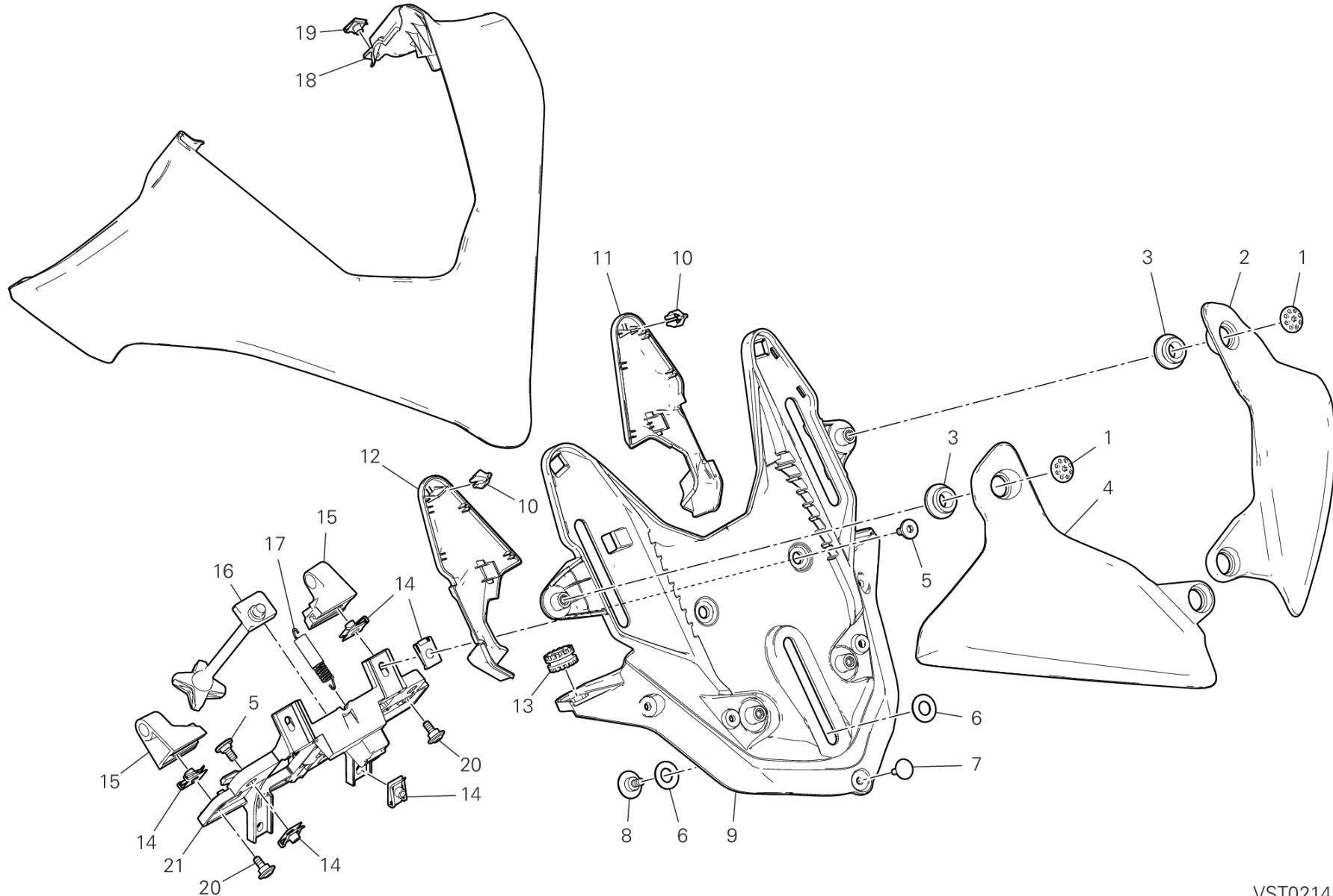
GROUP FRAME



POS.	CODE	DESCRIPTION	QTY	VALIDITY	NOTES
1	7791C301AB	SCREW, SPECIAL	4		
2	75840621A	RUBBER PAD	4		
3	48711161B	WINDSHIELD	1		
4	43815511A	EMBLEM DUCATI	1		
5	8291J113B	STAY, WINDSHIELD	1		
6	8291J091AA	LH RELEASE DEVICE	1		
7	79927062AA	SPRING	4		
8	8291J101AA	RH RELEASE DEVICE	1		
9	82115811AA	PIN	1		
10	8291J081AA	WINDSCREEN RELEASE DEVICE	1		
11	77440141A	SCREW, TAPPING 4X8 WN1412	4		
12	24716711B	COVER	1		
13	77354713B	SCREW TCEIR M5X10 DIN6912 8.8	4		
14	24716831A	RIGHT COVER	1		
15	24716821A	LEFT COVER	1		
16	24716781A	COVER	1		
17	77214411BA	SCREW, SPECIAL	4		



DRAWING 37B - HEALDIGHT FAIRING SUPPORT GROUP FRAME



VST02142

DRAWING 37B - HEALDIGHT FAIRING SUPPORT

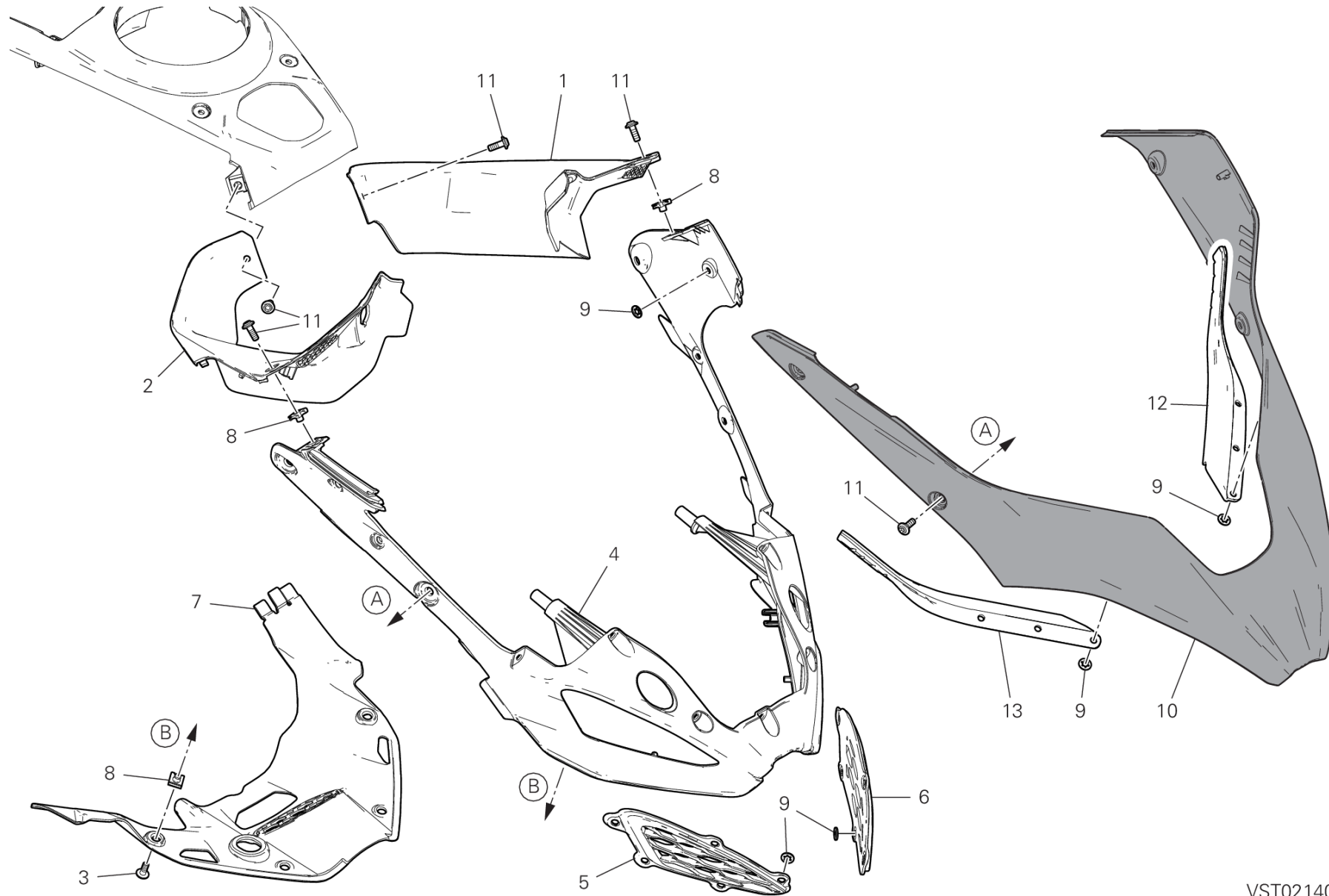
GROUP FRAME



POS.	CODE	DESCRIPTION	QTY	VALIDITY	NOTES
1	7791C301AB	SCREW, SPECIAL	4		
2	48412372A	DEFLECTOR LH	1		
3	76412542A	VIBRATION DAMPER PAD	4		
4	48412382A	DEFLECTOR RH	1		
5	77914992A	SCREW TCEI M5X9	4		
6	71140071AA	SPRING WASHER	6		
7	86610751A	PAD	5		
8	7791C061AA	SCREW, SPECIAL	3		
9	8291J052B	HOLDER	1		
10	85044631A	CLIP	4		
11	24716901A	LEFT COVER	1		
12	24716911A	RIGHT COVER	1		
13	76410241A	VIBRATION DAMPER PAD	2		
14	85040551A	QUICK FASTENING	10		
15	8291J061AA	HOLDER	2		
16	83510201AA	KNOB	1		
17	79925643AB	SPRING	1		
18	48114201BC	FRONT COWLING MATT GRAY	1	XCO:AG,AGSW	
	48114202BA	COWLING RED	1	XCO:R,RSW	
19	85041951AA	QUICK FASTENING	2		
20	77214411BA	SCREW, SPECIAL	2		
21	8291J041AA	HOLDER	1		



DRAWING 37C - AIR CONVEYOR GROUP FRAME



VST02140

DRAWING 37C - AIR CONVEYOR

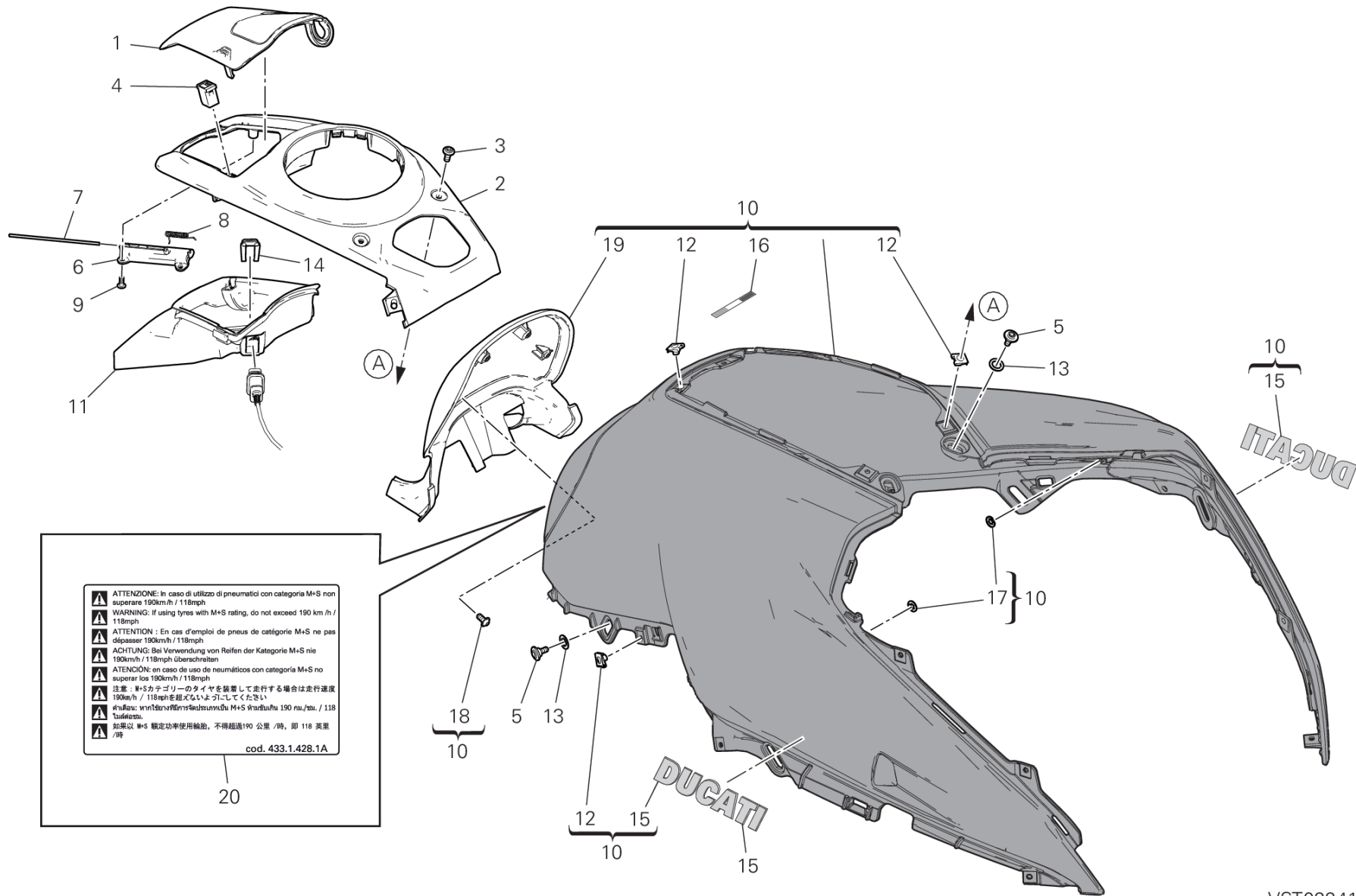
GROUP FRAME



POS.	CODE	DESCRIPTION	QTY	VALIDITY	NOTES
1	48114191AA	COVER, BODY COWL LH	1		
2	48114181AA	COVER, BODY COWL RH	1		
3	77244173B	SCREW	4		
4	4801B281B	AIR CONVEYOR	1		
5	4801B952A	GRID, RIGHT	1		
6	4801B962A	GRID, LEFT	1		
7	4801B972A	COVER	1		
8	85041951AA	QUICK FASTENING	6		
9	85040521A	CLIP	27		
10	4801B941AA	COVER	1		
11	77244183B	SCREW	10		
12	4801B291A	LH STRAP	1		
13	4801A541A	RH STRAP	1		



DRAWING 37D - TANK COVER GROUP FRAME



⚠ ATTENZIONE: In caso di utilizzo di pneumatici con categoria M+S non superare 190km/h / 118mph
 ⚠ WARNING: If using tyres with M+S rating, do not exceed 190 km/h / 118mph
 ⚠ ATTENTION : En cas d'emploi de pneus de catégorie M+S ne pas dépasser 190km/h / 118mph
 ⚠ ACHTUNG: Bei Verwendung von Reifen der Kategorie M+S nie 190km/h / 118mph überschreiten
 ⚠ ATENCIÓN: en caso de uso de neumáticos con categoría M+S no superar los 190km/h / 118mph
 ⚠ 注意: M+Sカテゴリーのタイヤを装着して走行する場合は走行速度190km/h / 118mphを超えないようにしてください
 ⚠ คำเตือน: หากใช้ยางที่พิมพ์ระบุหมวดหมู่ M+S ห้ามขับเกิน 190 กม./ชม. / 118 ไมล์ต่อชม.
 ⚠ 如果以 M+S 额定功率使用轮胎, 不得超过190 公里 / 时, 即 118 英里 / 时
 cod. 433.1.428.1A

20

VST02241

DRAWING 37D - TANK COVER

GROUP FRAME

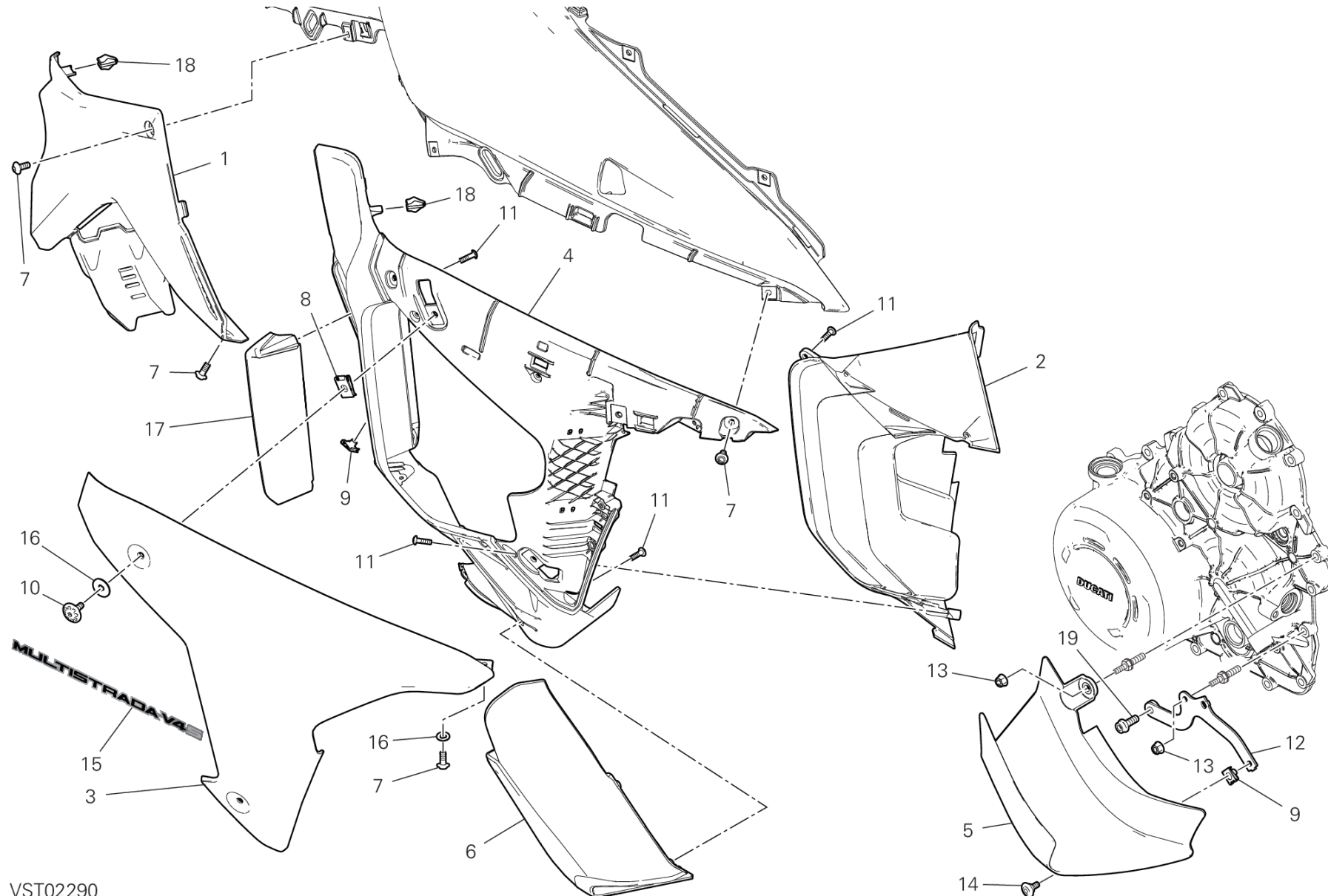


POS.	CODE	DESCRIPTION	QTY	VALIDITY	NOTES
1	4801B371A	CASE, TOOL, CAP	1		
2	4801A951AA	COVER	1		
3	77244173B	SCREW	4		
4	59940021A	LOCK	1		
5	77214411AA	SCREW	8		
6	8291I881A	HOLDER	1		
7	82119641A	PIN	1		
8	7991B471AA	SPRING	1		
9	77440061A	SCREW, TAPPING	2		
10	480PA921AA	TANK COVER	1		
	480PA921AC	TANK COVER	1	XCO:AG,AGSW	
11	86612942A	CARPET	1		
12	85041951AA	QUICK FASTENING	16		
13	85212181A	WASHER, NYLON 9X14X1	8		
14	18410231A	USB SUPPORT	1		
15	43512801D	STICKER DUCATI	2		
16	43819461C	ITA FLAG STICKER	1		
17	85040521A	CLIP	12		
18	77440391A	SCREW	4		
19	59516382A	PILLOW	1		
20	43314281A	TARGHETTA ATTENZIONE	1		



DRAWING 37E - COVER , FRAME RH

GROUP FRAME



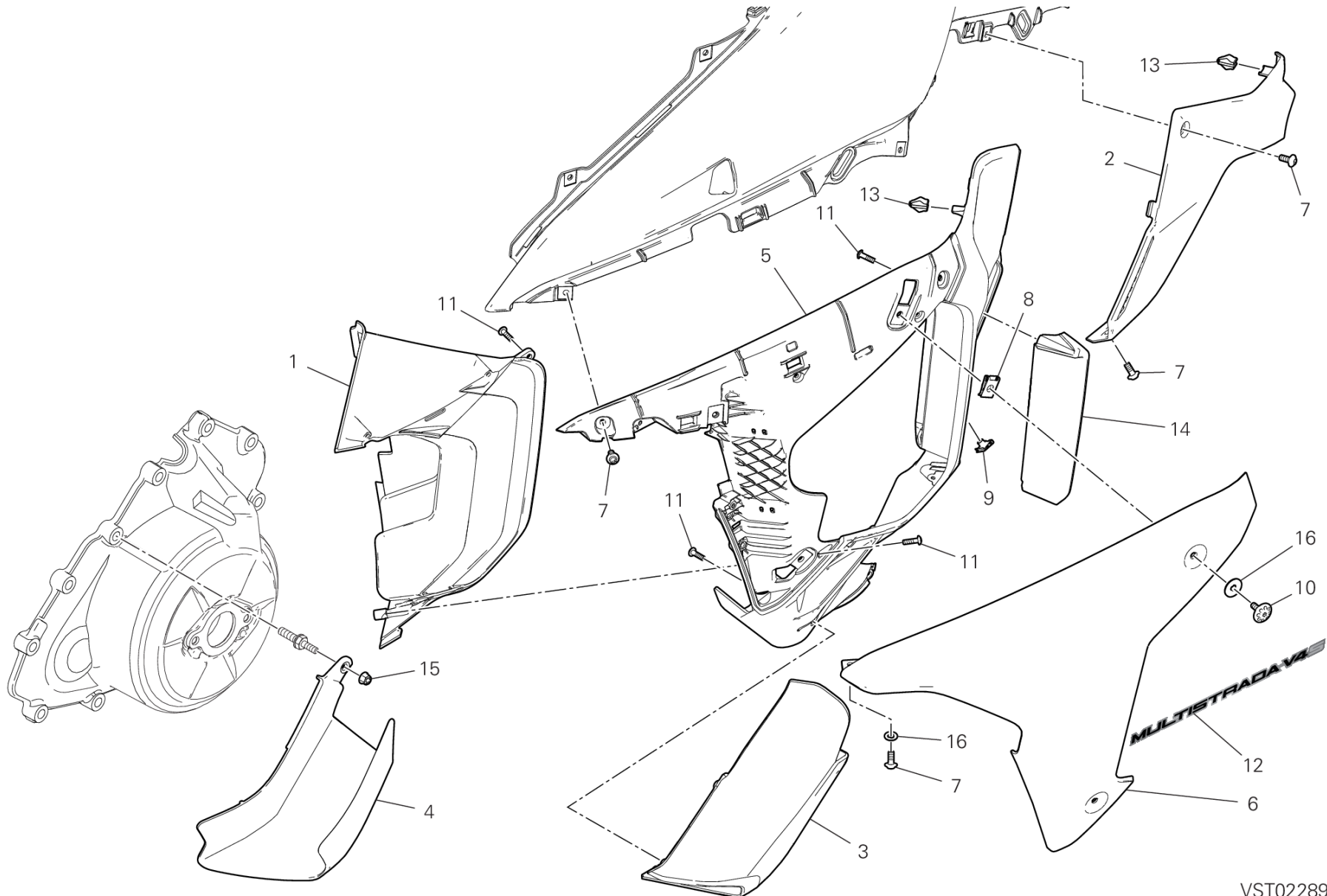
VST02290

DRAWING 37E - COVER , FRAME RH

GROUP FRAME



POS.	CODE	DESCRIPTION	QTY	VALIDITY	NOTES
1	48216841B	COVER , FRAME RH	1		
2	4801C101A	AIR INTAKE RIGHT	1		
3	4801A901AA	ALA DESTRA	1		
4	4801A882A	RIGHT HOLDER	1		
5	48412711A	R.H. AIR DEFLECTOR BOTTOM CARBON	1		
6	48412731A	AIR DEFLECTOR, RH	1		
7	77244173B	SCREW	4		
8	85040551A	QUICK FASTENING	2		
9	85041951AA	QUICK FASTENING	3		
10	7791C311AB	SCREW, SPECIAL	2		
11	77440251A	SCREW	12		
12	8301L242BA	RIGHT BRACKET	1		
13	74941103B	NUT, SELF-LOCKING	2		
14	77214411BA	SCREW, SPECIAL	2		
15	4381E221B	MARKING PLATE	1		
16	85611361A	WASHER	3		
17	48412581A	DEFLECTOR RH	1		
18	85044631A	CLIP	6		
19	77140653CC	SCREW	1		



VST02289

DRAWING 37F - COVER , FRAME LH

GROUP FRAME

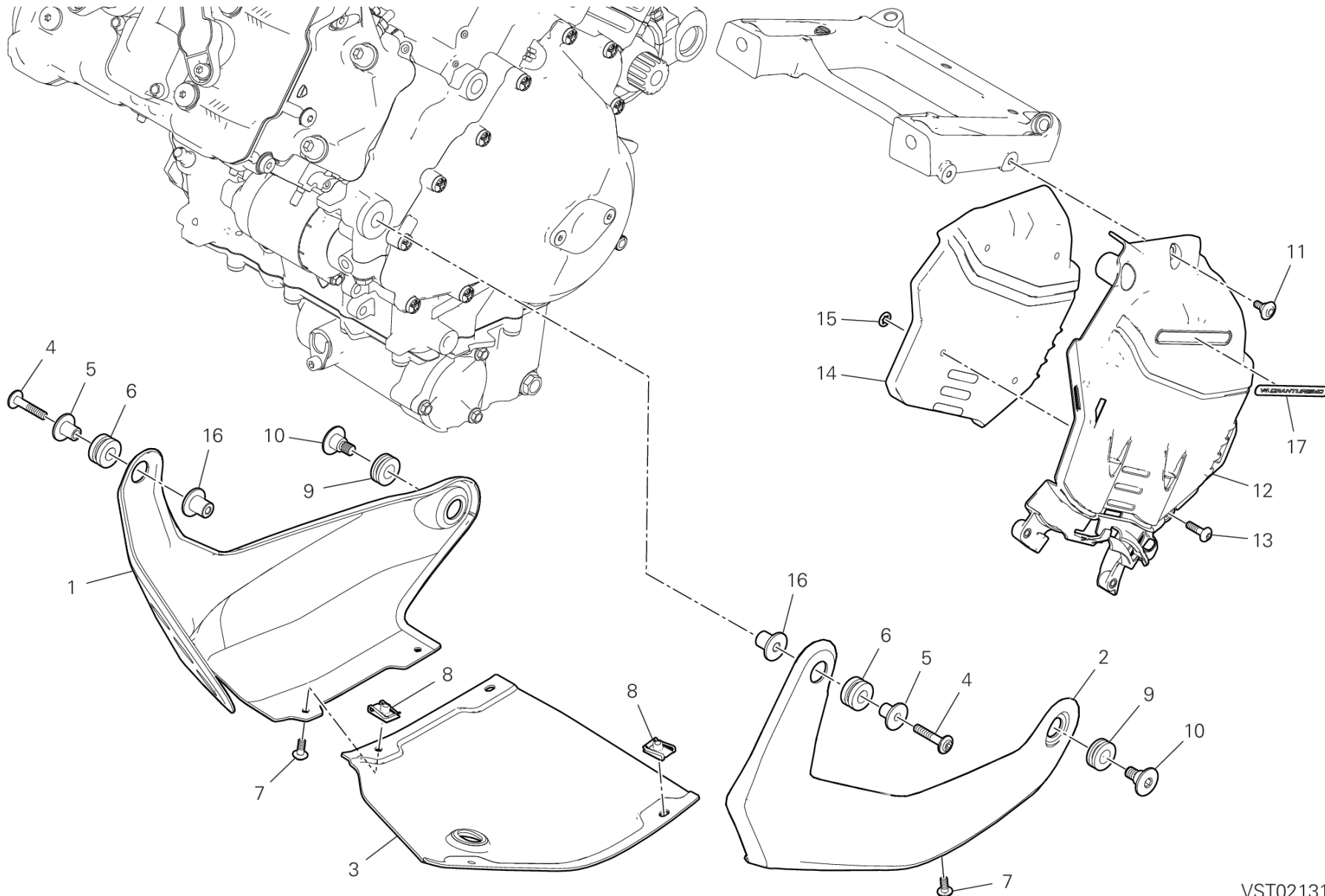


POS.	CODE	DESCRIPTION	QTY	VALIDITY	NOTES
1	4801C111A	AIR INTAKE LEFT	1		
2	48216851B	COVER , FRAME LH	1		
3	48412741A	AIR DEFLECTOR, LH	1		
4	48412721A	L.H. AIR DEFLECTOR BOTTOM CARBON	1		
5	4801A892A	LEFT HOLDER	1		
6	4801A911AA	ALA SINISTRA	1		
7	77244173B	SCREW	5		
8	85040551A	QUICK FASTENING	2		
9	85041951AA	QUICK FASTENING	1		
10	7791C311AB	SCREW, SPECIAL	2		
11	77440251A	SCREW	12		
12	4381E221B	MARKING PLATE	1		
13	85044631A	CLIP	6		
14	48412591A	DEFLECTOR LH	1		
15	74941103B	NUT, SELF-LOCKING	3		
16	85611361A	WASHER	3		



DRAWING 37G - SUMP GUARD

GROUP FRAME



VST02131

DRAWING 37G - SUMP GUARD

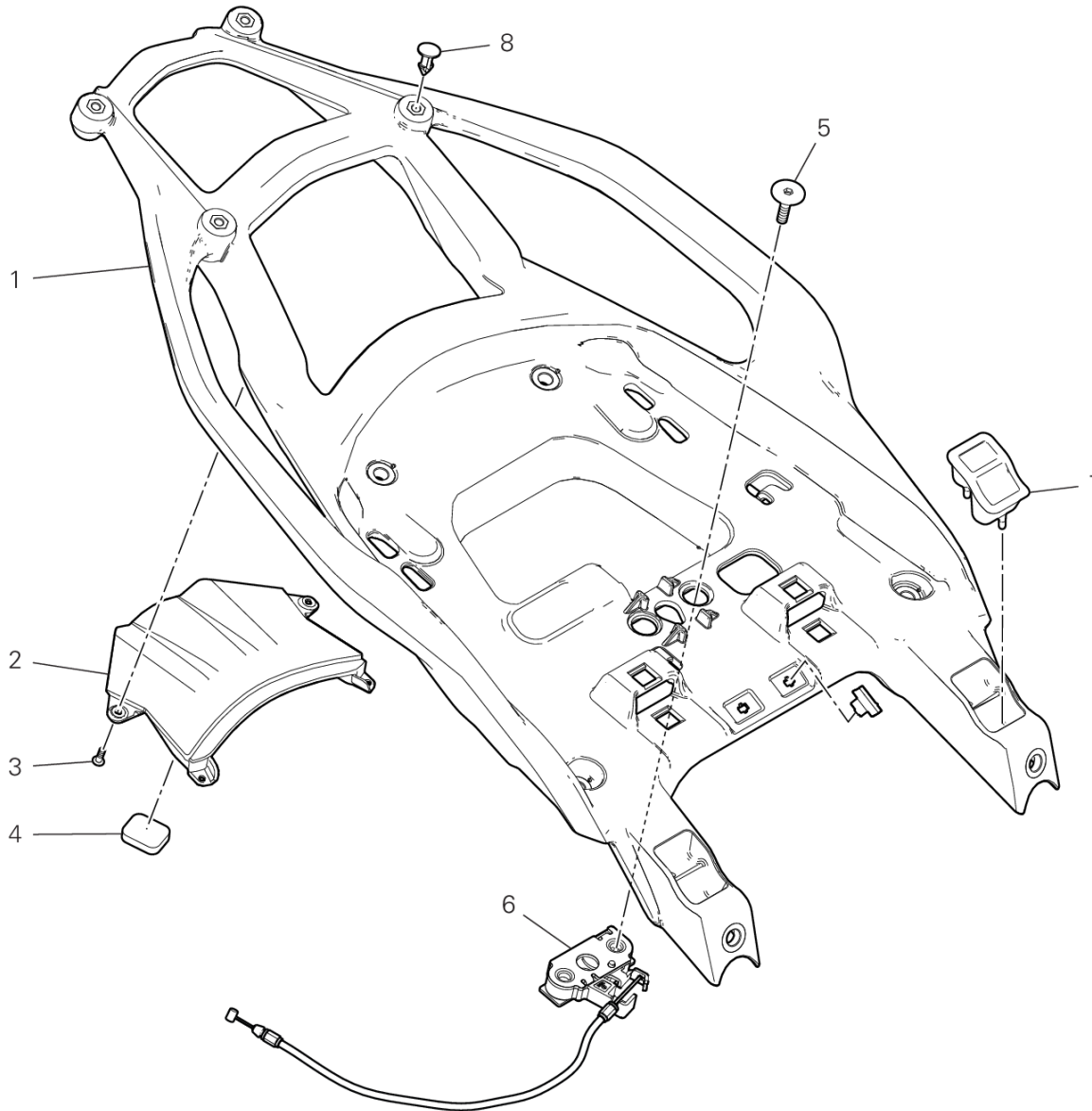
GROUP FRAME



POS.	CODE	DESCRIPTION	QTY	VALIDITY	NOTES
1	4601H221BA	SUMP GUARD RIGHT GRIGIO	1		
2	4601H211BA	SUMP GUARD LEFT GRIGIO	1		
3	4601H231BA	SUMP GUARD	1		
4	77211011B	SCREW TBEI M6X30	2		
5	71610061A	SPACER	2		
6	76410641A	VIBRATION DAMPER PAD	2		
7	77244178B	SCREW	4		
8	85040551A	QUICK FASTENING	4		
9	76411381A	VIBRATION DAMPER PAD	2		
10	77916371A	SCREW, SPECIAL	2		
11	77214411AA	SCREW	2		
12	4601H811B	COVER	1		
13	77244203B	SCREW	1		
14	48612591A	DAMPER, SOUND ARRESTER	1		
15	85040521A	CLIP	4		
16	7791B801AA	SCREW, SPECIAL	2		
17	4381E341A	MARKING PLATE	1		



DRAWING 37H - PILLION RIDER GRIP REAR GROUP FRAME



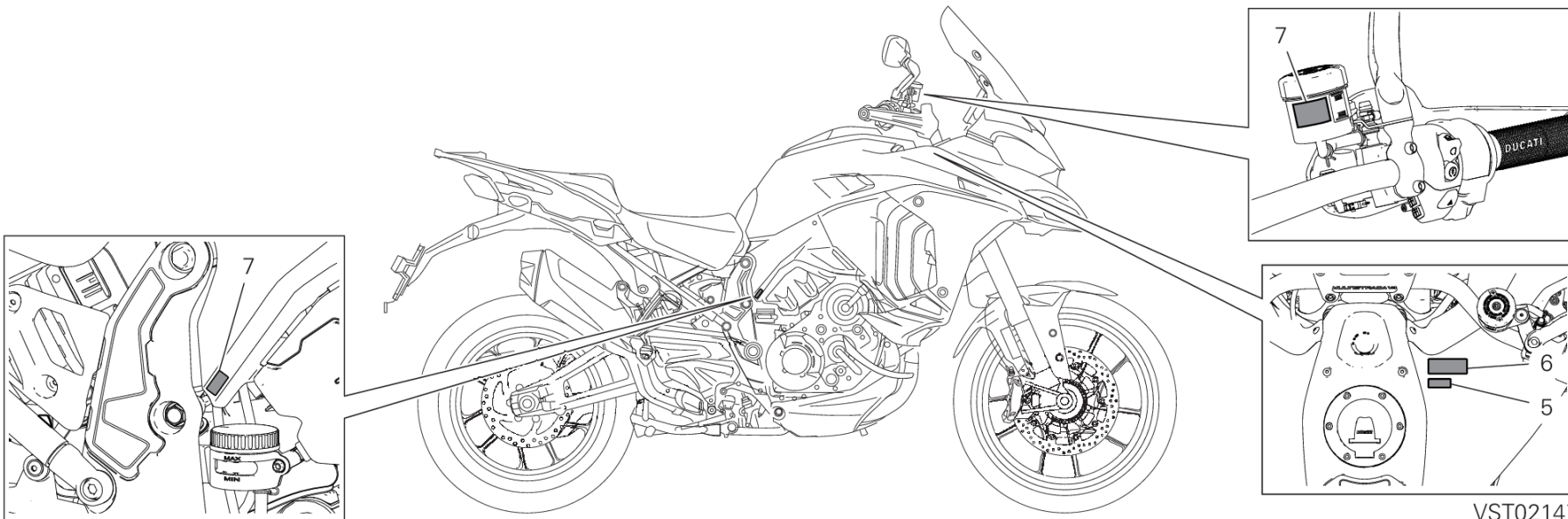
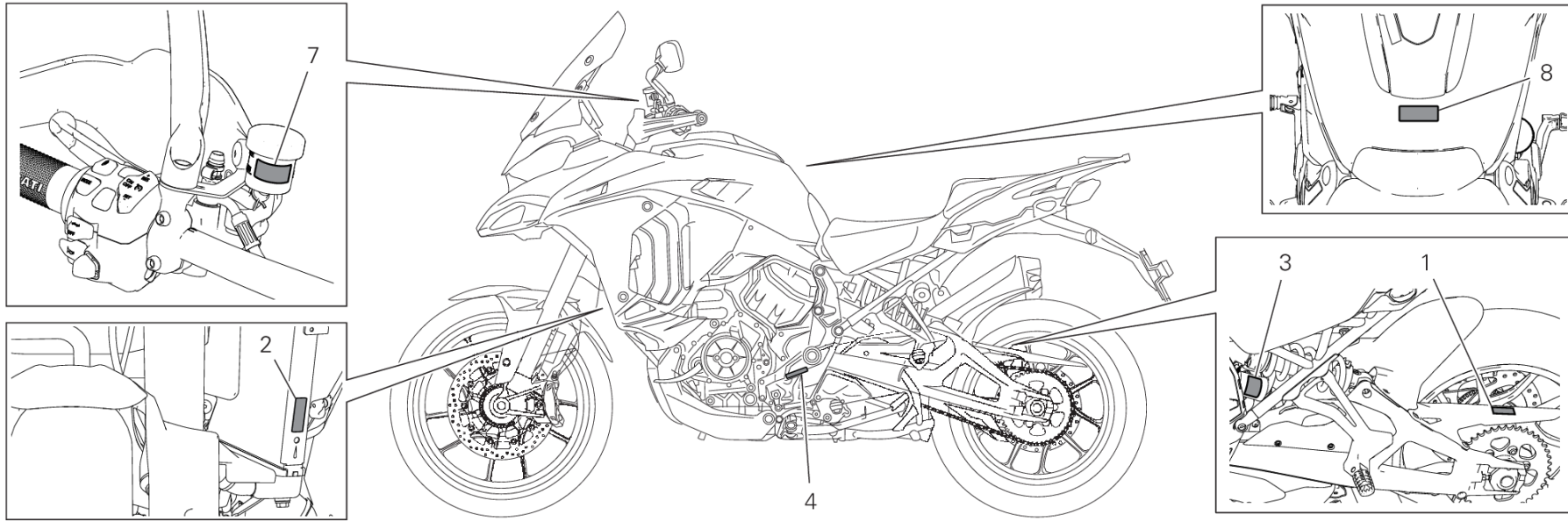
VST02363

DRAWING 37H - PILLION RIDER GRIP REAR

GROUP FRAME



POS.	CODE	DESCRIPTION	QTY	VALIDITY	NOTES
1	80610472A	HANDLE	1		
2	4801B071AA	COVER	1		
3	77440101A	SCREW, TAPPING 3.5X10	4		
4	86613071A	PAD	2		
5	77914982B	SCREW, SPECIAL	2		
6	59810121A	LOCK LATCH	1		
7	76414501AA	RUBBER PAD	2		
8	87240561A	PLUG	4		



VST02147

DRAWING 39A - POSITIONING PLATES [XST:JAP]

GROUP FRAME



POS.	CODE	DESCRIPTION	QTY	VALIDITY	NOTES
1	43314961A	TIRE SIZE AND PRESSURE PLATE	1		
	43314971A	TIRE SIZE AND PRESSURE PLATE	1		
2	43312531A	WATER RADIATOR PLATE	1		
3	43312561A	REAR SHOCK ABSORBER PLATE	1		
4	43312551A	GEAR SEQUENCE PLATE	1		
5	43310051B	TANK "WARNING" PLATE	1		
6	43310051C	TARGHETTA IMPORTANTE SERBATOIO	1		
7	43910071A	CLUTCH-BRAKE MASTER CYLINDER PLATE	3		
8	43217911Z	TANK "WARNING" PLATE	1		



CODE	NO. TABLE	POS.	CODE	NO. TABLE	POS.	CODE	NO. TABLE	POS.	CODE	NO. TABLE	POS.
069191030	13B	1	16026971A	29A	1	22032083A	04A	8	34521224A	18B	13
069191030	35A	25	16220711AD	28A	16	225P0031D	09A	1	34913751A	18B	14
11210942AA	09B	1	16220721AD	29A	20	24211302A5	04B	3	34922861A	18B	1
11210942AB	09B	1	17011662A	03B	22	24314311BH	04A	18	34922871A	18B	2
11210942AC	09B	1	17021621A	03B	2	24715791A	12A	2	34922881A	18B	3
11210942AD	09B	1	17112211A	12A	7	24715791A	12B	2	34922891A	18B	4
11210942AE	09B	1	17112221A	12B	7	24715873AH	12B	21	34922901A	18B	5
11210952AA	09B	2	17112222B	12A	3	24715882AH	12A	21	34922911A	18B	6
11210952AB	09B	2	17112222B	12B	8	24716581AA	35A	1	34922921A	18B	7
11210952AC	09B	2	17215721B	03A	6	24716652A	13E	20	34922931A	18B	8
11210952AD	09B	2	17215731B	03A	12	24716711B	37A	12	34922941A	18B	9
11210952AE	09B	2	17215741B	03A	3	24716781A	37A	16	34922951A	18B	10
11210991AB	05A	1	17215751A	03A	4	24716821A	37A	15	34922961A	18B	11
11210991AC	05A	1	17215761A	03A	5	24716831A	37A	14	36012131AA	18A	14
11210991AD	05A	1	17215771B	03A	7	24716891A	33C	1	36012141BA	22A	13
11711771A	03B	1	17215781B	03A	8	24716901A	37B	11	36015821AA	18A	9
11723581A	20D	1	17215791A	03A	9	24716911A	37B	12	36521954B	23A	1
12113721B	06A	4	17215801A	03A	10	24735581A5	04B	6	36911581AA	19A	3
12113861B	06A	3	17215811A	03A	11	247P5863A	04C	1	36911591AA	19A	4
12120832A	06A	1	17320331C	11A	6	24920511H	10A	2	37012483AA	19A	5
12222471E	06A	2	17410851C	10A	1	24920012A	08A	1	37310861BA	19A	6
13510681AA	36A	1	17610281A	11A	7	25110101A	10A	7	37310871BA	19A	7
14010931A	36A	2	18010472A	02A	1	25210262AH	04C	3	38010211D	12A	25
14622712AA	05A	2	18010482A	02A	2	25440013A	04A	34	38010211D	12B	25
14622712AB	05A	2	18010492A	02A	3	26420581C	11A	14	38511189A	13E	13
14622712AC	05A	2	18120071A	02A	4	27040193A	11A	8	38511601A	13E	13
14622712AD	05A	2	18220381B	02A	12	28040501A	36A	3	38540093B	13E	10
14816131A	12B	4	182P0011A	02A	11	28211321A	36A	4	38640132A	13F	7
14816141A	12B	3	18410231A	37D	14	28643401A	13C	1	38940191A	13B	12
14816151A	12A	4	18710021A	20A	1	28643401C	13C	1	38940201A	13B	12
14816161A	12A	8	18710021A	22B	3	28643401E	13C	1	38940211A	13B	12
14911351C	03A	1	19010421A	03B	24	28643401H	13C	1	38940221A	13B	12
14911382B	03A	2	19020521A	03B	3	28643401N	13C	1	38940231A	13D	17
15022362B	03A	33	19410511A	03B	4	30125433DR	12D	4	38940241A	13B	12
15022371B	03A	34	19540101C	22B	4	30125443DR	12C	4	38940251A	13B	12
15310311BA	22A	1	19610711A	03B	5	303B0841A	12C	5	38940261A	13B	12
15621191EA	05A	4	19610721A	03B	6	303B0841A	12D	5	38940351A	13B	14
15621191EB	05A	4	19820502A	03B	7	304A1131A	12C	6	39740081B	13D	8
15621191EC	05A	4	20810521A	12C	1	304A1131A	12D	6	40611741C	15A	1
15621191ED	05A	4	20810521A	12D	1	304A1141A	12C	7	42520021A	30B	2
16016671AA	30B	6	21011221D	12C	2	304A1141A	12D	7	42520031A	30B	1
16016931A	11A	1	21011221D	12D	2	34111701BA	18A	6	42610712A	35A	2
16024311B	30B	5	21111222B	12C	3	34221131BA	18A	3	42610731A	30C	1
16026971A	29A	1	21111222B	12D	3	34421224A	18B	12	42710241A	09B	3



CODE	NO. TABLE	POS.	CODE	NO. TABLE	POS.	CODE	NO. TABLE	POS.	CODE	NO. TABLE	POS.
43217911Z	39A	8	45721111AA	20D	2	47111671C	33D	3	48612281A	04A	2
43310051B	39A	5	4601C581A	20C	20	48014011A	13G	11	48612293A	04A	31
43310051C	39A	6	4601C581A	30A	15	4801A541A	37C	13	48612551A	04A	37
43312502C	04A	32	4601F472A	11A	15	4801A882A	37E	4	48612591A	37G	14
43312531A	39A	2	4601H211BA	37G	2	4801A892A	37F	5	48612601A	19A	12
43312551A	39A	4	4601H221BA	37G	1	4801A901AA	37E	3	48612651A	33B	10
43312561A	39A	3	4601H231BA	37G	3	4801A911AA	37F	6	48612661A	33B	11
43314281A	37D	20	4601H281B	31A	1	4801A951AA	37D	2	48612731A	30C	22
43314851A	33D	29	4601H281B	31A	1	4801B071AA	37H	2	48711161B	37A	3
43314951A	19A	32	4601H291B	31A	2	4801B281B	37C	4	490PE255A	A	1
43314951B	19A	32	4601H291B	31A	2	4801B291A	37C	12	490PE255A	B	1
43314961A	39A	1	4601H581B	18A	8	4801B311B	13E	1	490PE323A	A	3
43314971A	39A	1	4601H601AA	13D	22	4801B371A	37D	1	490PE323A	C	1
43512801D	37D	15	4601H621AA	33C	2	4801B941AA	37C	10	490PE333A	A	5
43713351A	24A	6	4601H631AA	33C	3	4801B952A	37C	5	490PE333A	D	1
43713351A	24A	6	4601H721AA	33C	4	4801B962A	37C	6	491PE327A	A	4
43713361A	24A	7	4601H731AA	33C	5	4801B972A	37C	7	491PE327A	C	2
43713361A	24A	7	4601H811B	37G	12	4801C101A	37E	2	491PE336A	A	6
43815511A	37A	4	4601H921AA	22A	2	4801C111A	37F	1	491PE336A	D	2
43819461C	37D	16	4601H931AA	22A	3	4801C301A	25A	4	491PE355A	A	2
4381E001A	28A	15	4601H941AA	22A	4	4801C301A	25B	2	491PE355A	B	2
4381E011A	29A	20	4601H951AA	22A	5	480PA921AA	37D	10	49241341A	28A	1
4381E221B	37E	15	4601I071A	17A	2	480PA921AC	37D	10	49241341A	28A	1
4381E221B	37F	12	4601I271A	26A	1	48114181AA	37C	2	49241351A	28A	2
4381E341A	37G	17	4601I282A	26B	1	48114191AA	37C	1	49241351A	28A	2
4381E401A	25C	21	4601I451C	31B	1	48114201BC	37B	18	49241531A	29A	6
43910071A	39A	7	4601I481AB	31B	2	48114202BA	37B	18	49241531A	29A	6
44219452A	35A	3	4601I601B	31B	5	48216841B	37E	1	49416971AA	29A	5
44440312B	04C	4	4601I801A	13E	18	48216851B	37F	2	49416971AA	29A	5
44610491A	19A	8	4601I811AA	13E	15	48412121B	25B	1	49610051A	28A	17
44610501A	19A	1	4601I831A	13G	22	48412131B	25A	2	49610061A	29A	21
44610511B	19A	9	46411161AA	26B	2	48412301B	34A	1	49720071AC	28A	4
44712181A	17A	7	46411161AA	26C	2	48412372A	37B	2	49720071AC	28A	4
44712341B	19A	10	46411171AA	26A	6	48412382A	37B	4	49720071AC	29A	11
44712353A	19A	11	46411171AA	26C	3	48412481A	25B	15	49720071AC	29A	11
44740112A	07A	1	47018261BA	33D	1	48412491A	25A	16	50122532AA	28A	5
44740122A	07A	2	47018262BA	33D	1	48412581A	37E	17	50122571AD	28A	5
44910732B	03B	14	47018271BA	33D	2	48412591A	37F	14	50222291AA	29A	7
44910741A	08A	2	47018272BA	33D	2	48412711A	37E	5	50222331AD	29A	7
44910811B	17A	1	47111543BA	33B	1	48412721A	37F	4	50410271B	05A	6
45140021C	07A	3	47111581BA	33B	2	48412731A	37E	6	504Z0381AA	28A	9
45520172A	09A	16	47111591BA	33C	6	48412741A	37F	3	504Z0381AA	28A	9
45613481AA	26A	3	47111601BA	33C	7	48612261A	04A	3	504Z0381AA	29A	12
45623521AA	26A	4	47111671C	33D	3	48612271A	04A	30	504Z0381AA	29A	12



CODE	NO. TABLE	POS.	CODE	NO. TABLE	POS.	CODE	NO. TABLE	POS.	CODE	NO. TABLE	POS.
5101D751H	13B	2	55215021A	31A	3	58612941B	30A	1	61341341A	20B	8
5101F321D	13B	3	5521A301B	26A	19	58612941B	30A	1	61811461A	20B	4
5101G631G	13B	2	55240121A	13E	29	58840232A	30A	2	61811631B	20C	2
5101H911D	13A	1	55240121A	13G	4	59018711C	30A	8	61811641B	20C	3
51310791D	13D	1	55241321C	04A	13	59018721AA	31C	10	61911661A	20C	4
51310851E	13D	3	55243181A	09A	17	59018731AA	31C	11	61911671A	20C	5
51410941C	13D	4	55243241A	23A	2	59018741AA	31C	12	62441271A	20A	5
51410951E	13D	15	55243731C	13C	2	59018751AA	31C	13	62441281A	20A	5
51411031A	13D	16	55243931A	02A	13	59018921A	35A	26	62540311B	20D	8
51610051G	13E	22	55243941B	09B	4	59027992B	36A	5	62610121A	20A	20
51840251A	13G	1	55244081A	25C	1	59210291B	30A	3	62610131A	22B	25
52010512D	14A	2	55320191A	25C	23	59516382A	37D	19	62640561A	20A	17
52310682B	22A	19	55611101BA	16A	2	59516431BA	32A	1	62640561A	22B	22
52310692B	22A	20	56116331B	21A	2	59516431BA	32A	1	63040901A	22B	8
52510432B	14B	1	56116331B	21A	2	59516742A	32A	4	63140081A	20A	16
52510672E	14B	2	56116341B	21A	3	59516762AA	32A	3	63140081A	22B	21
52910061B	21A	1	56116341B	21A	3	59516981AA	32A	1	63140261A	20D	31
52910061B	21A	1	56116402A	21A	4	59810121A	37H	6	63210921B	22B	9
52910231A	21A	1	56116422A	21A	4	59810361G	13G	13	65010341E	22A	14
52910271A	24A	1	56116422A	21A	4	59810371B	13G	14	65010371D	22A	14
52910271A	24A	1	56116432A	21A	14	59810381E	13G	13	65110391G	22A	15
53010441C	14C	1	56116432A	21A	14	59820611A	13D	29	65110401D	22A	15
53010451C	14C	2	56116442A	21A	7	59821961A	13G	18	65540081A	31C	1
53010462B	14B	3	56116442A	21A	7	59821981L	13G	12	65540101A	30C	2
53910351A	16A	7	564P6782AA	24A	2	59821991L	13G	12	66020121B	22A	16
53920521A	20D	4	564P6782AC	24A	2	59822521A	13G	19	66810581B	09A	18
53940302A	34A	2	56511353B	27A	1	59840511A	13G	16	66810591A	04A	23
53941001A	22B	24	57015001C	31A	4	59840521A	13G	17	66810591A	12C	10
53941012A	20A	18	57015191A	31A	4	59940021A	37D	4	66810591A	12D	10
54040331A	13E	17	57115011C	31A	5	61041971A	20B	1	67040581B	12A	30
54140151A	13B	13	57115151A	31A	5	61041981A	20B	3	67040581B	12B	30
54240871B	20C	1	57314851D	31A	6	61141623A	20D	7	67621241A	17A	11
54811591B	34A	3	57314854C	31A	6	61240052A	20A	4	67641142A	08A	4
54811601D	25A	3	57314973B	31B	6	61240052A	20B	2	67641671A	17A	3
54811611D	25B	4	57315165A	31A	6	61240052A	20D	28	67740033A	17A	10
54911641B	34A	4	57610671A	31A	7	61240052A	22B	7	68050101A	03A	32
54911652B	34A	6	57610671A	31A	7	61240201A	20B	5	68540011A	26A	7
55040381A	25A	5	58511261C	25C	10	61240301A	20D	29	68540011A	26B	3
55040381A	25B	5	58511271AA	35A	4	61240311A	20D	27	68540011A	26C	4
55212111B	13F	1	58520151B	08A	3	61240611A	20D	30	69610251A	26C	5
55212121B	13F	10	58540151A	20D	5	61241231A	20B	10	69720391A	32A	10
55214281B	13F	5	58540341A	20A	2	61241241A	20A	19	69926751A	13D	26
55214941A	13F	2	58540351A	22B	5	61241241A	22B	23	70010591A	29A	13
55215021A	31A	3	58612871D	30A	1	61321161A	20D	26	70010591A	29A	13



CODE	NO. TABLE	POS.	CODE	NO. TABLE	POS.	CODE	NO. TABLE	POS.	CODE	NO. TABLE	POS.
70010901A	13C	5	71311841A	29A	3	71614351AA	30A	16	74140431A	20A	6
70010901A	15A	3	71311841A	29A	3	71614481AA	23A	4	74140431A	20D	9
70011121A	18A	10	71311871A	19A	15	71614481AA	31B	12	74140431A	22B	10
70011181AA	13E	12	71311961A	28A	10	71614581AA	22A	9	74140431A	25C	19
70140111B	09A	19	71311973A	28A	11	71615261AA	31C	15	74140431A	30C	4
70140171A	19A	13	71312051A	29A	15	71615883AA	33D	5	74140581A	30C	5
70140311A	03A	13	71312051A	29A	15	71615883AA	33D	5	74140631A	30C	6
70140321A	03A	14	71313091A	03B	9	71850163C	21A	10	74140631A	35A	5
70140331A	03A	15	71313641A	20B	14	71850163C	21A	10	74140651A	25C	11
70140471A	11A	2	71313882A	19A	16	71850173C	21A	13	74140651A	30C	7
70240381A	29A	2	71314361A	31B	7	71850173C	21A	13	74140651A	31C	9
70240381A	29A	2	71314901A	13F	13	71850178C	13E	4	74140651A	35A	6
70241231A	18A	15	71316011B	03B	10	71850338C	08A	5	74141001A	30C	17
70241761A	03A	25	71316102A	11A	13	71850338C	13E	11	74141491A	35A	7
70241781A	03A	26	71319201A	13F	13	71950408CF	04B	1	74141811A	25C	2
70241801A	09A	20	71319331A	13F	9	72010513C	28A	3	74141851A	25C	22
70241901C	09A	21	7131A361AA	29A	16	72010513C	28A	3	74142121A	30A	10
70250412A	02A	14	7131A361AA	29A	16	72010513C	29A	14	74142141A	35A	8
70250451A	19A	14	7131A371AA	29A	17	72010513C	29A	14	74142401A	31C	2
70250601A	03B	8	7131A371AA	29A	17	72010513C	33D	12	74142441A	11A	12
70250621A	28A	6	7131A923A	14B	4	72010513C	33D	12	74142461A	13C	16
70250681A	29A	8	7131B281AA	22A	8	72050173CF	36A	6	74142581A	25A	7
70250681A	29A	8	7131B901AA	28A	11	72050198C	21A	15	74142591A	25C	3
70250721A	28A	6	7131B911AA	28A	10	72050198C	21A	15	74142651A	31A	22
70310131A	18A	12	7131D741AA	19A	17	72050283C	36A	7	74142651A	31A	22
71011071A	22A	6	7131E251AA	22A	23	72050313C	30C	20	74142841A	31B	8
71012021B	03A	28	713P0011C	03A	31	72050313C	31A	23	74710151B	09A	23
710P0021A	03A	27	71410941A	28A	7	72050313C	31A	23	74750031A	20D	14
71111301A	22A	7	71411381A	29A	9	735034405	09B	7	74750071A	18A	1
71112191A	09A	2	71413412A	28A	7	73840052A	07A	4	74750101A	26A	20
71113171A	09B	6	71413441A	29A	9	73840062A	07A	5	74810361A	31A	11
71113742A	12A	13	71610061A	14A	3	74110121A	13B	4	74810361A	31A	11
71113742A	12B	13	71610061A	37G	5	74110121A	35A	27	74810461A	29A	18
71114113AA	13F	6	71611571C	02A	5	74110131A	13B	5	74810461A	29A	18
71115051E	09A	22	71611581C	02A	6	74110551A	13B	6	74810651A	28A	12
71116941A	09B	17	71611641AA	20C	10	74110551A	25C	20	74810651A	28A	12
7111D861A	32A	5	71614081A	20D	13	74110551A	30C	3	74810761A	16A	5
71140071AA	37B	6	71614102AB	23A	3	74110551A	35A	29	74811021B	05A	7
71210341A	20D	3	71614141A	31A	8	74113401A	31A	10	74811021B	11A	3
71210341A	26A	5	71614141A	31A	8	74113401A	31A	10	74840481B	09A	5
71210631A	03A	16	71614191A	31A	9	74140331A	13B	10	74841091AA	13C	4
71210702A	33D	4	71614191A	31A	9	74140381A	13B	7	74841091AA	15A	4
71210702A	33D	4	71614251A	31A	21	74140381A	13C	17	74841091AA	31A	12
71240331A	03B	15	71614251A	31A	21	74140381A	20B	17	74841091AA	31A	12



CODE	NO. TABLE	POS.	CODE	NO. TABLE	POS.	CODE	NO. TABLE	POS.	CODE	NO. TABLE	POS.
74940321A	31B	9	76410241A	14A	4	76510221A	26B	4	77156723B	30A	17
74941103B	37E	13	76410241A	25A	8	76510231A	26A	9	77156728B	22B	20
74941103B	37F	15	76410241A	25B	8	76510241A	26C	6	77157243B	33D	10
74941108B	20A	7	76410241A	25C	12	76510251A	26C	7	77157243B	33D	10
74941108B	22B	11	76410241A	31A	14	76611231A	09A	7	77157248CA	26C	9
74941118B	23A	6	76410241A	31A	14	76640191A	12A	12	77157248CA	33B	4
74941501A	21A	19	76410241A	33A	2	76640191A	12B	12	77157253B	33D	11
74941501A	21A	19	76410241A	34A	7	77110191A	26A	24	77157253B	33D	11
74950011B	21A	16	76410241A	37B	13	77110401A	26A	10	77157258B	26A	11
74950011B	21A	16	76410621B	13D	23	77110401A	26C	8	77157278B	18A	4
75010072E	03B	16	76410641A	13E	2	77110401B	12A	27	77157528CA	33D	19
75011211A	13A	2	76410641A	37G	6	77110401B	12B	27	77157528CA	33D	19
75011251A	19A	18	76410971A	13E	28	77110591A	36A	8	77159293B	22A	22
75011551A	13D	18	76411141A	23A	7	77113741A	33A	3	77159418B	18A	13
75011891AA	19A	29	76411141A	35A	9	77116648B	26A	2	77210591A	20B	13
75810412A	30C	18	76411381A	37G	9	77116648B	26B	5	77210601A	13F	11
75810412A	31A	24	76411671A	31C	3	77116648B	34A	8	77210841C	19A	20
75810412A	31A	24	76412041A	13D	5	77116791A	22A	21	77210842A	20C	11
75811641A	17A	4	76412041A	21A	6	77140653CC	37E	19	77211011B	37G	4
75811652A	20B	15	76412041A	21A	6	77150478B	30A	9	77211021A	20B	16
75811741A	19A	19	76412121A	04A	9	77150624B	12C	12	77211031A	21A	9
75840601A	13B	8	76412121A	12A	22	77150624B	12D	12	77211031A	21A	9
75840601A	13F	12	76412121A	12B	22	77150638B	30A	4	77211061A	13D	34
75840621A	37A	2	76412121A	12C	35	77150648B	04C	8	77211071B	25A	9
75840801A	13C	3	76412121A	12D	35	77150663B	22A	10	77211071B	25B	9
75840801A	13D	7	76412542A	37B	3	77150708B	20D	15	77211091A	18A	7
75840801A	21A	5	76412552A	14A	1	77150873B	22A	11	77211201A	03B	11
75840801A	21A	5	76414191A	20A	8	77154337C	17A	5	77211251B	19A	21
75840801A	33A	1	76414191A	22B	12	77156209E	09B	8	77211261A	13E	27
75840801A	33C	18	76414381A	23A	16	77156393B	20A	9	77211261B	34A	9
75840951A	31A	13	76414441C	13C	12	77156393B	20D	16	77211341A	13E	23
75840951A	31A	13	76414461AA	31C	4	77156393B	33D	25	77214411AA	13C	6
75841051A	13E	26	76414471AA	33D	6	77156393B	33D	25	77214411AA	13D	24
75841061A	21A	23	76414471AA	33D	6	77156398B	14B	5	77214411AA	37D	5
75841061A	21A	23	76414481B	33D	7	77156408B	36A	9	77214411AA	37G	11
75841091A	20C	21	76414481B	33D	7	77156423B	08A	6	77214411BA	13E	21
75841101A	20C	22	76414501AA	37H	7	77156628B	13D	30	77214411BA	19A	2
75910392A	25C	4	76414511A	33D	8	77156678B	22B	18	77214411BA	25A	18
76010391A	33D	26	76414511A	33D	8	77156698B	20D	25	77214411BA	25B	16
76010391A	33D	26	76414521A	33D	9	77156698B	31A	15	77214411BA	27A	2
76410011A	31B	10	76414521A	33D	9	77156698B	31A	15	77214411BA	35A	10
76410241A	13C	14	76440091B	12C	11	77156708B	31A	16	77214411BA	37A	17
76410241A	13D	14	76440091B	12D	11	77156708B	31A	16	77214411BA	37B	20
76410241A	13E	8	76510171A	26A	8	77156718B	22B	19	77214411BA	37E	14



CODE	NO. TABLE	POS.	CODE	NO. TABLE	POS.	CODE	NO. TABLE	POS.	CODE	NO. TABLE	POS.
77240288C	31A	17	77253280Z	12A	6	77440251A	22A	12	7791A571A	05A	5
77240288C	31A	17	77253280Z	12B	6	77440251A	33C	12	7791A621B	12A	15
77240308C	23A	5	77253290ZF	08A	7	77440251A	37E	11	7791A621B	12B	15
77240323C	31C	5	77253300ZF	11A	4	77440251A	37F	11	7791A631A	09A	4
77240343C	13F	4	77253300ZF	12A	20	77440321A	13D	2	7791A651A	09A	3
77240393C	09B	9	77253300ZF	12B	20	77440321A	13E	6	7791A661A	09A	6
77240398C	20C	6	77253304C	04A	16	77440321A	14B	7	7791A751B	04A	35
77240403C	21A	8	77253304CF	08A	8	77440391A	19A	22	7791A751B	12A	24
77240403C	21A	8	77253314CF	03A	29	77440391A	37D	18	7791A751B	12B	24
77240443C	23A	8	77253314CF	04C	5	77440581A	33D	13	7791A821AA	33B	6
77240453C	14A	5	77253334CF	11A	10	77440581A	33D	13	7791B121A	10A	5
77240453CA	36A	10	77253350Z	12C	8	77510314B	09A	25	7791B491A	04A	10
77244163B	20C	12	77253350Z	12D	8	77550131A	35A	13	7791B491A	12C	36
77244173B	13D	10	77253354C	09B	19	77550200CC	04A	5	7791B491A	12D	36
77244173B	23A	9	77253364CF	08A	9	77550213C	13B	11	7791B801AA	37G	16
77244173B	25A	19	77253384C	12A	5	77750494C	04B	8	7791B971AA	33C	13
77244173B	25B	14	77253384C	12B	5	77910921A	20A	10	7791C011AA	33B	3
77244173B	30B	3	77310021A	22B	1	77910921A	22B	13	7791C031A	03B	17
77244173B	31B	3	77310071A	30A	12	77910991B	18A	2	7791C061AA	37B	8
77244173B	37C	3	77350678B	32A	6	77913091AB	20B	7	7791C071AA	33B	8
77244173B	37D	3	77354623B	14B	6	77913311D	20B	11	7791C081AA	23A	11
77244173B	37E	7	77354713B	37A	13	77913541A	12C	13	7791C221AA	20C	7
77244173B	37F	7	77355038B	02A	16	77913541A	12D	13	7791C231BA	33B	7
77244178B	33A	4	77355068B	31B	11	77913611A	12C	14	7791C291AA	13E	19
77244178B	37G	7	77440041A	13C	15	77913611A	12D	14	7791C301AB	34A	10
77244183B	37C	11	77440041A	13D	11	77913662AB	20B	6	7791C301AB	37A	1
77244203B	17A	8	77440041A	13G	7	77913662AB	20C	18	7791C301AB	37B	1
77244203B	30A	5	77440041A	25C	13	77913662AB	20D	10	7791C311AB	37E	10
77244203B	31B	13	77440061A	14C	3	77913722AA	19A	23	7791C311AB	37F	10
77244203B	31C	14	77440061A	25A	17	77913971A	22B	14	7791C361A	09A	10
77244203B	37G	13	77440061A	25B	11	77914391C	24A	4	7791C381AA	33C	14
77244233B	20C	13	77440061A	37D	9	77914391C	24A	4	7791C401AA	33C	15
77244348BA	26A	21	77440101A	24A	3	77914982B	37H	5	7791C483AA	04A	38
77250744BA	12A	1	77440101A	24A	3	77914992A	37B	5	7791C483AA	04B	9
77250744BA	12B	1	77440101A	37H	3	77915471A	05A	3	7791C511AA	20D	17
77251324CF	09A	13	77440141A	35A	11	77915511A	20A	11	7791C561AA	33D	20
77251324CF	33C	8	77440141A	37A	11	77916041DA	08A	10	7791C561AA	33D	20
77251344C	09A	9	77440171A	13D	21	77916081A	17A	9	77927172B	09A	29
77251344C	09B	18	77440171A	23A	10	77916241A	09A	27	77941992A	04A	1
7725134BFA	33C	9	77440183C	13G	5	77916371A	37G	10	77941992A	04B	5
77251364C	09A	11	77440203C	35A	12	77917141A	25B	10	77941992A	04C	9
7725138BFA	33C	10	77440213C	33A	5	77917141A	35A	14	77941992A	10A	4
77251404C	09A	12	77440251A	13E	16	77917241AA	16A	1	77942002A	04A	21
77251648G	33C	11	77440251A	13G	2	7791A381A	09A	28	77942002A	04B	4



CODE	NO. TABLE	POS.	CODE	NO. TABLE	POS.	CODE	NO. TABLE	POS.	CODE	NO. TABLE	POS.
77942002A	04C	10	80018061A	25C	6	82119651AA	20D	20	82911871A	13G	6
78010511C	09B	11	80018241A	25C	14	82119711AA	29A	19	82911881A	37D	6
78010871B	09A	31	80018252A	25C	9	82119711AA	29A	19	82911901A	36A	11
78010921A	04A	7	80018261A	25A	10	82413922BA	26C	12	8291J041AA	37B	21
78011262A	12C	15	80018271A	25A	11	82413932AA	26C	13	8291J052B	37B	9
78011262A	12D	15	80018281A	25C	7	82423883AA	26A	15	8291J061AA	37B	15
78011281A	04A	33	80111091A	35A	16	82423891AA	26B	8	8291J071AA	15A	2
78050011B	12C	16	80111171B	25A	1	82714821A	13D	19	8291J081AA	37A	10
78050011B	12D	16	80111181B	25B	3	82716091A	04B	2	8291J091AA	37A	6
78050181A	25B	18	80610472A	37H	1	82718441A	12A	28	8291J101AA	37A	8
78611541B	09B	12	80812482A	13C	8	82718441A	12B	28	8291J113B	37A	5
78611551B	09B	13	80812492A	13C	7	82718471AA	04C	12	8291J152B	33A	6
78611692A	04C	11	80812601AB	22B	2	82718471AA	34A	11	8291J481A	13G	9
78811602B	12B	14	80812611AB	20A	12	82718913A	04A	4	8291M101A	13D	20
78811612A	12A	19	81140021A	12A	29	82718923A	04A	14	8291M611A	35A	17
78811612A	12B	19	81140021A	12B	29	82718933A	04A	12	8291M671A	30C	9
78811622B	12A	14	81411113B	12A	10	82718944A	04A	28	8291M691A	30C	10
79010371A	31A	18	81411113B	12B	10	82718991A	04A	36	8291M771A	30C	11
79010371A	31A	18	81413421B	09A	34	8271H191BA	33D	14	8301H221AA	35A	18
79010481A	31A	19	81416431A	30C	16	8271H191BA	33D	14	8301H452A	13D	25
79010481A	31A	19	81416941A	12C	33	8271H201BA	33D	15	8301H481AA	13E	14
79111131B	30B	4	81416941A	12D	33	8271H201BA	33D	15	8301H501AA	20C	8
79111442A	35A	15	81417071AA	13C	10	8271H551AA	21A	22	8301H671AA	23A	13
79111481A	13G	21	81417081AA	31C	6	8271H551AA	21A	22	8301H721AA	13E	9
79710731A	03B	12	81417351A	30C	21	8271H571AA	21A	20	8301H752AA	20D	22
79810071A	12C	17	81540064A	28A	15	8271H571AA	21A	20	8301H872B	20C	15
79810071A	12D	17	81540064A	29A	22	82917501A	13D	27	8301H961A	20C	16
79810081A	12C	18	81810162A	03B	18	8291A891A	13F	3	8301I081AA	33C	16
79810081A	12D	18	81910601BA	28A	13	8291G311A	12A	18	8301I331A	25B	12
79910241B	26C	10	81910601BA	28A	13	8291G311A	12B	18	8301I341A	19A	30
79912781A	03B	23	81910891AA	19A	24	8291I093A	13D	6	8301I791AA	26C	14
79915081A	16A	4	82010141A	09A	35	8291I142B	13E	25	8301L042CA	20B	12
79915101C	09A	32	82111701CA	20D	19	8291I231BA	33B	5	8301L242BA	37E	12
79915131C	02A	7	82111701CA	26A	13	8291I281B	23A	12	8301L281AA	33D	24
79915141D	02A	8	82115561A	12C	19	8291I351AA	13D	9	8301L281AA	33D	24
79915581A	25C	5	82115561A	12D	19	8291I361AA	20D	21	83040071A	22A	17
79915881AA	20D	18	82115621B	07A	6	8291I371BA	20A	13	83110151A	09A	36
79916201AA	26A	12	82115811AA	37A	9	8291I381BA	22B	15	83510201AA	37B	16
79916201AA	26B	6	82118261A	02A	17	8291I402A	13D	32	83810011A	12C	20
7991B471AA	37D	8	82119351AA	26A	14	8291I691A	20C	14	83810011A	12D	20
79921602A	16A	3	82119351AA	26B	7	8291I701C	30A	13	83810021A	12C	21
79925643AB	37B	17	82119351AA	26C	11	8291I714B	13E	3	83810021A	12D	21
79927062AA	37A	7	82119582BA	16A	6	8291I732A	33D	16	83910051A	12C	22
79940121A	09A	33	82119641A	37D	7	8291I732A	33D	16	83910051A	12D	22



CODE	NO. TABLE	POS.	CODE	NO. TABLE	POS.	CODE	NO. TABLE	POS.	CODE	NO. TABLE	POS.
83910071A	12C	23	85040521A	19A	25	85211511A	20D	23	85214141A	03A	19
83910071A	12D	23	85040521A	37C	9	85211511A	26A	16	85214421A	08A	11
84012021AA	12C	24	85040521A	37D	17	85211561A	26A	18	85214421A	10A	3
84012021AA	12D	24	85040521A	37G	15	85211561A	26B	10	85240211A	13G	3
84012021AB	12C	24	85040551A	20C	9	85211561A	26C	16	85240261A	12C	27
84012021AB	12D	24	85040551A	37B	14	85211671B	21A	21	85240261A	12D	27
84012021AC	12C	24	85040551A	37E	8	85211671B	21A	21	85241711A	13C	11
84012021AC	12D	24	85040551A	37F	8	85211951A	34A	12	85241711A	25C	15
84012021AD	12C	24	85040551A	37G	8	85211961B	21A	12	85241831A	12C	28
84012021AD	12D	24	85040631A	21A	11	85211961B	21A	12	85241831A	12D	28
84012021AE	12C	24	85040631A	21A	11	85211961B	30A	11	85250191A	21A	18
84012021AE	12D	24	85041471A	13E	24	85212181A	37D	13	85250191A	21A	18
84012021AF	12C	24	85041471A	33D	17	85212221A	28A	14	85250231A	12A	9
84012021AF	12D	24	85041471A	33D	17	85212221A	28A	14	85250231A	12B	9
84012021AG	12C	24	85041581A	25A	15	85212511A	14B	8	85250241A	04A	29
84012021AG	12D	24	85041581A	25B	7	85212641A	12A	26	85250241A	12C	29
84012021AH	12C	24	85041581A	35A	28	85212641A	12B	26	85250241A	12D	29
84012021AH	12D	24	85041711A	35A	19	85212651A	11A	11	85250241A	20A	14
84012021AI	12C	24	85041951AA	13C	9	85212661A	09A	38	85250241A	20B	9
84012021AI	12D	24	85041951AA	25A	12	85212661A	09B	16	85250241A	20C	19
84012021AJ	12C	24	85041951AA	25B	6	85212721A	04A	26	85250241A	20D	11
84012021AJ	12D	24	85041951AA	35A	20	85212771A	09A	14	85250241A	22B	16
84012021AK	12C	24	85041951AA	37B	19	85212801A	17A	6	85250271A	20D	32
84012021AK	12D	24	85041951AA	37C	8	85212971A	12C	34	85250311A	13E	30
84012021AL	12C	24	85041951AA	37D	12	85212971A	12D	34	85250311A	14B	9
84012021AL	12D	24	85041951AA	37E	9	85213002A	13G	8	85250311A	23A	15
84012021AM	12C	24	85041951AA	37F	9	85213081A	13C	13	85250541A	04C	6
84012021AM	12D	24	85042371A	36A	12	85213081A	21A	17	85250771A	25B	17
84012021AN	12C	24	85044491A	32A	11	85213081A	21A	17	85250871A	09B	10
84012021AN	12D	24	85044511A	32A	12	85213101A	33D	27	85310031A	04A	15
84012021AO	12C	24	85044521A	32A	14	85213101A	33D	27	85310031A	13A	3
84012021AO	12D	24	85044531A	32A	13	85213111AA	13D	13	85350101A	13D	31
84012021AP	12C	24	85044541A	32A	15	85213111AA	13E	7	85350111A	18A	11
84012021AP	12D	24	85044631A	13E	5	85213111AA	20C	17	85540101AA	33B	9
84012021AQ	12C	24	85044631A	13G	10	85213111AA	25A	13	85550001B	13D	33
84012021AQ	12D	24	85044631A	19A	26	85213111AA	25B	13	85611271A	24A	5
84540081A	12C	25	85044631A	37B	10	85213291A	03A	17	85611271A	24A	5
84540081A	12D	25	85044631A	37E	18	85213311A	03A	18	85611271A	26A	23
84740021A	26C	15	85044631A	37F	13	85213751AA	33C	17	85611361A	37E	16
84740061A	09A	37	85044691A	31B	4	85213761A	13F	8	85611361A	37F	16
84810371A	23A	14	85110201A	03B	19	85213981A	02A	18	85611372A	03A	20
84850021A	26A	22	85210721B	31B	14	85214051B	03B	20	85611391B	03B	13
85012911A	21A	24	85211201A	12C	26	85214071B	05A	8	85611491A	03A	21
85040471A	13D	12	85211201A	12D	26	85214071B	11A	5	85611551A	04A	6



CODE	NO. TABLE	POS.	CODE	NO. TABLE	POS.	CODE	NO. TABLE	POS.	CODE	NO. TABLE	POS.
85611551A	12A	23	87211681A	13B	15	88650321A	04A	17	91375771RU	32A	9
85611551A	12B	23	87211711A	33D	28	88650741A	12A	17	91375771SK	32A	9
85611551A	12C	37	87211711A	33D	28	88650741A	12B	17	91375771SL	32A	9
85611551A	12D	37	87240561A	26B	9	88650751A	09A	24	91375771SV	32A	9
85611621A	12A	11	87240561A	26C	1	88650761A	04C	2	91375771US	32A	9
85611621A	12B	11	87240561A	37H	8	88650831A	09B	5	91375771ZH	32A	9
85640121A	31A	20	87241051A	25A	20	887132589	01B	6	91375781EN	32A	9
85640121A	31A	20	87512492B	09A	42	887138848	01B	7	91375781TE	32A	9
85640141A	09A	39	87614021AA	31C	7	889450087	01B	1	91375781TH	32A	9
85651691B	09A	8	87614031AA	31C	8	889450111	01B	2	93010041B	18A	5
85651691B	12A	16	87614042A	35A	22	889450124	01B	5	93040221A	28A	8
85651691B	12B	16	87614051A	35A	23	889450137	01B	4	93040391A	29A	10
86010061A	12C	30	87712631A	22B	17	889450138	01B	3	93040932A	09A	15
86010061A	12D	30	87712651A	20A	15	89310143A	25C	16	93041501A	28A	8
86010151A	12C	31	87712761A	20D	12	89310153A	04C	7	93041521A	04A	27
86010151A	12D	31	88111152B	03B	21	89320121A	04A	19	93041591A	09B	14
86020011A	13G	15	88440061A	29A	4	89340111A	20D	6	93042191A	29A	10
86040071A	09A	40	88440061A	29A	4	89340241A	22B	6	93042221A	09B	15
86050061A	12C	9	88440731A	03A	22	89340251A	20A	3	93042231A	04A	24
86050061A	12D	9	88440741A	03A	23	89420203A	08A	14	93050121A	19A	28
86050171A	22A	18	88440751A	03A	24	89510691A	13G	20	93310541AA	35A	24
86050341A	09A	41	88441031A	10A	6	8A0067610	25A	6	93410411A	25C	17
86610301B	13D	28	88450291A	04A	25	91375771AR	32A	9	93410422A	25C	18
86610751A	33D	18	88450311A	02A	9	91375771BG	32A	9	93410431B	25A	14
86610751A	33D	18	88450361A	02A	10	91375771CA	32A	9	93510401A	30C	12
86610751A	37B	7	88450391B	02A	15	91375771CS	32A	9	93510891B	30A	14
86612111A	33D	23	88610951A	04B	7	91375771DA	32A	9	93510891B	30C	13
86612111A	33D	23	88640042A	03A	30	91375771DE	32A	9	93510941A	30C	8
86612942A	37D	11	88640031A	04A	11	91375771EL	32A	9	93510991A	30C	14
86613051A	30A	6	88640541A	08A	12	91375771EN	32A	9	93511001A	30C	15
86613061A	30A	7	88640891A	04A	20	91375771ES	32A	9	93511011A	30C	19
86613071A	37H	4	88641161A	20D	24	91375771FI	32A	9	944650035	L	1
86613191A	19A	31	88641161A	26A	17	91375771FR	32A	9	944650037	L	2
86640091A	13G	23	88641961A	09A	30	91375771HR	32A	9	979000253	01A	2
86642741A	32A	2	88641981A	25C	8	91375771HU	32A	9	979000279	01A	1
86642751A	32A	7	88642081A	07A	7	91375771IT	32A	9	979000281	01A	6
86642761A	32A	8	88642651A	08A	13	91375771JA	32A	9	979000282	01A	3
87210641A	13B	9	88642721A	04A	22	91375771KO	32A	9	979000283	01A	4
87211041A	33D	21	88642721A	12C	32	91375771MX	32A	9	979000284	01A	5
87211041A	33D	21	88642721A	12D	32	91375771NL	32A	9			
87211051A	33D	22	88642791A	09A	26	91375771NO	32A	9			
87211051A	33D	22	88643121A	34A	13	91375771PL	32A	9			
87211261A	35A	21	88643141A	34A	5	91375771PT	32A	9			
87211651A	19A	27	88643151A	11A	9	91375771RO	32A	9			



Ducati Motor Holding S.p.A.

Uffici Commerciali Amministrativi:

Via A. Cavalieri Ducati n. 3

40132 Bologna, Italy

Telefono 051 6413111

Fax 051 406580

Internet www.ducati.com