



1200
Model Year 2018

MONSTER

Chassis prefix:
Cylinder capacity: 1200

D19000018 -I
SPARE PARTS CATALOGUE
en-US



The present spare parts order exactly the right spare parts.

When ordering specify:

1. the part's code number followed by its description and quantity needed;
2. the motorcycle's serial number, stamped on the steering head.

Reference to right and left apply to the vehicle in terms of its direction of movement.

Spare parts drawings are general and do not represent the part.

The contents of this catalogue are general and can undergo changes without prior notice.

CHARACTERISTICS LEGENDA

CHARACTERISTIC CODE	CHARACTERISTIC DESCRIPTION	VALUE CODE	VALUE DESCRIPTION
CPT	PARTICOLAR CHARACTERISTICS	STD	MOTO STANDARD
DFR	DAFRA	N	
MOD	MODEL	M 1200	
PLT	PLANT	DB10	
XCO	MAIN COLOUR	R	
XCR	FRAME / WHEEL COLOUR	R-B	
XST	STANDARD COUNTRY	AUS	
XST	STANDARD COUNTRY	BLG	
XST	STANDARD COUNTRY	EUR	
XST	STANDARD COUNTRY	GSO	
XST	STANDARD COUNTRY	JAP	
XST	STANDARD COUNTRY	ROK	
XST	STANDARD COUNTRY	TWN	



COLOUR	COLOUR CODE	COLOUR DESCRIPTION	FINISHED PRODUCTS
	R	RED	(D19000118) M 1200 18 EUR R R-B STD DMH (D19005418) M 1200 18 TWN R R-B STD DMH (D19001018) M 1200 18 AUS R R-B STD DMH (D19001318) M 1200 18 JAP R R-B STD DMH (D19017918) M 1200 18 GSO R R-B STD DMH (D19021218) M 1200 18 BLG R R-B STD DMH (D19022818) M 1200 18 ROK R R-B STD DMH



General information.....	3
Colours.....	4
Group ELECTRIC.....	8
Drawing 018 - BATTERY HOLDER [MOD:M 1200].....	8
Drawing 020 - HEADLIGHT [MOD:M 1200].....	12
Drawing 18A - ENGINE CONTROL UNIT [MOD:M 1200].....	14
Drawing 18B - WIRING HARNESS [MOD:M 1200].....	16
Drawing 20A - INSTRUMENT PANEL [MOD:M 1200].....	18
Drawing 28B - PLATE HOLDER [MOD:M 1200;XST:AUS,BLG,EUR,GSO,ROK,TWN].....	20
Drawing 28B - PLATE HOLDER [MOD:M 1200;XST:JAP].....	22
Group OIL.....	24
Drawing L - SHELL ADVANCE [MOD:M 1200].....	24
Group ENGINE.....	26
Drawing 002 - SHIFT CAM - FORK [MOD:M 1200].....	26
Drawing 003 - GEAR BOX [MOD:M 1200].....	28
Drawing 004 - CLUTCH [MOD:M 1200].....	30
Drawing 005 - CLUTCH COVER [MOD:M 1200].....	32
Drawing 006 - CONNECTING RODS [MOD:M 1200].....	34
Drawing 007 - CYLINDERS - PISTONS [MOD:M 1200].....	36
Drawing 008 - DISTRIBUZIONE [MOD:M 1200].....	38
Drawing 009 - FILTERS AND OIL PUMP [MOD:M 1200].....	40
Drawing 010 - HALF-CRANKCASES PAIR [MOD:M 1200].....	42
Drawing 011 - WATER PUMP-ALTR-SIDE CRNKCE COVER [MOD:M 1200].....	46
Drawing 012 - ELECTRIC STARTING AND IGNITION [MOD:M 1200].....	48
Drawing 013 - CYLINDER HEAD : TIMING SYSTEM [MOD:M 1200].....	50
Drawing 014 - VERTICAL HEAD [MOD:M 1200].....	52
Drawing 015 - HORIZONTAL HEAD [MOD:M 1200].....	60
Drawing 10A - HALF-CRANKCASES PAIR [MOD:M 1200].....	68
Group TOOLS.....	70



Drawing 001 - WORKSHOP SERVICE TOOLS, ENGINE [MOD:M 1200].....70

Drawing 01A - WORKSHOP SERVICE TOOLS, ENGINE [MOD:M 1200]..... 72

Drawing 01B - WORKSHOP SERVICE TOOLS, FRAME [MOD:M 1200]..... 74

Drawing 01C - DDS (2) TESTER [MOD:M 1200]..... 76

Group TYRES..... 78

 Drawing A - TYRES [MOD:M 1200]..... 78

 Drawing B3 - (*) PIRELLI DIABLO™ ROSSO III [MOD:M 1200].....80

 Drawing C1 - PIRELLI ANGEL™ GT.....82

 Drawing D1 - PIRELLI DIABLO™ SUPERCORSA SP..... 84

 Drawing E - PIRELLI DIABLO™ ROSSO CORSA..... 86

Group FRAME..... 88

 Drawing 016 - OIL COOLER [MOD:M 1200].....88

 Drawing 017 - THROTTLE BODY [MOD:M 1200]..... 90

 Drawing 019 - EXHAUST SYSTEM [MOD:M 1200]..... 92

 Drawing 021 - HANDLEBAR AND CONTROLS [MOD:M 1200]..... 96

 Drawing 022 - FRAME [MOD:M 1200].....100

 Drawing 023 - CLUTCH CONTROL [MOD:M 1200].....102

 Drawing 024 - FRONT BRAKE SYSTEM [MOD:M 1200].....104

 Drawing 025 - REAR BRAKE SYSTEM [MOD:M 1200]..... 106

 Drawing 026 - RUOTA ANTERIORE E POSTERIORE [MOD:M 1200]..... 108

 Drawing 027 - REAR FRAME COMP. [MOD:M 1200]..... 110

 Drawing 028 - SOSPENSIONE POSTERIORE [MOD:M 1200]..... 114

 Drawing 029 - AIR INTAKE - OIL BREATHER [MOD:M 1200].....116

 Drawing 030 - WATER COOLER [MOD:M 1200].....118

 Drawing 031 - COOLING SYSTEM [MOD:M 1200]..... 120

 Drawing 032 - FUEL TANK [MOD:M 1200;XST:AUS,BLG,EUR,GSO,ROK,TWN].....122

 Drawing 032 - FUEL TANK [MOD:M 1200;XST:JAP].....124

 Drawing 033 - SEAT [MOD:M 1200].....126

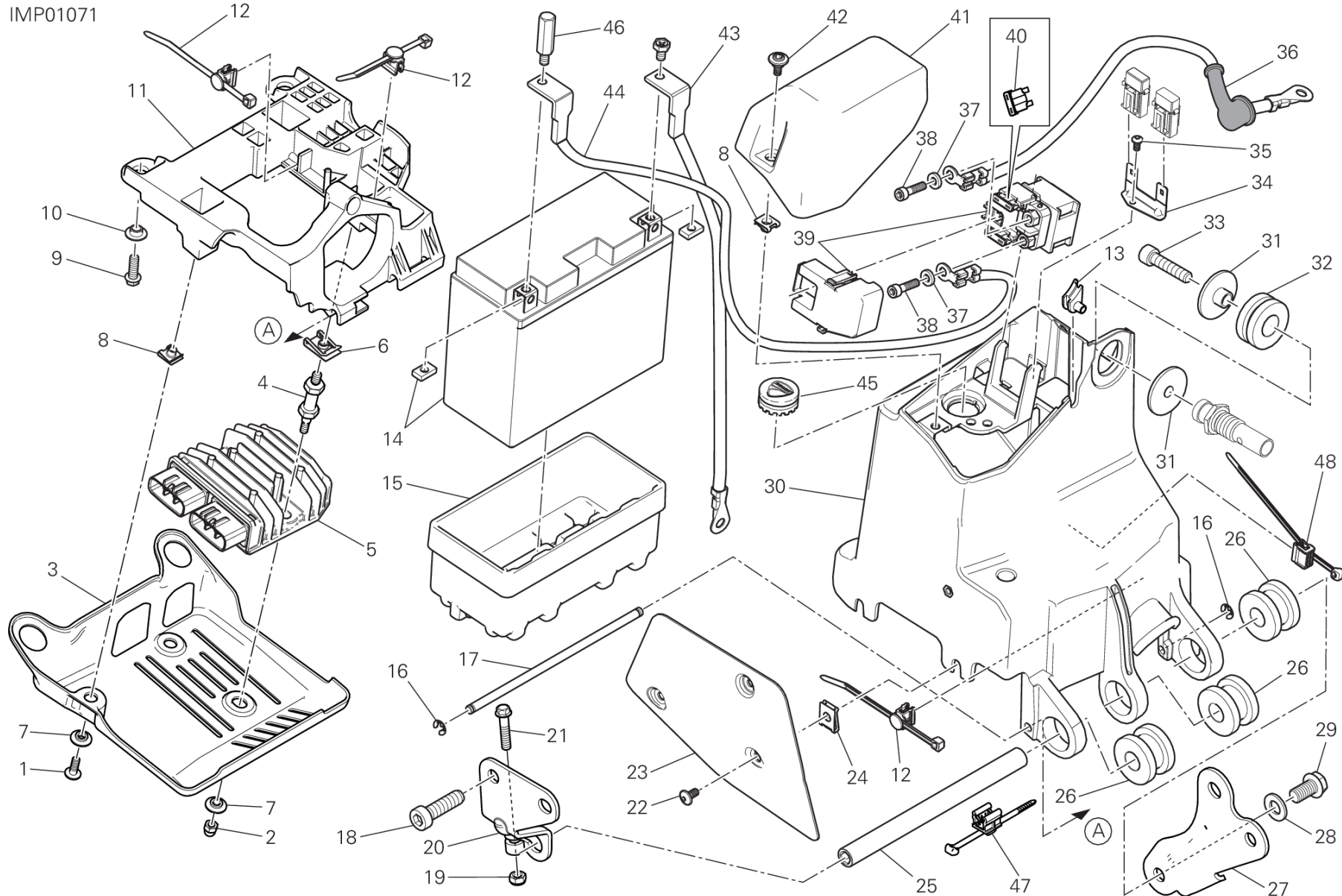
 Drawing 034 - HALF FAIRING [MOD:M 1200].....128

 Drawing 035 - HOT AIR PIPE CANISTER [MOD:M 1200].....130



Drawing 21A - FRONT FORK [MOD:M 1200].....	132
Drawing 22A - SIDE STAND [MOD:M 1200].....	134
Drawing 24A - ANTILOCK BRAKING SYSTEM (ABS) [MOD:M 1200].....	136
Drawing 26A - REAR WHEEL SPINDLE [MOD:M 1200].....	138
Drawing 27A - FOOTRESTS, LEFT [MOD:M 1200].....	140
Drawing 27B - FOOTRESTS, RIGHT [MOD:M 1200].....	142
Drawing 28A - FORCELLONE POSTERIORE [MOD:M 1200;XST:EUR,GSO,JAP,ROK,TWN].....	144
Drawing 28A - FORCELLONE POSTERIORE [MOD:M 1200;XST:AUS].....	146
Alphanumeric index.....	148

IMP01071



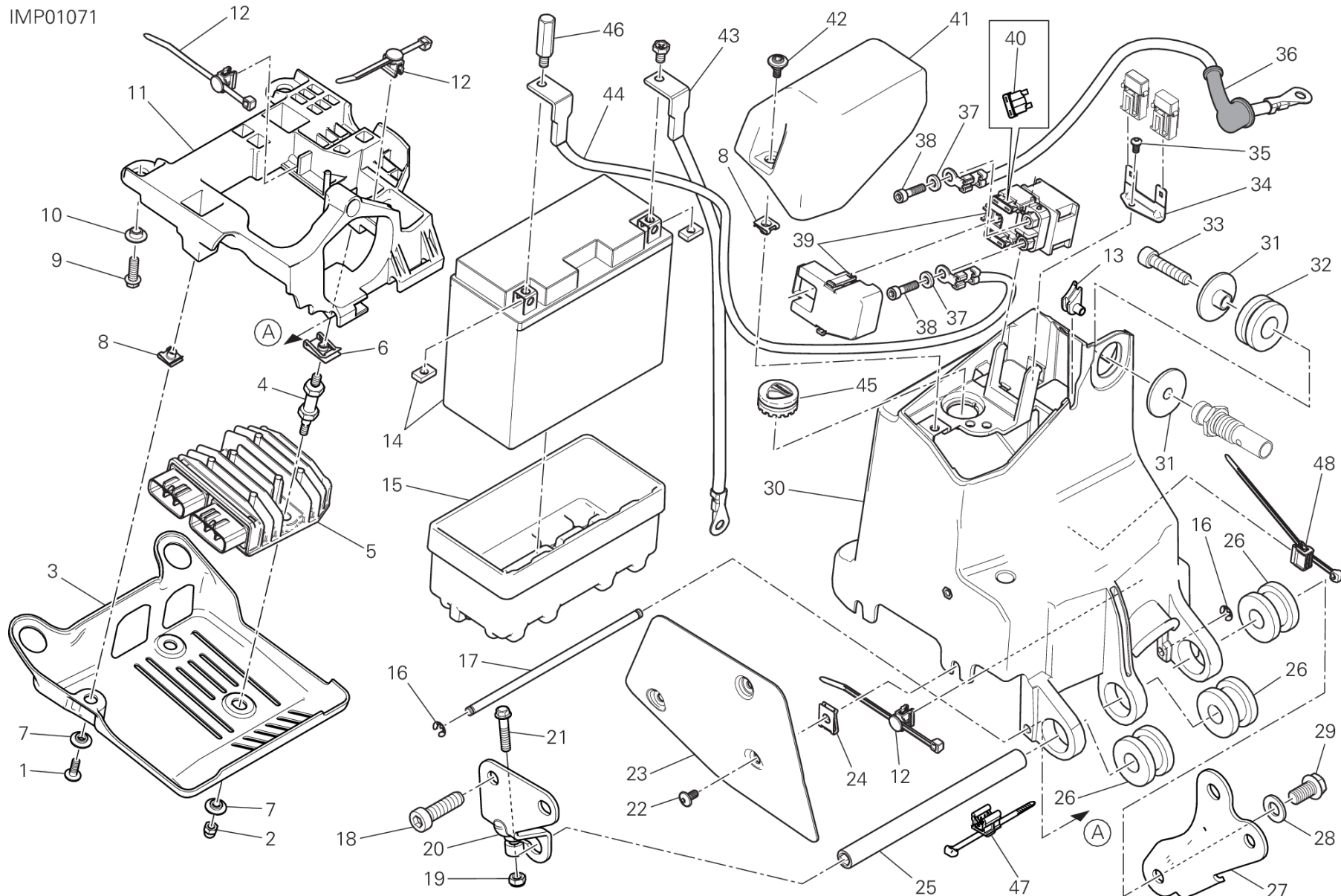
DRAWING 018 - BATTERY HOLDER [MOD:M 1200]

GROUP ELECTRIC



POS.	CODE	DESCRIPTION	QTY	START DATE	END DATE	VALIDITY	NOTES
1	77244183B	SCREW	1	01/08/2013			
2	75040141A	NUT	2	16/10/2015			
3	4601D231A	GUARD VOLTAGE REGULATOR	1	16/10/2015			
4	77211411AA	SCREW, SPECIAL	2	24/09/2015			
5	54040321A	VOLTAGE REGULATOR	1	01/08/2013			
6	85040381A	QUICK FASTENING	2	01/08/2013			
7	71614071A	SPACER 5.2X8.4X2	3	01/08/2013			
8	85041951AA	QUICK FASTENING	3	01/08/2013			
9	77251008B	SCREW M6X18	2	22/10/2013			
10	71610381B	SPACER	2	22/10/2013			
11	24715281A	COVER, BATTERY	1	24/09/2015			
12	75840771A	FAIRLEAD	3	01/08/2013			
13	76411831A	FAIRLEAD RUBBER RING	1	10/03/2016			
14	69926751A	BATTERY	1	22/10/2013			
15	86611681A	CUSHION, BATTERY	1	22/10/2013			
16	88450661A	SNAP RING	2	22/10/2013			
17	82114581BA	PIN	1	22/10/2013			
18	77355203C	SCREW M10x35	1	22/10/2013			
19	74941113B	NUT	1	08/05/2017			
20	8301A231AA	RIGHT BRACKET	1	16/10/2015			
21	77251043B	SCREW	1	22/10/2013			
22	77240258C	SCREW	3	22/10/2013			
23	4601A611B	BATTERY MOUNT HEAT GUARD	1	09/06/2014			
24	85040551A	QUICK FASTENING	2	01/08/2013			
25	82114571AA	PIN	1	22/10/2013			
26	76411431A	VIBRATION DAMPER PAD	3	01/08/2013			
27	8301A241AA	LEFT BRACKET	1	16/10/2015			
28	85250601A	WASHER	1	22/10/2013			
29	77251593B	SCREW	1	22/10/2013			
30	8291B632B	BATTERY HOLDER	1	01/08/2013			
31	71614271A	SPACER	2	22/10/2013			
32	76411421A	VIBRATION DAMPER PAD	1	01/08/2013			
33	77151283B	SCREW	1	22/10/2013			
34	83018352AA	BRACKET FUSE	1	01/08/2013			
35	77440431AA	SCREW, TAPPING	1	19/02/2015			

IMP01071

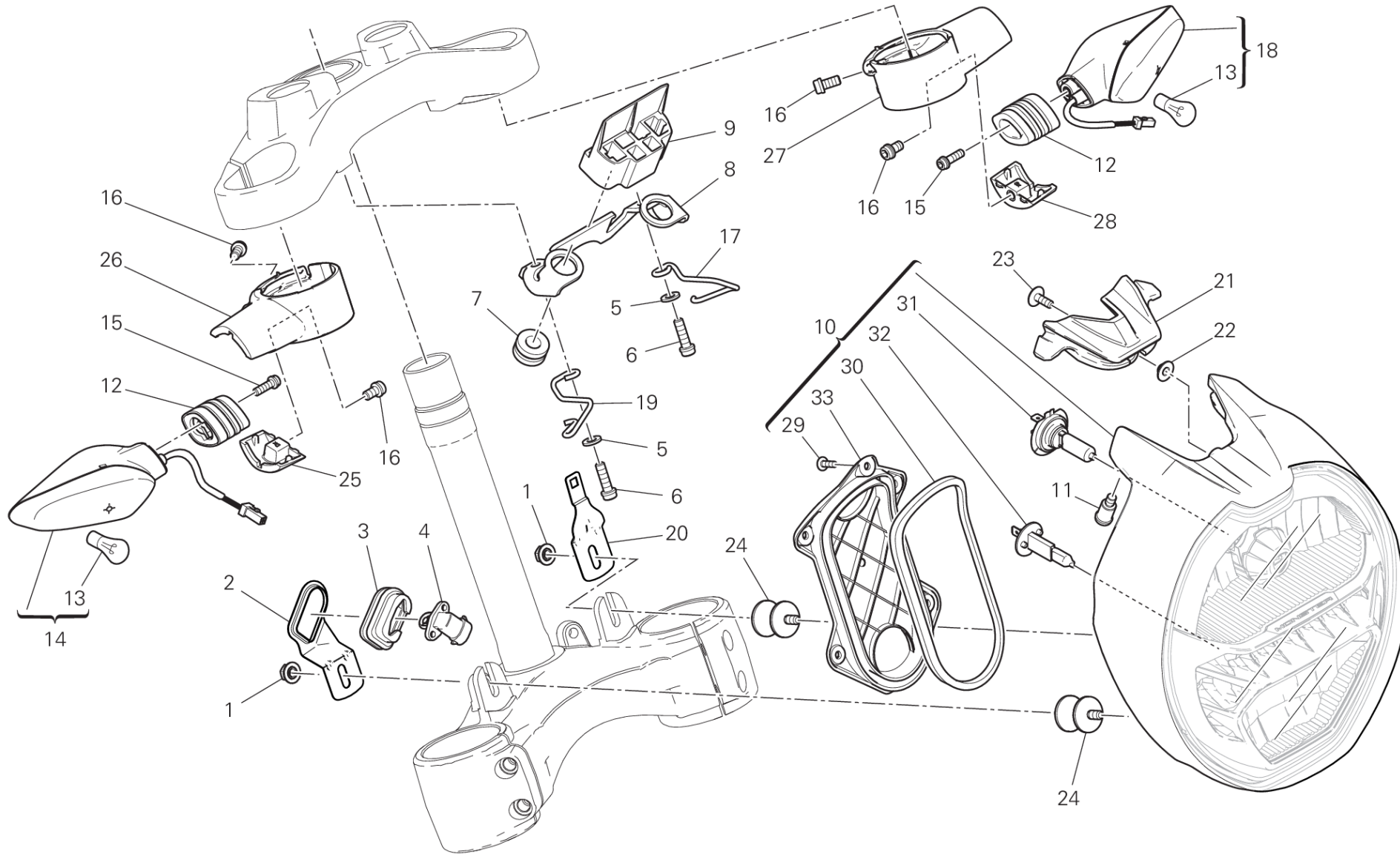


DRAWING 018 - BATTERY HOLDER [MOD:M 1200]

GROUP ELECTRIC



POS.	CODE	DESCRIPTION	QTY	START DATE	END DATE	VALIDITY	NOTES
36	51410721C	CABLE	1	18/04/2016			
37	85350101A	WASHER, SPRING	2	01/08/2013			
38	77156628B	SCREW TCEIF M6X10	2	01/08/2013			
39	39740081B	STARTER RELAY	1	01/08/2013			
40	38940231A	FUSE 30A	1				
41	24714651A	COVER UPPER	1	22/10/2013			
42	77214411AA	SCREW	2	22/10/2013			
43	51310281C	BATTERY - ENGINE GROUNDING CABLE	1	18/04/2016			
44	51410711B	BATTERY - SOLENOID STARTER CABLE	1	18/04/2016			
45	76410621B	RUBBER PAD	2	01/08/2013			
46	77918711BA	SCREW, SPECIAL WIRE, BATTERY PLUS LEAD	1	22/10/2013			
47	75840861A	CLAMP	1	24/09/2015			
48	75840801A	CLAMP	1	24/03/2014			



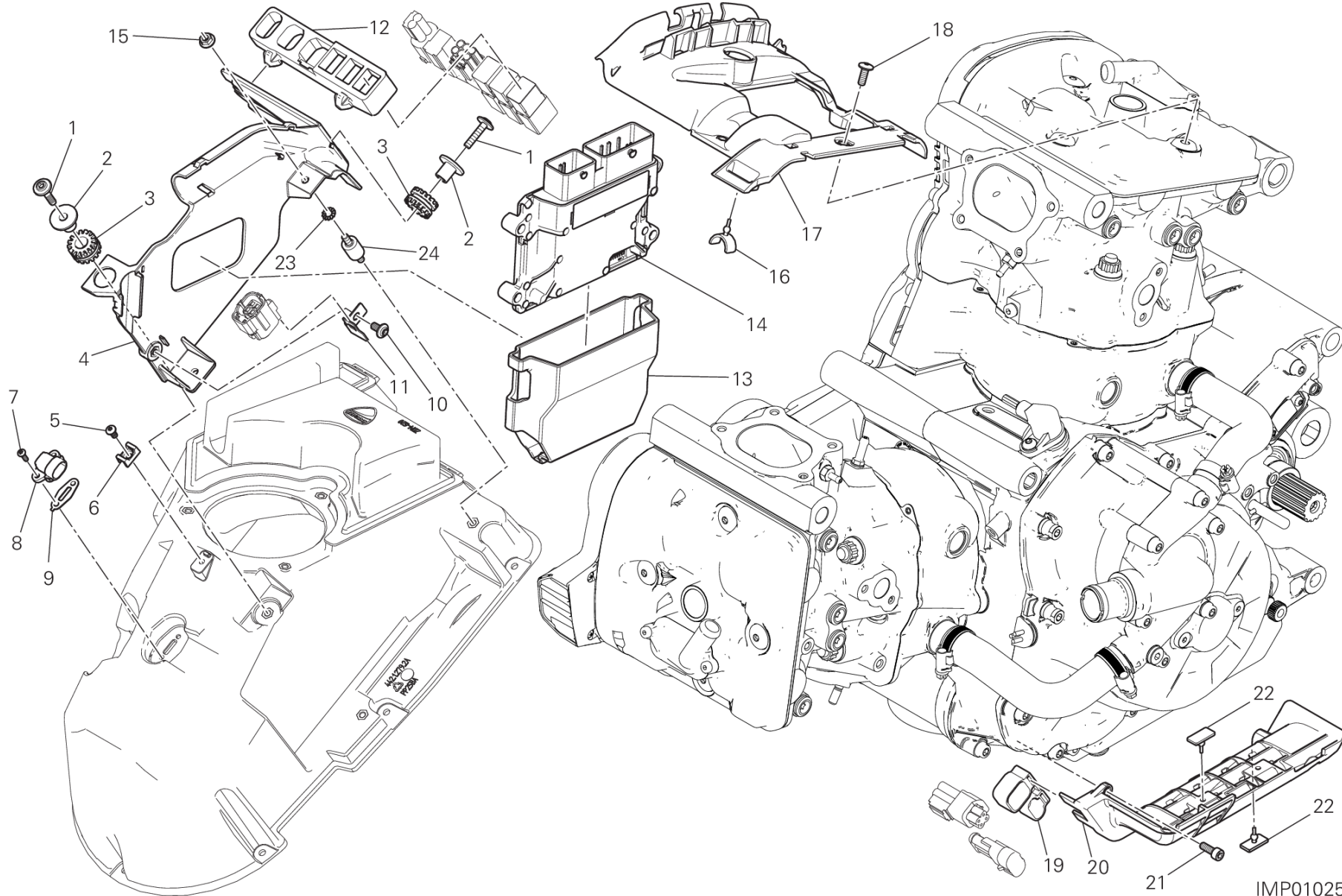
FAN00326

DRAWING 020 - HEADLIGHT [MOD:M 1200]

GROUP ELECTRIC



POS.	CODE	DESCRIPTION	QTY	START DATE	END DATE	VALIDITY	NOTES
1	75050011B	NUT 6MM	2	22/10/2013			
2	8301E661AA	BRACKET	1	10/03/2016			
3	76410971A	RUBBER PAD	1	22/10/2013			
4	55240121A	SENSOR, AIR TEMPERATURE	1	22/10/2013			
5	85211761A	WASHER 6.4X12.5X1.6	2	01/08/2013			
6	77110191A	SCREW TCEIF M6X20	2	01/08/2013			
7	76410641A	VIBRATION DAMPER PAD	2	01/08/2013			
8	8301E561AA	BRACKET, CONNECTOR	1	24/10/2016			
9	86611692B	RUBBER PAD	1	15/01/2014			
10	52010391BA	HEADLIGHT	1	10/03/2016			
11	82115681AA	THREATENED PIN	2	10/03/2016			
12	71314703A	SPACER	2	03/10/2013			
13	39040211A	BULB	2	11/03/2013			
14	53010236B	FLASHER LIGHT FRONT RH- REAR LH	1	01/10/2013			
15	77110441A	SCREW TCEIF M5X16	2	03/10/2013			
16	77113691A	SCREW TCEIF M6X12	4	03/10/2013			
17	88111171B	HOSE GUIDE LEFT	1	21/09/2016			
18	53010226B	FLASHER LIGHT FRONT LH - REAR RH	1	01/10/2013			
19	88111161B	HOSE GUIDE RIGHT	1	21/09/2016			
20	8291F751AA	HOLDER WIRING	1	10/03/2016			
21	24715701A	COVER UPPER	1	10/03/2016			
22	71611351A	SPACER	1	10/03/2016			
23	77210882B	SCREW TBEI M5X12	1	10/03/2016			
24	70010481B	DAMPER M6X12	2	22/10/2013			
25	87210802A	RIGHT COVER	1	03/10/2013			
26	7131A492C	HOLDER, FLASHER LIGHT RH	1	03/10/2013			M 1200
27	7131A502C	HOLDER, FLASHER LIGHT LH	1	03/10/2013			M 1200
28	87210812A	LEFT COVER	1	03/10/2013			
29	52040341A	SCREW	5				
30	79111271A	GASKET	1				
31	39040111A	BULB 12V, 55W	1				
32	000079672	BULB 12V 55W H1 HALOGEN	1				
33	24716111A	COVER, HEADLAMP	1				



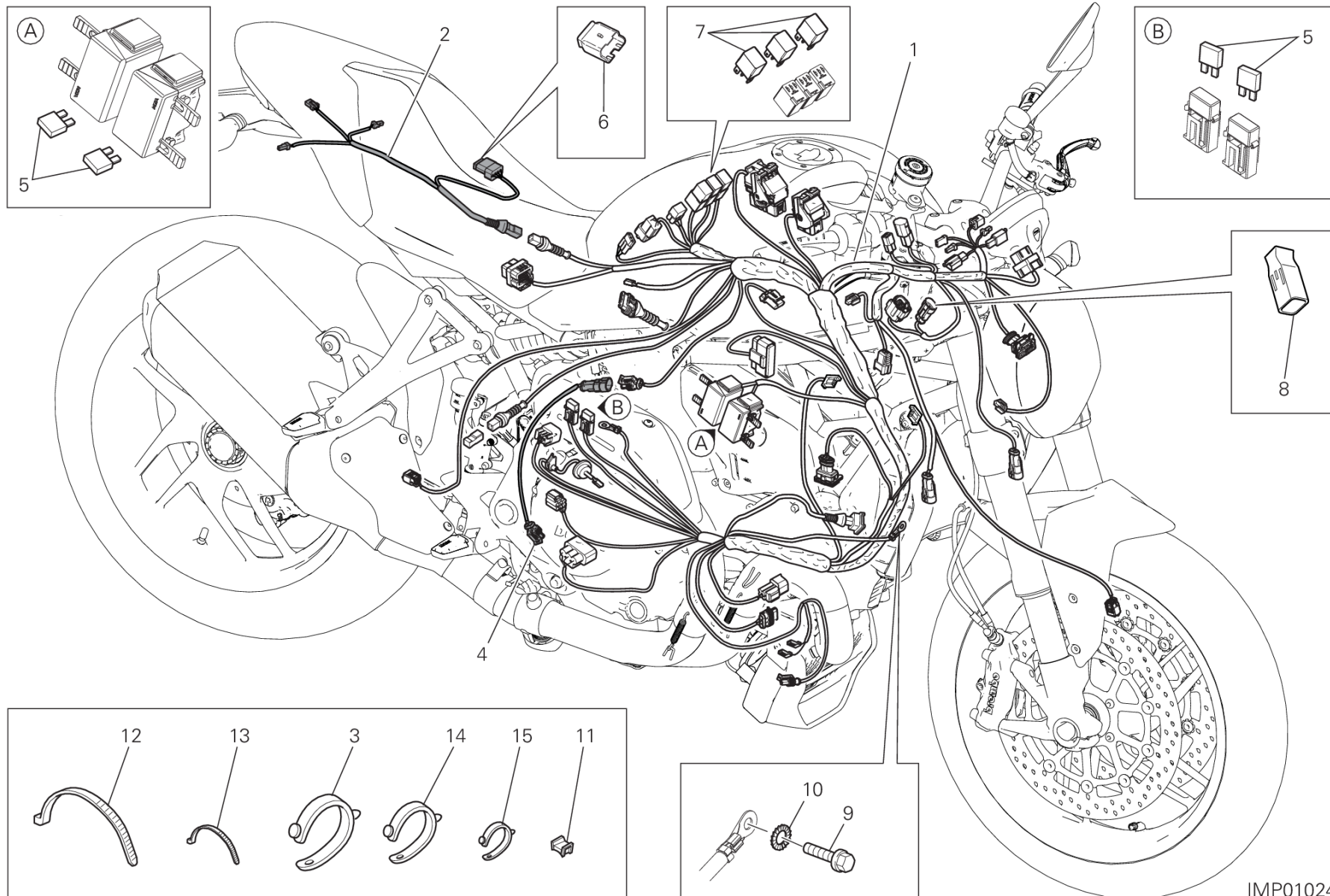
IMP01025

DRAWING 18A - ENGINE CONTROL UNIT [MOD:M 1200]

GROUP ELECTRIC



POS.	CODE	DESCRIPTION	QTY	START DATE	END DATE	VALIDITY	NOTES
1	77214061AA	SCREW, SPECIAL TCEI M5x22	2	11/06/2014			
2	71610061A	SPACER	2	11/06/2014			
3	76410241A	VIBRATION DAMPER PAD	2	11/06/2014			
4	8291B641C	BRACKET ENGINE CONTROL UNIT	1	11/06/2014			
5	77440141A	SCREW, TAPPING 4X8 WN1412	1	12/03/2013			
6	85041711A	HOSE GUIDE	1	12/03/2013			
7	77440213C	SCREW	2	12/03/2013			
8	55240121A	SENSOR, AIR TEMPERATURE	1	22/10/2013			
9	78811041A	GASKET, COOLING WATER SENSOR	1	12/03/2013			
10	77244168B	SCREW	1	12/03/2013			
11	8291B771AA	CONNECTOR HOLDER	1	12/03/2013			
12	86611611A	RUBBER PAD UPPER	1	12/03/2013			
13	86611981A	VIBRATION DAMPER ENGINE CONTROL UNIT	1	11/06/2014			
14	28642801A	ENGINE CONTROL UNIT	1	26/09/2016		XST:AUS,EUR,GSO,JAP,ROK	AUS-EUR-GSO-JAP-KOR
	28642801E	ENGINE CONTROL UNIT	1	26/09/2016		XST:BLG	BLG-FRA
	28642801H	ENGINE CONTROL UNIT	1	22/02/2017		XST:TWN	TWN
15	74850061A	NUT	2	11/06/2014			
16	86610731A	VIBRATION DAMPER	2	22/10/2013			
17	75810782A	PROTECTION WIRING VERTICAL HEAD	1	03/06/2014			
18	77240278C	SCREW	3	22/10/2013			
19	86611731A	RUBBER PAD CONNECTOR	1	22/10/2013			
20	8291B871B	HOLDER WIRING LOWER	1	22/10/2013			
21	77150408B	SCREW TCEI M5X14	3	22/10/2013			
22	86610361A	RUBBER PAD	3	22/10/2013			
23	46240461A	WASHER, SPRING	2	11/06/2014			
24	70010431A	DAMPER	2	11/06/2014			



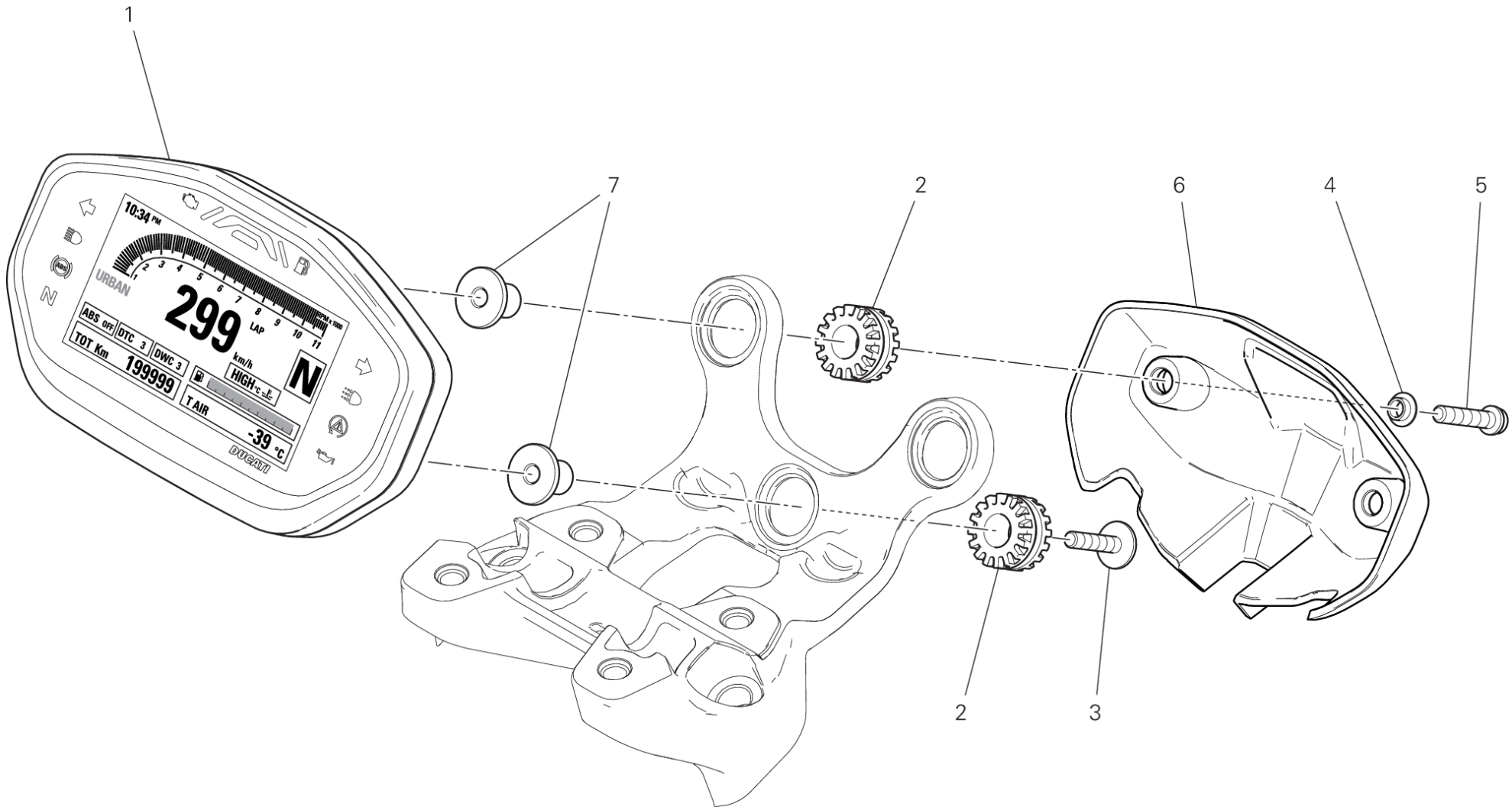
IMP01024

DRAWING 18B - WIRING HARNESS [MOD:M 1200]

GROUP ELECTRIC



POS.	CODE	DESCRIPTION	QTY	START DATE	END DATE	VALIDITY	NOTES
1	5101B291C	MAIN WIRING HARNESS	1	18/04/2016			
2	5101B201D	REAR WIRING	1	05/09/2016			
3	74110131A	CLAMP, RUBBER 82MM	3	22/10/2013			
4	51019722A	EXTENSION, WIRE HARNESS SWITCH, REAR BRAKE	1	03/11/2016			
5	38940191A	FUSE 5A	4				
	38940201A	FUSE 10A	3				
	38940211A	FUSE 15A	1				
	38940221A	FUSE 20A	1				
	38940241A	FUSE 7,5A	1				
	38940251A	FUSE 30A	1				
	38940261A	FUSE 25A	1				
	38940301A	FUSE 3A	1				
6	87210532A	CAP DDA	1				
7	54140101A	RELAY	3				
8	87210641A	CAP, CONNECTOR	1				
9	77211061A	SCREW TEF M6X14	1	22/10/2013			
10	85550001B	SPRING WASHER	1	22/10/2013			
11	85040671A	CLAMP TUCKER	8	01/10/2013			
12	069191030	CLAMP	19	01/10/2013			
13	74140381A	CLAMP	12	01/08/2013			
14	74110101A	CLAMP 70MM	2	22/10/2013			
15	74110551A	CLAMP, RUBBER 39MM	8	22/10/2013			



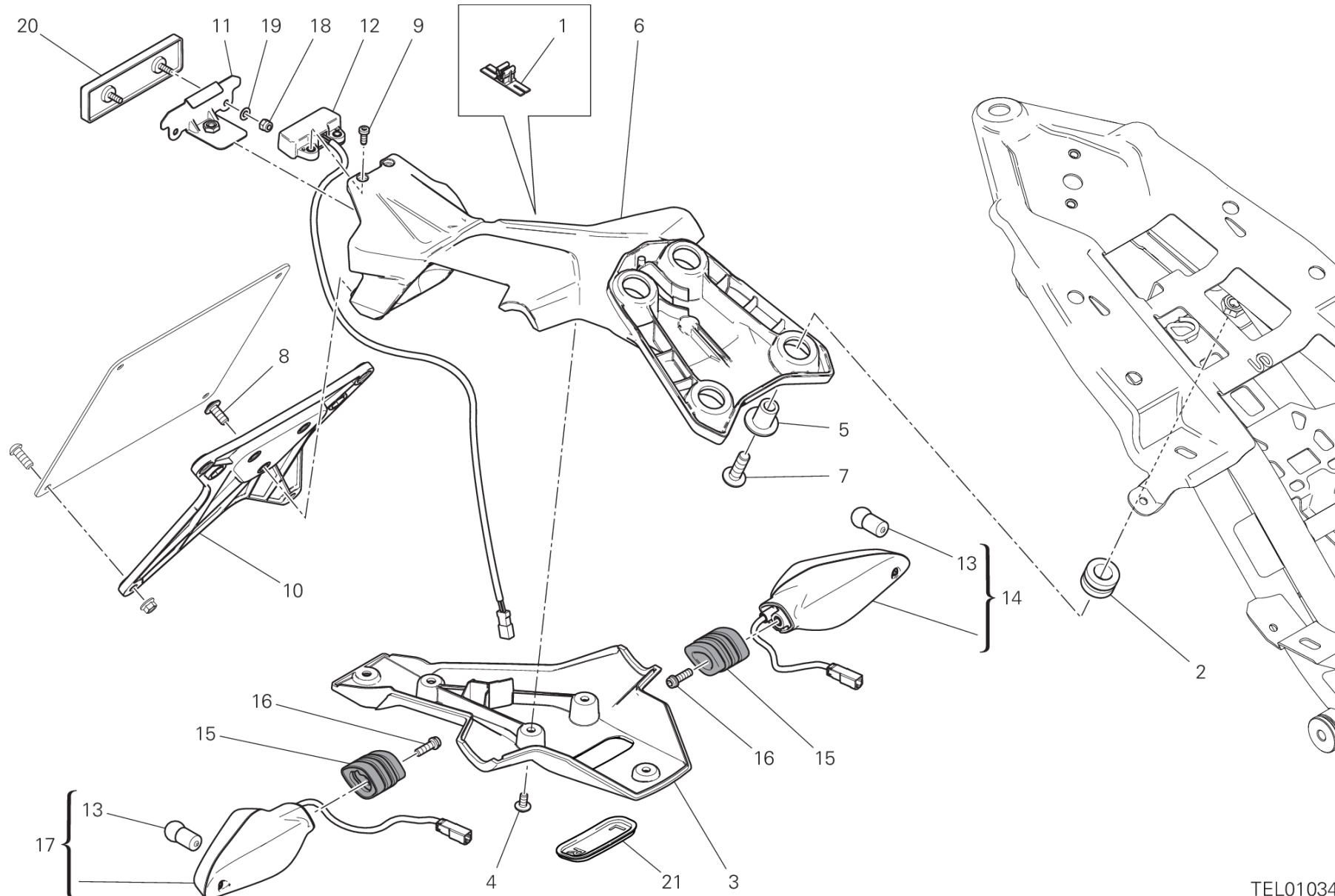
FAN00308

DRAWING 20A - INSTRUMENT PANEL [MOD:M 1200]

GROUP ELECTRIC



POS.	CODE	DESCRIPTION	QTY	START DATE	END DATE	VALIDITY	NOTES
1	40611332C	INSTRUMENT PANEL	1	30/06/2017		MOD:M 1200	
2	76410241A	VIBRATION DAMPER PAD	3	21/09/2016			
3	77214061AA	SCREW, SPECIAL TCEI M5x22	1	24/10/2016			
4	71611521A	SPACER WITH COLLAR	2	22/10/2013			
5	77156453B	SCREW	2	10/03/2016			
6	24715691A	COVER, METER	1	10/03/2016			
7	71615541AA	SPACER	3	24/10/2016			



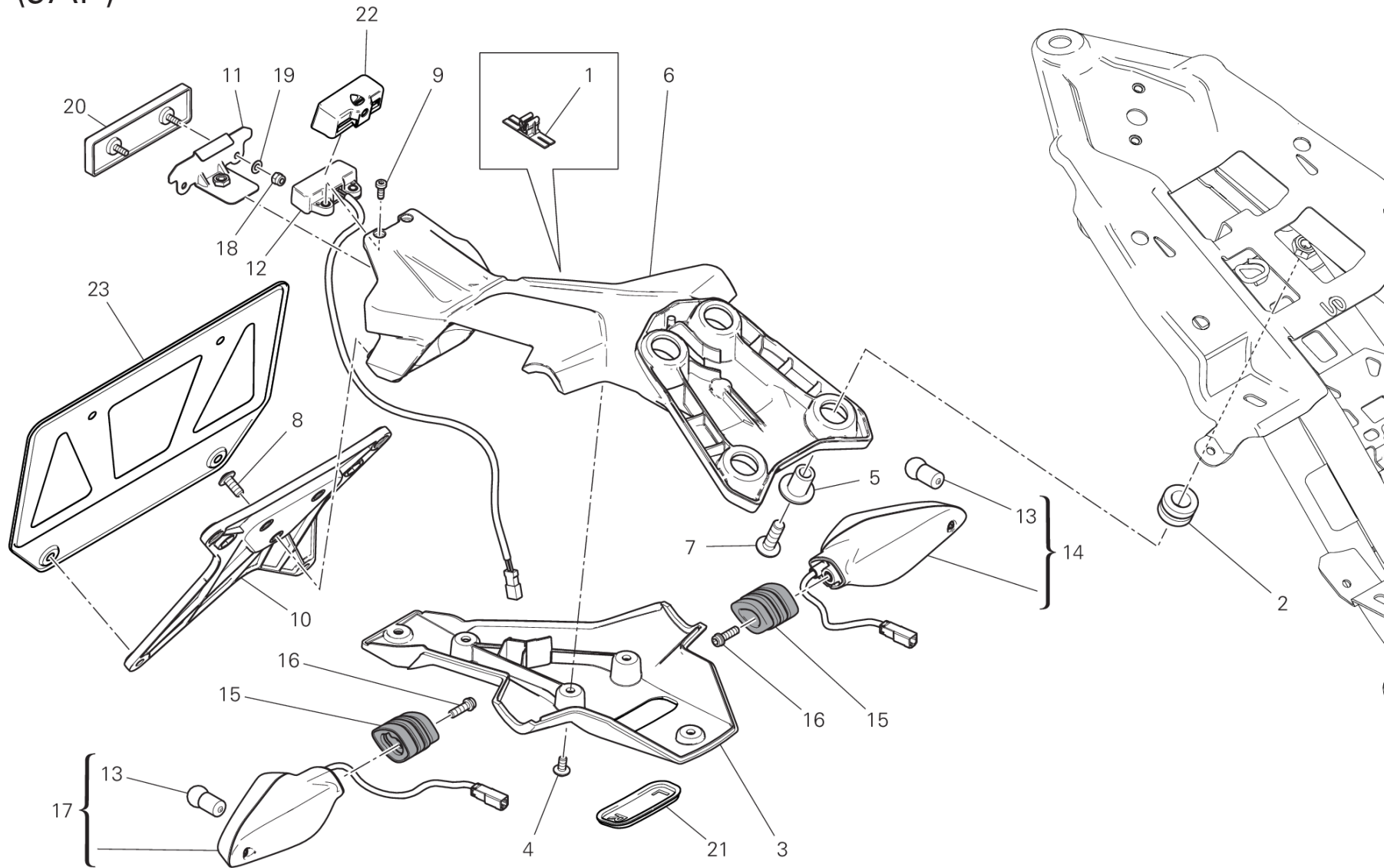
TEL01034



POS.	CODE	DESCRIPTION	QTY	START DATE	END DATE	VALIDITY	NOTES
1	75840901A	FAIRLEAD	3	19/09/2016			
2	76412371A	RUBBER PAD	4	19/09/2016			
3	56113442A	NUMBER PLATE HOLDER BOTTOM	1	19/09/2016			
4	77244163B	SCREW M5X10	5	05/09/2016			
5	71615291AA	SPACER	4	19/09/2016			
6	56113461A	NUMBER PLATE HOLDER UPPER	1	19/09/2016			
7	77244538BA	SCREW	4	05/09/2016			
8	77240418C	SCREW	3	01/08/2013			
9	77354623B	SCREW M4X10	2	05/09/2016			
10	56113392A	PLATE HOLDER	1	05/09/2016			
11	8291F761AA	PLATE	1	05/09/2016			
12	52510611A	LAMP, LICENSE PLATE	1	11/01/2017			
13	39040211A	BULB	2	11/03/2013			
14	53010236A	FLASHER LIGHT FRONT RH- REAR LH	1	19/09/2016			
15	71314703A	SPACER	2	19/09/2016			
16	77110441A	SCREW TCEIF M5X16	2	05/09/2016			
17	53010226A	FLASHER LIGHT FRONT LH - REAR RH	1	19/09/2016			
18	74950011B	NUT, SPRING	2	19/09/2016			
19	85212511A	WASHER 4.5X9X0.5	2	19/09/2016			
20	52910231A	REFLEX REFLECTOR, REAR	1	19/09/2016			
21	87211251A	PLUG	1	19/09/2016			



(JAP)



TEL01047



POS.	CODE	DESCRIPTION	QTY	START DATE	END DATE	VALIDITY	NOTES
1	75840901A	FAIRLEAD	3	19/09/2016			
2	76412371A	RUBBER PAD	4	19/09/2016			
3	56113442A	NUMBER PLATE HOLDER BOTTOM	1	19/09/2016			
4	77244163B	SCREW M5X10	5	05/09/2016			
5	71615291AA	SPACER	4	19/09/2016			
6	56113461A	NUMBER PLATE HOLDER UPPER	1	19/09/2016			
7	77244538BA	SCREW	4	05/09/2016			
8	77240418C	SCREW	3	01/08/2013			
9	77354623B	SCREW M4X10	2	05/09/2016			
10	56113391A	PLATE HOLDER	1	05/09/2016			
11	8291F761AA	PLATE	1	05/09/2016			
12	52510611A	LAMP, LICENSE PLATE	1	11/01/2017			
13	39040211A	BULB	2	11/03/2013			
14	53010236A	FLASHER LIGHT FRONT RH- REAR LH	1	19/09/2016			
15	71314703A	SPACER	2	19/09/2016			
16	77110441A	SCREW TCEIF M5X16	2	05/09/2016			
17	53010226A	FLASHER LIGHT FRONT LH - REAR RH	1	19/09/2016			
18	74950011B	NUT, SPRING	2	19/09/2016			
19	85212511A	WASHER 4.5X9X0.5	2	19/09/2016			
20	52910231A	REFLEX REFLECTOR, REAR	1	19/09/2016			
21	87211251A	PLUG	1	19/09/2016			
22	4601D781A	COVER LAMP, LICENSE PLATE	1	15/12/2016			
23	56113381AA	PLATE PLATE HOLDER	1	29/09/2016			

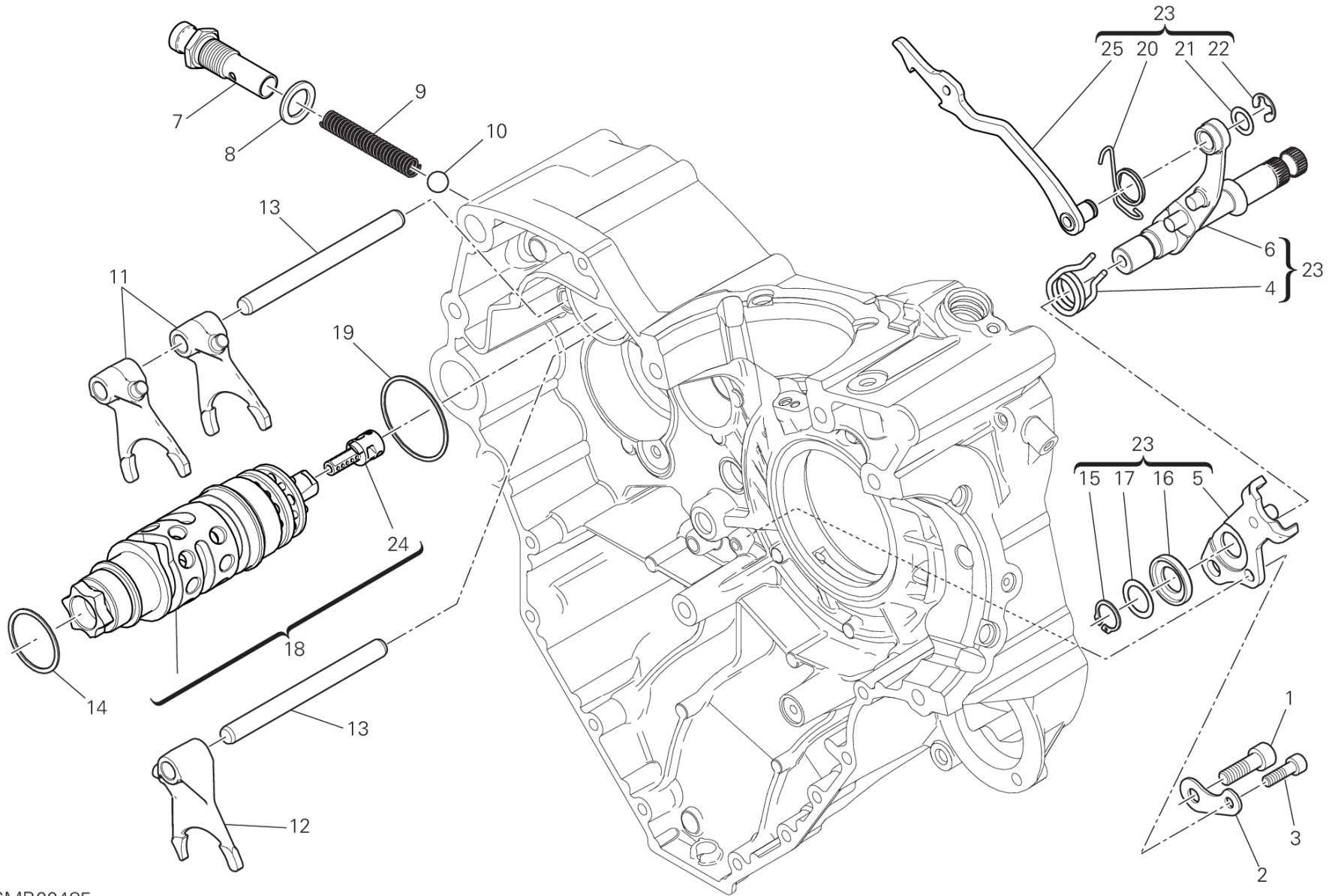


DRAWING L - SHELL ADVANCE [MOD:M 1200]

GROUP OIL



POS.	CODE	DESCRIPTION	QTY	START DATE	END DATE	VALIDITY	NOTES
1	944650035	SHELL ADVANCE DUCATI 15W50 - 1L BOTTLE	1				
2	944650037	SHELL ADVANCE DUCATI 15W50 – 209L DRUM	1				



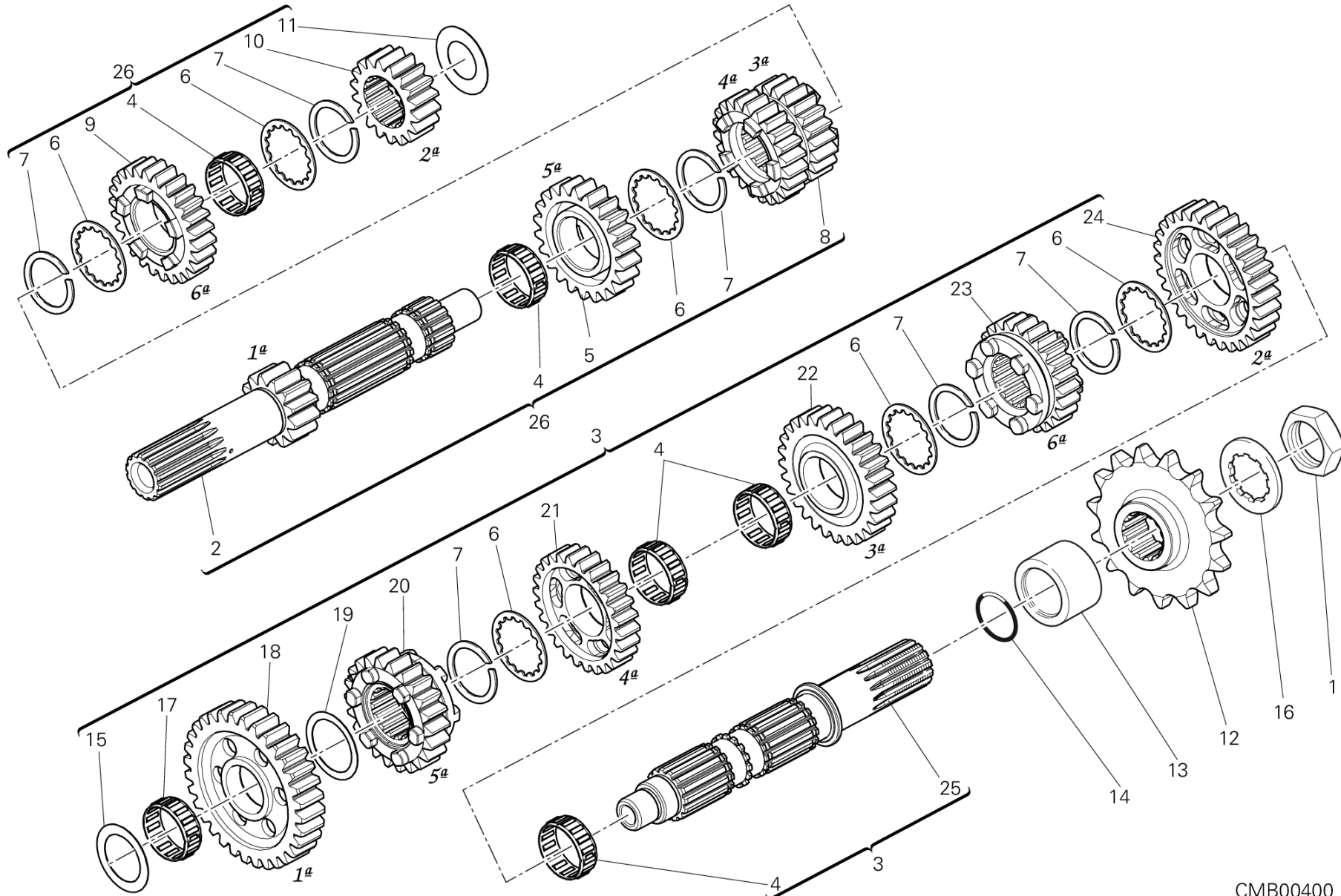
CMB00485

DRAWING 002 - SHIFT CAM - FORK [MOD:M 1200]

GROUP ENGINE



POS.	CODE	DESCRIPTION	QTY	START DATE	END DATE	VALIDITY	NOTES
1	77151250ZF	SCREW	1	22/03/2013			
2	71319151A	SPACER	1	22/03/2013			
3	77150670ZF	SCREW	1	22/03/2013			
4	79915061A	SPRING, SHIFT RETURN	1	03/05/2012			
5	82610261A	STOPPER PLATE	1	28/11/2013			
6	82114731A	GEAR SELECTOR SHAFT	1	28/11/2013			
7	77918132A	SCREW, SPECIAL	1	08/10/2015			
8	027291090	GASKET 16.2X24X2	1	22/03/2013			
9	066013143	GEAR SELECTOR SPRING	1	22/03/2013			
10	768351134	BALL 11MM	1	22/03/2013			
11	180Z0031A	GEAR SELECTOR FORK,1ST/4TH-2ND/3RD	2	22/03/2013			
12	180Z0041A	FORK-SHIFT, 5TH&6TH	1	22/03/2013			
13	82113881A	FORK PIN	2	25/03/2013		DFR:N	
14	85210051A	THRUST WASHER 1 MM	1	22/03/2013			
15	735001542	CIRCLIP 15 DIN 471	1	28/11/2013			
16	88110121A	CENTERING RING	1	28/11/2013			
17	040029126	THRUST WASHER 15.5X22X0.5	1	28/11/2013			
18	18220611B	COMPLETE GEARBOX DRUM	1	15/07/2015			
19	85210941A	THRUST WASHER 45.2X49X0.9	1	22/03/2013			
20	79912961A	RETURN SPRING	1	28/11/2013			
21	040009050	THRUST WASHER 10.5X16X0.5	1	28/11/2013			
22	88450341B	SPRING RING	1	28/11/2013			
23	82120132A	CONTROL FORK	1	15/07/2015			
24	55214911A	MAGNETE (Unit)	1	27/05/2015			
25	18020401A	CONTROL FORK	1	27/05/2015			



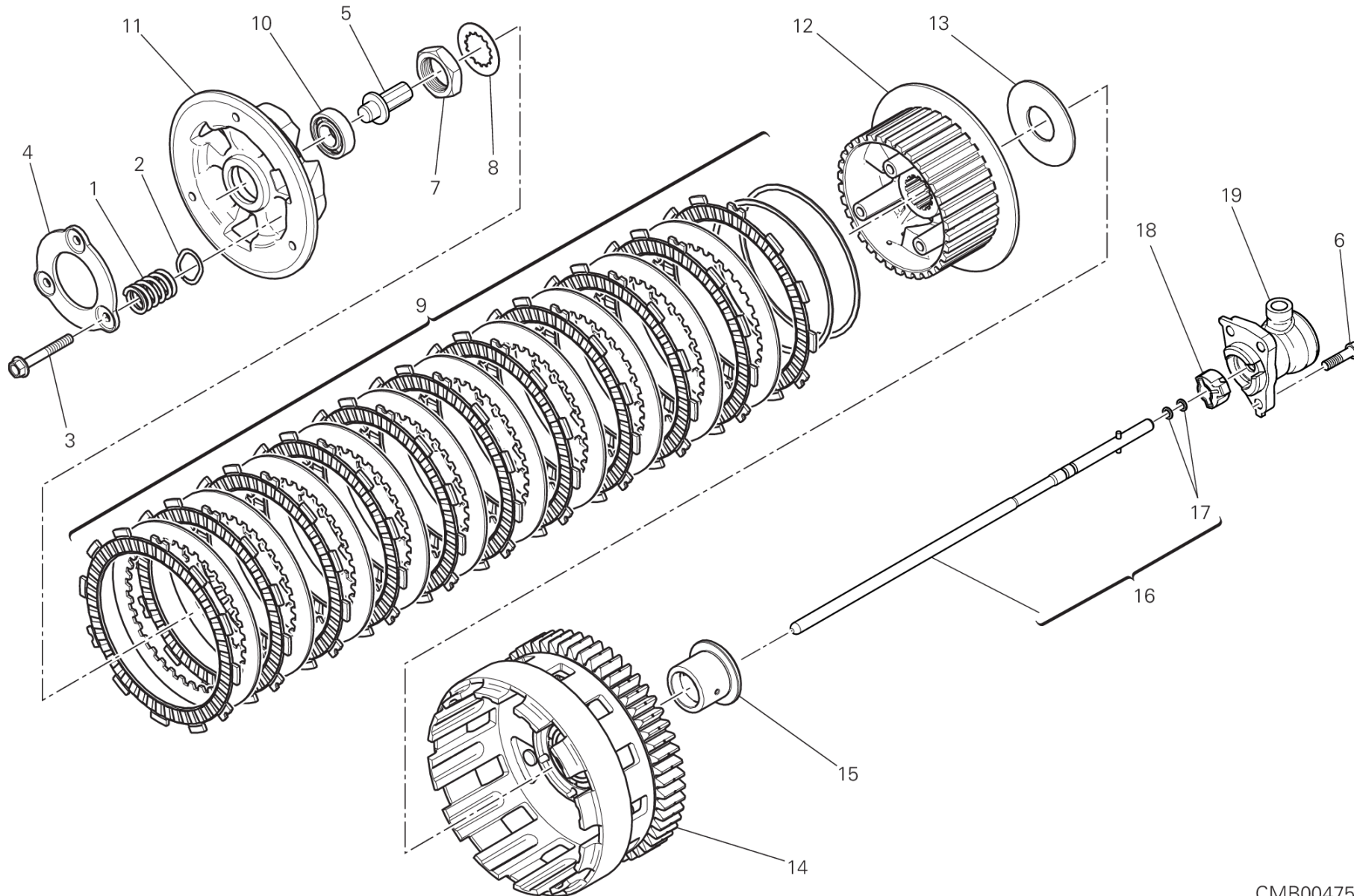
CMB00400

DRAWING 003 - GEAR BOX [MOD:M 1200]

GROUP ENGINE



POS.	CODE	DESCRIPTION	QTY	START DATE	END DATE	VALIDITY	NOTES
1	75010071A	NUT M25X1.5	1	16/05/2011			
2	14910831D	GEARBOX MAIN SHAFT	1	19/02/2013			
3	15021941B	COMPLETE LAY SHAFT	1	19/02/2013			
4	70140051A	BEARING, NEEDLE	5	19/02/2013			
5	17213291C	GEAR DRIVE 5TH SPEED	1	19/02/2013			
6	85611372A	WASHER LOCK 28X32.5X1	6	19/02/2013			
7	88210151A	SPRING RING 25X29X2.4	6	19/02/2013			
8	17213281C	GEAR, 3RD-4TH PINION	1	19/02/2013			
9	17213301C	GEAR DRIVE 6TH SPEED	1	19/02/2013			
10	17213271A	DRIVING GEAR 2ND SP.	1	19/02/2013			
11	71310141E	THRUST WASHER 20.3X32X1.6	1	16/05/2011			
12	44910531A	SPROCKET T15	1	22/10/2013			
13	71319951A	SPACER, ENGINE SPROCKET	1	11/09/2013			
14	46320537A	O-RING	1	25/03/2013			
15	71312661A	THRUST WASHER 17.3X31X3.15	1	19/02/2013			
16	85110041A	WASHER, LOCK	1	21/05/2013			
17	764020002	BEARING, NEEDLE	1	24/12/2009			
18	17213311A	DRIVEN GEAR 1ST SP.	1	24/12/2009			
19	067016155	THRUST WASHER 1 MM	1	24/12/2009			
20	17213351B	DRIVEN GEAR 5TH SPEED 23T	1	19/02/2013			
21	17213341B	DRIVEN GEAR 4TH SPEED T:24	1	19/02/2013			
22	17213331B	DRIVEN GEAR 3RD SPEED T27	1	19/02/2013			
23	17213361B	DRIVEN GEAR 6TH SPEED T22	1	19/02/2013			
24	17213321A	DRIVEN GEAR 2ND SP.	1	24/12/2009			
25	14910891C	DRIVEN SHAFT	1	19/02/2013			
26	15021431E	COMPLETE MAIN SHAFT	1	19/02/2013			



CMB00475

DRAWING 004 - CLUTCH [MOD:M 1200]

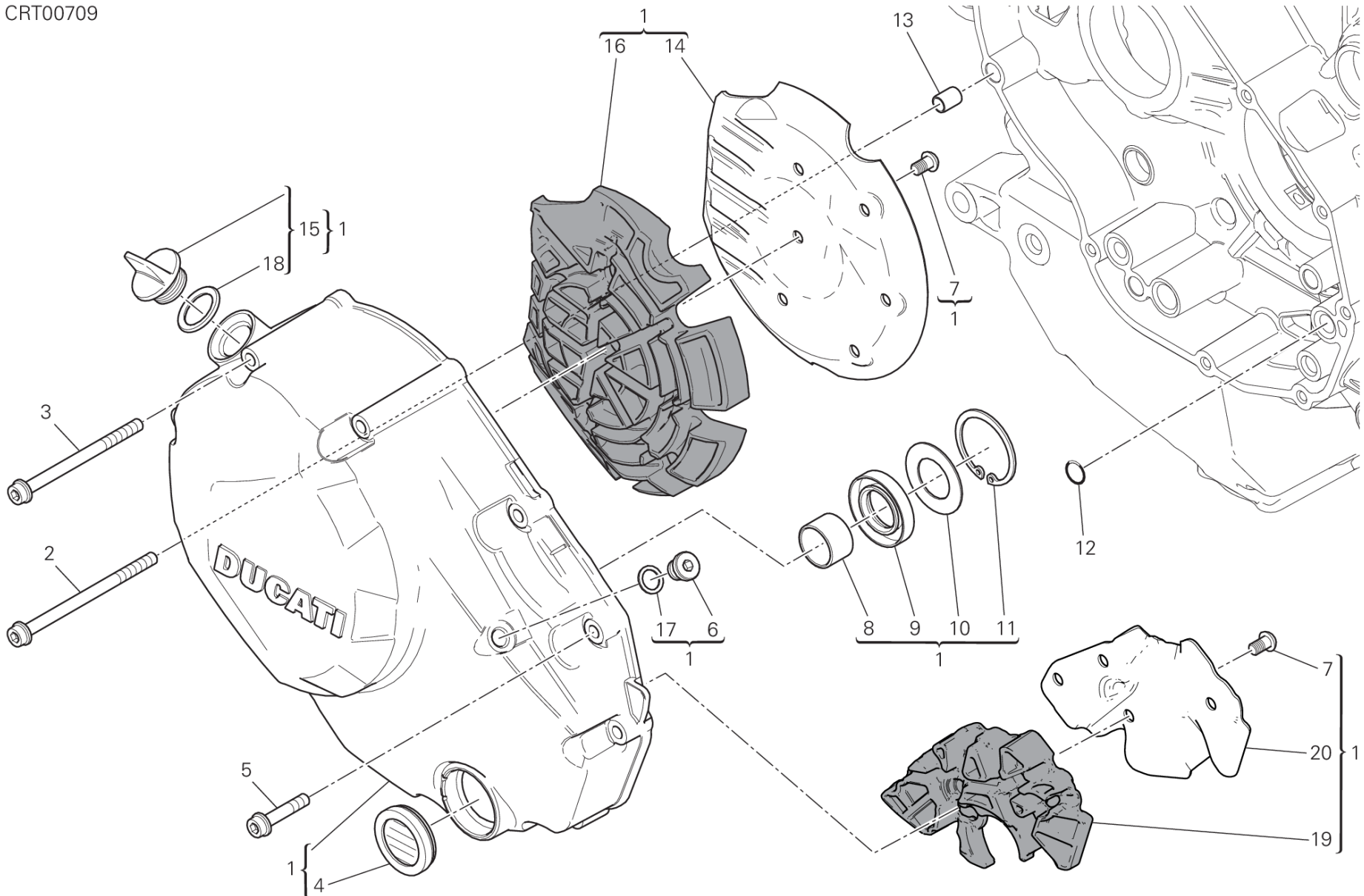
GROUP ENGINE



POS.	CODE	DESCRIPTION	QTY	START DATE	END DATE	VALIDITY	NOTES
1	79710741A	SPRING	3	25/02/2016			
2	85611391B	THRUST WASHER	3	02/05/2012			
3	77211201A	SCREW	3	02/05/2012			
4	19410511A	RING	1	02/05/2012			
5	81810162A	CLUTCH CONTROL PIN (FCC)	1	25/03/2013			
6	77150653B	SCREW TCEI M6X16 UNI5931 8.8	3	14/09/2015			
7	75010071E	NUT M25X1.5	1	25/03/2013			
8	85110201A	LOCK WASHER	1	25/03/2013			
9	19020232A	CLUTCH DISC SET	1	02/05/2012			
10	70250601A	BEARING	1	02/05/2012			
11	19610542C	DISK, CLUTCH PRESSURE (FCC)	1	06/09/2013			
12	19610532C	PLATE HOLDER HUB (FCC)	1	06/09/2013			
13	71313091A	SPACER	1	02/05/2012			
14	19820391A	CLUTCH HOUSING	1	02/05/2012			
15	71314831A	SPACER	1	17/10/2012			
16	11721082A	CLUTCH CONTROL ROD	1	08/10/2015			
17	88641731A	O-RING 1.78X4.76	2	18/07/2011			
18	71320043A	ANTI-ROTATION INSERT	1	08/05/2013			
19	19540033B	PISTON ASSEMBLY	1	24/02/2015			



CRT00709

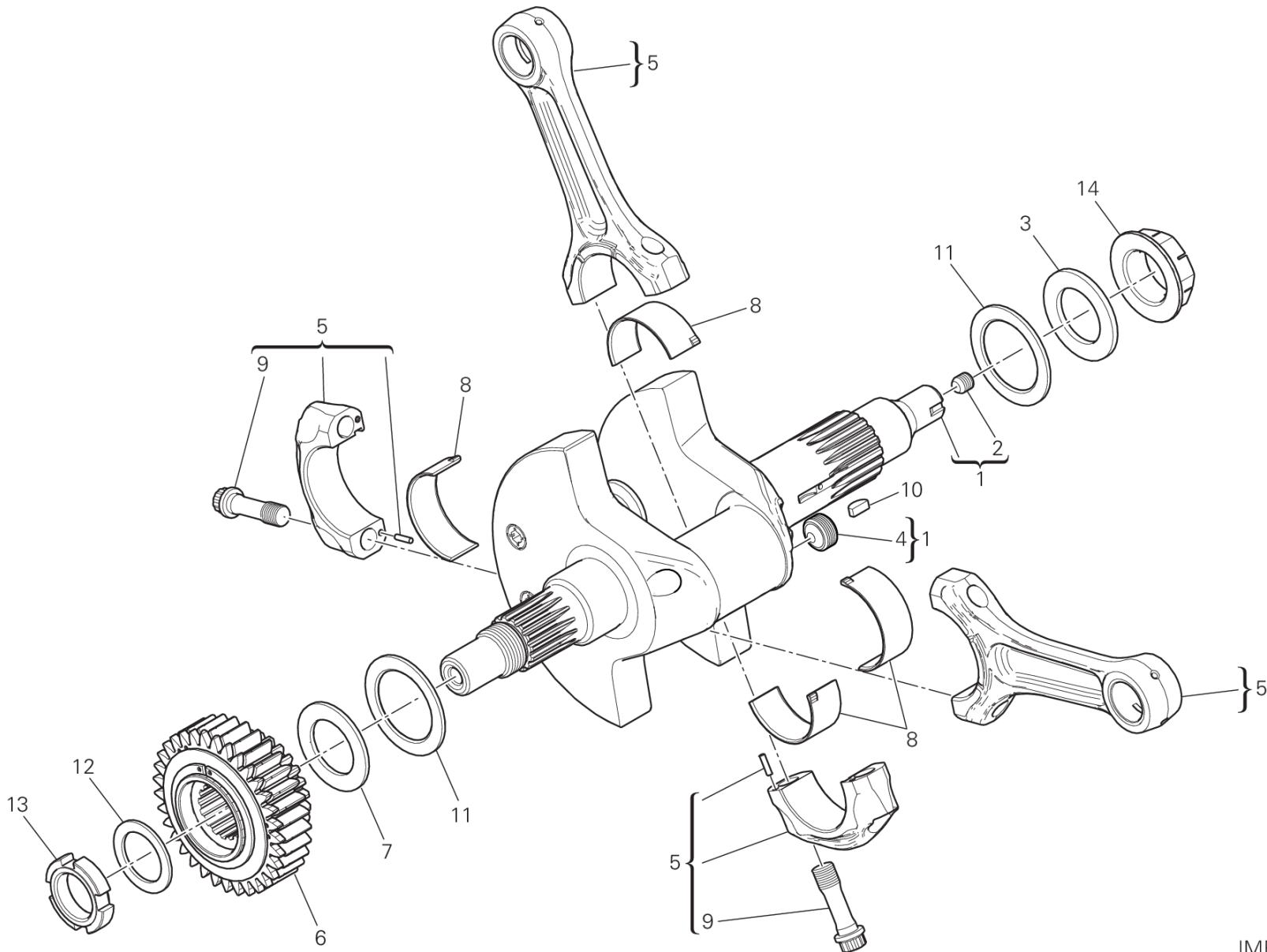


DRAWING 005 - CLUTCH COVER [MOD:M 1200]

GROUP ENGINE



POS.	CODE	DESCRIPTION	QTY	START DATE	END DATE	VALIDITY	NOTES
1	24321042AE	COVER CLUTCH SIDE	1	19/05/2016			
2	77140833C	SCREW TCEIF M6X90 10.9	1	14/04/2014			
3	77140813C	SCREW TCEIF M6X80 10.9	3	14/04/2014			
4	25440013A	WINDOW, OIL LEVEL CHECK	1	11/05/2016			
5	77140713C	SCREW TCEIF M6X30 10.9	6	02/02/2015			
6	78011001B	PLUG	1	27/05/2015			
7	77510721A	SCREW	10	03/11/2014			
8	066549680	BUSH	1	01/01/2011			
9	93040211A	OIL SEAL	1	01/01/2011			
10	85213601A	WASHER, THRUST 22x37.8x1	1	03/11/2014			
11	88450711A	SPRING RING	1	03/11/2014			
12	88641321A	O-RING 11.11X1.78	1	25/03/2013			
13	71111601A	PIN DOWEL	1	25/03/2013			
14	82717601A	SHEET ACOUSTIC DAMPER	1	11/05/2015			
15	89320191A	PLUG ASSY	1	03/11/2014			
16	48610951A	DAMPER, SOUND ARRESTER	1	03/11/2014			
17	85250631A	WASHER	1	03/11/2014			
18	88642301A	O-RING	1	05/03/2014			
19	48611091A	DAMPER, SOUND ARRESTER	1	11/05/2015			
20	82718261A	SHEET ACOUSTIC DAMPER	1	11/05/2015			



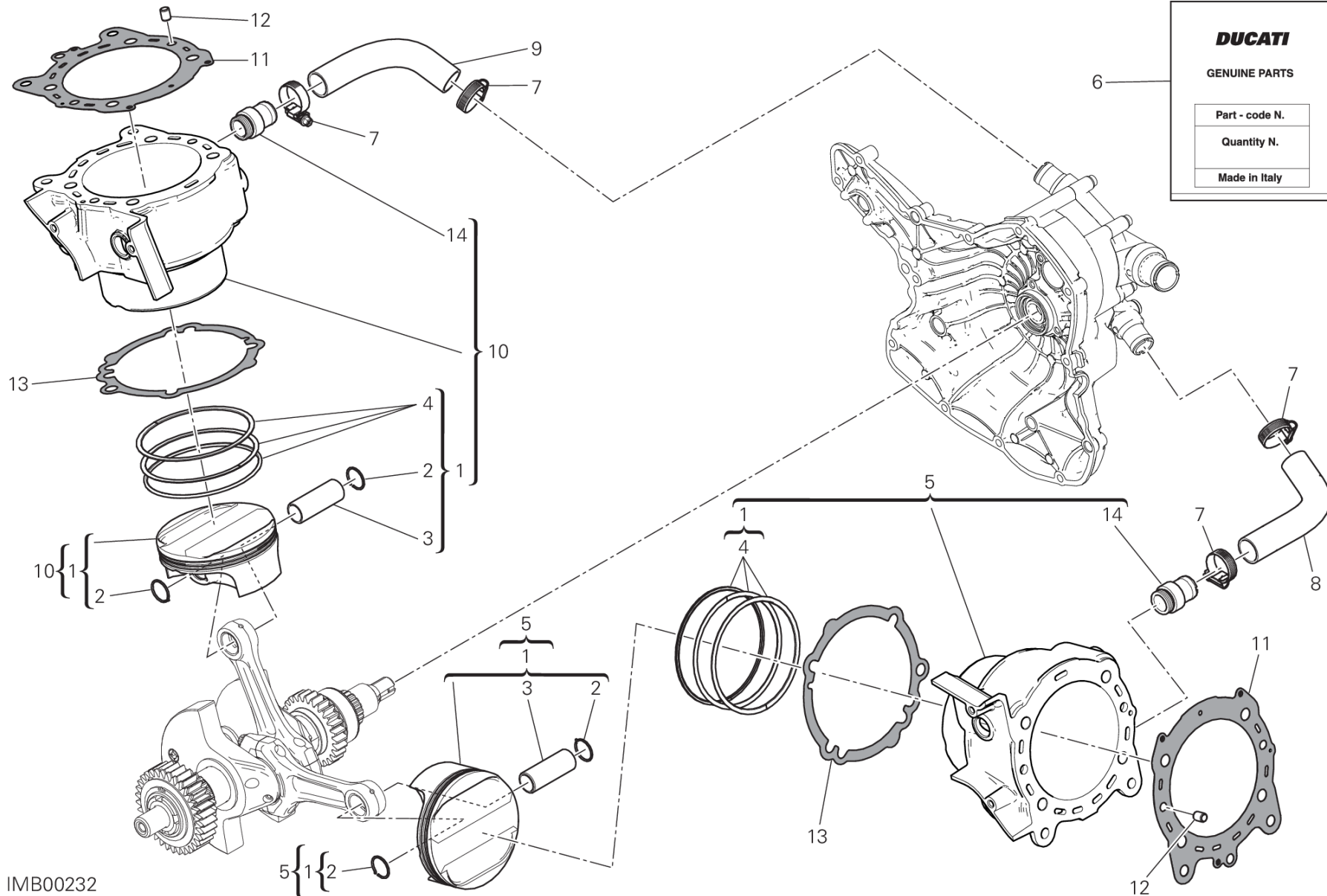
IMB00223

DRAWING 006 - CONNECTING RODS [MOD:M 1200]

GROUP ENGINE



POS.	CODE	DESCRIPTION	QTY	START DATE	END DATE	VALIDITY	NOTES
1	14622271DR	DRIVE SHAFT COMPLETE	1	27/03/2017			
2	77911092A	SCREW, SPECIAL	1	24/11/2011			
3	85213641A	WASHER	1	16/12/2013			
4	78010151D	THREADED PLUG M16X1	1	29/01/2016			
5	15820234A	CONNECTING RODS PAIR	1	30/03/2012			
6	17021251A	PRIMARY DRIVE FRONT SPROCKET	1	06/09/2013			
7	71011691A	SPACER	1	25/09/2012			
8	11210121AB	PLANE BEARING, CONNECTING ROD BLUE	4	20/02/2012			
	11210121AC	PLANE BEARING, CONNECTING ROD YELLOW	4	20/02/2012			
9	77914043B	BOLT, CONNECTING ROD	4	01/01/2011			
10	68010131A	KEY, WOODRUFF 4X5X10	1	20/02/2012			
11	85212881D	SHIM 50X35X2.05	2	25/09/2012			
12	85140051A	LOCK WASHER	1	20/02/2012			
13	75011561A	RING NUT	1	20/02/2012			
14	75011971A	NUT, FLANGE	1	16/12/2013			



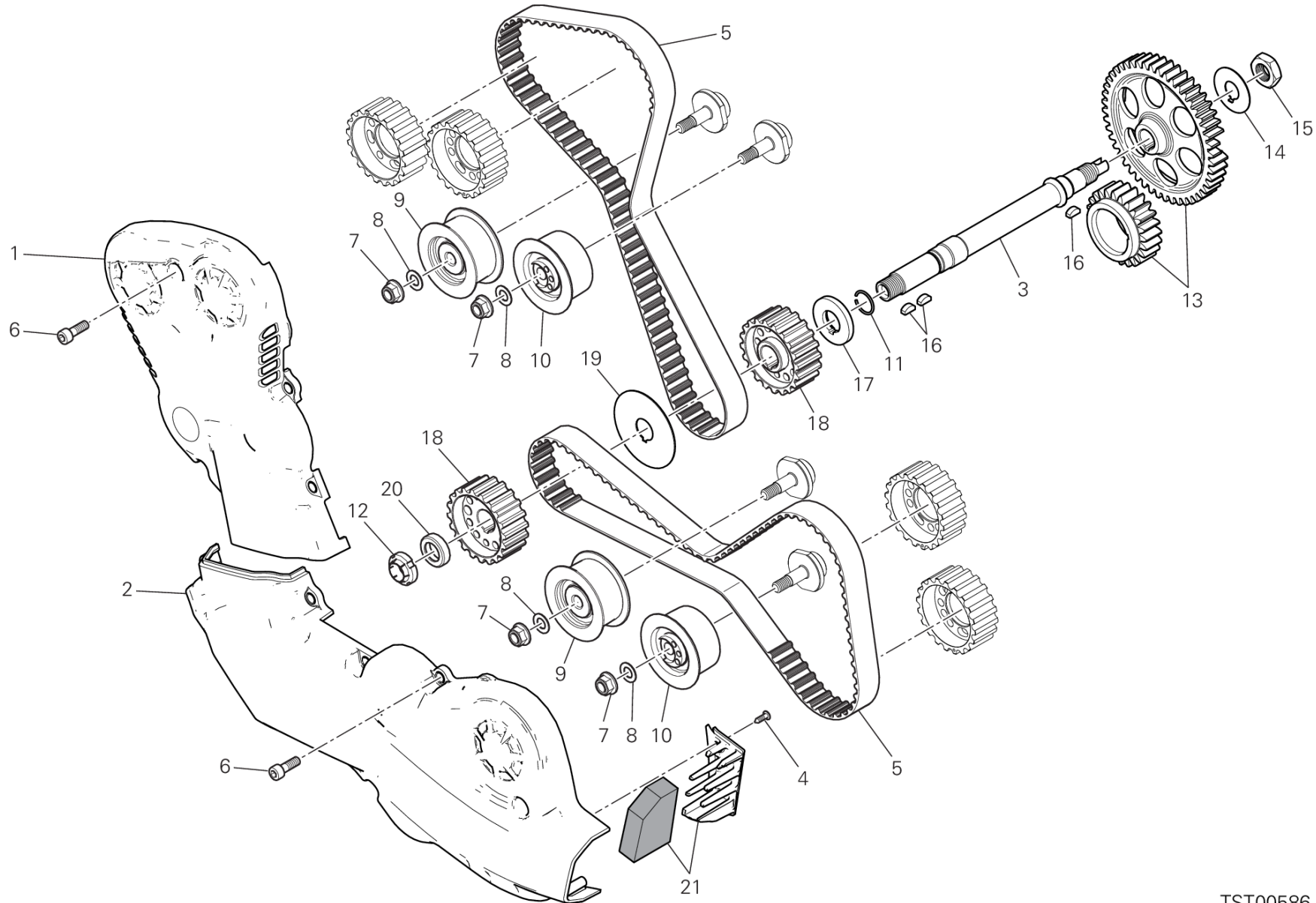
IMB00232

DRAWING 007 - CYLINDERS - PISTONS [MOD:M 1200]

GROUP ENGINE



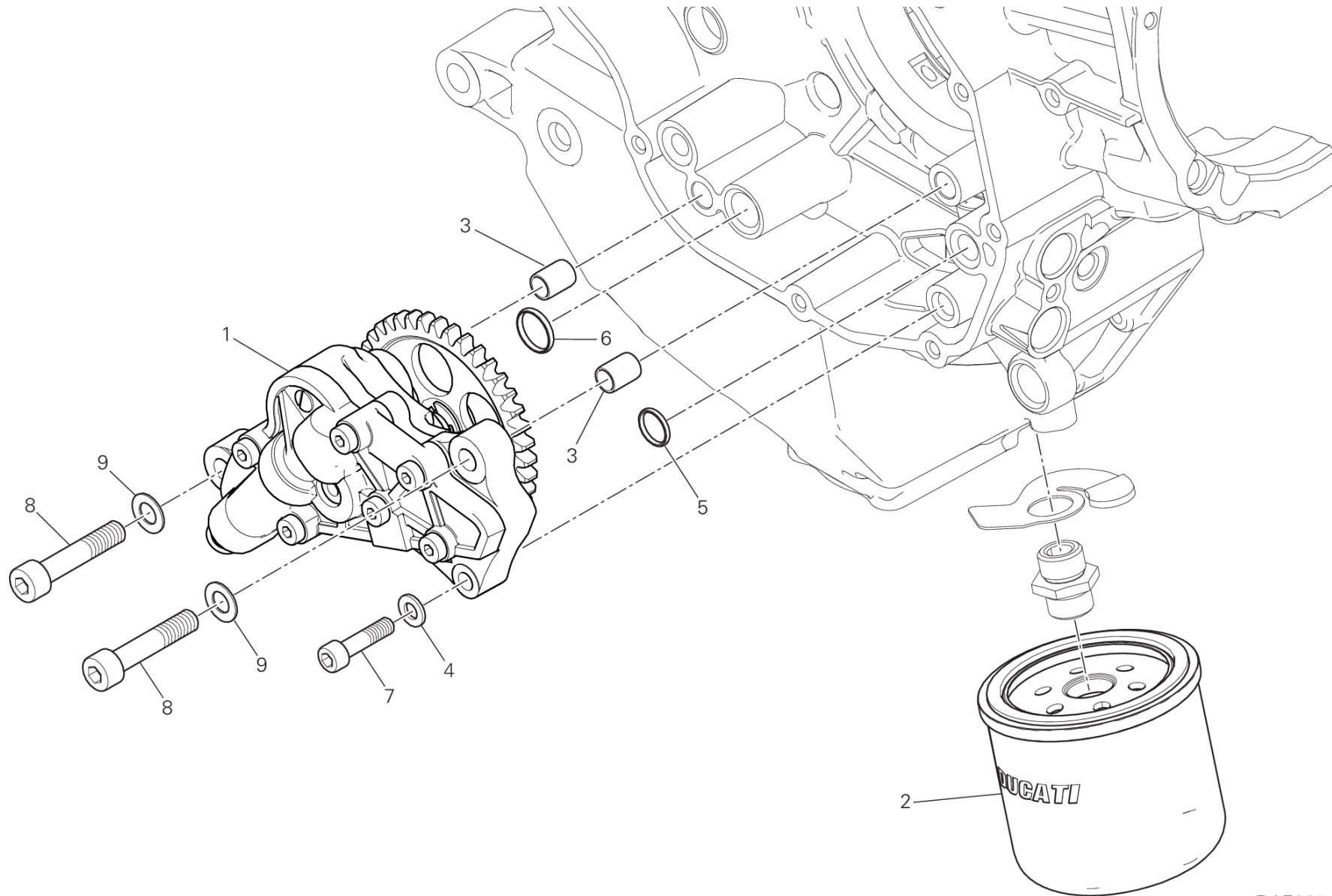
POS.	CODE	DESCRIPTION	QTY	START DATE	END DATE	VALIDITY	NOTES
1	12221952A	PISTON ASSY	2	09/09/2014			
2	12112481A	CIRCLIP, PISTON PIN	4	01/10/2010			
3	12110781B	PISTON PIN	2	01/10/2010			
4	12120521A	PISTON RING SET	2	01/10/2010			
5	120Z0131CC	CYLINDER-PISTON FIT HORIZONTAL	1	04/09/2014			
6	79120481C	GASKETS SET	1	10/07/2015			
7	74142581A	CLAMP 16-27 MM	4	25/03/2013			
8	80011851A	HOSE, HORIZONTAL CYLINDER WATER INLET	1	01/03/2014			
9	80012483A	HOSE, VERTICAL CYLINDER WATER INLET	1	01/03/2014			
10	120Z0141CC	CYLINDER-PISTON FIT VERTICAL	1	04/09/2014			
11	78611001A	GASKET, CYLINDER HEAD	2	04/09/2014			
12	71112191A	PIN DOWEL	4	25/03/2013			
13	78610942AA	GASKET, CYLINDER	2	07/07/2015			
14	66810482A	WATER PUMP DELIVERY PIPE UNION	2	09/09/2014			



TST00586



POS.	CODE	DESCRIPTION	QTY	START DATE	END DATE	VALIDITY	NOTES
1	24511421B	VERTICAL BELT OUTER COVER	1	11/06/2013			
2	24511431A	HORIZONTAL BELT EXTERNAL COVER	1	06/06/2013			
3	14710811A	LAYSHAFT TIMING	1	25/03/2013			
4	77250341C	SCREW	2	30/09/2010			
5	73740252A	TIMING DRIVE TOOTHED BELT	2	25/03/2013			
6	77113801A	SCREW	11	25/03/2013			
7	74940081A	NUT M8	4	25/03/2013			
8	85310021A	SPRING WASHER 8 MM	4	25/03/2013			
9	45120272A	TENSIONER TIMING BELT FIXED	2	23/03/2017			
10	45120291A	COMPLETE MOVABLE TENSIONER ROLLER	2	23/03/2017			
11	88210031A	SNAP RING	1	25/03/2013			
12	70350062A	ELASTIC-STOP RING NUT	1	06/03/2015			
13	17122371A	TIMING GEARS SET	1	04/09/2014			
14	85110131A	WASHER, LOCK	1	25/03/2013			
15	75011601A	NUT M14X1X7	1	25/03/2013			
16	68010131A	KEY, WOODRUFF 4X5X10	3	25/03/2013			
17	71611281A	SPACER	1	25/03/2013			
18	25510104B	PULLEY, TIMING BELT	2	25/03/2013			
19	85610623A	WASHER, BELT PULLEY	1	25/03/2013			
20	71610722A	SPACER	1	25/03/2013			
21	24521071A	BRACKET, FILTER	1	24/12/2009			



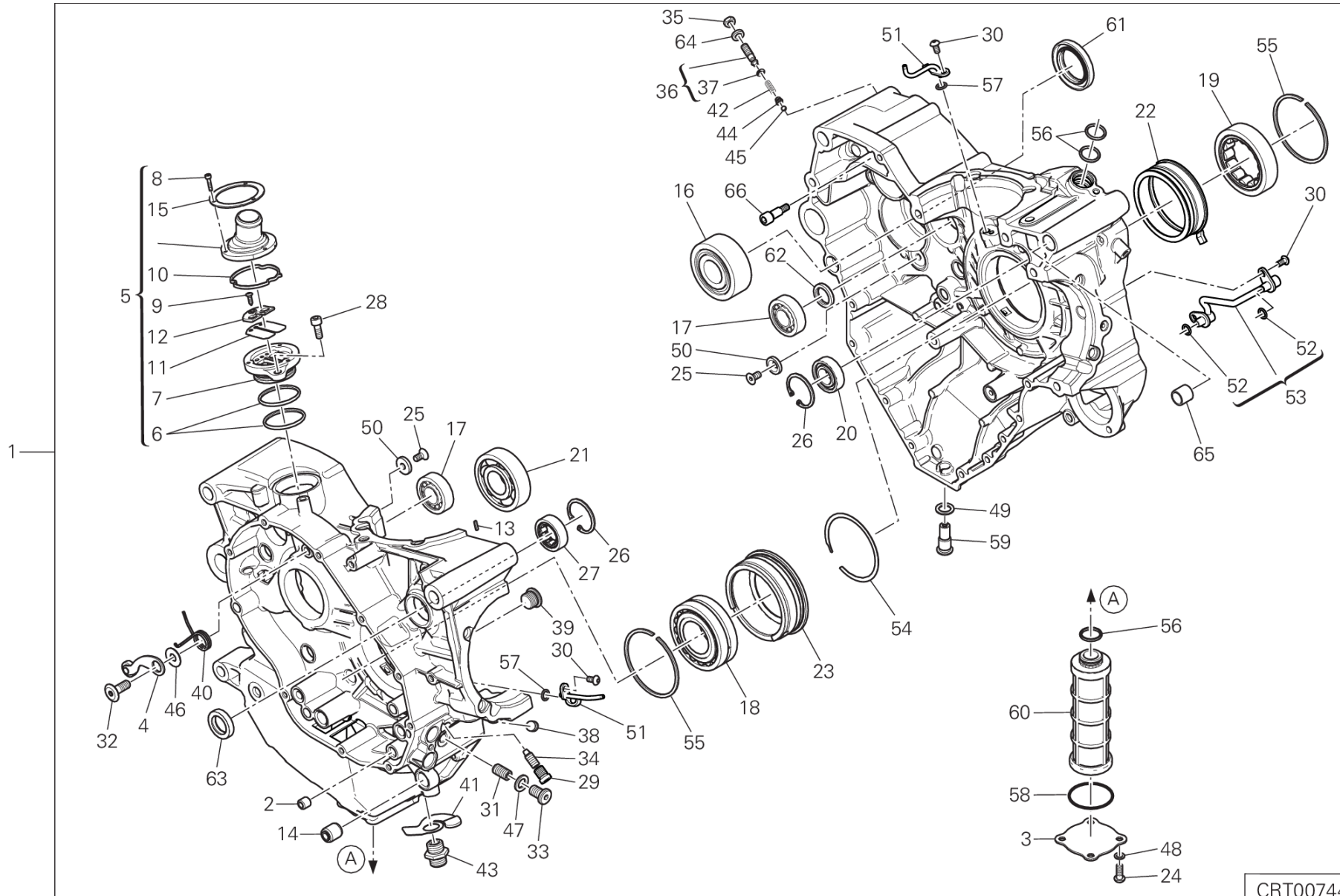
RAF00547

DRAWING 009 - FILTERS AND OIL PUMP [MOD:M 1200]

GROUP ENGINE



POS.	CODE	DESCRIPTION	QTY	START DATE	END DATE	VALIDITY	NOTES
1	17420382D	OIL PUMP ASSY	1	02/03/2016			
2	44440035A	FILTER, OIL	1	25/03/2013			
3	075949280	LOCATING DOWEL	2	21/03/2013			
4	85310041A	SPRING WASHER 6 MM	1	21/03/2013			
5	88641321A	O-RING 11.11X1.78	1	21/03/2013			
6	88640371A	O-RING 14X1.78	1	21/03/2013			
7	77110518B	SCREW TCEI M6X25	1	02/03/2016			
8	77151298B	SCREW TCEI M8X40	2	21/03/2013			
9	85310021A	SPRING WASHER 8 MM	2	21/03/2013			



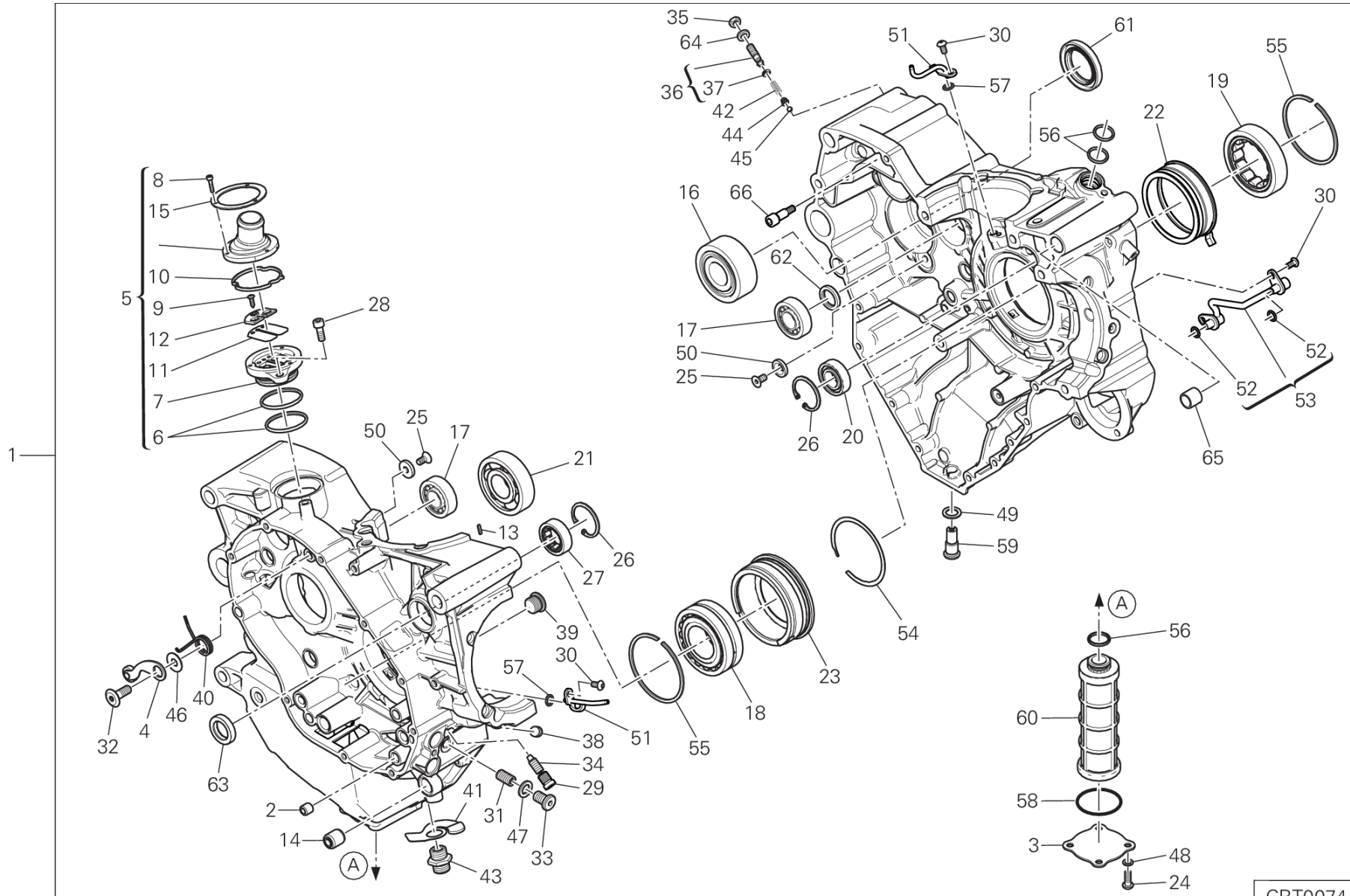
CRT00744

DRAWING 010 - HALF-CRANKCASES PAIR [MOD:M 1200]

GROUP ENGINE



POS.	CODE	DESCRIPTION	QTY	START DATE	END DATE	VALIDITY	NOTES
1	22523402B	COMPLETE HALF-CRANKCASES PAIR	1	29/06/2017			
2	067049310	BUSH	1	08/01/2015			
3	24713511C	FILTER COVER UNIT	1	08/01/2015			
4	45520181A	GEAR FIXING CLICK ASSEMBLY	1	08/01/2015			
5	59320581B	VALVE, BREATHER	1	26/06/2015			
6	46320222A	O-RING	2	06/07/2012			
7	59310601B	HOLDER READ VALVE	1	06/07/2012			
8	77150078B	SCREW	3	06/07/2012			
9	77250341B	SCREW, TAPPING 3.5X12	1	06/07/2012			
10	78811151A	GASKET	1	06/07/2012			
11	81110021A	REED VALVE ASSY	1	06/07/2012			
12	82716031A	SPACER	1	06/07/2012			
13	68050101A	KEY 2X2X10	1	08/01/2015			
14	70010362A	DAMPER	1	08/01/2015			
15	85213011A	RING	1	15/10/2010			
16	70240131A	BEARING	1	08/01/2015			
17	70240331A	BEARING 17X40X12	2	08/01/2015			
18	70241151A	BEARING	1	01/03/2014			
19	70241161A	BEARING	1	08/10/2015			
20	70250081A	BALL BEARING 6003 TN9 C3	1	08/01/2015			
21	70250193A	BEARING	1	08/01/2015			
22	71011991B	BUSHING	1	26/06/2015			
23	71020041A	BUSHING	1	26/06/2015			
24	72050338B	SCREW	4	08/01/2015			
25	720941616	SCREW TSPEI M6X12	4	08/01/2015			
26	735033380	CIRCLIP	2	08/01/2015			
27	757941542	BEARING	1	08/01/2015			
28	77150653B	SCREW TCEI M6X16 UNI5931 8.8	1	08/01/2015			
29	78011041A	SCREW, SPECIAL	1	17/12/2015			
30	77510311B	SCREW TBEI M5X10	4	08/01/2015			
31	77840041A	THREADED DOWEL M10X1	1	08/01/2015			
32	77910391A	SCREW M8X21.5	1	08/01/2015			
33	77911622A	SCREW TCEI M10X1.5X16	1	08/01/2015			
34	77917101B	SCREW, SPECIAL	1	08/01/2015			
35	74710151A	NUT	1	08/01/2015			



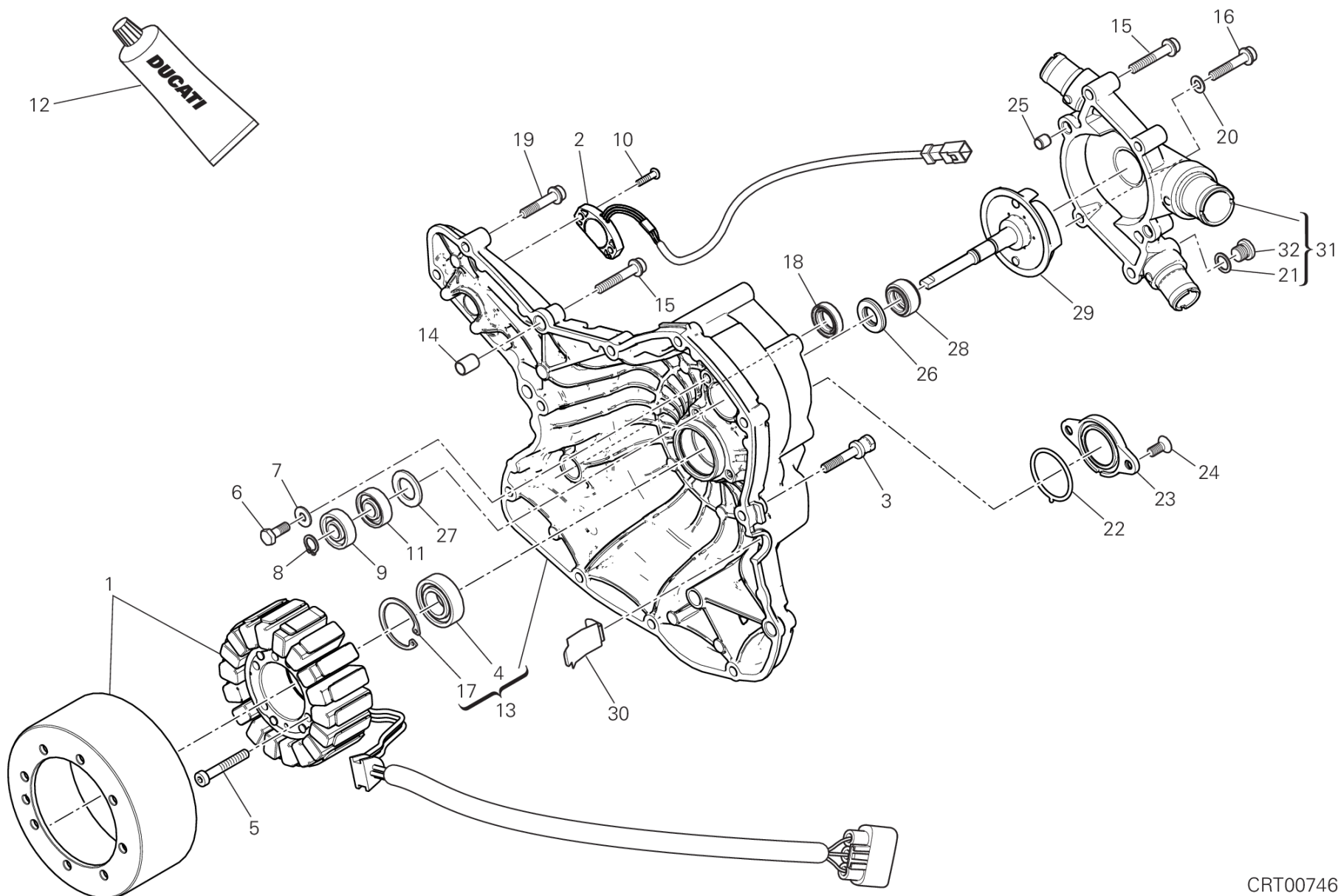
CRT00744

DRAWING 010 - HALF-CRANKCASES PAIR [MOD:M 1200]

GROUP ENGINE



POS.	CODE	DESCRIPTION	QTY	START DATE	END DATE	VALIDITY	NOTES
36	77927171A	SCREW	1	08/01/2015			
37	88641961A	O-RING	1	18/04/2011			
38	77950621A	THREADED DOWEL M10X1	1	08/01/2015			
39	78010721A	PLUG BY-PASS M16X1.5	1	08/01/2015			
40	79910491A	SPRING, RETURN	1	08/01/2015			
41	79920772A	BYPASS SPRING	1	08/01/2015			
42	79940121A	SPRING	1	17/12/2015			
43	81510281A	BOLT UNION	1	08/01/2015			
44	83110151A	PLATE	1	26/06/2015			
45	84740061A	BALL	1	08/01/2015			
46	85210532A	WASHER 8.2X20X1	1	08/01/2015			
47	85211951A	GASKET 10.5X17X2	1	08/01/2015			
48	85250231A	GASKET	4	08/01/2015			
49	85250421A	COPPER GASKET 12.2X18X1.5 MM	1	08/01/2015			
50	85611481A	WASHER	4	08/01/2015			
51	87511461B	JET	2	17/12/2015			
52	88641181A	O-RING	2	08/01/2015			
53	87522391A	HOSE, OIL (Unit)	1	26/06/2015			
54	88440651A	SPRING RING	1	08/01/2015			
55	88450581A	SPRING RING	2	08/01/2015			
56	88640331A	O-RING 17.96X2.62	3	08/01/2015			
57	88650131A	O-RING 3.68X1.78	2	26/06/2015			
58	88641581A	O-RING	1	08/01/2015			
59	89320062A	PLUG, OIL DRAIN	1	08/01/2015			
60	89410241A	OIL NET FILTER	1	08/01/2015			
61	93040221A	SEAL, OIL 35X52X7	1	08/01/2015			
62	93040931A	SEAL, OIL 17X25X4	1	08/01/2015			
63	93041231A	SEAL, OIL 18X30X6	1	08/01/2015			
64	85640141A	WASHER	1	27/03/2015			
65	71110951A	PIN DOWEL	2	08/01/2015			
66	77919881A	SCREW, SPECIAL	2	17/12/2015			



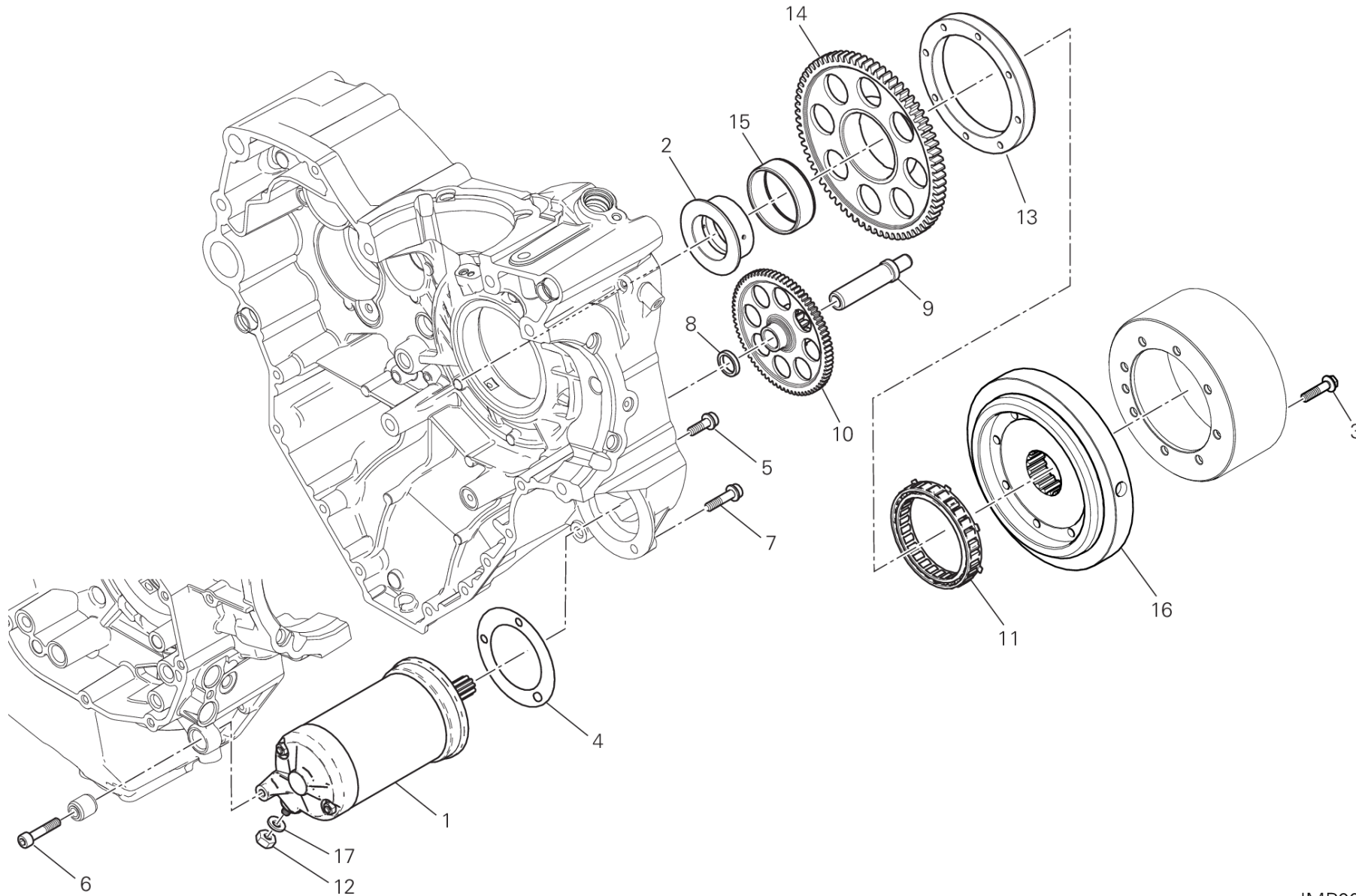
CRT00746

DRAWING 011 - WATER PUMP-ALTR-SIDE CRNKCSE COVER [MOD:M 1200]

GROUP ENGINE



POS.	CODE	DESCRIPTION	QTY	START DATE	END DATE	VALIDITY	NOTES
1	26420501B	GENERATOR DENSO	1	08/10/2015			
2	55243521A	GEARBOX POSITION SENSOR	1	11/05/2016			
3	77916311A	SCREW, SPECIAL	2	08/03/2013			
4	70250081A	BALL BEARING 6003 TN9 C3	1	01/05/2010			
5	77350738BC	SCREW	3	11/05/2016			
6	77052508B	SCREW TE M6X16	2	01/05/2010			
7	85211721A	WASHER 6X14.2X1.3	2	01/05/2010			
8	88450431A	CIRCLIP	1	01/05/2010			
9	70240102A	BEARING	1	01/05/2010			
10	72050069E	SCREW	2	11/05/2016			
11	70240091A	BALL BEARING 6000	1	01/05/2010			
12	942470014	LIQUID GASKET	1	20/02/2012			
13	24221451BF	COMPLETE GENERATOR COVER	1	11/05/2016			
14	71111601A	PIN DOWEL	2	20/02/2012			
15	77140723C	SCREW TCEIF M6X35 10.9	6	27/02/2012			
16	77113961A	SCREW	2	20/02/2012			
17	735033380	CIRCLIP	1	06/06/2012			
18	937831524	SEAL, OIL 15X24X6	1	18/04/2012			
19	77140713C	SCREW TCEIF M6X30 10.9	9	20/02/2012			
20	85250481A	GASKET 6X12X1 DIN7603-A	2	06/06/2012			
21	85250241A	WASHER 10X14X1	1	06/06/2012			
22	88610951A	O-RING 32.99X2.62	1	20/02/2012			
23	24713571AN	COVER	1	19/05/2016			
24	77750493C	SCREW	2	20/02/2012			
25	71110922A	BUSH	2	06/06/2012			
26	93050051A	MECHANICAL SEAL	1	06/06/2012			
27	71311281B	SPACER	1	06/06/2012			
28	93050062B	MECHANICAL SEAL	1	06/06/2012			
29	25120131A	WATER PUMP ROTOR	1	06/06/2012			
30	82716091A	PLATE	1	11/05/2016			
31	24724481AH	WATER PUMP COVER ASSY	1	11/05/2016			
32	78050012A	PLUG, THREADED M10X1	1	06/06/2012			



IMP00977

DRAWING 012 - ELECTRIC STARTING AND IGNITION [MOD:M 1200]

GROUP ENGINE

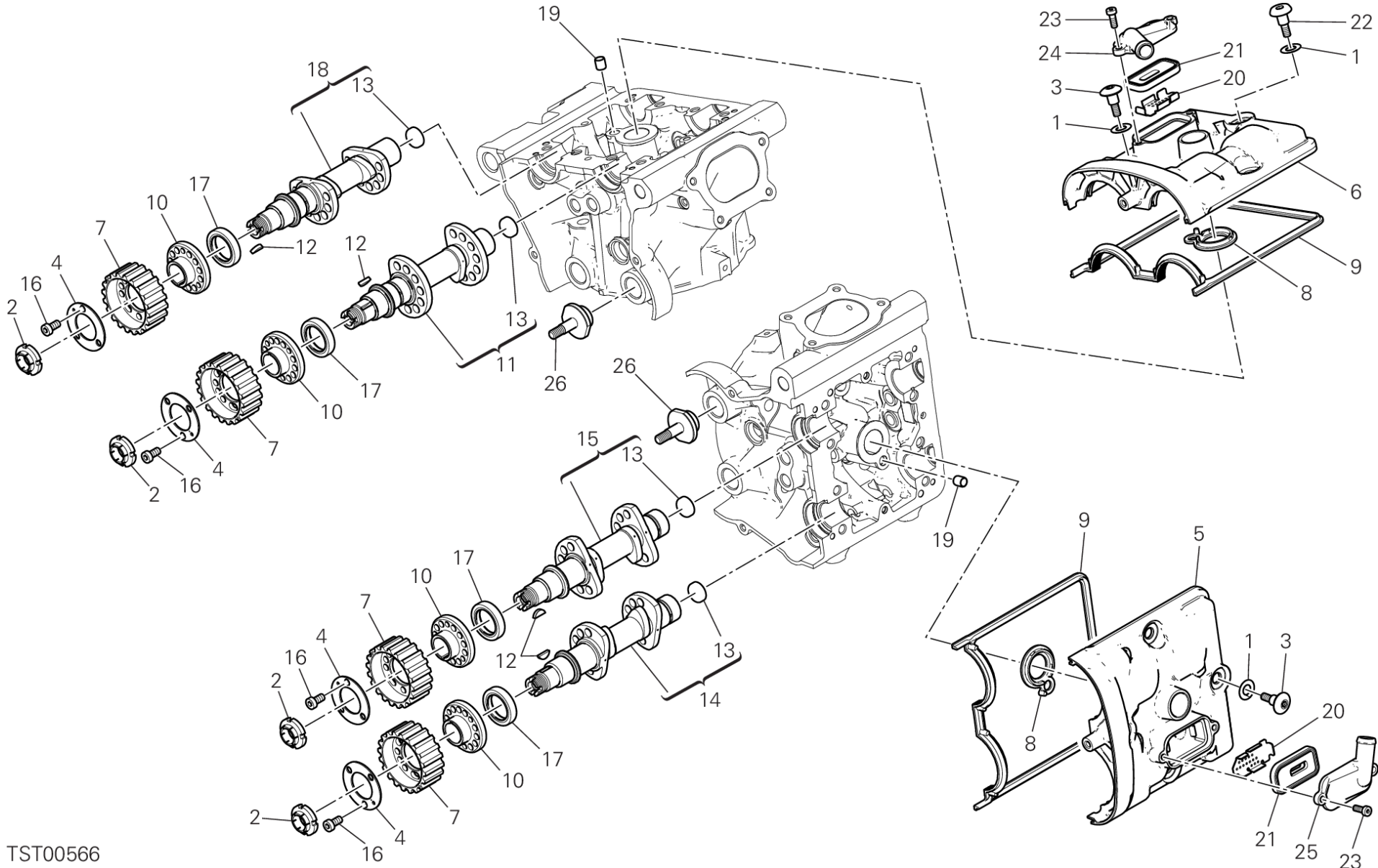


POS.	CODE	DESCRIPTION	QTY	START DATE	END DATE	VALIDITY	NOTES
1	27040104A	STARTING MOTOR	1	12/09/2012			
2	88110921A	INNER RING	1	04/09/2014			
3	77253330ZF	SCREW	8	07/05/2014			
4	78810542A	ENGINE STARTER GASKET	1	20/02/2012			
5	77140667CF	SCREW	2	16/03/2015			
6	77110521A	SCREW TCEI M6X30	1	20/02/2012			
7	77140697CF	SCREW 6x25	1	16/03/2015			
8	71319191A	SPACER	1	20/02/2012			
9	82113471A	STARTER REDUCTION SHAFT	1	20/02/2012			
10	176Z0021A	IDLE GEAR T74/13	1	20/02/2012			
11	70140541A	CLUTCH, ONE WAY	1	20/02/2012			
12	75050051A	NUT 6MM	1	16/03/2015			
13	16012121B	FLANGE STARTING CLUTCH	1	04/09/2014			
14	17310351A	DRIVEN GEAR	1	04/09/2014			
15	70241461A	NEEDLE CAGE	1	04/09/2014			
16	27611161A	COUPLING, FLYWHEEL	1	26/09/2016			
17	85350101A	WASHER, SPRING	1	16/03/2015			



DRAWING 013 - CYLINDER HEAD : TIMING SYSTEM [MOD:M 1200]

GROUP ENGINE



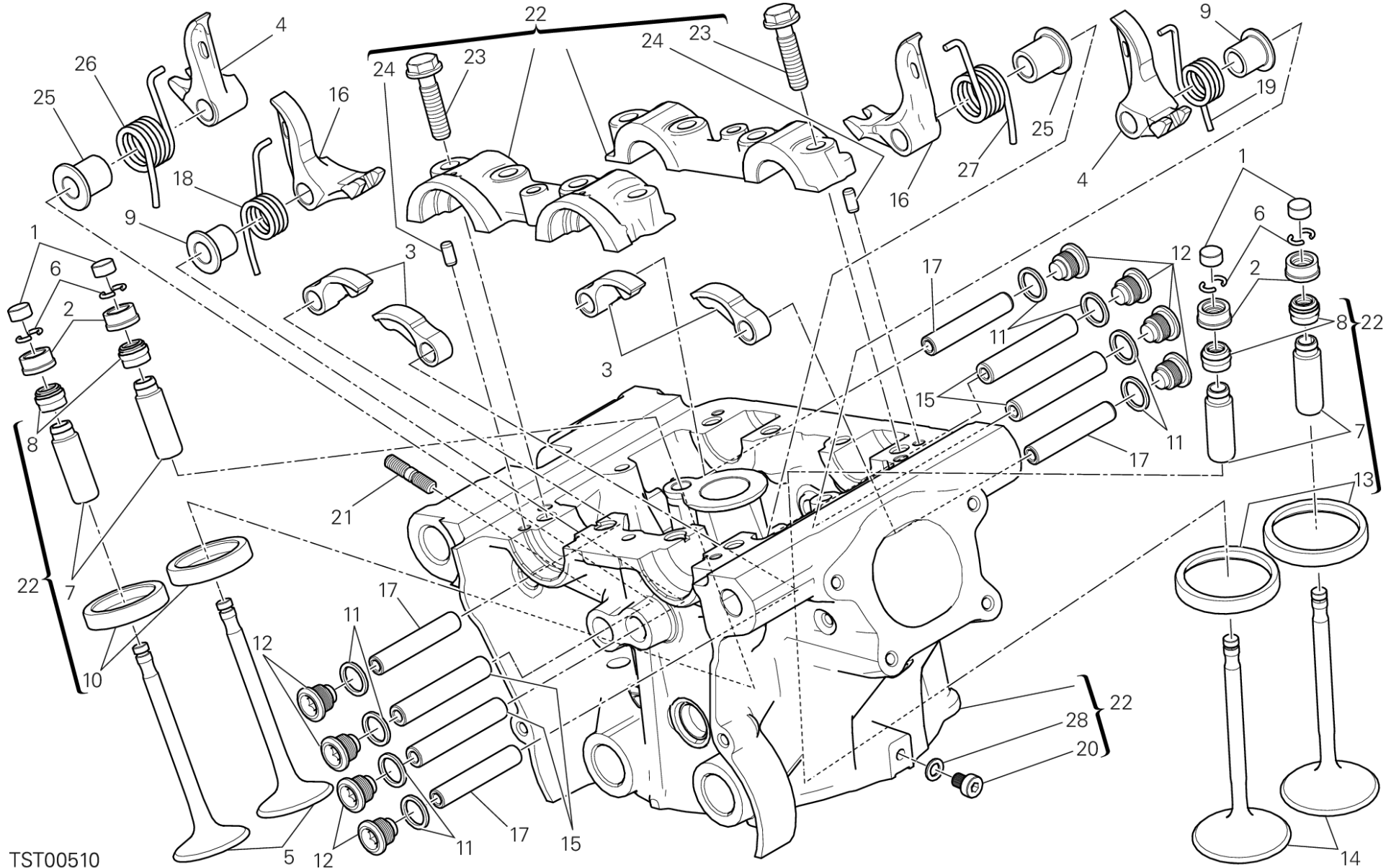
TST00566

DRAWING 013 - CYLINDER HEAD : TIMING SYSTEM [MOD:M 1200]

GROUP ENGINE



POS.	CODE	DESCRIPTION	QTY	START DATE	END DATE	VALIDITY	NOTES
1	88650511A	O-RING 12.39X3.53	8	07/12/2012			
2	70350024A	RING NUT	4	07/12/2012			
3	77915093A	SCREW, SPECIAL	5	07/12/2012			
4	85610743A	WASHER, SPECIAL	4	07/12/2012			
5	24714141AC	COVER CYLINDER HEAD, HORIZONTAL	1	31/05/2013			
6	24714151AC	COVER CYLINDER HEAD, VERTICAL	1	31/05/2013			
7	25510193A	TIMING BELT PULLEY, DRIVEN T20	4	07/12/2012			
8	78811211A	GASKET	2	07/12/2012			
9	78810931A	GASKET CYLINDER HEAD COVER	2	07/12/2012			
10	16010941A	FLANGE	4	07/12/2012			
11	14823431B	VERTICAL INTAKE CAMSHAFT	1	07/12/2012			
12	68050061A	WOODRUFF KEY 3X5	4	07/12/2012			
13	87310051A	PLUG 18 MM	4	24/12/2009			
14	14823441B	HORIZONTAL EXHAUST CAMSHAFT	1	07/12/2012			
15	14823421B	HORIZONTAL INTAKE CAMSHAFT	1	07/12/2012			
16	77950302A	SCREW TC M6X12	12	07/12/2012			
17	93050072A	SEAL RING	4	29/02/2016			
18	14823451B	VERTICAL EXHAUST CAMSHAFT	1	07/12/2012			
19	71113741A	BUSH	2	07/12/2012			
20	82716351A	PLATE	2	07/12/2012			
21	81140012B	VALVE	2	07/12/2012			
22	77918141A	SCREW, SPECIAL	3	11/06/2013			
23	77350403B	SCREW	4	07/12/2012			
24	24714171A	COVER VERTICAL	1	07/12/2012			
25	24714891A	COVER HORIZONTAL	1	06/03/2015			
26	45110462A	MOVABLE TENSIONER ROLLER PIN	4	08/04/2015			



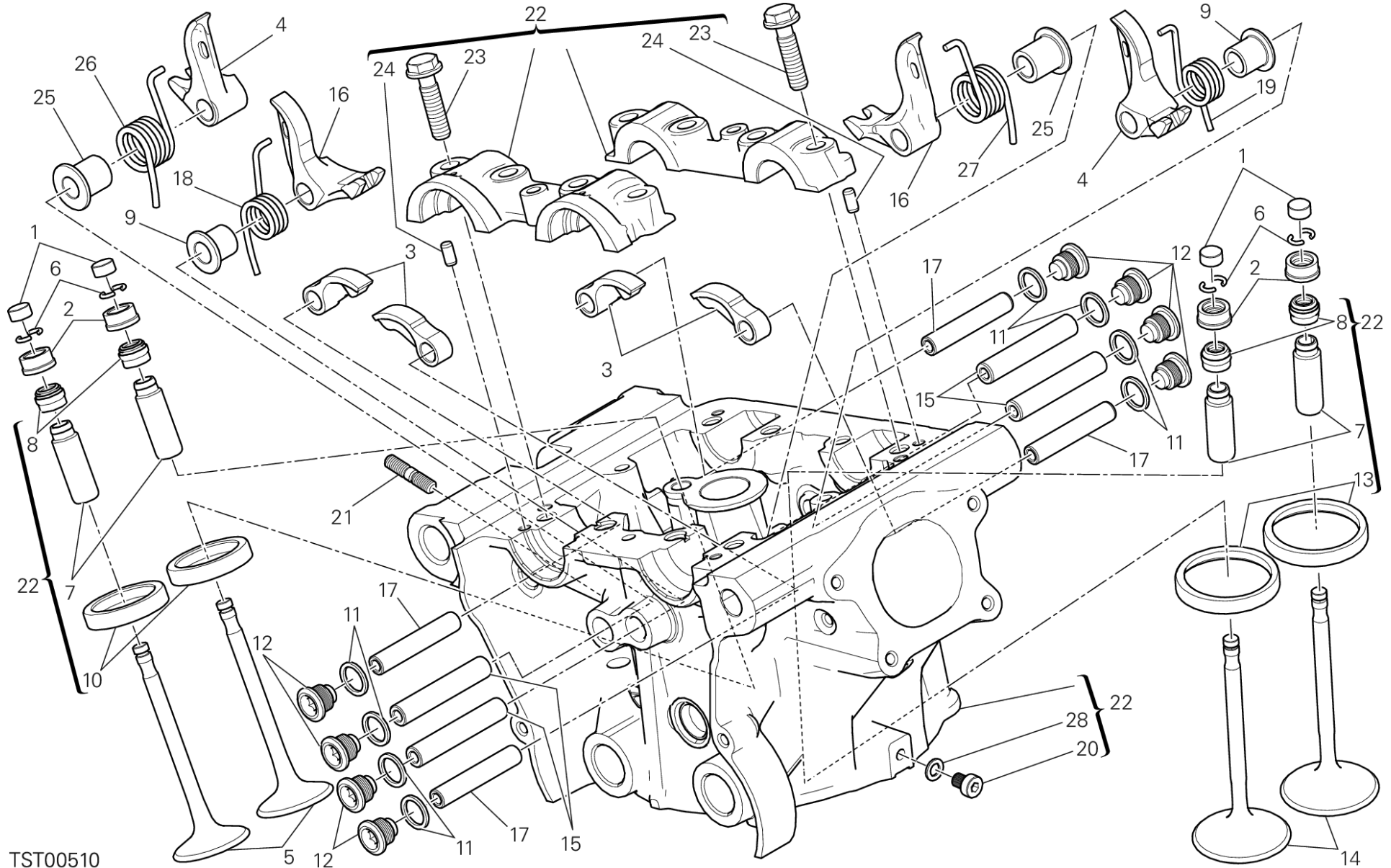
TST00510

DRAWING 014 - VERTICAL HEAD [MOD:M 1200]

GROUP ENGINE



POS.	CODE	DESCRIPTION	QTY	START DATE	END DATE	VALIDITY	NOTES
1	84010012A	ADJUSTER, OPENING ROCKER ARM 2.00 MM	4	20/06/2012			
	84010022A	ADJUSTER, OPENING ROCKER ARM 2.05 MM	4	20/06/2012			
	84010032A	ADJUSTER, OPENING ROCKER ARM 2.10 MM	4	20/06/2012			
	84010042A	ADJUSTER, OPENING ROCKER ARM 2.15 MM	4	20/06/2012			
	84010052A	ADJUSTER, OPENING ROCKER ARM 2.20 MM	4	20/06/2012			
	84010062A	ADJUSTER, OPENING ROCKER ARM 2.25 MM	4	20/06/2012			
	84010072A	ADJUSTER, OPENING ROCKER ARM 2.30 MM	4	20/06/2012			
	84010082A	ADJUSTER, OPENING ROCKER ARM 2.35 MM	4	20/06/2012			
	84010092A	ADJUSTER, OPENING ROCKER ARM 2.40 MM	4	20/06/2012			
	84010102A	ADJUSTER, OPENING ROCKER ARM 2.45 MM	4	20/06/2012			
	84010112A	ADJUSTER, OPENING ROCKER ARM 2.50 MM	4	20/06/2012			
	84010122A	ADJUSTER, OPENING ROCKER ARM 2.55 MM	4	20/06/2012			
	84010132A	ADJUSTER, OPENING ROCKER ARM 2.60 MM	4	20/06/2012			
	84010142A	ADJUSTER, OPENING ROCKER ARM 2.65 MM	4	20/06/2012			
	84010152A	ADJUSTER, OPENING ROCKER ARM 2.70 MM	4	20/06/2012			
	84010162A	ADJUSTER, OPENING ROCKER ARM 2.75 MM	4	20/06/2012			
	84010172A	ADJUSTER, OPENING ROCKER ARM 2.80 MM	4	20/06/2012			
	84010182A	ADJUSTER, OPENING ROCKER ARM 2.85 MM	4	20/06/2012			
	84010192A	ADJUSTER, OPENING ROCKER ARM 2.90 MM	4	20/06/2012			
	84010202A	ADJUSTER, OPENING ROCKER ARM 2.95 MM	4	20/06/2012			
	84010212A	ADJUSTER, OPENING ROCKER ARM 3.00 MM	4	20/06/2012			
	84010222A	ADJUSTER, OPENING ROCKER ARM 3.05 MM	4	20/06/2012			
	84010232A	ADJUSTER, OPENING ROCKER ARM 3.10 MM	4	20/06/2012			
	84010242A	ADJUSTER, OPENING ROCKER ARM 3.15 MM	4	20/06/2012			
	84010252A	ADJUSTER, OPENING ROCKER ARM 3.20 MM	4	20/06/2012			
	84010262A	ADJUSTER, OPENING ROCKER ARM 3.25 MM	4	20/06/2012			
	84010272A	ADJUSTER, OPENING ROCKER ARM 3.30 MM	4	20/06/2012			
	84010282A	ADJUSTER, OPENING ROCKER ARM 3.35 MM	4	20/06/2012			
	84010292A	ADJUSTER, OPENING ROCKER ARM 3.40 MM	4	20/06/2012			
	84010302A	ADJUSTER, OPENING ROCKER ARM 3.45 MM	4	20/06/2012			
	84010312A	ADJUSTER, OPENING ROCKER ARM 1.80 MM	4	20/06/2012			
	84010322A	ADJUSTER, OPENING ROCKER ARM 1.85 MM	4	20/06/2012			
	84010332A	ADJUSTER, OPENING ROCKER ARM 1.90 MM	4	20/06/2012			
	84010342A	ADJUSTER, OPENING ROCKER ARM 1.95 MM	4	20/06/2012			
	84010722A	ADJUSTER, OPENING ROCKER ARM 3.60 MM	4	20/06/2012			



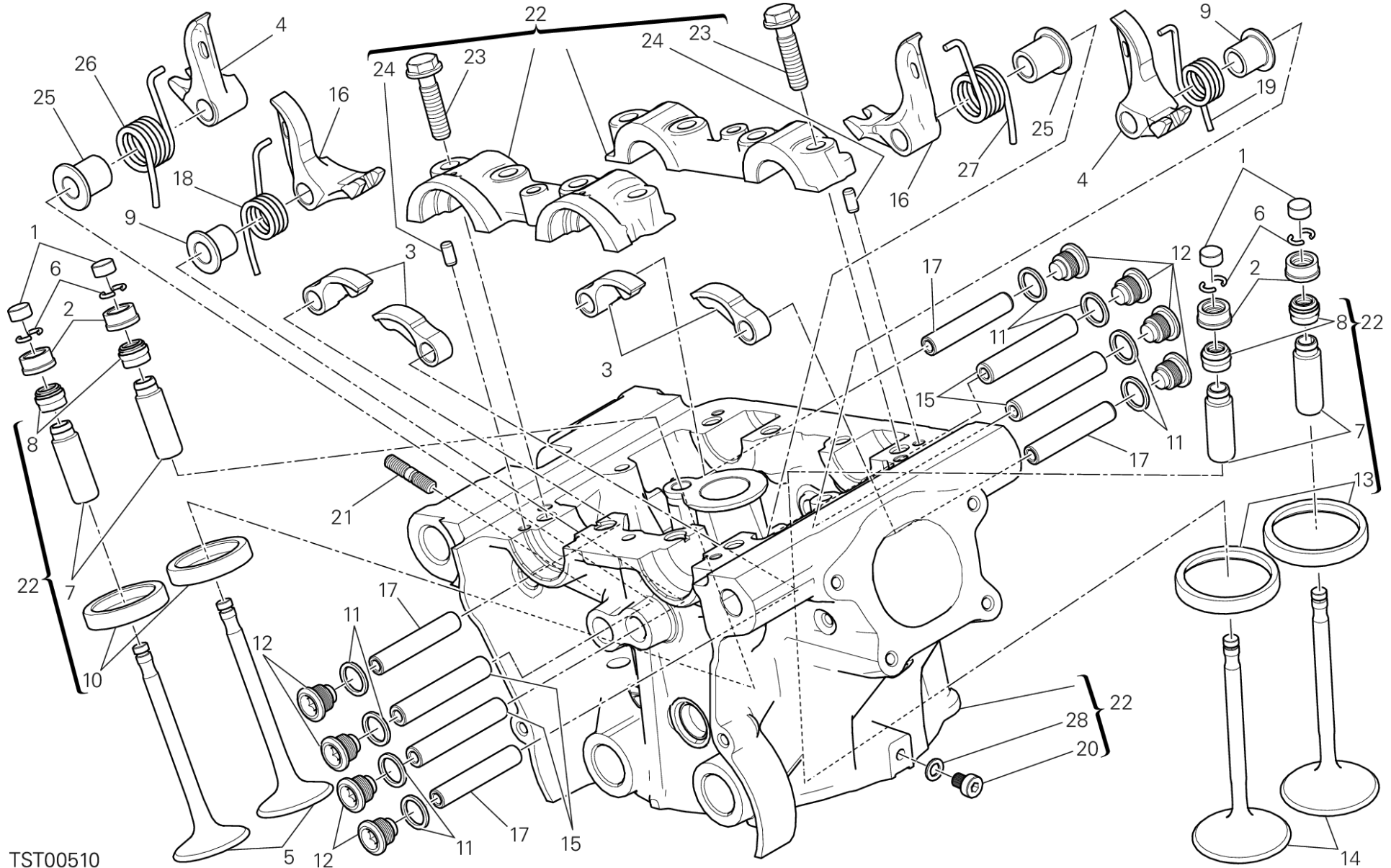
TST00510

DRAWING 014 - VERTICAL HEAD [MOD:M 1200]

GROUP ENGINE



POS.	CODE	DESCRIPTION	QTY	START DATE	END DATE	VALIDITY	NOTES
	84010732A	ADJUSTER, OPENING ROCKER ARM 3.80 MM	4	20/06/2012			
	84011082A	ADJUSTER, OPENING ROCKER ARM 3.50 MM	4	20/06/2012			
	84011092A	ADJUSTER, OPENING ROCKER ARM 3.55 MM	4	20/06/2012			
	84011102A	ADJUSTER, OPENING ROCKER ARM 3.65 MM	4	20/06/2012			
	84011112A	ADJUSTER, OPENING ROCKER ARM 3.70 MM	4	20/06/2012			
	84011122A	ADJUSTER, OPENING ROCKER ARM 3.75 MM	4	20/06/2012			
	84011132A	ADJUSTER, OPENING ROCKER ARM 3.85 MM	4	20/06/2012			
	84011142A	ADJUSTER, OPENING ROCKER ARM 3.9 MM	4	20/06/2012			
2	84010412B	ADJUSTER, CLOSING ROCKER ARM 2.20 MM	4	24/12/2009			
	84010422B	ADJUSTER, CLOSING ROCKER ARM 2.25 MM	4	24/12/2009			
	84010432B	ADJUSTER, CLOSING ROCKER ARM 2.30 MM	4	24/12/2009			
	84010442B	ADJUSTER, CLOSING ROCKER ARM 2.35 MM	4	24/12/2009			
	84010452B	ADJUSTER, CLOSING ROCKER ARM 2.40 MM	4	24/12/2009			
	84010462B	ADJUSTER, CLOSING ROCKER ARM 2.45 MM	4	24/12/2009			
	84010472B	ADJUSTER, CLOSING ROCKER ARM 2.50 MM	4	24/12/2009			
	84010482B	ADJUSTER, CLOSING ROCKER ARM 2.55 MM	4	24/12/2009			
	84010492B	ADJUSTER, CLOSING ROCKER ARM 2.60 MM	4	24/12/2009			
	84010502B	ADJUSTER, CLOSING ROCKER ARM 2.65 MM	4	24/12/2009			
	84010512B	ADJUSTER, CLOSING ROCKER ARM 2.70 MM	4	24/12/2009			
	84010522B	ADJUSTER, CLOSING ROCKER ARM 2.75 MM	4	24/12/2009			
	84010532B	ADJUSTER, CLOSING ROCKER ARM 2.80 MM	4	24/12/2009			
	84010542B	ADJUSTER, CLOSING ROCKER ARM 2.85 MM	4	24/12/2009			
	84010552B	ADJUSTER, CLOSING ROCKER ARM 2.90 MM	4	24/12/2009			
	84010562B	ADJUSTER, CLOSING ROCKER ARM 2.95 MM	4	24/12/2009			
	84010572B	ADJUSTER, CLOSING ROCKER ARM 3.00 MM	4	24/12/2009			
	84010582B	ADJUSTER, CLOSING ROCKER ARM 3.05 MM	4	24/12/2009			
	84010592B	ADJUSTER, CLOSING ROCKER ARM 3.10 MM	4	24/12/2009			
	84010602B	ADJUSTER, CLOSING ROCKER ARM 3.15 MM	4	24/12/2009			
	84010612B	ADJUSTER, CLOSING ROCKER ARM 3.20 MM	4	24/12/2009			
	84010622B	ADJUSTER, CLOSING ROCKER ARM 3.25 MM	4	24/12/2009			
	84010632B	ADJUSTER, CLOSING ROCKER ARM 3.30 MM	4	24/12/2009			
	84010642B	ADJUSTER, CLOSING ROCKER ARM 3.35 MM	4	24/12/2009			
	84010652B	ADJUSTER, CLOSING ROCKER ARM 3.40 MM	4	24/12/2009			
	84010662B	ADJUSTER, CLOSING ROCKER ARM 3.45 MM	4	24/12/2009			
	84010672B	ADJUSTER, CLOSING ROCKER ARM 3.50 MM	4	24/12/2009			



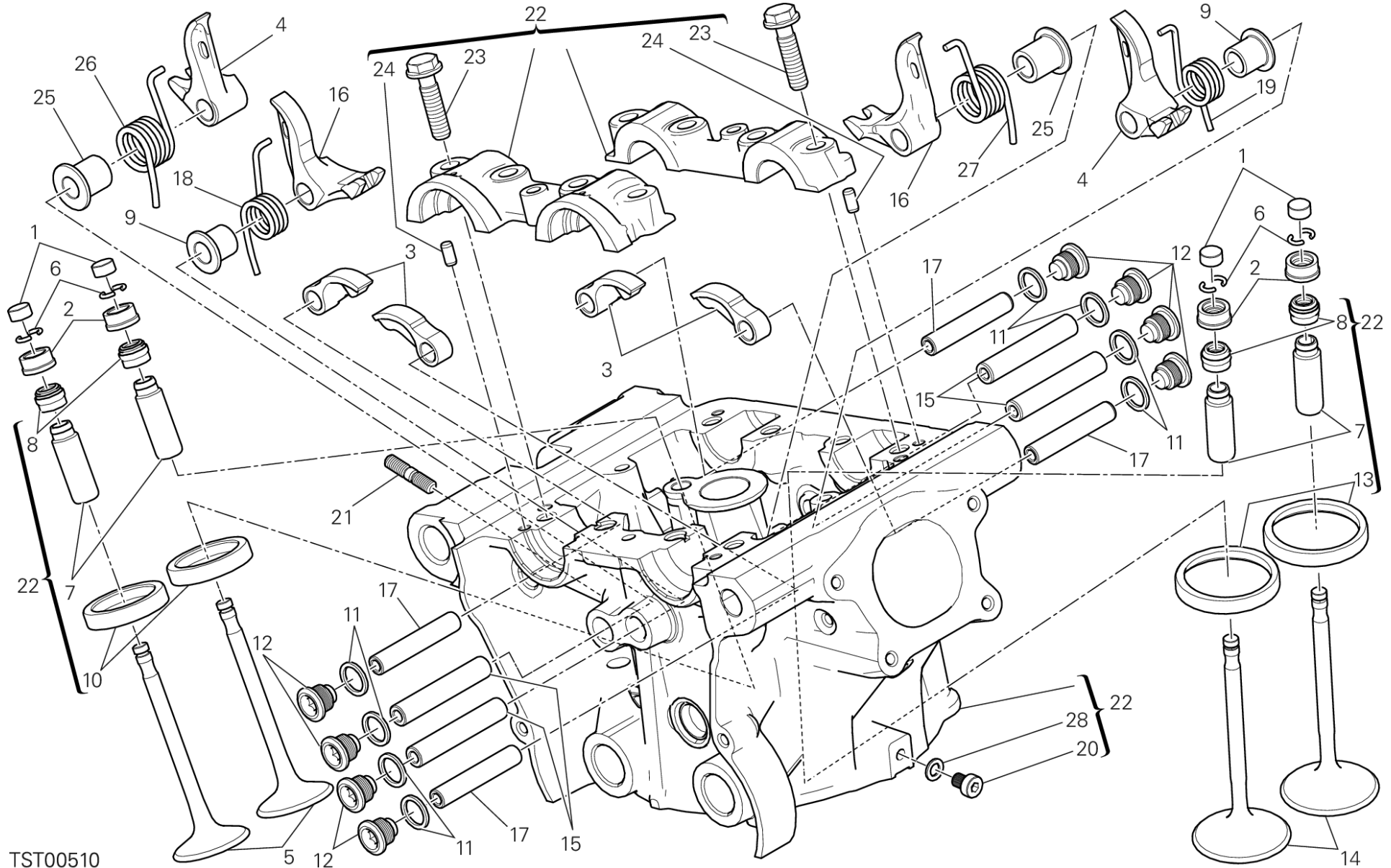
TST00510

DRAWING 014 - VERTICAL HEAD [MOD:M 1200]

GROUP ENGINE



POS.	CODE	DESCRIPTION	QTY	START DATE	END DATE	VALIDITY	NOTES
	84010682B	ADJUSTER, CLOSING ROCKER ARM 3.55 MM	4	24/12/2009			
	84010692B	ADJUSTER, CLOSING ROCKER ARM 3.60 MM	4	24/12/2009			
	84010702B	ADJUSTER, CLOSING ROCKER ARM 3.65 MM	4	24/12/2009			
	84010712B	ADJUSTER, CLOSING ROCKER ARM 3.70 MM	4	24/12/2009			
	84010722B	ADJUSTER, CLOSING ROCKER ARM 3.75 MM	4	24/12/2009			
	84010732B	ADJUSTER, CLOSING ROCKER ARM 3.80 MM	4	24/12/2009			
	84010742B	ADJUSTER, CLOSING ROCKER ARM 3.85 MM	4	24/12/2009			
	84010752B	ADJUSTER, CLOSING ROCKER ARM 3.90 MM	4	24/12/2009			
	84010762B	ADJUSTER, CLOSING ROCKER ARM 3.95 MM	4	24/12/2009			
	84010772B	ADJUSTER, CLOSING ROCKER ARM 4.00 MM	4	24/12/2009			
	84010782B	ADJUSTER, CLOSING ROCKER ARM 4.05 MM	4	24/12/2009			
	84010792B	ADJUSTER, CLOSING ROCKER ARM 4.10 MM	4	24/12/2009			
	84010802B	ADJUSTER, CLOSING ROCKER ARM 4.15 MM	4	24/12/2009			
	84010812B	ADJUSTER, CLOSING ROCKER ARM 4.20 MM	4	24/12/2009			
	84010822B	ADJUSTER, CLOSING ROCKER ARM 4.25 MM	4	24/12/2009			
	84010832B	ADJUSTER, CLOSING ROCKER ARM 4.30 MM	4	24/12/2009			
	84010842B	ADJUSTER, CLOSING ROCKER ARM 4.35 MM	4	24/12/2009			
	84010852B	ADJUSTER, CLOSING ROCKER ARM 4.40 MM	4	24/12/2009			
	84010862B	ADJUSTER, CLOSING ROCKER ARM 4.45 MM	4	24/12/2009			
	84010872B	ADJUSTER, CLOSING ROCKER ARM 4.50 MM	4	24/12/2009			
3	20810321A	OPEN. ROCKER ARM	4	07/12/2012			
4	20910501A	CLOSING ROCKER ARM LEFT	2	07/12/2012			
5	21110831A	EXHAUST VALVE	2	07/12/2012			
6	66910011E	C RING	8	07/12/2012			
7	30310631BB	GUIDE, VALVE OVERSIZED 0.03 MM	4	21/03/2013			
	30310631BC	GUIDE, VALVE OVERSIZED 0.06 MM	4	25/03/2013			
	30310631BD	GUIDE, VALVE OVERSIZED 0.09 MM	4	21/03/2013			
8	76440572A	SEAL VALVE STEM	4	06/03/2015			
9	71312921A	SPACER	2	07/12/2012			
10	30410891AB	SEAT, EXHAUST VALVE +0.03 MM	2	25/03/2013			
	30410891AC	SEAT, EXHAUST VALVE +0.06 MM	2	25/03/2013			
11	85250261B	GASKET, ALUMINIUM 12X16X1.5	8	07/12/2012			
12	78010511E	PLUG	8	07/12/2012			
13	30410881AB	SEAT, INLET VALVE +0.03 MM	2	25/03/2013			
	30410881AC	SEAT, INLET VALVE +0.06 MM	2	25/03/2013			



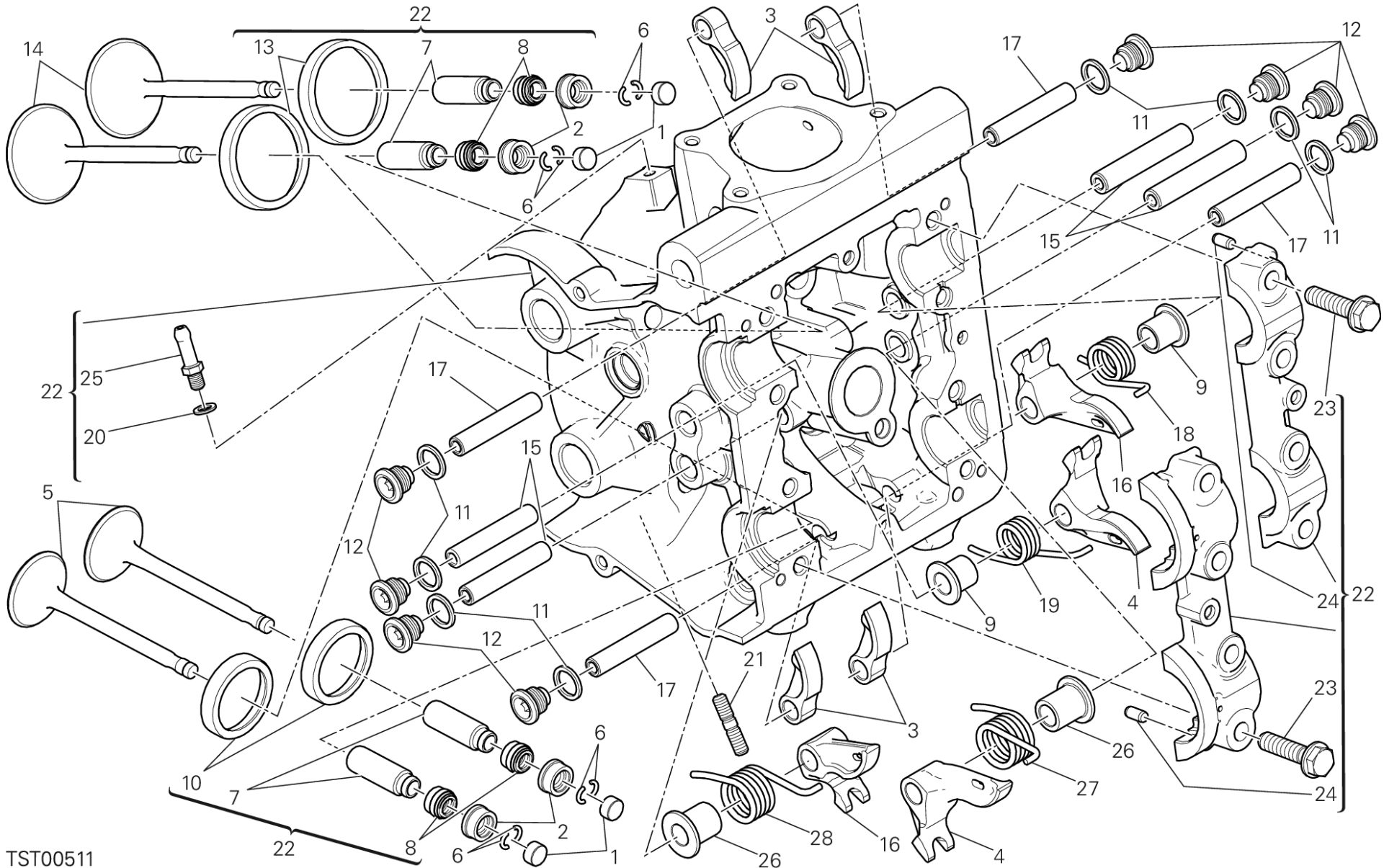
TST00510

DRAWING 014 - VERTICAL HEAD [MOD:M 1200]

GROUP ENGINE



POS.	CODE	DESCRIPTION	QTY	START DATE	END DATE	VALIDITY	NOTES
14	21010841A	INTAKE VALVE	2	07/12/2012			
15	82112951A	CLOSE ROCKER ARM AXLE	4	12/03/2015			
16	20910491A	CLOSING ROCKER ARM RIGHT	2	07/12/2012			
17	82112941A	SHAFT, OPENING ROCKER	4	06/03/2015			
18	79914861A	VALVE RETURN SPRING RH.	1	07/12/2012			
19	79914851A	VALVE RETURN SPRING LH.	1	07/12/2012			
20	77350618B	SCREW TCEIR M6X8	1	03/04/2012			
21	76640191A	STUD BOLT M6X16	3	13/12/2012			
22	30124124AC	COMPLETE VERTICAL HEAD	1	29/02/2016			
23	77914211A	SCREW TEF M8X32	8	03/04/2012			
24	86050061A	PIN M5X10	4	03/04/2012			
25	71312921B	SPACER	2	07/12/2012			
26	79915181B	LEFT VALVE RETURN SPRING	1	07/12/2012			
27	79915191B	RIGHT VALVE RETURN SPRING	1	07/12/2012			
28	85250231A	GASKET	1	03/04/2012			



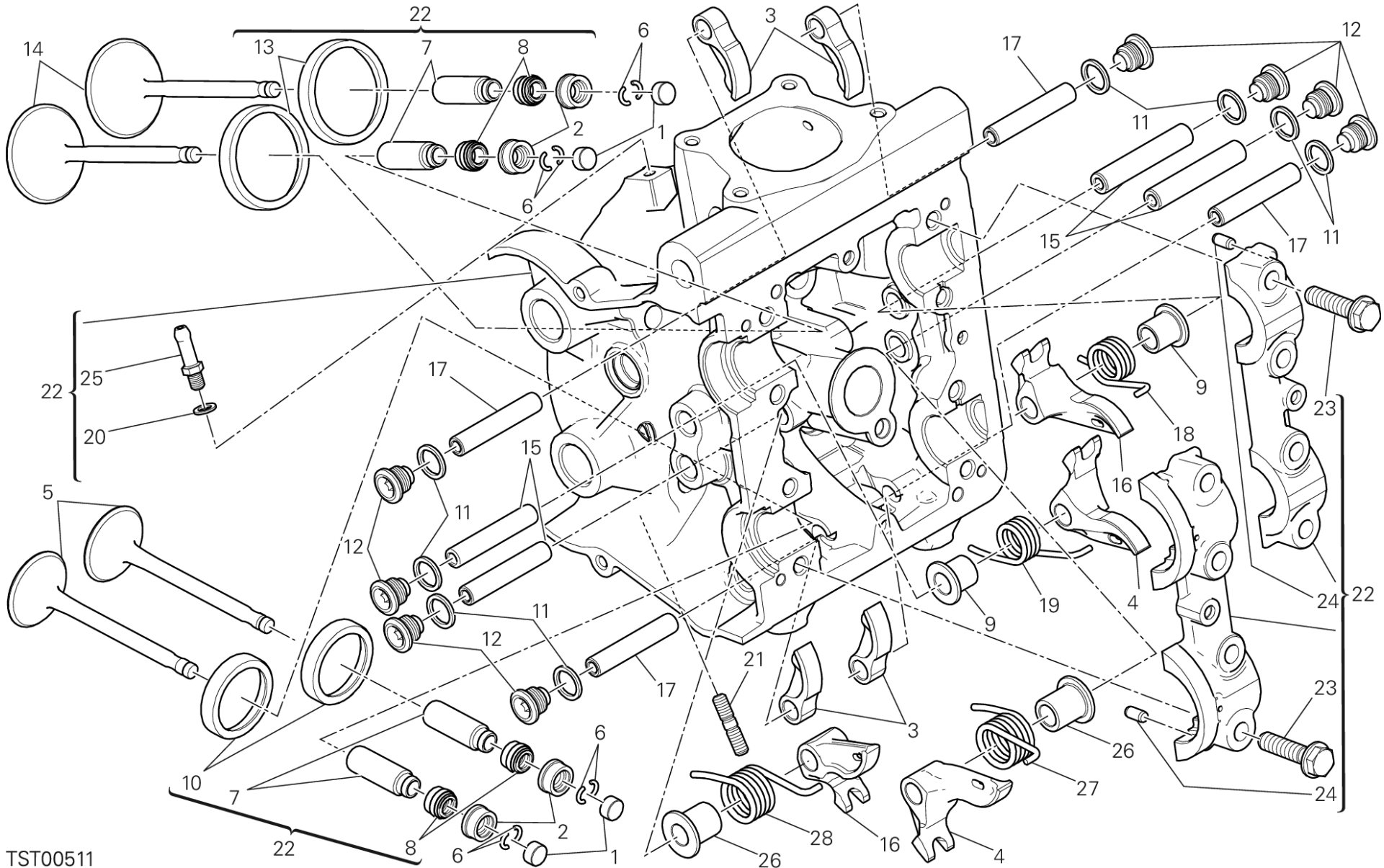
TST00511

DRAWING 015 - HORIZONTAL HEAD [MOD:M 1200]

GROUP ENGINE



POS.	CODE	DESCRIPTION	QTY	START DATE	END DATE	VALIDITY	NOTES
1	84010012A	ADJUSTER, OPENING ROCKER ARM 2.00 MM	4	20/06/2012			
	84010022A	ADJUSTER, OPENING ROCKER ARM 2.05 MM	4	20/06/2012			
	84010032A	ADJUSTER, OPENING ROCKER ARM 2.10 MM	4	20/06/2012			
	84010042A	ADJUSTER, OPENING ROCKER ARM 2.15 MM	4	20/06/2012			
	84010052A	ADJUSTER, OPENING ROCKER ARM 2.20 MM	4	20/06/2012			
	84010062A	ADJUSTER, OPENING ROCKER ARM 2.25 MM	4	20/06/2012			
	84010072A	ADJUSTER, OPENING ROCKER ARM 2.30 MM	4	20/06/2012			
	84010082A	ADJUSTER, OPENING ROCKER ARM 2.35 MM	4	20/06/2012			
	84010092A	ADJUSTER, OPENING ROCKER ARM 2.40 MM	4	20/06/2012			
	84010102A	ADJUSTER, OPENING ROCKER ARM 2.45 MM	4	20/06/2012			
	84010112A	ADJUSTER, OPENING ROCKER ARM 2.50 MM	4	20/06/2012			
	84010122A	ADJUSTER, OPENING ROCKER ARM 2.55 MM	4	20/06/2012			
	84010132A	ADJUSTER, OPENING ROCKER ARM 2.60 MM	4	20/06/2012			
	84010142A	ADJUSTER, OPENING ROCKER ARM 2.65 MM	4	20/06/2012			
	84010152A	ADJUSTER, OPENING ROCKER ARM 2.70 MM	4	20/06/2012			
	84010162A	ADJUSTER, OPENING ROCKER ARM 2.75 MM	4	20/06/2012			
	84010172A	ADJUSTER, OPENING ROCKER ARM 2.80 MM	4	20/06/2012			
	84010182A	ADJUSTER, OPENING ROCKER ARM 2.85 MM	4	20/06/2012			
	84010192A	ADJUSTER, OPENING ROCKER ARM 2.90 MM	4	20/06/2012			
	84010202A	ADJUSTER, OPENING ROCKER ARM 2.95 MM	4	20/06/2012			
	84010212A	ADJUSTER, OPENING ROCKER ARM 3.00 MM	4	20/06/2012			
	84010222A	ADJUSTER, OPENING ROCKER ARM 3.05 MM	4	20/06/2012			
	84010232A	ADJUSTER, OPENING ROCKER ARM 3.10 MM	4	20/06/2012			
	84010242A	ADJUSTER, OPENING ROCKER ARM 3.15 MM	4	20/06/2012			
	84010252A	ADJUSTER, OPENING ROCKER ARM 3.20 MM	4	20/06/2012			
	84010262A	ADJUSTER, OPENING ROCKER ARM 3.25 MM	4	20/06/2012			
	84010272A	ADJUSTER, OPENING ROCKER ARM 3.30 MM	4	20/06/2012			
	84010282A	ADJUSTER, OPENING ROCKER ARM 3.35 MM	4	20/06/2012			
	84010292A	ADJUSTER, OPENING ROCKER ARM 3.40 MM	4	20/06/2012			
	84010302A	ADJUSTER, OPENING ROCKER ARM 3.45 MM	4	20/06/2012			
	84010312A	ADJUSTER, OPENING ROCKER ARM 1.80 MM	4	20/06/2012			
	84010322A	ADJUSTER, OPENING ROCKER ARM 1.85 MM	4	20/06/2012			
	84010332A	ADJUSTER, OPENING ROCKER ARM 1.90 MM	4	20/06/2012			
	84010342A	ADJUSTER, OPENING ROCKER ARM 1.95 MM	4	20/06/2012			
	84010722A	ADJUSTER, OPENING ROCKER ARM 3.60 MM	4	20/06/2012			



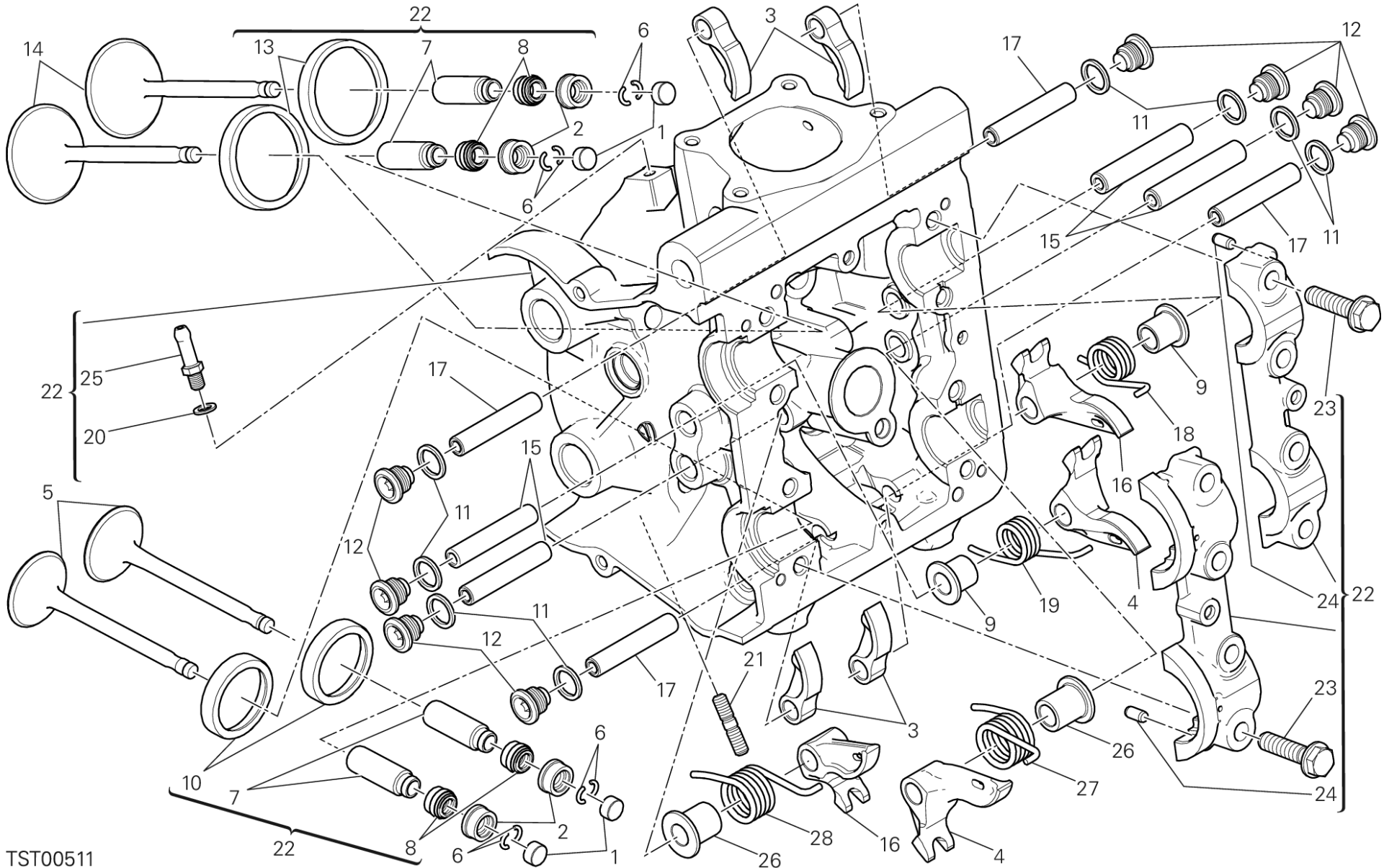
TST00511

DRAWING 015 - HORIZONTAL HEAD [MOD:M 1200]

GROUP ENGINE



POS.	CODE	DESCRIPTION	QTY	START DATE	END DATE	VALIDITY	NOTES
	84010732A	ADJUSTER, OPENING ROCKER ARM 3.80 MM	4	20/06/2012			
	84011082A	ADJUSTER, OPENING ROCKER ARM 3.50 MM	4	20/06/2012			
	84011092A	ADJUSTER, OPENING ROCKER ARM 3.55 MM	4	20/06/2012			
	84011102A	ADJUSTER, OPENING ROCKER ARM 3.65 MM	4	20/06/2012			
	84011112A	ADJUSTER, OPENING ROCKER ARM 3.70 MM	4	20/06/2012			
	84011122A	ADJUSTER, OPENING ROCKER ARM 3.75 MM	4	20/06/2012			
	84011132A	ADJUSTER, OPENING ROCKER ARM 3.85 MM	4	20/06/2012			
	84011142A	ADJUSTER, OPENING ROCKER ARM 3.9 MM	4	20/06/2012			
2	84010412B	ADJUSTER, CLOSING ROCKER ARM 2.20 MM	4	24/12/2009			
	84010422B	ADJUSTER, CLOSING ROCKER ARM 2.25 MM	4	24/12/2009			
	84010432B	ADJUSTER, CLOSING ROCKER ARM 2.30 MM	4	24/12/2009			
	84010442B	ADJUSTER, CLOSING ROCKER ARM 2.35 MM	4	24/12/2009			
	84010452B	ADJUSTER, CLOSING ROCKER ARM 2.40 MM	4	24/12/2009			
	84010462B	ADJUSTER, CLOSING ROCKER ARM 2.45 MM	4	24/12/2009			
	84010472B	ADJUSTER, CLOSING ROCKER ARM 2.50 MM	4	24/12/2009			
	84010482B	ADJUSTER, CLOSING ROCKER ARM 2.55 MM	4	24/12/2009			
	84010492B	ADJUSTER, CLOSING ROCKER ARM 2.60 MM	4	24/12/2009			
	84010502B	ADJUSTER, CLOSING ROCKER ARM 2.65 MM	4	24/12/2009			
	84010512B	ADJUSTER, CLOSING ROCKER ARM 2.70 MM	4	24/12/2009			
	84010522B	ADJUSTER, CLOSING ROCKER ARM 2.75 MM	4	24/12/2009			
	84010532B	ADJUSTER, CLOSING ROCKER ARM 2.80 MM	4	24/12/2009			
	84010542B	ADJUSTER, CLOSING ROCKER ARM 2.85 MM	4	24/12/2009			
	84010552B	ADJUSTER, CLOSING ROCKER ARM 2.90 MM	4	24/12/2009			
	84010562B	ADJUSTER, CLOSING ROCKER ARM 2.95 MM	4	24/12/2009			
	84010572B	ADJUSTER, CLOSING ROCKER ARM 3.00 MM	4	24/12/2009			
	84010582B	ADJUSTER, CLOSING ROCKER ARM 3.05 MM	4	24/12/2009			
	84010592B	ADJUSTER, CLOSING ROCKER ARM 3.10 MM	4	24/12/2009			
	84010602B	ADJUSTER, CLOSING ROCKER ARM 3.15 MM	4	24/12/2009			
	84010612B	ADJUSTER, CLOSING ROCKER ARM 3.20 MM	4	24/12/2009			
	84010622B	ADJUSTER, CLOSING ROCKER ARM 3.25 MM	4	24/12/2009			
	84010632B	ADJUSTER, CLOSING ROCKER ARM 3.30 MM	4	24/12/2009			
	84010642B	ADJUSTER, CLOSING ROCKER ARM 3.35 MM	4	24/12/2009			
	84010652B	ADJUSTER, CLOSING ROCKER ARM 3.40 MM	4	24/12/2009			
	84010662B	ADJUSTER, CLOSING ROCKER ARM 3.45 MM	4	24/12/2009			
	84010672B	ADJUSTER, CLOSING ROCKER ARM 3.50 MM	4	24/12/2009			



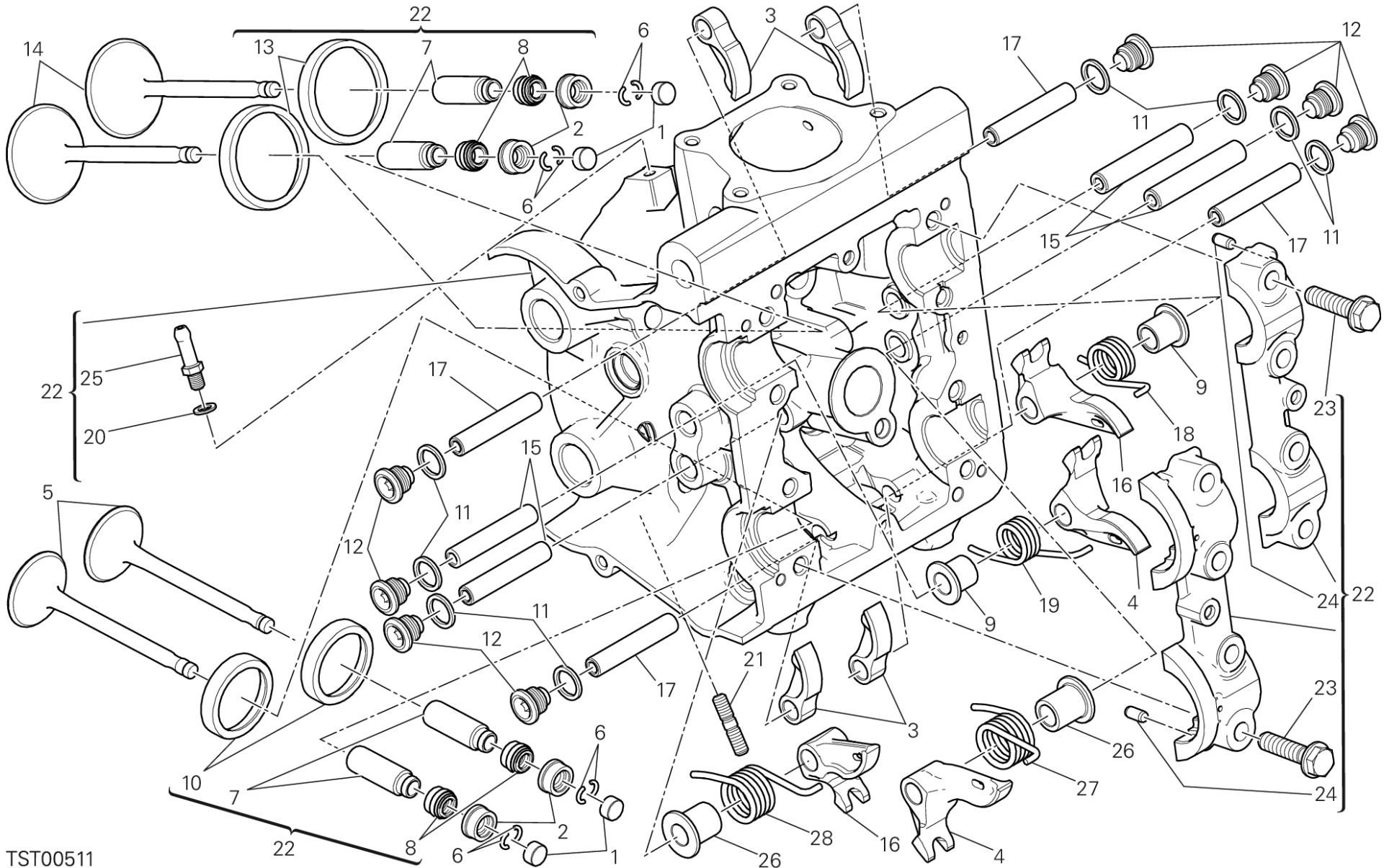
TST00511

DRAWING 015 - HORIZONTAL HEAD [MOD:M 1200]

GROUP ENGINE



POS.	CODE	DESCRIPTION	QTY	START DATE	END DATE	VALIDITY	NOTES
	84010682B	ADJUSTER, CLOSING ROCKER ARM 3.55 MM	4	24/12/2009			
	84010692B	ADJUSTER, CLOSING ROCKER ARM 3.60 MM	4	24/12/2009			
	84010702B	ADJUSTER, CLOSING ROCKER ARM 3.65 MM	4	24/12/2009			
	84010712B	ADJUSTER, CLOSING ROCKER ARM 3.70 MM	4	24/12/2009			
	84010722B	ADJUSTER, CLOSING ROCKER ARM 3.75 MM	4	24/12/2009			
	84010732B	ADJUSTER, CLOSING ROCKER ARM 3.80 MM	4	24/12/2009			
	84010742B	ADJUSTER, CLOSING ROCKER ARM 3.85 MM	4	24/12/2009			
	84010752B	ADJUSTER, CLOSING ROCKER ARM 3.90 MM	4	24/12/2009			
	84010762B	ADJUSTER, CLOSING ROCKER ARM 3.95 MM	4	24/12/2009			
	84010772B	ADJUSTER, CLOSING ROCKER ARM 4.00 MM	4	24/12/2009			
	84010782B	ADJUSTER, CLOSING ROCKER ARM 4.05 MM	4	24/12/2009			
	84010792B	ADJUSTER, CLOSING ROCKER ARM 4.10 MM	4	24/12/2009			
	84010802B	ADJUSTER, CLOSING ROCKER ARM 4.15 MM	4	24/12/2009			
	84010812B	ADJUSTER, CLOSING ROCKER ARM 4.20 MM	4	24/12/2009			
	84010822B	ADJUSTER, CLOSING ROCKER ARM 4.25 MM	4	24/12/2009			
	84010832B	ADJUSTER, CLOSING ROCKER ARM 4.30 MM	4	24/12/2009			
	84010842B	ADJUSTER, CLOSING ROCKER ARM 4.35 MM	4	24/12/2009			
	84010852B	ADJUSTER, CLOSING ROCKER ARM 4.40 MM	4	24/12/2009			
	84010862B	ADJUSTER, CLOSING ROCKER ARM 4.45 MM	4	24/12/2009			
	84010872B	ADJUSTER, CLOSING ROCKER ARM 4.50 MM	4	24/12/2009			
3	20810321A	OPEN. ROCKER ARM	4	07/12/2012			
4	20910501A	CLOSING ROCKER ARM LEFT	2	07/12/2012			
5	21110831A	EXHAUST VALVE	2	07/12/2012			
6	66910011E	C RING	8	07/12/2012			
7	30310631BB	GUIDE, VALVE OVERSIZED 0.03 MM	4	25/03/2013			
	30310631BC	GUIDE, VALVE OVERSIZED 0.06 MM	4	25/03/2013			
	30310631BD	GUIDE, VALVE OVERSIZED 0.09 MM	4	25/03/2013			
8	76440572A	SEAL VALVE STEM	4	06/03/2015			
9	71312921A	SPACER	2	07/12/2012			
10	30410891AB	SEAT, EXHAUST VALVE +0.03 MM	2	25/03/2013			
	30410891AC	SEAT, EXHAUST VALVE +0.06 MM	2	25/03/2013			
11	85250261B	GASKET, ALUMINIUM 12X16X1.5	8	07/12/2012			
12	78010511E	PLUG	8	07/12/2012			
13	30410881AB	SEAT, INLET VALVE +0.03 MM	2	25/03/2013			
	30410881AC	SEAT, INLET VALVE +0.06 MM	2	25/03/2013			



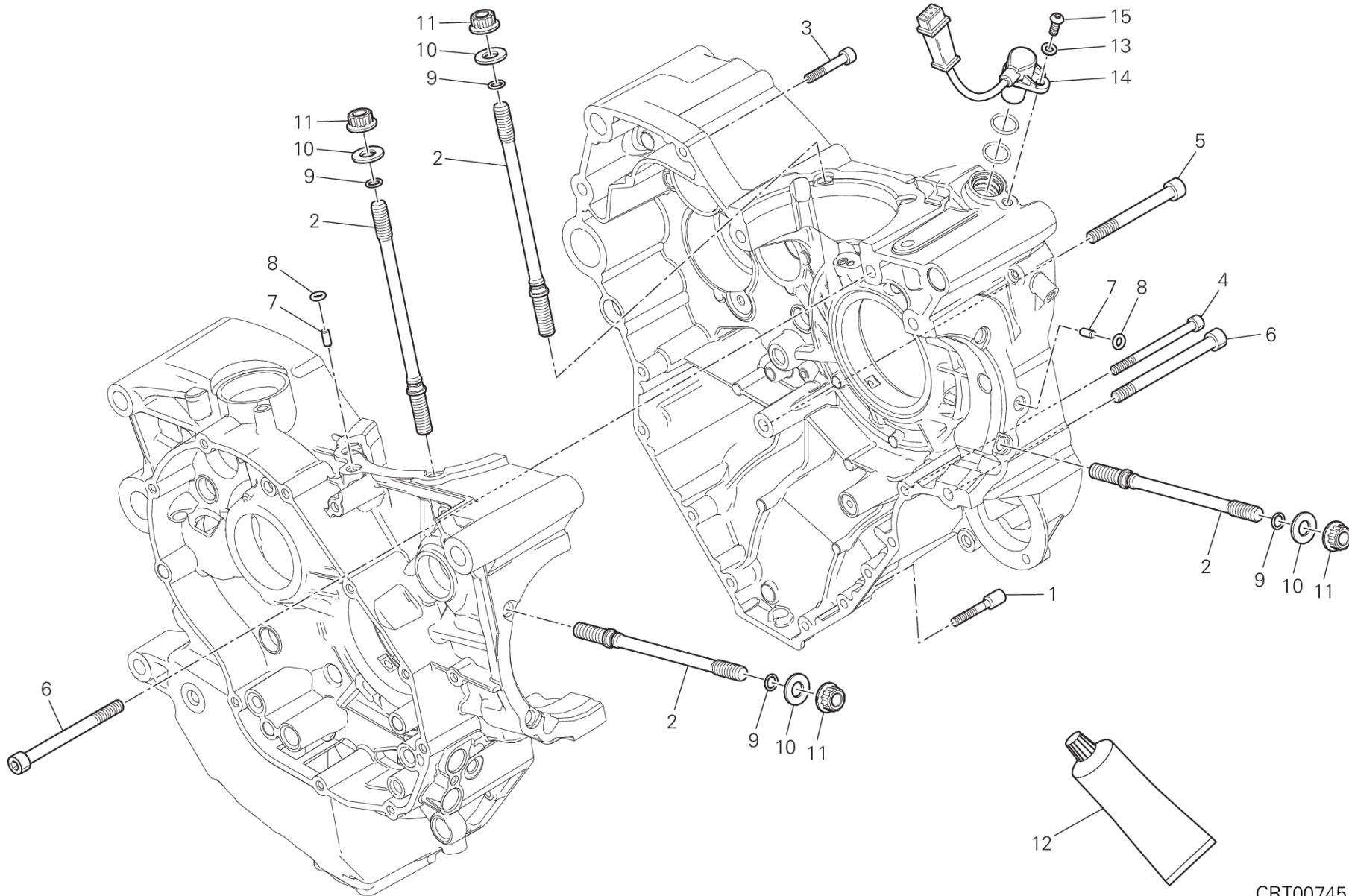
TST00511

DRAWING 015 - HORIZONTAL HEAD [MOD:M 1200]

GROUP ENGINE



POS.	CODE	DESCRIPTION	QTY	START DATE	END DATE	VALIDITY	NOTES
14	21010841A	INTAKE VALVE	2	07/12/2012			
15	82112951A	CLOSE ROCKER ARM AXLE	4	12/03/2015			
16	20910491A	CLOSING ROCKER ARM RIGHT	2	07/12/2012			
17	82112941A	SHAFT, OPENING ROCKER	4	06/03/2015			
18	79914861A	VALVE RETURN SPRING RH.	1	07/12/2012			
19	79914851A	VALVE RETURN SPRING LH.	1	07/12/2012			
20	85250231A	GASKET	1	03/04/2012			
21	76640191A	STUD BOLT M6X16	3	13/12/2012			
22	30124114AC	COMPLETE HORIZONTAL HEAD	1	29/02/2016			
23	77914211A	SCREW TEF M8X32	8	03/04/2012			
24	86050061A	PIN M5X10	4	03/04/2012			
25	81411881A	NIPPLE, HOSE	1	03/04/2012			
26	71312921B	SPACER	2	07/12/2012			
27	79915181B	LEFT VALVE RETURN SPRING	1	07/12/2012			
28	79915191B	RIGHT VALVE RETURN SPRING	1	07/12/2012			



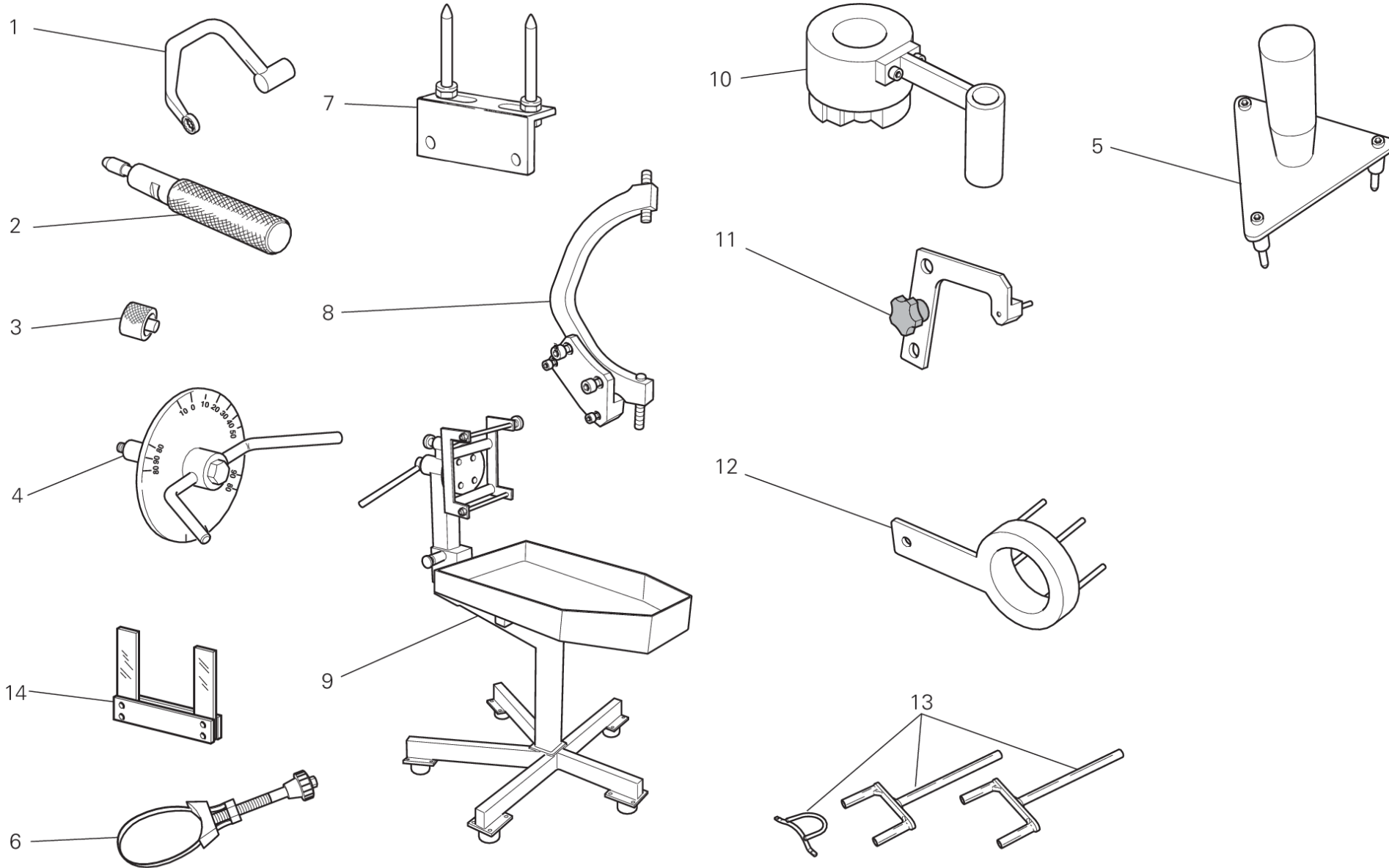
CRT00745

DRAWING 10A - HALF-CRANKCASES PAIR [MOD:M 1200]

GROUP ENGINE



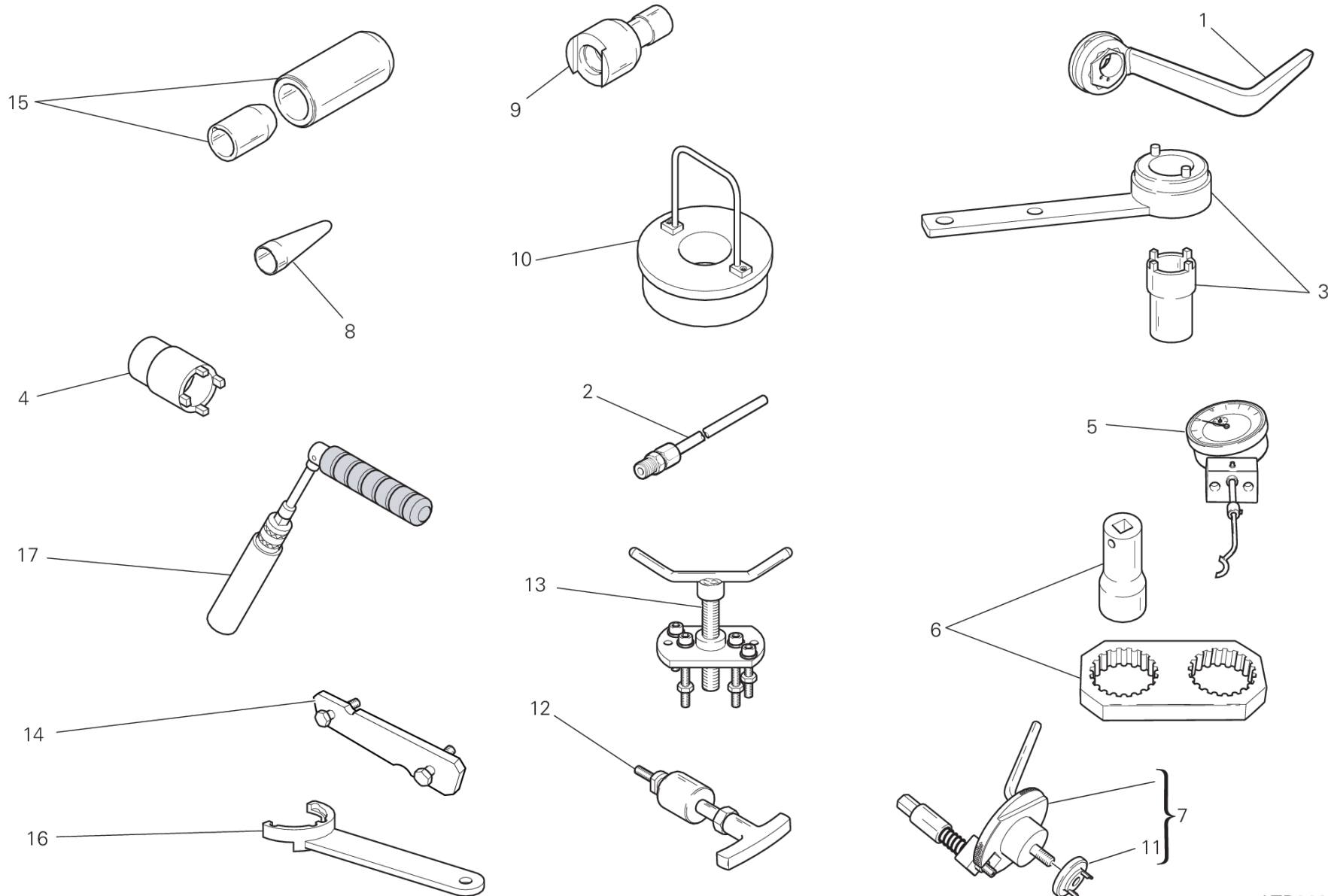
POS.	CODE	DESCRIPTION	QTY	START DATE	END DATE	VALIDITY	NOTES
1	77916041C	SCREW, SPECIAL	3	04/09/2014			
2	76610553B	STUD BOLT FASTENING HEAD CYLINDER	8	01/03/2014			
3	77150723B	SCREW TCEI M6X35 UNI 5931	5	01/03/2014			
4	77150808B	SCREW TCEI M6X75	2	01/03/2014			
5	77151363B	SCREW TCEI M8X75 UNI 5931	3	01/03/2014			
6	77151398B	SCREW TCEI M8X90	4	01/03/2014			
7	86010051B	DOWEL	2	01/03/2014			
8	88610241A	O-RING 5.23X2.62	2	01/03/2014			
9	88641181A	O-RING	8	01/03/2014			
10	85610642A	WASHER, SPECIAL 10.5X21X2	8	01/03/2014			
11	74810501A	NUT M10X1.5	8	01/03/2014			
12	942470014	LIQUID GASKET	1	01/03/2014			
13	85310031A	SPRING WASHER 6 MM	1	04/09/2014			
14	55241321C	SENSOR, TIMING & RPM	1	04/09/2014			
15	77550211B	SCREW TBEI M6X16 ISO7380 10.9	1	04/09/2014			



ATR00374



POS.	CODE	DESCRIPTION	QTY	START DATE	END DATE	VALIDITY	NOTES
1	887132096	HEAD NUTS HOLDER WRENCH	1				
2	887132442	TOOL, OIL SEAL MOUNTING (Ø7)	1				
3	887651298	SPACER FOR CHECKING LOWER VALVE SHIM	1				
4	887132571	TOOL, EGREE WHEEL HOLDER	1				
5	887133352	TOOL FOR TIMING CLUTCH PLATES SET	1				
6	887132906	WRENCH, OIL FILTER CARTRIDGE	1				
7	887132103	HEAD MOUNTING BASE	1				
8	887133367	FLYWHEEL WRENCH	1				
9	887131832	BENCH FOR ENGINE REPAIR	1				
10	887133408	REACTION TOOL FOR WET "FCC" CLUTCH	1				
11	887133334	PLATE POSITIONING GEAR ENGAGEMENT FORK	1				
12	887133417	TORQUE WRENCH	1				
13	887132068	CLOSING ROCKER PRE-LOAD KIT	1				
14	887131309	FORK FEELER GAUGE2,35 MM	1				



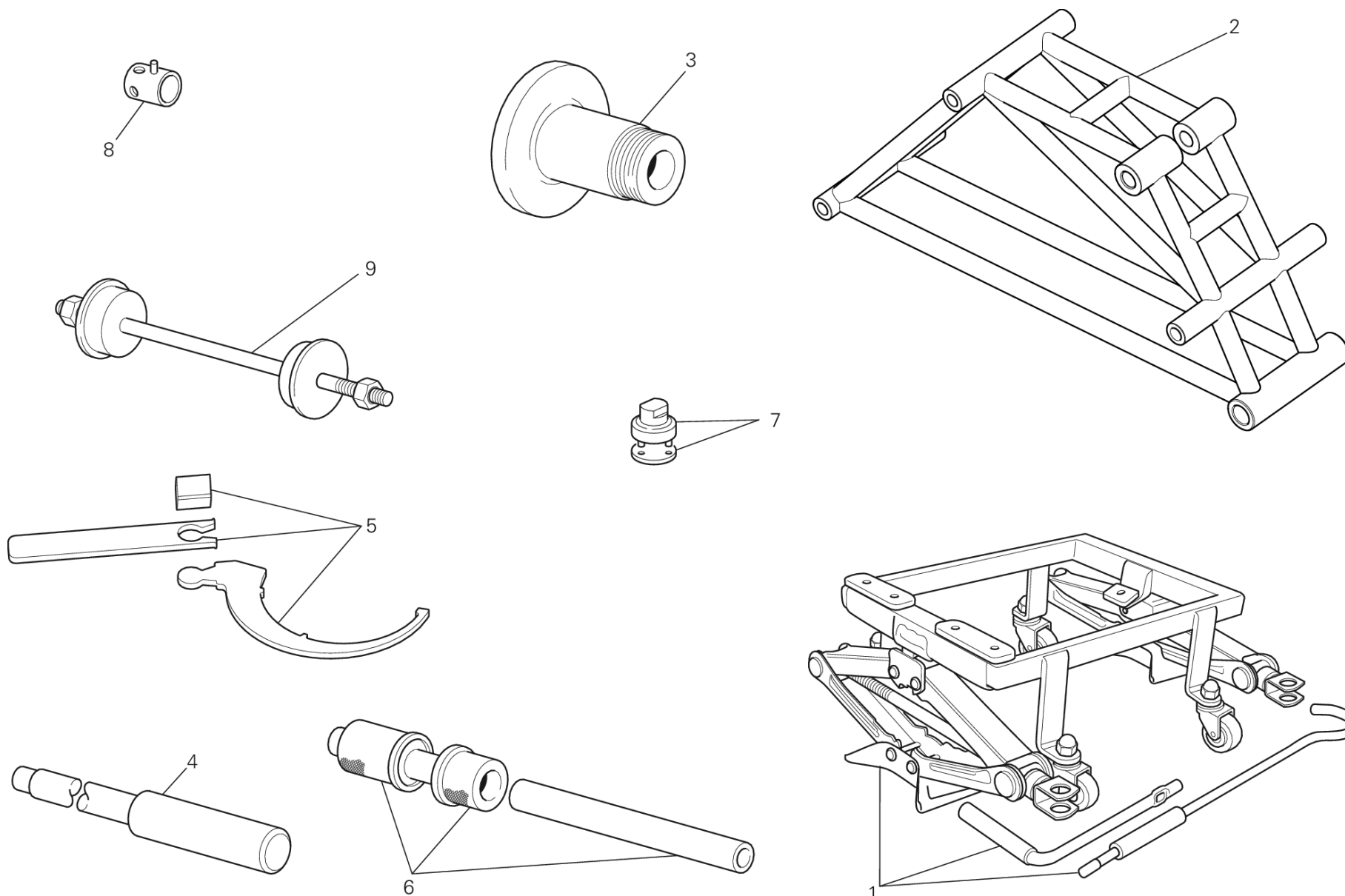
ATR00375

DRAWING 01A - WORKSHOP SERVICE TOOLS, ENGINE [MOD:M 1200]

GROUP TOOLS

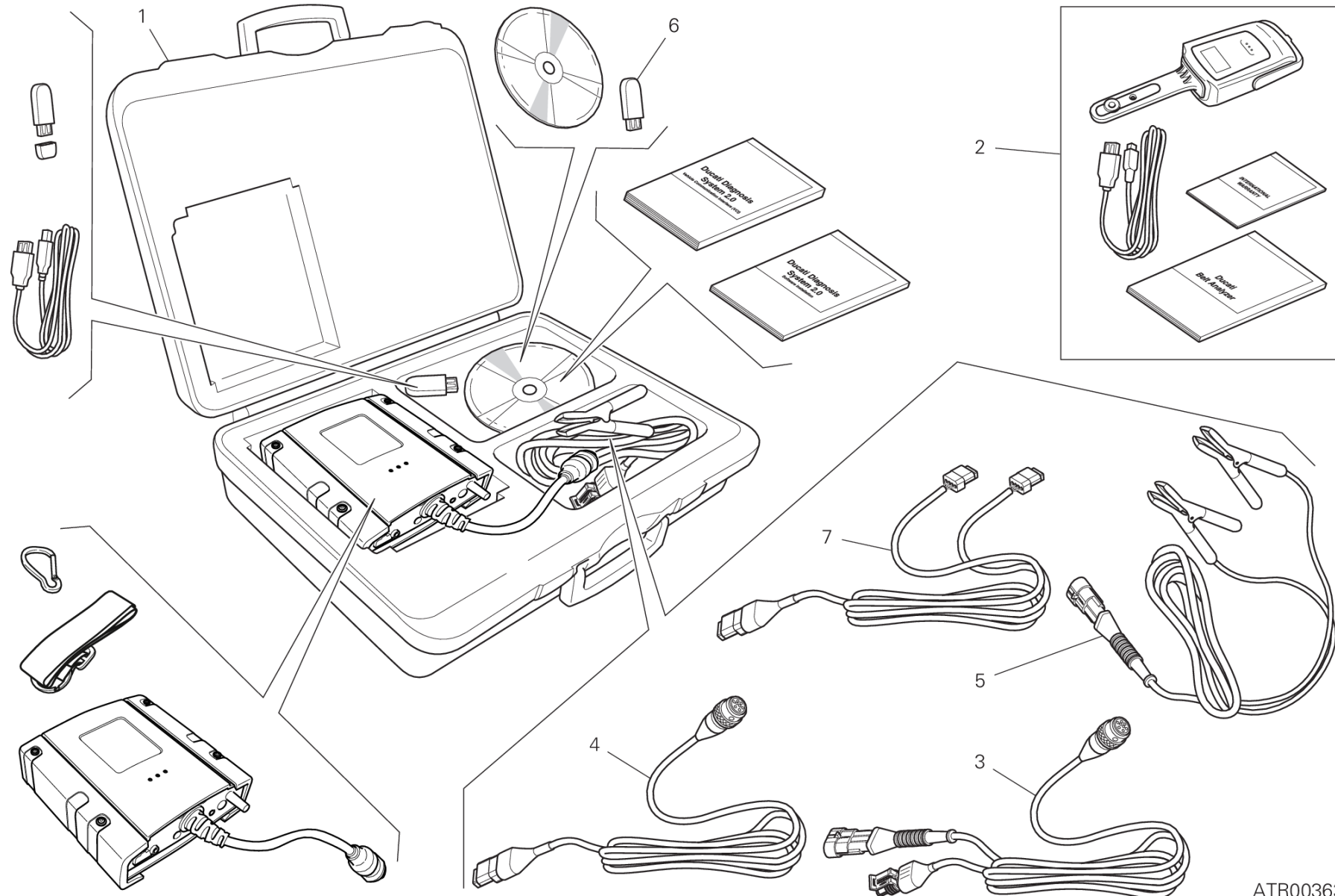


POS.	CODE	DESCRIPTION	QTY	START DATE	END DATE	VALIDITY	NOTES
1	887133497	WRENCH FOR TENSIONING MOBILE BELT TENSIO	1				
2	887131010	CONNECTOR FOR EXHAUST GAS TAKE-UP POINT	1				
3	887005644	TIMING PULLEY RETAINING WRENCH	1				
4	887133406	WRENCH TIGHTENING PRIMARY TRANSMISSI	1				
5	887651518	VALVE LIFT GAUGE	1				
6	887131806	REACTION TOOL BELT ROLLER TIGHTENING	1				
7	887132011	CRANKSHAFT RESET TOOL	1				
8	887131920	TOOL TO FIT O-RINGS ONTO STUD BOLTS	1				
9	887131821	WRENCH TO TIGHTEN TENSIONING BOLTS	1				
10	887132870	TOOL, CON-ROD GUIDING	1				
11	887134411	INSERT	1				
12	887131994	ROCKER PIN EXTRACTOR	1				
13	887131749	DRIVE ROLLER PULLER	1				
14	887651623	BELT ROLLER TIMING TOOL	1				
15	887131906	TOOL TO FIT OIL SEAL	1				
16	887133219	TIMING BELT ROLLER REACTION TOOL	1				
17	887132877	SPARK PLUG WRENCH	1				





POS.	CODE	DESCRIPTION	QTY	START DATE	END DATE	VALIDITY	NOTES
1	887133220	BENCH FOR ENGINE REPAIR	1				
2	887134513	FRAME/MOTOR SUPPORT	1				
3	887132951	TOOL BALANCING REAR WHEEL	1				
4	887131074	TOOL DISASSEMBLING SWINGARM PIVOT	1				
5	887133211	SPANNER FOR ADJUSTING THE ECCENTRIC HUB	1				
6	887132409	TOOL ASSEMBLING SWINGARM BALL BEARING	1				
7	887131058	SPANNER TO ASSEMBLE THE STEERING SLEEVE	1				
8	800070139	WRENCH FOR FRONT WHEEL SPINDLE	1				
9	887131062	TOOL ASSEMBLING STEERING TUBE BEARING	1				



ATR00363



POS.	CODE	DESCRIPTION	QTY	START DATE	END DATE	VALIDITY	NOTES
1	979000252	DDS 2 (Ducati Diagnosis System 2.0)	1				
2	979000253	BELT TENSIONING KIT	1				
3	979000254	MAIN CABLE	1				
4	979000255	MAIN CABLE (CAN)	1				
5	979000256	MAIN CABLE DDS	1				
6	28620441B	CHIAVE "PC HASP DDS2.0"	1				
7	979000259	WIRING MAP-KEY	1				



DRAWING A - TYRES [MOD:M 1200]

GROUP TYRES



POS.	CODE	DESCRIPTION	QTY	START DATE	END DATE	VALIDITY	NOTES
1	490P0272A	FRONT TYRE DIABLO™ ROSSO III (120-70 ZR17)	1	14/09/2016			(*)=Pneumatico di primo equipaggiamento
2	491P0294A	REAR TYRE DIABLO™ ROSSO III (190-55 ZR17)	1	12/11/2016			(*)=Pneumatico di primo equipaggiamento
3	49040901A	FRONT TYRE ANGEL™ GT (120-70 ZR17)	1				
4	49141411A	REAR TYRE ANGEL™ GT (190-55 ZR17)	1				
5	49040711A	FRONT TYRE DIABLO™ SUPERCORSA SP (120-70 ZR17)	1				
6	49141421A	REAR TYRE DIABLO™ SUPERCORSA SP (190-55 ZR17)	1				
7	49040692A	FRONT TYRE DIABLO™ ROSSO CORSA (120-70 ZR17)	1				
8	49141401A	REAR TYRE DIABLO™ ROSSO CORSA (190-55 ZR17)	1				



DRAWING B3 - (*) PIRELLI DIABLO™ ROSSO III [MOD:M 1200]

GROUP TYRES



POS.	CODE	DESCRIPTION	QTY	START DATE	END DATE	VALIDITY	NOTES
1	490P0272A	FRONT TYRE DIABLO™ ROSSO III (120-70 ZR17)	1	14/09/2016			(*)=Pneumatico di primo equipaggiamento
2	491P0294A	REAR TYRE DIABLO™ ROSSO III (190-55 ZR17)	1	12/11/2016			(*)=Pneumatico di primo equipaggiamento



DRAWING C1 - PIRELLI ANGEL™ GT

GROUP TYRES



POS.	CODE	DESCRIPTION	QTY	START DATE	END DATE	VALIDITY	NOTES
1	49040901A	FRONT TYRE ANGEL™ GT (120-70 ZR17)	1	18/06/2014			
2	49141411A	REAR TYRE ANGEL™ GT (190-55 ZR17)	1	08/03/2013			



DRAWING D1 - PIRELLI DIABLO™ SUPERCORSA SP

GROUP TYRES



POS.	CODE	DESCRIPTION	QTY	START DATE	END DATE	VALIDITY	NOTES
1	49040711A	FRONT TYRE DIABLO™ SUPERCORSA SP (120-70 ZR17)	1	12/01/2015			
2	49141421A	REAR TYRE DIABLO™ SUPERCORSA SP (190-55 ZR17)	1	24/09/2012			



DRAWING E - PIRELLI DIABLO™ ROSSO CORSA

GROUP TYRES



POS.	CODE	DESCRIPTION	QTY	START DATE	END DATE	VALIDITY	NOTES
1	49040692A	FRONT TYRE DIABLO™ ROSSO CORSA (120-70 ZR17)	1	25/10/2013			
2	49141401A	REAR TYRE DIABLO™ ROSSO CORSA (190-55 ZR17)	1	28/05/2015			

DRAWING 016 - OIL COOLER [MOD:M 1200]

GROUP FRAME



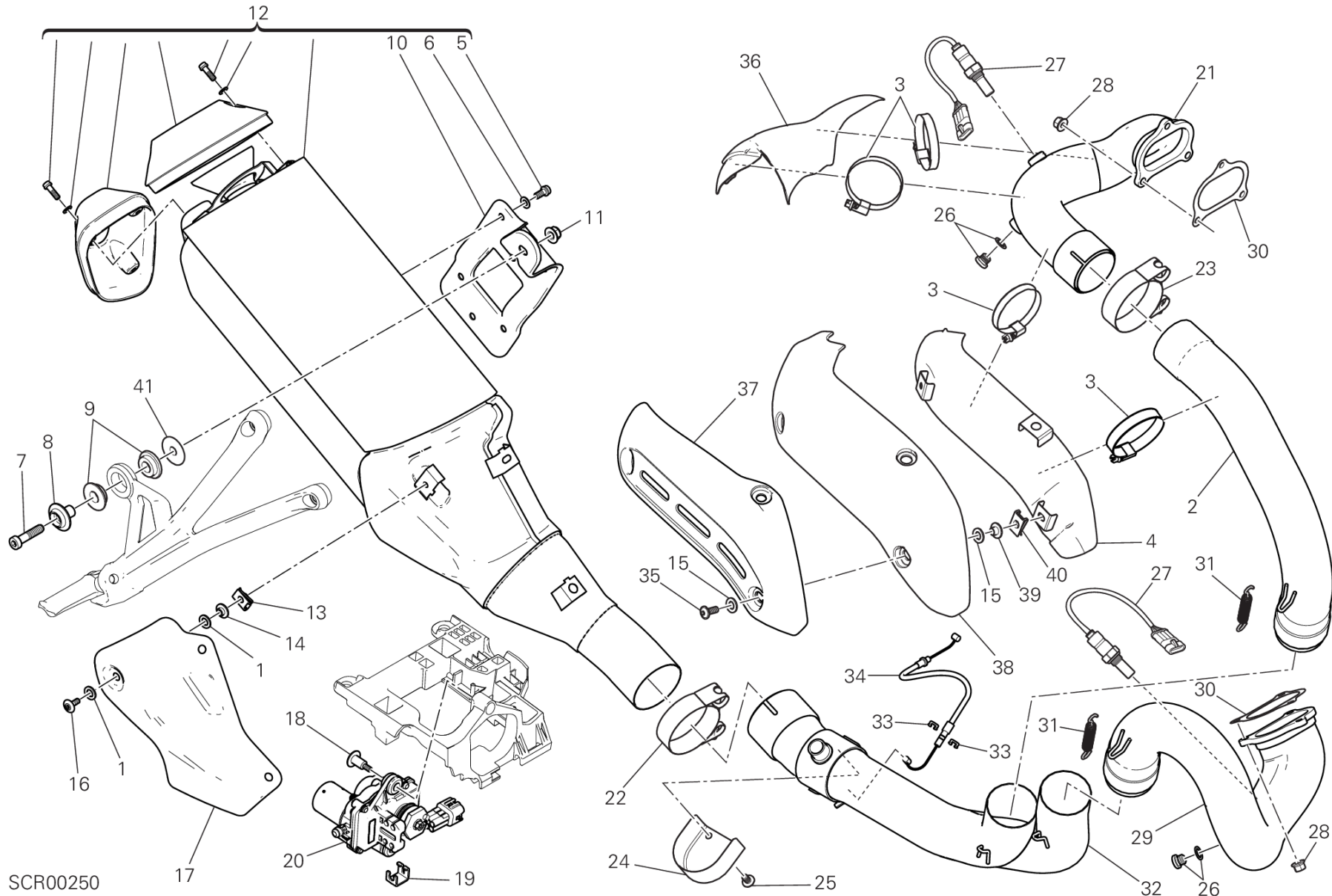
POS.	CODE	DESCRIPTION	QTY	START DATE	END DATE	VALIDITY	NOTES
1	54810461B	OIL COOLER	1	22/10/2013			
2	76410241A	VIBRATION DAMPER PAD	3	22/10/2013			
3	71610031A	SPACER	1	22/10/2013			
4	77251038B	SCREW TEF M6X25	1	22/10/2013			
5	81510221A	NIPPLE, HOSEM14X1.5	2	22/10/2013			
6	78710111A	GASKET, ALUMINIUM 14X22X2	2	05/05/2014			
7	54911071A	HOSE, OIL	2	22/10/2013			
8	77116648B	SCREW	1	22/10/2013			
9	82714201A	PLATE	1	22/10/2013			
10	83018411AA	STAY, OIL COOLER	1	22/10/2013			
11	77110351A	SCREW TCEIF M8X25	2	22/10/2013			
12	53940302A	SWITCH ASSY, OIL PRESSURE	1	22/10/2013			
13	85211951A	GASKET 10.5X17X2	1	22/10/2013			
14	85040381A	QUICK FASTENING	2	22/10/2013			
15	85212751A	SPACER	1	22/10/2013			
16	51640011AB	HORN	1	22/10/2013			
17	77156658B	SCREW TCEIF M6X16	1	22/10/2013			
18	77211031A	SCREW TBEIF M6X18	1	22/10/2013			
19	71614221A	SPACER	1	10/03/2016			

DRAWING 017 - THROTTLE BODY [MOD:M 1200]

GROUP FRAME



POS.	CODE	DESCRIPTION	QTY	START DATE	END DATE	VALIDITY	NOTES
1	14010822B	INTAKE MANIFOLD	2	08/04/2015			
2	77110391B	SCREW	4	31/05/2013			
3	74141871A	CLAMP 60-80 MM	2	22/10/2013			
4	75840641A	HOSE GUIDE	2	22/10/2013			
5	82911901A	MOUNT RUBBER	1	01/08/2013			
6	75840721A	HOSE GUIDE	1	01/08/2013			
7	83018421BA	BRACKET, WATER TANK	1	01/08/2013			
8	85250231A	GASKET	2	22/02/2013			
9	59014101A	DEPRESSURE/PRESSURE LINE VERTICAL	1	01/11/2013			
10	81413341A	UNION	2	31/05/2013			
11	74140431A	CLAMP	2	12/03/2013			
12	74841091AA	NUT	2	08/09/2014			
13	71611071B	SPACER	2	08/09/2014			
14	86611991A	RUBBER PAD SENSOR, PRESSURE	1	08/09/2014			
15	74141711A	CLAMP 10-7 MM	2	12/03/2013			
16	81415251B	BRACKET SENSOR PRESSURE	1	08/09/2014			
17	59014111A	DEPRESSURE/PRESSURE LINE HORIZONTAL	1	01/11/2013			
18	55241441A	SENSOR, PRESSURE	1	12/03/2013			
19	78810971A	GASKET	2	06/08/2014			
20	13510451A	AIR FUNNEL	2	06/08/2014			
21	77214411BA	SCREW, SPECIAL	4	06/02/2017			
22	59024061A	COMPLETE PIPE SET	1	21/03/2016			
23	77150408B	SCREW TCEI M5X14	2	12/03/2013			
24	28040401B	INJECTOR	2	31/08/2015			
25	5101A842A	INJECTION WIRING	1	21/03/2016			
26	28240991A	THROTTLE BODY	1	06/08/2014			
27	88642231A	O-RING	2	12/03/2013			
28	76411851A	BYPASS CAP	2	12/03/2013			
29	77912741A	SCREW TBEI M6X14	8	12/03/2013			
30	83018221A	HOLDER WIRING	1	22/10/2013			
31	70010901A	VIBRATION DAMPER	2	08/09/2014			
32	77110401B	SCREW	4	16/03/2015			



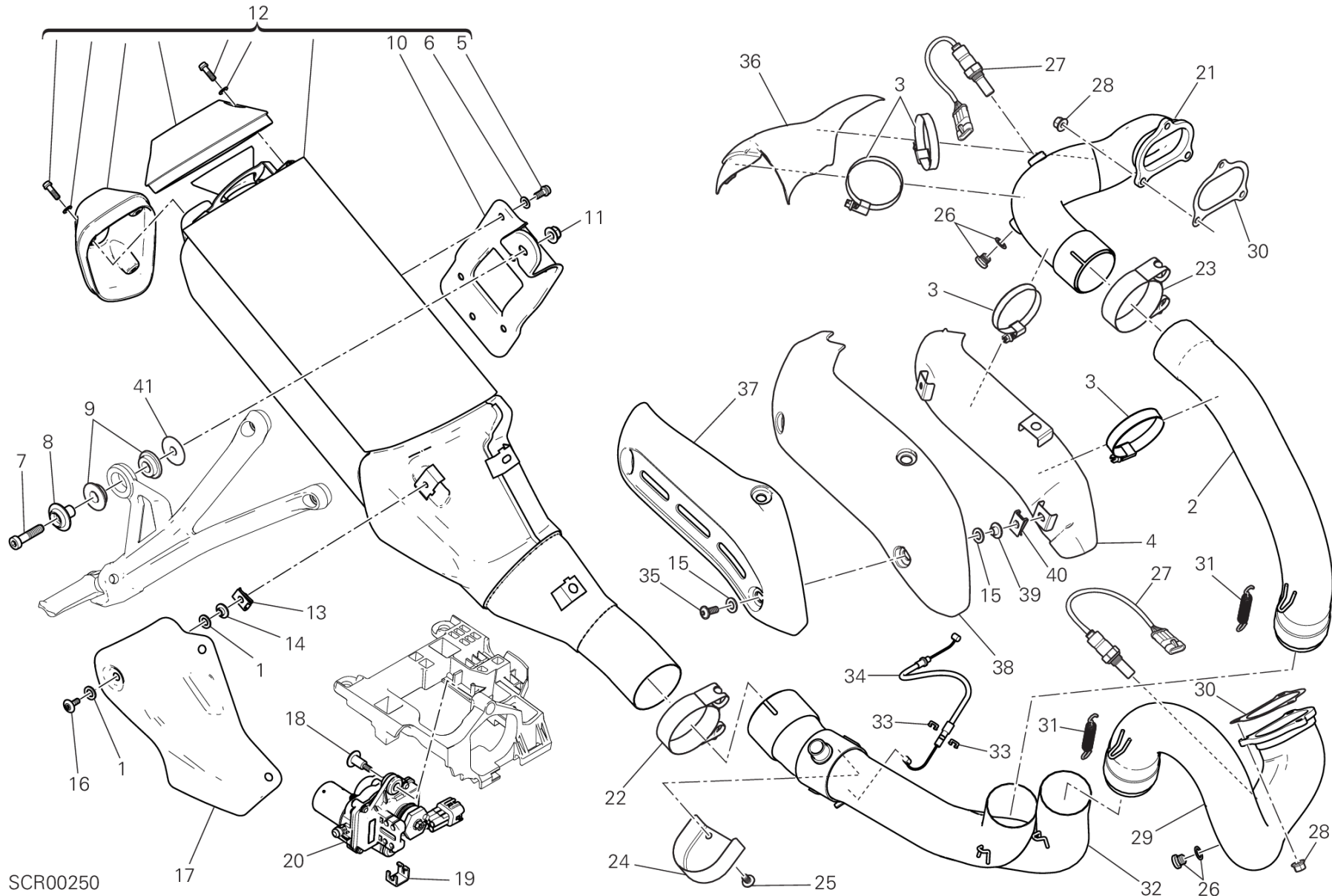
SCR00250

DRAWING 019 - EXHAUST SYSTEM [MOD:M 1200]

GROUP FRAME



POS.	CODE	DESCRIPTION	QTY	START DATE	END DATE	VALIDITY	NOTES
1	85212271A	WASHER	6	10/03/2016			
2	57113261A	EXHAUST PIPE VERTICAL	1	10/03/2016			
3	74142381A	CLAMP 40/60 MM	4	22/10/2013			
4	4601B284A	HOLDER HEAT GUARD VERTICAL	1	22/10/2013			
5	77156639E	SCREW	6	20/04/2017			
6	85250271A	WASHER 6.2X12X1	6	24/02/2013			
7	77355068B	SCREW TCEIR M8X35	1	22/10/2013			
8	71314361AB	BUSH	1	05/05/2014			
9	76410011A	DAMPER	2	22/10/2013			
10	57610892BA	BRACKET, SILENCER	1	16/09/2016			
11	74940321A	NUT M8	1	22/02/2017			
12	57322243BA	SILENZIATORE COMPLETO	1	10/03/2016		XST:AUS,BLG,EUR,GSO,JAP,ROK,TWN	
13	85040551A	QUICK FASTENING	3	22/10/2013			
14	71611071B	SPACER	3	16/11/2016			
15	85210721B	WASHER	6	22/10/2013			
16	77210882B	SCREW TBEI M5X12	3	22/10/2013			
17	4601D311CA	HEAT GUARD SILENCER	1	02/11/2015			
18	77211401BA	SCREW, SPECIAL	2	24/09/2015			
19	75910251A	SPRING	1	24/09/2015			
20	59340301C	ELECTRIC MOTOR, EXHAUST VALVE	1	24/09/2015			
21	57113251A	EXHAUST MANIFOLD	1	10/03/2016			
22	74142651A	CLAMP	1	10/03/2016			
23	74141461A	CLAMP 53/20 MM	1	22/02/2017			
24	4601B921A	GUARD, EXHAUST VALVE	1	22/10/2013			
25	77253268C	SCREW	2	05/05/2014			
26	78020011A	PLUG ASSY	2				
27	55214011A	SENSOR LAMBDA SOND	2	22/10/2013			
28	74810241A	NUT	6	22/10/2013			
29	57013382A	HORIZONTAL HEAD EXHAUST PIPE	1	10/03/2016			
30	79010211A	GASKET, EXHAUST PIPE	2	22/10/2013			
31	79925941A	COMPLETE SPRING	2	22/10/2013			
32	57211632A	PIPE, EXHAUST CENTER	1	10/03/2016			
33	88450661A	SNAP RING	2	22/10/2013			
34	73210543A	CABLE, EXHAUST VALVE	1	15/10/2013			
35	77240433C	SCREW	3	10/03/2016			



SCR00250



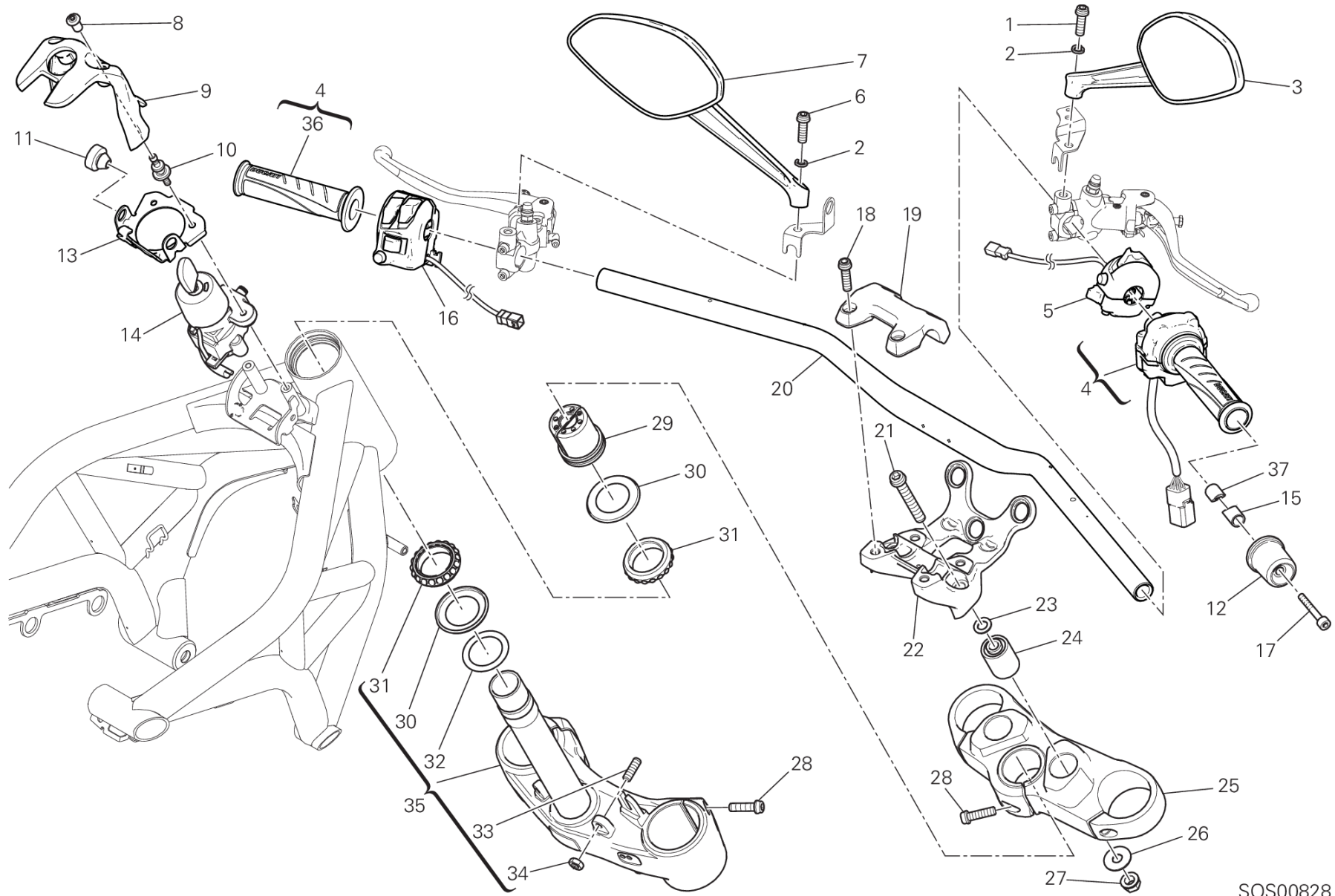
POS.	CODE	DESCRIPTION	QTY	START DATE	END DATE	VALIDITY	NOTES
36	4601B275A	HEAT GUARD REAR VERTICAL	1	22/10/2013			
37	4601E841A	HEAT GUARD UPPER VERTICAL	1	10/03/2016			
38	4602B332A	COVER ASSEMBLY HEAT GUARD VERTICAL	1	22/10/2013			
39	71614691AA	SPACER	3	22/10/2013			
40	85040381A	QUICK FASTENING	3	22/10/2013			
41	85213681A	WASHER	1	07/11/2016			

DRAWING 021 - HANDLEBAR AND CONTROLS [MOD:M 1200]

GROUP FRAME



POS.	CODE	DESCRIPTION	QTY	START DATE	END DATE	VALIDITY	NOTES
1	77113731A	SCREW TCEIF M8X25, LEFT THREAD	1	22/10/2013			
2	46210021A	SPRING WASHER 8 MM	2	22/10/2013			
3	52310541A	REAR-VIEW MIRROR R.H.	1	22/09/2016			
4	66020093B	THROTTLE CONTROL (Unit)	1	24/10/2016			
5	65010281B	RIGHT HANDLE SWITCH	1	21/09/2016		MOD:M 1200	
6	77113741A	SCREW TCEIF M8X25	1	22/10/2013			
7	52310551A	REAR-VIEW MIRROR L.H.	1	22/09/2016			
8	75011491AB	NUT, SPECIAL	2	22/10/2013			
9	4601E221A	COVER, IGNITION SWITCH	1	10/03/2016			
10	77110501A	SCREW, SPECIAL	2	22/10/2013			
11	86611001A	PAD	2	09/06/2014			
12	15310131A	BALANCER SET, HANDLE BAR	2	22/10/2013			
13	8301E411AA	BRACKET, FUEL TANK	1	10/03/2016			
14	65240231A	KEY-OPERATED SWITCH	1	04/04/2013			
15	71011071A	BUSH	2	22/10/2013			
16	65110281B	LEFT HANDLE SWITCH	1	21/09/2016			
17	77150788B	SCREW TCEI M6X65	2	22/10/2013			
18	77157273B	SCREW	4	01/08/2013			
19	36015322AB	HANDLEBAR BRACKET, UPPER	1	01/08/2013			
20	36011941CA	HANDLEBAR	1	24/10/2016			
21	77159418B	SCREW M10X1.25X70	2	01/08/2013			
22	36015471AB	HOLDER, HANDLE LOWER	1	24/10/2016			
23	85250401A	WASHER 10.5X18X1.6	2	01/08/2013			
24	70010541A	CUSHION, HANDLEBAR	2	01/08/2013			
25	34110992AC	STEERING HEAD	1	01/08/2013		MOD:M 1200	M 1200
26	85210491B	WASHER 10.5X28X1.5	2	01/08/2013			
27	74840241AB	NUT M10X1.25	2	01/08/2013			
28	77157268B	SCREW	7	01/08/2013			
29	70310761AA	THREAD, STEERING HEAD TOP	1	22/10/2013			
30	93010041B	SEAL RING	2	31/07/2013			
31	70241231A	BEARING, STEERING NTN SF07A17P	2				
32	85211031AB	WASHER	1	31/07/2013			
33	77850281A	THREADED DOWEL STEI M8X25	2	31/07/2013			
34	74750071A	NUT	2	31/07/2013			
35	342P0961AB	STEERING HEAD BASE (Unit)	1	24/10/2016		MOD:M 1200	



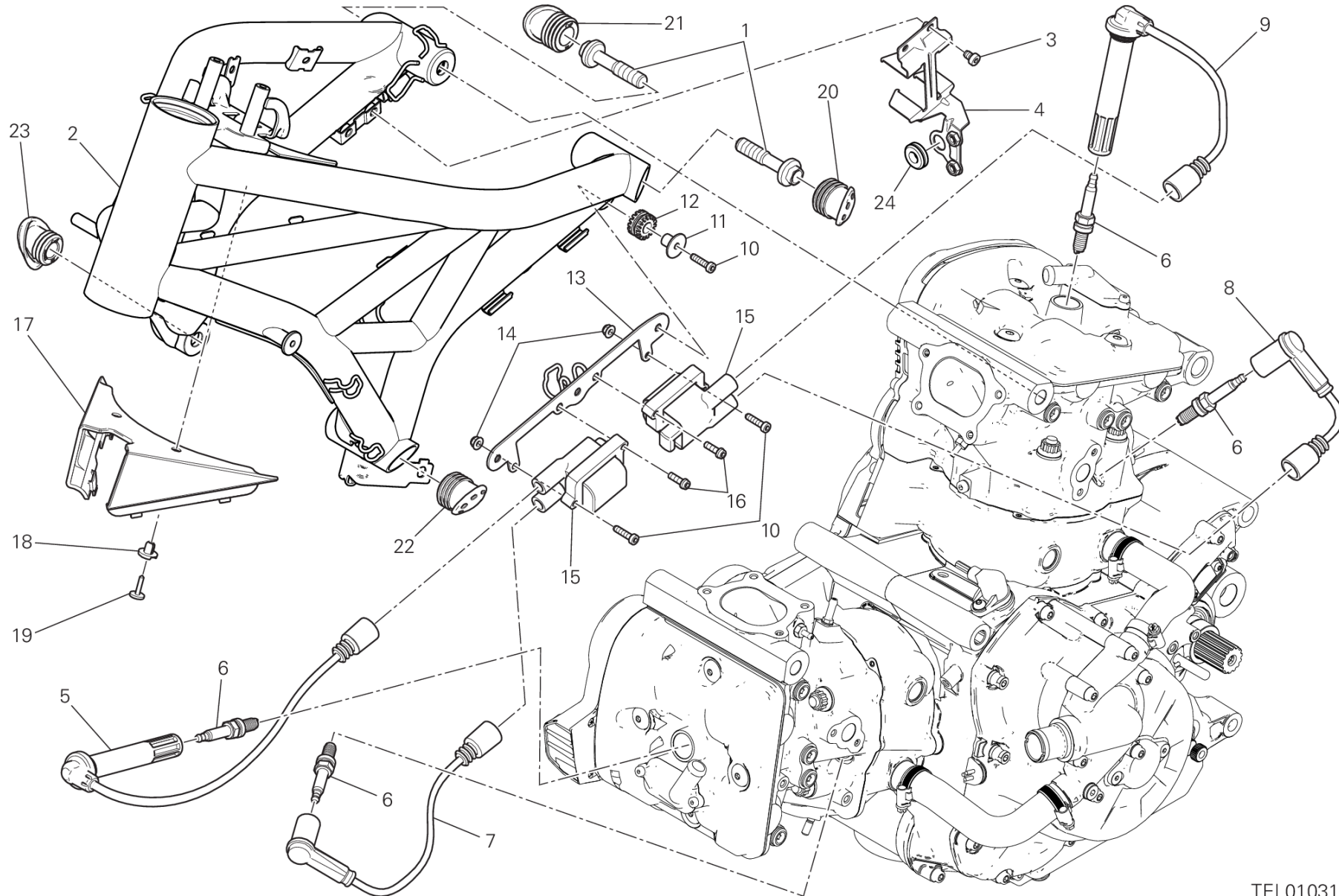
SOS00828

DRAWING 021 - HANDLEBAR AND CONTROLS [MOD:M 1200]

GROUP FRAME



POS.	CODE	DESCRIPTION	QTY	START DATE	END DATE	VALIDITY	NOTES
36	36140161A	HAND GRIP LH	1	24/10/2016			
37	71111301A	SPINDLE, TAPER	2	22/10/2013			



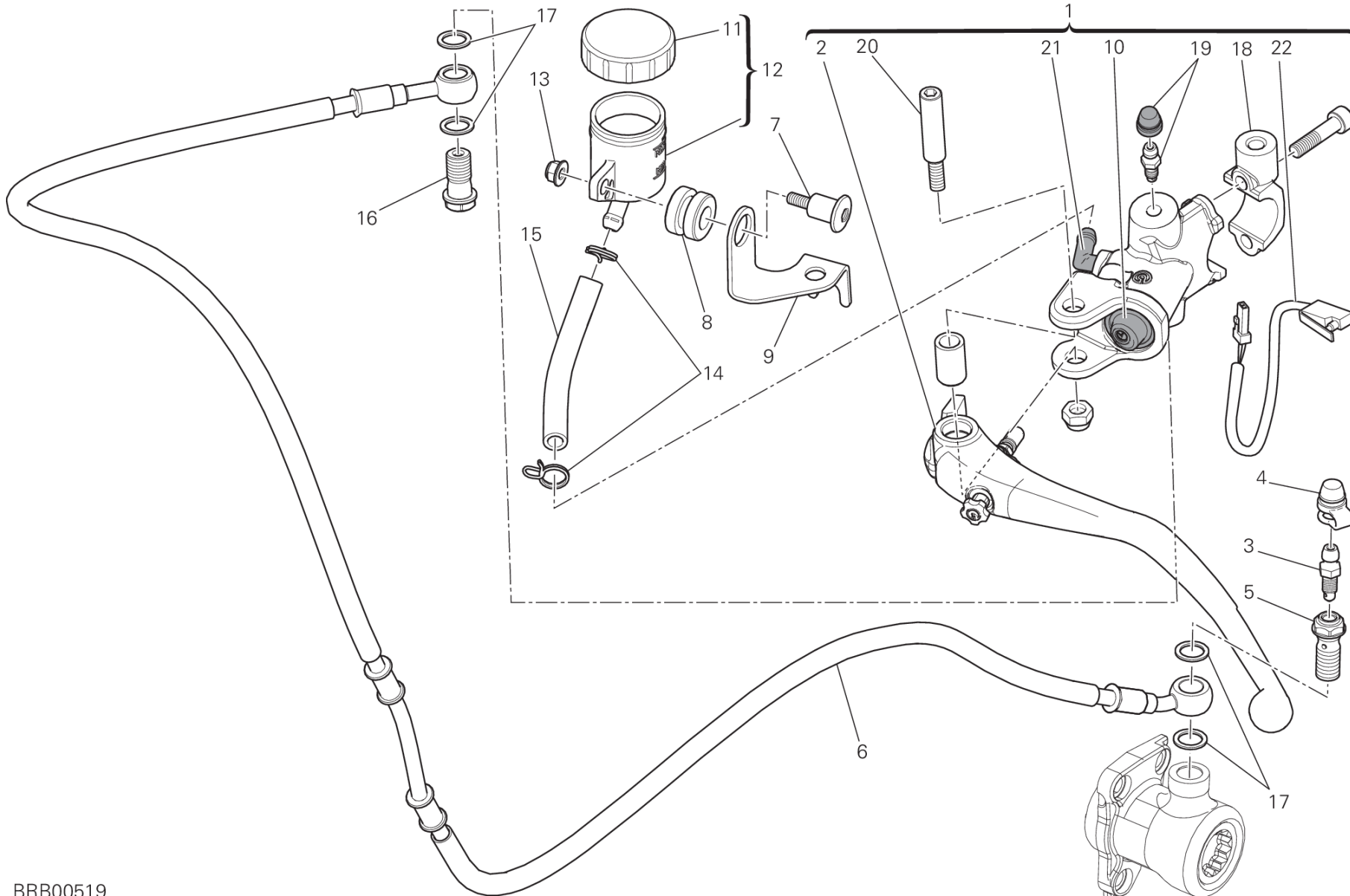
TEL01031

DRAWING 022 - FRAME [MOD:M 1200]

GROUP FRAME



POS.	CODE	DESCRIPTION	QTY	START DATE	END DATE	VALIDITY	NOTES
1	77918291AA	SCREW, SPECIAL	4	22/10/2013			
2	47018051AA	FRAME RED	1	10/03/2016		XCO:R;XST:AUS,EUR,JAP,ROK,TWN	
	47018121AA	FRAME RED	1	10/03/2016		XCO:R;XST:AUS	
3	77350618B	SCREW TCEIR M6X8	2	22/10/2013			
4	83018172AA	BRACKET, FUSE BOX	1	22/10/2013			
5	67110601B	SPARK PLUG CABLE, HORIZONTAL HEAD	1	22/10/2013			
6	67040451A	SPARK PLUG NGK MAR9A-J	4	26/02/2013			
7	67110612A	CABLE, HORIZONTAL HEAD SPARK PLUG LH	1	10/03/2016			
8	67110582A	CABLE, VERTICAL HEAD SPARK PLUG LH	1	10/03/2016			
9	67110592B	SPARK PLUG CABLE, VERTICAL HEAD	1	22/10/2013			
10	77354743B	SCREW TCEIR M5X20 DIN6912 8.8	5	22/10/2013			
11	71611641AA	SPACER	3	10/03/2016			
12	76410241A	VIBRATION DAMPER PAD	3	22/10/2013			
13	83018431AA	BRACKET, COIL	1	22/10/2013			
14	74810351B	NUT	2	22/10/2013			
15	38040101C	IGNITION COIL	2	22/10/2013			
16	77156413B	SCREW TCEIF M5X16	2	22/10/2013			
17	48211951A	COVER TUBE	1	22/10/2013			
18	85041051A	RIVET, FEMALE	2	22/10/2013			
19	85041041A	RIVET, MALE	2	22/10/2013			
20	87210922A	LEFT PAD	1	10/01/2014			
21	87210912A	RIGHT PAD	1	10/01/2014			
22	87210951A	LEFT PAD Front	1	05/05/2014			
23	87210941A	RIGHT PAD Front	1	05/05/2014			
24	76410981A	VIBRATION DAMPER PAD	1	16/03/2015			



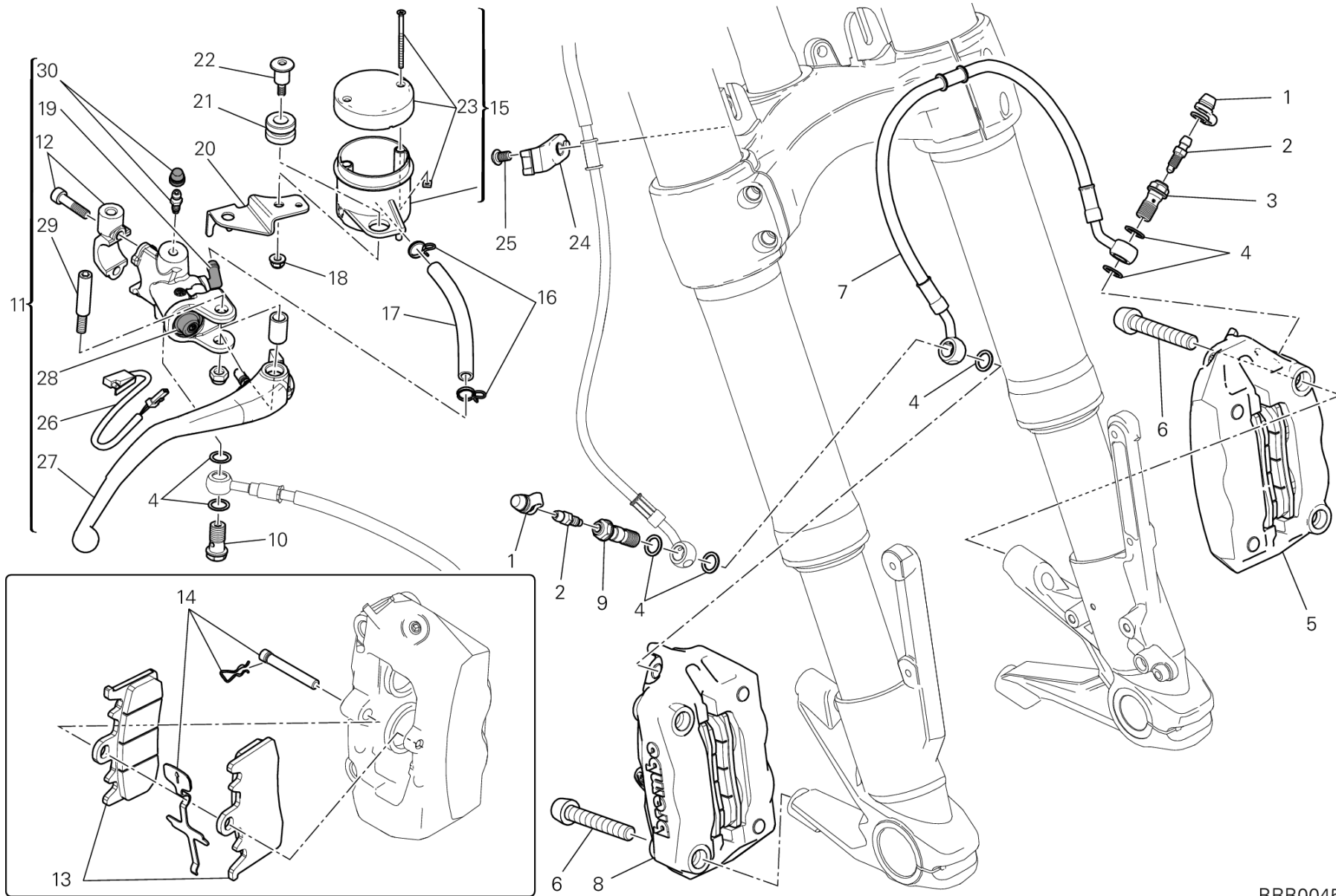
BRB00519

DRAWING 023 - CLUTCH CONTROL [MOD:M 1200]

GROUP FRAME



POS.	CODE	DESCRIPTION	QTY	START DATE	END DATE	VALIDITY	NOTES
1	63040663A	***HYDRAULIC CLUTCH DRIVE PUMP PR15/18 "S"	1	30/01/2015			
2	63140631A	LEVER, CLUTCH LIFTER	1	03/04/2013			
3	18710021A	VALVE, BREATHER	1	01/03/2013			
4	61240052A	DUST COVER (SACCHETTO Q.tà 20)	1	01/03/2013			
5	77913971A	BOLT, BRAKE HOSE	1	01/03/2013			
6	63210741B	CLUTCH CONTROL PIPE	1	14/10/2016			
7	77910921A	SCREW	1	01/03/2013			
8	76414191A	RUBBER PAD	1	01/03/2013			
9	8291B951BA	BRACKET, BRAKE FLUID TANK	1	30/01/2015			
10	61240391A	DUST COVER	1	01/03/2013			
11	89340051A	COVER MASTER CYLINDER	1				
12	58540231A	TANK ASSY, RESERVOIR CLUTCH	1	01/03/2013			
13	74941108B	NUT, SELF LOCKING M5	1	01/03/2013			
14	74140431A	CLAMP	2	01/03/2013			
15	87711131A	PIPE	1	01/03/2013			
16	77913662AB	BOLT, BRAKE HOSE	1	01/03/2013			
17	85250241A	WASHER 10X14X1	4	01/03/2013			
18	62640891A	BRACKET, CLUTCH MASTER CYLINDER	1	01/03/2013			
19	63140281A	DRAIN	1	01/03/2013			
20	62640561A	BOLT, LEVER	1	01/03/2013			
21	63140081A	JOINT, HOSE	1	01/03/2013			
22	53940501A	SWITCH, CLUTCH	1	01/03/2013			



BRB00457

DRAWING 024 - FRONT BRAKE SYSTEM [MOD:M 1200]

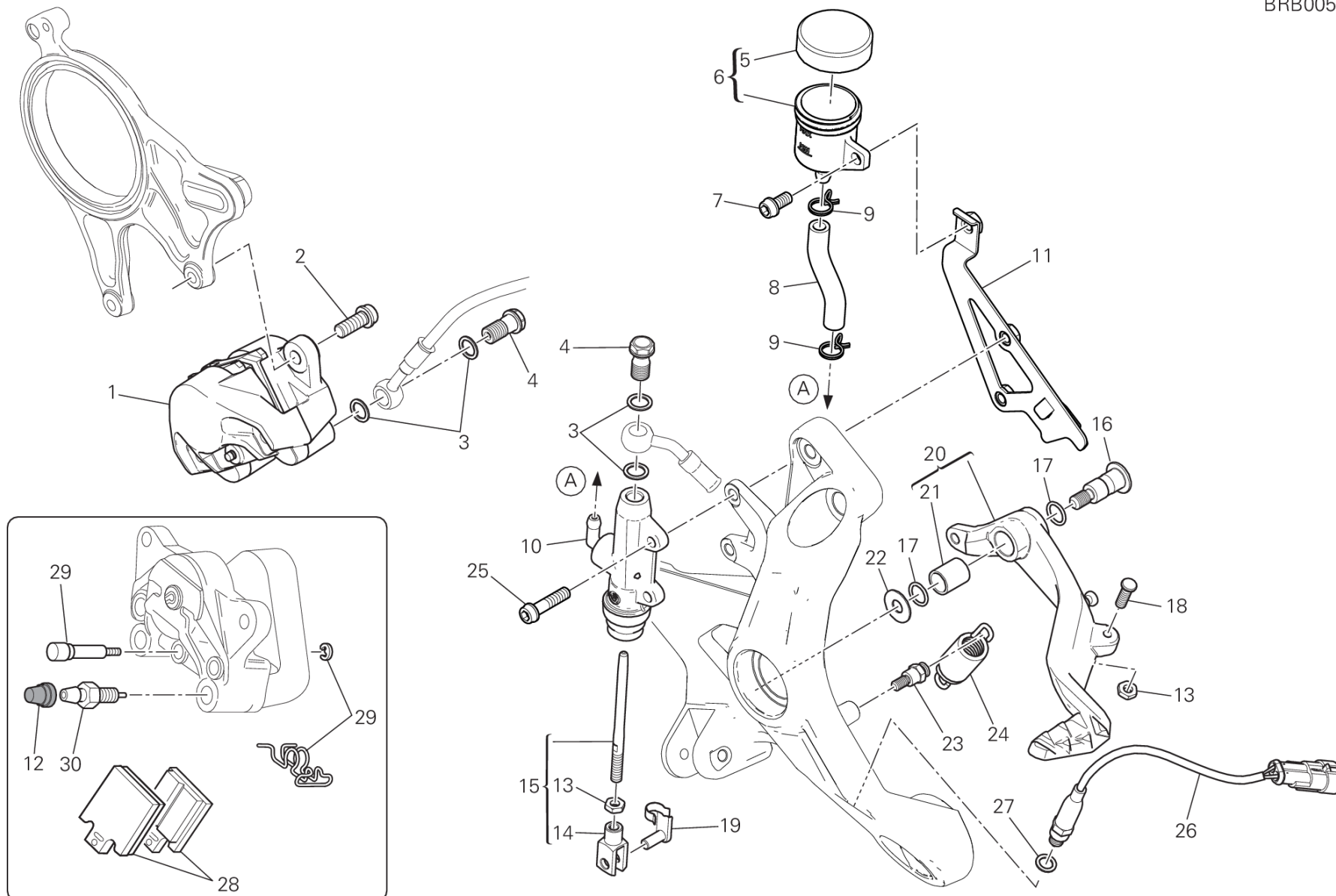
GROUP FRAME



POS.	CODE	DESCRIPTION	QTY	START DATE	END DATE	VALIDITY	NOTES
1	61240052A	DUST COVER (SACCHETTO Q.tà 20)	2	20/09/2013			
2	18710021A	VALVE, BREATHER	2	20/09/2013			
3	77913971A	BOLT, BRAKE HOSE	1	20/09/2013			
4	85250241A	WASHER 10X14X1	7	20/09/2013			
5	61041292C	LEFT FRONT BRAKE CALIPER	1	14/10/2016			
6	77913311D	SCREW M 10 X 60	4	22/10/2013			
7	61810871A	HOSE, FRONT BRAKE CALIPER-CALIPER	1	14/10/2016			
8	61041302C	RIGHT FRONT BRAKE CALIPER	1	14/10/2016			
9	77914651A	BOLT, BRAKE HOSE	1	20/09/2013			
10	77914151A	BOLT, BRAKE HOSE	1	20/09/2013			
11	62441081A	FRONT BRAKE PUMP	1	14/10/2016			
12	62640881A	BRACKET, MASTER CYLINDER RH	1				
13	61341021A	FRONT BRAKE PADS SET	2	01/07/2012			
14	61240511A	SPARE PIN AND SPRING	2	01/07/2012			
15	58540221A	RESERVOIR, BRAKE FLUID	1	20/09/2013			
16	74140431A	CLAMP	2	20/09/2013			
17	87711111A	HOSE, OIL	1	20/09/2013			
18	74941108B	NUT, SELF LOCKING M5	1	20/09/2013			
19	63140081A	JOINT, HOSE	1				
20	8291B911BA	BRACKET, BRAKE FLUID TANK	1	20/09/2013			
21	76414191A	RUBBER PAD	1	14/10/2016			
22	77910921A	SCREW	1	20/09/2013			
23	800068490	CAP BRAKE FLUID TANK	1				
24	83018691A	GUIDE, FRONT BRAKE HOSE	1	22/10/2013			
25	77510541A	SCREW TBEI M6X10	1	22/10/2013			
26	53940491A	MICROSWITCH	1				
27	63140601A	LEVER, FRONT BRAKE	1				
28	61240391A	DUST COVER	1				
29	62640561A	BOLT, LEVER	1				
30	63140281A	DRAIN	1				



BRB00562

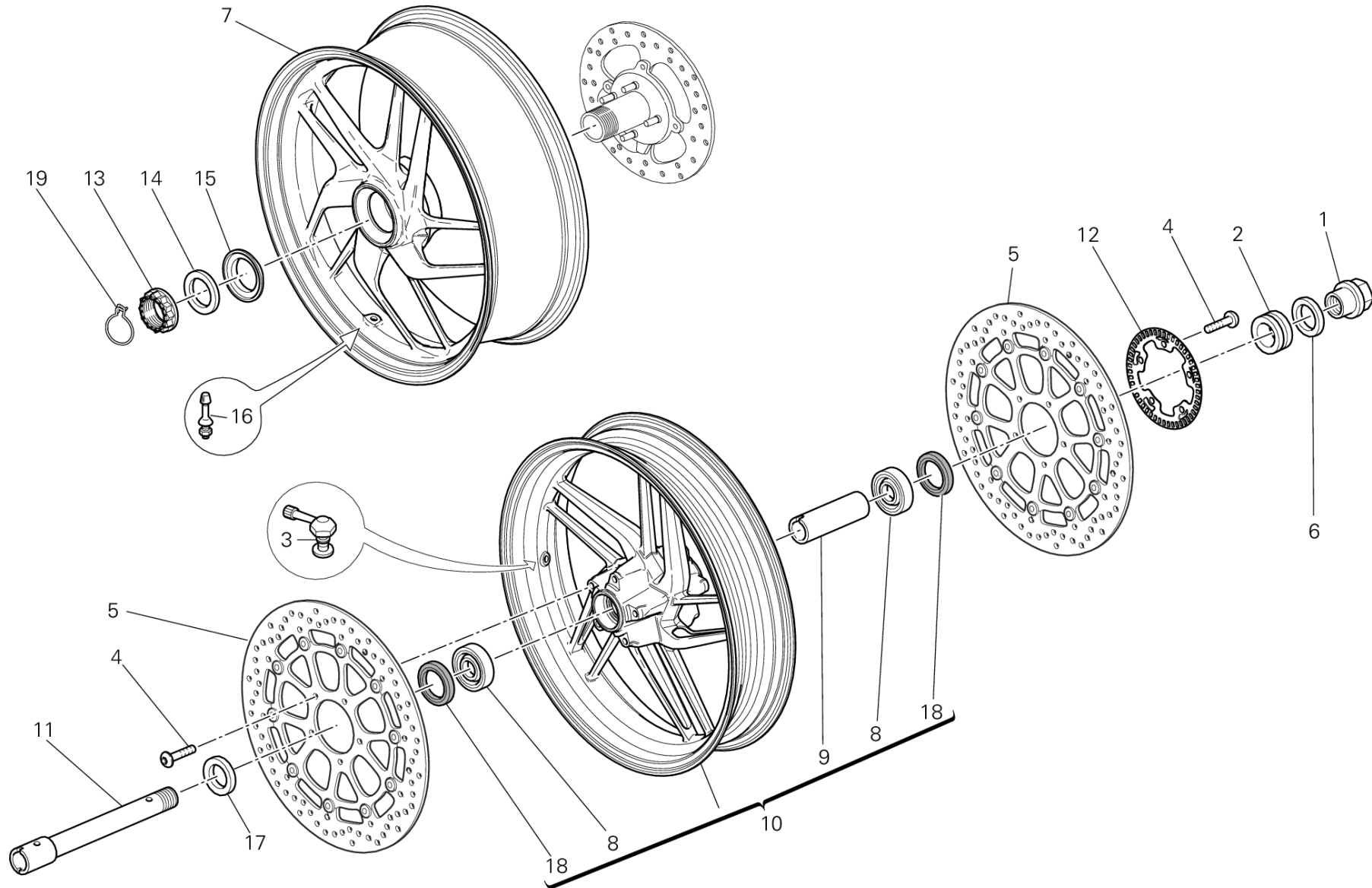


DRAWING 025 - REAR BRAKE SYSTEM [MOD:M 1200]

GROUP FRAME



POS.	CODE	DESCRIPTION	QTY	START DATE	END DATE	VALIDITY	NOTES
1	61140421A	REAR BRAKE CALIPER	1	20/09/2013			
2	77157238B	SCREW TCEIF M8X20	2	22/10/2013			
3	85250241A	WASHER 10X14X1	4	20/09/2013			
4	77913662AB	BOLT, BRAKE HOSE	2	20/09/2013			
5	89340051A	COVER MASTER CYLINDER	1	01/05/2011			
6	58540011A	RESERVOIR, BRAKE FLUID	1	21/01/2015			
7	77113691C	SCREW	1	01/05/2017			
8	87710691A	HOSE 6.5X10.5	1	09/11/2015			
9	74140431A	CLAMP	2	20/09/2013			
10	62540201A	REAR BRAKE PUMP	1	20/09/2013			
11	82717873BA	BRACKET, TANK	1	14/01/2017			
12	61240081A	DUST PLUG	1				
13	74750051B	NUT	2	01/03/2013			
14	18410051A	FORK HEADS DIN 71752	1	01/03/2013			
15	11723531AA	ROD, BRAKE (Unit)	1	22/10/2013			
16	82111701CA	PIN PEDAL	1	19/09/2013			
17	88641161A	O-RING	2	19/09/2013			
18	77919121AA	SCREW	1	07/02/2014			
19	85010151A	QUICK FASTENING	1	22/10/2013			
20	45720571AA	BRAKE CONTROL LEVER (Unit)	1	19/09/2013			
21	71210341A	BUSH	1	01/03/2013			
22	85210532A	WASHER 8.2X20X1	1	19/09/2013			
23	82112731A	PIN	1	19/09/2013			
24	79925771B	COMPLETE SPRING	1	19/09/2013			
25	77156683B	SCREW	2	10/03/2016			
26	53940031C	SWITCH, STOP	1	19/09/2013			
27	42020008A	COPPER GASKET 11X8.2X1	1	19/09/2013			
28	61340951A	REAR BRAKE PADS SET	1	10/06/2013			
29	61240161A	PAD PINS OVERHAUL KIT	1				
30	63140161A	FRONT CALIPER DRAIN SCREW	1				



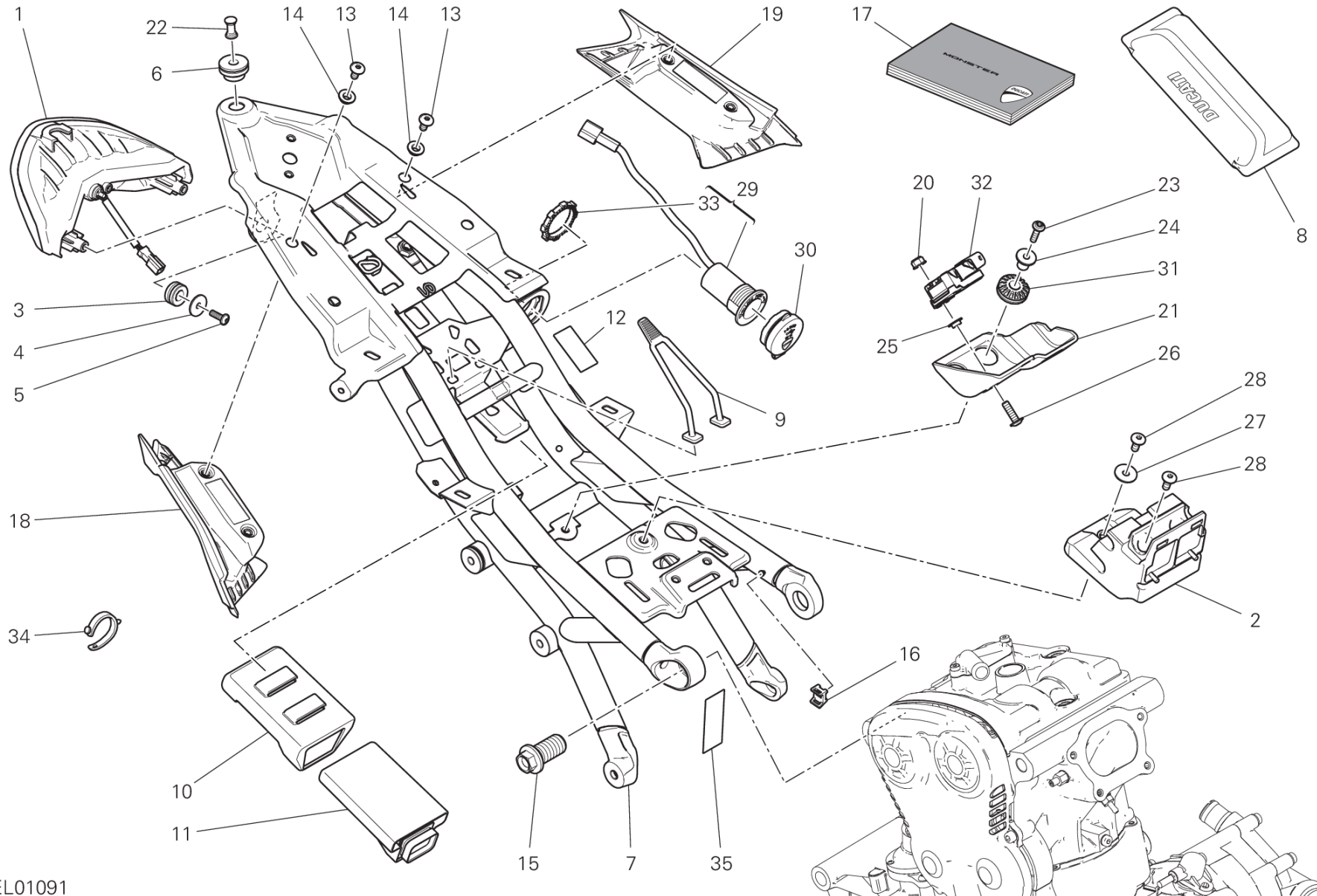
TEL00739

DRAWING 026 - RUOTA ANTERIORE E POSTERIORE [MOD:M 1200]

GROUP FRAME



POS.	CODE	DESCRIPTION	QTY	START DATE	END DATE	VALIDITY	NOTES
1	74810651A	NUT	1	08/05/2013			
2	71311973A	LEFT SPACER	1	08/05/2013			
3	49720071AB	VALVE, TUBELESS TIRE	1	15/04/2013			
4	72010513C	SCREW	10	15/04/2013			
5	49241011A	FRONT BRAKE DISC	2	15/04/2013			
6	85212221A	WASHER 30X40X1	1	08/05/2013			
7	50211552AT	REAR WHEEL RIM BLACK	1	15/04/2013			
8	70250621A	BEARING	2	15/04/2013			
9	71413241AA	INNER SPACER	1	15/10/2014			
10	50121811AA	FRONT WHEEL RIM BLACK	1	15/10/2014			
11	81910601A	FRONT WHEEL SPINDLE	1	08/05/2013			
12	50410051A	FRONT PHONIC WHEEL	1	15/04/2013			
13	75012072AA	NUT	1	23/09/2016			
14	85212211A	WASHER 48.5X65X0.5	1	08/05/2013			
15	71411352AA	SPACER	1	08/05/2013			
16	49720031A	VALVE, TUBELESS TIRE	1	15/04/2013			
17	71311961A	RIGHT SPACER	1	08/05/2013			
18	93041501A	SEAL RING	2	15/04/2013			
19	75910222A	CLIP	1	08/05/2013			



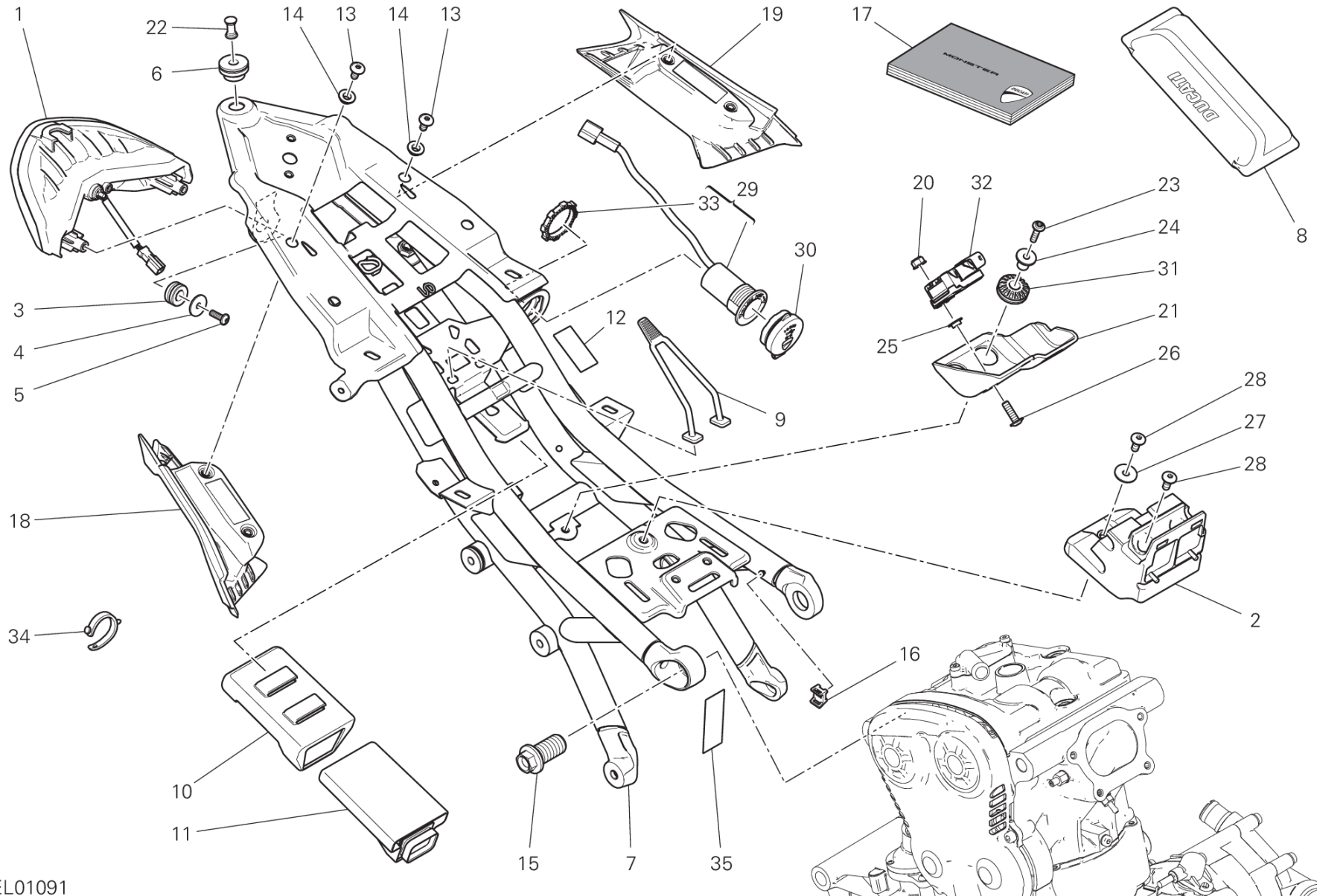
TEL01091

DRAWING 027 - REAR FRAME COMP. [MOD:M 1200]

GROUP FRAME



POS.	CODE	DESCRIPTION	QTY	START DATE	END DATE	VALIDITY	NOTES
1	52510483B	TAILLIGHT	1	12/05/2014			
2	8291C091A	SEAT SUPPORT	1	01/08/2013			
3	76412101A	RUBBER PAD	2	12/05/2014			
4	71614921AA	SPACER	2	05/09/2016			
5	77440041A	SCREW, TAPPING M5X16	2	22/10/2013			
6	76412091A	VIBRATION DAMPER PAD	1	12/05/2014			
7	47017981BA	REAR FRAME COMP.	1	05/09/2016			
8	69720291B	TOOLS KIT	1	12/05/2014			
9	75910311A	RUBBER BAND, TOOLS KIT	1	20/10/2013			
10	86611521A	VIBRATION DAMPER HOLDER	1	01/08/2013			
11	38510711C	BLACKBOX UNIT	1	19/09/2016			
12	92610051A	GUARD	2	01/08/2013			
13	77240403CA	SCREW M6X12	4	05/09/2016			
14	71615211AA	SPACER	4	05/09/2016			
15	77918301AB	SCREW, SPECIAL	2	01/12/2013			
16	85040671A	CLAMP TUCKER	8	05/09/2016			
17	91373491A	OWNER'S MANUAL	1			XST:AUS,BLG,EUR	IT-GB-FR-DE
	91373491B	OWNER'S MANUAL	1			XST:AUS,BLG,EUR,JAP	GB-ES-FR-JP
	91373491C	OWNER'S MANUAL	1			XST:EUR	ES-PT-GR
	91373491D	OWNER'S MANUAL	1			XST:BLG,EUR,TWN	FR-NL-GB-CHS-CHT
	91373491E	OWNER'S MANUAL	1			XST:EUR	SE-FI-DK-NO
	91373491F	OWNER'S MANUAL	1			XST:EUR	PL-CZ-SK-SI
	91373491G	OWNER'S MANUAL	1			XST:EUR	HU-RO-BG-RU
	91373491R	OWNER'S MANUAL	1			XST:EUR,GSO	AR-GB
18	80610432A	GRIP,GRAB RAIL,RH	1	19/09/2016			
19	80610442A	GRIP,GRAB RAIL,LH	1	05/09/2016			
20	74941118B	NUT 6MM	2	05/09/2016			
21	4601E141B	TRAY	1	19/09/2016			
22	82115511A	PIN	1	05/09/2016			
23	77244218B	SCREW	3	05/09/2016			
24	71614381AA	SPACER	3	05/09/2016			
25	71614221A	SPACER	2	05/09/2016			
26	77240443C	SCREW	2	05/09/2016			
27	85211671B	WASHER	1	21/06/2016			
28	77240418C	SCREW	3	19/09/2016			



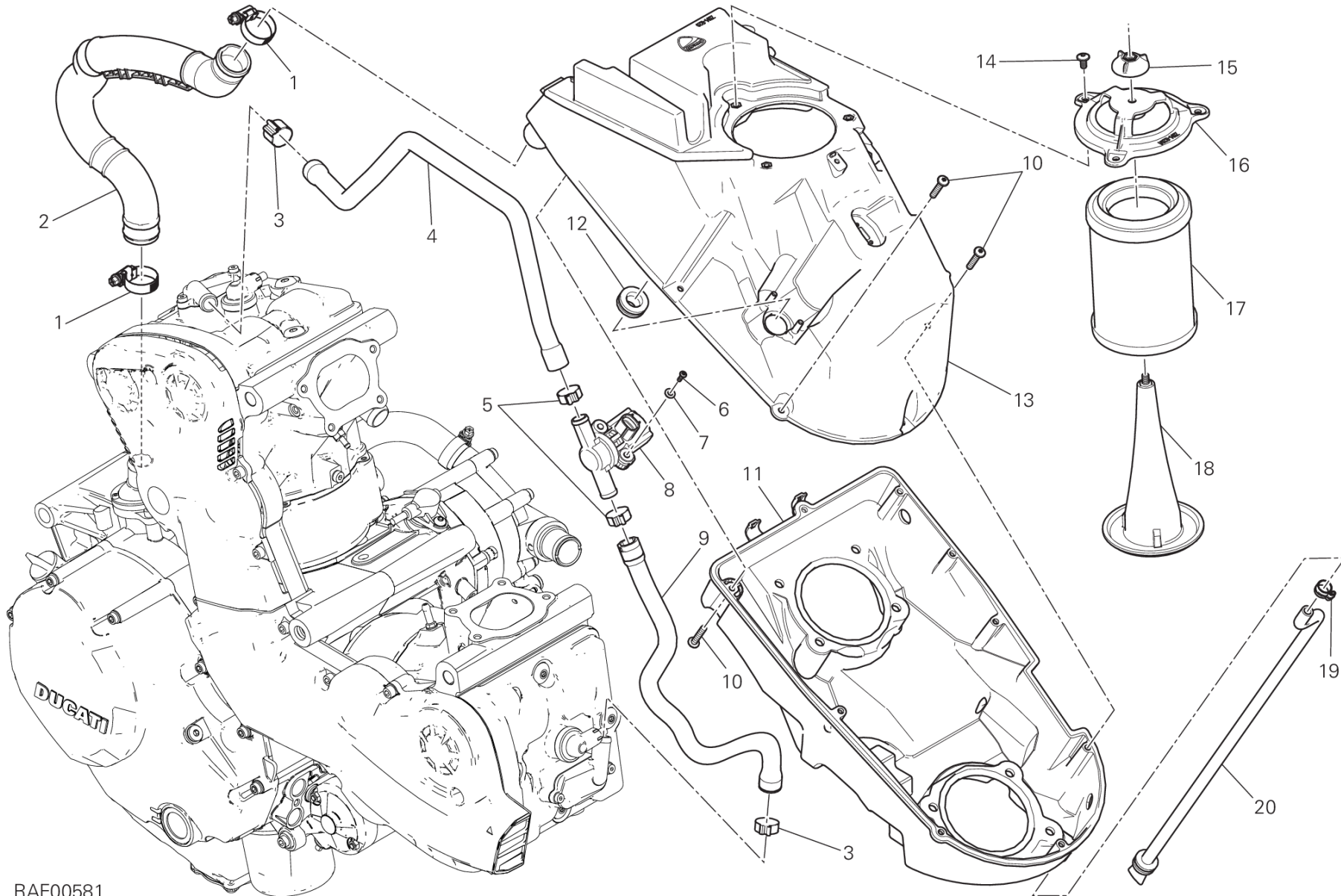
TEL01091



POS.	CODE	DESCRIPTION	QTY	START DATE	END DATE	VALIDITY	NOTES
29	38640561C	SOCKET, LOW VOLTAGE (USB)	1	19/09/2016			
30	76412421B	HOLDER SOCKET, LOW VOLTAGE	1	19/09/2016			
31	76411641A	SEAT RUBBER	3	19/09/2016			
32	38540073B	PIATTAFORMA INERZIALE	1	05/09/2016			
33	75040211A	NUT	1	11/01/2016			
34	74110121A	CLAMP, RUBBER 62MM	2	10/03/2016			
35	92610401A	GUARD	1	19/09/2016			



POS.	CODE	DESCRIPTION	QTY	START DATE	END DATE	VALIDITY	NOTES
1	56511111A	REAR MUDGUARD	1	10/03/2016			
2	77914871C	SCREW	3	22/10/2013			
3	77915041A	SCREW, SPECIAL	2	22/10/2013			
4	36521561A	REAR SHOCK ABSORBER	1	10/03/2016			



RAF00581

DRAWING 029 - AIR INTAKE - OIL BREATHER [MOD:M 1200]

GROUP FRAME



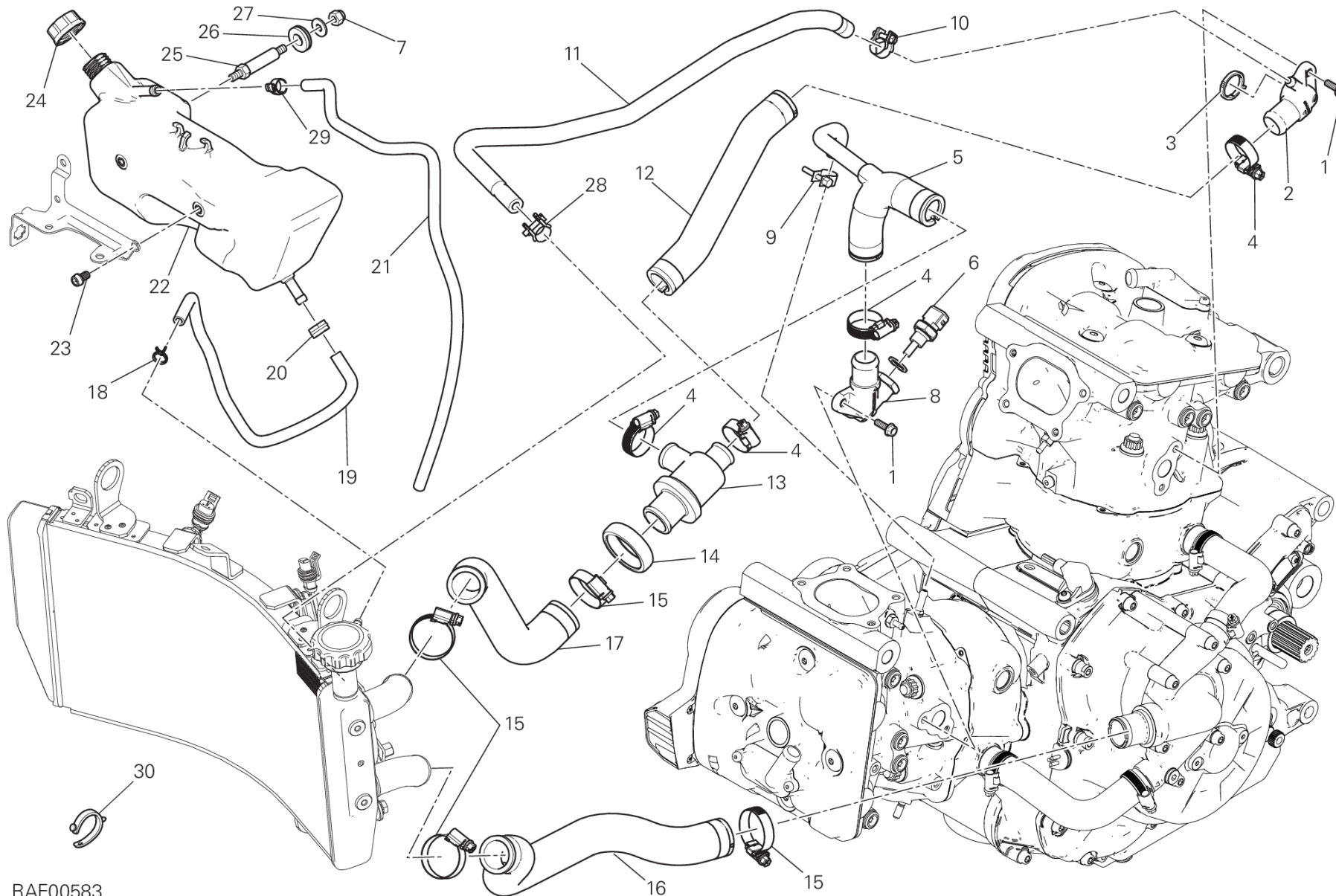
POS.	CODE	DESCRIPTION	QTY	START DATE	END DATE	VALIDITY	NOTES
1	74142581A	CLAMP 16-27 MM	2	16/10/2015			
2	87611232A	HOSE, BLOW-BY	1	10/03/2016			
3	74142371A	CLAMP	2	05/05/2014			
4	87611211A	DUCT, AIR VERTICAL	1	12/03/2013			
5	74142401A	CLAMP	2	25/10/2013			
6	77440101A	SCREW, TAPPING 3.5X10	1	06/08/2014			
7	85240211A	WASHER 4.7X10X1	1	12/03/2013			
8	65540091A	ACTUATOR	1	12/03/2013			
9	87611221B	DUCT, AIR HORIZONTAL	1	01/09/2013			
10	77440131A	SCREW, TAPPING 5X25 WN1411	9	12/03/2013			
11	44213111A	LOWER FILTER BOX	1	06/08/2014			
12	76411621A	RUBBER PAD	1	12/03/2013			
13	44212792D	AIR FILTER BOX UPPER	1	06/08/2014			
14	77240253C	SCREW	3	12/03/2013			
15	70310481A	RING NUT	1	12/03/2013			
16	24612162A	FILTER COVER UNIT	1	01/09/2013			
17	42610191A	FILTER, AIR	1	12/03/2013			
18	82919611A	CAGE, AIR FILTER	1	12/03/2013			
19	74140651A	CLAMP	1	12/03/2013			
20	59014471A	HOSE, DRAIN AIRBOX	1	12/03/2013			

DRAWING 030 - WATER COOLER [MOD:M 1200]

GROUP FRAME



POS.	CODE	DESCRIPTION	QTY	START DATE	END DATE	VALIDITY	NOTES
1	48016211B	RIGHT COVER	1	19/09/2013			
2	77440171A	SCREW	4	28/10/2013			
3	85240131A	WASHER 5.3X15X1	4	28/10/2013			
4	48016191B	AIR SHROUD CYLINDER RIGHT	1	28/10/2013			
5	77211091A	SCREW TBEI M5X12	8	28/10/2013			
6	77916081A	SCREW, SPECIAL	1	22/10/2013			
7	76410241A	VIBRATION DAMPER PAD	1	28/10/2013			
8	83018971A	BRACKET	1	19/09/2013			
9	85241711A	WASHER 5.3X20X1.5	1	22/10/2013			
10	77510471A	SCREW TBEI M5X14	1	22/10/2013			
11	76411361A	VIBRATION DAMPER PAD	3	28/10/2013			
12	48016181A	AIR SHROUD CYLINDER LEFT	1	28/10/2013			
13	48016201B	LEFT COVER	1	28/10/2013			
14	85040551A	QUICK FASTENING	3	19/09/2013			
15	71614971AA	SPACER	1	31/10/2014			
16	77550191A	SCREW	2	01/02/2015			
17	48018812A	COVER	1	10/03/2016			
18	77211091C	SCREW	3	28/10/2013			
19	54841025A	WATER COOLER ASSY	1	31/10/2014			
20	48016171B	COVER Front	1	28/10/2013			
21	55040271A	ELECTRIC FAN, LEFT	1				
22	87240921A	RADIATOR CAP	1				
23	77250988B	SCREW TEF M6X14	6				
24	55040281A	ELECTRIC FAN, RIGHT	1				
25	71614091A	SPACER	1	31/10/2014			



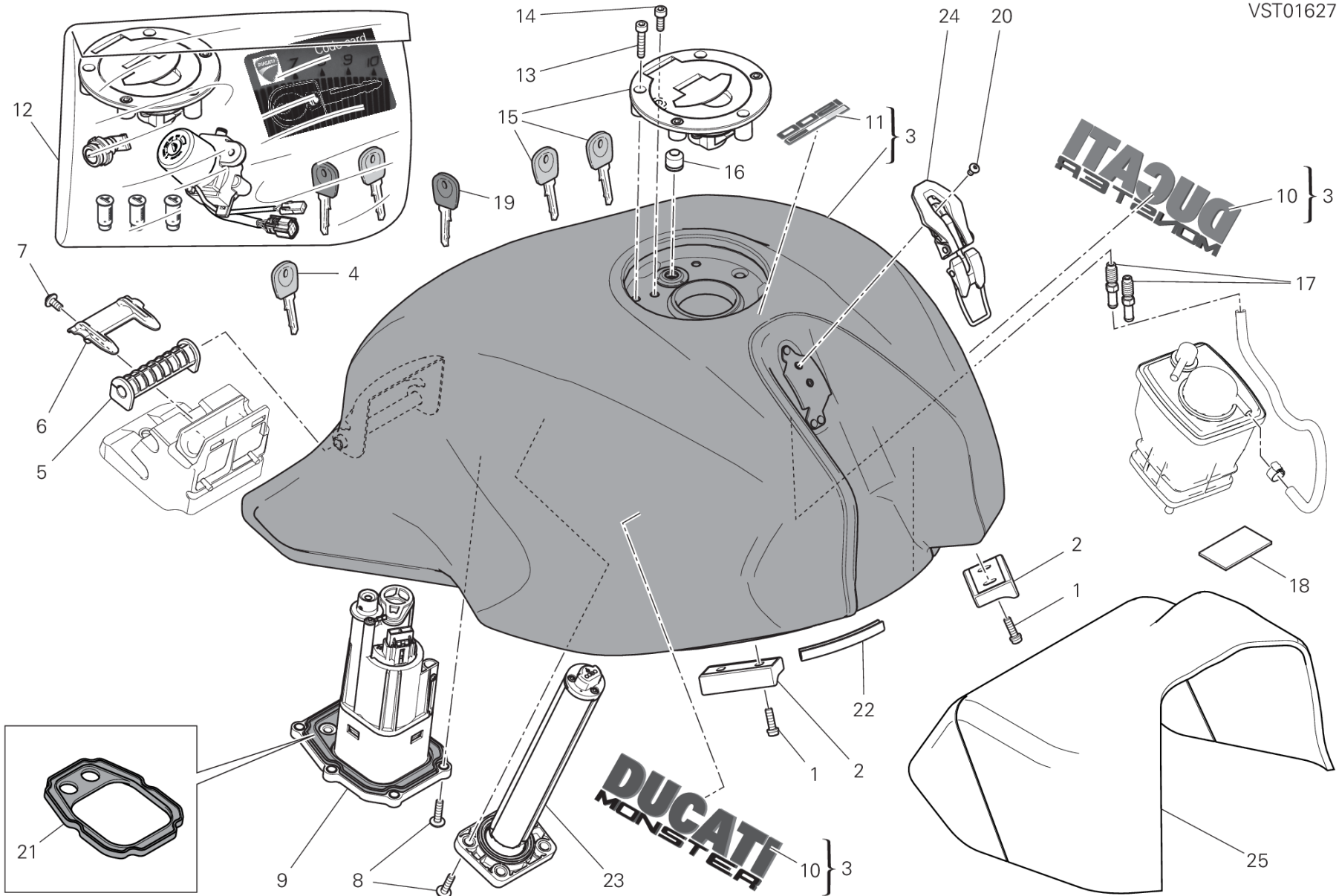
RAF00583

DRAWING 031 - COOLING SYSTEM [MOD:M 1200]

GROUP FRAME



POS.	CODE	DESCRIPTION	QTY	START DATE	END DATE	VALIDITY	NOTES
1	77210623B	SCREW	4	18/02/2013			
2	81413261A	JOINT, WATER HOSE VERTICAL	1	18/02/2013			
3	88641031A	O-RING	1	18/02/2013			
4	74142581A	CLAMP 16-27 MM	4	18/02/2013			
5	80012311A	THERMOSTAT PUMP HOSE HORIZONTAL	1	22/10/2013			
6	55243442A	WATER TEMPERATURE SENSOR	1	08/10/2015			
7	74941333B	NUT	1	22/10/2013			
8	81420051A	JOINT, WATER HOSE HORIZONTAL	1	08/10/2015			
9	74142501A	CLAMP	1	16/03/2015			
10	74142121A	CLAMP	1	22/10/2013			
11	80012301A	BREATHER PIPE VERTICAL HEAD	1	28/10/2013			
12	80012321A	THERMOSTAT PUMP HOSE VERTICAL	1	22/10/2013			
13	55340041A	THERMO-SWITCH	1	22/10/2013			
14	88110461A	THERMOSTAT PROTECTION RING	1	22/10/2013			
15	74142591A	CLAMP 20-35 MM	4	22/10/2013			
16	80012521A	HOSE PUMP/COOLER	1	10/03/2016			
17	80012332A	HOSE COOLER/THERMOSTAT	1	22/10/2013			
18	74140571A	CLAMP	1	10/03/2016			
19	87610581A	PIPE	1	25/10/2013			
20	74140641A	CLAMP	1	01/08/2013			
21	93410212A	HOSE, DRAIN	1	12/02/2014			
22	58510822B	TANK, WATER RESERVOIR	1	01/08/2013			
23	77156623B	SCREW TCEIF M6X10 8.8	2	01/08/2013			
24	89310143A	TANK CAP	1	01/08/2013			
25	77116671AA	HOLDER	1	01/08/2013			
26	76410981A	VIBRATION DAMPER PAD	1	22/10/2013			
27	85211911A	WASHER 6.4X16X1.5	1	22/10/2013			
28	74142181A	CLAMP	1	03/12/2013			
29	74141711A	CLAMP 10-7 MM	1	12/02/2014			
30	74110551A	CLAMP, RUBBER 39MM	2	10/03/2016			



DRAWING 032 - FUEL TANK [MOD:M 1200;XST:AUS,BLG,EUR,GSO,ROK,TWN]

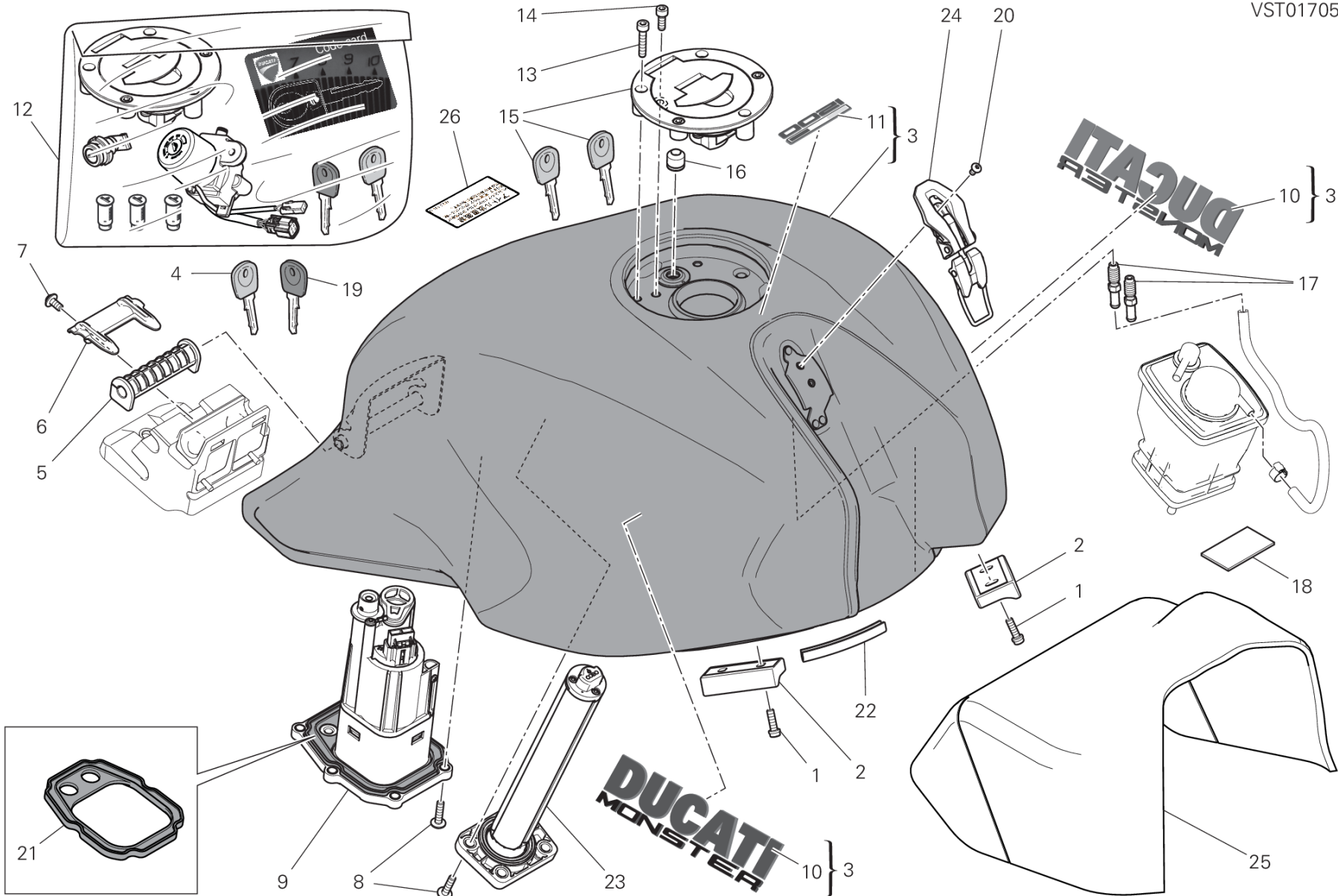
GROUP FRAME



POS.	CODE	DESCRIPTION	QTY	START DATE	END DATE	VALIDITY	NOTES
1	77156413B	SCREW TCEIF M5X16	4	01/03/2013			
2	86611721C	PAD, FUEL TANK	2	01/03/2013			
3	58612501CA	TANK RED	1	30/08/2016			
4	59840183A	KEY WITHOUT TRANSPONDER	1	04/04/2013			
5	70010811A	RUBBER PAD	1	25/06/2013			
6	82610351BA	PLATE	1	22/10/2013			
7	71850163C	SCREW	1	10/03/2016			
8	77244213B	SCREW	10	25/06/2013			
9	16024181A	FLANGE FUEL PUMP	1	30/08/2016			
10	43611981A	EMBLEM DUCATI FOR RED	2	27/05/2016			
11	43513621A	ITALIAN FLAG DECAL FOR RED	1	27/05/2016			
12	59821061A	LOCKS KIT	1	01/08/2013			
13	77150457E	SCREW M5X25	3	22/10/2013			
14	77150408B	SCREW TCEI M5X14	1	22/10/2013			
15	89520072A	TANK CAP	1	04/04/2013			
16	79111111A	GASKET	1	25/06/2013			
17	81413251A	UNION	2	25/06/2013			
18	92610051A	GUARD	1	30/08/2016			
19	59840361A	KEY WITH TRANSPONDER	1	04/04/2013			
20	77550171A	SCREW TBEI M4X8	2	30/08/2016			
21	69926951A	GASKET KIT	1				
22	76412061A	RUBBER SECTION	1	01/04/2014			
23	59210251B	FUEL LEVEL GAUGE	1	30/08/2016			
24	76040074B	LEVER	1	30/08/2016			
25	48611101C	DAMPER, SOUND ARRESTER	1	10/03/2016			



VST01705

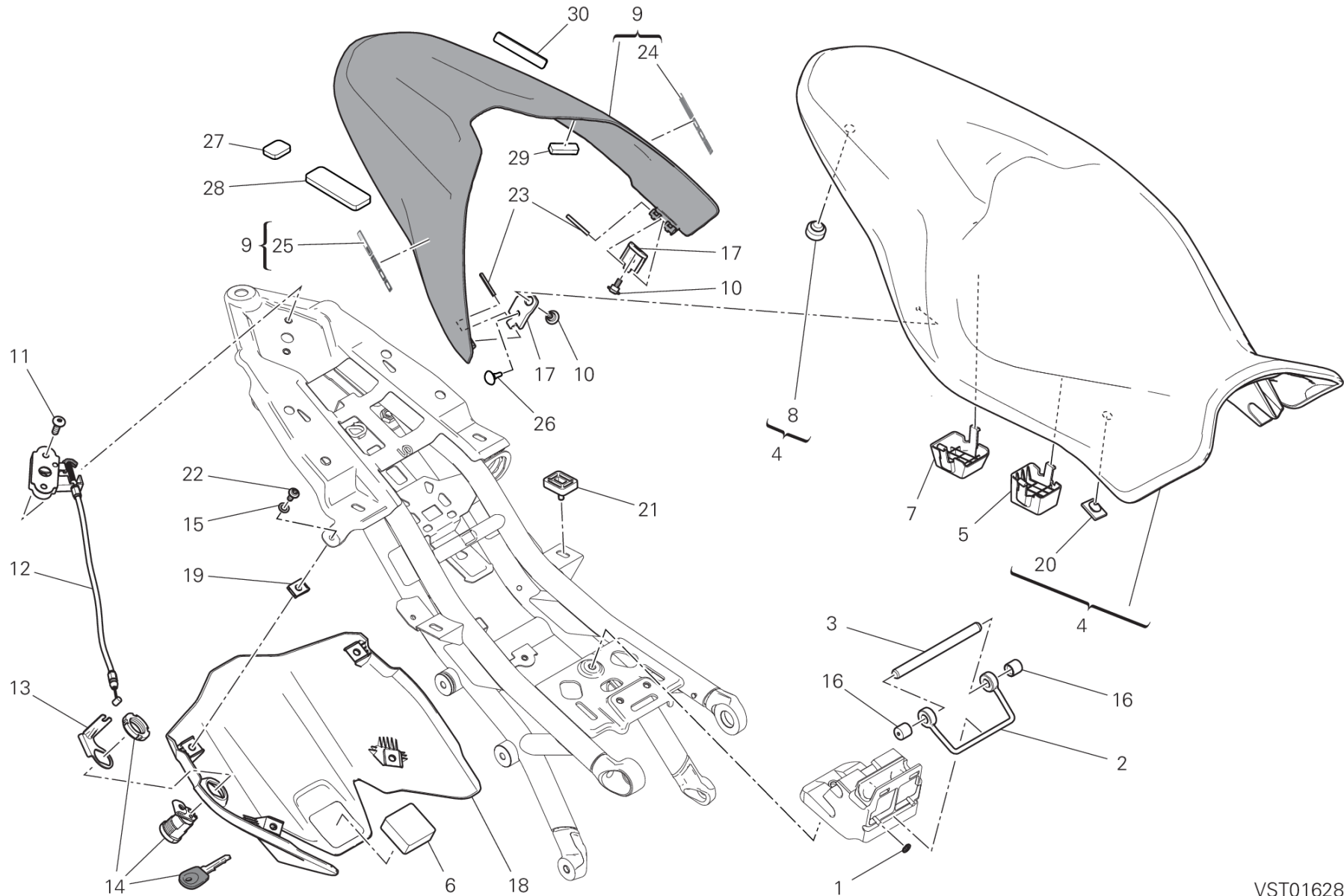


DRAWING 032 - FUEL TANK [MOD:M 1200;XST:JAP]

GROUP FRAME



POS.	CODE	DESCRIPTION	QTY	START DATE	END DATE	VALIDITY	NOTES
1	77156413B	SCREW TCEIF M5X16	4	01/03/2013			
2	86611721C	PAD, FUEL TANK	2	01/03/2013			
3	58612501CA	TANK RED	1	30/08/2016			
4	59840183A	KEY WITHOUT TRANSPONDER	1	04/04/2013			
5	70010811A	RUBBER PAD	1	25/06/2013			
6	82610351BA	PLATE	1	22/10/2013			
7	71850163C	SCREW	1	10/03/2016			
8	77244213B	SCREW	10	25/06/2013			
9	16024181A	FLANGE FUEL PUMP	1	30/08/2016			
10	43611981A	EMBLEM DUCATI FOR RED	2	27/05/2016			
11	43513621A	ITALIAN FLAG DECAL FOR RED	1	27/05/2016			
12	59821061A	LOCKS KIT	1	01/08/2013			
13	77150457E	SCREW M5X25	3	22/10/2013			
14	77150408B	SCREW TCEI M5X14	1	22/10/2013			
15	89520072A	TANK CAP	1	04/04/2013			
16	79111111A	GASKET	1	25/06/2013			
17	81413251A	UNION	2	25/06/2013			
18	92610051A	GUARD	1	30/08/2016			
19	59840361A	KEY WITH TRANSPONDER	1	04/04/2013			
20	77550171A	SCREW TBEI M4X8	2	30/08/2016			
21	69926951A	GASKET KIT	1				
22	76412061A	RUBBER SECTION	1	01/04/2014			
23	59210251B	FUEL LEVEL GAUGE	1	30/08/2016			
24	76040074B	LEVER	1	30/08/2016			
25	48611101C	DAMPER, SOUND ARRESTER	1	10/03/2016			
26	43217911Z	MARKING PLATE	1	22/02/2017			



VST01628

DRAWING 033 - SEAT [MOD:M 1200]

GROUP FRAME



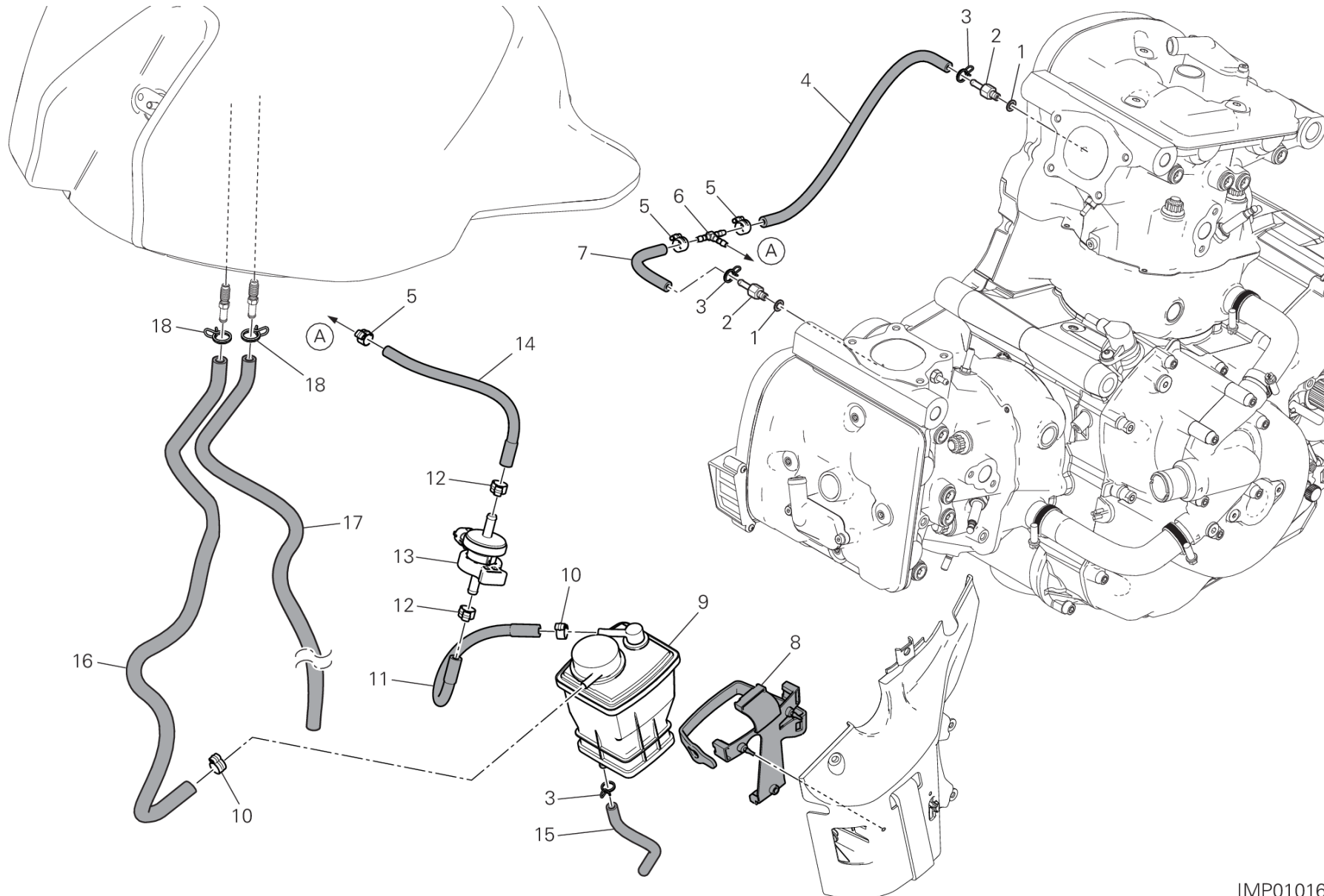
POS.	CODE	DESCRIPTION	QTY	START DATE	END DATE	VALIDITY	NOTES
1	85040561A	WASHER, LOCK	2	01/08/2013			
2	86611751C	CUSHION, SEAT	1	01/08/2013			
3	82114711CA	PIN	1	01/08/2013			
4	595P3312AA	SEAT	1	10/03/2016			
5	8291C362A	SEAT SUPPORT Front	2	22/10/2013			
6	86612331A	RUBBER PAD	1	10/03/2016			
7	8291F671A	SEAT SUPPORT	2	10/03/2016			
8	86612221A	CUSHION, SEAT	2	16/09/2016			
9	595P3331AA	COVER SEAT RED (Unit)	1	10/03/2016			
10	77214411AB	SCREW	2	22/10/2013			
11	77240438C	SCREW TBEIF M6X18	2	01/08/2013			
12	59920101A	LOCK LATCH	1	01/08/2013			
13	83014401A	BRACKET, SEAT LOCK	1	01/08/2013			
14	59820572A	SEAT LOCK	1	04/04/2013			
15	85550001B	SPRING WASHER	4	10/03/2016			
16	87210901A	PLUG	2				
17	83016241B	BRACKET	2	22/10/2013			
18	4601E212B	MUDFLAP BOTTOM	1	01/01/2099			
19	85040551A	QUICK FASTENING	4	01/08/2013			
20	86610301A	PAD	6	16/09/2016			
21	86611701A	RUBBER PAD	4	01/08/2013			
22	77244173B	SCREW	4	10/03/2016			
23	86150251A	PIN, SPRING	2	22/10/2013			
24	43513631A	LEFT STICKER FOR RED	1	27/05/2016			
25	43513641A	RIGHT STICKER FOR RED	1	27/05/2016			
26	86610751A	PAD	2	18/11/2016			
27	86612421B	PAD	1	18/11/2016			
28	86612101B	PAD	1	18/11/2016			
29	86612431B	PAD	2	18/11/2016			
30	86612471A	PAD	2	18/11/2016			

DRAWING 034 - HALF FAIRING [MOD:M 1200]

GROUP FRAME



POS.	CODE	DESCRIPTION	QTY	START DATE	END DATE	VALIDITY	NOTES
1	77240453C	SCREW TBEIF M6X22 10.9	1	22/10/2013			
2	76411881A	RUBBER PAD	2	22/10/2013			
3	85041121A	BUSH	1	22/10/2013			
4	48212371A	RIGHT COVER	1	10/03/2016			
5	77210861B	SCREW TBEI M5X18	2	22/10/2013			
6	77240258C	SCREW	5	22/10/2013			
7	48016061B	RADIATOR PROTECTION	1	22/10/2013			
8	85040821A	THREADED INSERT	2	22/10/2013			
9	48016072AA	RADIATOR PROTECTION RED	1	22/10/2013			
10	77211091A	SCREW TBEI M5X12	1	22/10/2013			
11	48016081B	COVER, LOWER LEFT	1	22/10/2013			
12	564P6442AA	FRONT MUDGUARD ASSEMBLY RED	1	10/03/2016			
13	71614011B	SPACER 6.2X8.5X14	4	22/10/2013			
14	77210893B	SCREW	4	22/10/2013			
15	77240253C	SCREW	2	11/07/2014			
16	48211871A	LEFT COVER UPPER	1	22/10/2013			
17	77150388B	SCREW TCEI M5X10	2	22/10/2013			
18	8291E731B	BRACKET, CANISTER	1	10/03/2016			
19	77440101A	SCREW, TAPPING 3.5X10	1	22/10/2013			
20	43713511A	DECAL DUCATI SAFETY PACK R.H.	1	23/09/2013			
21	43713501A	DECAL DUCATI SAFETY PACK L.H.	1	23/09/2013			
22	43814741A	EMBLEM DUCATI	1	11/02/2016			
23	85040471A	QUICK FASTENING M5	1	01/10/2013			
24	71614811AA	SPACER	1	22/10/2013			
25	85040551A	QUICK FASTENING	3	10/03/2016			
26	77214411AA	SCREW	2	10/03/2016			



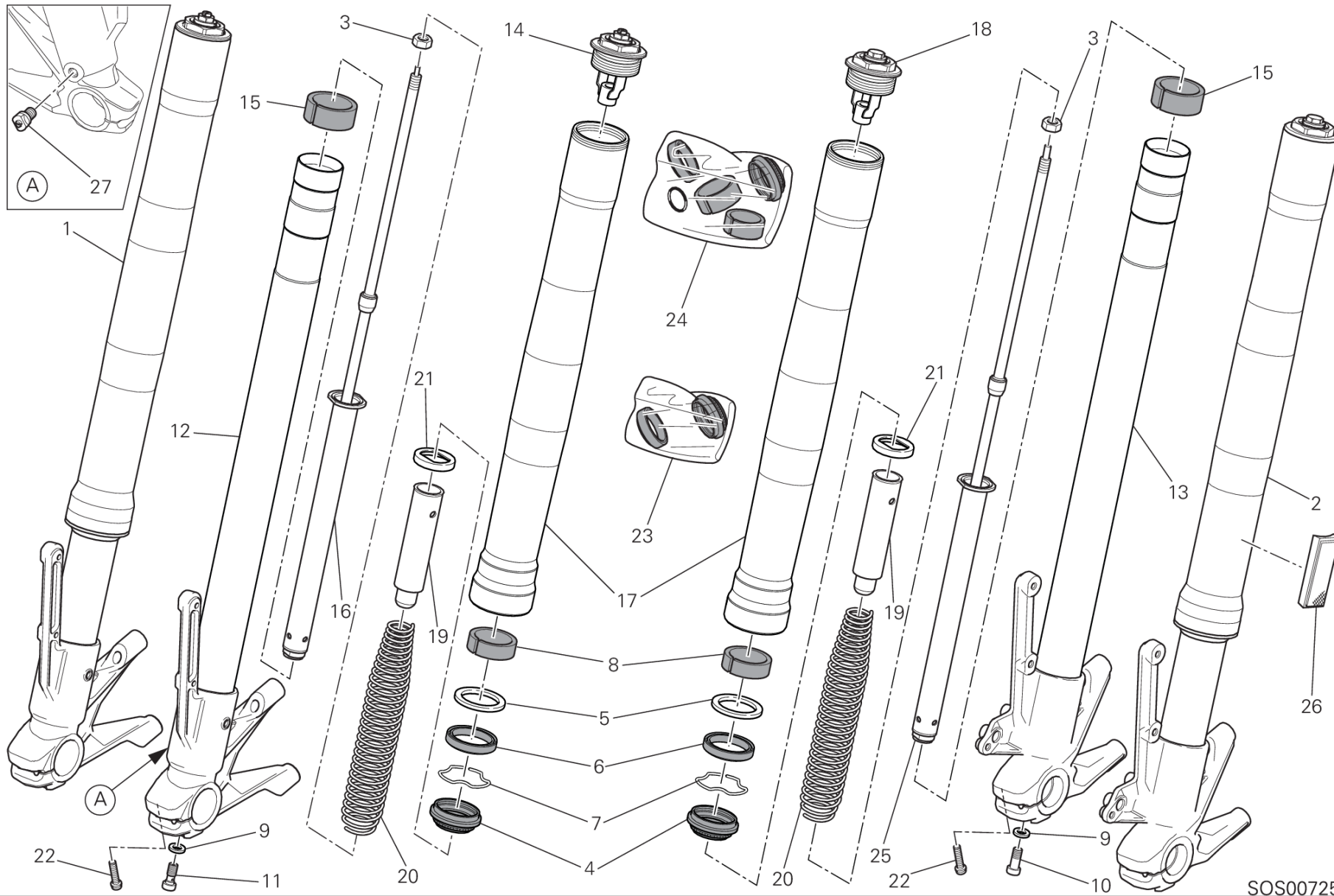
IMP01016

DRAWING 035 - HOT AIR PIPE CANISTER [MOD:M 1200]

GROUP FRAME



POS.	CODE	DESCRIPTION	QTY	START DATE	END DATE	VALIDITY	NOTES
1	85250231A	GASKET	2	26/02/2013			
2	81411111C	NIPPLE, HOSE	2	26/02/2013			
3	74140431A	CLAMP	3	22/10/2013			
4	93510251B	PIPE	1	24/04/2015			
5	74141001A	CLAMP 8.5/7	3	24/04/2015			
6	81411831A	THREE-WAYS UNION	1	24/12/2009			
7	93510261B	PIPE	1	24/04/2015			
8	70010751A	VIBRATION DAMPER	1	16/10/2015			
9	42640041B	CANISTER FILTER	1	24/04/2015			
10	74141711A	CLAMP 10-7 MM	2	24/04/2015			
11	93510271B	PIPE	1	24/04/2015			
12	74140651A	CLAMP	2	24/04/2015			
13	65540101A	VALVE, BREATHER	1	24/04/2015			
14	93510291B	PIPE	1	24/04/2015			
15	87611181A	BREATHER PIPE	1	24/04/2015			
16	93510281B	PIPE	1	16/10/2015			
17	59017821A	HOSE, DRAIN	1	22/10/2013			
18	74140571A	CLAMP	2	22/10/2013			



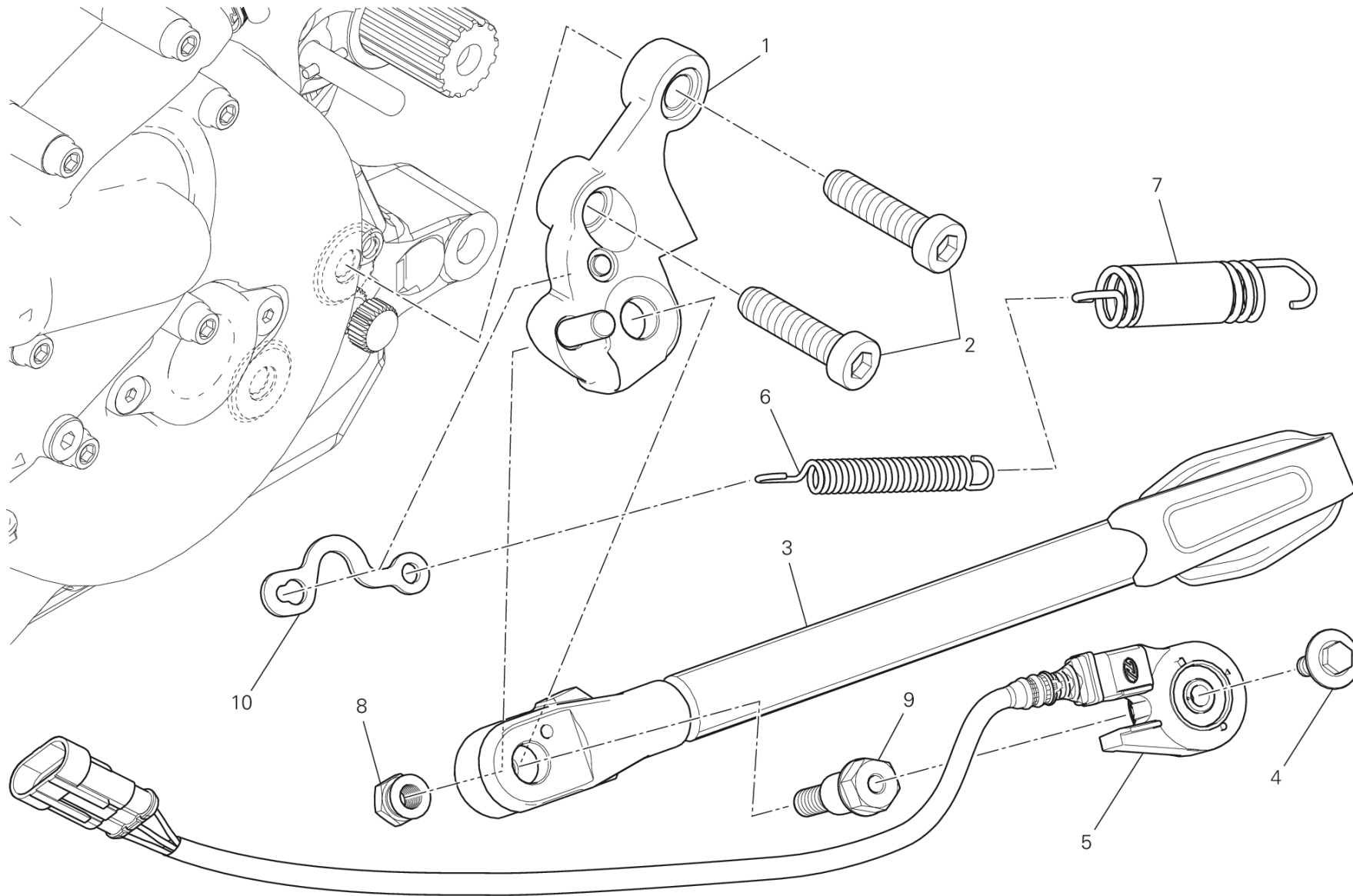
SOS00725

DRAWING 21A - FRONT FORK [MOD:M 1200]

GROUP FRAME



POS.	CODE	DESCRIPTION	QTY	START DATE	END DATE	VALIDITY	NOTES
1	34420581B	RIGHT FORK LEG ASSY	1	01/08/2013			
2	34520581B	LEFT FORK LEG ASSY	1	01/08/2013			
3	34913621A	NUT	2	10/01/2014			
4	34913531A	DUST COVER	2	10/01/2014			
5	34913561A	WASHER	2	10/01/2014			
6	34913551A	SEAL RING	2	10/01/2014			
7	34913541A	STOP RING	2	10/01/2014			
8	34913571A	LOWER BUSH	2	10/01/2014			
9	34913601A	WASHER	2	10/01/2014			
10	34913611A	SCREW	1	10/01/2014			
11	34914231A	SCREW, SPECIAL	1				
12	34921761A	FORK BOTTOM END + SLEEVE UNIT (R.H.)	1	10/01/2014			
13	34921751A	FORK BOTTOM END + SLEEVE UNIT (L.H.)	1	10/01/2014			
14	34921721A	CAP,FORK TOP RIGHT	1	10/01/2014			
15	34913581A	UPPER BUSHING	2	10/01/2014			
16	34921741A	COMPLETE PUMPING ELEMENT, RIGHT	1	10/01/2014			
17	34914271A	STANCHION TUBE	2	10/01/2014			
18	34921711A	CAP,FORK TOP LEFT	1	10/01/2014			
19	34914241A	PRELOAD TUBE	2	10/01/2014			
20	34914261A	FORK SPRING	2	10/01/2014			
21	34914251A	WASHER, SPECIAL	2	10/01/2014			
22	77310021A	SCREW TCEIR M6X25	4	01/08/2013			
23	34921051A	SEAL KIT	2				
24	34921041A	OVERHAUL KIT	2				
25	34921731A	COMPLETE PUMPING ELEMENT, LEFT	1	10/01/2014			
26	52910221A	REFLECTOR, ADHESIVE AMBER	2	05/12/2016			
27	34914291A	ADJUSTING SCREW UNIT	1				



TEI 00814

DRAWING 22A - SIDE STAND [MOD:M 1200]

GROUP FRAME



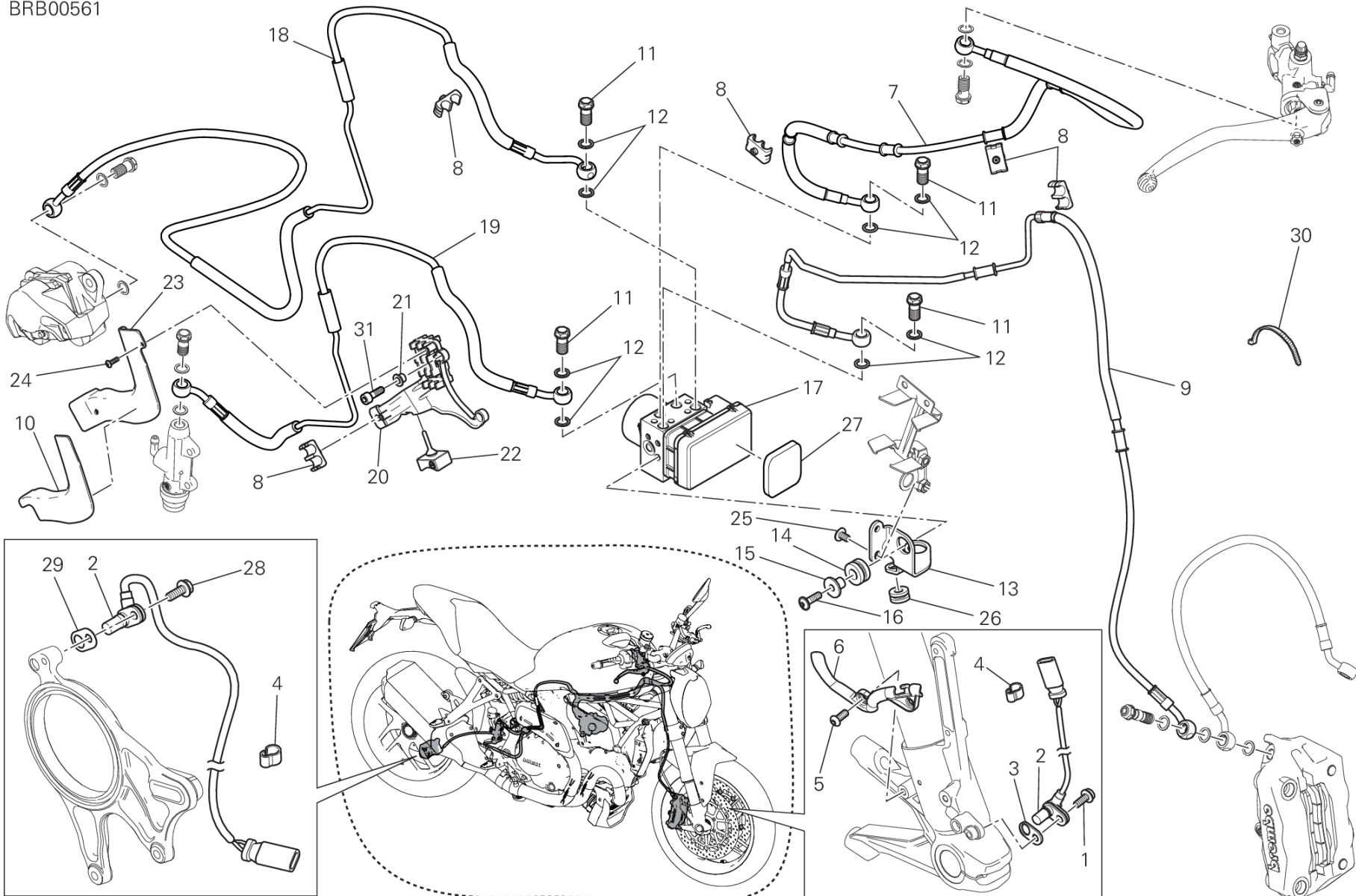
POS.	CODE	DESCRIPTION	QTY	START DATE	END DATE	VALIDITY	NOTES
1	55610791C	BRACKET, SIDE STAND	1	02/10/2013			
2	77355213C	SCREW TCEIR M10X40 DIN6912 10.9	2	22/10/2013			
3	55610801C	SIDE STAND	1	02/10/2013			
4	77917241AA	SCREW	1	01/09/2014			
5	53910341A	SWITCH ASSY, SIDE STAND	1	10/01/2014			
6	79910891C	INNER SPRING	1	02/10/2013			
7	79920881C	COMPLETE SPRING	1	02/10/2013			
8	75010481A	NUT	1	02/10/2013			
9	82118401AA	AXLE, SIDE STAND	1	14/04/2017			
10	82717631AA	PLATE	1	01/08/2014			



DRAWING 24A - ANTILOCK BRAKING SYSTEM (ABS) [MOD:M 1200]

GROUP FRAME

BRB00561



DRAWING 24A - ANTILOCK BRAKING SYSTEM (ABS) [MOD:M 1200]

GROUP FRAME



POS.	CODE	DESCRIPTION	QTY	START DATE	END DATE	VALIDITY	NOTES
1	77110401B	SCREW	2	22/10/2013			
2	55212111B	SENSOR, SPEED	2	22/10/2013			
3	71314901A	GASKET TH.02	3	22/10/2013			
	71319201A	GASKET 0.5 MM	4	22/10/2013			
4	75840601A	FAIRLEAD	10	22/10/2013			
5	77550213C	SCREW TBEI M6X16	2	01/08/2013			
6	75810642A	FAIRLEAD	1	01/08/2013			
7	61810531B	FRONT MASTER CYLINDER - CPU LINE	1	19/01/2017			
8	86611121A	RUBBER PAD	6	22/10/2013			
9	61810521C	CPU - FRONT CALIPERS LINE	1	20/09/2013			
10	4601A871A	HEAT GUARD	1	22/10/2013			
11	77913662AB	BOLT, BRAKE HOSE	4	20/09/2013			
12	85250241A	WASHER 10X14X1	8	20/09/2013			
13	83018181AA	BRACKET	1	22/10/2013			
14	76410641A	VIBRATION DAMPER PAD	2	22/10/2013			
15	71610031A	SPACER	2	22/10/2013			
16	77240443C	SCREW	2	22/10/2013			
17	54240641B	CONTROL UNIT ABS	1	02/11/2016			
18	61910871B	CPU - REAR CALIPER LINE	1	14/10/2016			
19	61910481C	REAR MASTER CYLINDER - CPU LINE	1	14/10/2016			
20	83018341B	BRACKET, BRAKE HOSE	1	22/10/2013			
21	71614581AA	SPACER	2	22/10/2013			
22	76411711A	RUBBER PAD	1	22/10/2013			
23	8291C142A	COVER	1	22/10/2013			
24	77440111A	SCREW	2	22/10/2013			
25	77211021A	SCREW TBEIF M6X10	2	22/10/2013			
26	76411141A	VIBRATION DAMPER PAD	1	22/10/2013			
27	86611861A	PAD	1				
28	77210601A	SCREW TEF M6X16	1	03/11/2016			
29	7131C641A	GASKET 0.2 MM	2	07/11/2016			
	7131C651A	GASKET 0.5 MM	1	07/11/2016			
30	74140381A	CLAMP	14	10/03/2016			
31	77150693BD	SCREW	2	11/10/2017			

DRAWING 26A - REAR WHEEL SPINDLE [MOD:M 1200]

GROUP FRAME



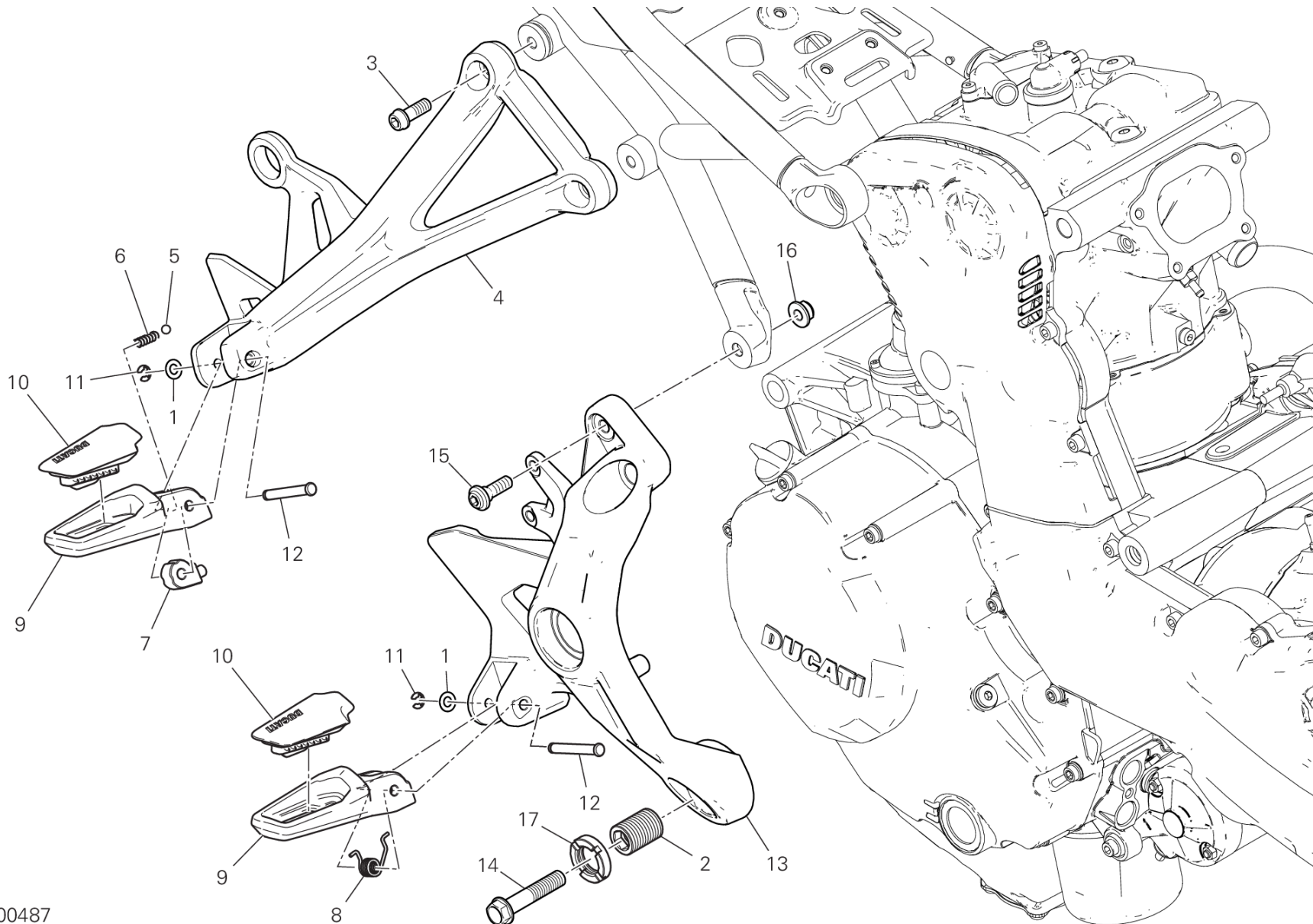
POS.	CODE	DESCRIPTION	QTY	START DATE	END DATE	VALIDITY	NOTES
1	72050159EA	SCREW	4	22/10/2013			
2	75012072AA	NUT	1	23/09/2016			
3	85212211A	WASHER 48.5X65X0.5	1				
4	74810461A	NUT, FLANGE M10X1	6				
5	16014201A	REAR SPROCKET FLANGE	1				
6	81920021A	REAR WHEEL SPINDLE	1				
7	88110541A	INNER SPACER	1				
8	67641551A	CHAIN 105+1	1	10/03/2016			
9	70090563A	ABSORBER, HUB SHOCK	6				
10	49411621AA	REAR SPROCKET T41	1	24/05/2013			
11	77550213C	SCREW TBEI M6X16	2	22/10/2013			
12	71410751A	SPACER	1				
13	75620131A	HUB	1				
14	4601E291A	CHAIN PINION COVER	1	10/03/2016			
15	85212171A	WASHER 85.5X101X1	2				
16	88641241A	O-RING 89.5X3	2				
17	82510591AA	BRACKET, REAR CALIPER	1	03/11/2016			
18	88440511A	CIRCLIP 85X3	1				
19	49210061A	REAR BRAKE DISC	1				
20	75910222A	CLIP	1				
21	77918261AA	SCREW	4	22/10/2013			
22	50410071A	REAR PHONIC WHEEL	1	22/10/2013			
23	67740181A	CHAIN LINK	1				
24	67620971A	FINAL DRIVE KIT	1				
25	43314461A	CHAIN ADJUSTMENT STICKER	1	16/12/2016		XST:AUS,BLG,EUR,GSO,ROK,TWN	
	43314461B	CHAIN ADJUSTMENT STICKER	1	16/12/2016		XST:JAP	
26	93010102A	DUST COVER	1				

DRAWING 27A - FOOTRESTS, LEFT [MOD:M 1200]

GROUP FRAME



POS.	CODE	DESCRIPTION	QTY	START DATE	END DATE	VALIDITY	NOTES
1	45622351AA	GEARCHANGE LEVER (Unit)	1	10/10/2016			
2	76410112A	COVER PEDAL	1				
3	71210341A	BUSH	1	01/03/2013			
4	82111701CA	PIN PEDAL	1	14/10/2013			
5	88641161A	O-RING	2	14/10/2013			
6	77156688B	SCREW TCEIF M6X22X18	1	14/10/2013			
7	85210532A	WASHER 8.2X20X1	1	14/10/2013			
8	74940041A	NUT, SELF-LOCKING M6	1	14/10/2013			
9	84850021A	BALL JOINT, RIGHT	1	14/10/2013			
10	74750031A	NUT 6MM	1	28/03/2017			
11	11721443AA	GEARBOX DRIVING ROD (Unit)	1	14/10/2013			
12	74750231AA	NUT, LEFT THREAD M6	1	28/03/2017			
13	84850011A	BALL JOINT, LEFT	1	14/10/2013			
14	77253988C	SCREW	1	22/10/2013			
15	45610461AA	GEAR CONTROL LEVER	1	10/10/2016			
16	77110191A	SCREW TCEIF M6X20	2	05/05/2014			
17	77157248CA	SCREW	2	10/03/2016			
18	74941128B	NUT M8	1				
19	77214401AA	SCREW, SPECIAL	1	10/03/2016			
20	82413212BA	FRONT L.H. PLATE	1	16/12/2016			
21	82115101AA	FOOTREST PIN	2	18/10/2016			
22	88450441A	CIRCLIP	2	18/11/2014			
23	46410971AA	LEFT FOOTREST	2	10/10/2016			
24	76510081D	FOOT PEG RUBBER COVER L.H.	2	10/10/2016			
25	79914991A	SPRING. FOOTREST	1	06/06/2017			
26	69610131A	SPRING RETAINER	1	14/10/2013			
27	79910241B	SPRING	1	14/10/2013			
28	84740021A	BALL	1	14/10/2013			
29	82413231AA	REAR L.H. PLATE	1	28/01/2016			
30	85213661AA	WASHER	2	18/10/2016			
31	77916411A	THREADED DOWEL	1	18/10/2016			
32	70310512AA	RING NUT	1	10/10/2016			
33	77156698B	SCREW TCEIF M6X25	1	10/10/2016			



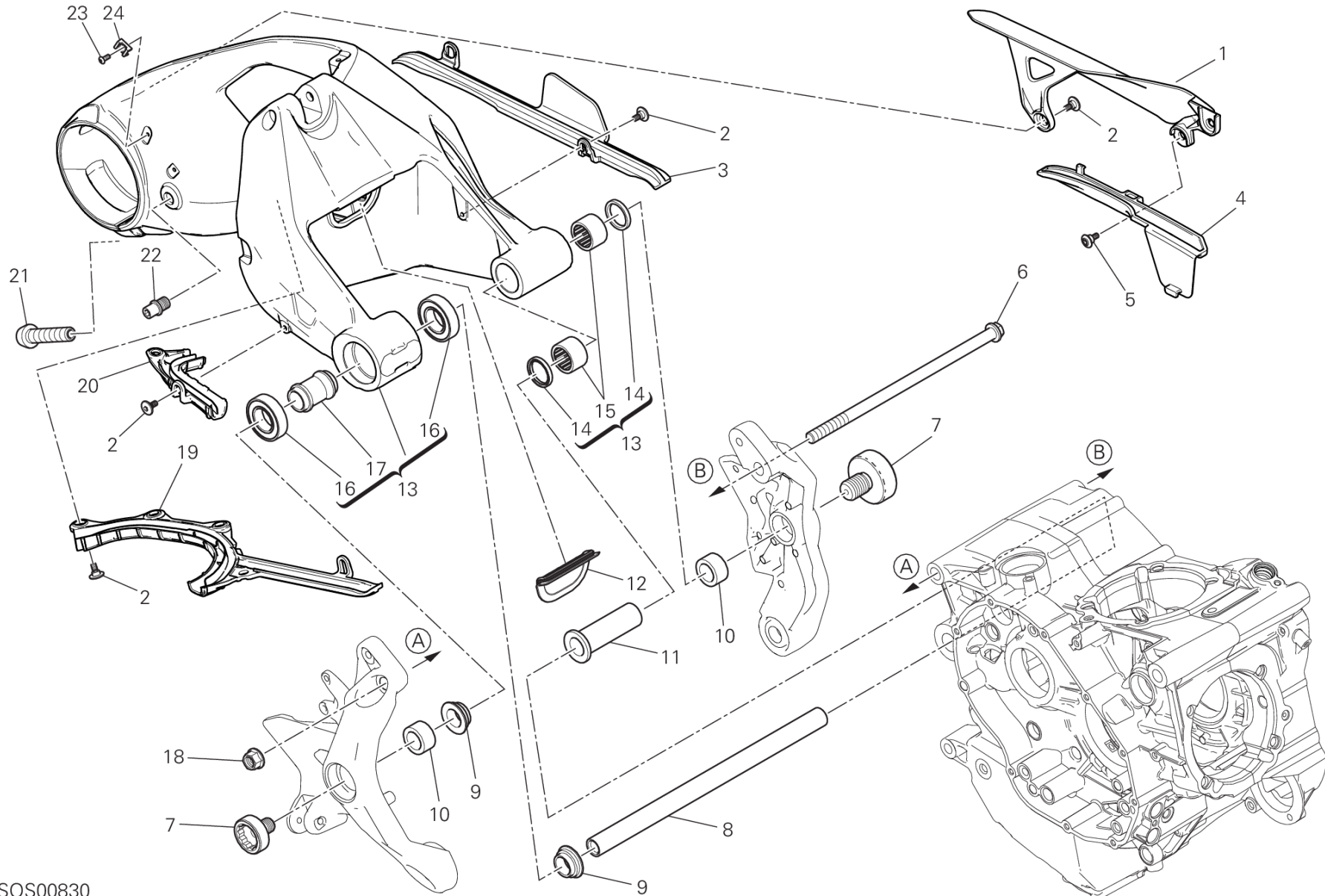
CMB00487

DRAWING 27B - FOOTRESTS, RIGHT [MOD:M 1200]

GROUP FRAME



POS.	CODE	DESCRIPTION	QTY	START DATE	END DATE	VALIDITY	NOTES
1	85213661AA	WASHER	2	10/10/2016			
2	77916411A	THREADED DOWEL	1	18/10/2016			
3	77157248CA	SCREW	2	16/10/2015			
4	82413222AA	REAR R.H. PLATE	1	30/08/2016			
5	84740021A	BALL	1	14/10/2013			
6	79910241B	SPRING	1	14/10/2013			
7	69610131A	SPRING RETAINER	1	14/10/2013			
8	79914991A	SPRING. FOOTREST	1	18/10/2016			
9	46410961AA	RIGHT FOOTREST	2	30/08/2016			
10	76510071D	FOOT PEG RUBBER COVER R.H.	2	18/10/2016			
11	88450441A	CIRCLIP	2	18/11/2014			
12	82115101AA	FOOTREST PIN	2	30/08/2016			
13	82413202BA	FRONT R.H. PLATE	1	18/10/2016			
14	77253988C	SCREW	1	22/10/2013			
15	77214401AA	SCREW, SPECIAL	2	10/03/2016			
16	74941128B	NUT M8	1				
17	70310512AA	RING NUT	1	10/10/2016			



SOS00830

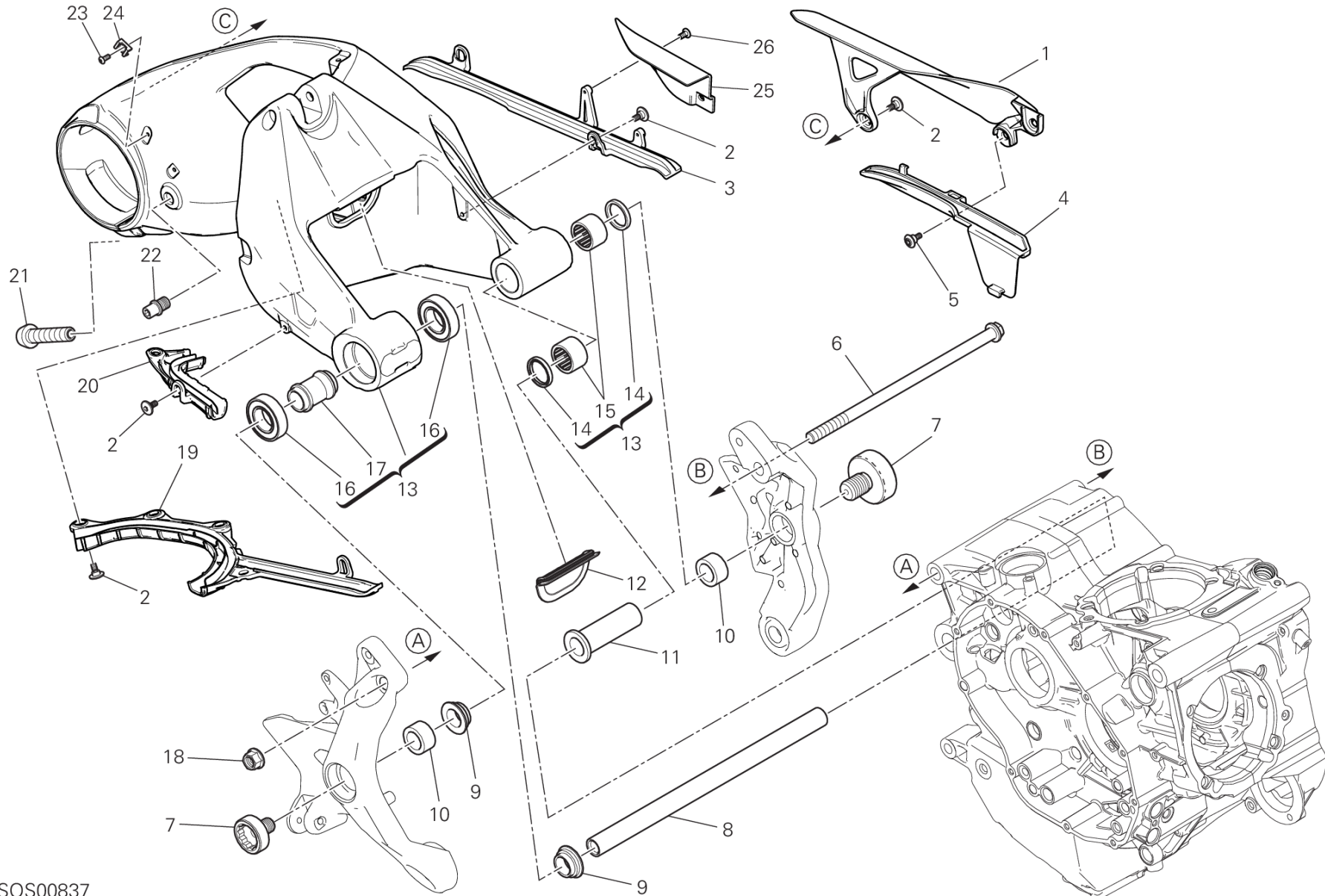


POS.	CODE	DESCRIPTION	QTY	START DATE	END DATE	VALIDITY	NOTES
1	44610351A	CHAIN GUARD	1	03/11/2016			
2	77914871C	SCREW	9	01/08/2013			
3	44711651B	LOWER CHAIN SLIDING SHOE	1	03/11/2016			
4	44711661A	UPPER CHAIN SLIDING SHOE	1	03/11/2016			
5	77210842A	SCREW TCEI M5X8.5	2	01/08/2013			
6	77918431AA	SCREW, SPECIAL	1	16/03/2015			
7	77918421AB	SCREW, SPECIAL	2	22/10/2013			
8	36911341AA	AXLE, REAR SWING ARM	1	22/10/2013			
9	71210301A	RIGHT SPACER	2	22/10/2013			
10	71210491AA	SPACER	2	22/10/2013			
11	71011891A	BUSHING	1	01/08/2013			
12	87210751A	CAP, SWINGARM COVER	1	01/08/2013			
13	37021961CA	COMPLETE SWINGARM	1	03/11/2016			
14	93050121A	SEAL RING	2	01/08/2013			
15	70140171A	BEARING, NEEDLE	2	01/08/2013			
16	70250451A	BEARING	2	01/08/2013			
17	7131A211AA	INNER SPACER	1	01/08/2013			
18	74841011AA	NUT, FLANGE	1	05/05/2014			
19	44711671B	CHAIN SLIDER	1	03/11/2016			
20	8301E361A	GUIDE, HOSE	1	10/03/2016			
21	77918251AA	SCREW, SPECIAL	1	01/08/2013			
22	83210031E	PIN	1	01/08/2013			
23	77550221A	SCREW TBEI M4X10	2	22/10/2013			
24	85041711A	HOSE GUIDE	2	23/10/2013			



DRAWING 28A - FORCELLONE POSTERIORE [MOD:M 1200;XST:AUS]

GROUP FRAME



SOS00837

DRAWING 28A - FORCELLONE POSTERIORE [MOD:M 1200;XST:AUS]

GROUP FRAME



POS.	CODE	DESCRIPTION	QTY	START DATE	END DATE	VALIDITY	NOTES
1	44610351A	CHAIN GUARD	1	03/11/2016			
2	77914871C	SCREW	9	01/08/2013			
3	44711681B	LOWER CHAIN SLIDING SHOE	1	03/11/2016			
4	44711661A	UPPER CHAIN SLIDING SHOE	1	03/11/2016			
5	77210842A	SCREW TCEI M5X8.5	2	01/08/2013			
6	77918431AA	SCREW, SPECIAL	1	16/03/2015			
7	77918421AB	SCREW, SPECIAL	2	22/10/2013			
8	36911341AA	AXLE, REAR SWING ARM	1	22/10/2013			
9	71210301A	RIGHT SPACER	2	22/10/2013			
10	71210491AA	SPACER	2	22/10/2013			
11	71011891A	BUSHING	1	01/08/2013			
12	87210751A	CAP, SWINGARM COVER	1	01/08/2013			
13	37021961CA	COMPLETE SWINGARM	1	03/11/2016			
14	93050121A	SEAL RING	2	01/08/2013			
15	70140171A	BEARING, NEEDLE	2	01/08/2013			
16	70250451A	BEARING	2	01/08/2013			
17	7131A211AA	INNER SPACER	1	01/08/2013			
18	74841011AA	NUT, FLANGE	1	05/05/2014			
19	44711671B	CHAIN SLIDER	1	03/11/2016			
20	8301E361A	GUIDE, HOSE	1	10/03/2016			
21	77918251AA	SCREW, SPECIAL	1	01/08/2013			
22	83210031E	PIN	1	01/08/2013			
23	77550221A	SCREW TBEI M4X10	2	22/10/2013			
24	85041711A	HOSE GUIDE	2	23/10/2013			
25	44711691A	GUARD	1				
26	77440391A	SCREW	2	03/11/2016			



CODE	NO. TABLE	POS.	CODE	NO. TABLE	POS.	CODE	NO. TABLE	POS.	CODE	NO. TABLE	POS.
000079672	020	32	17213291C	003	5	24714151AC	013	6	34913551A	21A	6
027291090	002	8	17213301C	003	9	24714171A	013	24	34913561A	21A	5
040009050	002	21	17213311A	003	18	24714651A	018	41	34913571A	21A	8
040029126	002	17	17213321A	003	24	24714891A	013	25	34913581A	21A	15
066013143	002	9	17213331B	003	22	24715281A	018	11	34913601A	21A	9
066549680	005	8	17213341B	003	21	24715691A	20A	6	34913611A	21A	10
067016155	003	19	17213351B	003	20	24715701A	020	21	34913621A	21A	3
067049310	010	2	17213361B	003	23	24716111A	020	33	34914231A	21A	11
069191030	18B	12	17310351A	012	14	24724481AH	011	31	34914241A	21A	19
075949280	009	3	17420382D	009	1	25120131A	011	29	34914251A	21A	21
11210121AB	006	8	176Z0021A	012	10	25440013A	005	4	34914261A	21A	20
11210121AC	006	8	18020401A	002	25	25510104B	008	18	34914271A	21A	17
11721082A	004	16	180Z0031A	002	11	25510193A	013	7	34914291A	21A	27
11721443AA	27A	11	180Z0041A	002	12	26420501B	011	1	34921041A	21A	24
11723531AA	025	15	18220611B	002	18	27040104A	012	1	34921051A	21A	23
120Z0131CC	007	5	18410051A	025	14	27611161A	012	16	34921711A	21A	18
120Z0141CC	007	10	18710021A	023	3	28040401B	017	24	34921721A	21A	14
12110781B	007	3	18710021A	024	2	28240991A	017	26	34921731A	21A	25
12112481A	007	2	19020232A	004	9	28620441B	01C	6	34921741A	21A	16
12120521A	007	4	19410511A	004	4	28642801A	18A	14	34921751A	21A	13
12221952A	007	1	19540033B	004	19	28642801E	18A	14	34921761A	21A	12
13510451A	017	20	19610532C	004	12	28642801H	18A	14	36011941CA	021	20
14010822B	017	1	19610542C	004	11	30124114AC	015	22	36015322AB	021	19
14622271DR	006	1	19820391A	004	14	30124124AC	014	22	36015471AB	021	22
14710811A	008	3	20810321A	014	3	30310631BB	014	7	36140161A	021	36
14823421B	013	15	20810321A	015	3	30310631BB	015	7	36521561A	028	4
14823431B	013	11	20910491A	014	16	30310631BC	014	7	36911341AA	28A	8
14823441B	013	14	20910491A	015	16	30310631BC	015	7	36911341AA	28A	8
14823451B	013	18	20910501A	014	4	30310631BD	014	7	37021961CA	28A	13
14910831D	003	2	20910501A	015	4	30310631BD	015	7	37021961CA	28A	13
14910891C	003	25	21010841A	014	14	30410881AB	014	13	38040101C	022	15
15021431E	003	26	21010841A	015	14	30410881AB	015	13	38510711C	027	11
15021941B	003	3	21110831A	014	5	30410881AC	014	13	38540073B	027	32
15310131A	021	12	21110831A	015	5	30410881AC	015	13	38640561C	027	29
15820234A	006	5	22523402B	010	1	30410891AB	014	10	38940191A	18B	5
16010941A	013	10	24221451BF	011	13	30410891AB	015	10	38940201A	18B	5
16012121B	012	13	24321042AE	005	1	30410891AC	014	10	38940211A	18B	5
16014201A	26A	5	24511421B	008	1	30410891AC	015	10	38940221A	18B	5
16024181A	032	9	24511431A	008	2	34110992AC	021	25	38940231A	018	40
16024181A	032	9	24521071A	008	21	342P0961AB	021	35	38940241A	18B	5
17021251A	006	6	24612162A	029	16	34420581B	21A	1	38940251A	18B	5
17122371A	008	13	24713511C	010	3	34520581B	21A	2	38940261A	18B	5
17213271A	003	10	24713571AN	011	23	34913531A	21A	4	38940301A	18B	5
17213281C	003	8	24714141AC	013	5	34913541A	21A	7	39040111A	020	31



CODE	NO. TABLE	POS.	CODE	NO. TABLE	POS.	CODE	NO. TABLE	POS.	CODE	NO. TABLE	POS.
39040211A	020	13	4601B921A	019	24	49141401A	E	2	53940501A	023	22
39040211A	28B	13	4601D231A	018	3	49141411A	A	4	54040321A	018	5
39040211A	28B	13	4601D311CA	019	17	49141411A	C1	2	54140101A	18B	7
39740081B	018	39	4601D781A	28B	22	49141421A	A	6	54240641B	24A	17
40611332C	20A	1	4601E141B	027	21	49141421A	D1	2	54810461B	016	1
42020008A	025	27	4601E212B	033	18	491P0294A	A	2	54841025A	030	19
42610191A	029	17	4601E221A	021	9	491P0294A	B3	2	54911071A	016	7
42640041B	035	9	4601E291A	26A	14	49210061A	26A	19	55040271A	030	21
43217911Z	032	26	4601E841A	019	37	49241011A	026	5	55040281A	030	24
43314461A	26A	25	4602B332A	019	38	49411621AA	26A	10	55212111B	24A	2
43314461B	26A	25	46210021A	021	2	49720031A	026	16	55214011A	019	27
43513621A	032	11	46240461A	18A	23	49720071AB	026	3	55214911A	002	24
43513621A	032	11	46320222A	010	6	50121811AA	026	10	55240121A	020	4
43513631A	033	24	46320537A	003	14	50211552AT	026	7	55240121A	18A	8
43513641A	033	25	46410961AA	27B	9	50410051A	026	12	55241321C	10A	14
43611981A	032	10	46410971AA	27A	23	50410071A	26A	22	55241441A	017	18
43611981A	032	10	47017981BA	027	7	51019722A	18B	4	55243442A	031	6
43713501A	034	21	47018051AA	022	2	5101A842A	017	25	55243521A	011	2
43713511A	034	20	47018121AA	022	2	5101B201D	18B	2	55340041A	031	13
43814741A	034	22	48016061B	034	7	5101B291C	18B	1	55610791C	22A	1
44212792D	029	13	48016072AA	034	9	51310281C	018	43	55610801C	22A	3
44213111A	029	11	48016081B	034	11	51410711B	018	44	56113381AA	28B	23
44440035A	009	2	48016171B	030	20	51410721C	018	36	56113391A	28B	10
44610351A	28A	1	48016181A	030	12	51640011AB	016	16	56113392A	28B	10
44610351A	28A	1	48016191B	030	4	52010391BA	020	10	56113442A	28B	3
44711651B	28A	3	48016201B	030	13	52040341A	020	29	56113442A	28B	3
44711661A	28A	4	48016211B	030	1	52310541A	021	3	56113461A	28B	6
44711661A	28A	4	48018812A	030	17	52310551A	021	7	56113461A	28B	6
44711671B	28A	19	48211871A	034	16	52510483B	027	1	564P6442AA	034	12
44711671B	28A	19	48211951A	022	17	52510611A	28B	12	56511111A	028	1
44711681B	28A	3	48212371A	034	4	52510611A	28B	12	57013382A	019	29
44711691A	28A	25	48610951A	005	16	52910221A	21A	26	57113251A	019	21
44910531A	003	12	48611091A	005	19	52910231A	28B	20	57113261A	019	2
45110462A	013	26	48611101C	032	25	52910231A	28B	20	57211632A	019	32
45120272A	008	9	48611101C	032	25	53010226A	28B	17	57322243BA	019	12
45120291A	008	10	49040692A	A	7	53010226A	28B	17	57610892BA	019	10
45520181A	010	4	49040692A	E	1	53010226B	020	18	58510822B	031	22
45610461AA	27A	15	49040711A	A	5	53010236A	28B	14	58540011A	025	6
45622351AA	27A	1	49040711A	D1	1	53010236A	28B	14	58540221A	024	15
45720571AA	025	20	49040901A	A	3	53010236B	020	14	58540231A	023	12
4601A611B	018	23	49040901A	C1	1	53910341A	22A	5	58612501CA	032	3
4601A871A	24A	10	490P0272A	A	1	53940031C	025	26	58612501CA	032	3
4601B275A	019	36	490P0272A	B3	1	53940302A	016	12	59014101A	017	9
4601B284A	019	4	49141401A	A	8	53940491A	024	26	59014111A	017	17



CODE	NO. TABLE	POS.	CODE	NO. TABLE	POS.	CODE	NO. TABLE	POS.	CODE	NO. TABLE	POS.
59014471A	029	20	63140161A	025	30	70140171A	28A	15	71311961A	026	17
59017821A	035	17	63140281A	023	19	70140541A	012	11	71311973A	026	2
59024061A	017	22	63140281A	024	30	70240091A	011	11	71312661A	003	15
59210251B	032	23	63140601A	024	27	70240102A	011	9	71312921A	014	9
59210251B	032	23	63140631A	023	2	70240131A	010	16	71312921A	015	9
59310601B	010	7	63210741B	023	6	70240331A	010	17	71312921B	014	25
59320581B	010	5	65010281B	021	5	70241151A	010	18	71312921B	015	26
59340301C	019	20	65110281B	021	16	70241161A	010	19	71313091A	004	13
595P3312AA	033	4	65240231A	021	14	70241231A	021	31	71314361AB	019	8
595P3331AA	033	9	65540091A	029	8	70241461A	012	15	71314703A	020	12
59820572A	033	14	65540101A	035	13	70250081A	010	20	71314703A	28B	15
59821061A	032	12	66020093B	021	4	70250081A	011	4	71314703A	28B	15
59821061A	032	12	66810482A	007	14	70250193A	010	21	71314831A	004	15
59840183A	032	4	66910011E	014	6	70250451A	28A	16	71314901A	24A	3
59840183A	032	4	66910011E	015	6	70250451A	28A	16	71319151A	002	2
59840361A	032	19	67040451A	022	6	70250601A	004	10	71319191A	012	8
59840361A	032	19	67110582A	022	8	70250621A	026	8	71319201A	24A	3
59920101A	033	12	67110592B	022	9	70310481A	029	15	71319951A	003	13
61041292C	024	5	67110601B	022	5	70310512AA	27A	32	7131A211AA	28A	17
61041302C	024	8	67110612A	022	7	70310512AA	27B	17	7131A211AA	28A	17
61140421A	025	1	67620971A	26A	24	70310761AA	021	29	7131A492C	020	26
61240052A	023	4	67641551A	26A	8	70350024A	013	2	7131A502C	020	27
61240052A	024	1	67740181A	26A	23	70350062A	008	12	7131C641A	24A	29
61240081A	025	12	68010131A	006	10	71011071A	021	15	7131C651A	24A	29
61240161A	025	29	68010131A	008	16	71011691A	006	7	71320043A	004	18
61240391A	023	10	68050061A	013	12	71011891A	28A	11	71410751A	26A	12
61240391A	024	28	68050101A	010	13	71011891A	28A	11	71411352AA	026	15
61240511A	024	14	69610131A	27A	26	71011991B	010	22	71413241AA	026	9
61340951A	025	28	69610131A	27B	7	71020041A	010	23	71610031A	016	3
61341021A	024	13	69720291B	027	8	71110922A	011	25	71610031A	24A	15
61810521C	24A	9	69926751A	018	14	71110951A	010	65	71610061A	18A	2
61810531B	24A	7	69926951A	032	21	71111301A	021	37	71610381B	018	10
61810871A	024	7	69926951A	032	21	71111601A	005	13	71610722A	008	20
61910481C	24A	19	70010362A	010	14	71111601A	011	14	71611071B	017	13
61910871B	24A	18	70010431A	18A	24	71112191A	007	12	71611071B	019	14
62441081A	024	11	70010481B	020	24	71113741A	013	19	71611281A	008	17
62540201A	025	10	70010541A	021	24	71210301A	28A	9	71611351A	020	22
62640561A	023	20	70010751A	035	8	71210301A	28A	9	71611521A	20A	4
62640561A	024	29	70010811A	032	5	71210341A	025	21	71611641AA	022	11
62640881A	024	12	70010811A	032	5	71210341A	27A	3	71614011B	034	13
62640891A	023	18	70010901A	017	31	71210491AA	28A	10	71614071A	018	7
63040663A	023	1	70090563A	26A	9	71210491AA	28A	10	71614091A	030	25
63140081A	023	21	70140051A	003	4	71310141E	003	11	71614221A	016	19
63140081A	024	19	70140171A	28A	15	71311281B	011	27	71614221A	027	25



CODE	NO. TABLE	POS.	CODE	NO. TABLE	POS.	CODE	NO. TABLE	POS.	CODE	NO. TABLE	POS.
71614271A	018	31	74141711A	035	10	75011561A	006	13	76411431A	018	26
71614381AA	027	24	74141871A	017	3	75011601A	008	15	76411621A	029	12
71614581AA	24A	21	74142121A	031	10	75011971A	006	14	76411641A	027	31
71614691AA	019	39	74142181A	031	28	75012072AA	026	13	76411711A	24A	22
71614811AA	034	24	74142371A	029	3	75012072AA	26A	2	76411831A	018	13
71614921AA	027	4	74142381A	019	3	75040141A	018	2	76411851A	017	28
71614971AA	030	15	74142401A	029	5	75040211A	027	33	76411881A	034	2
71615211AA	027	14	74142501A	031	9	75050011B	020	1	76412061A	032	22
71615291AA	28B	5	74142581A	007	7	75050051A	012	12	76412061A	032	22
71615291AA	28B	5	74142581A	029	1	75620131A	26A	13	76412091A	027	6
71615541AA	20A	7	74142581A	031	4	757941542	010	27	76412101A	027	3
71850163C	032	7	74142591A	031	15	75810642A	24A	6	76412371A	28B	2
71850163C	032	7	74142651A	019	22	75810782A	18A	17	76412371A	28B	2
72010513C	026	4	74710151A	010	35	75840601A	24A	4	76412421B	027	30
72050069E	011	10	74750031A	27A	10	75840641A	017	4	76414191A	023	8
72050159EA	26A	1	74750051B	025	13	75840721A	017	6	76414191A	024	21
72050338B	010	24	74750071A	021	34	75840771A	018	12	76440572A	014	8
720941616	010	25	74750231AA	27A	12	75840801A	018	48	76440572A	015	8
73210543A	019	34	74810241A	019	28	75840861A	018	47	76510071D	27B	10
735001542	002	15	74810351B	022	14	75840901A	28B	1	76510081D	27A	24
735033380	010	26	74810461A	26A	4	75840901A	28B	1	76610553B	10A	2
735033380	011	17	74810501A	10A	11	75910222A	026	19	76640191A	014	21
73740252A	008	5	74810651A	026	1	75910222A	26A	20	76640191A	015	21
74110101A	18B	14	74840241AB	021	27	75910251A	019	19	768351134	002	10
74110121A	027	34	74841011AA	28A	18	75910311A	027	9	77052508B	011	6
74110131A	18B	3	74841011AA	28A	18	76040074B	032	24	77110191A	020	6
74110551A	031	30	74841091AA	017	12	76040074B	032	24	77110191A	27A	16
74110551A	18B	15	74850061A	18A	15	764020002	003	17	77110351A	016	11
74140381A	18B	13	74940041A	27A	8	76410011A	019	9	77110391B	017	2
74140381A	24A	30	74940081A	008	7	76410112A	27A	2	77110401B	017	32
74140431A	017	11	74940321A	019	11	76410241A	016	2	77110401B	24A	1
74140431A	023	14	74941108B	023	13	76410241A	022	12	77110441A	020	15
74140431A	024	16	74941108B	024	18	76410241A	030	7	77110441A	28B	16
74140431A	025	9	74941113B	018	19	76410241A	18A	3	77110441A	28B	16
74140431A	035	3	74941118B	027	20	76410241A	20A	2	77110501A	021	10
74140571A	031	18	74941128B	27A	18	76410621B	018	45	77110518B	009	7
74140571A	035	18	74941128B	27B	16	76410641A	020	7	77110521A	012	6
74140641A	031	20	74941333B	031	7	76410641A	24A	14	77113691A	020	16
74140651A	029	19	74950011B	28B	18	76410971A	020	3	77113691C	025	7
74140651A	035	12	74950011B	28B	18	76410981A	022	24	77113731A	021	1
74141001A	035	5	75010071A	003	1	76410981A	031	26	77113741A	021	6
74141461A	019	23	75010071E	004	7	76411141A	24A	26	77113801A	008	6
74141711A	017	15	75010481A	22A	8	76411361A	030	11	77113961A	011	16
74141711A	031	29	75011491AB	021	8	76411421A	018	32	77116648B	016	8



CODE	NO. TABLE	POS.	CODE	NO. TABLE	POS.	CODE	NO. TABLE	POS.	CODE	NO. TABLE	POS.
77116671AA	031	25	77159418B	021	21	77244183B	018	1	77550191A	030	16
77140667CF	012	5	77210601A	24A	28	77244213B	032	8	77550211B	10A	15
77140697CF	012	7	77210623B	031	1	77244213B	032	8	77550213C	24A	5
77140713C	005	5	77210842A	28A	5	77244218B	027	23	77550213C	26A	11
77140713C	011	19	77210842A	28A	5	77244538BA	28B	7	77550221A	28A	23
77140723C	011	15	77210861B	034	5	77244538BA	28B	7	77550221A	28A	23
77140813C	005	3	77210882B	019	16	77250341B	010	9	77750493C	011	24
77140833C	005	2	77210882B	020	23	77250341C	008	4	77840041A	010	31
77150078B	010	8	77210893B	034	14	77250988B	030	23	77850281A	021	33
77150388B	034	17	77211021A	24A	25	77251008B	018	9	77910391A	010	32
77150408B	017	23	77211031A	016	18	77251038B	016	4	77910921A	023	7
77150408B	032	14	77211061A	18B	9	77251043B	018	21	77910921A	024	22
77150408B	032	14	77211091A	030	5	77251593B	018	29	77911092A	006	2
77150408B	18A	21	77211091A	034	10	77253268C	019	25	77911622A	010	33
77150457E	032	13	77211091C	030	18	77253330ZF	012	3	77912741A	017	29
77150457E	032	13	77211201A	004	3	77253988C	27A	14	77913311D	024	6
77150653B	004	6	77211401BA	019	18	77253988C	27B	14	77913662AB	023	16
77150653B	010	28	77211411AA	018	4	77310021A	21A	22	77913662AB	025	4
77150670ZF	002	3	77214061AA	18A	1	77350403B	013	23	77913662AB	24A	11
77150693BD	24A	31	77214061AA	20A	3	77350618B	014	20	77913971A	023	5
77150723B	10A	3	77214401AA	27A	19	77350618B	022	3	77913971A	024	3
77150788B	021	17	77214401AA	27B	15	77350738BC	011	5	77914043B	006	9
77150808B	10A	4	77214411AA	018	42	77354623B	28B	9	77914151A	024	10
77151250ZF	002	1	77214411AA	034	26	77354623B	28B	9	77914211A	014	23
77151283B	018	33	77214411AB	033	10	77354743B	022	10	77914211A	015	23
77151298B	009	8	77214411BA	017	21	77355068B	019	7	77914651A	024	9
77151363B	10A	5	77240253C	029	14	77355203C	018	18	77914871C	028	2
77151398B	10A	6	77240253C	034	15	77355213C	22A	2	77914871C	28A	2
77156413B	022	16	77240258C	018	22	77440041A	027	5	77914871C	28A	2
77156413B	032	1	77240258C	034	6	77440101A	029	6	77915041A	028	3
77156413B	032	1	77240278C	18A	18	77440101A	034	19	77915093A	013	3
77156453B	20A	5	77240403CA	027	13	77440111A	24A	24	77916041C	10A	1
77156623B	031	23	77240418C	027	28	77440131A	029	10	77916081A	030	6
77156628B	018	38	77240418C	28B	8	77440141A	18A	5	77916311A	011	3
77156639E	019	5	77240418C	28B	8	77440171A	030	2	77916411A	27A	31
77156658B	016	17	77240433C	019	35	77440213C	18A	7	77916411A	27B	2
77156683B	025	25	77240438C	033	11	77440391A	28A	26	77917101B	010	34
77156688B	27A	6	77240443C	027	26	77440431AA	018	35	77917241AA	22A	4
77156698B	27A	33	77240443C	24A	16	77510311B	010	30	77918132A	002	7
77157238B	025	2	77240453C	034	1	77510471A	030	10	77918141A	013	22
77157248CA	27A	17	77244163B	28B	4	77510541A	024	25	77918251AA	28A	21
77157248CA	27B	3	77244163B	28B	4	77510721A	005	7	77918251AA	28A	21
77157268B	021	28	77244168B	18A	10	77550171A	032	20	77918261AA	26A	21
77157273B	021	18	77244173B	033	22	77550171A	032	20	77918291AA	022	1



CODE	NO. TABLE	POS.	CODE	NO. TABLE	POS.	CODE	NO. TABLE	POS.	CODE	NO. TABLE	POS.
77918301AB	027	15	79914991A	27B	8	82112951A	015	15	8291F761AA	28B	11
77918421AB	28A	7	79915061A	002	4	82113471A	012	9	83014401A	033	13
77918421AB	28A	7	79915181B	014	26	82113881A	002	13	83016241B	033	17
77918431AA	28A	6	79915181B	015	27	82114571AA	018	25	83018172AA	022	4
77918431AA	28A	6	79915191B	014	27	82114581BA	018	17	83018181AA	24A	13
77918711BA	018	46	79915191B	015	28	82114711CA	033	3	83018221A	017	30
77919121AA	025	18	79920772A	010	41	82114731A	002	6	83018341B	24A	20
77919881A	010	66	79920881C	22A	7	82115101AA	27A	21	83018352AA	018	34
77927171A	010	36	79925771B	025	24	82115101AA	27B	12	83018411AA	016	10
77950302A	013	16	79925941A	019	31	82115511A	027	22	83018421BA	017	7
77950621A	010	38	79940121A	010	42	82115681AA	020	11	83018431AA	022	13
78010151D	006	4	800068490	024	23	82118401AA	22A	9	83018691A	024	24
78010511E	014	12	800070139	01B	8	82120132A	002	23	83018971A	030	8
78010511E	015	12	80011851A	007	8	82413202BA	27B	13	8301A231AA	018	20
78010721A	010	39	80012301A	031	11	82413212BA	27A	20	8301A241AA	018	27
78011001B	005	6	80012311A	031	5	82413222AA	27B	4	8301E361A	28A	20
78011041A	010	29	80012321A	031	12	82413231AA	27A	29	8301E361A	28A	20
78020011A	019	26	80012332A	031	17	82510591AA	26A	17	8301E411AA	021	13
78050012A	011	32	80012483A	007	9	82610261A	002	5	8301E561AA	020	8
78610942AA	007	13	80012521A	031	16	82610351BA	032	6	8301E661AA	020	2
78611001A	007	11	80610432A	027	18	82610351BA	032	6	83110151A	010	44
78710111A	016	6	80610442A	027	19	82714201A	016	9	83210031E	28A	22
78810542A	012	4	81110021A	010	11	82716031A	010	12	83210031E	28A	22
78810931A	013	9	81140012B	013	21	82716091A	011	30	84010012A	014	1
78810971A	017	19	81411111C	035	2	82716351A	013	20	84010012A	015	1
78811041A	18A	9	814111831A	035	6	82717601A	005	14	84010022A	014	1
78811151A	010	10	81411881A	015	25	82717631AA	22A	10	84010022A	015	1
78811211A	013	8	81413251A	032	17	82717873BA	025	11	84010032A	014	1
79010211A	019	30	81413251A	032	17	82718261A	005	20	84010032A	015	1
79111111A	032	16	81413261A	031	2	82911901A	017	5	84010042A	014	1
79111111A	032	16	81413341A	017	10	82919611A	029	18	84010042A	015	1
79111271A	020	30	81415251B	017	16	8291B632B	018	30	84010052A	014	1
79120481C	007	6	81420051A	031	8	8291B641C	18A	4	84010052A	015	1
79710741A	004	1	81510221A	016	5	8291B771AA	18A	11	84010062A	014	1
79910241B	27A	27	81510281A	010	43	8291B871B	18A	20	84010062A	015	1
79910241B	27B	6	81810162A	004	5	8291B911BA	024	20	84010072A	014	1
79910491A	010	40	81910601A	026	11	8291B951BA	023	9	84010072A	015	1
79910891C	22A	6	819Z0021A	26A	6	8291C091A	027	2	84010082A	014	1
79912961A	002	20	82111701CA	025	16	8291C142A	24A	23	84010082A	015	1
79914851A	014	19	82111701CA	27A	4	8291C362A	033	5	84010092A	014	1
79914851A	015	19	82112731A	025	23	8291E731B	034	18	84010092A	015	1
79914861A	014	18	82112941A	014	17	8291F671A	033	7	84010102A	014	1
79914861A	015	18	82112941A	015	17	8291F751AA	020	20	84010102A	015	1
79914991A	27A	25	82112951A	014	15	8291F761AA	28B	11	84010112A	014	1



CODE	NO. TABLE	POS.	CODE	NO. TABLE	POS.	CODE	NO. TABLE	POS.	CODE	NO. TABLE	POS.
84010112A	015	1	84010332A	015	1	84010612B	015	2	84010812B	015	2
84010122A	014	1	84010342A	014	1	84010622B	014	2	84010822B	014	2
84010122A	015	1	84010342A	015	1	84010622B	015	2	84010822B	015	2
84010132A	014	1	84010412B	014	2	84010632B	014	2	84010832B	014	2
84010132A	015	1	84010412B	015	2	84010632B	015	2	84010832B	015	2
84010142A	014	1	84010422B	014	2	84010642B	014	2	84010842B	014	2
84010142A	015	1	84010422B	015	2	84010642B	015	2	84010842B	015	2
84010152A	014	1	84010432B	014	2	84010652B	014	2	84010852B	014	2
84010152A	015	1	84010432B	015	2	84010652B	015	2	84010852B	015	2
84010162A	014	1	84010442B	014	2	84010662B	014	2	84010862B	014	2
84010162A	015	1	84010442B	015	2	84010662B	015	2	84010862B	015	2
84010172A	014	1	84010452B	014	2	84010672B	014	2	84010872B	014	2
84010172A	015	1	84010452B	015	2	84010672B	015	2	84010872B	015	2
84010182A	014	1	84010462B	014	2	84010682B	014	2	84011082A	014	1
84010182A	015	1	84010462B	015	2	84010682B	015	2	84011082A	015	1
84010192A	014	1	84010472B	014	2	84010692B	014	2	84011092A	014	1
84010192A	015	1	84010472B	015	2	84010692B	015	2	84011092A	015	1
84010202A	014	1	84010482B	014	2	84010702B	014	2	84011102A	014	1
84010202A	015	1	84010482B	015	2	84010702B	015	2	84011102A	015	1
84010212A	014	1	84010492B	014	2	84010712B	014	2	84011112A	014	1
84010212A	015	1	84010492B	015	2	84010712B	015	2	84011112A	015	1
84010222A	014	1	84010502B	014	2	84010722A	014	1	84011122A	014	1
84010222A	015	1	84010502B	015	2	84010722A	015	1	84011122A	015	1
84010232A	014	1	84010512B	014	2	84010722B	014	2	84011132A	014	1
84010232A	015	1	84010512B	015	2	84010722B	015	2	84011132A	015	1
84010242A	014	1	84010522B	014	2	84010732A	014	1	84011142A	014	1
84010242A	015	1	84010522B	015	2	84010732A	015	1	84011142A	015	1
84010252A	014	1	84010532B	014	2	84010732B	014	2	84740021A	27A	28
84010252A	015	1	84010532B	015	2	84010732B	015	2	84740021A	27B	5
84010262A	014	1	84010542B	014	2	84010742B	014	2	84740061A	010	45
84010262A	015	1	84010542B	015	2	84010742B	015	2	84850011A	27A	13
84010272A	014	1	84010552B	014	2	84010752B	014	2	84850021A	27A	9
84010272A	015	1	84010552B	015	2	84010752B	015	2	85010151A	025	19
84010282A	014	1	84010562B	014	2	84010762B	014	2	85040381A	016	14
84010282A	015	1	84010562B	015	2	84010762B	015	2	85040381A	018	6
84010292A	014	1	84010572B	014	2	84010772B	014	2	85040381A	019	40
84010292A	015	1	84010572B	015	2	84010772B	015	2	8504071A	034	23
84010302A	014	1	84010582B	014	2	84010782B	014	2	85040551A	018	24
84010302A	015	1	84010582B	015	2	84010782B	015	2	85040551A	019	13
84010312A	014	1	84010592B	014	2	84010792B	014	2	85040551A	030	14
84010312A	015	1	84010592B	015	2	84010792B	015	2	85040551A	033	19
84010322A	014	1	84010602B	014	2	84010802B	014	2	85040551A	034	25
84010322A	015	1	84010602B	015	2	84010802B	015	2	85040561A	033	1
84010332A	014	1	84010612B	014	2	84010812B	014	2	85040671A	027	16



CODE	NO. TABLE	POS.	CODE	NO. TABLE	POS.	CODE	NO. TABLE	POS.	CODE	NO. TABLE	POS.
85040671A	18B	11	85241711A	030	9	86611521A	027	10	88110461A	031	14
85040821A	034	8	85250231A	010	48	86611611A	18A	12	88110541A	26A	7
85041041A	022	19	85250231A	014	28	86611681A	018	15	88110921A	012	2
85041051A	022	18	85250231A	015	20	86611692B	020	9	88111161B	020	19
85041121A	034	3	85250231A	017	8	86611701A	033	21	88111171B	020	17
85041711A	18A	6	85250231A	035	1	86611721C	032	2	88210031A	008	11
85041711A	28A	24	85250241A	011	21	86611721C	032	2	88210151A	003	7
85041711A	28A	24	85250241A	023	17	86611731A	18A	19	88440511A	26A	18
85041951AA	018	8	85250241A	024	4	86611751C	033	2	88440651A	010	54
85110041A	003	16	85250241A	025	3	86611861A	24A	27	88450341B	002	22
85110131A	008	14	85250241A	24A	12	86611981A	18A	13	88450431A	011	8
85110201A	004	8	85250261B	014	11	86611991A	017	14	88450441A	27A	22
85140051A	006	12	85250261B	015	11	86612101B	033	28	88450441A	27B	11
85210051A	002	14	85250271A	019	6	86612221A	033	8	88450581A	010	55
85210491B	021	26	85250401A	021	23	86612331A	033	6	88450661A	018	16
85210532A	010	46	85250421A	010	49	86612421B	033	27	88450661A	019	33
85210532A	025	22	85250481A	011	20	86612431B	033	29	88450711A	005	11
85210532A	27A	7	85250601A	018	28	86612471A	033	30	88610241A	10A	8
85210721B	019	15	85250631A	005	17	87210532A	18B	6	88610951A	011	22
85210941A	002	19	85310021A	008	8	87210641A	18B	8	88640331A	010	56
85211031AB	021	32	85310021A	009	9	87210751A	28A	12	88640371A	009	6
85211671B	027	27	85310031A	10A	13	87210751A	28A	12	88641031A	031	3
85211721A	011	7	85310041A	009	4	87210802A	020	25	88641161A	025	17
85211761A	020	5	85350101A	012	17	87210812A	020	28	88641161A	27A	5
85211911A	031	27	85350101A	018	37	87210901A	033	16	88641181A	010	52
85211951A	010	47	85550001B	033	15	87210912A	022	21	88641181A	10A	9
85211951A	016	13	85550001B	18B	10	87210922A	022	20	88641241A	26A	16
85212171A	26A	15	85610623A	008	19	87210941A	022	23	88641321A	005	12
85212211A	026	14	85610642A	10A	10	87210951A	022	22	88641321A	009	5
85212211A	26A	3	85610743A	013	4	87211251A	28B	21	88641581A	010	58
85212221A	026	6	85611372A	003	6	87211251A	28B	21	88641731A	004	17
85212271A	019	1	85611391B	004	2	87240921A	030	22	88641961A	010	37
85212511A	28B	19	85611481A	010	50	87310051A	013	13	88642231A	017	27
85212511A	28B	19	85640141A	010	64	87511461B	010	51	88642301A	005	18
85212751A	016	15	86010051B	10A	7	87522391A	010	53	88650131A	010	57
85212881D	006	11	86050061A	014	24	87610581A	031	19	88650511A	013	1
85213011A	010	15	86050061A	015	24	87611181A	035	15	887005644	01A	3
85213601A	005	10	86150251A	033	23	87611211A	029	4	887131010	01A	2
85213641A	006	3	86610301A	033	20	87611221B	029	9	887131058	01B	7
85213661AA	27A	30	86610361A	18A	22	87611232A	029	2	887131062	01B	9
85213661AA	27B	1	86610731A	18A	16	87710691A	025	8	887131074	01B	4
85213681A	019	41	86610751A	033	26	87711111A	024	17	887131309	001	14
85240131A	030	3	86611001A	021	11	87711131A	023	15	887131749	01A	13
85240211A	029	7	86611121A	24A	8	88110121A	002	16	887131806	01A	6



CODE	NO. TABLE	POS.	CODE	NO. TABLE	POS.
887131821	01A	9	91373491F	027	17
887131832	001	9	91373491G	027	17
887131906	01A	15	91373491R	027	17
887131920	01A	8	92610051A	027	12
887131994	01A	12	92610051A	032	18
887132011	01A	7	92610051A	032	18
887132068	001	13	92610401A	027	35
887132096	001	1	93010041B	021	30
887132103	001	7	93010102A	26A	26
887132409	01B	6	93040211A	005	9
887132442	001	2	93040221A	010	61
887132571	001	4	93040931A	010	62
887132870	01A	10	93041231A	010	63
887132877	01A	17	93041501A	026	18
887132906	001	6	93050051A	011	26
887132951	01B	3	93050062B	011	28
887133211	01B	5	93050072A	013	17
887133219	01A	16	93050121A	28A	14
887133220	01B	1	93050121A	28A	14
887133334	001	11	93410212A	031	21
887133352	001	5	93510251B	035	4
887133367	001	8	93510261B	035	7
887133406	01A	4	93510271B	035	11
887133408	001	10	93510281B	035	16
887133417	001	12	93510291B	035	14
887133497	01A	1	937831524	011	18
887134411	01A	11	942470014	011	12
887134513	01B	2	942470014	10A	12
887651298	001	3	944650035	L	1
887651518	01A	5	944650037	L	2
887651623	01A	14	979000252	01C	1
89310143A	031	24	979000253	01C	2
89320062A	010	59	979000254	01C	3
89320191A	005	15	979000255	01C	4
89340051A	023	11	979000256	01C	5
89340051A	025	5	979000259	01C	7
89410241A	010	60			
89520072A	032	15			
89520072A	032	15			
91373491A	027	17			
91373491B	027	17			
91373491C	027	17			
91373491D	027	17			
91373491E	027	17			



Ducati Motor Holding S.p.A.

Uffici Commerciali Amministrativi:

Via A. Cavalieri Ducati n. 3

40132 Bologna, Italy

Telefono 051 6413111

Fax 051 406580

Internet www.ducati.com