



STREETFIGHTER V4 S

Model Year 2020

STREETFIGHTER

Chassis prefix:

Cylinder capacity: 1103

032000020

SPARE PARTS CATALOGUE

en-US



The present spare parts order exactly the right spare parts.

When ordering specify:

1. the part's code number followed by its description and quantity needed;
2. the motorcycle's serial number, stamped on the steering head.

Reference to right and left apply to the vehicle in terms of its direction of movement.

Spare parts drawings are general and do not represent the part.

The contents of this catalogue are general and can undergo changes without prior notice.

CHARACTERISTICS LEGENDA

CHARACTERISTIC CODE	CHARACTERISTIC DESCRIPTION	VALUE CODE	VALUE DESCRIPTION
DFR	DAFRA	N	
MOD	MODEL	SFV4 S	
PLT	PLANT	DB10	
XCO	MAIN COLOUR	R	
XCR	FRAME / WHEEL COLOUR	G-B	
XPO	OPTIONS	STD	
XST	STANDARD COUNTRY	AUS	
XST	STANDARD COUNTRY	BLG	
XST	STANDARD COUNTRY	EUR	
XST	STANDARD COUNTRY	GSO	
XST	STANDARD COUNTRY	JAP	
XST	STANDARD COUNTRY	ROK	



COLOUR	COLOUR CODE	COLOUR DESCRIPTION	FINISHED PRODUCTS
	R	RED	(D32001120) SFV4 S 20 EUR R G-B STD DMH (D32001420) SFV4 S 20 JAP R G-B STD DMH (D32001520) SFV4 S 20 AUS R G-B STD DMH (D32001620) SFV4 S 20 ROK R G-B STD DMH (D32001820) SFV4 S 20 GSO R G-B STD DMH (D32001920) SFV4 S 20 BLG R G-B STD DMH



General information.....	3
Colours.....	4
Group TOOLS.....	10
Drawing 01A - DDS (2) TESTER [MOD:SFV4 S].....	10
Drawing 01B - WORKSHOP SERVICE TOOLS (ENGINE) [MOD:SFV4 S].....	12
Drawing 01C - WORKSHOP SERVICE TOOLS (ENGINE) [MOD:SFV4 S].....	14
Drawing 01D - WORKSHOP SERVICE TOOLS (FRAME) [MOD:SFV4 S].....	16
Group ELECTRIC.....	18
Drawing 13A - ENGINE ELECTRIC SYSTEM [MOD:SFV4 S].....	18
Drawing 13B - SECONDARY AIR SYSTEM [MOD:SFV4 S].....	20
Drawing 13C - VEHICLE ELECTRIC SYSTEM [MOD:SFV4 S].....	22
Drawing 13D - BATTERY HOLDER [MOD:SFV4 S].....	24
Drawing 13E - ELECTRICAL DEVICES [MOD:SFV4 S].....	26
Drawing 13F - ELECTRICAL DEVICES [MOD:SFV4 S].....	28
Drawing 14A - HEADLIGHT [MOD:SFV4 S;XST:AUS,BLG,EUR,GSO,JAP,ROK].....	30
Drawing 14B - TAILLIGHT [MOD:SFV4 S;XST:AUS,BLG,EUR,GSO,JAP,ROK].....	32
Drawing 15A - INSTRUMENT PANEL [MOD:SFV4 S].....	34
Group OIL.....	36
Drawing L - OIL [MOD:SFV4 S].....	36
Group ENGINE.....	38
Drawing 02A - SHIFT CAM - FORK [MOD:SFV4 S].....	38
Drawing 03A - GEAR BOX [MOD:SFV4 S].....	40
Drawing 03B - CLUTCH [MOD:SFV4 S].....	42
Drawing 04A - CLUTCH COVER [MOD:SFV4 S].....	44
Drawing 04B - GENERATOR COVER [MOD:SFV4 S].....	48
Drawing 04C - OIL PAN [MOD:SFV4 S].....	50
Drawing 05A - CONNECTING RODS [MOD:SFV4 S].....	52
Drawing 06A - CYLINDERS - PISTONS [MOD:SFV4 S].....	54
Drawing 07A - TIMING SYSTEM [MOD:SFV4 S].....	56



Drawing 08A - OIL PUMP [MOD:SFV4 S].....	58
Drawing 09A - HALF-CRANKCASES PAIR [MOD:SFV4 S].....	60
Drawing 09B - HALF-CRANKCASES PAIR [MOD:SFV4 S].....	64
Drawing 10A - WATER PUMP [MOD:SFV4 S].....	66
Drawing 11A - ELECTRIC STARTING AND IGNITION [MOD:SFV4 S].....	68
Drawing 12A - FRONT HEAD - TIMING SYSTEM [MOD:SFV4 S].....	70
Drawing 12B - REAR HEAD - TIMING SYSTEM [MOD:SFV4 S].....	72
Drawing 12C - FRONT HEAD [MOD:SFV4 S].....	74
Drawing 12D - REAR HEAD [MOD:SFV4 S].....	80
Group TYRES.....	86
Drawing A - TYRES [MOD:SFV4 S].....	86
Drawing B - ORIGINAL EQUIPMENT TYRES [MOD:SFV4 S].....	88
Drawing C - PIRELLI DIABLO™ ROSSO CORSA II [MOD:SFV4 S].....	90
Drawing D - (#) PIRELLI DIABLO™ SUPERBIKE [MOD:SFV4 S].....	92
Drawing E - (#) DIABLO™ WET [MOD:SFV4 S].....	94
Drawing F - (#) DIABLO™ RAIN [MOD:SFV4 S].....	96
Drawing G - (#) DIABLO™ SUPERCORSA SC V2 [MOD:SFV4 S].....	98
Drawing H - (#) DIABLO™ SUPERCORSA SC [MOD:SFV4 S].....	100
Drawing I - (#) DIABLO SUPERCORSA SC V3 [MOD:SFV4 S].....	102
Group FRAME.....	104
Drawing 16A - SIDE STAND [MOD:SFV4 S].....	104
Drawing 17A - FRONT SPROCKET - CHAIN [MOD:SFV4 S].....	106
Drawing 18A - STEERING ASSEMBLY [MOD:SFV4 S;XST:AUS,BLG,EUR,GSO,JAP].....	108
Drawing 18A - STEERING ASSEMBLY [MOD:SFV4 S;XST:ROK].....	112
Drawing 18B - FRONT FORK [MOD:SFV4 S].....	116
Drawing 19A - REAR SWINGING ARM [MOD:SFV4 S;XST:BLG,EUR,GSO,JAP,ROK].....	118
Drawing 19A - REAR SWINGING ARM [MOD:SFV4 S;XST:AUS].....	120
Drawing 20A - FRONT BRAKE PUMP [MOD:SFV4 S].....	122
Drawing 20B - FRONT BRAKE SYSTEM [MOD:SFV4 S].....	124
Drawing 20C - BRAKING SYSTEM ABS [MOD:SFV4 S].....	126

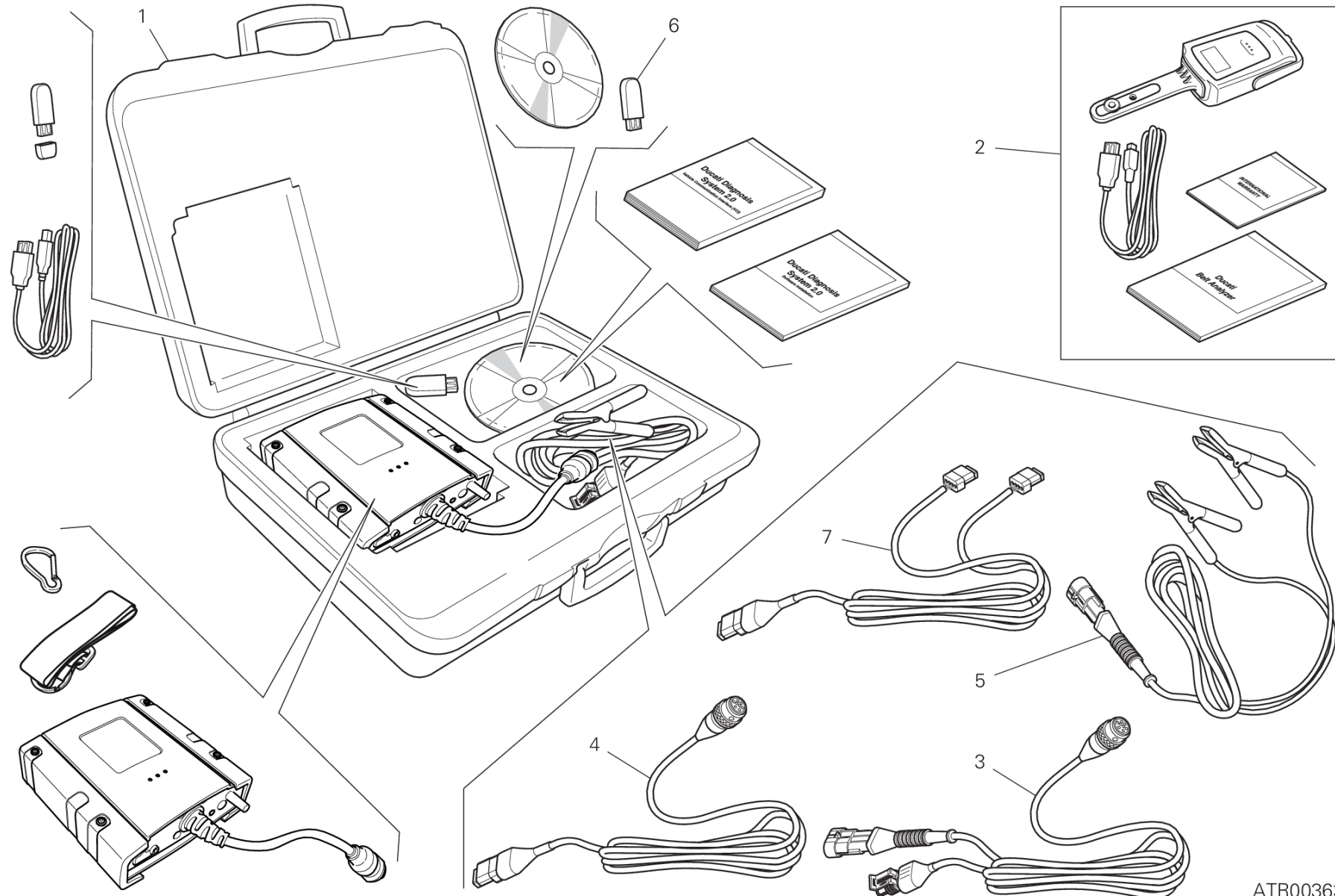


Drawing 20D - REAR BRAKE SYSTEM [MOD:SFV4 S].....	128
Drawing 21A - PLATE HOLDER [MOD:SFV4 S;XST:AUS,BLG,EUR,GSO,ROK].....	130
Drawing 21A - PLATE HOLDER [MOD:SFV4 S;XST:JAP].....	132
Drawing 22A - HANDLEBAR [MOD:SFV4 S].....	134
Drawing 22B - CLUTCH CONTROL [MOD:SFV4 S].....	136
Drawing 23A - REAR SHOCK ABSORBER [MOD:SFV4 S].....	138
Drawing 24A - FRONT MUDGUARD [MOD:SFV4 S].....	140
Drawing 25A - WATER COOLER [MOD:SFV4 S].....	142
Drawing 25B - COOLING CIRCUIT [MOD:SFV4 S].....	144
Drawing 26A - FOOTRESTS, LEFT [MOD:SFV4 S].....	146
Drawing 26B - FOOTRESTS, RIGHT [MOD:SFV4 S].....	148
Drawing 26C - REAR FOOTREST [MOD:SFV4 S].....	150
Drawing 27A - REAR MUDGUARD [MOD:SFV4 S].....	152
Drawing 28A - FRONT WHEEL [MOD:SFV4 S].....	154
Drawing 29A - REAR WHEEL [MOD:SFV4 S].....	156
Drawing 29B - REAR WHEEL SPINDLE [MOD:SFV4 S].....	158
Drawing 30A - TANK [MOD:SFV4 S].....	160
Drawing 31A - EXHAUST SYSTEM [MOD:SFV4 S].....	162
Drawing 31B - EXHAUST SYSTEM [MOD:SFV4 S].....	164
Drawing 32A - SEAT [MOD:SFV4 S].....	166
Drawing 32B - PILLION RIDER SEAT [MOD:SFV4 S].....	168
Drawing 33A - FRAME [MOD:SFV4 S].....	170
Drawing 33B - REAR FRAME COMP. [MOD:SFV4 S].....	172
Drawing 33C - LOCKER [MOD:SFV4 S].....	174
Drawing 34A - OIL COOLER [MOD:SFV4 S].....	176
Drawing 35A - AIR INTAKE - OIL BREATHER [MOD:SFV4 S].....	178
Drawing 36A - THROTTLE BODY [MOD:SFV4 S].....	180
Drawing 36B - CANISTER FILTER [MOD:SFV4 S].....	182
Drawing 37A - FRONT FAIRING [MOD:SFV4 S].....	184
Drawing 37B - RH FAIRING [MOD:SFV4 S].....	186



Drawing 37C - LH FAIRING [MOD:SFV4 S].....	188
Drawing 38A - POSITIONING PLATES [MOD:SFV4 S;XST:JAP].....	190
Alphanumeric index.....	192

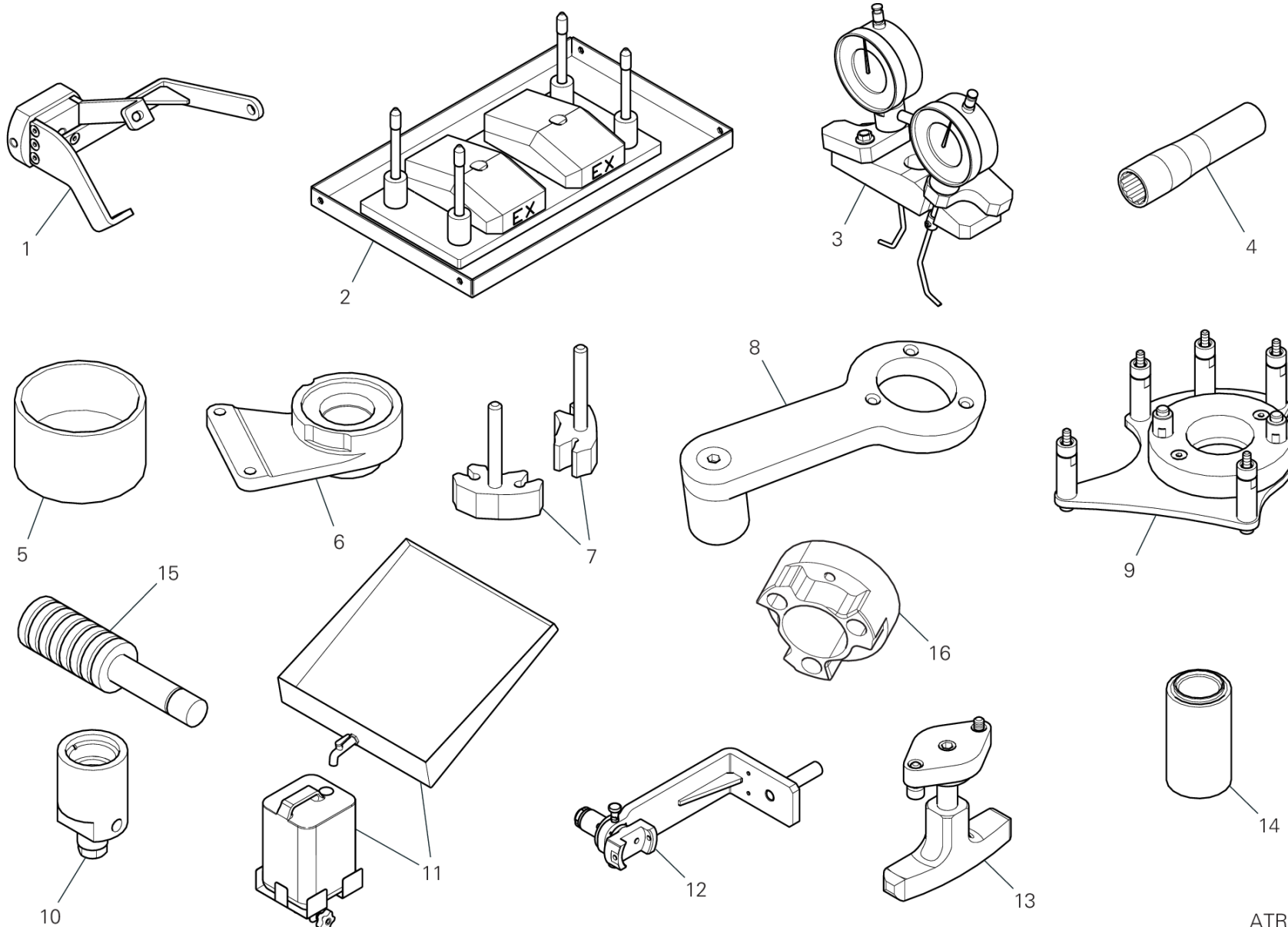




ATR00363



POS.	CODE	DESCRIPTION	QTY	START DATE	END DATE	VALIDITY	NOTES
1	979000252	DDS 2 (Ducati Diagnosis System 2.0)	1				
2	979000253	BELT TENSIONING KIT	1				
3	979000254	MAIN CABLE	1				
4	979000255	MAIN CABLE (CAN)	1				
5	979000256	MAIN CABLE DDS	1				
6	28620441B	CHIAVE "PC HASP DDS2.0"	1				
7	979000259	WIRING MAP-KEY	1				



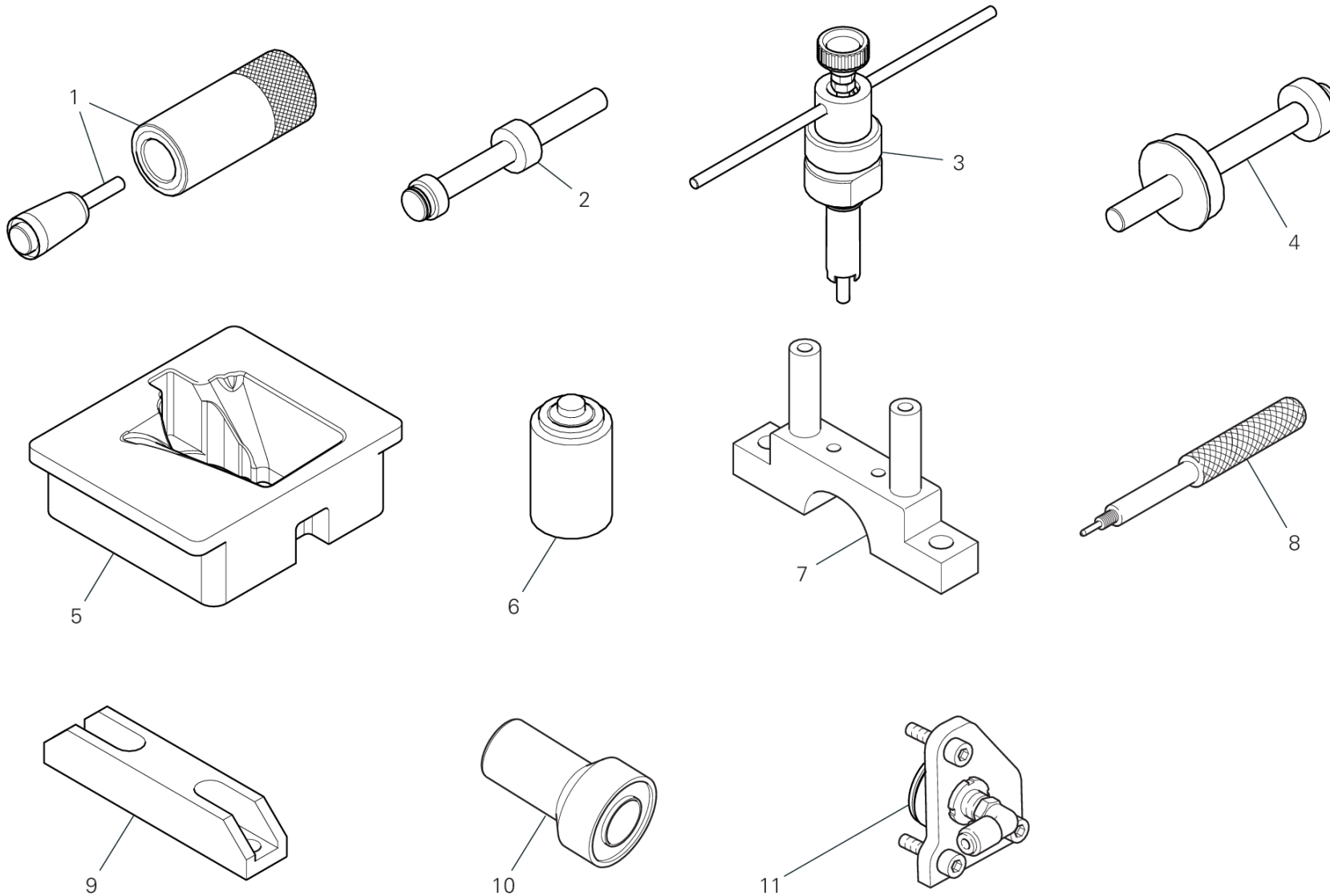
ATR00429

DRAWING 01B - WORKSHOP SERVICE TOOLS (ENGINE) [MOD:SFV4 S]

GROUP TOOLS



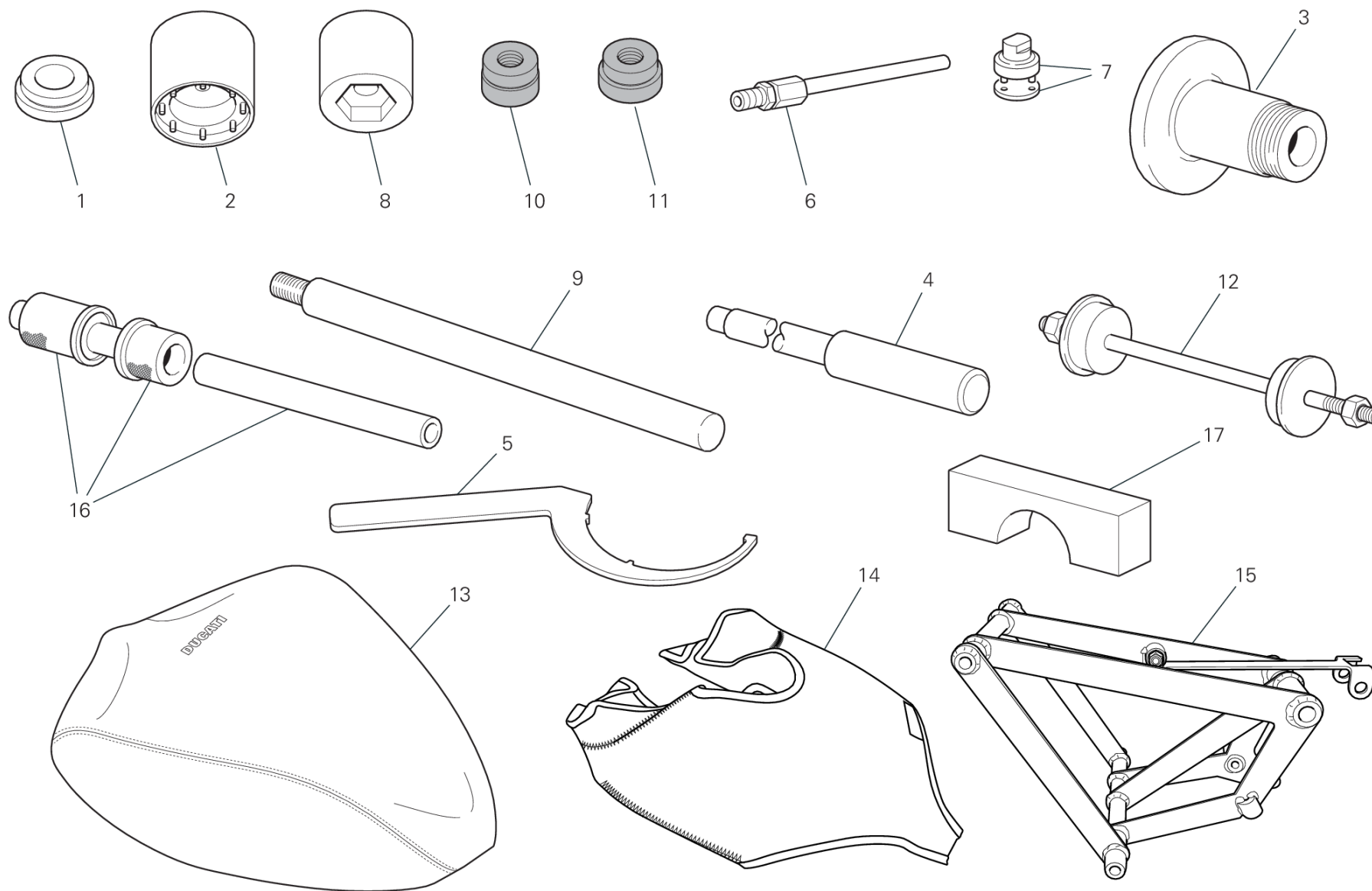
POS.	CODE	DESCRIPTION	QTY	START DATE	END DATE	VALIDITY	NOTES
1	887133003	ENGINE MOUNT	1				
2	887133004	HEAD MOUNTING BASE	1				
3	887133614	VALVE LIFT GAUGE (GAUGES NOT INCLUDED)	1				
4	887133633	SPARK PLUG WRENCH	1				
5	887135387	TOOL, PISTON MOUNTING	1				
6	887135840	GEARBOX FASTENING TOOL	1				
7	887138851	PRIMARY DRIVE GEAR TIGHTENING TOOL	1				
8	889450110	CLUTCH HUB NUT TIGHTENING TOOL	1				
9	887138853	WRENCH FLYWHEEL NUT	1				
10	887138854	IGNITION FLYWHEEL EXTRACTOR	1				
11	887138855	FLUID RECOVERY RESERVOIR	1				
12	887138856	ENGINE ROTATION TOOL	1				
13	887138857	PULLER TO REMOVE ALTERNATOR COVER	1				
14	887138858	SEAL RING DRIVING TOOL	1				
15	889450103	ROLLER BEARING CONTROL GAUGE	1				
16	887133879	WRENCH FOR TIGHTENING CLUTCH DRUM	1				



ATR00402



POS.	CODE	DESCRIPTION	QTY	START DATE	END DATE	VALIDITY	NOTES
1	887138859	SEAL RING DRIVING TOOL	1				
2	887138860	STOPPER FOR INTRODUCTION OFTHE BEARIING	1				
3	887138861	DEGREE WHEEL HOLDER TOOL	1				
4	887138862	STOPPER FOR INTRODUCTION OFTHE BEARIING	1				
5	887138863	ENGINE MOUNT	1				
6	887138864	SEAL RING DRIVING TOOL	1				
7	887135389	HOLDER	1				
8	887135396	TOOL TO HOLD CRANKSHAFT IN TDC POSITION	1				
9	887135397	PLATE	1				
10	887135962	ASSEMBLING BEARINGS TOOL	1				
11	887136155	OIL PRESSURE FITTING CLUTCH	1				



ATR00401



POS.	CODE	DESCRIPTION	QTY	START DATE	END DATE	VALIDITY	NOTES
1	887132855	TOOL BAR GUIDE (OHLINS)	1				
2	887134337	BUSH FOR INSTALLING/REMOVING THE FORK PLUG (OHLINS)	1				
3	887132951	TOOL BALANCING REAR WHEEL	1				
4	887131074	TOOL DISASSEMBLING SWINGARM PIVOT	1				
5	887133211	SPANNER FOR ADJUSTING THE ECCENTRIC HUB	1				
6	887131010	CONNECTOR FOR EXHAUST GAS TAKE-UP POINT	1				
7	887131058	SPANNER TO ASSEMBLE THE STEERING SLEEVE	1				
8	887134338	PRELOAD ADJUSTMENT TOOL (OHLINS)	1				
9	887133529	BAR BUSHING SUPPORT (OHLINS)	1				
10	887132857	TOOL REMOVING SLIDING BUSHINGS (OHLINS)	1				
11	887132858	TOOL INSTALLING SLIDING BUSHINGS (OHLINS)	1				
12	887131062	TOOL ASSEMBLING STEERING TUBE BEARING	1				
13	889450082	PROTECTOR, FUEL TANK	1				
14	889450086	TAIL GUARD PROTECTION	1				
15	889450081	FAKE ENGINE FRAME	1				
16	887131059	ASSEMBLING BEARINGS TOOL	1				
17	887134302	ATTREZZO SERRAGGIO STELO FORCELLE	1				



IMP01278

DRAWING 13A - ENGINE ELECTRIC SYSTEM [MOD:SFV4 S]

GROUP ELECTRIC

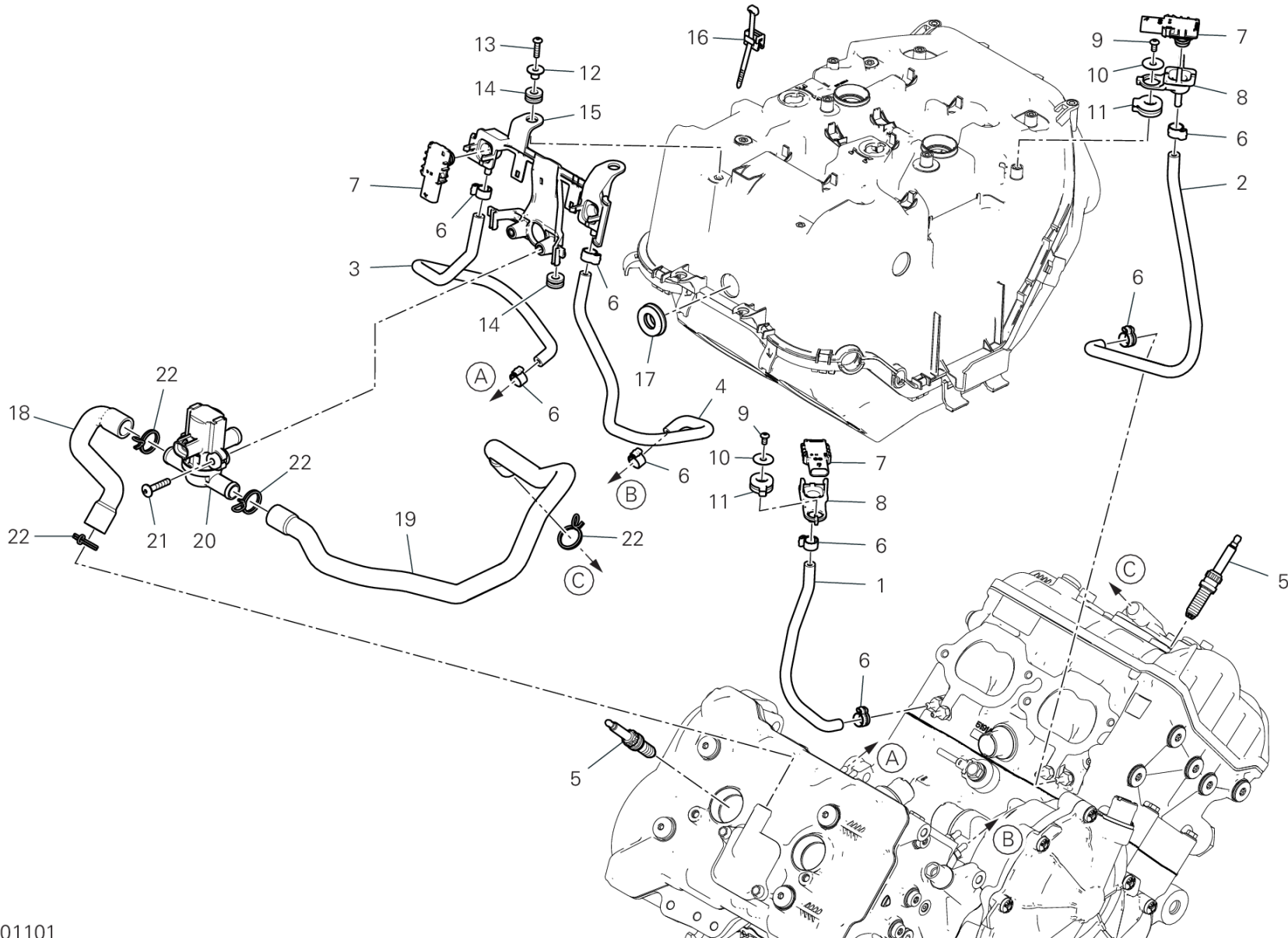


POS.	CODE	DESCRIPTION	QTY	START DATE	END DATE	VALIDITY	NOTES
1	5101D712E	ELECTRIC WIRING	1	20/01/2020			
2	85310031A	SPRING WASHER 6 MM	1	09/11/2017			
3	75011211A	NUT	1	09/11/2017			



DRAWING 13B - SECONDARY AIR SYSTEM [MOD:SFV4 S]

GROUP ELECTRIC



IMP01101

STREETFIGHTER V4 S /20

032000020

Page 20 / 202

SPARE PARTS CATALOGUE

09/05/2020

DRAWING 13B - SECONDARY AIR SYSTEM [MOD:SFV4 S]

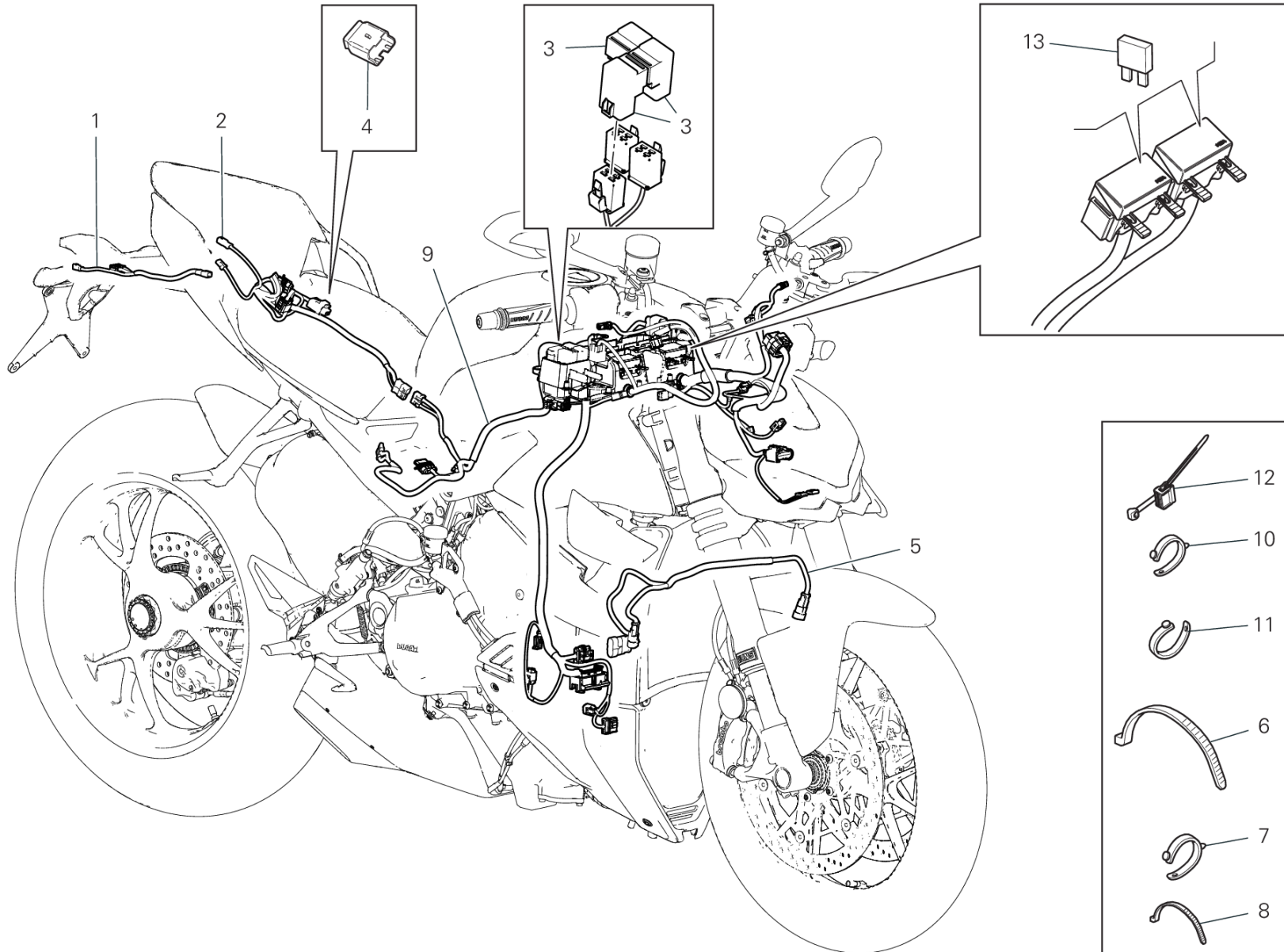
GROUP ELECTRIC



POS.	CODE	DESCRIPTION	QTY	START DATE	END DATE	VALIDITY	NOTES
1	59014562A	LEFT-HAND FRONT PIPE	1	13/11/2017			
2	59014572A	RIGHT-HAND FRONT PIPE	1	13/11/2017			
3	59014582A	LEFT-HAND REAR PIPE	1	13/11/2017			
4	59014592A	RIGHT-HAND REAR PIPE	1	13/11/2017			
5	67040511A	SPARK PLUG	4	19/04/2017			
6	74141711A	CLAMP 10-7 MM	8	09/11/2017			
7	55243731B	SENSOR, PRESSURE	4	09/11/2017			
8	81414591A	HOLDER	2	09/11/2017			
9	77550171A	SCREW TBEI M4X8	2	19/02/2019			
10	85250311AB	WASHER	2	07/05/2018			
11	76412451A	RUBBER PAD	2	09/11/2017			
12	71615501AA	SPACER	2	09/11/2017			
13	77150208B	SCREW TCEIF M6X14 8.8	2	09/11/2017			
14	76411671A	RUBBER PAD	4	09/11/2017			
15	81414581A	HOLDER	1	09/11/2017			
16	75840801A	CLAMP	2	10/01/2018			
17	76414251A	RUBBER PAD	1	09/11/2017			
18	87613921A	DUCT, AIR (REAR)	1	09/11/2017			
19	87613931A	DUCT, AIR Front	1	09/11/2017			
20	65540081A	ACTUATOR	1	09/11/2017			
21	77240323C	SCREW	2	09/11/2017			
22	74142371A	CLAMP	4	10/01/2018			



IMP01277



DRAWING 13C - VEHICLE ELECTRIC SYSTEM [MOD:SFV4 S]

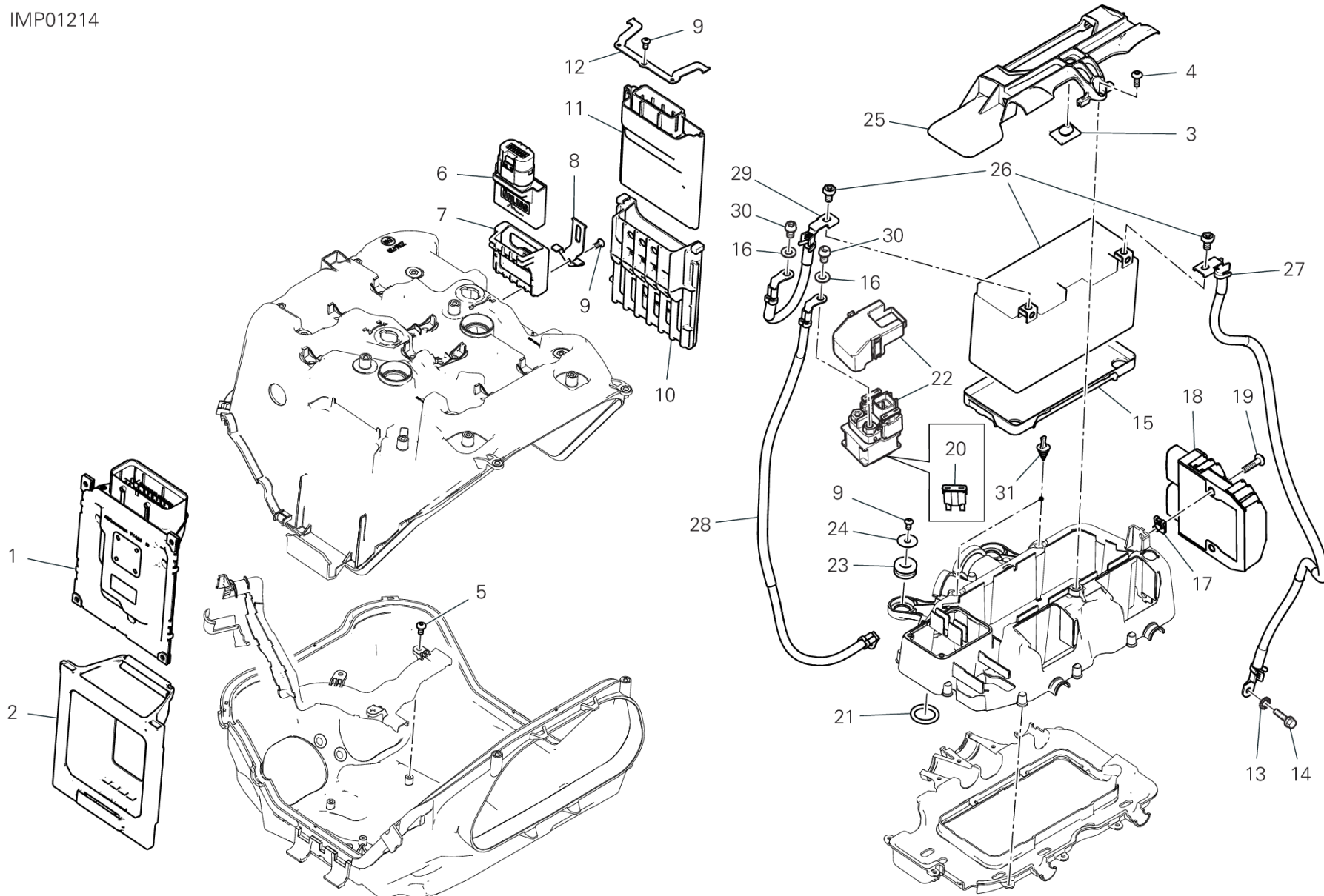
GROUP ELECTRIC



POS.	CODE	DESCRIPTION	QTY	START DATE	END DATE	VALIDITY	NOTES
1	5101C401E	ELECTRIC WIRING PLATE HOLDER	1	09/11/2017			
2	5101H231B	REAR WIRING	1	27/01/2020			
3	54140151A	RELAY	3				
4	87210532A	CAP DDA	1				
5	5101E422A	ELECTRIC WIRING	1	01/01/2019			
6	069191030	CLAMP	12	09/11/2017			
7	74110551A	CLAMP, RUBBER 39MM	7	09/11/2017			
8	74140381A	CLAMP	13	09/11/2017			
9	5101D701F	MAIN WIRING HARNESS	1	06/12/2019		MOD:SFV4 S	
10	74110121A	CLAMP, RUBBER 62MM	2	09/11/2017			
11	74110131A	CLAMP, RUBBER 82MM	1	09/11/2017			
12	75840801A	CLAMP	9	09/11/2017			
13	38940191A	FUSE 5A	1				
	38940201A	FUSE 10A	1				
	38940211A	FUSE 15A	1				
	38940221A	FUSE 20A	1				
	38940241A	FUSE 7,5A	1				
	38940261A	FUSE 25A	1				



IMP01214

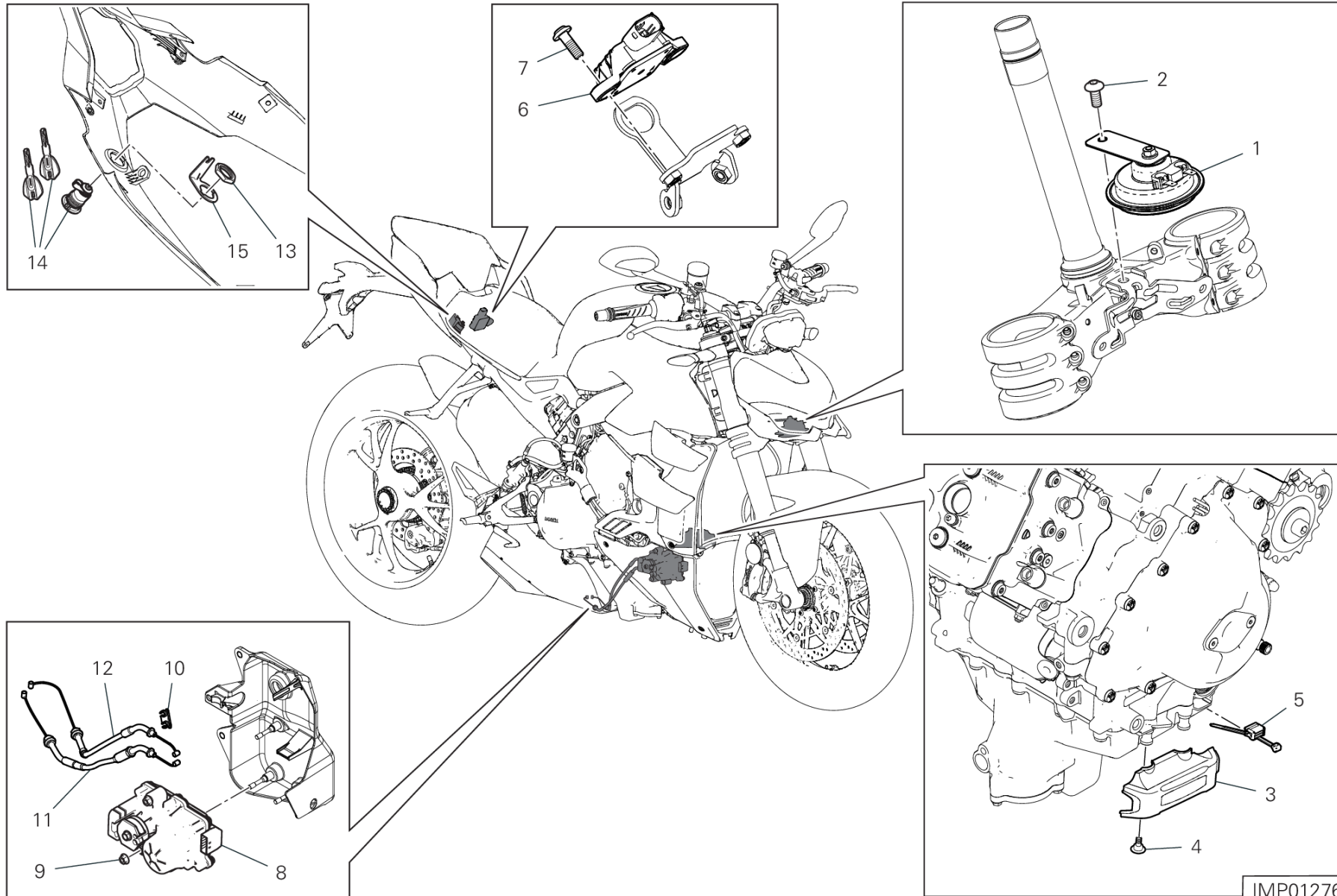


DRAWING 13D - BATTERY HOLDER [MOD:SFV4 S]

GROUP ELECTRIC



POS.	CODE	DESCRIPTION	QTY	START DATE	END DATE	VALIDITY	NOTES
1	28643381A	ENGINE CONTROL UNIT	1	13/02/2020		XST:AUS,EUR,GSO,JAP	
	28643381E	ENGINE CONTROL UNIT	1	13/02/2020		XST:BLG	
	28643381O	ENGINE CONTROL UNIT	1	13/02/2020		XST:ROK	
2	70011071A	VIBRATION DAMPER HOLDER	1	09/11/2017			
3	86610301A	PAD	5	07/05/2018			
4	77244183B	SCREW	1	09/11/2017			
5	77440141A	SCREW, TAPPING 4X8 WN1412	3	09/11/2017			
6	38540113A	UNIT SHOCK ABSORBERS OHLINS	1	06/12/2019			
7	70011081A	VIBRATION DAMPER HOLDER	1	09/11/2017			
8	83019491AB	BRACKET	1	09/11/2017			
9	77550171A	SCREW TBEI M4X8	6	09/10/2018			
10	70011061A	VIBRATION DAMPER HOLDER	1	09/11/2017			
11	38511153A	BLACKBOX UNIT	1	06/12/2019			
12	83019481AB	BRACKET	1	09/11/2017			
13	85550001B	SPRING WASHER	1	27/11/2017			
14	77211061A	SCREW TEF M6X14	1	27/11/2017			
15	8291H531A	BATTERY HOLDER	1	09/11/2017			
16	85350101A	WASHER, SPRING	2	09/11/2017			
17	85041951AA	QUICK FASTENING	2	10/10/2017			
18	54040331A	VOLTAGE REGULATOR	1	05/12/2019			
19	77244213B	SCREW	2	09/11/2017			
20	38940251A	FUSE 30A	1				
21	88640891A	O-RING 18.64X3.53	2	09/11/2017			
22	39740081B	STARTER RELAY	1	09/11/2017			
23	76410901A	RUBBER PAD	4	09/11/2017			
24	85250311AB	WASHER	4	09/11/2017			
25	8301G771A	BRACKET, BATTERY BAND	1	09/11/2017			
26	69926761A	BATTERY	1	04/12/2019			
27	51310821A	CABLE	1	05/12/2019			
28	51410841D	CABLE	1	09/11/2017			
29	51410831C	BATTERY - SOLENOID STARTER CABLE	1	05/12/2019			
30	77156628B	SCREW TCEIF M6X10	2	09/11/2017			
31	87241271A	CAP, RUBBER	2	15/10/2018			



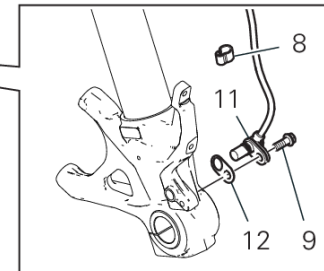
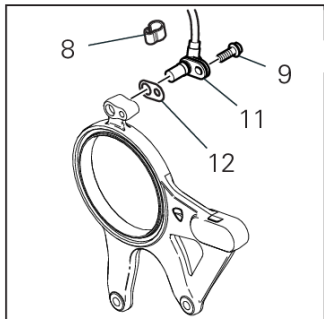
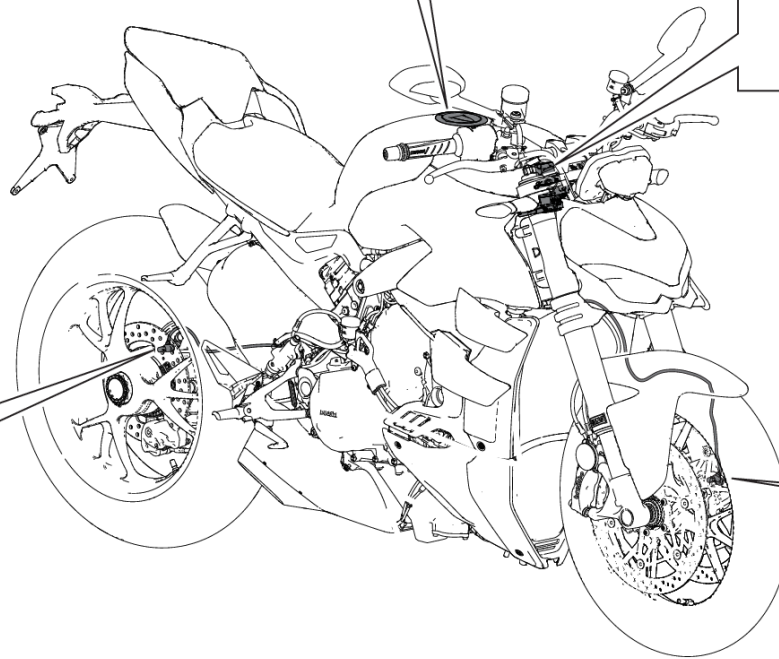
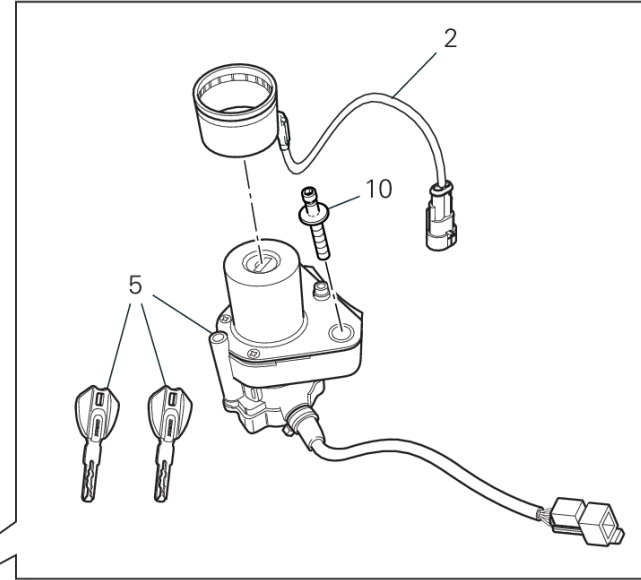
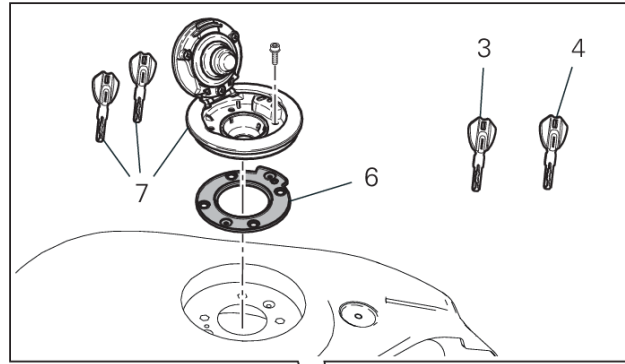
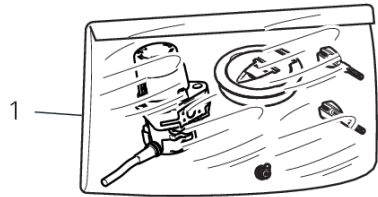
IMP01276



POS.	CODE	DESCRIPTION	QTY	START DATE	END DATE	VALIDITY	NOTES
1	51610051F	HORN	1	13/09/2019			
2	77244503B	SCREW M8X18	1	21/10/2017			
3	24716721A	COVER	1	05/12/2019			
4	77214411AA	SCREW	2	06/12/2019			
5	75840801A	CLAMP	2	01/01/2020			
6	38540092A	PIATTAFORMA INERZIALE	1	22/05/2018			
	77240453C	SCREW TBEIF M6X22 10.9	2	22/05/2018			
7	77244348B	SCREW	2	01/01/2020			
8	59340621A	ELECTRIC MOTOR, EXHAUST VALVE	1	13/11/2017			
9	74841091AA	NUT	3	09/11/2017			
10	75840281A	HOSE GUIDE	1	06/12/2019			
11	73210665A	CABLE, EXHAUST VALVE OPEN	1	21/11/2017			
12	73210672A	CABLE, EXHAUST VALVE CLOSE	1	09/11/2017			
13	75011551A	NUT M22X1.5	1	17/12/2017			
14	59820611A	SEAT LOCK	1	25/07/2017			
15	82716141A	PLATE	1	17/12/2017			

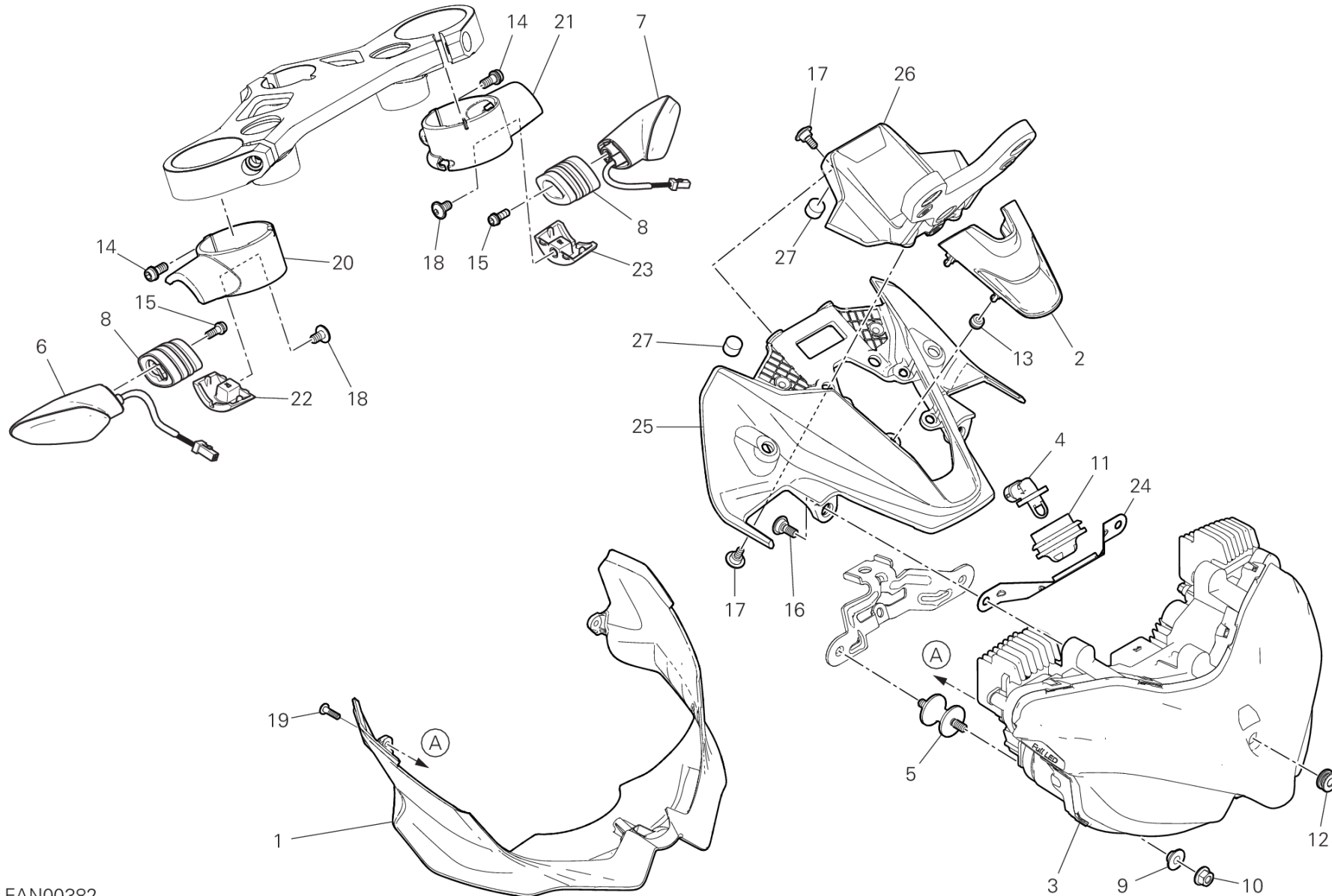


IMP01279





POS.	CODE	DESCRIPTION	QTY	START DATE	END DATE	VALIDITY	NOTES
1	59822321A	LOCKS KIT	1	05/12/2019		XST:AUS,BLG,EUR,GSO,JAP,ROK	
2	51840051B	COIL ANTENNA, IMMOBILIZER	1	07/06/2017			
3	59810341A	KEY WITH TRANSPONDER ACTIVE	1	07/06/2017			
4	59840291A	KEY, NON INDENTED WITHOUT TRANSPONDER	1	25/07/2017			
5	65220331A	KEY-OPERATED SWITCH	1	01/01/2019			
6	86640111A	GASKET, CAP	1	12/04/2013			
7	89520411B	TANK CAP COMPLETE	1	26/03/2018		XST:AUS,BLG,EUR,GSO,JAP,ROK	
8	75840601A	FAIRLEAD	7	09/11/2017			
9	77210601A	SCREW TEF M6X16	2	09/11/2017			
10	77916811AA	SCREW, SPECIAL	2	09/11/2017			
11	55212111B	SENSOR, SPEED	2	09/11/2017			
12	71314901A	GASKET TH.02	4	09/11/2017			
	71319201A	GASKET 0.5 MM	6	09/11/2017			



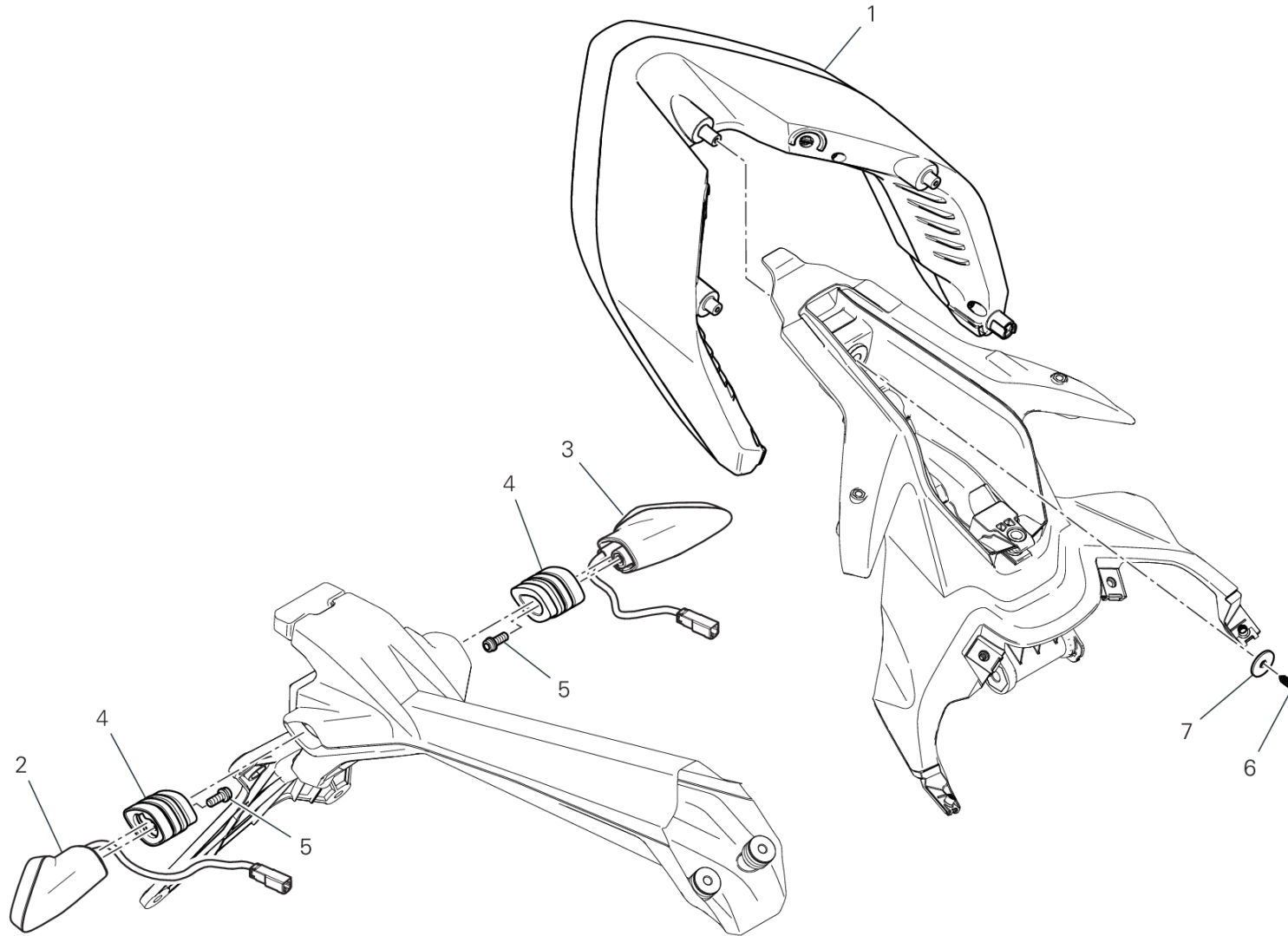
FAN00382

DRAWING 14A - HEADLIGHT [MOD:SFV4 S;XST:AUS,BLG,EUR,GSO,JAP,ROK]

GROUP ELECTRIC



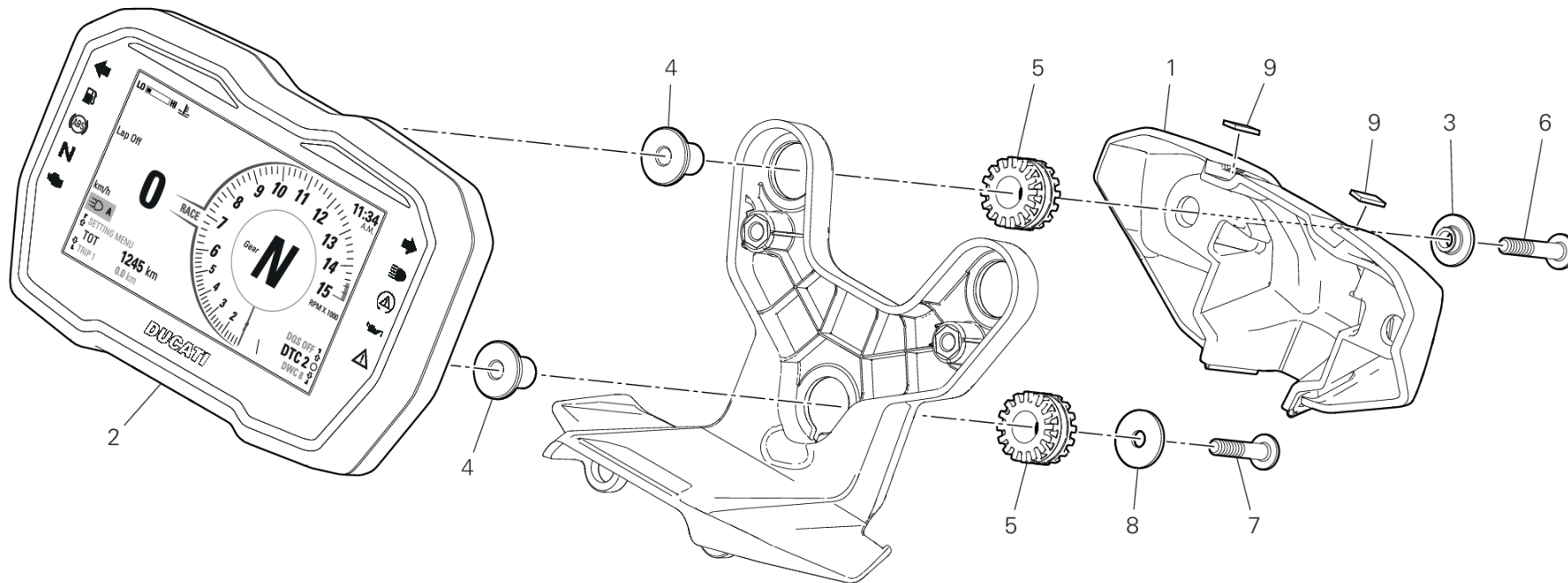
POS.	CODE	DESCRIPTION	QTY	START DATE	END DATE	VALIDITY	NOTES
1	4801B231A	GUARD LOWER	1	05/12/2019			
2	4801B421A	COVER	1	05/12/2019			
3	52010521B	HEADLIGHT	1	06/12/2019			
4	55240121A	SENSOR, AIR TEMPERATURE	1	05/12/2019			
5	70011281A	VIBRATION DAMPER	2	16/10/2019			
6	53010321A	FLASHER LIGHT FRONT RH- REAR LH	1	01/01/2019			
7	53010331A	FLASHER LIGHT FRONT LH - REAR RH	1	01/01/2019			
8	71314703A	SPACER	2	01/01/2019			
9	71615971AA	SPACER	2	20/01/2020			
10	74841101AA	NUT 6MM	2	20/01/2020			
11	76410971A	RUBBER PAD	1	05/12/2019			
12	76412441A	VIBRATION DAMPER PAD	1	05/12/2019			
13	76440561A	RUBBER PAD	4	06/12/2019			
14	77113691C	SCREW	2	11/11/2019			
15	77156398B	SCREW TCEIF M5X12	2	06/12/2019			
16	77211221A	SCREW	3	05/12/2019			
17	77214411BA	SCREW, SPECIAL	4	05/12/2019			
18	77240393C	SCREW TBEIF M6X10 10.9	2	01/01/2019			
19	77440251A	SCREW	3	05/12/2019			
20	8291991A	HOLDER, FLASHER LIGHT RH	1	05/12/2019			
21	8291J001A	HOLDER, FLASHER LIGHT LH	1	01/01/2019			
22	87210802A	RIGHT COVER	1	01/01/2019			
23	87210812A	LEFT COVER	1	01/01/2019			
24	8301H711AA	BRACKET	1	05/12/2019			
25	8301I192A	BRACKET, HEADLIGHT	1	06/12/2019			
26	8301I201A	HOLDER INSTRUMENT PANEL	1	05/12/2019			
27	86612211A	PAD	4	06/12/2019			



FAN00339



POS.	CODE	DESCRIPTION	QTY	START DATE	END DATE	VALIDITY	NOTES
1	52510601D	TAILLIGHT	1	24/10/2017			
2	53010322B	FLASHER LIGHT FRONT RH- REAR LH	1	24/10/2017			
3	53010332B	FLASHER LIGHT FRONT LH - REAR RH	1	24/10/2017			
4	71314703A	SPACER	2	24/10/2017			
5	77156398B	SCREW TCEIF M5X12	2	24/10/2017			
6	77440071A	SCREW, TAPPING M4.5X12	1	24/10/2017			
7	85213111AA	WASHER	1	09/11/2017			



FAN00383

DRAWING 15A - INSTRUMENT PANEL [MOD:SFV4 S]

GROUP ELECTRIC



POS.	CODE	DESCRIPTION	QTY	START DATE	END DATE	VALIDITY	NOTES
1	24716732A	COVER	1	06/12/2019			
2	40611782B	INSTRUMENT PANEL	1	19/02/2020			
3	71611071B	SPACER	2	06/12/2019			
4	71615941AA	SPACER	3	20/01/2020			
5	76410241A	VIBRATION DAMPER PAD	3	06/12/2019			
6	77240333C	SCREW	2	06/12/2019			
7	77244233B	SCREW	1	06/12/2019			
8	85213111AA	WASHER	1	06/12/2019			
9	86612431B	PAD	2	13/02/2020			

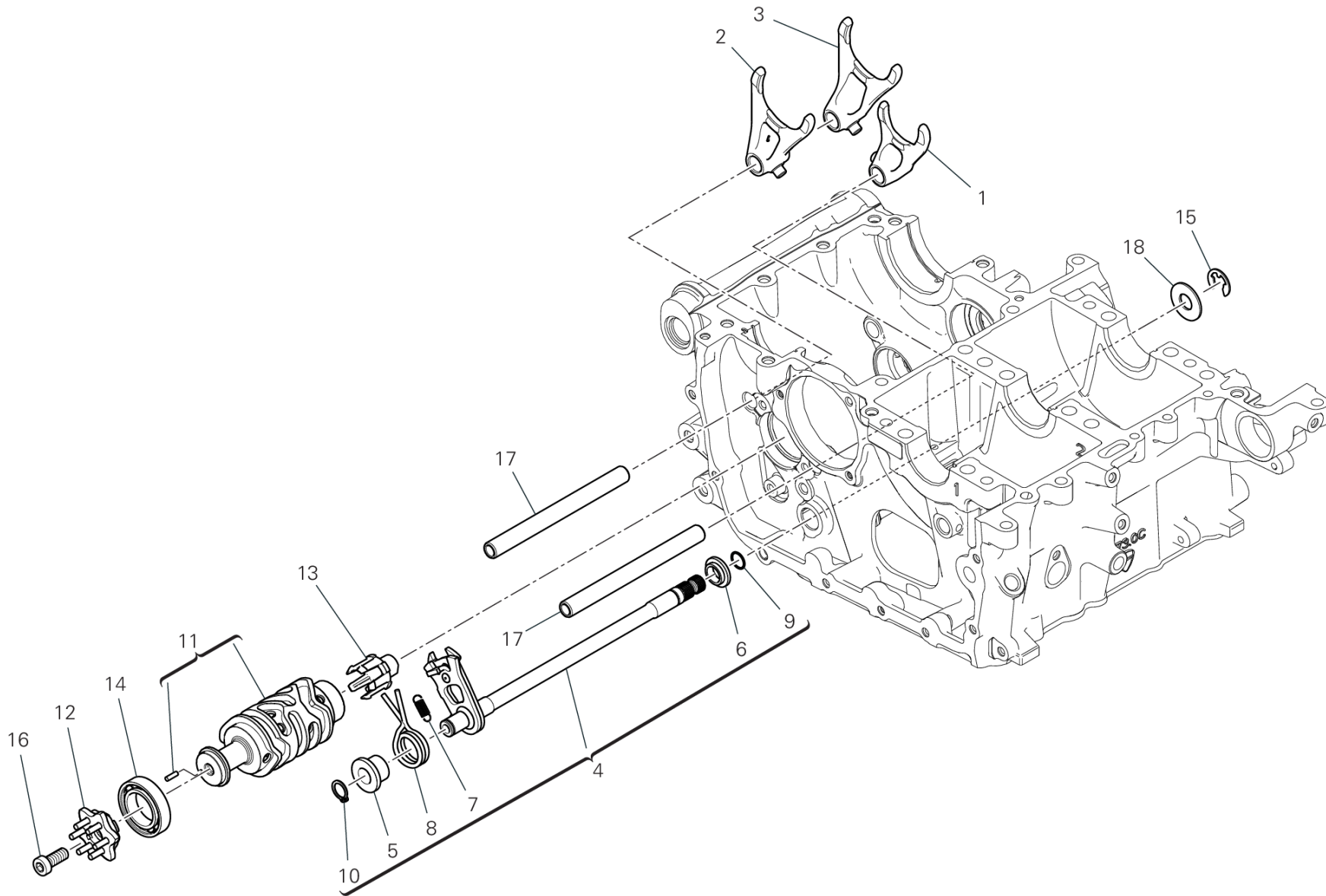


DRAWING L - OIL [MOD:SFV4 S]

GROUP OIL



POS.	CODE	DESCRIPTION	QTY	START DATE	END DATE	VALIDITY	NOTES
1	944650035	SHELL ADVANCE DUCATI 15W50 - 1L BOTTLE	1				
2	944650037	SHELL ADVANCE DUCATI 15W50 – 209L DRUM	1				



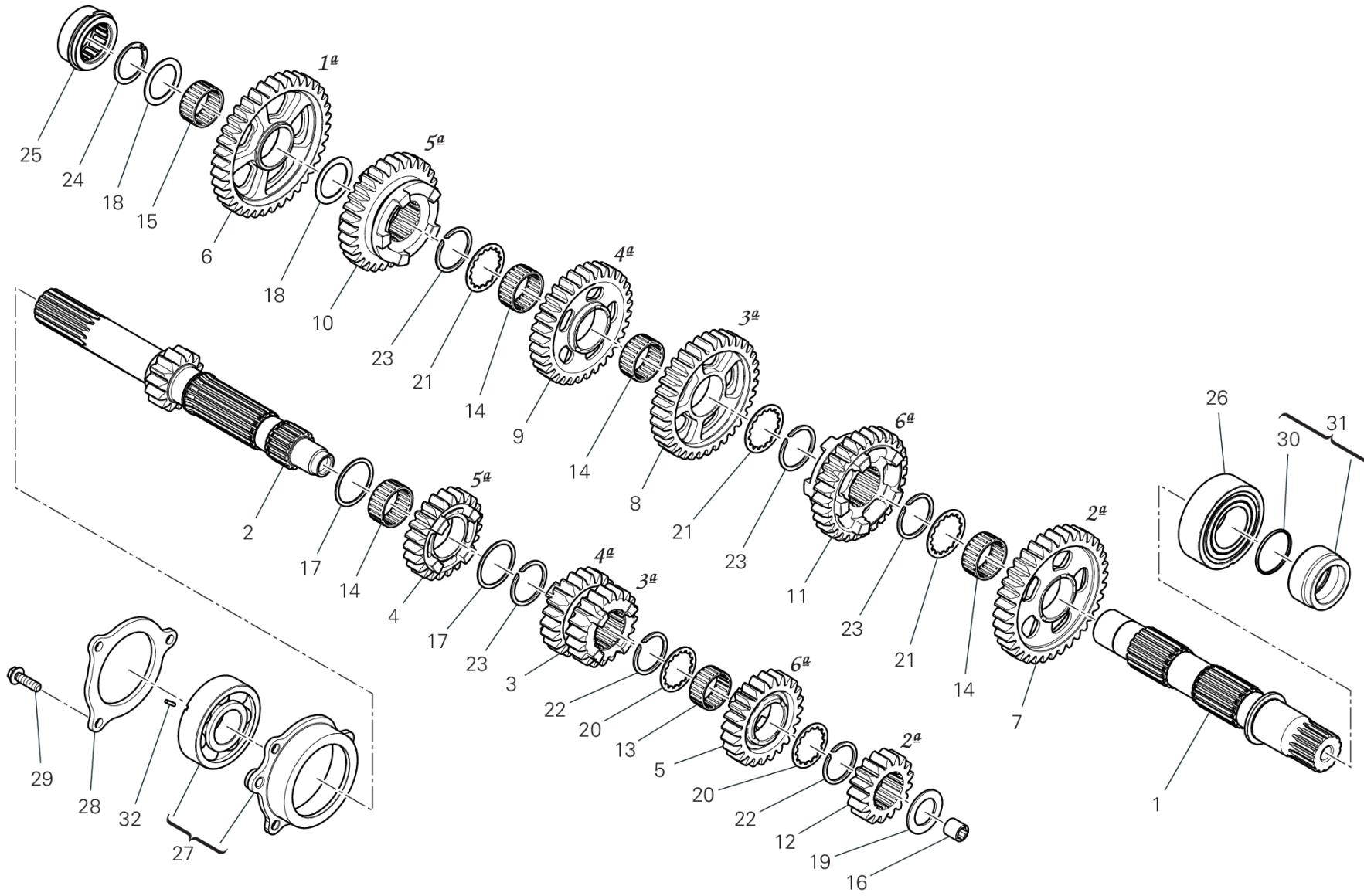
CMB00513

DRAWING 02A - SHIFT CAM - FORK [MOD:SFV4 S]

GROUP ENGINE



POS.	CODE	DESCRIPTION	QTY	START DATE	END DATE	VALIDITY	NOTES
1	18010472A	5TH,6TH GEAR SELECTOR FORK	1	19/04/2017			
2	18010482A	1TH,4TH GEAR SELECTOR FORK	1	19/04/2017			
3	18010492A	2TH,3TH GEAR SELECTOR FORK	1	03/05/2018			
4	18120071A	GEAR CHANGE MECHANISM	1	19/04/2017			
5	71611571C	SPACER	1	30/11/2016			
6	71611581C	SPACER	1	30/11/2016			
7	79915131C	SPRING	1	30/11/2016			
8	79915141D	SPRING	1	30/11/2016			
9	88450311A	STOP RING	1	30/11/2016			
10	88450361A	CIRCLIP	1	30/11/2016			
11	182P0011A	COMPLETE GEARBOX DRUM	1	30/10/2017			
12	18220381B	GEARBOX DRUM FLANGE ASSEMBLY	1	19/04/2017			
13	55243931A	GEARBOX POSITION SENSOR	1	19/04/2017			
14	70250411A	BEARING 25X42X9	1	19/04/2017			
15	88450391B	SPRING RING	1	19/04/2017			
16	77355038B	SCREW	1	19/04/2017			
17	82118261A	PIN	2	19/04/2017			
18	85213981A	WASHER	1	19/04/2017			



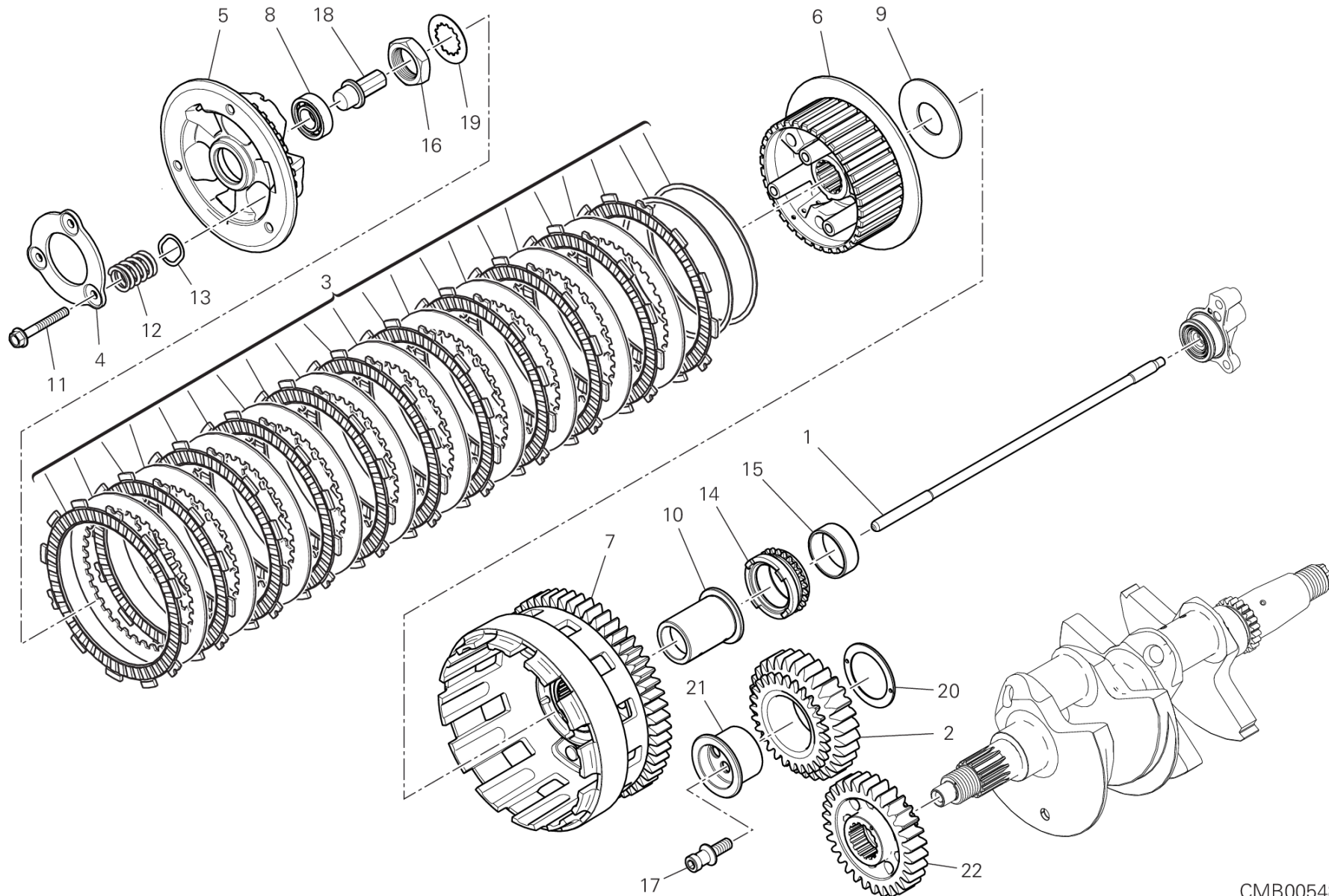
CMB00532

DRAWING 03A - GEAR BOX [MOD:SFV4 S]

GROUP ENGINE



POS.	CODE	DESCRIPTION	QTY	START DATE	END DATE	VALIDITY	NOTES
1	14911351C	LAY SHAFT	1	21/03/2017			
2	14911372A	MAIN SHAFT	1	21/03/2017			
3	17215581B	DRIVING GEAR 3RD/4TH SP.	1	21/03/2017			
4	17215591B	DRIVING GEAR 5TH SP.	1	21/03/2017			
5	17215601B	DRIVING GEAR 6TH SP.	1	21/03/2017			
6	17215611A	DRIVEN GEAR 1ST SP.	1	21/03/2017			
7	17215621A	DRIVEN GEAR 2ND SP.	1	21/03/2017			
8	17215631B	DRIVEN GEAR 3RD SP.	1	21/03/2017			
9	17215641B	DRIVEN GEAR 4TH SP.	1	21/03/2017			
10	17215651B	DRIVEN GEAR 5TH SP.	1	21/03/2017			
11	17215661B	DRIVEN GEAR 6TH SP.	1	21/03/2017			
12	17215671A	DRIVING GEAR 2ND SP.	1	21/03/2017			
13	70140311A	NEEDLE BEARING	1	21/03/2017			
14	70140321A	NEEDLE BEARING	4	21/03/2017			
15	70140331A	NEEDLE BEARING	1	21/03/2017			
16	71210631A	BUSH	1	21/03/2017			
17	85213291A	THRUST WASHER	2	21/03/2017			
18	85213311A	THRUST WASHER	2	21/03/2017			
19	85214141A	THRUST WASHER	1	21/03/2017			
20	85611372A	WASHER LOCK 28X32.5X1	2	21/03/2017			
21	85611491A	GROOVED WASHER	3	21/03/2017			
22	88440731A	SPRING RING	2	21/03/2017			
23	88440741A	SPRING RING	4	21/03/2017			
24	88440751A	CIRCLIP	1	21/03/2017			
25	70241761A	NEEDLE BEARING	1	19/04/2017			
26	70241781A	BEARING, NEEDLE	1	19/04/2017			
27	710P0021A	BEARING (Unit)	1	28/03/2018			
28	71012021B	PLATE	1	19/04/2017			
29	77253314CF	SCREW	3	30/08/2017			
30	88640042A	O-RING	1	10/04/2017			
31	713P0011C	CHAIN SPROCKET SPACER	1	19/04/2017			
32	68050101A	KEY 2X2X10	1	28/03/2018			



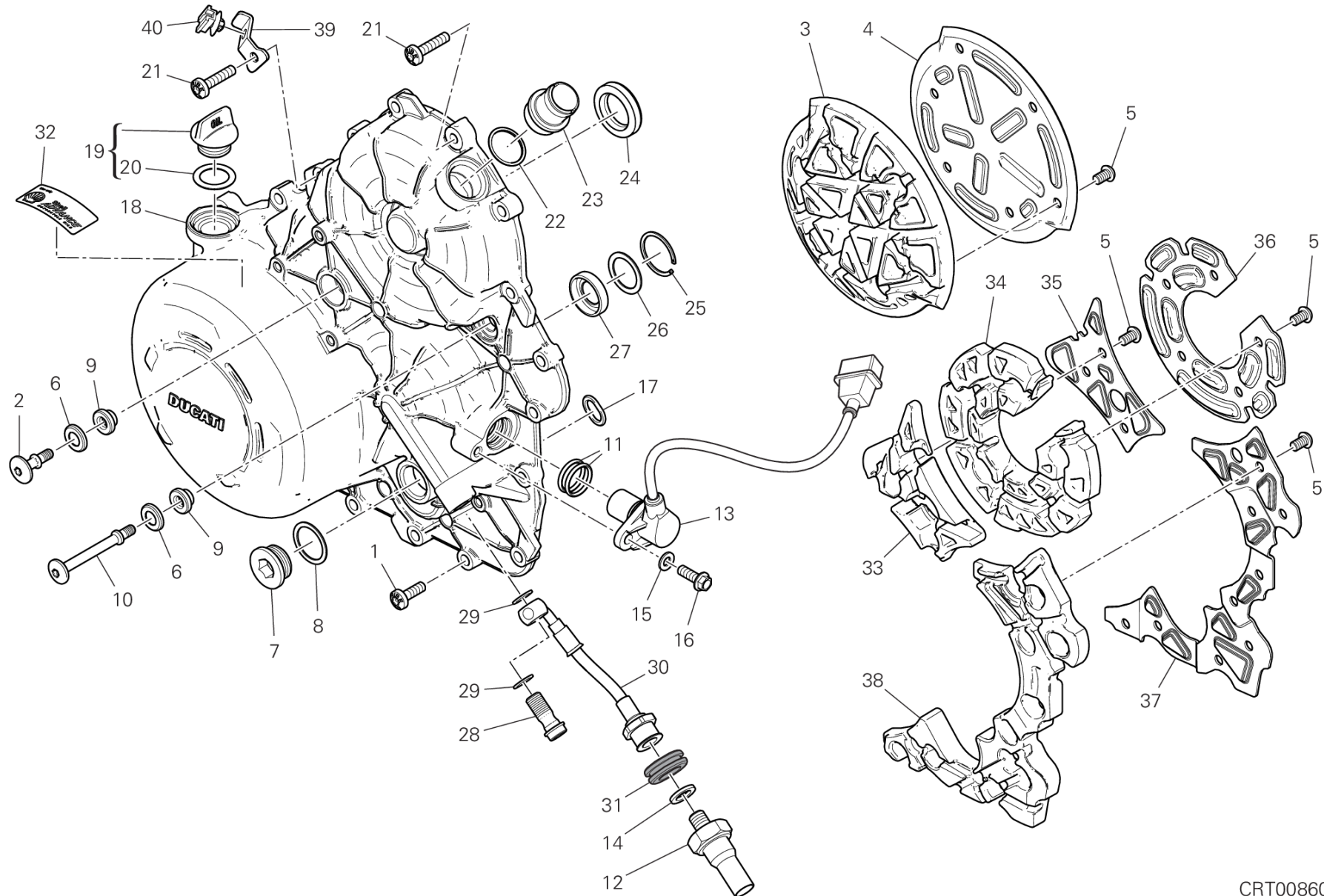
CMB00548

DRAWING 03B - CLUTCH [MOD:SFV4 S]

GROUP ENGINE



POS.	CODE	DESCRIPTION	QTY	START DATE	END DATE	VALIDITY	NOTES
1	11711771A	ROD	1	19/04/2017			
2	17021621A	IDLE GEAR	1	15/01/2020			
3	19020361D	CLUTCH DISC SET	1	30/11/2016			
4	19410511A	RING	1	30/11/2016			
5	19610711A	DISK, CLUTCH PRESSURE (FCC)	1	30/11/2016			
6	19610721A	PLATE HOLDER HUB (FCC)	1	30/11/2016			
7	19820501A	PRIMARY DRIVEN GEAR COMP.	1	30/11/2016			
8	70250601A	BEARING	1	30/11/2016			
9	71313091A	SPACER	1	30/11/2016			
10	71316011B	SPACER	1	30/11/2016			
11	77211201A	SCREW	3	30/11/2016			
12	79710771A	SPRING	3	30/11/2016			
13	85611391B	THRUST WASHER	3	30/11/2016			
14	44910732B	SPROCKET	1	19/04/2017			
15	71240331A	BUSH	1	19/04/2017			
16	75010072E	NUT	1	19/04/2017			
17	7791C031A	SCREW, SPECIAL	1	08/07/2019			
18	81810162A	CLUTCH CONTROL PIN (FCC)	1	19/04/2017			
19	85110201A	LOCK WASHER	1	19/04/2017			
20	85214051B	THRUST WASHER	1	19/04/2017			
21	88111152B	INNER RING	1	19/04/2017			
22	17011661A	PRIMARY DRIVE FRONT SPROCKET	1	15/01/2020			



CRT00860

DRAWING 04A - CLUTCH COVER [MOD:SFV4 S]

GROUP ENGINE

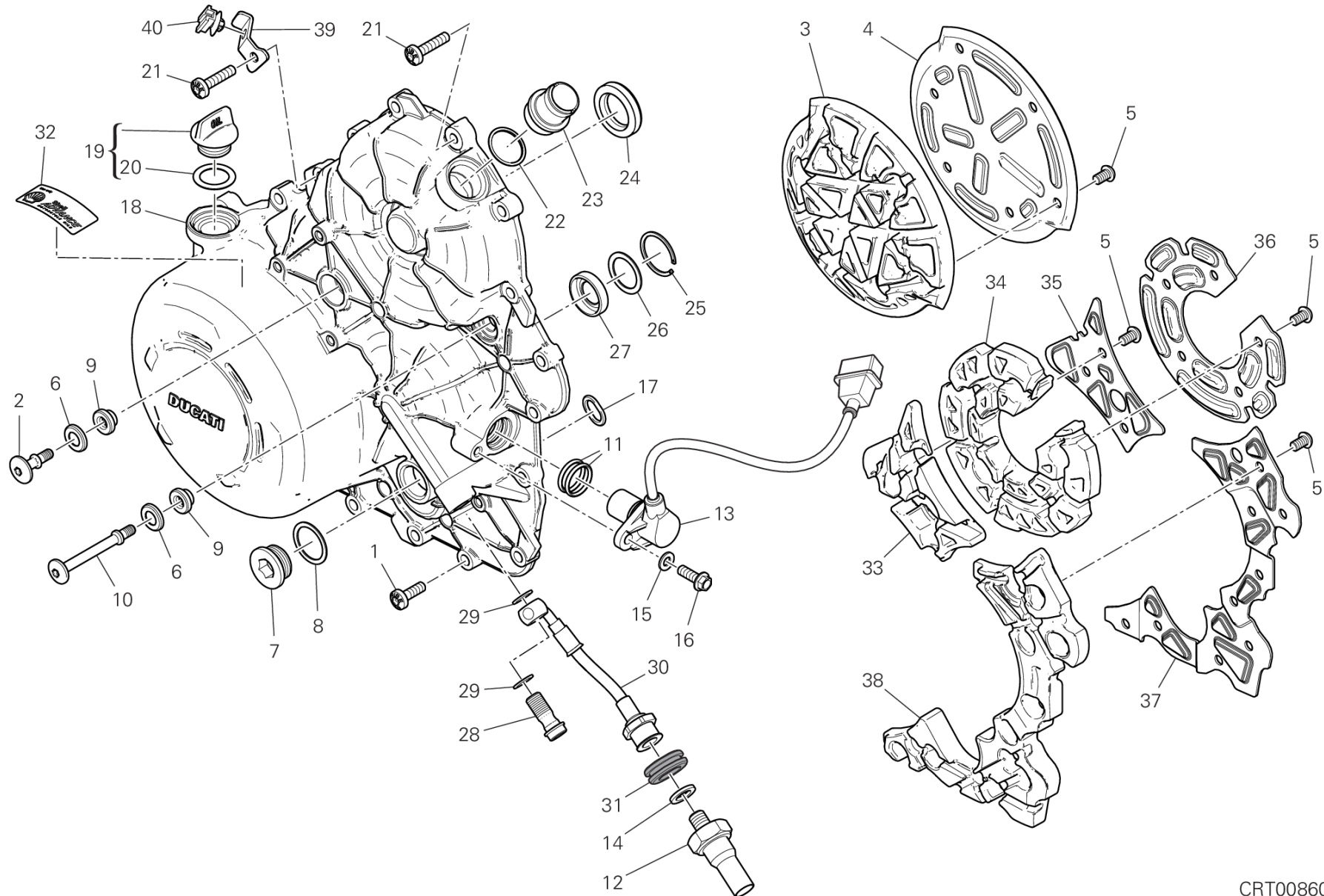


POS.	CODE	DESCRIPTION	QTY	START DATE	END DATE	VALIDITY	NOTES
1	77941992A	SCREW	15	19/04/2017			
2	7791A751B	SCREW, SPECIAL	1	20/06/2019			
3	48612261A	DAMPER, SOUND ARRESTER	1	02/09/2019			
4	82718913A	SHEET ACOUSTIC DAMPER	1	02/09/2019			
5	77550200CC	SCREW	23	25/07/2017			
6	85611551A	WASHER	2	20/06/2019			
7	78010921A	PLUG	1	25/07/2017			
8	22032083A	GASKET, ALUMINIUM 28X22.5X1	1	19/04/2017			
9	76412121A	VIBRATION DAMPER PAD	2	20/06/2019			
10	7791B491A	SCREW, SPECIAL	1	20/06/2019			
11	88640331A	O-RING 17.96X2.62	2	25/07/2017			
12	53940302A	SWITCH ASSY, OIL PRESSURE	1	19/04/2017			
13	55241321C	SENSOR, TIMING & RPM	1	25/07/2017			
14	85211951A	GASKET 10.5X17X2	1	19/04/2017			
15	85310031A	SPRING WASHER 6 MM	1	19/04/2017			
16	77253304C	SCREW	1	19/04/2017			
17	88650321A	O-RING	1	19/04/2017			
18	24311612AH	CLUTCH COVER	1	21/10/2019			
19	89320121A	PLUG ASSY	1	25/07/2017			
20	88640891A	O-RING 18.64X3.53	1	24/12/2009			
21	77942002A	SCREW	3	19/04/2017			
22	88642721A	O-RING	1	25/07/2017			
23	66810591A	FILLER	1	25/07/2017			
24	93042231A	SEAL RING	1	25/07/2017			
25	88450291A	SNAP RING	1	25/07/2017			
26	85212721A	THRUST WASHER	1	25/07/2017			
27	93041521A	SEAL RING	1	25/07/2017			
28	78110121AA	SCREW, SPECIAL	1	30/10/2017			
29	85250241A	WASHER 10X14X1	2	30/10/2017			
30	87712481A	OIL PRESSURE LINE	1	30/10/2017			
31	76440581A	RUBBER PAD	1	18/12/2017			
32	43312502C	TRANSFER "SHELL ULTRA"	1	25/07/2017			
33	48612291A	DAMPER, SOUND ARRESTER MIDDLE	1	02/09/2019			
34	48612271A	DAMPER, SOUND ARRESTER WATER PUMP	1	02/09/2019			
35	82718943A	SHEET ACOUSTIC DAMPER MIDDLE	1	02/09/2019			



DRAWING 04A - CLUTCH COVER [MOD:SFV4 S]

GROUP ENGINE



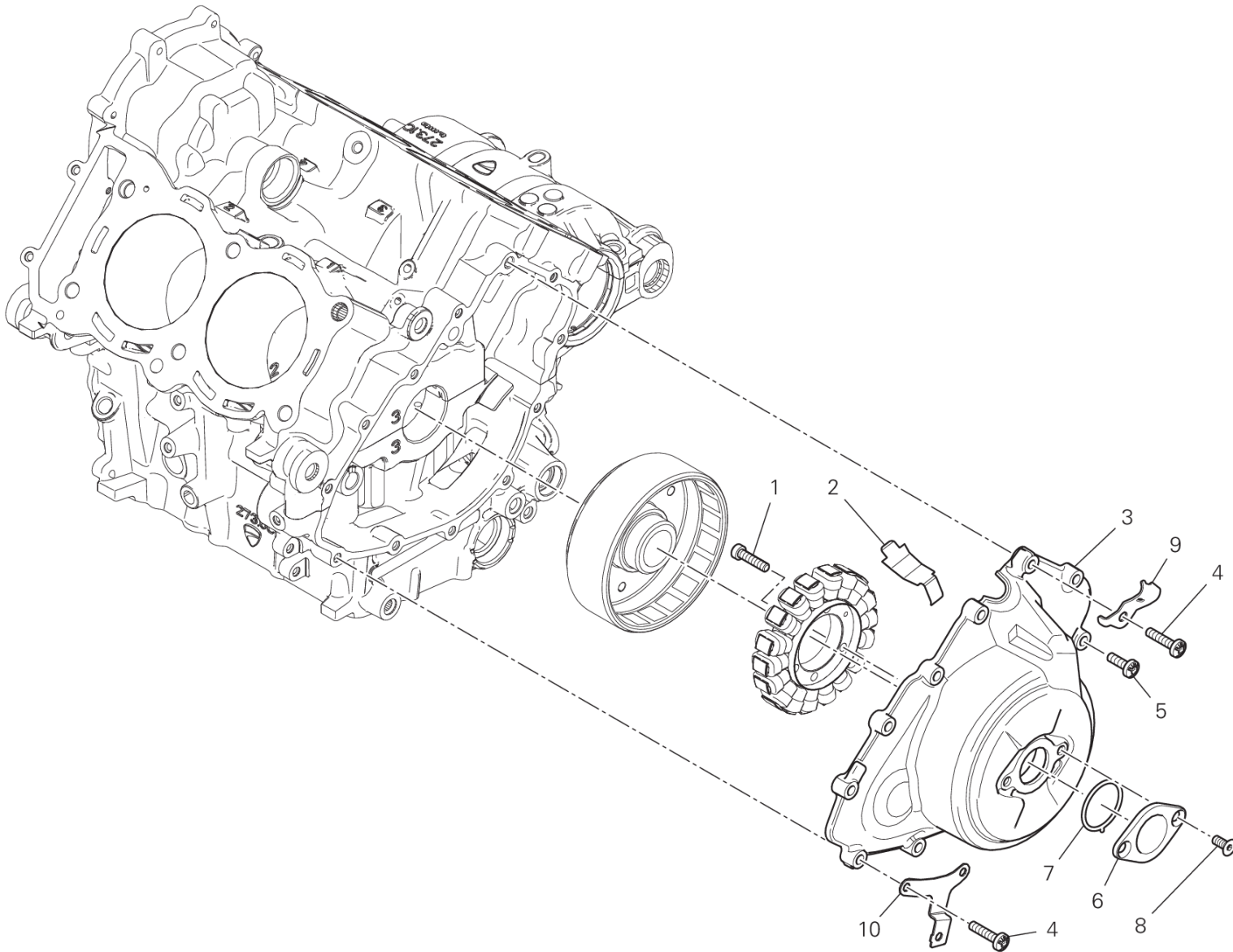
CRT00860

DRAWING 04A - CLUTCH COVER [MOD:SFV4 S]

GROUP ENGINE



POS.	CODE	DESCRIPTION	QTY	START DATE	END DATE	VALIDITY	NOTES
36	82718923A	SHEET ACOUSTIC DAMPER WATER PUMP	1	02/09/2019			
37	82718933A	PERIMETER SOUNDDEADENING METAL SHEET	1	02/09/2019			
38	48612281A	PERIMETER SOUNDDEADENING PANEL	1	02/09/2019			
39	8291J241AA	CONNECTOR HOLDER	1	20/06/2019			
40	75841071A	CLIP	1	06/12/2019			



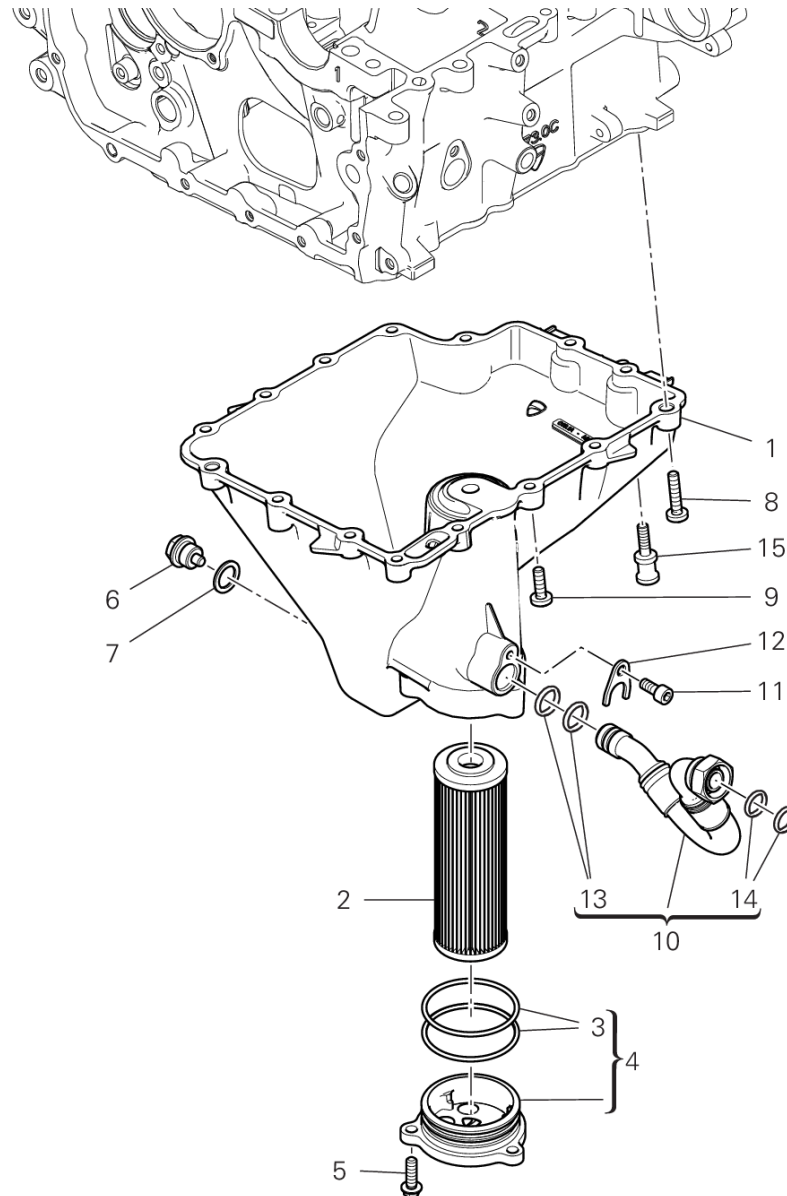
CRT00861

DRAWING 04B - GENERATOR COVER [MOD:SFV4 S]

GROUP ENGINE



POS.	CODE	DESCRIPTION	QTY	START DATE	END DATE	VALIDITY	NOTES
1	71950370CF	SCREW	3	13/03/2017			
2	82716091A	PLATE	1	13/03/2017			
3	24211142AH	GENERATOR COVER	1	13/03/2017			
4	77942002A	SCREW	3	19/04/2017			
5	77941992A	SCREW	9	19/04/2017			
6	24735581AH	COVER, SENSOR	1	13/03/2017			
7	88610951A	O-RING 32.99X2.62	1	13/03/2017			
8	77750494C	SCREW	2	13/03/2017			
9	8301H812AA	BRACKET	1	15/01/2020			
10	8301H841BA	LEFT BRACKET	1	20/06/2019			



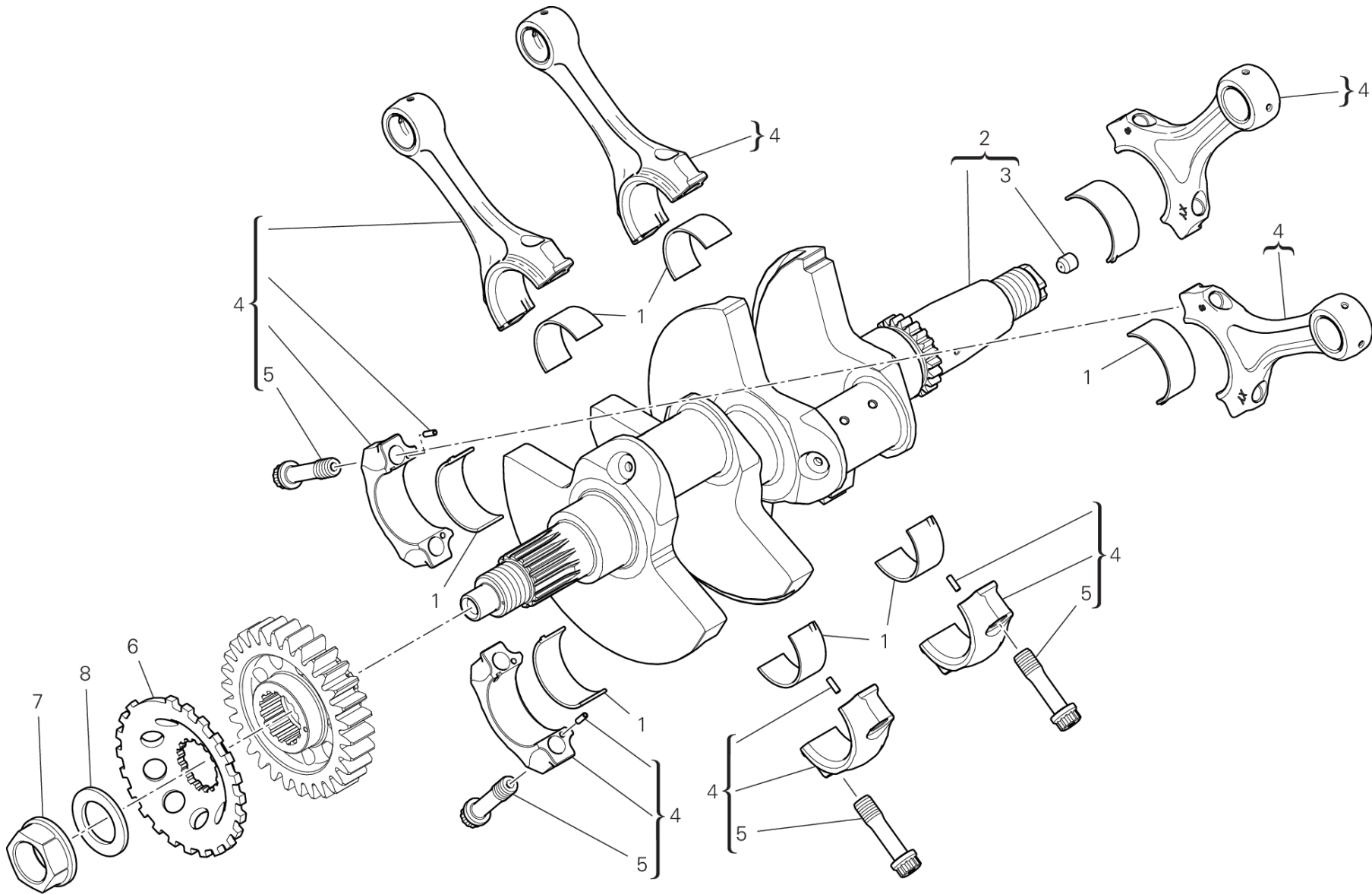
CRT00862

DRAWING 04C - OIL PAN [MOD:SFV4 S]

GROUP ENGINE



POS.	CODE	DESCRIPTION	QTY	START DATE	END DATE	VALIDITY	NOTES
1	25210191AH	OIL PAN	1	19/04/2017			
2	44440312B	FILTER, OIL	1	13/03/2017			
3	88650761A	O-RING	2	13/03/2017			
4	247P5862A	COVER, OIL ELEMENT	1	13/03/2017			
5	77253314CF	SCREW	3	13/03/2017			
6	89310153A	OIL DRAIN PLUG WITH MAGNET	1	13/03/2017			
7	85250541A	WASHER	1	30/10/2017			
8	77942002A	SCREW	3	19/04/2017			
9	77941992A	SCREW	10	19/04/2017			
10	54911412A	PIPE	1	30/10/2017			
11	77150648B	SCREW TCEI M6X14	1	30/10/2017			
12	82718471AA	PLATE	1	30/10/2017			
13	88643141A	O-RING	2				
14	88643121A	O-RING	2				
15	7791B851BA	SCREW, SPECIAL	2	15/09/2019			



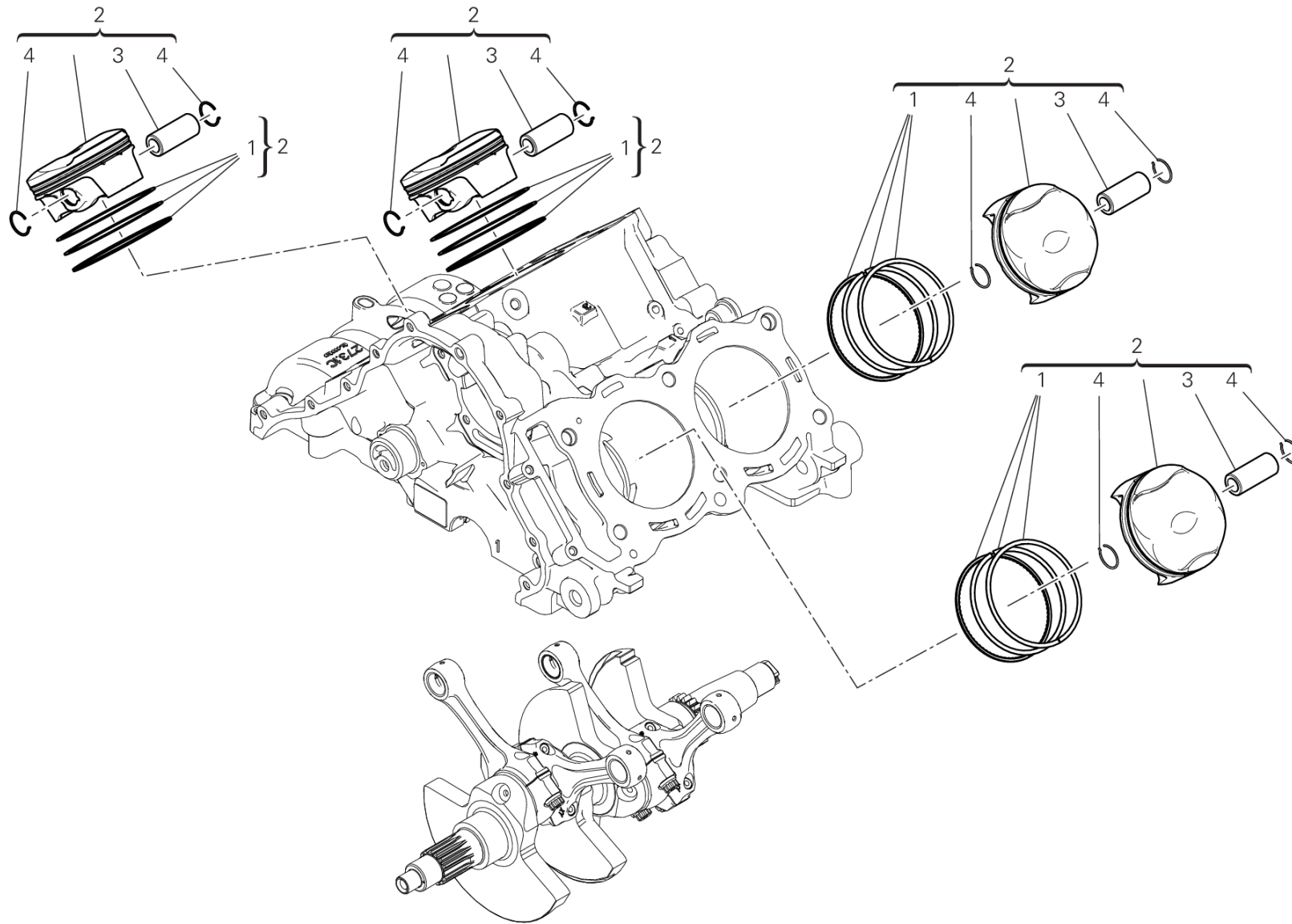
IMB00243

DRAWING 05A - CONNECTING RODS [MOD:SFV4 S]

GROUP ENGINE



POS.	CODE	DESCRIPTION	QTY	START DATE	END DATE	VALIDITY	NOTES
1	11210961AA	HALF-BEARING RED	8	30/11/2016			
	11210961AB	HALF-BEARING BLUE	8	30/11/2016			
	11210961AC	HALF-BEARING YELLOW	8	30/11/2016			
	11210961AD	HALF-BEARING BLACK	8	30/11/2016			
	11210961AE	HALF-BEARING GREEN	8	30/11/2016			
	11210961AF	PURPLE BEARING SHELLS	8	15/04/2019			
	11210961AG	PURPLE BEARING SHELLS 2	8	10/09/2019			
2	14622411CA	CRANKSHAFT (Class 1)	1	15/01/2020			
	14622411CB	CRANKSHAFT (Class 2)	1	15/01/2020			
	14622411CC	CRANKSHAFT (Class 3)	1	15/01/2020			
	14622411CD	CRANKSHAFT (Class 4)	1	15/01/2020			
3	77911092A	SCREW, SPECIAL	1	13/03/2017			
4	15621142AA	CONNECTING ROD (Class 1)	4	15/12/2018			
	15621142AB	CONNECTING ROD (Class 2)	4	15/12/2018			
	15621142AC	CONNECTING ROD (Class 3)	4	15/12/2018			
	15621142AD	CONNECTING ROD (Class 4)	4	15/12/2018			
5	7791A571A	SCREW, SPECIAL	8	21/10/2016			
6	50410271B	PHONIC WHEEL	1	19/04/2017			
7	74811021B	NUT, FLANGE	1	19/04/2017			
8	85214071B	WASHER	1	19/04/2017			



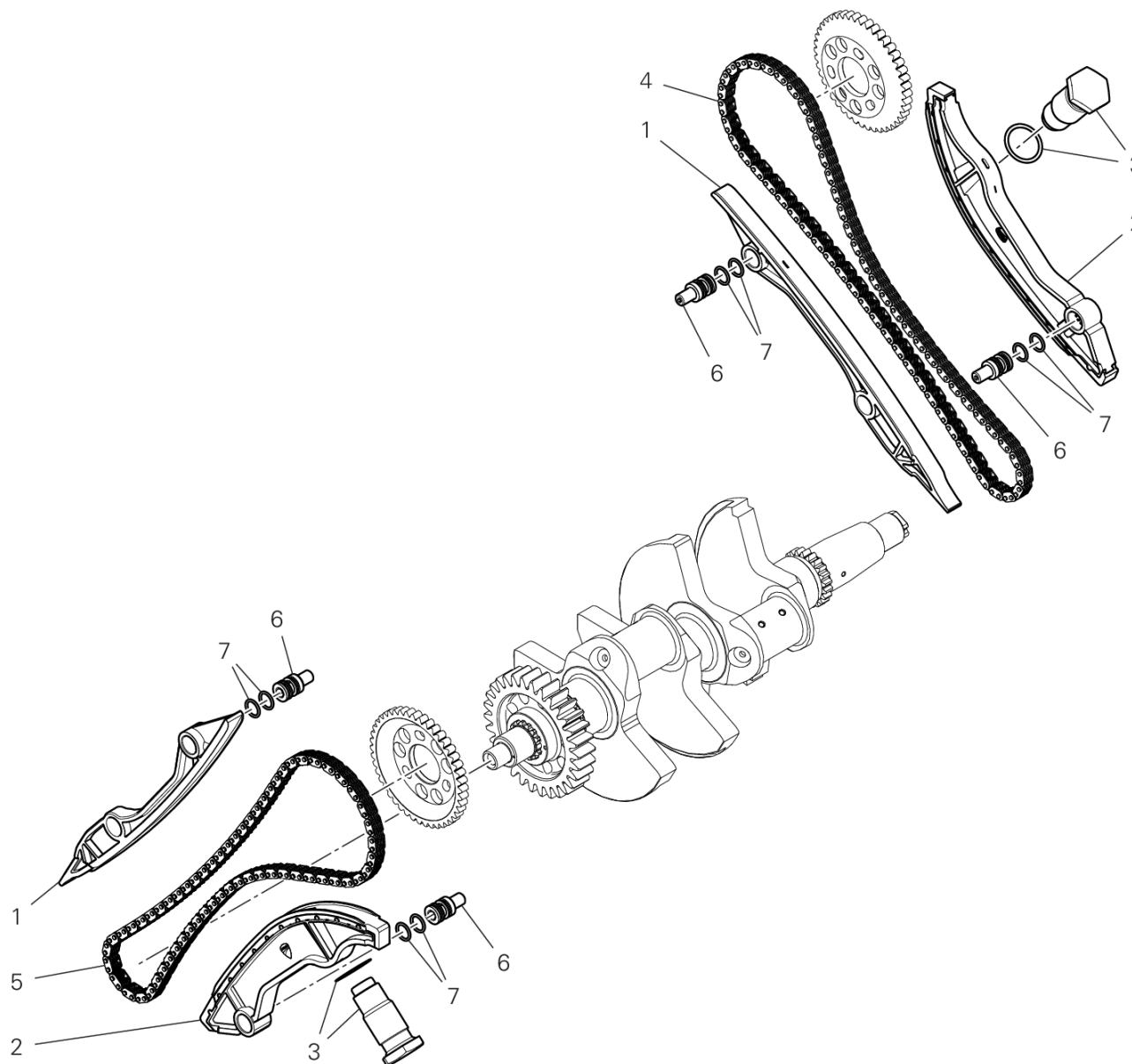
IMB00244

DRAWING 06A - CYLINDERS - PISTONS [MOD:SFV4 S]

GROUP ENGINE



POS.	CODE	DESCRIPTION	QTY	START DATE	END DATE	VALIDITY	NOTES
1	12120772A	PISTON RING SET	1	01/01/2019			
2	12222331C	PISTON ASSY	4	15/01/2020			
3	12113712A	PISTON PIN	4	10/12/2019			
4	12113721A	RING	8	16/11/2017			



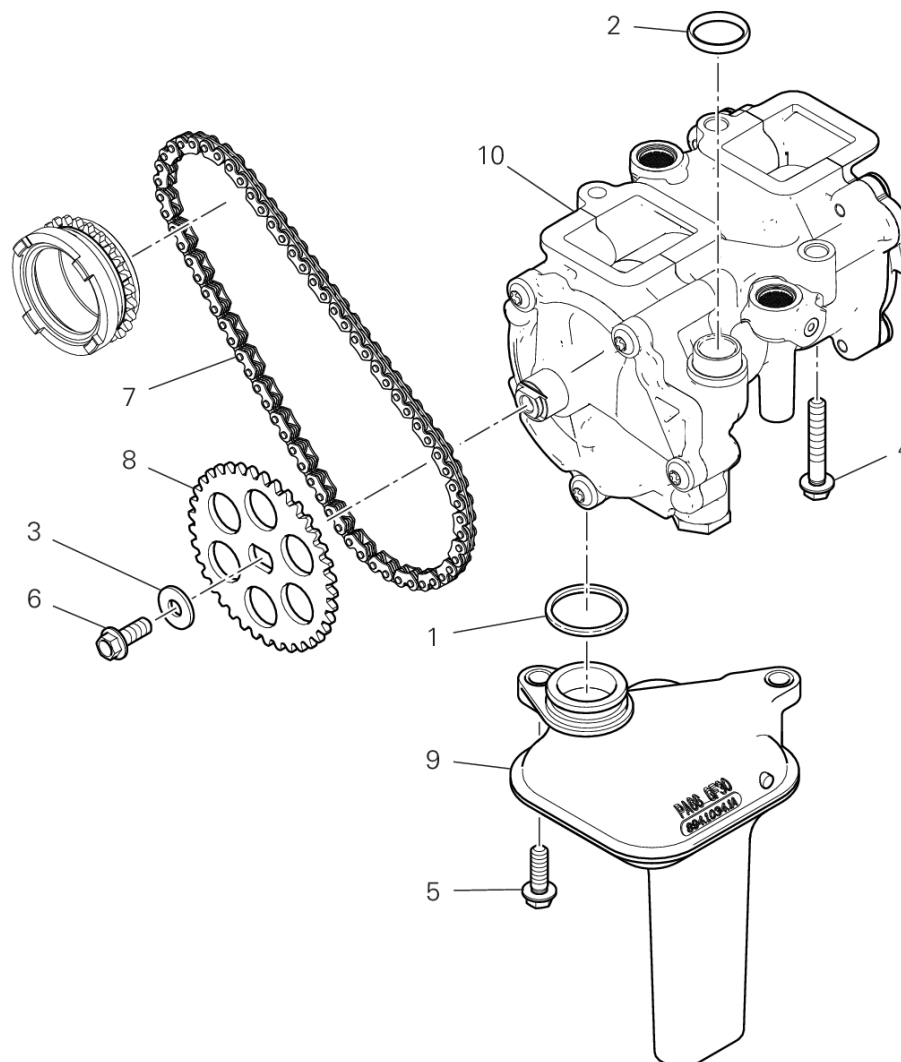
TST00613

DRAWING 07A - TIMING SYSTEM [MOD:SFV4 S]

GROUP ENGINE



POS.	CODE	DESCRIPTION	QTY	START DATE	END DATE	VALIDITY	NOTES
1	44740112A	COMPLETE FIXED TENSIONER ROLLER	2	19/04/2017			
2	44740122A	COMPLETE MOVABLE TENSIONER ROLLER	2	19/04/2017			
3	45140021C	COMPLETE TENSIONER ROLLER	2	19/04/2017			
4	73840051A	CHAIN (REAR)	1	19/04/2017			
5	73840061A	CHAIN Front	1	19/04/2017			
6	82115622A	PIN	4	10/04/2017			
7	88642081A	O-RING	8	10/04/2017			



DRAWING 08A - OIL PUMP [MOD:SFV4 S]

GROUP ENGINE

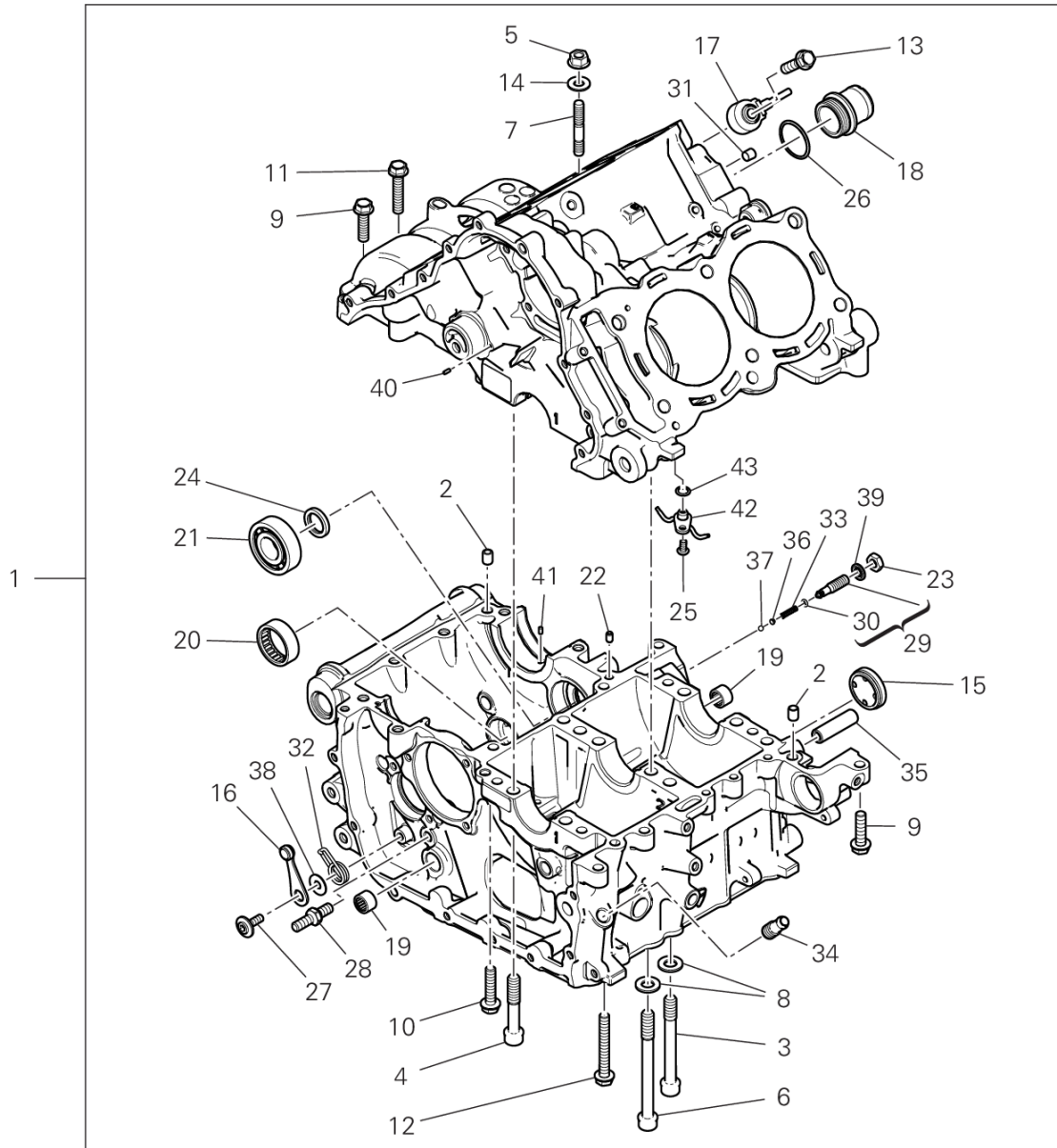


POS.	CODE	DESCRIPTION	QTY	START DATE	END DATE	VALIDITY	NOTES
1	88642651A	O-RING	1	19/04/2017			
2	88640541A	O-RING	1	19/04/2017			
3	85214421A	WASHER	1	30/10/2017			
4	77253364CF	SCREW	3	19/04/2017			
5	77253304CF	SCREW	2	19/04/2017			
6	77253290ZF	SCREW	1	19/04/2017			
7	67641141A	CHAIN	1	19/04/2017			
8	44910741A	REAR SPROCKET T37	1	19/04/2017			
9	89420231B	STRAINER, OIL	1	19/04/2017			
10	24920603A	OIL PUMP ASSY	1	15/09/2019			



DRAWING 09A - HALF-CRANKCASES PAIR [MOD:SFV4 S]

GROUP ENGINE



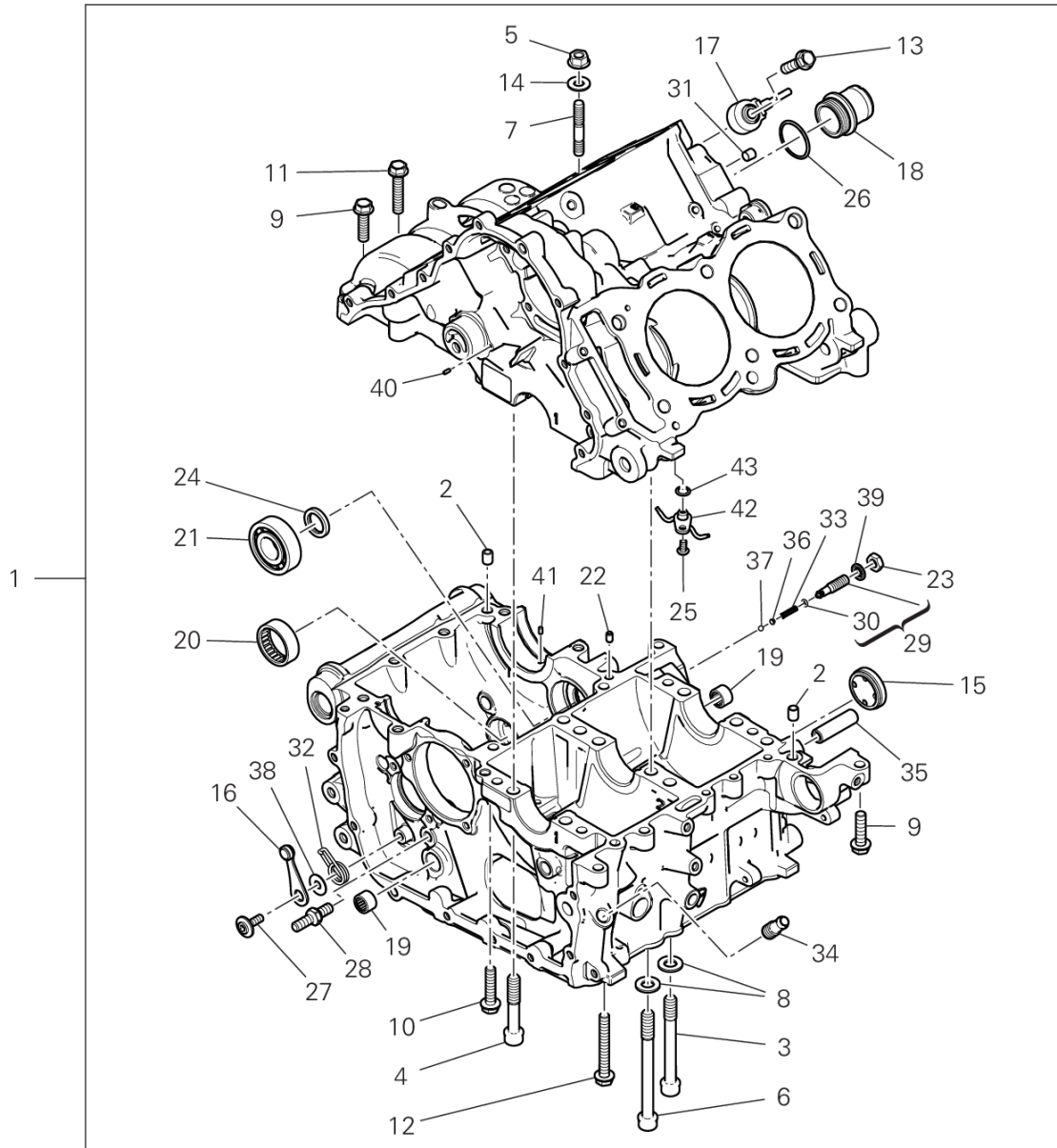
CRT00863

DRAWING 09A - HALF-CRANKCASES PAIR [MOD:SFV4 S]

GROUP ENGINE



POS.	CODE	DESCRIPTION	QTY	START DATE	END DATE	VALIDITY	NOTES
1	225P0011E	COMPLETE HALF-CRANKCASES PAIR	1	05/02/2020			
2	71112191A	PIN DOWEL	3	12/09/2017			
3	7791A651A	SCREW	2	20/12/2018			
4	7791A631A	SCREW	4	20/12/2018			
5	74840481B	NUT	1	12/09/2017			
6	7791A661A	SCREW	2	20/12/2018			
7	76611231A	STUD BOLT	1	12/09/2017			
8	85651691B	WASHER	4	20/12/2018			
9	77251344C	SCREW	6	12/09/2017			
10	77251350C	SCREW	4	12/09/2017			
11	77251364C	SCREW	1	12/09/2017			
12	77251404C	SCREW	1	12/09/2017			
13	77251324CF	SCREW	2	12/09/2017			
14	85212771A	WASHER	1	12/09/2017			
15	25440013A	WINDOW, OIL LEVEL CHECK	1	12/09/2017			
16	45520172A	GEAR STOPPER LEVER ASSEMBLY	1	19/04/2017			
17	55243181A	DETECTOR	2	19/04/2017			
18	66810581B	FILLER	1	19/04/2017			
19	70140111B	BEARING, NEEDLE	2	19/04/2017			
20	70241801A	NEEDLE BUSH	1	19/04/2017			
21	70241901C	BEARING, NEEDLE	1	11/04/2018			
22	71115051E	BUSH	1	12/09/2017			
23	74710151B	NUT	1	19/04/2017			
24	93040931A	SEAL, OIL 17X25X4	1	13/09/2017			
25	77510311B	SCREW TBEI M5X10	2	04/02/2019			
26	88642791A	O-RING	1	12/09/2017			
27	77916241A	SCREW, SPECIAL	1	12/09/2017			
28	7791A381A	SCREW, SPECIAL	1	12/09/2017			
29	77927171B	SCREW	1	19/04/2017			
30	88641961A	O-RING	1	10/04/2017			
31	78010871B	PLUG	1	19/04/2017			
32	79915101C	SPRING	1	19/04/2017			
33	79940121A	SPRING	1	19/04/2017			
34	81413421B	UNION RETURN	1	19/04/2017			
35	82010141A	STARTER REDUCTION SHAFT	1	13/09/2017			



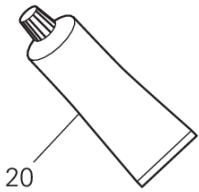
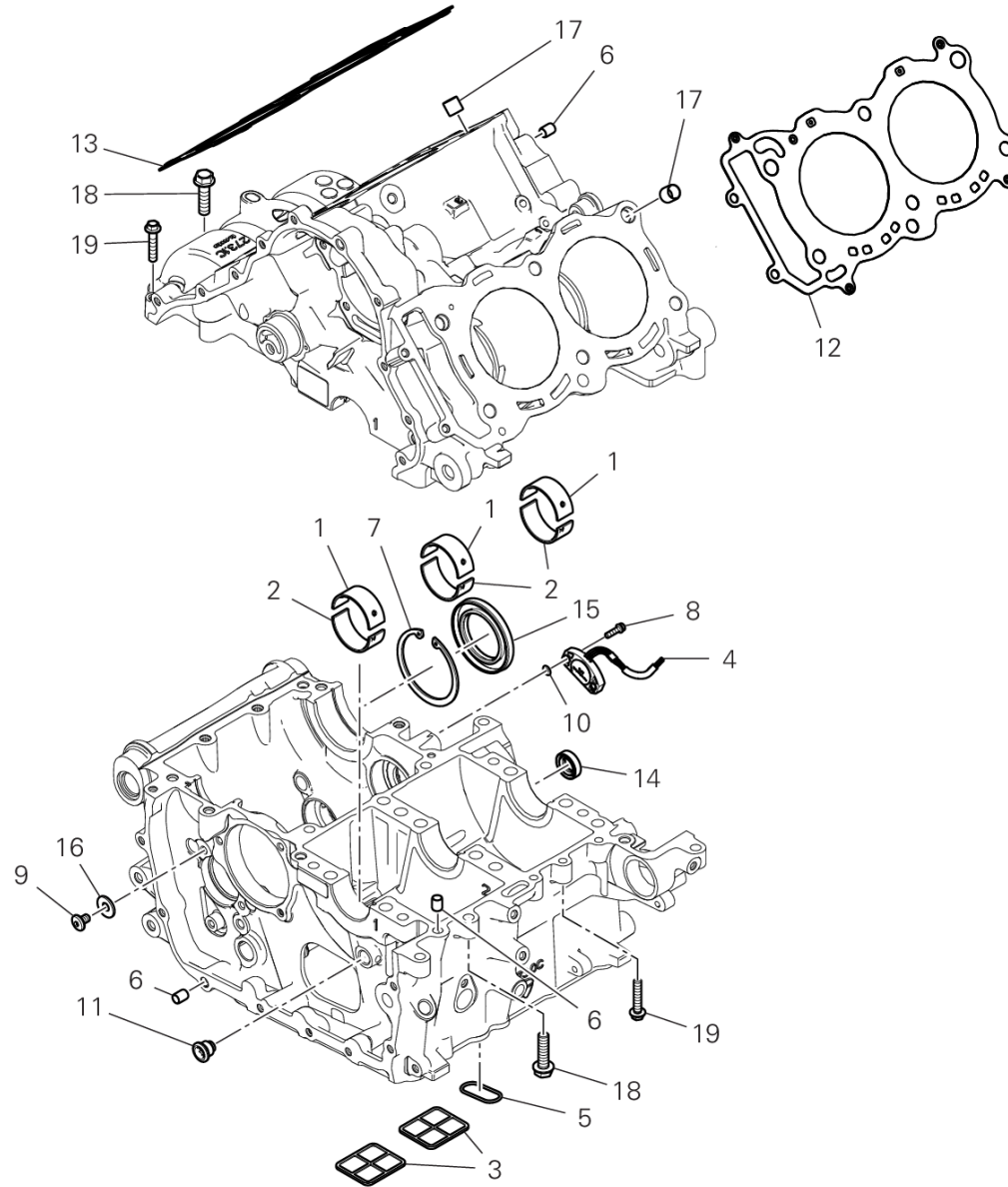
CRT00863

DRAWING 09A - HALF-CRANKCASES PAIR [MOD:SFV4 S]

GROUP ENGINE



POS.	CODE	DESCRIPTION	QTY	START DATE	END DATE	VALIDITY	NOTES
36	83110151A	PLATE	1	13/09/2017			
37	84740061A	BALL	1	13/09/2017			
38	85212661A	WASHER	1	13/09/2017			
39	85640141A	WASHER	1	13/09/2017			
40	86040071A	PIN	2	13/09/2017			
41	86050341A	PIN	1	13/09/2017			
42	87512492B	JET	2	13/09/2017			
43	88650751A	O-RING	2	13/09/2017			



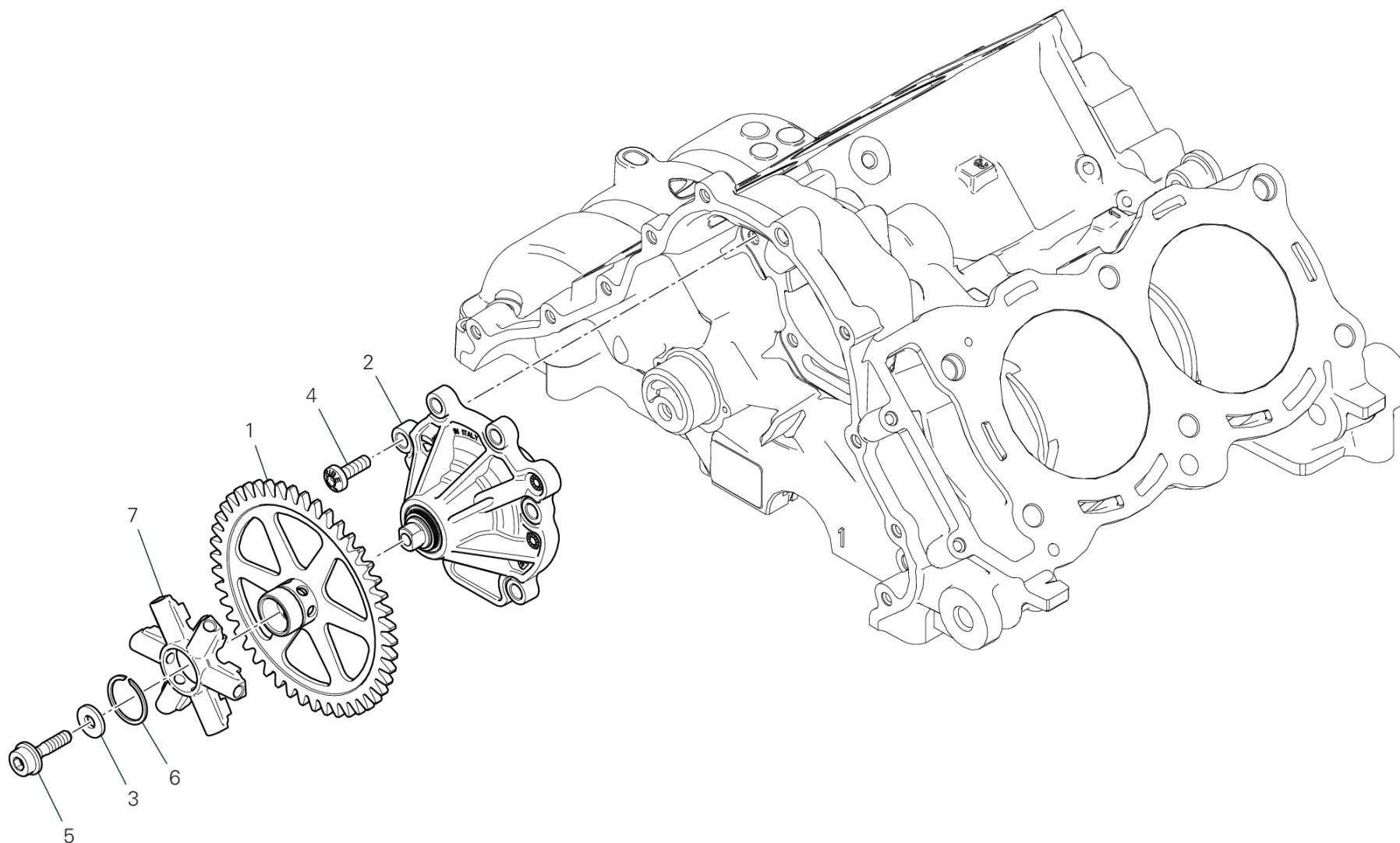
CRT00864

DRAWING 09B - HALF-CRANKCASES PAIR [MOD:SFV4 S]

GROUP ENGINE



POS.	CODE	DESCRIPTION	QTY	START DATE	END DATE	VALIDITY	NOTES
1	11210942AA	HALF-BEARING RED UPPER	3	30/11/2016			
	11210942AB	HALF-BEARING BLUE UPPER	3	30/11/2016			
	11210942AC	HALF-BEARING YELLOW UPPER	3	30/11/2016			
	11210942AD	HALF-BEARING BLACK UPPER	3	30/11/2016			
	11210942AE	HALF-BEARING GREEN UPPER	3	30/11/2016			
2	11210952AA	HALF-BEARING RED LOWER	3	30/11/2016			
	11210952AB	HALF-BEARING BLUE LOWER	3	30/11/2016			
	11210952AC	HALF-BEARING YELLOW LOWER	3	30/11/2016			
	11210952AD	HALF-BEARING BLACK LOWER	3	30/11/2016			
	11210952AE	HALF-BEARING GREEN LOWER	3	30/11/2016			
3	42710241A	OIL NET FILTER	2	19/04/2017			
4	55243941A	GEARBOX POSITION SENSOR	1	31/07/2019			
5	88650831A	O-RING	1	25/05/2017			
6	71113171A	LOCATING DOWEL	10	19/04/2017			
7	735034405	SNAP RING	1	19/04/2017			
8	77156209E	SCREW	2	19/04/2017			
9	77240393C	SCREW TBEIF M6X10 10.9	2	19/04/2017			
10	85244491A	WASHER	2	03/05/2018			
11	78010511C	PLUG	1	19/04/2017			
12	78611421D	GASKET, CYLINDER HEAD Front	1	16/10/2017			
13	78611431D	GASKET, CYLINDER HEAD (REAR)	1	16/10/2017			
14	93041591A	SEAL RING	1	19/04/2017			
15	93042221A	SEAL RING	1	19/04/2017			
16	85212661A	WASHER	2	19/04/2017			
17	71116941A	BUSH	4	19/04/2017			
18	77251344C	SCREW	3	19/04/2017			
19	77253354C	SCREW	4	19/04/2017			
20	942470036	FLUID SEALANT BLACK	1	03/05/2018			



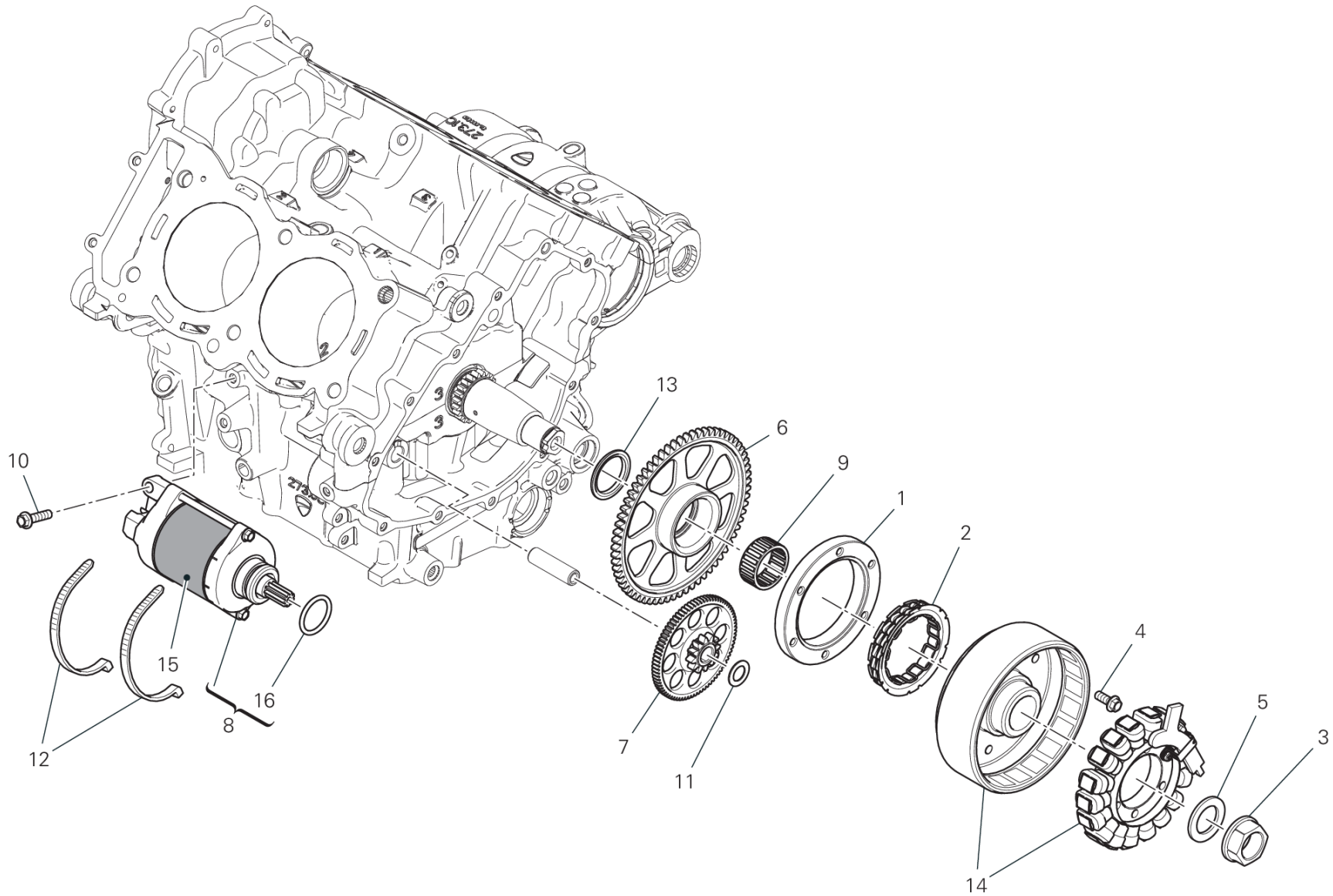
RAF00625

DRAWING 10A - WATER PUMP [MOD:SFV4 S]

GROUP ENGINE



POS.	CODE	DESCRIPTION	QTY	START DATE	END DATE	VALIDITY	NOTES
1	17410851C	PUMP GEAR	1	30/10/2017			
2	24920512F	COMPLETE WATER PUMP	1	25/02/2019			
3	85214421A	WASHER	1	30/10/2017			
4	77941992A	SCREW	6	19/04/2017			
5	7791B121A	SCREW, SPECIAL	1	30/10/2017			
6	88441031A	SPRING RING	1	30/10/2017			
7	25110101A	FAN	1	30/10/2017			



IMP01240

DRAWING 11A - ELECTRIC STARTING AND IGNITION [MOD:SFV4 S]

GROUP ENGINE

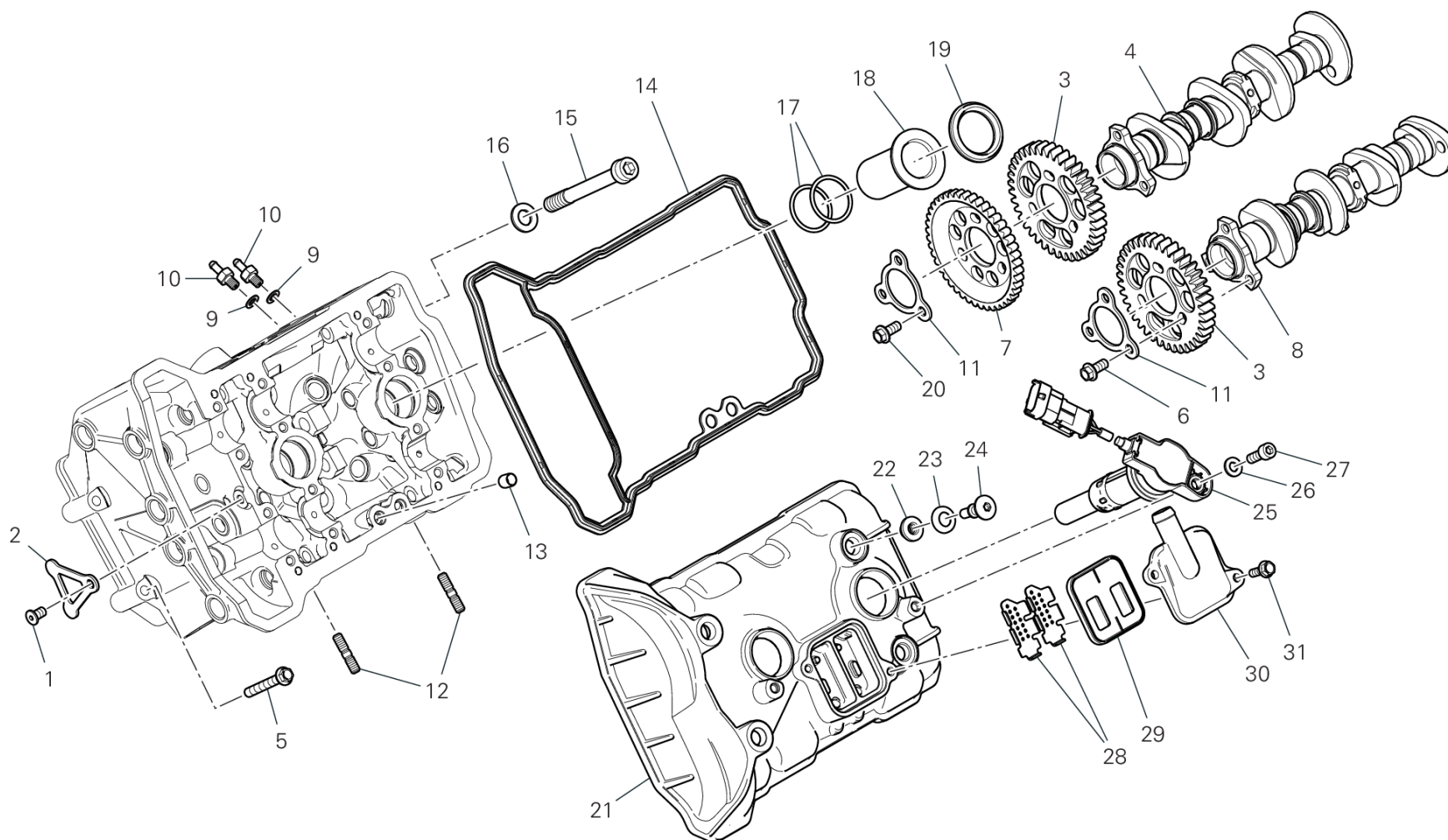


POS.	CODE	DESCRIPTION	QTY	START DATE	END DATE	VALIDITY	NOTES
1	16015522B	FLANGE STARTING CLUTCH	1	19/04/2017			
2	70140471A	CLUTCH, ONE WAY	1	19/04/2017			
3	74811021B	NUT, FLANGE	1	19/04/2017			
4	77253290ZF	SCREW	6	19/04/2017			
5	85214071B	WASHER	1	19/04/2017			
6	17310411A	DRIVEN GEAR	1	19/04/2017			
7	17610281A	IDLE GEAR	1	19/04/2017			
8	27040193A	STARTING MOTOR	1	30/10/2017			
9	70250801A	NEEDLE CAGE	1	19/04/2017			
10	77253334CF	SCREW	2	19/04/2017			
11	85212651A	WASHER	1	19/04/2017			
12	74142441A	CLAMP WHITE	2	15/12/2018			
13	71316102A	SPACER	1	28/09/2018			
14	26420572C	GENERATOR	1	29/03/2019			
15	4601F472A	THERMOREFLECTING PROTECTION	2	07/03/2018			
16	88643151A	O RING 24,4x3,1	1				



DRAWING 12A - FRONT HEAD - TIMING SYSTEM [MOD:SFV4 S]

GROUP ENGINE



TST00681

DRAWING 12A - FRONT HEAD - TIMING SYSTEM [MOD:SFV4 S]

GROUP ENGINE

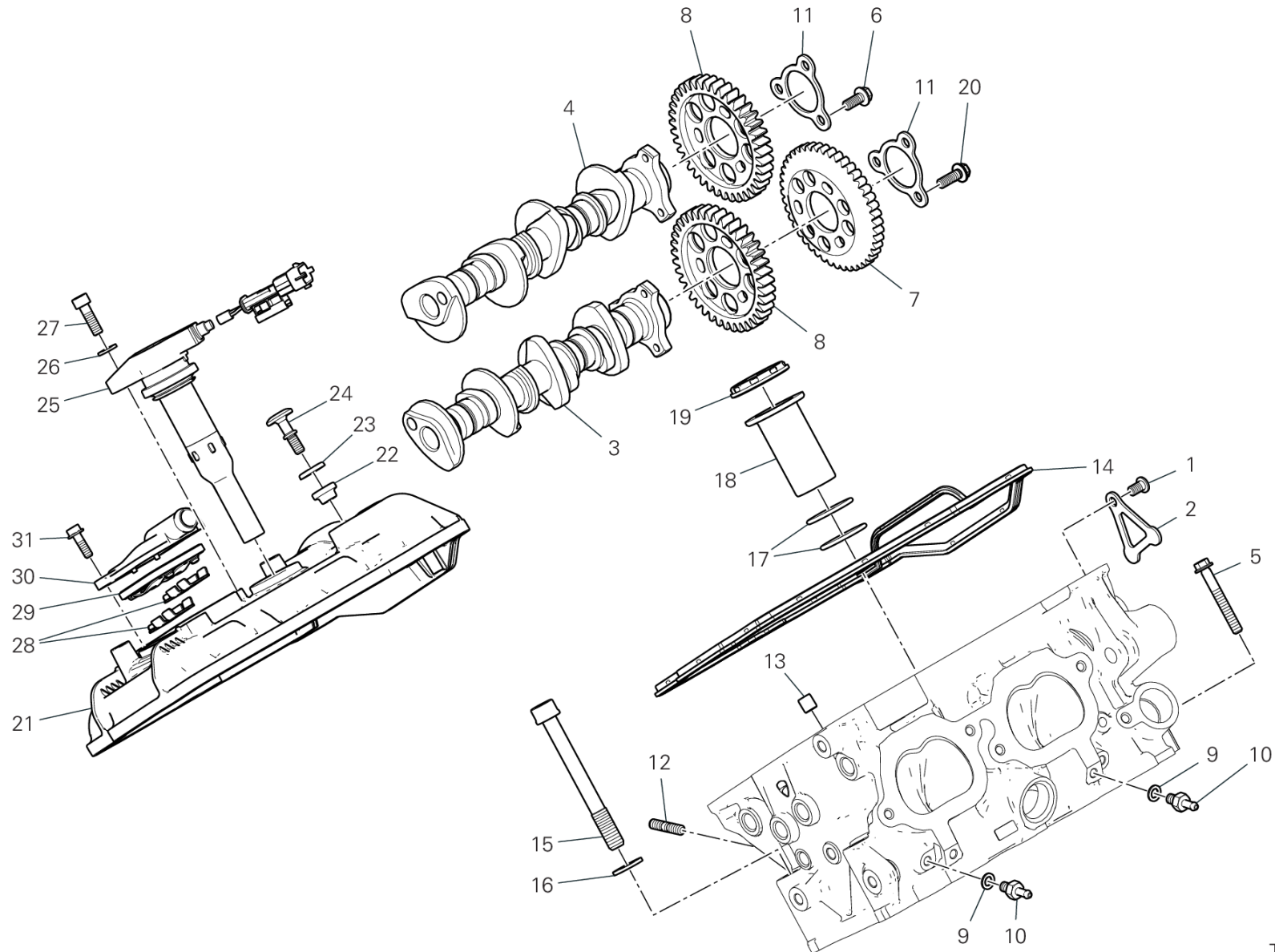


POS.	CODE	DESCRIPTION	QTY	START DATE	END DATE	VALIDITY	NOTES
1	77917231A	SCREW, SPECIAL	1	19/04/2017			
2	8271F271A	PLATE	1	06/09/2017			
3	17112221B	GEAR T39	2	19/10/2017			
4	14815572A	FRONT INTAKE CAMSHAFT	1	06/09/2017			
5	77253384C	SCREW	2	19/04/2017			
6	77253280Z	SCREW	3	19/04/2017			
7	17112211A	IDLE GEAR	1	19/04/2017			
8	14815582A	FRONT EXHAUST CAMSHAFT	1	06/09/2017			
9	85250231A	GASKET	4	06/09/2017			
10	81413341A	UNION	4	06/09/2017			
11	85611621A	PLATE	2	19/04/2017			
12	76640381A	STUD BOLT	6	06/09/2017			
13	71113741A	BUSH	2	19/04/2017			
14	78811622B	GASKET	1	19/04/2017			
15	7791A621B	SCREW	6	01/01/2019			
16	85651691B	WASHER	6	19/04/2017			
17	88650741A	O-RING	4	19/04/2017			
18	8291G311A	GUIDE SPARK PLUG	2	19/04/2017			
19	78811612A	GASKET	2	19/04/2017			
20	77253300ZF	SCREW	3	19/04/2017			
21	24715882AH	COVER FRONT HEAD	1	07/09/2017			
22	76412121A	VIBRATION DAMPER PAD	4	19/04/2017			
23	85611551A	WASHER	4	25/05/2017			
24	7791A751B	SCREW, SPECIAL	4	20/11/2017			
25	38010211D	IGNITION COIL ASSY	2	22/09/2017			
26	85212641A	WASHER 6.4X12.5X1.6	2	19/04/2017			
27	77150673B	SCREW	2	19/04/2017			
28	82718441A	PLATE	2	19/04/2017			
29	81140021A	REED VALVE ASSY	1	19/04/2017			
30	24715791A	COVER	1	07/09/2017			
31	77250744BA	SCREW	2	19/04/2017			



DRAWING 12B - REAR HEAD - TIMING SYSTEM [MOD:SFV4 S]

GROUP ENGINE



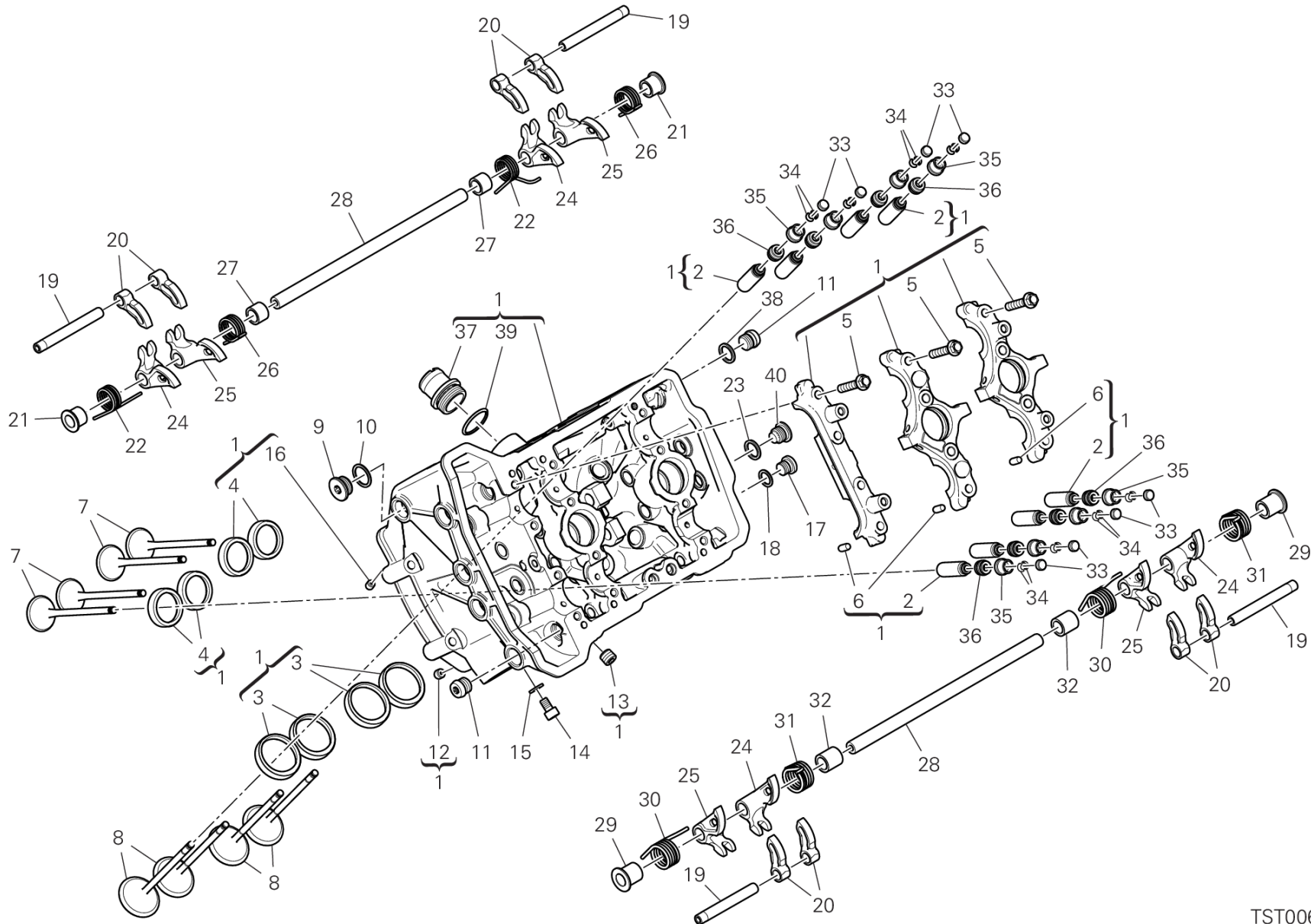
TST00682

DRAWING 12B - REAR HEAD - TIMING SYSTEM [MOD:SFV4 S]

GROUP ENGINE



POS.	CODE	DESCRIPTION	QTY	START DATE	END DATE	VALIDITY	NOTES
1	77917231A	SCREW, SPECIAL	1	19/04/2017			
2	8271F271A	PLATE	1	06/09/2017			
3	14815562A	REAR EXHAUST CAMSHAFT	1	06/09/2017			
4	14815552A	REAR INTAKE CAMSHAFT	1	06/09/2017			
5	77253384C	SCREW	2	19/04/2017			
6	77253280Z	SCREW	3	19/04/2017			
7	17112211A	IDLE GEAR	1	19/04/2017			
8	17112221B	GEAR T39	2	19/10/2017			
9	85250231A	GASKET	4	06/09/2017			
10	81413341A	UNION	4	06/09/2017			
11	85611621A	PLATE	2	19/04/2017			
12	76640381A	STUD BOLT	6	06/09/2017			
13	71113741A	BUSH	2	19/04/2017			
14	78811602B	GASKET	1	19/04/2017			
15	7791A621B	SCREW	6	01/01/2019			
16	85651691B	WASHER	6	19/04/2017			
17	88650741A	O-RING	4	19/04/2017			
18	8291G311A	GUIDE SPARK PLUG	2	19/04/2017			
19	78811612A	GASKET	2	19/04/2017			
20	77253300ZF	SCREW	3	19/04/2017			
21	24715873AH	COVER REAR HEAD	1	09/12/2019			
22	76412121A	VIBRATION DAMPER PAD	4	19/04/2017			
23	85611551A	WASHER	4	25/05/2017			
24	7791A751B	SCREW, SPECIAL	4	20/11/2017			
25	38010211D	IGNITION COIL ASSY	2	22/09/2017			
26	85212641A	WASHER 6.4X12.5X1.6	2	19/04/2017			
27	77150673B	SCREW	2	19/04/2017			
28	82718441A	PLATE	2	19/04/2017			
29	81140021A	REED VALVE ASSY	1	19/04/2017			
30	24715791A	COVER	1	07/09/2017			
31	77250744BA	SCREW	2	19/04/2017			



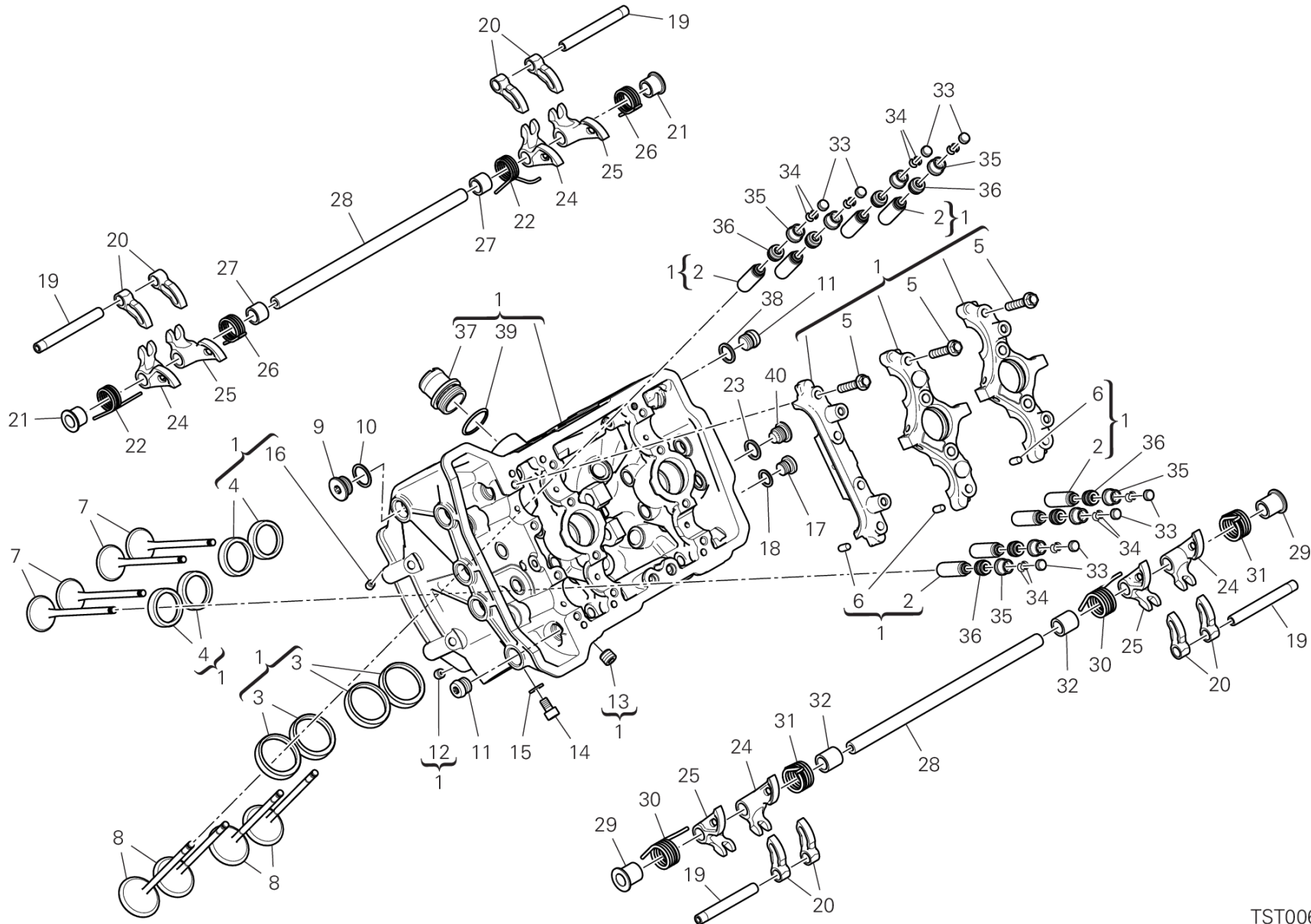
TST00683

DRAWING 12C - FRONT HEAD [MOD:SFV4 S]

GROUP ENGINE



POS.	CODE	DESCRIPTION	QTY	START DATE	END DATE	VALIDITY	NOTES
1	30125711BR	FRONT HEAD	1	01/01/2020			
2	303A0741A	VALVE GUIDE	8	19/09/2017			
3	304A1091A	SEAT, INTAKE VALVE	4	19/09/2017			
4	304A1101A	SEAT, EXHAUST VALVE	4	19/09/2017			
5	77253350Z	SCREW	12	19/09/2017			
6	86050061A	PIN M5X10	6	19/09/2017			
7	21111191A	EXHAUST VALVE	4	13/09/2017			
8	21011193A	INTAKE VALVE	4	06/09/2017			
9	77913541A	THREADED PLUG M15X1	5	19/04/2017			
10	85211201A	ALUMINIUM GASKET	5	19/04/2017			
11	77913611A	THREADED PLUG	4	19/04/2017			
12	86010151A	PIN	1	20/09/2017			
13	78011262A	PLUG	4	19/09/2017			
14	77150624B	SCREW	1	19/04/2017			
15	85240261A	WASHER	1	13/09/2017			
16	86010061A	PIN	1	20/09/2017			
17	78050011B	THREADED PLUG	1	15/12/2018			
18	85250241A	WASHER 10X14X1	1	15/12/2018			
19	82115561A	SHAFT, OPENING ROCKER	4	13/09/2017			
20	20810461A	OPEN. ROCKER ARM	8	06/09/2017			
21	7131C231A	SPACER	2	06/09/2017			
22	79916091C	INTAKE VALVE RETURN SPRING LH	2	13/09/2017			
23	85250261B	GASKET	2	10/09/2018			
24	20910791A	CLOSING ROCKER ARM LEFT	4	06/09/2017			
25	20910781A	CLOSING ROCKER ARM RIGHT	4	06/09/2017			
26	79916101C	INTAKE VALVE RETURN SPRING RH	2	13/09/2017			
27	7131C211A	SPACER	2	06/09/2017			
28	82115581A	CLOSE ROCKER ARM AXLE	2	13/09/2017			
29	7131C241A	SPACER	2	13/09/2017			
30	79916121B	EXHAUST VALVE RETURN SPRING RH	2	13/09/2017			
31	79916111B	EXHAUST VALVE RETURN SPRING LH	2	13/09/2017			
32	7131C221A	SPACER	2	06/09/2017			
33	84012011AA	ADJUSTER, OPENING ROCKER ARM 1.85 MM	8	17/05/2017			
	84012011AB	ADJUSTER, OPENING ROCKER ARM 1.90 MM	8	17/05/2017			
	84012011AC	ADJUSTER, OPENING ROCKER ARM 1.95 MM	8	17/05/2017			



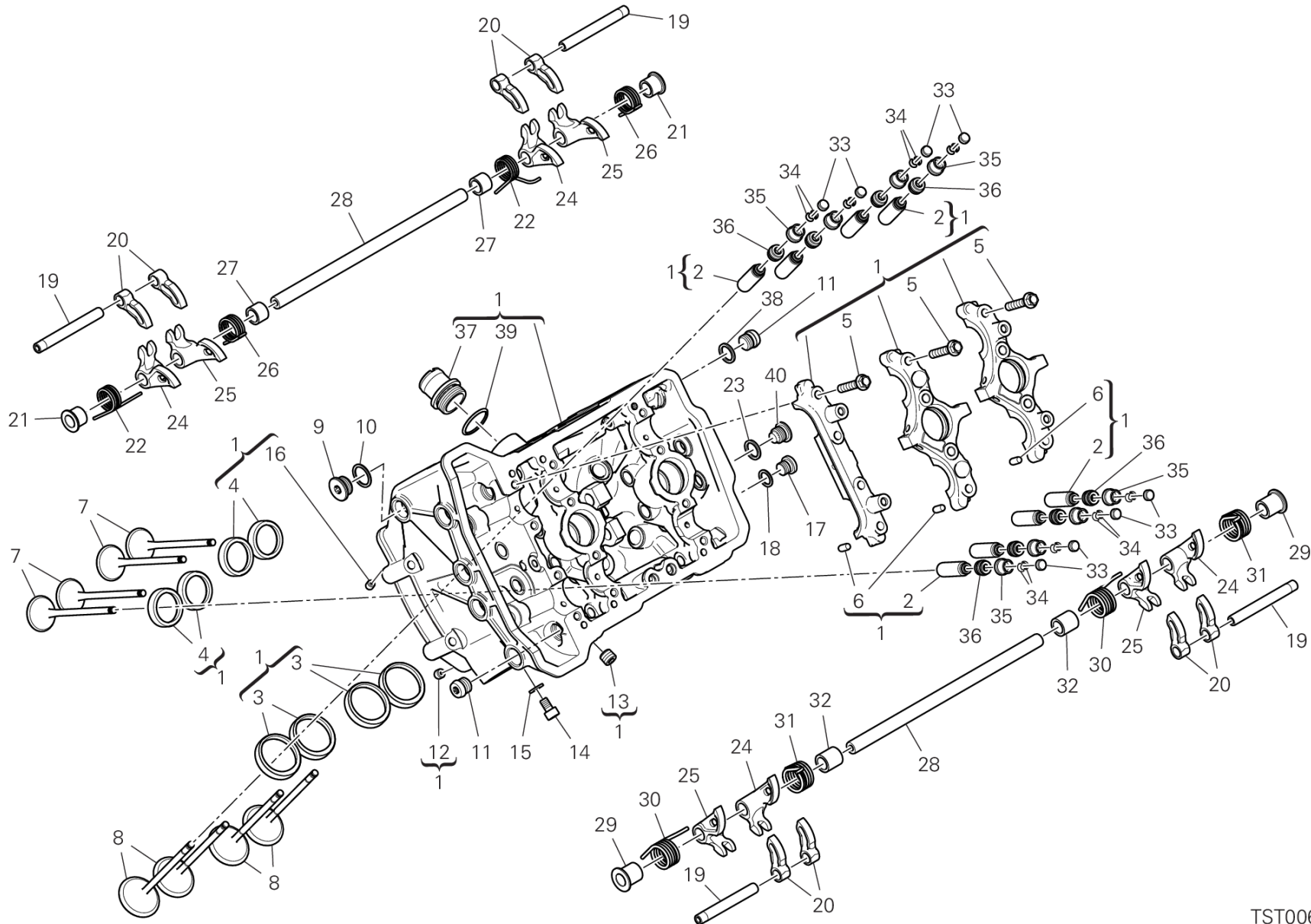
TST00683

DRAWING 12C - FRONT HEAD [MOD:SFV4 S]

GROUP ENGINE



POS.	CODE	DESCRIPTION	QTY	START DATE	END DATE	VALIDITY	NOTES
	84012011AD	ADJUSTER, OPENING ROCKER ARM 2.00 MM	8	17/05/2017			
	84012011AE	ADJUSTER, OPENING ROCKER ARM 2.05 MM	8	17/05/2017			
	84012011AF	ADJUSTER, OPENING ROCKER ARM 2.10 MM	8	17/05/2017			
	84012011AG	ADJUSTER, OPENING ROCKER ARM 2.15 MM	8	17/05/2017			
	84012011AH	ADJUSTER, OPENING ROCKER ARM 2.20 MM	8	17/05/2017			
	84012011AI	ADJUSTER, OPENING ROCKER ARM 2.25 MM	8	17/05/2017			
	84012011AJ	ADJUSTER, OPENING ROCKER ARM 2.30 MM	8	17/05/2017			
	84012011AK	ADJUSTER, OPENING ROCKER ARM 2.35 MM	8	17/05/2017			
	84012011AL	ADJUSTER, OPENING ROCKER ARM 2.40 MM	8	17/05/2017			
	84012011AM	ADJUSTER, OPENING ROCKER ARM 2.45 MM	8	17/05/2017			
	84012011AN	ADJUSTER, OPENING ROCKER ARM 2.50 MM	8	17/05/2017			
	84012011AO	ADJUSTER, OPENING ROCKER ARM 2.55 MM	8	17/05/2017			
	84012011AP	ADJUSTER, OPENING ROCKER ARM 2.60 MM	8	17/05/2017			
	84012011AQ	ADJUSTER, OPENING ROCKER ARM 2.65 MM	8	17/05/2017			
34	84510111A	VALVE COLLET	16	13/09/2017			
35	84012001BD	ADJUSTER, CLOSING ROCKER ARM 2.60 MM	8	17/05/2017			
	84012001BE	ADJUSTER, CLOSING ROCKER ARM 2.65 MM	8	17/05/2017			
	84012001BF	ADJUSTER, CLOSING ROCKER ARM 2.70 MM	8	17/05/2017			
	84012001BG	ADJUSTER, CLOSING ROCKER ARM 2.75 MM	8	17/05/2017			
	84012001BH	ADJUSTER, CLOSING ROCKER ARM 2.80 MM	8	17/05/2017			
	84012001BI	ADJUSTER, CLOSING ROCKER ARM 2.85 MM	8	17/05/2017			
	84012001BJ	ADJUSTER, CLOSING ROCKER ARM 2.90 MM	8	17/05/2017			
	84012001BK	ADJUSTER, CLOSING ROCKER ARM 2.95 MM	8	17/05/2017			
	84012001BL	ADJUSTER, CLOSING ROCKER ARM 3.00 MM	8	17/05/2017			
	84012001BM	ADJUSTER, CLOSING ROCKER ARM 3.05 MM	8	17/05/2017			
	84012001BN	ADJUSTER, CLOSING ROCKER ARM 3.10 MM	8	17/05/2017			
	84012001BO	ADJUSTER, CLOSING ROCKER ARM 3.15 MM	8	17/05/2017			
	84012001BP	ADJUSTER, CLOSING ROCKER ARM 3.20 MM	8	17/05/2017			
	84012001BQ	ADJUSTER, CLOSING ROCKER ARM 3.25 MM	8	17/05/2017			
	84012001BR	ADJUSTER, CLOSING ROCKER ARM 3.30 MM	8	17/05/2017			
	84012001BS	ADJUSTER, CLOSING ROCKER ARM 3.35 MM	8	17/05/2017			
	84012001BT	ADJUSTER, CLOSING ROCKER ARM 3.40 MM	8	17/05/2017			
	84012001BU	ADJUSTER, CLOSING ROCKER ARM 3.45 MM	8	17/05/2017			
	84012001BV	ADJUSTER, CLOSING ROCKER ARM 3.50 MM	8	17/05/2017			
	84012001BW	ADJUSTER, CLOSING ROCKER ARM 3.55 MM	8	17/05/2017			



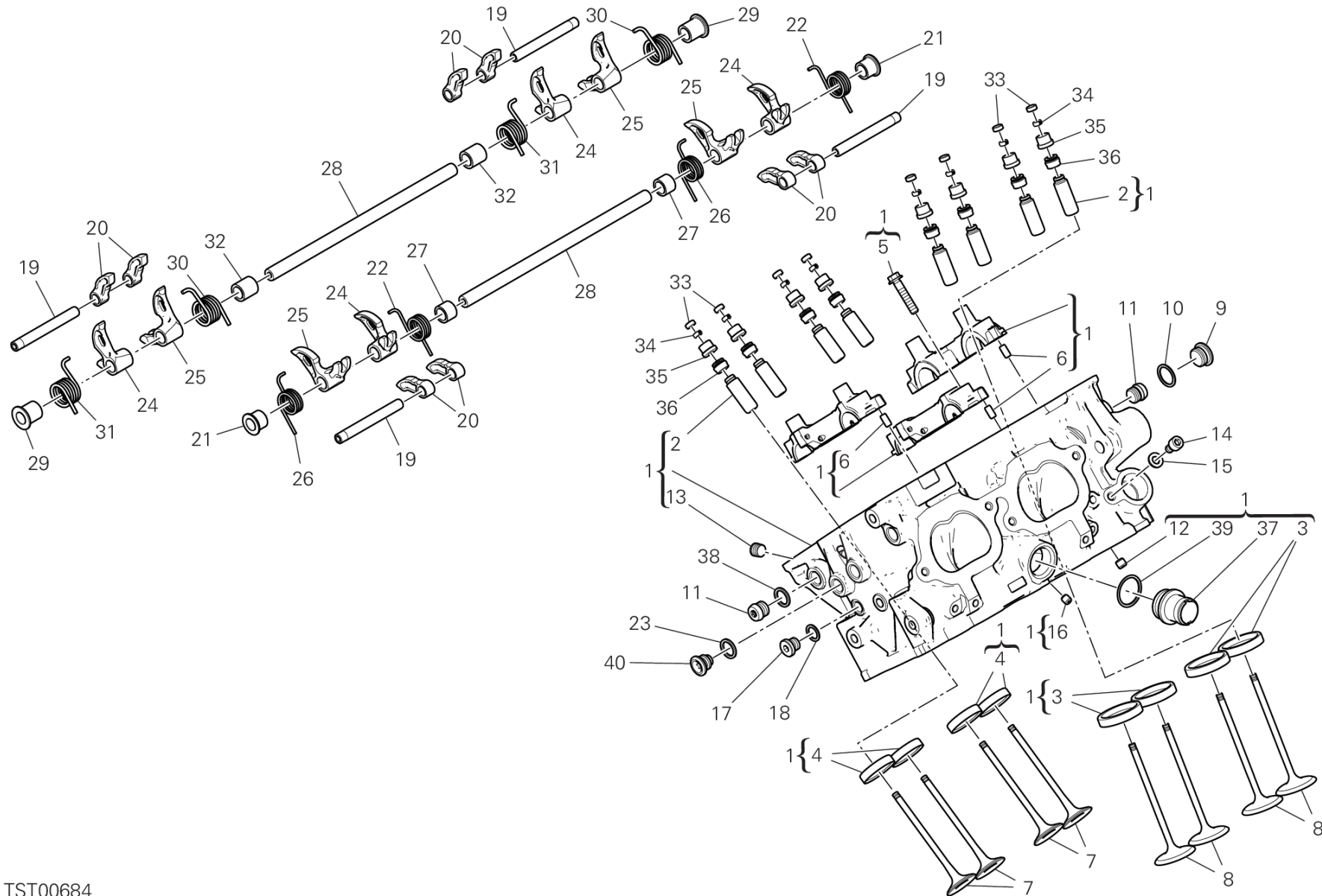
TST00683

DRAWING 12C - FRONT HEAD [MOD:SFV4 S]

GROUP ENGINE



POS.	CODE	DESCRIPTION	QTY	START DATE	END DATE	VALIDITY	NOTES
	84012001BZ	ADJUSTER, CLOSING ROCKER ARM 3.60 MM	8	17/05/2017			
36	76440091B	SEAL VALVE STEM	8	19/04/2017			
37	66810591A	FILLER	1	20/09/2017			
38	85241831A	WASHER	2	19/04/2017			
39	88642721A	O-RING	1	10/09/2018			
40	78010511C	PLUG	2	10/09/2018			



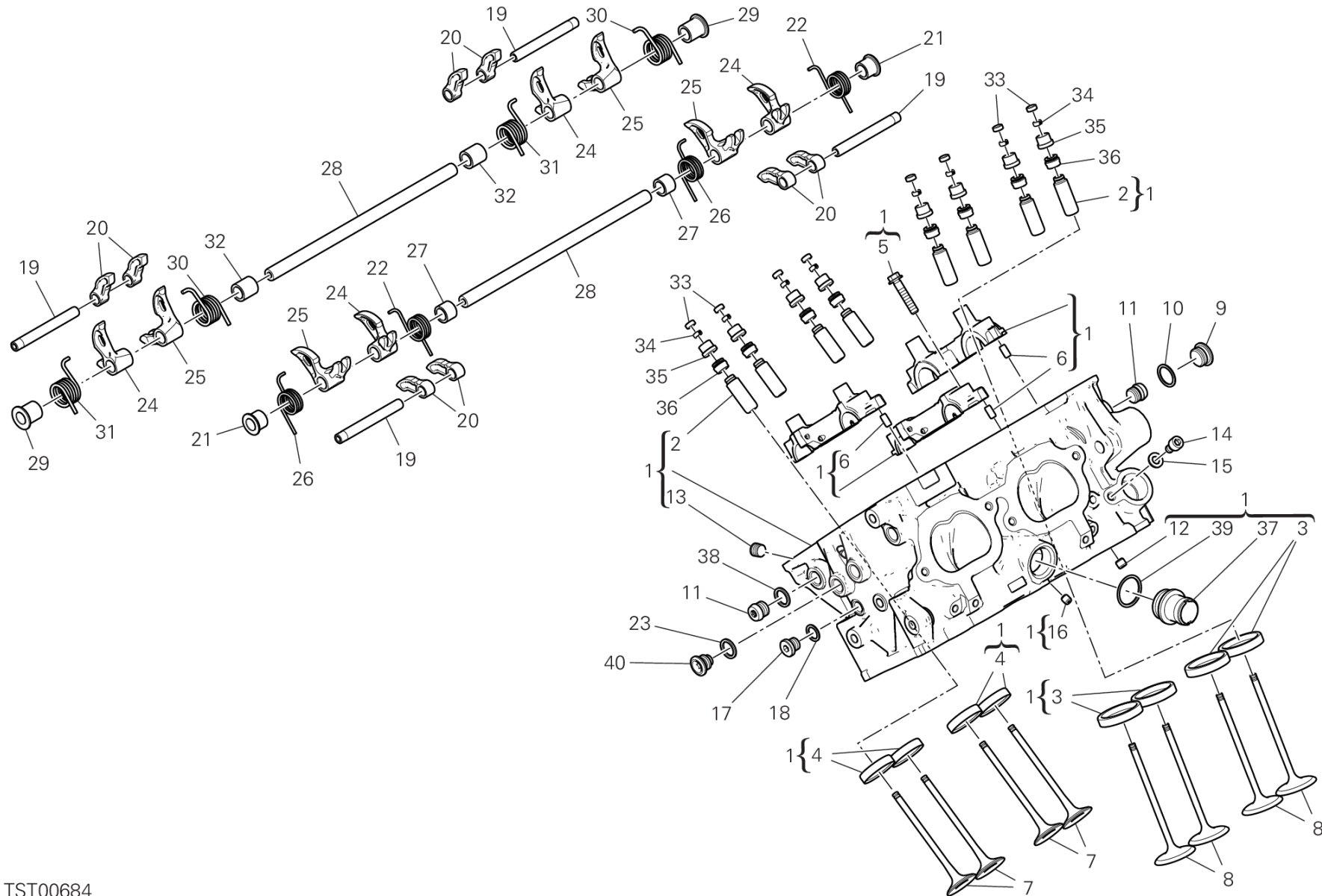
TST00684

DRAWING 12D - REAR HEAD [MOD:SFV4 S]

GROUP ENGINE



POS.	CODE	DESCRIPTION	QTY	START DATE	END DATE	VALIDITY	NOTES
1	30125701BR	REAR HEAD	1	01/01/2020			
2	303A0741A	VALVE GUIDE	8	19/09/2017			
3	304A1091A	SEAT, INTAKE VALVE	4	19/09/2017			
4	304A1101A	SEAT, EXHAUST VALVE	4	19/09/2017			
5	77253350Z	SCREW	12	19/09/2017			
6	86050061A	PIN M5X10	6	19/09/2017			
7	21111191A	EXHAUST VALVE	4	13/09/2017			
8	21011193A	INTAKE VALVE	4	06/09/2017			
9	77913541A	THREADED PLUG M15X1	5	19/04/2017			
10	85211201A	ALUMINIUM GASKET	5	19/04/2017			
11	77913611A	THREADED PLUG	4	19/04/2017			
12	86010151A	PIN	1	20/09/2017			
13	78011262A	PLUG	4	19/09/2017			
14	77150624B	SCREW	1	19/04/2017			
15	85240261A	WASHER	1	13/09/2017			
16	86010061A	PIN	1	20/09/2017			
17	78050011B	THREADED PLUG	1	13/09/2017			
18	85250241A	WASHER 10X14X1	1	13/09/2017			
19	82115561A	SHAFT, OPENING ROCKER	4	13/09/2017			
20	20810461A	OPEN. ROCKER ARM	8	06/09/2017			
21	7131C231A	SPACER	2	06/09/2017			
22	79916091C	INTAKE VALVE RETURN SPRING LH	2	13/09/2017			
23	85250261B	GASKET	2	10/09/2018			
24	20910791A	CLOSING ROCKER ARM LEFT	4	06/09/2017			
25	20910781A	CLOSING ROCKER ARM RIGHT	4	06/09/2017			
26	79916101C	INTAKE VALVE RETURN SPRING RH	2	13/09/2017			
27	7131C211A	SPACER	2	06/09/2017			
28	82115801A	CLOSE ROCKER ARM AXLE	2	13/09/2017			
29	7131C241A	SPACER	2	13/09/2017			
30	79916121B	EXHAUST VALVE RETURN SPRING RH	2	13/09/2017			
31	79916111B	EXHAUST VALVE RETURN SPRING LH	2	13/09/2017			
32	7131C221A	SPACER	2	06/09/2017			
33	84012011AA	ADJUSTER, OPENING ROCKER ARM 1.85 MM	8	17/05/2017			
	84012011AB	ADJUSTER, OPENING ROCKER ARM 1.90 MM	8	17/05/2017			
	84012011AC	ADJUSTER, OPENING ROCKER ARM 1.95 MM	8	17/05/2017			



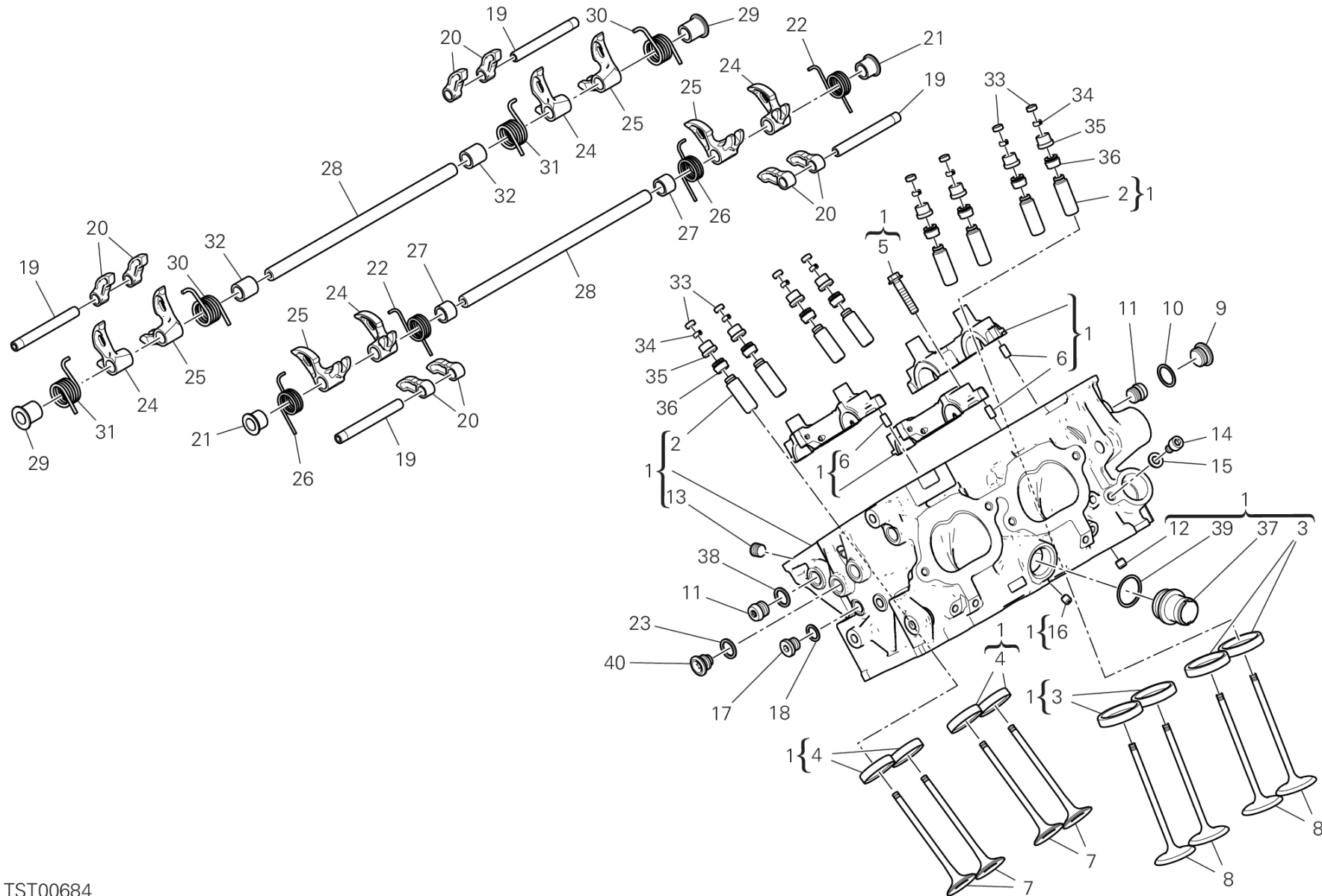
TST00684

DRAWING 12D - REAR HEAD [MOD:SFV4 S]

GROUP ENGINE



POS.	CODE	DESCRIPTION	QTY	START DATE	END DATE	VALIDITY	NOTES
	84012011AD	ADJUSTER, OPENING ROCKER ARM 2.00 MM	8	17/05/2017			
	84012011AE	ADJUSTER, OPENING ROCKER ARM 2.05 MM	8	17/05/2017			
	84012011AF	ADJUSTER, OPENING ROCKER ARM 2.10 MM	8	17/05/2017			
	84012011AG	ADJUSTER, OPENING ROCKER ARM 2.15 MM	8	17/05/2017			
	84012011AH	ADJUSTER, OPENING ROCKER ARM 2.20 MM	8	17/05/2017			
	84012011AI	ADJUSTER, OPENING ROCKER ARM 2.25 MM	8	17/05/2017			
	84012011AJ	ADJUSTER, OPENING ROCKER ARM 2.30 MM	8	17/05/2017			
	84012011AK	ADJUSTER, OPENING ROCKER ARM 2.35 MM	8	17/05/2017			
	84012011AL	ADJUSTER, OPENING ROCKER ARM 2.40 MM	8	17/05/2017			
	84012011AM	ADJUSTER, OPENING ROCKER ARM 2.45 MM	8	17/05/2017			
	84012011AN	ADJUSTER, OPENING ROCKER ARM 2.50 MM	8	17/05/2017			
	84012011AO	ADJUSTER, OPENING ROCKER ARM 2.55 MM	8	17/05/2017			
	84012011AP	ADJUSTER, OPENING ROCKER ARM 2.60 MM	8	17/05/2017			
	84012011AQ	ADJUSTER, OPENING ROCKER ARM 2.65 MM	8	17/05/2017			
34	84510111A	VALVE COLLET	16	13/09/2017			
35	84012001BD	ADJUSTER, CLOSING ROCKER ARM 2.60 MM	8	17/05/2017			
	84012001BE	ADJUSTER, CLOSING ROCKER ARM 2.65 MM	8	17/05/2017			
	84012001BF	ADJUSTER, CLOSING ROCKER ARM 2.70 MM	8	17/05/2017			
	84012001BG	ADJUSTER, CLOSING ROCKER ARM 2.75 MM	8	17/05/2017			
	84012001BH	ADJUSTER, CLOSING ROCKER ARM 2.80 MM	8	17/05/2017			
	84012001BI	ADJUSTER, CLOSING ROCKER ARM 2.85 MM	8	17/05/2017			
	84012001BJ	ADJUSTER, CLOSING ROCKER ARM 2.90 MM	8	17/05/2017			
	84012001BK	ADJUSTER, CLOSING ROCKER ARM 2.95 MM	8	17/05/2017			
	84012001BL	ADJUSTER, CLOSING ROCKER ARM 3.00 MM	8	17/05/2017			
	84012001BM	ADJUSTER, CLOSING ROCKER ARM 3.05 MM	8	17/05/2017			
	84012001BN	ADJUSTER, CLOSING ROCKER ARM 3.10 MM	8	17/05/2017			
	84012001BO	ADJUSTER, CLOSING ROCKER ARM 3.15 MM	8	17/05/2017			
	84012001BP	ADJUSTER, CLOSING ROCKER ARM 3.20 MM	8	17/05/2017			
	84012001BQ	ADJUSTER, CLOSING ROCKER ARM 3.25 MM	8	17/05/2017			
	84012001BR	ADJUSTER, CLOSING ROCKER ARM 3.30 MM	8	17/05/2017			
	84012001BS	ADJUSTER, CLOSING ROCKER ARM 3.35 MM	8	17/05/2017			
	84012001BT	ADJUSTER, CLOSING ROCKER ARM 3.40 MM	8	17/05/2017			
	84012001BU	ADJUSTER, CLOSING ROCKER ARM 3.45 MM	8	17/05/2017			
	84012001BV	ADJUSTER, CLOSING ROCKER ARM 3.50 MM	8	17/05/2017			
	84012001BW	ADJUSTER, CLOSING ROCKER ARM 3.55 MM	8	17/05/2017			



TST00684

DRAWING 12D - REAR HEAD [MOD:SFV4 S]

GROUP ENGINE



POS.	CODE	DESCRIPTION	QTY	START DATE	END DATE	VALIDITY	NOTES
	84012001BZ	ADJUSTER, CLOSING ROCKER ARM 3.60 MM	8	17/05/2017			
36	76440091B	SEAL VALVE STEM	8	19/04/2017			
37	66810591A	FILLER	1	20/09/2017			
38	85241831A	WASHER	2	19/04/2017			
39	88642721A	O-RING	1	10/09/2018			
40	78010511C	PLUG	2	27/02/2019			



DRAWING A - TYRES [MOD:SFV4 S]

GROUP TYRES



POS.	CODE	DESCRIPTION	QTY	START DATE	END DATE	VALIDITY	NOTES
1	49041071A	FRONT TYRE DIABLO™ SUPERCORSA SP V3 (120-70 ZR17)	1				(*)=Pneumatico di primo equipaggiamento
2	49141581A	REAR TYRE DIABLO™ SUPERCORSA SP V3 (200-60 ZR17)	1				(*)=Pneumatico di primo equipaggiamento
3	49041081A	FRONT TYRE DIABLO™ ROSSO CORSA II (120-70 ZR17)	1				
4	491P0348A	REAR TYRE DIABLO™ ROSSO CORSA II (200-60 ZR17)	1				
5	490P0002A	FRONT TYRE DIABLO™ SUPERBIKE (120-70 R17 SC1)	1				(#)=For competition use only
6	490P0003A	FRONT TYRE DIABLO™ SUPERBIKE (120-70 R17 SC2)	1				(#)=For competition use only
7	490P0004A	FRONT TYRE DIABLO™ SUPERBIKE (120-70 R17 SC3)	1				(#)=For competition use only
8	491P0015A	REAR TYRE DIABLO™ SUPERBIKE (200-60 R17 SC0)	1				(#)=For competition use only
9	491P0016A	REAR TYRE DIABLO™ SUPERBIKE (200-60 R17 SC1)	1				(#)=For competition use only
10	491P0017A	REAR TYRE DIABLO™ SUPERBIKE (200-60 R17 SC2)	1				(#)=For competition use only
11	491P0018A	REAR TYRE DIABLO™ SUPERBIKE (200-60 R17 SC3)	1				(#)=For competition use only
12	490P0019A	FRONT TYRE DIABLO™ WET (120-70 R17)	1				(#)=For competition use only
13	490P0022A	FRONT TYRE DIABLO™ RAIN (120-70 R17)	1				(#)=For competition use only
14	490P0029A	FRONT TYRE DIABLO™ SUPERCORSA SC V2 (120-70 R17 SC1)	1				
15	490P0030A	FRONT TYRE DIABLO™ SUPERCORSA SC V2 (120-70 R17 SC2)	1				
16	491P0041A	REAR TYRE DIABLO™ SUPERCORSA SC V2 (200-55 R17 SC0)	1				(#)=For competition use only
17	491P0042A	REAR TYRE DIABLO™ SUPERCORSA SC V2 (200-55 R17 SC1)	1				(#)=For competition use only
18	491P0043A	REAR TYRE DIABLO™ SUPERCORSA SC V2 (200-55 R17 SC2)	1				(#)=For competition use only
19	490P0044A	FRONT TYRE DIABLO™ SUPERCORSA SC (120-70 R17 SC2)	1				
20	490P0248A	FRONT TYRE DIABLO™ SUPERCORSA SC (120-70 R17 SC1)	1				
21	490P0297A	FRONT TYRE DIABLO™ SUPERCORSA SC V3 (120-70 ZR17)	1				
22	490P0298A	FRONT TYRE DIABLO™ SUPERCORSA SC V3 (120-70 ZR17 TL)	1				
23	491P0339A	REAR TYRE DIABLO™ SUPERCORSA SC V3 (200-55 ZR17 78V)	1				(#)=For competition use only
24	491P0340A	REAR TYRE DIABLO™ SUPERCORSA SC V3 (200-55 ZR17 78W)	1				(#)=For competition use only
25	491P0341A	REAR TYRE DIABLO™ SUPERCORSA SC V3 (200-55 ZR17 78W)	1				(#)=For competition use only
26	491P0342A	REAR TYRE DIABLO™ SUPERCORSA SC V3 (200-60 ZR17)	1				



DRAWING B - ORIGINAL EQUIPMENT TYRES [MOD:SFV4 S]

GROUP TYRES



POS.	CODE	DESCRIPTION	QTY	START DATE	END DATE	VALIDITY	NOTES
1	49041071A	FRONT TYRE DIABLO™ SUPERCORSA SP V3 (120-70 ZR17)	1	01/09/2012			(*)=Pneumatico di primo equipaggiamento
2	49141581A	REAR TYRE DIABLO™ SUPERCORSA SP V3 (200-60 ZR17)	1	01/09/2012			(*)=Pneumatico di primo equipaggiamento



DRAWING C - PIRELLI DIABLO™ ROSSO CORSA II [MOD:SFV4 S]

GROUP TYRES



POS.	CODE	DESCRIPTION	QTY	START DATE	END DATE	VALIDITY	NOTES
1	49041081A	FRONT TYRE DIABLO™ ROSSO CORSA II (120-70 ZR17)	1	25/10/2013			
2	491P0348A	REAR TYRE DIABLO™ ROSSO CORSA II (200-60 ZR17)	1	28/05/2015			



DRAWING D - (#) PIRELLI DIABLO™ SUPERBIKE [MOD:SFV4 S]

GROUP TYRES



POS.	CODE	DESCRIPTION	QTY	START DATE	END DATE	VALIDITY	NOTES
1	490P0002A	FRONT TYRE DIABLO™ SUPERBIKE (120-70 R17 SC1)	1				(#)=For competition use only
2	490P0003A	FRONT TYRE DIABLO™ SUPERBIKE (120-70 R17 SC2)	1				(#)=For competition use only
3	490P0004A	FRONT TYRE DIABLO™ SUPERBIKE (120-70 R17 SC3)	1				(#)=For competition use only
4	491P0015A	REAR TYRE DIABLO™ SUPERBIKE (200-60 R17 SC0)	1				(#)=For competition use only
5	491P0016A	REAR TYRE DIABLO™ SUPERBIKE (200-60 R17 SC1)	1				(#)=For competition use only
6	491P0017A	REAR TYRE DIABLO™ SUPERBIKE (200-60 R17 SC2)	1				(#)=For competition use only
7	491P0018A	REAR TYRE DIABLO™ SUPERBIKE (200-60 R17 SC3)	1				(#)=For competition use only



DRAWING E - (#) DIABLO™ WET [MOD:SFV4 S]

GROUP TYRES



POS.	CODE	DESCRIPTION	QTY	START DATE	END DATE	VALIDITY	NOTES
1	490P0019A	FRONT TYRE DIABLO™ WET (120-70 R17)	1				(#)=For competition use only



DRAWING F - (#) DIABLO™ RAIN [MOD:SFV4 S]

GROUP TYRES



POS.	CODE	DESCRIPTION	QTY	START DATE	END DATE	VALIDITY	NOTES
1	490P0022A	FRONT TYRE DIABLO™ RAIN (120-70 R17)	1				(#)=For competition use only



DRAWING G - (#) DIABLO™ SUPERCORSA SC V2 [MOD:SFV4 S]

GROUP TYRES



POS.	CODE	DESCRIPTION	QTY	START DATE	END DATE	VALIDITY	NOTES
1	490P0029A	FRONT TYRE DIABLO™ SUPERCORSA SC V2 (120-70 R17 SC1)	1				
2	490P0030A	FRONT TYRE DIABLO™ SUPERCORSA SC V2 (120-70 R17 SC2)	1				
3	491P0041A	REAR TYRE DIABLO™ SUPERCORSA SC V2 (200-55 R17 SC0)	1				(#)=For competition use only
4	491P0042A	REAR TYRE DIABLO™ SUPERCORSA SC V2 (200-55 R17 SC1)	1				(#)=For competition use only
5	491P0043A	REAR TYRE DIABLO™ SUPERCORSA SC V2 (200-55 R17 SC2)	1				(#)=For competition use only



DRAWING H - (#) DIABLO™ SUPERCORSA SC [MOD:SFV4 S]

GROUP TYRES



POS.	CODE	DESCRIPTION	QTY	START DATE	END DATE	VALIDITY	NOTES
1	490P0248A	FRONT TYRE DIABLO™ SUPERCORSA SC (120-70 R17 SC1)	1				
2	490P0044A	FRONT TYRE DIABLO™ SUPERCORSA SC (120-70 R17 SC2)	1				

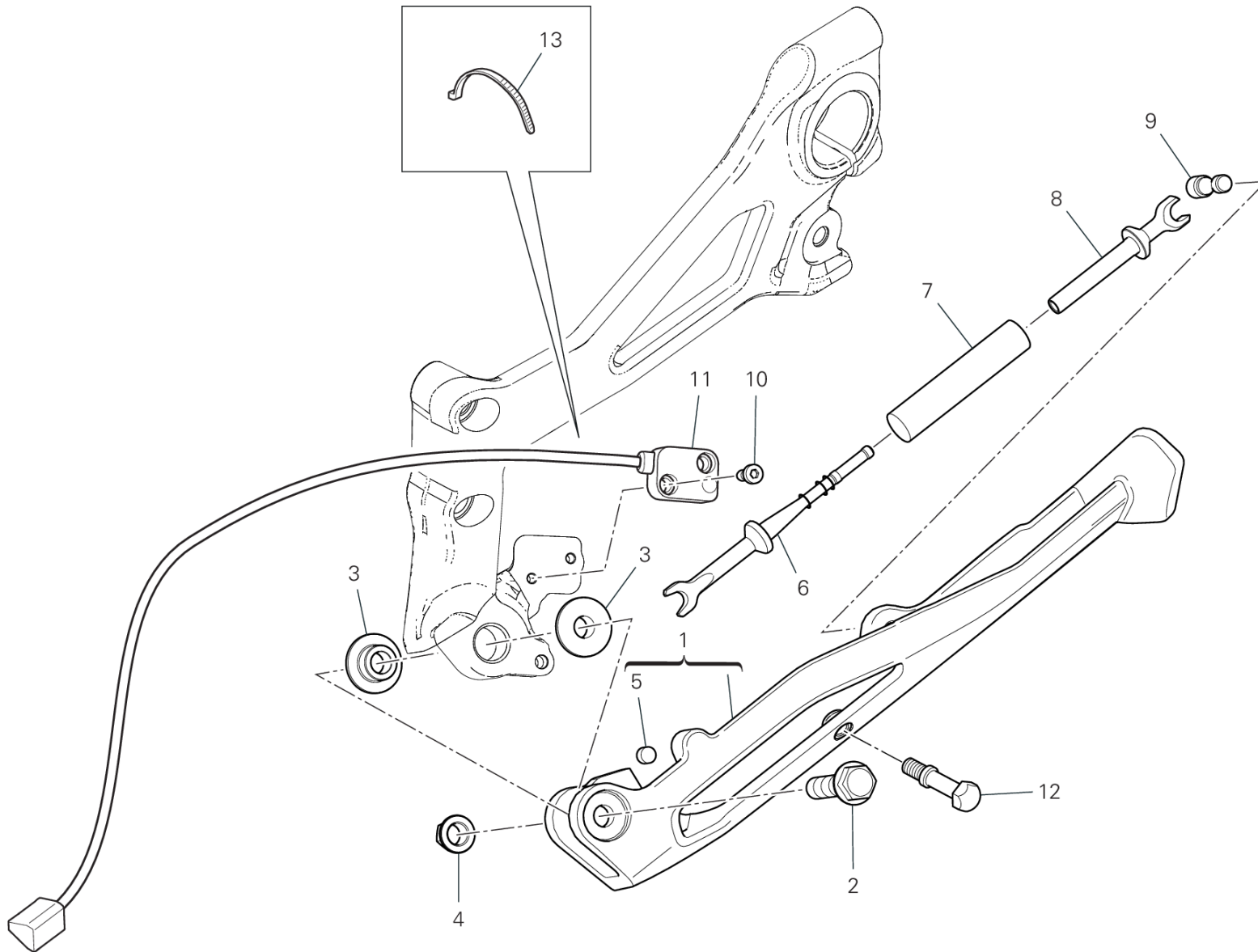


DRAWING I - (#) DIABLO SUPERCORSA SC V3 [MOD:SFV4 S]

GROUP TYRES



POS.	CODE	DESCRIPTION	QTY	START DATE	END DATE	VALIDITY	NOTES
1	490P0297A	FRONT TYRE DIABLO™ SUPERCORSA SC V3 (120-70 ZR17)	1				
2	490P0298A	FRONT TYRE DIABLO™ SUPERCORSA SC V3 (120-70 ZR17 TL)	1				
3	491P0339A	REAR TYRE DIABLO™ SUPERCORSA SC V3 (200-55 ZR17 78V)	1				(#)=For competition use only
4	491P0340A	REAR TYRE DIABLO™ SUPERCORSA SC V3 (200-55 ZR17 78W)	1				(#)=For competition use only
5	491P0341A	REAR TYRE DIABLO™ SUPERCORSA SC V3 (200-55 ZR17 78W)	1				(#)=For competition use only
6	491P0342A	REAR TYRE DIABLO™ SUPERCORSA SC V3 (200-60 ZR17)	1				



TEL01344

DRAWING 16A - SIDE STAND [MOD:SFV4 S]

GROUP FRAME

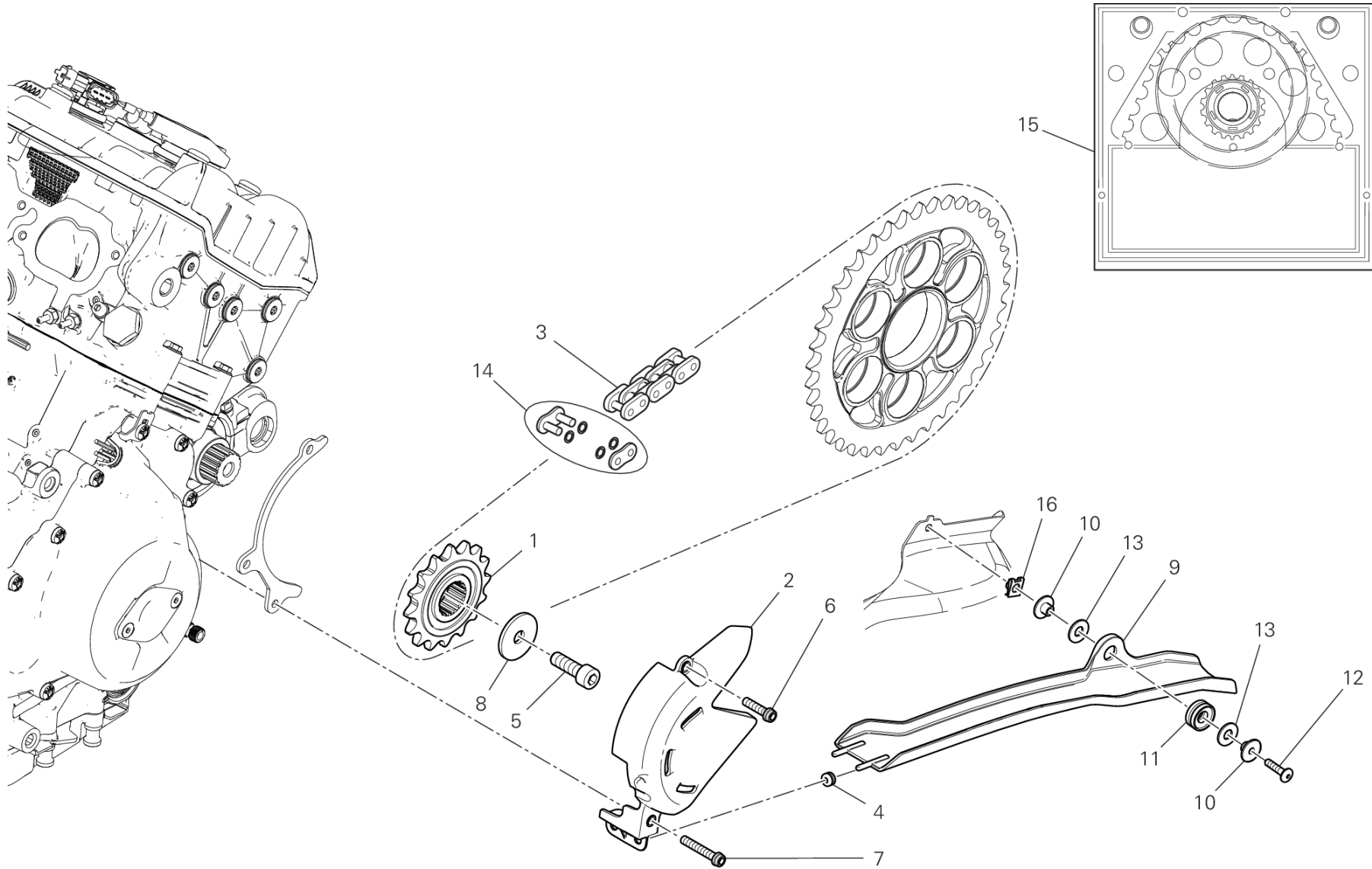


POS.	CODE	DESCRIPTION	QTY	START DATE	END DATE	VALIDITY	NOTES
1	55621111AA	SIDE STAND	1	06/12/2019			
2	77244661A	SCREW	1	09/11/2017			
3	71611661AA	SPACER	2	09/11/2017			
4	74840341B	NUT M8	1	25/10/2017			
5	53940651A	MAGNETE	1	25/10/2017			
6	11711252AA	ROD	1	25/10/2017			
7	79925411AA	COMPLETE SPRING	1	25/10/2017			
8	71012111AA	SPINDLE, TAPER	1	09/11/2017			
9	82113731AA	PIN	1	25/10/2017			
10	77354623B	SCREW M4X10	2	25/10/2017			
11	53940601A	SWITCH, STAND	1	25/10/2017			
12	83210742A	PIN	1	17/03/2018			
13	74140381A	CLAMP	2	09/11/2017			



DRAWING 17A - FRONT SPROCKET - CHAIN [MOD:SFV4 S]

GROUP FRAME



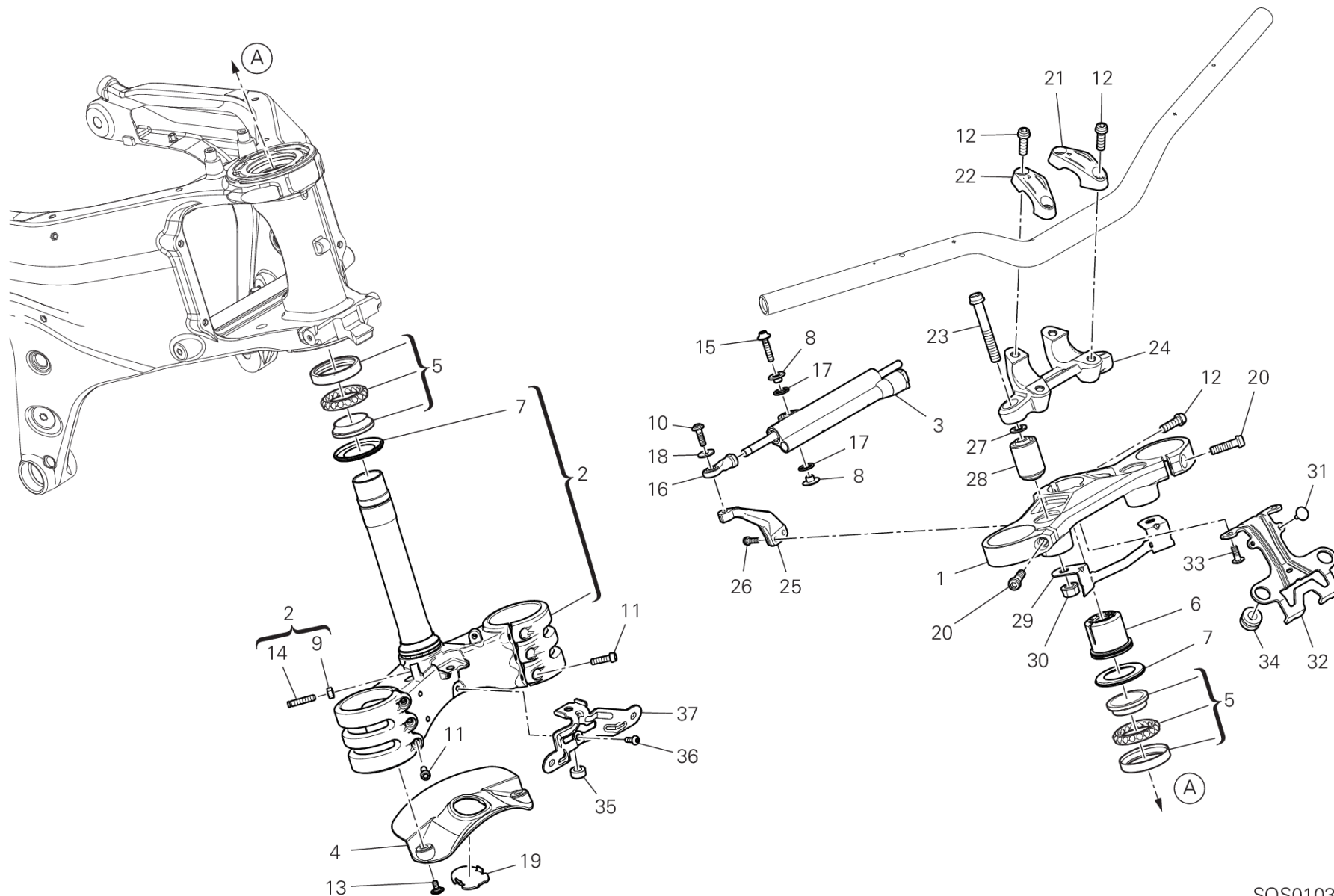
TEL01345

DRAWING 17A - FRONT SPROCKET - CHAIN [MOD:SFV4 S]

GROUP FRAME



POS.	CODE	DESCRIPTION	QTY	START DATE	END DATE	VALIDITY	NOTES
1	44910841B	SPROCKET T15	1	05/12/2019			
2	4601G582A	CHAIN PINION COVER	1	09/11/2017			
3	67641661A	CHAIN 115+1	1	05/12/2019			
4	76440561A	RUBBER PAD	2	09/11/2017			
5	77154337C	SCREW	1	09/11/2017			
6	77156683B	SCREW	1	09/11/2017			
7	77156723B	SCREW	1	09/11/2017			
8	85212801A	THRUST WASHER	1	09/11/2017			
9	46016762A	MUDFLAP	1	15/01/2020			
10	71615691AA	SPACER	2	09/11/2017			
11	76411821A	VIBRATION DAMPER PAD	1	09/11/2017			
12	77244213B	SCREW	1	09/11/2017			
13	85640121A	WASHER	2	09/11/2017			
14	67740033A	CHAIN LINK	1				
15	67621191A	FINAL DRIVE KIT	1				
16	85041951AA	QUICK FASTENING	1	10/12/2019			



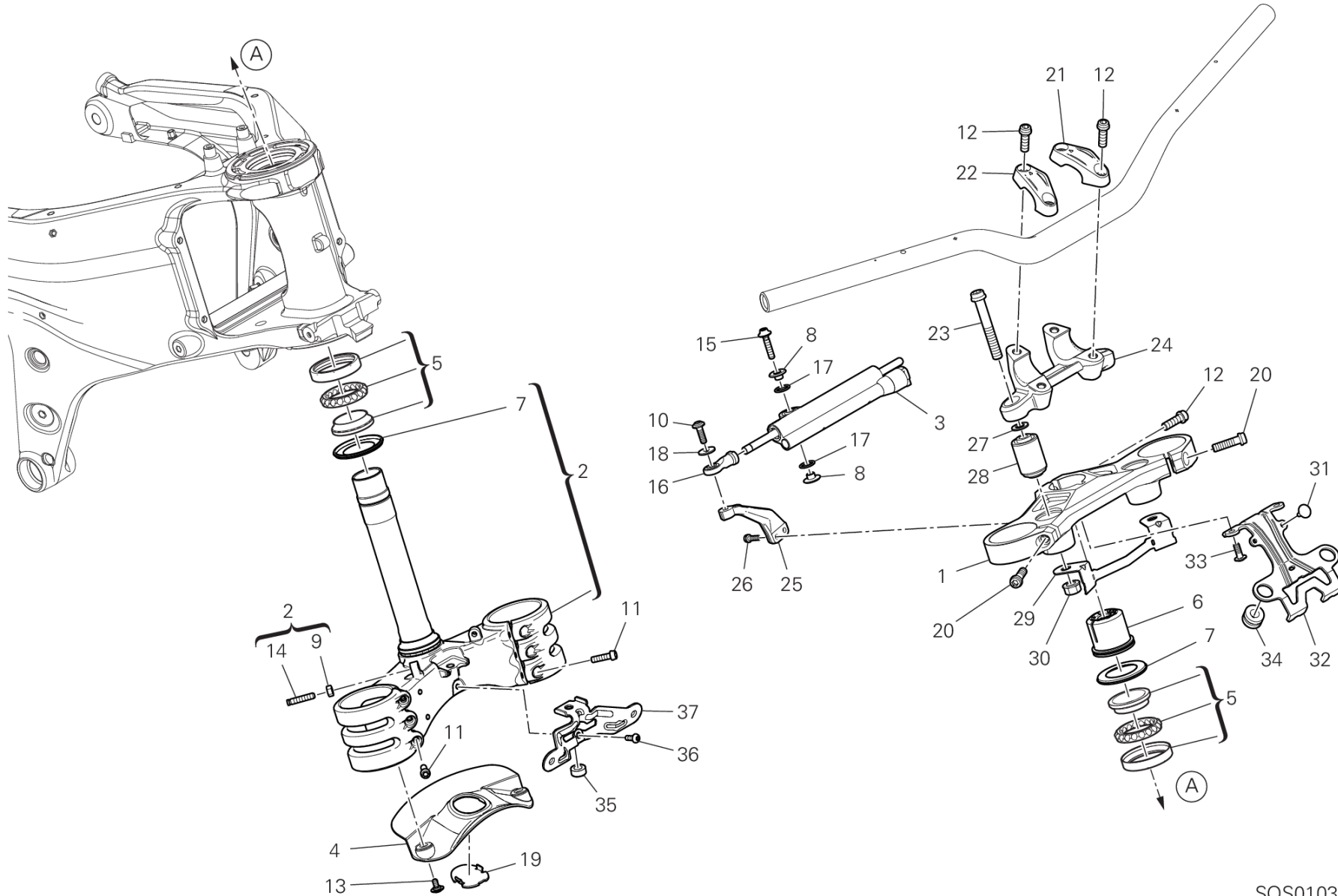
SOS01035

DRAWING 18A - STEERING ASSEMBLY [MOD:SFV4 S;XST:AUS,BLG,EUR,GSO,JAP]

GROUP FRAME



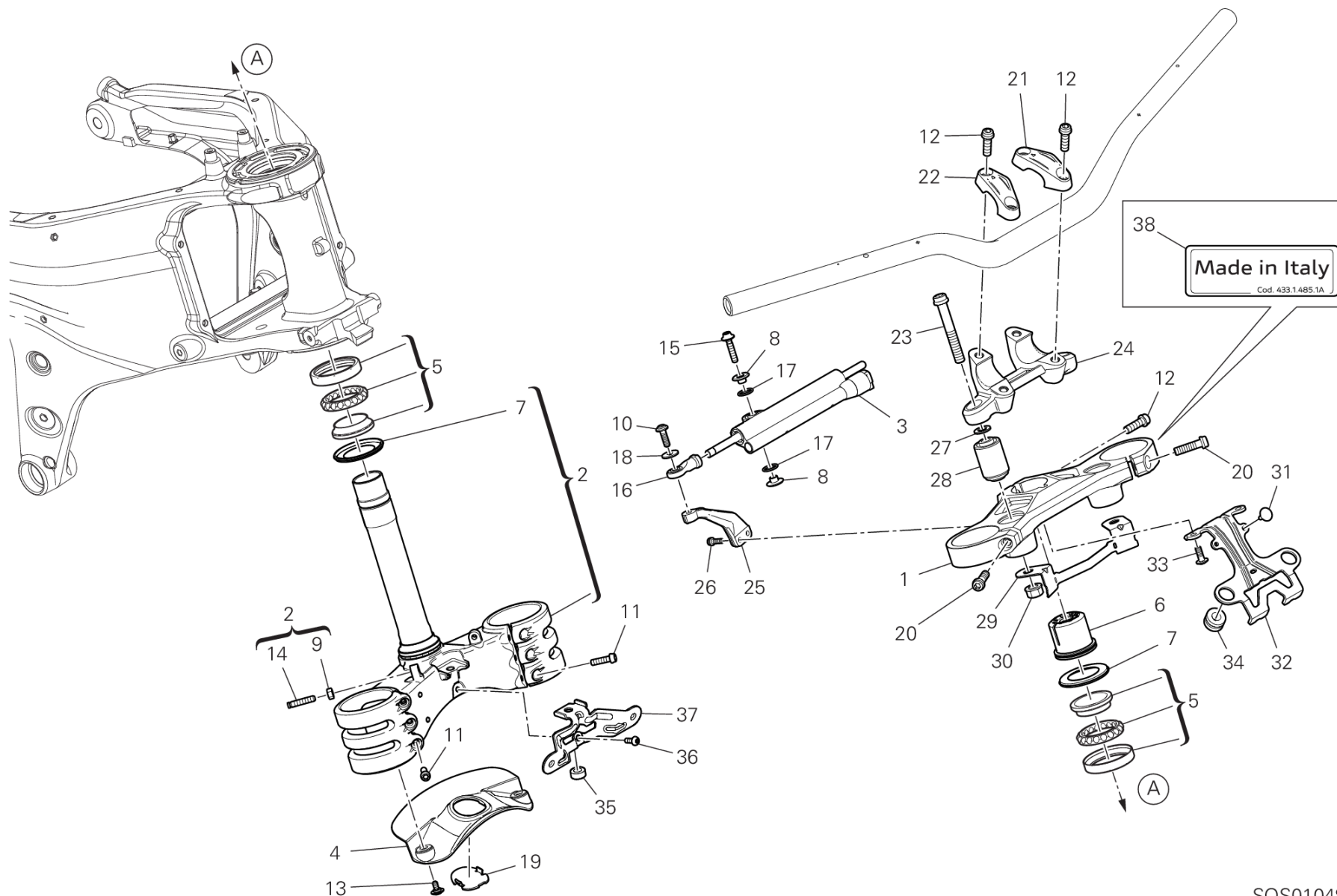
POS.	CODE	DESCRIPTION	QTY	START DATE	END DATE	VALIDITY	NOTES
1	34111593AA	STEERING HEAD	1	27/01/2020			
2	342P1041AA	STEERING HEAD BASE	1	09/11/2017			
3	36420193A	STEERING DAMPER (OHLINS)	1	28/01/2020			
4	4601I001AA	MUDFLAP	1	05/12/2019			
5	70241231A	BEARING, STEERING NTN SF07A17P	2	05/09/2017			
6	70310931AA	THREAD, STEERING HEAD TOP	1	09/11/2017			
7	93010041B	SEAL RING	1	13/10/2017			
8	71319961CA	SPACER	2	09/11/2017			
9	74750031A	NUT 6MM	2	05/09/2017			
10	77244358BA	SCREW	1	05/12/2019			
11	77156688B	SCREW TCEIF M6X22X18	6	21/10/2017			
12	77157253B	SCREW	5	09/11/2017			
13	77211251B	SCREW M5X9	2	21/10/2017			
14	77912981A	SCREW, SPECIAL	2	05/09/2017			
15	77917391BA	SCREW, SPECIAL	1	09/11/2017			
16	84820112AA	BALL JOINT	1	09/11/2017			
17	88641061A	O-RING 12.42X1.78	2	09/11/2017			
18	85250291A	WASHER 6.4X18X1.6	1	09/11/2017			
19	87210722A	PLUG	1	09/11/2017			
20	77157273B	SCREW	2	13/09/2019			
21	36015901AA	HANDLEBAR BRACKET, UPPER LEFT	1	06/12/2019			
22	36015911AA	HANDLEBAR BRACKET, UPPER RIGHT	1	06/12/2019			
23	77159418B	SCREW M10X1.25X70	2	13/09/2019			
24	36015891AA	HOLDER, HANDLE LOWER	1	06/12/2019			
25	8301H621AB	BRACKET	1	13/09/2019			
26	77156403B	SCREW	2	05/12/2019			
27	85250401A	WASHER 10.5X18X1.6	2	13/09/2019			
28	70011151A	VIBRATION DAMPER	2	13/09/2019			
29	83019541BA	HOSE GUIDE	1	06/12/2019			
30	74840241AB	NUT M10X1.25	2	05/12/2019			
31	86610751A	PAD	2	13/09/2019			
32	8301H601AA	BRACKET UPPER	1	13/09/2019			
33	77210423C	SCREW TBEIF M6X16	2	13/09/2019			
34	76410641A	VIBRATION DAMPER PAD	2	13/09/2019			
35	7131D661AA	SPACER	1	05/12/2019			



SOS01035



POS.	CODE	DESCRIPTION	QTY	START DATE	END DATE	VALIDITY	NOTES
36	72050173C	SCREW M5X12	1	20/01/2020			
37	8301H591AA	BRACKET	1	05/12/2019			



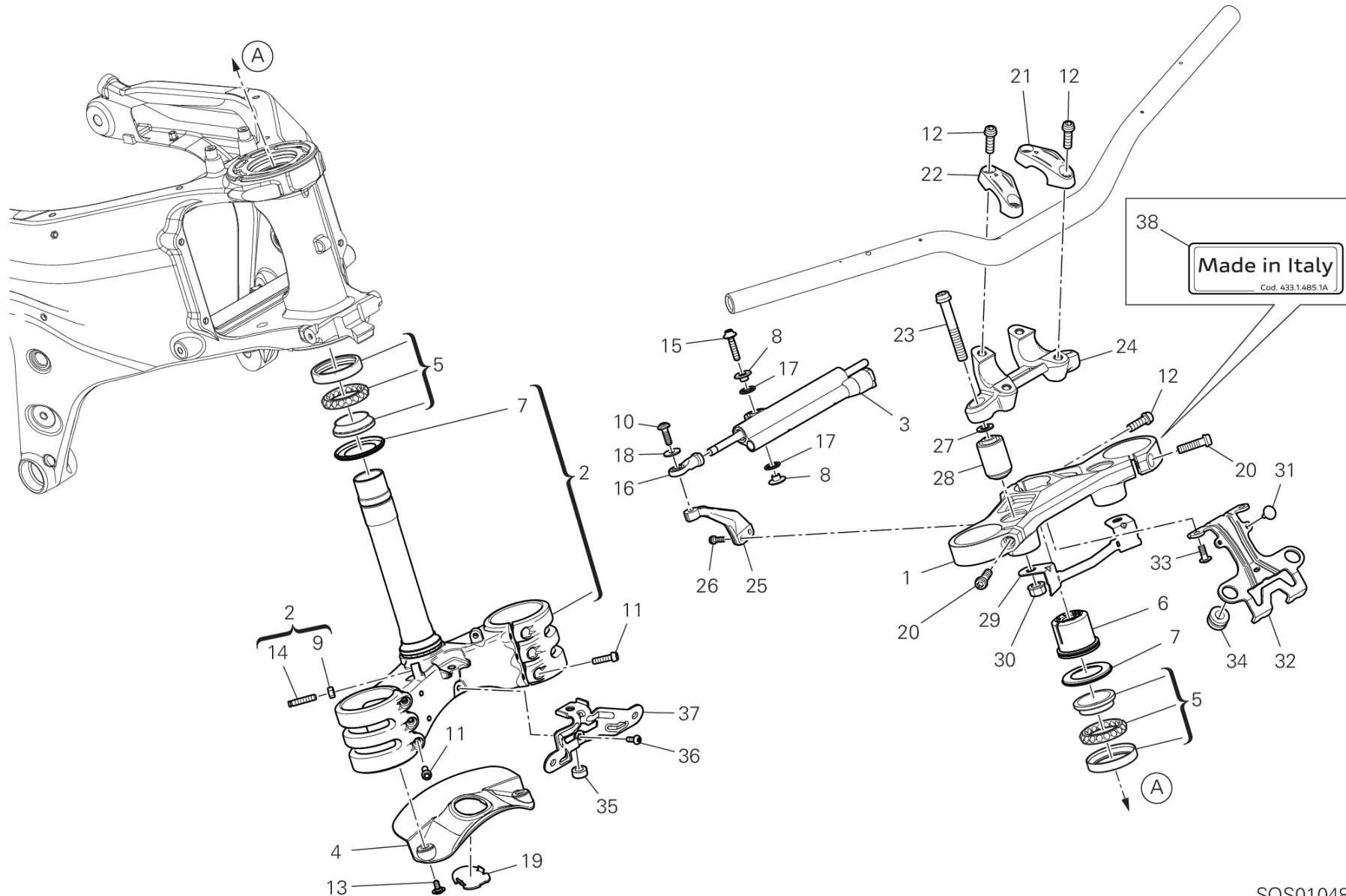
SOS01048

DRAWING 18A - STEERING ASSEMBLY [MOD:SFV4 S;XST:ROK]

GROUP FRAME



POS.	CODE	DESCRIPTION	QTY	START DATE	END DATE	VALIDITY	NOTES
1	34111593AA	STEERING HEAD	1	27/01/2020			
2	342P1041AA	STEERING HEAD BASE	1	09/11/2017			
3	36420193A	STEERING DAMPER (OHLINS)	1	28/01/2020			
4	4601001AA	MUDFLAP	1	05/12/2019			
5	70241231A	BEARING, STEERING NTN SF07A17P	2	05/09/2017			
6	70310931AA	THREAD, STEERING HEAD TOP	1	09/11/2017			
7	93010041B	SEAL RING	1	13/10/2017			
8	71319961CA	SPACER	2	09/11/2017			
9	74750031A	NUT 6MM	2	05/09/2017			
10	77244358BA	SCREW	1	05/12/2019			
11	77156688B	SCREW TCEIF M6X22X18	6	21/10/2017			
12	77157253B	SCREW	5	09/11/2017			
13	77211251B	SCREW M5X9	2	21/10/2017			
14	77912981A	SCREW, SPECIAL	2	05/09/2017			
15	77917391BA	SCREW, SPECIAL	1	09/11/2017			
16	84820112AA	BALL JOINT	1	09/11/2017			
17	88641061A	O-RING 12.42X1.78	2	09/11/2017			
18	85250291A	WASHER 6.4X18X1.6	1	09/11/2017			
19	87210722A	PLUG	1	09/11/2017			
20	77157273B	SCREW	2	13/09/2019			
21	36015901AA	HANDLEBAR BRACKET, UPPER LEFT	1	06/12/2019			
22	36015911AA	HANDLEBAR BRACKET, UPPER RIGHT	1	06/12/2019			
23	77159418B	SCREW M10X1.25X70	2	13/09/2019			
24	36015891AA	HOLDER, HANDLE LOWER	1	06/12/2019			
25	8301H621AB	BRACKET	1	13/09/2019			
26	77156403B	SCREW	2	05/12/2019			
27	85250401A	WASHER 10.5X18X1.6	2	13/09/2019			
28	70011151A	VIBRATION DAMPER	2	13/09/2019			
29	83019541BA	HOSE GUIDE	1	06/12/2019			
30	74840241AB	NUT M10X1.25	2	05/12/2019			
31	86610751A	PAD	2	13/09/2019			
32	8301H601AA	BRACKET UPPER	1	13/09/2019			
33	77210423C	SCREW TBEIF M6X16	2	13/09/2019			
34	76410641A	VIBRATION DAMPER PAD	2	13/09/2019			
35	7131D661AA	SPACER	1	05/12/2019			



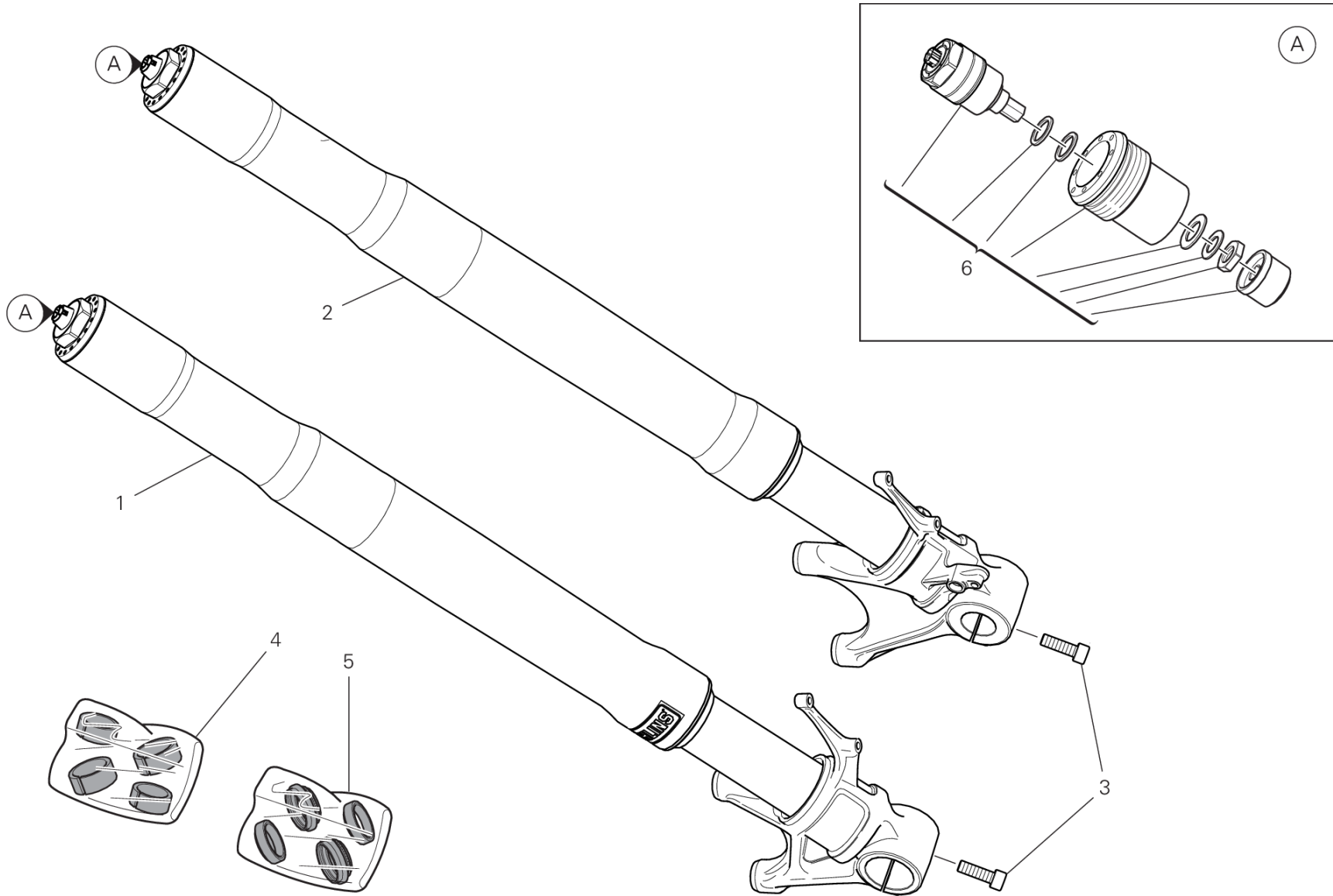
SOS01048

DRAWING 18A - STEERING ASSEMBLY [MOD:SFV4 S;XST:ROK]

GROUP FRAME



POS.	CODE	DESCRIPTION	QTY	START DATE	END DATE	VALIDITY	NOTES
36	72050173C	SCREW M5X12	1	20/01/2020			
37	8301H591AA	BRACKET	1	05/12/2019			
38	43314851A	MARKING PLATE	1	09/03/2020			



SOS00938

DRAWING 18B - FRONT FORK [MOD:SFV4 S]

GROUP FRAME

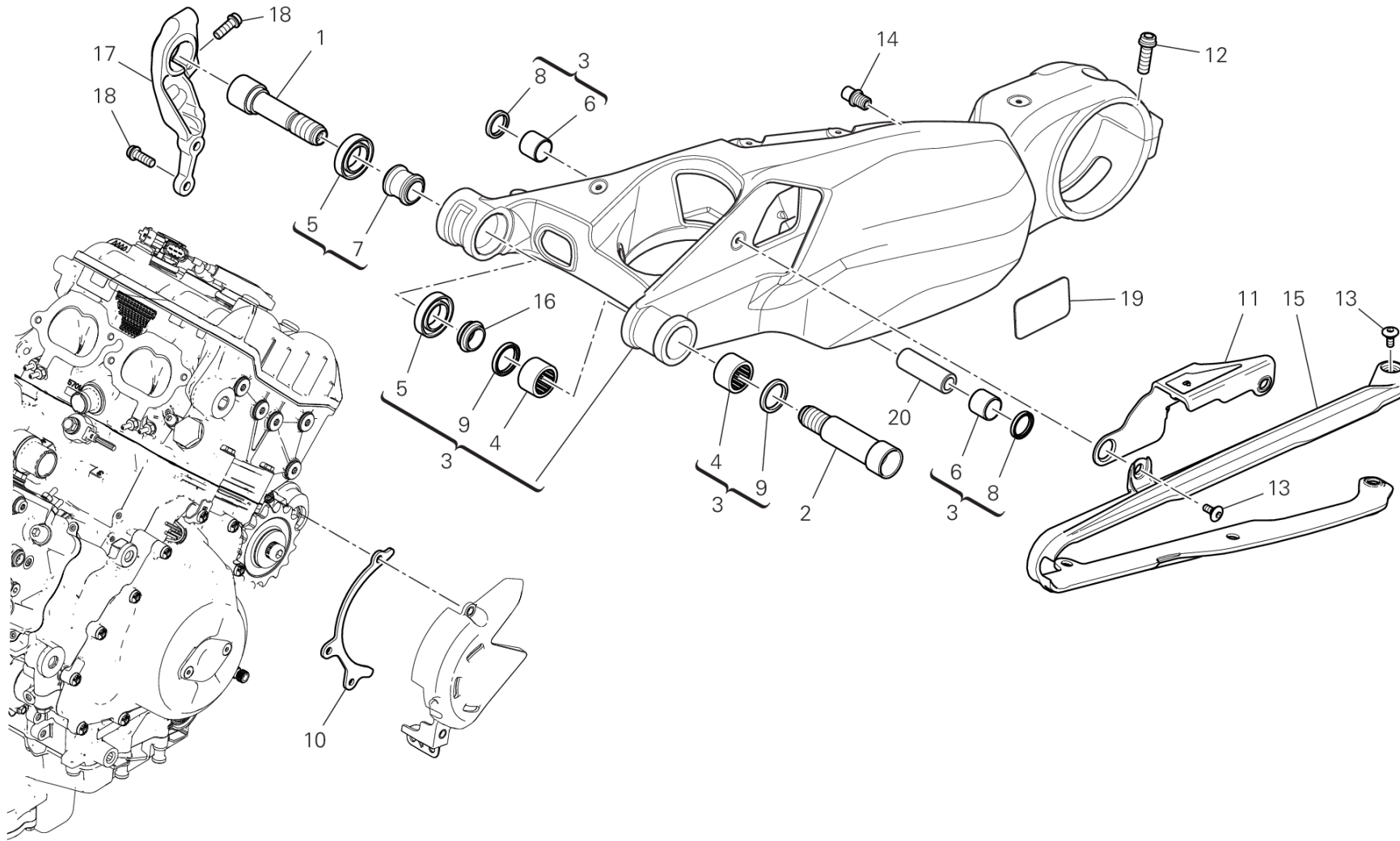


POS.	CODE	DESCRIPTION	QTY	START DATE	END DATE	VALIDITY	NOTES
1	34421131A	FORK LEG ASSY, RIGHT (OHLINS)	1	05/12/2019			
2	34521131A	FORK LEG ASSY, LEFT (OHLINS)	1	05/12/2019			
3	77151250ZF	SCREW	4				
4	34921791A	OVERHAUL KIT	1				
5	34921801A	SEAL KIT	1				
6	34921321A	CAPS KIT	2				



DRAWING 19A - REAR SWINGING ARM [MOD:SFV4 S;XST:BLG,EUR,GSO,JAP,ROK]

GROUP FRAME



SOS01038

DRAWING 19A - REAR SWINGING ARM [MOD:SFV4 S;XST:BLG,EUR,GSO,JAP,ROK]

GROUP FRAME

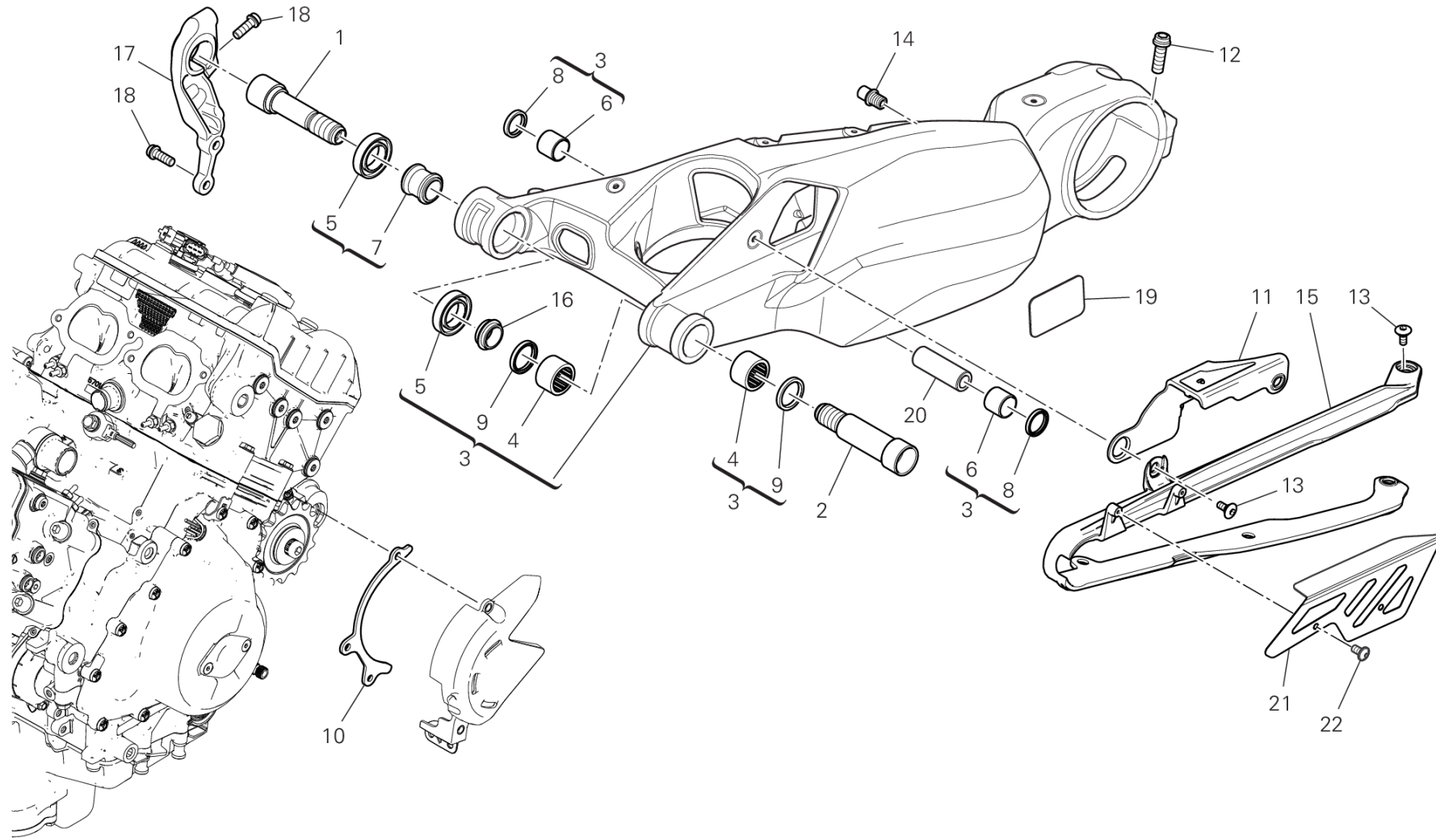


POS.	CODE	DESCRIPTION	QTY	START DATE	END DATE	VALIDITY	NOTES
1	36911292AA	SWINGARM PIVOT RH	1	09/11/2017			
2	36911302AA	SWINGARM PIVOT LH	1	09/11/2017			
3	37022371AA	REAR SWINGING ARM	1	06/12/2019			
4	70140171A	BEARING, NEEDLE	2	27/11/2017			
5	70240081A	BEARING	2	27/11/2017			
6	70241191A	BUSH	2	27/11/2017			
7	7131C821AA	INNER SPACER	1	27/11/2017			
8	93041271A	SEAL RING 20X26X4	2	27/11/2017			
9	93050121A	SEAL RING	2	27/11/2017			
10	44712181A	CHAIN SLIDER	1	09/11/2017			
11	44711961A	CHAIN GUARD	1	09/11/2017			
12	77157578B	SCREW	2	10/10/2017			
13	77914401B	SCREW TBEI M6X15	6	09/11/2017			
14	83210031E	PIN	1	09/11/2017			
15	44712272A	CHAIN SLIDER	1	06/12/2019			
16	71319452AA	RIGHT SPACER	1	27/11/2017			
17	8291G841AA	HOLDER	1	09/11/2017			
18	77157248B	SCREW TCEIF M8X22	3	09/11/2017			
19	43314831A	CHAIN ADJUSTMENT STICKER	1	05/12/2019		XST:BLG,EUR,ROK	
	43314831B	CHAIN ADJUSTMENT STICKER	1			XST:JAP	
20	7131C691A	SPACER LONG	1	01/01/2019			



DRAWING 19A - REAR SWINGING ARM [MOD:SFV4 S;XST:AUS]

GROUP FRAME



SOS01047

DRAWING 19A - REAR SWINGING ARM [MOD:SFV4 S;XST:AUS]

GROUP FRAME



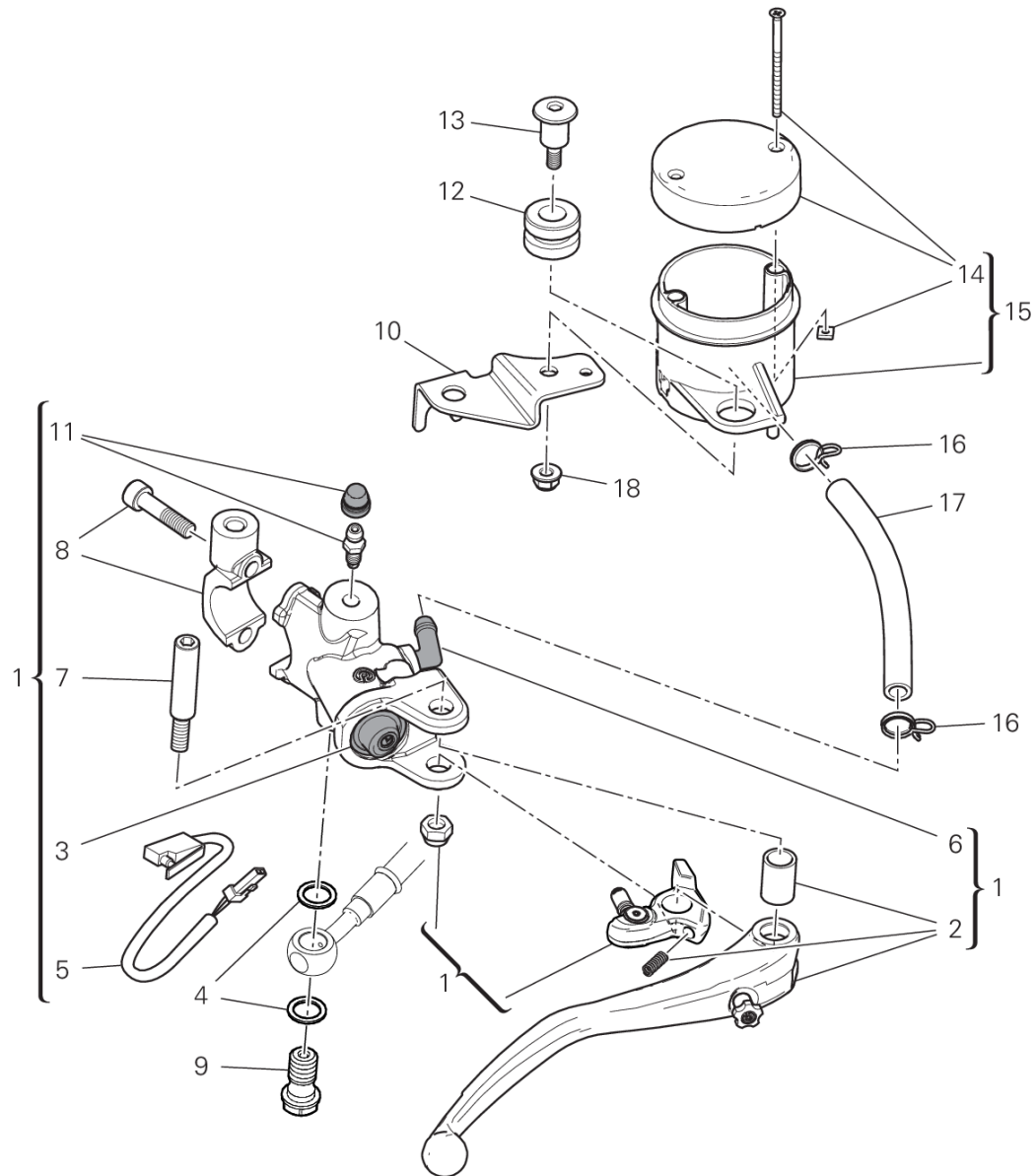
POS.	CODE	DESCRIPTION	QTY	START DATE	END DATE	VALIDITY	NOTES
1	36911292AA	SWINGARM PIVOT RH	1	09/11/2017			
2	36911302AA	SWINGARM PIVOT LH	1	09/11/2017			
3	37022371AA	REAR SWINGING ARM	1	06/12/2019			
4	70140171A	BEARING, NEEDLE	2	27/11/2017			
5	70240081A	BEARING	2	27/11/2017			
6	70241191A	BUSH	2	27/11/2017			
7	7131C821AA	INNER SPACER	1	27/11/2017			
8	93041271A	SEAL RING 20X26X4	2	27/11/2017			
9	93050121A	SEAL RING	2	27/11/2017			
10	44712181A	CHAIN SLIDER	1	09/11/2017			
11	44711961A	CHAIN GUARD	1	09/11/2017			
12	77157578B	SCREW	2	10/10/2017			
13	77914401B	SCREW TBEI M6X15	6	09/11/2017			
14	83210031E	PIN	1	09/11/2017			
15	44712381A	CHAIN SLIDER	1	04/12/2019			
16	71319452AA	RIGHT SPACER	1	27/11/2017			
17	8291G841AA	HOLDER	1	09/11/2017			
18	77157248B	SCREW TCEIF M8X22	3	09/11/2017			
19	43314831A	CHAIN ADJUSTMENT STICKER	1	05/12/2019			
20	7131C691A	SPACER LONG	1	01/01/2019			
21	44610531AA	CHAIN GUARD Front	1	04/12/2019			
22	77440391A	SCREW	2	20/01/2020			



DRAWING 20A - FRONT BRAKE PUMP [MOD:SFV4 S]

GROUP FRAME

BRB00711

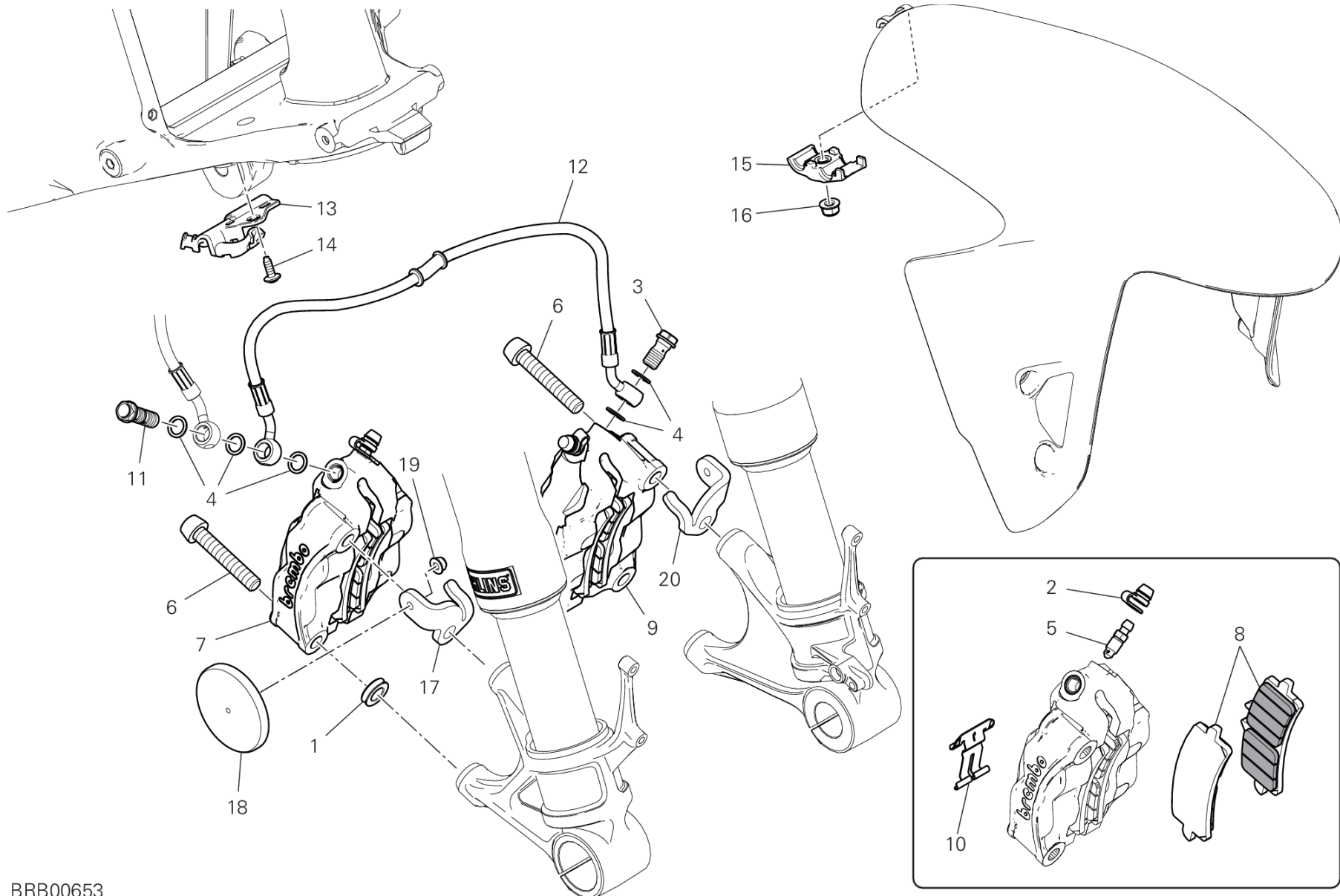


DRAWING 20A - FRONT BRAKE PUMP [MOD:SFV4 S]

GROUP FRAME



POS.	CODE	DESCRIPTION	QTY	START DATE	END DATE	VALIDITY	NOTES
1	62441331A	FRONT BRAKE PUMP	1	21/01/2020			
2	63140601A	LEVER, FRONT BRAKE	1				
3	61240391A	DUST COVER	1				
4	85250241A	WASHER 10X14X1	2				
5	53940801A	MICROSWITCH	1	29/01/2019			
6	63140081A	JOINT, HOSE	1				
7	62640561A	BOLT, LEVER	1				
8	62640881A	BRACKET, MASTER CYLINDER RH	1	29/01/2019			
9	77914151A	BOLT, BRAKE HOSE	1				
10	8291B911BA	BRACKET, BRAKE FLUID TANK	1	01/01/2019			
11	63140281A	DRAIN	1				
12	76414191A	DAMPER	1	28/02/2018			
13	77910921A	SCREW	1				
14	89340211A	PLUG ASSY	1	26/02/2018			
15	58540341A	RESERVOIR, BRAKE FLUID	1	01/01/2019			
16	74140431A	CLAMP	2				
17	87711111A	HOSE, OIL	1	01/01/2019			
18	75011921A	NUT	1				



BRB00653

DRAWING 20B - FRONT BRAKE SYSTEM [MOD:SFV4 S]

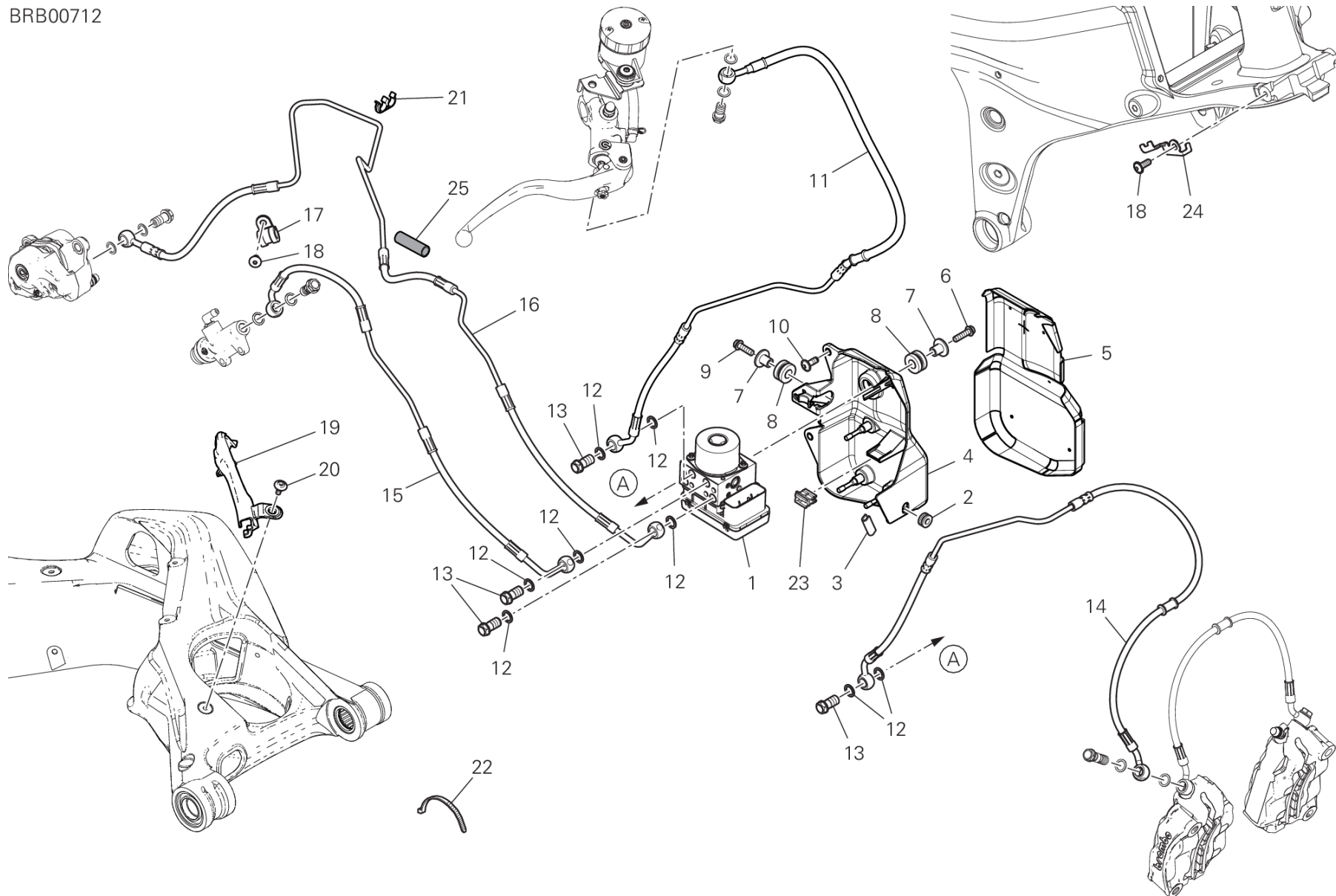
GROUP FRAME



POS.	CODE	DESCRIPTION	QTY	START DATE	END DATE	VALIDITY	NOTES
1	71313641A	SPACER	2				
2	61240052A	DUST COVER	2				
3	77913662AB	SCREW, SPECIAL	1				
4	85250241A	WASHER 10X14X1	5				
5	61240201A	FRONT CALIPER DRAIN SCREW	2				
6	77915111B	SCREW	4	21/10/2017			
7	61041971A	RIGHT FRONT BRAKE CALIPER	1	29/01/2019			
8	61341341A	FRONT BRAKE PADS SET	2	01/01/2019			
9	61041981A	LEFT FRONT BRAKE CALIPER	1	01/01/2019			
10	61240371A	SPRING, PAD STOPPER	2				
11	77913091AB	SCREW, SPECIAL	1				
12	61841411A	HOSE, FRONT BRAKE CALIPER-CALIPER	1	29/01/2019			
13	8301G011A	GUIDE, FRONT BRAKE HOSE	1	31/10/2017			
14	77244173B	SCREW	1	31/10/2017			
15	8291G861A	BRACKET, BRAKE HOSE	1	09/11/2017			
16	74941113B	NUT	1	09/11/2017			
17	82718851AA	RIGHT PLATE	1	05/03/2018			
18	52910261A	REFLEX REFLECTOR AMBER	2	05/03/2018			
19	74810351B	NUT	2	05/03/2018			
20	82718841AA	LEFT PLATE	1	05/03/2018			



BRB00712



DRAWING 20C - BRAKING SYSTEM ABS [MOD:SFV4 S]

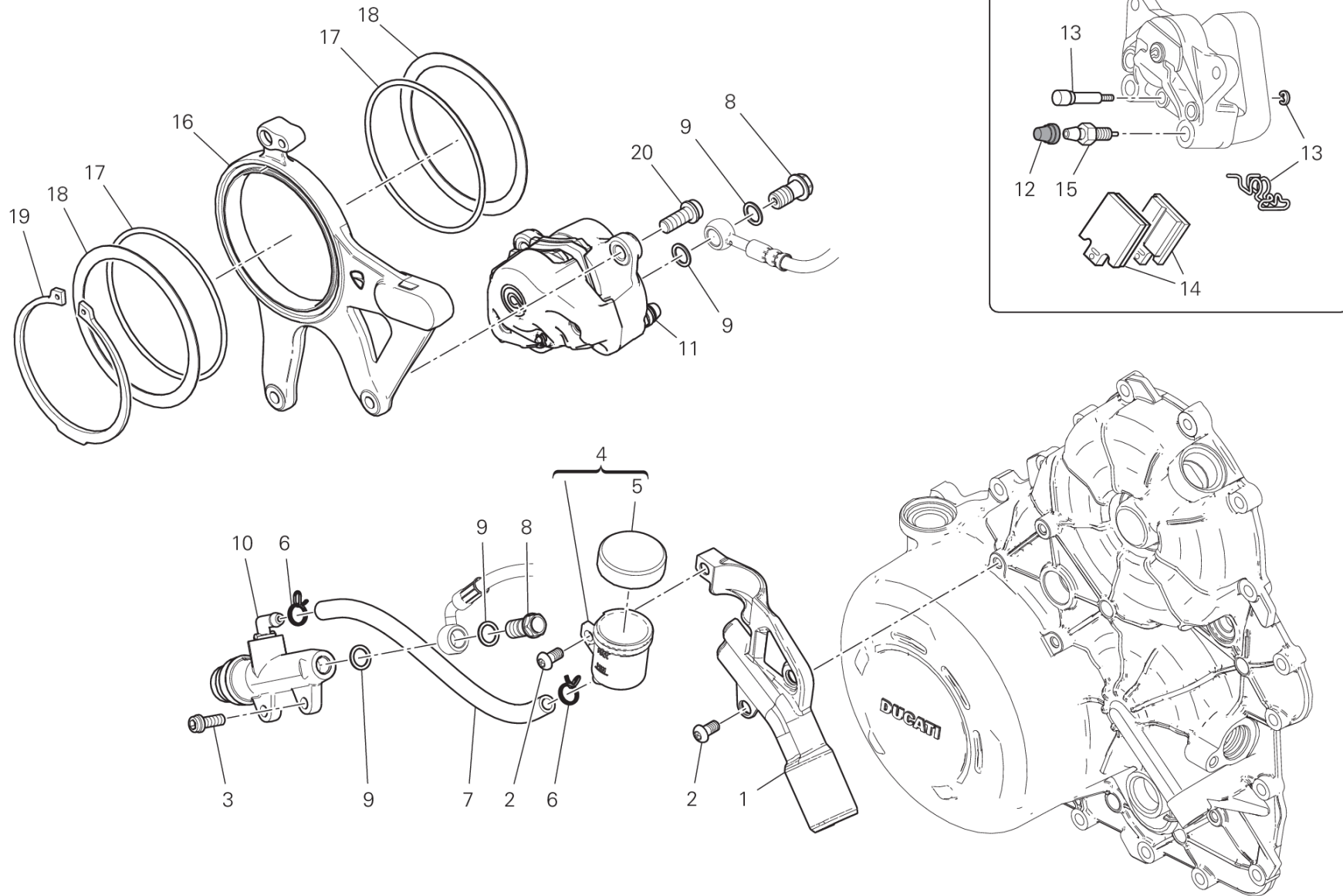
GROUP FRAME



POS.	CODE	DESCRIPTION	QTY	START DATE	END DATE	VALIDITY	NOTES
1	54240891A	CONTROL UNIT ABS	1	07/09/2018			
2	76411671A	RUBBER PAD	1	18/10/2017			
3	78510181A	PROTECTION RUBBER	1	18/10/2017			
4	8291H921A	BRACKET	1	18/10/2017			
5	4601H171A	THERMOREFLECTING PROTECTION	1	13/11/2017			
6	77251023C	SCREW TEF M6X22 10.9	1	13/11/2017			
7	71610031A	SPACER	2	09/11/2017			
8	76410641B	VIBRATION DAMPER PAD	2	18/10/2017			
9	77251018B	SCREW TEF M6X20	1	18/10/2017			
10	77914272A	SCREW	2	09/11/2017			
11	61811431A	FRONT MASTER CYLINDER - CPU LINE	1	01/01/2019			
12	85250241A	WASHER 10X14X1	8	03/10/2017			
13	77913662AB	SCREW, SPECIAL	4	03/10/2017			
14	61811441A	CPU - FRONT CALIPERS LINE	1	01/01/2019			
15	61911271A	REAR MASTER CYLINDER - CPU LINE	1	29/01/2019			
16	61911261A	CPU - REAR CALIPER LINE	1	01/01/2019			
17	74140331A	CLAMP	1	09/11/2017			
18	77210423C	SCREW TBEIF M6X16	2	09/11/2017			
19	75811591A	HOSE GUIDE ABS	1	01/01/2019			
20	77214411AA	SCREW	2	09/11/2017			
21	75810681A	HOSE GUIDE ABS	4				
22	069191030	CLAMP	4	01/01/2019			
23	75841051A	CLIP	1	05/12/2019			
24	8301I051AA	BRACKET	1	01/01/2019			
25	4601F481A	PROTECTION, HEAT	1	01/01/2019			



BRB00713



DRAWING 20D - REAR BRAKE SYSTEM [MOD:SFV4 S]

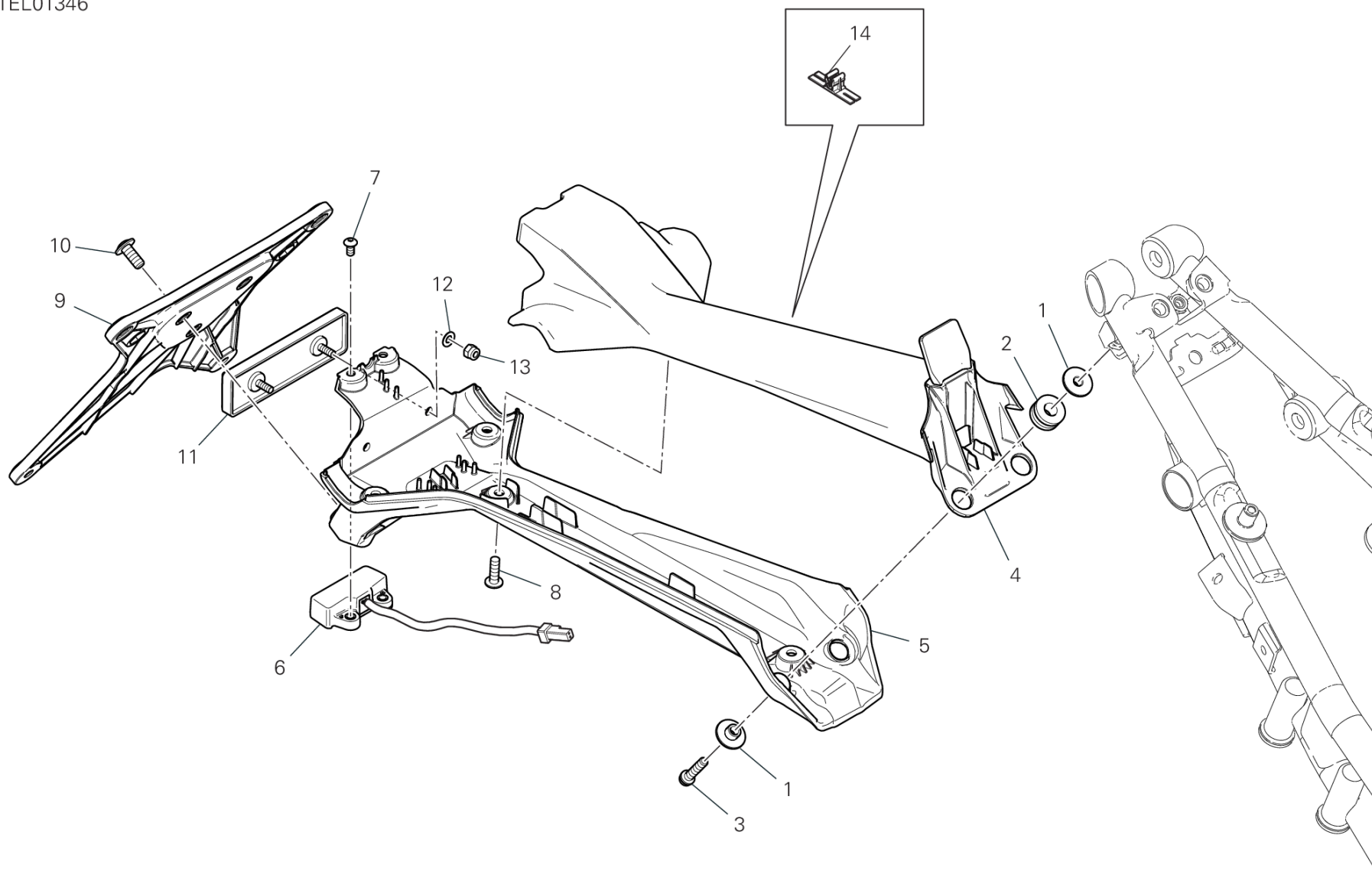
GROUP FRAME



POS.	CODE	DESCRIPTION	QTY	START DATE	END DATE	VALIDITY	NOTES
1	82911781BA	BRACKET	1	06/12/2019			
2	72050313C	SCREW	4	05/12/2019			
3	77156678B	SCREW TCEIF M6X20	2	09/11/2017			
4	58540351A	TANK ASSY, RESERVOIR CLUTCH	1	03/10/2017			
5	89340241A	TANK CAP	1	01/05/2011			
6	74140431A	CLAMP	2	03/10/2017			
7	87710501A	PIPE	1	03/10/2017			
8	77913662AB	SCREW, SPECIAL	2	03/10/2017			
9	85250241A	WASHER 10X14X1	4	03/10/2017			
10	62540311C	REAR BRAKE PUMP	1	03/10/2017			
11	61140412A	REAR BRAKE CALIPER	1	03/10/2017			
12	61240081A	DUST PLUG	1	23/09/2013			
13	61240161A	PAD PINS OVERHAUL KIT	1	23/09/2013			
14	61340381A	REAR BRAKE PADS SET	1	23/09/2013			
15	63140161A	FRONT CALIPER DRAIN SCREW	1	23/09/2013			
16	82510641AA	PLATE	1	09/11/2017			
17	88641241A	O-RING 89.5X3	2	09/11/2017			
18	85212171A	WASHER 85.5X101X1	2	09/11/2017			
19	88440511A	CIRCLIP 85X3	1	10/10/2017			
20	77157238B	SCREW TCEIF M8X20	2	09/11/2017			



TEL01346



DRAWING 21A - PLATE HOLDER [MOD:SFV4 S;XST:AUS,BLG,EUR,GSO,ROK]

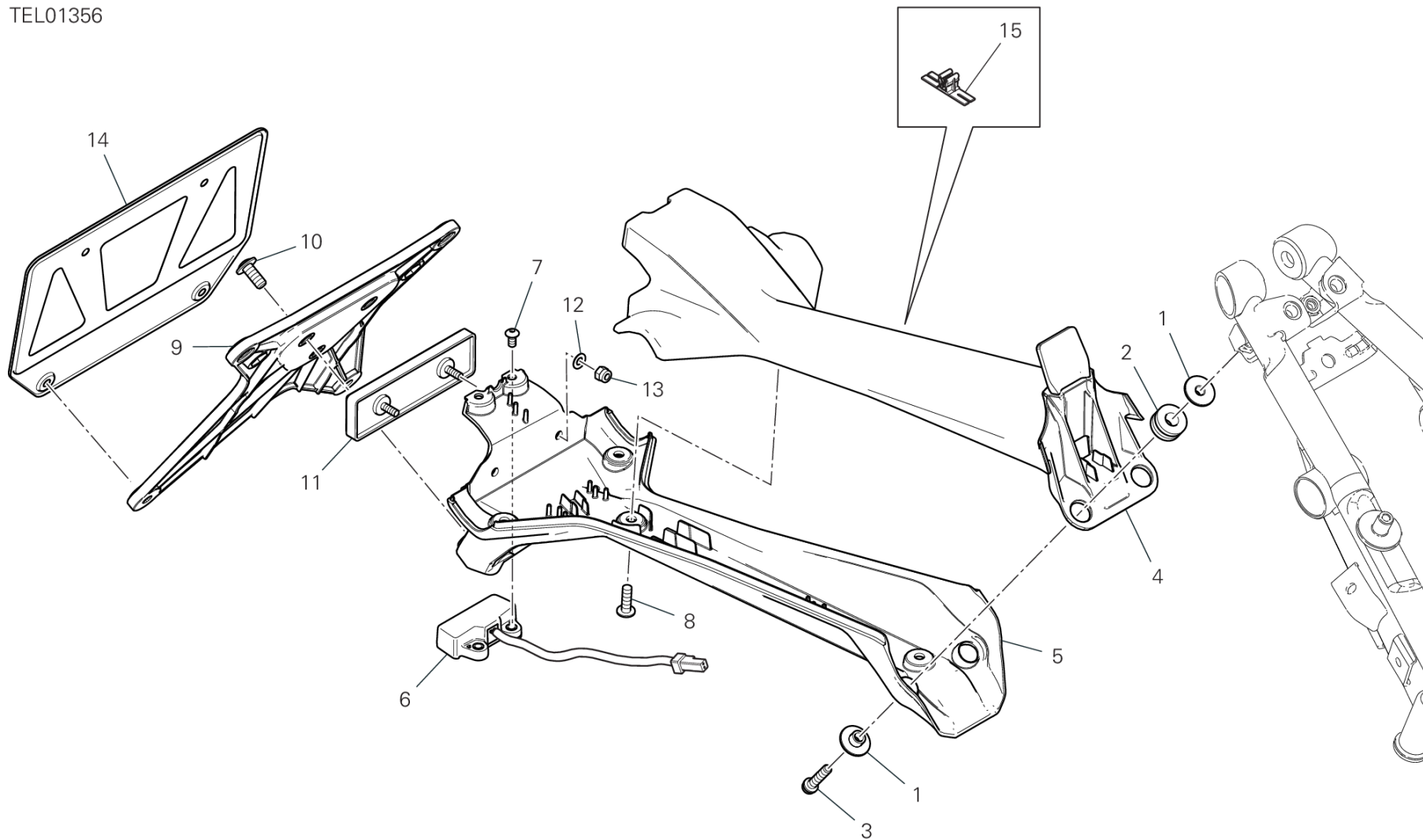
GROUP FRAME



POS.	CODE	DESCRIPTION	QTY	START DATE	END DATE	VALIDITY	NOTES
1	71615691AA	SPACER	4	24/10/2017			
2	76412501A	RUBBER PAD	2	09/04/2018			
3	77156443B	SCREW	2	24/10/2017			
4	56116361A	NUMBER PLATE HOLDER UPPER	1	06/12/2019			
5	56116371A	NUMBER PLATE HOLDER BOTTOM	1	01/01/2020			
6	52510611A	LAMP, LICENSE PLATE	1	24/10/2017			
7	77550171A	SCREW TBEI M4X8	2	09/10/2018			
8	77440203C	SCREW	4	09/11/2017			
9	56113392A	PLATE HOLDER	1	09/11/2017			
10	77240418C	SCREW	3	24/10/2017			
11	52910231A	REFLEX REFLECTOR, REAR	1	09/11/2017			
12	85212511A	WASHER 4.5X9X0.5	2	09/11/2017			
13	74950011B	NUT, SPRING	2	09/11/2017			
14	75840901A	FAIRLEAD	1	07/12/2017			



TEL01356

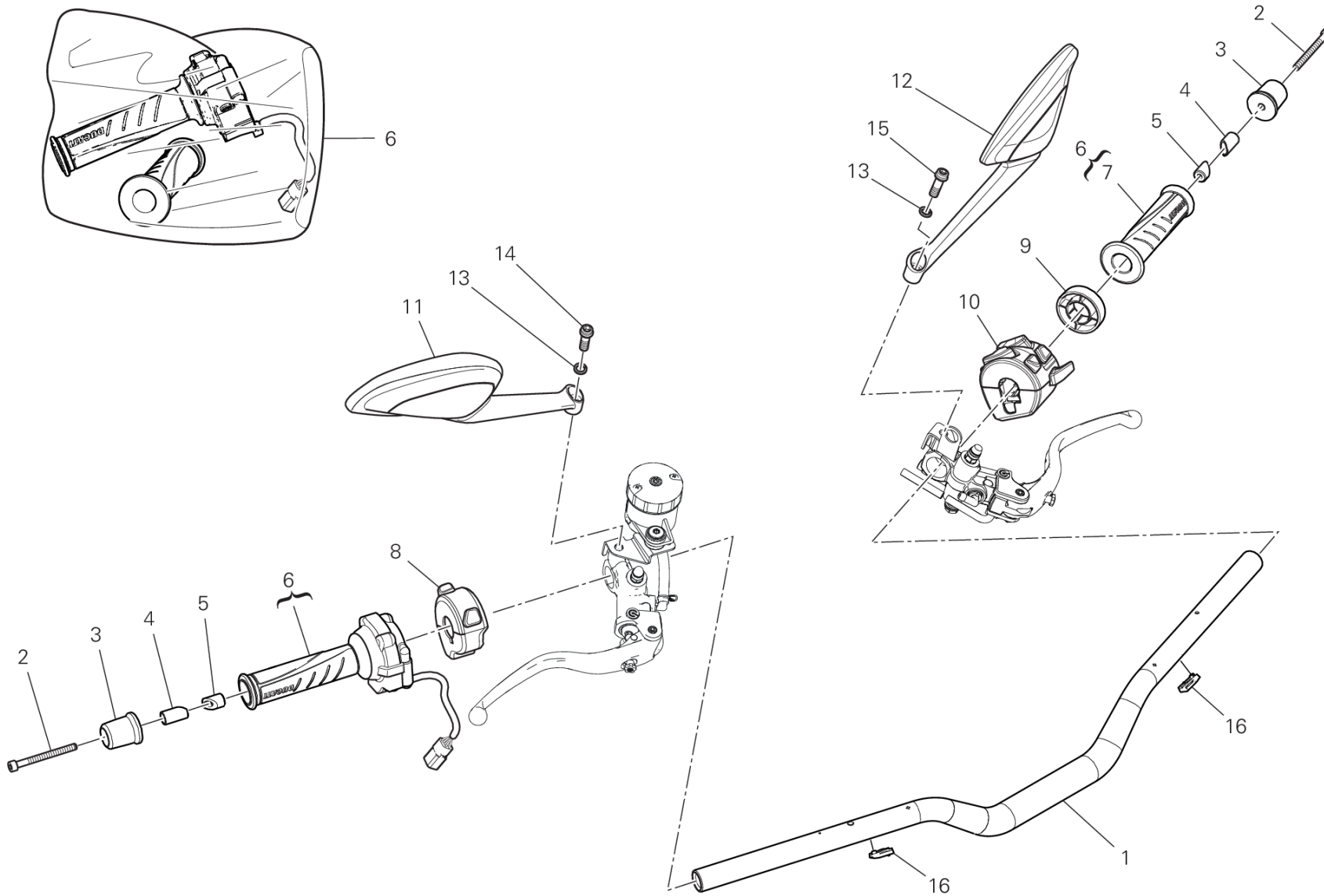


DRAWING 21A - PLATE HOLDER [MOD:SFV4 S;XST:JAP]

GROUP FRAME



POS.	CODE	DESCRIPTION	QTY	START DATE	END DATE	VALIDITY	NOTES
1	71615691AA	SPACER	4	24/10/2017			
2	76412501A	RUBBER PAD	2	24/10/2017			
3	77156443B	SCREW	2	24/10/2017			
4	56113504B	NUMBER PLATE HOLDER UPPER	1	24/10/2017			
5	56113511A	NUMBER PLATE HOLDER BOTTOM	1	24/10/2017			
6	52510611A	LAMP, LICENSE PLATE	1	24/10/2017			
7	77550171A	SCREW TBEI M4X8	2	09/11/2017			
8	77440203C	SCREW	4	09/11/2017			
9	56113392A	PLATE HOLDER	1	09/11/2017			
10	77240418C	SCREW	3	24/10/2017			
11	52910231A	REFLEX REFLECTOR, REAR	1	09/11/2017			
12	85212511A	WASHER 4.5X9X0.5	2	09/11/2017			
13	74950011B	NUT, SPRING	2	09/11/2017			
14	56113381AA	PLATE PLATE HOLDER	1				
15	75840901A	FAIRLEAD	1	07/12/2017			



SOS01037

DRAWING 22A - HANDLEBAR [MOD:SFV4 S]

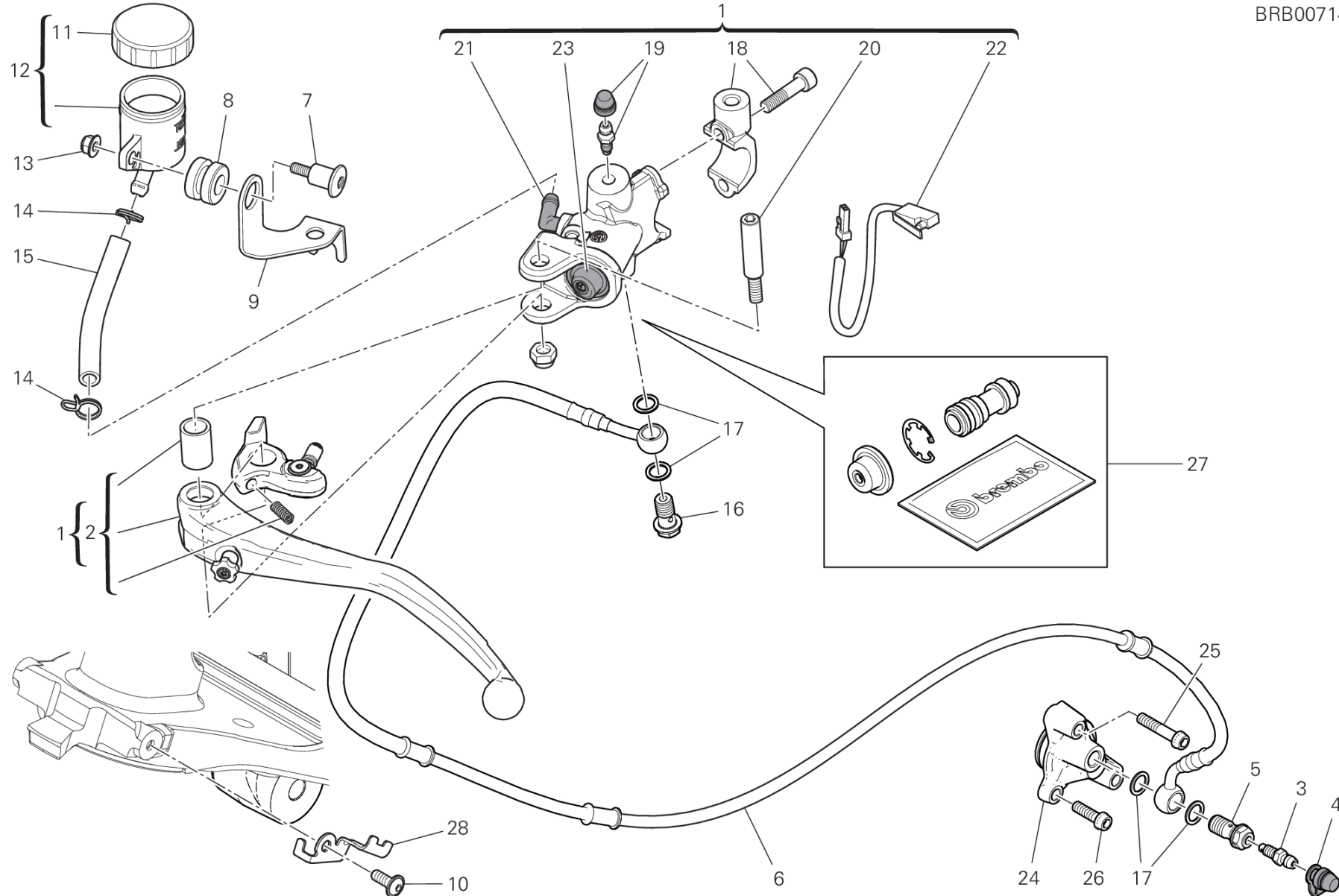
GROUP FRAME



POS.	CODE	DESCRIPTION	QTY	START DATE	END DATE	VALIDITY	NOTES
1	36015883BA	HANDLEBAR	1	06/12/2019			
2	77150788B	SCREW TCEI M6X65	2	05/12/2019			
3	15310131A	BALANCER SET, HANDLE BAR	2	05/12/2019			
4	71011071A	BUSH	2	05/12/2019			
5	71111301A	SPINDLE, TAPER	2	05/12/2019			
6	66020102B	THROTTLE CONTROL (Unit)	1	21/10/2017			
7	36140161A	HAND GRIP LH	1	22/02/2016			
8	65010361A	RIGHT SWITCH	1	13/09/2019			
9	71316161A	SPACER	1	06/12/2019			
10	65110301B	LEFT SWITCH	1	09/11/2017			
11	52310541A	REAR-VIEW MIRROR R.H.	1	04/12/2019			
12	52310551A	REAR-VIEW MIRROR L.H.	1	04/12/2019			
13	46210021A	SPRING WASHER 8 MM	2	04/12/2019			
14	77113731A	SCREW TCEIF M8X25, LEFT THREAD	1	04/12/2019			
15	77113741A	SCREW TCEIF M8X25	1	04/12/2019			
16	83040071A	CLIP	2	13/09/2019			



BRB00714

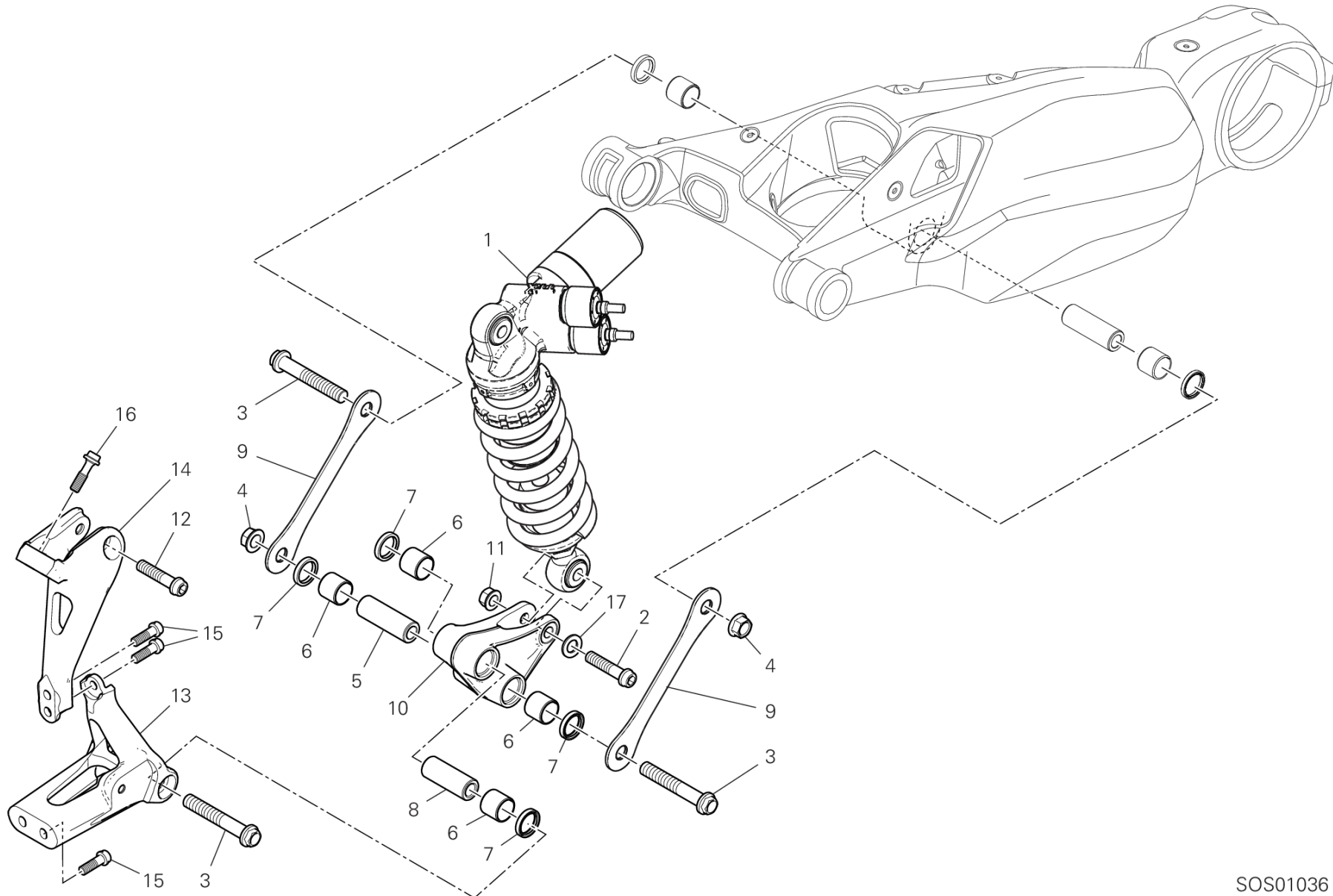


DRAWING 22B - CLUTCH CONTROL [MOD:SFV4 S]

GROUP FRAME



POS.	CODE	DESCRIPTION	QTY	START DATE	END DATE	VALIDITY	NOTES
1	63040921A	CLUTCH PUMP	1	21/01/2020			
2	63140631A	LEVER, CLUTCH LIFTER	1				
3	18710021A	VALVE, BREATHER	1				
4	61240052A	DUST COVER	1				
5	77913971A	BOLT, BRAKE HOSE	1				
6	63211071A	CLUTCH OIL HOSE	1	01/01/2019			
7	77910921B	SCREW	1	03/10/2017			
8	76414191A	DAMPER	1				
9	8291B951BA	BRACKET, BRAKE FLUID TANK	1	29/01/2019			
10	77210423C	SCREW TBEIF M6X16	1	05/12/2019			
11	89340241A	TANK CAP	1				
12	58540351A	TANK ASSY, RESERVOIR CLUTCH	1				
13	75011921A	NUT	1	03/10/2017			
14	74140431A	CLAMP	2				
15	87710681A	PIPE	1	01/01/2019			
16	77913662AB	SCREW, SPECIAL	1	25/10/2013			
17	85250241A	WASHER 10X14X1	4				
18	62640891A	BRACKET, CLUTCH MASTER CYLINDER	1	29/01/2019			
19	63140281A	DRAIN	1				
20	62640561A	BOLT, LEVER	1				
21	63140081A	JOINT, HOSE	1				
22	53910371B	MICROSWITCH	1	19/07/2017			
23	61240391A	DUST COVER	1				
24	19540091C	PISTON ASSEMBLY	1	19/03/2018			
25	77156718B	SCREW TCEIF M6X30	1	09/11/2017			
26	77156678B	SCREW TCEIF M6X20	1	09/11/2017			
27	61041991A	BREMBO CLUTCH FLOATING PISTON KIT	1				
28	8301I061AA	BRACKET	1	05/12/2019			



SOS01036

DRAWING 23A - REAR SHOCK ABSORBER [MOD:SFV4 S]

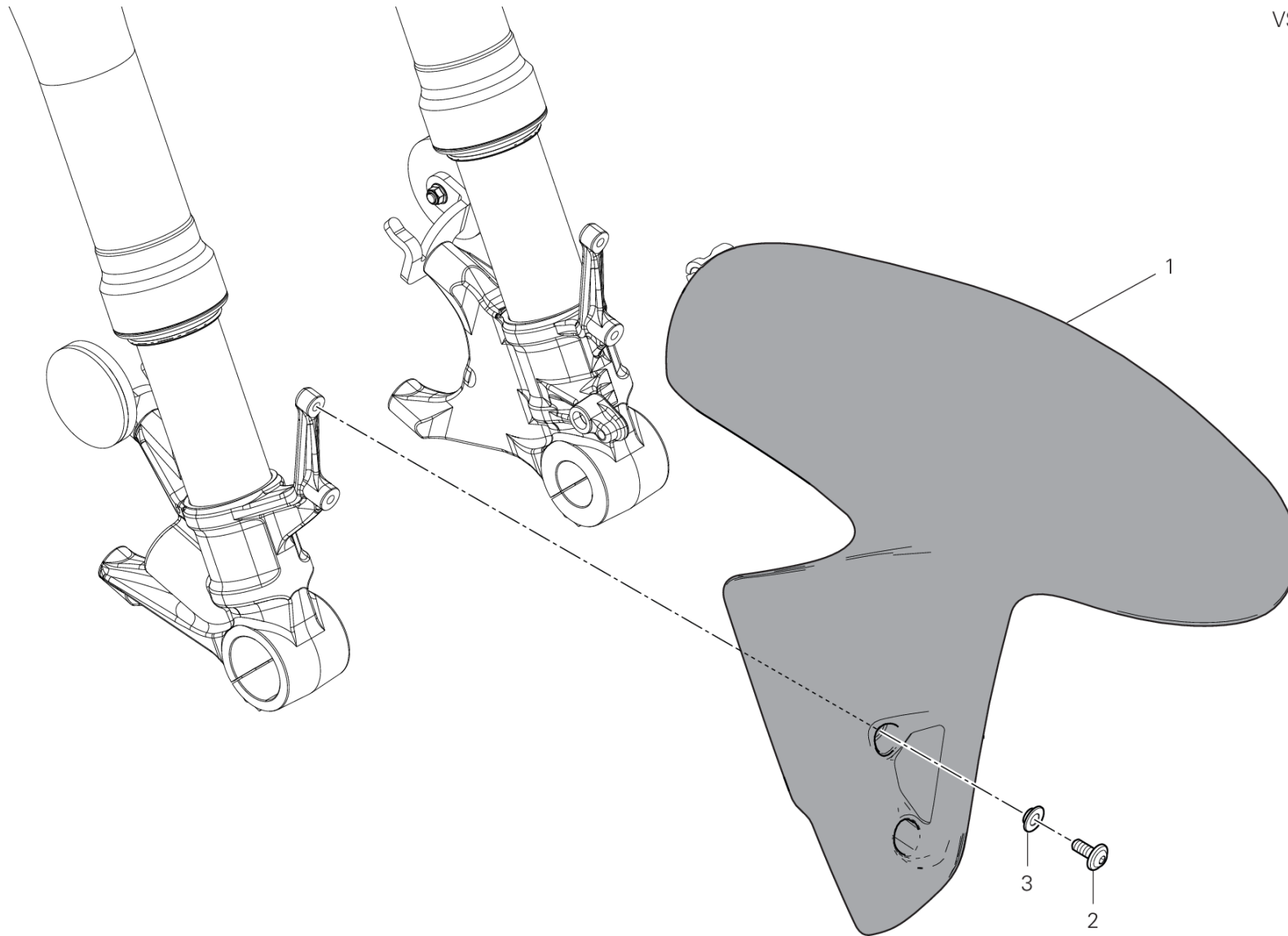
GROUP FRAME



POS.	CODE	DESCRIPTION	QTY	START DATE	END DATE	VALIDITY	NOTES
1	36521922A	REAR SHOCK ABSORBER	1	06/12/2019			
2	7715936BG	SCREW	1	09/11/2017			
3	7725202BG	SCREW	3	09/11/2017			
4	74941511AB	NUT, FLANGE	2	09/11/2017			
5	7131C691A	SPACER LONG	1	06/09/2017			
6	70241191A	BUSH	4	06/09/2017			
7	93041271A	SEAL RING 20X26X4	4	06/09/2017			
8	7131C701A	SPACER SHORT	1	09/11/2017			
9	37211983AA	TIE ROD	2	05/12/2019			
10	37211971BA	LEVER SET, REAR CUSHION	1	02/08/2018			
11	74840241AB	NUT M10X1.25	1	09/11/2017			
12	7715937BG	SCREW	1	09/11/2017			
13	8291G911BA	LOWER HOLDER	1	09/11/2017			
14	8291G901CA	BRACKET UPPER	1	09/11/2017			
15	7725364BG	SCREW	4	09/11/2017			
16	7791B321AA	SCREW, SPECIAL	2	07/05/2018			
17	85250401A	WASHER 10.5X18X1.6	1	08/03/2019			



VST01908

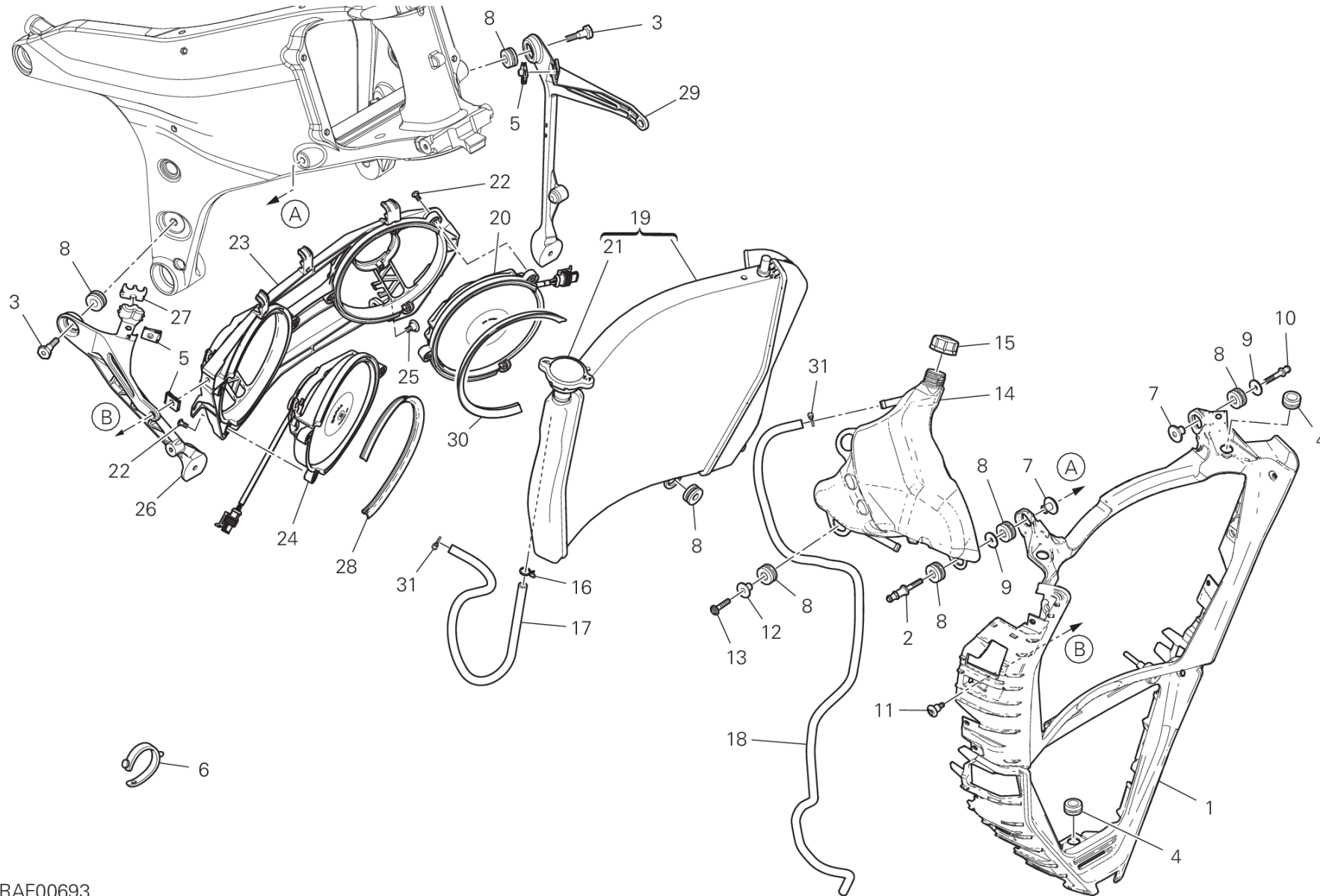


DRAWING 24A - FRONT MUDGUARD [MOD:SFV4 S]

GROUP FRAME



POS.	CODE	DESCRIPTION	QTY	START DATE	END DATE	VALIDITY	NOTES
1	56416632AK	FRONT MUDGUARD BLACK DARK	1	09/11/2017			
2	71614011B	SPACER 6.2X8.5X14	4	09/11/2017			
3	77210893B	SCREW	4	09/11/2017			



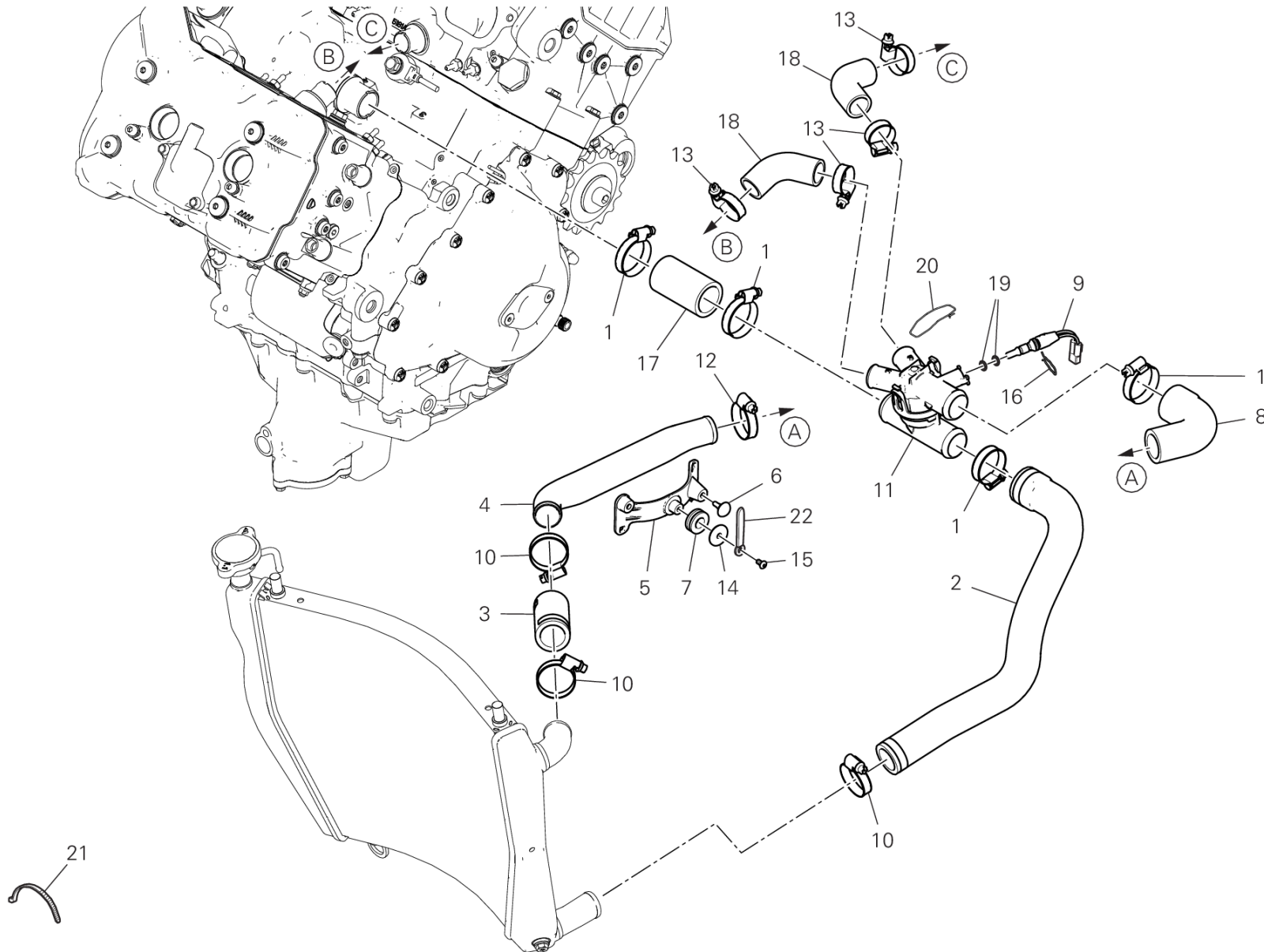
RAF00693

DRAWING 25A - WATER COOLER [MOD:SFV4 S]

GROUP FRAME



POS.	CODE	DESCRIPTION	QTY	START DATE	END DATE	VALIDITY	NOTES
1	48411672B	RADIATOR PROTECTION	1	01/01/2019			
2	7791B891AA	SCREW, SPECIAL	1	05/12/2019			
3	7791B911AA	SCREW, SPECIAL	2	05/12/2019			
4	76410901A	RUBBER PAD	3	22/12/2017			
5	85040551A	QUICK FASTENING	2	09/11/2017			
6	74110551A	CLAMP, RUBBER 39MM	6	05/12/2019			
7	71611671AA	SPACER	2	09/11/2017			
8	76411501A	RUBBER PAD	9	09/11/2017			
9	85213111AA	WASHER	2	09/11/2017			
10	7791B112AA	SCREW, SPECIAL	1	09/11/2017			
11	77214221AA	SCREW, SPECIAL	2	28/09/2018			
12	71615151AA	SPACER	2	09/11/2017			
13	77244233B	SCREW	2	09/11/2017			
14	58511252A	TANK, WATER RESERVOIR	1	06/12/2019			
15	89310143A	TANK CAP	1	09/11/2017			
16	74140431A	CLAMP	1	09/11/2017			
17	93410441A	BREATHER PIPE	1	06/12/2019			
18	93410461A	HOSE	1	06/12/2019			
19	54812531A	WATER COOLER	1	01/01/2019			
20	55020331A	ELECTRIC FAN, LEFT	1	28/09/2018			
21	89310241A	RADIATOR CAP	1	26/10/2017			
22	77440511A	SCREW	6	19/06/2018			
23	82718832A	BRACKET ELECTRIC FAN	1	28/09/2018			
24	55020321A	ELECTRIC FAN, RIGHT	1	18/06/2018			
25	77214411AA	SCREW	2	09/11/2017			
26	82718822A	RIGHT HOLDER	1	28/09/2018			
27	86611121A	RUBBER PAD	1	22/12/2017			
28	79110941A	RIGHT GASKET	1	18/06/2018			
29	82718811A	LEFT HOLDER	1	28/09/2018			
30	79110931A	LEFT GASKET	1	28/09/2018			
31	74141721A	CLAMP	2	04/12/2019			



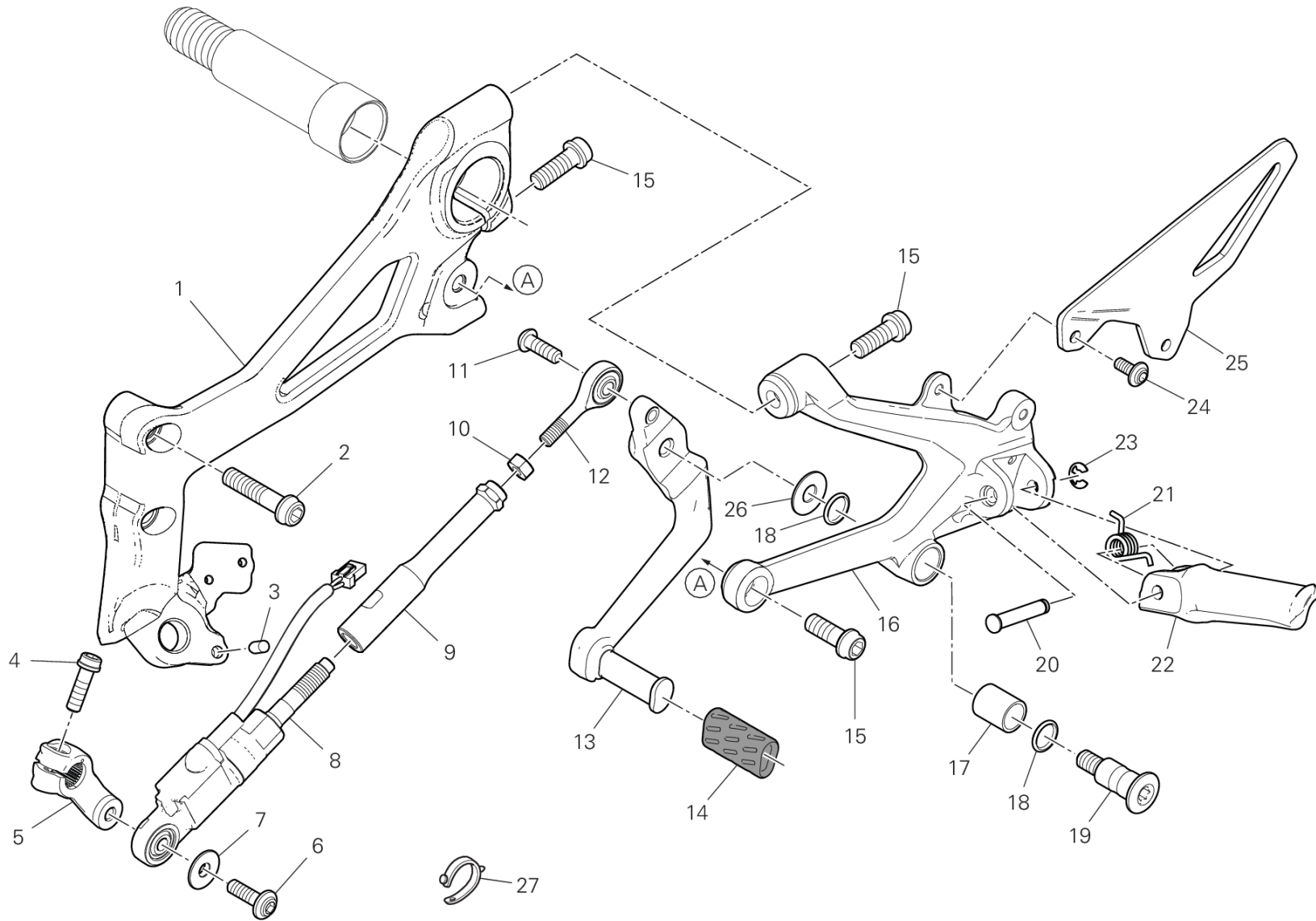
RAF00694

DRAWING 25B - COOLING CIRCUIT [MOD:SFV4 S]

GROUP FRAME



POS.	CODE	DESCRIPTION	QTY	START DATE	END DATE	VALIDITY	NOTES
1	74141851A	CLAMP 25-40 MM	4	09/11/2017			
2	80018072A	SLEEVE	1	07/05/2018			
3	80018131A	WATER HOSE	1	09/11/2017			
4	80018111AA	SLEEVE	1	31/10/2017			
5	8291G891A	HOLDER	1	31/10/2017			
6	86610751A	PAD	2	31/10/2017			
7	76411381A	VIBRATION DAMPER PAD	1	31/10/2017			
8	80018121A	WATER HOSE	1	01/11/2017			
9	55242631A	ENGINE WATER TEMPERATURE SENSOR	1	20/11/2017			
10	74142591A	CLAMP 20-35 MM	2	09/11/2017			
11	55320161A	SQUIRTER UNIT	1	20/11/2017			
12	74141881A	CLAMP 23-35 MM	1	09/11/2017			
13	74141861A	CLAMP 20-32 MM	4	20/11/2017			
14	85611711AA	WASHER	1	31/10/2017			
15	77550171A	SCREW TBEI M4X8	1	09/10/2018			
16	79915581A	SPRING	1	20/11/2017			
17	80018061A	SLEEVE	1	20/11/2017			
18	80018081A	HOSE THERMOSTAT/HEAD	2	20/11/2017			
19	88641981A	O-RING	2	20/11/2017			
20	75910391A	CLIP	1	27/11/2017			
21	069191030	CLAMP	2	01/01/2019			
22	74141671A	PLATE	1	01/01/2019			



TEL01349

DRAWING 26A - FOOTRESTS, LEFT [MOD:SFV4 S]

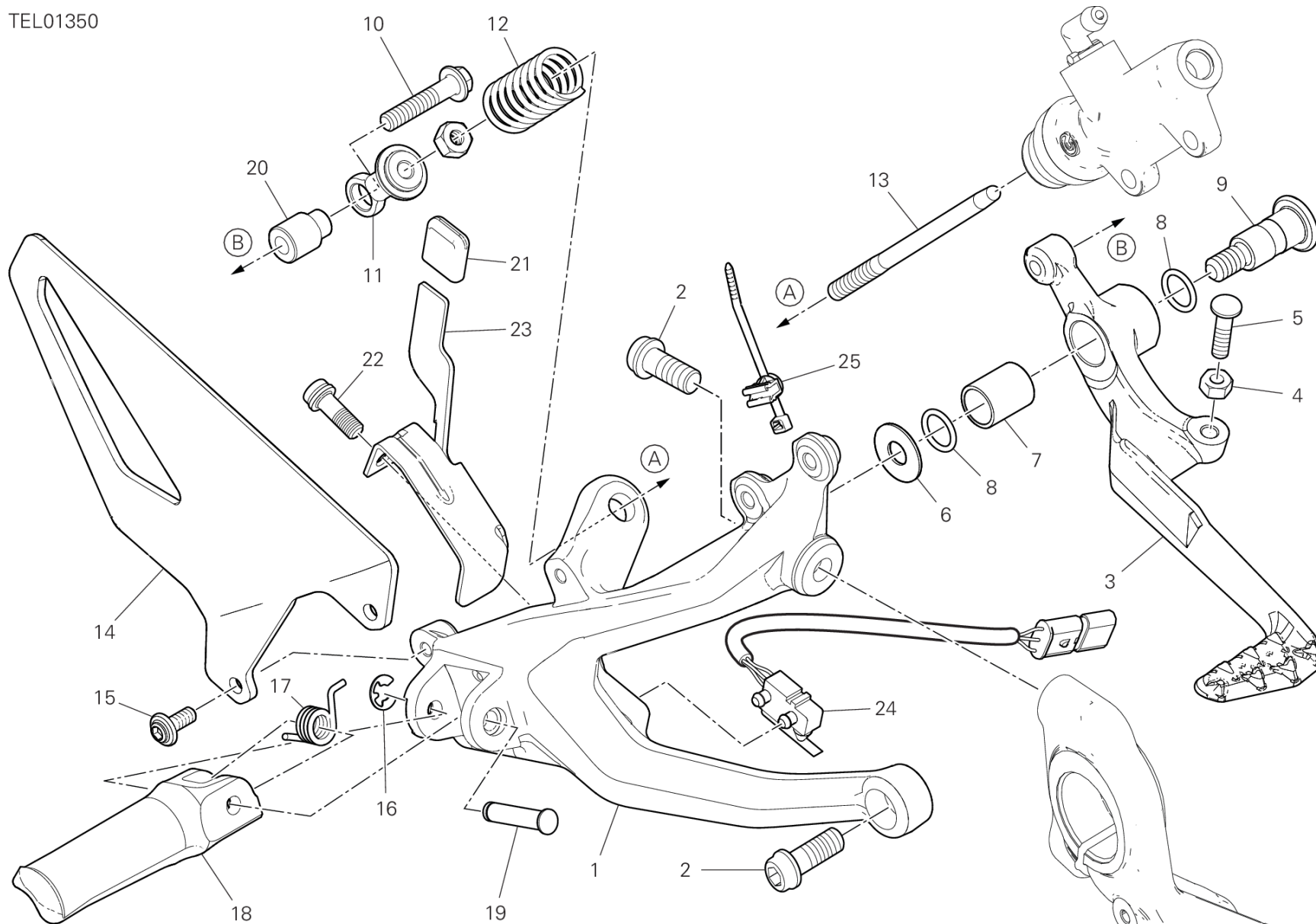
GROUP FRAME



POS.	CODE	DESCRIPTION	QTY	START DATE	END DATE	VALIDITY	NOTES
1	8291I621AA	LEFT HOLDER	1	01/01/2019			
2	77157288B	SCREW TCEIF M8X35	2	09/11/2017			
3	86050361AA	PIN	1	09/11/2017			
4	77110191A	SCREW TCEIF M6X20	1	09/11/2017			
5	45612422AA	GEAR CONTROL LEVER	1	09/11/2017			
6	77244358BA	SCREW	1	09/11/2017			
7	71610111AB	SPACER	1	06/12/2019			
8	5521A291C	Quick Shift	1	11/11/2019			
9	11712011AA	GEARBOX DRIVING ROD	1	01/01/2019			
10	74750031A	NUT 6MM	1	09/11/2017			
11	77550131B	SCREW	1	09/11/2017			
12	84850021A	BALL JOINT, RIGHT	1	11/01/2017			
13	45613411AA	GEARCHANGE LEVER	1	09/11/2017			
14	76410112A	COVER PEDAL	1	09/11/2017			
15	77157248B	SCREW TCEIF M8X22	3	09/11/2017			
16	82413951AA	FRONT L.H. PLATE	1	06/12/2019			
17	71210341A	BUSH	1	01/08/2017			
18	88641161A	O-RING	2	09/11/2017			
19	82111701CA	PIN PEDAL	1	11/02/2015			
20	82110512AA	FOOTREST PIN	1	09/11/2017			
21	79915871AA	SPRING. FOOTREST	1	09/11/2017			
22	46410541B	LEFT FOOTREST	1	09/11/2017			
23	88450031A	CIRCLIP E-TYPE	1	09/11/2017			
24	77244178B	SCREW	2	09/11/2017			
25	24716141AA	HEEL GUARD FRONT LH	1	09/11/2017			
26	85211511A	WASHER	1	09/11/2017			
27	74110121A	CLAMP, RUBBER 62MM	1	11/12/2019			



TEL01350



DRAWING 26B - FOOTRESTS, RIGHT [MOD:SFV4 S]

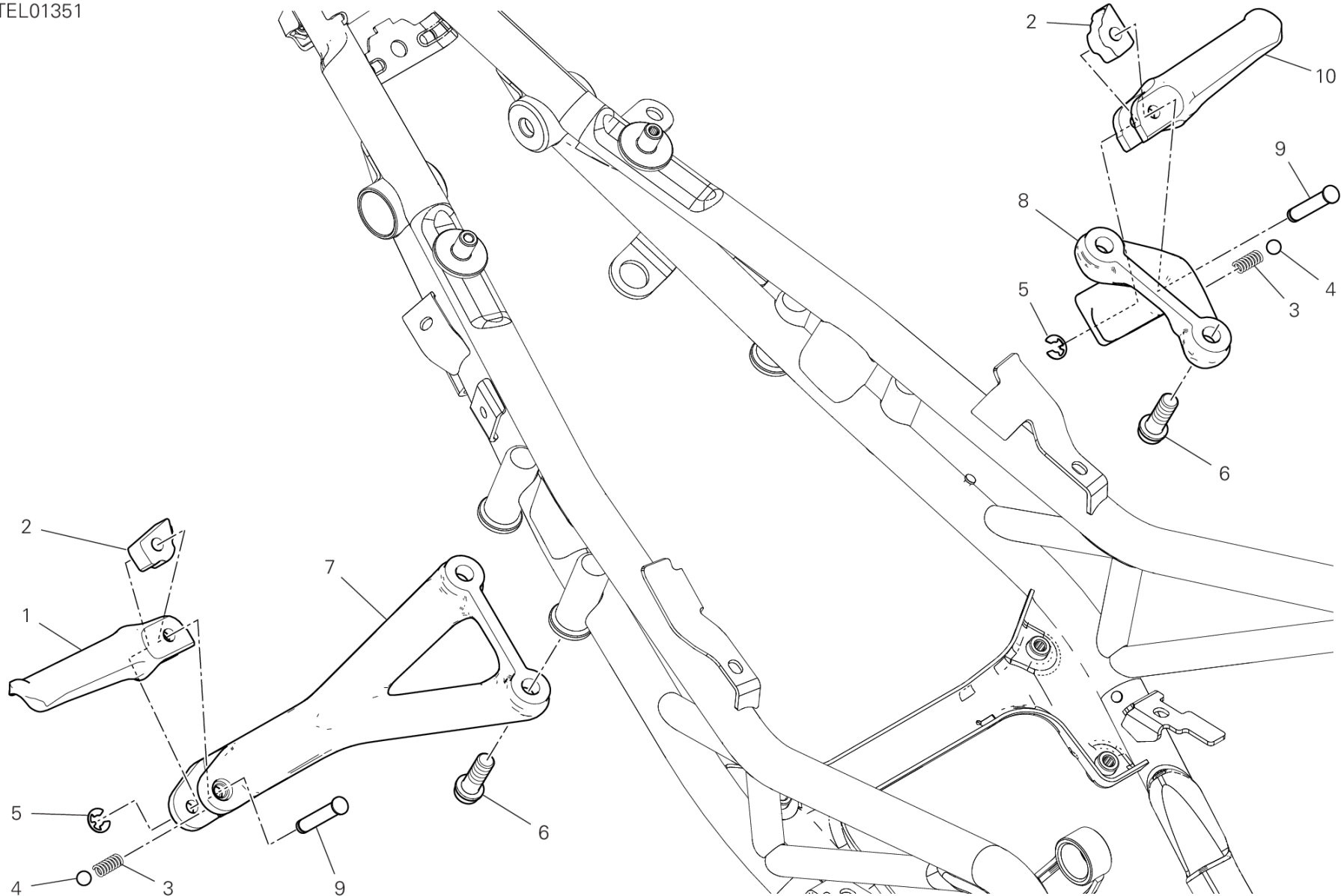
GROUP FRAME



POS.	CODE	DESCRIPTION	QTY	START DATE	END DATE	VALIDITY	NOTES
1	82414001AA	FRONT R.H. PLATE	1	05/12/2019			
2	77157248B	SCREW TCEIF M8X22	2	09/11/2017			
3	45710991BA	BRAKE LEVER ASSEMBLY	1	06/09/2017			
4	74750031A	NUT 6MM	2	09/11/2017			
5	77912371B	SCREW	1	09/11/2017			
6	85211511A	WASHER	1	09/11/2017			
7	71210341A	BUSH	1	11/01/2017			
8	88641161A	O-RING	2	09/11/2017			
9	82111701CA	PIN PEDAL	1	09/11/2017			
10	77253350Z	SCREW	1	01/01/2019			
11	18410152AA	JOINT	1	11/01/2017			
12	79915511A	SPRING	1	09/11/2017			
13	11711831AA	PIN	1	06/09/2017			
14	24716131AA	HEEL GUARD FRONT RH	1	09/11/2017			
15	77244178B	SCREW	2	09/11/2017			
16	88450031A	CIRCLIP E-TYPE	1	09/11/2017			
17	79915871AA	SPRING. FOOTREST	1	09/11/2017			
18	46410531B	RIGHT FOOTREST	1	09/11/2017			
19	82110512AA	FOOTREST PIN	1	09/11/2017			
20	71611741AA	SPACER	1	05/12/2019			
21	76414381A	RUBBER PAD	1	01/01/2019			
22	77156658B	SCREW TCEIF M6X16	1	05/12/2019			
23	8271H012AA	PLATE	1	01/10/2019			
24	53910421C	SWITCH, REAR BRAKE	1	22/10/2019			
25	75840771A	FAIRLEAD	1	01/01/2019			



TEL01351

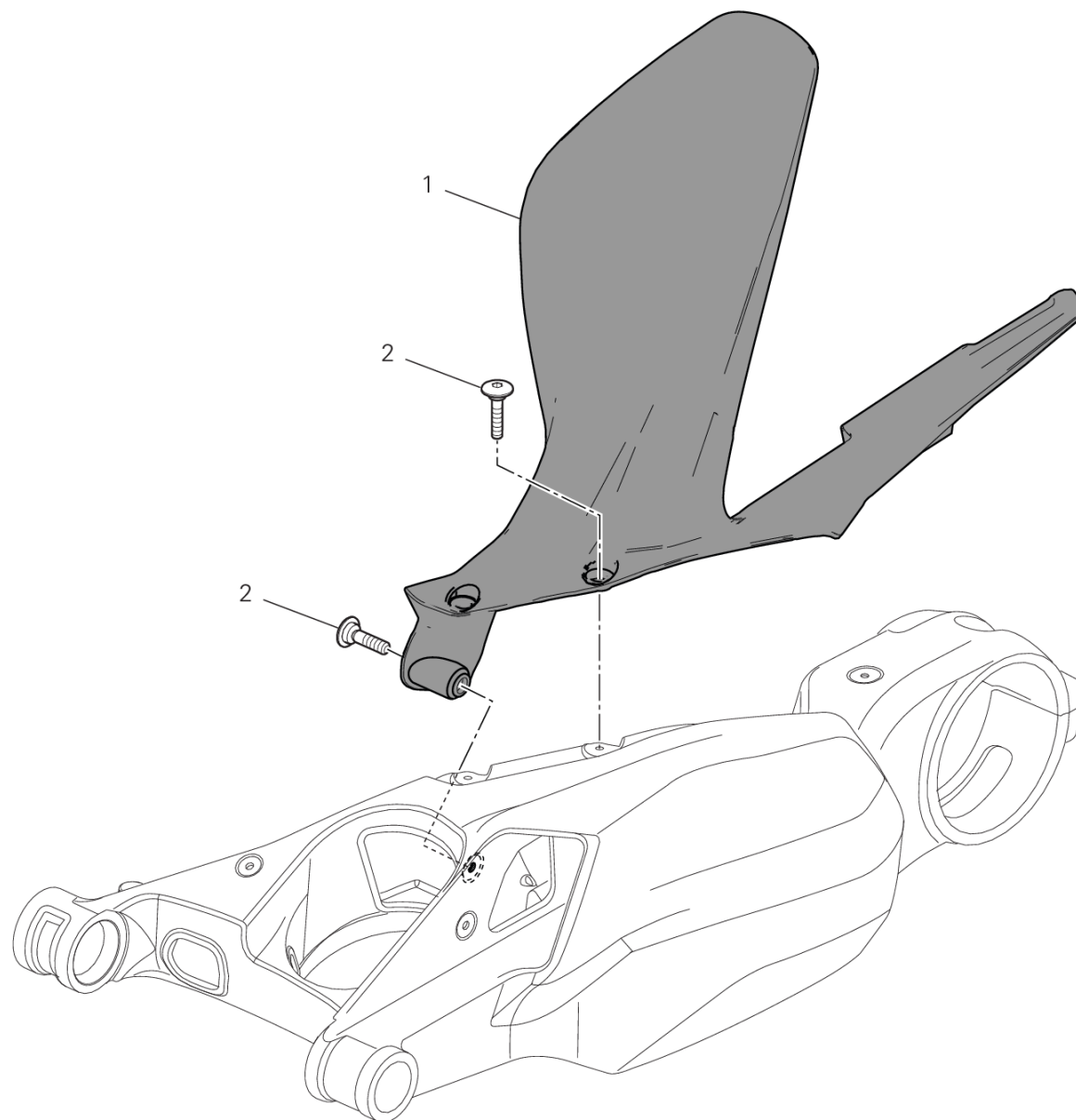


DRAWING 26C - REAR FOOTREST [MOD:SFV4 S]

GROUP FRAME



POS.	CODE	DESCRIPTION	QTY	START DATE	END DATE	VALIDITY	NOTES
1	46410982AA	RIGHT FOOTREST	1	06/12/2019			
2	69610121A	BLOCK	2	10/07/2017			
3	79910241B	SPRING	2	10/07/2017			
4	84740021A	BALL	2	10/07/2017			
5	88450031A	CIRCLIP E-TYPE	2	09/11/2017			
6	77157248B	SCREW TCEIF M8X22	4	09/11/2017			
7	82413591AA	REAR R.H. PLATE	1	09/11/2017			
8	82413601AA	REAR L.H. PLATE	1	10/07/2017			
9	82110512AA	FOOTREST PIN	2	09/11/2017			
10	46410992AA	LEFT FOOTREST	1	01/01/2019			



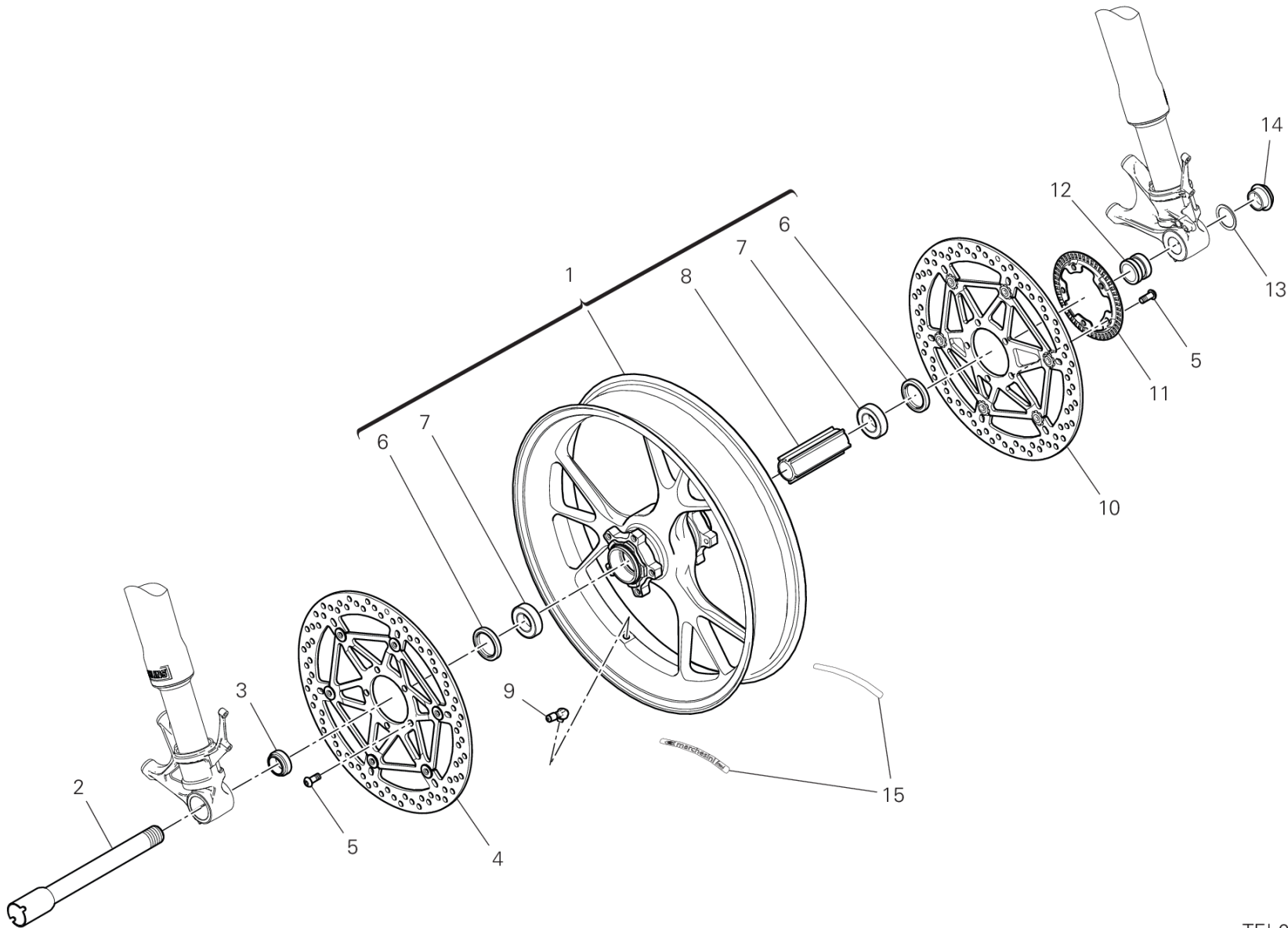
TEL01347

DRAWING 27A - REAR MUDGUARD [MOD:SFV4 S]

GROUP FRAME



POS.	CODE	DESCRIPTION	QTY	START DATE	END DATE	VALIDITY	NOTES
1	56511231A	REAR MUDGUARD	1	09/11/2017			
2	77214411BA	SCREW, SPECIAL	4	09/11/2017			



TEL01134

DRAWING 28A - FRONT WHEEL [MOD:SFV4 S]

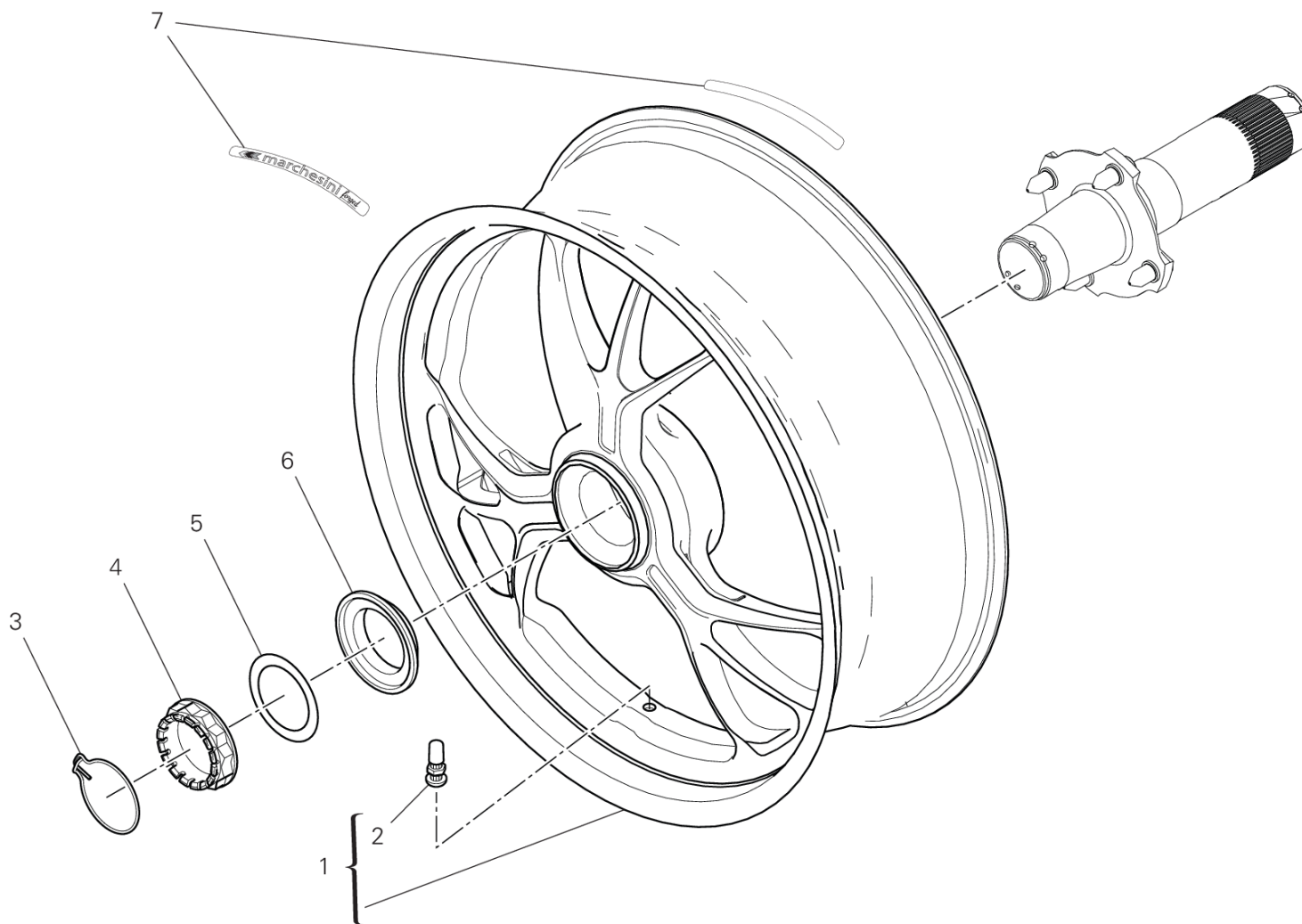
GROUP FRAME



POS.	CODE	DESCRIPTION	QTY	START DATE	END DATE	VALIDITY	NOTES
1	50121671AB	FRONT WHEEL RIM	1	19/07/2017			
2	81910691A	FRONT WHEEL SPINDLE	1	09/11/2017			
3	71413261AA	RIGHT SPACER	1	09/11/2017			
4	49240901A	DISC, FRONT BRAKE RH	1	09/11/2017			
5	77913991A	SCREW M8X20	10	09/11/2017			
6	93040521A	SEAL RING 35X47.15X6.8	2	08/06/2017			
7	70250451A	BEARING	2	08/06/2017			
8	71413291A	INNER SPACER	1	08/06/2017			
9	49720012A	VALVE, TUBELESS TIRE	1	09/11/2017			
10	49240891A	DISC, FRONT BRAKE LH	1	09/11/2017			
11	50410051A	FRONT PHONIC WHEEL	1	09/11/2017			
12	71413271AA	LEFT SPACER	1	09/11/2017			
13	85212221A	WASHER 30X40X1	1	09/11/2017			
14	74810651A	NUT	1	09/11/2017			
15	43814551A	STICKER "MARCHESINI" YELLO	1	09/11/2017			



TEL01133



DRAWING 29A - REAR WHEEL [MOD:SFV4 S]

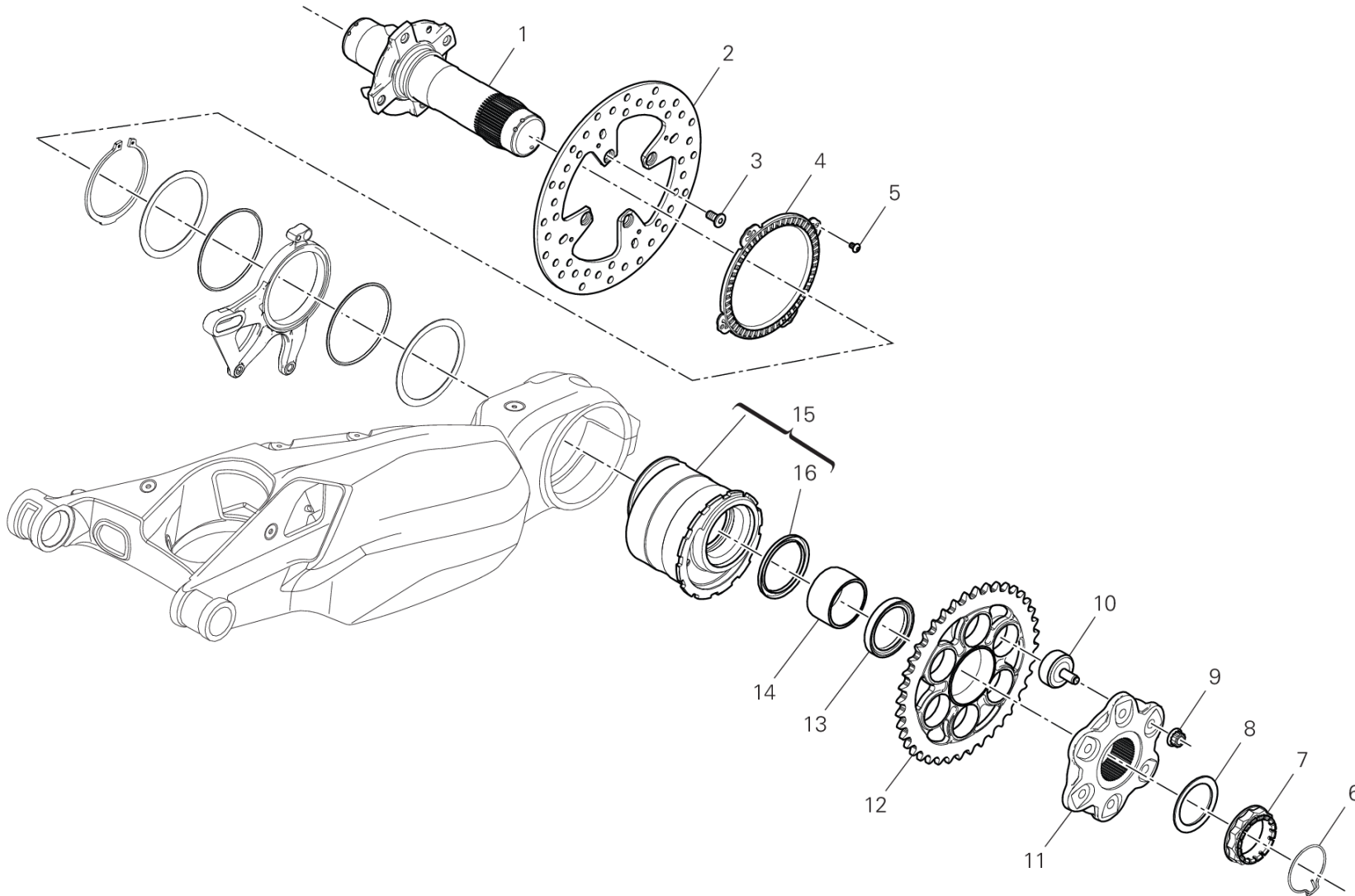
GROUP FRAME



POS.	CODE	DESCRIPTION	QTY	START DATE	END DATE	VALIDITY	NOTES
1	50222121AB	REAR WHEEL RIM	1	19/07/2017			
2	49720031A	VALVE, TUBELESS TIRE	1	09/11/2017			
3	75910222A	CLIP	1	09/11/2017			
4	75012072AA	NUT	1	09/11/2017			
5	85212211A	WASHER 48.5X65X0.5	1	09/11/2017			
6	71411352AA	SPACER	1	09/11/2017			
7	43814551A	STICKER "MARCHESINI" YELLO	1	09/11/2017			



TEL01348



DRAWING 29B - REAR WHEEL SPINDLE [MOD:SFV4 S]

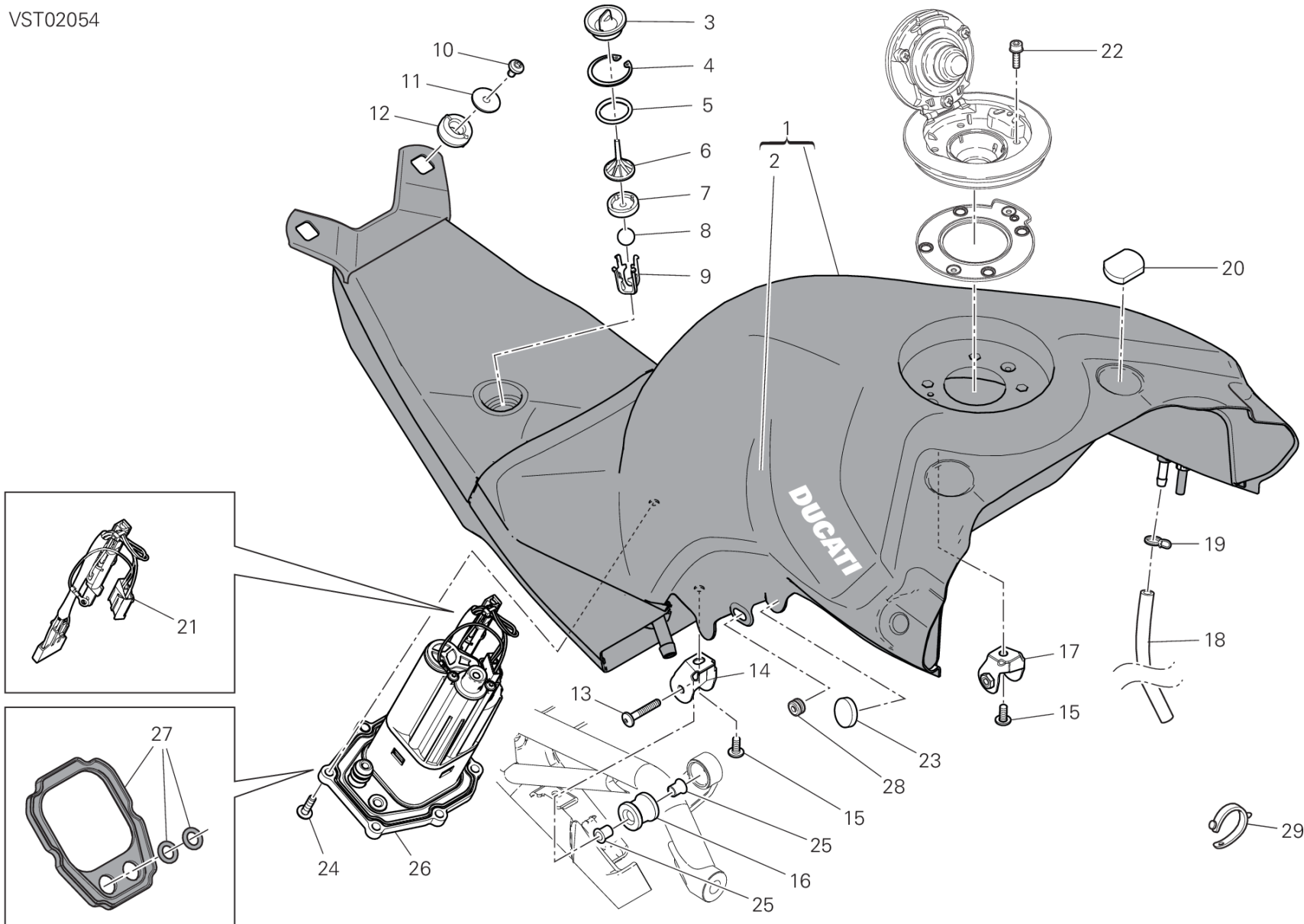
GROUP FRAME



POS.	CODE	DESCRIPTION	QTY	START DATE	END DATE	VALIDITY	NOTES
1	81920831AA	REAR WHEEL SPINDLE	1	08/03/2019			
2	49210061A	REAR BRAKE DISC	1	09/11/2017			
3	77918261AA	SCREW	4	09/11/2017			
4	50410091A	REAR PHONIC WHEEL	1	09/11/2017			
5	72050159EA	SCREW	4	09/11/2017			
6	75910222A	CLIP	1	09/11/2017			
7	75012072AA	NUT	1	09/11/2017			
8	85212211A	WASHER 48.5X65X0.5	1	09/11/2017			
9	74810461A	NUT, FLANGE M10X1	6	09/11/2017			
10	70010571A	RUBBER CUSH DRIVE HUB M10x1	6	09/11/2017			
11	16016861AA	REAR SPROCKET FLANGE	1	06/12/2019			
12	49412041AA	REAR SPROCKET T42	1	05/12/2019			
13	71413531AA	FINAL SPROCKET SLEEVE	1	09/11/2017			
14	88110541A	INNER SPACER	1	09/11/2017			
15	75620131A	HUB	1	09/11/2017			
16	93010102A	DUST COVER	1	24/12/2009			



VST02054



DRAWING 30A - TANK [MOD:SFV4 S]

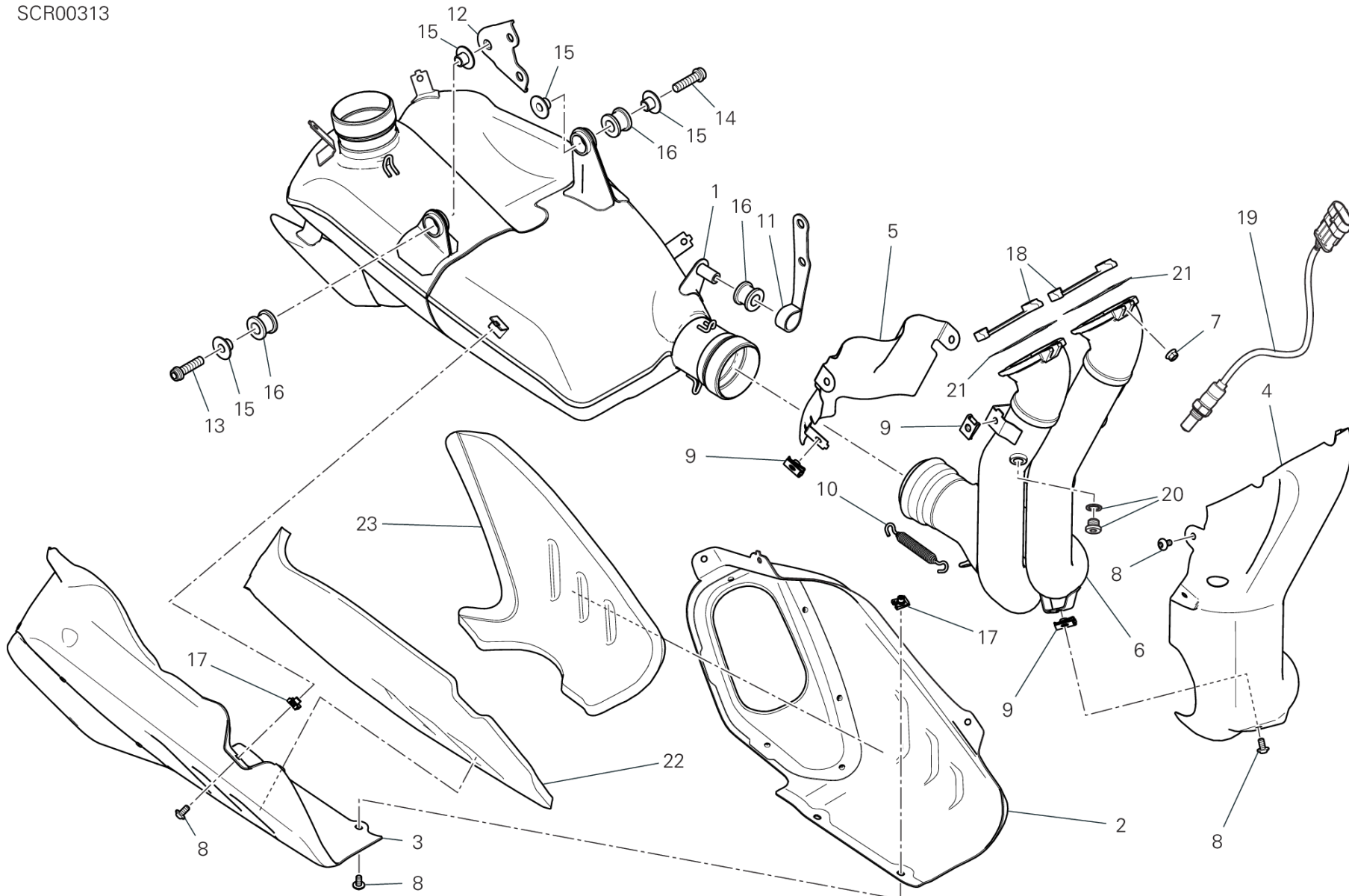
GROUP FRAME



POS.	CODE	DESCRIPTION	QTY	START DATE	END DATE	VALIDITY	NOTES
1	58613021AA	FUEL TANK, RED	1	05/12/2019			
2	4381C651A	EMBLEM DUCATI	2	09/10/2017			
3	87211343A	PLUG	1	09/10/2017			
4	88450351A	CIRCLIP	1	09/10/2017			
5	46320226A	O-RING	1	09/10/2017			
6	7131C961A	SPACER	1	09/11/2017			
7	79111312A	GASKET	1	09/10/2017			
8	84740161A	BALL	1	09/10/2017			
9	8291H141A	HOLDER	1	09/10/2017			
10	77244168B	SCREW	2	09/11/2017			
11	85213002A	WASHER	2	06/12/2019			
12	76411861A	RUBBER PAD	2	09/11/2017			
13	71850253C	SCREW	2	09/03/2020			
14	8301G051AB	RIGHT BRACKET	1	16/10/2017			
15	77244178B	SCREW	2	09/10/2017			
16	76414272A	VIBRATION DAMPER PAD	2	09/11/2017			
17	8301G061AB	LEFT BRACKET	1	09/11/2017			
18	59018851A	HOSE, DRAIN	1	20/01/2020			
19	74140431A	CLAMP	4	09/11/2017			
20	85044403A	DUAL LOCK	4	06/12/2017			
21	69928751A	THERMISTOR	1				
22	77156418B	SCREW TCEIF M5X16	4	27/11/2017			
23	85010141A	RUBBER PAD	4	09/10/2017			
24	77244213B	SCREW	6	09/10/2017			
25	7131C881BA	SPACER	4	09/11/2017			
26	16024371A	FUEL PUMP	1	09/10/2017			
27	69926441A	GASKET KIT	1				
28	76440561A	RUBBER PAD	2	06/12/2019			
29	74110551A	CLAMP, RUBBER 39MM	4	05/12/2019			



SCR00313



DRAWING 31A - EXHAUST SYSTEM [MOD:SFV4 S]

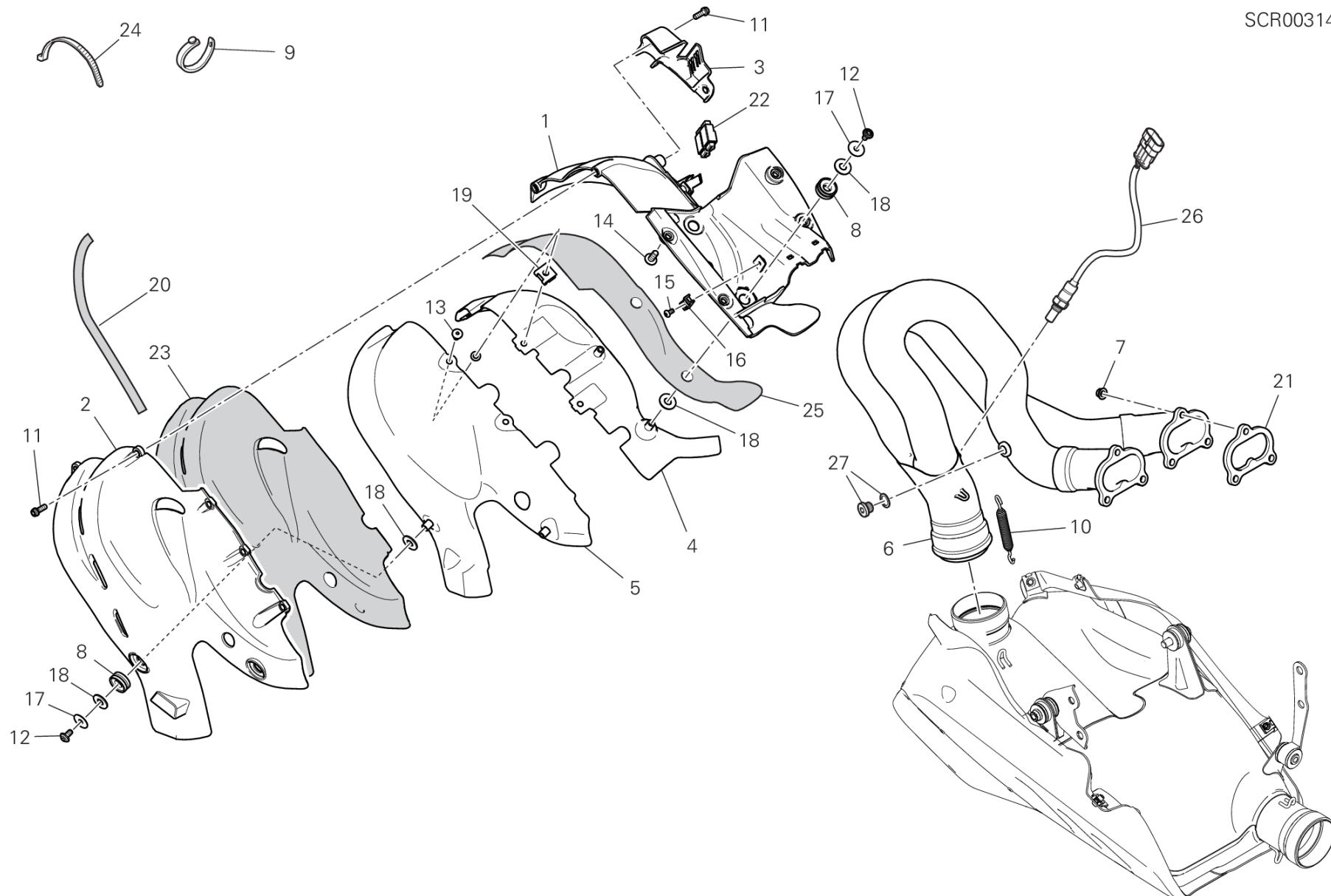
GROUP FRAME



POS.	CODE	DESCRIPTION	QTY	START DATE	END DATE	VALIDITY	NOTES
1	57414702A	SILENZIATORE COMPLETO	1	09/11/2017		XST:AUS,BLG,EUR,GSO,JAP,ROK	
2	46026981AA	CAP LH	1				
3	46021011AA	CAP RH	1	06/12/2019			
4	46110553A	HEAT GUARD Front	1	09/11/2017			
5	46110563A	HEAT GUARD STARTING MOTOR	1	12/12/2017			
6	57014865B	FRONT EXHAUST MANIFOLD	1	09/07/2018			
7	74810361A	NUT	6	09/11/2017			
8	77244168B	SCREW	10	09/11/2017			
9	85040551A	QUICK FASTENING	3	09/11/2017			
10	79916791A	COMPLETE SPRING	2	09/03/2020			
11	57610991AA	BRACKET, MUFFLER SUPPORT LEFT	1	09/11/2017			
12	57610981AA	BRACKET, MUFFLER SUPPORT RIGHT	1	09/11/2017			
13	77157278B	SCREW TCEIF M8X30	1	09/11/2017			
14	77113851A	SCREW TCEIF M8X35	1	09/11/2017			
15	71615551AA	SPACER	4	09/11/2017			
16	76412472A	RUBBER PAD	3	09/11/2017			
17	85041951AA	QUICK FASTENING	7	09/11/2017			
18	48810093AA	PLATE	2	09/11/2017			
19	55215021A	SENSOR LAMBDA SOND	1	09/11/2017			
20	78010071A	PLUG ASSY	2				
21	79010341B	GASKET, EXHAUST PIPE	2				
22	48611281A	ACOUSTIC INSULATION PANEL, RH	1	05/12/2019			
23	48611271A	DAMPER, SOUND ARRESTER LEFT	1	05/12/2019			



SCR00314



DRAWING 31B - EXHAUST SYSTEM [MOD:SFV4 S]

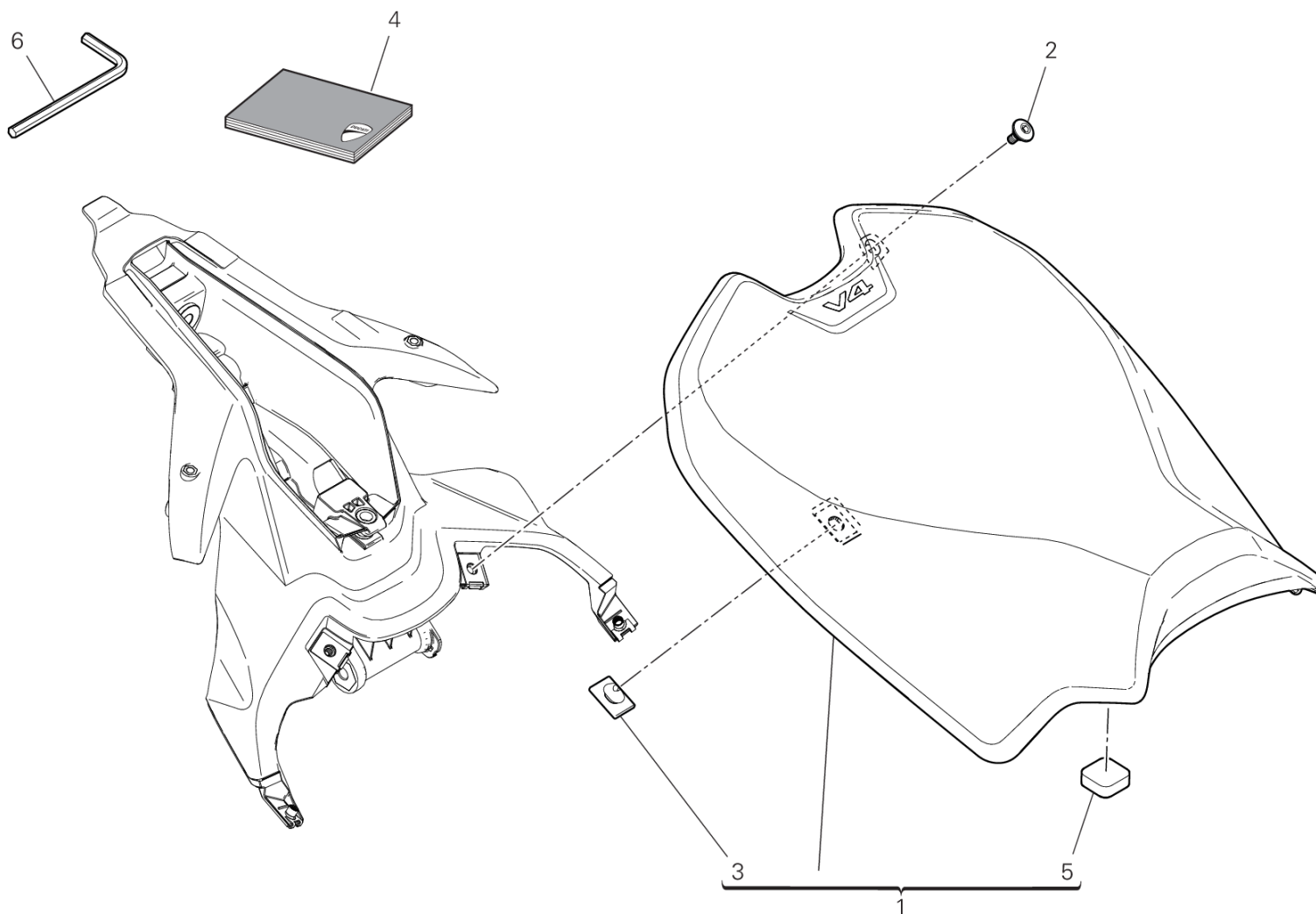
GROUP FRAME



POS.	CODE	DESCRIPTION	QTY	START DATE	END DATE	VALIDITY	NOTES
1	4601F402A	HEAT GUARD L.H.	1	07/05/2018			
2	4601G351B	HEAT GUARD R.H.	1	22/02/2018			
3	4601G461A	PROTECTION WIRING	1	09/11/2017			
4	46110572B	HEAT GUARD REAR	1	09/11/2017			
5	46110581C	HEAT GUARD REAR RIGHT	1	09/02/2018			
6	57014873C	EXHAUST MANIFOLD (REAR)	1	09/02/2018			
7	74810361A	NUT	6	09/11/2017			
8	76411821A	VIBRATION DAMPER PAD	4	12/09/2017			
9	74110131A	CLAMP, RUBBER 82MM	1	01/01/2019			
10	79916791A	COMPLETE SPRING	2	09/03/2020			
11	77156403B	SCREW	7	09/11/2017			
12	77244163B	SCREW TBEI M5X10 BLACK	4	05/12/2019			
13	77240253C	SCREW	3	09/11/2017			
14	77240423C	SCREW TBEIF M6X16 10.9	4	24/10/2017			
15	77440141A	SCREW, TAPPING 4X8 WN1412	3	24/10/2017			
16	85041711A	HOSE GUIDE	3	24/10/2017			
17	85213111AA	WASHER	6	09/11/2017			
18	85640121A	WASHER	8	09/11/2017			
19	85041931A	CLIP	3	24/10/2017			
20	4601I521A	THERMOREFLECTING PROTECTION	1	12/10/2019			
21	79010321B	GASKET, EXHAUST PIPE	2	09/11/2017			
22	86612741A	BRACKET, CONNECTOR	1	09/11/2017			
23	4601F461A	THERMOREFLECTING PROTECTION	1	09/11/2017			
24	069191030	CLAMP	3	16/11/2017			
25	4601F451A	THERMOREFLECTING PROTECTION	1	09/11/2017			
26	55215021A	SENSOR LAMBDA SOND	1	09/11/2017			
27	78020011A	PLUG ASSY	2				



VST02055



DRAWING 32A - SEAT [MOD:SFV4 S]

GROUP FRAME



POS.	CODE	DESCRIPTION	QTY	START DATE	END DATE	VALIDITY	NOTES
1	595P6522AA	SEAT	1	06/12/2019			
2	77214411AA	SCREW	2	09/11/2017			
3	86610301A	PAD	6	09/11/2017			
4	91374601AR	OWNER'S MANUAL	1			PLT:DB10	ARABIC
	91374601BG	OWNER'S MANUAL	1			PLT:DB10	BULGARIAN
	91374601CA	OWNER'S MANUAL	1			PLT:DB10	CANADA/FRA
	91374601CS	OWNER'S MANUAL	1			PLT:DB10	CZECH REPUBLIC
	91374601DA	OWNER'S MANUAL	1			PLT:DB10	DENMARK
	91374601DE	OWNER'S MANUAL	1			PLT:DB10	GERMAN
	91374601EL	OWNER'S MANUAL	1			PLT:DB10	GREECE
	91374601EN	OWNER'S MANUAL	1			PLT:DB10	ENGLISH
	91374601ES	OWNER'S MANUAL	1			PLT:DB10	SPANISH
	91374601FI	OWNER'S MANUAL	1			PLT:DB10	FINLAND
	91374601FR	OWNER'S MANUAL	1			PLT:DB10	FRENCH
	91374601HR	OWNER'S MANUAL	1			PLT:DB10	CROATIA
	91374601HU	OWNER'S MANUAL	1			PLT:DB10	HUNGARY
	91374601IT	OWNER'S MANUAL	1			PLT:DB10	ITALY
	91374601JA	OWNER'S MANUAL	1			PLT:DB10	JAPAN
	91374601KO	OWNER'S MANUAL	1			PLT:DB10	KOREA
	91374601MX	OWNER'S MANUAL	1			PLT:DB10	MEXICO/ESP
	91374601NL	OWNER'S MANUAL	1			PLT:DB10	HOLLAND
	91374601NO	OWNER'S MANUAL	1			PLT:DB10	NORWAY
	91374601PL	OWNER'S MANUAL	1			PLT:DB10	POLAND
	91374601RO	OWNER'S MANUAL	1			PLT:DB10	ROMANIA
	91374601RU	OWNER'S MANUAL	1			PLT:DB10	RUSSIAN
	91374601SK	OWNER'S MANUAL	1			PLT:DB10	SLOVAK
	91374601SL	OWNER'S MANUAL	1			PLT:DB10	SLOVENIAN
	91374601SV	OWNER'S MANUAL	1			PLT:DB10	SWEDISH
	91374601US	OWNER'S MANUAL	1			PLT:DB10	USA
	91374601ZH	OWNER'S MANUAL	1			PLT:DB10	TRADITIONAL CHINESE
5	86612441A	RUBBER PAD	2	02/10/2019		PLT:DB10	
6	69710151A	4 MM ALLEN WRENCH	1	01/01/2020		PLT:DB10	

DRAWING 32B - PILLION RIDER SEAT [MOD:SFV4 S]

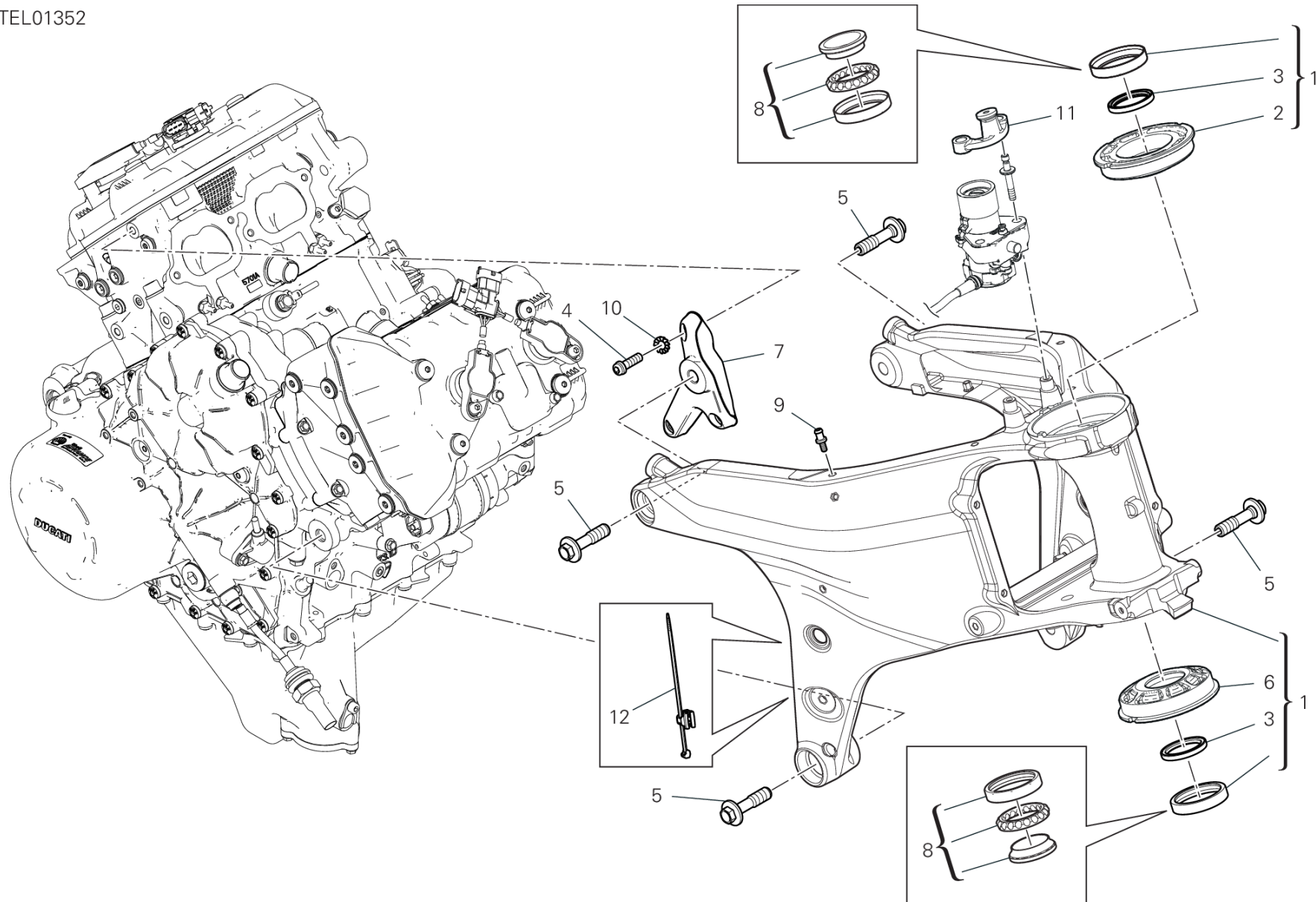
GROUP FRAME



POS.	CODE	DESCRIPTION	QTY	START DATE	END DATE	VALIDITY	NOTES
1	595P6401AB	PILLION RIDER SEAT	1	30/11/2017			
2	86610301A	PAD	6	30/11/2017			
3	86612791A	RUBBER PAD	2	17/12/2017			
4	48222551A	HOLDER	1	09/11/2017			
5	77240253C	SCREW	2	09/11/2017			
6	482P2471AB	COVER FRAME RH RED	1	09/11/2017			
7	4381D261A	ITA FLAG STICKER DUCATI RH	1	12/12/2017			
8	77210861B	SCREW TBEI M5X18	4	09/11/2017			
9	85611401A	WASHER	4	09/11/2017			
10	482P2461AB	COVER FRAME LH RED	1	09/11/2017			
11	4381D251A	ITA FLAG STICKER DUCATI LH	1	12/12/2017			
12	77215101AA	SCREW, SPECIAL	6	09/11/2017			



TEL01352

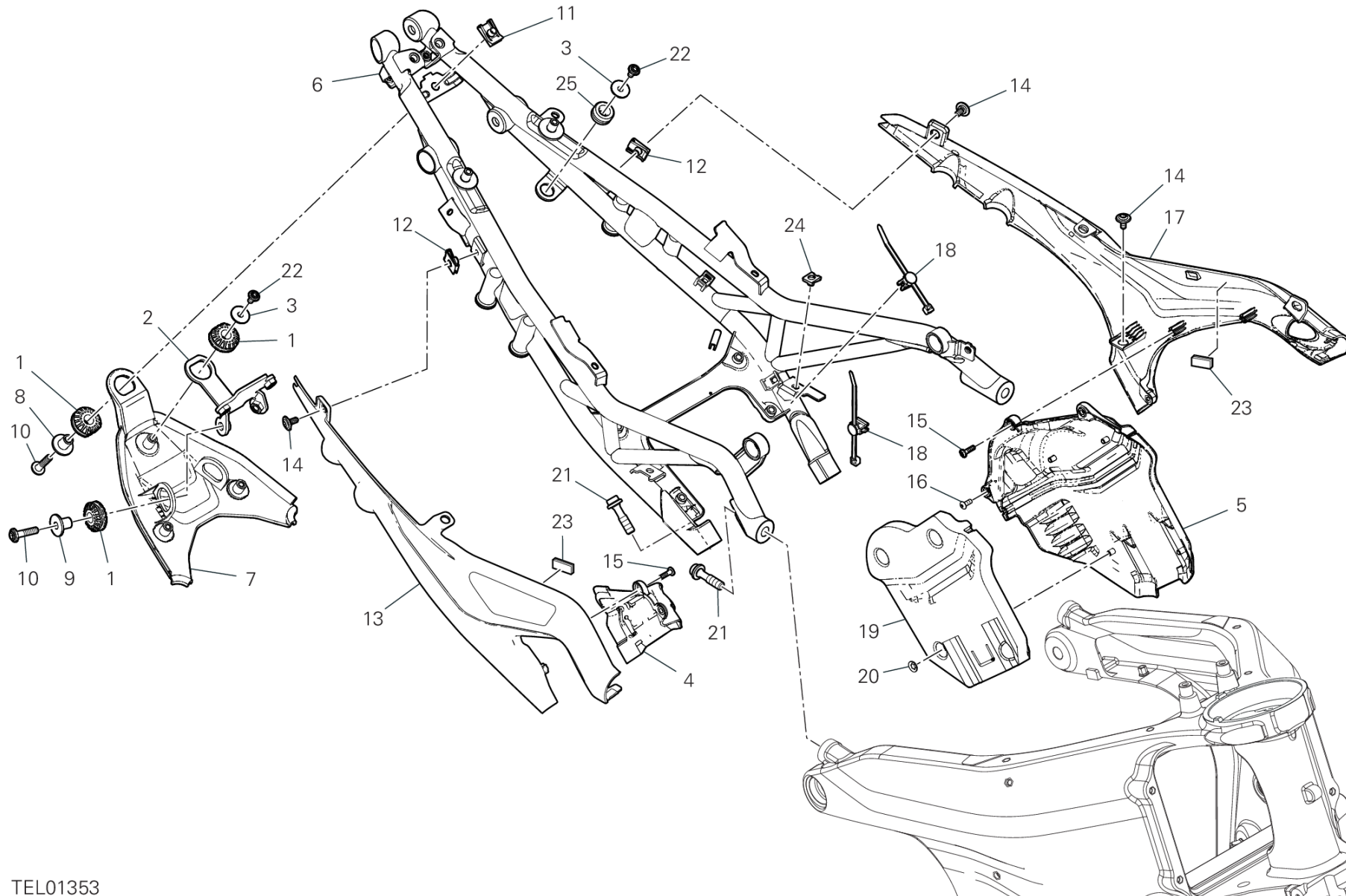


DRAWING 33A - FRAME [MOD:SFV4 S]

GROUP FRAME



POS.	CODE	DESCRIPTION	QTY	START DATE	END DATE	VALIDITY	NOTES
1	47023281AA	FRAME	1	06/12/2019		XST:AUS	
	47028201BB	FRAME	1	05/12/2019		XST:BLG,EUR,GSO,JAP,ROK	
2	75610911AA	BUSH UPPER	1	03/09/2019			
3	93041911A	DUST COVER	2	31/10/2017			
4	7715725BG	SCREW	3	09/11/2017			
5	7791A842AA	SCREW, SPECIAL	4	09/11/2017			
6	75610921AA	BUSH LOWER	1	03/09/2019			
7	8291G921AA	RIGHT HOLDER	1	09/11/2017			
8	70241231A	BEARING, STEERING NTN SF07A17P	2				
9	7791B311AA	SCREW, SPECIAL	2	01/01/2019			
10	85540091A	TOOTHED LOCK WASHER	3	15/10/2018			
11	8301H611AA	BRACKET	1	05/12/2019			
12	75841031A	CLAMP SPECIALE	2	06/03/2020			



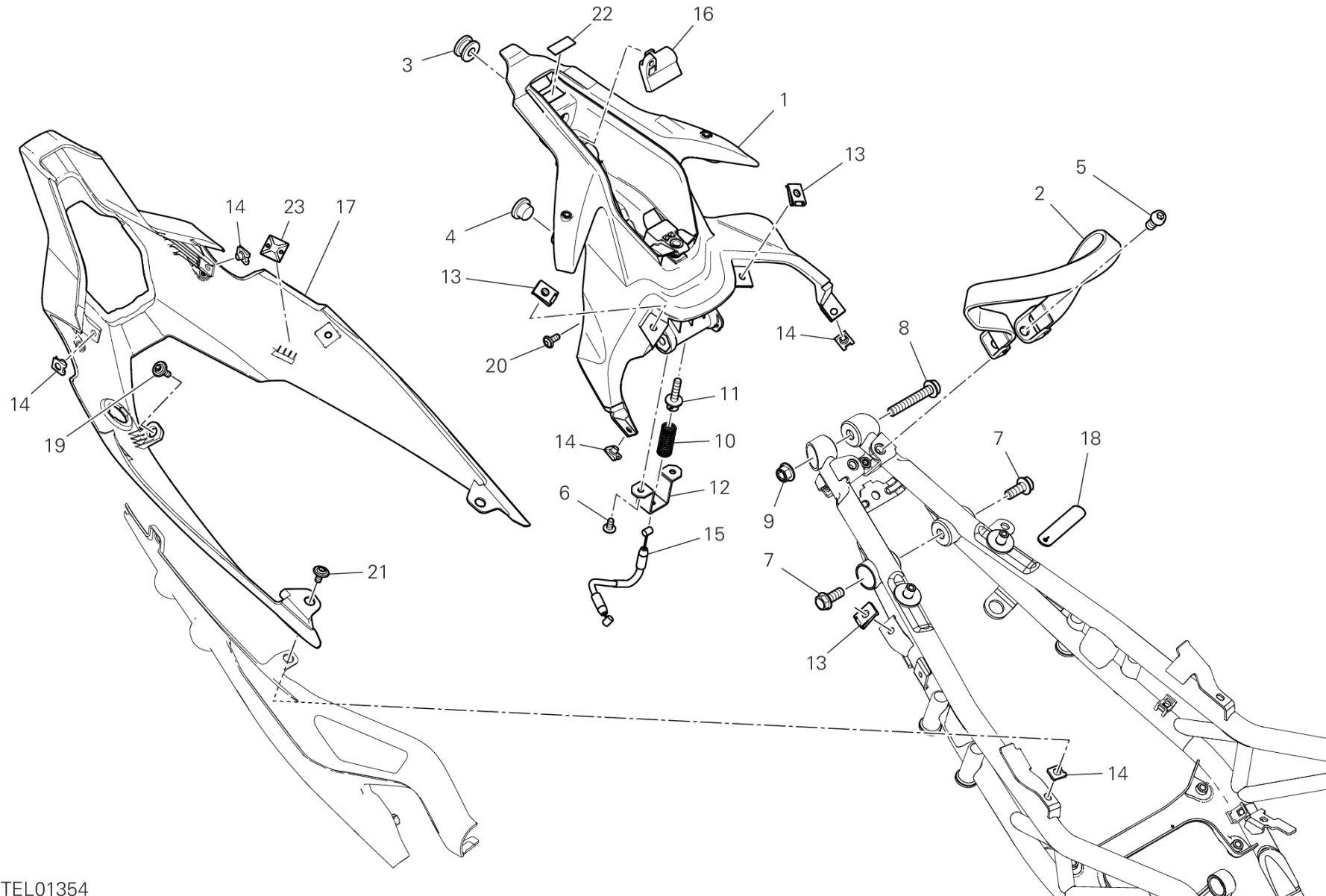
TEL01353

DRAWING 33B - REAR FRAME COMP. [MOD:SFV4 S]

GROUP FRAME



POS.	CODE	DESCRIPTION	QTY	START DATE	END DATE	VALIDITY	NOTES
1	76411641A	SEAT RUBBER	3	05/12/2019			
2	83011231BA	BRACKET	1	06/12/2019			
3	85213111AA	WASHER	2	06/12/2019			
4	4601G561A	CAP RH REAR HEAD	1	24/10/2017			
5	4601I311A	CAP LH REAR HEAD	1	06/12/2019			
6	47018332DA	REAR FRAME COMP.	1	01/01/2019			
7	48216941A	GUARD LOWER	1	06/12/2019			
8	71610061A	SPACER	1	01/01/2020			
9	71615921AA	SPACER	2	18/10/2019			
10	77244373B	SCREW	3	06/12/2019			
11	85040381A	QUICK FASTENING	1	05/12/2019			
12	85040551A	QUICK FASTENING	2	06/12/2019			
13	48216971A	CAP RH	1	01/01/2019			
14	77210861B	SCREW TBEI M5X18	6	23/10/2019			
15	77440251A	SCREW	5	05/12/2019			
16	77550221A	SCREW TBEI M4X10	1	05/12/2019			
17	48216961A	CAP LH	1	01/01/2019			
18	75840771A	FAIRLEAD	2	05/12/2019			
19	48612041B	DAMPER, SOUND ARRESTER LEFT	1	05/12/2019			
20	85040521A	CLIP	4	01/01/2019			
21	7791B321AA	SCREW, SPECIAL	2	05/12/2019			
22	77244163B	SCREW TBEI M5X10 BLACK	3	01/01/2019			
23	8501B151A	DUAL LOCK	2	01/01/2020			
24	85041951AA	QUICK FASTENING	2	05/12/2019			
25	76412101A	RUBBER PAD	2				



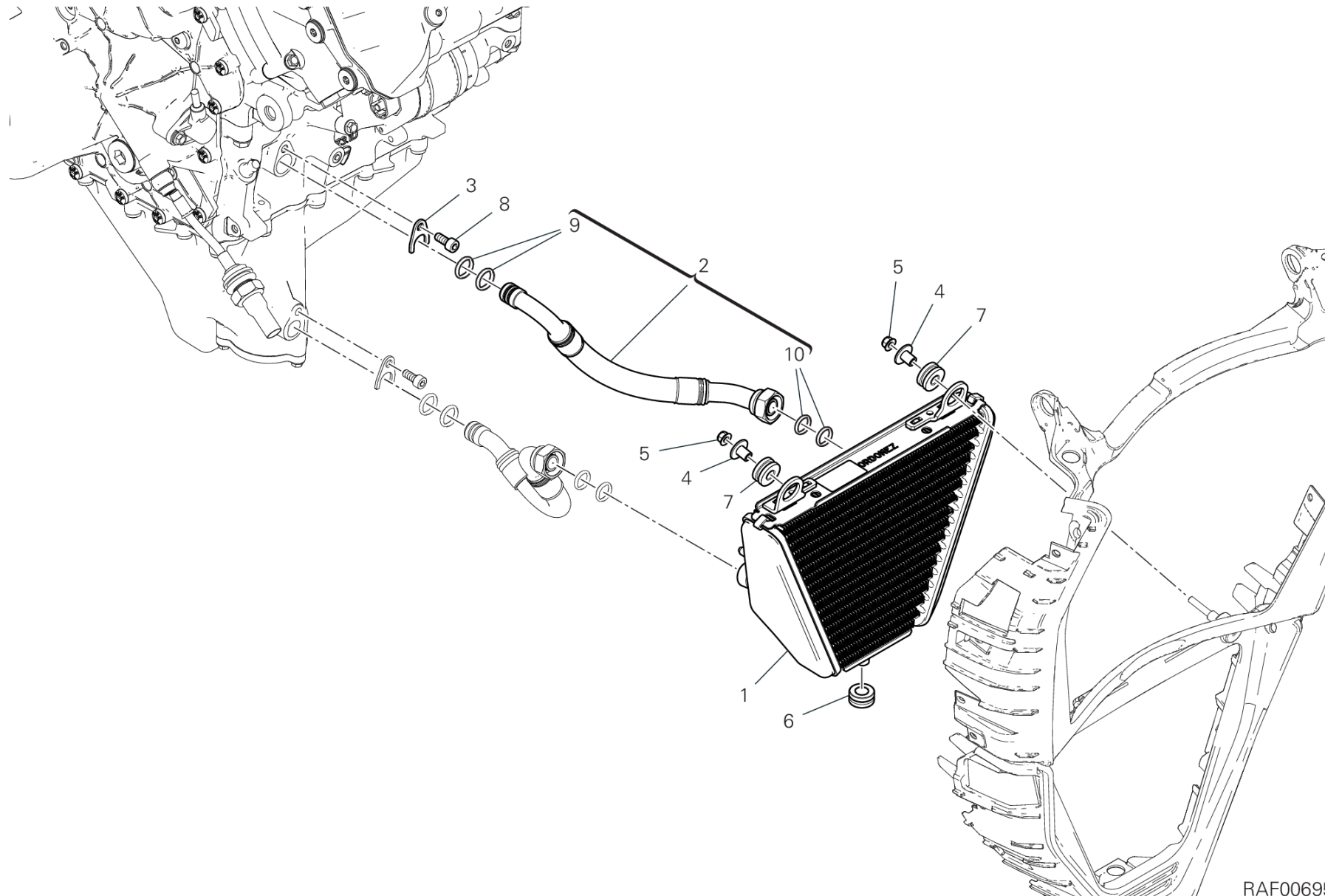
TEL01354

DRAWING 33C - LOCKER [MOD:SFV4 S]

GROUP FRAME



POS.	CODE	DESCRIPTION	QTY	START DATE	END DATE	VALIDITY	NOTES
1	48312054A	LOCKER	1	19/09/2019			
2	59513412A	BELT	1	24/10/2017			
3	76411491A	RUBBER PAD	1	24/10/2017			
4	76414282A	RUBBER PAD	2	07/05/2018			
5	77110212A	SCREW	2	09/11/2017			
6	77240253C	SCREW	2	24/10/2017			
7	77251308B	SCREW	2	24/10/2017			
8	77251388B	SCREW	1	24/10/2017			
9	74941128B	NUT M8	1	09/11/2017			
10	79913021A	SPRING	1	24/10/2017			
11	82115751AA	PIN	1	09/11/2017			
12	82718481AA	BRACKET	1	09/11/2017			
13	85040551A	QUICK FASTENING	4	24/10/2017			
14	85041951AA	QUICK FASTENING	6	09/11/2017			
15	73210651B	CABLE, SEAT LOCK	1	09/11/2017			
16	86612771B	PAD	1	24/10/2017			
17	48216952A	COVER LOWER	1	06/12/2019			
18	74110101A	CLAMP 70MM	1	01/01/2020			
19	77210943B	SCREW, SPECIAL	2	01/01/2020			
20	77211091C	SCREW	2	05/12/2019			
21	77214411BA	SCREW, SPECIAL	2	01/01/2020			
22	86611821A	RUBBER PAD	1	01/01/2020			
23	75841061A	CLAMP	1	12/12/2019			



RAF00695

DRAWING 34A - OIL COOLER [MOD:SFV4 S]

GROUP FRAME

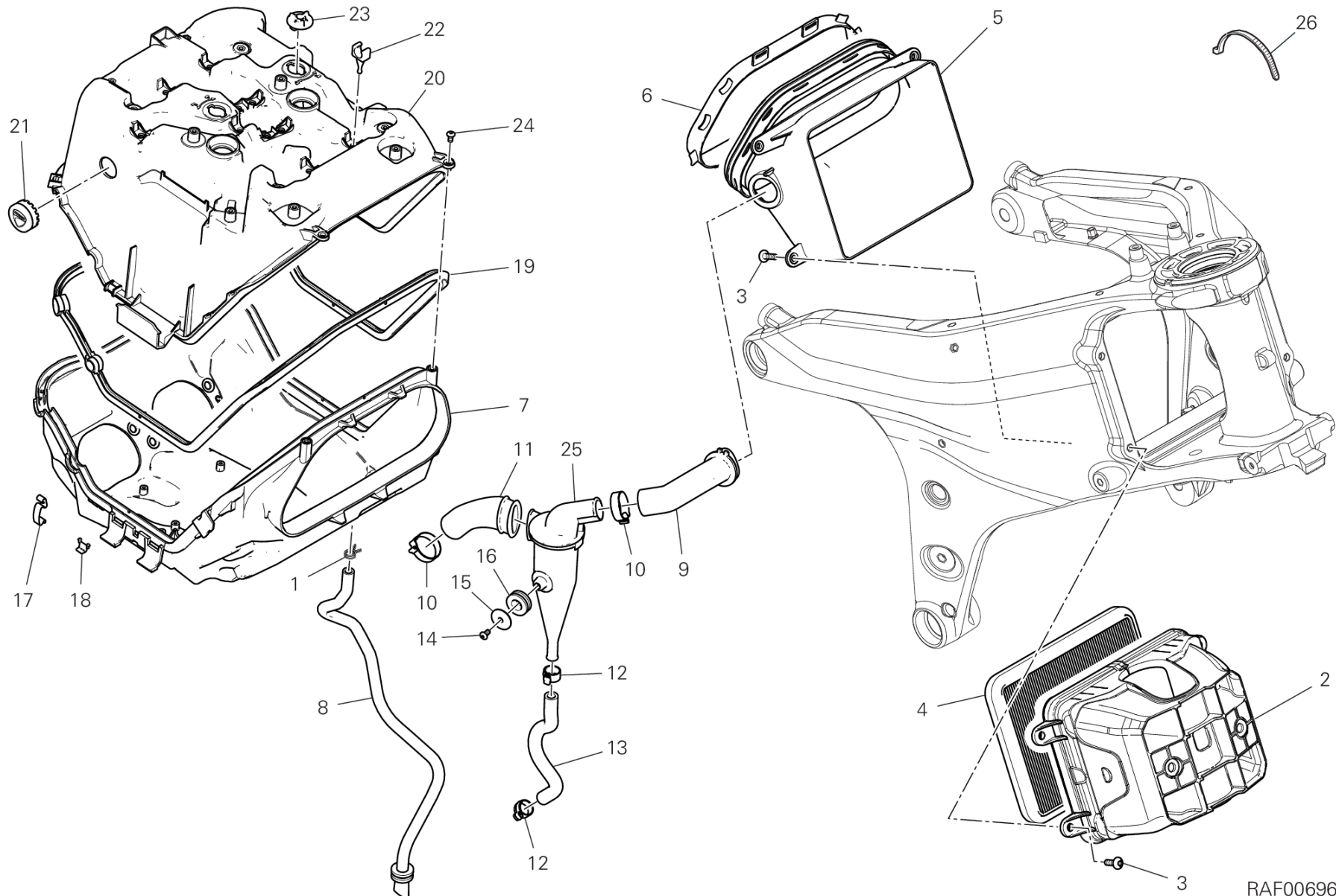


POS.	CODE	DESCRIPTION	QTY	START DATE	END DATE	VALIDITY	NOTES
1	54811364A	OIL COOLER	1	09/11/2017			
2	54911402A	OIL DELIVERY PIPE	1	09/11/2017			
3	82718471AA	PLATE	1	09/11/2017			
4	71615151AA	SPACER	2	18/06/2018			
5	74810351B	NUT	2	10/10/2017			
6	76410901A	RUBBER PAD	1	10/10/2017			
7	76411501A	RUBBER PAD	2	09/11/2017			
8	77116648B	SCREW M6X14	1	11/04/2019			
9	88643141A	O-RING	2				
10	88643121A	O-RING	2				



DRAWING 35A - AIR INTAKE - OIL BREATHER [MOD:SFV4 S]

GROUP FRAME



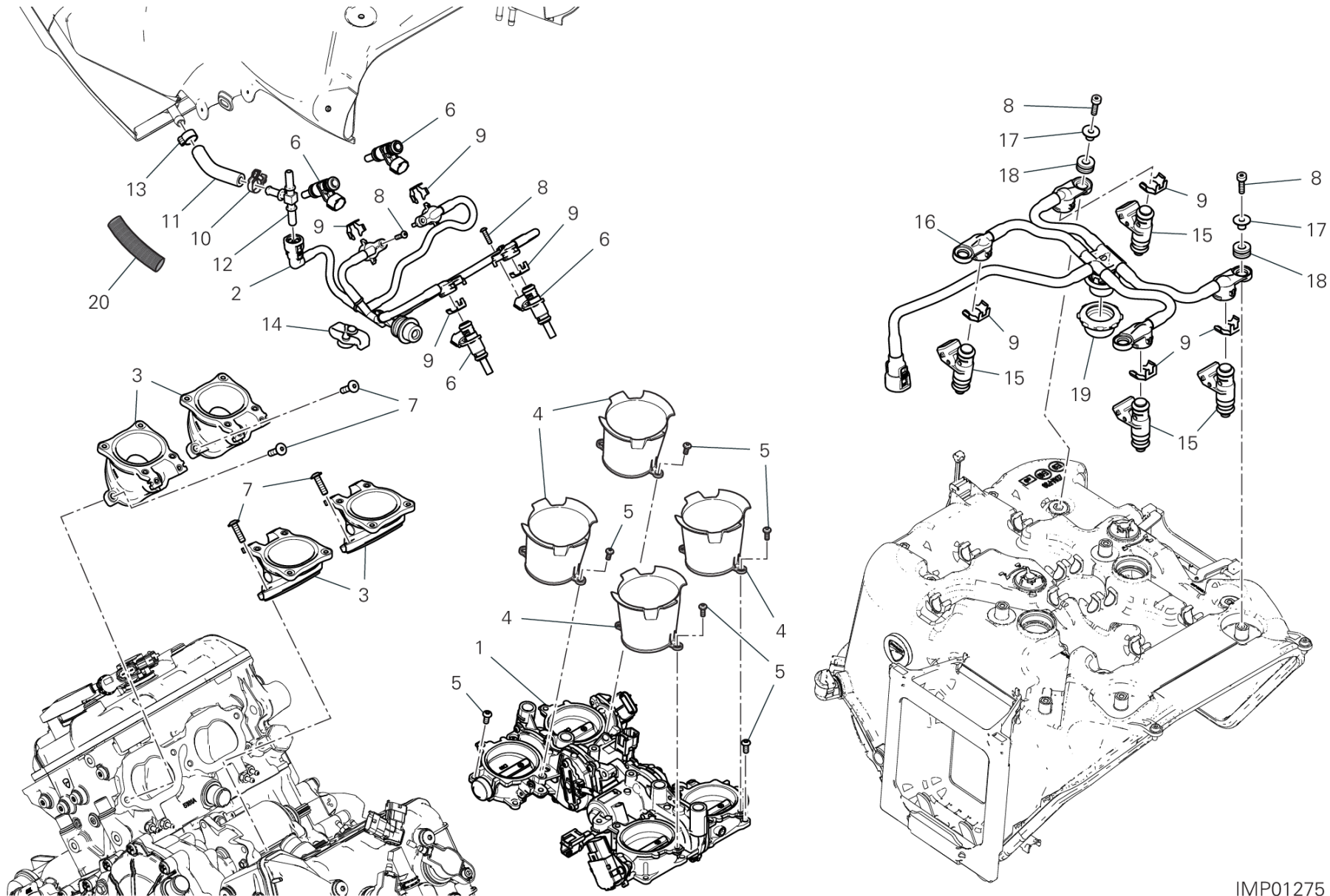
RAF00696

DRAWING 35A - AIR INTAKE - OIL BREATHER [MOD:SFV4 S]

GROUP FRAME



POS.	CODE	DESCRIPTION	QTY	START DATE	END DATE	VALIDITY	NOTES
1	74141721A	CLAMP	1	08/03/2019			
2	48412011AA	DUCT, AIR INLET	1	05/12/2019			
3	77244198B	SCREW	8	31/10/2017			
4	42610672A	FILTER, AIR	1	31/10/2017			
5	48411531A	DUCT, AIR INLET (REAR)	1	31/10/2017			
6	8291H082A	FLANGE	1	31/10/2017			
7	44213201B	COVER AIR BOX , UPPER LOWER	1	09/11/2017			
8	59018512A	HOSE, DRAIN AIRBOX	1	09/11/2017			
9	87611481A	HOSE, BLOW-BY AIRBOX	1	09/11/2017			
10	74142141A	CLAMP	2	09/11/2017			
11	87611472A	HOSE, BLOW-BY MOTORE-CICLONE	1	07/10/2019			
12	74140631A	CLAMP	2	31/10/2017			
13	93310501A	HOSE	1	31/10/2017			
14	77550171A	SCREW TBEI M4X8	1	15/10/2018			
15	85611711AA	WASHER	1	31/10/2017			
16	76411381A	VIBRATION DAMPER PAD	1	31/10/2017			
17	8501A671AA	CLIP	11	09/11/2017			
18	8501A701A	HOLDER	11	09/11/2017			
19	79111241A	GASKET	1	13/07/2017			
20	44213212D	COVER AIR BOX , UPPER	1	06/12/2019			
21	76410621B	RUBBER PAD	1	09/11/2017			
22	86612411A	HOLDER	5	09/11/2017			
23	87211261A	PLUG	2	09/11/2017			
24	77354623B	SCREW M4X10	2	09/11/2017			
25	58511121A	CYCLONE SEPARATOR	1	09/11/2017			
26	069191030	CLAMP	1	05/12/2019			



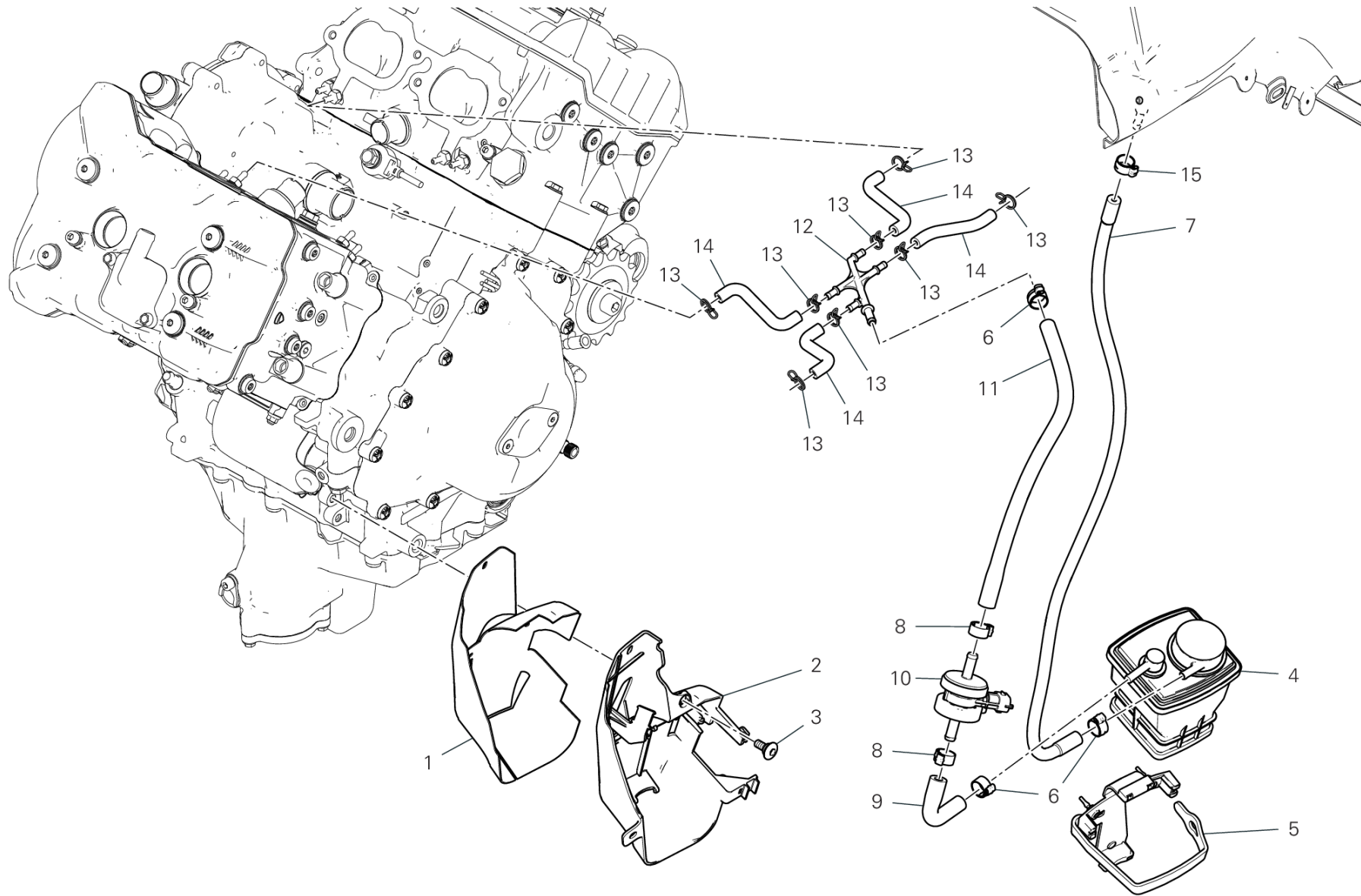
IMP01275

DRAWING 36A - THROTTLE BODY [MOD:SFV4 S]

GROUP FRAME



POS.	CODE	DESCRIPTION	QTY	START DATE	END DATE	VALIDITY	NOTES
1	28221213B	THROTTLE BODY	1	05/12/2019			
2	59024144B	COMPLETE PIPE SET BOTTOM	1	07/05/2018			
3	14010881A	INTAKE MANIFOLD	4	09/11/2017			
4	13510692A	AIR FUNNEL	4	06/12/2019			
5	72050173CF	SCREW	24	09/11/2017			
6	28040461B	INJECTOR	4	09/11/2017			
7	77240453CA	SCREW TBEIF M6X22 10.9	8	09/11/2017			
8	77150208B	SCREW TCEIF M6X14 8.8	8	09/11/2017			
9	85042371A	CLIP	8	09/11/2017			
10	74142121A	CLAMP	1	09/11/2017			
11	59018461C	PIPE	1	09/10/2017			
12	81416301A	THREE-WAYS UNION	1	09/11/2017			
13	74142151A	CLAMP	1	09/11/2017			
14	70011241AA	VIBRATION DAMPER	1	04/04/2019			
15	28040471B	INJECTOR	4	05/12/2019			
16	59024133B	COMPLETE PIPE SET UPPER	1	05/12/2019			
17	71615501AA	SPACER	4	05/12/2019			
18	76411671A	RUBBER PAD	4	05/12/2019			
19	70011231AA	VIBRATION DAMPER	1	05/12/2019			
20	4601H512A	PROTECTION SHEATH	1	05/12/2019			



IMP01098

DRAWING 36B - CANISTER FILTER [MOD:SFV4 S]

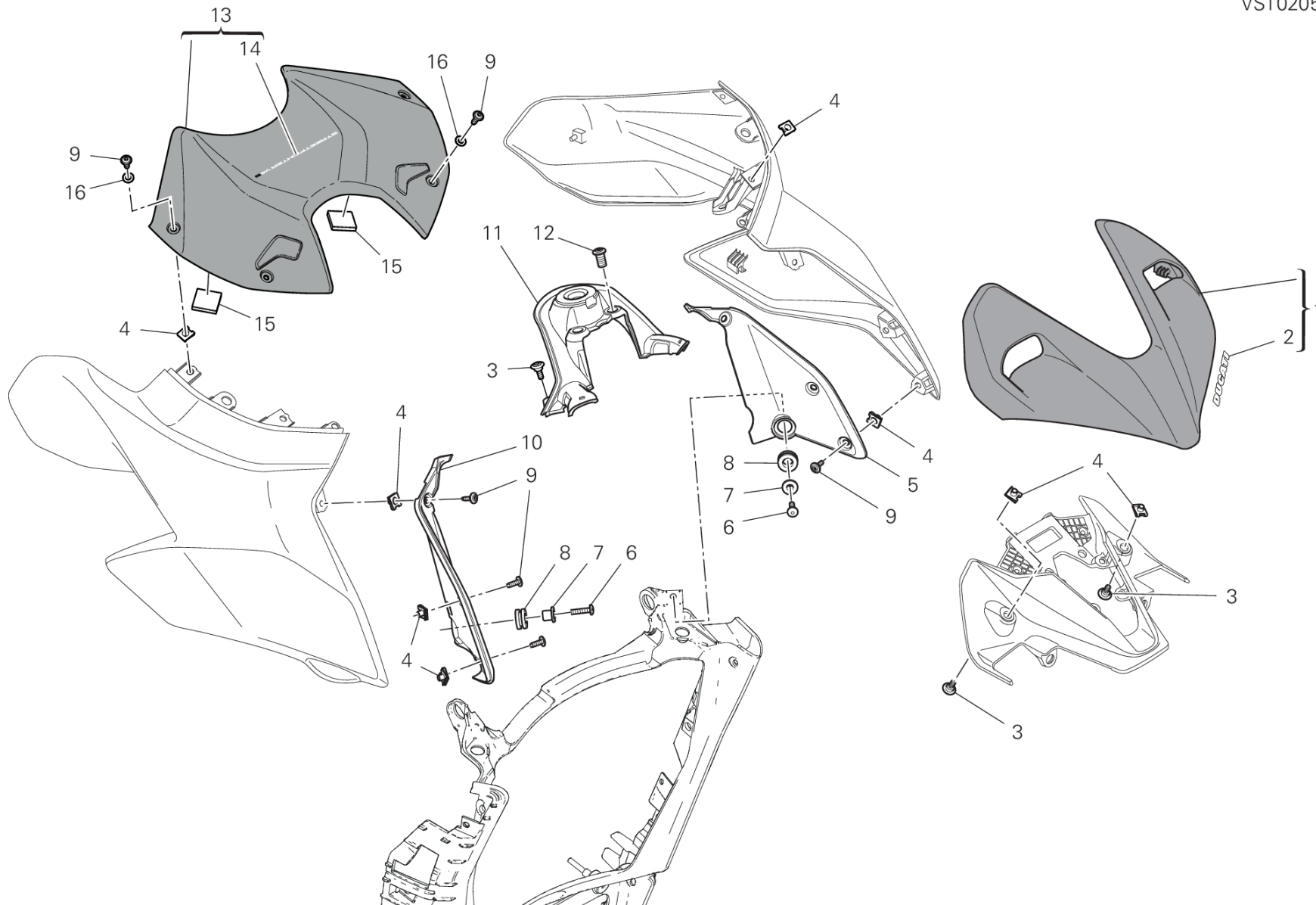
GROUP FRAME



POS.	CODE	DESCRIPTION	QTY	START DATE	END DATE	VALIDITY	NOTES
1	4601F961A	THERMOREFLECTING PROTECTION	1	09/11/2017			
2	8291G771A	BRACKET, CANISTER	1	06/09/2017			
3	77914391C	SCREW	2	09/11/2017			
4	42610681A	HOT AIR PIPE CANISTER	1	06/09/2017			
5	70010751A	VIBRATION DAMPER	1	06/09/2017			
6	74140631A	CLAMP	3	09/11/2017			
7	93510281B	PIPE	1	06/09/2017			
8	74140641A	CLAMP	2	09/11/2017			
9	93510431A	HOSE	1	09/11/2017			
10	65540101A	VALVE, BREATHER	1	06/09/2017			
11	93510441A	HOSE	1	19/04/2017			
12	81416431A	UNION	1	19/04/2017			
13	74140431A	CLAMP	8	19/04/2017			
14	93510401A	HOSE	4	19/04/2017			
15	74141711A	CLAMP 10-7 MM	1	09/11/2017			



VST02059

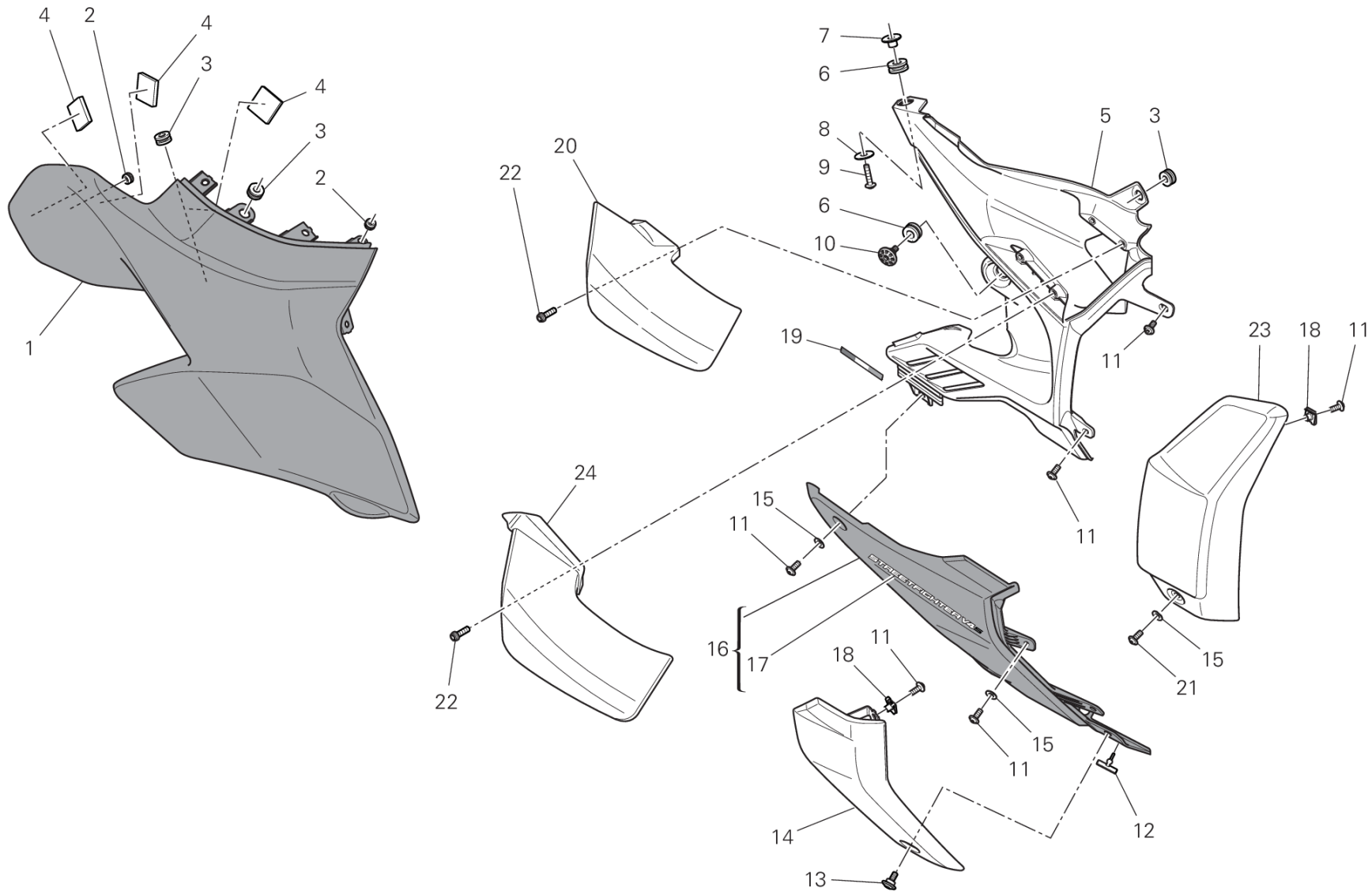


DRAWING 37A - FRONT FAIRING [MOD:SFV4 S]

GROUP FRAME



POS.	CODE	DESCRIPTION	QTY	START DATE	END DATE	VALIDITY	NOTES
1	4801B161AA	COVER HEADLIGHT	1	05/12/2019			
2	4381D171A	STICKER DUCATI	1	18/06/2019			
3	77214411AA	SCREW	4	05/12/2019			
4	85041951AA	QUICK FASTENING	12	09/11/2017			
5	4801A731A	LH INSIDE PANEL	1	06/12/2019			
6	77240303C	SCREW M5X20	2	06/12/2019			
7	71611431A	SPACER 5.5X10X16	2	06/12/2019			
8	76410901A	RUBBER PAD	2	06/12/2019			
9	77211091C	SCREW	10	11/12/2019			
10	4801A742A	RH INSIDE PANEL	1	06/12/2019			
11	4601H321A	COVER, IGNITION SWITCH	1	06/12/2019			
12	75012231AA	SCREW, SPECIAL	2	06/12/2019			
13	4801A621AC	COVER TANK	1	06/12/2019			
14	4381D201AA	TRANSFER STREETFIGHTER V4S	1	24/06/2019			
15	85042242A	DUAL LOCK	2	06/12/2019			
16	85611401A	WASHER	4	06/12/2019			



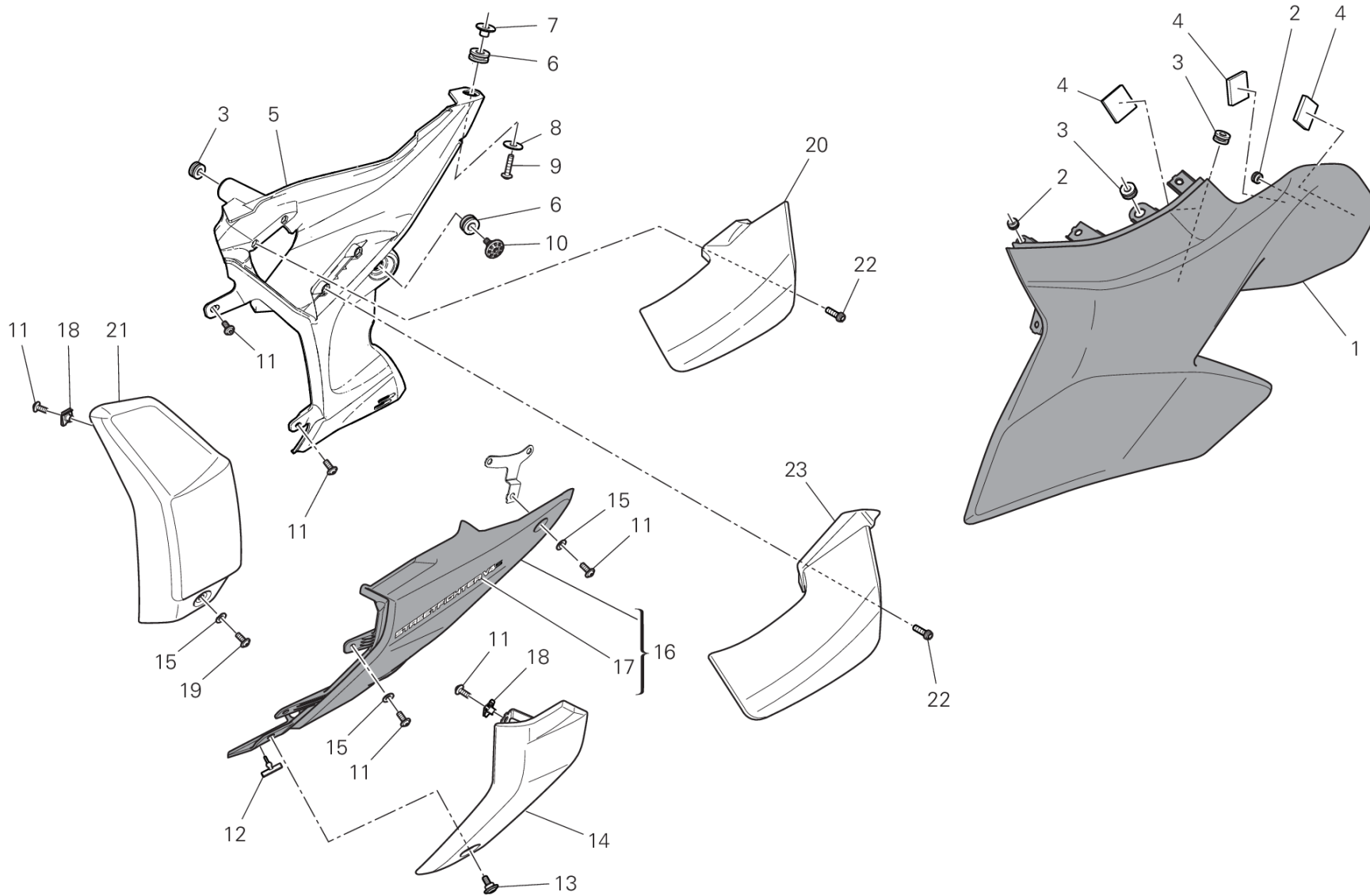
VST02057

DRAWING 37B - RH FAIRING [MOD:SFV4 S]

GROUP FRAME



POS.	CODE	DESCRIPTION	QTY	START DATE	END DATE	VALIDITY	NOTES
1	4801A631AA	CAP R.H. RED	1	06/12/2019			
2	76440561A	RUBBER PAD	2	09/11/2017			
3	76411671A	RUBBER PAD	3	09/11/2017			
4	85042242A	DUAL LOCK	3	09/11/2017			
5	4801A671A	EXTRACTOR RH SIDE BODY PANEL	1	06/12/2019			
6	76410841A	VIBRATION DAMPER PAD	2	06/12/2019			
7	71614252AB	SPACER	1	06/12/2019			
8	85213111AA	WASHER	1	06/12/2019			
9	77244213B	SCREW	1	06/12/2019			
10	7791B901AA	SCREW, SPECIAL	1	06/12/2019			
11	77244173B	SCREW	6	06/12/2019			
12	86610361A	RUBBER PAD	1	11/12/2019			
13	77214411AB	SCREW	1	06/12/2019			
14	4801A711BA	CAP RH OIL COOLER	1	06/12/2019			
15	85611401A	WASHER	5	06/12/2019			
16	4801A651AC	PUSH ROD R.H. RED	1	06/12/2019			
17	4381D181AA	TRANSFER	1	24/06/2019			
18	85041951AA	QUICK FASTENING	4	01/01/2019			
19	43819461A	EMBLEM ITALIAN FLAG	1	06/12/2019			
20	480PB111A	UPPER RH WING	1	04/12/2019			
21	77244178B	SCREW	1	06/12/2019			
22	77156413BA	SCREW	4	20/01/2020			
23	4801A691BA	CAP RH WATER COOLER	1	06/12/2019			
24	480PB121A	LOWER RH WING	1	04/12/2019			



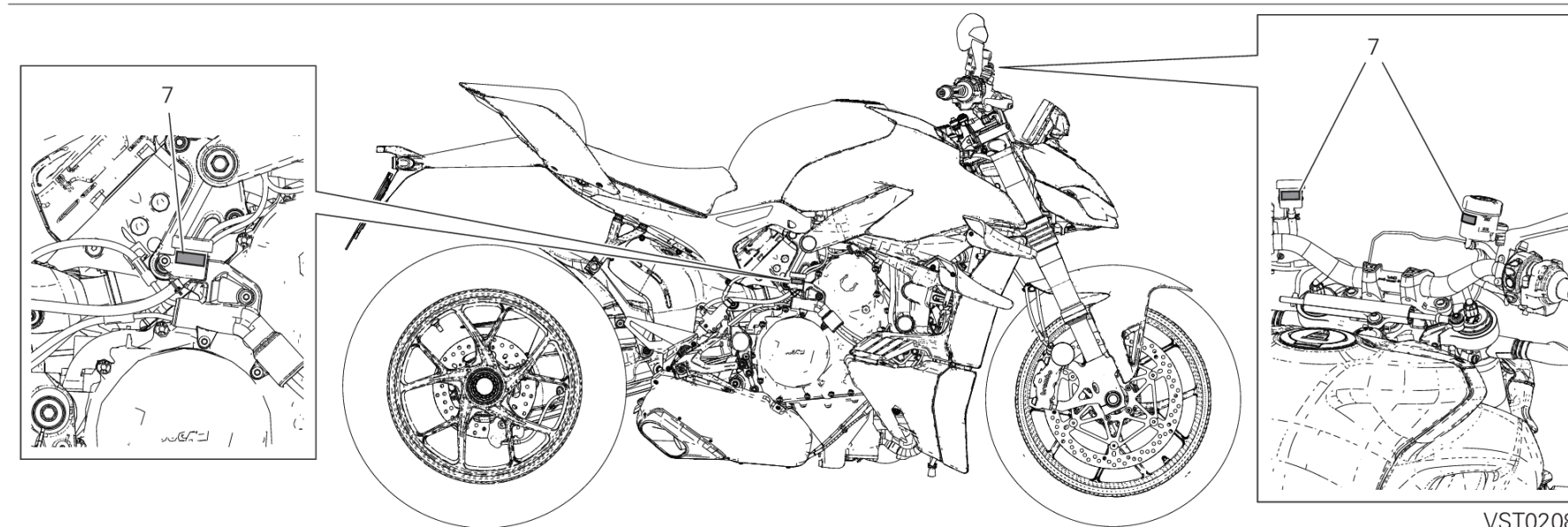
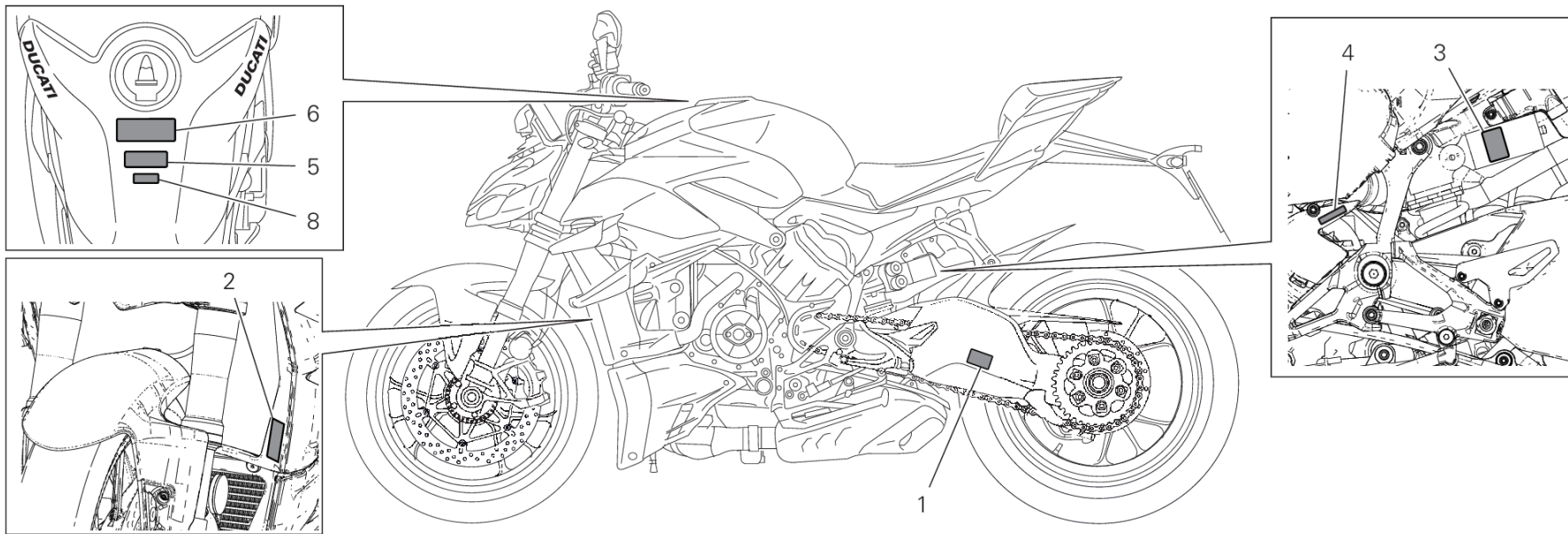
VST02060

DRAWING 37C - LH FAIRING [MOD:SFV4 S]

GROUP FRAME



POS.	CODE	DESCRIPTION	QTY	START DATE	END DATE	VALIDITY	NOTES
1	4801A641AA	CAP L.H. RED	1	06/12/2019			
2	76440561A	RUBBER PAD	2	06/12/2019			
3	76411671A	RUBBER PAD	3	06/12/2019			
4	85042242A	DUAL LOCK	3	06/12/2019			
5	4801A681A	EXTRACTOR LH SIDE BODY PANEL	1	06/12/2019			
6	76410841A	VIBRATION DAMPER PAD	2	06/12/2019			
7	71614252AB	SPACER	1	06/12/2019			
8	85213111AA	WASHER	1	06/12/2019			
9	77244213B	SCREW	1	06/12/2019			
10	7791B901AA	SCREW, SPECIAL	1	06/12/2019			
11	77244173B	SCREW	6	10/12/2019			
12	86610361A	RUBBER PAD	1	11/12/2019			
13	77214411AB	SCREW	1	06/12/2019			
14	4801A721BA	CAP LH OIL COOLER	1	06/12/2019			
15	85611401A	WASHER	5	06/12/2019			
16	4801A661AC	PUSH ROD L.H. RED	1	06/12/2019			
17	4381D181AA	TRANSFER	1	01/01/2019			
18	85041951AA	QUICK FASTENING	4	06/12/2019			
19	77244178B	SCREW	1	06/12/2019			
20	480PB131A	UPPER LH WING	1	04/12/2019			
21	4801A701BA	CAP LH WATER COOLER	1	06/12/2019			
22	77156413BA	SCREW	4	20/01/2020			
23	480PB141A	LOWER LH WING	1	04/12/2019			



VST02080

DRAWING 38A - POSITIONING PLATES [MOD:SFV4 S;XST:JAP]

GROUP FRAME



POS.	CODE	DESCRIPTION	QTY	START DATE	END DATE	VALIDITY	NOTES
1	43314871A	TIRE SIZE AND PRESSURE PLATE	1	13/12/2017			
2	43312531A	WATER RADIATOR PLATE	1	13/12/2017			
3	43312561A	REAR SHOCK ABSORBER PLATE	1	13/12/2017			
4	43312551A	GEAR SEQUENCE PLATE	1	13/12/2017			
5	43310051B	TANK "WARNING" PLATE	1	13/12/2017			
6	43310051C	TARGHETTA IMPORTANTE SERBATOIO	1	13/12/2017			
7	43910071A	CLUTCH-BRAKE MASTER CYLINDER PLATE	3	13/12/2017			
8	43217911Z	TANK "WARNING" PLATE	1	24/01/2020			



CODE	NO. TABLE	POS.	CODE	NO. TABLE	POS.	CODE	NO. TABLE	POS.	CODE	NO. TABLE	POS.
069191030	13C	6	15621142AB	05A	4	20910791A	12D	24	342P1041AA	18A	2
069191030	20C	22	15621142AC	05A	4	21011193A	12C	8	34421131A	18B	1
069191030	25B	21	15621142AD	05A	4	21011193A	12D	8	34521131A	18B	2
069191030	31B	24	16015522B	11A	1	21111191A	12C	7	34921321A	18B	6
069191030	35A	26	16016861AA	29B	11	21111191A	12D	7	34921791A	18B	4
11210942AA	09B	1	16024371A	30A	26	22032083A	04A	8	34921801A	18B	5
11210942AB	09B	1	17011661A	03B	22	225P0011E	09A	1	36015883BA	22A	1
11210942AC	09B	1	17021621A	03B	2	24211142AH	04B	3	36015891AA	18A	24
11210942AD	09B	1	17112211A	12A	7	24311612AH	04A	18	36015891AA	18A	24
11210942AE	09B	1	17112211A	12B	7	24715791A	12A	30	36015901AA	18A	21
11210952AA	09B	2	17112221B	12A	3	24715791A	12B	30	36015901AA	18A	21
11210952AB	09B	2	17112221B	12B	8	24715873AH	12B	21	36015911AA	18A	22
11210952AC	09B	2	17215581B	03A	3	24715882AH	12A	21	36015911AA	18A	22
11210952AD	09B	2	17215591B	03A	4	24716131AA	26B	14	36140161A	22A	7
11210952AE	09B	2	17215601B	03A	5	24716141AA	26A	25	36420193A	18A	3
11210961AA	05A	1	17215611A	03A	6	24716721A	13E	3	36420193A	18A	3
11210961AB	05A	1	17215621A	03A	7	24716732A	15A	1	36521922A	23A	1
11210961AC	05A	1	17215631B	03A	8	24735581AH	04B	6	36911292AA	19A	1
11210961AD	05A	1	17215641B	03A	9	247P5862A	04C	4	36911292AA	19A	1
11210961AE	05A	1	17215651B	03A	10	24920512F	10A	2	36911302AA	19A	2
11210961AF	05A	1	17215661B	03A	11	24920603A	08A	10	36911302AA	19A	2
11210961AG	05A	1	17215671A	03A	12	25110101A	10A	7	37022371AA	19A	3
11711252AA	16A	6	17310411A	11A	6	25210191AH	04C	1	37022371AA	19A	3
11711771A	03B	1	17410851C	10A	1	25440013A	09A	15	37211971BA	23A	10
11711831AA	26B	13	17610281A	11A	7	26420572C	11A	14	37211983AA	23A	9
11712011AA	26A	9	18010472A	02A	1	27040193A	11A	8	38010211D	12A	25
12113712A	06A	3	18010482A	02A	2	28040461B	36A	6	38010211D	12B	25
12113721A	06A	4	18010492A	02A	3	28040471B	36A	15	38511153A	13D	11
12120772A	06A	1	18120071A	02A	4	28221213B	36A	1	38540092A	13E	6
12222331C	06A	2	18220381B	02A	12	28620441B	01A	6	38540113A	13D	6
13510692A	36A	4	182P0011A	02A	11	28643381A	13D	1	38940191A	13C	13
14010881A	36A	3	18410152AA	26B	11	28643381E	13D	1	38940201A	13C	13
14622411CA	05A	2	18710021A	22B	3	28643381O	13D	1	38940211A	13C	13
14622411CB	05A	2	19020361D	03B	3	30125701BR	12D	1	38940221A	13C	13
14622411CC	05A	2	19410511A	03B	4	30125711BR	12C	1	38940241A	13C	13
14622411CD	05A	2	19540091C	22B	24	303A0741A	12C	2	38940251A	13D	20
14815552A	12B	4	19610711A	03B	5	303A0741A	12D	2	38940261A	13C	13
14815562A	12B	3	19610721A	03B	6	304A1091A	12C	3	39740081B	13D	22
14815572A	12A	4	19820501A	03B	7	304A1091A	12D	3	40611782B	15A	2
14815582A	12A	8	20810461A	12C	20	304A1101A	12C	4	42610672A	35A	4
14911351C	03A	1	20810461A	12D	20	304A1101A	12D	4	42610681A	36B	4
14911372A	03A	2	20910781A	12C	25	34111593AA	18A	1	42710241A	09B	3
15310131A	22A	3	20910781A	12D	25	34111593AA	18A	1	43217911Z	38A	8
15621142AA	05A	4	20910791A	12C	24	342P1041AA	18A	2	43310051B	38A	5



CODE	NO. TABLE	POS.	CODE	NO. TABLE	POS.	CODE	NO. TABLE	POS.	CODE	NO. TABLE	POS.
43310051C	38A	6	4601F461A	31B	23	4801B231A	14A	1	490P0044A	H	2
43312502C	04A	32	4601F472A	11A	15	4801B421A	14A	2	490P0248A	A	20
43312531A	38A	2	4601F481A	20C	25	480PB111A	37B	20	490P0248A	H	1
43312551A	38A	4	4601F961A	36B	1	480PB121A	37B	24	490P0297A	A	21
43312561A	38A	3	4601G351B	31B	2	480PB131A	37C	20	490P0297A	I	1
43314831A	19A	19	4601G461A	31B	3	480PB141A	37C	23	490P0298A	A	22
43314831A	19A	19	4601G561A	33B	4	48216941A	33B	7	490P0298A	I	2
43314831B	19A	19	4601G582A	17A	2	48216952A	33C	17	49141581A	A	2
43314851A	18A	38	4601H171A	20C	5	48216961A	33B	17	49141581A	B	2
43314871A	38A	1	4601H321A	37A	11	48216971A	33B	13	491P0015A	A	8
43814551A	28A	15	4601H512A	36A	20	48222551A	32B	4	491P0015A	D	4
43814551A	29A	7	4601I001AA	18A	4	482P2461AB	32B	10	491P0016A	A	9
43819461A	37B	19	4601I001AA	18A	4	482P2471AB	32B	6	491P0016A	D	5
4381C651A	30A	2	4601I311A	33B	5	48312054A	33C	1	491P0017A	A	10
4381D171A	37A	2	4601I521A	31B	20	48411531A	35A	5	491P0017A	D	6
4381D181AA	37B	17	46026981AA	31A	2	48411672B	25A	1	491P0018A	A	11
4381D181AA	37C	17	4602I011AA	31A	3	48412011AA	35A	2	491P0018A	D	7
4381D201AA	37A	14	46110553A	31A	4	48611271A	31A	23	491P0041A	A	16
4381D251A	32B	11	46110563A	31A	5	48611281A	31A	22	491P0041A	G	3
4381D261A	32B	7	46110572B	31B	4	48612041B	33B	19	491P0042A	A	17
43910071A	38A	7	46110581C	31B	5	48612261A	04A	3	491P0042A	G	4
44213201B	35A	7	46210021A	22A	13	48612271A	04A	34	491P0043A	A	18
44213212D	35A	20	46320226A	30A	5	48612281A	04A	38	491P0043A	G	5
44440312B	04C	2	46410531B	26B	18	48612291A	04A	33	491P0043A	A	23
44610531AA	19A	21	46410541B	26A	22	48810093AA	31A	18	491P0339A	I	3
44711961A	19A	11	46410982AA	26C	1	49041071A	A	1	491P0340A	A	24
44711961A	19A	11	46410992AA	26C	10	49041071A	B	1	491P0340A	I	4
44712181A	19A	10	47018332DA	33B	6	49041081A	A	3	491P0341A	A	25
44712181A	19A	10	47023281AA	33A	1	49041081A	C	1	491P0341A	I	5
44712272A	19A	15	47028201BB	33A	1	490P0002A	A	5	491P0342A	A	26
44712381A	19A	15	4801A621AC	37A	13	490P0002A	D	1	491P0342A	I	6
44740112A	07A	1	4801A631AA	37B	1	490P0003A	A	6	491P0348A	A	4
44740122A	07A	2	4801A641AA	37C	1	490P0003A	D	2	491P0348A	C	2
44910732B	03B	14	4801A651AC	37B	16	490P0004A	A	7	49210061A	29B	2
44910741A	08A	8	4801A661AC	37C	16	490P0004A	D	3	49240891A	28A	10
44910841B	17A	1	4801A671A	37B	5	490P0019A	A	12	49240901A	28A	4
45140021C	07A	3	4801A681A	37C	5	490P0019A	E	1	49412041AA	29B	12
45520172A	09A	16	4801A691BA	37B	23	490P0022A	A	13	49720012A	28A	9
45612422AA	26A	5	4801A701BA	37C	21	490P0022A	F	1	49720031A	29A	2
45613411AA	26A	13	4801A711BA	37B	14	490P0029A	A	14	50121671AB	28A	1
45710991BA	26B	3	4801A721BA	37C	14	490P0029A	G	1	50222121AB	29A	1
46016762A	17A	9	4801A731A	37A	5	490P0030A	A	15	50410051A	28A	11
4601F402A	31B	1	4801A742A	37A	10	490P0030A	G	2	50410091A	29B	4
4601F451A	31B	25	4801B161AA	37A	1	490P0044A	A	19	50410271B	05A	6



CODE	NO. TABLE	POS.	CODE	NO. TABLE	POS.	CODE	NO. TABLE	POS.	CODE	NO. TABLE	POS.
5101C401E	13C	1	55242631A	25B	9	61041971A	20B	7	67040511A	13B	5
5101D701F	13C	9	55243181A	09A	17	61041981A	20B	9	67621191A	17A	15
5101D712E	13A	1	55243731B	13B	7	61041991A	22B	27	67641141A	08A	7
5101E422A	13C	5	55243931A	02A	13	61140412A	20D	11	67641661A	17A	3
5101H231B	13C	2	55243941A	09B	4	61240052A	20B	2	67740033A	17A	14
51310821A	13D	27	55320161A	25B	11	61240052A	22B	4	68050101A	03A	32
51410831C	13D	29	55621111AA	16A	1	61240081A	20D	12	69610121A	26C	2
51410841D	13D	28	56113381AA	21A	14	61240161A	20D	13	69710151A	32A	6
51610051F	13E	1	56113392A	21A	9	61240201A	20B	5	69926441A	30A	27
51840051B	13F	2	56113392A	21A	9	61240371A	20B	10	69926761A	13D	26
52010521B	14A	3	56113504B	21A	4	61240391A	20A	3	69928751A	30A	21
52310541A	22A	11	56113511A	21A	5	61240391A	22B	23	70010571A	29B	10
52310551A	22A	12	56116361A	21A	4	61340381A	20D	14	70010751A	36B	5
52510601D	14B	1	56116371A	21A	5	61341341A	20B	8	70011061A	13D	10
52510611A	21A	6	56416632AK	24A	1	61811431A	20C	11	70011071A	13D	2
52510611A	21A	6	56511231A	27A	1	61811441A	20C	14	70011081A	13D	7
52910231A	21A	11	57014865B	31A	6	61841411A	20B	12	70011151A	18A	28
52910231A	21A	11	57014873C	31B	6	61911261A	20C	16	70011151A	18A	28
52910261A	20B	18	57414702A	31A	1	61911271A	20C	15	70011231AA	36A	19
53010321A	14A	6	57610981AA	31A	12	62441331A	20A	1	70011241AA	36A	14
53010322B	14B	2	57610991AA	31A	11	62540311C	20D	10	70011281A	14A	5
53010331A	14A	7	58511121A	35A	25	62640561A	20A	7	70140111B	09A	19
53010332B	14B	3	58511252A	25A	14	62640561A	22B	20	70140171A	19A	4
53910371B	22B	22	58540341A	20A	15	62640881A	20A	8	70140171A	19A	4
53910421C	26B	24	58540351A	20D	4	62640891A	22B	18	70140311A	03A	13
53940302A	04A	12	58540351A	22B	12	63040921A	22B	1	70140321A	03A	14
53940601A	16A	11	58613021AA	30A	1	63140081A	20A	6	70140331A	03A	15
53940651A	16A	5	59014562A	13B	1	63140081A	22B	21	70140471A	11A	2
53940801A	20A	5	59014572A	13B	2	63140161A	20D	15	70240081A	19A	5
54040331A	13D	18	59014582A	13B	3	63140281A	20A	11	70240081A	19A	5
54140151A	13C	3	59014592A	13B	4	63140281A	22B	19	70241191A	19A	6
54240891A	20C	1	59018461C	36A	11	63140601A	20A	2	70241191A	19A	6
54811364A	34A	1	59018512A	35A	8	63140631A	22B	2	70241191A	23A	6
54812531A	25A	19	59018851A	30A	18	63211071A	22B	6	70241231A	18A	5
54911402A	34A	2	59024133B	36A	16	65010361A	22A	8	70241231A	18A	5
54911412A	04C	10	59024144B	36A	2	65110301B	22A	10	70241231A	33A	8
55020321A	25A	24	59340621A	13E	8	65220331A	13F	5	70241761A	03A	25
55020331A	25A	20	59513412A	33C	2	65540081A	13B	20	70241781A	03A	26
55212111B	13F	11	595P6401AB	32B	1	65540101A	36B	10	70241801A	09A	20
55215021A	31A	19	595P6522AA	32A	1	66020102B	22A	6	70241901C	09A	21
55215021A	31B	26	59810341A	13F	3	66810581B	09A	18	70250411A	02A	14
5521A291C	26A	8	59820611A	13E	14	66810591A	04A	23	70250451A	28A	7
55240121A	14A	4	59822321A	13F	1	66810591A	12C	37	70250601A	03B	8
55241321C	04A	13	59840291A	13F	4	66810591A	12D	37	70250801A	11A	9



CODE	NO. TABLE	POS.	CODE	NO. TABLE	POS.	CODE	NO. TABLE	POS.	CODE	NO. TABLE	POS.
70310931AA	18A	6	7131C881BA	30A	25	735034405	09B	7	74810361A	31A	7
70310931AA	18A	6	7131C961A	30A	6	73840051A	07A	4	74810361A	31B	7
71011071A	22A	4	7131D661AA	18A	35	73840061A	07A	5	74810461A	29B	9
71012021B	03A	28	7131D661AA	18A	35	74110101A	33C	18	74810651A	28A	14
71012111AA	16A	8	713P0011C	03A	31	74110121A	13C	10	74811021B	05A	7
710P0021A	03A	27	71411352AA	29A	6	74110121A	26A	27	74811021B	11A	3
71111301A	22A	5	71413261AA	28A	3	74110131A	13C	11	74840241AB	18A	30
71112191A	09A	2	71413271AA	28A	12	74110131A	31B	9	74840241AB	18A	30
71113171A	09B	6	71413291A	28A	8	74110551A	13C	7	74840241AB	23A	11
71113741A	12A	13	71413531AA	29B	13	74110551A	25A	6	74840341B	16A	4
71113741A	12B	13	71610031A	20C	7	74110551A	30A	29	74840481B	09A	5
71115051E	09A	22	71610061A	33B	8	74140331A	20C	17	74841091AA	13E	9
71116941A	09B	17	71610111AB	26A	7	74140381A	13C	8	74841101AA	14A	10
71210341A	26A	17	71611071B	15A	3	74140381A	16A	13	74941113B	20B	16
71210341A	26B	7	71611431A	37A	7	74140431A	20A	16	74941128B	33C	9
71210631A	03A	16	71611571C	02A	5	74140431A	20D	6	74941511AB	23A	4
71240331A	03B	15	71611581C	02A	6	74140431A	22B	14	74950011B	21A	13
71313091A	03B	9	71611661AA	16A	3	74140431A	25A	16	74950011B	21A	13
71313641A	20B	1	71611671AA	25A	7	74140431A	30A	19	75010072E	03B	16
71314703A	14A	8	71611741AA	26B	20	74140431A	36B	13	75011211A	13A	3
71314703A	14B	4	71614011B	24A	2	74140631A	35A	12	75011551A	13E	13
71314901A	13F	12	71614252AB	37B	7	74140631A	36B	6	75011921A	20A	18
71316011B	03B	10	71614252AB	37C	7	74140641A	36B	8	75011921A	22B	13
71316102A	11A	13	71615151AA	25A	12	74141671A	25B	22	75012072AA	29A	4
71316161A	22A	9	71615151AA	34A	4	74141711A	13B	6	75012072AA	29B	7
71319201A	13F	12	71615501AA	13B	12	74141711A	36B	15	75012231AA	37A	12
71319452AA	19A	16	71615501AA	36A	17	74141721A	25A	31	75610911AA	33A	2
71319452AA	19A	16	71615551AA	31A	15	74141721A	35A	1	75610921AA	33A	6
71319961CA	18A	8	71615691AA	17A	10	74141851A	25B	1	75620131A	29B	15
71319961CA	18A	8	71615691AA	21A	1	74141861A	25B	13	75810681A	20C	21
7131C211A	12C	27	71615691AA	21A	1	74141881A	25B	12	75811591A	20C	19
7131C211A	12D	27	71615921AA	33B	9	74142121A	36A	10	75840281A	13E	10
7131C221A	12C	32	71615941AA	15A	4	74142141A	35A	10	75840601A	13F	8
7131C221A	12D	32	71615971AA	14A	9	74142151A	36A	13	75840771A	26B	25
7131C231A	12C	21	71850253C	30A	13	74142371A	13B	22	75840771A	33B	18
7131C231A	12D	21	71950370CF	04B	1	74142441A	11A	12	75840801A	13B	16
7131C241A	12C	29	72050159EA	29B	5	74142591A	25B	10	75840801A	13C	12
7131C241A	12D	29	72050173C	18A	36	74710151B	09A	23	75840801A	13E	5
7131C691A	19A	20	72050173C	18A	36	74750031A	18A	9	75840901A	21A	14
7131C691A	19A	20	72050173CF	36A	5	74750031A	18A	9	75840901A	21A	15
7131C691A	23A	5	72050313C	20D	2	74750031A	26A	10	75841031A	33A	12
7131C701A	23A	8	73210651B	33C	15	74750031A	26B	4	75841051A	20C	23
7131C821AA	19A	7	73210665A	13E	11	74810351B	20B	19	75841061A	33C	23
7131C821AA	19A	7	73210672A	13E	12	74810351B	34A	5	75841071A	04A	40



CODE	NO. TABLE	POS.	CODE	NO. TABLE	POS.	CODE	NO. TABLE	POS.	CODE	NO. TABLE	POS.
75910222A	29A	3	76414381A	26B	21	77156683B	17A	6	77214411AA	32A	2
75910222A	29B	6	76440091B	12C	36	77156688B	18A	11	77214411AA	37A	3
75910391A	25B	20	76440091B	12D	36	77156688B	18A	11	77214411AB	37B	13
76410112A	26A	14	76440561A	14A	13	77156718B	22B	25	77214411AB	37C	13
76410241A	15A	5	76440561A	17A	4	77156723B	17A	7	77214411BA	14A	17
76410621B	35A	21	76440561A	30A	28	77157238B	20D	20	77214411BA	27A	2
76410641A	18A	34	76440561A	37B	2	77157248B	19A	18	77214411BA	33C	21
76410641A	18A	34	76440561A	37C	2	77157248B	19A	18	77215101AA	32B	12
76410641B	20C	8	76440581A	04A	31	77157248B	26A	15	77240253C	31B	13
76410841A	37B	6	76611231A	09A	7	77157248B	26B	2	77240253C	32B	5
76410841A	37C	6	76640381A	12A	12	77157248B	26C	6	77240253C	33C	6
76410901A	13D	23	76640381A	12B	12	77157253B	18A	12	77240303C	37A	6
76410901A	25A	4	77110191A	26A	4	77157253B	18A	12	77240323C	13B	21
76410901A	34A	6	77110212A	33C	5	7715725BG	33A	4	77240333C	15A	6
76410901A	37A	8	77113691C	14A	14	77157273B	18A	20	77240393C	09B	9
76410971A	14A	11	77113731A	22A	14	77157273B	18A	20	77240393C	14A	18
76411381A	25B	7	77113741A	22A	15	77157278B	31A	13	77240418C	21A	10
76411381A	35A	16	77113851A	31A	14	77157288B	26A	2	77240418C	21A	10
76411491A	33C	3	77116648B	34A	8	77157578B	19A	12	77240423C	31B	14
76411501A	25A	8	77150208B	13B	13	77157578B	19A	12	77240453C	13E	6
76411501A	34A	7	77150208B	36A	8	7715936BG	23A	2	77240453CA	36A	7
76411641A	33B	1	77150624B	12C	14	7715937BG	23A	12	77244163B	31B	12
76411671A	13B	14	77150624B	12D	14	77159418B	18A	23	77244163B	33B	22
76411671A	20C	2	77150648B	04C	11	77159418B	18A	23	77244168B	30A	10
76411671A	36A	18	77150673B	12A	27	77210423C	18A	33	77244168B	31A	8
76411671A	37B	3	77150673B	12B	27	77210423C	18A	33	77244173B	20B	14
76411671A	37C	3	77150788B	22A	2	77210423C	20C	18	77244173B	37B	11
76411821A	17A	11	77151250ZF	18B	3	77210423C	22B	10	77244173B	37C	11
76411821A	31B	8	77154337C	17A	5	77210601A	13F	9	77244178B	26A	24
76411861A	30A	12	77156209E	09B	8	77210861B	32B	8	77244178B	26B	15
76412101A	33B	25	77156398B	14A	15	77210861B	33B	14	77244178B	30A	15
76412121A	04A	9	77156398B	14B	5	77210893B	24A	3	77244178B	37B	21
76412121A	12A	22	77156403B	18A	26	77210943B	33C	19	77244178B	37C	19
76412121A	12B	22	77156403B	18A	26	77211061A	13D	14	77244183B	13D	4
76412441A	14A	12	77156403B	31B	11	77211091C	33C	20	77244198B	35A	3
76412451A	13B	11	77156413BA	37B	22	77211091C	37A	9	77244213B	13D	19
76412472A	31A	16	77156413BA	37C	22	77211201A	03B	11	77244213B	17A	12
76412501A	21A	2	77156418B	30A	22	77211221A	14A	16	77244213B	30A	24
76412501A	21A	2	77156443B	21A	3	77211251B	18A	13	77244213B	37B	9
76414191A	20A	12	77156443B	21A	3	77211251B	18A	13	77244213B	37C	9
76414191A	22B	8	77156628B	13D	30	77214221AA	25A	11	77244233B	15A	7
76414251A	13B	17	77156658B	26B	22	77214411AA	13E	4	77244233B	25A	13
76414272A	30A	16	77156678B	20D	3	77214411AA	20C	20	77244348B	13E	7
76414282A	33C	4	77156678B	22B	26	77214411AA	25A	25	77244358BA	18A	10



CODE	NO. TABLE	POS.	CODE	NO. TABLE	POS.	CODE	NO. TABLE	POS.	CODE	NO. TABLE	POS.
77244358BA	18A	10	77440203C	21A	8	77917391BA	18A	15	78110121AA	04A	28
77244358BA	26A	6	77440251A	14A	19	77918261AA	29B	3	78510181A	20C	3
77244373B	33B	10	77440251A	33B	15	7791A381A	09A	28	78611421D	09B	12
77244503B	13E	2	77440391A	19A	22	7791A571A	05A	5	78611431D	09B	13
77244661A	16A	2	77440511A	25A	22	7791A621B	12A	15	78811602B	12B	14
77250744BA	12A	31	77510311B	09A	25	7791A621B	12B	15	78811612A	12A	19
77250744BA	12B	31	77550131B	26A	11	7791A631A	09A	4	78811612A	12B	19
77251018B	20C	9	77550171A	13B	9	7791A651A	09A	3	78811622B	12A	14
77251023C	20C	6	77550171A	13D	9	7791A661A	09A	6	79010321B	31B	21
77251308B	33C	7	77550171A	21A	7	7791A751B	04A	2	79010341B	31A	21
77251324CF	09A	13	77550171A	21A	7	7791A751B	12A	24	79110931A	25A	30
77251344C	09A	9	77550171A	25B	15	7791A751B	12B	24	79110941A	25A	28
77251344C	09B	18	77550171A	35A	14	7791A842AA	33A	5	79111241A	35A	19
77251350C	09A	10	77550200CC	04A	5	7791B112AA	25A	10	79111312A	30A	7
77251364C	09A	11	77550221A	33B	16	7791B121A	10A	5	79710771A	03B	12
77251388B	33C	8	77750494C	04B	8	7791B311AA	33A	9	79910241B	26C	3
77251404C	09A	12	77910921A	20A	13	7791B321AA	23A	16	79913021A	33C	10
7725202BG	23A	3	77910921B	22B	7	7791B321AA	33B	21	79915101C	09A	32
77253280Z	12A	6	77911092A	05A	3	7791B491A	04A	10	79915131C	02A	7
77253280Z	12B	6	77912371B	26B	5	7791B851BA	04C	15	79915141D	02A	8
77253290ZF	08A	6	77912981A	18A	14	7791B891AA	25A	2	79915511A	26B	12
77253290ZF	11A	4	77912981A	18A	14	7791B901AA	37B	10	79915581A	25B	16
77253300ZF	12A	20	77913091AB	20B	11	7791B901AA	37C	10	79915871AA	26A	21
77253300ZF	12B	20	77913541A	12C	9	7791B911AA	25A	3	79915871AA	26B	17
77253304C	04A	16	77913541A	12D	9	7791C031A	03B	17	79916091C	12C	22
77253304CF	08A	5	77913611A	12C	11	77927171B	09A	29	79916091C	12D	22
77253314CF	03A	29	77913611A	12D	11	77941992A	04A	1	79916101C	12C	26
77253314CF	04C	5	77913662AB	20B	3	77941992A	04B	5	79916101C	12D	26
77253334CF	11A	10	77913662AB	20C	13	77941992A	04C	9	79916111B	12C	31
77253350Z	12C	5	77913662AB	20D	8	77941992A	10A	4	79916111B	12D	31
77253350Z	12D	5	77913662AB	22B	16	77942002A	04A	21	79916121B	12C	30
77253350Z	26B	10	77913971A	22B	5	77942002A	04B	4	79916121B	12D	30
77253354C	09B	19	77913991A	28A	5	77942002A	04C	8	79916791A	31A	10
77253364CF	08A	4	77914151A	20A	9	78010071A	31A	20	79916791A	31B	10
77253384C	12A	5	77914272A	20C	10	78010511C	09B	11	79925411AA	16A	7
77253384C	12B	5	77914391C	36B	3	78010511C	12C	40	79940121A	09A	33
7725364BG	23A	15	77914401B	19A	13	78010511C	12D	40	80018061A	25B	17
77354623B	16A	10	77914401B	19A	13	78010871B	09A	31	80018072A	25B	2
77354623B	35A	24	77915111B	20B	6	78010921A	04A	7	80018081A	25B	18
77355038B	02A	16	77916241A	09A	27	78011262A	12C	13	80018111AA	25B	4
77440071A	14B	6	77916811AA	13F	10	78011262A	12D	13	80018121A	25B	8
77440141A	13D	5	77917231A	12A	1	78020011A	31B	27	80018131A	25B	3
77440141A	31B	15	77917231A	12B	1	78050011B	12C	17	81140021A	12A	29
77440203C	21A	8	77917391BA	18A	15	78050011B	12D	17	81140021A	12B	29



CODE	NO. TABLE	POS.	CODE	NO. TABLE	POS.	CODE	NO. TABLE	POS.	CODE	NO. TABLE	POS.
81413341A	12A	10	82718943A	04A	35	83011061AA	22B	28	84012001BU	12D	35
81413341A	12B	10	8271F271A	12A	2	83011192A	14A	25	84012001BV	12C	35
81413421B	09A	34	8271F271A	12B	2	83011201A	14A	26	84012001BV	12D	35
81414581A	13B	15	8271H012AA	26B	23	83011231BA	33B	2	84012001BW	12C	35
81414591A	13B	8	8291B911BA	20A	10	83040071A	22A	16	84012001BW	12D	35
81416301A	36A	12	8291B951BA	22B	9	83110151A	09A	36	84012001BZ	12C	35
81416431A	36B	12	8291G311A	12A	18	83210031E	19A	14	84012001BZ	12D	35
81810162A	03B	18	8291G311A	12B	18	83210031E	19A	14	84012011AA	12C	33
81910691A	28A	2	8291G771A	36B	2	83210742A	16A	12	84012011AA	12D	33
81920831AA	29B	1	8291G841AA	19A	17	84012001BD	12C	35	84012011AB	12C	33
82010141A	09A	35	8291G841AA	19A	17	84012001BD	12D	35	84012011AB	12D	33
82110512AA	26A	20	8291G861A	20B	15	84012001BE	12C	35	84012011AC	12C	33
82110512AA	26B	19	8291G891A	25B	5	84012001BE	12D	35	84012011AC	12D	33
82110512AA	26C	9	8291G901CA	23A	14	84012001BF	12C	35	84012011AD	12C	33
82111701CA	26A	19	8291G911BA	23A	13	84012001BF	12D	35	84012011AD	12D	33
82111701CA	26B	9	8291G921AA	33A	7	84012001BG	12C	35	84012011AE	12C	33
82113731AA	16A	9	8291H082A	35A	6	84012001BG	12D	35	84012011AE	12D	33
82115561A	12C	19	8291H141A	30A	9	84012001BH	12C	35	84012011AF	12C	33
82115561A	12D	19	8291H531A	13D	15	84012001BH	12D	35	84012011AF	12D	33
82115581A	12C	28	8291H921A	20C	4	84012001BI	12C	35	84012011AG	12C	33
82115622A	07A	6	8291I621AA	26A	1	84012001BI	12D	35	84012011AG	12D	33
82115751AA	33C	11	8291I781BA	20D	1	84012001BJ	12C	35	84012011AH	12C	33
82115801A	12D	28	8291I991A	14A	20	84012001BJ	12D	35	84012011AH	12D	33
82118261A	02A	17	8291J001A	14A	21	84012001BK	12C	35	84012011AI	12C	33
82413591AA	26C	7	8291J241AA	04A	39	84012001BK	12D	35	84012011AI	12D	33
82413601AA	26C	8	83019481AB	13D	12	84012001BL	12C	35	84012011AJ	12C	33
82413951AA	26A	16	83019491AB	13D	8	84012001BL	12D	35	84012011AJ	12D	33
82414001AA	26B	1	83019541BA	18A	29	84012001BM	12C	35	84012011AK	12C	33
82510641AA	20D	16	83019541BA	18A	29	84012001BM	12D	35	84012011AK	12D	33
82716091A	04B	2	8301G011A	20B	13	84012001BN	12C	35	84012011AL	12C	33
82716141A	13E	15	8301G051AB	30A	14	84012001BN	12D	35	84012011AL	12D	33
82718441A	12A	28	8301G061AB	30A	17	84012001BO	12C	35	84012011AM	12C	33
82718441A	12B	28	8301G771A	13D	25	84012001BO	12D	35	84012011AM	12D	33
82718471AA	04C	12	8301H591AA	18A	37	84012001BP	12C	35	84012011AN	12C	33
82718471AA	34A	3	8301H591AA	18A	37	84012001BP	12D	35	84012011AN	12D	33
82718481AA	33C	12	8301H601AA	18A	32	84012001BQ	12C	35	84012011AO	12C	33
82718811A	25A	29	8301H601AA	18A	32	84012001BQ	12D	35	84012011AO	12D	33
82718822A	25A	26	8301H611AA	33A	11	84012001BR	12C	35	84012011AP	12C	33
82718832A	25A	23	8301H621AB	18A	25	84012001BR	12D	35	84012011AP	12D	33
82718841AA	20B	20	8301H621AB	18A	25	84012001BS	12C	35	84012011AQ	12C	33
82718851AA	20B	17	8301H711AA	14A	24	84012001BS	12D	35	84012011AQ	12D	33
82718913A	04A	4	8301H812AA	04B	9	84012001BT	12C	35	84510111A	12C	34
82718923A	04A	36	8301H841BA	04B	10	84012001BT	12D	35	84510111A	12D	34
82718933A	04A	37	8301I051AA	20C	24	84012001BU	12C	35	84740021A	26C	4



CODE	NO. TABLE	POS.	CODE	NO. TABLE	POS.	CODE	NO. TABLE	POS.	CODE	NO. TABLE	POS.
84740061A	09A	37	85212651A	11A	11	85250401A	18A	27	86610751A	18A	31
84740161A	30A	8	85212661A	09A	38	85250401A	18A	27	86610751A	25B	6
84820112AA	18A	16	85212661A	09B	16	85250401A	23A	17	86611121A	25A	27
84820112AA	18A	16	85212721A	04A	26	85250541A	04C	7	86611821A	33C	22
84850021A	26A	12	85212771A	09A	14	85310031A	04A	15	86612211A	14A	27
85010141A	30A	23	85212801A	17A	8	85310031A	13A	2	86612411A	35A	22
8501A671AA	35A	17	85213002A	30A	11	85350101A	13D	16	86612431B	15A	9
8501A701A	35A	18	85213111AA	14B	7	85540091A	33A	10	86612441A	32A	5
8501B151A	33B	23	85213111AA	15A	8	85550001B	13D	13	86612741A	31B	22
85040381A	33B	11	85213111AA	25A	9	85611372A	03A	20	86612771B	33C	16
85040521A	33B	20	85213111AA	31B	17	85611391B	03B	13	86612791A	32B	3
85040551A	25A	5	85213111AA	33B	3	85611401A	32B	9	86640111A	13F	6
85040551A	31A	9	85213111AA	37B	8	85611401A	37A	16	87210532A	13C	4
85040551A	33B	12	85213111AA	37C	8	85611401A	37B	15	87210722A	18A	19
85040551A	33C	13	85213291A	03A	17	85611401A	37C	15	87210722A	18A	19
85041711A	31B	16	85213311A	03A	18	85611491A	03A	21	87210802A	14A	22
85041931A	31B	19	85213981A	02A	18	85611551A	04A	6	87210812A	14A	23
85041951AA	13D	17	85214051B	03B	20	85611551A	12A	23	87211261A	35A	23
85041951AA	17A	16	85214071B	05A	8	85611551A	12B	23	87211343A	30A	3
85041951AA	31A	17	85214071B	11A	5	85611621A	12A	11	87241271A	13D	31
85041951AA	33B	24	85214141A	03A	19	85611621A	12B	11	87512492B	09A	42
85041951AA	33C	14	85214421A	08A	3	85611711AA	25B	14	87611472A	35A	11
85041951AA	37A	4	85214421A	10A	3	85611711AA	35A	15	87611481A	35A	9
85041951AA	37B	18	85240261A	12C	15	85640121A	17A	13	87613921A	13B	18
85041951AA	37C	18	85240261A	12D	15	85640121A	31B	18	87613931A	13B	19
85042242A	37A	15	85241831A	12C	38	85640141A	09A	39	87710501A	20D	7
85042242A	37B	4	85241831A	12D	38	85651691B	09A	8	87710681A	22B	15
85042242A	37C	4	85244491A	09B	10	85651691B	12A	16	87711111A	20A	17
85042371A	36A	9	85250231A	12A	9	85651691B	12B	16	87712481A	04A	30
85044403A	30A	20	85250231A	12B	9	86010061A	12C	16	88110541A	29B	14
85110201A	03B	19	85250241A	04A	29	86010061A	12D	16	88111152B	03B	21
85211201A	12C	10	85250241A	12C	18	86010151A	12C	12	88440511A	20D	19
85211201A	12D	10	85250241A	12D	18	86010151A	12D	12	88440731A	03A	22
85211511A	26A	26	85250241A	20A	4	86040071A	09A	40	88440741A	03A	23
85211511A	26B	6	85250241A	20B	4	86050061A	12C	6	88440751A	03A	24
85211951A	04A	14	85250241A	20C	12	86050061A	12D	6	88441031A	10A	6
85212171A	20D	18	85250241A	20D	9	86050341A	09A	41	88450031A	26A	23
85212211A	29A	5	85250241A	22B	17	86050361AA	26A	3	88450031A	26B	16
85212211A	29B	8	85250261B	12C	23	86610301A	13D	3	88450031A	26C	5
85212221A	28A	13	85250261B	12D	23	86610301A	32A	3	88450291A	04A	25
85212511A	21A	12	85250291A	18A	18	86610301A	32B	2	88450311A	02A	9
85212511A	21A	12	85250291A	18A	18	86610361A	37B	12	88450351A	30A	4
85212641A	12A	26	85250311AB	13B	10	86610361A	37C	12	88450361A	02A	10
85212641A	12B	26	85250311AB	13D	24	86610751A	18A	31	88450391B	02A	15



CODE	NO. TABLE	POS.	CODE	NO. TABLE	POS.	CODE	NO. TABLE	POS.	CODE	NO. TABLE	POS.
88610951A	04B	7	887133633	01B	4	91374601DE	32A	4	942470036	09B	20
88640042A	03A	30	887133879	01B	16	91374601EL	32A	4	944650035	L	1
88640331A	04A	11	887134302	01D	17	91374601EN	32A	4	944650037	L	2
88640541A	08A	2	887134337	01D	2	91374601ES	32A	4	979000252	01A	1
88640891A	04A	20	887134338	01D	8	91374601FI	32A	4	979000253	01A	2
88640891A	13D	21	887135387	01B	5	91374601FR	32A	4	979000254	01A	3
88641061A	18A	17	887135389	01C	7	91374601HR	32A	4	979000255	01A	4
88641061A	18A	17	887135396	01C	8	91374601HU	32A	4	979000256	01A	5
88641161A	26A	18	887135397	01C	9	91374601IT	32A	4	979000259	01A	7
88641161A	26B	8	887135840	01B	6	91374601JA	32A	4			
88641241A	20D	17	887135962	01C	10	91374601KO	32A	4			
88641961A	09A	30	887136155	01C	11	91374601MX	32A	4			
88641981A	25B	19	887138851	01B	7	91374601NL	32A	4			
88642081A	07A	7	887138853	01B	9	91374601NO	32A	4			
88642651A	08A	1	887138854	01B	10	91374601PL	32A	4			
88642721A	04A	22	887138855	01B	11	91374601RO	32A	4			
88642721A	12C	39	887138856	01B	12	91374601RU	32A	4			
88642721A	12D	39	887138857	01B	13	91374601SK	32A	4			
88642791A	09A	26	887138858	01B	14	91374601SL	32A	4			
88643121A	04C	14	887138859	01C	1	91374601SV	32A	4			
88643121A	34A	10	887138860	01C	2	91374601US	32A	4			
88643141A	04C	13	887138861	01C	3	91374601ZH	32A	4			
88643141A	34A	9	887138862	01C	4	93010041B	18A	7			
88643151A	11A	16	887138863	01C	5	93010041B	18A	7			
88650321A	04A	17	887138864	01C	6	93010102A	29B	16			
88650741A	12A	17	889450081	01D	15	93040521A	28A	6			
88650741A	12B	17	889450082	01D	13	93040931A	09A	24			
88650751A	09A	43	889450086	01D	14	93041271A	19A	8			
88650761A	04C	3	889450103	01B	15	93041271A	19A	8			
88650831A	09B	5	889450110	01B	8	93041271A	23A	7			
887131010	01D	6	89310143A	25A	15	93041521A	04A	27			
887131058	01D	7	89310153A	04C	6	93041591A	09B	14			
887131059	01D	16	89310241A	25A	21	93041911A	33A	3			
887131062	01D	12	89320121A	04A	19	93042221A	09B	15			
887131074	01D	4	89340211A	20A	14	93042231A	04A	24			
887132855	01D	1	89340241A	20D	5	93050121A	19A	9			
887132857	01D	10	89340241A	22B	11	93050121A	19A	9			
887132858	01D	11	89420231B	08A	9	93310501A	35A	13			
887132951	01D	3	89520411B	13F	7	93410441A	25A	17			
887133003	01B	1	91374601AR	32A	4	93410461A	25A	18			
887133004	01B	2	91374601BG	32A	4	93510281B	36B	7			
887133211	01D	5	91374601CA	32A	4	93510401A	36B	14			
887133529	01D	9	91374601CS	32A	4	93510431A	36B	9			
887133614	01B	3	91374601DA	32A	4	93510441A	36B	11			



Ducati Motor Holding S.p.A.

Uffici Commerciali Amministrativi:

Via A. Cavalieri Ducati n. 3

40132 Bologna, Italy

Telefono 051 6413111

Fax 051 406580

Internet www.ducati.com