



SUPERSPORT 950

Model Year 2023



*SUPERSPORT*

Chassis prefix:

Cylinder capacity: 937

025000023

SPARE PARTS CATALOGUE

en-US





The present spare parts order exactly the right spare parts.

When ordering specify:

1. the part's code number followed by its description and quantity needed;
2. the motorcycle's serial number, stamped on the steering head.

Reference to right and left apply to the vehicle in terms of its direction of movement.


Spare parts drawings are general and do not represent the part.

The contents of this catalogue are general and can undergo changes without prior notice.

## CHARACTERISTICS LEGENDA

CHARACTERISTIC CODE	CHARACTERISTIC DESCRIPTION	VALUE CODE	VALUE DESCRIPTION
CPT	PART CAR	D35	DEPOTENZIATO 35KW
CPT	PART CAR	STD	MOTO STANDARD
DFR	DFR	N	NO
MOD	MODEL	SS 950	SuperSport 950
PLT	PLANT	DB10	DMH
XCO	MAIN CLR	R	Red
XCR	FR/W COL	R-B	RED FRAME,WITH BLACK WHEELS
XST	STD CNTY	AUS	VERSIONE AUSTRALIA
XST	STD CNTY	EUR	VERSIONE EUROPA
XST	STD CNTY	GSO	VERSIONE PAESI DEL GOLFO
XST	STD CNTY	JPN	VERSIONE JAPAN
XST	STD CNTY	ROK	VERSIONE SOUTH COREA
XST	STD CNTY	TWN	VERSIONE TAIWAN



COLOUR	COLOUR CODE	COLOUR DESCRIPTION	FINISHED PRODUCTS
	R	Red	(D25000123) SS 950 23 EUR R R-B STD DMH (D25006423) SS 950 23 EUR R R-B D35 DMH (D25006523) SS 950 23 AUS R R-B STD DMH (D25006623) SS 950 23 GSO R R-B STD DMH (D25006923) SS 950 23 TWN R R-B STD DMH (D25009323) SS 950 23 ROK R R-B STD DMH (D25009723) SS 950 23 JPN R R-B STD DMH



General information.....	3
Colours.....	4
Group ELECTRIC.....	8
Drawing 018 - BATTERY HOLDER [XST:AUS,EUR,GSO,ROK,TWN].....	8
Drawing 018 - BATTERY HOLDER [XST:JPN].....	12
Drawing 020 - HEADLIGHT.....	16
Drawing 18A - ENGINE CONTROL UNIT.....	18
Drawing 18B - WIRING HARNESS.....	20
Drawing 28B - PLATE HOLDER [XST:AUS,EUR,GSO,ROK,TWN].....	22
Drawing 28B - PLATE HOLDER [XST:JPN].....	24
Group OIL.....	26
Drawing L - SHELL ADVANCE.....	26
Group ENGINE.....	28
Drawing 002 - SHIFT CAM - FORK.....	28
Drawing 003 - GEAR BOX.....	30
Drawing 004 - CLUTCH.....	32
Drawing 005 - CLUTCH COVER.....	34
Drawing 006 - CONNECTING RODS.....	36
Drawing 006 - CONNECTING RODS.....	38
Drawing 007 - CYLINDERS - PISTONS.....	40
Drawing 008 - TIMING SYSTEM.....	42
Drawing 009 - FILTERS AND OIL PUMP.....	44
Drawing 010 - HALF-CRANKCASES PAIR.....	46
Drawing 011 - WATER PUMP-ALTR-SIDE CRNKCE COVER.....	50
Drawing 012 - ELECTRIC STARTING AND IGNITION.....	52
Drawing 013 - CYLINDER HEAD : TIMING SYSTEM.....	54
Drawing 014 - VERTICAL HEAD.....	56
Drawing 015 - HORIZONTAL HEAD.....	64
Drawing 10A - HALF-CRANKCASES PAIR.....	72



Group TOOLS.....	74
Drawing 001 - WORKSHOP SERVICE TOOLS (ENGINE).....	74
Drawing 01A - WORKSHOP SERVICE TOOLS (FRAME).....	78
Drawing 01B - CHECK INSTRUMENT DDS.....	80
Group TYRES.....	82
Drawing A - TYRES.....	82
Drawing B - (*) PIRELLI DIABLO™ ROSSO III.....	86
Drawing C - PIRELLI DIABLO™ SUPERCORSA SP.....	88
Drawing D - PIRELLI ANGEL™ GT.....	90
Drawing F - PIRELLI DIABLO™ ROSSO CORSA II.....	92
Drawing G - (#) PIRELLI DIABLO™ SUPERBIKE.....	94
Drawing H - (#) DIABLO™ WET.....	96
Drawing I - (#) DIABLO™ RAIN.....	98
Drawing J - (#) DIABLO™ SUPERCORSA SC V2.....	100
Drawing K - (#) DIABLO™ SUPERCORSA SC.....	102
Drawing M - PIRELLI ANGEL™ GT II.....	104
Drawing N - PIRELLI DIABLO™ SUPERCORSA SP V3.....	106
Drawing O - (#) DIABLO SUPERCORSA SC V3.....	108
Drawing P - PIRELLI DIABLO™ ROSSO II.....	110
Drawing Q - PIRELLI DIABLO™ ROSSO IV.....	112
Drawing R - .....	114
Drawing S - PIRELLI DIABLO™ ROSSO III.....	116
Group FRAME.....	118
Drawing 016 - OIL COOLER.....	118
Drawing 017 - THROTTLE BODY.....	120
Drawing 019 - EXHAUST SYSTEM.....	122
Drawing 021 - HANDLEBAR AND CONTROLS.....	126
Drawing 022 - FRAME [XST:AUS,EUR,JPN,GSO,TWN].....	130
Drawing 022 - FRAME [XST:ROK].....	132
Drawing 023 - CLUTCH CONTROL.....	134

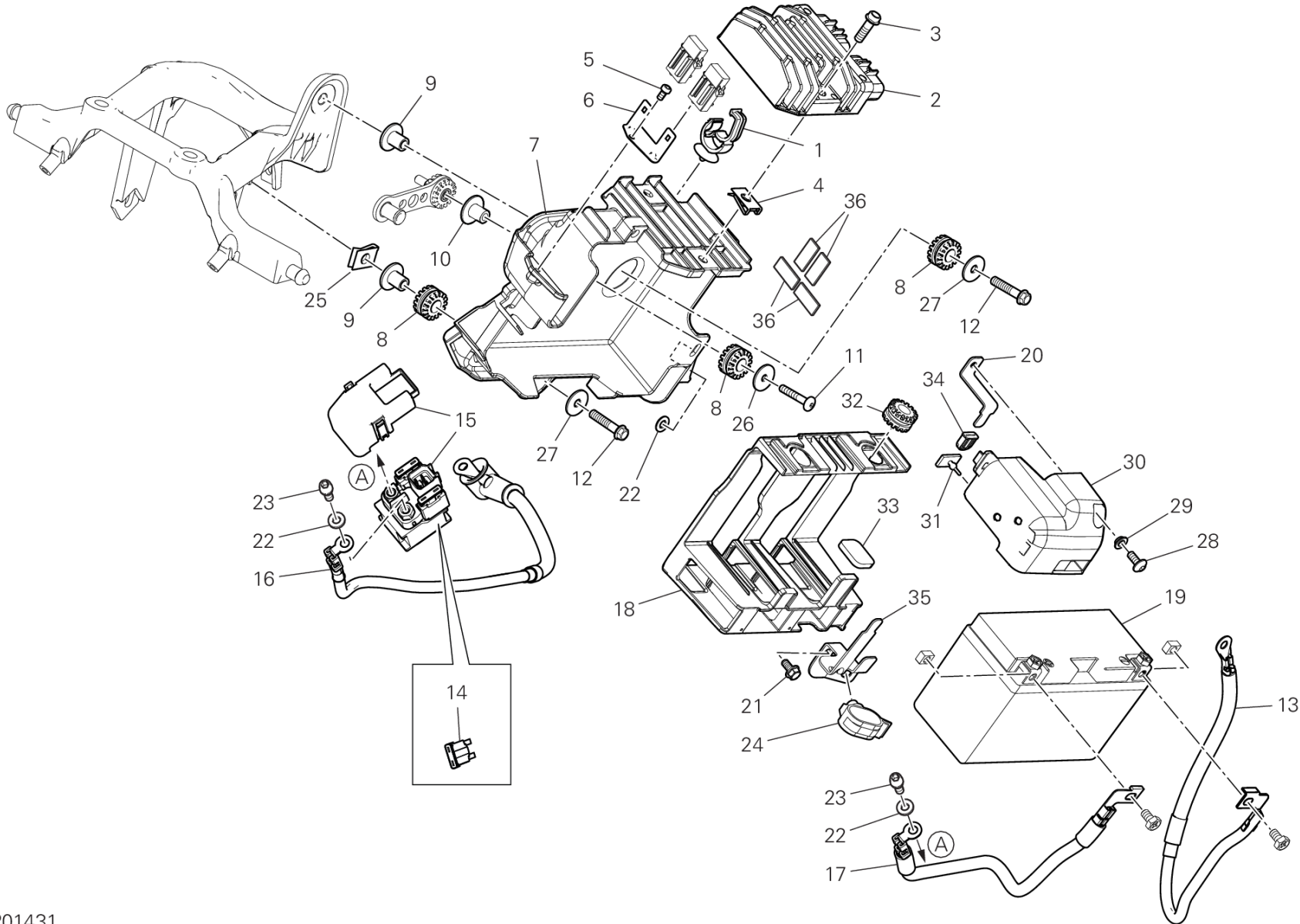


Drawing 024 - FRONT BRAKE SYSTEM.....	136
Drawing 025 - REAR BRAKE SYSTEM.....	138
Drawing 026 - RUOTA ANTERIORE E POSTERIORE.....	140
Drawing 027 - REAR FRAME COMP.....	142
Drawing 028 - SOSPENSIONE POSTERIORE.....	146
Drawing 029 - AIR INTAKE - OIL BREATHER.....	148
Drawing 030 - WATER COOLER.....	150
Drawing 031 - COOLING SYSTEM.....	152
Drawing 032 - FUEL TANK.....	154
Drawing 033 - SEAT.....	156
Drawing 035 - HOT AIR PIPE CANISTER.....	158
Drawing 036 - POSITIONING PLATES [XST:JPN].....	160
Drawing 21A - FRONT FORK.....	162
Drawing 22A - SIDE STAND.....	164
Drawing 24A - ANTILOCK BRAKING SYSTEM (ABS).....	166
Drawing 26A - REAR WHEEL SPINDLE.....	170
Drawing 27A - FOOTRESTS, LEFT.....	172
Drawing 27B - FOOTRESTS, RIGHT.....	174
Drawing 28A - REAR SWINGING ARM [XST:EUR,JPN,GSO,ROK,TWN].....	176
Drawing 28A - REAR SWINGING ARM [XST:AUS].....	178
Drawing 34A - COWLING.....	180
Drawing 34B - RH FAIRING.....	184
Drawing 34C - LH FAIRING.....	186
Alphanumeric index.....	188



# DRAWING 018 - BATTERY HOLDER [XST:AUS, EUR, GSO, ROK, TWN]

GROUP ELECTRIC



IMP01431

SUPERSPORT 950 /23

025000023

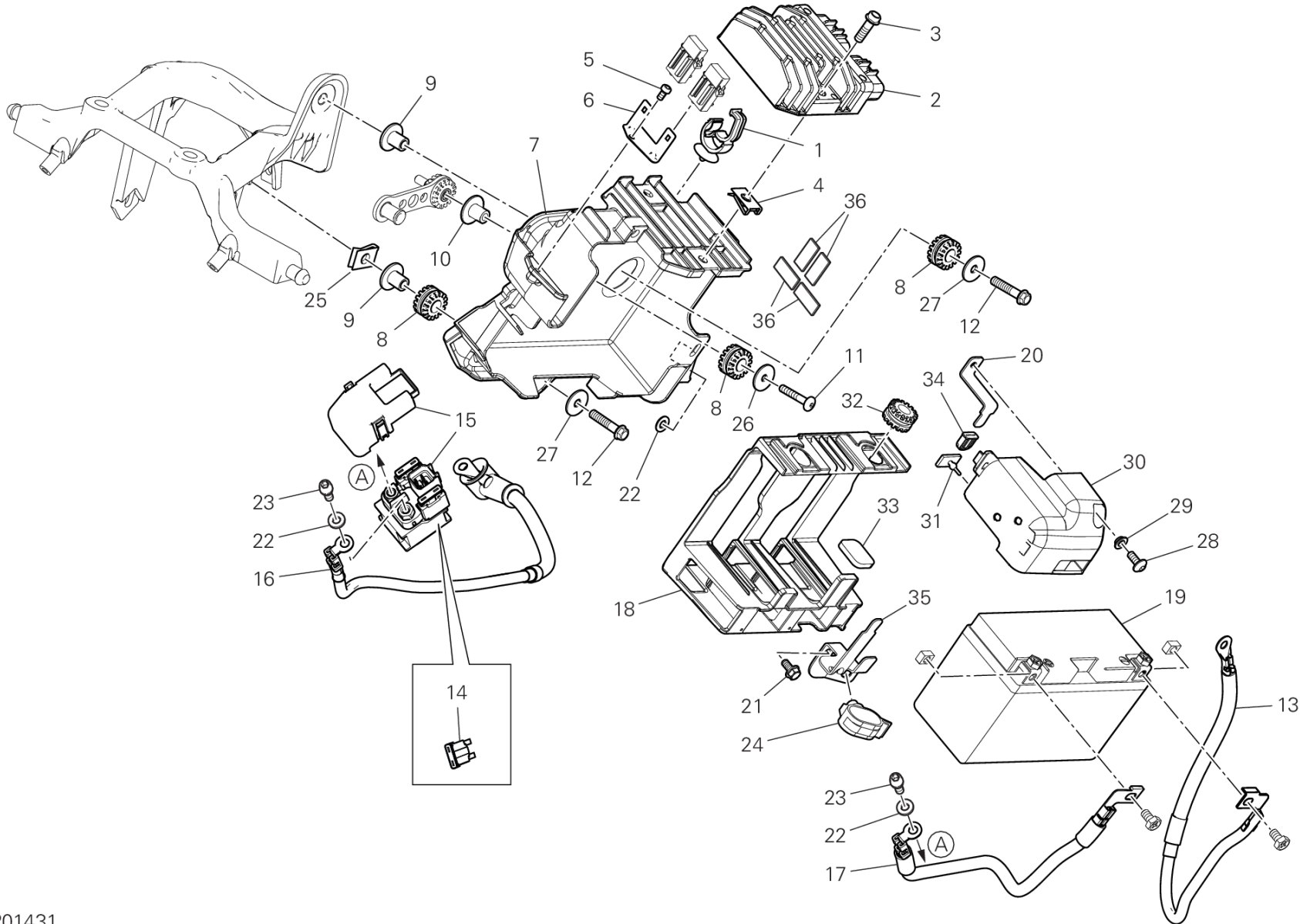


POS.	CODE	DESCRIPTION	QTY	VALIDITY	NOTES
1	75840841A	FAIRLEAD	1		
2	54040301B	VOLTAGE REGULATOR	1		
3	77251028C	SCREW	2		
4	85041581A	CLIP NUT	2		
5	77440431AA	SCREW, TAPPING	1		
6	83018351AA	BRACKET, FUSE BOX	1		
7	8291F601B	BATTERY HOLDER	1		
8	76410641A	VIBRATION DAMPER PAD	3		
9	71610061A	SPACER	2		
10	71611641AA	SPACER	1		
11	77240333C	SCREW	1		
12	77251053B	SCREW TEF M6X30 8.8	2		
13	51310921B	BATTERY - ENGINE GROUNDING CABLE	1		
14	38940231A	FUSE 30A	1		
15	39740081B	STARTER RELAY	1		
16	51410881B	CABLE	1		
17	51411131B	BATTERY - SOLENOID STARTER CABLE	1		
18	8291N431A	ADAPTER	1		
19	69926761A	BATTERY	1		
20	8271H601AA	PLATE	1		
21	77250718B	SCREW TEF M5X10	1		
22	85350101A	WASHER, SPRING	3		
23	77156628B	SCREW TCEIF M6X10	2		
24	75840591A	HOSE GUIDE	1		
25	85040631A	QUICK FASTENING	1		
26	85241711A	WASHER	1		
27	85211671B	WASHER 6,2x20x1,5	2		
28	77244173B	SCREW	1		
29	71615071AA	SPACER	1		
30	4601F172B	COVER	1		
31	86610361A	RUBBER PAD	1		
32	76410241A	VIBRATION DAMPER PAD	2		
33	86612421A	PAD	4		
34	76411891A	PROTECTION SHEATH	1		
35	8271H501AA	PLATE, RETAINER	1		



# DRAWING 018 - BATTERY HOLDER [XST:AUS, EUR, GSO, ROK, TWN]

GROUP ELECTRIC



IMP01431

SUPERSPORT 950 /23

025000023

Page 10 / 200

SPARE PARTS CATALOGUE

20/01/2023



POS.	CODE	DESCRIPTION	QTY	VALIDITY	NOTES
36	86612791A	RUBBER PAD	4		

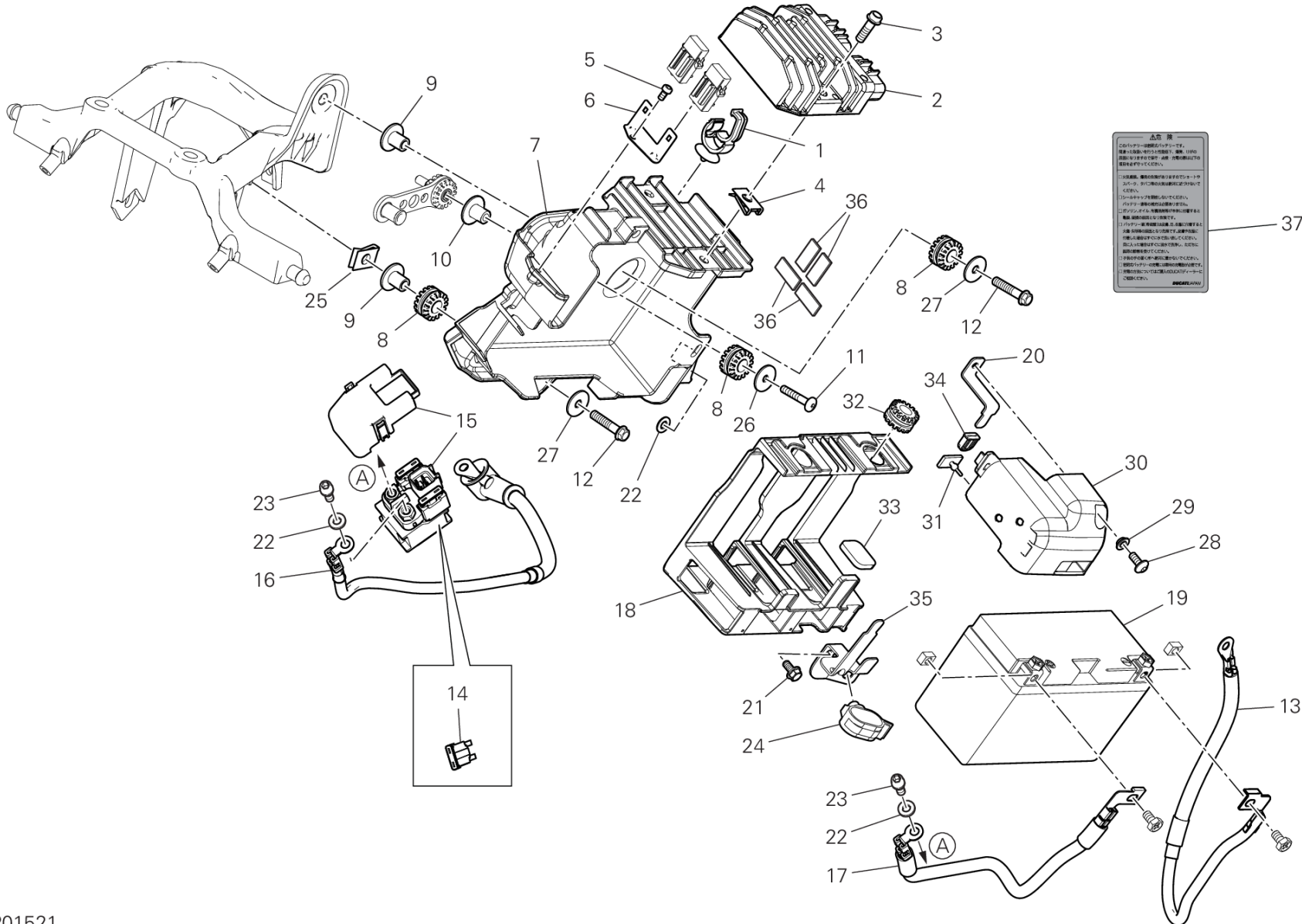


# DRAWING 018 - BATTERY HOLDER [XST:JPN]

GROUP ELECTRIC



POS.	CODE	DESCRIPTION	QTY	VALIDITY	NOTES
1	75840841A	FAIRLEAD	1		
2	54040301B	VOLTAGE REGULATOR	1		
3	77251028C	SCREW	2		
4	85041581A	CLIP NUT	2		
5	77440431AA	SCREW, TAPPING	1		
6	83018351AA	BRACKET, FUSE BOX	1		
7	8291F601B	BATTERY HOLDER	1		
8	76410641A	VIBRATION DAMPER PAD	3		
9	71610061A	SPACER	2		
10	71611641AA	SPACER	1		
11	77240333C	SCREW	1		
12	77251053B	SCREW TEF M6X30 8.8	2		
13	51310921B	BATTERY - ENGINE GROUNDING CABLE	1		
14	38940231A	FUSE 30A	1		
15	39740081B	STARTER RELAY	1		
16	51410881B	CABLE	1		
17	51411131B	BATTERY - SOLENOID STARTER CABLE	1		
18	8291N431A	ADAPTER	1		
19	69926761A	BATTERY	1		
20	8271H601AA	PLATE	1		
21	77250718B	SCREW TEF M5X10	1		
22	85350101A	WASHER, SPRING	3		
23	77156628B	SCREW TCEIF M6X10	2		
24	75840591A	HOSE GUIDE	1		
25	85040631A	QUICK FASTENING	1		
26	85241711A	WASHER	1		
27	85211671B	WASHER 6,2x20x1,5	2		
28	77244173B	SCREW	1		
29	71615071AA	SPACER	1		
30	4601F172B	COVER	1		
31	86610361A	RUBBER PAD	1		
32	76410241A	VIBRATION DAMPER PAD	2		
33	86612421A	PAD	4		
34	76411891A	PROTECTION SHEATH	1		
35	8271H501AA	PLATE, RETAINER	1		



IMP01521

SUPERSPORT 950 /23

025000023

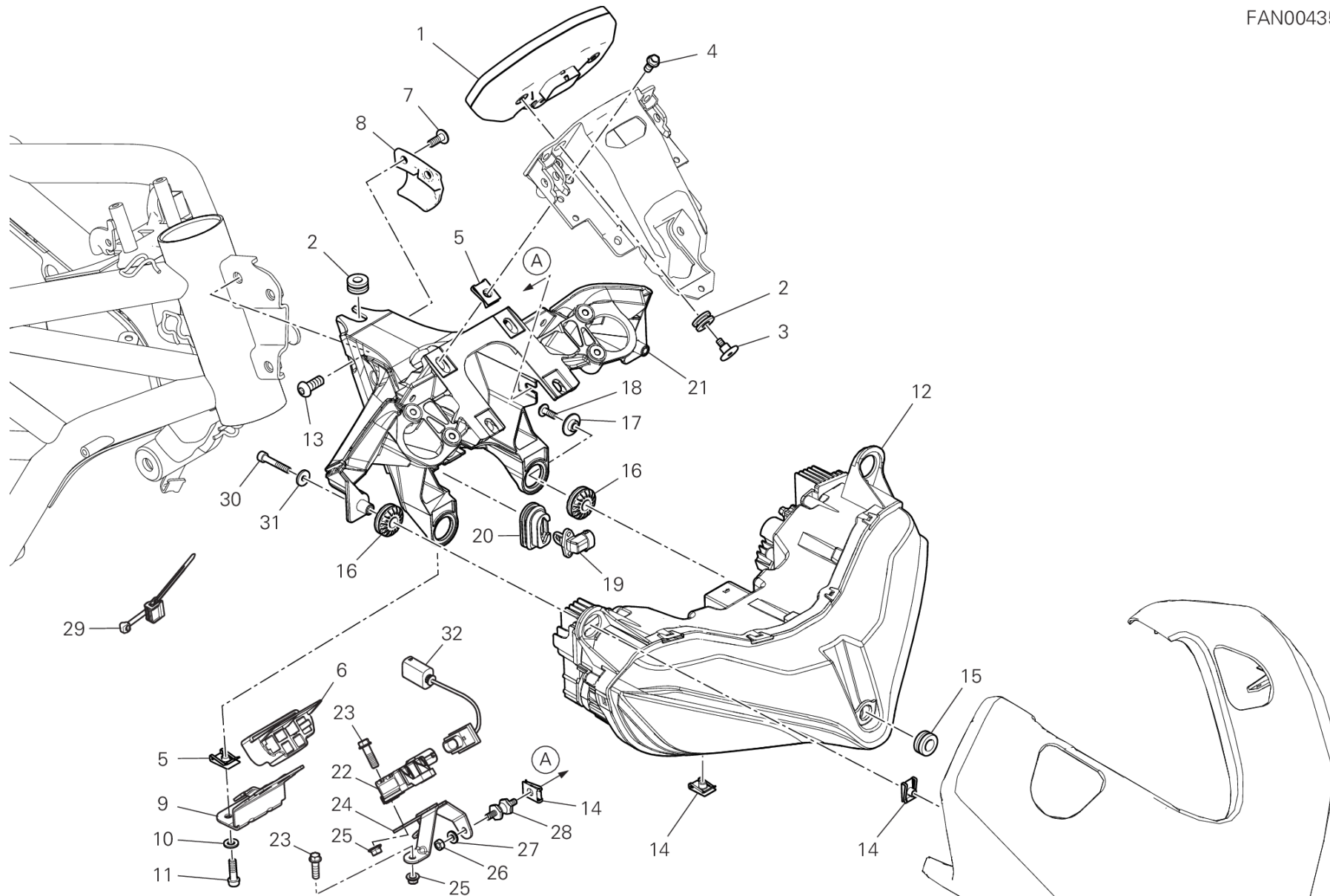
# DRAWING 018 - BATTERY HOLDER [XST:JPN]

GROUP ELECTRIC



POS.	CODE	DESCRIPTION	QTY	VALIDITY	NOTES
36	86612791A	RUBBER PAD	4		
37	43312541A	MARKING PLATE	1		

FAN00435



# DRAWING 020 - HEADLIGHT

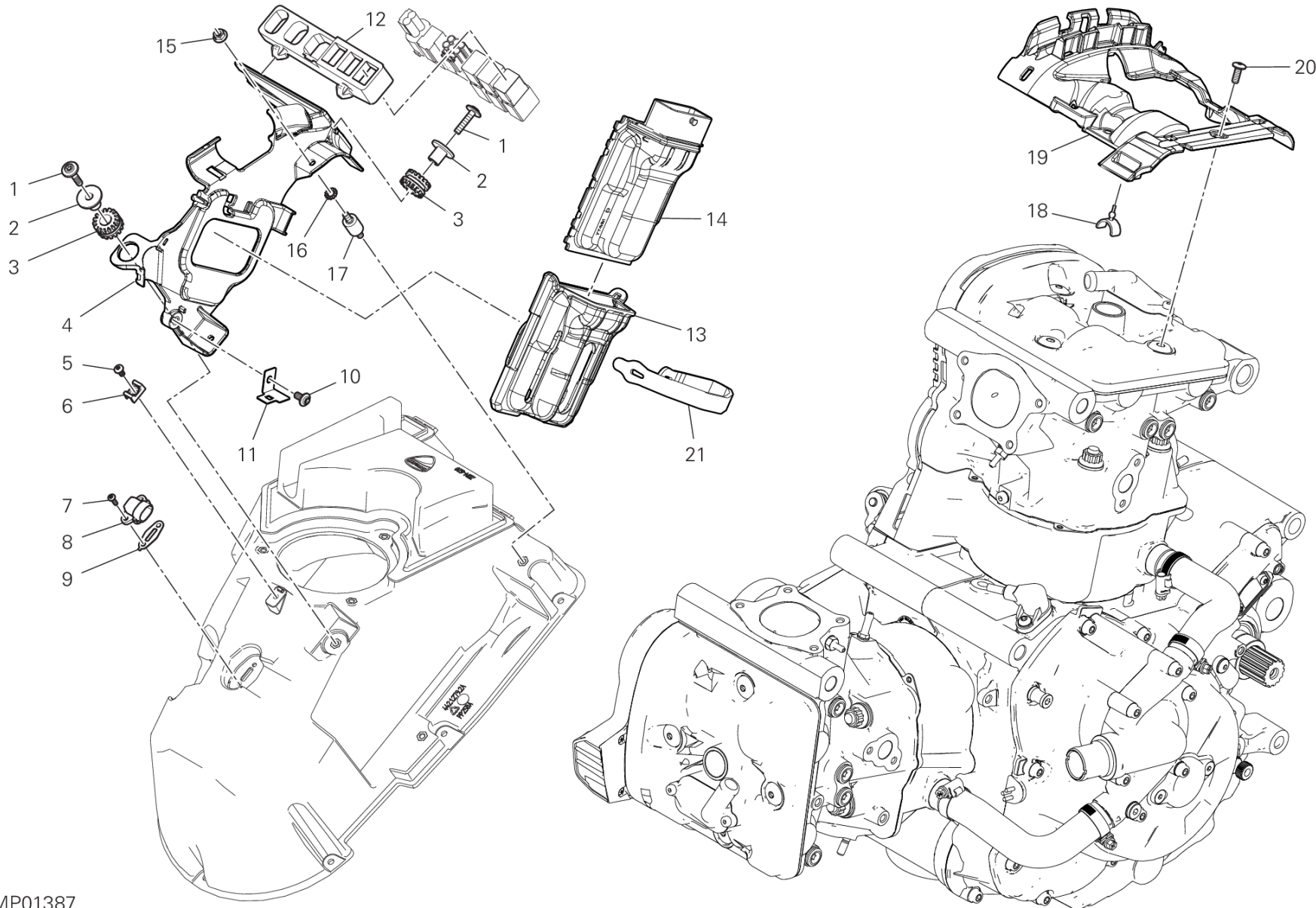
## GROUP ELECTRIC



POS.	CODE	DESCRIPTION	QTY	VALIDITY	NOTES
1	40611877A	INSTRUMENT PANEL	1		
2	76411141A	VIBRATION DAMPER PAD	4		
3	77215051AA	SCREW, SPECIAL	3		
4	77250988B	SCREW TEF M6X14	4		
5	85041581A	CLIP NUT	12		
6	86611692B	RUBBER PAD	1		
7	77240423C	SCREW	2		
8	8301F451A	GUIDE, CABLE	1		
9	8301B241AA	BRACKET	1		
10	85310031A	SPRING WASHER 6 MM	2		
11	77150658B	SCREW TCEI M6X16	2		
12	52010563A	HEADLIGHT	1		
13	72010513C	SCREW	3		
14	85044691A	QUICK FASTENING	5		
15	76410901A	RUBBER PAD	1		
16	76411361A	VIBRATION DAMPER PAD	4		
17	71614431AA	SPACER	2		
18	77244183B	SCREW	2		
19	55240121A	SENSOR, AIR TEMPERATURE	1		
20	76410971A	RUBBER PAD	1		
21	8291J492A	BRACKET, HEADLIGHT	1		
22	38540093B	PIATTAFORMA INERZIALE	1		
23	77251018B	SCREW TEF M6X20	2		
24	8301B231AA	BRACKET	1		
25	74810361A	NUT	2		
26	74841051A	NUT	3		
27	85540051A	TOOTHED LOCK WASHER	3		
28	70010901A	VIBRATION DAMPER	3		
29	75840801A	CLAMP	1		
30	77150478B	SCREW TCEI M5X30	2		
31	85213741AA	WASHER	2		
32	5101M731A	EXTENSION, WIRE HARNESS	1		



# DRAWING 18A - ENGINE CONTROL UNIT GROUP ELECTRIC



IMP01387

# DRAWING 18A - ENGINE CONTROL UNIT

GROUP ELECTRIC

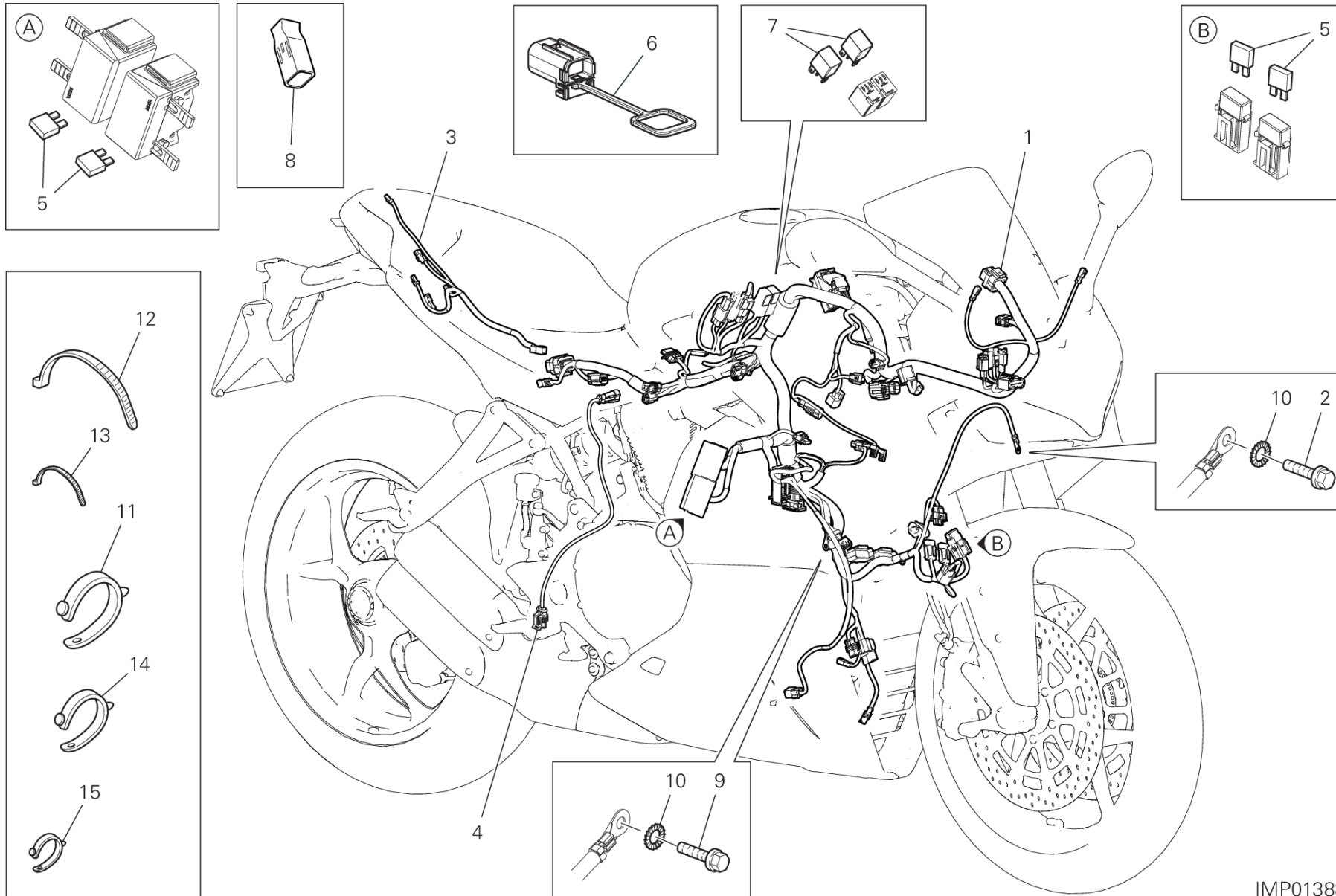


POS.	CODE	DESCRIPTION	QTY	VALIDITY	NOTES
1	77214061AA	SCREW, SPECIAL	2		
2	71610061A	SPACER	2		
3	76410241A	VIBRATION DAMPER PAD	2		
4	8291M981A	BRACKET ENGINE CONTROL UNIT	1		
5	77440141A	SCREW, TAPPING 4X8 WN1412	1		
6	85041711A	HOSE GUIDE	1		
7	77440213C	SCREW	2		
8	55240121A	SENSOR, AIR TEMPERATURE	1		
9	78811041A	GASKET, COOLING WATER SENSOR	1		
10	77244168B	SCREW	1		
11	8291B771AA	CONNECTOR HOLDER	1		
12	86611611A	RUBBER PAD	1		
13	86612951A	VIBRATION DAMPER	1		
14	28643091A	ENGINE CONTROL UNIT	1	CPT:STD;XST:AUS,ROK	
	28643531A	ENGINE CONTROL UNIT	1	XST:EUR,JPN,GSO;CPT:STD	
	28643531C	ENGINE CONTROL UNIT	1		
	28643531H	ENGINE CONTROL UNIT	1	CPT:STD;XST:TWN	
	28643541A	ENGINE CONTROL UNIT	1	XST:EUR;CPT:D35	
15	74850061A	NUT	2		
16	46240461A	WASHER, SPRING	2		
17	70010431A	DAMPER	2		
18	86610731A	VIBRATION DAMPER	2		
19	75810783A	PROTECTION WIRING	1		
20	77240278C	SCREW	3		
21	75910401AA	RUBBER BAND	1		



# DRAWING 18B - WIRING HARNESS

GROUP ELECTRIC



IMP01388

# DRAWING 18B - WIRING HARNESS

## GROUP ELECTRIC

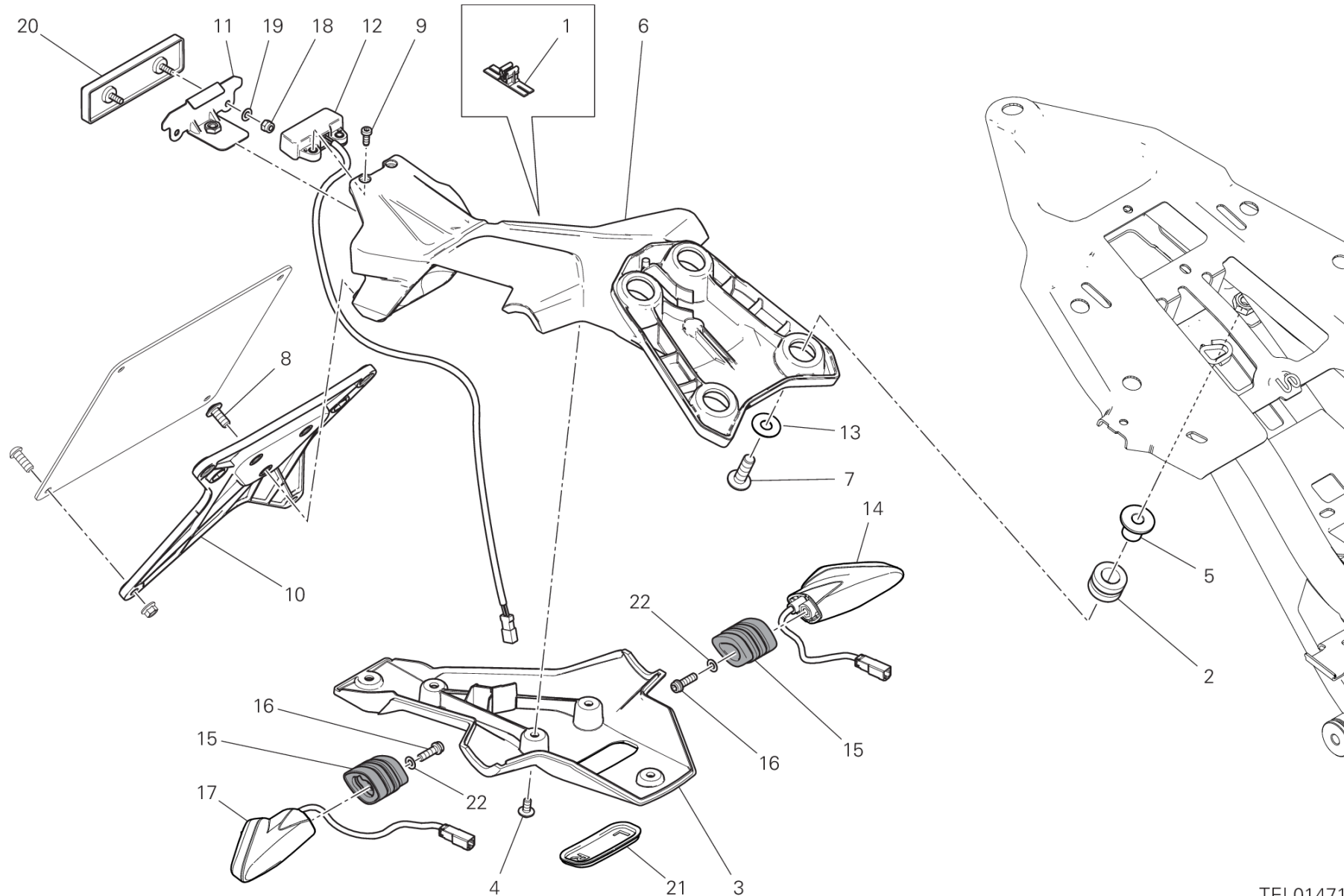


POS.	CODE	DESCRIPTION	QTY	VALIDITY	NOTES
1	5101H131E	MAIN WIRING HARNESS	1		
2	77215048B	SCREW	1		
3	5101H971A	REAR WIRING	1		
4	5101D061A	EXTENSION, WIRE HARNESS	1		
5	38940191A	FUSE 5A	1		
	38940201A	FUSE 10A	1		
	38940211A	FUSE 15A	1		
	38940221A	FUSE 20A	1		
	38940231A	FUSE 30A	1		
	38940241A	FUSE 7,5A	1		
	38940261A	FUSE 25A	1		
6	87211681A	CAP DDA	1		
7	54140101A	RELAY	2		
8	87210641A	CAP, CONNECTOR	1		
9	77211061A	SCREW TEF M6X14	1		
10	85550001B	SPRING WASHER	2		
11	74110131A	CLAMP, RUBBER 82MM	2		
12	069191030	CLAMP	34		
13	74140381A	CLAMP	8		
14	74110101A	CLAMP 70MM	2		
15	74110551A	CLAMP, RUBBER 39MM	12		



# DRAWING 28B - PLATE HOLDER [XST:AUS, EUR, GSO, ROK, TWN]

GROUP ELECTRIC



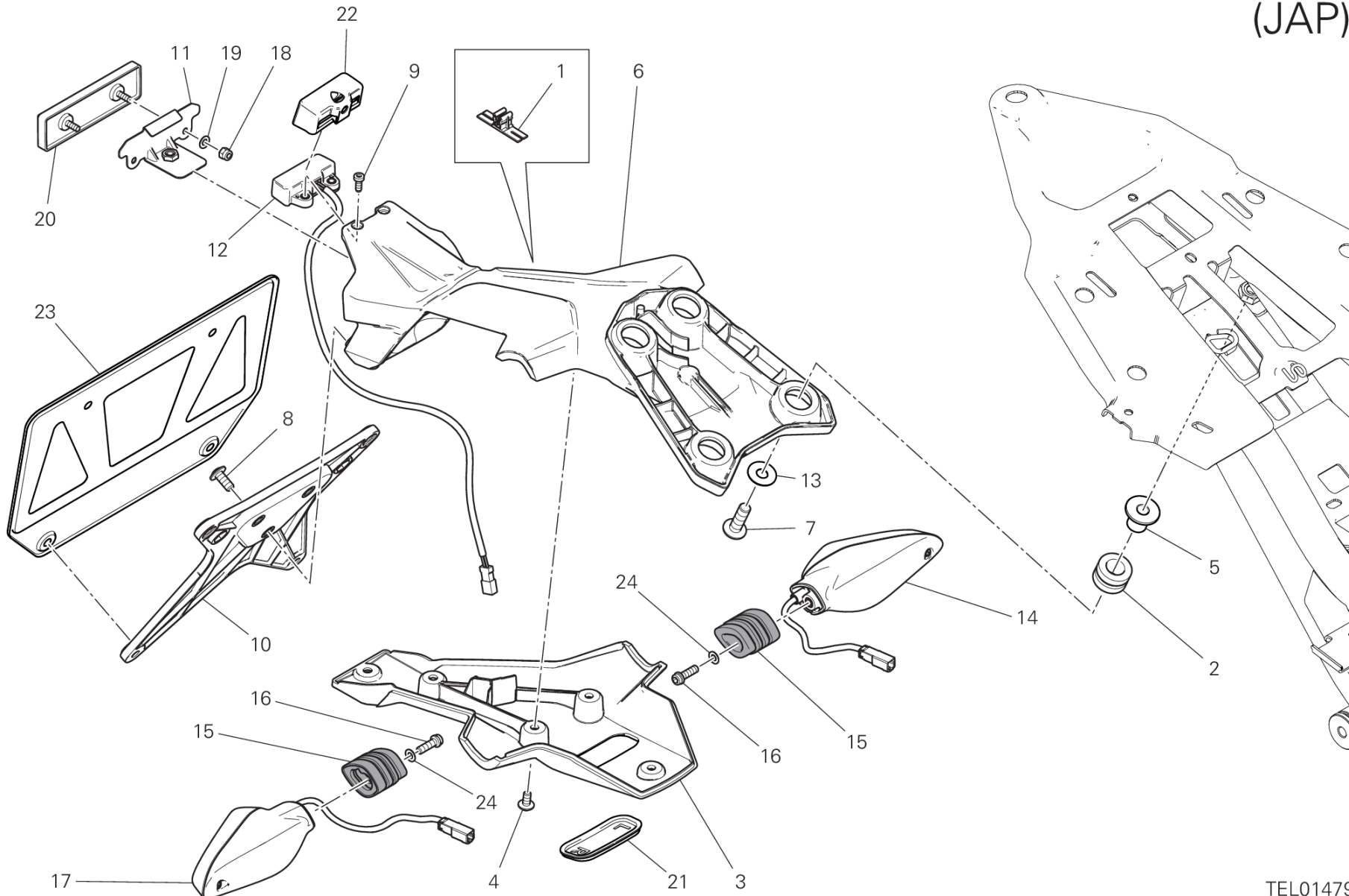
TEL01471



POS.	CODE	DESCRIPTION	QTY	VALIDITY	NOTES
1	75840901A	FAIRLEAD	3		
2	76412371A	RUBBER PAD	4		
3	56113442A	NUMBER PLATE HOLDER BOTTOM	1		
4	77244163B	SCREW TBEI M5X10	5		
5	71615291AA	SPACER	4		
6	56113432A	NUMBER PLATE HOLDER UPPER	1		
7	77244538BA	SCREW	4		
8	77240418C	SCREW	3		
9	77354623B	SCREW M4X10	2		
10	56113392A	PLATE HOLDER	1		
11	8291F761AA	PLATE	1		
12	52510611A	LAMP, LICENSE PLATE	1		
13	85210532A	WASHER 8.2X20X1	4		
14	53010361A	FLASHER LIGHT FRONT RH- REAR LH	1		
15	71314703A	SPACER	2		
16	77156403BA	SCREW	2		
17	53010372A	FLASHER LIGHT FRONT LH - REAR RH	1		
18	74950011B	NUT, SPRING	2		
19	85212511A	WASHER 4.5X9X0.5	2		
20	52910231A	REFLEX REFLECTOR, REAR	1		
21	87211251A	PLUG	1		
22	85250071A	WASHER	2		



(JAP)



TEL01479

## DRAWING 28B - PLATE HOLDER [XST:JPN]

GROUP ELECTRIC



POS.	CODE	DESCRIPTION	QTY	VALIDITY	NOTES
1	75840901A	FAIRLEAD	3		
2	76412371A	RUBBER PAD	4		
3	56113442A	NUMBER PLATE HOLDER BOTTOM	1		
4	77244163B	SCREW TBEI M5X10	5		
5	71615291AA	SPACER	4		
6	56113432A	NUMBER PLATE HOLDER UPPER	1		
7	77244538BA	SCREW	4		
8	77240418C	SCREW	3		
9	77354623B	SCREW M4X10	2		
10	56113392A	PLATE HOLDER	1		
11	8291F761AA	PLATE	1		
12	52510611A	LAMP, LICENSE PLATE	1		
13	85210532A	WASHER 8.2X20X1	4		
14	53010361A	FLASHER LIGHT FRONT RH- REAR LH	1		
15	71314703A	SPACER	2		
16	77156403BA	SCREW	2		
17	53010372A	FLASHER LIGHT FRONT LH - REAR RH	1		
18	74950011B	NUT, SPRING	2		
19	85212511A	WASHER 4.5X9X0.5	2		
20	52910231A	REFLEX REFLECTOR, REAR	1		
21	87211251A	PLUG	1		
22	4601D781B	COVER	1		
23	56113381AA	PLATE	1		
24	85250071A	WASHER	2		



# DRAWING L - SHELL ADVANCE

## GROUP OIL

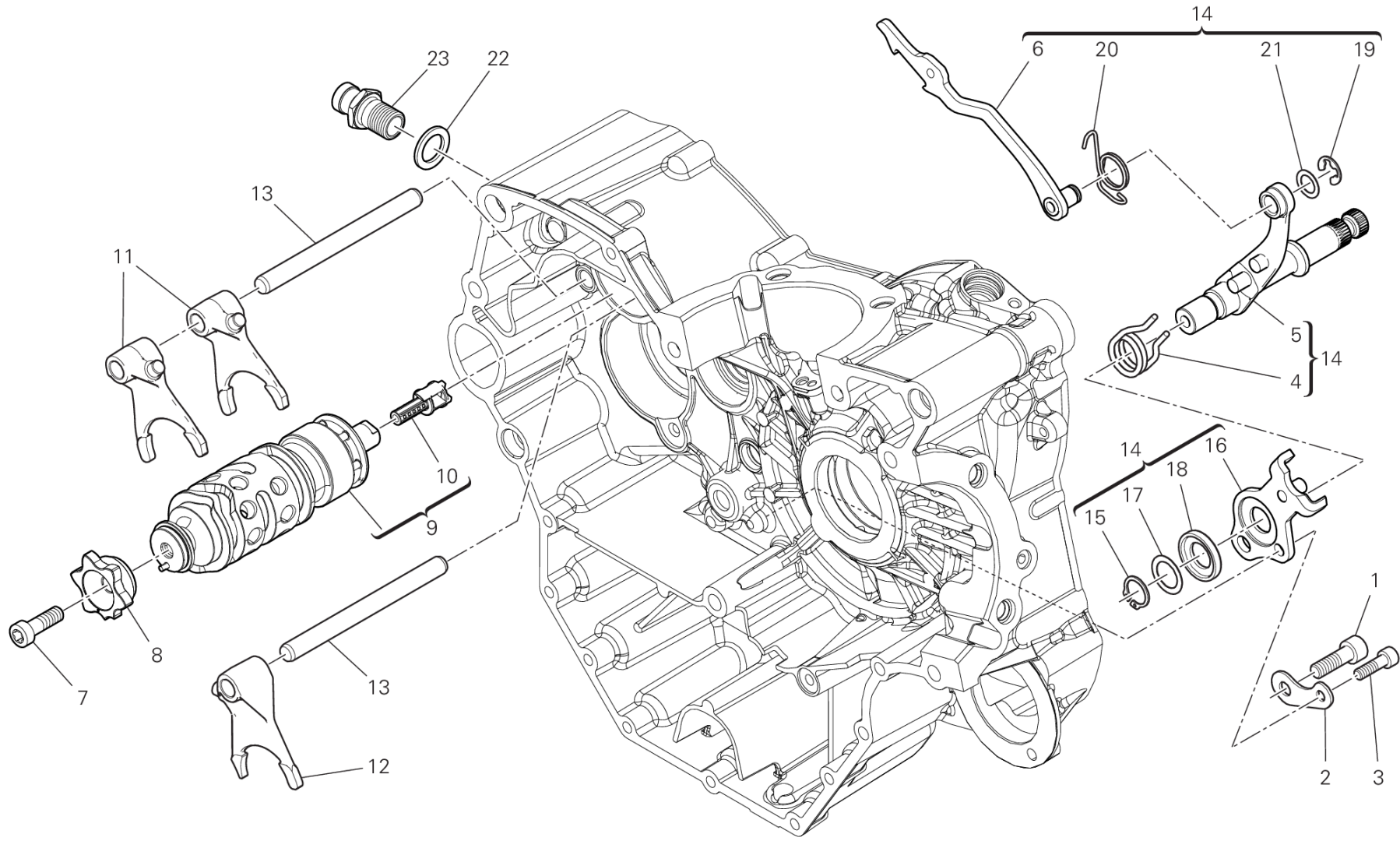


POS.	CODE	DESCRIPTION	QTY	VALIDITY	NOTES
1	944650035	SHELL ADVANCE DUCATI 15W50 - 1L BOTTLE	1		
2	944650037	SHELL ADVANCE DUCATI 15W50 – 209L DRUM	1		



# DRAWING 002 - SHIFT CAM - FORK

GROUP ENGINE



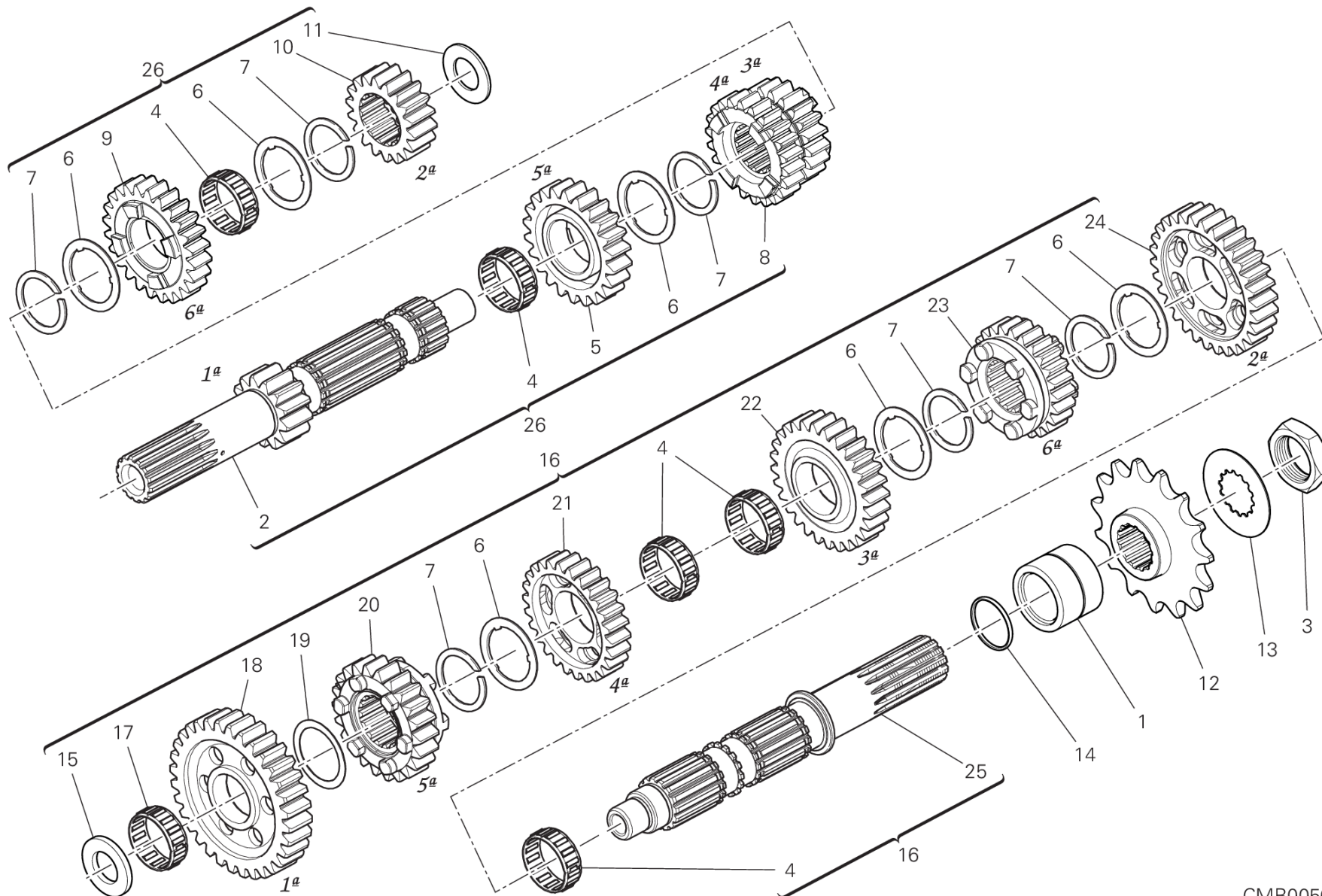
CMB00566

# DRAWING 002 - SHIFT CAM - FORK

## GROUP ENGINE



POS.	CODE	DESCRIPTION	QTY	VALIDITY	NOTES
1	77151250ZF	SCREW	1		
2	71319151A	SPACER	1		
3	77150670ZF	SCREW	1		
4	79915061A	SPRING, SHIFT RETURN	1		
5	82114731A	GEAR SELECTOR SHAFT	1		
6	18020511A	CONTROL FORK	1		
7	71950538C	SCREW	1		
8	18210781A	FLANGE	1		
9	18220772A	COMPLETE GEARBOX DRUM	1		
10	55243911A	MAGNETE	1		
11	180Z0031A	GEAR SELECTOR FORK,1ST/4TH-2ND/3RD	2		
12	180Z0041A	FORK-SHIFT, 5TH&6TH	1		
13	82113881A	FORK PIN	2		
14	82120151A	CONTROL FORK	1		
15	735001542	CIRCLIP 15 DIN 471	1		
16	82610261A	STOPPER PLATE	1		
17	040029126	THRUST WASHER 15.5X22X0.5	1		
18	88110121A	CENTERING RING	1		
19	88450341B	SPRING RING	1		
20	79912961A	RETURN SPRING	1		
21	040009050	THRUST WASHER 10.5X16X0.5	1		
22	027291090	GASKET 16.2X24X2	1		
23	7791C431A	SCREW, SPECIAL	1		



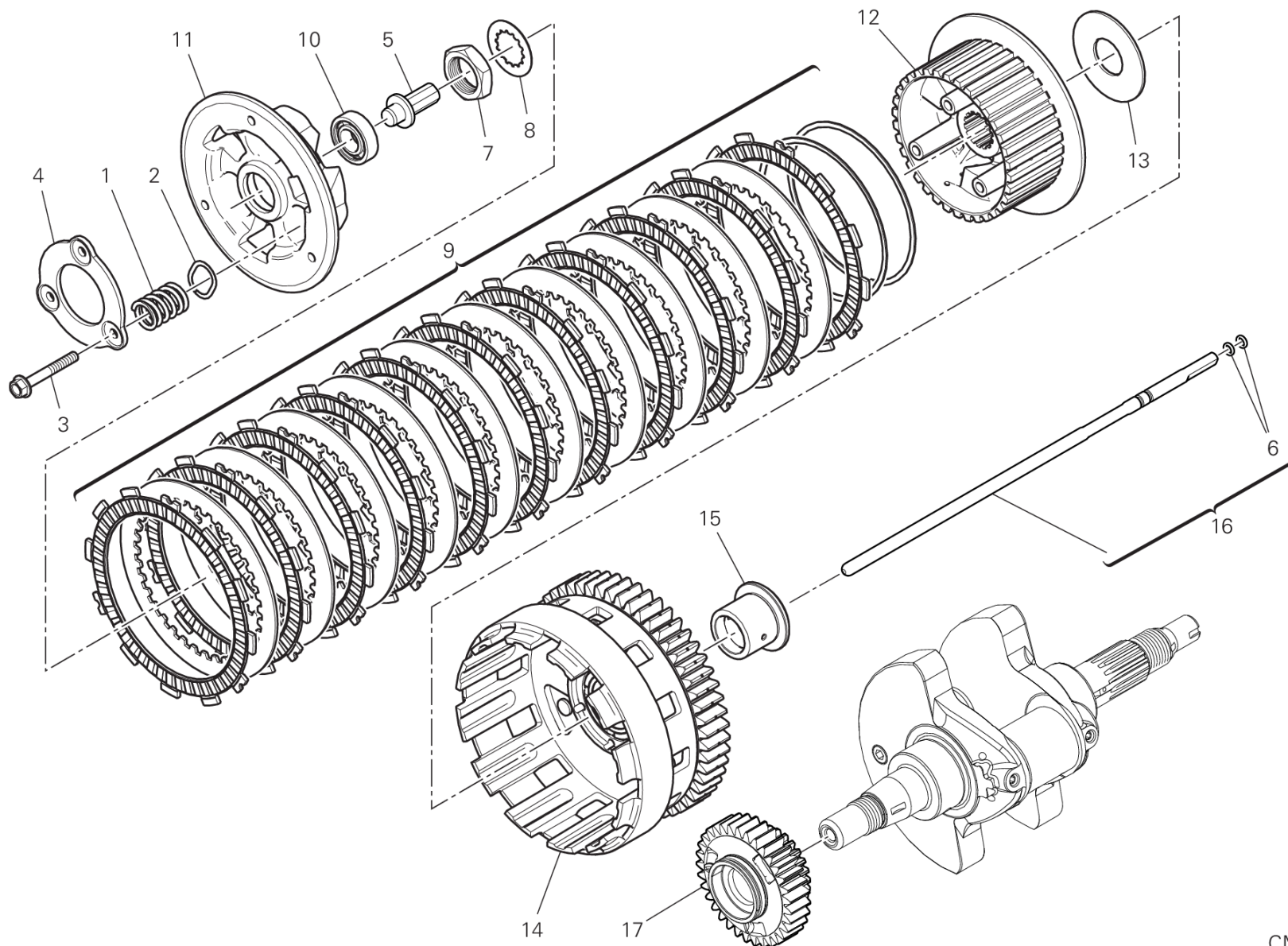
CMB00567

# DRAWING 003 - GEAR BOX

## GROUP ENGINE



POS.	CODE	DESCRIPTION	QTY	VALIDITY	NOTES
1	71319951A	SPACER, ENGINE SPROCKET	1		
2	14911101A	GEARBOX MAIN SHAFT	1		
3	75010071A	NUT	1		
4	70140051A	BEARING, NEEDLE	5		
5	17214961B	GEAR DRIVE 5TH SPEED T23	1		
6	85611261A	THRUST WASHER 0.5 MM	6		
7	88210141A	SPRING RING	6		
8	17214951B	GEAR DRIVE 3/4TH SPEED T20/22	1		
9	17214971B	GEAR DRIVE 6TH SPEEDTt24	1		
10	17210021B	GEAR, 2ND DRIVE, NT:17	1		
11	71310141E	THRUST WASHER 20.3X32X1.6	1		
12	44910681A	SPROCKET T15	1		
13	85110041A	WASHER, LOCK	1		
14	46320537A	O-RING	1		
15	71312661A	THRUST WASHER 17.3X31X3.15	1		
16	15021971A	COMPLETE LAY SHAFT	1		
17	70140211A	BEARING, NEEDLE	1		
18	17212182A	DRIVEN GEAR 1ST SPEED T37	1		
19	85611231A	THRUST WASHER 1 MM	1		
20	17210103C	DRIVEN GEAR 5TH SPEED T24	1		
21	17214621A	DRIVEN GEAR 4TH SPEED T:24	1		
22	17210081C	DRIVEN GEAR 3RD SPEED T28	1		
23	17210113C	DRIVEN GEAR 6TH SPEED T23	1		
24	17212192A	DRIVEN GEAR 2ND SPEED T30	1		
25	14911191A	LAY SHAFT	1		
26	15021961B	COMPLETE MAIN SHAFT	1		



CMB00568

# DRAWING 004 - CLUTCH

## GROUP ENGINE

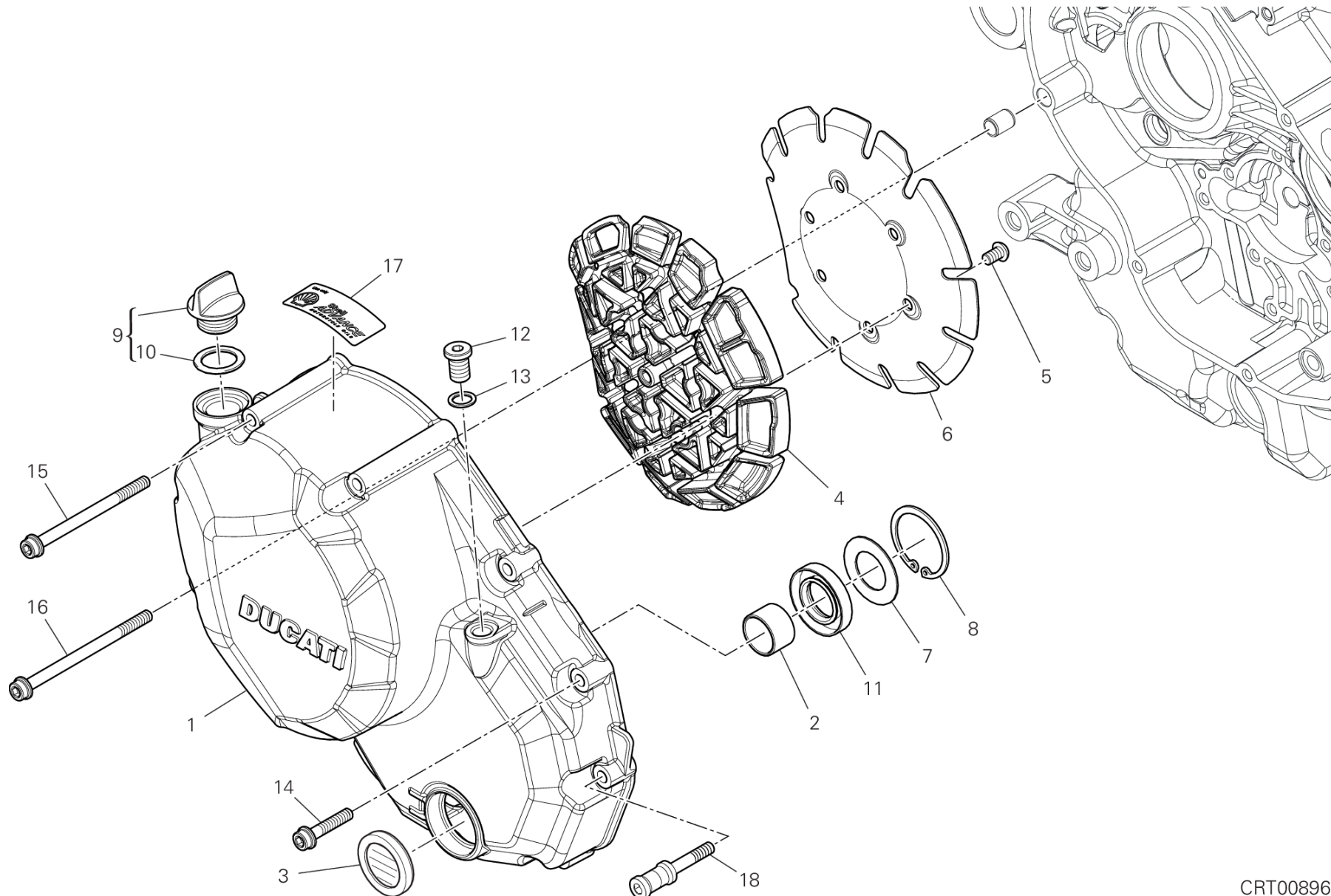


POS.	CODE	DESCRIPTION	QTY	VALIDITY	NOTES
1	79710731A	SPRING	3		
2	85611391B	THRUST WASHER	3		
3	77211201A	SCREW	3		
4	19410511A	RING	1		
5	81810162A	CLUTCH CONTROL PIN	1		
6	88641731A	O-RING 1.78X4.76	2		
7	75010071E	NUT M25X1.5	1		
8	85110201A	LOCK WASHER	1		
9	19020531A	CLUTCH DISC SET	1		
10	70250601A	BEARING	1		
11	19610542C	DISK, CLUTCH PRESSURE	1		
12	19610681A	PLATE HOLDER HUB	1		
13	71313091A	SPACER	1		
14	19820441A	PRIMARY DRIVEN GEAR COMP.	1		
15	71314831B	SPACER	1		
16	11721751A	CLUTCH CONTROL ROD	1		
17	17011721A	PRIMARY DRIVE FRONT SPROCKET	1		



# DRAWING 005 - CLUTCH COVER

GROUP ENGINE



CRT00896

# DRAWING 005 - CLUTCH COVER

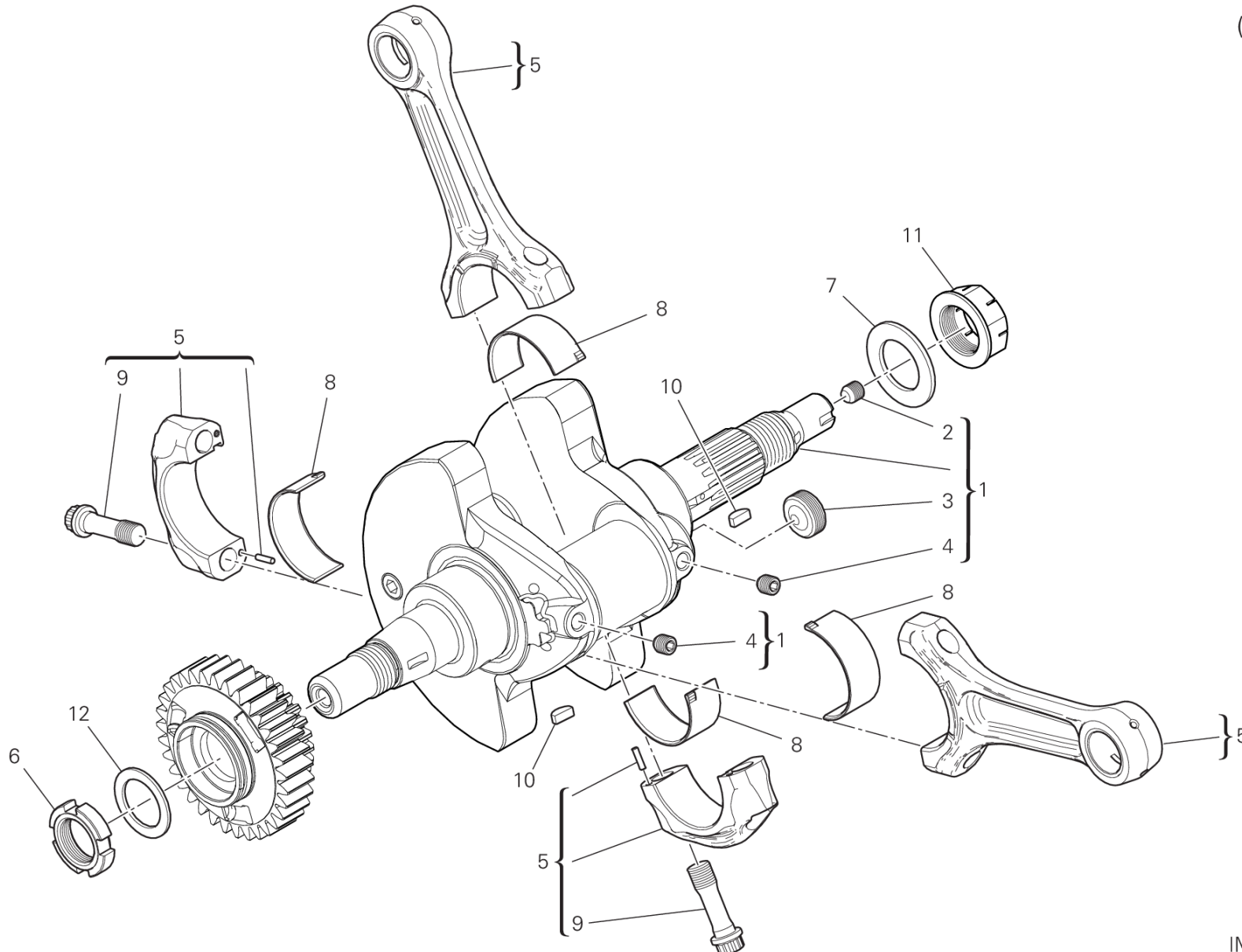
## GROUP ENGINE



POS.	CODE	DESCRIPTION	QTY	VALIDITY	NOTES
1	24310501AS	CLUTCH COVER	1		
2	066549680	BUSH	1		
3	25440013A	WINDOW, OIL LEVEL CHECK	1		
4	48611971A	DAMPER, SOUND ARRESTER	1		
5	77550200CC	SCREW	6		
6	82718612A	SHEET ACOUSTIC DAMPER	1		
7	85211351A	THRUST WASHER 20.8X37.8X1	1		
8	88450131A	CIRCLIP	1		
9	89320121A	PLUG ASSY	1		
10	88640891A	O-RING 18.64X3.53	1		
11	93040211A	OIL SEAL	1		
12	78011281A	PLUG, THREADED M10X1	1		
13	85250241A	WASHER 10X14X1	1		
14	77140713C	SCREW TCEIF M6X30 10.9	5		
15	77140813C	SCREW TCEIF M6X80 10.9	3		
16	77140833C	SCREW TCEIF M6X90 10.9	1		
17	43312502C	TRANSFER	1		
18	77915951C	SPECIAL SCREW LONG	1		



(MAPE)



IMB00290

# DRAWING 006 - CONNECTING RODS

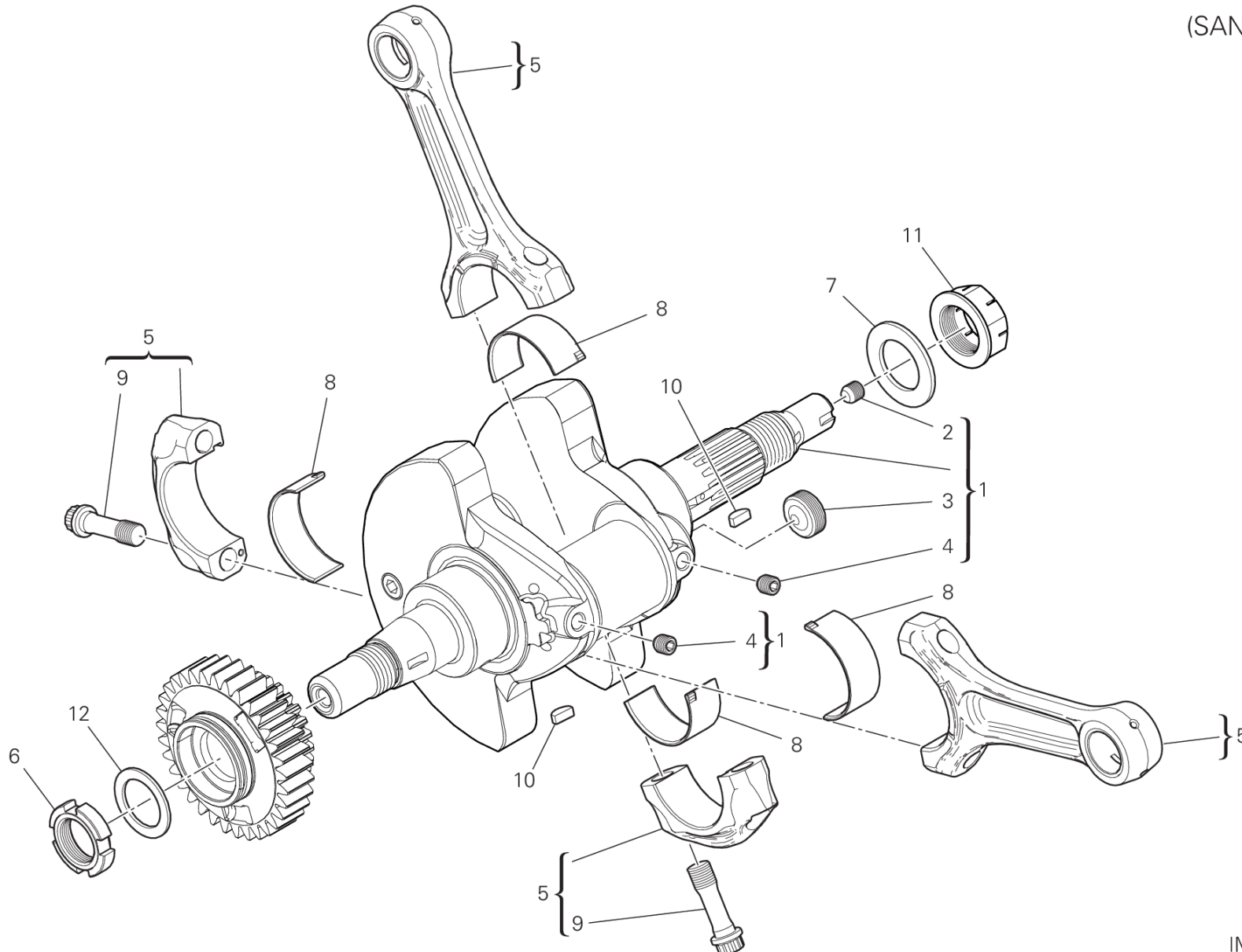
## GROUP ENGINE



POS.	CODE	DESCRIPTION	QTY	VALIDITY	NOTES
1	14622162CA	DRIVE SHAFT COMPLETEO	1		
	14622162CB	DRIVE SHAFT COMPLETEO	1		
	14622167AC	DRIVE SHAFT COMPLETEO	1		
2	77911092A	SCREW, SPECIAL	1		
3	78010161B	THREADED PLUG	1		
4	77915471A	THREADED DOWEL STEI M8X8	2		
5	15620671CA	CONNECTING ROD	2		
	15620671CB	CONNECTING ROD	2		
	15620671CC	CONNECTING ROD	2		
6	75011131A	RING NUT	1		
7	85212691A	WASHER	1		
8	11210121AA	PLANE BEARING, CONNECTING ROD RED	4		
	11210121AB	PLANE BEARING, CONNECTING ROD BLUE	4		
	11210121AC	PLANE BEARING, CONNECTING ROD YELLOW	4		
	11210121AD	PLANE BEARING, CONNECTING ROD BLACK	4		
	11210121AE	PLANE BEARING, CONNECTING ROD GREEN	4		
9	77914045B	BOLT, CONNECTING ROD	4		
10	68010131A	KEY, WOODRUFF 4X5X10	2		
11	75010121D	NUT, SPECIAL	1		
12	85140031A	WASHER, LOCK	1		



(SANSERA)



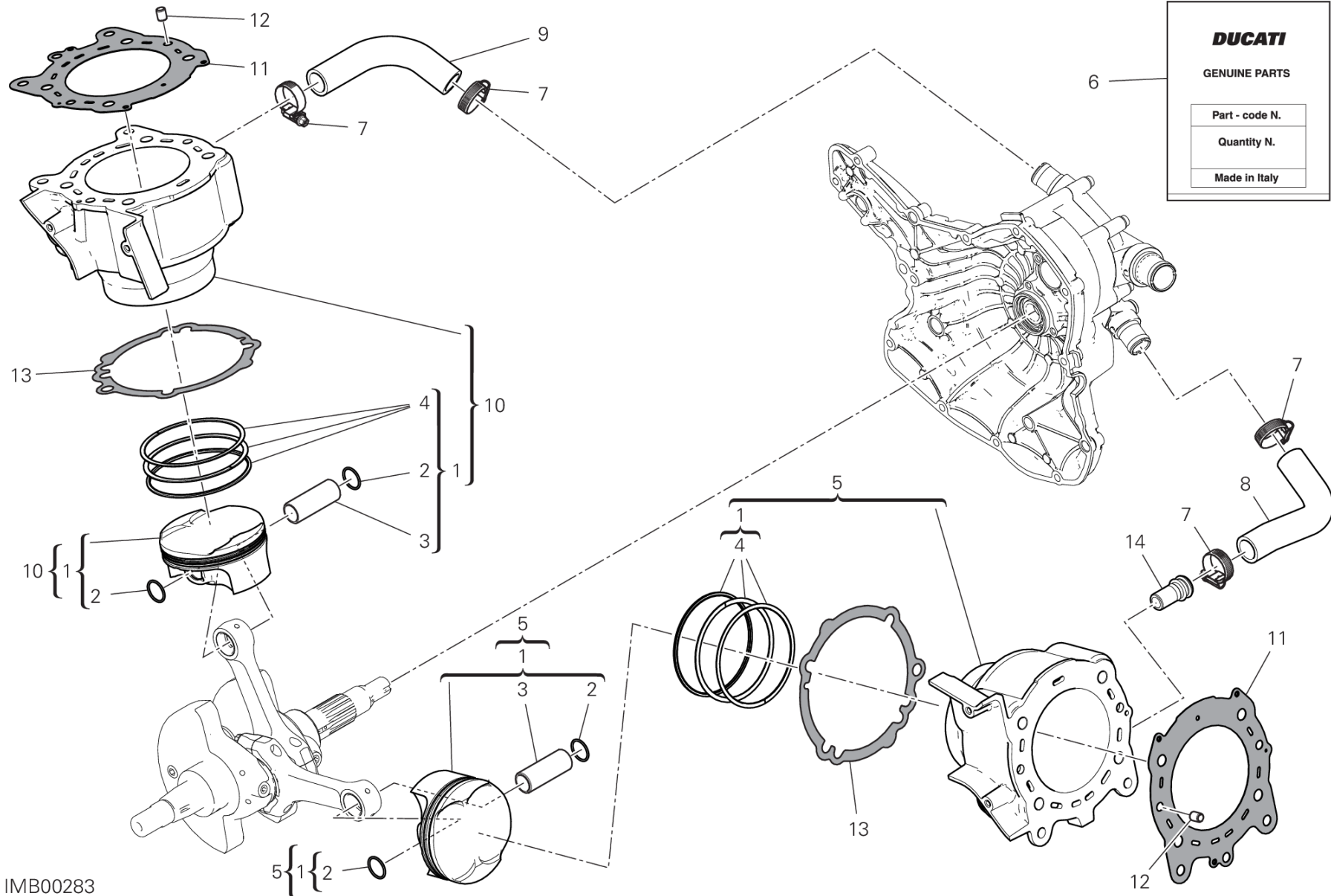
IMB00291

# DRAWING 006 - CONNECTING RODS

## GROUP ENGINE



POS.	CODE	DESCRIPTION	QTY	VALIDITY	NOTES
1	14622162CA	DRIVE SHAFT COMPLETEO	1		
	14622162CB	DRIVE SHAFT COMPLETEO	1		
	14622162CC	DRIVE SHAFT COMPLETEO	1		
	14622162CE	DRIVE SHAFT COMPLETEO	1		
2	77911092A	SCREW, SPECIAL	1		
3	78010161B	THREADED PLUG	1		
4	77915471A	THREADED DOWEL STEI M8X8	2		
5	15622261BA	CONNECTING ROD	2		
	15622261BB	CONNECTING ROD	2		
	15622261BC	CONNECTING ROD	2		
	15622261BE	CONNECTING ROD	2		
6	75011131A	RING NUT	1		
7	85212691A	WASHER	1		
8	11210121AA	PLANE BEARING, CONNECTING ROD RED	4		
	11210121AB	PLANE BEARING, CONNECTING ROD BLUE	4		
	11210121AC	PLANE BEARING, CONNECTING ROD YELLOW	4		
	11210121AD	PLANE BEARING, CONNECTING ROD BLACK	4		
	11210121AE	PLANE BEARING, CONNECTING ROD GREEN	4		
9	77914045B	BOLT, CONNECTING ROD	4		
10	68010131A	KEY, WOODRUFF 4X5X10	2		
11	75010121D	NUT, SPECIAL	1		
12	85140031A	WASHER, LOCK	1		



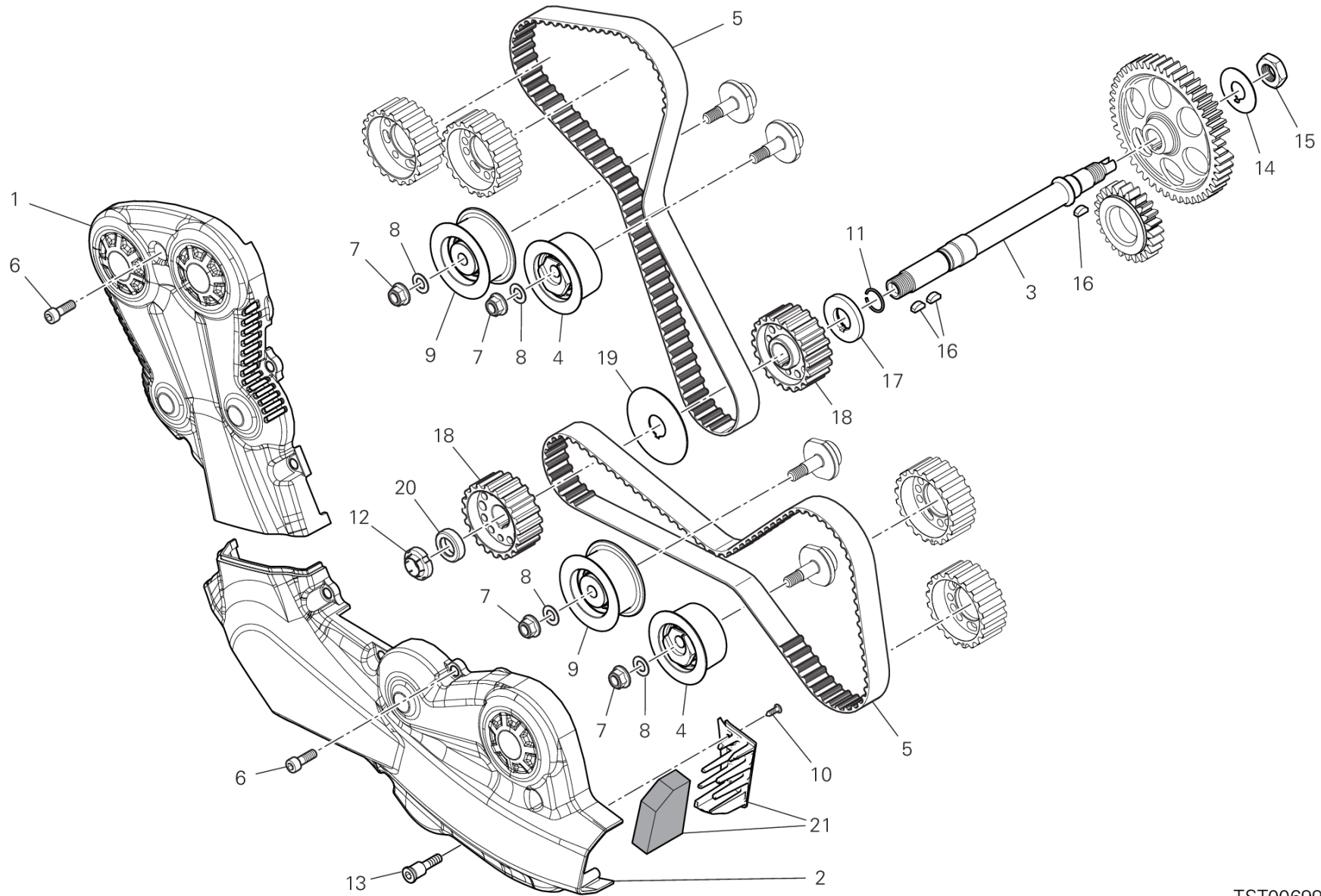
IMB00283

# DRAWING 007 - CYLINDERS - PISTONS

## GROUP ENGINE



POS.	CODE	DESCRIPTION	QTY	VALIDITY	NOTES
1	12222262G	PISTON ASSY	2		
	12222262GA	PISTON ASSY	2		
	12222262GB	PISTON ASSY	2		
	12222262GC	PISTON ASSY	2		
2	12110791A	CIRCLIP, PISTON PIN	4		
3	12110781B	PISTON PIN	2		
4	12120822A	PISTON RING SET	1		
5	120P3121AI	CYLINDER-PISTON FIT HORIZONTAL	1		
6	79120572B	GASKETS SET	1		
7	74142581A	CLAMP 16-27 MM	4		
8	80011852B	HOSE, HORIZONTAL CYLINDER WATER INLET	1		
9	80012481B	HOSE, VERTICAL CYLINDER WATER INLET	1		
10	120P3131AI	CYLINDER-PISTON FIT VERTICAL	1		
11	78611622B	GASKET, CYLINDER HEAD	2		
12	71112191A	PIN DOWEL	4		
13	78611511A	GASKET, CYLINDER	2		
14	71117802A	BUSH	1		



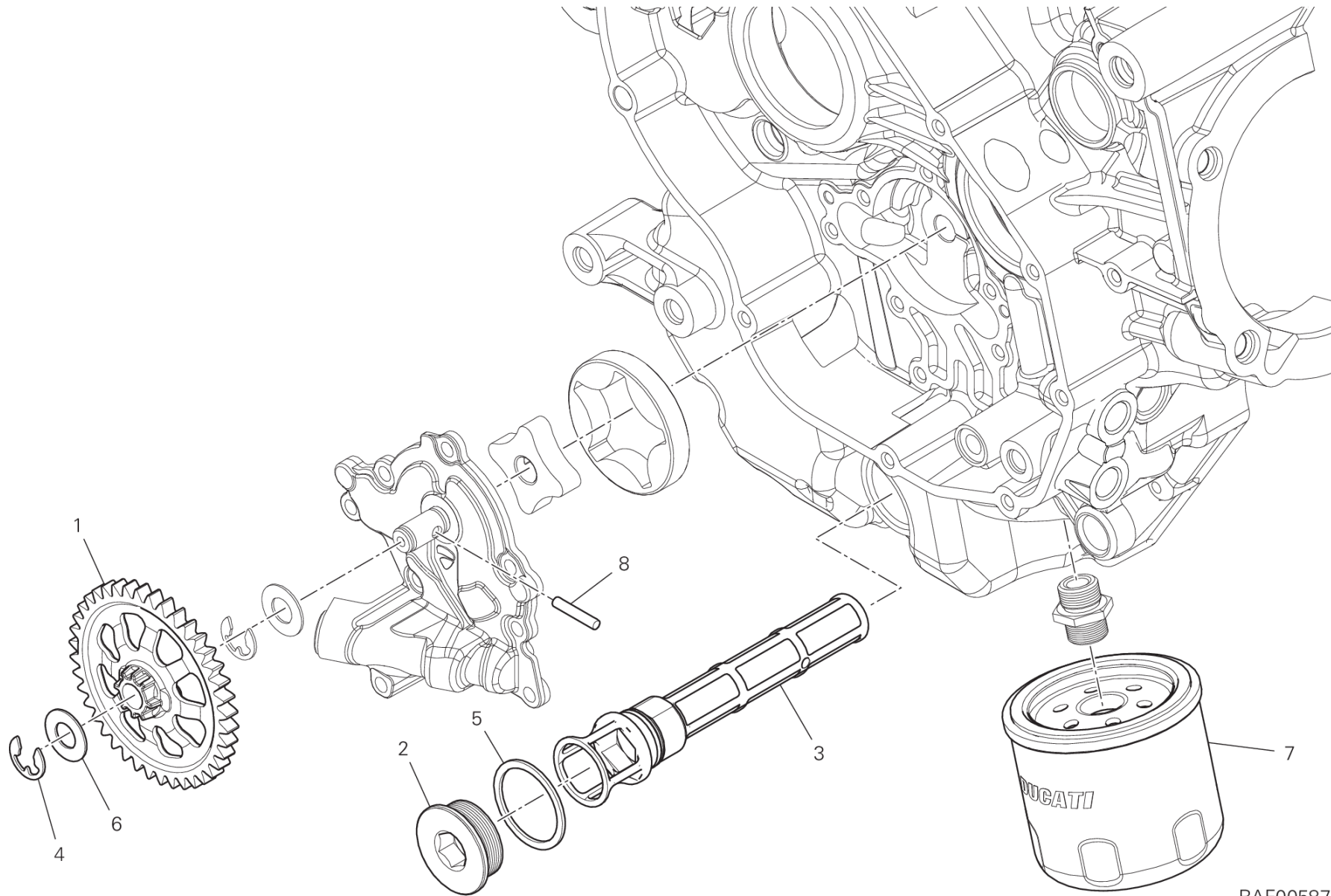
TST00699

# DRAWING 008 - TIMING SYSTEM

## GROUP ENGINE



POS.	CODE	DESCRIPTION	QTY	VALIDITY	NOTES
1	24511351A	VERTICAL BELT OUTER COVER	1		
2	24511431A	HORIZONTAL BELT EXTERNAL COVER	1		
3	14710811A	LAYSHAFT TIMING	1		
4	45120311C	COMPLETE MOVABLE TENSIONER ROLLER	2		
5	73740251B	TIMING BELT	2		
6	77113801A	SCREW	10		
7	74940081A	NUT M8	4		
8	85310021A	SPRING WASHER 8 MM	4		
9	45120321B	TENSIONER TIMING BELT FIXED	2		
10	77250341C	SCREW	2		
11	88210031A	SNAP RING	1		
12	70350062A	ELASTIC-STOP RING NUT	1		
13	77919631A	SCREW, SPECIAL	1		
14	85110131A	WASHER, LOCK	1		
15	75011601A	NUT M14X1X7	1		
16	68010131A	KEY, WOODRUFF 4X5X10	3		
17	71611281A	SPACER	1		
18	25510104B	PULLEY, TIMING BELT	2		
19	85610623A	WASHER, BELT PULLEY	1		
20	71610722A	SPACER	1		
21	24521071A	BRACKET, FILTER	1		



RAF00587

# DRAWING 009 - FILTERS AND OIL PUMP

## GROUP ENGINE

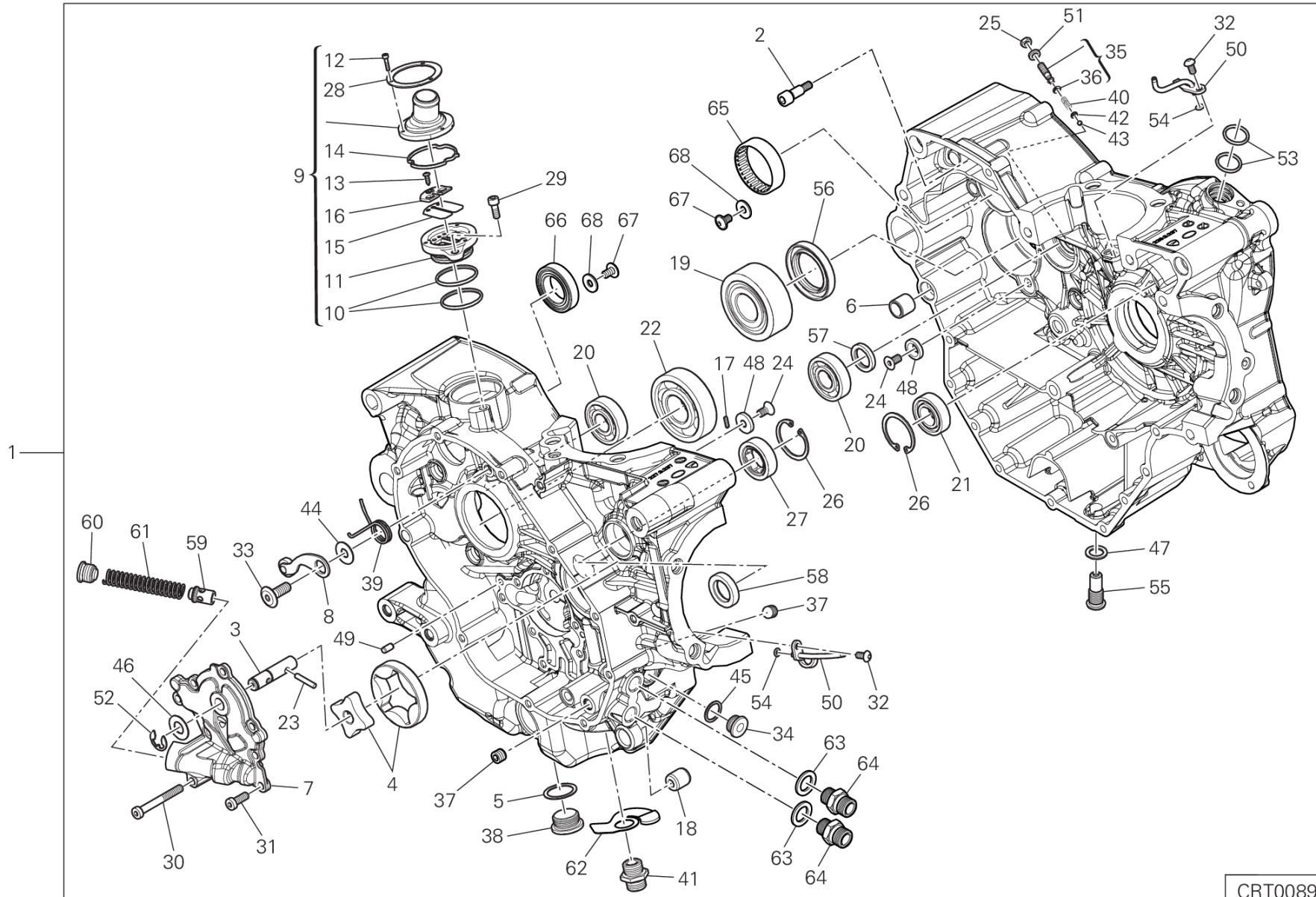


POS.	CODE	DESCRIPTION	QTY	VALIDITY	NOTES
1	17410621B	GEAR, OIL PUMP DRIVE	1		
2	87310371A	THREADED PLUG M32X1.5	1		
3	89420121F	OIL NET FILTER	1		
4	88450371A	SNAP RING	1		
5	85250051A	GASKET 32X38X1.5	1		
6	85213021A	WASHER, THRUST	1		
7	44440039A	FILTER, OIL	1		
8	70450091A	ROLLER	1		



# DRAWING 010 - HALF-CRANKCASES PAIR

GROUP ENGINE



CRT00893

# DRAWING 010 - HALF-CRANKCASES PAIR

## GROUP ENGINE

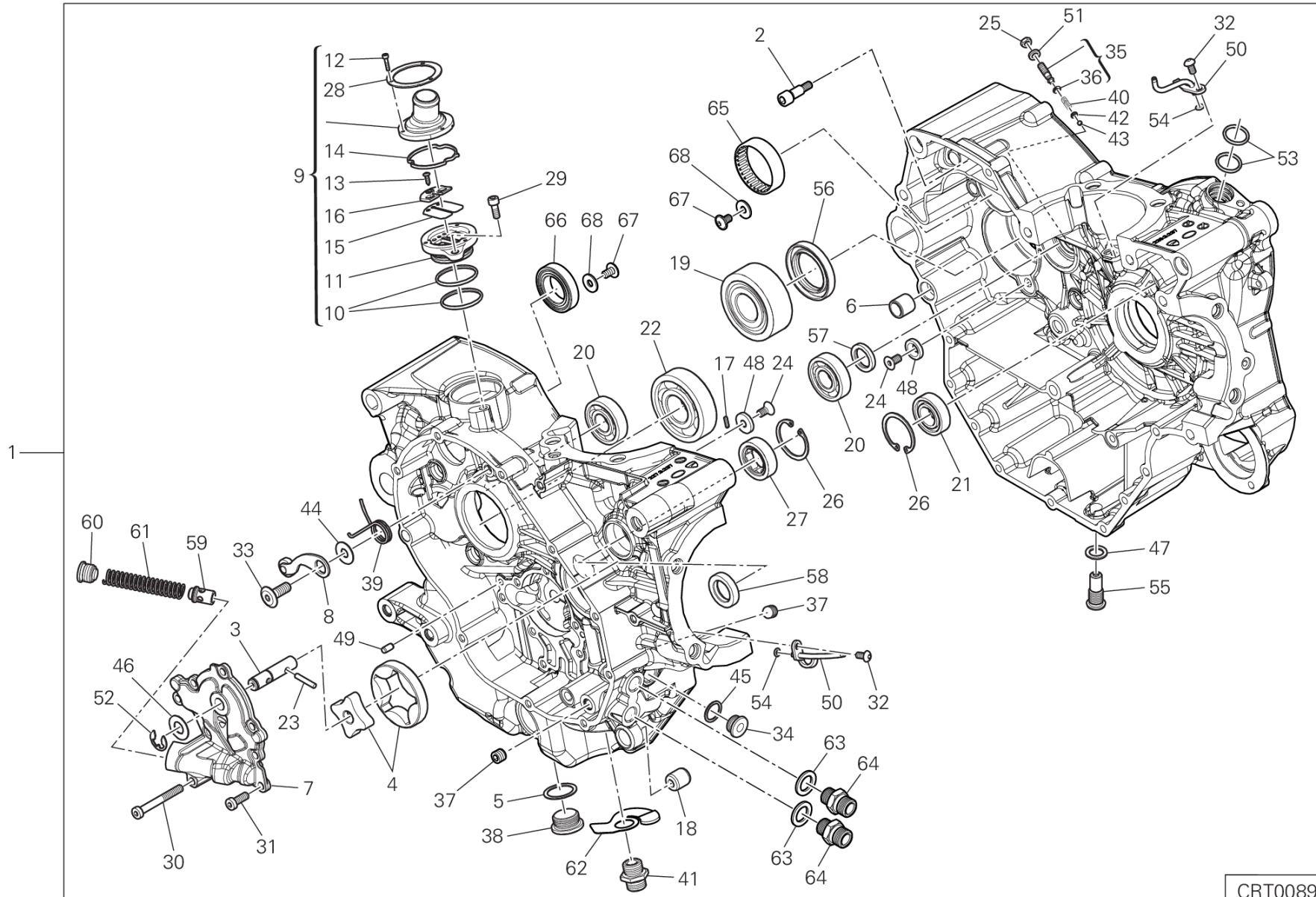


POS.	CODE	DESCRIPTION	QTY	VALIDITY	NOTES
1	225P0161B	COMPLETE HALF-CRANKCASES PAIR	1		
2	77919881A	SCREW, SPECIAL	2		
3	14710951B	OIL PUMP DRIVE SHAFT	1		
4	17420591A	OIL PUMP	1		
5	22032083A	ALUMINIUM GASKET	1		
6	71110951A	PIN DOWEL	2		
7	24714612A	OIL PUMP COVER	1		
8	45520192A	GEAR FIXING CLICK ASSEMBLY	1		
9	59320581B	VALVE, BREATHER	1		
10	46320222A	O-RING	2		
11	59310601B	HOLDER READ VALVE	1		
12	77150078B	SCREW	3		
13	77250341B	SCREW, TAPPING 3.5X12	1		
14	78811151A	GASKET	1		
15	81110021A	REED VALVE ASSY	1		
16	82716031A	SPACER	1		
17	68050101A	KEY 2X2X10	1		
18	70010362A	DAMPER	1		
19	70240131A	BEARING	1		
20	70240401B	BEARING 17X40X12	2		
21	70250081A	BALL BEARING 6003 TN9 C3	1		
22	70250193A	BEARING	1		
23	70450091A	ROLLER	1		
24	720941616	SCREW TSPEI M6X12	4		
25	74710151A	NUT	1		
26	735033380	CIRCLIP	2		
27	70242261A	BEARING	1		
28	85213011A	RING	1		
29	77150653B	SCREW TCEI M6X16 UNI5931 8.8	1		
30	77150758B	SCREW	1		
31	77350658B	SCREW TCEIR M6X16	7		
32	77510311B	SCREW TBEI M5X10	2		
33	77910391A	SCREW M8X21.5	1		
34	77911982A	THREADED PLUG M15X1	1		
35	77927171B	SCREW	1		



# DRAWING 010 - HALF-CRANKCASES PAIR

## GROUP ENGINE



CRT00893

# DRAWING 010 - HALF-CRANKCASES PAIR

## GROUP ENGINE

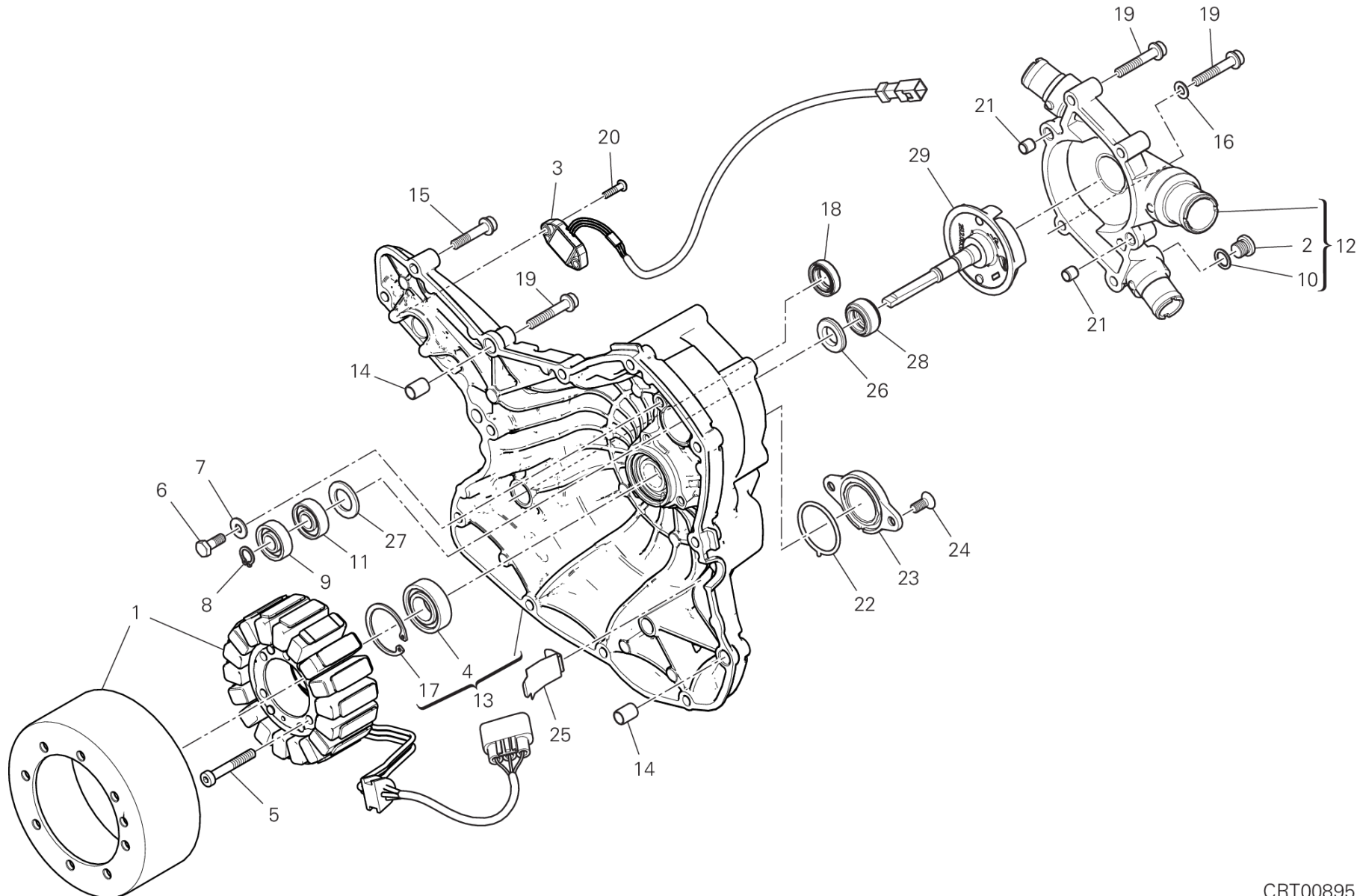


POS.	CODE	DESCRIPTION	QTY	VALIDITY	NOTES
36	88641961A	O-RING	1		
37	77950621A	THREADED DOWEL M10X1	2		
38	78010921A	PLUG	1		
39	79910491D	SPRING, RETURN	1		
40	79940171A	SPRING	1		
41	81510281A	BOLT UNION	1		
42	83110151B	PLATE	1		
43	84740061A	BALL	1		
44	85210532A	WASHER 8.2X20X1	1		
45	85211201A	ALUMINIUM GASKET	1		
46	85213021A	WASHER, THRUST	1		
47	85250421A	COPPER GASKET 12.2X18X1.5 MM	1		
48	85611481A	WASHER	4		
49	86050061A	PIN M5X10	2		
50	87511461B	JET	2		
51	85640141A	WASHER	1		
52	88450371A	SNAP RING	1		
53	88640331A	O-RING 17.96X2.62	2		
54	88650131A	O-RING 3.68X1.78	2		
55	89320062A	PLUG, OIL DRAIN	1		
56	93040221A	OIL SEAL	1		
57	93040932A	OIL SEAL	1		
58	93041631B	SEAL RING	1		
59	59310801B	BY-PASS VALVE	1		
60	78010941B	PLUG	1		
61	79915741B	BYPASS SPRING	1		
62	79920771C	BYPASS SPRING	1		
63	78710111A	GASKET, ALUMINIUM 14X22X2	2		
64	81510221A	NIPPLE, HOSEM14X1.5	2		
65	70242211A	NEEDLE BUSH	1		
66	70250412A	BALL BEARING	1		
67	77240398CC	SCREW	3		
68	85214082A	WASHER	3		



# DRAWING 011 - WATER PUMP-ALTR-SIDE CRNKCSE COVER

GROUP ENGINE



CRT00895

# DRAWING 011 - WATER PUMP-ALTR-SIDE CRNKCSE COVER

## GROUP ENGINE

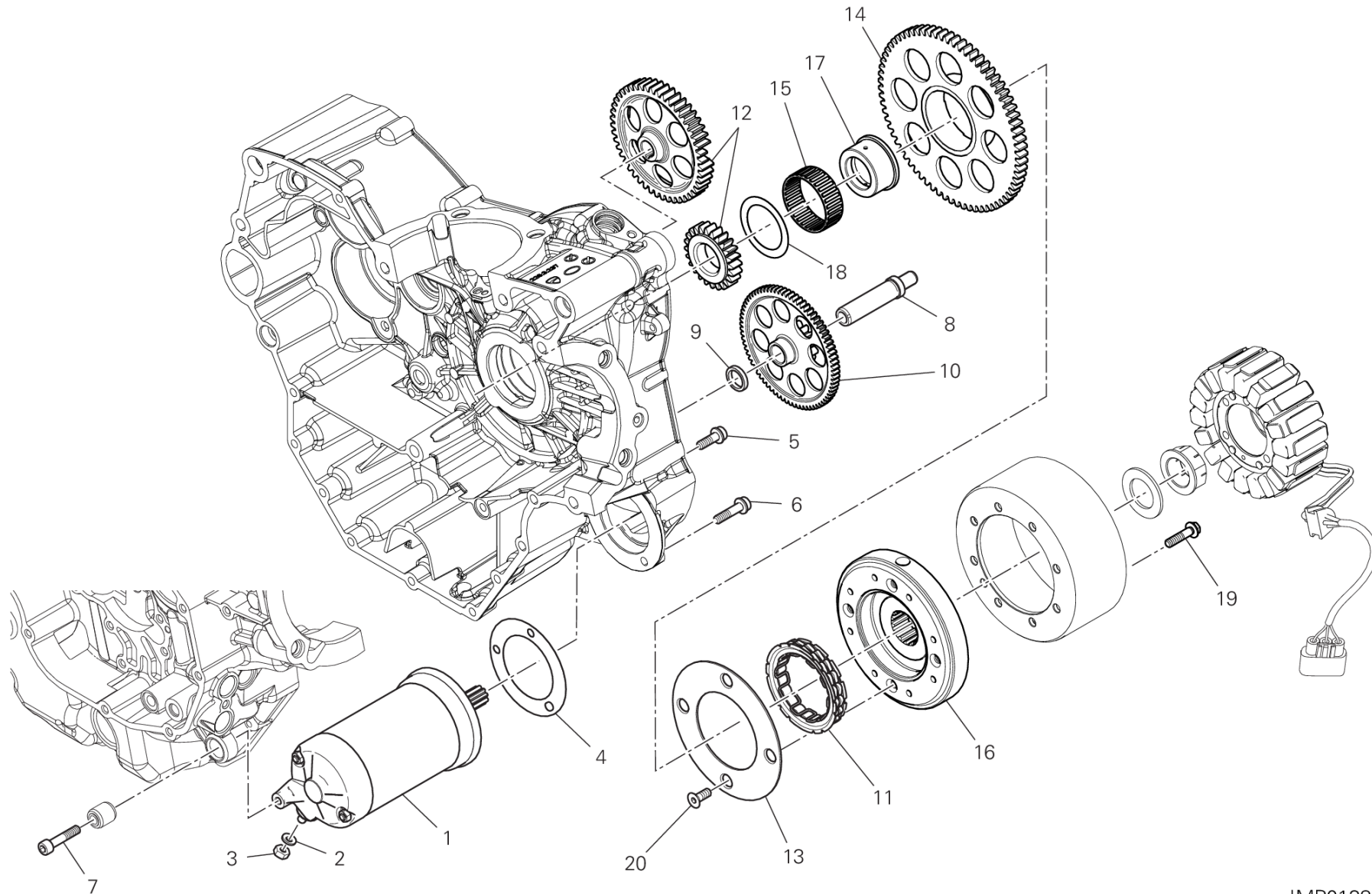


POS.	CODE	DESCRIPTION	QTY	VALIDITY	NOTES
1	26420461B	GENERATOR DENS0	1		
2	78011001A	PLUG, THREADED M10X1	1		
3	55243942A	GEARBOX POSITION SENSOR	1		
4	70250081A	BALL BEARING 6003 TN9 C3	1		
5	71950418CF	SCREW	3		
6	77052508B	SCREW TE M6X16	2		
7	85211721A	WASHER 6X14.2X1.3	2		
8	88450431A	CIRCLIP	1		
9	70240102A	BEARING	1		
10	85250631A	WASHER	1		
11	70240091A	BALL BEARING 6000	1		
12	24725241BF	COMPLETE WATER PUMP COVER	1		
13	24221494CS	GENERATOR COVER	1		
14	71111601A	PIN DOWEL	2		
15	77140713C	SCREW TCEIF M6X30 10.9	11		
16	85250481A	GASKET 6X12X1 DIN7603-A	2		
17	735033380	CIRCLIP	1		
18	93042691A	SEAL RING	1		
19	77140723C	SCREW TCEIF M6X35 10.9	8		
20	72050069E	SCREW	2		
21	71110922A	BUSH	2		
22	88610951A	O-RING 32.99X2.62	1		
23	24713571AE	COVER	1		
24	77750493C	SCREW	2		
25	82716091A	PLATE	1		
26	93050051A	MECHANICAL SEAL	1		
27	71311281B	SPACER	1		
28	93050062B	MECHANICAL SEAL	1		
29	25120131A	WATER PUMP ROTOR	1		



# DRAWING 012 - ELECTRIC STARTING AND IGNITION

GROUP ENGINE



IMP01384

# DRAWING 012 - ELECTRIC STARTING AND IGNITION

## GROUP ENGINE

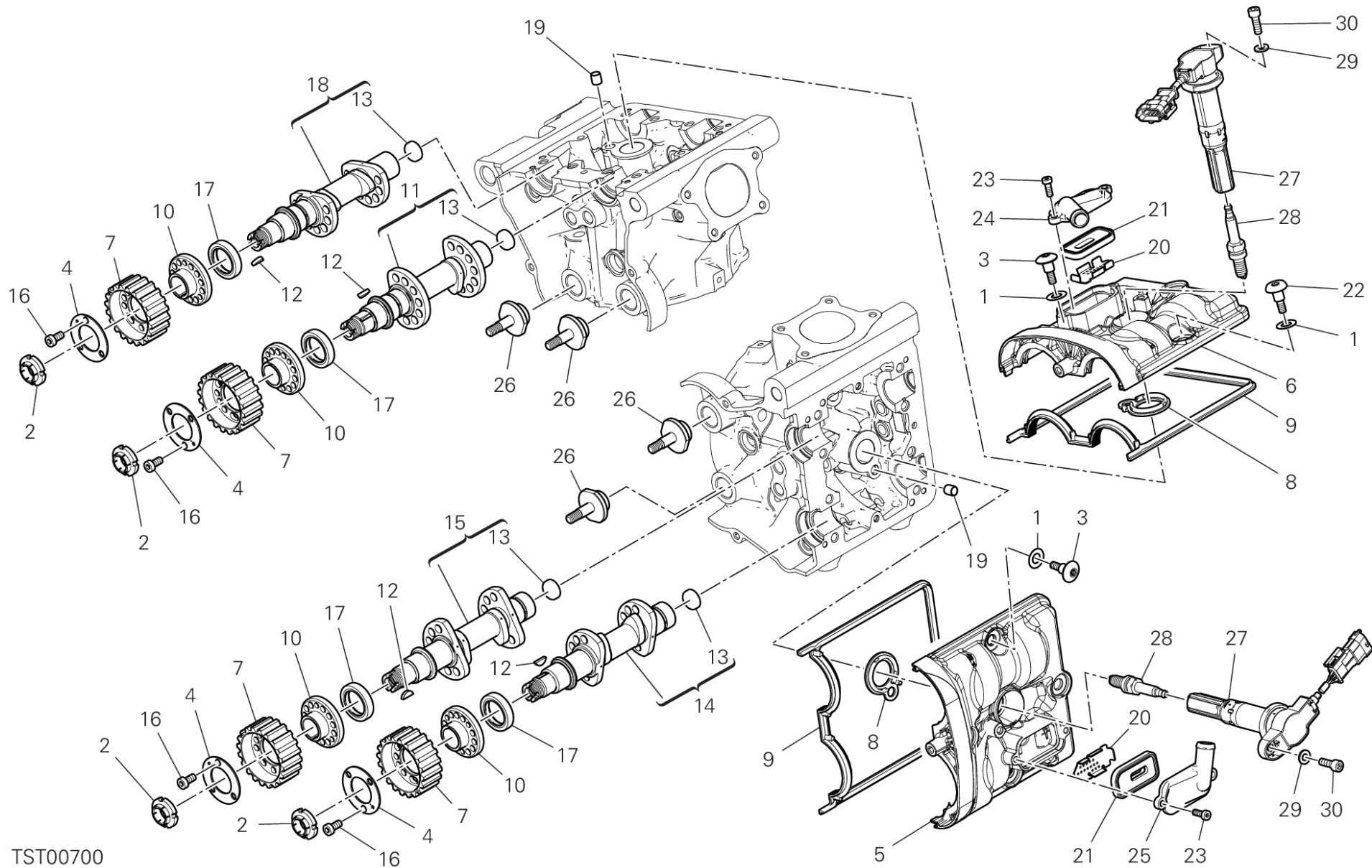


POS.	CODE	DESCRIPTION	QTY	VALIDITY	NOTES
1	27040107A	STARTING MOTOR	1		
2	85350101A	WASHER, SPRING	1		
3	75050051A	NUT 6MM	1		
4	78810542A	ENGINE STARTER GASKET	1		
5	77140677CF	SCREW TCEIF M6X20	2		
6	77140697CF	SCREW	1		
7	77110521A	SCREW TCEI M6X30	1		
8	82113471A	STARTER REDUCTION SHAFT	1		
9	71319191A	SPACER	1		
10	176Z0021A	IDLE GEAR T74/13	1		
11	70140591A	CLUTCH, ONE WAY	1		
12	17122421A	TIMING GEARS SET	1		
13	16016371A	PLATE	1		
14	173Z0021A	ELECTRIC STARTER DRIVEN GEAR	1		
15	70240181B	NEEDLE BEARING	1		
16	27610441B	COUPLING, FLYWHEEL	1		
17	88110341A	BUSH	1		
18	85610751A	WASHER, THRUST	1		
19	77253330ZF	SCREW	8		
20	77750508CC	SCREW	4		



# DRAWING 013 - CYLINDER HEAD : TIMING SYSTEM

GROUP ENGINE



TST00700

# DRAWING 013 - CYLINDER HEAD : TIMING SYSTEM

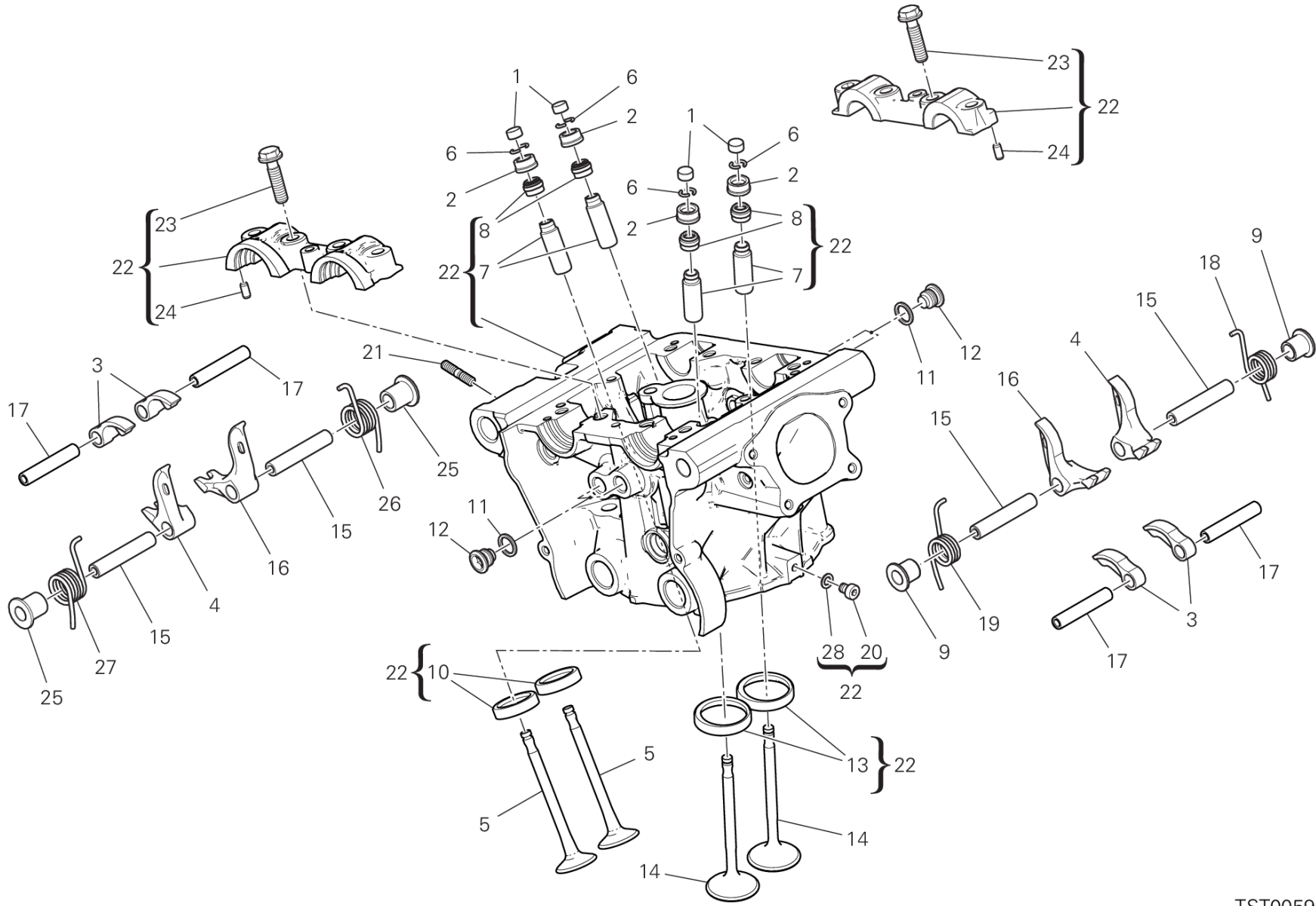
## GROUP ENGINE



POS.	CODE	DESCRIPTION	QTY	VALIDITY	NOTES
1	88650511A	O-RING 12.39X3.53	8		
2	70350022A	RING NUT M17X1	4		
3	77915093A	SCREW, SPECIAL	5		
4	85610743A	WASHER, SPECIAL	4		
5	24716791AH	COVER CYLINDER HEAD, HORIZONTAL	1		
6	24716801AH	COVER CYLINDER HEAD, VERTICAL	1		
7	25510193A	TIMING BELT PULLEY, DRIVEN T20	4		
8	78811911A	GASKET	2		
9	78810931A	GASKET CYLINDER HEAD COVER	2		
10	16010941A	FLANGE	4		
11	14824232A	VERTICAL INTAKE CAMSHAFT	1		
12	68050061A	WOODRUFF KEY 3X5	4		
13	87310051A	PLUG 18 MM	4		
14	14824242A	HORIZONTAL EXHAUST CAMSHAFT	1		
15	14824222A	HORIZONTAL INTAKE CAMSHAFT	1		
16	77950302A	SCREW TC M6X12	12		
17	93050072A	SEAL RING	4		
18	14824252A	VERTICAL EXHAUST CAMSHAFT	1		
19	71113741A	BUSH	2		
20	82716351A	PLATE	2		
21	81140012B	VALVE	2		
22	77918141A	SCREW, SPECIAL	3		
23	77350403B	SCREW	4		
24	24714171A	COVER	1		
25	24714891A	COVER	1		
26	45110462A	MOVABLE TENSIONER ROLLER PIN	4		
27	38010221A	IGNITION COIL ASSY	2		
28	67040451A	SPARK PLUG NGK MAR9A-J	2		
29	85212641A	WASHER 6.4X12.5X1.6	2		
30	77110401B	SCREW	2		



# DRAWING 014 - VERTICAL HEAD GROUP ENGINE



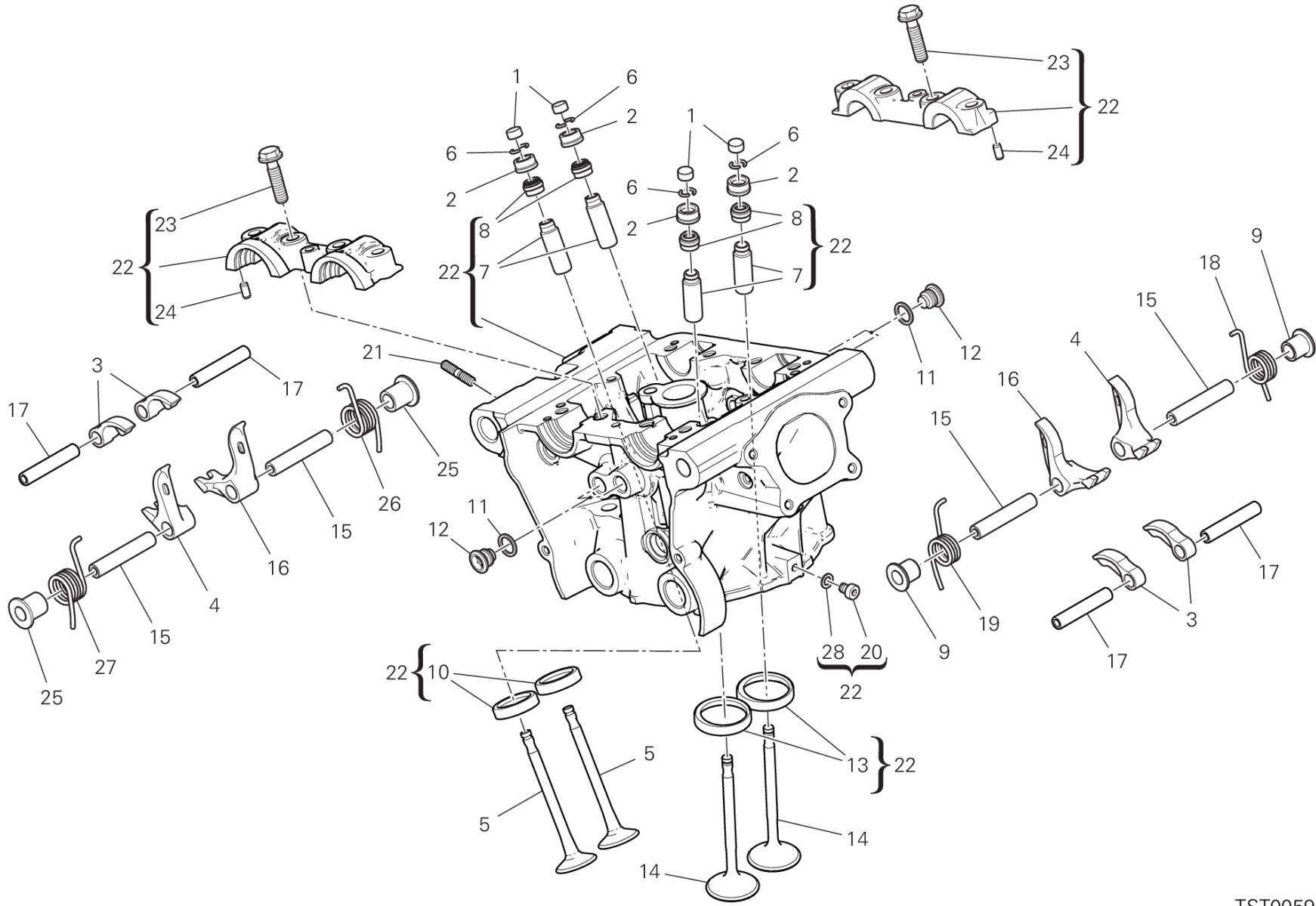
TST00594

# DRAWING 014 - VERTICAL HEAD

## GROUP ENGINE



POS.	CODE	DESCRIPTION	QTY	VALIDITY	NOTES
1	84010012A	ADJUSTER, OPENING ROCKER ARM 2.00 MM	4		
	84010022A	ADJUSTER, OPENING ROCKER ARM 2.05 MM	4		
	84010032A	ADJUSTER, OPENING ROCKER ARM 2.10 MM	4		
	84010042A	ADJUSTER, OPENING ROCKER ARM 2.15 MM	4		
	84010052A	ADJUSTER, OPENING ROCKER ARM 2.20 MM	4		
	84010062A	ADJUSTER, OPENING ROCKER ARM 2.25 MM	4		
	84010072A	ADJUSTER, OPENING ROCKER ARM 2.30 MM	4		
	84010082A	ADJUSTER, OPENING ROCKER ARM 2.35 MM	4		
	84010092A	ADJUSTER, OPENING ROCKER ARM 2.40 MM	4		
	84010102A	ADJUSTER, OPENING ROCKER ARM 2.45 MM	4		
	84010112A	ADJUSTER, OPENING ROCKER ARM 2.50 MM	4		
	84010122A	ADJUSTER, OPENING ROCKER ARM 2.55 MM	4		
	84010132A	ADJUSTER, OPENING ROCKER ARM 2.60 MM	4		
	84010142A	ADJUSTER, OPENING ROCKER ARM 2.65 MM	4		
	84010152A	ADJUSTER, OPENING ROCKER ARM 2.70 MM	4		
	84010162A	ADJUSTER, OPENING ROCKER ARM 2.75 MM	4		
	84010172A	ADJUSTER, OPENING ROCKER ARM 2.80 MM	4		
	84010182A	ADJUSTER, OPENING ROCKER ARM 2.85 MM	4		
	84010192A	ADJUSTER, OPENING ROCKER ARM 2.90 MM	4		
	84010202A	ADJUSTER, OPENING ROCKER ARM 2.95 MM	4		
	84010212A	ADJUSTER, OPENING ROCKER ARM 3.00 MM	4		
	84010222A	ADJUSTER, OPENING ROCKER ARM 3.05 MM	4		
	84010232A	ADJUSTER, OPENING ROCKER ARM 3.10 MM	4		
	84010242A	ADJUSTER, OPENING ROCKER ARM 3.15 MM	4		
	84010252A	ADJUSTER, OPENING ROCKER ARM 3.20 MM	4		
	84010262A	ADJUSTER, OPENING ROCKER ARM 3.25 MM	4		
	84010272A	ADJUSTER, OPENING ROCKER ARM 3.30 MM	4		
	84010282A	ADJUSTER, OPENING ROCKER ARM 3.35 MM	4		
	84010292A	ADJUSTER, OPENING ROCKER ARM 3.40 MM	4		
	84010302A	ADJUSTER, OPENING ROCKER ARM 3.45 MM	4		
	84010312A	ADJUSTER, OPENING ROCKER ARM 1.80 MM	4		
	84010322A	ADJUSTER, OPENING ROCKER ARM 1.85 MM	4		
	84010332A	ADJUSTER, OPENING ROCKER ARM 1.90 MM	4		
	84010342A	ADJUSTER, OPENING ROCKER ARM 1.95 MM	4		
	84010722A	ADJUSTER, OPENING ROCKER ARM 3.60 MM	4		



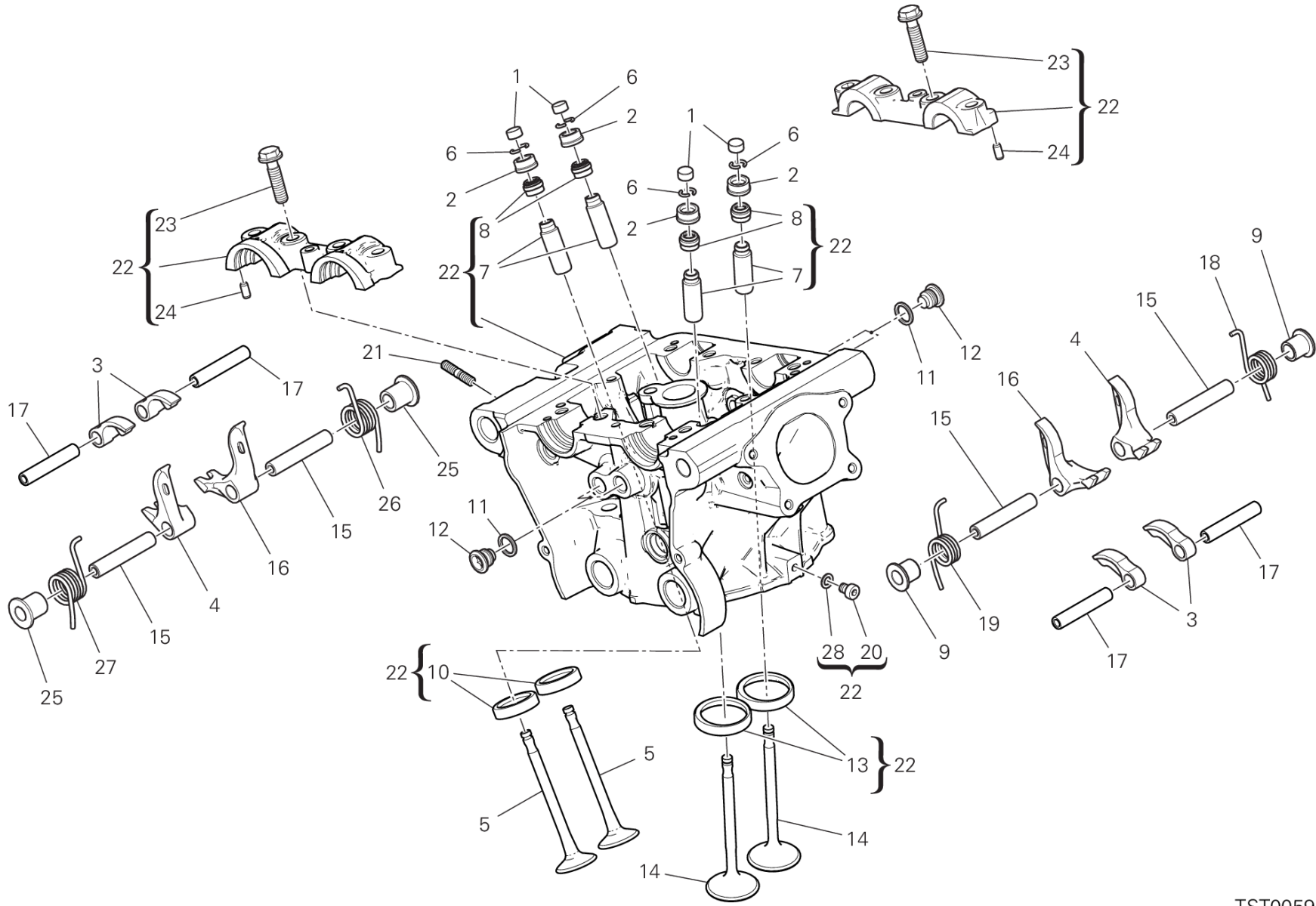
TST00594

# DRAWING 014 - VERTICAL HEAD

## GROUP ENGINE



POS.	CODE	DESCRIPTION	QTY	VALIDITY	NOTES
	84010732A	ADJUSTER, OPENING ROCKER ARM 3.80 MM	4		
	84011082A	ADJUSTER, OPENING ROCKER ARM 3.50 MM	4		
	84011092A	ADJUSTER, OPENING ROCKER ARM 3.55 MM	4		
	84011102A	ADJUSTER, OPENING ROCKER ARM 3.65 MM	4		
	84011112A	ADJUSTER, OPENING ROCKER ARM 3.70 MM	4		
	84011122A	ADJUSTER, OPENING ROCKER ARM 3.75 MM	4		
	84011132A	ADJUSTER, OPENING ROCKER ARM 3.85 MM	4		
	84011142A	ADJUSTER, OPENING ROCKER ARM 3.9 MM	4		
2	84010412B	ADJUSTER, CLOSING ROCKER ARM 2.20 MM	4		
	84010422B	ADJUSTER, CLOSING ROCKER ARM 2.25 MM	4		
	84010432B	ADJUSTER, CLOSING ROCKER ARM 2.30 MM	4		
	84010442B	ADJUSTER, CLOSING ROCKER ARM 2.35 MM	4		
	84010452B	ADJUSTER, CLOSING ROCKER ARM 2.40 MM	4		
	84010462B	ADJUSTER, CLOSING ROCKER ARM 2.45 MM	4		
	84010472B	ADJUSTER, CLOSING ROCKER ARM 2.50 MM	4		
	84010482B	ADJUSTER, CLOSING ROCKER ARM 2.55 MM	4		
	84010492B	ADJUSTER, CLOSING ROCKER ARM 2.60 MM	4		
	84010502B	ADJUSTER, CLOSING ROCKER ARM 2.65 MM	4		
	84010512B	ADJUSTER, CLOSING ROCKER ARM 2.70 MM	4		
	84010522B	ADJUSTER, CLOSING ROCKER ARM 2.75 MM	4		
	84010532B	ADJUSTER, CLOSING ROCKER ARM 2.80 MM	4		
	84010542B	ADJUSTER, CLOSING ROCKER ARM 2.85 MM	4		
	84010552B	ADJUSTER, CLOSING ROCKER ARM 2.90 MM	4		
	84010562B	ADJUSTER, CLOSING ROCKER ARM 2.95 MM	4		
	84010572B	ADJUSTER, CLOSING ROCKER ARM 3.00 MM	4		
	84010582B	ADJUSTER, CLOSING ROCKER ARM 3.05 MM	4		
	84010592B	ADJUSTER, CLOSING ROCKER ARM 3.10 MM	4		
	84010602B	ADJUSTER, CLOSING ROCKER ARM 3.15 MM	4		
	84010612B	ADJUSTER, CLOSING ROCKER ARM 3.20 MM	4		
	84010622B	ADJUSTER, CLOSING ROCKER ARM 3.25 MM	4		
	84010632B	ADJUSTER, CLOSING ROCKER ARM 3.30 MM	4		
	84010642B	ADJUSTER, CLOSING ROCKER ARM 3.35 MM	4		
	84010652B	ADJUSTER, CLOSING ROCKER ARM 3.40 MM	4		
	84010662B	ADJUSTER, CLOSING ROCKER ARM 3.45 MM	4		
	84010672B	ADJUSTER, CLOSING ROCKER ARM 3.50 MM	4		



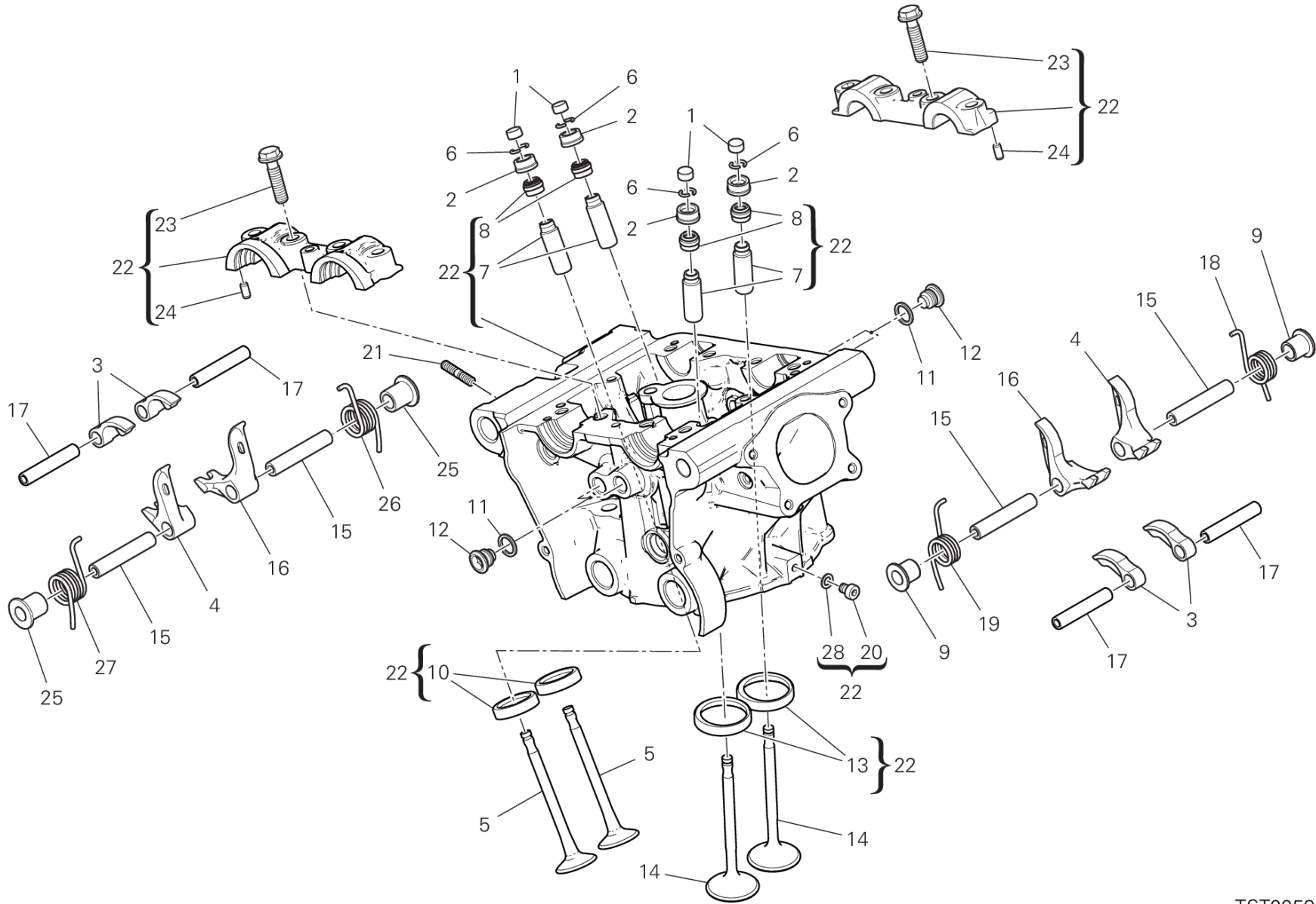
TST00594

# DRAWING 014 - VERTICAL HEAD

## GROUP ENGINE



POS.	CODE	DESCRIPTION	QTY	VALIDITY	NOTES
	84010682B	ADJUSTER, CLOSING ROCKER ARM 3.55 MM	4		
	84010692B	ADJUSTER, CLOSING ROCKER ARM 3.60 MM	4		
	84010702B	ADJUSTER, CLOSING ROCKER ARM 3.65 MM	4		
	84010712B	ADJUSTER, CLOSING ROCKER ARM 3.70 MM	4		
	84010722B	ADJUSTER, CLOSING ROCKER ARM 3.75 MM	4		
	84010732B	ADJUSTER, CLOSING ROCKER ARM 3.80 MM	4		
	84010742B	ADJUSTER, CLOSING ROCKER ARM 3.85 MM	4		
	84010752B	ADJUSTER, CLOSING ROCKER ARM 3.90 MM	4		
	84010762B	ADJUSTER, CLOSING ROCKER ARM 3.95 MM	4		
	84010772B	ADJUSTER, CLOSING ROCKER ARM 4.00 MM	4		
	84010782B	ADJUSTER, CLOSING ROCKER ARM 4.05 MM	4		
	84010792B	ADJUSTER, CLOSING ROCKER ARM 4.10 MM	4		
	84010802B	ADJUSTER, CLOSING ROCKER ARM 4.15 MM	4		
	84010812B	ADJUSTER, CLOSING ROCKER ARM 4.20 MM	4		
	84010822B	ADJUSTER, CLOSING ROCKER ARM 4.25 MM	4		
	84010832B	ADJUSTER, CLOSING ROCKER ARM 4.30 MM	4		
	84010842B	ADJUSTER, CLOSING ROCKER ARM 4.35 MM	4		
	84010852B	ADJUSTER, CLOSING ROCKER ARM 4.40 MM	4		
	84010862B	ADJUSTER, CLOSING ROCKER ARM 4.45 MM	4		
	84010872B	ADJUSTER, CLOSING ROCKER ARM 4.50 MM	4		
3	20810321A	OPEN. ROCKER ARM	4		
4	20910501A	CLOSING ROCKER ARM LEFT	2		
5	21110991A	EXHAUST VALVE	2		
6	66910011E	C RING	8		
7	30310631BB	GUIDE, VALVE OVERSIZED 0.03 MM	4		
	30310631BC	GUIDE, VALVE OVERSIZED 0.06 MM	4		
	30310631BD	GUIDE, VALVE OVERSIZED 0.09 MM	4		
8	76440572A	SEAL VALVE STEM	4		
9	71312921A	SPACER	2		
10	30411011BB	SEAT, EXHAUST VALVE +0.03 MM	2		
	30411011BC	SEAT, EXHAUST VALVE +0.06 MM	2		
11	85250261B	GASKET	8		
12	78010511E	PLUG	8		
13	30411001AB	SEAT, INLET VALVE +0.03 MM	2		
	30411001AC	SEAT, INLET VALVE +0.06 MM	2		



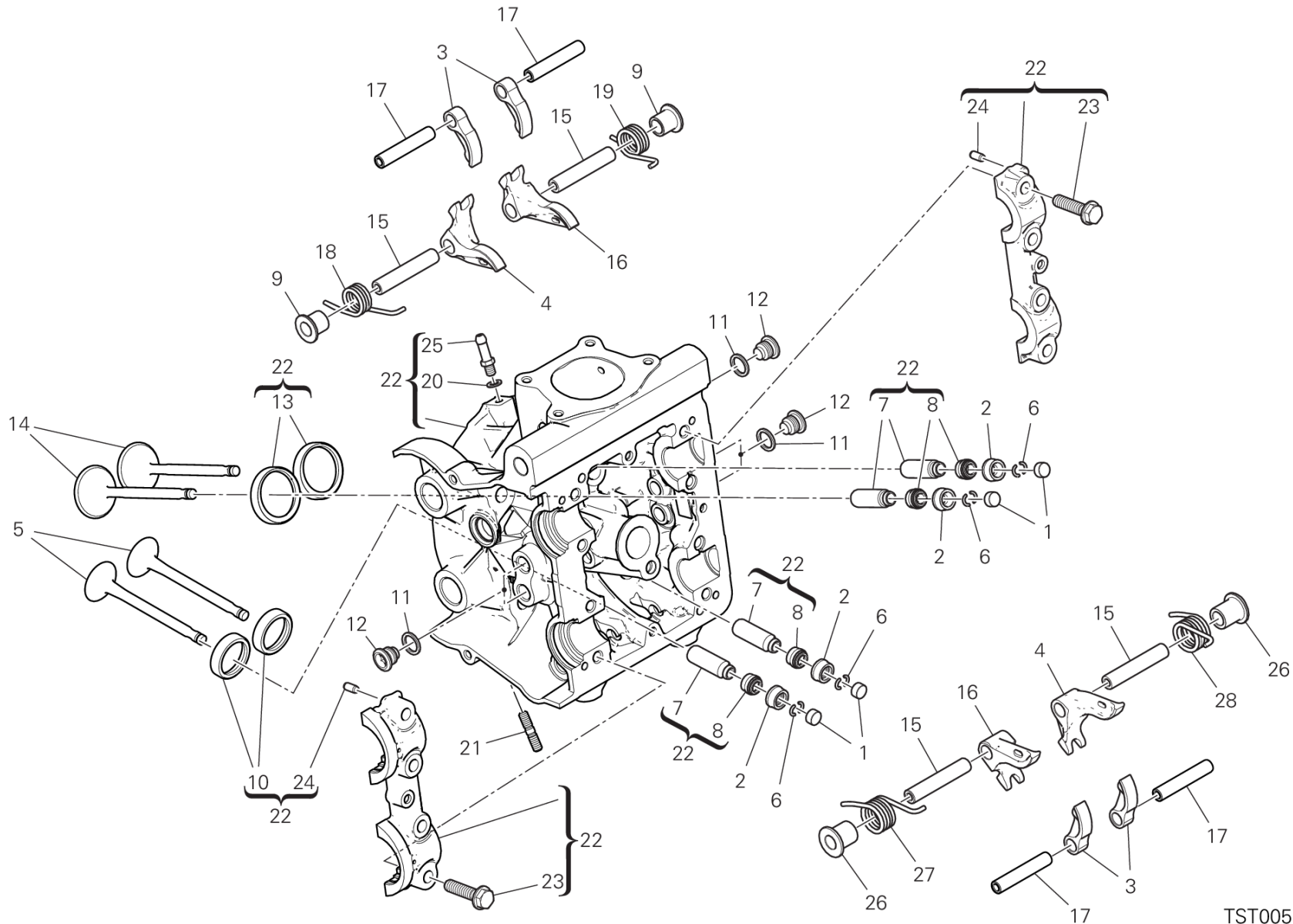
TST00594

# DRAWING 014 - VERTICAL HEAD

## GROUP ENGINE



POS.	CODE	DESCRIPTION	QTY	VALIDITY	NOTES
14	21010991A	INTAKE VALVE	2		
15	82112951A	CLOSE ROCKER ARM AXLE	4		
16	20910491A	CLOSING ROCKER ARM RIGHT	2		
17	82112941A	SHAFT, OPENING ROCKER	4		
18	79915001A	VALVE RETURN SPRING LH.	1		
19	79915011A	VALVE RETURN SPRING RH.	1		
20	77350618B	SCREW TCEIR M6X8	1		
21	76640191A	STUD BOLT M6X16	3		
22	30124151FI	VERTICAL HEAD	1		
23	77914211A	SCREW TEF M8X32	8		
24	86050061A	PIN M5X10	4		
25	71312921B	SPACER	2		
26	79915181B	LEFT VALVE RETURN SPRING	1		
27	79915191B	RIGHT VALVE RETURN SPRING	1		
28	85250231A	GASKET	1		



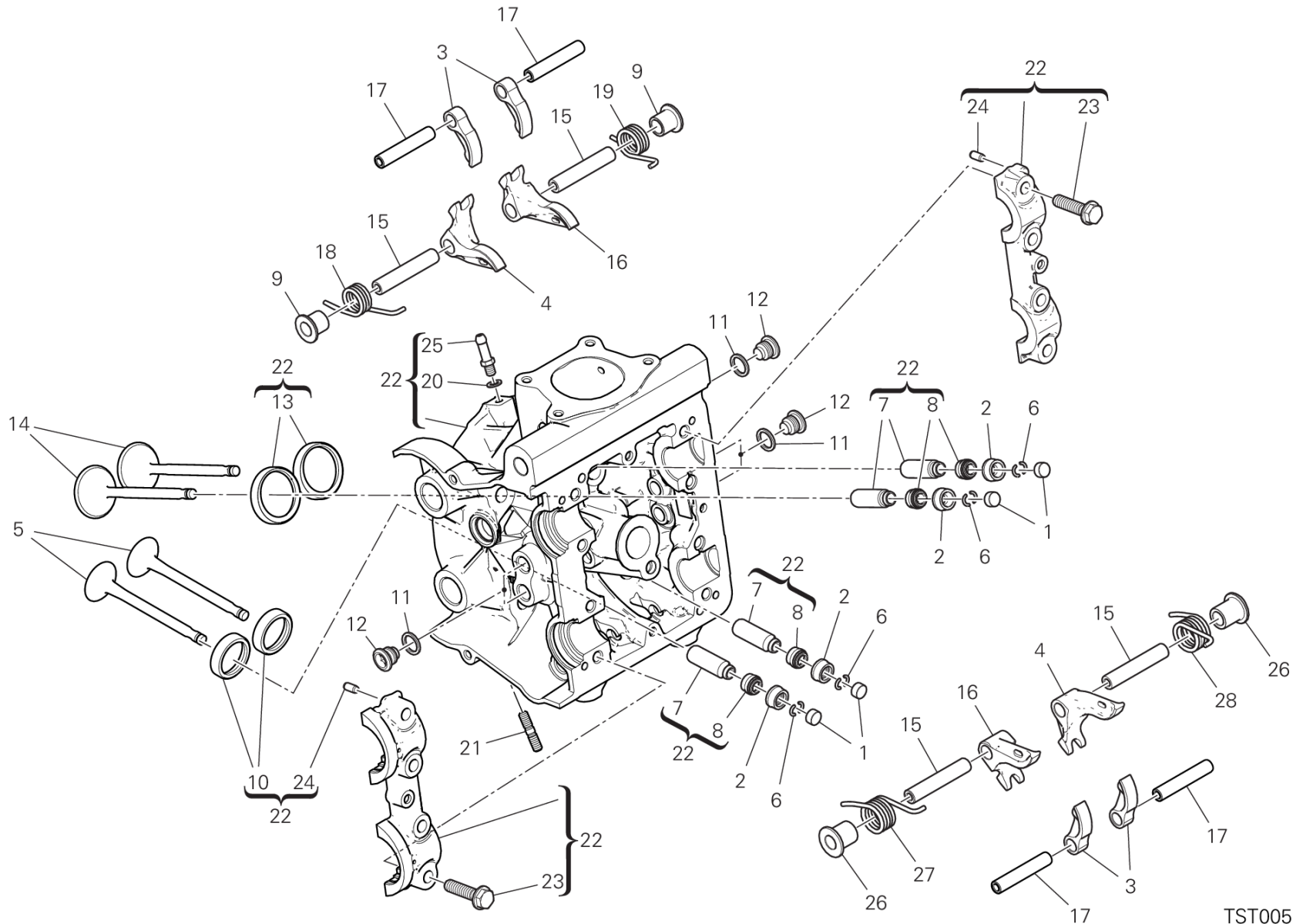
TST00595

# DRAWING 015 - HORIZONTAL HEAD

## GROUP ENGINE



POS.	CODE	DESCRIPTION	QTY	VALIDITY	NOTES
1	84010012A	ADJUSTER, OPENING ROCKER ARM 2.00 MM	4		
	84010022A	ADJUSTER, OPENING ROCKER ARM 2.05 MM	4		
	84010032A	ADJUSTER, OPENING ROCKER ARM 2.10 MM	4		
	84010042A	ADJUSTER, OPENING ROCKER ARM 2.15 MM	4		
	84010052A	ADJUSTER, OPENING ROCKER ARM 2.20 MM	4		
	84010062A	ADJUSTER, OPENING ROCKER ARM 2.25 MM	4		
	84010072A	ADJUSTER, OPENING ROCKER ARM 2.30 MM	4		
	84010082A	ADJUSTER, OPENING ROCKER ARM 2.35 MM	4		
	84010092A	ADJUSTER, OPENING ROCKER ARM 2.40 MM	4		
	84010102A	ADJUSTER, OPENING ROCKER ARM 2.45 MM	4		
	84010112A	ADJUSTER, OPENING ROCKER ARM 2.50 MM	4		
	84010122A	ADJUSTER, OPENING ROCKER ARM 2.55 MM	4		
	84010132A	ADJUSTER, OPENING ROCKER ARM 2.60 MM	4		
	84010142A	ADJUSTER, OPENING ROCKER ARM 2.65 MM	4		
	84010152A	ADJUSTER, OPENING ROCKER ARM 2.70 MM	4		
	84010162A	ADJUSTER, OPENING ROCKER ARM 2.75 MM	4		
	84010172A	ADJUSTER, OPENING ROCKER ARM 2.80 MM	4		
	84010182A	ADJUSTER, OPENING ROCKER ARM 2.85 MM	4		
	84010192A	ADJUSTER, OPENING ROCKER ARM 2.90 MM	4		
	84010202A	ADJUSTER, OPENING ROCKER ARM 2.95 MM	4		
	84010212A	ADJUSTER, OPENING ROCKER ARM 3.00 MM	4		
	84010222A	ADJUSTER, OPENING ROCKER ARM 3.05 MM	4		
	84010232A	ADJUSTER, OPENING ROCKER ARM 3.10 MM	4		
	84010242A	ADJUSTER, OPENING ROCKER ARM 3.15 MM	4		
	84010252A	ADJUSTER, OPENING ROCKER ARM 3.20 MM	4		
	84010262A	ADJUSTER, OPENING ROCKER ARM 3.25 MM	4		
	84010272A	ADJUSTER, OPENING ROCKER ARM 3.30 MM	4		
	84010282A	ADJUSTER, OPENING ROCKER ARM 3.35 MM	4		
	84010292A	ADJUSTER, OPENING ROCKER ARM 3.40 MM	4		
	84010302A	ADJUSTER, OPENING ROCKER ARM 3.45 MM	4		
	84010312A	ADJUSTER, OPENING ROCKER ARM 1.80 MM	4		
	84010322A	ADJUSTER, OPENING ROCKER ARM 1.85 MM	4		
	84010332A	ADJUSTER, OPENING ROCKER ARM 1.90 MM	4		
	84010342A	ADJUSTER, OPENING ROCKER ARM 1.95 MM	4		
	84010722A	ADJUSTER, OPENING ROCKER ARM 3.60 MM	4		



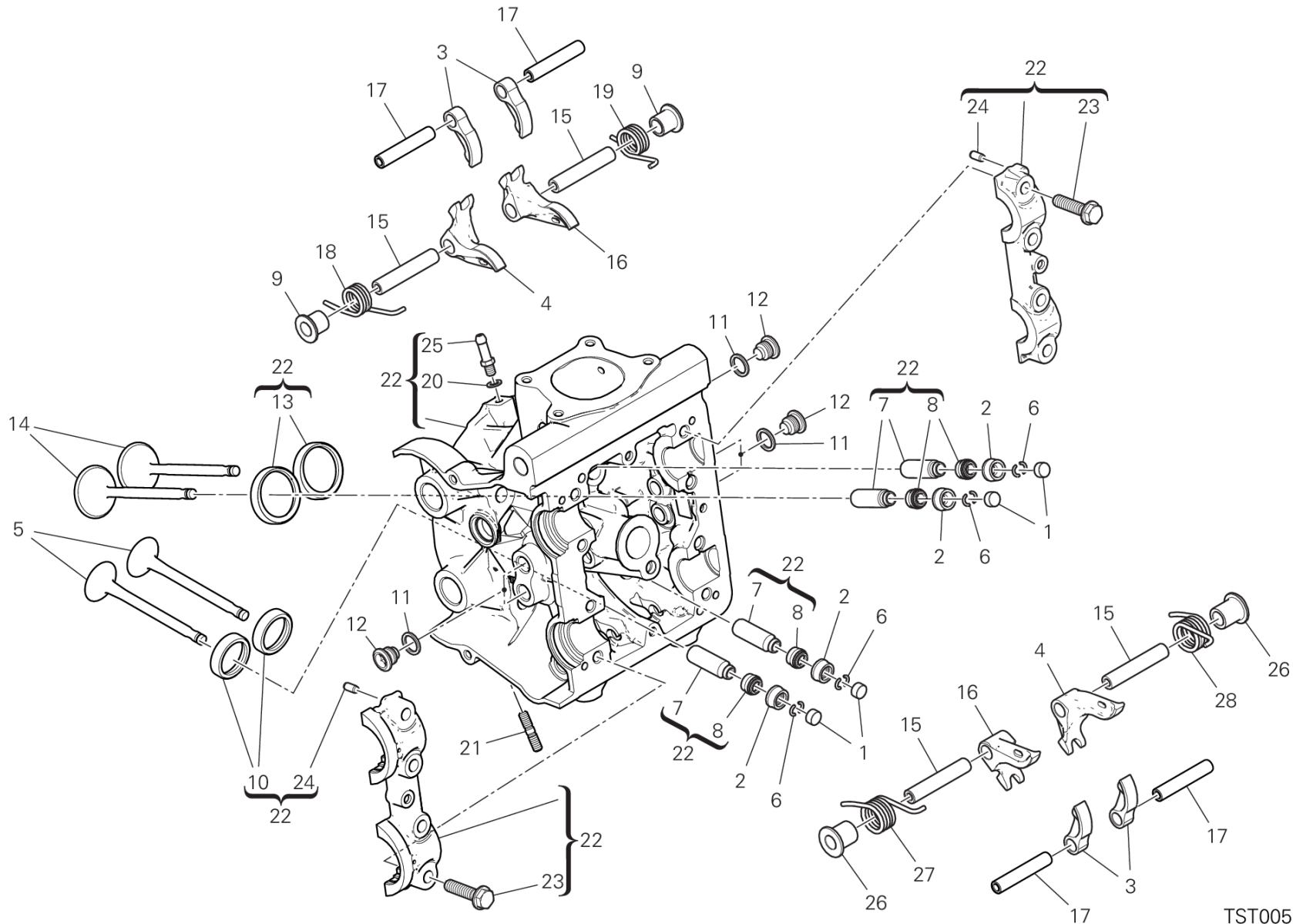
TST00595

# DRAWING 015 - HORIZONTAL HEAD

## GROUP ENGINE



POS.	CODE	DESCRIPTION	QTY	VALIDITY	NOTES
	84010732A	ADJUSTER, OPENING ROCKER ARM 3.80 MM	4		
	84011082A	ADJUSTER, OPENING ROCKER ARM 3.50 MM	4		
	84011092A	ADJUSTER, OPENING ROCKER ARM 3.55 MM	4		
	84011102A	ADJUSTER, OPENING ROCKER ARM 3.65 MM	4		
	84011112A	ADJUSTER, OPENING ROCKER ARM 3.70 MM	4		
	84011122A	ADJUSTER, OPENING ROCKER ARM 3.75 MM	4		
	84011132A	ADJUSTER, OPENING ROCKER ARM 3.85 MM	4		
	84011142A	ADJUSTER, OPENING ROCKER ARM 3.9 MM	4		
2	84010412B	ADJUSTER, CLOSING ROCKER ARM 2.20 MM	4		
	84010422B	ADJUSTER, CLOSING ROCKER ARM 2.25 MM	4		
	84010432B	ADJUSTER, CLOSING ROCKER ARM 2.30 MM	4		
	84010442B	ADJUSTER, CLOSING ROCKER ARM 2.35 MM	4		
	84010452B	ADJUSTER, CLOSING ROCKER ARM 2.40 MM	4		
	84010462B	ADJUSTER, CLOSING ROCKER ARM 2.45 MM	4		
	84010472B	ADJUSTER, CLOSING ROCKER ARM 2.50 MM	4		
	84010482B	ADJUSTER, CLOSING ROCKER ARM 2.55 MM	4		
	84010492B	ADJUSTER, CLOSING ROCKER ARM 2.60 MM	4		
	84010502B	ADJUSTER, CLOSING ROCKER ARM 2.65 MM	4		
	84010512B	ADJUSTER, CLOSING ROCKER ARM 2.70 MM	4		
	84010522B	ADJUSTER, CLOSING ROCKER ARM 2.75 MM	4		
	84010532B	ADJUSTER, CLOSING ROCKER ARM 2.80 MM	4		
	84010542B	ADJUSTER, CLOSING ROCKER ARM 2.85 MM	4		
	84010552B	ADJUSTER, CLOSING ROCKER ARM 2.90 MM	4		
	84010562B	ADJUSTER, CLOSING ROCKER ARM 2.95 MM	4		
	84010572B	ADJUSTER, CLOSING ROCKER ARM 3.00 MM	4		
	84010582B	ADJUSTER, CLOSING ROCKER ARM 3.05 MM	4		
	84010592B	ADJUSTER, CLOSING ROCKER ARM 3.10 MM	4		
	84010602B	ADJUSTER, CLOSING ROCKER ARM 3.15 MM	4		
	84010612B	ADJUSTER, CLOSING ROCKER ARM 3.20 MM	4		
	84010622B	ADJUSTER, CLOSING ROCKER ARM 3.25 MM	4		
	84010632B	ADJUSTER, CLOSING ROCKER ARM 3.30 MM	4		
	84010642B	ADJUSTER, CLOSING ROCKER ARM 3.35 MM	4		
	84010652B	ADJUSTER, CLOSING ROCKER ARM 3.40 MM	4		
	84010662B	ADJUSTER, CLOSING ROCKER ARM 3.45 MM	4		
	84010672B	ADJUSTER, CLOSING ROCKER ARM 3.50 MM	4		



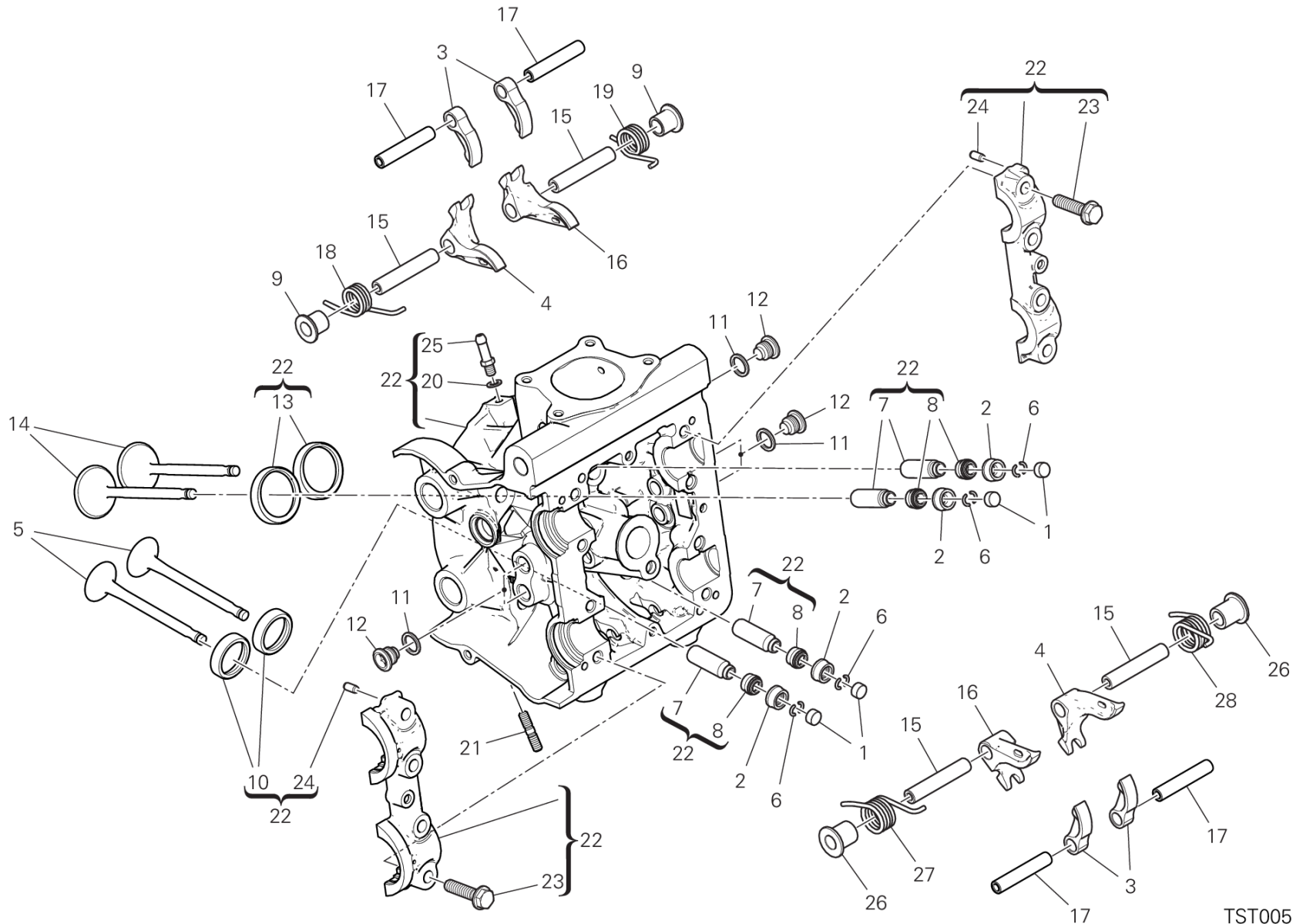
TST00595

# DRAWING 015 - HORIZONTAL HEAD

## GROUP ENGINE



POS.	CODE	DESCRIPTION	QTY	VALIDITY	NOTES
	84010682B	ADJUSTER, CLOSING ROCKER ARM 3.55 MM	4		
	84010692B	ADJUSTER, CLOSING ROCKER ARM 3.60 MM	4		
	84010702B	ADJUSTER, CLOSING ROCKER ARM 3.65 MM	4		
	84010712B	ADJUSTER, CLOSING ROCKER ARM 3.70 MM	4		
	84010722B	ADJUSTER, CLOSING ROCKER ARM 3.75 MM	4		
	84010732B	ADJUSTER, CLOSING ROCKER ARM 3.80 MM	4		
	84010742B	ADJUSTER, CLOSING ROCKER ARM 3.85 MM	4		
	84010752B	ADJUSTER, CLOSING ROCKER ARM 3.90 MM	4		
	84010762B	ADJUSTER, CLOSING ROCKER ARM 3.95 MM	4		
	84010772B	ADJUSTER, CLOSING ROCKER ARM 4.00 MM	4		
	84010782B	ADJUSTER, CLOSING ROCKER ARM 4.05 MM	4		
	84010792B	ADJUSTER, CLOSING ROCKER ARM 4.10 MM	4		
	84010802B	ADJUSTER, CLOSING ROCKER ARM 4.15 MM	4		
	84010812B	ADJUSTER, CLOSING ROCKER ARM 4.20 MM	4		
	84010822B	ADJUSTER, CLOSING ROCKER ARM 4.25 MM	4		
	84010832B	ADJUSTER, CLOSING ROCKER ARM 4.30 MM	4		
	84010842B	ADJUSTER, CLOSING ROCKER ARM 4.35 MM	4		
	84010852B	ADJUSTER, CLOSING ROCKER ARM 4.40 MM	4		
	84010862B	ADJUSTER, CLOSING ROCKER ARM 4.45 MM	4		
	84010872B	ADJUSTER, CLOSING ROCKER ARM 4.50 MM	4		
3	20810321A	OPEN. ROCKER ARM	4		
4	20910501A	CLOSING ROCKER ARM LEFT	2		
5	21110991A	EXHAUST VALVE	2		
6	66910011E	C RING	8		
7	30310631BB	GUIDE, VALVE OVERSIZED 0.03 MM	4		
	30310631BC	GUIDE, VALVE OVERSIZED 0.06 MM	4		
	30310631BD	GUIDE, VALVE OVERSIZED 0.09 MM	4		
8	76440572A	SEAL VALVE STEM	4		
9	71312921A	SPACER	2		
10	30411011BB	SEAT, EXHAUST VALVE +0.03 MM	2		
	30411011BC	SEAT, EXHAUST VALVE +0.06 MM	2		
11	85250261B	GASKET	8		
12	78010511E	PLUG	8		
13	30411001AB	SEAT, INLET VALVE +0.03 MM	2		
	30411001AC	SEAT, INLET VALVE +0.06 MM	2		



TST00595

# DRAWING 015 - HORIZONTAL HEAD

## GROUP ENGINE

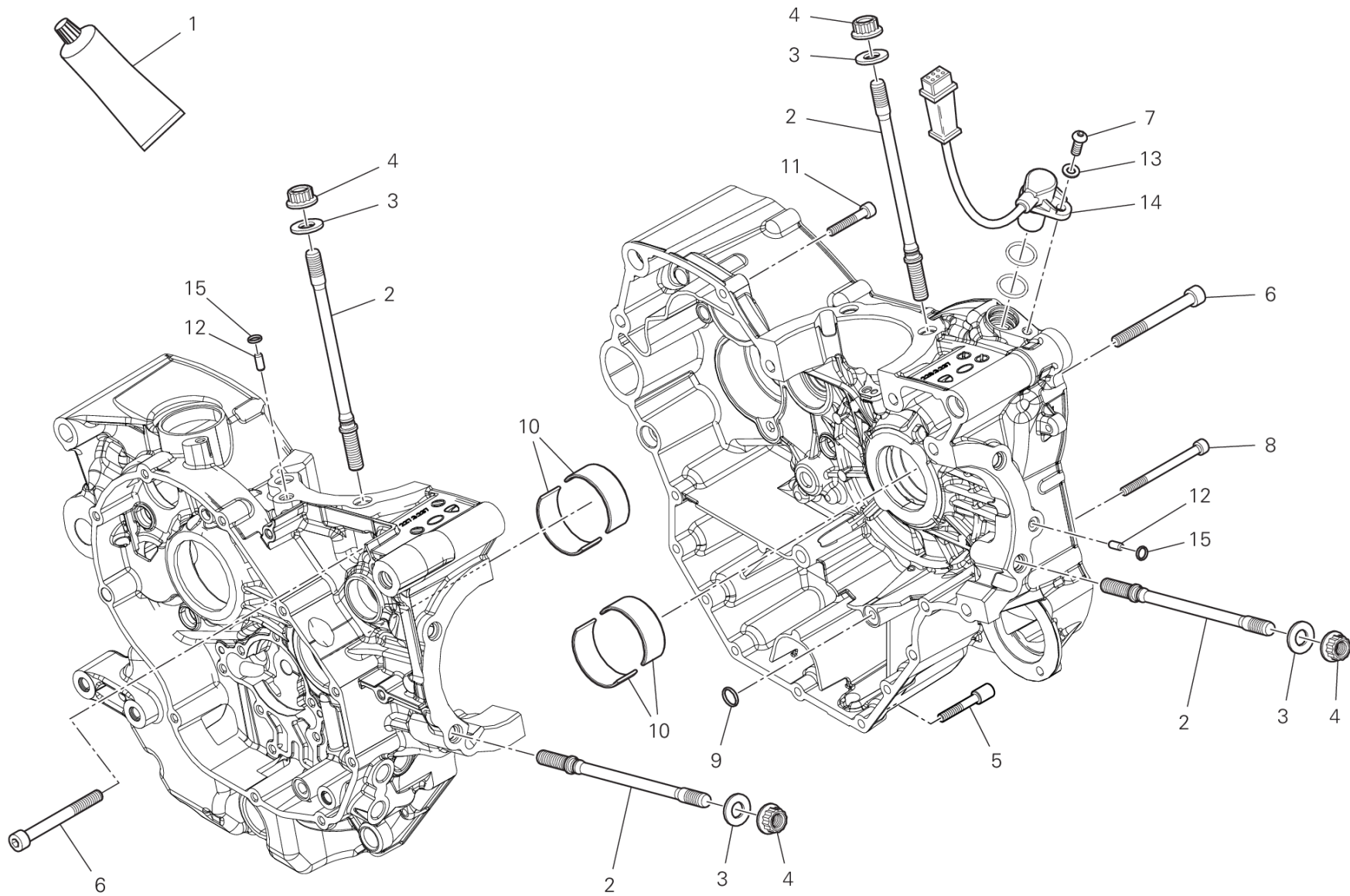


POS.	CODE	DESCRIPTION	QTY	VALIDITY	NOTES
14	21010991A	INTAKE VALVE	2		
15	82112951A	CLOSE ROCKER ARM AXLE	4		
16	20910491A	CLOSING ROCKER ARM RIGHT	2		
17	82112941A	SHAFT, OPENING ROCKER	4		
18	79915001A	VALVE RETURN SPRING LH.	1		
19	79915011A	VALVE RETURN SPRING RH.	1		
20	85250231A	GASKET	1		
21	76640191A	STUD BOLT M6X16	3		
22	30124141FI	HORIZONTAL HEAD	1		
23	77914211A	SCREW TEF M8X32	8		
24	86050061A	PIN M5X10	4		
25	81411881A	NIPPLE, HOSE	1		
26	71312921B	SPACER	2		
27	79915181B	LEFT VALVE RETURN SPRING	1		
28	79915191B	RIGHT VALVE RETURN SPRING	1		



# DRAWING 10A - HALF-CRANKCASES PAIR

## GROUP ENGINE



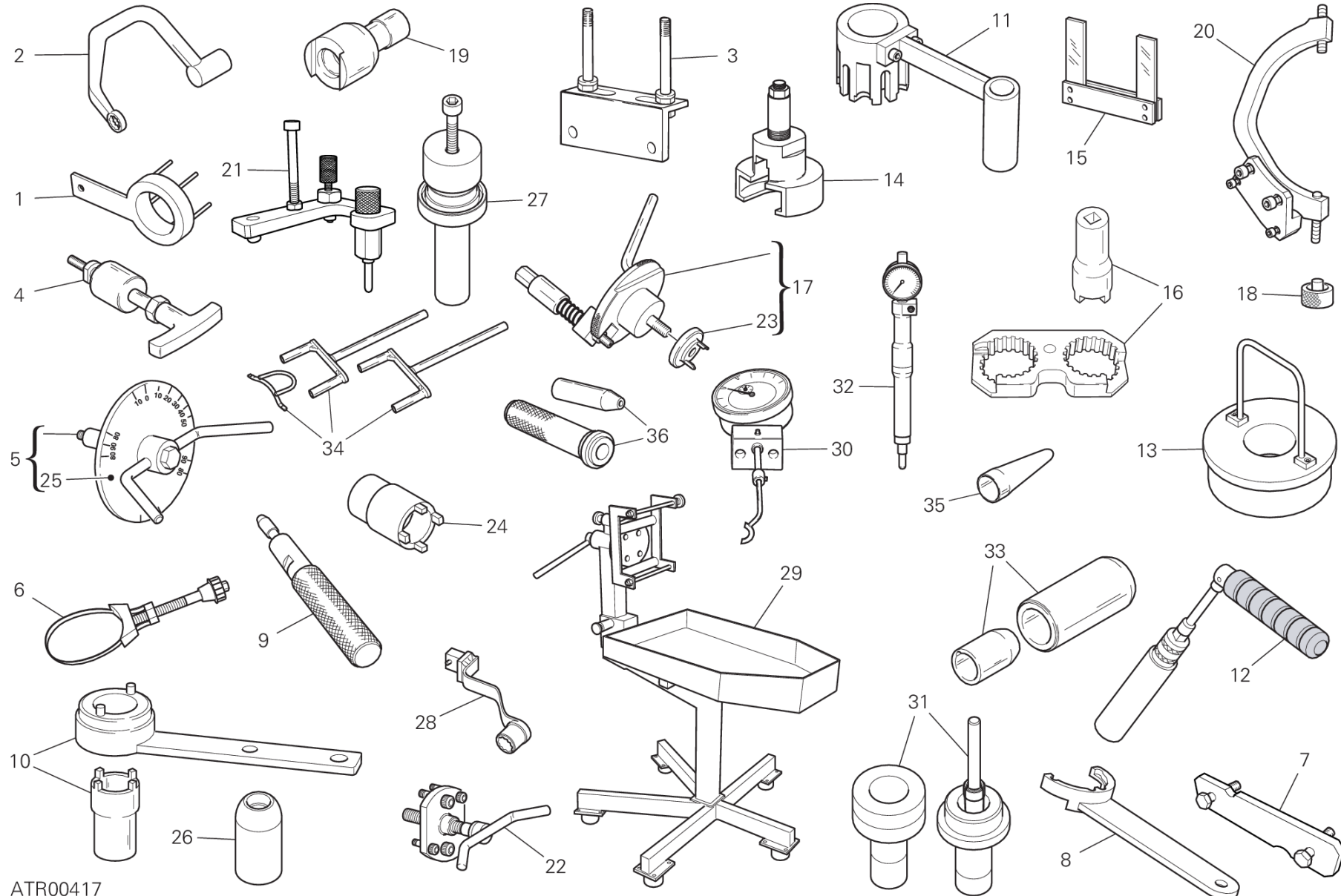
CRT00894

# DRAWING 10A - HALF-CRANKCASES PAIR

## GROUP ENGINE



POS.	CODE	DESCRIPTION	QTY	VALIDITY	NOTES
1	942470014	LIQUID GASKET	1		
2	76610551D	STUD BOLT FASTENING HEAD CYLINDER	8		
3	85610642A	WASHER, SPECIAL 10.5X21X2	8		
4	74810501A	NUT M10X1.5	8		
5	77916041D	SCREW, SPECIAL	1		
6	77151363B	SCREW TCEI M8X75 UNI 5931	7		
7	77550211B	SCREW TBEI M6X16 ISO7380 10.9	1		
8	77150808B	SCREW TCEI M6X75	2		
9	88641321A	O-RING	1		
10	11210791A0		4		
	11210791AA	HALF-BEARING RED	4		
	11210791AB	HALF-BEARING BLUE	4		
	11210791AC	HALF-BEARING YELLOW	4		
	11210791AD	HALF-BEARING BLACK	4		
	11210791AE	HALF-BEARING GREEN	4		
11	77150723B	SCREW TCEI M6X35 UNI 5931	7		
12	86010051B	DOWEL	2		
13	85310031A	SPRING WASHER 6 MM	1		
14	55241321C	SENSOR, TIMING & RPM	1		
15	88610241A	O-RING 5.23X2.62	2		



ATR00417

# DRAWING 001 - WORKSHOP SERVICE TOOLS (ENGINE)

## GROUP TOOLS

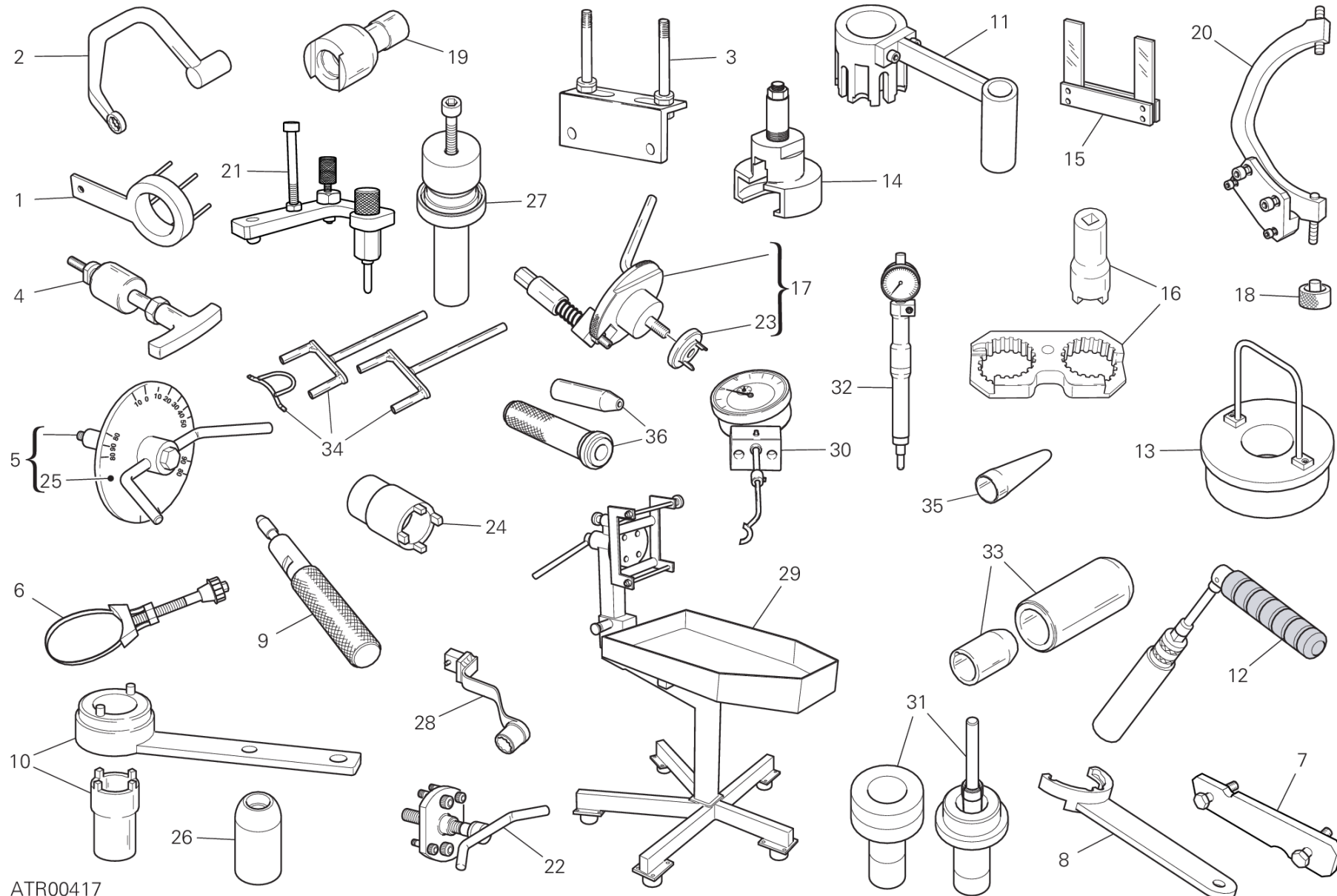


POS.	CODE	DESCRIPTION	QTY	VALIDITY	NOTES
1	887133417	TORQUE WRENCH	1		
2	887132096	HEAD NUTS HOLDER WRENCH	1		
3	887132103	HEAD MOUNTING BASE	1		
4	887131994	ROCKER PIN EXTRACTOR	1		
5	887651635	DEGREE WHEEL HOLDER TOOL FOR IGNITION ADVANCE CHECK	1		
6	887132906	WRENCH, OIL FILTER CARTRIDGE	1		
7	887651623	BELT ROLLER TIMING TOOL	1		
8	887133219	TIMING BELT ROLLER REACTION TOOL	1		
9	887132442	TOOL, OIL SEAL MOUNTING	1		
10	887005644	TIMING PULLEY RETAINING WRENCH	1		
11	887132651	REACTION TOOL FOR WET CLUTCH	1		
12	887132877	SPARK PLUG WRENCH	1		
13	887132870	TOOL, CON-ROD GUIDING	1		
14	887130031	EXTRACTOR FOR PRIMARY DRIVE GEAR	1		
15	887131309	FORK FEELER GAUGE2,35 MM	1		
16	887131806	REACTION TOOL BELT ROLLER TIGHTENING	1		
17	887132011	CRANKSHAFT RESET TOOL	1		
18	887651298	SPACER FOR CHECKING LOWER VALVE SHIM	1		
19	887131821	WRENCH TO TIGHTEN TENSIONING BOLTS	1		
20	887133367	FLYWHEEL WRENCH	1		
21	887130022	GEARBOX SELECTOR TOOL	1		
22	887131749	DRIVE ROLLER PULLER	1		
23	887134411	INSERT	1		
24	887133406	WRENCH TIGHTENING PRIMARY TRANSMISSI	1		
25	887134791	GONIOMETER IGNITION TIMING CHECKING	1		
26	887135013	PAD	1		
27	887134145	HALF-BEARINGS FITTING TOOL	1		
28	887134198	EXHAUST NUTS HOLDER WRENCH	1		
29	887131832	BENCH FOR ENGINE REPAIR	1		
30	887651518	VALVE LIFT GAUGE	1		
31	887133992	TOOL TO FIT PISTON GUDGEON PIN CIRCLIPS	1		
32	887651188	T.D.C. CONTROL GAUGE	1		
33	887131906	TOOL TO FIT OIL SEAL	1		
34	887132068	CLOSING ROCKER PRE-LOAD KIT	1		
35	887132913	TOOL INSTALLING O-RINGS	1		



# DRAWING 001 - WORKSHOP SERVICE TOOLS (ENGINE)

GROUP TOOLS



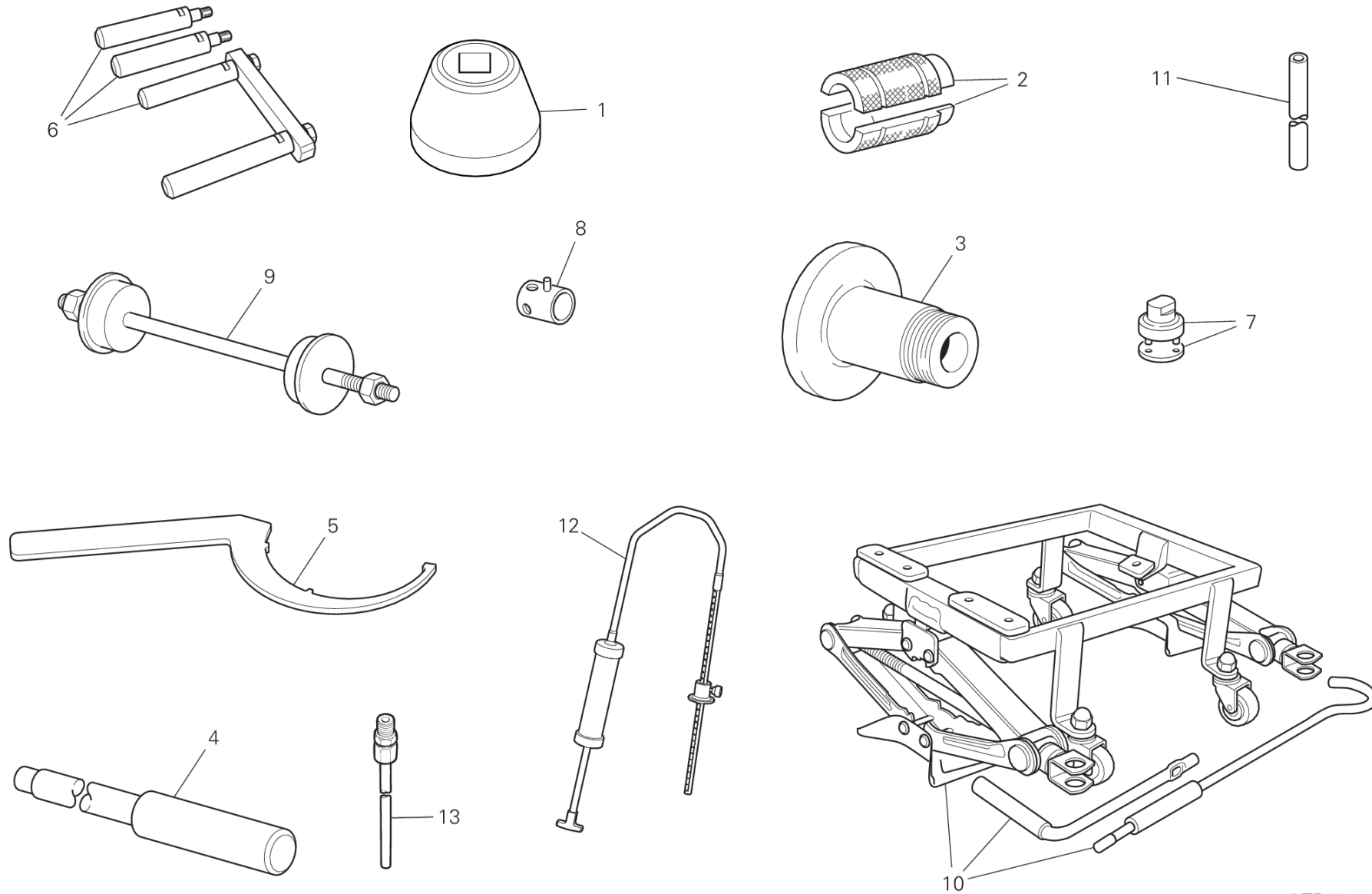
ATR00417

# DRAWING 001 - WORKSHOP SERVICE TOOLS (ENGINE)

## GROUP TOOLS



POS.	CODE	DESCRIPTION	QTY	VALIDITY	NOTES
36	887005749	CRANKCASES ASSEMBLING CAP	1		



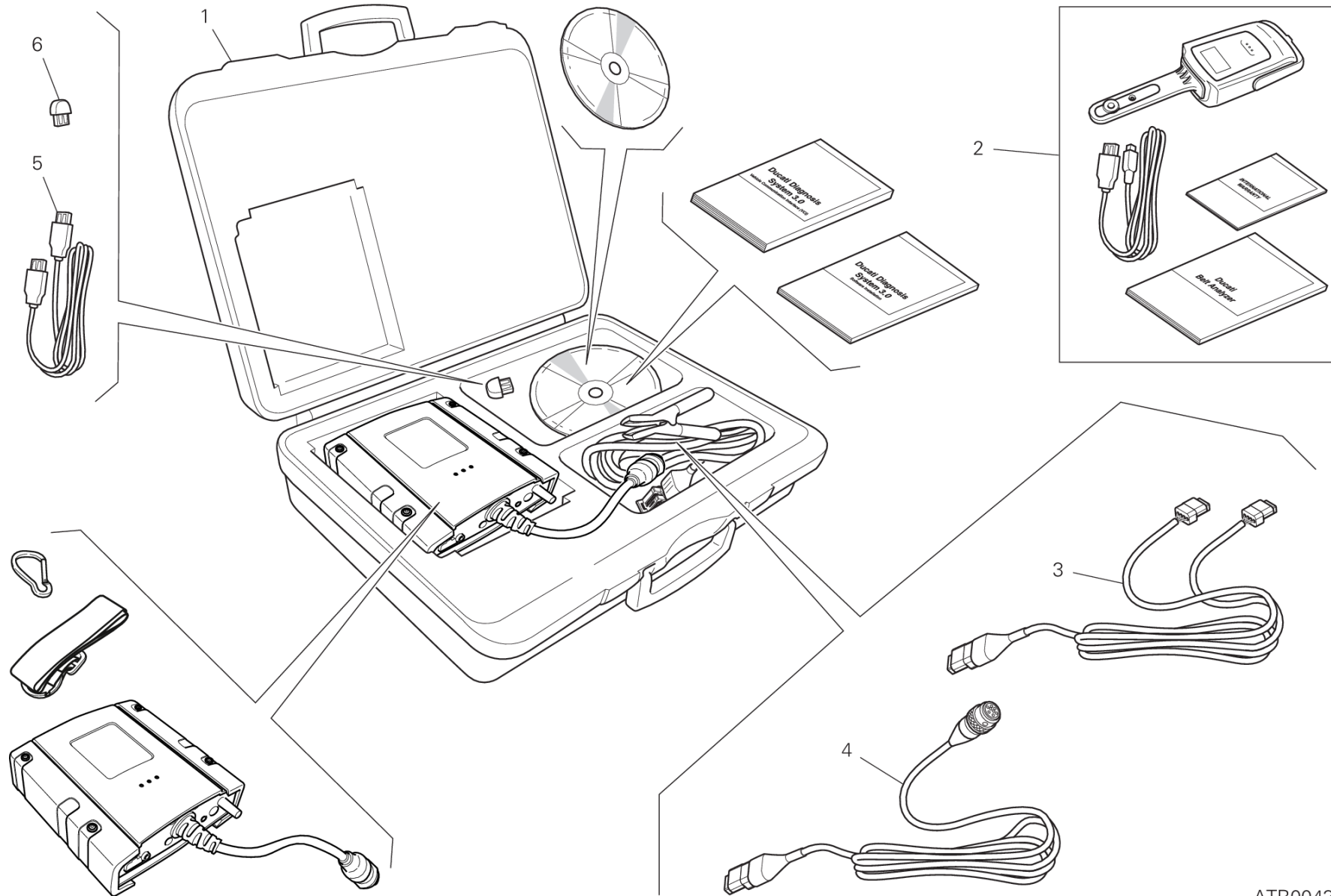
ATR00418

# DRAWING 01A - WORKSHOP SERVICE TOOLS (FRAME)

## GROUP TOOLS



POS.	CODE	DESCRIPTION	QTY	VALIDITY	NOTES
1	887130026	BUSH FOR INSTALLING/REMOVING THE FORK PLUG	1		
2	887133204	TOOL TO OVERHAUL MARZOCCHI FORKS	1		
3	887132951	TOOL BALANCING REAR WHEEL	1		
4	887131074	TOOL DISASSEMBLING SWINGARM PIVOT	1		
5	887133211	SPANNER FOR ADJUSTING THE ECCENTRIC HUB	1		
6	887131515	FRAME/MOTOR SUPPORT	1		
7	887131058	SPANNER TO ASSEMBLE THE STEERING SLEEVE	1		
8	800070139	WRENCH FOR FRONT WHEEL SPINDLE	1		
9	887131062	TOOL ASSEMBLING STEERING TUBE BEARING	1		
10	887133220	BENCH FOR ENGINE REPAIR	1		
11	887133203	DRAW BAR FOR MARZOCCHI FORKS OVERHAULING	1		
12	887134488	FORK OIL LEVEL SYRINGE	1		
13	887131010	CONNECTOR FOR EXHAUST GAS TAKE-UP POINT	1		



ATR00435



POS.	CODE	DESCRIPTION	QTY	VALIDITY	NOTES
1	979000279	DDS 3	1		
2	979000253	BELT TENSIONING KIT	1		
3	979000282	DIAGNOSIS CABLE	1		
4	979000283	CONNECTING CABLE	1		
5	979000284	USB CABLE	1		
6	979000281	HASP DDS3 KEY	1		



# DRAWING A - TYRES

## GROUP TYRES



POS.	CODE	DESCRIPTION	QTY	VALIDITY	NOTES
1	490P0067A	FRONT TYRE	1		(*)=Pneumatico di primo equipaggiamento
2	491P0070A	REAR TYRE	1		(*)=Pneumatico di primo equipaggiamento
3	490P0333A	FRONT TYRE	1		
4	491P0403A	REAR TYRE	1		
5	49040711A	FRONT TYRE	1		
6	49140951A	REAR TYRE	1		
7	490P0324A	FRONT TYRE	1		
8	491P0387A	REAR TYRE	1		
9	490P0325A	FRONT TYRE	1		
10	49141271A	REAR TYRE	1		
11	49040663A	FRONT TYRE	1		
12	49140851B	REAR TYRE	1		
13	49041081A	FRONT TYRE	1		
14	49141601A	REAR TYRE	1		
15	490P0272A	FRONT TYRE	1		
16	491P0323A	REAR TYRE	1		
17	490P0002A	FRONT TYRE	1		(#)=For competition use only
18	490P0003A	FRONT TYRE	1		(#)=For competition use only
19	490P0004A	FRONT TYRE	1		(#)=For competition use only
20	491P0009A	REAR TYRE	1		(#)=For competition use only
21	491P0010A	REAR TYRE	1		(#)=For competition use only
22	491P0011A	REAR TYRE	1		(#)=For competition use only
23	491P0012A	REAR TYRE	1		(#)=For competition use only
24	491P0013A	REAR TYRE	1		(#)=For competition use only
25	490P0029A	FRONT TYRE	1		(#)=For competition use only
26	490P0030A	FRONT TYRE	1		(#)=For competition use only
27	491P0036A	REAR TYRE	1		(#)=For competition use only
28	491P0037A	REAR TYRE	1		(#)=For competition use only
29	491P0038A	REAR TYRE	1		(#)=For competition use only
30	491P0039A	REAR TYRE	1		(#)=For competition use only
31	490P0044A	FRONT TYRE	1		(#)=For competition use only
32	490P0248A	FRONT TYRE	1		(#)=For competition use only
33	491P0045A	REAR TYRE	1		(#)=For competition use only
34	490P0301A	FRONT TYRE	1		
35	491P0355A	REAR TYRE	1		



# DRAWING A - TYRES

## GROUP TYRES



POS.	CODE	DESCRIPTION	QTY	VALIDITY	NOTES
36	49041071A	FRONT TYRE	1		
37	491P0343A	REAR TYRE	1		
38	490P0297A	FRONT TYRE	1		(#)=For competition use only
39	490P0298A	FRONT TYRE	1		(#)=For competition use only
40	491P0334A	REAR TYRE	1		(#)=For competition use only
41	491P0335A	REAR TYRE	1		(#)=For competition use only
42	491P0336A	REAR TYRE	1		(#)=For competition use only
43	490P0019A	FRONT TYRE	1		(#)=For competition use only
44	490P0022A	FRONT TYRE	1		(#)=For competition use only
45	491P0337A	REAR TYRE	1		(#)=For competition use only



# DRAWING B - (\*) PIRELLI DIABLO™ ROSSO III

## GROUP TYRES



POS.	CODE	DESCRIPTION	QTY	VALIDITY	NOTES
1	490P0067A	FRONT TYRE	1		(*)=Pneumatico di primo equipaggiamento
2	491P0070A	REAR TYRE	1		(*)=Pneumatico di primo equipaggiamento



# DRAWING C - PIRELLI DIABLO™ SUPERCORSA SP

## GROUP TYRES



POS.	CODE	DESCRIPTION	QTY	VALIDITY	NOTES
1	49040711A	FRONT TYRE	1		
2	49140951A	REAR TYRE	1		



# DRAWING D - PIRELLI ANGEL™ GT

## GROUP TYRES



POS.	CODE	DESCRIPTION	QTY	VALIDITY	NOTES
1	490P0325A	FRONT TYRE	1		
2	49141271A	REAR TYRE	1		



# DRAWING F - PIRELLI DIABLO™ ROSSO CORSA II

## GROUP TYRES



POS.	CODE	DESCRIPTION	QTY	VALIDITY	NOTES
1	49041081A	FRONT TYRE	1		
2	49141601A	REAR TYRE	1		



# DRAWING G - (#) PIRELLI DIABLO™ SUPERBIKE

## GROUP TYRES



POS.	CODE	DESCRIPTION	QTY	VALIDITY	NOTES
1	490P0002A	FRONT TYRE	1		(#)=For competition use only
2	490P0003A	FRONT TYRE	1		(#)=For competition use only
3	490P0004A	FRONT TYRE	1		(#)=For competition use only
4	491P0009A	REAR TYRE	1		(#)=For competition use only
5	491P0010A	REAR TYRE	1		(#)=For competition use only
6	491P0011A	REAR TYRE	1		(#)=For competition use only
7	491P0012A	REAR TYRE	1		(#)=For competition use only
8	491P0013A	REAR TYRE	1		(#)=For competition use only



# DRAWING H - (#) DIABLO™ WET

## GROUP TYRES



POS.	CODE	DESCRIPTION	QTY	VALIDITY	NOTES
1	490P0019A	FRONT TYRE	1		(#)=For competition use only



# DRAWING I - (#) DIABLO™ RAIN

## GROUP TYRES



POS.	CODE	DESCRIPTION	QTY	VALIDITY	NOTES
1	490P0022A	FRONT TYRE	1		(#)=For competition use only



# DRAWING J - (#) DIABLO™ SUPERCORSA SC V2

## GROUP TYRES



POS.	CODE	DESCRIPTION	QTY	VALIDITY	NOTES
1	490P0029A	FRONT TYRE	1		(#)=For competition use only
2	490P0030A	FRONT TYRE	1		(#)=For competition use only
3	491P0036A	REAR TYRE	1		(#)=For competition use only
4	491P0037A	REAR TYRE	1		(#)=For competition use only
5	491P0038A	REAR TYRE	1		(#)=For competition use only
6	491P0039A	REAR TYRE	1		(#)=For competition use only



# DRAWING K - (#) DIABLO™ SUPERCORSA SC

## GROUP TYRES



POS.	CODE	DESCRIPTION	QTY	VALIDITY	NOTES
1	490P0044A	FRONT TYRE	1		(#)=For competition use only
2	490P0248A	FRONT TYRE	1		(#)=For competition use only
3	491P0045A	REAR TYRE	1		(#)=For competition use only



# DRAWING M - PIRELLI ANGEL™ GT II

## GROUP TYRES



POS.	CODE	DESCRIPTION	QTY	VALIDITY	NOTES
1	490P0301A	FRONT TYRE	1		
2	491P0355A	REAR TYRE	1		



# DRAWING N - PIRELLI DIABLO™ SUPERCORSA SP V3

## GROUP TYRES



POS.	CODE	DESCRIPTION	QTY	VALIDITY	NOTES
1	49041071A	FRONT TYRE	1		
2	491P0343A	REAR TYRE	1		



# DRAWING O - (#) DIABLO SUPERCORSA SC V3

## GROUP TYRES



POS.	CODE	DESCRIPTION	QTY	VALIDITY	NOTES
1	490P0297A	FRONT TYRE	1		(#)=For competition use only
2	490P0298A	FRONT TYRE	1		(#)=For competition use only
3	491P0334A	REAR TYRE	1		(#)=For competition use only
4	491P0335A	REAR TYRE	1		(#)=For competition use only
5	491P0336A	REAR TYRE	1		(#)=For competition use only
6	491P0337A	REAR TYRE	1		(#)=For competition use only



# DRAWING P - PIRELLI DIABLO™ ROSSO II

## GROUP TYRES



POS.	CODE	DESCRIPTION	QTY	VALIDITY	NOTES
1	49040663A	FRONT TYRE	1		
2	49140851B	REAR TYRE	1		



# DRAWING Q - PIRELLI DIABLO™ ROSSO IV

## GROUP TYRES



POS.	CODE	DESCRIPTION	QTY	VALIDITY	NOTES
1	490P0324A	FRONT TYRE	1		
2	491P0387A	REAR TYRE	1		



# DRAWING R - GROUP TYRES



POS.	CODE	DESCRIPTION	QTY	VALIDITY	NOTES
1	490P0333A	FRONT TYRE	1		
2	491P0403A	REAR TYRE	1		



# DRAWING S - PIRELLI DIABLO™ ROSSO III

## GROUP TYRES

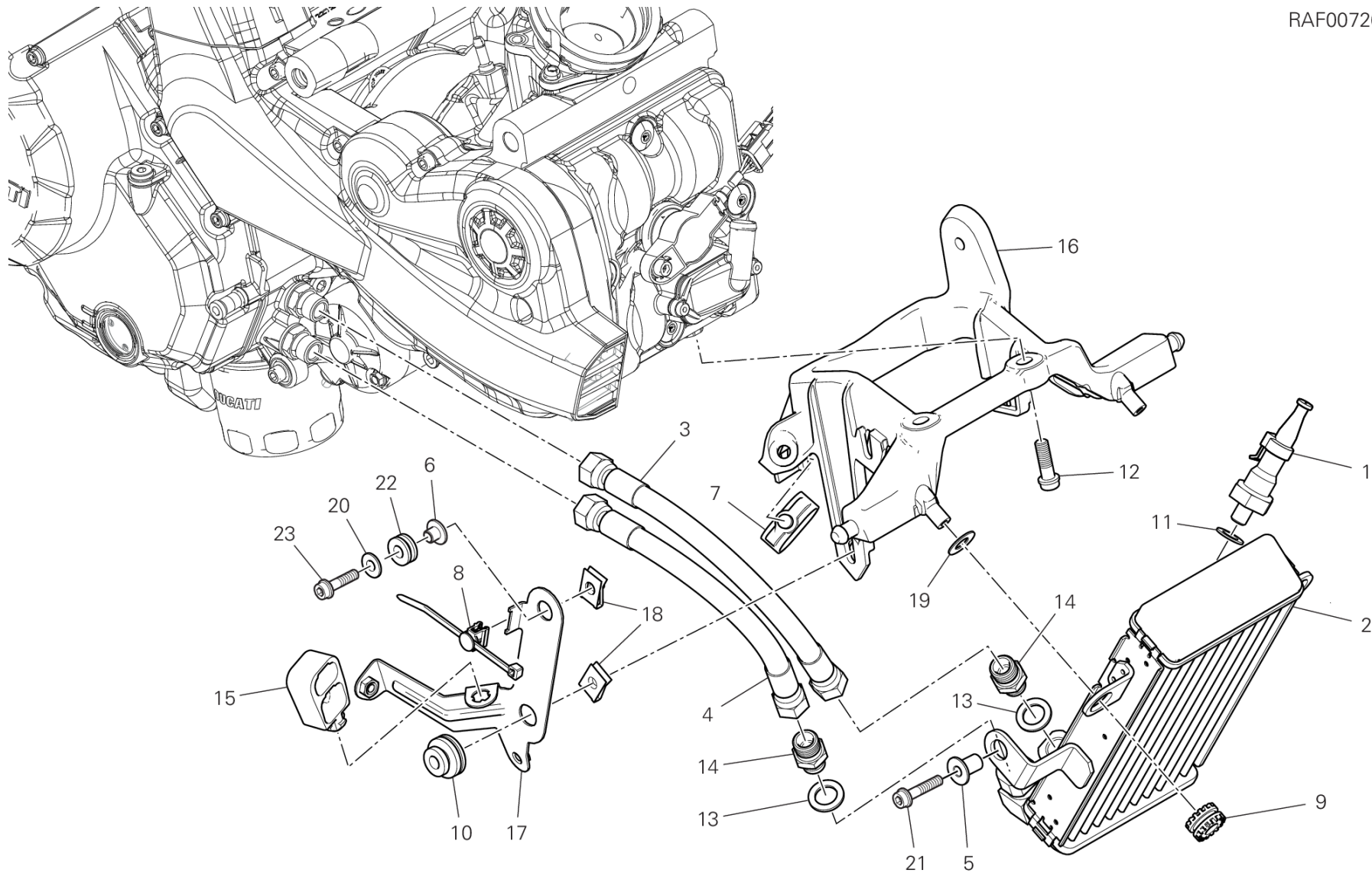


POS.	CODE	DESCRIPTION	QTY	VALIDITY	NOTES
1	490P0272A	FRONT TYRE	1		
2	491P0323A	REAR TYRE	1		



# DRAWING 016 - OIL COOLER GROUP FRAME

RAF00726



# DRAWING 016 - OIL COOLER

## GROUP FRAME

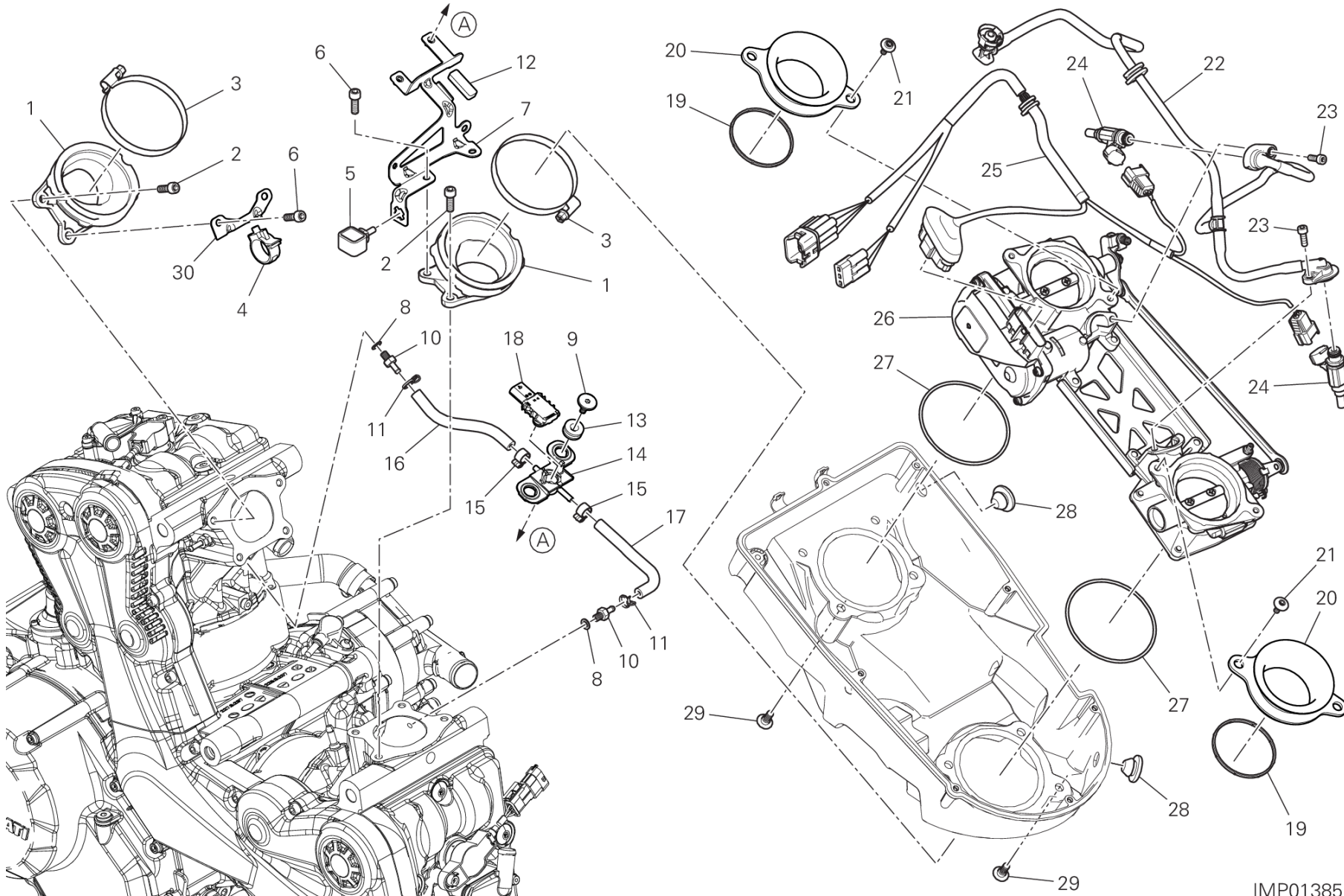


POS.	CODE	DESCRIPTION	QTY	VALIDITY	NOTES
1	53940302A	SWITCH ASSY, OIL PRESSURE	1		
2	54841102B	OIL COOLER	1		
3	54911311B	OIL DELIVERY PIPE	1		
4	54911321B	PIPE	1		
5	71615521AA	SPACER	1		
6	71614111A	SPACER	1		
7	75840201A	CLAMP, WIRE	1		
8	75840771A	FAIRLEAD	1		
9	76410241A	VIBRATION DAMPER PAD	2		
10	76410481A	VIBRATION DAMPER	1		
11	85211951A	GASKET 10.5X17X2	1		
12	72050533CF	SCREW	2		
13	78710111A	GASKET, ALUMINIUM 14X22X2	2		
14	81510221A	NIPPLE, HOSEM14X1.5	2		
15	8291D921A	BRACKET, CONNECTOR	1		
16	8301F081BA	STAY, OIL COOLER	1		
17	8301F141BA	BRACKET, MOTOR EXHAUST VALVE	1		
18	85040631A	QUICK FASTENING	2		
19	85210541B	WASHER 10.2X20X1	2		
20	85211911A	WASHER 6.4X16X1.5	2		
21	77156718B	SCREW TCEIF	1		
22	76410841B	RUBBER PAD	1		
23	77156698B	SCREW TCEIF M6X25	1		



# DRAWING 017 - THROTTLE BODY

## GROUP FRAME



IMP01385

# DRAWING 017 - THROTTLE BODY

## GROUP FRAME

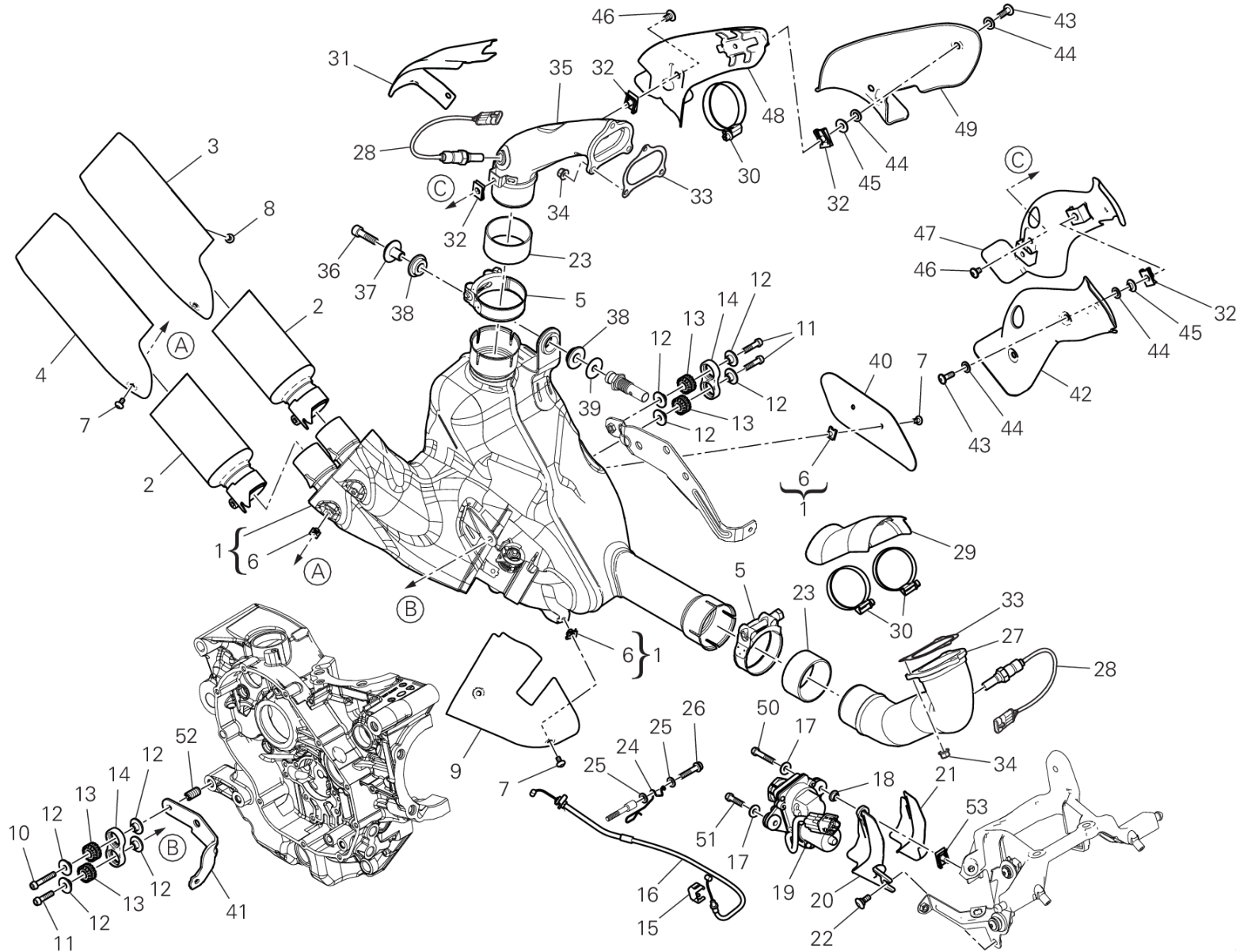


POS.	CODE	DESCRIPTION	QTY	VALIDITY	NOTES
1	14010763C	INTAKE MANIFOLD	2		
2	77110391B	SCREW	4		
3	74141871A	CLAMP 60-80 MM	2		
4	75840641A	HOSE GUIDE	2		
5	82911901A	MOUNT RUBBER	1		
6	77110401B	SCREW	4		
7	8301J011AA	BRACKET, WATER TANK	1		
8	85250231A	GASKET	2		
9	77214161AA	SCREW, SPECIAL	2		
10	81413341A	UNION	2		
11	74140431A	CLAMP	2		
12	86612431B	PAD	1		
13	76410841A	VIBRATION DAMPER PAD	2		
14	81417361A	UNION	1		
15	74141711A	CLAMP 10-7 MM	2		
16	59014101A	DEPRESSURE/PRESSURE LINE	1		
17	59014111A	DEPRESSURE/PRESSURE LINE	1		
18	55243731C	SENSOR, PRESSURE	1		
19	78811301A	GASKET AIR FUNNEL	2		
20	13510471A	AIR FUNNEL	2		
21	77214411BA	SCREW, SPECIAL	4		
22	59024072A	COMPLETE PIPE SET	1		
23	77150408B	SCREW TCEI M5X14	2		
24	28040411A	INJECTOR	2		
25	5101D041A	INJECTION WIRING	1		
26	28240932A	THROTTLE BODY	1		
27	88642231A	O-RING	2		
28	76411851A	BYPASS CAP	2		
29	77912741A	SCREW TBEI M6X14	8		
30	8301L401AA	HOLDER WIRING	1		



# DRAWING 019 - EXHAUST SYSTEM

## GROUP FRAME



SCR00365

# DRAWING 019 - EXHAUST SYSTEM

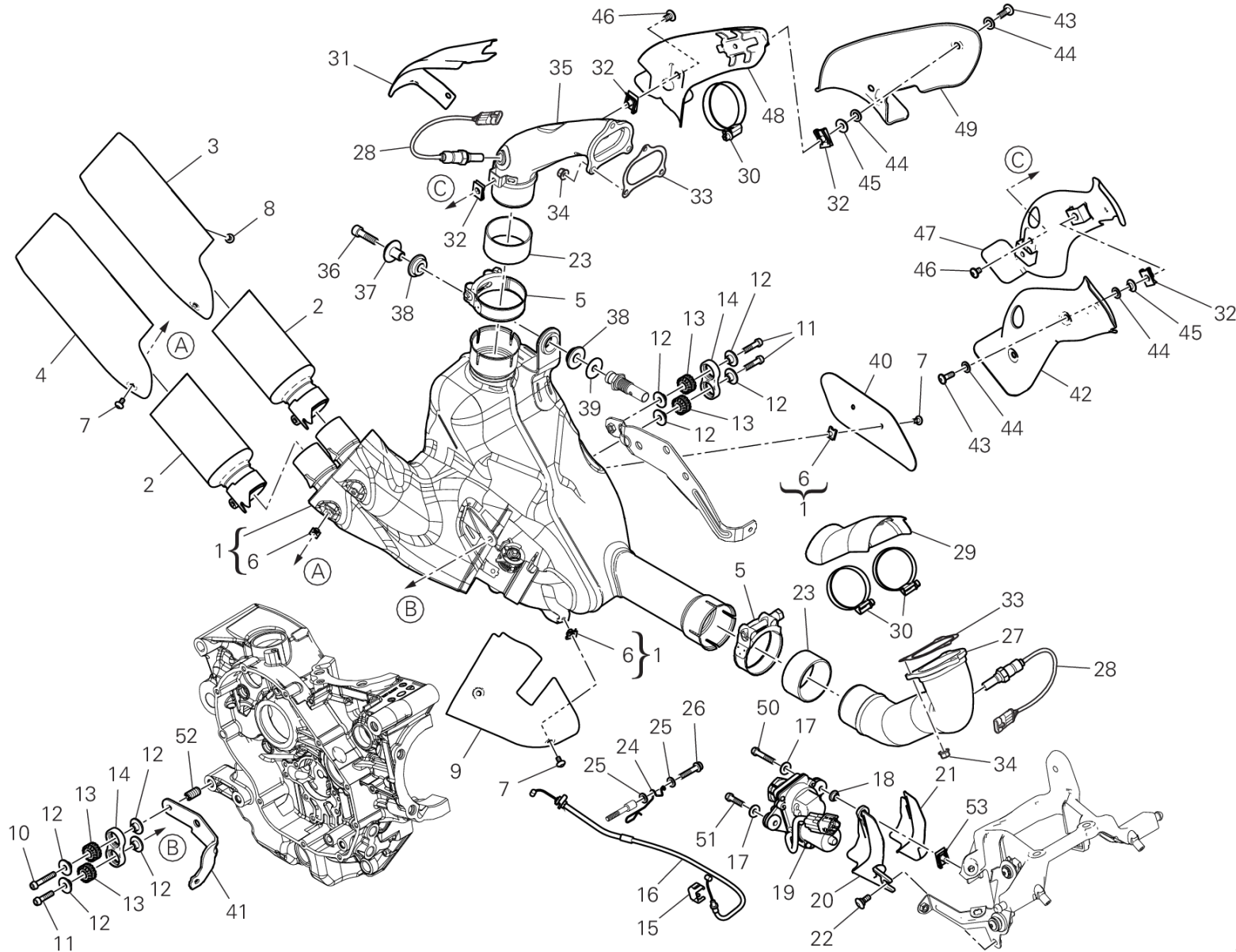
## GROUP FRAME



POS.	CODE	DESCRIPTION	QTY	VALIDITY	NOTES
1	57315152A	PRESILENCER	1		
2	57314382A	SILENCER	2		
3	4601E872A	COVER	1		
4	4601E882A	COVER	1		
5	74142651A	CLAMP	2		
6	85040471A	QUICK FASTENING M5	7		
7	77244168B	SCREW	7		
8	77250718B	SCREW TEF M5X10	4		
9	4601E472A	COVER	1		
10	77156728B	SCREW TCEIF M6X35	1		
11	77156698B	SCREW TCEIF M6X25	3		
12	71614141A	SPACER 6.25X10X5.75	8		
13	76410241A	VIBRATION DAMPER PAD	4		
14	57610671A	BRACKET, SILENCER	2		
15	75910251A	SPRING	1		
16	73210615A	CABLE, EXHAUST VALVE	1		
17	85211671B	WASHER 6,2x20x1,5	2		
18	71610213AA	SPACER	1		
19	59340301A	ELECTRIC MOTOR, EXHAUST VALVE	1		
20	4601F041A	HEAT GUARD	1		
21	4601F052A	THERMOREFLECTING PROTECTION	1		
22	77914391C	SCREW	1		
23	79010481A	GASKET	2		
24	75811211B	FAIRLEAD	1		
25	85211761A	WASHER 6.4X12.5X1.6	2		
26	77150408B	SCREW TCEI M5X14	1		
27	57015202A	HORIZONTAL EXHAUST PIPE	1		
28	55215021A	SENSOR LAMBDA SOND	2		
29	4601E303A	HEAT GUARD HORIZONTAL	1		
30	74142381A	CLAMP 40/60 MM	3		
31	4601G411A	HEAT GUARD REAR	1		
32	85040381A	QUICK FASTENING	6		
33	79010211A	GASKET, EXHAUST PIPE	2		
34	74810241A	NUT	6		
35	57115182A	VERTICAL EXHAUST PIPE	1		



# DRAWING 019 - EXHAUST SYSTEM GROUP FRAME



SCR00365

# DRAWING 019 - EXHAUST SYSTEM

## GROUP FRAME

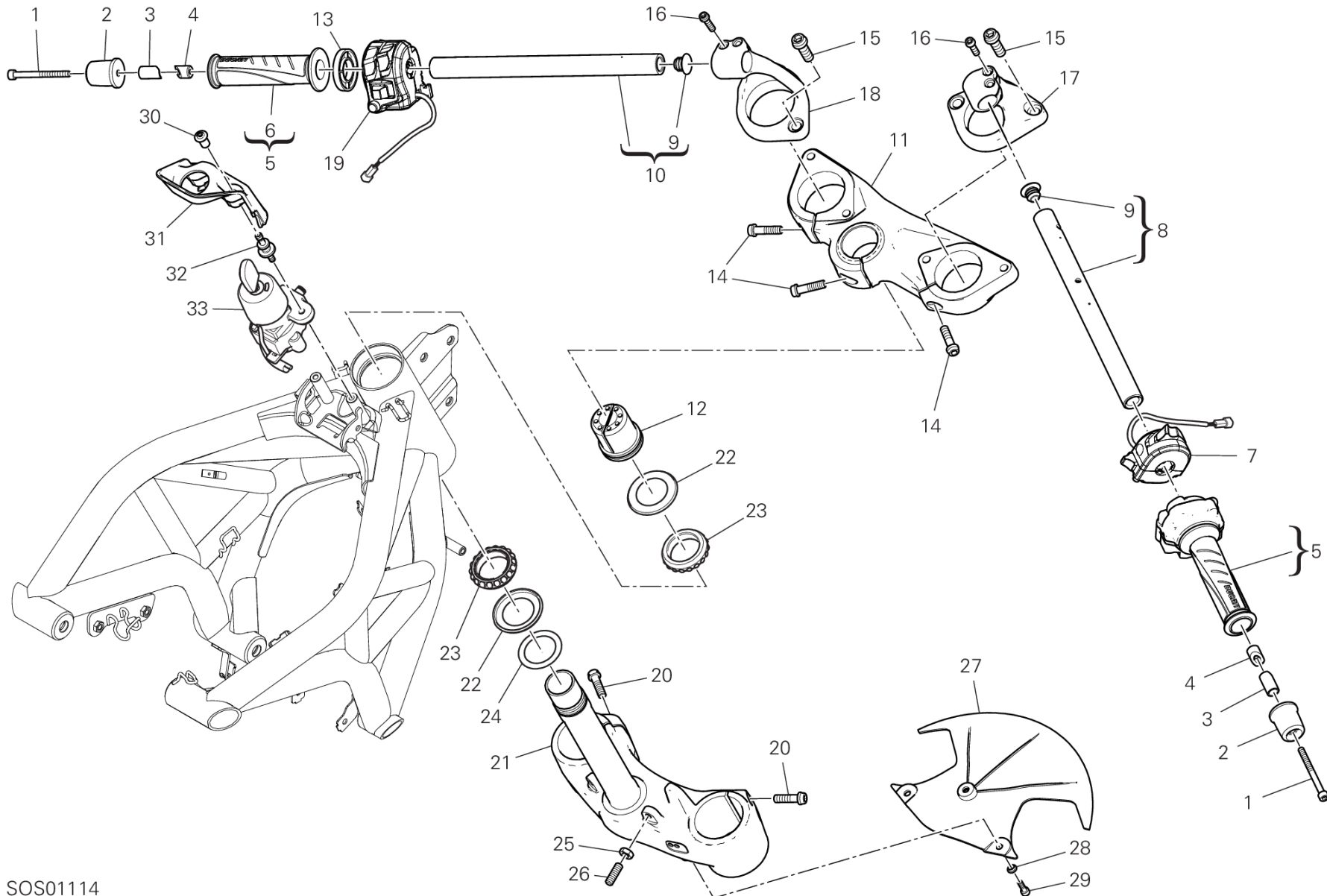


POS.	CODE	DESCRIPTION	QTY	VALIDITY	NOTES
36	77157278B	SCREW TCEIF M8X30	1		
37	71615461AA	SPACER	1		
38	76410011A	DAMPER	2		
39	85212901A	WASHER	1		
40	4601F081AA	CAP LH	1		
41	8301L141AA	RIGHT BRACKET	1		
42	4601F321A	COVER	1		
43	77240423C	SCREW	4		
44	85212271A	WASHER	8		
45	71611071A	SPACER	4		
46	77240393C	SCREW TBEIF M6X10 10.9	2		
47	4601F303C	HEAT GUARD R.H.	1		
48	4601F313C	HEAT GUARD L.H.	1		
49	4601F331B	COVER	1		
50	77156723B	SCREW	1		
51	77156683B	SCREW	1		
52	77913481C	THREADED DOWEL	1		
53	85040631A	QUICK FASTENING	1		



# DRAWING 021 - HANDLEBAR AND CONTROLS

## GROUP FRAME



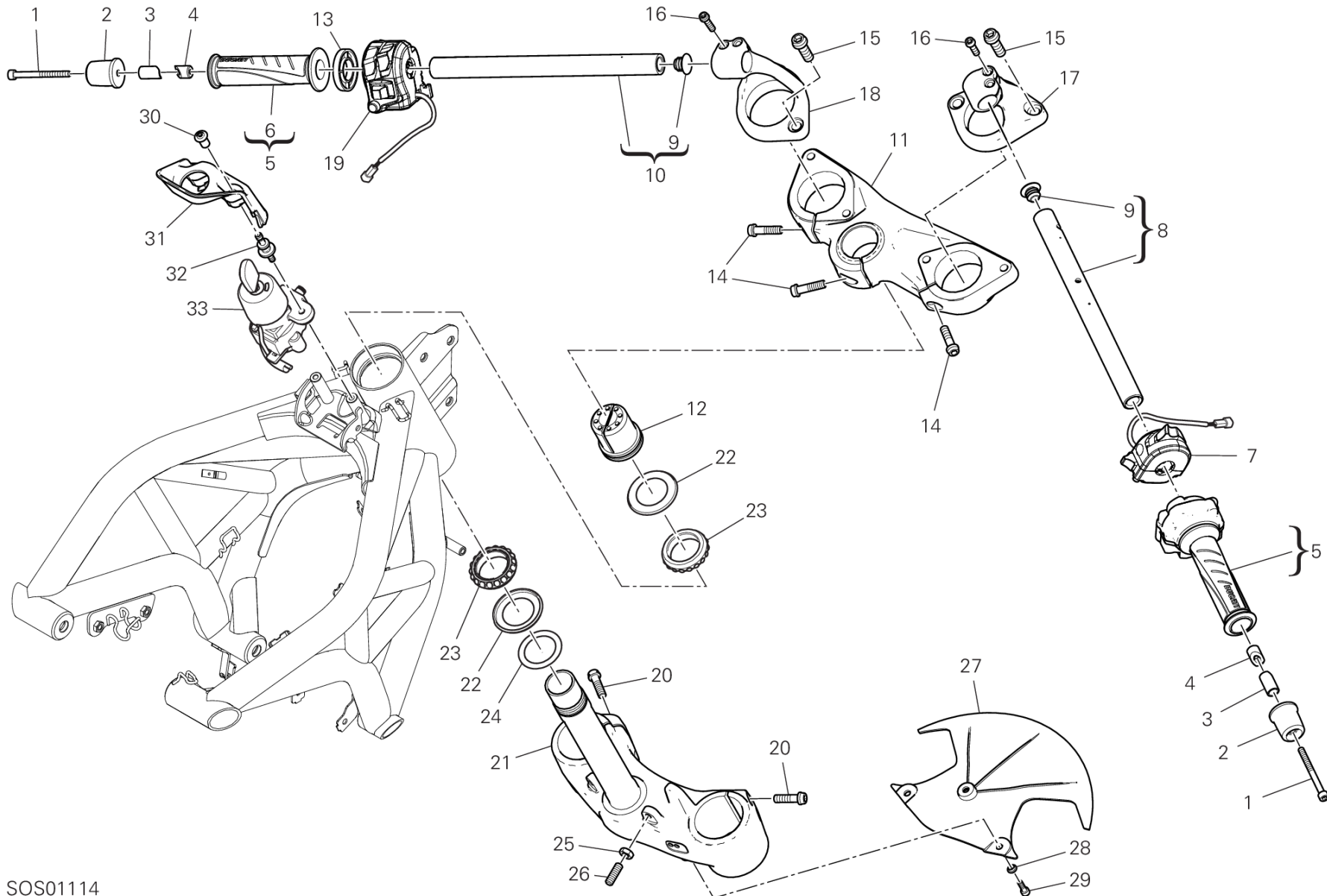
SOS01114

# DRAWING 021 - HANDLEBAR AND CONTROLS

## GROUP FRAME



POS.	CODE	DESCRIPTION	QTY	VALIDITY	NOTES
1	77150763B	SCREW TCEI M6X55 UNI5931 8.8	2		
2	15310072B	BALANCER SET, HANDLE BAR	2		
3	71011071A	BUSH	2		
4	71111301A	SPINDLE, TAPER	2		
5	66020093B	THROTTLE CONTROL	1		
6	36140161A	HAND GRIP LH	1		
8	875P2562BA	HANDLEBAR TUBE R.H.	1		
9	87210481A	CAP	2		
10	875P2551CA	HANDLEBAR TUBE L.H.	1		
11	34111451AA	STEERING HEAD	1		
	34111461AA	STEERING HEAD	1		
12	70310871AA	THREAD, STEERING HEAD TOP	1		
13	71316171A	SPACER	1		
14	77157278B	SCREW TCEIF M8X30	3		
15	77157568B	SCREW TCEIF M10X30	4		
16	77156688B	SCREW TCEIF	4		
17	36015512AA	RIGHT HALF-HANDLEBAR	1		
	36015581AA	RIGHT HALF-HANDLEBAR	1		
18	36015502AA	LEFT HALF-HANDLEBAR	1		
	36015571AA	LEFT HALF-HANDLEBAR	1		
19	65110242D	LEFT SWITCH	1		
20	77157268B	SCREW	4		
21	34220951AB	STEERING HEAD BASE	1		
	34220991AB	STEERING HEAD BASE	1		
22	93010041B	SEAL RING	2		
23	70241231A	BEARING, STEERING NTN SF07A17P	2		
24	85211031AB	WASHER	1		
25	74750071A	NUT	2		
26	77850281A	THREADED DOWEL STEI M8X25	2		
27	4601E461A	MUDGUARD, FRONT	1		
28	71611521AB	SPACER	3		
29	77150413B	SCREW	3		
30	75012341AA	NUT, SPECIAL	2		
31	4601E262A	COVER, IGNITION SWITCH	1		
32	77110501A	SCREW, SPECIAL	2		



SOS01114

# DRAWING 021 - HANDLEBAR AND CONTROLS

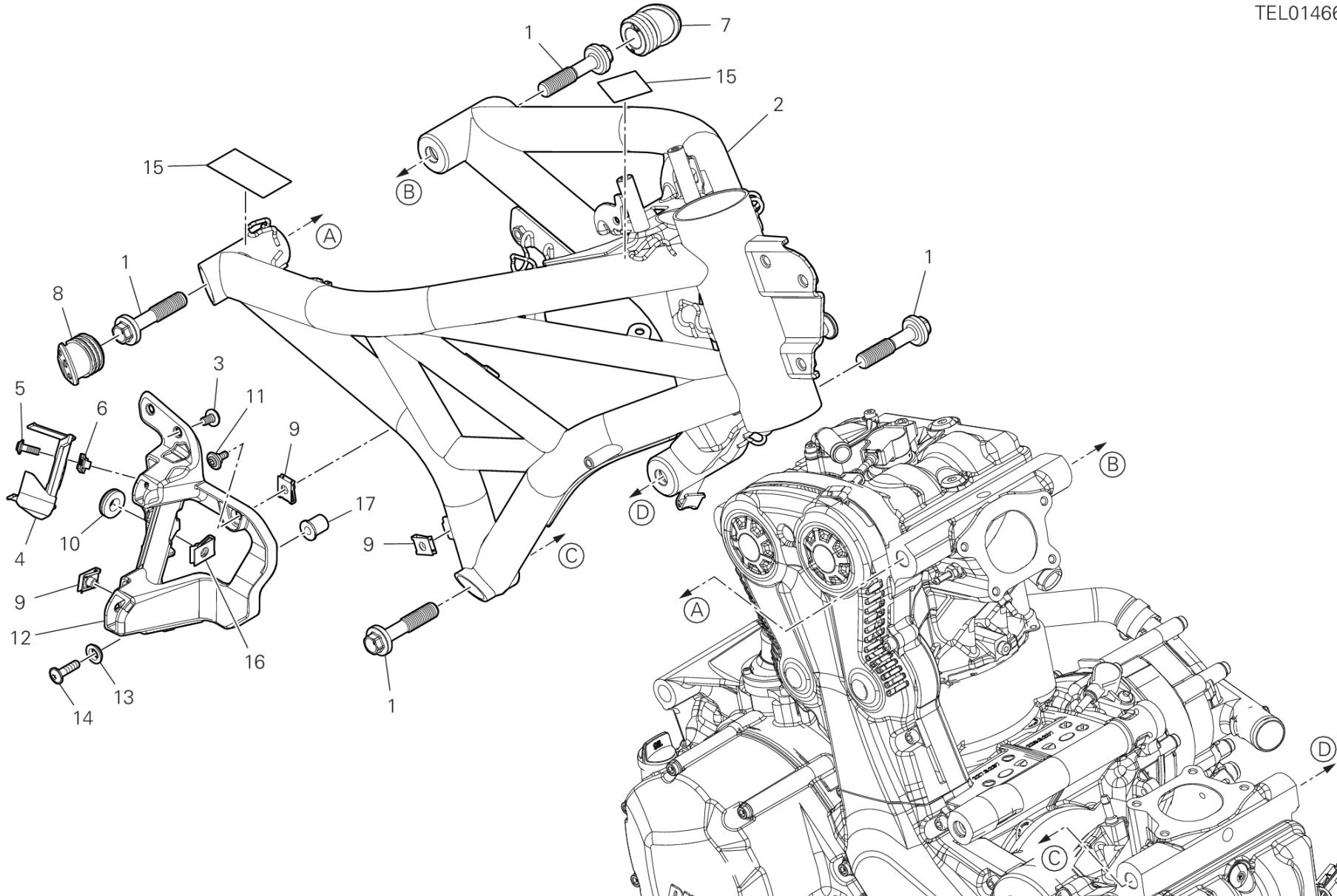
## GROUP FRAME



POS.	CODE	DESCRIPTION	QTY	VALIDITY	NOTES
33	65240371A	KEY-OPERATED SWITCH	1		



TEL01466

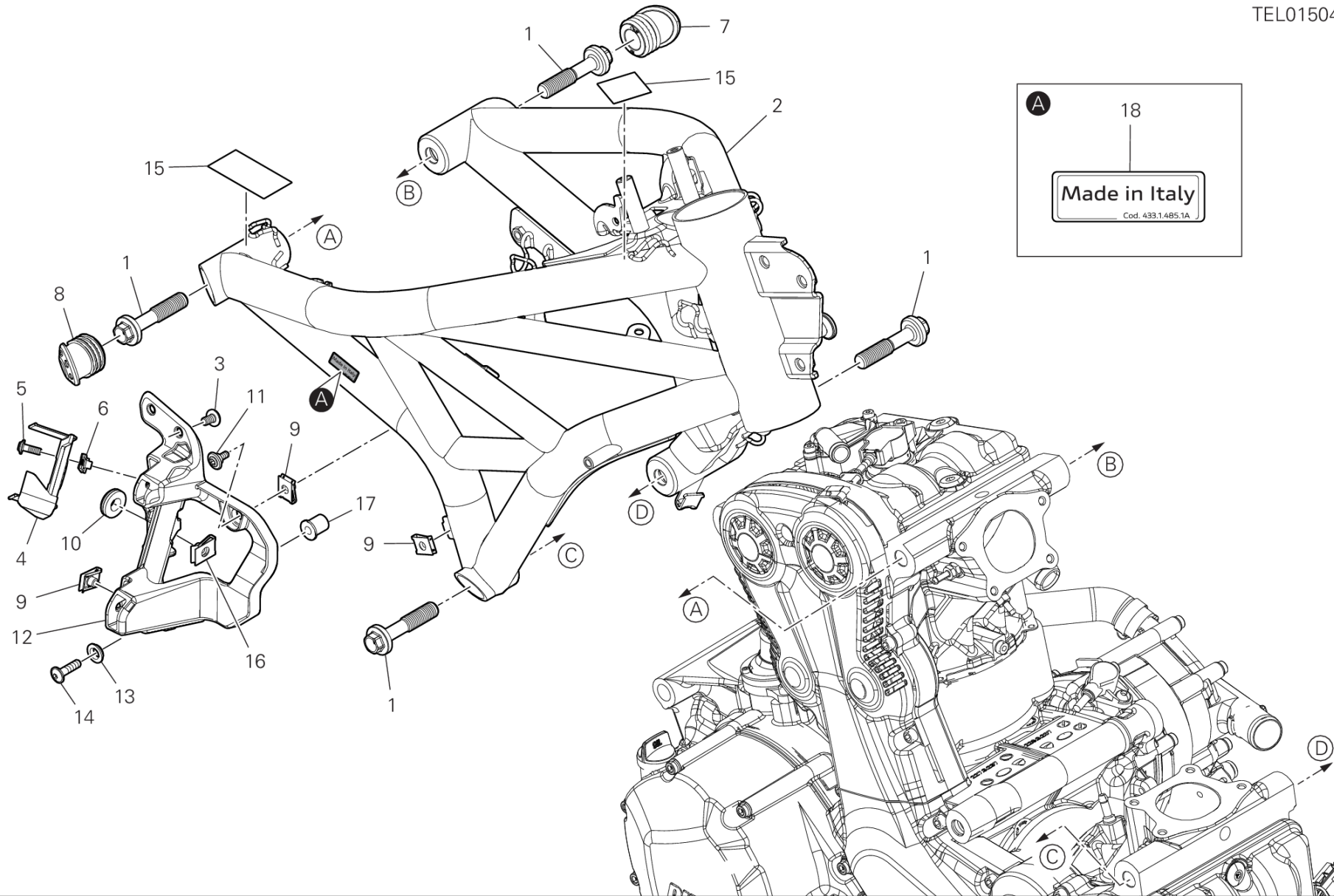




POS.	CODE	DESCRIPTION	QTY	VALIDITY	NOTES
1	77918291AA	SCREW, SPECIAL	4		
2	47018361AA	FRAME	1		
3	77244303B	SCREW M6X10	2		
4	8291B051A	HOLDER	2		
5	77244183B	SCREW	2		
6	85041951AA	QUICK FASTENING	2		
7	87210922A	LEFT PAD	1		
8	87210912A	RIGHT PAD	1		
9	85044691A	QUICK FASTENING	3		
10	76410981A	VIBRATION DAMPER PAD	1		
11	77214411AA	SCREW	1		
12	8291J502A	BRACKET, FAIRING	1		
13	71614811AA	SPACER	1		
14	77240453C	SCREW TBEIF M6X22 10.9	1		
15	92610051A	GUARD	3		
16	85040381A	QUICK FASTENING	2		
17	85041121A	BUSH	1		



TEL01504





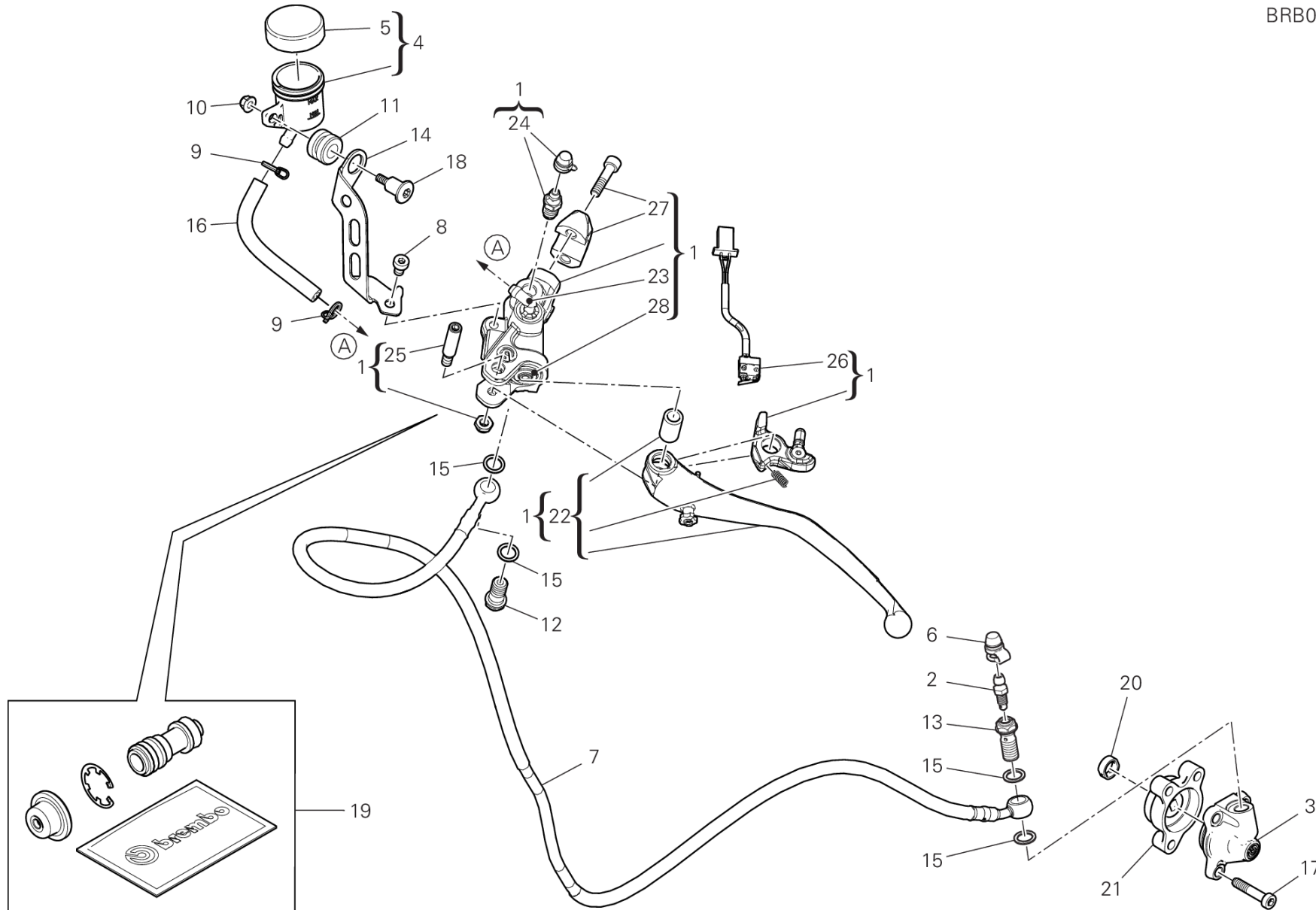
POS.	CODE	DESCRIPTION	QTY	VALIDITY	NOTES
1	77918291AA	SCREW, SPECIAL	4		
2	47018361AA	FRAME	1		
3	77244303B	SCREW M6X10	2		
4	8291B051A	HOLDER	2		
5	77244183B	SCREW	2		
6	85041951AA	QUICK FASTENING	2		
7	87210922A	LEFT PAD	1		
8	87210912A	RIGHT PAD	1		
9	85040551A	QUICK FASTENING	4		
10	76410981A	VIBRATION DAMPER PAD	1		
11	77214411AA	SCREW	3		
12	8291J502A	BRACKET, FAIRING	1		
13	71614811AA	SPACER	1		
14	77240453C	SCREW TBEIF M6X22 10.9	1		
15	92610051A	GUARD	2		
16	85040381A	QUICK FASTENING	2		
17	85041121A	BUSH	1		
18	43314851A	MARKING PLATE	1		



# DRAWING 023 - CLUTCH CONTROL

## GROUP FRAME

BRB00765



# DRAWING 023 - CLUTCH CONTROL

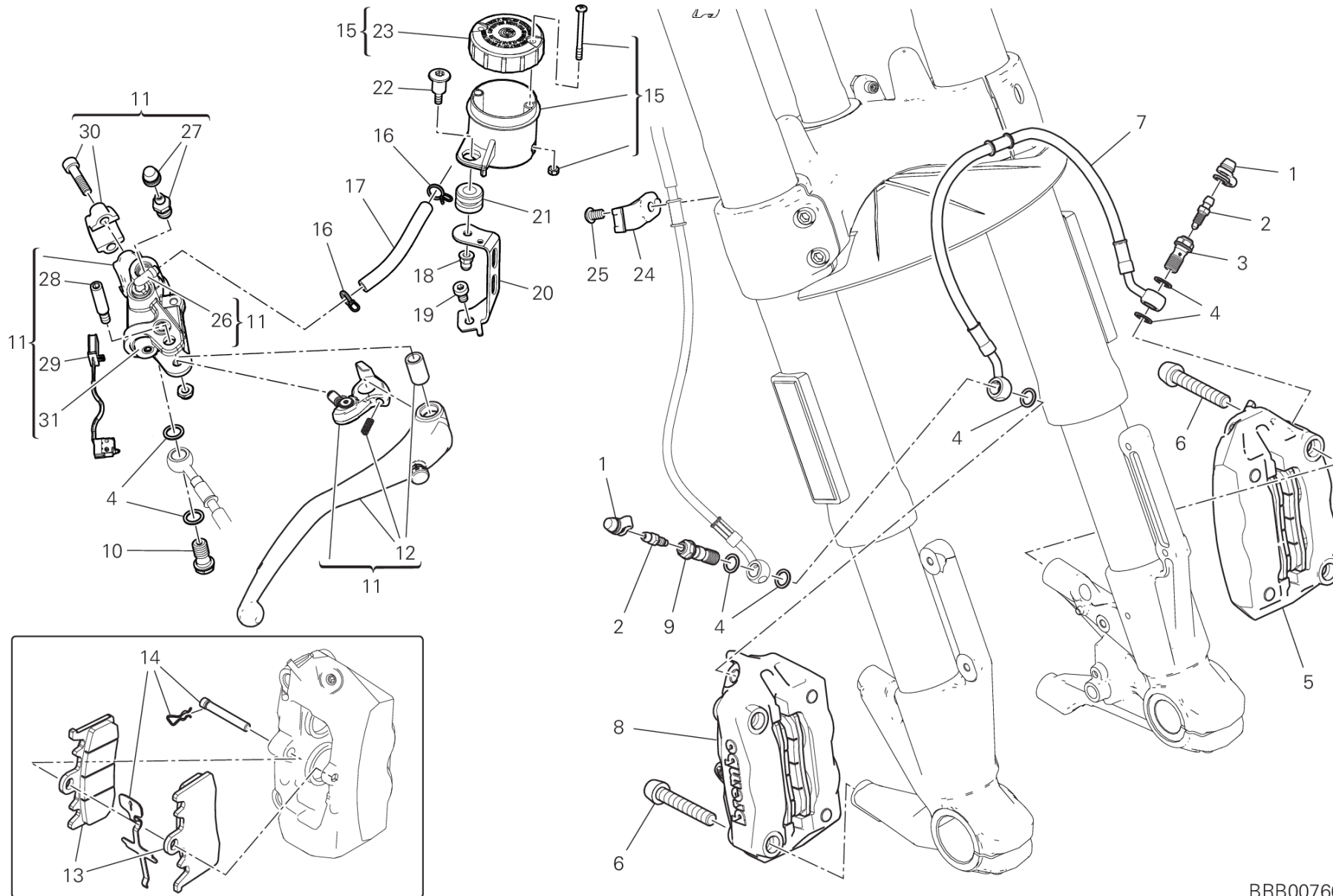
## GROUP FRAME



POS.	CODE	DESCRIPTION	QTY	VALIDITY	NOTES
1	63040971B	CLUTCH MASTER CYLINDER	1		
2	18710021A	VALVE, BREATHER	1		
3	19540081B	PISTON ASSEMBLY	1		
4	58540351A	SUB TANK, OIL	1		
5	89340241A	COVER MASTER CYLINDER	1		
6	61240052A	DUST COVER	1		
7	63211061A	HOSE, CLUTCH	1		
8	71950303C	SCREW	1		
9	74140431A	CLAMP	2		
10	75011921A	NUT	1		
11	76414191A	DAMPER	1		
12	77913662AB	SCREW, SPECIAL	1		
13	77913971A	BOLT, BRAKE HOSE	1		
14	8291N032AA	PLATE	1		
15	85250241A	WASHER 10X14X1	4		
16	87712681A	HOSE	1		
17	77354893C	SCREW	3		
18	77910921B	SCREW	1		
19	61041991A	BREMBO CLUTCH FLOATING PISTON KIT	1		
20	78811641C	GASKET	1		
21	19510411D	SPACER	1		
22	62610131A	CLUTCH LEVER	1		
23	63140081A	JOINT, HOSE	1		
24	63140281A	DRAIN	1		
25	62640561A	BOLT, LEVER	1		
26	53941041A	MICROSWITCH	1		
27	62641131A	BRACKET, MASTER CYLINDER	1		
28	61241241A	DUST COVER	1		



# DRAWING 024 - FRONT BRAKE SYSTEM GROUP FRAME



BRB00766

# DRAWING 024 - FRONT BRAKE SYSTEM

## GROUP FRAME



POS.	CODE	DESCRIPTION	QTY	VALIDITY	NOTES
1	61240052A	DUST COVER	2		
2	18710021A	VALVE, BREATHER	2		
3	77913971A	BOLT, BRAKE HOSE	1		
4	85250241A	WASHER 10X14X1	7		
5	61041292C	LEFT FRONT BRAKE CALIPER	1		
6	77913311D	SCREW M 10 X 60	4		
7	61810981A	HOSE, FRONT BRAKE CALIPER-CALIPER	1		
8	61041302C	RIGHT FRONT BRAKE CALIPER	1		
9	77914651A	BOLT, BRAKE HOSE	1		
10	77913662AB	SCREW, SPECIAL	1		
11	62441381B	FRONT BRAKE PUMP	1		
12	62610121A	LEVER, FRONT BRAKE	1		
13	61341021A	FRONT BRAKE PADS SET	2		
14	61240511A	SPARE PIN AND SPRING	2		
15	58540341A	RESERVOIR, BRAKE FLUID	1		
16	74140431A	CLAMP	2		
17	87712841A	HOSE, OIL	1		
18	75011921A	NUT	1		
19	71950303C	SCREW	1		
20	8291N022AA	BRACKET, BRAKE FLUID TANK	1		
21	76414191A	DAMPER	1		
22	77910921B	SCREW	1		
23	89340251A	COVER MASTER CYLINDER	1		
24	83018691A	GUIDE, FRONT BRAKE HOSE	1		
25	77510541A	SCREW TBEI M6X10	1		
26	63140081A	JOINT, HOSE	1		
27	63140281A	DRAIN	1		
28	62640561A	BOLT, LEVER	1		
29	53941031A	MICROSWITCH	1		
30	62641131A	BRACKET, MASTER CYLINDER	1		
31	61241241A	DUST COVER	1		



# DRAWING 025 - REAR BRAKE SYSTEM

## GROUP FRAME



POS.	CODE	DESCRIPTION	QTY	VALIDITY	NOTES
1	61140471A	REAR BRAKE CALIPER	1		
2	77157238B	SCREW TCEIF M8X20	2		
3	85250241A	WASHER 10X14X1	4		
4	77913662AB	SCREW, SPECIAL	2		
5	89340241A	COVER MASTER CYLINDER	1		
6	58540311A	RESERVOIR, BRAKE FLUID	1		
7	77113691A	SCREW TCEIF M6X12	1		
8	87712631A	HOSE, OIL	1		
9	74140431A	CLAMP	2		
10	62540201A	REAR BRAKE PUMP	1		
11	82717873BA	BRACKET, TANK	1		
12	61240081A	DUST PLUG	1		
13	74750051B	NUT	2		
14	18410051A	FORK HEADS DIN 71752	1		
15	11723531AA	ROD, BRAKE	1		
16	82111701CA	PIN PEDAL	1		
17	88641161A	O-RING	2		
18	77919121AA	SCREW	1		
19	85010151A	QUICK FASTENING	1		
20	45720571AA	BRAKE CONTROL LEVER	1		
21	71210341A	BUSH	1		
22	85210532A	WASHER 8.2X20X1	1		
23	82112731A	PIN	1		
24	79925771B	COMPLETE SPRING	1		
25	77156683B	SCREW	2		
26	53940034C	INTERUTTORE STOP	1		
27	42020008A	COPPER GASKET 11X8.2X1	1		
28	61340951A	REAR BRAKE PADS SET	1		
29	61240161A	PAD PINS OVERHAUL KIT	1		
30	63140161A	FRONT CALIPER DRAIN SCREW	1		



## DRAWING 026 - RUOTA ANTERIORE E POSTERIORE

## GROUP FRAME

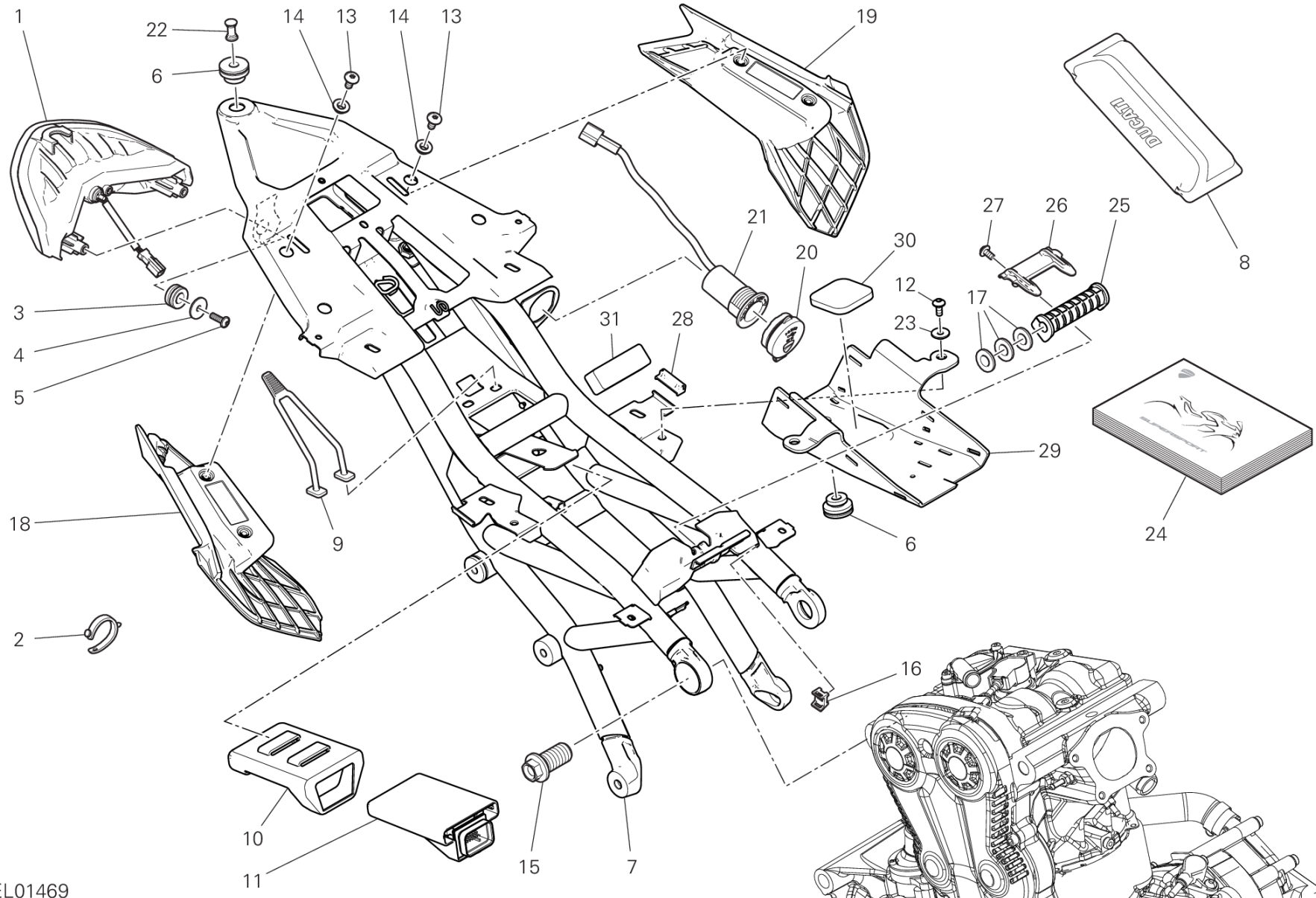


POS.	CODE	DESCRIPTION	QTY	VALIDITY	NOTES
1	74810651A	NUT	1		
2	71311973A	LEFT SPACER	1		
3	49241011A	FRONT BRAKE DISC	2		
4	72010513C	SCREW	10		
5	75910222A	CLIP	1		
6	85212221A	WASHER	1		
7	50211941AA	REAR WHEEL RIM	1		
8	70250621A	BEARING	2		
9	71413241AA	INNER SPACER	1		
10	50121783AE	FRONT WHEEL RIM	1		
11	81910602AA	FRONT WHEEL SPINDLE	1		
12	504Z0381AA	PHONIC WHEEL	1		
13	75012072AA	NUT	1		
14	85212211A	WASHER 48.5X65X0.5	1		
15	71411352AA	SPACER	1		
16	49720071AC	VALVE, TUBELESS TIRE	1		
17	71311961A	RIGHT SPACER	1		
18	93040521A	SEAL RING 35X47.15X6.8	2		
19	49720031A	VALVE, TUBELESS TIRE	1		



# DRAWING 027 - REAR FRAME COMP.

GROUP FRAME



TEL01469

SUPERSPORT 950 /23

025000023

Page 142 / 200

SPARE PARTS CATALOGUE

20/01/2023

# DRAWING 027 - REAR FRAME COMP.

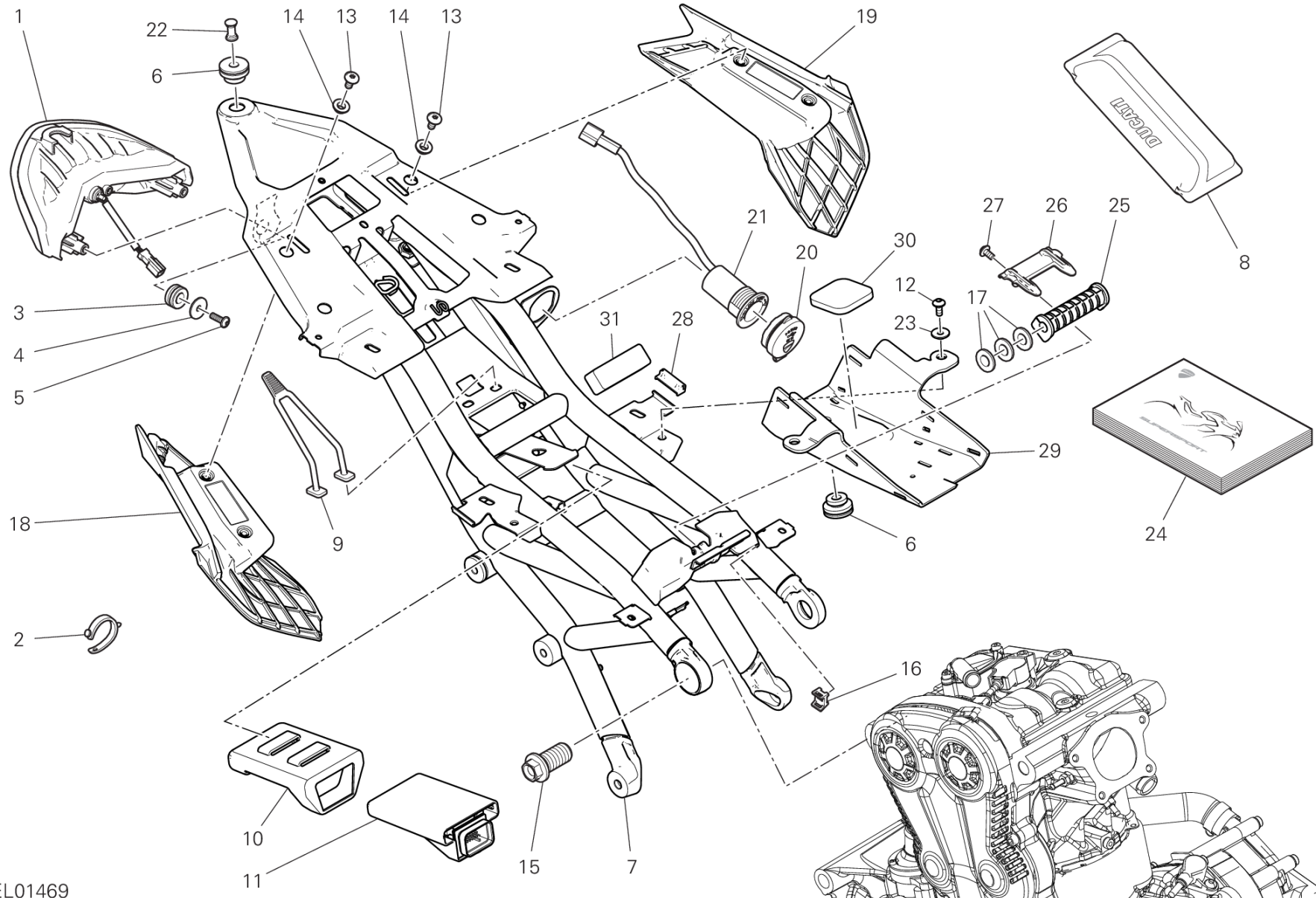
## GROUP FRAME



POS.	CODE	DESCRIPTION	QTY	VALIDITY	NOTES
1	52510483B	TAILLIGHT	1		
2	74110121A	CLAMP, RUBBER 62MM	1		
3	76412101A	RUBBER PAD	2		
4	71614921AA	SPACER	2		
5	77440041A	SCREW, TAPPING M5X16	2		
	77440321A	SCREW, TAPPING	2		
6	76412091A	VIBRATION DAMPER PAD	2		
7	47018022CA	REAR FRAME BLACK	1		
8	69720292B	TOOLS KIT	1		
9	75910311A	RUBBER BAND, TOOLS KIT	1		
10	86611521A	VIBRATION DAMPER HOLDER	1		
11	38511363B	BLACKBOX UNIT	1		
12	77244178B	SCREW	2		
13	77240403CA	SCREW M6X12	4		
14	71615211AA	SPACER	4		
15	77918301AB	SCREW, SPECIAL	2		
16	85040671A	CLAMP TUCKER	8		
17	85611271A	WASHER	3		
18	80610421A	GRIP,GRAB RAIL,RH	1		
19	80610411A	GRIP,GRAB RAIL,LH	1		
20	76412421B	HOLDER	1		
21	38640591A	SOCKET, LOW VOLTAGE	1		
22	82115511A	PIN	1		
23	71611071B	SPACER	2		
24	91376261AR	OWNER'S MANUAL	1		ARABIC
	91376261BG	OWNER'S MANUAL	1		BULGARIAN
	91376261CA	OWNER'S MANUAL	1		CANADA/FRA
	91376261CS	OWNER'S MANUAL	1		CZECH REPUBLIC
	91376261DA	OWNER'S MANUAL	1		DENMARK
	91376261DE	OWNER'S MANUAL	1		GERMAN
	91376261EL	OWNER'S MANUAL	1		GREECE
	91376261EN	OWNER'S MANUAL	1		ENGLISH
	91376261ES	OWNER'S MANUAL	1		SPANISH
	91376261FI	OWNER'S MANUAL	1		FINLAND
	91376261FR	OWNER'S MANUAL	1		FRENCH



# DRAWING 027 - REAR FRAME COMP. GROUP FRAME



TEL01469

SUPERSPORT 950 /23

025000023

Page 144 / 200

SPARE PARTS CATALOGUE

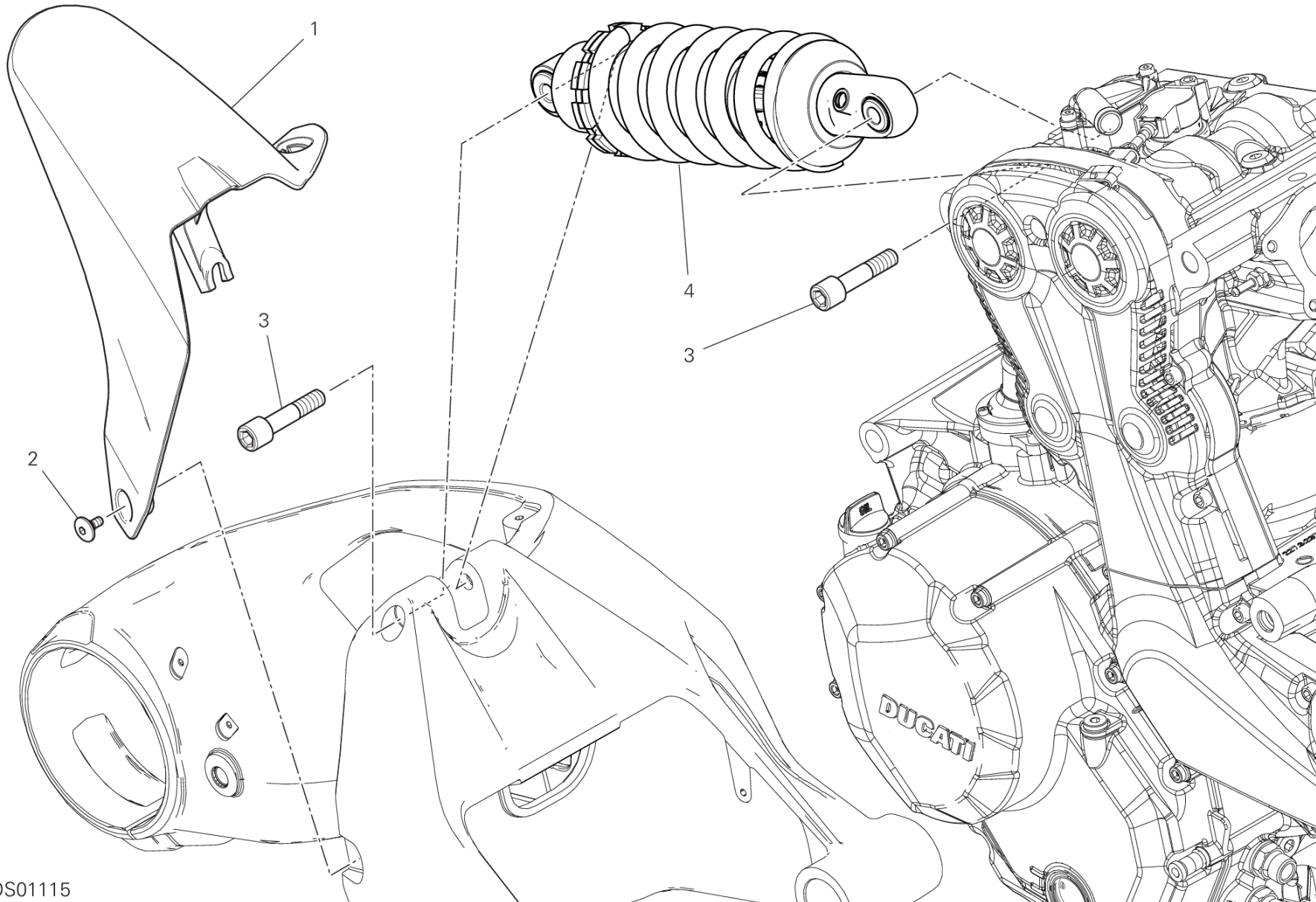
20/01/2023

# DRAWING 027 - REAR FRAME COMP.

## GROUP FRAME



POS.	CODE	DESCRIPTION	QTY	VALIDITY	NOTES
	91376261HR	OWNER'S MANUAL	1		CROATIA
	91376261HU	OWNER'S MANUAL	1		HUNGARY
	91376261IT	OWNER'S MANUAL	1		ITALY
	91376261JA	OWNER'S MANUAL	1		JAPAN
	91376261KO	OWNER'S MANUAL	1		KOREA
	91376261MX	OWNER'S MANUAL	1		MEXICO/ESP
	91376261NL	OWNER'S MANUAL	1		HOLLAND
	91376261NO	OWNER'S MANUAL	1		NORWAY
	91376261PL	OWNER'S MANUAL	1		POLAND
	91376261PT	OWNER'S MANUAL	1		PORTUGHESE
	91376261RO	OWNER'S MANUAL	1		ROMANIA
	91376261RU	OWNER'S MANUAL	1		RUSSIAN
	91376261SK	OWNER'S MANUAL	1		SLOVAK
	91376261SL	OWNER'S MANUAL	1		SLOVENIAN
	91376261SV	OWNER'S MANUAL	1		SWEDISH
	91376261US	OWNER'S MANUAL	1		USA
	91376261ZH	OWNER'S MANUAL	1		TRADITIONAL CHINESE
25	70010811A	RUBBER PAD	1		
26	82610431AA	PLATE	1		
27	71850163C	SCREW	1		
28	76411881A	RUBBER PAD	2		
29	4601D913A	TRAY	1		
30	86612101B	PAD	1		
31	86613241A	PAD	1		



SOS01115

# DRAWING 028 - SOSPENSIONE POSTERIORE

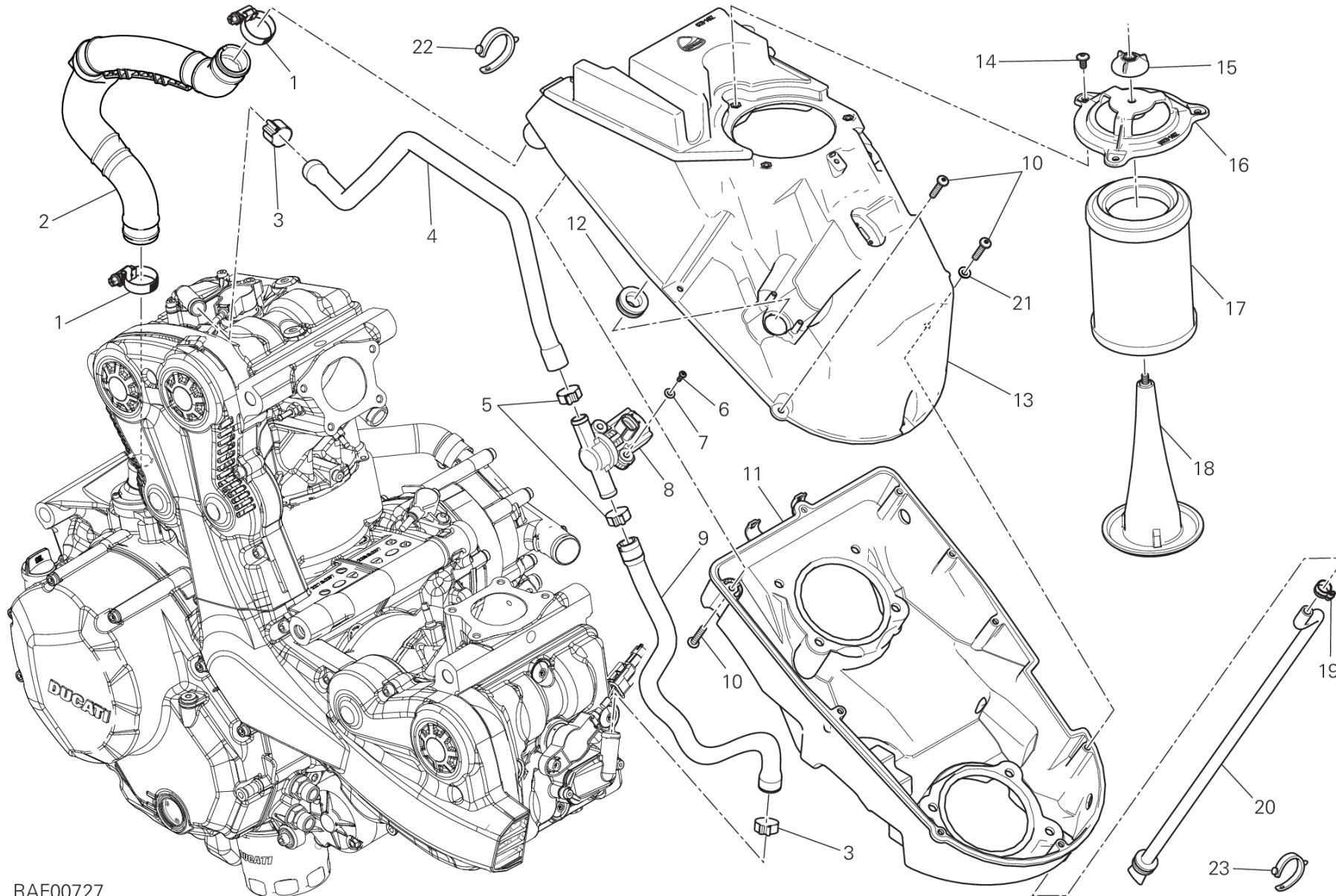
## GROUP FRAME



POS.	CODE	DESCRIPTION	QTY	VALIDITY	NOTES
1	56511111A	REAR MUDGUARD	1		
2	77914871C	SCREW	3		
3	77915041A	SCREW, SPECIAL	2		
4	36521543A	REAR SHOCK ABSORBER	1		



# DRAWING 029 - AIR INTAKE - OIL BREATHER GROUP FRAME



RAF00727

# DRAWING 029 - AIR INTAKE - OIL BREATHER

## GROUP FRAME

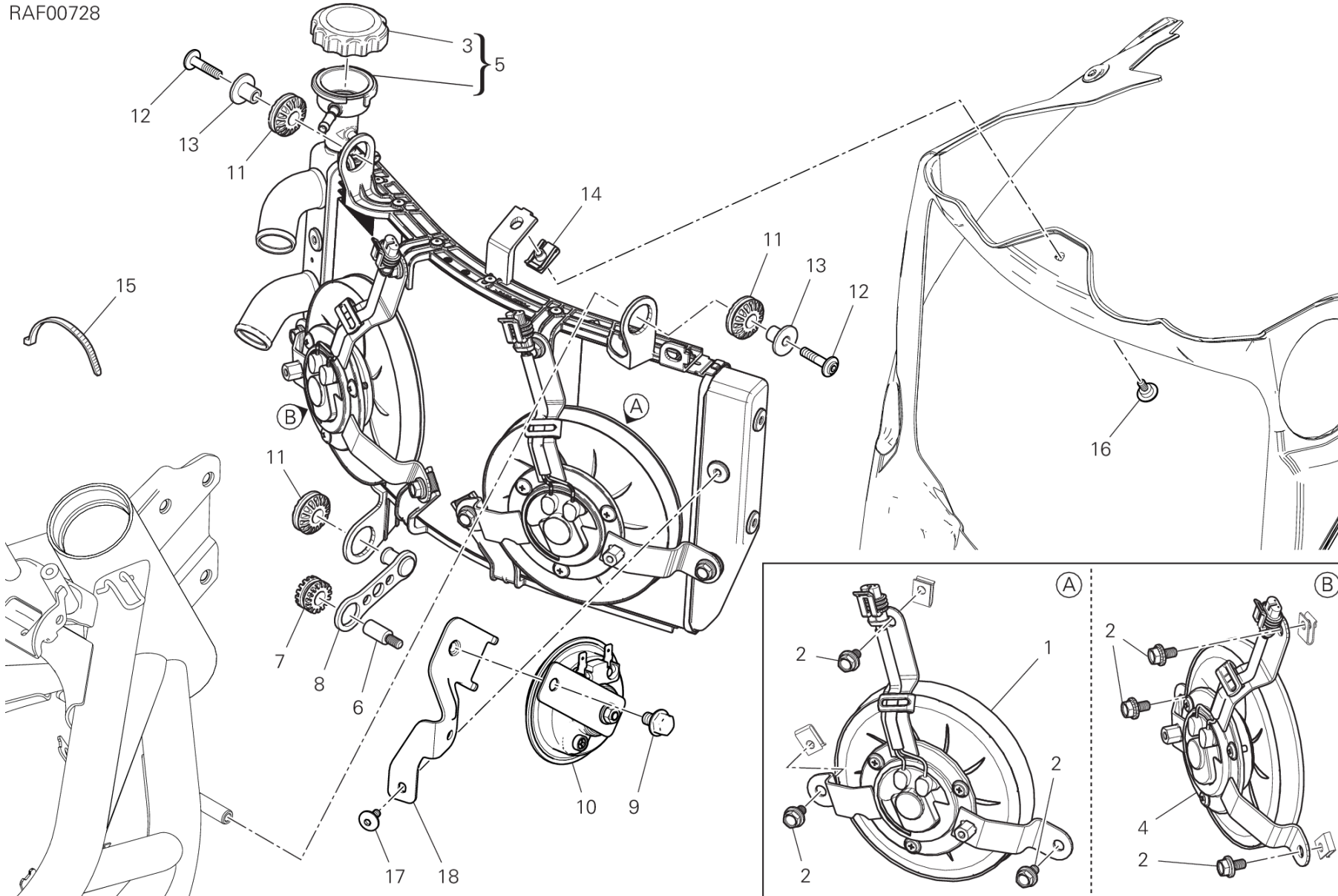


POS.	CODE	DESCRIPTION	QTY	VALIDITY	NOTES
1	74142581A	CLAMP 16-27 MM	2		
2	87612921A	HOSE, BLOW-BY	1		
3	74142371A	CLAMP	2		
4	87611211A	DUCT, AIR	1		
5	74142401A	CLAMP	2		
6	77440101A	SCREW, TAPPING 3.5X10	1		
7	85240211A	WASHER 4.7X10X1	1		
8	65540091A	ACTUATOR	1		
9	87611221B	DUCT, AIR	1		
10	77440131A	SCREW, TAPPING 5X25 WN1411	9		
11	44212783B	AIR FILTER BOX	1		
12	76411621A	RUBBER PAD	1		
13	44212792D	AIR FILTER BOX	1		
14	77240253C	SCREW	3		
15	70310481A	RING NUT	1		
16	24612162A	FILTER COVER UNIT	1		
17	42610191A	FILTER, AIR	1		
18	82919612A	CAGE, AIR FILTER	1		
19	74140651A	FASCETTA 11-7 MM	1		
20	59018961A	HOSE, DRAIN AIRBOX	1		
21	71615071AA	SPACER	1		
22	74110131A	CLAMP, RUBBER 82MM	3		
23	74110121A	CLAMP, RUBBER 62MM	1		



# DRAWING 030 - WATER COOLER GROUP FRAME

RAF00728



# DRAWING 030 - WATER COOLER

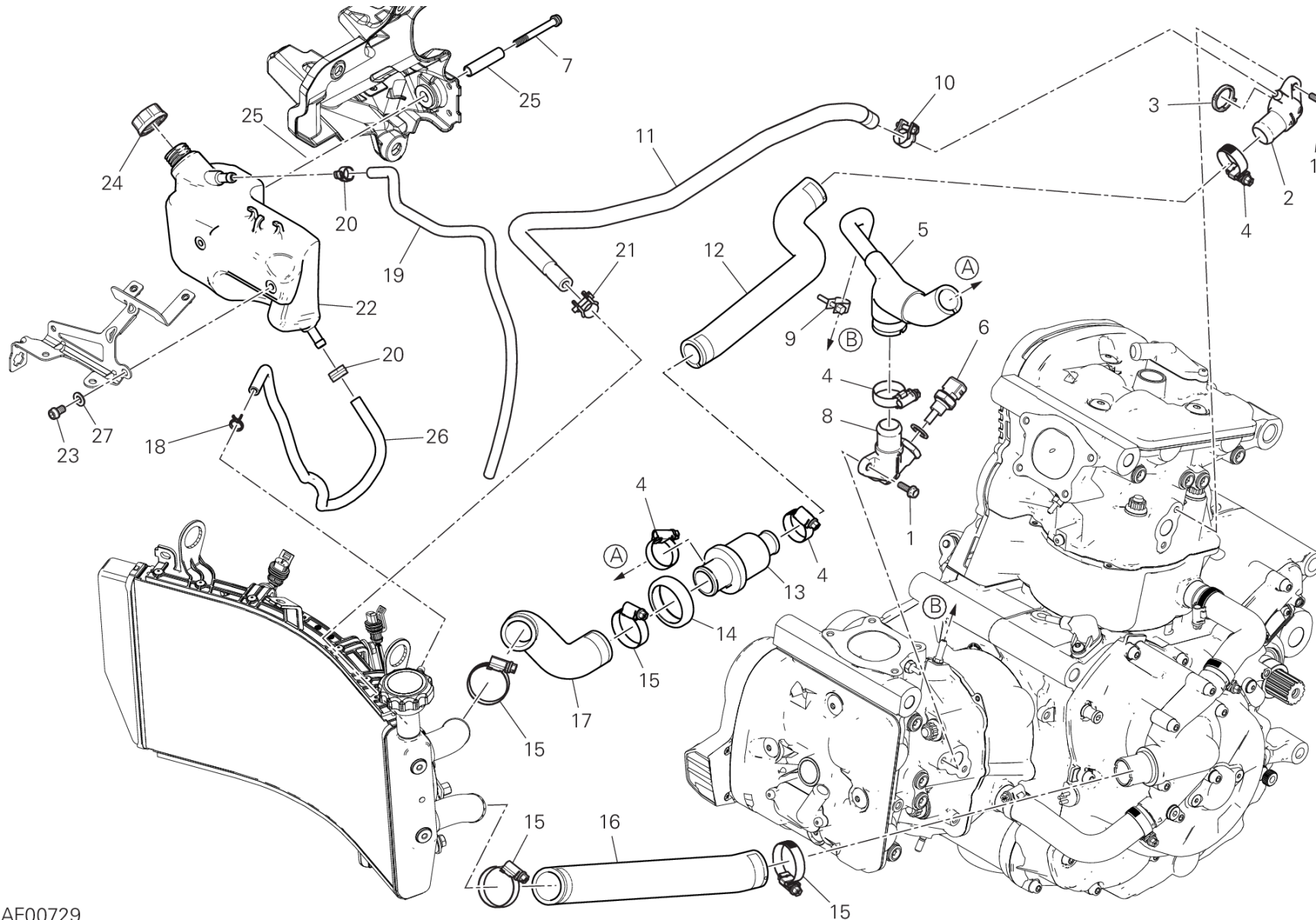
## GROUP FRAME



POS.	CODE	DESCRIPTION	QTY	VALIDITY	NOTES
1	55040281A	ELECTRIC FAN, RIGHT	1		
2	77250988B	SCREW TEF M6X14	6		
3	87240921A	RADIATOR CAP	1		
4	55040271A	ELECTRIC FAN, LEFT	1		
5	54841033A	WATER COOLER ASSY	1		
6	77916081A	SCREW, SPECIAL	1		
7	76410241A	VIBRATION DAMPER PAD	1		
8	83018971A	BRACKET	1		
9	77211341A	SCREW	1		
10	51610053C	HORN	1		
11	76411361A	VIBRATION DAMPER PAD	3		
12	77210971A	SCREW TBEI M6X25	2		
13	71614091A	SPACER	2		
14	85040551A	QUICK FASTENING	1		
15	74140381A	CLAMP	2		
16	77214411AA	SCREW	1		
17	77510651A	SCREW	2		
18	8301F501AA	BRACKET, HORN	1		



# DRAWING 031 - COOLING SYSTEM GROUP FRAME



RAF00729

# DRAWING 031 - COOLING SYSTEM

## GROUP FRAME



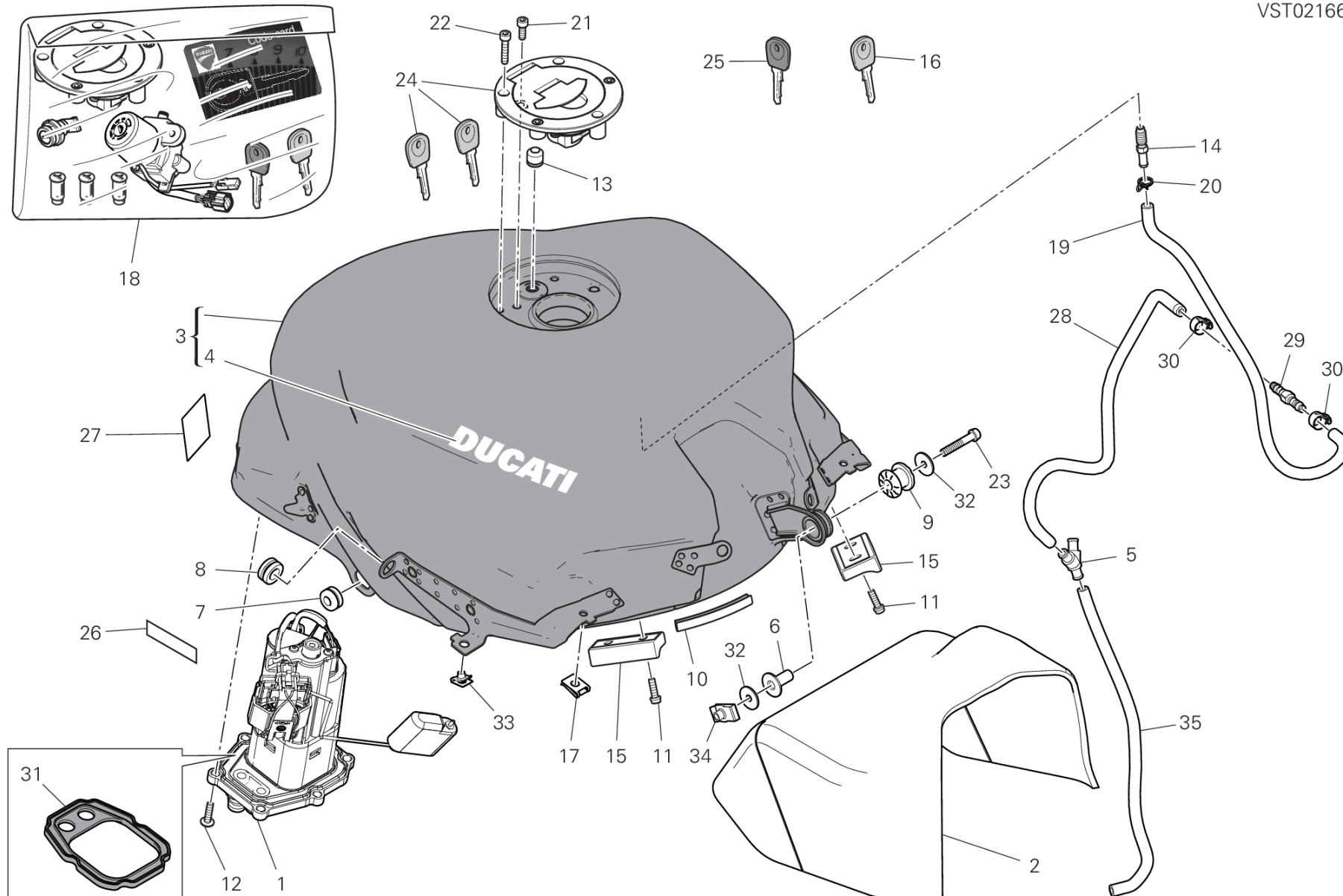
POS.	CODE	DESCRIPTION	QTY	VALIDITY	NOTES
1	77210623B	SCREW	4		
2	81413261B	JOINT, WATER HOSE VERTICAL	1		
3	88641031A	O-RING	1		
4	74142581A	CLAMP 16-27 MM	4		
5	80017871B	THERMOSTAT PUMP HOSE HORIZONTAL	1		
6	55243442A	WATER TEMPERATURE SENSOR	1		
7	77156758B	SCREW TCEIF M6X50	1		
8	81420051A	JOINT, WATER HOSE HORIZONTAL	1		
9	74142501A	CLAMP	1		
10	74142121A	CLAMP	1		
11	80012301A	BREATHER PIPE	1		
12	80017851A	THERMOSTAT PUMP HOSE VERTICAL	1		
13	55340041A	THERMO-SWITCH	1		
14	88111281A	THERMOSTAT PROTECTION RING	1		
15	74142591A	CLAMP 20-35 MM	4		
16	80017842A	HOSE PUMP/COOLER	1		
17	80017861A	HOSE COOLER/THERMOSTAT	1		
18	74140431A	CLAMP	1		
19	93410491A	BREATHER PIPE	1		
20	74140651A	FASCETTA 11-7 MM	2		
21	74142181A	CLAMP	1		
22	58511033A	TANK, WATER RESERVOIR	1		
23	77156623B	SCREW TCEIF M6X10 8.8	2		
24	89310143A	EXPANSION TANK CAP	1		
25	71114381A	BUSH	1		
26	93410201A	BREATHER PIPE	1		
27	85250271A	WASHER 6.2X12X1	2		



# DRAWING 032 - FUEL TANK

## GROUP FRAME

VST02166



# DRAWING 032 - FUEL TANK

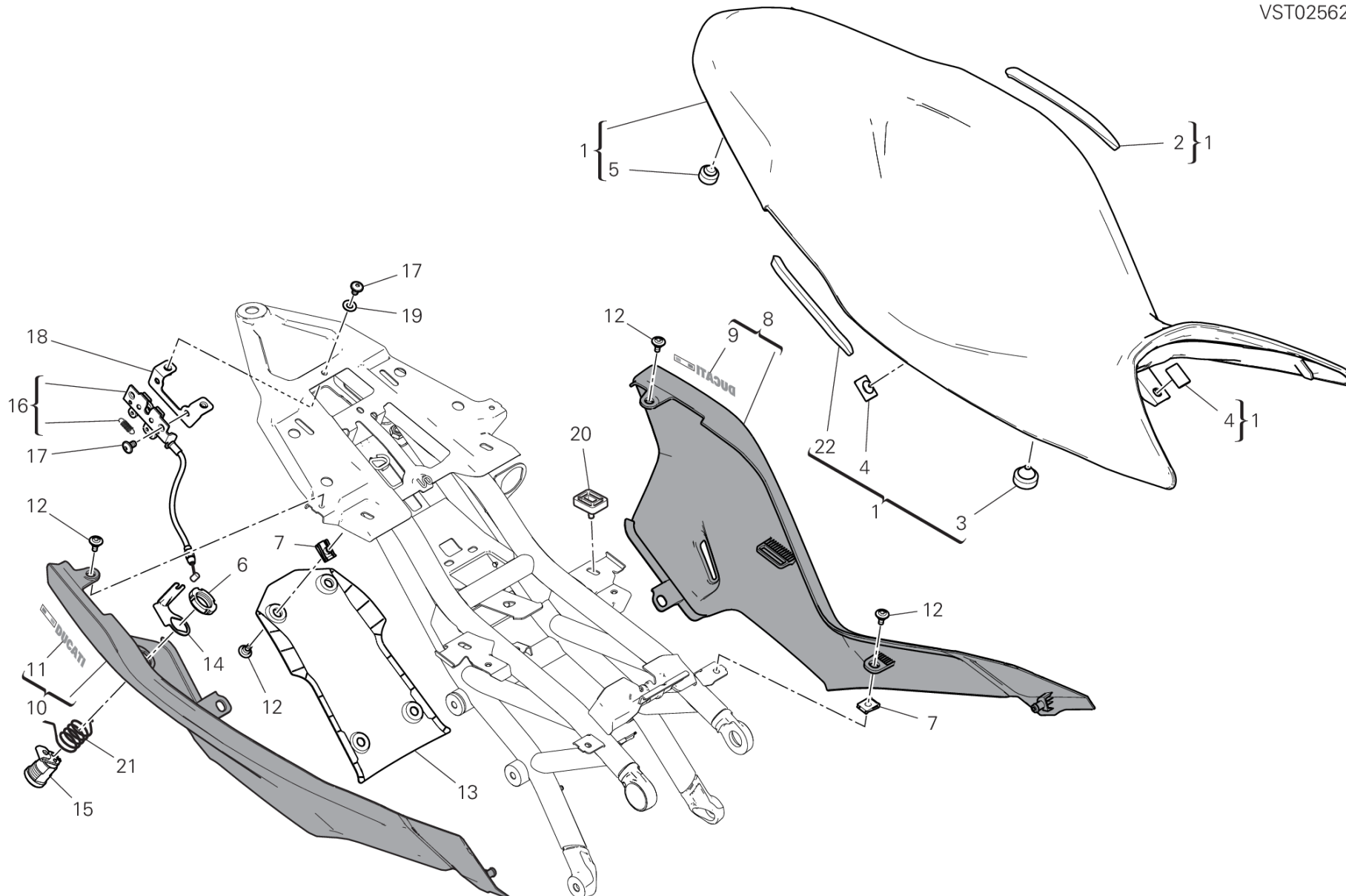
## GROUP FRAME



POS.	CODE	DESCRIPTION	QTY	VALIDITY	NOTES
1	16024411A	BRACKET, FUEL PUMP	1		
2	48611101C	DAMPER, SOUND ARRESTER	1		
3	58612531CA	FUEL TANK, RED	1		
4	4381C651A	EMBLEM DUCATI	2		
5	61610021A	JOINT Y	1		
6	71615391AA	SPACER	1		
7	76410291A	RUBBER PAD	2		
8	76410901A	RUBBER PAD	2		
9	76411521A	RUBBER PAD	1		
10	76412061A	RUBBER SECTION	3		
11	77156413B	SCREW TCEIF M5X16	4		
12	77244213B	SCREW	6		
13	79111111A	GASKET	1		
14	81413251A	UNION	2		
15	86611722CA	PAD, FUEL TANK	2		
16	59840183A	KEY WITHOUT TRANSPONDER	1		
17	85044691A	QUICK FASTENING	2		
18	59822451A	LOCKS KIT	1		
19	59017821B	HOSE, DRAIN	1		
20	74140431A	CLAMP	1		
21	77150408B	SCREW TCEI M5X14	1		
22	77150457E	SCREW M5X25	3		
23	77156723B	SCREW	1		
24	89520072A	CAP SET, FUEL TANK	1		
25	59840541A	KEY WITH TRANSPONDER	1		
26	92610401A	GUARD	2		
27	92610051A	GUARD	2		
28	59018952A	HOSE, DRAIN	1		
29	81416361A	UNION	1		
30	74141711A	CLAMP 10-7 MM	2		
31	69926951A	GASKET KIT	1		
32	85211671B	WASHER 6,2x20x1,5	1		
33	85041951AA	QUICK FASTENING	2		
34	85044281A	QUICK FASTENING	1		
35	59018972A	HOSE, DRAIN	1		



VST02562



# DRAWING 033 - SEAT

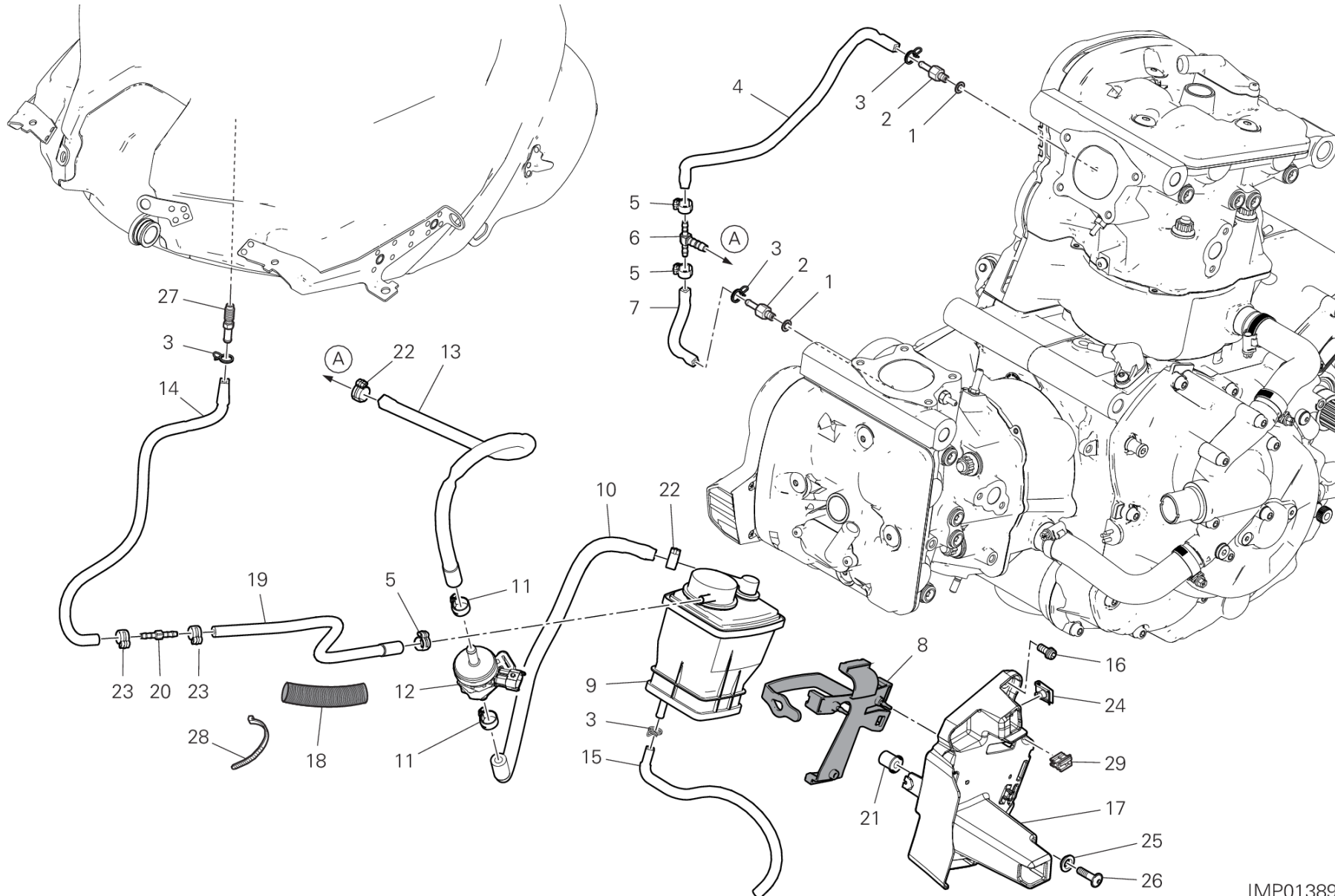
## GROUP FRAME



POS.	CODE	DESCRIPTION	QTY	VALIDITY	NOTES
1	595P3541A	SEAT	1		
	595P3561A	SEAT	1	XST:ROK	
2	86612531A	LEFT PAD	1		
3	86611001B	PAD	2		
4	86610301A	PAD	4		
5	86612221A	CUSHION, SEAT	2		
6	75012192A	NUT	1		
7	85044691A	QUICK FASTENING	8		
8	48216773AC	COVER FRAME LH RED	1		
9	4381D251A	ITA FLAG STICKER DUCATI LH	1		
10	48216783AC	COVER FRAME RH RED	1		
11	4381D261A	ITA FLAG STICKER DUCATI RH	1		
12	77214411AA	SCREW	8		
13	4601F111A	MUDFLAP BOTTOM	1		
14	83014401A	BRACKET, SEAT LOCK	1		
15	59820572A	SEAT LOCK	1		
16	59940081A	SEAT LOCK	1		
17	77240393C	SCREW TBEIF M6X10 10.9	4		
18	8301F321AB	BRACKET	1		
19	85240171A	WASHER	2		
20	86611701A	RUBBER PAD	4		
21	79916691A	SPRING	1		
22	86612521A	RIGHT PAD	1		



# DRAWING 035 - HOT AIR PIPE CANISTER GROUP FRAME



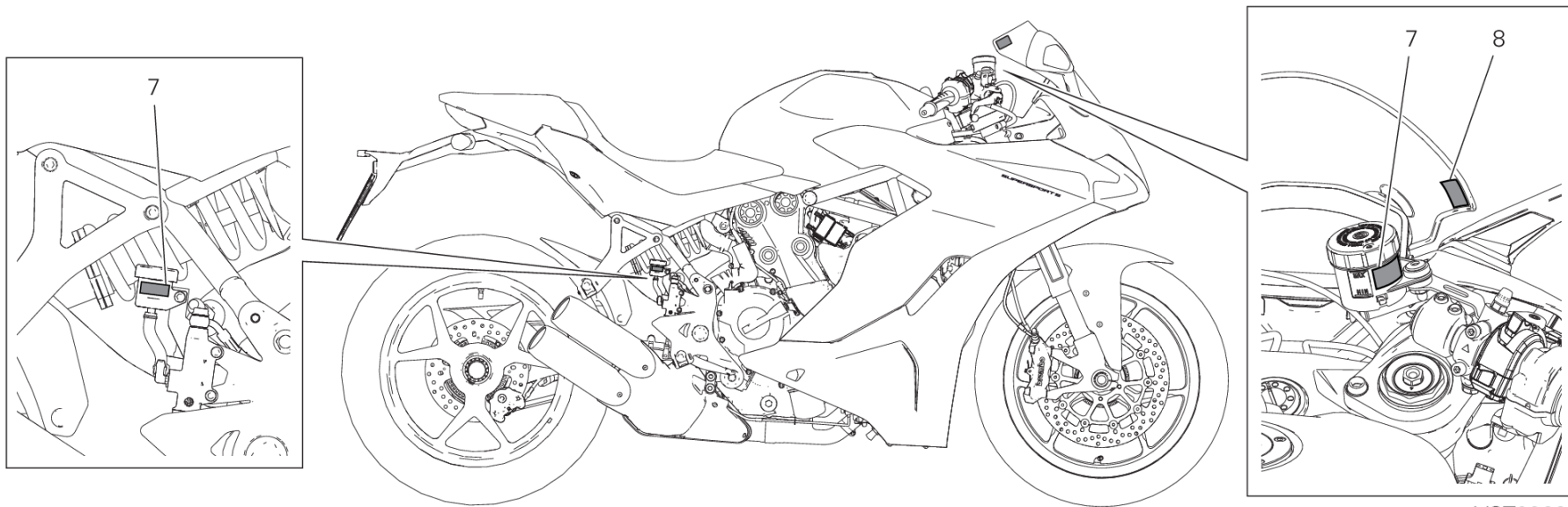
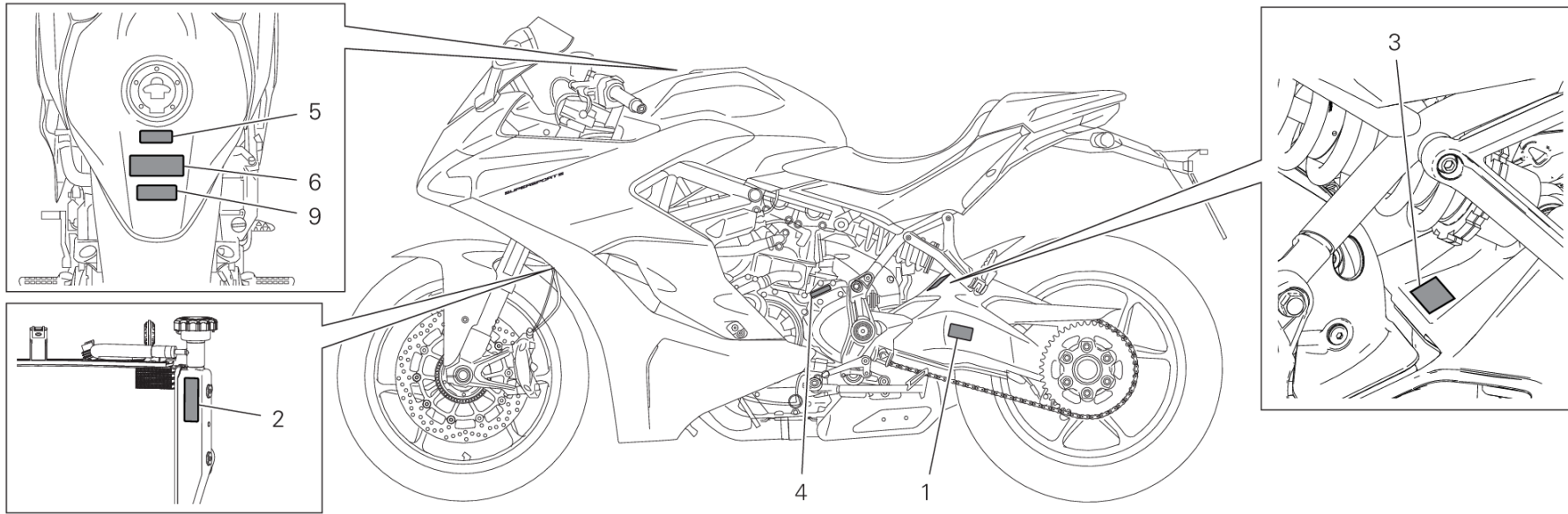
IMP01389

# DRAWING 035 - HOT AIR PIPE CANISTER

## GROUP FRAME



POS.	CODE	DESCRIPTION	QTY	VALIDITY	NOTES
1	85250231A	GASKET	2		
2	81411111C	NIPPLE, HOSE	2		
3	74140431A	CLAMP	4		
4	93510251C	PIPE	1		
5	74141711A	CLAMP 10-7 MM	3		
6	81441041A	THREE-WAYS UNION	1		
7	93510461A	HOSE	1		
8	70010751A	VIBRATION DAMPER	1		
9	42640041B	CANISTER FILTER	1		
10	93510441A	HOSE	1		
11	74140641A	CLAMP	2		
12	65540101A	VALVE, BREATHER	1		
13	93510341A	HOSE	1		
14	93510281C	PIPE	1		
15	87611561A	HOSE	1		
16	77156633B	SCREW	2		
17	8291N002A	BRACKET, CANISTER	1		
18	4601C581A	PROTECTION SHEATH	1		
19	93510411A	HOSE	1		
20	81416251A	UNION	1		
21	85041121A	BUSH	1		
22	74140631A	CLAMP	2		
23	74141001A	CLAMP 8.5/7	2		
24	85044691A	QUICK FASTENING	2		
25	71614811AA	SPACER	1		
26	77240453C	SCREW TBEIF M6X22 10.9	1		
27	81413251A	UNION	1		
28	74140381A	CLAMP	2		
29	75841051A	CLIP	1		



VST02234

## DRAWING 036 - POSITIONING PLATES [XST:JPN]

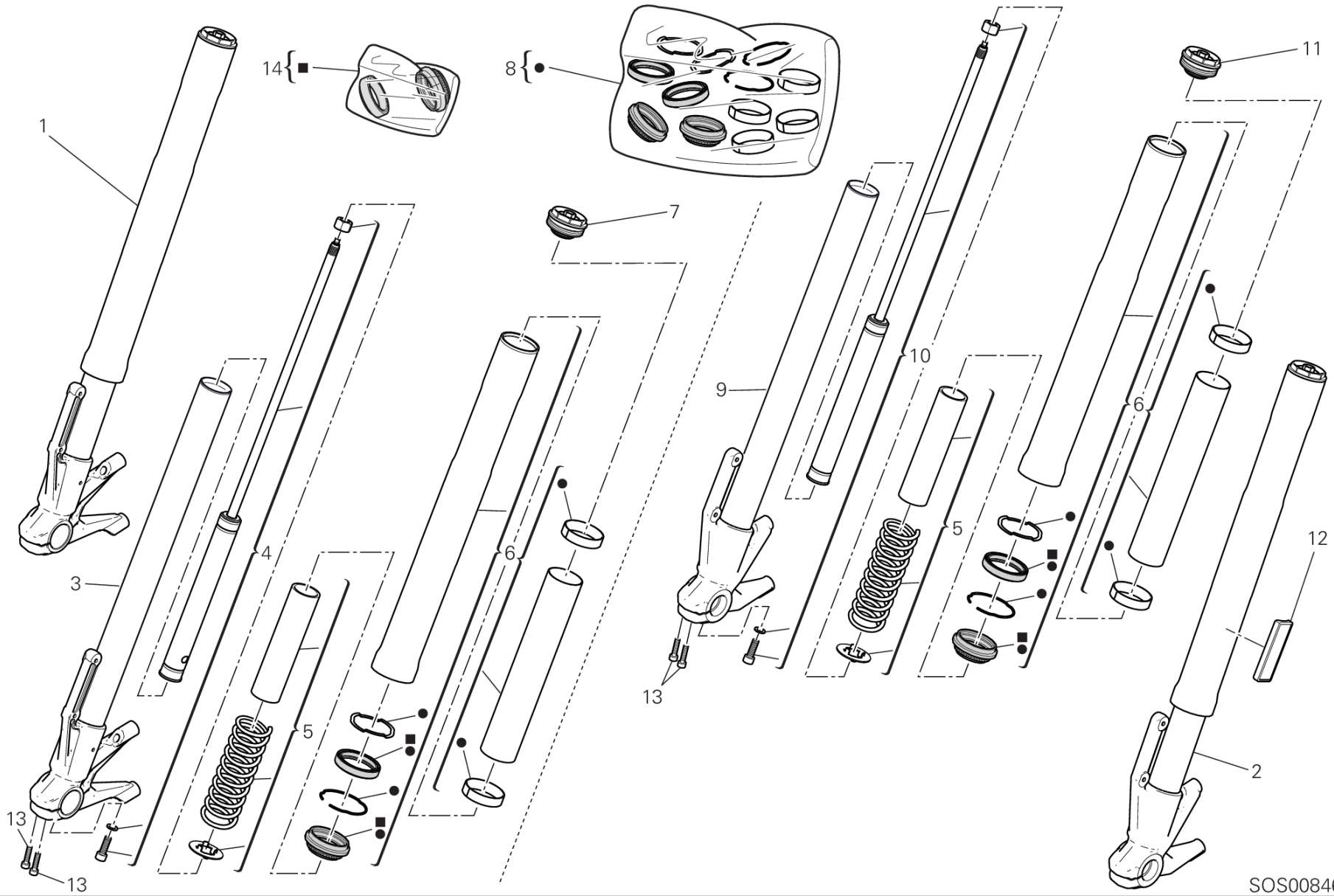
## GROUP FRAME



POS.	CODE	DESCRIPTION	QTY	VALIDITY	NOTES
1	43314571A	TIRE SIZE AND PRESSURE PLATE	1		
2	43312531A	WATER RADIATOR PLATE	1		
3	43312561A	REAR SHOCK ABSORBER PLATE	1		
4	43312551A	GEAR SEQUENCE PLATE	1		
5	43310051B	TANK "WARNING" PLATE	1		
6	43310051C	TARGHETTA IMPORTANTE SERBATOIO	1		
7	43910071A	CLUTCH-BRAKE MASTER CYLINDER PLATE	2		
8	43311651C	HEADLIGHT FAIRING CLEANING PLATE	1		
9	43217911Z	TANK "WARNING" PLATE	1		



# DRAWING 21A - FRONT FORK GROUP FRAME



SOS00846

# DRAWING 21A - FRONT FORK

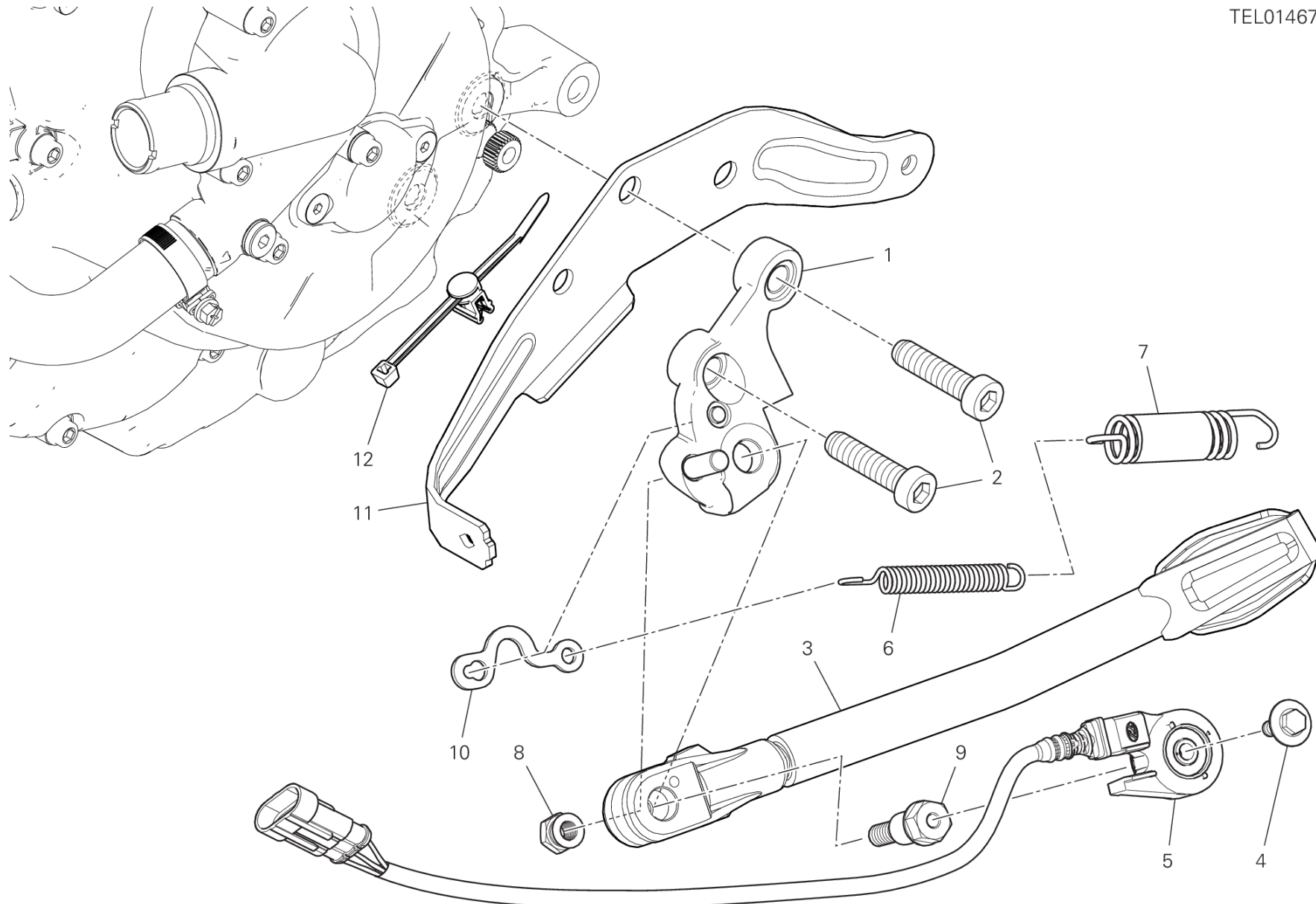
## GROUP FRAME



POS.	CODE	DESCRIPTION	QTY	VALIDITY	NOTES
1	34420871A	FORK LEG ASSY, RIGHT	1		
2	34520871A	FORK LEG ASSY, LEFT	1		
3	34922251A	FORK BOTTOM END + SLEEVE UNIT (R.H.)	1		
4	34922271A	COMPLETE PUMPING ELEMENT, RIGHT	1		
5	34922311A	SPRING KIT	2		
6	34922321A	STANCHION TUBE	2		
7	34922291A	SLEEVE PLUG	1		
8	34922341A	OVERHAUL KIT	1		
9	34922261A	FORK BOTTOM END + SLEEVE UNIT (L.H.)	1		
10	34922281A	COMPLETE PUMPING ELEMENT, LEFT	1		
11	34922301A	SLEEVE PLUG	1		
12	52910141B	REFLECTOR, ADHESIVE AMBER	2		
13	77310021A	SCREW TCEIR M6X25	4		
14	34913511A	SEAL KIT	1		



TEL01467



# DRAWING 22A - SIDE STAND

## GROUP FRAME



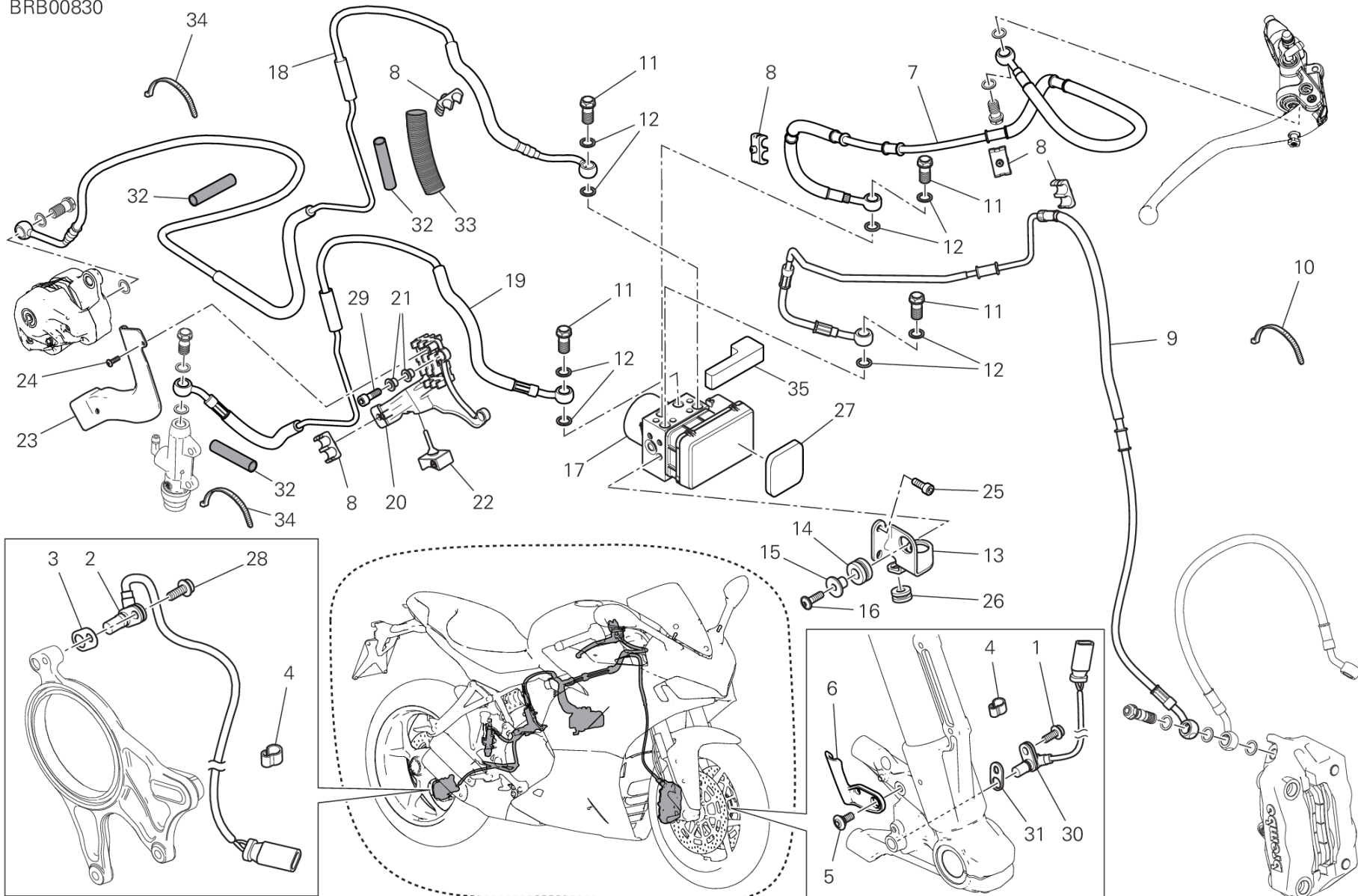
POS.	CODE	DESCRIPTION	QTY	VALIDITY	NOTES
1	55610791C	BRACKET, SIDE STAND	1		
2	77355203C	SCREW	2		
3	55610992BA	SIDE STAND	1		
4	77917241AA	SCREW	1		
5	53910341A	SWITCH ASSY, SIDE STAND	1		
6	79915571AA	INNER SPRING	1		
7	79920881C	COMPLETE SPRING	1		
8	75010481A	NUT	1		
9	82119311AC	AXLE, SIDE STAND	1		
10	82718981AA	PLATE	1		
11	8301L151AA	LEFT BRACKET	1		
12	75840771A	FAIRLEAD	1		



# DRAWING 24A - ANTILOCK BRAKING SYSTEM (ABS)

GROUP FRAME

BRB00830



# DRAWING 24A - ANTILOCK BRAKING SYSTEM (ABS)

## GROUP FRAME



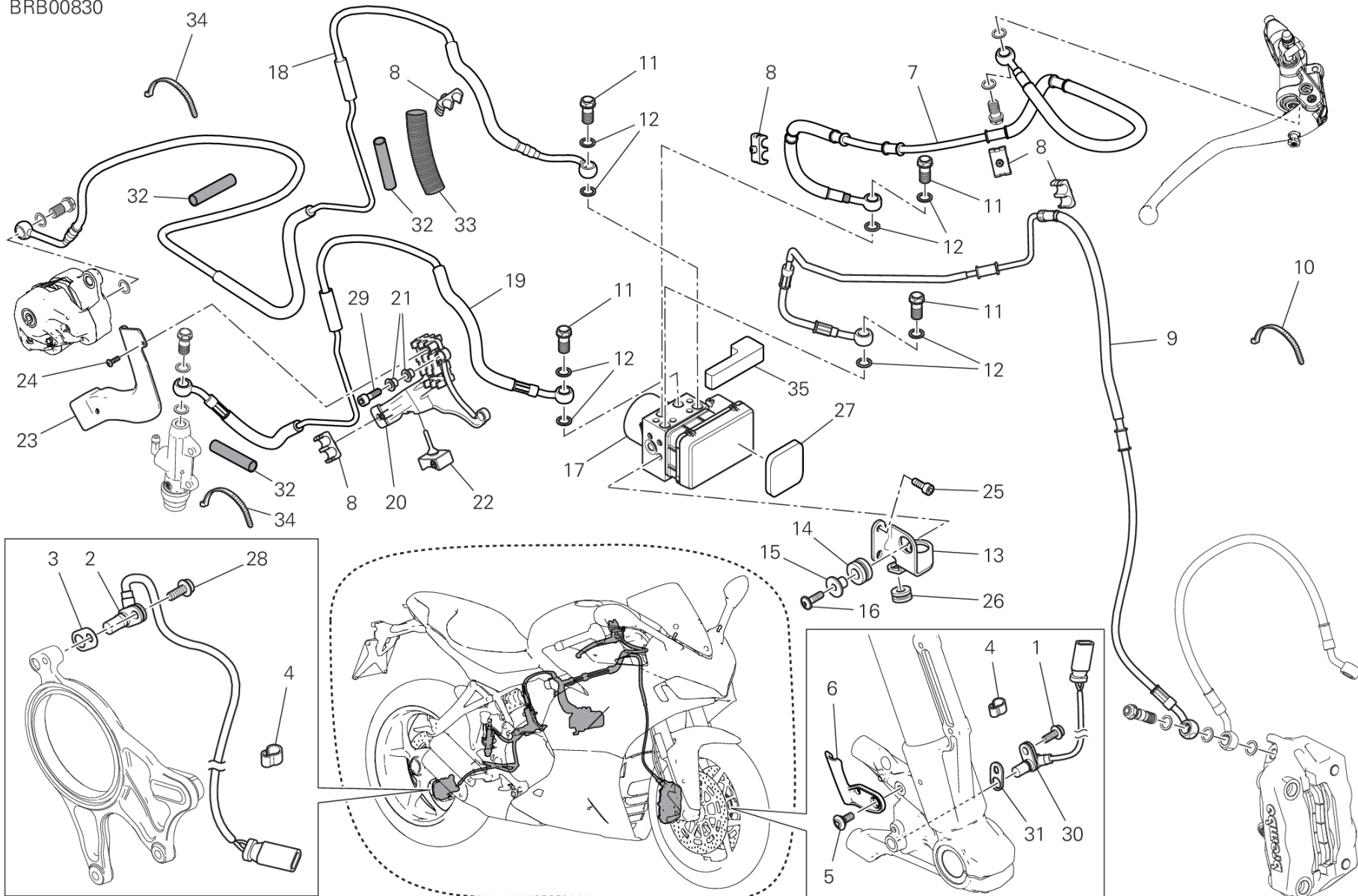
POS.	CODE	DESCRIPTION	QTY	VALIDITY	NOTES
1	77110401B	SCREW	1		
2	55212111B	SENSOR, SPEED	1		
3	7131C641A	GASKET 0.2 MM	1		
	7131C651A	GASKET 0.5 MM	1		
4	75840601A	FAIRLEAD	10		
5	77211221A	SCREW	2		
6	75810911A	FAIRLEAD	1		
7	61810961C	FRONT MASTER CYLINDER - CPU LINE	1		
8	86611121A	RUBBER PAD	5		
9	61811021C	CPU - FRONT CALIPERS LINE	1		
10	74140381A	CLAMP	14		
11	77913662AB	SCREW, SPECIAL	4		
12	85250241A	WASHER 10X14X1	8		
13	83018181AA	BRACKET	1		
14	76410641A	VIBRATION DAMPER PAD	2		
15	71610031A	SPACER	2		
16	77240443C	SCREW	2		
17	54241012A	CONTROL UNIT ABS	1		
18	61911701A	CPU-REAR CALIPER LINE	1		
19	61911741A	REAR MASTER CYLINDER-CPU LINE	1		
20	83018341B	BRACKET, BRAKE HOSE	1		
21	71614581AA	SPACER	4		
22	76411711A	RUBBER PAD	1		
23	8291G381A	COVER	1		
24	77440111A	SCREW	2		
25	77150658B	SCREW TCEI M6X16	2		
26	76411141A	VIBRATION DAMPER PAD	1		
27	86611861A	PAD	1		
28	77210601A	SCREW TEF M6X16	1		
29	77156713B	SCREW	2		
30	55212121B	SENSOR, SPEED	1		
31	71314901A	GASKET TH.02	3		
	71319201A	GASKET 0.5 MM	4		
32	4601F481A	PROTECTION, HEAT	3		
33	4601I851A	PROTECTION SHEATH	1		



# DRAWING 24A - ANTILOCK BRAKING SYSTEM (ABS)

GROUP FRAME

BRB00830



# DRAWING 24A - ANTILOCK BRAKING SYSTEM (ABS)

## GROUP FRAME

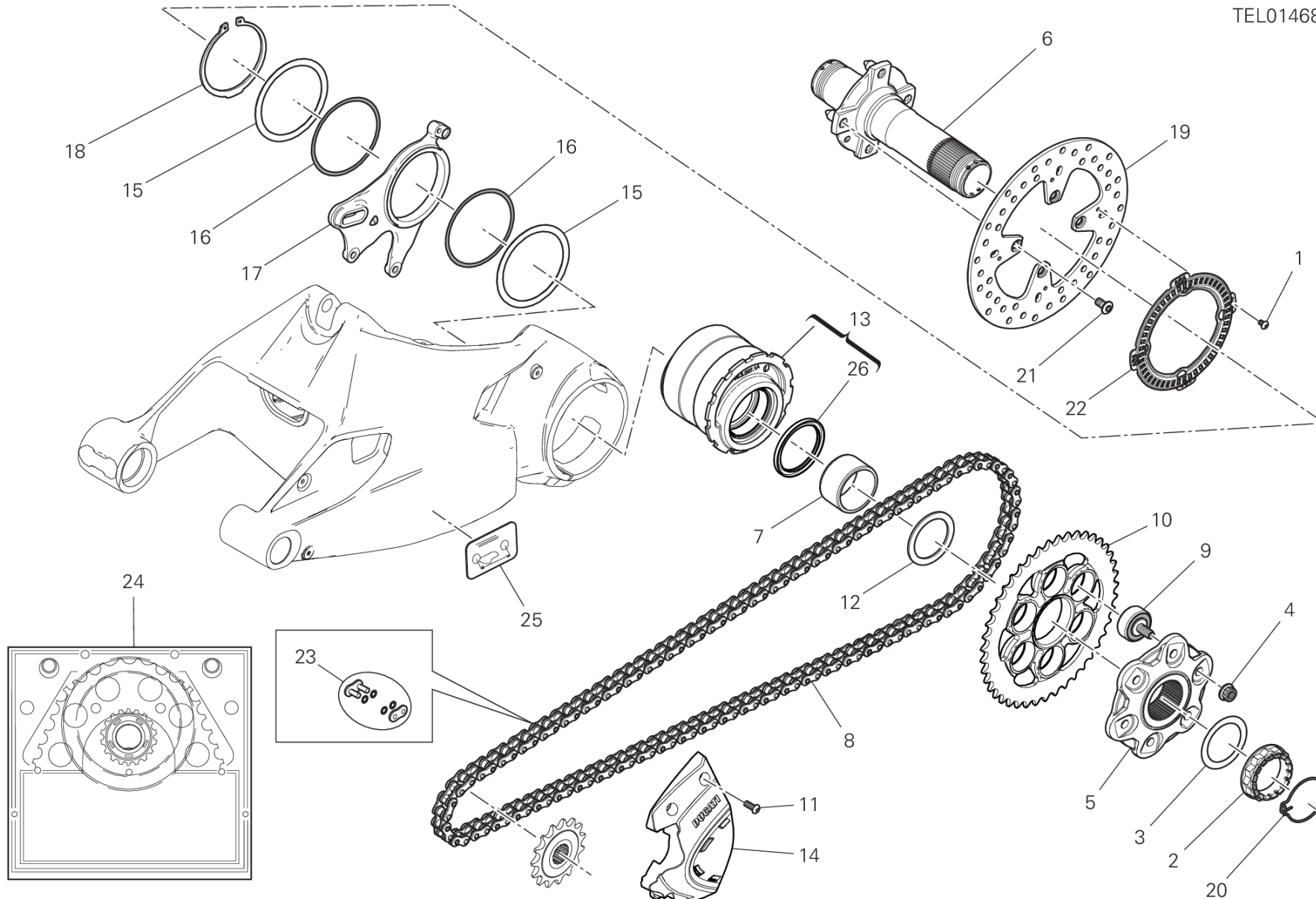


POS.	CODE	DESCRIPTION	QTY	VALIDITY	NOTES
34	74142941A	CLAMP	2		
35	86613402A	ADHESIVE PAD	1		



# DRAWING 26A - REAR WHEEL SPINDLE GROUP FRAME

TEL01468



# DRAWING 26A - REAR WHEEL SPINDLE

## GROUP FRAME

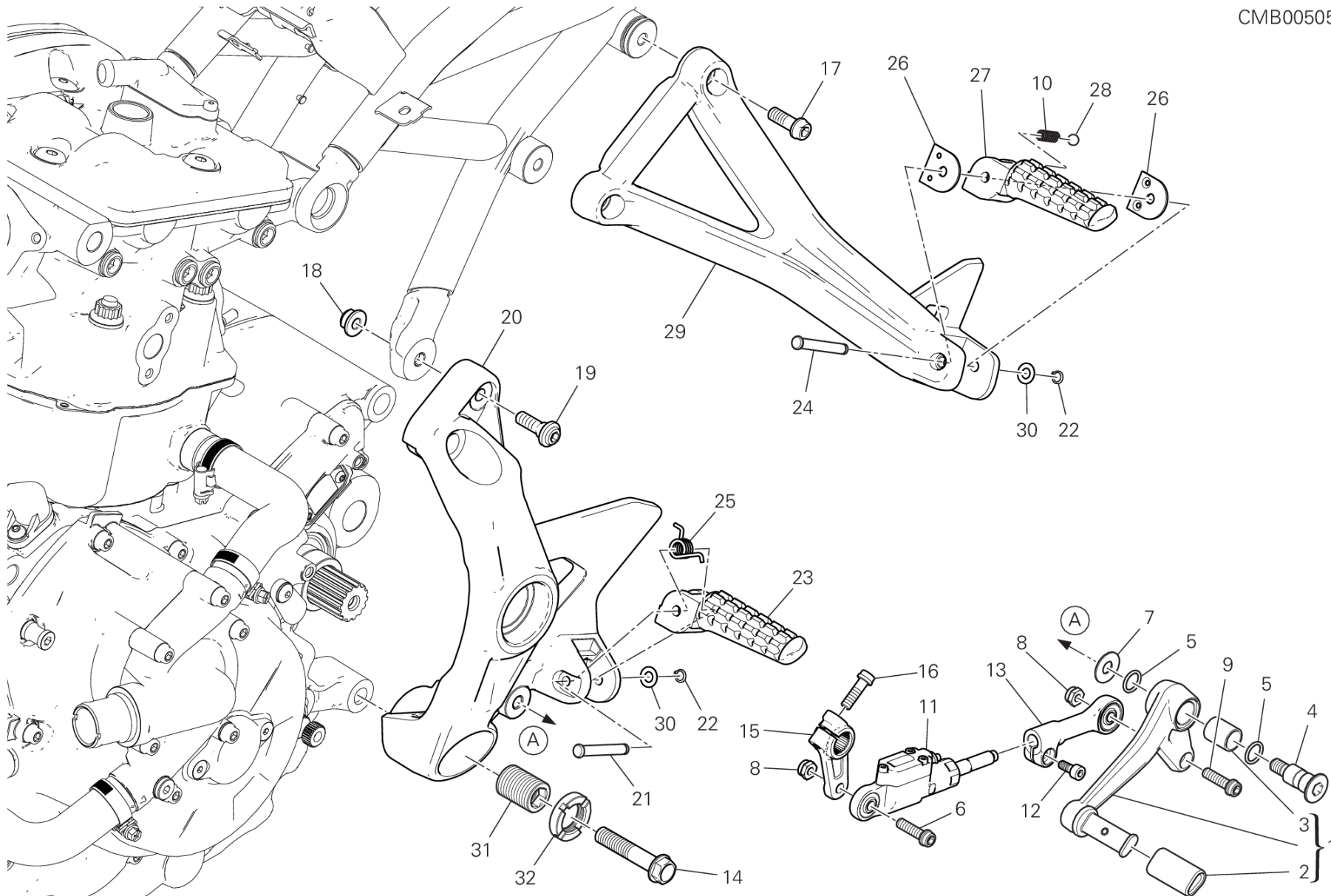


POS.	CODE	DESCRIPTION	QTY	VALIDITY	NOTES
1	72050159EA	SCREW	4		
2	75012072AA	NUT	1		
3	85212211A	WASHER 48.5X65X0.5	1		
4	74810461A	NUT, FLANGE M10X1	6		
5	16016841AA	REAR SPROCKET FLANGE	1		
6	81920021B	REAR WHEEL SPINDLE	1		
7	88110541A	INNER SPACER	1		
8	67640962A	CHAIN 105+1	1		
9	70010571A	RUBBER CUSH DRIVE HUB	6		
10	49411852AA	REAR SPROCKET T43	1		
11	77550213C	SCREW TBEI M6X16	3		
12	71410751A	SPACER	1		
13	75620131A	HUB	1		
14	4601E561A	CHAIN PINION COVER	1		
15	85212171A	WASHER 85.5X101X1	2		
16	88641241A	O-RING 89.5X3	2		
17	82510591AA	BRACKET, REAR CALIPER	1		
18	88440511A	CIRCLIP 85X3	1		
19	49210061A	REAR BRAKE DISC	1		
20	75910222A	CLIP	1		
21	77918261AA	SCREW	4		
22	50410351AA	REAR PHONIC WHEEL	1		
23	67740201A	CHAIN LINK	1		
24	67621051A	FINAL DRIVE KIT	1		
25	43314541A	CHAIN ADJUSTMENT STICKER	1		
	43314541B	CHAIN ADJUSTMENT STICKER	1	XST:JPN	
26	93010102A	DUST COVER	1		



# DRAWING 27A - FOOTRESTS, LEFT GROUP FRAME

CMB00505



# DRAWING 27A - FOOTRESTS, LEFT

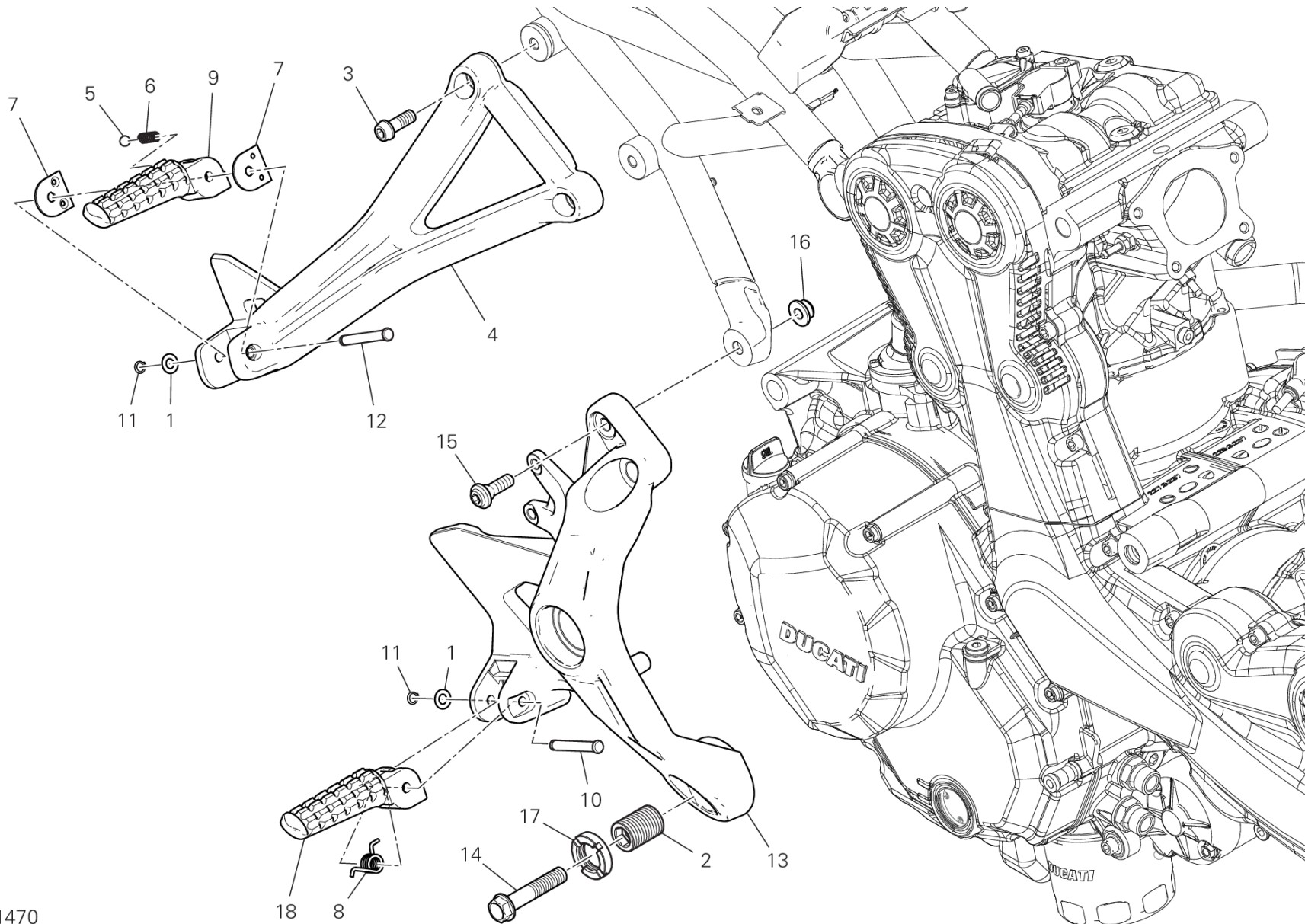
## GROUP FRAME



POS.	CODE	DESCRIPTION	QTY	VALIDITY	NOTES
1	45622352AA	GEARCHANGE LEVER	1		
2	76414221A	COVER PEDAL	1		
3	71210341A	BUSH	1		
4	82111701CA	PIN PEDAL	1		
5	88641161A	O-RING	2		
6	77156688B	SCREW TCEIF	1		
7	85210532A	WASHER 8.2X20X1	1		
8	74940041A	NUT, SELF-LOCKING M6	2		
9	77156698B	SCREW TCEIF M6X25	1		
10	79910241B	SPRING	1		
11	55215481D	Quick Shift	1		
12	77150398B	SCREW	1		
13	84820401AA	GEARBOX TRANSMISSION ROD ASSEMBLY	1		
14	77253988C	SCREW	1		
15	45610461AA	GEAR CONTROL LEVER	1		
16	77110191A	SCREW TCEIF M6X20	2		
17	77157248CA	SCREW	2		
18	74940321A	NUT	1		
19	77214401AA	SCREW, SPECIAL	1		
20	82413273BA	FRONT L.H. PLATE	1		
21	82115721AA	FOOTREST PIN	1		
22	88450441A	CIRCLIP	2		
23	46410461A	FOOTREST, FRONT LH	1		
24	82115101AA	FOOTREST PIN	1		
25	79914991A	SPRING. FOOTREST	1		
26	82711611B	PLATE	2		
27	46510611A	REAR LEFT FOOT-REST	1		
28	84740021A	BALL	1		
29	82413251AB	REAR L.H. PLATE	1		
30	85213661AA	WASHER	2		
31	77916411A	THREADED DOWEL	1		
32	70310512AA	RING NUT	1		



# DRAWING 27B - FOOTRESTS, RIGHT GROUP FRAME



TEL01470

SUPERSPORT 950 /23

025000023

Page 174 / 200

SPARE PARTS CATALOGUE

20/01/2023

# DRAWING 27B - FOOTRESTS, RIGHT

## GROUP FRAME

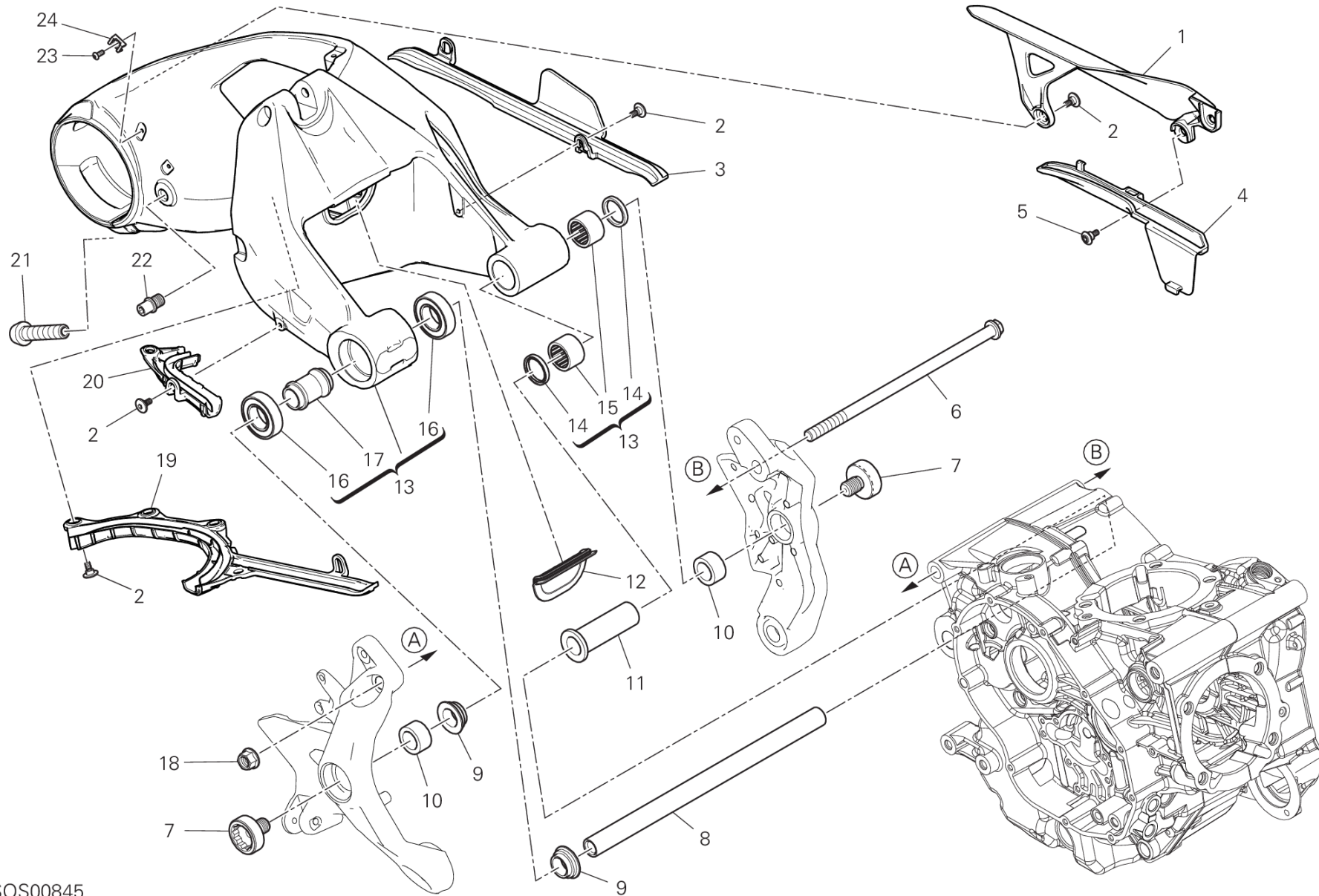


POS.	CODE	DESCRIPTION	QTY	VALIDITY	NOTES
1	85213661AA	WASHER	2		
2	77916411A	THREADED DOWEL	1		
3	77157248C	SCREW TCEIF M8X22	2		
4	82413241AB	REAR R.H. PLATE	1		
5	84740021A	BALL	1		
6	79910241B	SPRING	1		
7	82711611B	PLATE	2		
8	79914991A	SPRING. FOOTREST	1		
9	46510601A	REAR RIGHT FOOTREST	1		
10	82115721AA	FOOTREST PIN	1		
11	88450441A	CIRCLIP	2		
12	82115101AA	FOOTREST PIN	1		
13	82413263BA	FRONT R.H. PLATE	1		
14	77253988C	SCREW	1		
15	77214401AA	SCREW, SPECIAL	1		
16	74940321A	NUT	1		
17	70310512AA	RING NUT	1		
18	46410451A	FOOTREST, FRONT RH	1		



# DRAWING 28A - REAR SWINGING ARM [XST:EUR,JPN,GSO,ROK,TWN]

GROUP FRAME



SOS00845

## DRAWING 28A - REAR SWINGING ARM [XST:EUR,JPN,GSO,ROK,TWN]

## GROUP FRAME

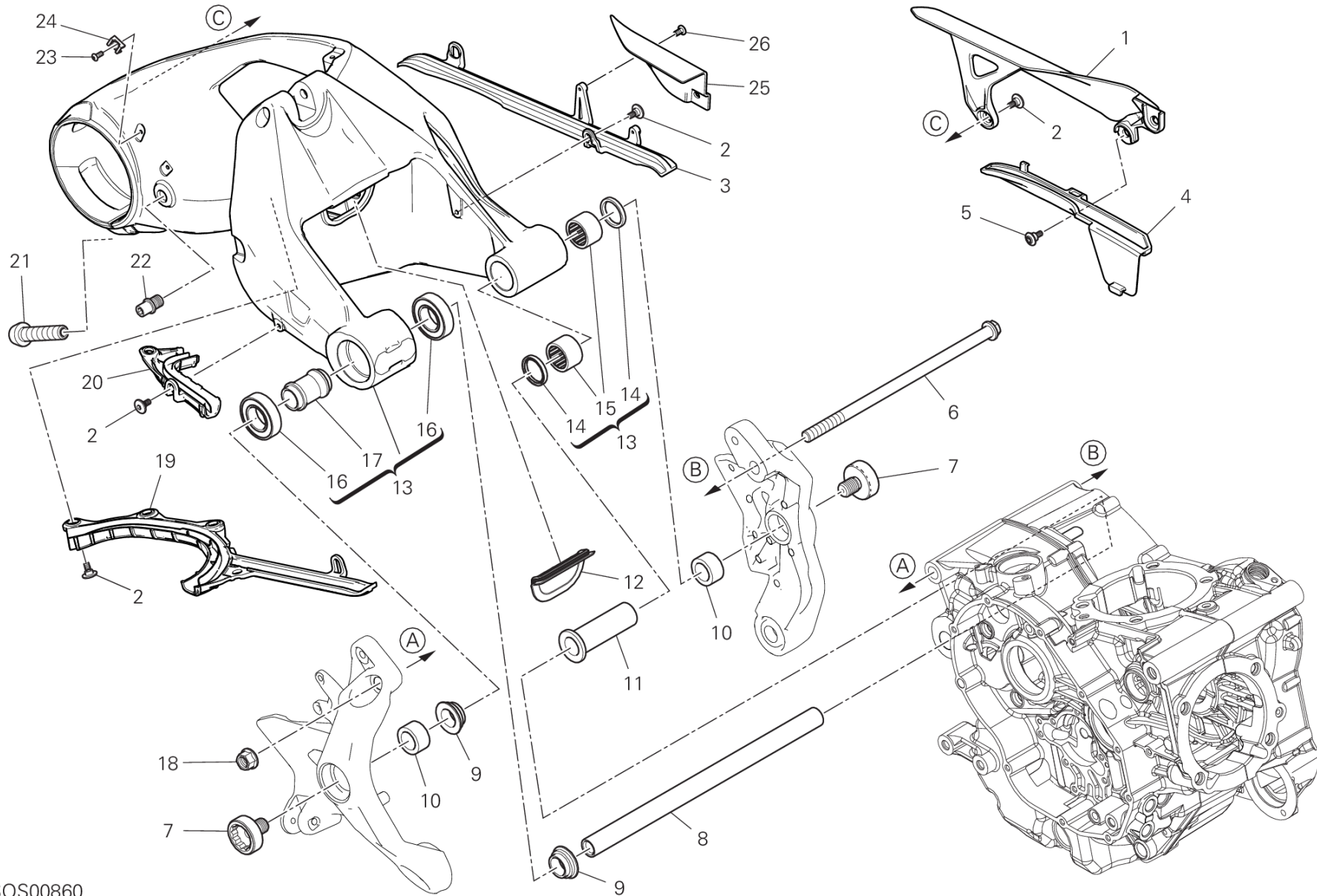


POS.	CODE	DESCRIPTION	QTY	VALIDITY	NOTES
1	44610351A	CHAIN GUARD	1		
2	77914871C	SCREW	9		
3	44711651B	LOWER CHAIN SLIDING SHOE	1		
4	44711661A	UPPER CHAIN SLIDING SHOE	1		
5	77210842A	SCREW TCEI M5X8.5	2		
6	77918431AA	SCREW, SPECIAL	1		
7	77918421AB	SCREW, SPECIAL	2		
8	36911341AA	AXLE, REAR SWING ARM	1		
9	71210301A	RIGHT SPACER	2		
10	71210491AA	SPACER	2		
11	71011891A	BUSHING	1		
12	87210751A	CAP, SWINGARM COVER	1		
13	37021961CB	COMPLETE SWINGARM	1		
14	93050121A	SEAL RING	2		
15	70140171A	BEARING, NEEDLE	2		
16	70250451A	BEARING	2		
17	7131A211AA	INNER SPACER	1		
18	74841011AA	NUT, FLANGE	1		
19	44711671B	CHAIN SLIDER	1		
20	8301E361A	GUIDE, HOSE	1		
21	77918251AA	SCREW, SPECIAL	1		
22	83210031E	PIN	1		
23	77550221A	SCREW TBEI M4X10	2		
24	85041711A	HOSE GUIDE	2		



# DRAWING 28A - REAR SWINGING ARM [XST:AUS]

GROUP FRAME



SOS00860

# DRAWING 28A - REAR SWINGING ARM [XST:AUS]

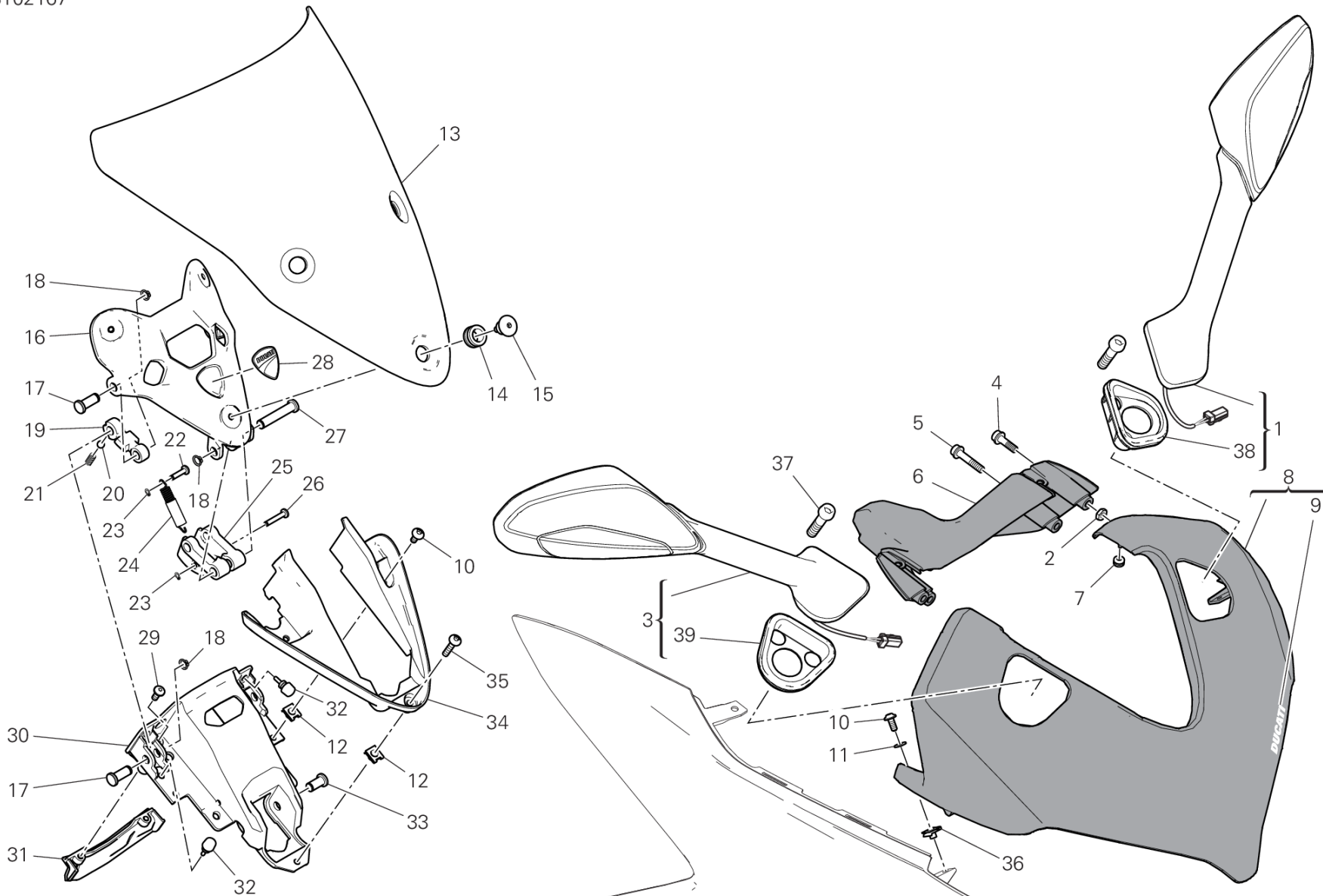
## GROUP FRAME



POS.	CODE	DESCRIPTION	QTY	VALIDITY	NOTES
1	44610351A	CHAIN GUARD	1		
2	77914871C	SCREW	9		
3	44711681B	LOWER CHAIN SLIDING SHOE	1		
4	44711661A	UPPER CHAIN SLIDING SHOE	1		
5	77210842A	SCREW TCEI M5X8.5	2		
6	77918431AA	SCREW, SPECIAL	1		
7	77918421AB	SCREW, SPECIAL	2		
8	36911341AA	AXLE, REAR SWING ARM	1		
9	71210301A	RIGHT SPACER	2		
10	71210491AA	SPACER	2		
11	71011891A	BUSHING	1		
12	87210751A	CAP, SWINGARM COVER	1		
13	37021961CB	COMPLETE SWINGARM	1		
14	93050121A	SEAL RING	2		
15	70140171A	BEARING, NEEDLE	2		
16	70250451A	BEARING	2		
17	7131A211AA	INNER SPACER	1		
18	74841011AA	NUT, FLANGE	1		
19	44711671B	CHAIN SLIDER	1		
20	8301E361A	GUIDE, HOSE	1		
21	77918251AA	SCREW, SPECIAL	1		
22	83210031E	PIN	1		
23	77550221A	SCREW TBEI M4X10	2		
24	85041711A	HOSE GUIDE	2		
25	44711691A	GUARD	1		
26	77440391A	SCREW	2		



VST02167



# DRAWING 34A - COWLING

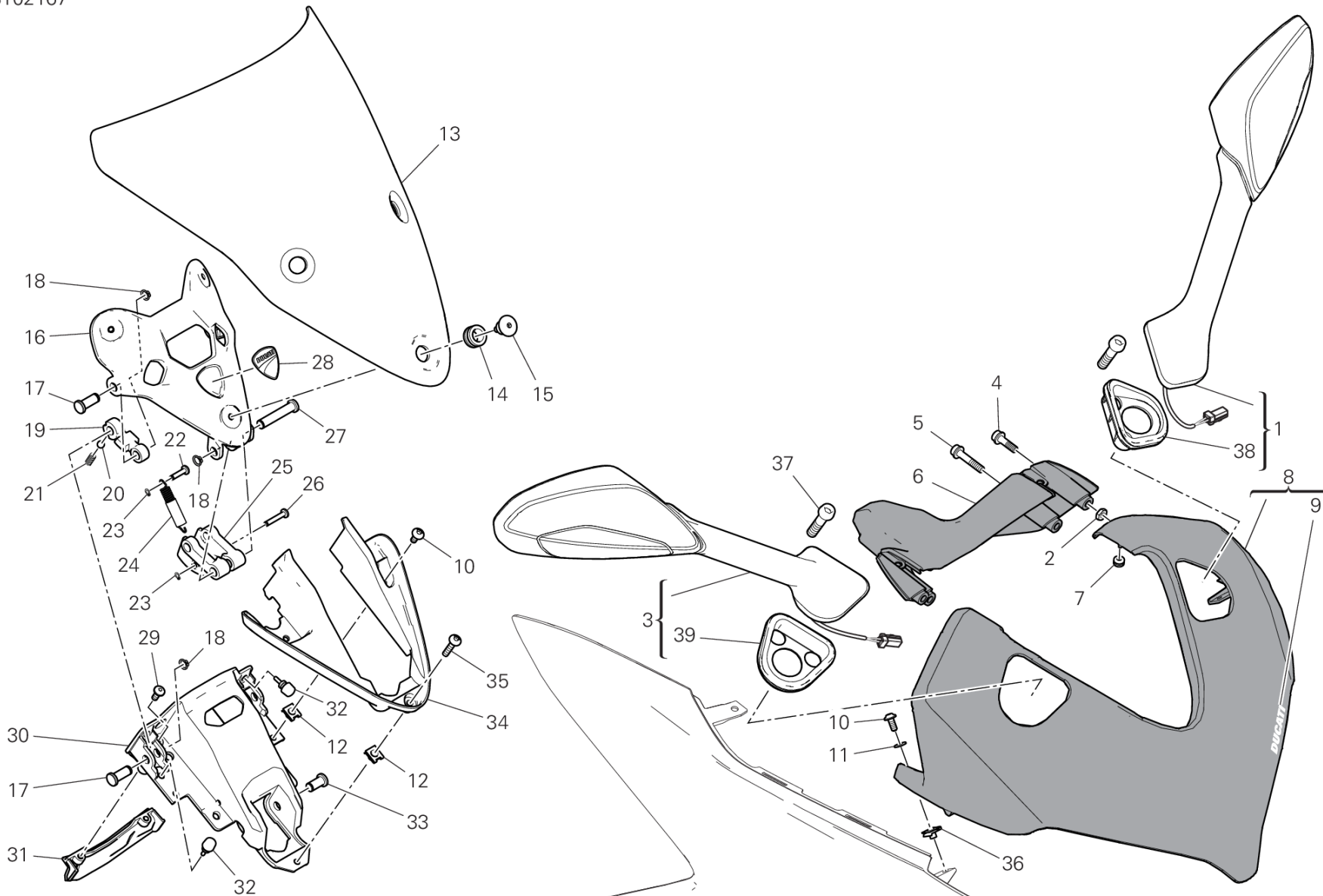
## GROUP FRAME



POS.	CODE	DESCRIPTION	QTY	VALIDITY	NOTES
1	523S0703A	REAR-VIEW MIRROR L.H.	1		
2	74750051B	NUT	2		
3	523S0713A	REAR-VIEW MIRROR R.H.	1		
4	77140673C	SCREW	2		
5	77140713C	SCREW TCEIF M6X30 10.9	2		
6	48018771AB	PROTECTION CENTRE	1		
7	76440561A	RUBBER PAD	2		
8	48114301AA	COWLING RED	1		
9	43818111AW	EMBLEM DUCATI	1		
10	77244173B	SCREW	6		
11	85611401A	WASHER	4		
12	85040471A	QUICK FASTENING M5	3		
13	48710972A	WINDSHIELD	1		
14	75840621A	RUBBER PAD	3		
15	77918092AA	SCREW, SPECIAL	3		
16	8291G121B	STAY, WINDSHIELD	1		
17	82118291AA	PIN	4		
18	88450851A	SPRING RING	7		
19	8291G131A	LEVER	2		
20	84740021A	BALL	2		
21	79910241B	SPRING	2		
22	82118321BA	PIN	1		
23	88450881A	SPRING RING	2		
24	79925643AB	SPRING	1		
25	8291G141A	LEVER	1		
26	82118331AA	PIN	1		
27	82118311AA	BOLT, PIVOT	1		
28	43815511A	EMBLEM DUCATI	1		
29	77440171A	SCREW	2		
30	8291G161B	STAY, WINDSHIELD	1		
31	48018741A	PANEL	1		
32	86610581A	VIBRATION DAMPER PAD	4		
33	82118301AA	PIN	2		
34	8291G152A	GUARD	1		
35	77244203B	SCREW	1		



VST02167



# DRAWING 34A - COWLING

## GROUP FRAME



POS.	CODE	DESCRIPTION	QTY	VALIDITY	NOTES
36	85041951AA	QUICK FASTENING	4		
37	77156683B	SCREW	4		
38	78811941A	GASKET, MIRROR LH	1		
39	78811951A	GASKET, MIRROR RH	1		



# DRAWING 34B - RH FAIRING

## GROUP FRAME

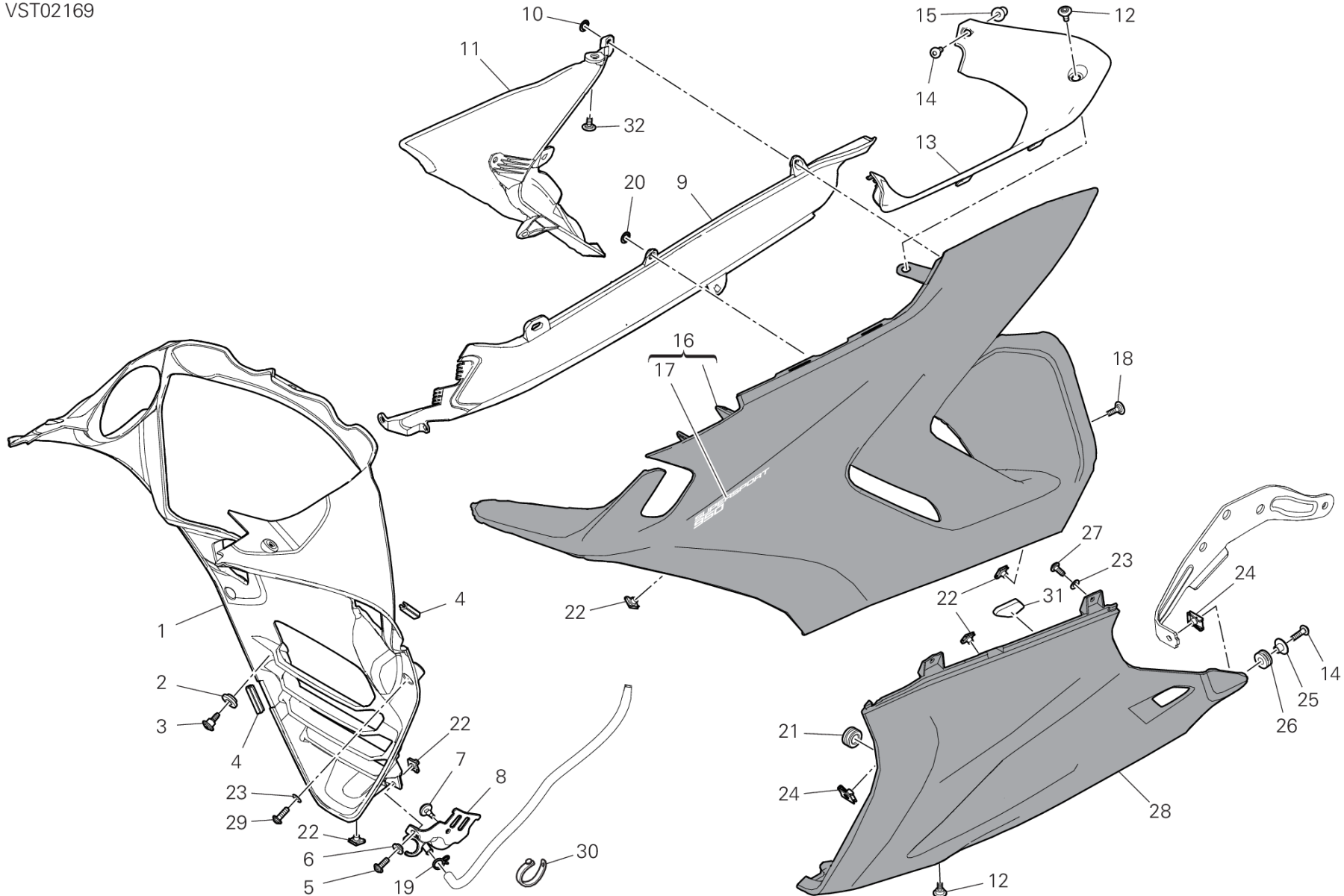


POS.	CODE	DESCRIPTION	QTY	VALIDITY	NOTES
1	564P6483AA	FRONT FENDER RED	1		
2	4601L151A	GUARD	1		
3	71615381AA	SPACER	4		
4	77244403BA	SCREW	4		
5	77440101A	SCREW, TAPPING 3.5X10	1		
6	77211251A	SCREW	4		
7	86640101A	PAD	2		
8	76412441A	VIBRATION DAMPER PAD	4		
9	48412621A	RIGHT DUCT	1		
10	85040521A	CLIP	1		
11	4801C041A	AIR DEFLECTOR, RH	1		
12	77214411AA	SCREW	2		
13	48018752A	COVER, RADIATOR, RH	1		
14	77244203B	SCREW	2		
15	85040821A	THREADED INSERT	1		
16	4801C061BA	UPPER HALF-FAIRING R.H. RED	1		
17	4381E351A	RIGHT STICKER	1		
18	77214371BA	SCREW	2		
19	48412641A	AIR DEFLECTOR, RH	1		
20	71611071B	SPACER	1		
21	85250311AB	WASHER	2		
22	77156433B	SCREW TCEIF M5X20 8.8	2		
23	71616071AA	SPACER	1		
24	85044691A	QUICK FASTENING	3		
25	71614251A	SPACER	1		
26	76410841B	RUBBER PAD	1		
27	77211091C	SCREW	3		
28	85611401A	WASHER	3		
29	85041951AA	QUICK FASTENING	4		
30	76410901A	RUBBER PAD	1		
31	43713361A	L.H. DECAL (DUCATI SAFETY PACK)	1		
32	43713351A	R.H. DECAL (DUCATI SAFETY PACK)	1		
33	85044681A	ROUND QUICK LOCK	8		
34	4801C071AA	LOWER HALF-FAIRING R.H.	1		



# DRAWING 34C - LH FAIRING GROUP FRAME

VST02169



# DRAWING 34C - LH FAIRING

## GROUP FRAME



POS.	CODE	DESCRIPTION	QTY	VALIDITY	NOTES
1	48411432C	RADIATOR PROTECTION	1		
2	76411511A	RUBBER PAD	2		
3	77210841C	SCREW	2		
4	76411541A	RUBBER PAD	4		
5	77244183B	SCREW	1		
6	71611441A	SPACER	1		
7	86610751A	PAD	1		
8	8291M991A	HOLDER	1		
9	48412631A	LEFT DUCT	1		
10	85040521A	CLIP	1		
11	4801C051A	AIR DEFLECTOR, LH	1		
12	77214411AA	SCREW	3		
13	48018762A	COVER, RADIATOR, LH	1		
14	77244203B	SCREW	2		
15	85040821A	THREADED INSERT	1		
16	4801C081BA	UPPER HALF-FAIRING L.H. RED	1		
17	4381E361A	LEFT STICKER	1		
18	77214371BA	SCREW	2		
19	74140431A	CLAMP	1		
20	85044681A	ROUND QUICK LOCK	8		
21	76410901A	RUBBER PAD	1		
22	85041951AA	QUICK FASTENING	4		
23	85611401A	WASHER	7		
24	85044691A	QUICK FASTENING	2		
25	71614251A	SPACER	1		
26	76410841B	RUBBER PAD	1		
27	77211091C	SCREW	3		
28	4801C091AA	LEFT LOWER HALF-FAIRING	1		
29	77244198B	SCREW	2		
30	74110551A	CLAMP, RUBBER 39MM	1		
31	86612361A	PAD	1		
32	77211251A	SCREW	1		



CODE	NO. TABLE	POS.	CODE	NO. TABLE	POS.	CODE	NO. TABLE	POS.	CODE	NO. TABLE	POS.
027291090	002	22	14824232A	013	11	19410511A	004	4	28643541A	18A	14
040009050	002	21	14824242A	013	14	19510411D	023	21	30124141FI	015	22
040029126	002	17	14824252A	013	18	19540081B	023	3	30124151FI	014	22
066549680	005	2	14911101A	003	2	19610542C	004	11	30310631BB	014	7
069191030	18B	12	14911191A	003	25	19610681A	004	12	30310631BB	015	7
11210121AA	006	8	15021961B	003	26	19820441A	004	14	30310631BC	014	7
11210121AA	006	8	15021971A	003	16	20810321A	014	3	30310631BC	015	7
11210121AB	006	8	15310072B	021	2	20810321A	015	3	30310631BD	014	7
11210121AB	006	8	15620671CA	006	5	20910491A	014	16	30310631BD	015	7
11210121AC	006	8	15620671CB	006	5	20910491A	015	16	30411001AB	014	13
11210121AC	006	8	15620671CC	006	5	20910501A	014	4	30411001AB	015	13
11210121AD	006	8	15622261BA	006	5	20910501A	015	4	30411001AC	014	13
11210121AD	006	8	15622261BB	006	5	21010991A	014	14	30411001AC	015	13
11210121AE	006	8	15622261BC	006	5	21010991A	015	14	30411011BB	014	10
11210121AE	006	8	15622261BE	006	5	21110991A	014	5	30411011BB	015	10
11210791A0	10A	10	16010941A	013	10	21110991A	015	5	30411011BC	014	10
11210791AA	10A	10	16016371A	012	13	22032083A	010	5	30411011BC	015	10
11210791AB	10A	10	16016841AA	26A	5	225P0161B	010	1	34111451AA	021	11
11210791AC	10A	10	16024411A	032	1	24221494CS	011	13	34111461AA	021	11
11210791AD	10A	10	17011721A	004	17	24310501AS	005	1	34220951AB	021	21
11210791AE	10A	10	17122421A	012	12	24511351A	008	1	34220991AB	021	21
11721751A	004	16	17210021B	003	10	24511431A	008	2	34420871A	21A	1
11723531AA	025	15	17210081C	003	22	24521071A	008	21	34520871A	21A	2
120P3121AI	007	5	17210103C	003	20	24612162A	029	16	34913511A	21A	14
120P3131AI	007	10	17210113C	003	23	24713571AE	011	23	34922251A	21A	3
12110781B	007	3	17212182A	003	18	24714171A	013	24	34922261A	21A	9
12110791A	007	2	17212192A	003	24	24714612A	010	7	34922271A	21A	4
12120822A	007	4	17214621A	003	21	24714891A	013	25	34922281A	21A	10
12222262G	007	1	17214951B	003	8	24716791AH	013	5	34922291A	21A	7
12222262GA	007	1	17214961B	003	5	24716801AH	013	6	34922301A	21A	11
12222262GB	007	1	17214971B	003	9	24725241BF	011	12	34922311A	21A	5
12222262GC	007	1	173Z0021A	012	14	25120131A	011	29	34922321A	21A	6
13510471A	017	20	17410621B	009	1	25440013A	005	3	34922341A	21A	8
14010763C	017	1	17420591A	010	4	25510104B	008	18	36015502AA	021	18
14622162CA	006	1	176Z0021A	012	10	25510193A	013	7	36015512AA	021	17
14622162CA	006	1	18020511A	002	6	26420461B	011	1	36015571AA	021	18
14622162CB	006	1	180Z0031A	002	11	27040107A	012	1	36015581AA	021	17
14622162CB	006	1	180Z0041A	002	12	27610441B	012	16	36140161A	021	6
14622162CC	006	1	18210781A	002	8	28040411A	017	24	36521543A	028	4
14622162CE	006	1	18220772A	002	9	28240932A	017	26	36911341AA	28A	8
14622167AC	006	1	18410051A	025	14	28643091A	18A	14	36911341AA	28A	8
14710811A	008	3	18710021A	023	2	28643531A	18A	14	37021961CB	28A	13
14710951B	010	3	18710021A	024	2	28643531C	18A	14	37021961CB	28A	13
14824222A	013	15	19020531A	004	9	28643531H	18A	14	38010221A	013	27



CODE	NO. TABLE	POS.	CODE	NO. TABLE	POS.	CODE	NO. TABLE	POS.	CODE	NO. TABLE	POS.
38511363B	027	11	44610351A	28A	1	46410451A	27B	18	490P0022A	I	1
38540093B	020	22	44610351A	28A	1	46410461A	27A	23	490P0029A	A	25
38640591A	027	21	44711651B	28A	3	46510601A	27B	9	490P0029A	J	1
38940191A	18B	5	44711661A	28A	4	46510611A	27A	27	490P0030A	A	26
38940201A	18B	5	44711661A	28A	4	47018022CA	027	7	490P0030A	J	2
38940211A	18B	5	44711671B	28A	19	47018361AA	022	2	490P0044A	A	31
38940221A	18B	5	44711671B	28A	19	47018361AA	022	2	490P0044A	K	1
38940231A	018	14	44711681B	28A	3	48018741A	34A	31	490P0067A	A	1
38940231A	018	14	44711691A	28A	25	48018752A	34B	13	490P0067A	B	1
38940231A	18B	5	44910681A	003	12	48018762A	34C	13	490P0248A	A	32
38940241A	18B	5	45110462A	013	26	48018771AB	34A	6	490P0248A	K	2
38940261A	18B	5	45120311C	008	4	4801C041A	34B	11	490P0272A	A	15
39740081B	018	15	45120321B	008	9	4801C051A	34C	11	490P0272A	S	1
39740081B	018	15	45520192A	010	8	4801C061BA	34B	16	490P0297A	A	38
40611877A	020	1	45610461AA	27A	15	4801C071AA	34B	34	490P0297A	O	1
42020008A	025	27	45622352AA	27A	1	4801C081BA	34C	16	490P0298A	A	39
42610191A	029	17	45720571AA	025	20	4801C091AA	34C	28	490P0298A	O	2
42640041B	035	9	4601C581A	035	18	48114301AA	34A	8	490P0301A	A	34
43217911Z	036	9	4601D781B	28B	22	48216773AC	033	8	490P0301A	M	1
43310051B	036	5	4601D913A	027	29	48216783AC	033	10	490P0324A	A	7
43310051C	036	6	4601E262A	021	31	48411432C	34C	1	490P0324A	Q	1
43311651C	036	8	4601E303A	019	29	48412621A	34B	9	490P0325A	A	9
43312502C	005	17	4601E461A	021	27	48412631A	34C	9	490P0325A	D	1
43312531A	036	2	4601E472A	019	9	48412641A	34B	19	490P0333A	A	3
43312541A	018	37	4601E561A	26A	14	48611101C	032	2	490P0333A	R	1
43312551A	036	4	4601E872A	019	3	48611971A	005	4	49140851B	A	12
43312561A	036	3	4601E882A	019	4	48710972A	34A	13	49140851B	P	2
43314541A	26A	25	4601F041A	019	20	49040663A	A	11	49140951A	A	6
43314541B	26A	25	4601F052A	019	21	49040663A	P	1	49140951A	C	2
43314571A	036	1	4601F081AA	019	40	49040711A	A	5	49141271A	A	10
43314851A	022	18	4601F111A	033	13	49040711A	C	1	49141271A	D	2
43713351A	34B	32	4601F172B	018	30	49041071A	A	36	49141601A	A	14
43713361A	34B	31	4601F172B	018	30	49041071A	N	1	49141601A	F	2
43815511A	34A	28	4601F303C	019	47	49041081A	A	13	491P0009A	A	20
43818111AW	34A	9	4601F313C	019	48	49041081A	F	1	491P0009A	G	4
4381C651A	032	4	4601F321A	019	42	490P0002A	A	17	491P0010A	A	21
4381D251A	033	9	4601F331B	019	49	490P0002A	G	1	491P0010A	G	5
4381D261A	033	11	4601F481A	24A	32	490P0003A	A	18	491P0011A	A	22
4381E351A	34B	17	4601G411A	019	31	490P0003A	G	2	491P0011A	G	6
4381E361A	34C	17	4601I851A	24A	33	490P0004A	A	19	491P0012A	A	23
43910071A	036	7	4601L151A	34B	2	490P0004A	G	3	491P0012A	G	7
44212783B	029	11	46240461A	18A	16	490P0019A	A	43	491P0013A	A	24
44212792D	029	13	46320222A	010	10	490P0019A	H	1	491P0013A	G	8
44440039A	009	7	46320537A	003	14	490P0022A	A	44	491P0036A	A	27



CODE	NO. TABLE	POS.	CODE	NO. TABLE	POS.	CODE	NO. TABLE	POS.	CODE	NO. TABLE	POS.
491P0036A	J	3	51310921B	018	13	55243942A	011	3	61140471A	025	1
491P0037A	A	28	51410881B	018	16	55340041A	031	13	61240052A	023	6
491P0037A	J	4	51410881B	018	16	55610791C	22A	1	61240052A	024	1
491P0038A	A	29	51411131B	018	17	55610992BA	22A	3	61240081A	025	12
491P0038A	J	5	51411131B	018	17	56113381AA	28B	23	61240161A	025	29
491P0039A	A	30	51610053C	030	10	56113392A	28B	10	61240511A	024	14
491P0039A	J	6	52010563A	020	12	56113392A	28B	10	61241241A	023	28
491P0045A	A	33	523S0703A	34A	1	56113432A	28B	6	61241241A	024	31
491P0045A	K	3	523S0713A	34A	3	56113432A	28B	6	61340951A	025	28
491P0070A	A	2	52510483B	027	1	56113442A	28B	3	61341021A	024	13
491P0070A	B	2	52510611A	28B	12	56113442A	28B	3	61610021A	032	5
491P0323A	A	16	52510611A	28B	12	564P6483AA	34B	1	61810961C	24A	7
491P0323A	S	2	52910141B	21A	12	56511111A	028	1	61810981A	024	7
491P0334A	A	40	52910231A	28B	20	57015202A	019	27	61811021C	24A	9
491P0334A	O	3	52910231A	28B	20	57115182A	019	35	61911701A	24A	18
491P0335A	A	41	53010361A	28B	14	57314382A	019	2	61911741A	24A	19
491P0335A	O	4	53010361A	28B	14	57315152A	019	1	62441381B	024	11
491P0336A	A	42	53010372A	28B	17	57610671A	019	14	62540201A	025	10
491P0336A	O	5	53010372A	28B	17	58511033A	031	22	62610121A	024	12
491P0337A	A	45	53910341A	22A	5	58540311A	025	6	62610131A	023	22
491P0337A	O	6	53940034C	025	26	58540341A	024	15	62640561A	023	25
491P0343A	A	37	53940302A	016	1	58540351A	023	4	62640561A	024	28
491P0343A	N	2	53941031A	024	29	58612531CA	032	3	62641131A	023	27
491P0355A	A	35	53941041A	023	26	59014101A	017	16	62641131A	024	30
491P0355A	M	2	54040301B	018	2	59014111A	017	17	63040971B	023	1
491P0387A	A	8	54040301B	018	2	59017821B	032	19	63140081A	023	23
491P0387A	Q	2	54140101A	18B	7	59018952A	032	28	63140081A	024	26
491P0403A	A	4	54241012A	24A	17	59018961A	029	20	63140161A	025	30
491P0403A	R	2	54841033A	030	5	59018972A	032	35	63140281A	023	24
49210061A	26A	19	54841102B	016	2	59024072A	017	22	63140281A	024	27
49241011A	026	3	54911311B	016	3	59310601B	010	11	63211061A	023	7
49411852AA	26A	10	54911321B	016	4	59310801B	010	59	65110242D	021	19
49720031A	026	19	55040271A	030	4	59320581B	010	9	65240371A	021	33
49720071AC	026	16	55040281A	030	1	59340301A	019	19	65540091A	029	8
50121783AE	026	10	55212111B	24A	2	595P3541A	033	1	65540101A	035	12
50211941AA	026	7	55212121B	24A	30	595P3561A	033	1	66020093B	021	5
50410351AA	26A	22	55215021A	019	28	59820572A	033	15	66910011E	014	6
504Z0381AA	026	12	55215481D	27A	11	59822451A	032	18	66910011E	015	6
5101D041A	017	25	55240121A	020	19	59840183A	032	16	67040451A	013	28
5101D061A	18B	4	55240121A	18A	8	59840541A	032	25	67621051A	26A	24
5101H131E	18B	1	55241321C	10A	14	59940081A	033	16	67640962A	26A	8
5101H971A	18B	3	55243442A	031	6	61041292C	024	5	67740201A	26A	23
5101M731A	020	32	55243731C	017	18	61041302C	024	8	68010131A	006	10
51310921B	018	13	55243911A	002	10	61041991A	023	19	68010131A	006	10



CODE	NO. TABLE	POS.	CODE	NO. TABLE	POS.	CODE	NO. TABLE	POS.	CODE	NO. TABLE	POS.
68010131A	008	16	71011891A	28A	11	71610061A	18A	2	73210615A	019	16
68050061A	013	12	71110922A	011	21	71610213AA	019	18	735001542	002	15
68050101A	010	17	71110951A	010	6	71610722A	008	20	735033380	010	26
69720292B	027	8	71111301A	021	4	71611071A	019	45	735033380	011	17
69926761A	018	19	71111601A	011	14	71611071B	027	23	73740251B	008	5
69926761A	018	19	71112191A	007	12	71611071B	34B	20	74110101A	18B	14
69926951A	032	31	71113741A	013	19	71611281A	008	17	74110121A	027	2
70010362A	010	18	71114381A	031	25	71611441A	34C	6	74110121A	029	23
70010431A	18A	17	71117802A	007	14	71611521AB	021	28	74110131A	029	22
70010571A	26A	9	71210301A	28A	9	71611641AA	018	10	74110131A	18B	11
70010751A	035	8	71210301A	28A	9	71611641AA	018	10	74110551A	18B	15
70010811A	027	25	71210341A	025	21	71614091A	030	13	74110551A	34C	30
70010901A	020	28	71210341A	27A	3	71614111A	016	6	74140381A	030	15
70140051A	003	4	71210491AA	28A	10	71614141A	019	12	74140381A	035	28
70140171A	28A	15	71210491AA	28A	10	71614251A	34B	25	74140381A	18B	13
70140171A	28A	15	71310141E	003	11	71614251A	34C	25	74140381A	24A	10
70140211A	003	17	71311281B	011	27	71614431AA	020	17	74140431A	017	11
70140591A	012	11	71311961A	026	17	71614581AA	24A	21	74140431A	023	9
70240091A	011	11	71311973A	026	2	71614811AA	022	13	74140431A	024	16
70240102A	011	9	71312661A	003	15	71614811AA	022	13	74140431A	025	9
70240131A	010	19	71312921A	014	9	71614811AA	035	25	74140431A	031	18
70240181B	012	15	71312921A	015	9	71614921AA	027	4	74140431A	032	20
70240401B	010	20	71312921B	014	25	71615071AA	018	29	74140431A	035	3
70241231A	021	23	71312921B	015	26	71615071AA	018	29	74140431A	34C	19
70242211A	010	65	71313091A	004	13	71615071AA	029	21	74140631A	035	22
70242261A	010	27	71314703A	28B	15	71615211AA	027	14	74140641A	035	11
70250081A	010	21	71314703A	28B	15	71615291AA	28B	5	74140651A	029	19
70250081A	011	4	71314831B	004	15	71615291AA	28B	5	74140651A	031	20
70250193A	010	22	71314901A	24A	31	71615381AA	34B	3	74141001A	035	23
70250412A	010	66	71316171A	021	13	71615391AA	032	6	74141711A	017	15
70250451A	28A	16	71319151A	002	2	71615461AA	019	37	74141711A	032	30
70250451A	28A	16	71319191A	012	9	71615521AA	016	5	74141711A	035	5
70250601A	004	10	71319201A	24A	31	71616071AA	34B	23	74141871A	017	3
70250621A	026	8	71319951A	003	1	71850163C	027	27	74142121A	031	10
70310481A	029	15	7131A211AA	28A	17	71950303C	023	8	74142181A	031	21
70310512AA	27A	32	7131A211AA	28A	17	71950303C	024	19	74142371A	029	3
70310512AA	27B	17	7131C641A	24A	3	71950418CF	011	5	74142381A	019	30
70310871AA	021	12	7131C651A	24A	3	71950538C	002	7	74142401A	029	5
70350022A	013	2	71410751A	26A	12	72010513C	020	13	74142501A	031	9
70350062A	008	12	71411352AA	026	15	72010513C	026	4	74142581A	007	7
70450091A	009	8	71413241AA	026	9	72050069E	011	20	74142581A	029	1
70450091A	010	23	71610031A	24A	15	72050159EA	26A	1	74142581A	031	4
71011071A	021	3	71610061A	018	9	72050533CF	016	12	74142591A	031	15
71011891A	28A	11	71610061A	018	9	720941616	010	24	74142651A	019	5



CODE	NO. TABLE	POS.	CODE	NO. TABLE	POS.	CODE	NO. TABLE	POS.	CODE	NO. TABLE	POS.
74142941A	24A	34	75840641A	017	4	76411621A	029	12	77150408B	019	26
74710151A	010	25	75840771A	016	8	76411711A	24A	22	77150408B	032	21
74750051B	025	13	75840771A	22A	12	76411851A	017	28	77150413B	021	29
74750051B	34A	2	75840801A	020	29	76411881A	027	28	77150457E	032	22
74750071A	021	25	75840841A	018	1	76411891A	018	34	77150478B	020	30
74810241A	019	34	75840841A	018	1	76411891A	018	34	77150653B	010	29
74810361A	020	25	75840901A	28B	1	76412061A	032	10	77150658B	020	11
74810461A	26A	4	75840901A	28B	1	76412091A	027	6	77150658B	24A	25
74810501A	10A	4	75841051A	035	29	76412101A	027	3	77150670ZF	002	3
74810651A	026	1	75910222A	026	5	76412371A	28B	2	77150723B	10A	11
74841011AA	28A	18	75910222A	26A	20	76412371A	28B	2	77150758B	010	30
74841011AA	28A	18	75910251A	019	15	76412421B	027	20	77150763B	021	1
74841051A	020	26	75910311A	027	9	76412441A	34B	8	77150808B	10A	8
74850061A	18A	15	75910401AA	18A	21	76414191A	023	11	77151250ZF	002	1
74940041A	27A	8	76410011A	019	38	76414191A	024	21	77151363B	10A	6
74940081A	008	7	76410241A	016	9	76414221A	27A	2	77156403BA	28B	16
74940321A	27A	18	76410241A	018	32	76440561A	34A	7	77156403BA	28B	16
74940321A	27B	16	76410241A	018	32	76440572A	014	8	77156413B	032	11
74950011B	28B	18	76410241A	019	13	76440572A	015	8	77156433B	34B	22
74950011B	28B	18	76410241A	030	7	76610551D	10A	2	77156623B	031	23
75010071A	003	3	76410241A	18A	3	76640191A	014	21	77156628B	018	23
75010071E	004	7	76410291A	032	7	76640191A	015	21	77156628B	018	23
75010121D	006	11	76410481A	016	10	77052508B	011	6	77156633B	035	16
75010121D	006	11	76410641A	018	8	77110191A	27A	16	77156683B	019	51
75010481A	22A	8	76410641A	018	8	77110391B	017	2	77156683B	025	25
75011131A	006	6	76410641A	24A	14	77110401B	013	30	77156683B	34A	37
75011131A	006	6	76410841A	017	13	77110401B	017	6	77156688B	021	16
75011601A	008	15	76410841B	016	22	77110401B	24A	1	77156688B	27A	6
75011921A	023	10	76410841B	34B	26	77110501A	021	32	77156698B	016	23
75011921A	024	18	76410841B	34C	26	77110521A	012	7	77156698B	019	11
75012072AA	026	13	76410901A	020	15	77113691A	025	7	77156698B	27A	9
75012072AA	26A	2	76410901A	032	8	77113801A	008	6	77156713B	24A	29
75012192A	033	6	76410901A	34B	30	77140673C	34A	4	77156718B	016	21
75012341AA	021	30	76410901A	34C	21	77140677CF	012	5	77156723B	019	50
75050051A	012	3	76410971A	020	20	77140697CF	012	6	77156723B	032	23
75620131A	26A	13	76410981A	022	10	77140713C	005	14	77156728B	019	10
75810783A	18A	19	76410981A	022	10	77140713C	011	15	77156758B	031	7
75810911A	24A	6	76411141A	020	2	77140713C	34A	5	77157238B	025	2
75811211B	019	24	76411141A	24A	26	77140723C	011	19	77157248C	27B	3
75840201A	016	7	76411361A	020	16	77140813C	005	15	77157248CA	27A	17
75840591A	018	24	76411361A	030	11	77140833C	005	16	77157268B	021	20
75840591A	018	24	76411511A	34C	2	77150078B	010	12	77157278B	019	36
75840601A	24A	4	76411521A	032	9	77150398B	27A	12	77157278B	021	14
75840621A	34A	14	76411541A	34C	4	77150408B	017	23	77157568B	021	15



CODE	NO. TABLE	POS.	CODE	NO. TABLE	POS.	CODE	NO. TABLE	POS.	CODE	NO. TABLE	POS.
77210601A	24A	28	77240453C	035	26	77354893C	023	17	77914391C	019	22
77210623B	031	1	77244163B	28B	4	77355203C	22A	2	77914651A	024	9
77210841C	34C	3	77244163B	28B	4	77440041A	027	5	77914871C	028	2
77210842A	28A	5	77244168B	019	7	77440101A	029	6	77914871C	28A	2
77210842A	28A	5	77244168B	18A	10	77440101A	34B	5	77914871C	28A	2
77210971A	030	12	77244173B	018	28	77440111A	24A	24	77915041A	028	3
77211061A	18B	9	77244173B	018	28	77440131A	029	10	77915093A	013	3
77211091C	34B	27	77244173B	34A	10	77440141A	18A	5	77915471A	006	4
77211091C	34C	27	77244178B	027	12	77440171A	34A	29	77915471A	006	4
77211201A	004	3	77244183B	020	18	77440213C	18A	7	77915951C	005	18
77211221A	24A	5	77244183B	022	5	77440321A	027	5	77916041D	10A	5
77211251A	34B	6	77244183B	022	5	77440391A	28A	26	77916081A	030	6
77211251A	34C	32	77244183B	34C	5	77440431AA	018	5	77916411A	27A	31
77211341A	030	9	77244198B	34C	29	77440431AA	018	5	77916411A	27B	2
77214061AA	18A	1	77244203B	34A	35	77510311B	010	32	77917241AA	22A	4
77214161AA	017	9	77244203B	34B	14	77510541A	024	25	77918092AA	34A	15
77214371BA	34B	18	77244203B	34C	14	77510651A	030	17	77918141A	013	22
77214371BA	34C	18	77244213B	032	12	77550200CC	005	5	77918251AA	28A	21
77214401AA	27A	19	77244303B	022	3	77550211B	10A	7	77918251AA	28A	21
77214401AA	27B	15	77244303B	022	3	77550213C	26A	11	77918261AA	26A	21
77214411AA	022	11	77244403BA	34B	4	77550221A	28A	23	77918291AA	022	1
77214411AA	022	11	77244538BA	28B	7	77550221A	28A	23	77918291AA	022	1
77214411AA	030	16	77244538BA	28B	7	77750493C	011	24	77918301AB	027	15
77214411AA	033	12	77250341B	010	13	77750508CC	012	20	77918421AB	28A	7
77214411AA	34B	12	77250341C	008	10	77850281A	021	26	77918421AB	28A	7
77214411AA	34C	12	77250718B	018	21	77910391A	010	33	77918431AA	28A	6
77214411BA	017	21	77250718B	018	21	77910921B	023	18	77918431AA	28A	6
77215048B	18B	2	77250718B	019	8	77910921B	024	22	77919121AA	025	18
77215051AA	020	3	77250988B	020	4	77911092A	006	2	77919631A	008	13
77240253C	029	14	77250988B	030	2	77911092A	006	2	77919881A	010	2
77240278C	18A	20	77251018B	020	23	77911982A	010	34	7791C431A	002	23
77240333C	018	11	77251028C	018	3	77912741A	017	29	77927171B	010	35
77240333C	018	11	77251028C	018	3	77913311D	024	6	77950302A	013	16
77240393C	019	46	77251053B	018	12	77913481C	019	52	77950621A	010	37
77240393C	033	17	77251053B	018	12	77913662AB	023	12	78010161B	006	3
77240398CC	010	67	77253330ZF	012	19	77913662AB	024	10	78010161B	006	3
77240403CA	027	13	77253988C	27A	14	77913662AB	025	4	78010511E	014	12
77240418C	28B	8	77253988C	27B	14	77913662AB	24A	11	78010511E	015	12
77240418C	28B	8	77310021A	21A	13	77913971A	023	13	78010921A	010	38
77240423C	019	43	77350403B	013	23	77913971A	024	3	78010941B	010	60
77240423C	020	7	77350618B	014	20	77914045B	006	9	78011001A	011	2
77240443C	24A	16	77350658B	010	31	77914045B	006	9	78011281A	005	12
77240453C	022	14	77354623B	28B	9	77914211A	014	23	78611511A	007	13
77240453C	022	14	77354623B	28B	9	77914211A	015	23	78611622B	007	11



CODE	NO. TABLE	POS.	CODE	NO. TABLE	POS.	CODE	NO. TABLE	POS.	CODE	NO. TABLE	POS.
78710111A	010	63	80017842A	031	16	82118331AA	34A	26	8291N022AA	024	20
78710111A	016	13	80017851A	031	12	82119311AC	22A	9	8291N032AA	023	14
78810542A	012	4	80017861A	031	17	82120151A	002	14	8291N431A	018	18
78810931A	013	9	80017871B	031	5	82413241AB	27B	4	8291N431A	018	18
78811041A	18A	9	80610411A	027	19	82413251AB	27A	29	83014401A	033	14
78811151A	010	14	80610421A	027	18	82413263BA	27B	13	83018181AA	24A	13
78811301A	017	19	811110021A	010	15	82413273BA	27A	20	83018341B	24A	20
78811641C	023	20	81140012B	013	21	82510591AA	26A	17	83018351AA	018	6
78811911A	013	8	814111111C	035	2	82610261A	002	16	83018351AA	018	6
78811941A	34A	38	81411881A	015	25	82610431AA	027	26	83018691A	024	24
78811951A	34A	39	81413251A	032	14	82711611B	27A	26	83018971A	030	8
79010211A	019	33	81413251A	035	27	82711611B	27B	7	8301B231AA	020	24
79010481A	019	23	81413261B	031	2	82716031A	010	16	8301B241AA	020	9
79111111A	032	13	81413341A	017	10	82716091A	011	25	8301E361A	28A	20
79120572B	007	6	81416251A	035	20	82716351A	013	20	8301E361A	28A	20
79710731A	004	1	81416361A	032	29	82717873BA	025	11	8301F081BA	016	16
79910241B	27A	10	81417361A	017	14	82718612A	005	6	8301F141BA	016	17
79910241B	27B	6	81420051A	031	8	82718981AA	22A	10	8301F321AB	033	18
79910241B	34A	21	81441041A	035	6	8271H501AA	018	35	8301F451A	020	8
79910491D	010	39	81510221A	010	64	8271H501AA	018	35	8301F501AA	030	18
79912961A	002	20	81510221A	016	14	8271H601AA	018	20	8301J011AA	017	7
79914991A	27A	25	81510281A	010	41	8271H601AA	018	20	8301L141AA	019	41
79914991A	27B	8	81810162A	004	5	82911901A	017	5	8301L151AA	22A	11
79915001A	014	18	81910602AA	026	11	82919612A	029	18	8301L401AA	017	30
79915001A	015	18	819Z0021B	26A	6	8291B051A	022	4	83110151B	010	42
79915011A	014	19	82111701CA	025	16	8291B051A	022	4	83210031E	28A	22
79915011A	015	19	82111701CA	27A	4	8291B771AA	18A	11	83210031E	28A	22
79915061A	002	4	82112731A	025	23	8291D921A	016	15	84010012A	014	1
79915181B	014	26	82112941A	014	17	8291F601B	018	7	84010012A	015	1
79915181B	015	27	82112941A	015	17	8291F601B	018	7	84010022A	014	1
79915191B	014	27	82112951A	014	15	8291F761AA	28B	11	84010022A	015	1
79915191B	015	28	82112951A	015	15	8291F761AA	28B	11	84010032A	014	1
79915571AA	22A	6	82113471A	012	8	8291G121B	34A	16	84010032A	015	1
79915741B	010	61	82113881A	002	13	8291G131A	34A	19	84010042A	014	1
79916691A	033	21	82114731A	002	5	8291G141A	34A	25	84010042A	015	1
79920771C	010	62	82115101AA	27A	24	8291G152A	34A	34	84010052A	014	1
79920881C	22A	7	82115101AA	27B	12	8291G161B	34A	30	84010052A	015	1
79925643AB	34A	24	82115511A	027	22	8291G381A	24A	23	84010062A	014	1
79925771B	025	24	82115721AA	27A	21	8291J492A	020	21	84010062A	015	1
79940171A	010	40	82115721AA	27B	10	8291J502A	022	12	84010072A	014	1
800070139	01A	8	82118291AA	34A	17	8291J502A	022	12	84010072A	015	1
80011852B	007	8	82118301AA	34A	33	8291M981A	18A	4	84010082A	014	1
80012301A	031	11	82118311AA	34A	27	8291M991A	34C	8	84010082A	015	1
80012481B	007	9	82118321BA	34A	22	8291N002A	035	17	84010092A	014	1



CODE	NO. TABLE	POS.	CODE	NO. TABLE	POS.	CODE	NO. TABLE	POS.	CODE	NO. TABLE	POS.
84010092A	015	1	84010312A	015	1	84010592B	015	2	84010792B	015	2
84010102A	014	1	84010322A	014	1	84010602B	014	2	84010802B	014	2
84010102A	015	1	84010322A	015	1	84010602B	015	2	84010802B	015	2
84010112A	014	1	84010332A	014	1	84010612B	014	2	84010812B	014	2
84010112A	015	1	84010332A	015	1	84010612B	015	2	84010812B	015	2
84010122A	014	1	84010342A	014	1	84010622B	014	2	84010822B	014	2
84010122A	015	1	84010342A	015	1	84010622B	015	2	84010822B	015	2
84010132A	014	1	84010412B	014	2	84010632B	014	2	84010832B	014	2
84010132A	015	1	84010412B	015	2	84010632B	015	2	84010832B	015	2
84010142A	014	1	84010422B	014	2	84010642B	014	2	84010842B	014	2
84010142A	015	1	84010422B	015	2	84010642B	015	2	84010842B	015	2
84010152A	014	1	84010432B	014	2	84010652B	014	2	84010852B	014	2
84010152A	015	1	84010432B	015	2	84010652B	015	2	84010852B	015	2
84010162A	014	1	84010442B	014	2	84010662B	014	2	84010862B	014	2
84010162A	015	1	84010442B	015	2	84010662B	015	2	84010862B	015	2
84010172A	014	1	84010452B	014	2	84010672B	014	2	84010872B	014	2
84010172A	015	1	84010452B	015	2	84010672B	015	2	84010872B	015	2
84010182A	014	1	84010462B	014	2	84010682B	014	2	84011082A	014	1
84010182A	015	1	84010462B	015	2	84010682B	015	2	84011082A	015	1
84010192A	014	1	84010472B	014	2	84010692B	014	2	84011092A	014	1
84010192A	015	1	84010472B	015	2	84010692B	015	2	84011092A	015	1
84010202A	014	1	84010482B	014	2	84010702B	014	2	84011102A	014	1
84010202A	015	1	84010482B	015	2	84010702B	015	2	84011102A	015	1
84010212A	014	1	84010492B	014	2	84010712B	014	2	84011112A	014	1
84010212A	015	1	84010492B	015	2	84010712B	015	2	84011112A	015	1
84010222A	014	1	84010502B	014	2	84010722A	014	1	84011122A	014	1
84010222A	015	1	84010502B	015	2	84010722A	015	1	84011122A	015	1
84010232A	014	1	84010512B	014	2	84010722B	014	2	84011132A	014	1
84010232A	015	1	84010512B	015	2	84010722B	015	2	84011132A	015	1
84010242A	014	1	84010522B	014	2	84010732A	014	1	84011142A	014	1
84010242A	015	1	84010522B	015	2	84010732A	015	1	84011142A	015	1
84010252A	014	1	84010532B	014	2	84010732B	014	2	84740021A	27A	28
84010252A	015	1	84010532B	015	2	84010732B	015	2	84740021A	27B	5
84010262A	014	1	84010542B	014	2	84010742B	014	2	84740021A	34A	20
84010262A	015	1	84010542B	015	2	84010742B	015	2	84740061A	010	43
84010272A	014	1	84010552B	014	2	84010752B	014	2	84820401AA	27A	13
84010272A	015	1	84010552B	015	2	84010752B	015	2	85010151A	025	19
84010282A	014	1	84010562B	014	2	84010762B	014	2	85040381A	019	32
84010282A	015	1	84010562B	015	2	84010762B	015	2	85040381A	022	16
84010292A	014	1	84010572B	014	2	84010772B	014	2	85040381A	022	16
84010292A	015	1	84010572B	015	2	84010772B	015	2	85040471A	019	6
84010302A	014	1	84010582B	014	2	84010782B	014	2	85040471A	34A	12
84010302A	015	1	84010582B	015	2	84010782B	015	2	85040521A	34B	10
84010312A	014	1	84010592B	014	2	84010792B	014	2	85040521A	34C	10



CODE	NO. TABLE	POS.	CODE	NO. TABLE	POS.	CODE	NO. TABLE	POS.	CODE	NO. TABLE	POS.
85040551A	022	9	85210541B	016	19	85250241A	025	3	86611692B	020	6
85040551A	030	14	85211031AB	021	24	85250241A	24A	12	86611701A	033	20
85040631A	016	18	85211201A	010	45	85250261B	014	11	86611722CA	032	15
85040631A	018	25	85211351A	005	7	85250261B	015	11	86611861A	24A	27
85040631A	018	25	85211671B	018	27	85250271A	031	27	86612101B	027	30
85040631A	019	53	85211671B	018	27	85250311AB	34B	21	86612221A	033	5
85040671A	027	16	85211671B	019	17	85250421A	010	47	86612361A	34C	31
85040821A	34B	15	85211671B	032	32	85250481A	011	16	86612421A	018	33
85040821A	34C	15	85211721A	011	7	85250631A	011	10	86612421A	018	33
85041121A	022	17	85211761A	019	25	85310021A	008	8	86612431B	017	12
85041121A	022	17	85211911A	016	20	85310031A	020	10	86612521A	033	22
85041121A	035	21	85211951A	016	11	85310031A	10A	13	86612531A	033	2
85041581A	018	4	85212171A	26A	15	85350101A	012	2	86612791A	018	36
85041581A	018	4	85212211A	026	14	85350101A	018	22	86612791A	018	36
85041581A	020	5	85212211A	26A	3	85350101A	018	22	86612951A	18A	13
85041711A	18A	6	85212221A	026	6	85540051A	020	27	86613241A	027	31
85041711A	28A	24	85212271A	019	44	85550001B	18B	10	86613402A	24A	35
85041711A	28A	24	85212511A	28B	19	85610623A	008	19	86640101A	34B	7
85041951AA	022	6	85212511A	28B	19	85610642A	10A	3	87210481A	021	9
85041951AA	022	6	85212641A	013	29	85610743A	013	4	87210641A	18B	8
85041951AA	032	33	85212691A	006	7	85610751A	012	18	87210751A	28A	12
85041951AA	34A	36	85212691A	006	7	85611231A	003	19	87210751A	28A	12
85041951AA	34B	29	85212901A	019	39	85611261A	003	6	87210912A	022	8
85041951AA	34C	22	85213011A	010	28	85611271A	027	17	87210912A	022	8
85044281A	032	34	85213021A	009	6	85611391B	004	2	87210922A	022	7
85044681A	34B	33	85213021A	010	46	85611401A	34A	11	87210922A	022	7
85044681A	34C	20	85213661AA	27A	30	85611401A	34B	28	87211251A	28B	21
85044691A	020	14	85213661AA	27B	1	85611401A	34C	23	87211251A	28B	21
85044691A	022	9	85213741AA	020	31	85611481A	010	48	87211681A	18B	6
85044691A	032	17	85214082A	010	68	85640141A	010	51	87240921A	030	3
85044691A	033	7	85240171A	033	19	86010051B	10A	12	87310051A	013	13
85044691A	035	24	85240211A	029	7	86050061A	010	49	87310371A	009	2
85044691A	34B	24	85241711A	018	26	86050061A	014	24	87511461B	010	50
85044691A	34C	24	85241711A	018	26	86050061A	015	24	875P2551CA	021	10
85110041A	003	13	85250051A	009	5	86610301A	033	4	875P2562BA	021	8
85110131A	008	14	85250071A	28B	22	86610361A	018	31	87611211A	029	4
85110201A	004	8	85250071A	28B	24	86610361A	018	31	87611221B	029	9
85140031A	006	12	85250231A	014	28	86610581A	34A	32	87611561A	035	15
85140031A	006	12	85250231A	015	20	86610731A	18A	18	87612921A	029	2
85210532A	010	44	85250231A	017	8	86610751A	34C	7	87712631A	025	8
85210532A	025	22	85250231A	035	1	86611001B	033	3	87712681A	023	16
85210532A	27A	7	85250241A	005	13	86611121A	24A	8	87712841A	024	17
85210532A	28B	13	85250241A	023	15	86611521A	027	10	88110121A	002	18
85210532A	28B	13	85250241A	024	4	86611611A	18A	12	88110341A	012	17



CODE	NO. TABLE	POS.	CODE	NO. TABLE	POS.	CODE	NO. TABLE	POS.	CODE	NO. TABLE	POS.
88110541A	26A	7	887131994	001	4	91376261DA	027	24	93510281C	035	14
88111281A	031	14	887132011	001	17	91376261DE	027	24	93510341A	035	13
88210031A	008	11	887132068	001	34	91376261EL	027	24	93510411A	035	19
88210141A	003	7	887132096	001	2	91376261EN	027	24	93510441A	035	10
88440511A	26A	18	887132103	001	3	91376261ES	027	24	93510461A	035	7
88450131A	005	8	887132442	001	9	91376261FI	027	24	94247001A	10A	1
88450341B	002	19	887132651	001	11	91376261FR	027	24	944650035	L	1
88450371A	009	4	887132870	001	13	91376261HR	027	24	944650037	L	2
88450371A	010	52	887132877	001	12	91376261HU	027	24	979000253	01B	2
88450431A	011	8	887132906	001	6	91376261IT	027	24	979000279	01B	1
88450441A	27A	22	887132913	001	35	91376261JA	027	24	979000281	01B	6
88450441A	27B	11	887132951	01A	3	91376261KO	027	24	979000282	01B	3
88450851A	34A	18	887133203	01A	11	91376261MX	027	24	979000283	01B	4
88450881A	34A	23	887133204	01A	2	91376261NL	027	24	979000284	01B	5
88610241A	10A	15	887133211	01A	5	91376261NO	027	24			
88610951A	011	22	887133219	001	8	91376261PL	027	24			
88640331A	010	53	887133220	01A	10	91376261PT	027	24			
88640891A	005	10	887133367	001	20	91376261RO	027	24			
88641031A	031	3	887133406	001	24	91376261RU	027	24			
88641161A	025	17	887133417	001	1	91376261SK	027	24			
88641161A	27A	5	887133992	001	31	91376261SL	027	24			
88641241A	26A	16	887134145	001	27	91376261SV	027	24			
88641321A	10A	9	887134198	001	28	91376261US	027	24			
88641731A	004	6	887134411	001	23	91376261ZH	027	24			
88641961A	010	36	887134488	01A	12	92610051A	022	15			
88642231A	017	27	887134791	001	25	92610051A	022	15			
88650131A	010	54	887135013	001	26	92610051A	032	27			
88650511A	013	1	887651188	001	32	92610401A	032	26			
887005644	001	10	887651298	001	18	93010041B	021	22			
887005749	001	36	887651518	001	30	93010102A	26A	26			
887130022	001	21	887651623	001	7	93040211A	005	11			
887130026	01A	1	887651635	001	5	93040221A	010	56			
887130031	001	14	89310143A	031	24	93040521A	026	18			
887131010	01A	13	89320062A	010	55	93040932A	010	57			
887131058	01A	7	89320121A	005	9	93041631B	010	58			
887131062	01A	9	89340241A	023	5	93042691A	011	18			
887131074	01A	4	89340241A	025	5	93050051A	011	26			
887131309	001	15	89340251A	024	23	93050062B	011	28			
887131515	01A	6	89420121F	009	3	93050072A	013	17			
887131749	001	22	89520072A	032	24	93050121A	28A	14			
887131806	001	16	91376261AR	027	24	93050121A	28A	14			
887131821	001	19	91376261BG	027	24	93410201A	031	26			
887131832	001	29	91376261CA	027	24	93410491A	031	19			
887131906	001	33	91376261CS	027	24	93510251C	035	4			







**Ducati Motor Holding S.p.A.**

Uffici Commerciali Amministrativi:

Via A. Cavalieri Ducati n. 3

40132 Bologna, Italy

Telefono 051 6413111

Fax 051 406580

Internet [www.ducati.com](http://www.ducati.com)