



1260 ABS  
Model Year 2020

## *MULTISTRADA*

Chassis prefix:  
Cylinder capacity:

026000020  
SPARE PARTS CATALOGUE  
en-US





The present spare parts order exactly the right spare parts.

When ordering specify:

1. the part's code number followed by its description and quantity needed;
2. the motorcycle's serial number, stamped on the steering head.

Reference to right and left apply to the vehicle in terms of its direction of movement.

Spare parts drawings are general and do not represent the part.

The contents of this catalogue are general and can undergo changes without prior notice.

## CHARACTERISTICS LEGENDA

CHARACTERISTIC CODE	CHARACTERISTIC DESCRIPTION	VALUE CODE	VALUE DESCRIPTION
DFR	DAFRA	N	NO
MOD	MODEL	MS1260	
PLT	PLANT	DB10	
XCO	MAIN COLOUR	R	
XCR	FRAME / WHEEL COLOUR	MN-GB	
XPO	OPTIONS	STD	MOTO STANDARD
XST	STANDARD COUNTRY	AUS	
XST	STANDARD COUNTRY	BLG	
XST	STANDARD COUNTRY	EUR	
XST	STANDARD COUNTRY	GSO	
XST	STANDARD COUNTRY	JAP	
XST	STANDARD COUNTRY	ROK	
XST	STANDARD COUNTRY	TWN	



COLOUR	COLOUR CODE	COLOUR DESCRIPTION	FINISHED PRODUCTS
	R	RED	(D26000120) MS1260 20 EUR R MN-GB STD DMH (D26004420) MS1260 20 BLG R MN-GB STD DMH (D26002920) MS1260 20 JAP R MN-GB STD DMH (D26005520) MS1260 20 AUS R MN-GB STD DMH (D26006520) MS1260 20 TWN R MN-GB STD DMH (D26007420) MS1260 20 ROK R MN-GB STD DMH (D26008820) MS1260 20 GSO R MN-GB STD DMH



General information.....	3
Colours.....	4
Group ELECTRIC.....	8
Drawing 018 - BATTERY HOLDER [MOD:MS1260].....	8
Drawing 020 - HEADLIGHT [MOD:MS1260].....	12
Drawing 18A - ENGINE CONTROL UNIT [MOD:MS1260].....	14
Drawing 18B - WIRING HARNESS [MOD:MS1260;XST:AUS,BLG,EUR,GSO,JAP,ROK,TWN].....	16
Drawing 18C - WIRING HARNESS (COIL) [MOD:MS1260].....	18
Drawing 18E - FRONT WIRING HARNESS [MOD:MS1260].....	20
Drawing 20A - TAILLIGHT [MOD:MS1260;XST:AUS,BLG,EUR,JAP,ROK,TWN].....	22
Drawing 20B - INSTRUMENT PANEL [MOD:MS1260].....	24
Drawing 27A - PLATE HOLDER [MOD:MS1260;XST:AUS,BLG,EUR,GSO,ROK,TWN].....	26
Drawing 27A - PLATE HOLDER [MOD:MS1260;XST:JAP].....	28
Group OIL.....	30
Drawing L - SHELL ADVANCE [MOD:MS1260].....	30
Group ENGINE.....	32
Drawing 002 - GEAR CHANGE MECHANISM [MOD:MS1260].....	32
Drawing 003 - GEAR BOX [MOD:MS1260].....	34
Drawing 004 - CLUTCH [MOD:MS1260].....	36
Drawing 005 - CLUTCH COVER [MOD:MS1260].....	38
Drawing 006 - CONNECTING RODS [MOD:MS1260].....	40
Drawing 007 - CYLINDERS - PISTONS [MOD:MS1260].....	42
Drawing 008 - TIMING SYSTEM [MOD:MS1260].....	44
Drawing 009 - OIL PUMP - FILTER [MOD:MS1260].....	46
Drawing 010 - HALF-CRANKCASES PAIR [MOD:MS1260].....	48
Drawing 011 - GENERATOR COVER [MOD:MS1260;XST:AUS,BLG,EUR,JAP,ROK,TWN].....	52
Drawing 012 - ELECTRIC STARTING AND IGNITION [MOD:MS1260].....	54
Drawing 014 - VERTICAL CYLINDER HEAD [MOD:MS1260].....	56
Drawing 015 - HORIZONTAL CYLINDER HEAD [MOD:MS1260].....	64



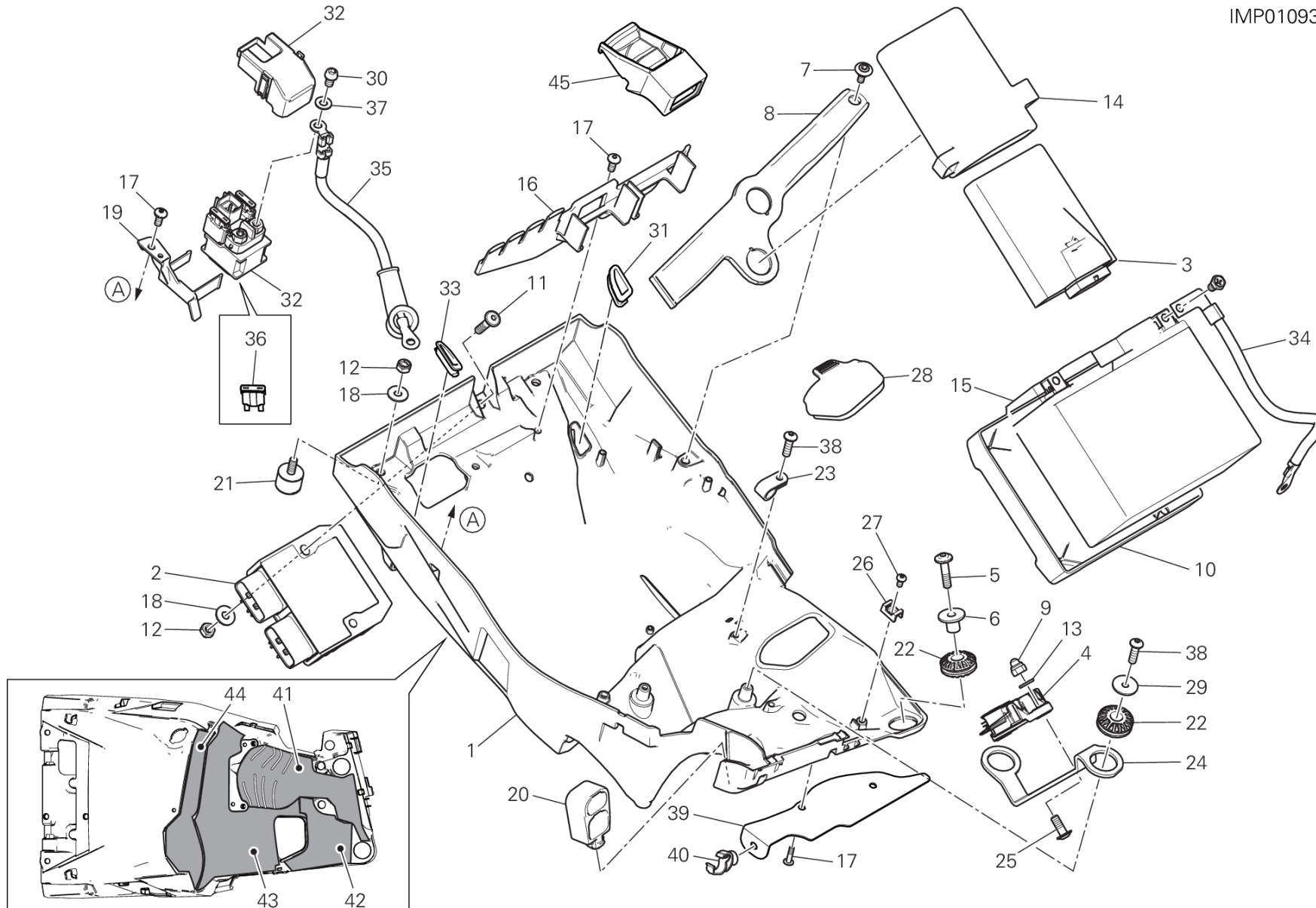
Drawing 016 - OIL COOLER [MOD:MS1260].....	72
Drawing 017 - THROTTLE BODY [MOD:MS1260].....	74
Drawing 10A - HALF-CRANKCASES PAIR [MOD:MS1260].....	76
Drawing 13A - VERTICAL CYLINDER HEAD - TIMING [MOD:MS1260].....	78
Drawing 13B - HORIZONTAL HEAD – TIMING SYSTEM [MOD:MS1260].....	80
Group TOOLS.....	82
Drawing 001 - WORKSHOP SERVICE TOOLS [MOD:MS1260].....	82
Drawing 01A - WORKSHOP SERVICE TOOLS [MOD:MS1260].....	84
Drawing 01B - WORKSHOP SERVICE TOOLS [MOD:MS1260].....	86
Drawing 01C - DDS (2) TESTER [MOD:MS1260].....	88
Group TYRES.....	90
Drawing A2 - TYRES [MOD:MS1260].....	90
Drawing B2 - (*) PIRELLI SCORPION™ TRAIL II [MOD:MS1260].....	92
Drawing C1 - PIRELLI ANGEL™ GT [MOD:MS1260].....	94
Drawing E2 - PIRELLI DIABLO™ ROSSO III [MOD:MS1260].....	96
Drawing S - PIRELLI ANGEL™ GT II [MOD:MS1260].....	98
Group FRAME.....	100
Drawing 019 - EXHAUST SYSTEM [MOD:MS1260].....	100
Drawing 021 - HANDLEBAR [MOD:MS1260].....	104
Drawing 022 - FRAME [MOD:MS1260].....	106
Drawing 023 - CLUTCH MASTER CYLINDER [MOD:MS1260].....	108
Drawing 024 - FRONT BRAKE SYSTEM [MOD:MS1260].....	110
Drawing 025 - REAR BRAKING SYSTEM [MOD:MS1260].....	112
Drawing 027 - REAR FRAME COMP. [MOD:MS1260].....	116
Drawing 028 - REAR SHOCK ABSORBER [MOD:MS1260].....	118
Drawing 029 - INTAKE [MOD:MS1260].....	120
Drawing 030 - WATER COOLER [MOD:MS1260].....	122
Drawing 031 - COOLING CIRCUIT [MOD:MS1260].....	124
Drawing 032 - FUEL TANK [MOD:MS1260;PLT:DB10].....	126
Drawing 033 - SEAT [MOD:MS1260].....	128



Drawing 034 - COWLING [MOD:MS1260;XST:AUS,BLG,EUR,GSO,JAP,ROK,TWN].....	130
Drawing 036 - CANISTER FILTER [MOD:MS1260].....	132
Drawing 037 - LABEL, WARNING [MOD:MS1260;XST:JAP].....	134
Drawing 19A - SECONDARY AIR SYSTEM [MOD:MS1260].....	136
Drawing 21A - FRONT FORK [MOD:MS1260].....	138
Drawing 21B - STEERING HEAD BASE ASSEMBLY [MOD:MS1260].....	140
Drawing 22A - SIDE STAND [MOD:MS1260].....	142
Drawing 24A - BRAKING SYSTEM ABS [MOD:MS1260].....	144
Drawing 26A - HUB, REAR WHEEL [MOD:MS1260].....	146
Drawing 26B - FRONT WHEEL [MOD:MS1260].....	148
Drawing 26C - REAR WHEEL [MOD:MS1260].....	150
Drawing 27C - FOOTRESTS, LEFT [MOD:MS1260].....	152
Drawing 27D - FOOTRESTS, RIGHT [MOD:MS1260].....	154
Drawing 28A - SWING ARM [MOD:MS1260].....	156
Drawing 28B - REAR MUDGUARD [MOD:MS1260].....	158
Drawing 32A - FUEL PUMP [MOD:MS1260;XST:AUS,BLG,EUR,GSO,JAP,ROK,TWN].....	160
Drawing 34A - FAIRING [MOD:MS1260;XST:AUS,EUR,GSO,ROK,TWN].....	162
Drawing 34A - FAIRING [MOD:MS1260;XST:JAP].....	164
Drawing 34B - FAIRING [MOD:MS1260;XST:AUS,BLG,EUR,JAP,ROK,TWN].....	166
Drawing 34C - WINDSHIELD [MOD:MS1260].....	168
Drawing 34D - FRONT MUDGUARD [MOD:MS1260].....	170
Alphanumeric index.....	172



IMP01093



# DRAWING 018 - BATTERY HOLDER [MOD:MS1260]

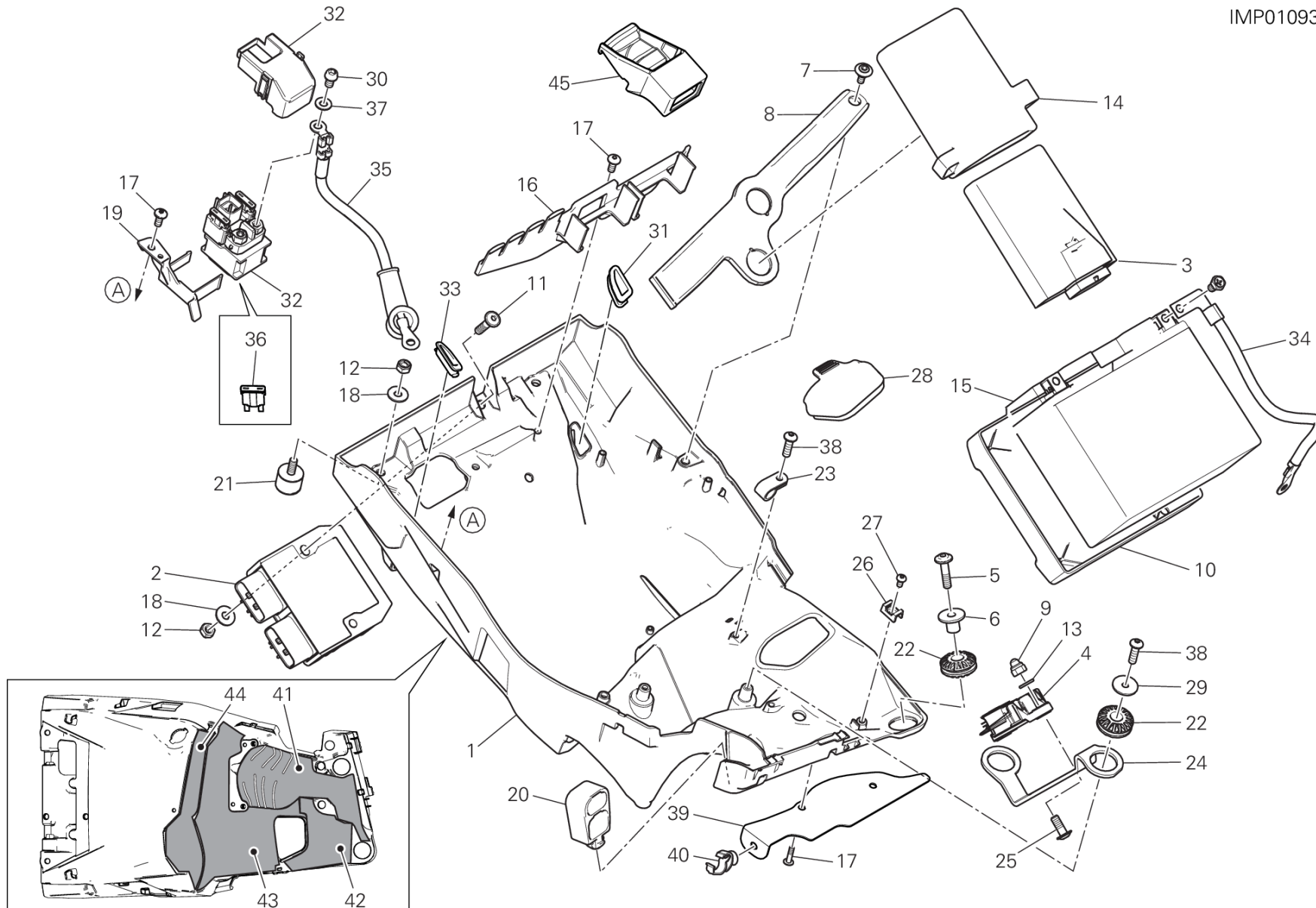
GROUP ELECTRIC



POS.	CODE	DESCRIPTION	QTY	START DATE	END DATE	VALIDITY	NOTES
1	8291D182B	BATTERY HOLDER	1	16/03/2015			
2	54040301B	VOLTAGE REGULATOR	1	16/03/2015			
3	38510884A	BLACKBOX UNIT	1	26/07/2017		MOD:MS1260	MS1260 - MS1260 Touring - MS1260 PP
4	38540073B	PIATTAFORMA INERZIALE	1	26/07/2017			
5	77210971B	SCREW	2	07/11/2014			
6	71610061A	SPACER	2	27/03/2015			
7	77214411AA	SCREW	1	07/11/2014			
8	83019202A	BRACKET, BATTERY BAND	1	24/03/2016			
9	74940021A	NUT, SELF-LOCKING M6	2	27/03/2015			
10	86611902A	BATTERY CARPET	1	01/04/2016			
11	77240463C	SCREW TBEIF M6X25	2	27/03/2015			
12	74941333B	NUT	4	27/03/2015			
13	85211761A	WASHER 6.4X12.5X1.6	2	16/03/2015			
14	70010853A	BRACKET	1	27/03/2015			
15	69926751A	BATTERY	1	10/11/2014			
16	83019212A	BRACKET, FUSE BOX	1	27/03/2015			
17	77440171A	SCREW	5	27/03/2015			
18	85211911A	WASHER 6.4X16X1.5	4	27/03/2015			
19	8291D931A	BRACKET, RELAY	1	16/03/2015			
20	8291D921A	BRACKET, CONNECTOR	1	13/11/2014			
21	70040251A	VIBRATION DAMPER	2	27/03/2015			
22	76411361A	VIBRATION DAMPER PAD	4	27/03/2015			
23	75840161A	FAIRLEAD	2	27/03/2015			
24	83019191AA	BRACKET	1	27/03/2015			
25	77240423C	SCREW TBEIF M6X16 10.9	2	27/03/2015			
26	85041711A	HOSE GUIDE	4	27/03/2015			
27	77440141A	SCREW, TAPPING 4X8 WN1412	4	16/03/2015			
28	4601C741A	GUARD	1	27/03/2015			
29	85241711A	WASHER 5.3X20X1.5	2	13/05/2016			
30	77156628B	SCREW TCEIF M6X10	1	27/03/2015			
31	87211051A	PLUG	1	07/05/2015			
32	39740081B	STARTER RELAY	1	27/03/2015			
33	87211041A	PLUG, RH	1	07/05/2015			
34	51310302C	BATTERY - ENGINE GROUNDING CABLE	1	27/03/2015			



IMP01093



## DRAWING 018 - BATTERY HOLDER [MOD:MS1260]

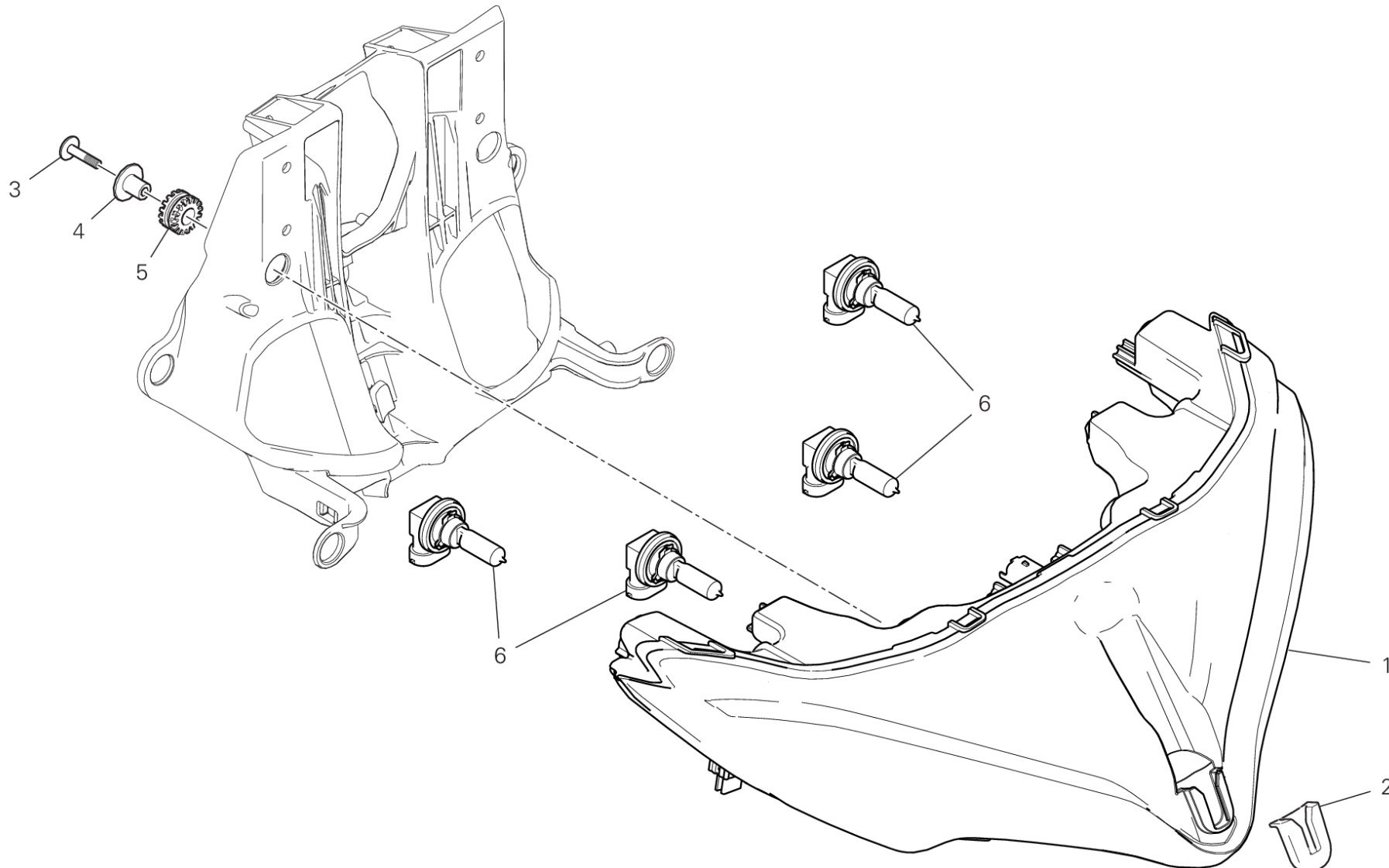
GROUP ELECTRIC



POS.	CODE	DESCRIPTION	QTY	START DATE	END DATE	VALIDITY	NOTES
35	51410761D	CABLE	1	27/03/2015			
36	38940231A	FUSE 30A	3				
37	85350101A	WASHER, SPRING	1	27/03/2015			
38	77440061A	SCREW, TAPPING 4.5X16	4	27/03/2015			
39	4601D221BA	BATTERY MOUNT HEAT GUARD	1	27/03/2015			
40	75840841A	FAIRLEAD	1	27/03/2015			
41	4601D451A	BATTERY MOUNT HEAT GUARD	1	27/03/2015			
42	4601D461A	BATTERY MOUNT HEAT GUARD	1	27/03/2015			
43	4601D441A	BATTERY MOUNT HEAT GUARD	1	27/03/2015			
44	4601D471A	BATTERY MOUNT HEAT GUARD	1	27/03/2015			
45	8291H181A	HOLDER	1	28/06/2017			

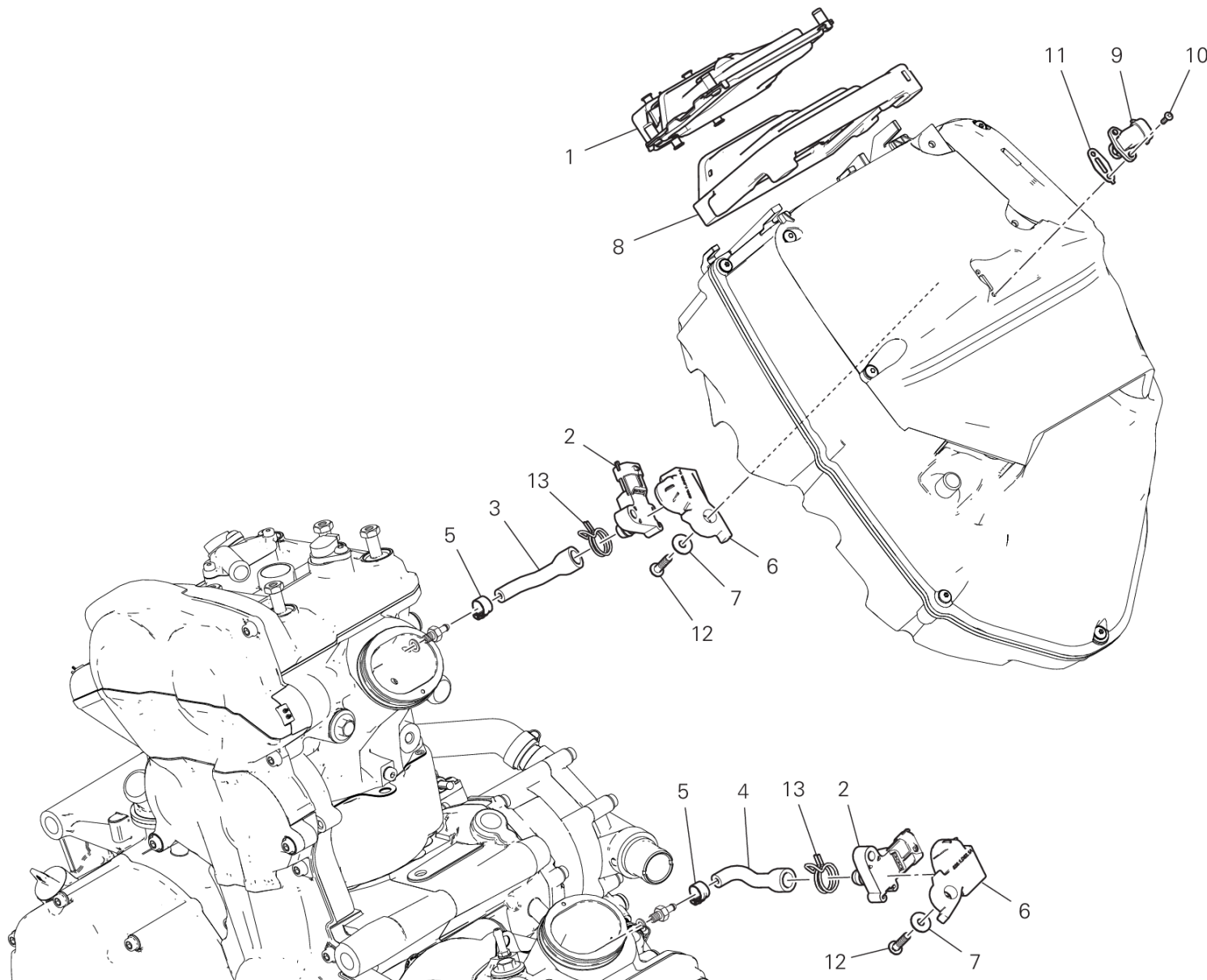


FAN00333





POS.	CODE	DESCRIPTION	QTY	START DATE	END DATE	VALIDITY	NOTES
1	52010322B	HEADLIGHT FRONT	1	10/01/2015		XST:AUS,BLG,EUR,GSO,JAP,ROK,TWN	NO CHN
2	76411331A	RUBBER PAD	1	07/11/2014			
3	77214061AA	SCREW, SPECIAL TCEI M5x22	4	07/11/2014			
4	71611641AA	SPACER	4	05/05/2015			
5	76410241A	VIBRATION DAMPER PAD	4	24/02/2015			
6	39040201A	BULB 12V, 55W	4				



IMP01079

# DRAWING 18A - ENGINE CONTROL UNIT [MOD:MS1260]

GROUP ELECTRIC



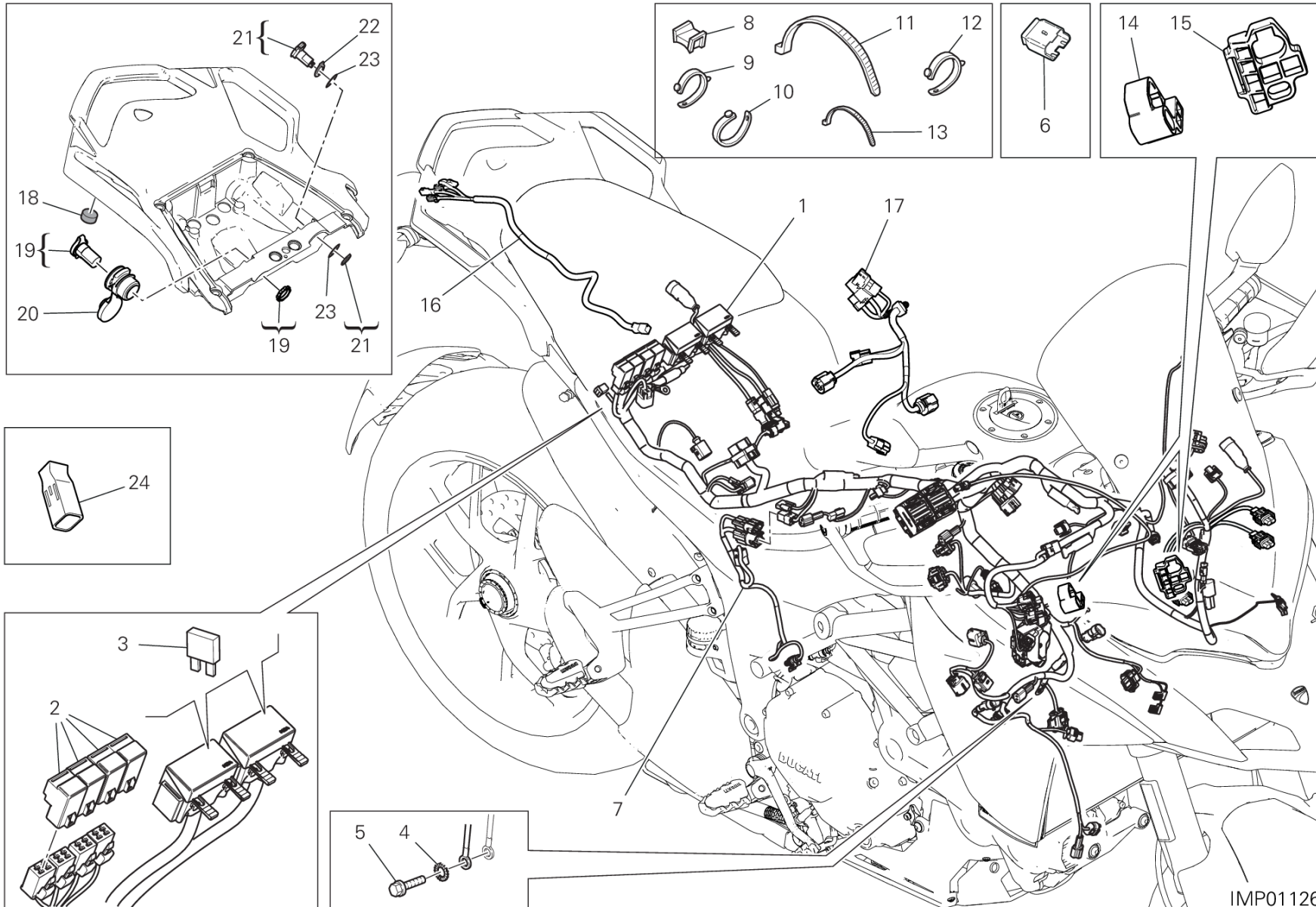
POS.	CODE	DESCRIPTION	QTY	START DATE	END DATE	VALIDITY	NOTES
1	28642941A	ENGINE CONTROL UNIT	1	28/06/2017		XST:AUS,EUR,GSO,JAP,ROK	
	28642941E	ENGINE CONTROL UNIT	1	28/06/2017		XST:BLG	
	28642941H	ENGINE CONTROL UNIT	1	11/05/2018		XST:TWN	
2	55243161B	SENSOR, PRESSURE	2	28/06/2017			
3	59017931A	PIPE	1	28/06/2017			
4	59017941A	PIPE	1	28/06/2017			
5	74141711A	CLAMP 10-7 MM	2	28/06/2017			
6	8291D521B	MOUNT RUBBER	2	28/06/2017			
7	85250311A	WASHER 5.3X15X1.2	2	28/06/2017			
8	86611931A	BRACKET	1	28/06/2017			
9	55240121A	SENSOR, AIR TEMPERATURE	1	13/06/2017			
10	77440183C	SCREW	2	13/06/2017			
11	78811041A	GASKET, COOLING WATER SENSOR	1	13/06/2017			
12	77440321A	SCREW, TAPPING	2	28/06/2017			
13	74142251A	CLAMP	2	28/06/2017			



# DRAWING 18B - WIRING HARNESS

[MOD:MS1260;XST:AUS,BLG,EUR,GSO,JAP,ROK,TWN]

GROUP ELECTRIC



IMP01126

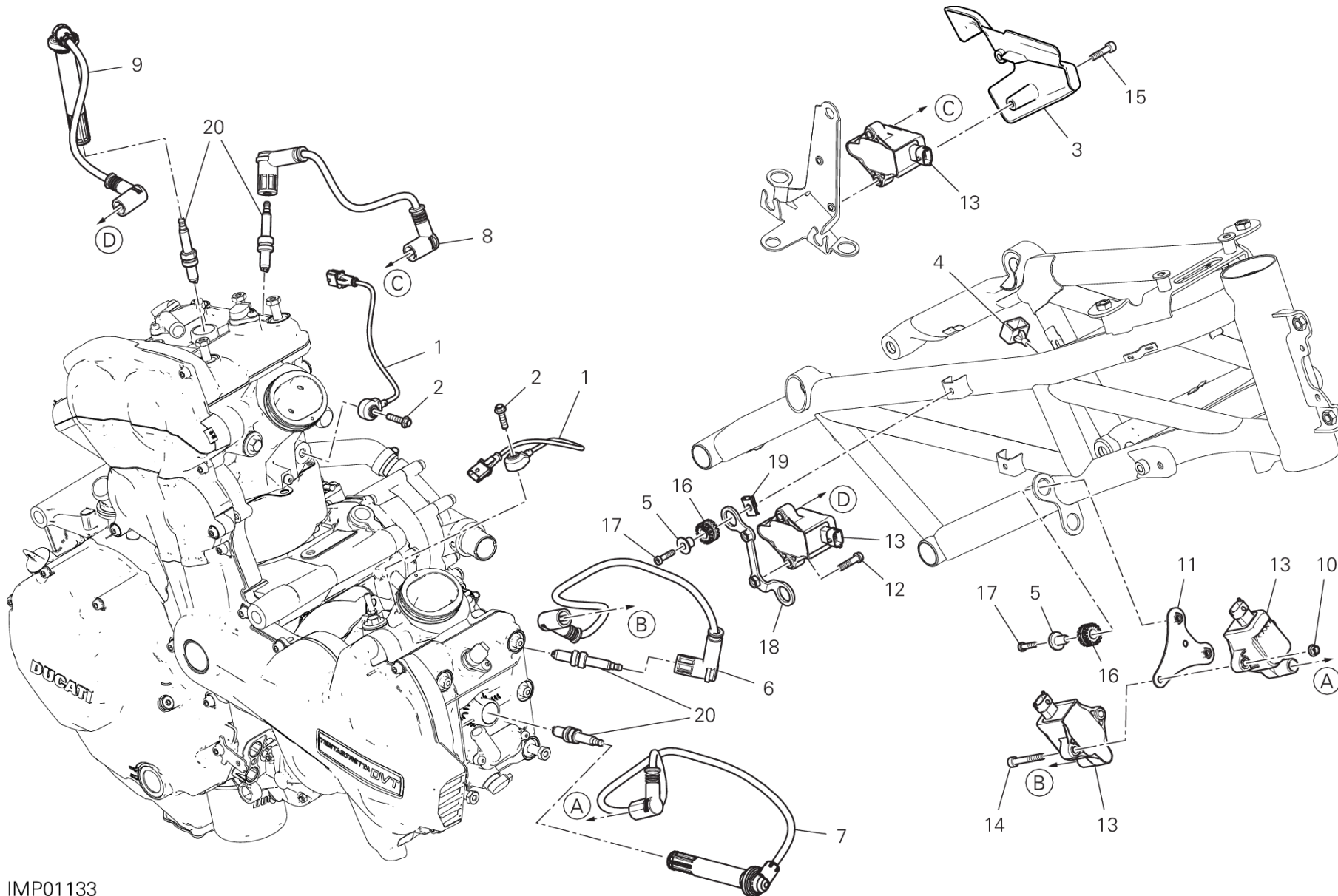
# DRAWING 18B - WIRING HARNESS

[MOD:MS1260;XST:AUS,BLG,EUR,GSO,JAP,ROK,TWN]



## GROUP ELECTRIC

POS.	CODE	DESCRIPTION	QTY	START DATE	END DATE	VALIDITY	NOTES
1	5101C613D	MAIN WIRING HARNESS	1	01/03/2018			
2	54140151A	RELAY	4				
3	38940191A	FUSE 5A	2				
	38940201A	FUSE 10A	3				
	38940211A	FUSE 15A	2				
	38940221A	FUSE 20A	1				
	38940241A	FUSE 7,5A	2				
	38940261A	FUSE 25A	3				
4	85550001B	SPRING WASHER	1	08/05/2013			
5	77211061A	SCREW TEF M6X14	1	08/05/2013			
6	87210532A	CAP DDA	1	07/05/2015			
7	5101A302A	ELECTRIC WIRING	1	30/03/2015		PLT:DB10	
8	85040671A	CLAMP TUCKER	5	07/11/2014			
9	74110121A	CLAMP, RUBBER 62MM	8	17/11/2014			
10	74110131A	CLAMP, RUBBER 82MM	2	08/05/2013			
11	069191030	CLAMP	27	08/05/2013			
12	74110551A	CLAMP, RUBBER 39MM	15	17/11/2014			
13	74140381A	CLAMP	4	24/03/2015			
14	8291E102A	BRACKET, CONNECTOR RIGHT	1	29/02/2016			
15	8291E111A	BRACKET, CONNECTOR LEFT	1	27/03/2015			
16	5101C801A	REAR WIRING	1	28/06/2017			
17	51019961C	INJECTION WIRING	1	28/06/2017			
18	86611221A	VIBRATION DAMPER	1	28/06/2017			
19	38640591A	SOCKET, LOW VOLTAGE (USB)	1	10/02/2016			
20	76412261A	HOLDER	1	28/06/2017			
21	38640132A	SOCKET, LOW VOLTAGE	1	28/06/2017			
22	71319331A	SPACER	1	28/06/2017			
23	85213761A	WASHER	1				
24	87210641A	CAP, CONNECTOR	1	15/02/2018			



IMP01133

# DRAWING 18C - WIRING HARNESS (COIL) [MOD:MS1260]

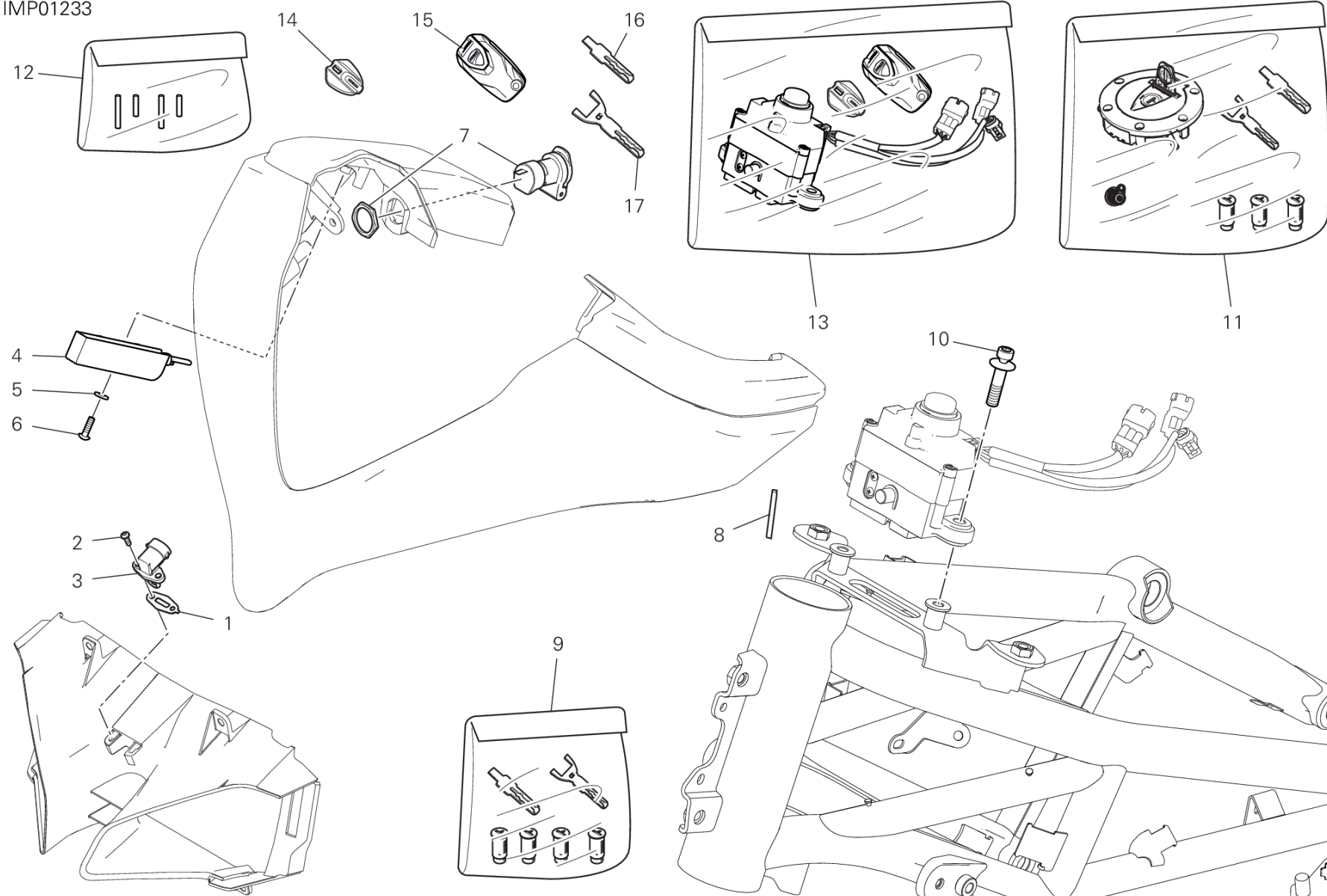
## GROUP ELECTRIC



POS.	CODE	DESCRIPTION	QTY	START DATE	END DATE	VALIDITY	NOTES
1	55243181A	DETECTOR	2	28/06/2017			
2	77244661A	SCREW	2	28/06/2017			
3	48017411A	CAP LH	1	07/11/2014			
4	82911901A	MOUNT RUBBER	1	07/11/2014			
5	71611641AA	SPACER	4	18/05/2015			
6	67110681C	CABLE, HORIZONTAL HEAD SPARK PLUG LH	1	18/09/2014			
7	67110671E	SPARK PLUG CABLE, HORIZONTAL HEAD	1	18/09/2014			
8	67110661C	CABLE, VERTICAL HEAD SPARK PLUG LH	1	18/09/2014			
9	67110691D	SPARK PLUG CABLE, VERTICAL HEAD	1	18/09/2014			
10	74810361A	NUT	2	08/10/2014			
11	8291E081AA	BRACKET, COIL HORIZONTAL	1	18/09/2014			
12	77310021A	SCREW TCEIR M6X25	2	18/09/2014			
13	38040251A	IGNITION COIL	4	18/09/2014			
14	77150748B	SCREW TCEI M6X45	2	18/09/2014			
15	77156713B	SCREW	2				
16	76410241A	VIBRATION DAMPER PAD	4	24/02/2017			
17	77354743B	SCREW TCEIR M5X20 DIN6912 8.8	4	07/11/2014			
18	8291E091AA	BRACKET, COIL VERTICAL	1	18/09/2014			
19	85040551A	QUICK FASTENING	3	07/11/2014			
20	67040451A	SPARK PLUG NGK MAR9A-J	4				



IMP01233

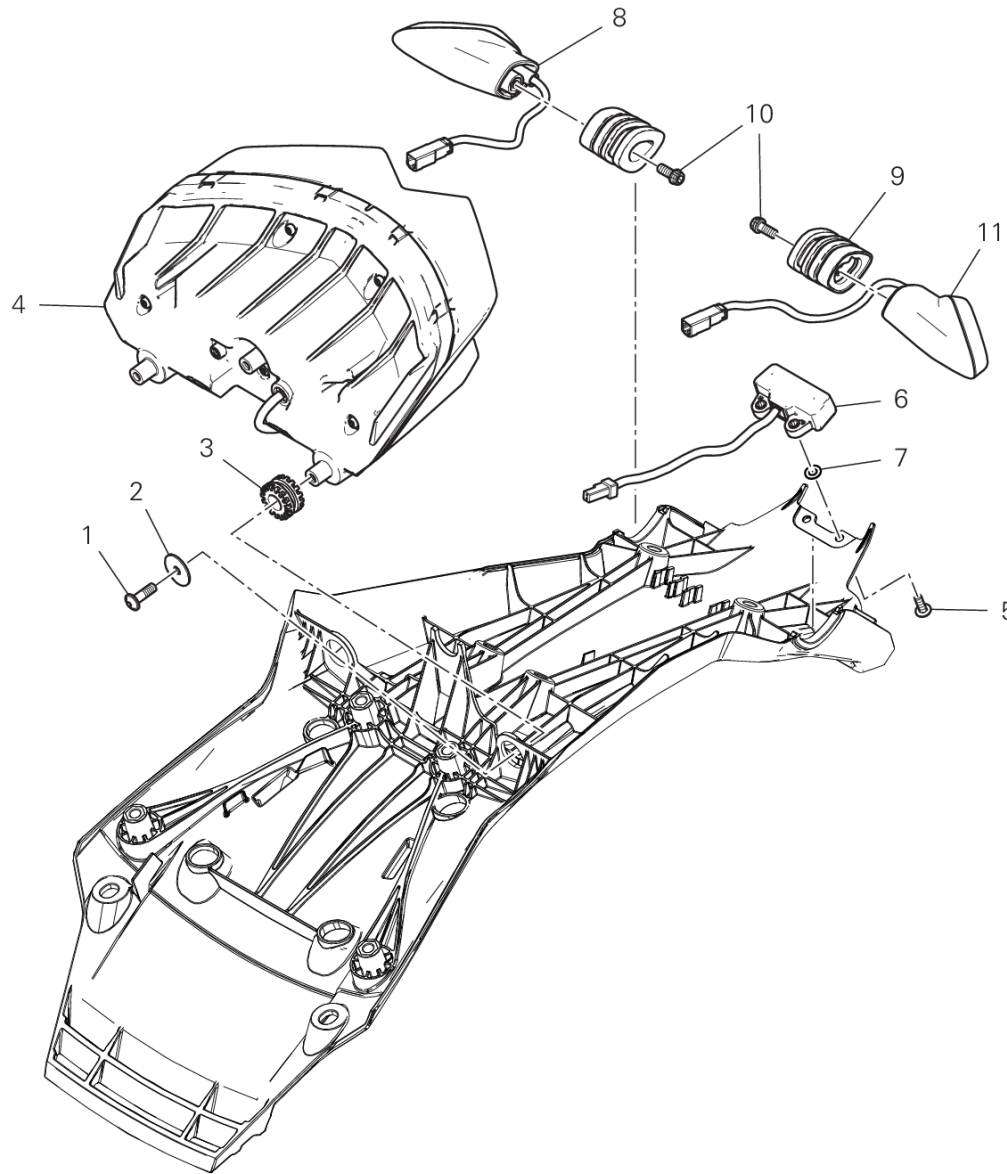


# DRAWING 18E - FRONT WIRING HARNESS [MOD:MS1260]

## GROUP ELECTRIC



POS.	CODE	DESCRIPTION	QTY	START DATE	END DATE	VALIDITY	NOTES
1	78811041A	GASKET, COOLING WATER SENSOR	1	22/01/2015			
2	77440183C	SCREW	2	22/01/2015			
3	55240121A	SENSOR, AIR TEMPERATURE	1	22/01/2015			
4	51840251A	ANTENNA IMMOBILIZER	1	28/06/2017			
5	85240211A	WASHER 4.7X10X1	4	28/06/2017			
6	77440251A	SCREW	2	28/06/2017			
7	38640132A	SOCKET, LOW VOLTAGE	1	28/06/2017			
8	76414551A	RUBBER PAD 160 MM	1				
9	59821961A	LOCK KIT	1	10/10/2016			
10	7791A821AA	SCREW, SPECIAL	2	28/06/2017			
11	59821941A	LOCKS KIT	1	28/06/2017			PLT:DB10;XST:AUS,BLG,EUR,GSO,JAF
12	86020011A	KIT SPINE	1	12/10/2017			XST:AUS,BLG,EUR,GSO,ROK,TWN
13	59821981F	KIT HANDS FREE 433 MHZ	1	01/10/2017			XST:AUS,BLG,EUR,GSO,ROK,TWN
	59821991F	KIT HANDS FREE 315 MHZ	1	01/10/2017			XST:JAP
14	59810371B	KEY WITHOUT TRANSPONDER	1	09/10/2017			
15	59810361F	KEY WITH TRANSPONDER	1	09/10/2017			XST:AUS,BLG,EUR,GSO,ROK,TWN
	59810381E	KEY WITH TRANSPONDER	1	09/10/2017			XST:JAP
16	59840511A	INSERT KEY WITH TRANSPONDER	1	10/10/2016			
17	59840521A	INSERT KEY WITHOUT TRANSPONDER	1	10/10/2016			



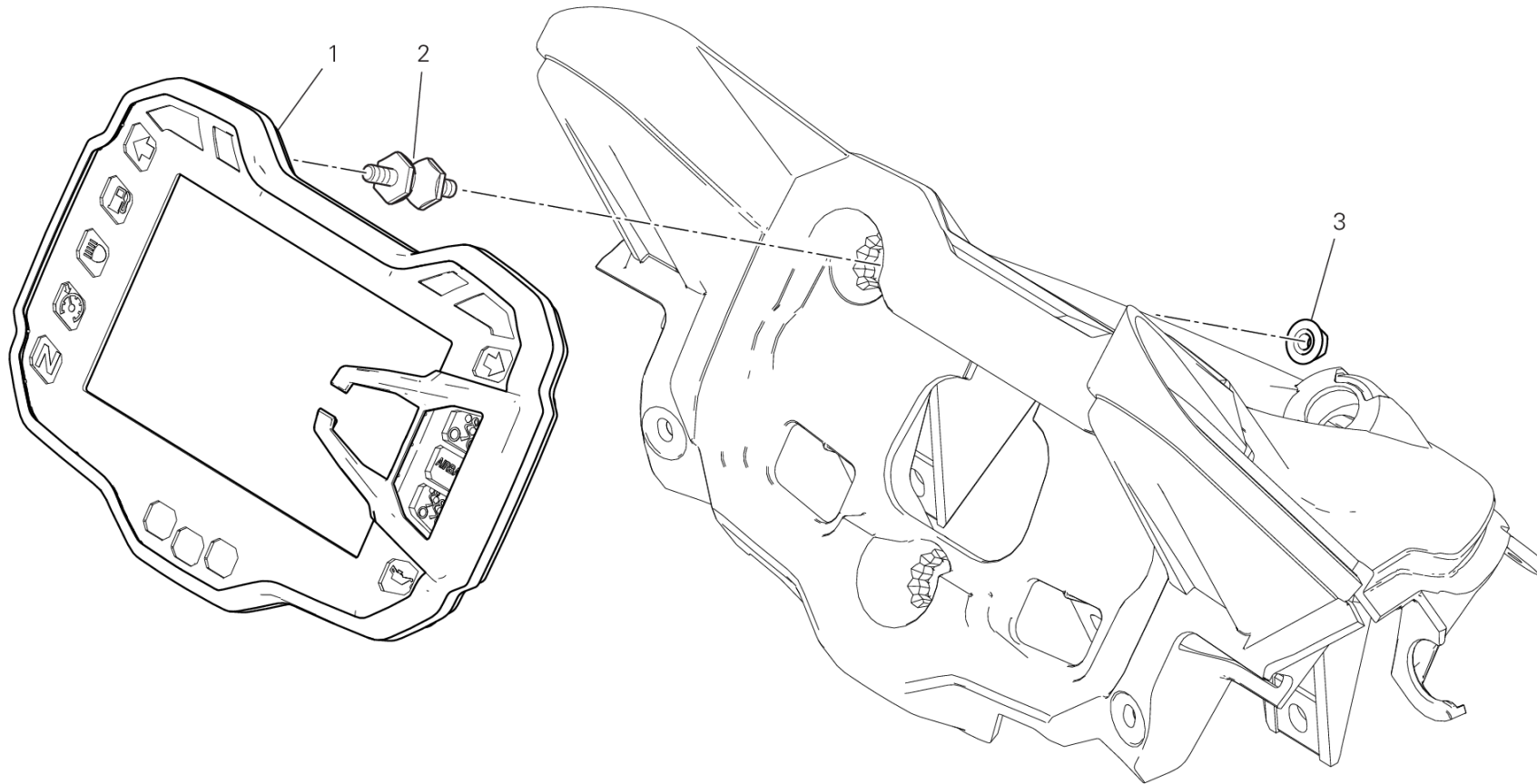
FAN00337

## DRAWING 20A - TAILLIGHT [MOD:MS1260;XST:AUS,BLG,EUR,JAP,ROK,TWN]

GROUP ELECTRIC



POS.	CODE	DESCRIPTION	QTY	START DATE	END DATE	VALIDITY	NOTES
1	77440041A	SCREW, TAPPING M5X16	3	18/09/2014			
2	85241711A	WASHER 5.3X20X1.5	3	08/05/2013			
3	76410241A	VIBRATION DAMPER PAD	3	18/09/2014			
4	52510522B	TAILLIGHT	1	27/11/2015			
5	77240133C	SCREW TBEIF M4X12	2	18/09/2014			
6	52510433D	LAMP, LICENSE PLATE	1	27/11/2015			
7	85212511A	WASHER 4.5X9X0.5	2	27/11/2015			
8	53010332B	FLASHER LIGHT FRONT LH - REAR RH	1	08/11/2016			
9	7131A923A	SPACER, FLASHER LIGHT	2	27/11/2015			
10	77156398B	SCREW TCEIF M5X12	2	18/09/2014			
11	53010322B	FLASHER LIGHT FRONT RH- REAR LH	1	28/06/2017			



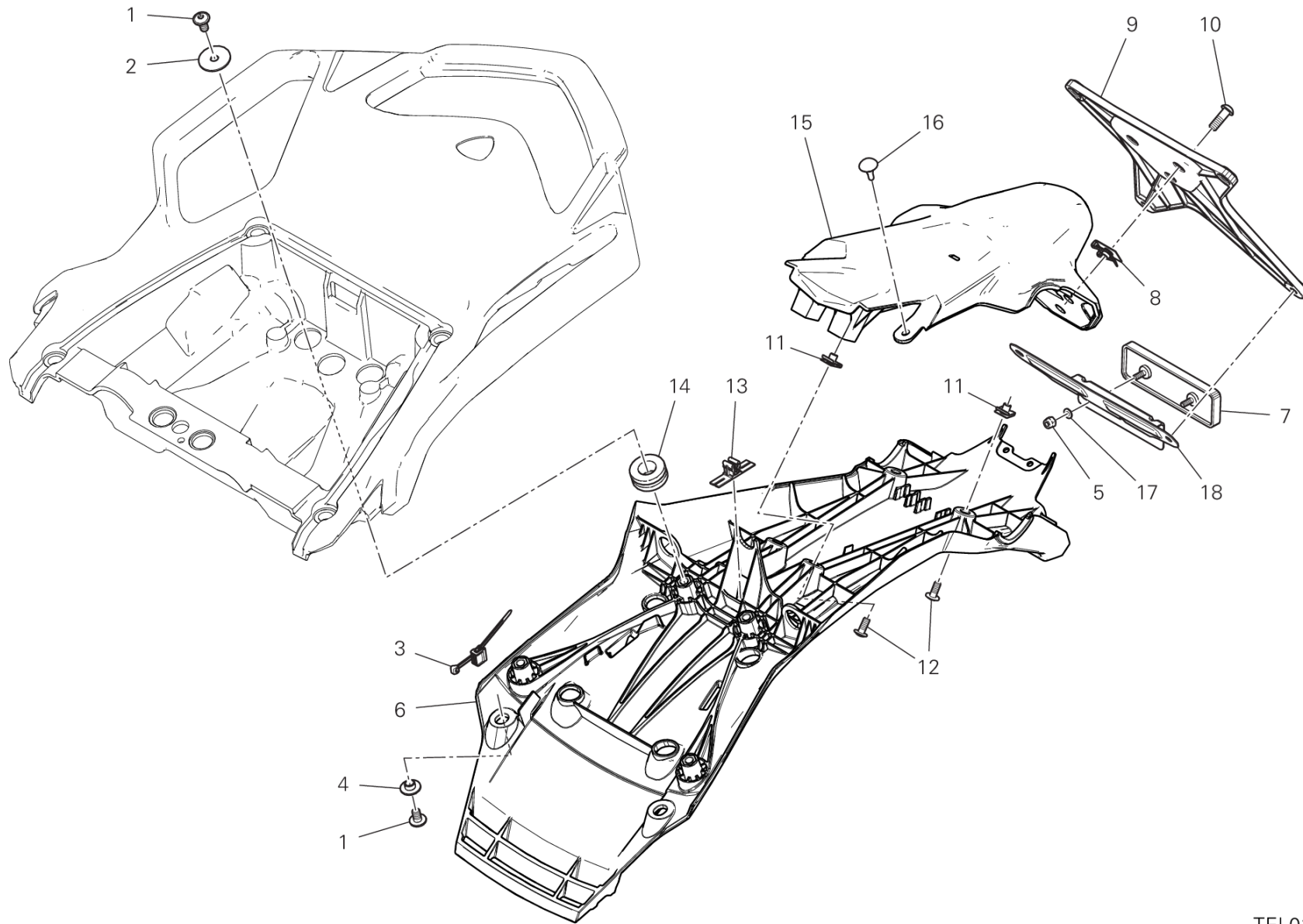
FAN00348

# DRAWING 20B - INSTRUMENT PANEL [MOD:MS1260]

GROUP ELECTRIC



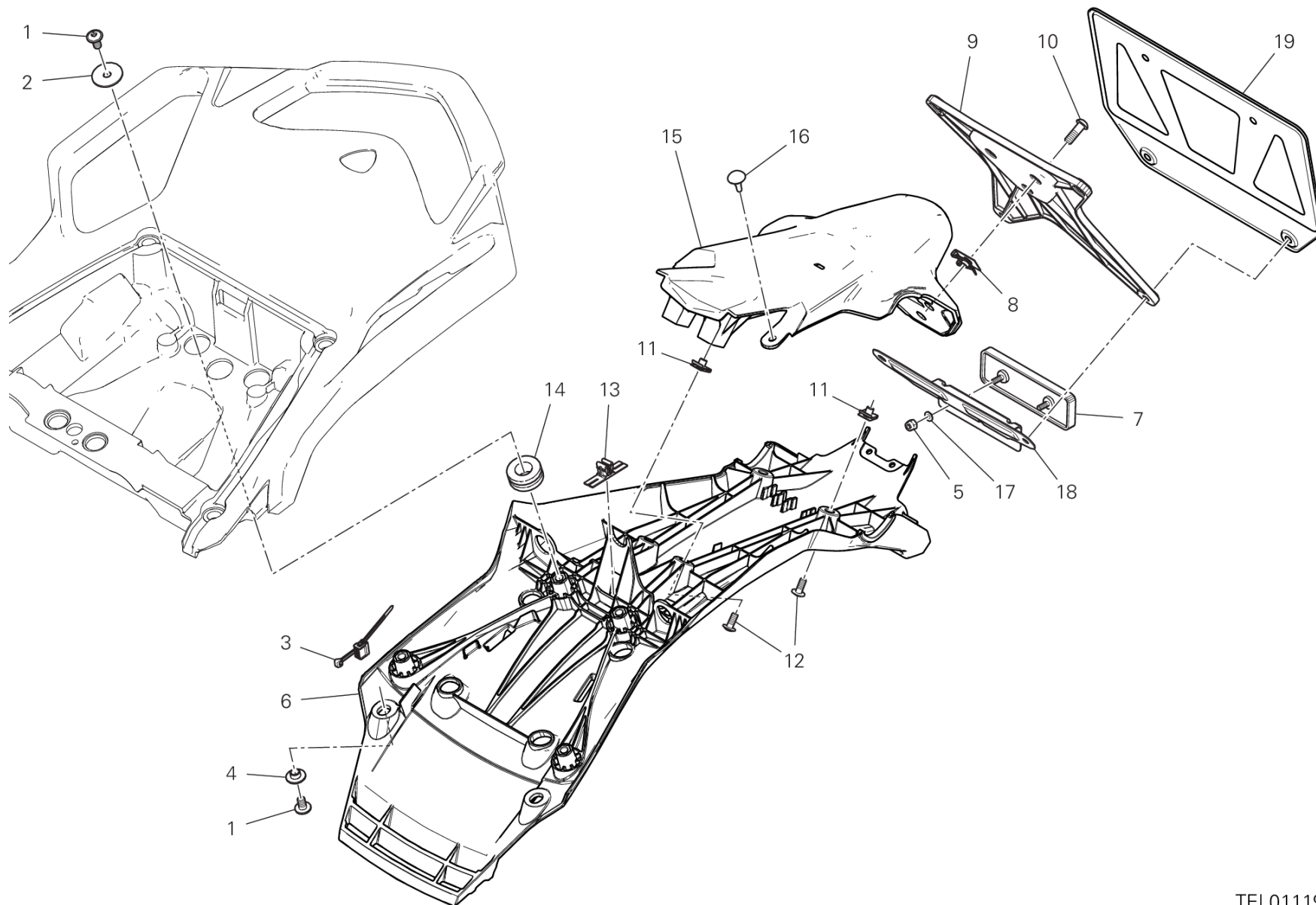
POS.	CODE	DESCRIPTION	QTY	START DATE	END DATE	VALIDITY	NOTES
1	40611461B	INSTRUMENT PANEL	1	28/06/2017		MOD:MS1260	
2	70010901A	VIBRATION DAMPER	3	11/03/2015			
3	74841091AA	NUT	3	22/09/2017			



TEL01118



POS.	CODE	DESCRIPTION	QTY	START DATE	END DATE	VALIDITY	NOTES
1	77240403C	SCREW	6	02/12/2014			
2	85211961B	WASHER 6.4X25X1.5	4	07/11/2014			
3	75840801A	CLAMP	1	08/10/2014			
4	71611071AB	SPACER	2	07/11/2014			
5	74950011B	NUT, SPRING	2	28/06/2017			
6	24715913A	COVER, LICENSE PLATE HOLDER	1	08/11/2016			
7	52910061B	REFLEX REFLECTOR, REAR	1	28/06/2017			
8	85040381A	QUICK FASTENING	3	08/05/2013			
9	56113392A	PLATE HOLDER	1	28/06/2017			
10	77240438C	SCREW TBEIF M6X18	3	18/09/2014			
11	85040471A	QUICK FASTENING M5	4	18/09/2014			
12	77240263C	SCREW	4	18/09/2014			
13	75840901A	FAIRLEAD	1	18/09/2014			
14	76412041A	RUBBER PAD	4	11/11/2014			
15	56113481A	PLATE HOLDER	1	08/11/2016			
16	86610751A	PAD	2	18/09/2014			
17	85250011C	WASHER 4.3X9X0.8	2	28/06/2017			
18	82712981B	BRACKET, REFLECTOR	1	28/06/2017			



TEL01119

## DRAWING 27A - PLATE HOLDER [MOD:MS1260;XST:JAP]

GROUP ELECTRIC



POS.	CODE	DESCRIPTION	QTY	START DATE	END DATE	VALIDITY	NOTES
1	77240403C	SCREW	6	02/12/2014			
2	85211961B	WASHER 6.4X25X1.5	4	07/11/2014			
3	75840801A	CLAMP	1	08/10/2014			
4	71611071AB	SPACER	2	07/11/2014			
5	74950011B	NUT, SPRING	2	28/06/2017			
6	24715913A	COVER, LICENSE PLATE HOLDER	1	08/11/2016			
7	52910061B	REFLEX REFLECTOR, REAR	1	28/06/2017			
8	85040381A	QUICK FASTENING	3	08/05/2013			
9	56113392A	PLATE HOLDER	1	28/06/2017			
10	77240438C	SCREW TBEIF M6X18	3	18/09/2014			
11	85040471A	QUICK FASTENING M5	4	18/09/2014			
12	77240263C	SCREW	4	18/09/2014			
13	75840901A	FAIRLEAD	1	18/09/2014			
14	76412041A	RUBBER PAD	4	11/11/2014			
15	56113481A	PLATE HOLDER	1	08/11/2016			
16	86610751A	PAD	2	18/09/2014			
17	85250011C	WASHER 4.3X9X0.8	2	28/06/2017			
18	82712981B	BRACKET, REFLECTOR	1	28/06/2017			
19	56113381AA	PLATE PLATE HOLDER	1	28/06/2017			

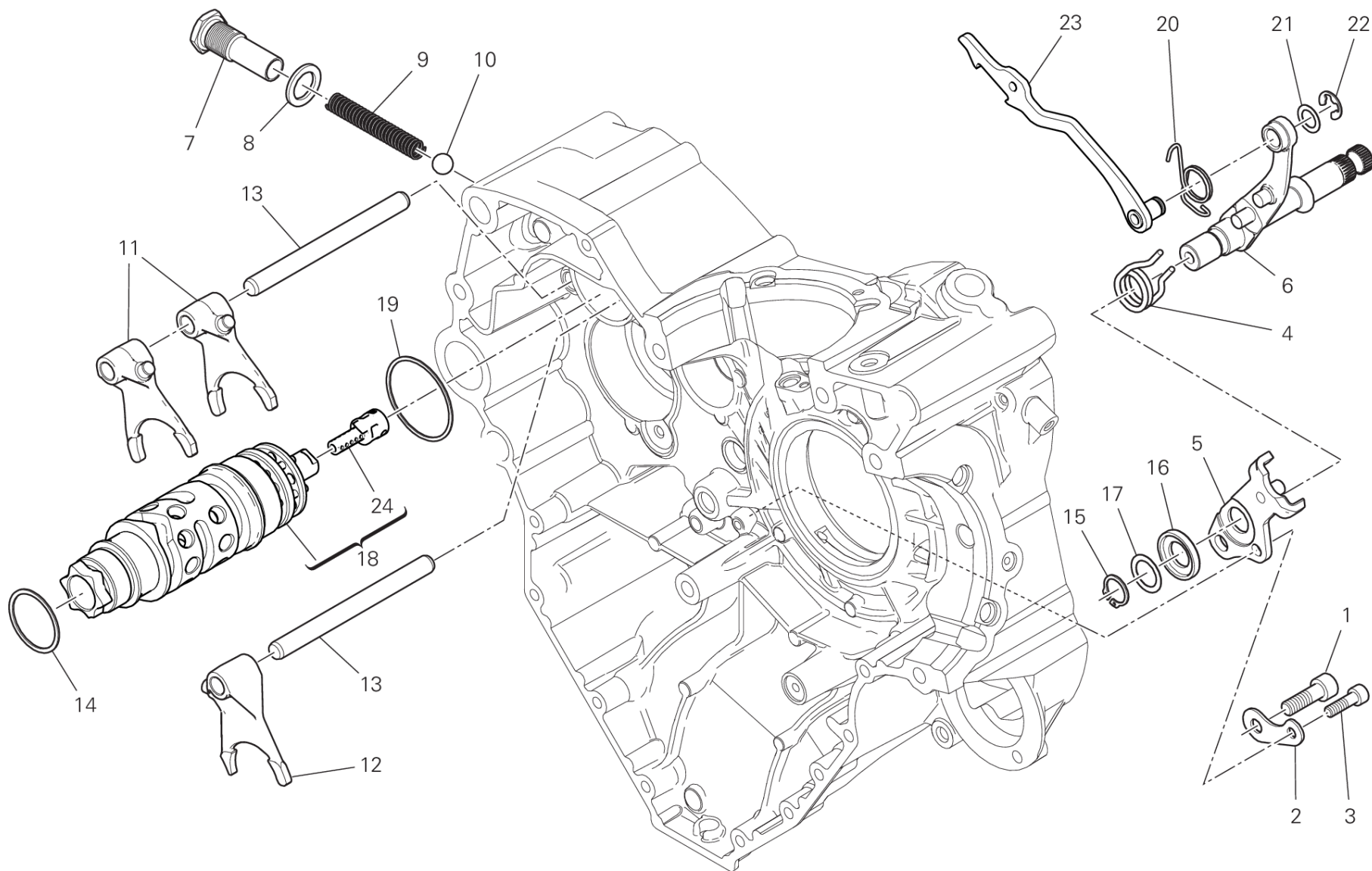


# DRAWING L - SHELL ADVANCE [MOD:MS1260]

GROUP OIL



POS.	CODE	DESCRIPTION	QTY	START DATE	END DATE	VALIDITY	NOTES
1	944650035	SHELL ADVANCE DUCATI 15W50 - 1L BOTTLE	1				
2	944650037	SHELL ADVANCE DUCATI 15W50 – 209L DRUM	1				



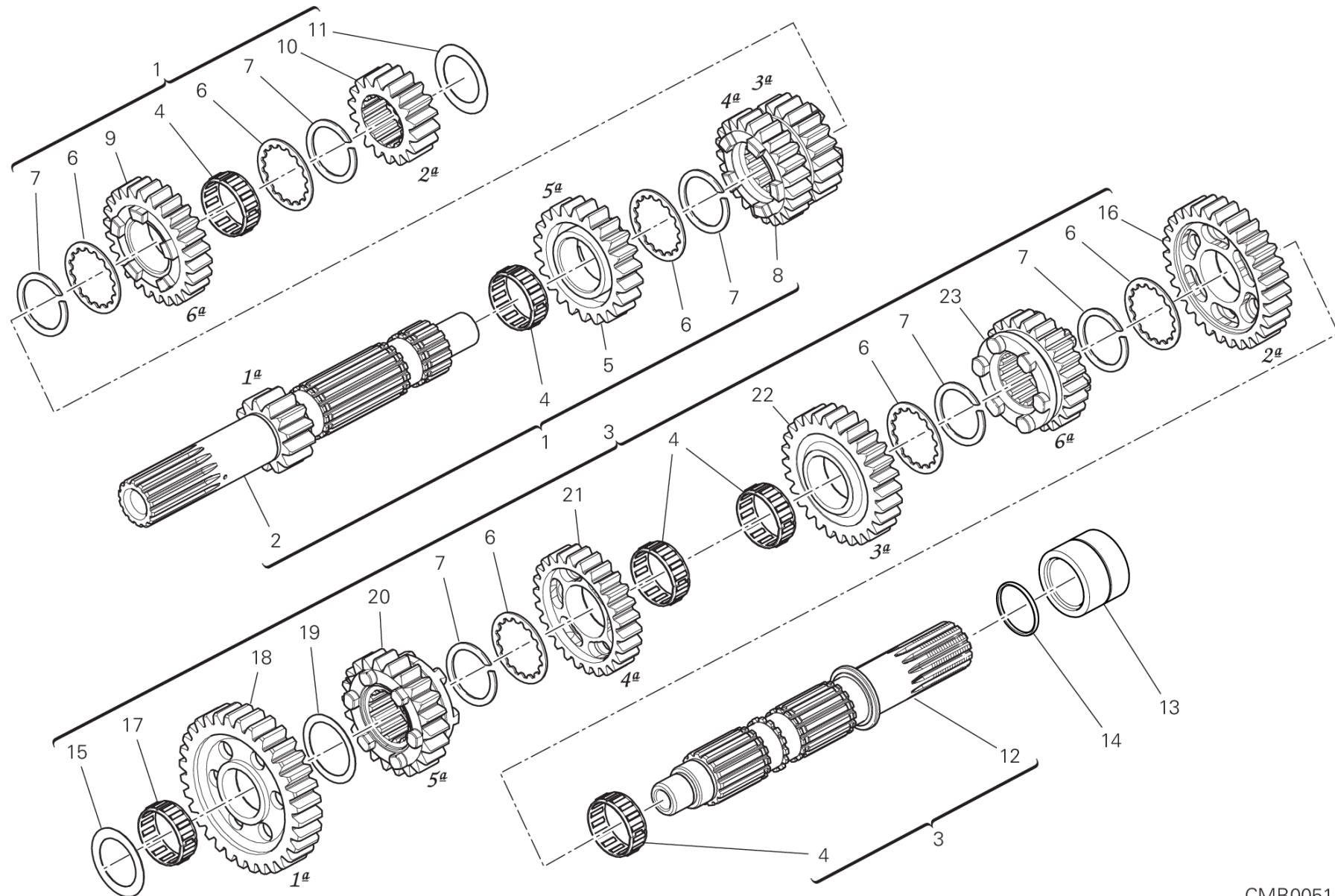
CMB00510

# DRAWING 002 - GEAR CHANGE MECHANISM [MOD:MS1260]

## GROUP ENGINE



POS.	CODE	DESCRIPTION	QTY	START DATE	END DATE	VALIDITY	NOTES
1	77151250ZF	SCREW	1	22/03/2013			
2	71319151A	SPACER	1	22/03/2013			
3	77150670ZF	SCREW	1	22/03/2013			
4	79915061A	SPRING, SHIFT RETURN	1	03/05/2012			
5	82610261A	STOPPER PLATE	1	28/11/2013			
6	82114731A	GEAR SELECTOR SHAFT	1	28/11/2013			
7	77912033A	SCREW M16X1.5	1	22/03/2013			
8	027291090	GASKET 16.2X24X2	1	22/03/2013			
9	066013143	GEAR SELECTOR SPRING	1	22/03/2013			
10	768351134	BALL 11MM	1	22/03/2013			
11	180Z0031A	GEAR SELECTOR FORK,1ST/4TH-2ND/3RD	2	22/03/2013			
12	180Z0041A	FORK-SHIFT, 5TH&6TH	1	22/03/2013			
13	82113881A	FORK PIN	2	25/03/2013			
14	85210051A	THRUST WASHER 1 MM	1	22/03/2013			
15	735001542	CIRCLIP 15 DIN 471	1	28/11/2013			
16	88110121A	CENTERING RING	1	28/11/2013			
17	040029126	THRUST WASHER 15.5X22X0.5	1	28/11/2013			
18	18220681B	COMPLETE GEARBOX DRUM	1	17/06/2019			
19	85210941A	THRUST WASHER 45.2X49X0.9	1	22/03/2013			
20	79912961A	RETURN SPRING	1	28/11/2013			
21	040009050	THRUST WASHER 10.5X16X0.5	1	28/11/2013			
22	88450341B	SPRING RING	1	28/11/2013			
23	18020511A	CONTROL FORK	1	25/07/2016			
24	55214911A	MAGNETE (Unit)	1	18/05/2016		PLT:DB10	



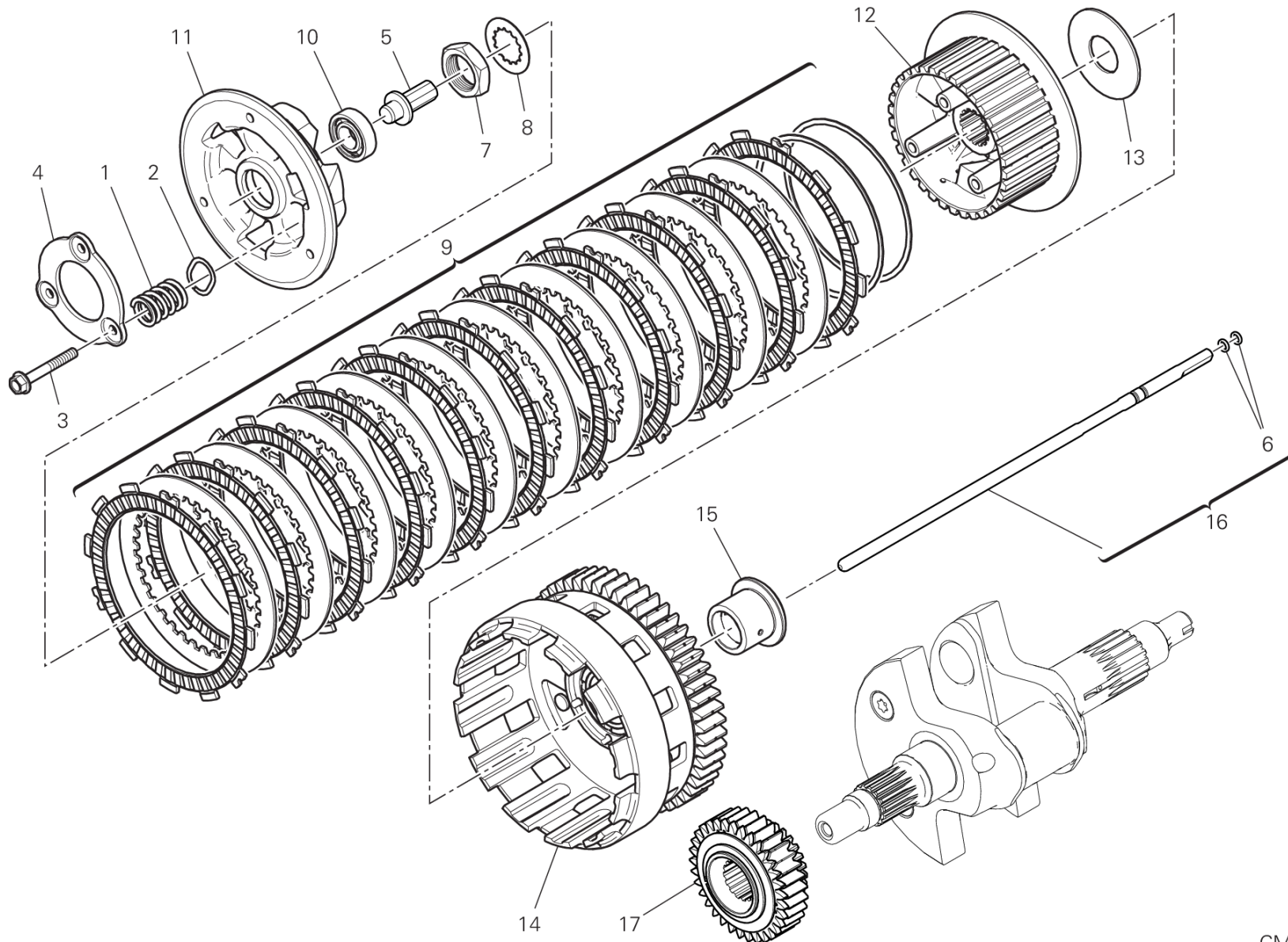
CMB00511

## DRAWING 003 - GEAR BOX [MOD:MS1260]

## GROUP ENGINE



POS.	CODE	DESCRIPTION	QTY	START DATE	END DATE	VALIDITY	NOTES
1	15021431E	COMPLETE MAIN SHAFT	1	19/02/2013			
2	14910831D	GEARBOX MAIN SHAFT	1	19/02/2013			
3	15021941B	COMPLETE LAY SHAFT	1	19/02/2013			
4	70140051A	BEARING, NEEDLE	5	19/02/2013			
5	17213291C	GEAR DRIVE 5TH SPEED	1	19/02/2013			
6	85611372A	WASHER LOCK 28X32.5X1	6	19/02/2013			
7	88210151A	SPRING RING 25X29X2.4	6	19/02/2013			
8	17213281C	GEAR, 3RD-4TH PINION	1	19/02/2013			
9	17213301C	GEAR DRIVE 6TH SPEED	1	19/02/2013			
10	17213271A	DRIVING GEAR 2ND SP.	1	19/02/2013			
11	71310141E	THRUST WASHER 20.3X32X1.6	1	16/05/2011			
12	14910891C	DRIVEN SHAFT	1	19/02/2013			
13	71319951A	SPACER, ENGINE SPROCKET	1	18/06/2014			
14	46320537A	O-RING	1	25/03/2013			
15	71312661A	THRUST WASHER 17.3X31X3.15	1	19/02/2013			
16	17213321A	DRIVEN GEAR 2ND SP.	1	24/12/2009			
17	764020002	BEARING, NEEDLE	1	24/12/2009			
18	17213311A	DRIVEN GEAR 1ST SP.	1	24/12/2009			
19	067016155	THRUST WASHER 1 MM	1	24/12/2009			
20	17213351B	DRIVEN GEAR 5TH SPEED 23T	1	19/02/2013			
21	17213341B	DRIVEN GEAR 4TH SPEED T:24	1	19/02/2013			
22	17213331B	DRIVEN GEAR 3RD SPEED T27	1	19/02/2013			
23	17213361B	DRIVEN GEAR 6TH SPEED T22	1	19/02/2013			



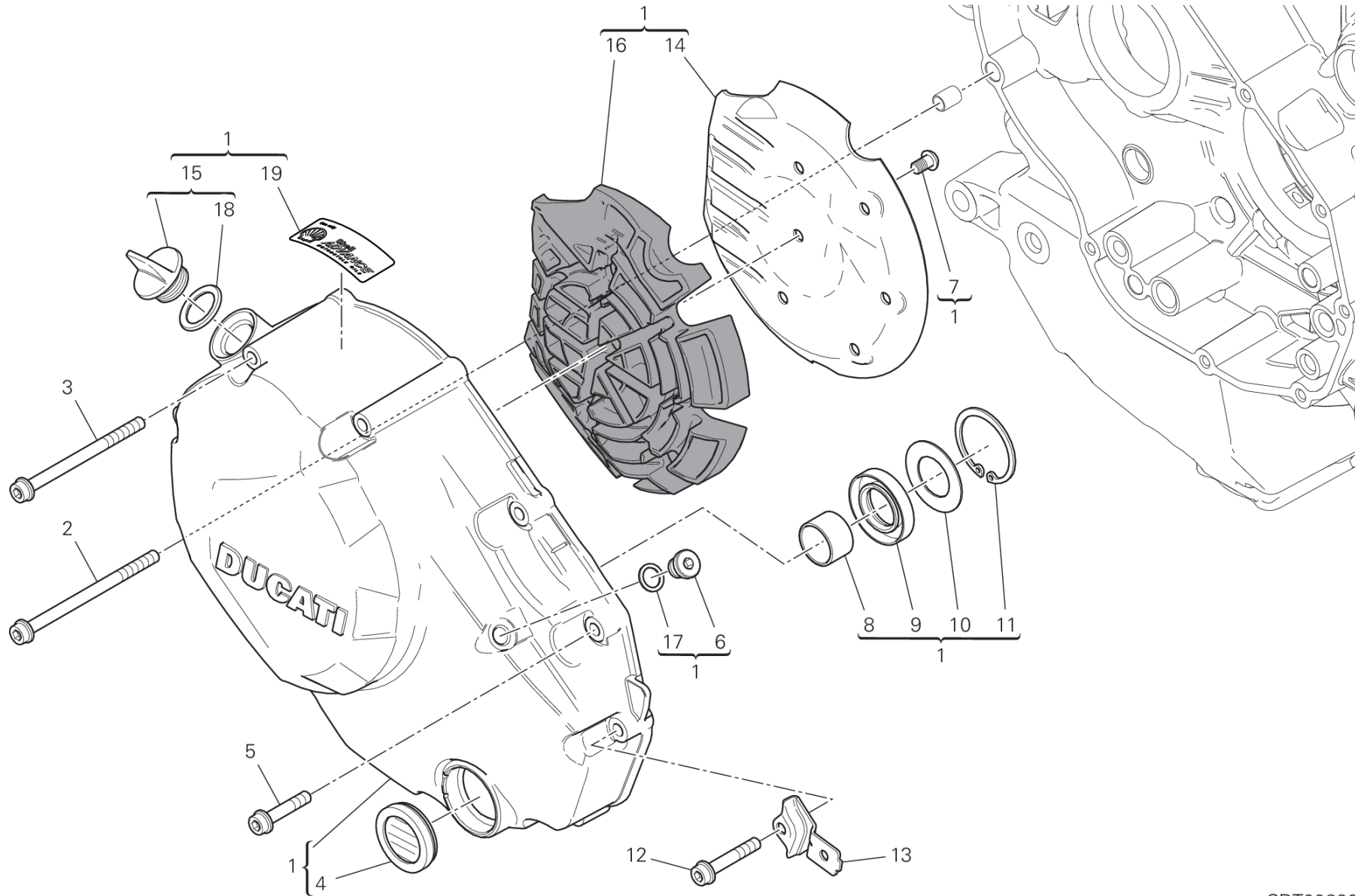
CMB00512

## DRAWING 004 - CLUTCH [MOD:MS1260]

## GROUP ENGINE



POS.	CODE	DESCRIPTION	QTY	START DATE	END DATE	VALIDITY	NOTES
1	79710531B	SPRING	3	10/10/2017			
2	85611391B	THRUST WASHER	3	02/05/2012			
3	77211201A	SCREW	3	02/05/2012			
4	19410511A	RING	1	02/05/2012			
5	81810162A	CLUTCH CONTROL PIN (FCC)	1	25/03/2013			
6	88641731A	O-RING 1.78X4.76	2	18/07/2011			
7	75010071E	NUT M25X1.5	1	25/03/2013			
8	85110201A	LOCK WASHER	1	25/03/2013			
9	19020531A	CLUTCH DISC SET	1	02/05/2012			
10	70250601A	BEARING	1	02/05/2012			
11	19610542C	DISK, CLUTCH PRESSURE (FCC)	1	06/09/2013			
12	19610532C	PLATE HOLDER HUB (FCC)	1	06/09/2013			
13	71313091A	SPACER	1	02/05/2012			
14	19820441A	PRIMARY DRIVEN GEAR COMP.	1	06/09/2013			
15	71314831A	SPACER	1	17/10/2012			
16	11721751A	CLUTCH CONTROL ROD	1	02/08/2016			
17	17021351A	PRIMARY DRIVE FRONT SPROCKET	1	06/09/2013			



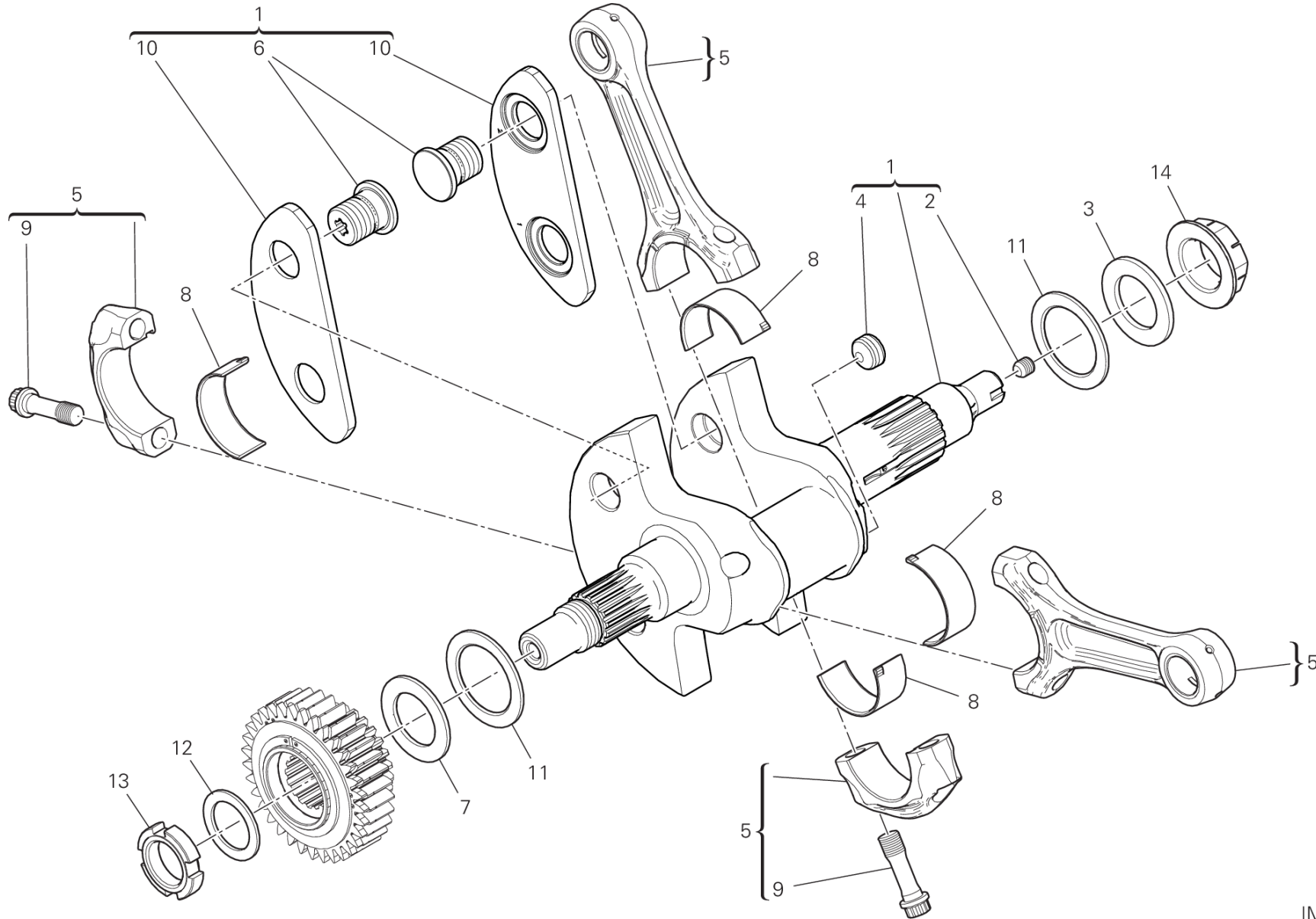
CRT00820

## DRAWING 005 - CLUTCH COVER [MOD:MS1260]

## GROUP ENGINE



POS.	CODE	DESCRIPTION	QTY	START DATE	END DATE	VALIDITY	NOTES
1	24321445BE	COVER CLUTCH SIDE	1	23/02/2017			
2	77140833C	SCREW TCEIF M6X90 10.9	1	14/04/2014			
3	77140813C	SCREW TCEIF M6X80 10.9	3	14/04/2014			
4	25440013A	WINDOW, OIL LEVEL CHECK	1	01/01/2011			
5	77140713C	SCREW TCEIF M6X30 10.9	5	02/02/2015			
6	78011001B	PLUG, THREADED M10X1	1	27/05/2015			
7	77510721A	SCREW	6	03/11/2014			
8	066549680	BUSH	1	01/01/2011			
9	93040211A	OIL SEAL	1	01/01/2011			
10	85213601A	WASHER, THRUST 22x37.8x1	1	03/11/2014			
11	88450711A	SPRING RING	1	03/11/2014			
12	77140723C	SCREW TCEIF M6X35 10.9	1	02/02/2015			
13	83019902AA	RIGHT BRACKET	1	28/02/2018			
14	82717571A	SHEET ACOUSTIC DAMPER	1	03/11/2014			
15	89320191A	PLUG ASSY	1	03/11/2014			
16	48610951A	DAMPER, SOUND ARRESTER	1	03/11/2014			
17	85250631A	WASHER	1	03/11/2014			
18	88642301A	O-RING	1	05/03/2014			
19	43313911A	TRANSFER "SHELL ULTRA"	1	14/02/2017			



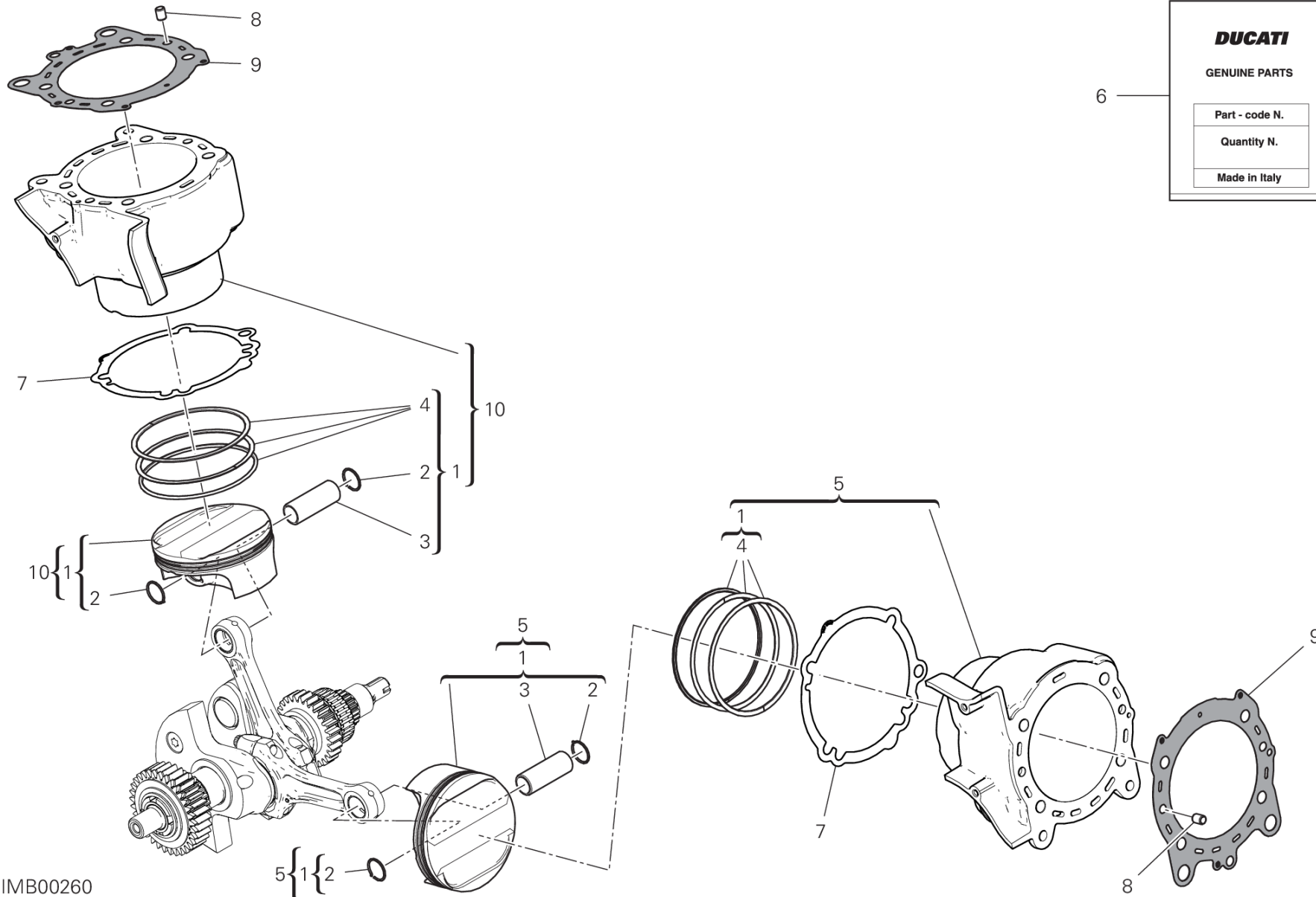
IMB00241

# DRAWING 006 - CONNECTING RODS [MOD:MS1260]

## GROUP ENGINE



POS.	CODE	DESCRIPTION	QTY	START DATE	END DATE	VALIDITY	NOTES
1	14622371AB	CRANKSHAFT (Class 1-2)	1	04/04/2017			
	14622371AC	CRANKSHAFT (Class 3-4)	1	01/03/2019			
	14622371AD	CRANKSHAFT (Class 5-6)	1	01/03/2019			
2	77911092A	SCREW, SPECIAL	1	25/09/2012			
3	85213641A	WASHER	1	01/03/2014			
4	78010151D	THREADED PLUG M16X1	1	17/05/2016			
5	15621043HA	CONNECTING ROD (Class 1-2)	1	27/01/2016			
	15621043HB	CONNECTING ROD (Class 3-4)	2	01/03/2019			
	15621043HC	CONNECTING ROD (Class 5-6)	2	01/03/2019			
6	82010242A	THREATENED PIN	4	17/05/2016			
7	71011691A	SPACER	1	25/03/2013			
8	11212091AA	HALF-BEARING RED	1				
	11212091AB	HALF-BEARING BLUE	1				
	11212091AC	HALF-BEARING YELLOW	1				
	11212091AD	HALF-BEARING BLACK	1				
	11212091AE	HALF-BEARING GREEN	1				
9	77914041C	BOLT, CONNECTING ROD	4	01/01/2011			
10	15310181A	COUNTERWEIGHT	2	17/05/2016			
11	85212881D	SHIM 50X35X2.05	2	25/03/2013			
12	85140051A	LOCK WASHER	1	25/03/2013			
13	75011561A	RING NUT	1	25/03/2013			
14	75011971A	NUT, FLANGE	1	01/03/2014			

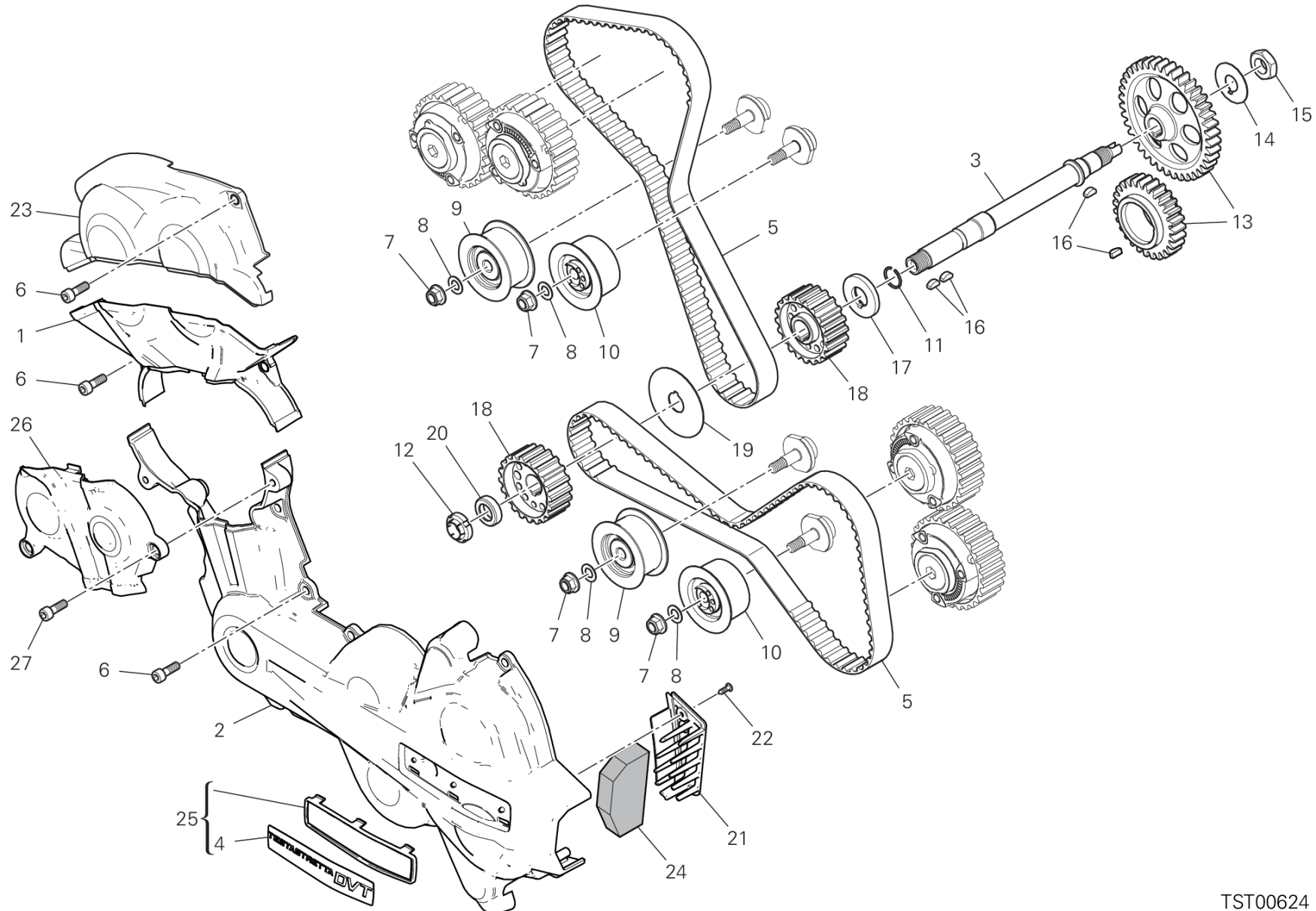


<b>DUCATI</b>	
GENUINE PARTS	
Part - code N.	
Quantity N.	
Made in Italy	

IMB00260



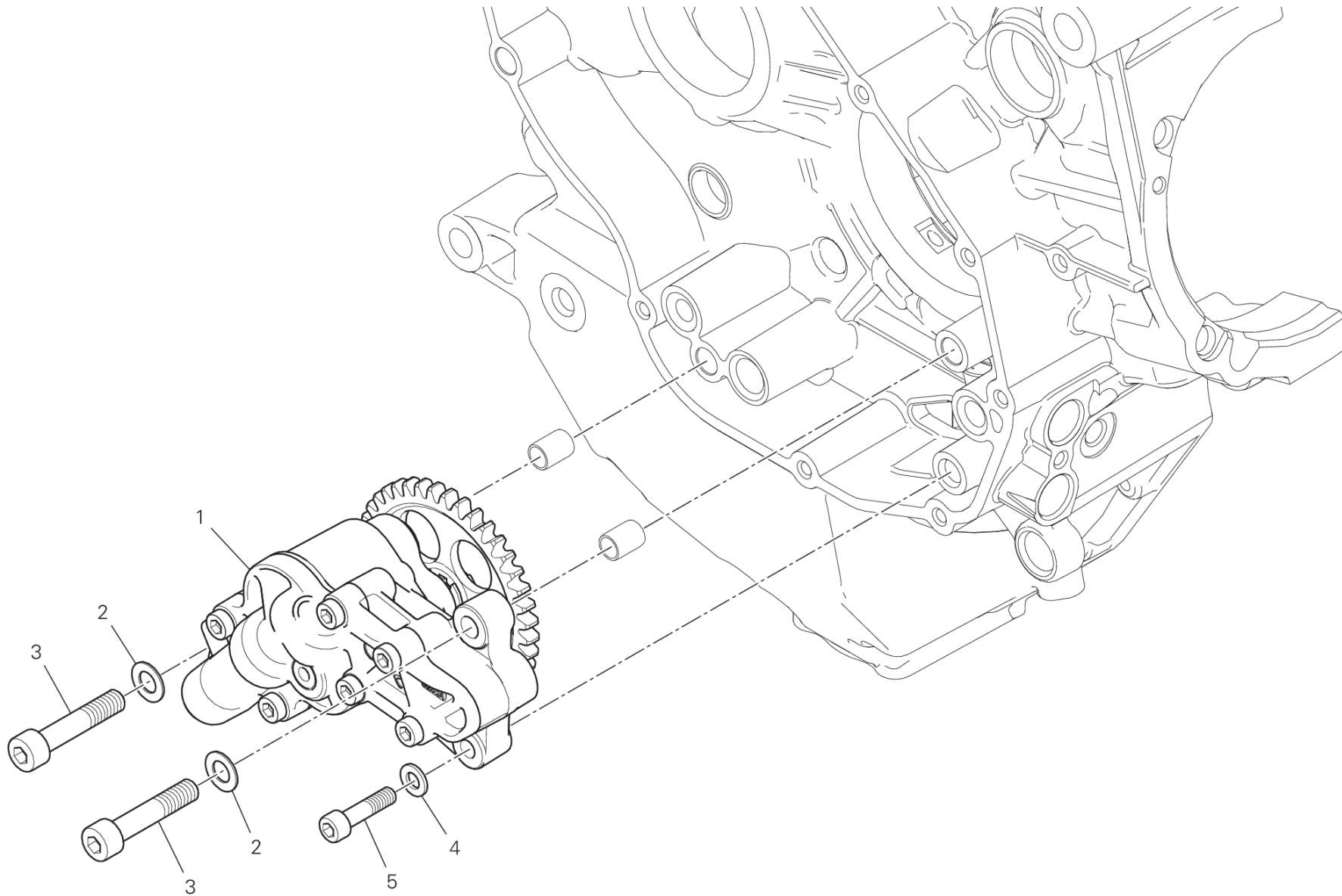
POS.	CODE	DESCRIPTION	QTY	START DATE	END DATE	VALIDITY	NOTES
1	12222352A	PISTON ASSY	1	14/02/2017			
2	12112481A	CIRCLIP, PISTON PIN	4	01/10/2010			
3	12110781B	PISTON PIN	2	01/10/2010			
4	12120521A	PISTON RING SET	2	01/10/2010			
5	12022871BG	CYLINDER-PISTON FIT HORIZONTAL	1	21/03/2017			
6	79120581C	GASKETS SET	1	10/10/2017			
7	78611251A	GASKET, CYLINDER	2	17/01/2013			
8	71112191A	PIN DOWEL	4	25/03/2013			
9	78611391C	GASKET, CYLINDER HEAD	2	29/09/2017			
10	12022881BG	CYLINDER-PISTON FIT VERTICAL	1	21/03/2017			



TST00624



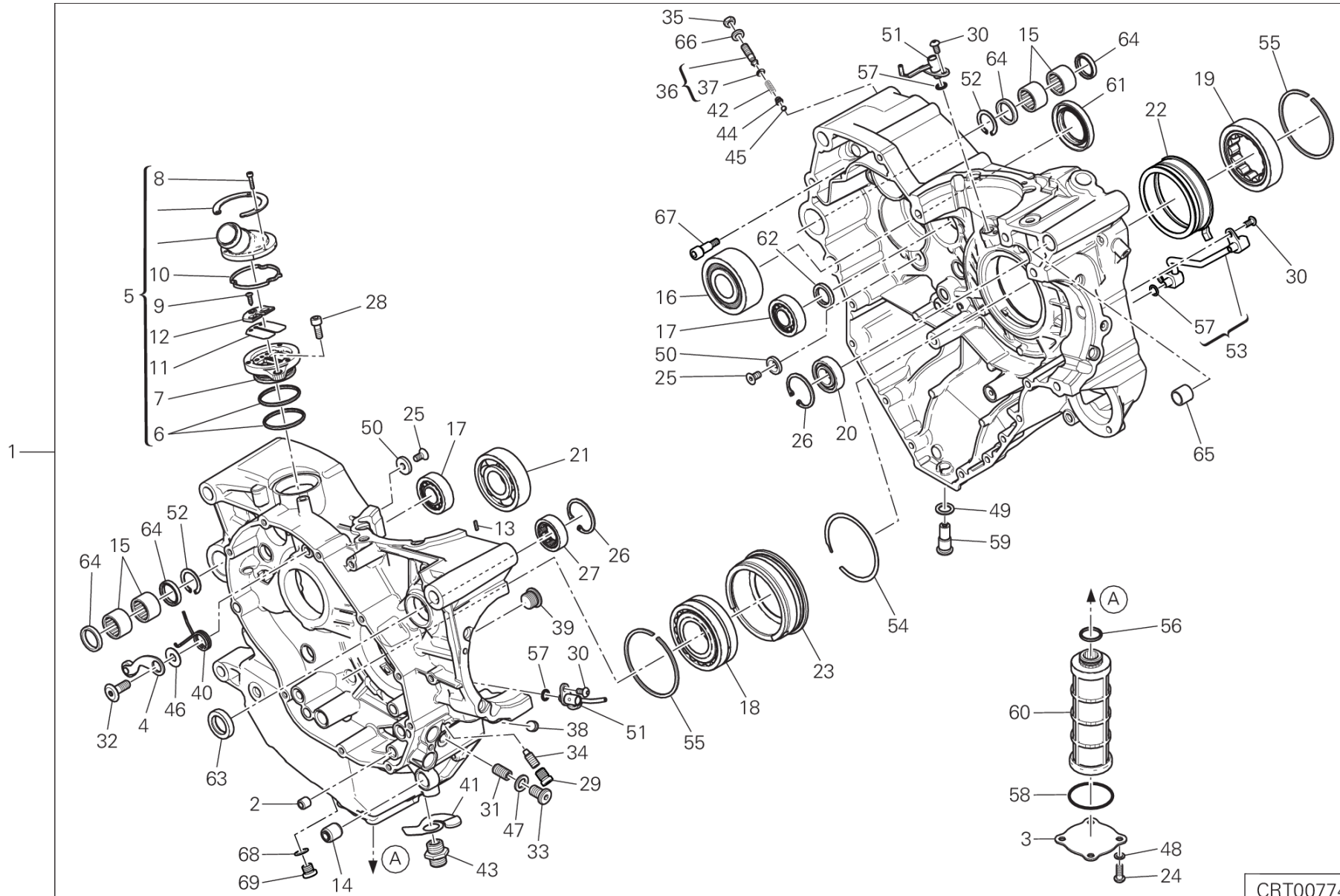
POS.	CODE	DESCRIPTION	QTY	START DATE	END DATE	VALIDITY	NOTES
1	24511651A	VERTICAL BELT OUTER COVER BOTTOM	1	02/08/2016			
2	24511643A	HORIZONTAL BELT EXTERNAL COVER	1	06/12/2017			
3	14710941A	LAYSHAFT TIMING	1	01/03/2014			
4	43314381A	MARKING PLATE	1	28/10/2016			
5	73740342A	TIMING DRIVE TOOTHED BELT	2	28/04/2017			
6	77140663CD	SCREW	16	02/08/2016			
7	74940081A	NUT M8	4	25/03/2013			
8	85310021A	SPRING WASHER 8 MM	4	25/03/2013			
9	45120272A	TENSIONER TIMING BELT FIXED	2	25/03/2013			
10	45120291A	COMPLETE MOVABLE TENSIONER ROLLER	2	25/03/2013			
11	88210031A	SNAP RING	1	25/03/2013			
12	70350062A	ELASTIC-STOP RING NUT	1	25/03/2013			
13	17122391A	TIMING GEARS SET	1	02/08/2016			
14	85110131A	WASHER, LOCK	1	25/03/2013			
15	75011601A	NUT M14X1X7	1	25/03/2013			
16	68010131A	KEY, WOODRUFF 4X5X10	4	25/03/2013			
17	71611281A	SPACER	1	25/03/2013			
18	25510104B	PULLEY, TIMING BELT	2	25/03/2013			
19	85610623A	WASHER, BELT PULLEY	1	25/03/2013			
20	71610722A	SPACER	1	25/03/2013			
21	24511471A	BRACKET, FILTER	1	28/11/2013			
22	77250341C	SCREW	2	30/09/2010			
23	24511462A	COVER, TIMING BELT INSIDE UPPER	1	09/04/2015			
24	42710201A	FILTER, AIR	1	23/03/2015			
25	24521671A	COVER (Unit)	1	28/10/2016			
26	24511681A	COVER, TIMING BELT INSIDE Front	1	01/03/2017			
27	77140663C	SCREW TCEIF M6X18 10.9	2	01/03/2017			



RAF00619



POS.	CODE	DESCRIPTION	QTY	START DATE	END DATE	VALIDITY	NOTES
1	24920442A	OIL PUMP ASSY	1	01/09/2014			
2	85310021A	SPRING WASHER 8 MM	2	21/03/2013			
3	77151298B	SCREW TCEI M8X40	2	21/03/2013			
4	85310041A	SPRING WASHER 6 MM	1	21/03/2013			
5	77110518B	SCREW TCEI M6X25	1	21/03/2013			



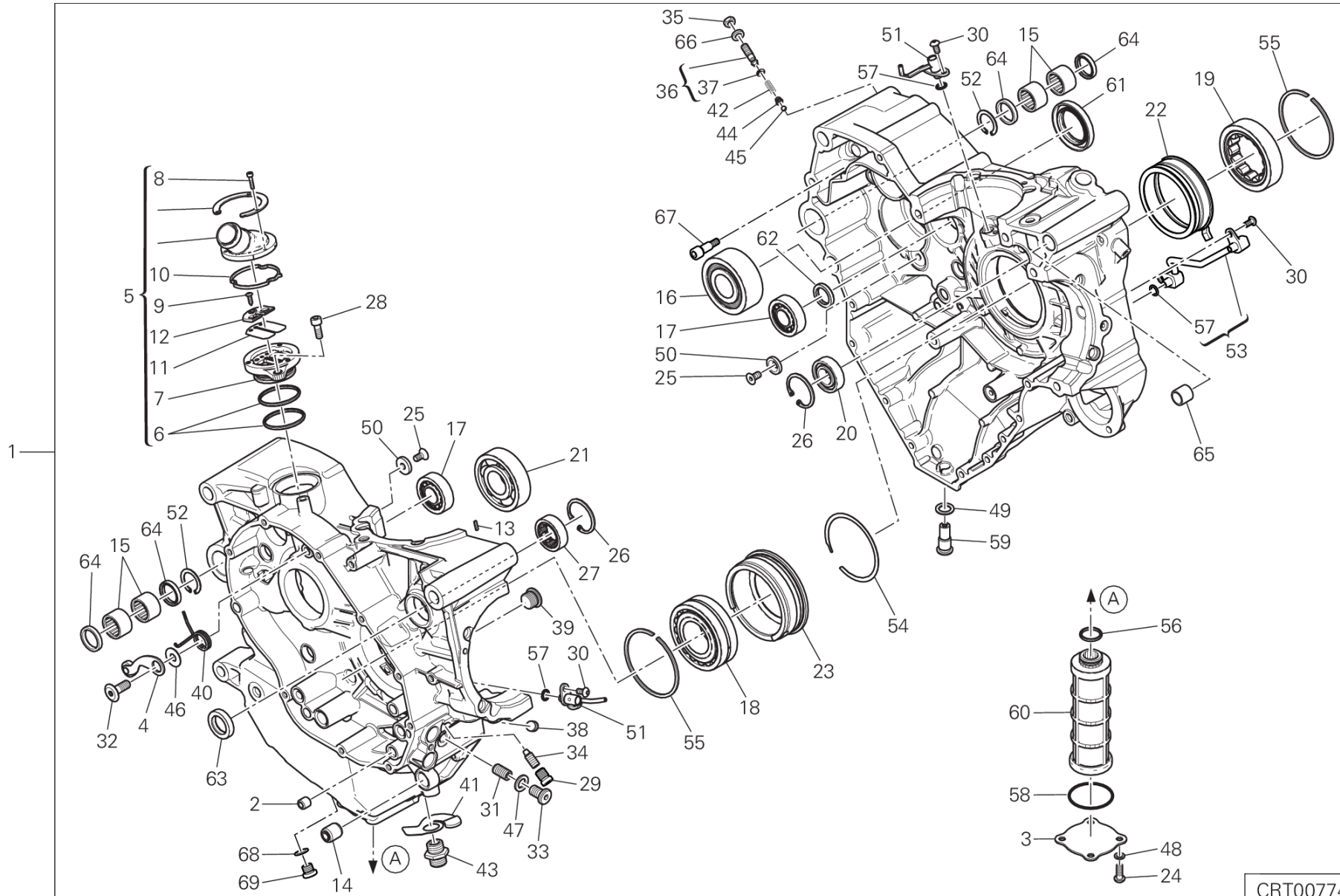
CRT00774

# DRAWING 010 - HALF-CRANKCASES PAIR [MOD:MS1260]

## GROUP ENGINE



POS.	CODE	DESCRIPTION	QTY	START DATE	END DATE	VALIDITY	NOTES
1	22523441B	COMPLETE HALF-CRANKCASES PAIR	1	02/08/2016			
2	067049310	BUSH	1	08/01/2015			
3	24713511C	FILTER COVER UNIT	1	08/01/2015			
4	45520181A	GEAR FIXING CLICK ASSEMBLY	1	08/01/2015			
5	59320641D	VALVE, BREATHER	1	08/01/2015			
6	46320222A	O-RING	2	06/07/2012			
7	59310601B	HOLDER READ VALVE	1	06/07/2012			
8	77150078B	SCREW	3	06/07/2012			
9	77250341B	SCREW, TAPPING 3.5X12	1	06/07/2012			
10	78811151A	GASKET	1	06/07/2012			
11	81110021A	REED VALVE ASSY	1	06/07/2012			
12	82716031A	SPACER	1	06/07/2012			
13	68050101A	KEY 2X2X10	1	08/01/2015			
14	70010362A	DAMPER	1	08/01/2015			
15	764000004	BEARING, NEEDLE	4	08/01/2015			
16	70240131A	BEARING	1	08/01/2015			
17	70240331A	BEARING 17X40X12	2	08/01/2015			
18	70241151A	BEARING	1	01/03/2014			
19	70241601A	BEARING	1	26/07/2016		XST:AUS,BLG,EUR,GSO,JAP,ROK,TWN	
20	70250081A	BALL BEARING 6003 TN9 C3	1	08/01/2015			
21	70250193A	BEARING	1	08/01/2015			
22	71011991B	BUSHING	1	22/10/2015			
23	71011941A	BUSHING	1	08/01/2015			
24	72050338B	SCREW	4	08/01/2015			
25	720941616	SCREW TSPEI M6X12	4	08/01/2015			
26	735033380	CIRCLIP	2	08/01/2015			
27	757941542	BEARING	1	08/01/2015			
28	77150653B	SCREW TCEI M6X16 UNI5931 8.8	1	08/01/2015			
29	78011041A	SCREW, SPECIAL	1	22/10/2015			
30	77510311B	SCREW TBEI M5X10	4	08/01/2015			
31	77840041A	THREADED DOWEL M10X1	1	08/01/2015			
32	77910391A	SCREW M8X21.5	1	08/01/2015			
33	77911622A	SCREW TCEI M10X1.5X16	1	08/01/2015			
34	77917101B	SCREW, SPECIAL	1	08/01/2015			
35	74710151A	NUT	1	08/01/2015			



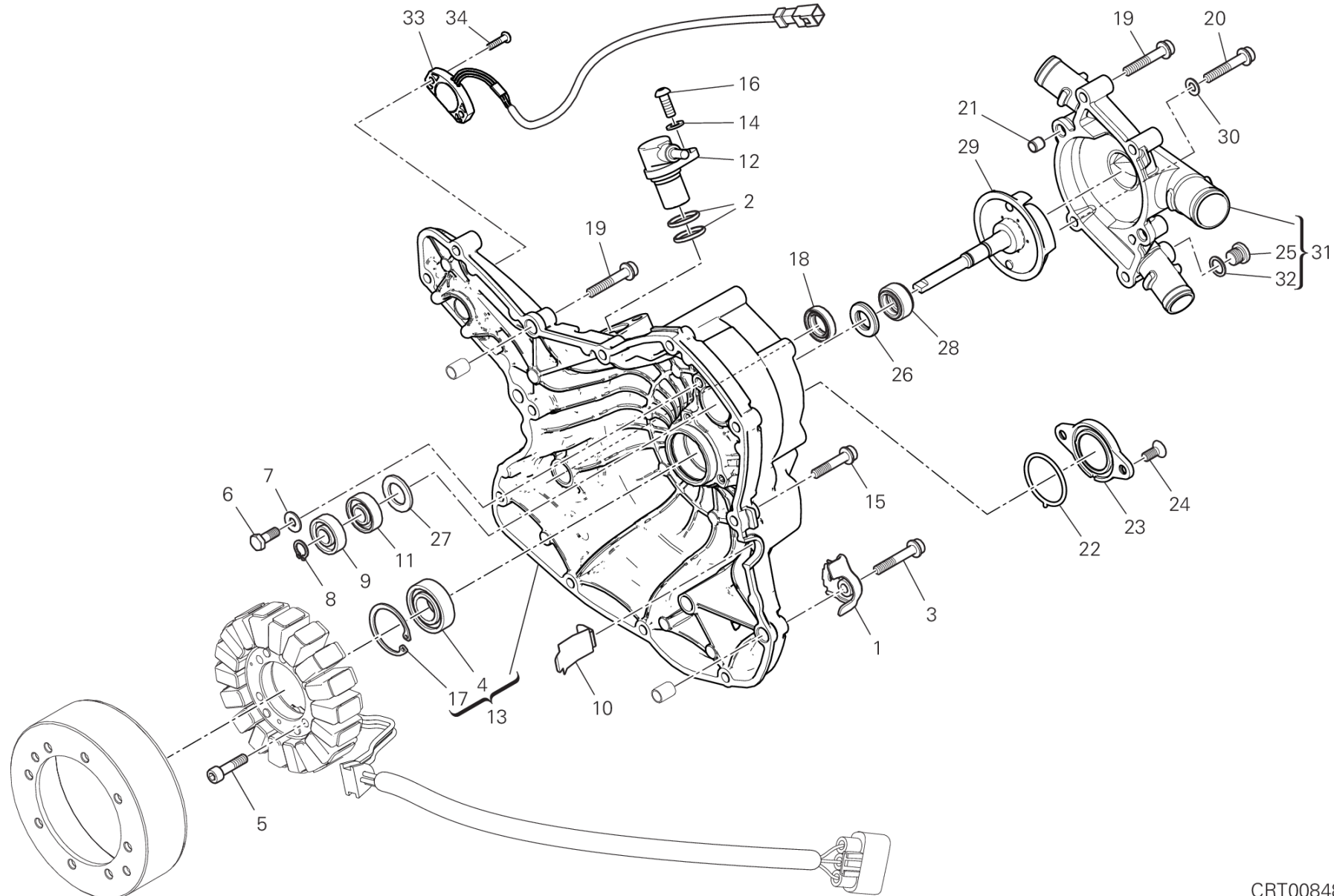
CRT00774

# DRAWING 010 - HALF-CRANKCASES PAIR [MOD:MS1260]

## GROUP ENGINE



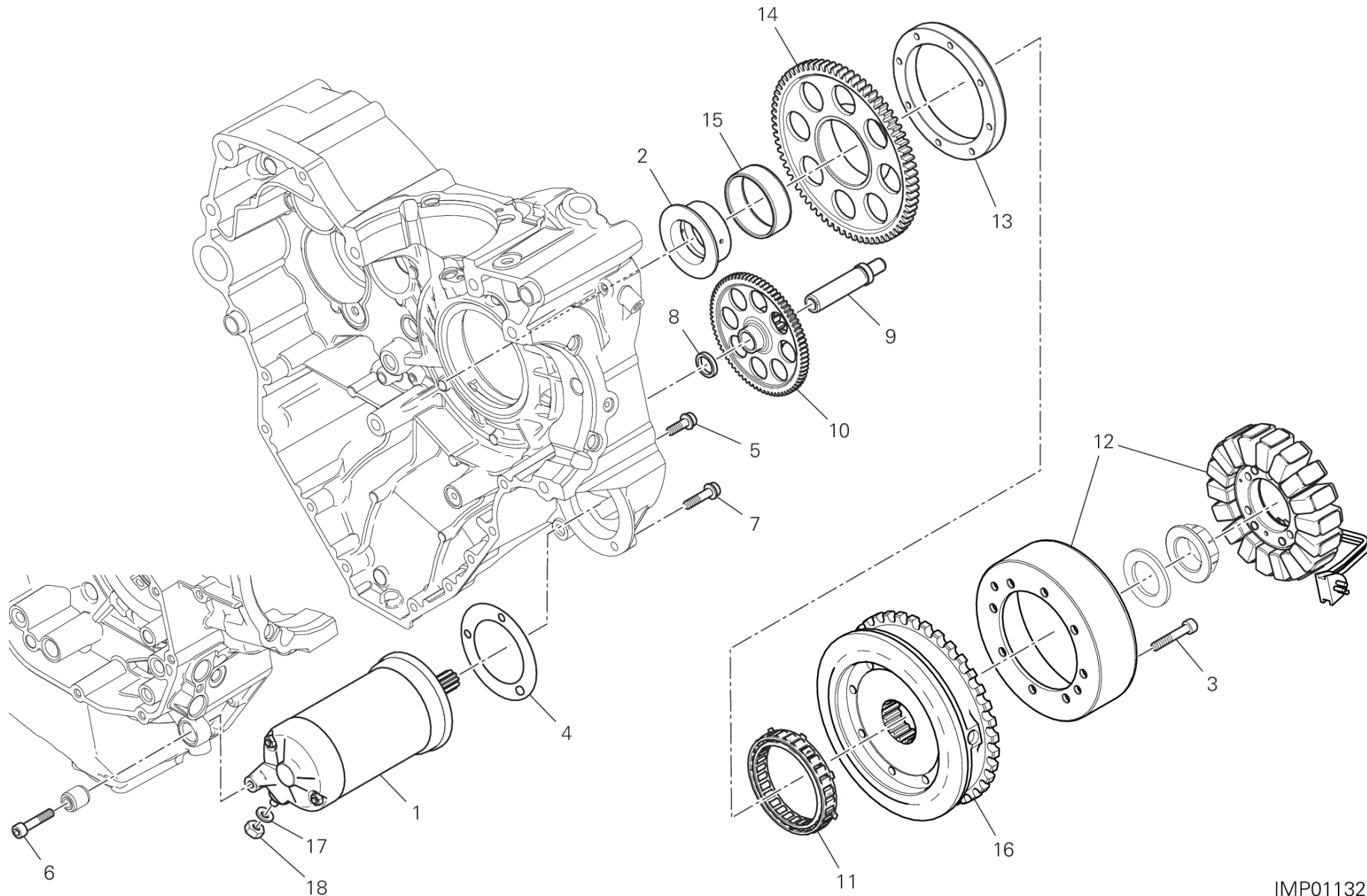
POS.	CODE	DESCRIPTION	QTY	START DATE	END DATE	VALIDITY	NOTES
36	77927171B	SCREW	1	08/01/2015			
37	88641961A	O-RING	1	18/04/2011			
38	77950621A	THREADED DOWEL M10X1	1	08/01/2015			
39	78010721A	PLUG BY-PASS M16X1.5	1	08/01/2015			
40	79910491A	SPRING, RETURN	1	08/01/2015			
41	79920772A	BYPASS SPRING	1	08/01/2015			
42	79940171A	SPRING	1	08/01/2015			
43	81510281A	BOLT UNION	1	08/01/2015			
44	83110151B	PLATE	1	08/01/2015			
45	84740061A	BALL	1	08/01/2015			
46	85210532A	WASHER 8.2X20X1	1	08/01/2015			
47	85211951A	GASKET 10.5X17X2	1	08/01/2015			
48	85250231A	GASKET	4	08/01/2015			
49	85250421A	COPPER GASKET 12.2X18X1.5 MM	1	08/01/2015			
50	85611481A	WASHER	4	08/01/2015			
51	87512131A	JET	2	08/01/2015			
52	88440531A	SPRING RING	2	08/01/2015			
53	87522391A	HOSE, OIL (Unit)	1	26/07/2016			
54	88440651A	SPRING RING	1	08/01/2015			
55	88450581A	SPRING RING	2	08/01/2015			
56	88640331A	O-RING 17.96X2.62	1	08/01/2015			
57	88641181A	O-RING	4	08/01/2015			
58	88641581A	O-RING	1	08/01/2015			
59	89320062A	PLUG, OIL DRAIN	1	08/01/2015			
60	89410241A	OIL NET FILTER	1	08/01/2015			
61	93040221A	SEAL, OIL 35X52X7	1	08/01/2015			
62	93040931A	SEAL, OIL 17X25X4	1	08/01/2015			
63	93041631B	SEAL RING	1	08/01/2015			
64	93041271A	SEAL RING 20X26X4	4	08/01/2015			
65	71110951A	PIN DOWEL	2	08/01/2015			
66	85640141A	WASHER	1	27/03/2015			
67	77919881A	SCREW, SPECIAL	2	26/07/2016			
68	85250241A	WASHER 10X14X1	1	26/07/2016			
69	78050012A	PLUG, THREADED M10X1	1	26/07/2016			



CRT00848



POS.	CODE	DESCRIPTION	QTY	START DATE	END DATE	VALIDITY	NOTES
1	83019891AA	LEFT BRACKET	1	02/02/2015			
2	88640331A	O-RING 17.96X2.62	2	08/01/2015			
3	77140743C	SCREW	1	02/02/2015			
4	70250081A	BALL BEARING 6003 TN9 C3	1	01/05/2010			
5	77150698BC	SCREW	3	25/07/2017			
6	77052508B	SCREW TE M6X16	2	01/05/2010			
7	85211721A	WASHER 6X14.2X1.3	2	01/05/2010			
8	88450431A	CIRCLIP	1	08/01/2015			
9	70240102A	BEARING	1	01/05/2010			
10	82716091A	PLATE	1	08/01/2015			
11	70240091A	BALL BEARING 6000	1	01/05/2010			
12	55241321C	SENSOR, TIMING & RPM	1	08/01/2015			
13	24221471EF	GENERATOR COVER	1	25/07/2017			
14	85310031A	SPRING WASHER 6 MM	1	08/01/2015			
15	77140713C	SCREW TCEIF M6X30 10.9	11	01/03/2014			
16	77550211B	SCREW TBEI M6X16 ISO7380 10.9	1	08/01/2015			
17	735033380	CIRCLIP	1	14/02/2017			
18	937831524	SEAL, OIL 15X24X6	1	01/05/2010			
19	77140723C	SCREW TCEIF M6X35 10.9	4	08/01/2015			
20	77916041DA	SCREW, SPECIAL	2	08/01/2015			
21	71110922A	BUSH	2	08/01/2015			
22	88610951A	O-RING 32.99X2.62	1	25/03/2013			
23	24713571AN	COVER	1	23/02/2017			
24	77750493C	SCREW	2	25/03/2013			
25	78011001A	PLUG, THREADED M10X1	1	06/05/2010			
26	93050051A	MECHANICAL SEAL	1	01/05/2010			
27	71311281B	SPACER	1	01/05/2010			
28	93050062B	MECHANICAL SEAL	1	01/05/2010			
29	25120131A	WATER PUMP ROTOR	1	08/01/2015			
30	85250481A	GASKET 6X12X1 DIN7603-A	2	08/01/2015			
31	24725241BH	WATER PUMP COVER ASSY	1	08/01/2015			
32	85250631A	WASHER	1	25/03/2013			
33	55243941A	GEARBOX POSITION SENSOR	1	25/07/2017			
34	72050069E	SCREW	2	25/07/2017			



IMP01132

## DRAWING 012 - ELECTRIC STARTING AND IGNITION [MOD:MS1260]

## GROUP ENGINE

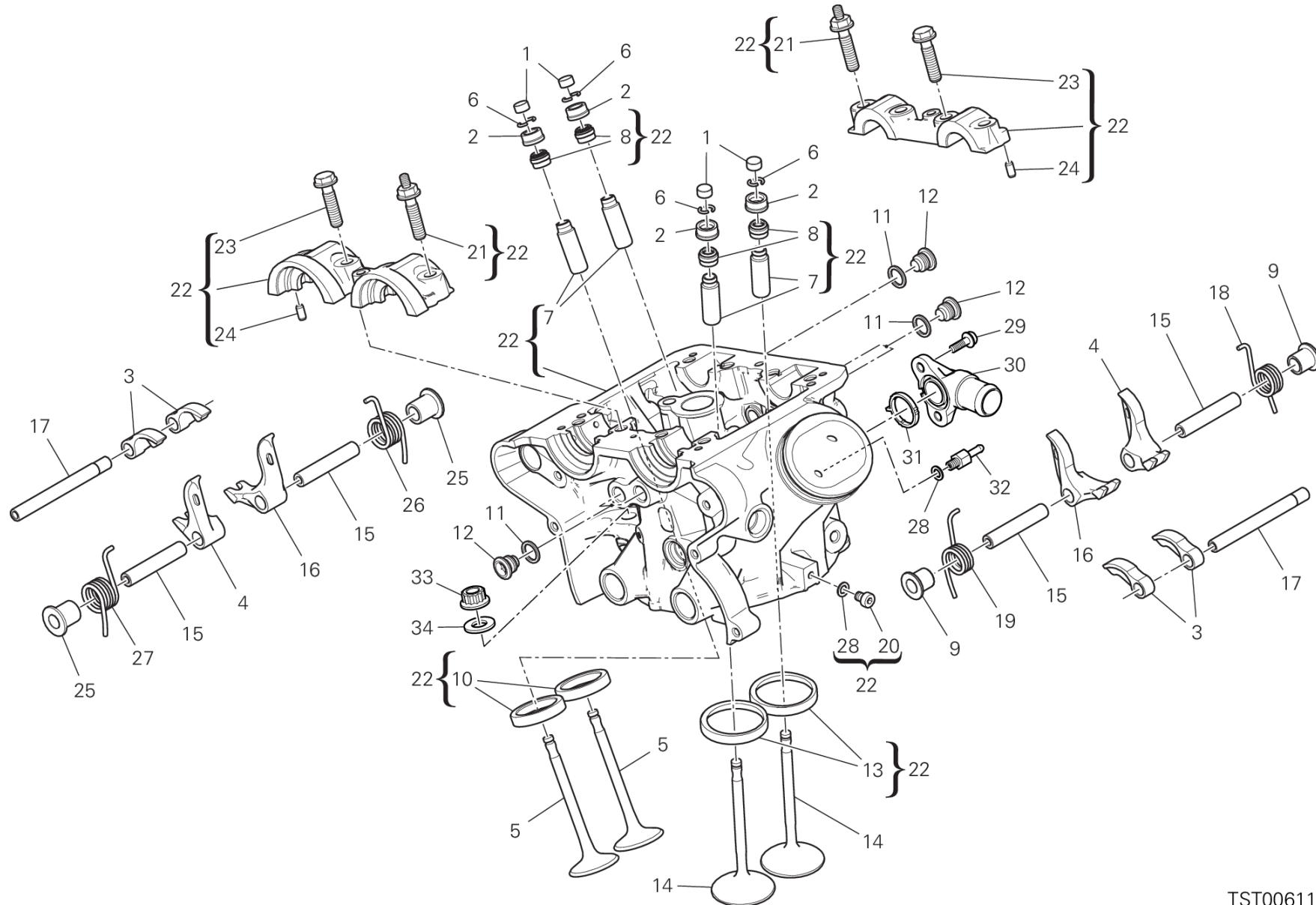


POS.	CODE	DESCRIPTION	QTY	START DATE	END DATE	VALIDITY	NOTES
1	27040107A	STARTING MOTOR	1	21/03/2013			
2	88110921A	INNER RING	1	01/03/2014			
3	77113931A	SCREW	8	01/03/2014			
4	78810542A	ENGINE STARTER GASKET	1	21/03/2013			
5	77140667CF	SCREW	2	02/02/2015			
6	77110521A	SCREW TCEI M6X30	1	21/03/2013			
7	77140697CF	SCREW 6x25	1	02/02/2015			
8	71319191A	SPACER	1	21/03/2013			
9	82113471A	STARTER REDUCTION SHAFT	1	21/03/2013			
10	176Z0021A	IDLE GEAR T74/13	1	21/03/2013			
11	70140541A	CLUTCH, ONE WAY	1	27/09/2016			
12	26420541A	GENERATOR	1	02/08/2016			
13	16012121A	FLANGE STARTING CLUTCH	1	01/03/2014			
14	17310351A	DRIVEN GEAR	1	01/03/2014			
15	70241461A	NEEDLE CAGE	1	01/09/2014			
16	27611141A	COUPLING, FLYWHEEL	1	15/05/2017			
17	85350101A	WASHER, SPRING	1	28/06/2017			
18	75050051A	NUT 6MM	1	28/06/2017			



# DRAWING 014 - VERTICAL CYLINDER HEAD [MOD:MS1260]

GROUP ENGINE



TST00611

# DRAWING 014 - VERTICAL CYLINDER HEAD [MOD:MS1260]

## GROUP ENGINE

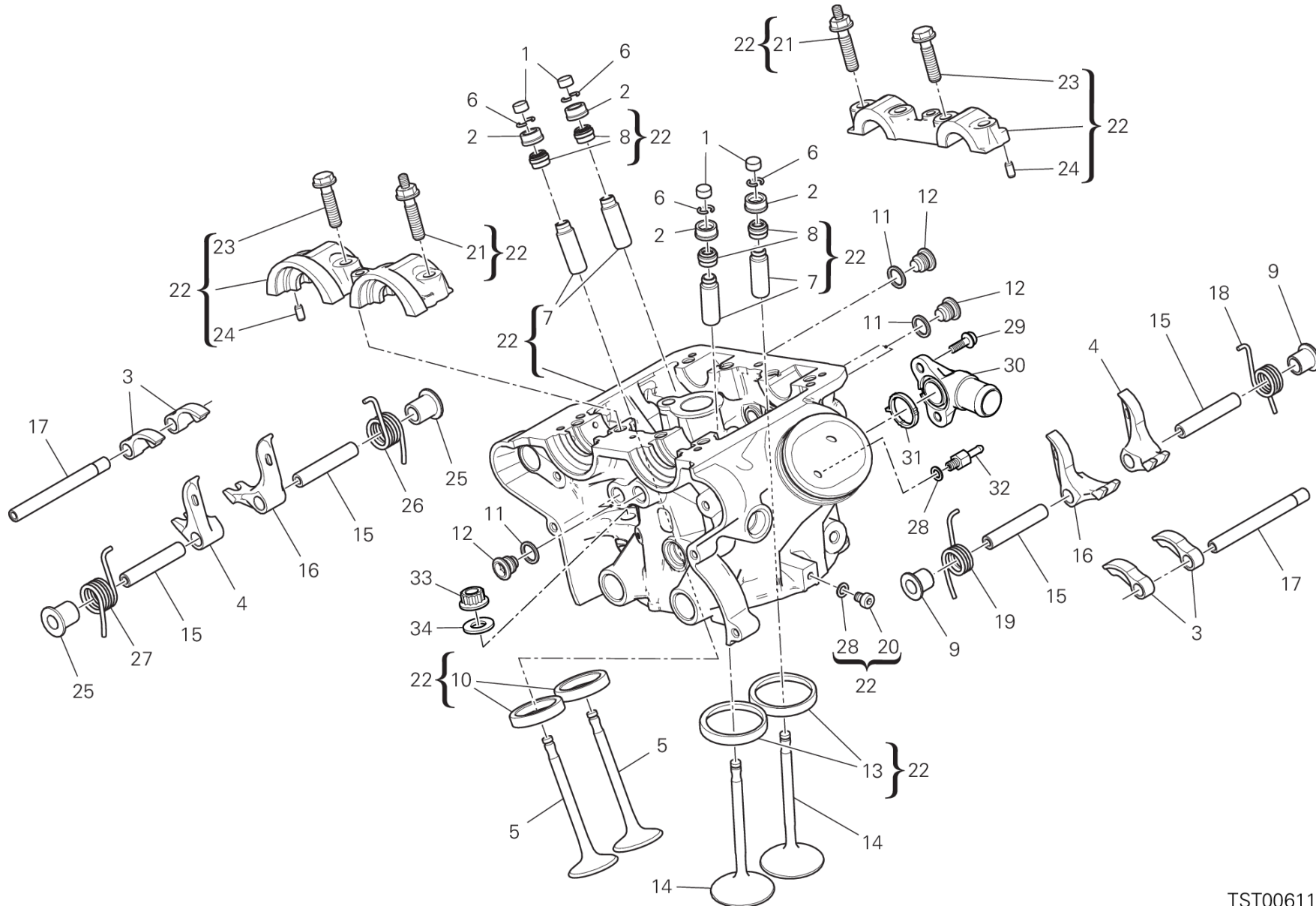


POS.	CODE	DESCRIPTION	QTY	START DATE	END DATE	VALIDITY	NOTES
1	84010012A	ADJUSTER, OPENING ROCKER ARM 2.00 MM	4	20/06/2012			
	84010022A	ADJUSTER, OPENING ROCKER ARM 2.05 MM	4	20/06/2012			
	84010032A	ADJUSTER, OPENING ROCKER ARM 2.10 MM	4	20/06/2012			
	84010042A	ADJUSTER, OPENING ROCKER ARM 2.15 MM	4	20/06/2012			
	84010052A	ADJUSTER, OPENING ROCKER ARM 2.20 MM	4	20/06/2012			
	84010062A	ADJUSTER, OPENING ROCKER ARM 2.25 MM	4	20/06/2012			
	84010072A	ADJUSTER, OPENING ROCKER ARM 2.30 MM	4	20/06/2012			
	84010082A	ADJUSTER, OPENING ROCKER ARM 2.35 MM	4	20/06/2012			
	84010092A	ADJUSTER, OPENING ROCKER ARM 2.40 MM	4	20/06/2012			
	84010102A	ADJUSTER, OPENING ROCKER ARM 2.45 MM	4	20/06/2012			
	84010112A	ADJUSTER, OPENING ROCKER ARM 2.50 MM	4	20/06/2012			
	84010122A	ADJUSTER, OPENING ROCKER ARM 2.55 MM	4	20/06/2012			
	84010132A	ADJUSTER, OPENING ROCKER ARM 2.60 MM	4	20/06/2012			
	84010142A	ADJUSTER, OPENING ROCKER ARM 2.65 MM	4	20/06/2012			
	84010152A	ADJUSTER, OPENING ROCKER ARM 2.70 MM	4	20/06/2012			
	84010162A	ADJUSTER, OPENING ROCKER ARM 2.75 MM	4	20/06/2012			
	84010172A	ADJUSTER, OPENING ROCKER ARM 2.80 MM	4	20/06/2012			
	84010182A	ADJUSTER, OPENING ROCKER ARM 2.85 MM	4	20/06/2012			
	84010192A	ADJUSTER, OPENING ROCKER ARM 2.90 MM	4	20/06/2012			
	84010202A	ADJUSTER, OPENING ROCKER ARM 2.95 MM	4	20/06/2012			
	84010212A	ADJUSTER, OPENING ROCKER ARM 3.00 MM	4	20/06/2012			
	84010222A	ADJUSTER, OPENING ROCKER ARM 3.05 MM	4	20/06/2012			
	84010232A	ADJUSTER, OPENING ROCKER ARM 3.10 MM	4	20/06/2012			
	84010242A	ADJUSTER, OPENING ROCKER ARM 3.15 MM	4	20/06/2012			
	84010252A	ADJUSTER, OPENING ROCKER ARM 3.20 MM	4	20/06/2012			
	84010262A	ADJUSTER, OPENING ROCKER ARM 3.25 MM	4	20/06/2012			
	84010272A	ADJUSTER, OPENING ROCKER ARM 3.30 MM	4	20/06/2012			
	84010282A	ADJUSTER, OPENING ROCKER ARM 3.35 MM	4	20/06/2012			
	84010292A	ADJUSTER, OPENING ROCKER ARM 3.40 MM	4	20/06/2012			
	84010302A	ADJUSTER, OPENING ROCKER ARM 3.45 MM	4	20/06/2012			
	84010312A	ADJUSTER, OPENING ROCKER ARM 1.80 MM	4	20/06/2012			
	84010322A	ADJUSTER, OPENING ROCKER ARM 1.85 MM	4	20/06/2012			
	84010332A	ADJUSTER, OPENING ROCKER ARM 1.90 MM	4	20/06/2012			
	84010342A	ADJUSTER, OPENING ROCKER ARM 1.95 MM	4	20/06/2012			
	84010722A	ADJUSTER, OPENING ROCKER ARM 3.60 MM	4	20/06/2012			



# DRAWING 014 - VERTICAL CYLINDER HEAD [MOD:MS1260]

GROUP ENGINE



TST00611

# DRAWING 014 - VERTICAL CYLINDER HEAD [MOD:MS1260]

## GROUP ENGINE

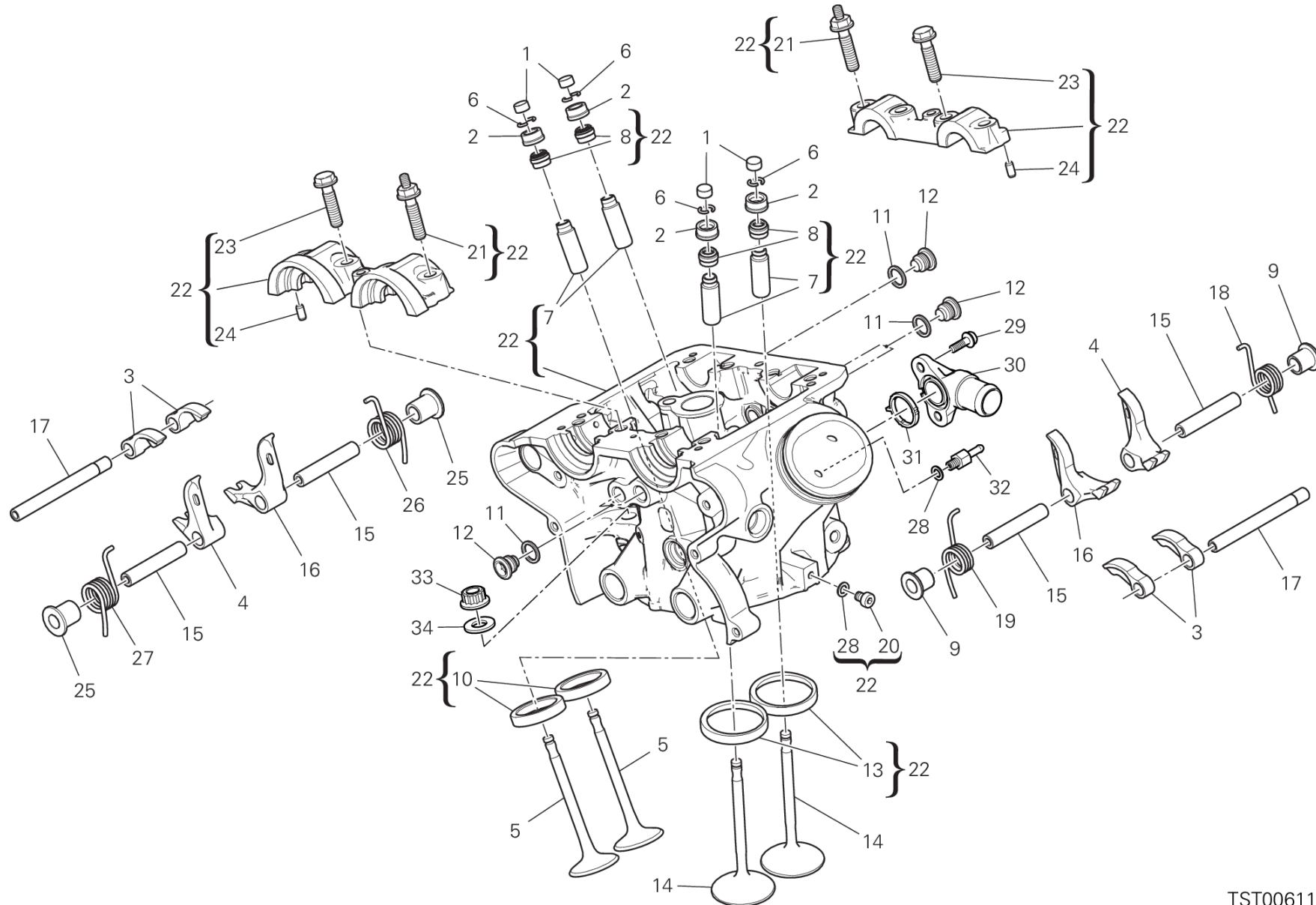


POS.	CODE	DESCRIPTION	QTY	START DATE	END DATE	VALIDITY	NOTES
	84010732A	ADJUSTER, OPENING ROCKER ARM 3.80 MM	4	20/06/2012			
	84011082A	ADJUSTER, OPENING ROCKER ARM 3.50 MM	4	20/06/2012			
	84011092A	ADJUSTER, OPENING ROCKER ARM 3.55 MM	4	20/06/2012			
	84011102A	ADJUSTER, OPENING ROCKER ARM 3.65 MM	4	20/06/2012			
	84011112A	ADJUSTER, OPENING ROCKER ARM 3.70 MM	4	20/06/2012			
	84011122A	ADJUSTER, OPENING ROCKER ARM 3.75 MM	4	20/06/2012			
	84011132A	ADJUSTER, OPENING ROCKER ARM 3.85 MM	4	20/06/2012			
	84011142A	ADJUSTER, OPENING ROCKER ARM 3.9 MM	4	20/06/2012			
2	84010412B	ADJUSTER, CLOSING ROCKER ARM 2.20 MM	4	24/12/2009			
	84010422B	ADJUSTER, CLOSING ROCKER ARM 2.25 MM	4	24/12/2009			
	84010432B	ADJUSTER, CLOSING ROCKER ARM 2.30 MM	4	24/12/2009			
	84010442B	ADJUSTER, CLOSING ROCKER ARM 2.35 MM	4	24/12/2009			
	84010452B	ADJUSTER, CLOSING ROCKER ARM 2.40 MM	4	24/12/2009			
	84010462B	ADJUSTER, CLOSING ROCKER ARM 2.45 MM	4	24/12/2009			
	84010472B	ADJUSTER, CLOSING ROCKER ARM 2.50 MM	4	24/12/2009			
	84010482B	ADJUSTER, CLOSING ROCKER ARM 2.55 MM	4	24/12/2009			
	84010492B	ADJUSTER, CLOSING ROCKER ARM 2.60 MM	4	24/12/2009			
	84010502B	ADJUSTER, CLOSING ROCKER ARM 2.65 MM	4	24/12/2009			
	84010512B	ADJUSTER, CLOSING ROCKER ARM 2.70 MM	4	24/12/2009			
	84010522B	ADJUSTER, CLOSING ROCKER ARM 2.75 MM	4	24/12/2009			
	84010532B	ADJUSTER, CLOSING ROCKER ARM 2.80 MM	4	24/12/2009			
	84010542B	ADJUSTER, CLOSING ROCKER ARM 2.85 MM	4	24/12/2009			
	84010552B	ADJUSTER, CLOSING ROCKER ARM 2.90 MM	4	24/12/2009			
	84010562B	ADJUSTER, CLOSING ROCKER ARM 2.95 MM	4	24/12/2009			
	84010572B	ADJUSTER, CLOSING ROCKER ARM 3.00 MM	4	24/12/2009			
	84010582B	ADJUSTER, CLOSING ROCKER ARM 3.05 MM	4	24/12/2009			
	84010592B	ADJUSTER, CLOSING ROCKER ARM 3.10 MM	4	24/12/2009			
	84010602B	ADJUSTER, CLOSING ROCKER ARM 3.15 MM	4	24/12/2009			
	84010612B	ADJUSTER, CLOSING ROCKER ARM 3.20 MM	4	24/12/2009			
	84010622B	ADJUSTER, CLOSING ROCKER ARM 3.25 MM	4	24/12/2009			
	84010632B	ADJUSTER, CLOSING ROCKER ARM 3.30 MM	4	24/12/2009			
	84010642B	ADJUSTER, CLOSING ROCKER ARM 3.35 MM	4	24/12/2009			
	84010652B	ADJUSTER, CLOSING ROCKER ARM 3.40 MM	4	24/12/2009			
	84010662B	ADJUSTER, CLOSING ROCKER ARM 3.45 MM	4	24/12/2009			
	84010672B	ADJUSTER, CLOSING ROCKER ARM 3.50 MM	4	24/12/2009			



# DRAWING 014 - VERTICAL CYLINDER HEAD [MOD:MS1260]

GROUP ENGINE



TST00611

# DRAWING 014 - VERTICAL CYLINDER HEAD [MOD:MS1260]

## GROUP ENGINE

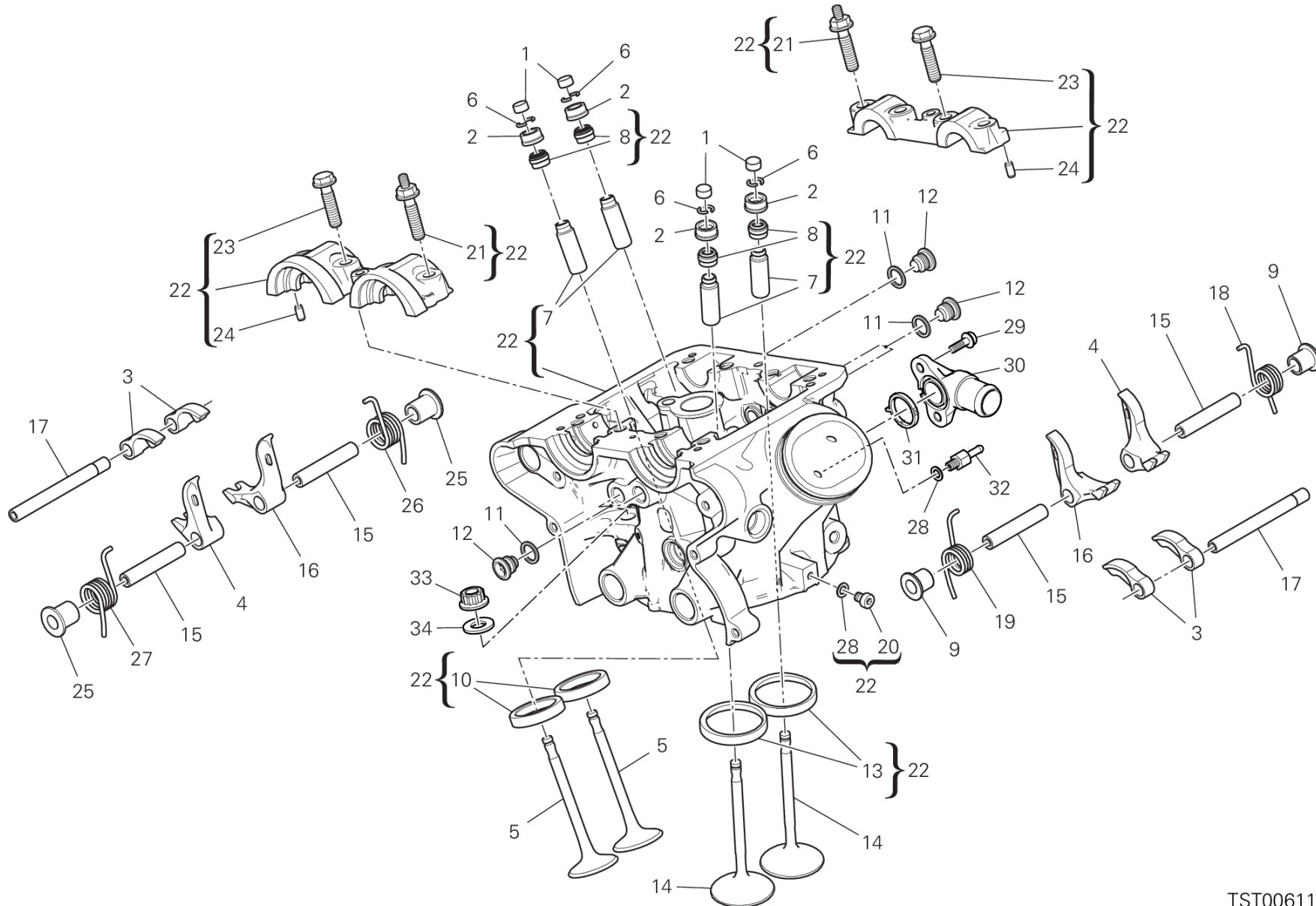


POS.	CODE	DESCRIPTION	QTY	START DATE	END DATE	VALIDITY	NOTES
	84010682B	ADJUSTER, CLOSING ROCKER ARM 3.55 MM	4	24/12/2009			
	84010692B	ADJUSTER, CLOSING ROCKER ARM 3.60 MM	4	24/12/2009			
	84010702B	ADJUSTER, CLOSING ROCKER ARM 3.65 MM	4	24/12/2009			
	84010712B	ADJUSTER, CLOSING ROCKER ARM 3.70 MM	4	24/12/2009			
	84010722B	ADJUSTER, CLOSING ROCKER ARM 3.75 MM	4	24/12/2009			
	84010732B	ADJUSTER, CLOSING ROCKER ARM 3.80 MM	4	24/12/2009			
	84010742B	ADJUSTER, CLOSING ROCKER ARM 3.85 MM	4	24/12/2009			
	84010752B	ADJUSTER, CLOSING ROCKER ARM 3.90 MM	4	24/12/2009			
	84010762B	ADJUSTER, CLOSING ROCKER ARM 3.95 MM	4	24/12/2009			
	84010772B	ADJUSTER, CLOSING ROCKER ARM 4.00 MM	4	24/12/2009			
	84010782B	ADJUSTER, CLOSING ROCKER ARM 4.05 MM	4	24/12/2009			
	84010792B	ADJUSTER, CLOSING ROCKER ARM 4.10 MM	4	24/12/2009			
	84010802B	ADJUSTER, CLOSING ROCKER ARM 4.15 MM	4	24/12/2009			
	84010812B	ADJUSTER, CLOSING ROCKER ARM 4.20 MM	4	24/12/2009			
	84010822B	ADJUSTER, CLOSING ROCKER ARM 4.25 MM	4	24/12/2009			
	84010832B	ADJUSTER, CLOSING ROCKER ARM 4.30 MM	4	24/12/2009			
	84010842B	ADJUSTER, CLOSING ROCKER ARM 4.35 MM	4	24/12/2009			
	84010852B	ADJUSTER, CLOSING ROCKER ARM 4.40 MM	4	24/12/2009			
	84010862B	ADJUSTER, CLOSING ROCKER ARM 4.45 MM	4	24/12/2009			
	84010872B	ADJUSTER, CLOSING ROCKER ARM 4.50 MM	4	24/12/2009			
3	20810321A	OPEN. ROCKER ARM	4	07/12/2012			
4	20910501A	CLOSING ROCKER ARM LEFT	2	07/12/2012			
5	21110831B	EXHAUST VALVE	2	07/12/2012			
6	66910011E	C RING	8	07/12/2012			
7	30310631BB	GUIDE, VALVE OVERSIZED 0.03 MM	4	21/03/2013			
	30310631BC	GUIDE, VALVE OVERSIZED 0.06 MM	4	25/03/2013			
	30310631BD	GUIDE, VALVE OVERSIZED 0.09 MM	4	21/03/2013			
8	76410871A	SEAL VALVE STEM	4	03/04/2012			
9	71312921A	SPACER	2	07/12/2012			
10	30410891A	SEAT, EXHAUST VALVE	2	03/04/2012			
	30410891AB	SEAT, EXHAUST VALVE +0.03 MM	2	25/03/2013			
	30410891AC	SEAT, EXHAUST VALVE +0.06 MM	2	25/03/2013			
11	85250261B	GASKET	6	07/12/2012			
12	78010511E	PLUG	8	07/12/2012			
13	30410881A	SEAT, INTAKE VALVE	2	03/04/2012			



# DRAWING 014 - VERTICAL CYLINDER HEAD [MOD:MS1260]

GROUP ENGINE



TST00611

# DRAWING 014 - VERTICAL CYLINDER HEAD [MOD:MS1260]

## GROUP ENGINE

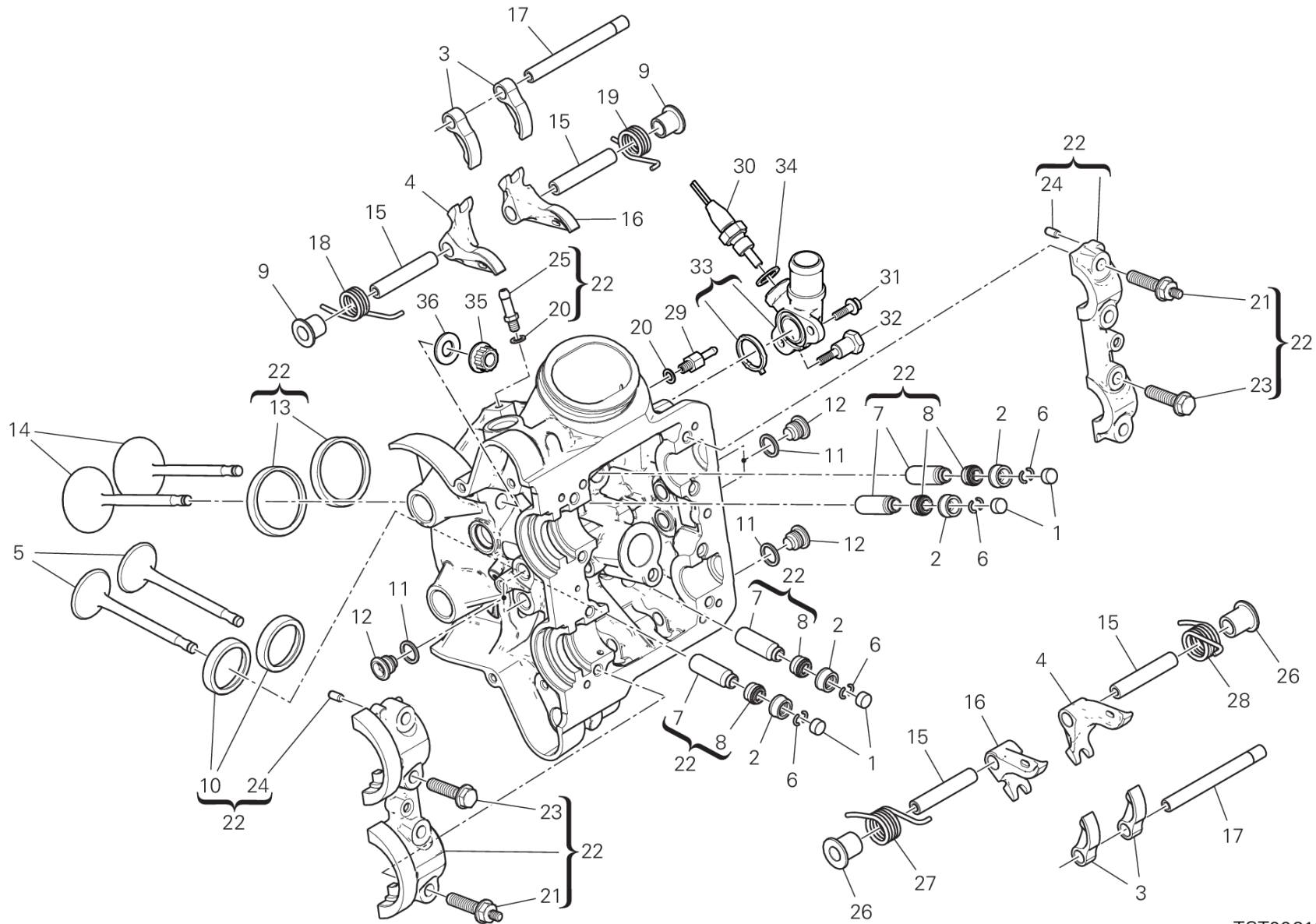


POS.	CODE	DESCRIPTION	QTY	START DATE	END DATE	VALIDITY	NOTES
	30410881AB	SEAT, INLET VALVE +0.03 MM	2	25/03/2013			
	30410881AC	SEAT, INLET VALVE +0.06 MM	2	25/03/2013			
14	21010841C	INTAKE VALVE	2	07/12/2012			
15	82112951A	CLOSE ROCKER ARM AXLE	4	16/06/2017			
16	20910491A	CLOSING ROCKER ARM RIGHT	2	07/12/2012			
17	82115711A	SHAFT, OPENING ROCKER	2	16/06/2017			
18	79915011A	VALVE RETURN SPRING RH.	1	16/06/2017			
19	79915001A	VALVE RETURN SPRING LH.	1	16/06/2017			
20	77350618B	SCREW TCEIR M6X8	1	03/04/2012			
21	76611041A	STUD BOLT, CYLINDER HEAD	4	11/02/2015			
22	30124882B	COMPLETE VERTICAL HEAD	1	11/02/2015			
23	77914211A	SCREW TEF M8X32	4	03/04/2012			
24	86050061A	PIN M5X10	4	03/04/2012			
25	71312921B	SPACER	2	07/12/2012			
26	79915181B	LEFT VALVE RETURN SPRING	1	07/12/2012			
27	79915191B	RIGHT VALVE RETURN SPRING	1	07/12/2012			
28	85250231A	GASKET	2	03/04/2012			
29	77210623B	SCREW	2	16/06/2017			
30	81412351B	JOINT, WATER HOSE VERTICAL	1	16/06/2017			
31	88641031A	O-RING	1	02/03/2017			
32	81411111C	NIPPLE, HOSE	1	16/06/2017			
33	74810501A	NUT M10X1.5	4	02/08/2016			
34	85610642A	WASHER, SPECIAL 10.5X21X2	4	02/08/2016			



# DRAWING 015 - HORIZONTAL CYLINDER HEAD [MOD:MS1260]

GROUP ENGINE



TST00612

# DRAWING 015 - HORIZONTAL CYLINDER HEAD [MOD:MS1260]

## GROUP ENGINE

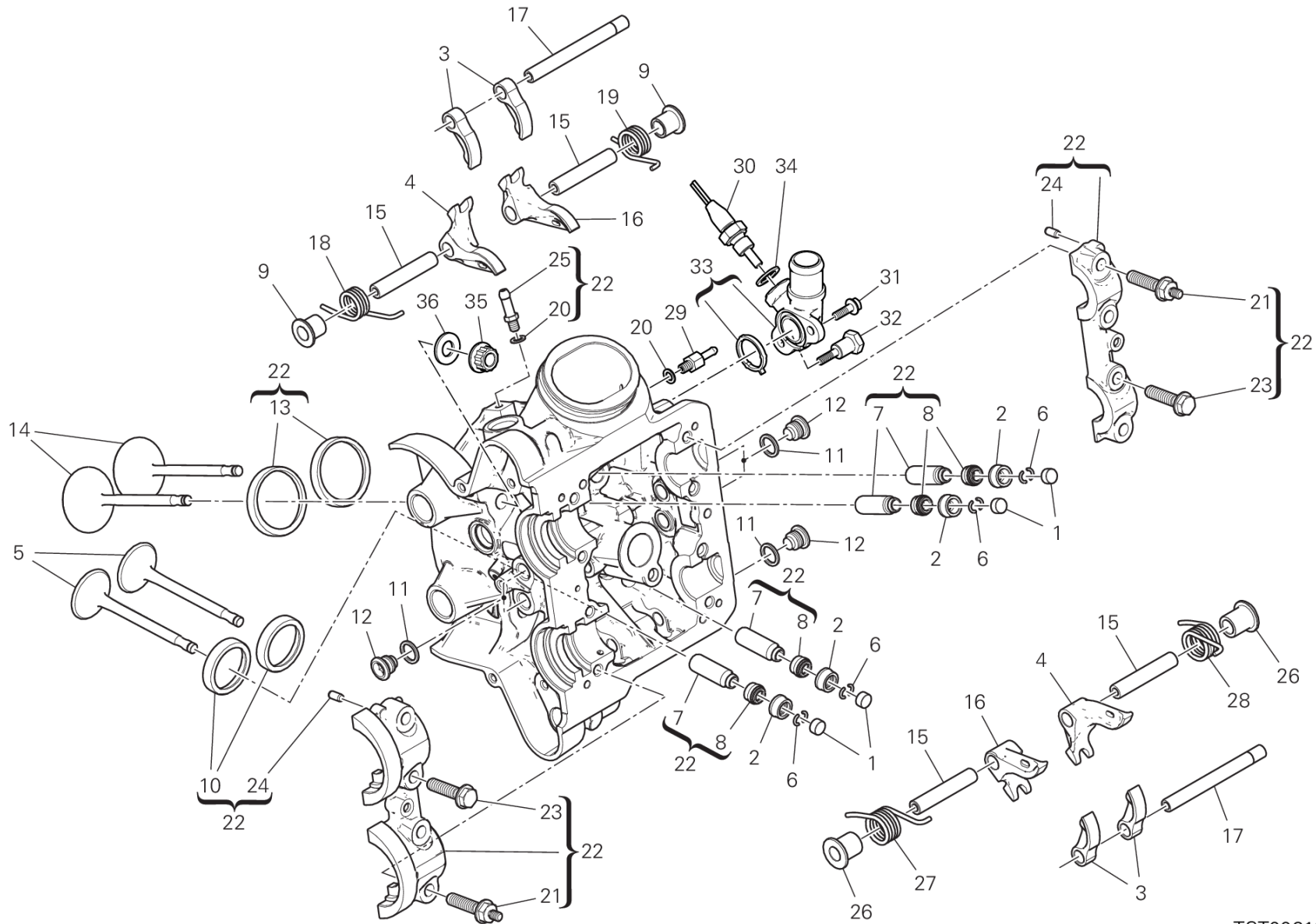


POS.	CODE	DESCRIPTION	QTY	START DATE	END DATE	VALIDITY	NOTES
1	84010012A	ADJUSTER, OPENING ROCKER ARM 2.00 MM	4	20/06/2012			
	84010022A	ADJUSTER, OPENING ROCKER ARM 2.05 MM	4	20/06/2012			
	84010032A	ADJUSTER, OPENING ROCKER ARM 2.10 MM	4	20/06/2012			
	84010042A	ADJUSTER, OPENING ROCKER ARM 2.15 MM	4	20/06/2012			
	84010052A	ADJUSTER, OPENING ROCKER ARM 2.20 MM	4	20/06/2012			
	84010062A	ADJUSTER, OPENING ROCKER ARM 2.25 MM	4	20/06/2012			
	84010072A	ADJUSTER, OPENING ROCKER ARM 2.30 MM	4	20/06/2012			
	84010082A	ADJUSTER, OPENING ROCKER ARM 2.35 MM	4	20/06/2012			
	84010092A	ADJUSTER, OPENING ROCKER ARM 2.40 MM	4	20/06/2012			
	84010102A	ADJUSTER, OPENING ROCKER ARM 2.45 MM	4	20/06/2012			
	84010112A	ADJUSTER, OPENING ROCKER ARM 2.50 MM	4	20/06/2012			
	84010122A	ADJUSTER, OPENING ROCKER ARM 2.55 MM	4	20/06/2012			
	84010132A	ADJUSTER, OPENING ROCKER ARM 2.60 MM	4	20/06/2012			
	84010142A	ADJUSTER, OPENING ROCKER ARM 2.65 MM	4	20/06/2012			
	84010152A	ADJUSTER, OPENING ROCKER ARM 2.70 MM	4	20/06/2012			
	84010162A	ADJUSTER, OPENING ROCKER ARM 2.75 MM	4	20/06/2012			
	84010172A	ADJUSTER, OPENING ROCKER ARM 2.80 MM	4	20/06/2012			
	84010182A	ADJUSTER, OPENING ROCKER ARM 2.85 MM	4	20/06/2012			
	84010192A	ADJUSTER, OPENING ROCKER ARM 2.90 MM	4	20/06/2012			
	84010202A	ADJUSTER, OPENING ROCKER ARM 2.95 MM	4	20/06/2012			
	84010212A	ADJUSTER, OPENING ROCKER ARM 3.00 MM	4	20/06/2012			
	84010222A	ADJUSTER, OPENING ROCKER ARM 3.05 MM	4	20/06/2012			
	84010232A	ADJUSTER, OPENING ROCKER ARM 3.10 MM	4	20/06/2012			
	84010242A	ADJUSTER, OPENING ROCKER ARM 3.15 MM	4	20/06/2012			
	84010252A	ADJUSTER, OPENING ROCKER ARM 3.20 MM	4	20/06/2012			
	84010262A	ADJUSTER, OPENING ROCKER ARM 3.25 MM	4	20/06/2012			
	84010272A	ADJUSTER, OPENING ROCKER ARM 3.30 MM	4	20/06/2012			
	84010282A	ADJUSTER, OPENING ROCKER ARM 3.35 MM	4	20/06/2012			
	84010292A	ADJUSTER, OPENING ROCKER ARM 3.40 MM	4	20/06/2012			
	84010302A	ADJUSTER, OPENING ROCKER ARM 3.45 MM	4	20/06/2012			
	84010312A	ADJUSTER, OPENING ROCKER ARM 1.80 MM	4	20/06/2012			
	84010322A	ADJUSTER, OPENING ROCKER ARM 1.85 MM	4	20/06/2012			
	84010332A	ADJUSTER, OPENING ROCKER ARM 1.90 MM	4	20/06/2012			
	84010342A	ADJUSTER, OPENING ROCKER ARM 1.95 MM	4	20/06/2012			
	84010722A	ADJUSTER, OPENING ROCKER ARM 3.60 MM	4	20/06/2012			



# DRAWING 015 - HORIZONTAL CYLINDER HEAD [MOD:MS1260]

GROUP ENGINE



TST00612





















## DRAWING 10A - HALF-CRANKCASES PAIR [MOD:MS1260]

GROUP ENGINE



POS.	CODE	DESCRIPTION	QTY	START DATE	END DATE	VALIDITY	NOTES
1	942470036	FLUID SEALANT BLACK	1	01/03/2014			
2	76611091C	STUD BOLT FASTENING HEAD CYLINDER	8	28/02/2018			
3	77150723B	SCREW TCEI M6X35 UNI 5931	8	01/03/2014			
4	77150808B	SCREW TCEI M6X75	2	01/03/2014			
5	77151363B	SCREW TCEI M8X75 UNI 5931	3	01/03/2014			
6	77151398B	SCREW TCEI M8X90	4	01/03/2014			
7	86010041A	PIN DOWEL	2	01/03/2014			
8	88610241A	O-RING 5.23X2.62	2	01/03/2014			
9	88642971B	O-RING	16	23/10/2017			
10	075949280	LOCATING DOWEL	2	02/08/2016			
11	44440038A	FILTER, OIL	1	02/08/2016			
12	70242071A	INNER RING	1	02/08/2016		XST:AUS,BLG,EUR,GSO,JAP,ROK,TWN	
13	71111601A	PIN DOWEL	3	02/08/2016			
14	88640371A	O-RING 14X1.78	1	02/08/2016			
15	88641321A	O-RING 11.11X1.78	3	02/08/2016			



















































































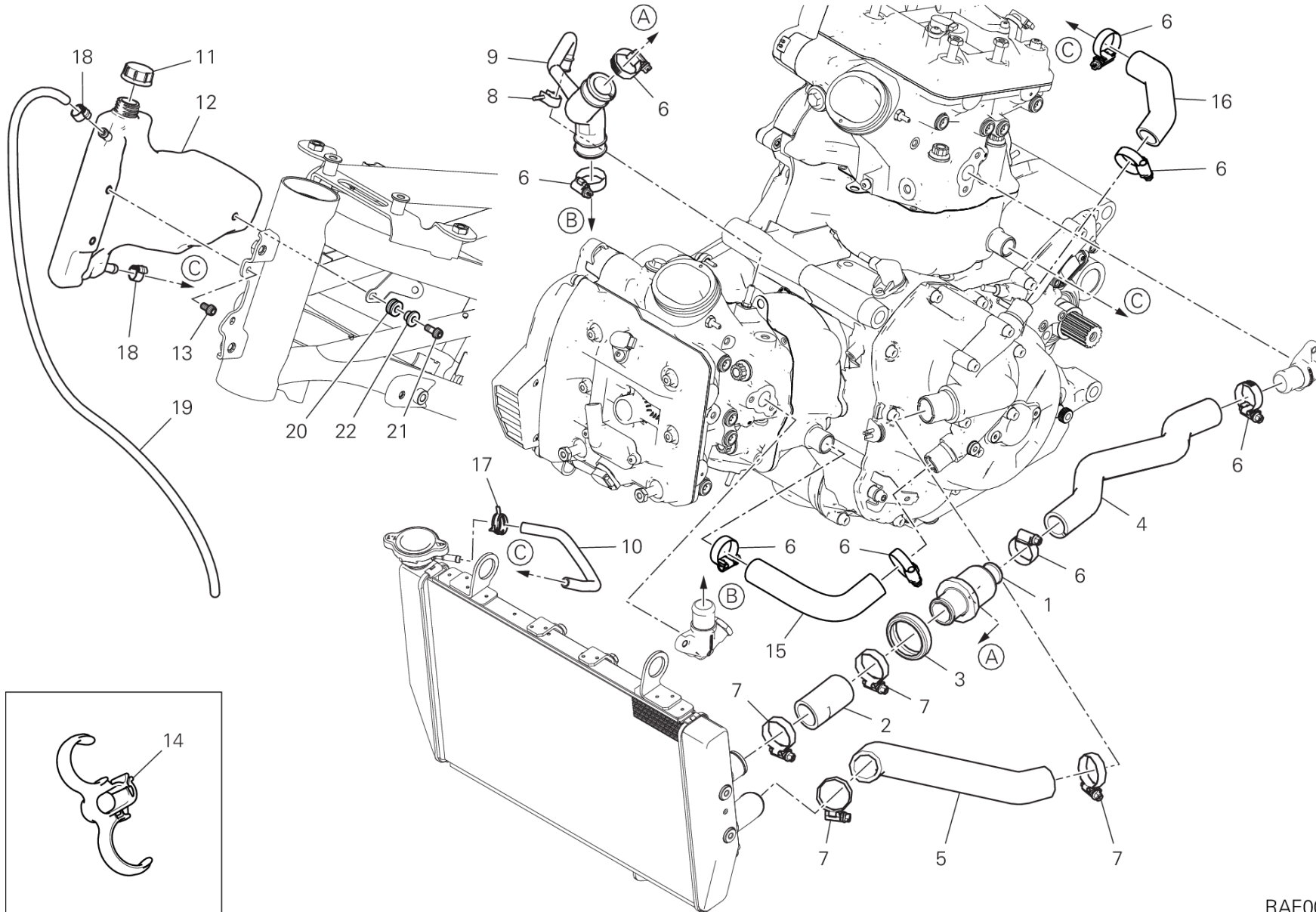






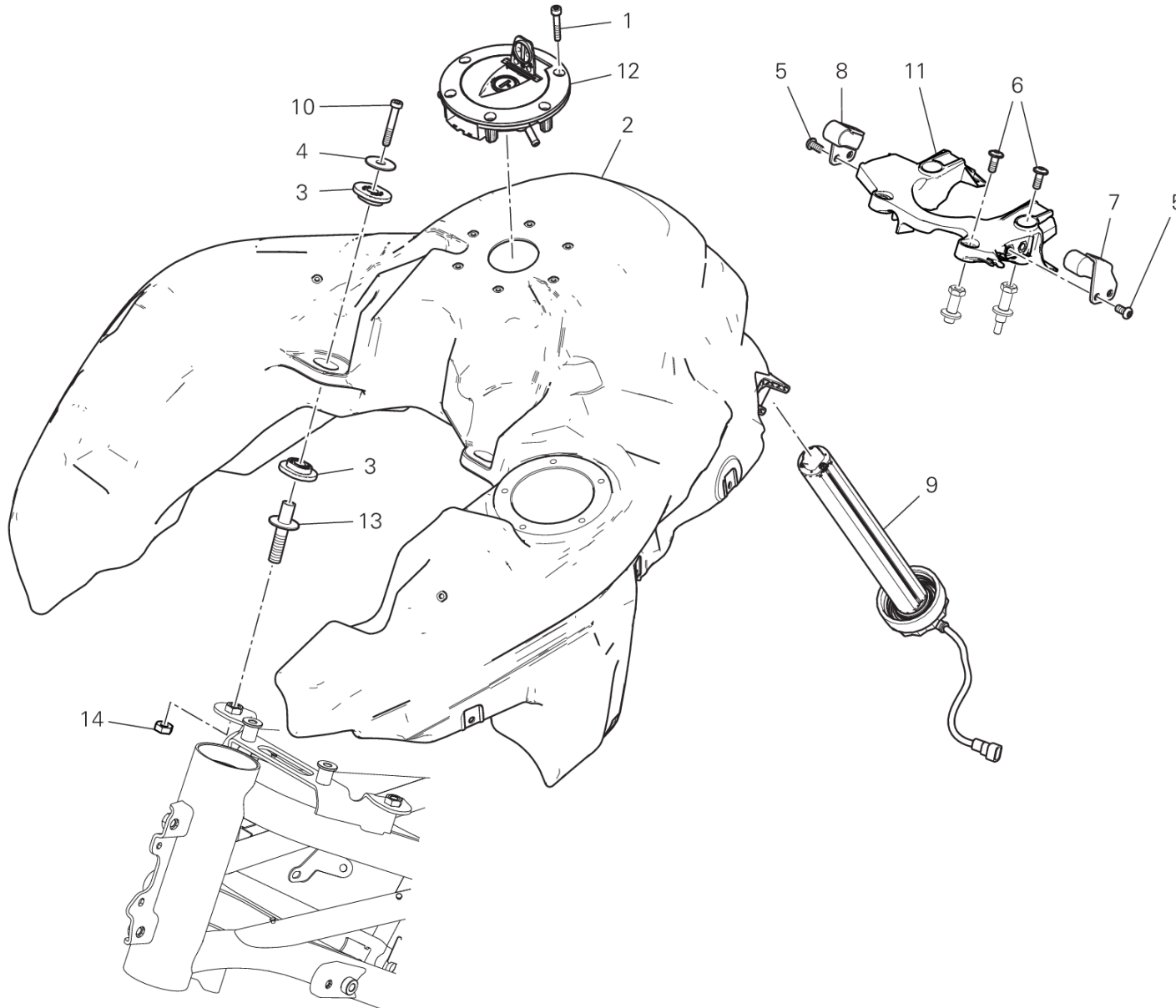






RAF00676





VST01746

# DRAWING 032 - FUEL TANK [MOD:MS1260;PLT:DB10]

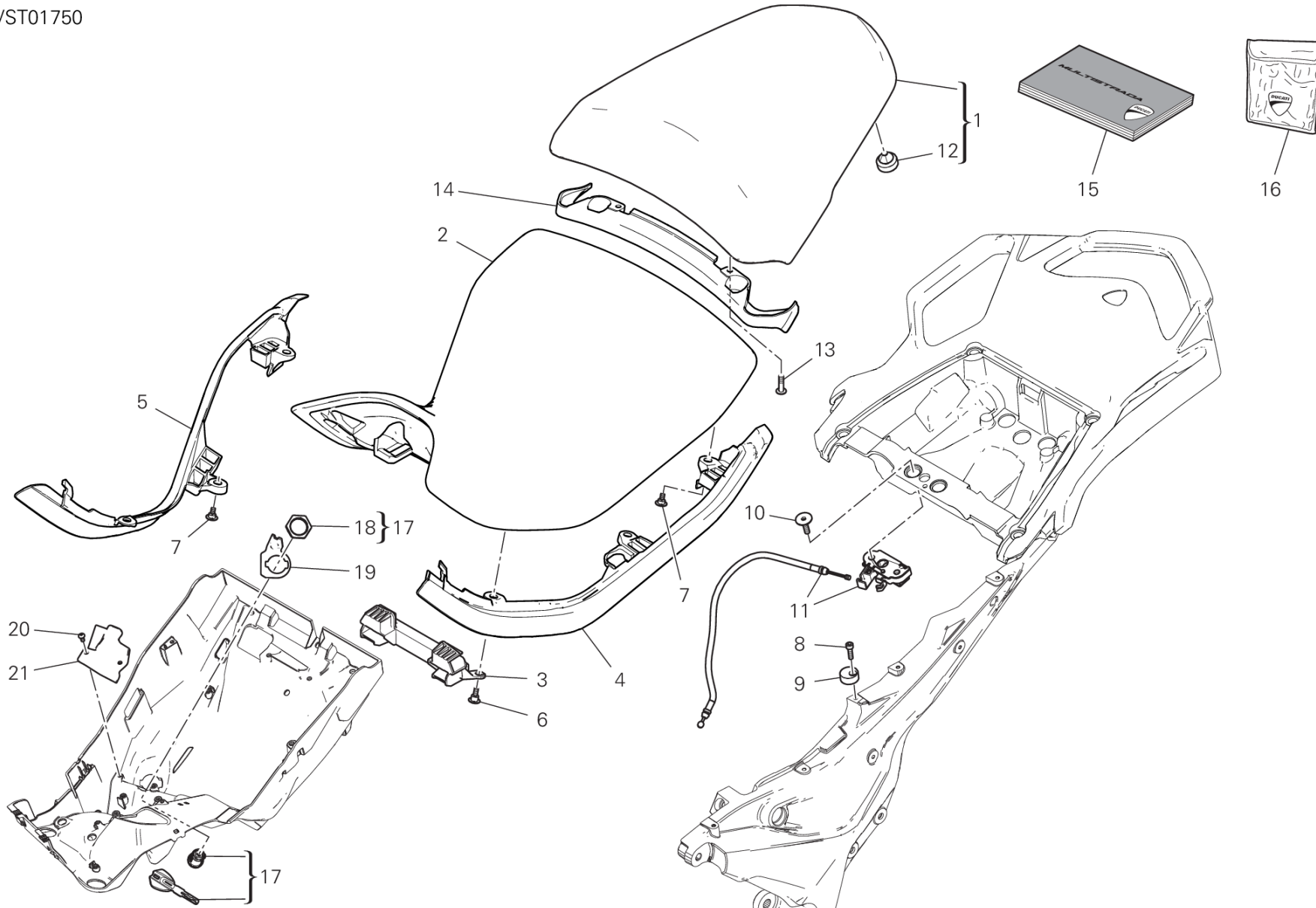
## GROUP FRAME



POS.	CODE	DESCRIPTION	QTY	START DATE	END DATE	VALIDITY	NOTES
1	77150478B	SCREW TCEI M5X30	6	01/10/2014			
2	58612291A	FUEL TANK	1	17/12/2014		XST:TWN	
	58612831A	FUEL TANK	1	26/10/2017		XST:AUS,BLG,EUR,GSO,JAP,ROK	
3	86611091A	PAD	4	10/11/2014			
4	85211961B	WASHER 6.4X25X1.5	2	28/06/2017			
5	72050318C	SCREW	4	10/11/2014			
6	71850338C	SCREW	4	10/11/2014			
7	82717471A	LEFT PLATE	1	10/11/2014			
8	82717481A	RIGHT PLATE	1	10/11/2014			
9	59210212F	FUEL LEVEL GAUGE	1	17/12/2014			
10	77156728B	SCREW TCEIF M6X35	2	13/03/2015			
11	8291G112A	BRACKET, FUEL TANK REAR	1	28/03/2017			
12	89510431B	CAP SET, FUEL TANK	1	17/02/2015		XST:AUS,BLG,EUR,GSO,JAP,ROK,TWN	
13	7791A611AA	BOLT, ADJUSTER	2	28/06/2017			
14	74750071A	NUT	2	28/06/2017			

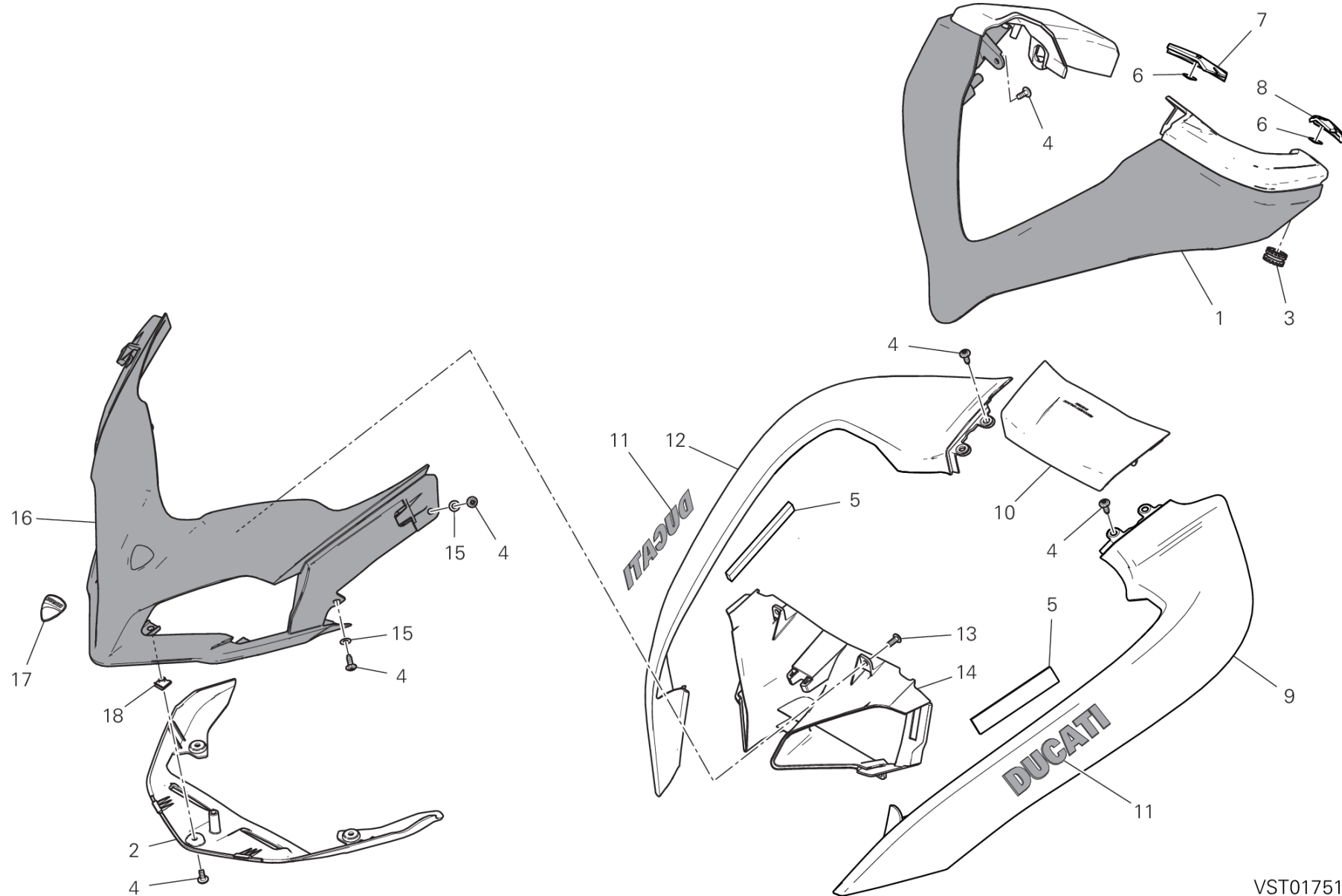


VST01750





POS.	CODE	DESCRIPTION	QTY	START DATE	END DATE	VALIDITY	NOTES
1	595P2521AD	PILLION RIDER SEAT	1	28/06/2017		MOD:MS1260	MS1260-MS1260 T
2	59512632BD	SEAT	1	28/06/2017		MOD:MS1260;PLT:DB10;XST:AUS,BL	MS1260-MS1260 T
	59512672BD	SEAT	1	15/02/2018		MOD:MS1260;PLT:DB10;XST:ROK,TV	MS1260-MS1260 T
3	8291D831B	SEAT SUPPORT Front	1	01/04/2015			
4	8291G081A	SEAT SUPPORT LEFT	1	28/06/2017			
5	8291G071A	SEAT SUPPORT RIGHT	1	28/06/2017			
6	77214071AA	SCREW, SPECIAL	2	01/04/2015			
7	77214411AA	SCREW	4	29/02/2016			
8	77150428B	SCREW TCEI M5X18	1	10/11/2014			
9	75610392A	ECCENTRIC	1	10/11/2014			
10	77914982B	SCREW, SPECIAL	2	10/11/2014			
11	59810241A	LOCK LATCH	1	14/07/2016			
12	86610611A	RUBBER PAD	8	26/07/2017			
13	77240273C	SCREW	2	01/04/2015			
14	8291E012A	SPACER SEAT	1	01/04/2015			
15	91374411A	OWNER'S MANUAL	1	01/10/2012		MOD:MS1260;PLT:DB10;XST:AUS,BL	IT-GB-FR-DE
	91374411B	OWNER'S MANUAL	1	01/10/2012		MOD:MS1260;PLT:DB10;XST:BLG,EU	GB-ES-FR-JP
	91374411C	OWNER'S MANUAL	1			MOD:MS1260;PLT:DB10;XST:EUR	ES-PT-GR
	91374411D	OWNER'S MANUAL	1			MOD:MS1260;PLT:DB10;XST:EUR,RC	FR-NL-KR-GB-CHN
	91374411E	OWNER'S MANUAL	1			MOD:MS1260;PLT:DB10;XST:EUR	SE-FI-DK-NO
	91374411F	OWNER'S MANUAL	1			MOD:MS1260;PLT:DB10;XST:EUR	PL-CZ-SK-SL-HR
	91374411G	OWNER'S MANUAL	1			MOD:MS1260;PLT:DB10;XST:EUR	HU-RO-BG-RU
	91374411R	OWNER'S MANUAL	1			MOD:MS1260;XST:GSO	UK - AR
16	69720324A	TOOL BAG	1	15/04/2016			
17	59820611A	SEAT LOCK	1	16/03/2011			
18	75011551A	NUT M22X1.5	1	16/03/2015			
19	82714821A	PLATE	1	16/03/2015			
20	77440061A	SCREW, TAPPING 4.5X16	2	28/06/2017			
21	83019951A	BRACKET	1	16/03/2015			



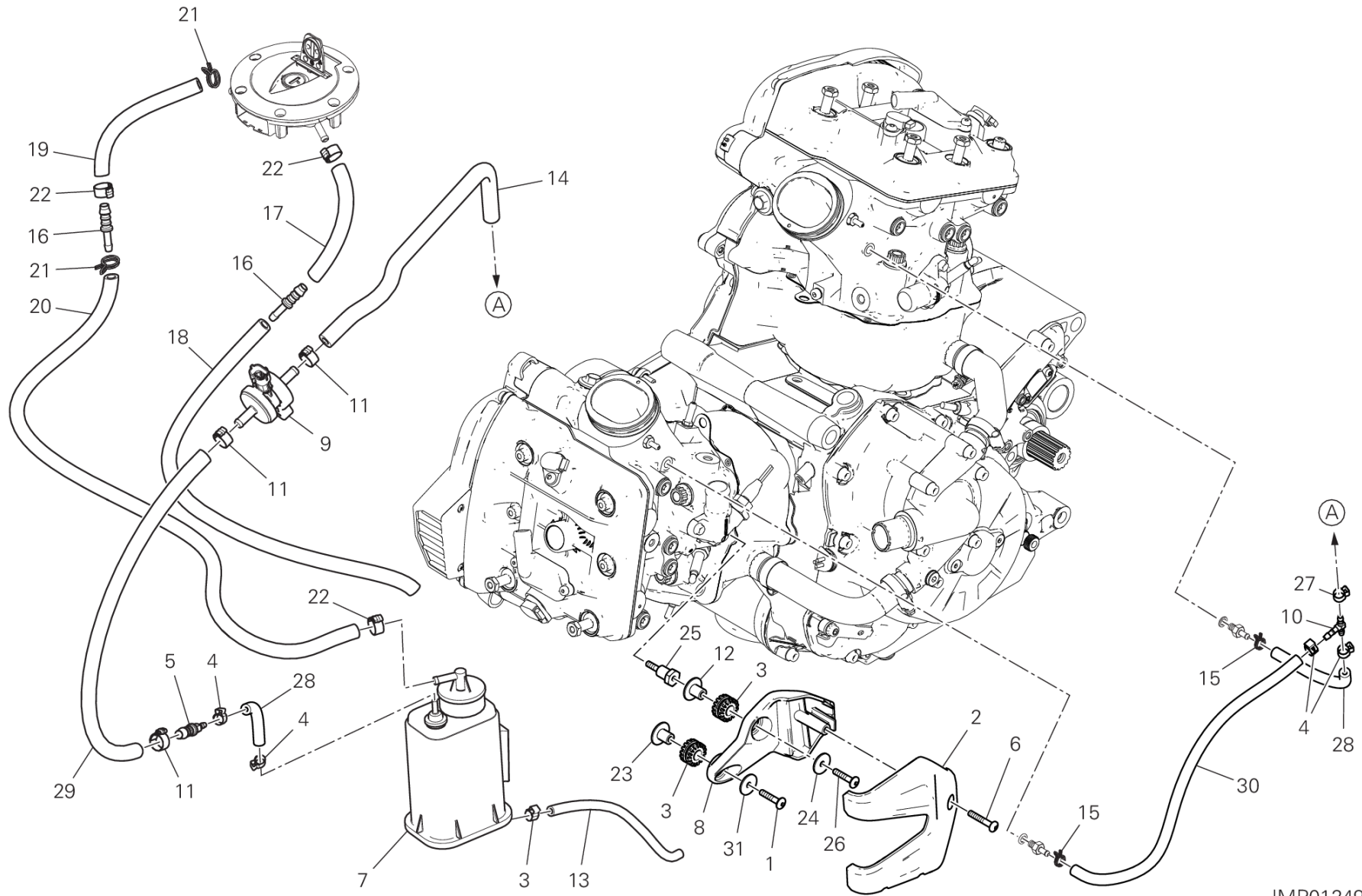
VST01751

## DRAWING 034 - COWLING [MOD:MS1260;XST:AUS,BLG,EUR,GSO,JAP,ROK,TWN]

## GROUP FRAME



POS.	CODE	DESCRIPTION	QTY	START DATE	END DATE	VALIDITY	NOTES
1	48113483BA	COWLING RED	1	10/11/2014		PLT:DB10;XCO:R	
2	48016931A	LOWER PANEL	1	10/11/2014			
3	76410241A	VIBRATION DAMPER PAD	2	01/10/2014			
4	77211091C	SCREW	13	10/11/2014			
5	86612161A	RUBBER PAD	2	28/01/2015			
6	85640151A	ROUND QUICK LOCK	2	15/01/2015			
7	86612131A	RIGHT PAD	1	15/01/2015			
8	86612121A	LEFT PAD	1	15/01/2015			
9	48016922A	COVER, RADIATOR, LH	1	15/04/2015		PLT:DB10	
10	48018781A	COVER HANDSFREE	1	28/06/2017			
11	43513501A	EMBLEM DUCATI	2	10/11/2014			
12	48016912A	COVER, RADIATOR, RH	1	15/04/2015		PLT:DB10	
13	77440171A	SCREW	4	10/11/2014			
14	48016942A	BAFFLE	1	10/01/2015			
15	85611361A	WASHER	4	10/11/2014			
16	48016902AA	AIR MANIFOLD RED	1	12/11/2014		XCO:R	
17	43819301A	STICKER DUCATI	1	27/02/2015			
18	85040471A	QUICK FASTENING M5	3	10/11/2014			



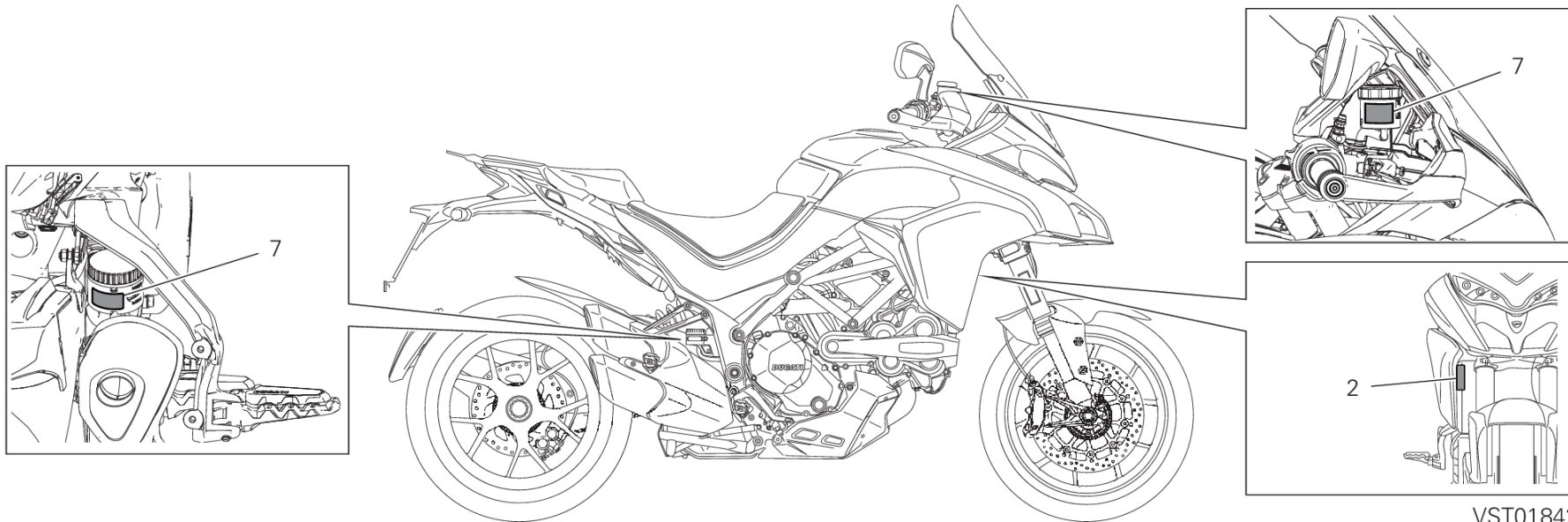
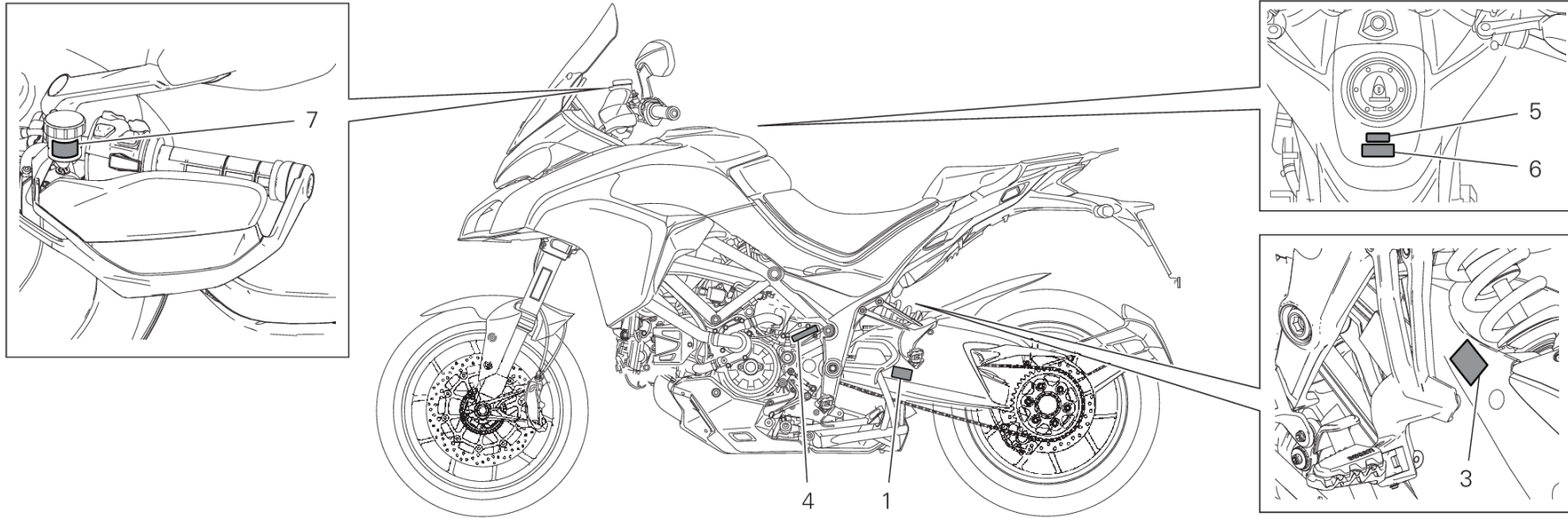
IMP01249

## DRAWING 036 - CANISTER FILTER [MOD:MS1260]

## GROUP FRAME



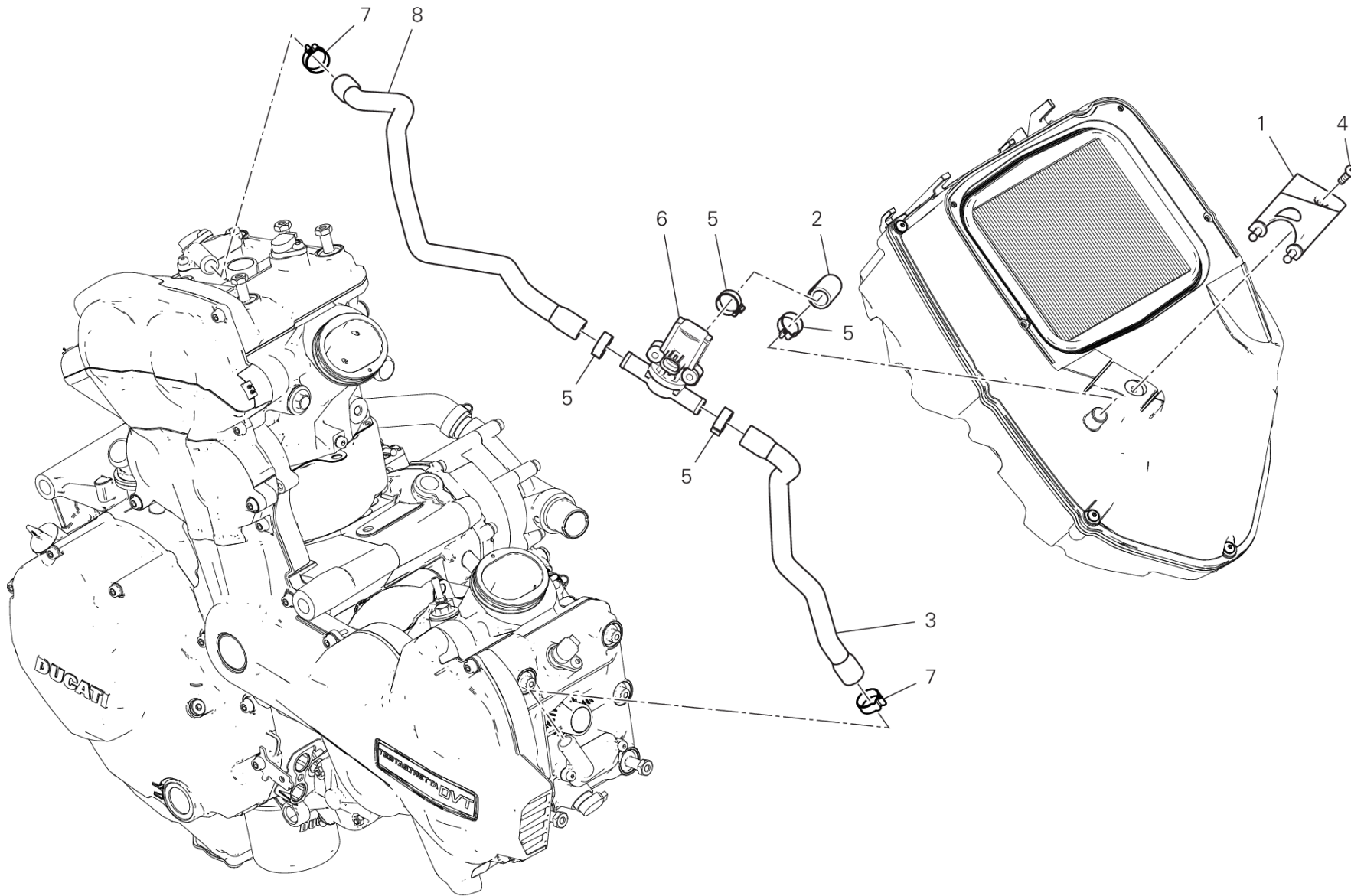
POS.	CODE	DESCRIPTION	QTY	START DATE	END DATE	VALIDITY	NOTES
1	77240463C	SCREW TBEIF M6X25	1	28/06/2017			
2	24715781A	COVER HOT AIR PIPE CANISTER	1	28/06/2017			
3	76410241A	VIBRATION DAMPER PAD	2	21/10/2014			
4	74140581A	CLAMP	5	18/09/2014			
5	81441021A	UNION	1	18/09/2014			
6	77440121A	SCREW	1	28/06/2017			
7	42610351A	CANISTER FILTER	1	19/02/2015			
8	8291G171A	BRACKET	1	28/06/2017			
9	65540101A	VALVE, BREATHER	1	18/09/2014			
10	81411831A	THREE-WAYS UNION	1	18/09/2014			
11	74140641A	CLAMP	4	07/10/2014			
12	71611641AA	SPACER	1	28/06/2017			
13	59017831A	BREATHER PIPE	1	19/02/2015			
14	93510281C	PIPE	1	18/09/2014			
15	74140431A	CLAMP	2	18/09/2014			
16	81415801A	UNION	2	19/02/2015			
17	59014671A	HOSE, DRAIN SHORT	1	19/02/2015			
18	59014681A	HOSE, DRAIN LONG	1	19/02/2015			
19	59018121A	HOSE SHORT	1	10/01/2015			
20	59018131A	HOSE LONG	1	10/01/2015			
21	74140571A	CLAMP	2	23/02/2015			
22	74140631A	CLAMP	3	19/02/2015			
23	71610061A	SPACER	1	28/06/2017			
24	85241711A	WASHER 5.3X20X1.5	1	28/06/2017			
25	77919162AA	SCREW, SPECIAL	1	02/02/2015			
26	77240323C	SCREW	1	28/06/2017			
27	74140651A	CLAMP	1	11/03/2019			
28	59018041A	PIPE	2	18/09/2014			
29	59014771A	HOSE	1				
30	59018071A	PIPE	1				
31	85250291A	WASHER 6.4X18X1.6	1	28/06/2017			



VST01842



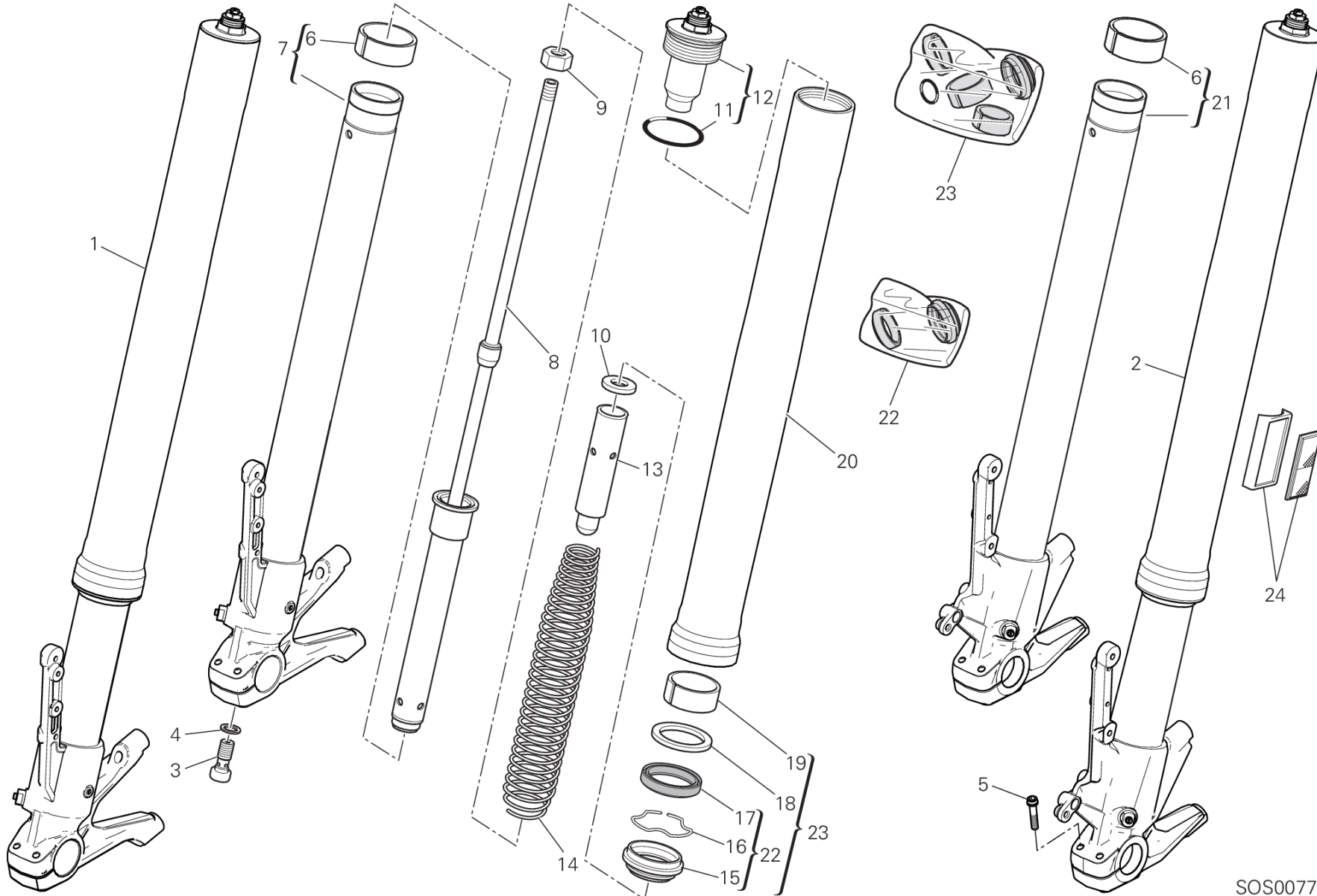
POS.	CODE	DESCRIPTION	QTY	START DATE	END DATE	VALIDITY	NOTES
1	43313621A	TIRE SIZE AND PRESSURE PLATE	1	28/10/2016			
2	43312531A	WATER RADIATOR PLATE	1	15/02/2018			
3	43312561A	REAR SHOCK ABSORBER PLATE	1	15/02/2018			
4	43312551A	GEAR SEQUENCE PLATE	1	15/02/2018			
5	43310051B	TANK "WARNING" PLATE	1	15/02/2018			
6	43310051C	TARGHETTA IMPORTANTE SERBATOIO	1	15/02/2018			
7	43910071A	CLUTCH-BRAKE MASTER CYLINDER PLATE	3	15/02/2018			



SCR00270



POS.	CODE	DESCRIPTION	QTY	START DATE	END DATE	VALIDITY	NOTES
1	8291D511A	HOLDER	1	10/11/2014			
2	87611301A	PIPE	1	10/11/2014			
3	87611321A	DUCT, AIR	1	18/09/2014			
4	77440321A	SCREW, TAPPING	1	07/11/2014			
5	74142401A	CLAMP	4	18/09/2014			
6	65540081A	ACTUATOR	1	18/09/2014			
7	74142371A	CLAMP	2	10/11/2014			
8	87611311A	DUCT, AIR	1	18/09/2014			



SOS00775

# DRAWING 21A - FRONT FORK [MOD:MS1260]

## GROUP FRAME



POS.	CODE	DESCRIPTION	QTY	START DATE	END DATE	VALIDITY	NOTES
1	34420694A	FORK LEG ASSY, RIGHT	1	28/06/2017			
2	34520694A	FORK LEG ASSY, LEFT	1	23/02/2017			
3	34912751A	SCREW, SPECIAL	2				
4	34912741A	WASHER, SPECIAL	2				
5	34914421A	SCREW	4	30/01/2015			
6	34912811A	BUSH	2				
7	34921901A	COMPLETE RIGHT SLIDER	1				
8	34921931A	PLUNGER	2				
9	34912711A	NUT	2				
10	34914411A	WASHER	2				
11	34912681A	O-RING	2				
12	34921921A	PLUG ASSY	2				
13	34912721A	PRE-LOAD SLEEVE	2				
14	34914401A	SPRING	2				
15	34912761A	DUST COVER	2				
16	34912771A	STOP RING	2				
17	34912781A	OIL SEAL	2				
18	34912791A	WASHER	2				
19	34914391A	BUSH	2				
20	34914431A	FORK OUTER TUBE	2				
21	34921911A	COMPLETE LEFT SLIDER	1				
22	34912871A	SEAL SET, FRONT FORK	2				
23	34921941A	FRONT FORK OVERHAUL SET	1				
24	52910221A	REFLECTOR, ADHESIVE AMBER	2	28/06/2017			

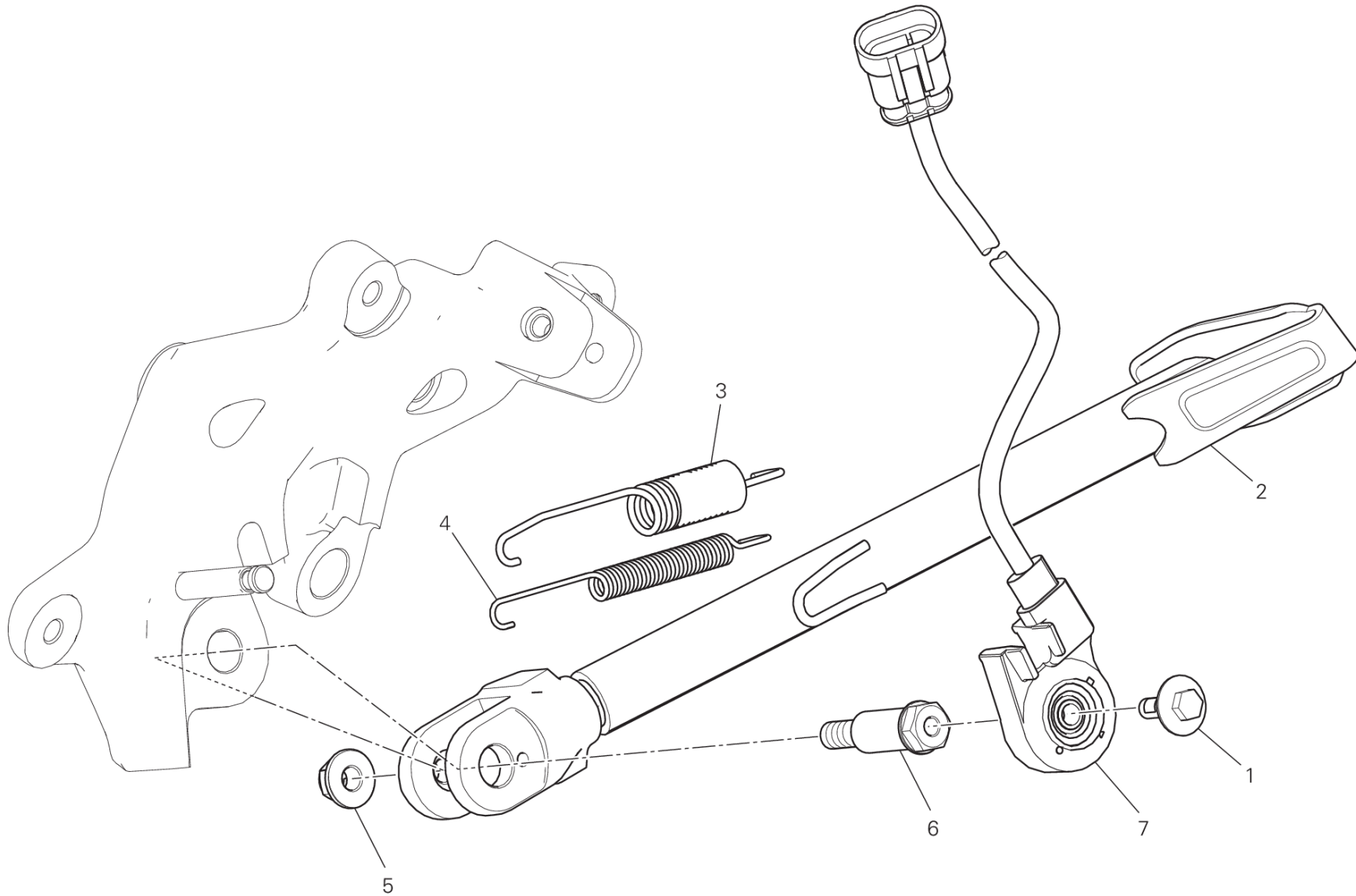


## DRAWING 21B - STEERING HEAD BASE ASSEMBLY [MOD:MS1260]

## GROUP FRAME



POS.	CODE	DESCRIPTION	QTY	START DATE	END DATE	VALIDITY	NOTES
1	74750071A	NUT	2	15/04/2013			
2	77910991B	SCREW	2	15/04/2013			
3	34220832BA	STEERING HEAD BASE	1	28/06/2017			
4	77156718B	SCREW TCEIF M6X30	4	13/01/2015			
5	93010041B	SEAL RING	2	15/04/2013			
6	70241231A	BEARING, STEERING NTN SF07A17P	2	07/05/2015			
7	77211091A	SCREW TBEI M5X12	3	08/05/2013			
8	4601C522A	MUDFLAP	1	10/11/2014			
9	77157288B	SCREW TCEIF M8X35	4	13/10/2014			
10	70011131A	VIBRATION DAMPER	2	20/10/2014			
11	85211031AB	WASHER	1	15/04/2013			
12	70310131A	THREAD, STEERING HEAD TOP	1	08/05/2013			
13	77157278B	SCREW TCEIF M8X30	5	15/04/2013			
14	36011792AA	HOLDER, HANDLE LOWER	1	20/10/2014			
15	77159418B	SCREW M10X1.25X70	2	15/04/2013			
16	85350111A	WASHER, SPRING	2	15/04/2013			
17	36011781AA	HANDLEBAR BRACKET, UPPER	1	13/10/2014			
18	34111531AA	STEERING HEAD	1	28/06/2017			



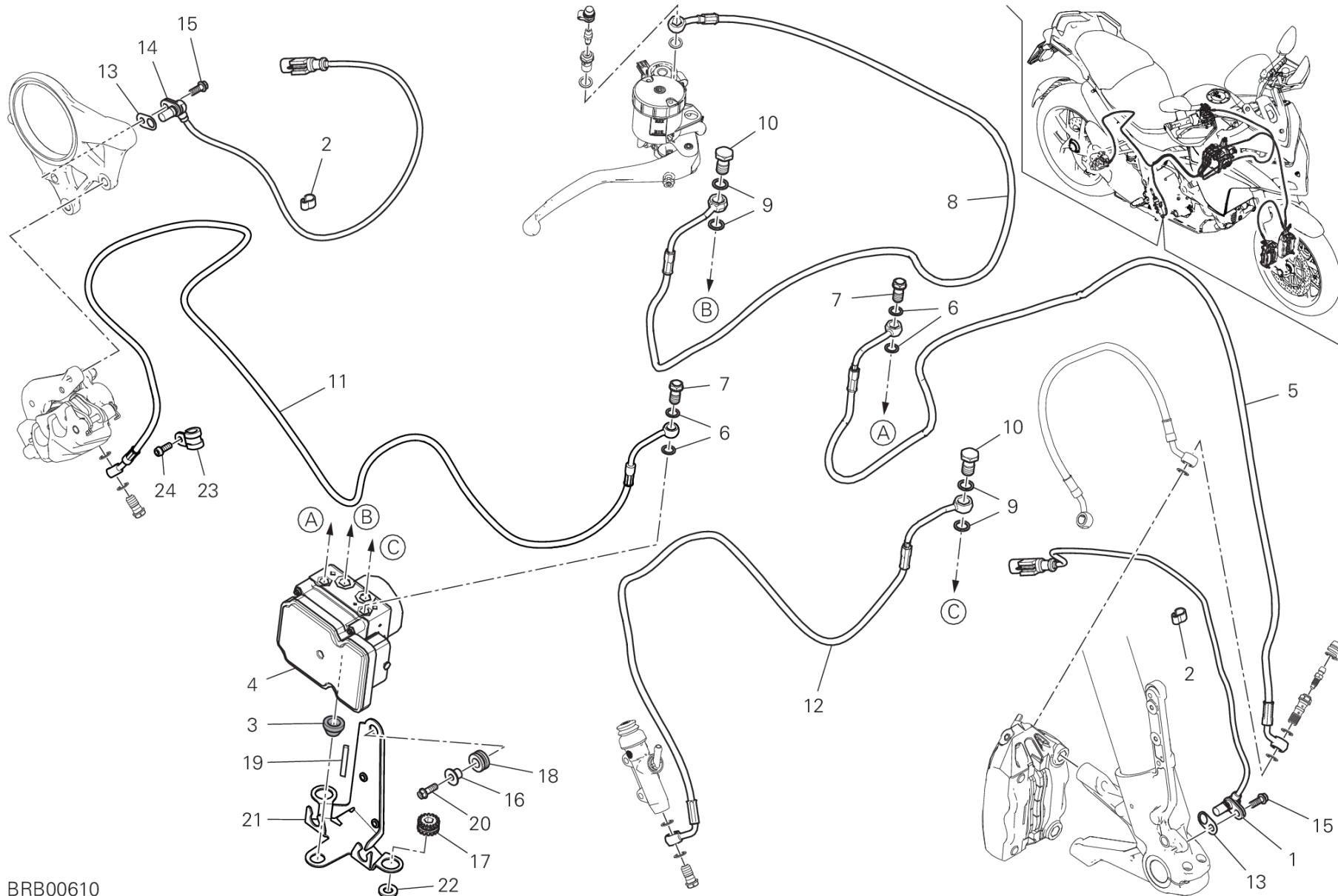
TEL00883

# DRAWING 22A - SIDE STAND [MOD:MS1260]

## GROUP FRAME



POS.	CODE	DESCRIPTION	QTY	START DATE	END DATE	VALIDITY	NOTES
1	77917241AA	SCREW	1	02/03/2014			
2	55610901AA	SIDE STAND	1	06/03/2015			
3	79921602A	COMPLETE SPRING	1	08/05/2013			
4	79915081A	INNER SPRING	1	08/05/2013			
5	74940321A	NUT M8	1	08/11/2016			
6	82114923AA	AXLE, SIDE STAND	1	06/03/2015			
7	53910351A	SWITCH, STAND	1	06/03/2015			



BRB00610

# DRAWING 24A - BRAKING SYSTEM ABS [MOD:MS1260]

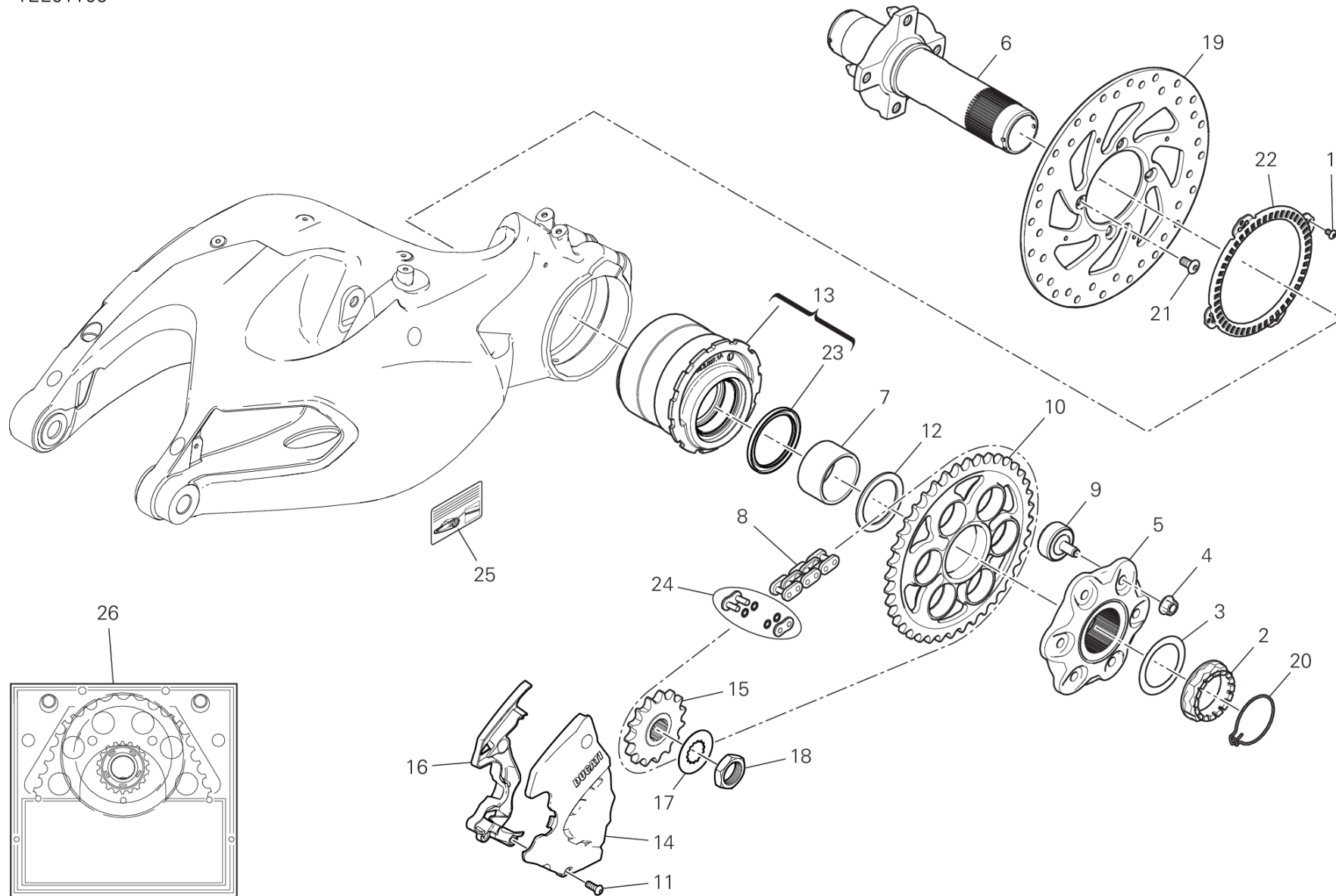
## GROUP FRAME



POS.	CODE	DESCRIPTION	QTY	START DATE	END DATE	VALIDITY	NOTES
1	55212121B	SENSOR, SPEED	1	08/05/2013			
2	75840601A	FAIRLEAD	12	08/05/2013			
3	86640051A	RUBBER PAD	1	08/05/2013			
4	54240743A	CONTROL UNIT ABS	1	20/03/2017			
5	61810621A	CPU - FRONT CALIPERS LINE	1	12/09/2016			
6	85250241A	WASHER 10X14X1	4	01/02/2012			
7	77913662AB	SCREW, SPECIAL	2	25/09/2012			
8	61810611A	FRONT MASTER CYLINDER - CPU LINE	1	12/09/2016			
9	85250261B	GASKET	4				
10	77913141B	SCREW, SPECIAL	2				
11	61910951A	CPU - REAR CALIPER LINE	1	20/03/2017			
12	61910731A	REAR MASTER CYLINDER - CPU LINE	1	20/03/2017			
13	71314901A	GASKET TH.02	2	08/05/2013			
	71319201A	GASKET 0.5 MM	6				
14	55214141A	SENSOR, SPEED	1	07/11/2014			
15	77210601A	SCREW TEF M6X16	2				
16	71614102AB	SPACER	1	28/06/2017			
17	76410241A	VIBRATION DAMPER PAD	2	28/06/2017			
18	76411141A	VIBRATION DAMPER PAD	1	28/06/2017			
19	76412131A	RUBBER PAD	2	28/06/2017			
20	77240308C	SCREW	1	28/06/2017			
21	8301A032AA	BRACKET	1	20/03/2017			
22	85240181A	WASHER	2	28/06/2017			
23	74140331A	CLAMP	1	28/06/2017			
24	77156658B	SCREW TCEIF M6X16	1	28/06/2017			



TEL01106

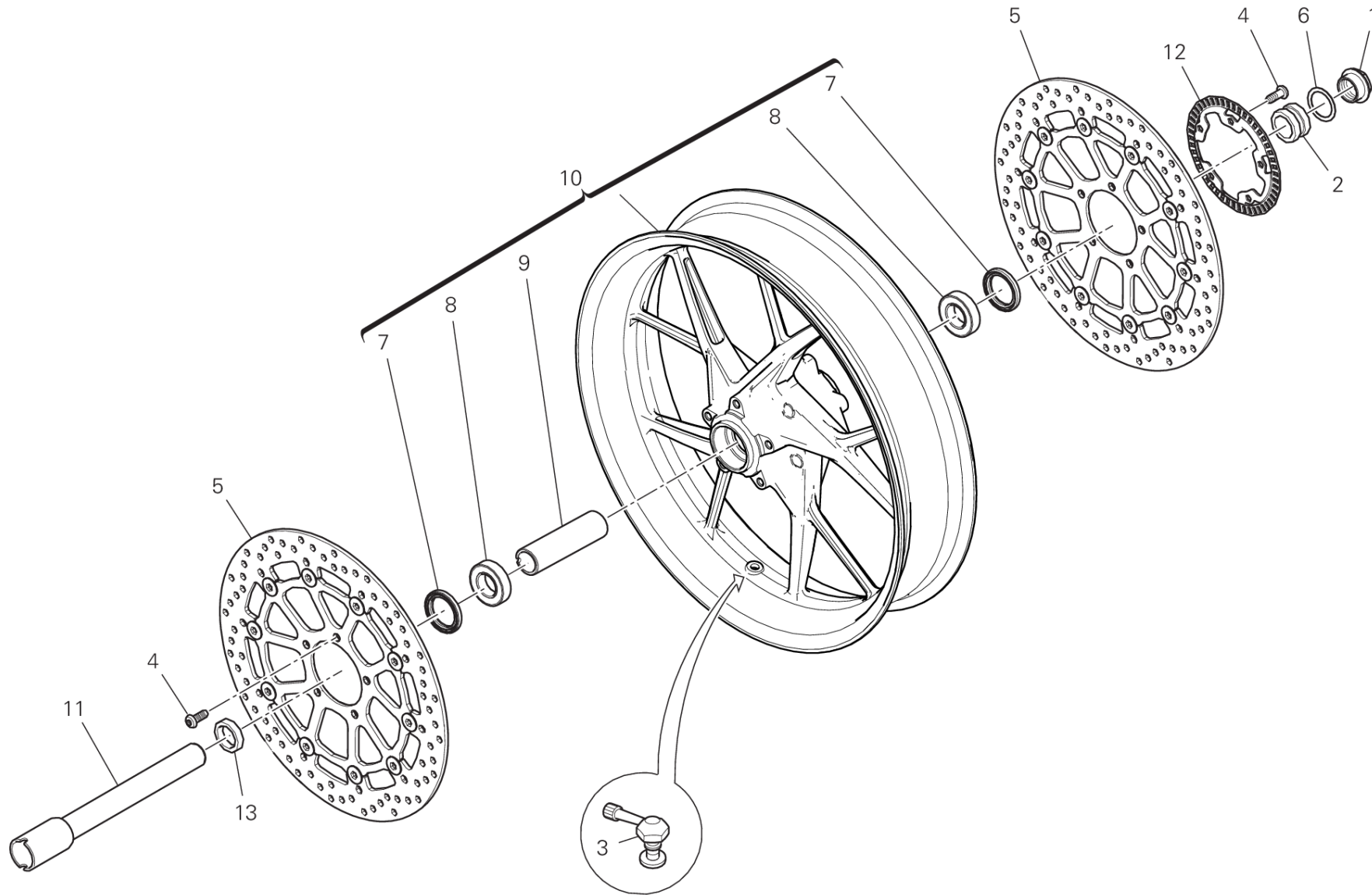


# DRAWING 26A - HUB, REAR WHEEL [MOD:MS1260]

## GROUP FRAME



POS.	CODE	DESCRIPTION	QTY	START DATE	END DATE	VALIDITY	NOTES
1	72050159EA	SCREW	4	08/05/2013			
2	75012072AA	NUT	1	28/06/2017			
3	85212211A	WASHER 48.5X65X0.5	1	08/05/2013			
4	74810461A	NUT, FLANGE M10X1	6	08/05/2013			
5	16014201A	REAR SPROCKET FLANGE	1	08/05/2013			
6	81920831AA	REAR WHEEL SPINDLE	1	10/10/2017			
7	88110541A	INNER SPACER	1	08/05/2013			
8	67641111A	CHAIN 114+1	1	28/06/2017			
9	70010571A	RUBBER CUSH DRIVE HUB M10x1	6	21/05/2012			
10	494Z0011A	REAR SPROCKET T40	1	08/05/2013			
11	77550213C	SCREW TBEI M6X16	4	08/05/2013			
12	71410751A	SPACER	1	08/05/2013			
13	75620131A	HUB	1	08/05/2013			
14	4601F141A	CHAIN PINION COVER	1	28/06/2017			
15	44910782A	SPROCKET T15	1	28/06/2017			
16	75811232A	FAIRLEAD	1	28/06/2017			
17	85110041A	WASHER, LOCK	1	28/06/2017			
18	75010071A	NUT M25X1.5	1	28/06/2017			
19	49241111A	REAR BRAKE DISC	1	01/01/2001		PLT:DB10	
20	75910222A	CLIP	1	08/05/2013			
21	77918261AA	SCREW	4	01/05/2015			
22	50410091A	REAR PHONIC WHEEL	1	08/05/2013		PLT:DB10	
23	93010102A	DUST COVER	1	24/12/2009			
24	67740241A	CHAIN LINK	1	02/09/2014			
25	43314591A	CHAIN ADJUSTMENT STICKER	1			XST:BLG,EUR,GSO,ROK,TWN	
	43314591B	CHAIN ADJUSTMENT STICKER	1			XST:JAP	
26	67621111A	FINAL DRIVE KIT	1				



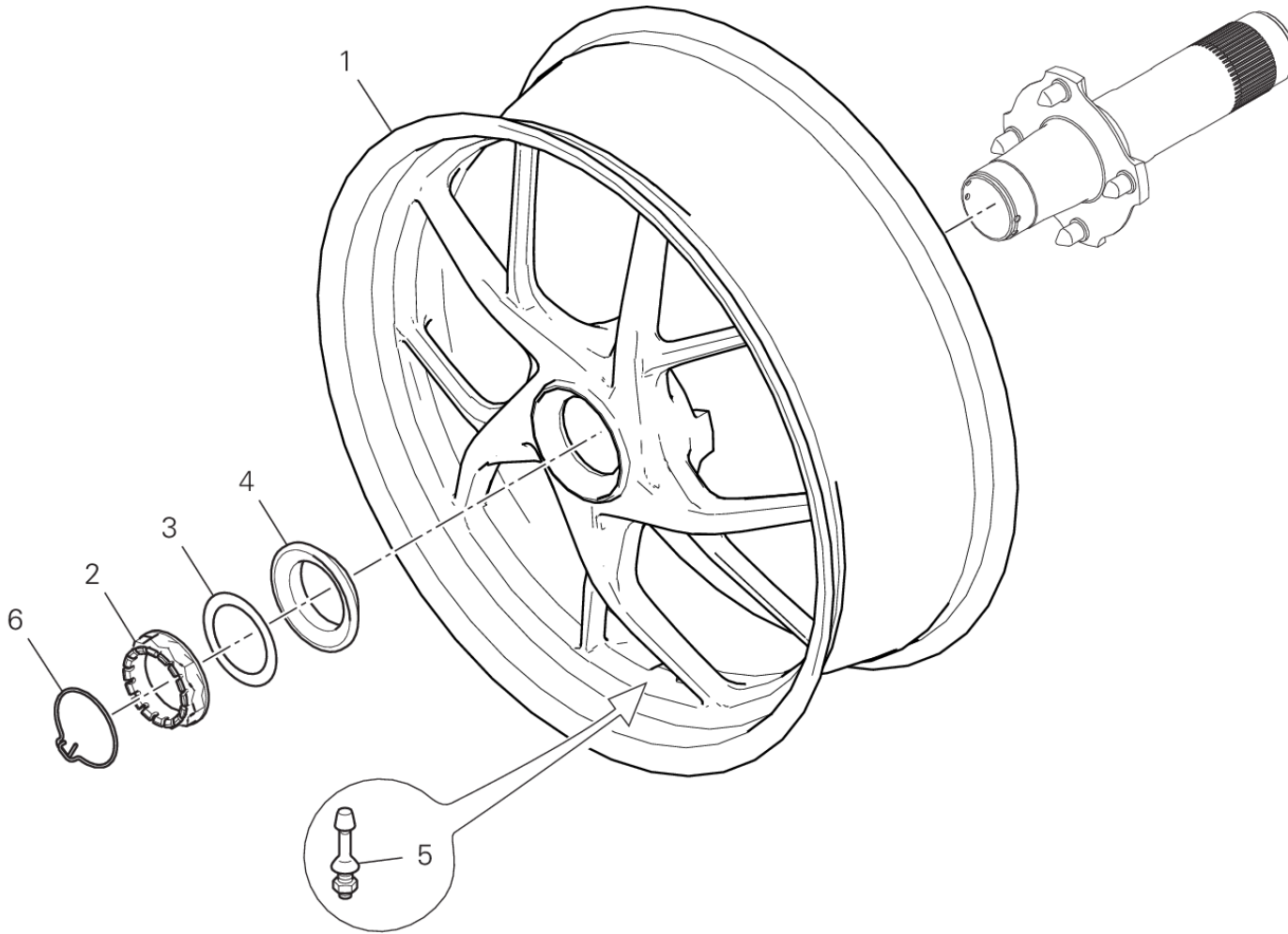
TEL01107

# DRAWING 26B - FRONT WHEEL [MOD:MS1260]

## GROUP FRAME



POS.	CODE	DESCRIPTION	QTY	START DATE	END DATE	VALIDITY	NOTES
1	74810651A	NUT	1	08/05/2013			
2	71311973A	LEFT SPACER	1	08/05/2013			
3	49720071AB	VALVE, TUBELESS TIRE	1	15/04/2013		PLT:DB10	
4	72010513C	SCREW	10	15/04/2013			
5	49241011A	FRONT BRAKE DISC	2	15/04/2013			
6	85212221A	WASHER 30X40X1	1	08/05/2013			
7	93041501A	SEAL RING	2	15/04/2013			
8	70250621A	BEARING	2	15/04/2013			
9	71410941A	INNER SPACER	1	15/04/2013			
10	50122241AA	FRONT WHEEL RIM	1	10/11/2016			
11	81910601A	FRONT WHEEL SPINDLE	1	08/05/2013			
12	50410051A	FRONT PHONIC WHEEL	1	15/04/2013			
13	71311961A	RIGHT SPACER	1	08/05/2013			



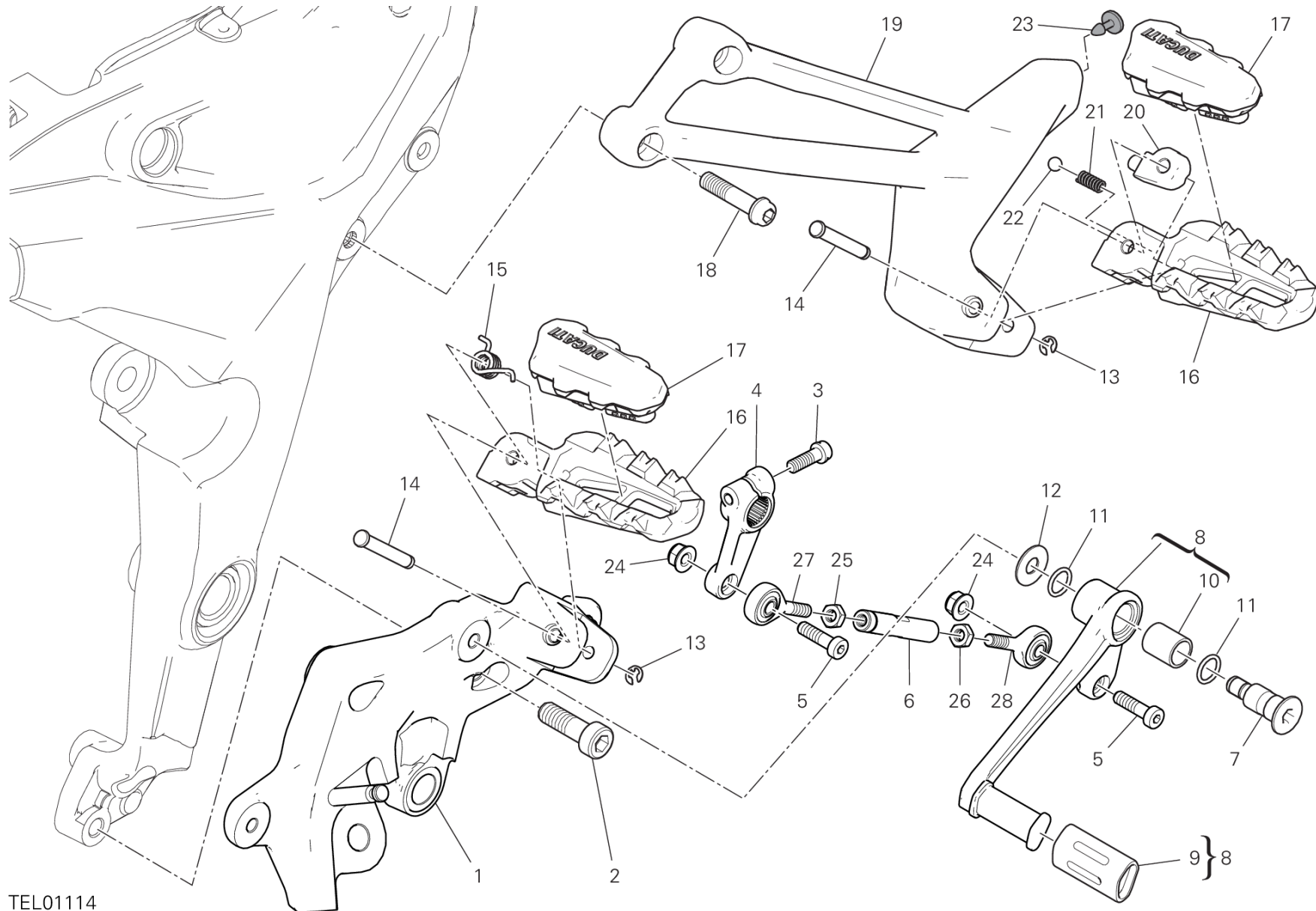
TEL01108

# DRAWING 26C - REAR WHEEL [MOD:MS1260]

## GROUP FRAME



POS.	CODE	DESCRIPTION	QTY	START DATE	END DATE	VALIDITY	NOTES
1	50212041AA	REAR WHEEL RIM BLACK	1	10/11/2016		XCO:R	
2	75012072AA	NUT	1	28/06/2017			
3	85212211A	WASHER 48.5X65X0.5	1	08/05/2013			
4	71411352AA	SPACER	1	28/06/2017			
5	49720031A	VALVE, TUBELESS TIRE	1	15/04/2013			
6	75910222A	CLIP	1	08/05/2013			



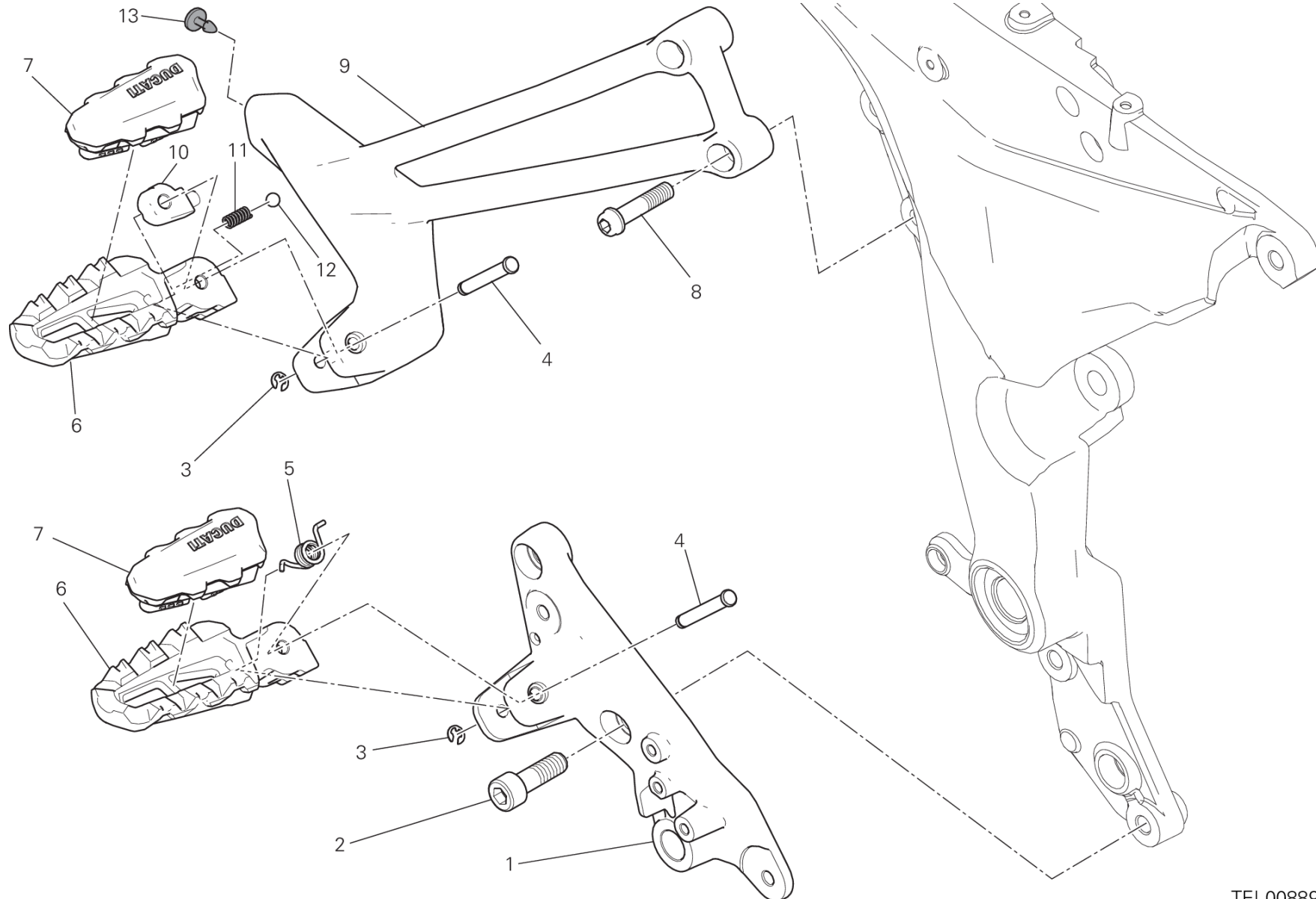
TEL01114

## DRAWING 27C - FOOTRESTS, LEFT [MOD:MS1260]

## GROUP FRAME



POS.	CODE	DESCRIPTION	QTY	START DATE	END DATE	VALIDITY	NOTES
1	82423341AA	FRONT L.H. PLATE	1	08/11/2016			
2	77351568C	SCREW	2	28/06/2017			
3	77156668B	SCREW TCEIF M6X18	1	10/11/2014			
4	45612372AA	GEAR CONTROL LEVER	1	28/06/2017			
5	77156688B	SCREW TCEIF M6X22X18	2	08/11/2016			
6	11711871AA	GEARBOX DRIVING ROD	1	12/01/2017			
7	82111701CA	PIN PEDAL	1	06/03/2015			
8	45622362AA	GEARCHANGE LEVER	1	08/11/2016			
9	76411321C	RUBBER PAD	1	05/03/2014			
10	71210341A	BUSH	1	05/03/2014			
11	88641161A	O-RING	2	06/03/2015			
12	85211511A	WASHER	1	06/03/2015			
13	88450021A	SPRING RING	2	06/03/2015			
14	82115212AA	FOOTREST PIN	2	06/03/2015			
15	79914991A	SPRING. FOOTREST	1	06/03/2015			
16	46410601AA	LEFT FOOTREST	2	06/03/2015			
17	76510031A	FOOT PEG RUBBER COVER L.H.	2	06/03/2015			
18	77157283B	SCREW TCEIF M8X35 8.8	2	10/11/2014			
19	82412631AA	REAR L.H. PLATE	1	18/12/2014			
20	69610201A	SPRING RETAINER	1	10/06/2016			
21	79910241A	SPRING	1	18/12/2014			
22	84740021A	BALL	1	18/12/2014			
23	87240561A	PLUG	2	18/12/2014			
24	74941118B	NUT 6MM	2	15/09/2017			
25	74750011AB	NUT, LEFT THREAD M6	1	12/01/2017			
26	74750101A	NUT 6MM	1	12/01/2017			
27	84850011A	BALL JOINT, LEFT	1	12/01/2017			
28	84850021A	BALL JOINT, RIGHT	1	10/02/2017			



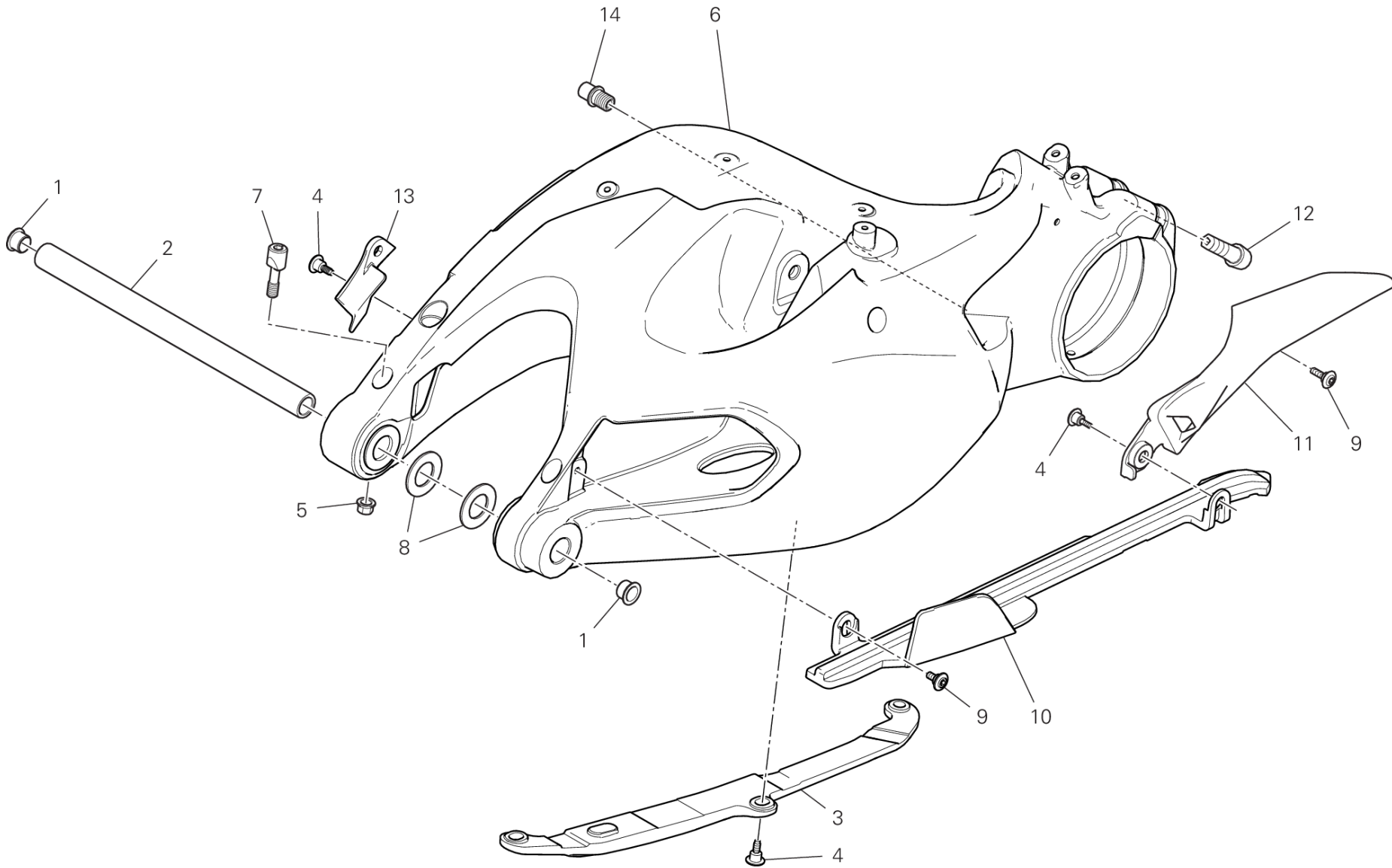
TEL00889

## DRAWING 27D - FOOTRESTS, RIGHT [MOD:MS1260]

## GROUP FRAME



POS.	CODE	DESCRIPTION	QTY	START DATE	END DATE	VALIDITY	NOTES
1	82422522AA	FRONT R.H. PLATE	1	02/04/2015		MOD:MS1260	
2	77351568C	SCREW	2	28/06/2017			
3	88450021A	SPRING RING	2	06/03/2015			
4	82115212AA	FOOTREST PIN	2	06/03/2015			
5	79914991A	SPRING. FOOTREST	1	06/03/2015			
6	46410591AA	RIGHT FOOTREST	2	18/12/2014			
7	76510021A	FOOT PEG RUBBER COVER R.H.	1	18/12/2014			
8	77157283B	SCREW TCEIF M8X35 8.8	2	10/11/2014			
9	82412621AA	REAR R.H. PLATE	1	03/04/2015		MOD:MS1260;PLT:DB10	
10	69610201A	SPRING RETAINER	1	18/12/2014			
11	79910241A	SPRING	1	18/12/2014			
12	84740021A	BALL	1	18/12/2014			
13	87240561A	PLUG	2	18/12/2014			



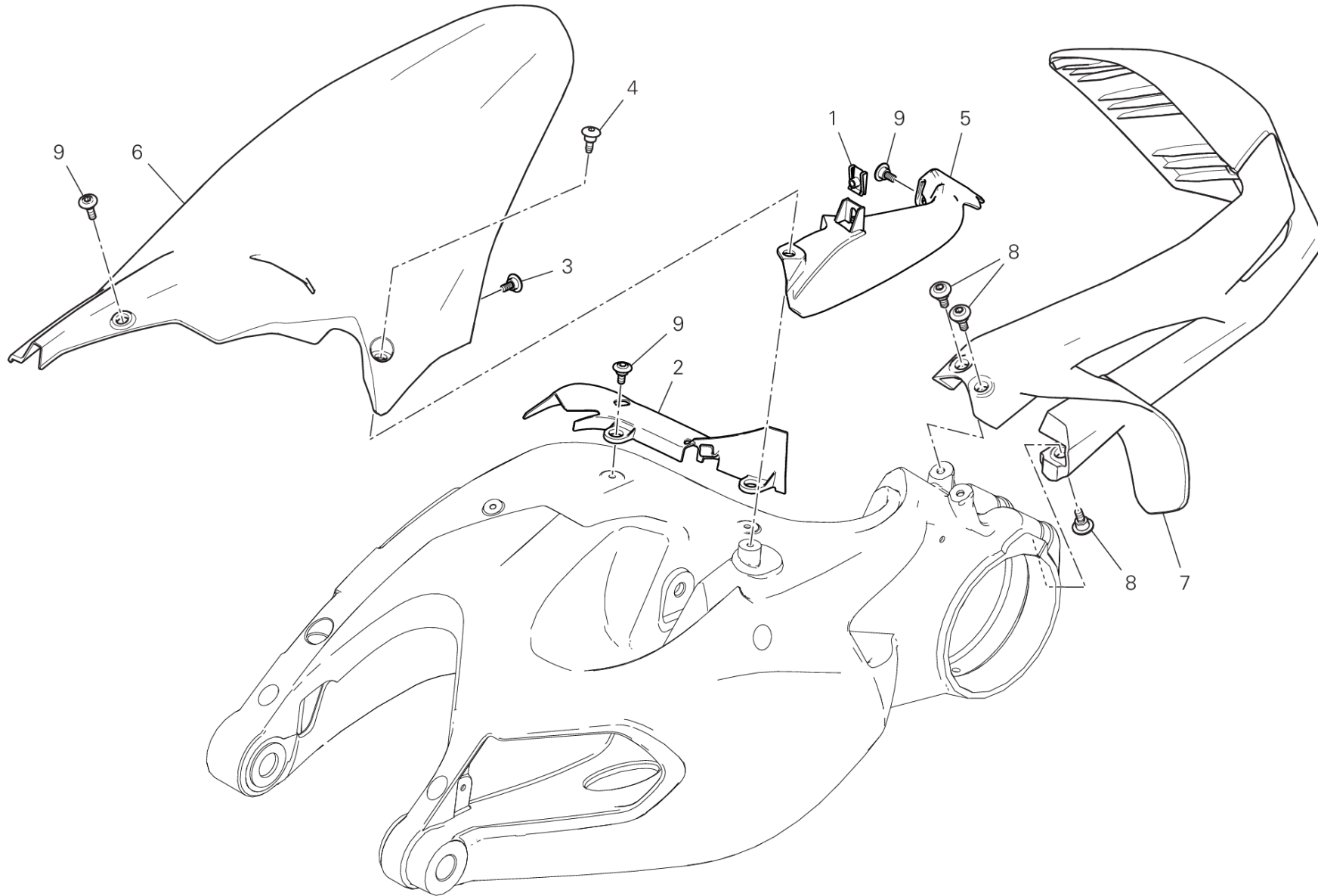
SOS00892

# DRAWING 28A - SWING ARM [MOD:MS1260]

## GROUP FRAME



POS.	CODE	DESCRIPTION	QTY	START DATE	END DATE	VALIDITY	NOTES
1	71140021A	BUSH WITH COLLAR	2	07/11/2014			
2	36911361B	AXLE, REAR SWING ARM	1	07/11/2014			
3	44711861A	LOWER CHAIN SLIDING SHOE	1	28/06/2017			
4	77210841BA	SCREW	7	01/06/2017			
5	74840341B	NUT M8	2	07/11/2014			
6	37012163AA	REAR SWINGING ARM	1	25/01/2017		MOD:MS1260	
7	80810461A	CLAMP	2	07/11/2014			
8	85210011B	THRUST WASHER 20.5X36X1.8 MM	2	07/11/2014			
	85210021B	THRUST WASHER 20.5X36X0.2 MM	2	07/11/2014			
	85210031B	THRUST WASHER 20.5X36X0.1 MM	2	07/11/2014			
9	77214411BA	SCREW, SPECIAL	2	28/06/2017			
10	44711851A	UPPER CHAIN SLIDING SHOE	1	25/01/2017			
11	44610281A	CHAIN GUARD	1	11/12/2014		XST:AUS,BLG,EUR,GSO,JAP,ROK,TWN	
12	77917811A	SCREW TCEI M12X1.25X40	2	11/12/2014			
13	11711541A	ROD	1	28/06/2017			
14	83210031E	PIN	1	11/12/2014			



SOS00893

# DRAWING 28B - REAR MUDGUARD [MOD:MS1260]

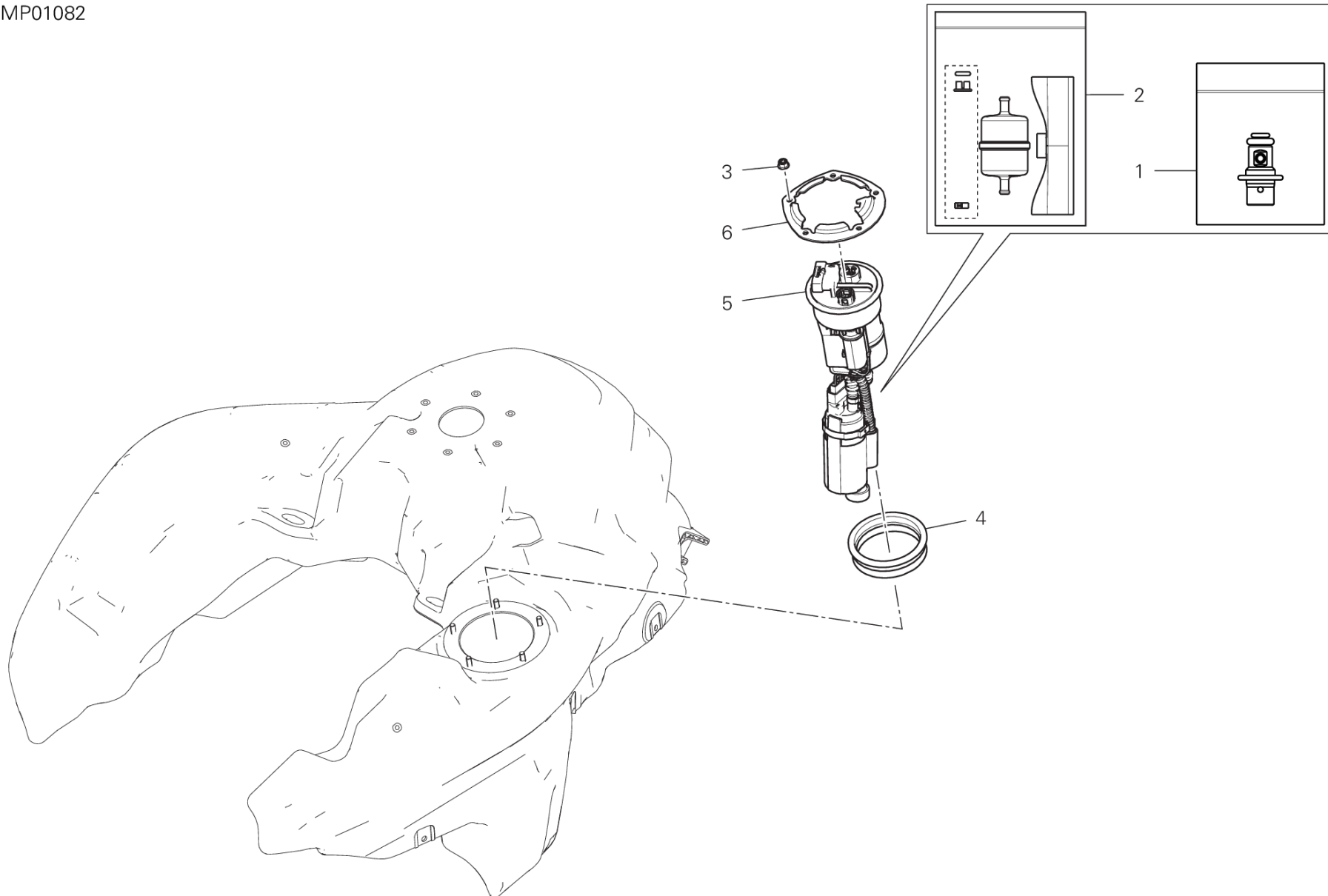
## GROUP FRAME



POS.	CODE	DESCRIPTION	QTY	START DATE	END DATE	VALIDITY	NOTES
1	85040551A	QUICK FASTENING	1	15/03/2018			
2	4601F161A	HOSE GUIDE	1	28/06/2017			
3	77210943B	SCREW, SPECIAL	1	15/02/2018			
4	77210841BA	SCREW	1	01/06/2017			
5	4601F151B	FAIRLEAD	1	28/06/2017			
6	56510781A	REAR MUDGUARD	1	10/11/2014			
7	56510753A	MUDFLAP REAR	1	15/02/2018			
8	77211071B	SCREW, SPECIAL	3	10/11/2014			
9	77214411BA	SCREW, SPECIAL	7	28/06/2017			

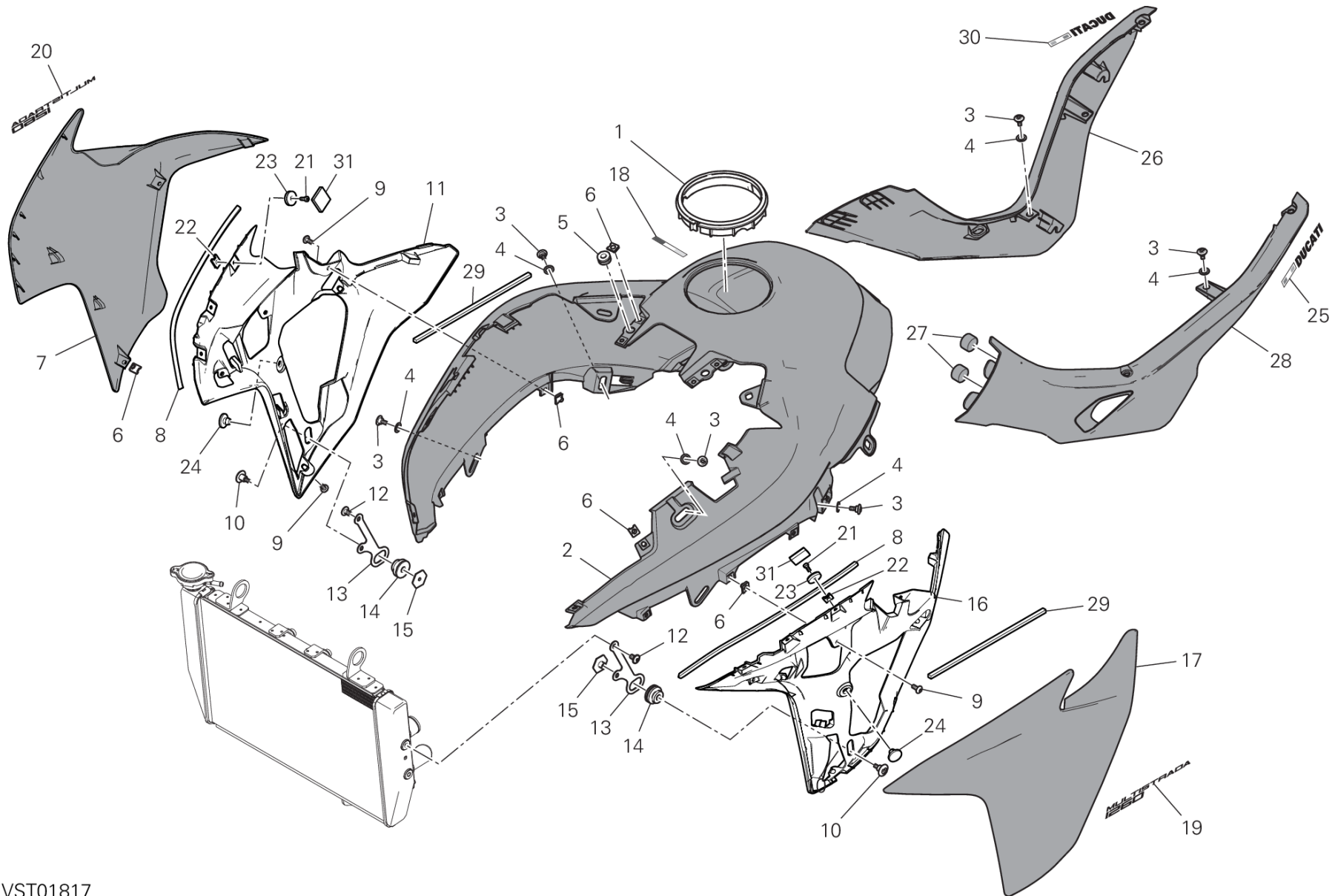


IMP01082





POS.	CODE	DESCRIPTION	QTY	START DATE	END DATE	VALIDITY	NOTES
1	42520031A	REPAIR KIT REGULATOR, PRESSURE	1				
2	42520021A	REPAIR KIT FILTER, FUEL PUMP	1				
3	74941108B	NUT	5	26/10/2017			
4	79111131B	GASKET FUEL PUMP	1	17/12/2014			
5	16024311B	FUEL PUMP	1	17/12/2014			
6	16014853A	BRACKET FUEL PUMP	1	17/12/2014			



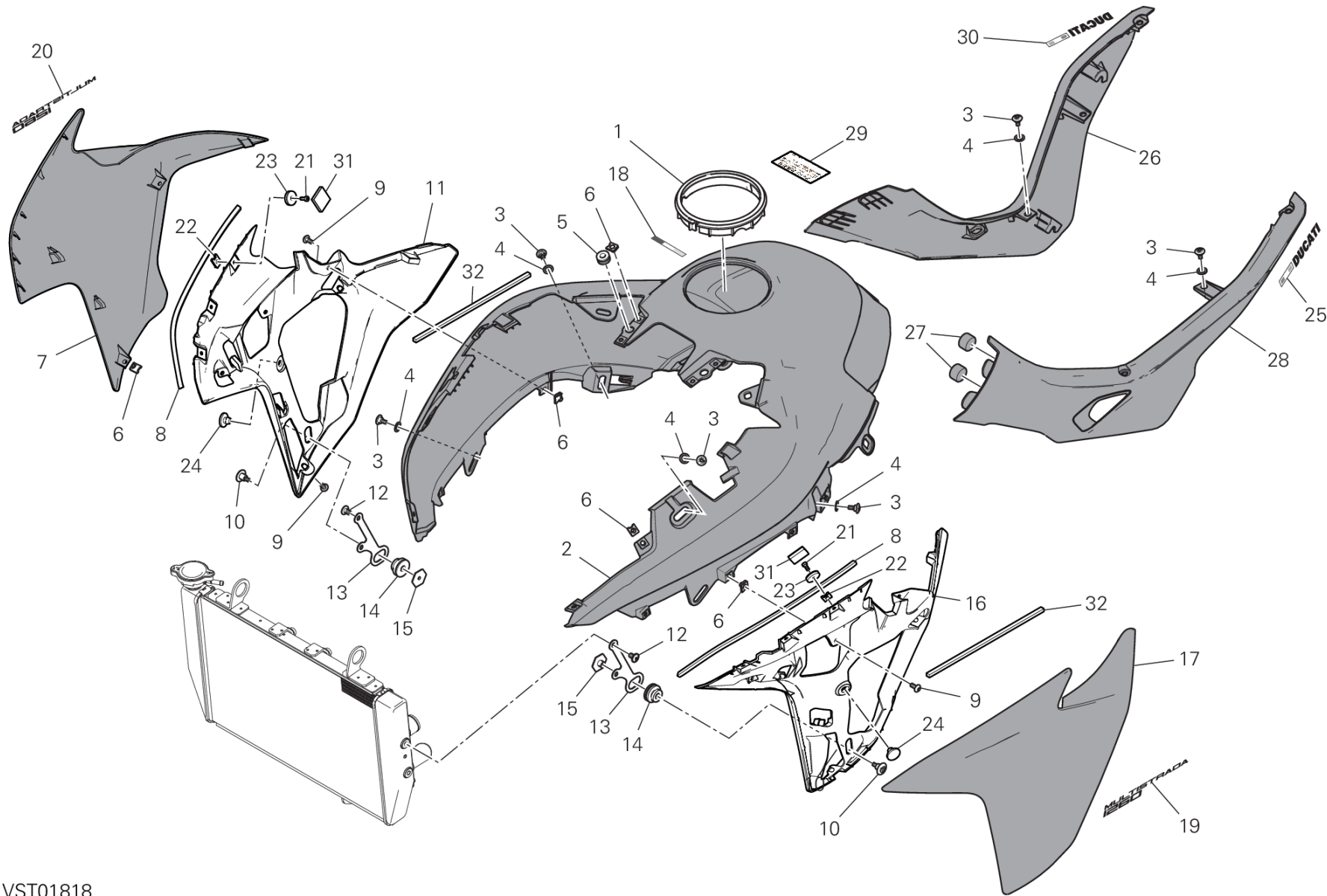
VST01817

1260 ABS /20

026000020



POS.	CODE	DESCRIPTION	QTY	START DATE	END DATE	VALIDITY	NOTES
1	79111181A	GASKET, CAP	1	10/11/2014			
2	48026891AC	PROTECTOR, FUEL TANK RED	1	12/11/2014			
3	77214411AA	SCREW	16	10/11/2014			
4	85212181A	WASHER, NYLON 9X14X1	16	10/11/2014			
5	76411141A	VIBRATION DAMPER PAD	2	10/11/2014			
6	85040471A	QUICK FASTENING M5	18	10/11/2014			
7	48019324AC	COVER, RADIATOR, RH RED	1	27/04/2018			
8	78811841A	GASKET	2	28/06/2017			
9	77244173B	SCREW	10	10/11/2014			
10	77211121C	SCREW, SPECIAL	2	10/11/2014			
11	48019303A	RIGHT HOLDER	1	28/06/2017			
12	77240393C	SCREW TBEIF M6X10 10.9	4	10/11/2014			
13	83019171AA	BRACKET	2	10/11/2014			
14	76410481A	VIBRATION DAMPER	2	10/11/2014			
15	71011301A	SPINDLE, TAPER	2	10/11/2014			
16	48019313A	LEFT HOLDER	1	28/06/2017			
17	48019334AC	COVER, RADIATOR, LH RED	1	24/04/2018			
18	43819461A	EMBLEM ITALIAN FLAG	1	10/11/2014			
19	43513811A	LEFT STICKER "MULTISTRADA 1260"	1	28/06/2017			
20	43513801A	RIGHT STICKER "MULTISTRADA 1260"	1	28/06/2017			
21	77354628B	SCREW	6	28/06/2017			
22	85041021A	QUICK FASTENING M4	6	28/06/2017			
23	85010141A	RUBBER PAD	6	28/06/2017			
24	86612111A	CUSHION, SEAT	2	28/06/2017			
25	43513841A	ITA FLAG STICKER LH	1	28/06/2017			
26	48211223AC	COVER FRAME RH RED	1	28/06/2017			
27	86611221C	PAD	4	28/06/2017			
28	48226752AC	COVER FRAME LH RED	1	28/06/2017			
29	78811871A	GASKET	2	16/10/2017			
30	43513851A	ITA FLAG STICKER RH	1	28/06/2017			
31	85042242A	DUAL LOCK	6	28/06/2017			



VST01818

1260 ABS /20

026000020

## DRAWING 34A - FAIRING [MOD:MS1260;XST:JAP]

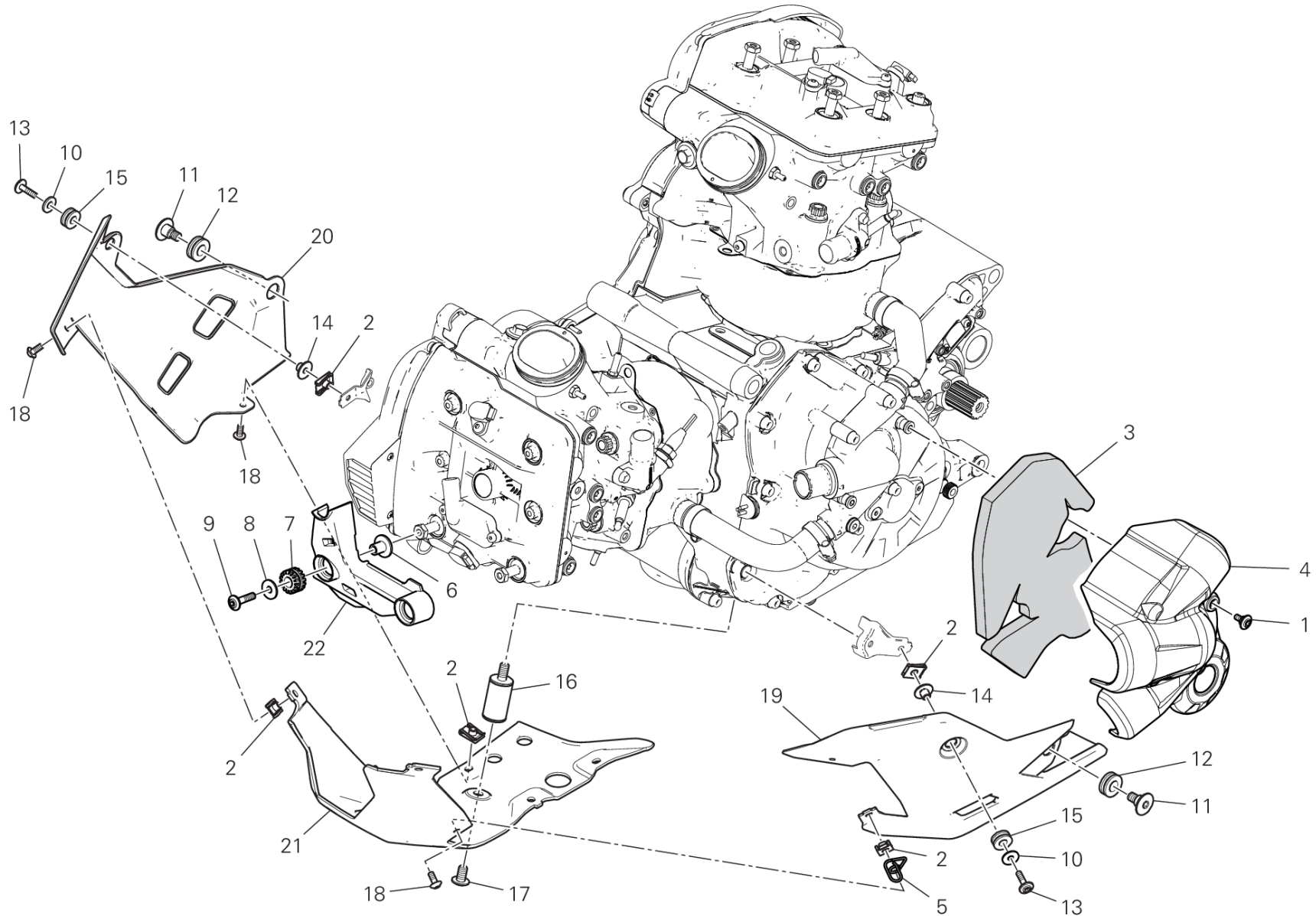
## GROUP FRAME



POS.	CODE	DESCRIPTION	QTY	START DATE	END DATE	VALIDITY	NOTES
1	79111181A	GASKET, CAP	1	10/11/2014			
2	48026891AC	PROTECTOR, FUEL TANK RED	1	12/11/2014			
3	77214411AA	SCREW	16	10/11/2014			
4	85212181A	WASHER, NYLON 9X14X1	16	10/11/2014			
5	76411141A	VIBRATION DAMPER PAD	2	10/11/2014			
6	85040471A	QUICK FASTENING M5	18	10/11/2014			
7	48019324AC	COVER, RADIATOR, RH RED	1	27/04/2018			
8	78811841A	GASKET	2	28/06/2017			
9	77244173B	SCREW	10	10/11/2014			
10	77211121C	SCREW, SPECIAL	2	10/11/2014			
11	48019303A	RIGHT HOLDER	1	28/06/2017			
12	77240393C	SCREW TBEIF M6X10 10.9	4	10/11/2014			
13	83019171AA	BRACKET	2	10/11/2014			
14	76410481A	VIBRATION DAMPER	2	10/11/2014			
15	71011301A	SPINDLE, TAPER	2	10/11/2014			
16	48019313A	LEFT HOLDER	1	28/06/2017			
17	48019334AC	COVER, RADIATOR, LH RED	1	24/04/2018			
18	43819461A	EMBLEM ITALIAN FLAG	1	10/11/2014			
19	43513811A	LEFT STICKER "MULTISTRADA 1260"	1	28/06/2017			
20	43513801A	RIGHT STICKER "MULTISTRADA 1260"	1	28/06/2017			
21	77354628B	SCREW	6	28/06/2017			
22	85041021A	QUICK FASTENING M4	6	28/06/2017			
23	85010141A	RUBBER PAD	6	28/06/2017			
24	86612111A	CUSHION, SEAT	2	28/06/2017			
25	43513841A	ITA FLAG STICKER LH	1	28/06/2017			
26	48211223AC	COVER FRAME RH RED	1	28/06/2017			
27	86611221C	PAD	4	28/06/2017			
28	48226752AC	COVER FRAME LH RED	1	28/06/2017			
29	43217911Z	MARKING PLATE	1	20/10/2017			
30	43513851A	ITA FLAG STICKER RH	1	28/06/2017			
31	85042242A	DUAL LOCK	6	28/06/2017			
32	78811871A	GASKET	2	16/10/2017			



VST01742

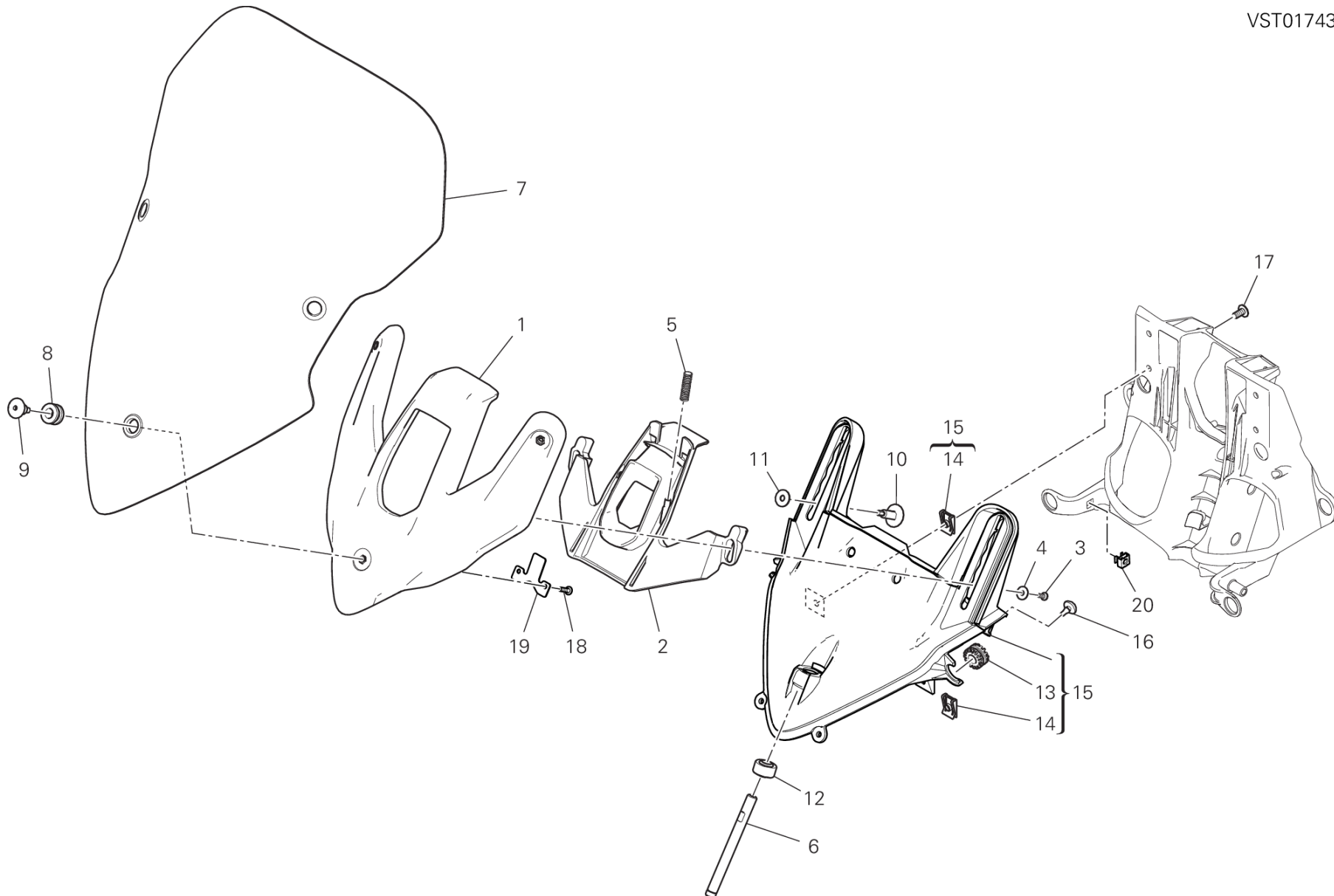




POS.	CODE	DESCRIPTION	QTY	START DATE	END DATE	VALIDITY	NOTES
1	77214411BA	SCREW, SPECIAL	2	28/06/2017			
2	85040551A	QUICK FASTENING	9	07/11/2014			
3	48612052A	DAMPER, SOUND ARRESTER	1	28/06/2017			
4	24716282A	COVER	1	28/06/2017			
5	88110581A	GUIDE, CABLE	1	10/10/2014			
6	71610061A	SPACER	2	10/11/2014			
7	76410241A	VIBRATION DAMPER PAD	2	10/12/2014			
8	85250291A	WASHER 6.4X18X1.6	2	10/11/2014			
9	77210971B	SCREW	2	10/11/2014			
10	85250311A	WASHER 5.3X15X1.2	2	28/06/2017		MOD:MS1260	
11	77916371A	SCREW, SPECIAL	2	10/11/2014		MOD:MS1260	
12	76411381A	VIBRATION DAMPER PAD	2	10/11/2014			
13	77211281AB	SCREW	2	10/11/2014		MOD:MS1260	
14	71614251A	SPACER	2	10/11/2014		MOD:MS1260	
15	76410841A	VIBRATION DAMPER PAD	2	10/11/2014			
16	70010881A	VIBRATION DAMPER	1	10/11/2014			
17	77157203B	SCREW TCEIF M8X14 8.8	1	10/11/2014			
18	77244178B	SCREW	7	10/11/2014		MOD:MS1260	
19	4601C851AA	GUARD, ENGINE, FR, LH	1	10/11/2014		MOD:MS1260	
20	4601C861AA	GUARD, ENGINE, FR, RH	1	10/11/2014		MOD:MS1260	
21	4601E991AA	GUARD, ENGINE	1	28/06/2017		MOD:MS1260	
22	4601D151A	COVER HORIZONTAL HEAD	1	10/11/2014			



VST01743



## DRAWING 34C - WINDSHIELD [MOD:MS1260]

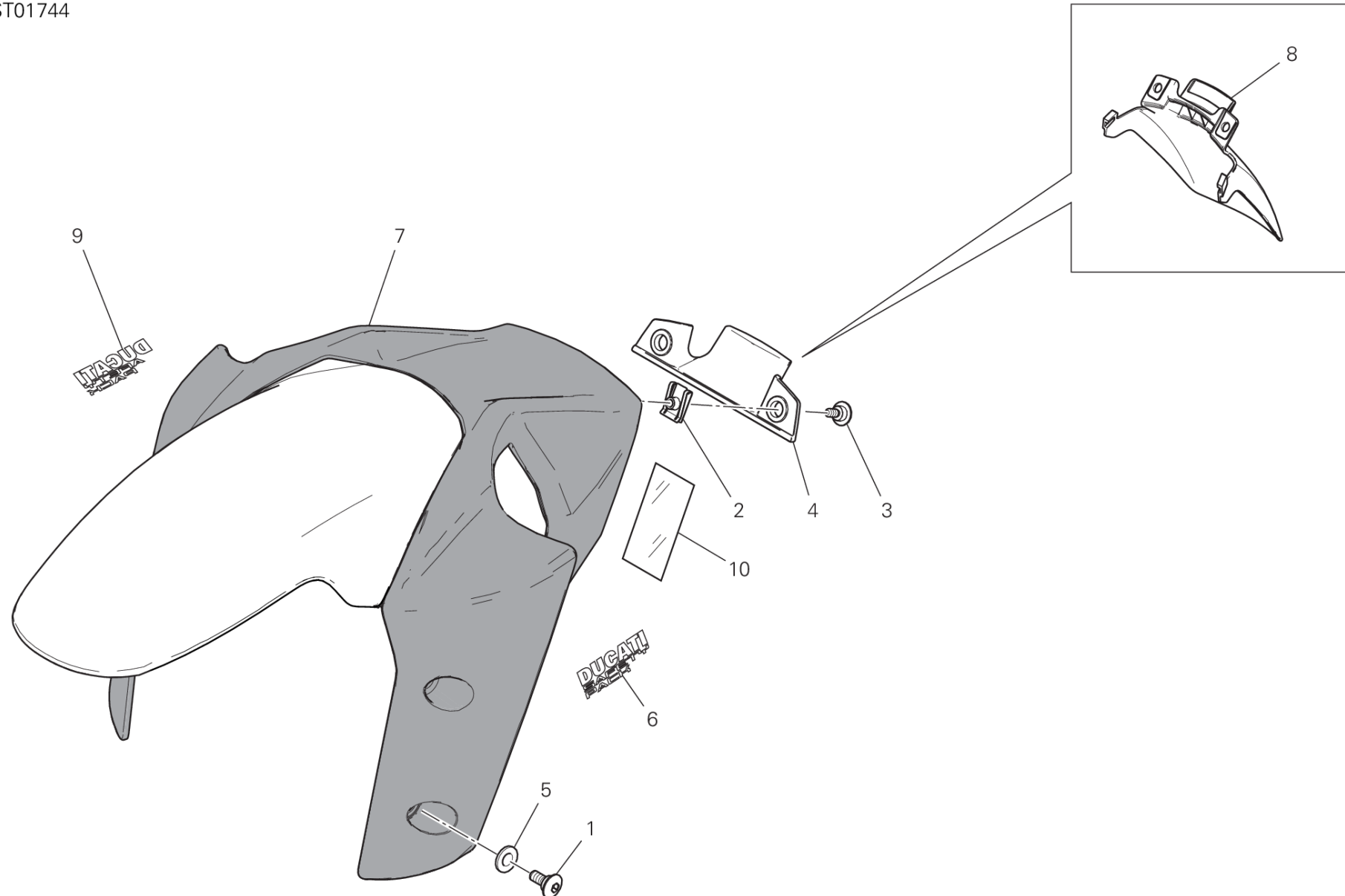
## GROUP FRAME



POS.	CODE	DESCRIPTION	QTY	START DATE	END DATE	VALIDITY	NOTES
1	8291D752D	STAY, WINDSHIELD	1	07/05/2015			
2	8291D761D	HOLDER	1	13/03/2015			
3	77440071A	SCREW, TAPPING M4.5X12	2	24/03/2016			
4	85213711A	WASHER	2				
5	79915921AA	SPRING	2	13/03/2015			
6	8291D863A	ROD	1	13/03/2015			
7	48710822A	WINDSHIELD	1	22/02/2016			
8	75840621A	RUBBER PAD	3	10/11/2014			
9	77918092AA	SCREW, SPECIAL	3	10/11/2014			
10	77919211BA	SCREW, SPECIAL	2	13/03/2015			
11	85213101A	WASHER	2	13/03/2015			
12	84820441A	BALL JOINT	1	22/09/2017			
13	76410241A	VIBRATION DAMPER PAD	2	01/10/2014			
14	85040381A	QUICK FASTENING	6	10/12/2014			
15	48111193C	STAY, WINDSHIELD (Unit)	1	24/03/2016			
16	86610751A	PAD	4	13/03/2015			
17	77240423C	SCREW TBEIF M6X16 10.9	6	13/03/2015			
18	77440251A	SCREW	2	05/05/2015			
19	82718171A	PLATE	1	20/04/2015			
20	74640101A	SPECIAL NUT	1	22/09/2017			



VST01744



# DRAWING 34D - FRONT MUDGUARD [MOD:MS1260]

## GROUP FRAME



POS.	CODE	DESCRIPTION	QTY	START DATE	END DATE	VALIDITY	NOTES
1	77914391C	SCREW	4	08/05/2013			
2	85040551A	QUICK FASTENING	2	07/11/2014			
3	77210943B	SCREW, SPECIAL	2	07/11/2014			
4	85012121A	HOSE GUIDE	1	08/05/2013			
5	85611271A	WASHER	4	07/11/2014			
6	43713361A	L.H. DECAL (DUCATI SAFETY PACK)	1	10/11/2014			
7	56416581AA	FRONT FENDER RED	1	28/06/2017		PLT:DB10;XCO:R	
8	56410801B	EXTENSION, FRONT FENDER	1	10/11/2014			
9	43713351A	R.H. DECAL (DUCATI SAFETY PACK)	1	10/11/2014			
10	92610051A	GUARD	1	09/06/2015			



CODE	NO. TABLE	POS.	CODE	NO. TABLE	POS.	CODE	NO. TABLE	POS.	CODE	NO. TABLE	POS.
027291090	002	8	16014853A	32A	6	24221471EF	011	13	30410881A	014	13
040009050	002	21	16024311B	32A	5	24321445BE	005	1	30410881A	015	13
040029126	002	17	17021351A	004	17	24511462A	008	23	30410881AB	014	13
066013143	002	9	17122391A	008	13	24511471A	008	21	30410881AB	015	13
066549680	005	8	17213271A	003	10	24511481A	13A	18	30410881AC	014	13
067016155	003	19	17213281C	003	8	24511481A	13B	18	30410881AC	015	13
067049310	010	2	17213291C	003	5	24511643A	008	2	30410891A	014	10
069191030	18B	11	17213301C	003	9	24511651A	008	1	30410891A	015	10
075949280	10A	10	17213311A	003	18	24511681A	008	26	30410891AB	014	10
11212091AA	006	8	17213321A	003	16	24521671A	008	25	30410891AB	015	10
11212091AB	006	8	17213331B	003	22	24713511C	010	3	30410891AC	014	10
11212091AC	006	8	17213341B	003	21	24713571AN	011	23	30410891AC	015	10
11212091AD	006	8	17213351B	003	20	24714161A	13B	11	34111531AA	21B	18
11212091AE	006	8	17213361B	003	23	24714171A	13A	11	34220832BA	21B	3
11711541A	28A	13	17310351A	012	14	24714801D	13B	8	34420694A	21A	1
11711871AA	27C	6	176Z0021A	012	10	24714811D	13A	8	34520694A	21A	2
11721751A	004	16	17740032C	13A	27	24714932A	029	13	34912681A	21A	11
11723581A	025	18	17740032C	13B	27	24714951A	029	12	34912711A	21A	9
12022871BG	007	5	17740042B	13A	26	24715781A	036	2	34912721A	21A	13
12022881BG	007	10	17740042B	13B	26	24715913A	27A	6	34912741A	21A	4
12110781B	007	3	18020511A	002	23	24715913A	27A	6	34912751A	21A	3
12112481A	007	2	180Z0031A	002	11	24716282A	34B	4	34912761A	21A	15
12120521A	007	4	180Z0041A	002	12	24725241BH	011	31	34912771A	21A	16
12222352A	007	1	18220681B	002	18	24920442A	009	1	34912781A	21A	17
13510421A	017	3	18710021A	023	3	25120131A	011	29	34912791A	21A	18
14622371AB	006	1	18710021A	024	2	25440013A	005	4	34912811A	21A	6
14622371AC	006	1	19020531A	004	9	25510104B	008	18	34912871A	21A	22
14622371AD	006	1	19410511A	004	4	26420541A	012	12	34914391A	21A	19
14710941A	008	3	19510411D	023	23	27040107A	012	1	34914401A	21A	14
14825011E	13B	30	19540081B	023	2	27611141A	012	16	34914411A	21A	10
14825021E	13B	32	19610532C	004	12	28040431A	017	1	34914421A	21A	5
14825031E	13A	30	19610542C	004	11	28220962A	017	8	34914431A	21A	20
14825041E	13A	32	19820441A	004	14	28620441B	01C	6	34921901A	21A	7
14910831D	003	2	20810321A	014	3	28642941A	18A	1	34921911A	21A	21
14910891C	003	12	20810321A	015	3	28642941E	18A	1	34921921A	21A	12
15021431E	003	1	20910491A	014	16	28642941H	18A	1	34921931A	21A	8
15021941B	003	3	20910491A	015	16	30124882B	014	22	34921941A	21A	23
15310142AA	021	14	20910501A	014	4	30124892B	015	22	36011781AA	21B	17
15310181A	006	10	20910501A	015	4	30310631BB	014	7	36011792AA	21B	14
15621043HA	006	5	21010841C	014	14	30310631BB	015	7	36012071AA	021	7
15621043HB	006	5	21010841C	015	14	30310631BC	014	7	36521643A	028	3
15621043HC	006	5	21110831B	014	5	30310631BC	015	7	36911361B	28A	2
16012121A	012	13	21110831B	015	5	30310631BD	014	7	37012163AA	28A	6
16014201A	26A	5	22523441B	010	1	30310631BD	015	7	38040251A	18C	13



CODE	NO. TABLE	POS.	CODE	NO. TABLE	POS.	CODE	NO. TABLE	POS.	CODE	NO. TABLE	POS.
38510884A	018	3	43819301A	034	17	4601F161A	28B	2	49040901A	C1	1
38540073B	018	4	43819461A	34A	18	4601G691AA	019	30	490P0067A	A2	5
38640132A	18B	21	43819461A	34A	18	4601G701AA	019	31	490P0067A	E2	1
38640132A	18E	7	43910071A	037	7	4601H701A	016	16	490P0301A	A2	7
38640591A	18B	19	44217731A	029	14	46320222A	010	6	490P0301A	S	1
38940191A	18B	3	44218842A	029	17	46320537A	003	14	49141051A	A2	2
38940201A	18B	3	44440038A	10A	11	46410591AA	27D	6	49141051A	B2	2
38940211A	18B	3	44610281A	28A	11	46410601AA	27C	16	49141411A	A2	4
38940221A	18B	3	44711851A	28A	10	470P8041BG	022	1	49141411A	C1	2
38940231A	018	36	44711861A	28A	3	470P8131AG	022	1	491P0072A	A2	6
38940241A	18B	3	44910782A	26A	15	47110523CA	027	17	491P0072A	E2	2
38940261A	18B	3	45040023A	13A	16	47110812AA	027	1	491P0359A	A2	8
39040201A	020	6	45040023A	13B	16	47317902AA	025	7	491P0359A	S	2
39740081B	018	32	45110462A	13A	3	48016902AA	034	16	49241011A	26B	5
40611461B	20B	1	45110462A	13B	3	48016912A	034	12	49241111A	26A	19
42020064A	016	6	45120272A	008	9	48016922A	034	9	49420011A	26A	10
42520021A	32A	2	45120291A	008	10	48016931A	034	2	49720031A	26C	5
42520031A	32A	1	45520181A	010	4	48016942A	034	14	49720071AB	26B	3
42610341B	029	11	45612372AA	27C	4	48017411A	18C	3	50122241AA	26B	10
42610351A	036	7	45622362AA	27C	8	48018781A	034	10	50212041AA	26C	1
42710201A	008	24	45720771BA	025	6	48019303A	34A	11	50410051A	26B	12
43217911Z	34A	29	4601C282A	021	20	48019303A	34A	11	50410091A	26A	22
43310051B	037	5	4601C292A	021	25	48019313A	34A	16	51019961C	18B	17
43310051C	037	6	4601C302A	021	19	48019313A	34A	16	5101A302A	18B	7
43312531A	037	2	4601C312A	021	27	48019324AC	34A	7	5101A331A	01B	15
43312551A	037	4	4601C321A	019	21	48019324AC	34A	7	5101C613D	18B	1
43312561A	037	3	4601C332A	019	20	48019334AC	34A	17	5101C801A	18B	16
43313621A	037	1	4601C372AA	019	32	48019334AC	34A	17	51310302C	018	34
43313911A	005	19	4601C522A	21B	8	48026891AC	34A	2	51410761D	018	35
43314381A	008	4	4601C741A	018	28	48026891AC	34A	2	51610053C	030	10
43314591A	26A	25	4601C851AA	34B	19	48111193C	34C	15	51840251A	18E	4
43314591B	26A	25	4601C861AA	34B	20	48113483BA	034	1	52010322B	020	1
43513501A	034	11	4601D062A	027	21	48211223AC	34A	26	52310582B	021	8
43513801A	34A	20	4601D072A	027	20	48211223AC	34A	26	52310592B	021	9
43513801A	34A	20	4601D151A	34B	22	48226752AC	34A	28	52510433D	20A	6
43513811A	34A	19	4601D221BA	018	39	48226752AC	34A	28	52510522B	20A	4
43513811A	34A	19	4601D401A	019	40	48610951A	005	16	52910061B	27A	7
43513841A	34A	25	4601D441A	018	43	48610992A	029	9	52910061B	27A	7
43513841A	34A	25	4601D451A	018	41	48611081A	029	8	52910221A	21A	24
43513851A	34A	30	4601D461A	018	42	48612052A	34B	3	53010322B	20A	11
43513851A	34A	30	4601D471A	018	44	48710822A	34C	7	53010332B	20A	8
43713351A	34D	9	4601E991AA	34B	21	49040761A	A2	1	53010342A	021	18
43713361A	34D	6	4601F141A	26A	14	49040761A	B2	1	53010352A	021	26
43819301A	027	24	4601F151B	28B	5	49040901A	A2	3	53910351A	22A	7



CODE	NO. TABLE	POS.	CODE	NO. TABLE	POS.	CODE	NO. TABLE	POS.	CODE	NO. TABLE	POS.
53940034B	025	5	58540151A	025	26	61240311A	025	14	69926751A	018	15
53940302A	016	12	58540341A	024	15	61240391A	023	19	70010362A	010	14
53940771A	023	20	58540351A	023	12	61240391A	024	11	70010571A	26A	9
53940801A	024	5	58612291A	032	2	61240511A	024	13	70010853A	018	14
54040301B	018	2	58612831A	032	2	61241181A	025	30	70010881A	34B	16
54140151A	18B	2	59014671A	036	17	61340121A	024	8	70010901A	20B	2
54240743A	24A	4	59014681A	036	18	61341161A	025	13	70011131A	21B	10
54810562A	030	1	59014771A	036	29	61810611A	24A	8	70040251A	018	21
54811051A	016	1	59017831A	036	13	61810621A	24A	5	70140051A	003	4
54911142A	016	14	59017931A	18A	3	61810631A	024	20	70140491A	027	8
54911191A	016	7	59017941A	18A	4	61910731A	24A	12	70140541A	012	11
55212121B	24A	1	59018041A	036	28	61910951A	24A	11	70240091A	011	11
55214141A	24A	14	59018071A	036	30	62440953B	024	1	70240102A	011	9
55214491B	019	5	59018121A	036	19	62540311B	025	16	70240131A	010	16
55214911A	002	24	59018131A	036	20	62610121A	024	10	70240331A	010	17
55240121A	18A	9	59018141A	029	16	62610131A	023	18	70241151A	010	18
55240121A	18E	3	59027931A	017	7	62640561A	023	21	70241231A	21B	6
55241321C	011	12	59210212F	032	9	62640561A	024	6	70241461A	012	15
55241452A	016	11	59310601B	010	7	63040674B	023	1	70241601A	010	19
55242671A	015	30	59320641D	010	5	63140081A	023	9	70242071A	10A	12
55243161B	18A	2	59340301C	019	23	63140081A	024	7	70250081A	010	20
55243181A	18C	1	59512632BD	033	2	63140261A	025	25	70250081A	011	4
55243341A	13A	23	59512672BD	033	2	63210732A	023	6	70250193A	010	21
55243341A	13B	23	595P2521AD	033	1	65010211C	021	2	70250601A	004	10
55243941A	011	33	59810241A	033	11	65110311B	021	11	70250621A	26B	8
55340041A	031	1	59810361F	18E	15	65540081A	19A	6	70310131A	21B	12
55610901AA	22A	2	59810371B	18E	14	65540101A	036	9	70310662AA	022	3
55910172A	027	19	59810381E	18E	15	66020121B	021	4	70350062A	008	12
56113381AA	27A	19	59820611A	033	17	66910011E	014	6	71011071A	021	15
56113392A	27A	9	59821941A	18E	11	66910011E	015	6	71011301A	34A	15
56113392A	27A	9	59821961A	18E	9	67040451A	18C	20	71011301A	34A	15
56113481A	27A	15	59821981F	18E	13	67110661C	18C	8	71011491A	019	11
56113481A	27A	15	59821991F	18E	13	67110671E	18C	7	71011691A	006	7
56410801B	34D	8	59840511A	18E	16	67110681C	18C	6	71011941A	010	23
56416581AA	34D	7	59840521A	18E	17	67110691D	18C	9	71011991B	010	22
56510753A	28B	7	61041491C	024	9	67621111A	26A	26	71110922A	011	21
56510781A	28B	6	61041501C	024	26	67641111A	26A	8	71110951A	010	65
57014811A	019	2	61041991A	023	25	67740241A	26A	24	71111301A	021	16
57114871A	019	1	61140451A	025	20	68010131A	008	16	71111601A	10A	13
57314362A	019	6	61240052A	023	4	68050101A	010	13	71112191A	007	8
57314602A	019	36	61240052A	024	21	69610201A	27C	20	71113741A	13A	5
57610671A	019	7	61240052A	025	15	69610201A	27D	10	71113741A	13B	5
58510921A	029	6	61240201A	024	22	69710351A	01B	16	71116441AA	027	27
58510931A	031	12	61240301A	025	29	69720324A	033	16	71140021A	28A	1



CODE	NO. TABLE	POS.	CODE	NO. TABLE	POS.	CODE	NO. TABLE	POS.	CODE	NO. TABLE	POS.
71210341A	025	10	71614251A	019	15	74750011AB	27C	25	75840801A	27A	3
71210341A	27C	10	71614251A	34B	14	74750031A	025	28	75840801A	27A	3
71310141E	003	11	71615791AA	031	22	74750071A	032	14	75840841A	018	40
71311281B	011	27	71850338C	032	6	74750071A	21B	1	75840901A	27A	13
71311961A	26B	13	72010513C	26B	4	74750101A	27C	26	75840901A	27A	13
71311973A	26B	2	72050069E	011	34	74810241A	019	13	75910222A	26A	20
71312661A	003	15	72050159EA	26A	1	74810351B	023	13	75910222A	26C	6
71312921A	014	9	72050318C	032	5	74810361A	18C	10	75910251A	019	39
71312921A	015	9	72050338B	010	24	74810461A	26A	4	764000004	010	15
71312921B	014	25	720941616	010	25	74810491B	13A	20	764020002	003	17
71312921B	015	26	73210461A	019	27	74810491B	13B	20	76410241A	016	2
71313091A	004	13	735001542	002	15	74810501A	014	33	76410241A	019	8
71314831A	004	15	735033380	010	26	74810501A	015	35	76410241A	020	5
71314901A	24A	13	735033380	011	17	74810651A	26B	1	76410241A	030	4
71319151A	002	2	73740342A	008	5	74840341B	28A	5	76410241A	034	3
71319191A	012	8	74110121A	18B	9	74841011AA	022	5	76410241A	036	3
71319201A	24A	13	74110131A	18B	10	74841091AA	019	16	76410241A	18C	16
71319331A	18B	22	74110551A	18B	12	74841091AA	20B	3	76410241A	20A	3
71319951A	003	13	74113381A	019	38	74940021A	018	9	76410241A	24A	17
7131A923A	20A	9	74140331A	24A	23	74940081A	008	7	76410241A	34B	7
7131B251AA	021	30	74140381A	18B	13	74940321A	22A	5	76410241A	34C	13
7131B251AA	023	16	74140431A	023	14	74941108B	021	10	76410481A	34A	14
7131B281AA	021	13	74140431A	024	16	74941108B	32A	3	76410481A	34A	14
7131B841A	029	7	74140431A	025	17	74941118B	27C	24	76410841A	34B	15
71410751A	26A	12	74140431A	036	15	74941333B	018	12	76410871A	014	8
71410941A	26B	9	74140571A	036	21	74950011B	27A	5	76410871A	015	8
71411352AA	26C	4	74140581A	036	4	74950011B	27A	5	76411141A	019	26
71610061A	018	6	74140631A	036	22	75010071A	26A	18	76411141A	025	33
71610061A	036	23	74140641A	036	11	75010071E	004	7	76411141A	24A	18
71610061A	34B	6	74140651A	029	15	75011551A	033	18	76411141A	34A	5
71610722A	008	20	74140651A	031	18	75011561A	006	13	76411141A	34A	5
71611071AB	27A	4	74140651A	036	27	75011601A	008	15	76411321C	27C	9
71611071AB	27A	4	74141651A	029	2	75011971A	006	14	76411331A	020	2
71611281A	008	17	74141711A	18A	5	75012072AA	26A	2	76411361A	018	22
71611641AA	016	3	74141861A	029	1	75012072AA	26C	2	76411361A	030	7
71611641AA	020	4	74141871A	017	9	75050051A	012	18	76411381A	34B	12
71611641AA	036	12	74142251A	18A	13	75610392A	033	9	76411671A	031	20
71611641AA	18C	5	74142371A	19A	7	75620131A	26A	13	76412041A	27A	14
71614081A	025	32	74142401A	19A	5	757941542	010	27	76412041A	27A	14
71614102AB	019	22	74142501A	031	8	75811232A	26A	16	76412071A	027	4
71614102AB	025	34	74142581A	031	6	75840161A	018	23	76412131A	24A	19
71614102AB	24A	16	74142591A	031	7	75840601A	24A	2	76412261A	18B	20
71614141A	019	9	74640101A	34C	20	75840621A	34C	8	76414191A	023	8
71614191A	030	5	74710151A	010	35	75840771A	019	28	76414191A	024	12



CODE	NO. TABLE	POS.	CODE	NO. TABLE	POS.	CODE	NO. TABLE	POS.	CODE	NO. TABLE	POS.
76414551A	18E	8	77151250ZF	002	1	77211082B	027	15	77244178B	34B	18
76510021A	27D	7	77151298B	009	3	77211091A	21B	7	77244661A	18C	2
76510031A	27C	17	77151363B	10A	5	77211091C	034	4	77250121B	030	3
76611041A	014	21	77151398B	10A	6	77211121C	34A	10	77250341B	010	9
76611041A	015	21	77151558B	027	18	77211121C	34A	10	77250341C	008	22
76611091C	10A	2	77151588B	027	7	77211201A	004	3	7725170BZ	028	1
76640191A	13A	4	77156393B	025	24	77211281AB	34B	13	77310021A	18C	12
76640191A	13B	4	77156398B	20A	10	77211341A	030	9	77350403B	13A	12
768351134	002	10	77156408B	017	4	77214061AA	016	4	77350403B	13B	12
77052508B	011	6	77156423B	021	24	77214061AA	020	3	77350618B	014	20
77110401B	021	29	77156628B	018	30	77214071AA	033	6	77351568C	27C	2
77110401B	023	10	77156628B	031	13	77214411AA	018	7	77351568C	27D	2
77110411A	022	11	77156658B	24A	24	77214411AA	033	7	77354628B	34A	21
77110518B	009	5	77156668B	27C	3	77214411AA	34A	3	77354628B	34A	21
77110521A	012	6	77156678B	025	19	77214411AA	34A	3	77354743B	18C	17
77113771B	021	6	77156688B	019	10	77214411BA	017	2	77354893C	023	22
77113931A	012	3	77156688B	27C	5	77214411BA	28A	9	77440041A	20A	1
77116648B	016	8	77156698B	028	4	77214411BA	28B	9	77440061A	018	38
77140648CA	13A	17	77156713B	021	23	77214411BA	34B	1	77440061A	019	37
77140648CA	13B	17	77156713B	18C	15	77240133C	20A	5	77440061A	033	20
77140663C	008	27	77156718B	21B	4	77240263C	019	18	77440071A	34C	3
77140663C	031	21	77156728B	032	10	77240263C	27A	12	77440111A	021	21
77140663CD	008	6	77157203B	34B	17	77240263C	27A	12	77440121A	029	18
77140667CF	012	5	77157238B	025	12	77240273C	019	34	77440121A	036	6
77140697CF	012	7	77157258B	027	3	77240273C	033	13	77440141A	018	27
77140713C	005	5	77157278B	21B	13	77240288C	019	19	77440171A	018	17
77140713C	011	15	77157283B	27C	18	77240308C	019	25	77440171A	034	13
77140723C	005	12	77157283B	27D	8	77240308C	025	35	77440183C	18A	10
77140723C	011	19	77157288B	21B	9	77240308C	24A	20	77440183C	18E	2
77140743C	011	3	77159313B	021	5	77240323C	036	26	77440251A	019	41
77140813C	005	3	77159418B	21B	15	77240393C	34A	12	77440251A	027	22
77140833C	005	2	77210591A	024	18	77240393C	34A	12	77440251A	18E	6
77150078B	010	8	77210601A	24A	15	77240403C	27A	1	77440251A	34C	18
77150428B	033	8	77210623B	014	29	77240403C	27A	1	77440321A	029	4
77150478B	032	1	77210623B	015	31	77240423C	018	25	77440321A	18A	12
77150653B	010	28	77210841BA	28A	4	77240423C	34C	17	77440321A	19A	4
77150668B	027	12	77210841BA	28B	4	77240438C	27A	10	77510311B	010	30
77150670ZF	002	3	77210943B	28B	3	77240438C	27A	10	77510691BA	017	6
77150698BC	011	5	77210943B	34D	3	77240463C	018	11	77510721A	005	7
77150708B	025	2	77210971B	018	5	77240463C	036	1	77550211B	011	16
77150723B	10A	3	77210971B	34B	9	77240483C	030	2	77550213C	26A	11
77150748B	18C	14	77211061A	18B	5	77244173B	019	35	77550218CJ	13A	24
77150763B	021	12	77211071B	027	14	77244173B	34A	9	77550218CJ	13B	24
77150808B	10A	4	77211071B	28B	8	77244173B	34A	9	77550291A	028	6



CODE	NO. TABLE	POS.	CODE	NO. TABLE	POS.	CODE	NO. TABLE	POS.	CODE	NO. TABLE	POS.
77750493C	011	24	77919241C	13B	21	79914991A	27D	5	81910601A	26B	11
77840041A	010	31	77919881A	010	67	79915001A	014	19	81920831AA	26A	6
77910391A	010	32	7791A201AA	022	4	79915001A	015	19	82010242A	006	6
77910921A	021	31	7791A211AA	022	9	79915011A	014	18	82111701CA	025	9
77910921A	023	7	7791A611AA	032	13	79915011A	015	18	82111701CA	27C	7
77910991B	21B	2	7791A821AA	18E	10	79915061A	002	4	82112951A	014	15
77911092A	006	2	77927171B	010	36	79915081A	22A	4	82112951A	015	15
77911622A	010	33	77950621A	010	38	79915181B	014	26	82113311A	025	1
77912033A	002	7	78010151D	006	4	79915181B	015	27	82113471A	012	9
77912371B	025	8	78010511E	014	12	79915191B	014	27	82113881A	002	13
77913141B	24A	10	78010511E	015	12	79915191B	015	28	82114731A	002	6
77913311D	024	25	78010721A	010	39	79915881AA	025	4	82114923AA	22A	6
77913662AB	025	22	78011001A	011	25	79915921AA	34C	5	82115212AA	27C	14
77913662AB	24A	7	78011001B	005	6	79920772A	010	41	82115212AA	27D	4
77913971A	023	5	78011041A	010	29	79921602A	22A	3	82115711A	014	17
77913971A	024	23	78020011A	019	4	79925941A	019	3	82115711A	015	17
77914041C	006	9	78050012A	010	69	79940171A	010	42	82412621AA	27D	9
77914211A	014	23	78611251A	007	7	800070139	01B	8	82412631AA	27C	19
77914211A	015	23	78611391C	007	9	80011851A	031	15	82422522AA	27D	1
77914391C	34D	1	78810542A	012	4	80012362A	031	9	82423341AA	27C	1
77914651A	024	19	78811041A	18A	11	80012381C	031	5	82510561AA	025	37
77914982B	033	10	78811041A	18E	1	80012393A	031	2	82610261A	002	5
77915041A	028	2	78811151A	010	10	80012483A	031	16	82712981B	27A	18
77915511A	024	3	78811331B	13A	6	80022371A	031	4	82712981B	27A	18
77916041DA	011	20	78811331B	13B	6	80110431A	017	5	82714821A	033	19
77916371A	34B	11	78811341B	13A	7	80810461A	28A	7	82715481A	016	9
77917101B	010	34	78811341B	13B	7	80811931AB	021	17	82716031A	010	12
77917241AA	22A	1	78811641C	023	24	80811941AB	021	22	82716091A	011	10
77917261AA	022	2	78811801A	029	19	81110021A	010	11	82716351A	13A	9
77917481AA	022	6	78811841A	34A	8	81140012B	13A	10	82716351A	13B	9
77917811A	28A	12	78811841A	34A	8	81140012B	13B	10	82717471A	032	7
77918092AA	34C	9	78811871A	34A	29	81411111C	014	32	82717481A	032	8
77918261AA	26A	21	78811871A	34A	32	81411111C	015	29	82717571A	005	14
77918271A	13A	28	79010211A	019	12	81411831A	036	10	82718171A	34C	19
77918271A	13B	28	79111131B	32A	4	81411881A	015	25	82911901A	18C	4
77919061B	13B	22	79111181A	34A	1	81412351B	014	30	8291D182B	018	1
77919101AA	022	7	79111181A	34A	1	81413341A	13A	2	8291D391A	025	31
77919162AA	015	32	79120581C	007	6	81413341A	13B	2	8291D511A	19A	1
77919162AA	036	25	79710531B	004	1	81415801A	036	16	8291D521B	18A	6
77919171AA	027	5	79910241A	27C	21	81420051A	015	33	8291D653A	019	29
77919211BA	34C	10	79910241A	27D	11	81441021A	036	5	8291D723AB	022	10
77919221AA	027	2	79910491A	010	40	81510221A	016	5	8291D752D	34C	1
77919231C	13A	22	79912961A	002	20	81510281A	010	43	8291D761D	34C	2
77919241C	13A	21	79914991A	27C	15	81810162A	004	5	8291D803A	027	16



CODE	NO. TABLE	POS.	CODE	NO. TABLE	POS.	CODE	NO. TABLE	POS.	CODE	NO. TABLE	POS.
8291D813A	027	13	84010062A	014	1	84010282A	014	1	84010562B	014	2
8291D831B	033	3	84010062A	015	1	84010282A	015	1	84010562B	015	2
8291D863A	34C	6	84010072A	014	1	84010292A	014	1	84010572B	014	2
8291D921A	018	20	84010072A	015	1	84010292A	015	1	84010572B	015	2
8291D931A	018	19	84010082A	014	1	84010302A	014	1	84010582B	014	2
8291E012A	033	14	84010082A	015	1	84010302A	015	1	84010582B	015	2
8291E081AA	18C	11	84010092A	014	1	84010312A	014	1	84010592B	014	2
8291E091AA	18C	18	84010092A	015	1	84010312A	015	1	84010592B	015	2
8291E102A	18B	14	84010102A	014	1	84010322A	014	1	84010602B	014	2
8291E111A	18B	15	84010102A	015	1	84010322A	015	1	84010602B	015	2
8291G071A	033	5	84010112A	014	1	84010332A	014	1	84010612B	014	2
8291G081A	033	4	84010112A	015	1	84010332A	015	1	84010612B	015	2
8291G112A	032	11	84010122A	014	1	84010342A	014	1	84010622B	014	2
8291G171A	036	8	84010122A	015	1	84010342A	015	1	84010622B	015	2
8291H181A	018	45	84010132A	014	1	84010412B	014	2	84010632B	014	2
83019171AA	34A	13	84010132A	015	1	84010412B	015	2	84010632B	015	2
83019171AA	34A	13	84010142A	014	1	84010422B	014	2	84010642B	014	2
83019191AA	018	24	84010142A	015	1	84010422B	015	2	84010642B	015	2
83019202A	018	8	84010152A	014	1	84010432B	014	2	84010652B	014	2
83019212A	018	16	84010152A	015	1	84010432B	015	2	84010652B	015	2
83019381AA	027	11	84010162A	014	1	84010442B	014	2	84010662B	014	2
83019392AA	027	10	84010162A	015	1	84010442B	015	2	84010662B	015	2
83019891AA	011	1	84010172A	014	1	84010452B	014	2	84010672B	014	2
83019902AA	005	13	84010172A	015	1	84010452B	015	2	84010672B	015	2
83019941AA	029	10	84010182A	014	1	84010462B	014	2	84010682B	014	2
83019951A	033	21	84010182A	015	1	84010462B	015	2	84010682B	015	2
8301A032AA	24A	21	84010192A	014	1	84010472B	014	2	84010692B	014	2
8301A131AA	024	24	84010192A	015	1	84010472B	015	2	84010692B	015	2
8301D891AA	030	8	84010202A	014	1	84010482B	014	2	84010702B	014	2
8301F431AA	030	6	84010202A	015	1	84010482B	015	2	84010702B	015	2
83040071A	021	1	84010212A	014	1	84010492B	014	2	84010712B	014	2
83110151B	010	44	84010212A	015	1	84010492B	015	2	84010712B	015	2
83210031E	28A	14	84010222A	014	1	84010502B	014	2	84010722A	014	1
83510111A	028	5	84010222A	015	1	84010502B	015	2	84010722A	015	1
84010012A	014	1	84010232A	014	1	84010512B	014	2	84010722B	014	2
84010012A	015	1	84010232A	015	1	84010512B	015	2	84010722B	015	2
84010022A	014	1	84010242A	014	1	84010522B	014	2	84010732A	014	1
84010022A	015	1	84010242A	015	1	84010522B	015	2	84010732A	015	1
84010032A	014	1	84010252A	014	1	84010532B	014	2	84010732B	014	2
84010032A	015	1	84010252A	015	1	84010532B	015	2	84010732B	015	2
84010042A	014	1	84010262A	014	1	84010542B	014	2	84010742B	014	2
84010042A	015	1	84010262A	015	1	84010542B	015	2	84010742B	015	2
84010052A	014	1	84010272A	014	1	84010552B	014	2	84010752B	014	2
84010052A	015	1	84010272A	015	1	84010552B	015	2	84010752B	015	2



CODE	NO. TABLE	POS.	CODE	NO. TABLE	POS.	CODE	NO. TABLE	POS.	CODE	NO. TABLE	POS.
84010762B	014	2	85010141A	34A	23	85211961B	27A	2	85250421A	015	34
84010762B	015	2	85010141A	34A	23	85211971A	016	15	85250481A	011	30
84010772B	014	2	85012121A	34D	4	85212171A	025	39	85250631A	005	17
84010772B	015	2	85013121A	031	14	85212181A	34A	4	85250631A	011	32
84010782B	014	2	85040381A	27A	8	85212181A	34A	4	85310021A	008	8
84010782B	015	2	85040381A	27A	8	85212211A	26A	3	85310021A	009	2
84010792B	014	2	85040381A	34C	14	85212211A	26C	3	85310031A	011	14
84010792B	015	2	85040471A	034	18	85212221A	26B	6	85310041A	009	4
84010802B	014	2	85040471A	27A	11	85212511A	20A	7	85350101A	012	17
84010802B	015	2	85040471A	27A	11	85212751A	019	42	85350101A	018	37
84010812B	014	2	85040471A	34A	6	85212881D	006	11	85350111A	21B	16
84010812B	015	2	85040471A	34A	6	85213101A	34C	11	85550001B	18B	4
84010822B	014	2	85040551A	019	33	85213601A	005	10	85610623A	008	19
84010822B	015	2	85040551A	18C	19	85213641A	006	3	85610642A	014	34
84010832B	014	2	85040551A	28B	1	85213711A	34C	4	85610642A	015	36
84010832B	015	2	85040551A	34B	2	85213751AA	027	23	85611271A	34D	5
84010842B	014	2	85040551A	34D	2	85213761A	18B	23	85611361A	034	15
84010842B	015	2	85040671A	18B	8	85240181A	24A	22	85611372A	003	6
84010852B	014	2	85041021A	34A	22	85240211A	18E	5	85611391B	004	2
84010852B	015	2	85041021A	34A	22	85241711A	018	29	85611481A	010	50
84010862B	014	2	85041711A	018	26	85241711A	019	24	85640121A	019	14
84010862B	015	2	85042131A	017	10	85241711A	036	24	85640141A	010	66
84010872B	014	2	85042242A	34A	31	85241711A	20A	2	85640151A	034	6
84010872B	015	2	85042242A	34A	31	85250011C	27A	17	86010041A	10A	7
84011082A	014	1	85110041A	26A	17	85250011C	27A	17	86010061A	13A	1
84011082A	015	1	85110131A	008	14	85250231A	010	48	86010061A	13B	1
84011092A	014	1	85110201A	004	8	85250231A	014	28	86020011A	18E	12
84011092A	015	1	85140051A	006	12	85250231A	015	20	86050061A	014	24
84011102A	014	1	85210011B	28A	8	85250231A	13A	25	86050061A	015	24
84011102A	015	1	85210021B	28A	8	85250231A	13B	25	86050131A	13A	29
84011112A	014	1	85210031B	28A	8	85250241A	010	68	86050131A	13B	29
84011112A	015	1	85210051A	002	14	85250241A	023	17	86050171A	021	28
84011122A	014	1	85210532A	010	46	85250241A	024	4	86610611A	033	12
84011122A	015	1	85210941A	002	19	85250241A	025	23	86610751A	27A	16
84011132A	014	1	85211031AB	21B	11	85250241A	24A	6	86610751A	27A	16
84011132A	015	1	85211511A	025	3	85250261B	014	11	86610751A	34C	16
84011142A	014	1	85211511A	27C	12	85250261B	015	11	86611091A	032	3
84011142A	015	1	85211721A	011	7	85250261B	24A	9	86611221A	18B	18
84740021A	27C	22	85211761A	018	13	85250291A	036	31	86611221C	34A	27
84740021A	27D	12	85211911A	018	18	85250291A	34B	8	86611221C	34A	27
84740061A	010	45	85211951A	010	47	85250311A	019	17	86611902A	018	10
84820441A	34C	12	85211951A	016	13	85250311A	18A	7	86611931A	18A	8
84850011A	27C	27	85211961B	032	4	85250311A	34B	10	86612111A	027	25
84850021A	27C	28	85211961B	27A	2	85250421A	010	49	86612111A	34A	24



CODE	NO. TABLE	POS.	CODE	NO. TABLE	POS.	CODE	NO. TABLE	POS.	CODE	NO. TABLE	POS.
86612111A	34A	24	88450711A	005	11	887132877	01A	18	91374411R	033	15
86612121A	034	8	88610241A	10A	8	887132906	001	6	92610051A	34D	10
86612131A	034	7	88610951A	011	22	887132951	01B	3	93010041B	21B	5
86612161A	034	5	88640331A	010	56	887133203	01B	12	93010102A	26A	23
86640051A	24A	3	88640331A	011	2	887133211	01B	5	93040211A	005	9
87210081A	027	26	88640371A	10A	14	887133334	001	11	93040221A	010	61
87210532A	18B	6	88640851A	13A	15	887133352	001	5	93040931A	010	62
87210641A	18B	24	88640851A	13B	15	887133396	01B	1	93041271A	010	64
87211041A	018	33	88640891A	029	5	887133406	01A	4	93041271A	027	9
87211051A	018	31	88641031A	014	31	887133407	001	13	93041501A	26B	7
87211161A	021	3	88641061A	016	10	887133408	001	10	93041631B	010	63
87211171A	022	8	88641161A	025	11	887133417	001	12	93042181A	13A	13
87240561A	27C	23	88641161A	27C	11	887133497	01A	1	93042181A	13B	13
87240561A	27D	13	88641181A	010	57	887133501	01B	10	93050051A	011	26
87241051A	030	11	88641241A	025	38	887133526	01B	13	93050062B	011	28
87310051A	13A	31	88641321A	10A	15	887133931	001	8	93410111A	031	10
87310051A	13B	31	88641581A	010	58	887134411	01A	11	93410231A	031	19
87311391AA	027	6	88641731A	004	6	887134964	001	1	93510281C	036	14
87321421B	13A	14	88641961A	010	37	887134965	01A	15	937831524	011	18
87321421B	13B	14	88642301A	005	18	887134966	01A	16	942470036	10A	1
87512131A	010	51	88642621A	13A	19	887134967	01B	14	944650035	L	1
87522391A	010	53	88642621A	13B	19	887138836	01A	14	944650037	L	2
87611291A	029	3	88642971B	10A	9	887651000	001	14	979000252	01C	1
87611301A	19A	2	887130869	001	15	887651005	001	14	979000253	01C	2
87611311A	19A	8	887130870	001	4	887651006	001	14	979000254	01C	3
87611321A	19A	3	887130957	01B	2	887651298	001	3	979000255	01C	4
87711141A	023	15	887131010	01A	2	887651518	01A	5	979000256	01C	5
87711411A	024	17	887131058	01B	7	887651737	01A	6	979000259	01C	7
87711541A	025	21	887131062	01B	9	89310143A	031	11			
88110121A	002	16	887131074	01B	4	89320062A	010	59			
88110541A	26A	7	887131515	01B	6	89320191A	005	15			
88110581A	34B	5	887131749	01A	13	89340111A	025	27			
88110921A	012	2	887131805	01A	3	89340241A	023	11			
88111281A	031	3	887131821	01A	9	89340251A	024	14			
88210031A	008	11	887131832	001	9	89410241A	010	60			
88210151A	003	7	887131920	01A	8	89510431B	032	12			
88440511A	025	36	887131994	01A	12	8A0067610	031	17			
88440531A	010	52	887132011	01A	7	91374411A	033	15			
88440651A	010	54	887132103	001	7	91374411B	033	15			
88450021A	27C	13	887132409	01B	11	91374411C	033	15			
88450021A	27D	3	887132442	001	2	91374411D	033	15			
88450341B	002	22	887132695	001	16	91374411E	033	15			
88450431A	011	8	887132834	01A	17	91374411F	033	15			
88450581A	010	55	887132870	01A	10	91374411G	033	15			





**Ducati Motor Holding S.p.A.**

Uffici Commerciali Amministrativi:

Via A. Cavalieri Ducati n. 3

40132 Bologna, Italy

Telefono 051 6413111

Fax 051 406580

Internet [www.ducati.com](http://www.ducati.com)