



821 STEALTH
Model Year 2021

MONSTER

Chassis prefix:
Cylinder capacity: 821

D19000021 - 2
SPARE PARTS CATALOGUE
en-US



The present spare parts order exactly the right spare parts.

When ordering specify:

1. the part's code number followed by its description and quantity needed;
2. the motorcycle's serial number, stamped on the steering head.

Reference to right and left apply to the vehicle in terms of its direction of movement.


Spare parts drawings are general and do not represent the part.

The contents of this catalogue are general and can undergo changes without prior notice.

CHARACTERISTICS LEGENDA

CHARACTERISTIC CODE	CHARACTERISTIC DESCRIPTION	VALUE CODE	VALUE DESCRIPTION
CPT	PARTICOLAR CHARACTERISTICS	D35	DEPOTENZIATO 35KW
CPT	PARTICOLAR CHARACTERISTICS	STD	MOTO STANDARD
DFR	DAFRA	N	NO
MOD	MODEL	M821STEA	Monster 821 stealth
PLT	PLANT	DB10	DMH
XCO	MAIN COLOUR	SB	SPECIAL BLACK
XCR	FRAME / WHEEL COLOUR	CBB	CARB. BLACK FRAME,BLACK WHEELS
XST	STANDARD COUNTRY	AUS	VERSIONE AUSTRALIA
XST	STANDARD COUNTRY	BLG	VERSIONE BELGIO
XST	STANDARD COUNTRY	EUR	VERSIONE EUROPA
XST	STANDARD COUNTRY	GSO	VERSIONE PAESI DEL GOLFO
XST	STANDARD COUNTRY	JAP	VERSIONE GIAPPONE
XST	STANDARD COUNTRY	ROK	VERSIONE SOUTH COREA
XST	STANDARD COUNTRY	SPA	VERSIONE SPAIN
XST	STANDARD COUNTRY	TWN	VERSIONE TAIWAN



COLOUR	COLOUR CODE	COLOUR DESCRIPTION	FINISHED PRODUCTS
	SB	SPECIAL BLACK	(D19029721) M821STEAL 21 EUR SB CBB STD DMH (D19029821) M821STEAL 21 AUS SB CBB STD DMH (D19029921) M821STEAL 21 JAP SB CBB STD DMH (D19030021) M821STEAL 21 TWN SB CBB STD DMH (D19030321) M821STEAL 21 ROK SB CBB STD DMH (D19030421) M821STEAL 21 BLG SB CBB STD DMH (D19030521) M821STEAL 21 GSO SB CBB STD DMH (D19030621) M821STEAL 21 EUR SB CBB D35 DMH (D19030921) M821STEAL 21 SPA SB CBB STD DMH (D19031021) M821STEAL 21 SPA SB CBB D35 DMH



General information.....	3
Colours.....	4
Group ELECTRIC.....	8
Drawing 018 - BATTERY HOLDER [MOD:M821STEA;XST:AUS,BLG,EUR,GSO,ROK,SPA,TWN].....	8
Drawing 018 - BATTERY HOLDER [MOD:M821STEA;XST:JAP].....	12
Drawing 020 - HEADLIGHT [MOD:M821STEA].....	16
Drawing 18A - ENGINE CONTROL UNIT [MOD:M821STEA].....	18
Drawing 18B - WIRING HARNESS [MOD:M821STEA].....	22
Drawing 20B - INSTRUMENT PANEL - COWLING [MOD:M821STEA].....	24
Drawing 28B - PLATE HOLDER [MOD:M821STEA;XST:AUS,BLG,EUR,GSO,ROK,SPA,TWN].....	26
Drawing 28B - PLATE HOLDER [MOD:M821STEA;XST:JAP].....	28
Group OIL.....	30
Drawing L - SHELL ADVANCE [MOD:M821STEA].....	30
Group ENGINE.....	32
Drawing 002 - SHIFT CAM - FORK [MOD:M821STEA].....	32
Drawing 003 - GEAR BOX [MOD:M821STEA].....	34
Drawing 004 - CLUTCH [MOD:M821STEA].....	36
Drawing 005 - CLUTCH COVER [MOD:M821STEA].....	38
Drawing 006 - CONNECTING RODS [MOD:M821STEA].....	40
Drawing 007 - CYLINDERS - PISTONS [MOD:M821STEA].....	42
Drawing 008 - TIMING SYSTEM [MOD:M821STEA].....	44
Drawing 009 - FILTERS AND OIL PUMP [MOD:M821STEA].....	46
Drawing 010 - HALF-CRANKCASES PAIR [MOD:M821STEA].....	48
Drawing 011 - WATER PUMP-ALTR-SIDE CRNKCE COVER [MOD:M821STEA].....	52
Drawing 012 - ELECTRIC STARTING AND IGNITION [MOD:M821STEA].....	54
Drawing 013 - CYLINDER HEAD : TIMING SYSTEM [MOD:M821STEA].....	56
Drawing 014 - VERTICAL HEAD [MOD:M821STEA].....	58
Drawing 015 - HORIZONTAL HEAD [MOD:M821STEA].....	66
Drawing 10A - HALF-CRANKCASES PAIR [MOD:M821STEA].....	74



Group TOOLS.....	76
Drawing 001 - WORKSHOP SERVICE TOOLS, ENGINE [MOD:M821STEA].....	76
Drawing 01A - WORKSHOP SERVICE TOOLS, FRAME [MOD:M821STEA].....	80
Drawing 01B - DDS (2) TESTER [MOD:M821STEA].....	82
Group TYRES.....	84
Drawing A2 - TYRES [MOD:M821STEA].....	84
Drawing B2 - (*) PIRELLI DIABLO™ ROSSO III [MOD:M821STEA].....	88
Drawing C2 - PIRELLI DIABLO™ ROSSO CORSA II [MOD:M821STEA].....	90
Drawing D - PIRELLI DIABLO™ SUPERCORSA SP [MOD:M821STEA].....	92
Drawing F - PIRELLI ANGEL™ GT [MOD:M821STEA].....	94
Drawing H - (#) PIRELLI DIABLO™ SUPERBIKE [MOD:M821STEA].....	96
Drawing I - (#) DIABLO™ WET [MOD:M821STEA].....	98
Drawing J - (#) DIABLO™ RAIN [MOD:M821STEA].....	100
Drawing K - (#) DIABLO™ SUPERCORSA SC V2 [MOD:M821STEA].....	102
Drawing M - (#) DIABLO™ SUPERCORSA SC [MOD:M821STEA].....	104
Drawing N - PIRELLI ANGEL™ GT II [MOD:M821STEA].....	106
Drawing O - PIRELLI DIABLO™ SUPERCORSA SP V3 [MOD:M821STEA].....	108
Drawing P - (#) DIABLO SUPERCORSA SC V3 [MOD:M821STEA].....	110
Drawing Q - PIRELLI DIABLO™ ROSSO IV [MOD:M821STEA].....	112
Drawing R - PIRELLI DIABLO™ ROSSO II [MOD:M821STEA].....	114
Group FRAME.....	116
Drawing 016 - SWITCH ASSY, OIL PRESSURE [MOD:M821STEA].....	116
Drawing 017 - THROTTLE BODY [MOD:M821STEA].....	118
Drawing 019 - EXHAUST SYSTEM [MOD:M821STEA;XST:AUS,BLG,EUR,GSO,JAP,ROK,SPA,TWN].....	120
Drawing 021 - HANDLEBAR AND CONTROLS [MOD:M821STEA;XST:AUS,BLG,EUR,GSO,JAP,ROK,SPA,TWN].....	124
Drawing 022 - FRAME [MOD:M821STEA;XST:AUS,BLG,EUR,GSO,JAP,SPA,TWN].....	126
Drawing 022 - FRAME [MOD:M821STEA;XST:ROK].....	128
Drawing 023 - CLUTCH CONTROL [MOD:M821STEA].....	130
Drawing 024 - FRONT BRAKE SYSTEM [MOD:M821STEA].....	132
Drawing 025 - REAR BRAKE SYSTEM [MOD:M821STEA].....	134

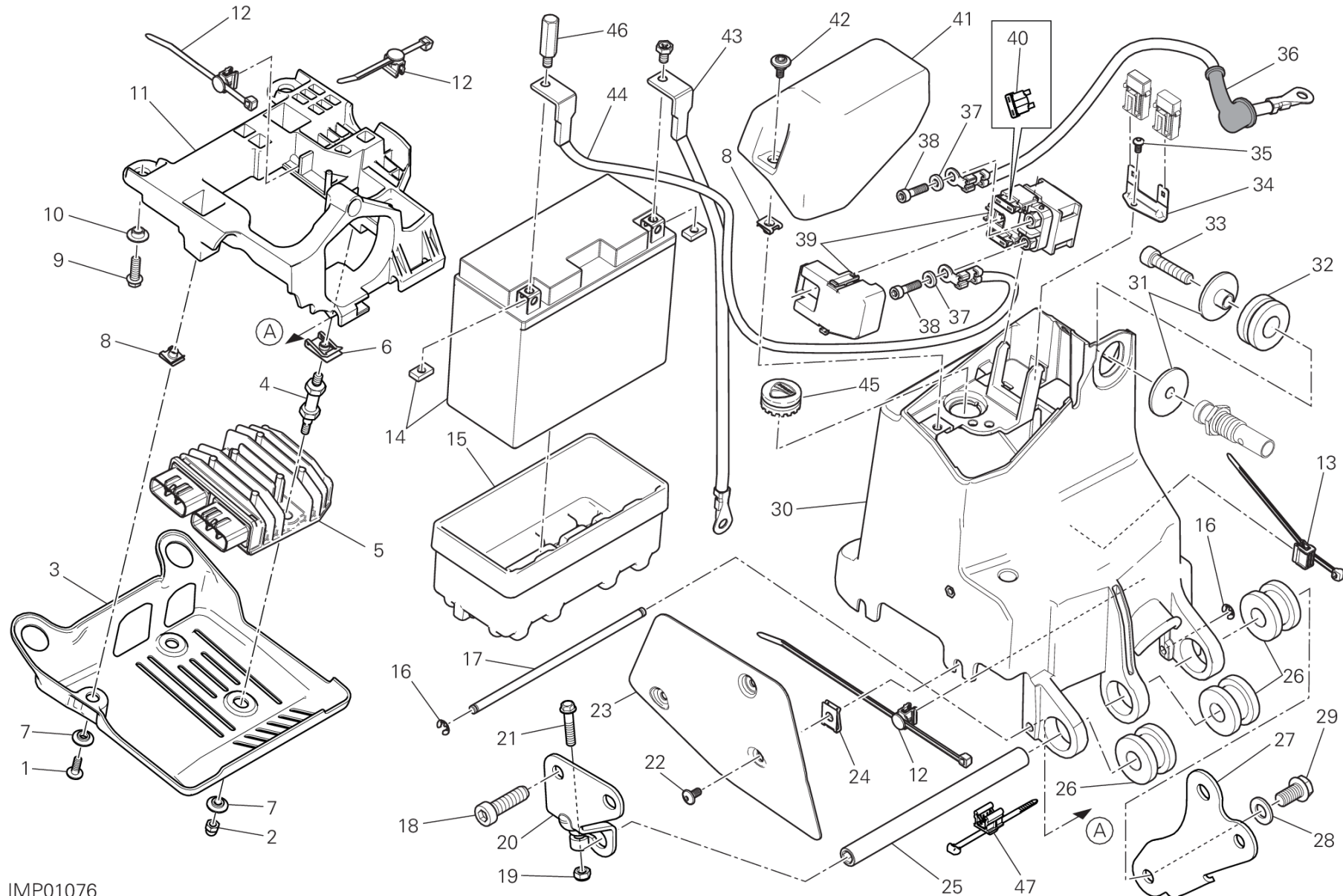


Drawing 026 - RUOTA ANTERIORE E POSTERIORE [MOD:M821STEAA].....	136
Drawing 027 - REAR FRAME COMP. [MOD:M821STEAA].....	140
Drawing 028 - SOSPENSIONE POSTERIORE [MOD:M821STEAA;XST:AUS,BLG,EUR,GSO,JAP,ROK,SPA,TWN].....	144
Drawing 029 - AIR INTAKE - OIL BREATHER [MOD:M821STEAA].....	146
Drawing 030 - WATER COOLER [MOD:M821STEAA].....	148
Drawing 031 - COOLING SYSTEM [MOD:M821STEAA].....	150
Drawing 032 - FUEL TANK [MOD:M821STEAA].....	152
Drawing 033 - SEAT [MOD:M821STEAA].....	154
Drawing 034 - HALF FAIRING [MOD:M821STEAA].....	156
Drawing 035 - HOT AIR PIPE CANISTER [MOD:M821STEAA].....	158
Drawing 036 - POSITIONING PLATES [MOD:M821STEAA;XST:JAP].....	160
Drawing 21A - FRONT FORK [MOD:M821STEAA].....	162
Drawing 22A - SIDE STAND [MOD:M821STEAA].....	164
Drawing 24A - ANTILOCK BRAKING SYSTEM (ABS) [MOD:M821STEAA].....	166
Drawing 27A - FOOTRESTS, LEFT [MOD:M821STEAA].....	168
Drawing 27B - FOOTRESTS, RIGHT [MOD:M821STEAA].....	170
Drawing 28A - REAR SWINGING ARM [MOD:M821STEAA;XST:EUR,GSO,JAP,SPA,TWN].....	172
Drawing 28A - REAR SWINGING ARM [MOD:M821STEAA;XST:AUS].....	174
Alphanumeric index.....	176



DRAWING 018 - BATTERY HOLDER [MOD:M821STEA;XST:AUS,BLG,EUR,GSO,ROK,SPA,TWN]

GROUP ELECTRIC



IMP01076

DRAWING 018 - BATTERY HOLDER

[MOD:M821STEA;XST:AUS,BLG,EUR,GSO,ROK,SPA,TWN]

GROUP ELECTRIC

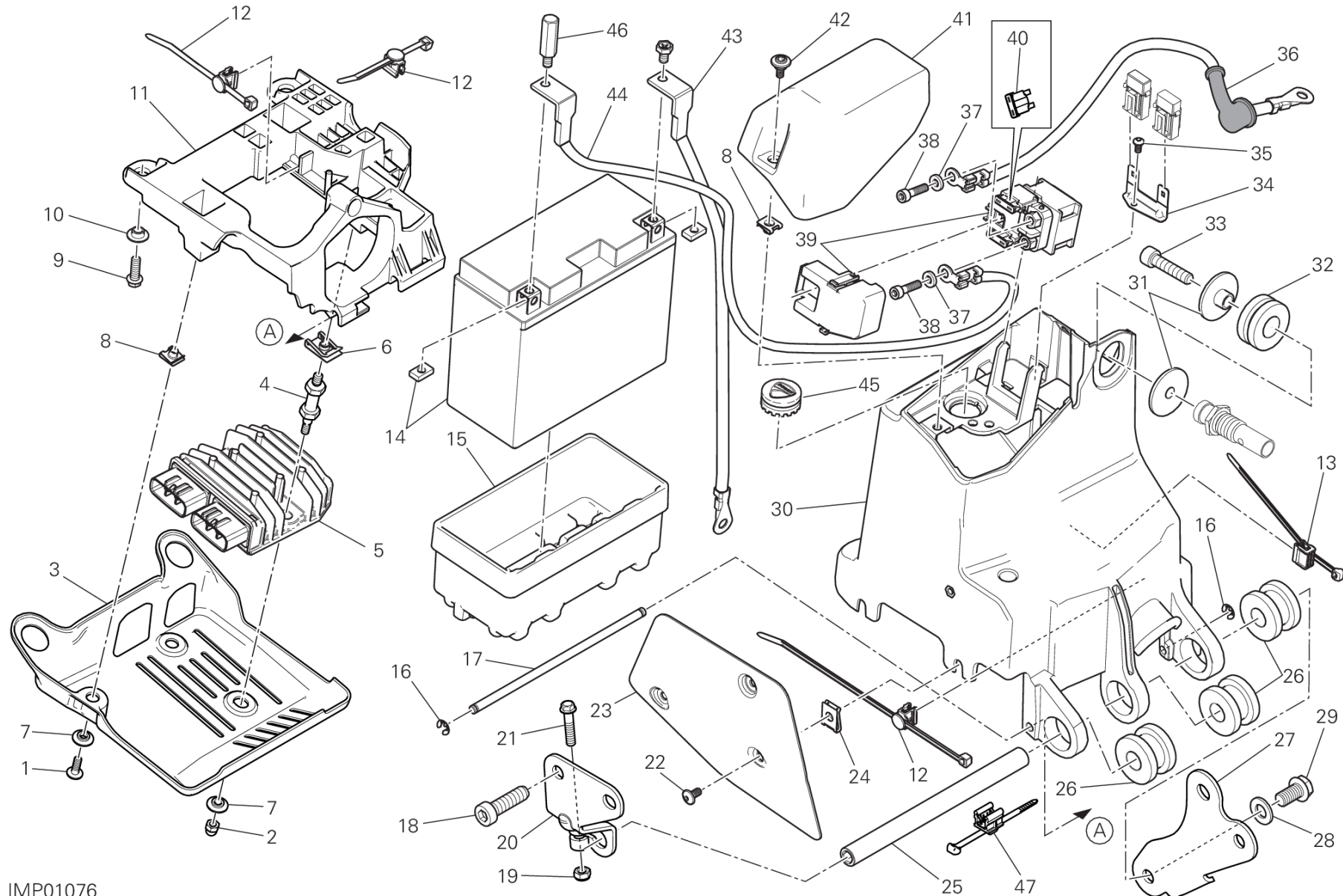


POS.	CODE	DESCRIPTION	QTY	START DATE	END DATE	VALIDITY	NOTES
1	77244183B	SCREW	1	01/08/2013			
2	75040141A	NUT	2	10/03/2016			
3	4601D231A	GUARD VOLTAGE REGULATOR	1	10/03/2016			
4	77211411AA	SCREW, SPECIAL	2	24/07/2015			
5	54040321A	VOLTAGE REGULATOR	1	01/08/2013			
6	85040381A	QUICK FASTENING	2	01/08/2013			
7	71614071A	SPACER 5.2X8.4X2	3	01/08/2013			
8	85041951AA	QUICK FASTENING	3	01/08/2013			
9	77251008B	SCREW M6X18	2	22/10/2013			
10	71610381B	SPACER	2	22/10/2013			
11	24715281A	COVER, BATTERY	1	24/07/2015			
12	75840771A	FAIRLEAD	3	01/08/2013			
13	75840801A	CLAMP	1	01/12/2014			
14	69926751A	BATTERY	1	22/10/2013			
15	86611681A	CUSHION, BATTERY	1	22/10/2013			
16	88450661A	SNAP RING	2	22/10/2013			
17	82114581BA	PIN	1	22/10/2013			
18	77355203C	SCREW M10x35	1	22/02/2017			
19	74941113B	NUT	1	23/02/2018			
20	8301A231AA	RIGHT BRACKET	1	22/02/2017			
21	77251043B	SCREW	1	22/10/2013			
22	77240258C	SCREW	3	22/10/2013			
23	4601A611B	BATTERY MOUNT HEAT GUARD	1	16/03/2015			
24	85040551A	QUICK FASTENING	2	01/08/2013			
25	82114571AA	PIN	1	22/10/2013			
26	76411431A	VIBRATION DAMPER PAD	3	01/08/2013			
27	8301A241AA	LEFT BRACKET	1	22/02/2017			
28	85250601A	WASHER	1	22/10/2013			
29	77251593B	SCREW	1	22/10/2013			
30	8291B632B	BATTERY HOLDER	1	01/08/2013			
31	71614271A	SPACER	2	22/10/2013			
32	76411421A	VIBRATION DAMPER PAD	1	01/08/2013			
33	77151283B	SCREW	1	22/10/2013			
34	83018352AA	BRACKET FUSE	1	01/08/2013			
35	77440431AA	SCREW, TAPPING	1	20/01/2015			



DRAWING 018 - BATTERY HOLDER [MOD:M821STEA;XST:AUS,BLG,EUR,GSO,ROK,SPA,TWN]

GROUP ELECTRIC



IMP01076

DRAWING 018 - BATTERY HOLDER

[MOD:M821STEAXST:AUS,BLG,EUR,GSO,ROK,SPA,TWN]

GROUP ELECTRIC

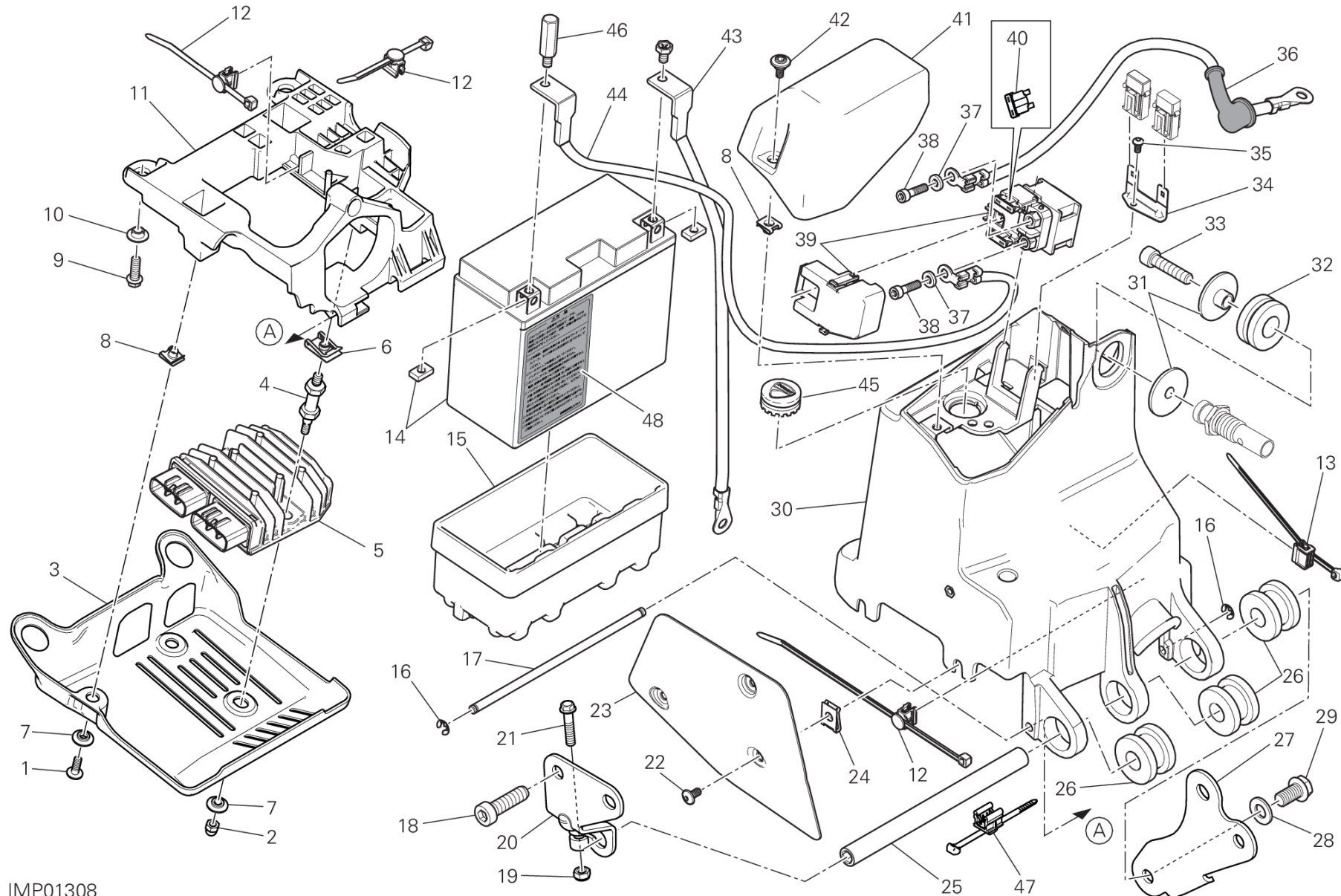


POS.	CODE	DESCRIPTION	QTY	START DATE	END DATE	VALIDITY	NOTES
36	51410722C	CABLE	1	01/08/2013			
37	85350101A	WASHER, SPRING	2	01/08/2013			
38	77156628B	SCREW TCEIF M6X10	2	01/08/2013			
39	39740081B	STARTER RELAY	1	01/08/2013			
40	38940231A	FUSE 30A	1				
41	24714651A	COVER UPPER	1	22/10/2013			
42	77214411AA	SCREW	2	22/10/2013			
43	51310282C	CABLE	1	01/08/2013			
44	51410712B	CABLE	1	01/08/2013			
45	76410621B	RUBBER PAD	2	01/08/2013			
46	77918711BA	SCREW, SPECIAL WIRE, BATTERY PLUS LEAD	1	22/10/2013			
47	75840861A	CLAMP	1	01/12/2014			



DRAWING 018 - BATTERY HOLDER [MOD:M821STEA;XST:JAP]

GROUP ELECTRIC



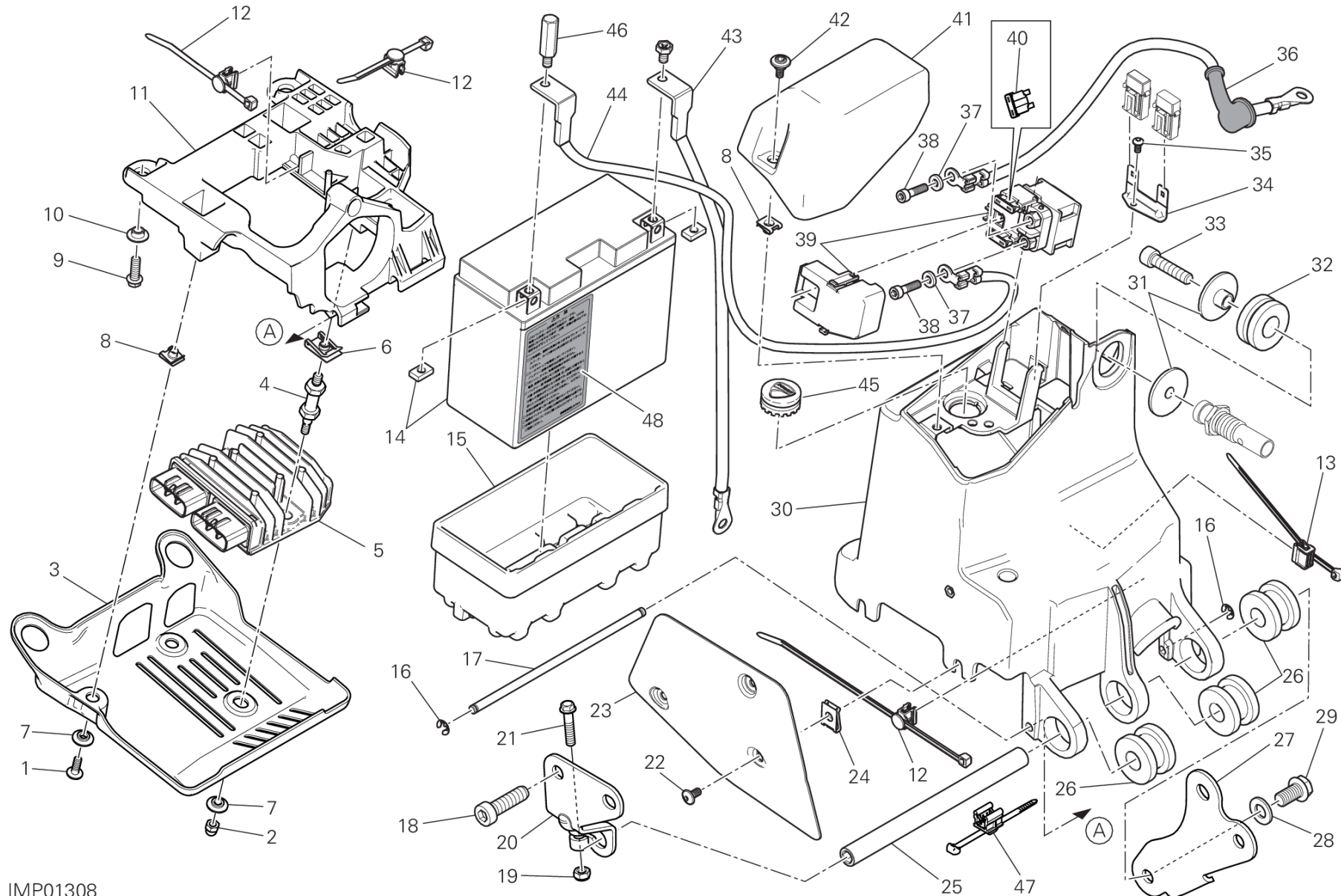
IMP01308

DRAWING 018 - BATTERY HOLDER [MOD:M821STEAXST:JAP]

GROUP ELECTRIC



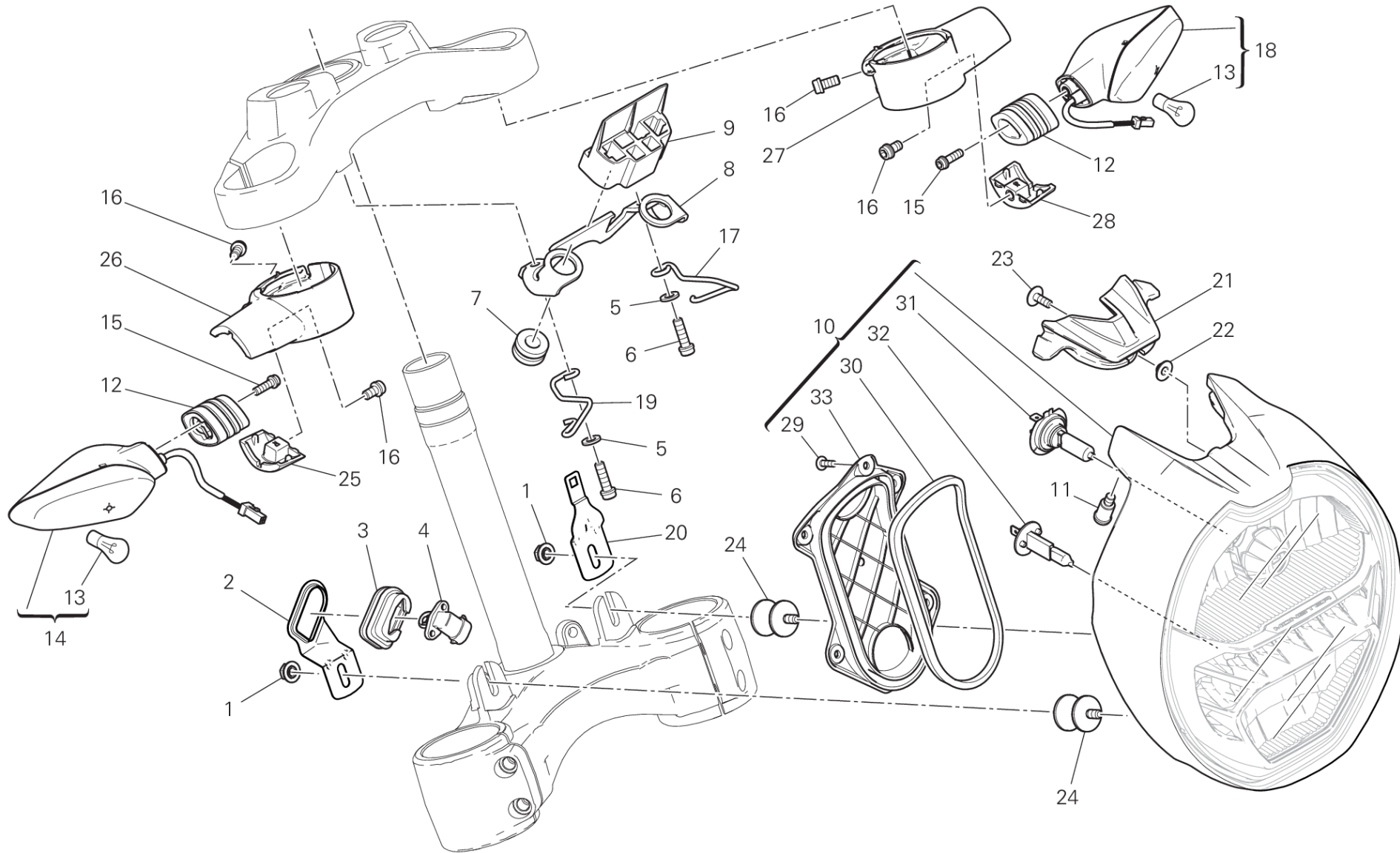
POS.	CODE	DESCRIPTION	QTY	START DATE	END DATE	VALIDITY	NOTES
1	77244183B	SCREW	1	01/08/2013			
2	75040141A	NUT	2	10/03/2016			
3	4601D231A	GUARD VOLTAGE REGULATOR	1	10/03/2016			
4	77211411AA	SCREW, SPECIAL	2	24/07/2015			
5	54040321A	VOLTAGE REGULATOR	1	01/08/2013			
6	85040381A	QUICK FASTENING	2	01/08/2013			
7	71614071A	SPACER 5.2X8.4X2	3	01/08/2013			
8	85041951AA	QUICK FASTENING	3	01/08/2013			
9	77251008B	SCREW M6X18	2	22/10/2013			
10	71610381B	SPACER	2	22/10/2013			
11	24715281A	COVER, BATTERY	1	24/07/2015			
12	75840771A	FAIRLEAD	3	01/08/2013			
13	75840801A	CLAMP	1	01/12/2014			
14	69926751A	BATTERY	1	22/10/2013			
15	86611681A	CUSHION, BATTERY	1	22/10/2013			
16	88450661A	SNAP RING	2	22/10/2013			
17	82114581BA	PIN	1	22/10/2013			
18	77355203C	SCREW M10x35	1	22/02/2017			
19	74941113B	NUT	1	23/02/2018			
20	8301A231AA	RIGHT BRACKET	1	22/02/2017			
21	77251043B	SCREW	1	22/10/2013			
22	77240258C	SCREW	3	22/10/2013			
23	4601A611B	BATTERY MOUNT HEAT GUARD	1	16/03/2015			
24	85040551A	QUICK FASTENING	2	01/08/2013			
25	82114571AA	PIN	1	22/10/2013			
26	76411431A	VIBRATION DAMPER PAD	3	01/08/2013			
27	8301A241AA	LEFT BRACKET	1	22/02/2017			
28	85250601A	WASHER	1	22/10/2013			
29	77251593B	SCREW	1	22/10/2013			
30	8291B632B	BATTERY HOLDER	1	01/08/2013			
31	71614271A	SPACER	2	22/10/2013			
32	76411421A	VIBRATION DAMPER PAD	1	01/08/2013			
33	77151283B	SCREW	1	22/10/2013			
34	83018352AA	BRACKET FUSE	1	01/08/2013			
35	77440431AA	SCREW, TAPPING	1	20/01/2015			



IMP01308



POS.	CODE	DESCRIPTION	QTY	START DATE	END DATE	VALIDITY	NOTES
36	51410722C	CABLE	1	01/08/2013			
37	85350101A	WASHER, SPRING	2	01/08/2013			
38	77156628B	SCREW TCEIF M6X10	2	01/08/2013			
39	39740081B	STARTER RELAY	1	01/08/2013			
40	38940231A	FUSE 30A	1				
41	24714651A	COVER UPPER	1	22/10/2013			
42	77214411AA	SCREW	2	22/10/2013			
43	51310282C	CABLE	1	01/08/2013			
44	51410712B	CABLE	1	01/08/2013			
45	76410621B	RUBBER PAD	2	01/08/2013			
46	77918711BA	SCREW, SPECIAL WIRE, BATTERY PLUS LEAD	1	22/10/2013			
47	75840861A	CLAMP	1	01/12/2014			
48	43312541A	MARKING PLATE BATTERY	1	05/03/2020			



FAN00326

821 STEALTH /21

D19000021 - 2

DRAWING 020 - HEADLIGHT [MOD:M821STEAL]

GROUP ELECTRIC

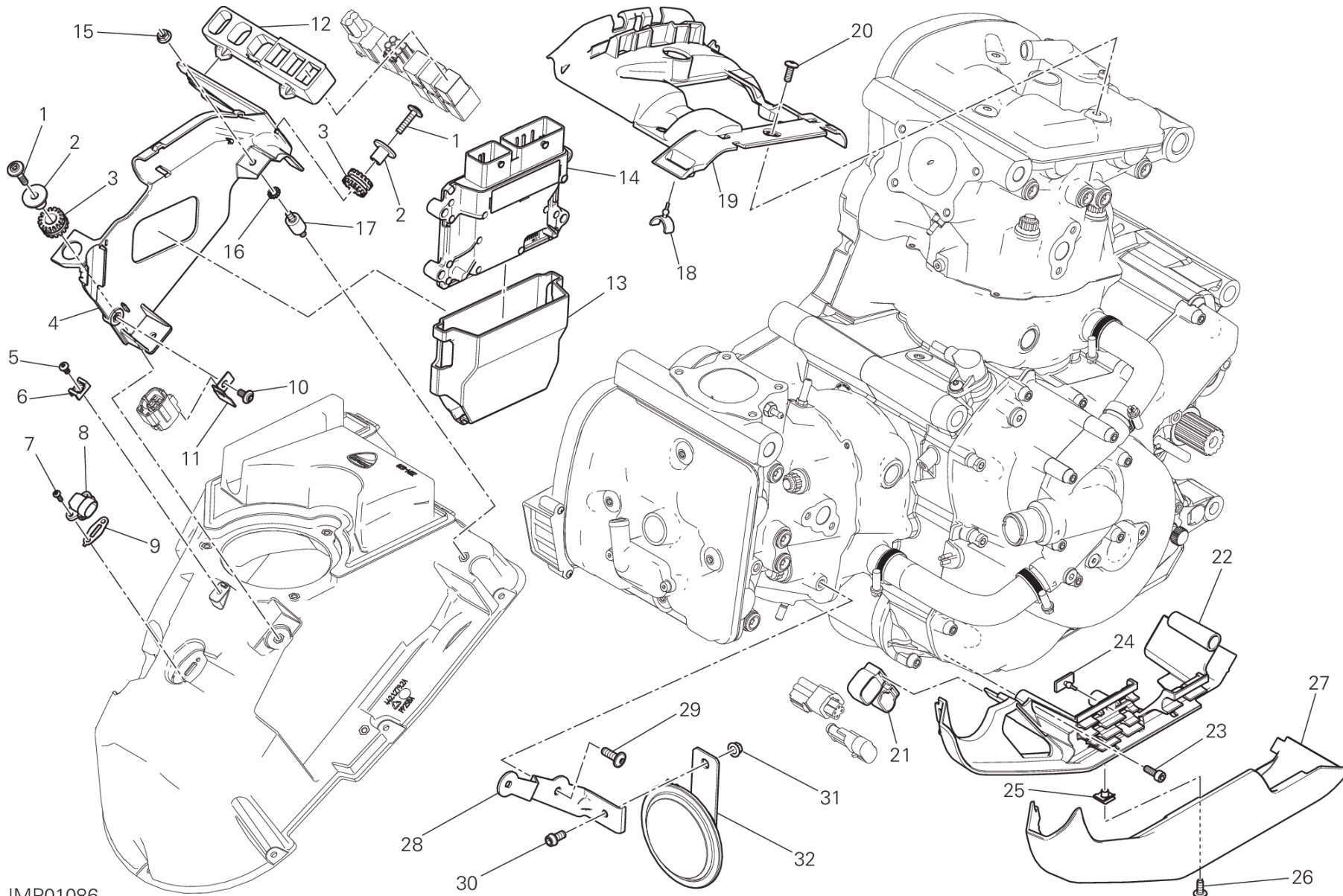


POS.	CODE	DESCRIPTION	QTY	START DATE	END DATE	VALIDITY	NOTES
1	74841101AA	NUT 6MM	2	22/10/2013			
2	8301E661AA	BRACKET	1	10/03/2016			
3	76410971A	RUBBER PAD	1	22/10/2013			
4	55240121A	SENSOR, AIR TEMPERATURE	1	22/10/2013			
5	85211761A	WASHER 6.4X12.5X1.6	2	01/08/2013			
6	77110191A	SCREW TCEIF M6X20	2	01/08/2013			
7	76410641A	VIBRATION DAMPER PAD	2	01/08/2013			
8	8301E561AA	BRACKET, CONNECTOR	1	24/10/2016			
9	86611692B	RUBBER PAD	1	15/01/2014			
10	52010392BA	HEADLIGHT	1	18/04/2018			
11	82115681AA	THREATENED PIN	2	10/03/2016			
12	71314703A	SPACER	2	03/10/2013			
13	39040211A	BULB	2	11/03/2013			
14	53010236B	FLASHER LIGHT FRONT RH- REAR LH	1	01/10/2013			
15	77110441A	SCREW TCEIF M5X16	2	03/10/2013			
16	77113691A	SCREW TCEIF M6X12	4	03/10/2013			
17	88111171B	HOSE GUIDE LEFT	1	21/09/2016			
18	53010226B	FLASHER LIGHT FRONT LH - REAR RH	1	01/10/2013			
19	88111161B	HOSE GUIDE RIGHT	1	21/09/2016			
20	8291F751AA	HOLDER WIRING	1	10/03/2016			
21	24715701A	COVER UPPER	1	10/03/2016			
22	71611351A	SPACER	1	10/03/2016			
23	77210882B	SCREW TBEI M5X12	1	10/03/2016			
24	70010481B	DAMPER M6X12	2	22/10/2013			
25	87210802A	RIGHT COVER	1	03/10/2013			
26	7131A492C	HOLDER, FLASHER LIGHT RH	1	03/10/2013			
27	7131A502C	HOLDER, FLASHER LIGHT LH	1	03/10/2013			
28	87210812A	LEFT COVER	1	03/10/2013			
29	52040341A	SCREW	5				
30	79111271A	GASKET	1				
31	39040111A	BULB 12V, 55W	1				
32	000079672	BULB 12V 55W H1 HALOGEN	1				
33	24716111A	COVER, HEADLAMP	1				



DRAWING 18A - ENGINE CONTROL UNIT [MOD:M821STEA]

GROUP ELECTRIC



IMP01086

DRAWING 18A - ENGINE CONTROL UNIT [MOD:M821STEA]

GROUP ELECTRIC

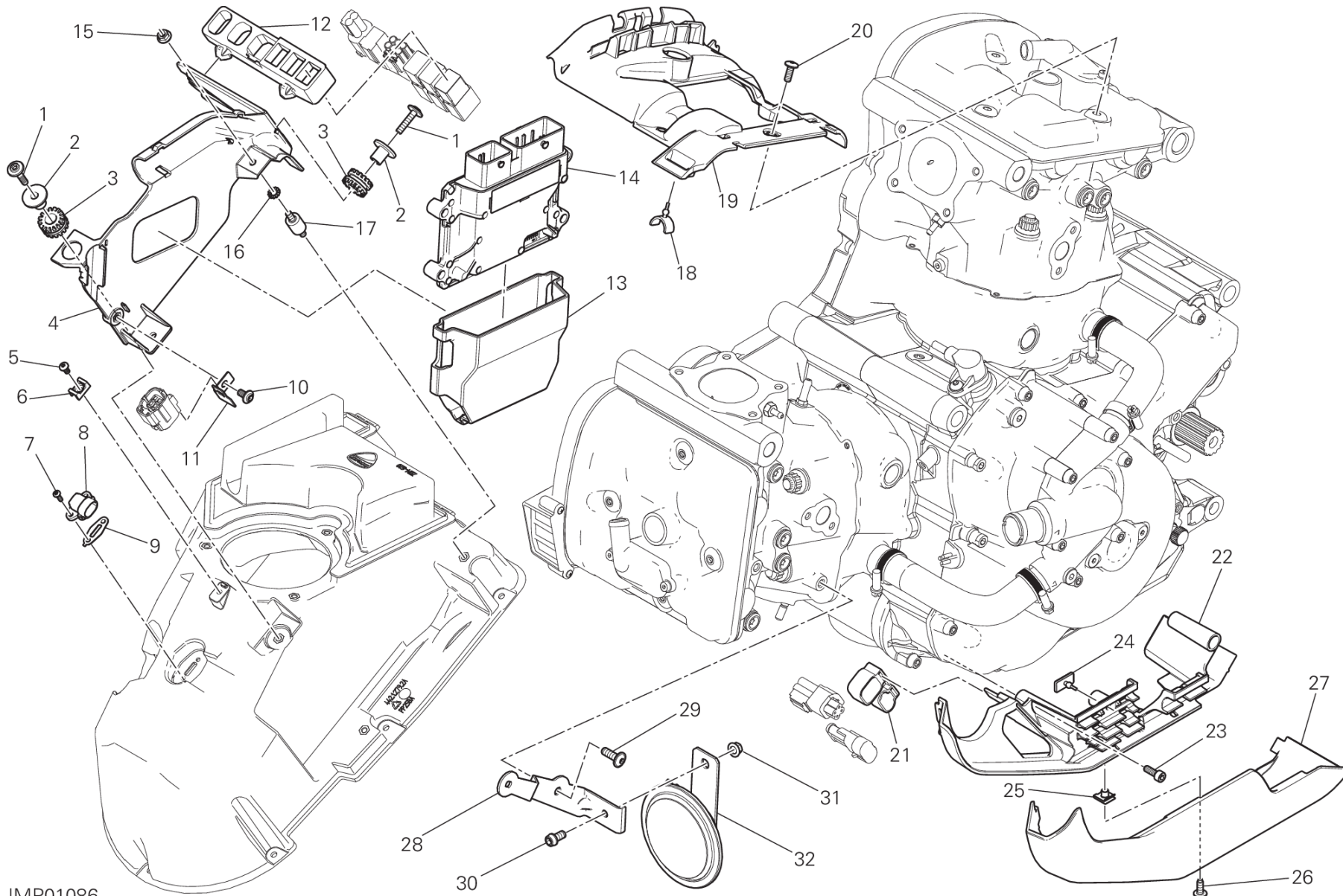


POS.	CODE	DESCRIPTION	QTY	START DATE	END DATE	VALIDITY	NOTES
1	77214061AA	SCREW, SPECIAL TCEI M5x22	2	11/06/2014			
2	71610061A	SPACER	2	11/06/2014			
3	76410241A	VIBRATION DAMPER PAD	2	11/06/2014			
4	8291B641C	BRACKET ENGINE CONTROL UNIT	1	12/03/2013			
5	77440141A	SCREW, TAPPING 4X8 WN1412	1	12/03/2013			
6	85041711A	HOSE GUIDE	1	12/03/2013			
7	77440213C	SCREW	2	12/03/2013			
8	55240121A	SENSOR, AIR TEMPERATURE	1	22/10/2013			
9	78811041A	GASKET, COOLING WATER SENSOR	1	12/03/2013			
10	77244168B	SCREW	1	12/03/2013			
11	8291B771AA	CONNECTOR HOLDER	1	12/03/2013			
12	86611611A	RUBBER PAD UPPER	1	12/03/2013			
13	86611981A	VIBRATION DAMPER ENGINE CONTROL UNIT	1	11/06/2014			
14	28642531E	ENGINE CONTROL UNIT	1	05/03/2020		XST:BLG	FRA-BLG
	28643131A	ENGINE CONTROL UNIT	1	10/10/2017		CPT:STD;XST:AUS,EUR,GSO,JAP,ROK	AUS-EUR-JAP-GSO-ROK-RUS
	28643131H	ENGINE CONTROL UNIT	1	22/03/2019		CPT:STD;XST:TWN	TWN
	28643131Q	ENGINE CONTROL UNIT	1	21/03/2018		CPT:STD;XST:SPA	SPA
	28643141A	INJECTION CONTROL UNIT DERATED 35 KW	1	23/02/2018		CPT:D35;XST:EUR	EU DEP 35 kW
	28643141Q	INJECTION CONTROL UNIT DERATED 35 KW	1	05/03/2020		CPT:D35;XST:SPA	SPA DEP 35 kW
15	74850061A	NUT	2	11/06/2014			
16	46240461A	WASHER, SPRING	2	11/06/2014			
17	70010431A	DAMPER	2	11/06/2014			
18	86610731A	VIBRATION DAMPER	2	22/10/2013			
19	75810782A	PROTECTION WIRING VERTICAL HEAD	1	22/10/2013			
20	77240278C	SCREW	3	22/10/2013			
21	86611731A	RUBBER PAD CONNECTOR	1	22/10/2013			
22	8291C661D	HOLDER WIRING LOWER	1	07/05/2014			
23	77150408B	SCREW TCEI M5X14	3	22/10/2013			
24	86610361A	RUBBER PAD	1	22/10/2013			
25	85040471A	QUICK FASTENING M5	1	05/05/2014			
26	77244173B	SCREW	1	22/09/2014			
27	48016351B	COVER, LOWER LEFT	1	16/03/2015			
28	83018872AA	HORN BRACKET	1	05/05/2014			
29	77240403C	SCREW	1	07/09/2017			
30	77113691A	SCREW TCEIF M6X12	1	05/05/2014			



DRAWING 18A - ENGINE CONTROL UNIT [MOD:M821STEA]

GROUP ELECTRIC



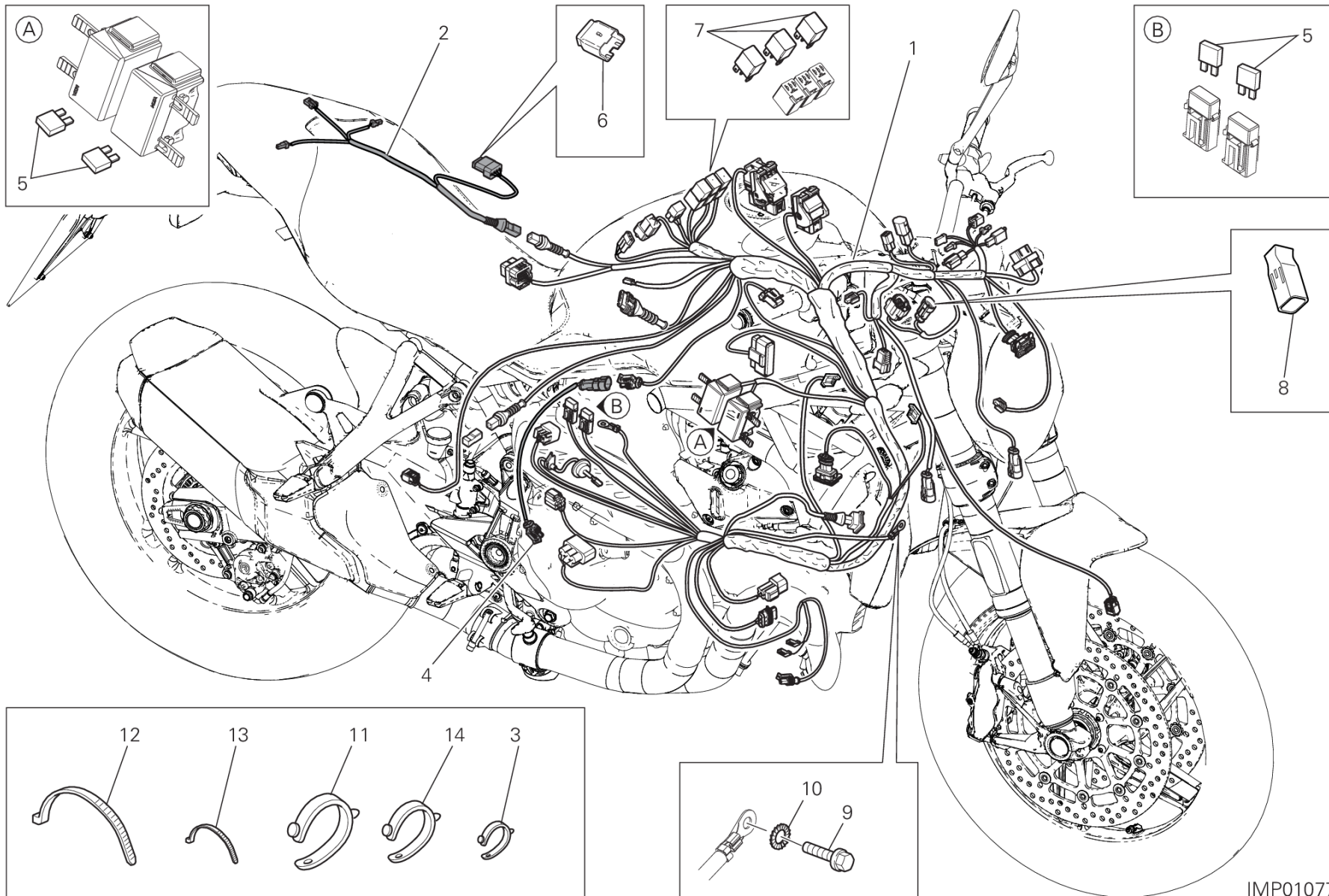
IMP01086

DRAWING 18A - ENGINE CONTROL UNIT [MOD:M821STEAL]

GROUP ELECTRIC



POS.	CODE	DESCRIPTION	QTY	START DATE	END DATE	VALIDITY	NOTES
31	74810361A	NUT	1	09/11/2017			
32	51610053C	HORN	1	22/02/2017			



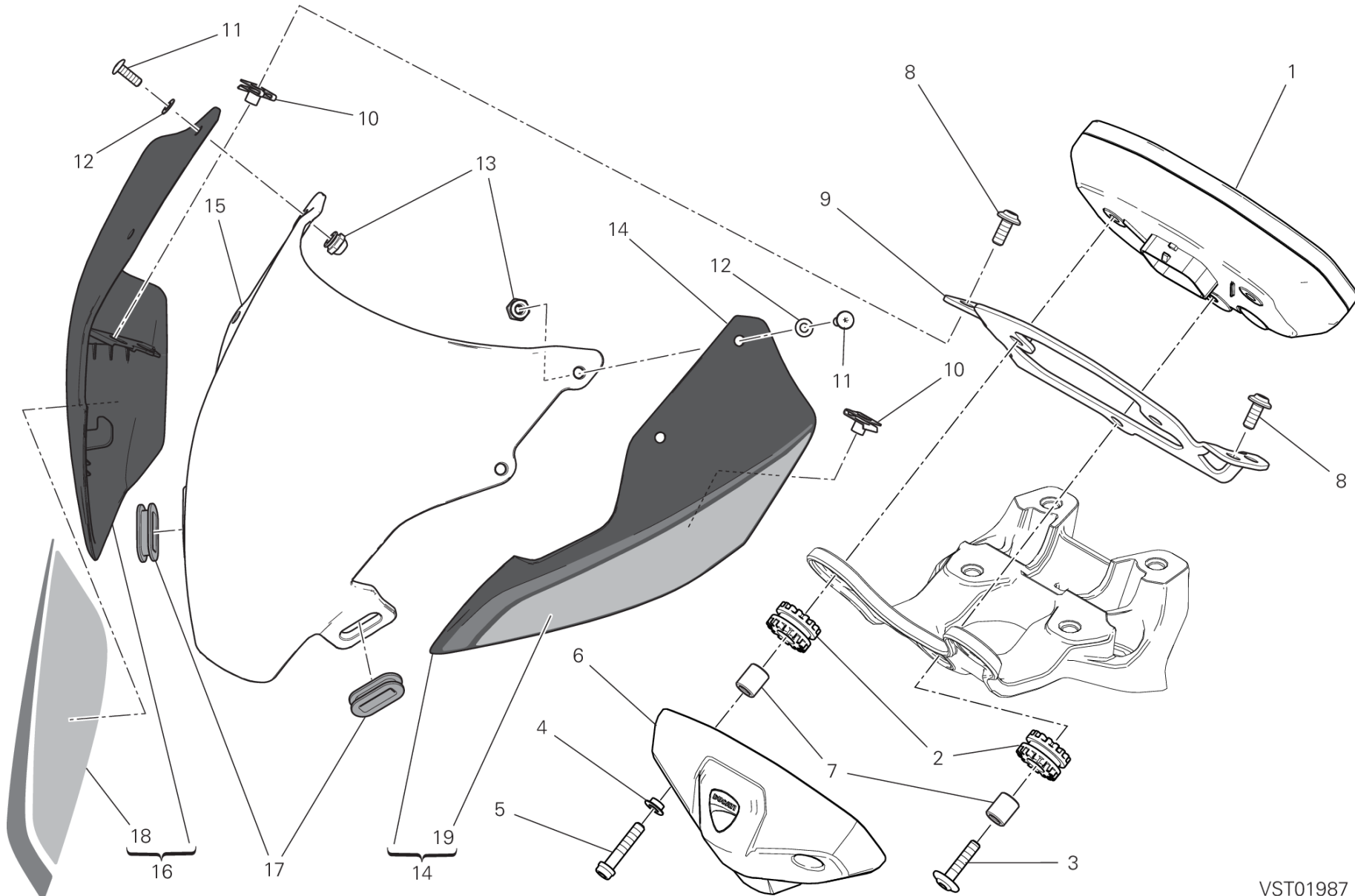
IMP01077

DRAWING 18B - WIRING HARNESS [MOD:M821STEA]

GROUP ELECTRIC



POS.	CODE	DESCRIPTION	QTY	START DATE	END DATE	VALIDITY	NOTES
1	5101C462C	MAIN WIRING HARNESS	1	17/03/2017			
2	5101B202D	REAR WIRING	1	26/07/2017			
3	74110551A	CLAMP, RUBBER 39MM	10	22/10/2013			
4	51019723A	EXTENSION, WIRE HARNESS SWITCH, REAR BRAKE	1	03/03/2017			
5	38940191A	FUSE 5A	4				
	38940201A	FUSE 10A	3				
	38940211A	FUSE 15A	1				
	38940221A	FUSE 20A	1				
	38940241A	FUSE 7,5A	1				
	38940251A	FUSE 30A	1				
	38940261A	FUSE 25A	1				
	38940301A	FUSE 3A	1				
6	87210532A	CAP DDA	1				
7	54140101A	RELAY	3				
8	87210641A	CAP, CONNECTOR	1				
9	77211061A	SCREW TEF M6X14	1	22/10/2013			
10	85550001B	SPRING WASHER	1	22/10/2013			
11	74110131A	CLAMP, RUBBER 82MM	3	22/10/2013			
12	069191030	CLAMP	52	01/10/2013			
13	74140381A	CLAMP	36	01/08/2013			
14	74110101A	CLAMP 70MM	2	22/10/2013			



VST01987

DRAWING 20B - INSTRUMENT PANEL - COWLING [MOD:M821STEA]

GROUP ELECTRIC

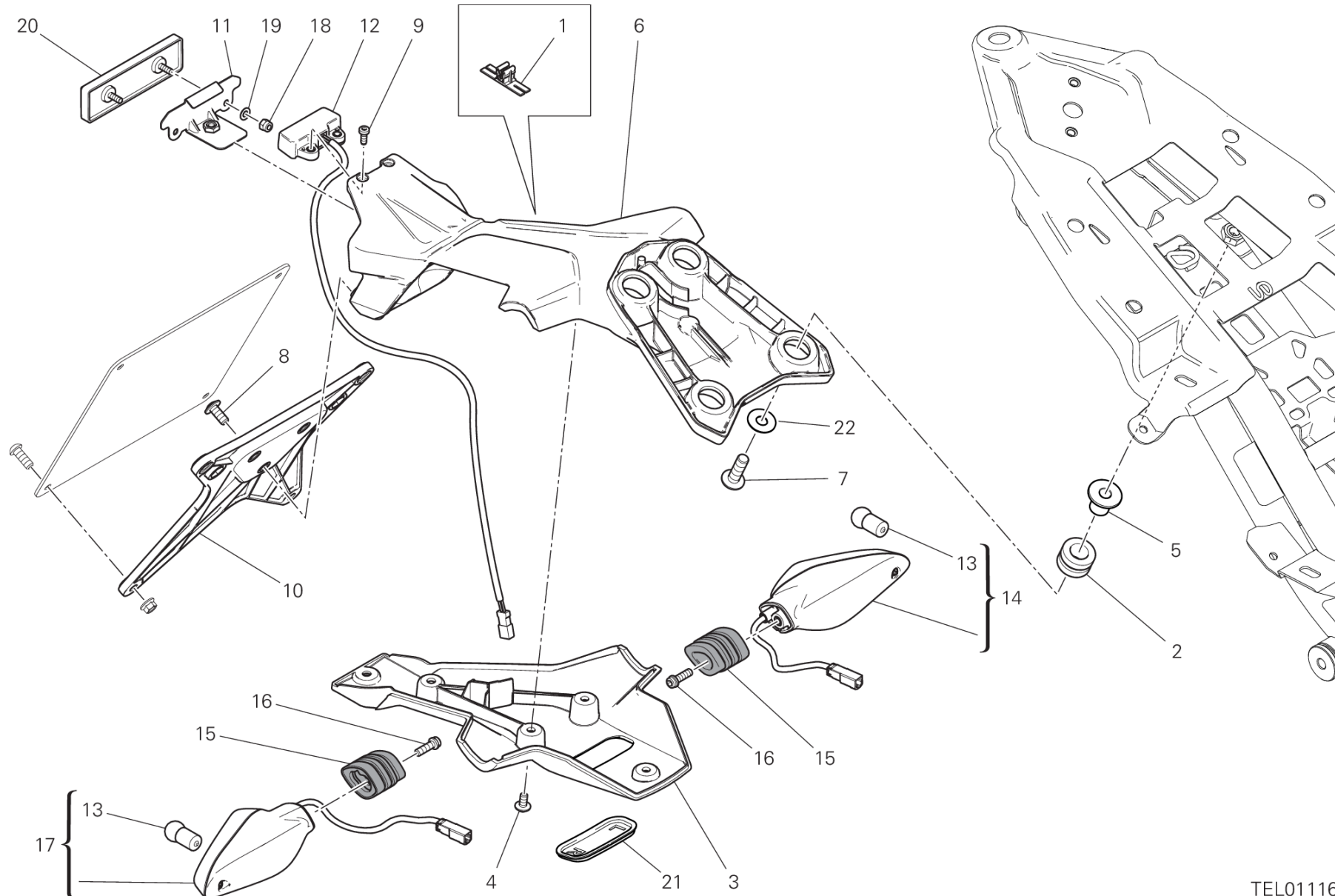


POS.	CODE	DESCRIPTION	QTY	START DATE	END DATE	VALIDITY	NOTES
1	40611504A	INSTRUMENT PANEL	1	01/01/2018			
2	76410241A	VIBRATION DAMPER PAD	3	21/09/2016			
3	77214061AA	SCREW, SPECIAL TCEI M5x22	1	24/10/2016			
4	71611521A	SPACER WITH COLLAR	2	22/10/2013			
5	77156453B	SCREW	2	06/11/2018			
6	24715691A	COVER, METER	1	10/03/2016			
7	97610531BA	SPACER	3	01/01/2018			
8	77244173B	SCREW	4	10/03/2016			
9	8301F821AA	HEALDIGHT FAIRING SUPPORT	1	03/04/2017			
10	85040471A	QUICK FASTENING M5	4	06/11/2018			
11	77510071AB	SCREW, SPECIAL	4	10/03/2016			
12	85210241A	WASHER, NYLON 4X8X0.5	4	10/03/2016			
13	75010281A	NUT, SPRING	4	10/03/2016			
14	48111251AC	COWLING LEFT	1	06/11/2018			
15	48711011A	WINDSHIELD	1	10/03/2016			
16	48111241AC	COWLING RIGHT	1	06/11/2018			
17	76412221A	RUBBER PAD	2	10/03/2016			
18	4381C921A	RIGHT STICKER COWLING	1	01/01/2018			
19	4381C931A	LEFT STICKER COWLING	1	01/01/2018			



DRAWING 28B - PLATE HOLDER [MOD:M821STEA;XST:AUS,BLG,EUR,GSO,ROK,SPA,TWN]

GROUP ELECTRIC



TEL01116

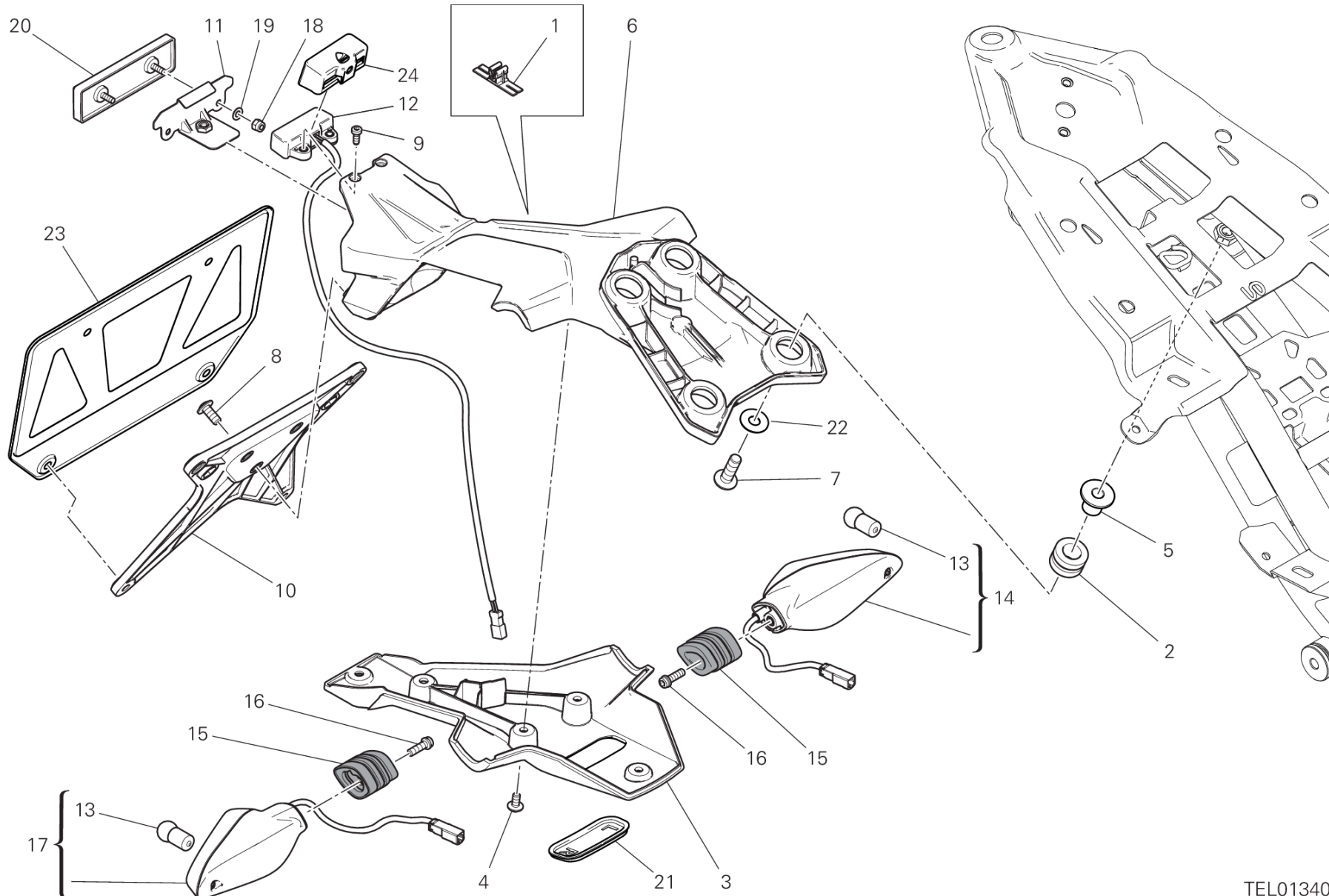
DRAWING 28B - PLATE HOLDER

[MOD:M821STEA;XST:AUS,BLG,EUR,GSO,ROK,SPA,TWN]

GROUP ELECTRIC



POS.	CODE	DESCRIPTION	QTY	START DATE	END DATE	VALIDITY	NOTES
1	75840901A	FAIRLEAD	3	19/09/2016			
2	76412371A	RUBBER PAD	4	19/09/2016			
3	56113442A	NUMBER PLATE HOLDER BOTTOM	1	19/09/2016			
4	77244163B	SCREW TBEI M5X10 BLACK	5	05/09/2016			
5	71615291AA	SPACER	4	19/09/2016			
6	56113461A	NUMBER PLATE HOLDER UPPER	1	19/09/2016			
7	77244538BA	SCREW	4	05/09/2016			
8	77240418C	SCREW	3	01/08/2013			
9	77354623B	SCREW M4X10	2	05/09/2016			
10	56113392A	PLATE HOLDER	1	05/09/2016			
11	8291F761AA	PLATE	1	05/09/2016			
12	52510611A	LAMP, LICENSE PLATE	1	11/01/2017			
13	39040211A	BULB	2	11/03/2013			
14	53010236A	FLASHER LIGHT FRONT RH- REAR LH	1	19/09/2016			
15	71314703A	SPACER	2	19/09/2016			
16	77110441A	SCREW TCEIF M5X16	2	05/09/2016			
17	53010226A	FLASHER LIGHT FRONT LH - REAR RH	1	19/09/2016			
18	74950011B	NUT, SPRING	2	19/09/2016			
19	85212511A	WASHER 4.5X9X0.5	2	19/09/2016			
20	52910231A	REFLEX REFLECTOR, REAR	1	19/09/2016			
21	87211251A	PLUG	1	19/09/2016			
22	85210532A	WASHER 8.2X20X1	4	07/09/2017			



TEL01340

DRAWING 28B - PLATE HOLDER [MOD:M821STEA;XST:JAP]

GROUP ELECTRIC

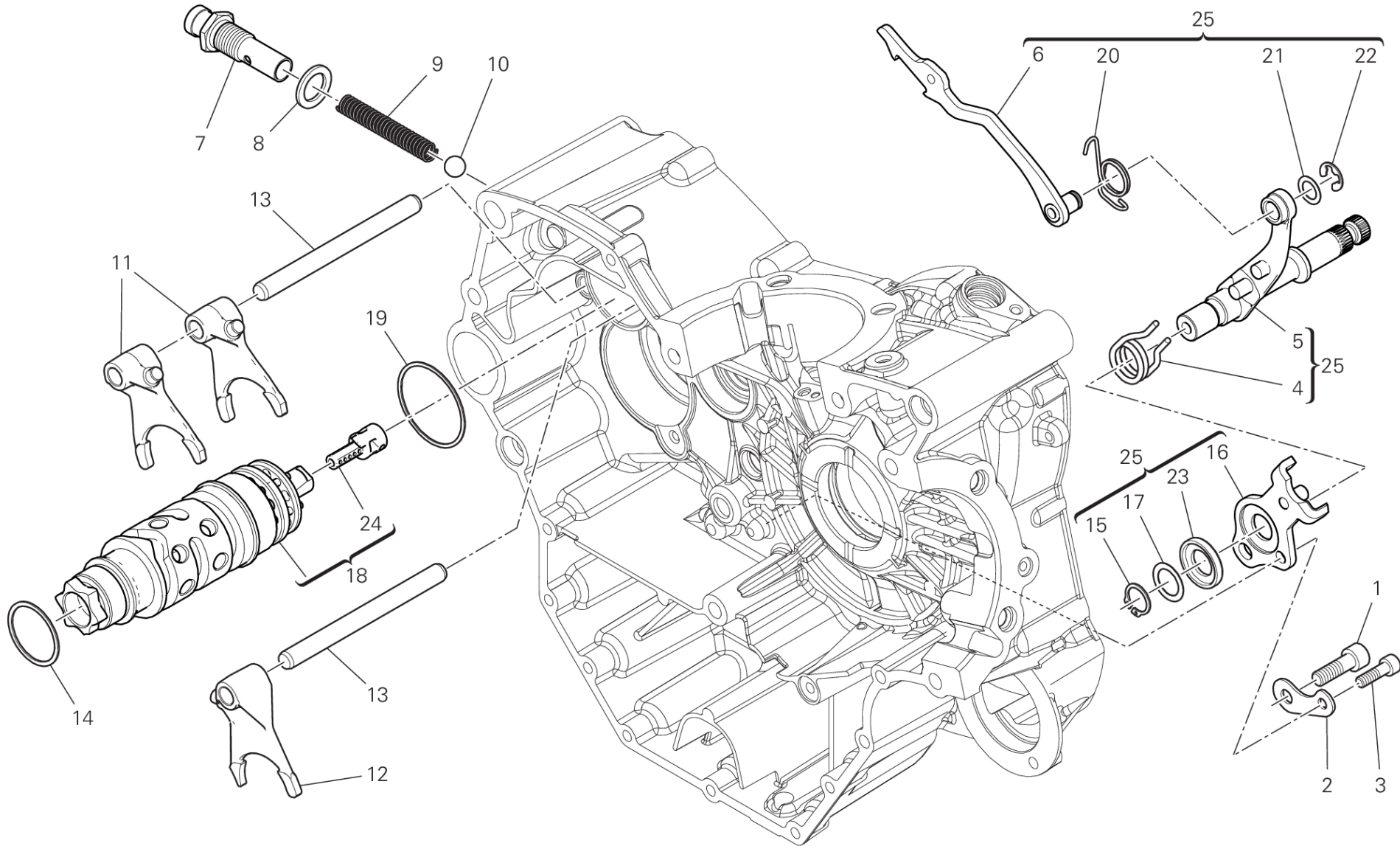


POS.	CODE	DESCRIPTION	QTY	START DATE	END DATE	VALIDITY	NOTES
1	75840901A	FAIRLEAD	3	19/09/2016			
2	76412371A	RUBBER PAD	4	19/09/2016			
3	56113442A	NUMBER PLATE HOLDER BOTTOM	1	19/09/2016			
4	77244163B	SCREW TBEI M5X10 BLACK	5	05/09/2016			
5	71615291AA	SPACER	4	19/09/2016			
6	56113461A	NUMBER PLATE HOLDER UPPER	1	19/09/2016			
7	77244538BA	SCREW	4	05/09/2016			
8	77240418C	SCREW	3	01/08/2013			
9	77354623B	SCREW M4X10	2	05/09/2016			
10	56113392A	PLATE HOLDER	1	05/09/2016			
11	8291F761AA	PLATE	1	05/09/2016			
12	52510611A	LAMP, LICENSE PLATE	1	11/01/2017			
13	39040211A	BULB	2	11/03/2013			
14	53010236A	FLASHER LIGHT FRONT RH- REAR LH	1	19/09/2016			
15	71314703A	SPACER	2	19/09/2016			
16	77110441A	SCREW TCEIF M5X16	2	05/09/2016			
17	53010226A	FLASHER LIGHT FRONT LH - REAR RH	1	19/09/2016			
18	74950011B	NUT, SPRING	2	19/09/2016			
19	85212511A	WASHER 4.5X9X0.5	2	19/09/2016			
20	52910231A	REFLEX REFLECTOR, REAR	1	19/09/2016			
21	87211251A	PLUG	1	19/09/2016			
22	85210532A	WASHER 8.2X20X1	4	07/09/2017			
23	56113381AA	PLATE PLATE HOLDER	1	22/02/2017			
24	4601D781B	COVER LAMP, LICENSE PLATE	1	01/01/2019			





POS.	CODE	DESCRIPTION	QTY	START DATE	END DATE	VALIDITY	NOTES
1	944650035	SHELL ADVANCE DUCATI 15W50 - 1L BOTTLE	1				
2	944650037	SHELL ADVANCE DUCATI 15W50 – 209L DRUM	1				



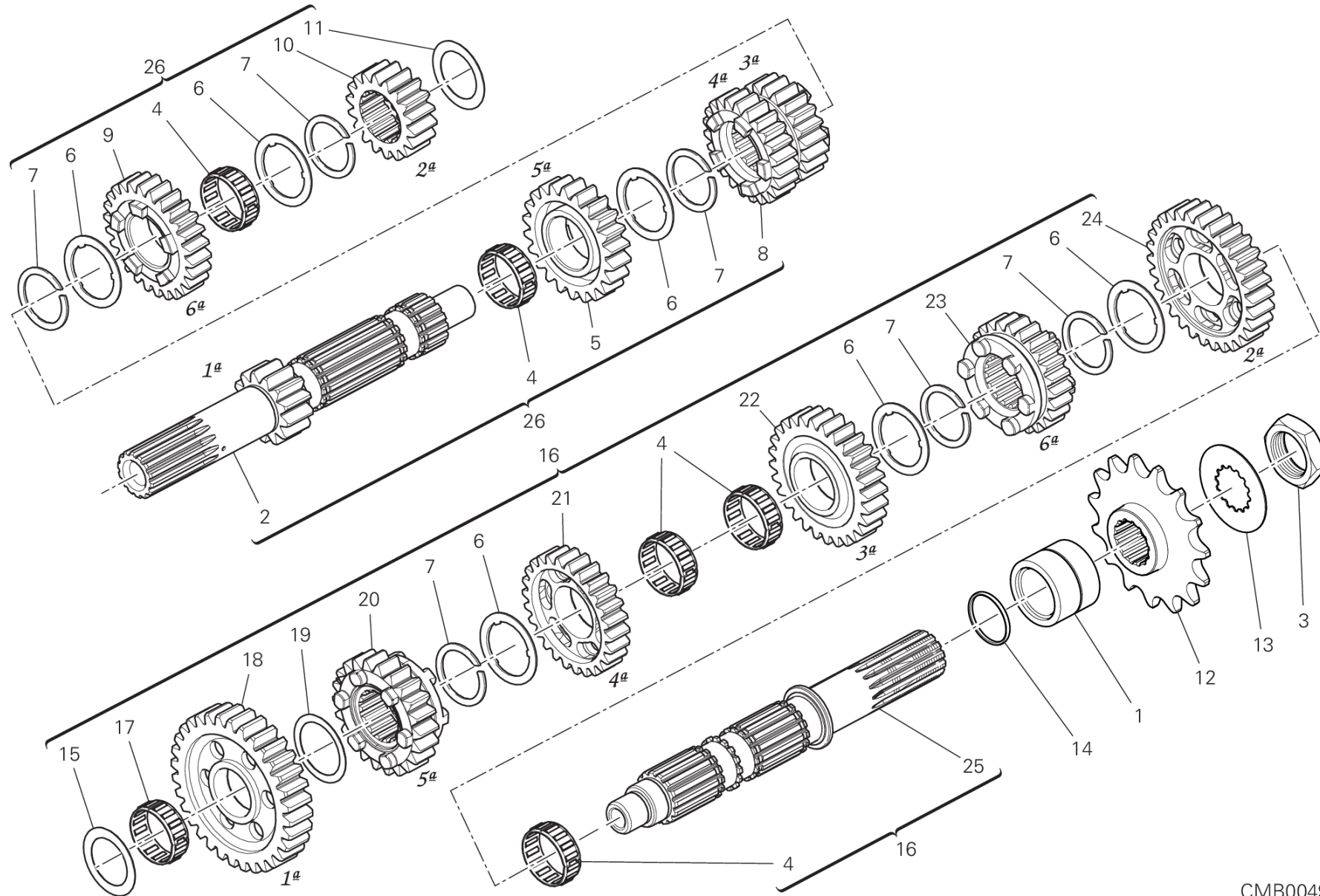
CMB00493

DRAWING 002 - SHIFT CAM - FORK [MOD:M821STEAL]

GROUP ENGINE



POS.	CODE	DESCRIPTION	QTY	START DATE	END DATE	VALIDITY	NOTES
1	77151250ZF	SCREW	1	18/09/2012			
2	71319151A	SPACER	1	19/09/2011			
3	77150670ZF	SCREW	1	18/09/2012			
4	79915061A	SPRING, SHIFT RETURN	1	03/05/2012			
5	82114731A	GEAR SELECTOR SHAFT	1	25/07/2016			
6	18020511A	CONTROL FORK	1	25/07/2016			
7	77918132A	SCREW, SPECIAL	1	02/11/2015			
8	027291090	GASKET 16.2X24X2	1	19/09/2011			
9	066013143	GEAR SELECTOR SPRING	1	19/09/2011			
10	768351134	BALL 11MM	1	19/09/2011			
11	180Z0031A	GEAR SELECTOR FORK,1ST/4TH-2ND/3RD	2	19/09/2011			
12	180Z0041A	FORK-SHIFT, 5TH&6TH	1	19/09/2011			
13	82113881A	FORK PIN	2	19/09/2011			
14	85210051A	THRUST WASHER 1 MM	1	10/02/2012			
15	735001542	CIRCLIP 15 DIN 471	1	24/12/2009			
16	82610261A	STOPPER PLATE	1	24/12/2009			
17	040029126	THRUST WASHER 15.5X22X0.5	1	24/12/2009			
18	18220671B	COMPLETE GEARBOX DRUM	1	12/12/2017			
19	85210941A	THRUST WASHER 45.2X49X0.9	1	10/02/2012			
20	79912961A	RETURN SPRING	1	24/12/2009			
21	040009050	THRUST WASHER 10.5X16X0.5	1	24/12/2009			
22	88450341B	SPRING RING	1	24/12/2009			
23	88110121A	CENTERING RING	1	24/12/2009			
24	55214911A	MAGNETE (Unit)	1	13/10/2015			
25	82120151A	CONTROL FORK	1	02/11/2015			



CMB00494

DRAWING 003 - GEAR BOX [MOD:M821STEA]

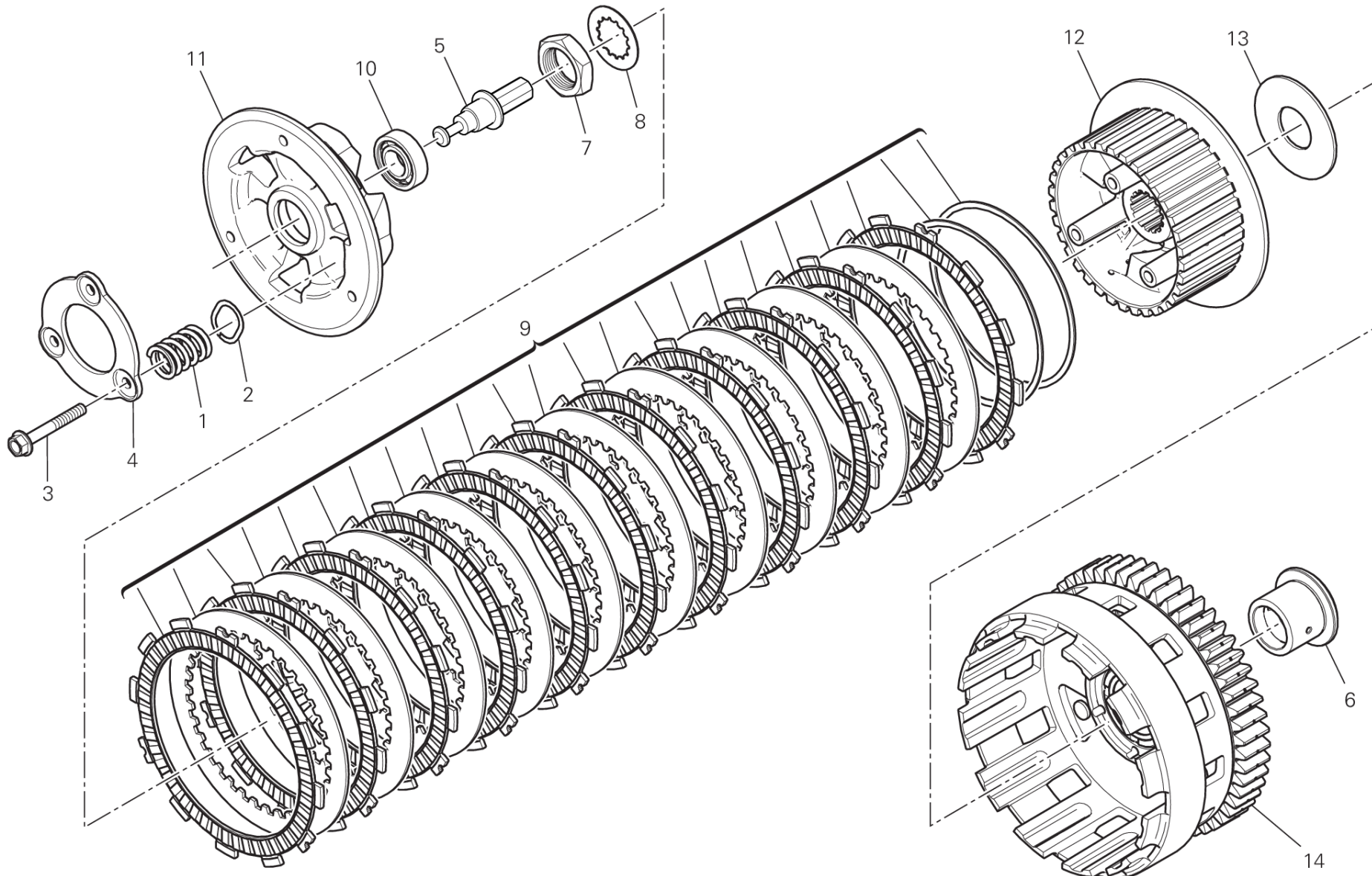
GROUP ENGINE



POS.	CODE	DESCRIPTION	QTY	START DATE	END DATE	VALIDITY	NOTES
1	71319951A	SPACER, ENGINE SPROCKET	1	02/11/2015			
2	14911101A	GEARBOX MAIN SHAFT	1	19/09/2011			
3	75010071A	NUT	1	15/11/2012			
4	70140051A	BEARING, NEEDLE	5	28/10/2011			
5	17214601A	DRIVEN GEAR 5TH SPEED 23T	1	19/09/2011			
6	85610011A	THRUST WASHER 0.5 MM	6	19/09/2011			
7	067016145	SPRING RING	6	19/09/2011			
8	17214591A	GEAR DRIVE 3/4TH SPEED T20/22	1	19/09/2011			
9	17214611A	GEAR DRIVE 6TH SPEEDTt24	1	19/09/2011			
10	17210021B	GEAR, 2ND DRIVE, NT:17	1	19/09/2011			
11	71310141E	THRUST WASHER 20.3X32X1.6	1	19/09/2011			
12	44910681A	SPROCKET T15	1	25/01/2017			
13	85110041A	WASHER, LOCK	1	15/11/2012			
14	46320537A	O-RING	1	19/09/2011			
15	71312661A	THRUST WASHER 17.3X31X3.15	1	28/10/2011			
16	15021831B	COMPLETE LAY SHAFT	1	28/10/2011			
17	764020002	BEARING, NEEDLE	1	28/10/2011			
18	17212182A	DRIVEN GEAR 1ST SPEED T37	1	28/10/2011			
19	067016155	THRUST WASHER 1 MM	1	28/10/2011			
20	17210103C	DRIVEN GEAR 5TH SPEED T24	1	28/10/2011			
21	17214621A	DRIVEN GEAR 4TH SPEED T:24	1	28/10/2011			
22	17210081C	DRIVEN GEAR 3RD SPEED T28	1	28/10/2011			
23	17210113C	DRIVEN GEAR 6TH SPEED T23	1	28/10/2011			
24	17212192A	DRIVEN GEAR 2ND SPEED T30	1	28/10/2011			
25	14911111B	LAY SHAFT	1	28/10/2011			
26	15021961A	COMPLETE MAIN SHAFT	1	28/10/2011			



CMB00469

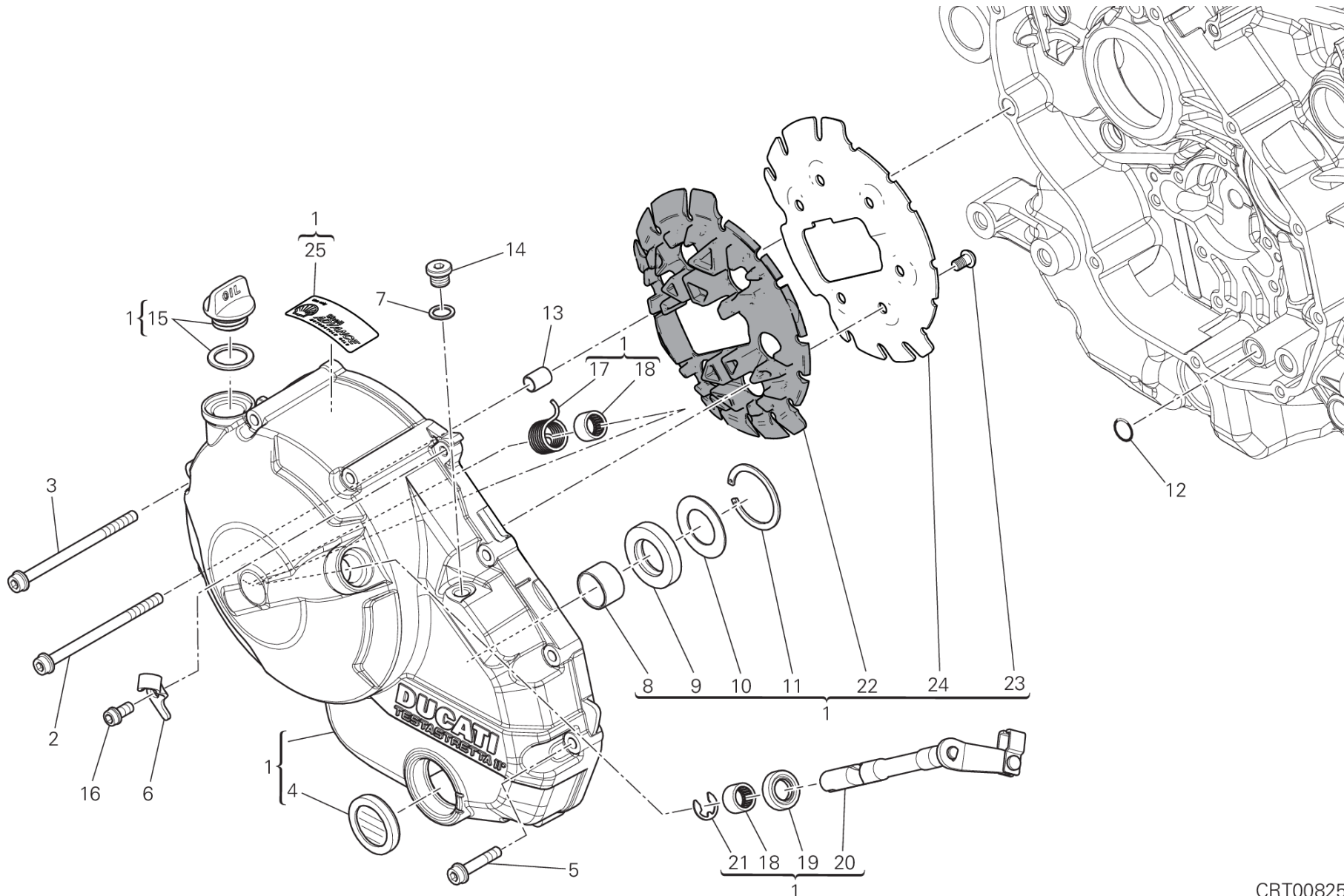


DRAWING 004 - CLUTCH [MOD:M821STEAL]

GROUP ENGINE



POS.	CODE	DESCRIPTION	QTY	START DATE	END DATE	VALIDITY	NOTES
1	79710721A	SPRING	3	01/06/2016			
2	85611391B	THRUST WASHER	3	13/04/2015			
3	77211201A	SCREW	3	19/11/2010			
4	19410511A	RING	1	19/11/2010			
5	81810481A	CLUTCH CONTROL PIN (FCC)	1	10/04/2018			
6	71314831B	SPACER	1	06/10/2014			
7	75010071E	NUT M25X1.5	1	25/11/2014			
8	85110201A	LOCK WASHER	1	11/11/2010			
9	19020531A	CLUTCH DISC SET	1	06/10/2014			
10	70250601A	BEARING	1	19/11/2010			
11	19610542C	DISK, CLUTCH PRESSURE (FCC)	1	06/10/2014			
12	19610681A	PLATE HOLDER HUB (FCC)	1	06/10/2014			
13	71313091A	SPACER	1	19/11/2010			
14	19820441A	PRIMARY DRIVEN GEAR COMP.	1	06/10/2014			



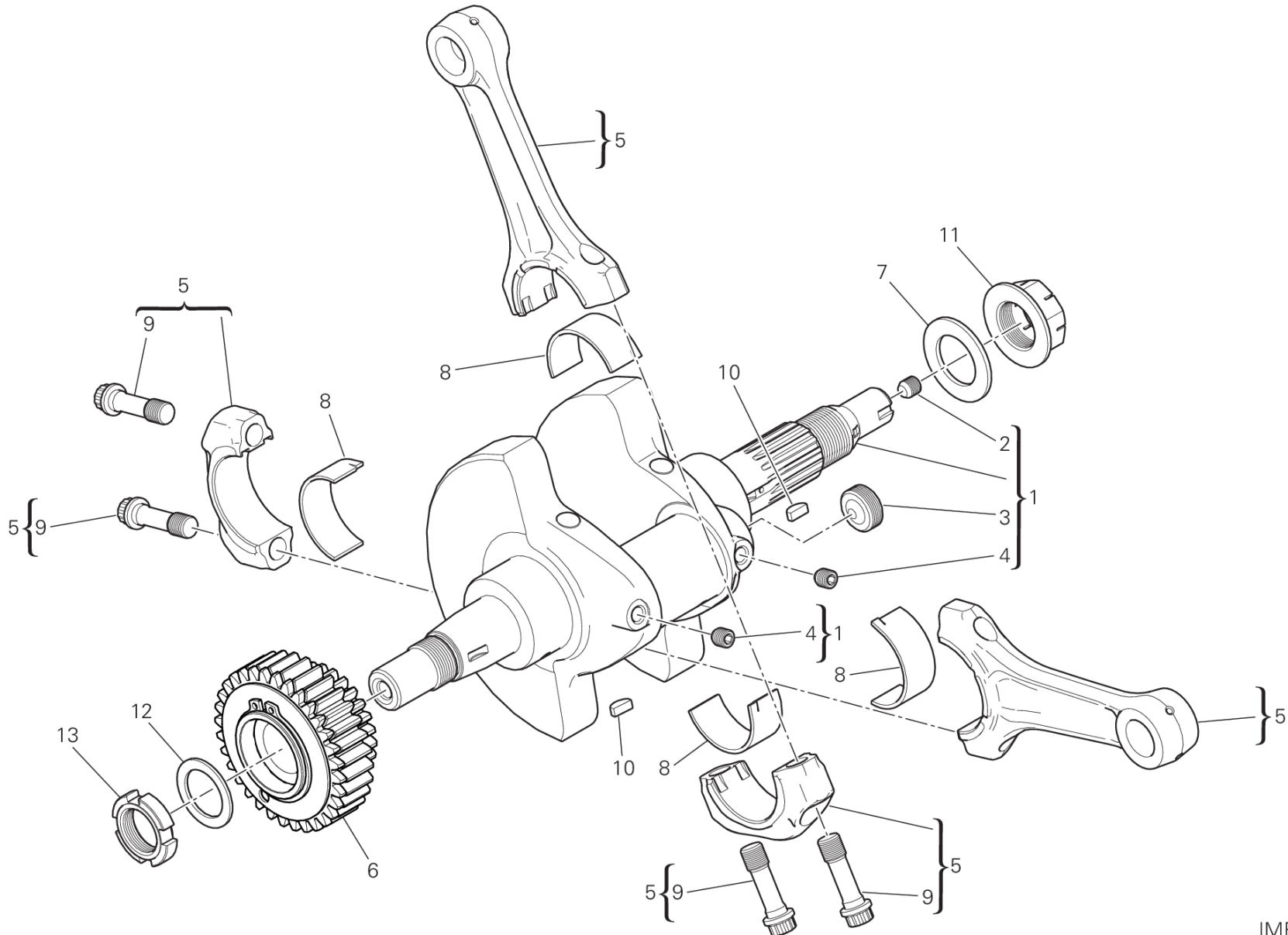
CRT00825

DRAWING 005 - CLUTCH COVER [MOD:M821STEA]

GROUP ENGINE



POS.	CODE	DESCRIPTION	QTY	START DATE	END DATE	VALIDITY	NOTES
1	24321513AD	CLUTCH COVER	1	18/03/2019			
2	77140833C	SCREW TCEIF M6X90 10.9	1	19/09/2011			
3	77140813C	SCREW TCEIF M6X80 10.9	3	19/09/2011			
4	25440013A	WINDOW, OIL LEVEL CHECK	1	17/01/2013			
5	77140713C	SCREW TCEIF M6X30 10.9	6	19/09/2011			
6	74113331AA	PLATE	1	05/05/2014			
7	85250241A	WASHER 10X14X1	1	19/09/2011			
8	066549680	BUSH	1	17/01/2013			
9	93040211A	OIL SEAL	1	17/01/2013			
10	85211351A	THRUST WASHER 20.8X37.8X1	1	17/01/2013			
11	88450131A	CIRCLIP	1	17/01/2013			
12	88641321A	O-RING	1	19/09/2011			
13	71111601A	PIN DOWEL	1	19/09/2011			
14	78011281A	PLUG, THREADED M10X1	1	10/11/2016			
15	89320121A	PLUG ASSY	1	17/01/2013			
16	77156633B	SCREW	1	20/01/2013			
17	79915671A	SPRING	1	17/01/2013			
18	70140431A	NEEDLE BUSH	2	17/01/2013			
19	93041591A	SEAL RING	1	17/01/2013			
20	14720921D	LEVER, CLUTCH LIFTER	1	17/01/2013			
21	88450341B	SPRING RING	1	17/01/2013			
22	48611061A	DAMPER, SOUND ARRESTER	1	20/01/2015			
23	77550200CC	SCREW	6	20/01/2015			
24	82717901A	SHEET ACOUSTIC DAMPER	1	20/01/2015			
25	43312502C	TRANSFER "SHELL ULTRA"	1	18/12/2017			



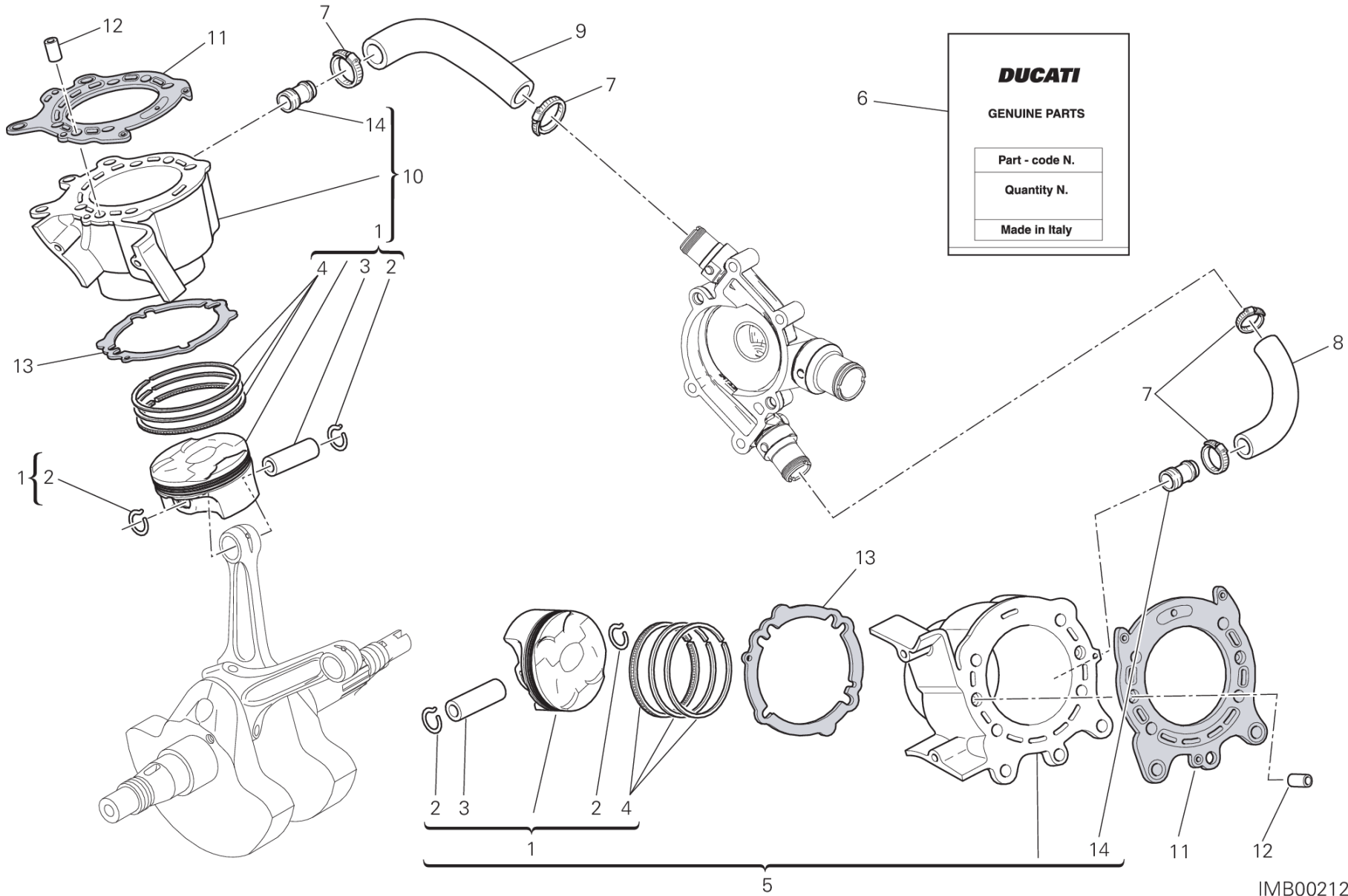
IMB00230

DRAWING 006 - CONNECTING RODS [MOD:M821STEAL]

GROUP ENGINE



POS.	CODE	DESCRIPTION	QTY	START DATE	END DATE	VALIDITY	NOTES
1	14621985AA	DRIVE SHAFT COMPLETO (Class 1-2)	1	10/10/2016			
	14621985AB	DRIVE SHAFT COMPLETO (Class 3-4)	1	10/10/2016			
	14621985AC	DRIVE SHAFT COMPLETO (Class 5-6)	1	10/10/2016			
2	77911092A	SCREW, SPECIAL	1	14/09/2012			
3	78010161B	THREADED PLUG	1	09/05/2016			
4	77915471A	THREADED DOWEL STEI M8X8	2	14/09/2012			
5	15620822AA	CONNECTING ROD (Class 1-2)	2	18/07/2013			
	15620822AB	CONNECTING ROD (Class 3-4)	2	29/01/2014			
	15620822AC	CONNECTING ROD (Class 5-6)	2	09/04/2018			
6	17021361A	PRIMARY DRIVE FRONT SPROCKET (Unit)	1	06/10/2014			
7	85212691A	WASHER	1	01/01/2013			
8	11210801AA	HALF-BEARING RED	2	02/12/2011			
	11210801AB	HALF-BEARING BLUE	2	02/12/2011			
9	77914045B	BOLT, CONNECTING ROD	4	06/11/2017			
10	68010131A	KEY, WOODRUFF 4X5X10	2	19/09/2011			
11	75010121D	NUT, SPECIAL	1	01/01/2013			
12	85140031A	WASHER, LOCK	1	01/06/2016			
13	75011131A	RING NUT	1	01/06/2016			



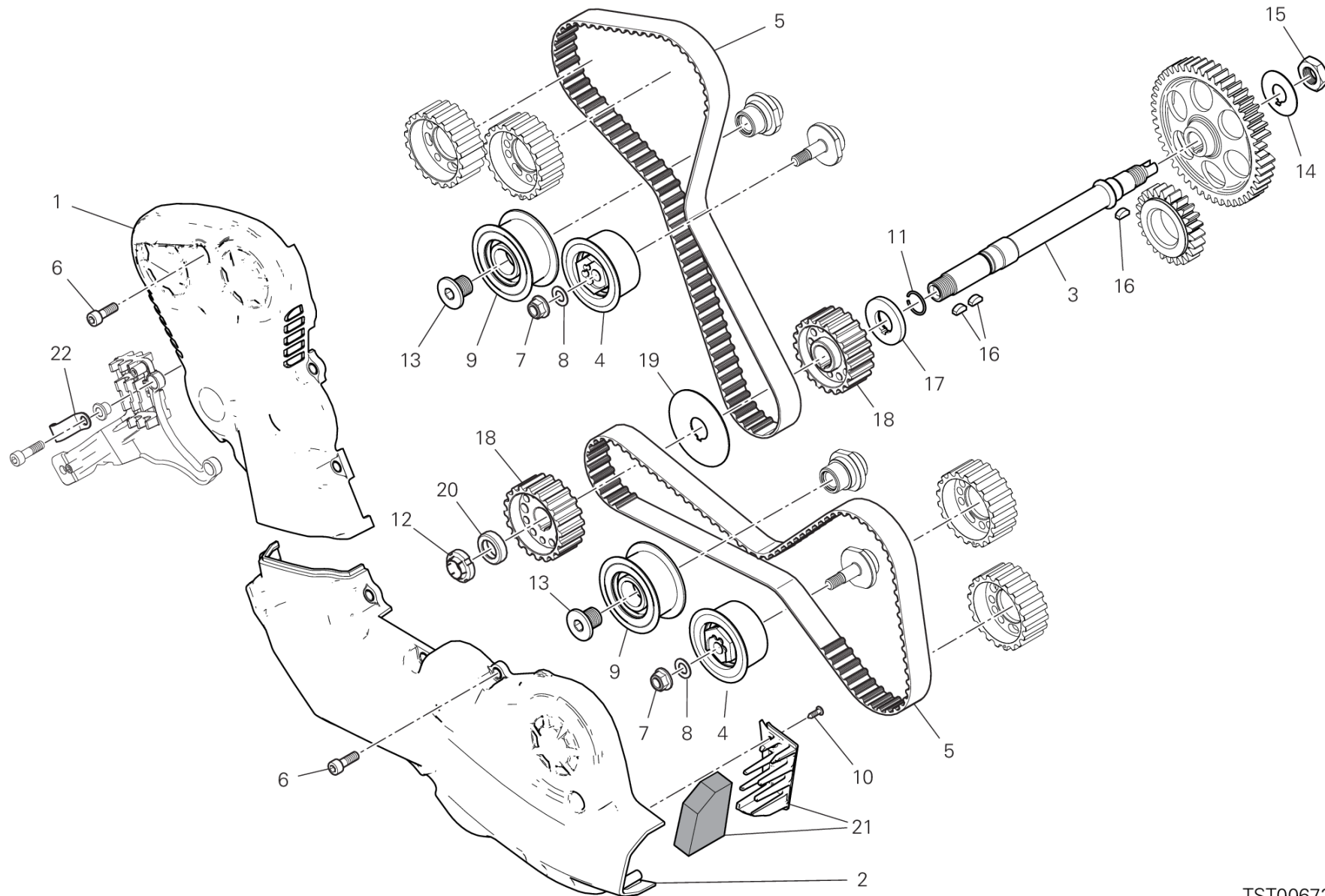
IMB00212

DRAWING 007 - CYLINDERS - PISTONS [MOD:M821STEA]

GROUP ENGINE



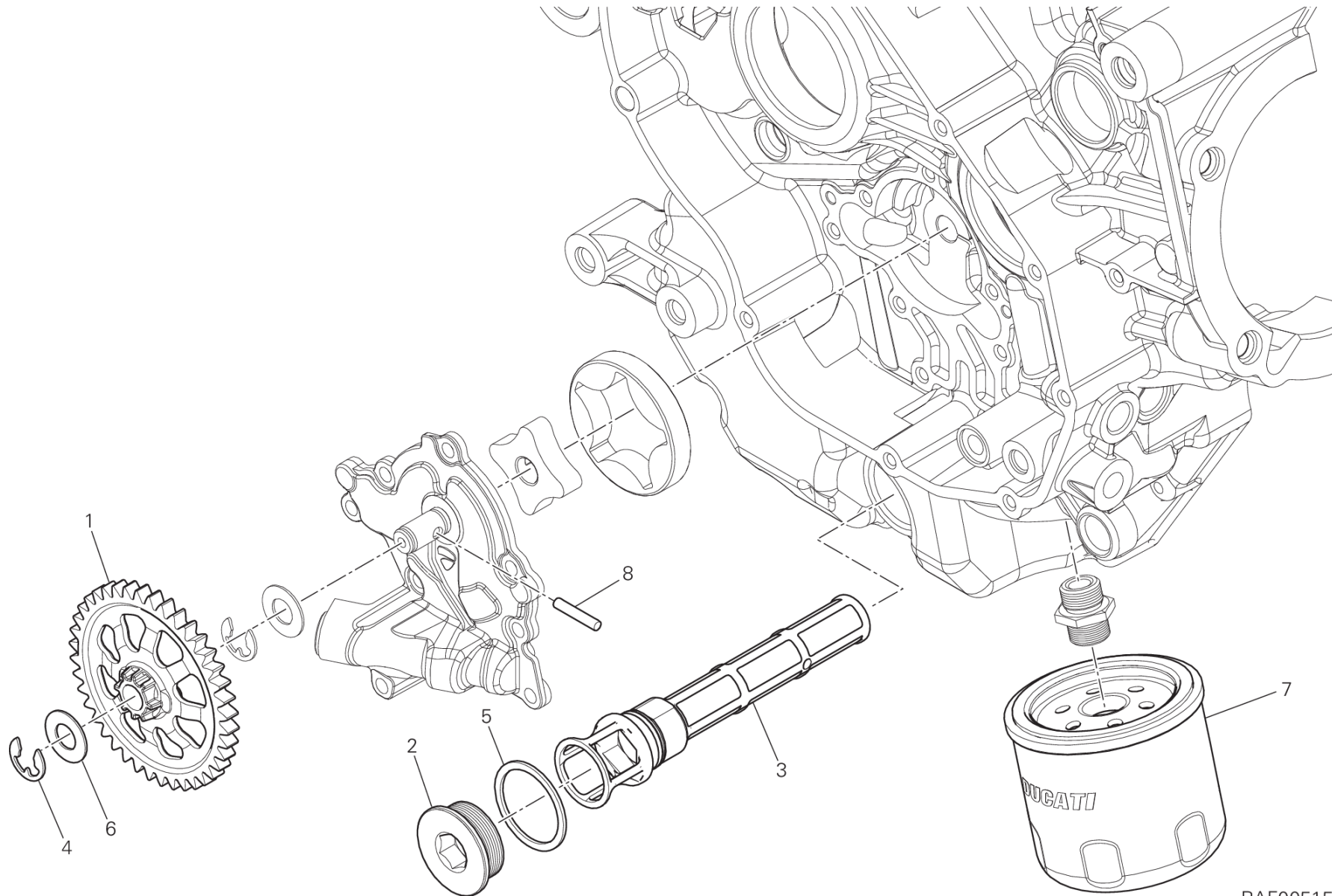
POS.	CODE	DESCRIPTION	QTY	START DATE	END DATE	VALIDITY	NOTES
1	12221877A	PISTON ASSY	2	18/07/2012			
2	12111741B	CIRCLIP, PISTON PIN	4	18/07/2012			
3	12112921C	PISTON PIN	2	18/07/2012			
4	12120531B	PISTON RING SET	2	18/07/2012			
5	12023251AI	HORIZONTAL CYLINDER-PISTON ASSY	1	19/10/2017			
6	79120521C	GASKETS SET	1	10/11/2016			
7	74142581A	CLAMP 16-27 MM	4	01/09/2012			
8	80011851A	HOSE, HORIZONTAL CYLINDER WATER INLET	1	17/07/2013			
9	80012483A	HOSE, VERTICAL CYLINDER WATER INLET	1	10/11/2016			
10	12023261AI	VERTICAL CYLINDER-PISTON ASSY	1	19/10/2017			
11	78611224A	GASKET, CYLINDER HEAD	2	17/09/2012			
12	71112191A	PIN DOWEL	4	19/09/2011			
13	78611511A	GASKET, CYLINDER	2	07/11/2016			
14	66810482A	WATER PUMP DELIVERY PIPE UNION	2	28/10/2011			



TST00673



POS.	CODE	DESCRIPTION	QTY	START DATE	END DATE	VALIDITY	NOTES
1	24511421B	VERTICAL BELT OUTER COVER	1	10/11/2016			
2	24511431A	HORIZONTAL BELT EXTERNAL COVER	1	24/12/2009			
3	14710811A	LAYSHAFT TIMING	1	19/09/2011			
4	45120241A	COMPLETE MOVABLE TENSIONER ROLLER	2	30/01/2017			
5	73740252A	TIMING DRIVE TOOTHED BELT	2	23/01/2012			
6	77113801A	SCREW	11	19/09/2011			
7	74940081A	NUT M8	2	19/09/2011			
8	85310021A	SPRING WASHER 8 MM	2	01/01/2012			
9	45120122A	TENSIONER TIMING BELT FIXED	2	30/01/2017			
10	77250341C	SCREW	2	31/05/2012			
11	88210031A	SNAP RING	1	19/09/2011			
12	70350062A	ELASTIC-STOP RING NUT	1	19/09/2011			
13	77911871A	SCREW	2	30/01/2017			
14	85110131A	WASHER, LOCK	1	19/09/2011			
15	75011601A	NUT M14X1X7	1	19/09/2011			
16	68010131A	KEY, WOODRUFF 4X5X10	3	19/09/2011			
17	71611281A	SPACER	1	19/09/2011			
18	25510104B	PULLEY, TIMING BELT	2	19/09/2011			
19	85610623A	WASHER, BELT PULLEY	1	17/09/2012			
20	71610722A	SPACER	1	19/09/2011			
21	24521071A	BRACKET, FILTER	1	06/06/2013			
22	74113321A	CLAMP	1	23/05/2016			



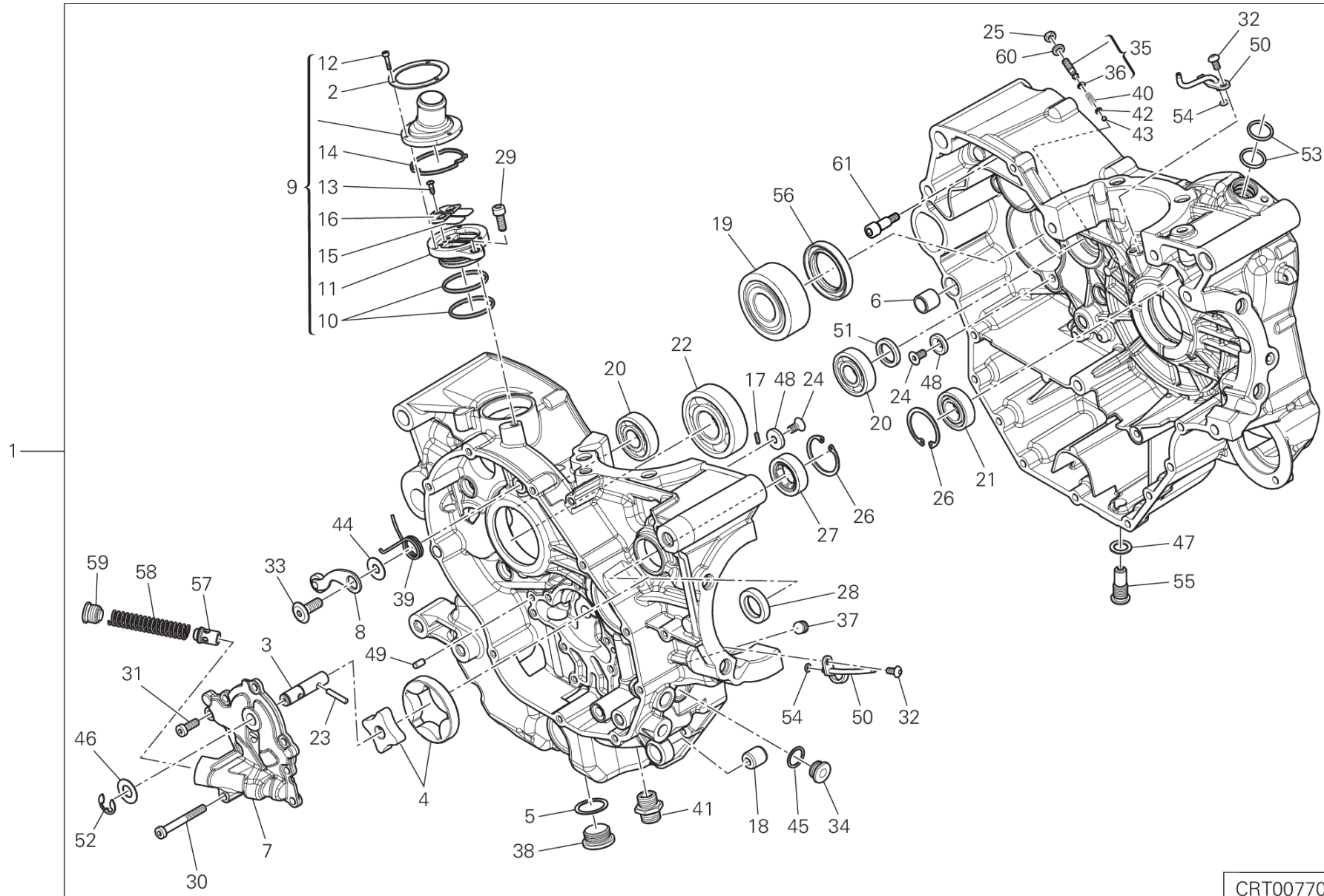
RAF00515

DRAWING 009 - FILTERS AND OIL PUMP [MOD:M821STEA]

GROUP ENGINE



POS.	CODE	DESCRIPTION	QTY	START DATE	END DATE	VALIDITY	NOTES
1	17410621B	GEAR, OIL PUMP DRIVE	1	29/01/2014			
2	87310371A	THREADED PLUG M32X1.5	1	19/09/2011			
3	89420121F	OIL NET FILTER	1	11/03/2015			
4	88450371A	SNAP RING	1	20/02/2014			
5	85250051A	GASKET 32X38X1.5	1	19/09/2011			
6	85213021A	WASHER, THRUST	1	20/02/2014			
7	44440038A	FILTER, OIL	1	19/09/2011			
8	70450091A	ROLLER	1	20/02/2014			



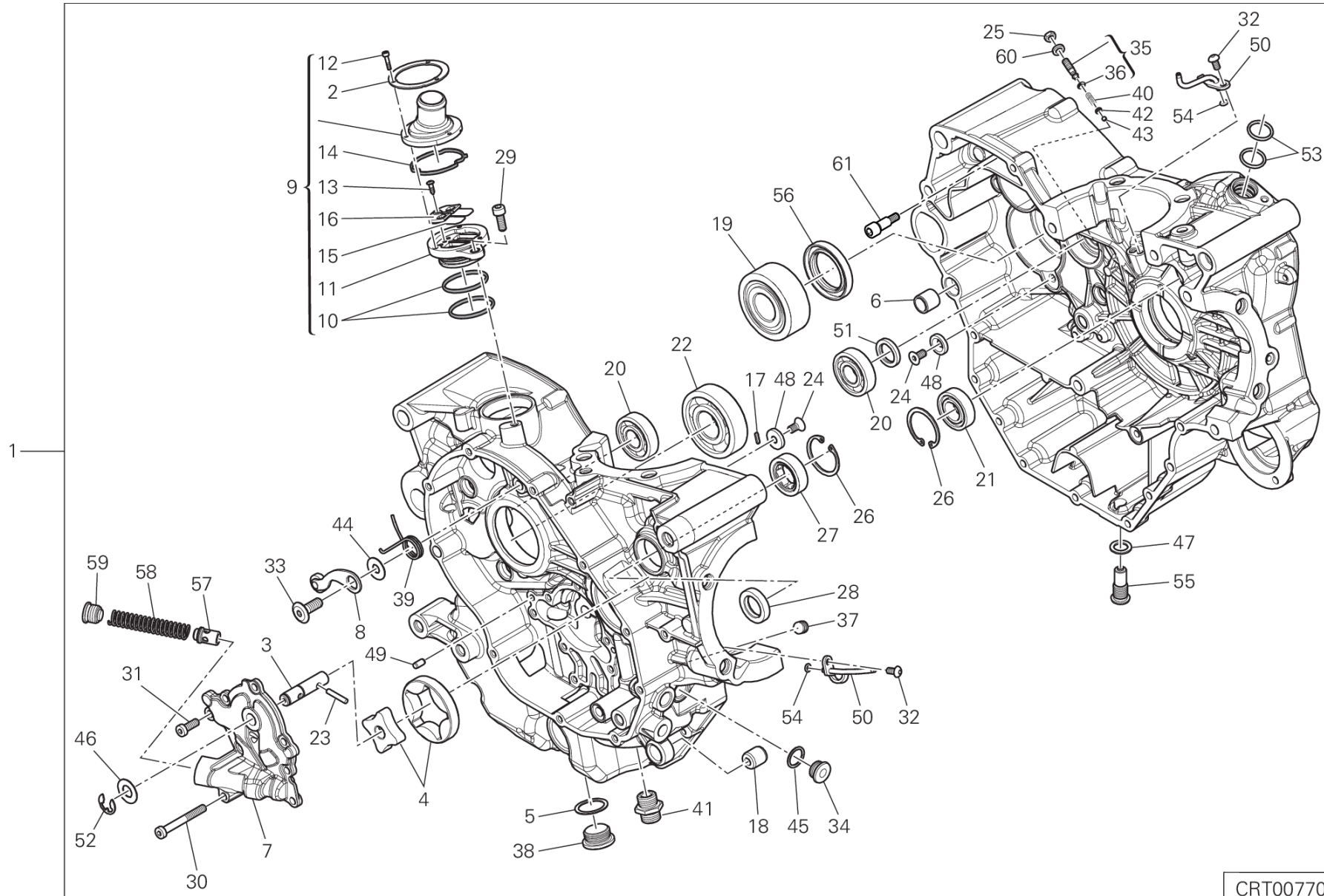
CRT00770

DRAWING 010 - HALF-CRANKCASES PAIR [MOD:M821STEAL]

GROUP ENGINE



POS.	CODE	DESCRIPTION	QTY	START DATE	END DATE	VALIDITY	NOTES
1	22523781A	COMPLETE HALF-CRANKCASES PAIR	1	02/05/2018			
2	85213011A	RING	1	15/10/2010			
3	14710951B	OIL PUMP DRIVE SHAFT	1	20/02/2014			
4	17420591A	OIL PUMP ROTOR	1	04/04/2014			
5	22032083A	ALUMINIUM GASKET	1	04/02/2014			
6	71110951A	PIN DOWEL	2	07/11/2011			
7	24714612A	OIL PUMP COVER	1	04/04/2014			
8	45520181A	GEAR FIXING CLICK ASSEMBLY	1	23/09/2011			
9	59320581B	VALVE, BREATHER	1	04/04/2014			
10	46320222A	O-RING	2	02/04/2010			
11	59310601B	HOLDER READ VALVE	1	02/04/2010			
12	77150078B	SCREW	3	07/12/2010			
13	77250341B	SCREW, TAPPING 3.5X12	1	02/04/2010			
14	78811151A	GASKET	1	02/04/2010			
15	81110021A	REED VALVE ASSY	1	02/04/2010			
16	82716031A	SPACER	1	02/04/2010			
17	68050101A	KEY 2X2X10	1	23/09/2011			
18	70010362A	DAMPER	1	14/12/2015			
19	70240131D	BEARING	1	04/02/2014			
20	70240331A	BEARING 17X40X12	2	04/02/2014			
21	70250081A	BALL BEARING 6003 TN9 C3	1	04/02/2014			
22	70250193A	BEARING	1	23/09/2011			
23	70450091A	ROLLER	1	20/02/2014			
24	720941616	SCREW TSPEI M6X12	4	04/02/2014			
25	74710151A	NUT	1	04/04/2014			
26	735033380	CIRCLIP	2	04/02/2014			
27	757941542	BEARING	1	04/02/2014			
28	93041631B	SEAL RING	1	16/06/2017			
29	77150653B	SCREW TCEI M6X16 UNI5931 8.8	1	04/02/2014			
30	77150758B	SCREW	1	20/02/2014			
31	77354868B	SCREW TCEIR M6X16	7	28/09/2018			
32	77510311B	SCREW TBEI M5X10	2	23/09/2011			
33	77910391A	SCREW M8X21.5	1	04/02/2014			
34	77911982A	THREADED PLUG M15X1	1	04/02/2014			
35	77927171A	SCREW	1	04/04/2014			



CRT00770

DRAWING 010 - HALF-CRANKCASES PAIR [MOD:M821STEAL]

GROUP ENGINE

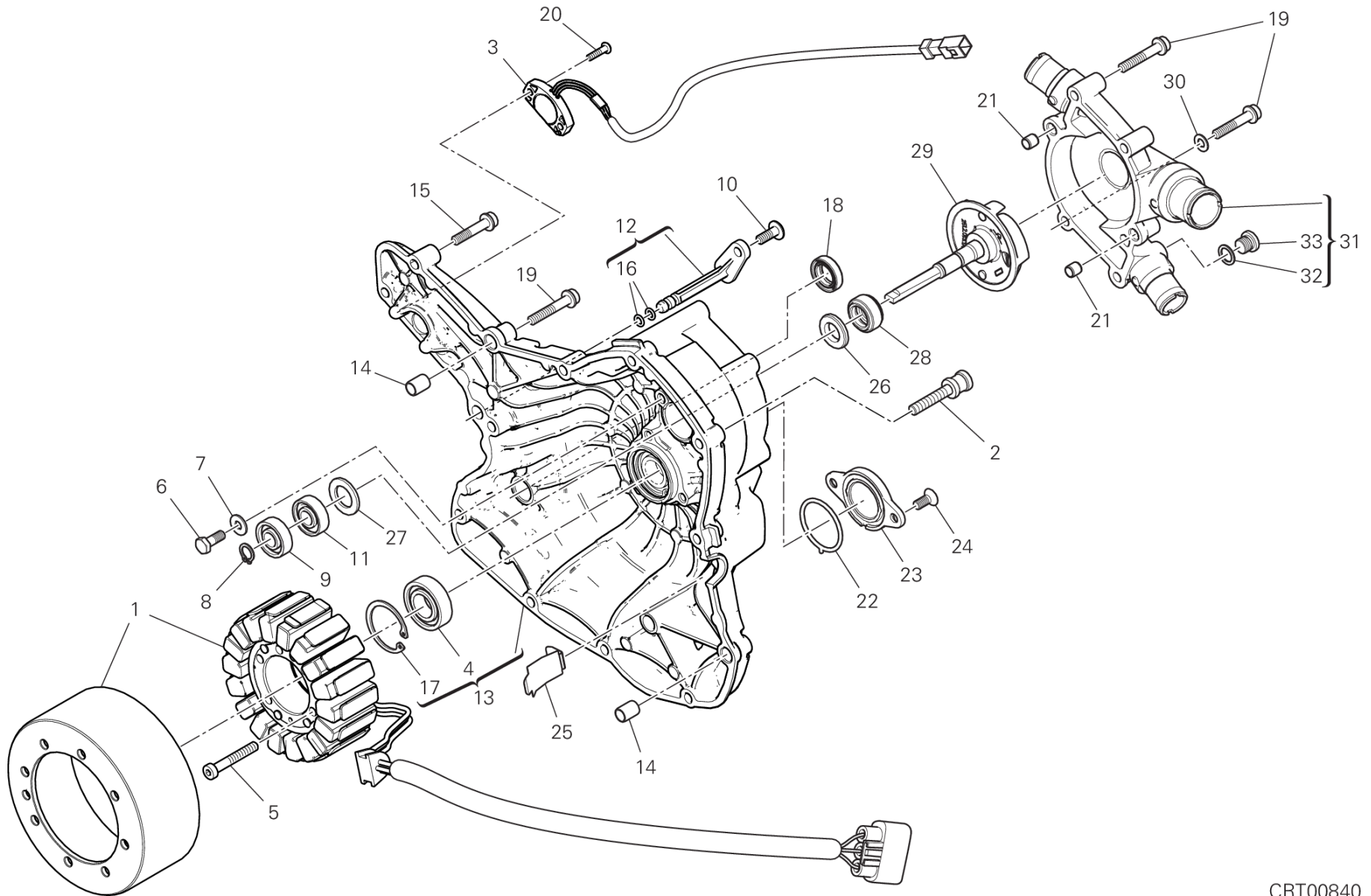


POS.	CODE	DESCRIPTION	QTY	START DATE	END DATE	VALIDITY	NOTES
36	88641961A	O-RING	1	18/04/2011			
37	77950621A	THREADED DOWEL M10X1	1	23/09/2011			
38	78010921A	PLUG	1	04/02/2014			
39	79910491A	SPRING, RETURN	1	04/02/2014			
40	79940171A	SPRING	1	04/02/2014			
41	81510281A	BOLT UNION	1	04/02/2014			
42	83110151B	PLATE	1	04/02/2014			
43	84740061A	BALL	1	04/02/2014			
44	85210532A	WASHER 8.2X20X1	1	04/02/2014			
45	85211201A	ALUMINIUM GASKET	1	04/02/2014			
46	85213021A	WASHER, THRUST	1	20/02/2014			
47	85250421A	COPPER GASKET 12.2X18X1.5 MM	1	04/02/2014			
48	85611481A	WASHER	4	04/02/2014			
49	86050061A	PIN M5X10	2	04/02/2014			
50	87511801A	JET, PISTON COOLING	2	04/02/2014			
51	93040931A	SEAL, OIL 17X25X4	1	04/02/2014			
52	88450371A	SNAP RING	1	20/02/2014			
53	88640331A	O-RING 17.96X2.62	2	04/02/2014			
54	88650131A	O-RING 3.68X1.78	2	04/02/2014			
55	89320062A	PLUG, OIL DRAIN	1	04/02/2014			
56	93040221A	OIL SEAL	1	04/02/2014			
57	59310801B	BY-PASS VALVE	1	20/02/2014			
58	79915741B	BYPASS SPRING	1	20/02/2014			
59	78010941B	PLUG	1	20/02/2014			
60	85640141A	WASHER	1	14/12/2015			
61	77919881A	SCREW, SPECIAL	2	16/06/2017			



DRAWING 011 - WATER PUMP-ALTR-SIDE CRNKCASE COVER [MOD:M821STEA]

GROUP ENGINE



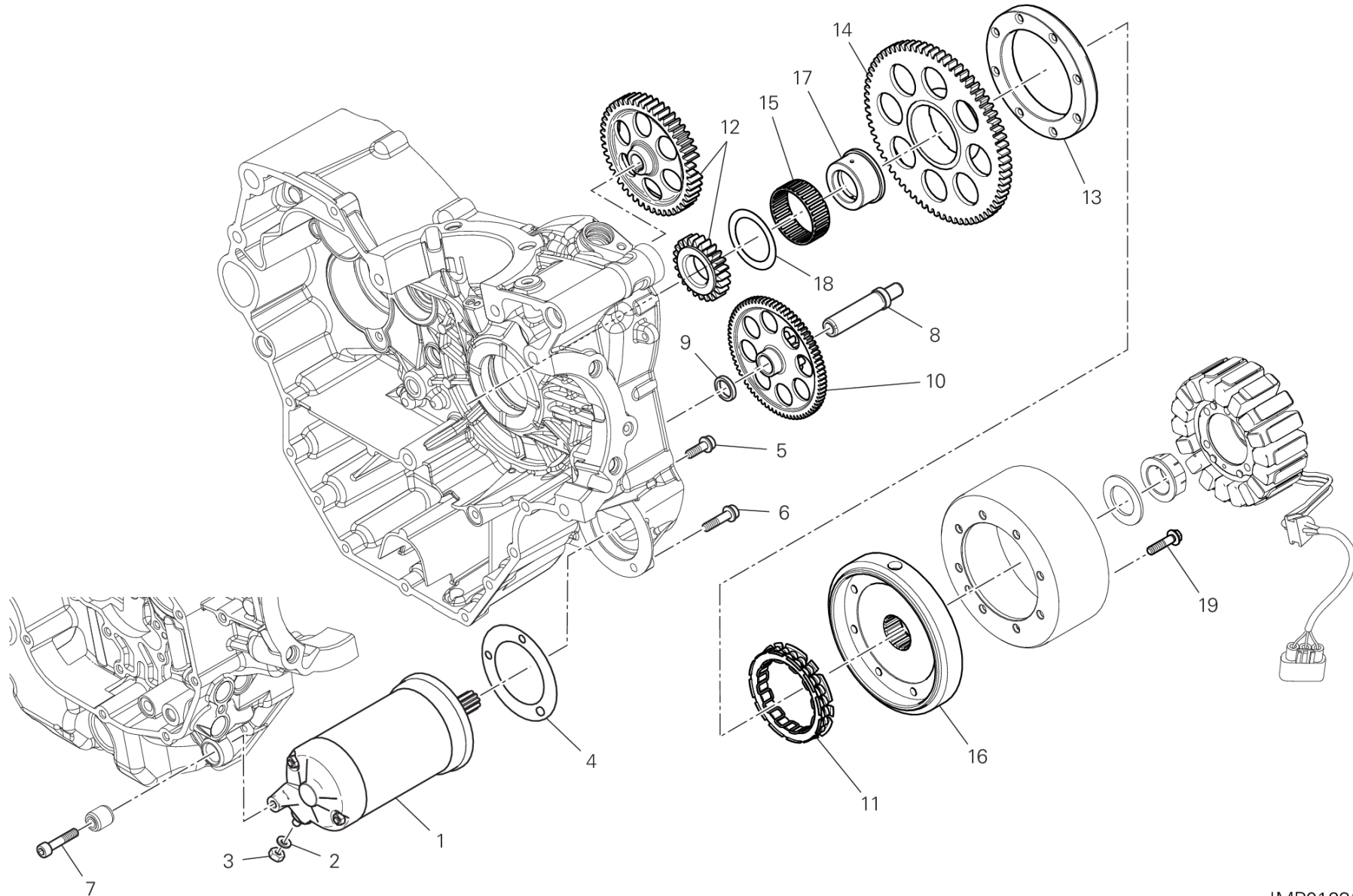
CRT00840

DRAWING 011 - WATER PUMP-ALTR-SIDE CRNKCE COVER [MOD:M821STEA]

GROUP ENGINE



POS.	CODE	DESCRIPTION	QTY	START DATE	END DATE	VALIDITY	NOTES
1	26420501B	GENERATOR DENSO	1	10/11/2016			
2	77916041D	SCREW, SPECIAL	2	10/11/2016			
3	55243522A	GEARBOX POSITION SENSOR	1	04/03/2016			
4	70250081A	BALL BEARING 6003 TN9 C3	1	17/10/2011			
5	77350738BC	SCREW	3	04/03/2016			
6	77052508B	SCREW TE M6X16	2	17/10/2011			
7	85211721A	WASHER 6X14.2X1.3	2	19/09/2011			
8	88450431A	CIRCLIP	1	09/03/2015			
9	70240102A	BEARING	1	17/10/2011			
10	77240423C	SCREW TBEIF M6X16 10.9	1	16/04/2013			
11	70240091A	BALL BEARING 6000	1	17/10/2011			
12	87321271A	PLUG	1	02/11/2015			
13	24221491CF	GENERATOR COVER	1				
14	71111601A	PIN DOWEL	2	19/09/2011			
15	77140713C	SCREW TCEIF M6X30 10.9	9	19/11/2012			
16	88641731A	O-RING 1.78X4.76	2	02/12/2011			
17	735033380	CIRCLIP	1	04/03/2016			
18	937831524	OIL SEAL	1	17/10/2011			
19	77140723C	SCREW TCEIF M6X35 10.9	6	25/11/2014			
20	72050069E	SCREW	2	04/03/2016			
21	71110922A	BUSH	2	09/03/2015			
22	88610951A	O-RING 32.99X2.62	1	19/09/2011			
23	24713571AN	COVER	1	10/11/2016			
24	77750493C	SCREW	2	19/09/2011			
25	82716091A	PLATE	1	09/03/2015			
26	93050051A	MECHANICAL SEAL	1	19/09/2011			
27	71311281B	SPACER	1	17/10/2011			
28	93050062B	MECHANICAL SEAL	1	19/09/2011			
29	25120131A	WATER PUMP ROTOR	1	09/03/2015			
30	85250481A	GASKET 6X12X1 DIN7603-A	2	09/03/2015			
31	24725241BH	WATER PUMP COVER ASSY	1	07/11/2016			
32	85250631A	WASHER	1	19/09/2011			
33	78011001A	PLUG, THREADED M10X1	1	19/09/2011			



IMP01231

DRAWING 012 - ELECTRIC STARTING AND IGNITION [MOD:M821STEA]

GROUP ENGINE

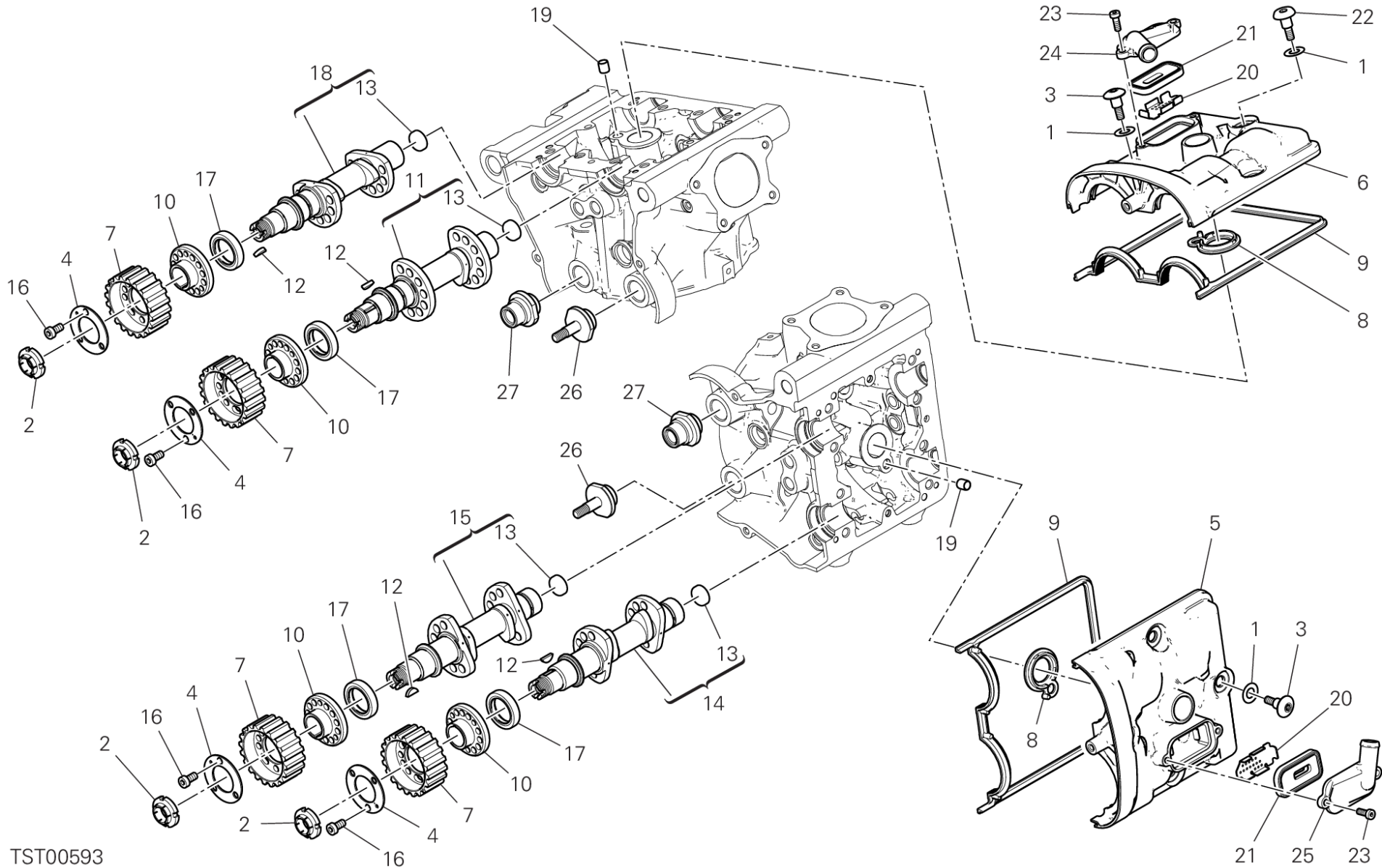


POS.	CODE	DESCRIPTION	QTY	START DATE	END DATE	VALIDITY	NOTES
1	27040107A	STARTING MOTOR	1	15/10/2012			
2	85350101A	WASHER, SPRING	1	10/04/2017			
3	75050051A	NUT 6MM	1	23/05/2016			
4	78810542A	ENGINE STARTER GASKET	1	19/09/2011			
5	77140677CF	SCREW TCEIF M6X20	2	25/11/2014			
6	77140697CF	SCREW 6x25	1	19/09/2011			
7	77110521A	SCREW TCEI M6X30	1	19/09/2011			
8	82113471A	STARTER REDUCTION SHAFT	1	19/09/2011			
9	71319191A	SPACER	1	19/09/2011			
10	176Z0021A	IDLE GEAR T74/13	1	19/09/2011			
11	70140351A	CLUTCH, ONE WAY	1	25/11/2014			
12	17122421A	TIMING GEARS SET	1				
13	160Z0011A	FLANGE STARTING CLUTCH	1				
14	173Z0021A	ELECTRIC STARTER DRIVEN GEAR	1				
15	70240181B	NEEDLE BEARING	1				
16	27610441B	COUPLING, FLYWHEEL	1				
17	88110341A	BUSH	1				
18	85610751A	WASHER, THRUST	1				
19	77253330ZF	SCREW	8				



DRAWING 013 - CYLINDER HEAD : TIMING SYSTEM [MOD:M821STEA]

GROUP ENGINE



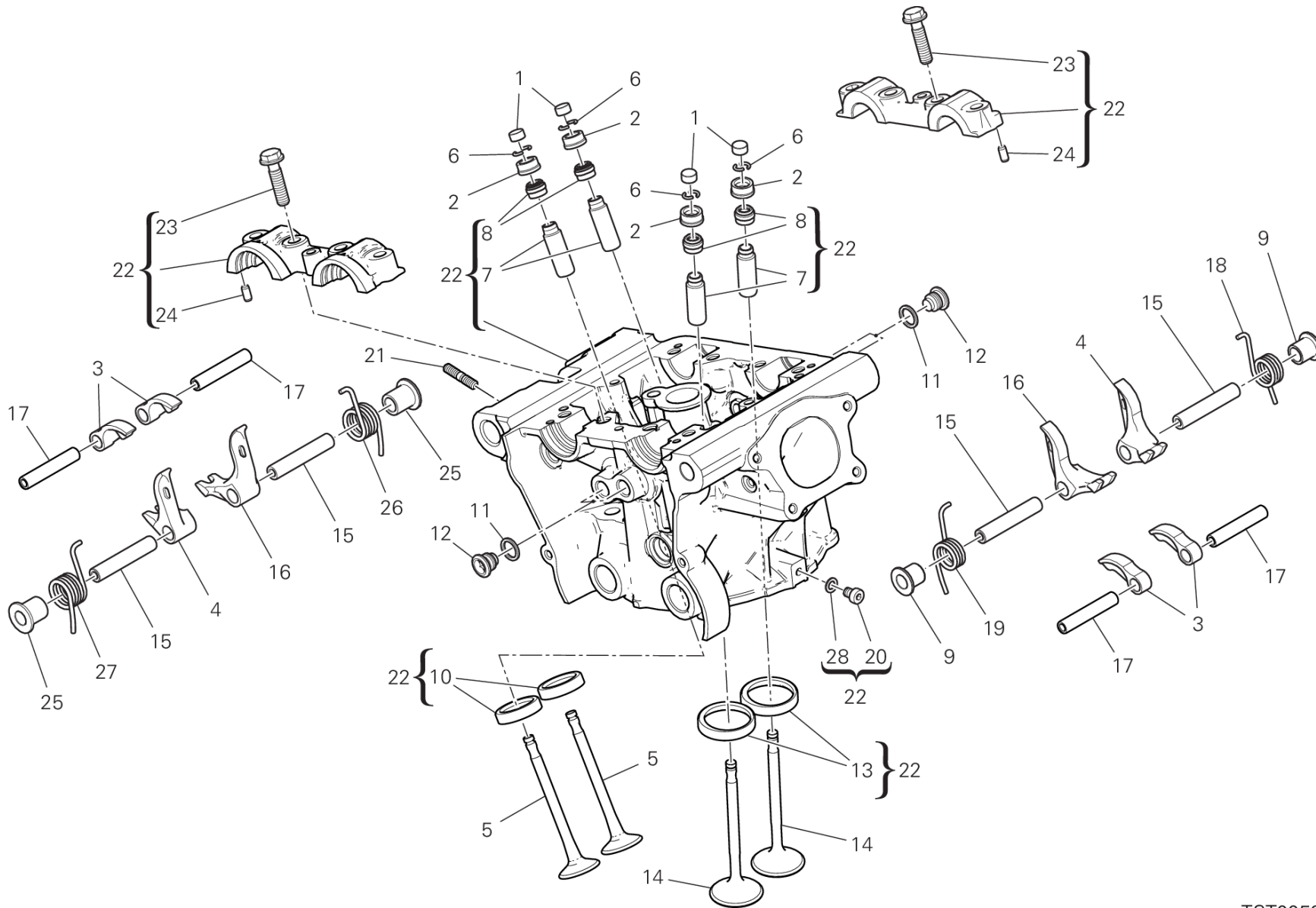
TST00593

DRAWING 013 - CYLINDER HEAD : TIMING SYSTEM [MOD:M821STEA]

GROUP ENGINE



POS.	CODE	DESCRIPTION	QTY	START DATE	END DATE	VALIDITY	NOTES
1	88650511A	O-RING 12.39X3.53	8	07/12/2012			
2	70350022A	RING NUT M17X1	4	07/12/2012			
3	77915093A	SCREW, SPECIAL	5	07/12/2012			
4	85610743A	WASHER, SPECIAL	4	07/12/2012			
5	24714141AC	COVER CYLINDER HEAD, HORIZONTAL	1	31/05/2013			
6	24714151AC	COVER CYLINDER HEAD, VERTICAL	1	31/05/2013			
7	25510193A	TIMING BELT PULLEY, DRIVEN T20	4	07/12/2012			
8	78811211A	GASKET	2	07/12/2012			
9	78810931A	GASKET CYLINDER HEAD COVER	2	07/12/2012			
10	16010941A	FLANGE	4	07/12/2012			
11	14824232A	VERTICAL INTAKE CAMSHAFT	1	13/10/2015			
12	68050061A	WOODRUFF KEY 3X5	4	07/12/2012			
13	87310051A	PLUG 18 MM	4	24/12/2009			
14	14824242A	HORIZONTAL EXHAUST CAMSHAFT	1	13/10/2015			
15	14824222A	HORIZONTAL INTAKE CAMSHAFT	1	13/10/2015			
16	77950302A	SCREW TC M6X12	12	07/12/2012			
17	93050072A	SEAL RING	4	13/10/2015			
18	14824252A	VERTICAL EXHAUST CAMSHAFT	1	13/10/2015			
19	71113741A	BUSH	2	07/12/2012			
20	82716351A	PLATE	2	07/12/2012			
21	81140012B	VALVE	2	07/12/2012			
22	77918141A	SCREW, SPECIAL	3	11/06/2013			
23	77350403B	SCREW	4	07/12/2012			
24	24714171A	COVER VERTICAL	1	07/12/2012			
25	24714891A	COVER HORIZONTAL	1	06/03/2015			
26	45110462A	MOVABLE TENSIONER ROLLER PIN	2	08/04/2015			
27	45110491A	TENSIONER ROLLER PIN	2	10/01/2017			



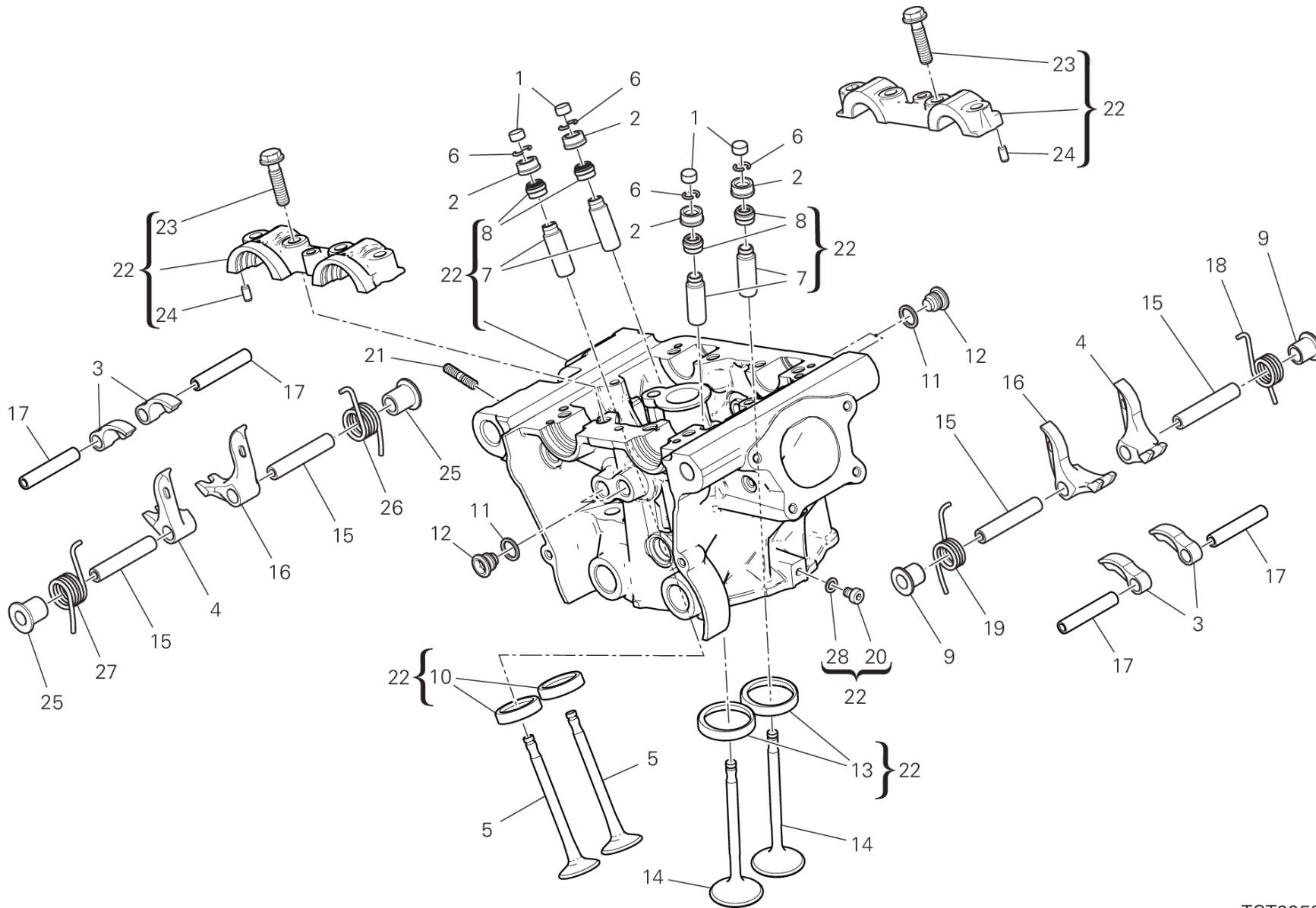
TST00594

DRAWING 014 - VERTICAL HEAD [MOD:M821STEA]

GROUP ENGINE



POS.	CODE	DESCRIPTION	QTY	START DATE	END DATE	VALIDITY	NOTES
1	84010012A	ADJUSTER, OPENING ROCKER ARM 2.00 MM	4	20/06/2012			
	84010022A	ADJUSTER, OPENING ROCKER ARM 2.05 MM	4	20/06/2012			
	84010032A	ADJUSTER, OPENING ROCKER ARM 2.10 MM	4	20/06/2012			
	84010042A	ADJUSTER, OPENING ROCKER ARM 2.15 MM	4	20/06/2012			
	84010052A	ADJUSTER, OPENING ROCKER ARM 2.20 MM	4	20/06/2012			
	84010062A	ADJUSTER, OPENING ROCKER ARM 2.25 MM	4	20/06/2012			
	84010072A	ADJUSTER, OPENING ROCKER ARM 2.30 MM	4	20/06/2012			
	84010082A	ADJUSTER, OPENING ROCKER ARM 2.35 MM	4	20/06/2012			
	84010092A	ADJUSTER, OPENING ROCKER ARM 2.40 MM	4	20/06/2012			
	84010102A	ADJUSTER, OPENING ROCKER ARM 2.45 MM	4	20/06/2012			
	84010112A	ADJUSTER, OPENING ROCKER ARM 2.50 MM	4	20/06/2012			
	84010122A	ADJUSTER, OPENING ROCKER ARM 2.55 MM	4	20/06/2012			
	84010132A	ADJUSTER, OPENING ROCKER ARM 2.60 MM	4	20/06/2012			
	84010142A	ADJUSTER, OPENING ROCKER ARM 2.65 MM	4	20/06/2012			
	84010152A	ADJUSTER, OPENING ROCKER ARM 2.70 MM	4	20/06/2012			
	84010162A	ADJUSTER, OPENING ROCKER ARM 2.75 MM	4	20/06/2012			
	84010172A	ADJUSTER, OPENING ROCKER ARM 2.80 MM	4	20/06/2012			
	84010182A	ADJUSTER, OPENING ROCKER ARM 2.85 MM	4	20/06/2012			
	84010192A	ADJUSTER, OPENING ROCKER ARM 2.90 MM	4	20/06/2012			
	84010202A	ADJUSTER, OPENING ROCKER ARM 2.95 MM	4	20/06/2012			
	84010212A	ADJUSTER, OPENING ROCKER ARM 3.00 MM	4	20/06/2012			
	84010222A	ADJUSTER, OPENING ROCKER ARM 3.05 MM	4	20/06/2012			
	84010232A	ADJUSTER, OPENING ROCKER ARM 3.10 MM	4	20/06/2012			
	84010242A	ADJUSTER, OPENING ROCKER ARM 3.15 MM	4	20/06/2012			
	84010252A	ADJUSTER, OPENING ROCKER ARM 3.20 MM	4	20/06/2012			
	84010262A	ADJUSTER, OPENING ROCKER ARM 3.25 MM	4	20/06/2012			
	84010272A	ADJUSTER, OPENING ROCKER ARM 3.30 MM	4	20/06/2012			
	84010282A	ADJUSTER, OPENING ROCKER ARM 3.35 MM	4	20/06/2012			
	84010292A	ADJUSTER, OPENING ROCKER ARM 3.40 MM	4	20/06/2012			
	84010302A	ADJUSTER, OPENING ROCKER ARM 3.45 MM	4	20/06/2012			
	84010312A	ADJUSTER, OPENING ROCKER ARM 1.80 MM	4	20/06/2012			
	84010322A	ADJUSTER, OPENING ROCKER ARM 1.85 MM	4	20/06/2012			
	84010332A	ADJUSTER, OPENING ROCKER ARM 1.90 MM	4	20/06/2012			
	84010342A	ADJUSTER, OPENING ROCKER ARM 1.95 MM	4	20/06/2012			
	84010722A	ADJUSTER, OPENING ROCKER ARM 3.60 MM	4	20/06/2012			



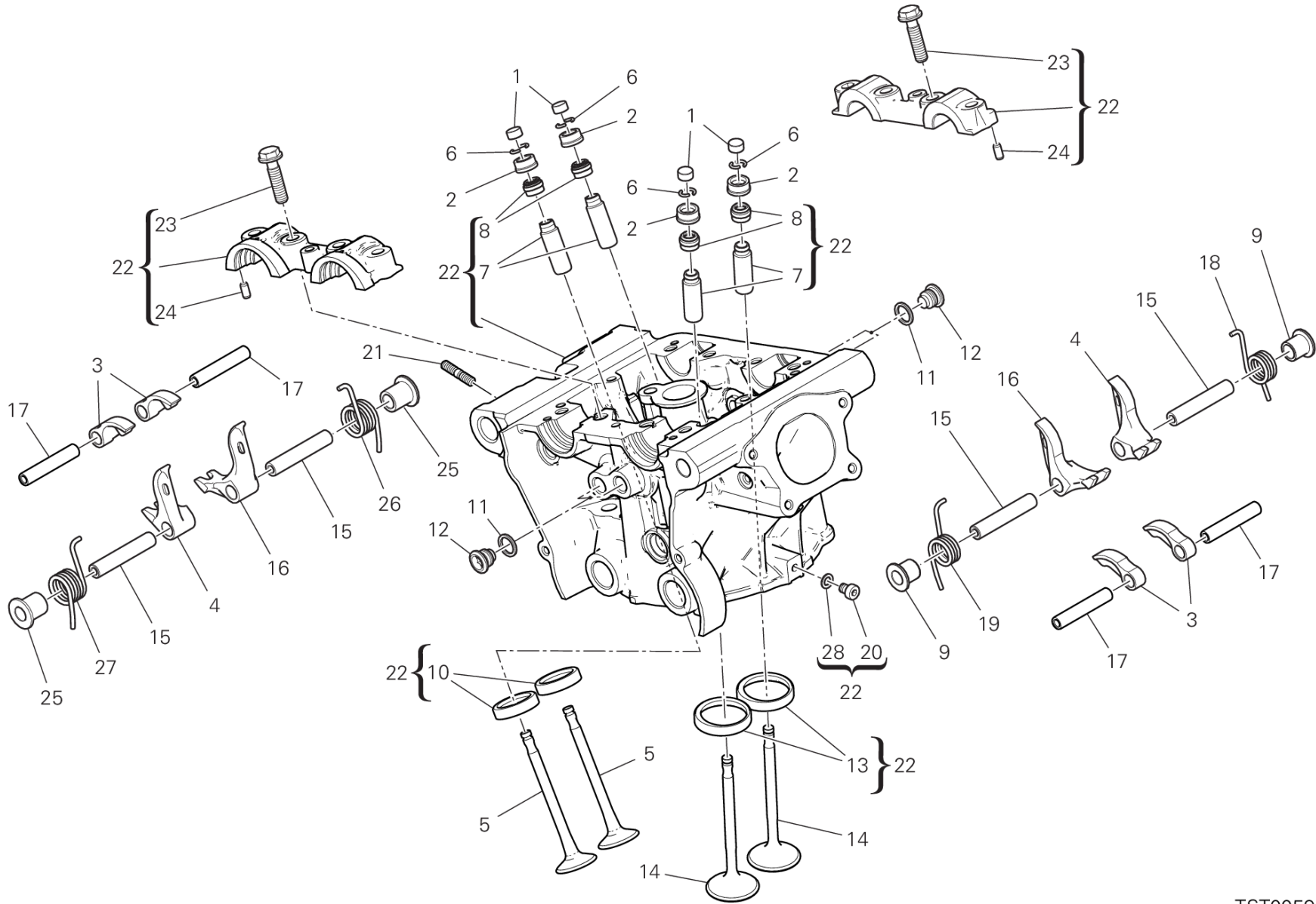
TST00594

DRAWING 014 - VERTICAL HEAD [MOD:M821STEA]

GROUP ENGINE



POS.	CODE	DESCRIPTION	QTY	START DATE	END DATE	VALIDITY	NOTES
	84010732A	ADJUSTER, OPENING ROCKER ARM 3.80 MM	4	20/06/2012			
	84011082A	ADJUSTER, OPENING ROCKER ARM 3.50 MM	4	20/06/2012			
	84011092A	ADJUSTER, OPENING ROCKER ARM 3.55 MM	4	20/06/2012			
	84011102A	ADJUSTER, OPENING ROCKER ARM 3.65 MM	4	20/06/2012			
	84011112A	ADJUSTER, OPENING ROCKER ARM 3.70 MM	4	20/06/2012			
	84011122A	ADJUSTER, OPENING ROCKER ARM 3.75 MM	4	20/06/2012			
	84011132A	ADJUSTER, OPENING ROCKER ARM 3.85 MM	4	20/06/2012			
	84011142A	ADJUSTER, OPENING ROCKER ARM 3.9 MM	4	20/06/2012			
2	84010412B	ADJUSTER, CLOSING ROCKER ARM 2.20 MM	4	24/12/2009			
	84010422B	ADJUSTER, CLOSING ROCKER ARM 2.25 MM	4	24/12/2009			
	84010432B	ADJUSTER, CLOSING ROCKER ARM 2.30 MM	4	24/12/2009			
	84010442B	ADJUSTER, CLOSING ROCKER ARM 2.35 MM	4	24/12/2009			
	84010452B	ADJUSTER, CLOSING ROCKER ARM 2.40 MM	4	24/12/2009			
	84010462B	ADJUSTER, CLOSING ROCKER ARM 2.45 MM	4	24/12/2009			
	84010472B	ADJUSTER, CLOSING ROCKER ARM 2.50 MM	4	24/12/2009			
	84010482B	ADJUSTER, CLOSING ROCKER ARM 2.55 MM	4	24/12/2009			
	84010492B	ADJUSTER, CLOSING ROCKER ARM 2.60 MM	4	24/12/2009			
	84010502B	ADJUSTER, CLOSING ROCKER ARM 2.65 MM	4	24/12/2009			
	84010512B	ADJUSTER, CLOSING ROCKER ARM 2.70 MM	4	24/12/2009			
	84010522B	ADJUSTER, CLOSING ROCKER ARM 2.75 MM	4	24/12/2009			
	84010532B	ADJUSTER, CLOSING ROCKER ARM 2.80 MM	4	24/12/2009			
	84010542B	ADJUSTER, CLOSING ROCKER ARM 2.85 MM	4	24/12/2009			
	84010552B	ADJUSTER, CLOSING ROCKER ARM 2.90 MM	4	24/12/2009			
	84010562B	ADJUSTER, CLOSING ROCKER ARM 2.95 MM	4	24/12/2009			
	84010572B	ADJUSTER, CLOSING ROCKER ARM 3.00 MM	4	24/12/2009			
	84010582B	ADJUSTER, CLOSING ROCKER ARM 3.05 MM	4	24/12/2009			
	84010592B	ADJUSTER, CLOSING ROCKER ARM 3.10 MM	4	24/12/2009			
	84010602B	ADJUSTER, CLOSING ROCKER ARM 3.15 MM	4	24/12/2009			
	84010612B	ADJUSTER, CLOSING ROCKER ARM 3.20 MM	4	24/12/2009			
	84010622B	ADJUSTER, CLOSING ROCKER ARM 3.25 MM	4	24/12/2009			
	84010632B	ADJUSTER, CLOSING ROCKER ARM 3.30 MM	4	24/12/2009			
	84010642B	ADJUSTER, CLOSING ROCKER ARM 3.35 MM	4	24/12/2009			
	84010652B	ADJUSTER, CLOSING ROCKER ARM 3.40 MM	4	24/12/2009			
	84010662B	ADJUSTER, CLOSING ROCKER ARM 3.45 MM	4	24/12/2009			
	84010672B	ADJUSTER, CLOSING ROCKER ARM 3.50 MM	4	24/12/2009			



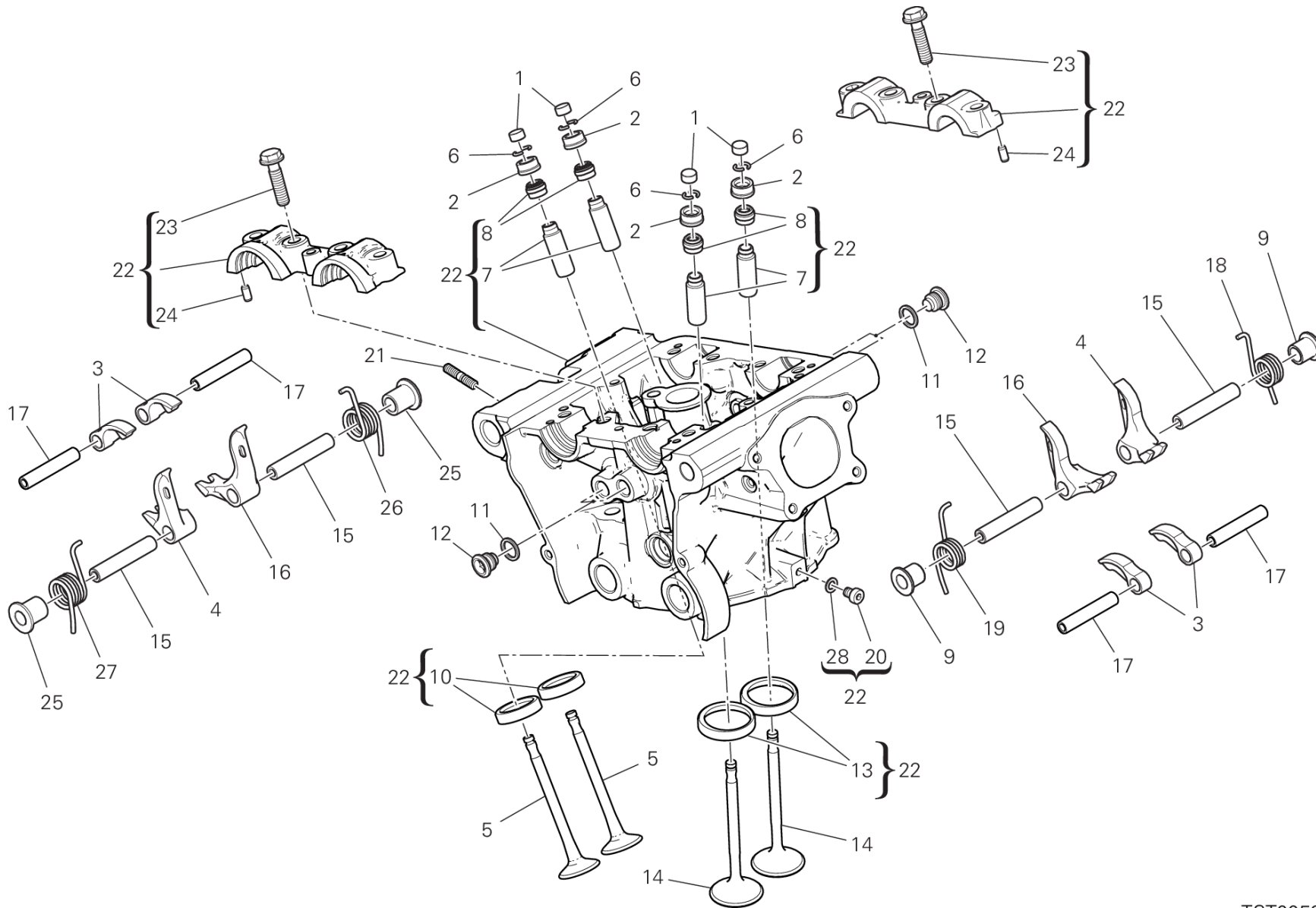
TST00594

DRAWING 014 - VERTICAL HEAD [MOD:M821STEA]

GROUP ENGINE



POS.	CODE	DESCRIPTION	QTY	START DATE	END DATE	VALIDITY	NOTES
	84010682B	ADJUSTER, CLOSING ROCKER ARM 3.55 MM	4	24/12/2009			
	84010692B	ADJUSTER, CLOSING ROCKER ARM 3.60 MM	4	24/12/2009			
	84010702B	ADJUSTER, CLOSING ROCKER ARM 3.65 MM	4	24/12/2009			
	84010712B	ADJUSTER, CLOSING ROCKER ARM 3.70 MM	4	24/12/2009			
	84010722B	ADJUSTER, CLOSING ROCKER ARM 3.75 MM	4	24/12/2009			
	84010732B	ADJUSTER, CLOSING ROCKER ARM 3.80 MM	4	24/12/2009			
	84010742B	ADJUSTER, CLOSING ROCKER ARM 3.85 MM	4	24/12/2009			
	84010752B	ADJUSTER, CLOSING ROCKER ARM 3.90 MM	4	24/12/2009			
	84010762B	ADJUSTER, CLOSING ROCKER ARM 3.95 MM	4	24/12/2009			
	84010772B	ADJUSTER, CLOSING ROCKER ARM 4.00 MM	4	24/12/2009			
	84010782B	ADJUSTER, CLOSING ROCKER ARM 4.05 MM	4	24/12/2009			
	84010792B	ADJUSTER, CLOSING ROCKER ARM 4.10 MM	4	24/12/2009			
	84010802B	ADJUSTER, CLOSING ROCKER ARM 4.15 MM	4	24/12/2009			
	84010812B	ADJUSTER, CLOSING ROCKER ARM 4.20 MM	4	24/12/2009			
	84010822B	ADJUSTER, CLOSING ROCKER ARM 4.25 MM	4	24/12/2009			
	84010832B	ADJUSTER, CLOSING ROCKER ARM 4.30 MM	4	24/12/2009			
	84010842B	ADJUSTER, CLOSING ROCKER ARM 4.35 MM	4	24/12/2009			
	84010852B	ADJUSTER, CLOSING ROCKER ARM 4.40 MM	4	24/12/2009			
	84010862B	ADJUSTER, CLOSING ROCKER ARM 4.45 MM	4	24/12/2009			
	84010872B	ADJUSTER, CLOSING ROCKER ARM 4.50 MM	4	24/12/2009			
3	20810321A	OPEN. ROCKER ARM	4	07/12/2012			
4	20910501A	CLOSING ROCKER ARM LEFT	2	07/12/2012			
5	21110991A	EXHAUST VALVE	2	13/10/2015			
6	66910011E	C RING	8	07/12/2012			
7	30310631BB	GUIDE, VALVE OVERSIZED 0.03 MM	4	21/03/2013			
	30310631BC	GUIDE, VALVE OVERSIZED 0.06 MM	4	25/03/2013			
	30310631BD	GUIDE, VALVE OVERSIZED 0.09 MM	4	21/03/2013			
8	76440572A	SEAL VALVE STEM	4	06/03/2015			
9	71312921A	SPACER	2	07/12/2012			
10	30411011BB	SEAT, EXHAUST VALVE +0.03 MM	2	29/05/2020			
	30411011BC	SEAT, EXHAUST VALVE +0.06 MM	2	29/05/2020			
11	85250261B	GASKET	8	07/12/2012			
12	78010511E	PLUG	8	07/12/2012			
13	30411001AB	SEAT, INLET VALVE +0.03 MM	2	02/11/2015			
	30411001AC	SEAT, INLET VALVE +0.06 MM	2	02/11/2015			



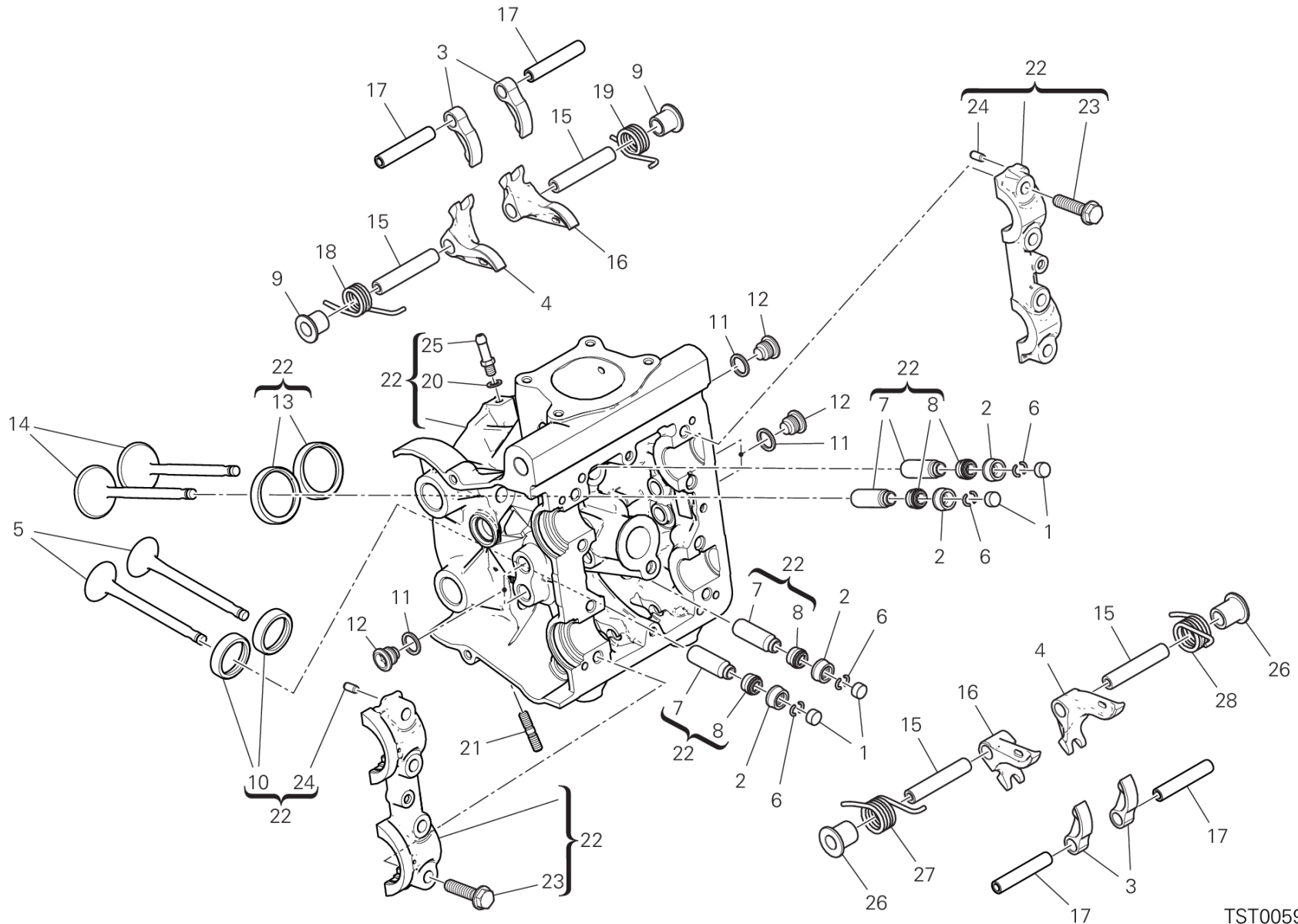
TST00594

DRAWING 014 - VERTICAL HEAD [MOD:M821STEA]

GROUP ENGINE



POS.	CODE	DESCRIPTION	QTY	START DATE	END DATE	VALIDITY	NOTES
14	21010991A	INTAKE VALVE	2	13/10/2015			
15	82112951A	CLOSE ROCKER ARM AXLE	4	12/03/2015			
16	20910491A	CLOSING ROCKER ARM RIGHT	2	07/12/2012			
17	82112941A	SHAFT, OPENING ROCKER	4	16/07/2018			
18	79915001A	VALVE RETURN SPRING LH.	1	03/05/2017			
19	79915011A	VALVE RETURN SPRING RH.	1	03/05/2017			
20	77350618B	SCREW TCEIR M6X8	1	03/04/2012			
21	76640191A	STUD BOLT M6X16	3	13/12/2012			
22	30123721BC	COMPLETE VERTICAL HEAD	1	29/01/2020			
23	77914211A	SCREW TEF M8X32	8	03/04/2012			
24	86050061A	PIN M5X10	4	03/04/2012			
25	71312921B	SPACER	2	07/12/2012			
26	79915181B	LEFT VALVE RETURN SPRING	1	07/12/2012			
27	79915191B	RIGHT VALVE RETURN SPRING	1	07/12/2012			
28	85250231A	GASKET	1	03/04/2012			



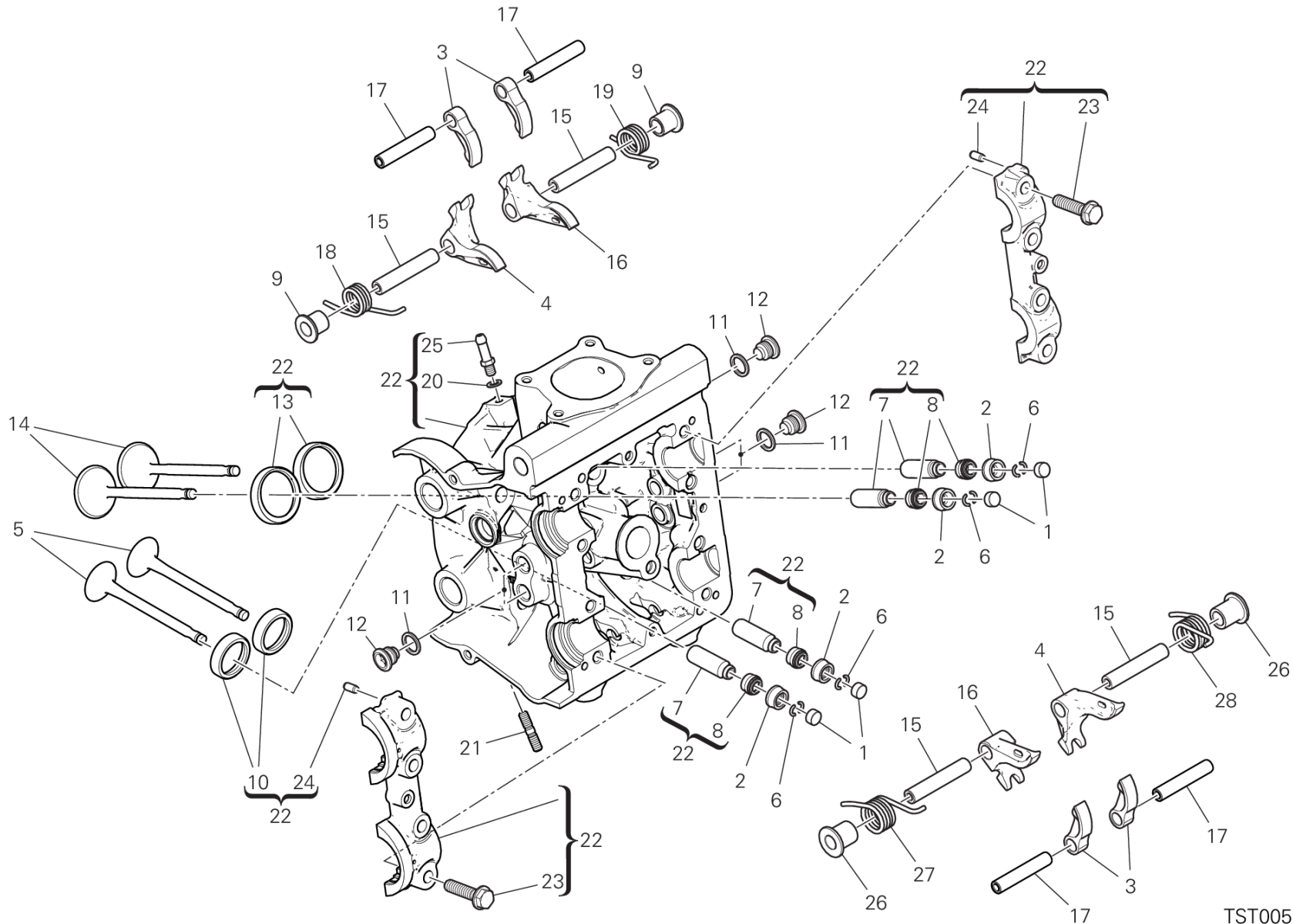
TST00595

DRAWING 015 - HORIZONTAL HEAD [MOD:M821STEA]

GROUP ENGINE



POS.	CODE	DESCRIPTION	QTY	START DATE	END DATE	VALIDITY	NOTES
1	84010012A	ADJUSTER, OPENING ROCKER ARM 2.00 MM	4	20/06/2012			
	84010022A	ADJUSTER, OPENING ROCKER ARM 2.05 MM	4	20/06/2012			
	84010032A	ADJUSTER, OPENING ROCKER ARM 2.10 MM	4	20/06/2012			
	84010042A	ADJUSTER, OPENING ROCKER ARM 2.15 MM	4	20/06/2012			
	84010052A	ADJUSTER, OPENING ROCKER ARM 2.20 MM	4	20/06/2012			
	84010062A	ADJUSTER, OPENING ROCKER ARM 2.25 MM	4	20/06/2012			
	84010072A	ADJUSTER, OPENING ROCKER ARM 2.30 MM	4	20/06/2012			
	84010082A	ADJUSTER, OPENING ROCKER ARM 2.35 MM	4	20/06/2012			
	84010092A	ADJUSTER, OPENING ROCKER ARM 2.40 MM	4	20/06/2012			
	84010102A	ADJUSTER, OPENING ROCKER ARM 2.45 MM	4	20/06/2012			
	84010112A	ADJUSTER, OPENING ROCKER ARM 2.50 MM	4	20/06/2012			
	84010122A	ADJUSTER, OPENING ROCKER ARM 2.55 MM	4	20/06/2012			
	84010132A	ADJUSTER, OPENING ROCKER ARM 2.60 MM	4	20/06/2012			
	84010142A	ADJUSTER, OPENING ROCKER ARM 2.65 MM	4	20/06/2012			
	84010152A	ADJUSTER, OPENING ROCKER ARM 2.70 MM	4	20/06/2012			
	84010162A	ADJUSTER, OPENING ROCKER ARM 2.75 MM	4	20/06/2012			
	84010172A	ADJUSTER, OPENING ROCKER ARM 2.80 MM	4	20/06/2012			
	84010182A	ADJUSTER, OPENING ROCKER ARM 2.85 MM	4	20/06/2012			
	84010192A	ADJUSTER, OPENING ROCKER ARM 2.90 MM	4	20/06/2012			
	84010202A	ADJUSTER, OPENING ROCKER ARM 2.95 MM	4	20/06/2012			
	84010212A	ADJUSTER, OPENING ROCKER ARM 3.00 MM	4	20/06/2012			
	84010222A	ADJUSTER, OPENING ROCKER ARM 3.05 MM	4	20/06/2012			
	84010232A	ADJUSTER, OPENING ROCKER ARM 3.10 MM	4	20/06/2012			
	84010242A	ADJUSTER, OPENING ROCKER ARM 3.15 MM	4	20/06/2012			
	84010252A	ADJUSTER, OPENING ROCKER ARM 3.20 MM	4	20/06/2012			
	84010262A	ADJUSTER, OPENING ROCKER ARM 3.25 MM	4	20/06/2012			
	84010272A	ADJUSTER, OPENING ROCKER ARM 3.30 MM	4	20/06/2012			
	84010282A	ADJUSTER, OPENING ROCKER ARM 3.35 MM	4	20/06/2012			
	84010292A	ADJUSTER, OPENING ROCKER ARM 3.40 MM	4	20/06/2012			
	84010302A	ADJUSTER, OPENING ROCKER ARM 3.45 MM	4	20/06/2012			
	84010312A	ADJUSTER, OPENING ROCKER ARM 1.80 MM	4	20/06/2012			
	84010322A	ADJUSTER, OPENING ROCKER ARM 1.85 MM	4	20/06/2012			
	84010332A	ADJUSTER, OPENING ROCKER ARM 1.90 MM	4	20/06/2012			
	84010342A	ADJUSTER, OPENING ROCKER ARM 1.95 MM	4	20/06/2012			
	84010722A	ADJUSTER, OPENING ROCKER ARM 3.60 MM	4	20/06/2012			



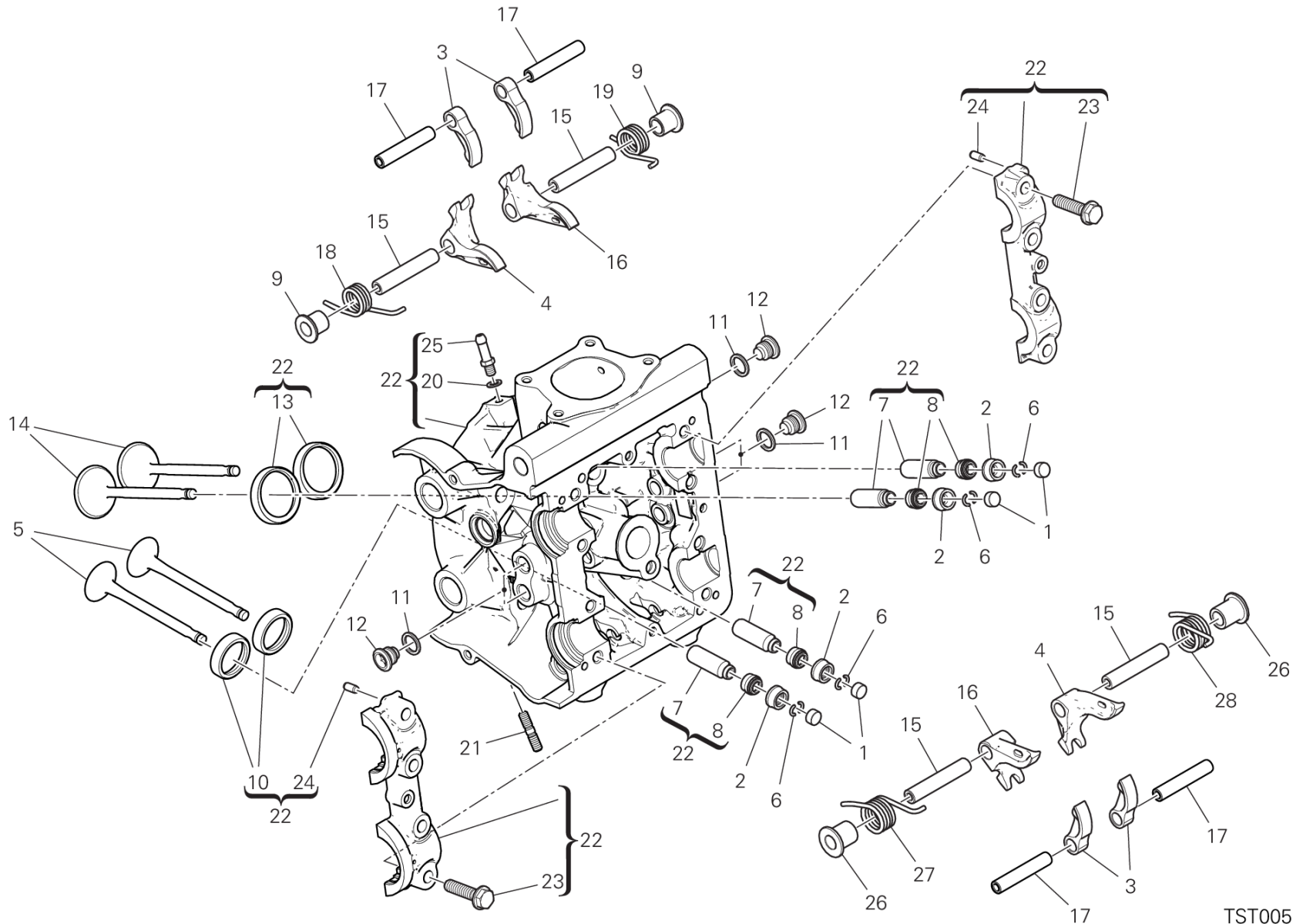
TST00595

DRAWING 015 - HORIZONTAL HEAD [MOD:M821STEA]

GROUP ENGINE



POS.	CODE	DESCRIPTION	QTY	START DATE	END DATE	VALIDITY	NOTES
	84010732A	ADJUSTER, OPENING ROCKER ARM 3.80 MM	4	20/06/2012			
	84011082A	ADJUSTER, OPENING ROCKER ARM 3.50 MM	4	20/06/2012			
	84011092A	ADJUSTER, OPENING ROCKER ARM 3.55 MM	4	20/06/2012			
	84011102A	ADJUSTER, OPENING ROCKER ARM 3.65 MM	4	20/06/2012			
	84011112A	ADJUSTER, OPENING ROCKER ARM 3.70 MM	4	20/06/2012			
	84011122A	ADJUSTER, OPENING ROCKER ARM 3.75 MM	4	20/06/2012			
	84011132A	ADJUSTER, OPENING ROCKER ARM 3.85 MM	4	20/06/2012			
	84011142A	ADJUSTER, OPENING ROCKER ARM 3.9 MM	4	20/06/2012			
2	84010412B	ADJUSTER, CLOSING ROCKER ARM 2.20 MM	4	24/12/2009			
	84010422B	ADJUSTER, CLOSING ROCKER ARM 2.25 MM	4	24/12/2009			
	84010432B	ADJUSTER, CLOSING ROCKER ARM 2.30 MM	4	24/12/2009			
	84010442B	ADJUSTER, CLOSING ROCKER ARM 2.35 MM	4	24/12/2009			
	84010452B	ADJUSTER, CLOSING ROCKER ARM 2.40 MM	4	24/12/2009			
	84010462B	ADJUSTER, CLOSING ROCKER ARM 2.45 MM	4	24/12/2009			
	84010472B	ADJUSTER, CLOSING ROCKER ARM 2.50 MM	4	24/12/2009			
	84010482B	ADJUSTER, CLOSING ROCKER ARM 2.55 MM	4	24/12/2009			
	84010492B	ADJUSTER, CLOSING ROCKER ARM 2.60 MM	4	24/12/2009			
	84010502B	ADJUSTER, CLOSING ROCKER ARM 2.65 MM	4	24/12/2009			
	84010512B	ADJUSTER, CLOSING ROCKER ARM 2.70 MM	4	24/12/2009			
	84010522B	ADJUSTER, CLOSING ROCKER ARM 2.75 MM	4	24/12/2009			
	84010532B	ADJUSTER, CLOSING ROCKER ARM 2.80 MM	4	24/12/2009			
	84010542B	ADJUSTER, CLOSING ROCKER ARM 2.85 MM	4	24/12/2009			
	84010552B	ADJUSTER, CLOSING ROCKER ARM 2.90 MM	4	24/12/2009			
	84010562B	ADJUSTER, CLOSING ROCKER ARM 2.95 MM	4	24/12/2009			
	84010572B	ADJUSTER, CLOSING ROCKER ARM 3.00 MM	4	24/12/2009			
	84010582B	ADJUSTER, CLOSING ROCKER ARM 3.05 MM	4	24/12/2009			
	84010592B	ADJUSTER, CLOSING ROCKER ARM 3.10 MM	4	24/12/2009			
	84010602B	ADJUSTER, CLOSING ROCKER ARM 3.15 MM	4	24/12/2009			
	84010612B	ADJUSTER, CLOSING ROCKER ARM 3.20 MM	4	24/12/2009			
	84010622B	ADJUSTER, CLOSING ROCKER ARM 3.25 MM	4	24/12/2009			
	84010632B	ADJUSTER, CLOSING ROCKER ARM 3.30 MM	4	24/12/2009			
	84010642B	ADJUSTER, CLOSING ROCKER ARM 3.35 MM	4	24/12/2009			
	84010652B	ADJUSTER, CLOSING ROCKER ARM 3.40 MM	4	24/12/2009			
	84010662B	ADJUSTER, CLOSING ROCKER ARM 3.45 MM	4	24/12/2009			
	84010672B	ADJUSTER, CLOSING ROCKER ARM 3.50 MM	4	24/12/2009			



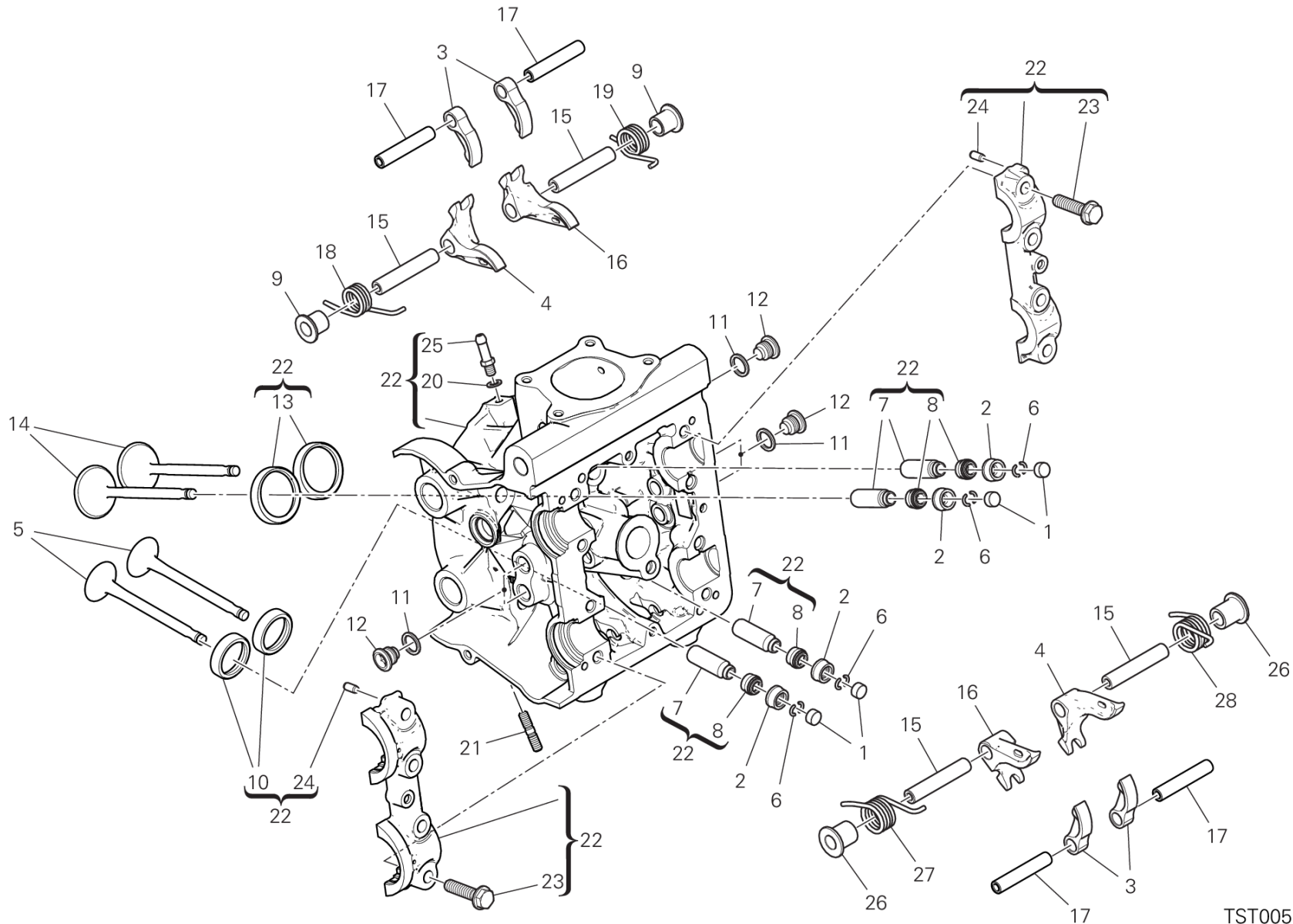
TST00595

DRAWING 015 - HORIZONTAL HEAD [MOD:M821STEA]

GROUP ENGINE



POS.	CODE	DESCRIPTION	QTY	START DATE	END DATE	VALIDITY	NOTES
	84010682B	ADJUSTER, CLOSING ROCKER ARM 3.55 MM	4	24/12/2009			
	84010692B	ADJUSTER, CLOSING ROCKER ARM 3.60 MM	4	24/12/2009			
	84010702B	ADJUSTER, CLOSING ROCKER ARM 3.65 MM	4	24/12/2009			
	84010712B	ADJUSTER, CLOSING ROCKER ARM 3.70 MM	4	24/12/2009			
	84010722B	ADJUSTER, CLOSING ROCKER ARM 3.75 MM	4	24/12/2009			
	84010732B	ADJUSTER, CLOSING ROCKER ARM 3.80 MM	4	24/12/2009			
	84010742B	ADJUSTER, CLOSING ROCKER ARM 3.85 MM	4	24/12/2009			
	84010752B	ADJUSTER, CLOSING ROCKER ARM 3.90 MM	4	24/12/2009			
	84010762B	ADJUSTER, CLOSING ROCKER ARM 3.95 MM	4	24/12/2009			
	84010772B	ADJUSTER, CLOSING ROCKER ARM 4.00 MM	4	24/12/2009			
	84010782B	ADJUSTER, CLOSING ROCKER ARM 4.05 MM	4	24/12/2009			
	84010792B	ADJUSTER, CLOSING ROCKER ARM 4.10 MM	4	24/12/2009			
	84010802B	ADJUSTER, CLOSING ROCKER ARM 4.15 MM	4	24/12/2009			
	84010812B	ADJUSTER, CLOSING ROCKER ARM 4.20 MM	4	24/12/2009			
	84010822B	ADJUSTER, CLOSING ROCKER ARM 4.25 MM	4	24/12/2009			
	84010832B	ADJUSTER, CLOSING ROCKER ARM 4.30 MM	4	24/12/2009			
	84010842B	ADJUSTER, CLOSING ROCKER ARM 4.35 MM	4	24/12/2009			
	84010852B	ADJUSTER, CLOSING ROCKER ARM 4.40 MM	4	24/12/2009			
	84010862B	ADJUSTER, CLOSING ROCKER ARM 4.45 MM	4	24/12/2009			
	84010872B	ADJUSTER, CLOSING ROCKER ARM 4.50 MM	4	24/12/2009			
3	20810321A	OPEN. ROCKER ARM	4	07/12/2012			
4	20910501A	CLOSING ROCKER ARM LEFT	2	07/12/2012			
5	21110991A	EXHAUST VALVE	2	13/10/2015			
6	66910011E	C RING	8	07/12/2012			
7	30310631BB	GUIDE, VALVE OVERSIZED 0.03 MM	4	25/03/2013			
	30310631BC	GUIDE, VALVE OVERSIZED 0.06 MM	4	25/03/2013			
	30310631BD	GUIDE, VALVE OVERSIZED 0.09 MM	4	25/03/2013			
8	76440572A	SEAL VALVE STEM	4	06/03/2015			
9	71312921A	SPACER	2	07/12/2012			
10	30411011BB	SEAT, EXHAUST VALVE +0.03 MM	2	02/11/2015			
	30411011BC	SEAT, EXHAUST VALVE +0.06 MM	2	02/11/2015			
11	85250261B	GASKET	8	07/12/2012			
12	78010511E	PLUG	8	07/12/2012			
13	30411001AB	SEAT, INLET VALVE +0.03 MM	4	02/11/2015			
	30411001AC	SEAT, INLET VALVE +0.06 MM	4	02/11/2015			



TST00595

DRAWING 015 - HORIZONTAL HEAD [MOD:M821STEA]

GROUP ENGINE

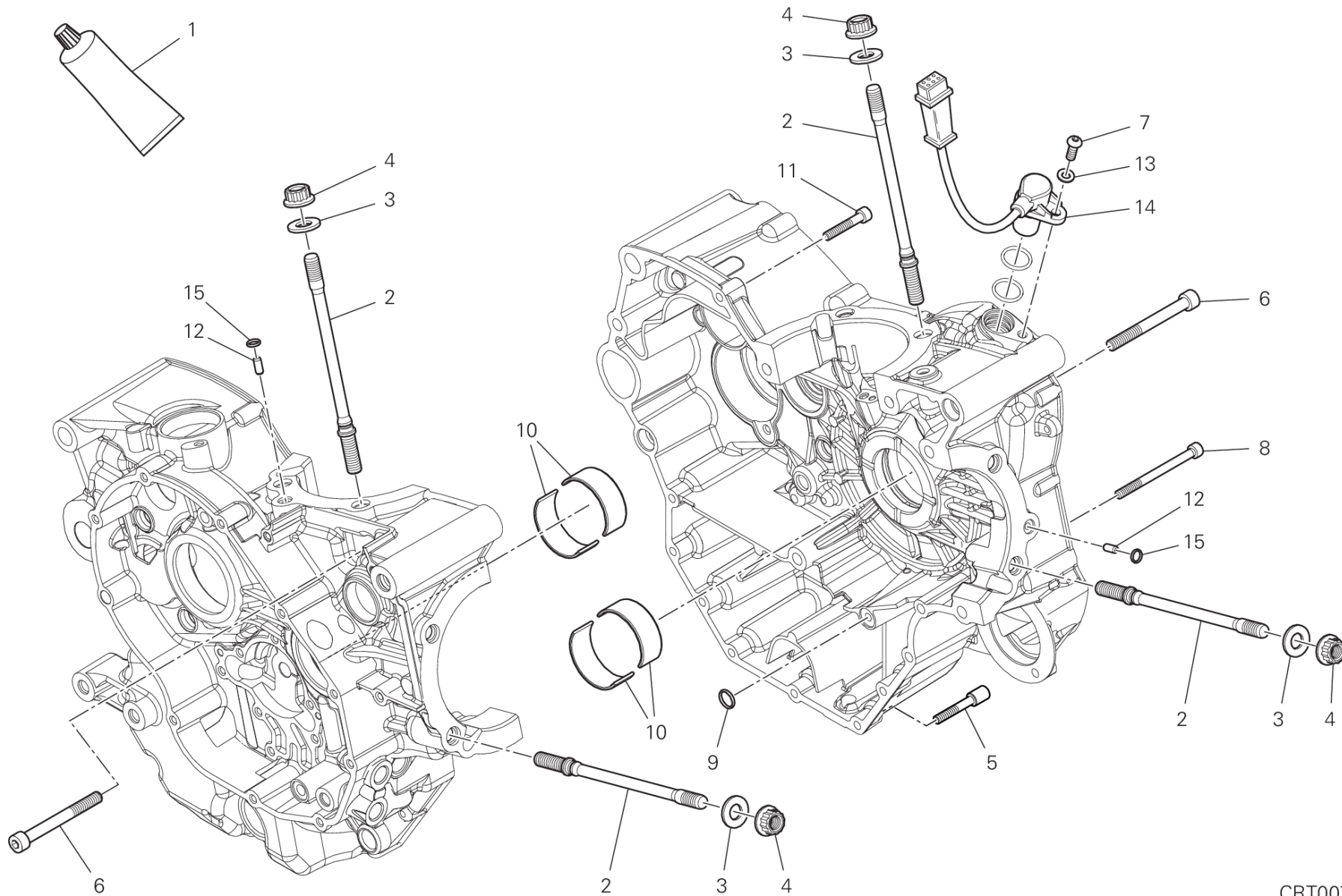


POS.	CODE	DESCRIPTION	QTY	START DATE	END DATE	VALIDITY	NOTES
14	21010991A	INTAKE VALVE	2	13/10/2015			
15	82112951A	CLOSE ROCKER ARM AXLE	4	12/03/2015			
16	20910491A	CLOSING ROCKER ARM RIGHT	2	07/12/2012			
17	82112941A	SHAFT, OPENING ROCKER	4	06/03/2015			
18	79915011A	VALVE RETURN SPRING RH.	1	03/05/2017			
19	79915001A	VALVE RETURN SPRING LH.	1	03/05/2017			
20	85250231A	GASKET	1	03/04/2012			
21	76640191A	STUD BOLT M6X16	3	13/12/2012			
22	30123711BC	COMPLETE HORIZONTAL HEAD	1	29/01/2020			
23	77914211A	SCREW TEF M8X32	8	03/04/2012			
24	86050061A	PIN M5X10	4	03/04/2012			
25	81411881A	NIPPLE, HOSE	1	03/04/2012			
26	71312921B	SPACER	2	07/12/2012			
27	79915181B	LEFT VALVE RETURN SPRING	1	07/12/2012			
28	79915191B	RIGHT VALVE RETURN SPRING	1	07/12/2012			



DRAWING 10A - HALF-CRANKCASES PAIR [MOD:M821STEA]

GROUP ENGINE



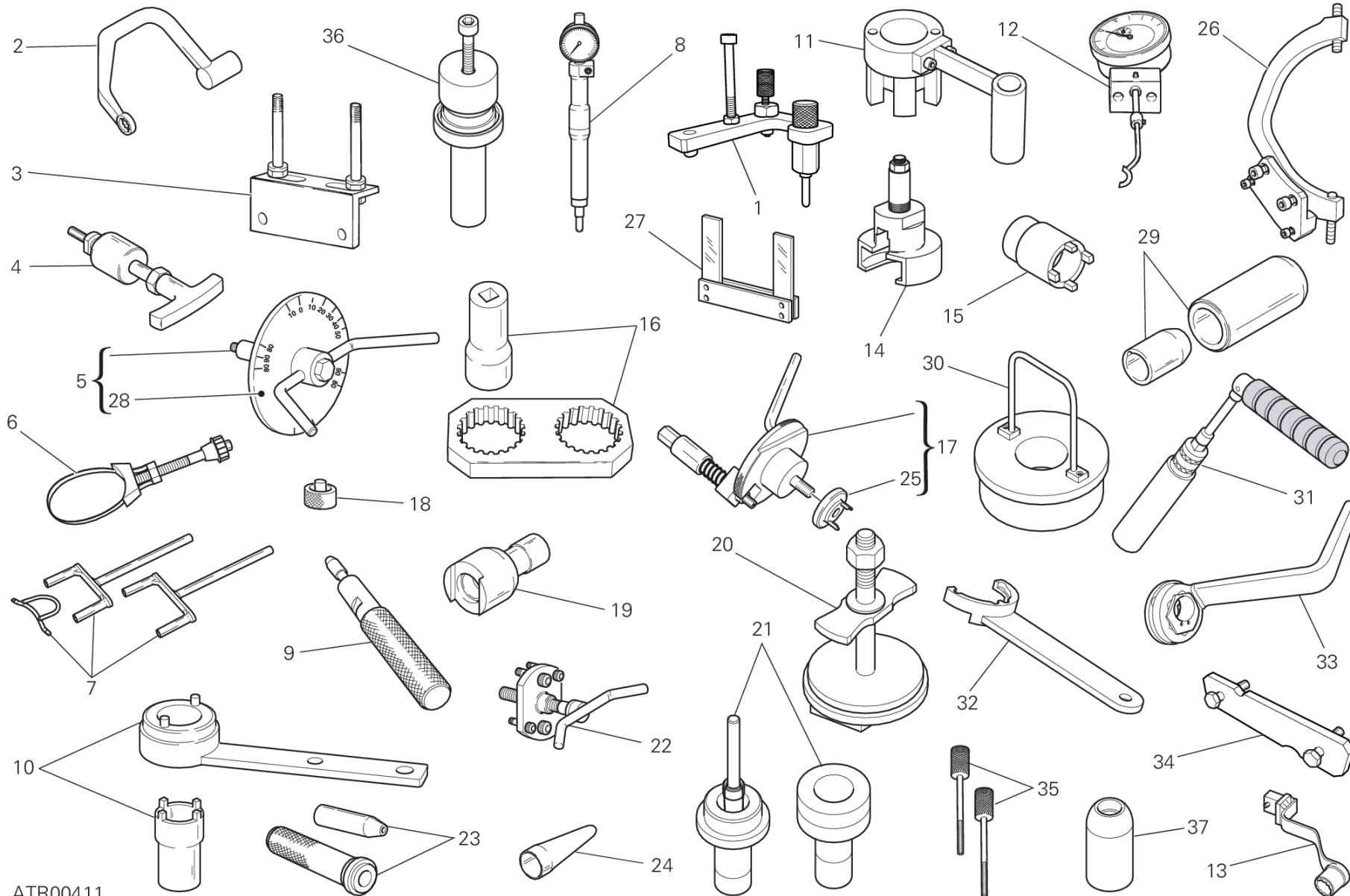
CRT00771

DRAWING 10A - HALF-CRANKCASES PAIR [MOD:M821STEA]

GROUP ENGINE



POS.	CODE	DESCRIPTION	QTY	START DATE	END DATE	VALIDITY	NOTES
1	942470014	LIQUID GASKET	1	16/04/2013			
2	76610551D	STUD BOLT FASTENING HEAD CYLINDER	8	16/04/2013			
3	85610642A	WASHER, SPECIAL 10.5X21X2	8	16/04/2013			
4	74810501A	NUT M10X1.5	8	16/04/2013			
5	77916041D	SCREW, SPECIAL	3	08/06/2016			
6	77151363B	SCREW TCEI M8X75 UNI 5931	7	16/04/2013			
7	77550211B	SCREW TBEI M6X16 ISO7380 10.9	1	23/09/2011			
8	77150808B	SCREW TCEI M6X75	2	16/04/2013			
9	88641321A	O-RING	1	16/04/2013			
10	11210791AA	HALF-BEARING RED	4	05/07/2013			
	11210791AB	HALF-BEARING BLUE	4	05/07/2013			
	11210791AC	HALF-BEARING YELLOW	4	05/07/2013			
	11210791AD	HALF-BEARING BLACK	4	05/07/2013			
	11210791AE	HALF-BEARING GREEN	4	05/07/2013			
11	77150723B	SCREW TCEI M6X35 UNI 5931	5	16/04/2013			
12	86010051B	DOWEL	2	16/04/2013			
13	85310031A	SPRING WASHER 6 MM	1	16/04/2013			
14	55241321C	SENSOR, TIMING & RPM	1	16/04/2013			
15	88610241A	O-RING 5.23X2.62	2	16/04/2013			



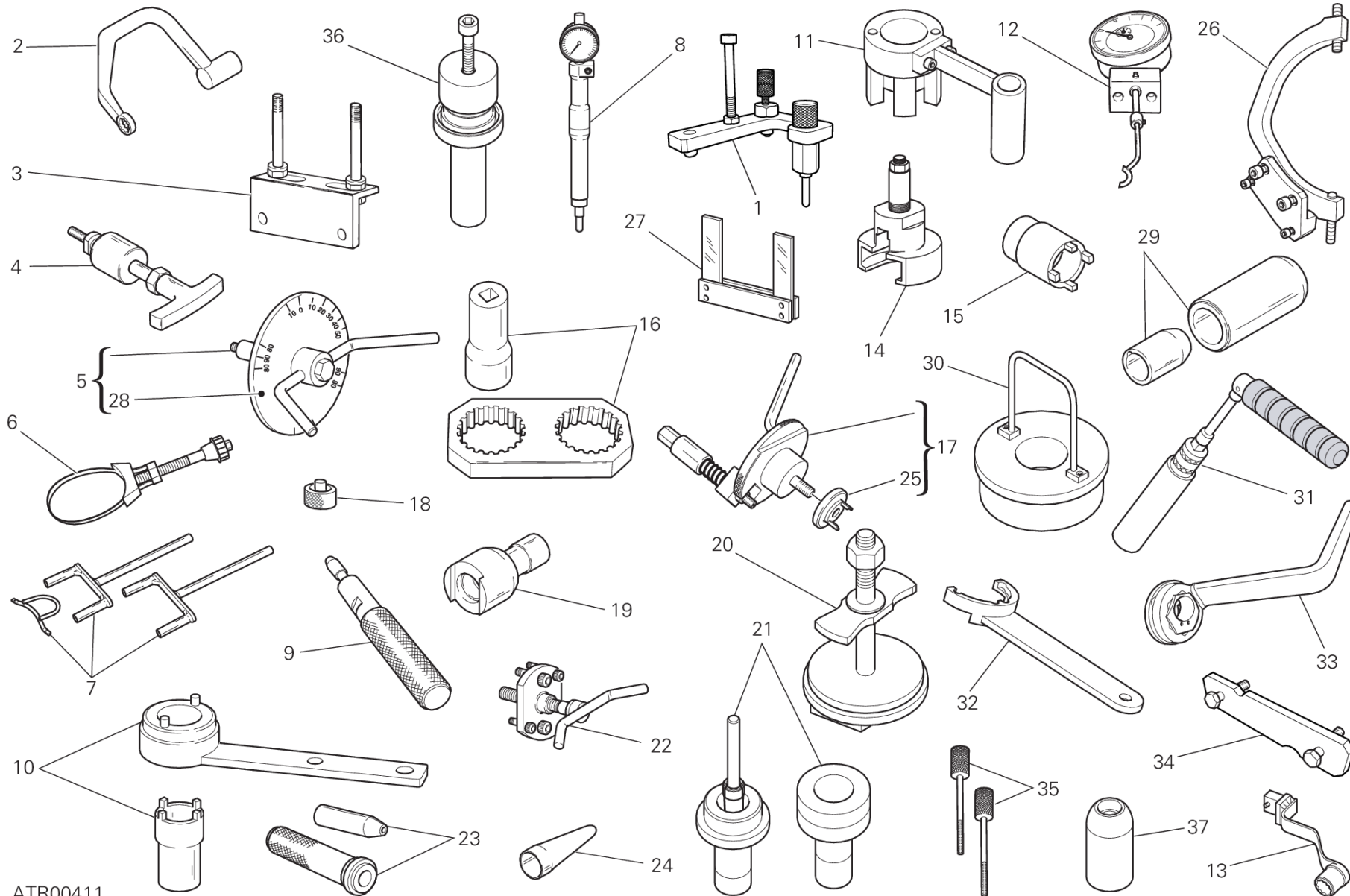
ATR00411

DRAWING 001 - WORKSHOP SERVICE TOOLS, ENGINE [MOD:M821STEAL]

GROUP TOOLS



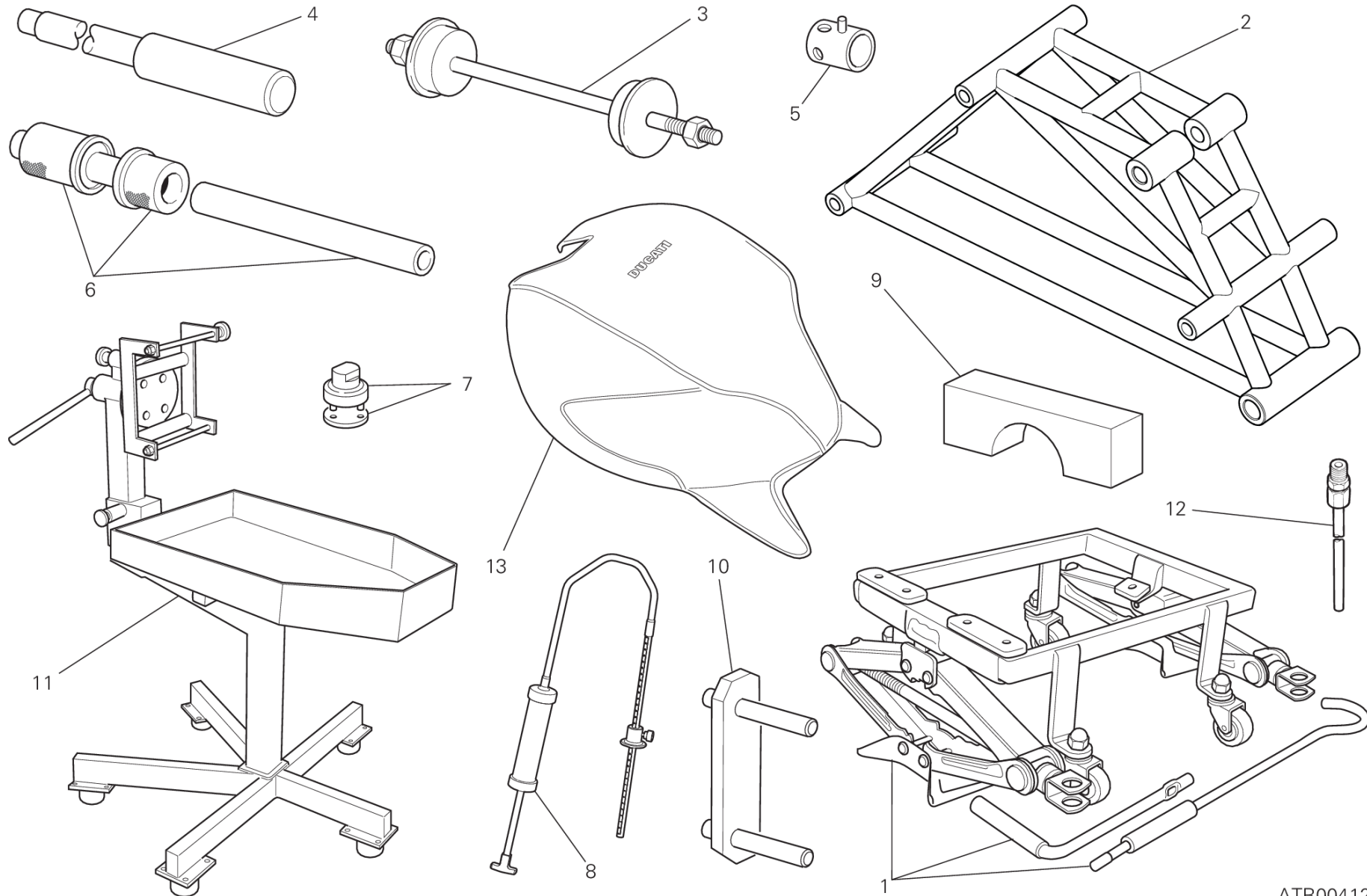
POS.	CODE	DESCRIPTION	QTY	START DATE	END DATE	VALIDITY	NOTES
1	887130022	GEARBOX SELECTOR TOOL	1				
2	887132676	HEAD NUTS HOLDER WRENCH (M10)	1				
3	887132103	HEAD MOUNTING BASE	1				
4	887131994	ROCKER PIN EXTRACTOR	1				
5	887651635	DEGREE WHEEL HOLDER TOOL FOR IGNITION ADVANCE CHECK	1				
6	887132906	WRENCH, OIL FILTER CARTRIDGE	1				
7	887132068	CLOSING ROCKER PRE-LOAD KIT	1				
8	887651188	T.D.C. CONTROL GAUGE (GAUGES NOT INCLUDED)	1				
9	887132442	TOOL, OIL SEAL MOUNTING (Ø7)	1				
10	887131805	DRIVING ROLLER TIGHTENING TOOL	1				
11	887134284	REACTION TOOL FOR WET CLUTCH	1				
12	887651518	VALVE LIFT GAUGE (GAUGES NOT INCLUDED)	1				
13	887134198	EXHAUST NUTS HOLDER WRENCH	1				
14	887134882	EXTRACTOR FOR PRIMARY DRIVE GEAR	1				
15	887133406	WRENCH TIGHTENING PRIMARY TRANSMISSI	1				
16	887131806	REACTION TOOL BELT ROLLER TIGHTENING	1				
17	887132011	CRANKSHAFT RESET TOOL	1				
18	887651298	SPACER FOR CHECKING LOWER VALVE SHIM	1				
19	887131821	WRENCH TO TIGHTEN TENSIONING BOLTS	1				
20	887134286	CLUTCH PLATES SET HOLDER	1				
21	887133992	TOOL TO FIT PISTON GUDGEON PIN CIRCLIPS	1				
22	887131749	DRIVE ROLLER PULLER	1				
23	887005749	CRANKCASES ASSEMBLING CAP	1				
24	887132913	TOOL INSTALLING O-RINGS	1				
25	887134411	INSERT	1				
26	887133367	FLYWHEEL WRENCH	1				
27	887131309	FORK FEELER GAUGE2,35 MM	1				
28	887134791	GONIOMETER IGNITION TIMING CHECKING	1				
29	887131906	TOOL TO FIT OIL SEAL	1				
30	887132870	TOOL, CON-ROD GUIDING	1				
31	887132877	SPARK PLUG WRENCH	1				
32	887133219	TIMING BELT ROLLER REACTION TOOL	1				
33	887133497	WRENCH FOR TENSIONING MOBILE BELT TENSIO	1				
34	887651623	BELT ROLLER TIMING TOOL	1				
35	887134285	CLUTCH SCREW	1				



ATR00411



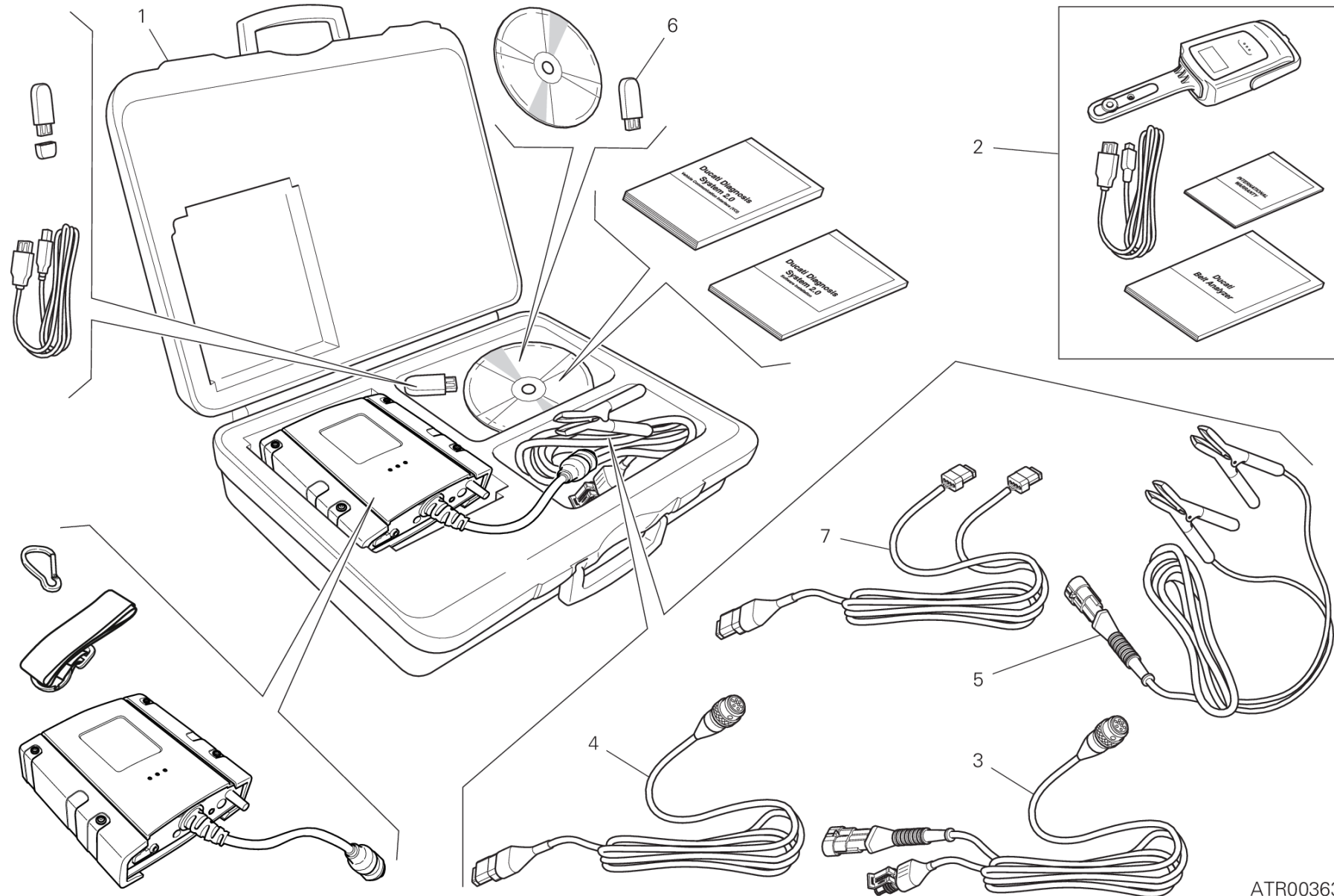
POS.	CODE	DESCRIPTION	QTY	START DATE	END DATE	VALIDITY	NOTES
36	887134145	HALF-BEARINGS FITTING TOOL	1				
37	887135013	PAD CRANKSHAFT	1				



ATR00412



POS.	CODE	DESCRIPTION	QTY	START DATE	END DATE	VALIDITY	NOTES
1	887133220	BENCH FOR ENGINE REPAIR	1				
2	887134513	FRAME/MOTOR SUPPORT	1				
3	887131062	TOOL ASSEMBLING STEERING TUBE BEARING	1				
4	887131074	TOOL DISASSEMBLING SWINGARM PIVOT	1				
5	800070139	WRENCH FOR FRONT WHEEL SPINDLE	1				
6	887131059	ASSEMBLING BEARINGS TOOL	1				
7	887131058	SPANNER TO ASSEMBLE THE STEERING SLEEVE	1				
8	887134488	FORK OIL LEVEL SYRINGE	1				
9	887134302	ATTREZZO SERRAGGIO STELO FORCELLE	1				
10	887131515	FRAME/MOTOR SUPPORT	1				
11	887131832	BENCH FOR ENGINE REPAIR	1				
12	887131010	CONNECTOR FOR EXHAUST GAS TAKE-UP POINT	1				
13	887138846	PROTECTOR, FUEL TANK	1				



ATR00363



POS.	CODE	DESCRIPTION	QTY	START DATE	END DATE	VALIDITY	NOTES
1	979000252	DDS 2 (Ducati Diagnosis System 2.0)	1				
2	979000253	BELT TENSIONING KIT	1				
3	979000254	MAIN CABLE	1				
4	979000255	MAIN CABLE (CAN)	1				
5	979000256	MAIN CABLE DDS	1				
6	28620441B	CHIAVE "PC HASP DDS2.0"	1				
7	979000259	WIRING MAP-KEY	1				



DRAWING A2 - TYRES [MOD:M821STEA]

GROUP TYRES



POS.	CODE	DESCRIPTION	QTY	START DATE	END DATE	VALIDITY	NOTES
1	490P0272A	FRONT TYRE DIABLO™ ROSSO III D (120-70 ZR17)	1	19/01/2017			(*)=Pneumatico di primo equipaggiamento
2	491P0323A	REAR TYRE DIABLO™ ROSSO III D (180-55 ZR17)	1	19/12/2016			(*)=Pneumatico di primo equipaggiamento
3	49041081A	FRONT TYRE DIABLO™ ROSSO CORSA II (120-70 ZR17)	1				
4	49141601A	REAR TYRE DIABLO™ ROSSO CORSA II (180-55 ZR17)	1				
5	49040711A	FRONT TYRE DIABLO™ SUPERCORSA SP (120-70 ZR17)	1				
6	49140951A	REAR TYRE DIABLO™ SUPERCORSA SP (180-55 ZR17)	1				
7	490P0324A	FRONT TYRE DIABLO™ ROSSO IV (120-70 ZR17)	1				
8	491P0387A	REAR TYRE DIABLO™ ROSSO IV (180-55 ZR17)	1				
9	49040663A	FRONT TYRE DIABLO™ ROSSO II D (120-70 ZR17)	1				
10	49140851B	REAR TYRE DIABLO™ ROSSO II (180-55 ZR17)	1				
11	490P0325A	FRONT TYRE ANGEL™ GT (120-70 ZR17)	1				
12	49141271A	REAR TYRE ANGEL™ GT (180-55 ZR17)	1				
13	490P0002A	FRONT TYRE DIABLO™ SUPERBIKE (120-70 R17 SC1)	1				(#)=For competition use only
14	490P0003A	FRONT TYRE DIABLO™ SUPERBIKE (120-70 R17 SC2)	1				(#)=For competition use only
15	490P0004A	FRONT TYRE DIABLO™ SUPERBIKE (120-70 R17 SC3)	1				(#)=For competition use only
16	491P0009A	REAR TYRE DIABLO™ SUPERBIKE (180-55 R17 SC2)	1				(#)=For competition use only
17	491P0010A	REAR TYRE DIABLO™ SUPERBIKE (180-60 R17 SC0)	1				(#)=For competition use only
18	491P0011A	REAR TYRE DIABLO™ SUPERBIKE (180-60 R17 SC1)	1				(#)=For competition use only
19	491P0012A	REAR TYRE DIABLO™ SUPERBIKE (180-60 R17 SC2)	1				(#)=For competition use only
20	491P0013A	REAR TYRE DIABLO™ SUPERBIKE (180-60 R17 SC3)	1				(#)=For competition use only
21	490P0019A	FRONT TYRE DIABLO™ WET (120-70 R17)	1				(#)=For competition use only
22	490P0022A	FRONT TYRE DIABLO™ RAIN (120-70 R17)	1				(#)=For competition use only
23	490P0029A	FRONT TYRE DIABLO™ SUPERCORSA SC V2 (120-70 R17 SC1)	1				(#)=For competition use only
24	490P0030A	FRONT TYRE DIABLO™ SUPERCORSA SC V2 (120-70 R17 SC2)	1				(#)=For competition use only
25	491P0036A	REAR TYRE DIABLO™ SUPERCORSA SC V2 (180-55 R17 SC2)	1				(#)=For competition use only
26	491P0037A	REAR TYRE DIABLO™ SUPERCORSA SC V2 (180-60 R17 SC0)	1				(#)=For competition use only
27	491P0038A	REAR TYRE DIABLO™ SUPERCORSA SC V2 (180-60 R17 SC1)	1				(#)=For competition use only
28	491P0039A	REAR TYRE DIABLO™ SUPERCORSA SC V2 (180-60 R17 SC2)	1				(#)=For competition use only
29	490P0044A	FRONT TYRE DIABLO™ SUPERCORSA SC (120-70 R17 SC2)	1				(#)=For competition use only
30	490P0248A	FRONT TYRE DIABLO™ SUPERCORSA SC (120-70 R17 SC1)	1				(#)=For competition use only
31	491P0045A	REAR TYRE DIABLO™ SUPERCORSA SC (180-55 R17 SC2)	1				(#)=For competition use only
32	490P0301A	FRONT TYRE ANGEL™ GT II (120-70 ZR17)	1				
33	491P0355A	REAR TYRE ANGEL™ GT II (180-55 ZR17)	1				



DRAWING A2 - TYRES [MOD:M821STEA]

GROUP TYRES



POS.	CODE	DESCRIPTION	QTY	START DATE	END DATE	VALIDITY	NOTES
34	49041071A	FRONT TYRE DIABLO™ SUPERCORSA SP V3 (120-70 ZR17)	1				
35	491P0343A	REAR TYRE DIABLO™ SUPERCORSA SP V3 (180-55 ZR17)	1				
36	490P0297A	FRONT TYRE DIABLO™ SUPERCORSA SC V3 (120-70 ZR17)	1				(#)=For competition use only
37	490P0298A	FRONT TYRE DIABLO™ SUPERCORSA SC V3 (120-70 ZR17 TL)	1				(#)=For competition use only
38	491P0334A	REAR TYRE DIABLO™ SUPERCORSA SC V3 (180-55 ZR17 73W)	1				(#)=For competition use only
39	491P0335A	REAR TYRE DIABLO™ SUPERCORSA SC V3 (180-60 ZR17 75V)	1				(#)=For competition use only
40	491P0336A	REAR TYRE DIABLO™ SUPERCORSA SC V3 (180-60 ZR17 75W)	1				(#)=For competition use only
41	491P0337A	REAR TYRE DIABLO™ SUPERCORSA SC V3 (180-60 ZR17 75W)	1				(#)=For competition use only



DRAWING B2 - (*) PIRELLI DIABLO™ ROSSO III [MOD:M821STEA]

GROUP TYRES



POS.	CODE	DESCRIPTION	QTY	START DATE	END DATE	VALIDITY	NOTES
1	490P0272A	FRONT TYRE DIABLO™ ROSSO III D (120-70 ZR17)	1	19/01/2017			(*)=Pneumatico di primo equipaggiamento
2	491P0323A	REAR TYRE DIABLO™ ROSSO III D (180-55 ZR17)	1	19/12/2016			(*)=Pneumatico di primo equipaggiamento



DRAWING C2 - PIRELLI DIABLO™ ROSSO CORSA II [MOD:M821STEA]

GROUP TYRES



POS.	CODE	DESCRIPTION	QTY	START DATE	END DATE	VALIDITY	NOTES
1	49041081A	FRONT TYRE DIABLO™ ROSSO CORSA II (120-70 ZR17)	1	25/10/2013			
2	49141601A	REAR TYRE DIABLO™ ROSSO CORSA II (180-55 ZR17)	1	28/05/2015			



DRAWING D - PIRELLI DIABLO™ SUPERCORSA SP [MOD:M821STEA]

GROUP TYRES



POS.	CODE	DESCRIPTION	QTY	START DATE	END DATE	VALIDITY	NOTES
1	49040711A	FRONT TYRE DIABLO™ SUPERCORSA SP (120-70 ZR17)	1	12/01/2015			
2	49140951A	REAR TYRE DIABLO™ SUPERCORSA SP (180-55 ZR17)	1	24/09/2012			



DRAWING F - PIRELLI ANGEL™ GT [MOD:M821STEAL]

GROUP TYRES



POS.	CODE	DESCRIPTION	QTY	START DATE	END DATE	VALIDITY	NOTES
1	490P0325A	FRONT TYRE ANGEL™ GT (120-70 ZR17)	1	18/06/2014			
2	49141271A	REAR TYRE ANGEL™ GT (180-55 ZR17)	1	08/03/2013			



DRAWING H - (#) PIRELLI DIABLO™ SUPERBIKE [MOD:M821STEA]

GROUP TYRES



POS.	CODE	DESCRIPTION	QTY	START DATE	END DATE	VALIDITY	NOTES
1	490P0002A	FRONT TYRE DIABLO™ SUPERBIKE (120-70 R17 SC1)	1				(#)=For competition use only
2	490P0003A	FRONT TYRE DIABLO™ SUPERBIKE (120-70 R17 SC2)	1				(#)=For competition use only
3	490P0004A	FRONT TYRE DIABLO™ SUPERBIKE (120-70 R17 SC3)	1				(#)=For competition use only
4	491P0009A	REAR TYRE DIABLO™ SUPERBIKE (180-55 R17 SC2)	1				(#)=For competition use only
5	491P0010A	REAR TYRE DIABLO™ SUPERBIKE (180-60 R17 SC0)	1				(#)=For competition use only
6	491P0011A	REAR TYRE DIABLO™ SUPERBIKE (180-60 R17 SC1)	1				(#)=For competition use only
7	491P0012A	REAR TYRE DIABLO™ SUPERBIKE (180-60 R17 SC2)	1				(#)=For competition use only
8	491P0013A	REAR TYRE DIABLO™ SUPERBIKE (180-60 R17 SC3)	1				(#)=For competition use only



DRAWING I - (#) DIABLO™ WET [MOD:M821STEA]

GROUP TYRES



POS.	CODE	DESCRIPTION	QTY	START DATE	END DATE	VALIDITY	NOTES
1	490P0019A	FRONT TYRE DIABLO™ WET (120-70 R17)	1				(#)=For competition use only



DRAWING J - (#) DIABLO™ RAIN [MOD:M821STEAL]

GROUP TYRES



POS.	CODE	DESCRIPTION	QTY	START DATE	END DATE	VALIDITY	NOTES
1	490P0022A	FRONT TYRE DIABLO™ RAIN (120-70 R17)	1				(#)=For competition use only



DRAWING K - (#) DIABLO™ SUPERCORSA SC V2 [MOD:M821STEA]

GROUP TYRES



POS.	CODE	DESCRIPTION	QTY	START DATE	END DATE	VALIDITY	NOTES
1	490P0029A	FRONT TYRE DIABLO™ SUPERCORSA SC V2 (120-70 R17 SC1)	1				(#)=For competition use only
2	490P0030A	FRONT TYRE DIABLO™ SUPERCORSA SC V2 (120-70 R17 SC2)	1				(#)=For competition use only
3	491P0036A	REAR TYRE DIABLO™ SUPERCORSA SC V2 (180-55 R17 SC2)	1				(#)=For competition use only
4	491P0037A	REAR TYRE DIABLO™ SUPERCORSA SC V2 (180-60 R17 SC0)	1				(#)=For competition use only
5	491P0038A	REAR TYRE DIABLO™ SUPERCORSA SC V2 (180-60 R17 SC1)	1				(#)=For competition use only
6	491P0039A	REAR TYRE DIABLO™ SUPERCORSA SC V2 (180-60 R17 SC2)	1				(#)=For competition use only



DRAWING M - (#) DIABLO™ SUPERCORSA SC [MOD:M821STEA]

GROUP TYRES



POS.	CODE	DESCRIPTION	QTY	START DATE	END DATE	VALIDITY	NOTES
1	490P0044A	FRONT TYRE DIABLO™ SUPERCORSA SC (120-70 R17 SC2)	1				(#)=For competition use only
2	490P0248A	FRONT TYRE DIABLO™ SUPERCORSA SC (120-70 R17 SC1)	1				(#)=For competition use only
3	491P0045A	REAR TYRE DIABLO™ SUPERCORSA SC (180-55 R17 SC2)	1				(#)=For competition use only



DRAWING N - PIRELLI ANGEL™ GT II [MOD:M821STEA]

GROUP TYRES



POS.	CODE	DESCRIPTION	QTY	START DATE	END DATE	VALIDITY	NOTES
1	490P0301A	FRONT TYRE ANGEL™ GT II (120-70 ZR17)	1	01/02/2016			
2	491P0355A	REAR TYRE ANGEL™ GT II (180-55 ZR17)	1	01/02/2016			



DRAWING O - PIRELLI DIABLO™ SUPERCORSA SP V3 [MOD:M821STEA]

GROUP TYRES



POS.	CODE	DESCRIPTION	QTY	START DATE	END DATE	VALIDITY	NOTES
1	49041071A	FRONT TYRE DIABLO™ SUPERCORSA SP V3 (120-70 ZR17)	1	19/01/2017			
2	491P0343A	REAR TYRE DIABLO™ SUPERCORSA SP V3 (180-55 ZR17)	1	19/12/2016			





POS.	CODE	DESCRIPTION	QTY	START DATE	END DATE	VALIDITY	NOTES
1	490P0297A	FRONT TYRE DIABLO™ SUPERCORSA SC V3 (120-70 ZR17)	1				(#)=For competition use only
2	490P0298A	FRONT TYRE DIABLO™ SUPERCORSA SC V3 (120-70 ZR17 TL)	1				(#)=For competition use only
3	491P0334A	REAR TYRE DIABLO™ SUPERCORSA SC V3 (180-55 ZR17 73W)	1				(#)=For competition use only
4	491P0335A	REAR TYRE DIABLO™ SUPERCORSA SC V3 (180-60 ZR17 75V)	1				(#)=For competition use only
5	491P0336A	REAR TYRE DIABLO™ SUPERCORSA SC V3 (180-60 ZR17 75W)	1				(#)=For competition use only
6	491P0337A	REAR TYRE DIABLO™ SUPERCORSA SC V3 (180-60 ZR17 75W)	1				(#)=For competition use only



DRAWING Q - PIRELLI DIABLO™ ROSSO IV [MOD:M821STEA]

GROUP TYRES



POS.	CODE	DESCRIPTION	QTY	START DATE	END DATE	VALIDITY	NOTES
1	490P0324A	FRONT TYRE DIABLO™ ROSSO IV (120-70 ZR17)	1	19/01/2017			
2	491P0387A	REAR TYRE DIABLO™ ROSSO IV (180-55 ZR17)	1	19/12/2016			

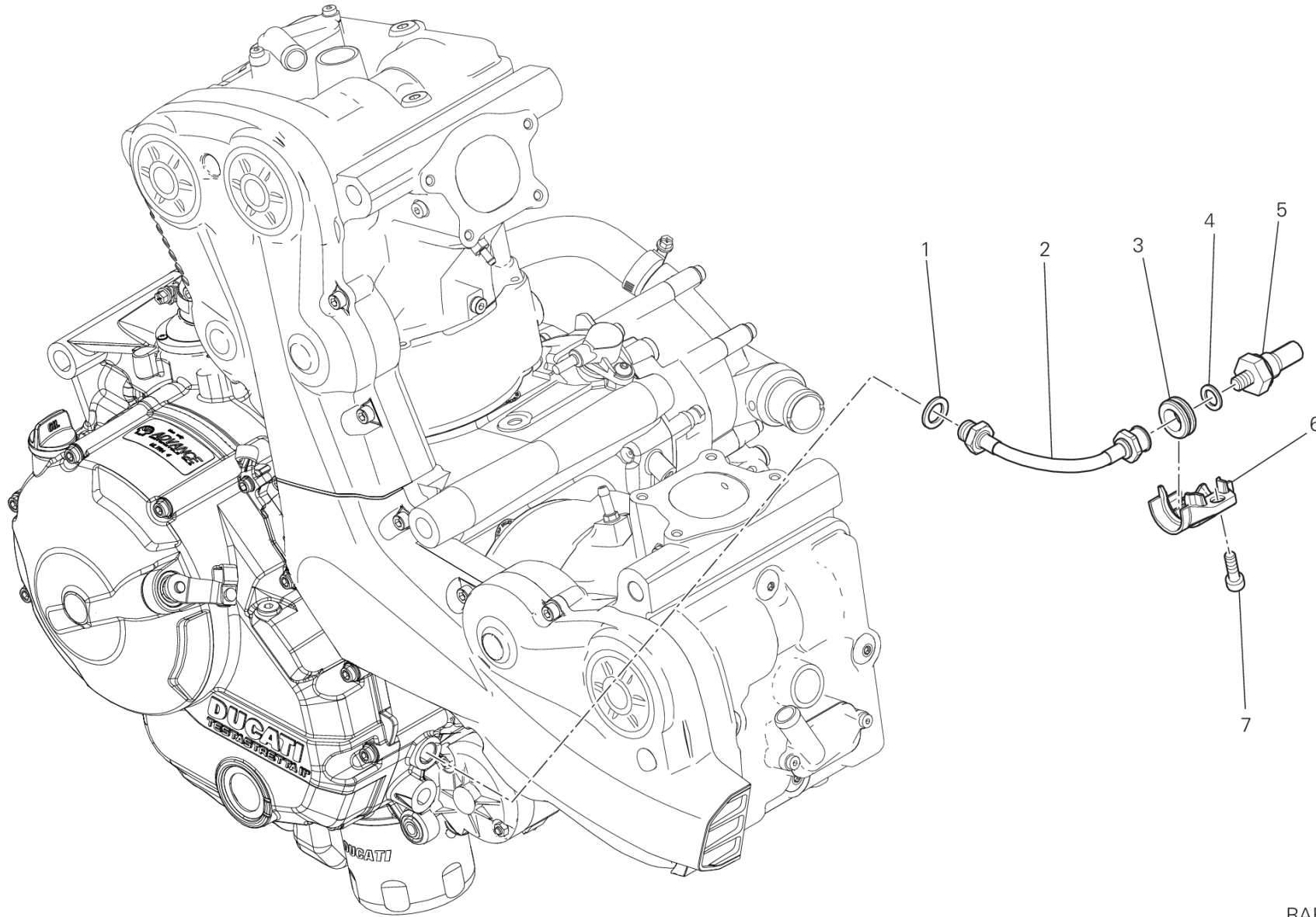


DRAWING R - PIRELLI DIABLO™ ROSSO II [MOD:M821STEA]

GROUP TYRES



POS.	CODE	DESCRIPTION	QTY	START DATE	END DATE	VALIDITY	NOTES
1	49040663A	FRONT TYRE DIABLO™ ROSSO II D (120-70 ZR17)	1	25/03/2013			
2	49140851B	REAR TYRE DIABLO™ ROSSO II (180-55 ZR17)	1	17/09/2013			



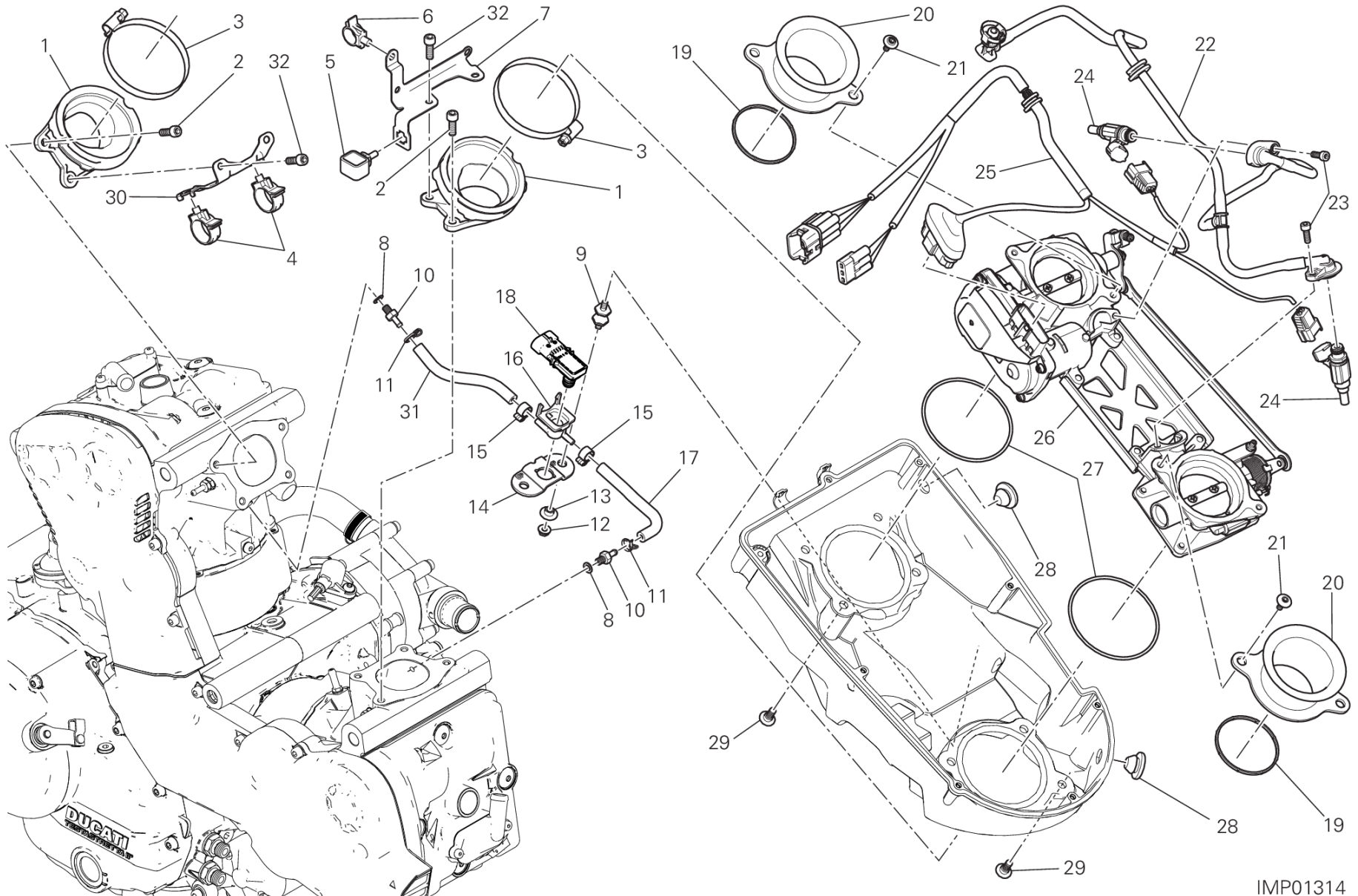
RAF00516

DRAWING 016 - SWITCH ASSY, OIL PRESSURE [MOD:M821STEA]

GROUP FRAME



POS.	CODE	DESCRIPTION	QTY	START DATE	END DATE	VALIDITY	NOTES
1	78710111A	GASKET, ALUMINIUM 14X22X2	1	15/11/2012			
2	87711572A	HOSE, OIL	1	15/11/2012			
3	76440581A	RUBBER PAD	1	15/11/2012			
4	85211951A	GASKET 10.5X17X2	1	15/11/2012			
5	53940302A	SWITCH ASSY, OIL PRESSURE	1	15/11/2012			
6	82916531A	HOLDER SENSOR	1	15/11/2012			
7	77140653CC	SCREW	1	15/11/2012			



IMP01314

DRAWING 017 - THROTTLE BODY [MOD:M821STEA]

GROUP FRAME



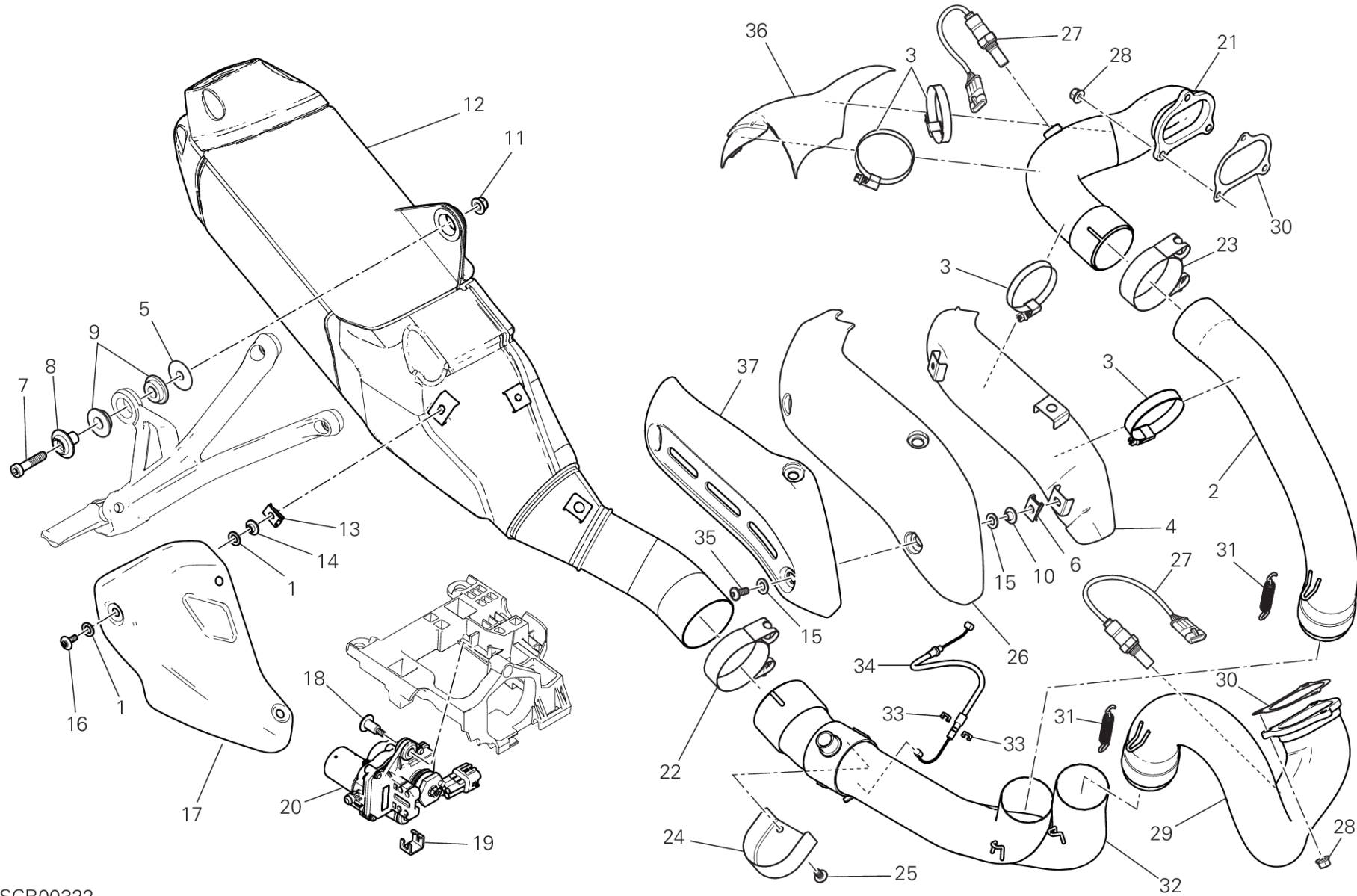
POS.	CODE	DESCRIPTION	QTY	START DATE	END DATE	VALIDITY	NOTES
1	14010762C	INTAKE MANIFOLD	2	03/05/2017			
2	77110391B	SCREW	4	31/05/2013			
3	74141871A	CLAMP 60-80 MM	2	22/10/2013			
4	75840641A	HOSE GUIDE	2	22/10/2013			
5	82911901A	MOUNT RUBBER	1	01/08/2013			
6	75840721A	HOSE GUIDE	1	01/08/2013			
7	83018421BA	BRACKET, WATER TANK	1	01/08/2013			
8	85250231A	GASKET	2	22/02/2013			
9	70010901A	VIBRATION DAMPER	2	08/09/2014			
10	81413341A	UNION	2	31/05/2013			
11	74140431A	CLAMP	2	12/03/2013			
12	74841091AA	NUT	2	08/09/2014			
13	71611071B	SPACER	2	08/09/2014			
14	86611991A	RUBBER PAD SENSOR, PRESSURE	1	08/09/2014			
15	74141711A	CLAMP 10-7 MM	2	12/03/2013			
16	81417291A	BRACKET SENSOR PRESSURE	1	01/01/2020			
17	59014111A	DEPRESSURE/PRESSURE LINE HORIZONTAL	1	01/11/2013			
18	55244331A	SENSOR, PRESSURE	1	01/01/2020			
19	78811301A	GASKET AIR FUNNEL	2	12/03/2013			
20	13510401A	AIR FUNNEL	2	12/03/2013			
21	77214411BA	SCREW, SPECIAL	4	12/03/2013			
22	59024122A	COMPLETE PIPE SET	1	16/03/2017			
23	77150408B	SCREW TCEI M5X14	2	12/03/2013			
24	28040411A	INJECTOR	2	09/12/2013			
25	5101A083B	INJECTION WIRING	1	16/03/2017			
26	28240932A	THROTTLE BODY	1	09/01/2014			
27	88642231A	O-RING	2	12/03/2013			
28	76411851A	BYPASS CAP	2	12/03/2013			
29	77912741A	SCREW TBEI M6X14	8	12/03/2013			
30	83018221A	HOLDER WIRING	1	22/10/2013			
31	59014101A	DEPRESSURE/PRESSURE LINE VERTICAL	1	01/11/2013			
32	77110401B	SCREW	4	22/02/2017			



DRAWING 019 - EXHAUST SYSTEM

[MOD:M821STEA;XST:AUS,BLG,EUR,GSO,JAP,ROK,SPA,TWN]

GROUP FRAME



SCR00322

DRAWING 019 - EXHAUST SYSTEM

[MOD:M821STEA;XST:AUS,BLG,EUR,GSO,JAP,ROK,SPA,TWN]

GROUP FRAME



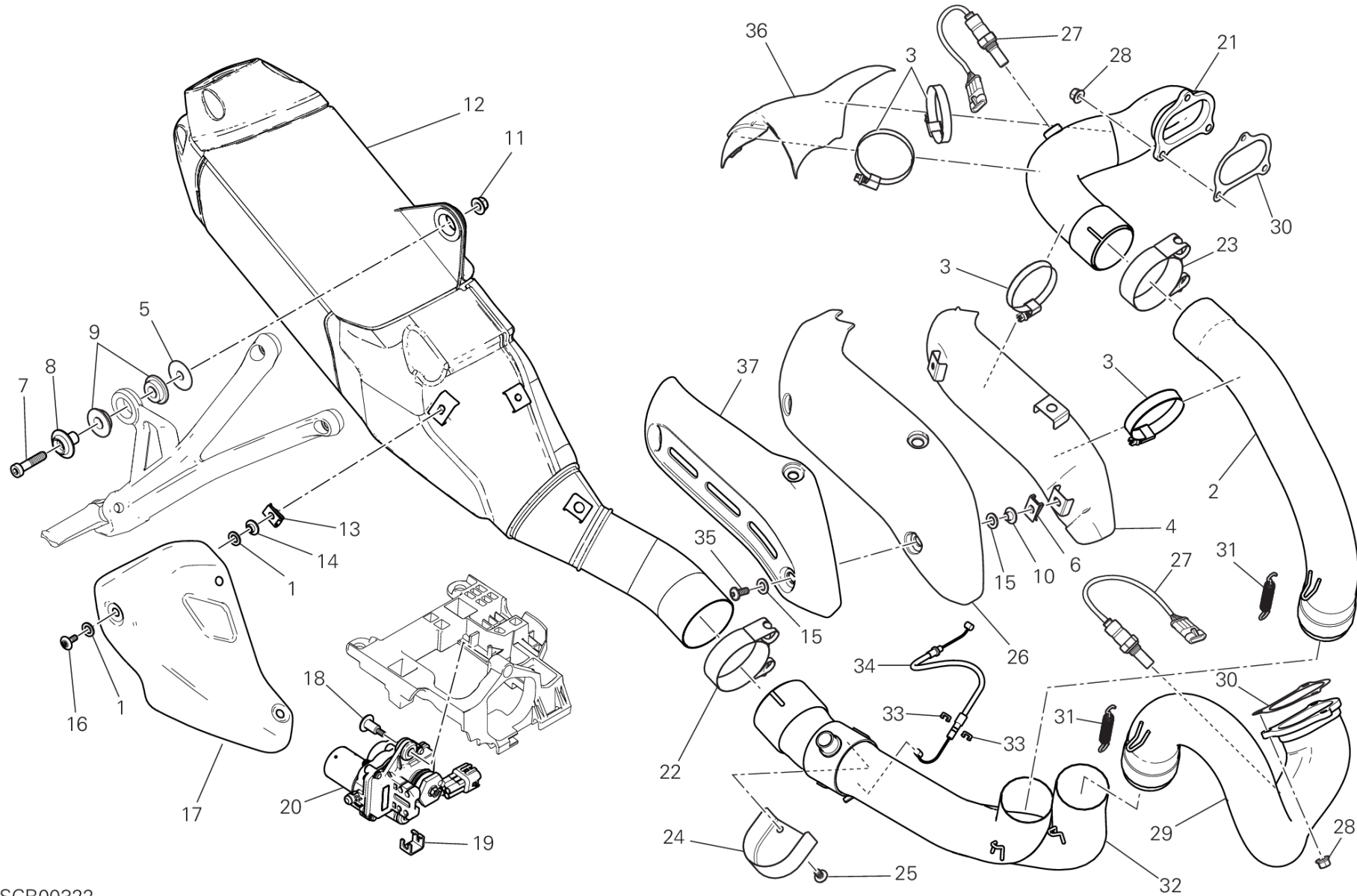
POS.	CODE	DESCRIPTION	QTY	START DATE	END DATE	VALIDITY	NOTES
1	85212271A	WASHER	6	10/03/2016			
2	57113261A	EXHAUST PIPE VERTICAL	1	10/03/2016			
3	74142381A	CLAMP 40/60 MM	4	22/10/2013			
4	4601B284A	HOLDER HEAT GUARD VERTICAL	1	22/10/2013			
5	85213681A	WASHER	1	07/11/2016			
6	85040381A	QUICK FASTENING	3	22/10/2013			
7	77355068B	SCREW TCEIR M8X35	1	22/10/2013			
8	71314361AB	BUSH	1	05/05/2014			
9	76410011A	DAMPER	2	22/10/2013			
10	71614691AA	SPACER	3	22/10/2013			
11	74940321A	NUT	1	07/09/2017			
12	57324482AA	SILENZIATORE COMPLETO	1	22/02/2017		XST:AUS,BLG,EUR,GSO,JAP,ROK,SPA;	AUS-BLG-EUR-JAP-GSO-ROK-RUS-SPA-THA-TWN
13	85040551A	QUICK FASTENING	3	22/10/2013			
14	71611071B	SPACER	3	22/02/2017			
15	85210721B	WASHER	6	22/10/2013			
16	77210882B	SCREW TBEI M5X12	3	22/10/2013			
17	4601G511AA	HEAT GUARD SILENCER	1	22/02/2017			
18	77211401BA	SCREW, SPECIAL	2	24/09/2015			
19	75910251A	SPRING	1	24/09/2015			
20	59340301C	ELECTRIC MOTOR, EXHAUST VALVE	1	24/09/2015			
21	57113252A	EXHAUST MANIFOLD	1	07/05/2020			
22	74142651A	CLAMP	1	10/03/2016			
23	74141461A	CLAMP 53/20 MM	1	22/02/2017			
24	4601B921A	GUARD, EXHAUST VALVE	1	22/10/2013			
25	77253268C	SCREW	2	05/05/2014			
26	4602B332A	COVER ASSEMBLY HEAT GUARD VERTICAL	1	22/10/2013			
27	55214011A	SENSOR LAMBDA SOND	2	22/10/2013			
28	74810241A	NUT	6	22/10/2013			
29	57013383A	HORIZONTAL HEAD EXHAUST PIPE	1	07/05/2020			
30	79010211A	GASKET, EXHAUST PIPE	2	22/10/2013			
31	79925941A	COMPLETE SPRING	2	22/10/2013			
32	57211632A	PIPE, EXHAUST CENTER	1	10/03/2016			
33	88450661A	SNAP RING	2	22/10/2013			
34	73210543A	CABLE, EXHAUST VALVE	1	15/10/2013			



DRAWING 019 - EXHAUST SYSTEM

[MOD:M821STEAM;XST:AUS,BLG,EUR,GSO,JAP,ROK,SPA,TWN]

GROUP FRAME



SCR00322

DRAWING 019 - EXHAUST SYSTEM

[MOD:M821STEAM;XST:AUS,BLG,EUR,GSO,JAP,ROK,SPA,TWN]

GROUP FRAME

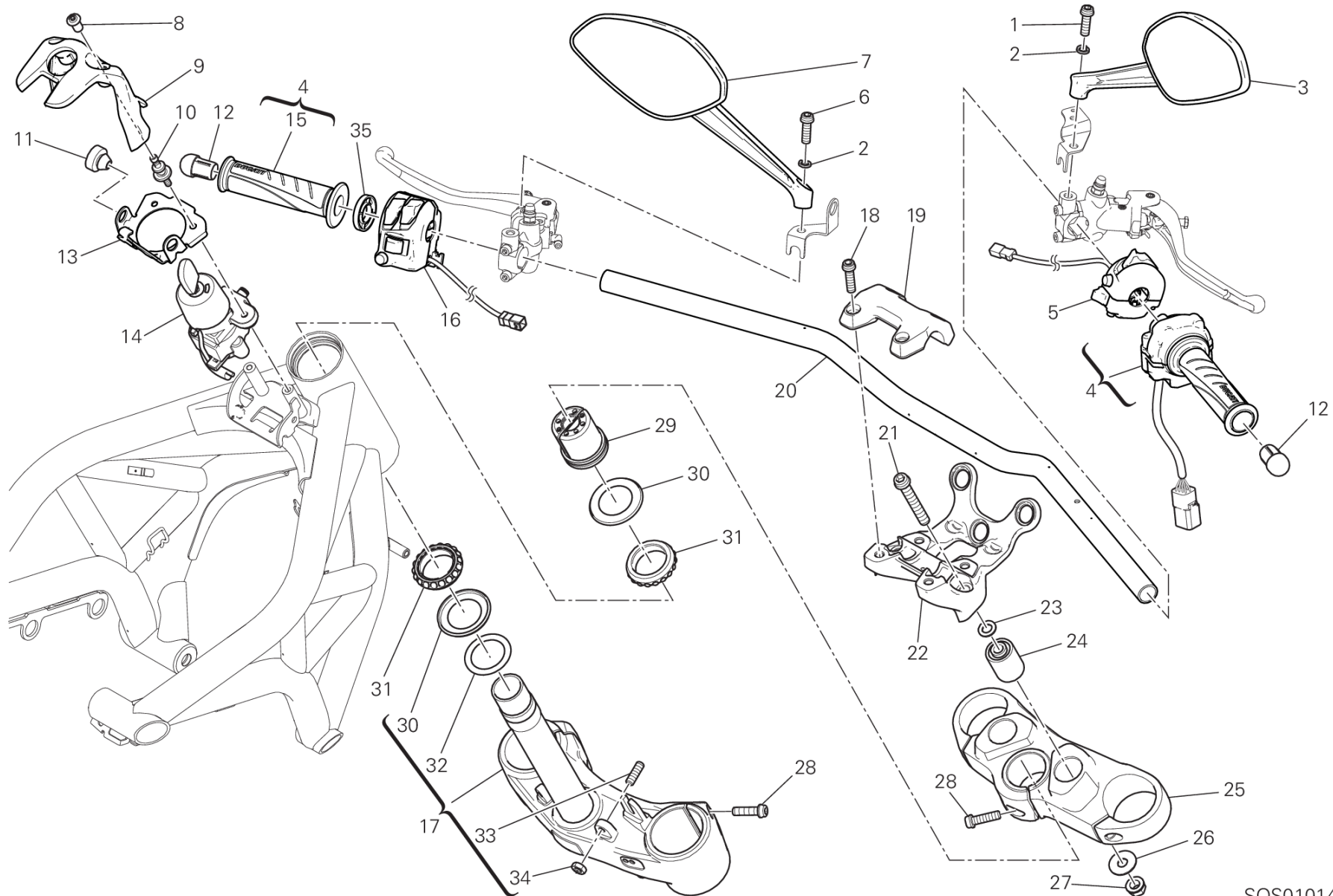


POS.	CODE	DESCRIPTION	QTY	START DATE	END DATE	VALIDITY	NOTES
35	77240433C	SCREW	3	10/03/2016			
36	4601B275A	HEAT GUARD REAR VERTICAL	1	22/10/2013			
37	4601E841A	HEAT GUARD UPPER VERTICAL	1	10/03/2016			



DRAWING 021 - HANDLEBAR AND CONTROLS [MOD:M821STEAM;XST:AUS,BLG,EUR,GSO,JAP,ROK,SPA,TWN]

GROUP FRAME



SOS01014

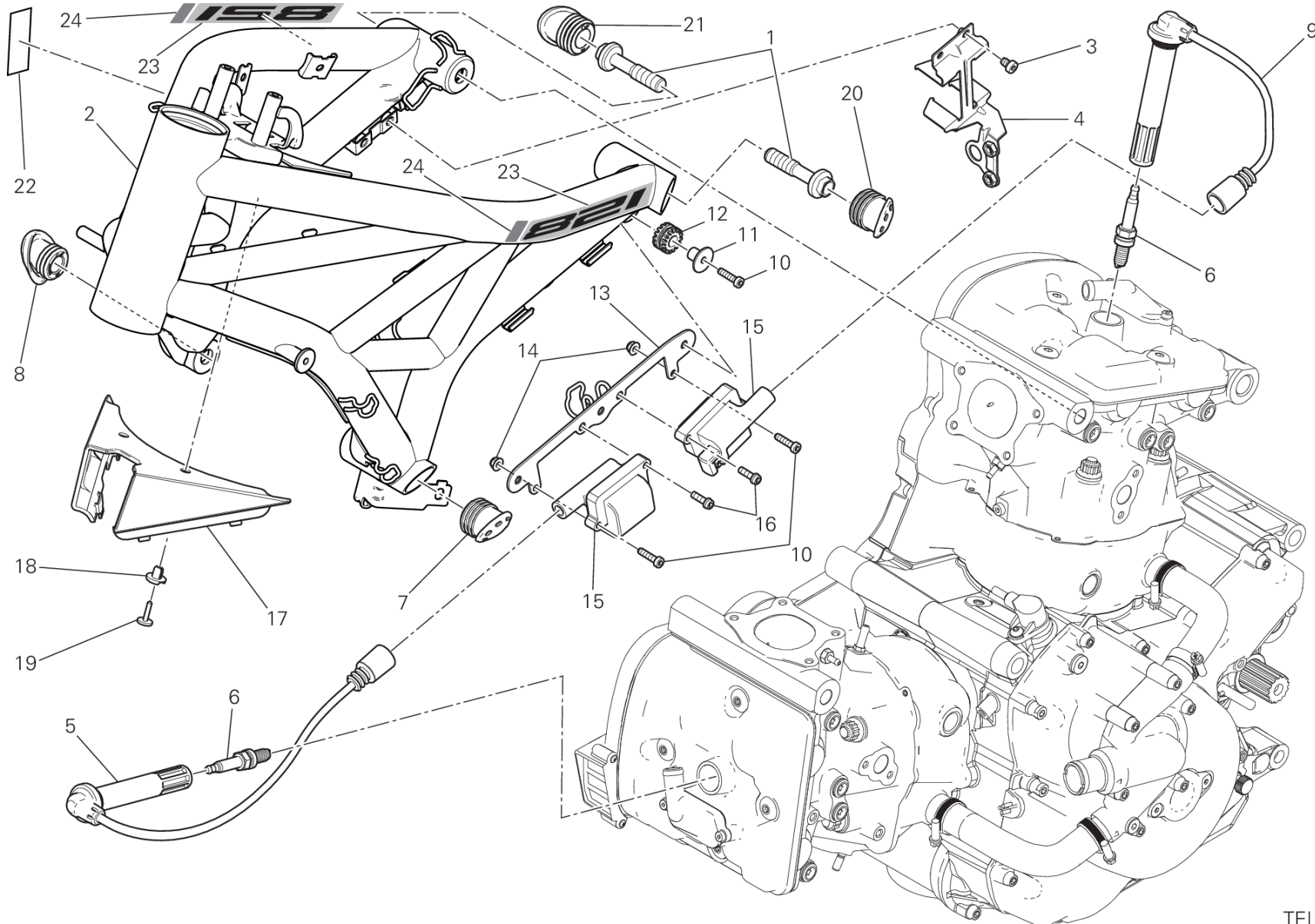
DRAWING 021 - HANDLEBAR AND CONTROLS

[MOD:M821STEA;XST:AUS,BLG,EUR,GSO,JAP,ROK,SPA,TWN]

GROUP FRAME



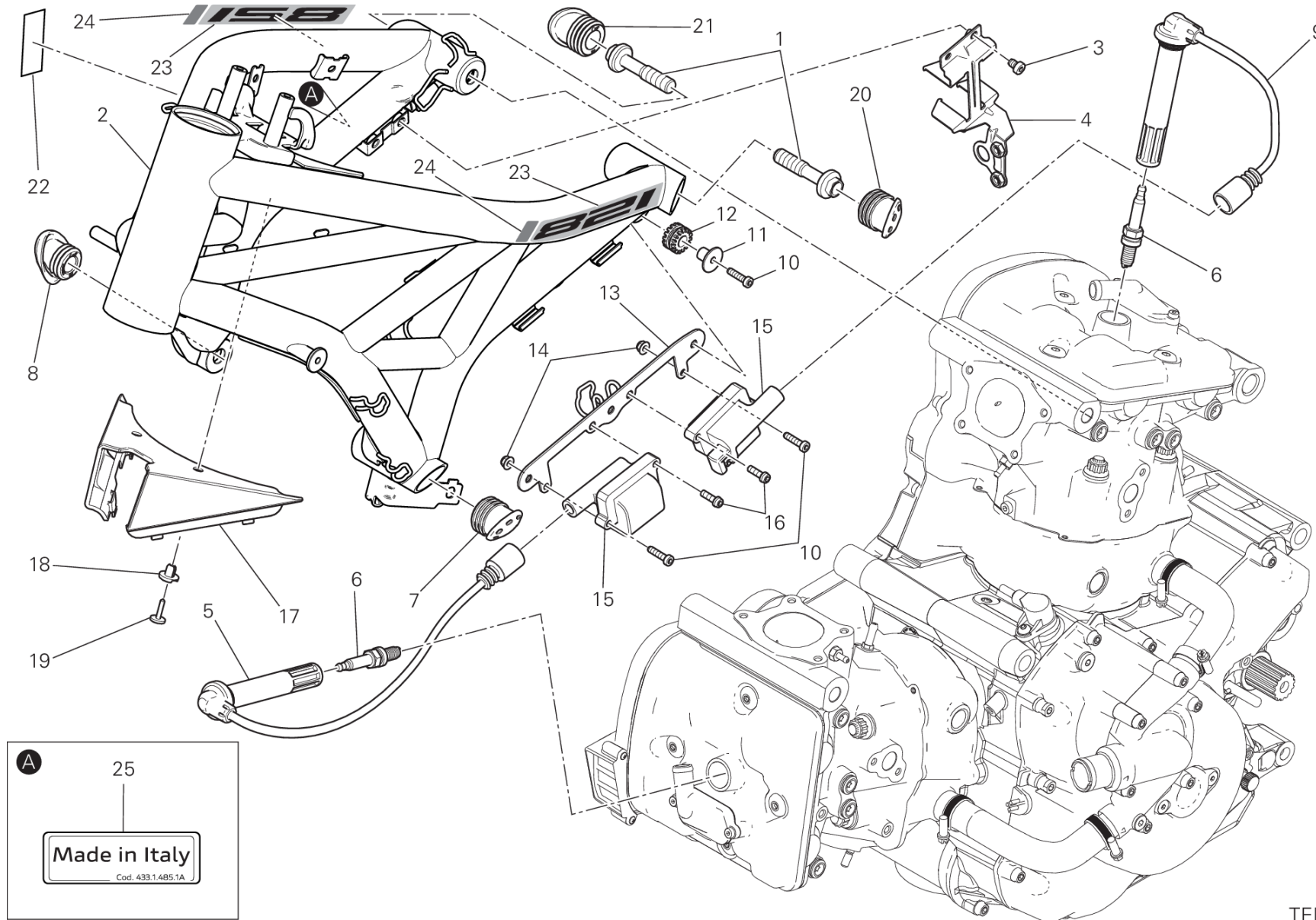
POS.	CODE	DESCRIPTION	QTY	START DATE	END DATE	VALIDITY	NOTES
1	77113731A	SCREW TCEIF M8X25, LEFT THREAD	1	22/10/2013			
2	46210021A	SPRING WASHER 8 MM	2	22/10/2013			
3	52310541A	REAR-VIEW MIRROR R.H.	1	22/09/2016			
4	66020093B	THROTTLE CONTROL (Unit)	1	24/10/2016			
5	65010283B	RIGHT HANDLE SWITCH	1	21/09/2016			
6	77113741A	SCREW TCEIF M8X25	1	22/10/2013			
7	52310551A	REAR-VIEW MIRROR L.H.	1	22/09/2016			
8	75012341AA	SCREW, SPECIAL	2	22/10/2013			
9	4601E221A	COVER, IGNITION SWITCH	1	10/03/2016			
10	77110501A	SCREW, SPECIAL	2	22/10/2013			
11	86611001A	PAD	2	09/06/2014			
12	87210281A	BALANCER SET, HANDLE BAR	2	22/02/2017			
13	8301E411AA	BRACKET, FUEL TANK	1	10/03/2016			
14	65240231A	KEY-OPERATED SWITCH	1	04/04/2013			
15	36140161A	HAND GRIP LH	1	24/10/2016			
16	65110281B	LEFT HANDLE SWITCH	1	21/09/2016			
17	342P0962AB	STEERING HEAD BASE (Unit)	1	24/10/2016			
18	77157273B	SCREW	4	01/08/2013			
19	36015332AA	HANDLEBAR BRACKET, UPPER	1	11/07/2017			
20	36012001BA	HANDLEBAR	1	11/07/2017			
21	77159418B	SCREW M10X1.25X70	2	01/08/2013			
22	36015521AA	HOLDER, HANDLE LOWER	1	11/07/2017			
23	85250401A	WASHER 10.5X18X1.6	2	01/08/2013			
24	70011151A	VIBRATION DAMPER	2	01/08/2013			
25	34110992AC	STEERING HEAD	1	01/08/2013			
26	85210491B	WASHER 10.5X28X1.5	2	01/08/2013			
27	74840241AB	NUT M10X1.25	2	01/08/2013			
28	77157268B	SCREW	7	01/08/2013			
29	70310761AA	THREAD, STEERING HEAD TOP	1	22/10/2013			
30	93010041B	SEAL RING	2	31/07/2013			
31	70241231A	BEARING, STEERING NTN SF07A17P	2				
32	85211031AB	WASHER	1	31/07/2013			
33	77850281A	THREADED DOWEL STEI M8X25	2	31/07/2013			
34	74750071A	NUT	2	31/07/2013			
35	71316161A	SPACER	1	19/08/2019			



TEL01282



POS.	CODE	DESCRIPTION	QTY	START DATE	END DATE	VALIDITY	NOTES
1	77918291AA	SCREW, SPECIAL	4	22/10/2013			
2	47013091AC	FRAME BLACK	1	05/03/2020		DFR:N;MOD:M821STEAXPLT:DB10;XI	
	47013101AC	FRAME BLACK	1	05/03/2020		DFR:N;MOD:M821STEAXPLT:DB10;XI	
3	77350618B	SCREW TCEIR M6X8	2	22/10/2013			
4	83018172AA	BRACKET, FUSE BOX	1	22/10/2013			
5	67110601D	SPARK PLUG CABLE, HORIZONTAL HEAD	1	22/02/2017			
6	67040451A	SPARK PLUG NGK MAR9A-J	2	26/02/2013			
7	87210951A	LEFT PAD FRONT	1	05/05/2014			
8	87210941A	RIGHT PAD FRONT	1	05/05/2014			
9	67110591D	SPARK PLUG CABLE, VERTICAL HEAD	1	22/02/2017			
10	77354743B	SCREW TCEIR M5X20 DIN6912 8.8	5	22/10/2013			
11	71611641AA	SPACER	3	10/03/2016			
12	76410241A	VIBRATION DAMPER PAD	3	22/10/2013			
13	83018431AA	BRACKET, COIL	1	22/10/2013			
14	74810351B	NUT	2	22/10/2013			
15	38010151A	IGNITION COIL	2	05/05/2014			
16	77156413B	SCREW TCEIF M5X16	2	22/10/2013			
17	48211951A	COVER TUBE	1	22/10/2013			
18	85041051A	RIVET, FEMALE	2	22/10/2013			
19	85041041A	RIVET, MALE	2	22/10/2013			
20	87210922A	LEFT PAD	1	10/01/2014			
21	87210912A	RIGHT PAD	1	10/01/2014			
22	92610051A	GUARD	2	10/03/2016			
23	4381C891A	TRANSFER REAR FRAME	2	06/11/2018			
24	4381C901A	TRANSFER FRONT FRAME	2	06/11/2018			



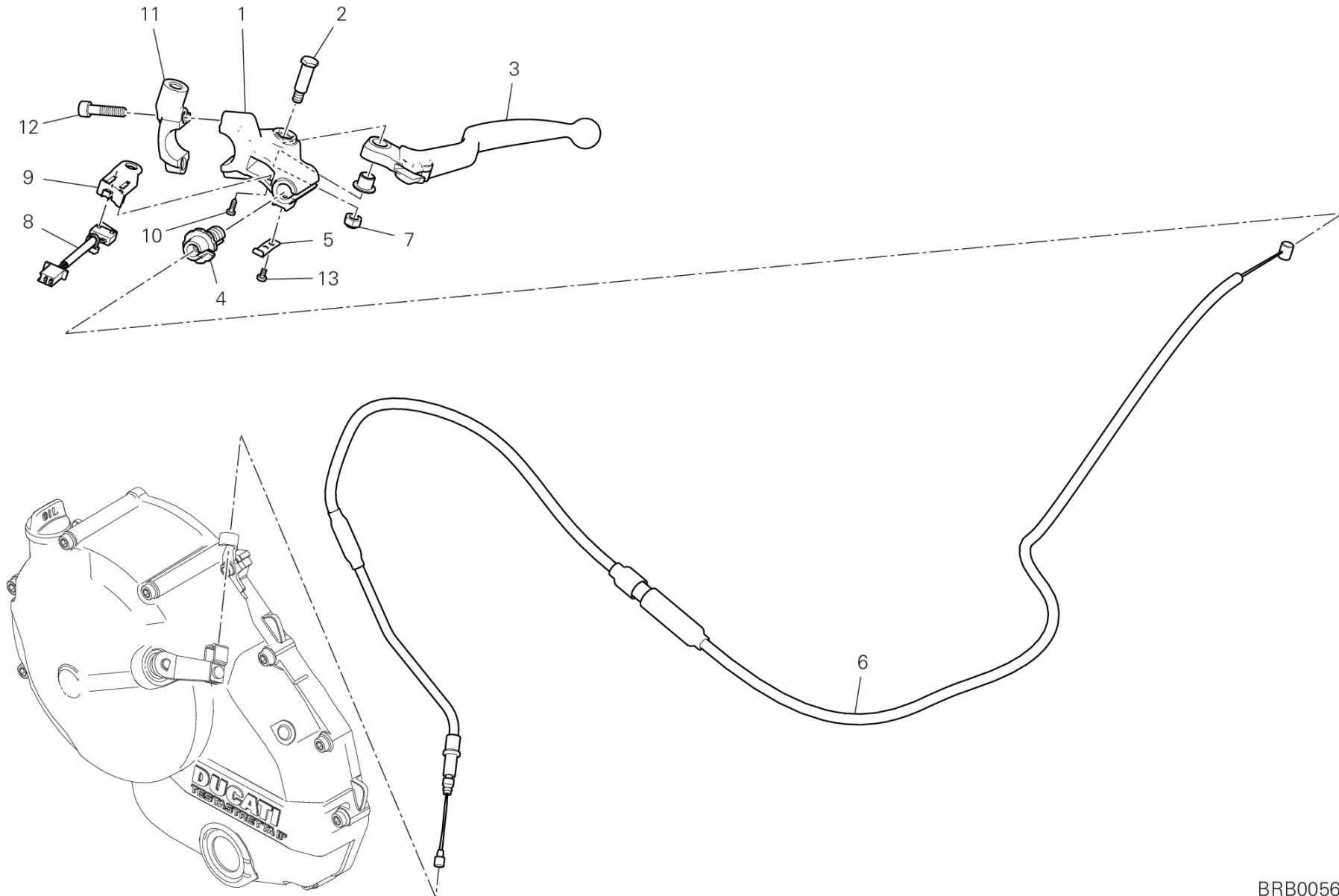
TEL01390

DRAWING 022 - FRAME [MOD:M821STEAXST:ROK]

GROUP FRAME



POS.	CODE	DESCRIPTION	QTY	START DATE	END DATE	VALIDITY	NOTES
1	77918291AA	SCREW, SPECIAL	4	22/10/2013			
2	47013091AC	FRAME BLACK	1	05/03/2020		DFR:N;MOD:M821STEAX;PLT:DB10;X	
3	77350618B	SCREW TCEIR M6X8	2	22/10/2013			
4	83018172AA	BRACKET, FUSE BOX	1	22/10/2013			
5	67110601D	SPARK PLUG CABLE, HORIZONTAL HEAD	1	22/02/2017			
6	67040451A	SPARK PLUG NGK MAR9A-J	2	26/02/2013			
7	87210951A	LEFT PAD FRONT	1	05/05/2014			
8	87210941A	RIGHT PAD FRONT	1	05/05/2014			
9	67110591D	SPARK PLUG CABLE, VERTICAL HEAD	1	22/02/2017			
10	77354743B	SCREW TCEIR M5X20 DIN6912 8.8	5	22/10/2013			
11	71611641AA	SPACER	3	10/03/2016			
12	76410241A	VIBRATION DAMPER PAD	3	22/10/2013			
13	83018431AA	BRACKET, COIL	1	22/10/2013			
14	74810351B	NUT	2	22/10/2013			
15	38010151A	IGNITION COIL	2	05/05/2014			
16	77156413B	SCREW TCEIF M5X16	2	22/10/2013			
17	48211951A	COVER TUBE	1	22/10/2013			
18	85041051A	RIVET, FEMALE	2	22/10/2013			
19	85041041A	RIVET, MALE	2	22/10/2013			
20	87210922A	LEFT PAD	1	10/01/2014			
21	87210912A	RIGHT PAD	1	10/01/2014			
22	92610051A	GUARD	2	10/03/2016			
23	4381C891A	TRANSFER REAR FRAME	2	06/11/2018			
24	4381C901A	TRANSFER FRONT FRAME	2	06/11/2018			
25	43314851A	MARKING PLATE	1	09/03/2020			



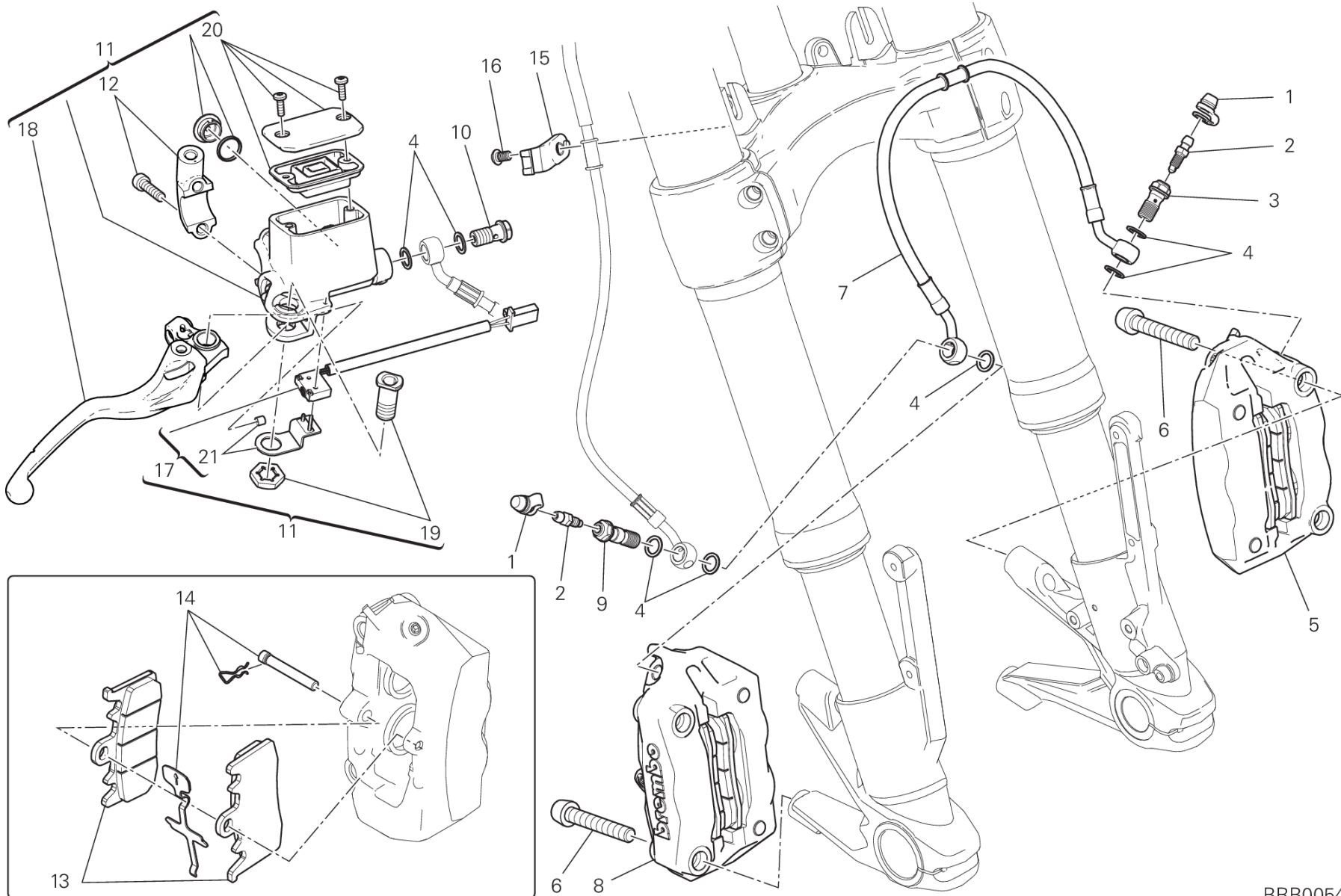
BRB00567

DRAWING 023 - CLUTCH CONTROL [MOD:M821STEAL]

GROUP FRAME



POS.	CODE	DESCRIPTION	QTY	START DATE	END DATE	VALIDITY	NOTES
1	8291F421AA	HOLDER	1	05/05/2016			
2	7791A101AA	SCREW, SPECIAL	1	05/05/2016			
3	63640022A	CLUTCH LEVER	1	16/11/2016			
4	7791A091AA	REGULATOR	1	05/05/2016			
5	79940221A	SPRING	1	01/01/2012			
6	73210711C	FLEXIBLE CABLE	1	22/02/2017			
7	74841081A	NUT, SELF-LOCKING	1	05/05/2016			
8	53940871A	MICROSWITCH	1	16/11/2016			
9	53940811A	HOLDER	1	05/05/2016			
10	77140911A	SCREW	1	05/05/2016			
11	62640931AA	BRACKET, CLUTCH MASTER CYLINDER	1	11/07/2017			
12	77150693B	SCREW	2	01/06/2014			
13	77540071A	SCREW	1	05/05/2016			



BRB00543

DRAWING 024 - FRONT BRAKE SYSTEM [MOD:M821STEA]

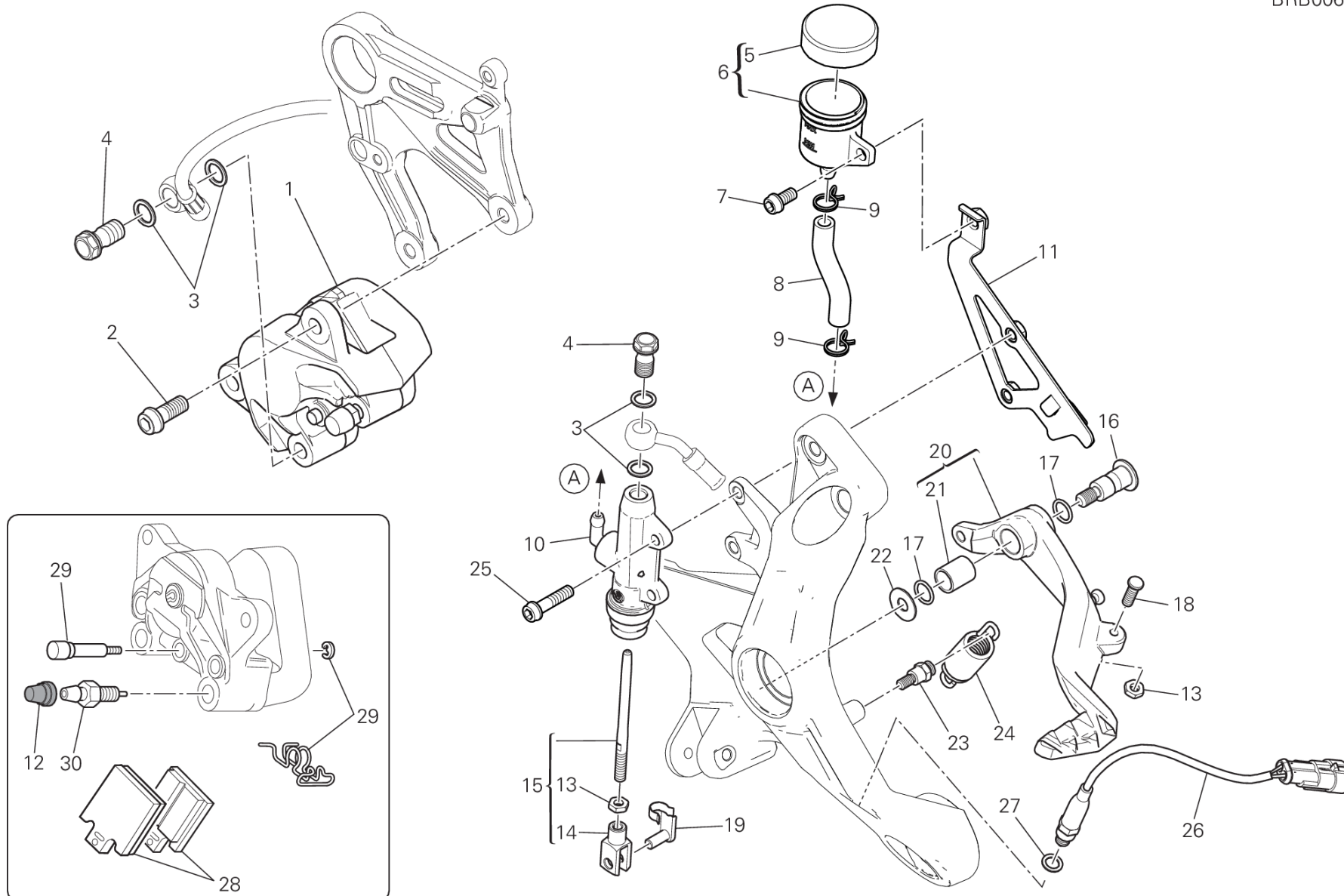
GROUP FRAME



POS.	CODE	DESCRIPTION	QTY	START DATE	END DATE	VALIDITY	NOTES
1	61240052A	DUST COVER	2	05/12/2012			
2	18710021A	VALVE, BREATHER	2	05/12/2012			
3	77913971A	BOLT, BRAKE HOSE	1	05/12/2012			
4	85250241A	WASHER 10X14X1	7	05/12/2012			
5	61041292C	LEFT FRONT BRAKE CALIPER	1	09/09/2016			
6	77913311D	SCREW M 10 X 60	4	15/11/2012			
7	61810871A	HOSE, FRONT BRAKE CALIPER-CALIPER	1	24/07/2015			
8	61041302C	RIGHT FRONT BRAKE CALIPER	1	09/09/2016			
9	77914651A	BOLT, BRAKE HOSE	1	05/12/2012			
10	77914151A	BOLT, BRAKE HOSE	1	05/12/2012			
11	62441042A	FRONT BRAKE PUMP	1	24/07/2015			
12	62640901A	BRACKET, MASTER CYLINDER	1	02/04/2014			
13	61341021A	FRONT BRAKE PADS SET	2	01/07/2012			
14	61240511A	SPARE PIN AND SPRING	1	01/07/2012			
15	83018691A	GUIDE, FRONT BRAKE HOSE	1	05/05/2014			
16	77510541A	SCREW TBEI M6X10	1	05/05/2014			
17	53940721A	MICROSWITCH	1				
18	63140591A	LEVER, FRONT BRAKE	1	29/07/2015			
19	62640601A	BOLT, PIVOT	1				
20	89340091A	THE BRAKE CAP	1				
21	58540271A	HOLDER MICROSWITCH	1				



BRB00607



DRAWING 025 - REAR BRAKE SYSTEM [MOD:M821STEA]

GROUP FRAME



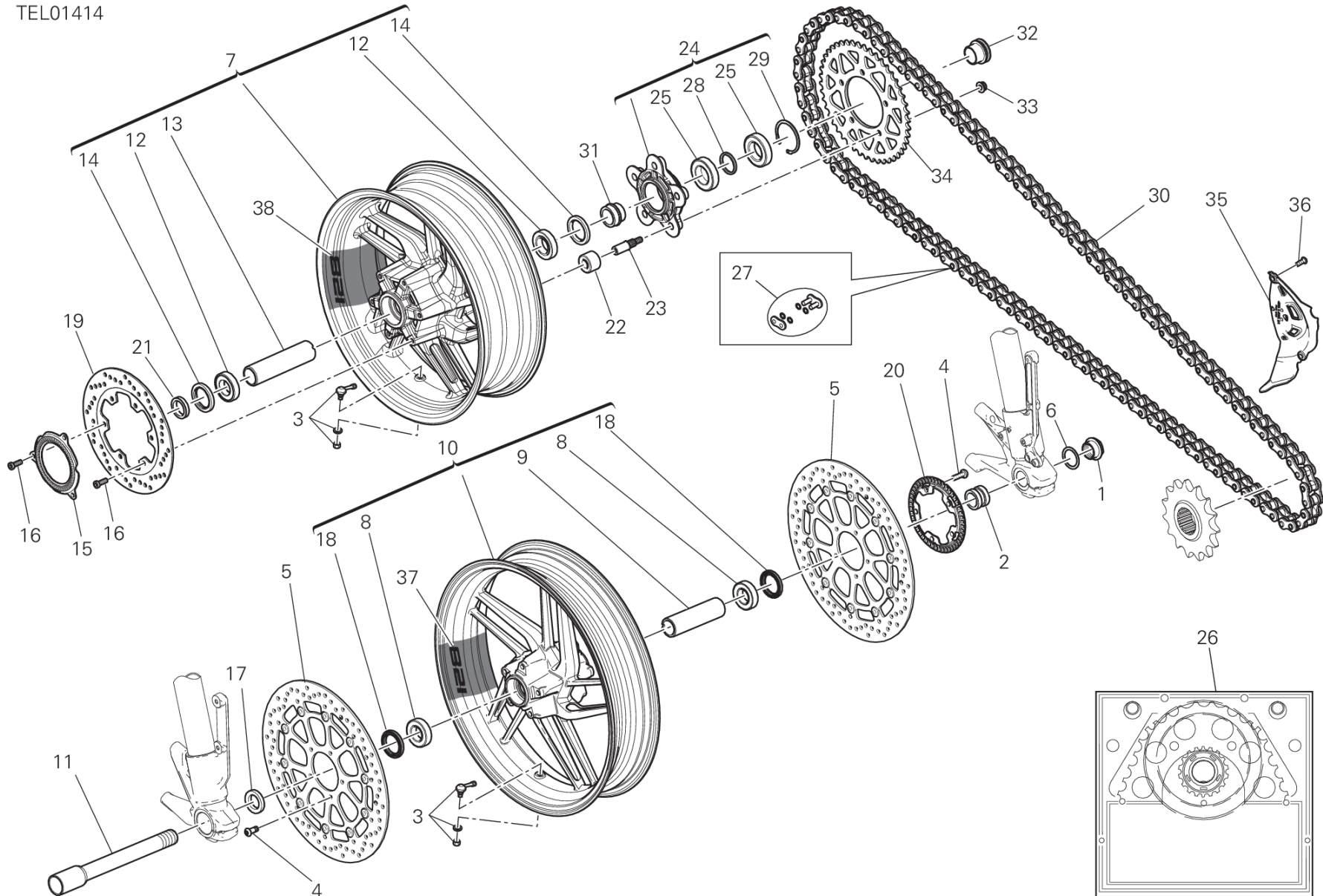
POS.	CODE	DESCRIPTION	QTY	START DATE	END DATE	VALIDITY	NOTES
1	61140421A	REAR BRAKE CALIPER	1	20/09/2013			
2	77157238B	SCREW TCEIF M8X20	2	22/10/2013			
3	85250241A	WASHER 10X14X1	4	20/09/2013			
4	77913662AB	SCREW, SPECIAL	2	20/09/2013			
5	89340241A	TANK CAP	1	01/05/2011			
6	58540311A	RESERVOIR, BRAKE FLUID	1	21/01/2015			
7	77113691A	SCREW TCEIF M6X12	1	01/05/2017			
8	87712631A	HOSE, OIL	1	01/01/2019			
9	74140431A	CLAMP	2	20/09/2013			
10	62540201A	REAR BRAKE PUMP	1	20/09/2013			
11	82717873BA	BRACKET, TANK	1	14/01/2017			
12	61240081A	DUST PLUG (confezione da 20 pezzi)	1				
13	74750051B	NUT	2	01/03/2013			
14	18410051A	FORK HEADS DIN 71752	1	01/03/2013			
15	11723531AA	ROD, BRAKE (Unit)	1	22/10/2013			
16	82111701CA	PIN PEDAL	1	19/09/2013			
17	88641161A	O-RING	2	19/09/2013			
18	77919121AA	SCREW	1	07/02/2014			
19	85010151A	QUICK FASTENING	1	22/10/2013			
20	45720571AA	BRAKE CONTROL LEVER (Unit)	1	19/09/2013			
21	71210341A	BUSH	1	01/03/2013			
22	85210532A	WASHER 8.2X20X1	1	19/09/2013			
23	82112731A	PIN	1	19/09/2013			
24	79925771B	COMPLETE SPRING	1	19/09/2013			
25	77156683B	SCREW	2	10/03/2016			
26	53940033C	SWITCH, REAR BRAKE	1	19/09/2013			
27	42020008A	COPPER GASKET 11X8.2X1	1	19/09/2013			
28	61340951A	REAR BRAKE PADS SET	1	10/06/2013			
29	61240161A	PAD PINS OVERHAUL KIT	1				
30	63140161A	FRONT CALIPER DRAIN SCREW	1				



DRAWING 026 - RUOTA ANTERIORE E POSTERIORE [MOD:M821STEA]

GROUP FRAME

TEL01414



DRAWING 026 - RUOTA ANTERIORE E POSTERIORE [MOD:M821STEAM]

GROUP FRAME



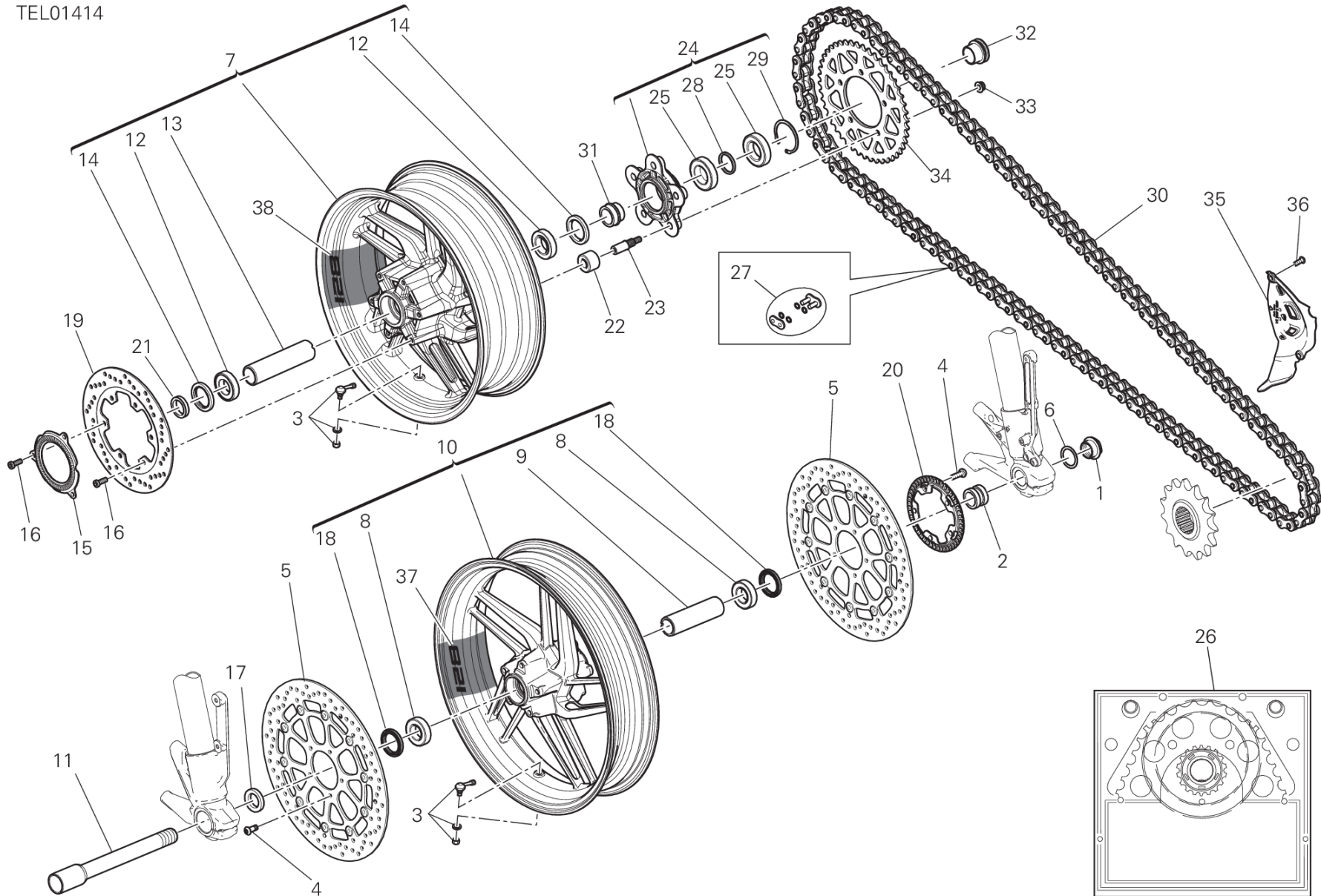
POS.	CODE	DESCRIPTION	QTY	START DATE	END DATE	VALIDITY	NOTES
1	74810651A	NUT	1				
2	71311973A	LEFT SPACER	1	05/05/2014			
3	49720071AC	VALVE, TUBELESS TIRE	1	24/02/2016			
4	72010513C	SCREW	10				
5	49241011A	FRONT BRAKE DISC	2	01/03/2013			
6	85212221A	WASHER	1				
7	50221671AA	REAR WHEEL RIM BLACK	1	21/01/2014		PLT:DB10	
8	70250621A	BEARING	2	15/04/2013			
9	71413321A	INNER SPACER	1	22/03/2017			
10	50121812AA	FRONT WHEEL RIM BLACK	1	22/03/2017			
11	81910602AA	FRONT WHEEL SPINDLE	1	05/03/2020			
12	70250501A	BEARING	2	25/11/2013		PLT:DB10	
13	71411341AA	SPACER	1	25/11/2013		PLT:DB10	
14	93040391A	SEAL RING	2	10/05/2013		PLT:DB10	
15	50410061A	REAR PHONIC WHEEL	1	10/05/2013			
16	77310071A	SCREW	6	31/05/2013			
17	71311961A	RIGHT SPACER	1	05/05/2014			
18	93042051A	SEAL RING	2				
19	49240032A	REAR BRAKE DISC	1	10/05/2013			
20	50410051A	PHONIC WHEEL	1				
21	71312051A	INNER SPACER	1	20/07/2013			
22	70010591A	WHEEL RUNNER BUSH	5	31/05/2013			
23	82114741AA	SPRING DRIVE FIXING BUSH	5	23/09/2013			
24	16022491A	DRUM, SPROCKET MOUNTING ASSY	1	01/01/2019			
25	70240381A	BEARING	2	18/04/2013			
26	67620901A	FINAL DRIVE KIT	1	05/05/2014		XST:AUS,BLG,EUR,GSO,JAP,ROK	
	67621021A	FINAL DRIVE KIT	1	22/02/2017		XST:SPA,TWN	
27	67740201A	CHAIN LINK	1	10/04/2013			
28	71311841A	INNER SPACER	1	18/04/2013			
29	88440061A	CIRCLIP	1	18/04/2013			
30	67640941A	CHAIN 107+1	1	05/05/2014		XST:AUS,BLG,EUR,GSO,JAP,ROK	
	67640961A	CHAIN 105+1	1	29/01/2018		XST:SPA,TWN	
31	7131A371AA	SPACER	1	12/03/2013			
32	7131A361AA	FINAL SPROKET SLEEVE	1	12/03/2013			
33	74810461A	NUT, FLANGE M10X1	5	12/03/2013			



DRAWING 026 - RUOTA ANTERIORE E POSTERIORE [MOD:M821STEA]

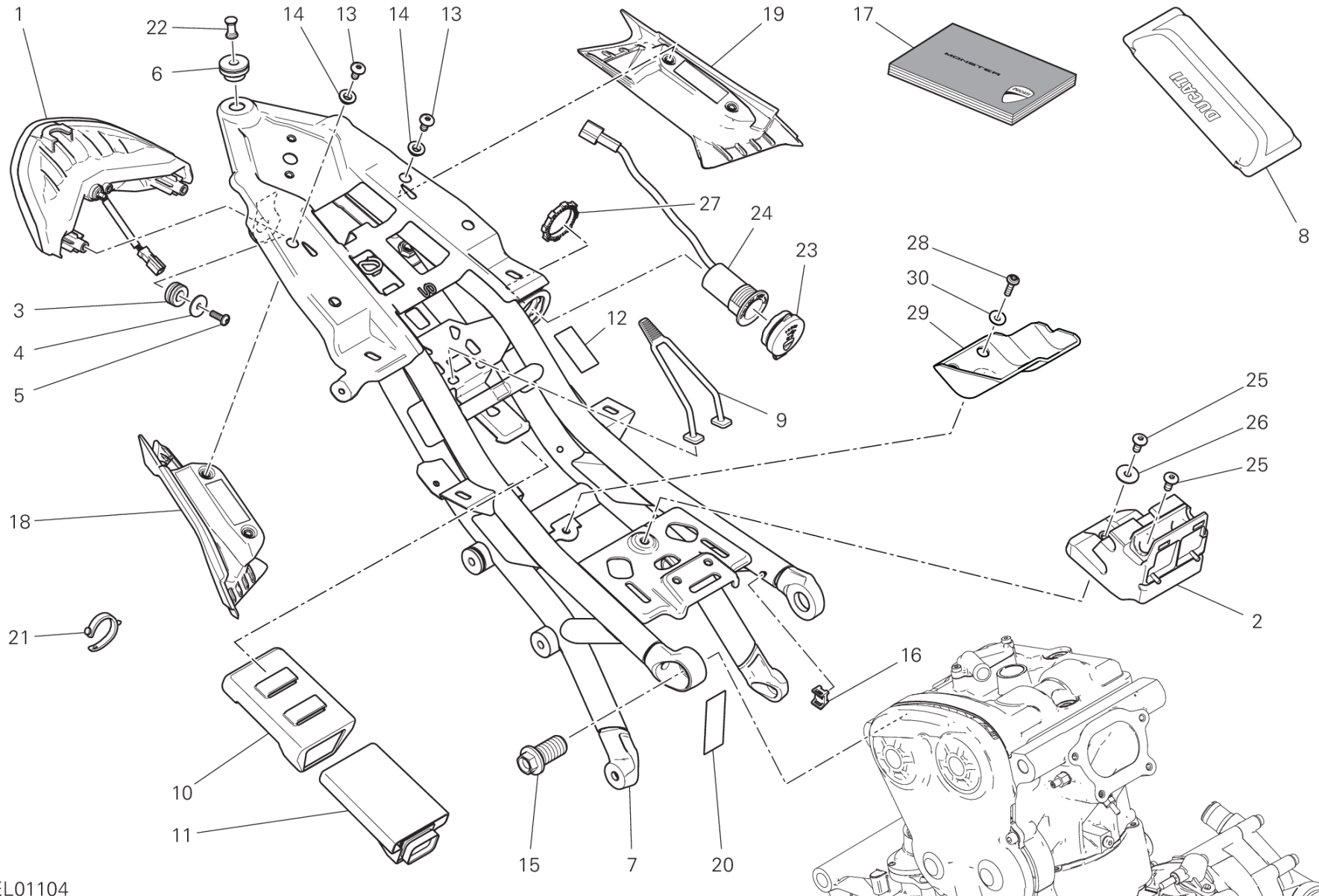
GROUP FRAME

TEL01414





POS.	CODE	DESCRIPTION	QTY	START DATE	END DATE	VALIDITY	NOTES
34	49411651AA	REAR SPROCKET T46	1	28/04/2014		XST:AUS,BLG,EUR,GSO,JAP,ROK	
	49411751AA	REAR SPROCKET T42	1	01/01/2017		XST:SPA,TWN	
35	4601E561A	CHAIN PINION COVER	1	22/02/2017			
36	77550213C	SCREW TBEI M6X16	2	05/05/2014			
37	4381C941A	TRANSFER FRONT WHEEL RIM	1	01/01/2018			
38	4381C951A	TRANSFER REAR WHEEL RIM	1	01/01/2018			



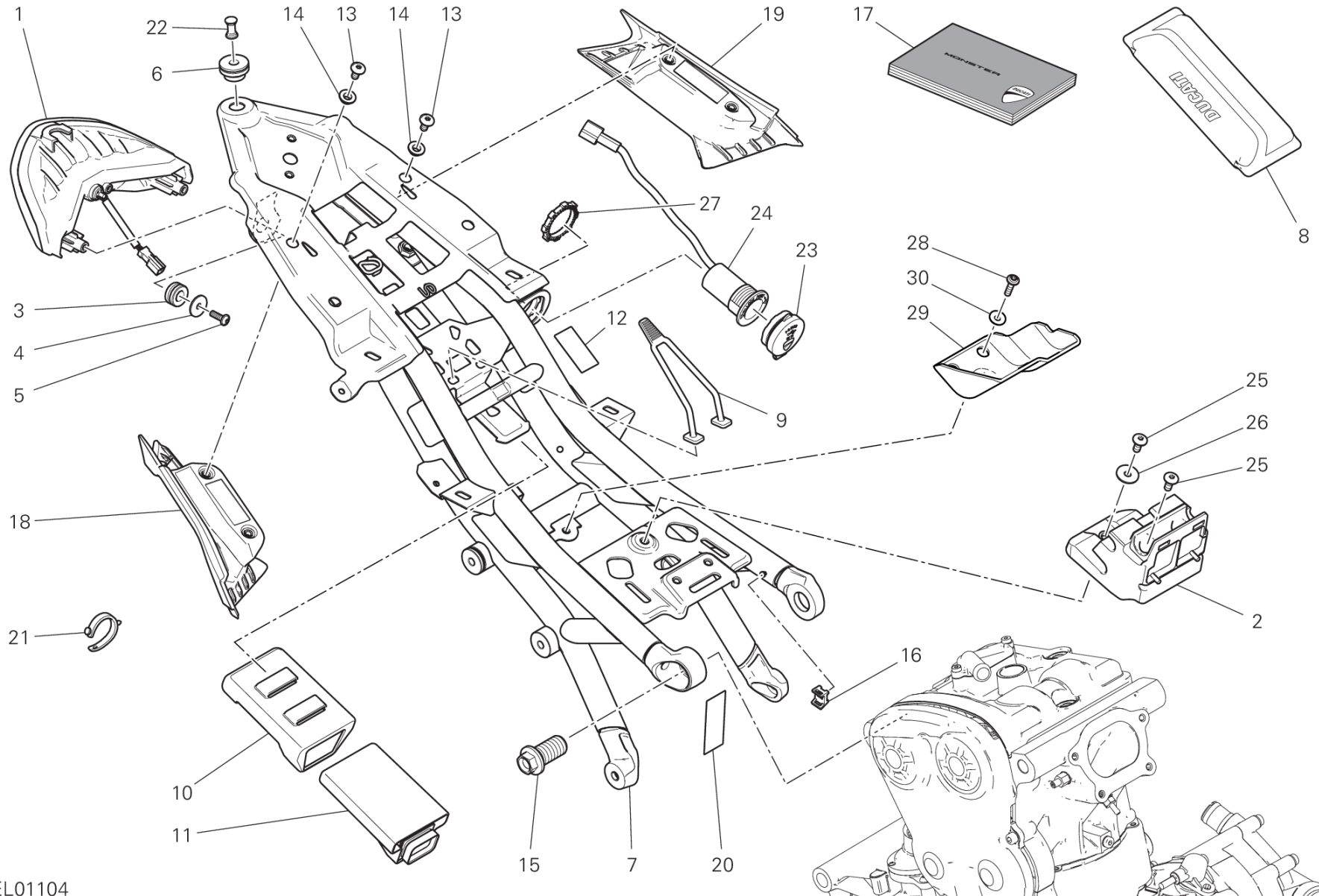
TEL01104

DRAWING 027 - REAR FRAME COMP. [MOD:M821STEA]

GROUP FRAME



POS.	CODE	DESCRIPTION	QTY	START DATE	END DATE	VALIDITY	NOTES
1	52510483B	TAILLIGHT	1	12/05/2014			
2	8291C091A	SEAT SUPPORT	1	01/08/2013			
3	76412101A	RUBBER PAD	2	12/05/2014			
4	71614921AA	SPACER	2	05/09/2016			
5	77440041A	SCREW, TAPPING M5X16	2	22/10/2013			
6	76412091A	VIBRATION DAMPER PAD	1	12/05/2014			
7	47017981BA	REAR FRAME COMP.	1	05/09/2016			
8	69720292B	TOOLS KIT	1	12/05/2014			
9	75910311A	RUBBER BAND, TOOLS KIT	1	20/10/2013			
10	86611521A	VIBRATION DAMPER HOLDER	1	01/08/2013			
11	38510913A	BLACKBOX UNIT	1	26/07/2017			
12	92610051A	GUARD	2	01/08/2013			
13	77240403CA	SCREW M6X12	4	05/09/2016			
14	71615211AA	SPACER	4	05/09/2016			
15	77918301AB	SCREW, SPECIAL	2	01/12/2013			
16	85040671A	CLAMP TUCKER	8	05/09/2016			
17	91374891AR	OWNER'S MANUAL	1			PLT:DB10	ARABIC
	91374891BG	OWNER'S MANUAL	1			PLT:DB10	BULGARIAN
	91374891CA	OWNER'S MANUAL	1			PLT:DB10	CANADA/FRA
	91374891CS	OWNER'S MANUAL	1			PLT:DB10	CZECH REPUBLIC
	91374891DA	OWNER'S MANUAL	1			PLT:DB10	DENMARK
	91374891DE	OWNER'S MANUAL	1			PLT:DB10	GERMAN
	91374891EL	OWNER'S MANUAL	1			PLT:DB10	GREECE
	91374891EN	OWNER'S MANUAL	1			PLT:DB10	ENGLISH
	91374891ES	OWNER'S MANUAL	1			PLT:DB10	SPANISH
	91374891FI	OWNER'S MANUAL	1			PLT:DB10	FINLAND
	91374891FR	OWNER'S MANUAL	1			PLT:DB10	FRENCH
	91374891HR	OWNER'S MANUAL	1			PLT:DB10	CROATIA
	91374891HU	OWNER'S MANUAL	1			PLT:DB10	HUNGARY
	91374891IT	OWNER'S MANUAL	1			PLT:DB10	ITALY
	91374891JA	OWNER'S MANUAL	1			PLT:DB10	JAPAN
	91374891KO	OWNER'S MANUAL	1			PLT:DB10	KOREA
	91374891MX	OWNER'S MANUAL	1			PLT:DB10	MEXICO/ESP
	91374891NL	OWNER'S MANUAL	1			PLT:DB10	HOLLAND
	91374891NO	OWNER'S MANUAL	1			PLT:DB10	NORWAY



TEL01104

DRAWING 027 - REAR FRAME COMP. [MOD:M821STEA]

GROUP FRAME

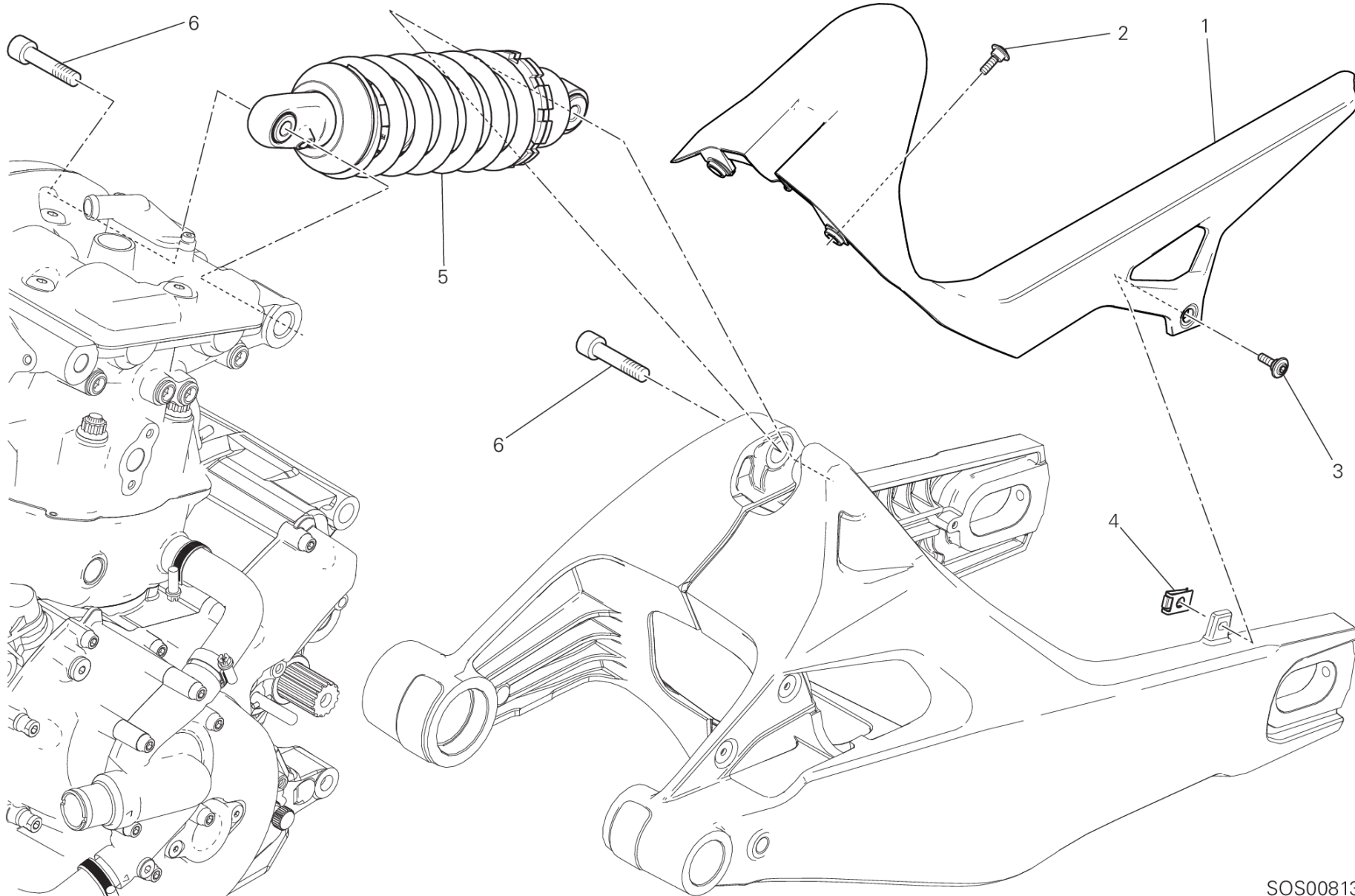


POS.	CODE	DESCRIPTION	QTY	START DATE	END DATE	VALIDITY	NOTES
	91374891PL	OWNER'S MANUAL	1			PLT:DB10	POLAND
	91374891PT	OWNER'S MANUAL	1			PLT:DB10	PORTUGAL
	91374891RO	OWNER'S MANUAL	1			PLT:DB10	ROMANIA
	91374891RU	OWNER'S MANUAL	1			PLT:DB10	RUSSIAN
	91374891SK	OWNER'S MANUAL	1			PLT:DB10	SLOVAK
	91374891SL	OWNER'S MANUAL	1			PLT:DB10	SLOVENIAN
	91374891SV	OWNER'S MANUAL	1			PLT:DB10	SWEDISH
	91374891US	OWNER'S MANUAL	1			PLT:DB10	USA
	91374891ZH	OWNER'S MANUAL	1			PLT:DB10	TRADITIONAL CHINESE
18	80610432A	GRIP,GRAB RAIL,RH	1	19/09/2016			
19	80610442A	GRIP,GRAB RAIL,LH	1	05/09/2016			
20	92610401A	GUARD	1	19/09/2016			
21	74110121A	CLAMP, RUBBER 62MM	2	10/03/2016			
22	82115511A	PIN	1	05/09/2016			
23	76412421B	HOLDER SOCKET, LOW VOLTAGE	1	19/09/2016			
24	38640591A	SOCKET, LOW VOLTAGE (USB)	1	26/07/2017			
25	77240418C	SCREW	3	19/09/2016			
26	85211671B	WASHER	1	21/06/2016			
27	75040211A	NUT	1	11/01/2016			
28	77244173B	SCREW	3	26/07/2017			
29	4601G431B	TRAY	1	26/07/2017			
30	71615671AA	SPACER	3	26/09/2017			



DRAWING 028 - SOSPENSIONE POSTERIORE [MOD:M821STEAM;XST:AUS,BLG,EUR,GSO,JAP,ROK,SPA,TWN]

GROUP FRAME



SOS00813

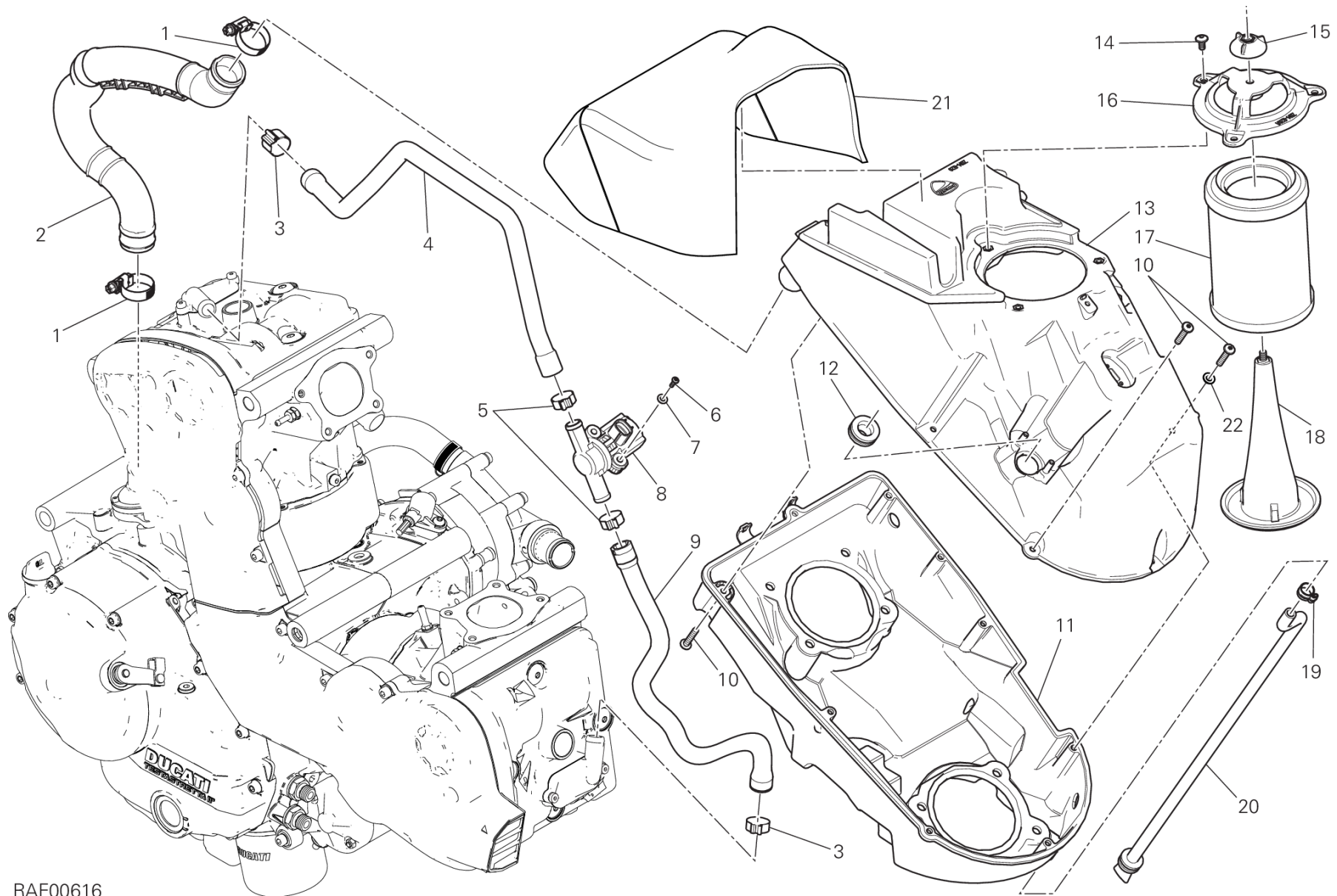
DRAWING 028 - SOSPENSIONE POSTERIORE

[MOD:M821STEA;XST:AUS,BLG,EUR,GSO,JAP,ROK,SPA,TWN]

GROUP FRAME



POS.	CODE	DESCRIPTION	QTY	START DATE	END DATE	VALIDITY	NOTES
1	56510871A	REAR MUDGUARD	1	10/03/2016			
2	77210941C	SCREW	2	05/05/2014			
3	77210943B	SCREW, SPECIAL	1	05/05/2014			
4	85041421A	QUICK FASTENING	1	05/05/2014			
5	36521332A	REAR SHOCK ABSORBER	1	05/05/2014			
6	77915041A	SCREW, SPECIAL	2	22/10/2013			



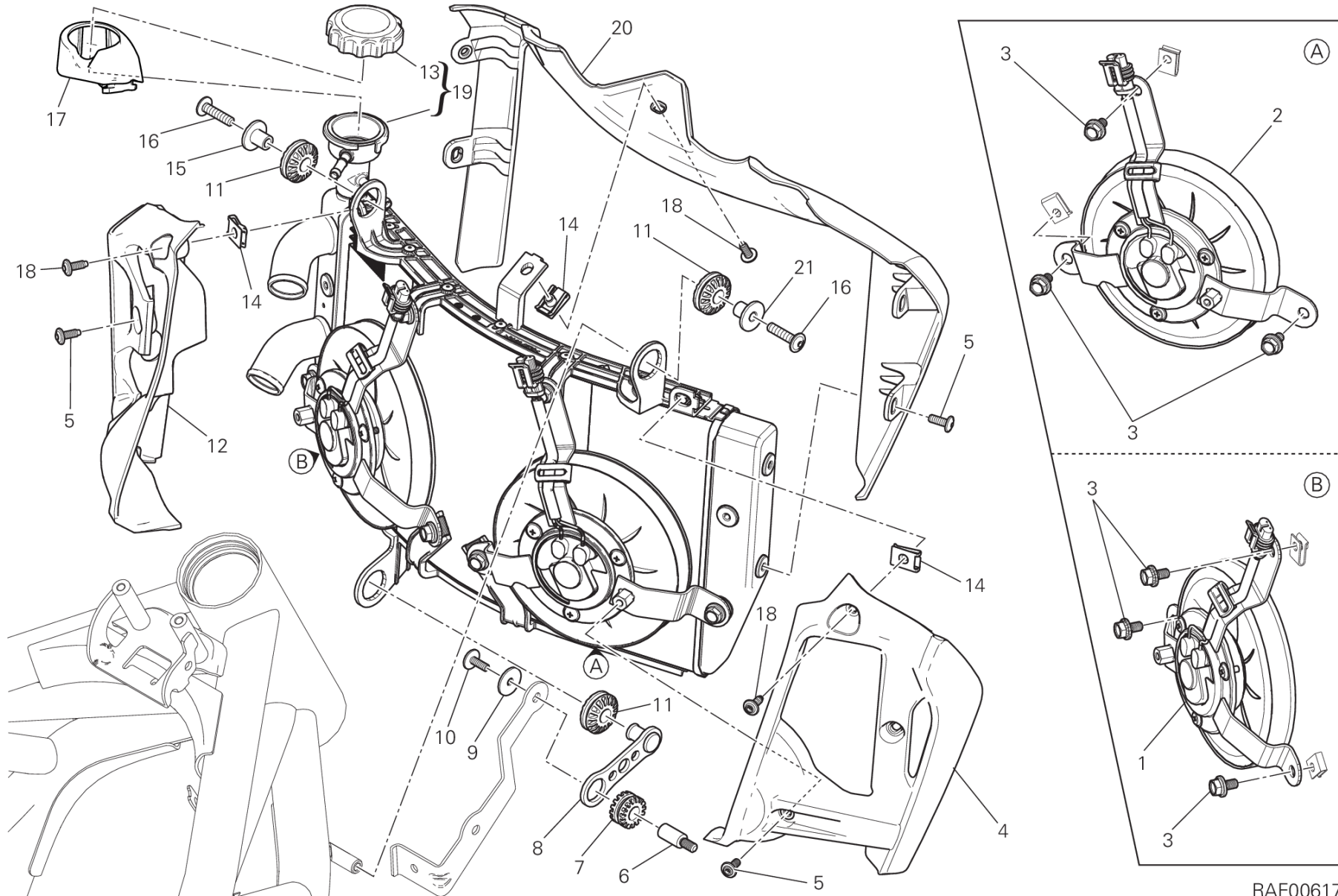
RAF00616

DRAWING 029 - AIR INTAKE - OIL BREATHER [MOD:M821STEAL]

GROUP FRAME



POS.	CODE	DESCRIPTION	QTY	START DATE	END DATE	VALIDITY	NOTES
1	74142581A	CLAMP 16-27 MM	2	22/10/2013			
2	87611232A	HOSE, BLOW-BY	1	22/10/2013			
3	74142371A	CLAMP	2	05/05/2014			
4	87611211A	DUCT, AIR VERTICAL	1	12/03/2013			
5	74142401A	CLAMP	2	25/10/2013			
6	77440101A	SCREW, TAPPING 3.5X10	1	16/03/2017			
7	85240211A	WASHER 4.7X10X1	1	12/03/2013			
8	65540091A	ACTUATOR	1	12/03/2013			
9	87611221B	DUCT, AIR HORIZONTAL	1	01/09/2013			
10	77440131A	SCREW, TAPPING 5X25 WN1411	9	12/03/2013			
11	44212781B	AIR FILTER BOX LOWER	1	29/03/2014			
12	76411621A	RUBBER PAD	1	12/03/2013			
13	44212792D	AIR FILTER BOX UPPER	1	17/06/2014			
14	77240253C	SCREW	3	12/03/2013			
15	70310481A	RING NUT	1	12/03/2013			
16	24612162A	FILTER COVER UNIT	1	01/09/2013			
17	42610191A	FILTER, AIR	1	12/03/2013			
18	82919612A	CAGE, AIR FILTER	1	12/03/2013			
19	74140651A	CLAMP	1	12/03/2013			
20	59014471A	HOSE, DRAIN AIRBOX	1	12/03/2013			
21	48611101C	DAMPER, SOUND ARRESTER	1				
22	71615071AA	SPACER	1	16/03/2017			



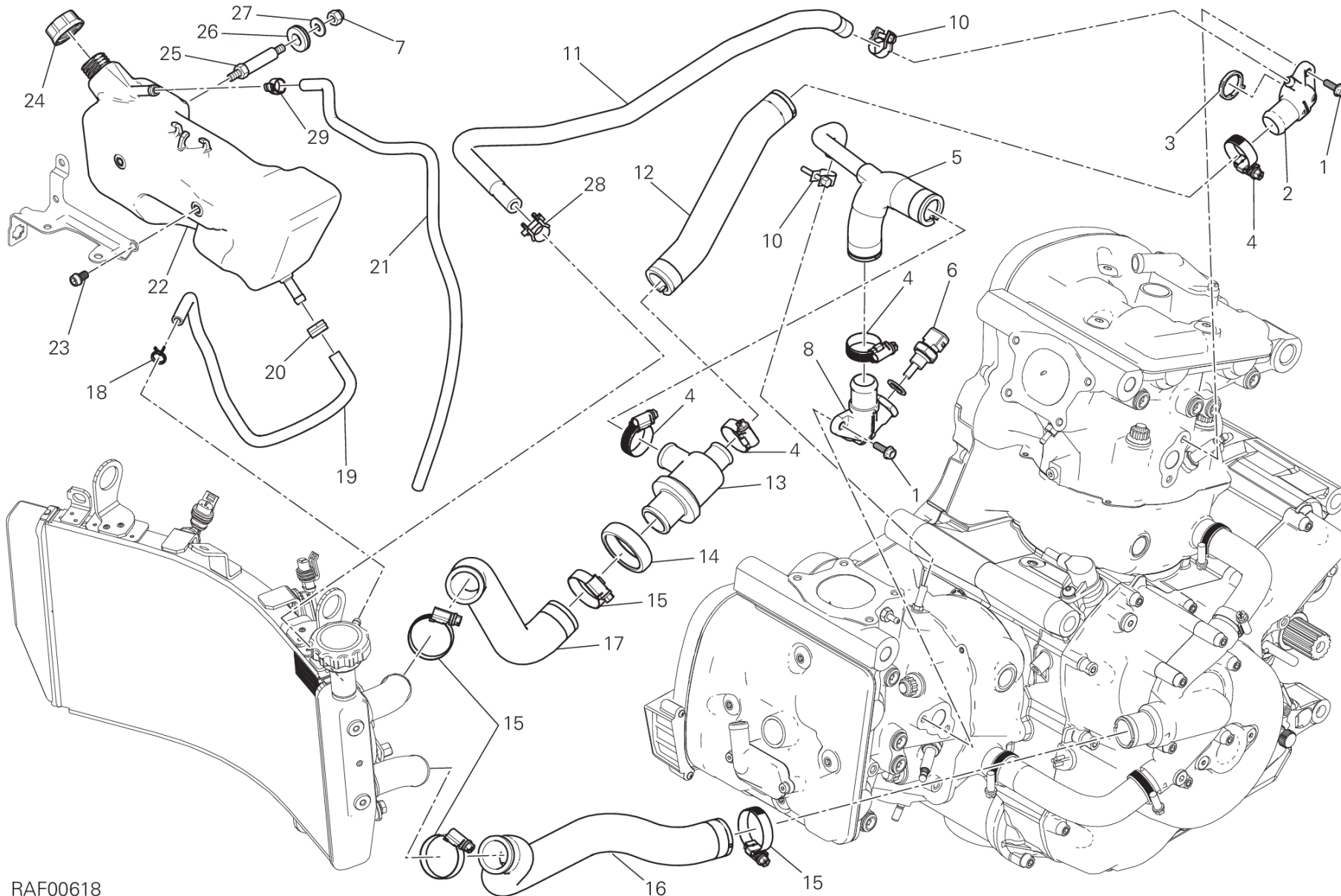
RAF00617

DRAWING 030 - WATER COOLER [MOD:M821STEA]

GROUP FRAME



POS.	CODE	DESCRIPTION	QTY	START DATE	END DATE	VALIDITY	NOTES
1	55040271A	ELECTRIC FAN, LEFT	1				
2	55040281A	ELECTRIC FAN, RIGHT	1				
3	77250988B	SCREW TEF M6X14	6				
4	48016481A	AIR SHROUD CYLINDER RIGHT	1	25/11/2013			
5	77211091A	SCREW TBEI M5X12	8	28/10/2013			
6	77916081A	SCREW, SPECIAL	1	22/10/2013			
7	76410241A	VIBRATION DAMPER PAD	1	28/10/2013			
8	83018971A	BRACKET	1	19/09/2013			
9	85241711A	WASHER	1	22/10/2013			
10	77510471A	SCREW TBEI M5X14	1	22/10/2013			
11	76411361A	VIBRATION DAMPER PAD	3	28/10/2013			
12	48016471A	AIR SHROUD CYLINDER LEFT	1	25/11/2013			
13	87240921A	RADIATOR CAP	1				
14	85040551A	QUICK FASTENING	3	19/09/2013			
15	71614971AA	SPACER	1	18/03/2015			
16	77550191A	SCREW	2	16/03/2015			
17	48018812A	COVER	1	07/09/2017			
18	77211091C	SCREW	3	28/10/2013			
19	54841033A	WATER COOLER ASSY	1	18/03/2015			
20	48016171B	COVER FRONT	1	28/10/2013			
21	71614091A	SPACER	1	18/03/2015			



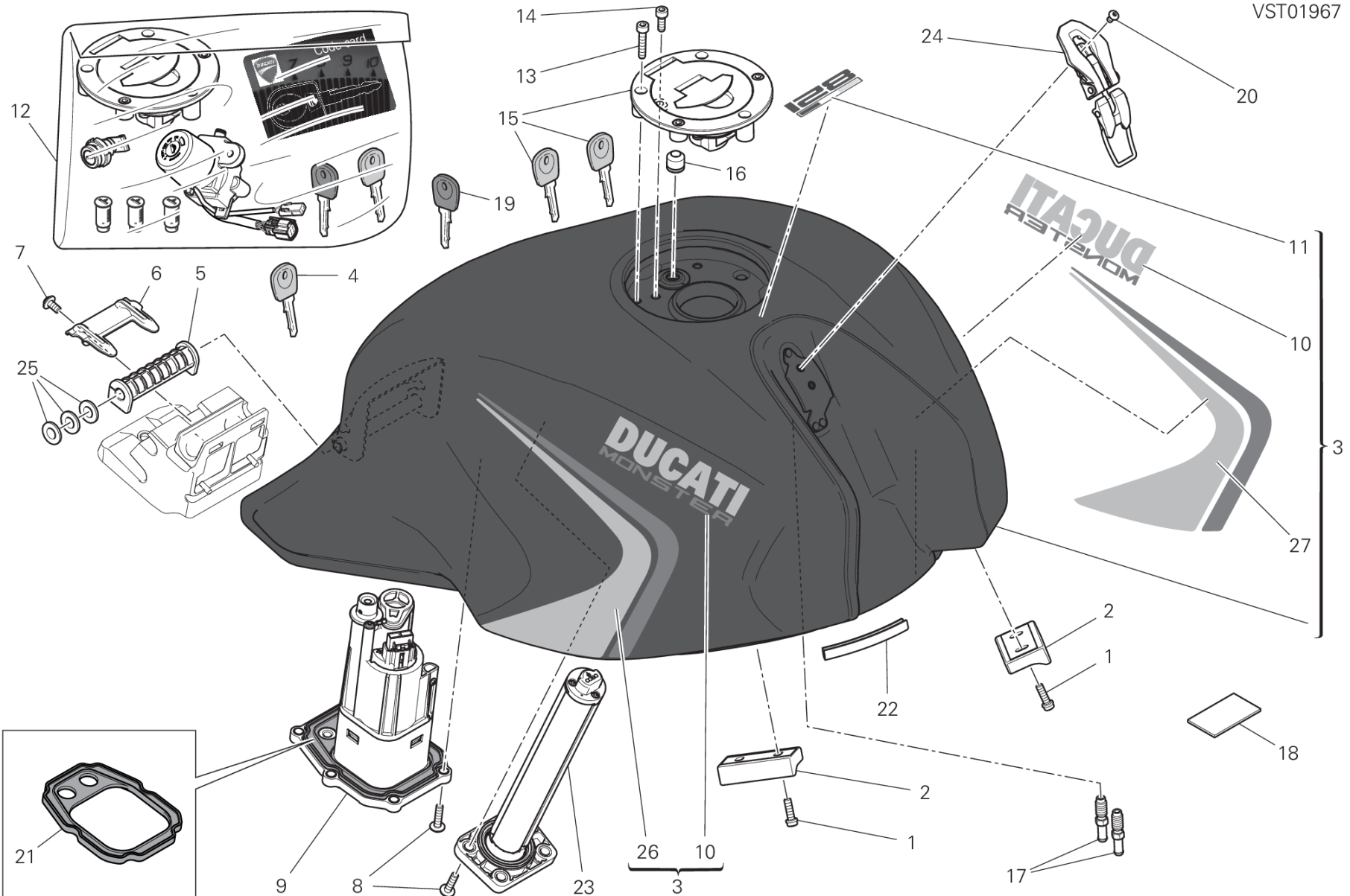
RAF00618

DRAWING 031 - COOLING SYSTEM [MOD:M821STEA]

GROUP FRAME



POS.	CODE	DESCRIPTION	QTY	START DATE	END DATE	VALIDITY	NOTES
1	77210623B	SCREW	4	18/02/2013			
2	81413261A	JOINT, WATER HOSE VERTICAL	1	18/02/2013			
3	88641031A	O-RING	1	01/06/2016			
4	74142581A	CLAMP 16-27 MM	4	18/02/2013			
5	80012311A	THERMOSTAT PUMP HOSE HORIZONTAL	1	22/10/2013			
6	55243442A	WATER TEMPERATURE SENSOR	1	10/11/2016			
7	74941113B	NUT	1	22/10/2013			
8	81420051A	JOINT, WATER HOSE HORIZONTAL	1	29/02/2016			
10	74142121A	CLAMP	2	22/10/2013			
11	80012301A	BREATHER PIPE VERTICAL HEAD	1	28/10/2013			
12	80012321A	THERMOSTAT PUMP HOSE VERTICAL	1	22/10/2013			
13	55340041A	THERMO-SWITCH	1	22/10/2013			
14	88111281A	THERMOSTAT PROTECTION RING	1	22/10/2013			
15	74142591A	CLAMP 20-35 MM	4	10/03/2016			
16	80012521A	HOSE PUMP/COOLER	1	10/03/2016			
17	80012332A	HOSE COOLER/THERMOSTAT	1	22/10/2013			
18	74140431A	CLAMP	1	22/10/2013			
19	87610581A	PIPE	1	12/02/2014			
20	74140641A	CLAMP	1	01/08/2013			
21	93410212A	HOSE, DRAIN	1	12/02/2014			
22	58510822B	TANK, WATER RESERVOIR	1	01/08/2013			
23	77156623B	SCREW TCEIF M6X10 8.8	2	01/08/2013			
24	89310143A	EXPANSION TANK CAP	1	01/08/2013			
25	77116671AA	HOLDER	1	01/08/2013			
26	76410981A	VIBRATION DAMPER PAD	1	22/10/2013			
27	85211911A	WASHER 6.4X16X1.5	1	22/10/2013			
28	74142181A	CLAMP	1	25/11/2013			
29	74141711A	CLAMP 10-7 MM	1	12/02/2014			

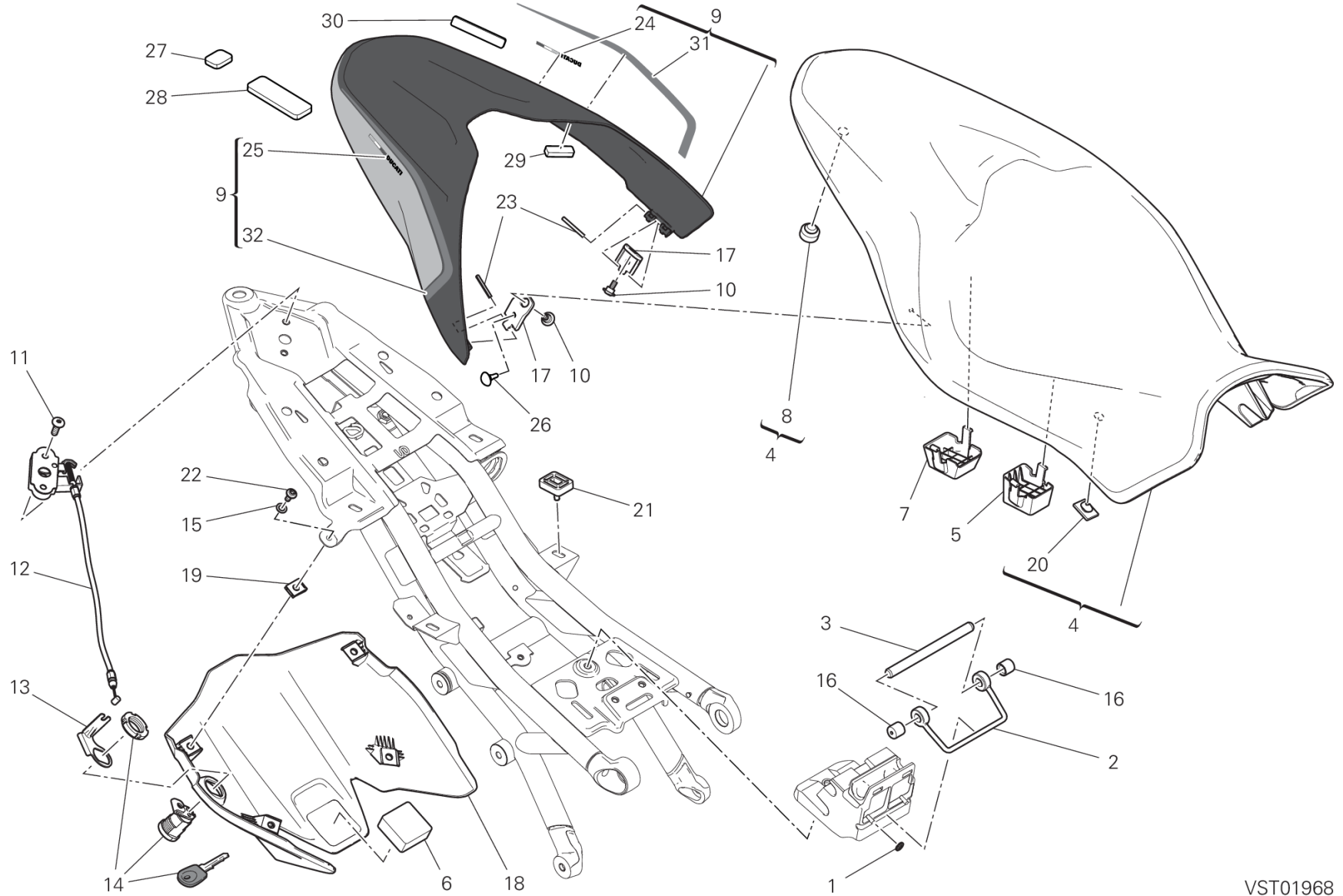


DRAWING 032 - FUEL TANK [MOD:M821STEAL]

GROUP FRAME



POS.	CODE	DESCRIPTION	QTY	START DATE	END DATE	VALIDITY	NOTES
1	77156413B	SCREW TCEIF M5X16	4	01/03/2013			
2	86611722CA	PAD, FUEL TANK	2	01/03/2013			
3	58612691EC	FUEL TANK	1	01/01/2018		PLT:DB10	
4	59840183A	KEY WITHOUT TRANSPONDER	1	04/04/2013			
5	70010811A	RUBBER PAD	1	25/06/2013			
6	82610351BA	PLATE	1	22/10/2013			
7	77244168B	SCREW	2	07/09/2017			
8	77244213B	SCREW	10	25/06/2013			
9	16024181A	FLANGE FUEL PUMP	1	30/08/2016			
10	4381C441AC	EMBLEM DUCATI	2	01/01/2018			
11	4381B041AK	ITALIAN FLAG DECAL	1	11/05/2017			
12	59821061A	LOCKS KIT	1	01/08/2013			
13	77150457E	SCREW M5X25	3	22/10/2013			
14	77150408B	SCREW TCEI M5X14	1	22/10/2013			
15	89520072A	TANK CAP	1	04/04/2013			
16	79111111A	GASKET	1	25/06/2013			
17	81413251A	UNION	2	25/06/2013			
18	92610051A	GUARD	1	30/08/2016			
19	59840361A	KEY WITH TRANSPONDER	1	04/04/2013			
20	77550171A	SCREW TBEI M4X8	2	30/08/2016			
21	69926951A	GASKET KIT	1				
22	76412061A	RUBBER SECTION	1	01/04/2014			
23	59210251B	FUEL LEVEL GAUGE	1	30/08/2016			
24	76040074B	LEVER	1	30/08/2016			
25	85611271A	WASHER	3	22/02/2017			
26	4381C851A	RIGHT STICKER FUEL TANK	1	01/01/2018			
27	4381C861A	LEFT STICKER FUEL TANK	1	01/01/2018			



VST01968

DRAWING 033 - SEAT [MOD:M821STEAT]

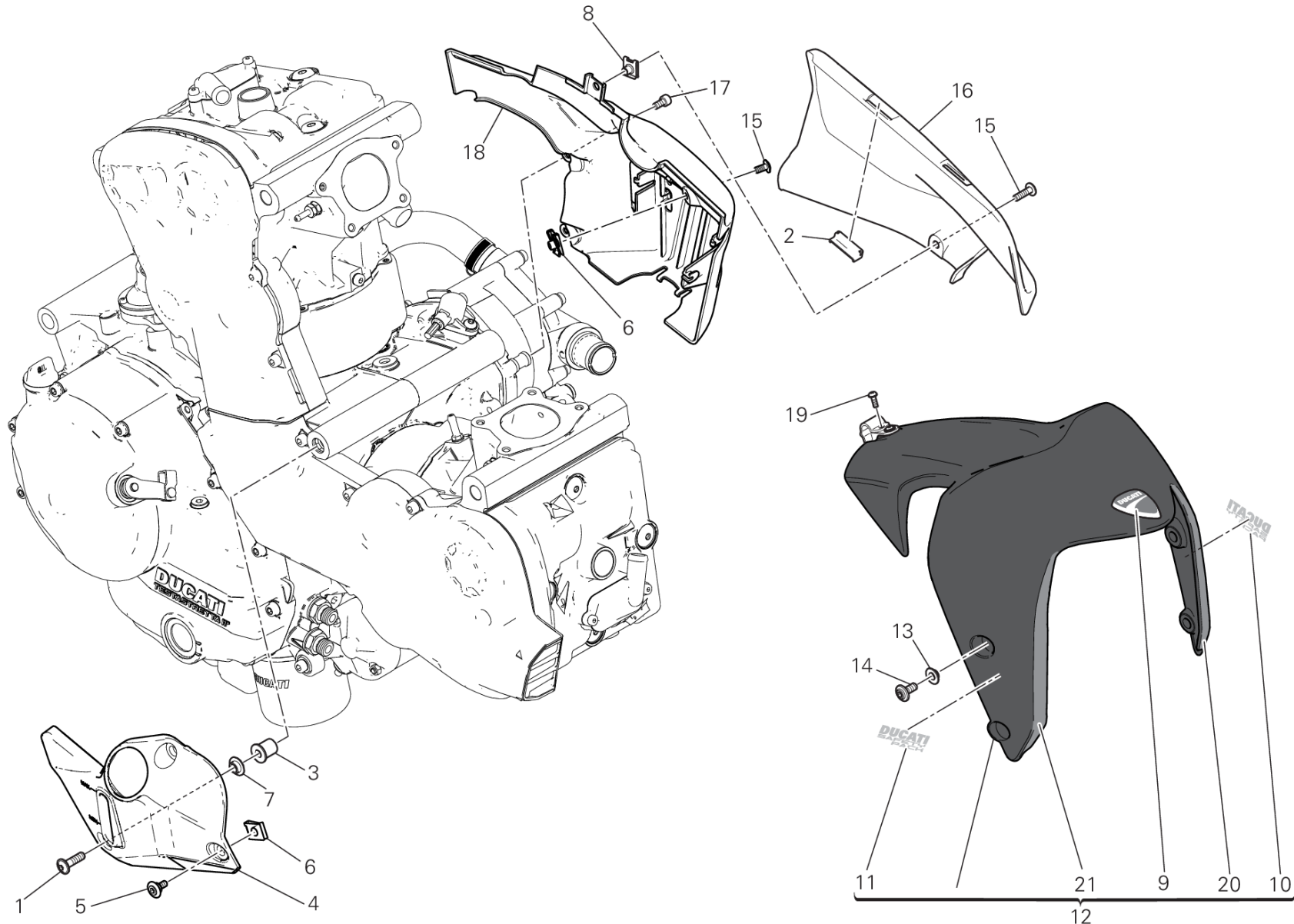
GROUP FRAME



POS.	CODE	DESCRIPTION	QTY	START DATE	END DATE	VALIDITY	NOTES
1	85040561A	WASHER, LOCK	2	01/08/2013			
2	86611751C	CUSHION, SEAT	1	01/08/2013			
3	82114712CA	PIN	1	01/08/2013			
4	595P3313AD	SEAT	1	11/09/2017			
5	8291C362A	SEAT SUPPORT FRONT	2	22/10/2013			
6	86612331A	RUBBER PAD	2	10/03/2016			
7	8291F671A	SEAT SUPPORT	2	10/03/2016			
8	86612221A	CUSHION, SEAT	2	16/09/2016			
9	595P3331BC	COVER SEAT	1	06/11/2018			
10	77214411AB	SCREW	2	22/10/2013			
11	77240438C	SCREW TBEIF M6X18	2	01/08/2013			
12	59920101A	LOCK LATCH	1	01/08/2013			
13	83014401A	BRACKET, SEAT LOCK	1	01/08/2013			
14	59820572A	SEAT LOCK	1	04/04/2013			
15	85550001B	SPRING WASHER	4	10/03/2016			
16	87211511A	PLUG	2				
17	83016241B	BRACKET	2	22/10/2013			
18	4601E212B	MUDFLAP BOTTOM	1	01/01/2099			
19	85040551A	QUICK FASTENING	4	01/08/2013			
20	86610301A	PAD	6	16/09/2016			
21	86611701A	RUBBER PAD	4	01/08/2013			
22	77244173B	SCREW	4	10/03/2016			
23	86150251A	PIN, SPRING	2	22/10/2013			
24	4381C831A	ITALIAN FLAG DECAL LEFT	1	23/01/2019			
25	4381C841A	ITALIAN FLAG DECAL RIGHT	1	23/01/2019			
26	86610751A	PAD	2	18/11/2016			
27	86612421B	PAD	1	18/11/2016			
28	86612101B	PAD	1	18/11/2016			
29	86612431B	PAD	2	18/11/2016			
30	86612471A	PAD	2	18/11/2016			
31	4381C881A	LEFT STICKER COVER SEAT	1	01/01/2018			
32	4381C871A	RIGHT STICKER COVER SEAT	1	01/01/2018			



VST01969

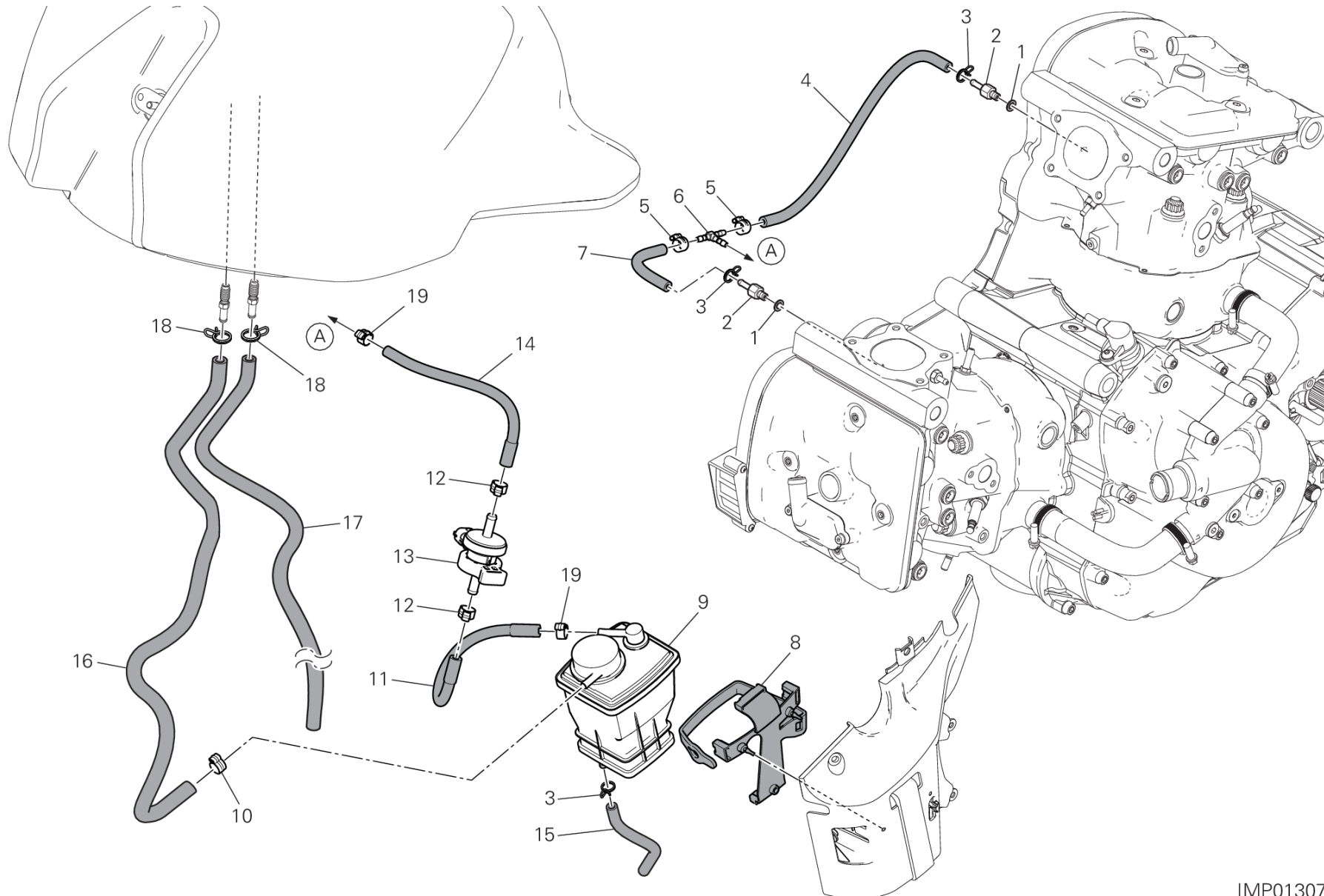


DRAWING 034 - HALF FAIRING [MOD:M821STEA]

GROUP FRAME



POS.	CODE	DESCRIPTION	QTY	START DATE	END DATE	VALIDITY	NOTES
1	77240453C	SCREW TBEIF M6X22 10.9	1	22/10/2013			
2	76411881A	RUBBER PAD	2	22/10/2013			
3	85041121A	BUSH	1	22/10/2013			
4	48212371A	RIGHT COVER	1	10/03/2016			
5	77214411AA	SCREW	2	10/03/2016			
6	85040551A	QUICK FASTENING	3	10/03/2016			
7	71614811AA	SPACER	1	22/10/2013			
8	85040471A	QUICK FASTENING M5	1	01/10/2013			
9	43814741A	EMBLEM DUCATI	1	11/02/2016			
10	43713361A	L.H. DECAL (DUCATI SAFETY PACK)	1	01/01/2018			
11	43713351A	R.H. DECAL (DUCATI SAFETY PACK)	1	01/01/2018			
12	564P6441AC	FRONT MUDGUARD (Unit)	1	06/11/2018			
13	71614011B	SPACER	4	22/10/2013			
14	77210893B	SCREW	4	22/10/2013			
15	77240253C	SCREW	2	11/07/2014			
16	48211871A	LEFT COVER UPPER	1	22/10/2013			
17	77150388B	SCREW TCEI M5X10	2	22/10/2013			
18	8291E731B	BRACKET, CANISTER	1	10/03/2016			
19	77440101A	SCREW, TAPPING 3.5X10	1	22/10/2013			
20	4381C411AA	LEFT STICKER FRONT MUDGUARD	1	01/01/2018			
21	4381C401AA	RIGHT STICKER FRONT MUDGUARD	1	01/01/2018			



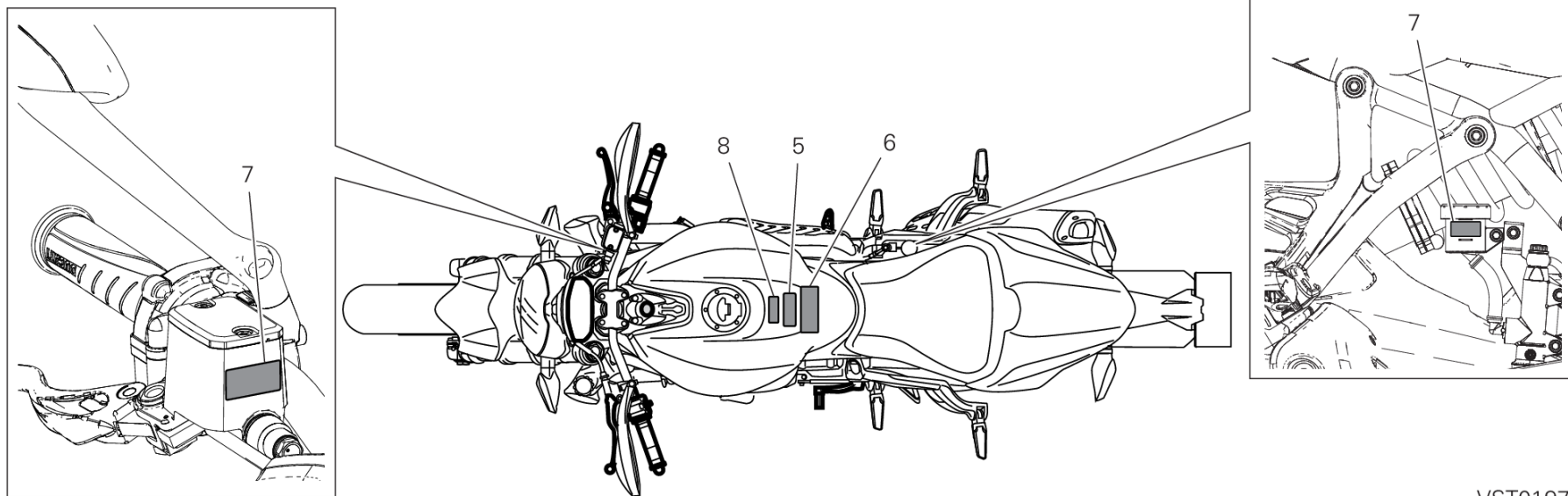
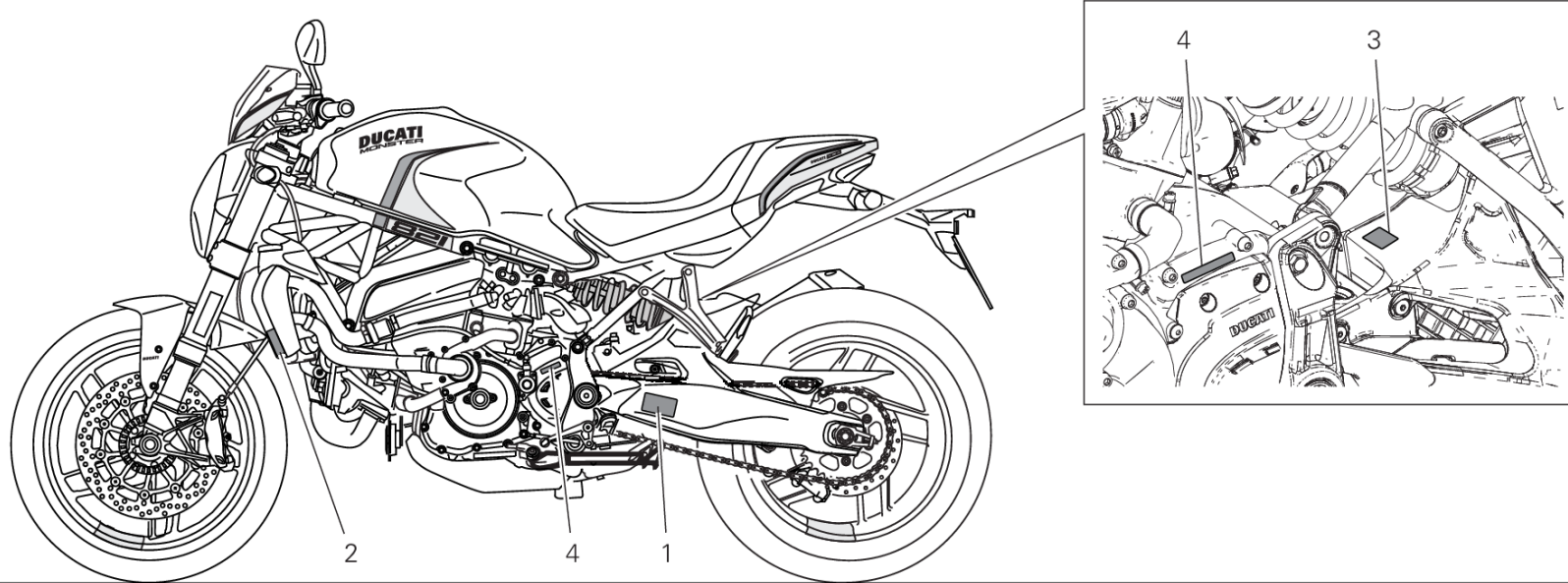
IMP01307

DRAWING 035 - HOT AIR PIPE CANISTER [MOD:M821STEAL]

GROUP FRAME



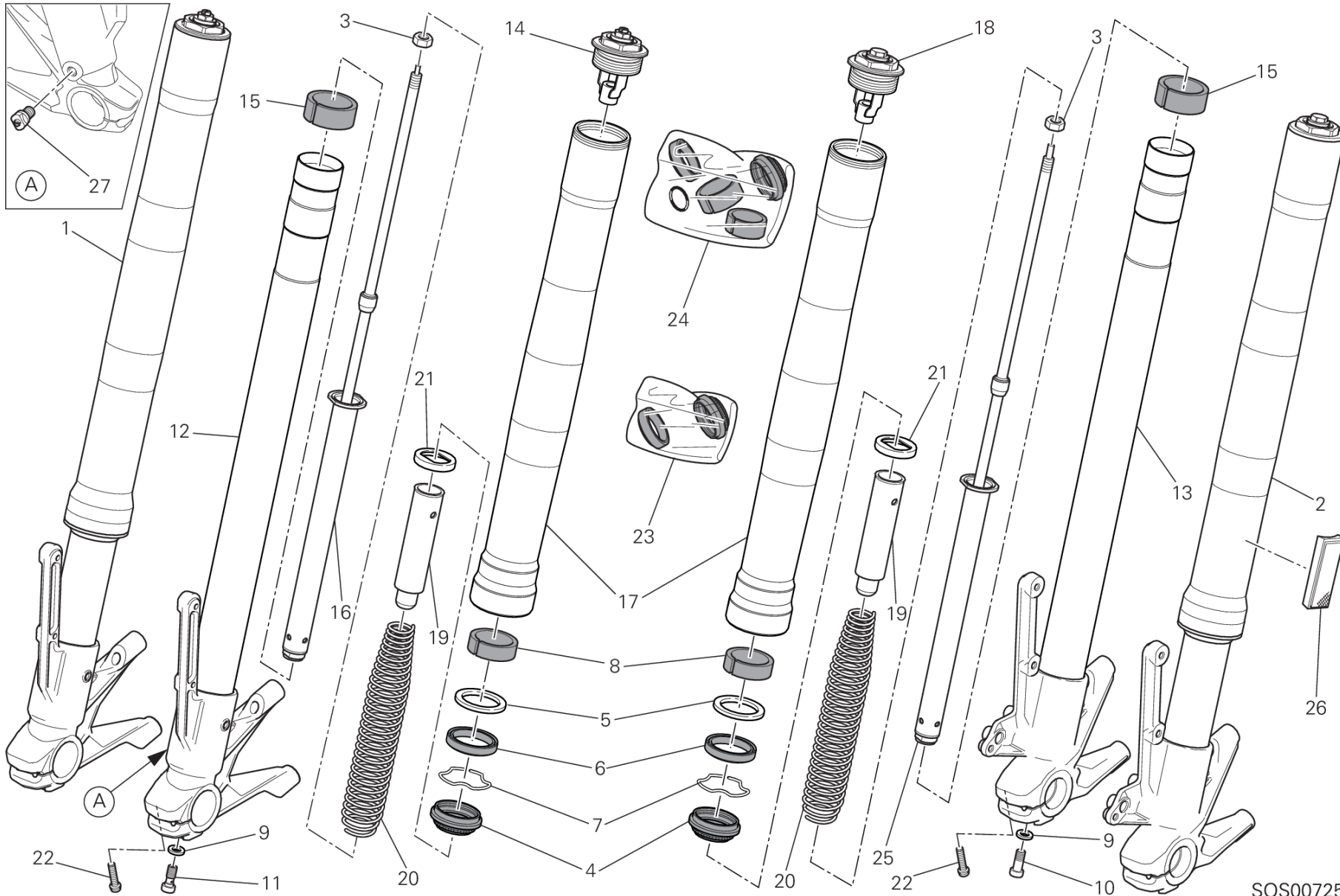
POS.	CODE	DESCRIPTION	QTY	START DATE	END DATE	VALIDITY	NOTES
1	85250231A	GASKET	2	26/02/2013			
2	81411111C	NIPPLE, HOSE	2	26/02/2013			
3	74140431A	CLAMP	3	22/10/2013			
4	93510251B	PIPE	1	24/04/2015			
5	74141001A	CLAMP 8.5/7	2	24/04/2015			
6	81441041A	THREE-WAYS UNION	1	01/01/2019			
7	93510461A	HOSE HORIZONTAL HEAD	1	01/01/2019			
8	70010751A	VIBRATION DAMPER	1	16/10/2015			
9	42640041B	CANISTER FILTER	1	24/04/2015			
10	74141711A	CLAMP 10-7 MM	1	24/04/2015			
11	93510841A	HOSE CANISTER FILTER	1	01/01/2019			
12	74140641A	CLAMP	2	24/04/2015			
13	65540101A	VALVE, BREATHER	1	24/04/2015			
14	93510831A	HOSE VALVE, BREATHER	1	01/01/2019			
15	87611181A	BREATHER PIPE	1	24/04/2015			
16	93510281B	PIPE	1	16/10/2015			
17	59017821A	HOSE, DRAIN	1	22/10/2013			
18	74140571A	CLAMP	2	22/10/2013			
19	74140631A	CLAMP	2	01/01/2019			



VST01971



POS.	CODE	DESCRIPTION	QTY	START DATE	END DATE	VALIDITY	NOTES
1	43314641A	TIRE SIZE AND PRESSURE PLATE	1	23/02/2018			
2	43312531A	WATER RADIATOR PLATE	1	23/02/2018			
3	43312561A	REAR SHOCK ABSORBER PLATE	1	23/02/2018			
4	43312551A	GEAR SEQUENCE PLATE	1	23/02/2018			
5	43310051B	TANK "WARNING" PLATE	1	23/02/2018			
6	43310051C	TARGHETTA IMPORTANTE SERBATOIO	1	23/02/2018			
7	43910071A	CLUTCH-BRAKE MASTER CYLINDER PLATE	2	23/02/2018			
8	43217911Z	TANK "WARNING" PLATE	1				



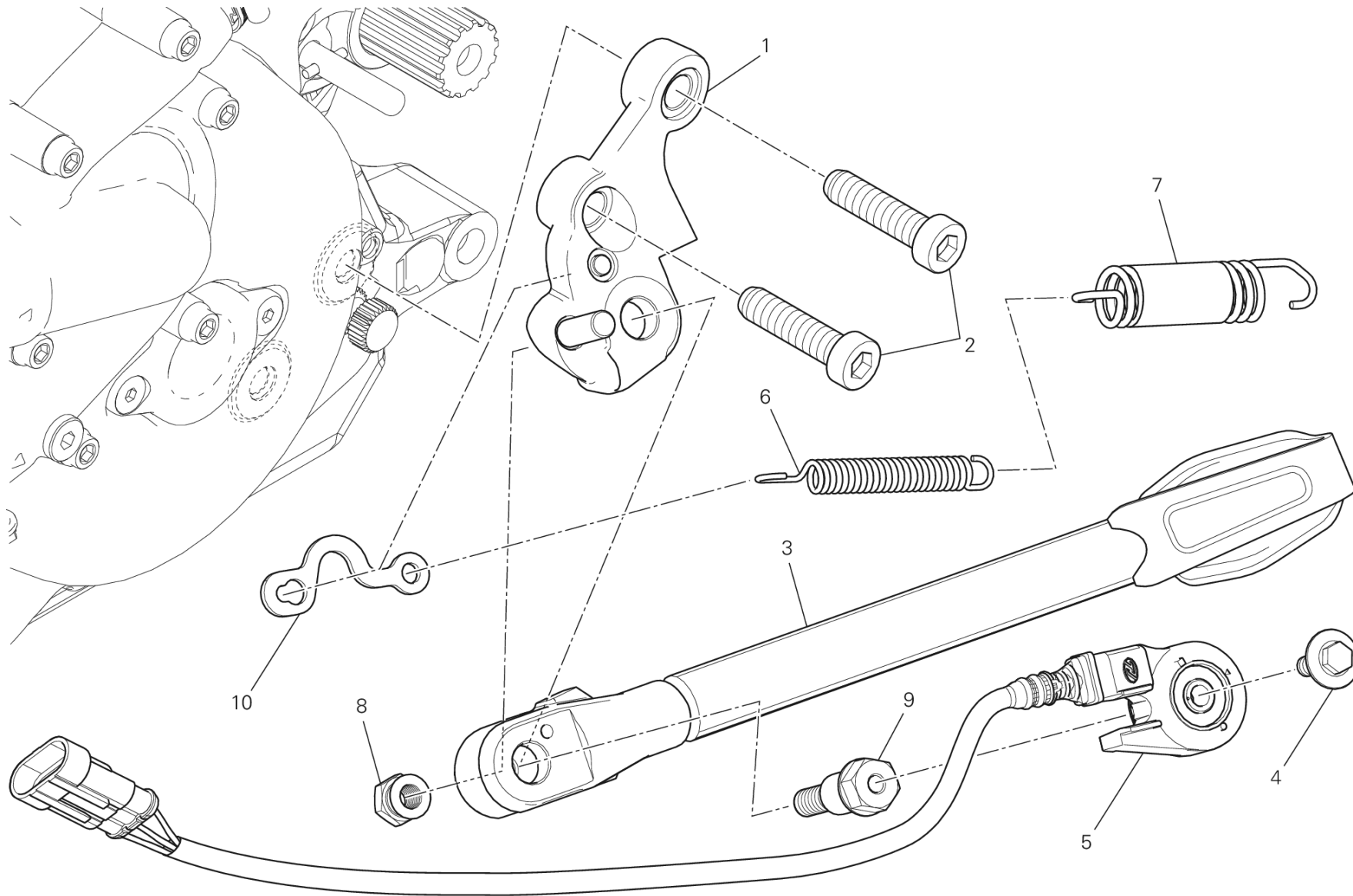
SOS00725

DRAWING 21A - FRONT FORK [MOD:M821STEA]

GROUP FRAME



POS.	CODE	DESCRIPTION	QTY	START DATE	END DATE	VALIDITY	NOTES
1	34420581B	RIGHT FORK LEG ASSY	1	11/04/2014			
2	34520581B	LEFT FORK LEG ASSY	1	11/04/2014			
3	34913621A	NUT	2				
4	34913531A	DUST COVER	2				
5	34913561A	WASHER	2				
6	34913551A	SEAL RING	2				
7	34913541A	STOP RING	2				
8	34913571A	LOWER BUSH	2				
9	34913601A	WASHER	2	10/01/2014			
10	34913611A	SCREW	1	10/01/2014			
11	34914231A	SCREW, SPECIAL	1				
12	34921761A	FORK BOTTOM END + SLEEVE UNIT (R.H.)	1				
13	34921751A	FORK BOTTOM END + SLEEVE UNIT (L.H.)	1				
14	34921721A	CAP,FORK TOP RIGHT	1				
15	34913581A	UPPER BUSHING	2				
16	34921741A	COMPLETE PUMPING ELEMENT, RIGHT	1	10/01/2014			
17	34914271A	STANCHION TUBE	2				
18	34921711A	CAP,FORK TOP LEFT	1				
19	34914241A	PRELOAD TUBE	2				
20	34914261A	FORK SPRING	2				
21	34914251A	WASHER, SPECIAL	2				
22	77310021A	SCREW TCEIR M6X25	4	25/11/2013			
23	34921051A	SEAL KIT	2				
24	34921041A	OVERHAUL KIT	2				
25	34921731A	COMPLETE PUMPING ELEMENT, LEFT	1	10/01/2014			
26	52910221A	REFLECTOR, ADHESIVE AMBER	2	06/10/2014			
27	34914291A	ADJUSTING SCREW UNIT	1				



TEI 00814

DRAWING 22A - SIDE STAND [MOD:M821STEA]

GROUP FRAME



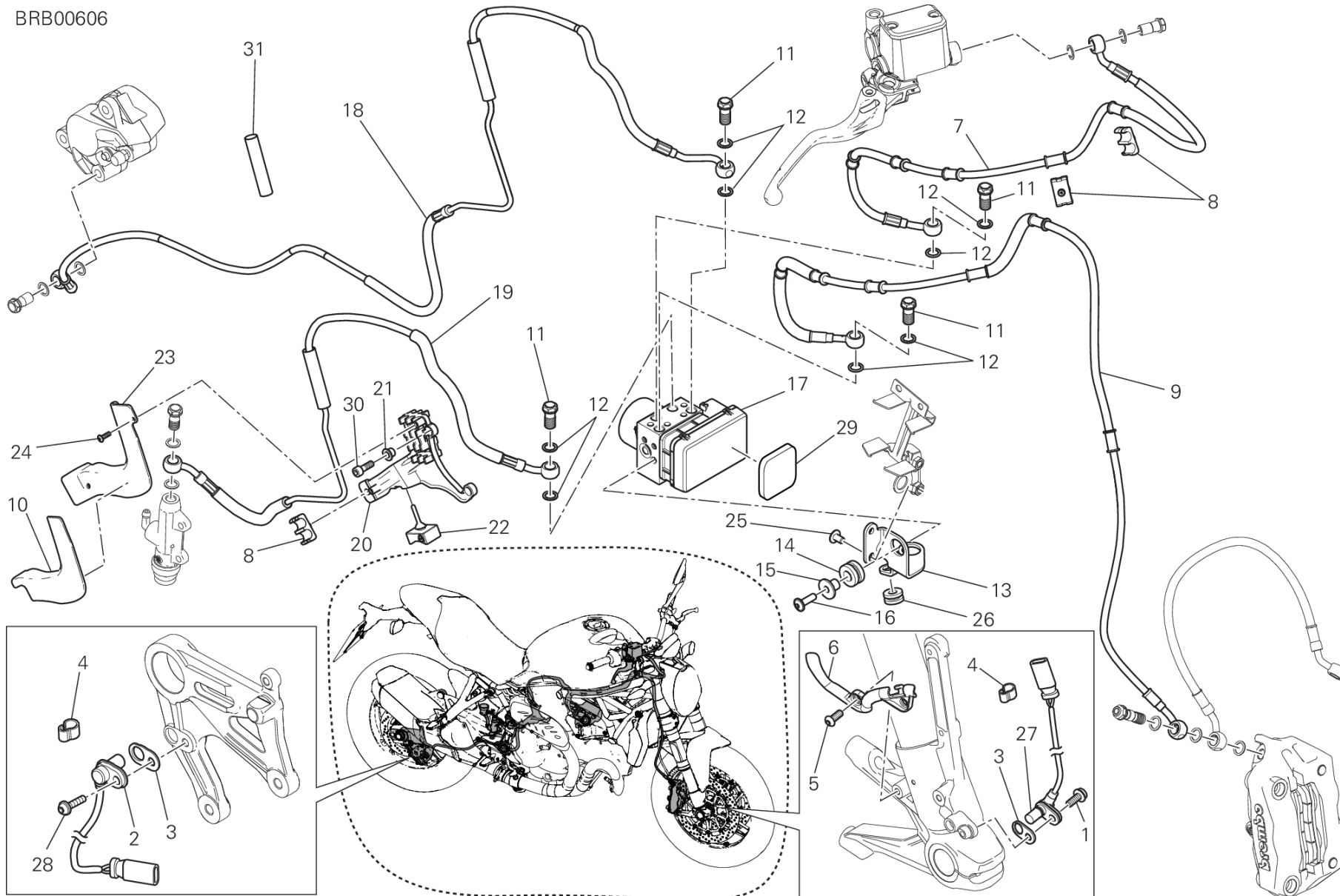
POS.	CODE	DESCRIPTION	QTY	START DATE	END DATE	VALIDITY	NOTES
1	55610791C	BRACKET, SIDE STAND	1	02/10/2013			
2	77355203C	SCREW M10x35	2	16/03/2015			
3	55610802CA	SIDE STAND	1	02/10/2013			
4	77917241AA	SCREW	1	05/05/2014			
5	53910341A	SWITCH ASSY, SIDE STAND	1	10/01/2014			
6	79910891C	INNER SPRING	1	02/10/2013			
7	79920881C	COMPLETE SPRING	1	02/10/2013			
8	75010481A	NUT	1	02/10/2013			
9	82118401AA	AXLE, SIDE STAND	1	02/10/2013			
10	82717631AA	PLATE	1	01/08/2014			



DRAWING 24A - ANTILOCK BRAKING SYSTEM (ABS) [MOD:M821STEA]

GROUP FRAME

BRB00606



DRAWING 24A - ANTILOCK BRAKING SYSTEM (ABS) [MOD:M821STEA]

GROUP FRAME



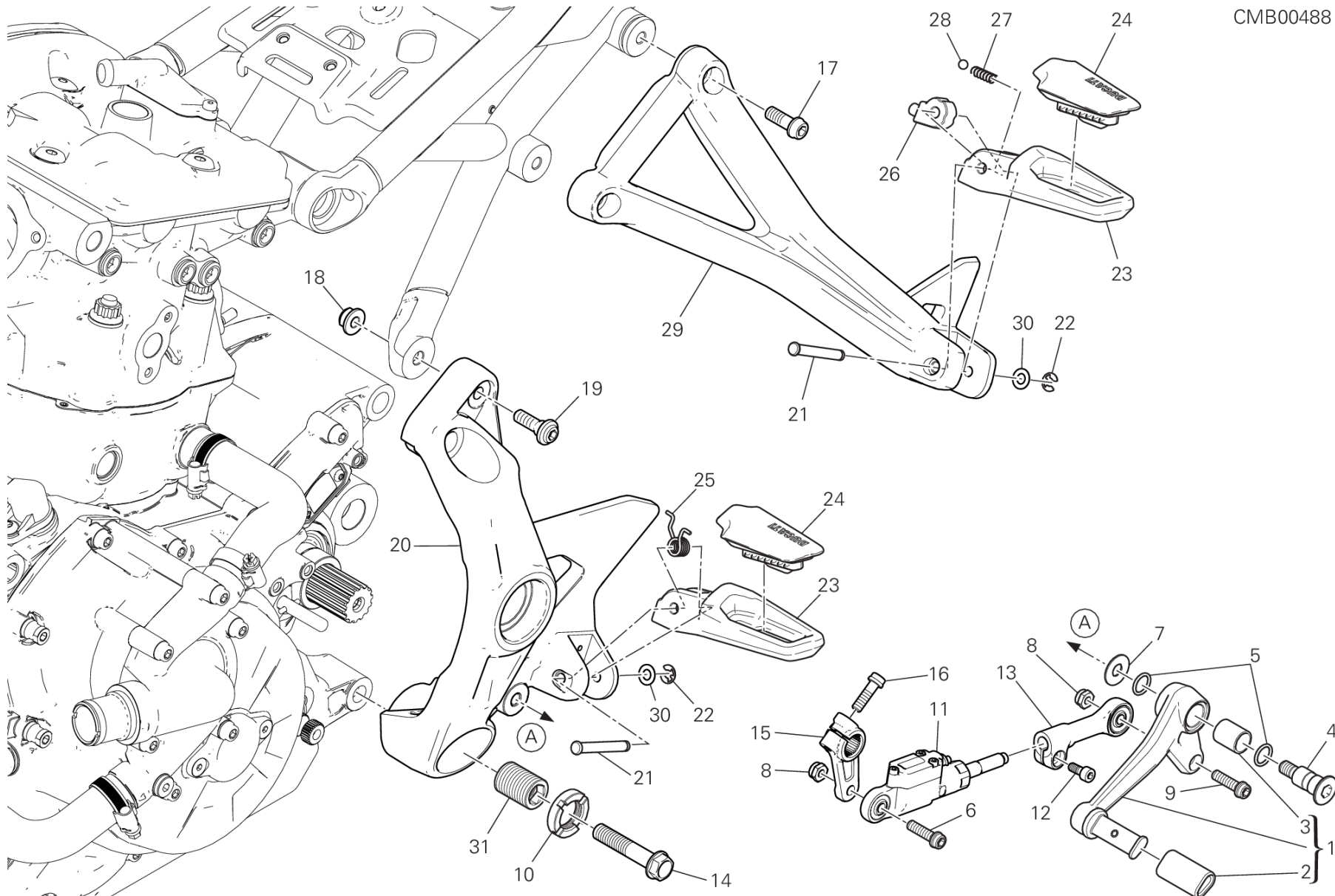
POS.	CODE	DESCRIPTION	QTY	START DATE	END DATE	VALIDITY	NOTES
1	77110401B	SCREW	1	22/10/2013			
2	55212121B	SENSOR, SPEED	1	01/08/2013			
3	71319201A	GASKET 0.5 MM	3	22/10/2013			
	7131C641A	GASKET 0.2 MM	3	07/09/2017			
	7131C651A	GASKET 0.5 MM	5	07/09/2017			
4	75840601A	FAIRLEAD	10	22/10/2013			
5	77550213C	SCREW TBEI M6X16	2	01/08/2013			
6	75810642A	FAIRLEAD	1	01/08/2013			
7	61810881A	FRONT MASTER CYLINDER - CPU LINE	1	24/07/2015			
8	86611121A	RUBBER PAD	5	22/10/2013			
9	61810521C	CPU - FRONT CALIPERS LINE	1	24/07/2015			
10	4601A871A	HEAT GUARD	1	22/10/2013			
11	77913662AB	SCREW, SPECIAL	4	20/09/2013			
12	85250241A	WASHER 10X14X1	8	20/09/2013			
13	83018181AA	BRACKET	1	22/10/2013			
14	76410641A	VIBRATION DAMPER PAD	2	22/10/2013			
15	71610031A	SPACER	2	22/10/2013			
16	77240443C	SCREW	2	22/10/2013			
17	54240761A	CONTROL UNIT ABS	1	01/01/2018			
18	61911281A	CPU - REAR CALIPER LINE	1	01/01/2019			
19	61911301A	REAR MASTER CYLINDER - CPU LINE	1	01/01/2019			
20	83018341B	BRACKET, BRAKE HOSE	1	22/10/2013			
21	71614581AA	SPACER	2	22/10/2013			
22	76411711A	RUBBER PAD	1	22/10/2013			
23	8291C142A	COVER	1	22/10/2013			
24	77440111A	SCREW	2	22/10/2013			
25	77211021A	SCREW TBEIF M6X10	2	22/10/2013			
26	76411141A	VIBRATION DAMPER PAD	1	22/10/2013			
27	55212111B	SENSOR, SPEED	1	22/10/2013			
28	77210423C	SCREW TBEIF M6X16	1	05/05/2014			
29	86611861A	PAD	1	16/03/2015			
30	77150693BD	SCREW	2	18/12/2017			
31	4601C581A	PROTECTION SHEATH	1	24/11/2017			



DRAWING 27A - FOOTRESTS, LEFT [MOD:M821STEA]

GROUP FRAME

CMB00488

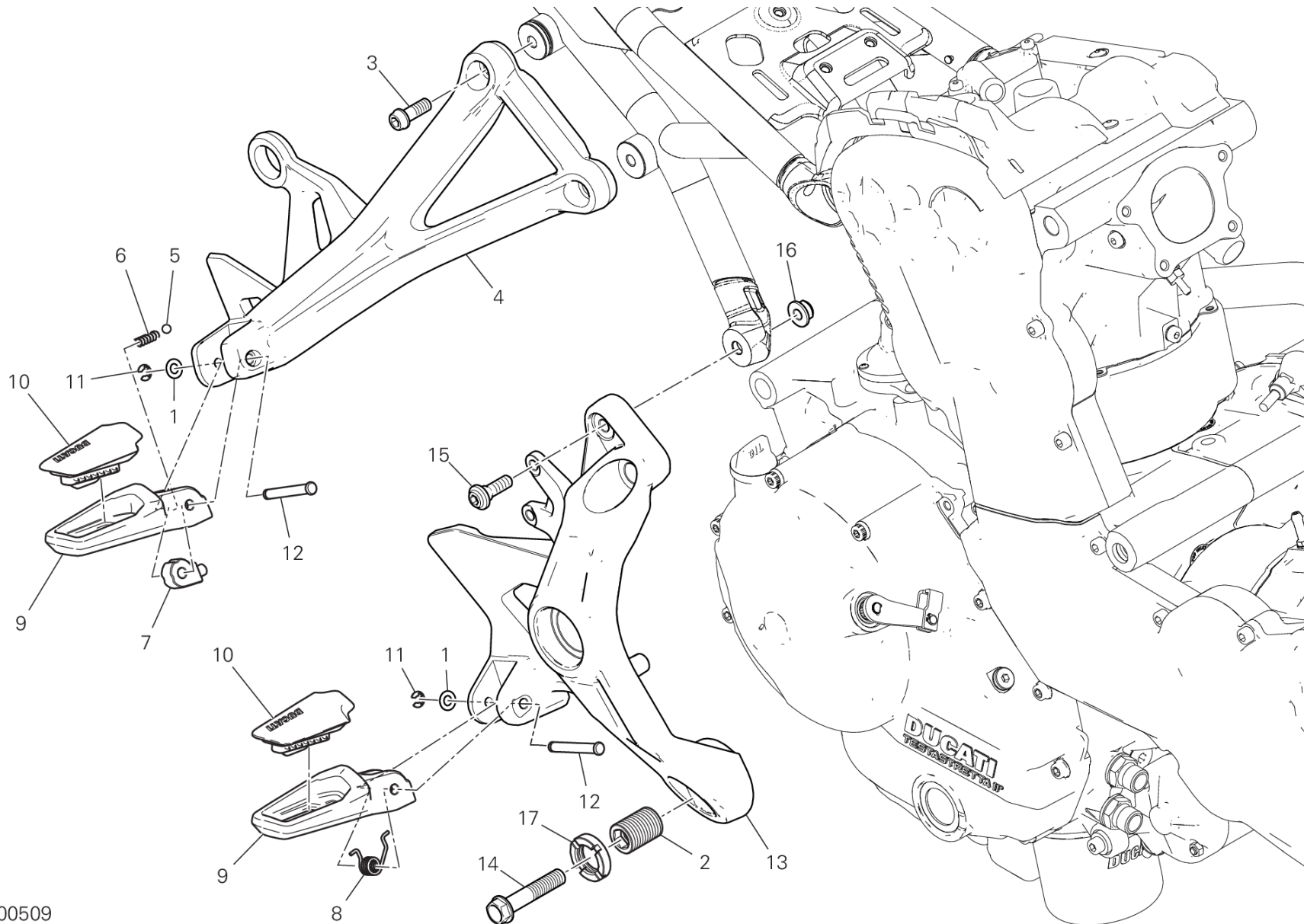


DRAWING 27A - FOOTRESTS, LEFT [MOD:M821STEAL]

GROUP FRAME



POS.	CODE	DESCRIPTION	QTY	START DATE	END DATE	VALIDITY	NOTES
1	45622352AA	GEARCHANGE LEVER (Unit)	1	10/10/2016			
2	76414221A	COVER PEDAL	1	27/07/2018			
3	71210341A	BUSH	1	01/03/2013			
4	82111701CA	PIN PEDAL	1	14/10/2013			
5	88641161A	O-RING	2	14/10/2013			
6	77156688B	SCREW TCEIF	1	14/10/2013			
7	85210532A	WASHER 8.2X20X1	1	14/10/2013			
8	74940041A	NUT, SELF-LOCKING M6	2	14/10/2013			
9	77156698B	SCREW TCEIF M6X25	1	10/10/2016			
10	70310512AA	RING NUT	1	10/10/2016			
11	55215484C	Quick Shift	1	05/10/2016			
12	77150398B	SCREW	1	05/10/2016			
13	84820401AA	GEARBOX TRANSMISSION ROD ASSEMBLY	1	05/10/2016			
14	77253988C	SCREW	1	22/10/2013			
15	45610461AA	GEAR CONTROL LEVER	1	10/10/2016			
16	77110191A	SCREW TCEIF M6X20	2	05/05/2014			
17	77157248CA	SCREW	2	10/03/2016			
18	74941128B	NUT M8	1				
19	77214401AA	SCREW, SPECIAL	1	10/03/2016			
20	82413212BB	FRONT L.H. PLATE	1	16/12/2016		PLT:DB10	
21	82115101AA	FOOTREST PIN	2	18/10/2016			
22	88450441A	CIRCLIP	2	18/11/2014			
23	46410971AA	LEFT FOOTREST	2	10/10/2016			
24	76510081D	FOOT PEG RUBBER COVER L.H.	2	10/10/2016			
25	79914991A	SPRING. FOOTREST	1	05/10/2016			
26	69610131A	SPRING RETAINER	1	06/06/2017			
27	79910241B	SPRING	1	14/10/2013			
28	84740021A	BALL	1	14/10/2013			
29	82413231AB	REAR L.H. PLATE	1	28/01/2016		PLT:DB10	
30	85213661AA	WASHER	2	18/10/2016			
31	77916411A	THREADED DOWEL	1	18/10/2016			



CMB00509

DRAWING 27B - FOOTRESTS, RIGHT [MOD:M821STEAL]

GROUP FRAME

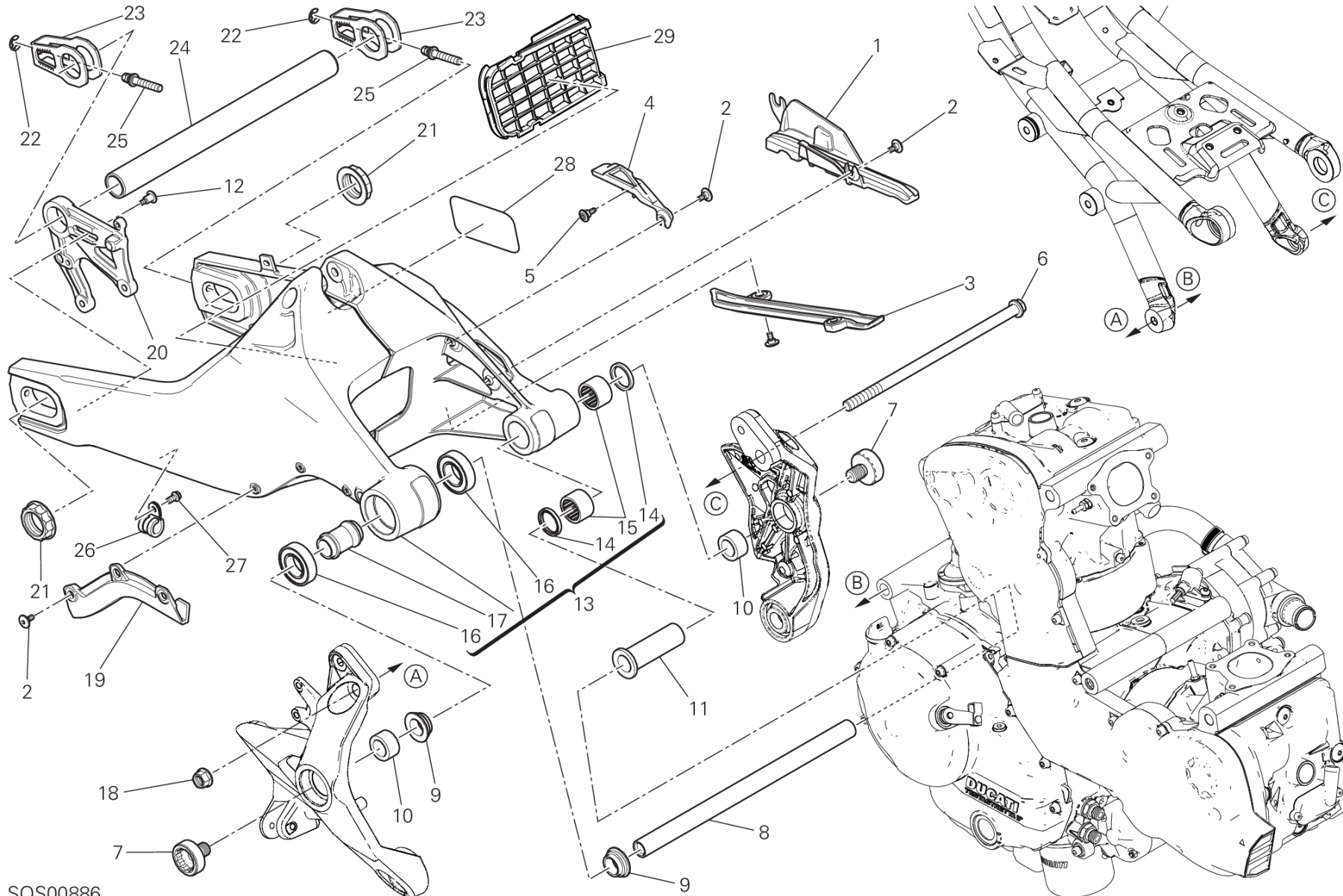


POS.	CODE	DESCRIPTION	QTY	START DATE	END DATE	VALIDITY	NOTES
1	85213661AA	WASHER	2	10/10/2016			
2	77916411A	THREADED DOWEL	1	18/10/2016			
3	77157248CA	SCREW	2	16/10/2015			
4	82413222AB	REAR R.H. PLATE	1	17/11/2017			
5	84740021A	BALL	1	14/10/2013			
6	79910241B	SPRING	1	14/10/2013			
7	69610131A	SPRING RETAINER	1	14/10/2013			
8	79914991A	SPRING. FOOTREST	1	18/10/2016			
9	46410961AA	RIGHT FOOTREST	2	30/08/2016			
10	76510071D	FOOT PEG RUBBER COVER R.H.	2	18/10/2016			
11	88450441A	CIRCLIP	2	18/11/2014			
12	82115101AA	FOOTREST PIN	2	30/08/2016			
13	82413202BB	FRONT R.H. PLATE	1	26/09/2017			
14	77253988C	SCREW	1	22/10/2013			
15	77214401AA	SCREW, SPECIAL	1	10/03/2016			
16	74941128B	NUT M8	1				
17	70310512AA	RING NUT	1	10/10/2016			



DRAWING 28A - REAR SWINGING ARM [MOD:M821STEA;XST:EUR,GSO,JAP,SPA,TWN]

GROUP FRAME



SOS00886

DRAWING 28A - REAR SWINGING ARM [MOD:M821STEA;XST:EUR,GSO,JAP,SPA,TWN]

GROUP FRAME

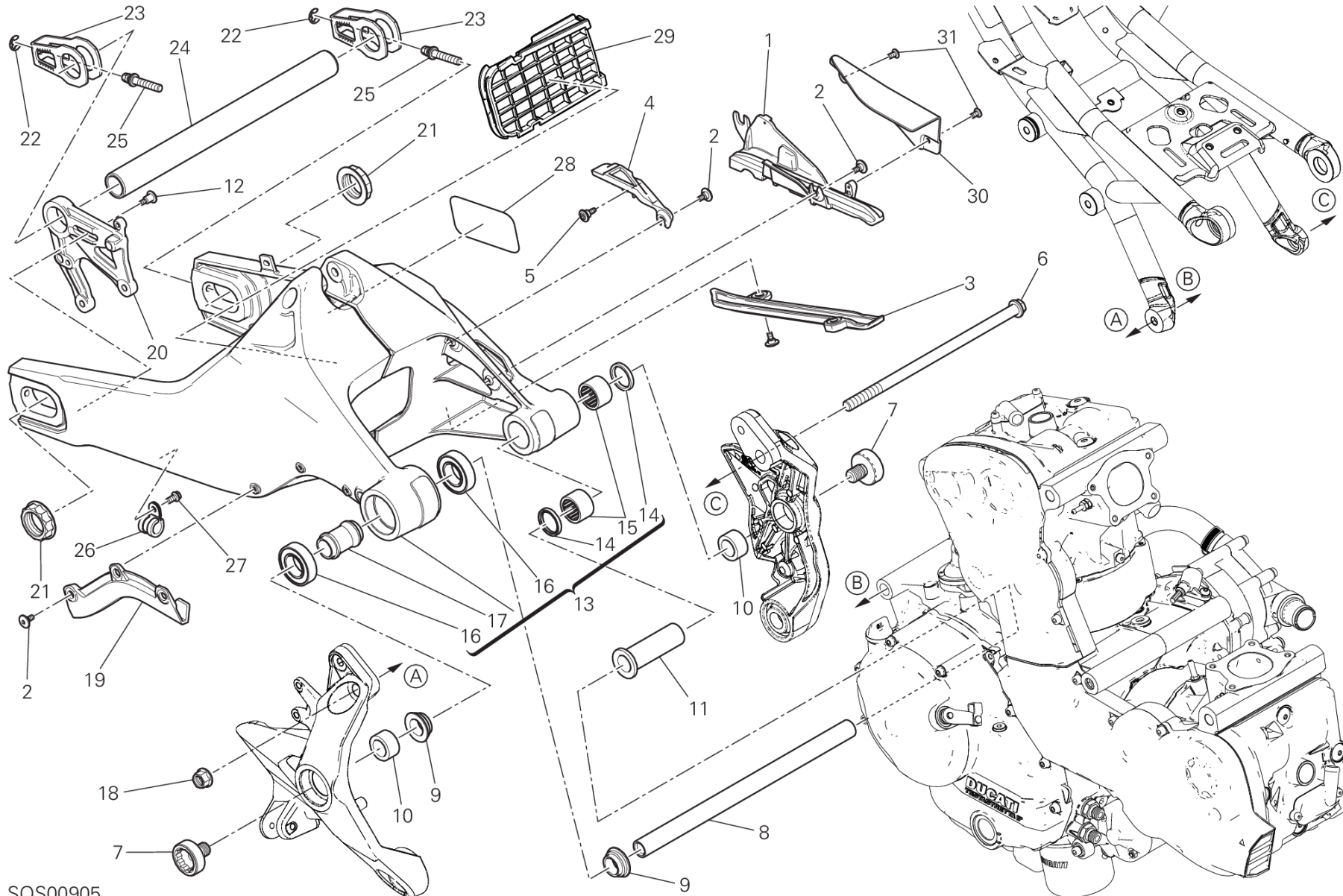


POS.	CODE	DESCRIPTION	QTY	START DATE	END DATE	VALIDITY	NOTES
1	44711251A	CHAIN SLIDER	1	21/05/2014			
2	77914871C	SCREW	7	01/08/2013			
3	44711211A	LOWER CHAIN SLIDING SHOE	1	21/05/2014			
4	44711201A	UPPER CHAIN SLIDING SHOE	1	21/05/2014			
5	77210841C	SCREW	1	21/05/2014			
6	77918431AA	SCREW, SPECIAL	1	22/10/2013			
7	77918421AB	SCREW, SPECIAL	2	22/10/2013			
8	36911341AA	AXLE, REAR SWING ARM	1	22/10/2013			
9	71210301A	RIGHT SPACER	2	22/10/2013			
10	71210491AA	SPACER	2	22/10/2013			
11	71011891A	BUSHING	1	01/08/2013			
12	77214221AA	SCREW, SPECIAL	1	21/05/2014			
13	37021763AB	COMPLETE SWINGARM	1	22/02/2017			
14	93050121A	SEAL RING	2	01/08/2013			
15	70140171A	BEARING, NEEDLE	2	01/08/2013			
16	70250451A	BEARING	2	01/08/2013			
17	7131A211AA	INNER SPACER	1	01/08/2013			
18	74841011AA	NUT, FLANGE	1	05/05/2014			
19	4601C401A	COVER, FR BRAKE PIPE	1	05/05/2014			
20	82510501AA	CALIPER HOLDER BRACKET	1	21/05/2014			
21	75011891AA	NUT	2	05/05/2014			
22	88450341B	SPRING RING	2	10/12/2013			
23	37310881AA	PULLER, CHAIN	2	10/12/2013			
24	81910742AA	REAR WHEEL SPINDLE	1	05/05/2014			
25	77919021AA	SCREW	2	10/12/2013			
26	74142241A	CLAMP	1	05/05/2014			
27	77210501C	SCREW TEF M6X12	1	05/05/2014			
28	43314011B	CHAIN ADJUSTMENT STICKER	1	22/02/2017			XST:JAP
	43314011D	CHAIN ADJUSTMENT STICKER	1	15/09/2014			XST:EUR,GSO,SPA,TWN
29	87211011A	PLUG	1	16/03/2015			



DRAWING 28A - REAR SWINGING ARM [MOD:M821STEA;XST:AUS]

GROUP FRAME



SOS00905

DRAWING 28A - REAR SWINGING ARM [MOD:M821STEA;XST:AUS]

GROUP FRAME



POS.	CODE	DESCRIPTION	QTY	START DATE	END DATE	VALIDITY	NOTES
1	44711301A	CHAIN SLIDER	1	21/05/2014			
2	77914871C	SCREW	7	01/08/2013			
3	44711211A	LOWER CHAIN SLIDING SHOE	1	21/05/2014			
4	44711201A	UPPER CHAIN SLIDING SHOE	1	21/05/2014			
5	77210841C	SCREW	1	21/05/2014			
6	77918431AA	SCREW, SPECIAL	1	22/10/2013			
7	77918421AB	SCREW, SPECIAL	2	22/10/2013			
8	36911341AA	AXLE, REAR SWING ARM	1	22/10/2013			
9	71210301A	RIGHT SPACER	2	22/10/2013			
10	71210491AA	SPACER	2	22/10/2013			
11	71011891A	BUSHING	1	01/08/2013			
12	77214221AA	SCREW, SPECIAL	1	21/05/2014			
13	37021763AB	COMPLETE SWINGARM	1	22/02/2017			
14	93050121A	SEAL RING	2	01/08/2013			
15	70140171A	BEARING, NEEDLE	2	01/08/2013			
16	70250451A	BEARING	2	01/08/2013			
17	7131A211AA	INNER SPACER	1	01/08/2013			
18	74841011AA	NUT, FLANGE	1	05/05/2014			
19	4601C401A	COVER, FR BRAKE PIPE	1	05/05/2014			
20	82510501AA	CALIPER HOLDER BRACKET	1	21/05/2014			
21	75011891AA	NUT	2	05/05/2014			
22	88450341B	SPRING RING	2	10/12/2013			
23	37310881AA	PULLER, CHAIN	2	10/12/2013			
24	81910742AA	REAR WHEEL SPINDLE	1	05/05/2014			
25	77919021AA	SCREW	2	10/12/2013			
26	74142241A	CLAMP	1	05/05/2014			
27	77210501C	SCREW TEF M6X12	1	05/05/2014			
28	43314011D	CHAIN ADJUSTMENT STICKER	1	15/09/2014			
29	87211011A	PLUG	1	16/03/2015			
30	44711311A	GUARD	1	12/10/2017			
31	77440391A	SCREW	2	12/10/2017			



CODE	NO. TABLE	POS.	CODE	NO. TABLE	POS.	CODE	NO. TABLE	POS.	CODE	NO. TABLE	POS.
000079672	020	32	16024181A	032	9	24511431A	008	2	30411001AC	015	13
027291090	002	8	16020011A	012	13	24521071A	008	21	30411011BB	014	10
040009050	002	21	17021361A	006	6	24612162A	029	16	30411011BB	015	10
040029126	002	17	17122421A	012	12	24713571AN	011	23	30411011BC	014	10
066013143	002	9	17210021B	003	10	24714141AC	013	5	30411011BC	015	10
066549680	005	8	17210081C	003	22	24714151AC	013	6	34110992AC	021	25
067016145	003	7	17210103C	003	20	24714171A	013	24	342P0962AB	021	17
067016155	003	19	17210113C	003	23	24714612A	010	7	34420581B	21A	1
069191030	18B	12	17212182A	003	18	24714651A	018	41	34520581B	21A	2
11210791AA	10A	10	17212192A	003	24	24714651A	018	41	34913531A	21A	4
11210791AB	10A	10	17214591A	003	8	24714891A	013	25	34913541A	21A	7
11210791AC	10A	10	17214601A	003	5	24715281A	018	11	34913551A	21A	6
11210791AD	10A	10	17214611A	003	9	24715281A	018	11	34913561A	21A	5
11210791AE	10A	10	17214621A	003	21	24715691A	20B	6	34913571A	21A	8
11210801AA	006	8	17320021A	012	14	24715701A	020	21	34913581A	21A	15
11210801AB	006	8	17410621B	009	1	24716111A	020	33	34913601A	21A	9
11723531AA	025	15	17420591A	010	4	24725241BH	011	31	34913611A	21A	10
12023251AI	007	5	17620021A	012	10	25120131A	011	29	34913621A	21A	3
12023261AI	007	10	18020511A	002	6	25440013A	005	4	34914231A	21A	11
12111741B	007	2	180Z0031A	002	11	25510104B	008	18	34914241A	21A	19
12112921C	007	3	180Z0041A	002	12	25510193A	013	7	34914251A	21A	21
12120531B	007	4	18220671B	002	18	26420501B	011	1	34914261A	21A	20
12221877A	007	1	18410051A	025	14	27040107A	012	1	34914271A	21A	17
13510401A	017	20	18710021A	024	2	27610441B	012	16	34914291A	21A	27
14010762C	017	1	19020531A	004	9	28040411A	017	24	34921041A	21A	24
14621985AA	006	1	19410511A	004	4	28240932A	017	26	34921051A	21A	23
14621985AB	006	1	19610542C	004	11	28620441B	01B	6	34921711A	21A	18
14621985AC	006	1	19610681A	004	12	28642531E	18A	14	34921721A	21A	14
14710811A	008	3	19820441A	004	14	28643131A	18A	14	34921731A	21A	25
14710951B	010	3	20810321A	014	3	28643131H	18A	14	34921741A	21A	16
14720921D	005	20	20810321A	015	3	28643131Q	18A	14	34921751A	21A	13
14824222A	013	15	20910491A	014	16	28643141A	18A	14	34921761A	21A	12
14824232A	013	11	20910491A	015	16	28643141Q	18A	14	36012001BA	021	20
14824242A	013	14	20910501A	014	4	30123711BC	015	22	36015332AA	021	19
14824252A	013	18	20910501A	015	4	30123721BC	014	22	36015521AA	021	22
14911101A	003	2	21010991A	014	14	30310631BB	014	7	36140161A	021	15
14911111B	003	25	21010991A	015	14	30310631BB	015	7	36521332A	028	5
15021831B	003	16	21110991A	014	5	30310631BC	014	7	36911341AA	28A	8
15021961A	003	26	21110991A	015	5	30310631BC	015	7	36911341AA	28A	8
15620822AA	006	5	22032083A	010	5	30310631BD	014	7	37021763AB	28A	13
15620822AB	006	5	22523781A	010	1	30310631BD	015	7	37021763AB	28A	13
15620822AC	006	5	24221491CF	011	13	30411001AB	014	13	37310881AA	28A	23
16010941A	013	10	24321513AD	005	1	30411001AB	015	13	37310881AA	28A	23
16022491A	026	24	24511421B	008	1	30411001AC	014	13	38010151A	022	15



CODE	NO. TABLE	POS.	CODE	NO. TABLE	POS.	CODE	NO. TABLE	POS.	CODE	NO. TABLE	POS.
38010151A	022	15	4381C841A	033	25	4601D781B	28B	24	490P0004A	A2	15
38510913A	027	11	4381C851A	032	26	4601E212B	033	18	490P0004A	H	3
38640591A	027	24	4381C861A	032	27	4601E221A	021	9	490P0019A	A2	21
38940191A	18B	5	4381C871A	033	32	4601E561A	026	35	490P0019A	I	1
38940201A	18B	5	4381C881A	033	31	4601E841A	019	37	490P0022A	A2	22
38940211A	18B	5	4381C891A	022	23	4601G431B	027	29	490P0022A	J	1
38940221A	18B	5	4381C891A	022	23	4601G511AA	019	17	490P0029A	A2	23
38940231A	018	40	4381C901A	022	24	4602B332A	019	26	490P0029A	K	1
38940231A	018	40	4381C901A	022	24	46210021A	021	2	490P0030A	A2	24
38940241A	18B	5	4381C921A	20B	18	46240461A	18A	16	490P0030A	K	2
38940251A	18B	5	4381C931A	20B	19	46320222A	010	10	490P0044A	A2	29
38940261A	18B	5	4381C941A	026	37	46320537A	003	14	490P0044A	M	1
38940301A	18B	5	4381C951A	026	38	46410961AA	27B	9	490P0248A	A2	30
39040111A	020	31	43910071A	036	7	46410971AA	27A	23	490P0248A	M	2
39040211A	020	13	44212781B	029	11	47013091AC	022	2	490P0272A	A2	1
39040211A	28B	13	44212792D	029	13	47013091AC	022	2	490P0272A	B2	1
39040211A	28B	13	44440038A	009	7	47013101AC	022	2	490P0297A	A2	36
39740081B	018	39	44711201A	28A	4	47017981BA	027	7	490P0297A	P	1
39740081B	018	39	44711201A	28A	4	48016171B	030	20	490P0298A	A2	37
40611504A	20B	1	44711211A	28A	3	48016351B	18A	27	490P0298A	P	2
42020008A	025	27	44711211A	28A	3	48016471A	030	12	490P0301A	A2	32
42610191A	029	17	44711251A	28A	1	48016481A	030	4	490P0301A	N	1
42640041B	035	9	44711301A	28A	1	48018812A	030	17	490P0324A	A2	7
43217911Z	036	8	44711311A	28A	30	48111241AC	20B	16	490P0324A	Q	1
43310051B	036	5	44910681A	003	12	48111251AC	20B	14	490P0325A	A2	11
43310051C	036	6	45110462A	013	26	48211871A	034	16	490P0325A	F	1
43312502C	005	25	45110491A	013	27	48211951A	022	17	49140851B	A2	10
43312531A	036	2	45120122A	008	9	48211951A	022	17	49140851B	R	2
43312541A	018	48	45120241A	008	4	48212371A	034	4	49140951A	A2	6
43312551A	036	4	45520181A	010	8	48611061A	005	22	49140951A	D	2
43312561A	036	3	45610461AA	27A	15	48611101C	029	21	49141271A	A2	12
43314011B	28A	28	45622352AA	27A	1	48711011A	20B	15	49141271A	F	2
43314011D	28A	28	45720571AA	025	20	49040663A	A2	9	49141601A	A2	4
43314011D	28A	28	4601A611B	018	23	49040663A	R	1	49141601A	C2	2
43314641A	036	1	4601A611B	018	23	49040711A	A2	5	491P0009A	A2	16
43314851A	022	25	4601A871A	24A	10	49040711A	D	1	491P0009A	H	4
43713351A	034	11	4601B275A	019	36	49041071A	A2	34	491P0010A	A2	17
43713361A	034	10	4601B284A	019	4	49041071A	O	1	491P0010A	H	5
43814741A	034	9	4601B921A	019	24	49041081A	A2	3	491P0011A	A2	18
4381B041AK	032	11	4601C401A	28A	19	49041081A	C2	1	491P0011A	H	6
4381C401AA	034	21	4601C401A	28A	19	490P0002A	A2	13	491P0012A	A2	19
4381C411AA	034	20	4601C581A	24A	31	490P0002A	H	1	491P0012A	H	7
4381C441AC	032	10	4601D231A	018	3	490P0003A	A2	14	491P0013A	A2	20
4381C831A	033	24	4601D231A	018	3	490P0003A	H	2	491P0013A	H	8



CODE	NO. TABLE	POS.	CODE	NO. TABLE	POS.	CODE	NO. TABLE	POS.	CODE	NO. TABLE	POS.
491P0036A	A2	25	51410722C	018	36	55610802CA	22A	3	61341021A	024	13
491P0036A	K	3	51610053C	18A	32	56113381AA	28B	23	61810521C	24A	9
491P0037A	A2	26	52010392BA	020	10	56113392A	28B	10	61810871A	024	7
491P0037A	K	4	52040341A	020	29	56113392A	28B	10	61810881A	24A	7
491P0038A	A2	27	52310541A	021	3	56113442A	28B	3	61911281A	24A	18
491P0038A	K	5	52310551A	021	7	56113442A	28B	3	61911301A	24A	19
491P0039A	A2	28	52510483B	027	1	56113461A	28B	6	62441042A	024	11
491P0039A	K	6	52510611A	28B	12	56113461A	28B	6	62540201A	025	10
491P0045A	A2	31	52510611A	28B	12	564P6441AC	034	12	62640601A	024	19
491P0045A	M	3	52910221A	21A	26	56510871A	028	1	62640901A	024	12
491P0323A	A2	2	52910231A	28B	20	57013383A	019	29	62640931AA	023	11
491P0323A	B2	2	52910231A	28B	20	57113252A	019	21	63140161A	025	30
491P0334A	A2	38	53010226A	28B	17	57113261A	019	2	63140591A	024	18
491P0334A	P	3	53010226A	28B	17	57211632A	019	32	63640022A	023	3
491P0335A	A2	39	53010226B	020	18	57324482AA	019	12	65010283B	021	5
491P0335A	P	4	53010236A	28B	14	58510822B	031	22	65110281B	021	16
491P0336A	A2	40	53010236A	28B	14	58540271A	024	21	65240231A	021	14
491P0336A	P	5	53010236B	020	14	58540311A	025	6	65540091A	029	8
491P0337A	A2	41	53910341A	22A	5	58612691EC	032	3	65540101A	035	13
491P0337A	P	6	53940033C	025	26	59014101A	017	31	66020093B	021	4
491P0343A	A2	35	53940302A	016	5	59014111A	017	17	66810482A	007	14
491P0343A	O	2	53940721A	024	17	59014471A	029	20	66910011E	014	6
491P0355A	A2	33	53940811A	023	9	59017821A	035	17	66910011E	015	6
491P0355A	N	2	53940871A	023	8	59024122A	017	22	67040451A	022	6
491P0387A	A2	8	54040321A	018	5	59210251B	032	23	67040451A	022	6
491P0387A	Q	2	54040321A	018	5	59310601B	010	11	67110591D	022	9
49240032A	026	19	54140101A	18B	7	59310801B	010	57	67110591D	022	9
49241011A	026	5	54240761A	24A	17	59320581B	010	9	67110601D	022	5
49411651AA	026	34	54841033A	030	19	59340301C	019	20	67110601D	022	5
49411751AA	026	34	55040271A	030	1	595P3313AD	033	4	67620901A	026	26
49720071AC	026	3	55040281A	030	2	595P3331BC	033	9	67621021A	026	26
50121812AA	026	10	55212111B	24A	27	59820572A	033	14	67640941A	026	30
50221671AA	026	7	55212121B	24A	2	59821061A	032	12	67640961A	026	30
50410051A	026	20	55214011A	019	27	59840183A	032	4	67740201A	026	27
50410061A	026	15	55214911A	002	24	59840361A	032	19	68010131A	006	10
51019723A	18B	4	55215484C	27A	11	59920101A	033	12	68010131A	008	16
5101A083B	017	25	55240121A	020	4	61041292C	024	5	68050061A	013	12
5101B202D	18B	2	55240121A	18A	8	61041302C	024	8	68050101A	010	17
5101C462C	18B	1	55241321C	10A	14	61140421A	025	1	69610131A	27A	26
51310282C	018	43	55243442A	031	6	61240052A	024	1	69610131A	27B	7
51310282C	018	43	55243522A	011	3	61240081A	025	12	69720292B	027	8
51410712B	018	44	55244331A	017	18	61240161A	025	29	69926751A	018	14
51410712B	018	44	55340041A	031	13	61240511A	024	14	69926751A	018	14
51410722C	018	36	55610791C	22A	1	61340951A	025	28	69926951A	032	21



CODE	NO. TABLE	POS.	CODE	NO. TABLE	POS.	CODE	NO. TABLE	POS.	CODE	NO. TABLE	POS.
70010362A	010	18	71210301A	28A	9	71611071B	019	14	74140641A	031	20
70010431A	18A	17	71210301A	28A	9	71611281A	008	17	74140641A	035	12
70010481B	020	24	71210341A	025	21	71611351A	020	22	74140651A	029	19
70010591A	026	22	71210341A	27A	3	71611521A	20B	4	74141001A	035	5
70010751A	035	8	71210491AA	28A	10	71611641AA	022	11	74141461A	019	23
70010811A	032	5	71210491AA	28A	10	71611641AA	022	11	74141711A	017	15
70010901A	017	9	71310141E	003	11	71614011B	034	13	74141711A	031	29
70011151A	021	24	71311281B	011	27	71614071A	018	7	74141711A	035	10
70140051A	003	4	71311841A	026	28	71614071A	018	7	74141871A	017	3
70140171A	28A	15	71311961A	026	17	71614091A	030	21	74142121A	031	10
70140171A	28A	15	71311973A	026	2	71614271A	018	31	74142181A	031	28
70140351A	012	11	71312051A	026	21	71614271A	018	31	74142241A	28A	26
70140431A	005	18	71312661A	003	15	71614581AA	24A	21	74142241A	28A	26
70240091A	011	11	71312921A	014	9	71614691AA	019	10	74142371A	029	3
70240102A	011	9	71312921A	015	9	71614811AA	034	7	74142381A	019	3
70240131D	010	19	71312921B	014	25	71614921AA	027	4	74142401A	029	5
70240181B	012	15	71312921B	015	26	71614971AA	030	15	74142581A	007	7
70240331A	010	20	71313091A	004	13	71615071AA	029	22	74142581A	029	1
70240381A	026	25	71314361AB	019	8	71615211AA	027	14	74142581A	031	4
70241231A	021	31	71314703A	020	12	71615291AA	28B	5	74142591A	031	15
70250081A	010	21	71314703A	28B	15	71615291AA	28B	5	74142651A	019	22
70250081A	011	4	71314703A	28B	15	71615671AA	027	30	74710151A	010	25
70250193A	010	22	71314831B	004	6	72010513C	026	4	74750051B	025	13
70250451A	28A	16	71316161A	021	35	72050069E	011	20	74750071A	021	34
70250451A	28A	16	71319151A	002	2	720941616	010	24	74810241A	019	28
70250501A	026	12	71319191A	012	9	73210543A	019	34	74810351B	022	14
70250601A	004	10	71319201A	24A	3	73210711C	023	6	74810351B	022	14
70250621A	026	8	71319951A	003	1	735001542	002	15	74810361A	18A	31
70310481A	029	15	7131A211AA	28A	17	735033380	010	26	74810461A	026	33
70310512AA	27A	10	7131A211AA	28A	17	735033380	011	17	74810501A	10A	4
70310512AA	27B	17	7131A361AA	026	32	73740252A	008	5	74810651A	026	1
70310761AA	021	29	7131A371AA	026	31	74110101A	18B	14	74840241AB	021	27
70350022A	013	2	7131A492C	020	26	74110121A	027	21	74841011AA	28A	18
70350062A	008	12	7131A502C	020	27	74110131A	18B	11	74841011AA	28A	18
70450091A	009	8	7131C641A	24A	3	74110551A	18B	3	74841081A	023	7
70450091A	010	23	7131C651A	24A	3	74113321A	008	22	74841091AA	017	12
71011891A	28A	11	71411341AA	026	13	74113331AA	005	6	74841101AA	020	1
71011891A	28A	11	71413321A	026	9	74140381A	18B	13	74850061A	18A	15
71110922A	011	21	71610031A	24A	15	74140431A	017	11	74940041A	27A	8
71110951A	010	6	71610061A	18A	2	74140431A	025	9	74940081A	008	7
71111601A	005	13	71610381B	018	10	74140431A	031	18	74940321A	019	11
71111601A	011	14	71610381B	018	10	74140431A	035	3	74941113B	018	19
71112191A	007	12	71610722A	008	20	74140571A	035	18	74941113B	018	19
71113741A	013	19	71611071B	017	13	74140631A	035	19	74941113B	031	7



CODE	NO. TABLE	POS.	CODE	NO. TABLE	POS.	CODE	NO. TABLE	POS.	CODE	NO. TABLE	POS.
74941128B	27A	18	76410641A	020	7	77113691A	18A	30	77157248CA	27A	17
74941128B	27B	16	76410641A	24A	14	77113731A	021	1	77157248CA	27B	3
74950011B	28B	18	76410971A	020	3	77113741A	021	6	77157268B	021	28
74950011B	28B	18	76410981A	031	26	77113801A	008	6	77157273B	021	18
75010071A	003	3	76411141A	24A	26	77116671AA	031	25	77159418B	021	21
75010071E	004	7	76411361A	030	11	77140653CC	016	7	77210423C	24A	28
75010121D	006	11	76411421A	018	32	77140677CF	012	5	77210501C	28A	27
75010281A	20B	13	76411421A	018	32	77140697CF	012	6	77210501C	28A	27
75010481A	22A	8	76411431A	018	26	77140713C	005	5	77210623B	031	1
75011131A	006	13	76411431A	018	26	77140713C	011	15	77210841C	28A	5
75011601A	008	15	76411621A	029	12	77140723C	011	19	77210841C	28A	5
75011891AA	28A	21	76411711A	24A	22	77140813C	005	3	77210882B	019	16
75011891AA	28A	21	76411851A	017	28	77140833C	005	2	77210882B	020	23
75012341AA	021	8	76411881A	034	2	77140911A	023	10	77210893B	034	14
75040141A	018	2	76412061A	032	22	77150078B	010	12	77210941C	028	2
75040141A	018	2	76412091A	027	6	77150388B	034	17	77210943B	028	3
75040211A	027	27	76412101A	027	3	77150398B	27A	12	77211021A	24A	25
75050051A	012	3	76412221A	20B	17	77150408B	017	23	77211061A	18B	9
757941542	010	27	76412371A	28B	2	77150408B	032	14	77211091A	030	5
75810642A	24A	6	76412371A	28B	2	77150408B	18A	23	77211091C	030	18
75810782A	18A	19	76412421B	027	23	77150457E	032	13	77211201A	004	3
75840601A	24A	4	76414221A	27A	2	77150653B	010	29	77211401BA	019	18
75840641A	017	4	76440572A	014	8	77150670ZF	002	3	77211411AA	018	4
75840721A	017	6	76440572A	015	8	77150693B	023	12	77211411AA	018	4
75840771A	018	12	76440581A	016	3	77150693BD	24A	30	77214061AA	18A	1
75840771A	018	12	76510071D	27B	10	77150723B	10A	11	77214061AA	20B	3
75840801A	018	13	76510081D	27A	24	77150758B	010	30	77214221AA	28A	12
75840801A	018	13	76610551D	10A	2	77150808B	10A	8	77214221AA	28A	12
75840861A	018	47	76640191A	014	21	77151250ZF	002	1	77214401AA	27A	19
75840861A	018	47	76640191A	015	21	77151283B	018	33	77214401AA	27B	15
75840901A	28B	1	768351134	002	10	77151283B	018	33	77214411AA	018	42
75840901A	28B	1	77052508B	011	6	77151363B	10A	6	77214411AA	018	42
75910251A	019	19	77110191A	020	6	77156413B	022	16	77214411AA	034	5
75910311A	027	9	77110191A	27A	16	77156413B	022	16	77214411AB	033	10
76040074B	032	24	77110391B	017	2	77156413B	032	1	77214411BA	017	21
764020002	003	17	77110401B	017	32	77156453B	20B	5	77240253C	029	14
76410011A	019	9	77110401B	24A	1	77156623B	031	23	77240253C	034	15
76410241A	022	12	77110441A	020	15	77156628B	018	38	77240258C	018	22
76410241A	022	12	77110441A	28B	16	77156628B	018	38	77240258C	018	22
76410241A	030	7	77110441A	28B	16	77156633B	005	16	77240278C	18A	20
76410241A	18A	3	77110501A	021	10	77156683B	025	25	77240403C	18A	29
76410241A	20B	2	77110521A	012	7	77156688B	27A	6	77240403CA	027	13
76410621B	018	45	77113691A	020	16	77156698B	27A	9	77240418C	027	25
76410621B	018	45	77113691A	025	7	77157238B	025	2	77240418C	28B	8



CODE	NO. TABLE	POS.	CODE	NO. TABLE	POS.	CODE	NO. TABLE	POS.	CODE	NO. TABLE	POS.
77240418C	28B	8	77355068B	019	7	77915093A	013	3	79010211A	019	30
77240423C	011	10	77355203C	018	18	77915471A	006	4	79111111A	032	16
77240433C	019	35	77355203C	018	18	77916041D	011	2	79111271A	020	30
77240438C	033	11	77355203C	22A	2	77916041D	10A	5	79120521C	007	6
77240443C	24A	16	77440041A	027	5	77916081A	030	6	79710721A	004	1
77240453C	034	1	77440101A	029	6	77916411A	27A	31	79910241B	27A	27
77244163B	28B	4	77440101A	034	19	77916411A	27B	2	79910241B	27B	6
77244163B	28B	4	77440111A	24A	24	77917241AA	22A	4	79910491A	010	39
77244168B	032	7	77440131A	029	10	77918132A	002	7	79910891C	22A	6
77244168B	18A	10	77440141A	18A	5	77918141A	013	22	79912961A	002	20
77244173B	027	28	77440213C	18A	7	77918291AA	022	1	79914991A	27A	25
77244173B	033	22	77440391A	28A	31	77918291AA	022	1	79914991A	27B	8
77244173B	18A	26	77440431AA	018	35	77918301AB	027	15	79915001A	014	18
77244173B	20B	8	77440431AA	018	35	77918421AB	28A	7	79915001A	015	19
77244183B	018	1	77510071AB	20B	11	77918421AB	28A	7	79915011A	014	19
77244183B	018	1	77510311B	010	32	77918431AA	28A	6	79915011A	015	18
77244213B	032	8	77510471A	030	10	77918431AA	28A	6	79915061A	002	4
77244538BA	28B	7	77510541A	024	16	77918711BA	018	46	79915181B	014	26
77244538BA	28B	7	77540071A	023	13	77918711BA	018	46	79915181B	015	27
77250341B	010	13	77550171A	032	20	77919021AA	28A	25	79915191B	014	27
77250341C	008	10	77550191A	030	16	77919021AA	28A	25	79915191B	015	28
77250988B	030	3	77550200CC	005	23	77919121AA	025	18	79915671A	005	17
77251008B	018	9	77550211B	10A	7	77919881A	010	61	79915741B	010	58
77251008B	018	9	77550213C	026	36	7791A091AA	023	4	79920881C	22A	7
77251043B	018	21	77550213C	24A	5	7791A101AA	023	2	79925771B	025	24
77251043B	018	21	77750493C	011	24	77927171A	010	35	79925941A	019	31
77251593B	018	29	77850281A	021	33	77950302A	013	16	79940171A	010	40
77251593B	018	29	77910391A	010	33	77950621A	010	37	79940221A	023	5
77253268C	019	25	77911092A	006	2	78010161B	006	3	800070139	01A	5
77253330ZF	012	19	77911871A	008	13	78010511E	014	12	80011851A	007	8
77253988C	27A	14	77911982A	010	34	78010511E	015	12	80012301A	031	11
77253988C	27B	14	77912741A	017	29	78010921A	010	38	80012311A	031	5
77310021A	21A	22	77913311D	024	6	78010941B	010	59	80012321A	031	12
77310071A	026	16	77913662AB	025	4	78011001A	011	33	80012332A	031	17
77350403B	013	23	77913662AB	24A	11	78011281A	005	14	80012483A	007	9
77350618B	014	20	77913971A	024	3	78611224A	007	11	80012521A	031	16
77350618B	022	3	77914045B	006	9	78611511A	007	13	80610432A	027	18
77350618B	022	3	77914151A	024	10	78710111A	016	1	80610442A	027	19
77350738BC	011	5	77914211A	014	23	78810542A	012	4	81110021A	010	15
77354623B	28B	9	77914211A	015	23	78810931A	013	9	81140012B	013	21
77354623B	28B	9	77914651A	024	9	78811041A	18A	9	81411111C	035	2
77354743B	022	10	77914871C	28A	2	78811151A	010	14	81411881A	015	25
77354743B	022	10	77914871C	28A	2	78811211A	013	8	81413251A	032	17
77354868B	010	31	77915041A	028	6	78811301A	017	19	81413261A	031	2



CODE	NO. TABLE	POS.	CODE	NO. TABLE	POS.	CODE	NO. TABLE	POS.	CODE	NO. TABLE	POS.
81413341A	017	10	82717901A	005	24	84010022A	014	1	84010242A	014	1
81417291A	017	16	82911901A	017	5	84010022A	015	1	84010242A	015	1
81420051A	031	8	82916531A	016	6	84010032A	014	1	84010252A	014	1
81441041A	035	6	82919612A	029	18	84010032A	015	1	84010252A	015	1
81510281A	010	41	8291B632B	018	30	84010042A	014	1	84010262A	014	1
81810481A	004	5	8291B632B	018	30	84010042A	015	1	84010262A	015	1
81910602AA	026	11	8291B641C	18A	4	84010052A	014	1	84010272A	014	1
81910742AA	28A	24	8291B771AA	18A	11	84010052A	015	1	84010272A	015	1
81910742AA	28A	24	8291C091A	027	2	84010062A	014	1	84010282A	014	1
82111701CA	025	16	8291C142A	24A	23	84010062A	015	1	84010282A	015	1
82111701CA	27A	4	8291C362A	033	5	84010072A	014	1	84010292A	014	1
82112731A	025	23	8291C661D	18A	22	84010072A	015	1	84010292A	015	1
82112941A	014	17	8291E731B	034	18	84010082A	014	1	84010302A	014	1
82112941A	015	17	8291F421AA	023	1	84010082A	015	1	84010302A	015	1
82112951A	014	15	8291F671A	033	7	84010092A	014	1	84010312A	014	1
82112951A	015	15	8291F751AA	020	20	84010092A	015	1	84010312A	015	1
82113471A	012	8	8291F761AA	28B	11	84010102A	014	1	84010322A	014	1
82113881A	002	13	8291F761AA	28B	11	84010102A	015	1	84010322A	015	1
82114571AA	018	25	83014401A	033	13	84010112A	014	1	84010332A	014	1
82114571AA	018	25	83016241B	033	17	84010112A	015	1	84010332A	015	1
82114581BA	018	17	83018172AA	022	4	84010122A	014	1	84010342A	014	1
82114581BA	018	17	83018172AA	022	4	84010122A	015	1	84010342A	015	1
82114712CA	033	3	83018181AA	24A	13	84010132A	014	1	84010412B	014	2
82114731A	002	5	83018221A	017	30	84010132A	015	1	84010412B	015	2
82114741AA	026	23	83018341B	24A	20	84010142A	014	1	84010422B	014	2
82115101AA	27A	21	83018352AA	018	34	84010142A	015	1	84010422B	015	2
82115101AA	27B	12	83018352AA	018	34	84010152A	014	1	84010432B	014	2
82115511A	027	22	83018421BA	017	7	84010152A	015	1	84010432B	015	2
82115681AA	020	11	83018431AA	022	13	84010162A	014	1	84010442B	014	2
82118401AA	22A	9	83018431AA	022	13	84010162A	015	1	84010442B	015	2
82120151A	002	25	83018691A	024	15	84010172A	014	1	84010452B	014	2
82413202BB	27B	13	83018872AA	18A	28	84010172A	015	1	84010452B	015	2
82413212BB	27A	20	83018971A	030	8	84010182A	014	1	84010462B	014	2
82413222AB	27B	4	8301A231AA	018	20	84010182A	015	1	84010462B	015	2
82413231AB	27A	29	8301A231AA	018	20	84010192A	014	1	84010472B	014	2
82510501AA	28A	20	8301A241AA	018	27	84010192A	015	1	84010472B	015	2
82510501AA	28A	20	8301A241AA	018	27	84010202A	014	1	84010482B	014	2
82610261A	002	16	8301E411AA	021	13	84010202A	015	1	84010482B	015	2
82610351BA	032	6	8301E561AA	020	8	84010212A	014	1	84010492B	014	2
82716031A	010	16	8301E661AA	020	2	84010212A	015	1	84010492B	015	2
82716091A	011	25	8301F821AA	20B	9	84010222A	014	1	84010502B	014	2
82716351A	013	20	83110151B	010	42	84010222A	015	1	84010502B	015	2
82717631AA	22A	10	84010012A	014	1	84010232A	014	1	84010512B	014	2
82717873BA	025	11	84010012A	015	1	84010232A	015	1	84010512B	015	2



CODE	NO. TABLE	POS.	CODE	NO. TABLE	POS.	CODE	NO. TABLE	POS.	CODE	NO. TABLE	POS.
84010522B	014	2	84010732A	014	1	84011142A	014	1	85211031AB	021	32
84010522B	015	2	84010732A	015	1	84011142A	015	1	85211201A	010	45
84010532B	014	2	84010732B	014	2	84740021A	27A	28	85211351A	005	10
84010532B	015	2	84010732B	015	2	84740021A	27B	5	85211671B	027	26
84010542B	014	2	84010742B	014	2	84740061A	010	43	85211721A	011	7
84010542B	015	2	84010742B	015	2	84820401AA	27A	13	85211761A	020	5
84010552B	014	2	84010752B	014	2	85010151A	025	19	85211911A	031	27
84010552B	015	2	84010752B	015	2	85040381A	018	6	85211951A	016	4
84010562B	014	2	84010762B	014	2	85040381A	018	6	85212221A	026	6
84010562B	015	2	84010762B	015	2	85040381A	019	6	85212271A	019	1
84010572B	014	2	84010772B	014	2	85040471A	034	8	85212511A	28B	19
84010572B	015	2	84010772B	015	2	85040471A	18A	25	85212511A	28B	19
84010582B	014	2	84010782B	014	2	85040471A	20B	10	85212691A	006	7
84010582B	015	2	84010782B	015	2	85040551A	018	24	85213011A	010	2
84010592B	014	2	84010792B	014	2	85040551A	018	24	85213021A	009	6
84010592B	015	2	84010792B	015	2	85040551A	019	13	85213021A	010	46
84010602B	014	2	84010802B	014	2	85040551A	030	14	85213661AA	27A	30
84010602B	015	2	84010802B	015	2	85040551A	033	19	85213661AA	27B	1
84010612B	014	2	84010812B	014	2	85040551A	034	6	85213681A	019	5
84010612B	015	2	84010812B	015	2	85040561A	033	1	85240211A	029	7
84010622B	014	2	84010822B	014	2	85040671A	027	16	85241711A	030	9
84010622B	015	2	84010822B	015	2	85041041A	022	19	85250051A	009	5
84010632B	014	2	84010832B	014	2	85041041A	022	19	85250231A	014	28
84010632B	015	2	84010832B	015	2	85041051A	022	18	85250231A	015	20
84010642B	014	2	84010842B	014	2	85041051A	022	18	85250231A	017	8
84010642B	015	2	84010842B	015	2	85041121A	034	3	85250231A	035	1
84010652B	014	2	84010852B	014	2	85041421A	028	4	85250241A	005	7
84010652B	015	2	84010852B	015	2	85041711A	18A	6	85250241A	024	4
84010662B	014	2	84010862B	014	2	85041951AA	018	8	85250241A	025	3
84010662B	015	2	84010862B	015	2	85041951AA	018	8	85250241A	24A	12
84010672B	014	2	84010872B	014	2	85110041A	003	13	85250261B	014	11
84010672B	015	2	84010872B	015	2	85110131A	008	14	85250261B	015	11
84010682B	014	2	84011082A	014	1	85110201A	004	8	85250401A	021	23
84010682B	015	2	84011082A	015	1	85140031A	006	12	85250421A	010	47
84010692B	014	2	84011092A	014	1	85210051A	002	14	85250481A	011	30
84010692B	015	2	84011092A	015	1	85210241A	20B	12	85250601A	018	28
84010702B	014	2	84011102A	014	1	85210491B	021	26	85250601A	018	28
84010702B	015	2	84011102A	015	1	85210532A	010	44	85250631A	011	32
84010712B	014	2	84011112A	014	1	85210532A	025	22	85310021A	008	8
84010712B	015	2	84011112A	015	1	85210532A	27A	7	85310031A	10A	13
84010722A	014	1	84011122A	014	1	85210532A	28B	22	85350101A	012	2
84010722A	015	1	84011122A	015	1	85210532A	28B	22	85350101A	018	37
84010722B	014	2	84011132A	014	1	85210721B	019	15	85350101A	018	37
84010722B	015	2	84011132A	015	1	85210941A	002	19	85550001B	033	15



CODE	NO. TABLE	POS.	CODE	NO. TABLE	POS.	CODE	NO. TABLE	POS.	CODE	NO. TABLE	POS.
85550001B	18B	10	87210912A	022	21	88450661A	019	33	887133992	001	21
85610011A	003	6	87210912A	022	21	88610241A	10A	15	887134145	001	36
85610623A	008	19	87210922A	022	20	88610951A	011	22	887134198	001	13
85610642A	10A	3	87210922A	022	20	88640331A	010	53	887134284	001	11
85610743A	013	4	87210941A	022	8	88641031A	031	3	887134285	001	35
85610751A	012	18	87210941A	022	8	88641161A	025	17	887134286	001	20
85611271A	032	25	87210951A	022	7	88641161A	27A	5	887134302	01A	9
85611391B	004	2	87210951A	022	7	88641321A	005	12	887134411	001	25
85611481A	010	48	87211011A	28A	29	88641321A	10A	9	887134488	01A	8
85640141A	010	60	87211011A	28A	29	88641731A	011	16	887134513	01A	2
86010051B	10A	12	87211251A	28B	21	88641961A	010	36	887134791	001	28
86050061A	010	49	87211251A	28B	21	88642231A	017	27	887134882	001	14
86050061A	014	24	87211511A	033	16	88650131A	010	54	887135013	001	37
86050061A	015	24	87240921A	030	13	88650511A	013	1	887138846	01A	13
86150251A	033	23	87310051A	013	13	887005749	001	23	887651188	001	8
86610301A	033	20	87310371A	009	2	887130022	001	1	887651298	001	18
86610361A	18A	24	87321271A	011	12	887131010	01A	12	887651518	001	12
86610731A	18A	18	87511801A	010	50	887131058	01A	7	887651623	001	34
86610751A	033	26	87610581A	031	19	887131059	01A	6	887651635	001	5
86611001A	021	11	87611181A	035	15	887131062	01A	3	89310143A	031	24
86611121A	24A	8	87611211A	029	4	887131074	01A	4	89320062A	010	55
86611521A	027	10	87611221B	029	9	887131309	001	27	89320121A	005	15
86611611A	18A	12	87611232A	029	2	887131515	01A	10	89340091A	024	20
86611681A	018	15	87711572A	016	2	887131749	001	22	89340241A	025	5
86611681A	018	15	87712631A	025	8	887131805	001	10	89420121F	009	3
86611692B	020	9	88110121A	002	23	887131806	001	16	89520072A	032	15
86611701A	033	21	88110341A	012	17	887131821	001	19	91374891AR	027	17
86611722CA	032	2	88111161B	020	19	887131832	01A	11	91374891BG	027	17
86611731A	18A	21	88111171B	020	17	887131906	001	29	91374891CA	027	17
86611751C	033	2	88111281A	031	14	887131994	001	4	91374891CS	027	17
86611861A	24A	29	88210031A	008	11	887132011	001	17	91374891DA	027	17
86611981A	18A	13	88440061A	026	29	887132068	001	7	91374891DE	027	17
86611991A	017	14	88450131A	005	11	887132103	001	3	91374891EL	027	17
86612101B	033	28	88450341B	002	22	887132442	001	9	91374891EN	027	17
86612221A	033	8	88450341B	005	21	887132676	001	2	91374891ES	027	17
86612331A	033	6	88450341B	28A	22	887132870	001	30	91374891FI	027	17
86612421B	033	27	88450341B	28A	22	887132877	001	31	91374891FR	027	17
86612431B	033	29	88450371A	009	4	887132906	001	6	91374891HR	027	17
86612471A	033	30	88450371A	010	52	887132913	001	24	91374891HU	027	17
87210281A	021	12	88450431A	011	8	887133219	001	32	91374891IT	027	17
87210532A	18B	6	88450441A	27A	22	887133220	01A	1	91374891JA	027	17
87210641A	18B	8	88450441A	27B	11	887133367	001	26	91374891KO	027	17
87210802A	020	25	88450661A	018	16	887133406	001	15	91374891MX	027	17
87210812A	020	28	88450661A	018	16	887133497	001	33	91374891NL	027	17



CODE	NO. TABLE	POS.	CODE	NO. TABLE	POS.
91374891NO	027	17	979000259	01B	7
91374891PL	027	17			
91374891PT	027	17			
91374891RO	027	17			
91374891RU	027	17			
91374891SK	027	17			
91374891SL	027	17			
91374891SV	027	17			
91374891US	027	17			
91374891ZH	027	17			
92610051A	022	22			
92610051A	022	22			
92610051A	027	12			
92610051A	032	18			
92610401A	027	20			
93010041B	021	30			
93040211A	005	9			
93040221A	010	56			
93040391A	026	14			
93040931A	010	51			
93041591A	005	19			
93041631B	010	28			
93042051A	026	18			
93050051A	011	26			
93050062B	011	28			
93050072A	013	17			
93050121A	28A	14			
93050121A	28A	14			
93410212A	031	21			
93510251B	035	4			
93510281B	035	16			
93510461A	035	7			
93510831A	035	14			
93510841A	035	11			
937831524	011	18			
942470014	10A	1			
944650035	L	1			
944650037	L	2			
97610531BA	20B	7			
979000252	01B	1			
979000253	01B	2			
979000254	01B	3			
979000255	01B	4			
979000256	01B	5			





Ducati Motor Holding S.p.A.

Uffici Commerciali Amministrativi:

Via A. Cavalieri Ducati n. 3

40132 Bologna, Italy

Telefono 051 6413111

Fax 051 406580

Internet www.ducati.com