



1200
Model Year 2015

MONSTER

Chassis prefix:
Cylinder capacity: 1200

D19000015 - 2
SPARE PARTS CATALOGUE
en-US



The present spare parts order exactly the right spare parts.

When ordering specify:

1. the part's code number followed by its description and quantity needed;
2. the motorcycle's serial number, stamped on the steering head.

Reference to right and left apply to the vehicle in terms of its direction of movement.


Spare parts drawings are general and do not represent the part.

The contents of this catalogue are general and can undergo changes without prior notice.

CHARACTERISTICS LEGENDA

CHARACTERISTIC CODE	CHARACTERISTIC DESCRIPTION	VALUE CODE	VALUE DESCRIPTION
CPT	PARTICOLAR CHARACTERISTICS	STD	MOTO STANDARD
DFR	DAFRA	N	NO
MOD	MODEL	M 1200	MONSTER 1200
PLT	PLANT	DB10	DMH
XCO	MAIN COLOUR	R	RED
XCR	FRAME / WHEEL COLOUR	R-B	RED FRAME,WITH BLACK WHEELS
XST	STANDARD COUNTRY	AUS	VERSIONE AUSTRALIA
XST	STANDARD COUNTRY	BRA	VERSIONE BRASILE
XST	STANDARD COUNTRY	CHN	VERSIONE CINA
XST	STANDARD COUNTRY	EUR	VERSIONE EUROPA
XST	STANDARD COUNTRY	FRA	VERSIONE FRANCIA
XST	STANDARD COUNTRY	JAP	VERSIONE GIAPPONE
XST	STANDARD COUNTRY	TWN	VERSIONE TAIWAN



COLOUR	COLOUR CODE	COLOUR DESCRIPTION	FINISHED PRODUCTS
	R	RED	(D19001615) M 1200 15 FRA R R-B STD DMH (D19001915) M 1200 15 CHN R R-B STD DMH (D19000115) M 1200 15 EUR R R-B STD DMH (D19001015) M 1200 15 AUS R R-B STD DMH (D19001315) M 1200 15 JAP R R-B STD DMH (D19005415) M 1200 15 TWN R R-B STD DMH (D19005915) M 1200 15 BRA R R-B STD DMH



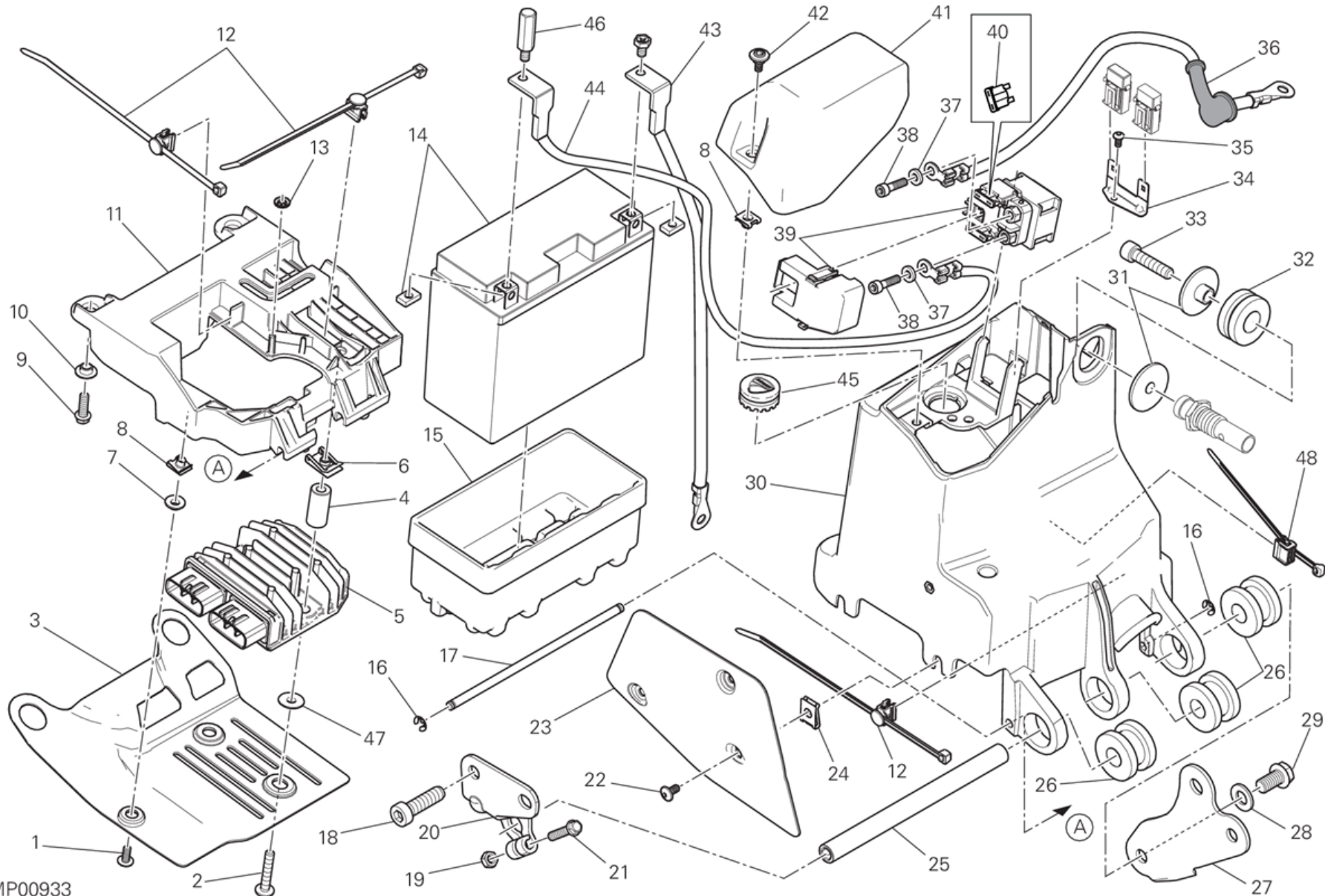
General information.....	3
Colours.....	4
Group ELECTRIC.....	8
Drawing 018 - BATTERY HOLDER [MOD:M 1200].....	8
Drawing 020 - HEADLIGHT [MOD:M 1200;XST:AUS,BRA,CHN,EUR,FRA,JAP,TWN].....	12
Drawing 18A - ENGINE CONTROL UNIT [MOD:M 1200].....	14
Drawing 18B - WIRING HARNESS [MOD:M 1200].....	16
Drawing 20A - INSTRUMENT PANEL [MOD:M 1200].....	18
Drawing 28B - PLATE HOLDER [MOD:M 1200;XST:EUR,FRA,JAP,TWN].....	20
Drawing 28B - PLATE HOLDER [MOD:M 1200;XST:AUS].....	22
Drawing 28B - PLATE HOLDER [MOD:M 1200;XST:EUR].....	24
Drawing 28B - PLATE HOLDER [MOD:M 1200;XST:BRA,CHN].....	26
Group ENGINE.....	28
Drawing 002 - SHIFT CAM - FORK [MOD:M 1200].....	28
Drawing 003 - GEAR BOX [MOD:M 1200].....	30
Drawing 004 - CLUTCH [MOD:M 1200].....	32
Drawing 005 - CLUTCH COVER [MOD:M 1200].....	34
Drawing 006 - CONNECTING RODS [MOD:M 1200].....	36
Drawing 007 - CYLINDERS - PISTONS [MOD:M 1200].....	38
Drawing 008 - DISTRIBUZIONE [MOD:M 1200].....	40
Drawing 009 - FILTERS AND OIL PUMP [MOD:M 1200].....	42
Drawing 010 - HALF-CRANKCASES PAIR [MOD:M 1200].....	44
Drawing 011 - WATER PUMP-ALTR-SIDE CRNKCE COVER [MOD:M 1200].....	48
Drawing 012 - ELECTRIC STARTING AND IGNITION [MOD:M 1200].....	50
Drawing 013 - CAMSHAFT [MOD:M 1200].....	52
Drawing 014 - VERTICAL HEAD [MOD:M 1200].....	54
Drawing 015 - HORIZONTAL HEAD [MOD:M 1200].....	62
Drawing 10A - HALF-CRANKCASES PAIR [MOD:M 1200].....	70
Group TOOLS.....	72



Drawing 001 - WORKSHOP SERVICE TOOLS, ENGINE [MOD:M 1200].....	72
Drawing 01A - WORKSHOP SERVICE TOOLS, ENGINE [MOD:M 1200].....	74
Drawing 01B - WORKSHOP SERVICE TOOLS, FRAME [MOD:M 1200].....	76
Drawing 01C - DDS (2) TESTER [MOD:M 1200].....	78
Group FRAME.....	80
Drawing 016 - OIL COOLER [MOD:M 1200].....	80
Drawing 017 - THROTTLE BODY [MOD:M 1200;XST:AUS,BRA,EUR,FRA,JAP].....	82
Drawing 017 - THROTTLE BODY [MOD:M 1200;XST:CHN,TWN].....	84
Drawing 019 - EXHAUST SYSTEM [MOD:M 1200].....	86
Drawing 021 - HANDLEBAR AND CONTROLS [MOD:M 1200].....	90
Drawing 022 - FRAME [MOD:M 1200].....	94
Drawing 023 - CLUTCH CONTROL [MOD:M 1200].....	96
Drawing 024 - FRONT BRAKE SYSTEM [MOD:M 1200].....	98
Drawing 025 - REAR BRAKE SYSTEM [MOD:M 1200].....	100
Drawing 026 - RUOTA ANTERIORE E POSTERIORE [MOD:M 1200].....	102
Drawing 027 - REAR FRAME COMP. [MOD:M 1200].....	104
Drawing 028 - SOSPENSIONE POSTERIORE [MOD:M 1200;XST:BRA,CHN,EUR,FRA,JAP,TWN].....	108
Drawing 028 - SOSPENSIONE POSTERIORE [MOD:M 1200;XST:AUS].....	110
Drawing 029 - AIR INTAKE - OIL BREATHER [MOD:M 1200].....	112
Drawing 030 - WATER COOLER [MOD:M 1200].....	114
Drawing 031 - COOLING SYSTEM [MOD:M 1200].....	116
Drawing 032 - FUEL TANK [MOD:M 1200;XST:AUS,BRA,EUR,FRA,JAP].....	118
Drawing 032 - FUEL TANK [MOD:M 1200;XST:CHN,TWN].....	120
Drawing 033 - SEAT [MOD:M 1200].....	122
Drawing 034 - HALF FAIRING [MOD:M 1200].....	126
Drawing 035 - HOT AIR PIPE CANISTER [MOD:M 1200;XST:CHN,TWN].....	128
Drawing 21A - FRONT FORK [MOD:M 1200;XST:AUS,BRA,EUR,FRA,JAP,TWN].....	130
Drawing 21A - FRONT FORK [MOD:M 1200;XST:CHN].....	132
Drawing 22A - SIDE STAND [MOD:M 1200].....	134
Drawing 24A - ANTILOCK BRAKING SYSTEM (ABS) [MOD:M 1200].....	136



Drawing 26A - REAR WHEEL SPINDLE [MOD:M 1200].....	138
Drawing 27A - FOOTRESTS, LEFT [MOD:M 1200].....	140
Drawing 27B - FOOTRESTS, RIGHT [MOD:M 1200].....	142
Drawing 28A - FORCELLONE POSTERIORE [MOD:M 1200;XST:BRA,CHN,EUR,FRA,JAP,TWN].....	144
Drawing 28A - FORCELLONE POSTERIORE [MOD:M 1200;XST:AUS].....	146
Alphanumeric index.....	148



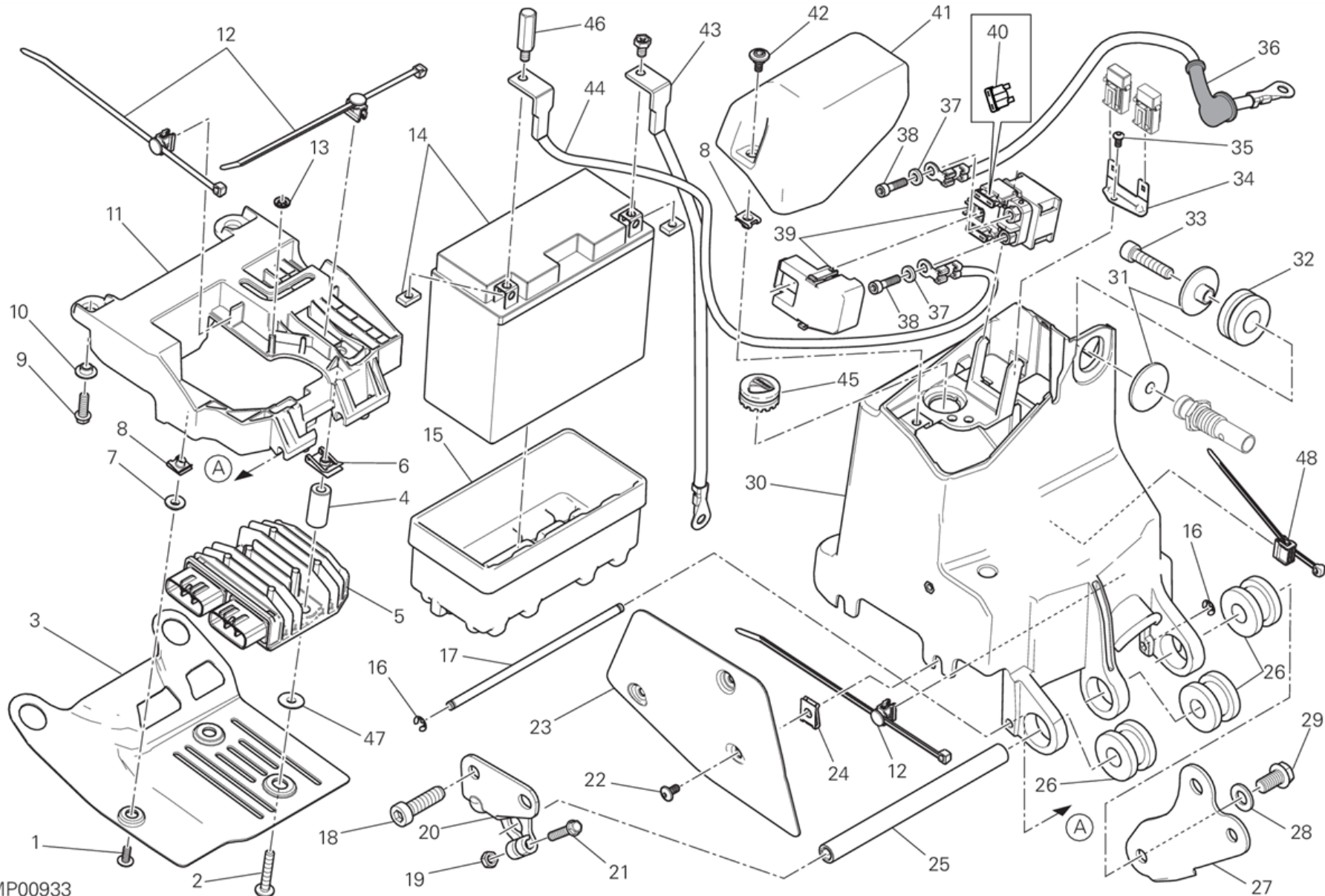
IMP00933

DRAWING 018 - BATTERY HOLDER [MOD:M 1200]

GROUP ELECTRIC



POS.	CODE	DESCRIPTION	QTY	START DATE	END DATE	VALIDITY	NOTES
1	77244183B	SCREW	1	01/08/2013			
2	77244443B	SCREW	2	20/10/2013			
3	4601A621B	GUARD VOLTAGE REGULATOR	1	01/08/2013			
4	71614731AA	SPACER	2	01/08/2013			
5	54040321A	VOLTAGE REGULATOR	1	01/08/2013			
6	85040381A	QUICK FASTENING	2	01/08/2013			
7	71614071A	SPACER 5.2X8.4X2	1	01/08/2013			
8	85041951AA	QUICK FASTENING	3	01/08/2013			
9	77251008B	SCREW M6X18	2	22/10/2013			
10	71610381B	SPACER	2	22/10/2013			
11	24714641A	COVER, BATTERY	1	01/08/2013			
12	75840771A	FAIRLEAD	3	01/08/2013			
13	85040561A	WASHER, LOCK	1	22/10/2013			
14	39520132C	BATTERY	1	22/10/2013			
15	86611681A	CUSHION, BATTERY	1	22/10/2013			
16	88450661A	SNAP RING	2	22/10/2013			
17	82114581BA	PIN	1	22/10/2013			
18	77355203C	SCREW M10x35	1	22/10/2013			
19	74941333B	NUT	1	22/10/2013			
20	83018081AA	RIGHT BRACKET	1	22/10/2013			
21	77251043B	SCREW	1	22/10/2013			
22	77240258C	SCREW	3	22/10/2013			
23	4601A611B	BATTERY MOUNT HEAT GUARD	1	09/06/2014			
24	85040551A	QUICK FASTENING	2	01/08/2013			
25	82114571AA	PIN	1	22/10/2013			
26	76411431A	VIBRATION DAMPER PAD	3	01/08/2013			
27	83018091AA	LEFT BRACKET	1	22/10/2013			
28	85250601A	WASHER	1	22/10/2013			
29	77251593B	SCREW	1	22/10/2013			
30	8291B631B	BATTERY HOLDER	1	01/08/2013			
31	71614271A	SPACER	2	22/10/2013			
32	76411421A	VIBRATION DAMPER PAD	1	01/08/2013			
33	77151283B	SCREW	1	22/10/2013			
34	83018352AA	BRACKET FUSE	1	01/08/2013			
35	77440141A	SCREW, TAPPING 4X8 WN1412	1	01/08/2013			



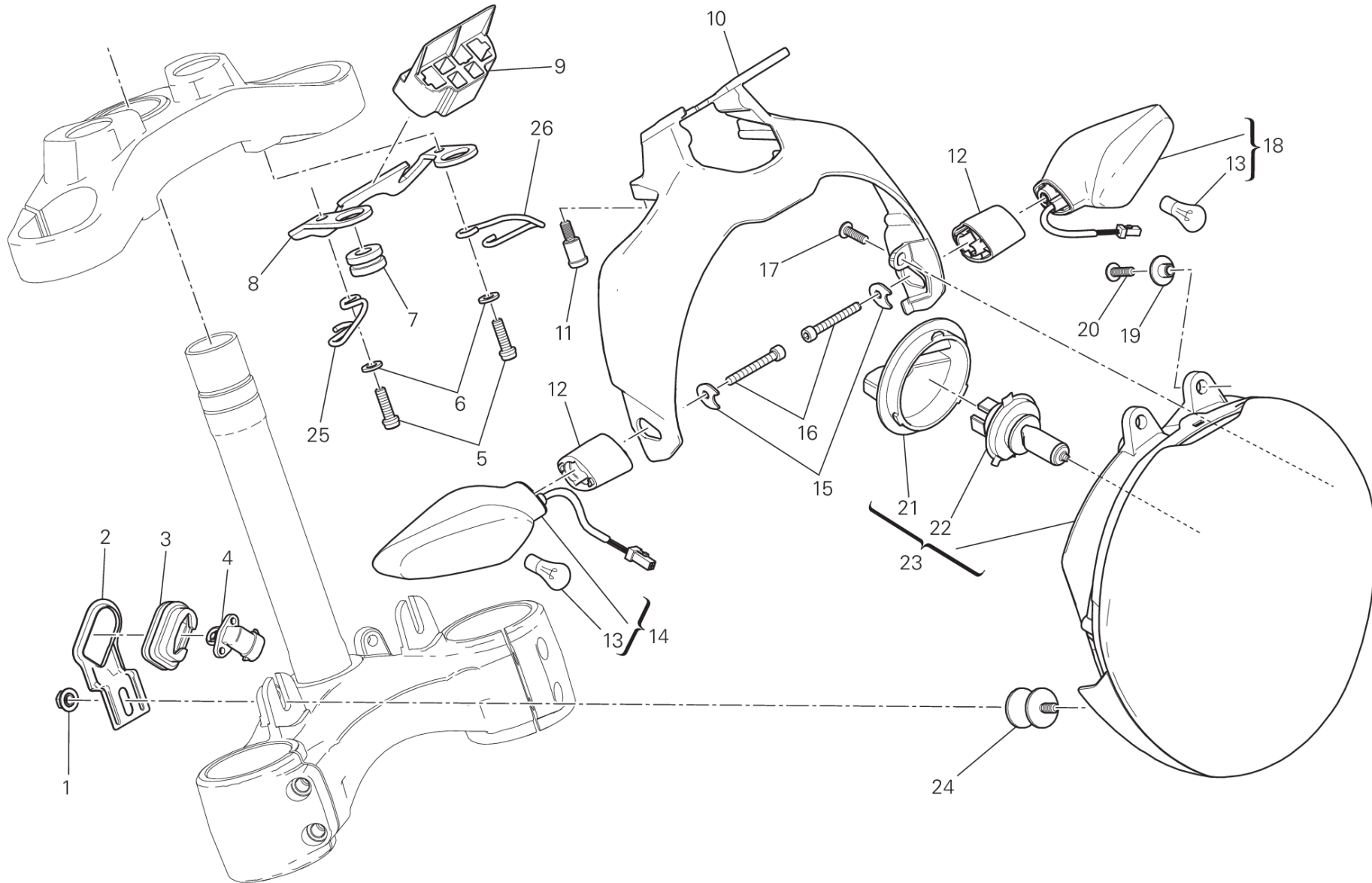
IMP00933

DRAWING 018 - BATTERY HOLDER [MOD:M 1200]

GROUP ELECTRIC



POS.	CODE	DESCRIPTION	QTY	START DATE	END DATE	VALIDITY	NOTES
36	51410721B	CABLE	1	01/08/2013			
37	85350101A	WASHER, SPRING	2	01/08/2013			
38	77156628B	SCREW TCEIF M6X10	2	01/08/2013			
39	39740081B	STARTER RELAY	1	01/08/2013			
40	38940231A	FUSE 30A	1				
41	24714651A	COVER UPPER	1	22/10/2013			
42	77210853B	SCREW TCEI M5X9	2	22/10/2013			
43	51310281B	BATTERY - ENGINE GROUNDING CABLE	1	01/08/2013			
44	51410711A	CABLE	1	01/08/2013			
45	76410621B	RUBBER PAD	2	01/08/2013			
46	77918711BA	SCREW, SPECIAL WIRE, BATTERY PLUS LEAD	1	22/10/2013			
47	71610111AA	SPACER	2	07/11/2013			
48	75840801A	CLAMP	1	24/03/2014			



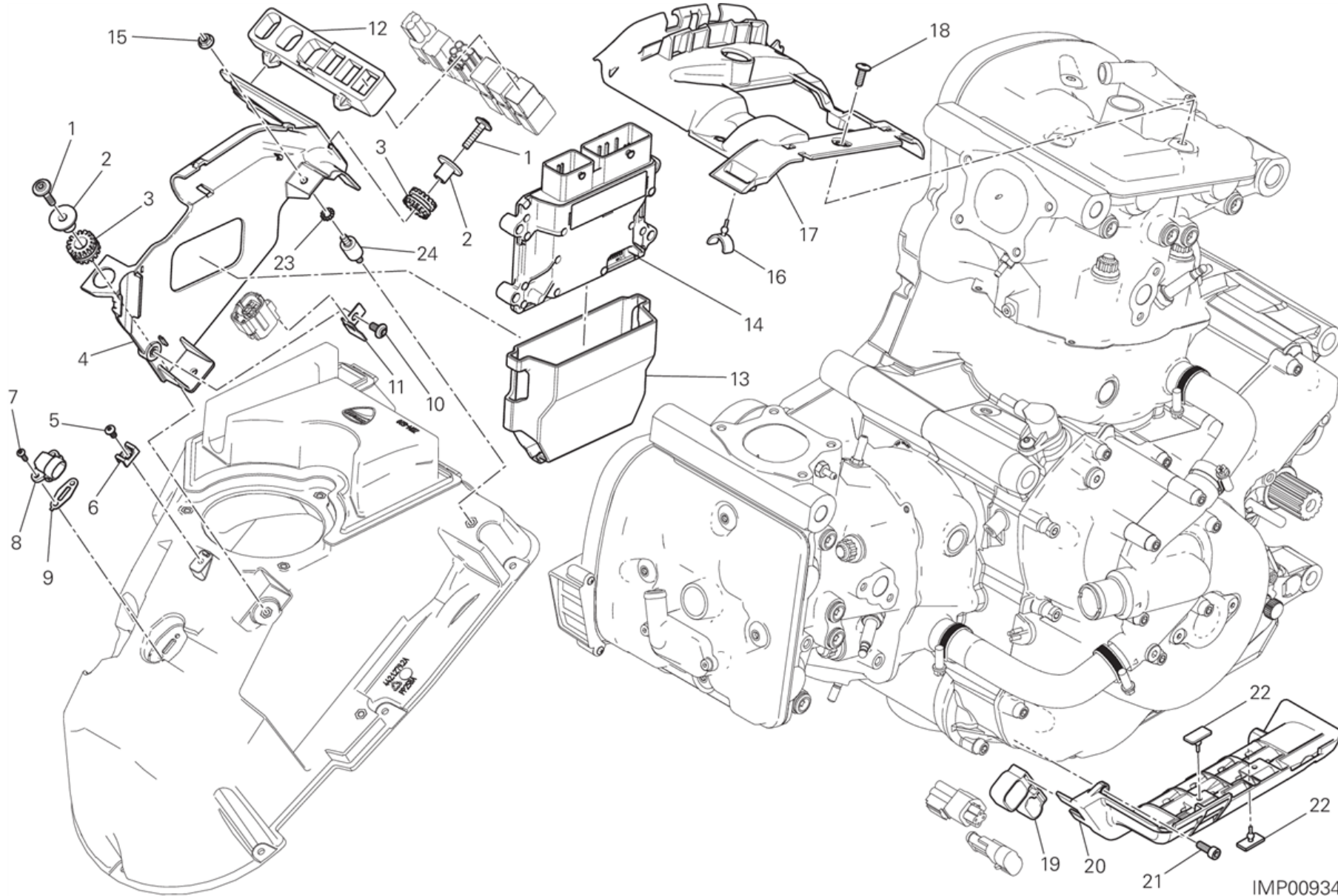
FAN00258

DRAWING 020 - HEADLIGHT [MOD:M 1200;XST:AUS,BRA,CHN,EUR,FRA,JAP,TWN]

GROUP ELECTRIC



POS.	CODE	DESCRIPTION	QTY	START DATE	END DATE	VALIDITY	NOTES
1	75050011B	NUT 6MM	2	22/10/2013			
2	83018731AA	BRACKET, SENSOR TEMPERATURE	1	22/10/2013			
3	76410971A	RUBBER PAD	1	22/10/2013			
4	55240121A	SENSOR, AIR TEMPERATURE	1	22/10/2013			
5	77110191A	SCREW TCEIF M6X20	2	01/08/2013			
6	85211761A	WASHER 6.4X12.5X1.6	2	01/08/2013			
7	76410641A	VIBRATION DAMPER PAD	2	01/08/2013			
8	8291B651AA	BRACKET, CONNECTOR	1	01/08/2013			
9	86611692B	RUBBER PAD	1	15/01/2014			
10	8291B661BB	BRACKET, HEADLIGHT & DASHBOARD	1	22/10/2013			
11	82113571A	THREATENED PIN	2	22/10/2013			
12	7131A481A	SPACER	2	22/10/2013			
13	39040211A	BULB	2				
14	53010236B	FLASHER LIGHT FRONT RH- REAR LH	1	01/10/2013			
15	82714931A	PLATE	2	22/10/2013			
16	77150498B	SCREW TCEI M5X40	2	22/10/2013			
17	77440041A	SCREW, TAPPING M5X16	2	01/08/2013			
18	53010226B	FLASHER LIGHT FRONT LH - REAR RH	1	01/10/2013			
19	71614251A	SPACER	2	22/10/2013			
20	77213203B	SCREW TBEIF M5X18	2	22/10/2013			
21	39040311A	CAP	1				
22	39040291A	BULB	1				
23	52010271C	HEADLIGHT	1	22/10/2013			
24	70010481B	DAMPER M6X12	2	22/10/2013			
25	88110931A	HOSE GUIDE RIGHT	1	26/06/2014			
26	88110961A	HOSE GUIDE LEFT	1	28/05/2014			



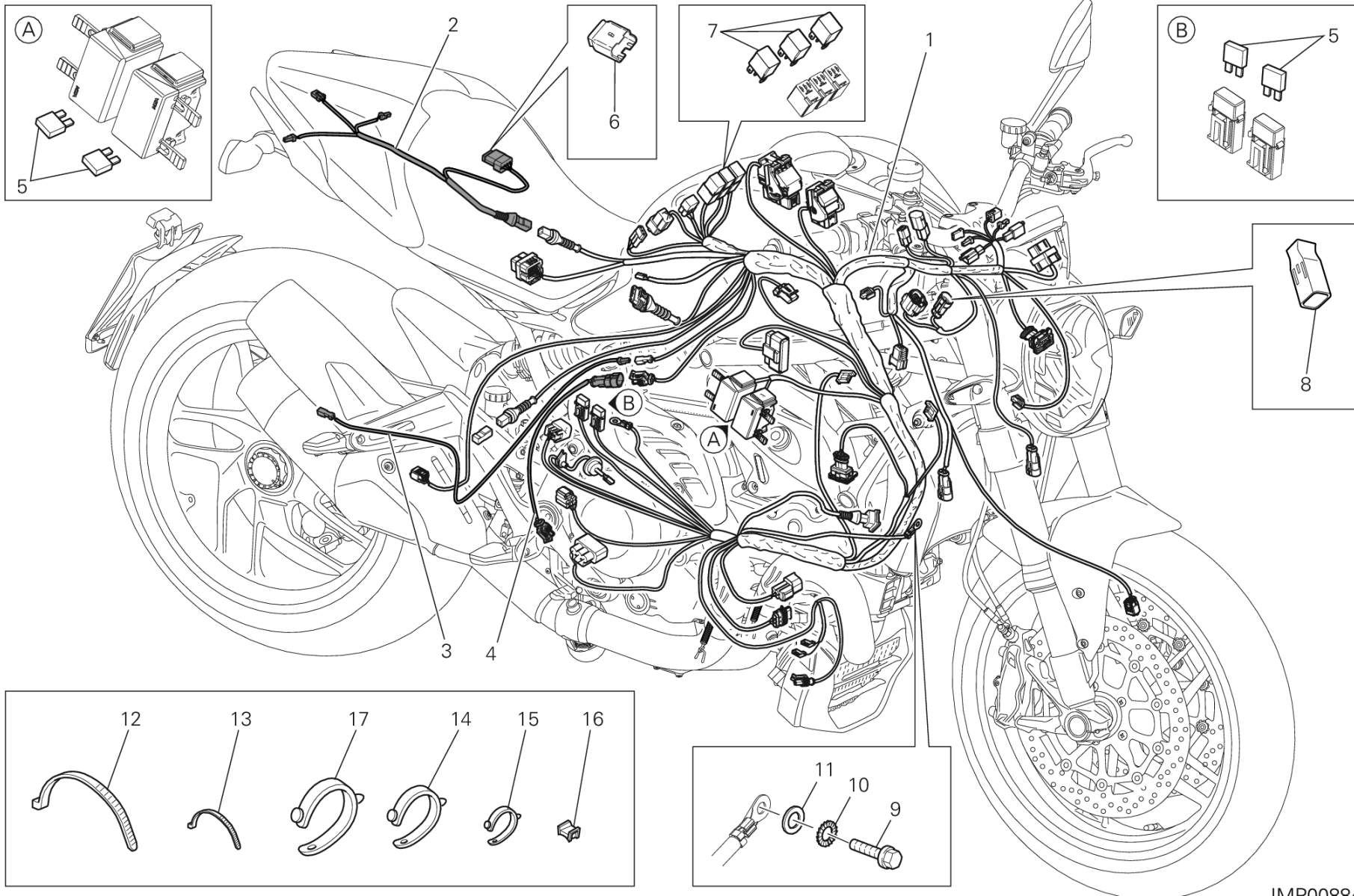
IMP00934

DRAWING 18A - ENGINE CONTROL UNIT [MOD:M 1200]

GROUP ELECTRIC



POS.	CODE	DESCRIPTION	QTY	START DATE	END DATE	VALIDITY	NOTES
1	77214061AA	SCREW, SPECIAL	2	11/06/2014			
2	71610061A	SPACER	2	11/06/2014			
3	76410221A	VIBRATION DAMPER PAD	2	11/06/2014			
4	8291B641C	BRACKET ENGINE CONTROL UNIT	1	11/06/2014			
5	77440141A	SCREW, TAPPING 4X8 WN1412	1	12/03/2013			
6	85041711A	HOSE GUIDE	1	12/03/2013			
7	77440213C	SCREW	2	12/03/2013			
8	55240121A	SENSOR, AIR TEMPERATURE	1	22/10/2013			
9	78811041A	GASKET, COOLING WATER SENSOR	1	12/03/2013			
10	77244168B	SCREW	1	12/03/2013			
11	8291B771AA	CONNECTOR HOLDER	1	12/03/2013			
12	86611611A	RUBBER PAD UPPER	1	12/03/2013			
13	86611981A	VIBRATION DAMPER ENGINE CONTROL UNIT	1	11/06/2014			
14	28642481A	ENGINE CONTROL UNIT	1	12/03/2013		MOD:M 1200;XST:AUS,CHN,EUR	M 1200 - EU
	28642481C	ENGINE CONTROL UNIT	1			MOD:M 1200;XST:TWN	M 1200 - USA - TWN
	28642481E	ENGINE CONTROL UNIT	1			MOD:M 1200;XST:FRA	M 1200 - FRA
	28642481F	ENGINE CONTROL UNIT	1			MOD:M 1200;XST:JAP	M 1200 - JAP
15	74850061A	NUT	2	11/06/2014			
16	86610731A	VIBRATION DAMPER	2	22/10/2013			
17	75810782A	PROTECTION WIRING VERTICAL HEAD	1	03/06/2014			
18	77240278C	SCREW	3	22/10/2013			
19	86611731A	RUBBER PAD CONNECTOR	1	22/10/2013			
20	8291B871B	HOLDER WIRING LOWER	1	22/10/2013			
21	77150408B	SCREW TCEI M5X14	3	22/10/2013			
22	86610361A	RUBBER PAD	3	22/10/2013			
23	46240461A	WASHER, SPRING	2	11/06/2014			
24	70010431A	DAMPER	2	11/06/2014			



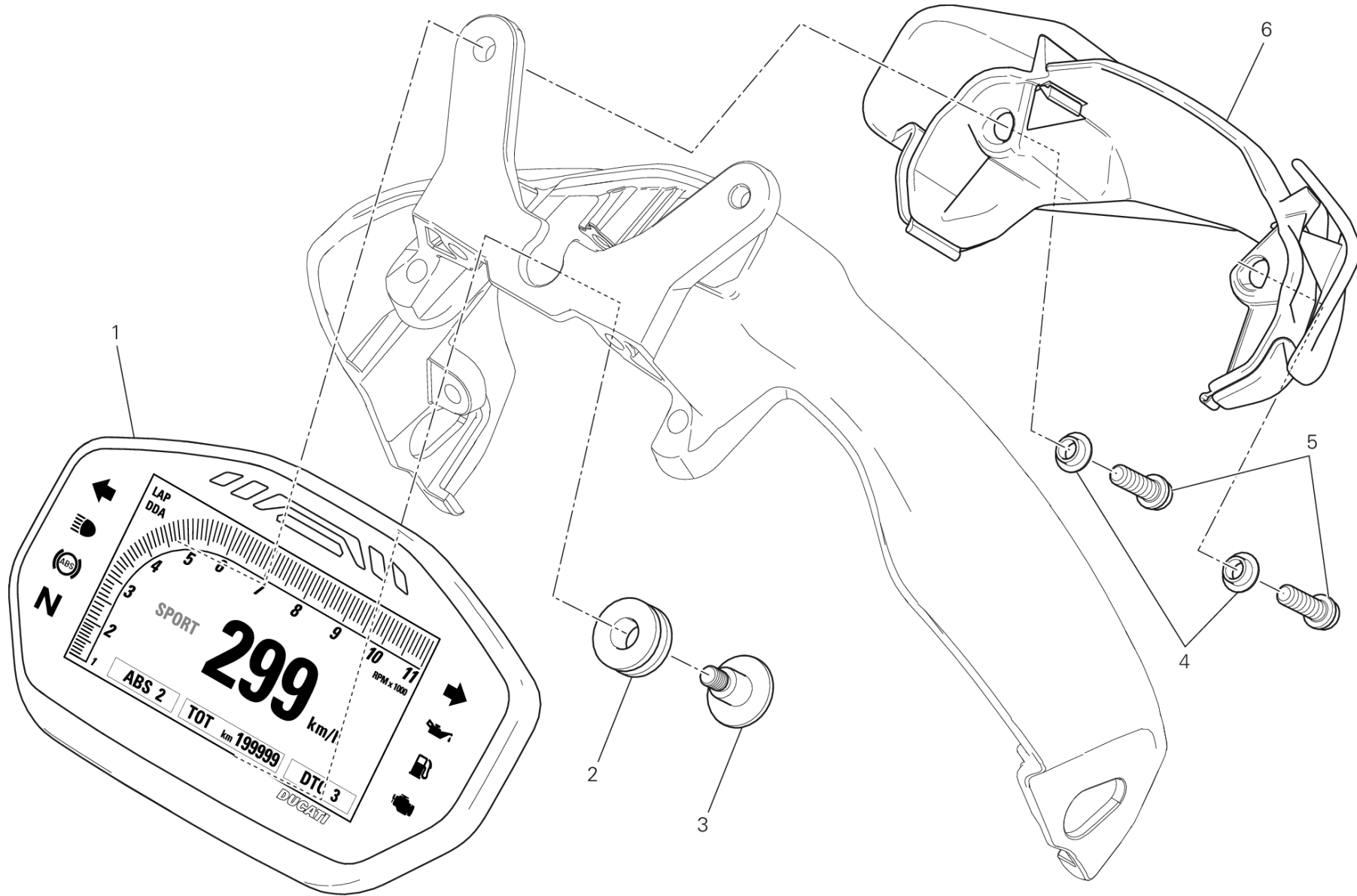
IMP00884

DRAWING 18B - WIRING HARNESS [MOD:M 1200]

GROUP ELECTRIC



POS.	CODE	DESCRIPTION	QTY	START DATE	END DATE	VALIDITY	NOTES
1	51019402B	MAIN WIRING HARNESS	1	01/08/2013			
2	51019711A	REAR WIRING	1	01/08/2013			
3	51019501C	EXTENSION, WIRE HARNESS LAMP, LICENSE PLATE	1	22/10/2013			
4	51019721A	EXTENSION, WIRE HARNESS SWITCH, REAR BRAKE	1	22/10/2013			
5	38940191A	FUSE 5A	4				
	38940201A	FUSE 10A	3				
	38940211A	FUSE 15A	1				
	38940221A	FUSE 20A	1				
	38940241A	FUSE 7,5A	1				
	38940251A	FUSE 30A	1				
	38940261A	FUSE 25A	1				
	38940301A	FUSE 3A	1				
6	87210532A	CAP DDA	1				
7	54140101A	RELAY	3				
8	87210641A	CAP, CONNECTOR	1				
9	77211061A	SCREW TEF M6X14	1	22/10/2013			
10	85550001B	SPRING WASHER	1	22/10/2013			
11	85350101A	WASHER, SPRING	1	22/10/2013			
12	069191030	CLAMP	26	01/10/2013			
13	74140381A	CLAMP	8	01/08/2013			
14	74110101A	CLAMP 70MM	2	22/10/2013			
15	74110551A	CLAMP	3	22/10/2013			
16	85040671A	CLAMP TUCKER	15	01/10/2013			
17	74110131A	CLAMP, RUBBER 82MM	3	22/10/2013			



FAN00252

DRAWING 20A - INSTRUMENT PANEL [MOD:M 1200]

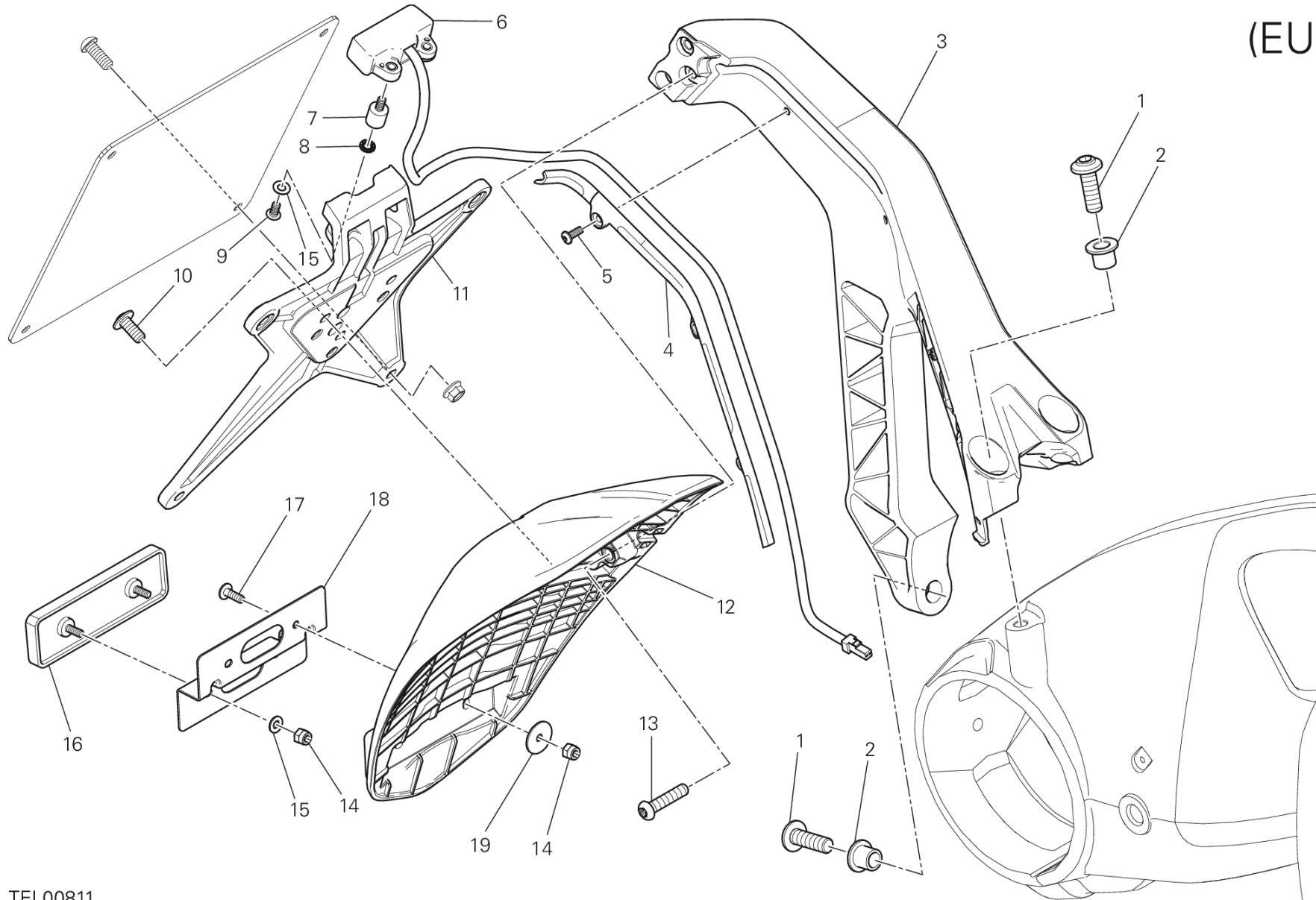
GROUP ELECTRIC



POS.	CODE	DESCRIPTION	QTY	START DATE	END DATE	VALIDITY	NOTES
1	40611041F	INSTRUMENT PANEL	1	22/10/2013		MOD:M 1200	1200
2	76410841A	VIBRATION DAMPER PAD	1	22/10/2013			
3	77214161AA	SCREW, SPECIAL	1	22/10/2013			
4	71611521A	SPACER WITH COLLAR	2	22/10/2013			
5	77156413B	SCREW TCEIF M5X16	2	22/10/2013			
6	24714782A	COVER, METER	1	22/10/2013			



(EU)



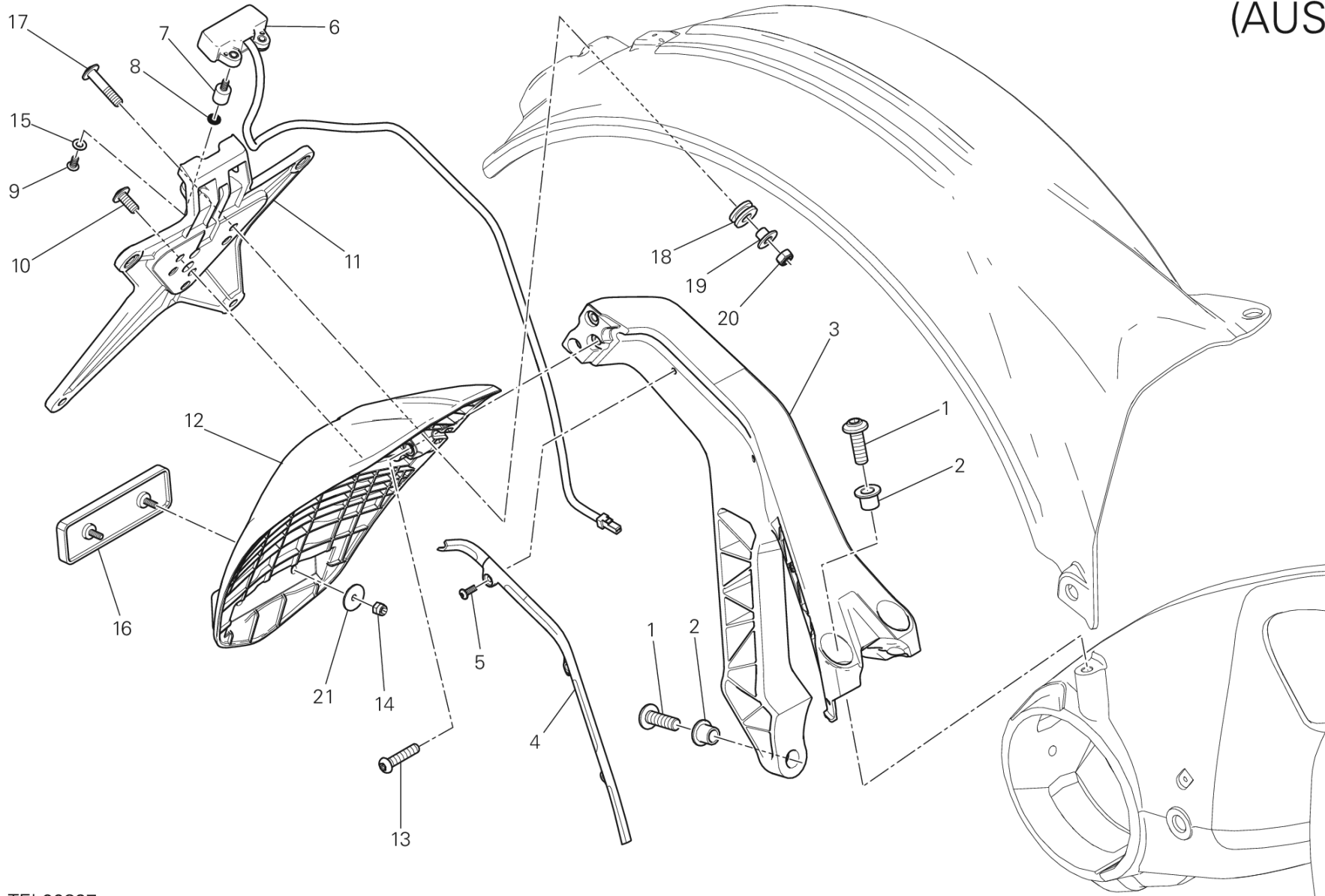
TEL00811



POS.	CODE	DESCRIPTION	QTY	START DATE	END DATE	VALIDITY	NOTES
1	77244538BA	SCREW	3	22/10/2013			
2	71614901AA	SPACER	3	05/05/2014			
3	56113111B	STAY COMP.	1	01/08/2013			
4	56113151A	GUIDE, CABLE	1	01/08/2013			
5	77440101A	SCREW, TAPPING 3.5X10	3	01/08/2013			
6	52510432B	LAMP, LICENSE PLATE	1	01/08/2013			
7	70010691A	VIBRATION DAMPER	2	01/08/2013			
8	85550021A	TOOTHED LOCK WASHER	2	01/08/2013			
9	77510161A	SCREW	2	01/08/2013			
10	77240418C	SCREW	3	01/08/2013			
11	56110501B	PLATE HOLDER	1	01/08/2013			
12	4601A721A	MUDFLAP REAR	1	01/08/2013			
13	72050388CA	SCREW	3	01/08/2013			
14	74950011B	NUT, SPRING	4	01/08/2013			
15	85212511A	WASHER 4.5X9X0.5	4	01/08/2013			
16	52910061A	REFLEX REFLECTOR, REAR	1	01/08/2013			
17	77240133C	SCREW TBEIF M4X12	2				
18	82717251AA	BRACKET, REAR REFLECTOR	1				
19	85210901B	WASHER	2				



(AUS)



TEL00827

DRAWING 28B - PLATE HOLDER [MOD:M 1200;XST:AUS]

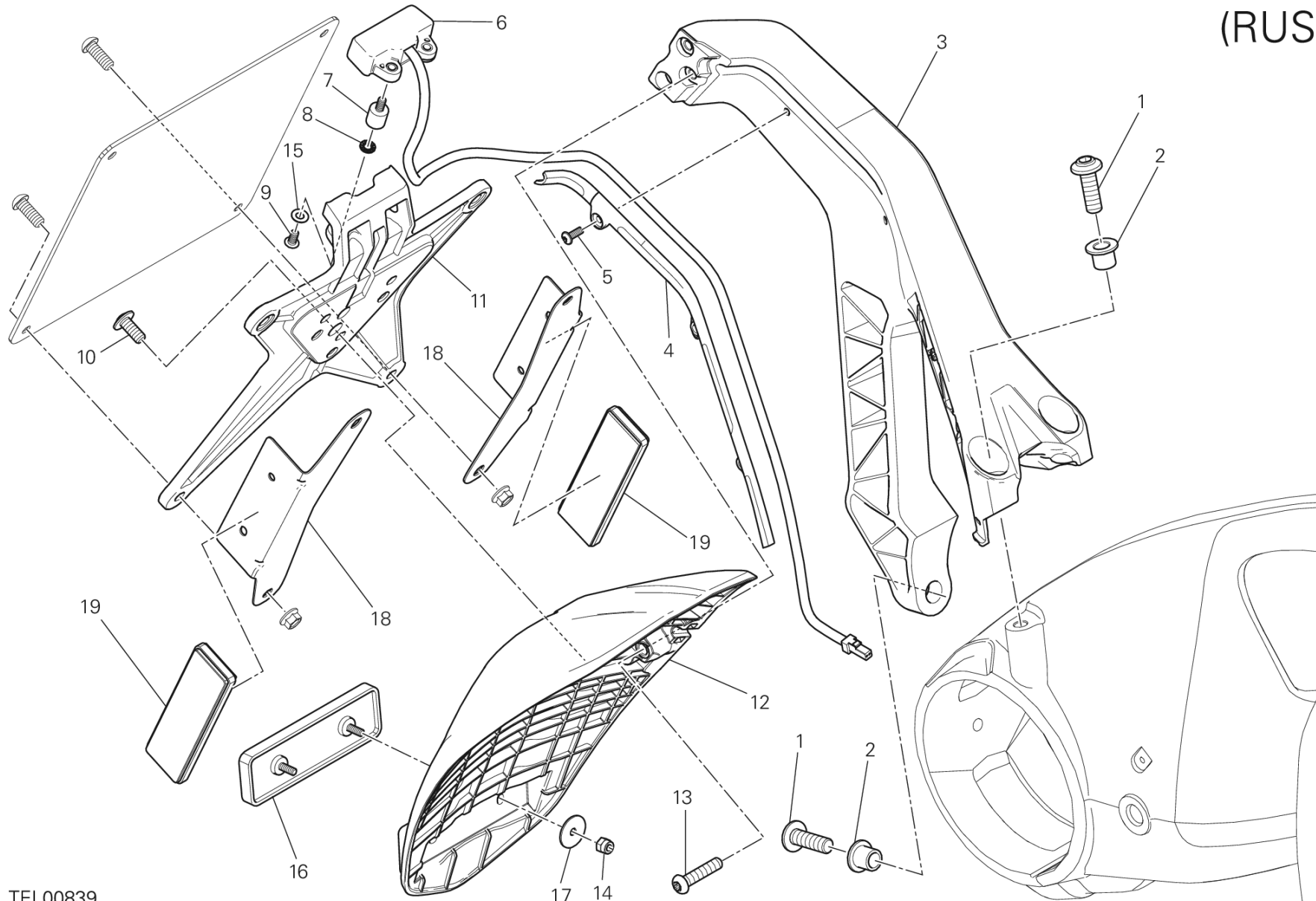
GROUP ELECTRIC



POS.	CODE	DESCRIPTION	QTY	START DATE	END DATE	VALIDITY	NOTES
1	77244538BA	SCREW	3	22/10/2013			
2	71614901AA	SPACER	3	22/10/2013			
3	56113111B	STAY COMP.	1	01/08/2013			
4	56113151A	GUIDE, CABLE	1	01/08/2013			
5	77440101A	SCREW, TAPPING 3.5X10	3	01/08/2013			
6	52510432B	LAMP, LICENSE PLATE	1	01/08/2013			
7	70010691A	VIBRATION DAMPER	2	01/08/2013			
8	85550021A	TOOTHED LOCK WASHER	2	01/08/2013			
9	77510161A	SCREW	2	01/08/2013			
10	77240418C	SCREW	1	01/08/2013			
11	56110501B	PLATE HOLDER	1	01/08/2013			
12	4601A721A	MUDFLAP REAR	1	01/08/2013			
13	72050388CA	SCREW	3	01/08/2013			
14	74950011B	NUT, SPRING	2	01/08/2013			
15	85212511A	WASHER 4.5X9X0.5	2	01/08/2013			
16	52910061A	REFLEX REFLECTOR, REAR	1	01/08/2013			
17	77240483C	SCREW	2	01/08/2013			
18	76410841B	RUBBER PAD	2	20/01/2014			
19	71614111A	SPACER	2	22/10/2013			
20	74941333B	NUT	2	22/10/2013			
21	85210901B	WASHER	2	01/08/2013			



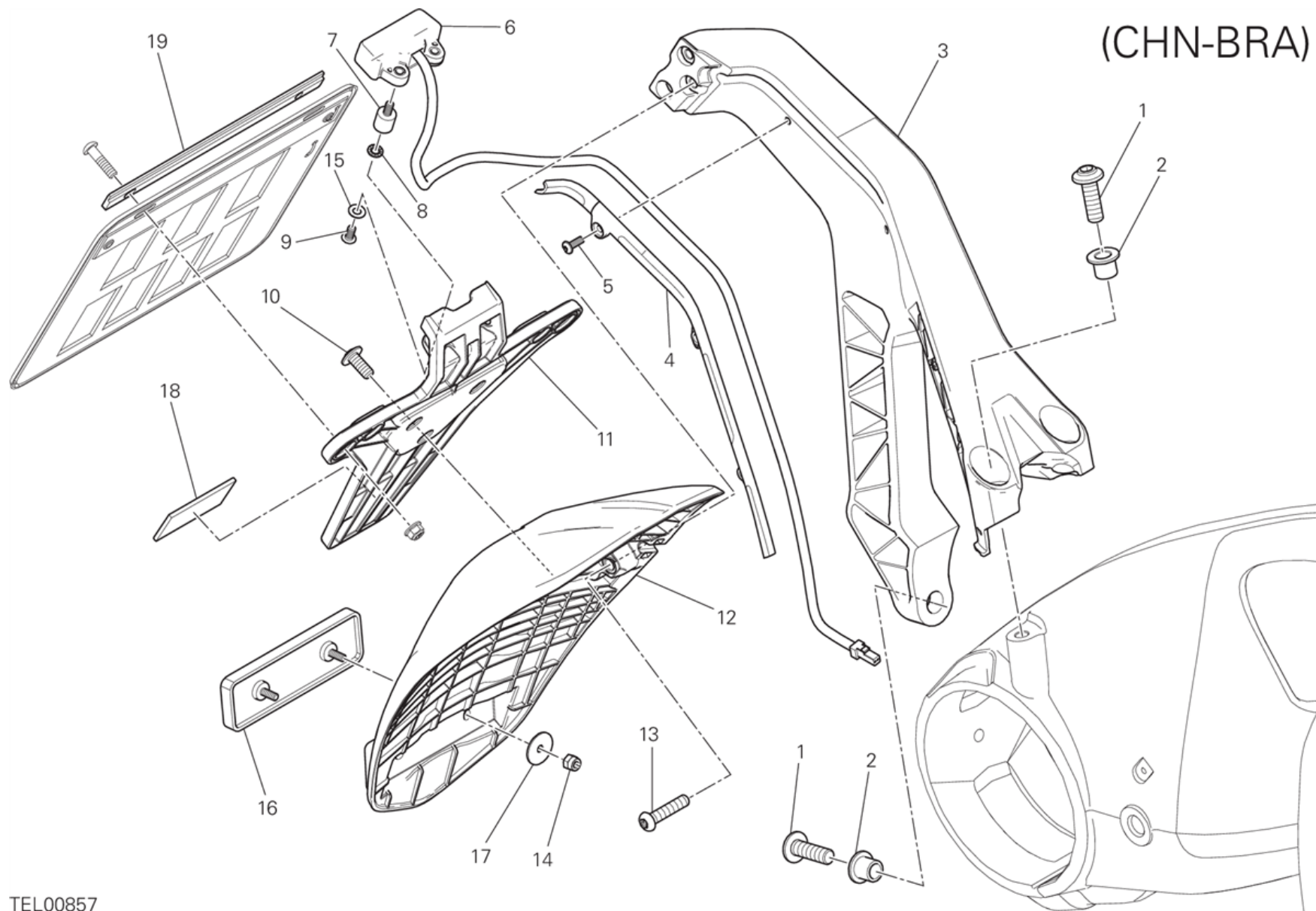
(RUS)



TEL00839



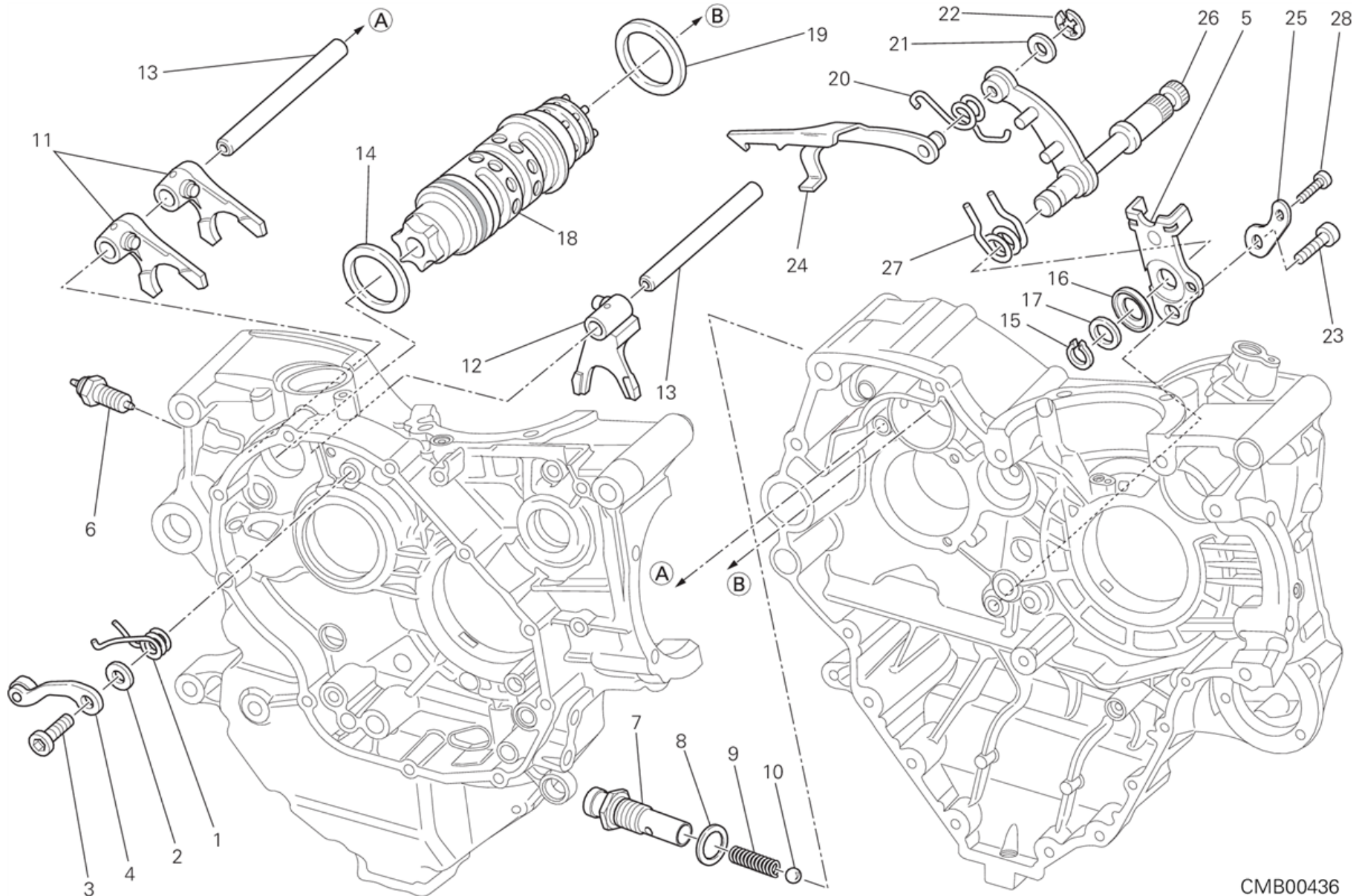
POS.	CODE	DESCRIPTION	QTY	START DATE	END DATE	VALIDITY	NOTES
1	77244538BA	SCREW	3	22/10/2013			
2	71614901AA	SPACER	3	22/10/2013			
3	56113111B	STAY COMP.	1	01/08/2013			
4	56113151A	GUIDE, CABLE	1	01/08/2013			
5	77440101A	SCREW, TAPPING 3.5X10	3	01/08/2013			
6	52510432B	LAMP, LICENSE PLATE	1	01/08/2013			
7	70010691A	VIBRATION DAMPER	2	01/08/2013			
8	85550021A	TOOTHED LOCK WASHER	2	01/08/2013			
9	77510161A	SCREW	2	01/08/2013			
10	77240418C	SCREW	3	01/08/2013			
11	56110501B	PLATE HOLDER	1	01/08/2013			
12	4601A721A	MUDFLAP REAR	1	01/08/2013			
13	72050388CA	SCREW	3	01/08/2013			
14	74950011B	NUT, SPRING	2	01/08/2013			
15	85212511A	WASHER 4.5X9X0.5	2	01/08/2013			
16	52910061A	REFLEX REFLECTOR, REAR	1	01/08/2013			
17	85210901B	WASHER	2	25/11/2013			
18	82717421AA	HOLDER	2				
19	52940051A	CAT'S EYE	2				



TEL00857



POS.	CODE	DESCRIPTION	QTY	START DATE	END DATE	VALIDITY	NOTES
1	77244538BA	SCREW	3	22/10/2013			
2	71614901AA	SPACER	3	05/05/2014			
3	56113111B	STAY COMP.	1	01/08/2013			
4	56113151A	GUIDE, CABLE	1	01/08/2013			
5	77440101A	SCREW, TAPPING 3.5X10	3	01/08/2013			
6	52510432B	LAMP, LICENSE PLATE	1	01/08/2013			
7	70010691A	VIBRATION DAMPER	2	01/08/2013			
8	85550021A	TOOTHED LOCK WASHER	2	01/08/2013			
9	77510161A	SCREW	2	01/08/2013			
10	77240418C	SCREW	3	01/08/2013			
11	56113221A	PLATE HOLDER	1	08/04/2014			
12	4601A721A	MUDFLAP REAR	1	01/08/2013			
13	72050388CA	SCREW	3	01/08/2013			
14	74950011B	NUT, SPRING	2	01/08/2013			
15	85212511A	WASHER 4.5X9X0.5	2	08/04/2014			
16	52910061A	REFLEX REFLECTOR, REAR	1	01/08/2013			
17	85210901B	WASHER	2				
18	85012911A	STICKER "DUAL LOCK"	2	05/05/2014			
19	7131A291AA	SPACER UPPER	1	05/05/2014			



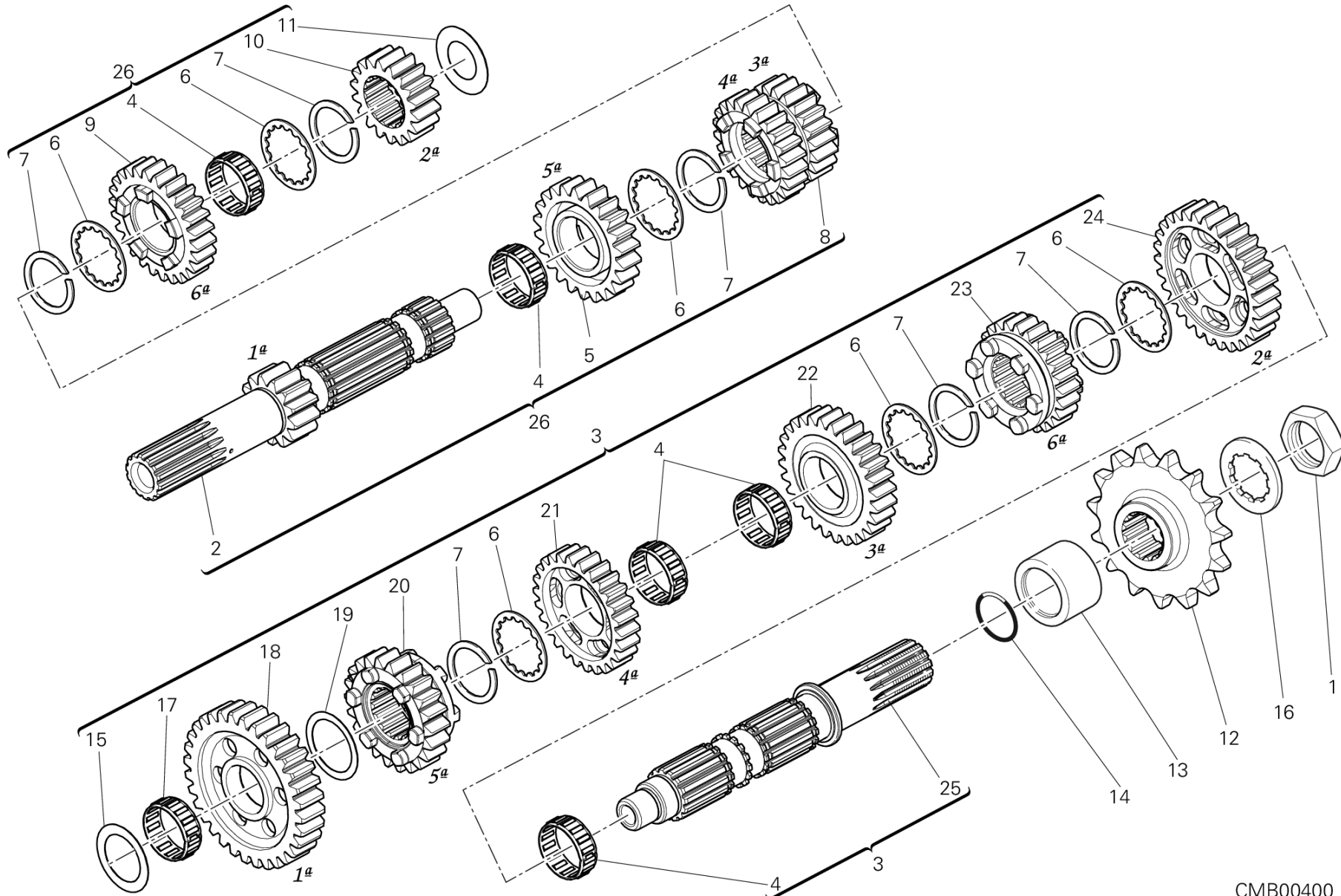
CMB00436

DRAWING 002 - SHIFT CAM - FORK [MOD:M 1200]

GROUP ENGINE



POS.	CODE	DESCRIPTION	QTY	START DATE	END DATE	VALIDITY	NOTES
1	79910491A	SPRING, RETURN	1	11/04/2013			
2	85210532A	WASHER 8.2X20X1	1	11/04/2013			
3	77910391A	SCREW M8X21.5	1	11/04/2013			
4	45520181A	GEAR FIXING CLICK ASSEMBLY	1	11/04/2013			
5	82610261A	STOPPER PLATE	1	24/12/2009			
6	53910211B	NEUTRAL SWITCH ASSY	1	25/02/2013			
7	77918132A	SCREW, SPECIAL	1	05/07/2013			
8	027291090	GASKET 16.2X24X2	1	22/03/2013			
9	066013143	GEAR SELECTOR SPRING	1	22/03/2013			
10	768351134	BALL 11MM	1	22/03/2013			
11	180Z0031A	GEAR SELECTOR FORK,1ST/4TH-2ND/3RD	2	22/03/2013			
12	180Z0041A	FORK-SHIFT, 5TH&6TH	1	22/03/2013			
13	82113881A	FORK PIN	2	18/02/2013			
14	85210051A	THRUST WASHER 1 MM	1	22/03/2013			
15	88450511A	CIRCLIP	1	24/12/2009			
16	88110121A	CENTERING RING	1	24/12/2009			
17	85212541A	WASHER, THRUST	1	24/12/2009			
18	182Z0071A	COMPLETE GEARBOX DRUM	1	18/02/2013			
19	85210941A	THRUST WASHER 45.2X49X0.9	1	22/03/2013			
20	79914821A	RETURN SPRING	1	24/12/2009			
21	85212561A	WASHER, THRUST	1	24/12/2009			
22	88150011A	SPRING RING	1	24/12/2009			
23	77151250ZF	SCREW	1	22/03/2013			
24	18020261A	CONTROL FORK	1	24/12/2009			
25	71319151A	SPACER	1	22/03/2013			
26	82113331A	GEAR SELECTOR SHAFT	1	24/12/2009			
27	79915061A	SPRING, SHIFT RETURN	1	03/05/2012			
28	77150670ZF	SCREW	1	22/03/2013			



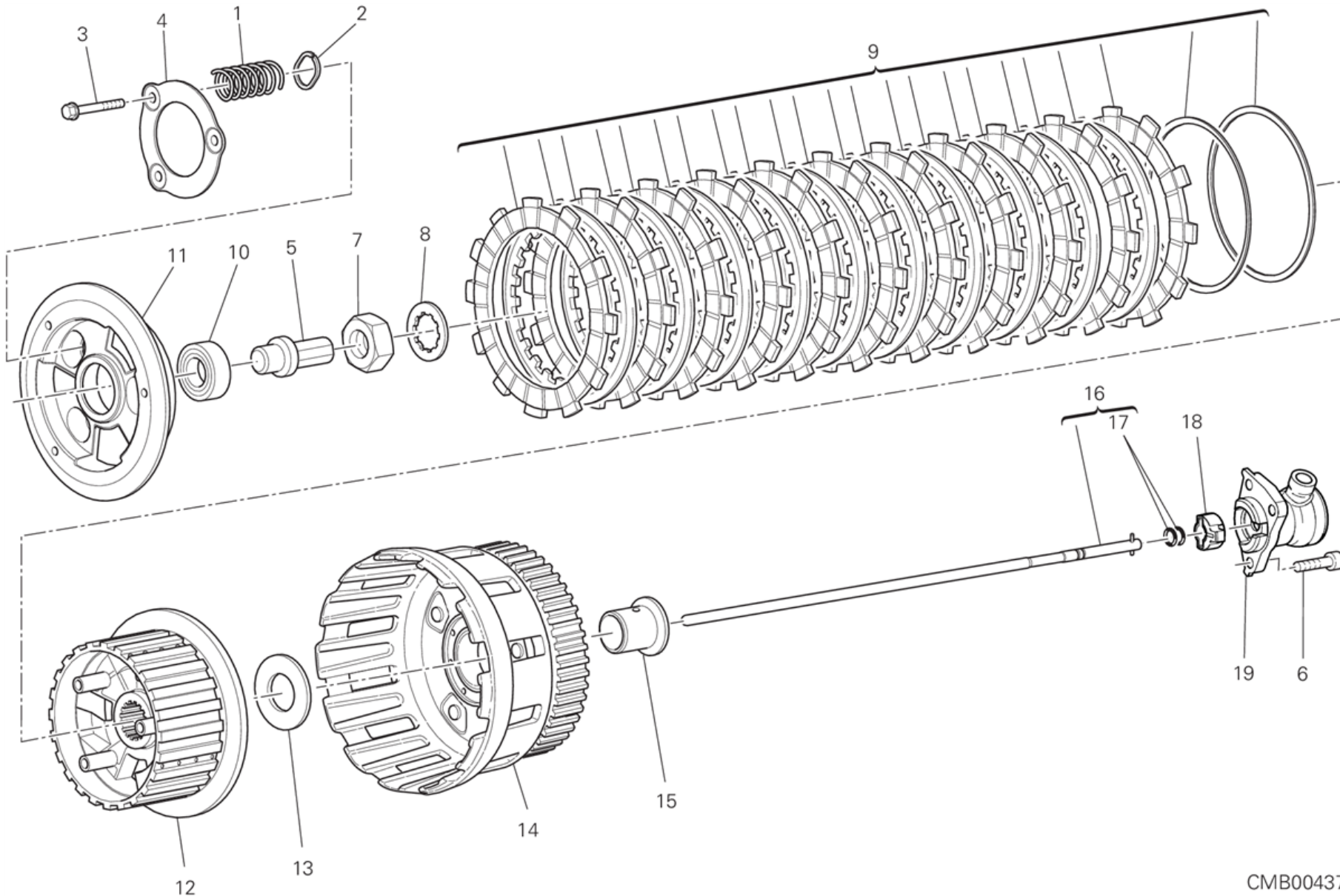
CMB00400

DRAWING 003 - GEAR BOX [MOD:M 1200]

GROUP ENGINE



POS.	CODE	DESCRIPTION	QTY	START DATE	END DATE	VALIDITY	NOTES
1	75010071A	NUT M25X1.5	1	16/05/2011			
2	14910831D	GEARBOX MAIN SHAFT	1	19/02/2013			
3	15021941B	COMPLETE LAY SHAFT	1	19/02/2013			
4	70140051A	BEARING, NEEDLE	5	19/02/2013			
5	17213291C	GEAR DRIVE 5TH SPEED	1	19/02/2013			
6	85611372A	WASHER LOCK 28X32.5X1	6	19/02/2013			
7	88210151A	SPRING RING 25X29X2.4	6	19/02/2013			
8	17213281C	GEAR, 3RD-4TH PINION	1	19/02/2013			
9	17213301C	GEAR DRIVE 6TH SPEED	1	19/02/2013			
10	17213271A	DRIVING GEAR 2ND SP.	1	19/02/2013			
11	71310141E	THRUST WASHER 20.3X32X1.6	1	16/05/2011			
12	44910531A	SPROCKET T15	1	22/10/2013			
13	71319951A	SPACER, ENGINE SPROCKET	1	11/09/2013			
14	46320537A	O-RING	1	25/03/2013			
15	71312661A	THRUST WASHER 17.3X31X3.15	1	19/02/2013			
16	85110041A	WASHER, LOCK	1	21/05/2013			
17	764020002	BEARING, NEEDLE	1	24/12/2009			
18	17213311A	DRIVEN GEAR 1ST SP.	1	24/12/2009			
19	067016155	THRUST WASHER 1 MM	1	24/12/2009			
20	17213351B	DRIVEN GEAR 5TH SPEED 23T	1	19/02/2013			
21	17213341B	DRIVEN GEAR 4TH SPEED T:24	1	19/02/2013			
22	17213331B	DRIVEN GEAR 3RD SPEED T27	1	19/02/2013			
23	17213361B	DRIVEN GEAR 6TH SPEED T22	1	19/02/2013			
24	17213321A	DRIVEN GEAR 2ND SP.	1	24/12/2009			
25	14910891C	DRIVEN SHAFT	1	19/02/2013			
26	15021431E	COMPLETE MAIN SHAFT	1	19/02/2013			



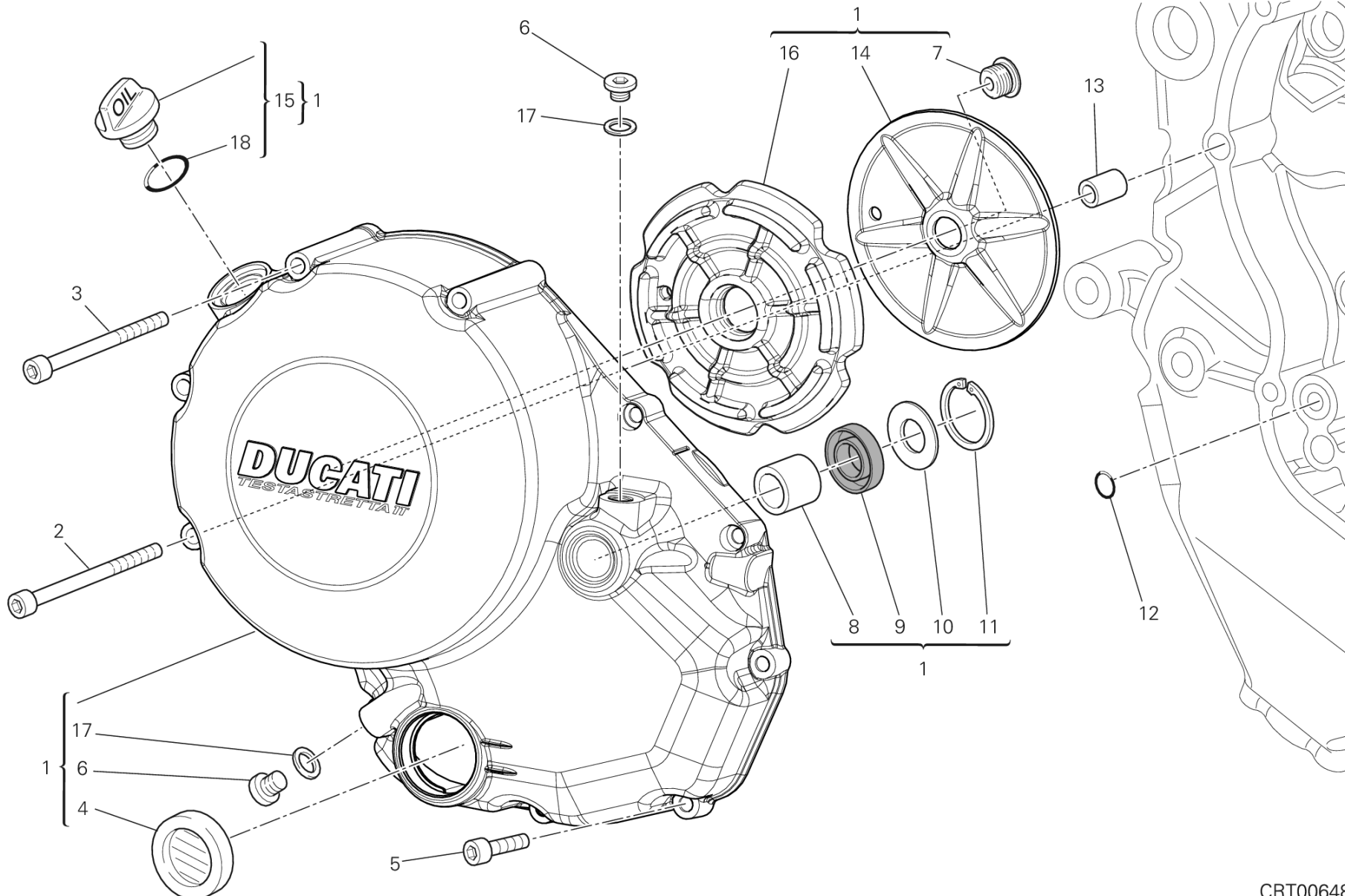
CMB00437

DRAWING 004 - CLUTCH [MOD:M 1200]

GROUP ENGINE



POS.	CODE	DESCRIPTION	QTY	START DATE	END DATE	VALIDITY	NOTES
1	79710531B	SPRING	3	25/03/2013			
2	85611391A	THRUST WASHER	3	02/05/2012			
3	77211201A	SCREW	3	02/05/2012			
4	19410511A	RING	1	02/05/2012			
5	81810162A	CLUTCH CONTROL PIN (FCC)	1	25/03/2013			
6	77150653B	SCREW TCEI M6X16 UNI5931 8.8	3	22/10/2013			
7	75010071E	NUT	1	25/03/2013			
8	85110201A	LOCK WASHER	1	07/05/2014			
9	19020232A	CLUTCH DISC SET	1	02/05/2012			
10	70250601A	BEARING	1	02/05/2012			
11	19610542A	DISK, CLUTCH PRESSURE (FCC)	1	02/05/2012			
12	19610532A	PLATE HOLDER HUB (FCC)	1	02/05/2012			
13	71313091A	SPACER	1	02/05/2012			
14	19820391A	CLUTCH HOUSING	1	02/05/2012			
15	71314831A	SPACER	1	17/10/2012			
16	11721082A	CLUTCH CONTROL ROD	1	18/02/2013			
17	88641731A	O-RING 1.78X4.76	2	18/07/2011			
18	71320041A	ANTI-ROTATION INSERT	1	09/06/2014			
19	19540032B	PISTON ASSEMBLY	1	20/09/2012			



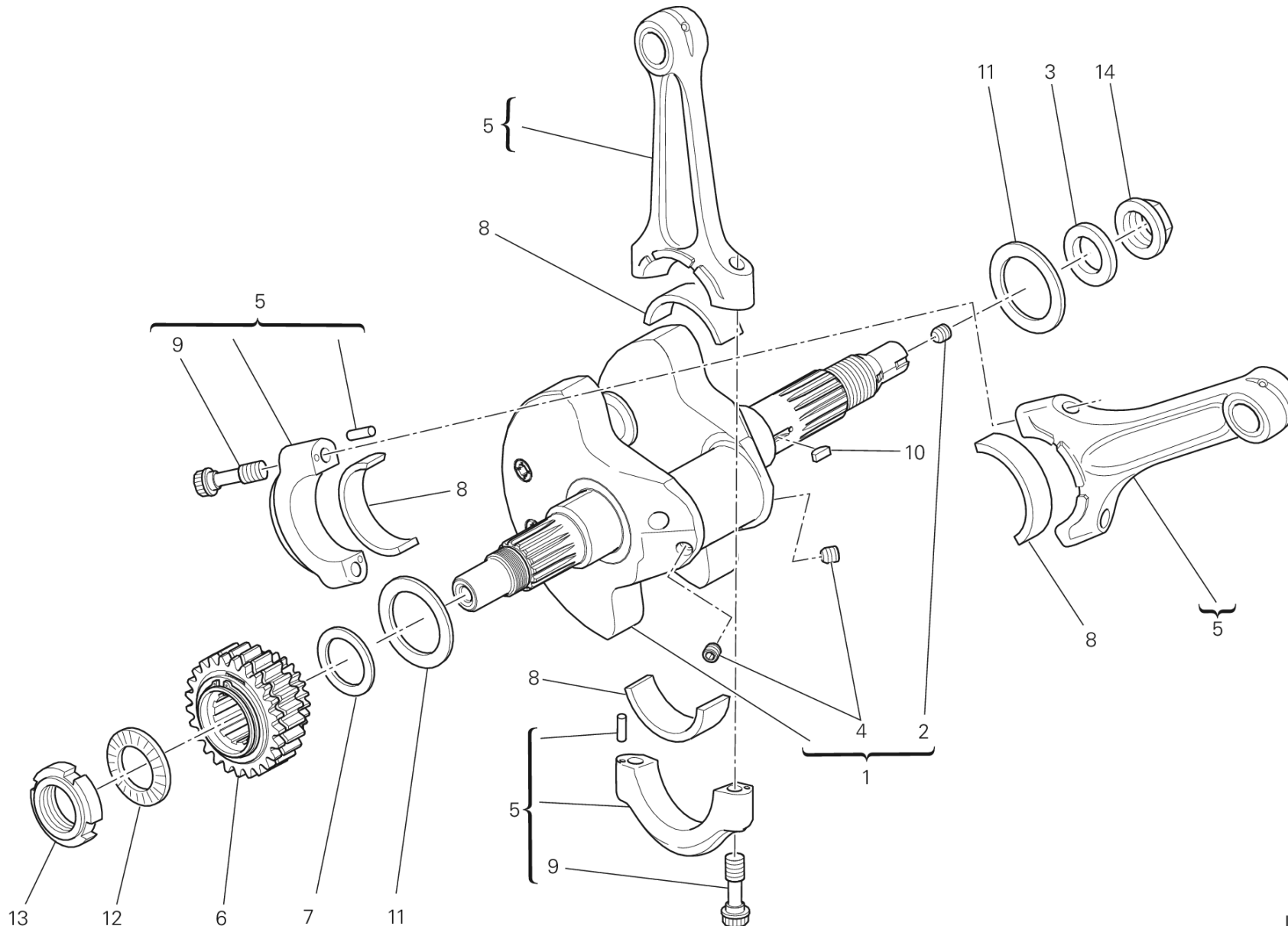
CRT00648

DRAWING 005 - CLUTCH COVER [MOD:M 1200]

GROUP ENGINE



POS.	CODE	DESCRIPTION	QTY	START DATE	END DATE	VALIDITY	NOTES
1	24321331BF	CLUTCH COVER (Unit)	1	18/02/2013			
2	77150833B	SCREW	1	25/03/2013			
3	77150813B	SCREW	3	25/03/2013			
4	25440012A	WINDOW, OIL LEVEL CHECK	1	01/01/2011			
5	77150693B	SCREW	6	25/03/2013			
6	78050012A	PLUG, THREADED M10X1	2	01/01/2011			
7	77915011A	SCREW	1	01/01/2011			
8	066549680	BUSH	1	01/01/2011			
9	93040211A	OIL SEAL	1	01/01/2011			
10	85211351A	THRUST WASHER 20.8X37.8X1	1	01/01/2011			
11	88450131A	CIRCLIP	1	01/01/2011			
12	88641321A	O-RING 11.11X1.78	1	25/03/2013			
13	71111601A	PIN DOWEL	1	25/03/2013			
14	82714331A	PLATE, SOUND ARRESTER DAMPER	1	01/01/2011			
15	89320121A	PLUG ASSY	1	01/01/2011			
16	48610721A	DAMPER, SOUND ARRESTER	1	01/01/2011			
17	85250241A	WASHER 10X14X1	2	01/01/2011			
18	88640891A	O-RING 18.64X3.53	1	24/12/2009			



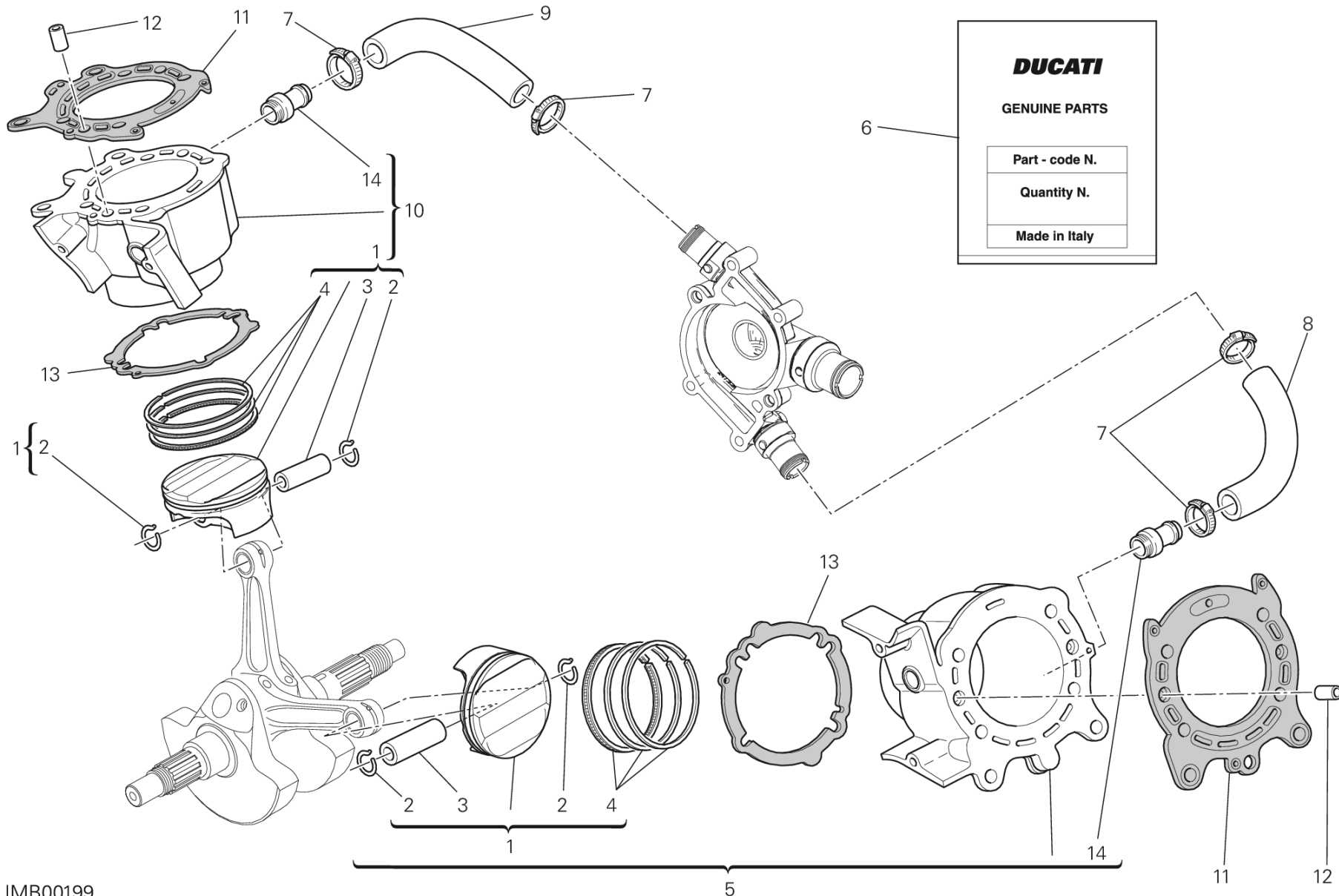
IMB00198

DRAWING 006 - CONNECTING RODS [MOD:M 1200]

GROUP ENGINE



POS.	CODE	DESCRIPTION	QTY	START DATE	END DATE	VALIDITY	NOTES
1	14621862BR	DRIVE SHAFT COMPLETEO	1	24/10/2013			
2	77911092A	SCREW, SPECIAL	1	25/09/2012			
3	85212691A	WASHER	1	25/03/2013			
4	77915471A	THREADED DOWEL STEI M8X8	2	25/09/2012			
5	15820234A	CONNECTING RODS PAIR	1	25/03/2013			
6	17021251A	PRIMARY DRIVE FRONT SPROCKET	1	02/05/2012			
7	71011691A	SPACER	1	25/03/2013			
8	11210121AB	PLANE BEARING, CONNECTING ROD BLUE	4	25/03/2013			
	11210121AC	PLANE BEARING, CONNECTING ROD YELLOW	4	25/03/2013			
9	77914043B	BOLT, CONNECTING ROD	4	01/01/2011			
10	68010131A	KEY, WOODRUFF 4X5X10	1	25/03/2013			
11	85212881D	SHIM 50X35X2.05	2	25/03/2013			
12	85140051A	LOCK WASHER	1	25/03/2013			
13	75011561A	RING NUT	1	25/03/2013			
14	75010121D	NUT, SPECIAL	1	25/03/2013			



IMB00199

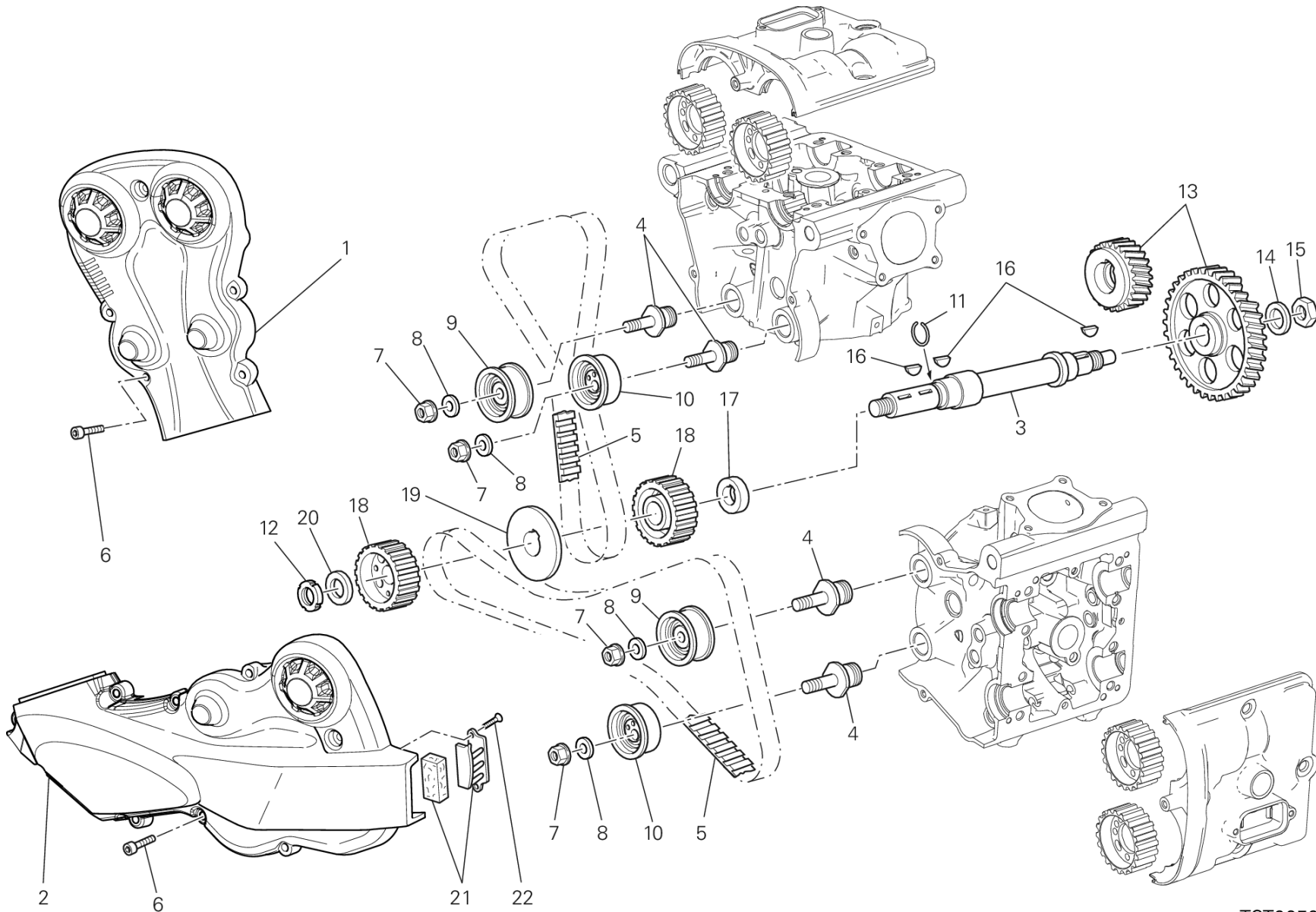
5

DRAWING 007 - CYLINDERS - PISTONS [MOD:M 1200]

GROUP ENGINE



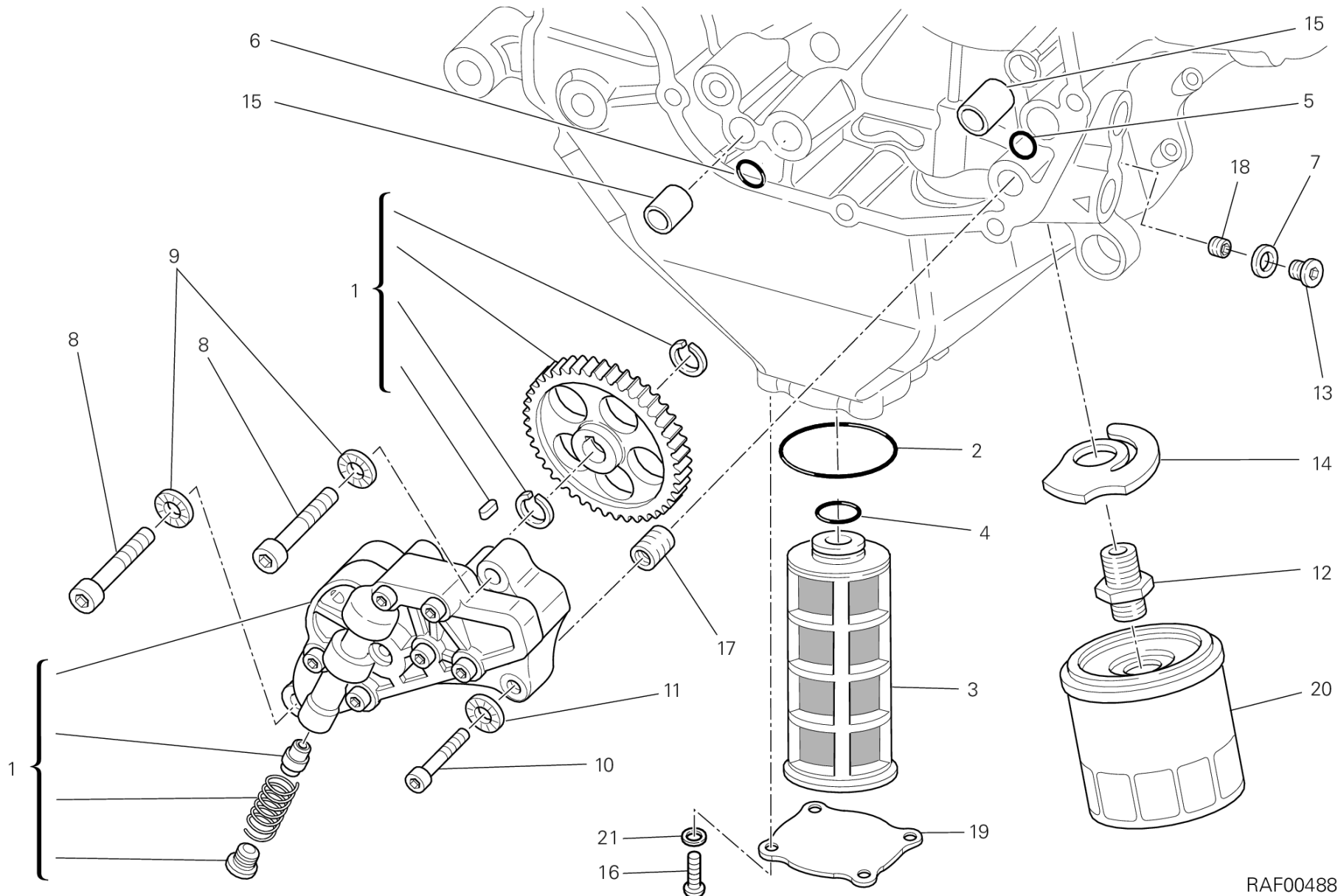
POS.	CODE	DESCRIPTION	QTY	START DATE	END DATE	VALIDITY	NOTES
1	12221951A	PISTON ASSY	1	25/02/2013			
2	12112481A	CIRCLIP, PISTON PIN	4	01/10/2010			
3	12110781B	PISTON PIN	2	01/10/2010			
4	12120521A	PISTON RING SET	2	01/10/2010			
5	12022161AC	HORIZONTAL CYLINDER-PISTON ASSY	1	18/02/2013			
6	79120481B	GASKETS SET	1	18/02/2013			
7	74141921A	CLAMP 16-27 MM	4	20/02/2012			
8	80011851A	HOSE, HORIZONTAL CYLINDER WATER INLET	1	20/02/2012			
9	80011841A	HOSE, VERTICAL CYLINDER WATER INLET	1	20/02/2012			
10	12022171AC	VERTICAL CYLINDER-PISTON ASSY	1	18/02/2013			
11	78611001A	GASKET, CYLINDER HEAD	2	20/02/2012			
12	71112191A	PIN DOWEL	4	20/02/2012			
13	78611251A	GASKET, CYLINDER	2	02/03/2012			
14	66810481A	WATER PUMP DELIVERY PIPE UNION	2	07/01/2010			



TST00508



POS.	CODE	DESCRIPTION	QTY	START DATE	END DATE	VALIDITY	NOTES
1	24511421B	VERTICAL BELT OUTER COVER	1	11/06/2013			
2	24511431A	HORIZONTAL BELT EXTERNAL COVER	1	06/06/2013			
3	14710811A	LAYSHAFT TIMING	1	25/03/2013			
4	45110461A	TENSIONER ROLLER PIN	4	07/12/2012			
5	73740251A	TIMING DRIVE TOOTHED BELT	2	25/03/2013			
6	77113801A	SCREW	13	25/03/2013			
7	74940081A	NUT M8	4	25/03/2013			
8	85310021A	SPRING WASHER 8 MM	4	25/03/2013			
9	45120272A	TENSIONER TIMING BELT FIXED	2	25/03/2013			
10	45120291A	COMPLETE MOVABLE TENSIONER ROLLER	2	25/03/2013			
11	88210031A	SNAP RING	1	25/03/2013			
12	70350062A	ELASTIC-STOP RING NUT	1	25/03/2013			
13	17122351A	TIMING GEARS SET	1	24/10/2013			
14	85110131A	WASHER, LOCK	1	25/03/2013			
15	75011601A	NUT M14X1X7	1	25/03/2013			
16	68010131A	KEY, WOODRUFF 4X5X10	3	25/03/2013			
17	71611281A	SPACER	1	25/03/2013			
18	25510104B	PULLEY, TIMING BELT	2	25/03/2013			
19	85610623A	WASHER, BELT PULLEY	1	25/03/2013			
20	71610722A	SPACER	1	25/03/2013			
21	24521071A	BRACKET, FILTER	1	24/12/2009			
22	77250341C	SCREW	2	30/09/2010			



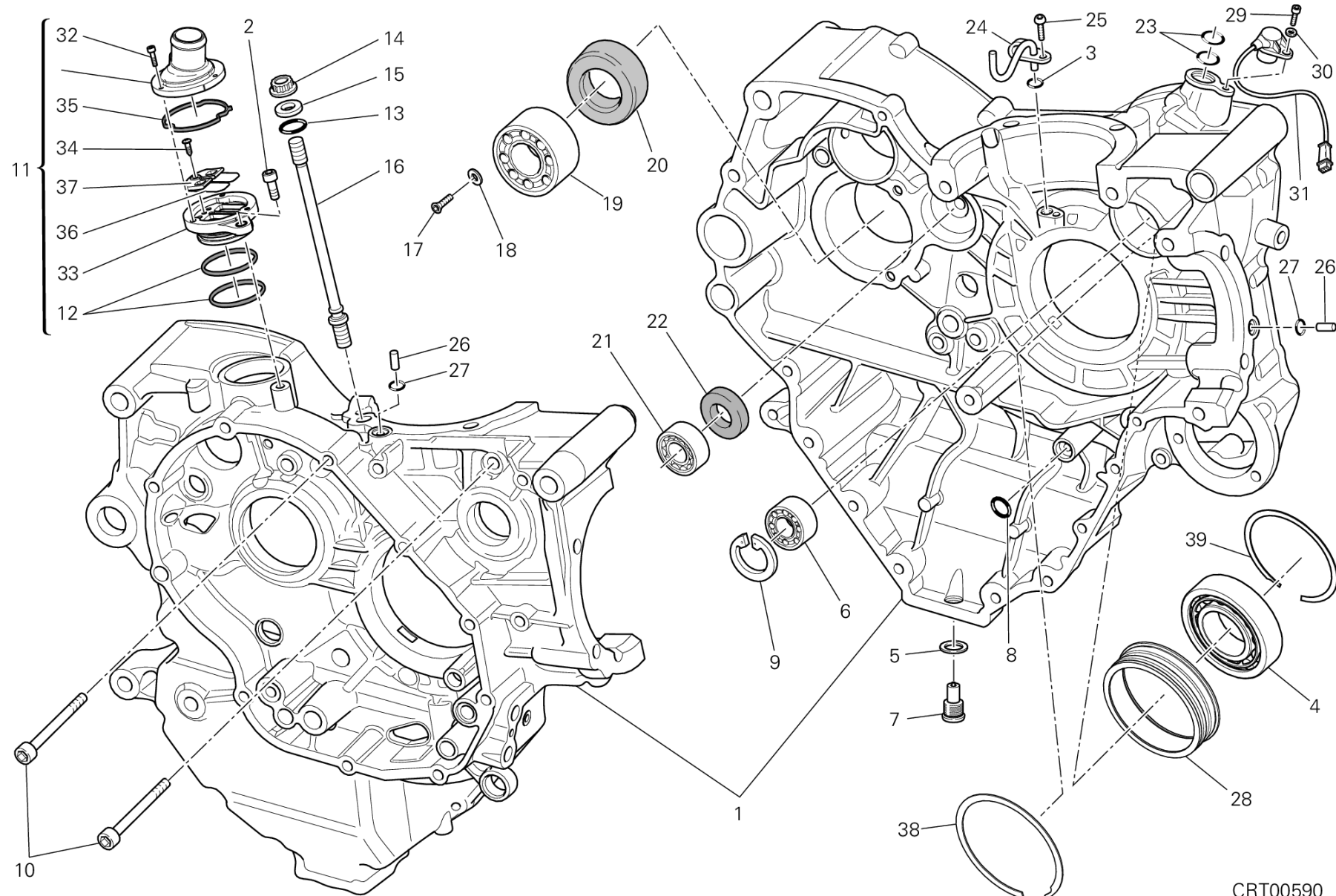
RAF00488

DRAWING 009 - FILTERS AND OIL PUMP [MOD:M 1200]

GROUP ENGINE



POS.	CODE	DESCRIPTION	QTY	START DATE	END DATE	VALIDITY	NOTES
1	174Z0021A	OIL PUMP	1	21/03/2013			
2	88641581A	O-RING	1	11/04/2013			
3	89410241A	OIL NET FILTER	1	11/04/2013			
4	88640331A	O-RING 17.96X2.62	1	11/04/2013			
5	88641321A	O-RING 11.11X1.78	1	21/03/2013			
6	88640371A	O-RING 14X1.78	1	21/03/2013			
7	85211951A	GASKET 10.5X17X2	1	11/04/2013			
8	77151298B	SCREW TCEI M8X40	2	21/03/2013			
9	85310021A	SPRING WASHER 8 MM	2	21/03/2013			
10	77110698B	SCREW	1	21/03/2013			
11	85310041A	SPRING WASHER 6 MM	1	21/03/2013			
12	81510281A	BOLT UNION	1	11/04/2013			
13	77911622A	SCREW TCEI M10X1.5X16	1	11/04/2013			
14	79920772A	BYPASS SPRING	1	11/04/2013			
15	075949280	LOCATING DOWEL	2	21/03/2013			
16	72050338B	SCREW	4	11/04/2013			
17	067049310	BUSH	1	11/04/2013			
18	77840041A	THREADED DOWEL M10X1	1	11/04/2013			
19	24713511C	FILTER COVER UNIT	1	11/04/2013			
20	44440035A	FILTER, OIL	1	25/03/2013			
21	85250231A	GASKET	4	11/04/2013			



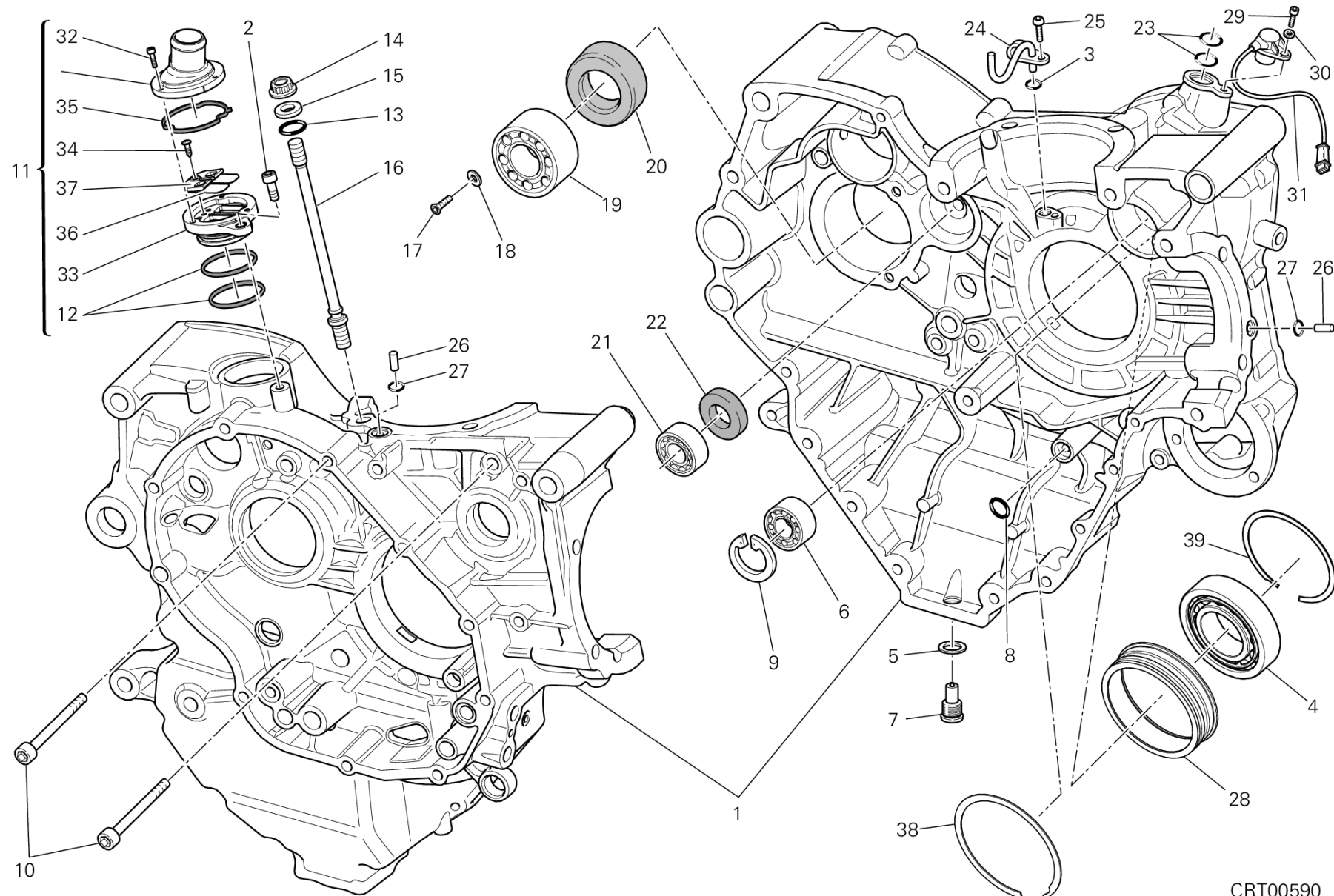
CRT00590

DRAWING 010 - HALF-CRANKCASES PAIR [MOD:M 1200]

GROUP ENGINE



POS.	CODE	DESCRIPTION	QTY	START DATE	END DATE	VALIDITY	NOTES
1	22520032A	COMPLETE HALF-CRANKCASES PAIR	1	01/01/2014			
2	77150653B	SCREW TCEI M6X16 UNI5931 8.8	1	20/02/2012			
3	88650131A	O-RING 3.68X1.78	1	09/06/2012			
4	70241161A	BEARING	1	09/06/2012			
5	85250421A	COPPER GASKET 12.2X18X1.5 MM	1	09/06/2012			
6	70250081A	BALL BEARING 6003 TN9 C3	1	09/06/2012			
7	89320062A	PLUG, OIL DRAIN	1	09/06/2012			
8	88641321A	O-RING 11.11X1.78	1	31/12/2030			
9	735033380	CIRCLIP	1	09/06/2012			
10	77151398B	SCREW TCEI M8X90	2	20/02/2012			
11	59320581B	VALVE, BREATHER	1	09/06/2012			
12	46320222A	O-RING	2	15/10/2010			
13	88641181A	O-RING	8	20/02/2012			
14	74810501A	NUT M10X1.5	8	20/02/2012			
15	85610642A	WASHER, SPECIAL 10.5X21X2	8	20/02/2012			
16	76610553B	STUD BOLT FASTENING HEAD CYLINDER	8	20/02/2012			
17	720941616	SCREW TSPEI M6X12	2	09/06/2012			
18	85611481A	WASHER	2	09/06/2012			
19	70240131A	BEARING	1	09/06/2012			
20	93040221A	SEAL, OIL 35X52X7	1	09/06/2012			
21	70240331A	BEARING 17X40X12	1	09/06/2012			
22	93040931A	SEAL, OIL 17X25X4	1	09/06/2012			
23	88640331A	O-RING 17.96X2.62	2	09/06/2012			
24	87511461B	JET	1	09/06/2012			
25	77510311B	SCREW TBEI M5X10	1	09/06/2012			
26	86010051B	DOWEL	2	20/02/2012			
27	88610241A	O-RING 5.23X2.62	2	20/02/2012			
28	710Z0031A	BUSHING	1	21/01/2013			
29	77550211B	SCREW TBEI M6X16 ISO7380 10.9	1	20/02/2012			
30	85310031A	SPRING WASHER 6 MM	1	20/02/2012			
31	55241321C	SENSOR, TIMING & RPM	1	20/02/2012			
32	77150078B	SCREW	3	15/10/2010			
33	59310601B	HOLDER READ VALVE	1	15/10/2010			
34	77250341B	SCREW, TAPPING 3.5X12	1	15/10/2010			
35	78811151A	GASKET	1	15/10/2010			



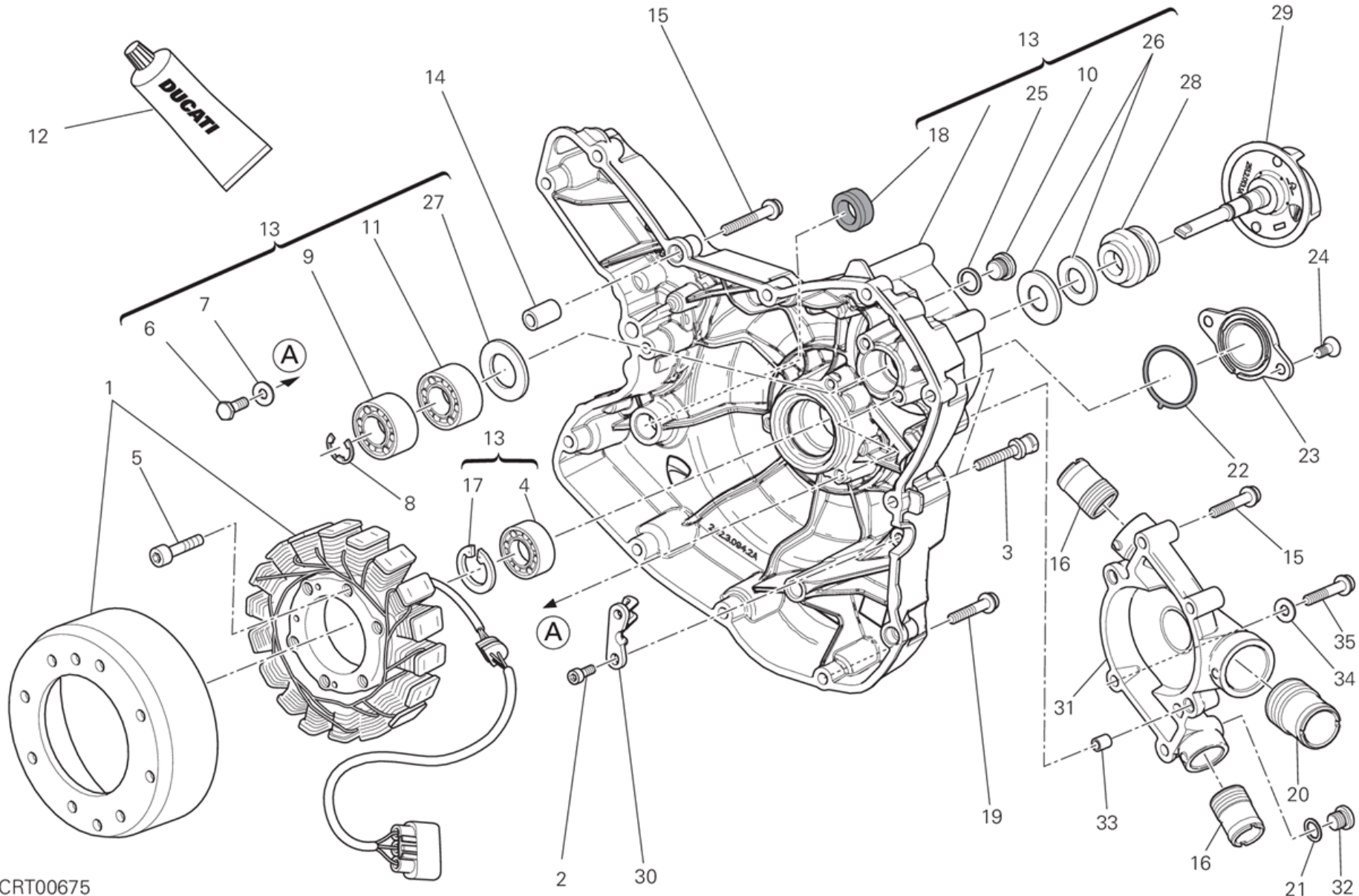
CRT00590

DRAWING 010 - HALF-CRANKCASES PAIR [MOD:M 1200]

GROUP ENGINE



POS.	CODE	DESCRIPTION	QTY	START DATE	END DATE	VALIDITY	NOTES
36	81110021A	REED VALVE ASSY	1	15/10/2010			
37	82716031A	SPACER	1	15/10/2010			
38	88440641A	SPRING RING	1	09/06/2012			
39	88440651A	SPRING RING	1	09/06/2012			



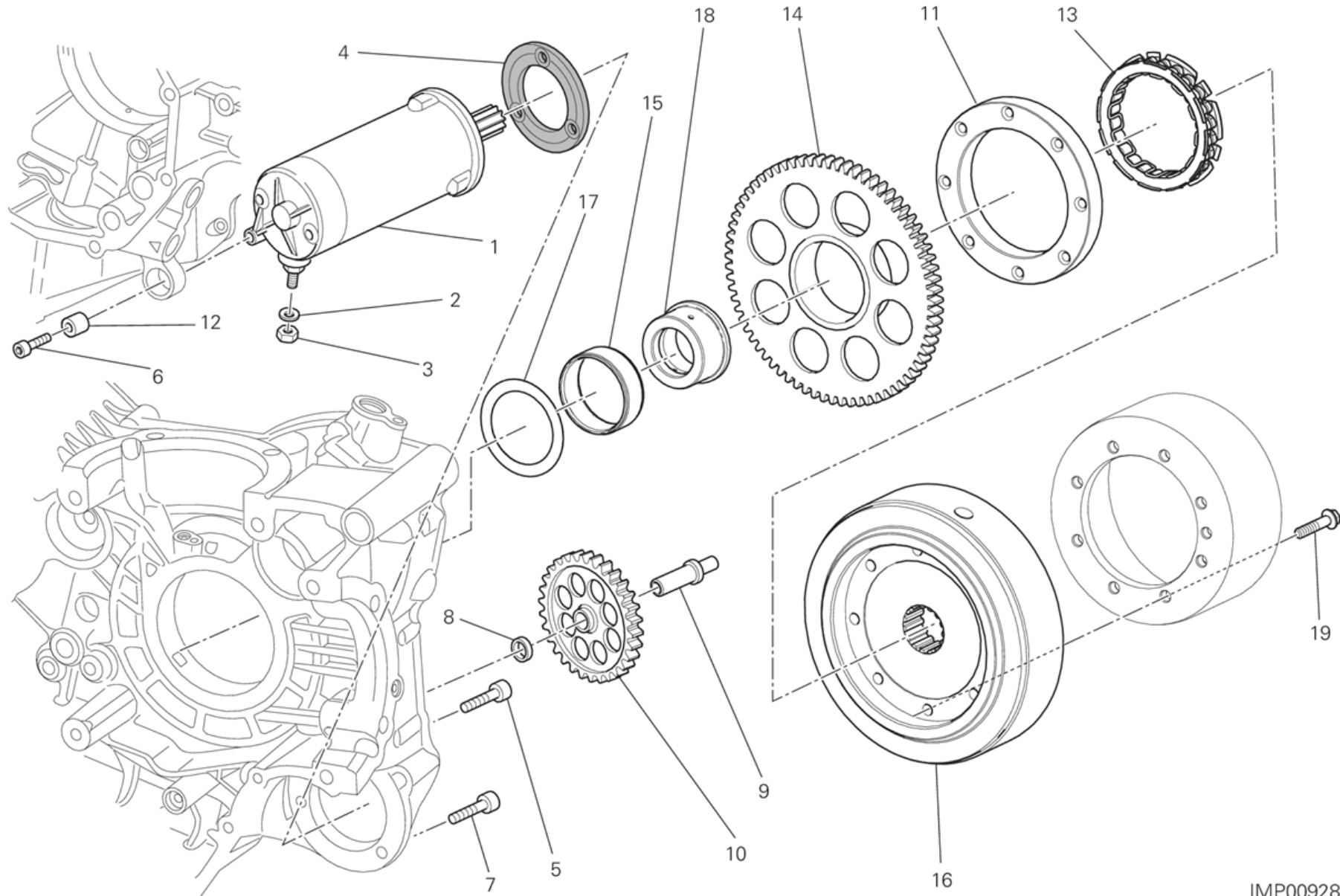
CRT00675

DRAWING 011 - WATER PUMP-ALTR-SIDE CRNKCSE COVER [MOD:M 1200]

GROUP ENGINE



POS.	CODE	DESCRIPTION	QTY	START DATE	END DATE	VALIDITY	NOTES
1	26420501A	GENERATOR "FERRITE"	1	20/06/2013			
2	77150408B	SCREW TCEI M5X14	2	06/06/2012			
3	77916311A	SCREW, SPECIAL	2	08/03/2013			
4	70250081A	BALL BEARING 6003 TN9 C3	1	01/05/2010			
5	77150738B	SCREW TCEI M6X40	3	06/06/2012			
6	77052508B	SCREW TE M6X16	2	01/05/2010			
7	85211721A	WASHER 6X14.2X1.3	2	01/05/2010			
8	88450431A	CIRCLIP	1	01/05/2010			
9	70240102A	BEARING	1	01/05/2010			
10	77910262A	SCREW M12X1	1				
11	70240091A	BALL BEARING 6000	1	01/05/2010			
12	942470014	LIQUID GASKET	1	20/02/2012			
13	24221181AB	COMPLETE GENERATOR COVER	1	18/02/2013			
14	71111601A	PIN DOWEL	2	20/02/2012			
15	77140723C	SCREW TCEIF M6X35 10.9	4	27/02/2012			
16	66810014A	WATER PUMP DELIVERY PIPE UNION	2	06/06/2012			
17	735033380	CIRCLIP	1	06/06/2012			
18	937831524	SEAL, OIL 15X24X6	1	18/04/2012			
19	77140713C	SCREW TCEIF M6X30 10.9	9	20/02/2012			
20	66810024A	NIPPLE, HOSE	1	06/06/2012			
21	85250241A	WASHER 10X14X1	1	06/06/2012			
22	88610951A	O-RING 32.99X2.62	1	20/02/2012			
23	24713571AH	COVER	1	18/02/2013			
24	77750493C	SCREW	2	20/02/2012			
25	85250261A	GASKET, ALUMINIUM 12X16X1.5	1	06/06/2012			
26	93050051A	MECHANICAL SEAL	1	06/06/2012			
27	71311281B	SPACER	1	06/06/2012			
28	93050062B	MECHANICAL SEAL	1	06/06/2012			
29	25120131A	WATER PUMP ROTOR	1	06/06/2012			
30	83015581B	BRACKET	1	06/06/2012			
31	24714481A	WATER PUMP COVER ASSY	1	06/06/2012			
32	78050012A	PLUG, THREADED M10X1	1	06/06/2012			
33	71110922A	BUSH	2	06/06/2012			
34	85250481A	GASKET 6X12X1 DIN7603-A	2	06/06/2012			
35	77113961A	SCREW	2	20/02/2012			



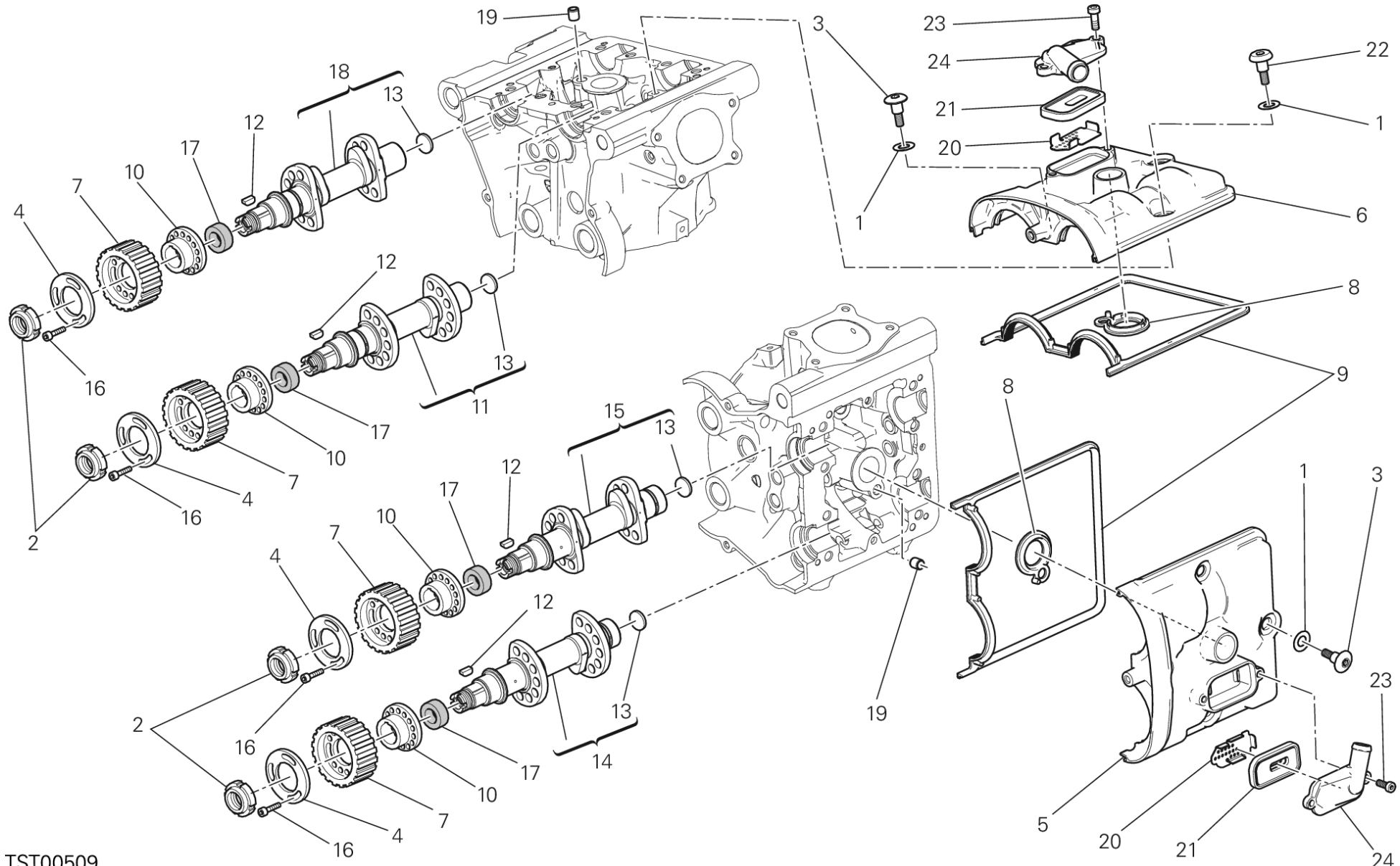
IMP00928

DRAWING 012 - ELECTRIC STARTING AND IGNITION [MOD:M 1200]

GROUP ENGINE



POS.	CODE	DESCRIPTION	QTY	START DATE	END DATE	VALIDITY	NOTES
1	27040104A	STARTING MOTOR	1	12/09/2012			
2	85350101A	WASHER, SPRING	1	05/05/2014			
3	75050051A	NUT 6MM	1	05/05/2014			
4	78810542A	ENGINE STARTER GASKET	1	20/02/2012			
5	77113831A	SCREW	2	20/02/2012			
6	77110521A	SCREW TCEI M6X30	1	20/02/2012			
7	77140697C	SCREW TCEIF M6X25	1	20/02/2012			
8	71319191A	SPACER	1	20/02/2012			
9	82113471A	STARTER REDUCTION SHAFT	1	20/02/2012			
10	176Z0021A	IDLE GEAR T74/13	1	20/02/2012			
11	160Z0011A	FLANGE STARTING CLUTCH	1	20/02/2012			
12	70010361A	DAMPER	1	09/06/2012			
13	70140351A	CLUTCH, ONE WAY	1	20/02/2012			
14	173Z0021A	ELECTRIC STARTER DRIVEN GEAR	1	20/02/2012			
15	70240181A	BEARING, NEEDLE	1	20/02/2012			
16	27610812A	COUPLING, FLYWHEEL	1	24/10/2013			
17	85610751A	WASHER, THRUST	1	20/02/2012			
18	88110851A	INNER RING	1	24/10/2013			
19	77253330ZF	SCREW	8	07/05/2014			



TST00509

1200 /15

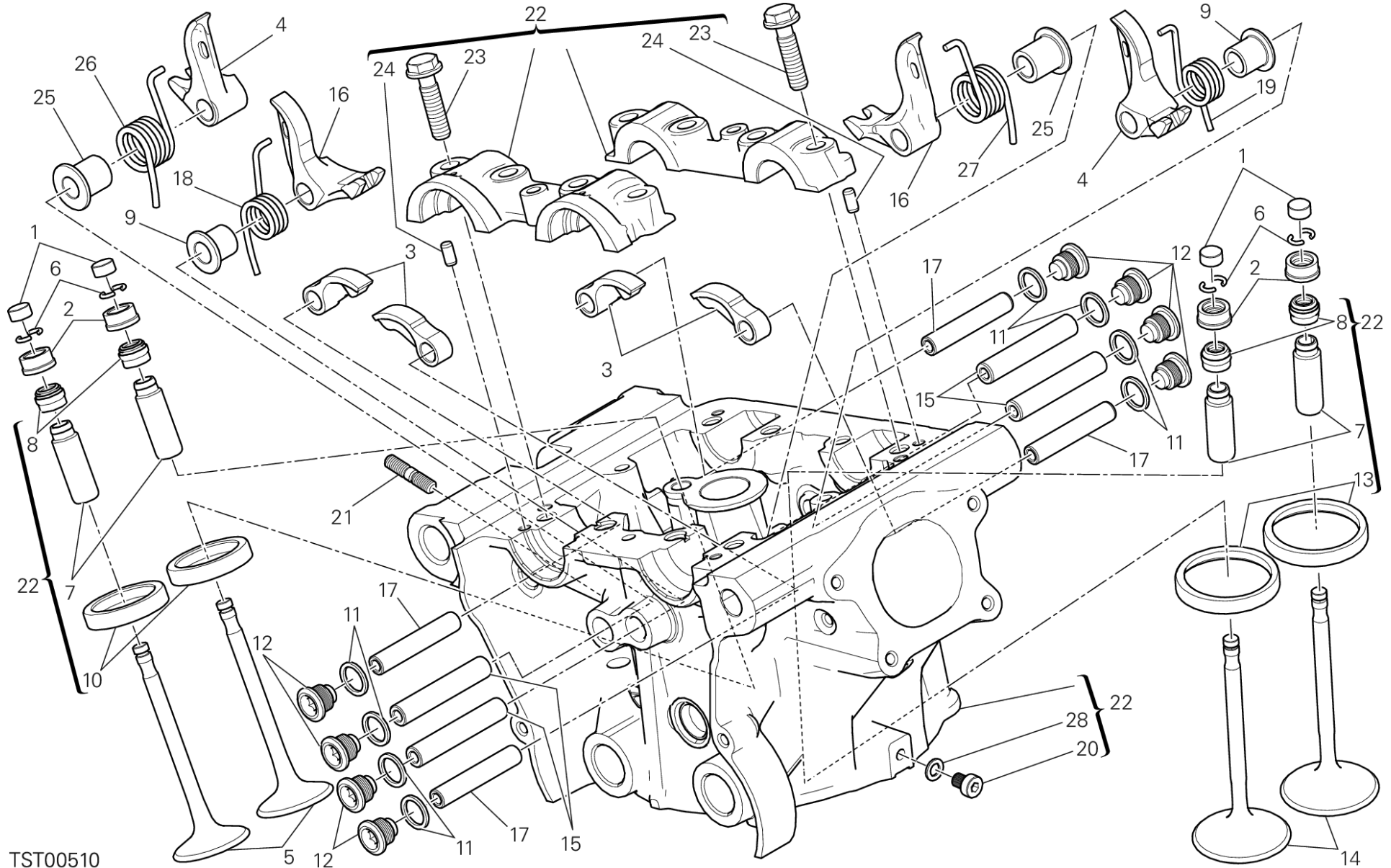
D19000015 - 2

DRAWING 013 - CAMSHAFT [MOD:M 1200]

GROUP ENGINE



POS.	CODE	DESCRIPTION	QTY	START DATE	END DATE	VALIDITY	NOTES
1	88650511A	O-RING 12.39X3.53	8	07/12/2012			
2	70350022A	RING NUT M17X1	4	07/12/2012			
3	77915093A	SCREW, SPECIAL	5	07/12/2012			
4	85610743A	WASHER, SPECIAL	4	07/12/2012			
5	24714141AC	COVER CYLINDER HEAD, HORIZONTAL	1	31/05/2013			
6	24714151AC	COVER CYLINDER HEAD, VERTICAL	1	31/05/2013			
7	25510193A	TIMING BELT PULLEY, DRIVEN T20	4	07/12/2012			
8	78811211A	GASKET	2	07/12/2012			
9	78810931A	GASKET CYLINDER HEAD COVER	2	07/12/2012			
10	16010941A	SPACER	4	07/12/2012			
11	14823431B	VERTICAL INTAKE CAMSHAFT	1	07/12/2012			
12	68050061A	WOODRUFF KEY 3X5	4	07/12/2012			
13	87310051A	PLUG 18 MM	4	24/12/2009			
14	14823441B	HORIZONTAL EXHAUST CAMSHAFT	1	07/12/2012			
15	14823421B	HORIZONTAL INTAKE CAMSHAFT	1	07/12/2012			
16	77950302A	SCREW TC M6X12	12	07/12/2012			
17	93050071A	SEAL, OIL BAVISLRSX7 24-35-7	4	07/12/2012			
18	14823451B	VERTICAL EXHAUST CAMSHAFT	1	07/12/2012			
19	71113741A	BUSH	2	07/12/2012			
20	82716351A	PLATE	2	07/12/2012			
21	81140012B	VALVE	2	07/12/2012			
22	77918141A	SCREW, SPECIAL	3	11/06/2013			
23	77350403B	SCREW	4	07/12/2012			
24	24714171A	COVER	2	07/12/2012			



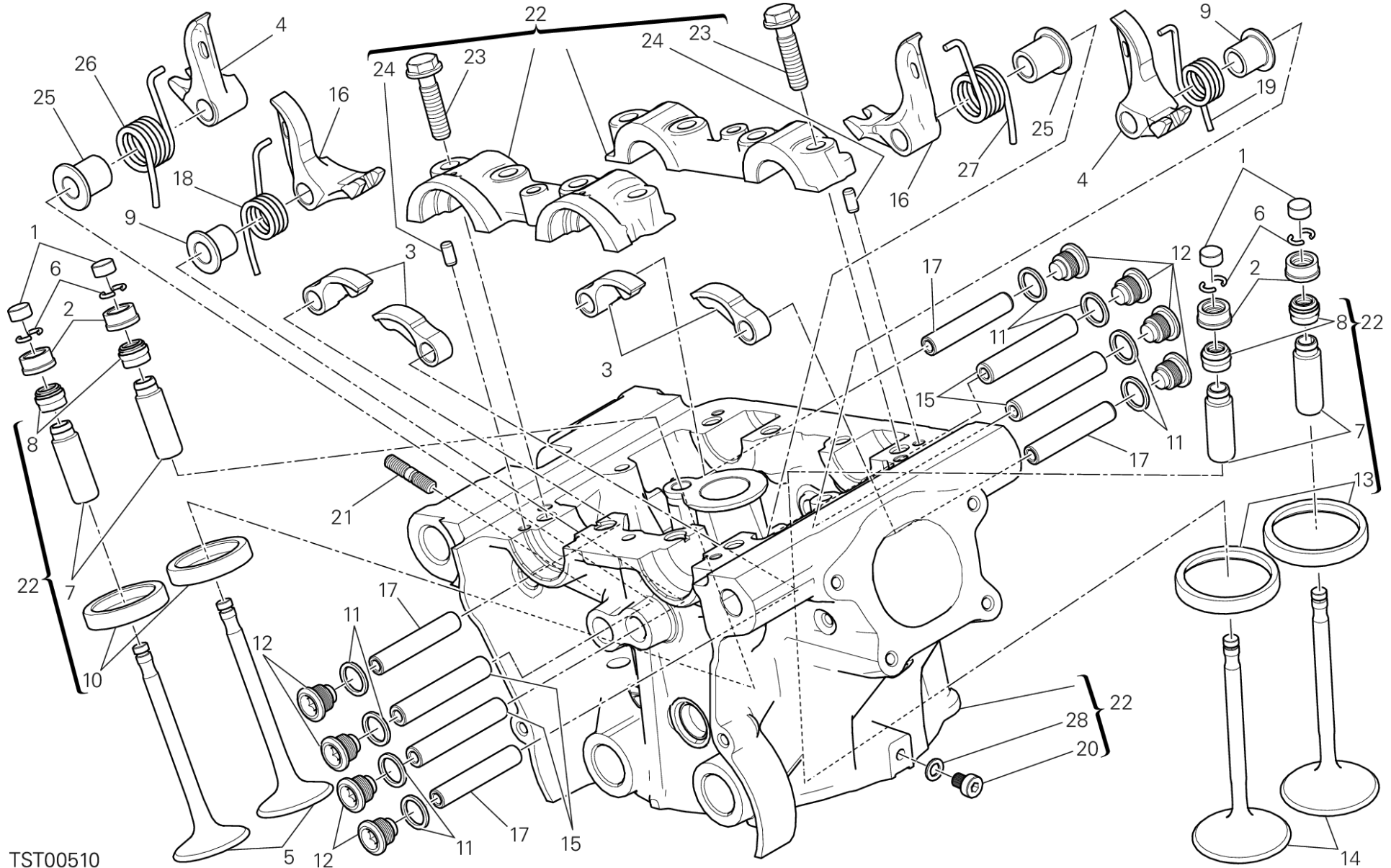
TST00510

DRAWING 014 - VERTICAL HEAD [MOD:M 1200]

GROUP ENGINE



POS.	CODE	DESCRIPTION	QTY	START DATE	END DATE	VALIDITY	NOTES
1	84010012A	ADJUSTER, OPENING ROCKER ARM 2.00 MM	4	20/06/2012			
	84010022A	ADJUSTER, OPENING ROCKER ARM 2.05 MM	4	20/06/2012			
	84010032A	ADJUSTER, OPENING ROCKER ARM 2.10 MM	4	20/06/2012			
	84010042A	ADJUSTER, OPENING ROCKER ARM 2.15 MM	4	20/06/2012			
	84010052A	ADJUSTER, OPENING ROCKER ARM 2.20 MM	4	20/06/2012			
	84010062A	ADJUSTER, OPENING ROCKER ARM 2.25 MM	4	20/06/2012			
	84010072A	ADJUSTER, OPENING ROCKER ARM 2.30 MM	4	20/06/2012			
	84010082A	ADJUSTER, OPENING ROCKER ARM 2.35 MM	4	20/06/2012			
	84010092A	ADJUSTER, OPENING ROCKER ARM 2.40 MM	4	20/06/2012			
	84010102A	ADJUSTER, OPENING ROCKER ARM 2.45 MM	4	20/06/2012			
	84010112A	ADJUSTER, OPENING ROCKER ARM 2.50 MM	4	20/06/2012			
	84010122A	ADJUSTER, OPENING ROCKER ARM 2.55 MM	4	20/06/2012			
	84010132A	ADJUSTER, OPENING ROCKER ARM 2.60 MM	4	20/06/2012			
	84010142A	ADJUSTER, OPENING ROCKER ARM 2.65 MM	4	20/06/2012			
	84010152A	ADJUSTER, OPENING ROCKER ARM 2.70 MM	4	20/06/2012			
	84010162A	ADJUSTER, OPENING ROCKER ARM 2.75 MM	4	20/06/2012			
	84010172A	ADJUSTER, OPENING ROCKER ARM 2.80 MM	4	20/06/2012			
	84010182A	ADJUSTER, OPENING ROCKER ARM 2.85 MM	4	20/06/2012			
	84010192A	ADJUSTER, OPENING ROCKER ARM 2.90 MM	4	20/06/2012			
	84010202A	ADJUSTER, OPENING ROCKER ARM 2.95 MM	4	20/06/2012			
	84010212A	ADJUSTER, OPENING ROCKER ARM 3.00 MM	4	20/06/2012			
	84010222A	ADJUSTER, OPENING ROCKER ARM 3.05 MM	4	20/06/2012			
	84010232A	ADJUSTER, OPENING ROCKER ARM 3.10 MM	4	20/06/2012			
	84010242A	ADJUSTER, OPENING ROCKER ARM 3.15 MM	4	20/06/2012			
	84010252A	ADJUSTER, OPENING ROCKER ARM 3.20 MM	4	20/06/2012			
	84010262A	ADJUSTER, OPENING ROCKER ARM 3.25 MM	4	20/06/2012			
	84010272A	ADJUSTER, OPENING ROCKER ARM 3.30 MM	4	20/06/2012			
	84010282A	ADJUSTER, OPENING ROCKER ARM 3.35 MM	4	20/06/2012			
	84010292A	ADJUSTER, OPENING ROCKER ARM 3.40 MM	4	20/06/2012			
	84010302A	ADJUSTER, OPENING ROCKER ARM 3.45 MM	4	20/06/2012			
	84010312A	ADJUSTER, OPENING ROCKER ARM 1.80 MM	4	20/06/2012			
	84010322A	ADJUSTER, OPENING ROCKER ARM 1.85 MM	4	20/06/2012			
	84010332A	ADJUSTER, OPENING ROCKER ARM 1.90 MM	4	20/06/2012			
	84010342A	ADJUSTER, OPENING ROCKER ARM 1.95 MM	4	20/06/2012			
	84010722A	ADJUSTER, OPENING ROCKER ARM 3.60 MM	4	20/06/2012			



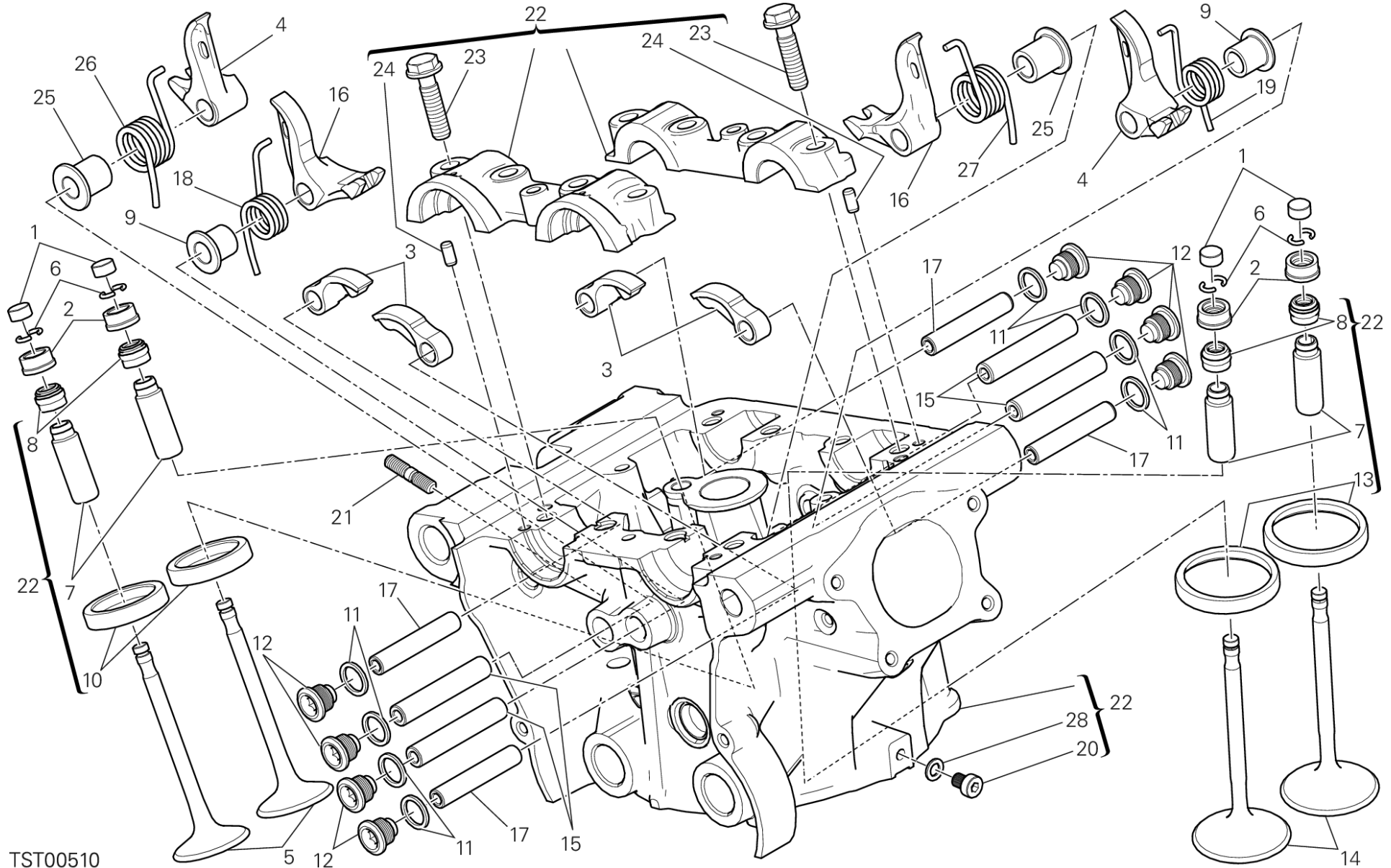
TST00510

DRAWING 014 - VERTICAL HEAD [MOD:M 1200]

GROUP ENGINE



POS.	CODE	DESCRIPTION	QTY	START DATE	END DATE	VALIDITY	NOTES
	84010732A	ADJUSTER, OPENING ROCKER ARM 3.80 MM	4	20/06/2012			
	84011082A	ADJUSTER, OPENING ROCKER ARM 3.50 MM	4	20/06/2012			
	84011092A	ADJUSTER, OPENING ROCKER ARM 3.55 MM	4	20/06/2012			
	84011102A	ADJUSTER, OPENING ROCKER ARM 3.65 MM	4	20/06/2012			
	84011112A	ADJUSTER, OPENING ROCKER ARM 3.70 MM	4	20/06/2012			
	84011122A	ADJUSTER, OPENING ROCKER ARM 3.75 MM	4	20/06/2012			
	84011132A	ADJUSTER, OPENING ROCKER ARM 3.85 MM	4	20/06/2012			
	84011142A	ADJUSTER, OPENING ROCKER ARM 3.9 MM	4	20/06/2012			
2	84010412B	ADJUSTER, CLOSING ROCKER ARM 2.20 MM	4	24/12/2009			
	84010422B	ADJUSTER, CLOSING ROCKER ARM 2.25 MM	4	24/12/2009			
	84010432B	ADJUSTER, CLOSING ROCKER ARM 2.30 MM	4	24/12/2009			
	84010442B	ADJUSTER, CLOSING ROCKER ARM 2.35 MM	4	24/12/2009			
	84010452B	ADJUSTER, CLOSING ROCKER ARM 2.40 MM	4	24/12/2009			
	84010462B	ADJUSTER, CLOSING ROCKER ARM 2.45 MM	4	24/12/2009			
	84010472B	ADJUSTER, CLOSING ROCKER ARM 2.50 MM	4	24/12/2009			
	84010482B	ADJUSTER, CLOSING ROCKER ARM 2.55 MM	4	24/12/2009			
	84010492B	ADJUSTER, CLOSING ROCKER ARM 2.60 MM	4	24/12/2009			
	84010502B	ADJUSTER, CLOSING ROCKER ARM 2.65 MM	4	24/12/2009			
	84010512B	ADJUSTER, CLOSING ROCKER ARM 2.70 MM	4	24/12/2009			
	84010522B	ADJUSTER, CLOSING ROCKER ARM 2.75 MM	4	24/12/2009			
	84010532B	ADJUSTER, CLOSING ROCKER ARM 2.80 MM	4	24/12/2009			
	84010542B	ADJUSTER, CLOSING ROCKER ARM 2.85 MM	4	24/12/2009			
	84010552B	ADJUSTER, CLOSING ROCKER ARM 2.90 MM	4	24/12/2009			
	84010562B	ADJUSTER, CLOSING ROCKER ARM 2.95 MM	4	24/12/2009			
	84010572B	ADJUSTER, CLOSING ROCKER ARM 3.00 MM	4	24/12/2009			
	84010582B	ADJUSTER, CLOSING ROCKER ARM 3.05 MM	4	24/12/2009			
	84010592B	ADJUSTER, CLOSING ROCKER ARM 3.10 MM	4	24/12/2009			
	84010602B	ADJUSTER, CLOSING ROCKER ARM 3.15 MM	4	24/12/2009			
	84010612B	ADJUSTER, CLOSING ROCKER ARM 3.20 MM	4	24/12/2009			
	84010622B	ADJUSTER, CLOSING ROCKER ARM 3.25 MM	4	24/12/2009			
	84010632B	ADJUSTER, CLOSING ROCKER ARM 3.30 MM	4	24/12/2009			
	84010642B	ADJUSTER, CLOSING ROCKER ARM 3.35 MM	4	24/12/2009			
	84010652B	ADJUSTER, CLOSING ROCKER ARM 3.40 MM	4	24/12/2009			
	84010662B	ADJUSTER, CLOSING ROCKER ARM 3.45 MM	4	24/12/2009			
	84010672B	ADJUSTER, CLOSING ROCKER ARM 3.50 MM	4	24/12/2009			



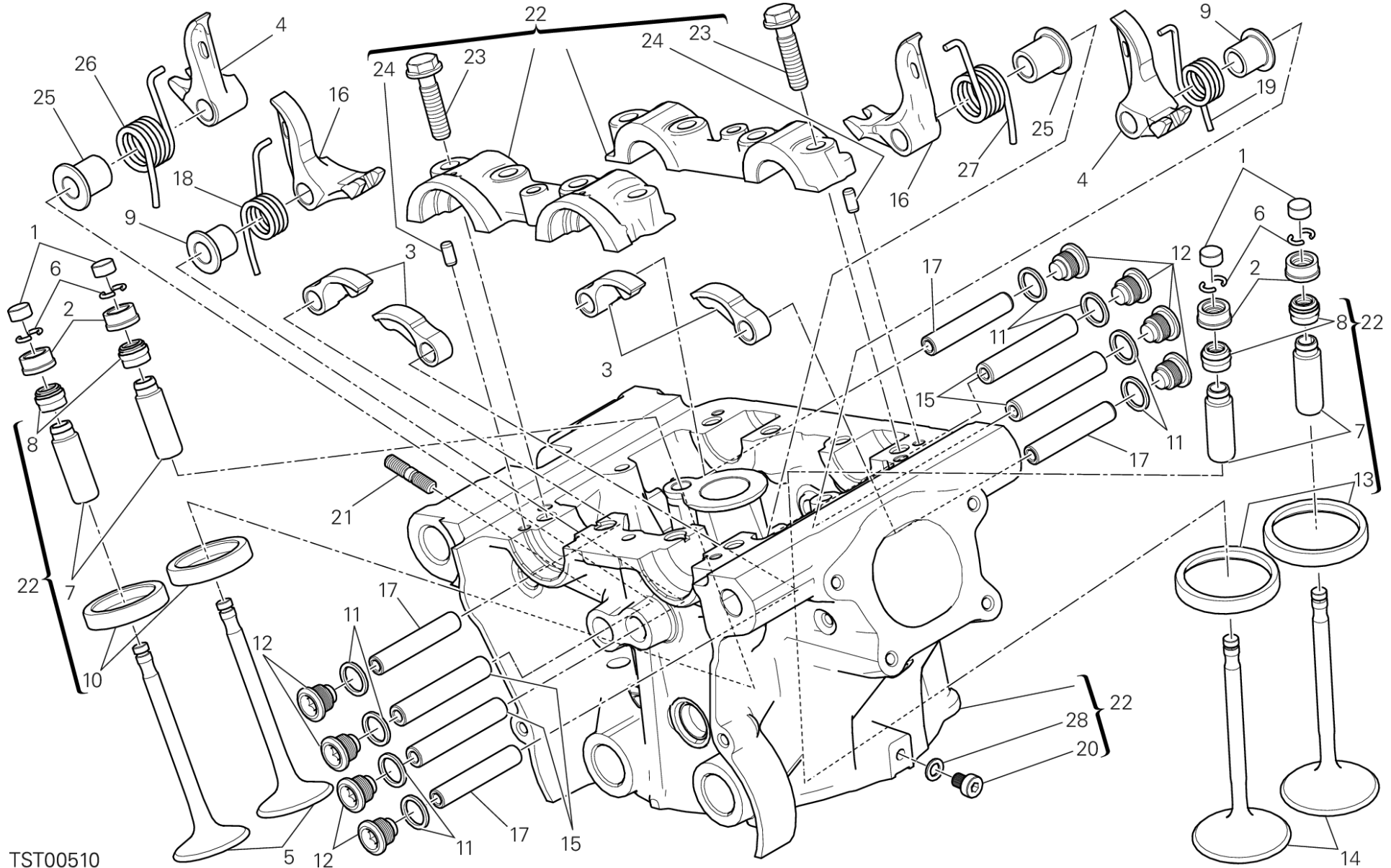
TST00510

DRAWING 014 - VERTICAL HEAD [MOD:M 1200]

GROUP ENGINE



POS.	CODE	DESCRIPTION	QTY	START DATE	END DATE	VALIDITY	NOTES
	84010682B	ADJUSTER, CLOSING ROCKER ARM 3.55 MM	4	24/12/2009			
	84010692B	ADJUSTER, CLOSING ROCKER ARM 3.60 MM	4	24/12/2009			
	84010702B	ADJUSTER, CLOSING ROCKER ARM 3.65 MM	4	24/12/2009			
	84010712B	ADJUSTER, CLOSING ROCKER ARM 3.70 MM	4	24/12/2009			
	84010722B	ADJUSTER, CLOSING ROCKER ARM 3.75 MM	4	24/12/2009			
	84010732B	ADJUSTER, CLOSING ROCKER ARM 3.80 MM	4	24/12/2009			
	84010742B	ADJUSTER, CLOSING ROCKER ARM 3.85 MM	4	24/12/2009			
	84010752B	ADJUSTER, CLOSING ROCKER ARM 3.90 MM	4	24/12/2009			
	84010762B	ADJUSTER, CLOSING ROCKER ARM 3.95 MM	4	24/12/2009			
	84010772B	ADJUSTER, CLOSING ROCKER ARM 4.00 MM	4	24/12/2009			
	84010782B	ADJUSTER, CLOSING ROCKER ARM 4.05 MM	4	24/12/2009			
	84010792B	ADJUSTER, CLOSING ROCKER ARM 4.10 MM	4	24/12/2009			
	84010802B	ADJUSTER, CLOSING ROCKER ARM 4.15 MM	4	24/12/2009			
	84010812B	ADJUSTER, CLOSING ROCKER ARM 4.20 MM	4	24/12/2009			
	84010822B	ADJUSTER, CLOSING ROCKER ARM 4.25 MM	4	24/12/2009			
	84010832B	ADJUSTER, CLOSING ROCKER ARM 4.30 MM	4	24/12/2009			
	84010842B	ADJUSTER, CLOSING ROCKER ARM 4.35 MM	4	24/12/2009			
	84010852B	ADJUSTER, CLOSING ROCKER ARM 4.40 MM	4	24/12/2009			
	84010862B	ADJUSTER, CLOSING ROCKER ARM 4.45 MM	4	24/12/2009			
	84010872B	ADJUSTER, CLOSING ROCKER ARM 4.50 MM	4	24/12/2009			
3	20810321A	OPEN. ROCKER ARM	4	07/12/2012			
4	20910501A	CLOSING ROCKER ARM LEFT	2	07/12/2012			
5	21110831A	EXHAUST VALVE	2	07/12/2012			
6	66910011E	C RING	8	07/12/2012			
7	30310631BB	GUIDE, VALVE OVERSIZED 0.03 MM	4	21/03/2013			
	30310631BC	GUIDE, VALVE OVERSIZED 0.06 MM	4	25/03/2013			
	30310631BD	GUIDE, VALVE OVERSIZED 0.09 MM	4	21/03/2013			
8	76410871A	SEAL VALVE STEM	4	03/04/2012			
9	71312921A	SPACER	2	07/12/2012			
10	30410891AB	SEAT, EXHAUST VALVE +0.03 MM	2	25/03/2013			
	30410891AC	SEAT, EXHAUST VALVE +0.06 MM	2	25/03/2013			
11	85250261B	GASKET, ALUMINIUM 12X16X1.5	8	07/12/2012			
12	78010511E	PLUG	8	07/12/2012			
13	30410881AB	SEAT, INLET VALVE +0.03 MM	2	25/03/2013			
	30410881AC	SEAT, INLET VALVE +0.06 MM	2	25/03/2013			



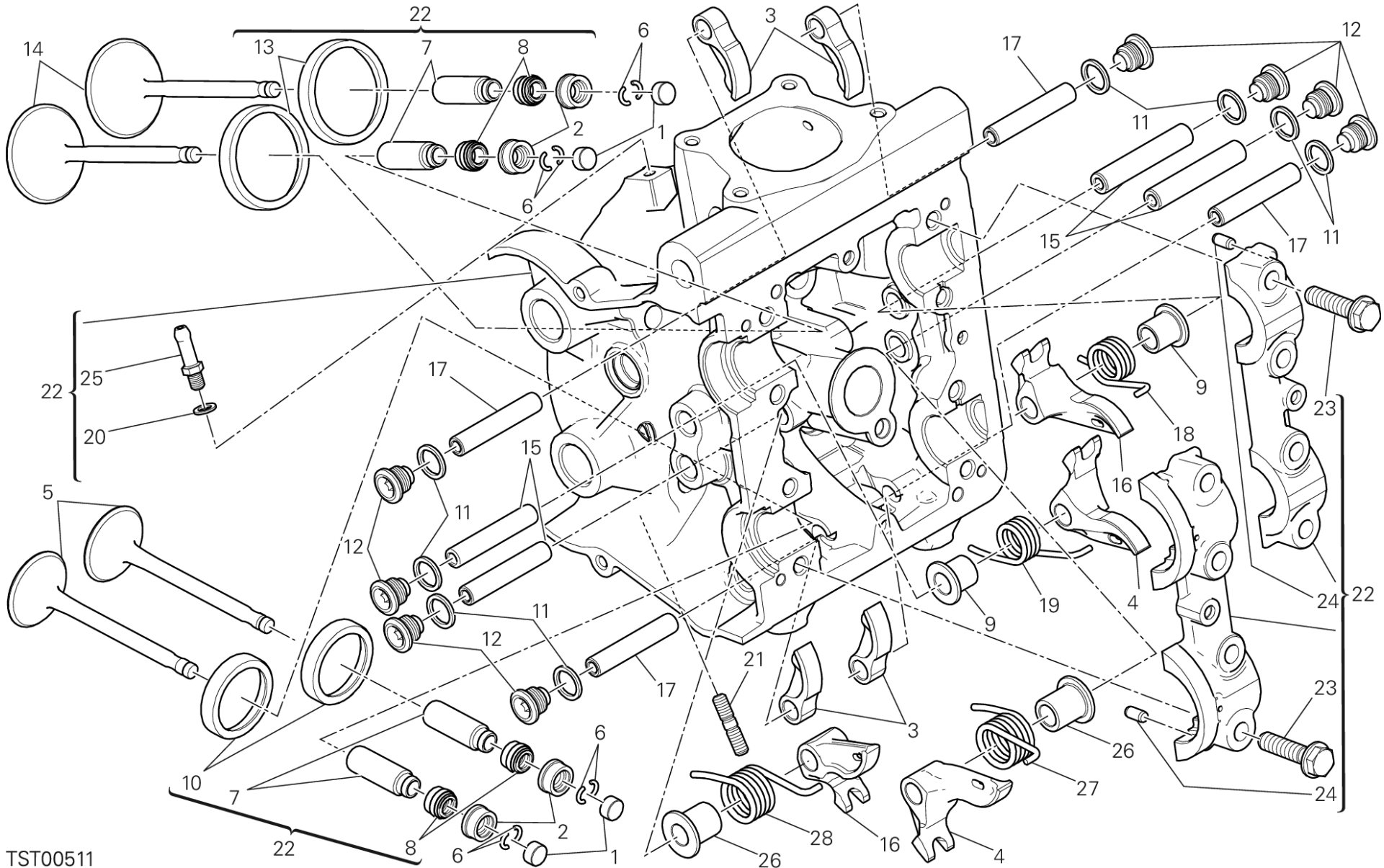
TST00510

DRAWING 014 - VERTICAL HEAD [MOD:M 1200]

GROUP ENGINE



POS.	CODE	DESCRIPTION	QTY	START DATE	END DATE	VALIDITY	NOTES
14	21010841A	INTAKE VALVE	2	07/12/2012			
15	82112231B	AXLE, ROCKER ARM CLOSING	4	07/12/2012			
16	20910491A	CLOSING ROCKER ARM RIGHT	2	07/12/2012			
17	82112221B	AXLE, ROCKER ARM OPENING	4	07/12/2012			
18	79914861A	VALVE RETURN SPRING RH.	1	07/12/2012			
19	79914851A	VALVE RETURN SPRING LH.	1	07/12/2012			
20	77350618B	SCREW TCEIR M6X8	1	03/04/2012			
21	76610841A	STUD BOLT	3	13/12/2012			
22	30123661AC	COMPLETE VERTICAL HEAD	1	22/02/2013			
23	77914211A	SCREW TEF M8X32	8	03/04/2012			
24	86050061A	PIN M5X10	4	03/04/2012			
25	71312921B	SPACER	2	07/12/2012			
26	79915181B	LEFT VALVE RETURN SPRING	1	07/12/2012			
27	79915191B	RIGHT VALVE RETURN SPRING	1	07/12/2012			
28	85250231A	GASKET	1	03/04/2012			



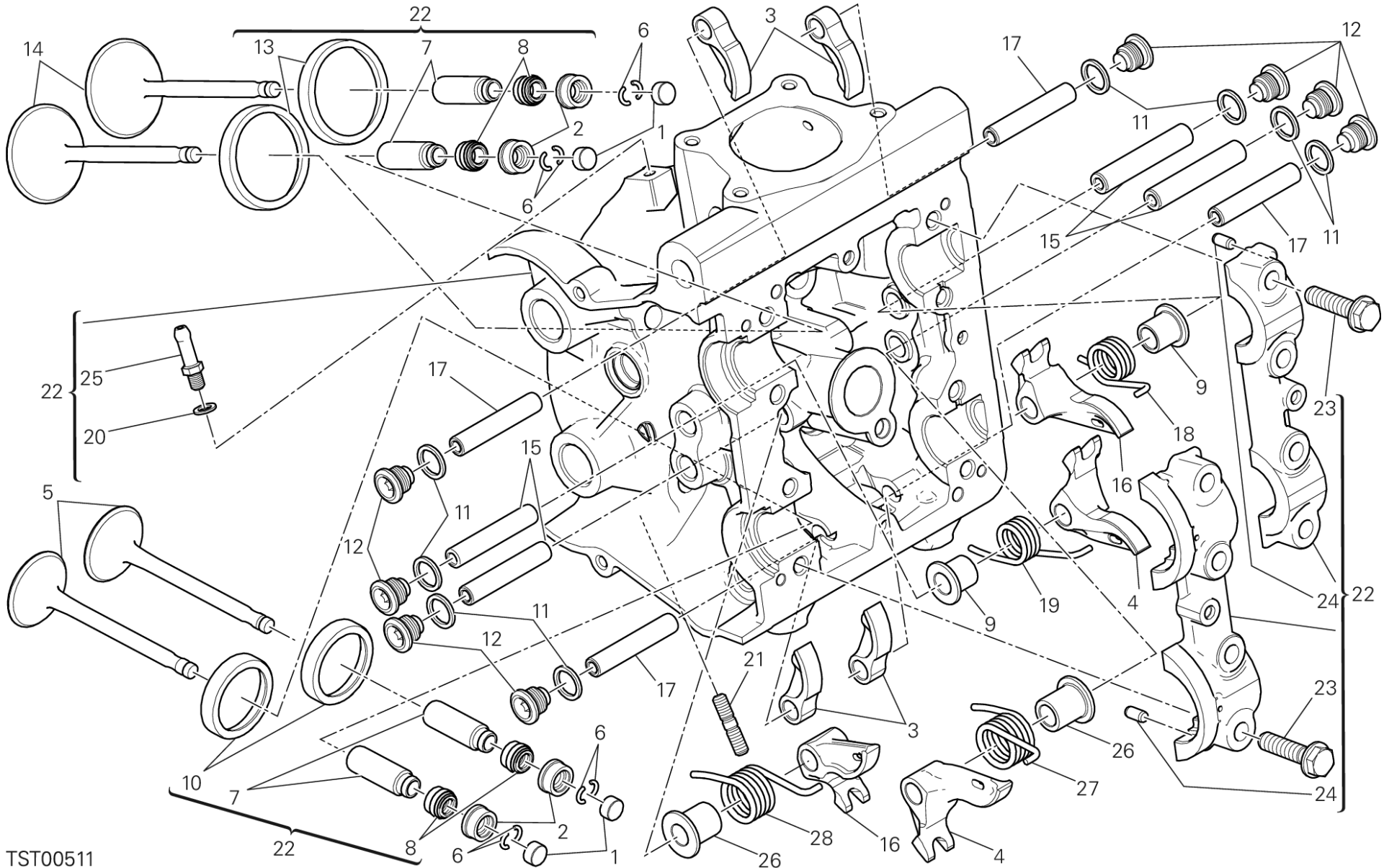
TST00511

DRAWING 015 - HORIZONTAL HEAD [MOD:M 1200]

GROUP ENGINE



POS.	CODE	DESCRIPTION	QTY	START DATE	END DATE	VALIDITY	NOTES
1	84010012A	ADJUSTER, OPENING ROCKER ARM 2.00 MM	4	20/06/2012			
	84010022A	ADJUSTER, OPENING ROCKER ARM 2.05 MM	4	20/06/2012			
	84010032A	ADJUSTER, OPENING ROCKER ARM 2.10 MM	4	20/06/2012			
	84010042A	ADJUSTER, OPENING ROCKER ARM 2.15 MM	4	20/06/2012			
	84010052A	ADJUSTER, OPENING ROCKER ARM 2.20 MM	4	20/06/2012			
	84010062A	ADJUSTER, OPENING ROCKER ARM 2.25 MM	4	20/06/2012			
	84010072A	ADJUSTER, OPENING ROCKER ARM 2.30 MM	4	20/06/2012			
	84010082A	ADJUSTER, OPENING ROCKER ARM 2.35 MM	4	20/06/2012			
	84010092A	ADJUSTER, OPENING ROCKER ARM 2.40 MM	4	20/06/2012			
	84010102A	ADJUSTER, OPENING ROCKER ARM 2.45 MM	4	20/06/2012			
	84010112A	ADJUSTER, OPENING ROCKER ARM 2.50 MM	4	20/06/2012			
	84010122A	ADJUSTER, OPENING ROCKER ARM 2.55 MM	4	20/06/2012			
	84010132A	ADJUSTER, OPENING ROCKER ARM 2.60 MM	4	20/06/2012			
	84010142A	ADJUSTER, OPENING ROCKER ARM 2.65 MM	4	20/06/2012			
	84010152A	ADJUSTER, OPENING ROCKER ARM 2.70 MM	4	20/06/2012			
	84010162A	ADJUSTER, OPENING ROCKER ARM 2.75 MM	4	20/06/2012			
	84010172A	ADJUSTER, OPENING ROCKER ARM 2.80 MM	4	20/06/2012			
	84010182A	ADJUSTER, OPENING ROCKER ARM 2.85 MM	4	20/06/2012			
	84010192A	ADJUSTER, OPENING ROCKER ARM 2.90 MM	4	20/06/2012			
	84010202A	ADJUSTER, OPENING ROCKER ARM 2.95 MM	4	20/06/2012			
	84010212A	ADJUSTER, OPENING ROCKER ARM 3.00 MM	4	20/06/2012			
	84010222A	ADJUSTER, OPENING ROCKER ARM 3.05 MM	4	20/06/2012			
	84010232A	ADJUSTER, OPENING ROCKER ARM 3.10 MM	4	20/06/2012			
	84010242A	ADJUSTER, OPENING ROCKER ARM 3.15 MM	4	20/06/2012			
	84010252A	ADJUSTER, OPENING ROCKER ARM 3.20 MM	4	20/06/2012			
	84010262A	ADJUSTER, OPENING ROCKER ARM 3.25 MM	4	20/06/2012			
	84010272A	ADJUSTER, OPENING ROCKER ARM 3.30 MM	4	20/06/2012			
	84010282A	ADJUSTER, OPENING ROCKER ARM 3.35 MM	4	20/06/2012			
	84010292A	ADJUSTER, OPENING ROCKER ARM 3.40 MM	4	20/06/2012			
	84010302A	ADJUSTER, OPENING ROCKER ARM 3.45 MM	4	20/06/2012			
	84010312A	ADJUSTER, OPENING ROCKER ARM 1.80 MM	4	20/06/2012			
	84010322A	ADJUSTER, OPENING ROCKER ARM 1.85 MM	4	20/06/2012			
	84010332A	ADJUSTER, OPENING ROCKER ARM 1.90 MM	4	20/06/2012			
	84010342A	ADJUSTER, OPENING ROCKER ARM 1.95 MM	4	20/06/2012			
	84010722A	ADJUSTER, OPENING ROCKER ARM 3.60 MM	4	20/06/2012			



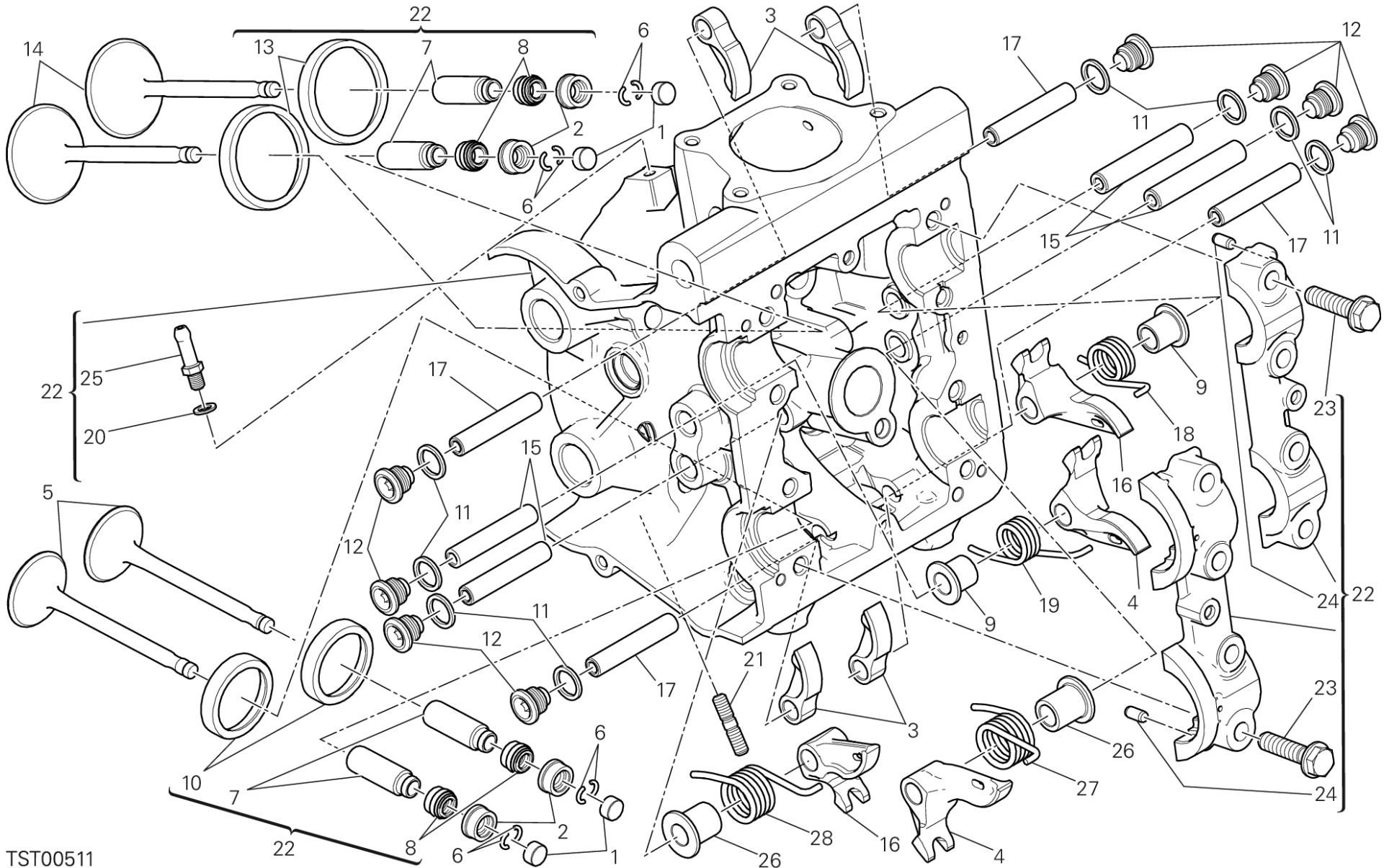
TST00511

DRAWING 015 - HORIZONTAL HEAD [MOD:M 1200]

GROUP ENGINE



POS.	CODE	DESCRIPTION	QTY	START DATE	END DATE	VALIDITY	NOTES
	84010732A	ADJUSTER, OPENING ROCKER ARM 3.80 MM	4	20/06/2012			
	84011082A	ADJUSTER, OPENING ROCKER ARM 3.50 MM	4	20/06/2012			
	84011092A	ADJUSTER, OPENING ROCKER ARM 3.55 MM	4	20/06/2012			
	84011102A	ADJUSTER, OPENING ROCKER ARM 3.65 MM	4	20/06/2012			
	84011112A	ADJUSTER, OPENING ROCKER ARM 3.70 MM	4	20/06/2012			
	84011122A	ADJUSTER, OPENING ROCKER ARM 3.75 MM	4	20/06/2012			
	84011132A	ADJUSTER, OPENING ROCKER ARM 3.85 MM	4	20/06/2012			
	84011142A	ADJUSTER, OPENING ROCKER ARM 3.9 MM	4	20/06/2012			
2	84010412B	ADJUSTER, CLOSING ROCKER ARM 2.20 MM	4	24/12/2009			
	84010422B	ADJUSTER, CLOSING ROCKER ARM 2.25 MM	4	24/12/2009			
	84010432B	ADJUSTER, CLOSING ROCKER ARM 2.30 MM	4	24/12/2009			
	84010442B	ADJUSTER, CLOSING ROCKER ARM 2.35 MM	4	24/12/2009			
	84010452B	ADJUSTER, CLOSING ROCKER ARM 2.40 MM	4	24/12/2009			
	84010462B	ADJUSTER, CLOSING ROCKER ARM 2.45 MM	4	24/12/2009			
	84010472B	ADJUSTER, CLOSING ROCKER ARM 2.50 MM	4	24/12/2009			
	84010482B	ADJUSTER, CLOSING ROCKER ARM 2.55 MM	4	24/12/2009			
	84010492B	ADJUSTER, CLOSING ROCKER ARM 2.60 MM	4	24/12/2009			
	84010502B	ADJUSTER, CLOSING ROCKER ARM 2.65 MM	4	24/12/2009			
	84010512B	ADJUSTER, CLOSING ROCKER ARM 2.70 MM	4	24/12/2009			
	84010522B	ADJUSTER, CLOSING ROCKER ARM 2.75 MM	4	24/12/2009			
	84010532B	ADJUSTER, CLOSING ROCKER ARM 2.80 MM	4	24/12/2009			
	84010542B	ADJUSTER, CLOSING ROCKER ARM 2.85 MM	4	24/12/2009			
	84010552B	ADJUSTER, CLOSING ROCKER ARM 2.90 MM	4	24/12/2009			
	84010562B	ADJUSTER, CLOSING ROCKER ARM 2.95 MM	4	24/12/2009			
	84010572B	ADJUSTER, CLOSING ROCKER ARM 3.00 MM	4	24/12/2009			
	84010582B	ADJUSTER, CLOSING ROCKER ARM 3.05 MM	4	24/12/2009			
	84010592B	ADJUSTER, CLOSING ROCKER ARM 3.10 MM	4	24/12/2009			
	84010602B	ADJUSTER, CLOSING ROCKER ARM 3.15 MM	4	24/12/2009			
	84010612B	ADJUSTER, CLOSING ROCKER ARM 3.20 MM	4	24/12/2009			
	84010622B	ADJUSTER, CLOSING ROCKER ARM 3.25 MM	4	24/12/2009			
	84010632B	ADJUSTER, CLOSING ROCKER ARM 3.30 MM	4	24/12/2009			
	84010642B	ADJUSTER, CLOSING ROCKER ARM 3.35 MM	4	24/12/2009			
	84010652B	ADJUSTER, CLOSING ROCKER ARM 3.40 MM	4	24/12/2009			
	84010662B	ADJUSTER, CLOSING ROCKER ARM 3.45 MM	4	24/12/2009			
	84010672B	ADJUSTER, CLOSING ROCKER ARM 3.50 MM	4	24/12/2009			



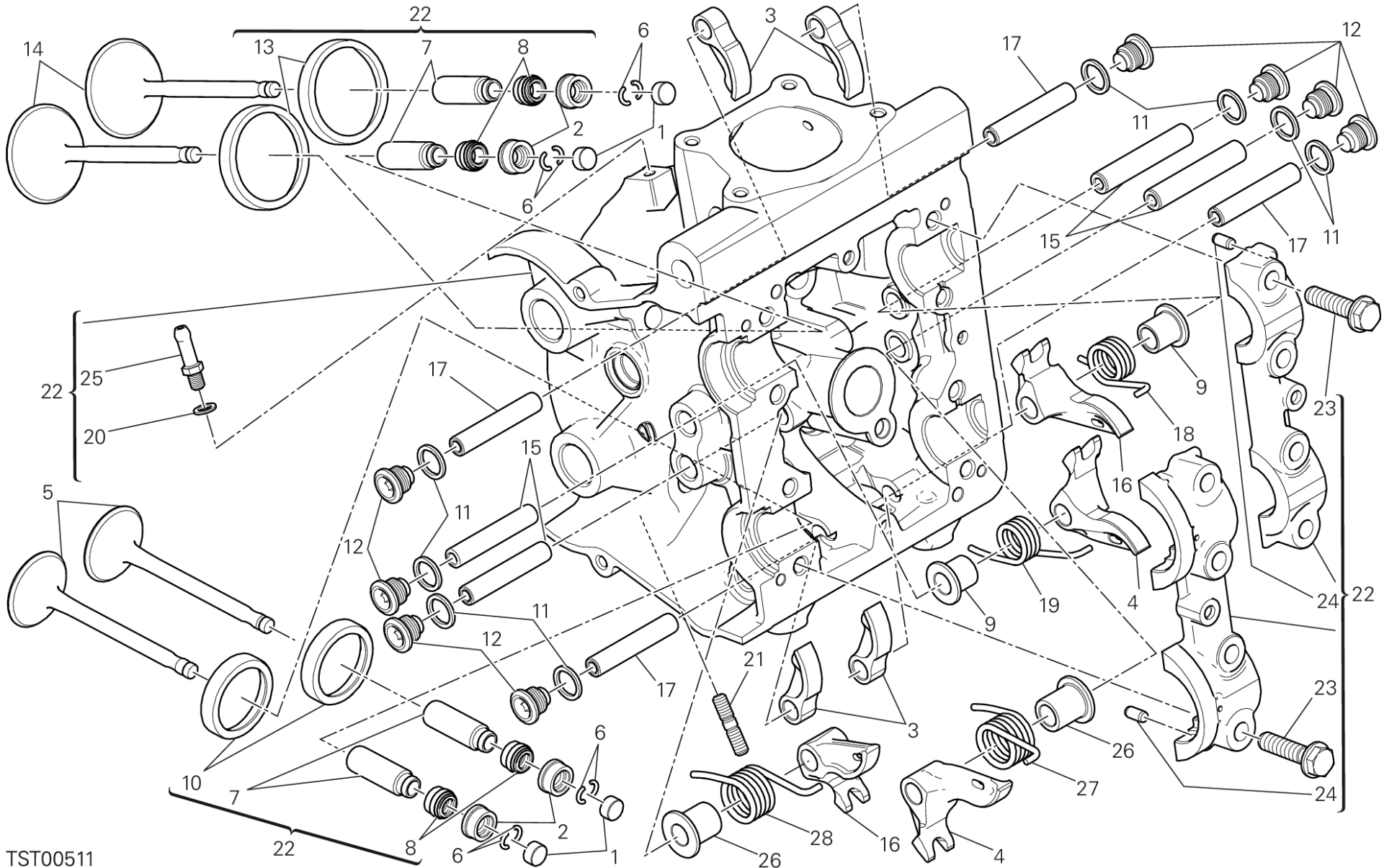
TST00511

DRAWING 015 - HORIZONTAL HEAD [MOD:M 1200]

GROUP ENGINE



POS.	CODE	DESCRIPTION	QTY	START DATE	END DATE	VALIDITY	NOTES
	84010682B	ADJUSTER, CLOSING ROCKER ARM 3.55 MM	4	24/12/2009			
	84010692B	ADJUSTER, CLOSING ROCKER ARM 3.60 MM	4	24/12/2009			
	84010702B	ADJUSTER, CLOSING ROCKER ARM 3.65 MM	4	24/12/2009			
	84010712B	ADJUSTER, CLOSING ROCKER ARM 3.70 MM	4	24/12/2009			
	84010722B	ADJUSTER, CLOSING ROCKER ARM 3.75 MM	4	24/12/2009			
	84010732B	ADJUSTER, CLOSING ROCKER ARM 3.80 MM	4	24/12/2009			
	84010742B	ADJUSTER, CLOSING ROCKER ARM 3.85 MM	4	24/12/2009			
	84010752B	ADJUSTER, CLOSING ROCKER ARM 3.90 MM	4	24/12/2009			
	84010762B	ADJUSTER, CLOSING ROCKER ARM 3.95 MM	4	24/12/2009			
	84010772B	ADJUSTER, CLOSING ROCKER ARM 4.00 MM	4	24/12/2009			
	84010782B	ADJUSTER, CLOSING ROCKER ARM 4.05 MM	4	24/12/2009			
	84010792B	ADJUSTER, CLOSING ROCKER ARM 4.10 MM	4	24/12/2009			
	84010802B	ADJUSTER, CLOSING ROCKER ARM 4.15 MM	4	24/12/2009			
	84010812B	ADJUSTER, CLOSING ROCKER ARM 4.20 MM	4	24/12/2009			
	84010822B	ADJUSTER, CLOSING ROCKER ARM 4.25 MM	4	24/12/2009			
	84010832B	ADJUSTER, CLOSING ROCKER ARM 4.30 MM	4	24/12/2009			
	84010842B	ADJUSTER, CLOSING ROCKER ARM 4.35 MM	4	24/12/2009			
	84010852B	ADJUSTER, CLOSING ROCKER ARM 4.40 MM	4	24/12/2009			
	84010862B	ADJUSTER, CLOSING ROCKER ARM 4.45 MM	4	24/12/2009			
	84010872B	ADJUSTER, CLOSING ROCKER ARM 4.50 MM	4	24/12/2009			
3	20810321A	OPEN. ROCKER ARM	4	07/12/2012			
4	20910501A	CLOSING ROCKER ARM LEFT	2	07/12/2012			
5	21110831A	EXHAUST VALVE	2	07/12/2012			
6	66910011E	C RING	8	07/12/2012			
7	30310631BB	GUIDE, VALVE OVERSIZED 0.03 MM	4	25/03/2013			
	30310631BC	GUIDE, VALVE OVERSIZED 0.06 MM	4	25/03/2013			
	30310631BD	GUIDE, VALVE OVERSIZED 0.09 MM	4	25/03/2013			
8	76410871A	SEAL VALVE STEM	4	03/04/2012			
9	71312921A	SPACER	2	07/12/2012			
10	30410891AB	SEAT, EXHAUST VALVE +0.03 MM	2	25/03/2013			
	30410891AC	SEAT, EXHAUST VALVE +0.06 MM	2	25/03/2013			
11	85250261B	GASKET, ALUMINIUM 12X16X1.5	8	07/12/2012			
12	78010511E	PLUG	8	07/12/2012			
13	30410881AB	SEAT, INLET VALVE +0.03 MM	2	25/03/2013			
	30410881AC	SEAT, INLET VALVE +0.06 MM	2	25/03/2013			



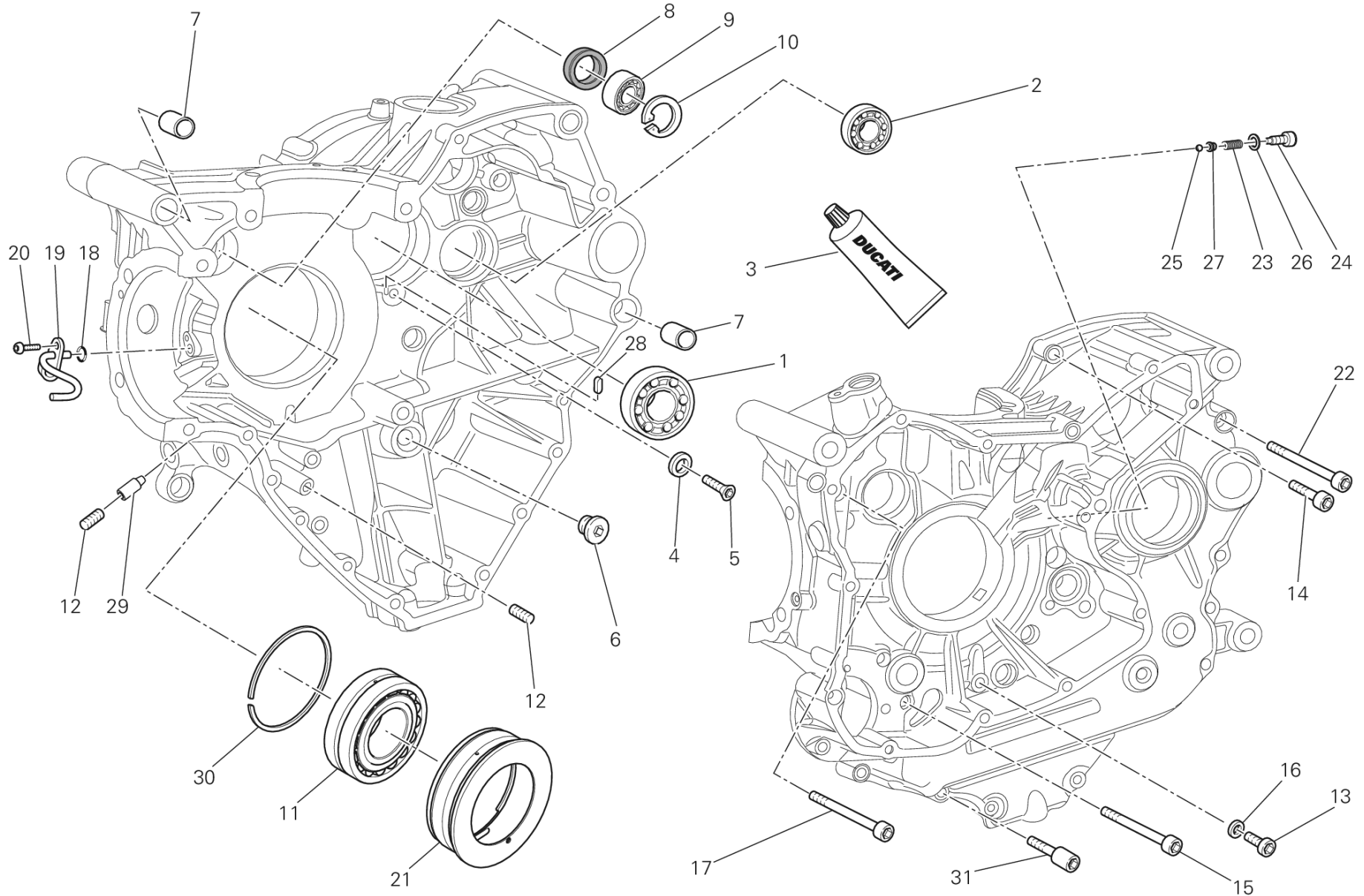
TST00511

DRAWING 015 - HORIZONTAL HEAD [MOD:M 1200]

GROUP ENGINE



POS.	CODE	DESCRIPTION	QTY	START DATE	END DATE	VALIDITY	NOTES
14	21010841A	INTAKE VALVE	2	07/12/2012			
15	82112231B	AXLE, ROCKER ARM CLOSING	4	07/12/2012			
16	20910491A	CLOSING ROCKER ARM RIGHT	2	07/12/2012			
17	82112221B	AXLE, ROCKER ARM OPENING	4	07/12/2012			
18	79914861A	VALVE RETURN SPRING RH.	1	07/12/2012			
19	79914851A	VALVE RETURN SPRING LH.	1	07/12/2012			
20	85250231A	GASKET	1	03/04/2012			
21	76610841A	STUD BOLT	3	13/12/2012			
22	30123651AC	COMPLETE HORIZONTAL HEAD	1	22/02/2013			
23	77914211A	SCREW TEF M8X32	8	03/04/2012			
24	86050061A	PIN M5X10	4	03/04/2012			
25	81411881A	NIPPLE, HOSE	1	03/04/2012			
26	71312921B	SPACER	2	07/12/2012			
27	79915181B	LEFT VALVE RETURN SPRING	1	07/12/2012			
28	79915191B	RIGHT VALVE RETURN SPRING	1	07/12/2012			

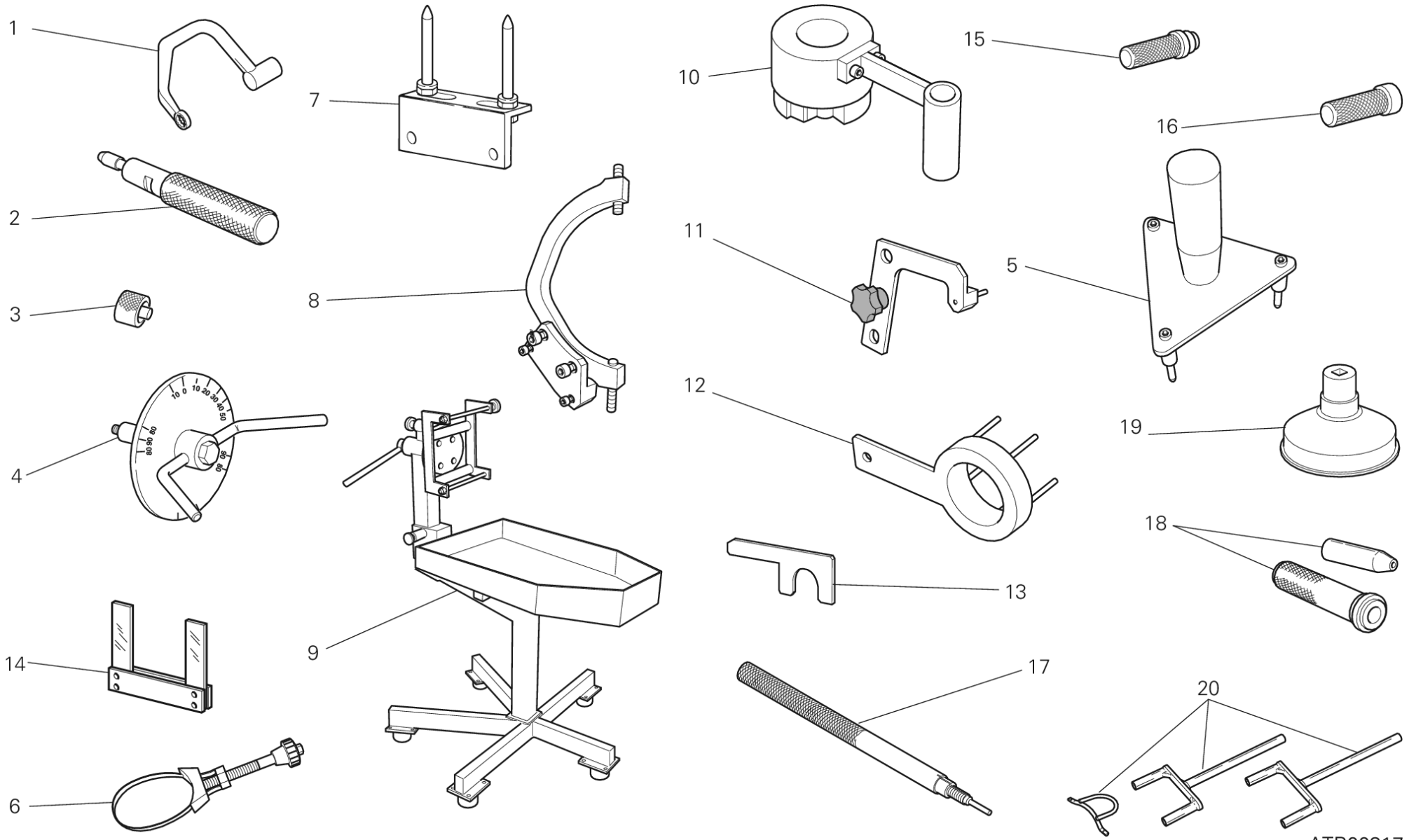


DRAWING 10A - HALF-CRANKCASES PAIR [MOD:M 1200]

GROUP ENGINE



POS.	CODE	DESCRIPTION	QTY	START DATE	END DATE	VALIDITY	NOTES
1	70250193A	BEARING	1	09/06/2012			
2	70240331A	BEARING 17X40X12	1	09/06/2012			
3	942470014	LIQUID GASKET	1	20/02/2012			
4	85611481A	WASHER	2	09/06/2012			
5	720941616	SCREW TSPEI M6X12	2	09/06/2012			
6	78010721A	PLUG BY-PASS M16X1.5	1	09/06/2012			
7	71110951A	PIN DOWEL	2	20/02/2012			
8	93041231A	SEAL, OIL 18X30X6	1	09/06/2012			
9	757941542	BEARING	1	20/02/2012			
10	735033380	CIRCLIP	1	09/06/2012			
11	70241151A	BEARING	1	09/06/2012			
12	77950621A	THREADED DOWEL M10X1	2	09/06/2012			
13	77350618B	SCREW TCEIR M6X8	1	09/06/2012			
14	77150723B	SCREW TCEI M6X35 UNI 5931	5	20/02/2012			
15	77150808B	SCREW TCEI M6X75	2	20/02/2012			
16	85250231A	GASKET	1	09/06/2012			
17	77151398B	SCREW TCEI M8X90	2	20/02/2012			
18	88650131A	O-RING 3.68X1.78	1	09/06/2012			
19	87511461B	JET	1	09/06/2012			
20	77510311B	SCREW TBEI M5X10	1	09/06/2012			
21	71020041A	BUSHING	1	21/01/2013			
22	77151363B	SCREW TCEI M8X75 UNI 5931	3	20/02/2012			
23	79940121A	SPRING	1	09/06/2012			
24	77916501AC	SCREW, SPECIAL	1	09/06/2012			
25	84740061A	BALL	1	09/06/2012			
26	85212461A	WASHER, BRASS 6X13X2 MM	1	09/06/2012			
27	83110151A	PLATE	1	09/06/2012			
28	68050101A	KEY 2X2X10	1	09/06/2012			
29	77917101A	SCREW, SPECIAL	1	09/06/2012			
30	88450581A	SPRING RING	1	09/06/2012			
31	77916041C	SCREW, SPECIAL	3	25/02/2013			



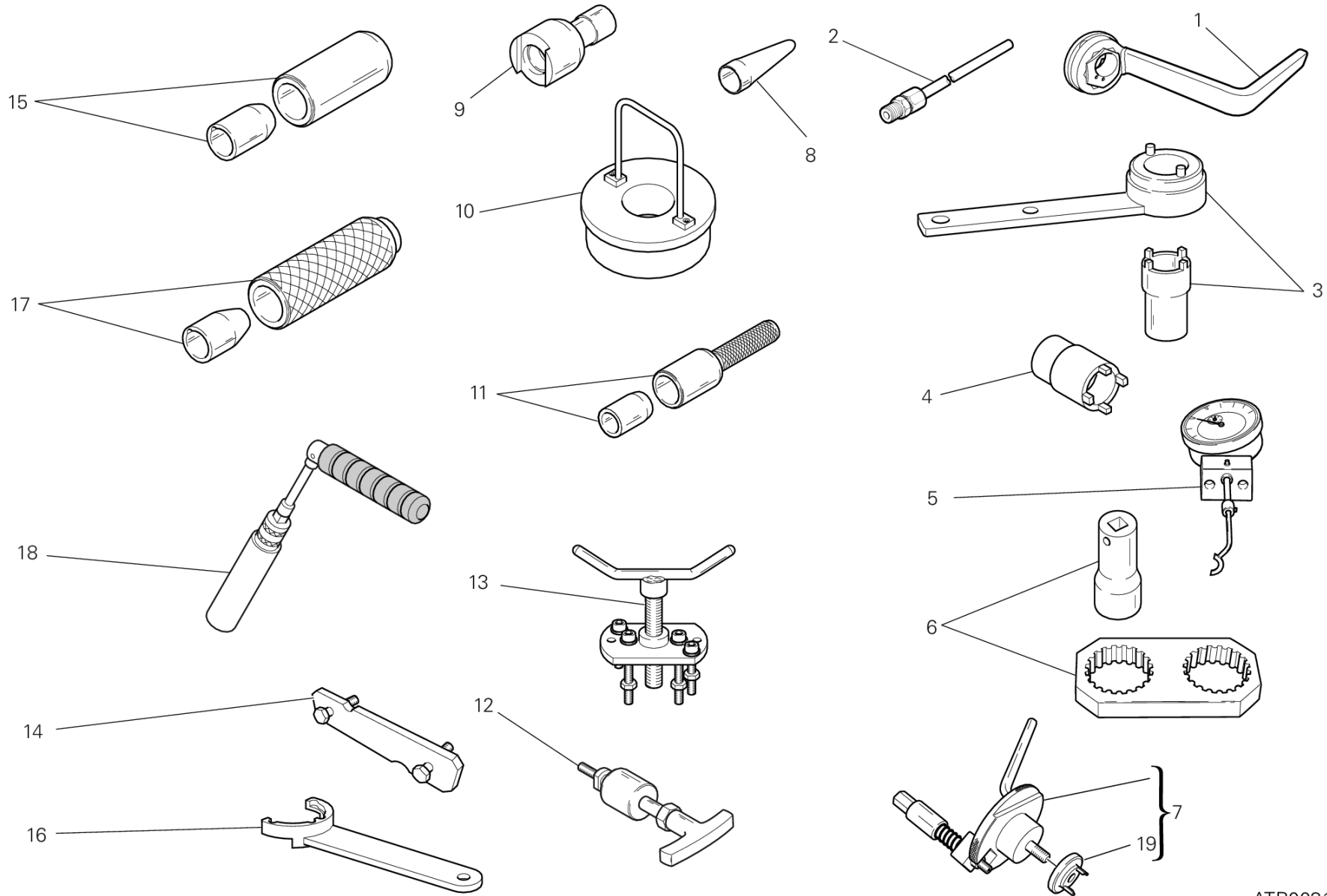
ATR00317

DRAWING 001 - WORKSHOP SERVICE TOOLS, ENGINE [MOD:M 1200]

GROUP TOOLS



POS.	CODE	DESCRIPTION	QTY	START DATE	END DATE	VALIDITY	NOTES
1	887132096	HEAD NUTS HOLDER WRENCH	1				
2	887132442	TOOL, OIL SEAL MOUNTING (Ø7)	1				
3	887651298	SPACER FOR CHECKING LOWER VALVE SHIM	1				
4	887132571	TOOL, EGREE WHEEL HOLDER	1				
5	887133352	TOOL FOR TIMING CLUTCH PLATES SET	1				
6	887132906	WRENCH, OIL FILTER CARTRIDGE	1				
7	887132103	HEAD MOUNTING BASE	1				
8	887133367	FLYWHEEL WRENCH	1				
9	887131832	BENCH FOR ENGINE REPAIR	1				
10	887133408	REACTION TOOL FOR WET "FCC" CLUTCH	1				
11	887133334	PLATE POSITIONING GEAR ENGAGEMENT FORK	1				
12	887133417	TORQUE WRENCH	1				
13	887132878	SPACER AND FORK FEELER GAUGE 0.2/0.3 MM	1				
14	887651000	FORK FEELER GAUGE 0.1 MM	1				
	887651005	FORK FEELER GAUGE 0.2 MM	1				
	887651006	FORK FEELER GAUGE 0.3 MM	1				
15	887130869	TOOL, WATER PUMP FRONT SEAL ASSEMBLING	1				
16	887130870	TOOL ASSEMBLING WATER PUMP FRONT SEAL	1				
17	887132087	T.D.C. CONTROL GAUGE	1				
18	887133520	CRANKCASES ASSEMBLING CAP	1				
19	887130944	WRENCH TO TIGHTEN OIL FILTER CARTRIDGE	1				
20	887132068	CLOSING ROCKER PRE-LOAD KIT	1				



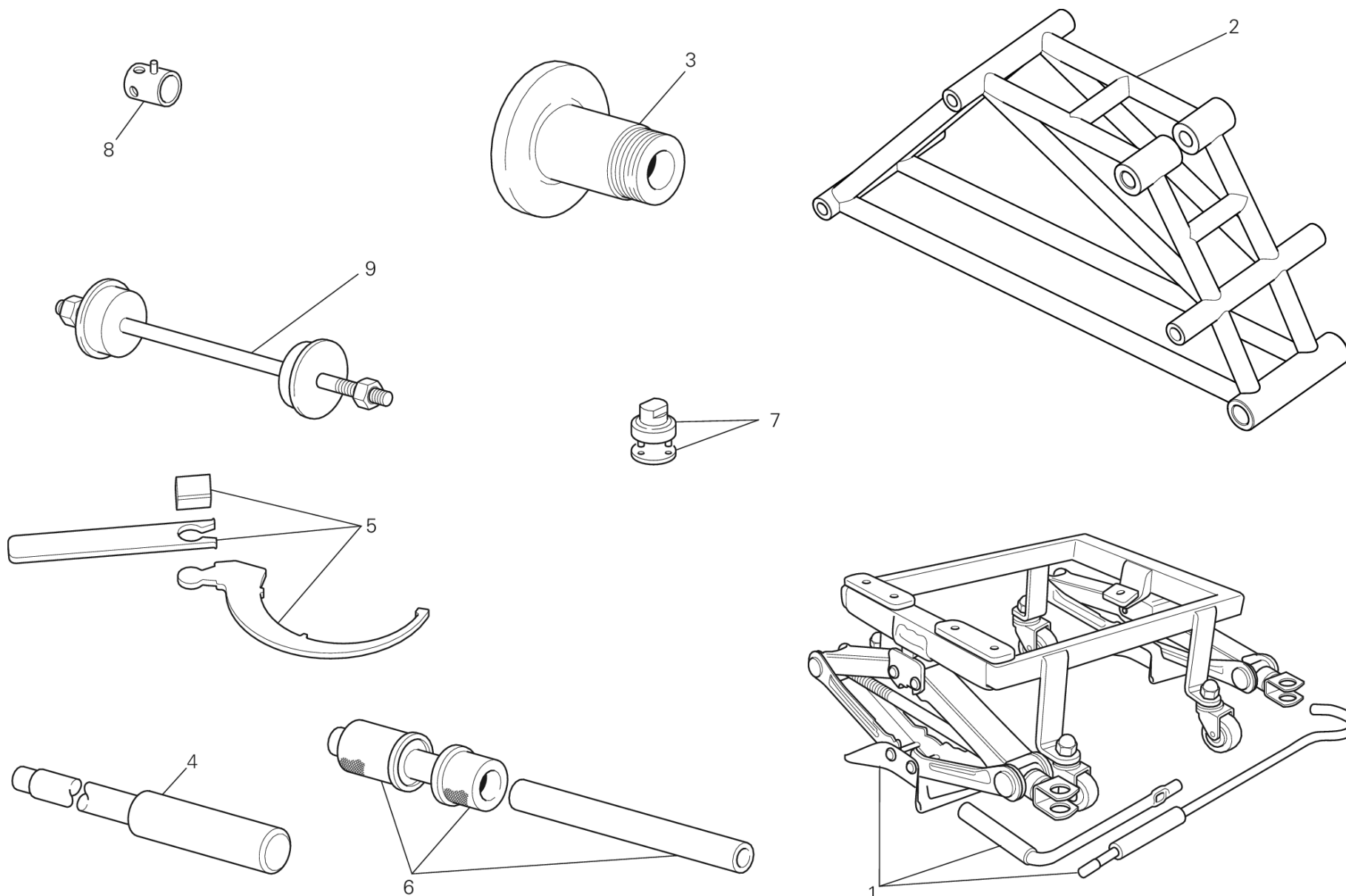
ATR00312

DRAWING 01A - WORKSHOP SERVICE TOOLS, ENGINE [MOD:M 1200]

GROUP TOOLS

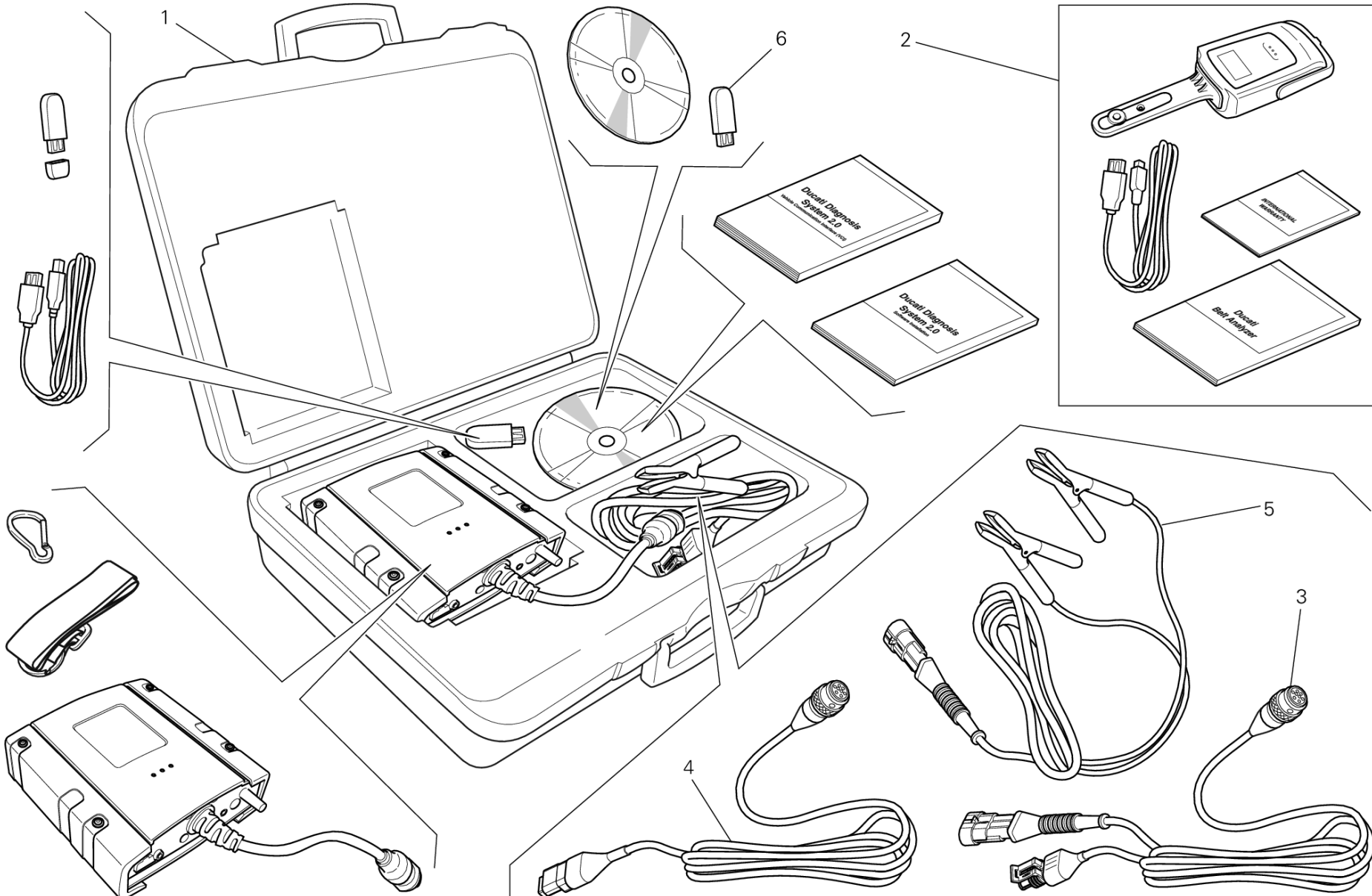


POS.	CODE	DESCRIPTION	QTY	START DATE	END DATE	VALIDITY	NOTES
1	887133497	WRENCH FOR TENSIONING MOBILE BELT TENSIO	1				
2	887131010	CONNECTOR FOR EXHAUST GAS TAKE-UP POINT	1				
3	887131805	DRIVING ROLLER TIGHTENING TOOL	1				
4	887133406	WRENCH TIGHTENING PRIMARY TRANSMISSI	1				
5	887651518	VALVE LIFT GAUGE	1				
6	887131806	REACTION TOOL BELT ROLLER TIGHTENING	1				
7	887132011	CRANKSHAFT RESET TOOL	1				
8	887131920	TOOL TO FIT O-RINGS ONTO STUD BOLTS	1				
9	887131821	WRENCH TO TIGHTEN TENSIONING BOLTS	1				
10	887132870	TOOL, CON-ROD GUIDING	1				
11	887133521	PUNCH TOOL DRIVING SEAL RING	1				
12	887131994	ROCKER PIN EXTRACTOR	1				
13	887131749	DRIVE ROLLER PULLER	1				
14	887651623	BELT ROLLER TIMING TOOL	1				
15	887131906	TOOL TO FIT OIL SEAL	1				
16	887133219	TIMING BELT ROLLER REACTION TOOL	1				
17	887132834	TOOL SNAP RING INSTALLATION	1				
18	887132877	SPARK PLUG WRENCH	1				
19	887134411	INSERT	1				



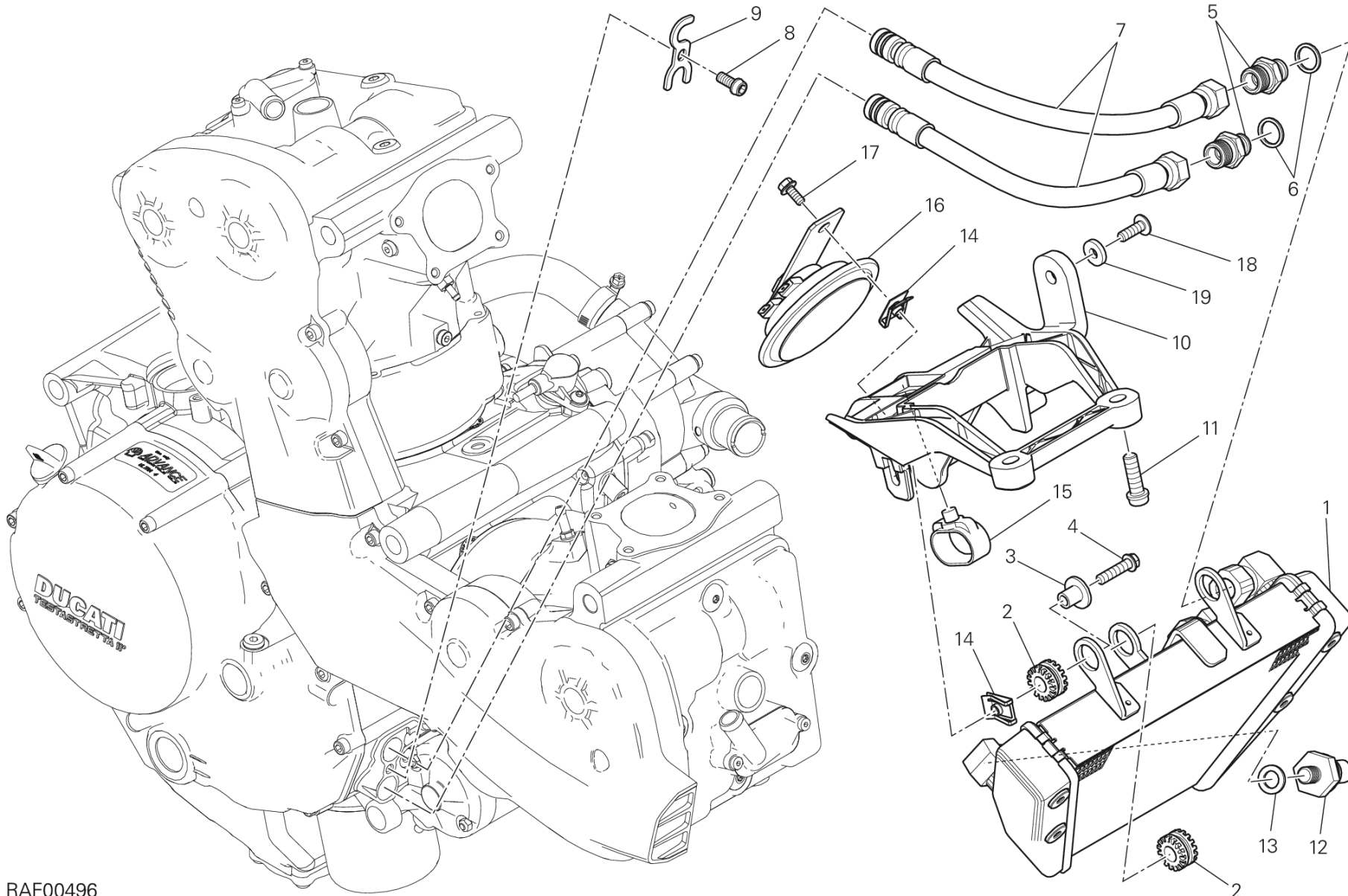


POS.	CODE	DESCRIPTION	QTY	START DATE	END DATE	VALIDITY	NOTES
1	887133220	BENCH FOR ENGINE REPAIR	1				
2	887134513	FRAME/MOTOR SUPPORT	1				
3	887132951	TOOL BALANCING REAR WHEEL	1				
4	887131074	TOOL DISASSEMBLING SWINGARM PIVOT	1				
5	887133211	SPANNER FOR ADJUSTING THE ECCENTRIC HUB	1				
6	887132409	TOOL ASSEMBLING SWINGARM BALL BEARING	1				
7	887131058	SPANNER TO ASSEMBLE THE STEERING SLEEVE	1				
8	800070139	WRENCH FOR FRONT WHEEL SPINDLE	1				
9	887131062	TOOL ASSEMBLING STEERING TUBE BEARING	1				





POS.	CODE	DESCRIPTION	QTY	START DATE	END DATE	VALIDITY	NOTES
1	979000252	DDS 2 (Ducati Diagnosis System 2.0)	1				
2	979000253	BELT TENSIONING KIT	1				
3	979000254	MAIN CABLE	1				
4	979000255	MAIN CABLE (CAN)	1				
5	979000256	MAIN CABLE DDS	1				
6	28620441A	CHIAVE "PC HASP DDS2.0"	1				



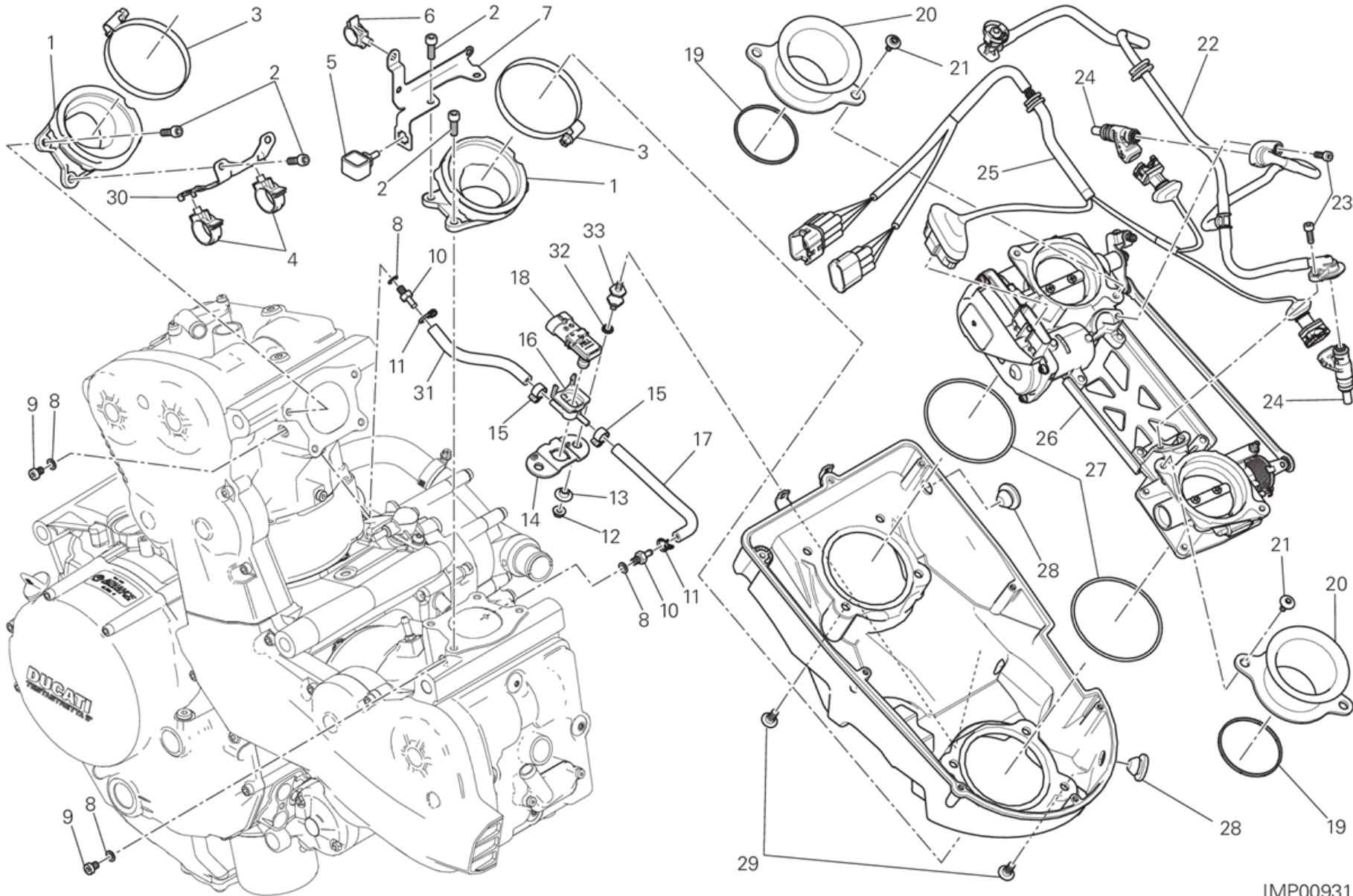
RAF00496

DRAWING 016 - OIL COOLER [MOD:M 1200]

GROUP FRAME



POS.	CODE	DESCRIPTION	QTY	START DATE	END DATE	VALIDITY	NOTES
1	54810461B	OIL COOLER	1	22/10/2013			
2	76410221A	VIBRATION DAMPER PAD	3	22/10/2013			
3	71610031A	SPACER	1	22/10/2013			
4	77251038B	SCREW TEF M6X25	1	22/10/2013			
5	81510221A	NIPPLE, HOSEM14X1.5	2	22/10/2013			
6	78710111A	GASKET, ALUMINIUM 14X22X2	2	05/05/2014			
7	54911071A	HOSE, OIL	2	22/10/2013			
8	77116648B	SCREW	1	22/10/2013			
9	82714201A	PLATE	1	22/10/2013			
10	83018411A	STAY, OIL COOLER	1	22/10/2013			
11	77110351A	SCREW TCEIF M8X25	2	22/10/2013			
12	53940302A	SWITCH ASSY, OIL PRESSURE	1	22/10/2013			
13	85211951A	GASKET 10.5X17X2	1	22/10/2013			
14	85040381A	QUICK FASTENING	2	22/10/2013			
15	75840201A	CLAMP, WIRE	1	22/10/2013			
16	51640011AB	HORN	1	22/10/2013			
17	77250998B	SCREW TEF M6X16	1	22/10/2013			
18	77211031A	SCREW TBEIF M6X18	1	22/10/2013			
19	85212751A	SPACER	1	22/10/2013			



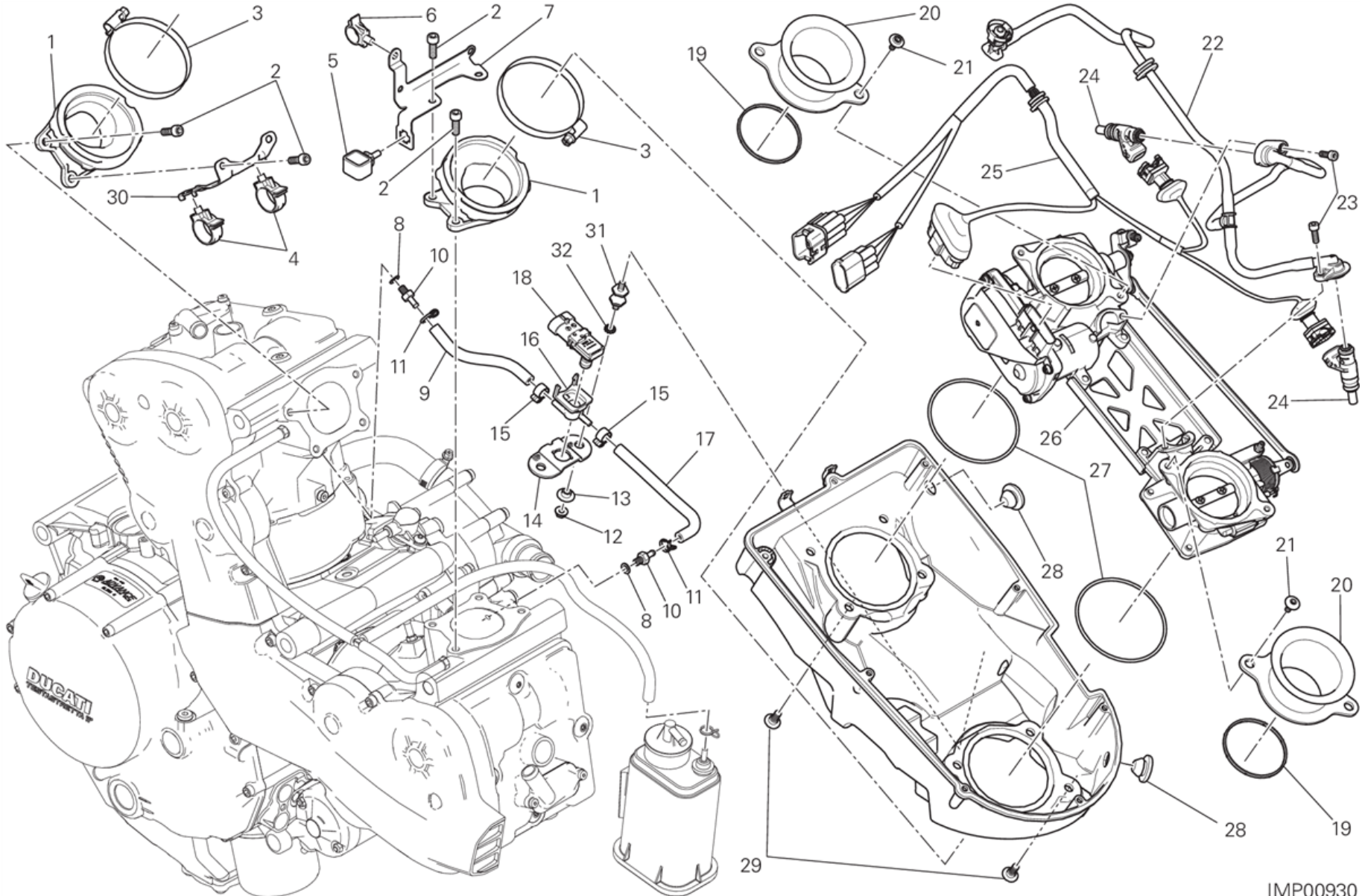
IMP00931

DRAWING 017 - THROTTLE BODY [MOD:M 1200;XST:AUS,BRA,EUR,FRA,JAP]

GROUP FRAME



POS.	CODE	DESCRIPTION	QTY	START DATE	END DATE	VALIDITY	NOTES
1	14010762B	INTAKE MANIFOLD	2	05/09/2013			
2	77110391B	SCREW	8	31/05/2013			
3	74141871A	CLAMP 60-80 MM	2	22/10/2013			
4	75840641A	HOSE GUIDE	2	22/10/2013			
5	82911901A	MOUNT RUBBER	1	01/08/2013			
6	75840721A	HOSE GUIDE	1	01/08/2013			
7	83018421BA	BRACKET, WATER TANK	1	01/08/2013			
8	85250231A	GASKET	4	22/02/2013			
9	77350618B	SCREW TCEIR M6X8	2	18/02/2013			
10	81413341A	UNION	2	31/05/2013			
11	74140431A	CLAMP	2	12/03/2013			
12	74840261C	NUT	2	08/09/2014			
13	71611071B	SPACER	2	08/09/2014			
14	86611991A	RUBBER PAD SENSOR, PRESSURE	1	08/09/2014			
15	74141711A	CLAMP 10-7 MM	2	12/03/2013			
16	81415251B	BRACKET SENSOR PRESSURE	1	08/09/2014			
17	59014111A	DEPRESSURE/PRESSURE LINE HORIZONTAL	1	01/11/2013			
18	55241441A	SENSOR, PRESSURE	1	12/03/2013			
19	78811301A	GASKET AIR FUNNEL	2	12/03/2013			
20	13510401A	AIR FUNNEL	2	12/03/2013			
21	77210852C	SCREW	4	12/03/2013			
22	59024001C	COMPLETE PIPE SET	1	01/09/2013			
23	77150408B	SCREW TCEI M5X14	2	12/03/2013			
24	28040401A	INJECTOR	2	12/03/2013			
25	51019411C	INJECTION WIRING	1	01/09/2013			
26	28240932A	THROTTLE BODY	1	09/01/2014			
27	88642231A	O-RING	2	12/03/2013			
28	76411851A	BYPASS CAP	2	12/03/2013			
29	77912741A	SCREW TBEI M6X14	8	12/03/2013			
30	83018221A	HOLDER WIRING	1	22/10/2013			
31	59014101A	DEPRESSURE/PRESSURE LINE VERTICAL	1	01/11/2013			
32	46240461A	WASHER, SPRING	2	08/09/2014			
33	70010901A	VIBRATION DAMPER	2	08/09/2014			



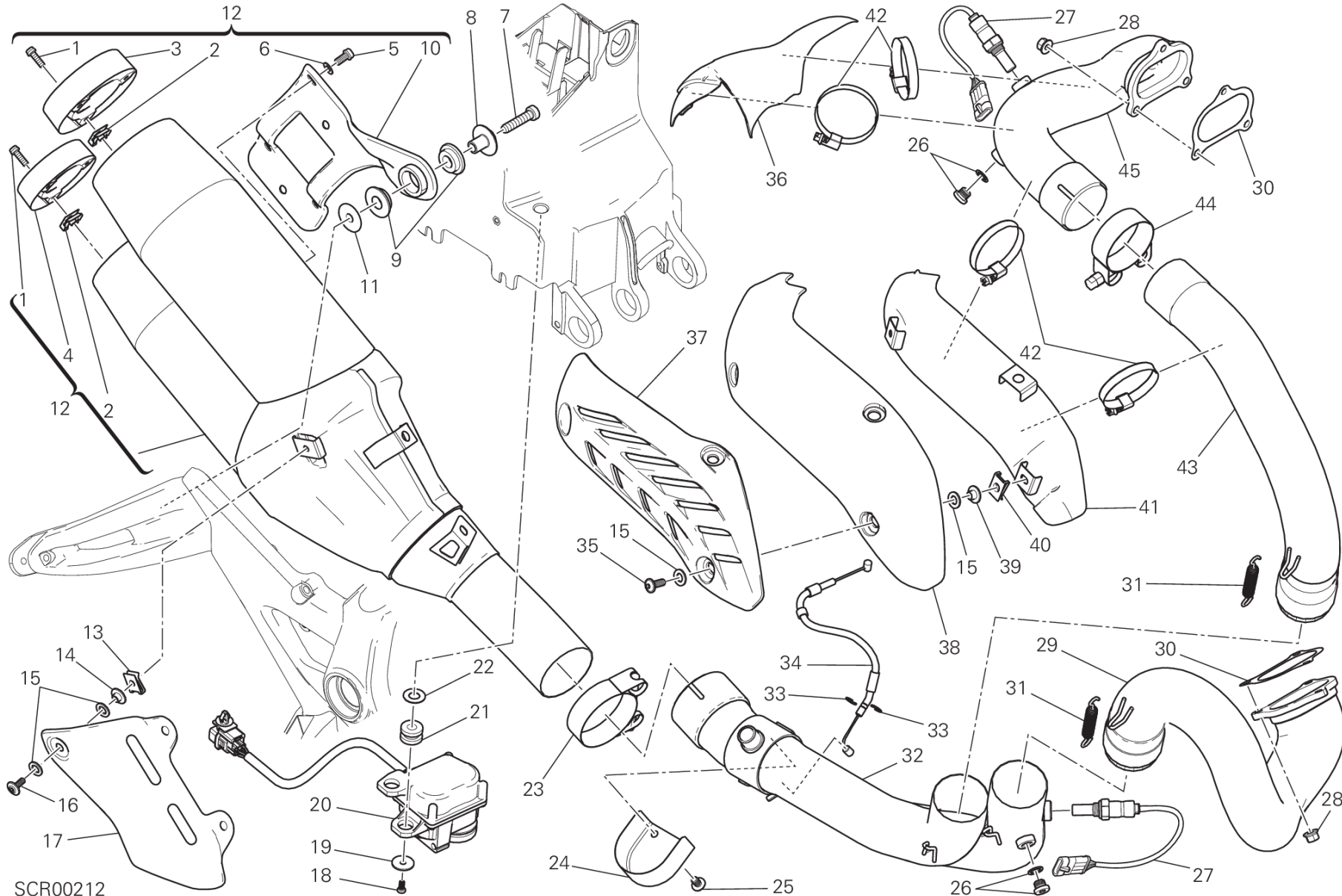
IMP00930

DRAWING 017 - THROTTLE BODY [MOD:M 1200;XST:CHN,TWN]

GROUP FRAME



POS.	CODE	DESCRIPTION	QTY	START DATE	END DATE	VALIDITY	NOTES
1	14010762B	INTAKE MANIFOLD	2	05/09/2013			
2	77110391B	SCREW	8	31/05/2013			
3	74141871A	CLAMP 60-80 MM	2	22/10/2013			
4	75840641A	HOSE GUIDE	2	22/10/2013			
5	82911901A	MOUNT RUBBER	1	01/08/2013			
6	75840721A	HOSE GUIDE	1	01/08/2013			
7	83018421BA	BRACKET, WATER TANK	1	01/08/2013			
8	85250231A	GASKET	2	22/02/2013			
9	59014101A	DEPRESSURE/PRESSURE LINE VERTICAL	1	01/11/2013			
10	81413341A	UNION	2	31/05/2013			
11	74140431A	CLAMP	2	12/03/2013			
12	74840261C	NUT	2	08/09/2014			
13	71611071B	SPACER	2	08/09/2014			
14	86611991A	RUBBER PAD SENSOR, PRESSURE	1	08/09/2014			
15	74141711A	CLAMP 10-7 MM	2	12/03/2013			
16	81415251B	BRACKET SENSOR PRESSURE	1	08/09/2014			
17	59014111A	DEPRESSURE/PRESSURE LINE HORIZONTAL	1	01/11/2013			
18	55241441A	SENSOR, PRESSURE	1	12/03/2013			
19	78811301A	GASKET AIR FUNNEL	2	12/03/2013			
20	13510401A	AIR FUNNEL	2	12/03/2013			
21	77210852C	SCREW	4	12/03/2013			
22	59024001C	COMPLETE PIPE SET	1	01/09/2013			
23	77150408B	SCREW TCEI M5X14	2	12/03/2013			
24	28040401A	INJECTOR	2	12/03/2013			
25	51019411C	INJECTION WIRING	1	01/09/2013			
26	28240932A	THROTTLE BODY	1	09/01/2014			
27	88642231A	O-RING	2	12/03/2013			
28	76411851A	BYPASS CAP	2	12/03/2013			
29	77912741A	SCREW TBEI M6X14	8	12/03/2013			
30	83018221A	HOLDER WIRING	1	22/10/2013			
31	70010901A	VIBRATION DAMPER	2	08/09/2014			
32	46240461A	WASHER, SPRING	2	08/09/2014			



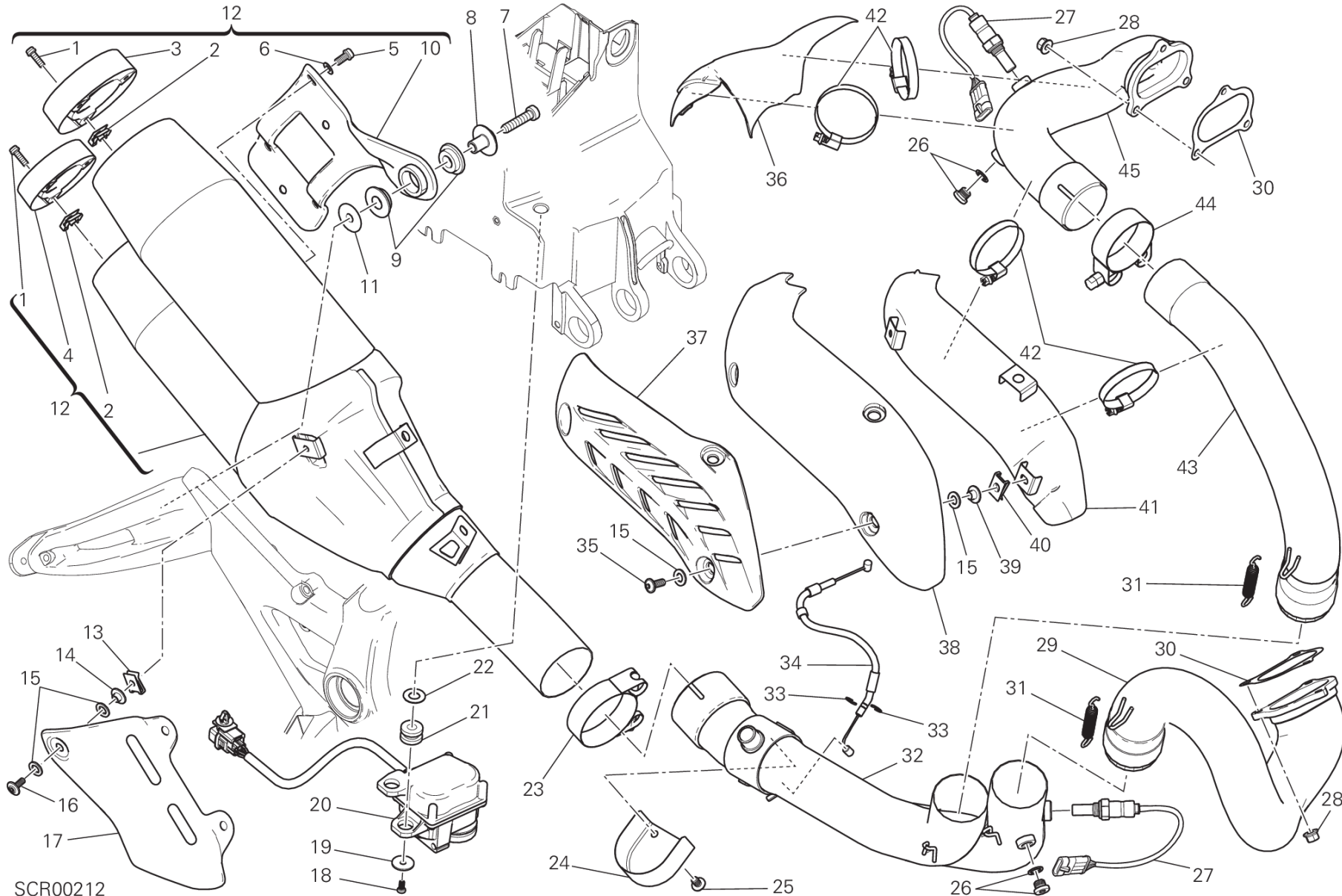
SCR00212

DRAWING 019 - EXHAUST SYSTEM [MOD:M 1200]

GROUP FRAME



POS.	CODE	DESCRIPTION	QTY	START DATE	END DATE	VALIDITY	NOTES
1	77156419E	SCREW	6	03/04/2013			
2	85041931A	CLIP	6	03/04/2013			
3	4601A631BA	END PART UPPER	1	03/04/2013			
4	4601A641BA	END PART LOWER	1	03/04/2013			
5	77156638B	SCREW TCEIF M6X12	6	24/02/2013			
6	85250271A	WASHER 6.2X12X1	6	24/02/2013			
7	77355068B	SCREW TCEIR M8X35	1	22/10/2013			
8	71314361AB	BUSH	1	05/05/2014			
9	76410011A	DAMPER	2	22/10/2013			
10	57610871AA	BRACKET, SILENCER	1	24/02/2013			
11	85212901A	WASHER	1	22/10/2013			
12	57321221AA	SILENZIATORE COMPLETO	1	22/10/2013		MOD:M 1200;XST:AUS,CHN,EUR,FRA,TWN	M 1200 - EU,AUS,FRA,CHN,THA,TWN,BRA
	57321241AA	SILENZIATORE COMPLETO	1	22/10/2013		MOD:M 1200;XST:JAP	M 1200 - JAP
13	85040551A	QUICK FASTENING	3	22/10/2013			
14	71614601AA	SPACER	3	22/10/2013			
15	85210721B	WASHER	12	22/10/2013			
16	77210882B	SCREW TBEI M5X12	3	22/10/2013			
17	4601A921A	HEAT GUARD SILENCER	1	22/10/2013			
18	77440071A	SCREW, TAPPING M4.5X12	2	01/08/2013			
19	85241731A	WASHER 5.5X20X1.5	2	01/08/2013			
20	59340393A	ELECTRIC MOTOR, EXHAUST VALVE	1	01/08/2013			
21	76411301A	RUBBER PAD	2	01/08/2013			
22	85210541B	WASHER 10.2X20X1	2	01/08/2013			
23	74141681A	CLAMP 61-20 MM	1	22/10/2013			
24	4601B921A	GUARD, EXHAUST VALVE	1	22/10/2013			
25	77253268C	SCREW	2	05/05/2014			
26	78020011A	PLUG ASSY	2				
27	55214011A	SENSOR LAMBDA SOND	2	22/10/2013			
28	74810241A	NUT	6	22/10/2013			
29	57013382A	HORIZONTAL HEAD EXHAUST PIPE	1	22/10/2013			
30	79010211A	GASKET, EXHAUST PIPE	2	22/10/2013			
31	79910485A	SPRING EXHAUST , LONG	2	22/10/2013			
32	57211632A	PIPE, EXHAUST CENTER	1	22/10/2013			
33	88450031A	CIRCLIP E-TYPE	2	22/10/2013			



SCR00212

DRAWING 019 - EXHAUST SYSTEM [MOD:M 1200]

GROUP FRAME



POS.	CODE	DESCRIPTION	QTY	START DATE	END DATE	VALIDITY	NOTES
34	73210441F	CABLE, EXHAUST VALVE	1	15/10/2013			
35	77240423C	SCREW TBEIF M6X16 10.9	3	22/10/2013			
36	4601B274A	HEAT GUARD REAR VERTICAL	1	22/10/2013			
37	4601B881A	HEAT GUARD UPPER VERTICAL	1	22/10/2013			
38	4602B331A	COVER ASSEMBLY HEAT GUARD VERTICAL	1	22/10/2013			
39	71614691AA	SPACER	3	22/10/2013			
40	85040381A	QUICK FASTENING	3	22/10/2013			
41	4601B284A	HOLDER HEAT GUARD VERTICAL	1	22/10/2013			
42	74142381A	CLAMP 40/60 MM	4	22/10/2013			
43	57113261A	EXHAUST PIPE VERTICAL	1	22/10/2013			
44	74141461A	CLAMP 53/20 MM	1	22/10/2013			
45	57113251A	EXHAUST MANIFOLD	1	22/10/2013			

DRAWING 021 - HANDLEBAR AND CONTROLS [MOD:M 1200]

GROUP FRAME



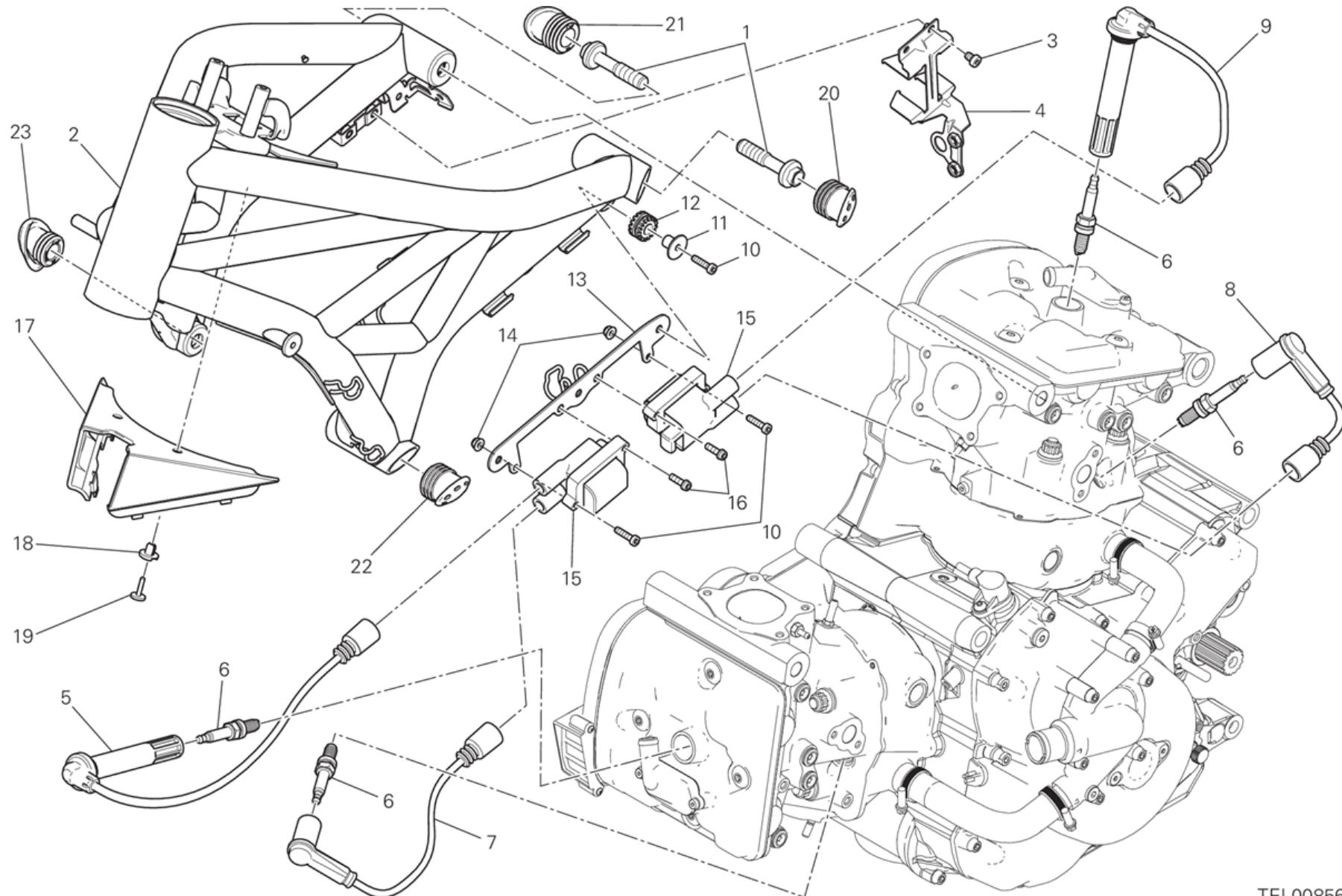
POS.	CODE	DESCRIPTION	QTY	START DATE	END DATE	VALIDITY	NOTES
1	77113741A	SCREW TCEIF M8X25	1	22/10/2013			
2	46210021A	SPRING WASHER 8 MM	2	22/10/2013			
3	52310441A	REAR-VIEW MIRROR R.H.	1	22/10/2013			
4	66020051G	THROTTLE CONTROL (Unit)	1	26/06/2014			
5	65010121E	RIGHT HANDLE SWITCH	1	01/08/2013			
6	77113731A	SCREW TCEIF M8X25, LEFT THREAD	1	22/10/2013			
7	52310451A	REAR-VIEW MIRROR L.H.	1	22/10/2013			
8	75011491AB	NUT, SPECIAL	2	22/10/2013			
9	4601A883A	COVER, IGNITION SWITCH	1	22/10/2013			
10	77110501A	SCREW, SPECIAL	2	22/10/2013			
11	82110901B	FOOTREST PIN	1	22/10/2013			
12	75910301B	RUBBER BAND FUEL TANK	1	15/01/2014			
13	83018601DA	BRACKET, FUEL TANK	1	09/06/2014			
14	65240231A	KEY-OPERATED SWITCH	1	04/04/2013			
15	88450031A	CIRCLIP E-TYPE	1	22/10/2013			
16	65110141A	LEFT HANDLE SWITCH	1	01/08/2013			
17	77150788B	SCREW TCEI M6X65	2	22/10/2013			
18	77157273B	SCREW	4	01/08/2013			
19	36015322AB	HANDLEBAR BRACKET, UPPER	1	01/08/2013			
20	36011541C	HANDLEBAR	1	01/08/2013			
21	77159418B	SCREW M10X1.25X70	2	01/08/2013			
22	36015342AB	HOLDER, HANDLE LOWER	1	01/08/2013			
23	85250401A	WASHER 10.5X18X1.6	2	01/08/2013			
24	70010541A	CUSHION, HANDLEBAR	2	01/08/2013			
25	34110992AC	STEERING HEAD	1	01/08/2013		MOD:M 1200	M 1200
26	85210491B	WASHER 10.5X28X1.5	2	01/08/2013			
27	74840241AB	NUT M10X1.25X10	2	01/08/2013			
28	77157268B	SCREW	7	01/08/2013			
29	70310761AA	THREAD, STEERING HEAD TOP	1	22/10/2013			
30	93010041B	SEAL RING	2	31/07/2013			
31	70241231A	BEARING, STEERING NTN SF07A17P	2				
32	85211031A	WASHER	1	31/07/2013			
33	77850281A	THREADED DOWEL STEI M8X25	2	31/07/2013			
34	74750071A	NUT	2	31/07/2013			
35	342P0781BC	STEERING HEAD BASE (Unit)	1	01/08/2013		MOD:M 1200	M 1200

DRAWING 021 - HANDLEBAR AND CONTROLS [MOD:M 1200]

GROUP FRAME



POS.	CODE	DESCRIPTION	QTY	START DATE	END DATE	VALIDITY	NOTES
36	36110131C	HAND GRIP LH	1	28/10/2013			
37	71111301A	SPINDLE, TAPER	2	22/10/2013			
38	71011071A	BUSH	2	22/10/2013			
39	15310131A	BALANCER SET, HANDLE BAR	2	22/10/2013			
40	86611001A	PAD	2	09/06/2014			
41	24715051A	LEFT COVER	1				
42	24715041A	RIGHT COVER	1				



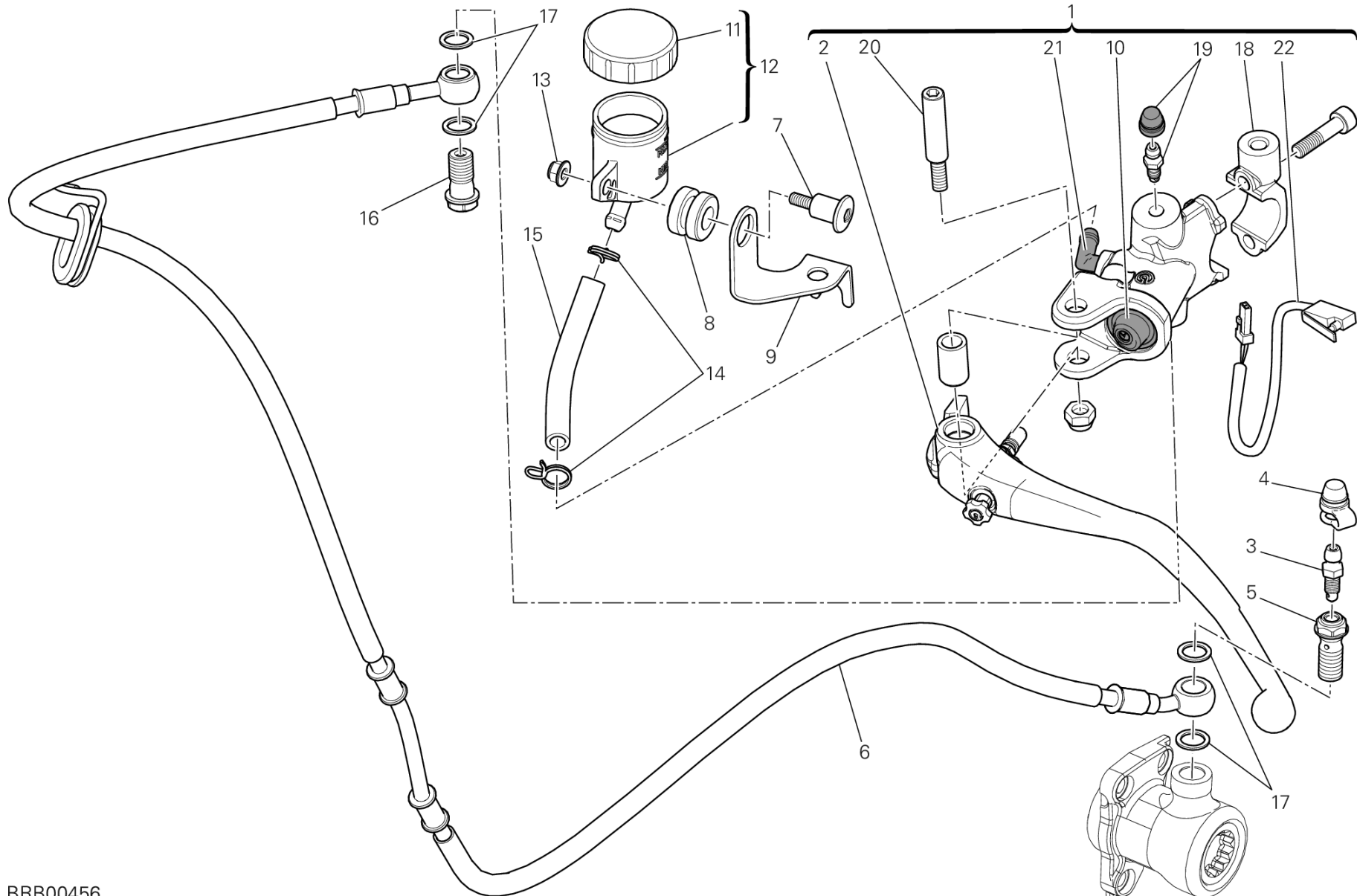
TEL00856

DRAWING 022 - FRAME [MOD:M 1200]

GROUP FRAME



POS.	CODE	DESCRIPTION	QTY	START DATE	END DATE	VALIDITY	NOTES
1	77918291AA	SCREW, SPECIAL	4	22/10/2013			
2	47017241BA	FRAME RED	1	22/10/2013		MOD:M 1200	
3	77350618B	SCREW TCEIR M6X8	2	22/10/2013			
4	83018172AA	BRACKET, FUSE BOX	1	22/10/2013			
5	67110601A	SPARK PLUG CABLE, HORIZONTAL HEAD	1	22/10/2013			
6	67040451A	SPARK PLUG	4	26/02/2013			
7	67110611A	CABLE, HORIZONTAL HEAD SPARK PLUG LH	1	22/10/2013			
8	67110581A	CABLE, VERTICAL HEAD SPARK PLUG LH	1	22/10/2013			
9	67110591A	SPARK PLUG CABLE, VERTICAL HEAD	1	22/10/2013			
10	77354743B	SCREW TCEIR M5X20 DIN6912 8.8	5	22/10/2013			
11	71614511AA	SPACER	3	22/10/2013			
12	76410221A	VIBRATION DAMPER PAD	3	22/10/2013			
13	83018431AA	BRACKET, COIL	1	22/10/2013			
14	74810351B	NUT	2	22/10/2013			
15	38040101C	IGNITION COIL	2	22/10/2013			
16	77156413B	SCREW TCEIF M5X16	2	22/10/2013			
17	48211951A	COVER TUBE	1	22/10/2013			
18	85041051A	RIVET, FEMALE	2	22/10/2013			
19	85041041A	RIVET, MALE	2	22/10/2013			
20	87210922A	LEFT PAD	1	10/01/2014			
21	87210912A	RIGHT PAD	1	10/01/2014			
22	87210951A	LEFT PAD Front	1	05/05/2014			
23	87210941A	RIGHT PAD Front	1	05/05/2014			



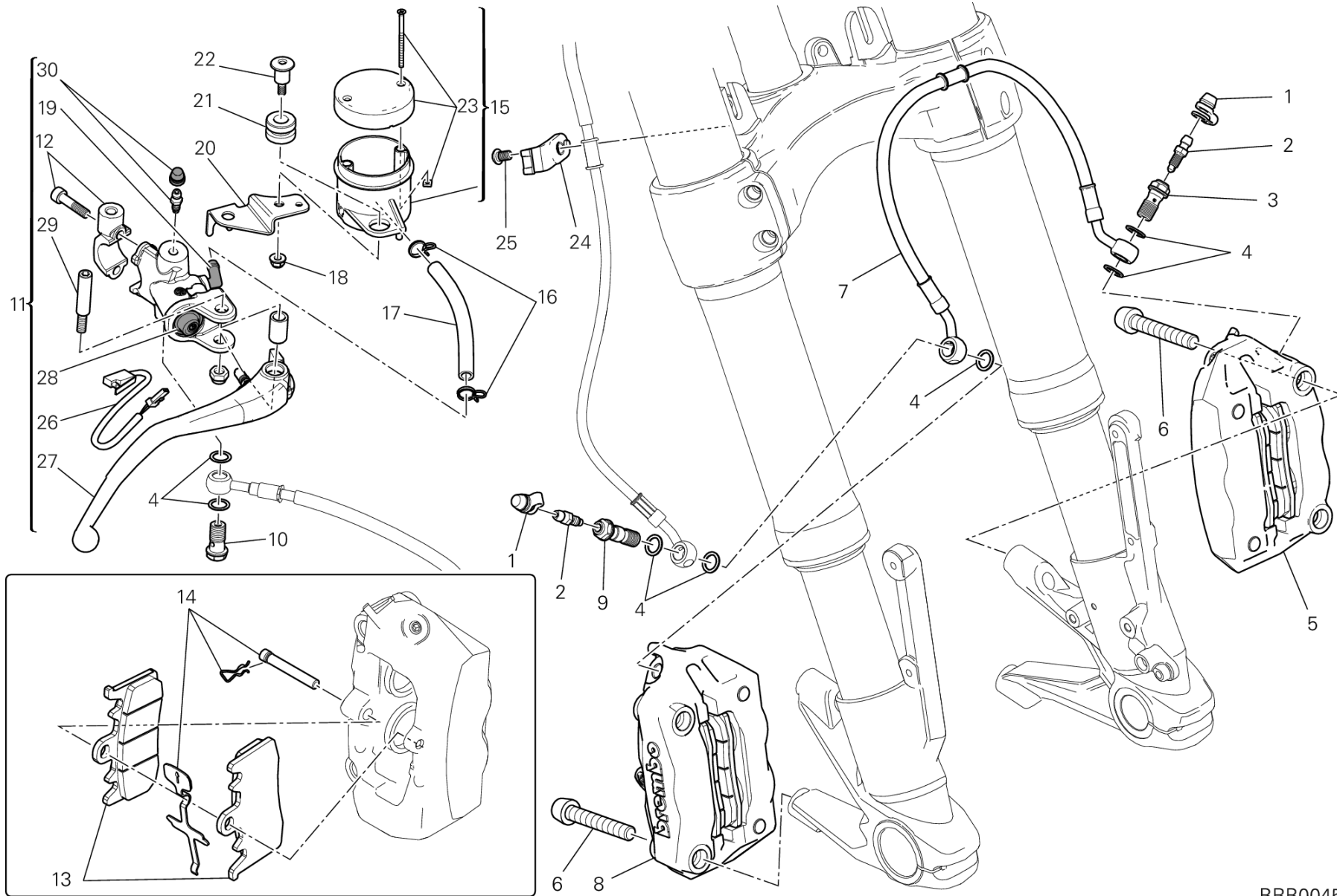
BRB00456

DRAWING 023 - CLUTCH CONTROL [MOD:M 1200]

GROUP FRAME



POS.	CODE	DESCRIPTION	QTY	START DATE	END DATE	VALIDITY	NOTES
1	63040651A	CLUTCH PUMP	1	01/03/2013		MOD:M 1200	M 1200
2	63140571A	LEVER, CLUTCH LIFTER	1	01/03/2013		MOD:M 1200	
3	18710021A	VALVE, BREATHER	1	01/03/2013			
4	61240051A	DUST COVER	1	01/03/2013			
5	77913971A	BOLT, BRAKE HOSE	1	01/03/2013			
6	63210741B	CLUTCH CONTROL PIPE	1	01/03/2013			
7	77910921A	SCREW	1	01/03/2013			
8	037072020	DAMPER	1	01/03/2013			
9	8291B951AA	BRACKET, BRAKE FLUID TANK	1	01/03/2013			
10	61240391A	DUST COVER	1	01/03/2013			
11	89340051A	COVER MASTER CYLINDER	1				
12	58540231A	TANK ASSY, RESERVOIR CLUTCH	1	01/03/2013			
13	74810351B	NUT	1	01/03/2013			
14	74140431A	CLAMP	2	01/03/2013			
15	87711131A	PIPE	1	01/03/2013			
16	77913661AB	BOLT, BRAKE HOSE M10X1	1	01/03/2013			
17	85250241A	WASHER 10X14X1	4	01/03/2013			
18	62640891A	BRACKET, CLUTCH MASTER CYLINDER	1	01/03/2013			
19	63140281A	DRAIN	1	01/03/2013			
20	62640561A	BOLT, LEVER	1	01/03/2013			
21	63140081A	JOINT, HOSE	1	01/03/2013			
22	53940501A	SWITCH, CLUTCH	1	01/03/2013			



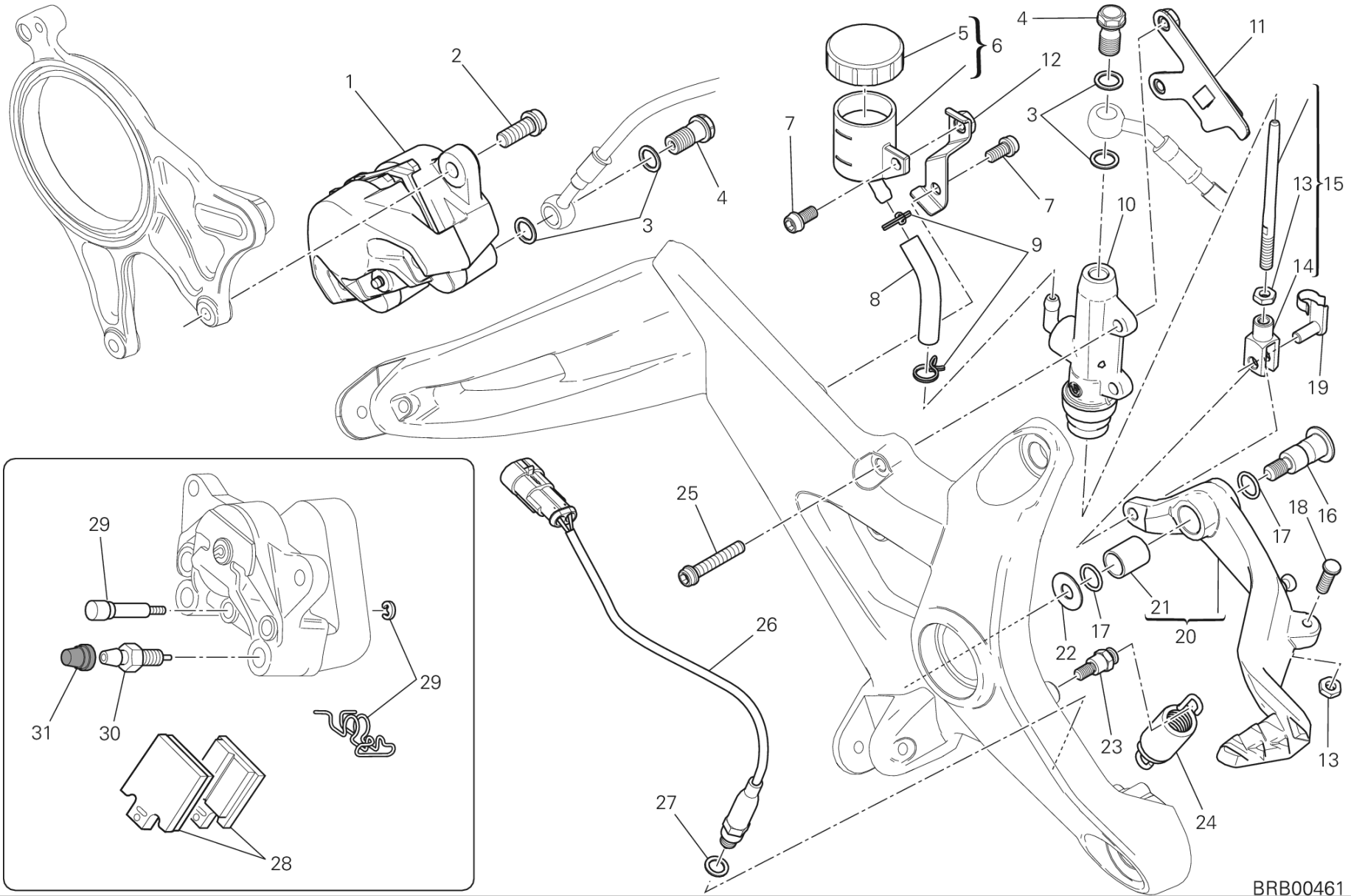
BRB00457

DRAWING 024 - FRONT BRAKE SYSTEM [MOD:M 1200]

GROUP FRAME



POS.	CODE	DESCRIPTION	QTY	START DATE	END DATE	VALIDITY	NOTES
1	61240052A	DUST COVER (SACCHETTO Q.tà 20)	2	20/09/2013			
2	18710021A	VALVE, BREATHER	2	20/09/2013			
3	77913971A	BOLT, BRAKE HOSE	1	20/09/2013			
4	85250241A	WASHER 10X14X1	7	20/09/2013			
5	61041291C	LEFT FRONT BRAKE CALIPER	1	20/09/2013			
6	77913311D	SCREW M 10 X 60	4	22/10/2013			
7	61810511A	HOSE, FRONT BRAKE CALIPER-CALIPER	1	20/09/2013			
8	61041301C	RIGHT FRONT BRAKE CALIPER	1	20/09/2013			
9	77914651A	BOLT, BRAKE HOSE	1	20/09/2013			
10	77914151A	BOLT, BRAKE HOSE	1	20/09/2013			
11	62440931A	FRONT BRAKE PUMP	1	20/09/2013			
12	62640881A	BRACKET, MASTER CYLINDER RH	1				
13	61341021A	FRONT BRAKE PADS SET	2	01/07/2012			
14	61240511A	SPARE PIN AND SPRING	2	01/07/2012			
15	58540221A	RESERVOIR, BRAKE FLUID Front	1	20/09/2013			
16	74140431A	CLAMP	2	20/09/2013			
17	87711111A	HOSE, OIL	1	20/09/2013			
18	74810351B	NUT	1	20/09/2013			
19	63140081A	JOINT, HOSE	1				
20	8291B911AA	BRACKET, BRAKE FLUID TANK	1	20/09/2013			
21	037072020	DAMPER	1	20/09/2013			
22	77910921A	SCREW	1	20/09/2013			
23	800068490	CAP BRAKE FLUID TANK	1				
24	83018691A	GUIDE, FRONT BRAKE HOSE	1	22/10/2013			
25	77510541A	SCREW TBEI M6X10	1	22/10/2013			
26	53940491A	MICROSWITCH	1				
27	63140561A	LEVER, FRONT BRAKE	1				
28	61240391A	DUST COVER	1				
29	62640561A	BOLT, LEVER	1				
30	63140281A	DRAIN	1				



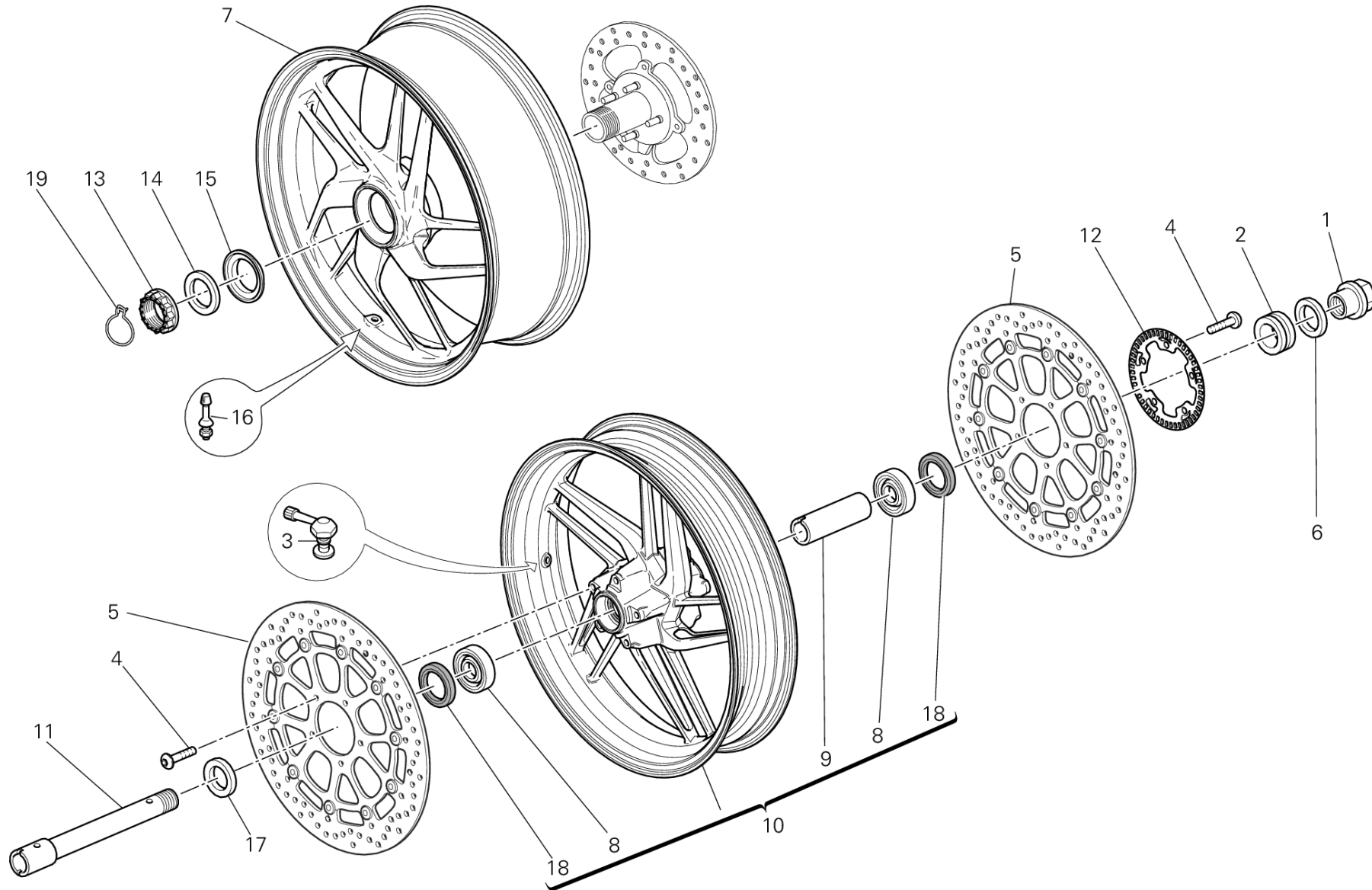
BRB00461

DRAWING 025 - REAR BRAKE SYSTEM [MOD:M 1200]

GROUP FRAME



POS.	CODE	DESCRIPTION	QTY	START DATE	END DATE	VALIDITY	NOTES
1	61140421A	REAR BRAKE CALIPER	1	20/09/2013			
2	77157238B	SCREW TCEIF M8X20	2	22/10/2013			
3	85250241A	WASHER 10X14X1	4	20/09/2013			
4	77913661AB	BOLT, BRAKE HOSE M10X1	2	20/09/2013			
5	89340051A	COVER MASTER CYLINDER	1	01/05/2011			
6	58540081A	RESERVOIR, BRAKE FLUID	1	20/09/2013			
7	77156638B	SCREW TCEIF M6X12	2	22/10/2013			
8	87710381A	HOSE, OIL	1	20/09/2013			
9	74140431A	CLAMP	2	20/09/2013			
10	62540201A	REAR BRAKE PUMP	1	20/09/2013			
11	8291C861BA	CONNECTOR HOLDER SWITCH, STOP	1	22/10/2013			
12	82717201BA	BRACKET, BRAKE FLUID TANK	1	19/09/2013			
13	74750051B	NUT	2	01/03/2013			
14	18410051A	FORK HEADS DIN 71752	1	01/03/2013			
15	11723531AA	ROD, BRAKE (Unit)	1	22/10/2013			
16	82111701CA	PIN PEDAL	1	19/09/2013			
17	88641161A	O-RING	2	19/09/2013			
18	77919121AA	SCREW	1	07/02/2014			
19	85010151A	QUICK FASTENING	1	22/10/2013			
20	45720571AA	BRAKE CONTROL LEVER (Unit)	1	19/09/2013			
21	71210341A	BUSH	1	01/03/2013			
22	85210532A	WASHER 8.2X20X1	1	19/09/2013			
23	82112731A	PIN	1	19/09/2013			
24	79925771A	COMPLETE SPRING	1	19/09/2013			
25	77156723B	SCREW	2	22/10/2013			
26	53940031C	SWITCH, STOP	1	19/09/2013			
27	42020008A	COPPER GASKET 11X8.2X1	1	19/09/2013			
28	61340951A	REAR BRAKE PADS SET	1	10/06/2013			
29	61240161A	PAD PINS OVERHAUL KIT	1				
30	63140161A	FRONT CALIPER DRAIN SCREW	1				
31	61240081A	DUST PLUG	1				



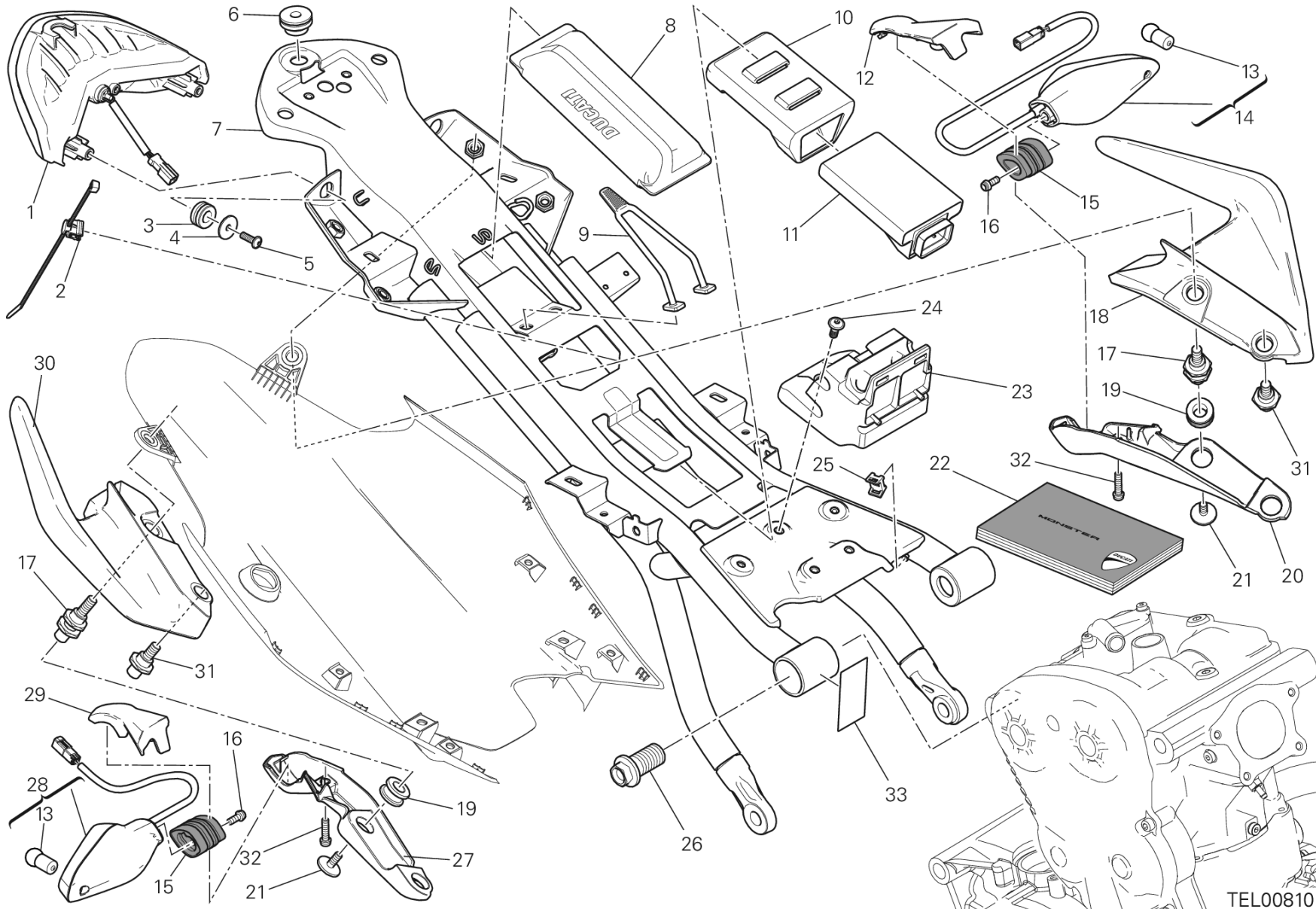
TEL00739

DRAWING 026 - RUOTA ANTERIORE E POSTERIORE [MOD:M 1200]

GROUP FRAME



POS.	CODE	DESCRIPTION	QTY	START DATE	END DATE	VALIDITY	NOTES
1	74810651A	NUT	1	08/05/2013			
2	71311973A	LEFT SPACER	1	08/05/2013			
3	49720041A	VALVE, TUBELESS TIRE	1	15/04/2013			
4	72010513C	SCREW	10	15/04/2013			
5	49241011A	FRONT BRAKE DISC	2	15/04/2013			
6	85212221A	WASHER 30X40X1	1	08/05/2013			
7	50211552AT	REAR WHEEL RIM BLACK	1	15/04/2013			
8	70250621A	BEARING	2	15/04/2013			
9	71410941A	INNER SPACER	1	15/04/2013			
10	50121761AA	FRONT WHEEL RIM BLACK	1	15/04/2013			
11	81910601A	FRONT WHEEL SPINDLE	1	08/05/2013			
12	50410051A	FRONT PHONIC WHEEL	1	15/04/2013			
13	75011391A	NUT	1	08/05/2013			
14	85212211A	WASHER 48.5X65X0.5	1	08/05/2013			
15	71413231AA	SPACER	1	08/05/2013			
16	49720031A	VALVE, TUBELESS TIRE	1	15/04/2013			
17	71311961A	RIGHT SPACER	1	08/05/2013			
18	93041501A	SEAL RING	2	15/04/2013			
19	75910222A	CLIP	1	08/05/2013			



TEL00810

DRAWING 027 - REAR FRAME COMP. [MOD:M 1200]

GROUP FRAME



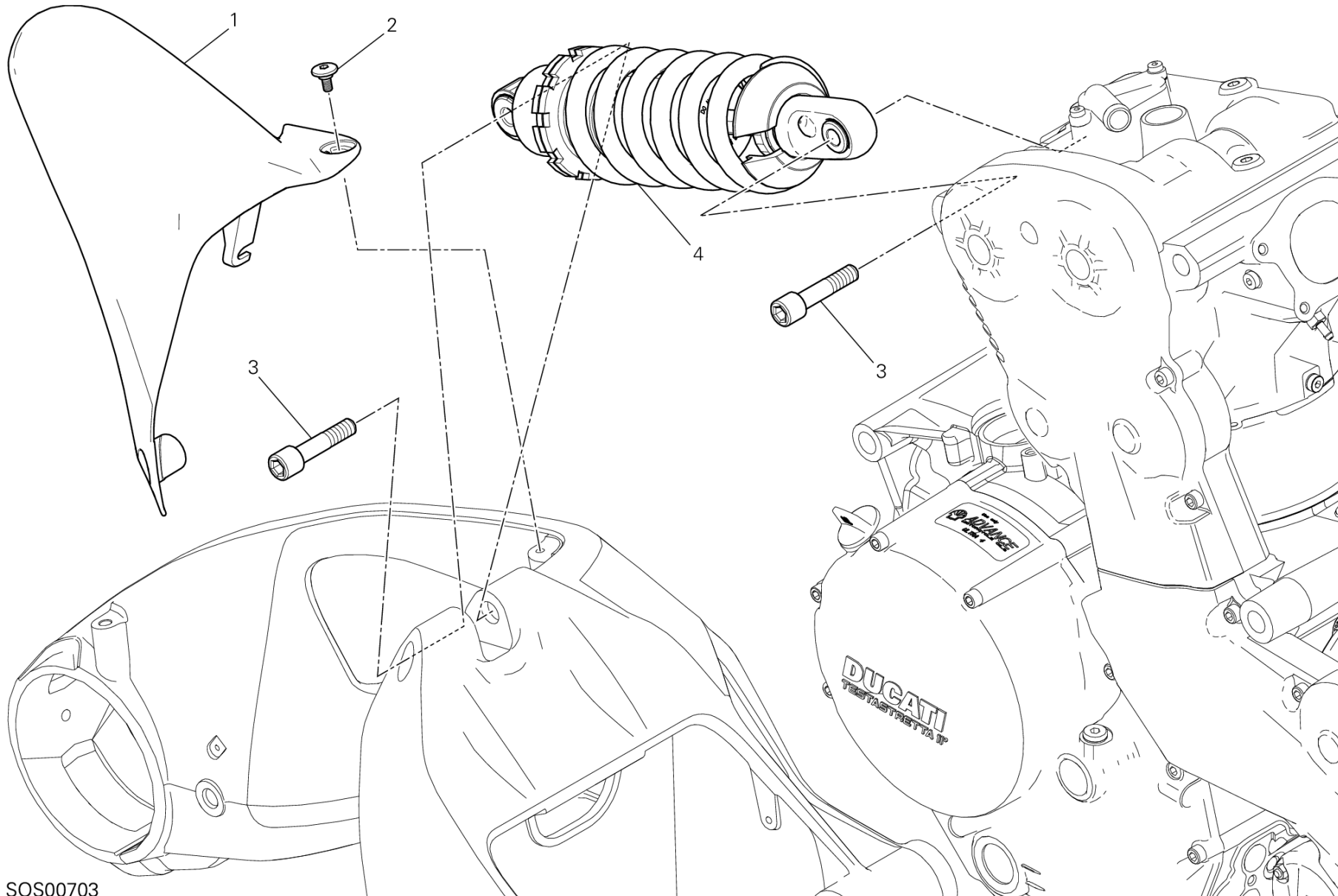
POS.	CODE	DESCRIPTION	QTY	START DATE	END DATE	VALIDITY	NOTES
1	52510482B	TAILLIGHT	1	12/05/2014			
2	75840771A	FAIRLEAD	1	01/08/2013			
3	76412101A	RUBBER PAD	2	12/05/2014			
4	85241711A	WASHER 5.3X20X1.5	2	01/08/2013			
5	77440041A	SCREW, TAPPING M5X16	2	22/10/2013			
6	76412091A	VIBRATION DAMPER PAD	1	12/05/2014			
7	47017251DA	REAR FRAME COMP.	1	01/10/2013			
8	69720291B	TOOLS KIT	1	12/05/2014			
9	75910311A	RUBBER BAND, TOOLS KIT	1	20/10/2013			
10	86611521A	VIBRATION DAMPER HOLDER	1	01/08/2013			
11	38510291E	BLACKBOX UNIT	1	25/10/2013			
12	8291C631A	LEFT COVER	1	01/08/2013			
13	39040211A	BULB	2				
14	53010236B	FLASHER LIGHT FRONT RH- REAR LH	1	03/10/2013			
15	71314703A	SPACER	2	03/10/2013			
16	77156413B	SCREW TCEIF M5X16	2	05/05/2014			
17	77918661AA	SCREW, SPECIAL	2	01/08/2013			
18	80610371B	GRIP,GRAB RAIL,LH	1	25/10/2013			
19	76411481A	RUBBER PAD	4	01/08/2013			
20	8291C611A	LEFT HOLDER	1	01/08/2013			
21	77918681AA	SCREW, SPECIAL	4	01/08/2013			
22	91372611A	OWNER'S MANUAL	1			XST:AUS,EUR,FRA	DEU-FRA-GBR-ITA
	91372611B	OWNER'S MANUAL	1			XST:AUS,EUR,FRA,JAP	ESP-FRA-GBR-JPN
	91372611C	OWNER'S MANUAL	1			XST:EUR	ESP-GRC-PRT
	91372611D	OWNER'S MANUAL	1			XST:CHN,EUR,FRA	FRA-NLD-GBR-KOR
	91372611E	OWNER'S MANUAL	1			XST:EUR	DNK-FIN-NOR-SWE
	91372611F	OWNER'S MANUAL	1			XST:EUR	CZE-POL-SVK-SLO
	91372611G	OWNER'S MANUAL	1			XST:EUR	BGR-HUN-ROU-RUS
	91372611L	OWNER'S MANUAL	1	05/05/2014		XST:BRA	BRA
	91372611T	OWNER'S MANUAL	1			XST:EUR	GBR-THA
	91372611W	OWNER'S MANUAL	1			XST:CHN	CHN
23	8291C091A	SEAT SUPPORT	1	01/08/2013			
24	77240418C	SCREW	3	01/10/2013			
25	85040671A	CLAMP TUCKER	7	01/08/2013			
26	77918301AB	SCREW, SPECIAL	2	01/12/2013			

DRAWING 027 - REAR FRAME COMP. [MOD:M 1200]

GROUP FRAME



POS.	CODE	DESCRIPTION	QTY	START DATE	END DATE	VALIDITY	NOTES
27	8291C621A	RIGHT HOLDER	1	01/08/2013			
28	53010226B	FLASHER LIGHT FRONT LH - REAR RH	1	03/10/2013			
29	8291C641A	RIGHT COVER	1	01/08/2013			
30	80610381B	GRIP,GRAB RAIL,RH	1	25/10/2013			
31	77918671AA	SCREW, SPECIAL	2	01/10/2013			
32	77150408B	SCREW TCEI M5X14	2	01/08/2013			
33	92610051A	GUARD	1	01/08/2013			



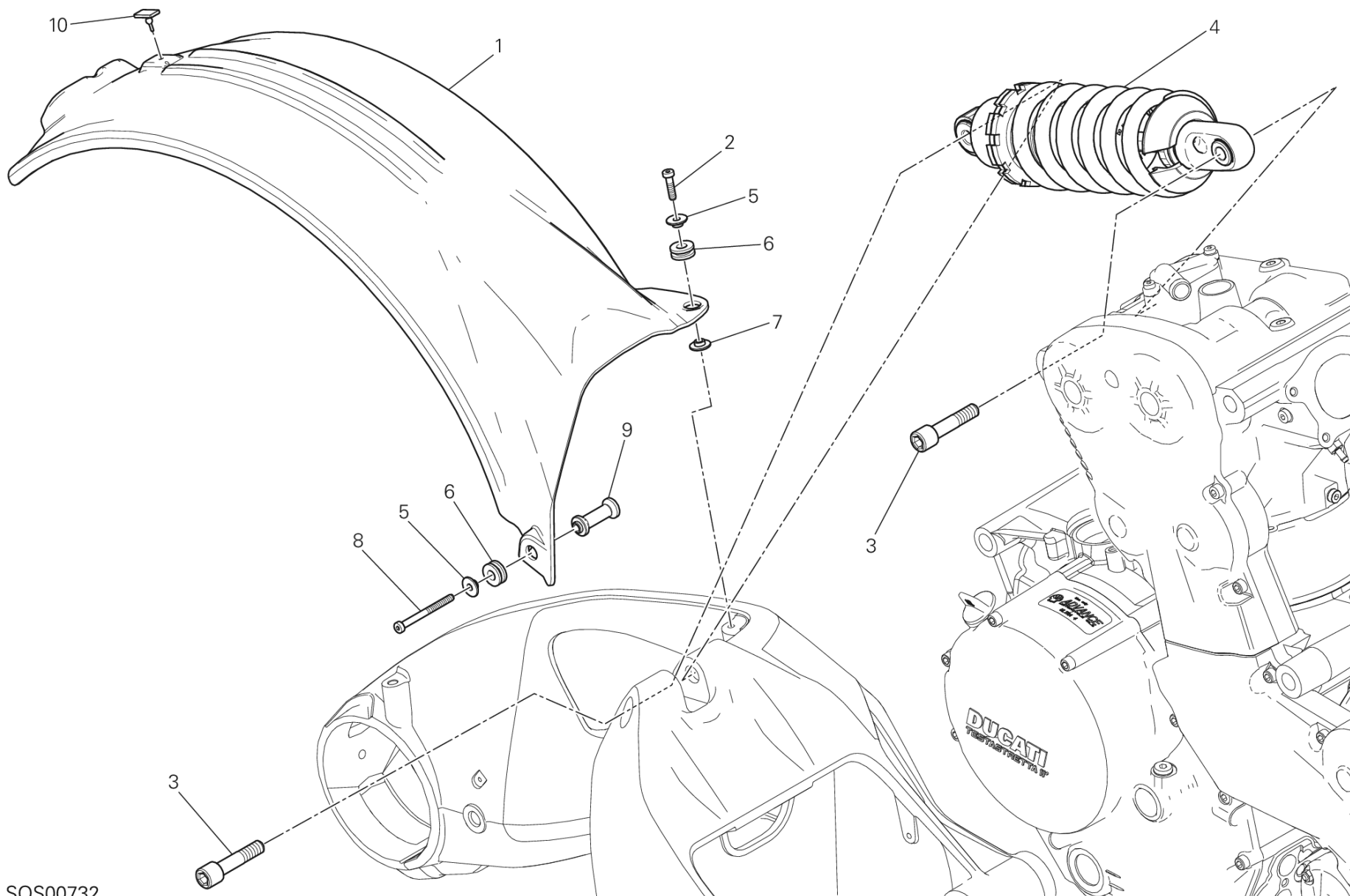
SOS00703

DRAWING 028 - SOSPENSIONE POSTERIORE [MOD:M 1200;XST:BRA,CHN,EUR,FRA,JAP,TWN]



GROUP FRAME

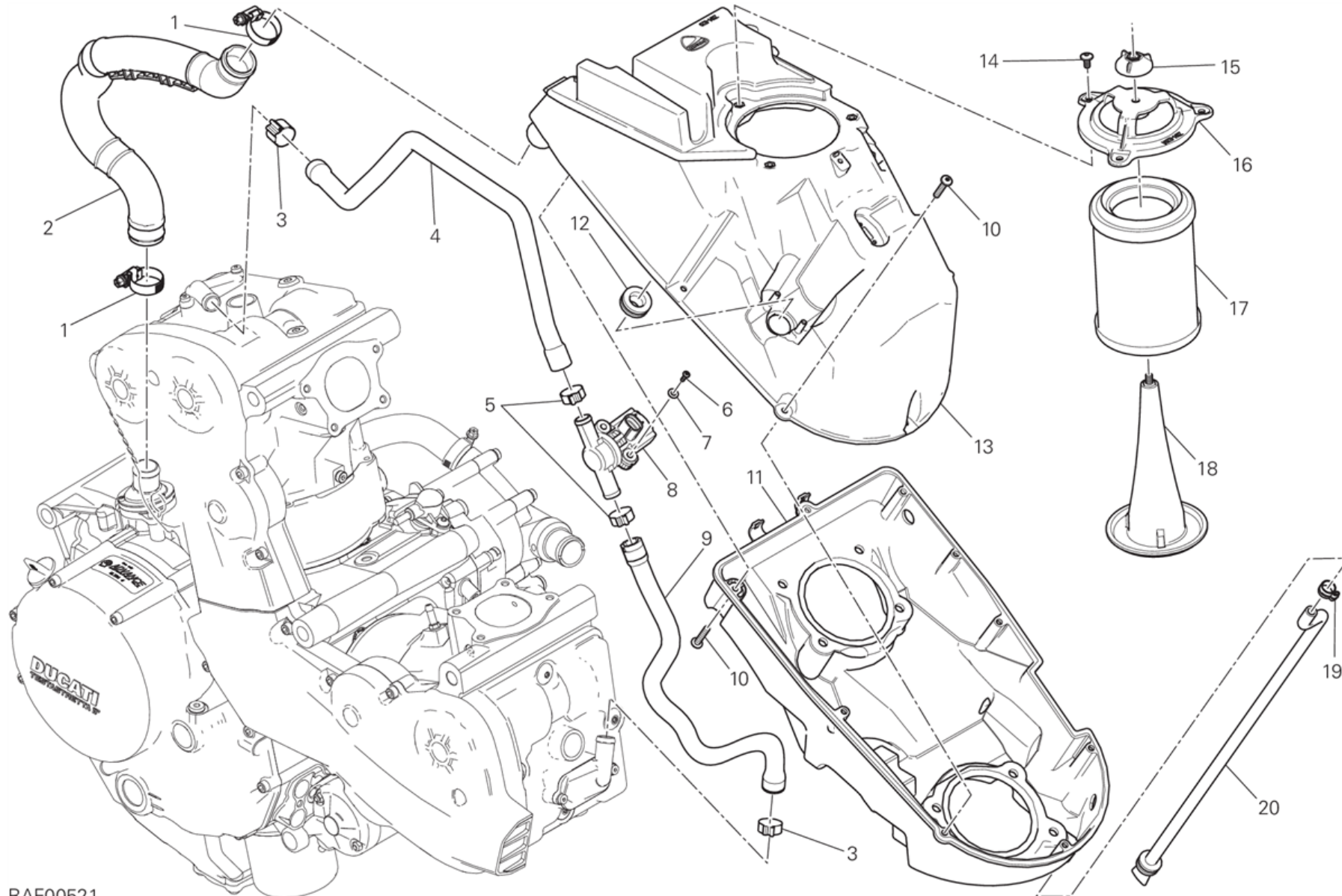
POS.	CODE	DESCRIPTION	QTY	START DATE	END DATE	VALIDITY	NOTES
1	56510671A	REAR MUDGUARD	1	22/10/2013			
2	77914871C	SCREW	3	22/10/2013			
3	77915041A	SCREW, SPECIAL	2	22/10/2013			
4	36521301A	REAR SHOCK ABSORBER	1	22/10/2013			



SOS00732



POS.	CODE	DESCRIPTION	QTY	START DATE	END DATE	VALIDITY	NOTES
1	56510711B	REAR MUDGUARD	1	20/01/2014			
2	77354743B	SCREW TCEIR M5X20 DIN6912 8.8	1	07/07/2014			
3	77915041A	SCREW, SPECIAL	2	22/10/2013			
4	36521301A	REAR SHOCK ABSORBER	1	22/10/2013			
5	71614291A	SPACER	2	20/01/2014			
6	76410841B	RUBBER PAD	2	22/10/2013			
7	71611071B	SPACER	1	20/01/2014			
8	77244968C	SCREW	1	07/07/2014			
9	7131A611AA	SPACER	1	22/10/2013			
10	86610361A	RUBBER PAD	1	20/01/2014			



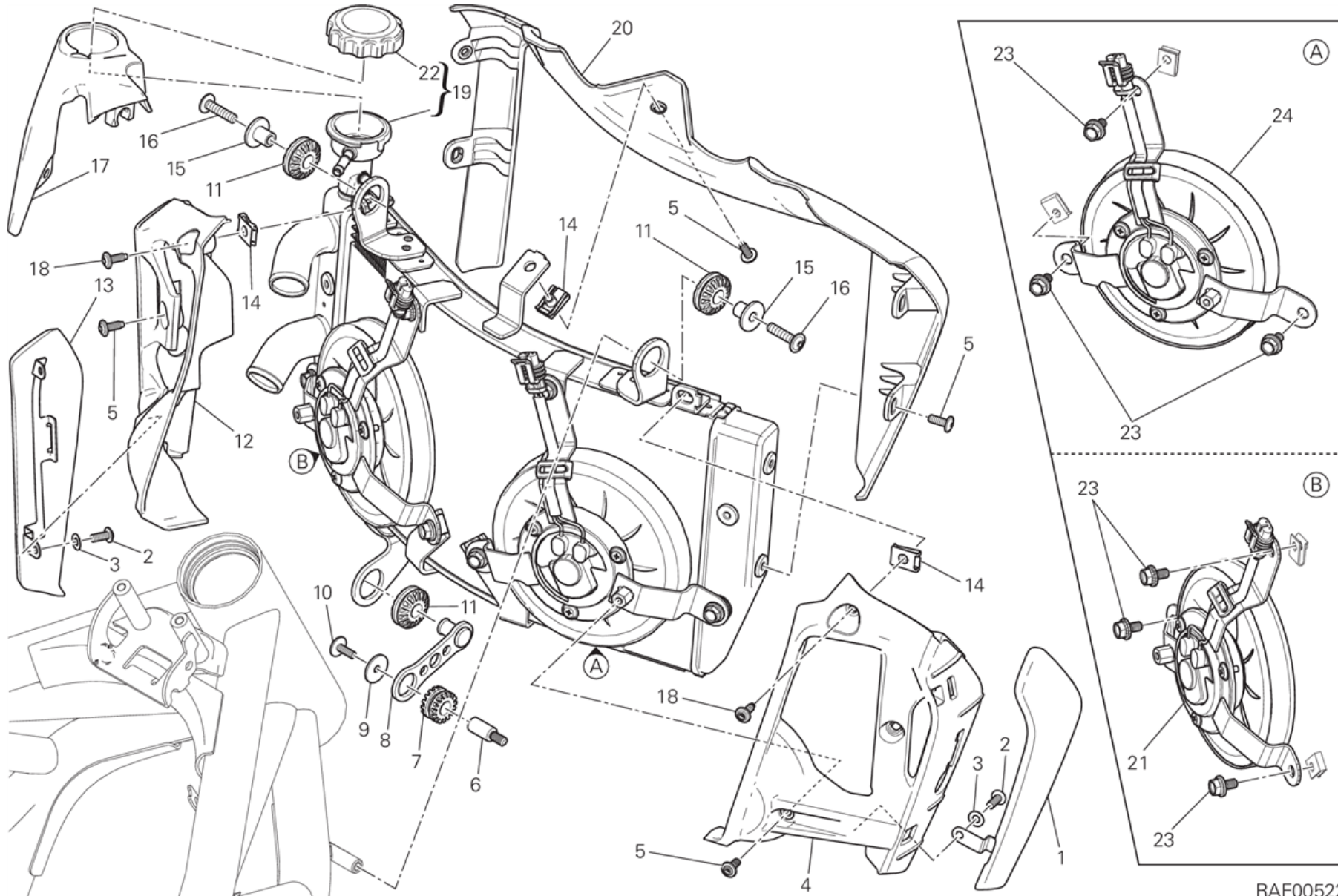
RAF00521

DRAWING 029 - AIR INTAKE - OIL BREATHER [MOD:M 1200]

GROUP FRAME



POS.	CODE	DESCRIPTION	QTY	START DATE	END DATE	VALIDITY	NOTES
1	74141921A	CLAMP 16-27 MM	2	22/10/2013			
2	87611232A	HOSE, BLOW-BY	1	22/10/2013			
3	74142371A	CLAMP	2	05/05/2014			
4	87611211A	DUCT, AIR VERTICAL	1	12/03/2013			
5	74142401A	CLAMP	2	25/10/2013			
6	77440213C	SCREW	1	12/03/2013			
7	85240211A	WASHER 4.7X10X1	1	12/03/2013			
8	65540091A	ACTUATOR	1	12/03/2013			
9	87611221B	DUCT, AIR HORIZONTAL	1	01/09/2013			
10	77440131A	SCREW, TAPPING 5X25 WN1411	9	12/03/2013			
11	44212781B	AIR FILTER BOX LOWER	1	12/03/2013			
12	76411621A	RUBBER PAD	1	12/03/2013			
13	44212791D	AIR FILTER BOX UPPER	1	17/06/2014			
14	77240253C	SCREW	3	12/03/2013			
15	70310481A	RING NUT	1	12/03/2013			
16	24612162A	FILTER COVER UNIT	1	01/09/2013			
17	42610191A	FILTER, AIR	1	12/03/2013			
18	82919611A	CAGE, AIR FILTER	1	12/03/2013			
19	74140651A	CLAMP	1	12/03/2013			
20	59014471A	HOSE, DRAIN AIRBOX	1	12/03/2013			



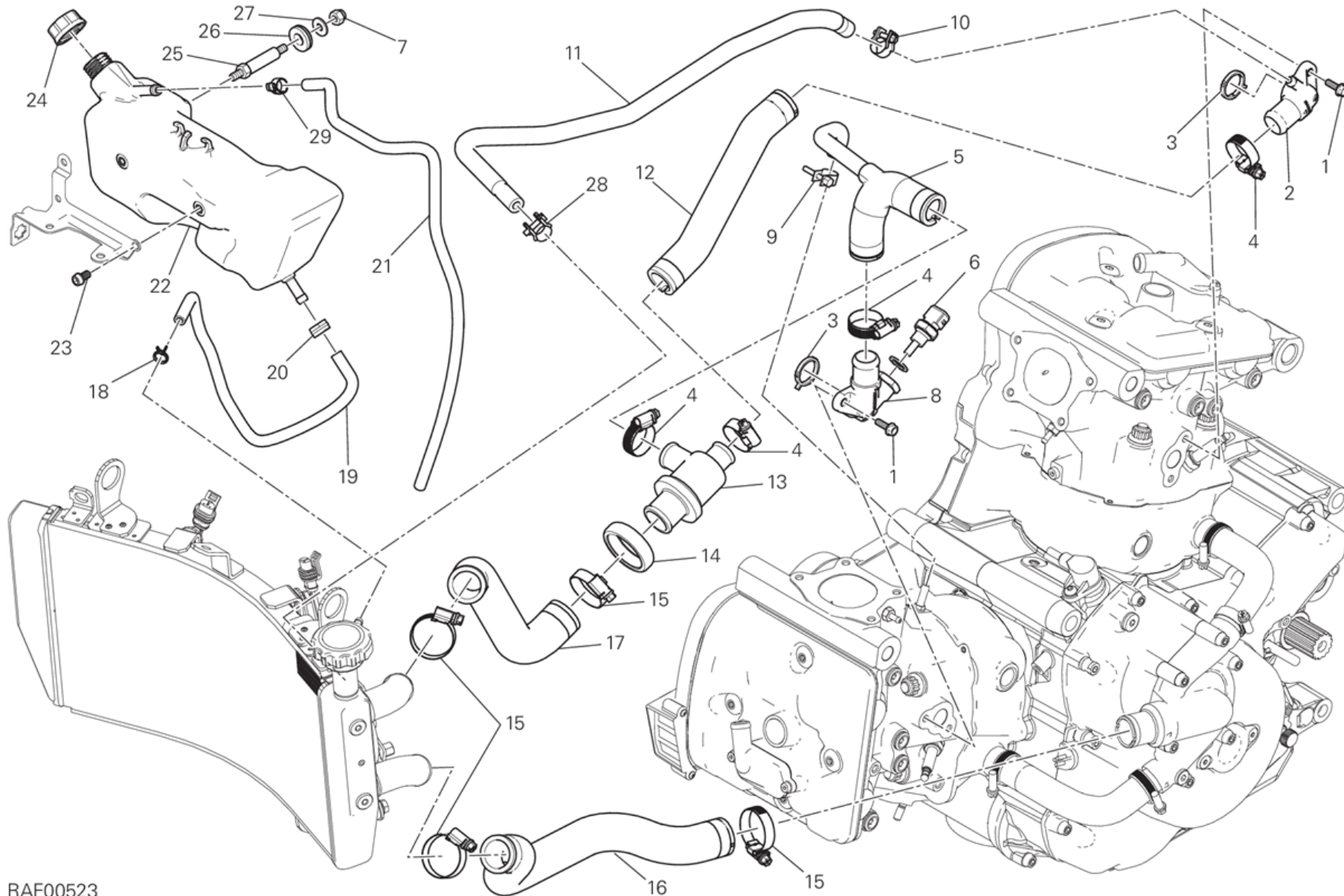
RAF00522

DRAWING 030 - WATER COOLER [MOD:M 1200]

GROUP FRAME



POS.	CODE	DESCRIPTION	QTY	START DATE	END DATE	VALIDITY	NOTES
1	48016211B	RIGHT COVER	1	19/09/2013			
2	77440171A	SCREW	4	28/10/2013			
3	85240131A	WASHER 5.3X15X1	4	28/10/2013			
4	48016191B	AIR SHROUD CYLINDER RIGHT	1	28/10/2013			
5	77211091A	SCREW TBEI M5X12	8	28/10/2013			
6	77916081A	SCREW, SPECIAL	1	22/10/2013			
7	76410221A	VIBRATION DAMPER PAD	1	28/10/2013			
8	83018971A	BRACKET	1	19/09/2013			
9	85241711A	WASHER 5.3X20X1.5	1	22/10/2013			
10	77510351A	SCREW TBEI M5X14	1	22/10/2013			
11	76411361A	VIBRATION DAMPER PAD	3	28/10/2013			
12	48016181A	AIR SHROUD CYLINDER LEFT	1	28/10/2013			
13	48016201B	LEFT COVER	1	28/10/2013			
14	85040551A	QUICK FASTENING	3	19/09/2013			
15	71313041A	SPACER	2	28/10/2013			
16	77210971A	SCREW TBEI M6X25	2	22/10/2013			
17	48016242B	COVER	1	22/10/2013			
18	77211091C	SCREW	2	28/10/2013			
19	54841025A	WATER COOLER ASSY	1	31/10/2014			
20	48016171B	COVER Front	1	28/10/2013			
21	55040271A	ELECTRIC FAN, LEFT	1				
22	87240921A	RADIATOR CAP	1				
23	77250988B	SCREW TEF M6X14	6				
24	55040281A	ELECTRIC FAN, RIGHT	1				



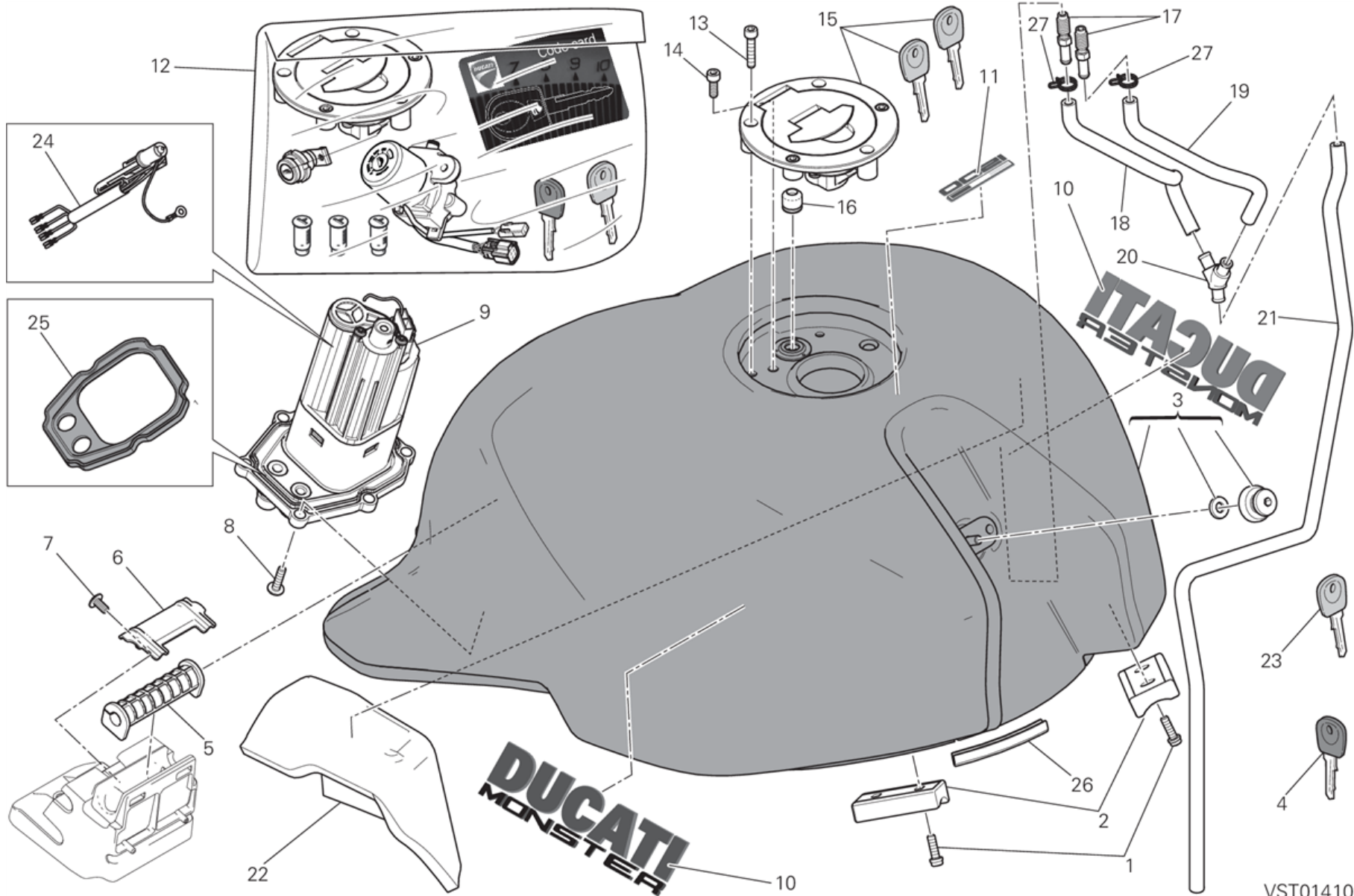
RAF00523

DRAWING 031 - COOLING SYSTEM [MOD:M 1200]

GROUP FRAME



POS.	CODE	DESCRIPTION	QTY	START DATE	END DATE	VALIDITY	NOTES
1	77210623B	SCREW	4	18/02/2013			
2	81413261A	JOINT, WATER HOSE VERTICAL	1	18/02/2013			
3	88641031A	O-RING	2	18/02/2013			
4	74141921A	CLAMP 16-27 MM	4	18/02/2013			
5	80012311A	THERMOSTAT PUMP HOSE HORIZONTAL	1	22/10/2013			
6	55240131A	WATER TEMPERATURE SENSOR	1	18/02/2013			
7	74941113B	NUT	1	22/10/2013			
8	81412361C	JOINT, WATER HOSE HORIZONTAL	1	18/02/2013			
9	74140011A	CLAMP 12MM	1	22/10/2013			
10	74142121A	CLAMP	1	22/10/2013			
11	80012301A	BREATHER PIPE VERTICAL HEAD	1	28/10/2013			
12	80012321A	THERMOSTAT PUMP HOSE VERTICAL	1	22/10/2013			
13	55340041A	THERMO-SWITCH	1	22/10/2013			
14	88110461A	THERMOSTAT PROTECTION RING	1	22/10/2013			
15	74141901A	CLAMP 20-35 MM	4	22/10/2013			
16	80012341A	HOSE PUMP/COOLER	1	22/10/2013			
17	80012332A	HOSE COOLER/THERMOSTAT	1	22/10/2013			
18	74140431A	CLAMP	1	22/10/2013			
19	93410212A	HOSE, DRAIN	1	25/10/2013			
20	74141711A	CLAMP 10-7 MM	1	01/08/2013			
21	87610581A	PIPE	1	12/02/2014			
22	58510822B	TANK, WATER RESERVOIR	1	01/08/2013			
23	77156623B	SCREW TCEIF M6X10 8.8	2	01/08/2013			
24	89310143A	TANK CAP	1	01/08/2013			
25	77116671AA	HOLDER	1	01/08/2013			
26	76410981A	VIBRATION DAMPER PAD	1	22/10/2013			
27	85211911A	WASHER 6.4X16X1.5	1	22/10/2013			
28	74142181A	CLAMP	1	03/12/2013			
29	74140641A	CLAMP	1	12/02/2014			



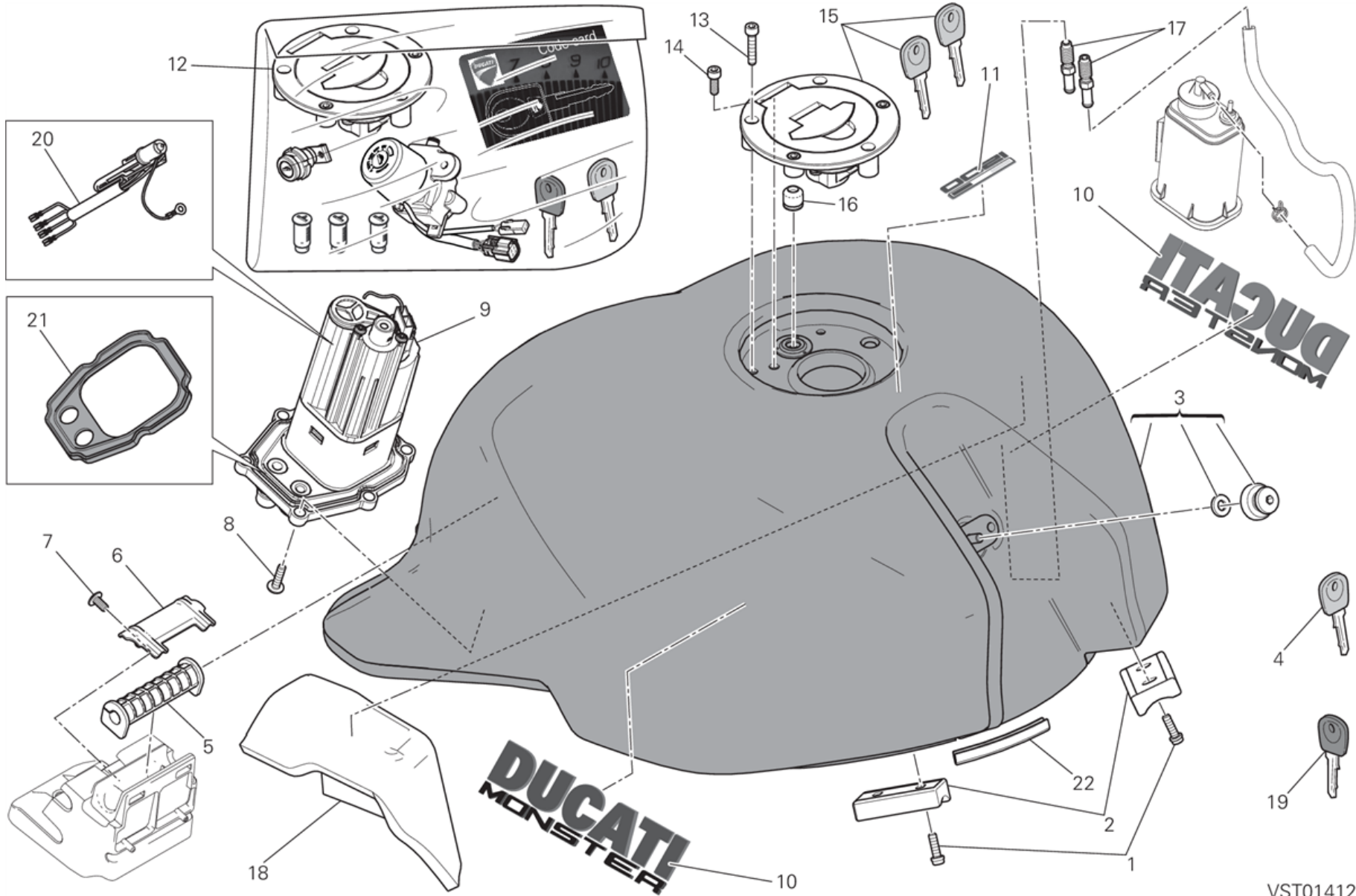
VST01410

DRAWING 032 - FUEL TANK [MOD:M 1200;XST:AUS,BRA,EUR,FRA,JAP]

GROUP FRAME



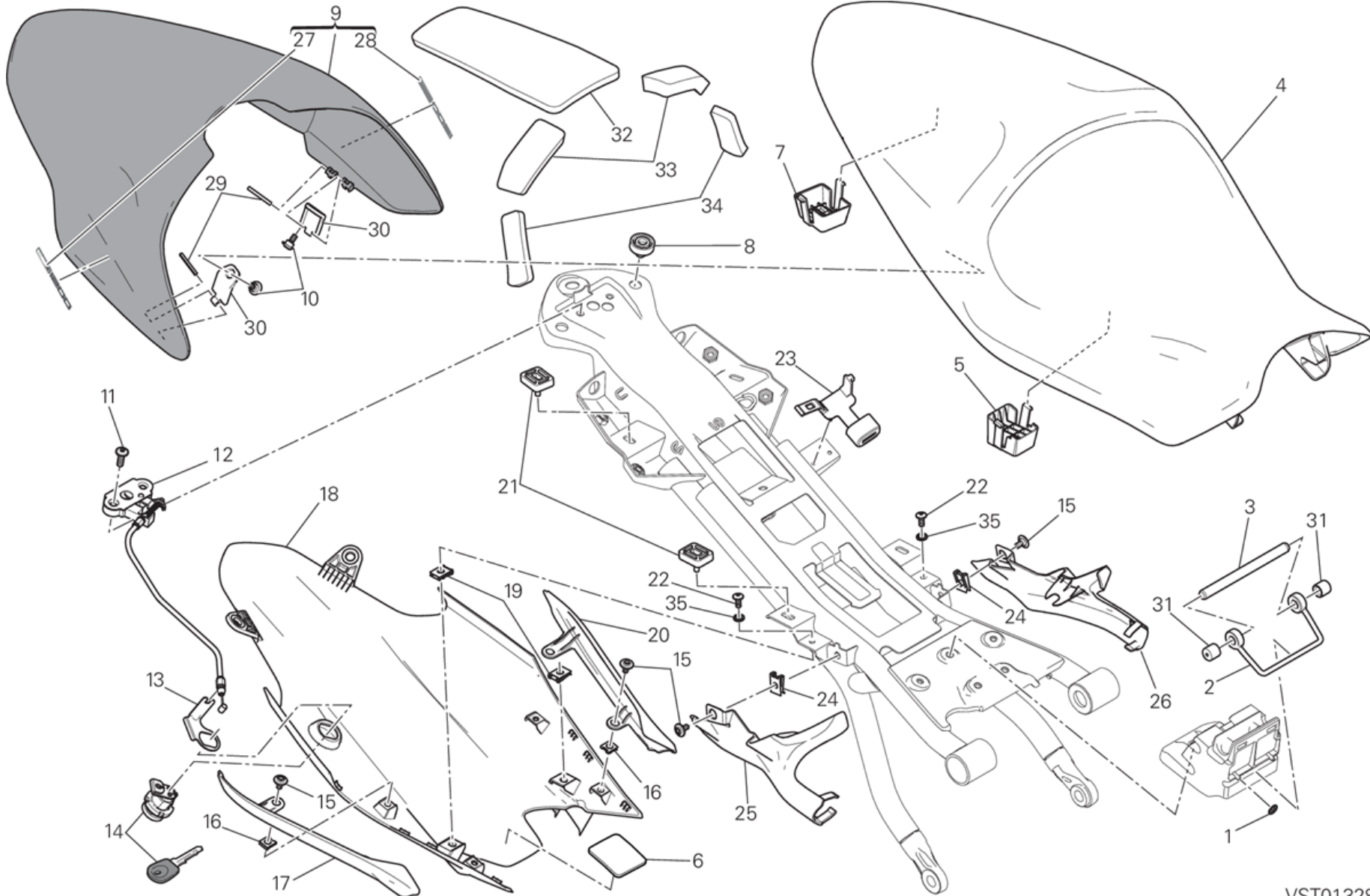
POS.	CODE	DESCRIPTION	QTY	START DATE	END DATE	VALIDITY	NOTES
1	77156413B	SCREW TCEIF M5X16	4	01/03/2013			
2	86611721C	PAD, FUEL TANK	2	01/03/2013			
3	58612001CA	FUEL TANK RED	1	23/09/2013			
4	59840361A	WRENCH WITH TRANSPONDER	1	04/04/2013			
5	70010811A	RUBBER PAD	1	25/06/2013			
6	82610351BA	PLATE	1	22/10/2013			
7	77244168B	SCREW	1	22/10/2013			
8	77244213B	SCREW	6	25/06/2013			
9	16024291A	FLANGE	1	25/06/2013			
10	43511441A	EMBLEM DUCATI FOR RED	2	23/09/2013			
11	43511571A	ITALIAN FLAG DECAL FOR RED	1	23/09/2013			
12	59821061A	LOCKS KIT	1	01/08/2013			
13	77150457E	SCREW M5X25	3	22/10/2013			
14	77150408B	SCREW TCEI M5X14	1	22/10/2013			
15	89520072A	TANK CAP	1	04/04/2013			
16	79111111A	GASKET	1	25/06/2013			
17	81413251A	UNION	2	25/06/2013			
18	59017992A	BREATHER PIPE	1	01/08/2013			
19	59018002A	HOSE	1	01/08/2013			
20	61610021A	THREE-WAYS UNION	1	01/08/2013			
21	93410161A	HOSE, DRAIN	1	01/08/2013			
22	4601B901B	GUARD CONTROL UNIT	1	16/07/2013			
23	59840183A	WRENCH WITHOUT TRANSPONDER	1	04/04/2013			
24	55243191A	THERMISTOR	1				
25	69926951A	GASKET KIT	1				
26	76412061A	RUBBER SECTION	1	01/04/2014			
27	74140571A	CLAMP	2	05/05/2014			



VST01412



POS.	CODE	DESCRIPTION	QTY	START DATE	END DATE	VALIDITY	NOTES
1	77156413B	SCREW TCEIF M5X16	4	01/03/2013			
2	86611721C	PAD, FUEL TANK	2	01/03/2013			
3	58612001CA	FUEL TANK RED	1	23/09/2013			
4	59840183A	WRENCH WITHOUT TRANSPONDER	1	04/04/2013			
5	70010811A	RUBBER PAD	1	25/06/2013			
6	82610351BA	PLATE	1	22/10/2013			
7	77244168B	SCREW	1	22/10/2013			
8	77244213B	SCREW	6	25/06/2013			
9	16024291A	FLANGE	1	25/06/2013			
10	43511441A	EMBLEM DUCATI FOR RED	2	23/09/2013			
11	43511571A	ITALIAN FLAG DECAL FOR RED	1	23/09/2013			
12	59821061A	LOCKS KIT	1	01/08/2013			
13	77150457E	SCREW M5X25	3	22/10/2013			
14	77150408B	SCREW TCEI M5X14	1	22/10/2013			
15	89520072A	TANK CAP	1	04/04/2013			
16	79111111A	GASKET	1	25/06/2013			
17	81413251A	UNION	2	25/06/2013			
18	4601B901B	GUARD CONTROL UNIT	1	16/07/2013			
19	59840361A	WRENCH WITH TRANSPONDER	1	04/04/2013			
20	55243191A	THERMISTOR	1				
21	69926951A	GASKET KIT	1				
22	76412061A	RUBBER SECTION	1	01/04/2014			



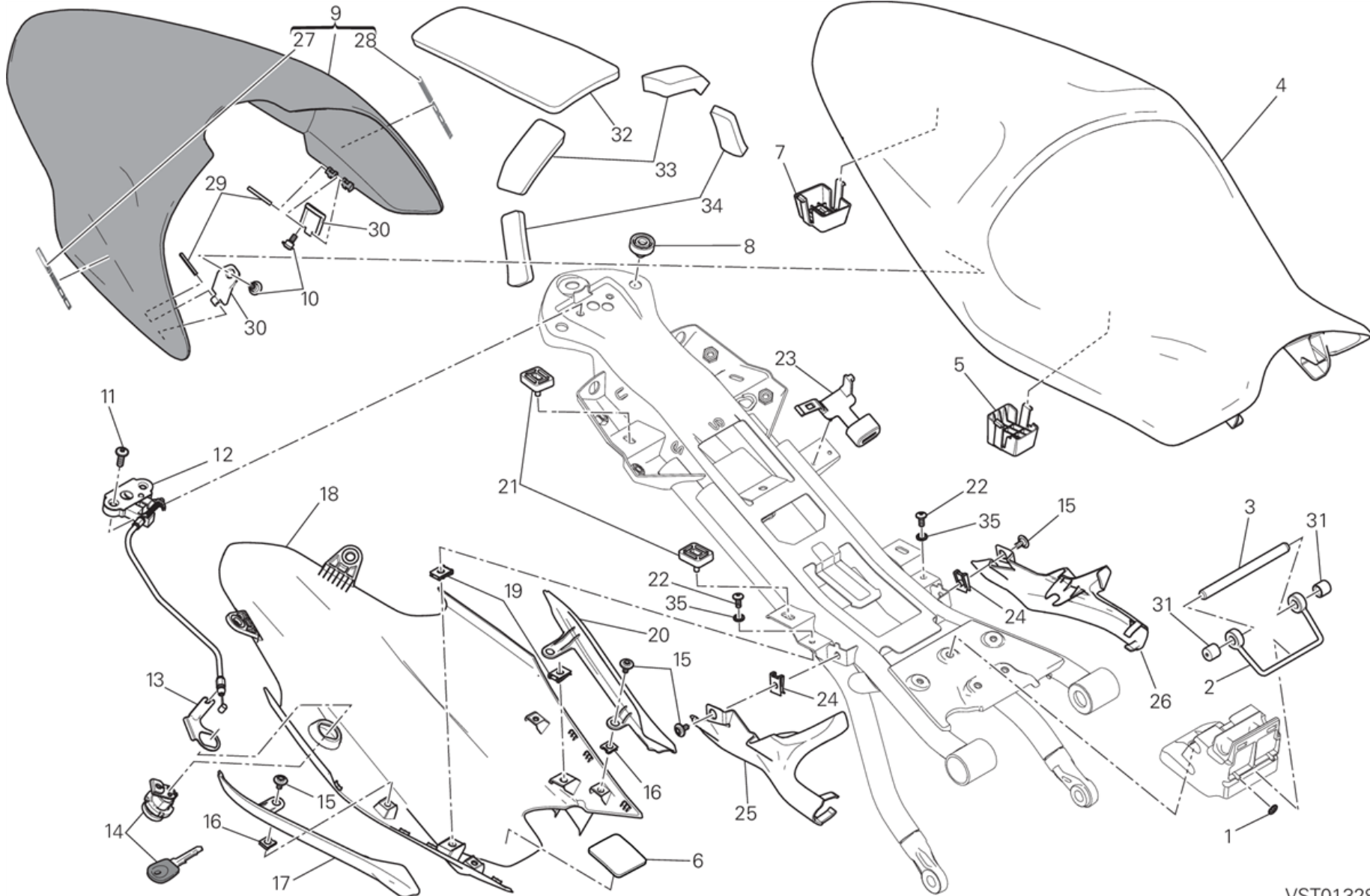
VST01328

DRAWING 033 - SEAT [MOD:M 1200]

GROUP FRAME



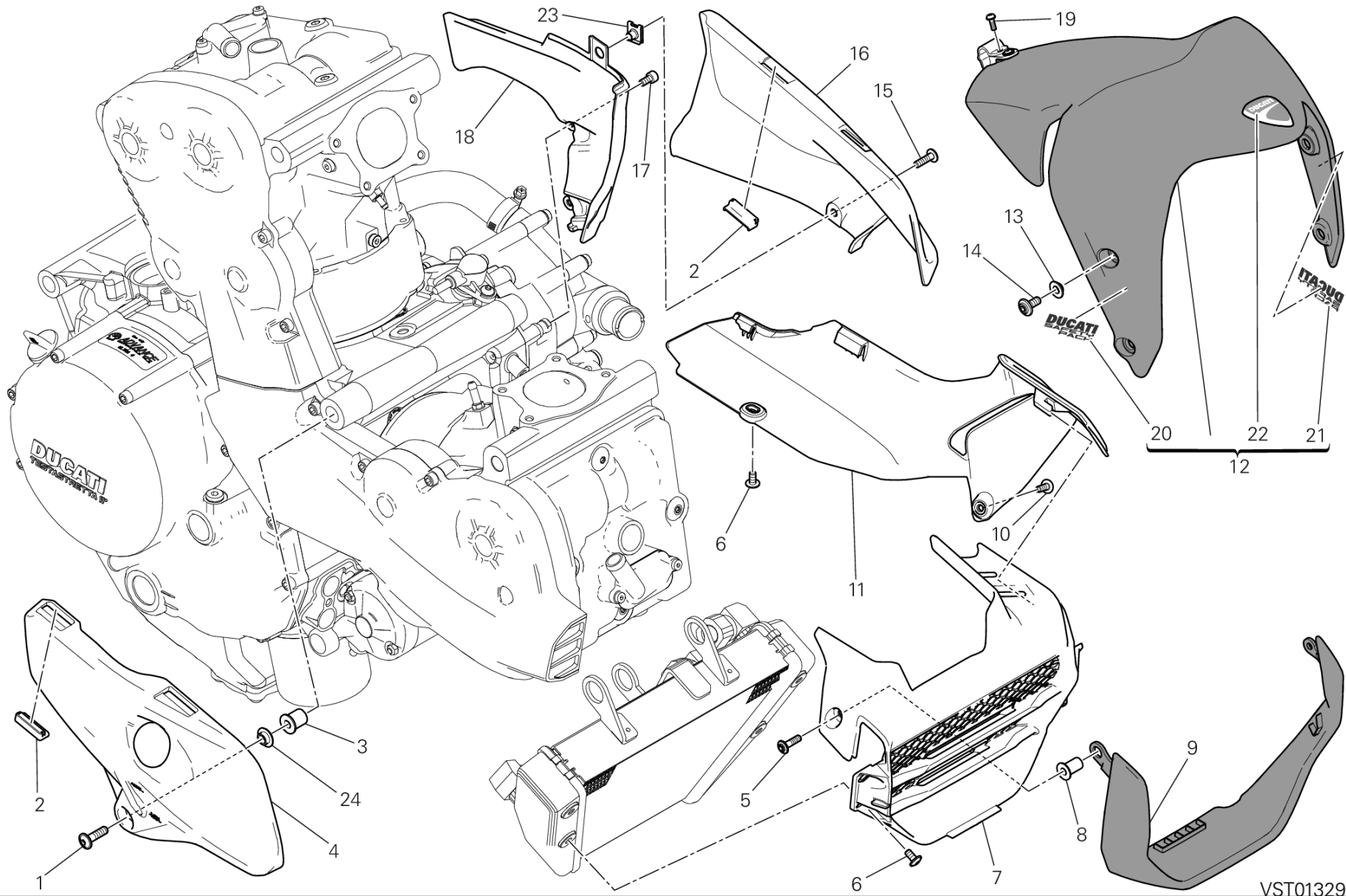
POS.	CODE	DESCRIPTION	QTY	START DATE	END DATE	VALIDITY	NOTES
1	85040561A	WASHER, LOCK	2	01/08/2013			
2	86611751C	CUSHION, SEAT	1	01/08/2013			
3	82114711CA	PIN	1	01/08/2013			
4	59512223A	SEAT	1	22/10/2013		MOD:M 1200;XST:AUS,BRA,EUR,FRA	
	59512281A	SEAT LOW	1	05/05/2014		MOD:M 1200;XST:CHN,EUR,JAP,TWN	
5	8291C362A	SEAT SUPPORT Front	1	22/10/2013			
6	86611811A	PAD BLACKBOX UNIT	1	01/08/2013			
7	8291C372A	SEAT SUPPORT	1	22/10/2013			
8	76410631B	RUBBER PAD	2	12/05/2014			
9	595P2241AA	COVER SEAT RED (Unit)	1	22/10/2013			
10	77210852A	SCREW TCEI M5X9	2	22/10/2013			
11	77240438C	SCREW TBEIF M6X18	2	01/08/2013			
12	59920101A	LOCK LATCH	1	01/08/2013			
13	83014401A	BRACKET, SEAT LOCK	1	01/08/2013			
14	59820572A	SEAT LOCK	1	04/04/2013			
15	77211251A	SCREW	8	22/10/2013			
16	85040471A	QUICK FASTENING M5	4	01/08/2013			
17	4601B241A	CAP RH	1	22/10/2013			
18	4601B223A	MUDFLAP BOTTOM	1	01/08/2013			
19	85040551A	QUICK FASTENING	2	01/08/2013			
20	4601B231A	CAP LH	1	22/10/2013			
21	86611701A	RUBBER PAD	4	01/08/2013			
22	77240263C	SCREW	2	01/08/2013			
23	74110401A	CLAMP	1	01/08/2013			
24	85041031A	NUT, SPRING M5	2	01/08/2013			
25	48211881A	COVER , FRAME RH	1	01/08/2013			
26	48211891A	COVER , FRAME LH	1	01/08/2013			
27	43511561A	RIGHT STICKER FOR RED	1	23/09/2013			
28	43511551A	LEFT STICKER FOR RED	1	23/09/2013			
29	86150251A	PIN, SPRING	2	22/10/2013			
30	83016241A	BRACKET	2	22/10/2013			
31	87210901A	PLUG	2				
32	86611891A	CUSHION, SEAT UPPER	1	05/05/2014			



VST01328



POS.	CODE	DESCRIPTION	QTY	START DATE	END DATE	VALIDITY	NOTES
33	86611881A	CUSHION, SEAT MIDDLE	2	05/05/2014			
34	86611871A	CUSHION, SEAT LOWER	2	05/05/2014			
35	85550001B	SPRING WASHER	2	12/05/2014			



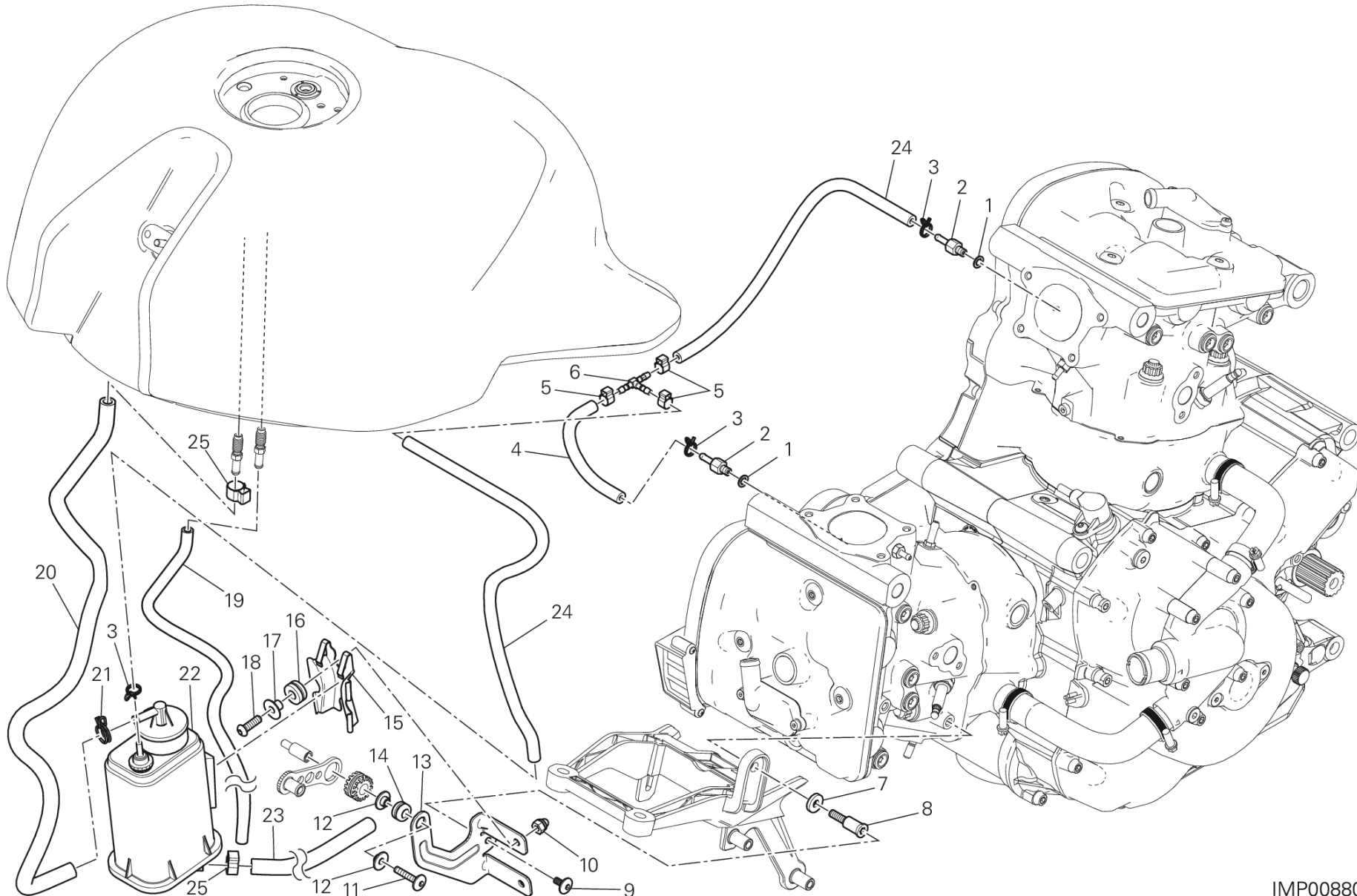
VST01329

DRAWING 034 - HALF FAIRING [MOD:M 1200]

GROUP FRAME



POS.	CODE	DESCRIPTION	QTY	START DATE	END DATE	VALIDITY	NOTES
1	77240453C	SCREW TBEIF M6X22 10.9	1	22/10/2013			
2	76411881A	RUBBER PAD	4	22/10/2013			
3	85041121A	BUSH	1	22/10/2013			
4	48211861B	RIGHT COVER	1	22/10/2013			
5	77210861B	SCREW TBEI M5X18	2	22/10/2013			
6	77240258C	SCREW	5	22/10/2013			
7	48016062A	RADIATOR PROTECTION	1	22/10/2013			
8	85040821A	THREADED INSERT	2	22/10/2013			
9	48016072AA	RADIATOR PROTECTION RED	1	22/10/2013			
10	77211091A	SCREW TBEI M5X12	1	22/10/2013			
11	48016081A	COVER, LOWER LEFT	1	22/10/2013			
12	564P1082AA	FRONT MUDGUARD ASSEMBLY RED	1	23/09/2013			
13	71614011B	SPACER 6.2X8.5X14	4	22/10/2013			
14	77210893B	SCREW	4	22/10/2013			
15	77240253C	SCREW	1	11/07/2014			
16	48211871A	LEFT COVER UPPER	1	22/10/2013			
17	77150388B	SCREW TCEI M5X10	2	22/10/2013			
18	75810811A	COVER, WIRE HARNESS LEFT	1	22/10/2013			
19	77440101A	SCREW, TAPPING 3.5X10	1	22/10/2013			
20	43713511A	DECAL DUCATI SAFETY PACK R.H.	1	23/09/2013			
21	43713501A	DECAL DUCATI SAFETY PACK L.H.	1	23/09/2013			
22	43814751A	EMBLEM DUCATI	1	23/09/2013			
23	85040471A	QUICK FASTENING M5	1	01/10/2013			
24	71614811AA	SPACER	1	22/10/2013			



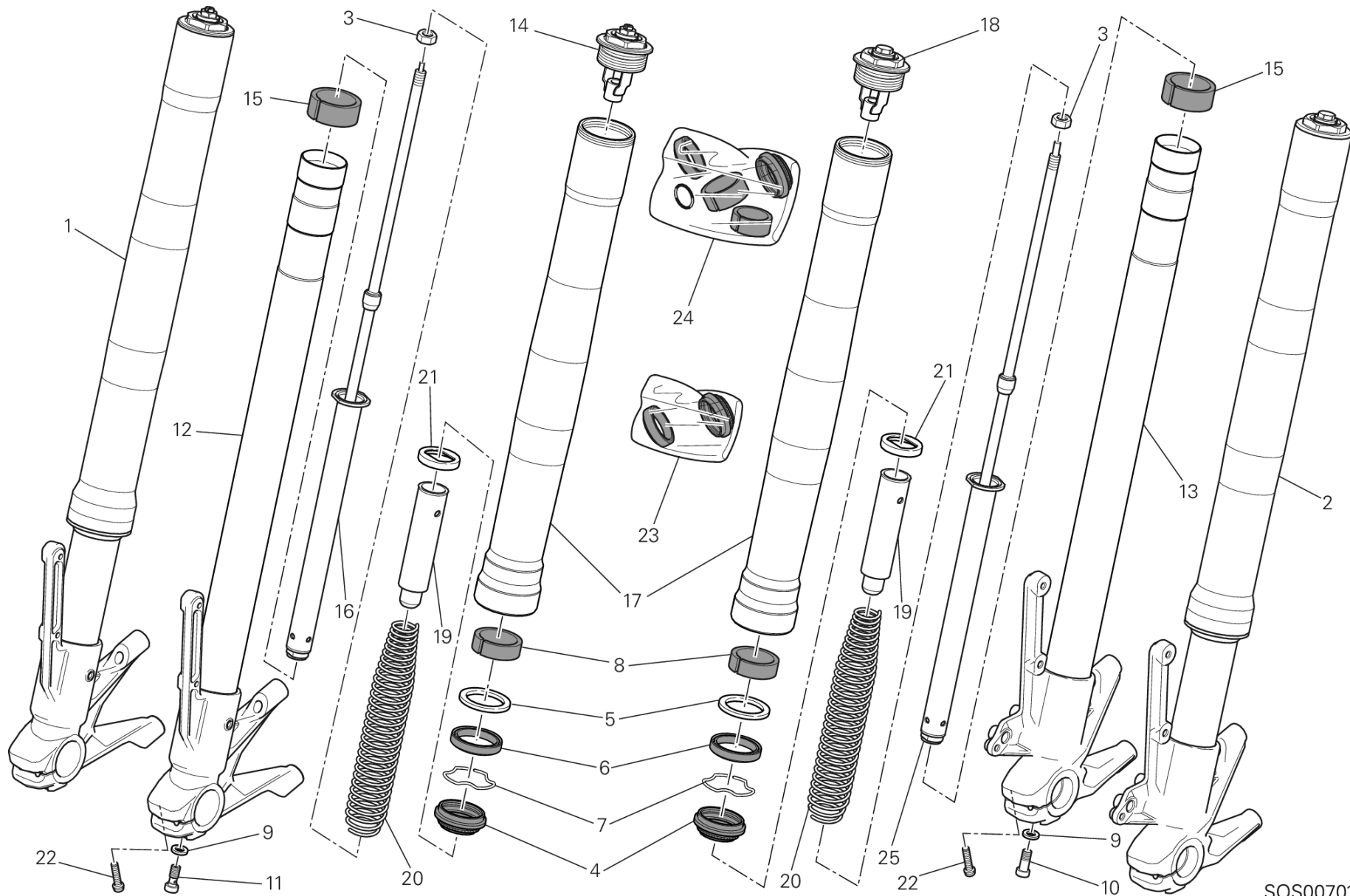
IMP00880

DRAWING 035 - HOT AIR PIPE CANISTER [MOD:M 1200;XST:CHN,TWN]

GROUP FRAME



POS.	CODE	DESCRIPTION	QTY	START DATE	END DATE	VALIDITY	NOTES
1	85250231A	GASKET	2	26/02/2013			
2	81411113B	NIPPLE, HOSE	2	26/02/2013			
3	74140431A	CLAMP	3	22/10/2013			
4	59013091B	PIPE	1	24/12/2009			
5	74140581A	CLAMP	3	24/12/2009			
6	81411831A	THREE-WAYS UNION	1	24/12/2009			
7	85212751A	SPACER	1	22/10/2013			
8	77918971AA	SCREW, SPECIAL	1	22/10/2013			
9	77510651A	SCREW	1	22/10/2013			
10	74910021A	NUT, CAP M6	2	01/08/2013			
11	77510711AA	SCREW	1	22/10/2013			
12	71614291A	SPACER	2	22/10/2013			
13	8291C551AA	BRACKET, CANISTER	1	01/08/2013			
14	75840661A	FAIRLEAD	1	01/08/2013			
15	82711571A	PLATE	1	01/08/2013			
16	76410291A	RUBBER PAD	2	01/08/2013			
17	71610431C	SPACER	2	01/08/2013			
18	77550271A	SCREW	2	01/08/2013			
19	59017821A	HOSE, DRAIN	1	22/10/2013			
20	59013121B	PIPE	1	22/10/2013			
21	74140571A	CLAMP	1	22/10/2013			
22	42610351A	CANISTER FILTER	1	01/08/2013			
23	59017831A	BREATHING PIPE	1	01/09/2013			
24	59013101A	HOSE 4X9X280	2	24/12/2009			
25	74140631A	CLAMP	2	22/10/2013			



SOS00701

DRAWING 21A - FRONT FORK [MOD:M 1200;XST:AUS,BRA,EUR,FRA,JAP,TWN]

GROUP FRAME

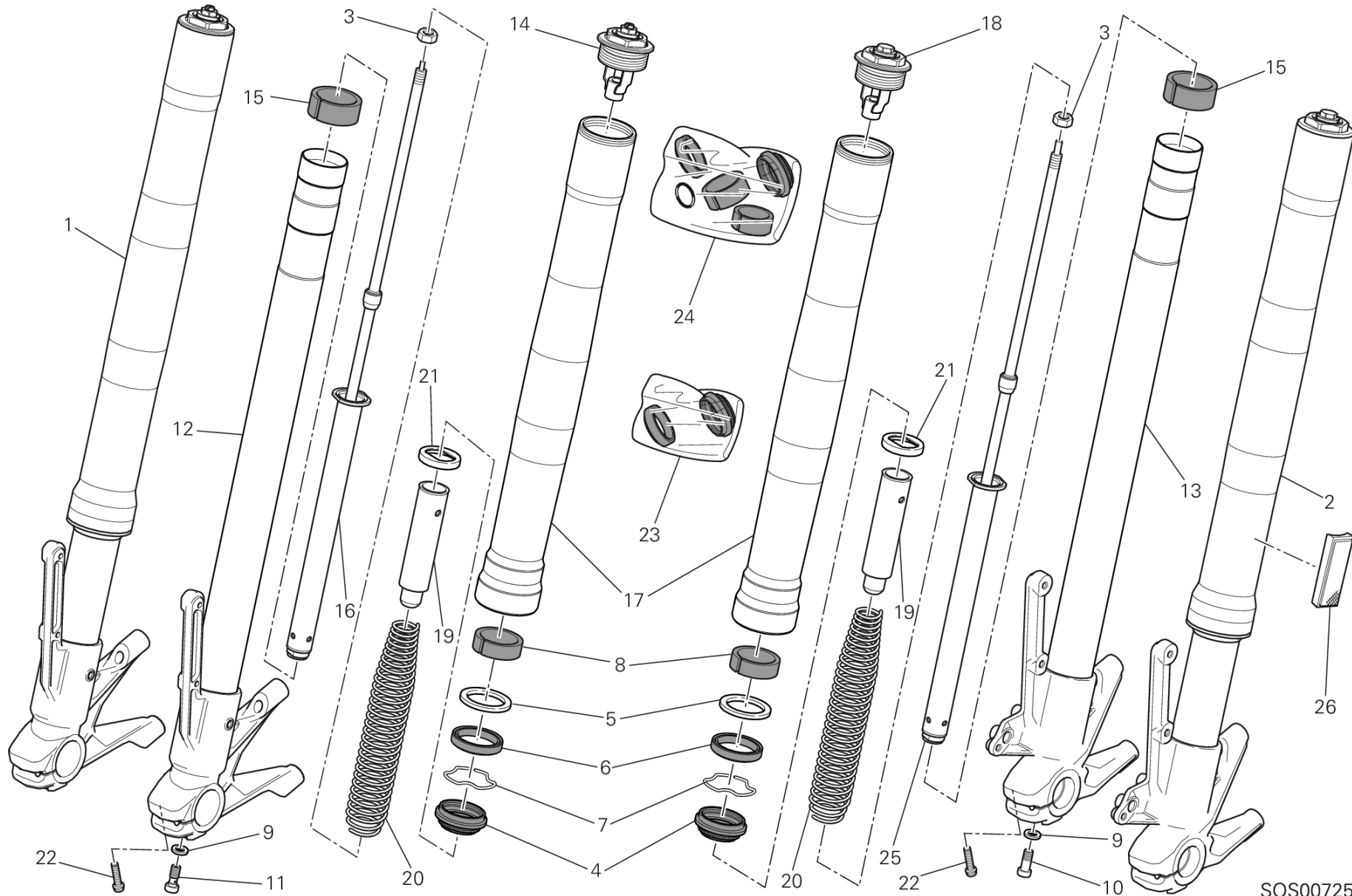


POS.	CODE	DESCRIPTION	QTY	START DATE	END DATE	VALIDITY	NOTES
1	34420581B	RIGHT FORK LEG ASSY	1	01/08/2013			
2	34520581B	LEFT FORK LEG ASSY	1	01/08/2013			
3	34913621A	NUT	2	10/01/2014			
4	34913531A	DUST COVER	2	10/01/2014			
5	34913561A	WASHER	2	10/01/2014			
6	34913551A	SEAL RING	2	10/01/2014			
7	34913541A	STOP RING	2	10/01/2014			
8	34913571A	LOWER BUSH	2	10/01/2014			
9	34913601A	WASHER	2	10/01/2014			
10	34913611A	SCREW	1	10/01/2014			
11	34914231A	SCREW, SPECIAL	1				
12	34921761A	FORK BOTTOM END + SLEEVE UNIT (R.H.)	1	10/01/2014			
13	34921751A	FORK BOTTOM END + SLEEVE UNIT (L.H.)	1	10/01/2014			
14	34921721A	CAP,FORK TOP RIGHT	1	10/01/2014			
15	34913581A	UPPER BUSHING	2	10/01/2014			
16	34921741A	COMPLETE PUMPING ELEMENT, RIGHT	1	10/01/2014			
17	34914271A	STANCHION TUBE	2	10/01/2014			
18	34921711A	CAP,FORK TOP LEFT	1	10/01/2014			
19	34914241A	PRELOAD TUBE	2	10/01/2014			
20	34914261A	FORK SPRING	2	10/01/2014			
21	34914251A	WASHER, SPECIAL	2	10/01/2014			
22	77156693B	SCREW	4	01/08/2013			
23	34921051A	SEAL KIT	2				
24	34921041A	OVERHAUL KIT	2				
25	34921731A	COMPLETE PUMPING ELEMENT, LEFT	1	10/01/2014			



DRAWING 21A - FRONT FORK [MOD:M 1200;XST:CHN]

GROUP FRAME



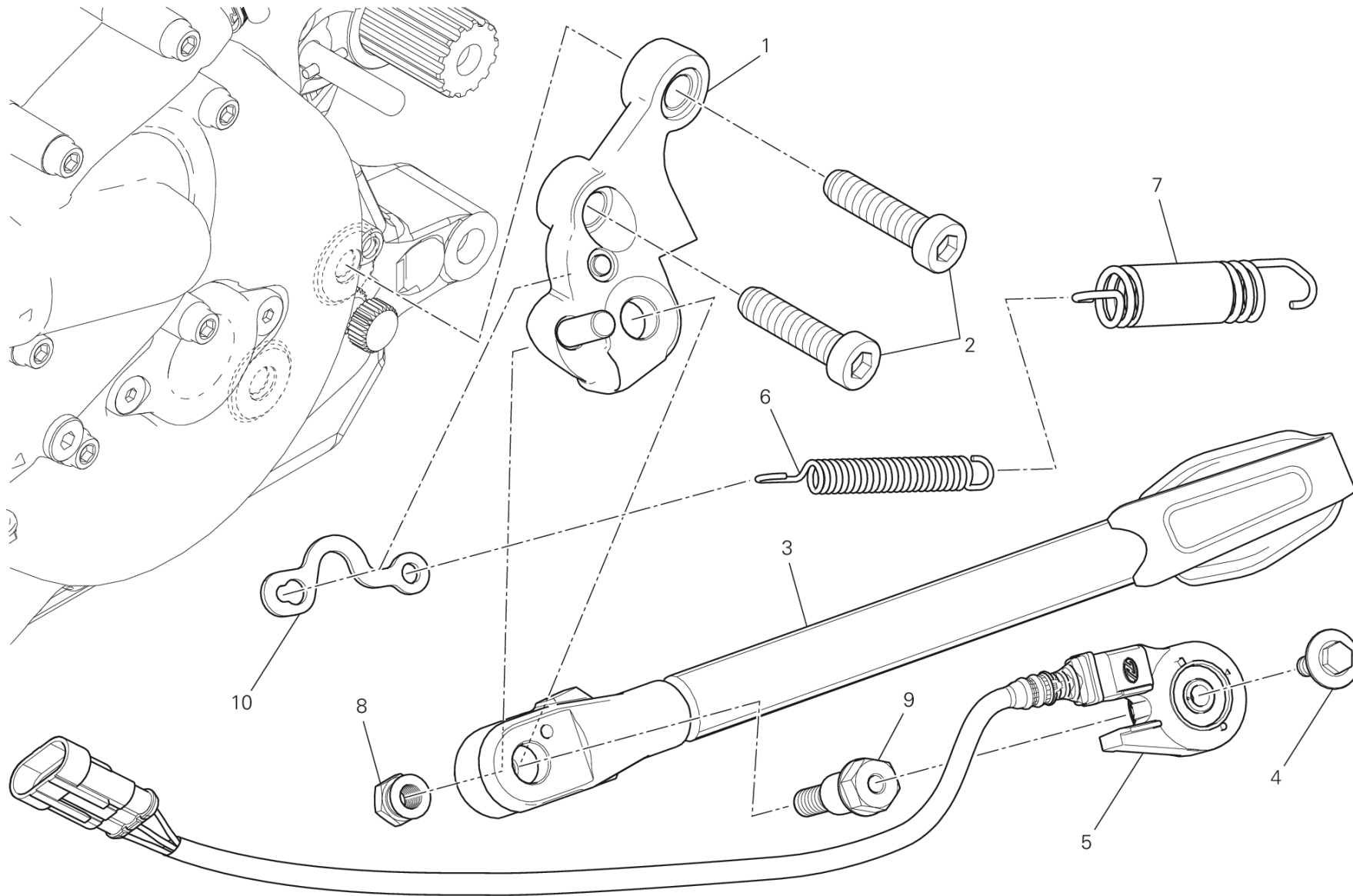
SOS00725

DRAWING 21A - FRONT FORK [MOD:M 1200;XST:CHN]

GROUP FRAME



POS.	CODE	DESCRIPTION	QTY	START DATE	END DATE	VALIDITY	NOTES
1	34420581B	RIGHT FORK LEG ASSY	1	01/08/2013			
2	34520581B	LEFT FORK LEG ASSY	1	01/08/2013			
3	34913621A	NUT	2	10/01/2014			
4	34913531A	DUST COVER	2	10/01/2014			
5	34913561A	WASHER	2	10/01/2014			
6	34913551A	SEAL RING	2	10/01/2014			
7	34913541A	STOP RING	2	10/01/2014			
8	34913571A	LOWER BUSH	2	10/01/2014			
9	34913601A	WASHER	2	10/01/2014			
10	34913611A	SCREW	1	10/01/2014			
11	34914231A	SCREW, SPECIAL	1				
12	34921761A	FORK BOTTOM END + SLEEVE UNIT (R.H.)	1	10/01/2014			
13	34921751A	FORK BOTTOM END + SLEEVE UNIT (L.H.)	1	10/01/2014			
14	34921721A	CAP,FORK TOP RIGHT	1	10/01/2014			
15	34913581A	UPPER BUSHING	2	10/01/2014			
16	34921741A	COMPLETE PUMPING ELEMENT, RIGHT	1	10/01/2014			
17	34914271A	STANCHION TUBE	2	10/01/2014			
18	34921711A	CAP,FORK TOP LEFT	1	10/01/2014			
19	34914241A	PRELOAD TUBE	2	10/01/2014			
20	34914261A	FORK SPRING	2	10/01/2014			
21	34914251A	WASHER, SPECIAL	2	10/01/2014			
22	77156693B	SCREW	4	01/08/2013			
23	34921051A	SEAL KIT	2				
24	34921041A	OVERHAUL KIT	2				
25	34921731A	COMPLETE PUMPING ELEMENT, LEFT	1	10/01/2014			
26	52910012A	REFLEX REFLECTOR AMBER	2	01/08/2013			



TEI 00814

DRAWING 22A - SIDE STAND [MOD:M 1200]

GROUP FRAME



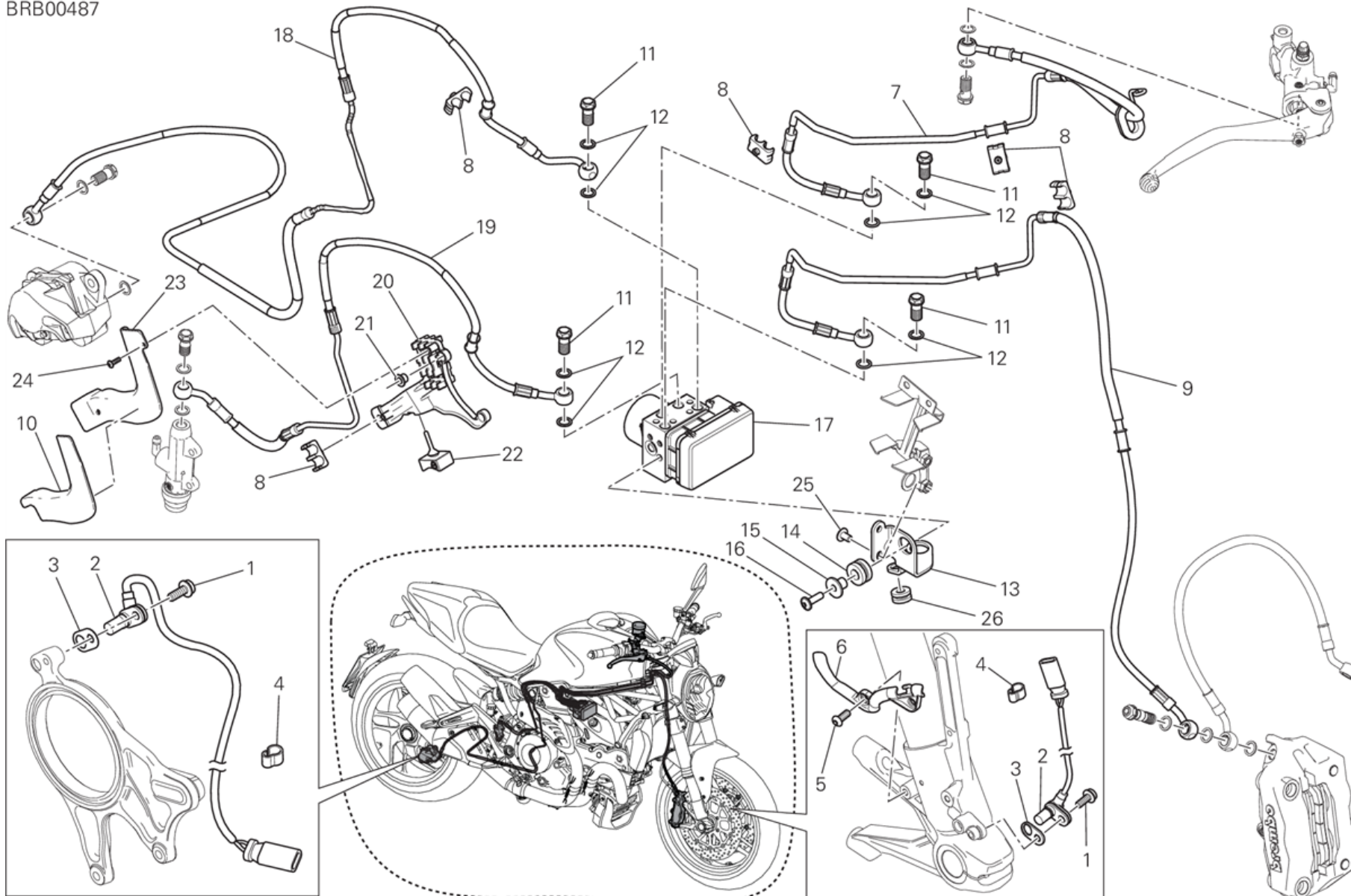
POS.	CODE	DESCRIPTION	QTY	START DATE	END DATE	VALIDITY	NOTES
1	55610791C	BRACKET, SIDE STAND	1	02/10/2013			
2	77355213C	SCREW TCEIR M10X40 DIN6912 10.9	2	22/10/2013			
3	55610801C	SIDE STAND	1	02/10/2013			
4	77940053A	SCREW	1	05/05/2014	01/09/2014		
5	53910341A	SWITCH ASSY, SIDE STAND	1	10/01/2014			
6	79910891C	INNER SPRING	1	02/10/2013			
7	79920881C	COMPLETE SPRING	1	02/10/2013			
8	75010481A	NUT	1	02/10/2013			
9	82114611A	AXLE, SIDE STAND	1	02/10/2013			
10	82912602A	PLATE	1	02/10/2013			



DRAWING 24A - ANTILOCK BRAKING SYSTEM (ABS) [MOD:M 1200]

GROUP FRAME

BRB00487



DRAWING 24A - ANTILOCK BRAKING SYSTEM (ABS) [MOD:M 1200]

GROUP FRAME

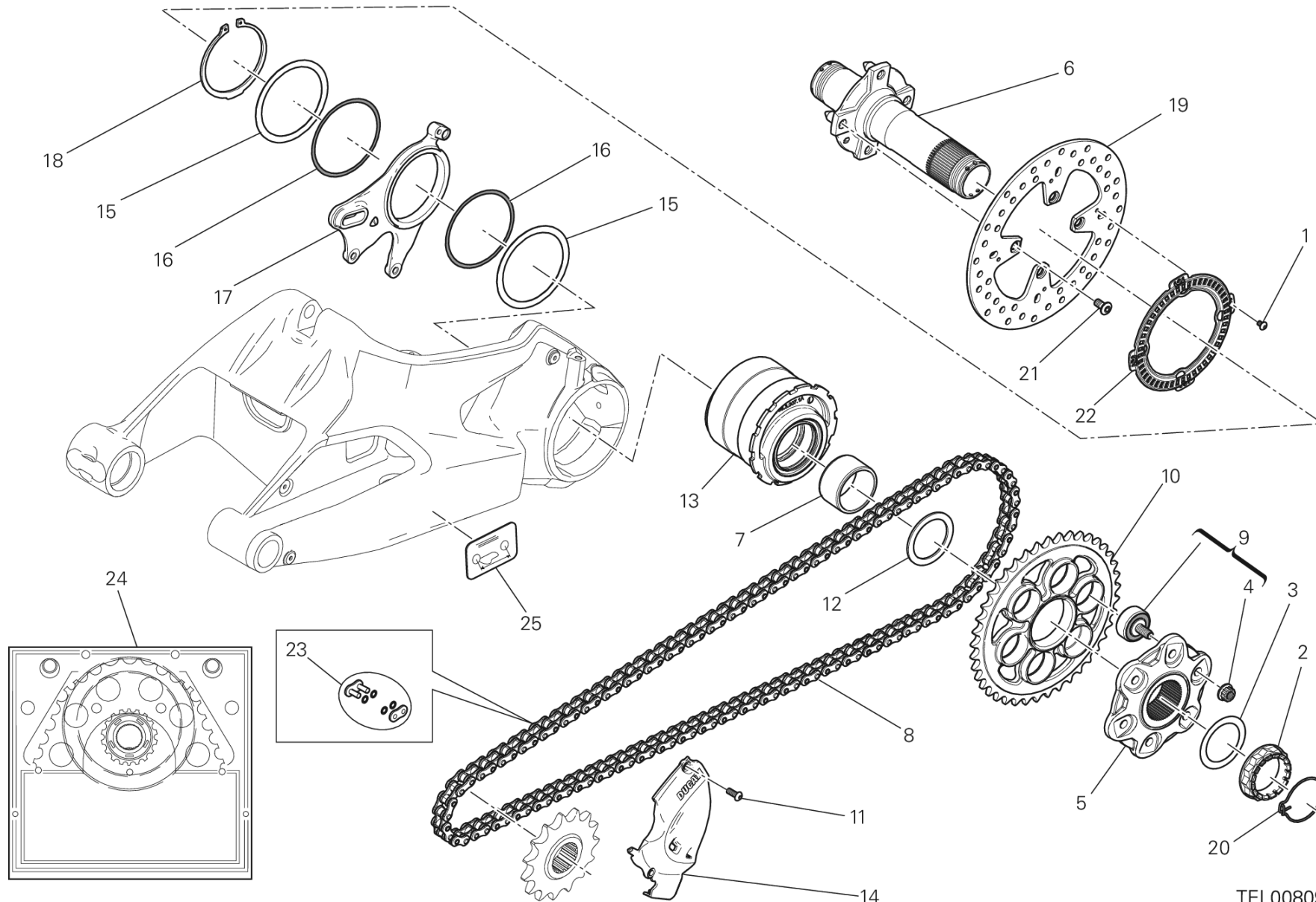


POS.	CODE	DESCRIPTION	QTY	START DATE	END DATE	VALIDITY	NOTES
1	77110401B	SCREW	2	22/10/2013			
2	55212111B	SENSOR, SPEED	2	22/10/2013			
3	71314901A	GASKET TH.02	2	22/10/2013			
	71319201A	GASKET 0.5 MM	6	22/10/2013			
4	75840601A	FAIRLEAD	10	22/10/2013			
5	77550213C	SCREW TBEI M6X16	2	01/08/2013			
6	75810642A	FAIRLEAD	1	01/08/2013			
7	61810531B	FRONT MASTER CYLINDER - CPU LINE	1	20/09/2013			
8	86611121A	RUBBER PAD	5	22/10/2013			
9	61810522B	CPU - FRONT CALIPERS LINE	1	20/09/2013			
10	4601A871A	HEAT GUARD	1	22/10/2013			
11	77913662AB	BOLT, BRAKE HOSE	4	20/09/2013			
12	85250241A	WASHER 10X14X1	8	20/09/2013			
13	83018181AA	BRACKET	1	22/10/2013			
14	76410641A	VIBRATION DAMPER PAD	2	22/10/2013			
15	71610031A	SPACER	2	22/10/2013			
16	77240443C	SCREW	2	22/10/2013			
17	54240451B	CONTROL UNIT ABS	1	20/01/2014			
18	61910492B	CPU - REAR CALIPER LINE	1	20/09/2013			
19	61910482B	REAR MASTER CYLINDER - CPU LINE	1	20/09/2013			
20	83018341B	BRACKET, BRAKE HOSE	1	22/10/2013			
21	71614581AA	SPACER	2	22/10/2013			
22	76411711A	RUBBER PAD	1	22/10/2013			
23	8291C141A	COVER	1	22/10/2013			
24	77440111A	SCREW	2	22/10/2013			
25	77211021A	SCREW TBEIF M6X10	2	22/10/2013			
26	76411141A	VIBRATION DAMPER PAD	1	22/10/2013			



DRAWING 26A - REAR WHEEL SPINDLE [MOD:M 1200]

GROUP FRAME



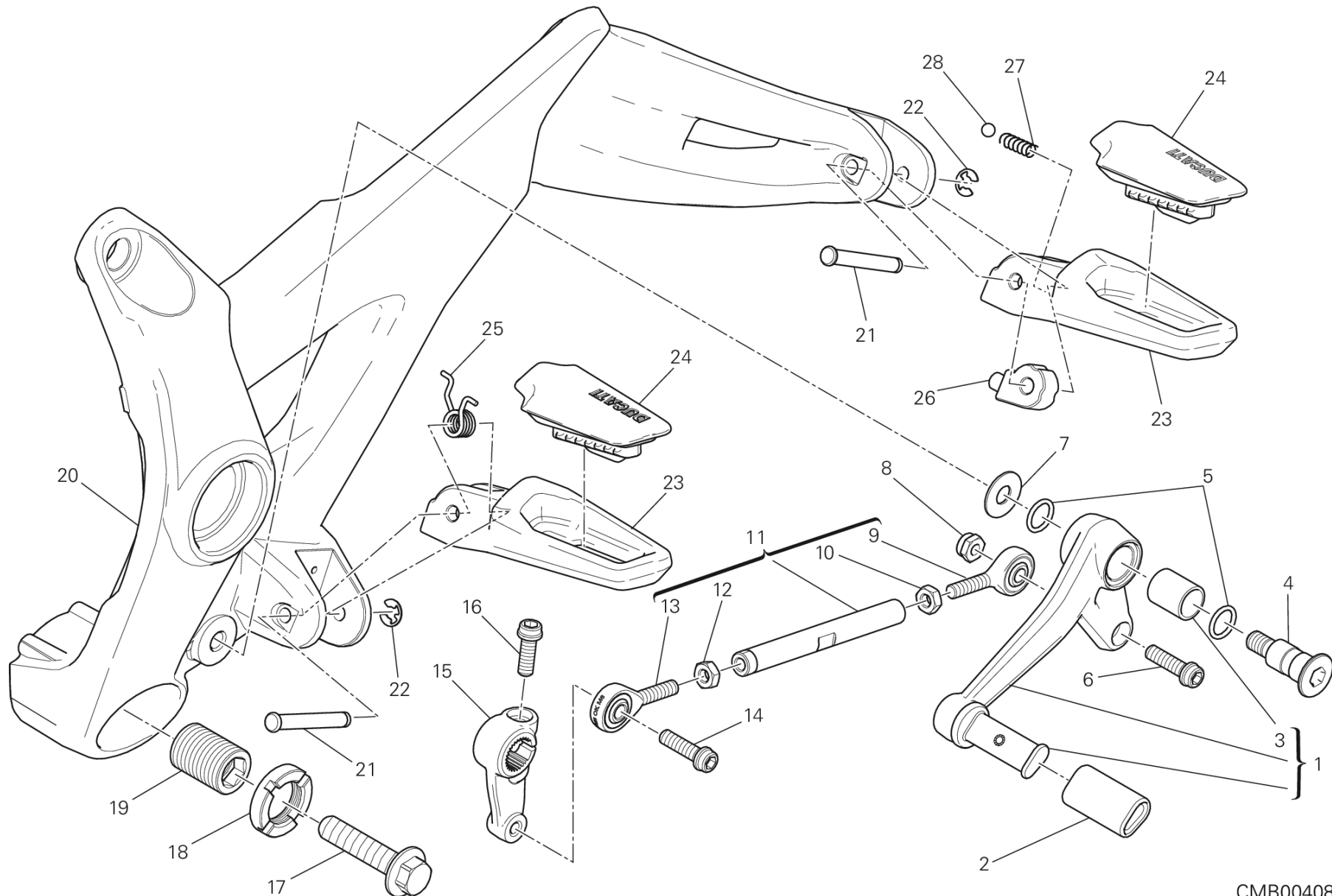
TEL00809

DRAWING 26A - REAR WHEEL SPINDLE [MOD:M 1200]

GROUP FRAME



POS.	CODE	DESCRIPTION	QTY	START DATE	END DATE	VALIDITY	NOTES
1	72050159EA	SCREW	4	22/10/2013			
2	75011391A	NUT	1				
3	85212211A	WASHER 48.5X65X0.5	1				
4	74810461A	NUT, FLANGE M10X1	6				
5	16014201A	REAR SPROCKET FLANGE	1				
6	81920021B	REAR WHEEL SPINDLE	1				
7	88110541A	INNER SPACER	1				
8	67640901A	CHAIN 107+1	1	22/10/2013			
9	70090563A	ABSORBER, HUB SHOCK	6				
10	49411621AA	REAR SPROCKET T41	1	24/05/2013			
11	77550213C	SCREW TBEI M6X16	2	22/10/2013			
12	71410751A	SPACER	1				
13	75620131A	HUB	1				
14	46016351A	CHAIN PINION COVER	1	22/10/2013			
15	85212171A	WASHER 85.5X101X1	2				
16	88641241A	O-RING 89.5X3	2				
17	82510491AA	BRACKET, REAR CALIPER	1	01/08/2013			
18	88440511A	CIRCLIP 85X3	1				
19	49210061A	REAR BRAKE DISC	1				
20	75910222A	CLIP	1				
21	77918261AA	SCREW	4	22/10/2013			
22	50410071A	REAR PHONIC WHEEL	1	22/10/2013			
23	67740181A	CHAIN LINK	1				
24	67620891A	FINAL DRIVE KIT	1				
25	43313961A	CHAIN ADJUSTMENT STICKER	1			XST:AUS,BRA,CHN,EUR,FRA,TWN	(EU - USA)
	43313961B	CHAIN ADJUSTMENT STICKER	1			XST:JAP	(JAP)



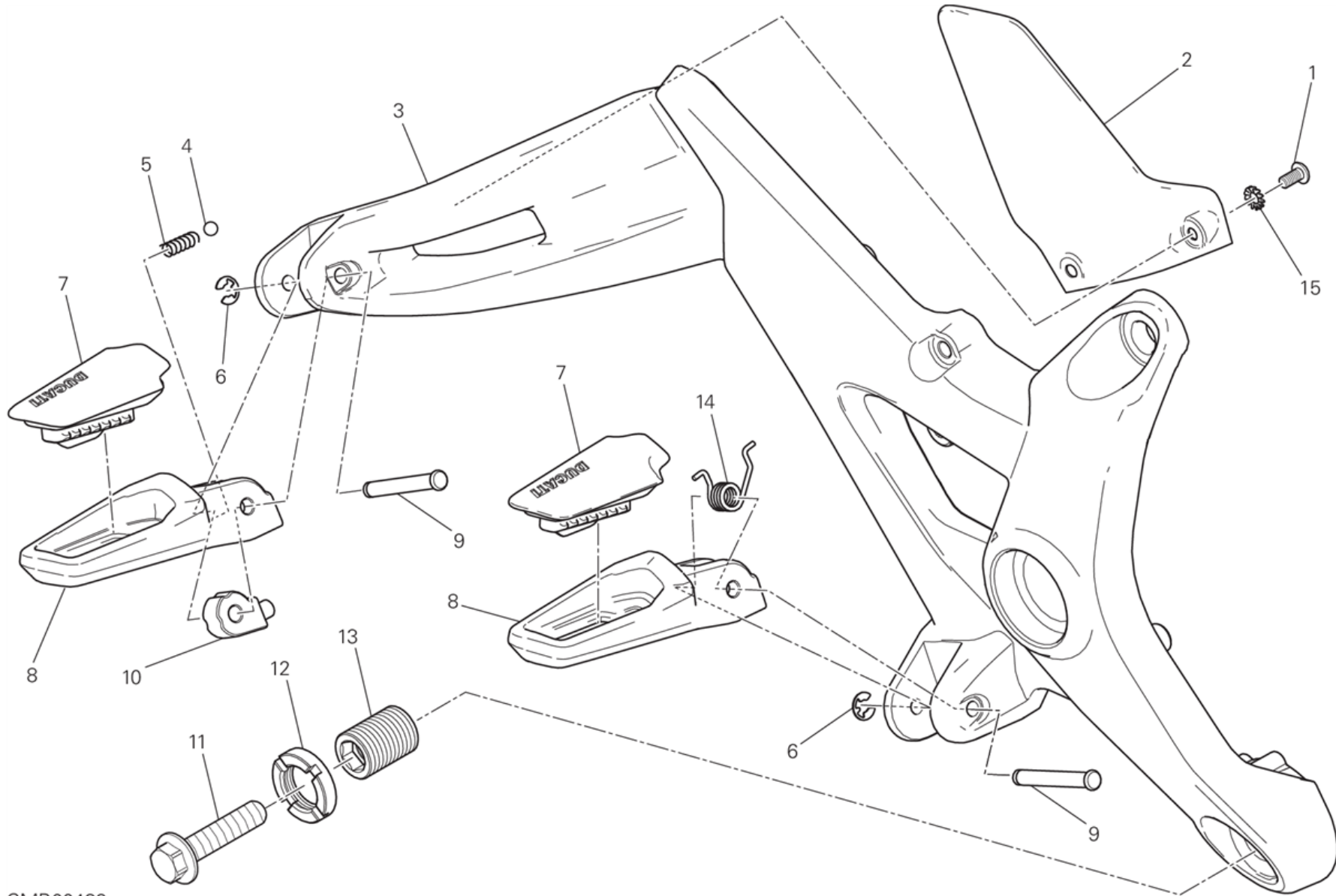
CMB00408

DRAWING 27A - FOOTRESTS, LEFT [MOD:M 1200]

GROUP FRAME



POS.	CODE	DESCRIPTION	QTY	START DATE	END DATE	VALIDITY	NOTES
1	45622071CA	GEARCHANGE LEVER (Unit)	1	13/01/2014			
2	76410112A	COVER PEDAL	1				
3	71210341A	BUSH	1	01/03/2013			
4	82111701CA	PIN PEDAL	1	14/10/2013			
5	88641161A	O-RING	2	14/10/2013			
6	77156688B	SCREW TCEIF M6X22X18	1	14/10/2013			
7	85210532A	WASHER 8.2X20X1	1	14/10/2013			
8	74940041A	NUT, SELF-LOCKING M6	1	14/10/2013			
9	84850021A	BALL JOINT, RIGHT	1	14/10/2013			
10	74750101A	NUT 6MM	1	14/10/2013			
11	11721442AA	GEARBOX DRIVING ROD (Unit)	1	14/10/2013			
12	74750011AB	NUT, LEFT THREAD M6	1	14/10/2013			
13	84850011A	BALL JOINT, LEFT	1	14/10/2013			
14	77113691A	SCREW TCEIF M6X12	1	19/09/2013			
15	45612071AA	GEAR CONTROL LEVER GRAY	1	14/10/2013			
16	77110191A	SCREW TCEIF M6X20	1	05/05/2014			
17	77253988C	SCREW	1	22/10/2013			
18	70310512AA	RING NUT	1	14/10/2013			
19	77916411A	THREADED DOWEL	1	14/10/2013			
20	82412292AB	L.H. FOOT PEG HOLDER PLATE	1	14/10/2013			
21	82115001AA	FOOTREST PIN	2	07/02/2014			
22	88450441A	CIRCLIP	2	18/11/2014			
23	46410921CA	LEFT FOOTREST	2	14/10/2013			
24	76510081D	FOOT PEG RUBBER COVER L.H.	2	14/10/2013			
25	79914991A	SPRING. FOOTREST	1	14/10/2013			
26	69610131A	SPRING RETAINER	1	14/10/2013			
27	79910241A	SPRING	1	14/10/2013			
28	84740021A	BALL	1	14/10/2013			



CMB00439

DRAWING 27B - FOOTRESTS, RIGHT [MOD:M 1200]

GROUP FRAME

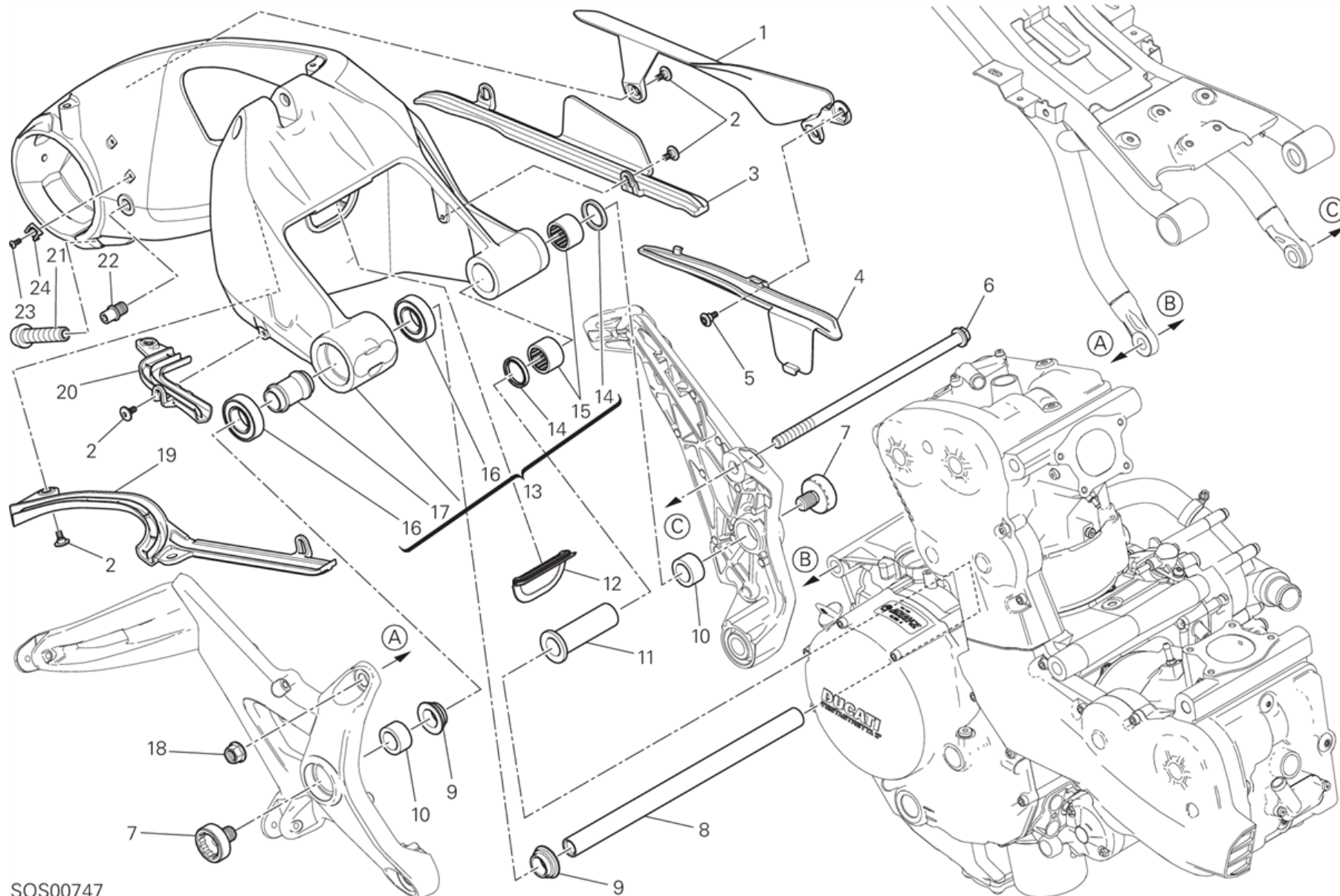


POS.	CODE	DESCRIPTION	QTY	START DATE	END DATE	VALIDITY	NOTES
1	77510511A	SCREW TBEI M5X10	2	05/05/2014			
2	4601A932A	HEEL GUARD R.H.	1	22/10/2013			
3	82412282BB	R.H. FOOT PEG HOLDER PLATE	1	19/09/2013			
4	84740021A	BALL	1	19/09/2013			
5	79910241A	SPRING	1	19/09/2013			
6	88450441A	CIRCLIP	1	18/11/2014			
7	76510071D	FOOT PEG RUBBER COVER R.H.	2	19/09/2013			
8	46410911CA	RIGHT FOOTREST	2	19/09/2013			
9	82115001AA	FOOTREST PIN	2	07/02/2014			
10	69610131A	SPRING RETAINER	1	19/09/2013			
11	77253988C	SCREW	1	22/10/2013			
12	70310512AA	RING NUT	1	19/09/2013			
13	77916411A	THREADED DOWEL	1	19/09/2013			
14	79914991A	SPRING. FOOTREST	1	19/09/2013			
15	46240461A	WASHER, SPRING	2	05/05/2014			



DRAWING 28A - FORCELLONE POSTERIORE [MOD:M 1200;XST:BRA,CHN,EUR,FRA,JAP,TWN]

GROUP FRAME



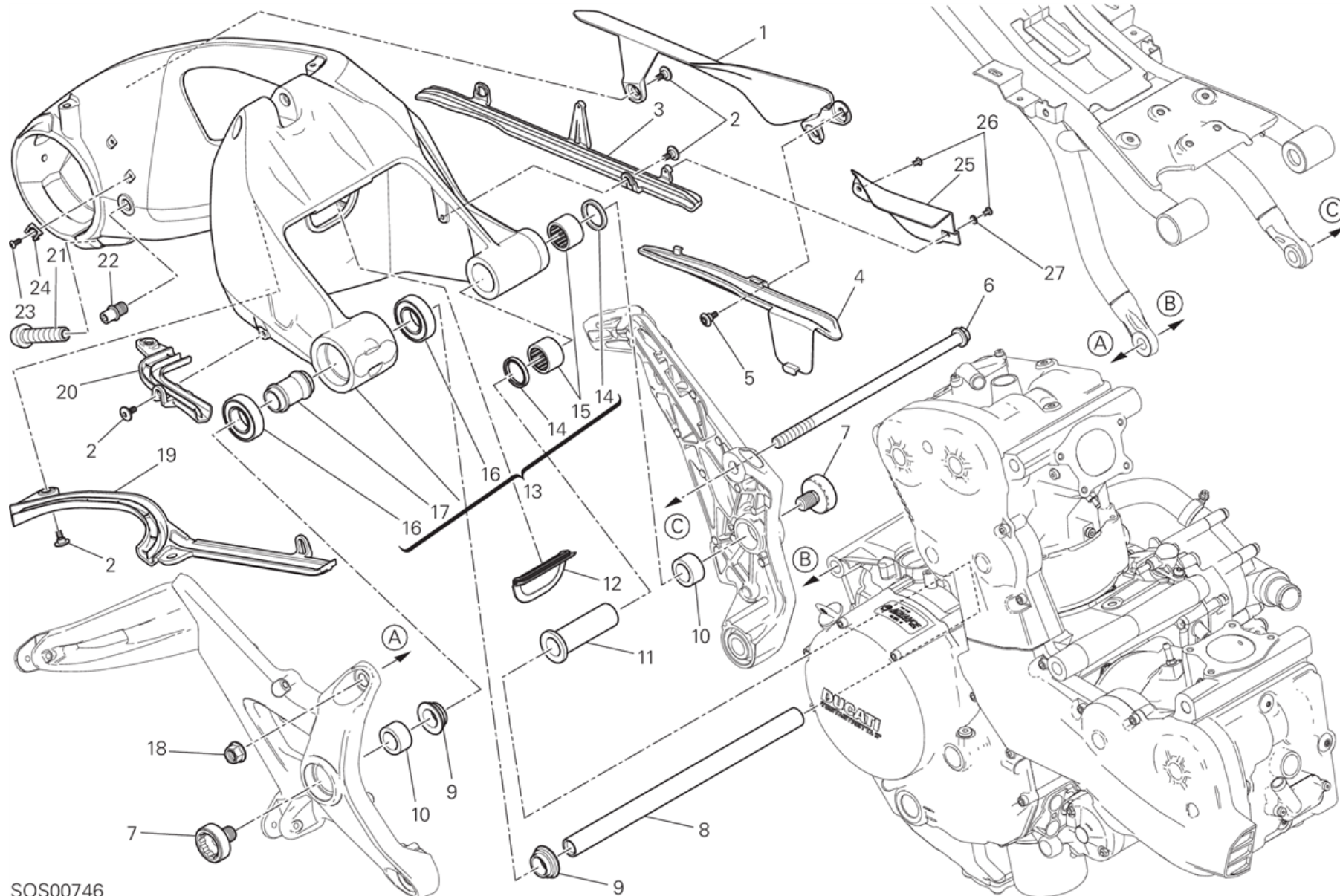
SOS00747

DRAWING 28A - FORCELLONE POSTERIORE [MOD:M 1200;XST:BRA,CHN,EUR,FRA,JAP,TWN]



GROUP FRAME

POS.	CODE	DESCRIPTION	QTY	START DATE	END DATE	VALIDITY	NOTES
1	44610251A	CHAIN GUARD	1	01/08/2013			
2	77914871C	SCREW	7	01/08/2013			
3	44711101A	LOWER CHAIN SLIDING SHOE	1	01/08/2013			
4	44711091A	UPPER CHAIN SLIDING SHOE	1	01/08/2013			
5	77210842A	SCREW TCEI M5X8.5	2	01/08/2013			
6	77918431AA	SCREW, SPECIAL	1	22/10/2013			
7	77918421AB	SCREW, SPECIAL	2	22/10/2013			
8	36911341AA	AXLE, REAR SWING ARM	1	22/10/2013			
9	71210301A	RIGHT SPACER	2	22/10/2013			
10	71210491AA	SPACER	2	22/10/2013			
11	71011891A	BUSHING	1	01/08/2013			
12	87210751A	CAP, SWINGARM COVER	1	01/08/2013			
13	37021381BA	COMPLETE SWINGARM	1	01/08/2013			
14	93050121A	SEAL RING	2	01/08/2013			
15	70140171A	BEARING, NEEDLE	2	01/08/2013			
16	70250451A	BEARING	2	01/08/2013			
17	7131A211AA	INNER SPACER	1	01/08/2013			
18	74841011AA	NUT	1	05/05/2014			
19	44711112A	CHAIN SLIDER	1	01/08/2013			
20	83018271A	GUIDE, HOSE	1	22/10/2013			
21	77918251AA	SCREW, SPECIAL	1	01/08/2013			
22	83210031E	PIN	1	01/08/2013			
23	77550221A	SCREW TBEI M4X10	2	22/10/2013			
24	85041711A	HOSE GUIDE	2	23/10/2013			



SOS00746

DRAWING 28A - FORCELLONE POSTERIORE [MOD:M 1200;XST:AUS]

GROUP FRAME



POS.	CODE	DESCRIPTION	QTY	START DATE	END DATE	VALIDITY	NOTES
1	44610251A	CHAIN GUARD	1	01/08/2013			
2	77914871C	SCREW	7	01/08/2013			
3	44711331A	LOWER CHAIN SLIDING SHOE	1	31/01/2014			
4	44711091A	UPPER CHAIN SLIDING SHOE	1	01/08/2013			
5	77210842A	SCREW TCEI M5X8.5	2	01/08/2013			
6	77918431AA	SCREW, SPECIAL	1	22/10/2013			
7	77918421AB	SCREW, SPECIAL	2	22/10/2013			
8	36911341AA	AXLE, REAR SWING ARM	1	22/10/2013			
9	71210301A	RIGHT SPACER	2	22/10/2013			
10	71210491AA	SPACER	2	22/10/2013			
11	71011891A	BUSHING	1	01/08/2013			
12	87210751A	CAP, SWINGARM COVER	1	01/08/2013			
13	37021381BA	COMPLETE SWINGARM	1	01/08/2013			
14	93050121A	SEAL RING	2	01/08/2013			
15	70140171A	BEARING, NEEDLE	2	01/08/2013			
16	70250451A	BEARING	2	01/08/2013			
17	7131A211AA	INNER SPACER	1	01/08/2013			
18	74841011AA	NUT	1	05/05/2014			
19	44711112A	CHAIN SLIDER	1	01/08/2013			
20	83018271A	GUIDE, HOSE	1	22/10/2013			
21	77918251AA	SCREW, SPECIAL	1	01/08/2013			
22	83210031E	PIN	1	01/08/2013			
23	77550221A	SCREW TBEI M4X10	2	22/10/2013			
24	85041711A	HOSE GUIDE	2	23/10/2013			
25	44711321A	GUARD	1	31/01/2014			
26	77440171A	SCREW	2	25/05/2014			
27	85213741AA	WASHER	1	25/05/2014			



CODE	NO. TABLE	POS.	CODE	NO. TABLE	POS.	CODE	NO. TABLE	POS.	CODE	NO. TABLE	POS.
027291090	002	8	17213281C	003	8	24714141AC	013	5	34420581B	21A	1
037072020	023	8	17213291C	003	5	24714151AC	013	6	34520581B	21A	2
037072020	024	21	17213301C	003	9	24714171A	013	24	34520581B	21A	2
066013143	002	9	17213311A	003	18	24714481A	011	31	34913531A	21A	4
066549680	005	8	17213321A	003	24	24714641A	018	11	34913531A	21A	4
067016155	003	19	17213331B	003	22	24714651A	018	41	34913541A	21A	7
067049310	009	17	17213341B	003	21	24714782A	20A	6	34913541A	21A	7
069191030	18B	12	17213351B	003	20	24715041A	021	42	34913551A	21A	6
075949280	009	15	17213361B	003	23	24715051A	021	41	34913551A	21A	6
11210121AB	006	8	173Z0021A	012	14	25120131A	011	29	34913561A	21A	5
11210121AC	006	8	174Z0021A	009	1	25440012A	005	4	34913561A	21A	5
11721082A	004	16	176Z0021A	012	10	25510104B	008	18	34913571A	21A	8
11721442AA	27A	11	180Z0261A	002	24	25510193A	013	7	34913571A	21A	8
11723531AA	025	15	180Z0031A	002	11	26420501A	011	1	34913581A	21A	15
12022161AC	007	5	180Z0041A	002	12	27040104A	012	1	34913581A	21A	15
12022171AC	007	10	182Z0071A	002	18	27610812A	012	16	34913601A	21A	9
12110781B	007	3	18410051A	025	14	28040401A	017	24	34913601A	21A	9
12112481A	007	2	18710021A	023	3	28040401A	017	24	34913611A	21A	10
12120521A	007	4	18710021A	024	2	28240932A	017	26	34913611A	21A	10
12221951A	007	1	19020232A	004	9	28240932A	017	26	34913621A	21A	3
13510401A	017	20	19410511A	004	4	28620441A	01C	6	34913621A	21A	3
13510401A	017	20	19540032B	004	19	28642481A	18A	14	34914231A	21A	11
14010762B	017	1	19610532A	004	12	28642481C	18A	14	34914231A	21A	11
14010762B	017	1	19610542A	004	11	28642481E	18A	14	34914241A	21A	19
14621862BR	006	1	19820391A	004	14	28642481F	18A	14	34914241A	21A	19
14710811A	008	3	20810321A	014	3	30123651AC	015	22	34914251A	21A	21
14823421B	013	15	20810321A	015	3	30123661AC	014	22	34914251A	21A	21
14823431B	013	11	20910491A	014	16	30310631BB	014	7	34914261A	21A	20
14823441B	013	14	20910491A	015	16	30310631BB	015	7	34914261A	21A	20
14823451B	013	18	20910501A	014	4	30310631BC	014	7	34914271A	21A	17
14910831D	003	2	20910501A	015	4	30310631BC	015	7	34914271A	21A	17
14910891C	003	25	21010841A	014	14	30310631BD	014	7	34921041A	21A	24
15021431E	003	26	21010841A	015	14	30310631BD	015	7	34921041A	21A	24
15021941B	003	3	21110831A	014	5	30410881AB	014	13	34921051A	21A	23
15310131A	021	39	21110831A	015	5	30410881AB	015	13	34921051A	21A	23
15820234A	006	5	225Z0032A	010	1	30410881AC	014	13	34921711A	21A	18
16010941A	013	10	24221181AB	011	13	30410881AC	015	13	34921711A	21A	18
16014201A	26A	5	24321331BF	005	1	30410891AB	014	10	34921721A	21A	14
16024291A	032	9	24511421B	008	1	30410891AB	015	10	34921721A	21A	14
16024291A	032	9	24511431A	008	2	30410891AC	014	10	34921731A	21A	25
16020011A	012	11	24521071A	008	21	30410891AC	015	10	34921731A	21A	25
17021251A	006	6	24612162A	029	16	34110992AC	021	25	34921741A	21A	16
17122351A	008	13	24713511C	009	19	342P0781BC	021	35	34921741A	21A	16
17213271A	003	10	24713571AH	011	23	34420581B	21A	1	34921751A	21A	13



CODE	NO. TABLE	POS.	CODE	NO. TABLE	POS.	CODE	NO. TABLE	POS.	CODE	NO. TABLE	POS.
34921751A	21A	13	43814751A	034	22	46210021A	021	2	51640011AB	016	16
34921761A	21A	12	44212781B	029	11	46240461A	017	32	52010271C	020	23
34921761A	21A	12	44212791D	029	13	46240461A	017	32	52310441A	021	3
36011541C	021	20	44440035A	009	20	46240461A	18A	23	52310451A	021	7
36015322AB	021	19	44610251A	28A	1	46240461A	27B	15	52510432B	28B	6
36015342AB	021	22	44610251A	28A	1	46320222A	010	12	52510432B	28B	6
36110131C	021	36	44711091A	28A	4	46320537A	003	14	52510432B	28B	6
36521301A	028	4	44711091A	28A	4	46410911CA	27B	8	52510432B	28B	6
36521301A	028	4	44711101A	28A	3	46410921CA	27A	23	52510482B	027	1
36911341AA	28A	8	44711112A	28A	19	47017241BA	022	2	52910012A	21A	26
36911341AA	28A	8	44711112A	28A	19	47017251DA	027	7	52910061A	28B	16
37021381BA	28A	13	44711321A	28A	25	48016062A	034	7	52910061A	28B	16
37021381BA	28A	13	44711331A	28A	3	48016072AA	034	9	52910061A	28B	16
38040101C	022	15	44910531A	003	12	48016081A	034	11	52910061A	28B	16
38510291E	027	11	45110461A	008	4	48016171B	030	20	52940051A	28B	19
38940191A	18B	5	45120272A	008	9	48016181A	030	12	53010226B	020	18
38940201A	18B	5	45120291A	008	10	48016191B	030	4	53010226B	027	28
38940211A	18B	5	45520181A	002	4	48016201B	030	13	53010236B	020	14
38940221A	18B	5	45612071AA	27A	15	48016211B	030	1	53010236B	027	14
38940231A	018	40	45622071CA	27A	1	48016242B	030	17	53910211B	002	6
38940241A	18B	5	45720571AA	025	20	48211861B	034	4	53910341A	22A	5
38940251A	18B	5	46016351A	26A	14	48211871A	034	16	53940031C	025	26
38940261A	18B	5	4601A611B	018	23	48211881A	033	25	53940302A	016	12
38940301A	18B	5	4601A621B	018	3	48211891A	033	26	53940491A	024	26
39040211A	020	13	4601A631BA	019	3	48211951A	022	17	53940501A	023	22
39040211A	027	13	4601A641BA	019	4	48610721A	005	16	54040321A	018	5
39040291A	020	22	4601A721A	28B	12	49210061A	26A	19	54140101A	18B	7
39040311A	020	21	4601A721A	28B	12	49241011A	026	5	54240451B	24A	17
39520132C	018	14	4601A721A	28B	12	49411621AA	26A	10	54810461B	016	1
39740081B	018	39	4601A721A	28B	12	49720031A	026	16	54841025A	030	19
40611041F	20A	1	4601A871A	24A	10	49720041A	026	3	54911071A	016	7
42020008A	025	27	4601A883A	021	9	50121761AA	026	10	55040271A	030	21
42610191A	029	17	4601A921A	019	17	50211552AT	026	7	55040281A	030	24
42610351A	035	22	4601A932A	27B	2	50410051A	026	12	55212111B	24A	2
43313961A	26A	25	4601B223A	033	18	50410071A	26A	22	55214011A	019	27
43313961B	26A	25	4601B231A	033	20	51019402B	18B	1	55240121A	020	4
43511441A	032	10	4601B241A	033	17	51019411C	017	25	55240121A	18A	8
43511441A	032	10	4601B274A	019	36	51019411C	017	25	55240131A	031	6
43511551A	033	28	4601B284A	019	41	51019501C	18B	3	55241321C	010	31
43511561A	033	27	4601B881A	019	37	51019711A	18B	2	55241441A	017	18
43511571A	032	11	4601B901B	032	18	51019721A	18B	4	55241441A	017	18
43511571A	032	11	4601B901B	032	22	51310281B	018	43	55243191A	032	20
43713501A	034	21	4601B921A	019	24	51410711A	018	44	55243191A	032	24
43713511A	034	20	4602B331A	019	38	51410721B	018	36	55340041A	031	13



CODE	NO. TABLE	POS.	CODE	NO. TABLE	POS.	CODE	NO. TABLE	POS.	CODE	NO. TABLE	POS.
55610791C	22A	1	59310601B	010	33	63140561A	024	27	70140171A	28A	15
55610801C	22A	3	59320581B	010	11	63140571A	023	2	70140171A	28A	15
56110501B	28B	11	59340393A	019	20	63210741B	023	6	70140351A	012	13
56110501B	28B	11	59512223A	033	4	65010121E	021	5	70240091A	011	11
56110501B	28B	11	59512281A	033	4	65110141A	021	16	70240102A	011	9
56113111B	28B	3	595P2241AA	033	9	65240231A	021	14	70240131A	010	19
56113111B	28B	3	59820572A	033	14	65540091A	029	8	70240181A	012	15
56113111B	28B	3	59821061A	032	12	66020051G	021	4	70240331A	010	21
56113111B	28B	3	59821061A	032	12	66810014A	011	16	70240331A	10A	2
56113151A	28B	4	59840183A	032	23	66810024A	011	20	70241151A	10A	11
56113151A	28B	4	59840183A	032	4	66810481A	007	14	70241161A	010	4
56113151A	28B	4	59840361A	032	19	66910011E	014	6	70241231A	021	31
56113151A	28B	4	59840361A	032	4	66910011E	015	6	70250081A	010	6
56113221A	28B	11	59920101A	033	12	67040451A	022	6	70250081A	011	4
564P1082AA	034	12	61041291C	024	5	67110581A	022	8	70250193A	10A	1
56510671A	028	1	61041301C	024	8	67110591A	022	9	70250451A	28A	16
56510711B	028	1	61140421A	025	1	67110601A	022	5	70250451A	28A	16
57013382A	019	29	61240051A	023	4	67110611A	022	7	70250601A	004	10
57113251A	019	45	61240052A	024	1	67620891A	26A	24	70250621A	026	8
57113261A	019	43	61240081A	025	31	67640901A	26A	8	70310481A	029	15
57211632A	019	32	61240161A	025	29	67740181A	26A	23	70310512AA	27A	18
57321221AA	019	12	61240391A	023	10	68010131A	006	10	70310512AA	27B	12
57321241AA	019	12	61240391A	024	28	68010131A	008	16	70310761AA	021	29
57610871AA	019	10	61240511A	024	14	68050061A	013	12	70350022A	013	2
58510822B	031	22	61340951A	025	28	68050101A	10A	28	70350062A	008	12
58540081A	025	6	61341021A	024	13	69610131A	27A	26	71011071A	021	38
58540221A	024	15	61610021A	032	20	69610131A	27B	10	71011691A	006	7
58540231A	023	12	61810511A	024	7	69720291B	027	8	71011891A	28A	11
58612001CA	032	3	61810522B	24A	9	69926951A	032	21	71011891A	28A	11
58612001CA	032	3	61810531B	24A	7	69926951A	032	25	71020031A	010	28
59013091B	035	4	61910482B	24A	19	70010361A	012	12	71020041A	10A	21
59013101A	035	24	61910492B	24A	18	70010431A	18A	24	71110922A	011	33
59013121B	035	20	62440931A	024	11	70010481B	020	24	71110951A	10A	7
59014101A	017	31	62540201A	025	10	70010541A	021	24	71111301A	021	37
59014101A	017	9	62640561A	023	20	70010691A	28B	7	71111601A	005	13
59014111A	017	17	62640561A	024	29	70010691A	28B	7	71111601A	011	14
59014111A	017	17	62640881A	024	12	70010691A	28B	7	71112191A	007	12
59014471A	029	20	62640891A	023	18	70010691A	28B	7	71113741A	013	19
59017821A	035	19	63040651A	023	1	70010811A	032	5	71210301A	28A	9
59017831A	035	23	63140081A	023	21	70010811A	032	5	71210301A	28A	9
59017992A	032	18	63140081A	024	19	70010901A	017	31	71210341A	025	21
59018002A	032	19	63140161A	025	30	70010901A	017	33	71210341A	27A	3
59024001C	017	22	63140281A	023	19	70090563A	26A	9	71210491AA	28A	10
59024001C	017	22	63140281A	024	30	70140051A	003	4	71210491AA	28A	10



CODE	NO. TABLE	POS.	CODE	NO. TABLE	POS.	CODE	NO. TABLE	POS.	CODE	NO. TABLE	POS.
71310141E	003	11	71614271A	018	31	74140641A	031	29	74950011B	28B	14
71311281B	011	27	71614291A	028	5	74140651A	029	19	75010071A	003	1
71311961A	026	17	71614291A	035	12	74141461A	019	44	75010071E	004	7
71311973A	026	2	71614511AA	022	11	74141681A	019	23	75010121D	006	14
71312661A	003	15	71614581AA	24A	21	74141711A	017	15	75010481A	22A	8
71312921A	014	9	71614601AA	019	14	74141711A	017	15	75011391A	026	13
71312921A	015	9	71614691AA	019	39	74141711A	031	20	75011391A	26A	2
71312921B	014	25	71614731AA	018	4	74141871A	017	3	75011491AB	021	8
71312921B	015	26	71614811AA	034	24	74141871A	017	3	75011561A	006	13
71313041A	030	15	71614901AA	28B	2	74141901A	031	15	75011601A	008	15
71313091A	004	13	71614901AA	28B	2	74141921A	007	7	75050011B	020	1
71314361AB	019	8	71614901AA	28B	2	74141921A	029	1	75050051A	012	3
71314703A	027	15	71614901AA	28B	2	74141921A	031	4	75620131A	26A	13
71314831A	004	15	72010513C	026	4	74142121A	031	10	757941542	10A	9
71314901A	24A	3	72050159EA	26A	1	74142181A	031	28	75810642A	24A	6
71319151A	002	25	72050338B	009	16	74142371A	029	3	75810782A	18A	17
71319191A	012	8	72050388CA	28B	13	74142381A	019	42	75810811A	034	18
71319201A	24A	3	72050388CA	28B	13	74142401A	029	5	75840201A	016	15
71319951A	003	13	72050388CA	28B	13	74750011AB	27A	12	75840601A	24A	4
7131A211AA	28A	17	72050388CA	28B	13	74750051B	025	13	75840641A	017	4
7131A211AA	28A	17	720941616	010	17	74750071A	021	34	75840641A	017	4
7131A291AA	28B	19	720941616	10A	5	74750101A	27A	10	75840661A	035	14
7131A481A	020	12	73210441F	019	34	74810241A	019	28	75840721A	017	6
7131A611AA	028	9	735033380	010	9	74810351B	022	14	75840721A	017	6
71320041A	004	18	735033380	011	17	74810351B	023	13	75840771A	018	12
71410751A	26A	12	735033380	10A	10	74810351B	024	18	75840771A	027	2
71410941A	026	9	73740251A	008	5	74810461A	26A	4	75840801A	018	48
71413231AA	026	15	74110101A	18B	14	74810501A	010	14	75910222A	026	19
71610031A	016	3	74110131A	18B	17	74810651A	026	1	75910222A	26A	20
71610031A	24A	15	74110401A	033	23	74840241AB	021	27	75910301B	021	12
71610061A	18A	2	74110551A	18B	15	74840261C	017	12	75910311A	027	9
71610111AA	018	47	74140011A	031	9	74840261C	017	12	764020002	003	17
71610381B	018	10	74140381A	18B	13	74841011AA	28A	18	76410011A	019	9
71610431C	035	17	74140431A	017	11	74841011AA	28A	18	76410112A	27A	2
71610722A	008	20	74140431A	017	11	74850061A	18A	15	76410221A	016	2
71611071B	017	13	74140431A	023	14	74910021A	035	10	76410221A	022	12
71611071B	017	13	74140431A	024	16	74940041A	27A	8	76410221A	030	7
71611071B	028	7	74140431A	025	9	74940081A	008	7	76410221A	18A	3
71611281A	008	17	74140431A	031	18	74941113B	031	7	76410291A	035	16
71611521A	20A	4	74140431A	035	3	74941333B	018	19	76410621B	018	45
71614011B	034	13	74140571A	032	27	74941333B	28B	20	76410631B	033	8
71614071A	018	7	74140571A	035	21	74950011B	28B	14	76410641A	020	7
71614111A	28B	19	74140581A	035	5	74950011B	28B	14	76410641A	24A	14
71614251A	020	19	74140631A	035	25	74950011B	28B	14	76410841A	20A	2



CODE	NO. TABLE	POS.	CODE	NO. TABLE	POS.	CODE	NO. TABLE	POS.	CODE	NO. TABLE	POS.
76410841B	028	6	77116671AA	031	25	77156693B	21A	22	77240483C	28B	17
76410841B	28B	18	77140697C	012	7	77156723B	025	25	77244168B	032	7
76410871A	014	8	77140713C	011	19	77157238B	025	2	77244168B	032	7
76410871A	015	8	77140723C	011	15	77157268B	021	28	77244168B	18A	10
76410971A	020	3	77150078B	010	32	77157273B	021	18	77244183B	018	1
76410981A	031	26	77150388B	034	17	77159418B	021	21	77244213B	032	8
76411141A	24A	26	77150408B	011	2	77210623B	031	1	77244213B	032	8
76411301A	019	21	77150408B	017	23	77210842A	28A	5	77244443B	018	2
76411361A	030	11	77150408B	017	23	77210842A	28A	5	77244538BA	28B	1
76411421A	018	32	77150408B	027	32	77210852A	033	10	77244538BA	28B	1
76411431A	018	26	77150408B	032	14	77210852C	017	21	77244538BA	28B	1
76411481A	027	19	77150408B	032	14	77210852C	017	21	77244538BA	28B	1
76411621A	029	12	77150408B	18A	21	77210853B	018	42	77244968C	028	8
76411711A	24A	22	77150457E	032	13	77210861B	034	5	77250341B	010	34
76411851A	017	28	77150457E	032	13	77210882B	019	16	77250341C	008	22
76411851A	017	28	77150498B	020	16	77210893B	034	14	77250988B	030	23
76411881A	034	2	77150653B	004	6	77210971A	030	16	77250998B	016	17
76412061A	032	22	77150653B	010	2	77211021A	24A	25	77251008B	018	9
76412061A	032	26	77150670ZF	002	28	77211031A	016	18	77251038B	016	4
76412091A	027	6	77150693B	005	5	77211061A	18B	9	77251043B	018	21
76412101A	027	3	77150723B	10A	14	77211091A	030	5	77251593B	018	29
76510071D	27B	7	77150738B	011	5	77211091A	034	10	77253268C	019	25
76510081D	27A	24	77150788B	021	17	77211091C	030	18	77253330ZF	012	19
76610553B	010	16	77150808B	10A	15	77211201A	004	3	77253988C	27A	17
76610841A	014	21	77150813B	005	3	77211251A	033	15	77253988C	27B	11
76610841A	015	21	77150833B	005	2	77213203B	020	20	77350403B	013	23
768351134	002	10	77151250ZF	002	23	77214061AA	18A	1	77350618B	014	20
77052508B	011	6	77151283B	018	33	77214161AA	20A	3	77350618B	017	9
77110191A	020	5	77151298B	009	8	77240133C	28B	17	77350618B	022	3
77110191A	27A	16	77151363B	10A	22	77240253C	029	14	77350618B	10A	13
77110351A	016	11	77151398B	010	10	77240253C	034	15	77354743B	022	10
77110391B	017	2	77151398B	10A	17	77240258C	018	22	77354743B	028	2
77110391B	017	2	77156413B	022	16	77240258C	034	6	77355068B	019	7
77110401B	24A	1	77156413B	027	16	77240263C	033	22	77355203C	018	18
77110501A	021	10	77156413B	032	1	77240278C	18A	18	77355213C	22A	2
77110521A	012	6	77156413B	032	1	77240418C	027	24	77440041A	020	17
77110698B	009	10	77156413B	20A	5	77240418C	28B	10	77440041A	027	5
77113691A	27A	14	77156419E	019	1	77240418C	28B	10	77440071A	019	18
77113731A	021	6	77156623B	031	23	77240418C	28B	10	77440101A	034	19
77113741A	021	1	77156628B	018	38	77240418C	28B	10	77440101A	28B	5
77113801A	008	6	77156638B	019	5	77240423C	019	35	77440101A	28B	5
77113831A	012	5	77156638B	025	7	77240438C	033	11	77440101A	28B	5
77113961A	011	35	77156688B	27A	6	77240443C	24A	16	77440101A	28B	5
77116648B	016	8	77156693B	21A	22	77240453C	034	1	77440111A	24A	24



CODE	NO. TABLE	POS.	CODE	NO. TABLE	POS.	CODE	NO. TABLE	POS.	CODE	NO. TABLE	POS.
77440131A	029	10	77914211A	015	23	78611251A	007	13	80610371B	027	18
77440141A	018	35	77914651A	024	9	78710111A	016	6	80610381B	027	30
77440141A	18A	5	77914871C	028	2	78810542A	012	4	81110021A	010	36
77440171A	030	2	77914871C	28A	2	78810931A	013	9	81140012B	013	21
77440171A	28A	26	77914871C	28A	2	78811041A	18A	9	81411113B	035	2
77440213C	029	6	77915011A	005	7	78811151A	010	35	81411831A	035	6
77440213C	18A	7	77915041A	028	3	78811211A	013	8	81411881A	015	25
77510161A	28B	9	77915041A	028	3	78811301A	017	19	81412361C	031	8
77510161A	28B	9	77915093A	013	3	78811301A	017	19	81413251A	032	17
77510161A	28B	9	77915471A	006	4	79010211A	019	30	81413251A	032	17
77510161A	28B	9	77916041C	10A	31	79111111A	032	16	81413261A	031	2
77510311B	010	25	77916081A	030	6	79111111A	032	16	81413341A	017	10
77510311B	10A	20	77916311A	011	3	79120481B	007	6	81413341A	017	10
77510351A	030	10	77916411A	27A	19	79710531B	004	1	81415251B	017	16
77510511A	27B	1	77916411A	27B	13	79910241A	27A	27	81415251B	017	16
77510541A	024	25	77916501AC	10A	24	79910241A	27B	5	81510221A	016	5
77510651A	035	9	77917101A	10A	29	79910485A	019	31	81510281A	009	12
77510711AA	035	11	77918132A	002	7	79910491A	002	1	81810162A	004	5
77550211B	010	29	77918141A	013	22	79910891C	22A	6	81910601A	026	11
77550213C	24A	5	77918251AA	28A	21	79914821A	002	20	81920021B	26A	6
77550213C	26A	11	77918251AA	28A	21	79914851A	014	19	82110901B	021	11
77550221A	28A	23	77918261AA	26A	21	79914851A	015	19	82111701CA	025	16
77550221A	28A	23	77918291AA	022	1	79914861A	014	18	82111701CA	27A	4
77550271A	035	18	77918301AB	027	26	79914861A	015	18	82112221B	014	17
77750493C	011	24	77918421AB	28A	7	79914991A	27A	25	82112221B	015	17
77840041A	009	18	77918421AB	28A	7	79914991A	27B	14	82112231B	014	15
77850281A	021	33	77918431AA	28A	6	79915061A	002	27	82112231B	015	15
77910262A	011	10	77918431AA	28A	6	79915181B	014	26	82112731A	025	23
77910391A	002	3	77918661AA	027	17	79915181B	015	27	82113331A	002	26
77910921A	023	7	77918671AA	027	31	79915191B	014	27	82113471A	012	9
77910921A	024	22	77918681AA	027	21	79915191B	015	28	82113571A	020	11
77911092A	006	2	77918711BA	018	46	79920772A	009	14	82113881A	002	13
77911622A	009	13	77918971AA	035	8	79920881C	22A	7	82114571AA	018	25
77912741A	017	29	77919121AA	025	18	79925771A	025	24	82114581BA	018	17
77912741A	017	29	77940053A	22A	4	79940121A	10A	23	82114611A	22A	9
77913311D	024	6	77950302A	013	16	800068490	024	23	82114711CA	033	3
77913661AB	023	16	77950621A	10A	12	800070139	01B	8	82115001AA	27A	21
77913661AB	025	4	78010511E	014	12	80011841A	007	9	82115001AA	27B	9
77913662AB	24A	11	78010511E	015	12	80011851A	007	8	82412282BB	27B	3
77913971A	023	5	78010721A	10A	6	80012301A	031	11	82412292AB	27A	20
77913971A	024	3	78020011A	019	26	80012311A	031	5	82510491AA	26A	17
77914043B	006	9	78050012A	005	6	80012321A	031	12	82610261A	002	5
77914151A	024	10	78050012A	011	32	80012332A	031	17	82610351BA	032	6
77914211A	014	23	78611001A	007	11	80012341A	031	16	82610351BA	032	6



CODE	NO. TABLE	POS.	CODE	NO. TABLE	POS.	CODE	NO. TABLE	POS.	CODE	NO. TABLE	POS.
82711571A	035	15	83018411A	016	10	84010172A	015	1	84010452B	015	2
82714201A	016	9	83018421BA	017	7	84010182A	014	1	84010462B	014	2
82714331A	005	14	83018421BA	017	7	84010182A	015	1	84010462B	015	2
82714931A	020	15	83018431AA	022	13	84010192A	014	1	84010472B	014	2
82716031A	010	37	83018601DA	021	13	84010192A	015	1	84010472B	015	2
82716351A	013	20	83018691A	024	24	84010202A	014	1	84010482B	014	2
82717201BA	025	12	83018731AA	020	2	84010202A	015	1	84010482B	015	2
82717251AA	28B	18	83018971A	030	8	84010212A	014	1	84010492B	014	2
82717421AA	28B	18	83110151A	10A	27	84010212A	015	1	84010492B	015	2
82911901A	017	5	83210031E	28A	22	84010222A	014	1	84010502B	014	2
82911901A	017	5	83210031E	28A	22	84010222A	015	1	84010502B	015	2
82912602A	22A	10	84010012A	014	1	84010232A	014	1	84010512B	014	2
82919611A	029	18	84010012A	015	1	84010232A	015	1	84010512B	015	2
8291B631B	018	30	84010022A	014	1	84010242A	014	1	84010522B	014	2
8291B641C	18A	4	84010022A	015	1	84010242A	015	1	84010522B	015	2
8291B651AA	020	8	84010032A	014	1	84010252A	014	1	84010532B	014	2
8291B661BB	020	10	84010032A	015	1	84010252A	015	1	84010532B	015	2
8291B771AA	18A	11	84010042A	014	1	84010262A	014	1	84010542B	014	2
8291B871B	18A	20	84010042A	015	1	84010262A	015	1	84010542B	015	2
8291B911AA	024	20	84010052A	014	1	84010272A	014	1	84010552B	014	2
8291B951AA	023	9	84010052A	015	1	84010272A	015	1	84010552B	015	2
8291C091A	027	23	84010062A	014	1	84010282A	014	1	84010562B	014	2
8291C141A	24A	23	84010062A	015	1	84010282A	015	1	84010562B	015	2
8291C362A	033	5	84010072A	014	1	84010292A	014	1	84010572B	014	2
8291C372A	033	7	84010072A	015	1	84010292A	015	1	84010572B	015	2
8291C551AA	035	13	84010082A	014	1	84010302A	014	1	84010582B	014	2
8291C611A	027	20	84010082A	015	1	84010302A	015	1	84010582B	015	2
8291C621A	027	27	84010092A	014	1	84010312A	014	1	84010592B	014	2
8291C631A	027	12	84010092A	015	1	84010312A	015	1	84010592B	015	2
8291C641A	027	29	84010102A	014	1	84010322A	014	1	84010602B	014	2
8291C861BA	025	11	84010102A	015	1	84010322A	015	1	84010602B	015	2
83014401A	033	13	84010112A	014	1	84010332A	014	1	84010612B	014	2
83015581B	011	30	84010112A	015	1	84010332A	015	1	84010612B	015	2
83016241A	033	30	84010122A	014	1	84010342A	014	1	84010622B	014	2
83018081AA	018	20	84010122A	015	1	84010342A	015	1	84010622B	015	2
83018091AA	018	27	84010132A	014	1	84010412B	014	2	84010632B	014	2
83018172AA	022	4	84010132A	015	1	84010412B	015	2	84010632B	015	2
83018181AA	24A	13	84010142A	014	1	84010422B	014	2	84010642B	014	2
83018221A	017	30	84010142A	015	1	84010422B	015	2	84010642B	015	2
83018221A	017	30	84010152A	014	1	84010432B	014	2	84010652B	014	2
83018271A	28A	20	84010152A	015	1	84010432B	015	2	84010652B	015	2
83018271A	28A	20	84010162A	014	1	84010442B	014	2	84010662B	014	2
83018341B	24A	20	84010162A	015	1	84010442B	015	2	84010662B	015	2
83018352AA	018	34	84010172A	014	1	84010452B	014	2	84010672B	014	2



CODE	NO. TABLE	POS.	CODE	NO. TABLE	POS.	CODE	NO. TABLE	POS.	CODE	NO. TABLE	POS.
84010672B	015	2	84010872B	015	2	85041951AA	018	8	85241711A	030	9
84010682B	014	2	84011082A	014	1	85110041A	003	16	85241731A	019	19
84010682B	015	2	84011082A	015	1	85110131A	008	14	85250231A	009	21
84010692B	014	2	84011092A	014	1	85110201A	004	8	85250231A	014	28
84010692B	015	2	84011092A	015	1	85140051A	006	12	85250231A	015	20
84010702B	014	2	84011102A	014	1	85210051A	002	14	85250231A	017	8
84010702B	015	2	84011102A	015	1	85210491B	021	26	85250231A	017	8
84010712B	014	2	84011112A	014	1	85210532A	002	2	85250231A	035	1
84010712B	015	2	84011112A	015	1	85210532A	025	22	85250231A	10A	16
84010722A	014	1	84011122A	014	1	85210532A	27A	7	85250241A	005	17
84010722A	015	1	84011122A	015	1	85210541B	019	22	85250241A	011	21
84010722B	014	2	84011132A	014	1	85210721B	019	15	85250241A	023	17
84010722B	015	2	84011132A	015	1	85210901B	28B	17	85250241A	024	4
84010732A	014	1	84011142A	014	1	85210901B	28B	17	85250241A	025	3
84010732A	015	1	84011142A	015	1	85210901B	28B	19	85250241A	24A	12
84010732B	014	2	84740021A	27A	28	85210901B	28B	21	85250261A	011	25
84010732B	015	2	84740021A	27B	4	85210941A	002	19	85250261B	014	11
84010742B	014	2	84740061A	10A	25	85211031A	021	32	85250261B	015	11
84010742B	015	2	84850011A	27A	13	85211351A	005	10	85250271A	019	6
84010752B	014	2	84850021A	27A	9	85211721A	011	7	85250401A	021	23
84010752B	015	2	85010151A	025	19	85211761A	020	6	85250421A	010	5
84010762B	014	2	85012911A	28B	18	85211911A	031	27	85250481A	011	34
84010762B	015	2	85040381A	016	14	85211951A	009	7	85250601A	018	28
84010772B	014	2	85040381A	018	6	85211951A	016	13	85310021A	008	8
84010772B	015	2	85040381A	019	40	85212171A	26A	15	85310021A	009	9
84010782B	014	2	85040471A	033	16	85212211A	026	14	85310031A	010	30
84010782B	015	2	85040471A	034	23	85212211A	26A	3	85310041A	009	11
84010792B	014	2	85040551A	018	24	85212221A	026	6	85350101A	012	2
84010792B	015	2	85040551A	019	13	85212461A	10A	26	85350101A	018	37
84010802B	014	2	85040551A	030	14	85212511A	28B	15	85350101A	18B	11
84010802B	015	2	85040551A	033	19	85212511A	28B	15	85550001B	033	35
84010812B	014	2	85040561A	018	13	85212511A	28B	15	85550001B	18B	10
84010812B	015	2	85040561A	033	1	85212511A	28B	15	85550021A	28B	8
84010822B	014	2	85040671A	027	25	85212541A	002	17	85550021A	28B	8
84010822B	015	2	85040671A	18B	16	85212561A	002	21	85550021A	28B	8
84010832B	014	2	85040821A	034	8	85212691A	006	3	85550021A	28B	8
84010832B	015	2	85041031A	033	24	85212751A	016	19	85610623A	008	19
84010842B	014	2	85041041A	022	19	85212751A	035	7	85610642A	010	15
84010842B	015	2	85041051A	022	18	85212881D	006	11	85610743A	013	4
84010852B	014	2	85041121A	034	3	85212901A	019	11	85610751A	012	17
84010852B	015	2	85041711A	18A	6	85213741AA	28A	27	85611372A	003	6
84010862B	014	2	85041711A	28A	24	85240131A	030	3	85611391A	004	2
84010862B	015	2	85041711A	28A	24	85240211A	029	7	85611481A	010	18
84010872B	014	2	85041931A	019	2	85241711A	027	4	85611481A	10A	4



CODE	NO. TABLE	POS.	CODE	NO. TABLE	POS.	CODE	NO. TABLE	POS.	CODE	NO. TABLE	POS.
86010051B	010	26	87711131A	023	15	887130870	001	16	887651006	001	14
86050061A	014	24	88110121A	002	16	887130944	001	19	887651298	001	3
86050061A	015	24	88110461A	031	14	887131010	01A	2	887651518	01A	5
86150251A	033	29	88110541A	26A	7	887131058	01B	7	887651623	01A	14
86610361A	028	10	88110851A	012	18	887131062	01B	9	89310143A	031	24
86610361A	18A	22	88110931A	020	25	887131074	01B	4	89320062A	010	7
86610731A	18A	16	88110961A	020	26	887131749	01A	13	89320121A	005	15
86611001A	021	40	88150011A	002	22	887131805	01A	3	89340051A	023	11
86611121A	24A	8	88210031A	008	11	887131806	01A	6	89340051A	025	5
86611521A	027	10	88210151A	003	7	887131821	01A	9	89410241A	009	3
86611611A	18A	12	88440511A	26A	18	887131832	001	9	89520072A	032	15
86611681A	018	15	88440641A	010	38	887131906	01A	15	89520072A	032	15
86611692B	020	9	88440651A	010	39	887131920	01A	8	91372611A	027	22
86611701A	033	21	88450031A	019	33	887131994	01A	12	91372611B	027	22
86611721C	032	2	88450031A	021	15	887132011	01A	7	91372611C	027	22
86611721C	032	2	88450131A	005	11	887132068	001	20	91372611D	027	22
86611731A	18A	19	88450431A	011	8	887132087	001	17	91372611E	027	22
86611751C	033	2	88450441A	27A	22	887132096	001	1	91372611F	027	22
86611811A	033	6	88450441A	27B	6	887132103	001	7	91372611G	027	22
86611871A	033	34	88450511A	002	15	887132409	01B	6	91372611L	027	22
86611881A	033	33	88450581A	10A	30	887132442	001	2	91372611T	027	22
86611891A	033	32	88450661A	018	16	887132571	001	4	91372611W	027	22
86611981A	18A	13	88610241A	010	27	887132834	01A	17	92610051A	027	33
86611991A	017	14	88610951A	011	22	887132870	01A	10	93010041B	021	30
86611991A	017	14	88640331A	009	4	887132877	01A	18	93040211A	005	9
87210532A	18B	6	88640331A	010	23	887132878	001	13	93040221A	010	20
87210641A	18B	8	88640371A	009	6	887132906	001	6	93040931A	010	22
87210751A	28A	12	88640891A	005	18	887132951	01B	3	93041231A	10A	8
87210751A	28A	12	88641031A	031	3	887133211	01B	5	93041501A	026	18
87210901A	033	31	88641161A	025	17	887133219	01A	16	93050051A	011	26
87210912A	022	21	88641161A	27A	5	887133220	01B	1	93050062B	011	28
87210922A	022	20	88641181A	010	13	887133334	001	11	93050071A	013	17
87210941A	022	23	88641241A	26A	16	887133352	001	5	93050121A	28A	14
87210951A	022	22	88641321A	005	12	887133367	001	8	93050121A	28A	14
87240921A	030	22	88641321A	009	5	887133406	01A	4	93410161A	032	21
87310051A	013	13	88641321A	010	8	887133408	001	10	93410212A	031	19
87511461B	010	24	88641581A	009	2	887133417	001	12	93783152A	011	18
87511461B	10A	19	88641731A	004	17	887133497	01A	1	942470014	011	12
87610581A	031	21	88642231A	017	27	887133520	001	18	942470014	10A	3
87611211A	029	4	88642231A	017	27	887133521	01A	11	979000252	01C	1
87611221B	029	9	88650131A	010	3	887134411	01A	19	979000253	01C	2
87611232A	029	2	88650131A	10A	18	887134513	01B	2	979000254	01C	3
87710381A	025	8	88650511A	013	1	887651000	001	14	979000255	01C	4
87711111A	024	17	887130869	001	15	887651005	001	14	979000256	01C	5



Ducati Motor Holding S.p.A.

Uffici Commerciali Amministrativi:

Via A. Cavalieri Ducati n. 3

40132 Bologna, Italy

Telefono 051 6413111

Fax 051 406580

Internet www.ducati.com