



848 EVO
Model Year 2013



SUPERBIKE

Chassis prefix:
Cylinder capacity: 848

D15000013 - 848
SPARE PARTS CATALOGUE
en-US



The present spare parts order exactly the right spare parts.

When ordering specify:

1. the part's code number followed by its description and quantity needed;
2. the motorcycle's serial number, stamped on the steering head.

Reference to right and left apply to the vehicle in terms of its direction of movement.

Spare parts drawings are general and do not represent the part.

The contents of this catalogue are general and can undergo changes without prior notice.

CHARACTERISTICS LEGENDA

CHARACTERISTIC CODE	CHARACTERISTIC DESCRIPTION	VALUE CODE	VALUE DESCRIPTION
DFR	DAFRA	N	NO
MOD	MODEL	848 EVO	
PLT	PLANT	DB10	
XCO	MAIN COLOUR	AWS	
XCO	MAIN COLOUR	NMB	
XCO	MAIN COLOUR	R	
XCR	FRAME / WHEEL COLOUR	R-B	
XCR	FRAME / WHEEL COLOUR	RBB	
XCR	FRAME / WHEEL COLOUR	RMR	
XPO	OPTIONS	BIP	
XST	STANDARD COUNTRY	AUS	
XST	STANDARD COUNTRY	BRA	
XST	STANDARD COUNTRY	CHN	
XST	STANDARD COUNTRY	EUR	
XST	STANDARD COUNTRY	FRA	
XST	STANDARD COUNTRY	JAP	



COLOUR	COLOUR CODE	COLOUR DESCRIPTION	FINISHED PRODUCTS
	AWS	ARTIC WHITE SILK	(D15017113) 848 EVO 13 EUR AWS RMR BIP DMH (D15017913) 848 EVO 13 AUS AWS RMR BIP DMH (D15019713) 848 EVO 13 JAP AWS RMR BIP DMH (D15020313) 848 EVO 13 FRA AWS RMR BIP DMH
	NMB	DARK STEALTH	(D15017213) 848 EVO 13 EUR NMB RBB BIP DMH (D15017713) 848 EVO 13 FRA NMB RBB BIP DMH (D15018013) 848 EVO 13 AUS NMB RBB BIP DMH (D15020813) 848 EVO 13 JAP NMB RBB BIP DMH (D15021713) 848 EVO 13 BRA NMB RBB BIP DMH
	R	RED DUCATI	(D15016913) 848 EVO 13 EUR R R-B BIP DMH (D15017313) 848 EVO 13 FRA R R-B BIP DMH (D15017513) 848 EVO 13 JAP R R-B BIP DMH (D15017813) 848 EVO 13 AUS R R-B BIP DMH (D15021613) 848 EVO 13 BRA R R-B BIP DMH (D15025213) 848 EVO 13 CHN R R-B BIP DMH



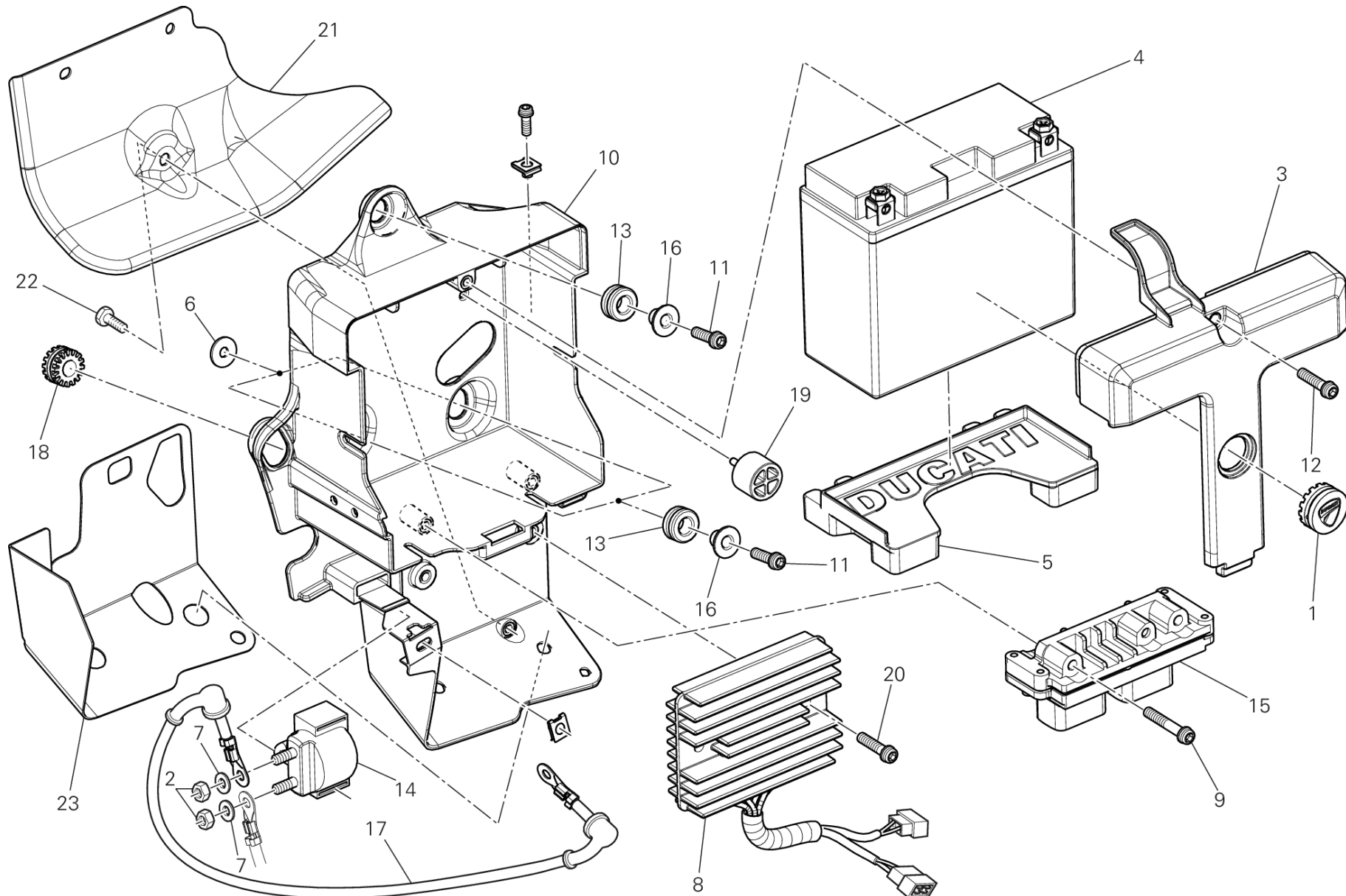
General information.....	3
Colours.....	4
Group ELECTRIC.....	8
Drawing 018 - BATTERY [MOD:848 EVO;XST:AUS,BRA,CHN,EUR,FRA,JAP].....	8
Drawing 020 - HEADLIGHT [MOD:848 EVO;XST:AUS,BRA,CHN,EUR,FRA,JAP].....	12
Drawing 18A - WIRING HARNESS [MOD:848 EVO;XST:AUS,BRA,CHN,EUR,FRA,JAP].....	16
Drawing 27A - TAILLIGHT [MOD:848 EVO;XST:BRA,EUR,FRA,JAP].....	22
Drawing 27A - TAILLIGHT [MOD:848 EVO;XST:CHN].....	26
Drawing 27B - TAILLIGHT AUS [MOD:848 EVO;XST:AUS].....	28
Group ENGINE.....	30
Drawing 002 - SHIFT CAM - FORK [MOD:848 EVO;XST:AUS,BRA,CHN,EUR,FRA,JAP].....	30
Drawing 003 - GEAR BOX [MOD:848 EVO;XST:AUS,BRA,CHN,EUR,FRA,JAP].....	34
Drawing 004 - CLUTCH [MOD:848 EVO;XST:AUS,BRA,CHN,EUR,FRA,JAP].....	38
Drawing 005 - CLUTCH COVER [MOD:848 EVO;XST:AUS,BRA,CHN,EUR,FRA,JAP].....	42
Drawing 006 - CRANKSHAFT [MOD:848 EVO;XST:AUS,BRA,CHN,EUR,FRA,JAP].....	46
Drawing 007 - CYLINDER - PISTON [MOD:848 EVO;XST:AUS,BRA,CHN,EUR,FRA,JAP].....	48
Drawing 008 - TIMING BELT [MOD:848 EVO;XST:AUS,BRA,CHN,EUR,FRA,JAP].....	50
Drawing 009 - OIL PUMP - FILTER [MOD:848 EVO;XST:AUS,BRA,CHN,EUR,FRA,JAP].....	54
Drawing 010 - CRANKCASE [MOD:848 EVO;XST:AUS,BRA,CHN,EUR,FRA,JAP].....	58
Drawing 011 - GENERATOR COVER - WATER PUMP [MOD:848 EVO;XST:AUS,BRA,CHN,EUR,FRA,JAP].....	62
Drawing 012 - STARTING MOTOR [MOD:848 EVO;XST:AUS,BRA,CHN,EUR,FRA,JAP].....	68
Drawing 013 - CAMSHAFT [MOD:848 EVO;XST:AUS,BRA,CHN,EUR,FRA,JAP].....	70
Drawing 014 - VERTICAL CYLINDER HEAD [MOD:848 EVO;XST:AUS,BRA,CHN,EUR,FRA,JAP].....	74
Drawing 015 - HORIZONTAL CYLINDER HEAD [MOD:848 EVO;XST:AUS,BRA,CHN,EUR,FRA,JAP].....	88
Drawing 016 - OIL COOLER [MOD:848 EVO;XST:AUS,BRA,CHN,EUR,FRA,JAP].....	102
Drawing 017 - THROTTLE BODY [MOD:848 EVO;XST:AUS,BRA,EUR,FRA,JAP].....	104
Drawing 017 - THROTTLE BODY [MOD:848 EVO;XST:CHN].....	108
Drawing 10A - CRANKCASE BEARINGS [MOD:848 EVO;XST:AUS,BRA,CHN,EUR,FRA,JAP].....	110
Group TOOLS.....	114



Drawing 001 - WORKSHOP SERVICE TOOLS [MOD:848 EVO;XST:AUS,BRA,CHN,EUR,FRA,JAP].....	114
Drawing 01A - WORKSHOP SERVICE TOOLS [MOD:848 EVO;XST:AUS,BRA,CHN,EUR,FRA,JAP].....	118
Drawing 01B - WORKSHOP SERVICE TOOLS [MOD:848 EVO;XST:AUS,BRA,CHN,EUR,FRA,JAP].....	122
Drawing 01C - DDS (2) TESTER [MOD:848 EVO;XST:AUS,BRA,CHN,EUR,FRA,JAP].....	124
Group FRAME.....	126
Drawing 019 - EXHAUST SYSTEM [MOD:848 EVO;XST:AUS,BRA,CHN,EUR,FRA,JAP].....	126
Drawing 021 - HANDLEBAR [MOD:848 EVO;XST:AUS,BRA,CHN,EUR,FRA,JAP].....	132
Drawing 022 - FRAME [MOD:848 EVO;XST:AUS,BRA,CHN,EUR,FRA,JAP].....	138
Drawing 023 - CLUTCH MASTER CYLINDER [MOD:848 EVO;XST:AUS,BRA,CHN,EUR,FRA,JAP].....	142
Drawing 024 - FRONT BRAKE SYSTEM [MOD:848 EVO;XST:AUS,BRA,CHN,EUR,FRA,JAP].....	146
Drawing 025 - REAR BRAKE SYSTEM [MOD:848 EVO;XST:AUS,BRA,CHN,EUR,FRA,JAP].....	150
Drawing 026 - WHEELS [MOD:848 EVO;XST:AUS,BRA,CHN,EUR,FRA,JAP].....	156
Drawing 027 - REAR FRAME [MOD:848 EVO;XST:AUS,BRA,CHN,EUR,FRA,JAP].....	160
Drawing 028 - REAR SHOCK ABSORBER [MOD:848 EVO;XST:AUS,BRA,CHN,EUR,FRA,JAP].....	162
Drawing 029 - INTAKE [MOD:848 EVO;XST:AUS,BRA,CHN,EUR,FRA,JAP].....	164
Drawing 030 - WATER COOLER [MOD:848 EVO;XST:AUS,BRA,CHN,EUR,FRA,JAP].....	168
Drawing 031 - COOLING CIRCUIT [MOD:848 EVO;XST:AUS,BRA,CHN,EUR,FRA,JAP].....	170
Drawing 032 - FUEL TANK [MOD:848 EVO;XST:AUS,BRA,EUR,FRA,JAP].....	174
Drawing 032 - FUEL TANK [MOD:848 EVO;XST:CHN].....	178
Drawing 033 - SEAT [MOD:848 EVO;XST:AUS,BRA,CHN,EUR,FRA,JAP].....	180
Drawing 034 - COWLING [MOD:848 EVO;XST:AUS,BRA,CHN,EUR,FRA,JAP].....	186
Drawing 035 - CANISTER FILTER [MOD:848 EVO;XST:CHN].....	192
Drawing 21A - FRONT FORK [MOD:848 EVO;XST:AUS,BRA,CHN,EUR,FRA,JAP].....	194
Drawing 22A - SIDE STAND [MOD:848 EVO;XST:AUS,BRA,CHN,EUR,FRA,JAP].....	196
Drawing 26A - REAR WHEEL SPINDLE [MOD:848 EVO;XST:AUS,BRA,CHN,EUR,FRA,JAP].....	198
Drawing 28A - SWING ARM [MOD:848 EVO;XST:AUS,BRA,CHN,EUR,FRA,JAP].....	202
Drawing 32A - FUEL PUMP [MOD:848 EVO;XST:AUS,BRA,EUR,FRA,JAP].....	206
Drawing 32A - FUEL PUMP [MOD:848 EVO;XST:CHN].....	210
Drawing 34A - FAIRING [MOD:848 EVO;XST:AUS,BRA,EUR,FRA,JAP].....	212
Drawing 34A - FAIRING [MOD:848 EVO;XST:CHN].....	218



Alphanumeric index.....222

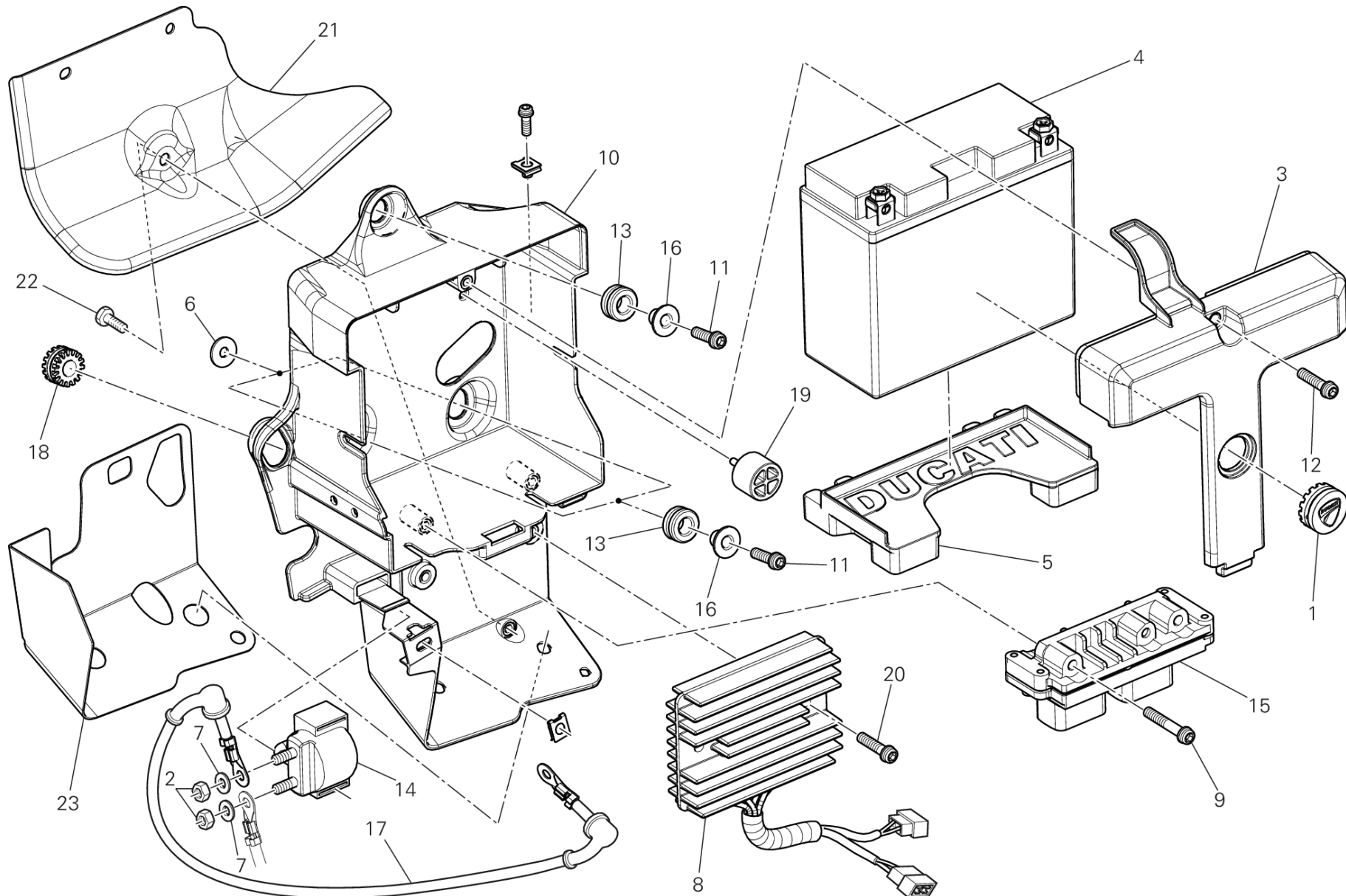


DRAWING 018 - BATTERY [MOD:848 EVO;XST:AUS,BRA,CHN,EUR,FRA,JAP]

GROUP ELECTRIC

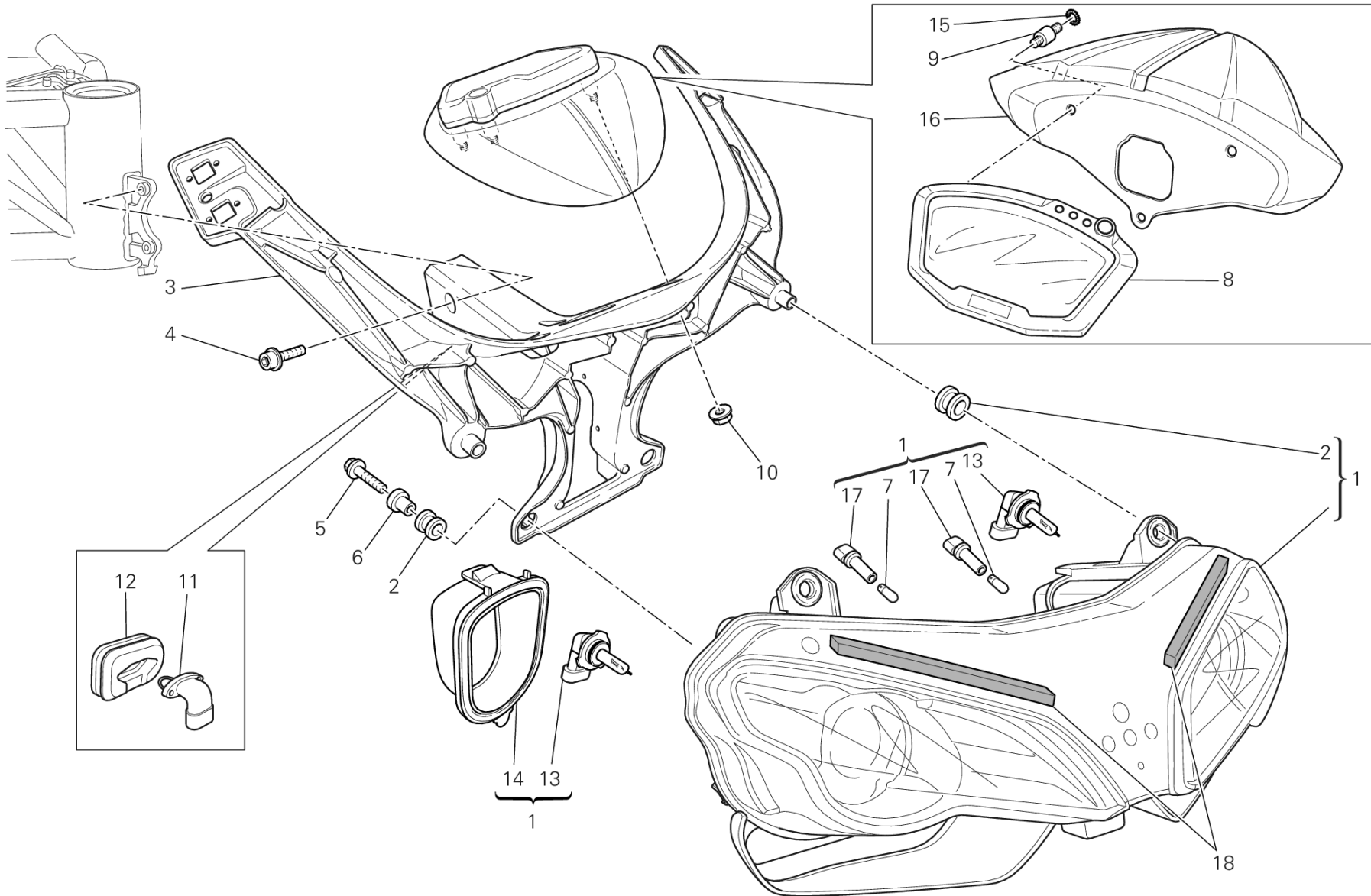


POS.	CODE	DESCRIPTION	QTY	START DATE	END DATE	VALIDITY	NOTES
1	76410621B	RUBBER PAD	1	01/01/2001		MOD:848 EVO;XST:AUS,BRA,CHN,EUR,FRA,JAF	
2	75050051A	NUT 6MM	2	01/01/2001		MOD:848 EVO;XST:AUS,BRA,CHN,EUR,FRA,JAF	
3	24712971A	COVER, BATTERY	1	01/01/2001		MOD:848 EVO;XST:AUS,BRA,CHN,EUR,FRA,JAF	
4	39520132C	BATTERY	1	29/03/2012		MOD:848 EVO;XST:AUS,BRA,CHN,EUR,FRA,JAF	
5	86610781A	PAD, BATTERY	1	19/03/2010		MOD:848 EVO;XST:AUS,BRA,CHN,EUR,FRA,JAF	
6	85250291A	WASHER 6.4X18X1.6	2	29/03/2012		MOD:848 EVO;XST:AUS,BRA,CHN,EUR,FRA,JAF	
7	85350101A	WASHER, SPRING	2	01/01/2001		MOD:848 EVO;XST:AUS,BRA,CHN,EUR,FRA,JAF	
8	54040191A	VOLTAGE REGULATOR	1	01/01/2001		MOD:848 EVO;XST:AUS,BRA,CHN,EUR,FRA,JAF	
9	77156728B	SCREW TCEIF M6X35	2	29/03/2012		MOD:848 EVO;XST:AUS,BRA,CHN,EUR,FRA,JAF	
10	82919392A	BATTERY HOLDER	1	01/01/2001		MOD:848 EVO;XST:AUS,BRA,CHN,EUR,FRA,JAF	
11	77156678B	SCREW TCEIF M6X20	3	29/03/2012		MOD:848 EVO;XST:AUS,BRA,CHN,EUR,FRA,JAF	
12	77156698B	SCREW TCEIF M6X25	1	29/03/2012		MOD:848 EVO;XST:AUS,BRA,CHN,EUR,FRA,JAF	
13	76410901A	RUBBER PAD	3	01/01/2001		MOD:848 EVO;XST:AUS,BRA,CHN,EUR,FRA,JAF	
14	39740031B	STARTER RELAY	1	01/01/2001		MOD:848 EVO;XST:AUS,BRA,CHN,EUR,FRA,JAF	
15	28642031A	ENGINE CONTROL UNIT	1	29/03/2012		MOD:848 EVO;XST:AUS,BRA,EUR	
	28642031C	ENGINE CONTROL UNIT	1	29/03/2012		MOD:848 EVO;XST:CHN	CAL-CDN-CHN
	28642031E	ENGINE CONTROL UNIT	1	29/03/2012		MOD:848 EVO;XST:FRA	FRA
	28642031F	ENGINE CONTROL UNIT	1	29/03/2012		MOD:848 EVO;XST:JAP	JPN
16	71611061A	SPACER 7X10X20	3	01/01/2001		MOD:848 EVO;XST:AUS,BRA,CHN,EUR,FRA,JAF	





POS.	CODE	DESCRIPTION	QTY	START DATE	END DATE	VALIDITY	NOTES
17	51410511A	WIRE STARTER MOTOR	1	01/01/2001		MOD:848 EVO;XST:AUS,BRA,CHN,EUR,FRA,JAF	
18	76410241A	VIBRATION DAMPER PAD	1	01/01/2001		MOD:848 EVO;XST:AUS,BRA,CHN,EUR,FRA,JAF	
19	86610791A	CUSHION, BATTERY	2	01/01/2001		MOD:848 EVO;XST:AUS,BRA,CHN,EUR,FRA,JAF	
20	77156688B	SCREW TCEIF M6X22X18	2	01/01/2001		MOD:848 EVO;XST:AUS,BRA,CHN,EUR,FRA,JAF	
21	46013581A	HEAT GUARD BATTERY MOUNT	1	01/01/2001		MOD:848 EVO;XST:AUS,BRA,CHN,EUR,FRA,JAF	
22	77210591A	SCREW TEF M6X10	3	01/01/2001		MOD:848 EVO;XST:AUS,BRA,CHN,EUR,FRA,JAF	
23	46012832A	DAMPER, BATTERY	1	01/01/2001		MOD:848 EVO;XST:AUS,BRA,CHN,EUR,FRA,JAF	



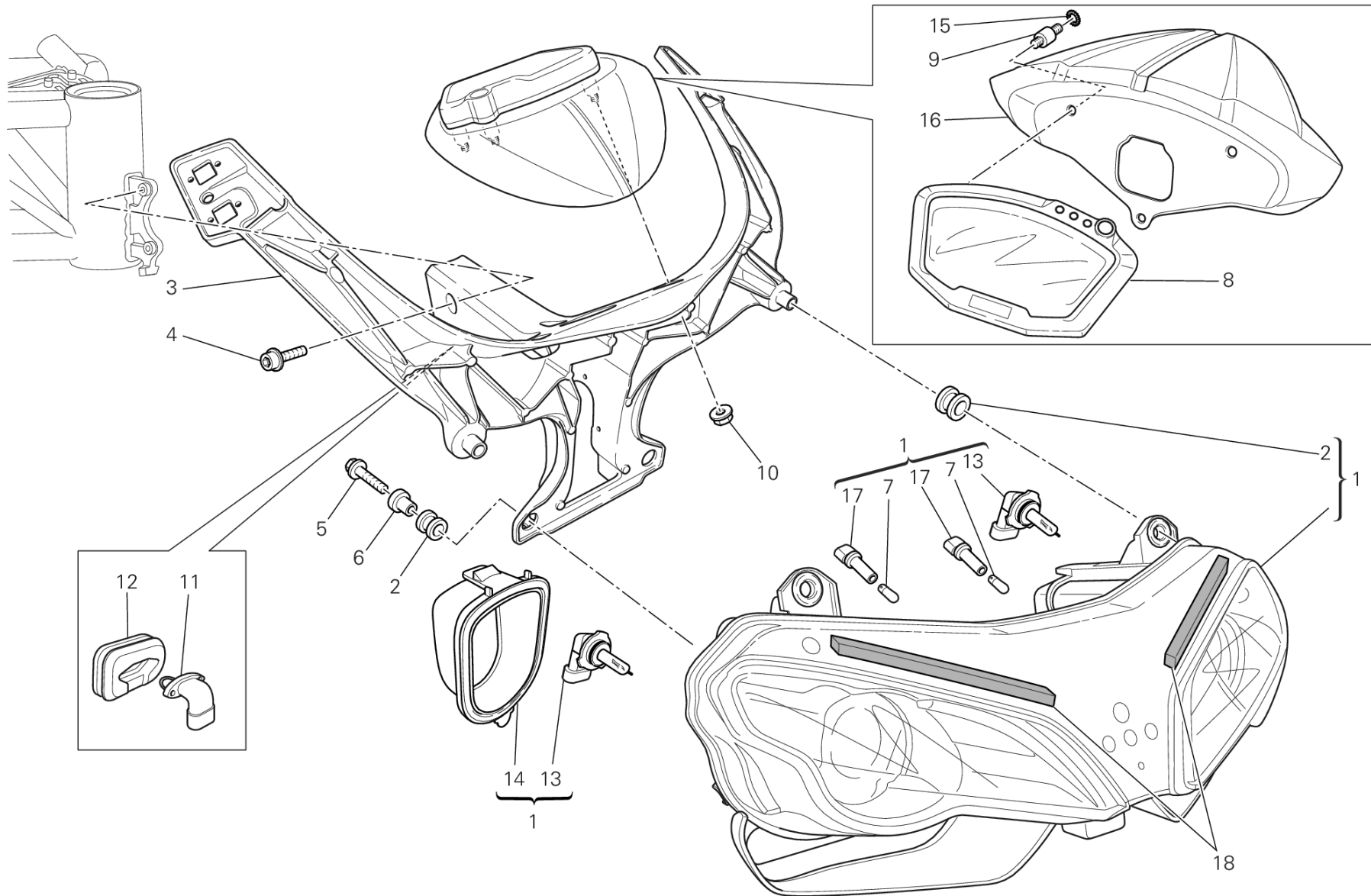
FAN00201

DRAWING 020 - HEADLIGHT [MOD:848 EVO;XST:AUS,BRA,CHN,EUR,FRA,JAP]

GROUP ELECTRIC



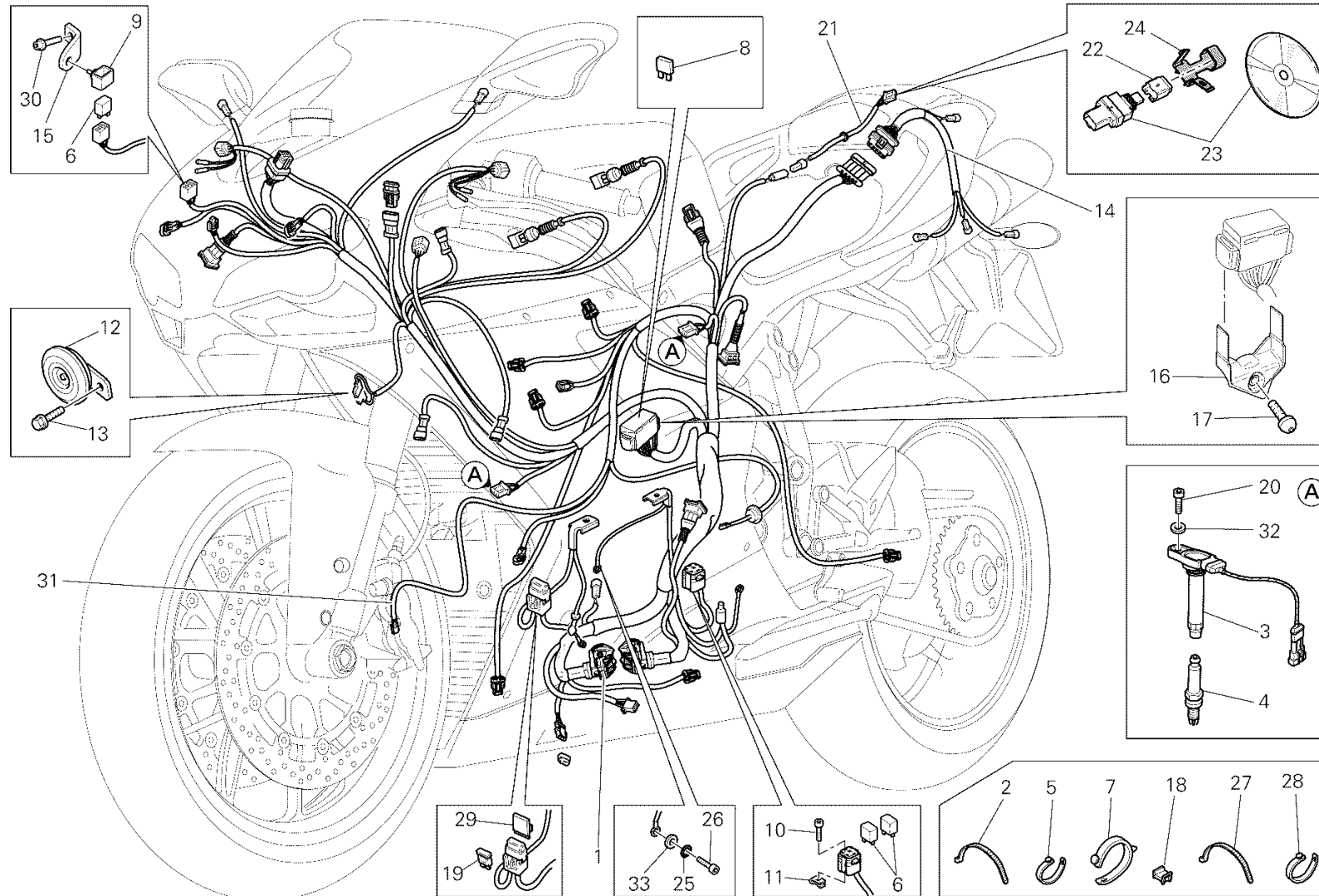
POS.	CODE	DESCRIPTION	QTY	START DATE	END DATE	VALIDITY	NOTES
1	52010155A	HEADLIGHT	1	20/10/2010		MOD:848 EVO;XST:AUS,BRA,CHN,EUR,FRA,JAF	
2	76410901A	RUBBER PAD	4	01/01/2001		MOD:848 EVO;XST:AUS,BRA,CHN,EUR,FRA,JAF	
3	82929433A	HEADLIGHT HOLDER GOLD	1	19/10/2011		MOD:848 EVO;XST:AUS,BRA,CHN,EUR,FRA,JAF	
4	77110411A	SCREW TCEIF M8X20	2	29/03/2012		MOD:848 EVO;XST:AUS,BRA,CHN,EUR,FRA,JAF	
5	77251018B	SCREW TEF M6X20	2	29/03/2012		MOD:848 EVO;XST:AUS,BRA,CHN,EUR,FRA,JAF	
6	71610221B	SPACER	2	01/01/2001		MOD:848 EVO;XST:AUS,BRA,CHN,EUR,FRA,JAF	
7	39040191A	BULB 12V 6W	2			MOD:848 EVO;XST:AUS,BRA,CHN,EUR,FRA,JAF	
8	40610733B	INSTRUMENT PANEL	1	01/01/2001		MOD:848 EVO;XST:AUS,BRA,CHN,EUR,FRA,JAF	
9	70010431A	DAMPER	3	01/01/2001		MOD:848 EVO;XST:AUS,BRA,CHN,EUR,FRA,JAF	
10	74840381A	NUT M5	3	01/01/2001		MOD:848 EVO;XST:AUS,BRA,CHN,EUR,FRA,JAF	
11	55240121A	SENSOR, AIR TEMPERATURE	1	01/01/2001		MOD:848 EVO;XST:AUS,BRA,CHN,EUR,FRA,JAF	
12	76410971A	RUBBER PAD	1	01/01/2001		MOD:848 EVO;XST:AUS,BRA,CHN,EUR,FRA,JAF	
13	39040201A	BULB 12V, 55W	2			MOD:848 EVO;XST:AUS,BRA,CHN,EUR,FRA,JAF	
14	39040221A	COVER, SOCKET	2			MOD:848 EVO;XST:AUS,BRA,CHN,EUR,FRA,JAF	
15	46240461A	WASHER, SPRING	3	01/01/2001		MOD:848 EVO;XST:AUS,BRA,CHN,EUR,FRA,JAF	
16	46012761A	COVER, METER	1	01/01/2001		MOD:848 EVO;XST:AUS,BRA,CHN,EUR,FRA,JAF	
17	39040231A	BULB SOCKET	2			MOD:848 EVO;XST:AUS,BRA,CHN,EUR,FRA,JAF	



FAN00201



POS.	CODE	DESCRIPTION	QTY	START DATE	END DATE	VALIDITY	NOTES
18	46047281A	VIBRATION DAMPER	2	29/03/2012		MOD:848 EVO;XST:AUS,BRA,CHN,EUR,FRA,JAF	



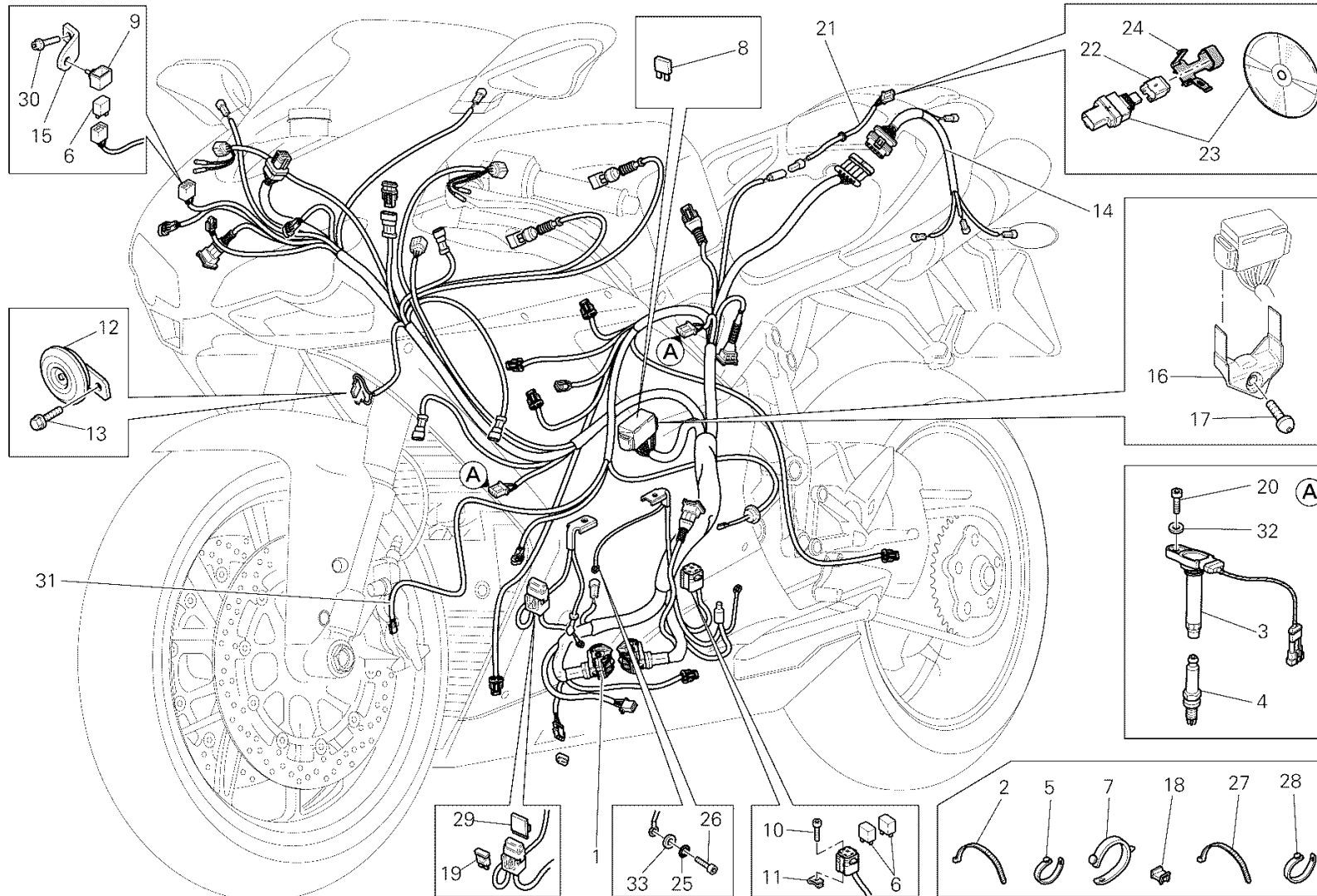
IMP00758

DRAWING 18A - WIRING HARNESS [MOD:848 EVO;XST:AUS,BRA,CHN,EUR,FRA,JAP]

GROUP ELECTRIC



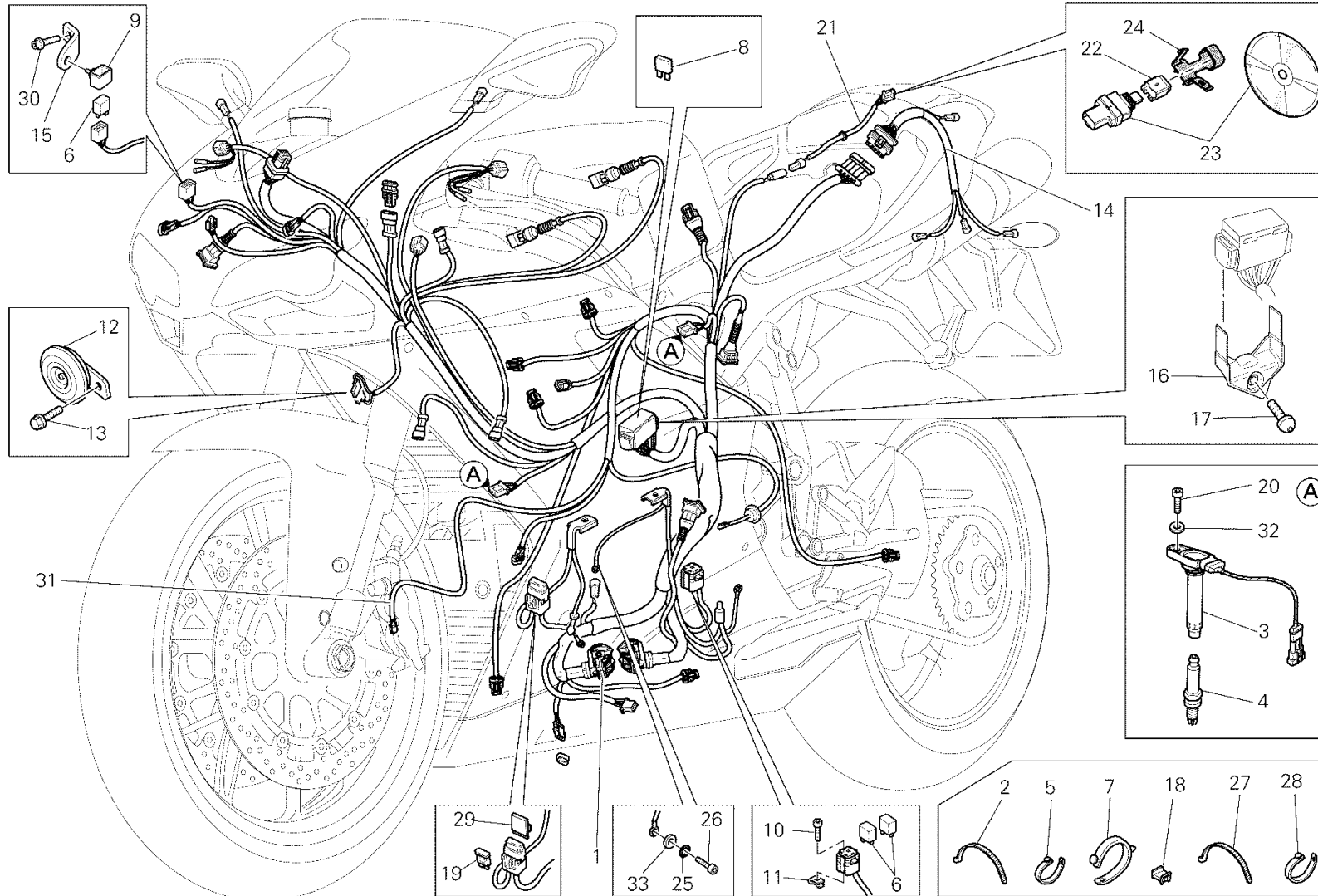
POS.	CODE	DESCRIPTION	QTY	START DATE	END DATE	VALIDITY	NOTES
1	51017201B	ELECTRIC WIRING	1	01/01/2001		MOD:848 EVO;XST:AUS,BRA,CHN,EUR,FRA,JAF	
2	74140381A	CLAMP	15	29/03/2012		MOD:848 EVO;XST:AUS,BRA,CHN,EUR,FRA,JAF	
3	38010144B	IGNITION COIL	2	29/02/2012		MOD:848 EVO;XST:AUS,BRA,CHN,EUR,FRA,JAF	
4	67040381A	SPARK PLUG NGK MAR10A-J	2	29/02/2012		MOD:848 EVO;XST:AUS,BRA,CHN,EUR,FRA,JAF	
5	74110101A	CLAMP 70MM	1	01/01/2001		MOD:848 EVO;XST:AUS,BRA,CHN,EUR,FRA,JAF	
6	54140101A	RELAY	3			MOD:848 EVO;XST:AUS,BRA,CHN,EUR,FRA,JAF	
7	74110551A	CLAMP	7	05/06/2012		MOD:848 EVO;XST:AUS,BRA,CHN,EUR,FRA,JAF	
8	38940191A	FUSE 5A	1			MOD:848 EVO;XST:AUS,BRA,CHN,EUR,FRA,JAF	
	38940201A	FUSE 10A	1			MOD:848 EVO;XST:AUS,BRA,CHN,EUR,FRA,JAF	
	38940211A	FUSE 15A	1			MOD:848 EVO;XST:AUS,BRA,CHN,EUR,FRA,JAF	
	38940221A	FUSE 20A	1			MOD:848 EVO;XST:AUS,BRA,CHN,EUR,FRA,JAF	
	38940241A	FUSE 7,5A	1			MOD:848 EVO;XST:AUS,BRA,CHN,EUR,FRA,JAF	
9	82911901A	MOUNT RUBBER	1	01/01/2001		MOD:848 EVO;XST:AUS,BRA,CHN,EUR,FRA,JAF	
10	77110531A	SCREW TBEI M5X10	1	01/01/2001		MOD:848 EVO;XST:AUS,BRA,CHN,EUR,FRA,JAF	
11	85040471A	QUICK FASTENING M5	1	01/01/2001		MOD:848 EVO;XST:AUS,BRA,CHN,EUR,FRA,JAF	
12	51640011AB	HORN	1	01/01/2001		MOD:848 EVO;XST:AUS,BRA,CHN,EUR,FRA,JAF	
13	77211341A	SCREW	1	29/03/2012		MOD:848 EVO;XST:AUS,BRA,CHN,EUR,FRA,JAF	



IMP00758



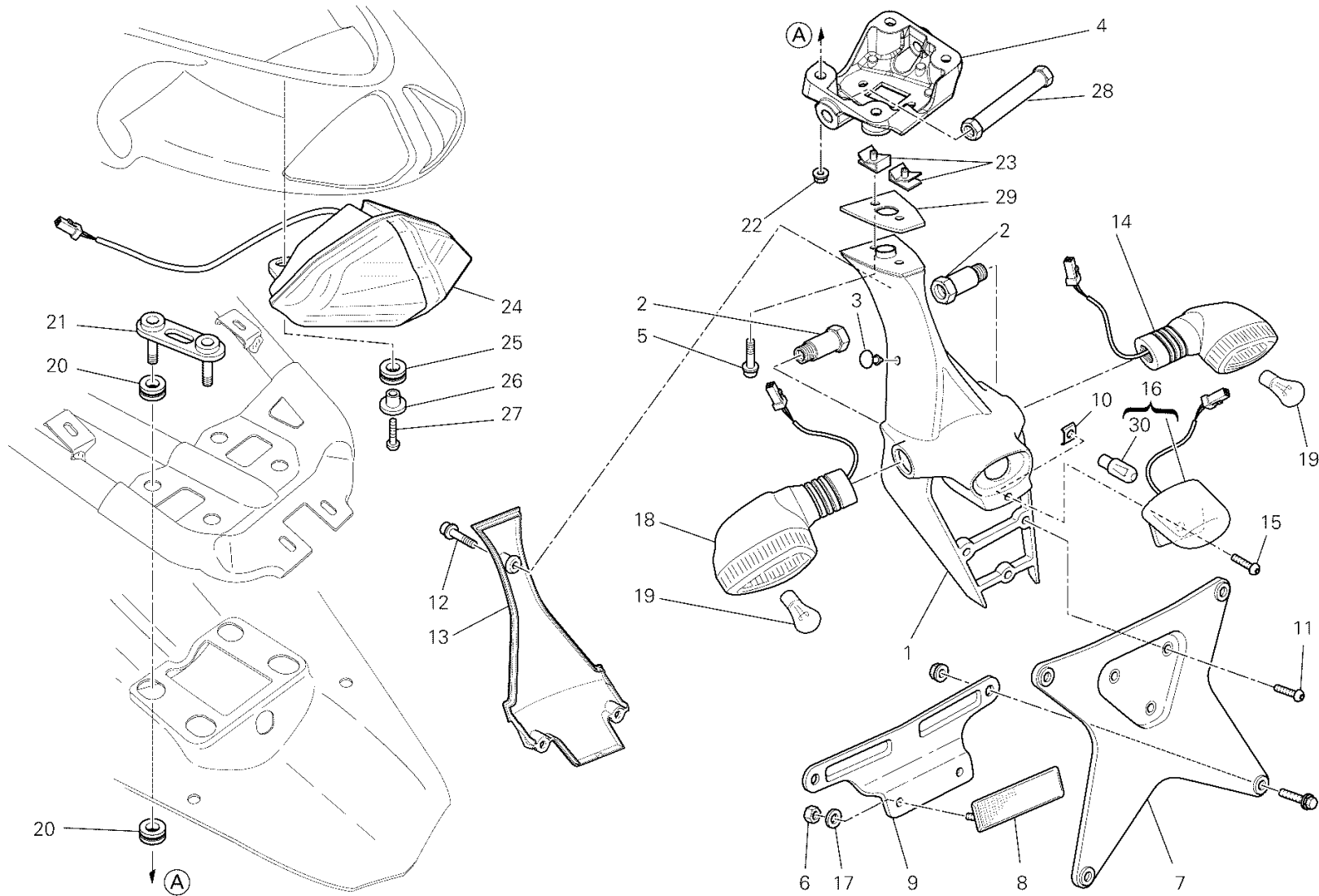
POS.	CODE	DESCRIPTION	QTY	START DATE	END DATE	VALIDITY	NOTES
14	51015771B	CABLE, TAILLIGHT	1	01/01/2001		MOD:848 EVO;XST:AUS,BRA,CHN,EUR,FRA,JAF	
15	82714301A	BRACKET, RELAY	1	01/01/2001		MOD:848 EVO;XST:AUS,BRA,CHN,EUR,FRA,JAF	
16	82917561A	BRACKET, FUSE BOX	1	29/03/2012		MOD:848 EVO;XST:AUS,BRA,CHN,EUR,FRA,JAF	
17	77210893B	SCREW TBEI M6X14	1	29/03/2012		MOD:848 EVO;XST:AUS,BRA,CHN,EUR,FRA,JAF	
18	85040671A	CLAMP TUCKER	4	29/03/2012		MOD:848 EVO;XST:AUS,BRA,CHN,EUR,FRA,JAF	
19	38940231A	FUSE 30A	1			MOD:848 EVO;XST:AUS,BRA,CHN,EUR,FRA,JAF	
20	77150663B	SCREW	2	29/02/2012		MOD:848 EVO;XST:AUS,BRA,CHN,EUR,FRA,JAF	
21	51015701A	DATA ACQUISITION CABLE	1	01/06/2012		MOD:848 EVO;XST:AUS,BRA,CHN,EUR,FRA,JAF	
22	87210532A	CAP DDA	1	24/12/2009		MOD:848 EVO;XST:AUS,BRA,CHN,EUR,FRA,JAF	
23	28620401B	DATA ACQUISITION KIT	1			MOD:848 EVO;XST:AUS,BRA,CHN,EUR,FRA,JAF	
24	74110401A	CLAMP	1	01/01/2001		MOD:848 EVO;XST:AUS,BRA,CHN,EUR,FRA,JAF	
25	85550001B	ALUMINIUM GASKET	1	29/03/2012		MOD:848 EVO;XST:AUS,BRA,CHN,EUR,FRA,JAF	
26	77110471A	SCREW	1	29/03/2012		MOD:848 EVO;XST:AUS,BRA,CHN,EUR,FRA,JAF	
27	069191030	CLAMP	18	29/03/2012		MOD:848 EVO;XST:AUS,BRA,CHN,EUR,FRA,JAF	
28	74110121A	CLAMP, RUBBER 62MM	2	29/03/2012		MOD:848 EVO;XST:AUS,BRA,CHN,EUR,FRA,JAF	
29	83014631A	BRACKET, FUSE BOX	1	01/01/2001		MOD:848 EVO;XST:AUS,BRA,CHN,EUR,FRA,JAF	
30	77156408B	SCREW TCEIF M5X14	1	01/01/2001		MOD:848 EVO;XST:AUS,BRA,CHN,EUR,FRA,JAF	



IMP00758



POS.	CODE	DESCRIPTION	QTY	START DATE	END DATE	VALIDITY	NOTES
31	51017271A	EXTENSION, WIRE LEAD	1	24/12/2009		MOD:848 EVO;XST:AUS,BRA,CHN,EUR,FRA,JAF	
32	85212641A	WASHER 6.4X12.5X1.6	2	08/03/2012		MOD:848 EVO;XST:AUS,BRA,CHN,EUR,FRA,JAF	
33	85350091A	WASHER, SPRING	1	29/03/2012		MOD:848 EVO;XST:AUS,BRA,CHN,EUR,FRA,JAF	



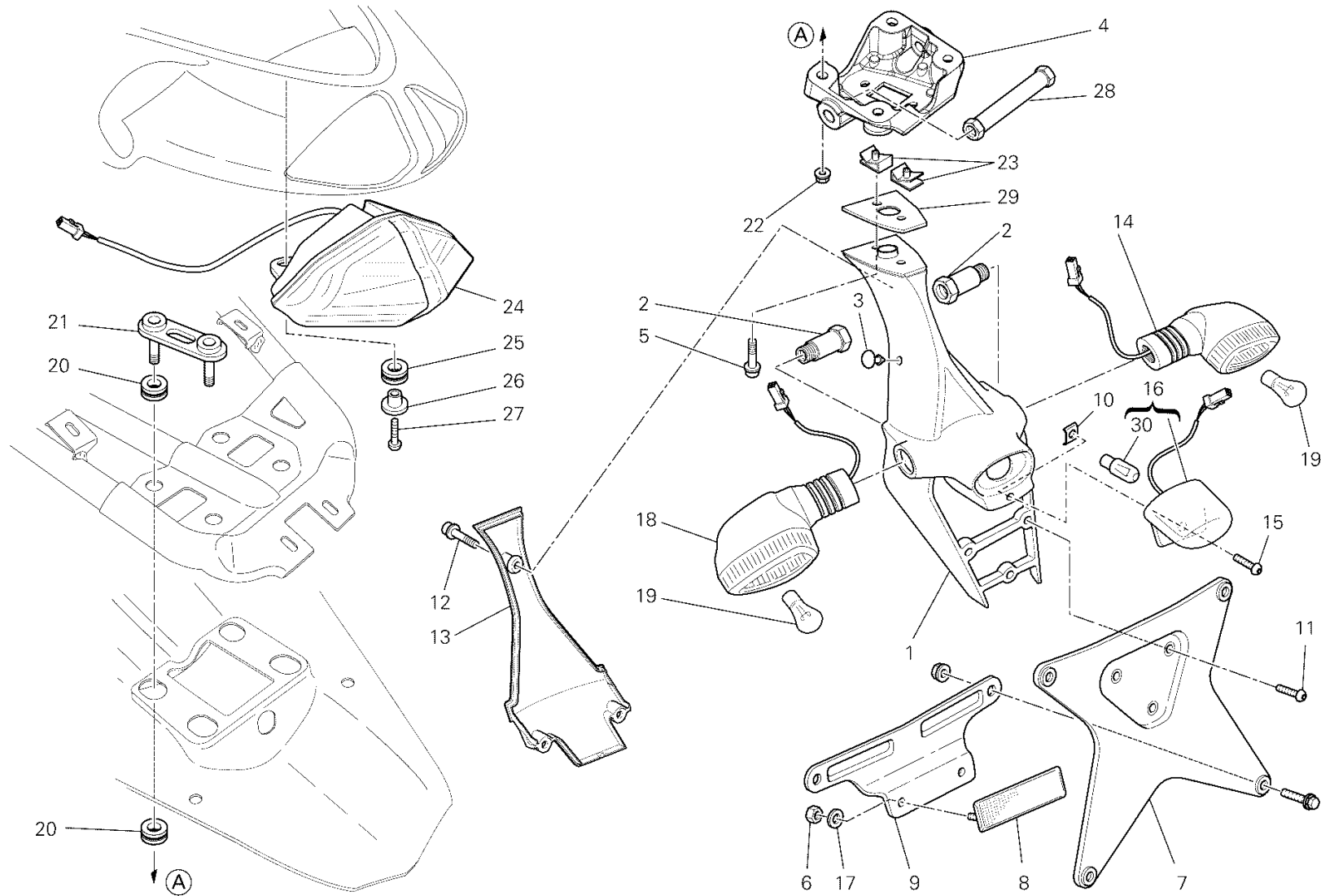
TEL00584

DRAWING 27A - TAILLIGHT [MOD:848 EVO;XST:BRA,EUR,FRA,JAP]

GROUP ELECTRIC



POS.	CODE	DESCRIPTION	QTY	START DATE	END DATE	VALIDITY	NOTES
1	56110251A	PLATE HOLDER	1	01/01/2001		MOD:848 EVO;XST:BRA,EUR,FRA,JAP	
2	75011501A	NUT	2	01/01/2001		MOD:848 EVO;XST:BRA,EUR,FRA,JAP	
3	86610751A	PAD	2	01/01/2001		MOD:848 EVO;XST:BRA,EUR,FRA,JAP	
4	82919471A	BRACKET, SILENCER	1	01/01/2001		MOD:848 EVO;XST:BRA,EUR,FRA,JAP	
5	77110391A	SCREW TCEIF M6X16	2	01/06/2012		MOD:848 EVO;XST:BRA,EUR,FRA,JAP	
6	74950011B	NUT, SPRING	2	29/03/2012		MOD:848 EVO;XST:BRA,EUR,FRA,JAP	
7	56110261A	NUMBER PLATE HOLDER	1	01/01/2001		MOD:848 EVO;XST:BRA,EUR,FRA,JAP	
8	52910061B	REFLEX REFLECTOR, REAR	1	29/03/2012		MOD:848 EVO;XST:BRA,EUR,FRA,JAP	
9	82712981B	BRACKET, REFLECTOR	1	29/03/2012		MOD:848 EVO;XST:BRA,EUR,FRA,JAP	
10	85041021A	QUICK FASTENING M4	1	01/01/2001		MOD:848 EVO;XST:BRA,EUR,FRA,JAP	
11	77550131A	SCREW	3	01/01/2001		MOD:848 EVO;XST:BRA,EUR,FRA,JAP	
12	77156398B	SCREW TCEIF M5X12	3	01/01/2001		MOD:848 EVO;XST:BRA,EUR,FRA,JAP	
13	24713061A	COVER, LICENSE PLATE HOLDER	1	01/01/2001		MOD:848 EVO;XST:BRA,EUR,FRA,JAP	
14	53010211A	REAR FLASHER LIGHT, RIGHT	1	01/01/2001		MOD:848 EVO;XST:BRA,EUR,FRA,JAP	
15	77550013C	SCREW TBEI M4X12	1	01/01/2001		MOD:848 EVO;XST:BRA,EUR,FRA,JAP	
16	52510311A	LAMP, LICENSE PLATE	1	01/01/2001		MOD:848 EVO;XST:BRA,EUR,FRA,JAP	
17	85250011C	WASHER 4.3X9X0.8	2	29/03/2012		MOD:848 EVO;XST:BRA,EUR,FRA,JAP	



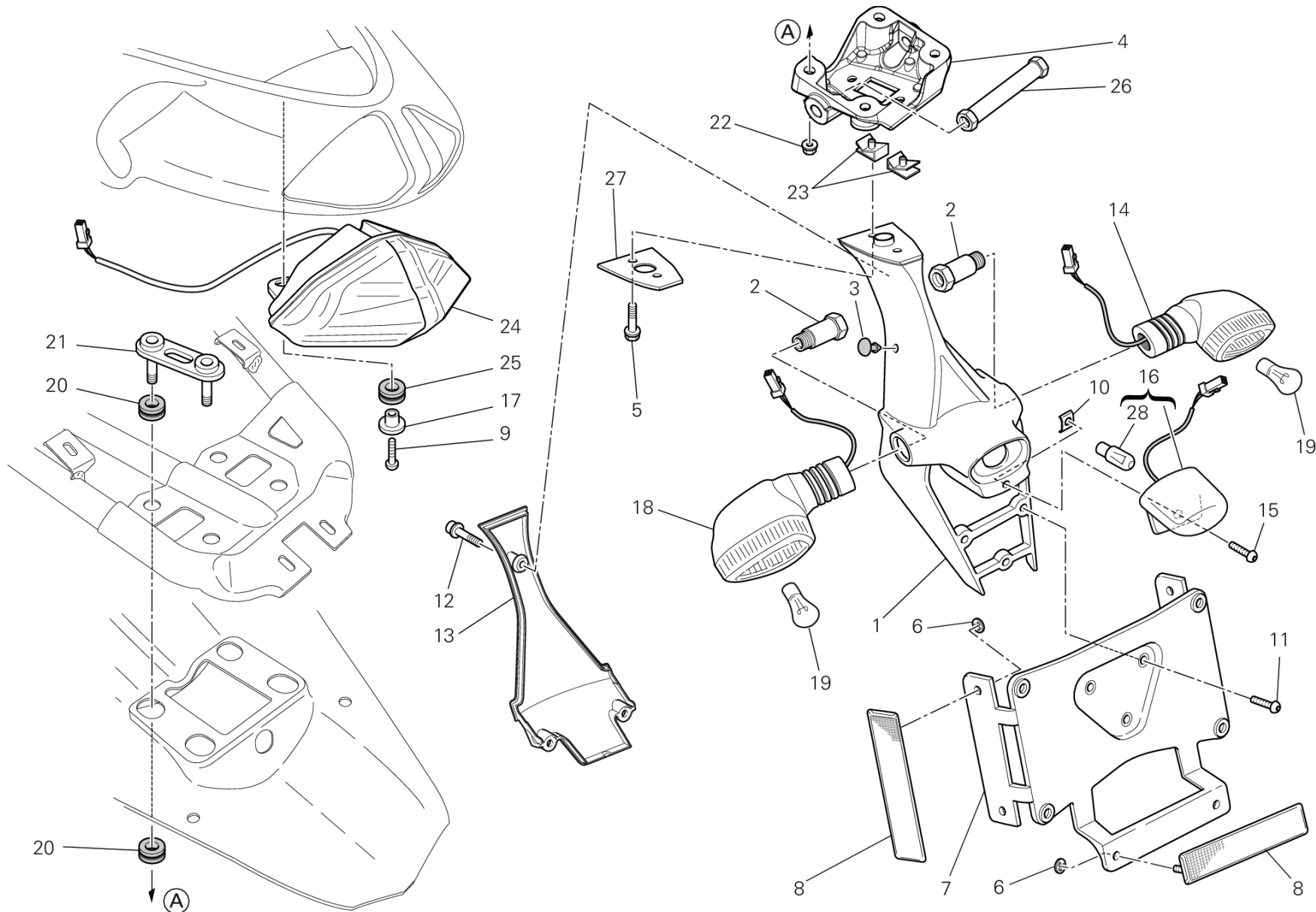
TEL00584

DRAWING 27A - TAILLIGHT [MOD:848 EVO;XST:BRA,EUR,FRA,JAP]

GROUP ELECTRIC



POS.	CODE	DESCRIPTION	QTY	START DATE	END DATE	VALIDITY	NOTES
18	53010201A	REAR FLASHER LIGHT,LEFT	1	01/06/2012		MOD:848 EVO;XST:BRA,EUR,FRA,JAP	
19	39040211A	BULB	2	24/12/2009		MOD:848 EVO;XST:BRA,EUR,FRA,JAP	
20	76410981A	VIBRATION DAMPER PAD	8	01/01/2001		MOD:848 EVO;XST:BRA,EUR,FRA,JAP	
21	82714311A	BRACKET, SILENCER	2	01/01/2001		MOD:848 EVO;XST:BRA,EUR,FRA,JAP	
22	74941118B	NUT 6MM	4	01/01/2001		MOD:848 EVO;XST:BRA,EUR,FRA,JAP	
23	85040381A	QUICK FASTENING	2	01/01/2001		MOD:848 EVO;XST:BRA,EUR,FRA,JAP	
24	52510323A	TAILLIGHT	1	01/01/2001		MOD:848 EVO;XST:BRA,EUR,FRA,JAP	
25	76410901A	RUBBER PAD	2	01/01/2001		MOD:848 EVO;XST:BRA,EUR,FRA,JAP	
26	71611431A	SPACER 5.5X10X16	2	01/01/2001		MOD:848 EVO;XST:BRA,EUR,FRA,JAP	
27	77150438B	SCREW TCEI M5X20	2	01/01/2001		MOD:848 EVO;XST:BRA,EUR,FRA,JAP	
28	71313731A	SPACER	1	01/01/2001		MOD:848 EVO;XST:BRA,EUR,FRA,JAP	
29	82714421A	PLATE	1	01/01/2001		MOD:848 EVO;XST:BRA,EUR,FRA,JAP	
30	800036230	WEDGE BASE BULB 12V5W	1			MOD:848 EVO;XST:BRA,EUR,FRA,JAP	

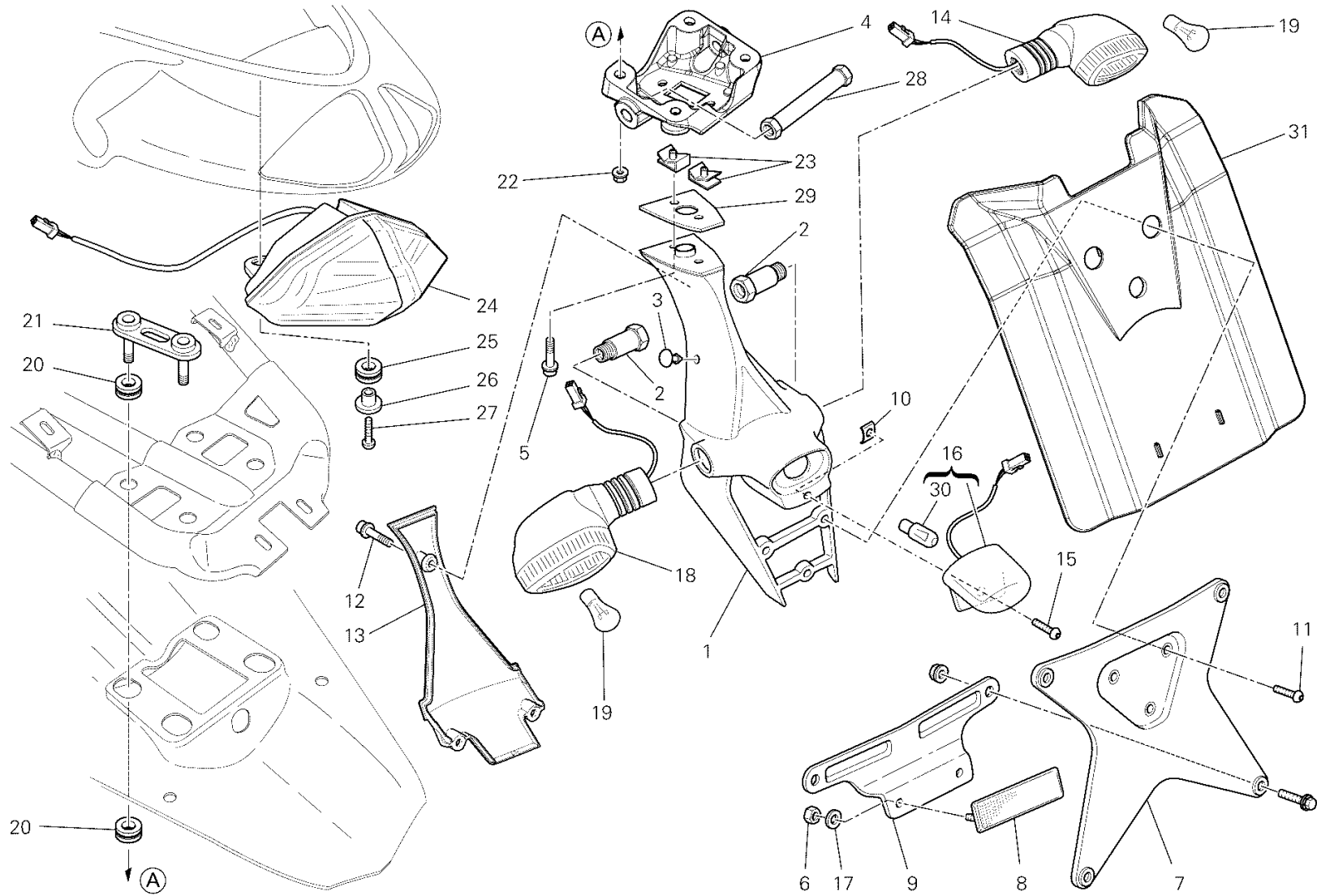


DRAWING 27A - TAILLIGHT [MOD:848 EVO;XST:CHN]

GROUP ELECTRIC



POS.	CODE	DESCRIPTION	QTY	START DATE	END DATE	VALIDITY	NOTES
1	56110251A	PLATE HOLDER	1	01/01/2001		MOD:848 EVO;XST:CHN	
2	75011501A	NUT	2	01/06/2012		MOD:848 EVO;XST:CHN	
3	86610751A	PAD	2	01/01/2001		MOD:848 EVO;XST:CHN	
4	82919471A	BRACKET, SILENCER	1	01/01/2001		MOD:848 EVO;XST:CHN	
5	77110391A	SCREW TCEIF M6X16	2	01/01/2001		MOD:848 EVO;XST:CHN	
6	85040521A	CLIP	6	01/01/2001		MOD:848 EVO;XST:CHN	
7	56110271A	NUMBER PLATE HOLDER	1	01/01/2001		MOD:848 EVO;XST:CHN	
8	52910101A	REFLEX REFLECTOR, REAR	3	01/01/2001		MOD:848 EVO;XST:CHN	
9	77150438B	SCREW TCEI M5X20	2	01/01/2001		MOD:848 EVO;XST:CHN	
10	85041021A	QUICK FASTENING M4	1	01/01/2001		MOD:848 EVO;XST:CHN	
11	77550131A	SCREW	3	01/01/2001		MOD:848 EVO;XST:CHN	
12	77156398B	SCREW TCEIF M5X12	3	01/01/2001		MOD:848 EVO;XST:CHN	
13	24713061A	COVER, LICENSE PLATE HOLDER	1	01/01/2001		MOD:848 EVO;XST:CHN	
14	53010211B	REAR FLASHER LIGHT, RIGHT	1	16/06/2011		MOD:848 EVO;XST:CHN	
15	77550013C	SCREW TBEI M4X12	1	01/01/2001		MOD:848 EVO;XST:CHN	
16	52510311A	LAMP, LICENSE PLATE	1	01/01/2001		MOD:848 EVO;XST:CHN	
17	71611431A	SPACER 5.5X10X16	2	01/01/2001		MOD:848 EVO;XST:CHN	
18	53010201B	REAR FLASHER LIGHT,LEFT	1	01/01/2001		MOD:848 EVO;XST:CHN	
19	39040211A	BULB	2	24/12/2009		MOD:848 EVO;XST:CHN	
20	76410981A	VIBRATION DAMPER PAD	8	01/01/2001		MOD:848 EVO;XST:CHN	
21	82714311A	BRACKET, SILENCER	2	01/01/2001		MOD:848 EVO;XST:CHN	
22	74941118B	NUT 6MM	4	01/06/2012		MOD:848 EVO;XST:CHN	
23	85040381A	QUICK FASTENING	2	01/06/2012		MOD:848 EVO;XST:CHN	
24	52510323A	TAILLIGHT	1	01/01/2001		MOD:848 EVO;XST:CHN	
25	76410901A	RUBBER PAD	2	01/01/2001		MOD:848 EVO;XST:CHN	
26	71313731A	SPACER	1	01/06/2012		MOD:848 EVO;XST:CHN	
27	82714421A	PLATE	1	01/01/2001		MOD:848 EVO;XST:CHN	
28	800036230	WEDGE BASE BULB 12V5W	1			MOD:848 EVO;XST:CHN	

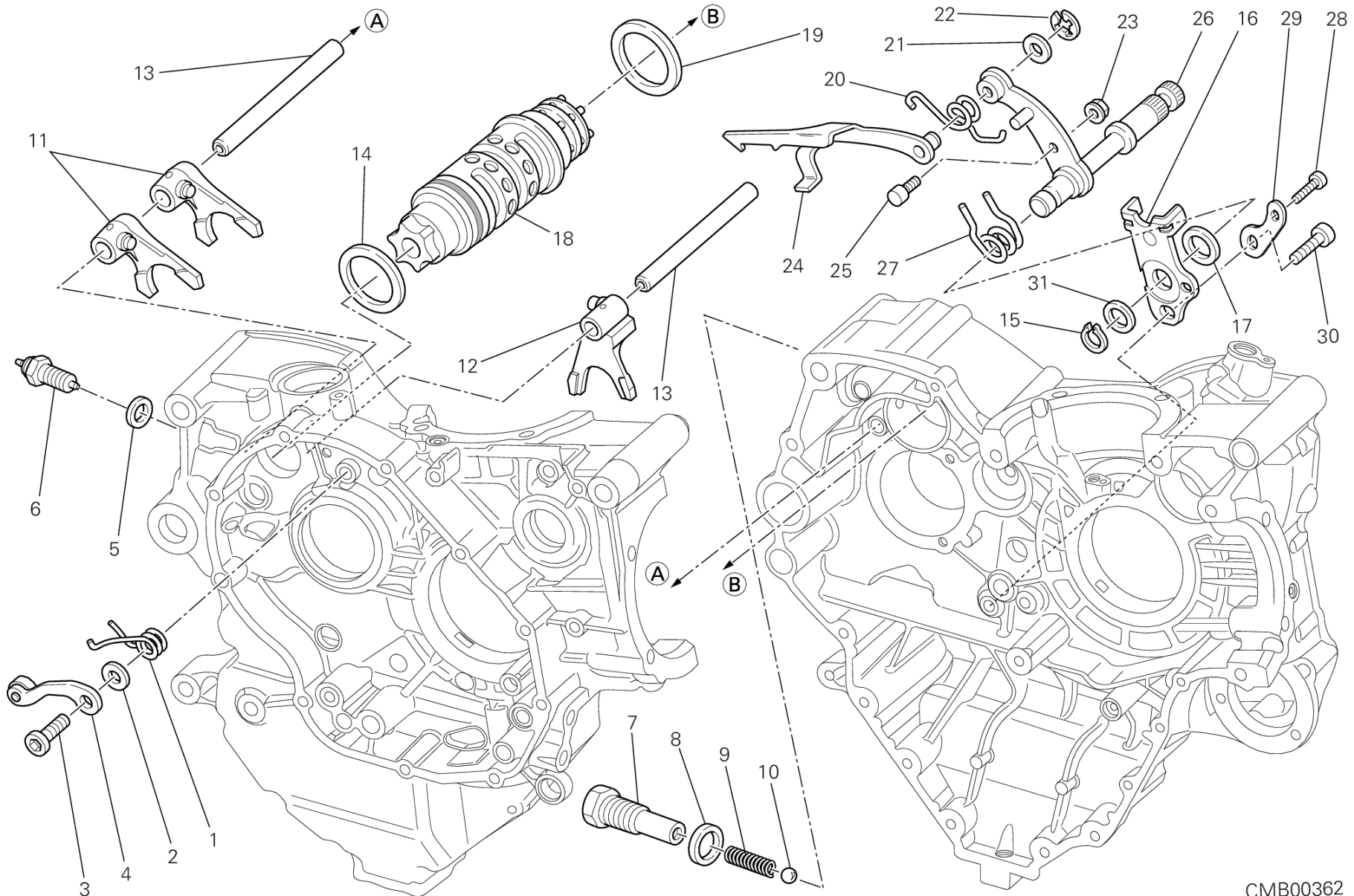


DRAWING 27B - TAILLIGHT AUS [MOD:848 EVO;XST:AUS]

GROUP ELECTRIC



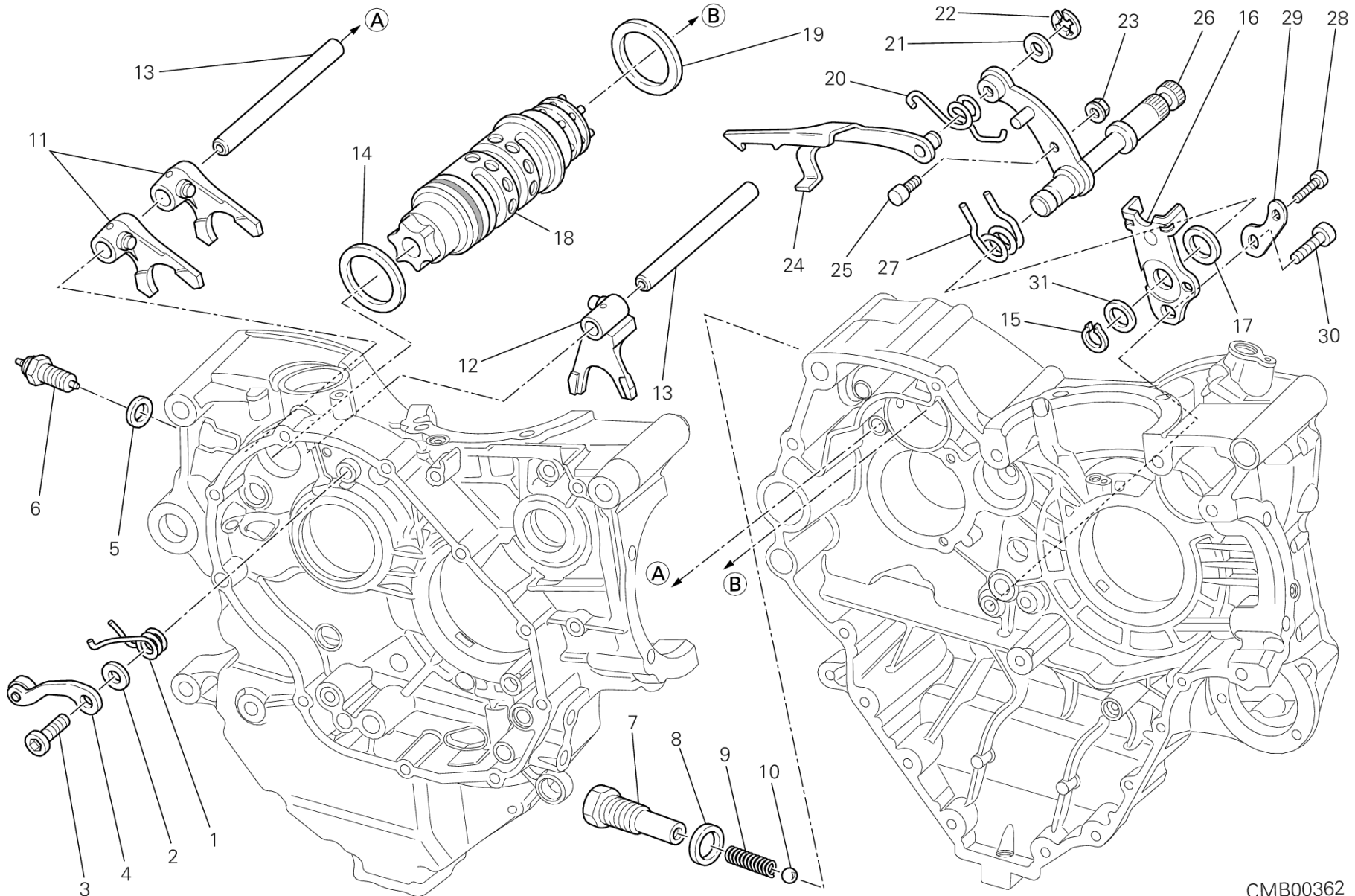
POS.	CODE	DESCRIPTION	QTY	START DATE	END DATE	VALIDITY	NOTES
1	56110251A	PLATE HOLDER	1	01/01/2001		MOD:848 EVO;XST:AUS	
2	75011501A	NUT	2	01/01/2001		MOD:848 EVO;XST:AUS	
3	86610751A	PAD	2	01/06/2012		MOD:848 EVO;XST:AUS	
4	82919471A	BRACKET, SILENCER	1	01/06/2012		MOD:848 EVO;XST:AUS	
5	77110391A	SCREW TCEIF M6X16	2	01/01/2001		MOD:848 EVO;XST:AUS	
6	74950011B	NUT, SPRING	2	29/03/2012		MOD:848 EVO;XST:AUS	
7	56110261A	NUMBER PLATE HOLDER	1	01/06/2012		MOD:848 EVO;XST:AUS	
8	52910061B	REFLEX REFLECTOR, REAR	1	29/03/2012		MOD:848 EVO;XST:AUS	
9	82712981B	BRACKET, REFLECTOR	1	29/03/2012		MOD:848 EVO;XST:AUS	
10	85041021A	QUICK FASTENING M4	1	01/06/2012		MOD:848 EVO;XST:AUS	
11	77550131A	SCREW	3	01/06/2012		MOD:848 EVO;XST:AUS	
12	77156398B	SCREW TCEIF M5X12	3	01/06/2012		MOD:848 EVO;XST:AUS	
13	24713061A	COVER, LICENSE PLATE HOLDER	1	01/06/2012		MOD:848 EVO;XST:AUS	
14	53010211A	REAR FLASHER LIGHT, RIGHT	1	01/01/2001		MOD:848 EVO;XST:AUS	
15	77550013C	SCREW TBEI M4X12	1	01/06/2012		MOD:848 EVO;XST:AUS	
16	52510311A	LAMP, LICENSE PLATE	1	01/06/2012		MOD:848 EVO;XST:AUS	
17	85250011C	WASHER 4.3X9X0.8	2	29/03/2012		MOD:848 EVO;XST:AUS	
18	53010201A	REAR FLASHER LIGHT,LEFT	1	01/01/2001		MOD:848 EVO;XST:AUS	
19	39040211A	BULB	1	24/12/2009		MOD:848 EVO;XST:AUS	
20	76410981A	VIBRATION DAMPER PAD	8	01/06/2012		MOD:848 EVO;XST:AUS	
21	82714311A	BRACKET, SILENCER	2	01/01/2001		MOD:848 EVO;XST:AUS	
22	74941118B	NUT 6MM	4	01/06/2012		MOD:848 EVO;XST:AUS	
23	85040381A	QUICK FASTENING	2	01/06/2012		MOD:848 EVO;XST:AUS	
24	52510323A	TAILLIGHT	1	01/06/2012		MOD:848 EVO;XST:AUS	
25	76410901A	RUBBER PAD	2	01/01/2001		MOD:848 EVO;XST:AUS	
26	71611431A	SPACER 5.5X10X16	2	01/06/2012		MOD:848 EVO;XST:AUS	
27	77150438B	SCREW TCEI M5X20	2	01/06/2012		MOD:848 EVO;XST:AUS	
28	71313731A	SPACER	1	01/06/2012		MOD:848 EVO;XST:AUS	
29	82714421A	PLATE	1	01/06/2012		MOD:848 EVO;XST:AUS	
30	800036230	WEDGE BASE BULB 12V5W	1			MOD:848 EVO;XST:AUS	
31	46012871A	MUDFLAP	1	01/01/2001		MOD:848 EVO;XST:AUS	



CMB00362



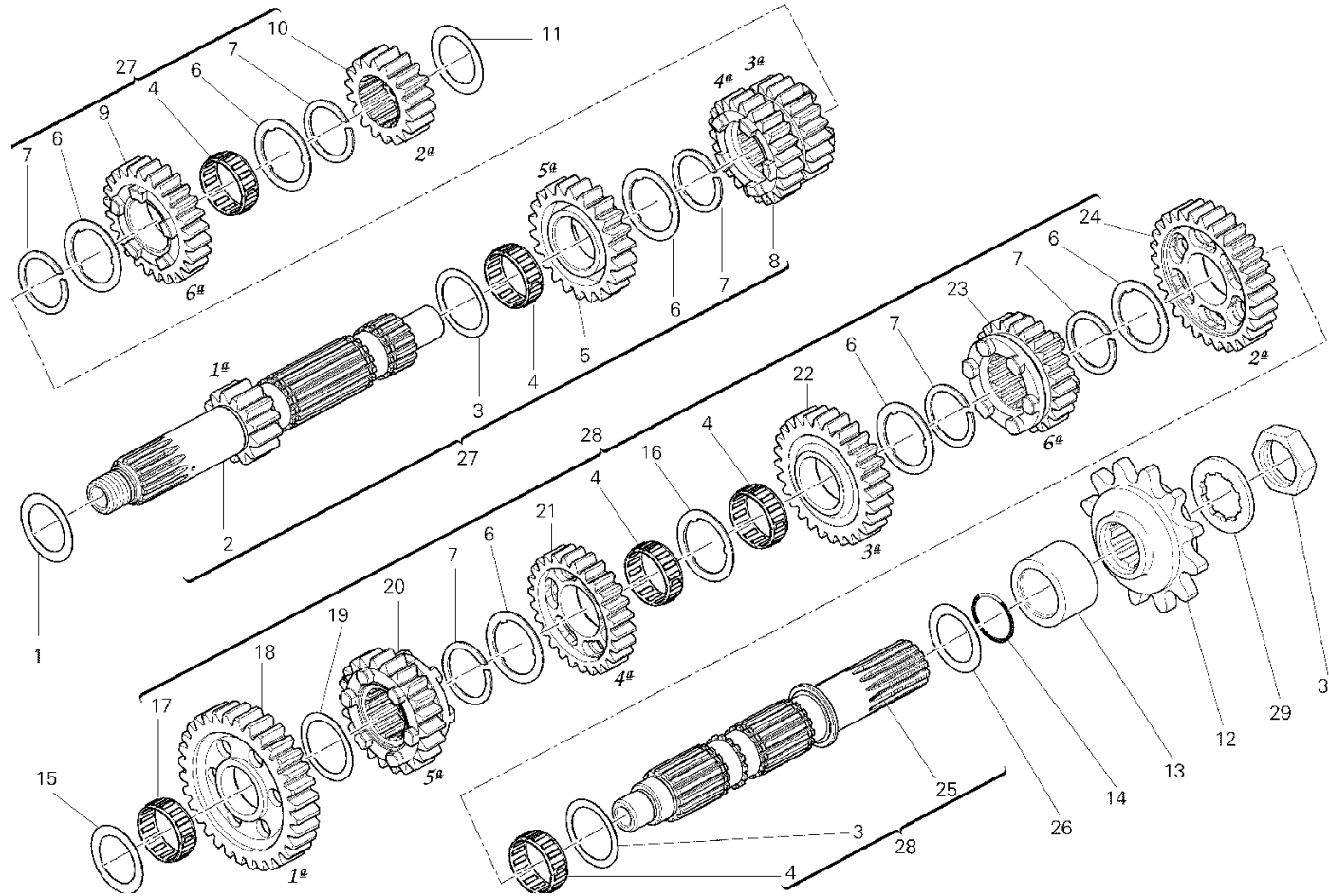
POS.	CODE	DESCRIPTION	QTY	START DATE	END DATE	VALIDITY	NOTES
1	79910491A	SPRING, RETURN	1			MOD:848 EVO;XST:AUS,BRA,CHN,EUR,FRA,JAF	
2	85210532A	WASHER 8.2X20X1	1			MOD:848 EVO;XST:AUS,BRA,CHN,EUR,FRA,JAF	
3	77910391A	SCREW M8X21.5	1			MOD:848 EVO;XST:AUS,BRA,CHN,EUR,FRA,JAF	
4	45520181A	GEAR FIXING CLICK ASSEMBLY	1			MOD:848 EVO;XST:AUS,BRA,CHN,EUR,FRA,JAF	
5	85250241A	WASHER 10X14X1	1			MOD:848 EVO;XST:AUS,BRA,CHN,EUR,FRA,JAF	
6	53910211B	NEUTRAL SWITCH ASSY	1			MOD:848 EVO;XST:AUS,BRA,CHN,EUR,FRA,JAF	
7	77912033A	SCREW M16X1.5	1			MOD:848 EVO;XST:AUS,BRA,CHN,EUR,FRA,JAF	
8	027291090	GASKET 16.2X24X2	1			MOD:848 EVO;XST:AUS,BRA,CHN,EUR,FRA,JAF	
9	066013143	GEAR SELECTOR SPRING	1			MOD:848 EVO;XST:AUS,BRA,CHN,EUR,FRA,JAF	
10	768351134	BALL 11MM	1			MOD:848 EVO;XST:AUS,BRA,CHN,EUR,FRA,JAF	
11	180Z0031A	GEAR SELECTOR FORK,1ST/4TH-2ND/3RD	2			MOD:848 EVO;XST:AUS,BRA,CHN,EUR,FRA,JAF	
12	180Z0041A	FORK-SHIFT, 5TH&6TH	1			MOD:848 EVO;XST:AUS,BRA,CHN,EUR,FRA,JAF	
13	82112681A	AXLE, GEAR SHIFT FORK	2			MOD:848 EVO;XST:AUS,BRA,CHN,EUR,FRA,JAF	
14	85210051A	THRUST WASHER 1 MM	1			MOD:848 EVO;XST:AUS,BRA,CHN,EUR,FRA,JAF	
15	735001542	CIRCLIP 15 DIN 471	1			MOD:848 EVO;XST:AUS,BRA,CHN,EUR,FRA,JAF	
16	82610292A	STOPPER PLATE	1			MOD:848 EVO;XST:AUS,BRA,CHN,EUR,FRA,JAF	
17	88110121A	CENTERING RING	1			MOD:848 EVO;XST:AUS,BRA,CHN,EUR,FRA,JAF	



CMB00362



POS.	CODE	DESCRIPTION	QTY	START DATE	END DATE	VALIDITY	NOTES
18	182Z0042A	COMPLETE GEARBOX DRUM	1			MOD:848 EVO;XST:AUS,BRA,CHN,EUR,FRA,JAF	
19	85210941A	THRUST WASHER 45.2X49X0.9	1			MOD:848 EVO;XST:AUS,BRA,CHN,EUR,FRA,JAF	
20	79914821A	RETURN SPRING	1			MOD:848 EVO;XST:AUS,BRA,CHN,EUR,FRA,JAF	
21	040009050	THRUST WASHER 10.5X16X0.5	1			MOD:848 EVO;XST:AUS,BRA,CHN,EUR,FRA,JAF	
	076592205	THRUST WASHER 10.5X15X0.2	2			MOD:848 EVO;XST:AUS,BRA,CHN,EUR,FRA,JAF	
22	88450341B	SPRING RING	1			MOD:848 EVO;XST:AUS,BRA,CHN,EUR,FRA,JAF	
23	74810401A	NUT, FLANGE	1			MOD:848 EVO;XST:AUS,BRA,CHN,EUR,FRA,JAF	
24	18010081A	CONTROL FORK	1			MOD:848 EVO;XST:AUS,BRA,CHN,EUR,FRA,JAF	
25	066013165	GEARCHANGE LEVER PIN	1			MOD:848 EVO;XST:AUS,BRA,CHN,EUR,FRA,JAF	
26	82110011A	GEAR SELECTOR SHAFT	1			MOD:848 EVO;XST:AUS,BRA,CHN,EUR,FRA,JAF	
27	079913110	SPRING, SHIFT RETURN	1			MOD:848 EVO;XST:AUS,BRA,CHN,EUR,FRA,JAF	
28	77150670ZF	SCREW	1			MOD:848 EVO;XST:AUS,BRA,CHN,EUR,FRA,JAF	
29	71319151A	SPACER	1			MOD:848 EVO;XST:AUS,BRA,CHN,EUR,FRA,JAF	
30	77151250ZF	SCREW	1			MOD:848 EVO;XST:AUS,BRA,CHN,EUR,FRA,JAF	
31	040029125	THRUST WASHER 15.5X22X0.2	2			MOD:848 EVO;XST:AUS,BRA,CHN,EUR,FRA,JAF	
	040029126	THRUST WASHER 15.5X22X0.5	1			MOD:848 EVO;XST:AUS,BRA,CHN,EUR,FRA,JAF	



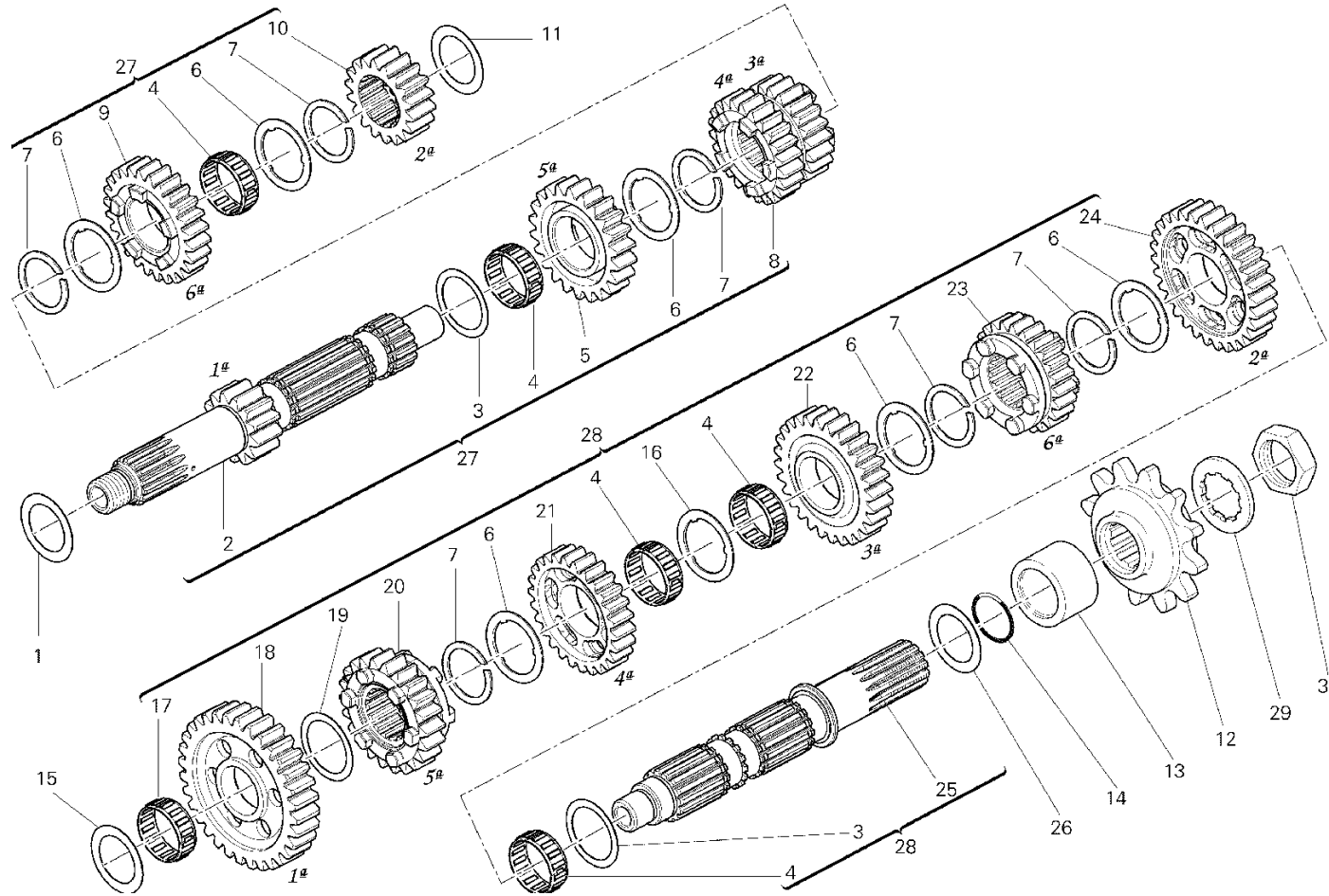
CMB00240

DRAWING 003 - GEAR BOX [MOD:848 EVO;XST:AUS,BRA,CHN,EUR,FRA,JAP]

GROUP ENGINE



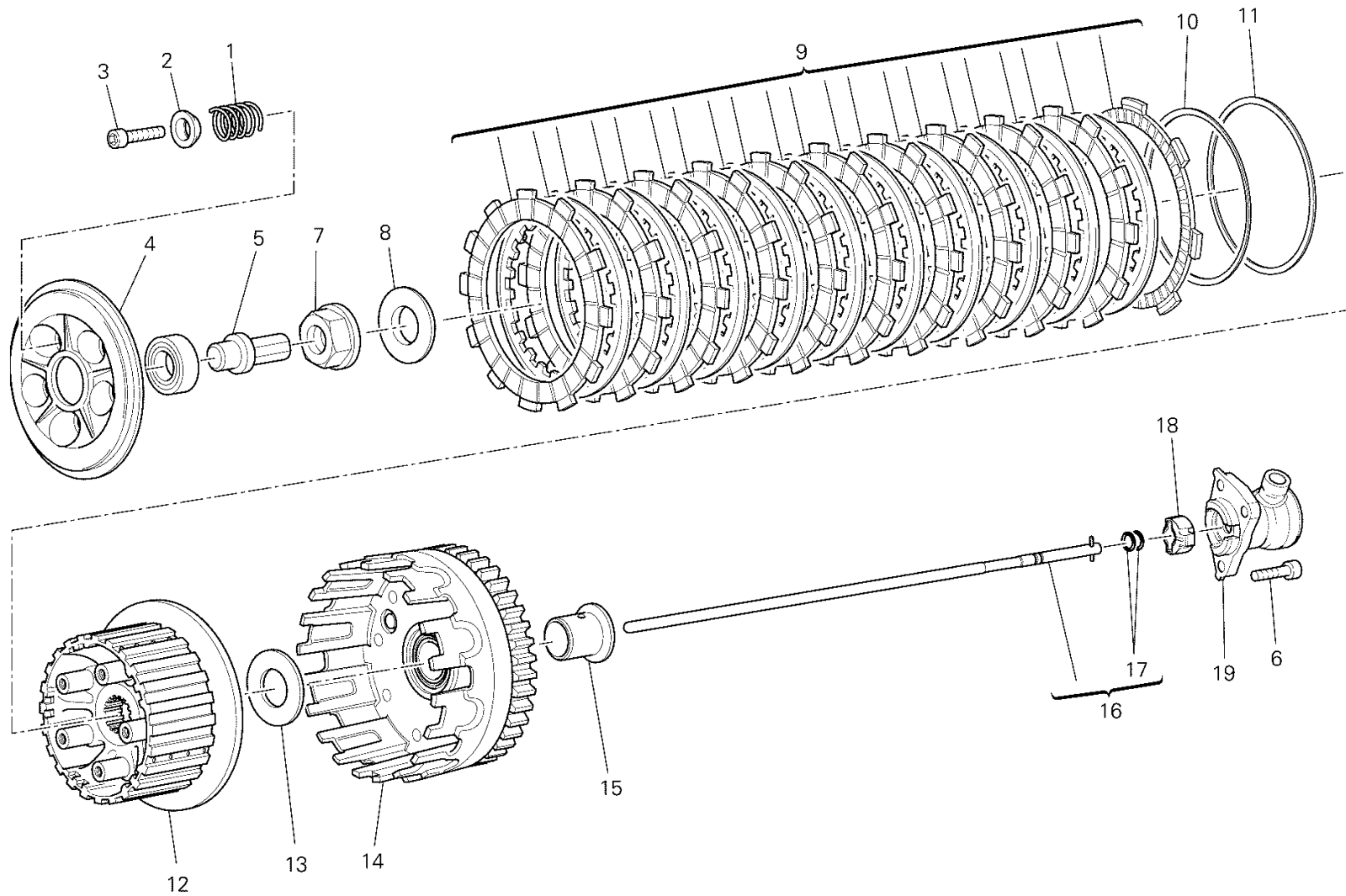
POS.	CODE	DESCRIPTION	QTY	START DATE	END DATE	VALIDITY	NOTES
1	025147054	THRUST WASHER 25.2X32.5X1.2	1			MOD:848 EVO;XST:AUS,BRA,CHN,EUR,FRA,JAF	
2	14910461A	MAIN SHAFT	1			MOD:848 EVO;XST:AUS,BRA,CHN,EUR,FRA,JAF	
3	067016150	THRUST WASHER 0.5 MM	2			MOD:848 EVO;XST:AUS,BRA,CHN,EUR,FRA,JAF	
4	70140051A	BEARING, NEEDLE	5			MOD:848 EVO;XST:AUS,BRA,CHN,EUR,FRA,JAF	
5	17210043C	GEAR DRIVE 5TH SPEED T23	1			MOD:848 EVO;XST:AUS,BRA,CHN,EUR,FRA,JAF	
6	85610011A	THRUST WASHER 0.5 MM	6			MOD:848 EVO;XST:AUS,BRA,CHN,EUR,FRA,JAF	
7	067016145	SPRING RING	6			MOD:848 EVO;XST:AUS,BRA,CHN,EUR,FRA,JAF	
8	17210033C	GEAR DRIVE 3/4TH SPEED T20/22	1			MOD:848 EVO;XST:AUS,BRA,CHN,EUR,FRA,JAF	
9	17210053C	GEAR DRIVE 6TH SPEEDTt24	1			MOD:848 EVO;XST:AUS,BRA,CHN,EUR,FRA,JAF	
10	17210021B	GEAR, 2ND DRIVE, NT:17	1			MOD:848 EVO;XST:AUS,BRA,CHN,EUR,FRA,JAF	
11	71310141E	THRUST WASHER 20.3X32X1.6	1			MOD:848 EVO;XST:AUS,BRA,CHN,EUR,FRA,JAF	
12	44910531A	SPROCKET T15	1			MOD:848 EVO;XST:AUS,BRA,CHN,EUR,FRA,JAF	
13	71313931A	SPACER, ENGINE SPROCKET	1			MOD:848 EVO;XST:AUS,BRA,CHN,EUR,FRA,JAF	
14	46320537A	O-RING	1			MOD:848 EVO;XST:AUS,BRA,CHN,EUR,FRA,JAF	
15	71312661A	THRUST WASHER 17.3X31X3.15	1			MOD:848 EVO;XST:AUS,BRA,CHN,EUR,FRA,JAF	
16	85610311A	THRUST WASHER 0.5 MM	1			MOD:848 EVO;XST:AUS,BRA,CHN,EUR,FRA,JAF	
17	764020002	BEARING, NEEDLE	1			MOD:848 EVO;XST:AUS,BRA,CHN,EUR,FRA,JAF	



CMB00240



POS.	CODE	DESCRIPTION	QTY	START DATE	END DATE	VALIDITY	NOTES
18	17212182A	DRIVEN GEAR 1ST SPEED T37	1			MOD:848 EVO;XST:AUS,BRA,CHN,EUR,FRA,JAF	
19	067016155	THRUST WASHER 1 MM	1			MOD:848 EVO;XST:AUS,BRA,CHN,EUR,FRA,JAF	
20	17210103C	DRIVEN GEAR 5TH SPEED T24	1			MOD:848 EVO;XST:AUS,BRA,CHN,EUR,FRA,JAF	
21	17210092C	DRIVEN GEAR 4TH SPEED	1			MOD:848 EVO;XST:AUS,BRA,CHN,EUR,FRA,JAF	
22	17210081C	DRIVEN GEAR 3RD SPEED T28	1			MOD:848 EVO;XST:AUS,BRA,CHN,EUR,FRA,JAF	
23	17210113C	DRIVEN GEAR 6TH SPEED T23	1			MOD:848 EVO;XST:AUS,BRA,CHN,EUR,FRA,JAF	
24	17212192A	DRIVEN GEAR 2ND SPEED T30	1			MOD:848 EVO;XST:AUS,BRA,CHN,EUR,FRA,JAF	
25	14910611A	LAY SHAFT	1			MOD:848 EVO;XST:AUS,BRA,CHN,EUR,FRA,JAF	
26	067016170	THRUST WASHER 0.8 MM	1			MOD:848 EVO;XST:AUS,BRA,CHN,EUR,FRA,JAF	
27	15020982A	COMPLETE MAIN SHAFT	1			MOD:848 EVO;XST:AUS,BRA,CHN,EUR,FRA,JAF	
28	15020923A	COMPLETE LAY SHAFT	1			MOD:848 EVO;XST:AUS,BRA,CHN,EUR,FRA,JAF	
29	85110041A	WASHER, LOCK	1			MOD:848 EVO;XST:AUS,BRA,CHN,EUR,FRA,JAF	
30	75010071A	NUT M25X1.5	1			MOD:848 EVO;XST:AUS,BRA,CHN,EUR,FRA,JAF	



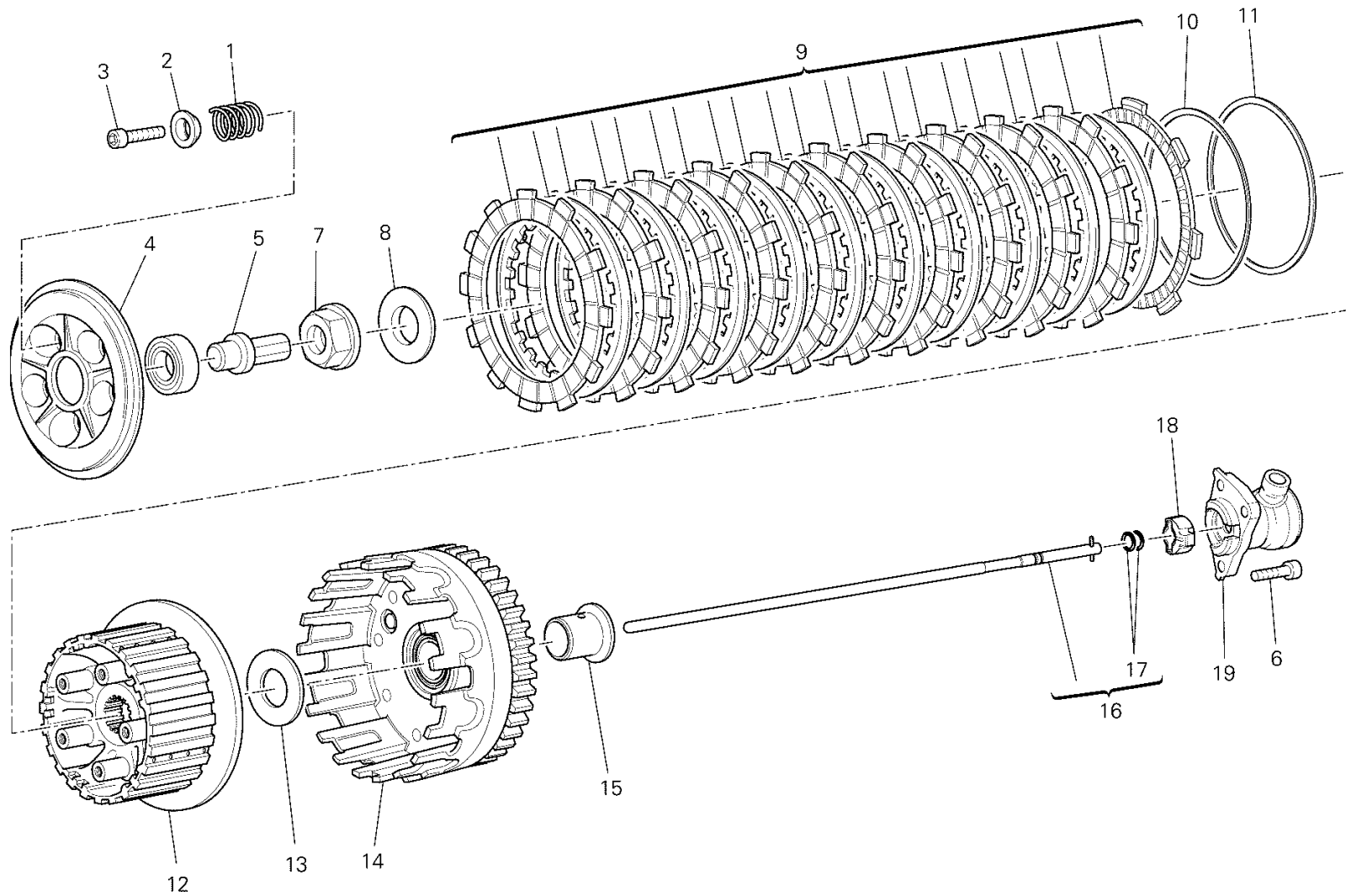
CMB00331

DRAWING 004 - CLUTCH [MOD:848 EVO;XST:AUS,BRA,CHN,EUR,FRA,JAP]

GROUP ENGINE



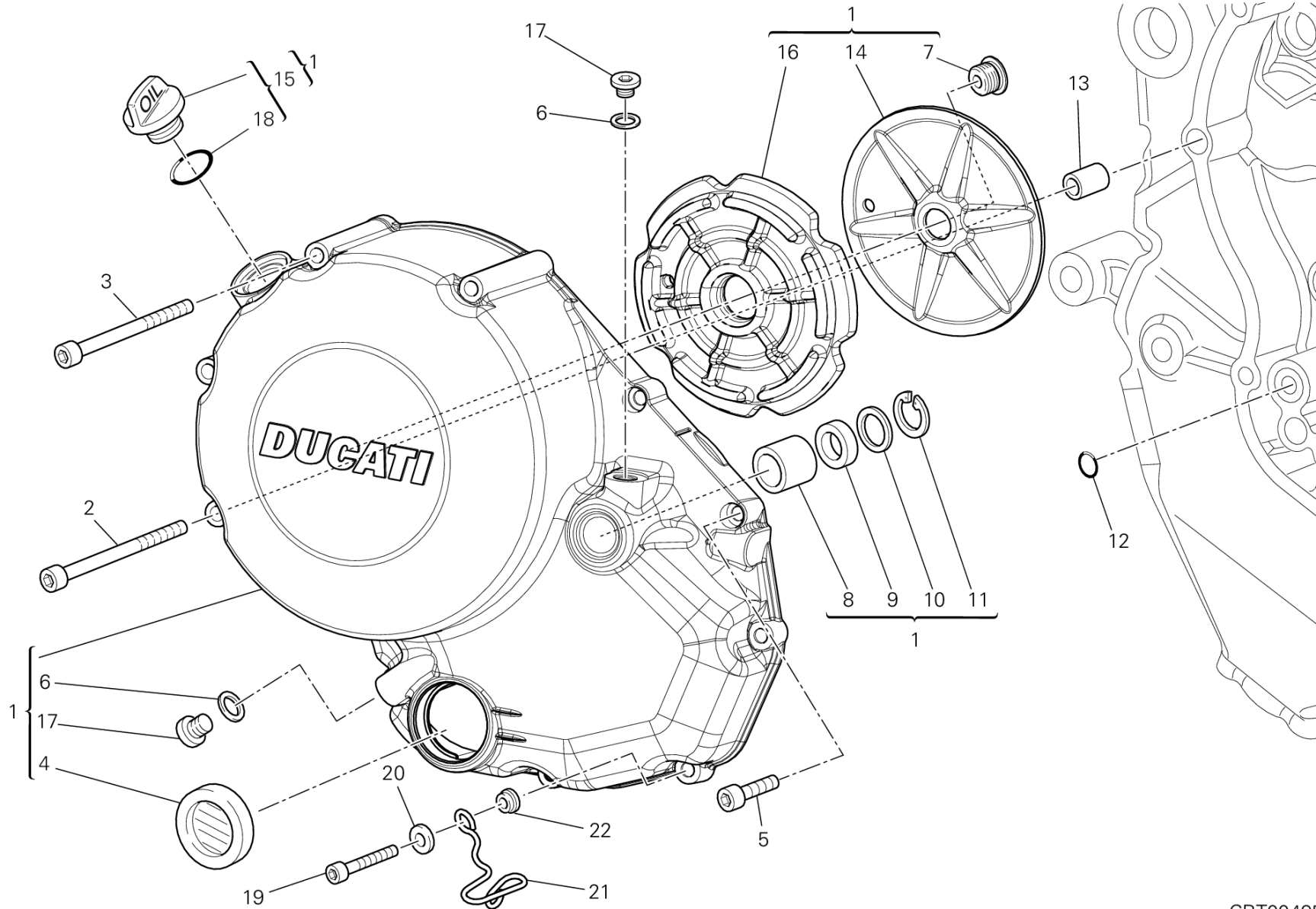
POS.	CODE	DESCRIPTION	QTY	START DATE	END DATE	VALIDITY	NOTES
1	79710321A	CLUTCH SPRING	5			MOD:848 EVO;XST:AUS,BRA,CHN,EUR,FRA,JAF	
2	84110461A	RETAINER	5			MOD:848 EVO;XST:AUS,BRA,CHN,EUR,FRA,JAF	
3	77150728C	SCREW TCEI M6X35	5			MOD:848 EVO;XST:AUS,BRA,CHN,EUR,FRA,JAF	
4	19410271A	DISK, CLUTCH PRESSURE	1			MOD:848 EVO;XST:AUS,BRA,CHN,EUR,FRA,JAF	
5	81810162A	CLUTCH CONTROL PIN (FCC)	1			MOD:848 EVO;XST:AUS,BRA,CHN,EUR,FRA,JAF	
6	77150652BB	SCREW TCEI M6X16	3			MOD:848 EVO;XST:AUS,BRA,CHN,EUR,FRA,JAF	
7	74810131A	NUT	1			MOD:848 EVO;XST:AUS,BRA,CHN,EUR,FRA,JAF	
8	79950012A	SPRING WASHER	1			MOD:848 EVO;XST:AUS,BRA,CHN,EUR,FRA,JAF	
9	19020131A	CLUTCH DISC SET	1			MOD:848 EVO;XST:AUS,BRA,CHN,EUR,FRA,JAF	
10	79911911A	SPRING WASHER	1			MOD:848 EVO;XST:AUS,BRA,CHN,EUR,FRA,JAF	
11	19010171A	SPRING WASHER	1			MOD:848 EVO;XST:AUS,BRA,CHN,EUR,FRA,JAF	
12	19610351A	BOSS, CLUTCH	1			MOD:848 EVO;XST:AUS,BRA,CHN,EUR,FRA,JAF	
13	71313091A	SPACER 25.2X46X2	1			MOD:848 EVO;XST:AUS,BRA,CHN,EUR,FRA,JAF	
14	19820362A	CLUTCH HOUSING	1			MOD:848 EVO;XST:AUS,BRA,CHN,EUR,FRA,JAF	
15	71314831A	SPACER	1			MOD:848 EVO;XST:AUS,BRA,CHN,EUR,FRA,JAF	
16	11721192A	CLUTCH CONTROL ROD	1			MOD:848 EVO;XST:AUS,BRA,CHN,EUR,FRA,JAF	
17	88641731A	O-RING 1.78X4.76	2			MOD:848 EVO;XST:AUS,BRA,CHN,EUR,FRA,JAF	



CMB00331



POS.	CODE	DESCRIPTION	QTY	START DATE	END DATE	VALIDITY	NOTES
18	71319261A	ANTI-ROTATION INSERT	1			MOD:848 EVO;XST:AUS,BRA,CHN,EUR,FRA,JAF	
19	19540031C	PISTON ASSEMBLY	1			MOD:848 EVO;XST:AUS,BRA,CHN,EUR,FRA,JAF	



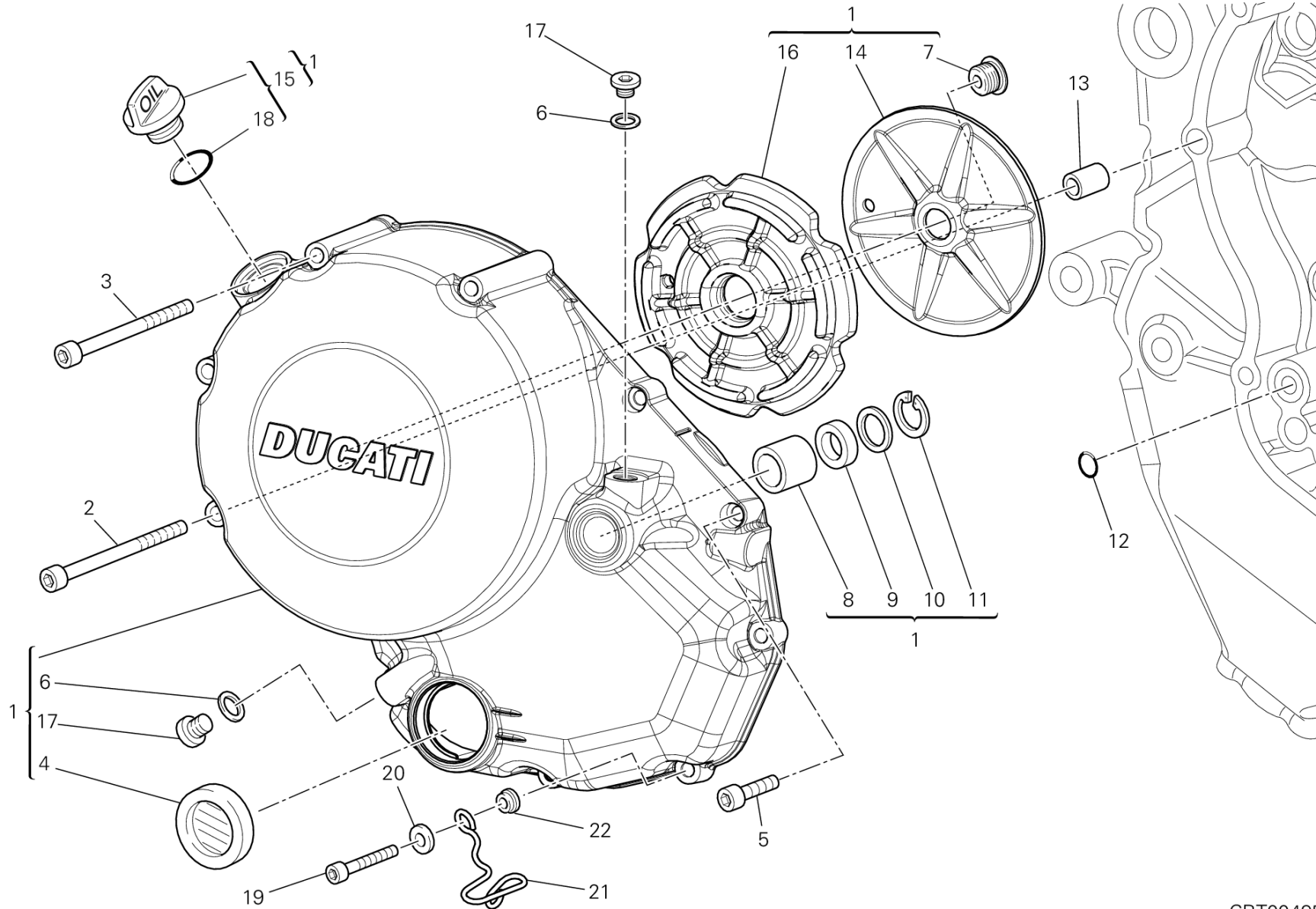
CRT00495

DRAWING 005 - CLUTCH COVER [MOD:848 EVO;XST:AUS,BRA,CHN,EUR,FRA,JAP]

GROUP ENGINE



POS.	CODE	DESCRIPTION	QTY	START DATE	END DATE	VALIDITY	NOTES
1	24321181EE	COVER CLUTCH SIDE BLACK	1			MOD:848 EVO;XST:AUS,BRA,CHN,EUR,FRA,JAF	
2	77150833B	SCREW	1			MOD:848 EVO;XST:AUS,BRA,CHN,EUR,FRA,JAF	
3	77150813B	SCREW	3			MOD:848 EVO;XST:AUS,BRA,CHN,EUR,FRA,JAF	
4	25440012A	WINDOW, OIL LEVEL CHECK	1			MOD:848 EVO;XST:AUS,BRA,CHN,EUR,FRA,JAF	
5	77150693B	SCREW	5			MOD:848 EVO;XST:AUS,BRA,CHN,EUR,FRA,JAF	
6	85250241A	WASHER 10X14X1	1			MOD:848 EVO;XST:AUS,BRA,CHN,EUR,FRA,JAF	
7	77915011A	SCREW	1			MOD:848 EVO;XST:AUS,BRA,CHN,EUR,FRA,JAF	
8	066549680	BUSH	1			MOD:848 EVO;XST:AUS,BRA,CHN,EUR,FRA,JAF	
9	93040211A	OIL SEAL	1			MOD:848 EVO;XST:AUS,BRA,CHN,EUR,FRA,JAF	
10	85211351A	THRUST WASHER 20.8X37.8X1	1			MOD:848 EVO;XST:AUS,BRA,CHN,EUR,FRA,JAF	
11	88450131A	CIRCLIP	1			MOD:848 EVO;XST:AUS,BRA,CHN,EUR,FRA,JAF	
12	88641321A	O-RING 11.11X1.78	1			MOD:848 EVO;XST:AUS,BRA,CHN,EUR,FRA,JAF	
13	71111601A	PIN DOWEL	1			MOD:848 EVO;XST:AUS,BRA,CHN,EUR,FRA,JAF	
14	82714331A	PLATE, SOUND ARRESTER DAMPER	1			MOD:848 EVO;XST:AUS,BRA,CHN,EUR,FRA,JAF	
15	89320121A	PLUG ASSY	1			MOD:848 EVO;XST:AUS,BRA,CHN,EUR,FRA,JAF	
16	48610721A	DAMPER, SOUND ARRESTER	1			MOD:848 EVO;XST:AUS,BRA,CHN,EUR,FRA,JAF	
17	78050012A	PLUG, THREADED M10X1	2			MOD:848 EVO;XST:AUS,BRA,CHN,EUR,FRA,JAF	



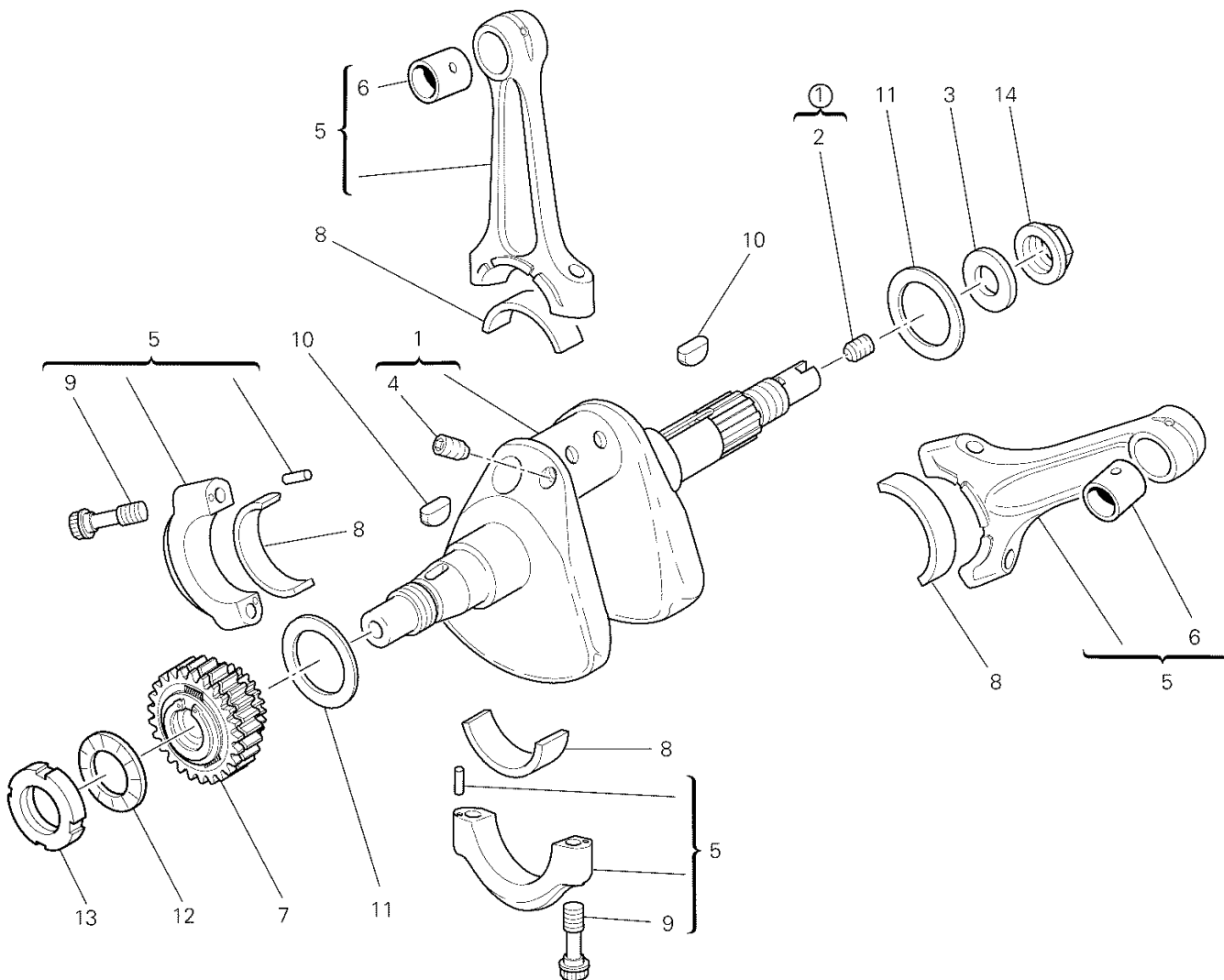
CRT00495

DRAWING 005 - CLUTCH COVER [MOD:848 EVO;XST:AUS,BRA,CHN,EUR,FRA,JAP]

GROUP ENGINE



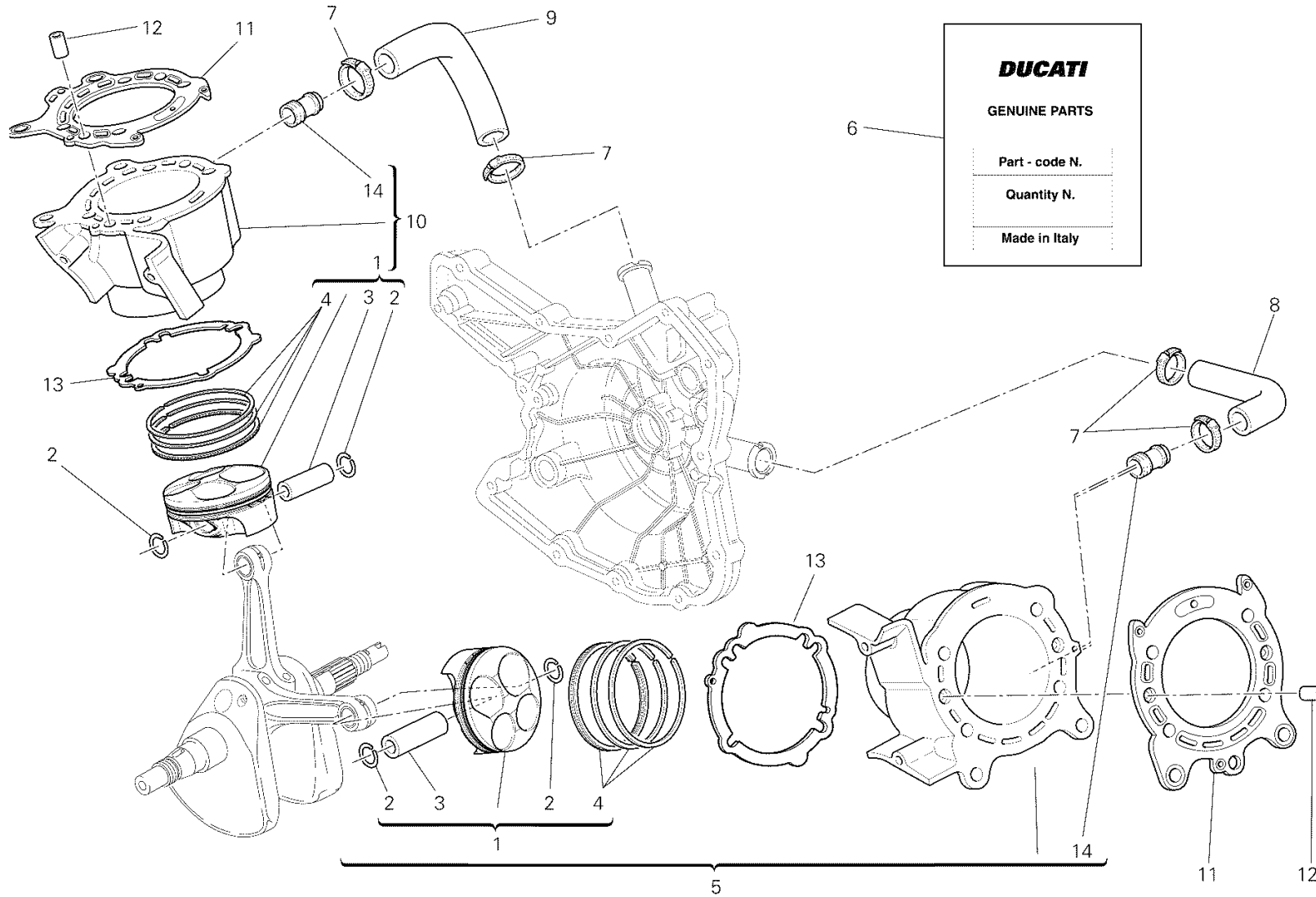
POS.	CODE	DESCRIPTION	QTY	START DATE	END DATE	VALIDITY	NOTES
18	88640891A	O-RING 18.64X3.53	1			MOD:848 EVO;XST:AUS,BRA,CHN,EUR,FRA,JAF	
19	77150723B	SCREW TCEI M6X35 UNI 5931	1			MOD:848 EVO;XST:AUS,BRA,CHN,EUR,FRA,JAF	
20	85212641A	WASHER 6.4X12.5X1.6	1			MOD:848 EVO;XST:AUS,BRA,CHN,EUR,FRA,JAF	
21	75810412A	FAIRLEAD	1			MOD:848 EVO;XST:AUS,BRA,CHN,EUR,FRA,JAF	
22	71313651A	SPACER 6.2X10X3	1			MOD:848 EVO;XST:AUS,BRA,CHN,EUR,FRA,JAF	



IMB00171



POS.	CODE	DESCRIPTION	QTY	START DATE	END DATE	VALIDITY	NOTES
1	14621662AR	CRANKSHAFT	1			MOD:848 EVO;XST:AUS,BRA,CHN,EUR,FRA,JAF	
2	77911092A	SCREW, SPECIAL	1			MOD:848 EVO;XST:AUS,BRA,CHN,EUR,FRA,JAF	
3	85212691A	WASHER	1			MOD:848 EVO;XST:AUS,BRA,CHN,EUR,FRA,JAF	
4	77915471A	THREADED DOWEL STEI M8X8	2			MOD:848 EVO;XST:AUS,BRA,CHN,EUR,FRA,JAF	
5	15820203A	CONNECTING RODS PAIR	1			MOD:848 EVO;XST:AUS,BRA,CHN,EUR,FRA,JAF	
6	71110891A	PLANE BEARING, CONNECTING ROD	2			MOD:848 EVO;XST:AUS,BRA,CHN,EUR,FRA,JAF	
7	17020811A	PRIMARY DRIVE GEARS SET	1			MOD:848 EVO;XST:AUS,BRA,CHN,EUR,FRA,JAF	
8	11210121AB	PLANE BEARING, CONNECTING ROD BLUE	2			MOD:848 EVO;XST:AUS,BRA,CHN,EUR,FRA,JAF	
	11210121AC	PLANE BEARING, CONNECTING ROD YELLOW	2			MOD:848 EVO;XST:AUS,BRA,CHN,EUR,FRA,JAF	
9	77914043B	BOLT, CONNECTING ROD	4			MOD:848 EVO;XST:AUS,BRA,CHN,EUR,FRA,JAF	
10	68010131A	KEY, WOODRUFF 4X5X10	2			MOD:848 EVO;XST:AUS,BRA,CHN,EUR,FRA,JAF	
11	85211041H	THRUST WASHER 50X35X2.25	2			MOD:848 EVO;XST:AUS,BRA,CHN,EUR,FRA,JAF	
12	85140031A	WASHER, LOCK	1			MOD:848 EVO;XST:AUS,BRA,CHN,EUR,FRA,JAF	
13	75011131A	RING NUT	1			MOD:848 EVO;XST:AUS,BRA,CHN,EUR,FRA,JAF	
14	75010121D	NUT, SPECIAL	1			MOD:848 EVO;XST:AUS,BRA,CHN,EUR,FRA,JAF	



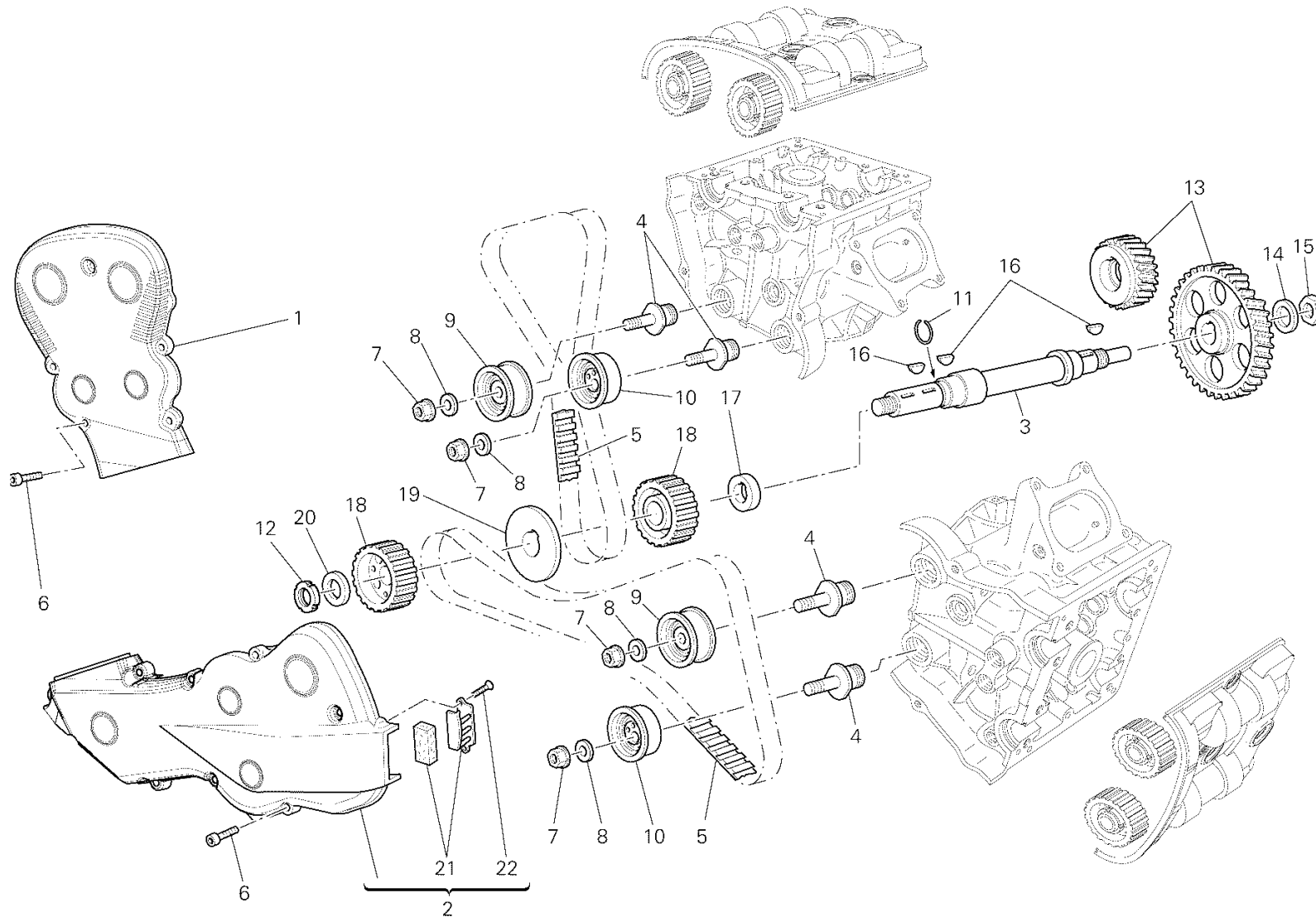
IMB00156

DRAWING 007 - CYLINDER - PISTON [MOD:848 EVO;XST:AUS,BRA,CHN,EUR,FRA,JAP]

GROUP ENGINE



POS.	CODE	DESCRIPTION	QTY	START DATE	END DATE	VALIDITY	NOTES
1	12221631A	PISTON ASSY	2			MOD:848 EVO;XST:AUS,BRA,CHN,EUR,FRA,JAF	
2	12110791A	CIRCLIP, PISTON PIN	4			MOD:848 EVO;XST:AUS,BRA,CHN,EUR,FRA,JAF	
3	12110782A	PISTON PIN	2			MOD:848 EVO;XST:AUS,BRA,CHN,EUR,FRA,JAF	
4	12120401A	PISTON RING SET	2			MOD:848 EVO;XST:AUS,BRA,CHN,EUR,FRA,JAF	
5	120Z0011A	CYLINDER-PISTON FIT HORIZONTAL	1			MOD:848 EVO;XST:AUS,BRA,CHN,EUR,FRA,JAF	
6	79120452A	HEAD-CYLINDER GASKETS SET	1			MOD:848 EVO;XST:AUS,BRA,CHN,EUR,FRA,JAF	
7	74141921A	CLAMP 16-27 MM	4			MOD:848 EVO;XST:AUS,BRA,CHN,EUR,FRA,JAF	
8	80011231A	HORIZONTAL CYLINDER WATER INLET HOSE	1			MOD:848 EVO;XST:AUS,BRA,CHN,EUR,FRA,JAF	
9	80011221A	VERTICAL CYLINDER WATER INLET HOSE	1			MOD:848 EVO;XST:AUS,BRA,CHN,EUR,FRA,JAF	
10	120Z0021A	CYLINDER-PISTON FIT VERTICAL	1			MOD:848 EVO;XST:AUS,BRA,CHN,EUR,FRA,JAF	
11	78610961A	GASKET, CYLINDER HEAD	2			MOD:848 EVO;XST:AUS,BRA,CHN,EUR,FRA,JAF	
12	71112191A	PIN DOWEL	4			MOD:848 EVO;XST:AUS,BRA,CHN,EUR,FRA,JAF	
13	78611251A	GASKET, CYLINDER	2			MOD:848 EVO;XST:AUS,BRA,CHN,EUR,FRA,JAF	
14	66810014A	WATER PUMP DELIVERY PIPE UNION	2			MOD:848 EVO;XST:AUS,BRA,CHN,EUR,FRA,JAF	



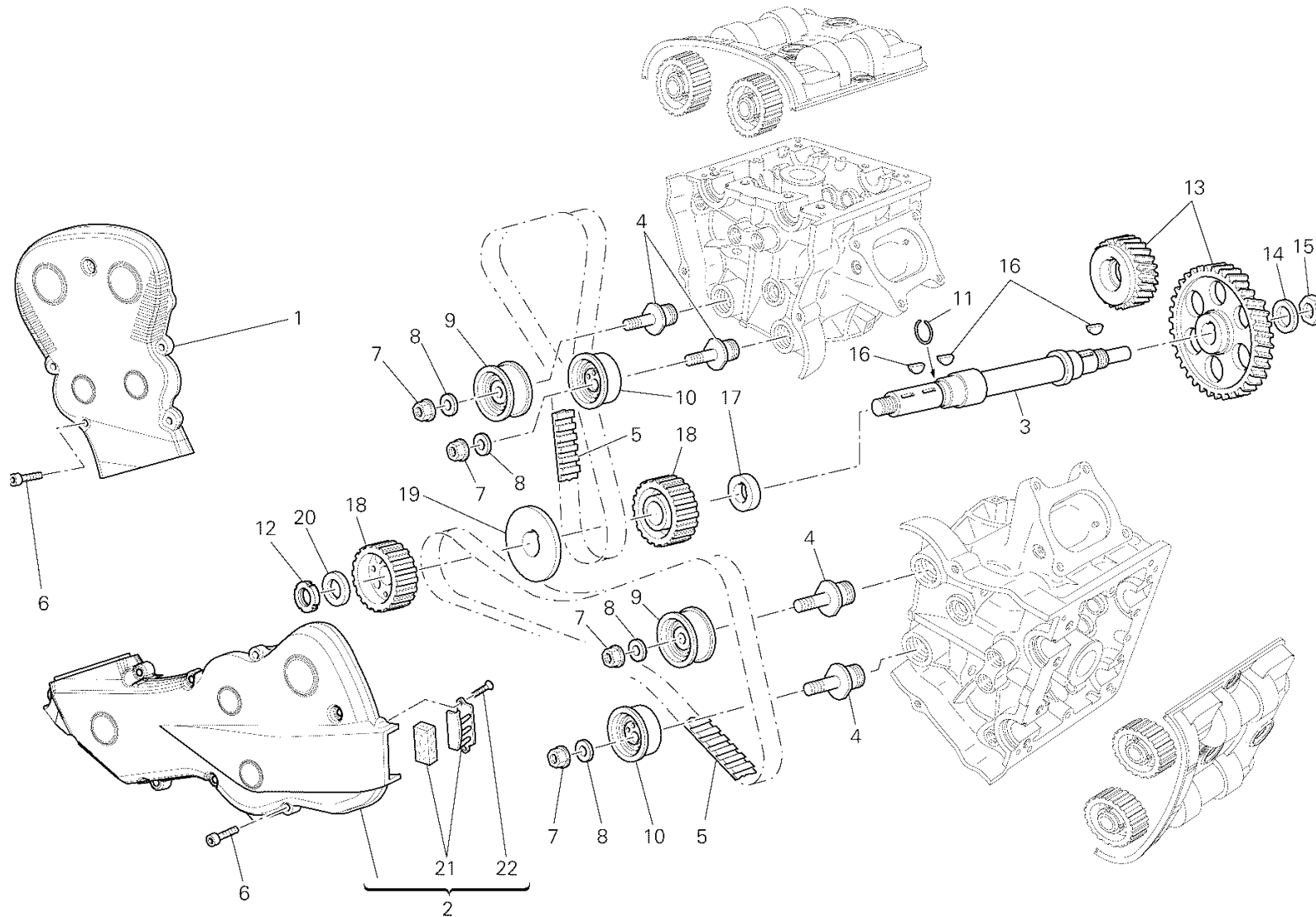
TST00409

DRAWING 008 - TIMING BELT [MOD:848 EVO;XST:AUS,BRA,CHN,EUR,FRA,JAP]

GROUP ENGINE



POS.	CODE	DESCRIPTION	QTY	START DATE	END DATE	VALIDITY	NOTES
1	24511312A	VERTICAL BELT OUTER COVER	1			MOD:848 EVO;XST:AUS,BRA,CHN,EUR,FRA,JAF	
2	24520703A	HORIZONTAL BELT EXTERNAL COVER	1			MOD:848 EVO;XST:AUS,BRA,CHN,EUR,FRA,JAF	
3	14710142A	LAYSHAFT TIMING	1			MOD:848 EVO;XST:AUS,BRA,CHN,EUR,FRA,JAF	
4	45110461A	TENSIONER ROLLER PIN	4			MOD:848 EVO;XST:AUS,BRA,CHN,EUR,FRA,JAF	
5	73740251A	TIMING DRIVE TOOTHED BELT	2			MOD:848 EVO;XST:AUS,BRA,CHN,EUR,FRA,JAF	
6	77113801A	SCREW	13			MOD:848 EVO;XST:AUS,BRA,CHN,EUR,FRA,JAF	
7	74940081A	NUT M8	4			MOD:848 EVO;XST:AUS,BRA,CHN,EUR,FRA,JAF	
8	85310021A	SPRING WASHER 8 MM	4			MOD:848 EVO;XST:AUS,BRA,CHN,EUR,FRA,JAF	
9	45120272A	TENSIONER TIMING BELT FIXED	2			MOD:848 EVO;XST:AUS,BRA,CHN,EUR,FRA,JAF	
10	45120291A	COMPLETE MOVABLE TENSIONER ROLLER	2			MOD:848 EVO;XST:AUS,BRA,CHN,EUR,FRA,JAF	
11	88210031A	SNAP RING	1			MOD:848 EVO;XST:AUS,BRA,CHN,EUR,FRA,JAF	
12	70350062A	ELASTIC-STOP RING NUT	1			MOD:848 EVO;XST:AUS,BRA,CHN,EUR,FRA,JAF	
13	171Z0031A	TIMING GEARS SET	1			MOD:848 EVO;XST:AUS,BRA,CHN,EUR,FRA,JAF	
14	85110131A	WASHER, LOCK	1			MOD:848 EVO;XST:AUS,BRA,CHN,EUR,FRA,JAF	
15	75011601A	NUT M14X1X7	1			MOD:848 EVO;XST:AUS,BRA,CHN,EUR,FRA,JAF	
16	68010131A	KEY, WOODRUFF 4X5X10	3			MOD:848 EVO;XST:AUS,BRA,CHN,EUR,FRA,JAF	
17	71611281A	SPACER	1			MOD:848 EVO;XST:AUS,BRA,CHN,EUR,FRA,JAF	



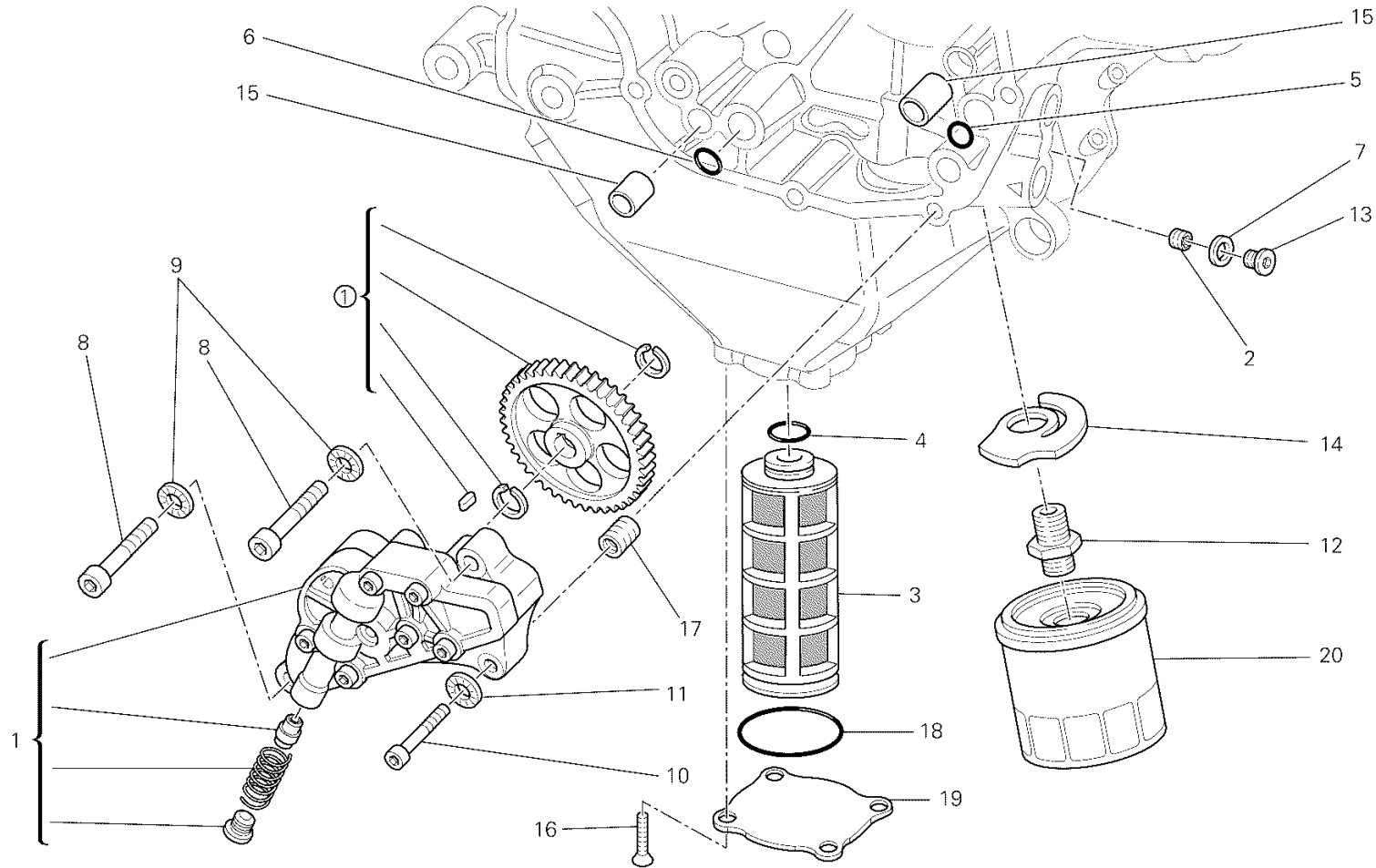
TST00409

DRAWING 008 - TIMING BELT [MOD:848 EVO;XST:AUS,BRA,CHN,EUR,FRA,JAP]

GROUP ENGINE



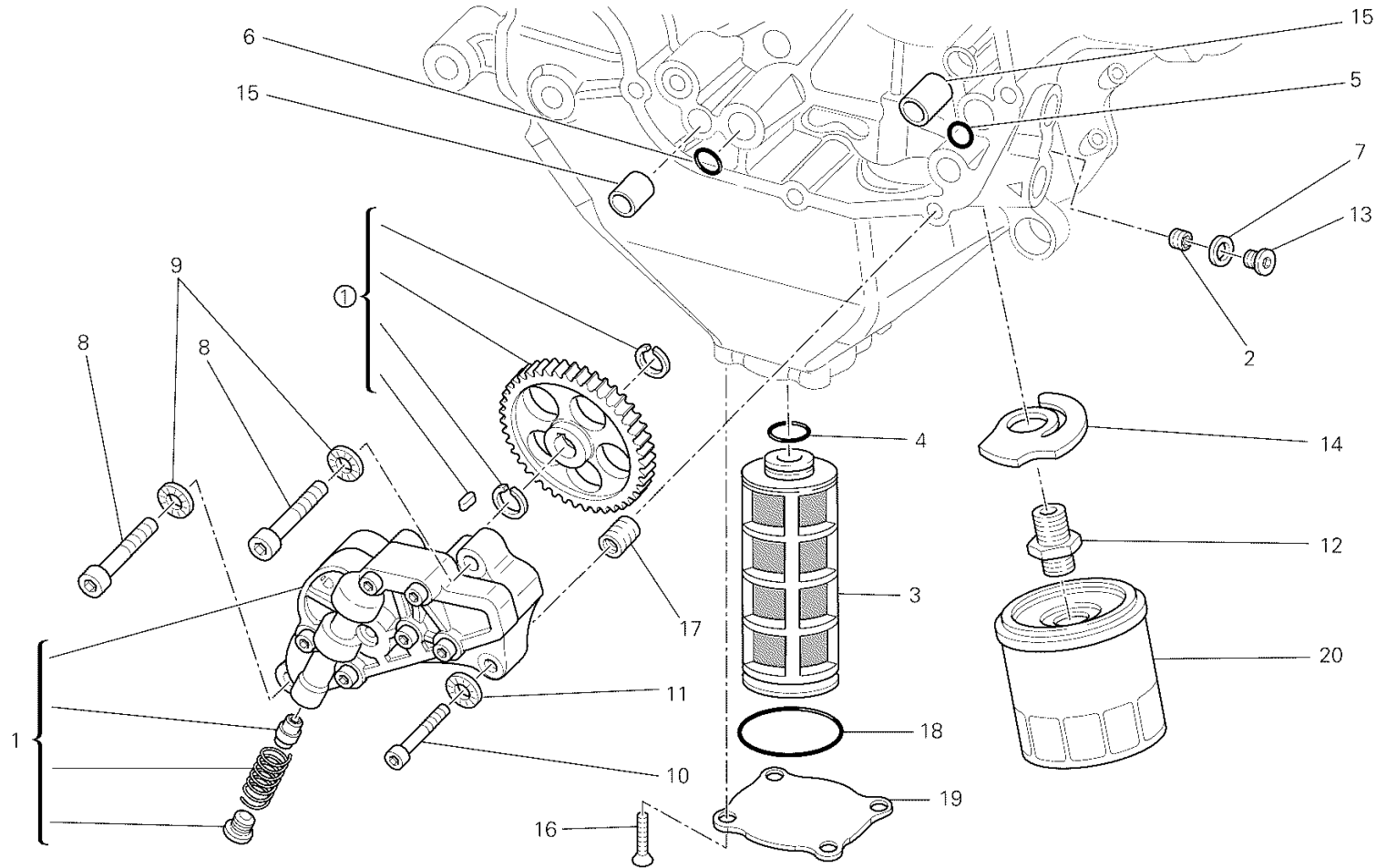
POS.	CODE	DESCRIPTION	QTY	START DATE	END DATE	VALIDITY	NOTES
18	25510104B	PULLEY, TIMING BELT	2			MOD:848 EVO;XST:AUS,BRA,CHN,EUR,FRA,JAF	
19	85610623A	WASHER, BELT PULLEY	1			MOD:848 EVO;XST:AUS,BRA,CHN,EUR,FRA,JAF	
20	71610722A	SPACER	1			MOD:848 EVO;XST:AUS,BRA,CHN,EUR,FRA,JAF	
21	24521121A	BRACKET, FILTER	1			MOD:848 EVO;XST:AUS,BRA,CHN,EUR,FRA,JAF	
22	77250341C	SCREW	2			MOD:848 EVO;XST:AUS,BRA,CHN,EUR,FRA,JAF	



RAF00441



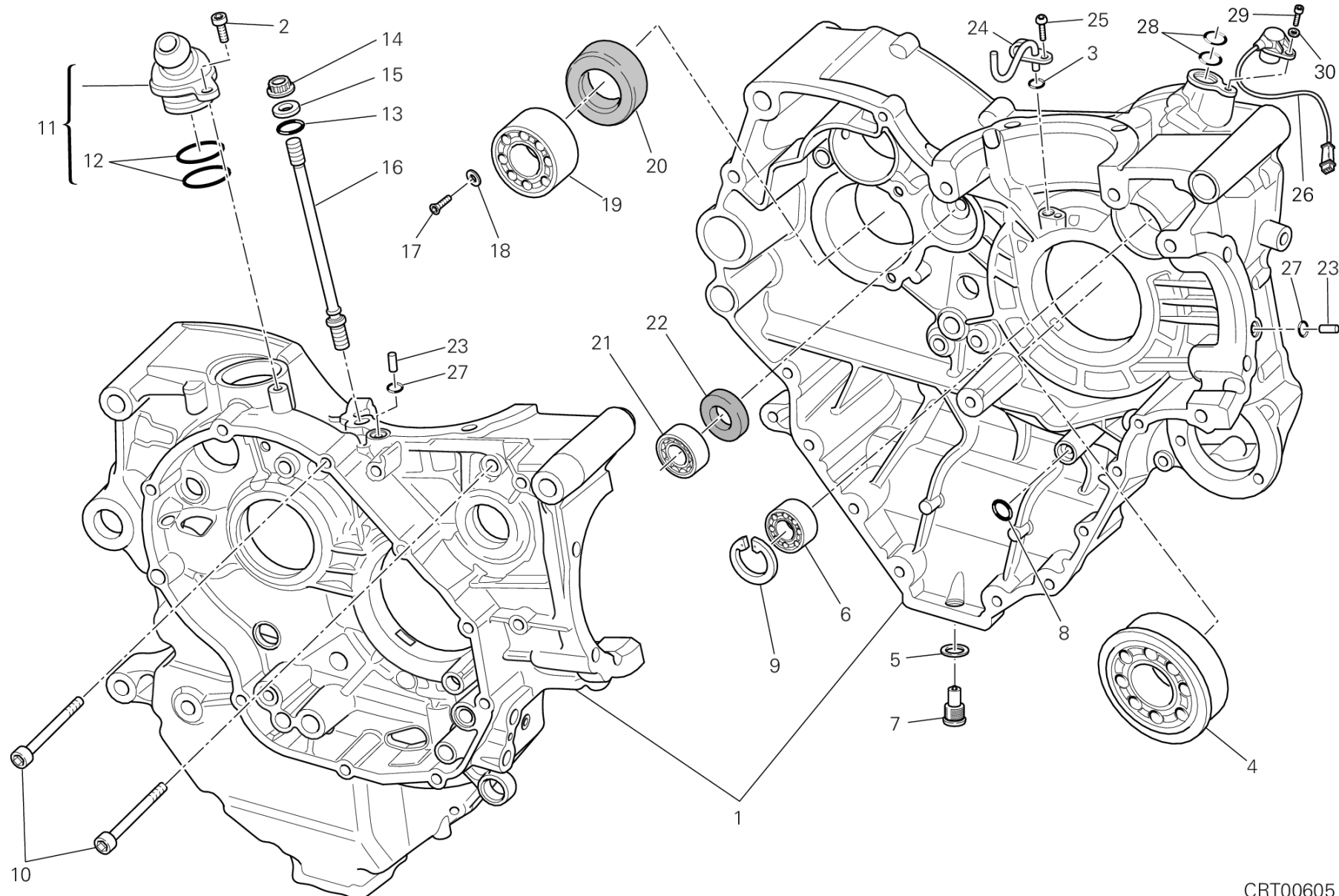
POS.	CODE	DESCRIPTION	QTY	START DATE	END DATE	VALIDITY	NOTES
1	174Z0021A	OIL PUMP	1			MOD:848 EVO;XST:AUS,BRA,CHN,EUR,FRA,JAF	
2	77840041A	THREADED DOWEL M10X1	1			MOD:848 EVO;XST:AUS,BRA,CHN,EUR,FRA,JAF	
3	89410201A	STRAINER, OIL	1			MOD:848 EVO;XST:AUS,BRA,CHN,EUR,FRA,JAF	
4	88640331A	O-RING 17.96X2.62	1			MOD:848 EVO;XST:AUS,BRA,CHN,EUR,FRA,JAF	
5	88641321A	O-RING 11.11X1.78	1			MOD:848 EVO;XST:AUS,BRA,CHN,EUR,FRA,JAF	
6	88640371A	O-RING 14X1.78	1			MOD:848 EVO;XST:AUS,BRA,CHN,EUR,FRA,JAF	
7	85211951A	GASKET 10.5X17X2	1			MOD:848 EVO;XST:AUS,BRA,CHN,EUR,FRA,JAF	
8	77151298B	SCREW TCEI M8X40	2			MOD:848 EVO;XST:AUS,BRA,CHN,EUR,FRA,JAF	
9	85310021A	SPRING WASHER 8 MM	2			MOD:848 EVO;XST:AUS,BRA,CHN,EUR,FRA,JAF	
10	77110518B	SCREW TCEI M6X25	1			MOD:848 EVO;XST:AUS,BRA,CHN,EUR,FRA,JAF	
11	85310041A	SPRING WASHER 6 MM	1			MOD:848 EVO;XST:AUS,BRA,CHN,EUR,FRA,JAF	
12	81510281A	BOLT UNION	1			MOD:848 EVO;XST:AUS,BRA,CHN,EUR,FRA,JAF	
13	77911622A	SCREW TCEI M10X1.5X16	1			MOD:848 EVO;XST:AUS,BRA,CHN,EUR,FRA,JAF	
14	79920772A	BYPASS SPRING	1			MOD:848 EVO;XST:AUS,BRA,CHN,EUR,FRA,JAF	
15	075949280	LOCATING DOWEL	2			MOD:848 EVO;XST:AUS,BRA,CHN,EUR,FRA,JAF	
16	77710021B	SCREW TSPEI M6X16 UNI 5933	4			MOD:848 EVO;XST:AUS,BRA,CHN,EUR,FRA,JAF	
17	067049310	BUSH	1			MOD:848 EVO;XST:AUS,BRA,CHN,EUR,FRA,JAF	



RAF00441



POS.	CODE	DESCRIPTION	QTY	START DATE	END DATE	VALIDITY	NOTES
18	88640341A	O-RING 37.77X2.62	1			MOD:848 EVO;XST:AUS,BRA,CHN,EUR,FRA,JAF	
19	24713511B	COVER	1			MOD:848 EVO;XST:AUS,BRA,CHN,EUR,FRA,JAF	
20	44440035A	FILTER, OIL	1			MOD:848 EVO;XST:AUS,BRA,CHN,EUR,FRA,JAF	



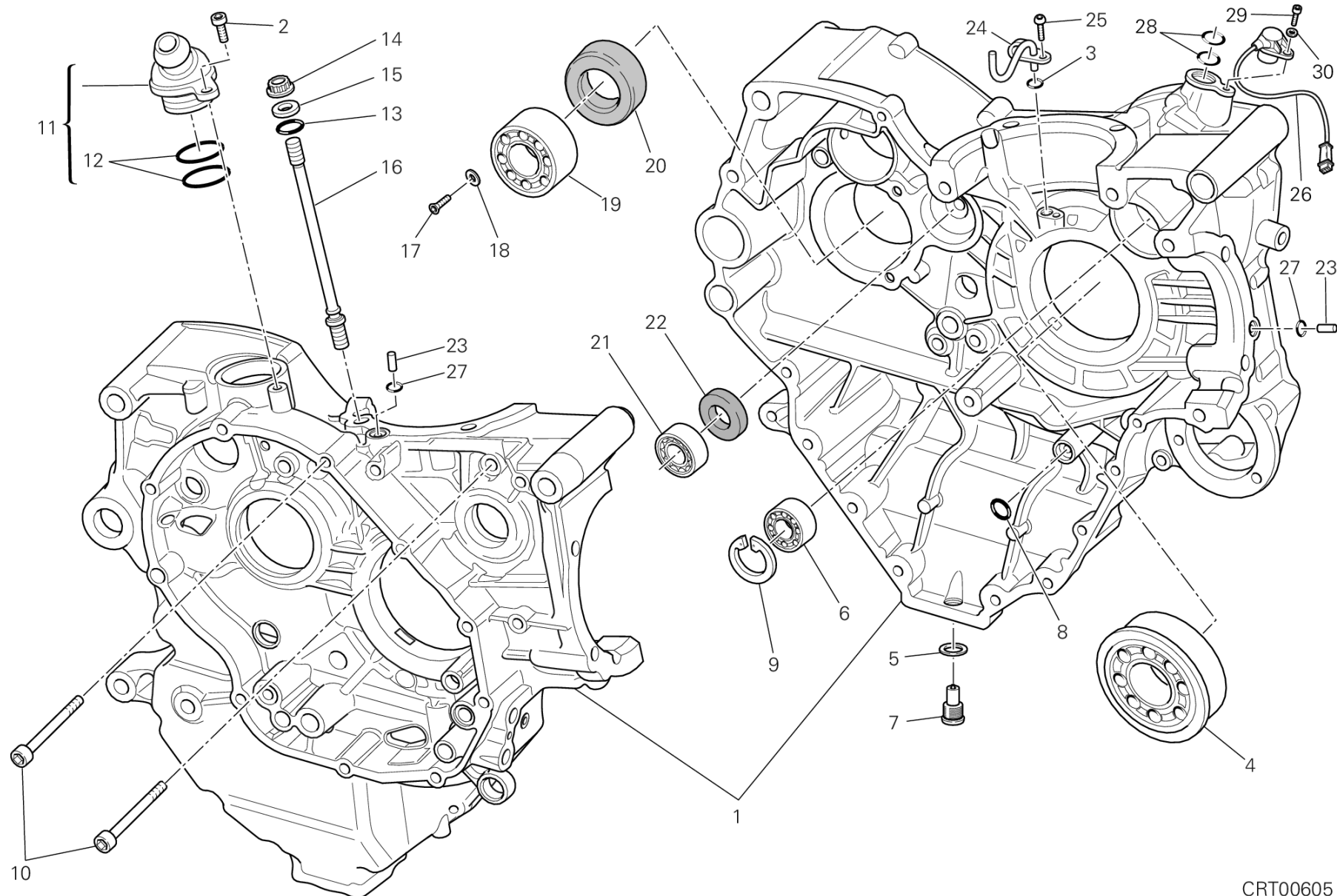
CRT00605

DRAWING 010 - CRANKCASE [MOD:848 EVO;XST:AUS,BRA,CHN,EUR,FRA,JAP]

GROUP ENGINE



POS.	CODE	DESCRIPTION	QTY	START DATE	END DATE	VALIDITY	NOTES
1	22522841A	COMPLETE HALF-CRANKCASES PAIR	1	16/07/2012		MOD:848 EVO;XST:AUS,BRA,CHN,EUR,FRA,JAF	
2	77150658B	SCREW TCEI M6X16	1	20/12/2011		MOD:848 EVO;XST:AUS,BRA,CHN,EUR,FRA,JAF	
3	88650131A	O-RING 3.68X1.78	1	20/12/2011		MOD:848 EVO;XST:AUS,BRA,CHN,EUR,FRA,JAF	
4	70240921A	BEARING 35X78X19	1	20/12/2011		MOD:848 EVO;XST:AUS,BRA,CHN,EUR,FRA,JAF	
5	85250421A	COPPER GASKET 12.2X18X1.5 MM	1	20/12/2011		MOD:848 EVO;XST:AUS,BRA,CHN,EUR,FRA,JAF	
6	70250081A	BALL BEARING 6003 TN9 C3	1	20/12/2011		MOD:848 EVO;XST:AUS,BRA,CHN,EUR,FRA,JAF	
7	89320062A	PLUG, OIL DRAIN	1	20/12/2011		MOD:848 EVO;XST:AUS,BRA,CHN,EUR,FRA,JAF	
8	88641321A	O-RING 11.11X1.78	1	25/09/2012		MOD:848 EVO;XST:AUS,BRA,CHN,EUR,FRA,JAF	
9	735033380	CIRCLIP	1	20/12/2011		MOD:848 EVO;XST:AUS,BRA,CHN,EUR,FRA,JAF	
10	77151398B	SCREW TCEI M8X90	2	29/02/2012		MOD:848 EVO;XST:AUS,BRA,CHN,EUR,FRA,JAF	
11	59320421A	VALVE, BREATHER	1	20/12/2011		MOD:848 EVO;XST:AUS,BRA,CHN,EUR,FRA,JAF	
12	46320222A	O-RING	2	24/12/2009		MOD:848 EVO;XST:AUS,BRA,CHN,EUR,FRA,JAF	
13	88641181A	O-RING	8	29/02/2012		MOD:848 EVO;XST:AUS,BRA,CHN,EUR,FRA,JAF	
14	74810501A	NUT M10X1.5	8	29/02/2012		MOD:848 EVO;XST:AUS,BRA,CHN,EUR,FRA,JAF	
15	85610642A	WASHER, SPECIAL 10.5X21X2	8	29/02/2012		MOD:848 EVO;XST:AUS,BRA,CHN,EUR,FRA,JAF	
16	76610553B	STUD BOLT FASTENING HEAD CYLINDER	8	29/02/2012		MOD:848 EVO;XST:AUS,BRA,CHN,EUR,FRA,JAF	
17	720941616	SCREW TSPEI M6X12	2	20/12/2011		MOD:848 EVO;XST:AUS,BRA,CHN,EUR,FRA,JAF	



CRT00605

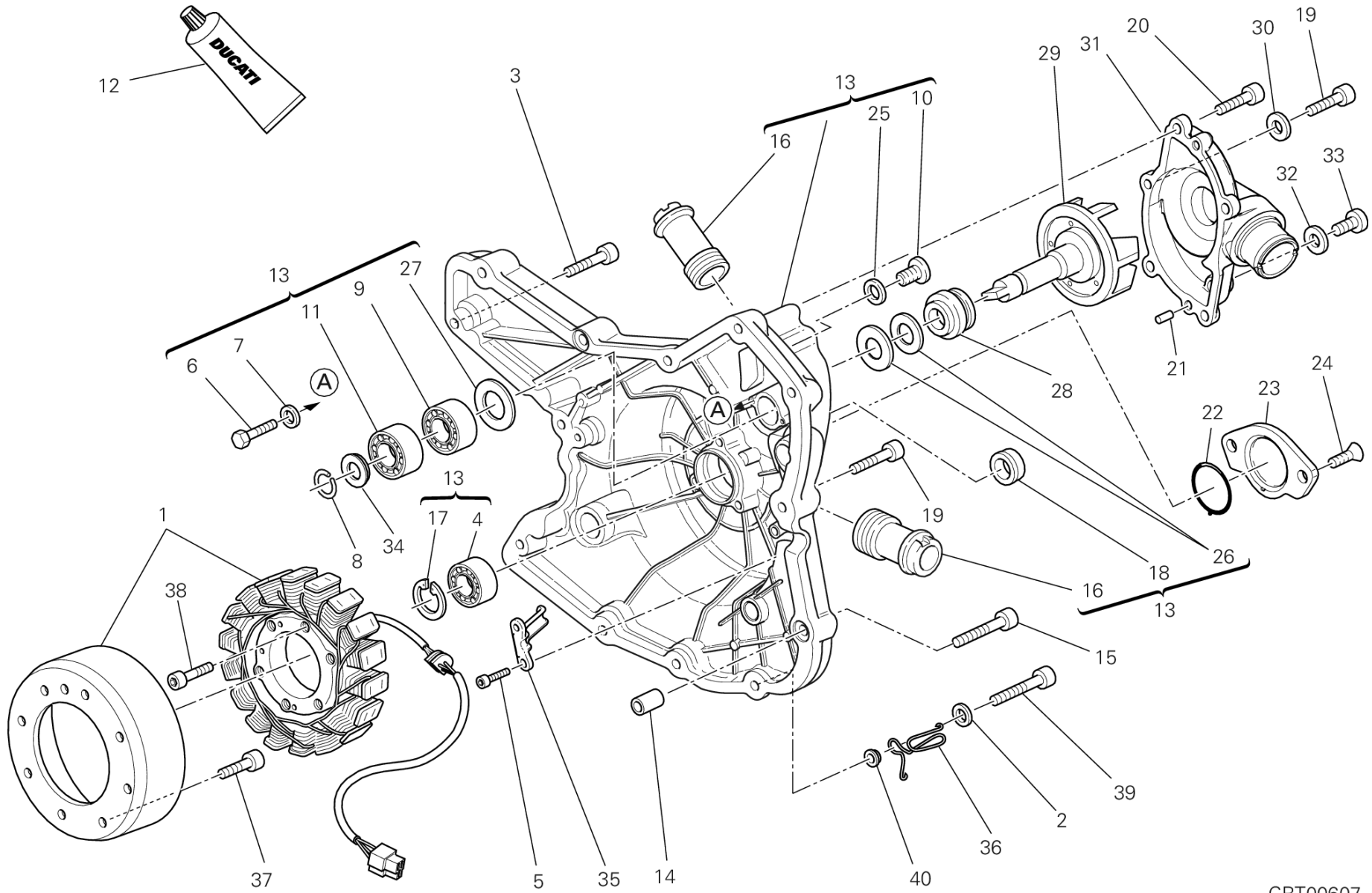


POS.	CODE	DESCRIPTION	QTY	START DATE	END DATE	VALIDITY	NOTES
18	85611481A	WASHER	2	20/12/2011		MOD:848 EVO;XST:AUS,BRA,CHN,EUR,FRA,JAF	
19	70240131A	BEARING	1	30/04/2012		MOD:848 EVO;XST:AUS,BRA,CHN,EUR,FRA,JAF	
20	93040221A	SEAL, OIL 35X52X7	1	07/03/2012		MOD:848 EVO;XST:AUS,BRA,CHN,EUR,FRA,JAF	
21	70240331A	BEARING 17X40X12	1	20/12/2011		MOD:848 EVO;XST:AUS,BRA,CHN,EUR,FRA,JAF	
22	93040931A	SEAL, OIL 17X25X4	1	20/12/2011		MOD:848 EVO;XST:AUS,BRA,CHN,EUR,FRA,JAF	
23	86010051B	DOWEL	2	29/02/2012		MOD:848 EVO;XST:AUS,BRA,CHN,EUR,FRA,JAF	
24	87511461B	JET	1	01/04/2012		MOD:848 EVO;XST:AUS,BRA,CHN,EUR,FRA,JAF	
25	77510311B	SCREW TBEI M5X10	1	20/12/2011		MOD:848 EVO;XST:AUS,BRA,CHN,EUR,FRA,JAF	
26	55241321B	SENSOR, TIMING & RPM	1	29/02/2012		MOD:848 EVO;XST:AUS,BRA,CHN,EUR,FRA,JAF	
27	88610241A	O-RING 5.23X2.62	2	08/03/2012		MOD:848 EVO;XST:AUS,BRA,CHN,EUR,FRA,JAF	
28	88640331A	O-RING 17.96X2.62	2	20/12/2011		MOD:848 EVO;XST:AUS,BRA,CHN,EUR,FRA,JAF	
29	77550211A	SCREW TBEI M6X16	1	29/02/2012		MOD:848 EVO;XST:AUS,BRA,CHN,EUR,FRA,JAF	
30	85310031A	SPRING WASHER 6 MM	1	29/02/2012		MOD:848 EVO;XST:AUS,BRA,CHN,EUR,FRA,JAF	



DRAWING 011 - GENERATOR COVER - WATER PUMP [MOD:848 EVO;XST:AUS,BRA,CHN,EUR,FRA,JAP]

GROUP ENGINE



CRT00607

DRAWING 011 - GENERATOR COVER - WATER PUMP [MOD:848 EVO;XST:AUS,BRA,CHN,EUR,FRA,JAP]



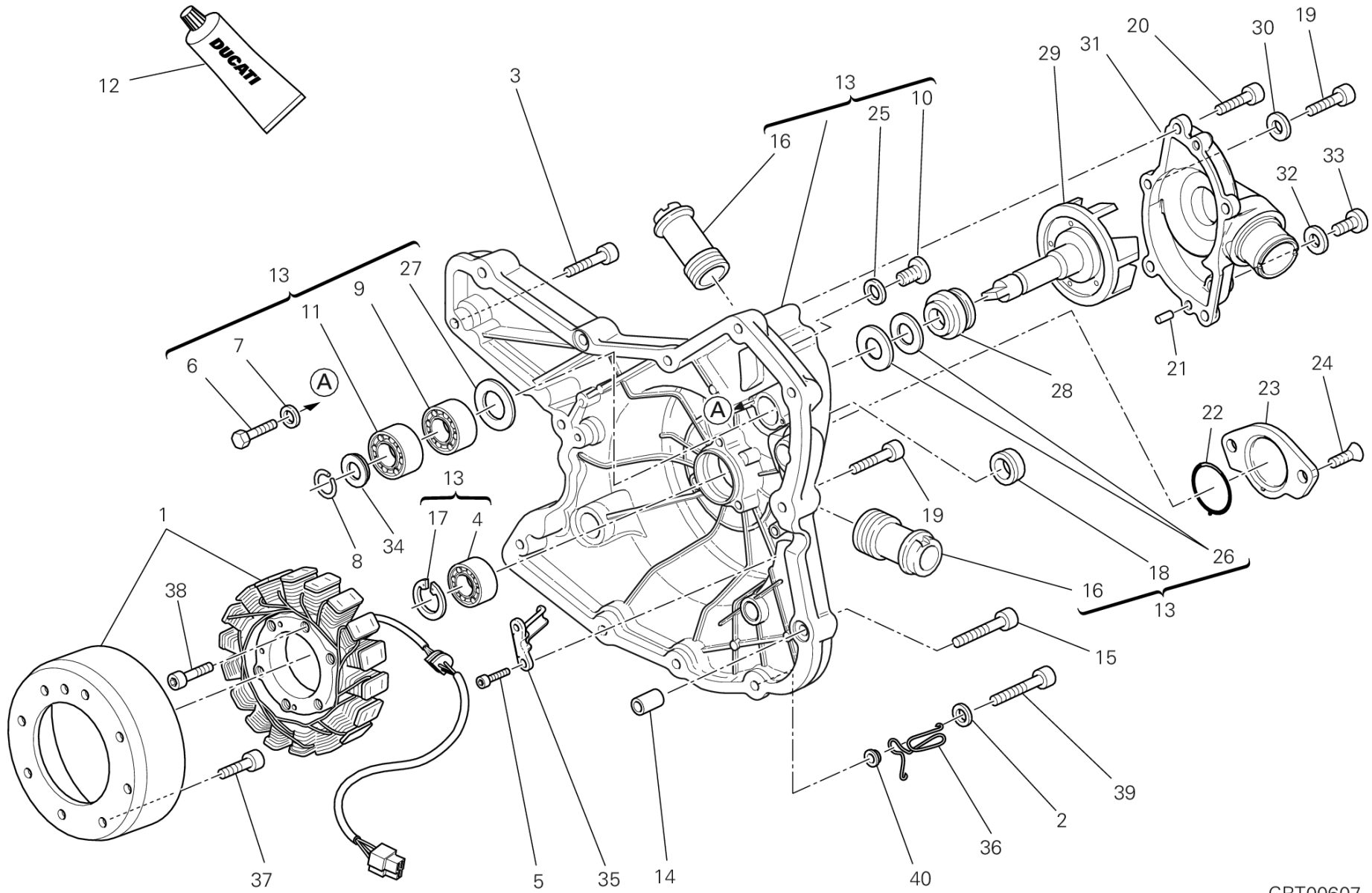
GROUP ENGINE

POS.	CODE	DESCRIPTION	QTY	START DATE	END DATE	VALIDITY	NOTES
1	26420103A	GENERATOR KOKUSAN	1	29/02/2012		MOD:848 EVO;XST:AUS,BRA,CHN,EUR,FRA,JAF	
2	85212641A	WASHER 6.4X12.5X1.6	1	29/02/2012		MOD:848 EVO;XST:AUS,BRA,CHN,EUR,FRA,JAF	
3	77150673B	SCREW	2	29/02/2012		MOD:848 EVO;XST:AUS,BRA,CHN,EUR,FRA,JAF	
4	70250081A	BALL BEARING 6003 TN9 C3	1	08/03/2012		MOD:848 EVO;XST:AUS,BRA,CHN,EUR,FRA,JAF	
5	77150648B	SCREW TCEI M6X14	2	08/03/2012		MOD:848 EVO;XST:AUS,BRA,CHN,EUR,FRA,JAF	
6	77052508B	SCREW TE M6X16	2	08/03/2012		MOD:848 EVO;XST:AUS,BRA,CHN,EUR,FRA,JAF	
7	85211721A	WASHER 6X14.2X1.3	2	08/03/2012		MOD:848 EVO;XST:AUS,BRA,CHN,EUR,FRA,JAF	
8	88450111A	CIRCLIP	1	08/03/2012		MOD:848 EVO;XST:AUS,BRA,CHN,EUR,FRA,JAF	
9	70240102A	BEARING	1	08/03/2012		MOD:848 EVO;XST:AUS,BRA,CHN,EUR,FRA,JAF	
10	77910262A	SCREW M12X1	1	08/03/2012		MOD:848 EVO;XST:AUS,BRA,CHN,EUR,FRA,JAF	
11	70240091A	BALL BEARING 6000	1	08/03/2012		MOD:848 EVO;XST:AUS,BRA,CHN,EUR,FRA,JAF	
12	942470014	LIQUID GASKET	1	29/02/2012		MOD:848 EVO;XST:AUS,BRA,CHN,EUR,FRA,JAF	
13	24220882BC	GENERATOR COVER	1	12/03/2012		MOD:848 EVO;XST:AUS,BRA,CHN,EUR,FRA,JAF	
14	71111601A	PIN DOWEL	2	29/02/2012		MOD:848 EVO;XST:AUS,BRA,CHN,EUR,FRA,JAF	
15	77150713B	SCREW	2	29/02/2012		MOD:848 EVO;XST:AUS,BRA,CHN,EUR,FRA,JAF	
16	66810014A	WATER PUMP DELIVERY PIPE UNION	2	08/03/2012		MOD:848 EVO;XST:AUS,BRA,CHN,EUR,FRA,JAF	
17	735033380	CIRCLIP	1	08/03/2012		MOD:848 EVO;XST:AUS,BRA,CHN,EUR,FRA,JAF	



DRAWING 011 - GENERATOR COVER - WATER PUMP [MOD:848 EVO;XST:AUS,BRA,CHN,EUR,FRA,JAP]

GROUP ENGINE



CRT00607

DRAWING 011 - GENERATOR COVER - WATER PUMP [MOD:848 EVO;XST:AUS,BRA,CHN,EUR,FRA,JAP]



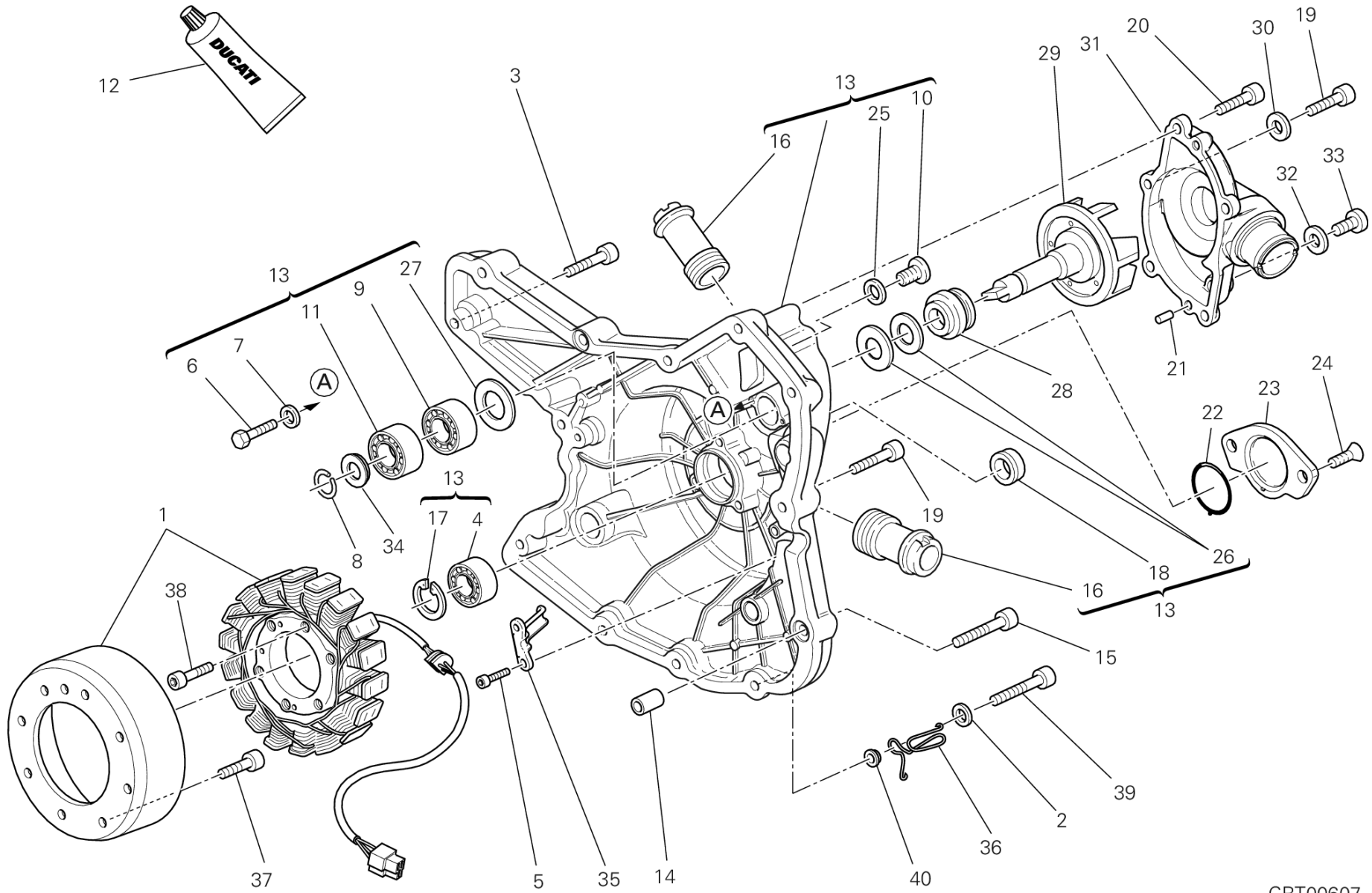
GROUP ENGINE

POS.	CODE	DESCRIPTION	QTY	START DATE	END DATE	VALIDITY	NOTES
18	937831524	SEAL, OIL 15X24X6	1	08/03/2012		MOD:848 EVO;XST:AUS,BRA,CHN,EUR,FRA,JAF	
19	77150693B	SCREW	9	29/02/2012		MOD:848 EVO;XST:AUS,BRA,CHN,EUR,FRA,JAF	
20	77150663B	SCREW	4	08/03/2012		MOD:848 EVO;XST:AUS,BRA,CHN,EUR,FRA,JAF	
21	86010041A	PIN DOWEL	2	08/03/2012		MOD:848 EVO;XST:AUS,BRA,CHN,EUR,FRA,JAF	
22	88610951A	O-RING 32.99X2.62	1	29/02/2012		MOD:848 EVO;XST:AUS,BRA,CHN,EUR,FRA,JAF	
23	24713051AF	COVER, SENSOR	1	29/02/2012		MOD:848 EVO;XST:AUS,BRA,CHN,EUR,FRA,JAF	
24	77750493C	SCREW	2	29/02/2012		MOD:848 EVO;XST:AUS,BRA,CHN,EUR,FRA,JAF	
25	85250261A	GASKET, ALUMINIUM 12X16X1.5	1	08/03/2012		MOD:848 EVO;XST:AUS,BRA,CHN,EUR,FRA,JAF	
26	93050051A	MECHANICAL SEAL	1	08/03/2012		MOD:848 EVO;XST:AUS,BRA,CHN,EUR,FRA,JAF	
27	71311281B	SPACER	1	08/03/2012		MOD:848 EVO;XST:AUS,BRA,CHN,EUR,FRA,JAF	
28	93050062B	MECHANICAL SEAL	1	08/03/2012		MOD:848 EVO;XST:AUS,BRA,CHN,EUR,FRA,JAF	
29	25120081A	WATER PUMP ROTOR	1	08/03/2012		MOD:848 EVO;XST:AUS,BRA,CHN,EUR,FRA,JAF	
30	85250231A	GASKET	1	08/03/2012		MOD:848 EVO;XST:AUS,BRA,CHN,EUR,FRA,JAF	
31	24721301AC	WATER PUMP COVER ASSY	1	29/02/2012		MOD:848 EVO;XST:AUS,BRA,CHN,EUR,FRA,JAF	
32	85250241A	WASHER 10X14X1	1	01/01/2011		MOD:848 EVO;XST:AUS,BRA,CHN,EUR,FRA,JAF	
33	78050012A	PLUG, THREADED M10X1	1	01/01/2011		MOD:848 EVO;XST:AUS,BRA,CHN,EUR,FRA,JAF	
34	85211141A	WASHER 10X17X1.8	1	08/03/2012		MOD:848 EVO;XST:AUS,BRA,CHN,EUR,FRA,JAF	



DRAWING 011 - GENERATOR COVER - WATER PUMP [MOD:848 EVO;XST:AUS,BRA,CHN,EUR,FRA,JAP]

GROUP ENGINE



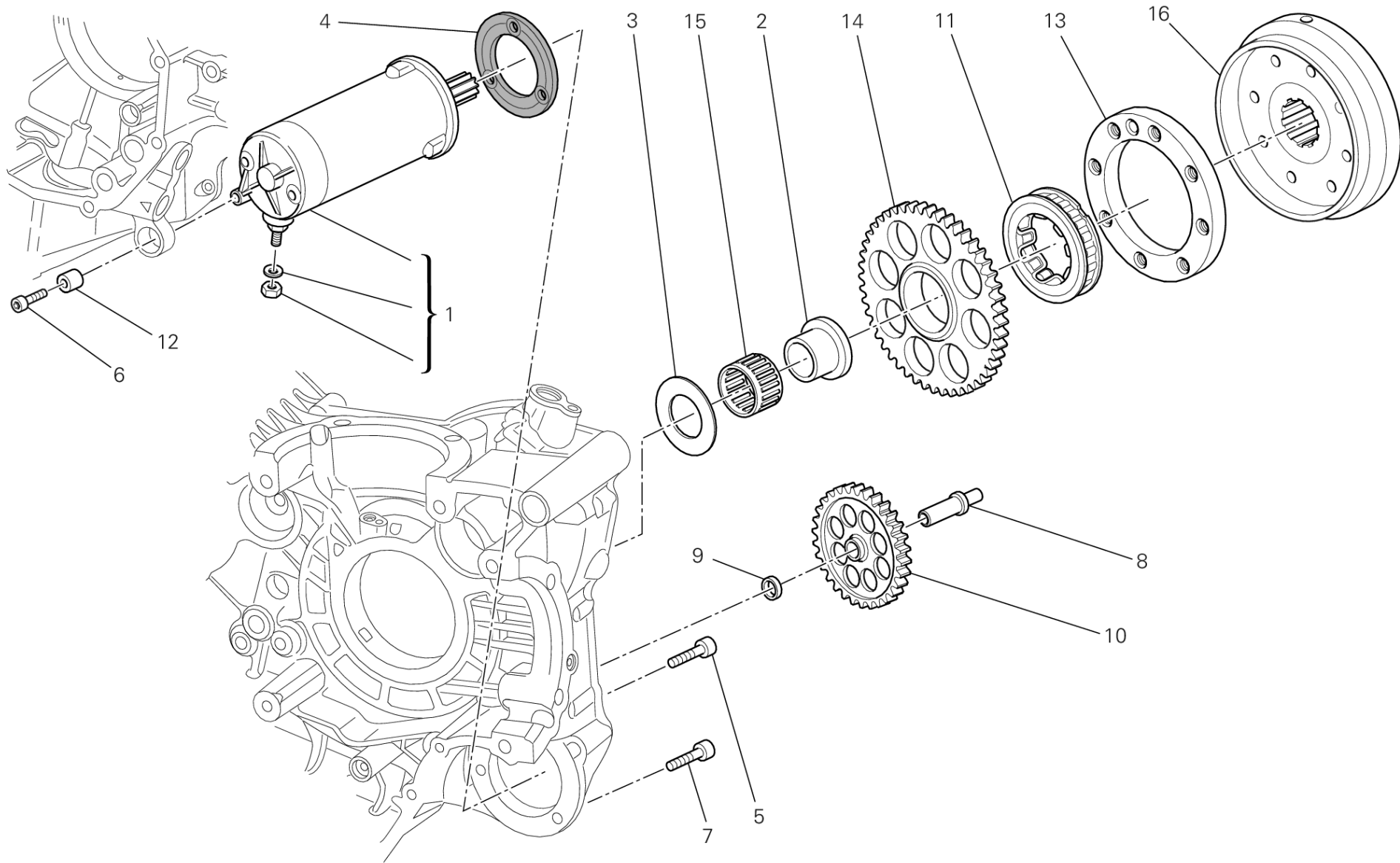
CRT00607

DRAWING 011 - GENERATOR COVER - WATER PUMP [MOD:848 EVO;XST:AUS,BRA,CHN,EUR,FRA,JAP]



GROUP ENGINE

POS.	CODE	DESCRIPTION	QTY	START DATE	END DATE	VALIDITY	NOTES
35	83012351A	CABLE GUIDE	1	08/03/2012		MOD:848 EVO;XST:AUS,BRA,CHN,EUR,FRA,JAF	
36	88110511A	FAIRLEAD	1	29/02/2012		MOD:848 EVO;XST:AUS,BRA,CHN,EUR,FRA,JAF	
37	77253330ZF	SCREW	8	01/07/2012		MOD:848 EVO;XST:AUS,BRA,CHN,EUR,FRA,JAF	
38	77110471A	SCREW	3	08/03/2012		MOD:848 EVO;XST:AUS,BRA,CHN,EUR,FRA,JAF	
39	77150723B	SCREW TCEI M6X35 UNI 5931	1	29/02/2012		MOD:848 EVO;XST:AUS,BRA,CHN,EUR,FRA,JAF	
40	71313651A	SPACER 6.2X10X3	1	29/02/2012		MOD:848 EVO;XST:AUS,BRA,CHN,EUR,FRA,JAF	



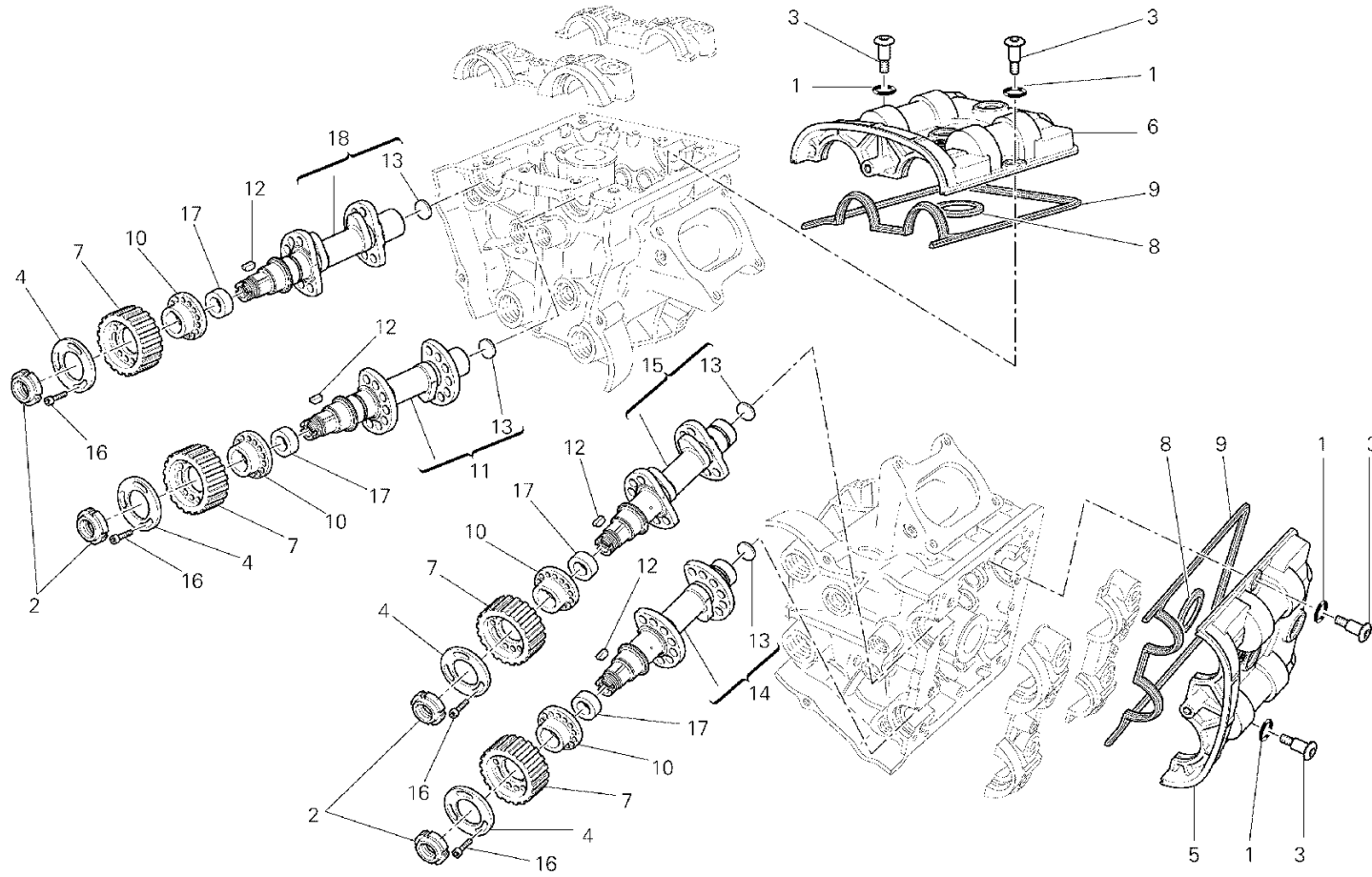
IMP00822

DRAWING 012 - STARTING MOTOR [MOD:848 EVO;XST:AUS,BRA,CHN,EUR,FRA,JAP]

GROUP ENGINE



POS.	CODE	DESCRIPTION	QTY	START DATE	END DATE	VALIDITY	NOTES
1	27040104A	STARTING MOTOR	1	12/09/2012		MOD:848 EVO;XST:AUS,BRA,CHN,EUR,FRA,JAF	
2	88110341A	BUSH	1	29/02/2012		MOD:848 EVO;XST:AUS,BRA,CHN,EUR,FRA,JAF	
3	85610751A	WASHER, THRUST	1	29/02/2012		MOD:848 EVO;XST:AUS,BRA,CHN,EUR,FRA,JAF	
4	78810542A	ENGINE STARTER GASKET	1	29/02/2012		MOD:848 EVO;XST:AUS,BRA,CHN,EUR,FRA,JAF	
5	77110491A	SCREW TCEI M6X18	2	29/02/2012		MOD:848 EVO;XST:AUS,BRA,CHN,EUR,FRA,JAF	
6	77150723B	SCREW TCEI M6X35 UNI 5931	1	29/02/2012		MOD:848 EVO;XST:AUS,BRA,CHN,EUR,FRA,JAF	
7	77110521A	SCREW TCEI M6X30	1	29/02/2012		MOD:848 EVO;XST:AUS,BRA,CHN,EUR,FRA,JAF	
8	82113471A	STARTER REDUCTION SHAFT	1	29/02/2012		MOD:848 EVO;XST:AUS,BRA,CHN,EUR,FRA,JAF	
9	71319191A	SPACER	1	29/02/2012		MOD:848 EVO;XST:AUS,BRA,CHN,EUR,FRA,JAF	
10	176Z0021A	IDLE GEAR T74/13	1	29/02/2012		MOD:848 EVO;XST:AUS,BRA,CHN,EUR,FRA,JAF	
11	70140351A	CLUTCH, ONE WAY	1	29/02/2012		MOD:848 EVO;XST:AUS,BRA,CHN,EUR,FRA,JAF	
12	70010361A	DAMPER	1	20/12/2011		MOD:848 EVO;XST:AUS,BRA,CHN,EUR,FRA,JAF	
13	160Z0011A	FLANGE STARTING CLUTCH	1	29/02/2012		MOD:848 EVO;XST:AUS,BRA,CHN,EUR,FRA,JAF	
14	173Z0021A	ELECTRIC STARTER DRIVEN GEAR	1	29/02/2012		MOD:848 EVO;XST:AUS,BRA,CHN,EUR,FRA,JAF	
15	70240181A	BEARING, NEEDLE	1	29/02/2012		MOD:848 EVO;XST:AUS,BRA,CHN,EUR,FRA,JAF	
16	276Z0021A	IGNITION FLYWHEEL	1	29/02/2012		MOD:848 EVO;XST:AUS,BRA,CHN,EUR,FRA,JAF	



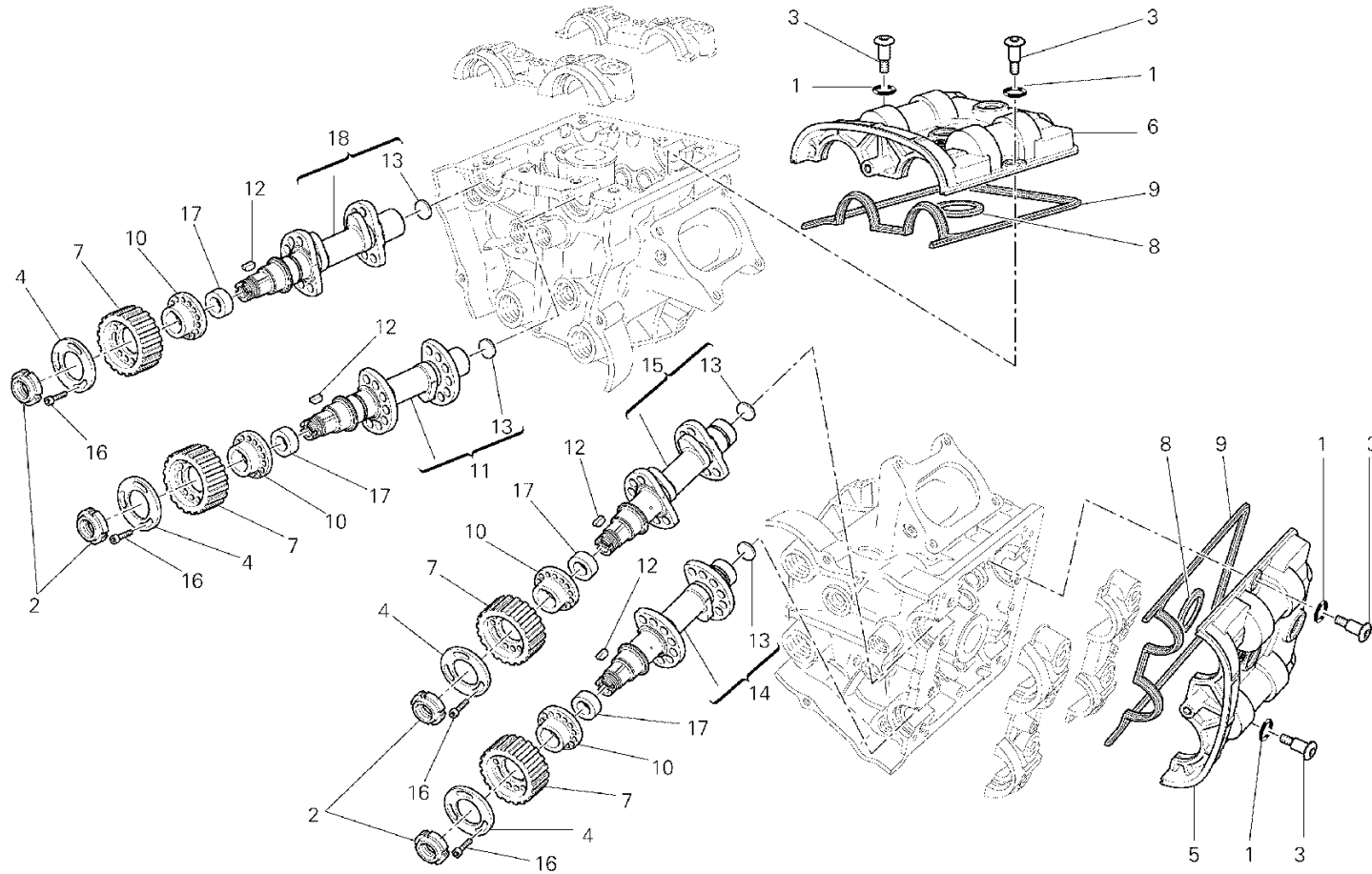
TST00252

DRAWING 013 - CAMSHAFT [MOD:848 EVO;XST:AUS,BRA,CHN,EUR,FRA,JAP]

GROUP ENGINE



POS.	CODE	DESCRIPTION	QTY	START DATE	END DATE	VALIDITY	NOTES
1	88650511A	O-RING 12.39X3.53	8	09/10/2012		MOD:848 EVO;XST:AUS,BRA,CHN,EUR,FRA,JAF	
2	70350022A	RING NUT M17X1	4	24/10/2012		MOD:848 EVO;XST:AUS,BRA,CHN,EUR,FRA,JAF	
3	77915093A	SCREW, SPECIAL	8	22/12/2011		MOD:848 EVO;XST:AUS,BRA,CHN,EUR,FRA,JAF	
4	85610743A	WASHER, SPECIAL	4	09/10/2012		MOD:848 EVO;XST:AUS,BRA,CHN,EUR,FRA,JAF	
5	24712871B	COVER CYLINDER HEAD, HORIZONTAL	1	22/12/2011		MOD:848 EVO;XST:AUS,BRA,CHN,EUR,FRA,JAF	
6	24712881B	COVER CYLINDER HEAD, VERTICAL	1	22/12/2011		MOD:848 EVO;XST:AUS,BRA,CHN,EUR,FRA,JAF	
7	25510193A	TIMING BELT PULLEY, DRIVEN T20	4	22/12/2011		MOD:848 EVO;XST:AUS,BRA,CHN,EUR,FRA,JAF	
8	78810941A	SEAL, SPARK PLUG HOLE	2	22/12/2011		MOD:848 EVO;XST:AUS,BRA,CHN,EUR,FRA,JAF	
9	78810931A	GASKET CYLINDER HEAD COVER	2	22/12/2011		MOD:848 EVO;XST:AUS,BRA,CHN,EUR,FRA,JAF	
10	16010941A	SPACER	4	22/12/2011		MOD:848 EVO;XST:AUS,BRA,CHN,EUR,FRA,JAF	
11	14823471C	VERTICAL INTAKE CAMSHAFT	1	24/10/2012		MOD:848 EVO;XST:AUS,BRA,CHN,EUR,FRA,JAF	
12	68050061A	WOODRUFF KEY 3X5	4	24/10/2012		MOD:848 EVO;XST:AUS,BRA,CHN,EUR,FRA,JAF	
13	87310051A	PLUG 18 MM	4	24/12/2009		MOD:848 EVO;XST:AUS,BRA,CHN,EUR,FRA,JAF	
14	14823481C	HORIZONTAL EXHAUST CAMSHAFT	1	24/10/2012		MOD:848 EVO;XST:AUS,BRA,CHN,EUR,FRA,JAF	
15	14823461C	HORIZONTAL INTAKE CAMSHAFT	1	24/10/2012		MOD:848 EVO;XST:AUS,BRA,CHN,EUR,FRA,JAF	
16	77950302A	SCREW TC M6X12	12	24/10/2012		MOD:848 EVO;XST:AUS,BRA,CHN,EUR,FRA,JAF	
17	93050071A	SEAL, OIL BAVISLRSX7 24-35-7	4	09/10/2012		MOD:848 EVO;XST:AUS,BRA,CHN,EUR,FRA,JAF	



TST00252

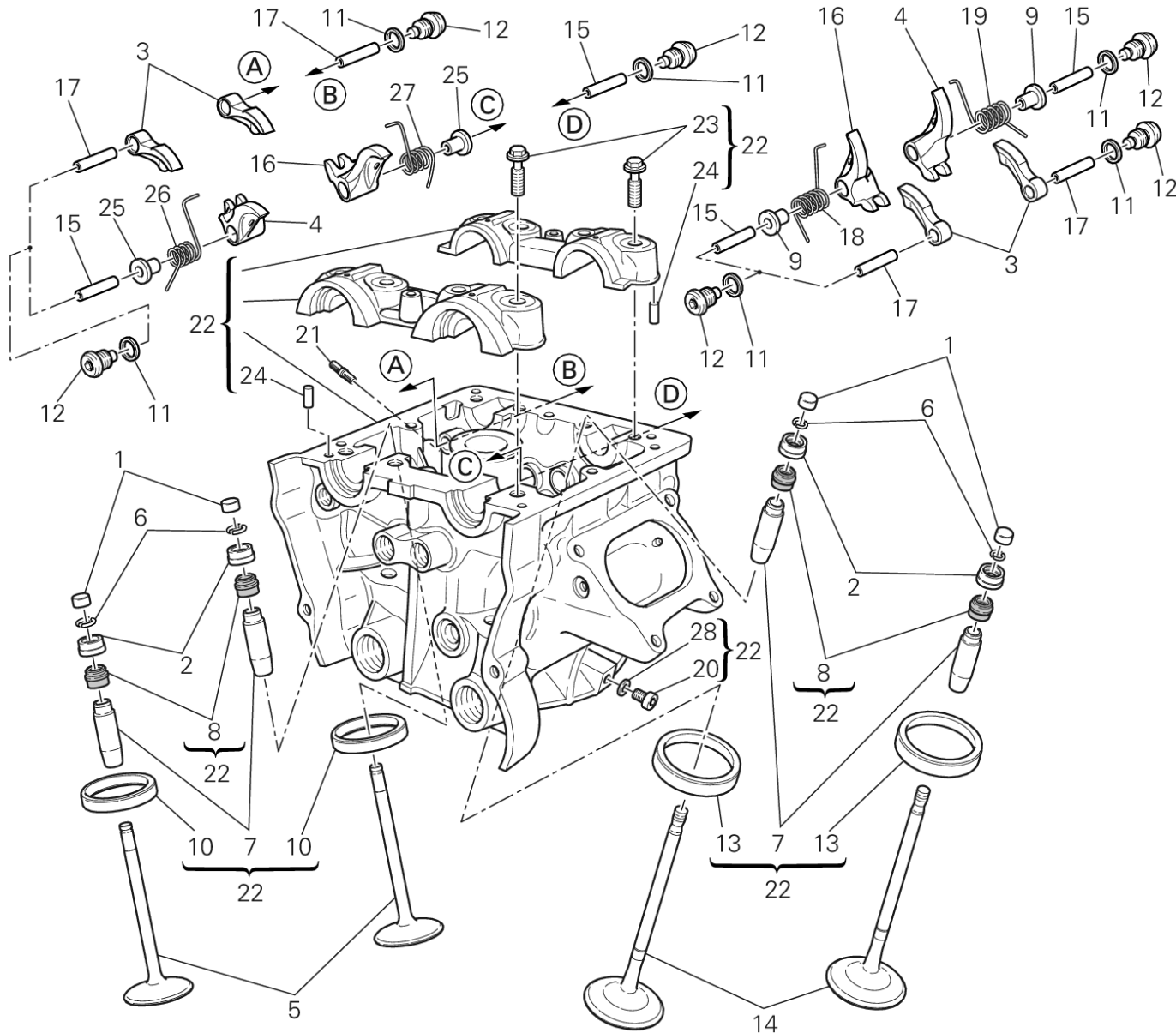


POS.	CODE	DESCRIPTION	QTY	START DATE	END DATE	VALIDITY	NOTES
18	14823491C	VERTICAL EXHAUST CAMSHAFT	1	24/10/2012		MOD:848 EVO;XST:AUS,BRA,CHN,EUR,FRA,JAF	



DRAWING 014 - VERTICAL CYLINDER HEAD [MOD:848 EVO;XST:AUS,BRA,CHN,EUR,FRA,JAP]

GROUP ENGINE



TST00479

DRAWING 014 - VERTICAL CYLINDER HEAD [MOD:848

EVO;XST:AUS,BRA,CHN,EUR,FRA,JAP]

GROUP ENGINE

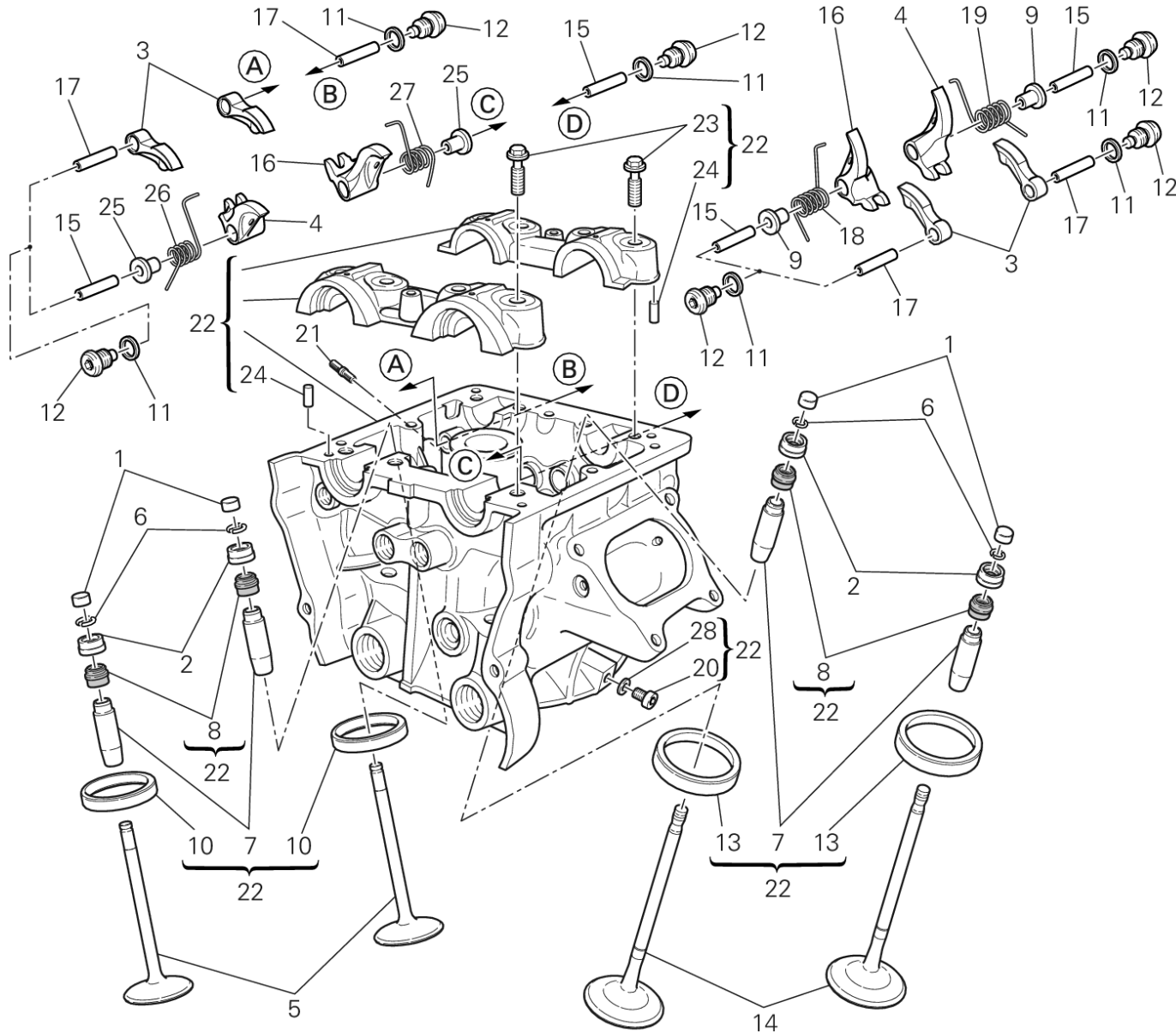


POS.	CODE	DESCRIPTION	QTY	START DATE	END DATE	VALIDITY	NOTES
1	84010011A	ADJUSTER, OPENING ROCKER ARM 2.00 MM	4	24/12/2009		MOD:848	
	84010021A	ADJUSTER, OPENING ROCKER ARM 2.05 MM	4	24/12/2009		EVO;XST:AUS,BRA,CHN,EUR,FRA,JAF MOD:848	
	84010031A	ADJUSTER, OPENING ROCKER ARM 2.10 MM	4	24/12/2009		EVO;XST:AUS,BRA,CHN,EUR,FRA,JAF MOD:848	
	84010041A	ADJUSTER, OPENING ROCKER ARM 2.15 MM	4	24/12/2009		EVO;XST:AUS,BRA,CHN,EUR,FRA,JAF MOD:848	
	84010051A	ADJUSTER, OPENING ROCKER ARM 2.20 MM	4	24/12/2009		EVO;XST:AUS,BRA,CHN,EUR,FRA,JAF MOD:848	
	84010061A	ADJUSTER, OPENING ROCKER ARM 2.25 MM	4	24/12/2009		EVO;XST:AUS,BRA,CHN,EUR,FRA,JAF MOD:848	
	84010071A	ADJUSTER, OPENING ROCKER ARM 2.30 MM	4	24/12/2009		EVO;XST:AUS,BRA,CHN,EUR,FRA,JAF MOD:848	
	84010081A	ADJUSTER, OPENING ROCKER ARM 2.35 MM	4	24/12/2009		EVO;XST:AUS,BRA,CHN,EUR,FRA,JAF MOD:848	
	84010091A	ADJUSTER, OPENING ROCKER ARM 2.40 MM	4	24/12/2009		EVO;XST:AUS,BRA,CHN,EUR,FRA,JAF MOD:848	
	84010101A	ADJUSTER, OPENING ROCKER ARM 2.45 MM	4	24/12/2009		EVO;XST:AUS,BRA,CHN,EUR,FRA,JAF MOD:848	
	84010111A	ADJUSTER, OPENING ROCKER ARM 2.50 MM	4	24/12/2009		EVO;XST:AUS,BRA,CHN,EUR,FRA,JAF MOD:848	
	84010121A	ADJUSTER, OPENING ROCKER ARM 2.55 MM	4	24/12/2009		EVO;XST:AUS,BRA,CHN,EUR,FRA,JAF MOD:848	
	84010131A	ADJUSTER, OPENING ROCKER ARM 2.60 MM	4	24/12/2009		EVO;XST:AUS,BRA,CHN,EUR,FRA,JAF MOD:848	
	84010141A	ADJUSTER, OPENING ROCKER ARM 2.65 MM	4	24/12/2009		EVO;XST:AUS,BRA,CHN,EUR,FRA,JAF MOD:848	
	84010151A	ADJUSTER, OPENING ROCKER ARM 2.70 MM	4	24/12/2009		EVO;XST:AUS,BRA,CHN,EUR,FRA,JAF MOD:848	
	84010161A	ADJUSTER, OPENING ROCKER ARM 2.75 MM	4	24/12/2009		EVO;XST:AUS,BRA,CHN,EUR,FRA,JAF MOD:848	
	84010171A	ADJUSTER, OPENING ROCKER ARM 2.80 MM	4	24/12/2009		EVO;XST:AUS,BRA,CHN,EUR,FRA,JAF MOD:848	



DRAWING 014 - VERTICAL CYLINDER HEAD [MOD:848 EVO;XST:AUS,BRA,CHN,EUR,FRA,JAP]

GROUP ENGINE



TST00479

DRAWING 014 - VERTICAL CYLINDER HEAD [MOD:848

EVO;XST:AUS,BRA,CHN,EUR,FRA,JAP]

GROUP ENGINE

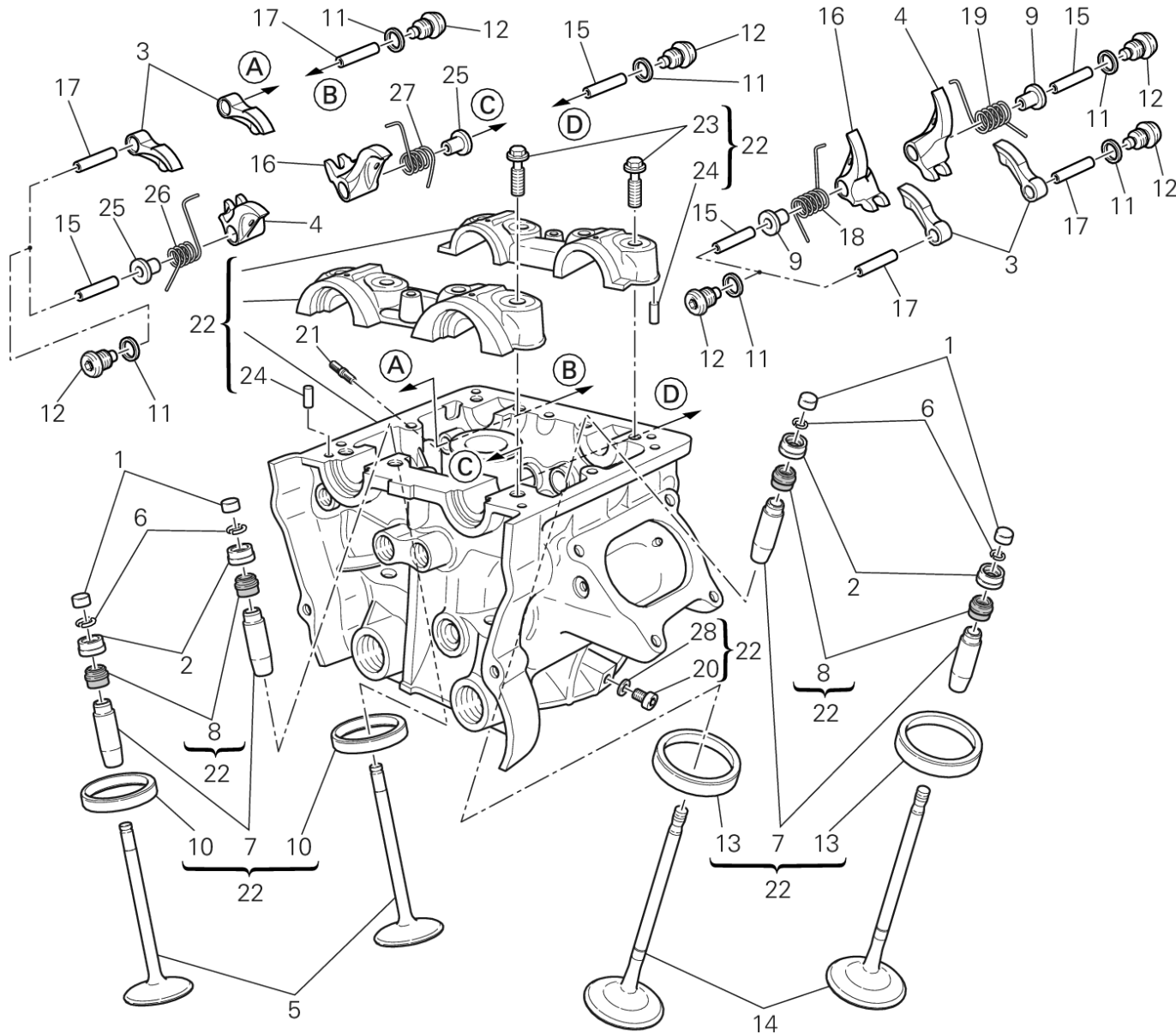


POS.	CODE	DESCRIPTION	QTY	START DATE	END DATE	VALIDITY	NOTES
	84010181A	ADJUSTER, OPENING ROCKER ARM 2.85 MM	4	24/12/2009		MOD:848	
	84010191A	ADJUSTER, OPENING ROCKER ARM 2.90 MM	4	24/12/2009		EVO;XST:AUS,BRA,CHN,EUR,FRA,JAF MOD:848	
	84010201A	ADJUSTER, OPENING ROCKER ARM 2.95 MM	4	24/12/2009		EVO;XST:AUS,BRA,CHN,EUR,FRA,JAF MOD:848	
	84010211A	ADJUSTER, OPENING ROCKER ARM 3.00 MM	4	24/12/2009		EVO;XST:AUS,BRA,CHN,EUR,FRA,JAF MOD:848	
	84010221A	ADJUSTER, OPENING ROCKER ARM 3.05 MM	4	24/12/2009		EVO;XST:AUS,BRA,CHN,EUR,FRA,JAF MOD:848	
	84010231A	ADJUSTER, OPENING ROCKER ARM 3.10 MM	4	24/12/2009		EVO;XST:AUS,BRA,CHN,EUR,FRA,JAF MOD:848	
	84010241A	ADJUSTER, OPENING ROCKER ARM 3.15 MM	4	24/12/2009		EVO;XST:AUS,BRA,CHN,EUR,FRA,JAF MOD:848	
	84010251A	ADJUSTER, OPENING ROCKER ARM 3.20 MM	4	24/12/2009		EVO;XST:AUS,BRA,CHN,EUR,FRA,JAF MOD:848	
	84010261A	ADJUSTER, OPENING ROCKER ARM 3.25 MM	4	24/12/2009		EVO;XST:AUS,BRA,CHN,EUR,FRA,JAF MOD:848	
	84010271A	ADJUSTER, OPENING ROCKER ARM 3.30 MM	4	24/12/2009		EVO;XST:AUS,BRA,CHN,EUR,FRA,JAF MOD:848	
	84010281A	ADJUSTER, OPENING ROCKER ARM 3.35 MM	4	24/12/2009		EVO;XST:AUS,BRA,CHN,EUR,FRA,JAF MOD:848	
	84010291A	ADJUSTER, OPENING ROCKER ARM 3.40 MM	4	24/12/2009		EVO;XST:AUS,BRA,CHN,EUR,FRA,JAF MOD:848	
	84010301A	ADJUSTER, OPENING ROCKER ARM 3.45 MM	4	24/12/2009		EVO;XST:AUS,BRA,CHN,EUR,FRA,JAF MOD:848	
	84010311A	ADJUSTER, OPENING ROCKER ARM 1.80 MM	4	24/12/2009		EVO;XST:AUS,BRA,CHN,EUR,FRA,JAF MOD:848	
	84010321A	ADJUSTER, OPENING ROCKER ARM 1.85 MM	4	24/12/2009		EVO;XST:AUS,BRA,CHN,EUR,FRA,JAF MOD:848	
	84010331A	ADJUSTER, OPENING ROCKER ARM 1.90 MM	4	24/12/2009		EVO;XST:AUS,BRA,CHN,EUR,FRA,JAF MOD:848	
	84010341A	ADJUSTER, OPENING ROCKER ARM 1.95 MM	4	24/12/2009		EVO;XST:AUS,BRA,CHN,EUR,FRA,JAF MOD:848	



DRAWING 014 - VERTICAL CYLINDER HEAD [MOD:848 EVO;XST:AUS,BRA,CHN,EUR,FRA,JAP]

GROUP ENGINE



TST00479

DRAWING 014 - VERTICAL CYLINDER HEAD [MOD:848

EVO;XST:AUS,BRA,CHN,EUR,FRA,JAP]

GROUP ENGINE

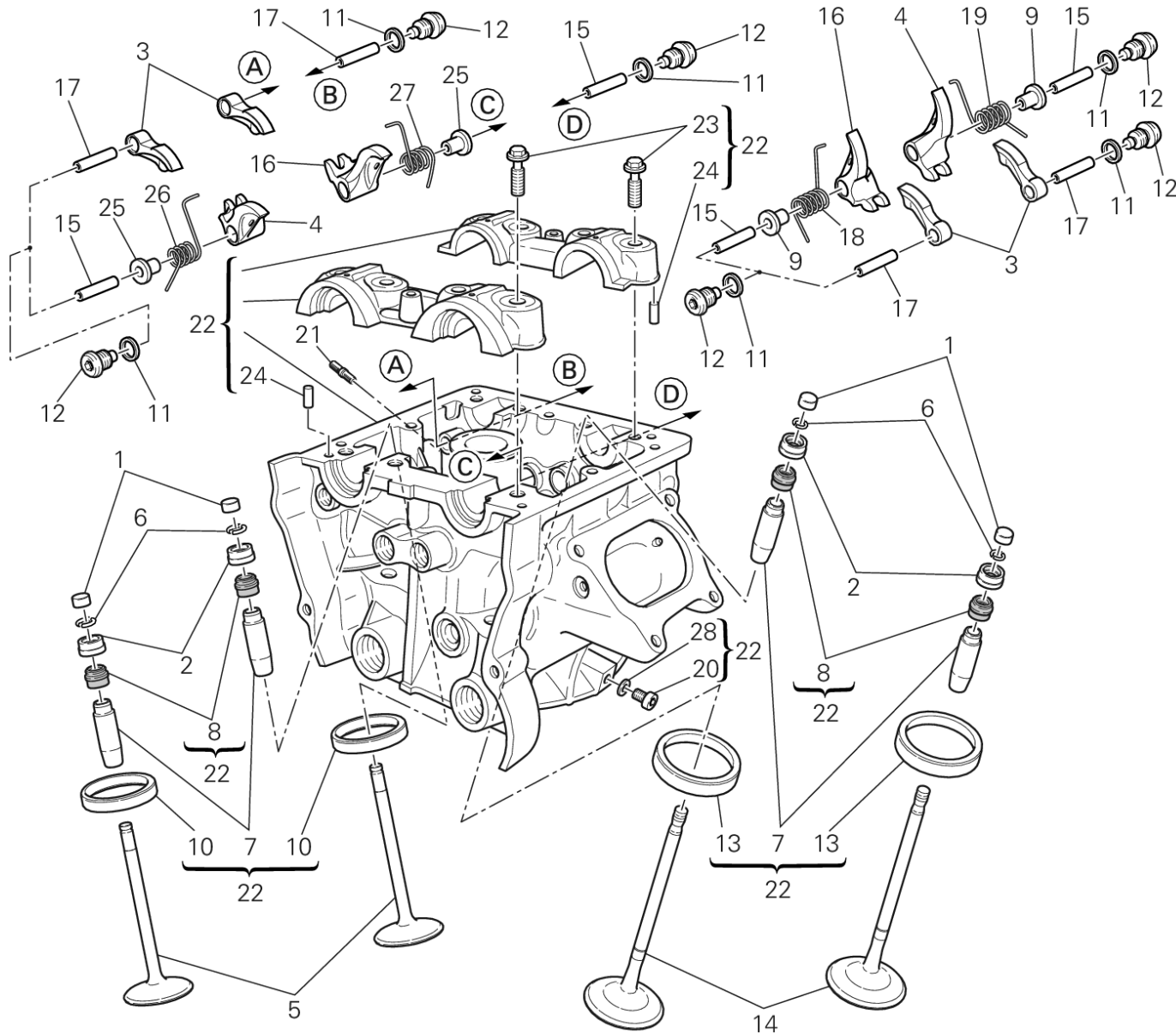


POS.	CODE	DESCRIPTION	QTY	START DATE	END DATE	VALIDITY	NOTES
2	84010412B	ADJUSTER, CLOSING ROCKER ARM 2.20 MM	4	24/12/2009		MOD:848 EVO;XST:AUS,BRA,CHN,EUR,FRA,JAF	
	84010422B	ADJUSTER, CLOSING ROCKER ARM 2.25 MM	4	24/12/2009		MOD:848 EVO;XST:AUS,BRA,CHN,EUR,FRA,JAF	
	84010432B	ADJUSTER, CLOSING ROCKER ARM 2.30 MM	4	24/12/2009		MOD:848 EVO;XST:AUS,BRA,CHN,EUR,FRA,JAF	
	84010442B	ADJUSTER, CLOSING ROCKER ARM 2.35 MM	4	24/12/2009		MOD:848 EVO;XST:AUS,BRA,CHN,EUR,FRA,JAF	
	84010452B	ADJUSTER, CLOSING ROCKER ARM 2.40 MM	4	24/12/2009		MOD:848 EVO;XST:AUS,BRA,CHN,EUR,FRA,JAF	
	84010462B	ADJUSTER, CLOSING ROCKER ARM 2.45 MM	4	24/12/2009		MOD:848 EVO;XST:AUS,BRA,CHN,EUR,FRA,JAF	
	84010472B	ADJUSTER, CLOSING ROCKER ARM 2.50 MM	4	24/12/2009		MOD:848 EVO;XST:AUS,BRA,CHN,EUR,FRA,JAF	
	84010482B	ADJUSTER, CLOSING ROCKER ARM 2.55 MM	4	24/12/2009		MOD:848 EVO;XST:AUS,BRA,CHN,EUR,FRA,JAF	
	84010492B	ADJUSTER, CLOSING ROCKER ARM 2.60 MM	4	24/12/2009		MOD:848 EVO;XST:AUS,BRA,CHN,EUR,FRA,JAF	
	84010502B	ADJUSTER, CLOSING ROCKER ARM 2.65 MM	4	24/12/2009		MOD:848 EVO;XST:AUS,BRA,CHN,EUR,FRA,JAF	
	84010512B	ADJUSTER, CLOSING ROCKER ARM 2.70 MM	4	24/12/2009		MOD:848 EVO;XST:AUS,BRA,CHN,EUR,FRA,JAF	
	84010522B	ADJUSTER, CLOSING ROCKER ARM 2.75 MM	4	24/12/2009		MOD:848 EVO;XST:AUS,BRA,CHN,EUR,FRA,JAF	
	84010532B	ADJUSTER, CLOSING ROCKER ARM 2.80 MM	4	24/12/2009		MOD:848 EVO;XST:AUS,BRA,CHN,EUR,FRA,JAF	
	84010542B	ADJUSTER, CLOSING ROCKER ARM 2.85 MM	4	24/12/2009		MOD:848 EVO;XST:AUS,BRA,CHN,EUR,FRA,JAF	
	84010552B	ADJUSTER, CLOSING ROCKER ARM 2.90 MM	4	24/12/2009		MOD:848 EVO;XST:AUS,BRA,CHN,EUR,FRA,JAF	
	84010562B	ADJUSTER, CLOSING ROCKER ARM 2.95 MM	4	24/12/2009		MOD:848 EVO;XST:AUS,BRA,CHN,EUR,FRA,JAF	
	84010572B	ADJUSTER, CLOSING ROCKER ARM 3.00 MM	4	24/12/2009		MOD:848 EVO;XST:AUS,BRA,CHN,EUR,FRA,JAF	



DRAWING 014 - VERTICAL CYLINDER HEAD [MOD:848 EVO;XST:AUS,BRA,CHN,EUR,FRA,JAP]

GROUP ENGINE



TST00479

DRAWING 014 - VERTICAL CYLINDER HEAD [MOD:848

EVO;XST:AUS,BRA,CHN,EUR,FRA,JAP]

GROUP ENGINE

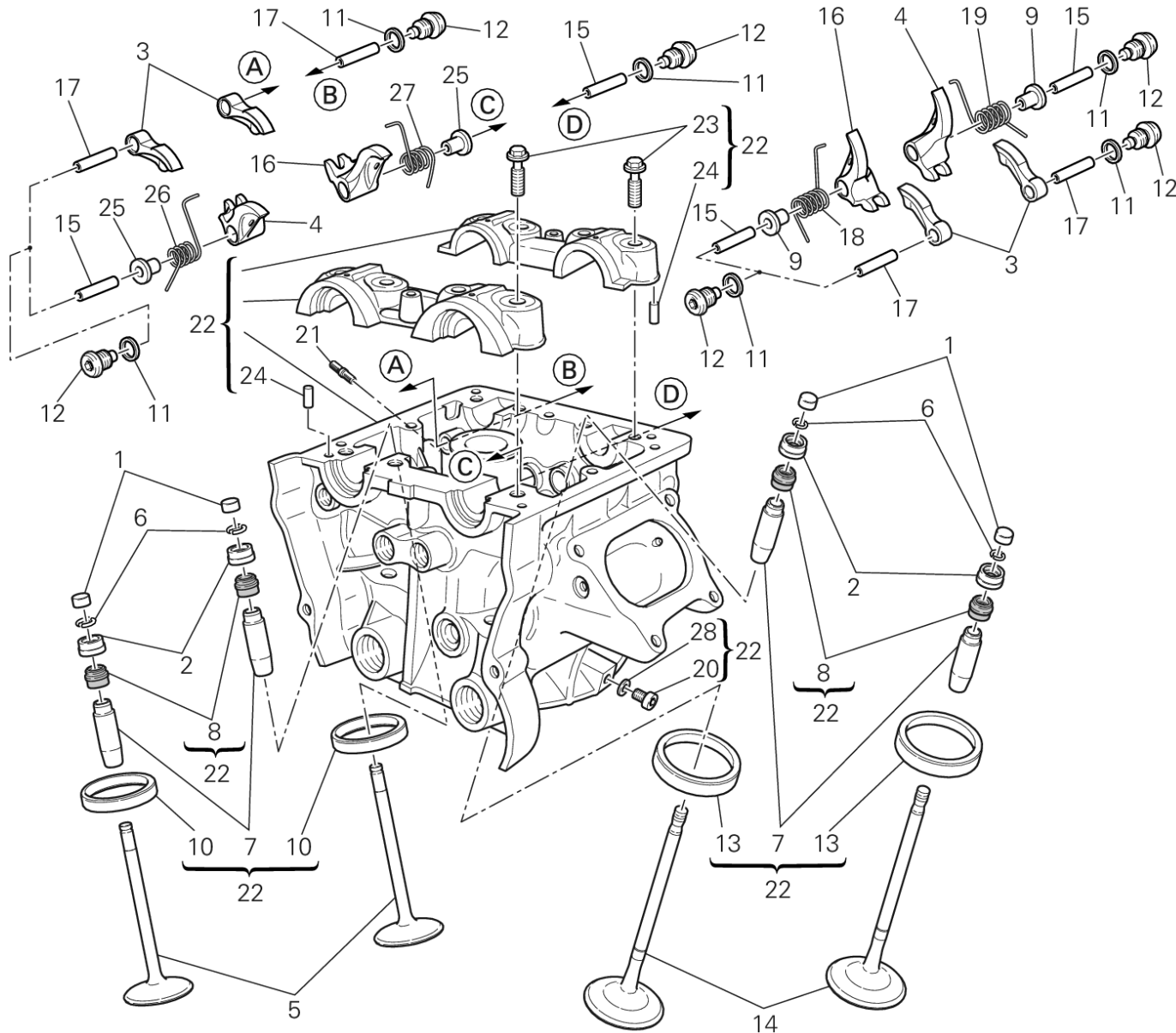


POS.	CODE	DESCRIPTION	QTY	START DATE	END DATE	VALIDITY	NOTES
	84010582B	ADJUSTER, CLOSING ROCKER ARM 3.05 MM	4	24/12/2009		MOD:848 EVO;XST:AUS,BRA,CHN,EUR,FRA,JAF	
	84010592B	ADJUSTER, CLOSING ROCKER ARM 3.10 MM	4	24/12/2009		MOD:848 EVO;XST:AUS,BRA,CHN,EUR,FRA,JAF	
	84010602B	ADJUSTER, CLOSING ROCKER ARM 3.15 MM	4	24/12/2009		MOD:848 EVO;XST:AUS,BRA,CHN,EUR,FRA,JAF	
	84010612B	ADJUSTER, CLOSING ROCKER ARM 3.20 MM	4	24/12/2009		MOD:848 EVO;XST:AUS,BRA,CHN,EUR,FRA,JAF	
	84010622B	ADJUSTER, CLOSING ROCKER ARM 3.25 MM	4	24/12/2009		MOD:848 EVO;XST:AUS,BRA,CHN,EUR,FRA,JAF	
	84010632B	ADJUSTER, CLOSING ROCKER ARM 3.30 MM	4	24/12/2009		MOD:848 EVO;XST:AUS,BRA,CHN,EUR,FRA,JAF	
	84010642B	ADJUSTER, CLOSING ROCKER ARM 3.35 MM	4	24/12/2009		MOD:848 EVO;XST:AUS,BRA,CHN,EUR,FRA,JAF	
	84010652B	ADJUSTER, CLOSING ROCKER ARM 3.40 MM	4	24/12/2009		MOD:848 EVO;XST:AUS,BRA,CHN,EUR,FRA,JAF	
	84010662B	ADJUSTER, CLOSING ROCKER ARM 3.45 MM	4	24/12/2009		MOD:848 EVO;XST:AUS,BRA,CHN,EUR,FRA,JAF	
	84010672B	ADJUSTER, CLOSING ROCKER ARM 3.50 MM	4	24/12/2009		MOD:848 EVO;XST:AUS,BRA,CHN,EUR,FRA,JAF	
	84010682B	ADJUSTER, CLOSING ROCKER ARM 3.55 MM	4	24/12/2009		MOD:848 EVO;XST:AUS,BRA,CHN,EUR,FRA,JAF	
	84010692B	ADJUSTER, CLOSING ROCKER ARM 3.60 MM	4	24/12/2009		MOD:848 EVO;XST:AUS,BRA,CHN,EUR,FRA,JAF	
	84010702B	ADJUSTER, CLOSING ROCKER ARM 3.65 MM	4	24/12/2009		MOD:848 EVO;XST:AUS,BRA,CHN,EUR,FRA,JAF	
	84010712B	ADJUSTER, CLOSING ROCKER ARM 3.70 MM	4	24/12/2009		MOD:848 EVO;XST:AUS,BRA,CHN,EUR,FRA,JAF	
	84010722B	ADJUSTER, CLOSING ROCKER ARM 3.75 MM	4	24/12/2009		MOD:848 EVO;XST:AUS,BRA,CHN,EUR,FRA,JAF	
	84010732B	ADJUSTER, CLOSING ROCKER ARM 3.80 MM	4	24/12/2009		MOD:848 EVO;XST:AUS,BRA,CHN,EUR,FRA,JAF	
	84010742B	ADJUSTER, CLOSING ROCKER ARM 3.85 MM	4	24/12/2009		MOD:848 EVO;XST:AUS,BRA,CHN,EUR,FRA,JAF	



DRAWING 014 - VERTICAL CYLINDER HEAD [MOD:848 EVO;XST:AUS,BRA,CHN,EUR,FRA,JAP]

GROUP ENGINE



TST00479

DRAWING 014 - VERTICAL CYLINDER HEAD [MOD:848

EVO;XST:AUS,BRA,CHN,EUR,FRA,JAP]

GROUP ENGINE

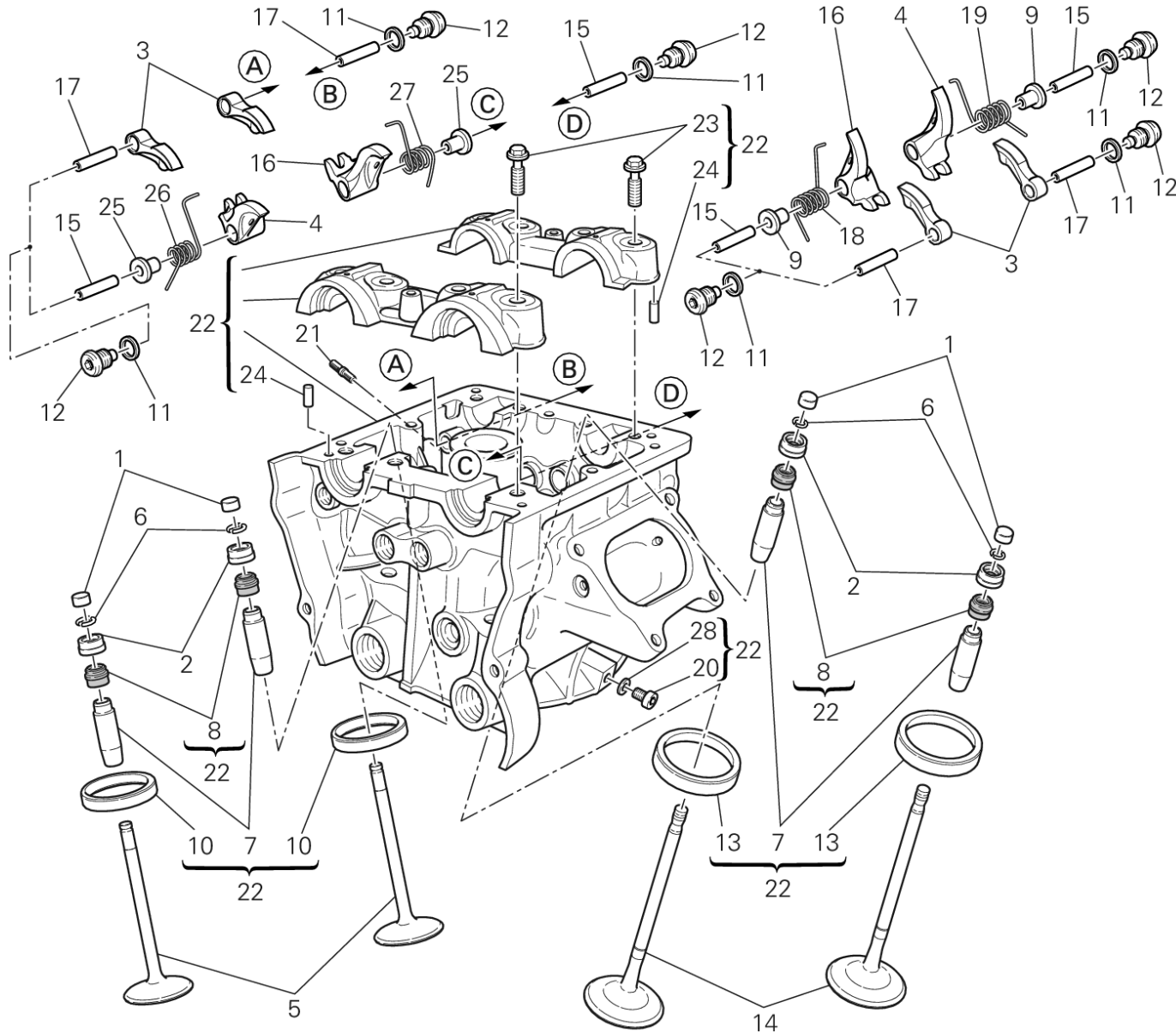


POS.	CODE	DESCRIPTION	QTY	START DATE	END DATE	VALIDITY	NOTES
	84010752B	ADJUSTER, CLOSING ROCKER ARM 3.90 MM	4	24/12/2009		MOD:848 EVO;XST:AUS,BRA,CHN,EUR,FRA,JAF	
	84010762B	ADJUSTER, CLOSING ROCKER ARM 3.95 MM	4	24/12/2009		MOD:848 EVO;XST:AUS,BRA,CHN,EUR,FRA,JAF	
	84010772B	ADJUSTER, CLOSING ROCKER ARM 4.00 MM	4	24/12/2009		MOD:848 EVO;XST:AUS,BRA,CHN,EUR,FRA,JAF	
	84010782B	ADJUSTER, CLOSING ROCKER ARM 4.05 MM	4	24/12/2009		MOD:848 EVO;XST:AUS,BRA,CHN,EUR,FRA,JAF	
	84010792B	ADJUSTER, CLOSING ROCKER ARM 4.10 MM	4	24/12/2009		MOD:848 EVO;XST:AUS,BRA,CHN,EUR,FRA,JAF	
	84010802B	ADJUSTER, CLOSING ROCKER ARM 4.15 MM	4	24/12/2009		MOD:848 EVO;XST:AUS,BRA,CHN,EUR,FRA,JAF	
	84010812B	ADJUSTER, CLOSING ROCKER ARM 4.20 MM	4	24/12/2009		MOD:848 EVO;XST:AUS,BRA,CHN,EUR,FRA,JAF	
	84010822B	ADJUSTER, CLOSING ROCKER ARM 4.25 MM	4	24/12/2009		MOD:848 EVO;XST:AUS,BRA,CHN,EUR,FRA,JAF	
	84010832B	ADJUSTER, CLOSING ROCKER ARM 4.30 MM	4	24/12/2009		MOD:848 EVO;XST:AUS,BRA,CHN,EUR,FRA,JAF	
	84010842B	ADJUSTER, CLOSING ROCKER ARM 4.35 MM	4	24/12/2009		MOD:848 EVO;XST:AUS,BRA,CHN,EUR,FRA,JAF	
	84010852B	ADJUSTER, CLOSING ROCKER ARM 4.40 MM	4	24/12/2009		MOD:848 EVO;XST:AUS,BRA,CHN,EUR,FRA,JAF	
	84010862B	ADJUSTER, CLOSING ROCKER ARM 4.45 MM	4	24/12/2009		MOD:848 EVO;XST:AUS,BRA,CHN,EUR,FRA,JAF	
	84010872B	ADJUSTER, CLOSING ROCKER ARM 4.50 MM	4	24/12/2009		MOD:848 EVO;XST:AUS,BRA,CHN,EUR,FRA,JAF	
3	20810321A	OPEN. ROCKER ARM	4	09/10/2012		MOD:848 EVO;XST:AUS,BRA,CHN,EUR,FRA,JAF	
4	20910501A	CLOSING ROCKER ARM LEFT	2	22/12/2011		MOD:848 EVO;XST:AUS,BRA,CHN,EUR,FRA,JAF	
5	21110741A	EXHAUST VALVE	2	24/10/2012		MOD:848 EVO;XST:AUS,BRA,CHN,EUR,FRA,JAF	
6	66910011E	C RING	8	24/10/2012		MOD:848 EVO;XST:AUS,BRA,CHN,EUR,FRA,JAF	



DRAWING 014 - VERTICAL CYLINDER HEAD [MOD:848 EVO;XST:AUS,BRA,CHN,EUR,FRA,JAP]

GROUP ENGINE



TST00479

DRAWING 014 - VERTICAL CYLINDER HEAD [MOD:848

EVO;XST:AUS,BRA,CHN,EUR,FRA,JAP]

GROUP ENGINE

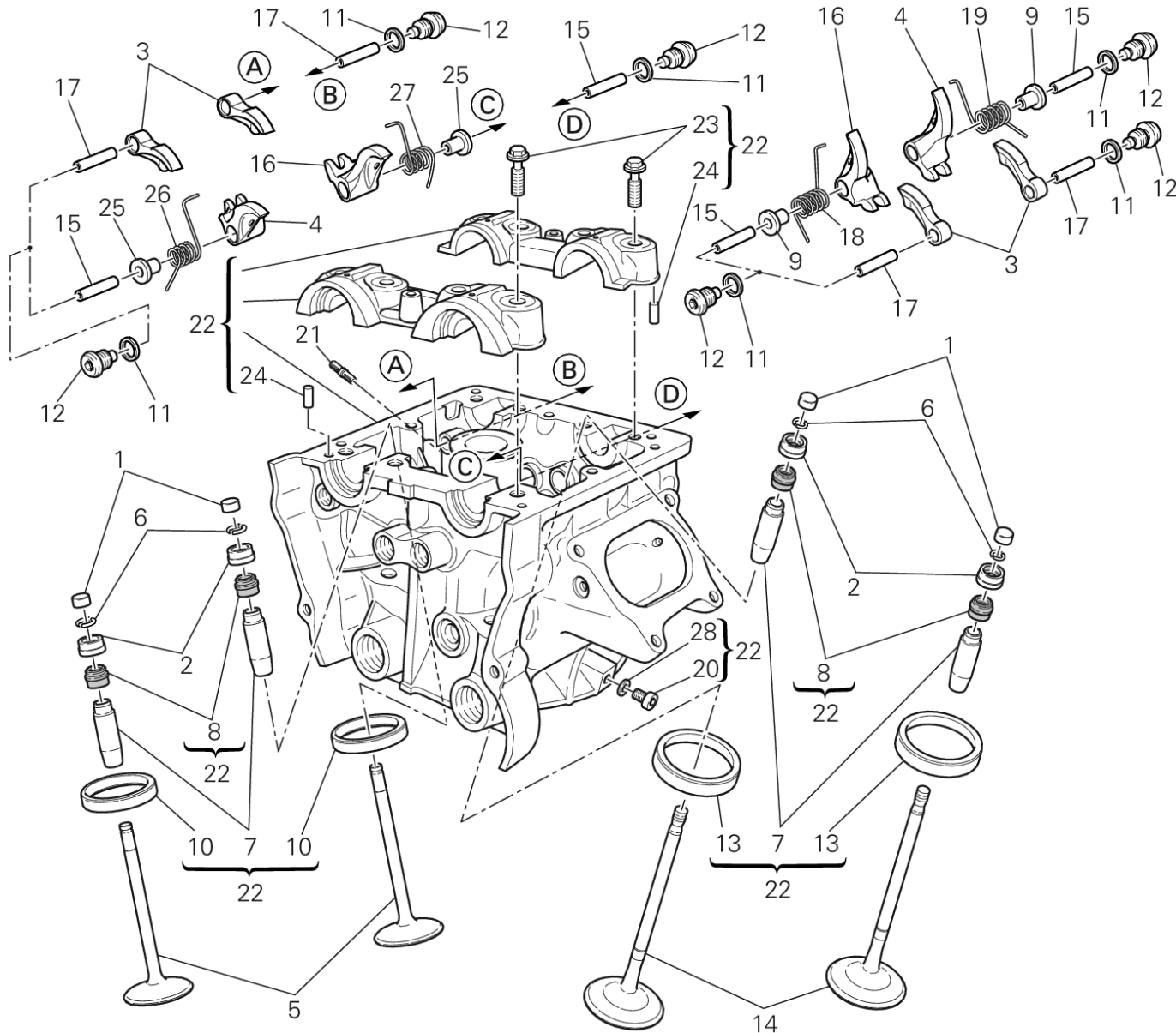


POS.	CODE	DESCRIPTION	QTY	START DATE	END DATE	VALIDITY	NOTES
7	30310631BB	GUIDE, VALVE OVERSIZED 0.03 MM	4	29/02/2012		MOD:848 EVO;XST:AUS,BRA,CHN,EUR,FRA,JAF	
	30310631BC	GUIDE, VALVE OVERSIZED 0.06 MM	4	29/02/2012		MOD:848 EVO;XST:AUS,BRA,CHN,EUR,FRA,JAF	
	30310631BD	GUIDE, VALVE OVERSIZED 0.09 MM	4	29/02/2012		MOD:848 EVO;XST:AUS,BRA,CHN,EUR,FRA,JAF	
8	76410871A	SEAL VALVE STEM	4	24/12/2009		MOD:848 EVO;XST:AUS,BRA,CHN,EUR,FRA,JAF	
9	71312921A	SPACER	2	24/10/2012		MOD:848 EVO;XST:AUS,BRA,CHN,EUR,FRA,JAF	
10	30410851A	SEAT, EXHAUST VALVE	2	24/12/2009		MOD:848 EVO;XST:AUS,BRA,CHN,EUR,FRA,JAF	
	30410851AB	SEAT, EXHAUST VALVE +0.03	2	29/02/2012		MOD:848 EVO;XST:AUS,BRA,CHN,EUR,FRA,JAF	
	30410851AC	SEAT, EXHAUST VALVE +0.06	2	29/02/2012		MOD:848 EVO;XST:AUS,BRA,CHN,EUR,FRA,JAF	
11	85250261B	GASKET, ALUMINIUM 12X16X1.5	8	09/10/2012		MOD:848 EVO;XST:AUS,BRA,CHN,EUR,FRA,JAF	
12	78010511E	PLUG	8	09/10/2012		MOD:848 EVO;XST:AUS,BRA,CHN,EUR,FRA,JAF	
13	30410841A	SEAT, INTAKE VALVE	2	24/12/2009		MOD:848 EVO;XST:AUS,BRA,CHN,EUR,FRA,JAF	
	30410841AB	SEAT, INLET VALVE +0.03 MM	2	29/02/2012		MOD:848 EVO;XST:AUS,BRA,CHN,EUR,FRA,JAF	
	30410841AC	SEAT, INTAKE VALVE +0.06	2	29/02/2012		MOD:848 EVO;XST:AUS,BRA,CHN,EUR,FRA,JAF	
14	21010741E	INTAKE VALVE	2	24/10/2012		MOD:848 EVO;XST:AUS,BRA,CHN,EUR,FRA,JAF	
15	82112231B	AXLE, ROCKER ARM CLOSING	4	24/10/2012		MOD:848 EVO;XST:AUS,BRA,CHN,EUR,FRA,JAF	
16	20910491A	CLOSING ROCKER ARM RIGHT	2	22/12/2011		MOD:848 EVO;XST:AUS,BRA,CHN,EUR,FRA,JAF	
17	82112221B	AXLE, ROCKER ARM OPENING	4	22/12/2011		MOD:848 EVO;XST:AUS,BRA,CHN,EUR,FRA,JAF	



DRAWING 014 - VERTICAL CYLINDER HEAD [MOD:848 EVO;XST:AUS,BRA,CHN,EUR,FRA,JAP]

GROUP ENGINE



TST00479

DRAWING 014 - VERTICAL CYLINDER HEAD [MOD:848 EVO;XST:AUS,BRA,CHN,EUR,FRA,JAP]



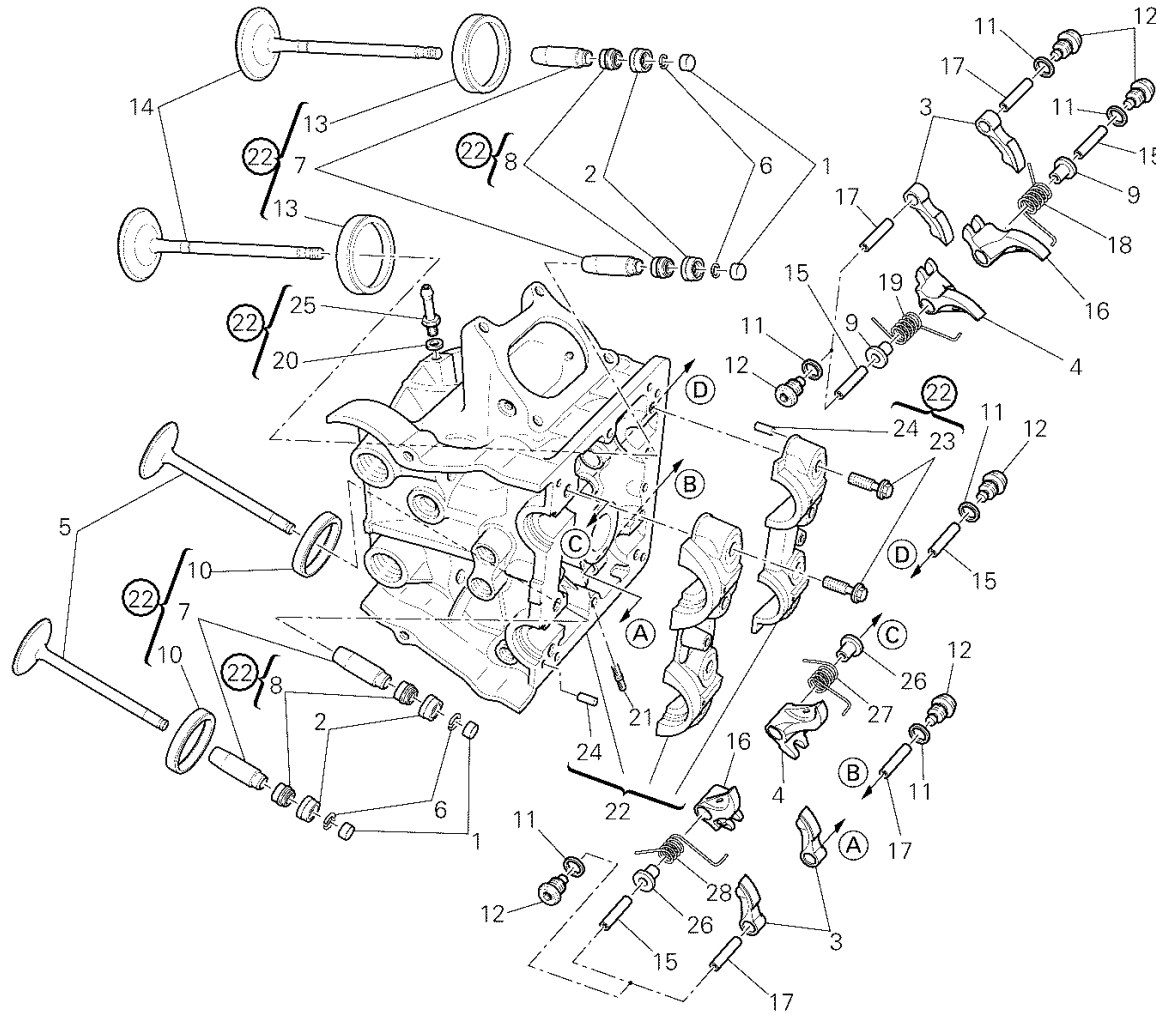
GROUP ENGINE

POS.	CODE	DESCRIPTION	QTY	START DATE	END DATE	VALIDITY	NOTES
18	79914861A	VALVE RETURN SPRING RH.	1	09/10/2012		MOD:848 EVO;XST:AUS,BRA,CHN,EUR,FRA,JAF	
19	79914851A	VALVE RETURN SPRING LH.	1	09/10/2012		MOD:848 EVO;XST:AUS,BRA,CHN,EUR,FRA,JAF	
20	77350618B	SCREW TCEIR M6X8	1	01/06/2010		MOD:848 EVO;XST:AUS,BRA,CHN,EUR,FRA,JAF	
21	76640191A	STUD BOLT M6X16	3	22/12/2011		MOD:848 EVO;XST:AUS,BRA,CHN,EUR,FRA,JAF	
22	30122792A	COMPLETE VERTICAL HEAD	1	09/10/2012		MOD:848 EVO;XST:AUS,BRA,CHN,EUR,FRA,JAF	
23	77914211A	SCREW TEF M8X32	8	24/12/2009		MOD:848 EVO;XST:AUS,BRA,CHN,EUR,FRA,JAF	
24	86050061A	PIN M5X10	4	24/12/2009		MOD:848 EVO;XST:AUS,BRA,CHN,EUR,FRA,JAF	
25	71312921B	SPACER	2	09/10/2012		MOD:848 EVO;XST:AUS,BRA,CHN,EUR,FRA,JAF	
26	79915181B	LEFT VALVE RETURN SPRING	1	09/10/2012		MOD:848 EVO;XST:AUS,BRA,CHN,EUR,FRA,JAF	
27	79915191B	RIGHT VALVE RETURN SPRING	1	09/10/2012		MOD:848 EVO;XST:AUS,BRA,CHN,EUR,FRA,JAF	
28	85250231A	GASKET	1	06/11/2012		MOD:848 EVO;XST:AUS,BRA,CHN,EUR,FRA,JAF	



DRAWING 015 - HORIZONTAL CYLINDER HEAD [MOD:848 EVO;XST:AUS,BRA,CHN,EUR,FRA,JAP]

GROUP ENGINE



TST00411

DRAWING 015 - HORIZONTAL CYLINDER HEAD [MOD:848 EVO;XST:AUS,BRA,CHN,EUR,FRA,JAP]



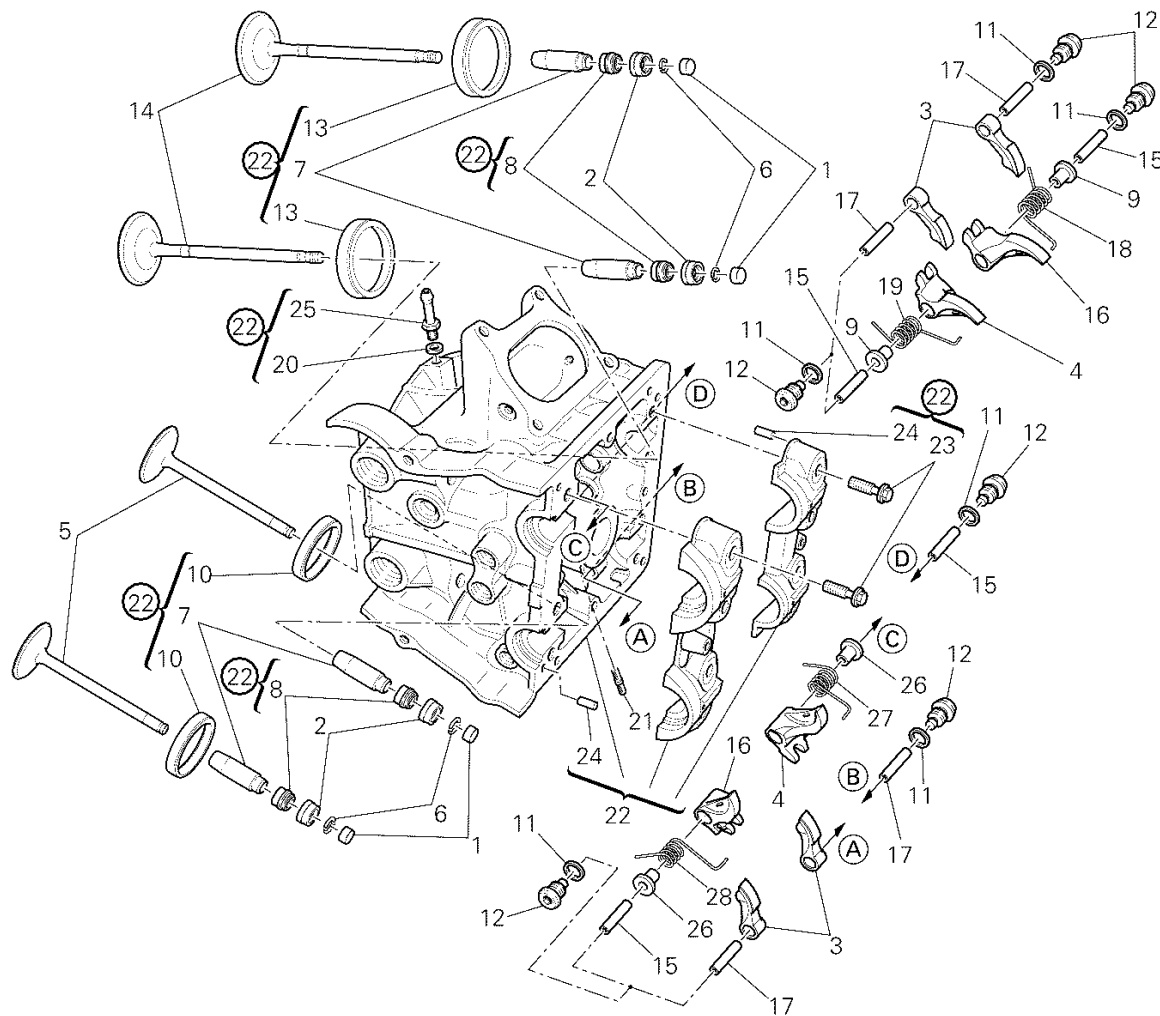
GROUP ENGINE

POS.	CODE	DESCRIPTION	QTY	START DATE	END DATE	VALIDITY	NOTES
1	84010011A	ADJUSTER, OPENING ROCKER ARM 2.00 MM	4	24/12/2009		MOD:848 EVO;XST:AUS,BRA,CHN,EUR,FRA,JAF	
	84010021A	ADJUSTER, OPENING ROCKER ARM 2.05 MM	4	24/12/2009		MOD:848 EVO;XST:AUS,BRA,CHN,EUR,FRA,JAF	
	84010031A	ADJUSTER, OPENING ROCKER ARM 2.10 MM	4	24/12/2009		MOD:848 EVO;XST:AUS,BRA,CHN,EUR,FRA,JAF	
	84010041A	ADJUSTER, OPENING ROCKER ARM 2.15 MM	4	24/12/2009		MOD:848 EVO;XST:AUS,BRA,CHN,EUR,FRA,JAF	
	84010051A	ADJUSTER, OPENING ROCKER ARM 2.20 MM	4	24/12/2009		MOD:848 EVO;XST:AUS,BRA,CHN,EUR,FRA,JAF	
	84010061A	ADJUSTER, OPENING ROCKER ARM 2.25 MM	4	24/12/2009		MOD:848 EVO;XST:AUS,BRA,CHN,EUR,FRA,JAF	
	84010071A	ADJUSTER, OPENING ROCKER ARM 2.30 MM	4	24/12/2009		MOD:848 EVO;XST:AUS,BRA,CHN,EUR,FRA,JAF	
	84010081A	ADJUSTER, OPENING ROCKER ARM 2.35 MM	4	24/12/2009		MOD:848 EVO;XST:AUS,BRA,CHN,EUR,FRA,JAF	
	84010091A	ADJUSTER, OPENING ROCKER ARM 2.40 MM	4	24/12/2009		MOD:848 EVO;XST:AUS,BRA,CHN,EUR,FRA,JAF	
	84010101A	ADJUSTER, OPENING ROCKER ARM 2.45 MM	4	24/12/2009		MOD:848 EVO;XST:AUS,BRA,CHN,EUR,FRA,JAF	
	84010111A	ADJUSTER, OPENING ROCKER ARM 2.50 MM	4	24/12/2009		MOD:848 EVO;XST:AUS,BRA,CHN,EUR,FRA,JAF	
	84010121A	ADJUSTER, OPENING ROCKER ARM 2.55 MM	4	24/12/2009		MOD:848 EVO;XST:AUS,BRA,CHN,EUR,FRA,JAF	
	84010131A	ADJUSTER, OPENING ROCKER ARM 2.60 MM	4	24/12/2009		MOD:848 EVO;XST:AUS,BRA,CHN,EUR,FRA,JAF	
	84010141A	ADJUSTER, OPENING ROCKER ARM 2.65 MM	4	24/12/2009		MOD:848 EVO;XST:AUS,BRA,CHN,EUR,FRA,JAF	
	84010151A	ADJUSTER, OPENING ROCKER ARM 2.70 MM	4	24/12/2009		MOD:848 EVO;XST:AUS,BRA,CHN,EUR,FRA,JAF	
	84010161A	ADJUSTER, OPENING ROCKER ARM 2.75 MM	4	24/12/2009		MOD:848 EVO;XST:AUS,BRA,CHN,EUR,FRA,JAF	
	84010171A	ADJUSTER, OPENING ROCKER ARM 2.80 MM	4	24/12/2009		MOD:848 EVO;XST:AUS,BRA,CHN,EUR,FRA,JAF	



DRAWING 015 - HORIZONTAL CYLINDER HEAD [MOD:848 EVO;XST:AUS,BRA,CHN,EUR,FRA,JAP]

GROUP ENGINE



TST00411

DRAWING 015 - HORIZONTAL CYLINDER HEAD [MOD:848 EVO;XST:AUS,BRA,CHN,EUR,FRA,JAP]



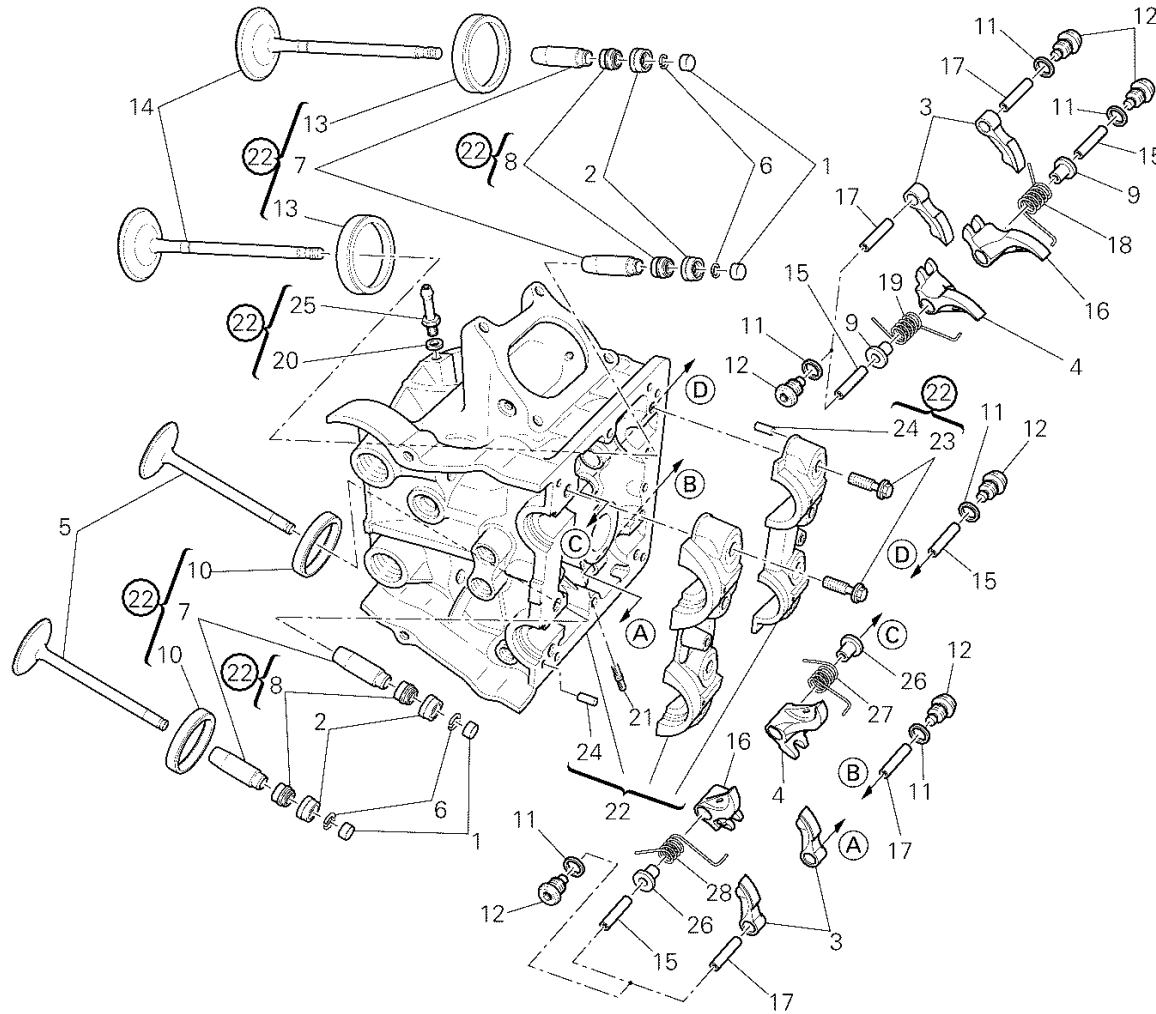
GROUP ENGINE

POS.	CODE	DESCRIPTION	QTY	START DATE	END DATE	VALIDITY	NOTES
	84010181A	ADJUSTER, OPENING ROCKER ARM 2.85 MM	4	24/12/2009		MOD:848 EVO;XST:AUS,BRA,CHN,EUR,FRA,JAF	
	84010191A	ADJUSTER, OPENING ROCKER ARM 2.90 MM	4	24/12/2009		MOD:848 EVO;XST:AUS,BRA,CHN,EUR,FRA,JAF	
	84010201A	ADJUSTER, OPENING ROCKER ARM 2.95 MM	4	24/12/2009		MOD:848 EVO;XST:AUS,BRA,CHN,EUR,FRA,JAF	
	84010211A	ADJUSTER, OPENING ROCKER ARM 3.00 MM	4	24/12/2009		MOD:848 EVO;XST:AUS,BRA,CHN,EUR,FRA,JAF	
	84010221A	ADJUSTER, OPENING ROCKER ARM 3.05 MM	4	24/12/2009		MOD:848 EVO;XST:AUS,BRA,CHN,EUR,FRA,JAF	
	84010231A	ADJUSTER, OPENING ROCKER ARM 3.10 MM	4	24/12/2009		MOD:848 EVO;XST:AUS,BRA,CHN,EUR,FRA,JAF	
	84010241A	ADJUSTER, OPENING ROCKER ARM 3.15 MM	4	24/12/2009		MOD:848 EVO;XST:AUS,BRA,CHN,EUR,FRA,JAF	
	84010251A	ADJUSTER, OPENING ROCKER ARM 3.20 MM	4	24/12/2009		MOD:848 EVO;XST:AUS,BRA,CHN,EUR,FRA,JAF	
	84010261A	ADJUSTER, OPENING ROCKER ARM 3.25 MM	4	24/12/2009		MOD:848 EVO;XST:AUS,BRA,CHN,EUR,FRA,JAF	
	84010271A	ADJUSTER, OPENING ROCKER ARM 3.30 MM	4	24/12/2009		MOD:848 EVO;XST:AUS,BRA,CHN,EUR,FRA,JAF	
	84010281A	ADJUSTER, OPENING ROCKER ARM 3.35 MM	4	24/12/2009		MOD:848 EVO;XST:AUS,BRA,CHN,EUR,FRA,JAF	
	84010291A	ADJUSTER, OPENING ROCKER ARM 3.40 MM	4	24/12/2009		MOD:848 EVO;XST:AUS,BRA,CHN,EUR,FRA,JAF	
	84010301A	ADJUSTER, OPENING ROCKER ARM 3.45 MM	4	24/12/2009		MOD:848 EVO;XST:AUS,BRA,CHN,EUR,FRA,JAF	
	84010311A	ADJUSTER, OPENING ROCKER ARM 1.80 MM	4	24/12/2009		MOD:848 EVO;XST:AUS,BRA,CHN,EUR,FRA,JAF	
	84010321A	ADJUSTER, OPENING ROCKER ARM 1.85 MM	4	24/12/2009		MOD:848 EVO;XST:AUS,BRA,CHN,EUR,FRA,JAF	
	84010331A	ADJUSTER, OPENING ROCKER ARM 1.90 MM	4	24/12/2009		MOD:848 EVO;XST:AUS,BRA,CHN,EUR,FRA,JAF	
	84010341A	ADJUSTER, OPENING ROCKER ARM 1.95 MM	4	24/12/2009		MOD:848 EVO;XST:AUS,BRA,CHN,EUR,FRA,JAF	



DRAWING 015 - HORIZONTAL CYLINDER HEAD [MOD:848 EVO;XST:AUS,BRA,CHN,EUR,FRA,JAP]

GROUP ENGINE



TST00411

DRAWING 015 - HORIZONTAL CYLINDER HEAD [MOD:848 EVO;XST:AUS,BRA,CHN,EUR,FRA,JAP]



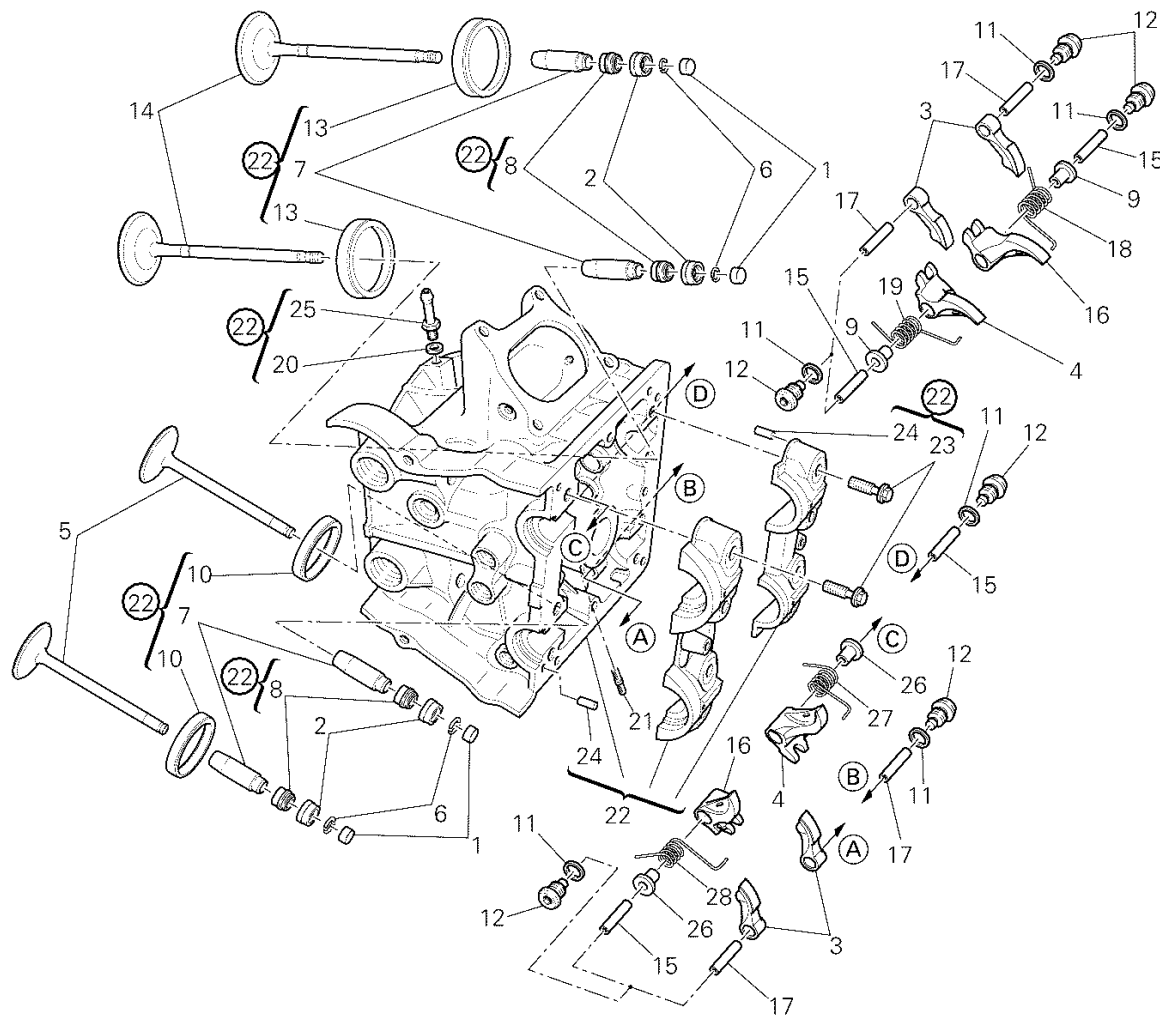
GROUP ENGINE

POS.	CODE	DESCRIPTION	QTY	START DATE	END DATE	VALIDITY	NOTES
2	84010412B	ADJUSTER, CLOSING ROCKER ARM 2.20 MM	4	24/12/2009		MOD:848 EVO;XST:AUS,BRA,CHN,EUR,FRA,JAF	
	84010422B	ADJUSTER, CLOSING ROCKER ARM 2.25 MM	4	24/12/2009		MOD:848 EVO;XST:AUS,BRA,CHN,EUR,FRA,JAF	
	84010432B	ADJUSTER, CLOSING ROCKER ARM 2.30 MM	4	24/12/2009		MOD:848 EVO;XST:AUS,BRA,CHN,EUR,FRA,JAF	
	84010442B	ADJUSTER, CLOSING ROCKER ARM 2.35 MM	4	24/12/2009		MOD:848 EVO;XST:AUS,BRA,CHN,EUR,FRA,JAF	
	84010452B	ADJUSTER, CLOSING ROCKER ARM 2.40 MM	4	24/12/2009		MOD:848 EVO;XST:AUS,BRA,CHN,EUR,FRA,JAF	
	84010462B	ADJUSTER, CLOSING ROCKER ARM 2.45 MM	4	24/12/2009		MOD:848 EVO;XST:AUS,BRA,CHN,EUR,FRA,JAF	
	84010472B	ADJUSTER, CLOSING ROCKER ARM 2.50 MM	4	24/12/2009		MOD:848 EVO;XST:AUS,BRA,CHN,EUR,FRA,JAF	
	84010482B	ADJUSTER, CLOSING ROCKER ARM 2.55 MM	4	24/12/2009		MOD:848 EVO;XST:AUS,BRA,CHN,EUR,FRA,JAF	
	84010492B	ADJUSTER, CLOSING ROCKER ARM 2.60 MM	4	24/12/2009		MOD:848 EVO;XST:AUS,BRA,CHN,EUR,FRA,JAF	
	84010502B	ADJUSTER, CLOSING ROCKER ARM 2.65 MM	4	24/12/2009		MOD:848 EVO;XST:AUS,BRA,CHN,EUR,FRA,JAF	
	84010512B	ADJUSTER, CLOSING ROCKER ARM 2.70 MM	4	24/12/2009		MOD:848 EVO;XST:AUS,BRA,CHN,EUR,FRA,JAF	
	84010522B	ADJUSTER, CLOSING ROCKER ARM 2.75 MM	4	24/12/2009		MOD:848 EVO;XST:AUS,BRA,CHN,EUR,FRA,JAF	
	84010532B	ADJUSTER, CLOSING ROCKER ARM 2.80 MM	4	24/12/2009		MOD:848 EVO;XST:AUS,BRA,CHN,EUR,FRA,JAF	
	84010542B	ADJUSTER, CLOSING ROCKER ARM 2.85 MM	4	24/12/2009		MOD:848 EVO;XST:AUS,BRA,CHN,EUR,FRA,JAF	
	84010552B	ADJUSTER, CLOSING ROCKER ARM 2.90 MM	4	24/12/2009		MOD:848 EVO;XST:AUS,BRA,CHN,EUR,FRA,JAF	
	84010562B	ADJUSTER, CLOSING ROCKER ARM 2.95 MM	4	24/12/2009		MOD:848 EVO;XST:AUS,BRA,CHN,EUR,FRA,JAF	
	84010572B	ADJUSTER, CLOSING ROCKER ARM 3.00 MM	4	24/12/2009		MOD:848 EVO;XST:AUS,BRA,CHN,EUR,FRA,JAF	



DRAWING 015 - HORIZONTAL CYLINDER HEAD [MOD:848 EVO;XST:AUS,BRA,CHN,EUR,FRA,JAP]

GROUP ENGINE



TST00411

DRAWING 015 - HORIZONTAL CYLINDER HEAD [MOD:848 EVO;XST:AUS,BRA,CHN,EUR,FRA,JAP]



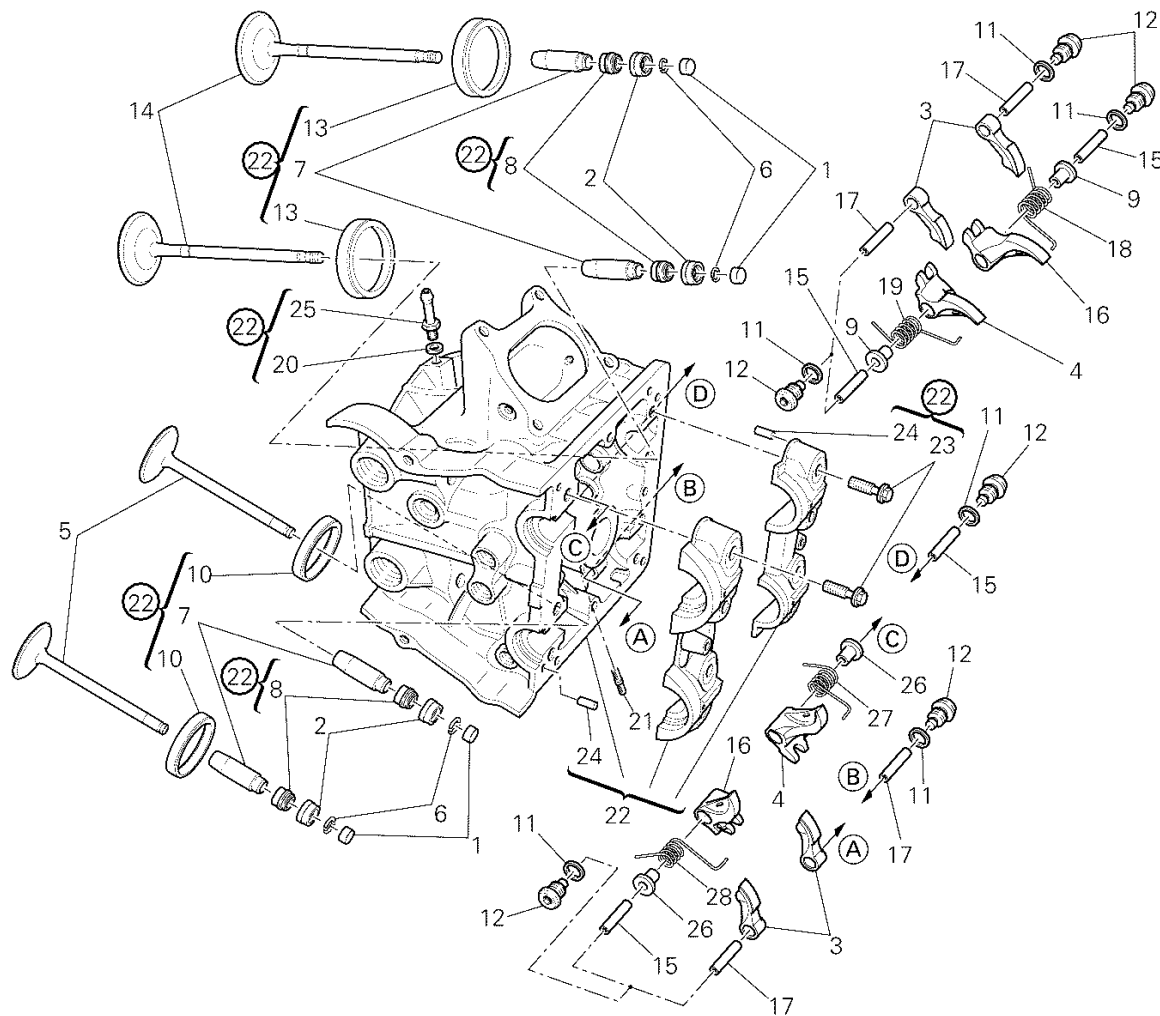
GROUP ENGINE

POS.	CODE	DESCRIPTION	QTY	START DATE	END DATE	VALIDITY	NOTES
	84010582B	ADJUSTER, CLOSING ROCKER ARM 3.05 MM	4	24/12/2009		MOD:848 EVO;XST:AUS,BRA,CHN,EUR,FRA,JAF	
	84010592B	ADJUSTER, CLOSING ROCKER ARM 3.10 MM	4	24/12/2009		MOD:848 EVO;XST:AUS,BRA,CHN,EUR,FRA,JAF	
	84010602B	ADJUSTER, CLOSING ROCKER ARM 3.15 MM	4	24/12/2009		MOD:848 EVO;XST:AUS,BRA,CHN,EUR,FRA,JAF	
	84010612B	ADJUSTER, CLOSING ROCKER ARM 3.20 MM	4	24/12/2009		MOD:848 EVO;XST:AUS,BRA,CHN,EUR,FRA,JAF	
	84010622B	ADJUSTER, CLOSING ROCKER ARM 3.25 MM	4	24/12/2009		MOD:848 EVO;XST:AUS,BRA,CHN,EUR,FRA,JAF	
	84010632B	ADJUSTER, CLOSING ROCKER ARM 3.30 MM	4	24/12/2009		MOD:848 EVO;XST:AUS,BRA,CHN,EUR,FRA,JAF	
	84010642B	ADJUSTER, CLOSING ROCKER ARM 3.35 MM	4	24/12/2009		MOD:848 EVO;XST:AUS,BRA,CHN,EUR,FRA,JAF	
	84010652B	ADJUSTER, CLOSING ROCKER ARM 3.40 MM	4	24/12/2009		MOD:848 EVO;XST:AUS,BRA,CHN,EUR,FRA,JAF	
	84010662B	ADJUSTER, CLOSING ROCKER ARM 3.45 MM	4	24/12/2009		MOD:848 EVO;XST:AUS,BRA,CHN,EUR,FRA,JAF	
	84010672B	ADJUSTER, CLOSING ROCKER ARM 3.50 MM	4	24/12/2009		MOD:848 EVO;XST:AUS,BRA,CHN,EUR,FRA,JAF	
	84010682B	ADJUSTER, CLOSING ROCKER ARM 3.55 MM	4	24/12/2009		MOD:848 EVO;XST:AUS,BRA,CHN,EUR,FRA,JAF	
	84010692B	ADJUSTER, CLOSING ROCKER ARM 3.60 MM	4	24/12/2009		MOD:848 EVO;XST:AUS,BRA,CHN,EUR,FRA,JAF	
	84010702B	ADJUSTER, CLOSING ROCKER ARM 3.65 MM	4	24/12/2009		MOD:848 EVO;XST:AUS,BRA,CHN,EUR,FRA,JAF	
	84010712B	ADJUSTER, CLOSING ROCKER ARM 3.70 MM	4	24/12/2009		MOD:848 EVO;XST:AUS,BRA,CHN,EUR,FRA,JAF	
	84010722B	ADJUSTER, CLOSING ROCKER ARM 3.75 MM	4	24/12/2009		MOD:848 EVO;XST:AUS,BRA,CHN,EUR,FRA,JAF	
	84010732B	ADJUSTER, CLOSING ROCKER ARM 3.80 MM	4	24/12/2009		MOD:848 EVO;XST:AUS,BRA,CHN,EUR,FRA,JAF	
	84010742B	ADJUSTER, CLOSING ROCKER ARM 3.85 MM	4	24/12/2009		MOD:848 EVO;XST:AUS,BRA,CHN,EUR,FRA,JAF	



DRAWING 015 - HORIZONTAL CYLINDER HEAD [MOD:848 EVO;XST:AUS,BRA,CHN,EUR,FRA,JAP]

GROUP ENGINE



TST00411

DRAWING 015 - HORIZONTAL CYLINDER HEAD [MOD:848 EVO;XST:AUS,BRA,CHN,EUR,FRA,JAP]



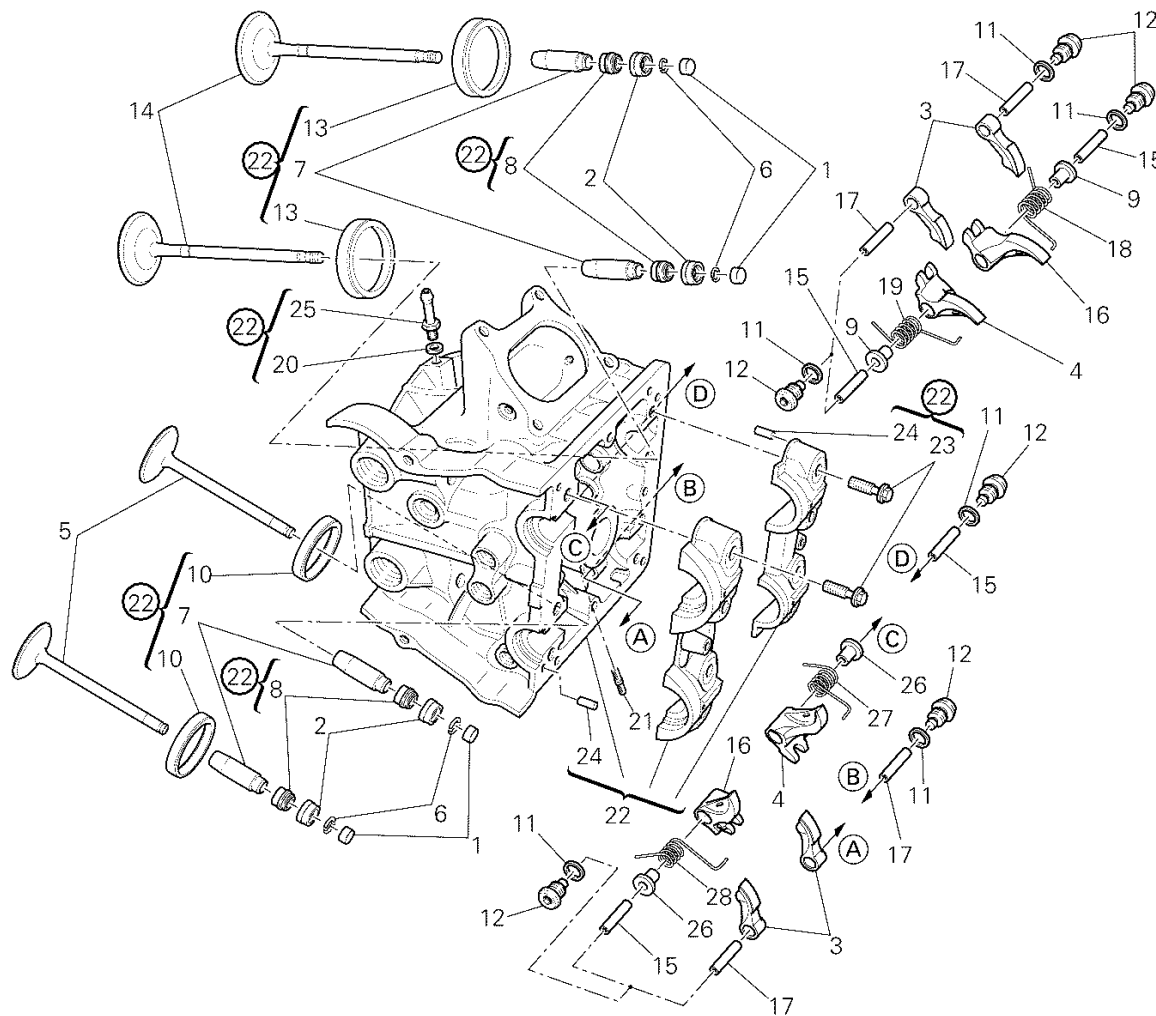
GROUP ENGINE

POS.	CODE	DESCRIPTION	QTY	START DATE	END DATE	VALIDITY	NOTES
	84010752B	ADJUSTER, CLOSING ROCKER ARM 3.90 MM	4	24/12/2009		MOD:848 EVO;XST:AUS,BRA,CHN,EUR,FRA,JAF	
	84010762B	ADJUSTER, CLOSING ROCKER ARM 3.95 MM	4	24/12/2009		MOD:848 EVO;XST:AUS,BRA,CHN,EUR,FRA,JAF	
	84010772B	ADJUSTER, CLOSING ROCKER ARM 4.00 MM	4	24/12/2009		MOD:848 EVO;XST:AUS,BRA,CHN,EUR,FRA,JAF	
	84010782B	ADJUSTER, CLOSING ROCKER ARM 4.05 MM	4	24/12/2009		MOD:848 EVO;XST:AUS,BRA,CHN,EUR,FRA,JAF	
	84010792B	ADJUSTER, CLOSING ROCKER ARM 4.10 MM	4	24/12/2009		MOD:848 EVO;XST:AUS,BRA,CHN,EUR,FRA,JAF	
	84010802B	ADJUSTER, CLOSING ROCKER ARM 4.15 MM	4	24/12/2009		MOD:848 EVO;XST:AUS,BRA,CHN,EUR,FRA,JAF	
	84010812B	ADJUSTER, CLOSING ROCKER ARM 4.20 MM	4	24/12/2009		MOD:848 EVO;XST:AUS,BRA,CHN,EUR,FRA,JAF	
	84010822B	ADJUSTER, CLOSING ROCKER ARM 4.25 MM	4	24/12/2009		MOD:848 EVO;XST:AUS,BRA,CHN,EUR,FRA,JAF	
	84010832B	ADJUSTER, CLOSING ROCKER ARM 4.30 MM	4	24/12/2009		MOD:848 EVO;XST:AUS,BRA,CHN,EUR,FRA,JAF	
	84010842B	ADJUSTER, CLOSING ROCKER ARM 4.35 MM	4	24/12/2009		MOD:848 EVO;XST:AUS,BRA,CHN,EUR,FRA,JAF	
	84010852B	ADJUSTER, CLOSING ROCKER ARM 4.40 MM	4	24/12/2009		MOD:848 EVO;XST:AUS,BRA,CHN,EUR,FRA,JAF	
	84010862B	ADJUSTER, CLOSING ROCKER ARM 4.45 MM	4	24/12/2009		MOD:848 EVO;XST:AUS,BRA,CHN,EUR,FRA,JAF	
	84010872B	ADJUSTER, CLOSING ROCKER ARM 4.50 MM	4	24/12/2009		MOD:848 EVO;XST:AUS,BRA,CHN,EUR,FRA,JAF	
3	20810321A	OPEN. ROCKER ARM	4	22/12/2011		MOD:848 EVO;XST:AUS,BRA,CHN,EUR,FRA,JAF	
4	20910501A	CLOSING ROCKER ARM LEFT	2	09/10/2012		MOD:848 EVO;XST:AUS,BRA,CHN,EUR,FRA,JAF	
5	21110741A	EXHAUST VALVE	2	09/10/2012		MOD:848 EVO;XST:AUS,BRA,CHN,EUR,FRA,JAF	
6	66910011E	C RING	8	09/10/2012		MOD:848 EVO;XST:AUS,BRA,CHN,EUR,FRA,JAF	



DRAWING 015 - HORIZONTAL CYLINDER HEAD [MOD:848 EVO;XST:AUS,BRA,CHN,EUR,FRA,JAP]

GROUP ENGINE



TST00411

DRAWING 015 - HORIZONTAL CYLINDER HEAD [MOD:848 EVO;XST:AUS,BRA,CHN,EUR,FRA,JAP]



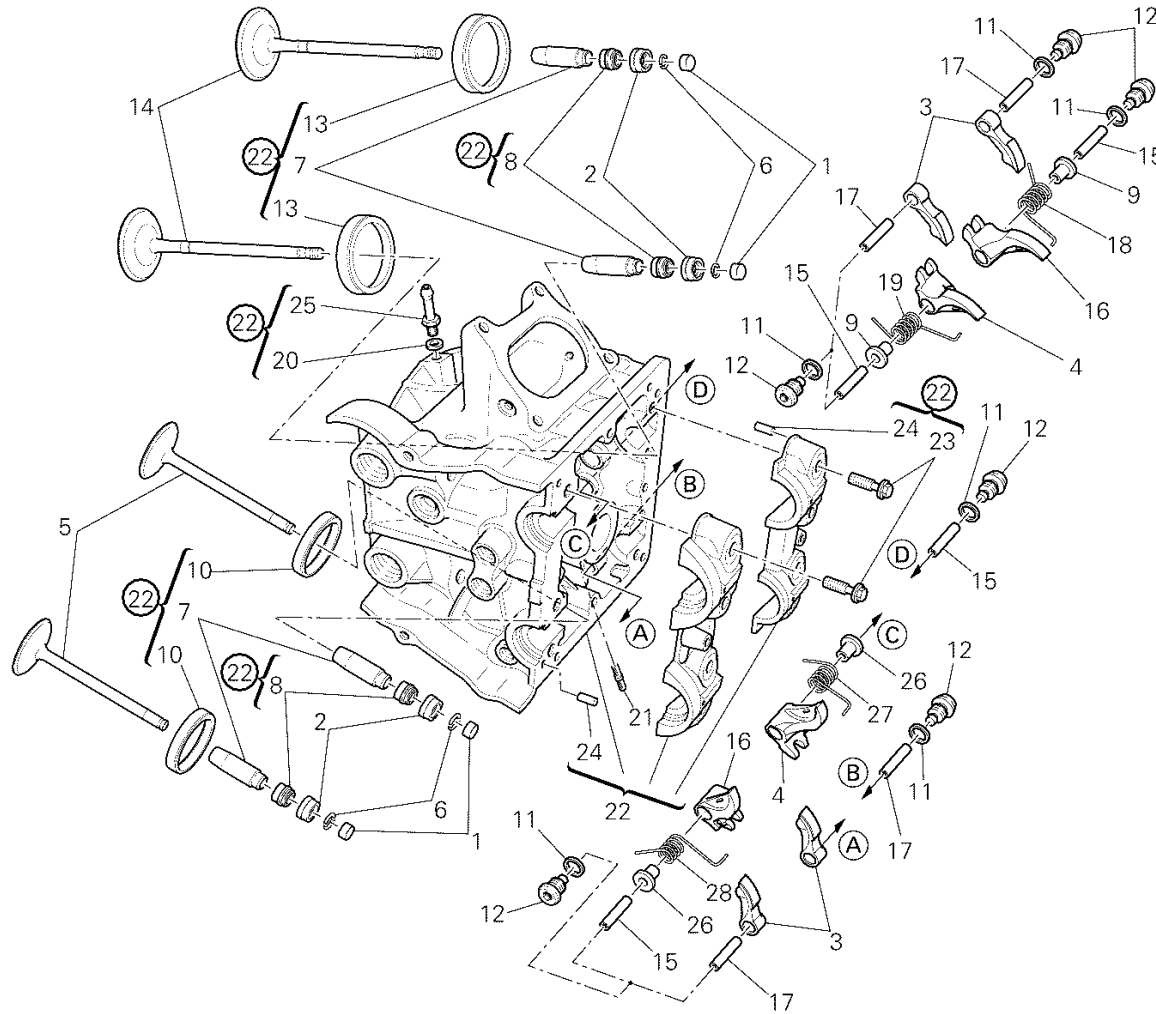
GROUP ENGINE

POS.	CODE	DESCRIPTION	QTY	START DATE	END DATE	VALIDITY	NOTES
7	30310631BB	GUIDE, VALVE OVERSIZED 0.03 MM	4	29/02/2012		MOD:848 EVO;XST:AUS,BRA,CHN,EUR,FRA,JAF	
	30310631BC	GUIDE, VALVE OVERSIZED 0.06 MM	4	29/02/2012		MOD:848 EVO;XST:AUS,BRA,CHN,EUR,FRA,JAF	
	30310631BD	GUIDE, VALVE OVERSIZED 0.09 MM	4	29/02/2012		MOD:848 EVO;XST:AUS,BRA,CHN,EUR,FRA,JAF	
8	76410871A	SEAL VALVE STEM	4	24/12/2009		MOD:848 EVO;XST:AUS,BRA,CHN,EUR,FRA,JAF	
9	71312921A	SPACER	2	24/10/2012		MOD:848 EVO;XST:AUS,BRA,CHN,EUR,FRA,JAF	
10	30410851A	SEAT, EXHAUST VALVE	2	24/12/2009		MOD:848 EVO;XST:AUS,BRA,CHN,EUR,FRA,JAF	
	30410851AB	SEAT, EXHAUST VALVE +0.03	2	29/02/2012		MOD:848 EVO;XST:AUS,BRA,CHN,EUR,FRA,JAF	
	30410851AC	SEAT, EXHAUST VALVE +0.06	2	29/02/2012		MOD:848 EVO;XST:AUS,BRA,CHN,EUR,FRA,JAF	
11	85250261B	GASKET, ALUMINIUM 12X16X1.5	8	09/10/2012		MOD:848 EVO;XST:AUS,BRA,CHN,EUR,FRA,JAF	
12	78010511E	PLUG	8	09/10/2012		MOD:848 EVO;XST:AUS,BRA,CHN,EUR,FRA,JAF	
13	30410841A	SEAT, INTAKE VALVE	2	24/12/2009		MOD:848 EVO;XST:AUS,BRA,CHN,EUR,FRA,JAF	
	30410841AB	SEAT, INLET VALVE +0.03 MM	2	29/02/2012		MOD:848 EVO;XST:AUS,BRA,CHN,EUR,FRA,JAF	
	30410841AC	SEAT, INTAKE VALVE +0.06	2	29/02/2012		MOD:848 EVO;XST:AUS,BRA,CHN,EUR,FRA,JAF	
14	21010741E	INTAKE VALVE	2	24/10/2012		MOD:848 EVO;XST:AUS,BRA,CHN,EUR,FRA,JAF	
15	82112231B	AXLE, ROCKER ARM CLOSING	4	22/12/2011		MOD:848 EVO;XST:AUS,BRA,CHN,EUR,FRA,JAF	
16	20910491A	CLOSING ROCKER ARM RIGHT	2	24/10/2012		MOD:848 EVO;XST:AUS,BRA,CHN,EUR,FRA,JAF	
17	82112221B	AXLE, ROCKER ARM OPENING	4	24/10/2012		MOD:848 EVO;XST:AUS,BRA,CHN,EUR,FRA,JAF	



DRAWING 015 - HORIZONTAL CYLINDER HEAD [MOD:848 EVO;XST:AUS,BRA,CHN,EUR,FRA,JAP]

GROUP ENGINE



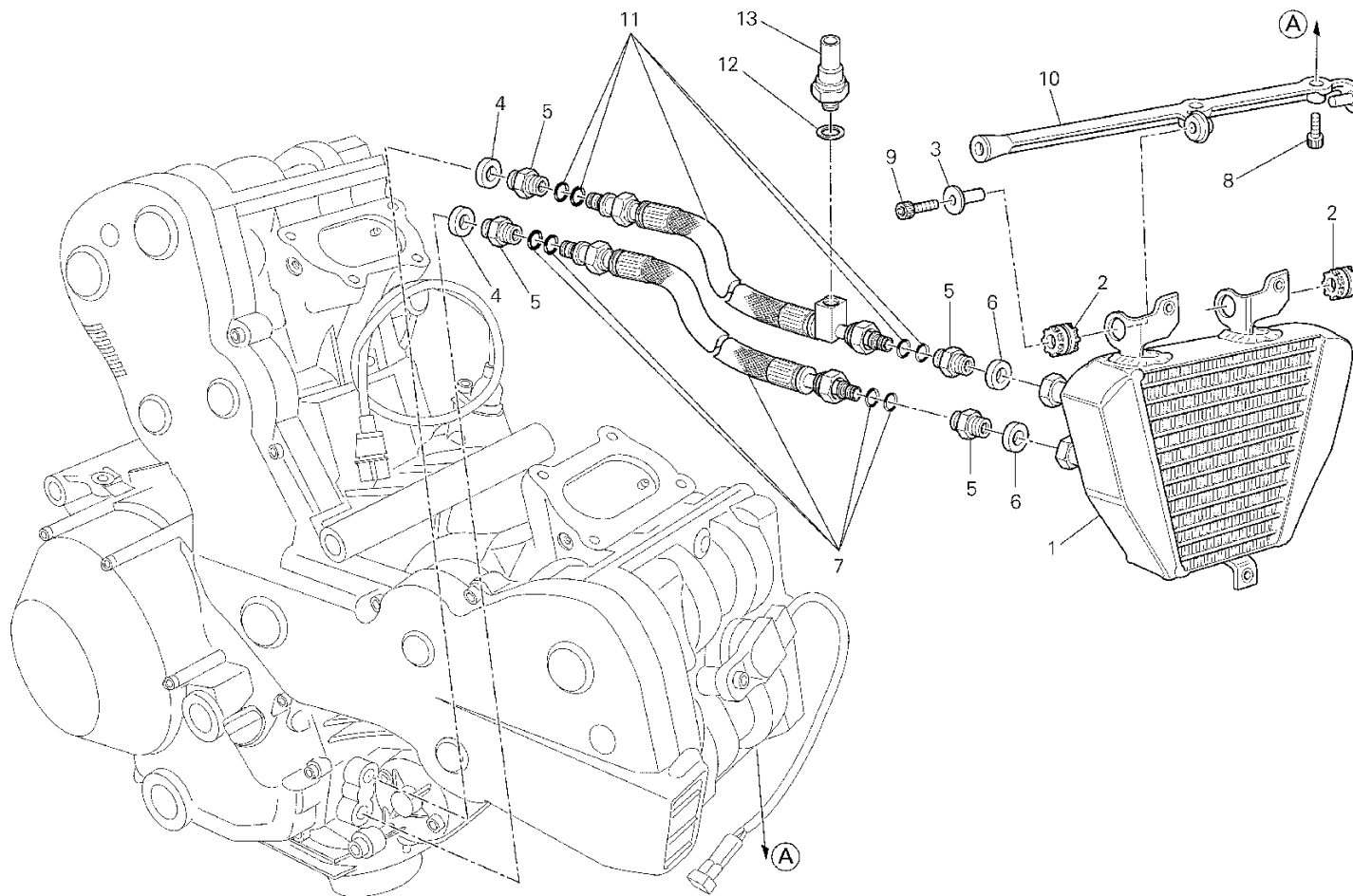
TST00411

DRAWING 015 - HORIZONTAL CYLINDER HEAD [MOD:848 EVO;XST:AUS,BRA,CHN,EUR,FRA,JAP]



GROUP ENGINE

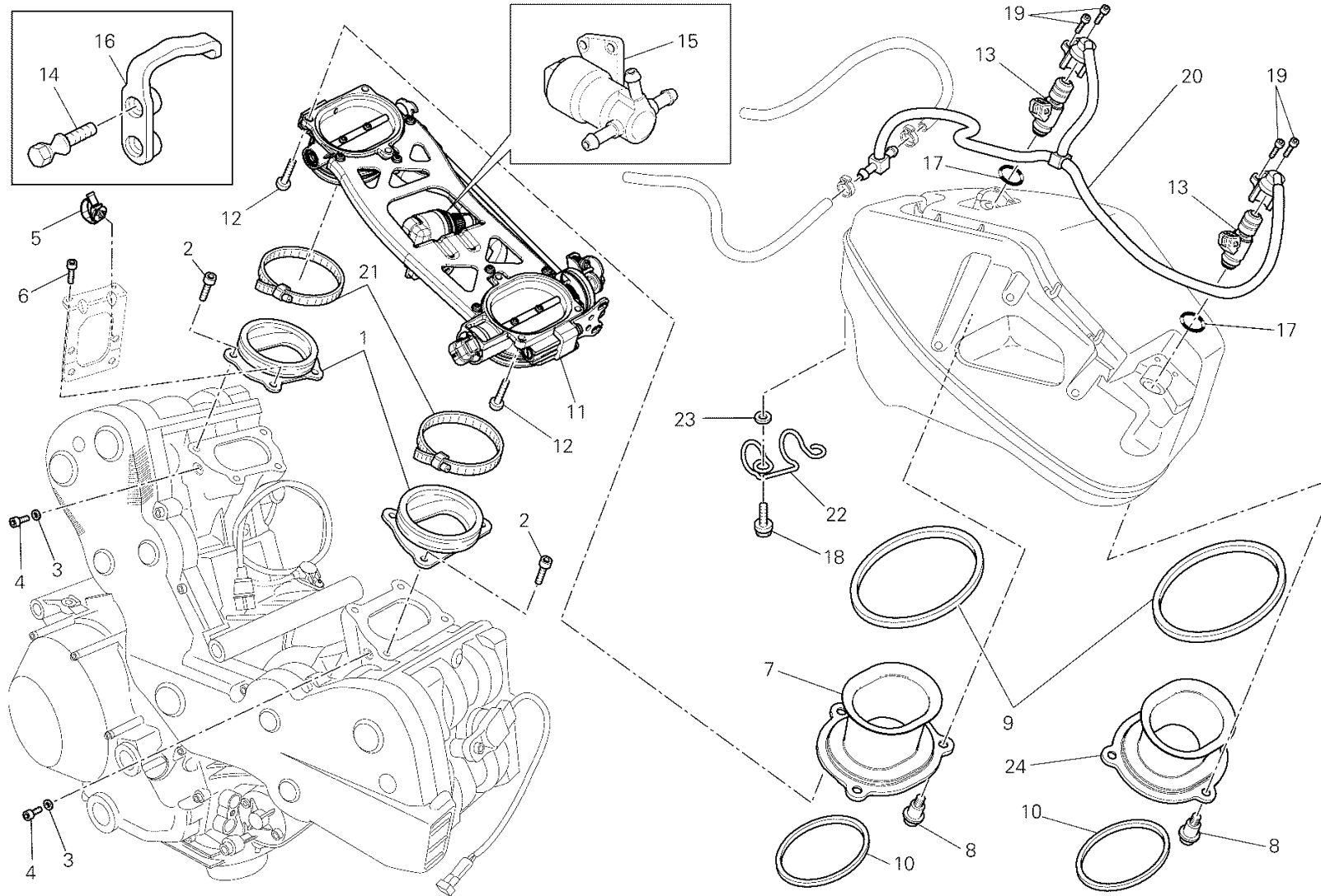
POS.	CODE	DESCRIPTION	QTY	START DATE	END DATE	VALIDITY	NOTES
18	79914861A	VALVE RETURN SPRING RH.	1	09/10/2012		MOD:848 EVO;XST:AUS,BRA,CHN,EUR,FRA,JAF	
19	79914851A	VALVE RETURN SPRING LH.	1	22/12/2011		MOD:848 EVO;XST:AUS,BRA,CHN,EUR,FRA,JAF	
20	85250231A	GASKET	1	01/06/2010		MOD:848 EVO;XST:AUS,BRA,CHN,EUR,FRA,JAF	
21	76640191A	STUD BOLT M6X16	3	22/12/2011		MOD:848 EVO;XST:AUS,BRA,CHN,EUR,FRA,JAF	
22	30122782A	COMPLETE HORIZONTAL HEAD	1	22/12/2011		MOD:848 EVO;XST:AUS,BRA,CHN,EUR,FRA,JAF	
23	77914211A	SCREW TEF M8X32	8	24/12/2009		MOD:848 EVO;XST:AUS,BRA,CHN,EUR,FRA,JAF	
24	86050061A	PIN M5X10	4	24/12/2009		MOD:848 EVO;XST:AUS,BRA,CHN,EUR,FRA,JAF	
25	81411881A	NIPPLE, HOSE	1	24/12/2009		MOD:848 EVO;XST:AUS,BRA,CHN,EUR,FRA,JAF	
26	71312921B	SPACER	2	22/12/2011		MOD:848 EVO;XST:AUS,BRA,CHN,EUR,FRA,JAF	
27	79915181B	LEFT VALVE RETURN SPRING	1	09/10/2012		MOD:848 EVO;XST:AUS,BRA,CHN,EUR,FRA,JAF	
28	79915191B	RIGHT VALVE RETURN SPRING	1	09/10/2012		MOD:848 EVO;XST:AUS,BRA,CHN,EUR,FRA,JAF	



RAF00375



POS.	CODE	DESCRIPTION	QTY	START DATE	END DATE	VALIDITY	NOTES
1	54840821A	OIL COOLER	1	01/01/2001		MOD:848 EVO;XST:AUS,BRA,CHN,EUR,FRA,JAF	
2	76410241A	VIBRATION DAMPER PAD	2	01/01/2001		MOD:848 EVO;XST:AUS,BRA,CHN,EUR,FRA,JAF	
3	71614091A	SPACER	1	01/01/2001		MOD:848 EVO;XST:AUS,BRA,CHN,EUR,FRA,JAF	
4	78710111A	GASKET, ALUMINIUM 14X22X2	2	20/12/2011		MOD:848 EVO;XST:AUS,BRA,CHN,EUR,FRA,JAF	
5	81510221A	NIPPLE, HOSEM14X1.5	4	20/12/2011		MOD:848 EVO;XST:AUS,BRA,CHN,EUR,FRA,JAF	
6	42020064A	ALUMINIUM GASKET	2	01/01/2001		MOD:848 EVO;XST:AUS,BRA,CHN,EUR,FRA,JAF	
7	54910301A	OIL DELIVERY PIPE	1	01/01/2001		MOD:848 EVO;XST:AUS,BRA,CHN,EUR,FRA,JAF	
8	77150648B	SCREW TCEI M6X14	2	29/03/2012		MOD:848 EVO;XST:AUS,BRA,CHN,EUR,FRA,JAF	
9	77110518B	SCREW TCEI M6X25	1	29/02/2012		MOD:848 EVO;XST:AUS,BRA,CHN,EUR,FRA,JAF	
10	83014091A	STAY, OIL COOLER	1	24/12/2009		MOD:848 EVO;XST:AUS,BRA,CHN,EUR,FRA,JAF	
11	54910991A	OIL DELIVERY PIPE	1	24/12/2009		MOD:848 EVO;XST:AUS,BRA,CHN,EUR,FRA,JAF	
12	85211951A	GASKET 10.5X17X2	1	01/01/2001		MOD:848 EVO;XST:AUS,BRA,CHN,EUR,FRA,JAF	
13	53940302A	SWITCH ASSY, OIL PRESSURE	1	01/01/2001		MOD:848 EVO;XST:AUS,BRA,CHN,EUR,FRA,JAF	



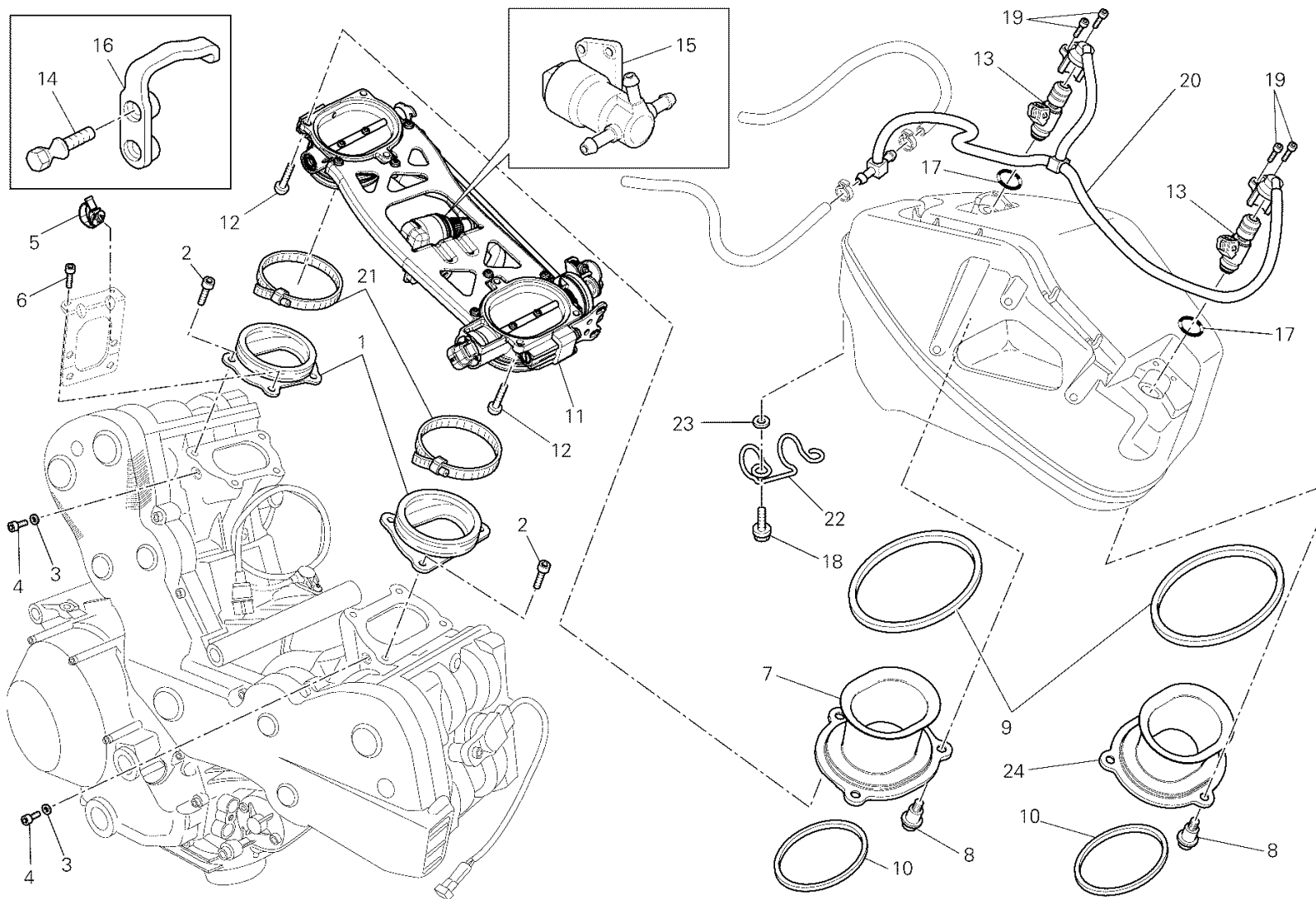
IMP00670

DRAWING 017 - THROTTLE BODY [MOD:848 EVO;XST:AUS,BRA,EUR,FRA,JAP]

GROUP ENGINE



POS.	CODE	DESCRIPTION	QTY	START DATE	END DATE	VALIDITY	NOTES
1	14010481B	INTAKE MANIFOLD	2	22/12/2011		MOD:848 EVO;XST:AUS,BRA,EUR,FRA,JAP	
2	77150658B	SCREW TCEI M6X16	6	09/10/2012		MOD:848 EVO;XST:AUS,BRA,EUR,FRA,JAP	
3	85250231A	GASKET	2	29/02/2012		MOD:848 EVO;XST:AUS,BRA,EUR,FRA,JAP	
4	77350618B	SCREW TCEIR M6X8	2	29/02/2012		MOD:848 EVO;XST:AUS,BRA,EUR,FRA,JAP	
5	75840171A	CLAMP	2	01/01/2001		MOD:848 EVO;XST:AUS,BRA,EUR,FRA,JAP	
6	77112331A	SCREW TCEI M6X16	2	29/03/2012		MOD:848 EVO;XST:AUS,BRA,EUR,FRA,JAP	
7	13510232A	DUCT, AIR INLET	1	01/01/2001		MOD:848 EVO;XST:AUS,BRA,EUR,FRA,JAP	
8	77210852A	SCREW TCEI M5X9	6	01/01/2001		MOD:848 EVO;XST:AUS,BRA,EUR,FRA,JAP	
9	78810962A	GASKET AIR FUNNEL	2	01/01/2001		MOD:848 EVO;XST:AUS,BRA,EUR,FRA,JAP	
10	78810972A	GASKET	2	01/01/2001		MOD:848 EVO;XST:AUS,BRA,EUR,FRA,JAP	
11	28240881A	COMPLETE THROTTLE BODY	1	01/01/2001		MOD:848 EVO;XST:AUS,BRA,EUR,FRA,JAP	
12	77510171C	SCREW TBEI M5X16	6	01/01/2001		MOD:848 EVO;XST:AUS,BRA,EUR,FRA,JAP	
13	28040161A	INJECTOR	2	24/12/2009		MOD:848 EVO;XST:AUS,BRA,EUR,FRA,JAP	
14	77915301A	SCREW, SPECIAL	2	01/01/2001		MOD:848 EVO;XST:FRA	F
15	28340171A	STEPPER MOTOR	1			MOD:848 EVO;XST:AUS,BRA,EUR,FRA,JAP	
16	82714811A	PLATE	1	01/01/2001		MOD:848 EVO;XST:FRA	F
17	88640891A	O-RING 18.64X3.53	2	01/01/2001		MOD:848 EVO;XST:AUS,BRA,EUR,FRA,JAP	
18	77211101A	SCREW TEF M5X10	2	01/01/2001		MOD:848 EVO;XST:AUS,BRA,EUR,FRA,JAP	



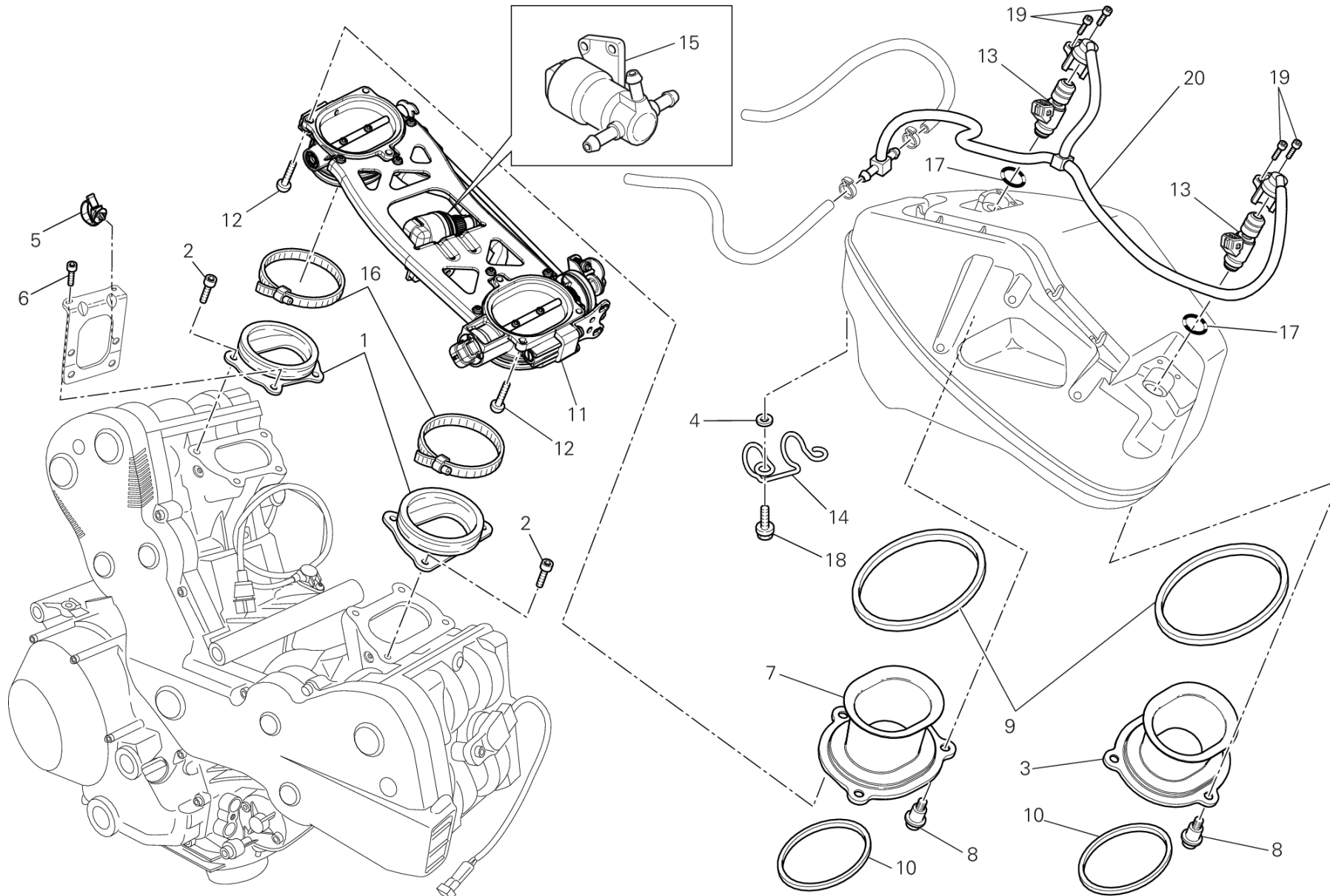
IMP00670

DRAWING 017 - THROTTLE BODY [MOD:848 EVO;XST:AUS,BRA,EUR,FRA,JAP]

GROUP ENGINE



POS.	CODE	DESCRIPTION	QTY	START DATE	END DATE	VALIDITY	NOTES
19	77310051A	SCREW TCEIR M4X10	4	01/01/2001		MOD:848 EVO;XST:AUS,BRA,EUR,FRA,JAP	
20	59020254A	COMPLETE PIPE SET	1	05/02/2010		MOD:848 EVO;XST:AUS,BRA,EUR,FRA,JAP	
21	74141891A	CLAMP 65-85 MM	2	18/11/2010		MOD:848 EVO;XST:AUS,BRA,EUR,FRA,JAP	
22	75810392A	HOSE GUIDE	1	01/01/2001		MOD:848 EVO;XST:AUS,BRA,EUR,FRA,JAP	
23	85240131A	WASHER 5.3X15X1	2	01/01/2001		MOD:848 EVO;XST:AUS,BRA,EUR,FRA,JAP	
24	13510281A	DUCT, AIR INLET	1	01/01/2001		MOD:848 EVO;XST:AUS,BRA,EUR,FRA,JAP	



DRAWING 017 - THROTTLE BODY [MOD:848 EVO;XST:CHN]

GROUP ENGINE

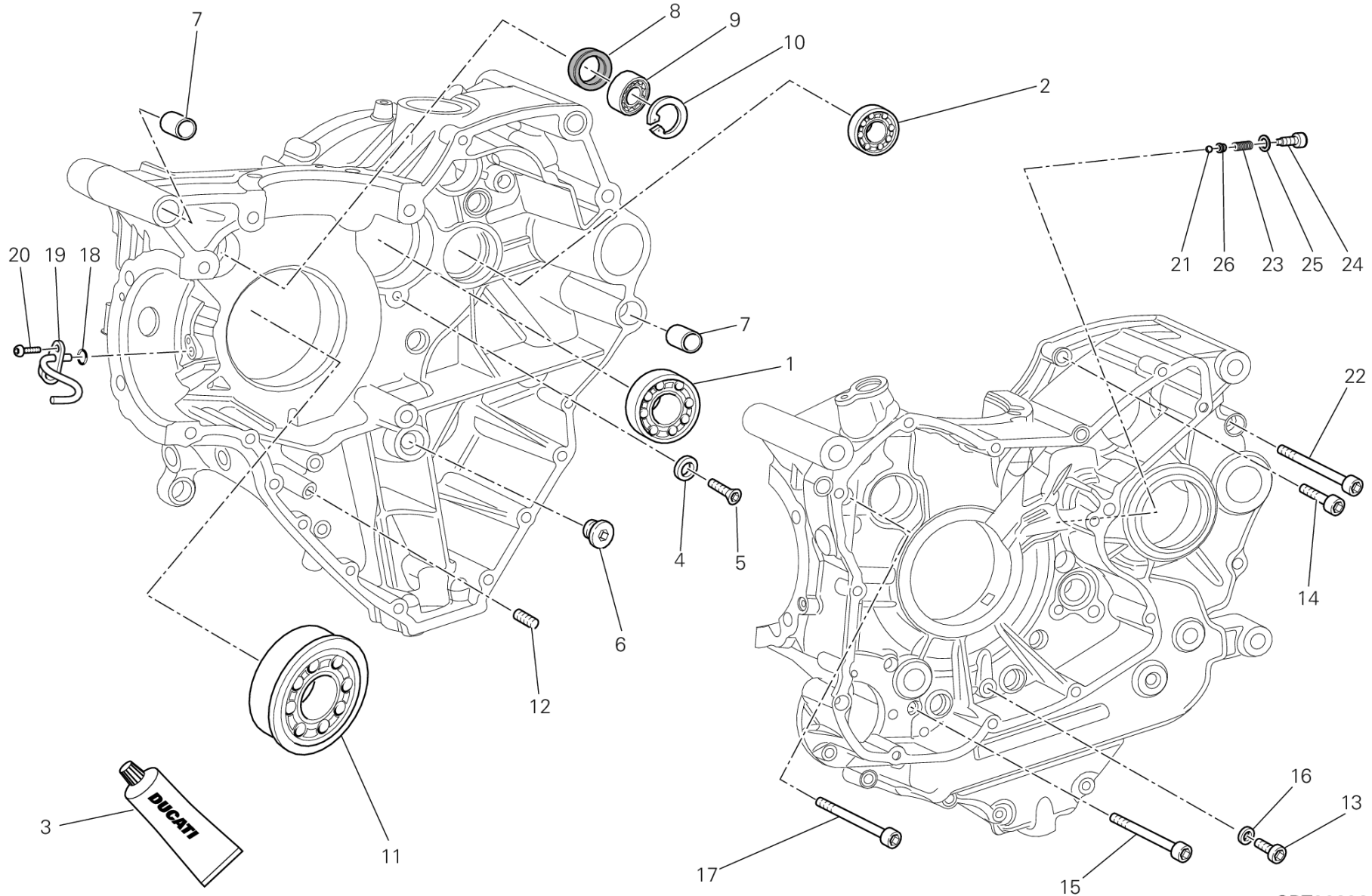


POS.	CODE	DESCRIPTION	QTY	START DATE	END DATE	VALIDITY	NOTES
1	14010481B	INTAKE MANIFOLD	2	22/12/2011		MOD:848 EVO;XST:CHN	
2	77150658B	SCREW TCEI M6X16	6	22/12/2011		MOD:848 EVO;XST:CHN	
3	13510281A	DUCT, AIR INLET	1	01/01/2001		MOD:848 EVO;XST:CHN	
4	85240131A	WASHER 5.3X15X1	2	01/01/2001		MOD:848 EVO;XST:CHN	
5	75840171A	CLAMP	2	01/01/2001		MOD:848 EVO;XST:CHN	
6	77112331A	SCREW TCEI M6X16	2	29/03/2012		MOD:848 EVO;XST:CHN	
7	13510232A	DUCT, AIR INLET	1	01/01/2001		MOD:848 EVO;XST:CHN	
8	77210852A	SCREW TCEI M5X9	6	01/01/2001		MOD:848 EVO;XST:CHN	
9	78810962A	GASKET AIR FUNNEL	2	01/01/2001		MOD:848 EVO;XST:CHN	
10	78810972A	GASKET	2	01/01/2001		MOD:848 EVO;XST:CHN	
11	28240881A	COMPLETE THROTTLE BODY	1	01/01/2001		MOD:848 EVO;XST:CHN	
12	77510171C	SCREW TBEI M5X16	6	01/01/2001		MOD:848 EVO;XST:CHN	
13	28040161A	INJECTOR	2	24/12/2009		MOD:848 EVO;XST:CHN	
14	75810392A	HOSE GUIDE	1	01/01/2001		MOD:848 EVO;XST:CHN	
15	28340171A	STEPPER MOTOR	1			MOD:848 EVO;XST:CHN	
16	74141891A	CLAMP 65-85 MM	2	18/11/2010		MOD:848 EVO;XST:CHN	
17	88640891A	O-RING 18.64X3.53	2	01/01/2001		MOD:848 EVO;XST:CHN	
18	77211101A	SCREW TEF M5X10	2	01/01/2001		MOD:848 EVO;XST:CHN	
19	77310051A	SCREW TCEIR M4X10	4	01/01/2001		MOD:848 EVO;XST:CHN	
20	59020254A	COMPLETE PIPE SET	1	29/03/2012		MOD:848 EVO;XST:CHN	



DRAWING 10A - CRANKCASE BEARINGS [MOD:848 EVO;XST:AUS,BRA,CHN,EUR,FRA,JAP]

GROUP ENGINE



CRT00606

DRAWING 10A - CRANKCASE BEARINGS [MOD:848 EVO;XST:AUS,BRA,CHN,EUR,FRA,JAP]



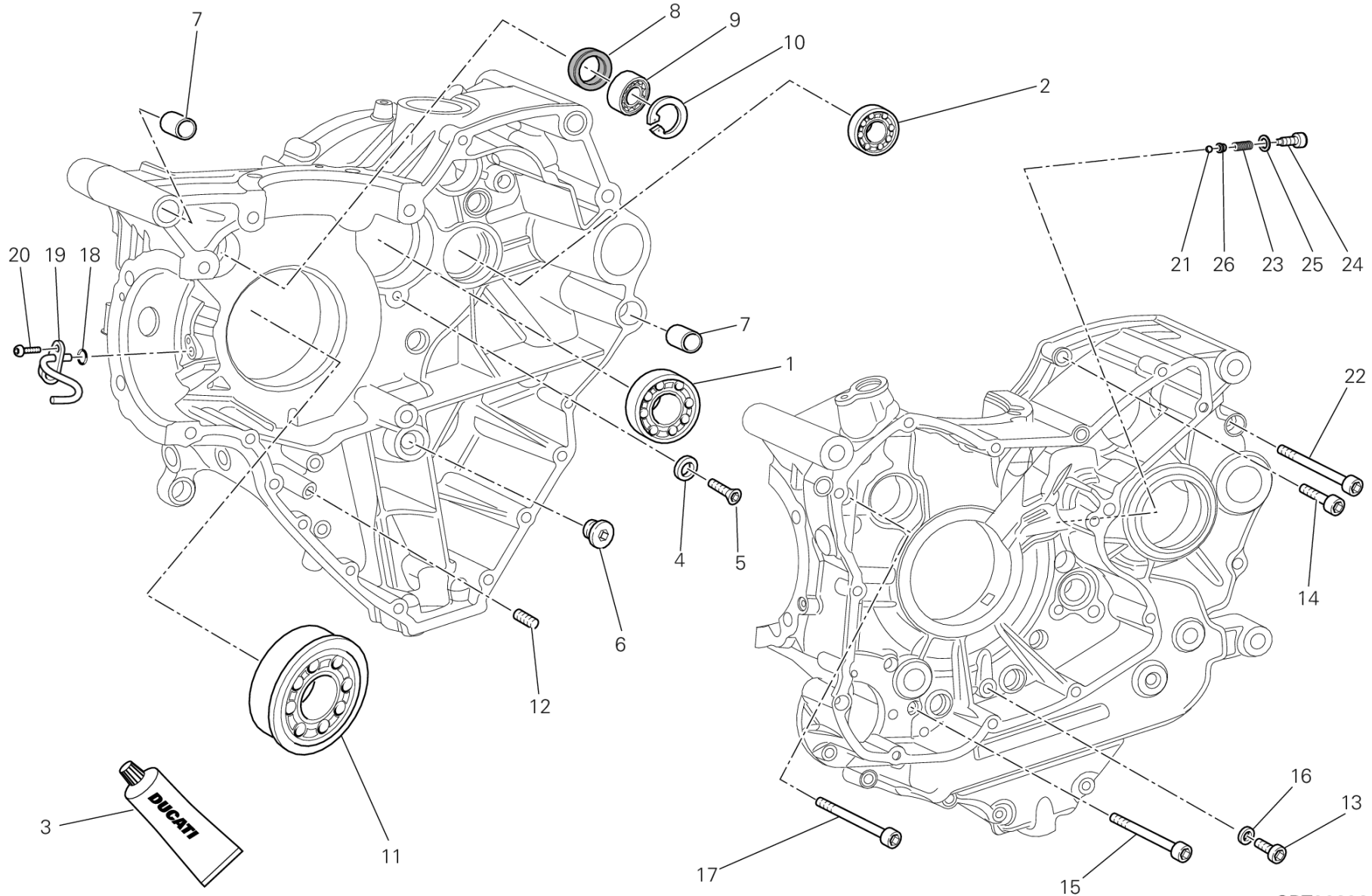
GROUP ENGINE

POS.	CODE	DESCRIPTION	QTY	START DATE	END DATE	VALIDITY	NOTES
1	70250191A	BEARING 25X62X17	1	20/12/2011		MOD:848 EVO;XST:AUS,BRA,CHN,EUR,FRA,JAF	
2	70240331A	BEARING 17X40X12	1	20/12/2011		MOD:848 EVO;XST:AUS,BRA,CHN,EUR,FRA,JAF	
3	942470014	LIQUID GASKET	1	29/02/2012		MOD:848 EVO;XST:AUS,BRA,CHN,EUR,FRA,JAF	
4	85611481A	WASHER	2	20/12/2011		MOD:848 EVO;XST:AUS,BRA,CHN,EUR,FRA,JAF	
5	720941616	SCREW TSPEI M6X12	2	20/12/2011		MOD:848 EVO;XST:AUS,BRA,CHN,EUR,FRA,JAF	
6	78010721A	PLUG BY-PASS M16X1.5	1	20/12/2011		MOD:848 EVO;XST:AUS,BRA,CHN,EUR,FRA,JAF	
7	71110951A	PIN DOWEL	2	20/12/2011		MOD:848 EVO;XST:AUS,BRA,CHN,EUR,FRA,JAF	
8	93041231A	SEAL, OIL 18X30X6	1	07/03/2012		MOD:848 EVO;XST:AUS,BRA,CHN,EUR,FRA,JAF	
9	757941542	BEARING	1	20/12/2011		MOD:848 EVO;XST:AUS,BRA,CHN,EUR,FRA,JAF	
10	735033380	CIRCLIP	1	20/12/2011		MOD:848 EVO;XST:AUS,BRA,CHN,EUR,FRA,JAF	
11	70240931A	BEARING 35X85X23	1	20/12/2011		MOD:848 EVO;XST:AUS,BRA,CHN,EUR,FRA,JAF	
12	77950621A	THREADED DOWEL M10X1	1	20/12/2011		MOD:848 EVO;XST:AUS,BRA,CHN,EUR,FRA,JAF	
13	77350618B	SCREW TCEIR M6X8	1	20/12/2011		MOD:848 EVO;XST:AUS,BRA,CHN,EUR,FRA,JAF	
14	77150728B	SCREW TCEI M6X35	8	29/02/2012		MOD:848 EVO;XST:AUS,BRA,CHN,EUR,FRA,JAF	
15	77150808B	SCREW TCEI M6X75	2	29/02/2012		MOD:848 EVO;XST:AUS,BRA,CHN,EUR,FRA,JAF	
16	85250231A	GASKET	1	20/12/2011		MOD:848 EVO;XST:AUS,BRA,CHN,EUR,FRA,JAF	
17	77151398B	SCREW TCEI M8X90	2	29/02/2012		MOD:848 EVO;XST:AUS,BRA,CHN,EUR,FRA,JAF	



DRAWING 10A - CRANKCASE BEARINGS [MOD:848 EVO;XST:AUS,BRA,CHN,EUR,FRA,JAP]

GROUP ENGINE



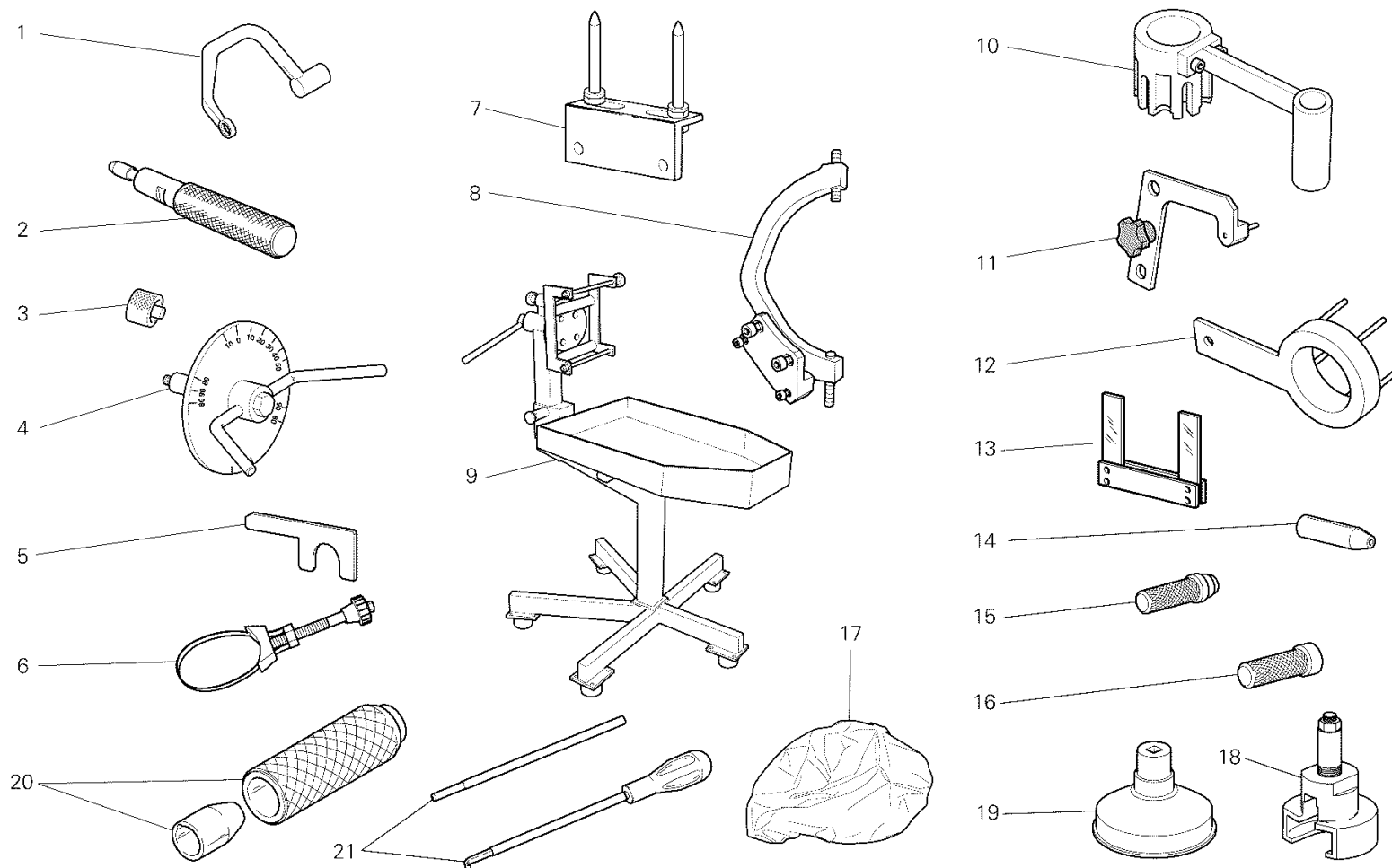
CRT00606

DRAWING 10A - CRANKCASE BEARINGS [MOD:848 EVO;XST:AUS,BRA,CHN,EUR,FRA,JAP]



GROUP ENGINE

POS.	CODE	DESCRIPTION	QTY	START DATE	END DATE	VALIDITY	NOTES
18	88650131A	O-RING 3.68X1.78	1	20/12/2011		MOD:848 EVO;XST:AUS,BRA,CHN,EUR,FRA,JAF	
19	87511461B	JET	1	01/04/2012		MOD:848 EVO;XST:AUS,BRA,CHN,EUR,FRA,JAF	
20	77510311B	SCREW TBEI M5X10	1	20/12/2011		MOD:848 EVO;XST:AUS,BRA,CHN,EUR,FRA,JAF	
21	84740061A	BALL	1	20/12/2011		MOD:848 EVO;XST:AUS,BRA,CHN,EUR,FRA,JAF	
22	77151368B	SCREW TCEI M8X75	3	29/02/2012		MOD:848 EVO;XST:AUS,BRA,CHN,EUR,FRA,JAF	
23	79940121A	SPRING	1	20/12/2011		MOD:848 EVO;XST:AUS,BRA,CHN,EUR,FRA,JAF	
24	77916501AD	SCREW, SPECIAL	1	20/12/2011		MOD:848 EVO;XST:AUS,BRA,CHN,EUR,FRA,JAF	
25	85212461A	WASHER, BRASS 6X13X2 MM	1	20/12/2011		MOD:848 EVO;XST:AUS,BRA,CHN,EUR,FRA,JAF	
26	83110151A	PLATE	1	20/12/2011		MOD:848 EVO;XST:AUS,BRA,CHN,EUR,FRA,JAF	



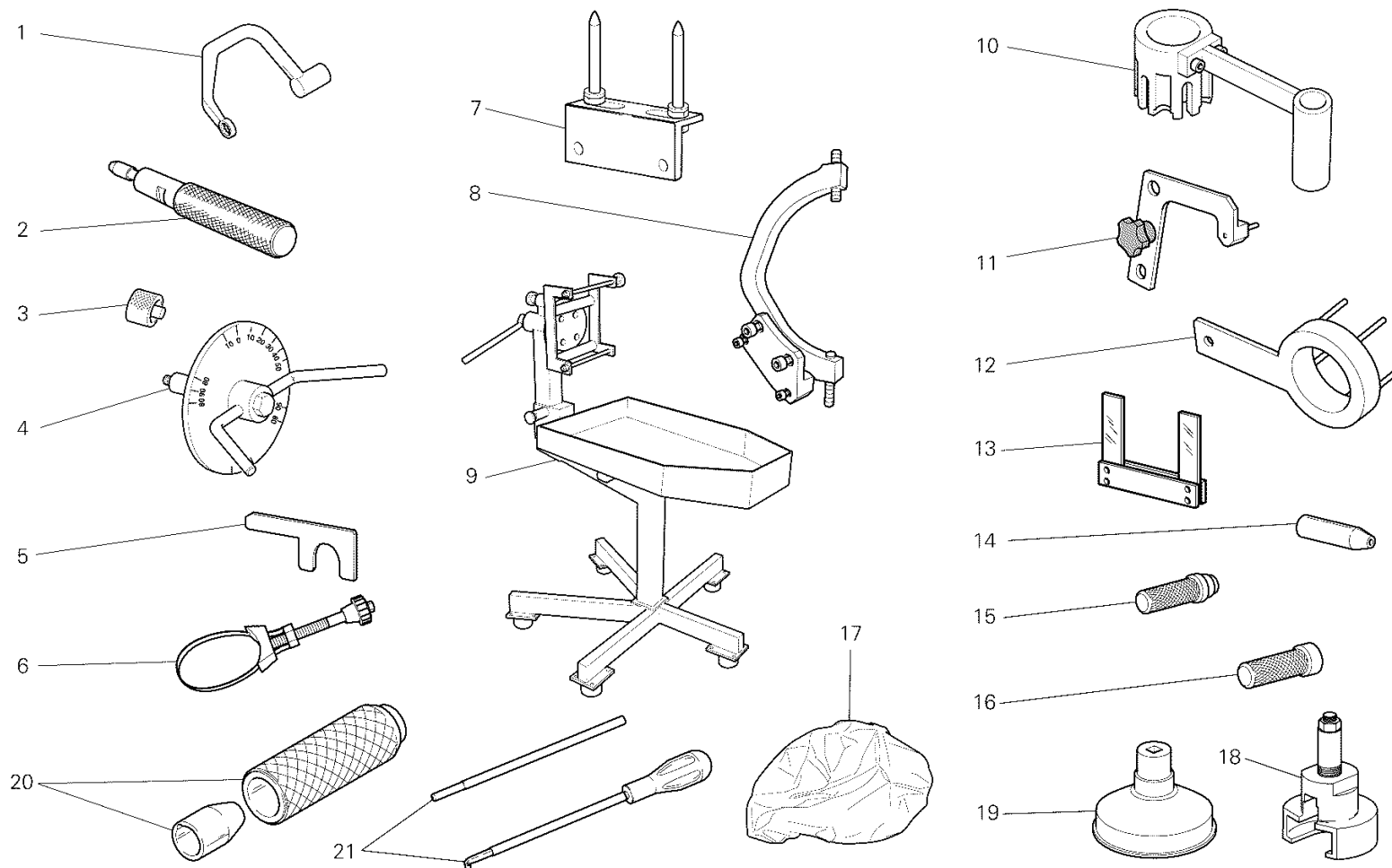
ATR00265

DRAWING 001 - WORKSHOP SERVICE TOOLS [MOD:848 EVO;XST:AUS,BRA,CHN,EUR,FRA,JAP]



GROUP TOOLS

POS.	CODE	DESCRIPTION	QTY	START DATE	END DATE	VALIDITY	NOTES
1	887132676	HEAD NUTS HOLDER WRENCH (M10)	1			MOD:848 EVO;XST:AUS,BRA,CHN,EUR,FRA,JAF	
2	887132442	TOOL, OIL SEAL MOUNTING (Ø7)	1			MOD:848 EVO;XST:AUS,BRA,CHN,EUR,FRA,JAF	
3	887651298	SPACER FOR CHECKING LOWER VALVE SHIM	1			MOD:848 EVO;XST:AUS,BRA,CHN,EUR,FRA,JAF	
4	887651657	DEGREE WHEEL HOLDER TOOL	1			MOD:848 EVO;XST:AUS,BRA,CHN,EUR,FRA,JAF	
5	887132878	SPACER AND FORK FEELER GAUGE 0.2/0.3 MM	1			MOD:848 EVO;XST:AUS,BRA,CHN,EUR,FRA,JAF	
6	887132906	WRENCH, OIL FILTER CARTRIDGE	1			MOD:848 EVO;XST:AUS,BRA,CHN,EUR,FRA,JAF	
7	887132103	HEAD MOUNTING BASE	1			MOD:848 EVO;XST:AUS,BRA,CHN,EUR,FRA,JAF	
8	887133367	FLYWHEEL WRENCH	1			MOD:848 EVO;XST:AUS,BRA,CHN,EUR,FRA,JAF	
9	887131832	BENCH FOR ENGINE REPAIR	1			MOD:848 EVO;XST:AUS,BRA,CHN,EUR,FRA,JAF	
10	887132651	REACTION TOOL FOR WET CLUTCH	1			MOD:848 EVO;XST:AUS,BRA,CHN,EUR,FRA,JAF	
11	887133334	PLATE POSITIONING GEAR ENGAGEMENT FORK	1			MOD:848 EVO;XST:AUS,BRA,CHN,EUR,FRA,JAF	
12	887133417	TORQUE WRENCH	1			MOD:848 EVO;XST:AUS,BRA,CHN,EUR,FRA,JAF	
13	887651000	FORK FEELER GAUGE 0.1 MM	1			MOD:848 EVO;XST:AUS,BRA,CHN,EUR,FRA,JAF	
	887651005	FORK FEELER GAUGE 0.2 MM	1			MOD:848 EVO;XST:AUS,BRA,CHN,EUR,FRA,JAF	
	887651006	FORK FEELER GAUGE 0.3 MM	1			MOD:848 EVO;XST:AUS,BRA,CHN,EUR,FRA,JAF	
14	887133520	CRANKCASES ASSEMBLING CAP	1			MOD:848 EVO;XST:AUS,BRA,CHN,EUR,FRA,JAF	
15	887130869	TOOL, WATER PUMP FRONT SEAL ASSEMBLING	1			MOD:848 EVO;XST:AUS,BRA,CHN,EUR,FRA,JAF	



ATR00265

DRAWING 001 - WORKSHOP SERVICE TOOLS [MOD:848 EVO;XST:AUS,BRA,CHN,EUR,FRA,JAP]



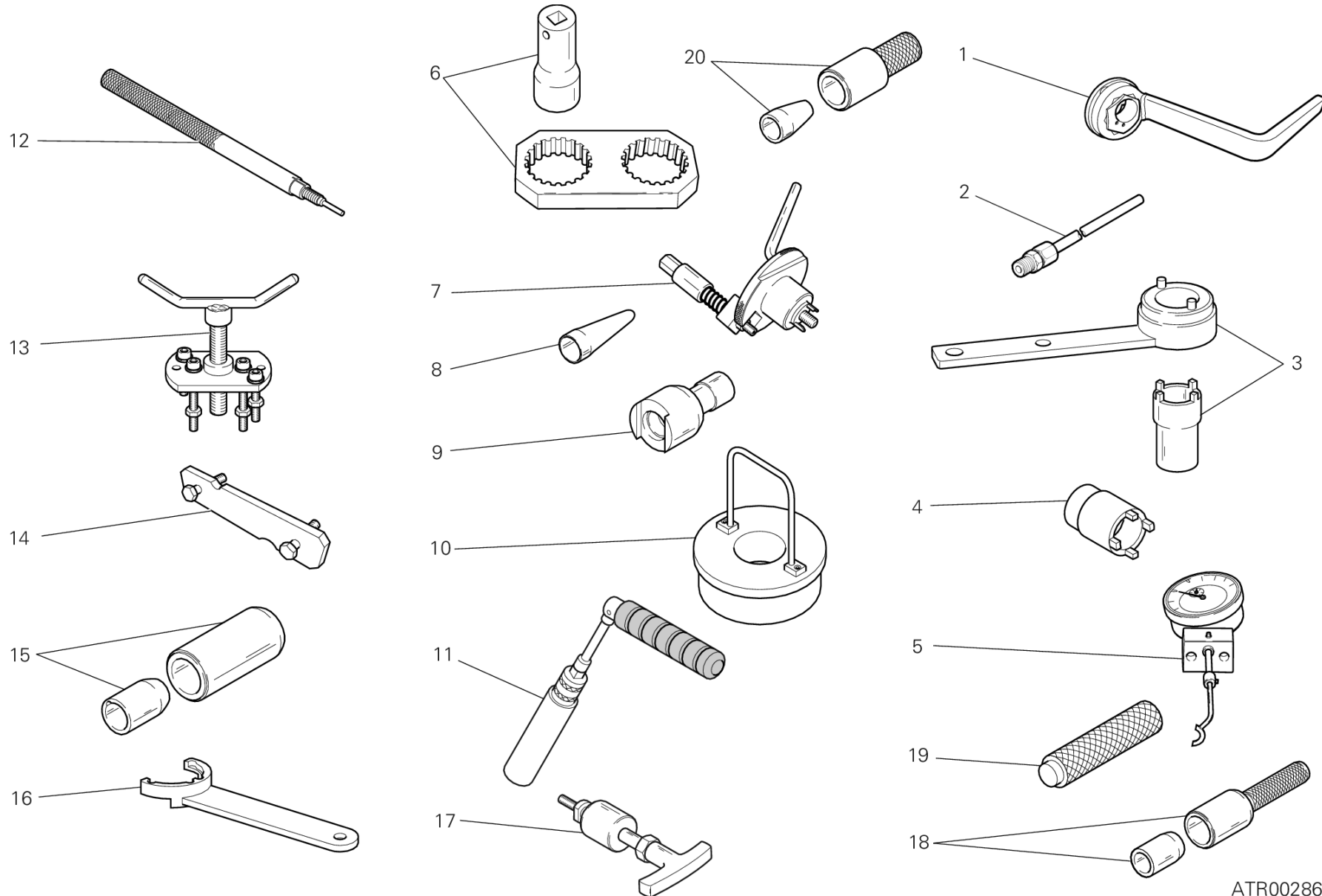
GROUP TOOLS

POS.	CODE	DESCRIPTION	QTY	START DATE	END DATE	VALIDITY	NOTES
16	887130870	TOOL ASSEMBLING WATER PUMP FRONT SEAL	1			MOD:848 EVO;XST:AUS,BRA,CHN,EUR,FRA,JAF	
17	887131886	ENGINE CANVAS	1			MOD:848 EVO;XST:AUS,BRA,CHN,EUR,FRA,JAF	
18	887132092	EXTRACTOR FOR PRIMARY DRIVE GEAR	1			MOD:848 EVO;XST:AUS,BRA,CHN,EUR,FRA,JAF	
19	887130944	WRENCH TO TIGHTEN OIL FILTER CARTRIDGE	1			MOD:848 EVO;XST:AUS,BRA,CHN,EUR,FRA,JAF	
20	887132834	TOOL SNAP RING INSTALLATION	1			MOD:848 EVO;XST:AUS,BRA,CHN,EUR,FRA,JAF	
21	887132069	ROCKER SPRING PRE-LOAD COMPOUND KIT	1			MOD:848 EVO;XST:AUS,BRA,CHN,EUR,FRA,JAF	



DRAWING 01A - WORKSHOP SERVICE TOOLS [MOD:848 EVO;XST:AUS,BRA,CHN,EUR,FRA,JAP]

GROUP TOOLS



ATR00286

DRAWING 01A - WORKSHOP SERVICE TOOLS [MOD:848 EVO;XST:AUS,BRA,CHN,EUR,FRA,JAP]



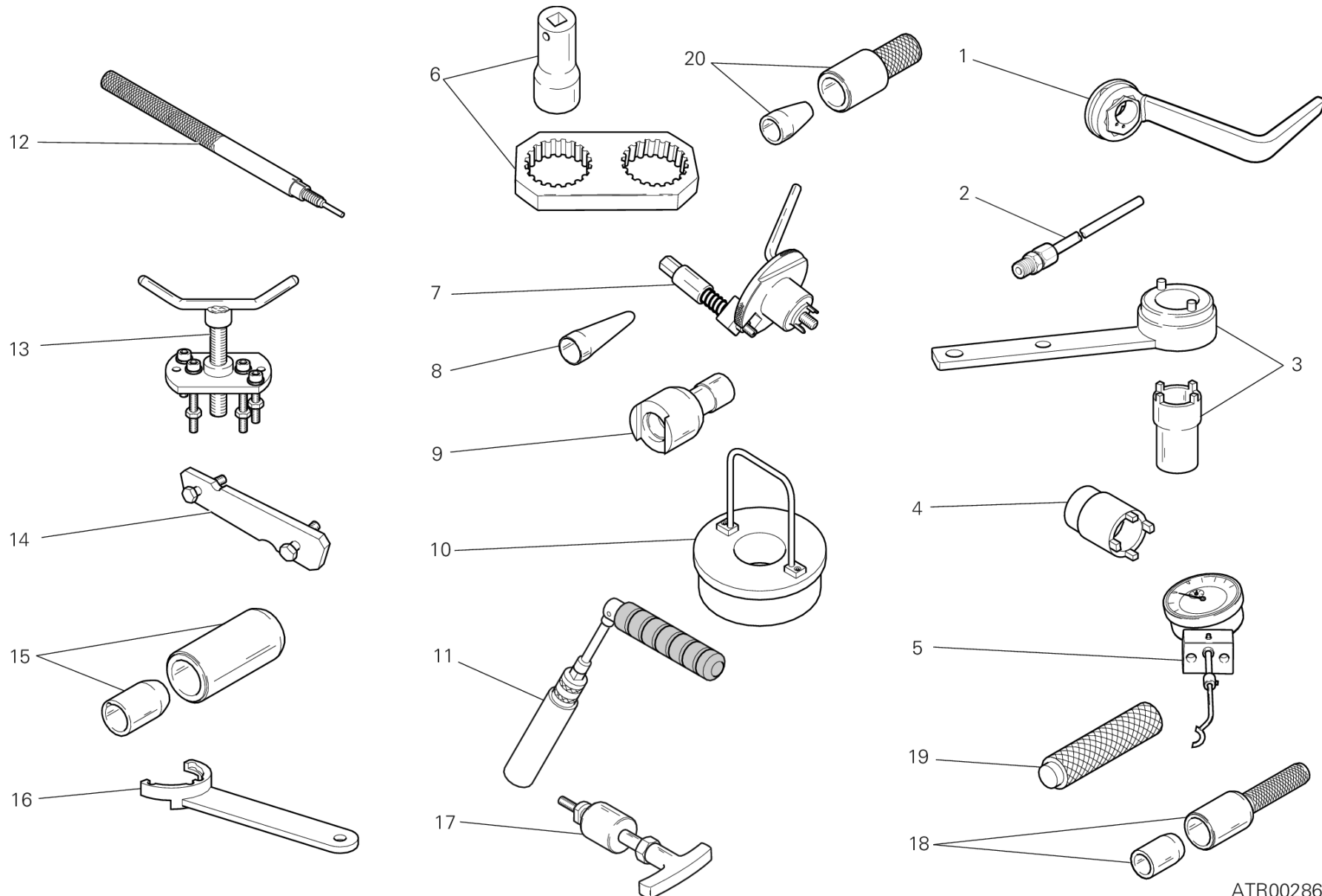
GROUP TOOLS

POS.	CODE	DESCRIPTION	QTY	START DATE	END DATE	VALIDITY	NOTES
1	887133497	WRENCH FOR TENSIONING MOBILE BELT TENSIO	1			MOD:848 EVO;XST:AUS,BRA,CHN,EUR,FRA,JAF	
2	887131010	CONNECTOR FOR EXHAUST GAS TAKE-UP POINT	1			MOD:848 EVO;XST:AUS,BRA,CHN,EUR,FRA,JAF	
3	887131805	DRIVING ROLLER TIGHTENING TOOL	1			MOD:848 EVO;XST:AUS,BRA,CHN,EUR,FRA,JAF	
4	887133406	WRENCH TIGHTENING PRIMARY TRANSMISSI	1			MOD:848 EVO;XST:AUS,BRA,CHN,EUR,FRA,JAF	
5	887651506	VALVE LIFT GAUGE	1			MOD:848 EVO;XST:AUS,BRA,CHN,EUR,FRA,JAF	
6	887131806	REACTION TOOL BELT ROLLER TIGHTENING	1			MOD:848 EVO;XST:AUS,BRA,CHN,EUR,FRA,JAF	
7	887132011	CRANKSHAFT RESET TOOL	1			MOD:848 EVO;XST:AUS,BRA,CHN,EUR,FRA,JAF	
8	887131920	TOOL TO FIT O-RINGS ONTO STUD BOLTS	1			MOD:848 EVO;XST:AUS,BRA,CHN,EUR,FRA,JAF	
9	887131821	WRENCH TO TIGHTEN TENSIONING BOLTS	1			MOD:848 EVO;XST:AUS,BRA,CHN,EUR,FRA,JAF	
10	887132870	TOOL, CON-ROD GUIDING	1			MOD:848 EVO;XST:AUS,BRA,CHN,EUR,FRA,JAF	
11	887132877	SPARK PLUG WRENCH	1			MOD:848 EVO;XST:AUS,BRA,CHN,EUR,FRA,JAF	
12	887132087	T.D.C. CONTROL GAUGE	1			MOD:848 EVO;XST:AUS,BRA,CHN,EUR,FRA,JAF	
13	887131749	DRIVE ROLLER PULLER	1			MOD:848 EVO;XST:AUS,BRA,CHN,EUR,FRA,JAF	
14	887651623	BELT ROLLER TIMING TOOL	1			MOD:848 EVO;XST:AUS,BRA,CHN,EUR,FRA,JAF	
15	887132861	TOOL TO FIT SEALS ON CAMSHAFTS	1			MOD:848 EVO;XST:AUS,BRA,CHN,EUR,FRA,JAF	
16	887133219	TIMING BELT ROLLER REACTION TOOL	1			MOD:848 EVO;XST:AUS,BRA,CHN,EUR,FRA,JAF	
17	887131994	ROCKER PIN EXTRACTOR	1			MOD:848 EVO;XST:AUS,BRA,CHN,EUR,FRA,JAF	



DRAWING 01A - WORKSHOP SERVICE TOOLS [MOD:848 EVO;XST:AUS,BRA,CHN,EUR,FRA,JAP]

GROUP TOOLS



ATR00286

DRAWING 01A - WORKSHOP SERVICE TOOLS [MOD:848 EVO;XST:AUS,BRA,CHN,EUR,FRA,JAP]



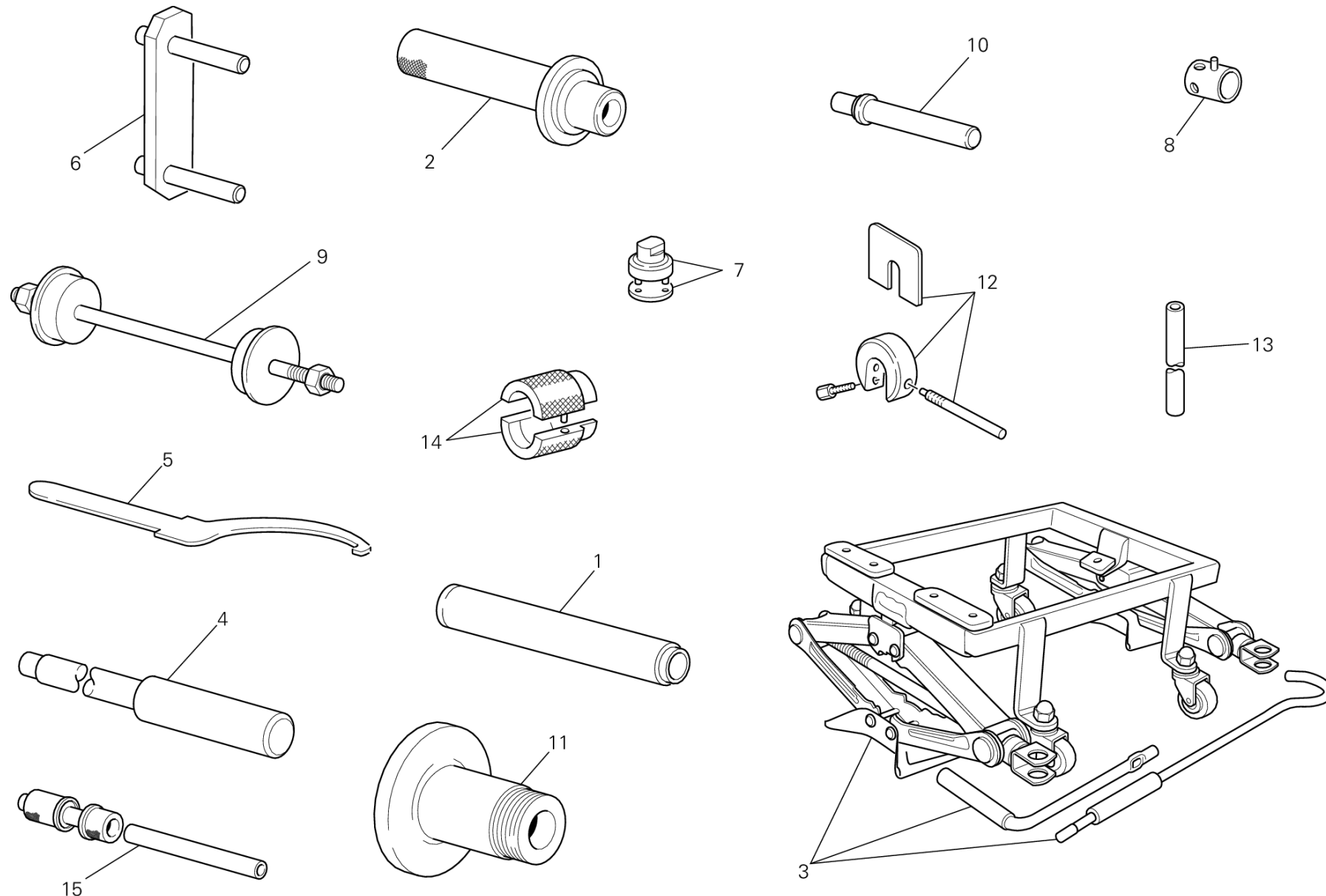
GROUP TOOLS

POS.	CODE	DESCRIPTION	QTY	START DATE	END DATE	VALIDITY	NOTES
18	887133521	PUNCH TOOL DRIVING SEAL RING	1			MOD:848 EVO;XST:AUS,BRA,CHN,EUR,FRA,JAF	
19	887131980	DRIFT TO DRIVE RETAINERS ONTO SHAFTS	1			MOD:848 EVO;XST:AUS,BRA,CHN,EUR,FRA,JAF	
20	887133394	TOOL SNAP RING INSTALLATION	1			MOD:848 EVO;XST:AUS,BRA,CHN,EUR,FRA,JAF	



DRAWING 01B - WORKSHOP SERVICE TOOLS [MOD:848 EVO;XST:AUS,BRA,CHN,EUR,FRA,JAP]

GROUP TOOLS

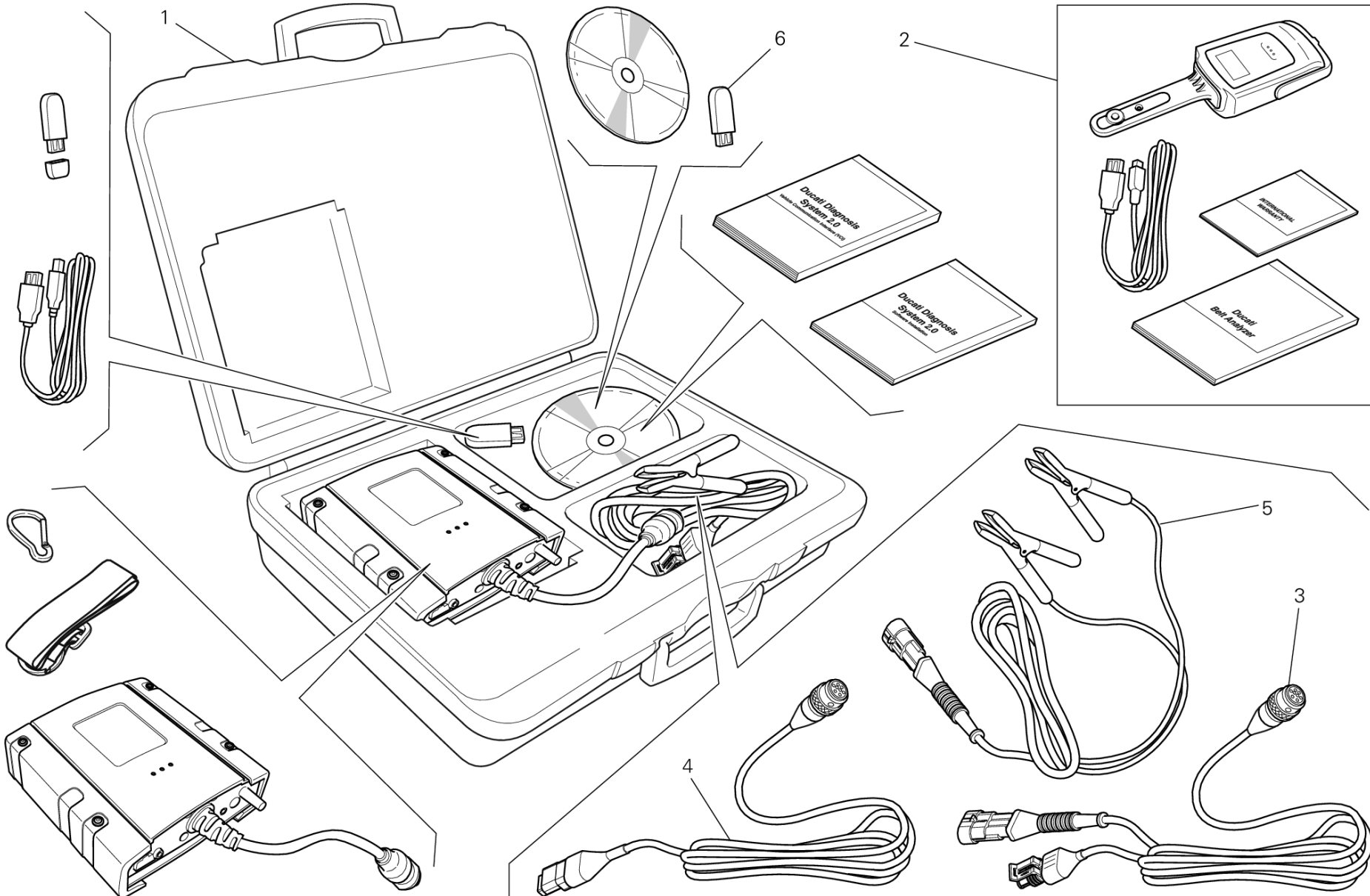


DRAWING 01B - WORKSHOP SERVICE TOOLS [MOD:848 EVO;XST:AUS,BRA,CHN,EUR,FRA,JAP]



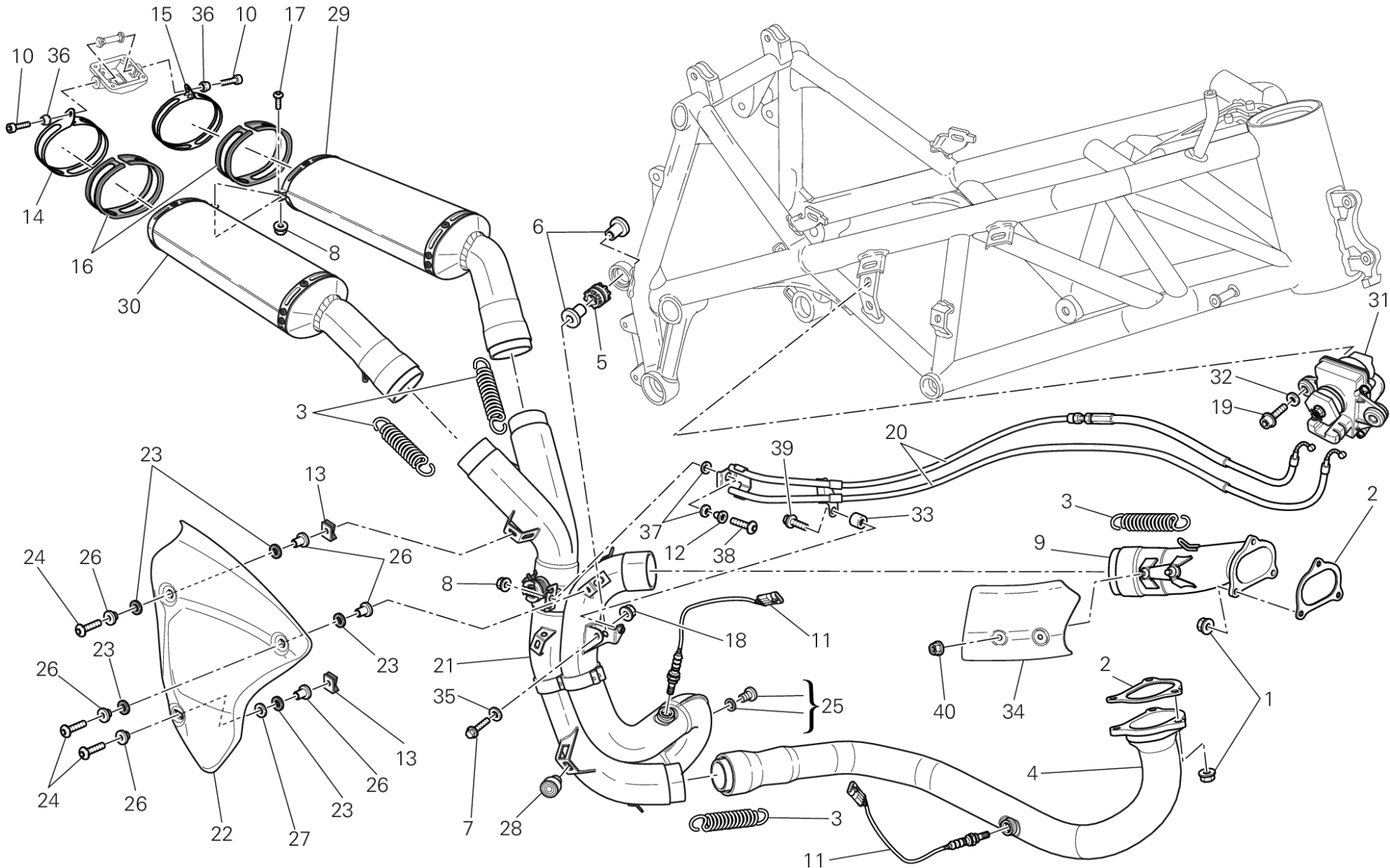
GROUP TOOLS

POS.	CODE	DESCRIPTION	QTY	START DATE	END DATE	VALIDITY	NOTES
1	887131072	DRIVING STOPPER FOR THE HALF BEARING	1			MOD:848 EVO;XST:AUS,BRA,CHN,EUR,FRA,JAF	
2	887131068	STOPPER ASSEMBLING ROLLER BEARING	1			MOD:848 EVO;XST:AUS,BRA,CHN,EUR,FRA,JAF	
3	887133220	BENCH FOR ENGINE REPAIR	1			MOD:848 EVO;XST:AUS,BRA,CHN,EUR,FRA,JAF	
4	887131074	TOOL DISASSEMBLING SWINGARM PIVOT	1			MOD:848 EVO;XST:AUS,BRA,CHN,EUR,FRA,JAF	
5	887131038	SPANNER FOR ADJUSTING THE ECCENTRIC HUB	1			MOD:848 EVO;XST:AUS,BRA,CHN,EUR,FRA,JAF	
6	887131515	FRAME/MOTOR SUPPORT	1			MOD:848 EVO;XST:AUS,BRA,CHN,EUR,FRA,JAF	
7	887131058	SPANNER TO ASSEMBLE THE STEERING SLEEVE	1			MOD:848 EVO;XST:AUS,BRA,CHN,EUR,FRA,JAF	
8	800070139	WRENCH FOR FRONT WHEEL SPINDLE	1			MOD:848 EVO;XST:AUS,BRA,CHN,EUR,FRA,JAF	
9	887131062	TOOL ASSEMBLING STEERING TUBE BEARING	1			MOD:848 EVO;XST:AUS,BRA,CHN,EUR,FRA,JAF	
10	887131071	STOPPER ASSEMBLING ROLLER BEARING	1			MOD:848 EVO;XST:AUS,BRA,CHN,EUR,FRA,JAF	
11	887131073	TOOL BALANCING REAR WHEEL	1			MOD:848 EVO;XST:AUS,BRA,CHN,EUR,FRA,JAF	
12	887130957	TOOL TO KEEP THE SPACER SHOWA FORKS	1			MOD:848 EVO;XST:AUS,BRA,CHN,EUR,FRA,JAF	
13	887130958	TRACTION BAR SHOWA FORKS OVERHAULING	1			MOD:848 EVO;XST:AUS,BRA,CHN,EUR,FRA,JAF	
14	887131096	TOOL TO OVERHAUL FORKS	1			MOD:848 EVO;XST:AUS,BRA,CHN,EUR,FRA,JAF	
15	887132409	TOOL ASSEMBLING SWINGARM BALL BEARING	1			MOD:848 EVO;XST:AUS,BRA,CHN,EUR,FRA,JAF	





POS.	CODE	DESCRIPTION	QTY	START DATE	END DATE	VALIDITY	NOTES
1	979000252	DDS 2 (Ducati Diagnosis System 2.0)	1			MOD:848 EVO;XST:AUS,BRA,CHN,EUR,FRA,JAF	
2	979000253	BELT TENSIONING KIT	1			MOD:848 EVO;XST:AUS,BRA,CHN,EUR,FRA,JAF	
3	979000254	MAIN CABLE	1			MOD:848 EVO;XST:AUS,BRA,CHN,EUR,FRA,JAF	
4	979000255	MAIN CABLE (CAN)	1			MOD:848 EVO;XST:AUS,BRA,CHN,EUR,FRA,JAF	
5	979000256	MAIN CABLE DDS	1			MOD:848 EVO;XST:AUS,BRA,CHN,EUR,FRA,JAF	
6	28620441A	CHIAVE "PC HASP DDS2.0"	1			MOD:848 EVO;XST:AUS,BRA,CHN,EUR,FRA,JAF	

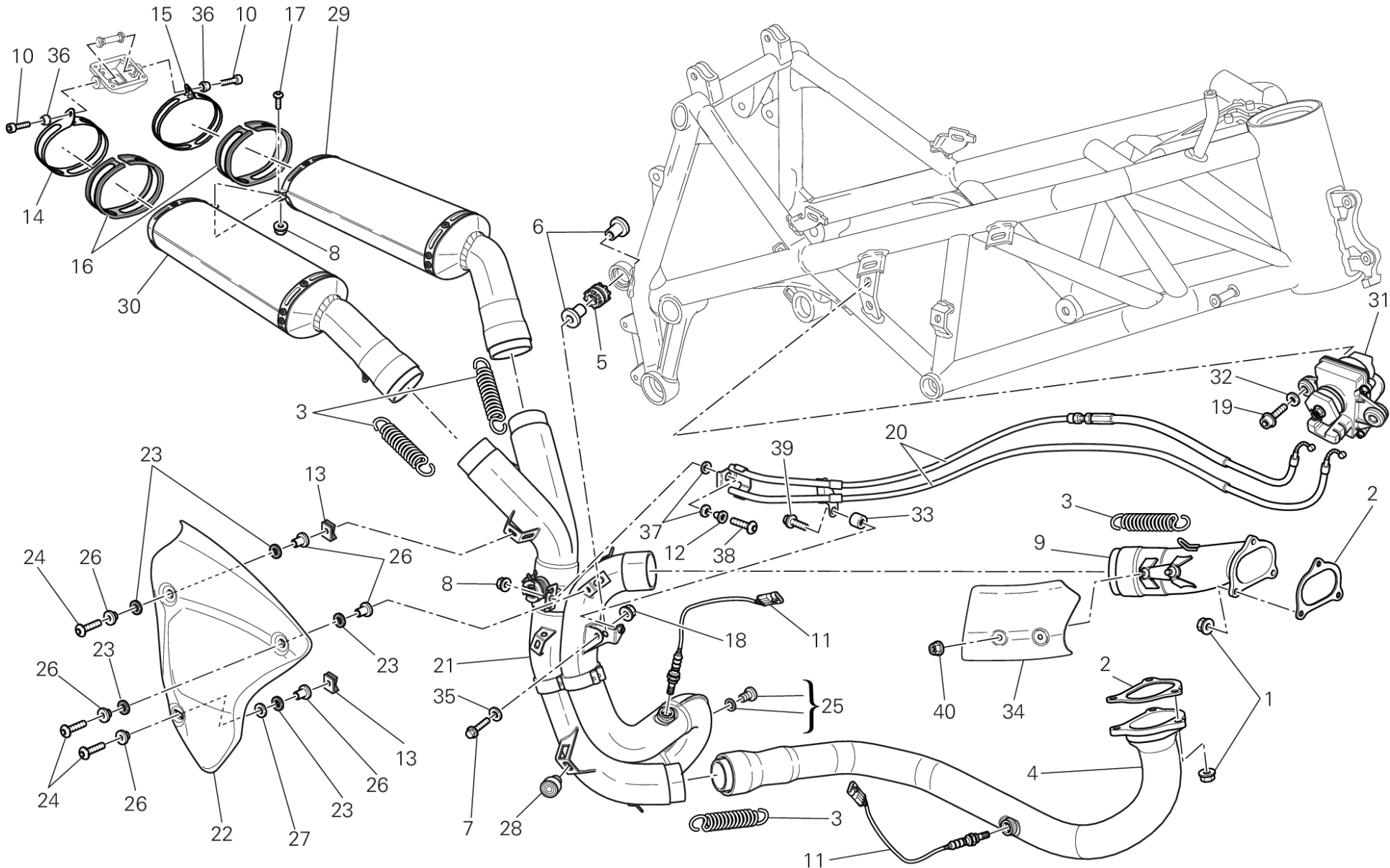


DRAWING 019 - EXHAUST SYSTEM [MOD:848 EVO;XST:AUS,BRA,CHN,EUR,FRA,JAP]

GROUP FRAME



POS.	CODE	DESCRIPTION	QTY	START DATE	END DATE	VALIDITY	NOTES
1	74810241A	NUT	6	29/03/2012		MOD:848 EVO;XST:AUS,BRA,CHN,EUR,FRA,JAF	
2	79010151A	GASKET, EXHAUST PIPE	2	29/03/2012		MOD:848 EVO;XST:AUS,BRA,CHN,EUR,FRA,JAF	
3	79912632A	SPRING, EXHAUST PIPE	4	29/03/2012		MOD:848 EVO;XST:AUS,BRA,CHN,EUR,FRA,JAF	
4	57012612A	HORIZONTAL HEAD EXHAUST PIPE	1	01/01/2001		MOD:848 EVO;XST:AUS,BRA,CHN,EUR,FRA,JAF	
5	76410241A	VIBRATION DAMPER PAD	1	29/03/2012		MOD:848 EVO;XST:AUS,BRA,CHN,EUR,FRA,JAF	
6	71614141A	SPACER	2	29/03/2012		MOD:848 EVO;XST:AUS,BRA,CHN,EUR,FRA,JAF	
7	77250381AB	SCREW TEF M6X30	1	29/03/2012		MOD:848 EVO;XST:AUS,BRA,CHN,EUR,FRA,JAF	
8	74810351B	NUT	1	01/01/2001		MOD:848 EVO;XST:AUS,BRA,CHN,EUR,FRA,JAF	
9	16013674A	EXHAUST PIPE, VERTICAL HEAD	1	24/12/2009		MOD:848 EVO;XST:AUS,BRA,CHN,EUR,FRA,JAF	
10	77151278B	SCREW TCEI M8X30	2	29/03/2012		MOD:848 EVO;XST:AUS,BRA,CHN,EUR,FRA,JAF	
11	55211111A	SENSOR LAMBDA SOND	2	01/01/2001		MOD:848 EVO;XST:AUS,BRA,CHN,EUR,FRA,JAF	
12	71611441A	SPACER	1	01/01/2001		MOD:848 EVO;XST:AUS,BRA,CHN,EUR,FRA,JAF	
13	85040551A	QUICK FASTENING	2	01/01/2001		MOD:848 EVO;XST:AUS,BRA,CHN,EUR,FRA,JAF	
14	74110381A	CLAMP, RH SILENCER	1	01/01/2001		MOD:848 EVO;XST:AUS,BRA,CHN,EUR,FRA,JAF	
15	74110371A	CLAMP, LEFT SILENCER	1	01/01/2001		MOD:848 EVO;XST:AUS,BRA,CHN,EUR,FRA,JAF	
16	78811001A	SEAL, SILENCER CLAMP	2	01/01/2001		MOD:848 EVO;XST:AUS,BRA,CHN,EUR,FRA,JAF	
17	77510331A	SCREW TBEI M5X12	1	29/03/2012		MOD:848 EVO;XST:AUS,BRA,CHN,EUR,FRA,JAF	

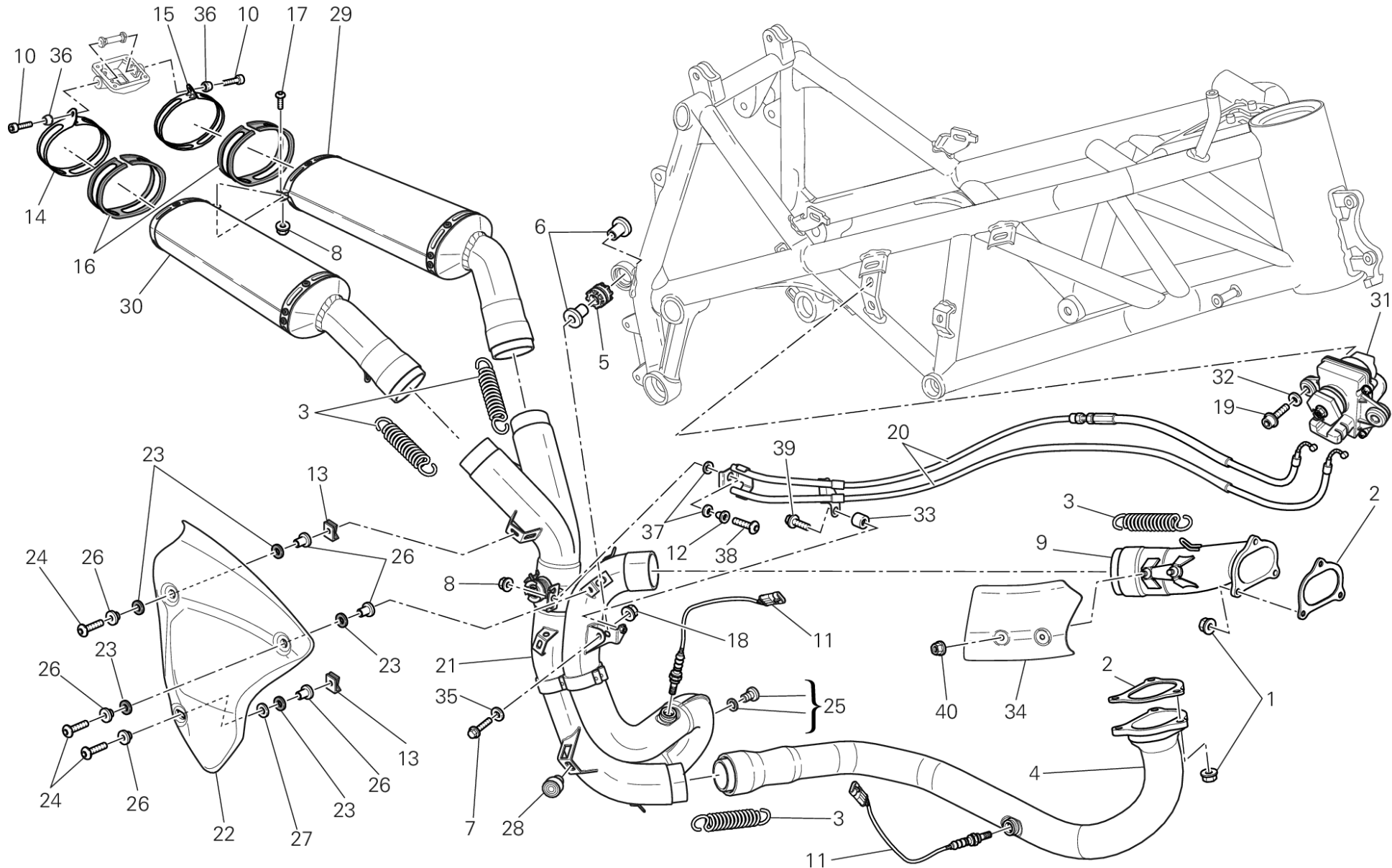


DRAWING 019 - EXHAUST SYSTEM [MOD:848 EVO;XST:AUS,BRA,CHN,EUR,FRA,JAP]

GROUP FRAME



POS.	CODE	DESCRIPTION	QTY	START DATE	END DATE	VALIDITY	NOTES
18	74941118B	NUT 6MM	4	01/01/2001		MOD:848 EVO;XST:AUS,BRA,CHN,EUR,FRA,JAF	
19	77310041A	SCREW TCEIR M6X22	2	29/03/2012		MOD:848 EVO;XST:AUS,BRA,CHN,EUR,FRA,JAF	
20	73220212A	CABLE SET EXHAUST VALVE	1	01/01/2001		MOD:848 EVO;XST:AUS,BRA,CHN,EUR,FRA,JAF	
21	57012633A	PIPE, EXHAUST CENTER	1	01/01/2001		MOD:848 EVO;XST:AUS,BRA,CHN,EUR,FRA,JAF	
22	46012562B	PROTECTOR, HEAT	1	19/03/2010		MOD:848 EVO;XST:AUS,BRA,CHN,EUR,FRA,JAF	
23	85210721A	WASHER	5	29/03/2012		MOD:848 EVO;XST:AUS,BRA,CHN,EUR,FRA,JAF	
24	77210882B	SCREW TBEI M5X12	3	29/03/2012		MOD:848 EVO;XST:AUS,BRA,CHN,EUR,FRA,JAF	
25	78020011A	PLUG	2			MOD:848 EVO;XST:AUS,BRA,CHN,EUR,FRA,JAF	
26	71614071A	SPACER 5.2X8.4X2	6	29/03/2012		MOD:848 EVO;XST:AUS,BRA,CHN,EUR,FRA,JAF	
27	85212321A	WASHER 8.5X14X1.2	1	29/03/2012		MOD:848 EVO;XST:AUS,BRA,CHN,EUR,FRA,JAF	
28	76410631A	RUBBER PAD	1	29/03/2012		MOD:848 EVO;XST:AUS,BRA,CHN,EUR,FRA,JAF	
29	57411181A	LEFT SILENCER	1	29/03/2012		MOD:848 EVO;XST:AUS,BRA,CHN,EUR,FRA,JAF	
	57412961I	LEFT SILENCER	1	29/03/2012		MOD:848 EVO;XST:JAP	JPN
30	57311181A	RIGHT SILENCER	1	29/03/2012		MOD:848 EVO;XST:AUS,BRA,CHN,EUR,FRA	
	57312991I	RIGHT SILENCER	1	29/03/2012		MOD:848 EVO;XST:JAP	JPN
31	59340301A	ELECTRIC MOTOR, EXHAUST VALVE	1	19/03/2010		MOD:848 EVO;XST:AUS,BRA,CHN,EUR,FRA,JAF	
32	85250091A	WASHER 6.4X18X1	2	29/03/2012		MOD:848 EVO;XST:AUS,BRA,CHN,EUR,FRA,JAF	
33	71312411A	SPACER 6.2X10X7	1	01/01/2001		MOD:848 EVO;XST:AUS,BRA,CHN,EUR,FRA,JAF	



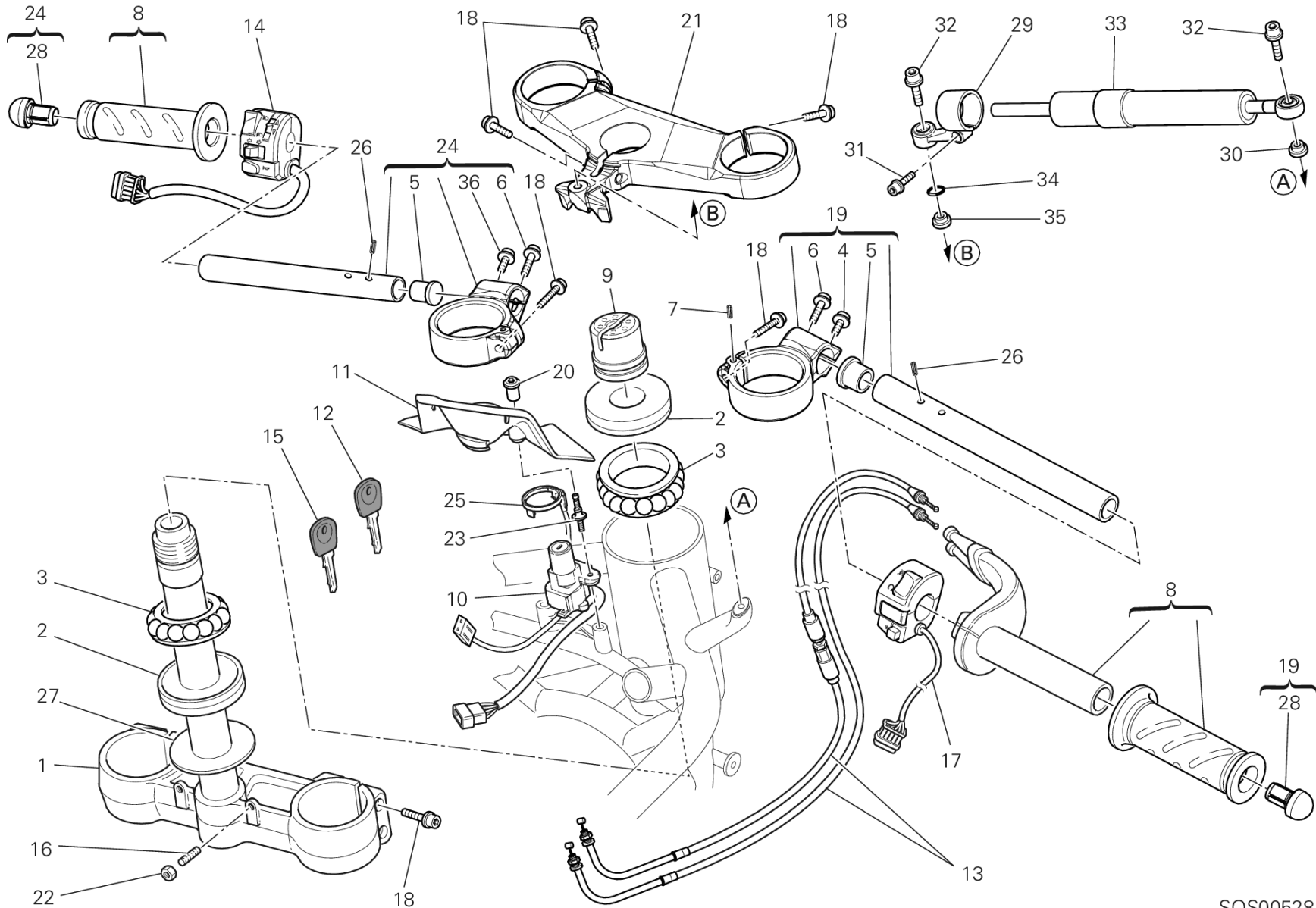


POS.	CODE	DESCRIPTION	QTY	START DATE	END DATE	VALIDITY	NOTES
34	46012862B	PROTECTOR, HEAT	1	24/12/2009		MOD:848 EVO;XST:AUS,BRA,CHN,EUR,FRA,JAF	
35	85211861A	WASHER 6.4X16X0.5	1	29/03/2012		MOD:848 EVO;XST:AUS,BRA,CHN,EUR,FRA,JAF	
36	84110521A	RETAINER	2	29/03/2012		MOD:848 EVO;XST:AUS,BRA,CHN,EUR,FRA,JAF	
37	79940091A	SPRING WASHER	2	01/01/2001		MOD:848 EVO;XST:AUS,BRA,CHN,EUR,FRA,JAF	
38	77510041A	SCREW TBEI M5X14	1	01/01/2001		MOD:848 EVO;XST:AUS,BRA,CHN,EUR,FRA,JAF	
39	77210621A	SCREW TEF M5X16	1	01/01/2001		MOD:848 EVO;XST:AUS,BRA,CHN,EUR,FRA,JAF	
40	74810361A	NUT 6MM	2	29/03/2012		MOD:848 EVO;XST:AUS,BRA,CHN,EUR,FRA,JAF	



DRAWING 021 - HANDLEBAR [MOD:848 EVO;XST:AUS,BRA,CHN,EUR,FRA,JAP]

GROUP FRAME



SOS00528

DRAWING 021 - HANDLEBAR [MOD:848 EVO;XST:AUS,BRA,CHN,EUR,FRA,JAP]

GROUP FRAME

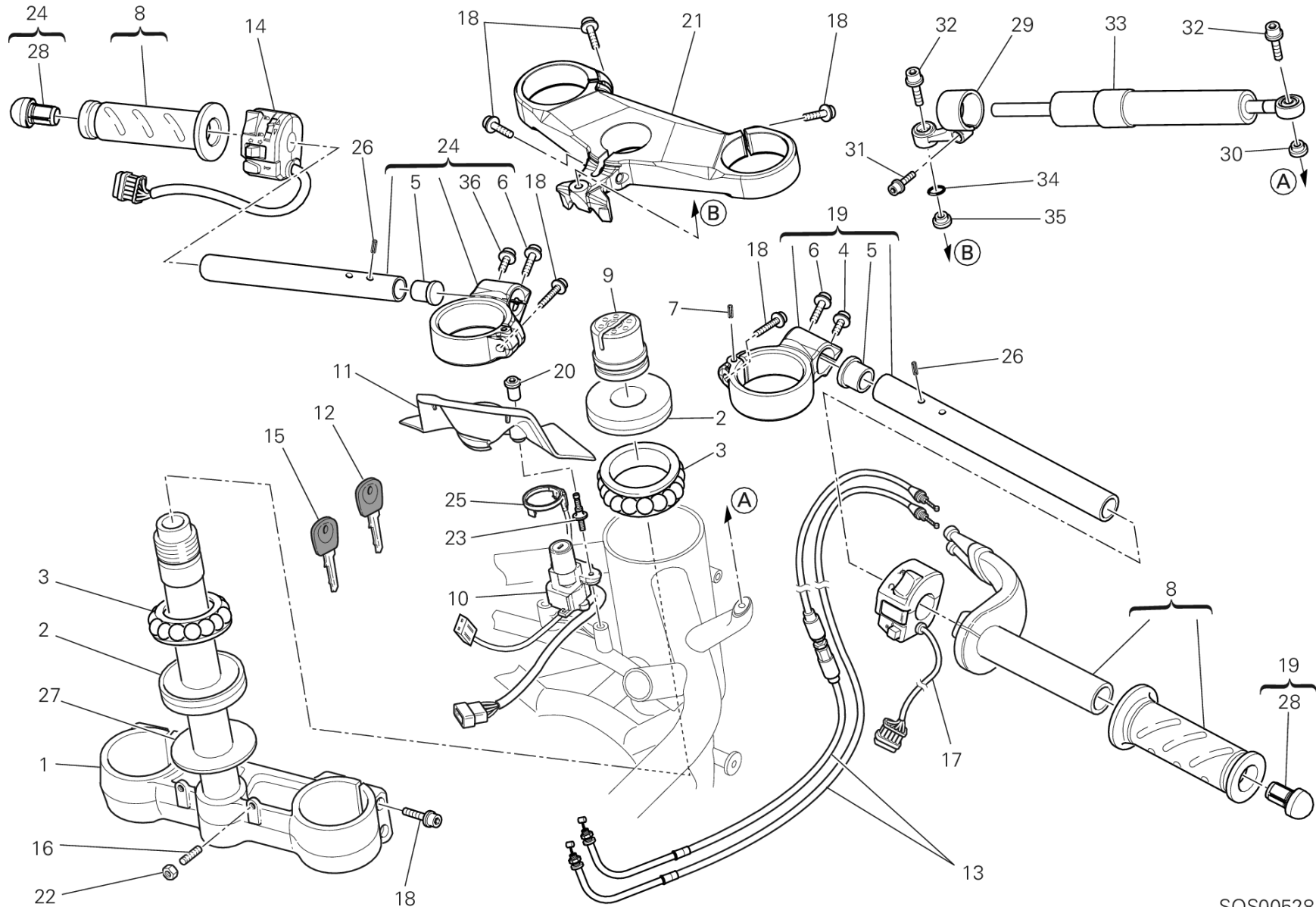


POS.	CODE	DESCRIPTION	QTY	START DATE	END DATE	VALIDITY	NOTES
1	34220551A	STEERING CROWN WITH PIN	1	29/03/2012		MOD:848 EVO;XST:AUS,BRA,CHN,EUR,FRA,JAF	
2	93010041B	SEAL RING	2	29/03/2012		MOD:848 EVO;XST:AUS,BRA,CHN,EUR,FRA,JAF	
3	70241231A	BEARING, STEERING NTN SF07A17P	2	29/03/2012		MOD:848 EVO;XST:AUS,BRA,CHN,EUR,FRA,JAF	
4	77110461A	SCREW TCEIF M6X22	1	24/12/2009		MOD:848 EVO;XST:AUS,BRA,CHN,EUR,FRA,JAF	
5	87210481A	CAP	2	24/12/2009		MOD:848 EVO;XST:AUS,BRA,CHN,EUR,FRA,JAF	
6	77156698B	SCREW TCEIF M6X25	2	24/12/2009		MOD:848 EVO;XST:AUS,BRA,CHN,EUR,FRA,JAF	
7	46240011A	PIN, SPRING 5X10 MM	2	13/04/2010		MOD:848 EVO;XST:AUS,BRA,CHN,EUR,FRA,JAF	
8	65420161A	THROTTLE CONTROL	1	19/03/2010		MOD:848 EVO;XST:AUS,BRA,CHN,EUR,FRA,JAF	
9	70310131A	THREAD, STEERING HEAD TOP	1	29/03/2012		MOD:848 EVO;XST:AUS,BRA,CHN,EUR,FRA,JAF	
10	65240201A	INTERRUTTORE A CHIAVE	1	06/06/2011		MOD:848 EVO;XST:AUS,BRA,CHN,EUR,FRA,JAF	
11	46012631A	COVER, IGNITION SWITCH	1	01/01/2001		MOD:848 EVO;XST:AUS,BRA,CHN,EUR,FRA,JAF	
12	59840331A	WRENCH WITH TRANSPONDER	1	06/06/2011		MOD:848 EVO;XST:AUS,BRA,CHN,EUR,FRA,JAF	
13	65620031B	THROTTLE CABLE	1	01/01/2001		MOD:848 EVO;XST:AUS,BRA,CHN,EUR,FRA,JAF	
14	65110081A	LEFT HANDLE SWITCH	1	13/04/2010		MOD:848 EVO;XST:AUS,BRA,CHN,EUR,FRA,JAF	
15	59840183A	WRENCH WITHOUT TRANSPONDER	1	06/06/2011		MOD:848 EVO;XST:AUS,BRA,CHN,EUR,FRA,JAF	
16	77910991B	SCREW	2	13/04/2010		MOD:848 EVO;XST:AUS,BRA,CHN,EUR,FRA,JAF	
17	65010081A	RIGHT HANDLE SWITCH	1	13/04/2010		MOD:848 EVO;XST:AUS,BRA,CHN,EUR,FRA,JAF	



DRAWING 021 - HANDLEBAR [MOD:848 EVO;XST:AUS,BRA,CHN,EUR,FRA,JAP]

GROUP FRAME



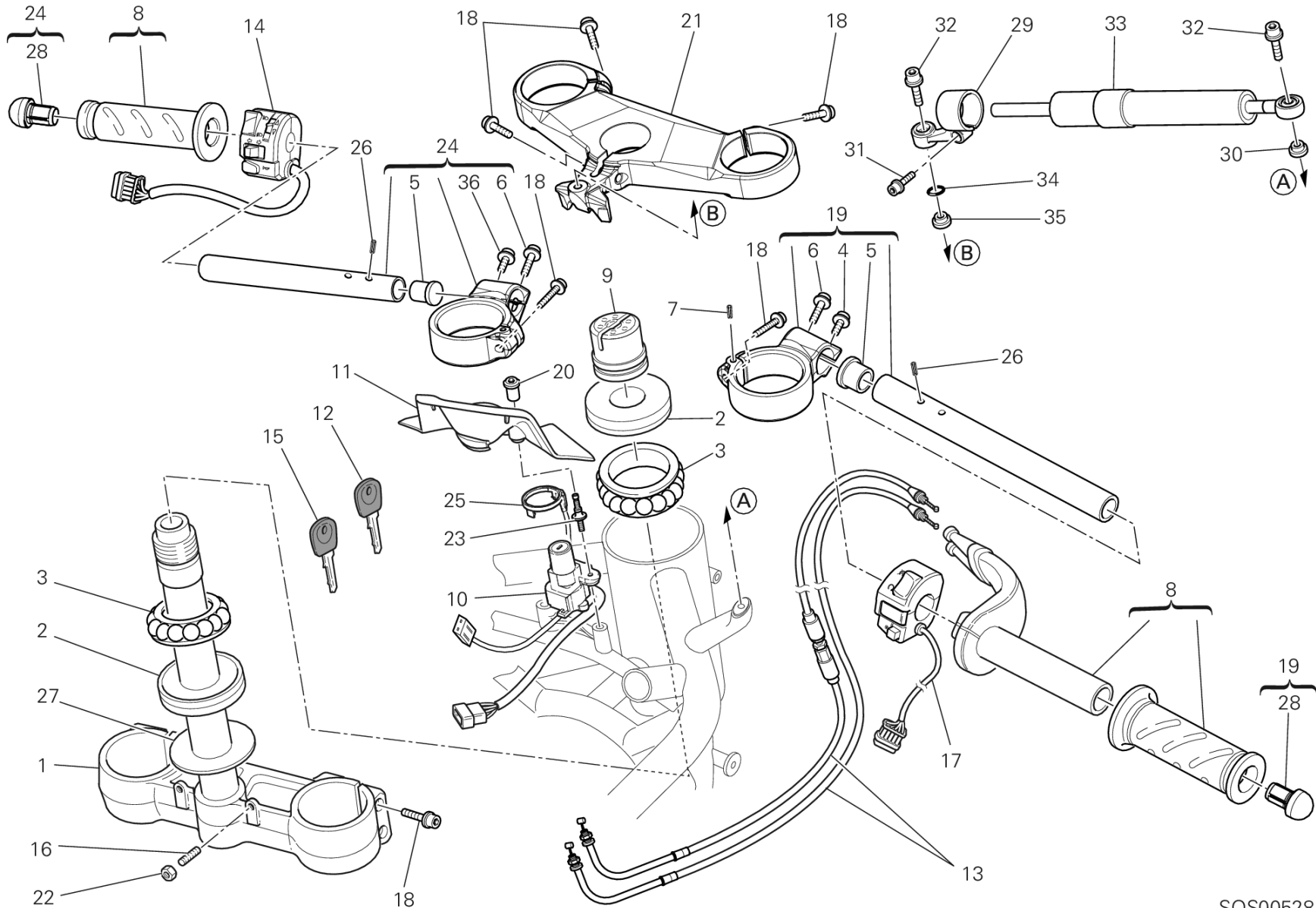
SOS00528

DRAWING 021 - HANDLEBAR [MOD:848 EVO;XST:AUS,BRA,CHN,EUR,FRA,JAP]

GROUP FRAME



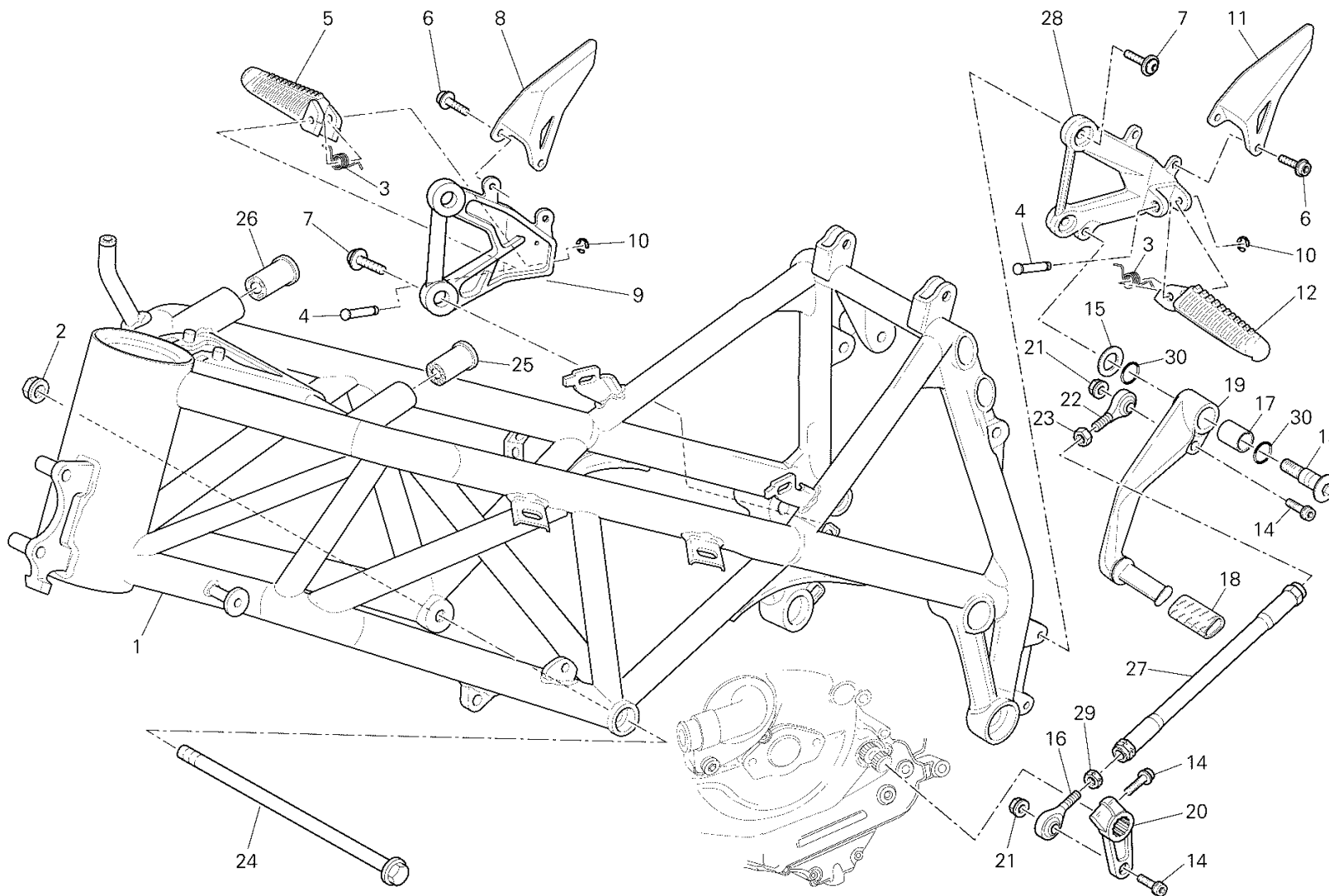
POS.	CODE	DESCRIPTION	QTY	START DATE	END DATE	VALIDITY	NOTES
18	77157258B	SCREW TCEIF M8X25	9	13/04/2010		MOD:848 EVO;XST:AUS,BRA,CHN,EUR,FRA,JAF	
19	36020882A	RIGHT HALF-HANDLEBAR	1	13/04/2010		MOD:848 EVO;XST:AUS,BRA,CHN,EUR,FRA,JAF	
20	75011491A	NUT	2	29/03/2012		MOD:848 EVO;XST:AUS,BRA,CHN,EUR,FRA,JAF	
21	34110721A	STEERING HEAD	1	01/01/2001		MOD:848 EVO;XST:AUS,BRA,CHN,EUR,FRA,JAF	
22	74750071A	NUT	2	13/04/2010		MOD:848 EVO;XST:AUS,BRA,CHN,EUR,FRA,JAF	
23	77110501A	SCREW, SPECIAL	2	29/03/2012		MOD:848 EVO;XST:AUS,BRA,CHN,EUR,FRA,JAF	
24	36020892A	LEFT HALF-HANDLEBAR	1	13/04/2010		MOD:848 EVO;XST:AUS,BRA,CHN,EUR,FRA,JAF	
25	51840042B	COIL ANTENNA, IMMOBILIZER	1	01/01/2001		MOD:848 EVO;XST:AUS,BRA,CHN,EUR,FRA,JAF	
26	86150221A	PIN, SPRING	2	13/04/2010		MOD:848 EVO;XST:AUS,BRA,CHN,EUR,FRA,JAF	
27	85211031A	WASHER	1	13/04/2010		MOD:848 EVO;XST:AUS,BRA,CHN,EUR,FRA,JAF	
28	87210591A	BALANCER SET, HANDLE BAR	2	24/12/2009		MOD:848 EVO;XST:AUS,BRA,CHN,EUR,FRA,JAF	
29	82920791A	BRACKET	1	29/03/2012		MOD:848 EVO;XST:AUS,BRA,CHN,EUR,FRA,JAF	
30	71614121A	SPACER	1	29/03/2012		MOD:848 EVO;XST:AUS,BRA,CHN,EUR,FRA,JAF	
31	77110391A	SCREW TCEIF M6X16	1	29/03/2012		MOD:848 EVO;XST:AUS,BRA,CHN,EUR,FRA,JAF	
32	77110191A	SCREW TCEIF M6X20	2	29/03/2012		MOD:848 EVO;XST:AUS,BRA,CHN,EUR,FRA,JAF	
33	36420071B	STEERING DAMPER	1	29/03/2012		MOD:848 EVO;XST:AUS,BRA,CHN,EUR,FRA,JAF	
34	88650141A	O-RING	1	29/03/2012		MOD:848 EVO;XST:AUS,BRA,CHN,EUR,FRA,JAF	



SOS00528



POS.	CODE	DESCRIPTION	QTY	START DATE	END DATE	VALIDITY	NOTES
35	71312101A	SPACER	1	29/03/2012		MOD:848 EVO;XST:AUS,BRA,CHN,EUR,FRA,JAF	
36	77156678B	SCREW TCEIF M6X20	1	24/12/2009		MOD:848 EVO;XST:AUS,BRA,CHN,EUR,FRA,JAF	



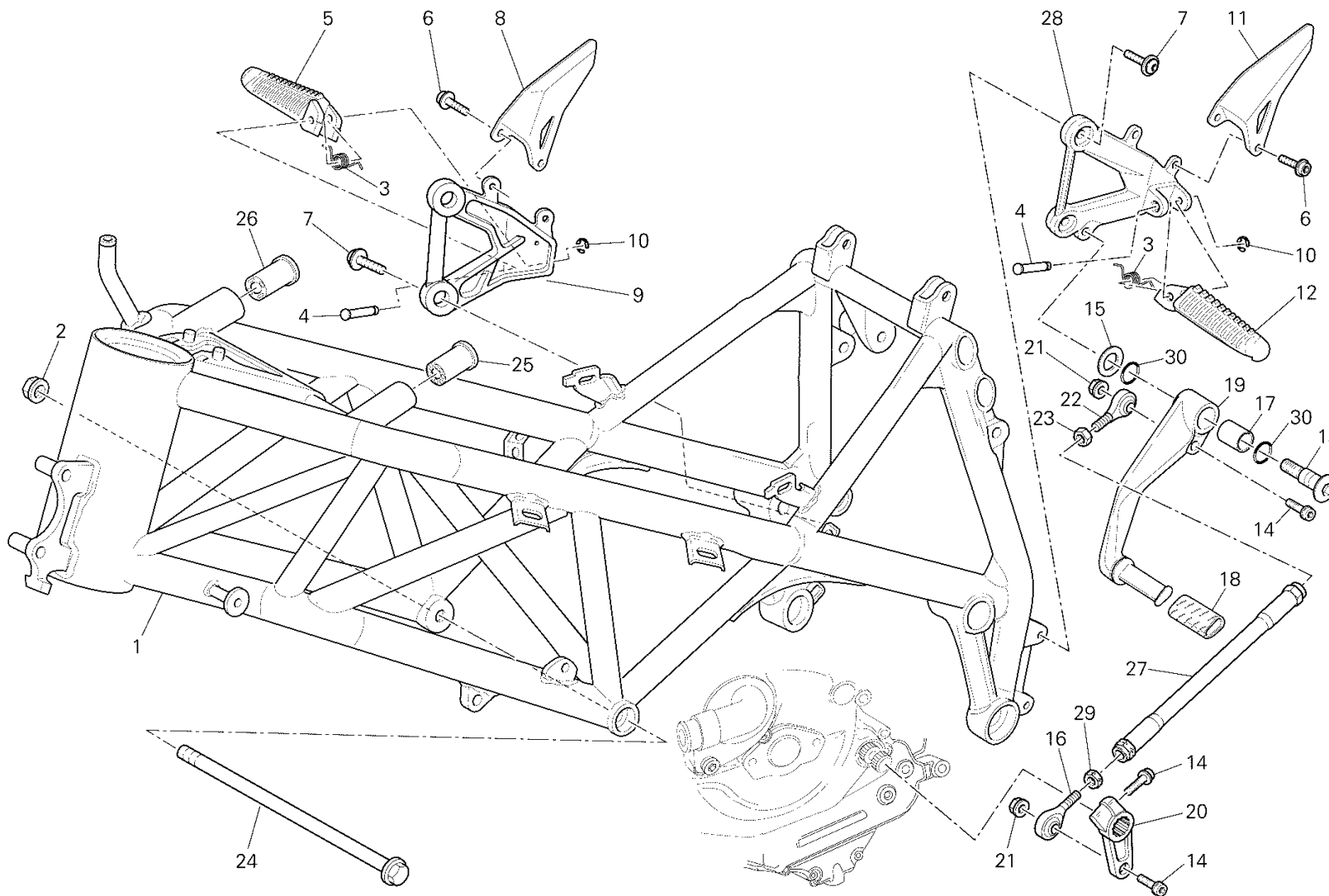
TEL00628

DRAWING 022 - FRAME [MOD:848 EVO;XST:AUS,BRA,CHN,EUR,FRA,JAP]

GROUP FRAME



POS.	CODE	DESCRIPTION	QTY	START DATE	END DATE	VALIDITY	NOTES
1	47011892BA	FRAME RED FOR RED, WHITE	1	29/03/2012		MOD:848 EVO;XST:AUS,BRA,CHN,EUR,FRA,JAF	
	47011892BK	FRAME RACINGBLACK FOR BLACK	1	29/03/2012		MOD:848 EVO;XST:AUS,BRA,CHN,EUR,FRA,JAF	
2	74840021A	NUT M12	2	29/03/2012		MOD:848 EVO;XST:AUS,BRA,CHN,EUR,FRA,JAF	
3	79911661A	SPRING. FOOTREST	2	29/03/2012		MOD:848 EVO;XST:AUS,BRA,CHN,EUR,FRA,JAF	
4	82110511AB	FOOTREST PIN	2	29/03/2012		MOD:848 EVO;XST:AUS,BRA,CHN,EUR,FRA,JAF	
5	46410561A	RIGHT FOOTREST	1	24/12/2009		MOD:848 EVO;XST:AUS,BRA,CHN,EUR,FRA,JAF	
6	77210461B	SCREW TEF M5X8	4	29/03/2012		MOD:848 EVO;XST:AUS,BRA,CHN,EUR,FRA,JAF	
7	77210772A	SCREW M8X18	4	29/03/2012		MOD:848 EVO;XST:AUS,BRA,CHN,EUR,FRA,JAF	
8	24713001BB	GUARD FRONT STEP RH	1	24/12/2009		MOD:848 EVO;XST:AUS,BRA,CHN,EUR,FRA,JAF	
9	82411471AB	BRACKET FRONT RIGHT FOOTREST	1	24/12/2009		MOD:848 EVO;XST:AUS,BRA,CHN,EUR,FRA,JAF	
10	88450031A	CIRCLIP E-TYPE	2	24/12/2009		MOD:848 EVO;XST:AUS,BRA,CHN,EUR,FRA,JAF	
11	24712991BB	GUARD FRONT STEP LH	1	24/12/2009		MOD:848 EVO;XST:AUS,BRA,CHN,EUR,FRA,JAF	
12	46410551A	LEFT FOOTREST	1	24/12/2009		MOD:848 EVO;XST:AUS,BRA,CHN,EUR,FRA,JAF	
13	82111701B	PIN PEDAL	1	29/03/2012		MOD:848 EVO;XST:AUS,BRA,CHN,EUR,FRA,JAF	
14	77156678B	SCREW TCEIF M6X20	3	24/12/2009		MOD:848 EVO;XST:AUS,BRA,CHN,EUR,FRA,JAF	
15	85210532A	WASHER 8.2X20X1	1	01/01/2001		MOD:848 EVO;XST:AUS,BRA,CHN,EUR,FRA,JAF	
16	84850011A	BALL JOINT, LEFT	1	24/12/2009		MOD:848 EVO;XST:AUS,BRA,CHN,EUR,FRA,JAF	



TEL00628

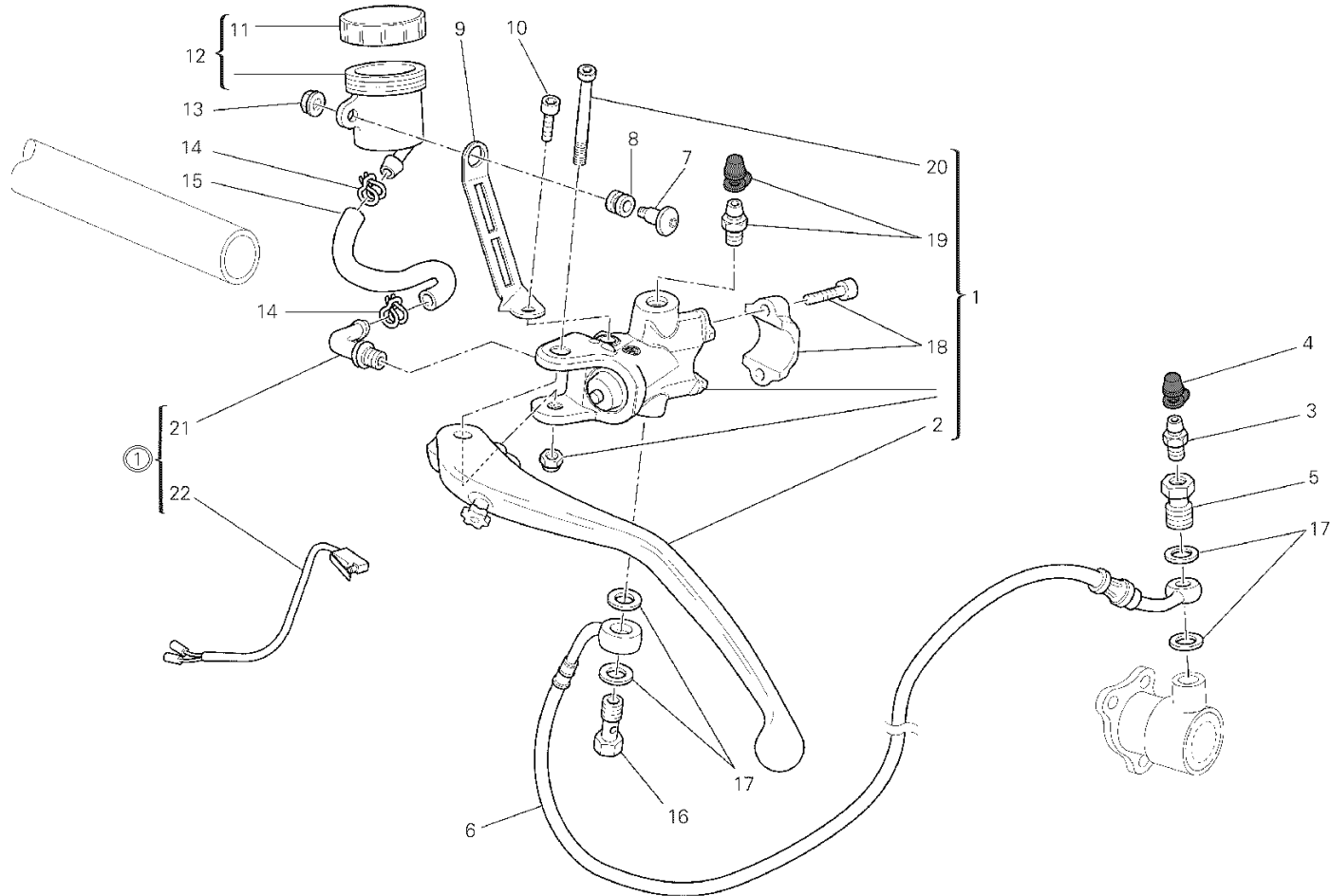


POS.	CODE	DESCRIPTION	QTY	START DATE	END DATE	VALIDITY	NOTES
17	71210341A	BUSH	1	24/12/2009		MOD:848 EVO;XST:AUS,BRA,CHN,EUR,FRA,JAF	
18	76410112A	COVER PEDAL	1	24/12/2009		MOD:848 EVO;XST:AUS,BRA,CHN,EUR,FRA,JAF	
19	45610541AB	GEARCHANGE LEVER BLACK	1	24/12/2009		MOD:848 EVO;XST:AUS,BRA,CHN,EUR,FRA,JAF	
20	45610461B	LEVER SHIFT PEDAL	1	29/03/2012		MOD:848 EVO;XST:AUS,BRA,CHN,EUR,FRA,JAF	
21	74940041A	NUT, SELF-LOCKING M6	2	29/03/2012		MOD:848 EVO;XST:AUS,BRA,CHN,EUR,FRA,JAF	
22	84850021A	BALL JOINT, RIGHT	1	24/12/2009		MOD:848 EVO;XST:AUS,BRA,CHN,EUR,FRA,JAF	
23	74750101A	NUT 6MM	1	24/12/2009		MOD:848 EVO;XST:AUS,BRA,CHN,EUR,FRA,JAF	
24	77914842B	SCREW, SPECIAL	2	24/12/2009		MOD:848 EVO;XST:AUS,BRA,CHN,EUR,FRA,JAF	
25	76410511A	RUBBER PAD	1	29/03/2012		MOD:848 EVO;XST:AUS,BRA,CHN,EUR,FRA,JAF	
26	76410501A	RUBBER PAD	1	29/03/2012		MOD:848 EVO;XST:AUS,BRA,CHN,EUR,FRA,JAF	
27	11710882A	ROD, GEAR SHIFT LINK	1	24/12/2009		MOD:848 EVO;XST:AUS,BRA,CHN,EUR,FRA,JAF	
28	82411461AB	BRACKET FRONT LEFT FOOTREST	1	24/12/2009		MOD:848 EVO;XST:AUS,BRA,CHN,EUR,FRA,JAF	
29	74750011AB	NUT, LEFT THREAD M6	1	24/12/2009		MOD:848 EVO;XST:AUS,BRA,CHN,EUR,FRA,JAF	
30	88641161A	O-RING	2	29/03/2012		MOD:848 EVO;XST:AUS,BRA,CHN,EUR,FRA,JAF	



DRAWING 023 - CLUTCH MASTER CYLINDER [MOD:848 EVO;XST:AUS,BRA,CHN,EUR,FRA,JAP]

GROUP FRAME



BRB00261

DRAWING 023 - CLUTCH MASTER CYLINDER [MOD:848 EVO;XST:AUS,BRA,CHN,EUR,FRA,JAP]



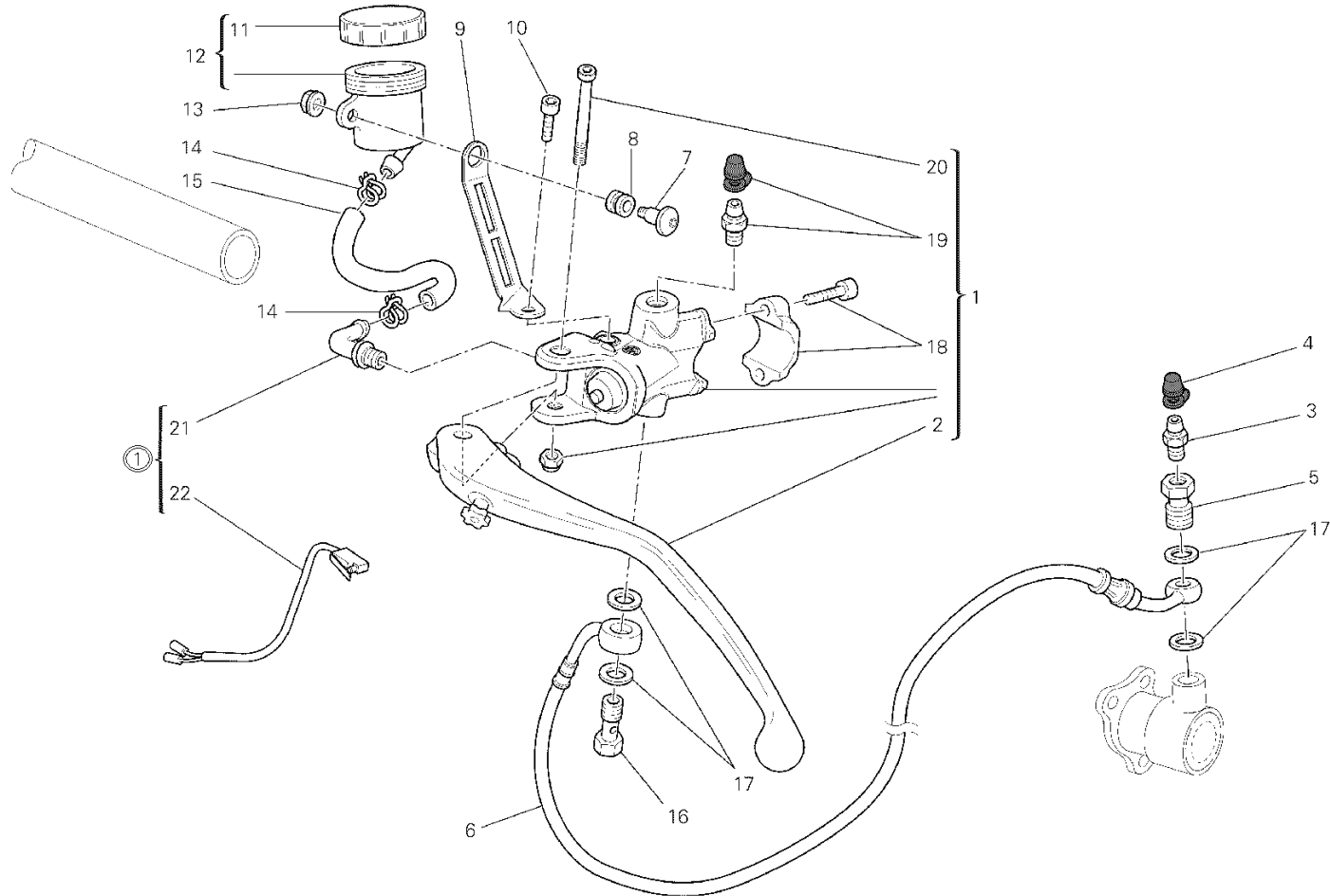
GROUP FRAME

POS.	CODE	DESCRIPTION	QTY	START DATE	END DATE	VALIDITY	NOTES
1	63040433A	CLUTCH PUMP	1	24/12/2009		MOD:848 EVO;XST:AUS,BRA,CHN,EUR,FRA,JAF	
2	63140171A	CLUTCH LEVER	1			MOD:848 EVO;XST:AUS,BRA,CHN,EUR,FRA,JAF	
3	18710021A	VALVE, BREATHER	1	24/12/2009		MOD:848 EVO;XST:AUS,BRA,CHN,EUR,FRA,JAF	
4	61240052A	DUST COVER (SACCHETTO Q.tà 20)	1			MOD:848 EVO;XST:AUS,BRA,CHN,EUR,FRA,JAF	
5	77913971A	BOLT, BRAKE HOSE	1	24/12/2009		MOD:848 EVO;XST:AUS,BRA,CHN,EUR,FRA,JAF	
6	63210421A	CLUTCH OIL HOSE	1	24/12/2009		MOD:848 EVO;XST:AUS,BRA,CHN,EUR,FRA,JAF	
7	77910921A	SCREW	1	13/04/2010		MOD:848 EVO;XST:AUS,BRA,CHN,EUR,FRA,JAF	
8	037072020	DAMPER	1	13/04/2010		MOD:848 EVO;XST:AUS,BRA,CHN,EUR,FRA,JAF	
9	82919451A	BRACKET, BRAKE FLUID TANK	1	24/12/2009		MOD:848 EVO;XST:AUS,BRA,CHN,EUR,FRA,JAF	
10	77950591A	SCREW TCEIR M6X10	1	13/04/2010		MOD:848 EVO;XST:AUS,BRA,CHN,EUR,FRA,JAF	
11	89340051A	COVER MASTER CYLINDER	1	01/05/2011		MOD:848 EVO;XST:AUS,BRA,CHN,EUR,FRA,JAF	
12	58540081A	RESERVOIR, BRAKE FLUID	1	24/12/2009		MOD:848 EVO;XST:AUS,BRA,CHN,EUR,FRA,JAF	
13	74941108B	NUT, SELF LOCKING M5	1	13/04/2010		MOD:848 EVO;XST:AUS,BRA,CHN,EUR,FRA,JAF	
14	74140431A	CLAMP	2	13/04/2010		MOD:848 EVO;XST:AUS,BRA,CHN,EUR,FRA,JAF	
15	87711131A	PIPE	1	24/12/2009		MOD:848 EVO;XST:AUS,BRA,CHN,EUR,FRA,JAF	
16	77913661AB	BOLT, BRAKE HOSE M10X1	1	13/04/2010		MOD:848 EVO;XST:AUS,BRA,CHN,EUR,FRA,JAF	
17	85250241A	WASHER 10X14X1	4	01/01/2011		MOD:848 EVO;XST:AUS,BRA,CHN,EUR,FRA,JAF	



DRAWING 023 - CLUTCH MASTER CYLINDER [MOD:848 EVO;XST:AUS,BRA,CHN,EUR,FRA,JAP]

GROUP FRAME



BRB00261

DRAWING 023 - CLUTCH MASTER CYLINDER [MOD:848 EVO;XST:AUS,BRA,CHN,EUR,FRA,JAP]



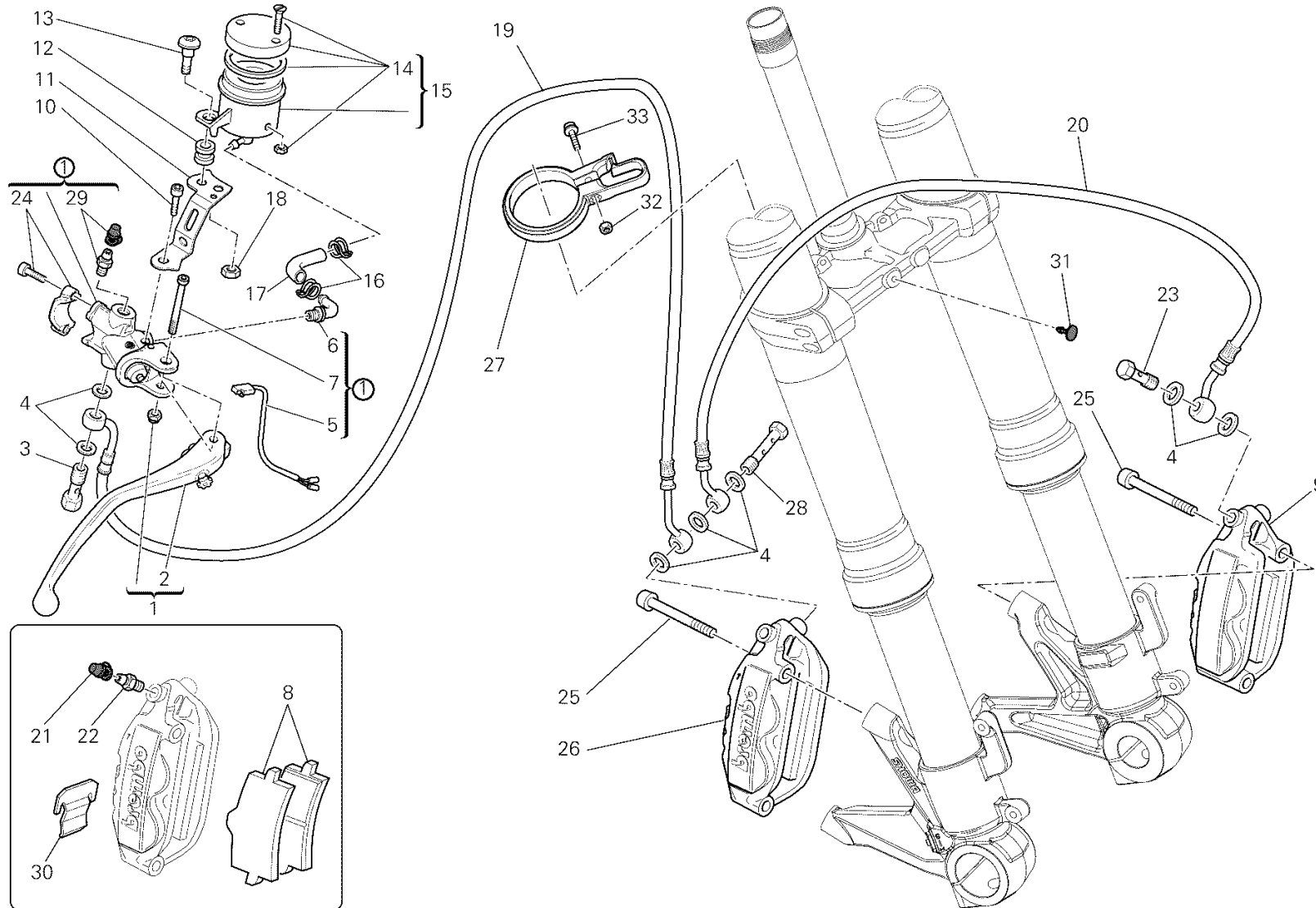
GROUP FRAME

POS.	CODE	DESCRIPTION	QTY	START DATE	END DATE	VALIDITY	NOTES
18	62640311A	BRACKET, MASTER CYLINDER	1			MOD:848 EVO;XST:AUS,BRA,CHN,EUR,FRA,JAF	
19	63140281A	DRAIN	1			MOD:848 EVO;XST:AUS,BRA,CHN,EUR,FRA,JAF	
20	62640561A	BOLT, LEVER	1			MOD:848 EVO;XST:AUS,BRA,CHN,EUR,FRA,JAF	
21	63140081A	JOINT, HOSE	1			MOD:848 EVO;XST:AUS,BRA,CHN,EUR,FRA,JAF	
22	53940361A	SWITCH, CLUTCH	1			MOD:848 EVO;XST:AUS,BRA,CHN,EUR,FRA,JAF	



DRAWING 024 - FRONT BRAKE SYSTEM [MOD:848 EVO;XST:AUS,BRA,CHN,EUR,FRA,JAP]

GROUP FRAME



BRB00317

DRAWING 024 - FRONT BRAKE SYSTEM [MOD:848 EVO;XST:AUS,BRA,CHN,EUR,FRA,JAP]



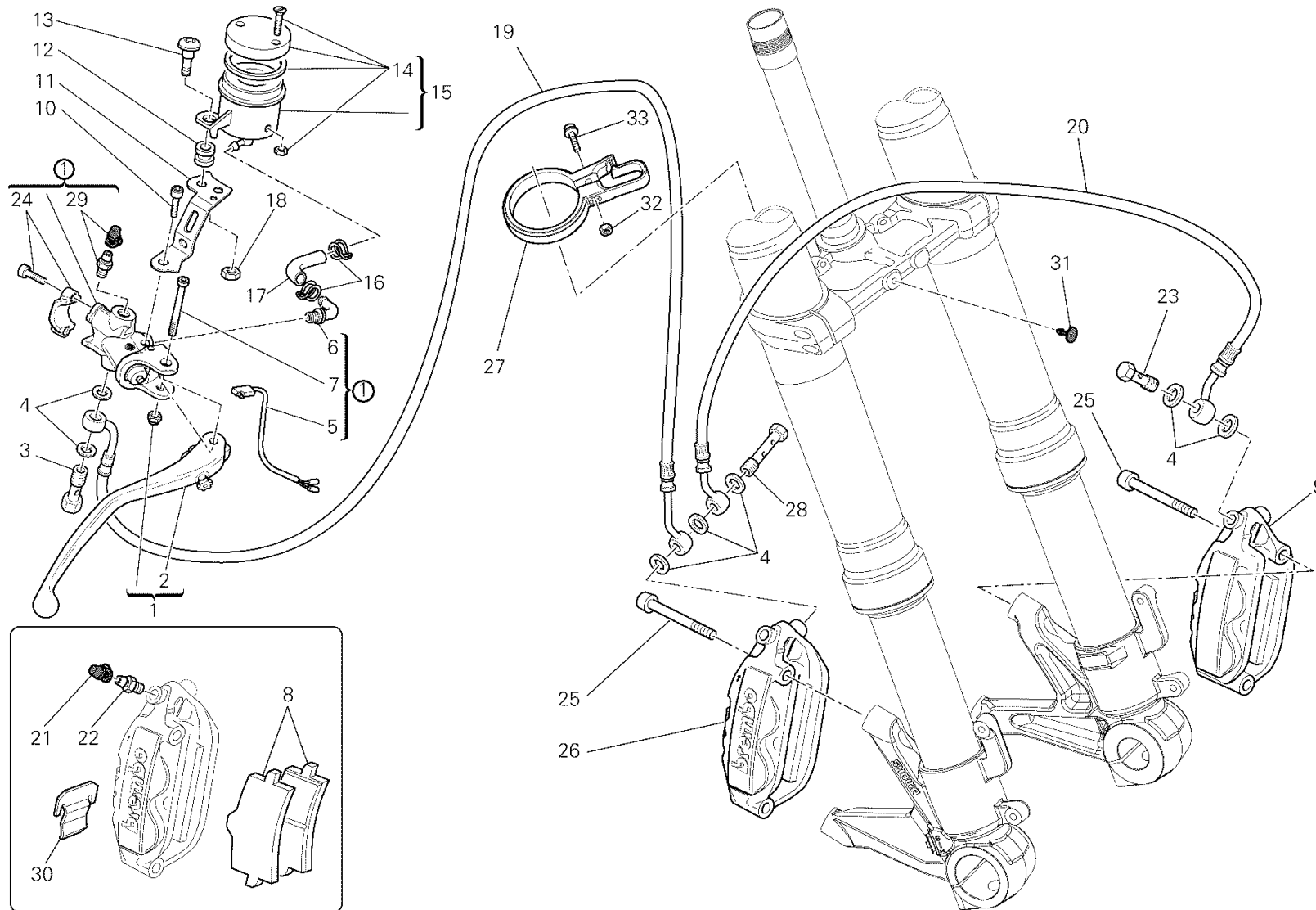
GROUP FRAME

POS.	CODE	DESCRIPTION	QTY	START DATE	END DATE	VALIDITY	NOTES
1	62440522A	FRONT BRAKE PUMP	1	13/04/2010		MOD:848 EVO;XST:AUS,BRA,CHN,EUR,FRA,JAF	
2	62640271A	LEVER, FRONT BRAKE	1			MOD:848 EVO;XST:AUS,BRA,CHN,EUR,FRA,JAF	
3	77914151A	BOLT, BRAKE HOSE	1	13/04/2010		MOD:848 EVO;XST:AUS,BRA,CHN,EUR,FRA,JAF	
4	85250241A	WASHER 10X14X1	7	13/04/2010		MOD:848 EVO;XST:AUS,BRA,CHN,EUR,FRA,JAF	
5	53940351A	FRONT BRAKE LIGHT SWITCH	1			MOD:848 EVO;XST:AUS,BRA,CHN,EUR,FRA,JAF	
6	63140081A	JOINT, HOSE	1			MOD:848 EVO;XST:AUS,BRA,CHN,EUR,FRA,JAF	
7	62640561A	BOLT, LEVER	1			MOD:848 EVO;XST:AUS,BRA,CHN,EUR,FRA,JAF	
8	61340791A	FRONT BRAKE PADS SET	2	24/12/2009		MOD:848 EVO;XST:AUS,BRA,CHN,EUR,FRA,JAF	
9	61040901A	LEFT FRONT BRAKE CALIPER	1	13/04/2010		MOD:848 EVO;XST:AUS,BRA,CHN,EUR,FRA,JAF	
10	77950591A	SCREW TCEIR M6X10	1	13/04/2010		MOD:848 EVO;XST:AUS,BRA,CHN,EUR,FRA,JAF	
11	82919461A	BRACKET, BRAKE FLUID TANK	1	13/04/2010		MOD:848 EVO;XST:AUS,BRA,CHN,EUR,FRA,JAF	
12	037072020	DAMPER	1	24/12/2009		MOD:848 EVO;XST:AUS,BRA,CHN,EUR,FRA,JAF	
13	77910921A	SCREW	1	13/04/2010		MOD:848 EVO;XST:AUS,BRA,CHN,EUR,FRA,JAF	
14	800068490	CAP BRAKE FLUID TANK	1			MOD:848 EVO;XST:AUS,BRA,CHN,EUR,FRA,JAF	
15	58540181A	RESERVOIR, BRAKE FLUID	1	13/04/2010		MOD:848 EVO;XST:AUS,BRA,CHN,EUR,FRA,JAF	
16	74140431A	CLAMP	2	24/12/2009		MOD:848 EVO;XST:AUS,BRA,CHN,EUR,FRA,JAF	
17	87711141A	PIPE	1	13/04/2010		MOD:848 EVO;XST:AUS,BRA,CHN,EUR,FRA,JAF	



DRAWING 024 - FRONT BRAKE SYSTEM [MOD:848 EVO;XST:AUS,BRA,CHN,EUR,FRA,JAP]

GROUP FRAME



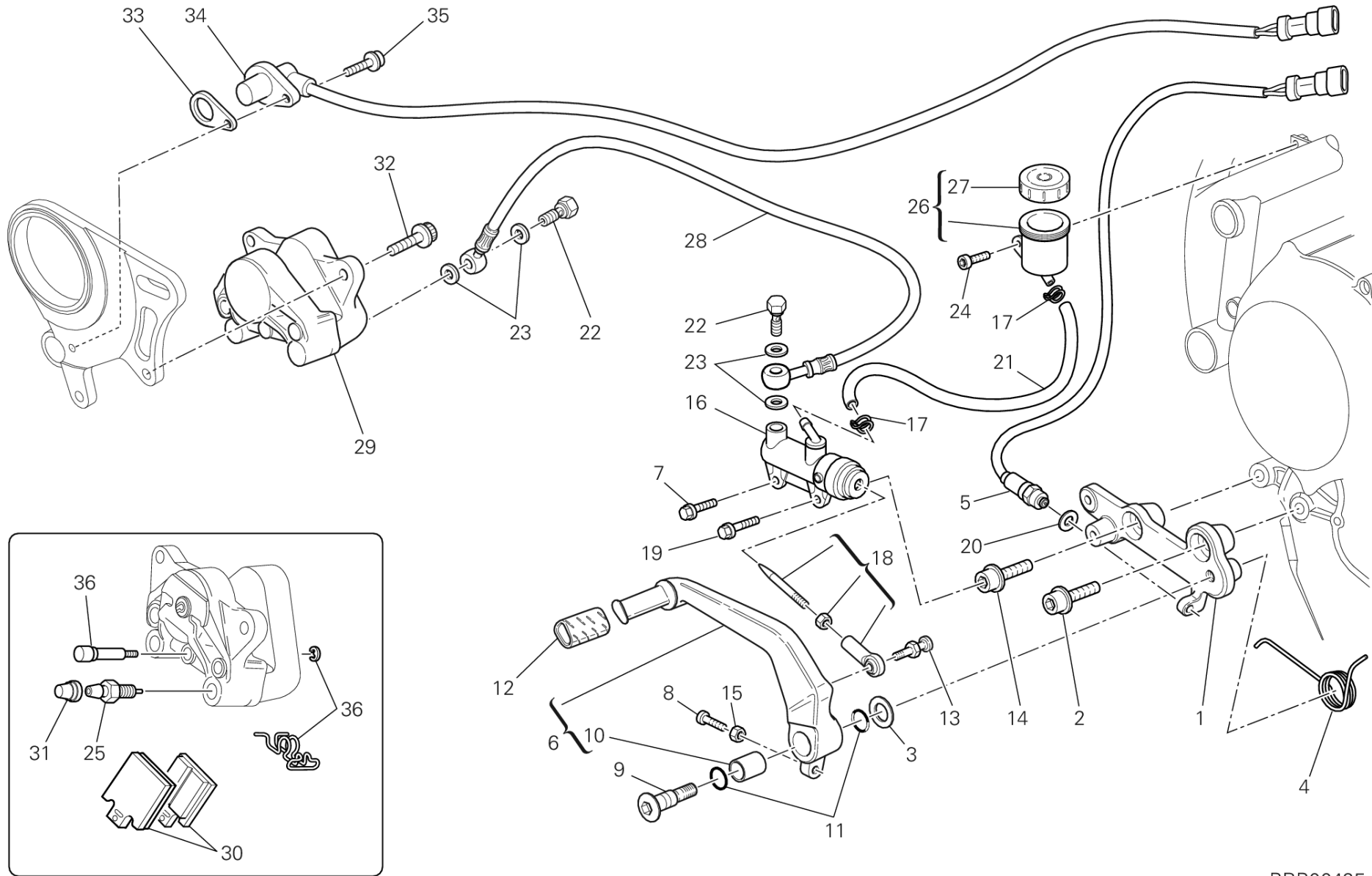
BRB00317

DRAWING 024 - FRONT BRAKE SYSTEM [MOD:848 EVO;XST:AUS,BRA,CHN,EUR,FRA,JAP]



GROUP FRAME

POS.	CODE	DESCRIPTION	QTY	START DATE	END DATE	VALIDITY	NOTES
18	74941108B	NUT, SELF LOCKING M5	1	13/04/2010		MOD:848 EVO;XST:AUS,BRA,CHN,EUR,FRA,JAF	
19	61840741A	HOSE, FRONT BRAKE CYLINDER-CALIPER	1	13/04/2010		MOD:848 EVO;XST:AUS,BRA,CHN,EUR,FRA,JAF	
20	61840751A	HOSE, FRONT BRAKE CALIPER-CALIPER	1	13/04/2010		MOD:848 EVO;XST:AUS,BRA,CHN,EUR,FRA,JAF	
21	61240052A	DUST COVER (SACCHETTO Q.tà 20)	2			MOD:848 EVO;XST:AUS,BRA,CHN,EUR,FRA,JAF	
22	18710021A	VALVE, BREATHER	2	23/04/2010		MOD:848 EVO;XST:AUS,BRA,CHN,EUR,FRA,JAF	
23	77913661AB	BOLT, BRAKE HOSE M10X1	1	24/12/2009		MOD:848 EVO;XST:AUS,BRA,CHN,EUR,FRA,JAF	
24	62640311A	BRACKET, MASTER CYLINDER	1			MOD:848 EVO;XST:AUS,BRA,CHN,EUR,FRA,JAF	
25	77913311D	SCREW M 10 X 60	4	13/04/2010		MOD:848 EVO;XST:AUS,BRA,CHN,EUR,FRA,JAF	
26	61040911A	RIGHT FRONT BRAKE CALIPER	1	13/04/2010		MOD:848 EVO;XST:AUS,BRA,CHN,EUR,FRA,JAF	
27	74110521AB	CLAMP	1	13/04/2010		MOD:848 EVO;XST:AUS,BRA,CHN,EUR,FRA,JAF	
28	77913091AB	SCREW, SPECIAL	1	13/04/2010		MOD:848 EVO;XST:AUS,BRA,CHN,EUR,FRA,JAF	
29	63140281A	DRAIN	1			MOD:848 EVO;XST:AUS,BRA,CHN,EUR,FRA,JAF	
30	61240371A	SPRING, PAD STOPPER	2	24/12/2009		MOD:848 EVO;XST:AUS,BRA,CHN,EUR,FRA,JAF	
31	87240561A	PLUG	1	22/04/2010		MOD:848 EVO;XST:AUS,BRA,CHN,EUR,FRA,JAF	
32	74750111A	NUT M5	1	19/04/2010		MOD:848 EVO;XST:AUS,BRA,CHN,EUR,FRA,JAF	
33	77156458B	SCREW TCEIF M5X25	1	19/04/2010		MOD:848 EVO;XST:AUS,BRA,CHN,EUR,FRA,JAF	



BRB00425

DRAWING 025 - REAR BRAKE SYSTEM [MOD:848 EVO;XST:AUS,BRA,CHN,EUR,FRA,JAP]

GROUP FRAME

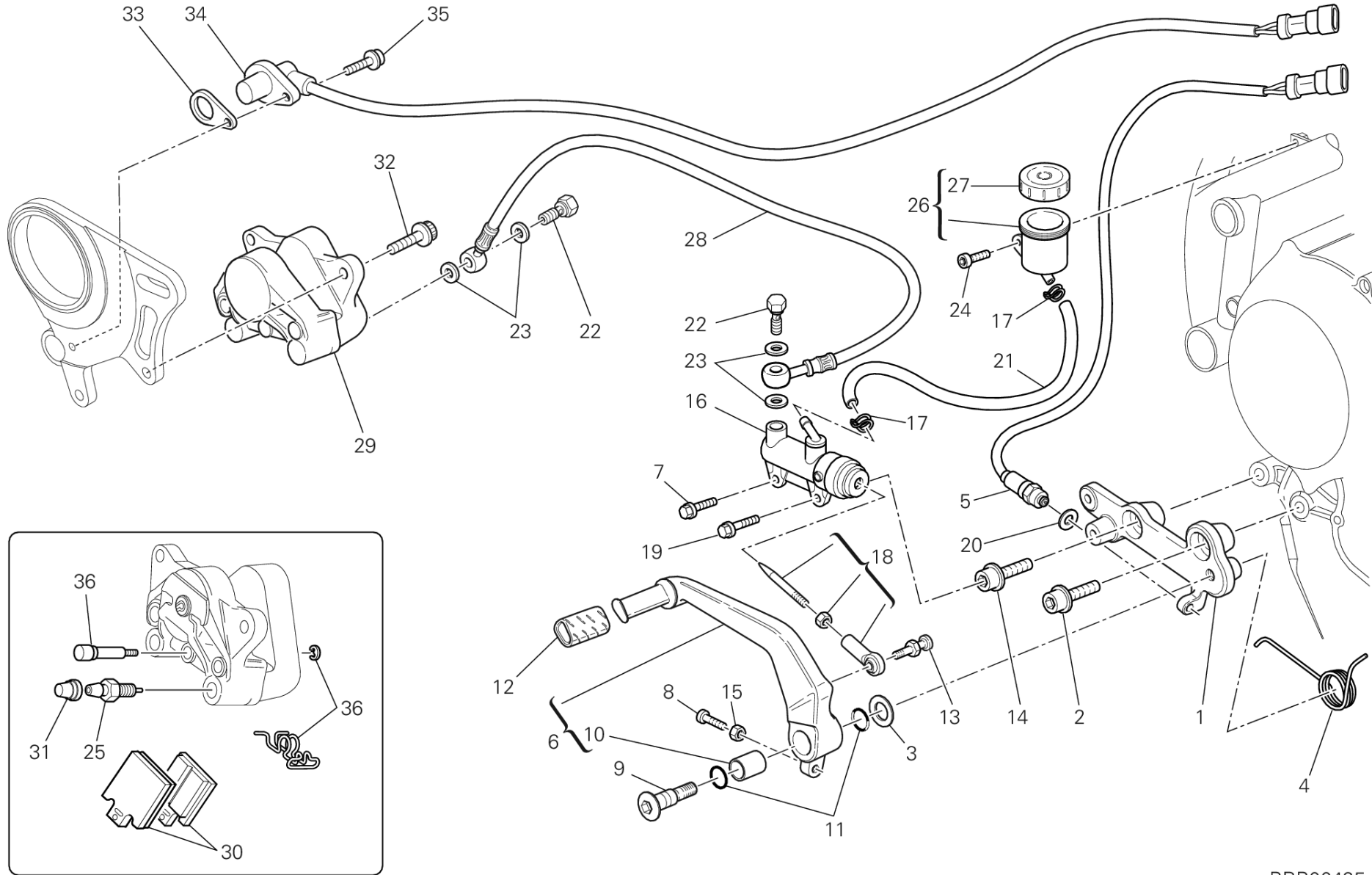


POS.	CODE	DESCRIPTION	QTY	START DATE	END DATE	VALIDITY	NOTES
1	82919421A	BRACKET, REAR MASTER CYLINDER	1	01/01/2001		MOD:848 EVO;XST:AUS,BRA,CHN,EUR,FRA,JAF	
2	77157568B	SCREW TCEIF M10X30	1	29/03/2012		MOD:848 EVO;XST:AUS,BRA,CHN,EUR,FRA,JAF	
3	85210532A	WASHER 8.2X20X1	1	24/12/2009		MOD:848 EVO;XST:AUS,BRA,CHN,EUR,FRA,JAF	
4	79912561A	SPRING	1	01/01/2001		MOD:848 EVO;XST:AUS,BRA,CHN,EUR,FRA,JAF	
5	53940031B	SWITCH, REAR BRAKE	1	01/01/2001		MOD:848 EVO;XST:AUS,BRA,CHN,EUR,FRA,JAF	
6	45720421AB	PEDAL, BRAKE	1	01/01/2001		MOD:848 EVO;XST:AUS,BRA,CHN,EUR,FRA,JAF	
7	77210601A	SCREW TEF M6X16	1	29/03/2012		MOD:848 EVO;XST:AUS,BRA,CHN,EUR,FRA,JAF	
8	77912371B	SCREW	1	01/01/2001		MOD:848 EVO;XST:AUS,BRA,CHN,EUR,FRA,JAF	
9	82111701B	PIN PEDAL	1	23/11/2010		MOD:848 EVO;XST:AUS,BRA,CHN,EUR,FRA,JAF	
10	71210341A	BUSH	1	24/12/2009		MOD:848 EVO;XST:AUS,BRA,CHN,EUR,FRA,JAF	
11	88641161A	O-RING	2	24/12/2009		MOD:848 EVO;XST:AUS,BRA,CHN,EUR,FRA,JAF	
12	76410112A	COVER PEDAL	1	24/12/2009		MOD:848 EVO;XST:AUS,BRA,CHN,EUR,FRA,JAF	
13	82112731A	PIN	1	01/01/2001		MOD:848 EVO;XST:AUS,BRA,CHN,EUR,FRA,JAF	
14	77914932A	SCREW, SPECIAL	1	29/03/2012		MOD:848 EVO;XST:AUS,BRA,CHN,EUR,FRA,JAF	
15	74750031A	NUT 6MM	1	24/12/2009		MOD:848 EVO;XST:AUS,BRA,CHN,EUR,FRA,JAF	
16	62540211A	REAR BRAKE PUMP	1	24/10/2012		MOD:848 EVO;XST:AUS,BRA,CHN,EUR,FRA,JAF	
17	74140431A	CLAMP	2	24/12/2009		MOD:848 EVO;XST:AUS,BRA,CHN,EUR,FRA,JAF	



DRAWING 025 - REAR BRAKE SYSTEM [MOD:848 EVO;XST:AUS,BRA,CHN,EUR,FRA,JAP]

GROUP FRAME



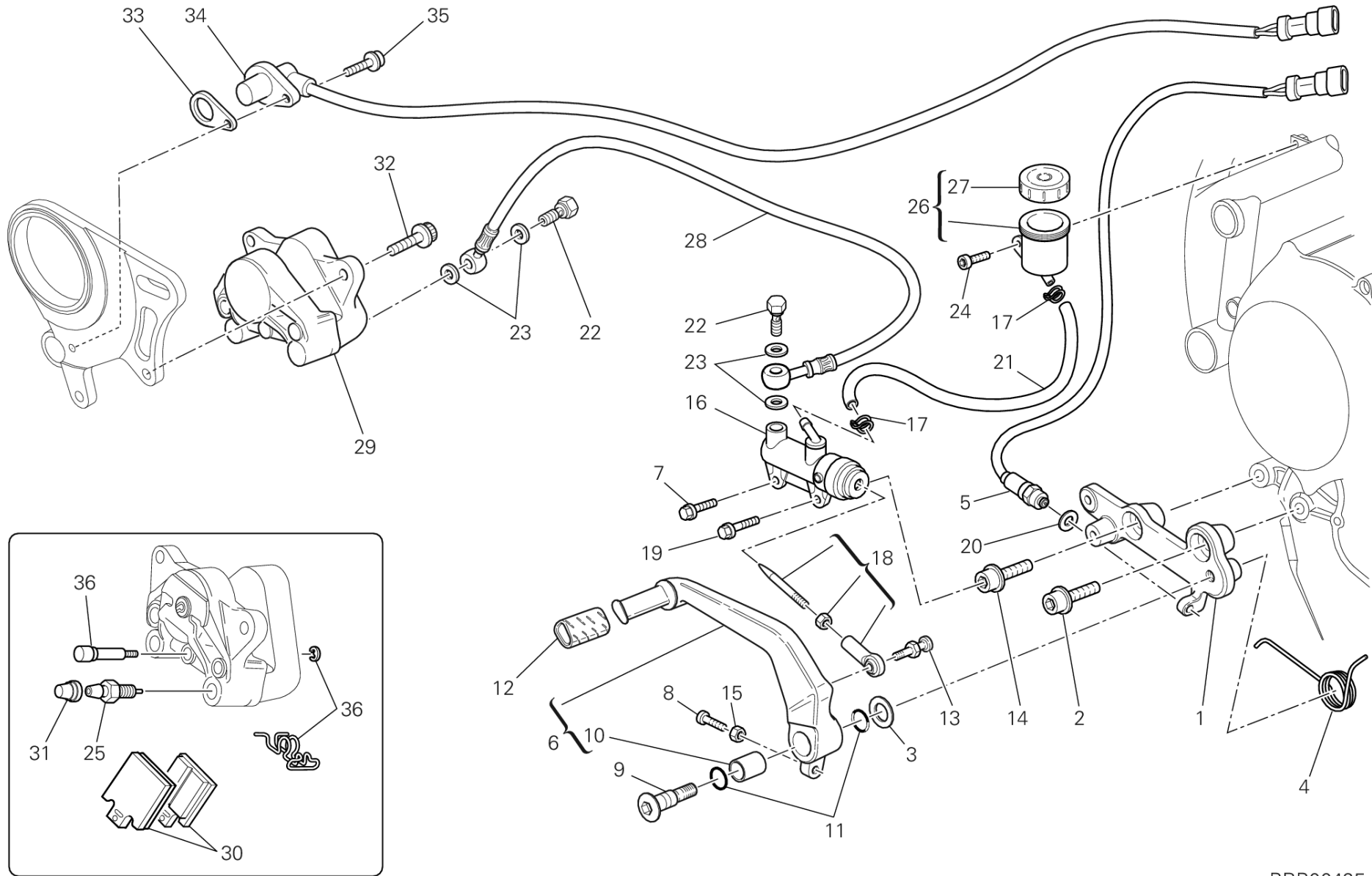
BRB00425

DRAWING 025 - REAR BRAKE SYSTEM [MOD:848 EVO;XST:AUS,BRA,CHN,EUR,FRA,JAP]

GROUP FRAME



POS.	CODE	DESCRIPTION	QTY	START DATE	END DATE	VALIDITY	NOTES
18	11720611A	ROD, BRAKE	1	24/12/2009		MOD:848 EVO;XST:AUS,BRA,CHN,EUR,FRA,JAF	
19	77210631A	SCREW TEF M6X20	1	29/03/2012		MOD:848 EVO;XST:AUS,BRA,CHN,EUR,FRA,JAF	
20	42020008A	COPPER GASKET 11X8.2X1	1	01/01/2001		MOD:848 EVO;XST:AUS,BRA,CHN,EUR,FRA,JAF	
21	87710911A	PIPE	1	24/10/2012		MOD:848 EVO;XST:AUS,BRA,CHN,EUR,FRA,JAF	
22	77913661AB	BOLT, BRAKE HOSE M10X1	2	24/12/2009		MOD:848 EVO;XST:AUS,BRA,CHN,EUR,FRA,JAF	
23	85250241A	WASHER 10X14X1	4	24/10/2012		MOD:848 EVO;XST:AUS,BRA,CHN,EUR,FRA,JAF	
24	77350628B	SCREW TCEIR M6X10	1	29/03/2012		MOD:848 EVO;XST:AUS,BRA,CHN,EUR,FRA,JAF	
25	63140161A	FRONT CALIPER DRAIN SCREW	1			MOD:848 EVO;XST:AUS,BRA,CHN,EUR,FRA,JAF	
26	58540011A	RESERVOIR, BRAKE FLUID	1	24/12/2009		MOD:848 EVO;XST:AUS,BRA,CHN,EUR,FRA,JAF	
27	89340051A	COVER MASTER CYLINDER	1	24/12/2009		MOD:848 EVO;XST:AUS,BRA,CHN,EUR,FRA,JAF	
28	61940341A	REAR BRAKE HOSE	1	24/12/2009		MOD:848 EVO;XST:AUS,BRA,CHN,EUR,FRA,JAF	
29	61140201A	REAR BRAKE CALIPER	1	24/12/2009		MOD:848 EVO;XST:AUS,BRA,CHN,EUR,FRA,JAF	
30	61340381A	REAR BRAKE PADS SET	1	14/03/2012		MOD:848 EVO;XST:AUS,BRA,CHN,EUR,FRA,JAF	
31	61240081A	DUST PLUG	1			MOD:848 EVO;XST:AUS,BRA,CHN,EUR,FRA,JAF	
32	77157238B	SCREW TCEIF M8X20	2	01/01/2001		MOD:848 EVO;XST:AUS,BRA,CHN,EUR,FRA,JAF	
33	71311921A	SPACER	1	29/03/2012		MOD:848 EVO;XST:AUS,BRA,CHN,EUR,FRA,JAF	
34	55240372E	SENSOR, SPEED	1	29/03/2012		MOD:848 EVO;XST:AUS,BRA,CHN,EUR,FRA,JAF	



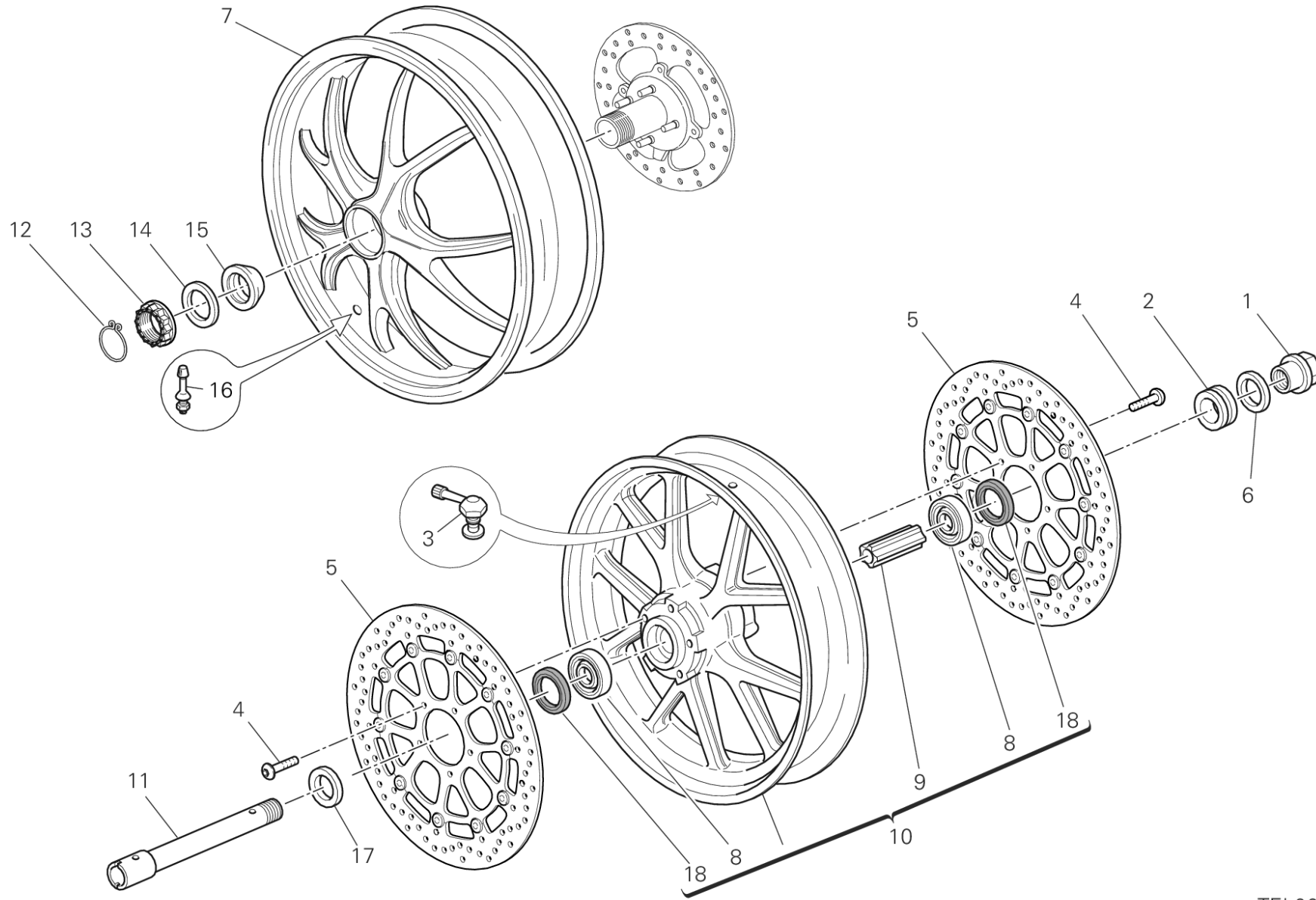
BRB00425

DRAWING 025 - REAR BRAKE SYSTEM [MOD:848 EVO;XST:AUS,BRA,CHN,EUR,FRA,JAP]

GROUP FRAME



POS.	CODE	DESCRIPTION	QTY	START DATE	END DATE	VALIDITY	NOTES
35	77156658B	SCREW TCEIF M6X16	1	29/03/2012		MOD:848 EVO;XST:AUS,BRA,CHN,EUR,FRA,JAF	
36	61240161A	PAD PINS OVERHAUL KIT	1			MOD:848 EVO;XST:AUS,BRA,CHN,EUR,FRA,JAF	



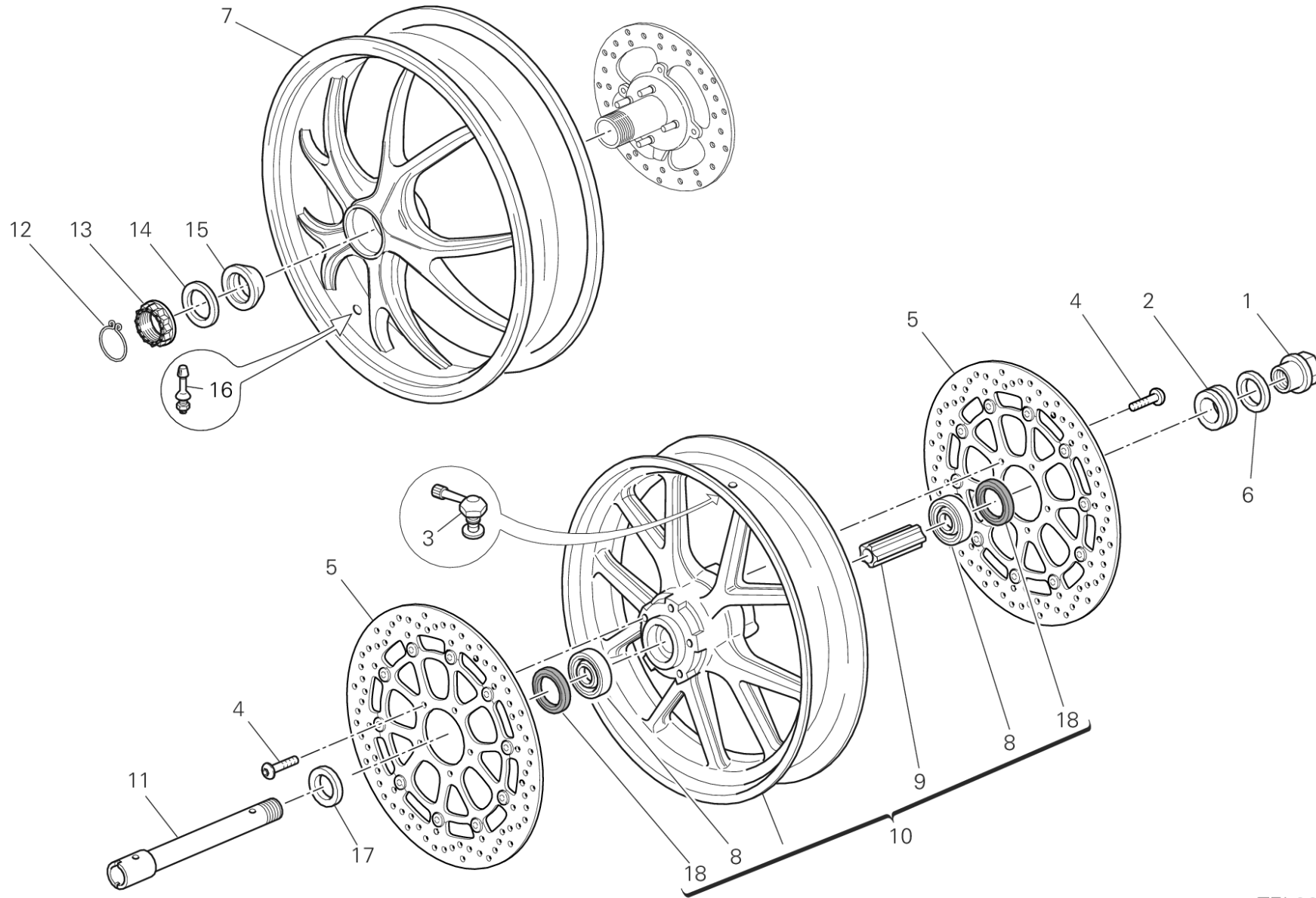
TEL00434

DRAWING 026 - WHEELS [MOD:848 EVO;XST:AUS,BRA,CHN,EUR,FRA,JAP]

GROUP FRAME



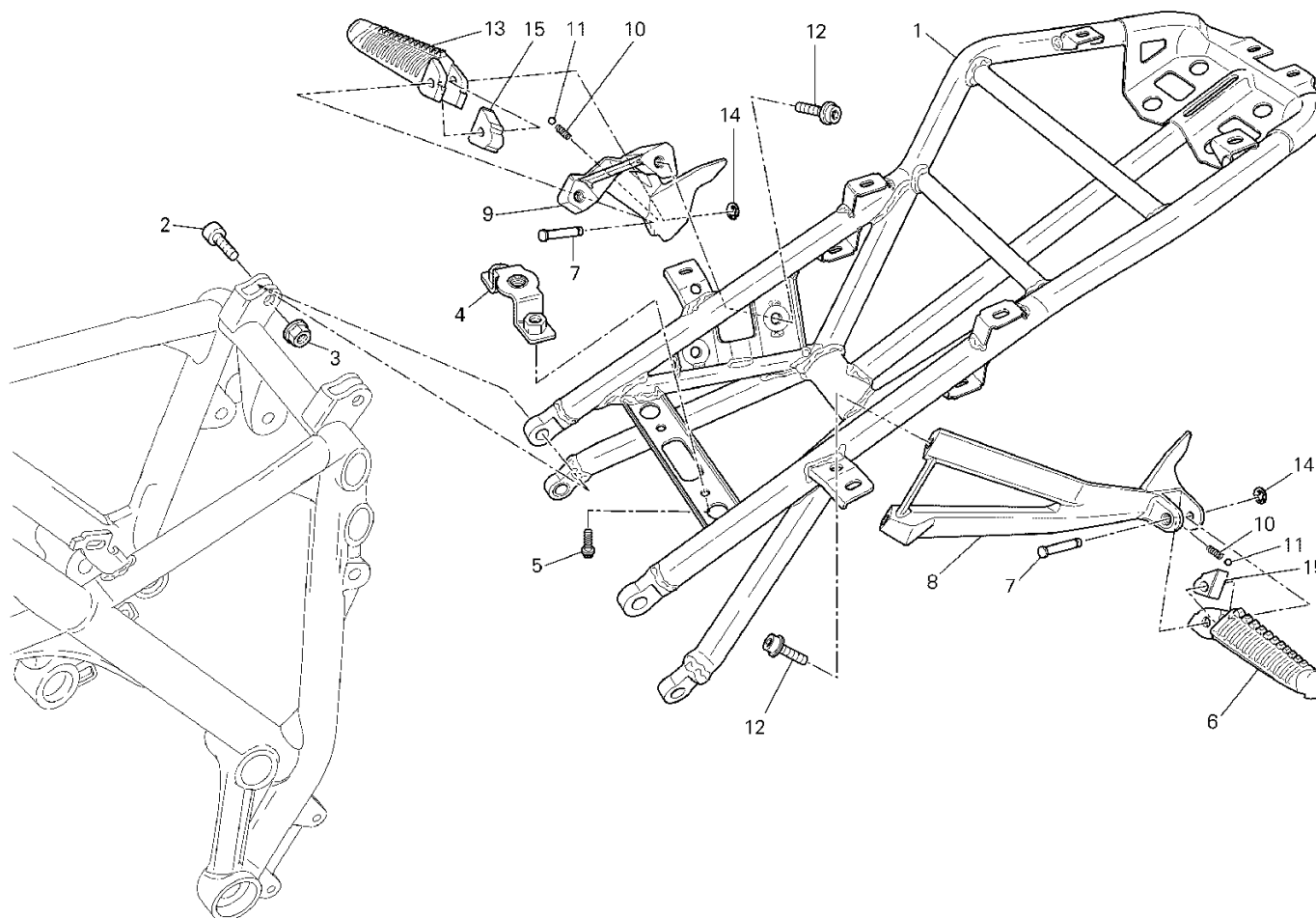
POS.	CODE	DESCRIPTION	QTY	START DATE	END DATE	VALIDITY	NOTES
1	74810651A	NUT	1	29/03/2012		MOD:848 EVO;XST:AUS,BRA,CHN,EUR,FRA,JAF	
2	71311973A	LEFT SPACER	1	29/03/2012		MOD:848 EVO;XST:AUS,BRA,CHN,EUR,FRA,JAF	
3	49720041A	VALVE, TUBELESS TIRE	1	26/10/2012		MOD:848 EVO;XST:AUS,BRA,CHN,EUR,FRA,JAF	
4	72010513C	SCREW	10	26/10/2012		MOD:848 EVO;XST:AUS,BRA,CHN,EUR,FRA,JAF	
5	49240851A	FRONT BRAKE DISC	2	01/01/2009		MOD:848 EVO;XST:AUS,BRA,CHN,EUR,FRA,JAF	
6	85212221A	WASHER 30X40X1	1	29/03/2012		MOD:848 EVO;XST:AUS,BRA,CHN,EUR,FRA,JAF	
7	50211332AA	REAR WHEEL RIM RED	1	01/01/2009		MOD:848 EVO;XST:AUS,BRA,CHN,EUR,FRA,JAF	
	50211332AB	REAR WHEEL RIM BLACK	1	01/01/2009		MOD:848 EVO;XST:AUS,BRA,CHN,EUR,FRA,JAF	
8	70250621A	BEARING	2	27/04/2010		MOD:848 EVO;XST:AUS,BRA,CHN,EUR,FRA,JAF	
9	71410941A	INNER SPACER	1	27/04/2010		MOD:848 EVO;XST:AUS,BRA,CHN,EUR,FRA,JAF	
10	50121303AA	FRONT WHEEL RIM RED	1	01/01/2009		MOD:848 EVO;XST:AUS,BRA,CHN,EUR,FRA,JAF	
	50121303AB	FRONT WHEEL RIM BLACK	1	01/01/2009		MOD:848 EVO;XST:AUS,BRA,CHN,EUR,FRA,JAF	
11	81910601A	FRONT WHEEL SPINDLE	1	19/03/2010		MOD:848 EVO;XST:AUS,BRA,CHN,EUR,FRA,JAF	
12	75910091A	RETAINER 40MM	1	29/03/2012		MOD:848 EVO;XST:AUS,BRA,CHN,EUR,FRA,JAF	
13	75011591AA	NUT	1	20/09/2010		MOD:848 EVO;XST:AUS,BRA,CHN,EUR,FRA,JAF	
14	85210571A	WASHER	1	29/03/2012		MOD:848 EVO;XST:AUS,BRA,CHN,EUR,FRA,JAF	
15	71410271A	WASHER, CONICAL SPRING	1	19/03/2010		MOD:848 EVO;XST:AUS,BRA,CHN,EUR,FRA,JAF	



TEL00434



POS.	CODE	DESCRIPTION	QTY	START DATE	END DATE	VALIDITY	NOTES
16	49720031A	VALVE, TUBELESS TIRE	1	01/01/2009		MOD:848 EVO;XST:AUS,BRA,CHN,EUR,FRA,JAF	
17	71311961A	RIGHT SPACER	1	29/03/2012		MOD:848 EVO;XST:AUS,BRA,CHN,EUR,FRA,JAF	
18	93041501A	SEAL RING	2	27/04/2010		MOD:848 EVO;XST:AUS,BRA,CHN,EUR,FRA,JAF	



TEL00570

DRAWING 027 - REAR FRAME [MOD:848 EVO;XST:AUS,BRA,CHN,EUR,FRA,JAP]

GROUP FRAME

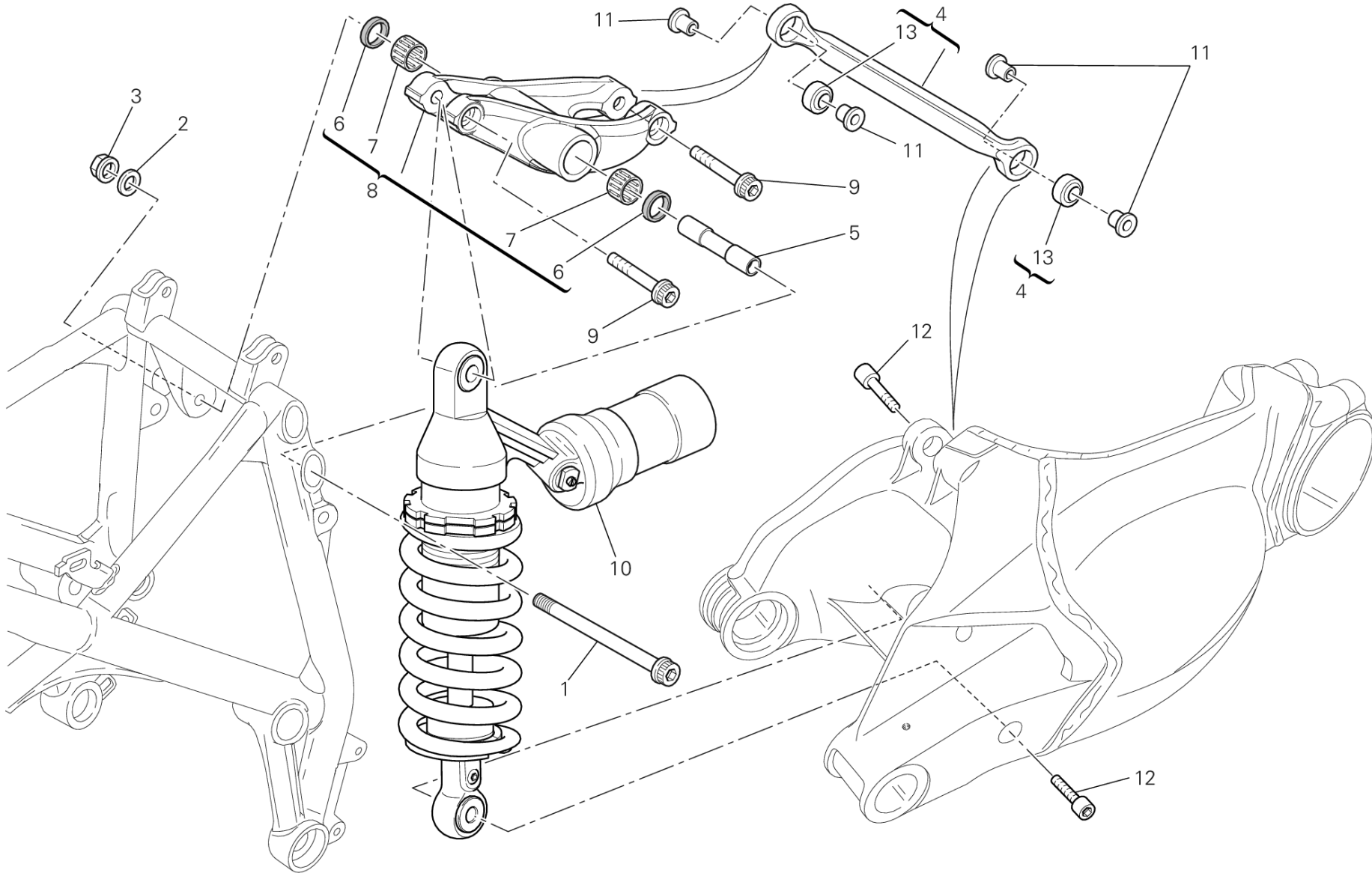


POS.	CODE	DESCRIPTION	QTY	START DATE	END DATE	VALIDITY	NOTES
1	47017021AG	REAR FRAME COMP.	1	01/06/2012		MOD:848 EVO;XST:AUS,BRA,CHN,EUR,FRA,JAF	
2	77210873A	SCREW TCEI M8X25	4	29/03/2012		MOD:848 EVO;XST:AUS,BRA,CHN,EUR,FRA,JAF	
3	74941128B	NUT M8	4	29/03/2012		MOD:848 EVO;XST:AUS,BRA,CHN,EUR,FRA,JAF	
4	83014181A	BRACKET	1	01/01/2001		MOD:848 EVO;XST:AUS,BRA,CHN,EUR,FRA,JAF	
5	77210501C	SCREW TEF M6X12	2	01/01/2001		MOD:848 EVO;XST:AUS,BRA,CHN,EUR,FRA,JAF	
6	46410551A	LEFT FOOTREST	1	24/12/2009		MOD:848 EVO;XST:AUS,BRA,CHN,EUR,FRA,JAF	
7	82110511AB	FOOTREST PIN	2	24/12/2009		MOD:848 EVO;XST:AUS,BRA,CHN,EUR,FRA,JAF	
8	82411251AB	BRACKET, PILLION FOOTREST LH	1	29/03/2012		MOD:848 EVO;XST:AUS,BRA,CHN,EUR,FRA,JAF	
9	82411241AB	BRACKET, PILLION FOOTREST RH	1	29/03/2012		MOD:848 EVO;XST:AUS,BRA,CHN,EUR,FRA,JAF	
10	79910241A	SPRING	2	29/03/2012		MOD:848 EVO;XST:AUS,BRA,CHN,EUR,FRA,JAF	
11	84740021A	BALL	2	29/03/2012		MOD:848 EVO;XST:AUS,BRA,CHN,EUR,FRA,JAF	
12	77157238B	SCREW TCEIF M8X20	4	24/12/2009		MOD:848 EVO;XST:AUS,BRA,CHN,EUR,FRA,JAF	
13	46410561A	RIGHT FOOTREST	1	24/12/2009		MOD:848 EVO;XST:AUS,BRA,CHN,EUR,FRA,JAF	
14	88450031A	CIRCLIP E-TYPE	2	24/12/2009		MOD:848 EVO;XST:AUS,BRA,CHN,EUR,FRA,JAF	
15	69610121A	BLOCK	2	29/03/2012		MOD:848 EVO;XST:AUS,BRA,CHN,EUR,FRA,JAF	



DRAWING 028 - REAR SHOCK ABSORBER [MOD:848 EVO;XST:AUS,BRA,CHN,EUR,FRA,JAP]

GROUP FRAME



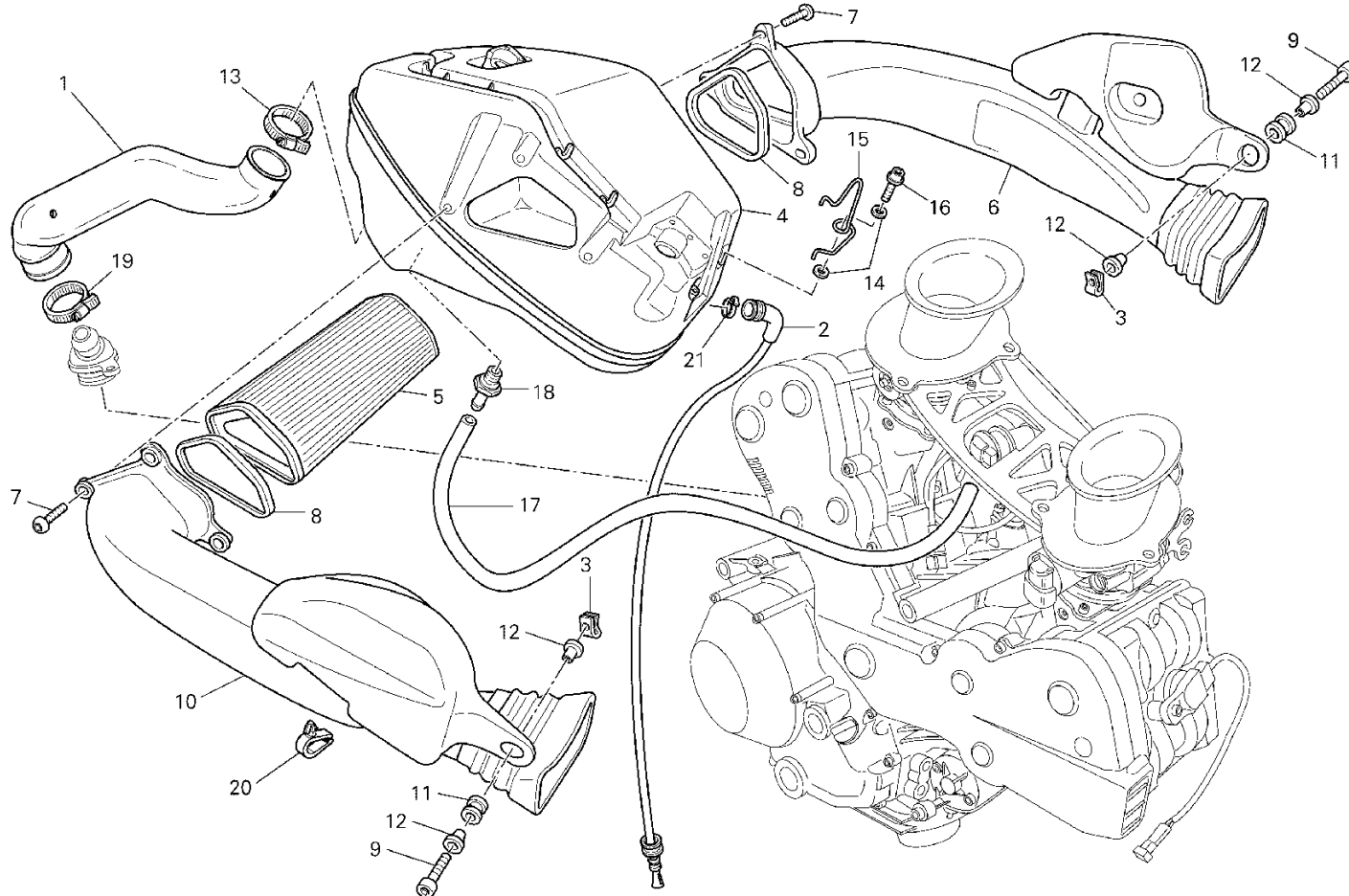
SOS00652

DRAWING 028 - REAR SHOCK ABSORBER [MOD:848 EVO;XST:AUS,BRA,CHN,EUR,FRA,JAP]



GROUP FRAME

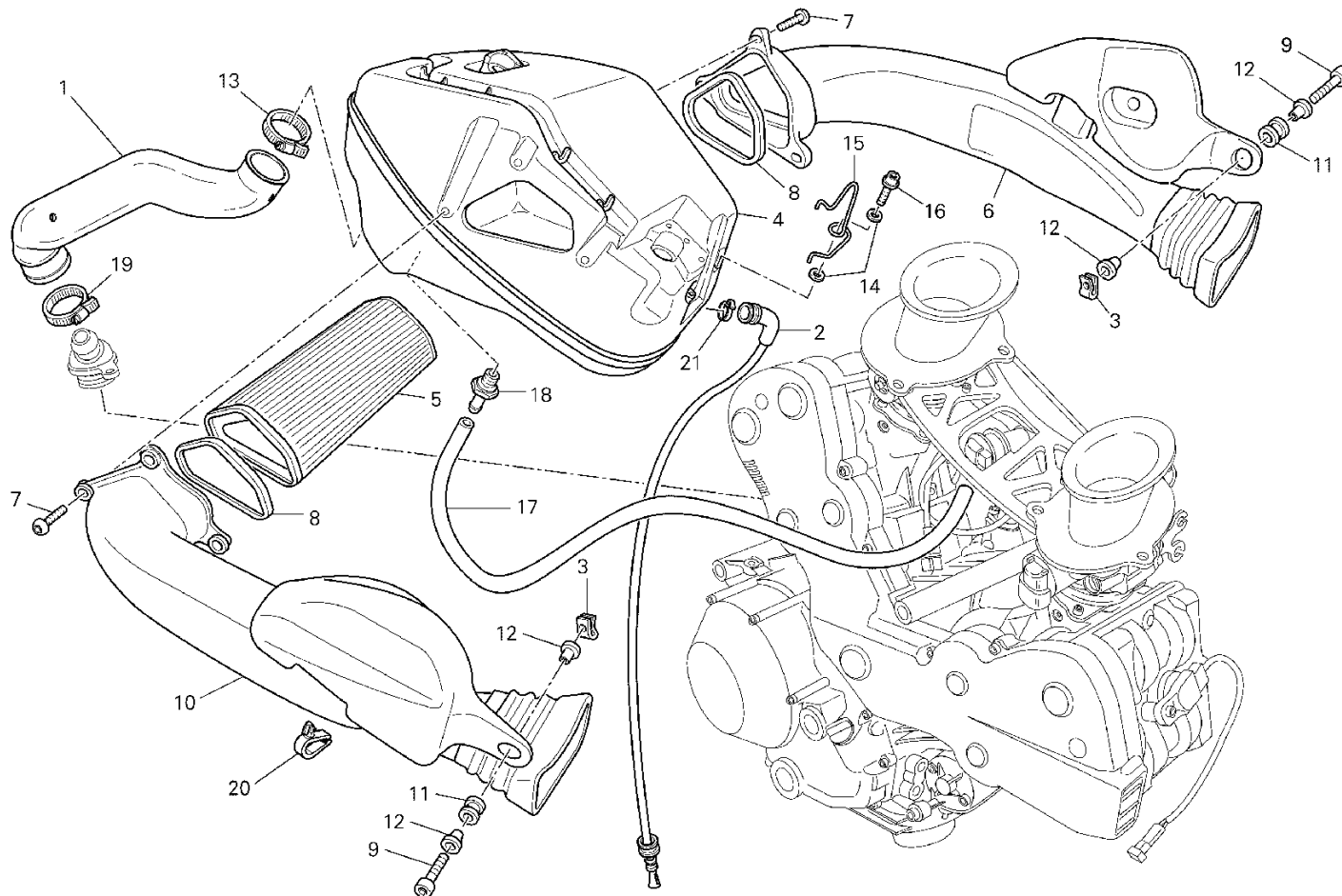
POS.	CODE	DESCRIPTION	QTY	START DATE	END DATE	VALIDITY	NOTES
1	77110311A	SCREW M10X1.25X127.5	1	24/12/2009		MOD:848 EVO;XST:AUS,BRA,CHN,EUR,FRA,JAF	
2	71312391A	WASHER	1	29/03/2012		MOD:848 EVO;XST:AUS,BRA,CHN,EUR,FRA,JAF	
3	74840371AB	NUT M10X1.25X10	1	29/03/2012		MOD:848 EVO;XST:AUS,BRA,CHN,EUR,FRA,JAF	
4	37220681A	ROD, REAR CUSHION LEVER	1	29/03/2012		MOD:848 EVO;XST:AUS,BRA,CHN,EUR,FRA,JAF	
5	71510031A	SPACER	1	24/12/2009		MOD:848 EVO;XST:AUS,BRA,CHN,EUR,FRA,JAF	
6	93040111A	OIL SEAL	2	24/12/2009		MOD:848 EVO;XST:AUS,BRA,CHN,EUR,FRA,JAF	
7	70140041A	BEARING, NEEDLE	2	24/12/2009		MOD:848 EVO;XST:AUS,BRA,CHN,EUR,FRA,JAF	
8	37220622A	LEVER SET, REAR CUSHION	1	24/12/2009		MOD:848 EVO;XST:AUS,BRA,CHN,EUR,FRA,JAF	
9	77159388B	SCREW TCEIF M10X50X1.25	2	29/03/2012		MOD:848 EVO;XST:AUS,BRA,CHN,EUR,FRA,JAF	
10	36520742A	SHOCK-ABSORBER	1	19/01/2010		MOD:848 EVO;XST:AUS,BRA,CHN,EUR,FRA,JAF	
11	71011321A	BUSH 10X18X11	4	29/03/2012		MOD:848 EVO;XST:AUS,BRA,CHN,EUR,FRA,JAF	
12	77915041A	SCREW	2	29/03/2012		MOD:848 EVO;XST:AUS,BRA,CHN,EUR,FRA,JAF	
13	84840111A	BALL JOINT	2	24/12/2009		MOD:848 EVO;XST:AUS,BRA,CHN,EUR,FRA,JAF	



RAF00364



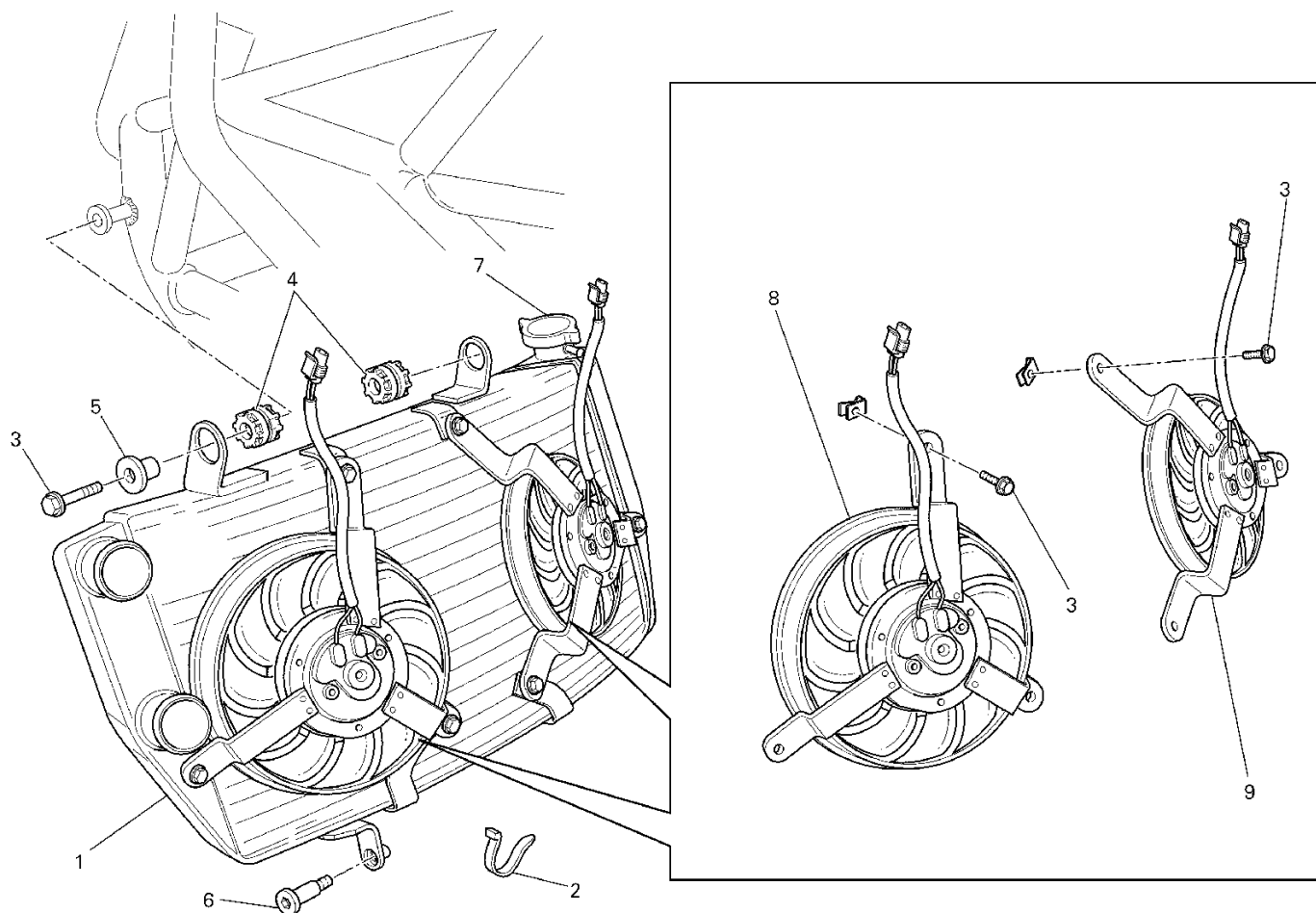
POS.	CODE	DESCRIPTION	QTY	START DATE	END DATE	VALIDITY	NOTES
1	87611022B	HOSE, DRAIN	1	19/03/2010		MOD:848 EVO;XST:AUS,BRA,CHN,EUR,FRA,JAF	
2	87720061B	HOSE, DRAIN	1	01/01/2001		MOD:848 EVO;XST:AUS,BRA,CHN,EUR,FRA,JAF	
3	85040381A	QUICK FASTENING	2	29/03/2012		MOD:848 EVO;XST:AUS,BRA,CHN,EUR,FRA,JAF	
4	44211393B	CASE, AIR CLEANER	1	01/01/2001		MOD:848 EVO;XST:AUS,BRA,CHN,EUR,FRA,JAF	
5	42610201A	FILTER, AIR	1	19/03/2010		MOD:848 EVO;XST:AUS,BRA,CHN,EUR,FRA,JAF	
6	44211482A	LEFT AIR MANIFOLD	1	01/01/2001		MOD:848 EVO;XST:AUS,BRA,CHN,EUR,FRA,JAF	
7	77210422A	SCREW	6	29/03/2012		MOD:848 EVO;XST:AUS,BRA,CHN,EUR,FRA,JAF	
8	78810981A	SEAL, AIR DUCT	2	01/01/2001		MOD:848 EVO;XST:AUS,BRA,CHN,EUR,FRA,JAF	
9	77250381AB	SCREW TEF M6X30	2	29/03/2012		MOD:848 EVO;XST:AUS,BRA,CHN,EUR,FRA,JAF	
10	44211492A	RIGHT AIR MANIFOLD	1	01/01/2001		MOD:848 EVO;XST:AUS,BRA,CHN,EUR,FRA,JAF	
11	76410561B	GROMMET 8X14X23	2	01/01/2001		MOD:848 EVO;XST:AUS,BRA,CHN,EUR,FRA,JAF	
12	71610431B	SPACER	4	29/03/2012		MOD:848 EVO;XST:AUS,BRA,CHN,EUR,FRA,JAF	
13	74141651A	CLAMP	1	29/03/2012		MOD:848 EVO;XST:AUS,BRA,CHN,EUR,FRA,JAF	
14	85212511A	WASHER 4.5X9X0.5	2	29/03/2012		MOD:848 EVO;XST:AUS,BRA,CHN,EUR,FRA,JAF	
15	75810361A	FAIRLEAD	1	01/01/2001		MOD:848 EVO;XST:AUS,BRA,CHN,EUR,FRA,JAF	
16	77310051A	SCREW TCEIR M4X10	1			MOD:848 EVO;XST:AUS,BRA,CHN,EUR,FRA,JAF	
17	93410101A	DUCT, AIR	1			MOD:848 EVO;XST:AUS,BRA,CHN,EUR,FRA,JAF	



RAF00364



POS.	CODE	DESCRIPTION	QTY	START DATE	END DATE	VALIDITY	NOTES
18	81413121A	PRESSURE PICK-UP POINT	1	01/01/2001		MOD:848 EVO;XST:AUS,BRA,CHN,EUR,FRA,JAF	
19	74141861A	CLAMP 20-32 MM	1	29/03/2012		MOD:848 EVO;XST:AUS,BRA,CHN,EUR,FRA,JAF	
20	75840151A	CLAMP, WIRE	1	01/01/2001		MOD:848 EVO;XST:AUS,BRA,CHN,EUR,FRA,JAF	
21	74140631A	CLAMP	1	01/01/2001		MOD:848 EVO;XST:AUS,BRA,CHN,EUR,FRA,JAF	



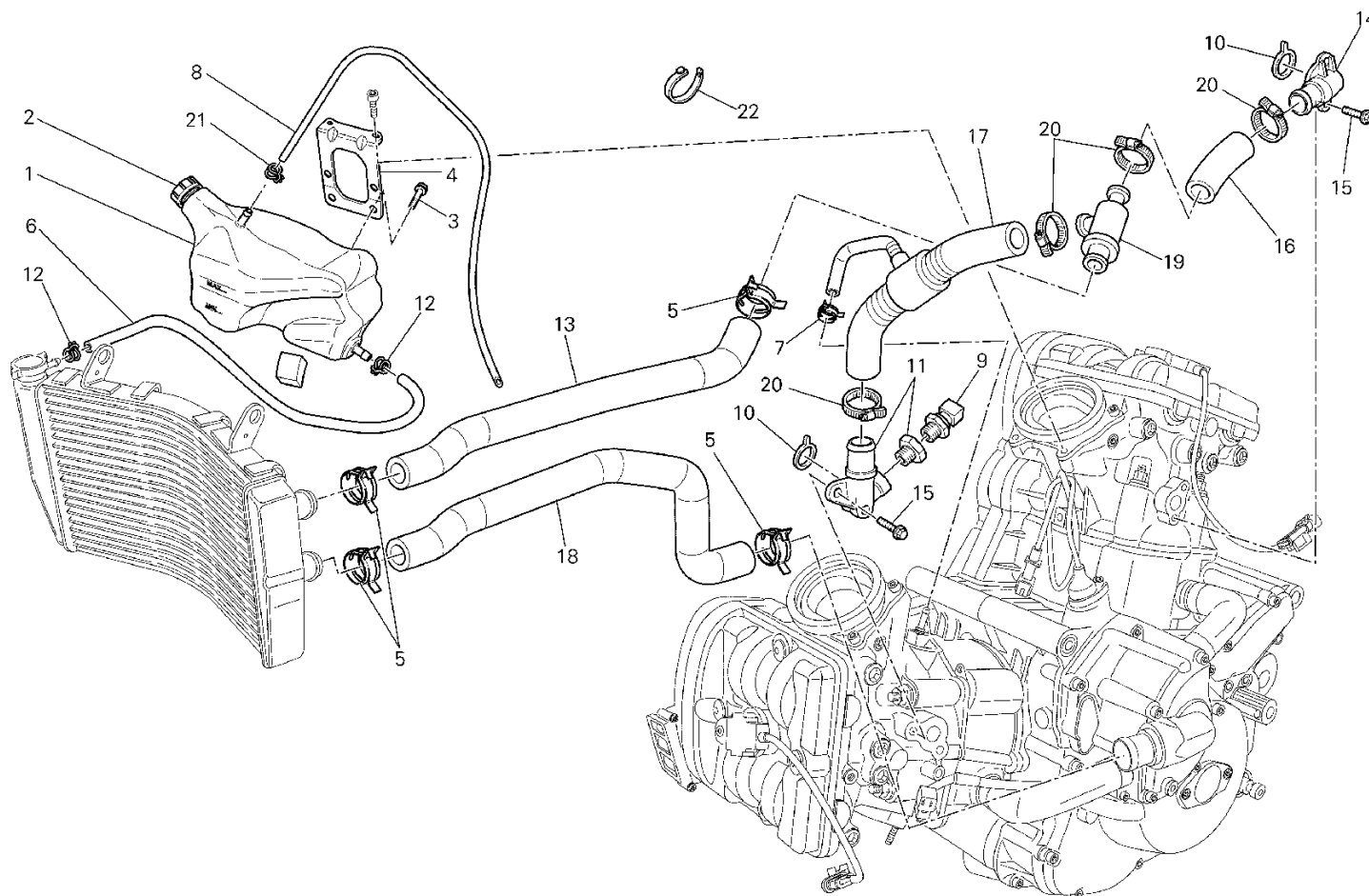
RAF00365

DRAWING 030 - WATER COOLER [MOD:848 EVO;XST:AUS,BRA,CHN,EUR,FRA,JAP]

GROUP FRAME



POS.	CODE	DESCRIPTION	QTY	START DATE	END DATE	VALIDITY	NOTES
1	54840742B	WATER COOLER	1	01/01/2001		MOD:848 EVO;XST:AUS,BRA,CHN,EUR,FRA,JAF	
2	74140381A	CLAMP	2	01/01/2001		MOD:848 EVO;XST:AUS,BRA,CHN,EUR,FRA,JAF	
3	77251038B	SCREW TEF M6X25	7	29/03/2012		MOD:848 EVO;XST:AUS,BRA,CHN,EUR,FRA,JAF	
4	76410241A	VIBRATION DAMPER PAD	2	01/01/2001		MOD:848 EVO;XST:AUS,BRA,CHN,EUR,FRA,JAF	
5	71614191A	SPACER	1	01/01/2001		MOD:848 EVO;XST:AUS,BRA,CHN,EUR,FRA,JAF	
6	77912021C	SCREW, SPECIAL	1	01/01/2001		MOD:848 EVO;XST:AUS,BRA,CHN,EUR,FRA,JAF	
7	87240601A	RADIATOR CAP	1			MOD:848 EVO;XST:AUS,BRA,CHN,EUR,FRA,JAF	
8	55040181A	ELECTRIC FAN, LEFT	1			MOD:848 EVO;XST:AUS,BRA,CHN,EUR,FRA,JAF	
9	55040171A	ELECTRIC FAN, RIGHT	1			MOD:848 EVO;XST:AUS,BRA,CHN,EUR,FRA,JAF	



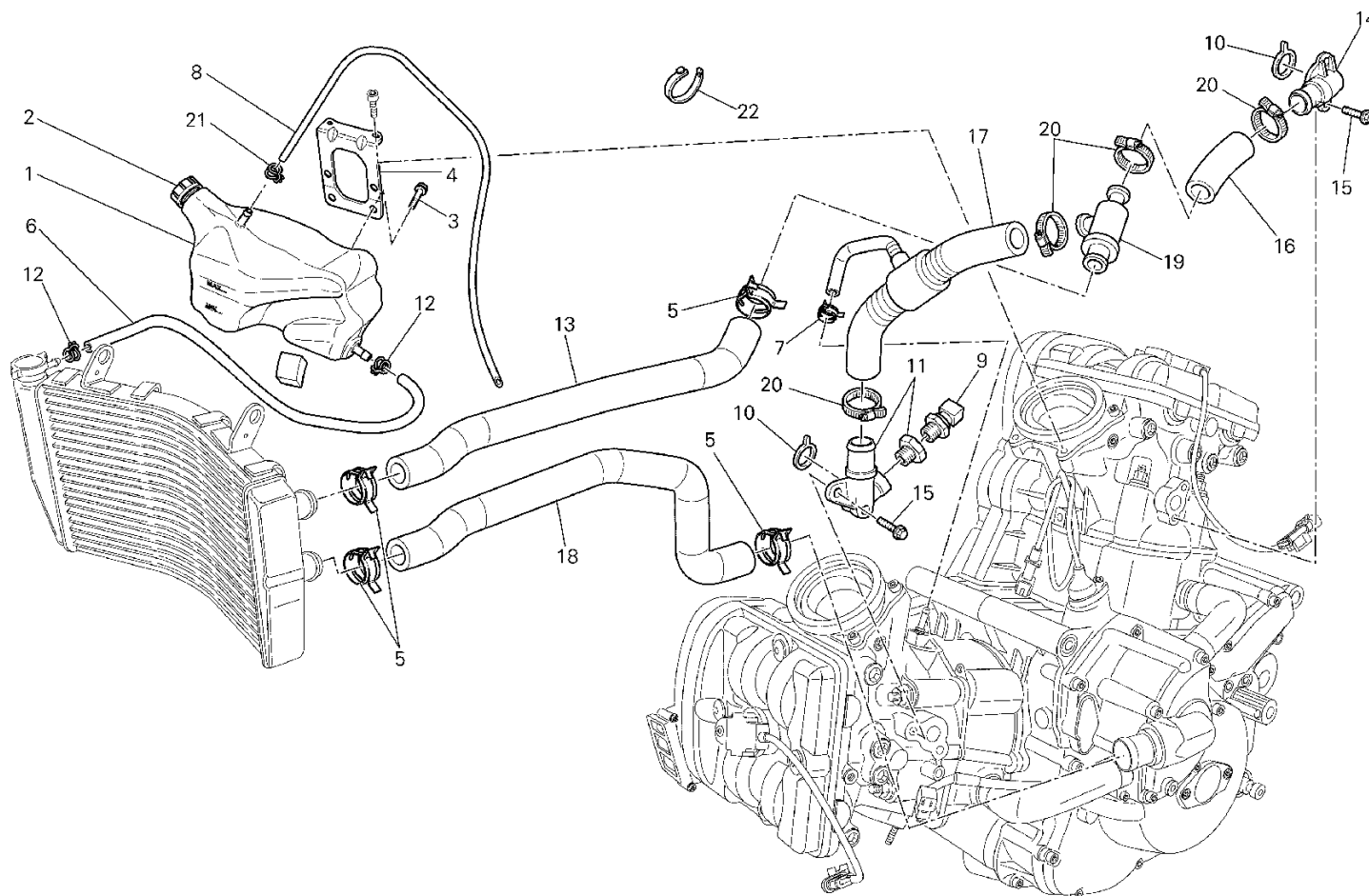
RAF00325

DRAWING 031 - COOLING CIRCUIT [MOD:848 EVO;XST:AUS,BRA,CHN,EUR,FRA,JAP]

GROUP FRAME



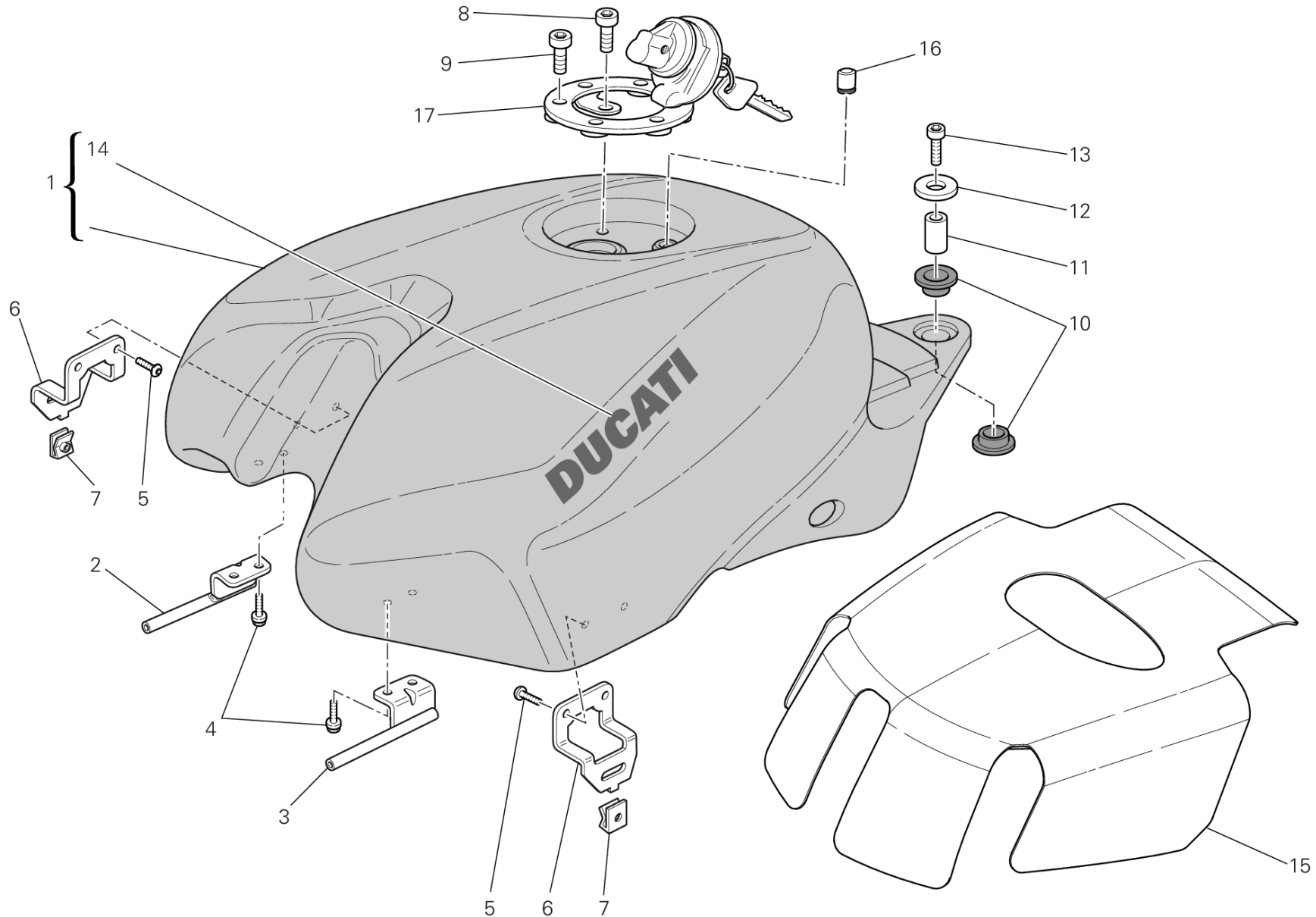
POS.	CODE	DESCRIPTION	QTY	START DATE	END DATE	VALIDITY	NOTES
1	58510571A	TANK, WATER RESERVOIR	1	01/01/2001		MOD:848 EVO;XST:AUS,BRA,CHN,EUR,FRA,JAF	
2	89310143A	TANK CAP	1	01/01/2001		MOD:848 EVO;XST:AUS,BRA,CHN,EUR,FRA,JAF	
3	77210591A	SCREW TEF M6X10	2	01/01/2001		MOD:848 EVO;XST:AUS,BRA,CHN,EUR,FRA,JAF	
4	83014291A	BRACKET, WATER TANK	1	01/01/2001		MOD:848 EVO;XST:AUS,BRA,CHN,EUR,FRA,JAF	
5	74141901A	CLAMP 20-35 MM	4	29/03/2012		MOD:848 EVO;XST:AUS,BRA,CHN,EUR,FRA,JAF	
6	93410051A	BREATHER PIPE	1	01/01/2001		MOD:848 EVO;XST:AUS,BRA,CHN,EUR,FRA,JAF	
7	74140011A	CLAMP 12MM	1	29/03/2012		MOD:848 EVO;XST:AUS,BRA,CHN,EUR,FRA,JAF	
8	93410061A	BREATHER PIPE	1	01/01/2001		MOD:848 EVO;XST:AUS,BRA,CHN,EUR,FRA,JAF	
9	55240131A	WATER TEMPERATURE SENSOR	1	29/02/2012		MOD:848 EVO;XST:AUS,BRA,CHN,EUR,FRA,JAF	
10	88641031A	O-RING	2	29/02/2012		MOD:848 EVO;XST:AUS,BRA,CHN,EUR,FRA,JAF	
11	81412361C	JOINT, WATER HOSE HORIZONTAL	1	29/02/2012		MOD:848 EVO;XST:AUS,BRA,CHN,EUR,FRA,JAF	
12	8A0067610	CLAMP 11MM	2	01/01/2001		MOD:848 EVO;XST:AUS,BRA,CHN,EUR,FRA,JAF	
13	80011521B	HOSE-COOLING THERMOSTAT COOLER	1	19/03/2010		MOD:848 EVO;XST:AUS,BRA,CHN,EUR,FRA,JAF	
14	81412351B	JOINT, WATER HOSE VERTICAL	1	29/02/2012		MOD:848 EVO;XST:AUS,BRA,CHN,EUR,FRA,JAF	
15	77210623B	SCREW	4	29/02/2012		MOD:848 EVO;XST:AUS,BRA,CHN,EUR,FRA,JAF	
16	80011511A	HOSE, COOLING VERTICAL HEAD, THERMOSTAT	1	29/03/2012		MOD:848 EVO;XST:AUS,BRA,CHN,EUR,FRA,JAF	
17	80011501A	HOSE, COOLING HORIZONTAL HEAD THERMOSTAT	1	29/03/2012		MOD:848 EVO;XST:AUS,BRA,CHN,EUR,FRA,JAF	



RAF00325



POS.	CODE	DESCRIPTION	QTY	START DATE	END DATE	VALIDITY	NOTES
18	80011531B	HOSE, COOLING,RADIATOR, PUMP	1	19/03/2010		MOD:848 EVO;XST:AUS,BRA,CHN,EUR,FRA,JAF	
19	55340041A	THERMO-SWITCH	1	29/03/2012		MOD:848 EVO;XST:AUS,BRA,CHN,EUR,FRA,JAF	
20	74141921A	CLAMP 16-27 MM	4	29/02/2012		MOD:848 EVO;XST:AUS,BRA,CHN,EUR,FRA,JAF	
21	74141711A	CLAMP 10-7 MM	1	29/03/2012		MOD:848 EVO;XST:AUS,BRA,CHN,EUR,FRA,JAF	
22	74110131A	CLAMP, RUBBER 82MM	2	29/03/2012		MOD:848 EVO;XST:AUS,BRA,CHN,EUR,FRA,JAF	

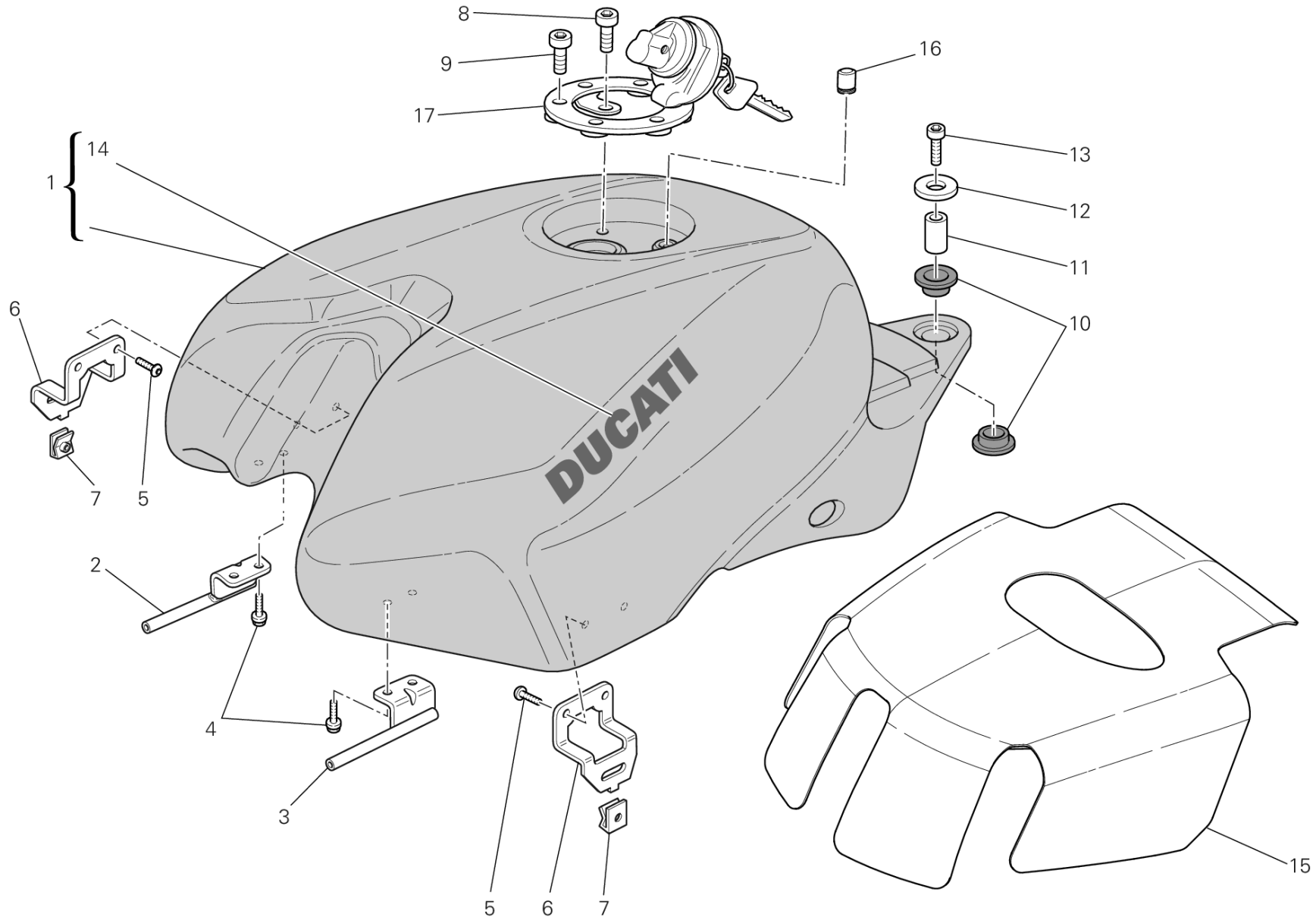


DRAWING 032 - FUEL TANK [MOD:848 EVO;XST:AUS,BRA,EUR,FRA,JAP]

GROUP FRAME

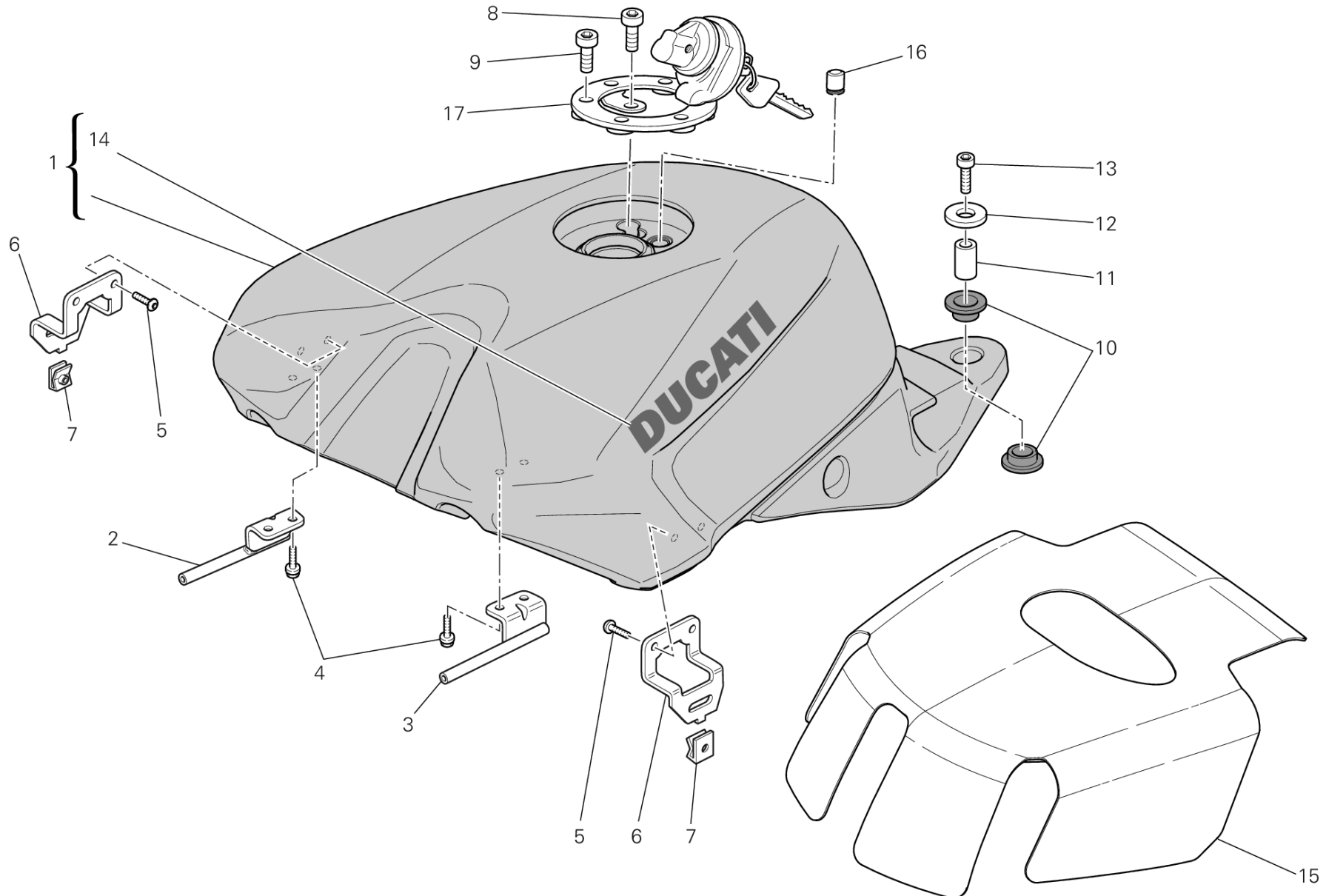


POS.	CODE	DESCRIPTION	QTY	START DATE	END DATE	VALIDITY	NOTES
1	58611811AA	TANK RED	1	01/01/2001		MOD:848 EVO;XST:AUS,BRA,EUR,FRA,JAP	
	58611811AT	TANK BLACK	1	01/01/2001		MOD:848 EVO;XST:AUS,BRA,EUR,FRA,JAP	
	58611811AW	TANK WHITE	1	01/01/2001		MOD:848 EVO;XST:AUS,BRA,EUR,FRA,JAP	
2	58710512A	BRACKET, FUEL TANK RIGHT	1	01/01/2001		MOD:848 EVO;XST:AUS,BRA,EUR,FRA,JAP	
3	58710522A	BRACKET FUEL TANK LEFT	1	01/01/2001		MOD:848 EVO;XST:AUS,BRA,EUR,FRA,JAP	
4	77210501C	SCREW TEF M6X12	4	01/01/2001		MOD:848 EVO;XST:AUS,BRA,EUR,FRA,JAP	
5	77510511A	SCREW TBEI M5X10	4	01/01/2001		MOD:848 EVO;XST:AUS,BRA,EUR,FRA,JAP	
6	83014311A	BRACKET, FUEL TANK	2	01/01/2001		MOD:848 EVO;XST:AUS,BRA,EUR,FRA,JAP	
7	85040551A	QUICK FASTENING	2	01/01/2001		MOD:848 EVO;XST:AUS,BRA,EUR,FRA,JAP	
8	77150408B	SCREW TCEI M5X14	1	29/03/2012		MOD:848 EVO;XST:AUS,BRA,EUR,FRA,JAP	
9	77150457E	SCREW M5X25	3	06/06/2011		MOD:848 EVO;XST:AUS,BRA,EUR,FRA,JAP	
10	76410011A	DAMPER	2	01/01/2001		MOD:848 EVO;XST:AUS,BRA,EUR,FRA,JAP	
11	71313301A	SPACER 8.2X12X24	1	01/01/2001		MOD:848 EVO;XST:AUS,BRA,EUR,FRA,JAP	
12	85210991A	WASHER	1	29/03/2012		MOD:848 EVO;XST:AUS,BRA,EUR,FRA,JAP	
13	77157288B	SCREW TCEIF M8X35	1	29/03/2012		MOD:848 EVO;XST:AUS,BRA,EUR,FRA,JAP	
14	43814651AT	EMBLEM DUCATI	2	26/04/2010		MOD:848 EVO;XST:AUS,BRA,EUR,FRA,JAP	
	43814651BG	EMBLEM DUCATI FOR RED, WHITE	2	26/04/2010		MOD:848 EVO;XST:AUS,BRA,EUR,FRA,JAP	





POS.	CODE	DESCRIPTION	QTY	START DATE	END DATE	VALIDITY	NOTES
15	48610752A	SHIELD, HEAT	1	29/03/2012		MOD:848 EVO;XST:AUS,BRA,EUR,FRA,JAP	
16	79110391A	GASKET	1	01/01/2001		MOD:848 EVO;XST:AUS,BRA,EUR,FRA,JAP	
17	89520072A	TANK CAP	1	06/06/2011		MOD:848 EVO;XST:AUS,BRA,EUR,FRA,JAP	

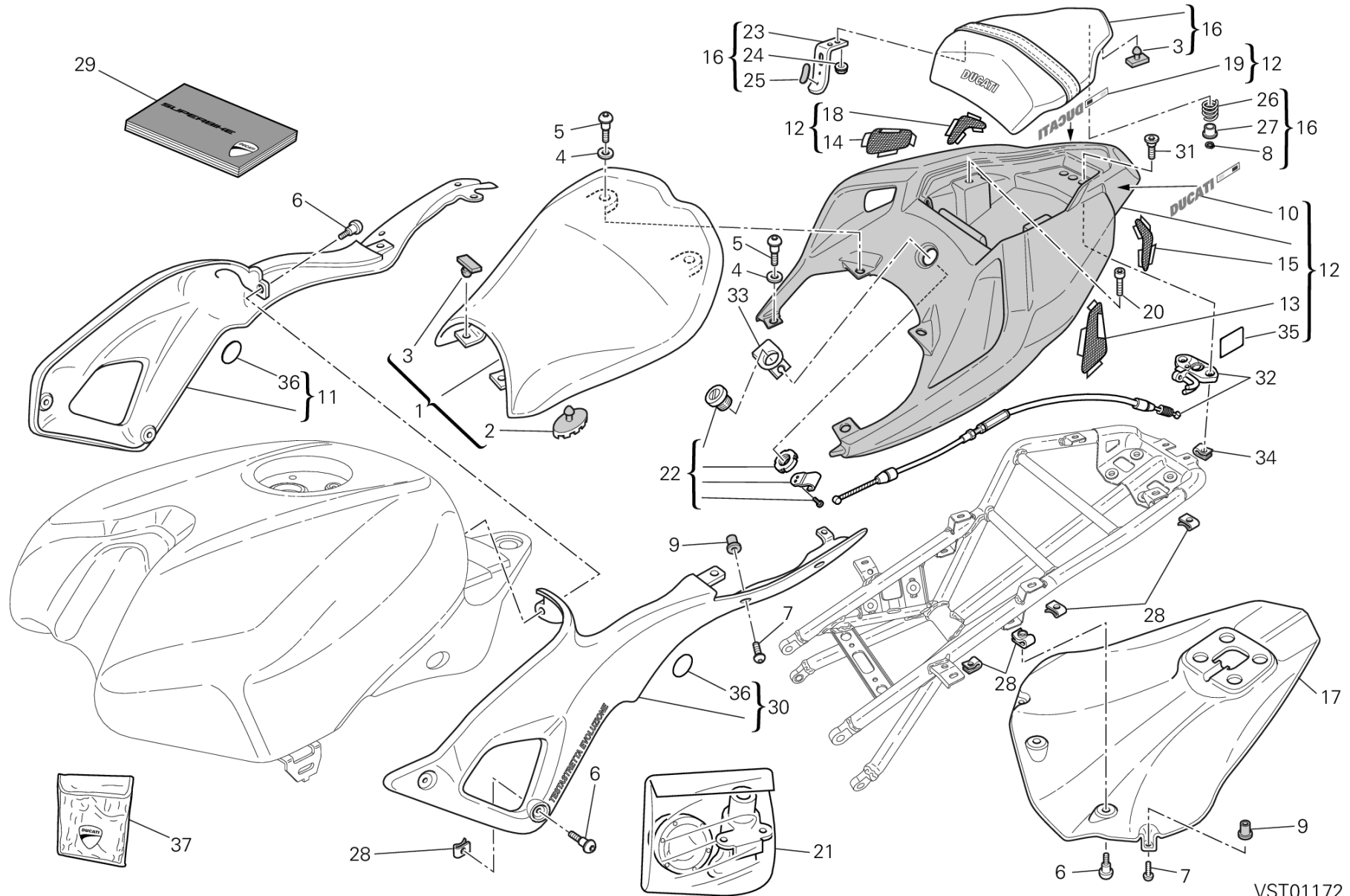


DRAWING 032 - FUEL TANK [MOD:848 EVO;XST:CHN]

GROUP FRAME



POS.	CODE	DESCRIPTION	QTY	START DATE	END DATE	VALIDITY	NOTES
1	58611831AA	TANK RED	1	01/01/2001		MOD:848 EVO;XST:CHN	
	58611831AT	TANK BLACK	1	01/01/2001		MOD:848 EVO;XST:CHN	
	58611831AW	TANK WHITE	1	01/01/2001		MOD:848 EVO;XST:CHN	
2	58710512A	BRACKET, FUEL TANK RIGHT	1	01/01/2001		MOD:848 EVO;XST:CHN	
3	58710522A	BRACKET FUEL TANK LEFT	1	01/01/2001		MOD:848 EVO;XST:CHN	
4	77210501C	SCREW TEF M6X12	4	01/01/2001		MOD:848 EVO;XST:CHN	
5	77510511A	SCREW TBEI M5X10	4	01/01/2001		MOD:848 EVO;XST:CHN	
6	83014311A	BRACKET, FUEL TANK	2	01/01/2001		MOD:848 EVO;XST:CHN	
7	85040551A	QUICK FASTENING	2	01/01/2001		MOD:848 EVO;XST:CHN	
8	77150408B	SCREW TCEI M5X14	1	29/03/2012		MOD:848 EVO;XST:CHN	
9	77150457E	SCREW M5X25	3	06/06/2011		MOD:848 EVO;XST:CHN	
10	76410011A	DAMPER	2	01/01/2001		MOD:848 EVO;XST:CHN	
11	71313301A	SPACER 8.2X12X24	1	01/01/2001		MOD:848 EVO;XST:CHN	
12	85210991A	WASHER	1	29/03/2012		MOD:848 EVO;XST:CHN	
13	77157288B	SCREW TCEIF M8X35	1	29/03/2012		MOD:848 EVO;XST:CHN	
14	43814651AT	EMBLEM DUCATI	2	26/04/2010		MOD:848 EVO;XST:CHN	
	43814651BG	EMBLEM DUCATI FOR RED, WHITE	2	03/05/2010		MOD:848 EVO;XST:CHN	
15	48610752A	SHIELD, HEAT	1	29/03/2012		MOD:848 EVO;XST:CHN	
16	79110391A	GASKET	1	01/01/2001		MOD:848 EVO;XST:CHN	
17	89520072A	TANK CAP	1	06/06/2011		MOD:848 EVO;XST:CHN	



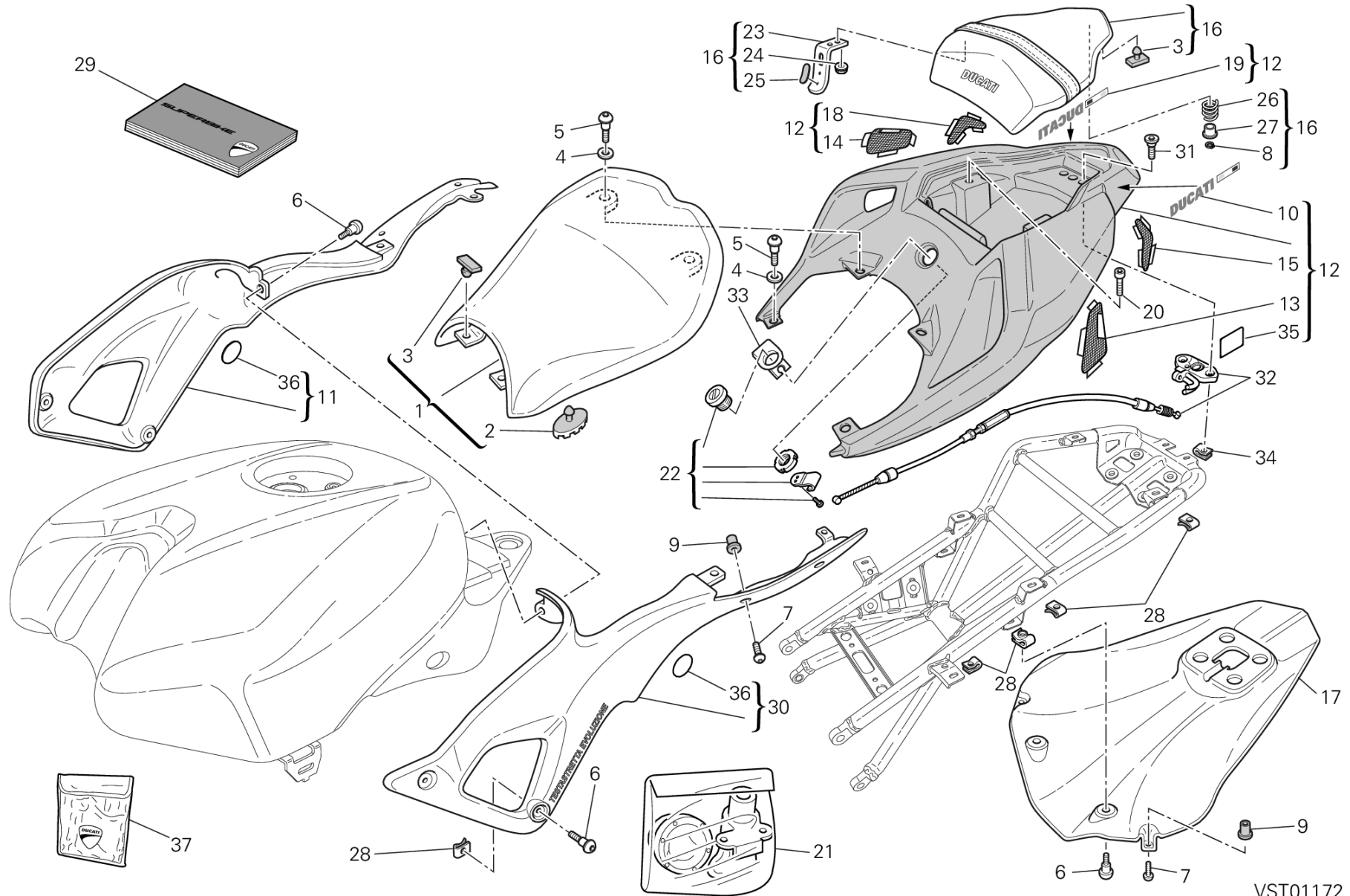
VST01172

DRAWING 033 - SEAT [MOD:848 EVO;XST:AUS,BRA,CHN,EUR,FRA,JAP]

GROUP FRAME



POS.	CODE	DESCRIPTION	QTY	START DATE	END DATE	VALIDITY	NOTES
1	59521071A	SEAT	1	29/03/2012		MOD:848 EVO;XST:AUS,BRA,CHN,EUR,FRA,JAF	
2	86611191A	CUSHION, SEAT	4	24/12/2009		MOD:848 EVO;XST:AUS,BRA,CHN,EUR,FRA,JAF	
3	86611021A	PAD	6	24/12/2009		MOD:848 EVO;XST:AUS,BRA,CHN,EUR,FRA,JAF	
4	85212181A	WASHER, NYLON 9X14X1	4	29/03/2012		MOD:848 EVO;XST:AUS,BRA,CHN,EUR,FRA,JAF	
5	77210842A	SCREW TCEI M5X8.5	4	29/03/2012		MOD:848 EVO;XST:AUS,BRA,CHN,EUR,FRA,JAF	
6	77210853B	SCREW TCEI M5X9	7	01/01/2001		MOD:848 EVO;XST:AUS,BRA,CHN,EUR,FRA,JAF	
7	77210861B	SCREW TBEI M5X18	6	29/03/2012		MOD:848 EVO;XST:AUS,BRA,CHN,EUR,FRA,JAF	
8	88440581A	CIRCLIP	1	24/12/2009		MOD:848 EVO;XST:AUS,BRA,CHN,EUR,FRA,JAF	
9	85040821A	THREADED INSERT	6	01/01/2001		MOD:848 EVO;XST:AUS,BRA,CHN,EUR,FRA,JAF	
10	43814361AG	GRAPHIC, LH FOR RED	1	04/05/2010		MOD:848 EVO;XST:AUS,BRA,CHN,EUR,FRA,JAF	
	43814361BG	GRAPHIC, LH FOR WHITE	1	26/04/2010		MOD:848 EVO;XST:AUS,BRA,CHN,EUR,FRA,JAF	
	43814361BT	GRAPHIC, LH FOR BLACK	1	26/04/2010		MOD:848 EVO;XST:AUS,BRA,CHN,EUR,FRA,JAF	
11	48211401A	COVER , FRAME RH	1	29/03/2012		MOD:848 EVO;XST:AUS,BRA,CHN,EUR,FRA,JAF	
12	48321601AT	REAR COWLING BLACK	1	01/01/2001		MOD:848 EVO;XST:AUS,BRA,CHN,EUR,FRA,JAF	
	48321701AA	REAR FAIRING RED	1	01/01/2001		MOD:848 EVO;XST:AUS,BRA,CHN,EUR,FRA,JAF	
	48321701AW	TAIL GUARD WHITE	1	01/01/2001		MOD:848 EVO;XST:AUS,BRA,CHN,EUR,FRA,JAF	
13	46012591A	NET FRONT LH	1	04/05/2010		MOD:848 EVO;XST:AUS,BRA,CHN,EUR,FRA,JAF	



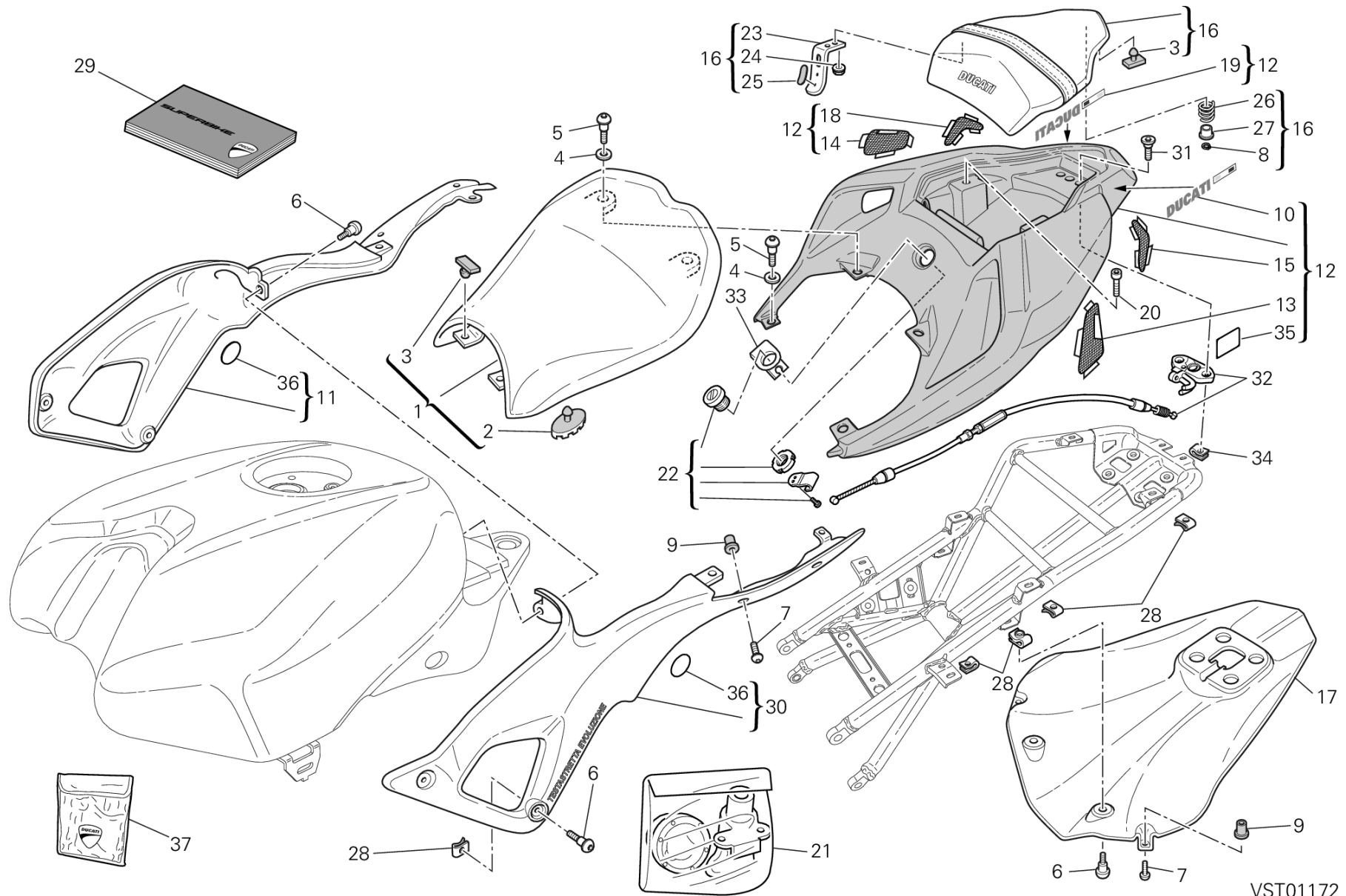
VST01172

DRAWING 033 - SEAT [MOD:848 EVO;XST:AUS,BRA,CHN,EUR,FRA,JAP]

GROUP FRAME



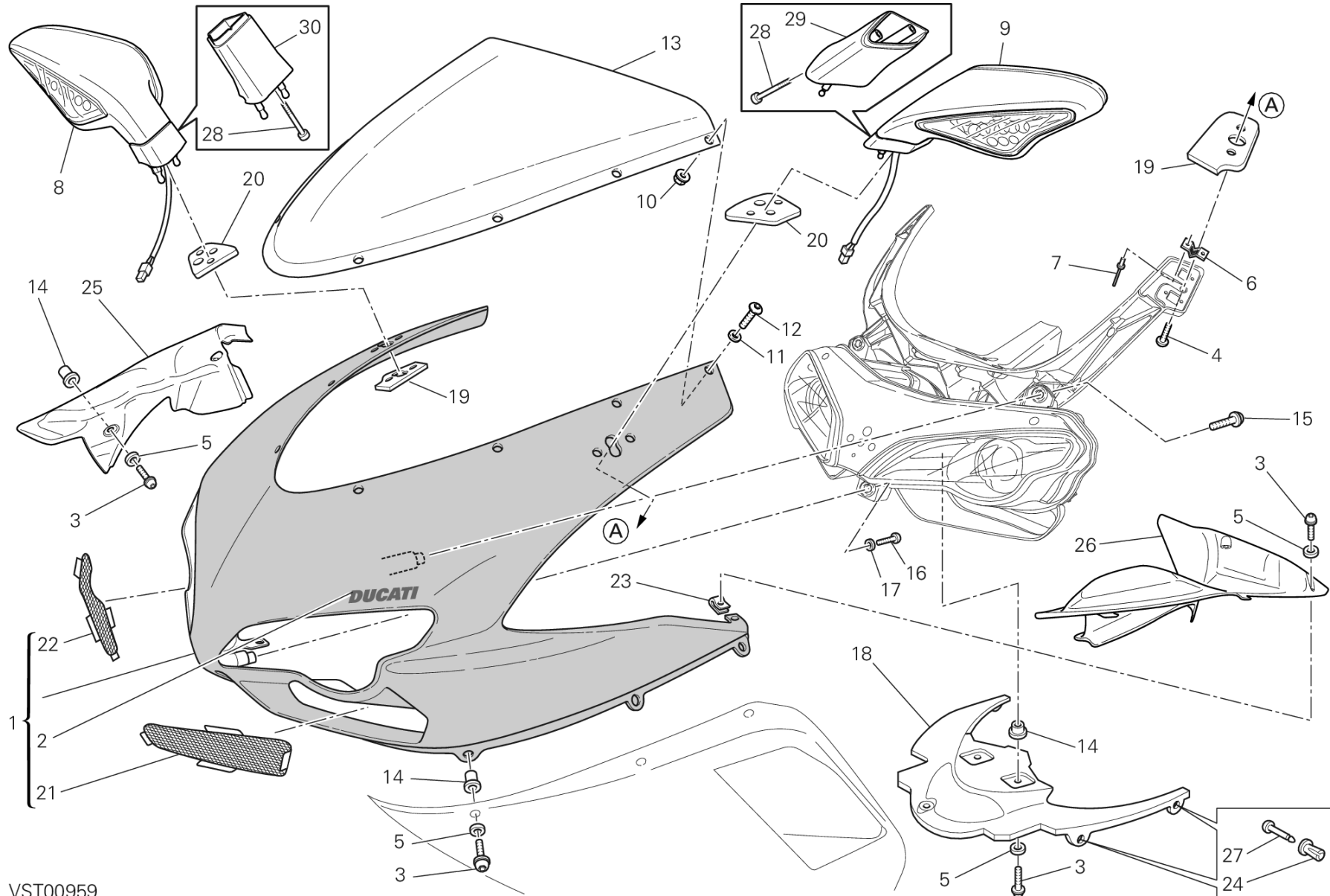
POS.	CODE	DESCRIPTION	QTY	START DATE	END DATE	VALIDITY	NOTES
14	46012601A	NET FRONT RH	1	04/05/2010		MOD:848 EVO;XST:AUS,BRA,CHN,EUR,FRA,JAF	
15	46012612A	NET REAR LH	1	04/05/2010		MOD:848 EVO;XST:AUS,BRA,CHN,EUR,FRA,JAF	
16	59521031A	PILLION RIDER SEAT	1	29/03/2012		MOD:848 EVO;XST:AUS,BRA,CHN,EUR,FRA,JAF	
17	46012461A	PROTECTOR, HEAT REAR COWLING	1	01/01/2001		MOD:848 EVO;XST:AUS,BRA,CHN,EUR,FRA,JAF	
18	46012622A	NET REAR RH	1	04/05/2010		MOD:848 EVO;XST:AUS,BRA,CHN,EUR,FRA,JAF	
19	43814391AG	GRAPHIC, RH FOR RED	1	04/05/2010		MOD:848 EVO;XST:AUS,BRA,CHN,EUR,FRA,JAF	
	43814391BG	GRAPHIC, RH FOR WHITE	1	26/04/2010		MOD:848 EVO;XST:AUS,BRA,CHN,EUR,FRA,JAF	
	43814391BT	GRAPHIC, RH FOR BLACK	1	26/04/2010		MOD:848 EVO;XST:AUS,BRA,CHN,EUR,FRA,JAF	
20	77914992A	SCREW TCEI M5X9	2	01/01/2001		MOD:848 EVO;XST:AUS,BRA,CHN,EUR,FRA,JAF	
21	59820981A	LOCKS KIT	1	12/09/2011		MOD:848 EVO;XST:AUS,BRA,CHN,EUR,FRA,JAF	
22	59820572A	SEAT LOCK	1	06/06/2011		MOD:848 EVO;XST:AUS,BRA,CHN,EUR,FRA,JAF	
23	83015341A	HOOK, SEAT	2	24/12/2009		MOD:848 EVO;XST:AUS,BRA,CHN,EUR,FRA,JAF	
24	74840461A	NUT	4	24/12/2009		MOD:848 EVO;XST:AUS,BRA,CHN,EUR,FRA,JAF	
25	76411281A	RUBBER PAD	2	24/12/2009		MOD:848 EVO;XST:AUS,BRA,CHN,EUR,FRA,JAF	
26	79915041A	SPRING	1	24/12/2009		MOD:848 EVO;XST:AUS,BRA,CHN,EUR,FRA,JAF	
27	84110601A	CUP, SPRING	1	24/12/2009		MOD:848 EVO;XST:AUS,BRA,CHN,EUR,FRA,JAF	
28	85040551A	QUICK FASTENING	14	01/01/2001		MOD:848 EVO;XST:AUS,BRA,CHN,EUR,FRA,JAF	
29	91372041A	OWNER'S MANUAL	1			MOD:848 EVO;XST:AUS,EUR,FRA	I-GB-F-D



VST01172



POS.	CODE	DESCRIPTION	QTY	START DATE	END DATE	VALIDITY	NOTES
	91372041B	OWNER'S MANUAL	1			MOD:848 EVO;XST:AUS,EUR,FRA,JAP	GB-E-F-J
	91372041C	OWNER'S MANUAL	1			MOD:848 EVO;XST:EUR	E-P-GR
	91372041D	OWNER'S MANUAL	1			MOD:848 EVO;XST:CHN,FRA	F-NL-CN
	91372041E	OWNER'S MANUAL	1			MOD:848 EVO;XST:EUR	S-FIN-DK-N
	91372041F	OWNER'S MANUAL	1			MOD:848 EVO;XST:EUR	PL-CZ-SK-SLO
	91372041G	OWNER'S MANUAL	1			MOD:848 EVO;XST:EUR	H-RO-BG-RUS
	91372041L	OWNER'S MANUAL	1			MOD:848 EVO;XST:BRA	BR
30	48211391A	COVER , FRAME LH	1	29/03/2012		MOD:848 EVO;XST:AUS,BRA,CHN,EUR,FRA,JAF	
31	77914982A	SCREW TCPEI M6	2	01/01/2001		MOD:848 EVO;XST:AUS,BRA,CHN,EUR,FRA,JAF	
32	59810111A	STRIKER, SEAT LOCK	1	01/01/2001		MOD:848 EVO;XST:AUS,BRA,CHN,EUR,FRA,JAF	
33	83014401A	BRACKET, SEAT LOCK	1	01/01/2001		MOD:848 EVO;XST:AUS,BRA,CHN,EUR,FRA,JAF	
34	85040381A	QUICK FASTENING	2	01/01/2001		MOD:848 EVO;XST:AUS,BRA,CHN,EUR,FRA,JAF	
35	92610101A	PROTECTOR, HEAT	8	26/04/2010		MOD:848 EVO;XST:AUS,BRA,CHN,EUR,FRA,JAF	
36	92610061A	GUARD	2	29/03/2012		MOD:848 EVO;XST:AUS,BRA,CHN,EUR,FRA,JAF	
37	69720223A	TOOL BAG	1	29/03/2012		MOD:848 EVO;XST:AUS,BRA,CHN,EUR,FRA,JAF	



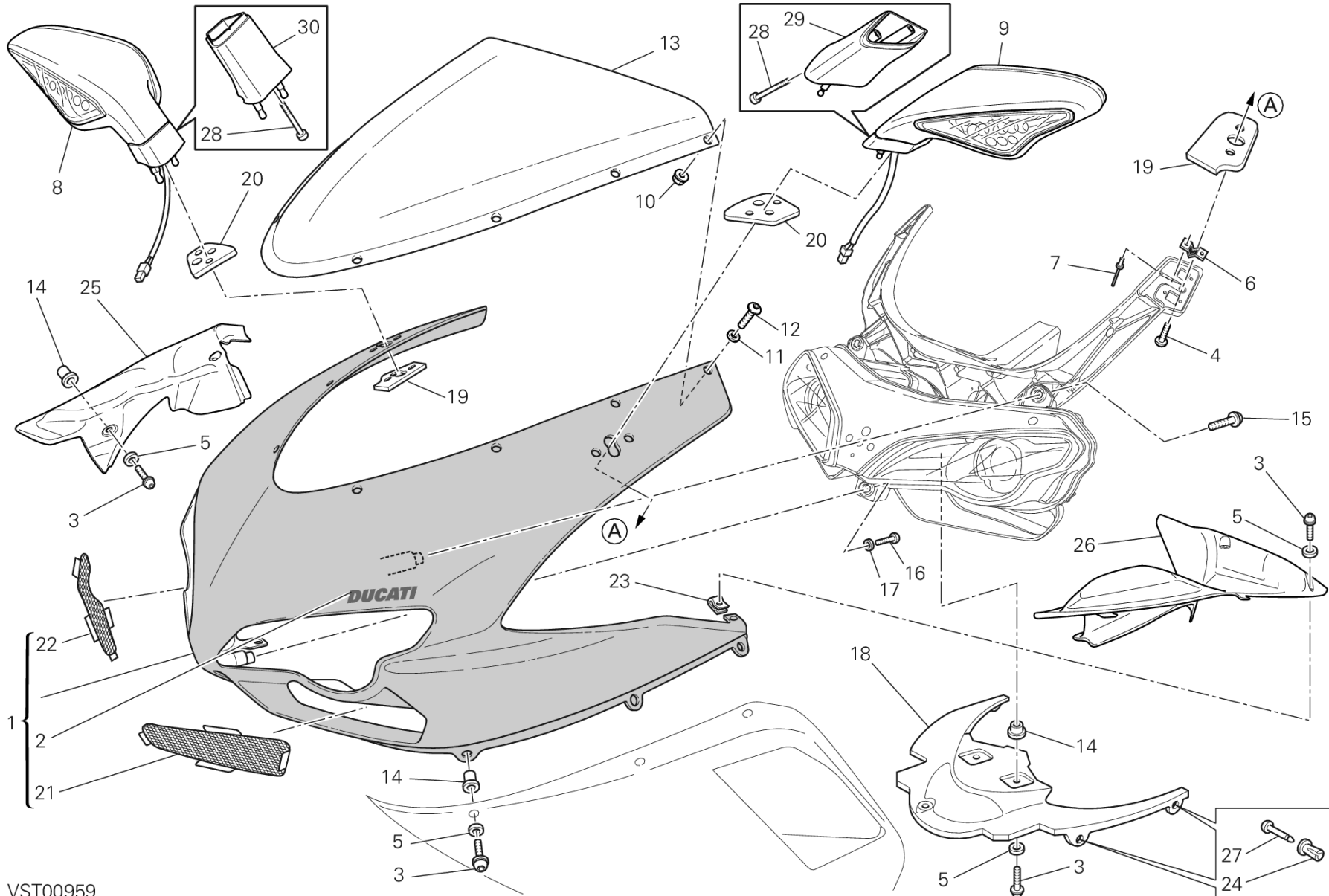
VST00959

DRAWING 034 - COWLING [MOD:848 EVO;XST:AUS,BRA,CHN,EUR,FRA,JAP]

GROUP FRAME



POS.	CODE	DESCRIPTION	QTY	START DATE	END DATE	VALIDITY	NOTES
1	48120414BA	COMPLETE HEADLIGHT FAIRING RED	1	29/03/2012		MOD:848 EVO;XST:AUS,BRA,CHN,EUR,FRA,JAF	
	48120414BT	COMPLETE HEADLIGHT FAIRING BLACK	1	29/03/2012		MOD:848 EVO;XST:AUS,BRA,CHN,EUR,FRA,JAF	
	48120414BW	COMPLETE HEADLIGHT FAIRING WHITE	1	29/03/2012		MOD:848 EVO;XST:AUS,BRA,CHN,EUR,FRA,JAF	
2	43410041AG	STICKER DUCATI FOR RED	1	04/05/2010		MOD:848 EVO;XST:AUS,BRA,CHN,EUR,FRA,JAF	
	43410041AT	STICKER DUCATI FOR BLACK	1	27/04/2010		MOD:848 EVO;XST:AUS,BRA,CHN,EUR,FRA,JAF	
	43410041BG	STICKER DUCATI FOR WHITE	1	27/04/2010		MOD:848 EVO;XST:AUS,BRA,CHN,EUR,FRA,JAF	
3	77210861B	SCREW TBEI M5X18	15	29/03/2012		MOD:848 EVO;XST:AUS,BRA,CHN,EUR,FRA,JAF	
4	77915441A	SCREW	2	12/10/2010		MOD:848 EVO;XST:AUS,BRA,CHN,EUR,FRA,JAF	
5	85611361A	WASHER	15	20/04/2010		MOD:848 EVO;XST:AUS,BRA,CHN,EUR,FRA,JAF	
6	79912282A	SPRING	4	29/09/2011		MOD:848 EVO;XST:AUS,BRA,CHN,EUR,FRA,JAF	
7	73640121A	SHEAR RIVET 3X8	8	29/09/2011		MOD:848 EVO;XST:AUS,BRA,CHN,EUR,FRA,JAF	
8	52320391A	REAR-VIEW MIRROR R.H.	1	18/11/2010		MOD:848 EVO;XST:AUS,BRA,EUR,FRA,JAP	
	52320391B	REAR-VIEW MIRROR R.H.	1	18/11/2010		MOD:848 EVO;XST:CHN	
9	52320401A	REAR-VIEW MIRROR L.H.	1	18/11/2010		MOD:848 EVO;XST:AUS,BRA,EUR,FRA,JAP	
	52320401B	REAR-VIEW MIRROR L.H.	1	18/11/2010		MOD:848 EVO;XST:CHN	
10	75010281A	NUT, SPRING	8	24/12/2009		MOD:848 EVO;XST:AUS,BRA,CHN,EUR,FRA,JAF	
11	85210241A	WASHER, NYLON 4X8X0.5	8	24/12/2009		MOD:848 EVO;XST:AUS,BRA,CHN,EUR,FRA,JAF	
12	77510641A	SCREW, SPECIAL	8	24/12/2009		MOD:848 EVO;XST:AUS,BRA,CHN,EUR,FRA,JAF	



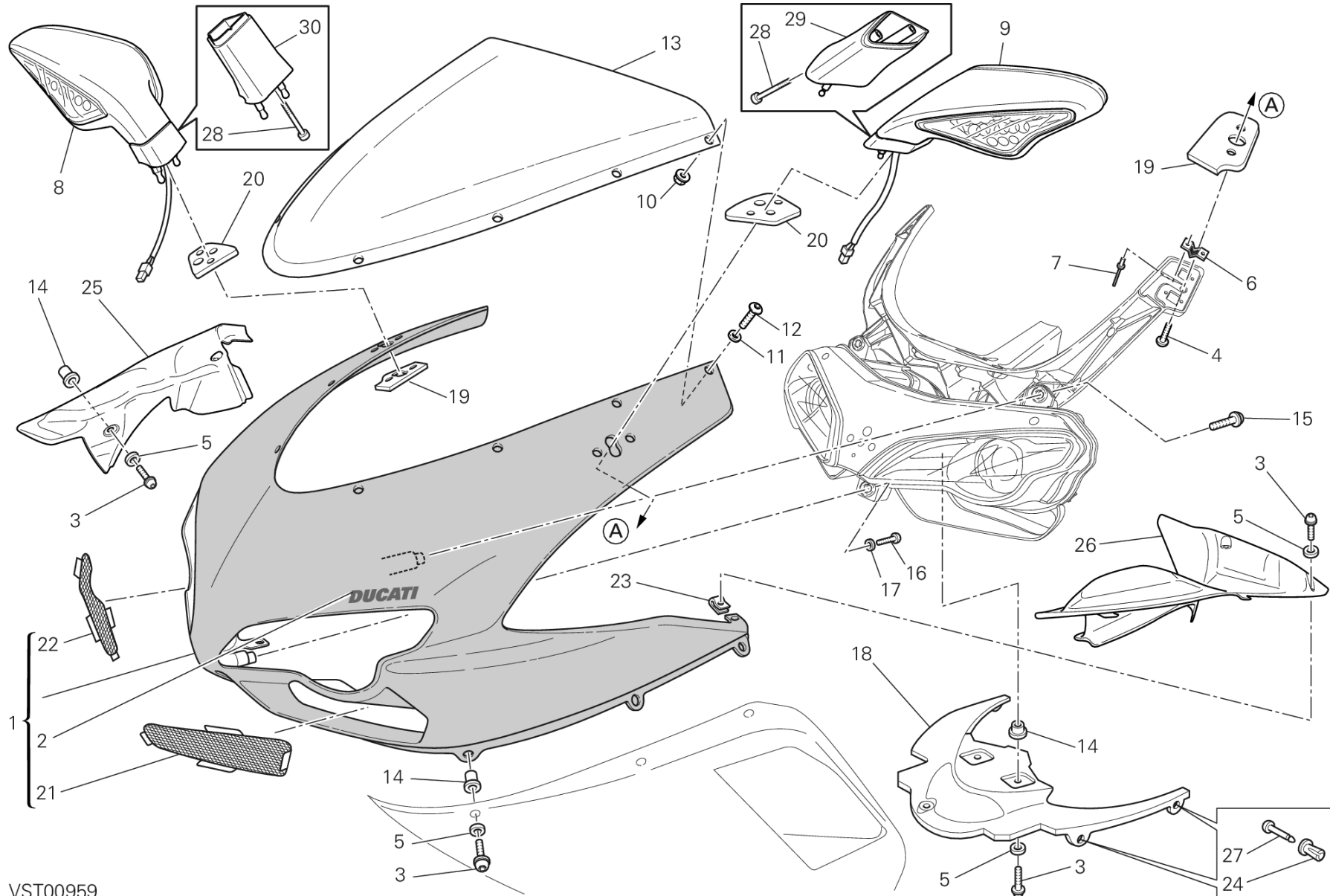
VST00959

DRAWING 034 - COWLING [MOD:848 EVO;XST:AUS,BRA,CHN,EUR,FRA,JAP]

GROUP FRAME



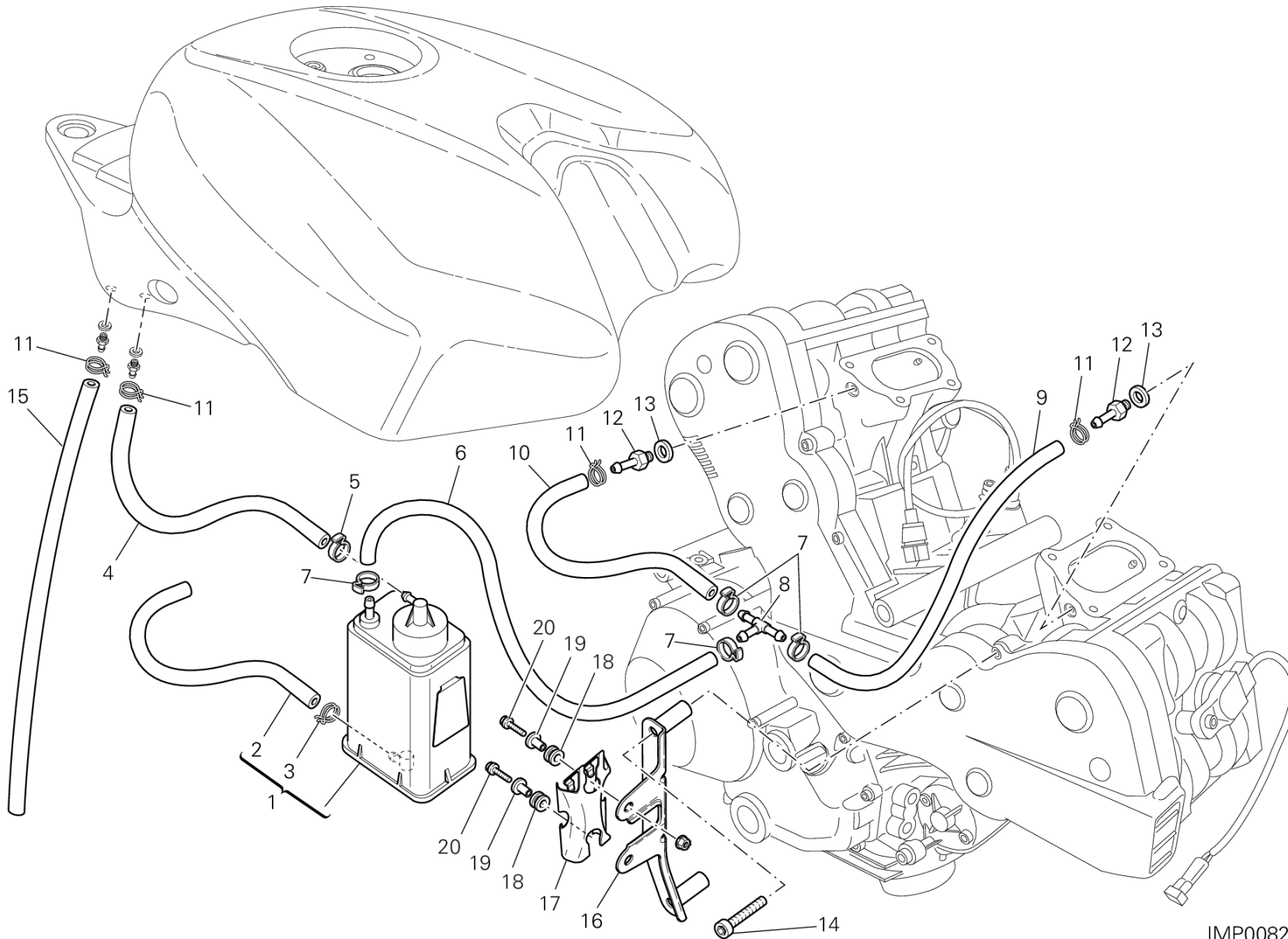
POS.	CODE	DESCRIPTION	QTY	START DATE	END DATE	VALIDITY	NOTES
13	48710391B	WINDSHIELD	1	29/03/2012		MOD:848 EVO;XST:AUS,BRA,CHN,EUR,FRA,JAF	
14	85040821A	THREADED INSERT	11	01/01/2001		MOD:848 EVO;XST:AUS,BRA,CHN,EUR,FRA,JAF	
15	77251018B	SCREW TEF M6X20	2	29/03/2012		MOD:848 EVO;XST:AUS,BRA,CHN,EUR,FRA,JAF	
16	77950461A	SCREW TBEI M6X12	1	29/03/2012		MOD:848 EVO;XST:AUS,BRA,CHN,EUR,FRA,JAF	
17	85250291A	WASHER 6.4X18X1.6	1	29/03/2012		MOD:848 EVO;XST:AUS,BRA,CHN,EUR,FRA,JAF	
18	46012471A	FRONT FAIRING LOWER PLATE	1	29/03/2012		MOD:848 EVO;XST:AUS,BRA,CHN,EUR,FRA,JAF	
19	86610771A	GASKET	2	12/10/2010		MOD:848 EVO;XST:AUS,BRA,CHN,EUR,FRA,JAF	
20	86610763A	PAD	2	12/10/2010		MOD:848 EVO;XST:AUS,BRA,CHN,EUR,FRA,JAF	
21	46012781A	NET FRONT LH	1	04/05/2010		MOD:848 EVO;XST:AUS,BRA,CHN,EUR,FRA,JAF	
22	46012771A	NET FRONT RH	1	04/05/2010		MOD:848 EVO;XST:AUS,BRA,CHN,EUR,FRA,JAF	
23	85040471A	QUICK FASTENING M5	4	29/03/2012		MOD:848 EVO;XST:AUS,BRA,CHN,EUR,FRA,JAF	
24	85041051A	RIVET, FEMALE	4	29/03/2012		MOD:848 EVO;XST:AUS,BRA,CHN,EUR,FRA,JAF	
25	46012531A	COWLING, INNER, RH	1	29/03/2012		MOD:848 EVO;XST:AUS,BRA,CHN,EUR,FRA,JAF	
26	46012542A	COWLING, INNER, LH	1	29/03/2012		MOD:848 EVO;XST:AUS,BRA,CHN,EUR,FRA,JAF	
27	85041041A	RIVET, MALE	4	29/03/2012		MOD:848 EVO;XST:AUS,BRA,CHN,EUR,FRA,JAF	
28	77150288B	SCREW TCEI M4X35	4	29/03/2012		MOD:848 EVO;XST:AUS,BRA,CHN,EUR,FRA,JAF	
29	71314611A	LEFT DRIVING MIRROR HOLDER	1	29/03/2012		MOD:848 EVO;XST:AUS,BRA,CHN,EUR,FRA,JAF	



VST00959



POS.	CODE	DESCRIPTION	QTY	START DATE	END DATE	VALIDITY	NOTES
30	71314601A	RIGHT DRIVING MIRROR HOLDER	1	29/03/2012		MOD:848 EVO;XST:AUS,BRA,CHN,EUR,FRA,JAF	



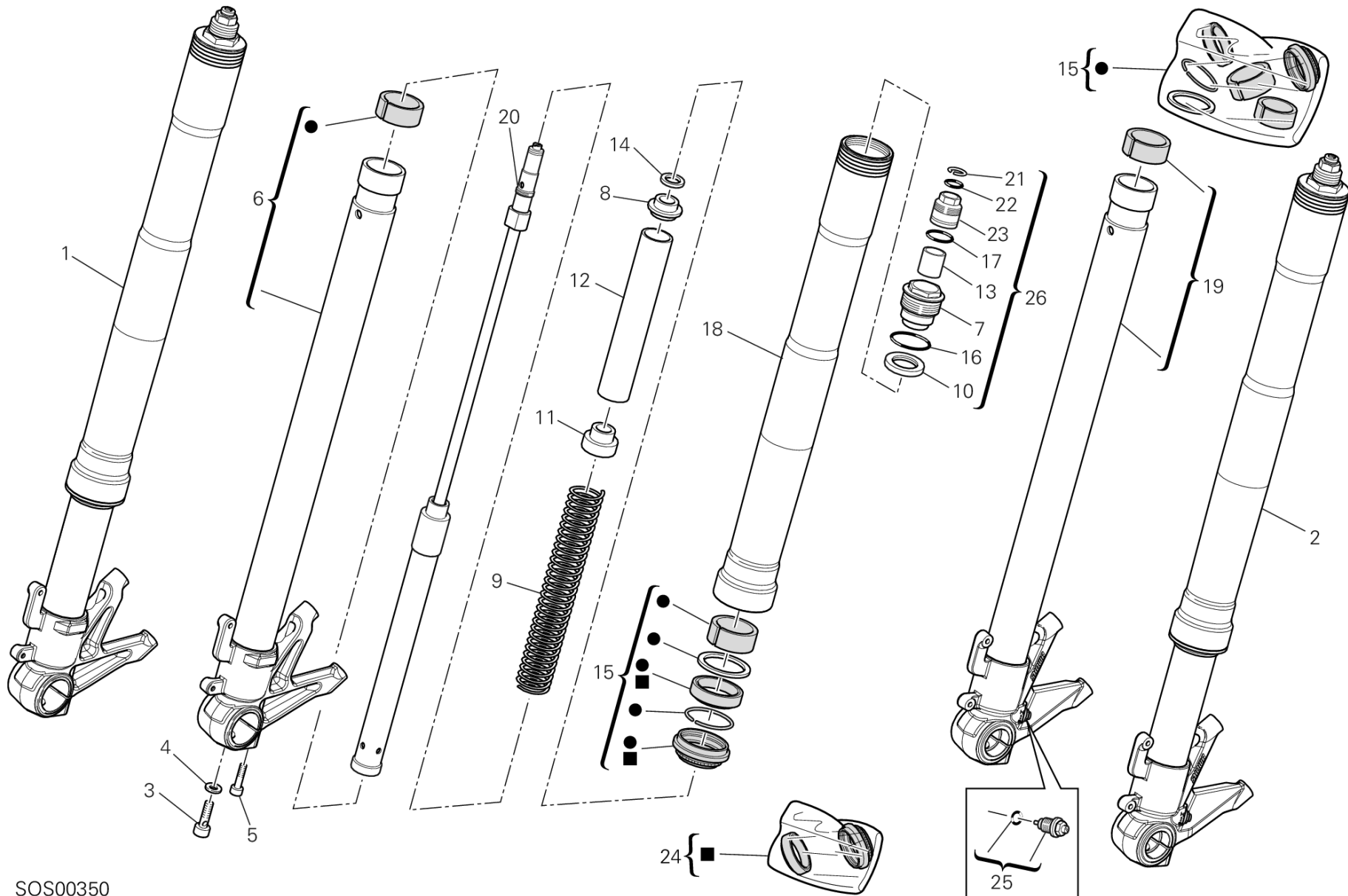
IMP00823

DRAWING 035 - CANISTER FILTER [MOD:848 EVO;XST:CHN]

GROUP FRAME



POS.	CODE	DESCRIPTION	QTY	START DATE	END DATE	VALIDITY	NOTES
1	42610071A	CANISTER FILTER	1	29/03/2012		MOD:848 EVO;XST:CHN	
2	59013091B	PIPE	1	24/06/2010		MOD:848 EVO;XST:CHN	
3	74140571A	CLAMP	1	24/06/2010		MOD:848 EVO;XST:CHN	
4	59012541B	PIPE	1	24/12/2009		MOD:848 EVO;XST:CHN	
5	74140631A	CLAMP	1	24/12/2009		MOD:848 EVO;XST:CHN	
6	59013071B	HOSE 6X13X300	1	24/12/2009		MOD:848 EVO;XST:CHN	
7	74140581A	CLAMP	4	24/12/2009		MOD:848 EVO;XST:CHN	
8	81411831A	THREE-WAYS UNION	1	24/12/2009		MOD:848 EVO;XST:CHN	
9	59013081B	PIPE	1	24/12/2009		MOD:848 EVO;XST:CHN	
10	59013101B	PIPE	1	24/12/2009		MOD:848 EVO;XST:CHN	
11	74140431A	CLAMP	4	01/01/2001		MOD:848 EVO;XST:CHN	
12	81411113B	NIPPLE, HOSE	2	08/03/2012		MOD:848 EVO;XST:CHN	
13	85250231A	GASKET	2	24/12/2009		MOD:848 EVO;XST:CHN	
14	77150748B	SCREW TCEI M6X45	2	29/03/2012		MOD:848 EVO;XST:CHN	
15	93410071B	BREATHING PIPE	1	06/11/2012		MOD:848 EVO;XST:CHN	
16	83014481A	BRACKET CARBON CANISTER	1	01/01/2001		MOD:848 EVO;XST:CHN	
17	82711571A	PLATE	1	01/01/2001		MOD:848 EVO;XST:CHN	
18	76410291A	RUBBER PAD	2	01/01/2001		MOD:848 EVO;XST:CHN	
19	71610431B	SPACER	2	01/01/2001		MOD:848 EVO;XST:CHN	
20	77550131A	SCREW	2	01/01/2001		MOD:848 EVO;XST:CHN	



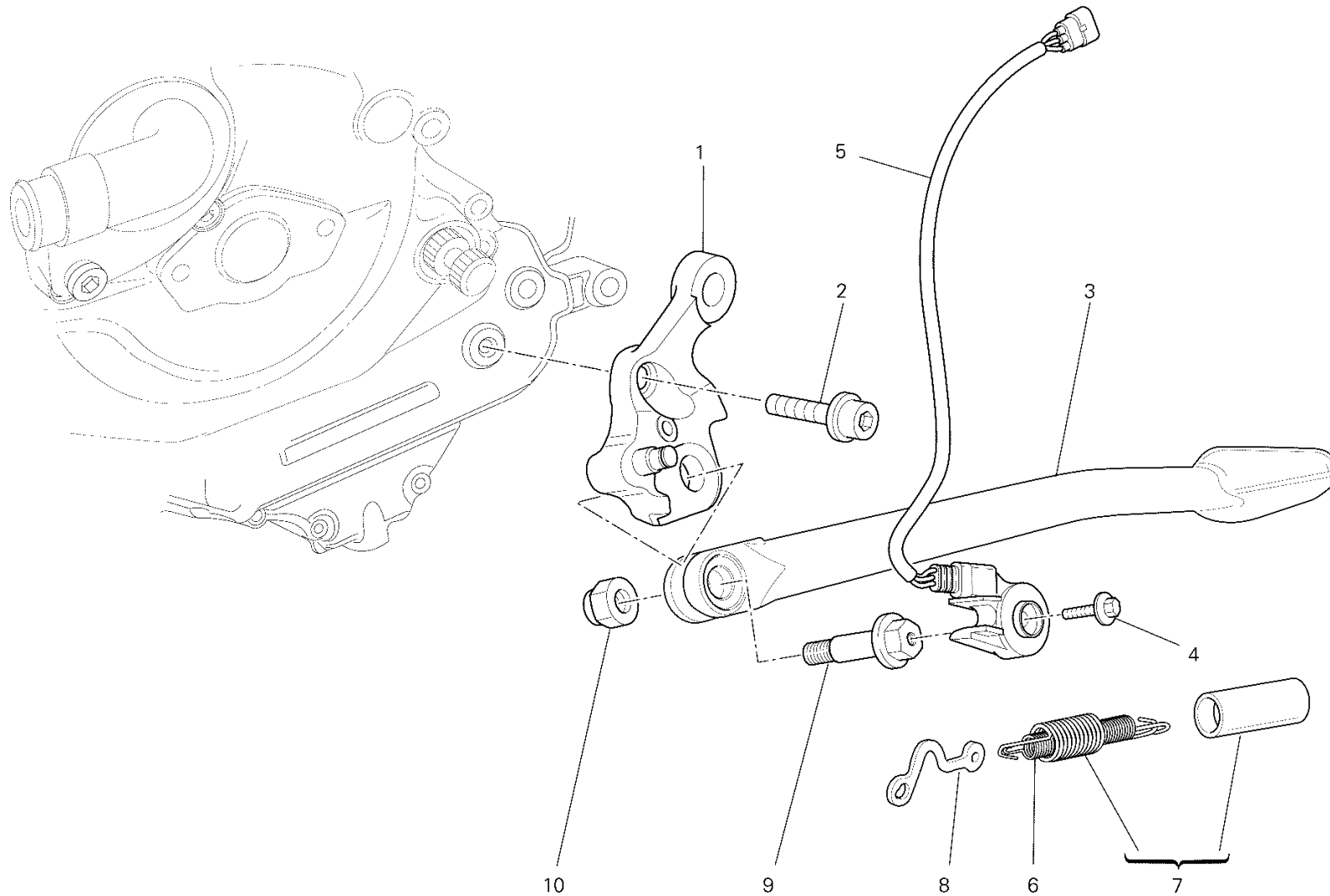
SOS00350

DRAWING 21A - FRONT FORK [MOD:848 EVO;XST:AUS,BRA,CHN,EUR,FRA,JAP]

GROUP FRAME



POS.	CODE	DESCRIPTION	QTY	START DATE	END DATE	VALIDITY	NOTES
1	34520161B	FORK LEG ASSY, RIGHT	1	29/03/2012			
2	34420161B	FORK LEG ASSY, LEFT	1	29/03/2012			
3	34912091A	SCREW, SPECIAL	2	24/12/2009			
4	34910601B	WASHER, SPECIAL	2	24/12/2009			
5	77157278B	SCREW TCEIF M8X30	4	13/04/2010			
6	34912831A	COMPLETE RIGHT SLIDER	1	24/12/2009			
7	34912281A	CAP,FORK TOP	2	24/12/2009			
8	34910641A	BUSHING-FRONT FORK, SLIDE	2	24/12/2009			
9	34912251A	FORK SPRING	2	24/12/2009			
10	34911701A	DUST COVER	2	24/12/2009			
11	34912261A	COUPLING	2	24/12/2009			
12	34912271A	PRE-LOAD SLEEVE	2	24/12/2009			
13	34911851A	COLLAR	2	24/12/2009			
14	34910651A	GUIDE, FORK SPRING	2	24/12/2009			
15	34912291A	FRONT FORK OVERHAUL SET	2				
16	34911861A	O-RING	2	24/12/2009			
17	34912881A	O-RING	2	24/12/2009			
18	34912231A	FORK OUTER TUBE	2	24/12/2009			
19	34912841A	COMPLETE LEFT SLIDER	1	24/12/2009			
20	34912241A	COMPRESSION ADJUSTER	2	24/12/2009			
21	34910981A	SPRING RING	2	24/12/2009			
22	34911891A	O-RING	2	24/12/2009			
23	34911881A	PRELOAD ADJUSTER	2	24/12/2009			
24	34912631A	SEAL SET, FRONT FORK	2				
25	34920651A	SCREW	2	24/12/2009			
26	34920561A	SLEEVE PLUG	2	24/12/2009			



TEL00697

DRAWING 22A - SIDE STAND [MOD:848 EVO;XST:AUS,BRA,CHN,EUR,FRA,JAP]

GROUP FRAME

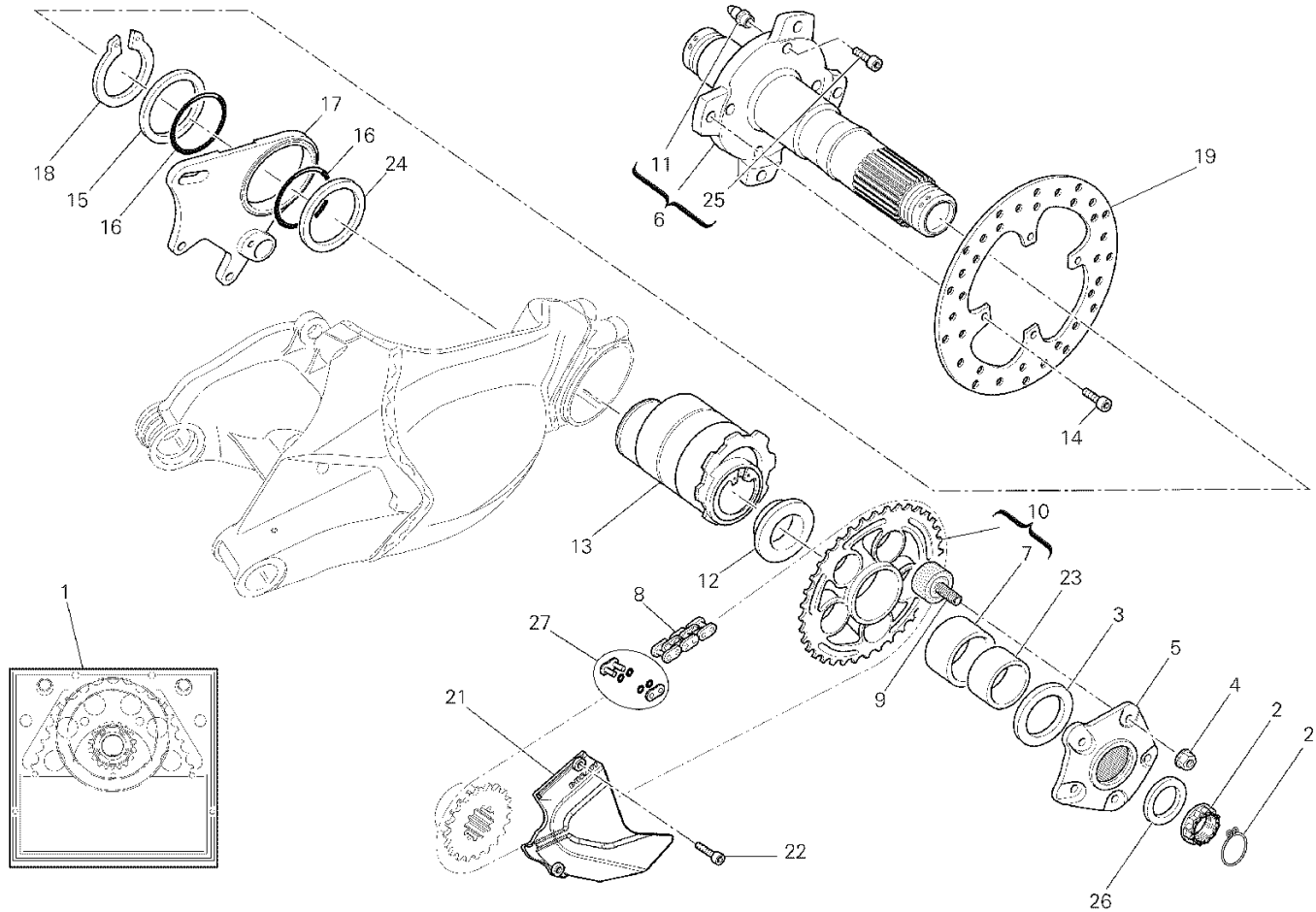


POS.	CODE	DESCRIPTION	QTY	START DATE	END DATE	VALIDITY	NOTES
1	55620631AA	PLATE	1	04/04/2011			
2	77110431A	SCREW TCEIF M10X25	2	29/03/2012			
3	55610621AB	SIDE STAND BLACK	1	29/03/2012			
4	77940053A	SCREW	1	29/03/2012			
5	53910224A	SWITCH ASSY, SIDE STAND	1	19/03/2010			
6	79911581B	INNER SPRING	1	29/03/2012			
7	79921591B	COMPLETE SPRING	1	29/03/2012			
8	82912602A	PLATE	1	29/03/2012			
9	82111032A	AXLE, SIDE STAND	1	29/03/2012			
10	75010481A	NUT	1	29/03/2012			



DRAWING 26A - REAR WHEEL SPINDLE [MOD:848 EVO;XST:AUS,BRA,CHN,EUR,FRA,JAP]

GROUP FRAME



TEL00518

DRAWING 26A - REAR WHEEL SPINDLE [MOD:848 EVO;XST:AUS,BRA,CHN,EUR,FRA,JAP]



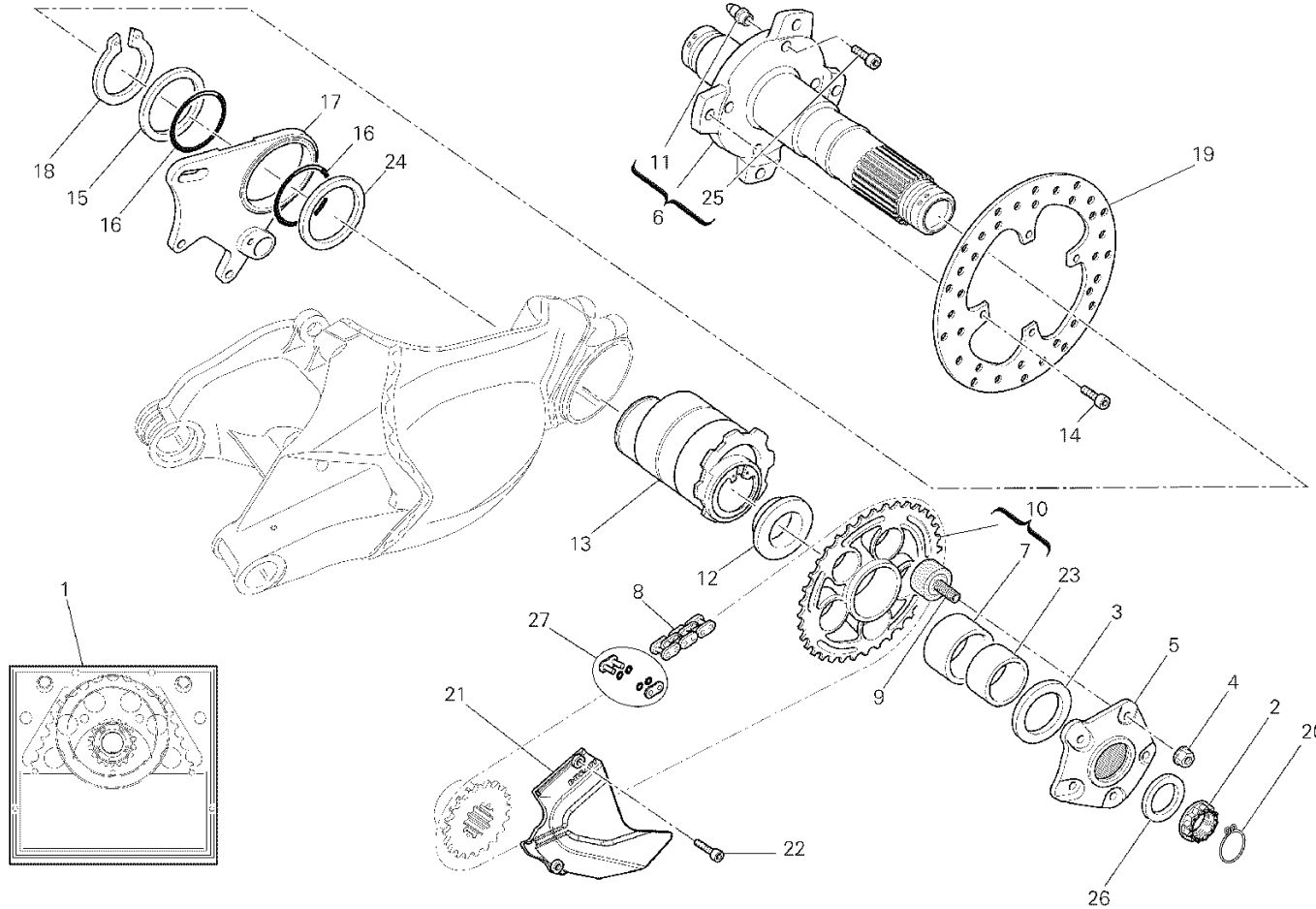
GROUP FRAME

POS.	CODE	DESCRIPTION	QTY	START DATE	END DATE	VALIDITY	NOTES
1	67620691A	FINAL DRIVE KIT	1	29/03/2012		MOD:848 EVO;XST:AUS,BRA,CHN,EUR,FRA,JAF	
2	75011581AA	NUT	1	20/09/2010		MOD:848 EVO;XST:AUS,BRA,CHN,EUR,FRA,JAF	
3	85210582A	WASHER	1	29/03/2012		MOD:848 EVO;XST:AUS,BRA,CHN,EUR,FRA,JAF	
4	74840241AB	NUT M10X1.25X10	5	29/03/2012		MOD:848 EVO;XST:AUS,BRA,CHN,EUR,FRA,JAF	
5	16014221A	REAR SPROCKET FLANGE	1	29/03/2012		MOD:848 EVO;XST:AUS,BRA,CHN,EUR,FRA,JAF	
6	81920011B	REAR WHEEL SPINDLE	1	29/03/2012		MOD:848 EVO;XST:AUS,BRA,CHN,EUR,FRA,JAF	
7	71210181A	BUSH	1	24/12/2009		MOD:848 EVO;XST:AUS,BRA,CHN,EUR,FRA,JAF	
8	67640691A	CHAIN	1	01/01/2001		MOD:848 EVO;XST:AUS,BRA,CHN,EUR,FRA,JAF	
9	70090551A	ABSORBER, HUB SHOCK	5	21/05/2012		MOD:848 EVO;XST:AUS,BRA,CHN,EUR,FRA,JAF	
10	49421381A	REAR SPROCKET 39T	1	29/03/2012		MOD:848 EVO;XST:AUS,BRA,CHN,EUR,FRA,JAF	
11	86310011D	PIN	4	24/12/2009		MOD:848 EVO;XST:AUS,BRA,CHN,EUR,FRA,JAF	
12	71410831A	SPACER	1	29/03/2012		MOD:848 EVO;XST:AUS,BRA,CHN,EUR,FRA,JAF	
13	75620081A	HUB, REAR WHEEL	1	01/01/2001		MOD:848 EVO;XST:AUS,BRA,CHN,EUR,FRA,JAF	
14	77112311A	SCREW TCEIR M8X14	4	29/03/2012		MOD:848 EVO;XST:AUS,BRA,CHN,EUR,FRA,JAF	
15	85211591A	WASHER 70.5X87X1	1	01/01/2001		MOD:848 EVO;XST:AUS,BRA,CHN,EUR,FRA,JAF	
16	88650031A	O-RING	2	01/01/2001		MOD:848 EVO;XST:AUS,BRA,CHN,EUR,FRA,JAF	
17	82510381A	BRACKET, REAR CALIPER	1	01/01/2001		MOD:848 EVO;XST:AUS,BRA,CHN,EUR,FRA,JAF	



DRAWING 26A - REAR WHEEL SPINDLE [MOD:848 EVO;XST:AUS,BRA,CHN,EUR,FRA,JAP]

GROUP FRAME



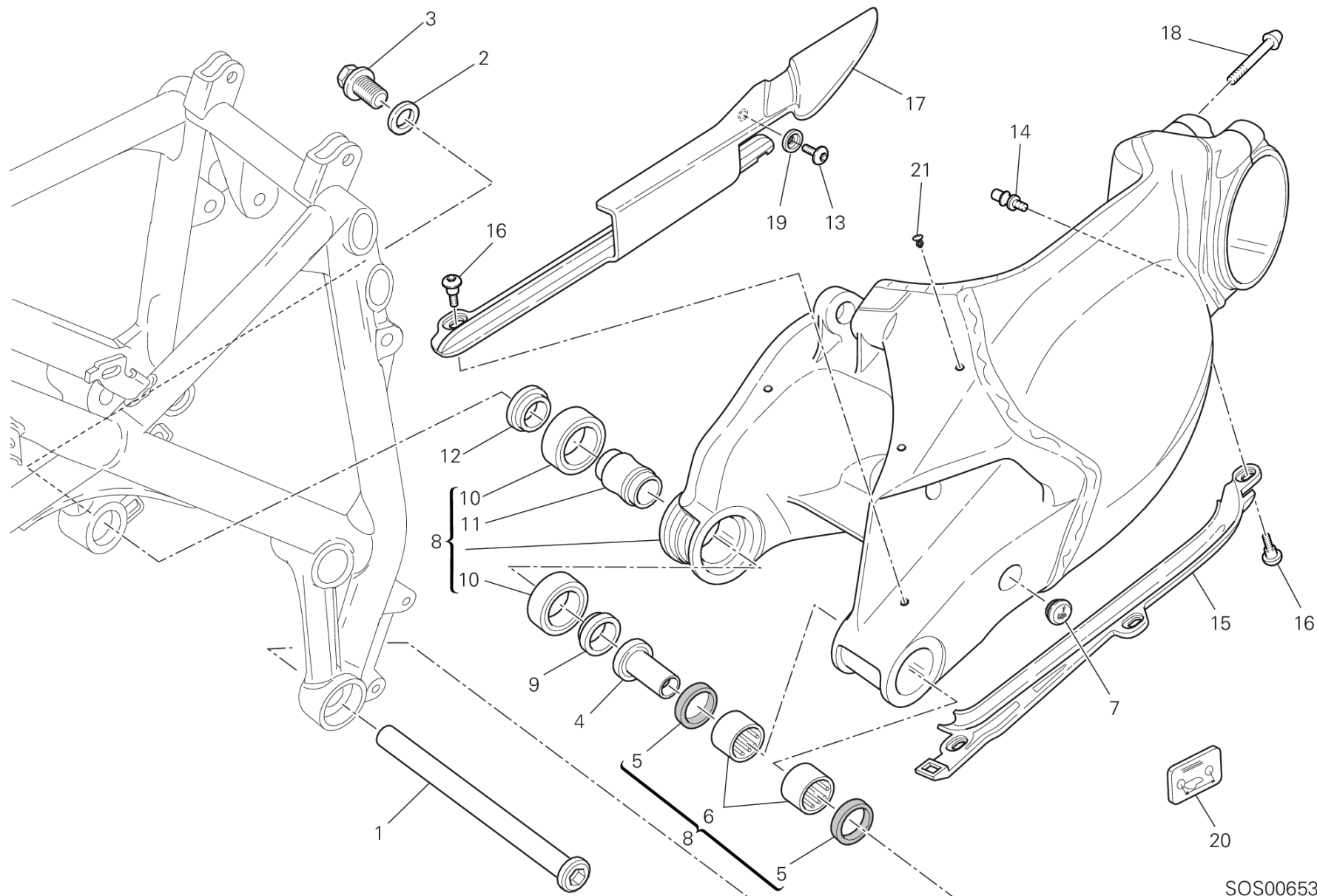
TEL00518

DRAWING 26A - REAR WHEEL SPINDLE [MOD:848 EVO;XST:AUS,BRA,CHN,EUR,FRA,JAP]



GROUP FRAME

POS.	CODE	DESCRIPTION	QTY	START DATE	END DATE	VALIDITY	NOTES
18	88450041A	CIRCLIP	1	01/01/2001		MOD:848 EVO;XST:AUS,BRA,CHN,EUR,FRA,JAF	
19	49240761A	REAR BRAKE DISC	1	29/03/2012		MOD:848 EVO;XST:AUS,BRA,CHN,EUR,FRA,JAF	
20	75910081A	RETAINER 35MM	1	29/03/2012		MOD:848 EVO;XST:AUS,BRA,CHN,EUR,FRA,JAF	
21	46012551A	CHAIN PINION COVER	1	22/09/2010		MOD:848 EVO;XST:AUS,BRA,CHN,EUR,FRA,JAF	
22	77110391B	SCREW	2	29/03/2012		MOD:848 EVO;XST:AUS,BRA,CHN,EUR,FRA,JAF	
23	71110671A	BUSH	1	21/05/2012		MOD:848 EVO;XST:AUS,BRA,CHN,EUR,FRA,JAF	
24	85212331A	WASHER 70.5X90X3.5	1	01/01/2001		MOD:848 EVO;XST:AUS,BRA,CHN,EUR,FRA,JAF	
25	77210051B	SCREW	4	24/12/2009		MOD:848 EVO;XST:AUS,BRA,CHN,EUR,FRA,JAF	
26	85210551A	WASHER	1	29/03/2012		MOD:848 EVO;XST:AUS,BRA,CHN,EUR,FRA,JAF	
27	67740131A	CHAIN LINK	1	24/12/2009		MOD:848 EVO;XST:AUS,BRA,CHN,EUR,FRA,JAF	



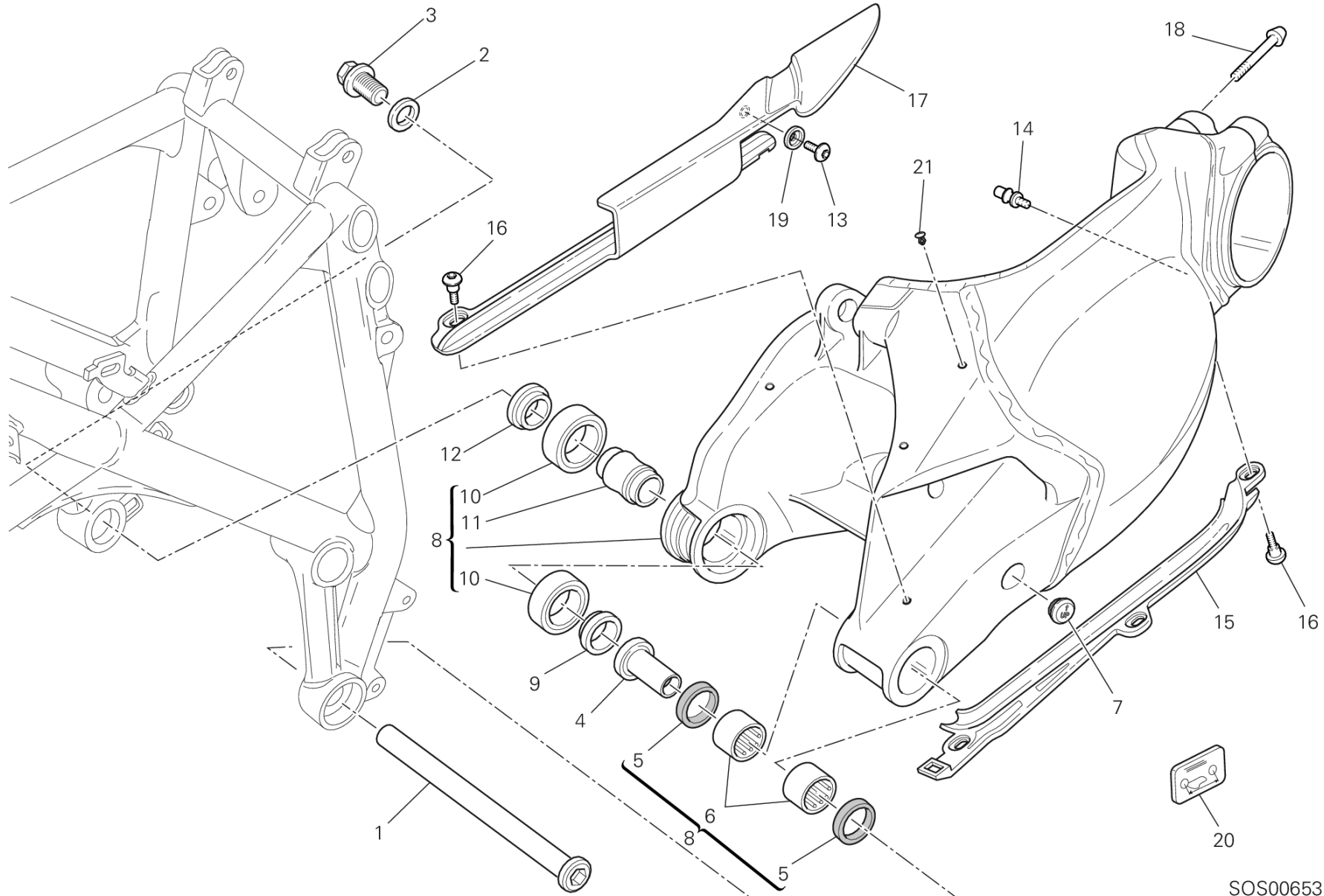
SOS00653

DRAWING 28A - SWING ARM [MOD:848 EVO;XST:AUS,BRA,CHN,EUR,FRA,JAP]

GROUP FRAME



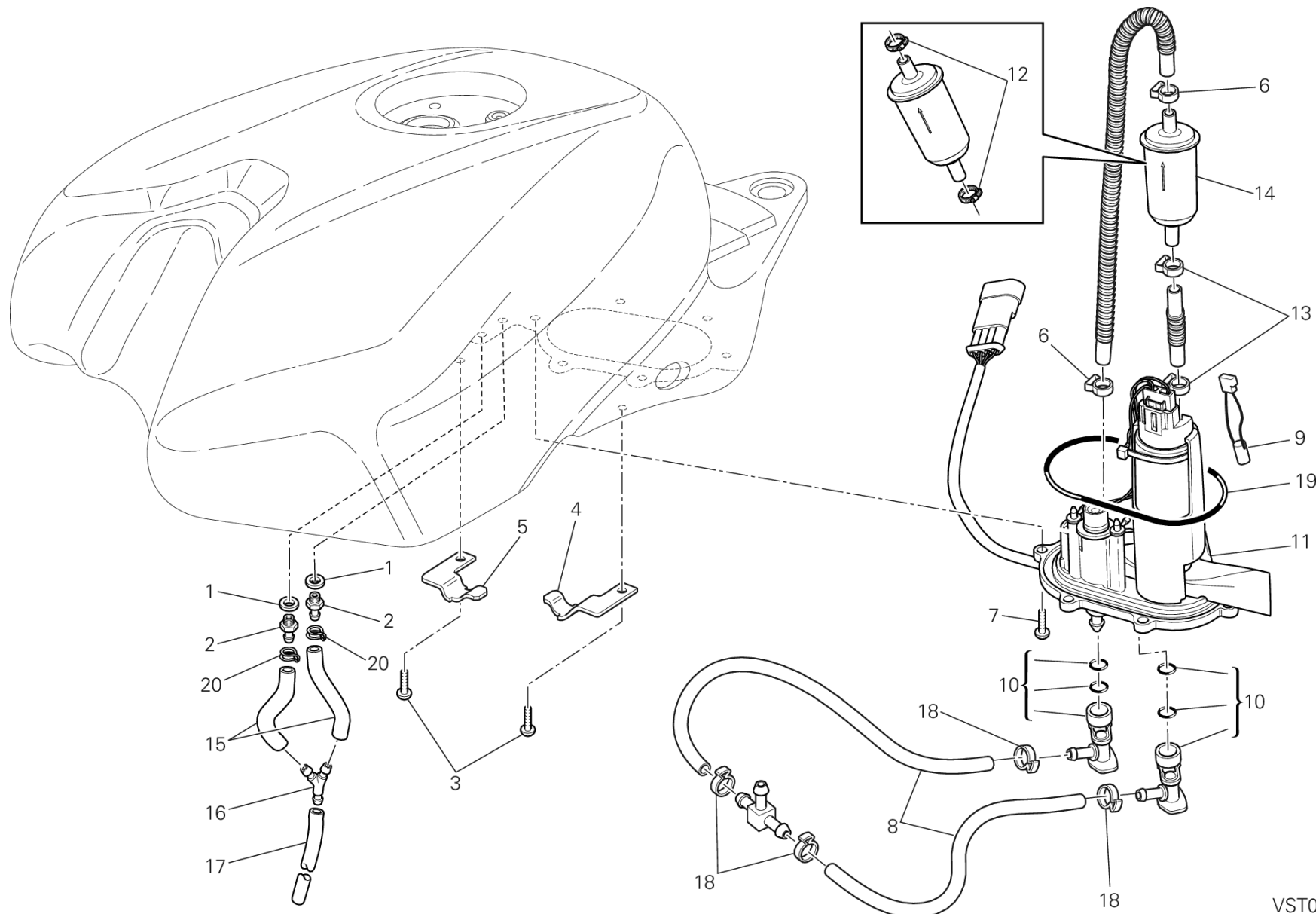
POS.	CODE	DESCRIPTION	QTY	START DATE	END DATE	VALIDITY	NOTES
1	36921231A	AXLE, REAR SWING ARM	1	24/12/2009		MOD:848 EVO;XST:AUS,BRA,CHN,EUR,FRA,JAF	
2	85212161A	WASHER	1	29/03/2012		MOD:848 EVO;XST:AUS,BRA,CHN,EUR,FRA,JAF	
3	77210782A	SCREW, SPECIAL	1	29/03/2012		MOD:848 EVO;XST:AUS,BRA,CHN,EUR,FRA,JAF	
4	71011091A	BUSH, LH	1	01/01/2001		MOD:848 EVO;XST:AUS,BRA,CHN,EUR,FRA,JAF	
5	93050121A	SEAL RING	2	15/04/2010		MOD:848 EVO;XST:AUS,BRA,CHN,EUR,FRA,JAF	
6	70140171A	BEARING, NEEDLE	2	15/04/2010		MOD:848 EVO;XST:AUS,BRA,CHN,EUR,FRA,JAF	
7	87210542A	CAP, SWINGARM COVER	1	29/03/2012		MOD:848 EVO;XST:AUS,BRA,CHN,EUR,FRA,JAF	
8	37020761DB	COMPLETE SWINGARM	1	01/01/2001		MOD:848 EVO;XST:AUS,BRA,CHN,EUR,FRA,JAF	
9	71210291A	RIGHT SPACER	1	01/01/2001		MOD:848 EVO;XST:AUS,BRA,CHN,EUR,FRA,JAF	
10	70250451A	BEARING	2	15/04/2010		MOD:848 EVO;XST:AUS,BRA,CHN,EUR,FRA,JAF	
11	71311871A	INNER SPACER	1	15/04/2010		MOD:848 EVO;XST:AUS,BRA,CHN,EUR,FRA,JAF	
12	71210301A	RIGHT SPACER	1	01/01/2001		MOD:848 EVO;XST:AUS,BRA,CHN,EUR,FRA,JAF	
13	77550131A	SCREW	1	06/11/2012		MOD:848 EVO;XST:AUS,BRA,CHN,EUR,FRA,JAF	
14	83210471A	PIN	1	01/01/2001		MOD:848 EVO;XST:AUS,BRA,CHN,EUR,FRA,JAF	
15	44710691A	LOWER CHAIN SLIDING SHOE	1	01/01/2001		MOD:848 EVO;XST:AUS,BRA,CHN,EUR,FRA,JAF	
16	77914401B	SCREW TBEI M6X15	4	01/01/2001		MOD:848 EVO;XST:AUS,BRA,CHN,EUR,FRA,JAF	
17	44710701A	UPPER CHAIN SLIDING SHOE	1	01/01/2001		MOD:848 EVO;XST:AUS,BRA,CHN,EUR,FRA,JAF	



SOS00653



POS.	CODE	DESCRIPTION	QTY	START DATE	END DATE	VALIDITY	NOTES
18	77915031A	SCREW TCEI M12X1.25X40	2	01/01/2001		MOD:848 EVO;XST:AUS,BRA,CHN,EUR,FRA,JAF	
19	84110501A	RETAINER	1	01/01/2001		MOD:848 EVO;XST:AUS,BRA,CHN,EUR,FRA,JAF	
20	43313421A	STICKER, ADJUSTING CHAIN	1	29/03/2012		MOD:848 EVO;XST:AUS,BRA,CHN,EUR,FRA	
	43313421B	STICKER, ADJUSTING CHAIN	1	29/03/2012		MOD:848 EVO;XST:JAP	J
21	87240441A	CAP, SWINGARM COVER	3	01/01/2001		MOD:848 EVO;XST:AUS,BRA,CHN,EUR,FRA,JAF	



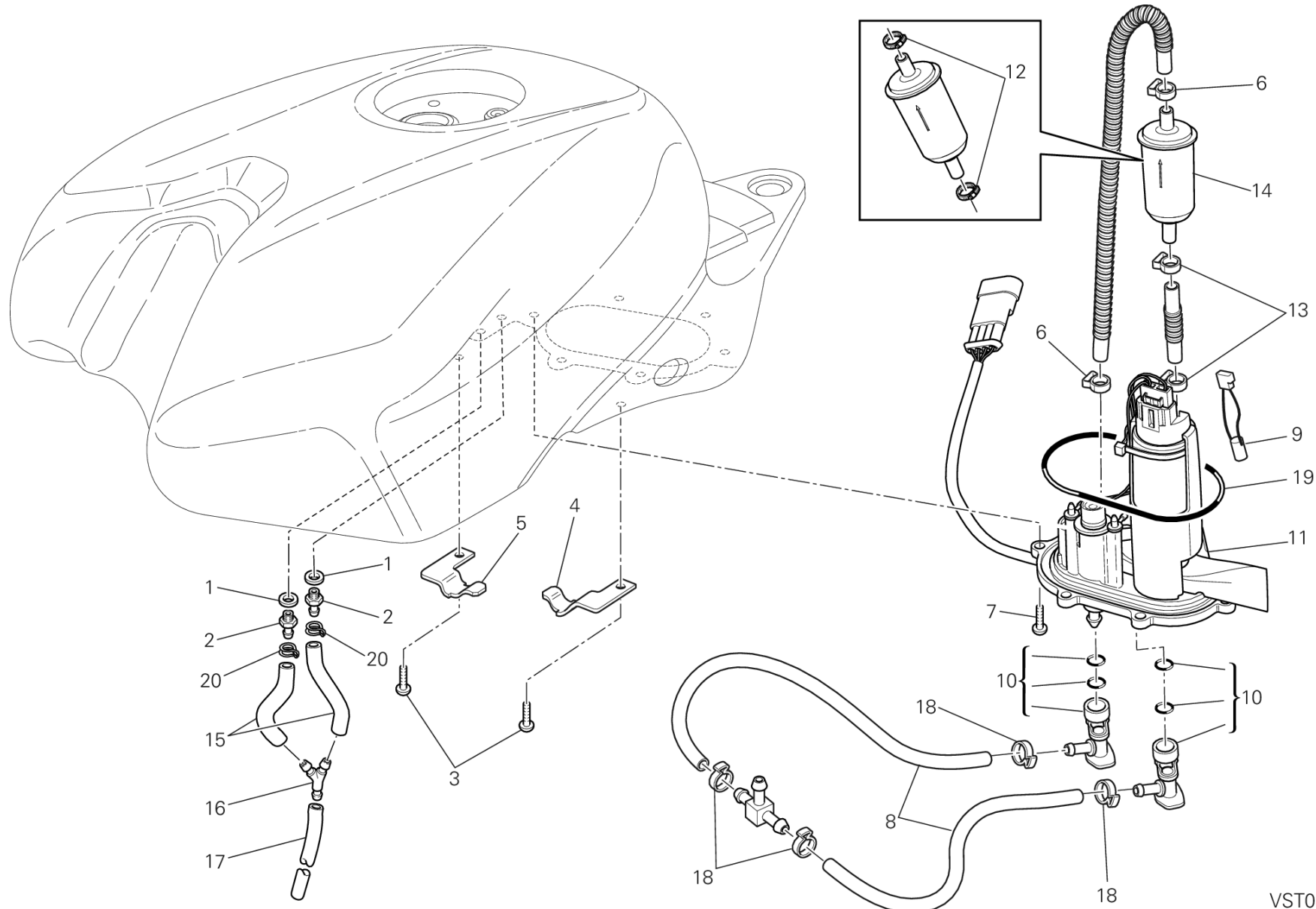
VST01201

DRAWING 32A - FUEL PUMP [MOD:848 EVO;XST:AUS,BRA,EUR,FRA,JAP]

GROUP FRAME



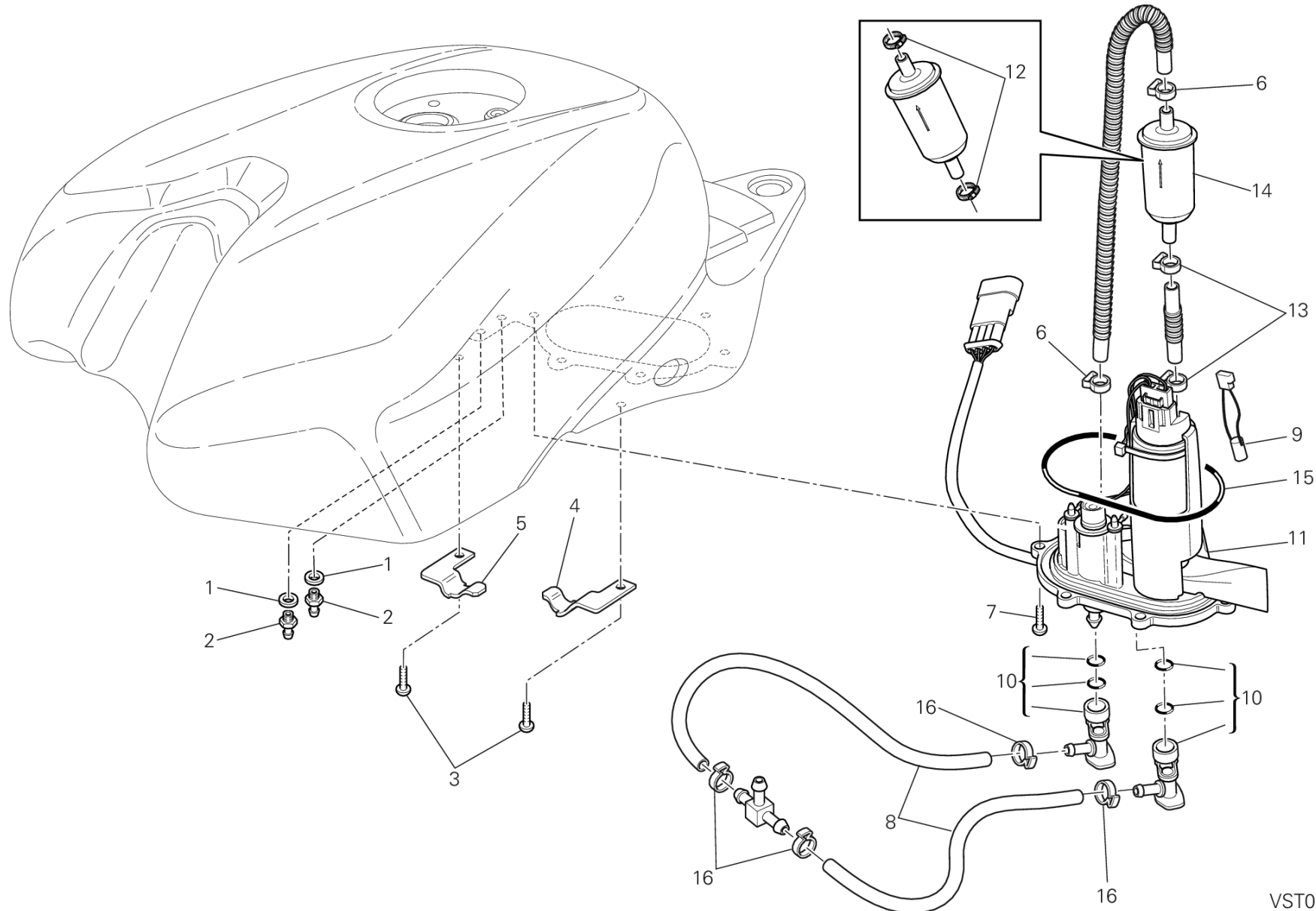
POS.	CODE	DESCRIPTION	QTY	START DATE	END DATE	VALIDITY	NOTES
1	88610131A	GASKET	2	01/01/2001		MOD:848 EVO;XST:AUS,BRA,EUR,FRA,JAP	
2	85010061A	UNION	2	01/01/2001		MOD:848 EVO;XST:AUS,BRA,EUR,FRA,JAP	
3	77510511A	SCREW TBEI M5X10	2	01/01/2001		MOD:848 EVO;XST:AUS,BRA,EUR,FRA,JAP	
4	83014331A	LEFT PLATE	1	01/01/2001		MOD:848 EVO;XST:AUS,BRA,EUR,FRA,JAP	
5	83014321A	RIGHT PLATE	1	01/01/2001		MOD:848 EVO;XST:AUS,BRA,EUR,FRA,JAP	
6	74140921A	CLAMP	2	12/05/2010		MOD:848 EVO;XST:AUS,BRA,EUR,FRA,JAP	
7	77510171C	SCREW TBEI M5X16	6	29/03/2012		MOD:848 EVO;XST:AUS,BRA,EUR,FRA,JAP	
8	59013001A	HOSE, FUEL	2	29/03/2012		MOD:848 EVO;XST:AUS,BRA,EUR,FRA,JAP	
9	55240482A	THERMISTOR	1	01/07/2010		MOD:848 EVO;XST:AUS,BRA,EUR,FRA,JAP	
10	81440101A	UNION, QUICK-COUPLING	2	24/12/2009		MOD:848 EVO;XST:AUS,BRA,EUR,FRA,JAP	
11	16023991A	FLANGE	1	16/06/2010		MOD:848 EVO;XST:AUS,BRA,EUR,FRA,JAP	
12	69923451A	CLAMPS KIT	1	12/05/2010		MOD:848 EVO;XST:AUS,BRA,EUR,FRA,JAP	
13	74141581A	CLAMP 15.71 MM	2	12/05/2010		MOD:848 EVO;XST:AUS,BRA,EUR,FRA,JAP	
14	42540151A	FILTER, FUEL	1	12/05/2010		MOD:848 EVO;XST:AUS,BRA,EUR,FRA,JAP	
15	59013041B	HOSE, FUEL	2	06/11/2012		MOD:848 EVO;XST:AUS,BRA,EUR,FRA,JAP	
16	61610021A	THREE-WAYS UNION	1	01/01/2001		MOD:848 EVO;XST:AUS,BRA,EUR,FRA,JAP	
17	59013051B	PIPE	1	06/11/2012		MOD:848 EVO;XST:AUS,BRA,EUR,FRA,JAP	



VST01201



POS.	CODE	DESCRIPTION	QTY	START DATE	END DATE	VALIDITY	NOTES
18	28740241B	CLAMP CLICK 16.8MM	4	24/12/2009		MOD:848 EVO;XST:AUS,BRA,EUR,FRA,JAP	
19	88650481A	O-RING 88.27X5.34	1	12/05/2010		MOD:848 EVO;XST:AUS,BRA,EUR,FRA,JAP	
20	74140431A	CLAMP	2	01/01/2001		MOD:848 EVO;XST:AUS,BRA,EUR,FRA,JAP	



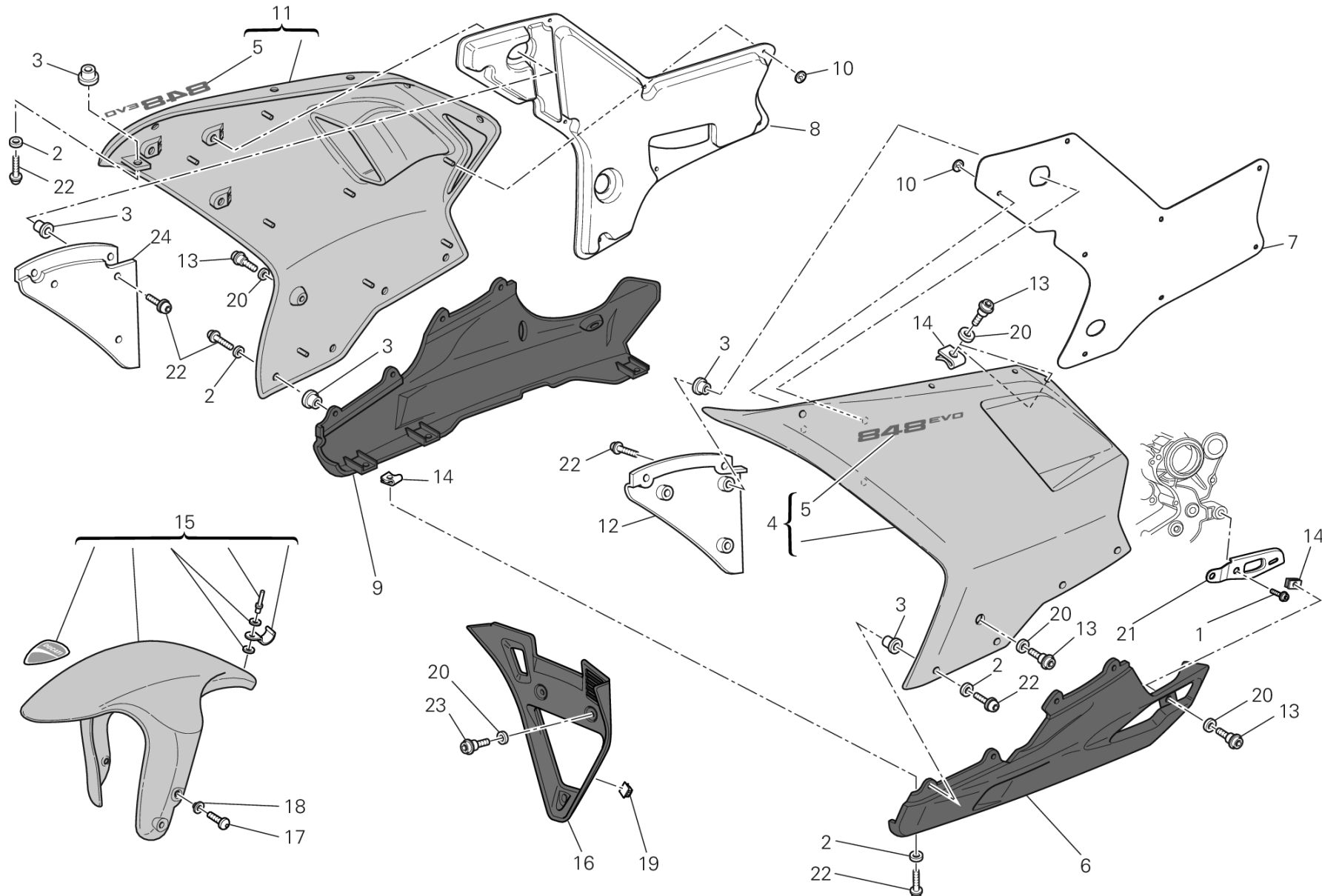
VST00790

DRAWING 32A - FUEL PUMP [MOD:848 EVO;XST:CHN]

GROUP FRAME



POS.	CODE	DESCRIPTION	QTY	START DATE	END DATE	VALIDITY	NOTES
1	88610131A	GASKET	2	01/01/2001		MOD:848 EVO;XST:CHN	
2	85010061A	UNION	2	01/01/2001		MOD:848 EVO;XST:CHN	
3	77510511A	SCREW TBEI M5X10	2	01/01/2001		MOD:848 EVO;XST:CHN	
4	83014331A	LEFT PLATE	1	01/01/2001		MOD:848 EVO;XST:CHN	
5	83014321A	RIGHT PLATE	1	01/01/2001		MOD:848 EVO;XST:CHN	
6	74140921A	CLAMP	2	12/05/2010		MOD:848 EVO;XST:CHN	
7	77510171C	SCREW TBEI M5X16	6	29/03/2012		MOD:848 EVO;XST:CHN	
8	59013001A	HOSE, FUEL	2	29/03/2012		MOD:848 EVO;XST:CHN	
9	55240482A	THERMISTOR	1	01/07/2010		MOD:848 EVO;XST:CHN	
10	81440101A	UNION, QUICK-COUPLING	2	29/03/2012		MOD:848 EVO;XST:CHN	
11	16023991A	FLANGE	1	16/06/2010		MOD:848 EVO;XST:CHN	
12	69923451A	CLAMPS KIT	1	12/05/2010		MOD:848 EVO;XST:CHN	
13	74141581A	CLAMP 15.71 MM	2	12/05/2010		MOD:848 EVO;XST:CHN	
14	42540151A	FILTER, FUEL	1	12/05/2010		MOD:848 EVO;XST:CHN	
15	88650481A	O-RING 88.27X5.34	1	12/05/2010		MOD:848 EVO;XST:CHN	
16	28740241B	CLAMP CLICK 16.8MM	4	24/12/2009		MOD:848 EVO;XST:CHN	

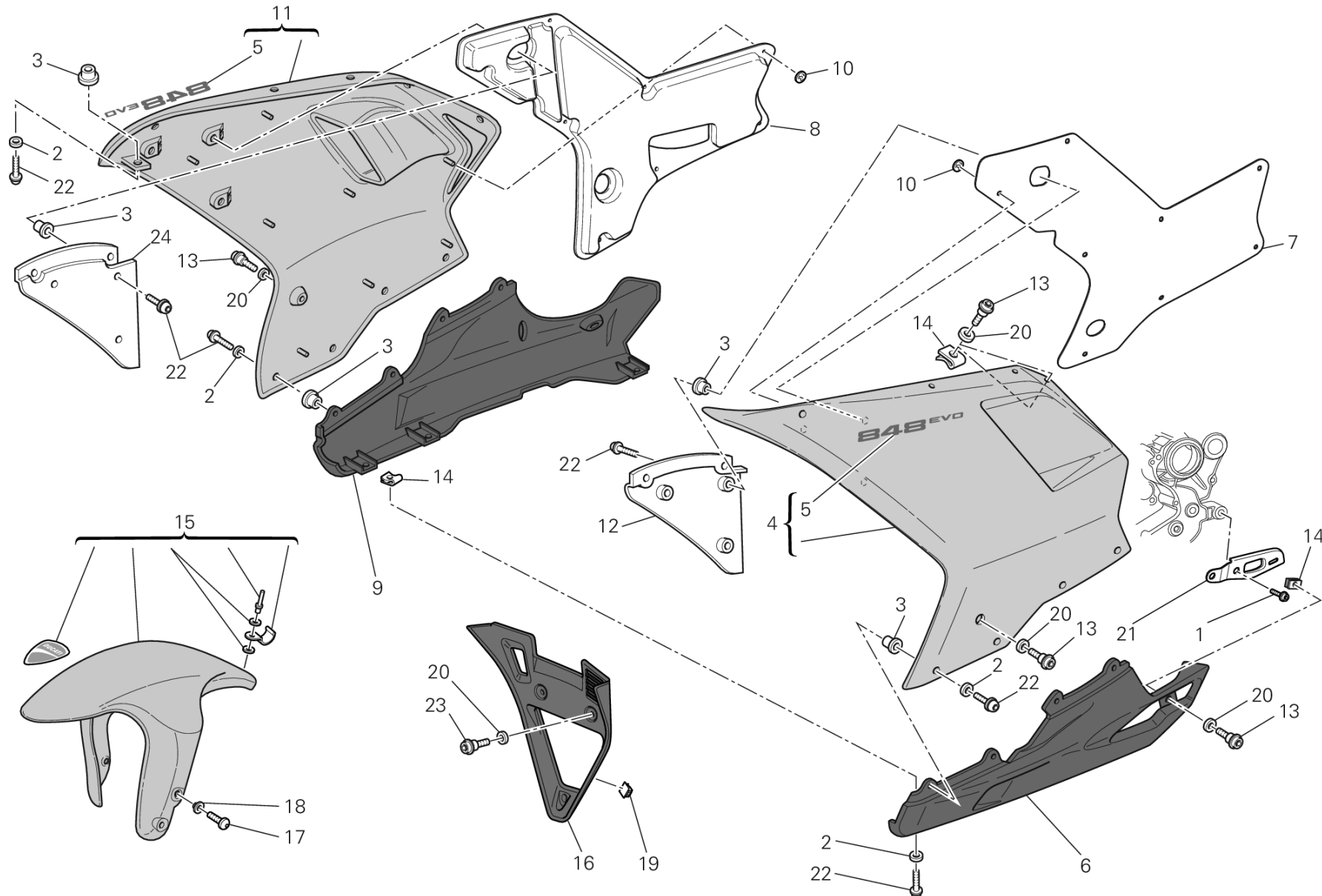


DRAWING 34A - FAIRING [MOD:848 EVO;XST:AUS,BRA,EUR,FRA,JAP]

GROUP FRAME



POS.	CODE	DESCRIPTION	QTY	START DATE	END DATE	VALIDITY	NOTES
1	77157528B	SCREW TCEIF M10X20	1	29/03/2012		MOD:848 EVO;XST:AUS,BRA,EUR,FRA,JAP	
2	85611361A	WASHER	13	29/03/2012		MOD:848 EVO;XST:AUS,BRA,EUR,FRA,JAP	
3	85040821A	THREADED INSERT	14	29/03/2012		MOD:848 EVO;XST:AUS,BRA,EUR,FRA,JAP	
4	48015031AA	UPPER HALF-FAIRING L.H. RED	1	29/03/2012		MOD:848 EVO;XST:AUS,BRA,EUR,FRA,JAP	
	48015031AT	UPPER HALF-FAIRING L.H. BLACK	1	27/04/2010		MOD:848 EVO;XST:AUS,BRA,EUR,FRA,JAP	
	48015031AW	UPPER HALF-FAIRING L.H. WHITE	1	27/04/2010		MOD:848 EVO;XST:AUS,BRA,EUR,FRA,JAP	
5	43713071AG	STICKER 848 FOR RED	2	20/04/2010		MOD:848 EVO;XST:AUS,BRA,EUR,FRA,JAP	
	43713071AT	STICKER 848 FOR BLACK	2	27/04/2010		MOD:848 EVO;XST:AUS,BRA,EUR,FRA,JAP	
	43713071BG	STICKER 848 FOR WHITE	2	27/04/2010		MOD:848 EVO;XST:AUS,BRA,EUR,FRA,JAP	
6	48012281BG	LOWER HALF-FAIRING L.H. GREY FOR WH FOR WHITE	1	29/03/2012		MOD:848 EVO;XST:AUS,BRA,EUR,FRA,JAP	
	48012281BK	LOWER HALF-FAIRING L.H. BLACK FOR B	1	27/04/2010		MOD:848 EVO;XST:AUS,BRA,EUR,FRA,JAP	
	48012281CG	LOWER HALF-FAIRING L.H. GREY FOR WH FOR RED	1	20/04/2010		MOD:848 EVO;XST:AUS,BRA,EUR,FRA,JAP	
7	48610732A	INSULATING PANEL, LEFT	1	29/03/2012		MOD:848 EVO;XST:AUS,BRA,EUR,FRA,JAP	
8	48610742A	INSULATING PANEL, RIGHT	1	29/03/2012		MOD:848 EVO;XST:AUS,BRA,EUR,FRA,JAP	
9	48012302BG	LOWER HALF-FAIRING R.H. GREY FOR WH FOR WHITE	1	27/04/2010		MOD:848 EVO;XST:AUS,BRA,EUR,FRA,JAP	
	48012302BK	LOWER HALF-FAIRING R.H. BLACK FOR B	1	27/04/2010		MOD:848 EVO;XST:AUS,BRA,EUR,FRA,JAP	
	48012302CG	LOWER HALF-FAIRING R.H. GREY FOR WH FOR RED	1	20/04/2010		MOD:848 EVO;XST:AUS,BRA,EUR,FRA,JAP	

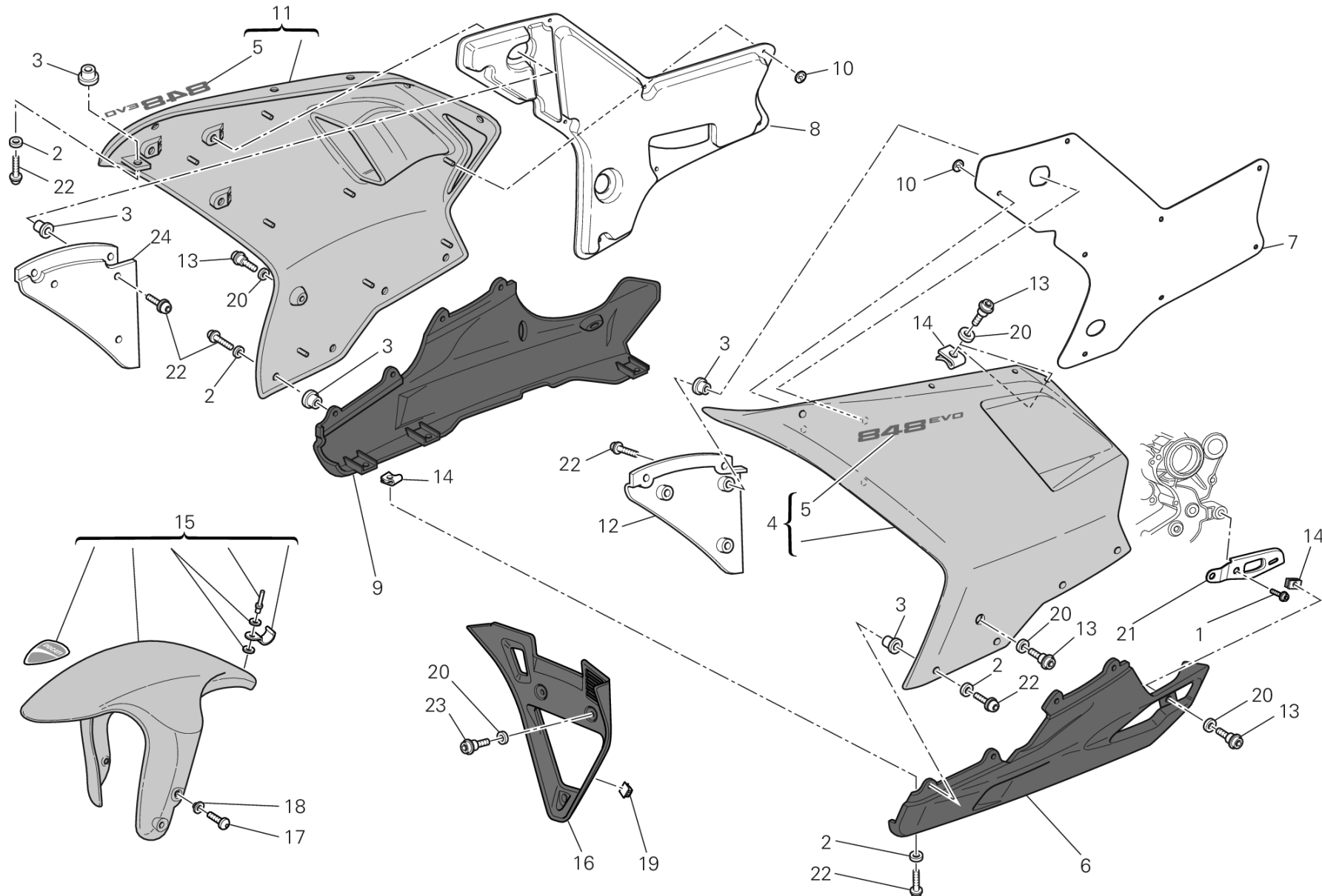


DRAWING 34A - FAIRING [MOD:848 EVO;XST:AUS,BRA,EUR,FRA,JAP]

GROUP FRAME



POS.	CODE	DESCRIPTION	QTY	START DATE	END DATE	VALIDITY	NOTES
10	85041091A	WASHER, SPRING	16	29/03/2012		MOD:848 EVO;XST:AUS,BRA,EUR,FRA,JAP	
11	48015021AA	UPPER HALF-FAIRING R.H. RED	1	29/03/2012		MOD:848 EVO;XST:AUS,BRA,EUR,FRA,JAP	
	48015021AT	UPPER HALF-FAIRING R.H. BLACK	1	27/04/2010		MOD:848 EVO;XST:AUS,BRA,EUR,FRA,JAP	
	48015021AW	UPPER HALF-FAIRING R.H. WHITE	1	27/04/2010		MOD:848 EVO;XST:AUS,BRA,EUR,FRA,JAP	
12	46012491A	LEFT PANEL	1	29/03/2012		MOD:848 EVO;XST:AUS,BRA,EUR,FRA,JAP	
13	77210853B	SCREW TCEI M5X9	8	29/03/2012		MOD:848 EVO;XST:AUS,BRA,EUR,FRA,JAP	
14	85040551A	QUICK FASTENING	8	20/04/2010		MOD:848 EVO;XST:AUS,BRA,EUR,FRA,JAP	
15	56420711AA	FRONT MUDGUARD ASSEMBLY RED	1	29/03/2012		MOD:848 EVO;XST:AUS,BRA,EUR,FRA,JAP	
	56420711AT	FRONT MUDGUARD ASSEMBLY BLACK	1	29/03/2012		MOD:848 EVO;XST:AUS,BRA,EUR,FRA,JAP	
	56420711AW	FRONT MUDGUARD ASSEMBLY WHITE	1	29/03/2012		MOD:848 EVO;XST:AUS,BRA,EUR,FRA,JAP	
16	48410601AG	AIR CONVEYOR	1	29/03/2012		MOD:848 EVO;XST:AUS,BRA,EUR,FRA,JAP	
17	77210893B	SCREW TBEI M6X14	4	29/03/2012		MOD:848 EVO;XST:AUS,BRA,EUR,FRA,JAP	
18	71614011A	SPACER 6.2X8.5X14	4	29/03/2012		MOD:848 EVO;XST:AUS,BRA,EUR,FRA,JAP	
19	75840181A	CLAMP, WIRE 11 MM	1	29/03/2012		MOD:848 EVO;XST:AUS,BRA,EUR,FRA,JAP	
20	85212181A	WASHER, NYLON 9X14X1	11	29/03/2012		MOD:848 EVO;XST:AUS,BRA,EUR,FRA,JAP	
21	83014681A	BRACKET, COWLING LH	1	19/03/2010		MOD:848 EVO;XST:AUS,BRA,EUR,FRA,JAP	
22	77210861B	SCREW TBEI M5X18	19	29/03/2012		MOD:848 EVO;XST:AUS,BRA,EUR,FRA,JAP	

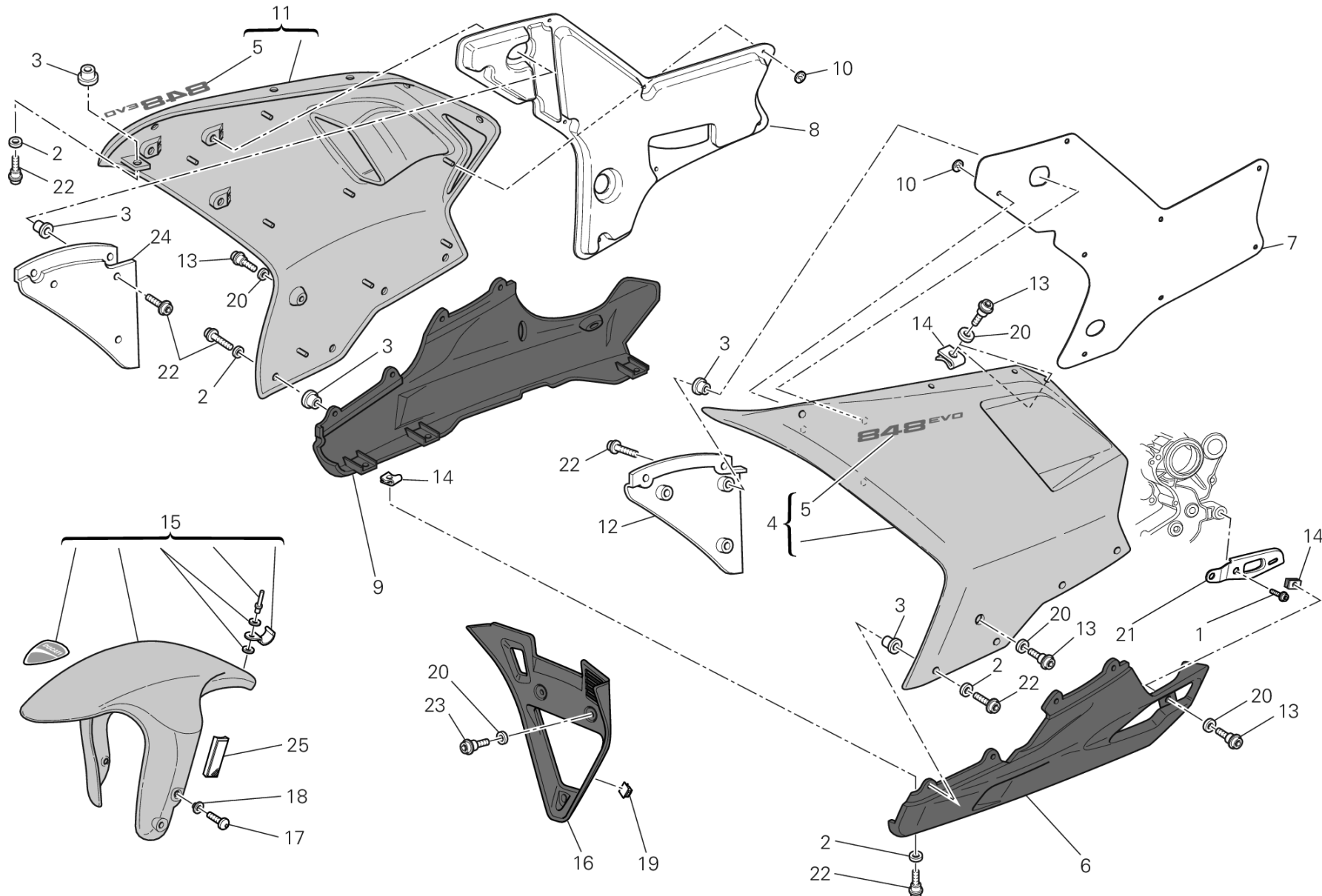


DRAWING 34A - FAIRING [MOD:848 EVO;XST:AUS,BRA,EUR,FRA,JAP]

GROUP FRAME



POS.	CODE	DESCRIPTION	QTY	START DATE	END DATE	VALIDITY	NOTES
23	77210943B	SCREW, SPECIAL	3	29/03/2012		MOD:848 EVO;XST:AUS,BRA,EUR,FRA,JAP	
24	46012481A	RIGHT BULKHEAD	1	29/03/2012		MOD:848 EVO;XST:AUS,BRA,EUR,FRA,JAP	

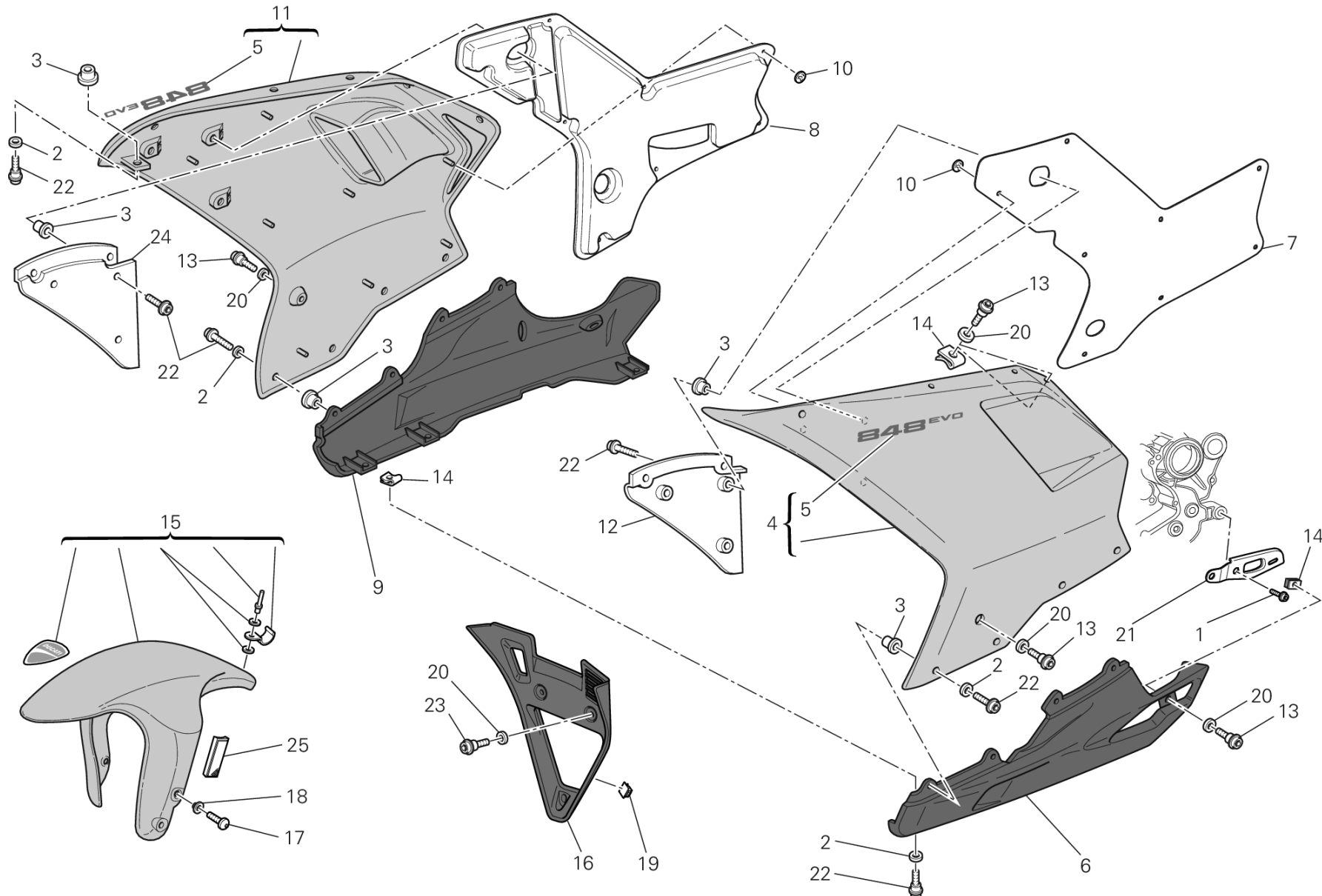


DRAWING 34A - FAIRING [MOD:848 EVO;XST:CHN]

GROUP FRAME



POS.	CODE	DESCRIPTION	QTY	START DATE	END DATE	VALIDITY	NOTES
1	77157528B	SCREW TCEIF M10X20	1	29/03/2012		MOD:848 EVO;XST:CHN	
2	85611361A	WASHER	13	29/03/2012		MOD:848 EVO;XST:CHN	
3	85040821A	THREADED INSERT	14	01/01/2001		MOD:848 EVO;XST:CHN	
4	48015031AA	UPPER HALF-FAIRING L.H. RED	1	29/03/2012		MOD:848 EVO;XST:CHN	
	48015031AT	UPPER HALF-FAIRING L.H. BLACK	1	27/04/2010		MOD:848 EVO;XST:CHN	
	48015031AW	UPPER HALF-FAIRING L.H. WHITE	1	27/04/2010		MOD:848 EVO;XST:CHN	
5	43713071AG	STICKER 848 FOR RED	2	20/04/2010		MOD:848 EVO;XST:CHN	
	43713071AT	STICKER 848 FOR BLACK	2	27/04/2010		MOD:848 EVO;XST:CHN	
	43713071BG	STICKER 848 FOR WHITE	2	27/04/2010		MOD:848 EVO;XST:CHN	
6	48012281BG	LOWER HALF-FAIRING L.H. GREY FOR WH FOR WHITE	1	29/03/2012		MOD:848 EVO;XST:CHN	
	48012281BK	LOWER HALF-FAIRING L.H. BLACK FOR B	1	27/04/2010		MOD:848 EVO;XST:CHN	
	48012281CG	LOWER HALF-FAIRING L.H. GREY FOR WH FOR RED	1	20/04/2010		MOD:848 EVO;XST:CHN	
7	48610732A	INSULATING PANEL, LEFT	1	29/03/2012		MOD:848 EVO;XST:CHN	
8	48610742A	INSULATING PANEL, RIGHT	1	29/03/2012		MOD:848 EVO;XST:CHN	
9	48012302BG	LOWER HALF-FAIRING R.H. GREY FOR WH FOR WHITE	1	29/03/2012		MOD:848 EVO;XST:CHN	
	48012302BK	LOWER HALF-FAIRING R.H. BLACK FOR B	1	27/04/2010		MOD:848 EVO;XST:CHN	
	48012302CG	LOWER HALF-FAIRING R.H. GREY FOR WH FOR RED	1	20/04/2010		MOD:848 EVO;XST:CHN	
10	85041091A	WASHER, SPRING	16	29/03/2012		MOD:848 EVO;XST:CHN	
11	48015021AA	UPPER HALF-FAIRING R.H. RED	1	29/03/2012		MOD:848 EVO;XST:CHN	
	48015021AT	UPPER HALF-FAIRING R.H. BLACK	1	27/04/2010		MOD:848 EVO;XST:CHN	
	48015021AW	UPPER HALF-FAIRING R.H. WHITE	1	27/04/2010		MOD:848 EVO;XST:CHN	
12	46012491A	LEFT PANEL	1	29/03/2012		MOD:848 EVO;XST:CHN	
13	77210853B	SCREW TCEI M5X9	8	29/03/2012		MOD:848 EVO;XST:CHN	
14	85040551A	QUICK FASTENING	8	29/03/2012		MOD:848 EVO;XST:CHN	
15	56420711AA	FRONT MUDGUARD ASSEMBLY RED	1	29/03/2012		MOD:848 EVO;XST:CHN	
	56420711AT	FRONT MUDGUARD ASSEMBLY BLACK	1	29/03/2012		MOD:848 EVO;XST:CHN	
	56420711AW	FRONT MUDGUARD ASSEMBLY WHITE	1	29/03/2012		MOD:848 EVO;XST:CHN	
16	48410601AG	AIR CONVEYOR	1	29/03/2012		MOD:848 EVO;XST:CHN	
17	77210893B	SCREW TBEI M6X14	4	29/03/2012		MOD:848 EVO;XST:CHN	
18	71614011A	SPACER 6.2X8.5X14	4	29/03/2012		MOD:848 EVO;XST:CHN	
19	75840181A	CLAMP, WIRE 11 MM	1	29/03/2012		MOD:848 EVO;XST:CHN	
20	85212181A	WASHER, NYLON 9X14X1	11	29/03/2012		MOD:848 EVO;XST:CHN	
21	83014681A	BRACKET, COWLING LH	1	19/03/2010		MOD:848 EVO;XST:CHN	
22	77210861B	SCREW TBEI M5X18	19	29/03/2012		MOD:848 EVO;XST:CHN	
23	77210943B	SCREW, SPECIAL	3	29/03/2012		MOD:848 EVO;XST:CHN	



DRAWING 34A - FAIRING [MOD:848 EVO;XST:CHN]

GROUP FRAME



POS.	CODE	DESCRIPTION	QTY	START DATE	END DATE	VALIDITY	NOTES
24	46012481A	RIGHT BULKHEAD	1	29/03/2012		MOD:848 EVO;XST:CHN	
25	52910111A	REFLEX REFLECTOR AMBER	2	29/03/2012		MOD:848 EVO;XST:CHN	



CODE	NO. TABLE	POS.	CODE	NO. TABLE	POS.	CODE	NO. TABLE	POS.	CODE	NO. TABLE	POS.
025147054	003	1	15020923A	003	28	21110741A	014	5	30310631BC	014	7
027291090	002	8	15020982A	003	27	21110741A	015	5	30310631BC	015	7
037072020	023	8	15820203A	006	5	22522841A	010	1	30310631BD	014	7
037072020	024	12	16010941A	013	10	24220882BC	011	13	30310631BD	015	7
040009050	002	21	16013674A	019	9	24321181EE	005	1	30410841A	014	13
040029125	002	31	16014221A	26A	5	24511312A	008	1	30410841A	015	13
040029126	002	31	16023991A	32A	11	24520703A	008	2	30410841AB	014	13
066013143	002	9	16023991A	32A	11	24521121A	008	21	30410841AB	015	13
066013165	002	25	160Z0011A	012	13	24712871B	013	5	30410841AC	014	13
066549680	005	8	17020811A	006	7	24712881B	013	6	30410841AC	015	13
067016145	003	7	171Z0031A	008	13	24712971A	018	3	30410851A	014	10
067016150	003	3	17210021B	003	10	24712991BB	022	11	30410851A	015	10
067016155	003	19	17210033C	003	8	24713001BB	022	8	30410851AB	014	10
067016170	003	26	17210043C	003	5	24713051AF	011	23	30410851AB	015	10
067049310	009	17	17210053C	003	9	24713061A	27A	13	30410851AC	014	10
069191030	18A	27	17210081C	003	22	24713061A	27A	13	30410851AC	015	10
075949280	009	15	17210092C	003	21	24713061A	27B	13	34110721A	021	21
076592205	002	21	17210103C	003	20	24713511B	009	19	34220551A	021	1
079913110	002	27	17210113C	003	23	24721301AC	011	31	34420161B	21A	2
11210121AB	006	8	17212182A	003	18	25120081A	011	29	34520161B	21A	1
11210121AC	006	8	17212192A	003	24	25440012A	005	4	34910601B	21A	4
11710882A	022	27	173Z0021A	012	14	25510104B	008	18	34910641A	21A	8
11720611A	025	18	174Z0021A	009	1	25510193A	013	7	34910651A	21A	14
11721192A	004	16	176Z0021A	012	10	26420103A	011	1	34910981A	21A	21
120Z0011A	007	5	18010081A	002	24	27040104A	012	1	34911701A	21A	10
120Z0021A	007	10	180Z0031A	002	11	276Z0021A	012	16	34911851A	21A	13
12110782A	007	3	180Z0041A	002	12	28040161A	017	13	34911861A	21A	16
12110791A	007	2	182Z0042A	002	18	28040161A	017	13	34911881A	21A	23
12120401A	007	4	18710021A	023	3	28240881A	017	11	34911891A	21A	22
12221631A	007	1	18710021A	024	22	28240881A	017	11	34912091A	21A	3
13510232A	017	7	19010171A	004	11	28340171A	017	15	34912231A	21A	18
13510232A	017	7	19020131A	004	9	28340171A	017	15	34912241A	21A	20
13510281A	017	24	19410271A	004	4	28620401B	18A	23	34912251A	21A	9
13510281A	017	3	19540031C	004	19	28620441A	01C	6	34912261A	21A	11
14010481B	017	1	19610351A	004	12	28642031A	018	15	34912271A	21A	12
14010481B	017	1	19820362A	004	14	28642031C	018	15	34912281A	21A	7
14621662AR	006	1	20810321A	014	3	28642031E	018	15	34912291A	21A	15
14710142A	008	3	20810321A	015	3	28642031F	018	15	34912631A	21A	24
14823461C	013	15	20910491A	014	16	28740241B	32A	16	34912831A	21A	6
14823471C	013	11	20910491A	015	16	28740241B	32A	18	34912841A	21A	19
14823481C	013	14	20910501A	014	4	30122782A	015	22	34912881A	21A	17
14823491C	013	18	20910501A	015	4	30122792A	014	22	34920561A	21A	26
14910461A	003	2	21010741E	014	14	30310631BB	014	7	34920651A	21A	25
14910611A	003	25	21010741E	015	14	30310631BB	015	7	36020882A	021	19



CODE	NO. TABLE	POS.	CODE	NO. TABLE	POS.	CODE	NO. TABLE	POS.	CODE	NO. TABLE	POS.
36020892A	021	24	43814391AG	033	19	46240011A	021	7	48410601AG	34A	16
36420071B	021	33	43814391BG	033	19	46240461A	020	15	48610721A	005	16
36520742A	028	10	43814391BT	033	19	46320222A	010	12	48610732A	34A	7
36921231A	28A	1	43814651AT	032	14	46320537A	003	14	48610732A	34A	7
37020761DB	28A	8	43814651AT	032	14	46410551A	022	12	48610742A	34A	8
37220622A	028	8	43814651BG	032	14	46410551A	027	6	48610742A	34A	8
37220681A	028	4	43814651BG	032	14	46410561A	022	5	48610752A	032	15
38010144B	18A	3	44211393B	029	4	46410561A	027	13	48610752A	032	15
38940191A	18A	8	44211482A	029	6	47011892BA	022	1	48710391B	034	13
38940201A	18A	8	44211492A	029	10	47011892BK	022	1	49240761A	26A	19
38940211A	18A	8	44440035A	009	20	47017021AG	027	1	49240851A	026	5
38940221A	18A	8	44710691A	28A	15	48012281BG	34A	6	49421381A	26A	10
38940231A	18A	19	44710701A	28A	17	48012281BG	34A	6	49720031A	026	16
38940241A	18A	8	44910531A	003	12	48012281BK	34A	6	49720041A	026	3
39040191A	020	7	45110461A	008	4	48012281BK	34A	6	50121303AA	026	10
39040201A	020	13	45120272A	008	9	48012281CG	34A	6	50121303AB	026	10
39040211A	27A	19	45120291A	008	10	48012281CG	34A	6	50211332AA	026	7
39040211A	27A	19	45520181A	002	4	48012302BG	34A	9	50211332AB	026	7
39040211A	27B	19	45610461B	022	20	48012302BG	34A	9	51015701A	18A	21
39040221A	020	14	45610541AB	022	19	48012302BK	34A	9	51015771B	18A	14
39040231A	020	17	45720421AB	025	6	48012302BK	34A	9	51017201B	18A	1
39520132C	018	4	46012461A	033	17	48012302CG	34A	9	51017271A	18A	31
39740031B	018	14	46012471A	034	18	48012302CG	34A	9	51410511A	018	17
40610733B	020	8	46012481A	34A	24	48015021AA	34A	11	51640011AB	18A	12
42020008A	025	20	46012481A	34A	24	48015021AA	34A	11	51840042B	021	25
42020064A	016	6	46012491A	34A	12	48015021AT	34A	11	52010155A	020	1
42540151A	32A	14	46012491A	34A	12	48015021AT	34A	11	52320391A	034	8
42540151A	32A	14	46012531A	034	25	48015021AW	34A	11	52320391B	034	8
42610071A	035	1	46012542A	034	26	48015021AW	34A	11	52320401A	034	9
42610201A	029	5	46012551A	26A	21	48015031AA	34A	4	52320401B	034	9
43313421A	28A	20	46012562B	019	22	48015031AA	34A	4	52510311A	27A	16
43313421B	28A	20	46012591A	033	13	48015031AT	34A	4	52510311A	27A	16
43410041AG	034	2	46012601A	033	14	48015031AT	34A	4	52510311A	27B	16
43410041AT	034	2	46012612A	033	15	48015031AW	34A	4	52510323A	27A	24
43410041BG	034	2	46012622A	033	18	48015031AW	34A	4	52510323A	27A	24
43713071AG	34A	5	46012631A	021	11	48120414BA	034	1	52510323A	27B	24
43713071AG	34A	5	46012761A	020	16	48120414BT	034	1	52910061B	27A	8
43713071AT	34A	5	46012771A	034	22	48120414BW	034	1	52910061B	27B	8
43713071AT	34A	5	46012781A	034	21	48211391A	033	30	52910101A	27A	8
43713071BG	34A	5	46012832A	018	23	48211401A	033	11	52910111A	34A	25
43713071BG	34A	5	46012862B	019	34	48321601AT	033	12	53010201A	27A	18
43814361AG	033	10	46012871A	27B	31	48321701AA	033	12	53010201A	27B	18
43814361BG	033	10	46013581A	018	21	48321701AW	033	12	53010201B	27A	18
43814361BT	033	10	46047281A	020	18	48410601AG	34A	16	53010211A	27A	14



CODE	NO. TABLE	POS.	CODE	NO. TABLE	POS.	CODE	NO. TABLE	POS.	CODE	NO. TABLE	POS.
53010211A	27B	14	58510571A	031	1	61610021A	32A	16	70140171A	28A	6
53010211B	27A	14	58540011A	025	26	61840741A	024	19	70140351A	012	11
53910211B	002	6	58540081A	023	12	61840751A	024	20	70240091A	011	11
53910224A	22A	5	58540181A	024	15	61940341A	025	28	70240102A	011	9
53940031B	025	5	58611811AA	032	1	62440522A	024	1	70240131A	010	19
53940302A	016	13	58611811AT	032	1	62540211A	025	16	70240181A	012	15
53940351A	024	5	58611811AW	032	1	62640271A	024	2	70240331A	010	21
53940361A	023	22	58611831AA	032	1	62640311A	023	18	70240331A	10A	2
54040191A	018	8	58611831AT	032	1	62640311A	024	24	70240921A	010	4
54140101A	18A	6	58611831AW	032	1	62640561A	023	20	70240931A	10A	11
54840742B	030	1	58710512A	032	2	62640561A	024	7	70241231A	021	3
54840821A	016	1	58710512A	032	2	63040433A	023	1	70250081A	010	6
54910301A	016	7	58710522A	032	3	63140081A	023	21	70250081A	011	4
54910991A	016	11	58710522A	032	3	63140081A	024	6	70250191A	10A	1
55040171A	030	9	59012541B	035	4	63140161A	025	25	70250451A	28A	10
55040181A	030	8	59013001A	32A	8	63140171A	023	2	70250621A	026	8
55211111A	019	11	59013001A	32A	8	63140281A	023	19	70310131A	021	9
55240121A	020	11	59013041B	32A	15	63140281A	024	29	70350022A	013	2
55240131A	031	9	59013051B	32A	17	63210421A	023	6	70350062A	008	12
55240372E	025	34	59013071B	035	6	65010081A	021	17	71011091A	28A	4
55240482A	32A	9	59013081B	035	9	65110081A	021	14	71011321A	028	11
55240482A	32A	9	59013091B	035	2	65240201A	021	10	71110671A	26A	23
55241321B	010	26	59013101B	035	10	65420161A	021	8	71110891A	006	6
55340041A	031	19	59020254A	017	20	65620031B	021	13	71110951A	10A	7
55610621AB	22A	3	59020254A	017	20	66810014A	007	14	71111601A	005	13
55620631AA	22A	1	59320421A	010	11	66810014A	011	16	71111601A	011	14
56110251A	27A	1	59340301A	019	31	66910011E	014	6	71112191A	007	12
56110251A	27A	1	59521031A	033	16	66910011E	015	6	71210181A	26A	7
56110251A	27B	1	59521071A	033	1	67040381A	18A	4	71210291A	28A	9
56110261A	27A	7	59810111A	033	32	67620691A	26A	1	71210301A	28A	12
56110261A	27B	7	59820572A	033	22	67640691A	26A	8	71210341A	022	17
56110271A	27A	7	59820981A	033	21	67740131A	26A	27	71210341A	025	10
56420711AA	34A	15	59840183A	021	15	68010131A	006	10	71310141E	003	11
56420711AA	34A	15	59840331A	021	12	68010131A	008	16	71311281B	011	27
56420711AT	34A	15	61040901A	024	9	68050061A	013	12	71311871A	28A	11
56420711AT	34A	15	61040911A	024	26	69610121A	027	15	71311921A	025	33
56420711AW	34A	15	61140201A	025	29	69720223A	033	37	71311961A	026	17
56420711AW	34A	15	61240052A	023	4	69923451A	32A	12	71311973A	026	2
57012612A	019	4	61240052A	024	21	69923451A	32A	12	71312101A	021	35
57012633A	019	21	61240081A	025	31	70010361A	012	12	71312391A	028	2
57311181A	019	30	61240161A	025	36	70010431A	020	9	71312411A	019	33
57312991I	019	30	61240371A	024	30	70090551A	26A	9	71312661A	003	15
57411181A	019	29	61340381A	025	30	70140041A	028	7	71312921A	014	9
57412961I	019	29	61340791A	024	8	70140051A	003	4	71312921A	015	9



CODE	NO. TABLE	POS.	CODE	NO. TABLE	POS.	CODE	NO. TABLE	POS.	CODE	NO. TABLE	POS.
71312921B	014	25	735033380	011	17	74810361A	019	40	75910081A	26A	20
71312921B	015	26	735033380	10A	10	74810401A	002	23	75910091A	026	12
71313091A	004	13	73640121A	034	7	74810501A	010	14	764020002	003	17
71313301A	032	11	73740251A	008	5	74810651A	026	1	76410011A	032	10
71313301A	032	11	74110101A	18A	5	74840021A	022	2	76410011A	032	10
71313651A	005	22	74110121A	18A	28	74840241AB	26A	4	76410112A	022	18
71313651A	011	40	74110131A	031	22	74840371AB	028	3	76410112A	025	12
71313731A	27A	26	74110371A	019	15	74840381A	020	10	76410241A	016	2
71313731A	27A	28	74110381A	019	14	74840461A	033	24	76410241A	018	18
71313731A	27B	28	74110401A	18A	24	74940041A	022	21	76410241A	019	5
71313931A	003	13	74110521AB	024	27	74940081A	008	7	76410241A	030	4
71314601A	034	30	74110551A	18A	7	74941108B	023	13	76410291A	035	18
71314611A	034	29	74140011A	031	7	74941108B	024	18	76410501A	022	26
71314831A	004	15	74140381A	030	2	74941118B	019	18	76410511A	022	25
71319151A	002	29	74140381A	18A	2	74941118B	27A	22	76410561B	029	11
71319191A	012	9	74140431A	023	14	74941118B	27A	22	76410621B	018	1
71319261A	004	18	74140431A	024	16	74941118B	27B	22	76410631A	019	28
71410271A	026	15	74140431A	025	17	74941128B	027	3	76410871A	014	8
71410831A	26A	12	74140431A	035	11	74950011B	27A	6	76410871A	015	8
71410941A	026	9	74140431A	32A	20	74950011B	27B	6	76410901A	018	13
71510031A	028	5	74140571A	035	3	75010071A	003	30	76410901A	020	2
71610221B	020	6	74140581A	035	7	75010121D	006	14	76410901A	27A	25
71610431B	029	12	74140631A	029	21	75010281A	034	10	76410901A	27A	25
71610431B	035	19	74140631A	035	5	75010481A	22A	10	76410901A	27B	25
71610722A	008	20	74140921A	32A	6	75011131A	006	13	76410971A	020	12
71611061A	018	16	74140921A	32A	6	75011491A	021	20	76410981A	27A	20
71611281A	008	17	74141581A	32A	13	75011501A	27A	2	76410981A	27A	20
71611431A	27A	17	74141581A	32A	13	75011501A	27A	2	76410981A	27B	20
71611431A	27A	26	74141651A	029	13	75011501A	27B	2	76411281A	033	25
71611431A	27B	26	74141711A	031	21	75011581AA	26A	2	76610553B	010	16
71611441A	019	12	74141861A	029	19	75011591AA	026	13	76640191A	014	21
71614011A	34A	18	74141891A	017	16	75011601A	008	15	76640191A	015	21
71614011A	34A	18	74141891A	017	21	75050051A	018	2	768351134	002	10
71614071A	019	26	74141901A	031	5	75620081A	26A	13	77052508B	011	6
71614091A	016	3	74141921A	007	7	757941542	10A	9	77110191A	021	32
71614121A	021	30	74141921A	031	20	75810361A	029	15	77110311A	028	1
71614141A	019	6	74750011AB	022	29	75810392A	017	14	77110391A	021	31
71614191A	030	5	74750031A	025	15	75810392A	017	22	77110391A	27A	5
72010513C	026	4	74750071A	021	22	75810412A	005	21	77110391A	27A	5
720941616	010	17	74750101A	022	23	75840151A	029	20	77110391A	27B	5
720941616	10A	5	74750111A	024	32	75840171A	017	5	77110391B	26A	22
73220212A	019	20	74810131A	004	7	75840171A	017	5	77110411A	020	4
735001542	002	15	74810241A	019	1	75840181A	34A	19	77110431A	22A	2
735033380	010	9	74810351B	019	8	75840181A	34A	19	77110461A	021	4



CODE	NO. TABLE	POS.	CODE	NO. TABLE	POS.	CODE	NO. TABLE	POS.	CODE	NO. TABLE	POS.
77110471A	011	38	77151298B	009	8	77210853B	033	6	77510641A	034	12
77110471A	18A	26	77151368B	10A	22	77210853B	34A	13	77550013C	27A	15
77110491A	012	5	77151398B	010	10	77210853B	34A	13	77550013C	27A	15
77110501A	021	23	77151398B	10A	17	77210861B	033	7	77550013C	27B	15
77110518B	009	10	77156398B	27A	12	77210861B	034	3	77550131A	035	20
77110518B	016	9	77156398B	27A	12	77210861B	34A	22	77550131A	27A	11
77110521A	012	7	77156398B	27B	12	77210861B	34A	22	77550131A	27A	11
77110531A	18A	10	77156408B	18A	30	77210873A	027	2	77550131A	27B	11
77112311A	26A	14	77156458B	024	33	77210882B	019	24	77550131A	28A	13
77112331A	017	6	77156658B	025	35	77210893B	18A	17	77550211A	010	29
77112331A	017	6	77156678B	018	11	77210893B	34A	17	77710021B	009	16
77113801A	008	6	77156678B	021	36	77210893B	34A	17	77750493C	011	24
77150288B	034	28	77156678B	022	14	77210943B	34A	23	77840041A	009	2
77150408B	032	8	77156688B	018	20	77210943B	34A	23	77910262A	011	10
77150408B	032	8	77156698B	018	12	77211101A	017	18	77910391A	002	3
77150438B	27A	27	77156698B	021	6	77211101A	017	18	77910921A	023	7
77150438B	27A	9	77156728B	018	9	77211341A	18A	13	77910921A	024	13
77150438B	27B	27	77157238B	025	32	77250341C	008	22	77910991B	021	16
77150457E	032	9	77157238B	027	12	77250381AB	019	7	77911092A	006	2
77150457E	032	9	77157258B	021	18	77250381AB	029	9	77911622A	009	13
77150648B	011	5	77157278B	21A	5	77251018B	020	5	77912021C	030	6
77150648B	016	8	77157288B	032	13	77251018B	034	15	77912033A	002	7
77150652BB	004	6	77157288B	032	13	77251038B	030	3	77912371B	025	8
77150658B	010	2	77157528B	34A	1	77253330ZF	011	37	77913091AB	024	28
77150658B	017	2	77157528B	34A	1	77253330ZF	019	19	77913311D	024	25
77150658B	017	2	77157568B	025	2	77310041A	017	19	77913661AB	023	16
77150663B	011	20	77159388B	028	9	77310051A	017	19	77913661AB	024	23
77150663B	18A	20	77210051B	26A	25	77310051A	029	16	77913661AB	025	22
77150670ZF	002	28	77210422A	029	7	77350618B	014	20	77913971A	023	5
77150673B	011	3	77210461B	022	6	77350618B	017	4	77914043B	006	9
77150693B	005	5	77210501C	027	5	77350618B	10A	13	77914151A	024	3
77150693B	011	19	77210501C	032	4	77350628B	025	24	77914211A	014	23
77150713B	011	15	77210501C	032	4	77510041A	019	38	77914211A	015	23
77150723B	005	19	77210591A	018	22	77510171C	017	12	77914401B	28A	16
77150723B	011	39	77210591A	031	3	77510171C	017	12	77914842B	022	24
77150723B	012	6	77210601A	025	7	77510171C	32A	7	77914932A	025	14
77150728B	10A	14	77210621A	019	39	77510171C	32A	7	77914982A	033	31
77150728C	004	3	77210623B	031	15	77510311B	010	25	77914992A	033	20
77150748B	035	14	77210631A	025	19	77510311B	10A	20	77915011A	005	7
77150808B	10A	15	77210772A	022	7	77510331A	019	17	77915031A	28A	18
77150813B	005	3	77210782A	28A	3	77510511A	032	5	77915041A	028	12
77150833B	005	2	77210842A	033	5	77510511A	032	5	77915093A	013	3
77151250ZF	002	30	77210852A	017	8	77510511A	32A	3	77915301A	017	14
77151278B	019	10	77210852A	017	8	77510511A	32A	3	77915441A	034	4



CODE	NO. TABLE	POS.	CODE	NO. TABLE	POS.	CODE	NO. TABLE	POS.	CODE	NO. TABLE	POS.
77915471A	006	4	79915041A	033	26	82112681A	002	13	83014481A	035	16
77916501AD	10A	24	79915181B	014	26	82112731A	025	13	83014631A	18A	29
77940053A	22A	4	79915181B	015	27	82113471A	012	8	83014681A	34A	21
77950302A	013	16	79915191B	014	27	82411241AB	027	9	83014681A	34A	21
77950461A	034	16	79915191B	015	28	82411251AB	027	8	83015341A	033	23
77950591A	023	10	79920772A	009	14	82411461AB	022	28	83110151A	10A	26
77950591A	024	10	79921591B	22A	7	82411471AB	022	9	83210471A	28A	14
77950621A	10A	12	79940091A	019	37	82510381A	26A	17	84010011A	014	1
78010511E	014	12	79940121A	10A	23	82610292A	002	16	84010011A	015	1
78010511E	015	12	79950012A	004	8	82711571A	035	17	84010021A	014	1
78010721A	10A	6	800036230	27A	28	82712981B	27A	9	84010021A	015	1
78020011A	019	25	800036230	27A	30	82712981B	27B	9	84010031A	014	1
78050012A	005	17	800036230	27B	30	82714301A	18A	15	84010031A	015	1
78050012A	011	33	800068490	024	14	82714311A	27A	21	84010041A	014	1
78610961A	007	11	800070139	01B	8	82714311A	27A	21	84010041A	015	1
78611251A	007	13	80011221A	007	9	82714311A	27B	21	84010051A	014	1
78710111A	016	4	80011231A	007	8	82714331A	005	14	84010051A	015	1
78810542A	012	4	80011501A	031	17	82714421A	27A	27	84010061A	014	1
78810931A	013	9	80011511A	031	16	82714421A	27A	29	84010061A	015	1
78810941A	013	8	80011521B	031	13	82714421A	27B	29	84010071A	014	1
78810962A	017	9	80011531B	031	18	82714811A	017	16	84010071A	015	1
78810962A	017	9	81411113B	035	12	82911901A	18A	9	84010081A	014	1
78810972A	017	10	81411831A	035	8	82912602A	22A	8	84010081A	015	1
78810972A	017	10	81411881A	015	25	82917561A	18A	16	84010091A	014	1
78810981A	029	8	81412351B	031	14	82919392A	018	10	84010091A	015	1
78811001A	019	16	81412361C	031	11	82919421A	025	1	84010101A	014	1
79010151A	019	2	81413121A	029	18	82919451A	023	9	84010101A	015	1
79110391A	032	16	81440101A	32A	10	82919461A	024	11	84010111A	014	1
79110391A	032	16	81440101A	32A	10	82919471A	27A	4	84010111A	015	1
79120452A	007	6	81510221A	016	5	82919471A	27A	4	84010121A	014	1
79710321A	004	1	81510281A	009	12	82919471A	27B	4	84010121A	015	1
79910241A	027	10	81810162A	004	5	82920791A	021	29	84010131A	014	1
79910491A	002	1	81910601A	026	11	82929433A	020	3	84010131A	015	1
79911581B	22A	6	81920011B	26A	6	83012351A	011	35	84010141A	014	1
79911661A	022	3	82110011A	002	26	83014091A	016	10	84010141A	015	1
79911911A	004	10	82110511AB	022	4	83014181A	027	4	84010151A	014	1
79912282A	034	6	82110511AB	027	7	83014291A	031	4	84010151A	015	1
79912561A	025	4	82111032A	22A	9	83014311A	032	6	84010161A	014	1
79912632A	019	3	82111701B	022	13	83014311A	032	6	84010161A	015	1
79914821A	002	20	82111701B	025	9	83014321A	32A	5	84010171A	014	1
79914851A	014	19	82112221B	014	17	83014321A	32A	5	84010171A	015	1
79914851A	015	19	82112221B	015	17	83014331A	32A	4	84010181A	014	1
79914861A	014	18	82112231B	014	15	83014331A	32A	4	84010181A	015	1
79914861A	015	18	82112231B	015	15	83014401A	033	33	84010191A	014	1



CODE	NO. TABLE	POS.	CODE	NO. TABLE	POS.	CODE	NO. TABLE	POS.	CODE	NO. TABLE	POS.
84010191A	015	1	84010472B	015	2	84010692B	015	2	84850011A	022	16
84010201A	014	1	84010482B	014	2	84010702B	014	2	84850021A	022	22
84010201A	015	1	84010482B	015	2	84010702B	015	2	85010061A	32A	2
84010211A	014	1	84010492B	014	2	84010712B	014	2	85010061A	32A	2
84010211A	015	1	84010492B	015	2	84010712B	015	2	85040381A	029	3
84010221A	014	1	84010502B	014	2	84010722B	014	2	85040381A	033	34
84010221A	015	1	84010502B	015	2	84010722B	015	2	85040381A	27A	23
84010231A	014	1	84010512B	014	2	84010732B	014	2	85040381A	27A	23
84010231A	015	1	84010512B	015	2	84010732B	015	2	85040381A	27B	23
84010241A	014	1	84010522B	014	2	84010742B	014	2	85040471A	034	23
84010241A	015	1	84010522B	015	2	84010742B	015	2	85040471A	18A	11
84010251A	014	1	84010532B	014	2	84010752B	014	2	85040521A	27A	6
84010251A	015	1	84010532B	015	2	84010752B	015	2	85040551A	019	13
84010261A	014	1	84010542B	014	2	84010762B	014	2	85040551A	032	7
84010261A	015	1	84010542B	015	2	84010762B	015	2	85040551A	032	7
84010271A	014	1	84010552B	014	2	84010772B	014	2	85040551A	033	28
84010271A	015	1	84010552B	015	2	84010772B	015	2	85040551A	34A	14
84010281A	014	1	84010562B	014	2	84010782B	014	2	85040551A	34A	14
84010281A	015	1	84010562B	015	2	84010782B	015	2	85040671A	18A	18
84010291A	014	1	84010572B	014	2	84010792B	014	2	85040821A	033	9
84010291A	015	1	84010572B	015	2	84010792B	015	2	85040821A	034	14
84010301A	014	1	84010582B	014	2	84010802B	014	2	85040821A	34A	3
84010301A	015	1	84010582B	015	2	84010802B	015	2	85040821A	34A	3
84010311A	014	1	84010592B	014	2	84010812B	014	2	85041021A	27A	10
84010311A	015	1	84010592B	015	2	84010812B	015	2	85041021A	27A	10
84010321A	014	1	84010602B	014	2	84010822B	014	2	85041021A	27B	10
84010321A	015	1	84010602B	015	2	84010822B	015	2	85041041A	034	27
84010331A	014	1	84010612B	014	2	84010832B	014	2	85041051A	034	24
84010331A	015	1	84010612B	015	2	84010832B	015	2	85041091A	34A	10
84010341A	014	1	84010622B	014	2	84010842B	014	2	85041091A	34A	10
84010341A	015	1	84010622B	015	2	84010842B	015	2	85110041A	003	29
84010412B	014	2	84010632B	014	2	84010852B	014	2	85110131A	008	14
84010412B	015	2	84010632B	015	2	84010852B	015	2	85140031A	006	12
84010422B	014	2	84010642B	014	2	84010862B	014	2	85210051A	002	14
84010422B	015	2	84010642B	015	2	84010862B	015	2	85210241A	034	11
84010432B	014	2	84010652B	014	2	84010872B	014	2	85210532A	002	2
84010432B	015	2	84010652B	015	2	84010872B	015	2	85210532A	022	15
84010442B	014	2	84010662B	014	2	84110461A	004	2	85210532A	025	3
84010442B	015	2	84010662B	015	2	84110501A	28A	19	85210551A	26A	26
84010452B	014	2	84010672B	014	2	84110521A	019	36	85210571A	026	14
84010452B	015	2	84010672B	015	2	84110601A	033	27	85210582A	26A	3
84010462B	014	2	84010682B	014	2	84740021A	027	11	85210721A	019	23
84010462B	015	2	84010682B	015	2	84740061A	10A	21	85210941A	002	19
84010472B	014	2	84010692B	014	2	84840111A	028	13	85210991A	032	12



CODE	NO. TABLE	POS.	CODE	NO. TABLE	POS.	CODE	NO. TABLE	POS.	CODE	NO. TABLE	POS.
85210991A	032	12	85250291A	034	17	87511461B	10A	19	887130870	001	16
85211031A	021	27	85250421A	010	5	87611022B	029	1	887130944	001	19
85211041H	006	11	85310021A	008	8	87710911A	025	21	887130957	01B	12
85211144A	011	34	85310021A	009	9	87711131A	023	15	887130958	01B	13
85211351A	005	10	85310031A	010	30	87711141A	024	17	887131010	01A	2
85211591A	26A	15	85310041A	009	11	87720061B	029	2	887131038	01B	5
85211721A	011	7	85350091A	18A	33	88110121A	002	17	887131058	01B	7
85211861A	019	35	85350101A	018	7	88110341A	012	2	887131062	01B	9
85211951A	009	7	85550001B	18A	25	88110511A	011	36	887131068	01B	2
85211951A	016	12	85610011A	003	6	88210031A	008	11	887131071	01B	10
85212161A	28A	2	85610311A	003	16	88440581A	033	8	887131072	01B	1
85212181A	033	4	85610623A	008	19	88450031A	022	10	887131073	01B	11
85212181A	34A	20	85610642A	010	15	88450031A	027	14	887131074	01B	4
85212181A	34A	20	85610743A	013	4	88450041A	26A	18	887131096	01B	14
85212221A	026	6	85610751A	012	3	88450111A	011	8	887131515	01B	6
85212321A	019	27	85611361A	034	5	88450131A	005	11	887131749	01A	13
85212331A	26A	24	85611361A	34A	2	88450341B	002	22	887131805	01A	3
85212461A	10A	25	85611361A	34A	2	88610131A	32A	1	887131806	01A	6
85212511A	029	14	85611481A	010	18	88610131A	32A	1	887131821	01A	9
85212641A	005	20	85611481A	10A	4	88610241A	010	27	887131832	001	9
85212641A	011	2	86010041A	011	21	88610951A	011	22	887131886	001	17
85212641A	18A	32	86010051B	010	23	88640331A	009	4	887131920	01A	8
85212691A	006	3	86050061A	014	24	88640331A	010	28	887131980	01A	19
85240131A	017	23	86050061A	015	24	88640341A	009	18	887131994	01A	17
85240131A	017	4	86150221A	021	26	88640371A	009	6	887132011	01A	7
85250011C	27A	17	86310011D	26A	11	88640891A	005	18	887132069	001	21
85250011C	27B	17	86610751A	27A	3	88640891A	017	17	887132087	01A	12
85250091A	019	32	86610751A	27A	3	88640891A	017	17	887132092	001	18
85250231A	011	30	86610751A	27B	3	88641031A	031	10	887132103	001	7
85250231A	014	28	86610763A	034	20	88641161A	022	30	887132409	01B	15
85250231A	015	20	86610771A	034	19	88641161A	025	11	887132442	001	2
85250231A	017	3	86610781A	018	5	88641181A	010	13	887132651	001	10
85250231A	035	13	86610791A	018	19	88641321A	005	12	887132676	001	1
85250231A	10A	16	86611021A	033	3	88641321A	009	5	887132834	001	20
85250241A	002	5	86611191A	033	2	88641321A	010	8	887132861	01A	15
85250241A	005	6	87210481A	021	5	88641731A	004	17	887132870	01A	10
85250241A	011	32	87210532A	18A	22	88650031A	26A	16	887132877	01A	11
85250241A	023	17	87210542A	28A	7	88650131A	010	3	887132878	001	5
85250241A	024	4	87210591A	021	28	88650131A	10A	18	887132906	001	6
85250241A	025	23	87240441A	28A	21	88650141A	021	34	887133219	01A	16
85250261A	011	25	87240561A	024	31	88650481A	32A	15	887133220	01B	3
85250261B	014	11	87240601A	030	7	88650481A	32A	19	887133334	001	11
85250261B	015	11	87310051A	013	13	88650511A	013	1	887133367	001	8
85250291A	018	6	87511461B	010	24	887130869	001	15	887133394	01A	20



CODE	NO. TABLE	POS.	CODE	NO. TABLE	POS.
887133406	01A	4	93410071B	035	15
887133417	001	12	93410101A	029	17
887133497	01A	1	937831524	011	18
887133520	001	14	942470014	011	12
887133521	01A	18	942470014	10A	3
887651000	001	13	979000252	01C	1
887651005	001	13	979000253	01C	2
887651006	001	13	979000254	01C	3
887651298	001	3	979000255	01C	4
887651506	01A	5	979000256	01C	5
887651623	01A	14			
887651657	001	4			
89310143A	031	2			
89320062A	010	7			
89320121A	005	15			
89340051A	023	11			
89340051A	025	27			
89410201A	009	3			
89520072A	032	17			
89520072A	032	17			
8A0067610	031	12			
91372041A	033	29			
91372041B	033	29			
91372041C	033	29			
91372041D	033	29			
91372041E	033	29			
91372041F	033	29			
91372041G	033	29			
91372041L	033	29			
92610061A	033	36			
92610101A	033	35			
93010041B	021	2			
93040111A	028	6			
93040211A	005	9			
93040221A	010	20			
93040931A	010	22			
93041231A	10A	8			
93041501A	026	18			
93050051A	011	26			
93050062B	011	28			
93050071A	013	17			
93050121A	28A	5			
93410051A	031	6			
93410061A	031	8			



Ducati Motor Holding S.p.A.

Uffici Commerciali Amministrativi:

Via A. Cavalieri Ducati n. 3

40132 Bologna, Italy

Telefono 051 6413111

Fax 051 406580

Internet www.ducati.com