



1199 Panigale SUPERLEGGERA

Model Year 2014

*SUPERBIKE*

Chassis prefix:

Cylinder capacity: 1199

D15000014 - I

SPARE PARTS CATALOGUE

en-US





The present spare parts order exactly the right spare parts.

When ordering specify:

1. the part's code number followed by its description and quantity needed;
2. the motorcycle's serial number, stamped on the steering head.

Reference to right and left apply to the vehicle in terms of its direction of movement.


Spare parts drawings are general and do not represent the part.

The contents of this catalogue are general and can undergo changes without prior notice.

## CHARACTERISTICS LEGENDA

CHARACTERISTIC CODE	CHARACTERISTIC DESCRIPTION	VALUE CODE	VALUE DESCRIPTION
DFR	DAFRA	N	NO
MOD	MODEL	1199SL	1199 Superleggera
PLT	PLANT	DB10	DMH
XCO	MAIN COLOUR	FRW	FLUO RED AND WHITE
XCR	FRAME / WHEEL COLOUR	-MG	MAGNESIUM
XPO	OPTIONS	MON	MONOPOSTO
XST	STANDARD COUNTRY	AUS	VERSIONE AUSTRALIA
XST	STANDARD COUNTRY	BRA	VERSIONE BRASILE
XST	STANDARD COUNTRY	EUR	VERSIONE EUROPA
XST	STANDARD COUNTRY	FRA	VERSIONE FRANCIA
XST	STANDARD COUNTRY	JAP	VERSIONE GIAPPONE
XST	STANDARD COUNTRY	THA	VERSIONE THAILANDIA



COLOUR	COLOUR CODE	COLOUR DESCRIPTION	FINISHED PRODUCTS
	FRW	FLUO RED AND WHITE	(D15033914) 1199SL 14 EUR FRW -MG MON DMH (D15034014) 1199SL 14 JAP FRW -MG MON DMH (D15034114) 1199SL 14 AUS FRW -MG MON DMH (D15034214) 1199SL 14 FRA FRW -MG MON DMH (D15035114) 1199SL 14 BRA FRW -MG MON DMH (D15035214) 1199SL 14 THA FRW -MG MON DMH



General information.....	3
Colours.....	4
Group ELECTRIC.....	8
Drawing 018 - IMPIANTO ELETTRICO SINISTRO [MOD:1199SL;XST:AUS,BRA,EUR,FRA,JAP].....	8
Drawing 18A - BATTERY HOLDER [MOD:1199SL;XST:AUS,BRA,EUR,FRA,JAP].....	10
Drawing 18B - IMPIANTO ELETTRICO DESTRO [MOD:1199SL;XST:AUS,BRA,EUR,FRA,JAP].....	12
Drawing 18C - WIRING HARNESS [MOD:1199SL;XST:AUS,BRA,EUR,FRA,JAP].....	14
Group OIL.....	16
Drawing L - SHELL ADVANCE.....	16
Group ENGINE.....	18
Drawing 002 - GEARCHANGE CONTROL [MOD:1199SL;XST:AUS,BRA,EUR,FRA,JAP].....	18
Drawing 003 - GEAR BOX [MOD:1199SL;XST:AUS,BRA,EUR,FRA,JAP].....	20
Drawing 004 - CLUTCH [MOD:1199SL;XST:AUS,BRA,EUR,FRA,JAP].....	22
Drawing 005 - CLUTCH - SIDE CRANKCASE COVER [MOD:1199SL;XST:AUS,BRA,EUR,FRA].....	24
Drawing 006 - CONNECTING RODS [MOD:1199SL;XST:AUS,BRA,EUR,FRA,JAP].....	26
Drawing 007 - CYLINDERS - PISTONS [MOD:1199SL;XST:AUS,BRA,EUR,FRA,JAP].....	28
Drawing 008 - TIMING SYSTEM [MOD:1199SL;XST:AUS,BRA,EUR,FRA,JAP].....	30
Drawing 009 - FILTERS AND OIL PUMP [MOD:1199SL;XST:AUS,BRA,EUR,FRA,JAP].....	32
Drawing 010 - HALF-CRANKCASES PAIR [MOD:1199SL;XST:AUS,BRA,EUR,FRA,JAP].....	34
Drawing 011 - WATER PUMP [MOD:1199SL;XST:AUS,BRA,EUR,FRA,JAP].....	38
Drawing 012 - ELECTRIC STARTING AND IGNITION [MOD:1199SL;XST:AUS,BRA,EUR,FRA,JAP].....	40
Drawing 013 - HORIZONTAL HEAD – TIMING SYSTEM [MOD:1199SL;XST:AUS,BRA,EUR,FRA,JAP].....	42
Drawing 014 - HORIZONTAL HEAD [MOD:1199SL;XST:AUS,BRA,EUR,FRA,JAP].....	44
Drawing 015 - VERTICAL HEAD [MOD:1199SL;XST:AUS,BRA,EUR,FRA,JAP].....	50
Drawing 05A - CLUTCH-SIDE CRANKCASE COVER (JAP) [XST:JAP].....	56
Drawing 10A - HALF-CRANKCASES PAIR [MOD:1199SL;XST:AUS,BRA,EUR,FRA,JAP].....	58
Drawing 13A - VERTICAL CYLINDER HEAD - TIMING [MOD:1199SL;XST:AUS,BRA,EUR,FRA,JAP].....	60
Group TOOLS.....	64
Drawing 001 - DDS (2) TESTER [MOD:1199SL;XST:AUS,BRA,EUR,FRA,JAP].....	64



Drawing 01A - WORKSHOP SERVICE TOOLS [MOD:1199SL;XST:AUS,BRA,EUR,FRA,JAP]..... 66

Drawing 01B - WORKSHOP SERVICE TOOLS [MOD:1199SL;XST:AUS,BRA,EUR,FRA,JAP]..... 70

Drawing 01C - WORKSHOP SERVICE TOOLS [MOD:1199SL;XST:AUS,BRA,EUR,FRA,JAP]..... 72

Group TYRES..... 74

Drawing A1 - TYRES [MOD:1199SL]..... 74

Drawing B1 - (\*) PIRELLI DIABLO™ SUPERCORSA SP [MOD:1199SL]..... 76

Drawing D1 - PIRELLI DIABLO™ ROSSO III [MOD:1199SL]..... 78

Drawing F - PIRELLI DIABLO™ ROSSO CORSA II [MOD:1199SL]..... 80

Drawing G1 - (#) PIRELLI DIABLO™ SUPERBIKE [MOD:1199SL]..... 82

Drawing H1 - (#) DIABLO™ WET [MOD:1199SL]..... 84

Drawing I1 - (#) DIABLO™ RAIN [MOD:1199SL]..... 86

Drawing J1 - (#) DIABLO™ SUPERCORSA SC V2 [MOD:1199SL]..... 88

Drawing K1 - (#) DIABLO™ SUPERCORSA SC [MOD:1199SL]..... 90

Drawing M - PIRELLI DIABLO™ SUPERCORSA SP V3 [MOD:1199SL]..... 92

Drawing N - (#) DIABLO™ SUPERCORSA SC V3 [MOD:1199SL]..... 94

Drawing O - PIRELLI DIABLO™ ROSSO IV [MOD:1199SL]..... 96

Group FRAME..... 98

Drawing 016 - FOOTRESTS, LEFT [MOD:1199SL;XST:AUS,BRA,EUR,FRA,JAP]..... 98

Drawing 017 - THROTTLE BODY [MOD:1199SL;XST:AUS,BRA,EUR,FRA,JAP]..... 100

Drawing 019 - EXHAUST SYSTEM [MOD:1199SL;XST:AUS,BRA,EUR,FRA,JAP]..... 102

Drawing 020 - FANALE ANTERIORE E CRUSCOTTO [MOD:1199SL;XST:AUS,BRA,EUR,FRA,JAP]..... 106

Drawing 021 - HALF-HANDLEBAR - STEERING DAMPER [MOD:1199SL;XST:AUS,BRA,EUR,FRA,JAP]..... 110

Drawing 022 - FRAME [MOD:1199SL;XST:AUS,BRA,EUR,FRA,JAP]..... 114

Drawing 023 - CLUTCH CONTROL [MOD:1199SL;XST:AUS,BRA,EUR,FRA,JAP]..... 116

Drawing 024 - FRONT BRAKE SYSTEM [MOD:1199SL;XST:AUS,BRA,EUR,FRA,JAP]..... 118

Drawing 025 - REAR BRAKE SYSTEM [MOD:1199SL;XST:AUS,BRA,EUR,FRA,JAP]..... 120

Drawing 026 - RUOTA ANTERIORE E POSTERIORE [MOD:1199SL;XST:AUS,BRA,EUR,FRA,JAP]..... 124

Drawing 027 - REAR FRAME COMP. [MOD:1199SL;XST:AUS,BRA,EUR,FRA,JAP]..... 126

Drawing 028 - SOSPENSIONE POSTERIORE [MOD:1199SL;XST:AUS,BRA,EUR,FRA,JAP]..... 128

Drawing 029 - AIR INTAKE - OIL BREATHER [MOD:1199SL;XST:AUS,BRA,EUR,FRA,JAP]..... 130

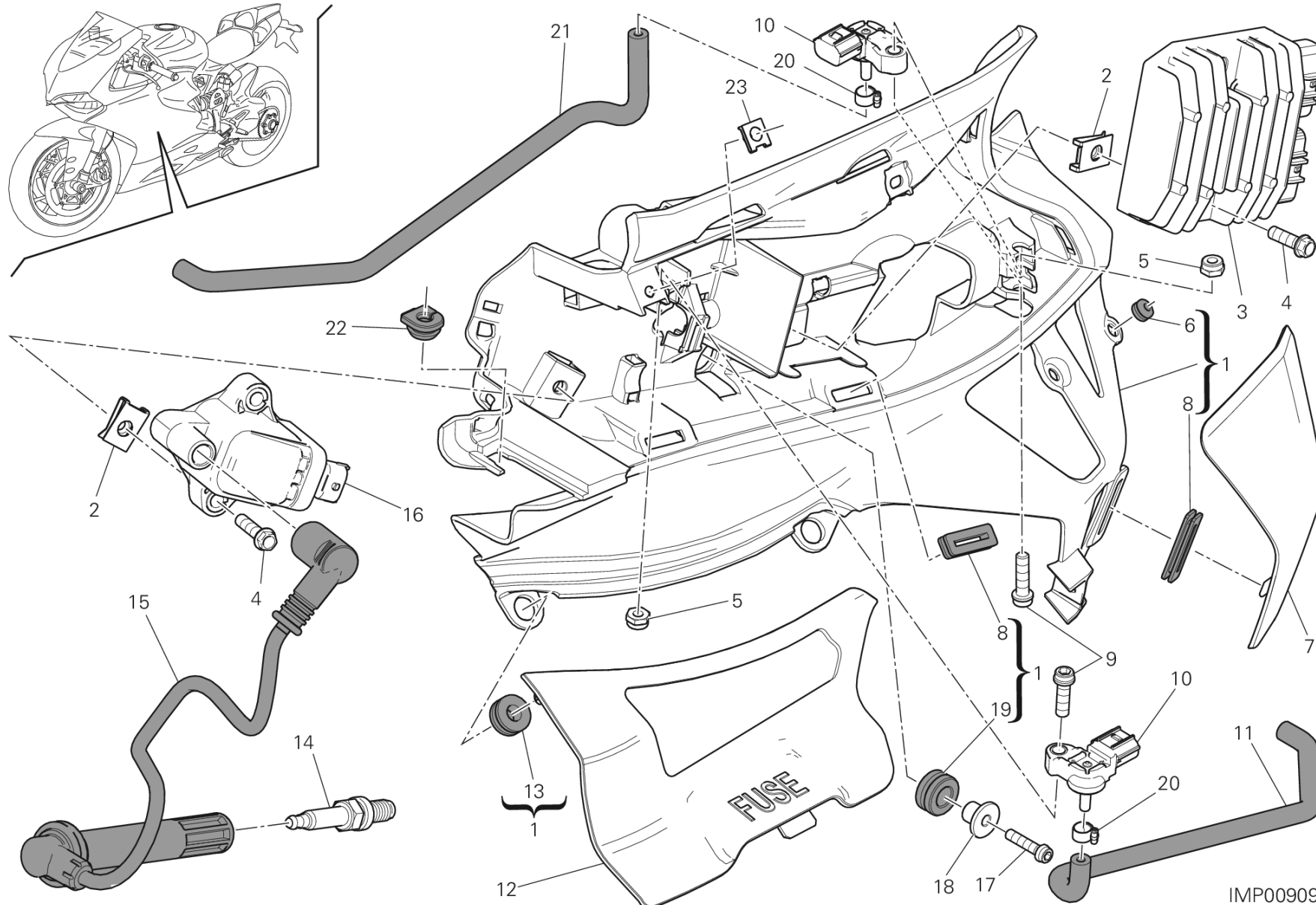


Drawing 030 - WATER COOLER [MOD:1199SL;XST:AUS,BRA,EUR,FRA,JAP].....	132
Drawing 031 - COOLING SYSTEM [MOD:1199SL].....	134
Drawing 032 - TANK [MOD:1199SL;XST:AUS,BRA,EUR,FRA,JAP].....	136
Drawing 032 - TANK [MOD:1199SL;XST:EUR].....	138
Drawing 033 - SEAT [MOD:1199SL;XST:AUS,BRA,EUR,FRA,JAP].....	140
Drawing 034 - COWLING [MOD:1199SL;XST:AUS,BRA,EUR,FRA,JAP].....	142
Drawing 21A - FRONT FORK [MOD:1199SL;XST:AUS,BRA,EUR,FRA,JAP].....	144
Drawing 22A - STAND [MOD:1199SL;XST:AUS,BRA,EUR,FRA,JAP].....	146
Drawing 24A - ANTILOCK BRAKING SYSTEM (ABS) [MOD:1199SL;XST:AUS,BRA,EUR,FRA,JAP].....	148
Drawing 26A - REAR WHEEL SPINDLE [MOD:1199SL;XST:AUS,BRA,EUR,FRA,JAP].....	150
Drawing 27A - NUMBER PLATE HOLDER - TAIL LIGHT [MOD:1199SL;XST:BRA,EUR,FRA,JAP].....	152
Drawing 27B - NUMBER PLATE HOLDER - TAIL LIGHT - (AUS) [MOD:1199SL;XST:AUS].....	154
Drawing 28A - REAR SWINGING ARM [MOD:1199SL;XST:AUS,BRA,EUR,FRA,JAP].....	156
Drawing 34A - FAIRING [MOD:1199SL;XST:AUS,BRA,EUR,FRA,JAP].....	158
Drawing 34B - ACCESSORIES [MOD:1199SL;XST:AUS,BRA,EUR,FRA,JAP].....	160
Drawing 34C - ACCESSORIES [MOD:1199SL;XST:AUS,BRA,EUR,FRA,JAP].....	164
Alphanumeric index.....	166



# DRAWING 018 - IMPIANTO ELETTRICO SINISTRO [MOD:1199SL;XST:AUS,BRA,EUR,FRA,JAP]

GROUP ELECTRIC



IMP00909

## DRAWING 018 - IMPIANTO ELETTRICO SINISTRO

[MOD:1199SL;XST:AUS,BRA,EUR,FRA,JAP]

GROUP ELECTRIC

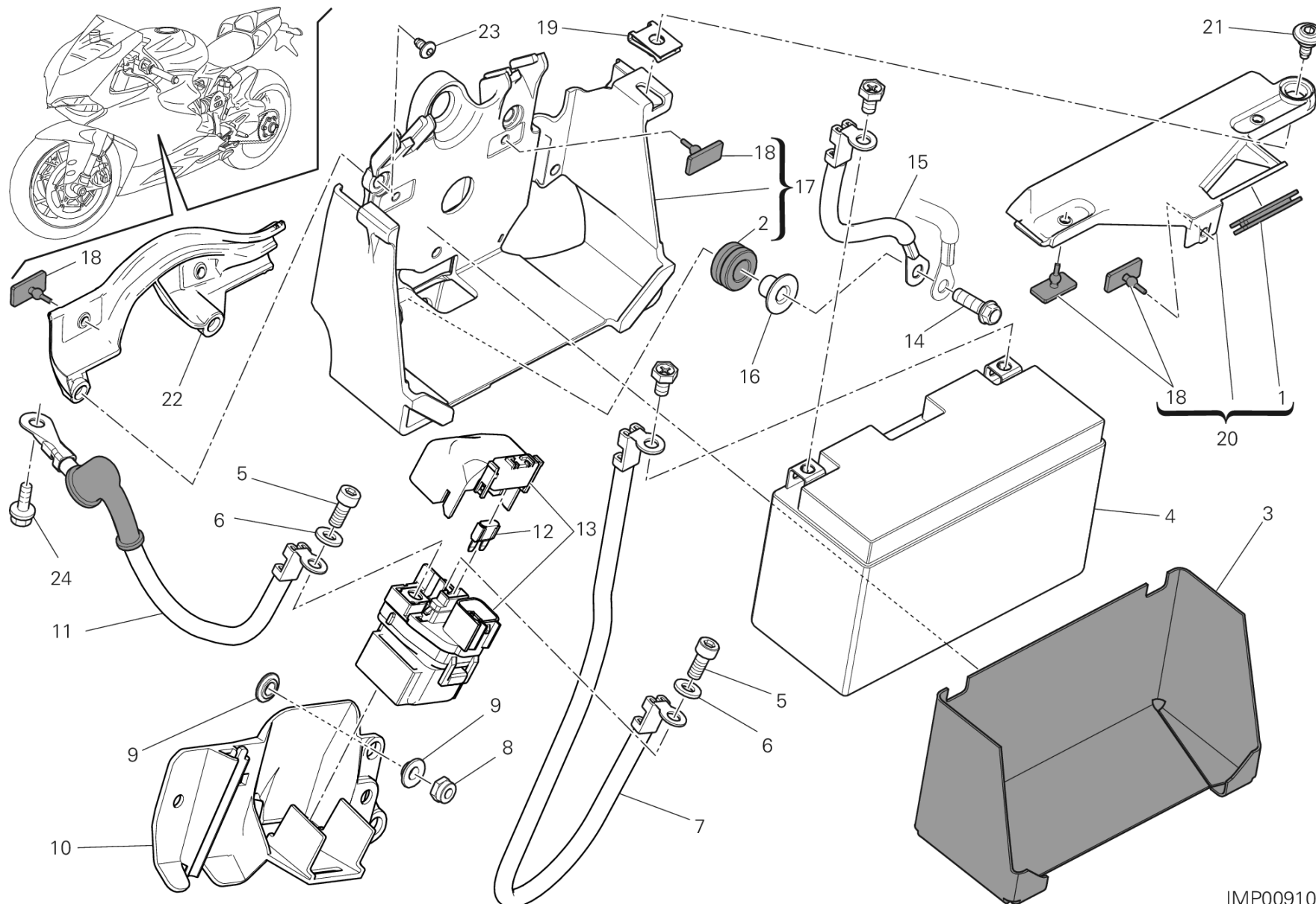


POS.	CODE	DESCRIPTION	QTY	START DATE	END DATE	VALIDITY	NOTES
1	829PA361A	LEFT HOLDER	1				
2	85041581A	CLIP NUT	4				
3	54040301B	VOLTAGE REGULATOR	1				
4	77251038B	SCREW TEF M6X25	4				
5	74940041A	NUT, SELF-LOCKING M6	2				
6	76440561A	RUBBER PAD	2				
7	46015482A	COVER	1				
8	76411411B	RUBBER PAD	3				
9	77156688B	SCREW TCEIF	2	01/11/2012			
10	55241571A	SENSOR, PRESSURE	2				
11	59013941A	TUBE VERTICAL	1				
12	4601C421AA	COVER, BATTERY	1	20/01/2014			
13	76410841B	RUBBER PAD	2				
14	67040451A	SPARK PLUG NGK MAR9A-J	1				
15	67120511C	HEAD SPARK PLUG WIRING	1				
16	38040221B	IGNITION COIL ASSY	1				
17	77156443B	SCREW	3				
18	71614342AA	SPACER	3				
19	76410901A	RUBBER PAD	3				
20	74141711A	CLAMP 10-7 MM	2				
21	59013951A	TUBE HORIZONTAL	1				
22	76410741A	HOSE GUIDE	1				
23	85040471A	QUICK FASTENING M5	2				



# DRAWING 18A - BATTERY HOLDER [MOD:1199SL;XST:AUS,BRA,EUR,FRA,JAP]

GROUP ELECTRIC



IMP00910

## DRAWING 18A - BATTERY HOLDER [MOD:1199SL;XST:AUS,BRA,EUR,FRA,JAP]

GROUP ELECTRIC



POS.	CODE	DESCRIPTION	QTY	START DATE	END DATE	VALIDITY	NOTES
1	76411411B	RUBBER PAD	1				
2	76410901A	RUBBER PAD	3				
3	4601C461A	BATTERY CARPET	1	20/01/2014			
4	39540411C	BATTERY	1	15/11/2013			
5	77156628B	SCREW TCEIF M6X10	2				
6	85350101A	WASHER, SPRING	2				
7	51410671B	BATTERY - SOLENOID STARTER CABLE	1	08/11/2013			
8	74840381A	NUT M5	2				
9	71614071A	SPACER 5.2X8.4X2	4				
10	83016833A	HOLDER	1				
11	51410681A	SOLENOID STARTER - STARTER MOTOR CABLE	1				
12	38940251A	FUSE 30A	1				
13	39740071A	STARTER RELAY	1				
14	77251023C	SCREW TEF M6X22 10.9	3				
15	51310261B	CABLE	1	08/11/2013			
16	71611061A	SPACER 7X10X20	3				
17	829PA541B	BATTERY HOLDER	1				
18	86610361A	RUBBER PAD	7				
19	85040551A	QUICK FASTENING	1				
20	247P4072A	COVER ASSEMBLY	1				
21	77211131A	SCREW M5X9	1				
22	46015681A	GUARD	1				
23	77440203C	SCREW	2				
24	77210461B	SCREW TEF M5X8	1				



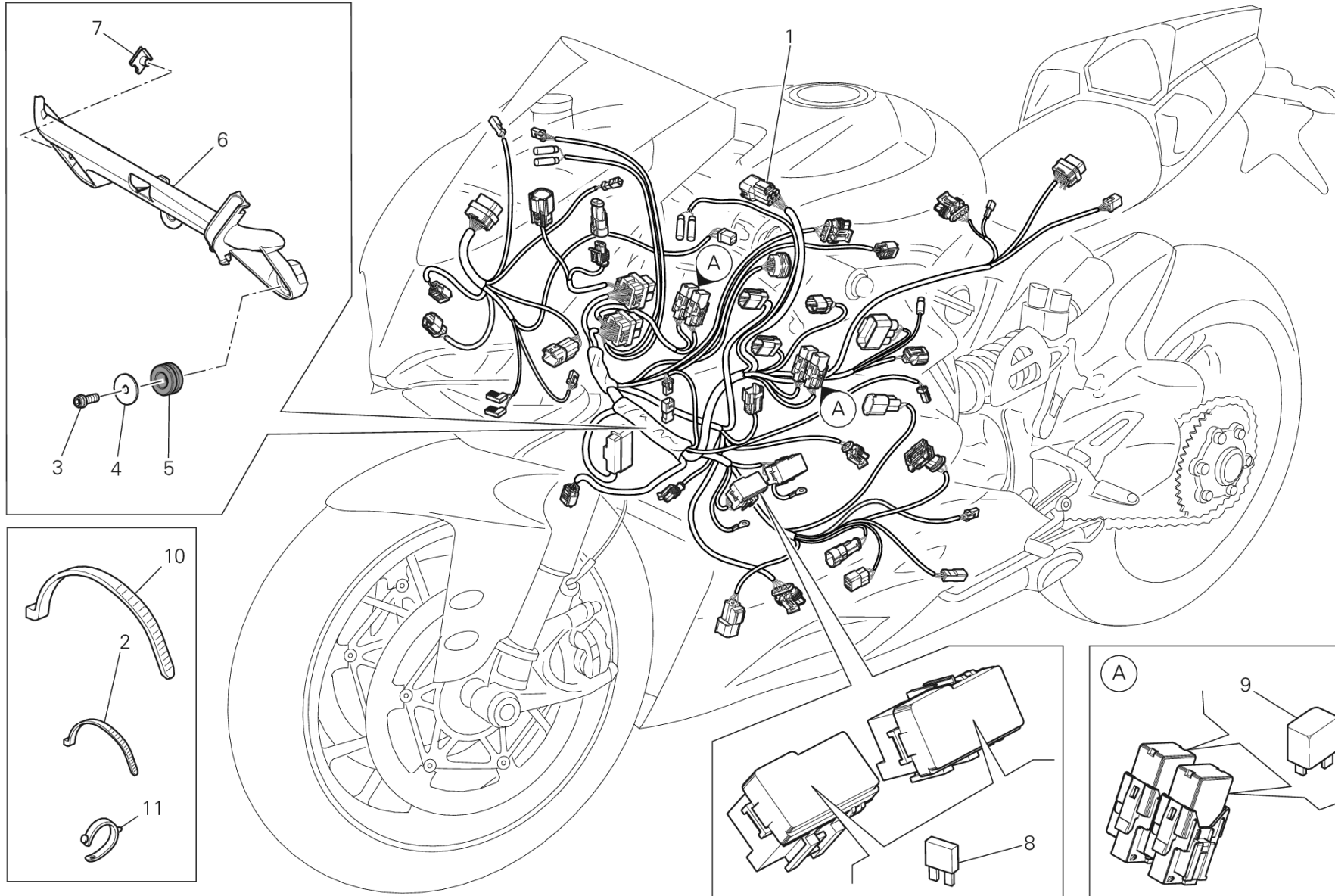
# DRAWING 18B - IMPIANTO ELETTRICO DESTRO

[MOD:1199SL;XST:AUS,BRA,EUR,FRA,JAP]

GROUP ELECTRIC



POS.	CODE	DESCRIPTION	QTY	START DATE	END DATE	VALIDITY	NOTES
1	77210853B	SCREW	1				
2	71614071A	SPACER 5.2X8.4X2	1				
3	76440561A	RUBBER PAD	1				
4	75011742AA	NUT, SPECIAL	1				
5	46015631B	COVER	1				
6	76410901A	RUBBER PAD	3				
7	71614342AA	SPACER	3				
8	77156443B	SCREW	3				
9	829PA371A	RIGHT HOLDER	1				
10	28642461A	ENGINE CONTROL UNIT	1	15/11/2013		XST:AUS,BRA,EUR	AUS-BRA-EUR-THA
	28642461E	ENGINE CONTROL UNIT	1	15/11/2013		XST:FRA	FRA
	28642461F	ENGINE CONTROL UNIT	1	15/11/2013		XST:JAP	JAP-TWN
11	86611241A	RUBBER PAD	2				
12	70010711A	VIBRATION DAMPER	1				
13	77240258C	SCREW	1				
14	83016861A	BRACKET	1				
15	85040471A	QUICK FASTENING M5	3				
16	67040451A	SPARK PLUG NGK MAR9A-J	1				
17	67120511C	HEAD SPARK PLUG WIRING	1				
18	77251038B	SCREW TEF M6X25	2				
19	38040221B	IGNITION COIL ASSY	1				
20	85041581A	CLIP NUT	2				
21	76411411B	RUBBER PAD	2				
22	85211561A	SPRING WASHER 8.1X14X1	1	15/11/2013			



IMP00895

## DRAWING 18C - WIRING HARNESS [MOD:1199SL;XST:AUS,BRA,EUR,FRA,JAP]

GROUP ELECTRIC



POS.	CODE	DESCRIPTION	QTY	START DATE	END DATE	VALIDITY	NOTES
1	51019321B	MAIN WIRING HARNESS	1	01/10/2013			
2	74140381A	CLAMP	41				
3	77210882B	SCREW TBEI M5X12	2				
4	71614431AA	SPACER	2				
5	76410901A	RUBBER PAD	2				
6	83017071A	BRACKET, FRONT	1				
7	85040471A	QUICK FASTENING M5	1				
8	38940191A	FUSE 5A	1				
	38940201A	FUSE 10A	1				
	38940211A	FUSE 15A	1				
	38940221A	FUSE 20A	1				
	38940251A	FUSE 30A	1				
9	54140101A	RELAY	4				
10	069191030	CLAMP	25				
11	74110121A	CLAMP, RUBBER 62MM	6	12/04/2013			

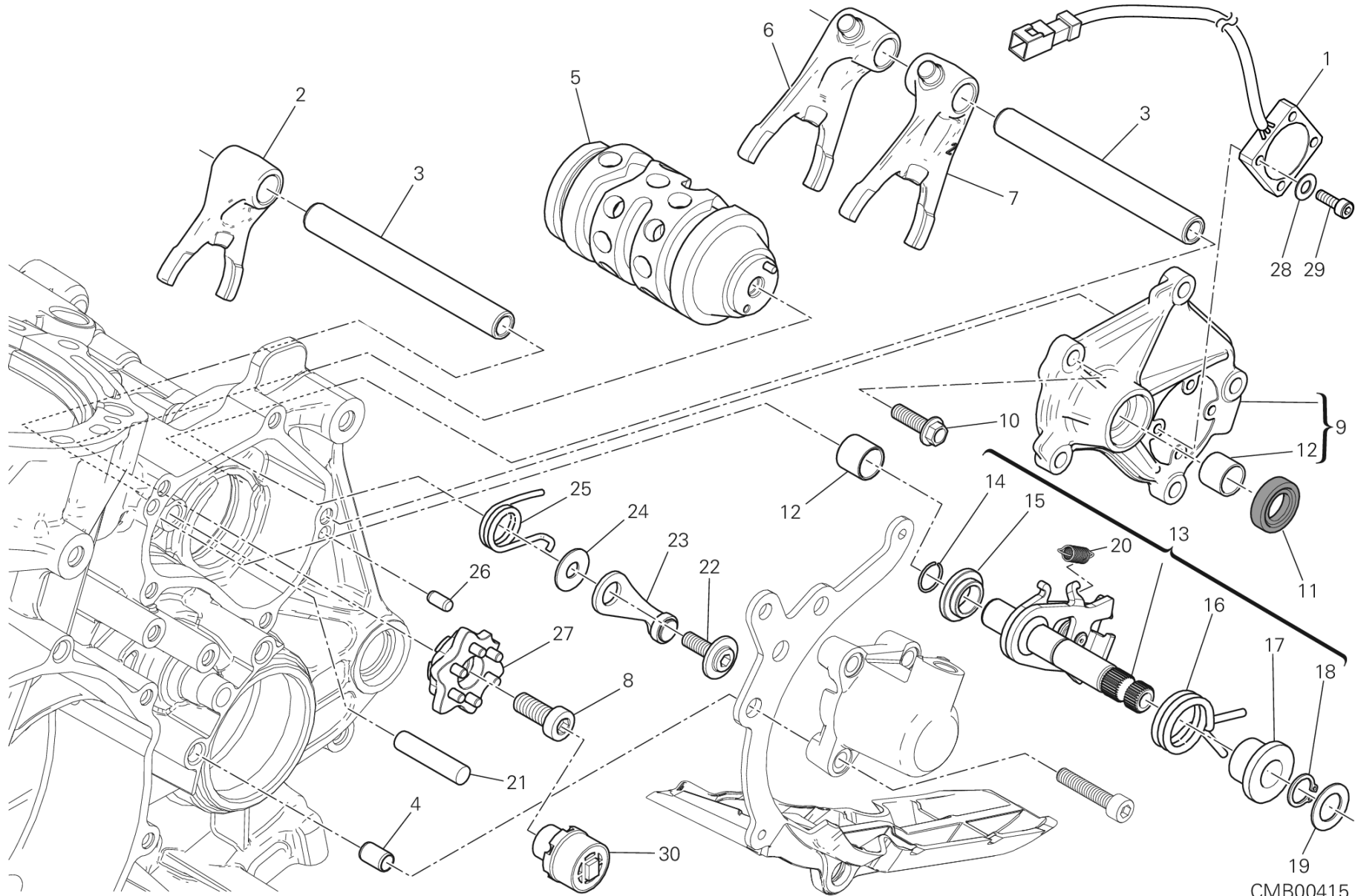


# DRAWING L - SHELL ADVANCE

## GROUP OIL



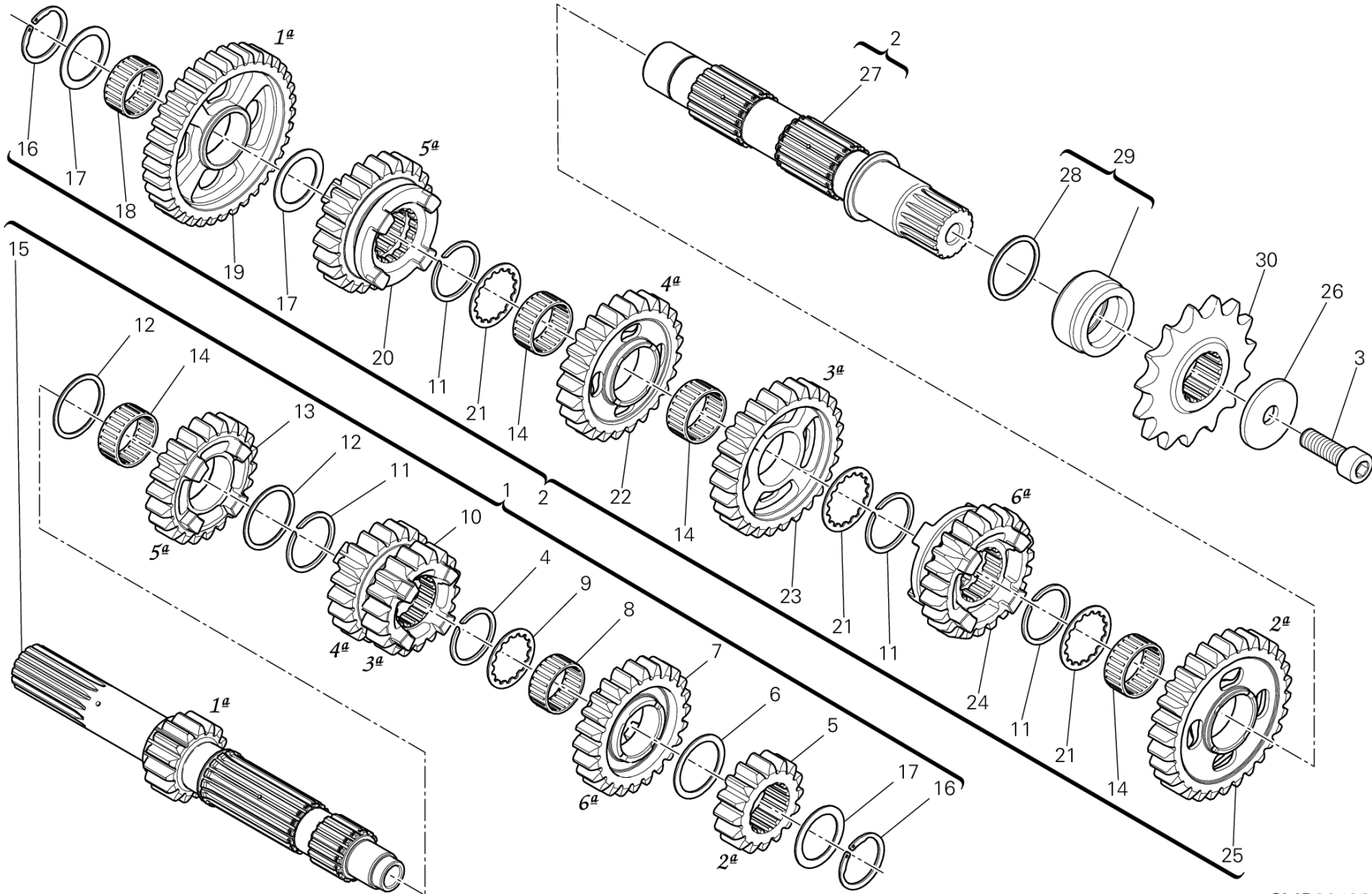
POS.	CODE	DESCRIPTION	QTY	START DATE	END DATE	VALIDITY	NOTES
1	944650035	SHELL ADVANCE DUCATI 15W50 - 1L BOTTLE	1				
2	944650037	SHELL ADVANCE DUCATI 15W50 – 209L DRUM	1				



CMB00415



POS.	CODE	DESCRIPTION	QTY	START DATE	END DATE	VALIDITY	NOTES
1	55242561B	GEARBOX POSITION SENSOR	1	15/07/2013			
2	18010271D	5TH,6TH GEAR SELECTOR FORK	1	26/03/2012			
3	82113441B	FORK PIN	2	26/03/2012			
4	71113631A	BUSH	2	26/03/2012			
5	18220353C	COMPLETE GEARBOX DRUM	1	26/03/2012			
6	18010281D	1TH,4TH GEAR SELECTOR FORK	1	26/03/2012			
7	18010291D	2TH,3TH GEAR SELECTOR FORK	1	26/03/2012			
8	77355038B	SCREW	1	26/03/2012			
9	24723652B	GEARBOX CONTROL COVER (Unit)	1	01/01/2014			
10	77244709D	SCREW	5	26/03/2012			
11	93041591A	SEAL RING	1	23/11/2010			
12	71240231A	BUSH	2	24/04/2012			
13	18120062A	GEAR CHANGE MECHANISM (Unit)	1	02/04/2012			
14	88450311A	STOP RING	1	19/12/2011			
15	71611581C	SPACER	1	19/12/2011			
16	79915141C	SPRING	1	19/12/2011			
17	71611571C	SPACER	1	19/12/2011			
18	88450361A	CIRCLIP	1	19/12/2011			
19	85212651A	WASHER	1	10/11/2010			
20	79915131C	SPRING	1	19/12/2011			
21	86050091A	PIN	1	20/12/2012			
22	77916241A	SCREW, SPECIAL	1	02/11/2011			
23	45520172A	GEAR STOPPER LEVER ASSEMBLY	1	02/11/2011			
24	85212661A	WASHER	1	02/11/2011			
25	79915101C	SPRING	1	02/11/2011			
26	86050061A	PIN M5X10	2	02/11/2011			
27	18220381B	GEARBOX DRUM FLANGE ASSEMBLY	1	26/07/2011			
28	85213611A	WASHER	4	16/05/2013			
29	77156209E	SCREW	4	10/01/2014			
30	55213332A	HOLDER (Unit)	1				



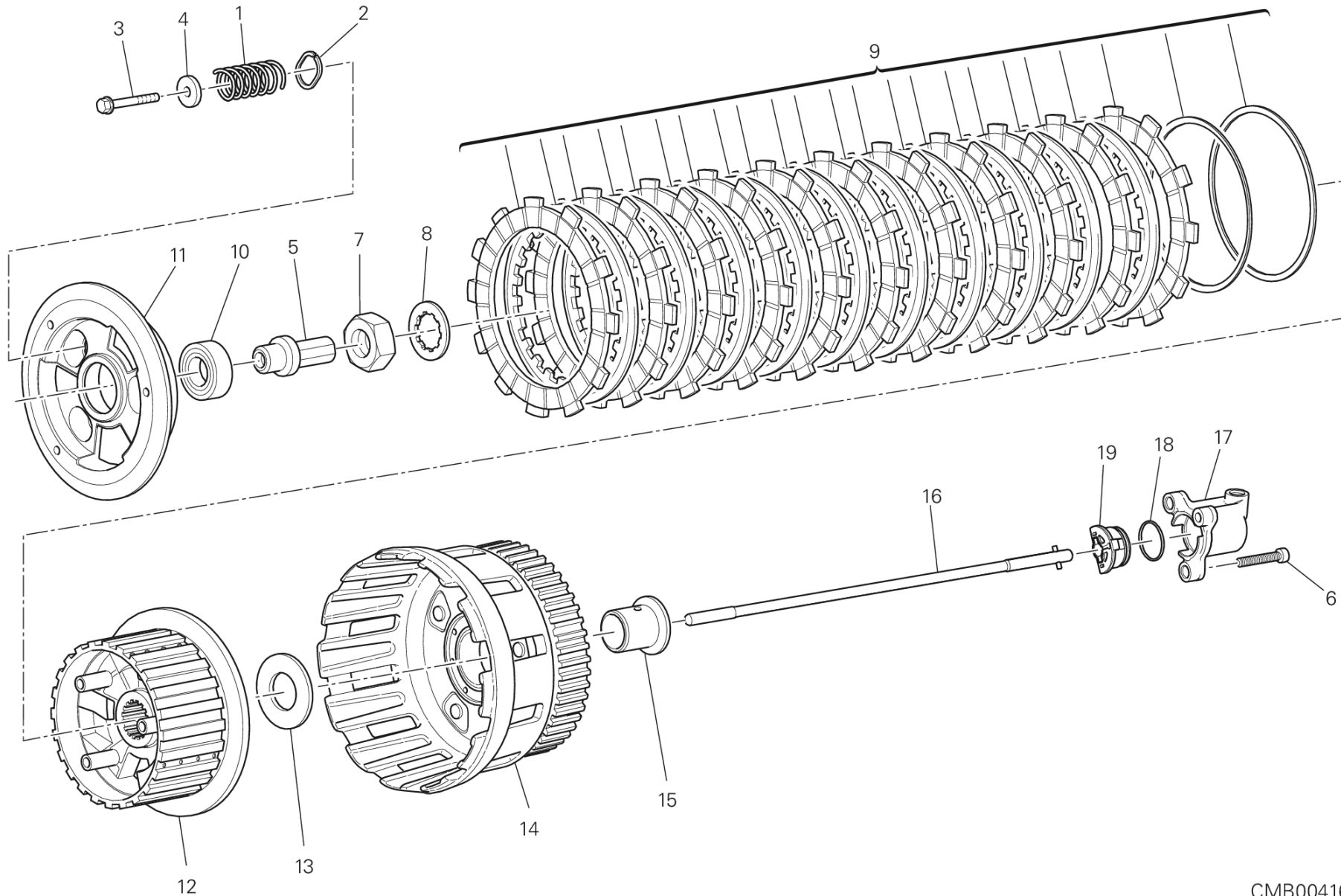
CMB00406

## DRAWING 003 - GEAR BOX [MOD:1199SL;XST:AUS,BRA,EUR,FRA,JAP]

## GROUP ENGINE



POS.	CODE	DESCRIPTION	QTY	START DATE	END DATE	VALIDITY	NOTES
1	15021991A	COMPLETE MAIN SHAFT	1	16/01/2013			
2	15022001A	COMPLETE LAY SHAFT	1	16/01/2013			
3	77154337C	SCREW	1	01/12/2011			
4	88440731A	SPRING RING	1	16/01/2013			
5	17213172A	DRIVING GEAR 2ND SP.	1	07/12/2011			
6	85213301A	THRUST WASHER	1	16/01/2013			
7	17213202A	DRIVING GEAR 6TH SP.	1	07/12/2011			
8	70140311A	NEEDLE BEARING	1	07/12/2011			
9	85611372A	WASHER LOCK 28X32.5X1	1	16/01/2013			
10	17213182A	DRIVING GEAR 3RD/4TH SP.	1	16/01/2013			
11	88440741A	SPRING RING	4	16/01/2013			
12	85213291A	THRUST WASHER	2	16/01/2013			
13	17213192A	DRIVING GEAR 5TH SP.	1	16/01/2013			
14	70140321A	NEEDLE BEARING	4	01/01/2011			
15	14911201A	MAIN SHAFT	1	16/01/2013			
16	88440751A	CIRCLIP	2	16/01/2013			
17	85213311A	THRUST WASHER	3	16/01/2013			
18	70140331A	NEEDLE BEARING	1	01/01/2011			
19	17213212A	DRIVEN GEAR 1ST SP.	1	16/01/2013			
20	17213252A	DRIVEN GEAR 5TH SP.	1	16/01/2013			
21	85611491A	GROOVED WASHER	3	16/01/2013			
22	17213242A	DRIVEN GEAR 4TH SP.	1	16/01/2013			
23	17213232A	DRIVEN GEAR 3RD SP.	1	16/01/2013			
24	17213262A	DRIVEN GEAR 6TH SP.	1	16/01/2013			
25	17213222A	DRIVEN GEAR 2ND SP.	1	16/01/2013			
26	85212801A	THRUST WASHER	1	01/12/2011			
27	14910881F	LAY SHAFT	1	16/01/2013			
28	88640042A	O-RING	1	21/04/2011			
29	71320021B	CHAIN SPROCKET SPACER (Unit)	1	11/11/2010			
30	44910661A	SPROCKET T15	1	20/07/2013			



CMB00416

## DRAWING 004 - CLUTCH [MOD:1199SL;XST:AUS,BRA,EUR,FRA,JAP]

## GROUP ENGINE

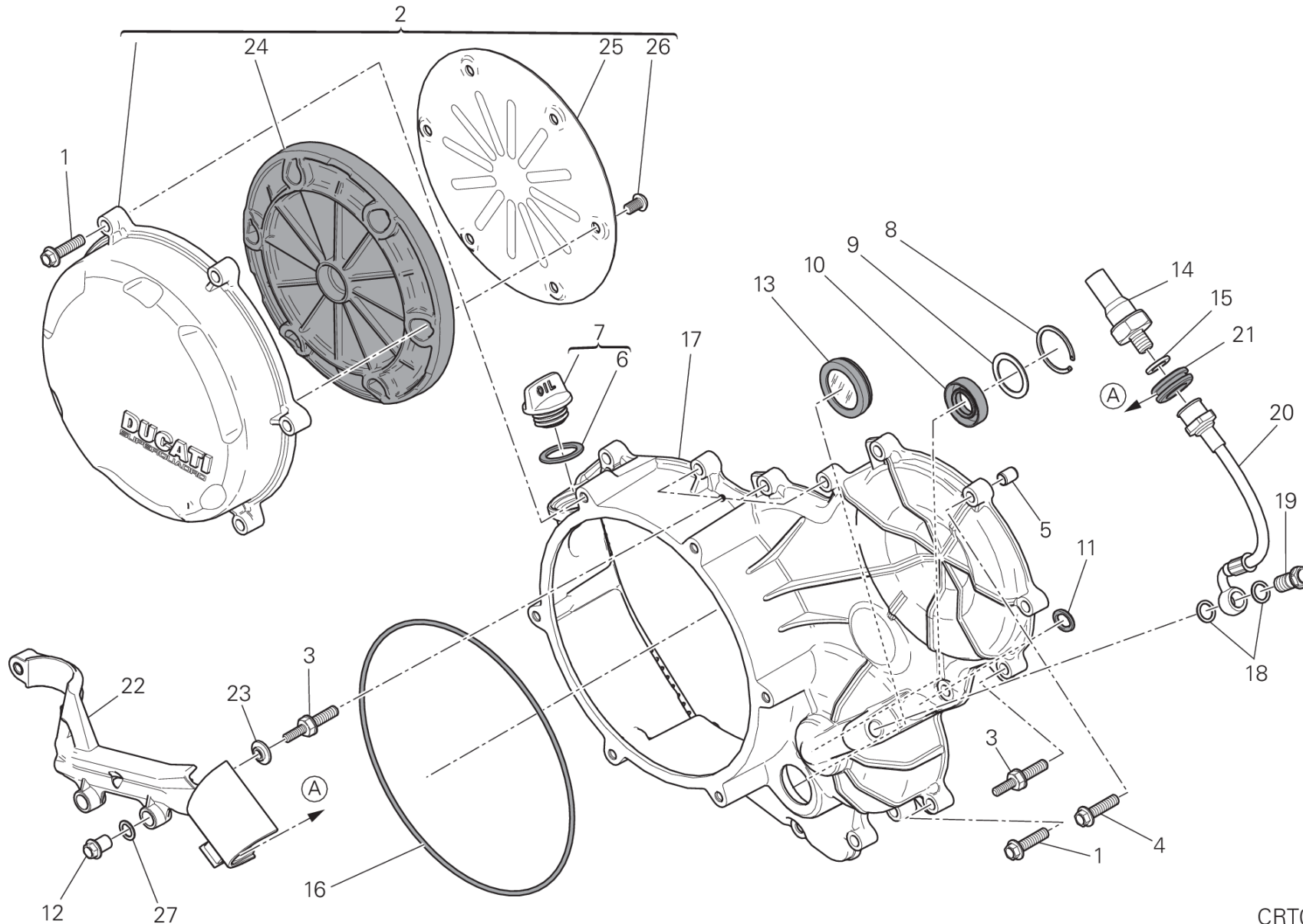


POS.	CODE	DESCRIPTION	QTY	START DATE	END DATE	VALIDITY	NOTES
1	79710511A	SPRING	3	19/11/2010			
2	85611391A	THRUST WASHER	3	19/11/2010			
3	77211201A	SCREW	3	19/11/2010			
4	84110691B	SEAT, CLUTCH SPRING	3	19/11/2010			
5	81810162A	CLUTCH CONTROL PIN (FCC)	1	11/11/2010			
6	77918831A	SCREW	3	29/03/2012			
7	75010071A	NUT	1	11/11/2010			
8	85110201A	LOCK WASHER	1	11/11/2010			
9	19020351A	CLUTCH DISC SET	1	03/09/2013			
10	70250601A	BEARING	1	19/11/2010			
11	19610543A	DISK, CLUTCH PRESSURE (FCC)	1	19/11/2010			
12	19610531A	PLATE HOLDER HUB (FCC)	1	19/11/2010			
13	71313091A	SPACER	1	19/11/2010			
14	19820431B	PRIMARY DRIVEN GEAR COMP.	1	03/09/2013			
15	71314831A	SPACER	1	19/11/2010			
16	11721332B	CLUTCH CONTROL ROD	1	23/01/2013			
17	19540061A	PISTON ASSEMBLY	1	19/10/2011			
18	88650541B	O-RING	1	01/12/2011			
19	71320031A	ANTI-ROTATION INSERT	1	01/06/2012			



# DRAWING 005 - CLUTCH - SIDE CRANKCASE COVER [MOD:1199SL;XST:AUS,BRA,EUR,FRA]

GROUP ENGINE



CRT00693

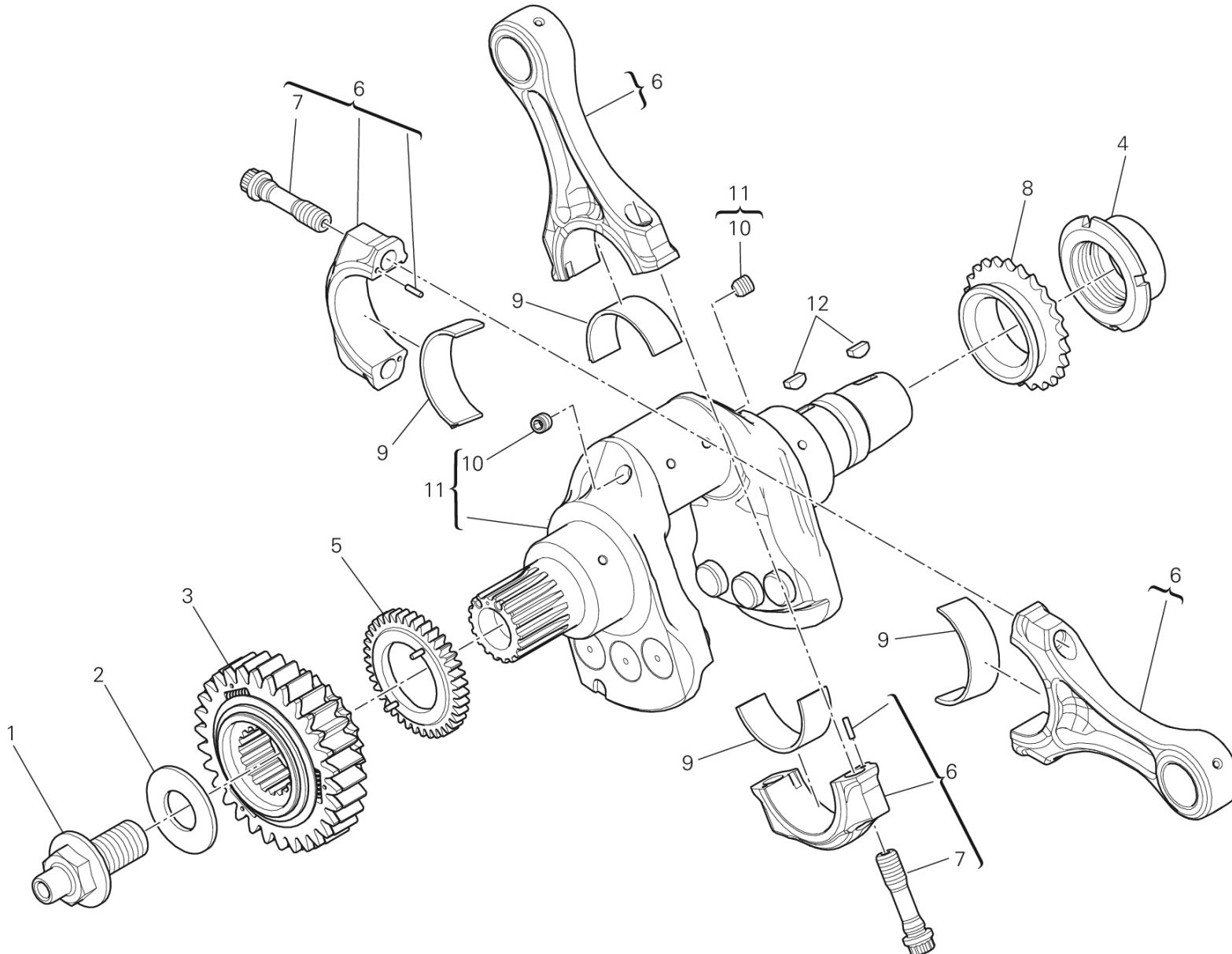
## DRAWING 005 - CLUTCH - SIDE CRANKCASE COVER

[MOD:1199SL;XST:AUS,BRA,EUR,FRA]

## GROUP ENGINE



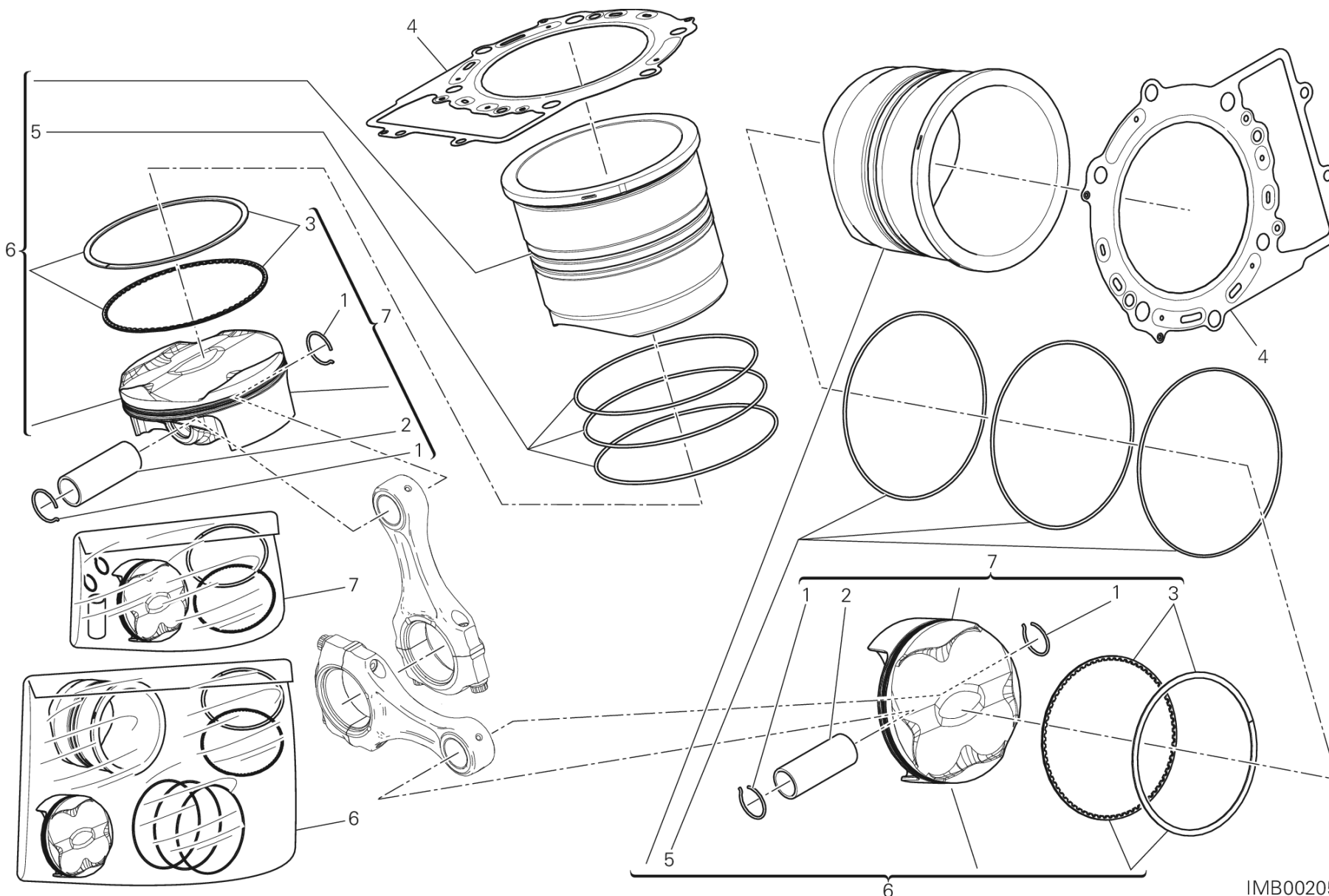
POS.	CODE	DESCRIPTION	QTY	START DATE	END DATE	VALIDITY	NOTES
1	77244719D	SCREW	18	11/11/2010			
2	24321344A	CLUTCH PROTECTION COVER (Unit)	1	02/05/2012			
3	77917161B	SCREW, SPECIAL	4	21/11/2011			
4	77244729D	SCREW	1	11/11/2010			
5	71113171A	LOCATING DOWEL	2	11/11/2010			
6	88640891A	O-RING 18.64X3.53	1	24/12/2009			
7	89320121A	PLUG ASSY	1	26/10/2011			
8	88450291A	SNAP RING	1	26/10/2011			
9	85212721A	THRUST WASHER	1	26/10/2011			
10	93041521A	SEAL RING	1	26/10/2011			
11	88641761A	O-RING	1	11/11/2010			
12	75011941A	NUT, SPECIAL	3	26/10/2011			
13	25440012A	WINDOW, OIL LEVEL CHECK	1	26/10/2011			
14	53940302A	SWITCH ASSY, OIL PRESSURE	1	01/12/2011			
15	85211951A	GASKET 10.5X17X2	1	01/12/2011			
16	88610281A	O-RING	1	26/10/2011			
17	24311274A	TIMING COVER	1	01/01/2012			
18	85250241A	WASHER 10X14X1	2	01/12/2011			
19	78110121AA	SCREW, SPECIAL	1	01/12/2011			
20	87721561A	OIL PRESSURE LINE	1	01/12/2011			
21	76440581A	RUBBER PAD	1	01/12/2011			
22	75810701B	FAIRLEAD	1	01/12/2011			
23	71614071A	SPACER 5.2X8.4X2	3	01/12/2011			
24	48610851A	DAMPER, SOUND ARRESTER	1	02/05/2012			
25	82716012A	SHEET ACOUSTIC DAMPER	1	02/05/2012			
26	77550200C	SCREW	6	02/05/2012			
27	85213671AA	WASHER	1	14/02/2014			



IMB00204



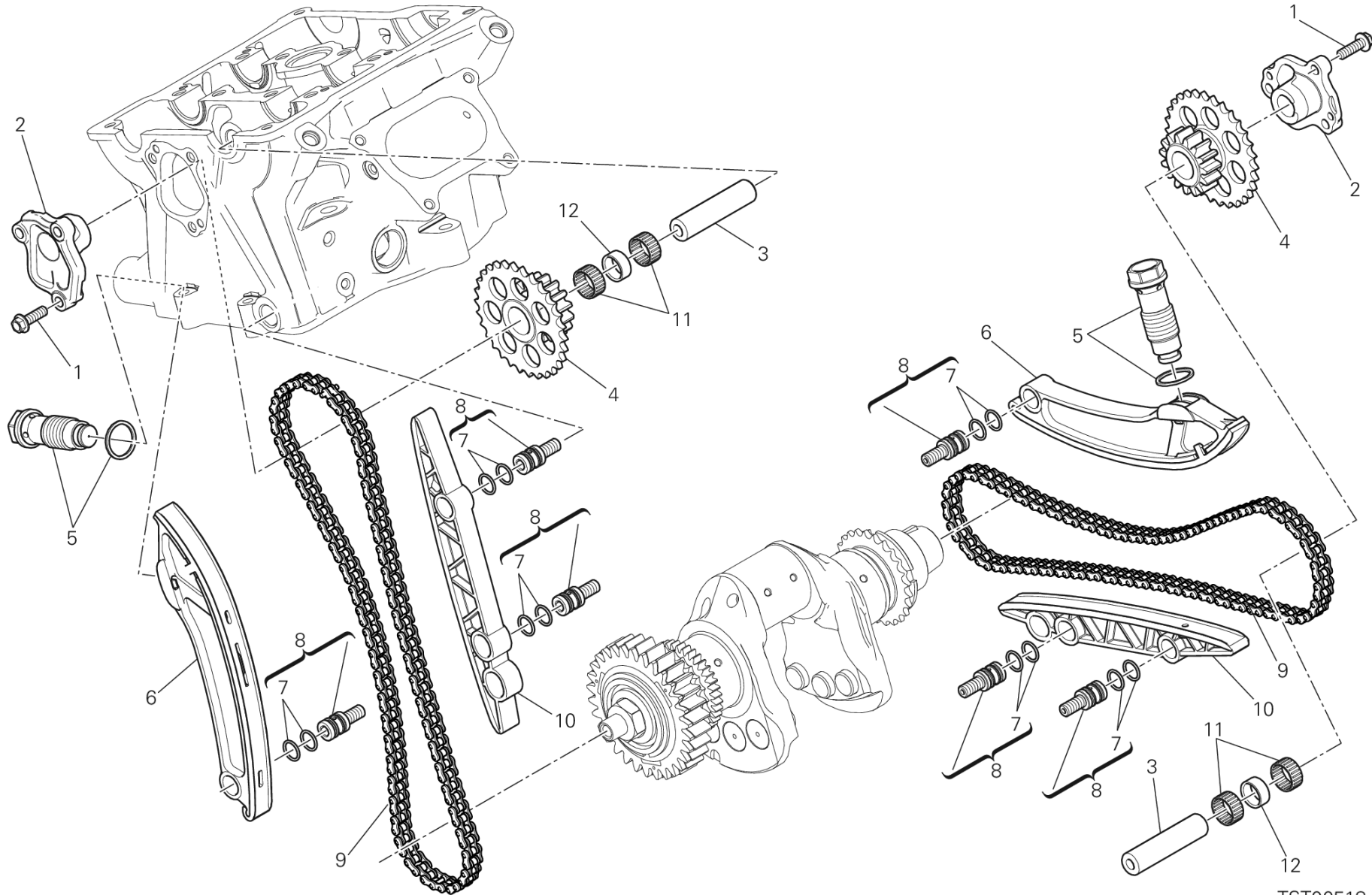
POS.	CODE	DESCRIPTION	QTY	START DATE	END DATE	VALIDITY	NOTES
1	77916551C	SCREW, SPECIAL	1	07/03/2012			
2	85212791A	THRUST WASHER	1	11/11/2010			
3	17021322A	PRIMARY DRIVE FRONT SPROCKET	1	04/09/2013			
4	70310593A	RING NUT	1	01/01/2012			
5	17420581B	PUMP DRIVING GEAR (Unit)	1	05/12/2012			
6	15620711CB	CONNECTING ROD (Class 2)	2	02/10/2012			
	15620711CC	CONNECTING ROD (Class 3)	2	02/10/2012			
7	77916211A	SCREW, SPECIAL	4	02/10/2012			
8	171Z0071A	SPROCKET	1	05/06/2012			
9	11210711AA	SEMICUSCINETTO (Red)	4	15/12/2011			
	11210711AB	SEMICUSCINETTO (Blue)	4	15/12/2011			
	11210711AC	SEMICUSCINETTO (Yellow)	4	15/12/2011			
	11210711AD	SEMICUSCINETTO (Black)	4	15/12/2011			
	11210711AE	SEMICUSCINETTO (Green)	4	15/12/2011			
	11210711AF	SEMICUSCINETTO (Brown)	4	15/12/2011			
10	77915471A	THREADED DOWEL STEI M8X8	2	13/01/2012			
11	14622002AB	CRANKSHAFT (Class B)	1	02/10/2013			
	14622002AC	CRANKSHAFT (Class C)	1	02/10/2013			
12	68010171A	PLATE	2	01/01/2012			



IMB00205



POS.	CODE	DESCRIPTION	QTY	START DATE	END DATE	VALIDITY	NOTES
1	12112601B	PISTON PIN CIRCLIP	4	01/09/2011			
2	12113261A	PISTON PIN	2	30/09/2013			
3	12120641A	PISTON RING SET	1	02/10/2013			
4	78611291B	HEAD-CYLINDER GASKET	2	12/06/2013			
5	79120531B	GASKETS SET (BAG Qty 3)	2	05/03/2013			
6	12022261B	CYLINDER LINER-PISTON FIT	2	02/10/2013			
7	12222051CA	PISTON ASSY (Class A)	2	02/10/2013			
	12222051CB	PISTON ASSY (Class B)	2	02/10/2013			
	12222051CC	PISTON ASSY (Class C)	2	02/10/2013			



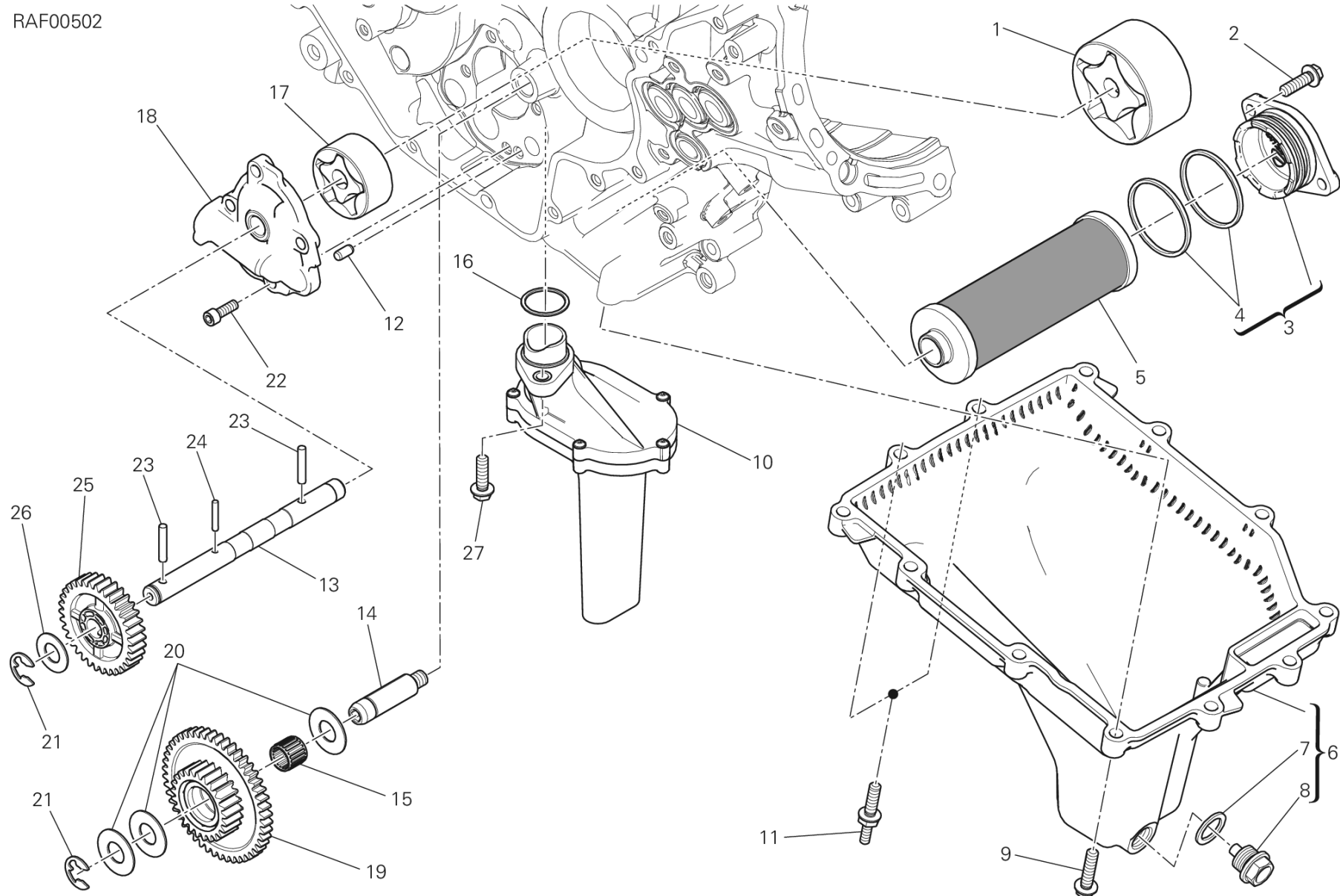
TST00518



POS.	CODE	DESCRIPTION	QTY	START DATE	END DATE	VALIDITY	NOTES
1	77244709D	SCREW	6	17/09/2013			
2	24713911B	COVER	2	15/10/2013			
3	82010151A	PIN	2	05/03/2013			
4	17112311A	GEAR Z=15 30	2	12/01/2012			
5	45140013A	COMPLETE TENSIONER ROLLER	2	01/01/2012			
6	44740051A	COMPLETE MOVABLE TENSIONER ROLLER	2	25/06/2012			
7	88642081A	O-RING	12	22/03/2012			
8	82123692A	TENSIONER ROLLER PIN	6	22/06/2012			
9	73840011A	CHAIN	2	12/01/2012			
10	44740021B	COMPLETE FIXED TENSIONER ROLLER	2	22/11/2010			
11	70140301C	NEEDLE BEARING	4	23/04/2012			
12	71319291A	SPACER	2	11/11/2010			

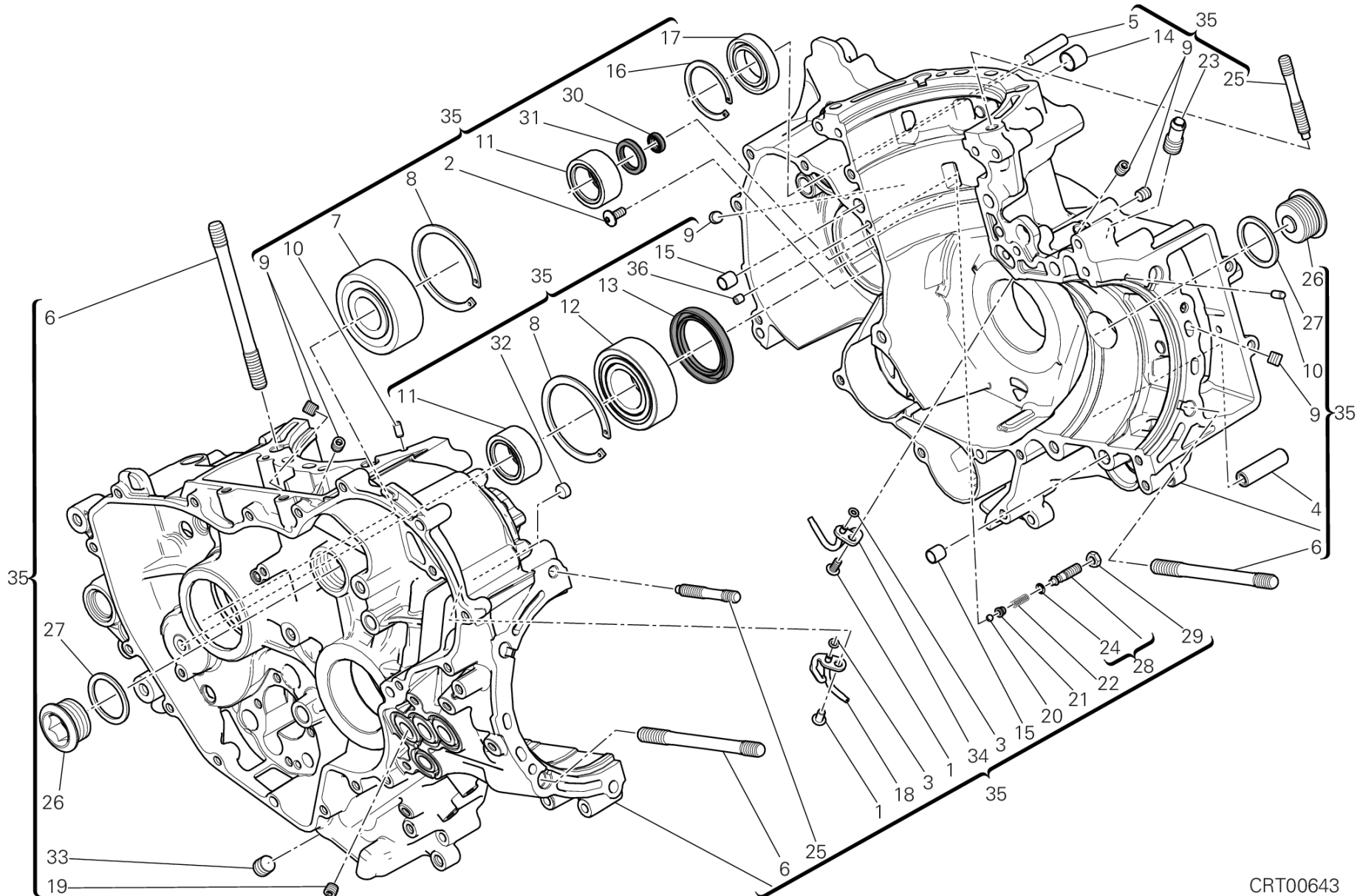


RAF00502





POS.	CODE	DESCRIPTION	QTY	START DATE	END DATE	VALIDITY	NOTES
1	17420571A	OIL PUMP RETURN	1	11/11/2010			
2	77244709D	SCREW	2	17/09/2013			
3	24723842A	FILTER COVER UNIT	1	17/09/2012			
4	88650561A	O-RING	2	25/11/2010			
5	44440312B	FILTER, OIL	1	06/05/2013			
6	25220071B	OIL PAN	1	28/03/2013			
7	85250541A	WASHER	1	29/03/2011			
8	89310153A	OIL DRAIN PLUG WITH MAGNET	1	06/05/2013			
9	77244719D	SCREW	10	17/09/2013			
10	89420113B	MESH FILTER ASSEMBLY	1	14/11/2013			
11	77917161B	SCREW, SPECIAL	2	05/03/2013			
12	86050061A	PIN M5X10	1	02/11/2011			
13	14710903A	OIL PUMP DRIVE SHAFT	1	02/05/2011			
14	82010161B	STARTER REDUCTION SHAFT	1	07/11/2012			
15	70140371A	BEARING, NEEDLE	1	11/11/2010			
16	88641331A	O-RING	1	01/07/2011			
17	17420561A	OIL PUMP DELIVERY	1	11/11/2010			
18	24723712A	OIL PUMP COVER	1	12/03/2012			
19	17410523A	GEAR, PUMP DRIVEN	1	14/05/2012			
20	85212681A	WASHER, THRUST	3	25/11/2010			
21	88450371A	SNAP RING	2	11/11/2010			
22	77159561A	SCREW	4	17/09/2013			
23	70450091A	ROLLER	2	11/11/2010			
24	70450051A	ROLLER	1	11/11/2010			
25	17410483A	PUMP GEAR	1	14/05/2012			
26	85213021A	WASHER, THRUST	1	26/11/2010			
27	77244689D	SCREW	1	17/09/2013			



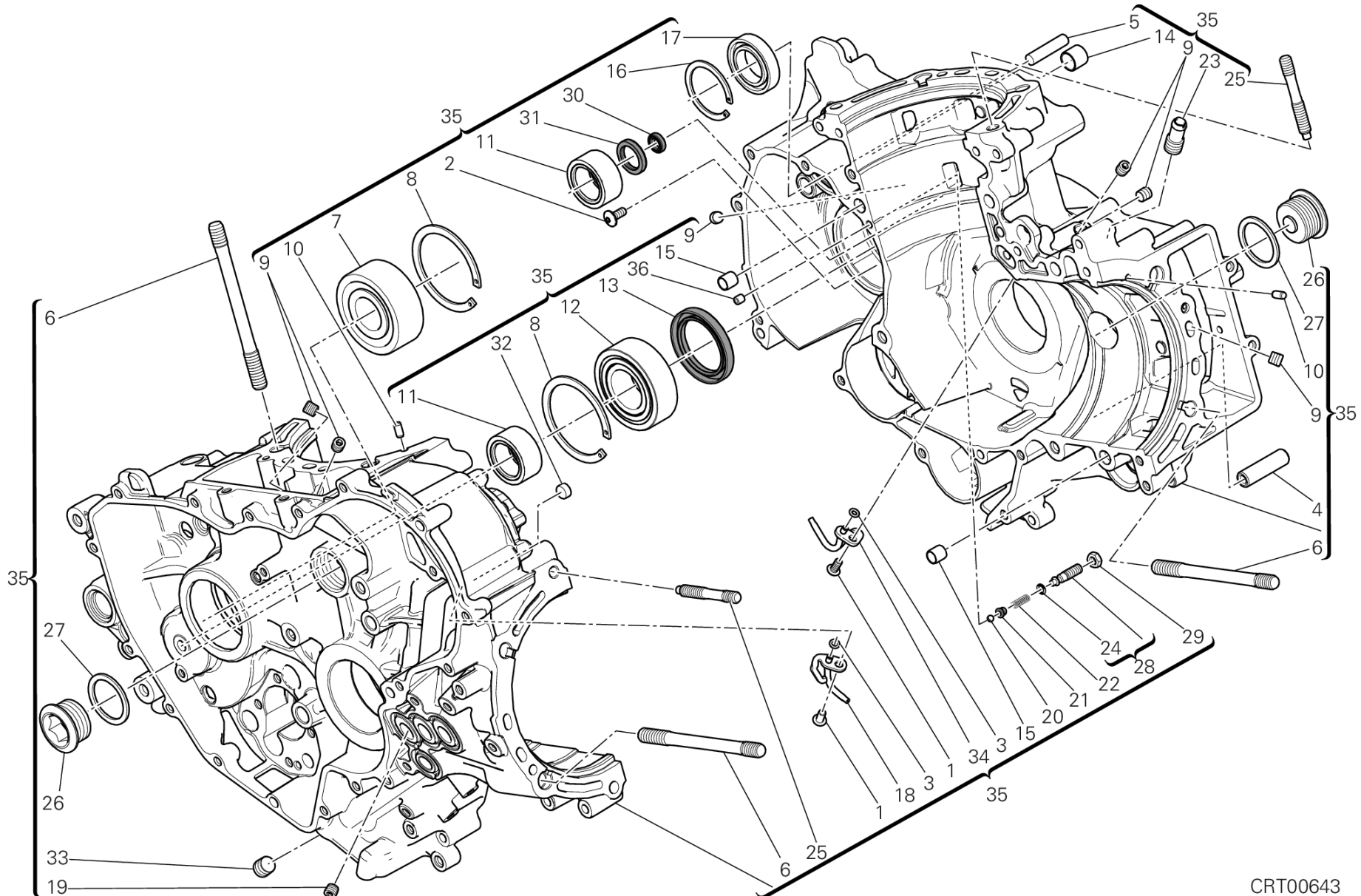
CRT00643

## DRAWING 010 - HALF-CRANKCASES PAIR [MOD:1199SL;XST:AUS,BRA,EUR,FRA,JAP]

## GROUP ENGINE



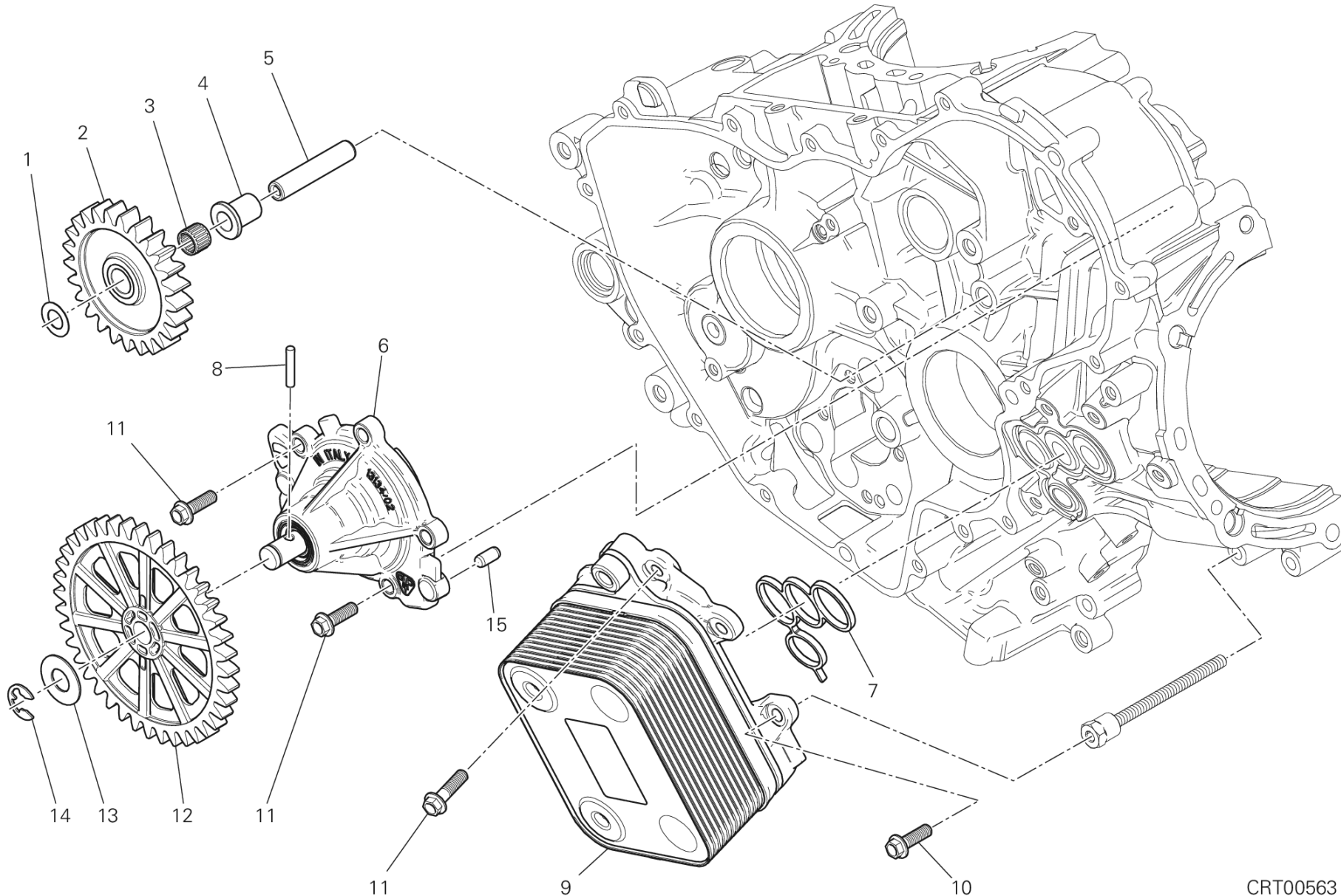
POS.	CODE	DESCRIPTION	QTY	START DATE	END DATE	VALIDITY	NOTES
1	77510311B	SCREW TBEI M5X10	2	02/11/2011			
2	77240398C	SCREW TBEIF M6X10	2	02/11/2011			
3	88650131A	O-RING 3.68X1.78	2	02/11/2011			
4	82010141A	STARTER REDUCTION SHAFT	1	02/11/2011			
5	86050371A	PIN	1	20/12/2012			
6	76610781A	STUD BOLT FASTENING HEAD CYLINDER	8	02/11/2011			
7	70240131A	BEARING	1	07/11/2012			
8	735034405	SNAP RING	2	02/11/2011			
9	78010871A	THREADED DOWEL	6	02/11/2011			
10	86050061A	PIN M5X10	2	02/11/2011			
11	70240251B	BEARING	2	02/11/2011			
12	70241091A	BEARING, NEEDLE	1	07/11/2012			
13	93040431A	SEAL, OIL 40X55X7	1	02/11/2011			
14	71240231A	BUSH	1	02/11/2011			
15	71113181A	LOCAT. DOWEL	4	02/11/2011			
16	735033804	CIRCLIP	1	02/11/2011			
17	70250411A	BEARING 25X42X9	1	02/11/2011			
18	87511651BB	JET RH	1	02/11/2011			
19	78010861A	SPECIAL SCREW	1	02/11/2011			
20	84740061A	BALL	1	02/11/2011			
21	83110151A	PLATE	1	02/11/2011			
22	79940121A	SPRING	1	02/11/2011			
23	81413421B	UNION RETURN	1	08/11/2011			
24	88641961A	O-RING	1	18/04/2011			
25	76610801A	STUD BOLT FASTENING HEAD CYLINDER	2	02/11/2011			
26	78010801A	PLUG	2	02/11/2011			
27	85250491A	WASHER	2	02/11/2011			
28	77927171A	SCREW	1	02/11/2011			
29	74710151A	NUT	1	02/11/2011			
30	93041771A	SEAL RING	1	02/11/2011			
31	93040931A	SEAL, OIL 17X25X4	1	02/11/2011			
32	87310021A	PLUG 10 MM	2	02/11/2011			
33	78010771A	THREADED DOWEL	1	02/11/2011			
34	87511641BB	JET LH	1	02/11/2011			
35	22523021B	COMPLETE HALF-CRANKCASES PAIR	1	01/01/2014			



CRT00643



POS.	CODE	DESCRIPTION	QTY	START DATE	END DATE	VALIDITY	NOTES
36	71115051A	BUSH	1	04/06/2013			



CRT00563



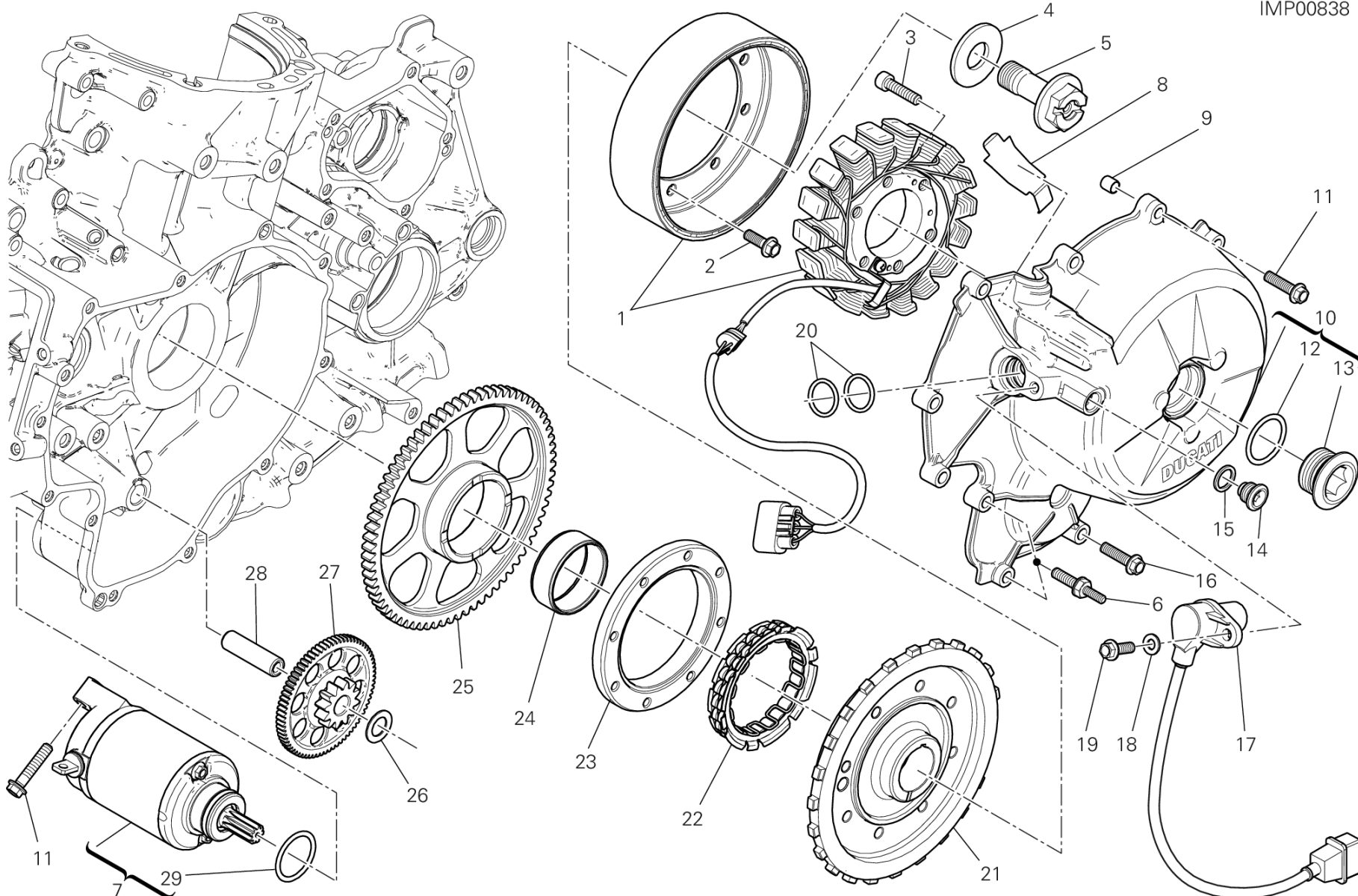
POS.	CODE	DESCRIPTION	QTY	START DATE	END DATE	VALIDITY	NOTES
1	064770010	WASHER, THRUST	1	11/11/2010			
2	17410511A	PUMP GEAR	1	11/11/2010			
3	70140361A	BEARING, NEEDLE	1	11/11/2010			
4	71113221A	BUSH	1	11/11/2010			
5	82010171A	STARTER REDUCTION SHAFT	1	09/12/2010			
6	24723701C	COMPLETE WATER PUMP	1	02/11/2011			
7	78811191A	GASKET	1	26/11/2010			
8	70450091A	ROLLER	1	11/11/2010			
9	54710022B	HEAT EXCHANGER	1	27/01/2012			
10	77244689D	SCREW	2	17/09/2013			
11	77244709D	SCREW	9	17/09/2013			
12	17410501A	PUMP GEAR	1	11/11/2010			
13	85212681A	WASHER, THRUST	1	03/12/2010			
14	88450371A	SNAP RING	1	11/11/2010			
15	86050061A	PIN M5X10	2	30/07/2013			



# DRAWING 012 - ELECTRIC STARTING AND IGNITION [MOD:1199SL;XST:AUS,BRA,EUR,FRA,JAP]

GROUP ENGINE

IMP00838



## DRAWING 012 - ELECTRIC STARTING AND IGNITION

[MOD:1199SL;XST:AUS,BRA,EUR,FRA,JAP]

## GROUP ENGINE



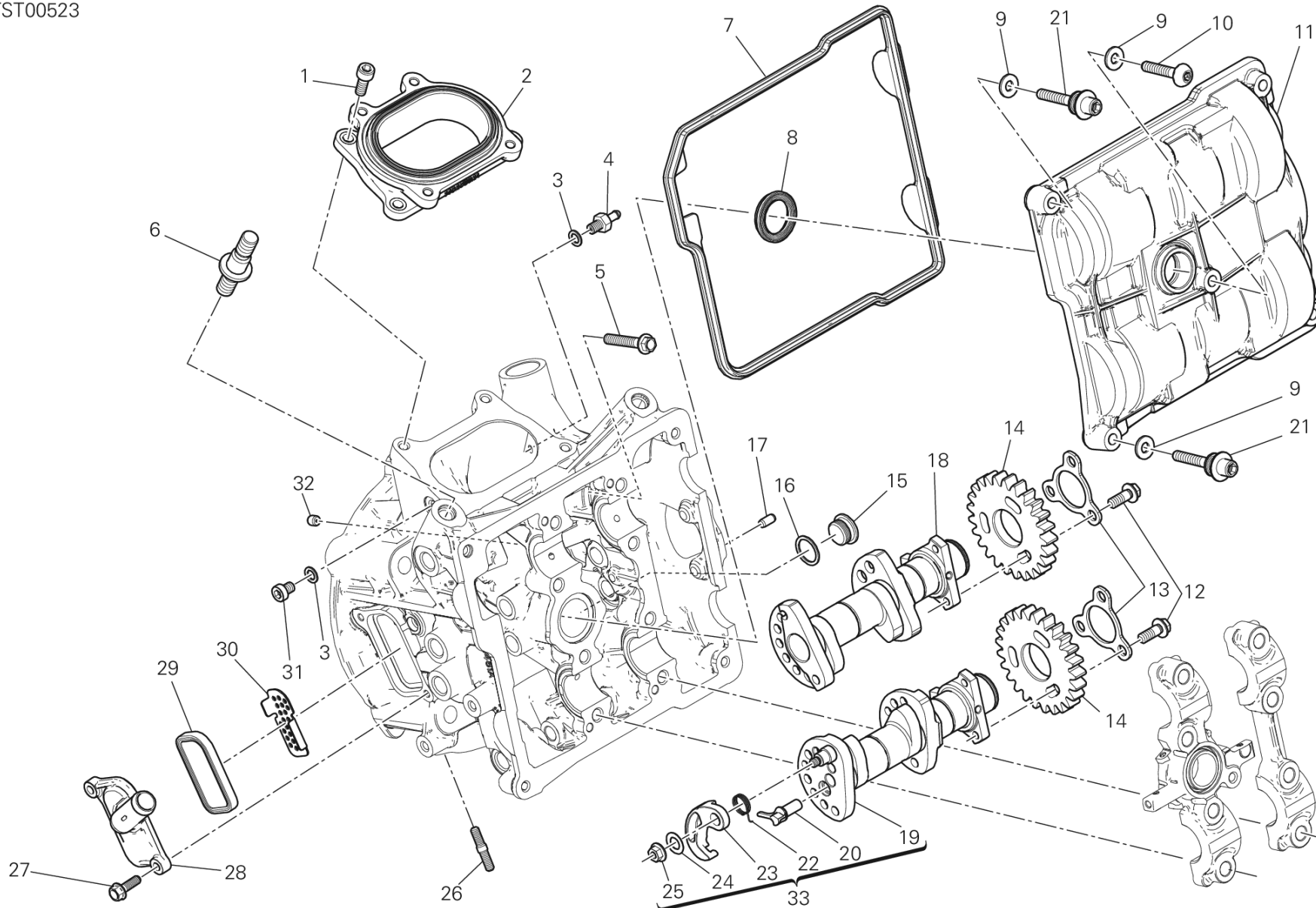
POS.	CODE	DESCRIPTION	QTY	START DATE	END DATE	VALIDITY	NOTES
1	26420161A	GENERATOR DENSO	1	13/01/2012			
2	77253300ZF	SCREW	8	02/10/2012			
3	77159571A	SCREW	3	20/09/2013			
4	85212941B	WASHER	1	01/08/2011			
5	77916661B	SCREW, SPECIAL	1	01/08/2011			
6	77917161B	SCREW, SPECIAL	2	08/11/2011			
7	27040134A	COMPLETE STARTER MOTOR	1	08/11/2012			
8	82716091A	PLATE	1	01/04/2011			
9	71113171A	LOCATING DOWEL	1	11/11/2010			
10	24221081CB	GENERATOR COVER	1	04/06/2013			
11	77244729D	SCREW	3	17/09/2013			
12	88640741A	O-RING	1	15/09/2011			
13	78010841A	PLUG	1	15/09/2011			
14	78010511C	PLUG	1	01/04/2011			
15	85250261A	GASKET, ALUMINIUM 12X16X1.5	1	01/04/2011			
16	77244719D	SCREW	8	17/09/2013			
17	55241321B	SENSOR, TIMING & RPM	1	01/04/2011			
18	85310031A	SPRING WASHER 6 MM	1	01/04/2011			
19	77244699D	SCREW	1	20/09/2013			
20	88640331A	O-RING 17.96X2.62	2	01/04/2011			
21	27610701A	IGNITION FLYWHEEL	1	02/10/2012			
22	70140351A	CLUTCH, ONE WAY	1	22/11/2010			
23	16014151A	FLANGE	1	22/11/2010			
24	70240181B	NEEDLE BEARING	1	11/11/2010			
25	17310241A	ELECTRIC STARTER DRIVEN GEAR	1	22/11/2010			
26	85212651A	WASHER	1	11/11/2010			
27	17610221A	DRIVEN GEAR DOUBLE	1	26/11/2010			
28	82010141A	STARTER REDUCTION SHAFT	1	02/11/2011			
29	88641971A	O-RING	1	13/01/2012			



# DRAWING 013 - HORIZONTAL HEAD – TIMING SYSTEM [MOD:1199SL;XST:AUS,BRA,EUR,FRA,JAP]

GROUP ENGINE

TST00523



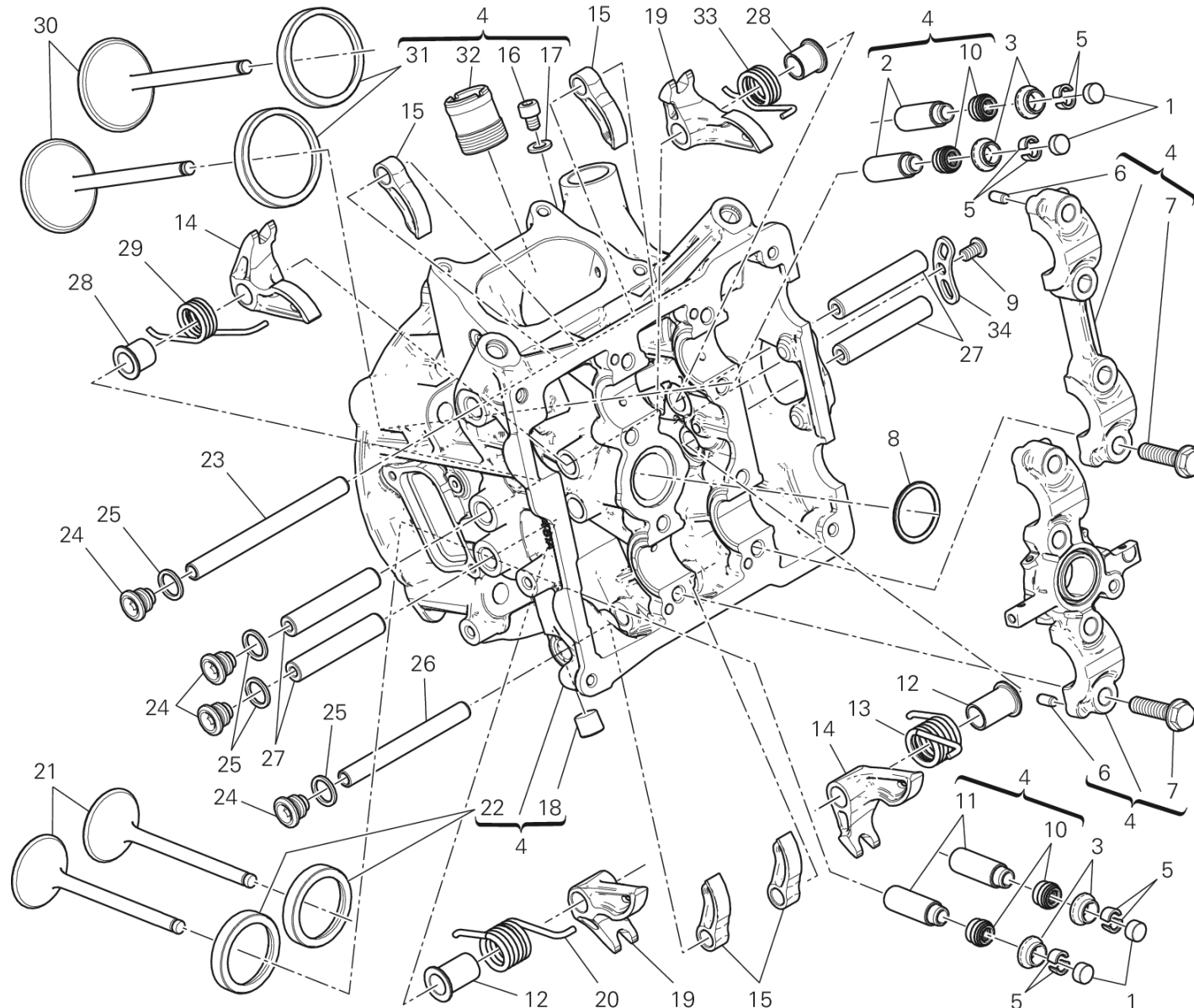
## DRAWING 013 - HORIZONTAL HEAD – TIMING SYSTEM

[MOD:1199SL;XST:AUS,BRA,EUR,FRA,JAP]

## GROUP ENGINE



POS.	CODE	DESCRIPTION	QTY	START DATE	END DATE	VALIDITY	NOTES
1	77159541A	SCREW	4	24/09/2013			
2	14010691A	INTAKE MANIFOLD	1	12/01/2012			
3	85250231A	GASKET	2	01/08/2011			
4	81413341A	UNION	1	12/01/2012			
5	77244739D	SCREW	2	17/09/2013			
6	76611011A	STUD BOLT	2	24/09/2013			
7	78811101C	VALVE COVER GASKET EXTERNAL	1	12/01/2012			
8	78811131A	VALVE COVER GASKET INTERNAL	1	12/01/2012			
9	85212781B	WASHER	5	12/01/2012			
10	77244951A	SCREW	1	24/09/2013			
11	24713941B	COVER CYLINDER HEAD, HORIZONTAL	1	12/01/2012			
12	77253290Z	SCREW	6	01/08/2011			
13	85611471A	PLATE, RETAINER	2	12/01/2012			
14	17111154A	GEAR Z=25	2	12/01/2012			
15	77913541A	THREADED PLUG M15X1	1	06/04/2011			
16	85211201A	ALUMINIUM GASKET	1	06/04/2011			
17	86050061A	PIN M5X10	2	06/07/2011			
18	14814381B	HORIZONTAL INTAKE CAMSHAFT	1	24/09/2013			
19	14824491C	HORIZONTAL EXHAUST CAMSHAFT	1	12/01/2012			
20	82113832A	PIN	1	12/01/2012			
21	77916971B	SCREW, SPECIAL	4	08/11/2011			
22	79915534A	SPRING	1	12/01/2012			
23	30710021A	DECOMPRESSION DEVICE	1	12/01/2012			
24	85240231A	WASHER 8.2X14X0.5	1	13/01/2012			
25	74810791A	NUT	1	12/01/2012			
26	76610841A	STUD BOLT	3	12/01/2012			
27	77244679D	SCREW	2	24/09/2013			
28	24714101A	COVER	1	12/01/2012			
29	81140012B	VALVE	1	12/01/2012			
30	82716351A	PLATE	1	12/01/2012			
31	77159511A	SCREW	1	17/09/2013			
32	86010061A	PIN	1	12/01/2012			
33	14823811C	HORIZONTAL EXHAUST CAMSHAFT (Unit)	1	13/01/2012			



TST00520

# DRAWING 014 - HORIZONTAL HEAD [MOD:1199SL;XST:AUS,BRA,EUR,FRA,JAP]

## GROUP ENGINE

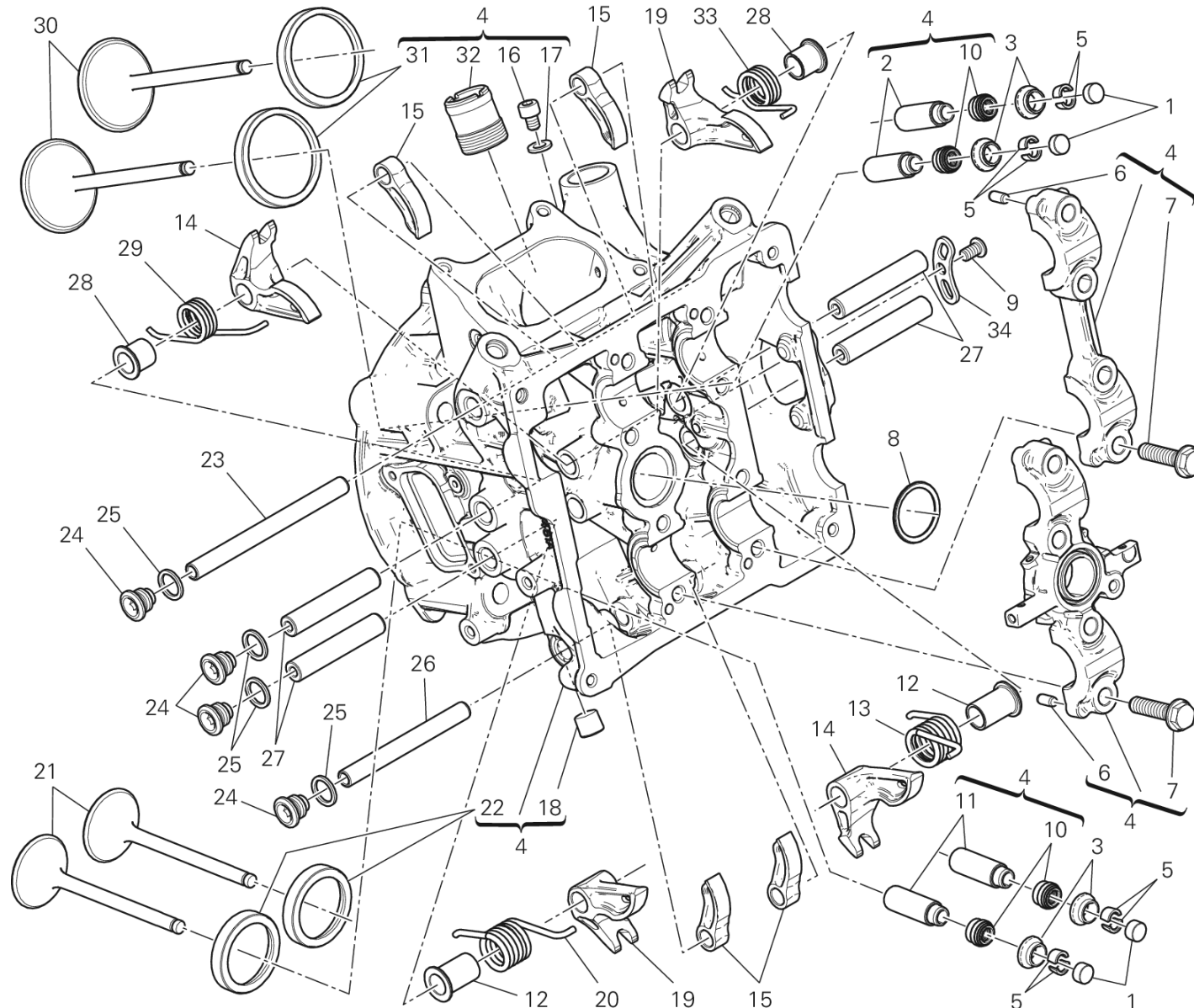


POS.	CODE	DESCRIPTION	QTY	START DATE	END DATE	VALIDITY	NOTES
1	84010012A	ADJUSTER, OPENING ROCKER ARM 2.00 MM	4	09/11/2011			
	84010022A	ADJUSTER, OPENING ROCKER ARM 2.05 MM	4	09/11/2011			
	84010032A	ADJUSTER, OPENING ROCKER ARM 2.10 MM	4	09/11/2011			
	84010042A	ADJUSTER, OPENING ROCKER ARM 2.15 MM	4	09/11/2011			
	84010052A	ADJUSTER, OPENING ROCKER ARM 2.20 MM	4	09/11/2011			
	84010062A	ADJUSTER, OPENING ROCKER ARM 2.25 MM	4	09/11/2011			
	84010072A	ADJUSTER, OPENING ROCKER ARM 2.30 MM	4	09/11/2011			
	84010082A	ADJUSTER, OPENING ROCKER ARM 2.35 MM	4	09/11/2011			
	84010092A	ADJUSTER, OPENING ROCKER ARM 2.40 MM	4	09/11/2011			
	84010102A	ADJUSTER, OPENING ROCKER ARM 2.45 MM	4	09/11/2011			
	84010112A	ADJUSTER, OPENING ROCKER ARM 2.50 MM	4	09/11/2011			
	84010122A	ADJUSTER, OPENING ROCKER ARM 2.55 MM	4	09/11/2011			
	84010132A	ADJUSTER, OPENING ROCKER ARM 2.60 MM	4	09/11/2011			
	84010142A	ADJUSTER, OPENING ROCKER ARM 2.65 MM	4	09/11/2011			
	84010152A	ADJUSTER, OPENING ROCKER ARM 2.70 MM	4	09/11/2011			
	84010162A	ADJUSTER, OPENING ROCKER ARM 2.75 MM	4	09/11/2011			
	84010172A	ADJUSTER, OPENING ROCKER ARM 2.80 MM	4	09/11/2011			
	84010182A	ADJUSTER, OPENING ROCKER ARM 2.85 MM	4	09/11/2011			
	84010192A	ADJUSTER, OPENING ROCKER ARM 2.90 MM	4	09/11/2011			
	84010202A	ADJUSTER, OPENING ROCKER ARM 2.95 MM	4	09/11/2011			
	84010212A	ADJUSTER, OPENING ROCKER ARM 3.00 MM	4	09/11/2011			
	84010222A	ADJUSTER, OPENING ROCKER ARM 3.05 MM	4	09/11/2011			
	84010232A	ADJUSTER, OPENING ROCKER ARM 3.10 MM	4	09/11/2011			
	84010242A	ADJUSTER, OPENING ROCKER ARM 3.15 MM	4	09/11/2011			
	84010252A	ADJUSTER, OPENING ROCKER ARM 3.20 MM	4	09/11/2011			
	84010262A	ADJUSTER, OPENING ROCKER ARM 3.25 MM	4	09/11/2011			
	84010272A	ADJUSTER, OPENING ROCKER ARM 3.30 MM	4	09/11/2011			
	84010282A	ADJUSTER, OPENING ROCKER ARM 3.35 MM	4	09/11/2011			
	84010292A	ADJUSTER, OPENING ROCKER ARM 3.40 MM	4	09/11/2011			
	84010302A	ADJUSTER, OPENING ROCKER ARM 3.45 MM	4	09/11/2011			
	84010312A	ADJUSTER, OPENING ROCKER ARM 1.80 MM	4	09/11/2011			
	84010322A	ADJUSTER, OPENING ROCKER ARM 1.85 MM	4	09/11/2011			
	84010332A	ADJUSTER, OPENING ROCKER ARM 1.90 MM	4	09/11/2011			
	84010342A	ADJUSTER, OPENING ROCKER ARM 1.95 MM	4	09/11/2011			
	84010722A	ADJUSTER, OPENING ROCKER ARM 3.60 MM	4	09/11/2011			



# DRAWING 014 - HORIZONTAL HEAD [MOD:1199SL;XST:AUS,BRA,EUR,FRA,JAP]

GROUP ENGINE



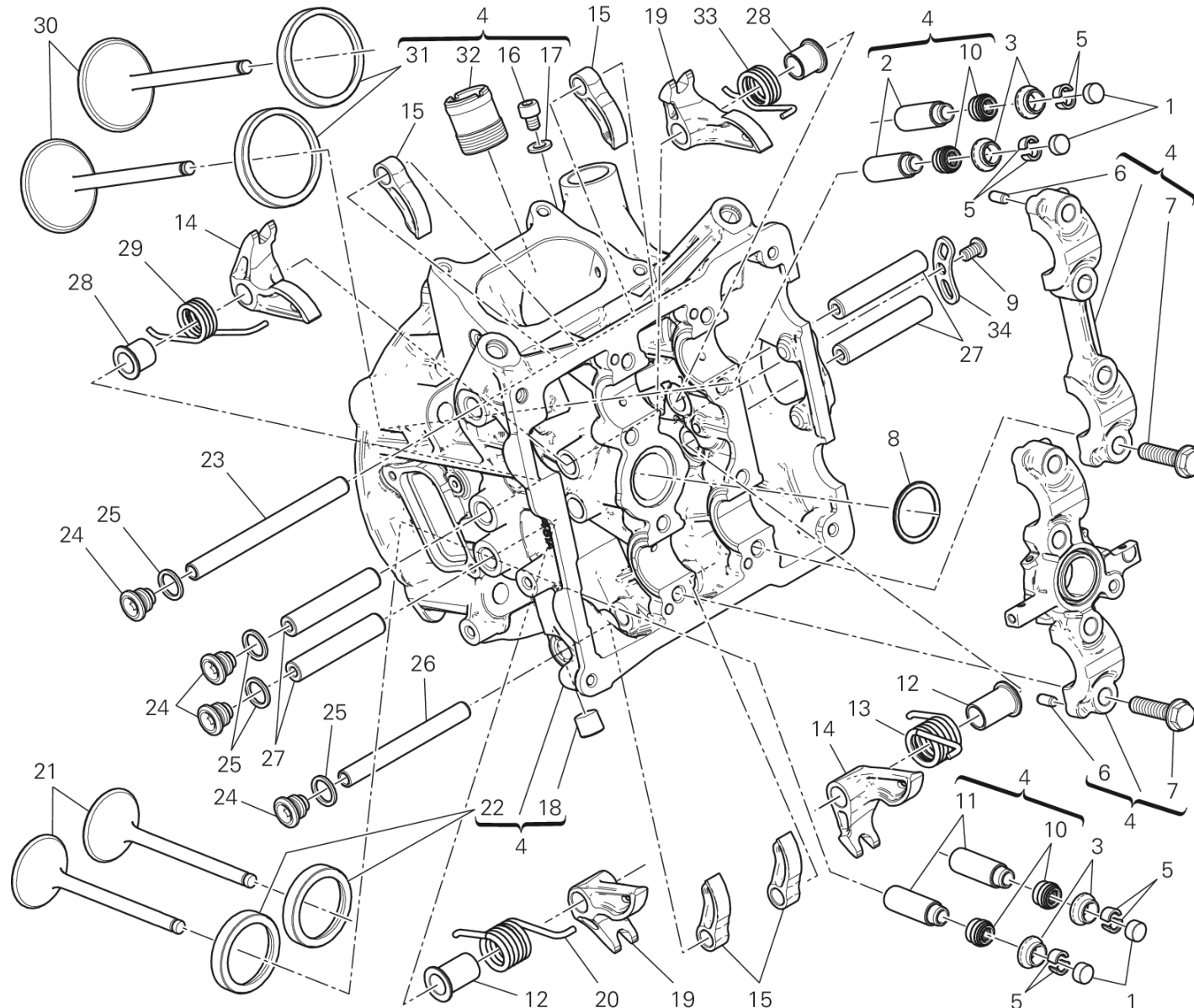
TST00520

# DRAWING 014 - HORIZONTAL HEAD [MOD:1199SL;XST:AUS,BRA,EUR,FRA,JAP]

## GROUP ENGINE



POS.	CODE	DESCRIPTION	QTY	START DATE	END DATE	VALIDITY	NOTES
	84010732A	ADJUSTER, OPENING ROCKER ARM 3.80 MM	4	09/11/2011			
	84011082A	ADJUSTER, OPENING ROCKER ARM 3.50 MM	4	09/11/2011			
	84011092A	ADJUSTER, OPENING ROCKER ARM 3.55 MM	4	09/11/2011			
	84011102A	ADJUSTER, OPENING ROCKER ARM 3.65 MM	4	09/11/2011			
	84011112A	ADJUSTER, OPENING ROCKER ARM 3.70 MM	4	09/11/2011			
	84011122A	ADJUSTER, OPENING ROCKER ARM 3.75 MM	4	09/11/2011			
	84011132A	ADJUSTER, OPENING ROCKER ARM 3.85 MM	4	09/11/2011			
	84011142A	ADJUSTER, OPENING ROCKER ARM 3.9 MM	4	09/11/2011			
2	30310691AA	GUIDE INTAKE VALVE +0.03 MM	2				
	30310691AB	GUIDE INTAKE VALVE +0.06 MM	2				
	30310691AC	GUIDE INTAKE VALVE +0.09 MM	2				
3	84011901AA	ADJUSTER, CLOSING ROCKER ARM 4.15 MM	4	02/11/2011			
	84011901AB	ADJUSTER, CLOSING ROCKER ARM 4.20 MM	4	02/11/2011			
	84011901AC	ADJUSTER, CLOSING ROCKER ARM 4.25 MM	4	02/11/2011			
	84011901AD	ADJUSTER, CLOSING ROCKER ARM 4.30 MM	4	02/11/2011			
	84011901AE	ADJUSTER, CLOSING ROCKER ARM 4.35 MM	4	02/11/2011			
	84011901AF	ADJUSTER, CLOSING ROCKER ARM 4.40 MM	4	02/11/2011			
	84011901AG	ADJUSTER, CLOSING ROCKER ARM 4.45 MM	4	02/11/2011			
	84011901AH	ADJUSTER, CLOSING ROCKER ARM 4.50 MM	4	02/11/2011			
	84011901AI	CLOSE ROCKER ARM ADJUSTMENT 4.55 MM	4	02/11/2011			
	84011901AJ	CLOSE ROCKER ARM ADJUSTMENT 4.60 MM	4	02/11/2011			
	84011901AK	CLOSE ROCKER ARM ADJUSTMENT 4.65 MM	4	02/11/2011			
	84011901AL	CLOSE ROCKER ARM ADJUSTMENT 4.70 MM	4	02/11/2011			
	84011901AM	CLOSE ROCKER ARM ADJUSTMENT 4.75 MM	4	02/11/2011			
	84011901AN	CLOSE ROCKER ARM ADJUSTMENT 4.80 MM	4	02/11/2011			
	84011901AO	CLOSE ROCKER ARM ADJUSTMENT 4.85 MM	4	02/11/2011			
	84011901AP	CLOSE ROCKER ARM ADJUSTMENT 4.90 MM	4	02/11/2011			
	84011901AQ	CLOSE ROCKER ARM ADJUSTMENT 4.95 MM	4	02/11/2011			
	84011901AR	CLOSE ROCKER ARM ADJUSTMENT 5.00 MM	4	02/11/2011			
4	30123461G	HORIZONTAL HEAD	1	24/09/2013			
5	84510061A	VALVE COLLET PAIR	4	12/01/2012			
6	86050061A	PIN M5X10	4	10/12/2010			
7	77914211A	SCREW TEF M8X32	8	10/12/2010			
8	88640881A	O-RING 26.64X2.62	1	12/01/2012			
9	77917231A	SCREW, SPECIAL	1	12/01/2012			



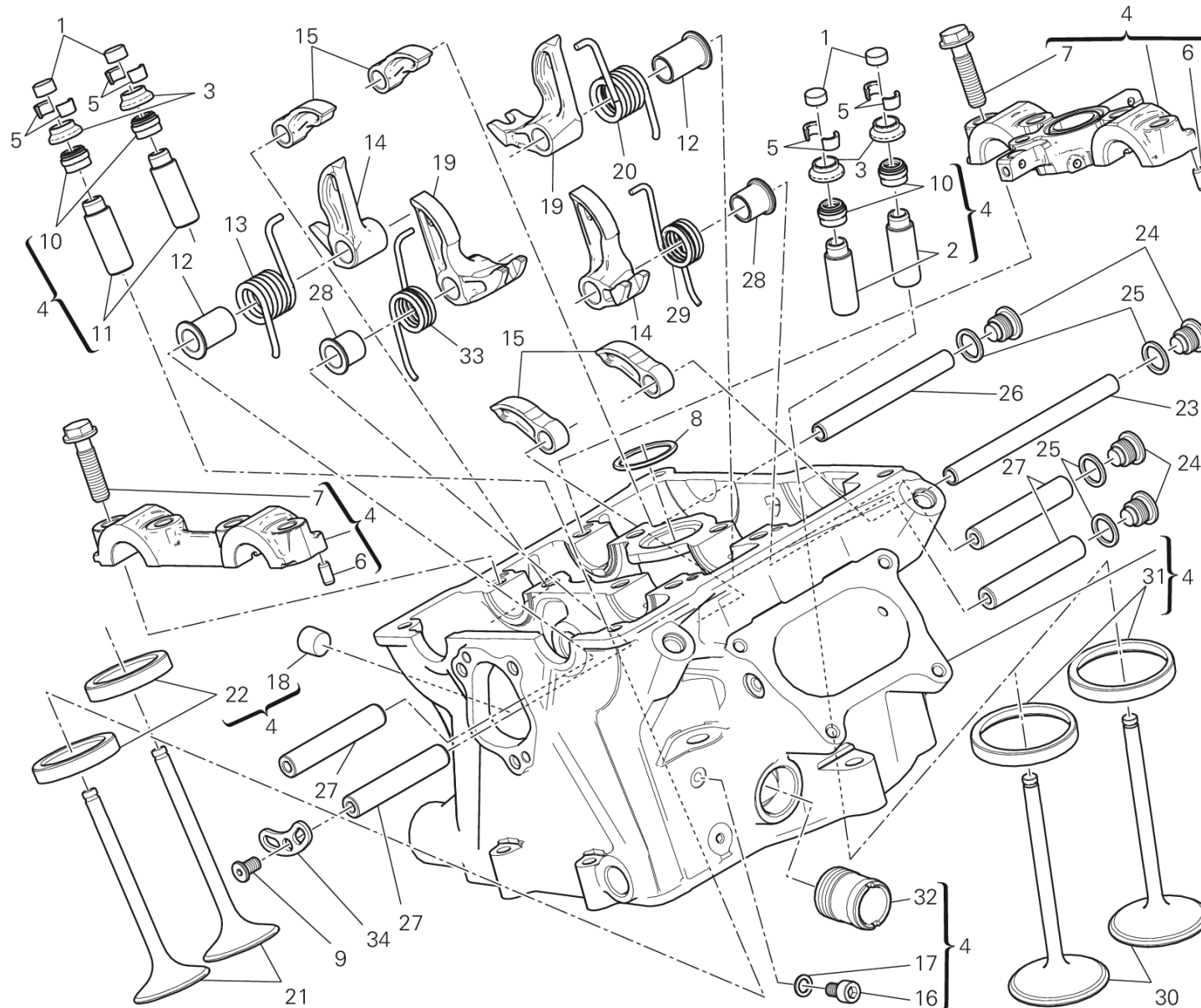
TST00520

## DRAWING 014 - HORIZONTAL HEAD [MOD:1199SL;XST:AUS,BRA,EUR,FRA,JAP]

## GROUP ENGINE



POS.	CODE	DESCRIPTION	QTY	START DATE	END DATE	VALIDITY	NOTES
10	76410871A	SEAL VALVE STEM	4	21/01/2011			
11	30310671AA	GUIDE, VALVE OVERSIZED 0.03 MM	2	13/01/2012			
	30310671AB	GUIDE, VALVE OVERSIZED 0.06 MM	2	02/10/2012			
	30310671AC	GUIDE, VALVE OVERSIZED 0.09 MM	2	02/10/2012			
12	71319271A	SPACER	2	12/01/2012			
13	79915231A	EXHAUST VALVE RETURN SPRING LH	1	12/01/2012			
14	20910751A	CLOSING ROCKER ARM LEFT	2	24/09/2013			
15	20810381A	OPEN. ROCKER ARM	4	24/09/2013			
16	77159521A	SCREW	2	12/04/2013			
17	85240261A	WASHER	2	25/06/2012			
18	87350251A	PLUG	2	20/02/2013			
19	20910741A	CLOSING ROCKER ARM RIGHT	2	24/09/2013			
20	79915221A	EXHAUST VALVE RETURN SPRING RH	1	12/01/2012			
21	21110821A	EXHAUST VALVE	2	24/09/2013			
22	304A0931A	SEAT, EXHAUST VALVE	2	05/03/2013			
23	82114041A	OPENING ROCKER SHAFT LONG	1	12/01/2012			
24	78010511C	PLUG	4	12/01/2012			
25	85250261B	GASKET	4	12/01/2012			
26	82113361A	OPENING ROCKER SHAFT SHORT	1	12/01/2012			
27	82113371B	CLOSE ROCKER ARM AXLE	4	12/01/2012			
28	71319281A	SPACER	2	12/01/2012			
29	79915211A	INTAKE VALVE RETURN SPRING LH	1	12/01/2012			
30	21010811D	INTAKE VALVE	2	08/10/2012			
31	304A0921A	SEAT, INTAKE VALVE	2	05/03/2013			
32	66810491A	FILLER	1	21/01/2011			
33	79915201A	INTAKE VALVE RETURN SPRING RH	1	12/01/2012			
34	82716021A	PLATE, RETAINER	1	12/01/2012			



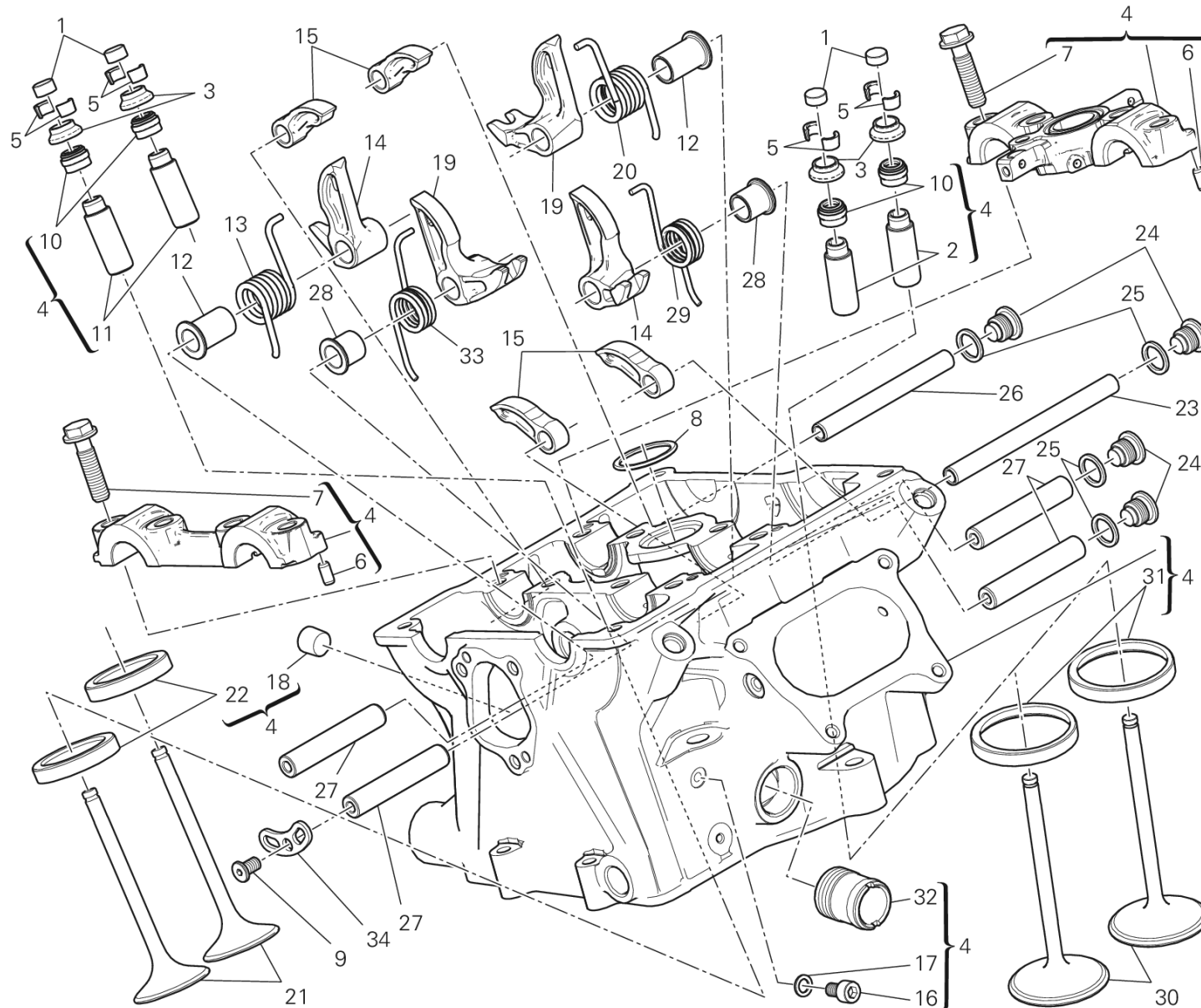
TST00521

# DRAWING 015 - VERTICAL HEAD [MOD:1199SL;XST:AUS,BRA,EUR,FRA,JAP]

## GROUP ENGINE



POS.	CODE	DESCRIPTION	QTY	START DATE	END DATE	VALIDITY	NOTES
1	84010012A	ADJUSTER, OPENING ROCKER ARM 2.00 MM	4	09/11/2011			
	84010022A	ADJUSTER, OPENING ROCKER ARM 2.05 MM	4	09/11/2011			
	84010032A	ADJUSTER, OPENING ROCKER ARM 2.10 MM	4	09/11/2011			
	84010042A	ADJUSTER, OPENING ROCKER ARM 2.15 MM	4	09/11/2011			
	84010052A	ADJUSTER, OPENING ROCKER ARM 2.20 MM	4	09/11/2011			
	84010062A	ADJUSTER, OPENING ROCKER ARM 2.25 MM	4	09/11/2011			
	84010072A	ADJUSTER, OPENING ROCKER ARM 2.30 MM	4	09/11/2011			
	84010082A	ADJUSTER, OPENING ROCKER ARM 2.35 MM	4	09/11/2011			
	84010092A	ADJUSTER, OPENING ROCKER ARM 2.40 MM	4	09/11/2011			
	84010102A	ADJUSTER, OPENING ROCKER ARM 2.45 MM	4	09/11/2011			
	84010112A	ADJUSTER, OPENING ROCKER ARM 2.50 MM	4	09/11/2011			
	84010122A	ADJUSTER, OPENING ROCKER ARM 2.55 MM	4	09/11/2011			
	84010132A	ADJUSTER, OPENING ROCKER ARM 2.60 MM	4	09/11/2011			
	84010142A	ADJUSTER, OPENING ROCKER ARM 2.65 MM	4	09/11/2011			
	84010152A	ADJUSTER, OPENING ROCKER ARM 2.70 MM	4	09/11/2011			
	84010162A	ADJUSTER, OPENING ROCKER ARM 2.75 MM	4	09/11/2011			
	84010172A	ADJUSTER, OPENING ROCKER ARM 2.80 MM	4	09/11/2011			
	84010182A	ADJUSTER, OPENING ROCKER ARM 2.85 MM	4	09/11/2011			
	84010192A	ADJUSTER, OPENING ROCKER ARM 2.90 MM	4	09/11/2011			
	84010202A	ADJUSTER, OPENING ROCKER ARM 2.95 MM	4	09/11/2011			
	84010212A	ADJUSTER, OPENING ROCKER ARM 3.00 MM	4	09/11/2011			
	84010222A	ADJUSTER, OPENING ROCKER ARM 3.05 MM	4	09/11/2011			
	84010232A	ADJUSTER, OPENING ROCKER ARM 3.10 MM	4	09/11/2011			
	84010242A	ADJUSTER, OPENING ROCKER ARM 3.15 MM	4	09/11/2011			
	84010252A	ADJUSTER, OPENING ROCKER ARM 3.20 MM	4	09/11/2011			
	84010262A	ADJUSTER, OPENING ROCKER ARM 3.25 MM	4	09/11/2011			
	84010272A	ADJUSTER, OPENING ROCKER ARM 3.30 MM	4	09/11/2011			
	84010282A	ADJUSTER, OPENING ROCKER ARM 3.35 MM	4	09/11/2011			
	84010292A	ADJUSTER, OPENING ROCKER ARM 3.40 MM	4	09/11/2011			
	84010302A	ADJUSTER, OPENING ROCKER ARM 3.45 MM	4	09/11/2011			
	84010312A	ADJUSTER, OPENING ROCKER ARM 1.80 MM	4	09/11/2011			
	84010322A	ADJUSTER, OPENING ROCKER ARM 1.85 MM	4	09/11/2011			
	84010332A	ADJUSTER, OPENING ROCKER ARM 1.90 MM	4	09/11/2011			
	84010342A	ADJUSTER, OPENING ROCKER ARM 1.95 MM	4	09/11/2011			
	84010722A	ADJUSTER, OPENING ROCKER ARM 3.60 MM	4	09/11/2011			



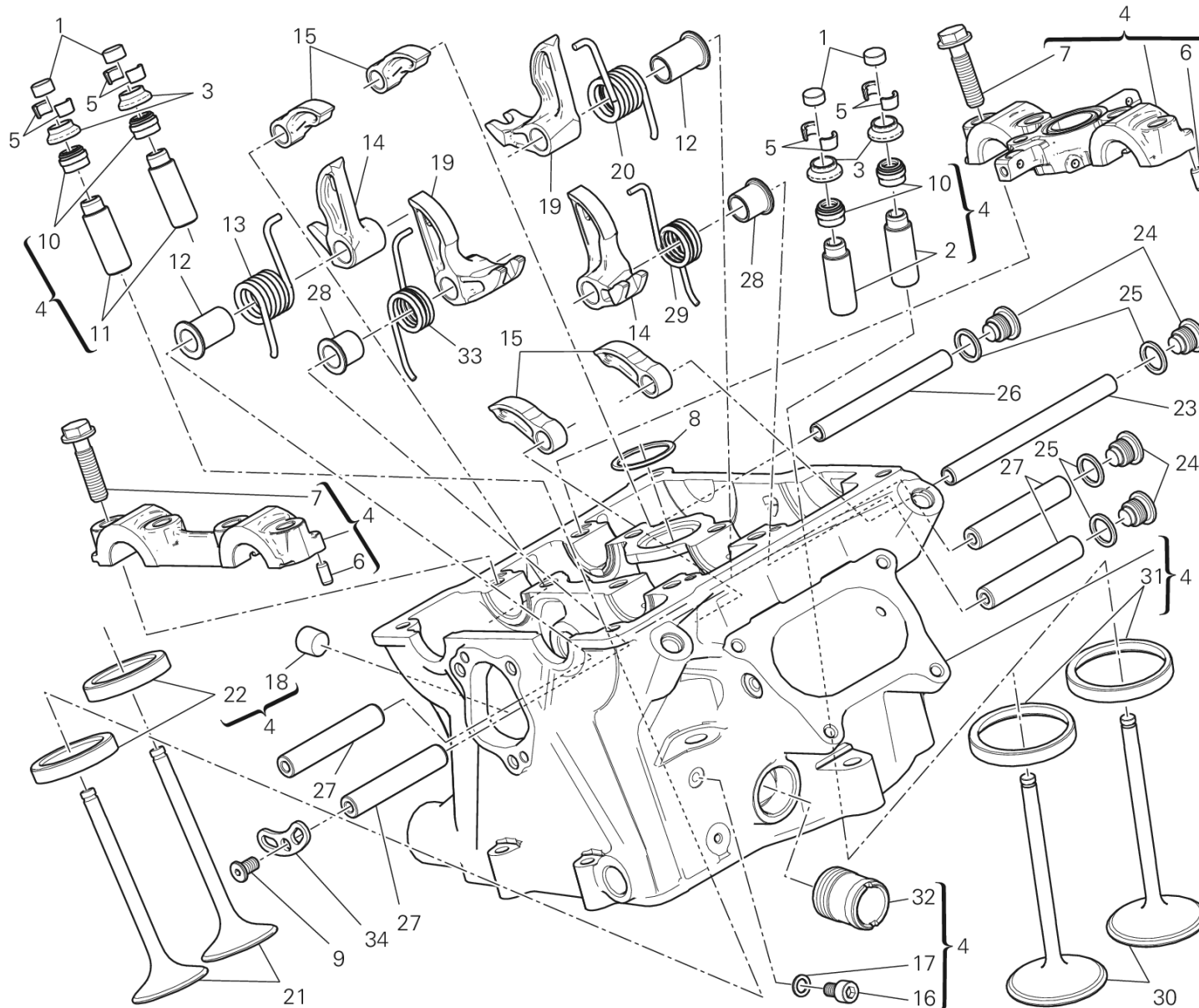
TST00521

# DRAWING 015 - VERTICAL HEAD [MOD:1199SL;XST:AUS,BRA,EUR,FRA,JAP]

## GROUP ENGINE



POS.	CODE	DESCRIPTION	QTY	START DATE	END DATE	VALIDITY	NOTES
	84010732A	ADJUSTER, OPENING ROCKER ARM 3.80 MM	4	09/11/2011			
	84011082A	ADJUSTER, OPENING ROCKER ARM 3.50 MM	4	09/11/2011			
	84011092A	ADJUSTER, OPENING ROCKER ARM 3.55 MM	4	09/11/2011			
	84011102A	ADJUSTER, OPENING ROCKER ARM 3.65 MM	4	09/11/2011			
	84011112A	ADJUSTER, OPENING ROCKER ARM 3.70 MM	4	09/11/2011			
	84011122A	ADJUSTER, OPENING ROCKER ARM 3.75 MM	4	09/11/2011			
	84011132A	ADJUSTER, OPENING ROCKER ARM 3.85 MM	4	09/11/2011			
	84011142A	ADJUSTER, OPENING ROCKER ARM 3.9 MM	4	09/11/2011			
2	30310691AA	GUIDE INTAKE VALVE +0.03 MM	2				
	30310691AB	GUIDE INTAKE VALVE +0.06 MM	2				
	30310691AC	GUIDE INTAKE VALVE +0.09 MM	2				
3	84011901AA	ADJUSTER, CLOSING ROCKER ARM 4.15 MM	4	02/11/2011			
	84011901AB	ADJUSTER, CLOSING ROCKER ARM 4.20 MM	4	02/11/2011			
	84011901AC	ADJUSTER, CLOSING ROCKER ARM 4.25 MM	4	02/11/2011			
	84011901AD	ADJUSTER, CLOSING ROCKER ARM 4.30 MM	4	02/11/2011			
	84011901AE	ADJUSTER, CLOSING ROCKER ARM 4.35 MM	4	02/11/2011			
	84011901AF	ADJUSTER, CLOSING ROCKER ARM 4.40 MM	4	02/11/2011			
	84011901AG	ADJUSTER, CLOSING ROCKER ARM 4.45 MM	4	02/11/2011			
	84011901AH	ADJUSTER, CLOSING ROCKER ARM 4.50 MM	4	02/11/2011			
	84011901AI	CLOSE ROCKER ARM ADJUSTMENT 4.55 MM	4	02/11/2011			
	84011901AJ	CLOSE ROCKER ARM ADJUSTMENT 4.60 MM	4	02/11/2011			
	84011901AK	CLOSE ROCKER ARM ADJUSTMENT 4.65 MM	4	02/11/2011			
	84011901AL	CLOSE ROCKER ARM ADJUSTMENT 4.70 MM	4	02/11/2011			
	84011901AM	CLOSE ROCKER ARM ADJUSTMENT 4.75 MM	4	02/11/2011			
	84011901AN	CLOSE ROCKER ARM ADJUSTMENT 4.80 MM	4	02/11/2011			
	84011901AO	CLOSE ROCKER ARM ADJUSTMENT 4.85 MM	4	02/11/2011			
	84011901AP	CLOSE ROCKER ARM ADJUSTMENT 4.90 MM	4	02/11/2011			
	84011901AQ	CLOSE ROCKER ARM ADJUSTMENT 4.95 MM	4	02/11/2011			
	84011901AR	CLOSE ROCKER ARM ADJUSTMENT 5.00 MM	4	02/11/2011			
4	30123471G	VERTICAL HEAD	1	24/09/2013			
5	84510061A	VALVE COLLET PAIR	4	12/01/2012			
6	86050061A	PIN M5X10	4	10/12/2010			
7	77914211A	SCREW TEF M8X32	8	10/12/2010			
8	88640881A	O-RING 26.64X2.62	1	12/01/2012			
9	77917231A	SCREW, SPECIAL	1	12/01/2012			



TST00521

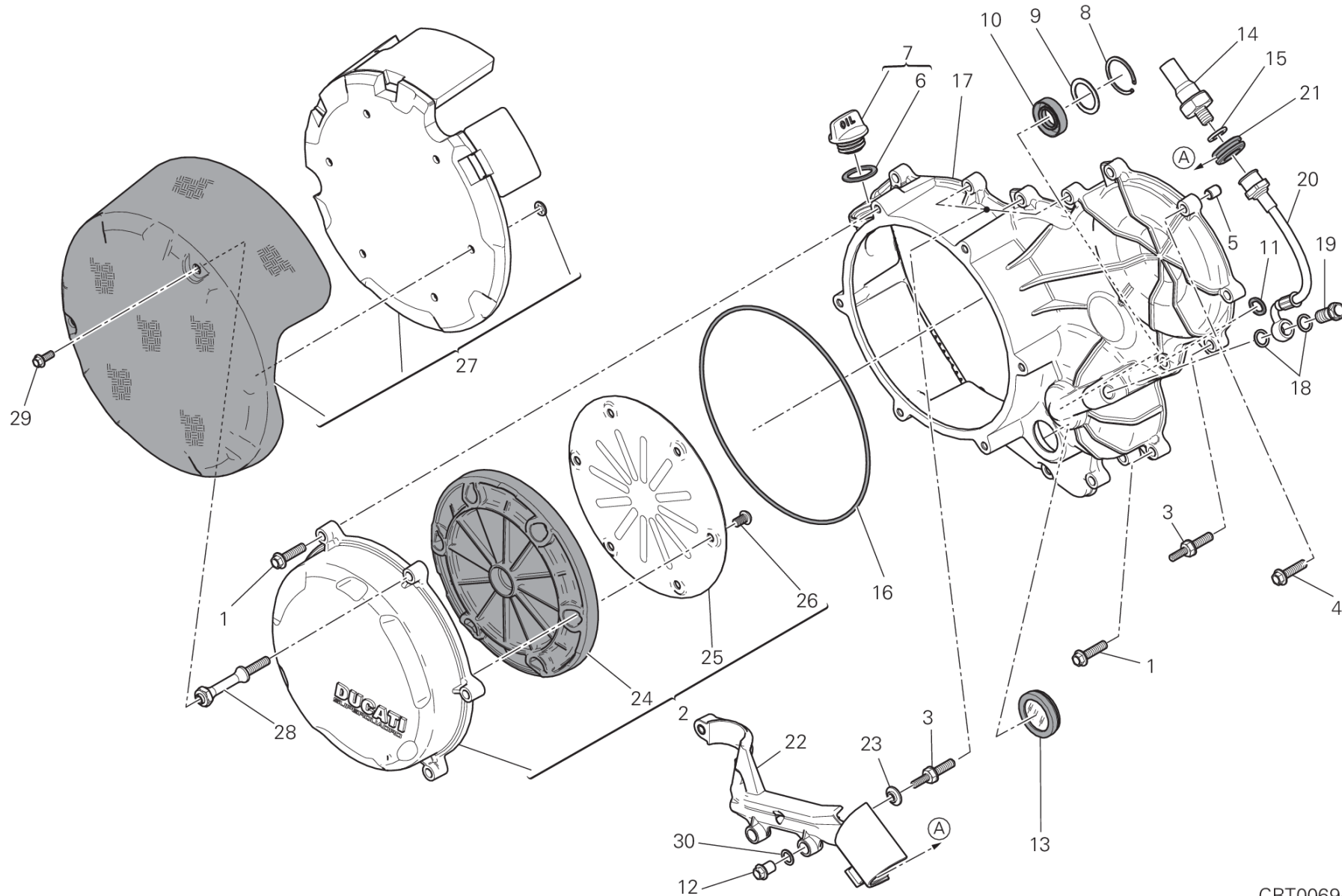


POS.	CODE	DESCRIPTION	QTY	START DATE	END DATE	VALIDITY	NOTES
10	76410871A	SEAL VALVE STEM	4	21/01/2011			
11	30310671AA	GUIDE, VALVE OVERSIZED 0.03 MM	2	13/01/2012			
	30310671AB	GUIDE, VALVE OVERSIZED 0.06 MM	2	02/10/2012			
	30310671AC	GUIDE, VALVE OVERSIZED 0.09 MM	2	02/10/2012			
12	71319271A	SPACER	2	12/01/2012			
13	79915231A	EXHAUST VALVE RETURN SPRING LH	1	12/01/2012			
14	20910751A	CLOSING ROCKER ARM LEFT	2	01/08/2011			
15	20810381A	OPEN. ROCKER ARM	4	01/08/2011			
16	77159521A	SCREW	2	12/04/2013			
17	85240261A	WASHER	2	25/06/2012			
18	87350251A	PLUG	2	20/02/2013			
19	20910741A	CLOSING ROCKER ARM RIGHT	2	01/08/2011			
20	79915221A	EXHAUST VALVE RETURN SPRING RH	1	12/01/2012			
21	21110821A	EXHAUST VALVE	2	24/09/2013			
22	304A0931A	SEAT, EXHAUST VALVE	2	05/03/2013			
23	82114041A	OPENING ROCKER SHAFT LONG	1	12/01/2012			
24	78010511C	PLUG	4	12/01/2012			
25	85250261B	GASKET	4	12/01/2012			
26	82113361A	OPENING ROCKER SHAFT SHORT	1	12/01/2012			
27	82113371B	CLOSE ROCKER ARM AXLE	4	12/01/2012			
28	71319281A	SPACER	2	12/01/2012			
29	79915211A	INTAKE VALVE RETURN SPRING LH	1	12/01/2012			
30	21010811D	INTAKE VALVE	2	08/10/2012			
31	304A0921A	SEAT, INTAKE VALVE	2	05/03/2013			
32	66810491A	FILLER	1	21/01/2011			
33	79915201A	INTAKE VALVE RETURN SPRING RH	1	12/01/2012			
34	82716021A	PLATE, RETAINER	1	12/01/2012			



# DRAWING 05A - CLUTCH-SIDE CRANKCASE COVER (JAP) [XST:JAP]

GROUP ENGINE



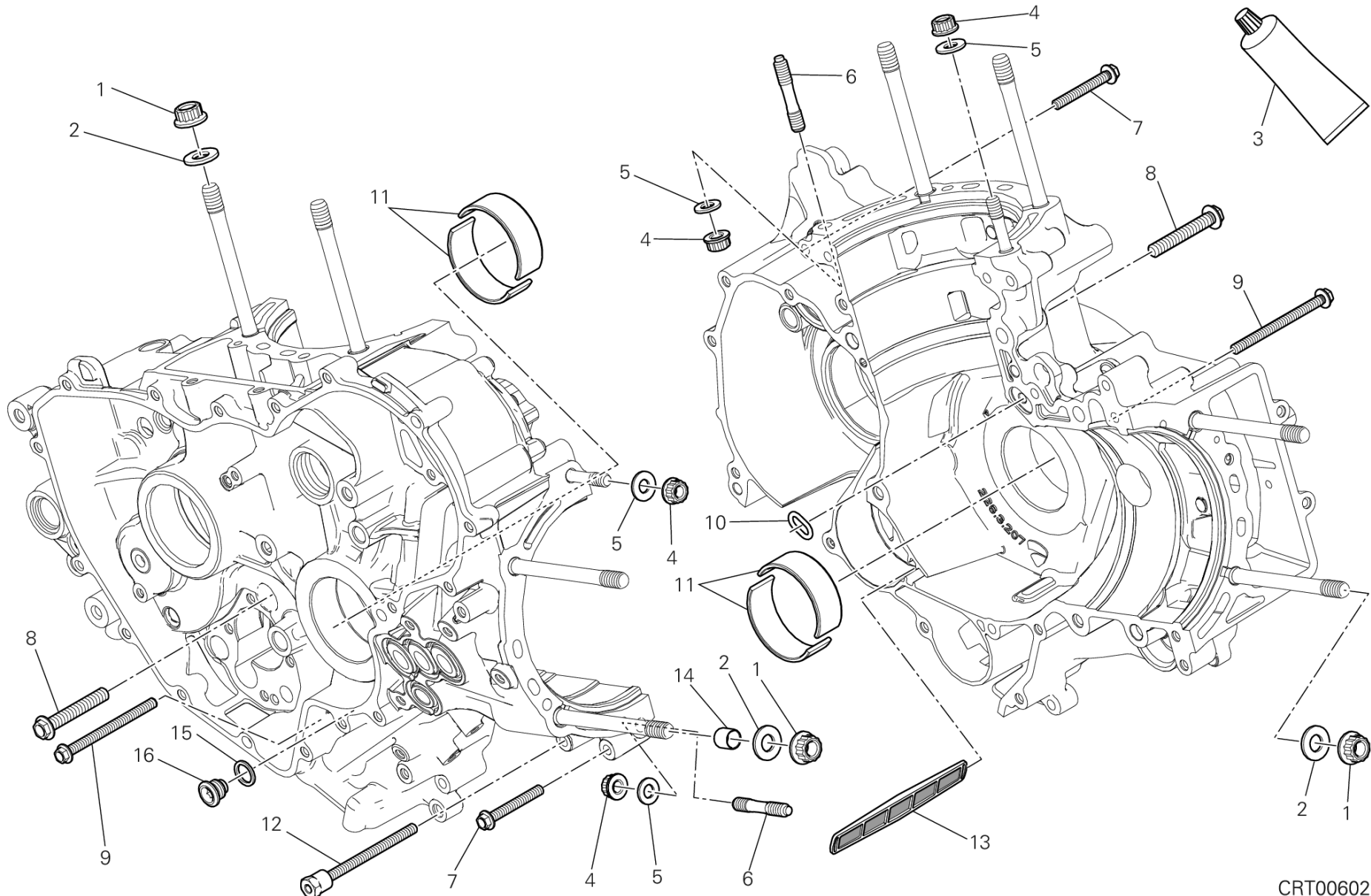
CRT00694

# DRAWING 05A - CLUTCH-SIDE CRANKCASE COVER (JAP) [XST:JAP]

GROUP ENGINE



POS.	CODE	DESCRIPTION	QTY	START DATE	END DATE	VALIDITY	NOTES
1	77244719D	SCREW	16	17/09/2013			
2	24321344A	CLUTCH PROTECTION COVER (Unit)	1	02/05/2012			
3	77917161B	SCREW, SPECIAL	4	21/11/2011			
4	77244729D	SCREW	1	17/09/2013			
5	71113171A	LOCATING DOWEL	2	11/11/2010			
6	88640891A	O-RING 18.64X3.53	1	24/12/2009			
7	89320121A	PLUG ASSY	1	26/10/2011			
8	88450291A	SNAP RING	1	26/10/2011			
9	85212721A	THRUST WASHER	1	26/10/2011			
10	93041521A	SEAL RING	1	26/10/2011			
11	88641761A	O-RING	1	11/11/2010			
12	75011742AA	NUT, SPECIAL	2	26/10/2011			
	75011941A	NUT, SPECIAL	1	15/11/2013			
13	25440012A	WINDOW, OIL LEVEL CHECK	1	26/10/2011			
14	53940302A	SWITCH ASSY, OIL PRESSURE	1	01/12/2011			
15	85211951A	GASKET 10.5X17X2	1	01/12/2011			
16	88610281A	O-RING	1	26/10/2011			
17	24311274A	TIMING COVER	1	01/01/2012			
18	85250241A	WASHER 10X14X1	2	01/12/2011			
19	78110121AA	SCREW, SPECIAL	1	01/12/2011			
20	87721561A	OIL PRESSURE LINE	1	01/12/2011			
21	76440581A	RUBBER PAD	1	01/12/2011			
22	75810701B	FAIRLEAD	1	01/12/2011			
23	71614071A	SPACER 5.2X8.4X2	3	01/12/2011			
24	48610851A	DAMPER, SOUND ARRESTER	1	02/05/2012			
25	82716012A	SHEET ACOUSTIC DAMPER	1	02/05/2012			
26	77550200C	SCREW	6	02/05/2012			
27	4602C391A	CAP RH CARBON	1	15/11/2013			
28	77917961AA	SCREW, SPECIAL	2	20/06/2012			
29	77250728B	SCREW TEF M5X12	2	15/11/2013			
30	85213671AA	WASHER	1	14/02/2014			



CRT00602

## DRAWING 10A - HALF-CRANKCASES PAIR [MOD:1199SL;XST:AUS,BRA,EUR,FRA,JAP]

## GROUP ENGINE



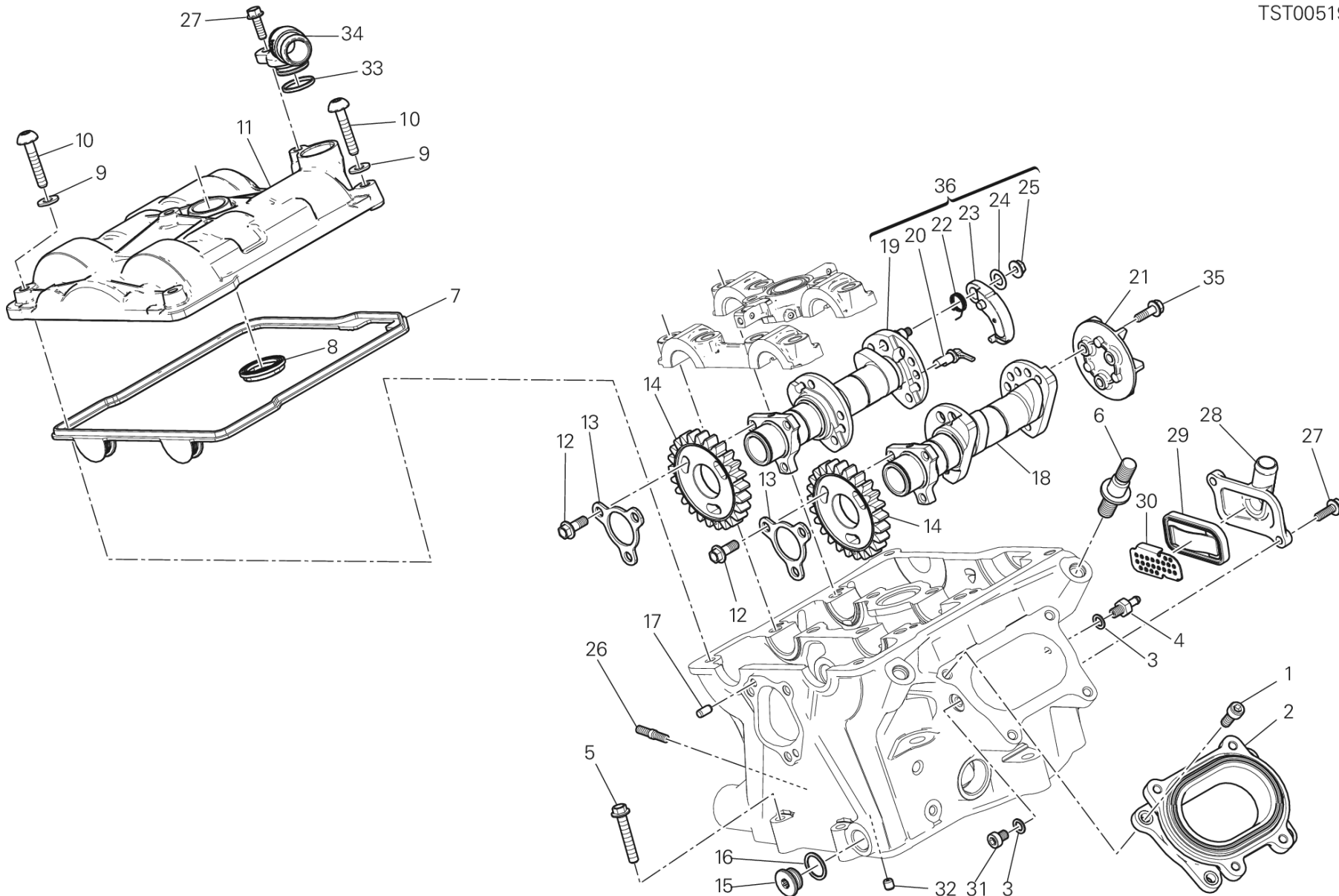
POS.	CODE	DESCRIPTION	QTY	START DATE	END DATE	VALIDITY	NOTES
1	74810461A	NUT, FLANGE M10X1	8	13/12/2010			
2	85610642A	WASHER, SPECIAL 10.5X21X2	8	13/12/2010			
3	942470036	FLUID SEALANT BLACK	1				
4	74840481A	NUT, SPECIAL M8	4	13/12/2010			
5	85212771A	WASHER	4	13/12/2010			
6	76610811A	STUD BOLT FASTENING HEAD CYLINDER	2	12/01/2012			
7	77244759D	SCREW	14	17/09/2013			
8	77244829D	SCREW	6	17/09/2013			
9	77244819D	SCREW	4	17/09/2013			
10	88641701A	O-RING	1	24/11/2010			
11	11210771AA	HALF-BEARING RED	4	15/12/2011			
	11210771AB	HALF-BEARING BLUE	4	15/12/2011			
	11210771AC	HALF-BEARING YELLOW	4	15/12/2011			
	11210771AD	HALF-BEARING BLACK	4	15/12/2011			
	11210771AE	HALF-BEARING GREEN	4	15/12/2011			
12	77916991A	SCREW, SPECIAL	1	02/12/2010			
13	42710171A	OIL NET FILTER	1	09/12/2010			
14	71110932A	PIN DOWEL	4	11/11/2010			
15	85250261A	GASKET, ALUMINIUM 12X16X1.5	1	11/11/2010			
16	78010511C	PLUG	1	28/02/2011			



# DRAWING 13A - VERTICAL CYLINDER HEAD - TIMING [MOD:1199SL;XST:AUS,BRA,EUR,FRA,JAP]

GROUP ENGINE

TST00519



## DRAWING 13A - VERTICAL CYLINDER HEAD - TIMING

[MOD:1199SL;XST:AUS,BRA,EUR,FRA,JAP]

## GROUP ENGINE



POS.	CODE	DESCRIPTION	QTY	START DATE	END DATE	VALIDITY	NOTES
1	77159541A	SCREW	4	24/09/2013			
2	14010691A	INTAKE MANIFOLD	1	24/09/2013			
3	85250231A	GASKET	2	01/08/2011			
4	81413341A	UNION	1	12/01/2012			
5	77244739D	SCREW	2	17/09/2013			
6	76611011A	STUD BOLT	2	24/09/2013			
7	78811101C	VALVE COVER GASKET EXTERNAL	1	12/01/2012			
8	78811131A	VALVE COVER GASKET INTERNAL	1	12/01/2012			
9	85212781B	WASHER	5	12/01/2012			
10	77244951A	SCREW	5	17/09/2013			
11	24713931B	COVER CYLINDER HEAD, VERTICAL	1	24/09/2013			
12	77253290Z	SCREW	6	01/08/2011			
13	85611471A	PLATE, RETAINER	2	12/01/2012			
14	17111154A	GEAR Z=25	2	12/01/2012			
15	77913541A	THREADED PLUG M15X1	1	06/04/2011			
16	85211201A	ALUMINIUM GASKET	1	06/04/2011			
17	86050061A	PIN M5X10	2	12/01/2012			
18	14814361C	VERTICAL INTAKE CAMSHAFT	1	24/09/2013			
19	14824481B	VERTICAL EXHAUST CAMSHAFT	1	11/06/2012			
20	82113832A	PIN	1	12/01/2012			
21	25130081B	FAN	1	12/01/2012			
22	79915534A	SPRING	1	12/01/2012			
23	30710021A	DECOMPRESSION DEVICE	1	12/01/2012			
24	85240231A	WASHER 8.2X14X0.5	1	13/01/2012			
25	74810791A	NUT	1	12/01/2012			
26	76610841A	STUD BOLT	3	12/01/2012			
27	77244679D	SCREW	3	24/09/2013			
28	24714101A	COVER	1	12/01/2012			
29	81140012B	VALVE	1	07/12/2011			
30	82716351A	PLATE	1	12/01/2012			
31	77159511A	SCREW	1	17/09/2013			
32	86010061A	PIN	1	12/01/2012			
33	88641791A	O-RING	1	12/01/2012			
34	81413531A	OUTLET UNION BLOW-BY	1	12/01/2012			
35	77210621A	SCREW TEF M5X16	3	24/09/2013			

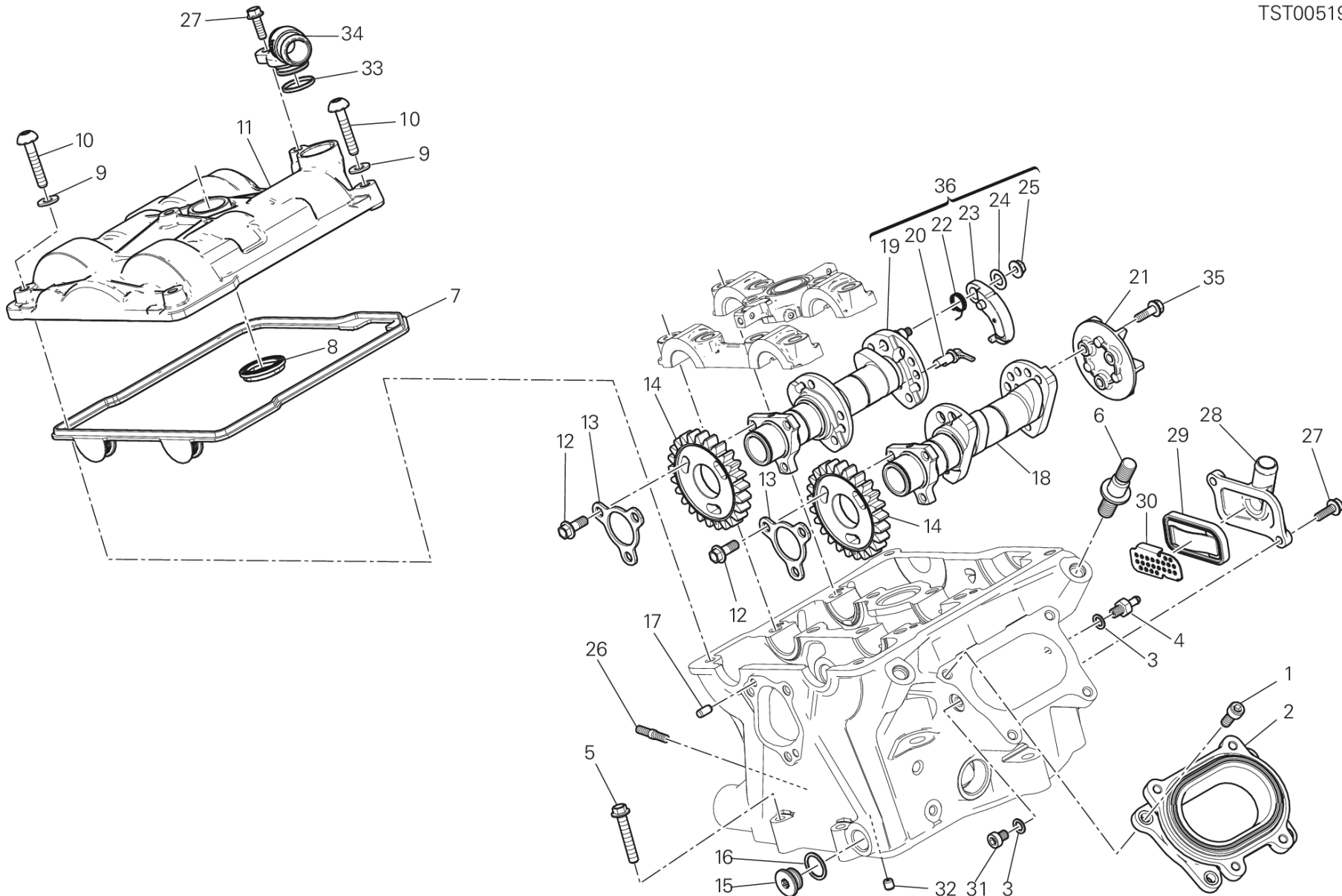


# DRAWING 13A - VERTICAL CYLINDER HEAD - TIMING

[MOD:1199SL;XST:AUS,BRA,EUR,FRA,JAP]

GROUP ENGINE

TST00519



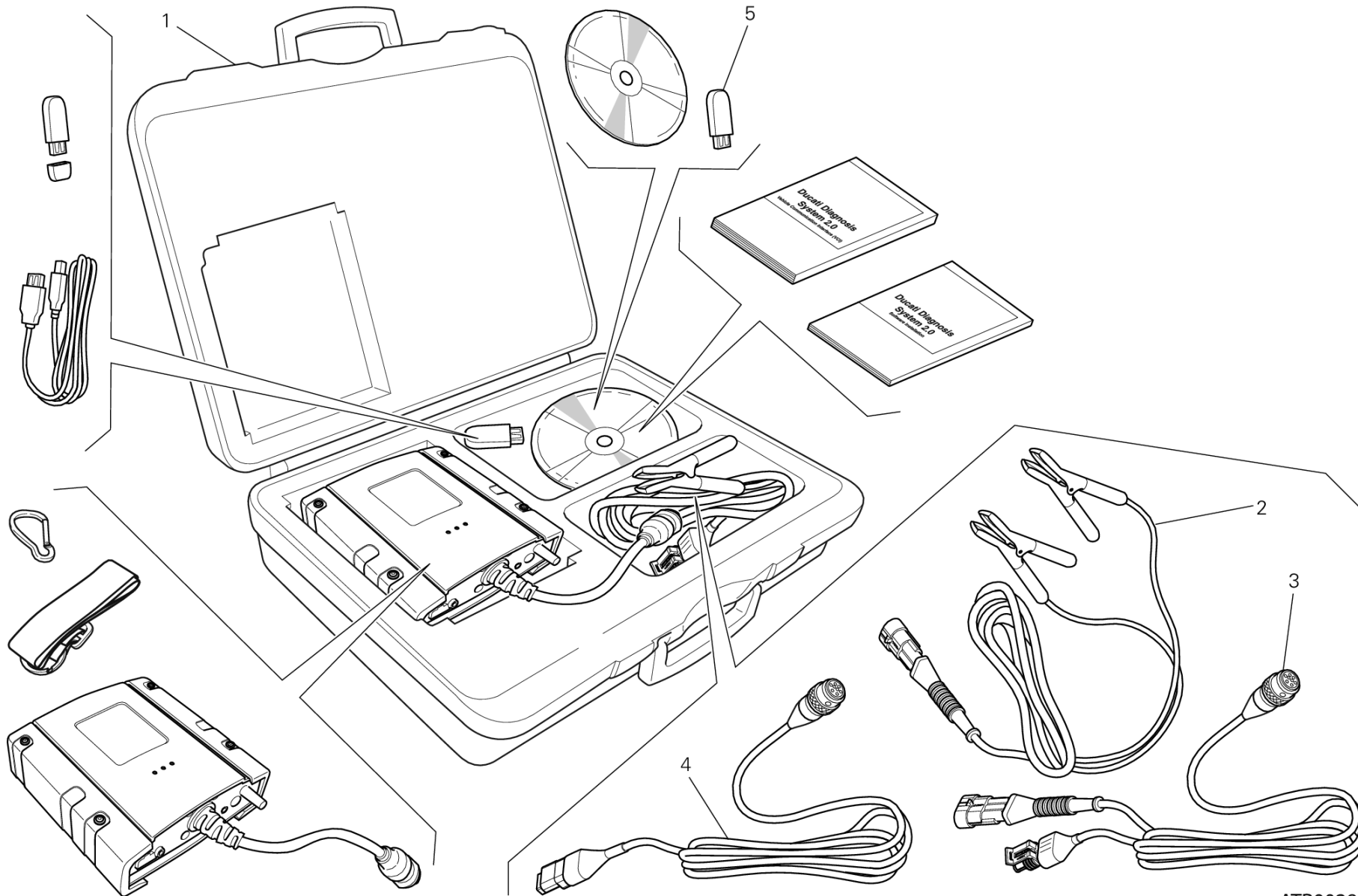
# DRAWING 13A - VERTICAL CYLINDER HEAD - TIMING

[MOD:1199SL;XST:AUS,BRA,EUR,FRA,JAP]

GROUP ENGINE



POS.	CODE	DESCRIPTION	QTY	START DATE	END DATE	VALIDITY	NOTES
36	14823751C	VERTICAL EXHAUST CAMSHAFT (Unit)	1	05/03/2013			



ATR00280

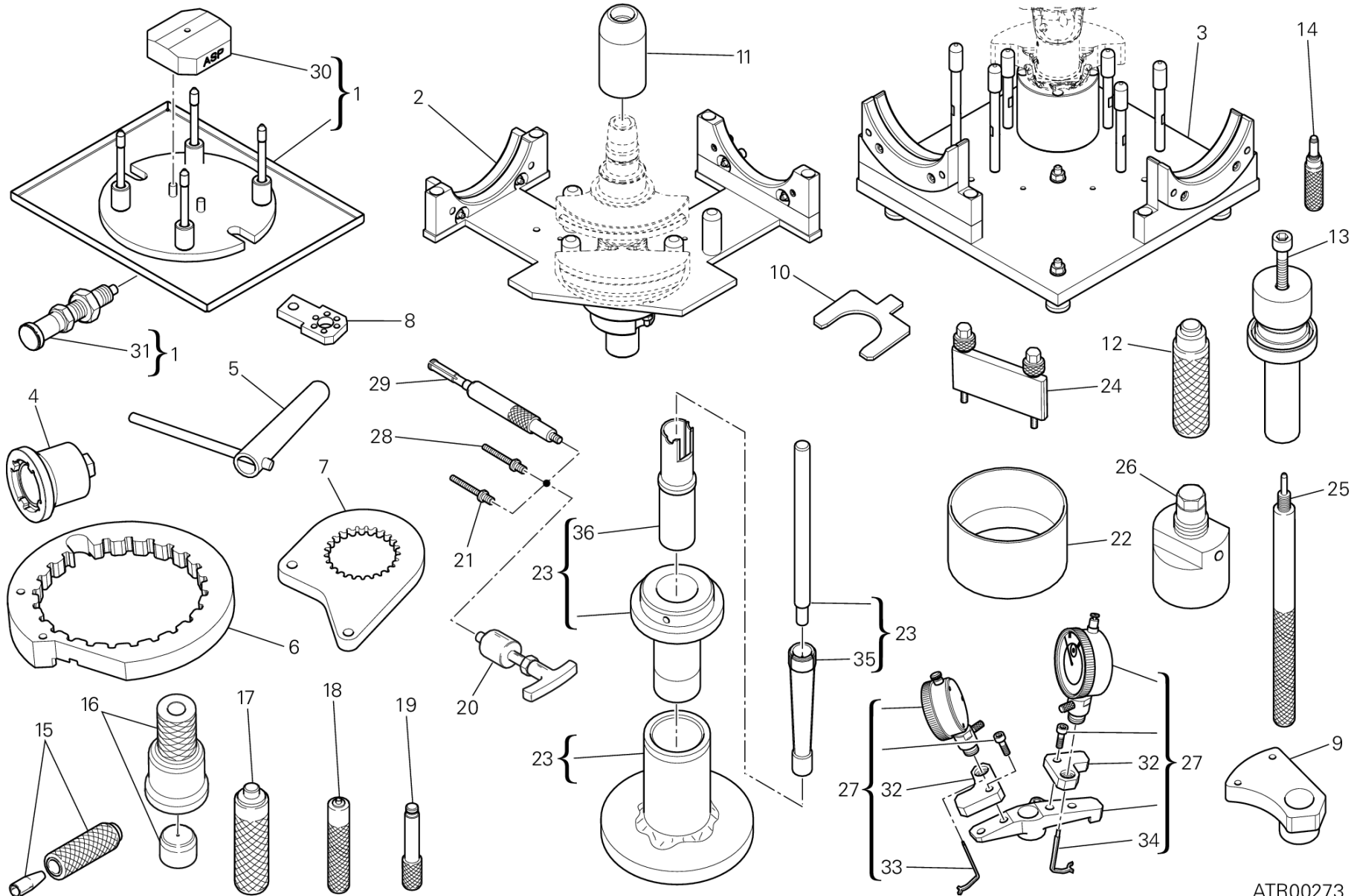


POS.	CODE	DESCRIPTION	QTY	START DATE	END DATE	VALIDITY	NOTES
1	979000252	DDS 2 (Ducati Diagnosis System 2.0)	1				
2	979000256	MAIN CABLE DDS	1				
3	979000254	MAIN CABLE	1				
4	979000255	MAIN CABLE (CAN)	1				
5	28620441A	CHIAVE "PC HASP DDS2.0"	1				



# DRAWING 01A - WORKSHOP SERVICE TOOLS [MOD:1199SL;XST:AUS,BRA,EUR,FRA,JAP]

GROUP TOOLS



ATR00273

## DRAWING 01A - WORKSHOP SERVICE TOOLS

[MOD:1199SL;XST:AUS,BRA,EUR,FRA,JAP]

## GROUP TOOLS

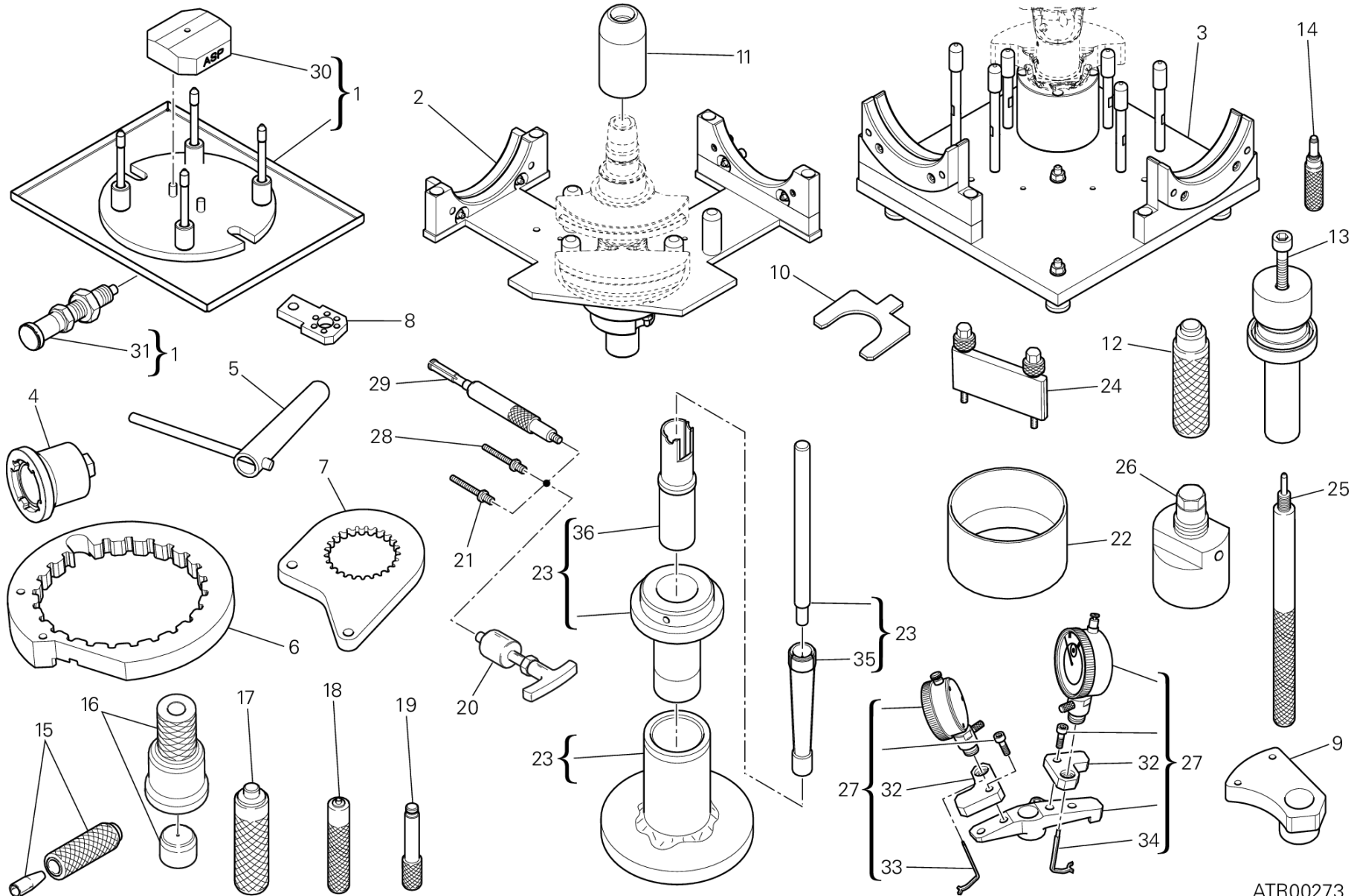


POS.	CODE	DESCRIPTION	QTY	START DATE	END DATE	VALIDITY	NOTES
1	887133422	HEAD MOUNTING BASE	1				
2	887133437	PLATE (Complete connecting rods assembly)	1				
3	887133440	HOSE GUIDE (Complete connecting rods assembly)	1				
4	887133773	WRENCH FOR TIGHTENING RING NUT	1				
5	887133795	LEVER	1				
6	887133524	REACTION TOOL FOR IGNITION FLYWHEEL	1				
7	887133774	REACTION TOOL (SPROCKET)	1				
8	887133853	REACTION TOOL FOR FLANGE (Gearbox drum)	1				
9	887133549	GEARBOX LAY SHAFT TRUING TOOL	1				
10	887133510	FORK FEELER GAUGE	1				
11	887133436	PAD	1				
12	887133511	TOOL FOR OIL SEAL POSITIONING (17x25x4)	1				
13	887133452	HALF-BEARINGS FITTING TOOL	1				
14	887133500	TOOL TO HOLD CRANKSHAFT IN TDC POSITION	1				
15	887133507	TOOL FOR OIL SEAL POSITIONING (12x22x5)	1				
16	887133508	TOOL FOR OIL SEAL POSITIONING (40x55x7)	1				
17	887133509	TOOL FOR OIL SEAL POSITIONING (14x28x6,5)	1				
18	887133512	TOOL FOR OIL SEAL POSITIONING (8x14x4)	1				
19	887133758	TOOL FOR BUSH POSITIONING	1				
20	887131994	ROCKER PIN EXTRACTOR	1				
21	887133760	SCREW, SPECIAL (M7)	1				
22	887133820	TOOL TO ASSEMBLE PISTON	1				
23	887133502	TOOL TO FIT PISTON GUDGEON PIN CIRCLIPS	1				
24	887651622	CAMSHAFT STROKE CHECKING TOOL	1				
25	887132574	T.D.C. CONTROL GAUGE	1				
26	887133880	IGNITION FLYWHEEL EXTRACTOR	1				
27	887651632	VALVE LIFT GAUGE (GAUGES NOT INCLUDED)	1				
28	887133943	SCREW, SPECIAL (M6)	1				
29	887133517	PISTON PIN DISASSEMBLING TOOL	1				
30	887134131	SOSTEGNO VALVOLE	1				
31	887134132	KNOB	1				
32	887651702	HOLDER	2				
33	887651703	CONTROL ROD SHORT	1				
34	887651704	CONTROL ROD LONG	1				
35	887134139	FLEXIBLE BUSH	1				



# DRAWING 01A - WORKSHOP SERVICE TOOLS [MOD:1199SL;XST:AUS,BRA,EUR,FRA,JAP]

GROUP TOOLS



ATR00273

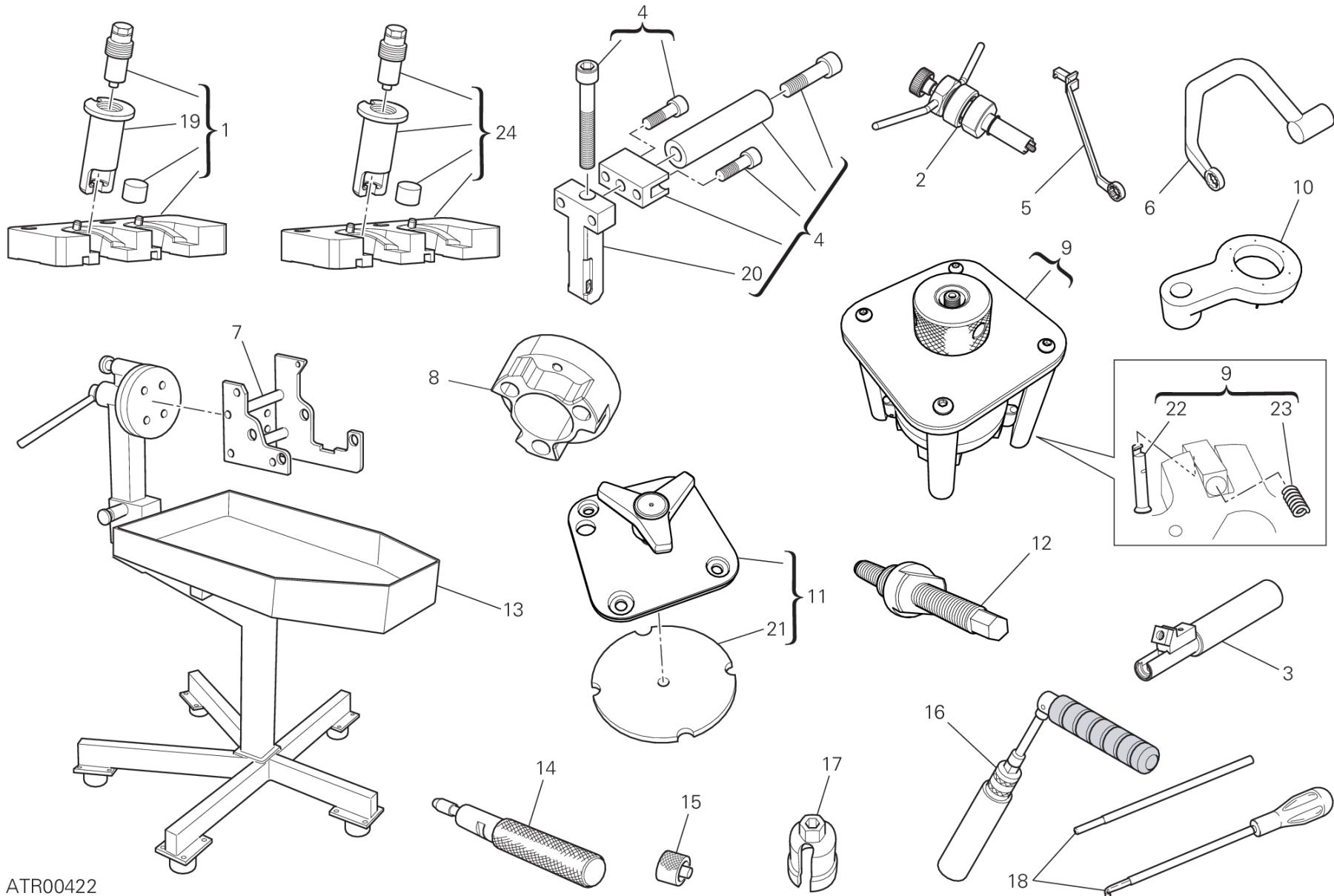
# DRAWING 01A - WORKSHOP SERVICE TOOLS

[MOD:1199SL;XST:AUS,BRA,EUR,FRA,JAP]

## GROUP TOOLS



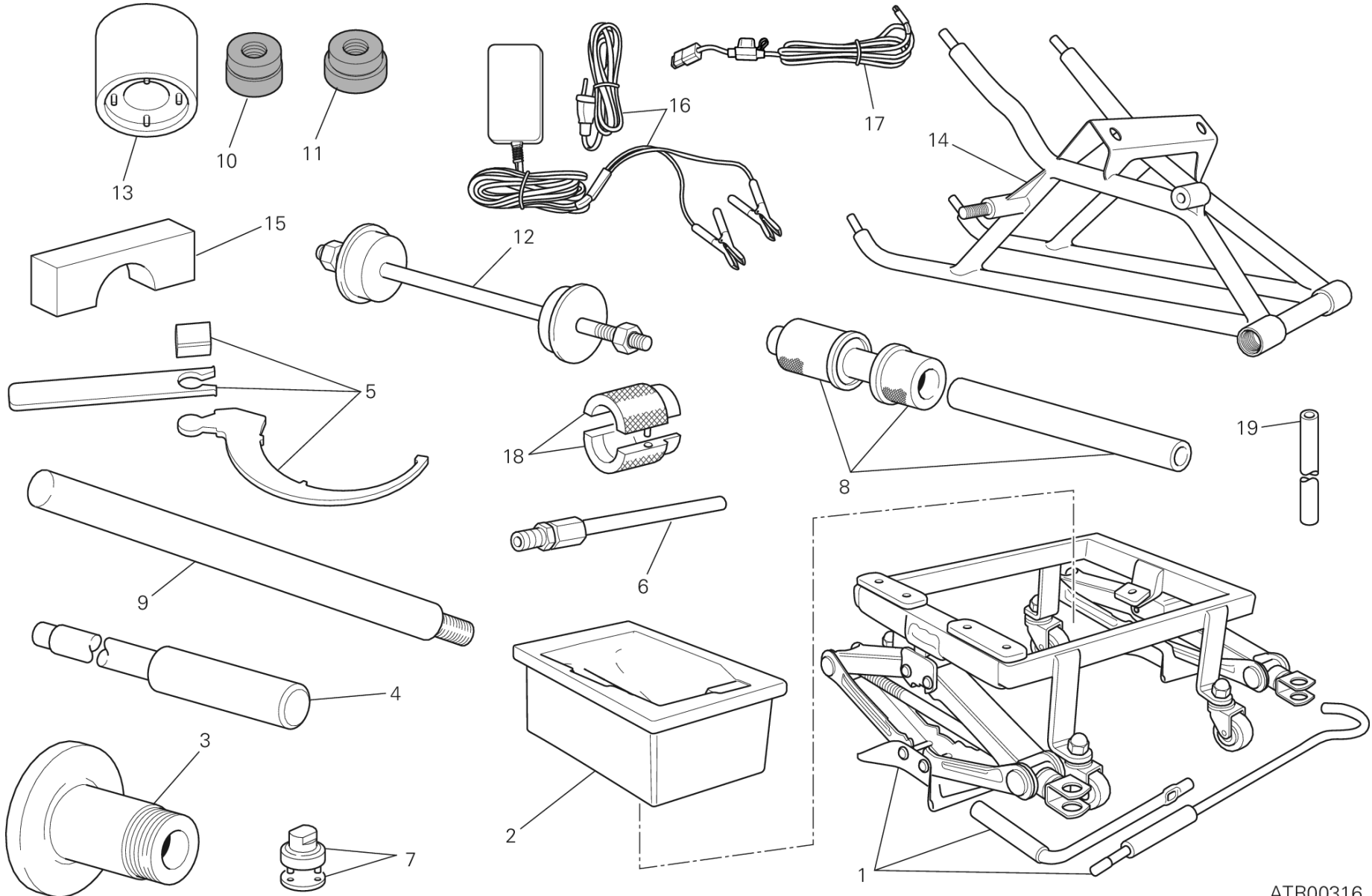
POS.	CODE	DESCRIPTION	QTY	START DATE	END DATE	VALIDITY	NOTES
36	887134138	TUBE	1				



ATR00422



POS.	CODE	DESCRIPTION	QTY	START DATE	END DATE	VALIDITY	NOTES
1	887133924	TOOL TO REMOVE THE HALF-CONES	1				
2	887133824	DEGREE WHEEL HOLDER TOOL FOR IGNITION ADVANCE CHECK	1				
3	887133468	TOOL TO REMOVE THE HALF-CONES / SPLIT RINGS	1				
4	887133467	TOOL TO FIT VALVE COLLETS	1				
5	887133926	HEAD NUTS HOLDER WRENCH (M8)	1				
6	887132676	HEAD NUTS HOLDER WRENCH (M10)	1				
7	887133875	ENGINE MOUNT	1				
8	887133879	WRENCH FOR TIGHTENING CLUTCH DRUM	1				
9	887133878	CYLINDER DISASSEMBLING TOOL	1				
10	887133925	PRIMARY DRIVE GEAR TIGHTENING TOOL	1				
11	887133923	CYLINDER FITTING TOOL	1				
12	887133922	PULLER TO REMOVE ALTERNATOR COVER	1				
13	887131832	BENCH FOR ENGINE REPAIR	1				
14	887132442	TOOL, OIL SEAL MOUNTING (Ø7)	1				
15	887651298	SPACER FOR CHECKING LOWER VALVE SHIM	1				
16	887132877	SPARK PLUG WRENCH	1				
17	887133407	SPINDLE, TAPER (Gearbox position sensor)	1				
18	887132069	ROCKER SPRING PRE-LOAD COMPOUND KIT	1				
19	887134137	REACTION TOOL	1				
20	887134133	REACTION TOOL	1				
21	887134136	PLATE	1				
22	887134134	HOOK	4				
23	887134135	SPRING	4				
24	887134507	TOOL TO REMOVE THE HALF-CONES	1				



ATR00316



POS.	CODE	DESCRIPTION	QTY	START DATE	END DATE	VALIDITY	NOTES
1	887133220	BENCH FOR ENGINE REPAIR	1				
2	887133927	ENGINE MOUNT	1				
3	887132951	TOOL BALANCING REAR WHEEL	1				
4	887131074	TOOL DISASSEMBLING SWINGARM PIVOT	1				
5	887133211	SPANNER FOR ADJUSTING THE ECCENTRIC HUB	1				
6	887131010	CONNECTOR FOR EXHAUST GAS TAKE-UP POINT	1				
7	887131058	SPANNER TO ASSEMBLE THE STEERING SLEEVE	1				
8	887132409	TOOL ASSEMBLING SWINGARM BALL BEARING	1				
9	887133529	BAR BUSHING SUPPORT (OHLINS)	1				
10	887132857	TOOL REMOVING SLIDING BUSHINGS (OHLINS)	1				
11	887132858	TOOL INSTALLING SLIDING BUSHINGS (OHLINS)	1				
12	887131062	TOOL ASSEMBLING STEERING TUBE BEARING	1				
13	887134743	BUSH FOR INSTALLING/REMOVING THE FORK PLUG	1				
14	887134207	BRACKET	1				
15	887134302	ATTREZZO SERRAGGIO STELO FORCELLE	1				
16	69924821A	BATTERY CHARGER	1				
17	51040111A	BATTERY MAINS CABLE	1				
18	887131096	TOOL TO OVERHAUL FORKS	1				
19	887133203	DRAW BAR FOR MARZOCCHI FORKS OVERHAULING	1				



# DRAWING A1 - TYRES [MOD:1199SL]

## GROUP TYRES



POS.	CODE	DESCRIPTION	QTY	START DATE	END DATE	VALIDITY	NOTES
1	49040711A	FRONT TYRE DIABLO™ SUPERCORSA SP (120-70 ZR17)	1	01/09/2012			(*)=Pneumatico di primo equipaggiamento
2	49140911A	REAR TYRE DIABLO™ SUPERCORSA SP (200-55 ZR17)	1	01/09/2012			(*)=Pneumatico di primo equipaggiamento
3	490P0324A	FRONT TYRE DIABLO™ ROSSO IV (120-70 ZR17)	1				
4	491P0389A	REAR TYRE DIABLO™ ROSSO IV (200-55 ZR17)	1				
5	490P0272A	FRONT TYRE DIABLO™ ROSSO III D (120-70 ZR17)	1				
6	491P0073A	REAR TYRE DIABLO™ ROSSO III (200-55 ZR17)	1				
7	49041081A	FRONT TYRE DIABLO™ ROSSO CORSA II (120-70 ZR17)	1				
8	49141641A	REAR TYRE DIABLO™ ROSSO CORSA II (200-55 ZR17)	1				
9	490P0002A	FRONT TYRE DIABLO™ SUPERBIKE (120-70 R17 SC1)	1				(#)=For competition use only
10	490P0003A	FRONT TYRE DIABLO™ SUPERBIKE (120-70 R17 SC2)	1				(#)=For competition use only
11	490P0004A	FRONT TYRE DIABLO™ SUPERBIKE (120-70 R17 SC3)	1				(#)=For competition use only
12	491P0015A	REAR TYRE DIABLO™ SUPERBIKE (200-60 R17 SC0)	1				(#)=For competition use only
13	491P0016A	REAR TYRE DIABLO™ SUPERBIKE (200-60 R17 SC1)	1				(#)=For competition use only
14	491P0017A	REAR TYRE DIABLO™ SUPERBIKE (200-60 R17 SC2)	1				(#)=For competition use only
15	491P0018A	REAR TYRE DIABLO™ SUPERBIKE (200-60 R17 SC3)	1				(#)=For competition use only
16	490P0019A	FRONT TYRE DIABLO™ WET (120-70 R17)	1				(#)=For competition use only
17	490P0022A	FRONT TYRE DIABLO™ RAIN (120-70 R17)	1				(#)=For competition use only
18	490P0029A	FRONT TYRE DIABLO™ SUPERCORSA SC V2 (120-70 R17 SC1)	1				(#)=For competition use only
19	490P0030A	FRONT TYRE DIABLO™ SUPERCORSA SC V2 (120-70 R17 SC2)	1				(#)=For competition use only
20	491P0041A	REAR TYRE DIABLO™ SUPERCORSA SC V2 (200-55 R17 SC0)	1				
21	491P0042A	REAR TYRE DIABLO™ SUPERCORSA SC V2 (200-55 R17 SC1)	1				(#)=For competition use only
22	491P0043A	REAR TYRE DIABLO™ SUPERCORSA SC V2 (200-55 R17 SC2)	1				(#)=For competition use only
23	490P0044A	FRONT TYRE DIABLO™ SUPERCORSA SC (120-70 R17 SC2)	1				(#)=For competition use only
24	490P0248A	FRONT TYRE DIABLO™ SUPERCORSA SC (120-70 R17 SC1)	1				(#)=For competition use only
25	49041071A	FRONT TYRE DIABLO™ SUPERCORSA SP V3 (120-70 ZR17)	1				
26	491P0347A	REAR TYRE DIABLO™ SUPERCORSA SP V3 (200-55 ZR17)	1				
27	490P0297A	FRONT TYRE DIABLO™ SUPERCORSA SC V3 (120-70 ZR17)	1				(#)=For competition use only
28	490P0298A	FRONT TYRE DIABLO™ SUPERCORSA SC V3 (120-70 ZR17 TL)	1				(#)=For competition use only
29	491P0339A	REAR TYRE DIABLO™ SUPERCORSA SC V3 (200-55 ZR17 78V)	1				(#)=For competition use only
30	491P0340A	REAR TYRE DIABLO™ SUPERCORSA SC V3 (200-55 ZR17 78W)	1				(#)=For competition use only
31	491P0341A	REAR TYRE DIABLO™ SUPERCORSA SC V3 (200-55 ZR17 78W)	1				(#)=For competition use only
32	491P0342A	REAR TYRE DIABLO™ SUPERCORSA SC V3 (200-60 ZR17)	1				(#)=For competition use only



# DRAWING B1 - (\*) PIRELLI DIABLO™ SUPERCORSA SP [MOD:1199SL]

## GROUP TYRES



POS.	CODE	DESCRIPTION	QTY	START DATE	END DATE	VALIDITY	NOTES
1	49040711A	FRONT TYRE DIABLO™ SUPERCORSA SP (120-70 ZR17)	1	01/09/2012			(*)=Pneumatico di primo equipaggiamento
2	49140911A	REAR TYRE DIABLO™ SUPERCORSA SP (200-55 ZR17)	1	01/09/2012			(*)=Pneumatico di primo equipaggiamento



# DRAWING D1 - PIRELLI DIABLO™ ROSSO III [MOD:1199SL]

## GROUP TYRES



POS.	CODE	DESCRIPTION	QTY	START DATE	END DATE	VALIDITY	NOTES
1	490P0272A	FRONT TYRE DIABLO™ ROSSO III D (120-70 ZR17)	1	19/01/2017			
2	491P0073A	REAR TYRE DIABLO™ ROSSO III (200-55 ZR17)	1	19/12/2016			



# DRAWING F - PIRELLI DIABLO™ ROSSO CORSA II [MOD:1199SL]

## GROUP TYRES



POS.	CODE	DESCRIPTION	QTY	START DATE	END DATE	VALIDITY	NOTES
1	49041081A	FRONT TYRE DIABLO™ ROSSO CORSA II (120-70 ZR17)	1	25/10/2013			
2	49141641A	REAR TYRE DIABLO™ ROSSO CORSA II (200-55 ZR17)	1	28/05/2015			



# DRAWING G1 - (#) PIRELLI DIABLO™ SUPERBIKE [MOD:1199SL]

## GROUP TYRES



POS.	CODE	DESCRIPTION	QTY	START DATE	END DATE	VALIDITY	NOTES
1	490P0002A	FRONT TYRE DIABLO™ SUPERBIKE (120-70 R17 SC1)	1				(#)=For competition use only
2	490P0003A	FRONT TYRE DIABLO™ SUPERBIKE (120-70 R17 SC2)	1				(#)=For competition use only
3	490P0004A	FRONT TYRE DIABLO™ SUPERBIKE (120-70 R17 SC3)	1				(#)=For competition use only
4	491P0015A	REAR TYRE DIABLO™ SUPERBIKE (200-60 R17 SC0)	1				(#)=For competition use only
5	491P0016A	REAR TYRE DIABLO™ SUPERBIKE (200-60 R17 SC1)	1				(#)=For competition use only
6	491P0017A	REAR TYRE DIABLO™ SUPERBIKE (200-60 R17 SC2)	1				(#)=For competition use only
7	491P0018A	REAR TYRE DIABLO™ SUPERBIKE (200-60 R17 SC3)	1				(#)=For competition use only



# DRAWING H1 - (#) DIABLO™ WET [MOD:1199SL]

## GROUP TYRES



POS.	CODE	DESCRIPTION	QTY	START DATE	END DATE	VALIDITY	NOTES
1	490P0019A	FRONT TYRE DIABLO™ WET (120-70 R17)	1				(#)=For competition use only



# DRAWING I1 - (#) DIABLO™ RAIN [MOD:1199SL]

## GROUP TYRES



POS.	CODE	DESCRIPTION	QTY	START DATE	END DATE	VALIDITY	NOTES
1	490P0022A	FRONT TYRE DIABLO™ RAIN (120-70 R17)	1				(#)=For competition use only



# DRAWING J1 - (#) DIABLO™ SUPERCORSA SC V2 [MOD:1199SL]

## GROUP TYRES



POS.	CODE	DESCRIPTION	QTY	START DATE	END DATE	VALIDITY	NOTES
1	490P0029A	FRONT TYRE DIABLO™ SUPERCORSA SC V2 (120-70 R17 SC1)	1				(#)=For competition use only
2	490P0030A	FRONT TYRE DIABLO™ SUPERCORSA SC V2 (120-70 R17 SC2)	1				(#)=For competition use only
3	491P0041A	REAR TYRE DIABLO™ SUPERCORSA SC V2 (200-55 R17 SC0)	1				
4	491P0042A	REAR TYRE DIABLO™ SUPERCORSA SC V2 (200-55 R17 SC1)	1				(#)=For competition use only
5	491P0043A	REAR TYRE DIABLO™ SUPERCORSA SC V2 (200-55 R17 SC2)	1				(#)=For competition use only



# DRAWING K1 - (#) DIABLO™ SUPERCORSA SC [MOD:1199SL]

## GROUP TYRES



POS.	CODE	DESCRIPTION	QTY	START DATE	END DATE	VALIDITY	NOTES
1	490P0248A	FRONT TYRE DIABLO™ SUPERCORSA SC (120-70 R17 SC1)	1				(#)=For competition use only
2	490P0044A	FRONT TYRE DIABLO™ SUPERCORSA SC (120-70 R17 SC2)	1				(#)=For competition use only



# DRAWING M - PIRELLI DIABLO™ SUPERCORSA SP V3 [MOD:1199SL]

## GROUP TYRES



POS.	CODE	DESCRIPTION	QTY	START DATE	END DATE	VALIDITY	NOTES
1	49041071A	FRONT TYRE DIABLO™ SUPERCORSA SP V3 (120-70 ZR17)	1	01/09/2012			
2	491P0347A	REAR TYRE DIABLO™ SUPERCORSA SP V3 (200-55 ZR17)	1	01/09/2012			



## DRAWING N - (#) DIABLO™ SUPERCORSA SC V3 [MOD:1199SL]

## GROUP TYRES



POS.	CODE	DESCRIPTION	QTY	START DATE	END DATE	VALIDITY	NOTES
1	490P0297A	FRONT TYRE DIABLO™ SUPERCORSA SC V3 (120-70 ZR17)	1				(#)=For competition use only
2	490P0298A	FRONT TYRE DIABLO™ SUPERCORSA SC V3 (120-70 ZR17 TL)	1				(#)=For competition use only
3	491P0339A	REAR TYRE DIABLO™ SUPERCORSA SC V3 (200-55 ZR17 78V)	1				(#)=For competition use only
4	491P0340A	REAR TYRE DIABLO™ SUPERCORSA SC V3 (200-55 ZR17 78W)	1				(#)=For competition use only
5	491P0341A	REAR TYRE DIABLO™ SUPERCORSA SC V3 (200-55 ZR17 78W)	1				(#)=For competition use only
6	491P0342A	REAR TYRE DIABLO™ SUPERCORSA SC V3 (200-60 ZR17)	1				(#)=For competition use only

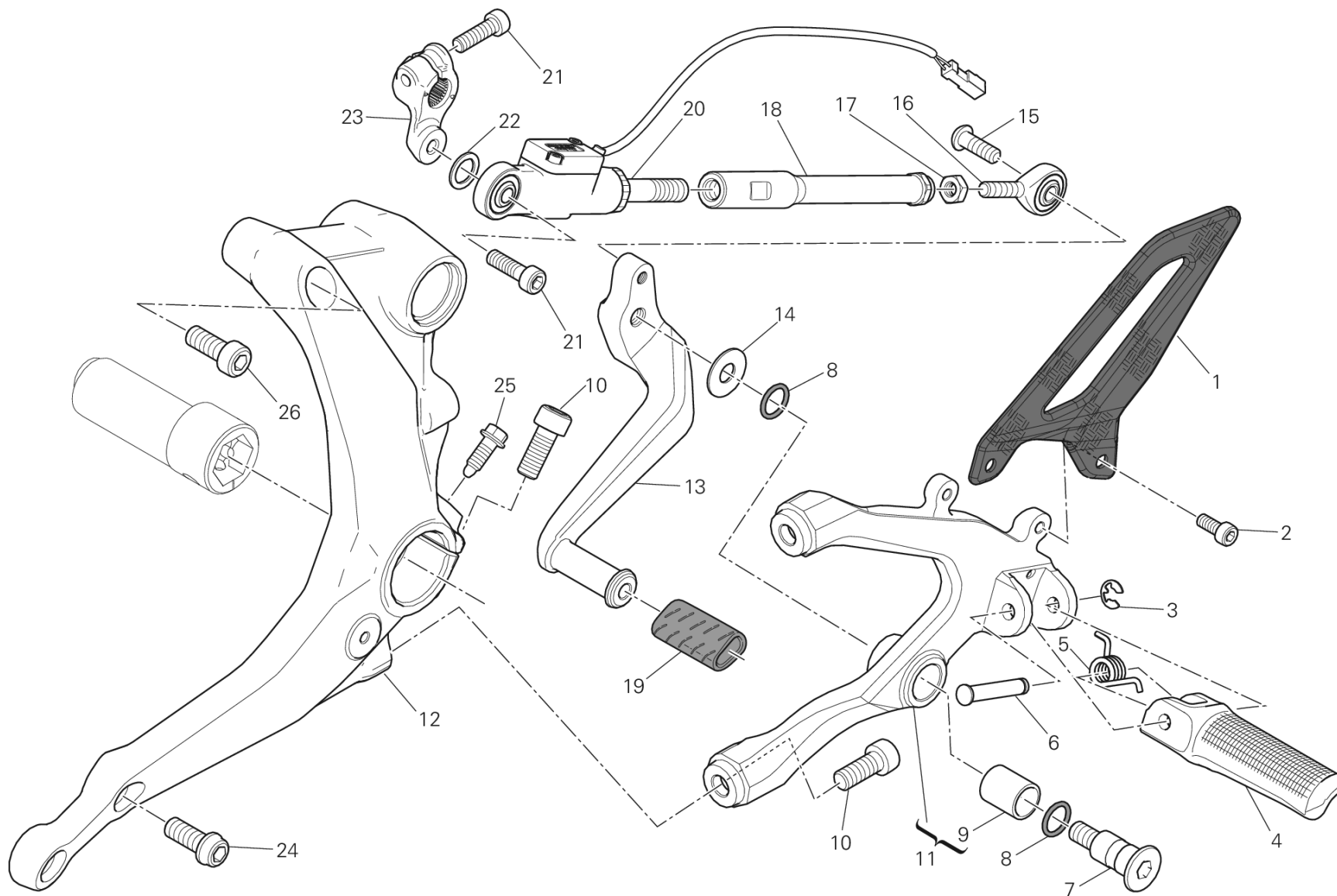


# DRAWING O - PIRELLI DIABLO™ ROSSO IV [MOD:1199SL]

## GROUP TYRES



POS.	CODE	DESCRIPTION	QTY	START DATE	END DATE	VALIDITY	NOTES
1	490P0324A	FRONT TYRE DIABLO™ ROSSO IV (120-70 ZR17)	1	19/01/2017			
2	491P0389A	REAR TYRE DIABLO™ ROSSO IV (200-55 ZR17)	1	19/12/2016			



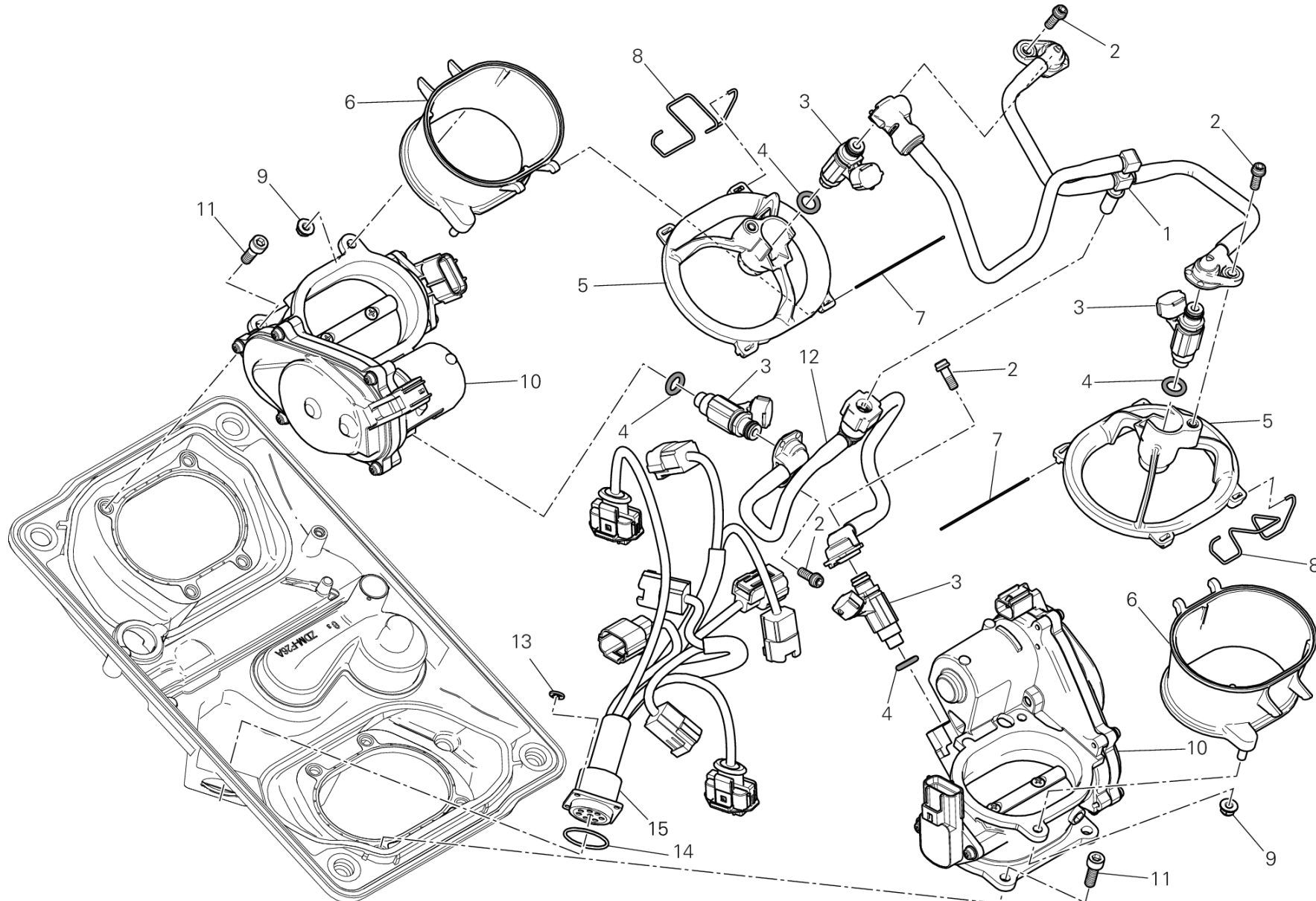
CMB00417

## DRAWING 016 - FOOTRESTS, LEFT [MOD:1199SL;XST:AUS,BRA,EUR,FRA,JAP]

## GROUP FRAME

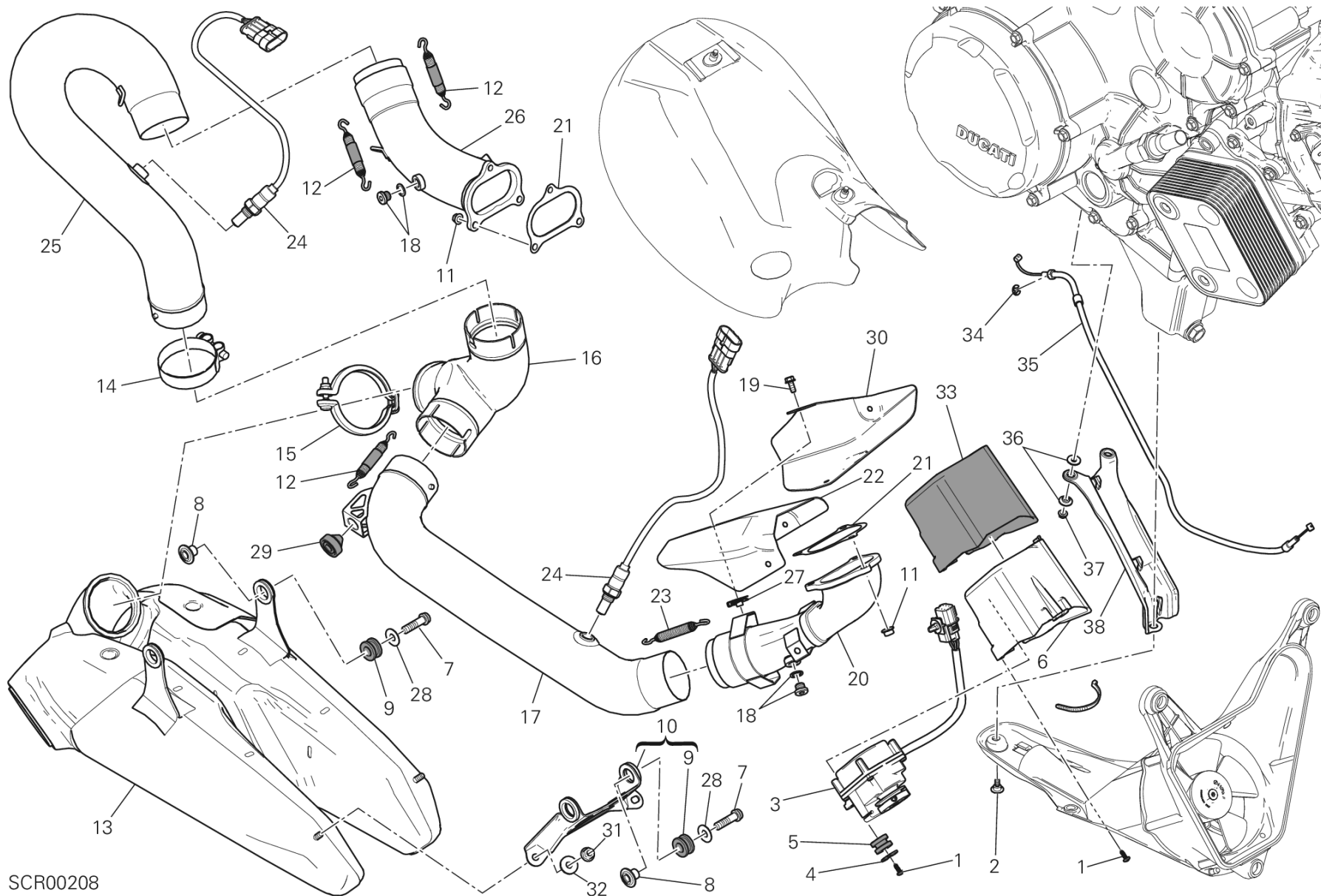


POS.	CODE	DESCRIPTION	QTY	START DATE	END DATE	VALIDITY	NOTES
1	24714721AA	HEEL GUARD FRONT LH CARBON	1	01/11/2012			
2	77918881A	SCREW	2	01/08/2013			
3	88450031A	CIRCLIP E-TYPE	1				
4	46410541A	LEFT FOOTREST	1	01/10/2013			
5	79915871AA	SPRING. FOOTREST	1	14/01/2014			
6	82110511AB	FOOTREST PIN	1				
7	82111701B	PIN PEDAL	1				
8	88641161A	O-RING	2				
9	71210341A	BUSH	1				
10	77918501A	SCREW	3	01/10/2013			
11	82422441AA	FRONT L.H. PLATE	1	01/10/2013			
12	8291B721AA	LEFT HOLDER	1	17/09/2012			
13	45610761AA	GEARCHANGE LEVER	1	01/10/2013			
14	85211511A	WASHER	1				
15	77550131A	SCREW	1				
16	84850021A	BALL JOINT, RIGHT	1				
17	74750101A	NUT 6MM	1				
18	11711261CA	GEARBOX DRIVING ROD	1				
19	76410112A	COVER PEDAL	1				
20	55214151A	DETECTOR Quick Shift	1	01/10/2013			
21	77918841A	SCREW	2	01/08/2013			
22	85611271A	WASHER	1				
23	45612101AA	GEAR CONTROL LEVER	1				
24	77157288B	SCREW TCEIF M8X35	2	29/03/2012			
25	77214151AA	SCREW	1	23/11/2012			
26	77918491A	SCREW	1	01/08/2013			





POS.	CODE	DESCRIPTION	QTY	START DATE	END DATE	VALIDITY	NOTES
1	59023513A	COMPLETE PIPE SET UPPER	1				
2	77156408B	SCREW TCEIF M5X14	4				
3	28040331A	INJECTOR	4				
4	88610961A	O-RING	4				
5	13510371B	INJECTOR HOLDER UPPER	2				
6	13510361B	PIPE	2				
7	79915421B	PIN	2				
8	79915432B	SPRING	2				
9	74810351B	NUT	4				
10	28240893A	THROTTLE BODY	2				
11	77150668B	SCREW TCEI M6X18	8				
12	59023532A	COMPLETE PIPE SET BOTTOM	1				
13	85041811A	REAR SPROCKET	4				
14	88642061A	O-RING	1				
15	51017731C	INJECTION WIRING	1				



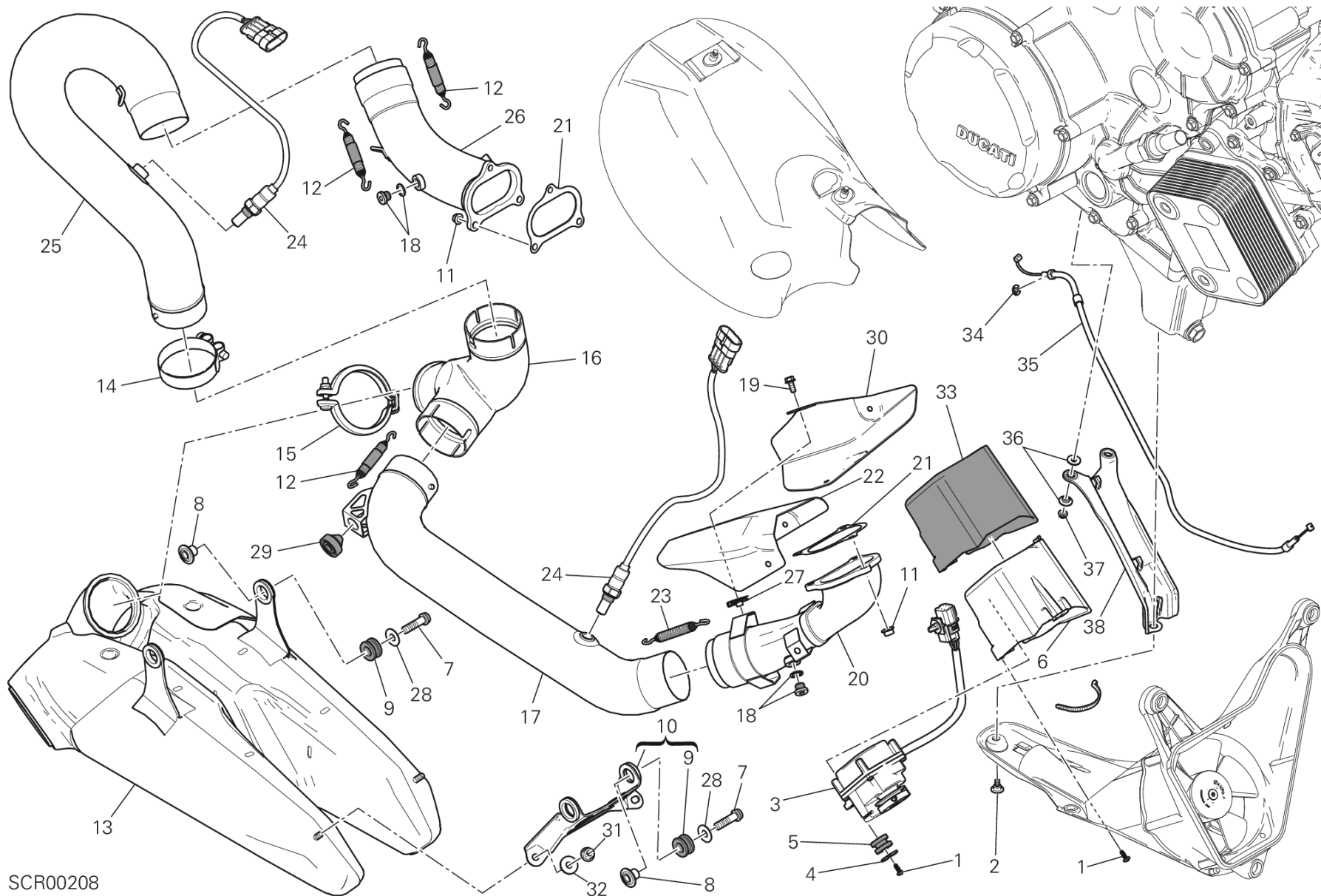
SCR00208

# DRAWING 019 - EXHAUST SYSTEM [MOD:1199SL;XST:AUS,BRA,EUR,FRA,JAP]

## GROUP FRAME



POS.	CODE	DESCRIPTION	QTY	START DATE	END DATE	VALIDITY	NOTES
1	77440203C	SCREW	6				
2	77210852C	SCREW	1				
3	59340393A	ELECTRIC MOTOR, EXHAUST VALVE	1				
4	85213111AA	WASHER	2				
5	76411301A	RUBBER PAD	2				
6	46015262A	COVER ELECTRIC MOTOR, EXHAUST VALVE	1				
7	77157278B	SCREW TCEIF M8X30	4				
8	71614391AA	SPACER	4				
9	76411481A	RUBBER PAD	4				
10	83026511BA	BRACKET FRONT	1				
11	74810241A	NUT	6				
12	79922971A	COMPLETE SPRING	3	12/04/2013			
13	57413422A	SILENZIATORE COMPLETO	1	15/11/2013		XST:AUS,BRA,EUR,FRA	
	57413681A	SILENZIATORE COMPLETO	1	15/11/2013		XST:JAP	
14	74142431A	CONNECTOR COMP, EXHAUST PIPE	1	15/11/2013			
15	74142361A	CONNECTOR COMP, EXHAUST PIPE	1	12/04/2013			
16	57211661C	PIPE, EXHAUST CENTER	1	15/11/2013			
17	57013602B	EXHAUST PIPE HORIZONTAL	1	15/11/2013			
18	78020011A	PLUG ASSY	2				
19	77250728B	SCREW TEF M5X12	4				
20	57013062C	EXHAUST MANIFOLD HORIZONTAL	1	16/05/2013			
21	79010231B	GASKET, EXHAUST PIPE	2				
22	46015331BA	HEAT GUARD HORIZONTAL	1				
23	79912632A	SPRING, EXHAUST PIPE	1				
24	55212092A	SENSOR LAMBDA SOND	2				
25	57113462C	EXHAUST PIPE VERTICAL	1	15/11/2013			
26	57112992C	EXHAUST MANIFOLD VERTICAL	1				
27	85040551A	QUICK FASTENING	4				
28	85210532A	WASHER 8.2X20X1	4				
29	76410631A	RUBBER PAD	1				
30	46015781AA	GUARD HORIZONTAL	1				
31	74810361A	NUT	2				
32	85250291A	WASHER	2				
33	46015741A	PROTECTION, HEAT ELECTRIC MOTOR, EXHAUST VALVE	1				
34	88450031A	CIRCLIP E-TYPE	2				



SCR00208



POS.	CODE	DESCRIPTION	QTY	START DATE	END DATE	VALIDITY	NOTES
35	73210331B	EXHAUST VALVE ENGINE CABLE	1				
36	71614071A	SPACER 5.2X8.4X2	4				
37	74840381A	NUT M5	4				
38	46015393A	HEAT GUARD BOTTOM	1				



## DRAWING 020 - FANALE ANTERIORE E CRUSCOTTO

[MOD:1199SL;XST:AUS,BRA,EUR,FRA,JAP]

## GROUP FRAME



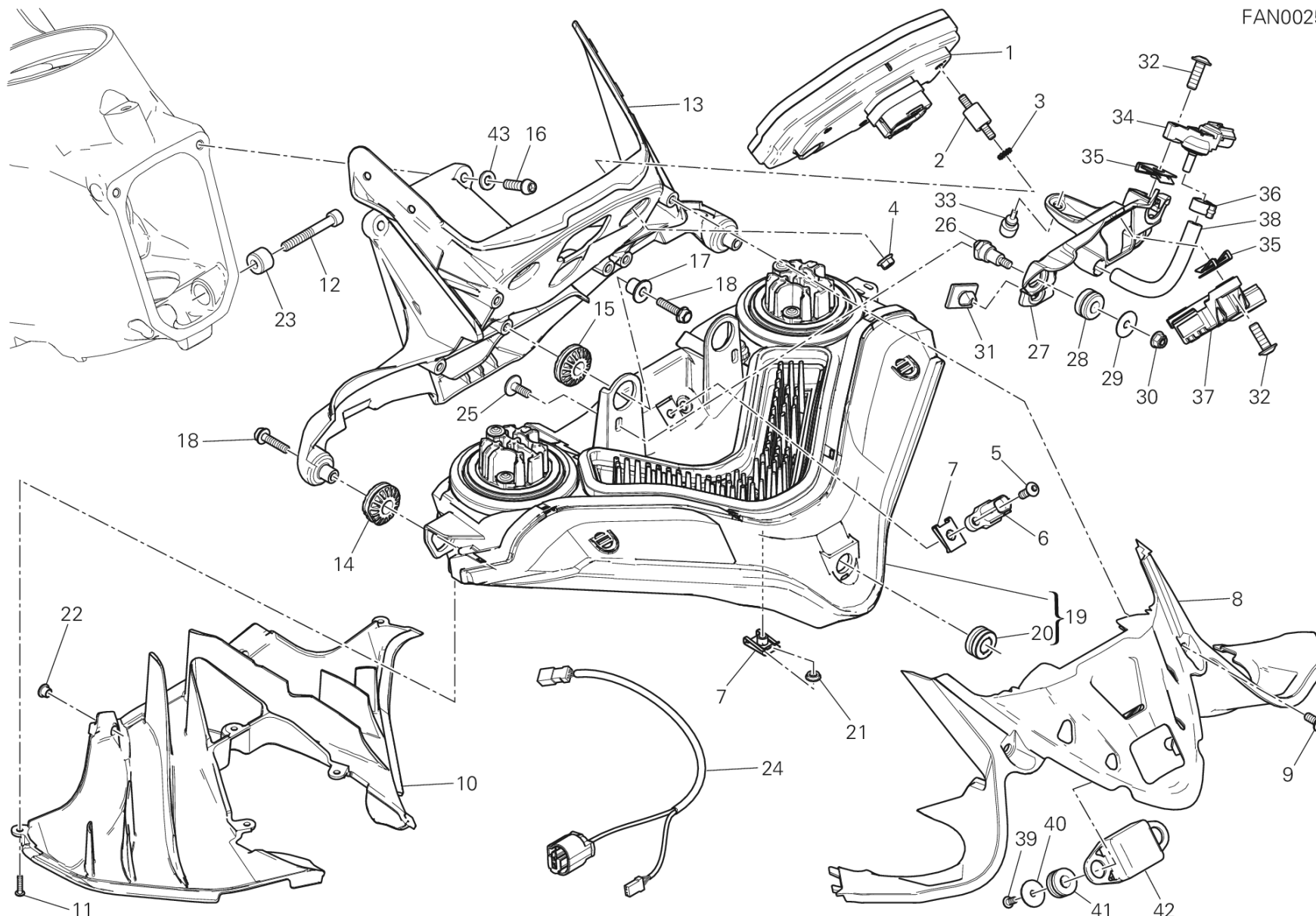
POS.	CODE	DESCRIPTION	QTY	START DATE	END DATE	VALIDITY	NOTES
1	40611011C	INSTRUMENT PANEL	1	15/11/2013			
2	70010431A	DAMPER	3				
3	46240461A	WASHER, SPRING	3				
4	74840381A	NUT M5	3				
5	77510041A	SCREW TBEI M5X14	1				
6	55241581A	SENSOR, AIR TEMPERATURE	1				
7	85040551A	QUICK FASTENING	2				
8	46016102A	COVER, METER	1	22/07/2013			
9	77240253C	SCREW	4				
10	48411031B	AIR CONVEYOR	1				
11	77440101A	SCREW, TAPPING 3.5X10	5				
12	77150748B	SCREW TCEI M6X45	1	01/08/2013			
13	8291A553BA	HEAD-LIGHT SUPPORT	1				
14	76411641A	SEAT RUBBER	2				
15	76411361A	VIBRATION DAMPER PAD	2				
16	77918841A	SCREW	2	01/08/2013			
17	71614381AA	SPACER	2				
18	77250788B	SCREW	4				
19	52010221C	HEADLIGHT FRONT	1	12/04/2013			
20	76410901A	RUBBER PAD	1				
21	71114122AA	SPACER	1				
22	87240761A	PLUG	2				
23	71114611AA	BUSH	1	01/08/2013			
24	51019271A	ELECTRIC WIRING	1	12/04/2013			
25	77210882C	SCREW	2	16/04/2013			
26	77918361AA	SCREW, SPECIAL	2	16/04/2013			
27	8291C002A	HOLDER	1	01/08/2013			
28	76410291A	RUBBER PAD	2	16/04/2013			
29	85213002A	WASHER	2	01/08/2013			
30	74810351B	NUT	2	01/08/2013			
31	86610301A	PAD	2	16/04/2013			
32	77240438C	SCREW TBEIF M6X18	3	01/08/2013			
33	86610581A	VIBRATION DAMPER PAD	1	16/04/2013			
34	55243111A	SENSOR, PRESSURE	1	01/08/2013			
35	85041581A	CLIP NUT	2	16/04/2013			



# DRAWING 020 - FANALE ANTERIORE E CRUSCOTTO [MOD:1199SL;XST:AUS,BRA,EUR,FRA,JAP]

GROUP FRAME

FAN00256



## DRAWING 020 - FANALE ANTERIORE E CRUSCOTTO

[MOD:1199SL;XST:AUS,BRA,EUR,FRA,JAP]

## GROUP FRAME



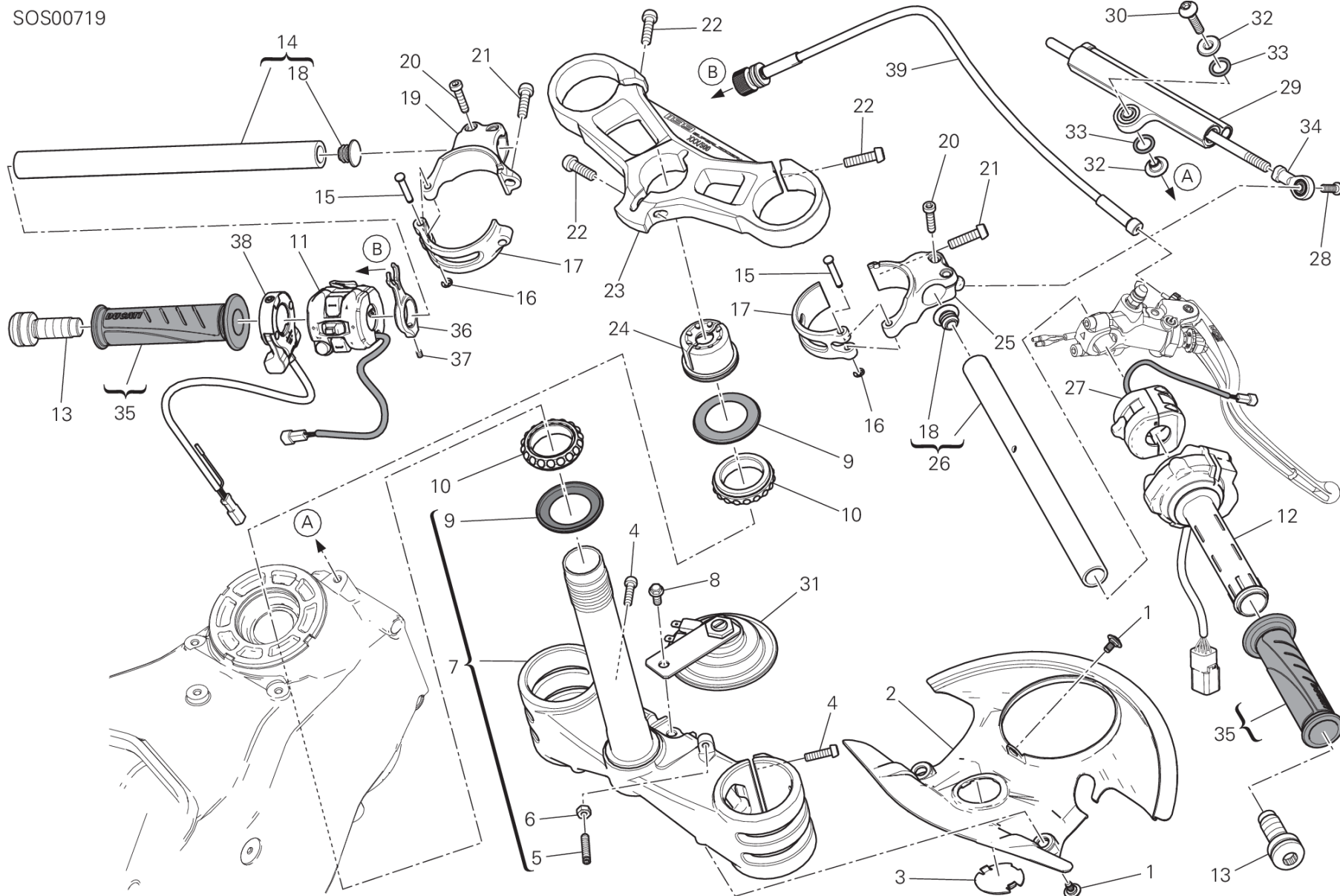
POS.	CODE	DESCRIPTION	QTY	START DATE	END DATE	VALIDITY	NOTES
36	74141711A	CLAMP 10-7 MM	1	01/08/2013			
37	38540061B	PIATTAFORMA INERZIALE	1	01/10/2013			
38	59014131A	HOSE	1	01/08/2013			
39	77510161A	SCREW	2	12/04/2013			
40	85210901B	WASHER	2	12/04/2013			
41	76411141A	VIBRATION DAMPER PAD	2	12/04/2013			
42	38510141A	GPS CONTROL UNIT	1	12/04/2013			
43	85250271A	WASHER 6.2X12X1	2	15/11/2013			



# DRAWING 021 - HALF-HANDLEBAR - STEERING DAMPER [MOD:1199SL;XST:AUS,BRA,EUR,FRA,JAP]

GROUP FRAME

SOS00719



## DRAWING 021 - HALF-HANDLEBAR - STEERING DAMPER

[MOD:1199SL;XST:AUS,BRA,EUR,FRA,JAP]

## GROUP FRAME



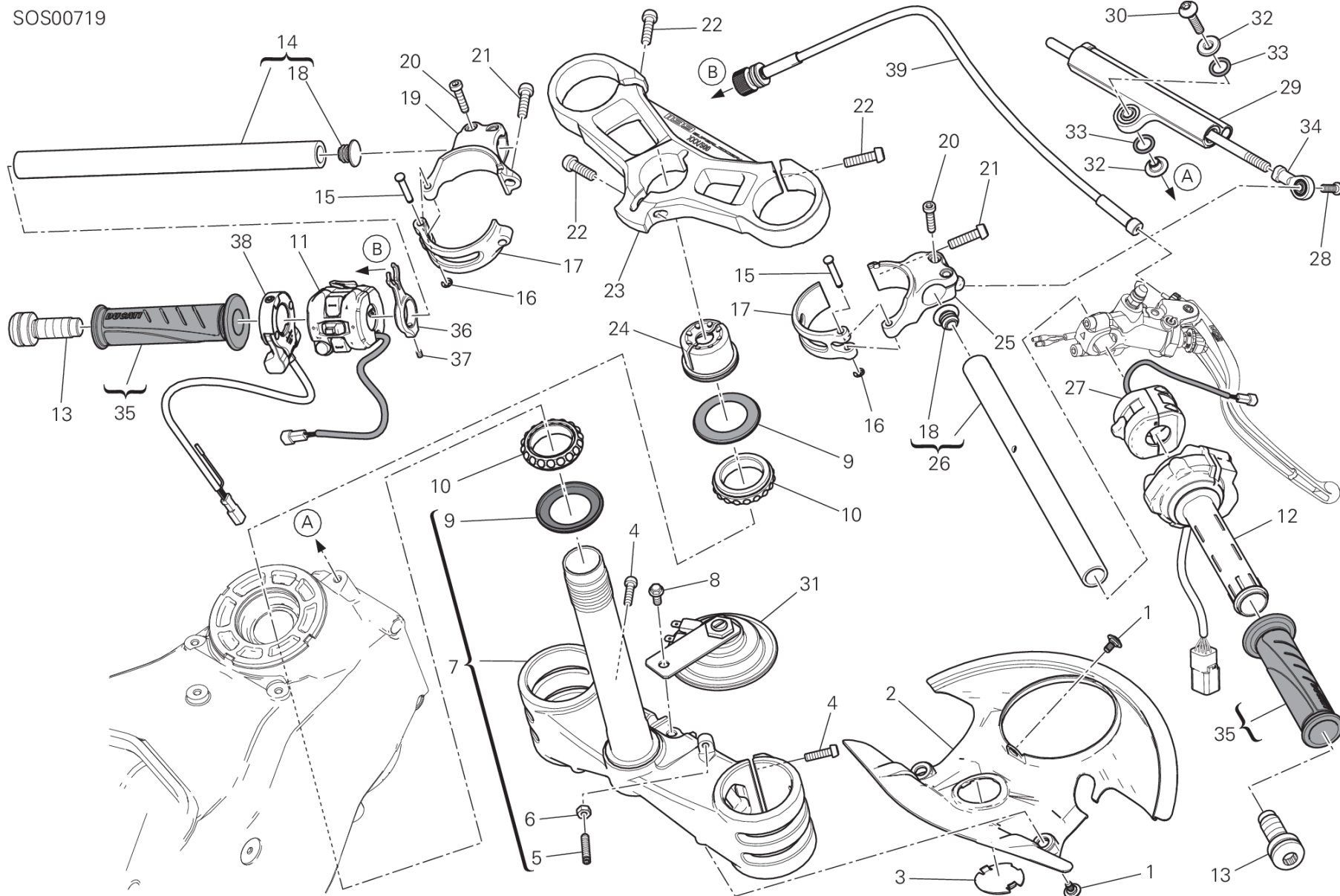
POS.	CODE	DESCRIPTION	QTY	START DATE	END DATE	VALIDITY	NOTES
1	77211251B	SCREW M5X9	3				
2	46014971B	MUDFLAP	1				
3	87210722A	PLUG	1				
4	77918891A	SCREW	6	01/08/2013			
5	77912981A	SCREW, SPECIAL	2				
6	74750031A	NUT 6MM	2				
7	342P0681BA	STEERING HEAD BASE	1				
8	77211341A	SCREW	1				
9	93010041B	SEAL RING	2				
10	70241231A	BEARING, STEERING NTN SF07A17P	2				
11	65110131A	LEFT SWITCH	1				
12	66040011C	THROTTLE CONTROL	1	20/01/2014			
13	15310121A	COUNTERWEIGHT	2				
14	875P2184AA	HANDLEBAR TUBE L.H.	1	01/08/2013			
15	82113822BA	PIN	2				
16	88450021A	SPRING RING	2				
17	36011621AA	CLAMP REAR	2				
18	87210481A	CAP	2				
19	36011611AA	CLAMP FRONT LH	1				
20	77918731A	SCREW	4	01/08/2013			
21	77918501A	SCREW	2	10/04/2013			
22	77918511A	SCREW	3	12/04/2013			
23	34111042AA	STEERING HEAD	1	01/08/2013			
24	70310601BB	THREAD, STEERING HEAD TOP	1	01/08/2013			
25	36011601AA	CLAMP FRONT RH	1				
26	875P1741BA	HANDLEBAR TUBE R.H.	1				
27	65010092I	RIGHT SWITCH	1				
28	77156678B	SCREW TCEIF M6X20	1				
29	36420111A	STEERING DAMPER	1				
30	77918911A	SCREW	1	01/08/2013			
31	51640013AB	HORN	1				
32	71319961CA	SPACER	2	03/09/2012			
33	88641061A	O-RING 12.42X1.78	2				
34	84820112AA	BALL JOINT	1				
35	36140151AA	GRIPS, PAIR NERO/ROSSO	1	16/05/2013			



# DRAWING 021 - HALF-HANDLEBAR - STEERING DAMPER [MOD:1199SL;XST:AUS,BRA,EUR,FRA,JAP]

GROUP FRAME

SOS00719

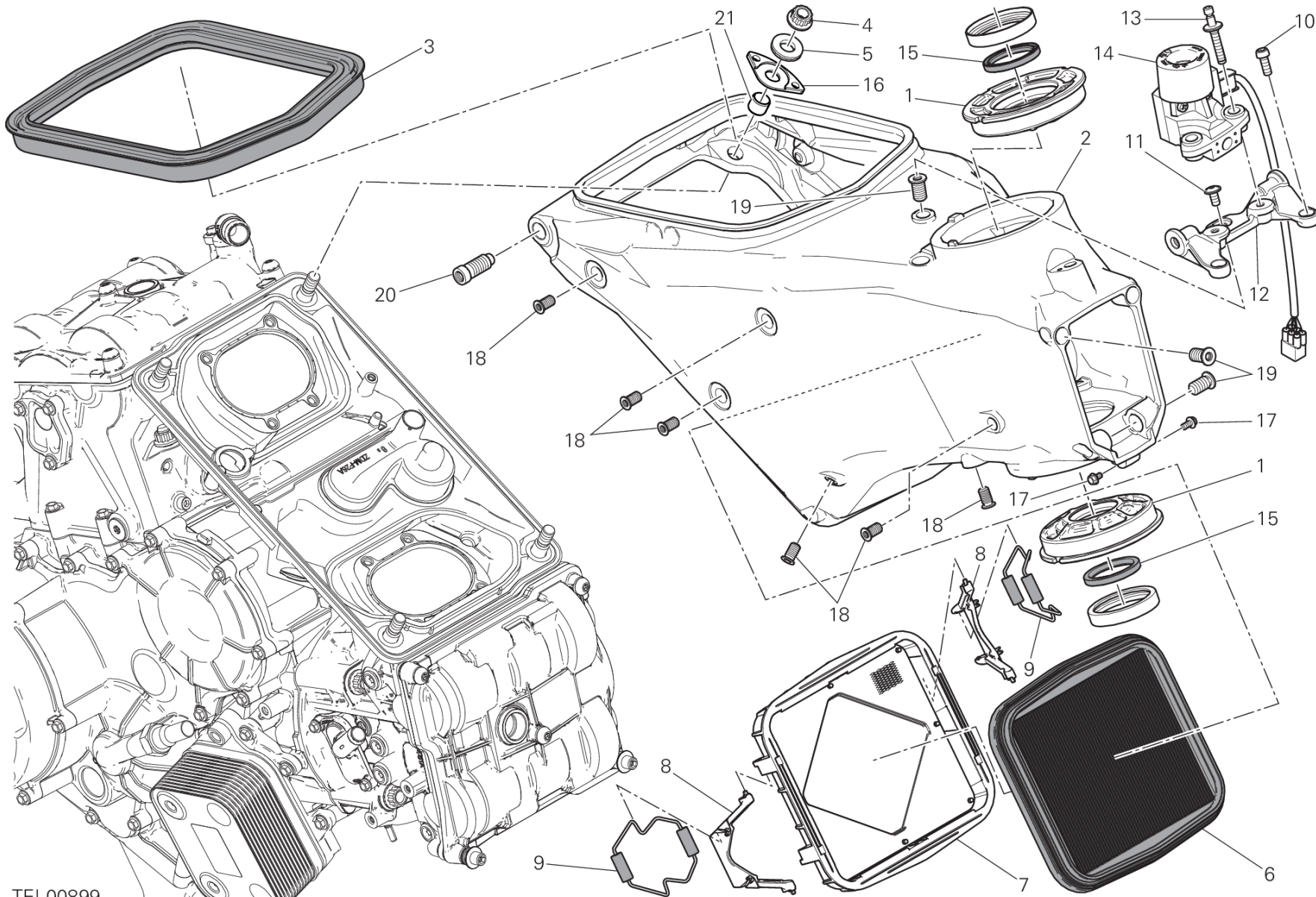


# DRAWING 021 - HALF-HANDLEBAR - STEERING DAMPER [MOD:1199SL;XST:AUS,BRA,EUR,FRA,JAP]



## GROUP FRAME

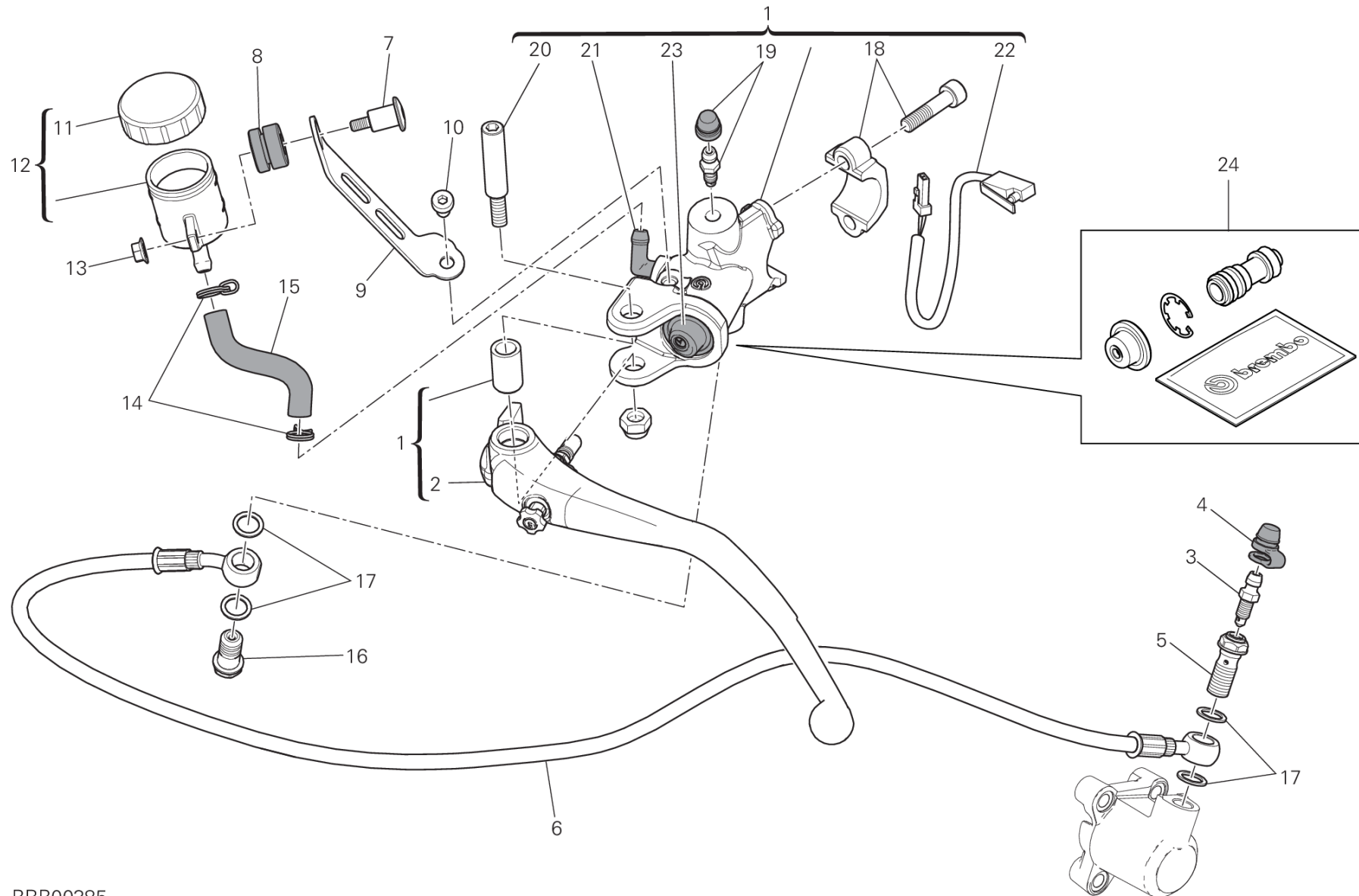
POS.	CODE	DESCRIPTION	QTY	START DATE	END DATE	VALIDITY	NOTES
36	8291C942AA	BRACKET REMOTE ADJUSTER	1	01/08/2013			
37	77850181A	THREADED DOWEL	1	01/08/2013			
38	65140201B	LEFT SWITCH	1	10/04/2013			
39	63140581A	REMOTE ADJUSTER	1	23/09/2013			



TEL00899



POS.	CODE	DESCRIPTION	QTY	START DATE	END DATE	VALIDITY	NOTES
1	75610142AA	BUSH	2				
2	47012742AA	FRAME	1	06/11/2013			
3	78811182A	GASKET	1				
4	74810461A	NUT, FLANGE M10X1	4				
5	85540031A	WASHER, SPRING	4				
6	42610451A	FILTER, AIR	1	06/11/2013			
7	8291A481B	BRACKET, FILTER	1				
8	83016582A	BRACKET	2				
9	79915493A	SPRING	2				
10	77918861A	SCREW	2	06/11/2013			
11	77240408C	SCREW	1				
12	83016471AA	BRACKET	1				
13	77916811AA	SCREW, SPECIAL	2				
14	38510451B	KEY-OPERATED SWITCH	1	12/04/2013			
15	93041911A	DUST COVER	2				
16	7131A831AA	SPACER ANTI-ROTATION INSERT	4	13/03/2014			
17	77214141AA	SCREW, SPECIAL	2	06/11/2013			
18	71114581AA	BUSH WITH COLLAR	10	06/11/2013			
19	71114591AA	BUSH WITH COLLAR	7	06/11/2013			
20	71114601AA	BUSH WITH COLLAR	2	06/11/2013			
21	7131A841AA	SPACER	4	03/02/2014			



BRB00385

## DRAWING 023 - CLUTCH CONTROL [MOD:1199SL;XST:AUS,BRA,EUR,FRA,JAP]

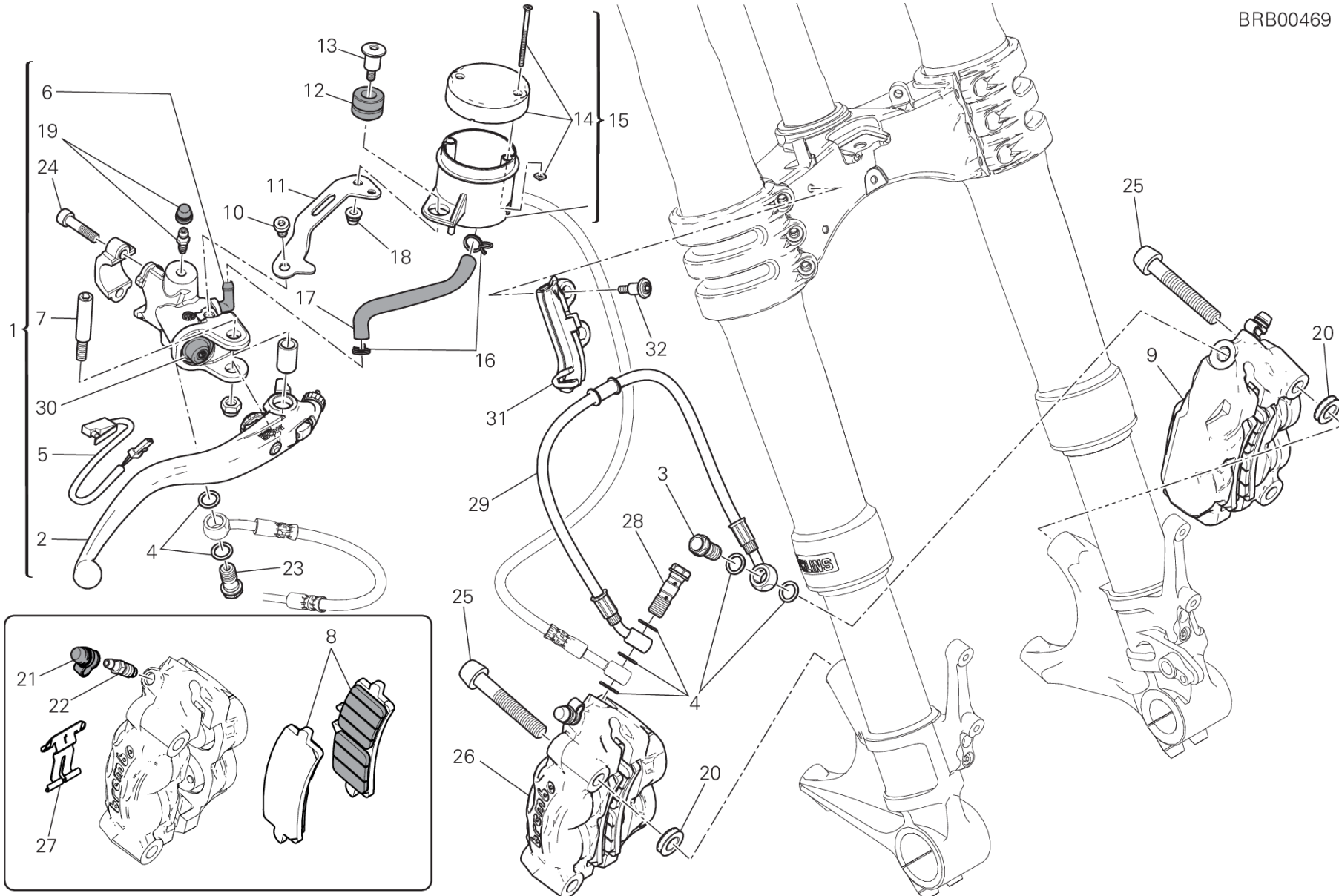
## GROUP FRAME



POS.	CODE	DESCRIPTION	QTY	START DATE	END DATE	VALIDITY	NOTES
1	63040603B	CLUTCH MASTER CYLINDER	1				
2	63140631A	LEVER, CLUTCH LIFTER	1				
3	18710021A	VALVE, BREATHER	1				
4	61240052A	DUST COVER	1				
5	77913971A	BOLT, BRAKE HOSE	1				
6	63210611A	CLUTCH CONTROL PIPE METAL PLAIED	1				
7	77910921B	SCREW	1				
8	037072020	DAMPER	1				
9	8291A701AA	BRACKET	1				
10	77350623B	SCREW TCEIR M6X10	1				
11	89340241A	COVER MASTER CYLINDER	1				
12	58540321A	SUB TANK, OIL	1				
13	75011921A	NUT	1				
14	74140431A	CLAMP	2				
15	87711131A	PIPE	1				
16	77913662AB	SCREW, SPECIAL	1	25/10/2013			
17	85250241A	WASHER 10X14X1	4				
18	62640571A	BRACKET, MASTER CYLINDER	1				
19	63140281A	DRAIN	1				
20	62640561A	BOLT, LEVER	1				
21	63140081A	JOINT, HOSE	1				
22	53940361A	SWITCH, CLUTCH	1				
23	61240391A	DUST COVER	1				
24	61041991A	BREMBO CLUTCH FLOATING PISTON KIT	1				



BRB00469

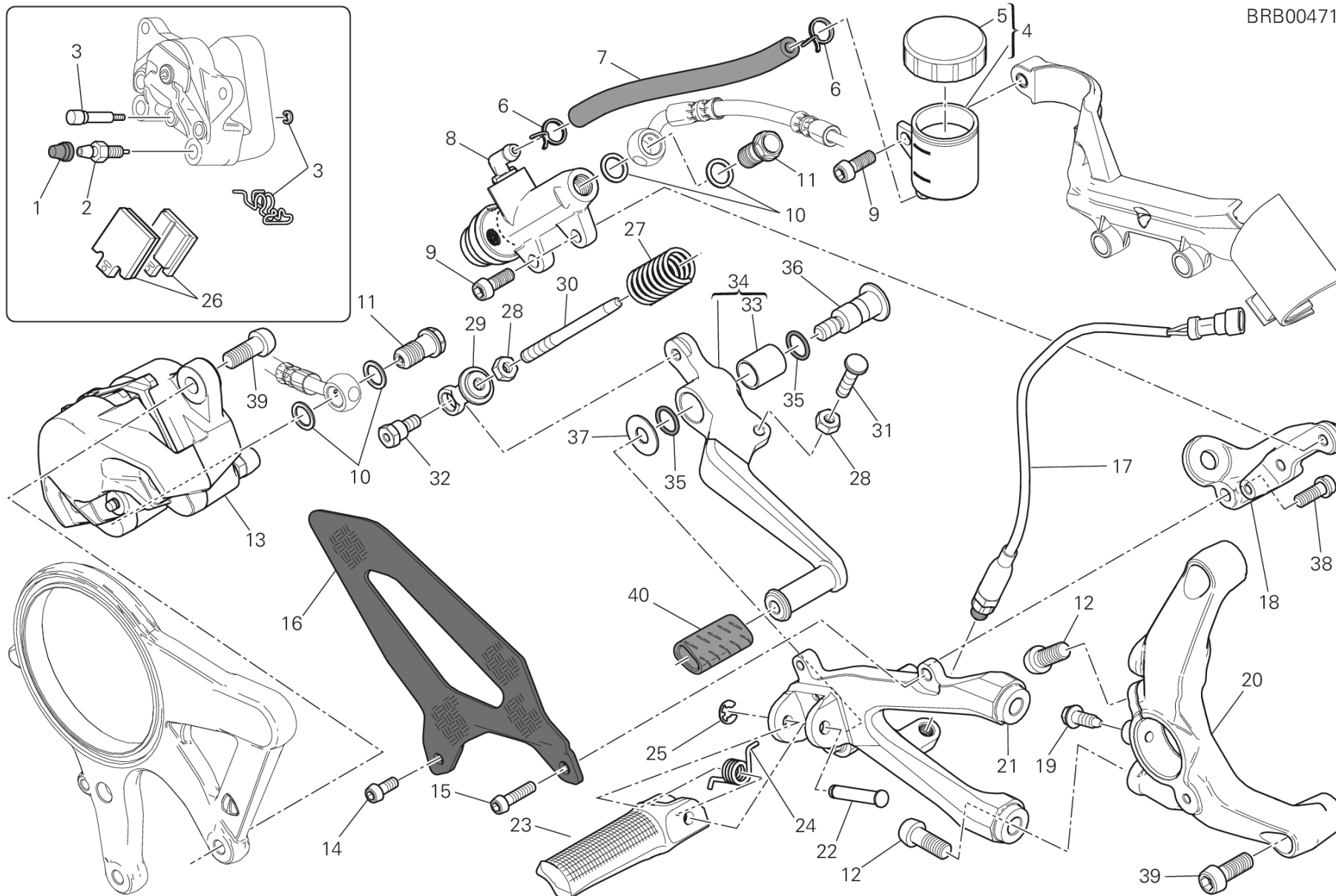


## DRAWING 024 - FRONT BRAKE SYSTEM [MOD:1199SL;XST:AUS,BRA,EUR,FRA,JAP]

## GROUP FRAME



POS.	CODE	DESCRIPTION	QTY	START DATE	END DATE	VALIDITY	NOTES
1	62440911A	FRONT BRAKE PUMP	1	23/09/2013			
2	63140551A	LEVER, FRONT BRAKE	1				
3	77913662AB	SCREW, SPECIAL	1				
4	85250241A	WASHER 10X14X1	7				
5	53940351A	FRONT BRAKE LIGHT SWITCH	1				
6	63140541A	JOINT, HOSE	1	11/04/2013			
7	62640561A	BOLT, LEVER	1				
8	61340961A	PADS PAIR	2				
9	61041371A	LEFT BRAKE CALIPER	1				
10	77350623B	SCREW TCEIR M6X10	1				
11	8291A691AA	BRACKET	1				
12	037072020	DAMPER	1				
13	77910921B	SCREW	1				
14	800068490	CAP BRAKE FLUID TANK	1				
15	58540181A	RESERVOIR, BRAKE FLUID	1				
16	74140431A	CLAMP	2				
17	87711411A	HOSE	1				
18	75011921A	NUT	1				
19	63140281A	DRAIN	1				
20	71313641A	SPACER	4				
21	61240052A	DUST COVER	2				
22	61240201A	FRONT CALIPER DRAIN SCREW	2				
23	77914151A	BOLT, BRAKE HOSE	1				
24	77918731A	SCREW	2				
25	77918531A	SCREW	4	15/11/2013			
26	61041381A	RIGHT BRAKE CALIPER	1				
27	61240371A	SPRING, PAD STOPPER	2				
28	77913091AB	SCREW, SPECIAL	1				
29	61810361A	FRONT BRAKE HOSE	1				
30	61240391A	DUST COVER	1				
31	83016541B	HOSE GUIDE	1				
32	77211271A	SCREW, SPECIAL M5X10	2				



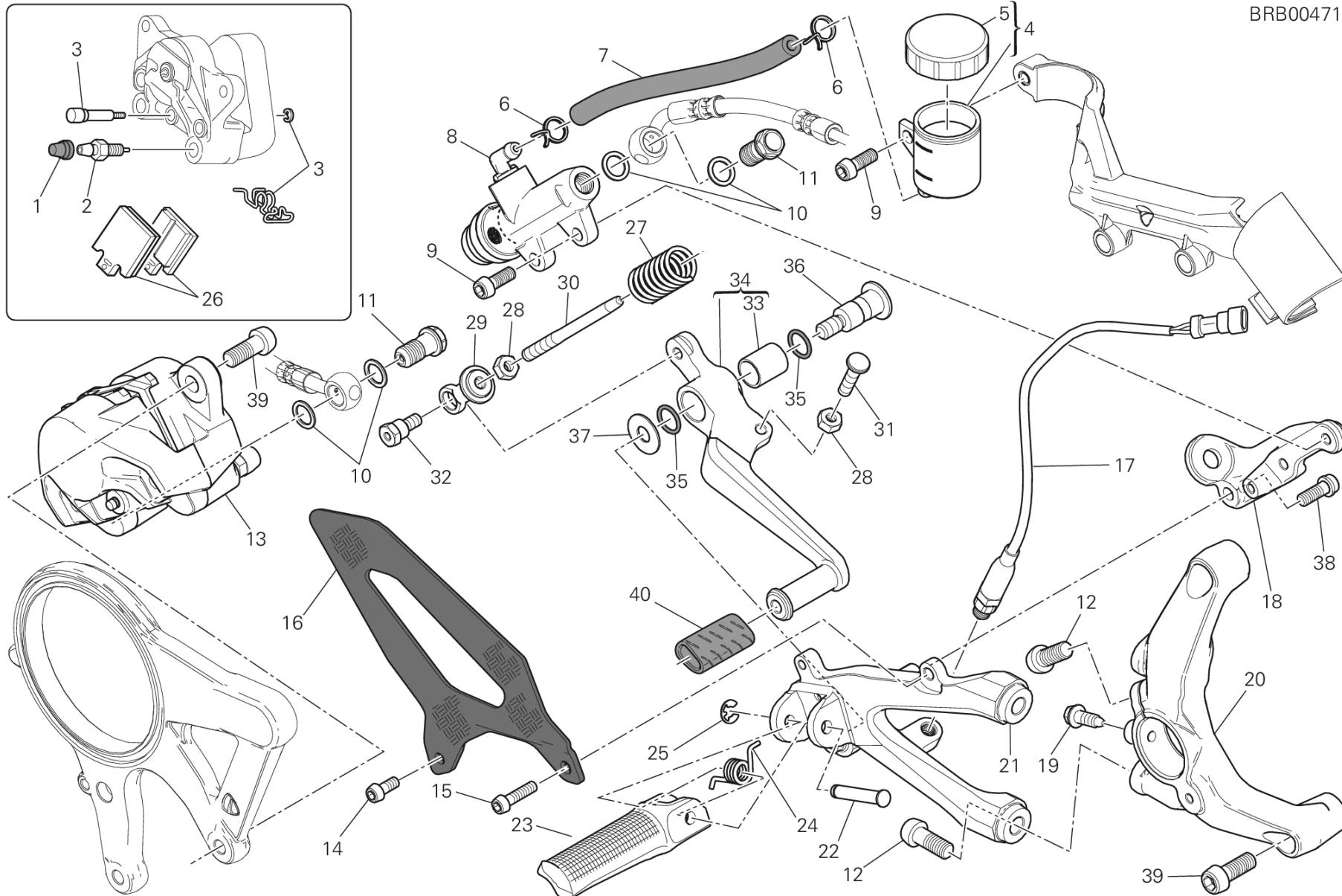
BRB00471

## DRAWING 025 - REAR BRAKE SYSTEM [MOD:1199SL;XST:AUS,BRA,EUR,FRA,JAP]

## GROUP FRAME



POS.	CODE	DESCRIPTION	QTY	START DATE	END DATE	VALIDITY	NOTES
1	61240081A	DUST PLUG (confezione da 20 pezzi)	1				
2	63140161A	FRONT CALIPER DRAIN SCREW	1				
3	61240161A	PAD PINS OVERHAUL KIT	1				
4	58540081A	RESERVOIR, BRAKE FLUID	1				
5	89340051A	CLUTCH BRAKE PUMP COVER KIT	1				
6	74140431A	CLAMP	2				
7	87711491A	PIPE	1	01/09/2012			
8	62540311C	REAR BRAKE PUMP	1				
9	77918861A	SCREW	3	15/11/2013			
10	85250241A	WASHER 10X14X1	4				
11	77913662AB	SCREW, SPECIAL	2				
12	77918501A	SCREW	3	24/09/2013			
13	61140412A	REAR BRAKE CALIPER	1	23/09/2013			
14	77918881A	SCREW	1	15/11/2013			
15	77918941A	SCREW	1	24/09/2013			
16	24714741A	HEEL GUARD R.H. CARBON	1	01/11/2012			
17	53940031A	SWITCH, REAR BRAKE	1				
18	8291A511BA	BRACKET, PUMP	1				
19	77214151AA	SCREW	1	10/11/2012			
20	8291B731AA	RIGHT HOLDER	1	17/09/2012			
21	82412451AA	FRONT R.H. PLATE	1	24/09/2013			
22	82110511AB	FOOTREST PIN	1				
23	46410531A	RIGHT FOOTREST	1	24/09/2013			
24	79915871AA	SPRING. FOOTREST	1	14/01/2014			
25	88450031A	CIRCLIP E-TYPE	1				
26	61340381A	REAR BRAKE PADS SET	1				
27	79915511A	SPRING	1				
28	74750031A	NUT 6MM	2				
29	18410152AA	JOINT	1				
30	11711272AA	PIN	1				
31	77912371B	SCREW	1				
32	82113811AA	PIN	1				
33	71210341A	BUSH	1				
34	45720751AA	BRAKE LEVER ASSEMBLY	1	24/09/2013			
35	88641161A	O-RING	2				



BRB00471

## DRAWING 025 - REAR BRAKE SYSTEM [MOD:1199SL;XST:AUS,BRA,EUR,FRA,JAP]

## GROUP FRAME

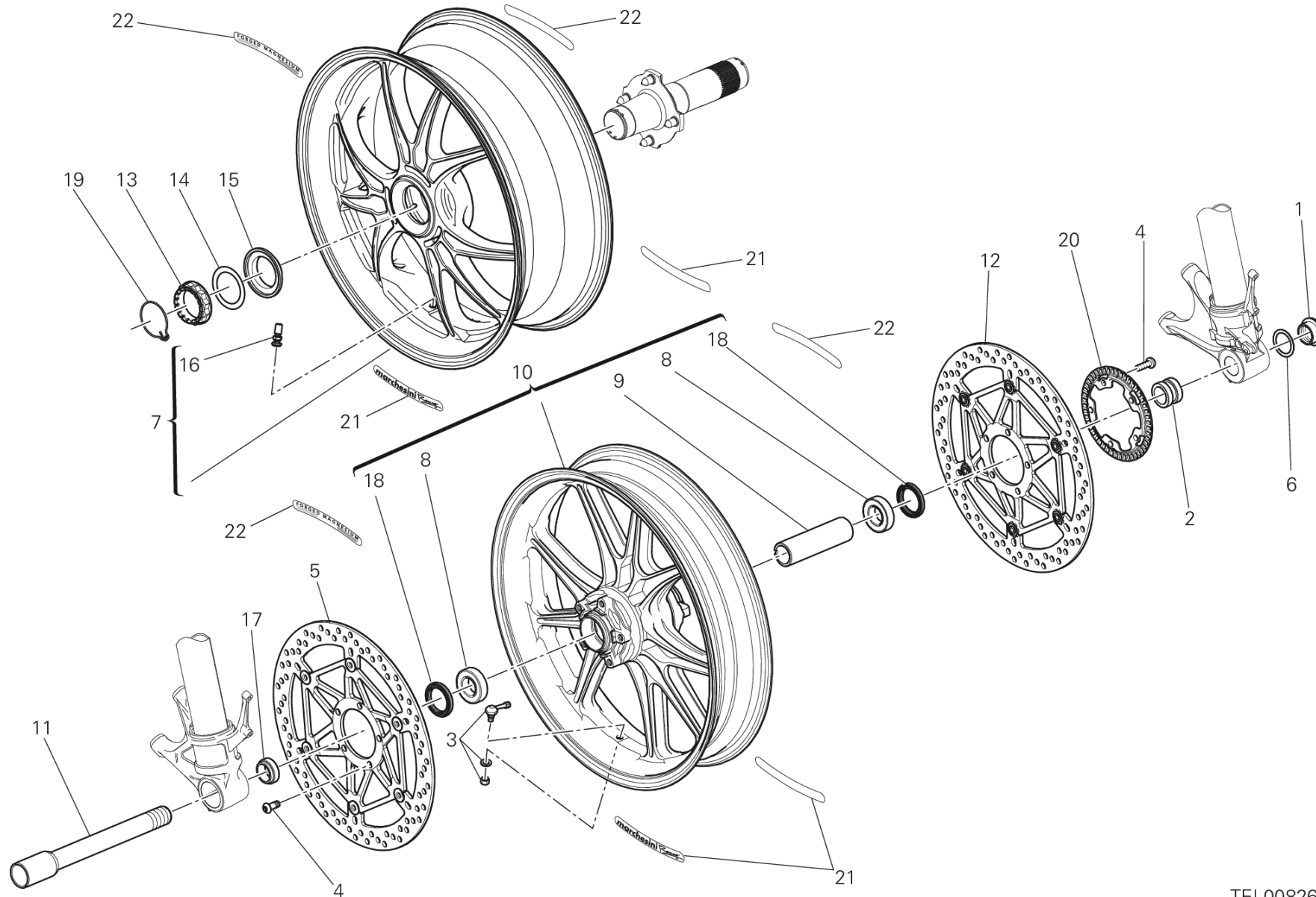


POS.	CODE	DESCRIPTION	QTY	START DATE	END DATE	VALIDITY	NOTES
36	82111701B	PIN PEDAL	1				
37	85211511A	WASHER	1				
38	77156658B	SCREW TCEIF M6X16	1	24/09/2013			
39	77918491A	SCREW	4	15/11/2013			
40	76410112A	COVER PEDAL	1	23/11/2012			



# DRAWING 026 - RUOTA ANTERIORE E POSTERIORE [MOD:1199SL;XST:AUS,BRA,EUR,FRA,JAP]

GROUP FRAME



TEL00826

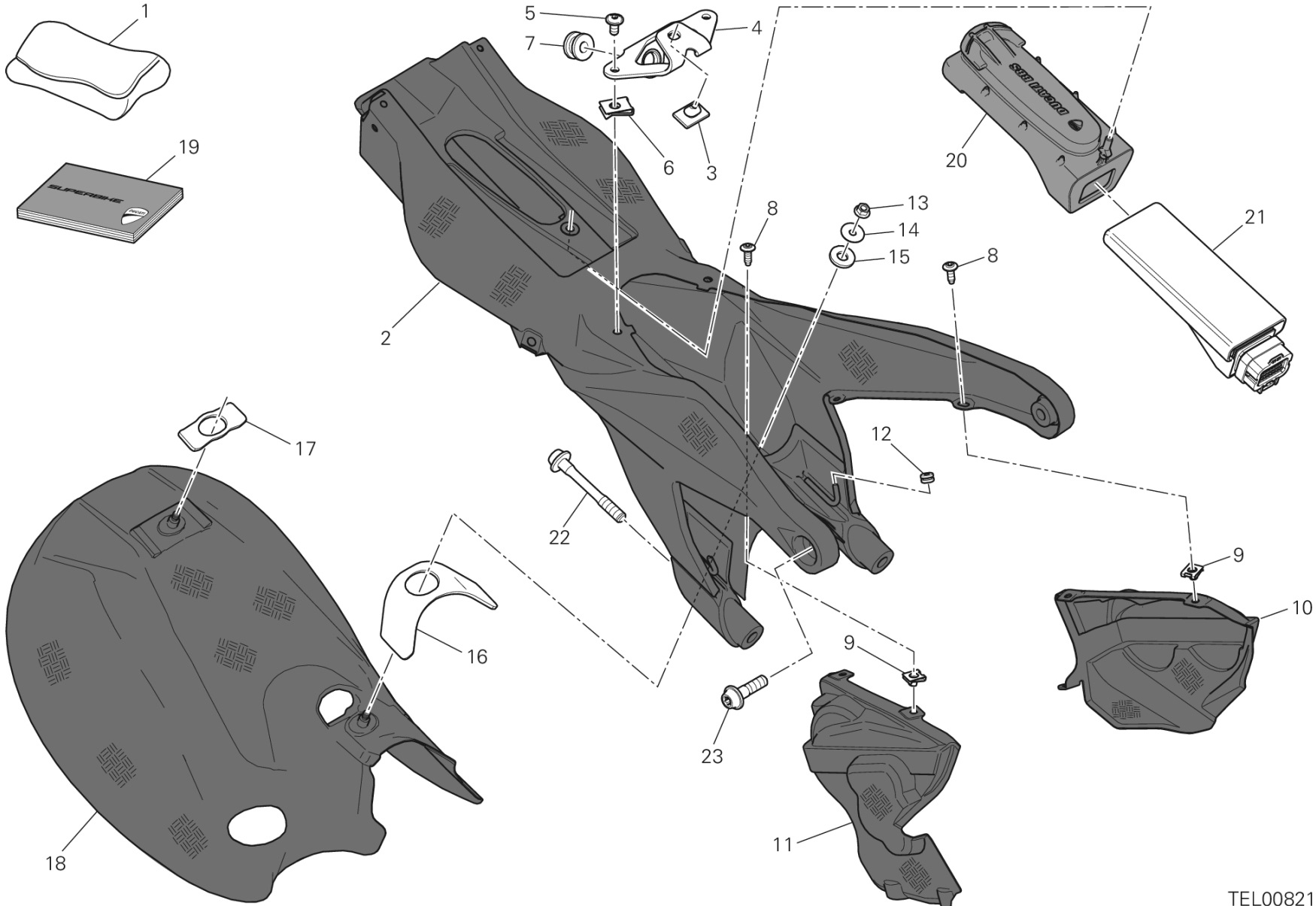
## DRAWING 026 - RUOTA ANTERIORE E POSTERIORE

[MOD:1199SL;XST:AUS,BRA,EUR,FRA,JAP]

## GROUP FRAME



POS.	CODE	DESCRIPTION	QTY	START DATE	END DATE	VALIDITY	NOTES
1	74810651AB	NUT FRONT	1	15/11/2013			
2	71413271AA	LEFT SPACER	1				
3	49720012A	VALVE, TUBELESS TIRE	1				
4	77510701AA	SCREW	10	06/11/2013			
5	49240901A	DISC, FRONT BRAKE RH	1				
6	85212221A	WASHER	1				
7	50221643AB	REAR WHEEL RIM MAGNESIUM	1	06/11/2013			
8	70250451A	BEARING	2				
9	71413291A	INNER SPACER	1				
10	50121722AB	FRONT WHEEL RIM MAGNESIUM	1	06/11/2013			
11	81910691A	FRONT WHEEL SPINDLE	1				
12	49240891A	DISC, FRONT BRAKE LH	1				
13	75011911AA	NUT, WHEEL AXLE M48X1.5	1	15/11/2013			
14	85212211A	WASHER 48.5X65X0.5	1				
15	71413231AB	SPACER	1	15/11/2013			
16	49720031A	VALVE, TUBELESS TIRE	1				
17	71413261AA	RIGHT SPACER	1				
18	93040521A	SEAL RING 35X47.15X6.8	2				
19	75910222A	CLIP	1				
20	50410051A	PHONIC WHEEL	1				
21	43819261A	TRANSFER MARCHESINI	4	06/11/2013			
22	43819271A	ITALIAN FLAG DECAL	4	06/11/2013			



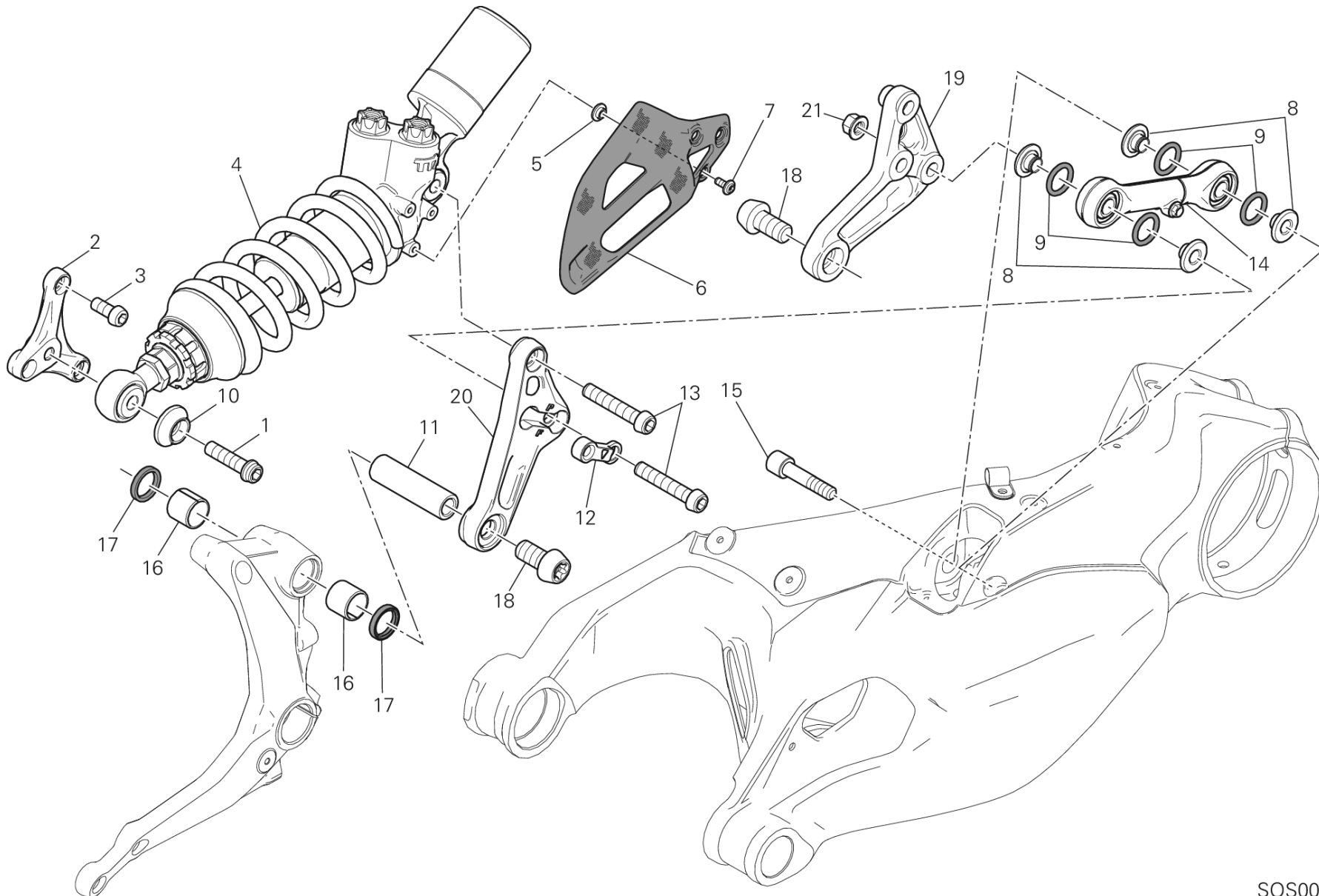
TEL00821

## DRAWING 027 - REAR FRAME COMP. [MOD:1199SL;XST:AUS,BRA,EUR,FRA,JAP]

## GROUP FRAME



POS.	CODE	DESCRIPTION	QTY	START DATE	END DATE	VALIDITY	NOTES
1	69720283A	TOOL BAG	1				
2	46910151BA	REAR FRAME COMP. CARBON	1	01/08/2013			
3	86610301A	PAD	1	18/11/2013			
4	83018551BA	BRACKET, FUEL TANK	1	18/11/2013			
5	77240408C	SCREW	2	10/04/2013			
6	85041581A	CLIP NUT	2	11/04/2013			
7	76411491A	RUBBER PAD	1	18/11/2013			
8	77211091C	SCREW	4	10/04/2013			
9	85041951AA	QUICK FASTENING	4	10/04/2013			
10	4601B001AA	CAP LH CARBON	1	15/11/2013			
11	4601B012AA	CAP RH CARBON	1	10/04/2013			
12	76440561A	RUBBER PAD	2	15/11/2013			
13	74840381A	NUT M5	2	20/11/2013			
14	85213002A	WASHER	2	15/11/2013			
15	86611781A	PAD UPPER	2	16/05/2013			
16	86611772A	PAD FRONT	1	16/05/2013			
17	86611761A	PAD	1	16/05/2013			
18	4601A102AA	HEAT GUARD VERTICAL CARBON	1	15/11/2013			
19	91372461A	OWNER'S MANUAL	1	15/11/2013		XST:AUS,EUR,FRA	IT-GB-FR-DE
	91372461B	OWNER'S MANUAL	1	15/11/2013		XST:JAP	GB-ES-FR-JP
	91372461C	OWNER'S MANUAL	1			XST:EUR	ES-PT-GR
	91372461D	OWNER'S MANUAL	1			XST:EUR,FRA	FR-NL
	91372461E	OWNER'S MANUAL	1			XST:EUR	SE-FI-DK-NO
	91372461F	OWNER'S MANUAL	1			XST:EUR	PL-CZ-SK-SI
	91372461G	OWNER'S MANUAL	1			XST:EUR	HU-RO-BG-RU
	91372461L	OWNER'S MANUAL	1	15/11/2013		XST:BRA	BRA
20	70010702A	VIBRATION DAMPER HOLDER	1	07/11/2013			
21	38510301C	BLACKBOX UNIT	1	15/01/2014			
22	77916773AA	SPECIAL SCREW BOTTOM	2				
23	77916763AA	SCREW, SPECIAL	2				



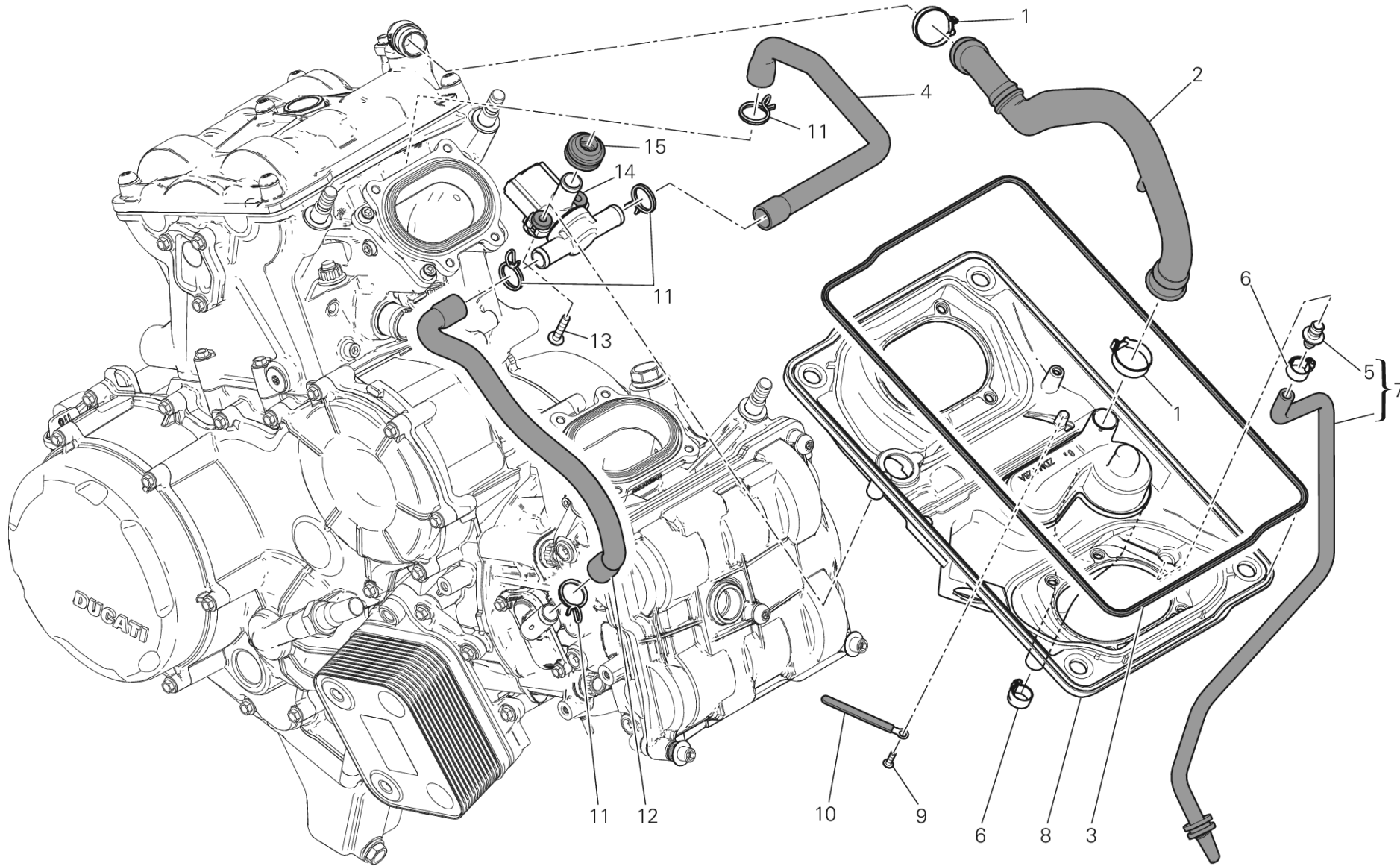
SOS00721

## DRAWING 028 - SOSPENSIONE POSTERIORE [MOD:1199SL;XST:AUS,BRA,EUR,FRA,JAP]

## GROUP FRAME



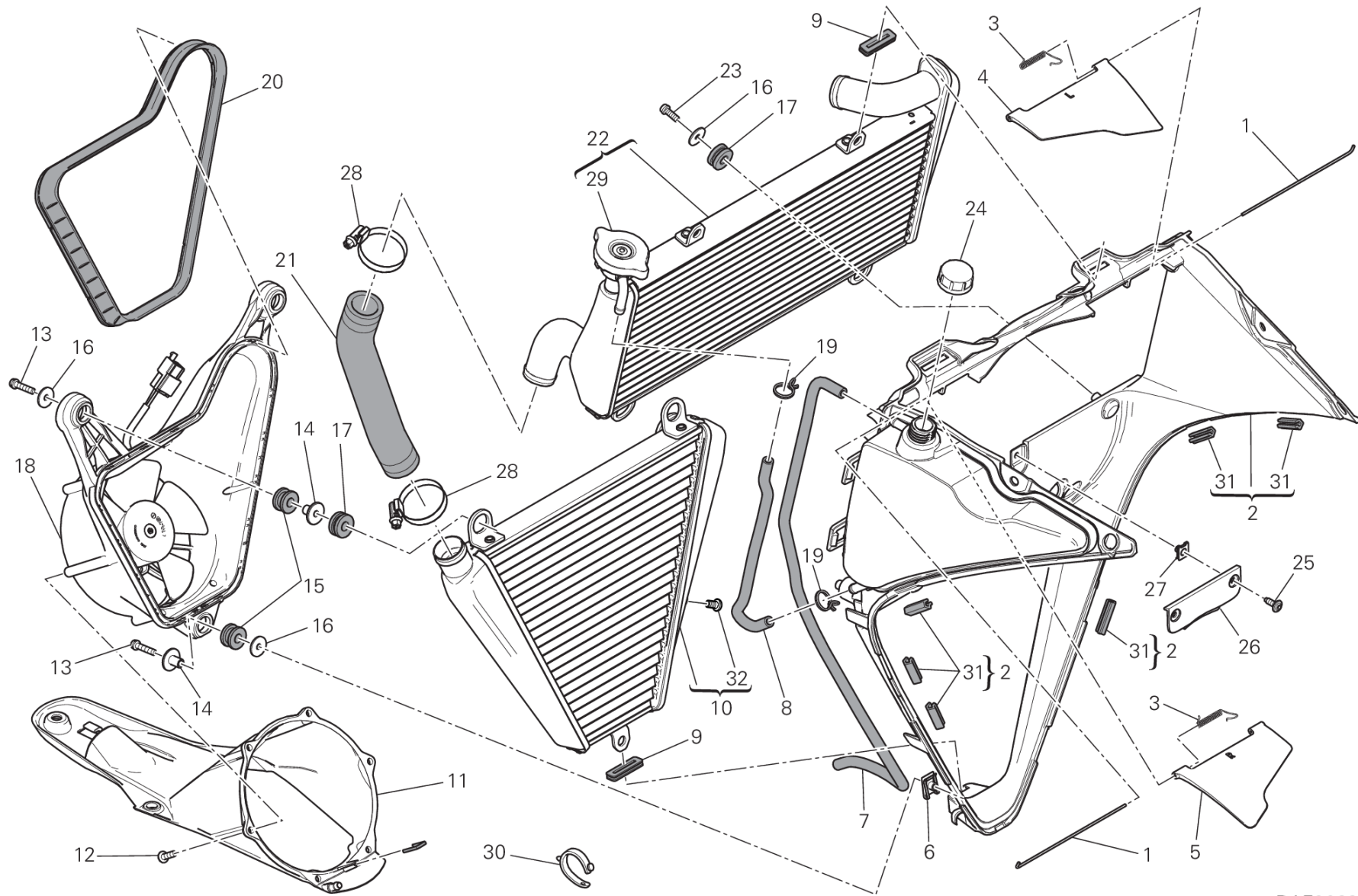
POS.	CODE	DESCRIPTION	QTY	START DATE	END DATE	VALIDITY	NOTES
1	77151598C	SCREW	1				
2	8291A333AA	BRACKET, FRONT	1				
3	77918491A	SCREW	3	15/11/2013			
4	36521321A	REAR SHOCK ABSORBER	1	15/11/2013			
5	71611441B	SPACER	3				
6	46016191AA	GUARD CARBON	1	01/11/2012			
7	77244173B	SCREW	3	10/01/2013			
8	71011642AA	SPINDLE, TAPER	4				
9	88640091A	O-RING	4				
10	71319971AA	SPACER	1				
11	71319421A	SPACER	1				
12	71319522AB	PLATE	1	01/10/2013			
13	77918521A	SCREW	2	15/11/2013			
14	87521941AB	ROD	1	01/10/2013			
15	77915041A	SCREW, SPECIAL	1				
16	70241191A	BUSH	2				
17	93041271A	SEAL RING 20X26X4	2				
18	77211361AB	SCREW, SPECIAL	2	01/10/2013			
19	37211171BA	REAR ROCKER ARM RH	1				
20	37211161BA	REAR ROCKER ARM LH	1				
21	74940141A	NUT	1				



RAF00506



POS.	CODE	DESCRIPTION	QTY	START DATE	END DATE	VALIDITY	NOTES
1	74142141A	CLAMP	2				
2	87611081A	BREATHER PIPE	1				
3	78811161A	GASKET	1				
4	87611121A	PIPE VERTICAL	1				
5	81510371A	NIPPLE	1				
6	74140631A	CLAMP	2				
7	59013861A	BREATHER PIPE	1				
8	44212971A	AIRBOX	1	15/11/2013			
9	77440111A	SCREW	1				
10	74141671A	PLATE	1				
11	74142251A	CLAMP	4				
12	87611131A	PIPE HORIZONTAL	1				
13	77240323C	SCREW	2				
14	65540081A	ACTUATOR	1				
15	76411621A	RUBBER PAD	1				



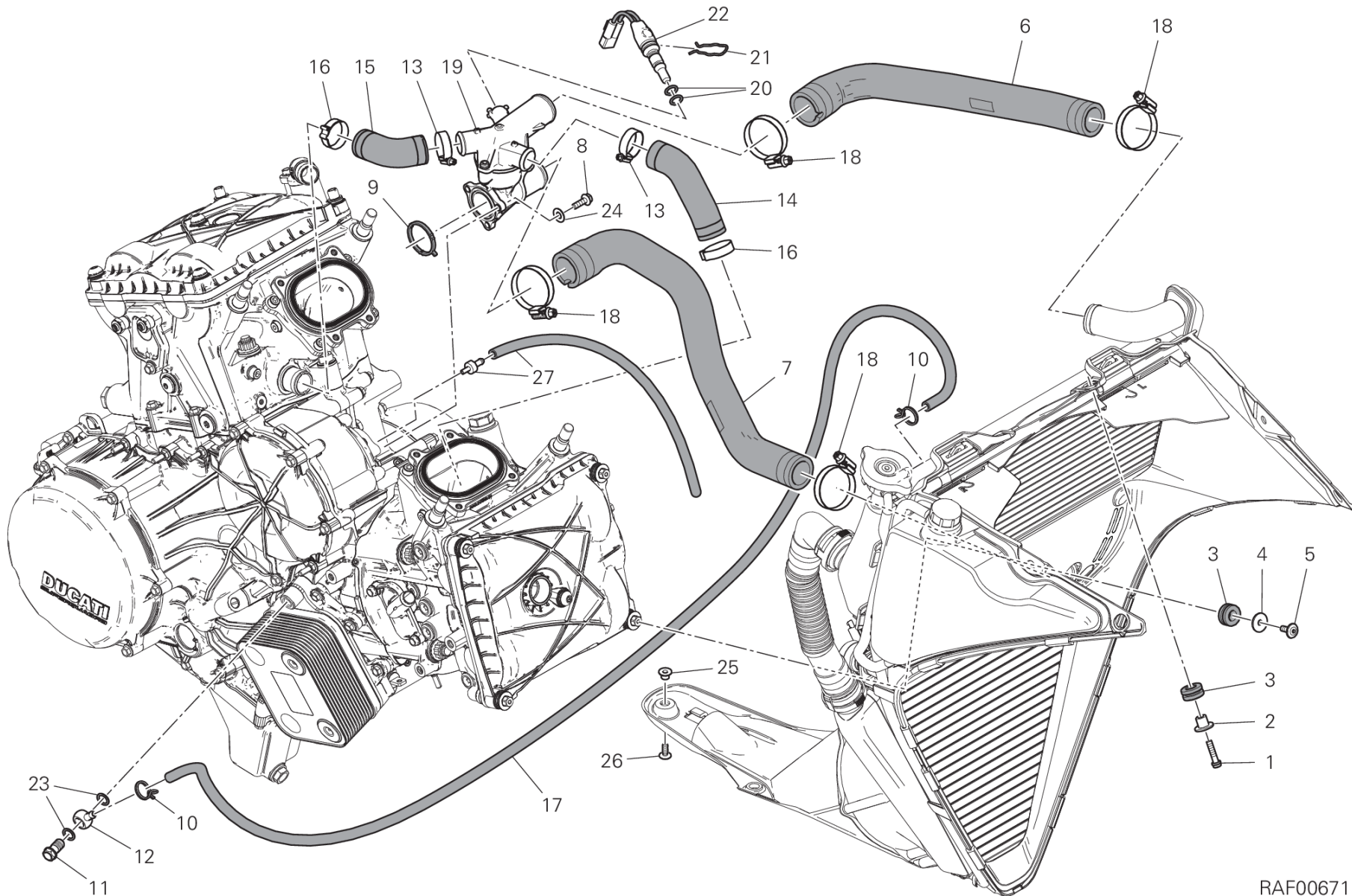
RAF00689

## DRAWING 030 - WATER COOLER [MOD:1199SL;XST:AUS,BRA,EUR,FRA,JAP]

## GROUP FRAME



POS.	CODE	DESCRIPTION	QTY	START DATE	END DATE	VALIDITY	NOTES
1	82113751A	PIN	2				
2	48410992B	BRACE, RADIATOR	1				
3	79915441A	SPRING	2				
4	48411043A	DEFLECTOR LH	1				
5	48411053A	DEFLECTOR RH	1				
6	85040551A	QUICK FASTENING	1				
7	59013911B	BREATHER PIPE	1				
8	93410152A	PIPE	1				
9	76411411B	RUBBER PAD	3				
10	54840972B	RADIATOR, WATER LOWER	1				
11	8291C691A	ESTRATTORE (REAR)	1	01/07/2013			
12	77440203C	SCREW	6				
13	77156443B	SCREW	3				
14	71614331AA	SPACER	3				
15	76411491A	RUBBER PAD	3				
16	85213111AA	WASHER	5				
17	76411501A	RUBBER PAD	4				
18	8292A342A	ESTRATTORE (Unit)	1				
19	74140431A	CLAMP	2				
20	79110831A	GASKET	1				
21	80012121A	COOLER COOLER HOSE	1				
22	54841041A	RADIATOR, WATER UPPER	1	01/07/2013			
23	77156408B	SCREW TCEIF M5X14	2				
24	89310143A	EXPANSION TANK CAP	1				
25	77211091C	SCREW	2				
26	24714291A	COVER	1				
27	85040471A	QUICK FASTENING M5	2				
28	74141851A	CLAMP 25-40 MM	2				
29	87220892AA	RADIATOR CAP	1	24/09/2013			
30	74110551A	CLAMP, RUBBER 39MM	1	01/07/2013			
31	76411541A	RUBBER PAD	10				
32	77942571A	PLUG	1				



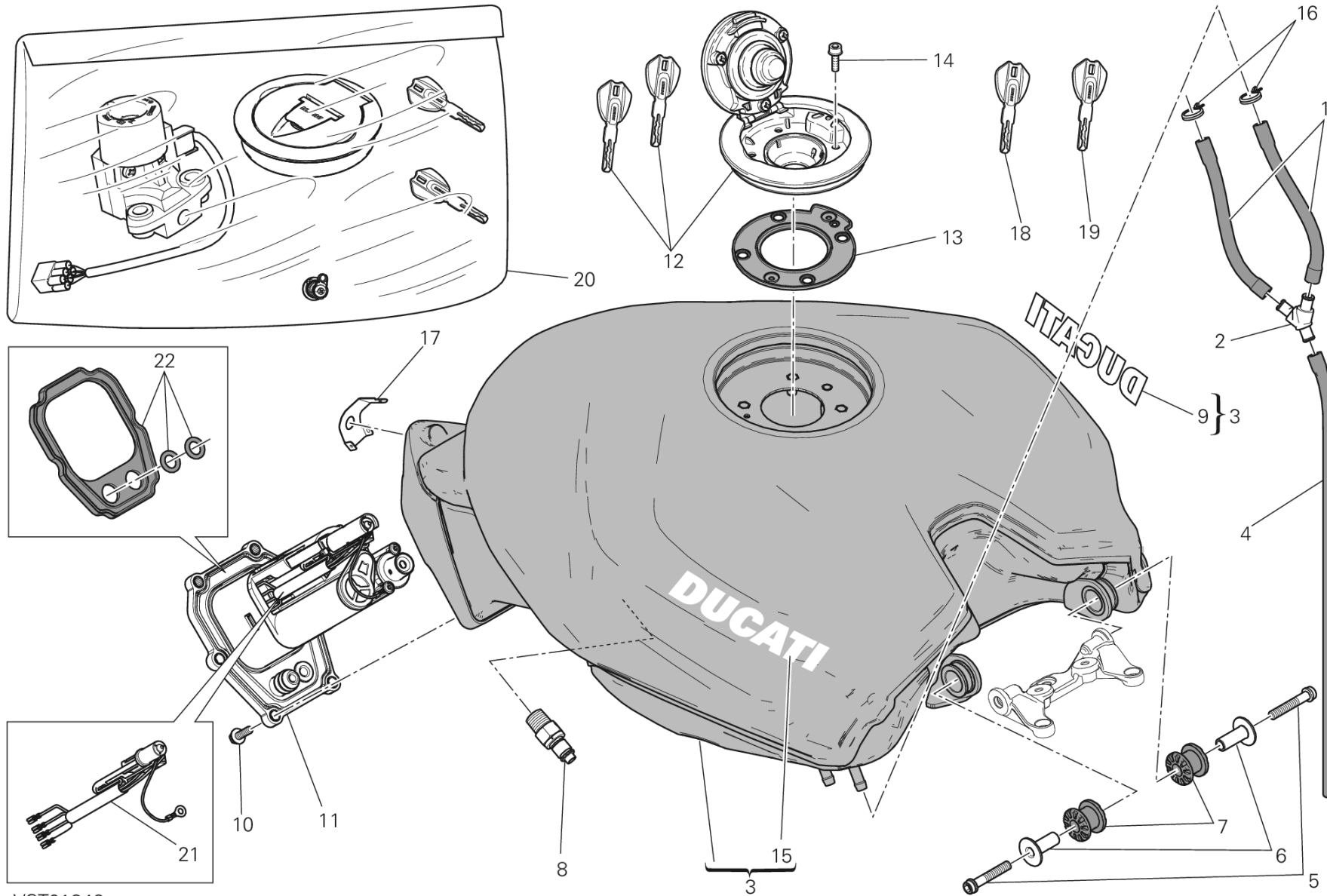
RAF00671

# DRAWING 031 - COOLING SYSTEM [MOD:1199SL]

## GROUP FRAME



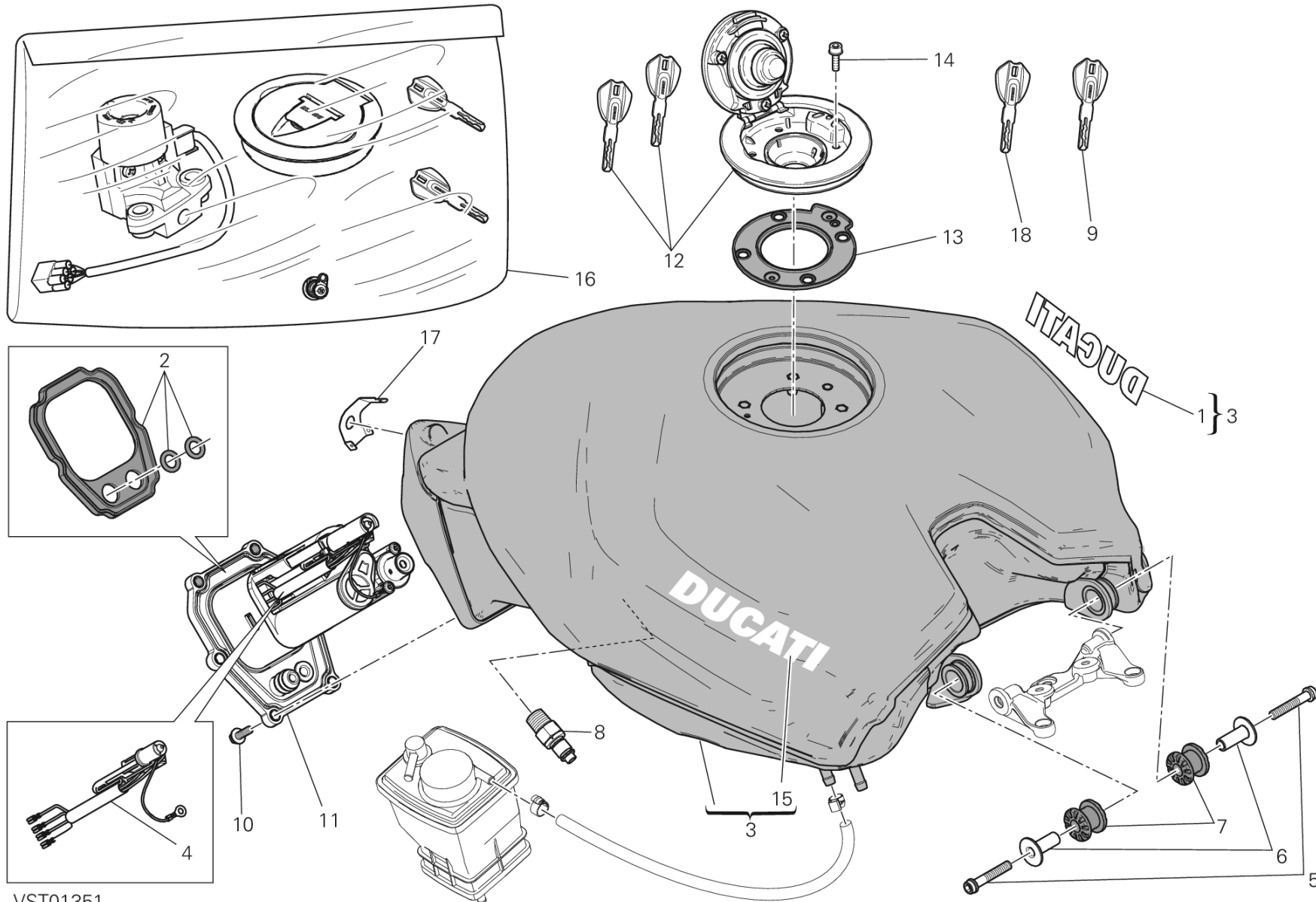
POS.	CODE	DESCRIPTION	QTY	START DATE	END DATE	VALIDITY	NOTES
1	77156443B	SCREW	2				
2	71614342AA	SPACER	2				
3	76410901A	RUBBER PAD	4				
4	71614431AA	SPACER	2				
5	77210882B	SCREW TBEI M5X12	2	09/12/2015			
6	80012111A	COOLER THERMOSTAT HOSE UPPER	1				
7	80012131A	COOLER THERMOSTAT HOSE BOTTOM	1				
8	77210623B	SCREW	3				
9	78811201A	GASKET	1				
10	74140431A	CLAMP	2				
11	78110121AA	SCREW, SPECIAL	1	11/06/2012			
12	81415081AA	UNION	1				
13	74141861A	CLAMP 20-32 MM	2				
14	80012051A	THERMOSTAT PUMP HOSE HORIZONTAL	1				
15	80012061A	THERMOSTAT PUMP HOSE VERTICAL	1				
16	74142231A	CLAMP	2				
17	93410173A	PIPE	1				
18	74141881A	CLAMP 23-35 MM	4	09/05/2012			
19	55320122A	SQUIRTER UNIT	1				
20	88641981A	O-RING	2				
21	79915581A	SPRING	1				
22	55242631A	ENGINE WATER TEMPERATURE SENSOR	1				
23	85250241A	WASHER 10X14X1	2				
24	85250301A	WASHER 5.3X10X1	3	20/02/2012			
25	71615111AA	SPACER	1	14/04/2017			
26	77244203B	SCREW	1	14/04/2017			
27	81420081A	BREATHER PIPE COMPLETE WATER PUMP	1				



VST01346



POS.	CODE	DESCRIPTION	QTY	START DATE	END DATE	VALIDITY	NOTES
1	59013901A	PIPE	2				
2	61610021A	THREE-WAYS UNION	1				
3	58612101AB	FUEL TANK	1	01/08/2013			
4	59013911B	BREATHER PIPE	1				
5	77156728B	SCREW TCEIF M6X35	2				
6	71614351AA	SPACER	2				
7	76411521A	RUBBER PAD	2				
8	81440681A	QUICK FASTENING	1				
9	43819051A	L.H. STICKER DUCATI WHITE	1	25/09/2013			
10	77244203B	SCREW	6	10/01/2013			
11	16024272A	FLANGE	1				
12	89520441A	TANK CAP COMPLETE	1	22/11/2013			
13	86640061A	GASKET, FUEL TANK CAP	1				
14	77156418B	SCREW TCEIF M5X16	4				
15	43819041A	R.H. STICKER DUCATI WHITE	1	25/09/2013			
16	74140431A	CLAMP	2				
17	38710041A	PLATE	1				
18	59840321A	KEY WITH TRANSPONDER	1				
19	59840291A	KEY, NON INDENTED WITHOUT TRANSPONDER	1				
20	59821521A	LOCKS KIT	1	15/11/2013			
21	69926431A	THERMISTOR	1				
22	69926441A	GASKET KIT	1				



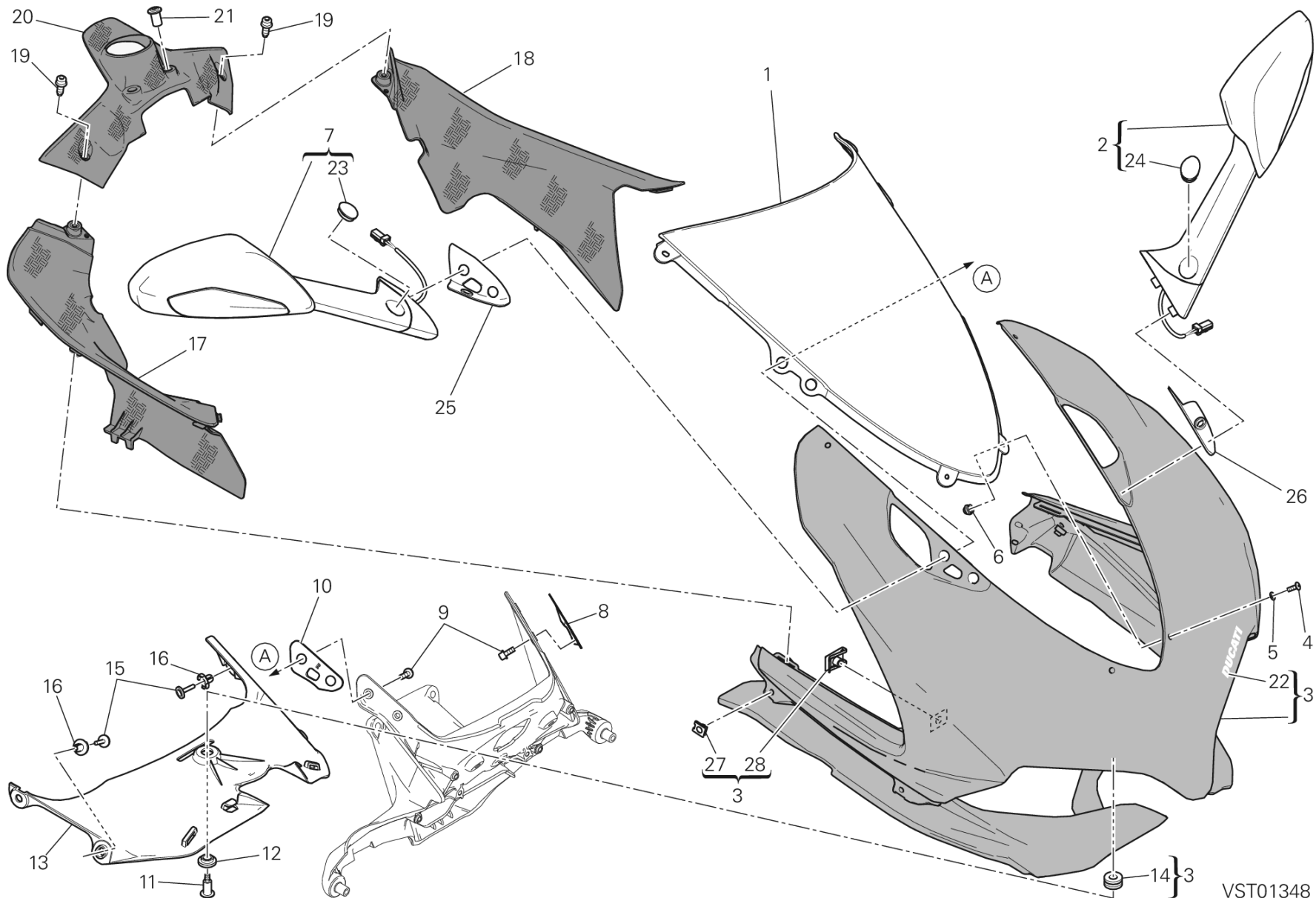


POS.	CODE	DESCRIPTION	QTY	START DATE	END DATE	VALIDITY	NOTES
1	43819051A	L.H. STICKER DUCATI WHITE	1	25/09/2013			
2	69926441A	GASKET KIT	1				
3	58612101AB	FUEL TANK	1	01/08/2013			
4	69926431A	THERMISTOR	1				
5	77156728B	SCREW TCEIF M6X35	2				
6	71614351AA	SPACER	2				
7	76411521A	RUBBER PAD	2				
8	81440681A	QUICK FASTENING	1				
9	59840291A	KEY, NON INDENTED WITHOUT TRANSPONDER	1				
10	77244203B	SCREW	6	10/01/2013			
11	16024272A	FLANGE	1				
12	89520441A	TANK CAP COMPLETE	1	22/11/2013			
14	77156418B	SCREW TCEIF M5X16	4				
15	43819041A	R.H. STICKER DUCATI WHITE	1	25/09/2013			
17	38710041A	PLATE	1				
18	59840321A	KEY WITH TRANSPONDER	1				





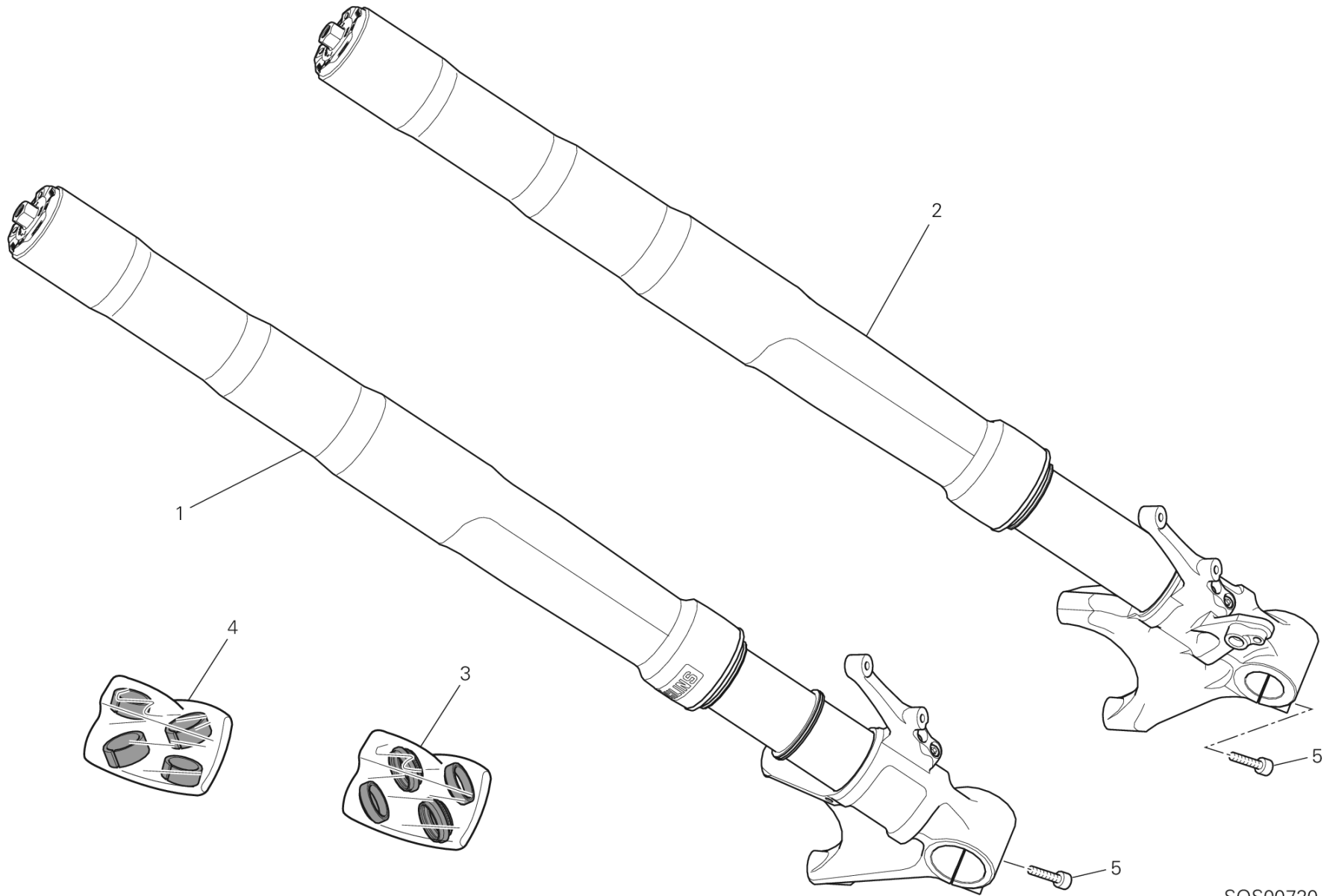
POS.	CODE	DESCRIPTION	QTY	START DATE	END DATE	VALIDITY	NOTES
1	59522183A	SEAT	1	15/11/2013			
2	77918931AA	SCREW	5	15/11/2013			
3	48311803AA	REAR FAIRING (REAR)	1	27/11/2013			
4	43814531D	STICKER DUCATI CORSE	1	27/11/2013			
5	86610301A	PAD	6				
6	43819121A	ITALIAN FLAG DECAL LEFT	1	27/11/2013			
7	79111151A	GASKET	1	20/01/2014			
8	43819131A	ITALIAN FLAG DECAL RIGHT	1	27/11/2013			
9	79111141A	GASKET	1	20/01/2014			
10	483P1813AA	TAIL GUARD CENTRE BLACK CARBON	1	15/11/2013			
11	59512191A	SEAT BACK	1	15/11/2013			
12	76440561A	RUBBER PAD	3	15/11/2013			
13	77918561AA	SCREW, SPECIAL	1	15/11/2013			
14	85041951AA	QUICK FASTENING	14	15/11/2013			
15	77918931AB	SCREW	10	27/11/2013			
16	85611401A	WASHER	10	27/11/2013			
17	85041581A	CLIP NUT	2	27/11/2013			
18	77240408C	SCREW	2	27/11/2013			
19	55910151AA	LOCKER	1	27/11/2013			
20	85012981AA	CLIP	2	20/01/2014			
21	74110401A	CLAMP	1	27/11/2013			
22	74110551A	CLAMP, RUBBER 39MM	1	27/11/2013			
23	59820611A	SEAT LOCK	1	22/11/2013			
24	82717102AA	PLATE	1	16/05/2013			
25	75011551A	NUT M22X1.5	1	15/11/2013			
26	75840821A	FAIRLEAD	1	27/11/2013			



VST01348



POS.	CODE	DESCRIPTION	QTY	START DATE	END DATE	VALIDITY	NOTES
1	48710563A	WINDSHIELD	1				
2	523S0293B	REAR-VIEW MIRROR L.H.	1	15/11/2013			
3	481P1032AA	COMPLETE HEADLIGHT FAIRING CARBON	1	15/11/2013			
4	77510071AB	SCREW, SPECIAL	4				
5	85210241A	WASHER, NYLON 4X8X0.5	4				
6	75010281A	NUT, SPRING	4				
7	523S0283B	REAR-VIEW MIRROR R.H.	1	15/11/2013			
8	78811221A	GASKET INTERNAL LH	1				
9	77918921A	SCREW	4	15/11/2013			
10	78811231A	GASKET INTERNAL RH	1				
11	77916951AA	SCREW, SPECIAL	1				
12	76411511A	RUBBER PAD	1				
13	48411002A	MUDFLAP	1				
14	76411141A	VIBRATION DAMPER PAD	1				
15	85041041A	RIVET, MALE	4				
16	85041051A	RIVET, FEMALE	4				
17	46016211AA	RIGHT COVER CARBON	1	01/11/2012			
18	46016201AA	PROTECTION, LEFT CARBON	1	01/11/2012			
19	77918931AA	SCREW	2	15/11/2013			
20	46016221AA	PROTECTION CENTRE CARBON	1	01/11/2012			
21	75011951A	SCREW, SPECIAL	2	15/11/2013			
22	43819011A	STICKER DUCATI WHITE	1	27/11/2013			
23	87210791A	PLUG, RH	1	15/02/2013			
24	87210781A	PLUG	1	15/02/2013			
25	78811281A	GASKET, MIRROR RH	1	01/07/2012			
26	78811291A	GASKET, MIRROR LH	1	01/07/2012			
27	85040471A	QUICK FASTENING M5	4	27/11/2013			
28	85041951AA	QUICK FASTENING	2	27/11/2013			



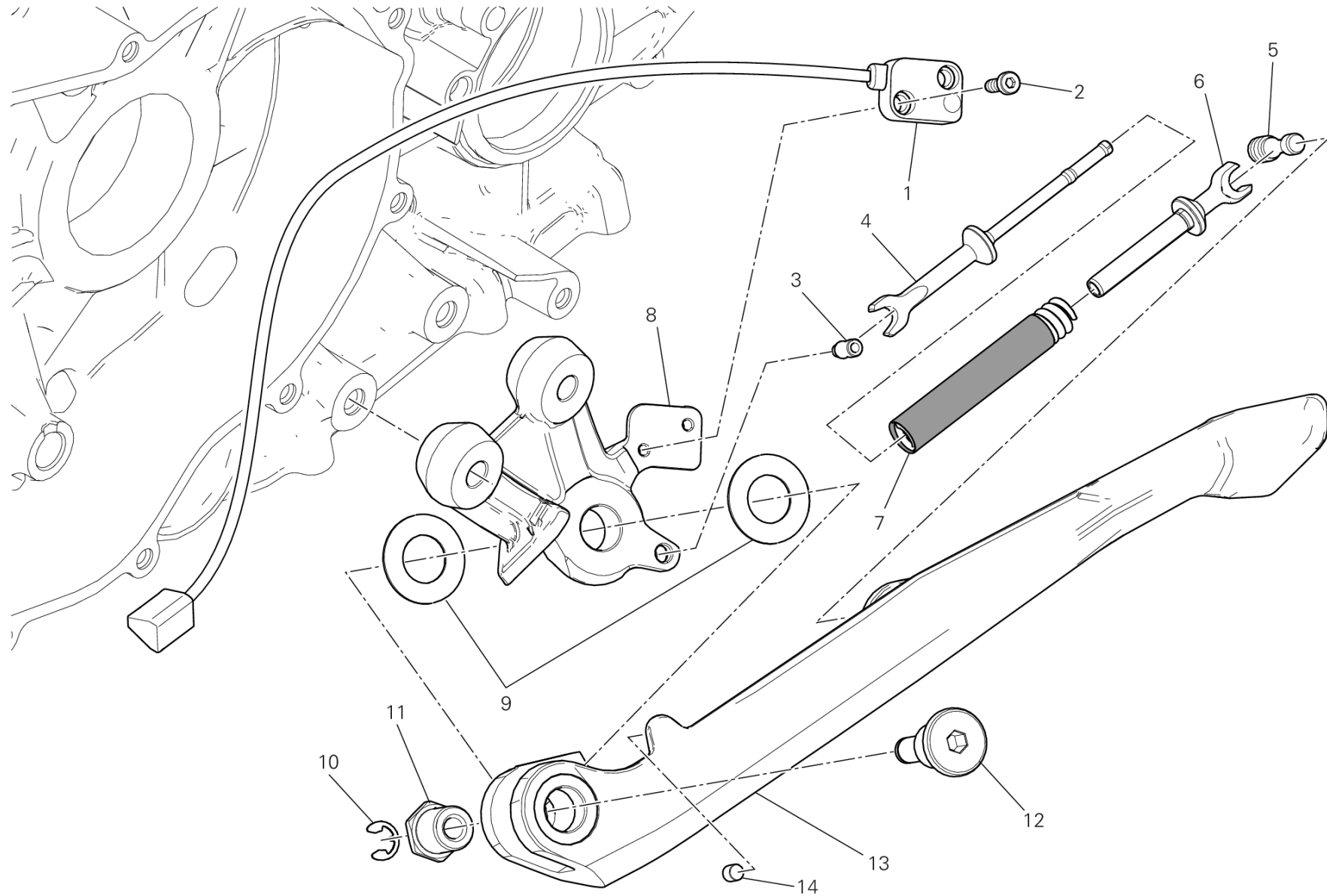
SOS00720

## DRAWING 21A - FRONT FORK [MOD:1199SL;XST:AUS,BRA,EUR,FRA,JAP]

## GROUP FRAME



POS.	CODE	DESCRIPTION	QTY	START DATE	END DATE	VALIDITY	NOTES
1	34420631A	FORK LEG ASSY, RIGHT	1	01/08/2013			
2	34520631A	FORK LEG ASSY, LEFT	1	01/08/2013			
3	34921801A	SEAL KIT	1				
4	34921791A	OVERHAUL KIT	1				
5	77151258C	SCREW M8X25	4				



TEL00785



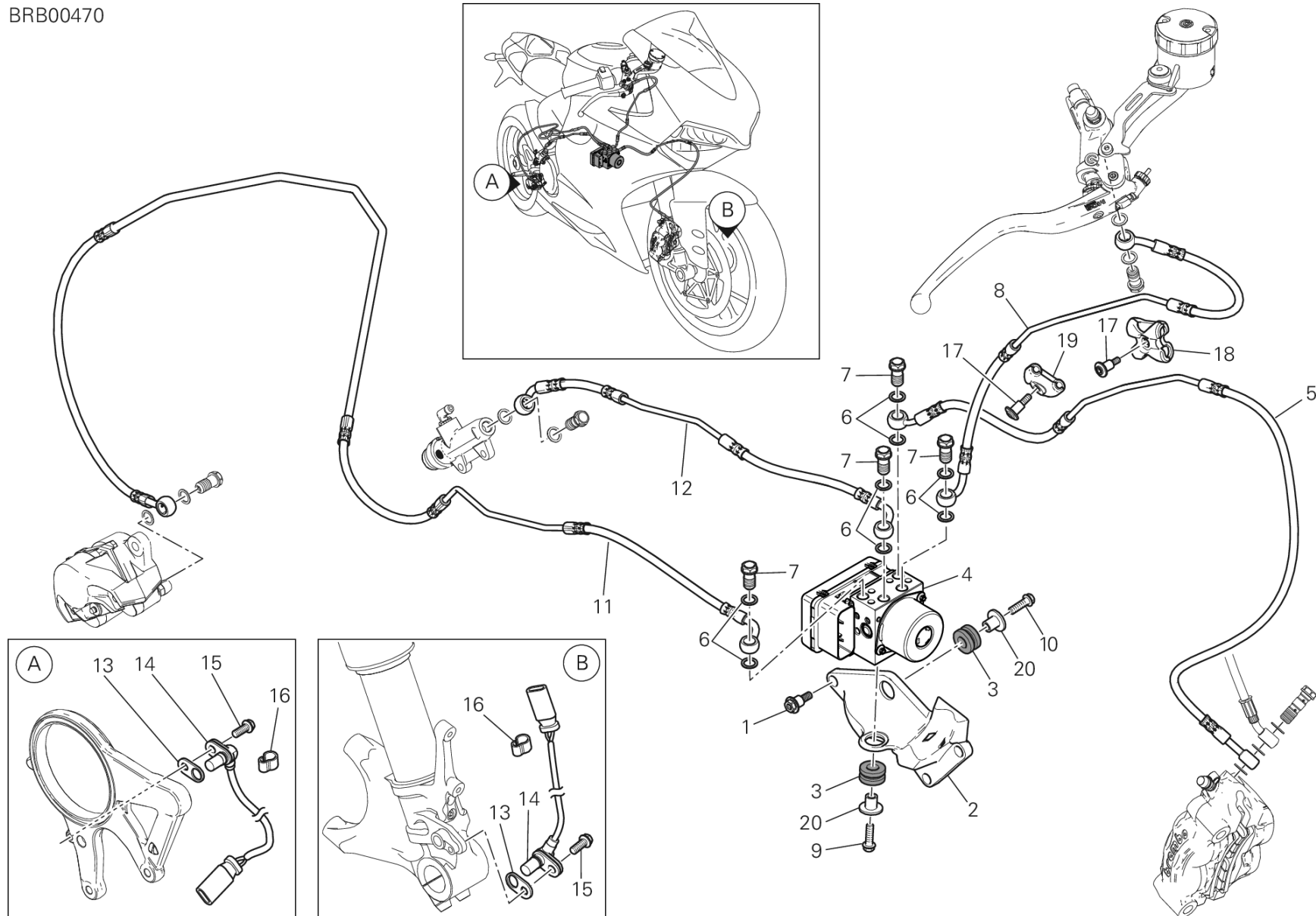
POS.	CODE	DESCRIPTION	QTY	START DATE	END DATE	VALIDITY	NOTES
1	53940601A	SWITCH, STAND	1				
2	77354623B	SCREW M4X10	2				
3	86050361AA	PIN	1				
4	11711252AA	ROD	1				
5	82113731AA	PIN	1				
6	71011611AA	BUSHING WITH CENTER ROD JOINT	1				
7	79925411AA	COMPLETE SPRING	1				
8	55610601BB	PLATE BLACK	1	23/09/2013			
9	85210681B	SPACER,15X28X1	2				
10	88450031A	CIRCLIP E-TYPE	1				
11	71210471AA	BUSH	1				
12	82113711BA	LOCATING PIN	1				
13	55610612AB	SIDE STAND BLACK	1	23/09/2013			
14	53940651A	MAGNETE	1				



# DRAWING 24A - ANTILOCK BRAKING SYSTEM (ABS) [MOD:1199SL;XST:AUS,BRA,EUR,FRA,JAP]

GROUP FRAME

BRB00470



## DRAWING 24A - ANTILOCK BRAKING SYSTEM (ABS)

[MOD:1199SL;XST:AUS,BRA,EUR,FRA,JAP]

## GROUP FRAME

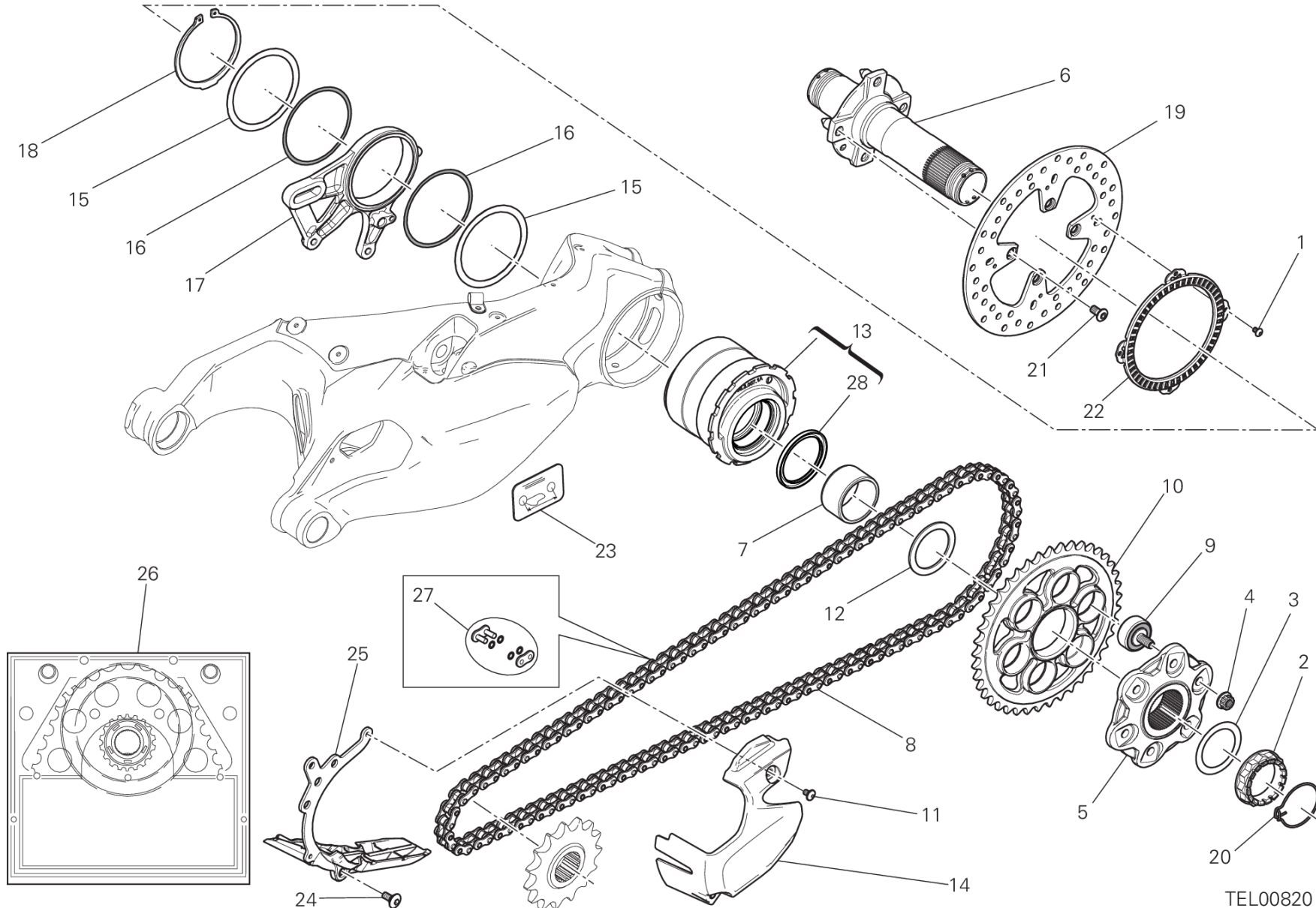


POS.	CODE	DESCRIPTION	QTY	START DATE	END DATE	VALIDITY	NOTES
1	77917291AA	SCREW, SPECIAL	3				
2	8291B801A	HOLDER ABS	1	23/09/2013			
3	76410641A	VIBRATION DAMPER PAD	2	23/09/2013			
4	54240511A	CONTROL UNIT ABS	1	23/09/2013			
5	61841351A	CPU - FRONT CALIPERS LINE	1	23/09/2013			
6	85250241A	WASHER 10X14X1	8				
7	77913662AB	SCREW, SPECIAL	4				
8	61841301A	FRONT MASTER CYLINDER - CPU LINE	1	23/09/2013			
9	77240458C	SCREW	1	23/09/2013			
10	77240443C	SCREW	1	23/09/2013			
11	61940651A	CPU - REAR CALIPER LINE	1	23/09/2013			
12	61940621A	REAR MASTER CYLINDER - CPU LINE	1	23/09/2013			
13	71314901A	GASKET TH.02	4				
	71319201A	GASKET 0.5 MM	6				
14	55212111B	SENSOR, SPEED	2				
15	77210601A	SCREW TEF M6X16	2				
16	75840601A	FAIRLEAD	10				
17	77211271A	SCREW, SPECIAL M5X10	2				
18	75810721A	HOSE GUIDE ABS UPPER	1				
19	75810711A	HOSE GUIDE ABS BOTTOM	1				
20	71610031A	SPACER	2	23/09/2013			



# DRAWING 26A - REAR WHEEL SPINDLE [MOD:1199SL;XST:AUS,BRA,EUR,FRA,JAP]

GROUP FRAME



TEL00820

## DRAWING 26A - REAR WHEEL SPINDLE [MOD:1199SL;XST:AUS,BRA,EUR,FRA,JAP]

## GROUP FRAME



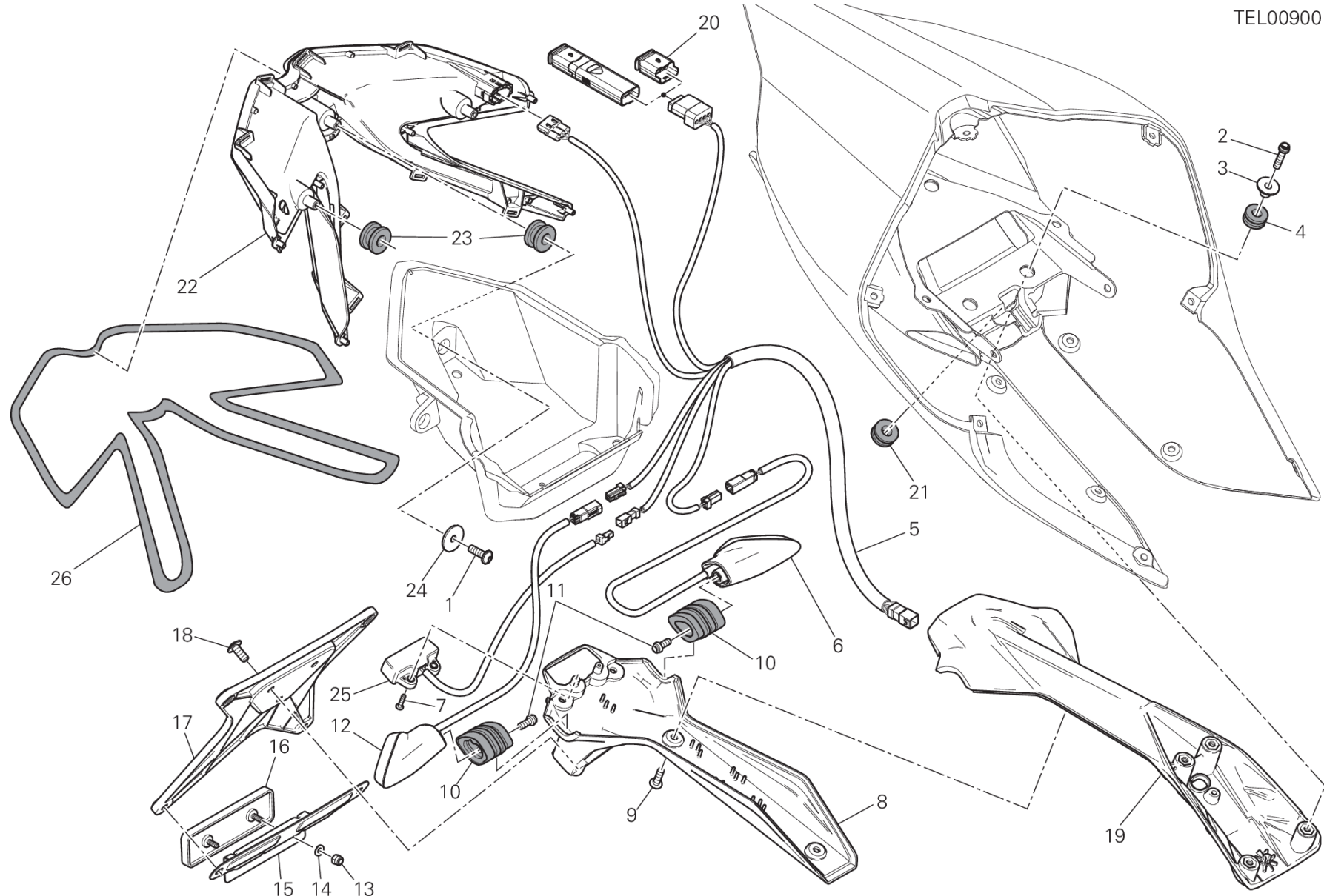
POS.	CODE	DESCRIPTION	QTY	START DATE	END DATE	VALIDITY	NOTES
1	77510631A	SCREW TBEI M5X8	4				
2	75011911AA	NUT, WHEEL AXLE M48X1.5	1	15/11/2013			
3	85212211A	WASHER 48.5X65X0.5	1				
4	75011901A	NUT, FLANGE	6	10/04/2013			
5	16014201A	REAR SPROCKET FLANGE	1				
6	81920021A	REAR WHEEL SPINDLE	1				
7	88110541A	INNER SPACER	1				
8	67640951A	CHAIN 105+1	1	16/11/2013			
9	70010571A	RUBBER CUSH DRIVE HUB M10x1	6	10/04/2013			
10	49411602AA	REAR SPROCKET T41	1	16/11/2013			
11	77240243C	SCREW	2				
12	71410751A	SPACER	1				
13	75620131A	HUB	1				
14	46015061A	CHAIN COVER	1				
15	85212171A	WASHER 85.5X101X1	2				
16	88641241A	O-RING 89.5X3	2				
17	82510441A	CALIPER HOLDER PLATE ABS	1				
18	88440511A	CIRCLIP 85X3	1				
19	49210061A	REAR BRAKE DISC	1				
20	75910222A	CLIP	1				
21	77914881A	SCREW	4				
22	50410361AA	REAR PHONIC WHEEL	1				
23	43313931A	CHAIN ADJUSTMENT STICKER	1	15/11/2013		XST:AUS,BRA,EUR,FRA	
	43313931B	CHAIN ADJUSTMENT STICKER	1	15/11/2013		XST:JAP	JAP
24	77140663C	SCREW TCEIF M6X18 10.9	1				
25	46015792B	MUDFLAP CHAIN	1	22/10/2012	02/05/2013		
26	67620881A	FINAL DRIVE KIT	1	15/11/2013			
27	67740211A	CHAIN LINK	1	18/11/2013			
28	93010102A	DUST COVER	1				



# DRAWING 27A - NUMBER PLATE HOLDER - TAIL LIGHT

[MOD:1199SL;XST:BRA,EUR,FRA,JAP]

GROUP FRAME



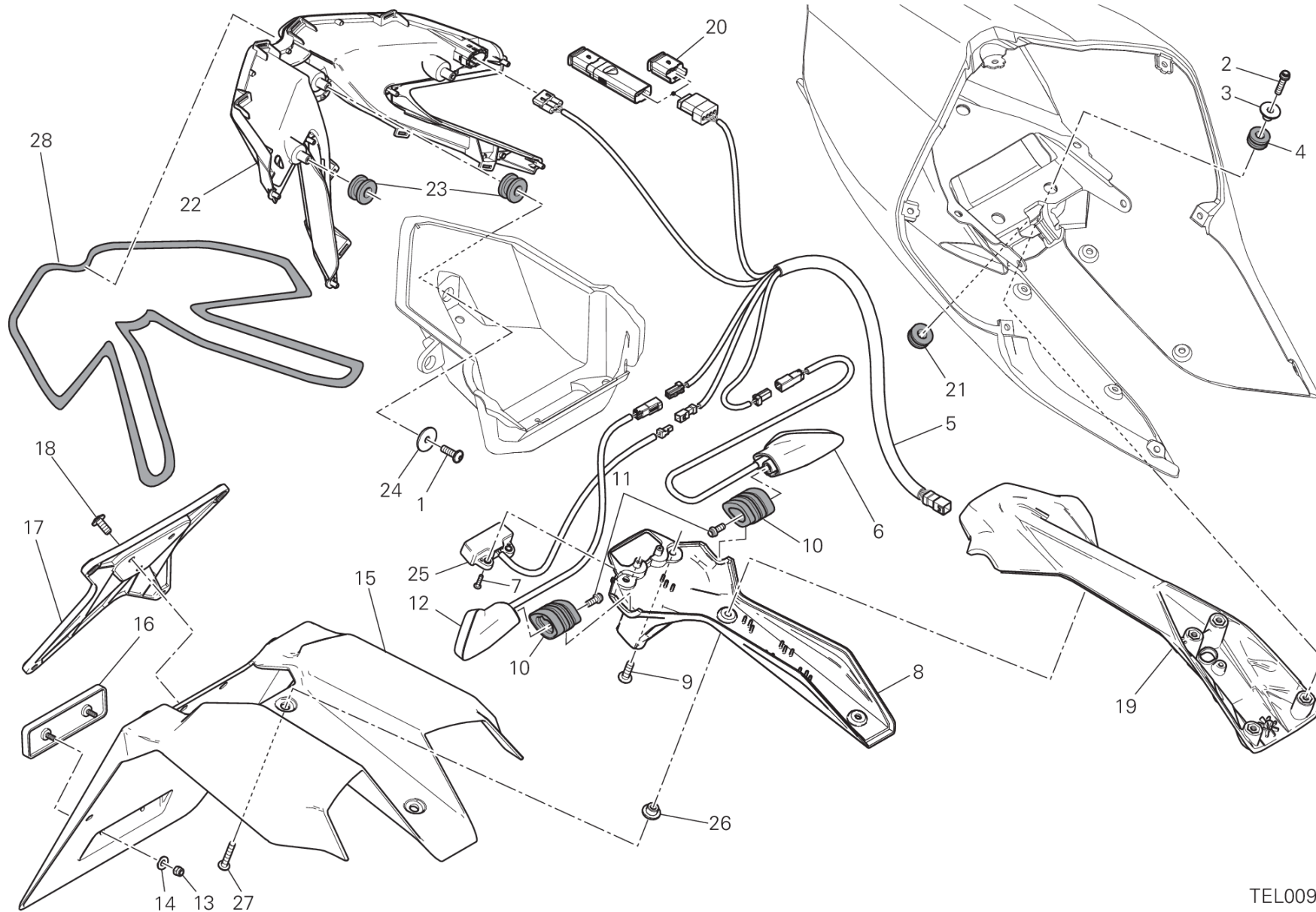
## DRAWING 27A - NUMBER PLATE HOLDER - TAIL LIGHT

[MOD:1199SL;XST:BRA,EUR,FRA,JAP]

## GROUP FRAME



POS.	CODE	DESCRIPTION	QTY	START DATE	END DATE	VALIDITY	NOTES
1	77440071A	SCREW, TAPPING M4.5X12	1	01/02/2012			
2	77156443B	SCREW	4	01/02/2012			
3	71614102AA	SPACER	4	01/02/2012			
4	76411141A	VIBRATION DAMPER PAD	4	01/02/2012			
5	51017721B	REAR WIRING	1	01/11/2012			
6	53010282A	FLASHER LIGHT FRONT RH- REAR LH	1	27/11/2013			
7	77440183C	SCREW	2	01/02/2012			
8	56113043A	NUMBER PLATE HOLDER BOTTOM	1	01/02/2012			
9	77440203C	SCREW	4	01/02/2012			
10	71314703A	SPACER	2	01/02/2012			
11	77156398B	SCREW TCEIF M5X12	2	01/02/2012			
12	53010292A	FLASHER LIGHT FRONT LH - REAR RH	1	27/11/2013			
13	74950011B	NUT, SPRING	2				
14	85250011C	WASHER 4.3X9X0.8	2				
15	82712981B	BRACKET, REFLECTOR	1	27/11/2013			
16	52910061B	CATADIOTTRO POSTERIORE OVALE	1	27/11/2013			
17	56110261A	NUMBER PLATE HOLDER	1	27/11/2013			
18	77240418C	SCREW	3	01/02/2012			
19	56113033A	NUMBER PLATE HOLDER UPPER	1	01/02/2012			
20	87210532A	CAP DDA	1				
21	76410841B	RUBBER PAD	1	01/02/2012			
22	52510445C	TAILLIGHT	1	02/04/2012			
23	76411491A	RUBBER PAD	3	01/02/2012			
24	85213111AA	WASHER	1	01/02/2012			
25	52510432D	LAMP, LICENSE PLATE	1	01/02/2012			
26	4601A112A	GUARD	2	30/04/2014			



TEL00901

## DRAWING 27B - NUMBER PLATE HOLDER - TAIL LIGHT - (AUS) [MOD:1199SL;XST:AUS]

## GROUP FRAME



POS.	CODE	DESCRIPTION	QTY	START DATE	END DATE	VALIDITY	NOTES
1	77440071A	SCREW, TAPPING M4.5X12	1	18/11/2013			
2	77156443B	SCREW	4				
3	71614102AA	SPACER	4				
4	76411141A	VIBRATION DAMPER PAD	4				
5	51017721B	REAR WIRING	1	01/11/2012			
6	53010282A	FLASHER LIGHT FRONT RH- REAR LH	1				
7	77440183C	SCREW	2				
8	56113043A	NUMBER PLATE HOLDER BOTTOM	1				
9	77440203C	SCREW	2				
10	71314703A	SPACER	2				
11	77156398B	SCREW TCEIF M5X12	2				
12	53010292A	FLASHER LIGHT FRONT LH - REAR RH	1				
13	74950011B	NUT, SPRING	2				
14	85240131A	WASHER 5.3X15X1	2				
15	46015771A	MUDFLAP	1				
16	52910061B	CATADIOTTRO POSTERIORE OVALE	1				
17	56110261A	NUMBER PLATE HOLDER	1				
18	77240423C	SCREW TBEIF M6X16 10.9	3				
19	56113033A	NUMBER PLATE HOLDER UPPER	1				
20	87210532A	CAP DDA	1				
21	76410841B	RUBBER PAD	1				
22	52510445C	TAILLIGHT	1	18/11/2013			
23	76411491A	RUBBER PAD	3				
24	85213111AA	WASHER	1				
25	52510432D	LAMP, LICENSE PLATE	1				
26	71614421AA	SPACER	2				
27	77440121A	SCREW	2				
28	4601A112A	GUARD	2	30/04/2014			

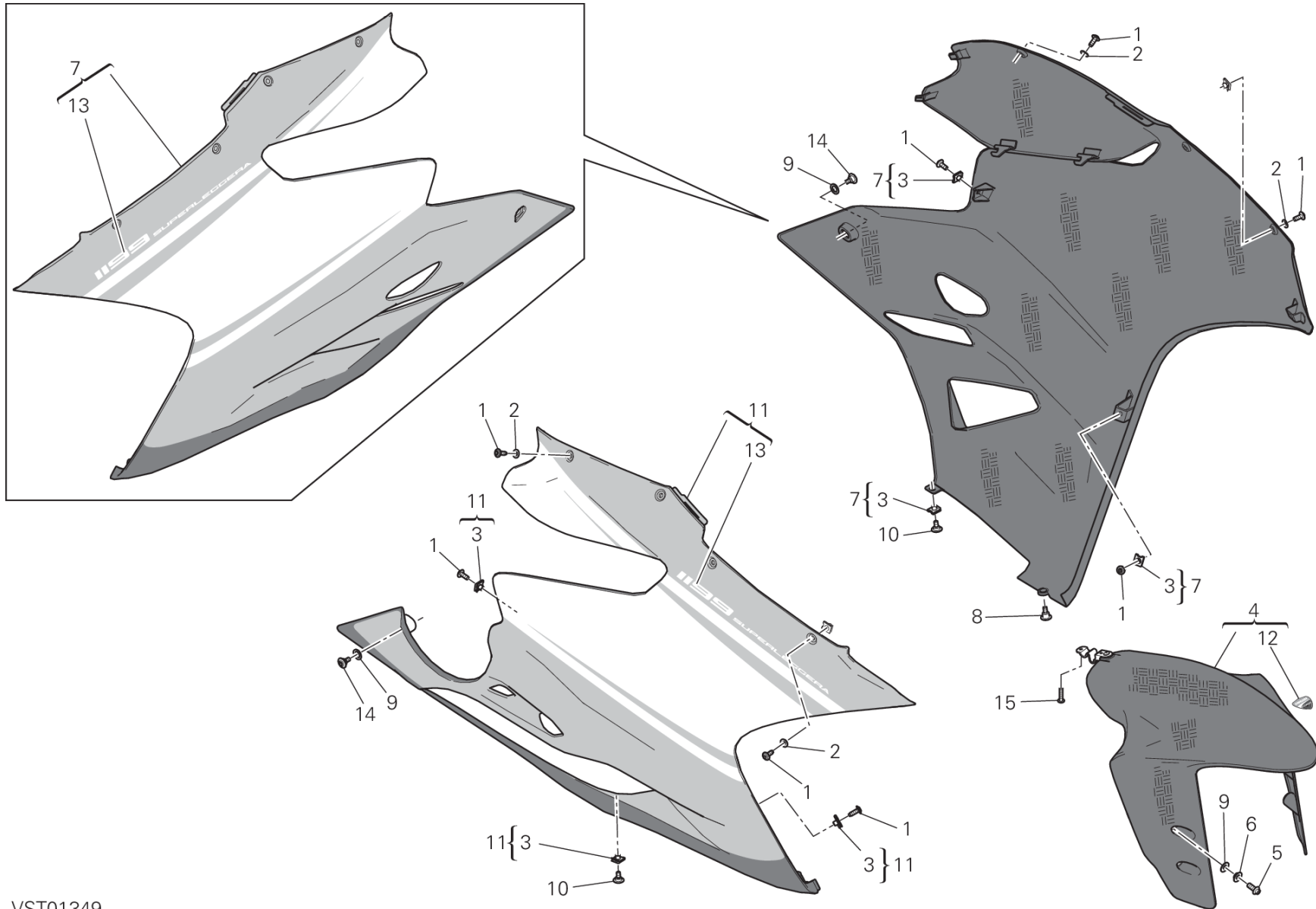


## DRAWING 28A - REAR SWINGING ARM [MOD:1199SL;XST:AUS,BRA,EUR,FRA,JAP]

## GROUP FRAME



POS.	CODE	DESCRIPTION	QTY	START DATE	END DATE	VALIDITY	NOTES
1	75610332AA	OUTSIDE SPACER ECCENTRIC	1	20/01/2013			
2	70250451A	BEARING	2				
3	75610321AA	INNER SPACER ECCENTRIC	1	01/11/2012			
4	75610312AA	INNER SPACER ECCENTRIC	1	20/01/2013			
5	93050121A	SEAL RING	2				
6	70140171A	BEARING, NEEDLE	2				
7	75610301BA	BUSH LEFT	1	20/01/2013			
8	77914401B	SCREW TBEI M6X15	6				
9	44710901A	LOWER CHAIN SLIDING SHOE	1				
10	44710891A	UPPER CHAIN SLIDING SHOE	1				
11	77210852C	SCREW	1				
12	46015451A	MUDFLAP UPPER	1				
13	37021371AA	REAR SWINGING ARM	1	01/11/2012			
14	83016641A	GUIDE	1				
15	77918851A	SCREW	3	15/11/2013			
16	77918541A	SCREW	2	10/04/2013			
17	83210031C	PIN	1				
18	46016321A	MUDFLAP BOTTOM CARBON	1	01/11/2012			
19	56510641AA	REAR MUDGUARD CARBON	1	01/11/2012			
20	87210601A	CAP, SWINGARM COVER	1				
21	86050051A	PIN	2	01/11/2012			
22	77154459Z	SCREW	2	20/01/2013			
23	71114631BA	BUSH, LH	1	20/01/2013			
24	71114641BA	COLLAR, R. SWINGARM	1	20/01/2013			
25	96863612B	SPACER	1	01/11/2012			
26	77918921A	SCREW	4	15/11/2013			
27	969A9912B	SPACER	1	01/11/2012			
28	74140621A	HOSE CLAMP 8 MM	1	01/11/2012			
29	77550213C	SCREW TBEI M6X16	1	01/11/2012			
30	85240131A	WASHER 5.3X15X1	4	01/11/2012			
31	85211761A	WASHER 6.4X12.5X1.6	2	16/05/2013			
32	77150658B	SCREW TCEI M6X16	1	15/11/2013			



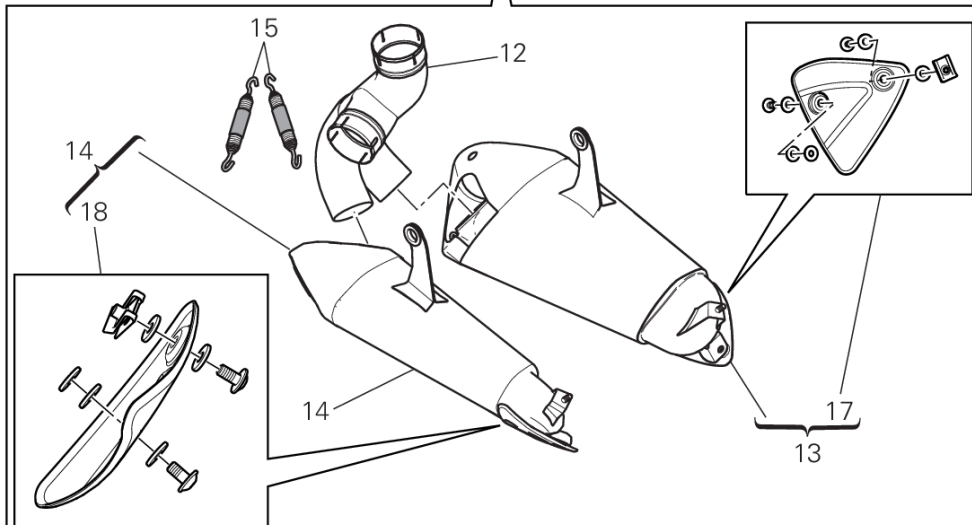
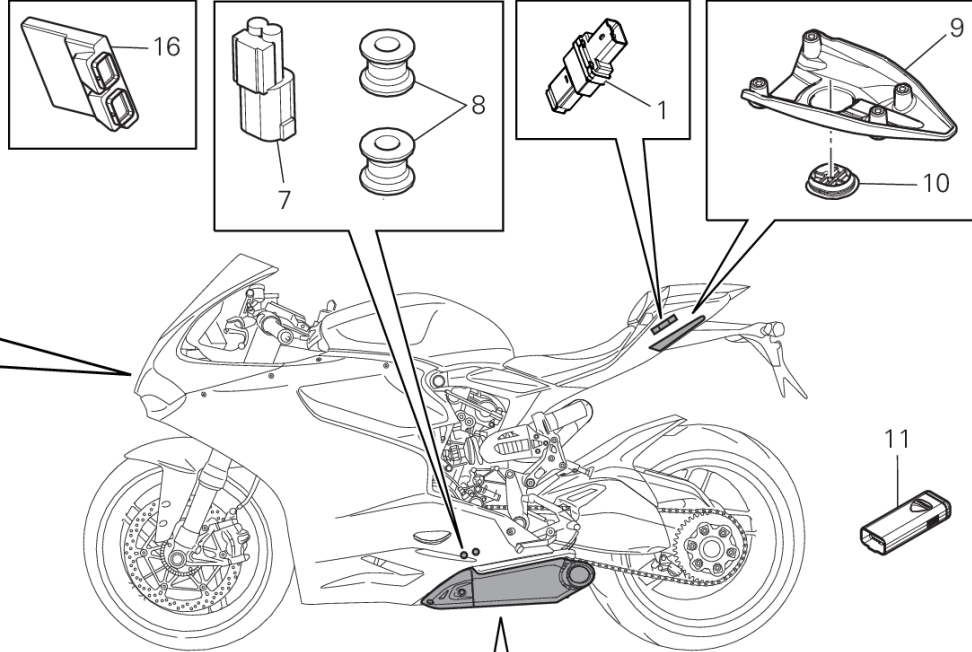
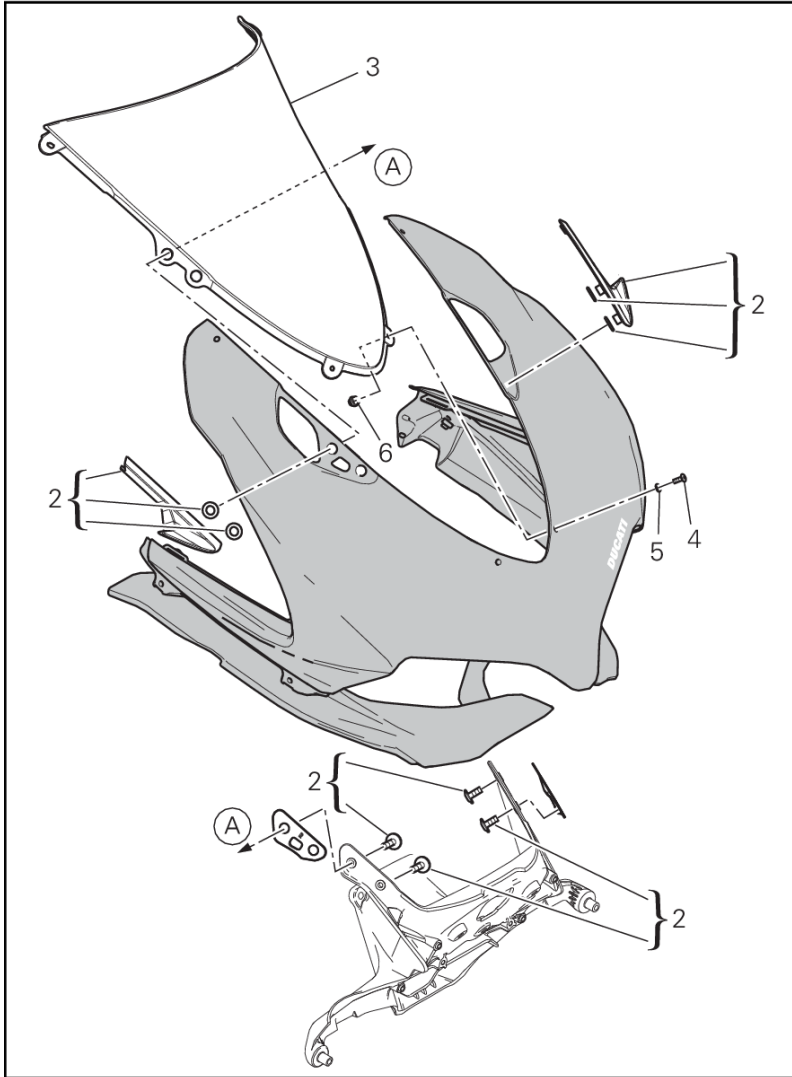
VST01349



POS.	CODE	DESCRIPTION	QTY	START DATE	END DATE	VALIDITY	NOTES
1	77918931AB	SCREW	12	15/11/2013			
2	85611401A	WASHER	8	15/11/2013			
3	85040471A	QUICK FASTENING M5	6	27/11/2013			
4	56420981B	FRONT FENDER CARBON	1	01/11/2012			
5	77918871A	SCREW	4	15/11/2013			
6	71614011B	SPACER	4				
7	480P3743AA	FAIRING, LH CARBON	1	15/11/2013			
8	77210841B	SCREW	1				
9	85212181A	WASHER, NYLON 9X14X1	2				
10	77210853B	SCREW	2				
11	480P3753AA	FAIRING, RH CARBON	1	15/11/2013			
12	43814531D	STICKER DUCATI CORSE	1	01/09/2012			
13	43819021A	DECAL "1199 SUPERLEGGERA"	2	27/11/2013			
14	77918901A	SCREW	2	15/11/2013			
15	77440101A	SCREW, TAPPING 3.5X10	1	15/11/2013			



For competition use only  
This product is legal for closed-course competition use only



IMP00897

## DRAWING 34B - ACCESSORIES [MOD:1199SL;XST:AUS,BRA,EUR,FRA,JAP]

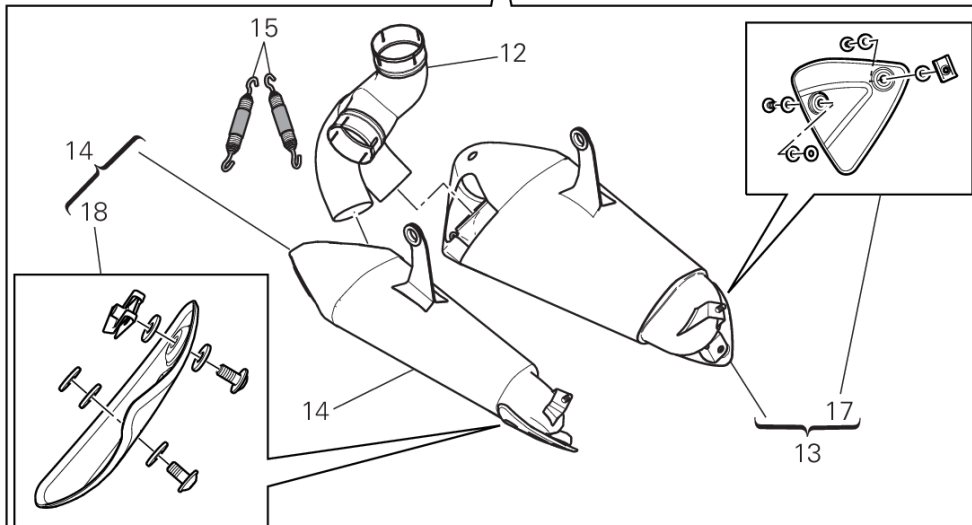
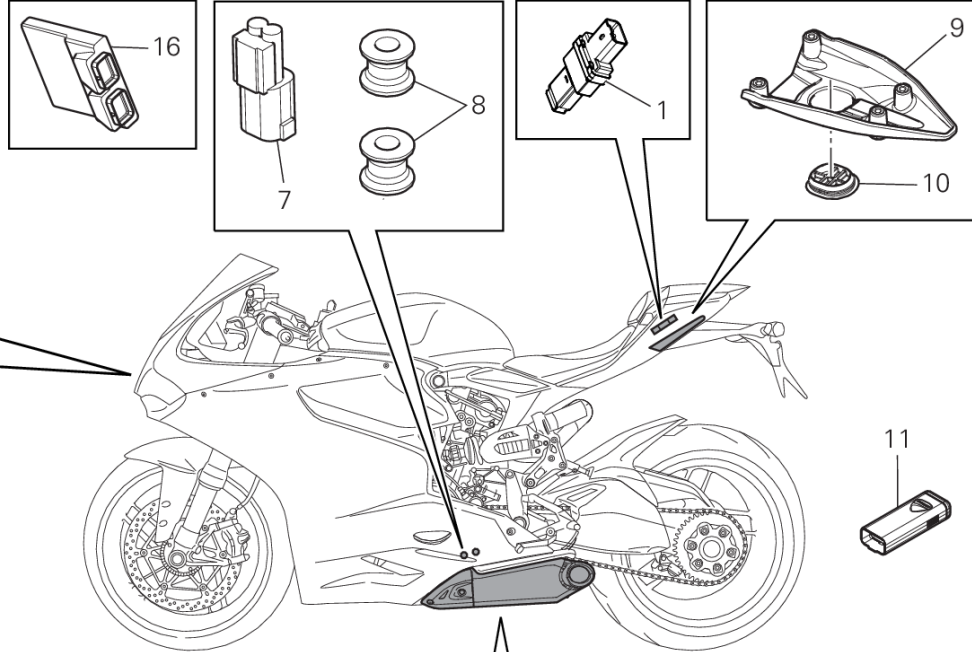
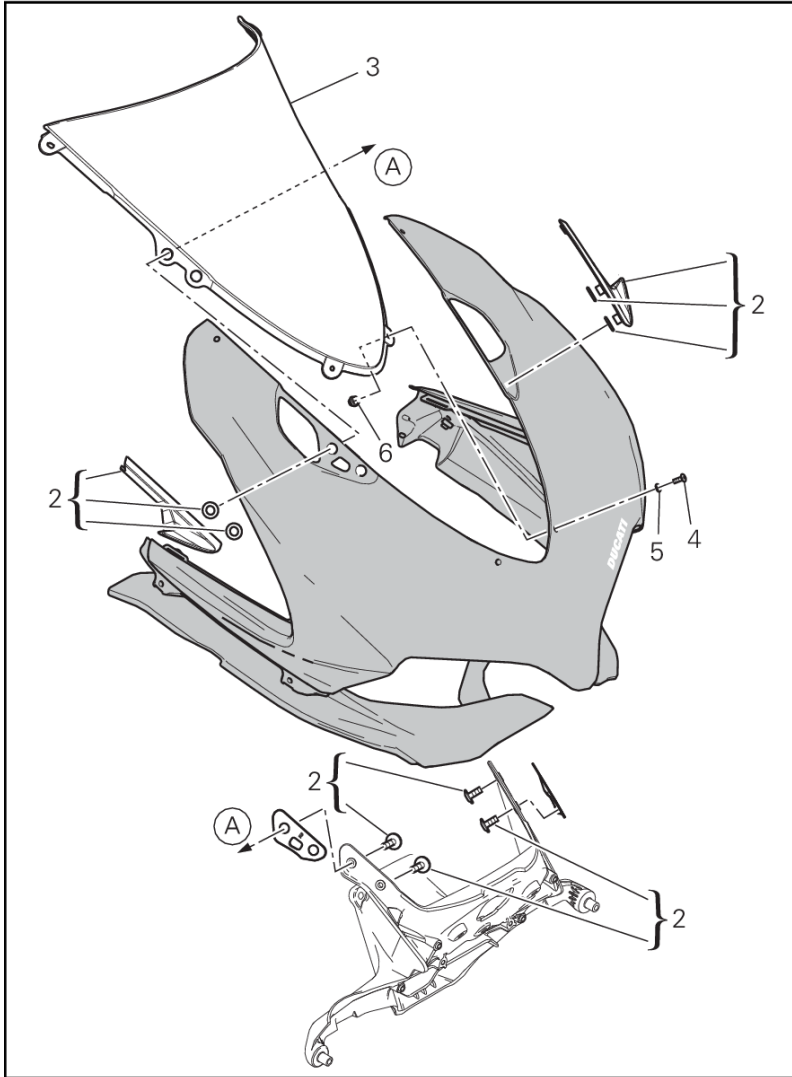
## GROUP FRAME



POS.	CODE	DESCRIPTION	QTY	START DATE	END DATE	VALIDITY	NOTES
1	38520401A	DDA 16MB CONTROL UNIT	1	15/11/2013			For competition use only. This product is legal for closed-course competition use only.
2	97380041A	MIRROR HOLE COVER KIT	1	01/11/2012			For competition use only. This product is legal for closed-course competition use only.
3	96451211B	WINDSHIELD OVERSIZE	1	19/09/2012			For competition use only. This product is legal for closed-course competition use only.
4	77510641A	SCREW, SPECIAL	4	19/09/2012			For competition use only. This product is legal for closed-course competition use only.
5	85210241A	WASHER, NYLON 4X8X0.5	4	19/09/2012			For competition use only. This product is legal for closed-course competition use only.
6	75010281A	NUT, SPRING	4	19/09/2012			For competition use only. This product is legal for closed-course competition use only.
7	38610171A	CAP, CONNECTOR	1	15/11/2013			For competition use only. This product is legal for closed-course competition use only.
8	71319811A	SPACER	2	15/11/2013			For competition use only. This product is legal for closed-course competition use only.
9	96900812A	LOWER SUPPORT REAR FAIRING	1	15/11/2013			For competition use only. This product is legal for closed-course competition use only.
10	87210161A	PLUG, RH	1	15/11/2013			For competition use only. This product is legal for closed-course competition use only.
11	38510411A	MAP-KEY	1	16/05/2013			For competition use only. This product is legal for closed-course competition use only.



For competition use only  
This product is legal for closed-course competition use only



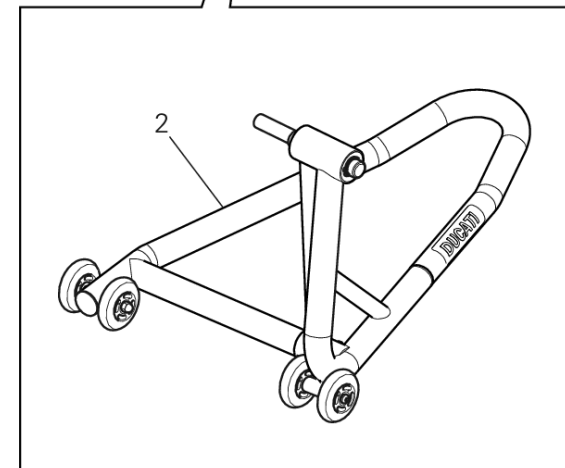
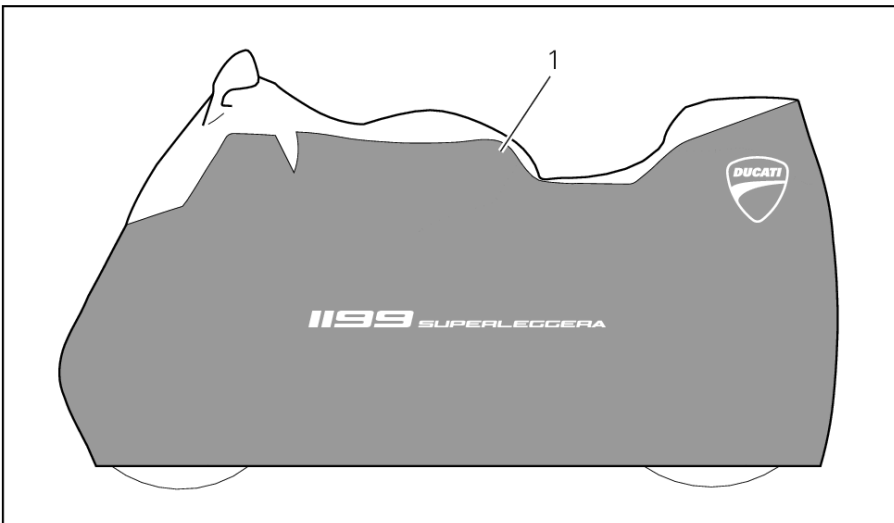
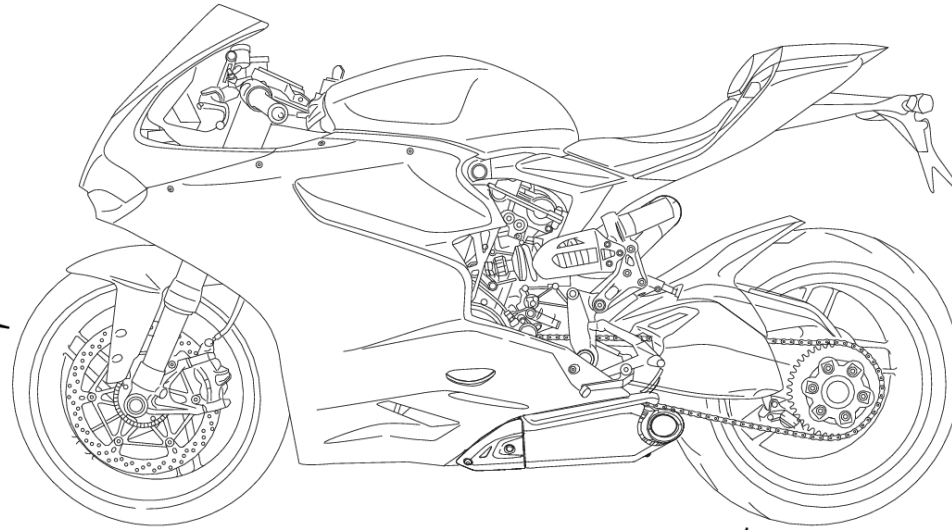
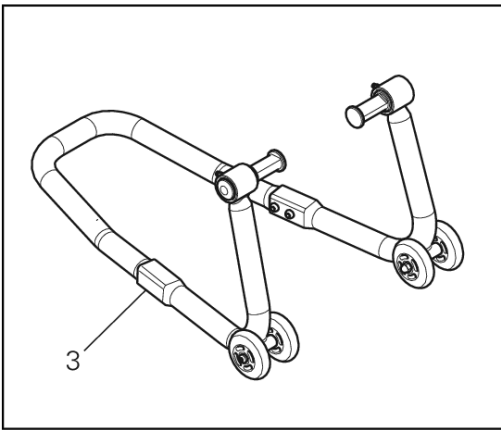
IMP00897



POS.	CODE	DESCRIPTION	QTY	START DATE	END DATE	VALIDITY	NOTES
12	57210671B	PIPE, EXHAUST CENTER	1	01/10/2013			For competition use only. This product is legal for closed-course competition use only.
13	57422012AA	LEFT SILENCER RACING	1	01/10/2013			For competition use only. This product is legal for closed-course competition use only.
14	57322012AA	RIGHT SILENCER RACING	1	01/10/2013			For competition use only. This product is legal for closed-course competition use only.
15	79922981A	SPRING, EXHAUST PIPE	2	01/10/2013			For competition use only. This product is legal for closed-course competition use only.
16	28642511A	ENGINE CONTROL UNIT	1				For competition use only. This product is legal for closed-course competition use only.
	28642511C	ENGINE CONTROL UNIT	1				USA-CND For competition use only. This product is legal for closed-course competition use only.
17	96480791A	HEAT GUARD L.H.	1				USA-CND For competition use only. This product is legal for closed-course competition use only.
18	96480801A	HEAT GUARD R.H.	1				USA-CND For competition use only. This product is legal for closed-course competition use only.



IMP00899





POS.	CODE	DESCRIPTION	QTY	START DATE	END DATE	VALIDITY	NOTES
1	91910511A	MOTROCYCLES COVER CANVAS	1	15/11/2013			
2	96797310BA	REAR STAND	1	15/11/2013			
3	96797410BA	FRONT STAND	1	15/11/2013			



CODE	NO. TABLE	POS.	CODE	NO. TABLE	POS.	CODE	NO. TABLE	POS.	CODE	NO. TABLE	POS.
037072020	023	8	15620711CB	006	6	20810381A	015	15	30123471G	015	4
037072020	024	12	15620711CC	006	6	20910741A	014	19	30310671AA	014	11
064770010	011	1	16014151A	012	23	20910741A	015	19	30310671AA	015	11
069191030	18C	10	16014201A	26A	5	20910751A	014	14	30310671AB	014	11
11210711AA	006	9	16024272A	032	11	20910751A	015	14	30310671AB	015	11
11210711AB	006	9	16024272A	032	11	21010811D	014	30	30310671AC	014	11
11210711AC	006	9	17021322A	006	3	21010811D	015	30	30310671AC	015	11
11210711AD	006	9	17111154A	013	14	21110821A	014	21	30310691AA	014	2
11210711AE	006	9	17111154A	13A	14	21110821A	015	21	30310691AA	015	2
11210711AF	006	9	17112311A	008	4	22523021B	010	35	30310691AB	014	2
11210771AA	10A	11	17120071A	006	8	24221081CB	012	10	30310691AB	015	2
11210771AB	10A	11	17213172A	003	5	24311274A	005	17	30310691AC	014	2
11210771AC	10A	11	17213182A	003	10	24311274A	05A	17	30310691AC	015	2
11210771AD	10A	11	17213192A	003	13	24321344A	005	2	304A0921A	014	31
11210771AE	10A	11	17213202A	003	7	24321344A	05A	2	304A0921A	015	31
11711252AA	22A	4	17213212A	003	19	24713911B	008	2	304A0931A	014	22
11711261CA	016	18	17213222A	003	25	24713931B	13A	11	304A0931A	015	22
11711272AA	025	30	17213232A	003	23	24713941B	013	11	30710021A	013	23
11721332B	004	16	17213242A	003	22	24714101A	013	28	30710021A	13A	23
12022261B	007	6	17213252A	003	20	24714101A	13A	28	34111042AA	021	23
12112601B	007	1	17213262A	003	24	24714291A	030	26	342P0681BA	021	7
12113261A	007	2	17310241A	012	25	24714721AA	016	1	34420631A	21A	1
12120641A	007	3	17410483A	009	25	24714741A	025	16	34520631A	21A	2
12222051CA	007	7	17410501A	011	12	24723652B	002	9	34921791A	21A	4
12222051CB	007	7	17410511A	011	2	24723701C	011	6	34921801A	21A	3
12222051CC	007	7	17410523A	009	19	24723712A	009	18	36011601AA	021	25
13510361B	017	6	17420561A	009	17	24723842A	009	3	36011611AA	021	19
13510371B	017	5	17420571A	009	1	247P4072A	18A	20	36011621AA	021	17
14010691A	013	2	17420581B	006	5	25130081B	13A	21	36140151AA	021	35
14010691A	13A	2	17610221A	012	27	25220071B	009	6	36420111A	021	29
14622002AB	006	11	18010271D	002	2	25440012A	005	13	36521321A	028	4
14622002AC	006	11	18010281D	002	6	25440012A	05A	13	37021371AA	28A	13
14710903A	009	13	18010291D	002	7	26420161A	012	1	37211161BA	028	20
14814361C	13A	18	18120062A	002	13	27040134A	012	7	37211171BA	028	19
14814381B	013	18	18220353C	002	5	27610701A	012	21	38040221B	018	16
14823751C	13A	36	18220381B	002	27	28040331A	017	3	38040221B	18B	19
14823811C	013	33	18410152AA	025	29	28240893A	017	10	38510141A	020	42
14824481B	13A	19	18710021A	023	3	28620441A	001	5	38510301C	027	21
14824491C	013	19	19020351A	004	9	28642461A	18B	10	38510411A	34B	11
14910881F	003	27	19540061A	004	17	28642461E	18B	10	38510451B	022	14
14911201A	003	15	19610531A	004	12	28642461F	18B	10	38520401A	34B	1
15021991A	003	1	19610543A	004	11	28642511A	34B	16	38540061B	020	37
15022001A	003	2	19820431B	004	14	28642511C	34B	16	38610171A	34B	7
15310121A	021	13	20810381A	014	15	30123461G	014	4	38710041A	032	17



CODE	NO. TABLE	POS.	CODE	NO. TABLE	POS.	CODE	NO. TABLE	POS.	CODE	NO. TABLE	POS.
38710041A	032	17	46015482A	018	7	49041081A	F	1	491P0043A	J1	5
38940191A	18C	8	46015631B	18B	5	490P0002A	A1	9	491P0073A	A1	6
38940201A	18C	8	46015681A	18A	22	490P0002A	G1	1	491P0073A	D1	2
38940211A	18C	8	46015741A	019	33	490P0003A	A1	10	491P0339A	A1	29
38940221A	18C	8	46015771A	27B	15	490P0003A	G1	2	491P0339A	N	3
38940251A	18A	12	46015781AA	019	30	490P0004A	A1	11	491P0340A	A1	30
38940251A	18C	8	46015792B	26A	25	490P0004A	G1	3	491P0340A	N	4
39540411C	18A	4	46016102A	020	8	490P0019A	A1	16	491P0341A	A1	31
39740071A	18A	13	46016191AA	028	6	490P0019A	H1	1	491P0341A	N	5
40611011C	020	1	46016201AA	034	18	490P0022A	A1	17	491P0342A	A1	32
42610451A	022	6	46016211AA	034	17	490P0022A	I1	1	491P0342A	N	6
42710171A	10A	13	46016221AA	034	20	490P0029A	A1	18	491P0347A	A1	26
43313931A	26A	23	46016321A	28A	18	490P0029A	J1	1	491P0347A	M	2
43313931B	26A	23	4601A102AA	027	18	490P0030A	A1	19	491P0389A	A1	4
43814531D	033	4	4601A112A	27A	26	490P0030A	J1	2	491P0389A	O	2
43814531D	34A	12	4601A112A	27B	28	490P0044A	A1	23	49210061A	26A	19
43819011A	034	22	4601B001AA	027	10	490P0044A	K1	2	49240891A	026	12
43819021A	34A	13	4601B012AA	027	11	490P0248A	A1	24	49240901A	026	5
43819041A	032	15	4601C421AA	018	12	490P0248A	K1	1	49411602AA	26A	10
43819041A	032	15	4601C461A	18A	3	490P0272A	A1	5	49720012A	026	3
43819051A	032	1	4602C391A	05A	27	490P0272A	D1	1	49720031A	026	16
43819051A	032	9	46240461A	020	3	490P0297A	A1	27	50121722AB	026	10
43819121A	033	6	46410531A	025	23	490P0297A	N	1	50221643AB	026	7
43819131A	033	8	46410541A	016	4	490P0298A	A1	28	50410051A	026	20
43819261A	026	21	46910151BA	027	2	490P0298A	N	2	50410361AA	26A	22
43819271A	026	22	47012742AA	022	2	490P0324A	A1	3	51017721B	27A	5
44212971A	029	8	480P3743AA	34A	7	490P0324A	O	1	51017721B	27B	5
44440312B	009	5	480P3753AA	34A	11	49140911A	A1	2	51017731C	017	15
44710891A	28A	10	481P1032AA	034	3	49140911A	B1	2	51019271A	020	24
44710901A	28A	9	48311803AA	033	3	49141641A	A1	8	51019321B	18C	1
44740021B	008	10	483P1813AA	033	10	49141641A	F	2	51040111A	01C	17
44740051A	008	6	48410992B	030	2	491P0015A	A1	12	51310261B	18A	15
44910661A	003	30	48411002A	034	13	491P0015A	G1	4	51410671B	18A	7
45140013A	008	5	48411031B	020	10	491P0016A	A1	13	51410681A	18A	11
45520172A	002	23	48411043A	030	4	491P0016A	G1	5	51640013AB	021	31
45610761AA	016	13	48411053A	030	5	491P0017A	A1	14	52010221C	020	19
45612101AA	016	23	48610851A	005	24	491P0017A	G1	6	523S0283B	034	7
45720751AA	025	34	48610851A	05A	24	491P0018A	A1	15	523S0293B	034	2
46014971B	021	2	48710563A	034	1	491P0018A	G1	7	52510432D	27A	25
46015061A	26A	14	49040711A	A1	1	491P0041A	A1	20	52510432D	27B	25
46015262A	019	6	49040711A	B1	1	491P0041A	J1	3	52510445C	27A	22
46015331BA	019	22	49041071A	A1	25	491P0042A	A1	21	52510445C	27B	22
46015393A	019	38	49041071A	M	1	491P0042A	J1	4	52910061B	27A	16
46015451A	28A	12	49041081A	A1	7	491P0043A	A1	22	52910061B	27B	16



CODE	NO. TABLE	POS.	CODE	NO. TABLE	POS.	CODE	NO. TABLE	POS.	CODE	NO. TABLE	POS.
53010282A	27A	6	57211661C	019	16	61841301A	24A	8	70140171A	28A	6
53010282A	27B	6	57322012AA	34B	14	61841351A	24A	5	70140301C	008	11
53010292A	27A	12	57413422A	019	13	61940621A	24A	12	70140311A	003	8
53010292A	27B	12	57413681A	019	13	61940651A	24A	11	70140321A	003	14
53940031A	025	17	57422012AA	34B	13	62440911A	024	1	70140331A	003	18
53940302A	005	14	58540081A	025	4	62540311C	025	8	70140351A	012	22
53940302A	05A	14	58540181A	024	15	62640561A	023	20	70140361A	011	3
53940351A	024	5	58540321A	023	12	62640561A	024	7	70140371A	009	15
53940361A	023	22	58612101AB	032	3	62640571A	023	18	70240131A	010	7
53940601A	22A	1	58612101AB	032	3	63040603B	023	1	70240181B	012	24
53940651A	22A	14	59013861A	029	7	63140081A	023	21	70240251B	010	11
54040301B	018	3	59013901A	032	1	63140161A	025	2	70241091A	010	12
54140101A	18C	9	59013911B	030	7	63140281A	023	19	70241191A	028	16
54240511A	24A	4	59013911B	032	4	63140281A	024	19	70241231A	021	10
54710022B	011	9	59013941A	018	11	63140541A	024	6	70250411A	010	17
54840972B	030	10	59013951A	018	21	63140551A	024	2	70250451A	026	8
54841041A	030	22	59014131A	020	38	63140581A	021	39	70250451A	28A	2
55212092A	019	24	59023513A	017	1	63140631A	023	2	70250601A	004	10
55212111B	24A	14	59023532A	017	12	63210611A	023	6	70310593A	006	4
55213332A	002	30	59340393A	019	3	65010092I	021	27	70310601BB	021	24
55214151A	016	20	59512191A	033	11	65110131A	021	11	70450051A	009	24
55241321B	012	17	59522183A	033	1	65140201B	021	38	70450091A	009	23
55241571A	018	10	59820611A	033	23	65540081A	029	14	70450091A	011	8
55241581A	020	6	59821521A	032	20	66040011C	021	12	71011611AA	22A	6
55242561B	002	1	59840291A	032	19	66810491A	014	32	71011642AA	028	8
55242631A	031	22	59840291A	032	9	66810491A	015	32	71110932A	10A	14
55243111A	020	34	59840321A	032	18	67040451A	018	14	71113171A	005	5
55320122A	031	19	59840321A	032	18	67040451A	18B	16	71113171A	012	9
55610601BB	22A	8	61041371A	024	9	67120511C	018	15	71113171A	05A	5
55610612AB	22A	13	61041381A	024	26	67120511C	18B	17	71113181A	010	15
55910151AA	033	19	61041991A	023	24	67620881A	26A	26	71113221A	011	4
56110261A	27A	17	61140412A	025	13	67640951A	26A	8	71113631A	002	4
56110261A	27B	17	61240052A	023	4	67740211A	26A	27	71114122AA	020	21
56113033A	27A	19	61240052A	024	21	68010171A	006	12	71114581AA	022	18
56113033A	27B	19	61240081A	025	1	69720283A	027	1	71114591AA	022	19
56113043A	27A	8	61240161A	025	3	69924821A	01C	16	71114601AA	022	20
56113043A	27B	8	61240201A	024	22	69926431A	032	21	71114611AA	020	23
56420981B	34A	4	61240371A	024	27	69926431A	032	4	71114631BA	28A	23
56510641AA	28A	19	61240391A	023	23	69926441A	032	2	71114641BA	28A	24
57013062C	019	20	61240391A	024	30	69926441A	032	22	71115051A	010	36
57013602B	019	17	61340381A	025	26	70010431A	020	2	71210341A	016	9
57112992C	019	26	61340961A	024	8	70010571A	26A	9	71210341A	025	33
57113462C	019	25	61610021A	032	2	70010702A	027	20	71210471AA	22A	11
57210671B	34B	12	61810361A	024	29	70010711A	18B	12	71240231A	002	12



CODE	NO. TABLE	POS.	CODE	NO. TABLE	POS.	CODE	NO. TABLE	POS.	CODE	NO. TABLE	POS.
71240231A	010	14	71614351AA	032	6	74810461A	022	4	76410291A	020	28
71313091A	004	13	71614351AA	032	6	74810461A	10A	1	76410631A	019	29
71313641A	024	20	71614381AA	020	17	74810651AB	026	1	76410641A	24A	3
71314703A	27A	10	71614391AA	019	8	74810791A	013	25	76410741A	018	22
71314703A	27B	10	71614421AA	27B	26	74810791A	13A	25	76410841B	018	13
71314831A	004	15	71614431AA	031	4	74840381A	019	37	76410841B	27A	21
71314901A	24A	13	71614431AA	18C	4	74840381A	020	4	76410841B	27B	21
71319201A	24A	13	71615111AA	031	25	74840381A	027	13	76410871A	014	10
71319271A	014	12	73210331B	019	35	74840381A	18A	8	76410871A	015	10
71319271A	015	12	735033804	010	16	74840481A	10A	4	76410901A	018	19
71319281A	014	28	735034405	010	8	74940041A	018	5	76410901A	020	20
71319281A	015	28	73840011A	008	9	74940141A	028	21	76410901A	031	3
71319291A	008	12	74110121A	18C	11	74950011B	27A	13	76410901A	18A	2
71319421A	028	11	74110401A	033	21	74950011B	27B	13	76410901A	18B	6
71319522AB	028	12	74110551A	030	30	75010071A	004	7	76410901A	18C	5
71319811A	34B	8	74110551A	033	22	75010281A	034	6	76411141A	020	41
71319961CA	021	32	74140381A	18C	2	75010281A	34B	6	76411141A	034	14
71319971AA	028	10	74140431A	023	14	75011551A	033	25	76411141A	27A	4
7131A831AA	022	16	74140431A	024	16	75011742AA	05A	12	76411141A	27B	4
7131A841AA	022	21	74140431A	025	6	75011742AA	18B	4	76411301A	019	5
71320021B	003	29	74140431A	030	19	75011901A	26A	4	76411361A	020	15
71320031A	004	19	74140431A	031	10	75011911AA	026	13	76411411B	018	8
71410751A	26A	12	74140431A	032	16	75011911AA	26A	2	76411411B	030	9
71413231AB	026	15	74140621A	28A	28	75011921A	023	13	76411411B	18A	1
71413261AA	026	17	74140631A	029	6	75011921A	024	18	76411411B	18B	21
71413271AA	026	2	74141671A	029	10	75011941A	005	12	76411481A	019	9
71413291A	026	9	74141711A	018	20	75011941A	05A	12	76411491A	027	7
71610031A	24A	20	74141711A	020	36	75011951A	034	21	76411491A	030	15
71611061A	18A	16	74141851A	030	28	75610142AA	022	1	76411491A	27A	23
71611441B	028	5	74141861A	031	13	75610301BA	28A	7	76411491A	27B	23
71611571C	002	17	74141881A	031	18	75610312AA	28A	4	76411501A	030	17
71611581C	002	15	74142141A	029	1	75610321AA	28A	3	76411511A	034	12
71614011B	34A	6	74142231A	031	16	75610332AA	28A	1	76411521A	032	7
71614071A	005	23	74142251A	029	11	75620131A	26A	13	76411521A	032	7
71614071A	019	36	74142361A	019	15	75810701B	005	22	76411541A	030	31
71614071A	05A	23	74142431A	019	14	75810701B	05A	22	76411621A	029	15
71614071A	18A	9	74710151A	010	29	75810711A	24A	19	76411641A	020	14
71614071A	18B	2	74750031A	021	6	75810721A	24A	18	76440561A	018	6
71614102AA	27A	3	74750031A	025	28	75840601A	24A	16	76440561A	027	12
71614102AA	27B	3	74750101A	016	17	75840821A	033	26	76440561A	033	12
71614331AA	030	14	74810241A	019	11	75910222A	026	19	76440561A	18B	3
71614342AA	018	18	74810351B	017	9	75910222A	26A	20	76440581A	005	21
71614342AA	031	2	74810351B	020	30	76410112A	016	19	76440581A	05A	21
71614342AA	18B	7	74810361A	019	31	76410112A	025	40	76610781A	010	6



CODE	NO. TABLE	POS.	CODE	NO. TABLE	POS.	CODE	NO. TABLE	POS.	CODE	NO. TABLE	POS.
76610801A	010	25	77210601A	24A	15	77244699D	012	19	77440203C	27B	9
76610811A	10A	6	77210621A	13A	35	77244709D	002	10	77510041A	020	5
76610841A	013	26	77210623B	031	8	77244709D	008	1	77510071AB	034	4
76610841A	13A	26	77210841B	34A	8	77244709D	009	2	77510161A	020	39
76611011A	013	6	77210852C	019	2	77244709D	011	11	77510311B	010	1
76611011A	13A	6	77210852C	28A	11	77244719D	005	1	77510631A	26A	1
77140663C	26A	24	77210853B	18B	1	77244719D	009	9	77510641A	34B	4
77150658B	28A	32	77210853B	34A	10	77244719D	012	16	77510701AA	026	4
77150668B	017	11	77210882B	031	5	77244719D	05A	1	77550131A	016	15
77150748B	020	12	77210882B	18C	3	77244729D	005	4	77550200C	005	26
77151258C	21A	5	77210882C	020	25	77244729D	012	11	77550200C	05A	26
77151598C	028	1	77211091C	027	8	77244729D	05A	4	77550213C	28A	29
77154337C	003	3	77211091C	030	25	77244739D	013	5	77850181A	021	37
77154459Z	28A	22	77211131A	18A	21	77244739D	13A	5	77910921B	023	7
77156209E	002	29	77211201A	004	3	77244759D	10A	7	77910921B	024	13
77156398B	27A	11	77211251B	021	1	77244819D	10A	9	77912371B	025	31
77156398B	27B	11	77211271A	024	32	77244829D	10A	8	77912981A	021	5
77156408B	017	2	77211271A	24A	17	77244951A	013	10	77913091AB	024	28
77156408B	030	23	77211341A	021	8	77244951A	13A	10	77913541A	013	15
77156418B	032	14	77211361AB	028	18	77250728B	019	19	77913541A	13A	15
77156418B	032	14	77214141AA	022	17	77250728B	05A	29	77913662AB	023	16
77156443B	018	17	77214151AA	016	25	77250788B	020	18	77913662AB	024	3
77156443B	030	13	77214151AA	025	19	77251023C	18A	14	77913662AB	025	11
77156443B	031	1	77240243C	26A	11	77251038B	018	4	77913662AB	24A	7
77156443B	18B	8	77240253C	020	9	77251038B	18B	18	77913971A	023	5
77156443B	27A	2	77240258C	18B	13	77253290Z	013	12	77914151A	024	23
77156443B	27B	2	77240323C	029	13	77253290Z	13A	12	77914211A	014	7
77156628B	18A	5	77240398C	010	2	77253300ZF	012	2	77914211A	015	7
77156658B	025	38	77240408C	022	11	77350623B	023	10	77914401B	28A	8
77156678B	021	28	77240408C	027	5	77350623B	024	10	77914881A	26A	21
77156688B	018	9	77240408C	033	18	77354623B	22A	2	77915041A	028	15
77156728B	032	5	77240418C	27A	18	77355038B	002	8	77915471A	006	10
77156728B	032	5	77240423C	27B	18	77440071A	27A	1	77916211A	006	7
77157278B	019	7	77240438C	020	32	77440071A	27B	1	77916241A	002	22
77157288B	016	24	77240443C	24A	10	77440101A	020	11	77916551C	006	1
77159511A	013	31	77240458C	24A	9	77440101A	34A	15	77916661B	012	5
77159511A	13A	31	77244173B	028	7	77440111A	029	9	77916763AA	027	23
77159521A	014	16	77244203B	031	26	77440121A	27B	27	77916773AA	027	22
77159521A	015	16	77244203B	032	10	77440183C	27A	7	77916811AA	022	13
77159541A	013	1	77244203B	032	10	77440183C	27B	7	77916951AA	034	11
77159541A	13A	1	77244679D	013	27	77440203C	019	1	77916971B	013	21
77159561A	009	22	77244679D	13A	27	77440203C	030	12	77916991A	10A	12
77159571A	012	3	77244689D	009	27	77440203C	18A	23	77917161B	005	3
77210461B	18A	24	77244689D	011	10	77440203C	27A	9	77917161B	009	11



CODE	NO. TABLE	POS.	CODE	NO. TABLE	POS.	CODE	NO. TABLE	POS.	CODE	NO. TABLE	POS.
77917161B	012	6	78010511C	10A	16	79915493A	022	9	82113441B	002	3
77917161B	05A	3	78010771A	010	33	79915511A	025	27	82113711BA	22A	12
77917231A	014	9	78010801A	010	26	79915534A	013	22	82113731AA	22A	5
77917231A	015	9	78010841A	012	13	79915534A	13A	22	82113751A	030	1
77917291AA	24A	1	78010861A	010	19	79915581A	031	21	82113811AA	025	32
77917961AA	05A	28	78010871A	010	9	79915871AA	016	5	82113822BA	021	15
77918361AA	020	26	78020011A	019	18	79915871AA	025	24	82113832A	013	20
77918491A	016	26	78110121AA	005	19	79922971A	019	12	82113832A	13A	20
77918491A	025	39	78110121AA	031	11	79922981A	34B	15	82114041A	014	23
77918491A	028	3	78110121AA	05A	19	79925411AA	22A	7	82114041A	015	23
77918501A	016	10	78611291B	007	4	79940121A	010	22	82123692A	008	8
77918501A	021	21	78811101C	013	7	800068490	024	14	82412451AA	025	21
77918501A	025	12	78811101C	13A	7	80012051A	031	14	82422441AA	016	11
77918511A	021	22	78811131A	013	8	80012061A	031	15	82510441A	26A	17
77918521A	028	13	78811131A	13A	8	80012111A	031	6	82712981B	27A	15
77918531A	024	25	78811161A	029	3	80012121A	030	21	82716012A	005	25
77918541A	28A	16	78811182A	022	3	80012131A	031	7	82716012A	05A	25
77918561AA	033	13	78811191A	011	7	81140012B	013	29	82716021A	014	34
77918731A	021	20	78811201A	031	9	81140012B	13A	29	82716021A	015	34
77918731A	024	24	78811221A	034	8	81413341A	013	4	82716091A	012	8
77918831A	004	6	78811231A	034	10	81413341A	13A	4	82716351A	013	30
77918841A	016	21	78811281A	034	25	81413421B	010	23	82716351A	13A	30
77918841A	020	16	78811291A	034	26	81413531A	13A	34	82717102AA	033	24
77918851A	28A	15	79010231B	019	21	81415081AA	031	12	8291A333AA	028	2
77918861A	022	10	79110831A	030	20	81420081A	031	27	8291A481B	022	7
77918861A	025	9	79111141A	033	9	81440681A	032	8	8291A511BA	025	18
77918871A	34A	5	79111151A	033	7	81440681A	032	8	8291A553BA	020	13
77918881A	016	2	79120531B	007	5	81510371A	029	5	8291A691AA	024	11
77918881A	025	14	79710511A	004	1	81810162A	004	5	8291A701AA	023	9
77918891A	021	4	79912632A	019	23	81910691A	026	11	8291B721AA	016	12
77918901A	34A	14	79915101C	002	25	81920021A	26A	6	8291B731AA	025	20
77918911A	021	30	79915131C	002	20	82010141A	010	4	8291B801A	24A	2
77918921A	034	9	79915141C	002	16	82010141A	012	28	8291C002A	020	27
77918921A	28A	26	79915201A	014	33	82010151A	008	3	8291C691A	030	11
77918931AA	033	2	79915201A	015	33	82010161B	009	14	8291C942AA	021	36
77918931AA	034	19	79915211A	014	29	82010171A	011	5	8292A342A	030	18
77918931AB	033	15	79915211A	015	29	82110511AB	016	6	829PA361A	018	1
77918931AB	34A	1	79915221A	014	20	82110511AB	025	22	829PA371A	18B	9
77918941A	025	15	79915221A	015	20	82111701B	016	7	829PA541B	18A	17
77927171A	010	28	79915231A	014	13	82111701B	025	36	83016471AA	022	12
77942571A	030	32	79915231A	015	13	82113361A	014	26	83016541B	024	31
78010511C	012	14	79915421B	017	7	82113361A	015	26	83016582A	022	8
78010511C	014	24	79915432B	017	8	82113371B	014	27	83016641A	28A	14
78010511C	015	24	79915441A	030	3	82113371B	015	27	83016833A	18A	10



CODE	NO. TABLE	POS.	CODE	NO. TABLE	POS.	CODE	NO. TABLE	POS.	CODE	NO. TABLE	POS.
83016861A	18B	14	84010202A	014	1	84011132A	014	1	84820112AA	021	34
83017071A	18C	6	84010202A	015	1	84011132A	015	1	84850021A	016	16
83018551BA	027	4	84010212A	014	1	84011142A	014	1	85012981AA	033	20
83026511BA	019	10	84010212A	015	1	84011142A	015	1	85040471A	018	23
83110151A	010	21	84010222A	014	1	84011901AA	014	3	85040471A	030	27
83210031C	28A	17	84010222A	015	1	84011901AA	015	3	85040471A	034	27
84010012A	014	1	84010232A	014	1	84011901AB	014	3	85040471A	18B	15
84010012A	015	1	84010232A	015	1	84011901AB	015	3	85040471A	18C	7
84010022A	014	1	84010242A	014	1	84011901AC	014	3	85040471A	34A	3
84010022A	015	1	84010242A	015	1	84011901AC	015	3	85040551A	019	27
84010032A	014	1	84010252A	014	1	84011901AD	014	3	85040551A	020	7
84010032A	015	1	84010252A	015	1	84011901AD	015	3	85040551A	030	6
84010042A	014	1	84010262A	014	1	84011901AE	014	3	85040551A	18A	19
84010042A	015	1	84010262A	015	1	84011901AE	015	3	85041041A	034	15
84010052A	014	1	84010272A	014	1	84011901AF	014	3	85041051A	034	16
84010052A	015	1	84010272A	015	1	84011901AF	015	3	85041581A	018	2
84010062A	014	1	84010282A	014	1	84011901AG	014	3	85041581A	020	35
84010062A	015	1	84010282A	015	1	84011901AG	015	3	85041581A	027	6
84010072A	014	1	84010292A	014	1	84011901AH	014	3	85041581A	033	17
84010072A	015	1	84010292A	015	1	84011901AH	015	3	85041581A	18B	20
84010082A	014	1	84010302A	014	1	84011901AI	014	3	85041811A	017	13
84010082A	015	1	84010302A	015	1	84011901AI	015	3	85041951AA	027	9
84010092A	014	1	84010312A	014	1	84011901AJ	014	3	85041951AA	033	14
84010092A	015	1	84010312A	015	1	84011901AJ	015	3	85041951AA	034	28
84010102A	014	1	84010322A	014	1	84011901AK	014	3	85110201A	004	8
84010102A	015	1	84010322A	015	1	84011901AK	015	3	85210241A	034	5
84010112A	014	1	84010332A	014	1	84011901AL	014	3	85210241A	34B	5
84010112A	015	1	84010332A	015	1	84011901AL	015	3	85210532A	019	28
84010122A	014	1	84010342A	014	1	84011901AM	014	3	85210681B	22A	9
84010122A	015	1	84010342A	015	1	84011901AM	015	3	85210901B	020	40
84010132A	014	1	84010722A	014	1	84011901AN	014	3	85211201A	013	16
84010132A	015	1	84010722A	015	1	84011901AN	015	3	85211201A	13A	16
84010142A	014	1	84010732A	014	1	84011901AO	014	3	85211511A	016	14
84010142A	015	1	84010732A	015	1	84011901AO	015	3	85211511A	025	37
84010152A	014	1	84011082A	014	1	84011901AP	014	3	85211561A	18B	22
84010152A	015	1	84011082A	015	1	84011901AP	015	3	85211761A	28A	31
84010162A	014	1	84011092A	014	1	84011901AQ	014	3	85211951A	005	15
84010162A	015	1	84011092A	015	1	84011901AQ	015	3	85211951A	05A	15
84010172A	014	1	84011102A	014	1	84011901AR	014	3	85212171A	26A	15
84010172A	015	1	84011102A	015	1	84011901AR	015	3	85212181A	34A	9
84010182A	014	1	84011112A	014	1	84110691B	004	4	85212211A	026	14
84010182A	015	1	84011112A	015	1	84510061A	014	5	85212211A	26A	3
84010192A	014	1	84011122A	014	1	84510061A	015	5	85212221A	026	6
84010192A	015	1	84011122A	015	1	84740061A	010	20	85212651A	002	19



CODE	NO. TABLE	POS.	CODE	NO. TABLE	POS.	CODE	NO. TABLE	POS.	CODE	NO. TABLE	POS.
85212651A	012	26	85250261B	015	25	87210532A	27A	20	88640091A	028	9
85212661A	002	24	85250271A	020	43	87210532A	27B	20	88640331A	012	20
85212681A	009	20	85250291A	019	32	87210601A	28A	20	88640741A	012	12
85212681A	011	13	85250301A	031	24	87210722A	021	3	88640881A	014	8
85212721A	005	9	85250491A	010	27	87210781A	034	24	88640881A	015	8
85212721A	05A	9	85250541A	009	7	87210791A	034	23	88640891A	005	6
85212771A	10A	5	85310031A	012	18	87220892AA	030	29	88640891A	05A	6
85212781B	013	9	85350101A	18A	6	87240761A	020	22	88641061A	021	33
85212781B	13A	9	85540031A	022	5	87310021A	010	32	88641161A	016	8
85212791A	006	2	85610642A	10A	2	87350251A	014	18	88641161A	025	35
85212801A	003	26	85611271A	016	22	87350251A	015	18	88641241A	26A	16
85212941B	012	4	85611372A	003	9	87511641BB	010	34	88641331A	009	16
85213002A	020	29	85611391A	004	2	87511651BB	010	18	88641701A	10A	10
85213002A	027	14	85611401A	033	16	87521941AB	028	14	88641761A	005	11
85213021A	009	26	85611401A	34A	2	875P1741BA	021	26	88641761A	05A	11
85213111AA	019	4	85611471A	013	13	875P2184AA	021	14	88641791A	13A	33
85213111AA	030	16	85611471A	13A	13	87611081A	029	2	88641961A	010	24
85213111AA	27A	24	85611491A	003	21	87611121A	029	4	88641971A	012	29
85213111AA	27B	24	86010061A	013	32	87611131A	029	12	88641981A	031	20
85213291A	003	12	86010061A	13A	32	87711131A	023	15	88642061A	017	14
85213301A	003	6	86050051A	28A	21	87711411A	024	17	88642081A	008	7
85213311A	003	17	86050061A	002	26	87711491A	025	7	88650131A	010	3
85213611A	002	28	86050061A	009	12	87721561A	005	20	88650541B	004	18
85213671AA	005	27	86050061A	010	10	87721561A	05A	20	88650561A	009	4
85213671AA	05A	30	86050061A	011	15	88110541A	26A	7	887131010	01C	6
85240131A	27B	14	86050061A	013	17	88440511A	26A	18	887131058	01C	7
85240131A	28A	30	86050061A	014	6	88440731A	003	4	887131062	01C	12
85240231A	013	24	86050061A	015	6	88440741A	003	11	887131074	01C	4
85240231A	13A	24	86050061A	13A	17	88440751A	003	16	887131096	01C	18
85240261A	014	17	86050091A	002	21	88450021A	021	16	887131832	01B	13
85240261A	015	17	86050361AA	22A	3	88450031A	016	3	887131994	01A	20
85250011C	27A	14	86050371A	010	5	88450031A	019	34	887132069	01B	18
85250231A	013	3	86610301A	020	31	88450031A	025	25	887132409	01C	8
85250231A	13A	3	86610301A	027	3	88450031A	22A	10	887132442	01B	14
85250241A	005	18	86610301A	033	5	88450291A	005	8	887132574	01A	25
85250241A	023	17	86610361A	18A	18	88450291A	05A	8	887132676	01B	6
85250241A	024	4	86610581A	020	33	88450311A	002	14	887132857	01C	10
85250241A	025	10	86611241A	18B	11	88450361A	002	18	887132858	01C	11
85250241A	031	23	86611761A	027	17	88450371A	009	21	887132877	01B	16
85250241A	05A	18	86611772A	027	16	88450371A	011	14	887132951	01C	3
85250241A	24A	6	86611781A	027	15	88610281A	005	16	887133203	01C	19
85250261A	012	15	86640061A	032	13	88610281A	05A	16	887133211	01C	5
85250261A	10A	15	87210161A	34B	10	88610961A	017	4	887133220	01C	1
85250261B	014	25	87210481A	021	18	88640042A	003	28	887133407	01B	17



CODE	NO. TABLE	POS.	CODE	NO. TABLE	POS.	CODE	NO. TABLE	POS.
887133422	01A	1	887134137	01B	19	93410173A	031	17
887133436	01A	11	887134138	01A	36	942470036	10A	3
887133437	01A	2	887134139	01A	35	944650035	L	1
887133440	01A	3	887134207	01C	14	944650037	L	2
887133452	01A	13	887134302	01C	15	96451211B	34B	3
887133467	01B	4	887134507	01B	24	96480791A	34B	17
887133468	01B	3	887134743	01C	13	96480801A	34B	18
887133500	01A	14	887651298	01B	15	96797310BA	34C	2
887133502	01A	23	887651622	01A	24	96797410BA	34C	3
887133507	01A	15	887651632	01A	27	96863612B	28A	25
887133508	01A	16	887651702	01A	32	96900812A	34B	9
887133509	01A	17	887651703	01A	33	969A9912B	28A	27
887133510	01A	10	887651704	01A	34	97380041A	34B	2
887133511	01A	12	89310143A	030	24	979000252	001	1
887133512	01A	18	89310153A	009	8	979000254	001	3
887133517	01A	29	89320121A	005	7	979000255	001	4
887133524	01A	6	89320121A	05A	7	979000256	001	2
887133529	01C	9	89340051A	025	5			
887133549	01A	9	89340241A	023	11			
887133758	01A	19	89420113B	009	10			
887133760	01A	21	89520441A	032	12			
887133773	01A	4	89520441A	032	12			
887133774	01A	7	91372461A	027	19			
887133795	01A	5	91372461B	027	19			
887133820	01A	22	91372461C	027	19			
887133824	01B	2	91372461D	027	19			
887133853	01A	8	91372461E	027	19			
887133875	01B	7	91372461F	027	19			
887133878	01B	9	91372461G	027	19			
887133879	01B	8	91372461L	027	19			
887133880	01A	26	91910511A	34C	1			
887133922	01B	12	93010041B	021	9			
887133923	01B	11	93010102A	26A	28			
887133924	01B	1	93040431A	010	13			
887133925	01B	10	93040521A	026	18			
887133926	01B	5	93040931A	010	31			
887133927	01C	2	93041271A	028	17			
887133943	01A	28	93041521A	005	10			
887134131	01A	30	93041521A	05A	10			
887134132	01A	31	93041591A	002	11			
887134133	01B	20	93041771A	010	30			
887134134	01B	22	93041911A	022	15			
887134135	01B	23	93050121A	28A	5			
887134136	01B	21	93410152A	030	8			





**Ducati Motor Holding S.p.A.**

Uffici Commerciali Amministrativi:

Via A. Cavalieri Ducati n. 3

40132 Bologna, Italy

Telefono 051 6413111

Fax 051 406580

Internet [www.ducati.com](http://www.ducati.com)