



1199 Panigale S ABS
Model Year 2013



SUPERBIKE

Chassis prefix:
Cylinder capacity: 1200

D15000013 - 1199
SPARE PARTS CATALOGUE
en-US



The present spare parts order exactly the right spare parts.

When ordering specify:

1. the part's code number followed by its description and quantity needed;
2. the motorcycle's serial number, stamped on the steering head.

Reference to right and left apply to the vehicle in terms of its direction of movement.

Spare parts drawings are general and do not represent the part.

The contents of this catalogue are general and can undergo changes without prior notice.

CHARACTERISTICS LEGENDA

CHARACTERISTIC CODE	CHARACTERISTIC DESCRIPTION	VALUE CODE	VALUE DESCRIPTION
DFR	DAFRA	N	NO
MOD	MODEL	1199S-A	
PLT	PLANT	DB10	DMH
XCO	MAIN COLOUR	AW	
XCO	MAIN COLOUR	R	
XCR	FRAME / WHEEL COLOUR	-B	
XPO	OPTIONS	STD	MOTO STANDARD
XST	STANDARD COUNTRY	AUS	
XST	STANDARD COUNTRY	CHN	
XST	STANDARD COUNTRY	EUR	
XST	STANDARD COUNTRY	FRA	
XST	STANDARD COUNTRY	JAP	



COLOUR	COLOUR CODE	COLOUR DESCRIPTION	FINISHED PRODUCTS
	AW	ARTIC WHITE	(D15027413) 1199S ABS PANIGALE 13 EUR AW -B STD DMH (D15027613) 1199S ABS PANIGALE 13 JAP AW -B STD DMH (D15027713) 1199S ABS PANIGALE 13 FRA AW -B STD DMH (D15027913) 1199S ABS PANIGALE 13 AUS AW -B STD DMH
	R	RED DUCATI	(D15024713) 1199S ABS PANIGALE 13 JAP R -B STD DMH (D15025013) 1199S ABS PANIGALE 13 CHN R -B STD DMH (D15022413) 1199S ABS PANIGALE 13 EUR R -B STD DMH (D15023113) 1199S ABS PANIGALE 13 FRA R -B STD DMH (D15023613) 1199S ABS PANIGALE 13 AUS R -B STD DMH



General information.....	3
Colours.....	4
Group ELECTRIC.....	8
Drawing 018 - IMPIANTO ELETTRICO SINISTRO [MOD:1199S-A;XST:AUS,CHN,EUR,FRA,JAP].....	8
Drawing 18A - BATTERY HOLDER [MOD:1199S-A;XST:AUS,CHN,EUR,FRA,JAP].....	12
Drawing 18B - IMPIANTO ELETTRICO DESTRO [MOD:1199S-A;XST:AUS,CHN,EUR,FRA,JAP].....	16
Drawing 18C - WIRING HARNESS [MOD:1199S-A;XST:AUS,CHN,EUR,FRA,JAP].....	20
Group ENGINE.....	22
Drawing 002 - GEARCHANGE CONTROL [MOD:1199S-A;XST:AUS,CHN,EUR,FRA,JAP].....	22
Drawing 003 - GEAR BOX [MOD:1199S-A;XST:AUS,CHN,EUR,FRA,JAP].....	26
Drawing 004 - CLUTCH [MOD:1199S-A;XST:AUS,CHN,EUR,FRA,JAP].....	30
Drawing 005 - CLUTCH - SIDE CRANKCASE COVER [MOD:1199S-A;XST:AUS,CHN,EUR,FRA].....	34
Drawing 006 - IMBIELLAGGIO [MOD:1199S-A;XST:AUS,CHN,EUR,FRA,JAP].....	38
Drawing 007 - CYLINDERS - PISTONS [MOD:1199S-A;XST:AUS,CHN,EUR,FRA,JAP].....	42
Drawing 008 - DISTRIBUZIONE [MOD:1199S-A;XST:AUS,CHN,EUR,FRA].....	44
Drawing 009 - FILTRI E POMPA OLIO [MOD:1199S-A;XST:AUS,CHN,EUR,FRA,JAP].....	46
Drawing 010 - HALF-CRANKCASES PAIR [MOD:1199S-A;XST:AUS,CHN,EUR,FRA,JAP].....	50
Drawing 011 - POMPA ACQUA [MOD:1199S-A;XST:AUS,CHN,EUR,FRA,JAP].....	56
Drawing 012 - ELECTRIC STARTING AND IGNITION [MOD:1199S-A;XST:AUS,CHN,EUR,FRA,JAP].....	58
Drawing 013 - TESTA ORIZZONTALE - DISTRIBUZIONE [MOD:1199S-A;XST:AUS,EUR,FRA,JAP].....	62
Drawing 013 - TESTA ORIZZONTALE - DISTRIBUZIONE [MOD:1199S-A;XST:CHN].....	66
Drawing 014 - HORIZONTAL HEAD [MOD:1199S-A;XST:AUS,CHN,EUR,FRA,JAP].....	68
Drawing 015 - VERTICAL HEAD [MOD:1199S-A;XST:AUS,CHN,EUR,FRA,JAP].....	86
Drawing 05A - CLUTCH-SIDE CRANKCASE COVER (JAP) [MOD:1199S-A;XST:JAP].....	104
Drawing 10A - HALF-CRANKCASES PAIR [MOD:1199S-A;XST:AUS,CHN,EUR,FRA,JAP].....	106
Drawing 13A - VERTICAL CYLINDER HEAD - TIMING [MOD:1199S-A;XST:AUS,EUR,FRA,JAP].....	110
Drawing 13A - VERTICAL CYLINDER HEAD - TIMING [MOD:1199S-A;XST:CHN].....	116
Group TOOLS.....	118
Drawing 001 - DDS (2) TESTER [MOD:1199S-A;XST:AUS,CHN,EUR,FRA,JAP].....	118



Drawing 01A - WORKSHOP SERVICE TOOLS [MOD:1199S-A;XST:AUS,CHN,EUR,FRA,JAP].....	120
Drawing 01B - WORKSHOP SERVICE TOOLS [MOD:1199S-A;XST:AUS,CHN,EUR,FRA,JAP].....	124
Drawing 01C - WORKSHOP SERVICE TOOLS [MOD:1199S-A;XST:AUS,CHN,EUR,FRA,JAP].....	128
Group FRAME.....	130
Drawing 016 - FOOTRESTS, LEFT [MOD:1199S-A;XST:AUS,CHN,EUR,FRA,JAP].....	130
Drawing 017 - THROTTLE BODY [MOD:1199S-A;XST:AUS,CHN,EUR,FRA,JAP].....	134
Drawing 019 - GRUPPO SCARICO [MOD:1199S-A;XST:AUS,CHN,EUR,FRA].....	136
Drawing 020 - FANALE ANTERIORE E CRUSCOTTO [MOD:1199S-A;XST:AUS,CHN,EUR,FRA,JAP].....	142
Drawing 021 - SEMIMANUBRI - AMMORTIZZATORE DI STERZO [MOD:1199S-A;XST:AUS,CHN,EUR,FRA,JAP].....	146
Drawing 022 - FRAME [MOD:1199S-A;XST:AUS,CHN,EUR,FRA,JAP].....	150
Drawing 023 - CLUTCH CONTROL [MOD:1199S-A;XST:AUS,CHN,EUR,FRA,JAP].....	152
Drawing 024 - FRENO ANTERIORE [MOD:1199S-A;XST:AUS,CHN,EUR,FRA,JAP].....	156
Drawing 025 - FRENO POSTERIORE [MOD:1199S-A;XST:AUS,CHN,EUR,FRA,JAP].....	160
Drawing 026 - RUOTA ANTERIORE E POSTERIORE [MOD:1199S-A;XST:AUS,CHN,EUR,FRA,JAP].....	166
Drawing 027 - REAR FRAME COMP. [MOD:1199S-A;XST:AUS,CHN,EUR,FRA,JAP].....	170
Drawing 028 - SOSPENSIONE POSTERIORE [MOD:1199S-A;XST:AUS,CHN,EUR,FRA,JAP].....	174
Drawing 029 - AIR INTAKE - OIL BREATHER [MOD:1199S-A;XST:AUS,CHN,EUR,FRA,JAP].....	178
Drawing 030 - WATER COOLER [MOD:1199S-A;XST:AUS,CHN,EUR,FRA,JAP].....	180
Drawing 031 - COOLING SYSTEM [MOD:1199S-A;XST:AUS,CHN,EUR,FRA,JAP].....	184
Drawing 032 - TANK [MOD:1199S-A;XST:AUS,EUR,FRA,JAP].....	188
Drawing 032 - TANK [MOD:1199S-A;XST:CHN].....	192
Drawing 033 - SEAT [MOD:1199S-A;XST:AUS,CHN,EUR,FRA,JAP].....	194
Drawing 034 - COWLING [MOD:1199S-A;XST:AUS,CHN,EUR,FRA,JAP].....	200
Drawing 035 - CANISTER FILTER [MOD:1199S-A;XST:CHN].....	204
Drawing 19A - EXHAUST SYSTEM (JAP) [MOD:1199S-A;XST:JAP].....	206
Drawing 21A - FRONT FORK [MOD:1199S-A;XST:AUS,EUR,FRA,JAP].....	210
Drawing 21A - FRONT FORK [MOD:1199S-A;XST:CHN].....	212
Drawing 22A - STAND [MOD:1199S-A;XST:AUS,CHN,EUR,FRA,JAP].....	214
Drawing 24A - ANTILOCK BRAKING SYSTEM (ABS) [MOD:1199S-A;XST:AUS,CHN,EUR,FRA,JAP].....	216
Drawing 26A - REAR WHEEL SPINDLE [MOD:1199S-A;XST:AUS,CHN,EUR,FRA,JAP].....	220

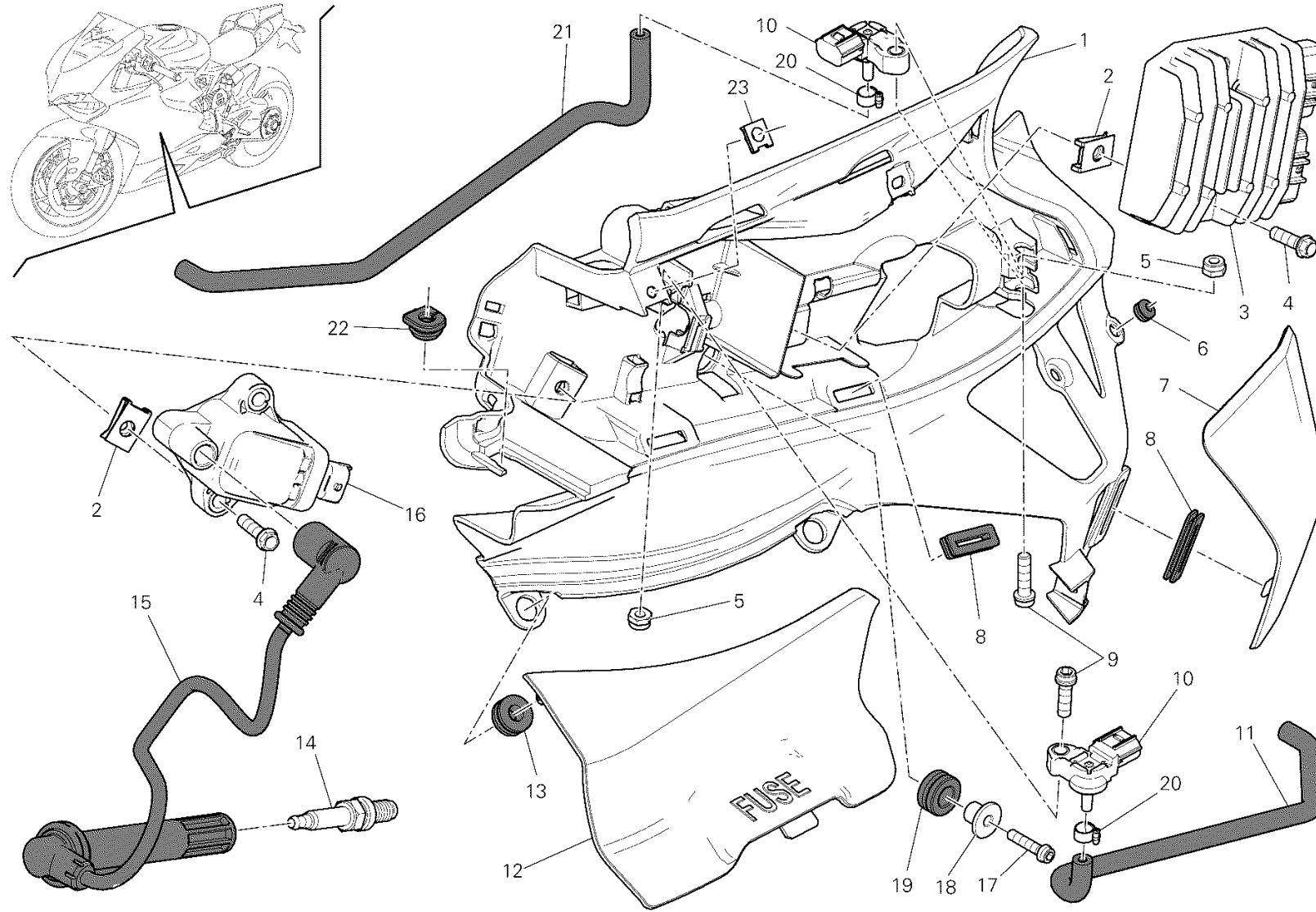


Drawing 27A - PORTATARGA - FANALE POSTERIORE [MOD:1199S-A;XST:CHN,EUR,FRA,JAP].....	224
Drawing 27B - NUMBER PLATE HOLDER - TAIL LIGHT - (AUS) [MOD:1199S-A;XST:AUS].....	228
Drawing 28A - FORCELLONE POSTERIORE [MOD:1199S-A;XST:AUS,CHN,EUR,FRA,JAP].....	230
Drawing 34A - FAIRING [MOD:1199S-A;XST:AUS,CHN,EUR,FRA,JAP].....	234
Alphanumeric index.....	238



DRAWING 018 - IMPIANTO ELETTRICO SINISTRO [MOD:1199S-A;XST:AUS,CHN,EUR,FRA,JAP]

GROUP ELECTRIC



IMP00769

DRAWING 018 - IMPIANTO ELETTRICO SINISTRO [MOD:1199S-A;XST:AUS,CHN,EUR,FRA,JAP]



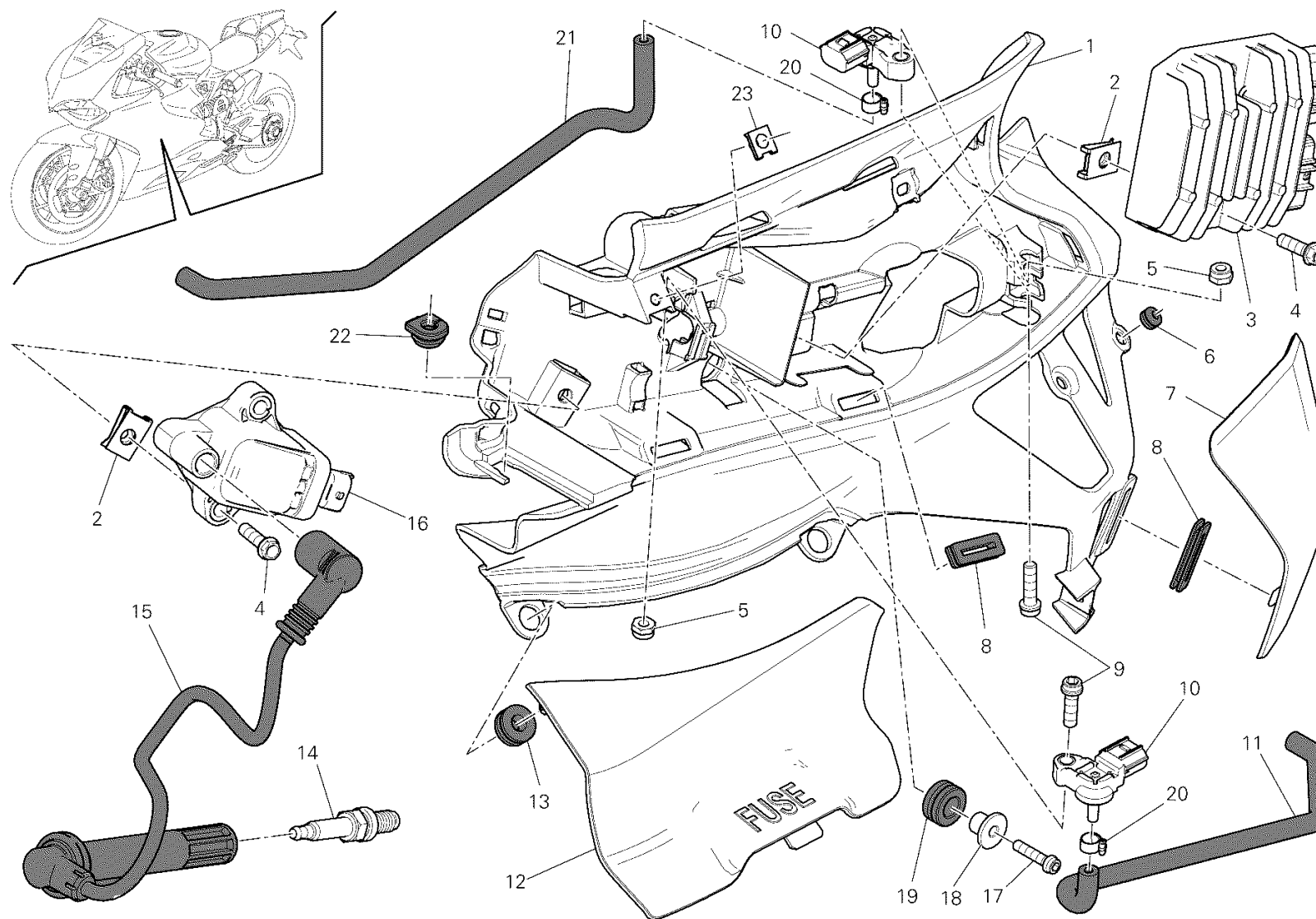
GROUP ELECTRIC

POS.	CODE	DESCRIPTION	QTY	START DATE	END DATE	VALIDITY	NOTES
1	829PA361A	LEFT HOLDER	1			MOD:1199S- A;XST:AUS,CHN,EUR,FRA,JAP	
2	85041581A	CLIP NUT	4			MOD:1199S- A;XST:AUS,CHN,EUR,FRA,JAP	
3	54040301B	VOLTAGE REGULATOR	1			MOD:1199S- A;XST:AUS,CHN,EUR,FRA,JAP	
4	77251038B	SCREW TEF M6X25	4			MOD:1199S- A;XST:AUS,CHN,EUR,FRA,JAP	
5	74940041A	NUT, SELF-LOCKING M6	2			MOD:1199S- A;XST:AUS,CHN,EUR,FRA,JAP	
6	76440561A	RUBBER PAD	2			MOD:1199S- A;XST:AUS,CHN,EUR,FRA,JAP	
7	46015482A	COVER	1			MOD:1199S- A;XST:AUS,CHN,EUR,FRA,JAP	
8	76411411B	RUBBER PAD	3			MOD:1199S- A;XST:AUS,CHN,EUR,FRA,JAP	
9	77156678B	SCREW TCEIF M6X20	2				
10	55241571A	SENSOR, PRESSURE	2			MOD:1199S- A;XST:AUS,CHN,EUR,FRA,JAP	
11	59013941A	TUBE VERTICAL	1			MOD:1199S- A;XST:AUS,CHN,EUR,FRA,JAP	
12	46015351A	COVER	1			MOD:1199S- A;XST:AUS,CHN,EUR,FRA,JAP	
13	76410841B	RUBBER PAD	2			MOD:1199S- A;XST:AUS,CHN,EUR,FRA,JAP	
14	67040451A	SPARK PLUG	1			MOD:1199S- A;XST:AUS,CHN,EUR,FRA,JAP	
15	67110511C	SPARK PLUG WIRING	1			MOD:1199S- A;XST:AUS,CHN,EUR,FRA,JAP	
16	38040221B	IGNITION COIL ASSY	1			MOD:1199S- A;XST:AUS,CHN,EUR,FRA,JAP	
17	77156443B	SCREW	3			MOD:1199S- A;XST:AUS,CHN,EUR,FRA,JAP	
18	71614342AA	SPACER	3			MOD:1199S- A;XST:AUS,CHN,EUR,FRA,JAP	



DRAWING 018 - IMPIANTO ELETTRICO SINISTRO [MOD:1199S-A;XST:AUS,CHN,EUR,FRA,JAP]

GROUP ELECTRIC



IMP00769

DRAWING 018 - IMPIANTO ELETTRICO SINISTRO [MOD:1199S-A;XST:AUS,CHN,EUR,FRA,JAP]



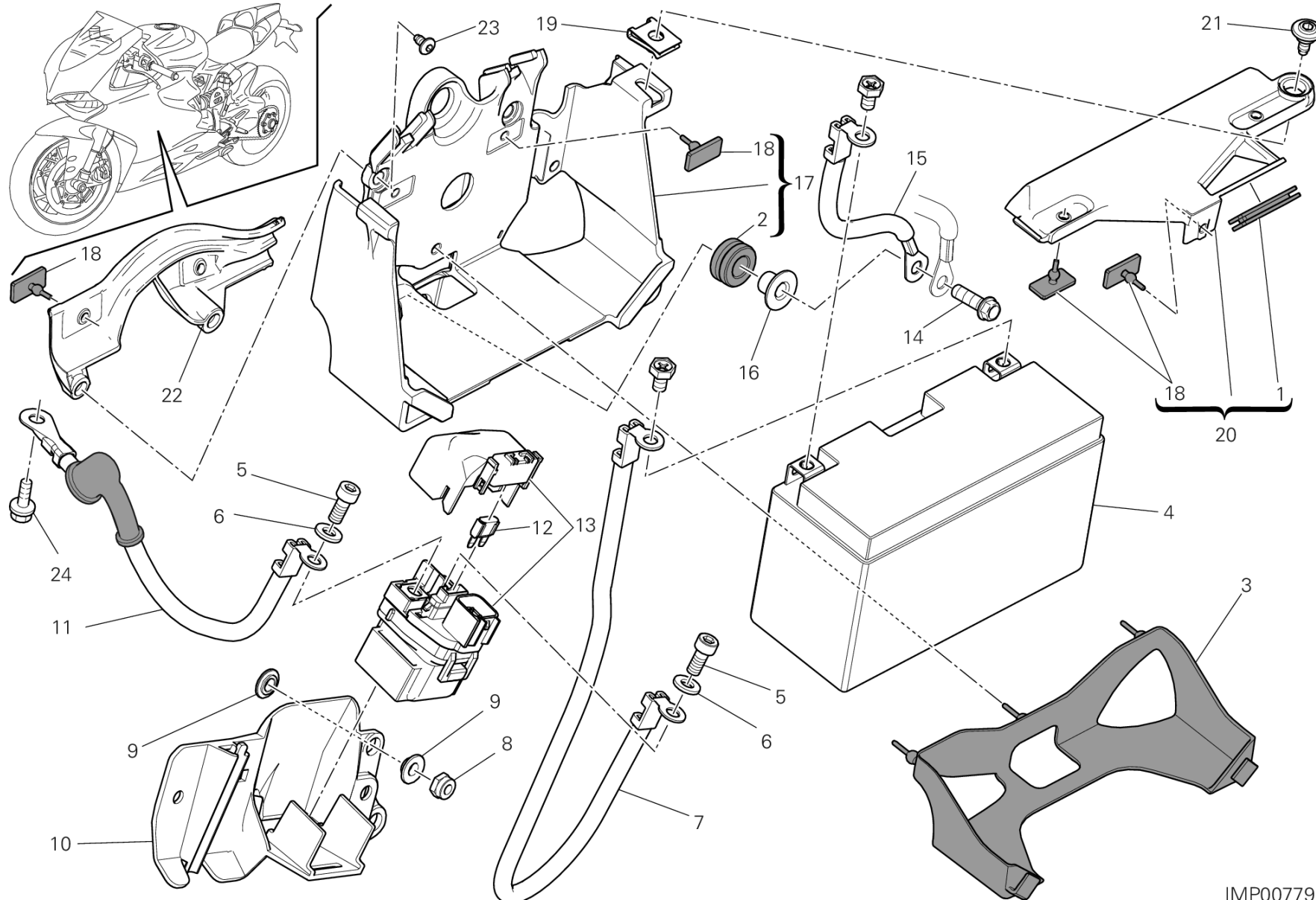
GROUP ELECTRIC

POS.	CODE	DESCRIPTION	QTY	START DATE	END DATE	VALIDITY	NOTES
19	76410901A	RUBBER PAD	3			MOD:1199S-A;XST:AUS,CHN,EUR,FRA,JAP	
20	74141711A	CLAMP 10-7 MM	2			MOD:1199S-A;XST:AUS,CHN,EUR,FRA,JAP	
21	59013951A	TUBE HORIZONTAL	1			MOD:1199S-A;XST:AUS,CHN,EUR,FRA,JAP	
22	76410741A	HOSE GUIDE	1			MOD:1199S-A;XST:AUS,CHN,EUR,FRA,JAP	
23	85040471A	QUICK FASTENING M5	2			MOD:1199S-A;XST:AUS,CHN,EUR,FRA,JAP	



DRAWING 18A - BATTERY HOLDER [MOD:1199S-A;XST:AUS,CHN,EUR,FRA,JAP]

GROUP ELECTRIC



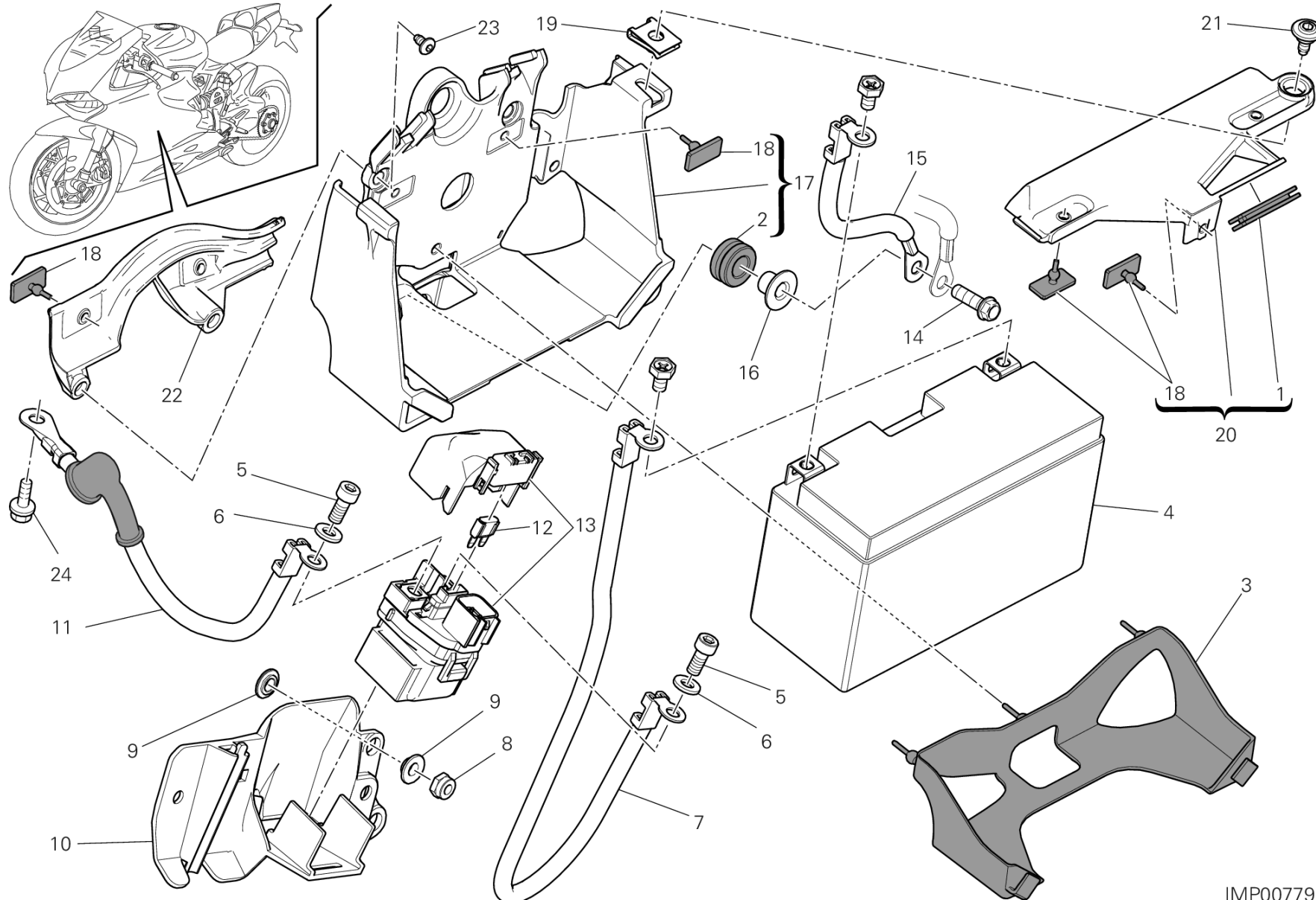
IMP00779

DRAWING 18A - BATTERY HOLDER [MOD:1199S-A;XST:AUS,CHN,EUR,FRA,JAP]

GROUP ELECTRIC



POS.	CODE	DESCRIPTION	QTY	START DATE	END DATE	VALIDITY	NOTES
1	76411411B	RUBBER PAD	1			MOD:1199S- A;XST:AUS,CHN,EUR,FRA,JAP	
2	76410901A	RUBBER PAD	3			MOD:1199S- A;XST:AUS,CHN,EUR,FRA,JAP	
3	46015052A	BATTERY CARPET	1			MOD:1199S- A;XST:AUS,CHN,EUR,FRA,JAP	
4	39520311A	BATTERY	1			MOD:1199S- A;XST:AUS,CHN,EUR,FRA,JAP	
5	77156628B	SCREW TCEIF M6X10	2			MOD:1199S- A;XST:AUS,CHN,EUR,FRA,JAP	
6	85350101A	WASHER, SPRING	2			MOD:1199S- A;XST:AUS,CHN,EUR,FRA,JAP	
7	51410671A	BATTERY - SOLENOID STARTER CABLE	1			MOD:1199S- A;XST:AUS,CHN,EUR,FRA,JAP	
8	74840381A	NUT M5	2			MOD:1199S- A;XST:AUS,CHN,EUR,FRA,JAP	
9	71614071A	SPACER 5.2X8.4X2	4			MOD:1199S- A;XST:AUS,CHN,EUR,FRA,JAP	
10	83016833A	HOLDER	1			MOD:1199S- A;XST:AUS,CHN,EUR,FRA,JAP	
11	51410681A	SOLENOID STARTER - STARTER MOTOR CABLE	1			MOD:1199S- A;XST:AUS,CHN,EUR,FRA,JAP	
12	38940251A	FUSE 30A	1			MOD:1199S- A;XST:AUS,CHN,EUR,FRA,JAP	
13	39740071A	STARTER RELAY	1			MOD:1199S- A;XST:AUS,CHN,EUR,FRA,JAP	
14	77251023C	SCREW TEF M6X22 10.9	3			MOD:1199S- A;XST:AUS,CHN,EUR,FRA,JAP	
15	51310261A	CABLE	1			MOD:1199S- A;XST:AUS,CHN,EUR,FRA,JAP	
16	71611061A	SPACER 7X10X20	3			MOD:1199S- A;XST:AUS,CHN,EUR,FRA,JAP	
17	829PA541B	BATTERY HOLDER	1			MOD:1199S- A;XST:AUS,CHN,EUR,FRA,JAP	



IMP00779

DRAWING 18A - BATTERY HOLDER [MOD:1199S-A;XST:AUS,CHN,EUR,FRA,JAP]

GROUP ELECTRIC

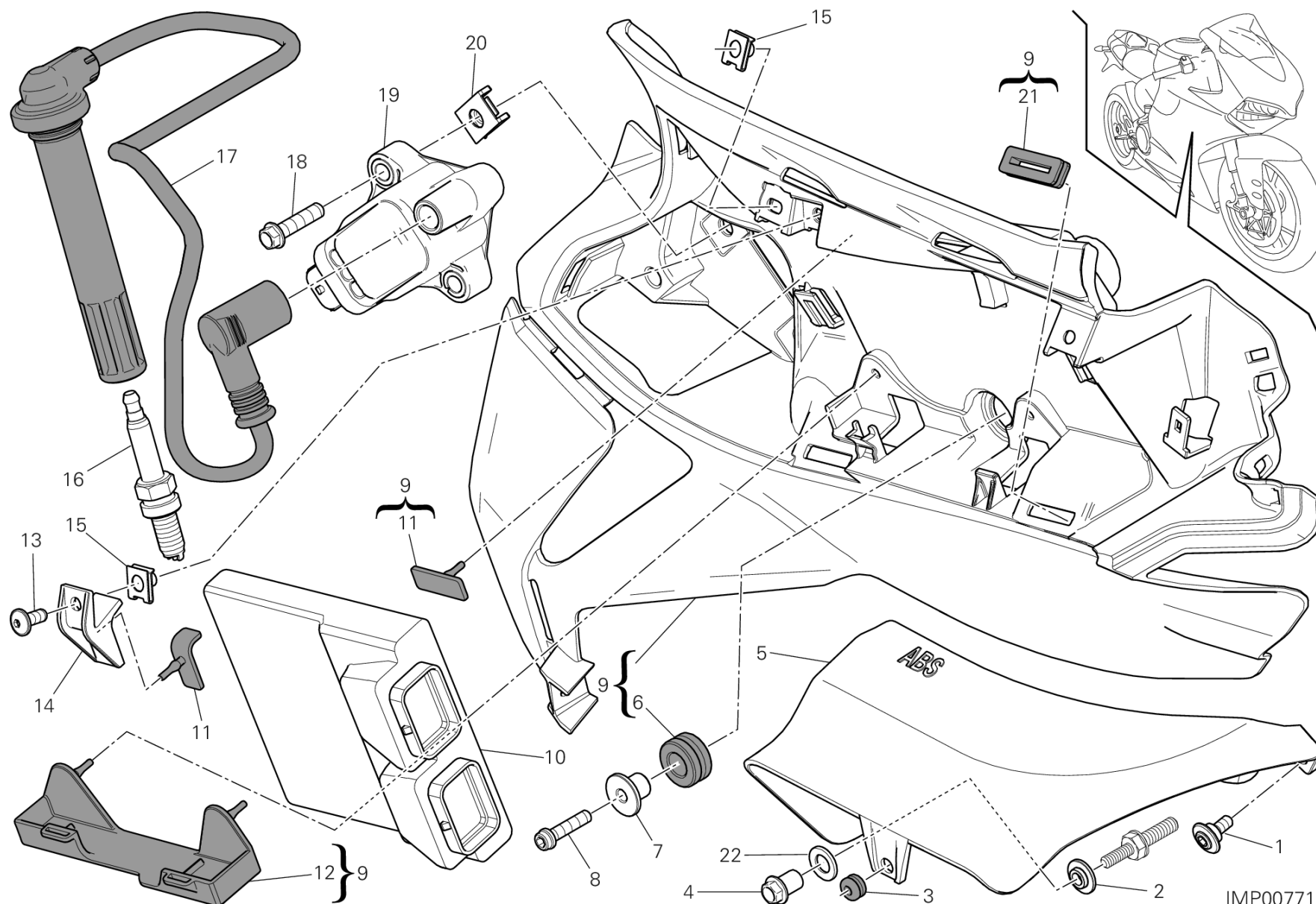


POS.	CODE	DESCRIPTION	QTY	START DATE	END DATE	VALIDITY	NOTES
18	86610361A	RUBBER PAD	7			MOD:1199S- A;XST:AUS,CHN,EUR,FRA,JAP	
19	85040551A	QUICK FASTENING	1			MOD:1199S- A;XST:AUS,CHN,EUR,FRA,JAP	
20	247P4072A	COVER ASSEMBLY	1			MOD:1199S- A;XST:AUS,CHN,EUR,FRA,JAP	
21	77211131A	SCREW	1			MOD:1199S- A;XST:AUS,CHN,EUR,FRA,JAP	
22	46015681A	GUARD	1			MOD:1199S- A;XST:AUS,CHN,EUR,FRA,JAP	
23	77440203C	SCREW	2			MOD:1199S- A;XST:AUS,CHN,EUR,FRA,JAP	
24	77210461B	SCREW TEF M5X8	1			MOD:1199S- A;XST:AUS,CHN,EUR,FRA,JAP	



DRAWING 18B - IMPIANTO ELETTRICO DESTRO [MOD:1199S-A;XST:AUS,CHN,EUR,FRA,JAP]

GROUP ELECTRIC



DRAWING 18B - IMPIANTO ELETTRICO DESTRO [MOD:1199S-A;XST:AUS,CHN,EUR,FRA,JAP]

GROUP ELECTRIC

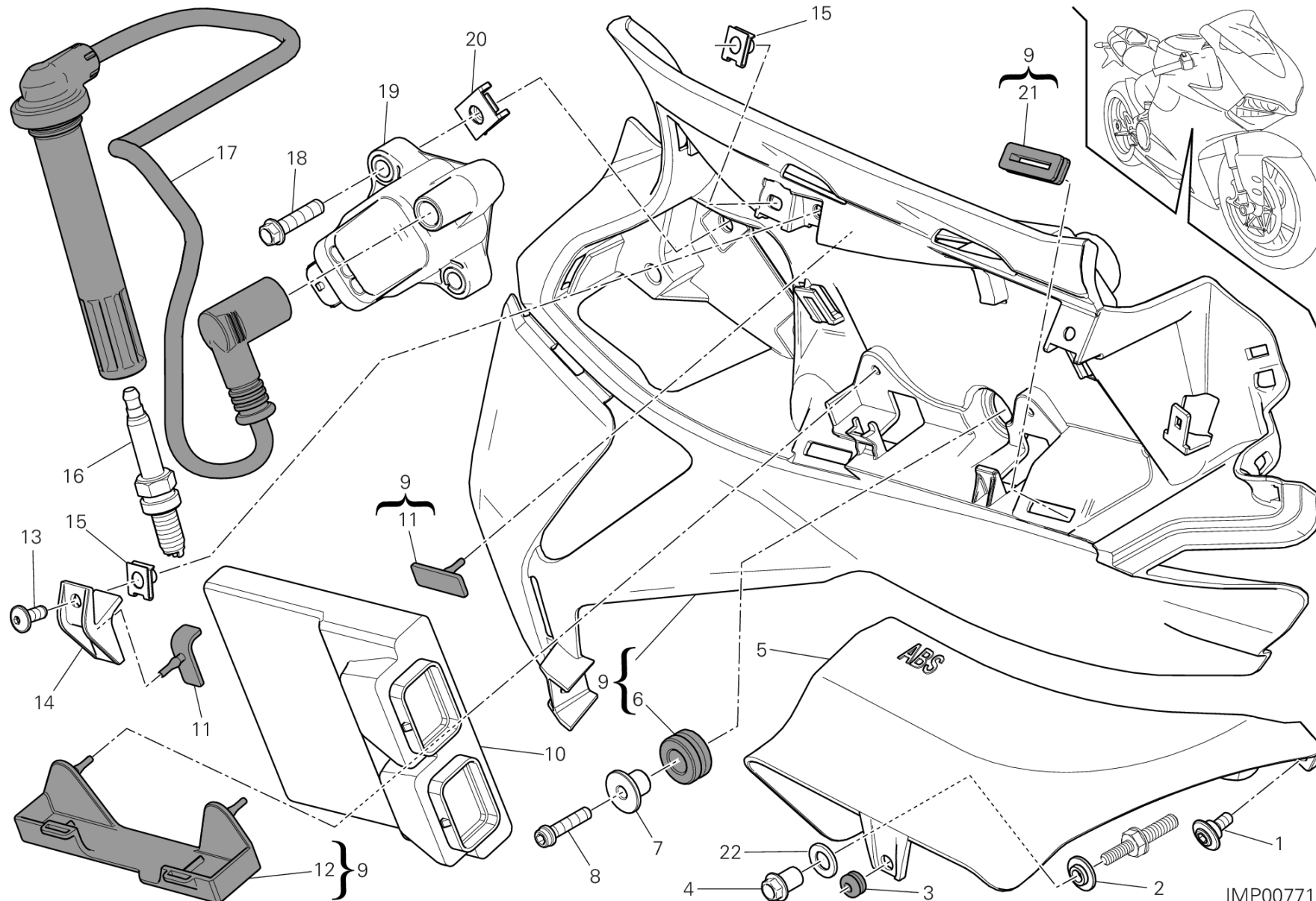


POS.	CODE	DESCRIPTION	QTY	START DATE	END DATE	VALIDITY	NOTES
1	77210853B	SCREW TCEI M5X9	1			MOD:1199S-A;XST:AUS,CHN,EUR,FRA,JAP	
2	71614071A	SPACER 5.2X8.4X2	1			MOD:1199S-A;XST:AUS,CHN,EUR,FRA,JAP	
3	76440561A	RUBBER PAD	1			MOD:1199S-A;XST:AUS,CHN,EUR,FRA,JAP	
4	75011742AA	NUT, SPECIAL	1			MOD:1199S-A;XST:AUS,CHN,EUR,FRA,JAP	
5	46015631B	COVER	1			MOD:1199S-A;XST:AUS,CHN,EUR,FRA,JAP	
6	76410901A	RUBBER PAD	3			MOD:1199S-A;XST:AUS,CHN,EUR,FRA,JAP	
7	71614342AA	SPACER	3			MOD:1199S-A;XST:AUS,CHN,EUR,FRA,JAP	
8	77156443B	SCREW	3			MOD:1199S-A;XST:AUS,CHN,EUR,FRA,JAP	
9	829PA371A	RIGHT HOLDER	1			MOD:1199S-A;XST:AUS,CHN,EUR,FRA,JAP	
10	28642211A	CONTROL UNIT	1			MOD:1199S-A;XST:AUS,EUR	EUR - AUS - BRA - TWN
	28642211C	CONTROL UNIT	1	29/03/2012		MOD:1199S-A;XST:CHN	CAL - CDN - CHN
	28642211E	CONTROL UNIT	1			MOD:1199S-A;XST:FRA	FRA
	28642211F	ENGINE CONTROL UNIT	1			MOD:1199S-A;XST:JAP	JPN
11	86611241A	RUBBER PAD	2			MOD:1199S-A;XST:AUS,CHN,EUR,FRA,JAP	
12	70010711A	VIBRATION DAMPER	1			MOD:1199S-A;XST:AUS,CHN,EUR,FRA,JAP	
13	77240258C	SCREW	1			MOD:1199S-A;XST:AUS,CHN,EUR,FRA,JAP	
14	83016861A	BRACKET	1			MOD:1199S-A;XST:AUS,CHN,EUR,FRA,JAP	
15	85040471A	QUICK FASTENING M5	3			MOD:1199S-A;XST:AUS,CHN,EUR,FRA,JAP	
16	67040451A	SPARK PLUG	1			MOD:1199S-A;XST:AUS,CHN,EUR,FRA,JAP	



DRAWING 18B - IMPIANTO ELETTRICO DESTRO [MOD:1199S-A;XST:AUS,CHN,EUR,FRA,JAP]

GROUP ELECTRIC



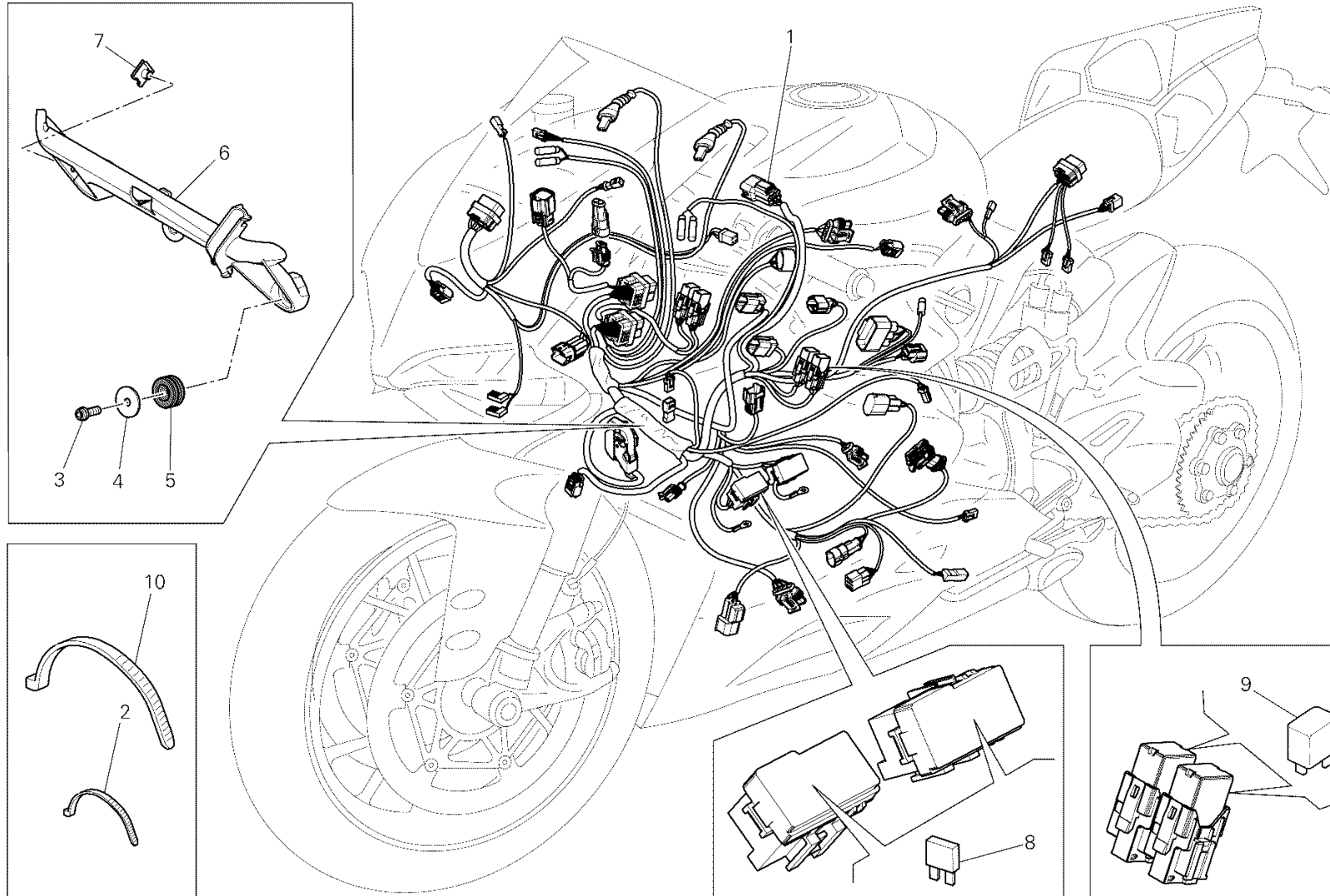
IMP00771

DRAWING 18B - IMPIANTO ELETTRICO DESTRO [MOD:1199S-A;XST:AUS,CHN,EUR,FRA,JAP]



GROUP ELECTRIC

POS.	CODE	DESCRIPTION	QTY	START DATE	END DATE	VALIDITY	NOTES
17	67110511C	SPARK PLUG WIRING	1			MOD:1199S-A;XST:AUS,CHN,EUR,FRA,JAP	
18	77251038B	SCREW TEF M6X25	2			MOD:1199S-A;XST:AUS,CHN,EUR,FRA,JAP	
19	38040221B	IGNITION COIL ASSY	1			MOD:1199S-A;XST:AUS,CHN,EUR,FRA,JAP	
20	85041581A	CLIP NUT	2			MOD:1199S-A;XST:AUS,CHN,EUR,FRA,JAP	
21	76411411B	RUBBER PAD	2			MOD:1199S-A;XST:AUS,CHN,EUR,FRA,JAP	



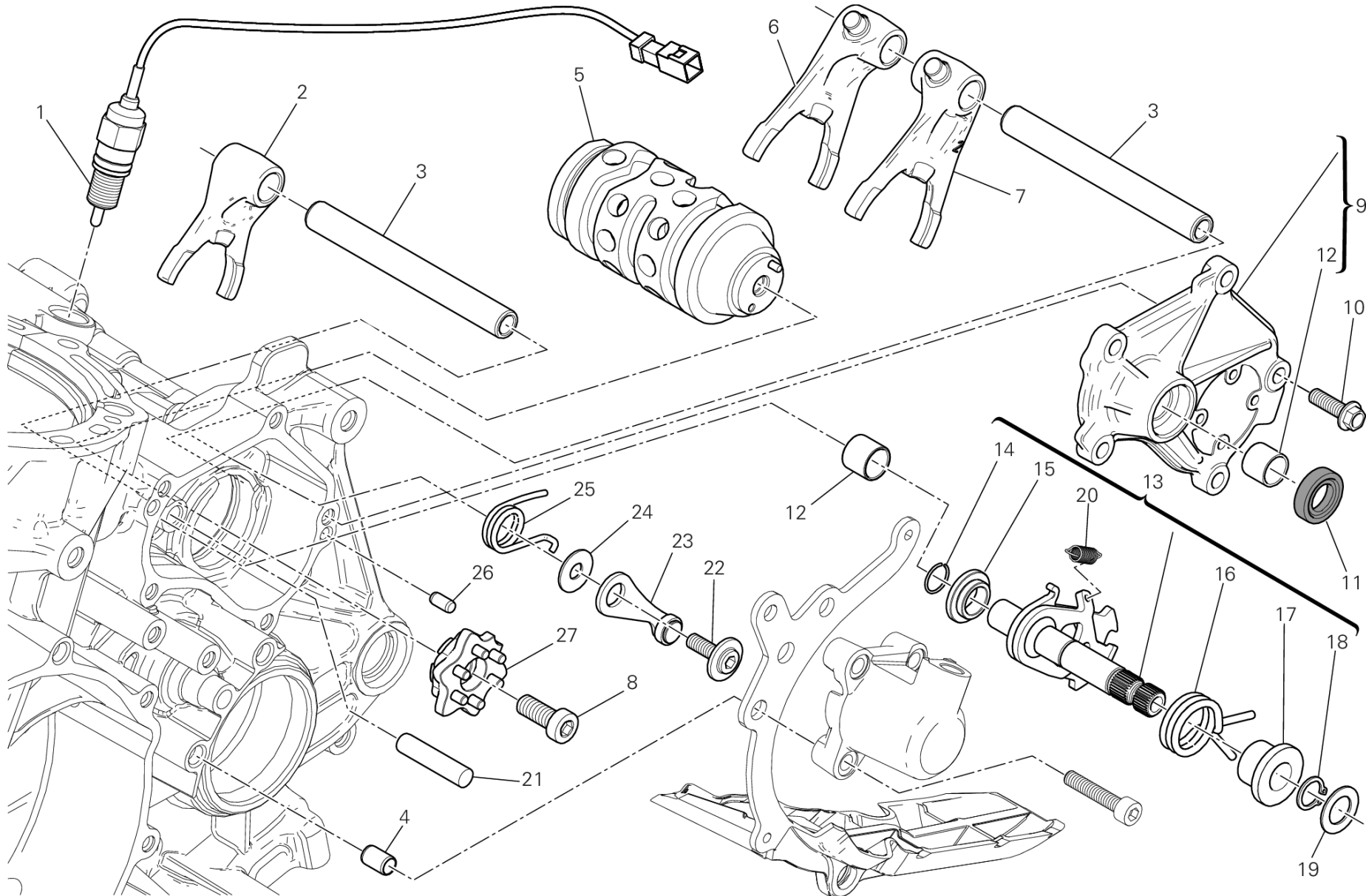
IMP00775

DRAWING 18C - WIRING HARNESS [MOD:1199S-A;XST:AUS,CHN,EUR,FRA,JAP]

GROUP ELECTRIC

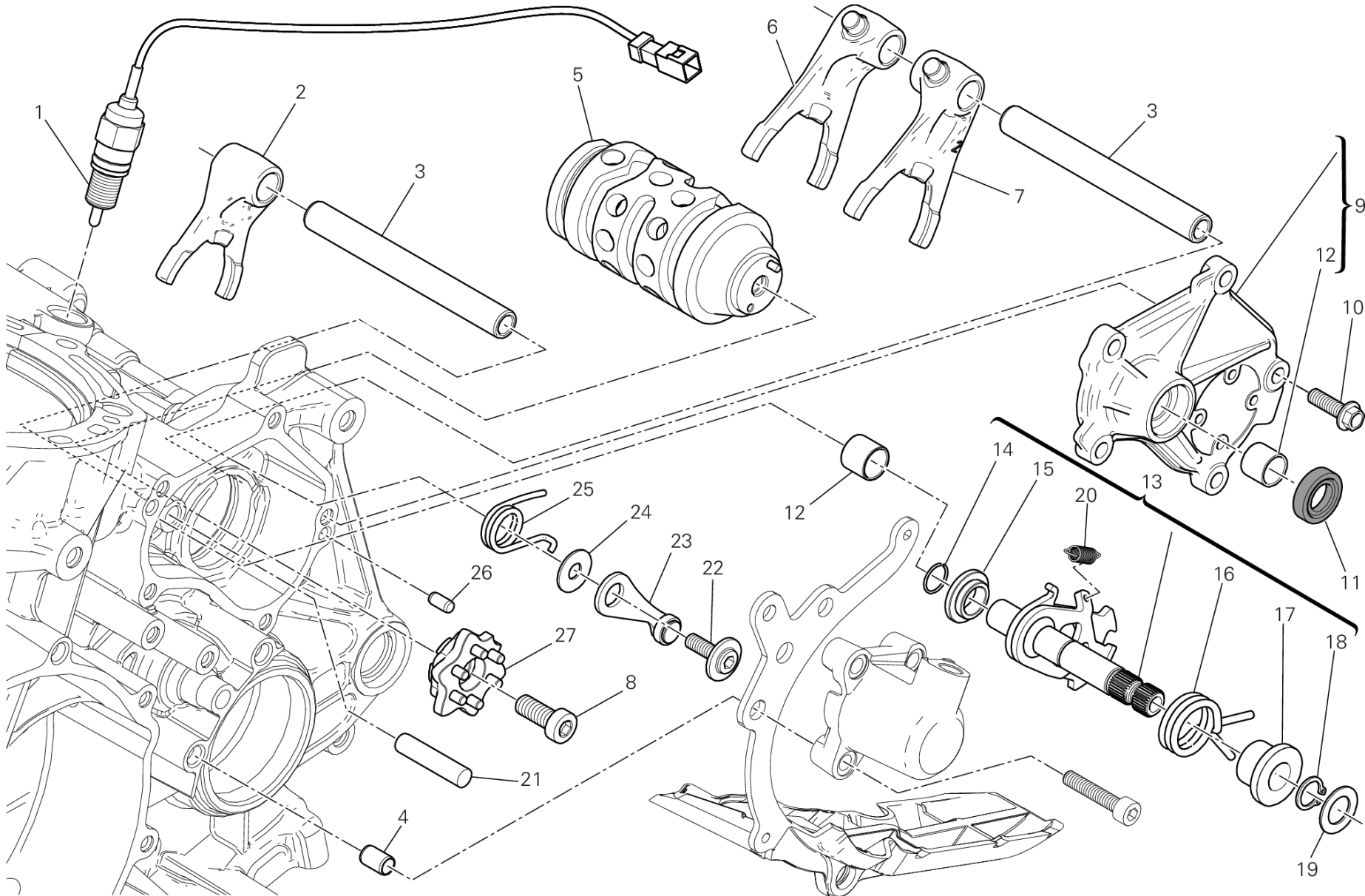


POS.	CODE	DESCRIPTION	QTY	START DATE	END DATE	VALIDITY	NOTES
1	51017921C	MAIN WIRING HARNESS	1			MOD:1199S- A;XST:AUS,CHN,EUR,FRA,JAP	
2	74140381A	CLAMP	39			MOD:1199S- A;XST:AUS,CHN,EUR,FRA,JAP	
3	77210882B	SCREW TBEI M5X12	2			MOD:1199S- A;XST:AUS,CHN,EUR,FRA,JAP	
4	71614431AA	SPACER	2			MOD:1199S- A;XST:AUS,CHN,EUR,FRA,JAP	
5	76410901A	RUBBER PAD	2			MOD:1199S- A;XST:AUS,CHN,EUR,FRA,JAP	
6	83017071A	BRACKET, FRONT	1			MOD:1199S- A;XST:AUS,CHN,EUR,FRA,JAP	
7	85040471A	QUICK FASTENING M5	1			MOD:1199S- A;XST:AUS,CHN,EUR,FRA,JAP	
8	38940191A	FUSE 5A	1			MOD:1199S- A;XST:AUS,CHN,EUR,FRA,JAP	
	38940201A	FUSE 10A	1			MOD:1199S- A;XST:AUS,CHN,EUR,FRA,JAP	
	38940211A	FUSE 15A	1			MOD:1199S- A;XST:AUS,CHN,EUR,FRA,JAP	
	38940221A	FUSE 20A	1			MOD:1199S- A;XST:AUS,CHN,EUR,FRA,JAP	
	38940241A	FUSE 7,5A	1			MOD:1199S- A;XST:AUS,CHN,EUR,FRA,JAP	
9	54140101A	RELAY	4			MOD:1199S- A;XST:AUS,CHN,EUR,FRA,JAP	
10	069191030	CLAMP	27			MOD:1199S- A;XST:AUS,CHN,EUR,FRA,JAP	



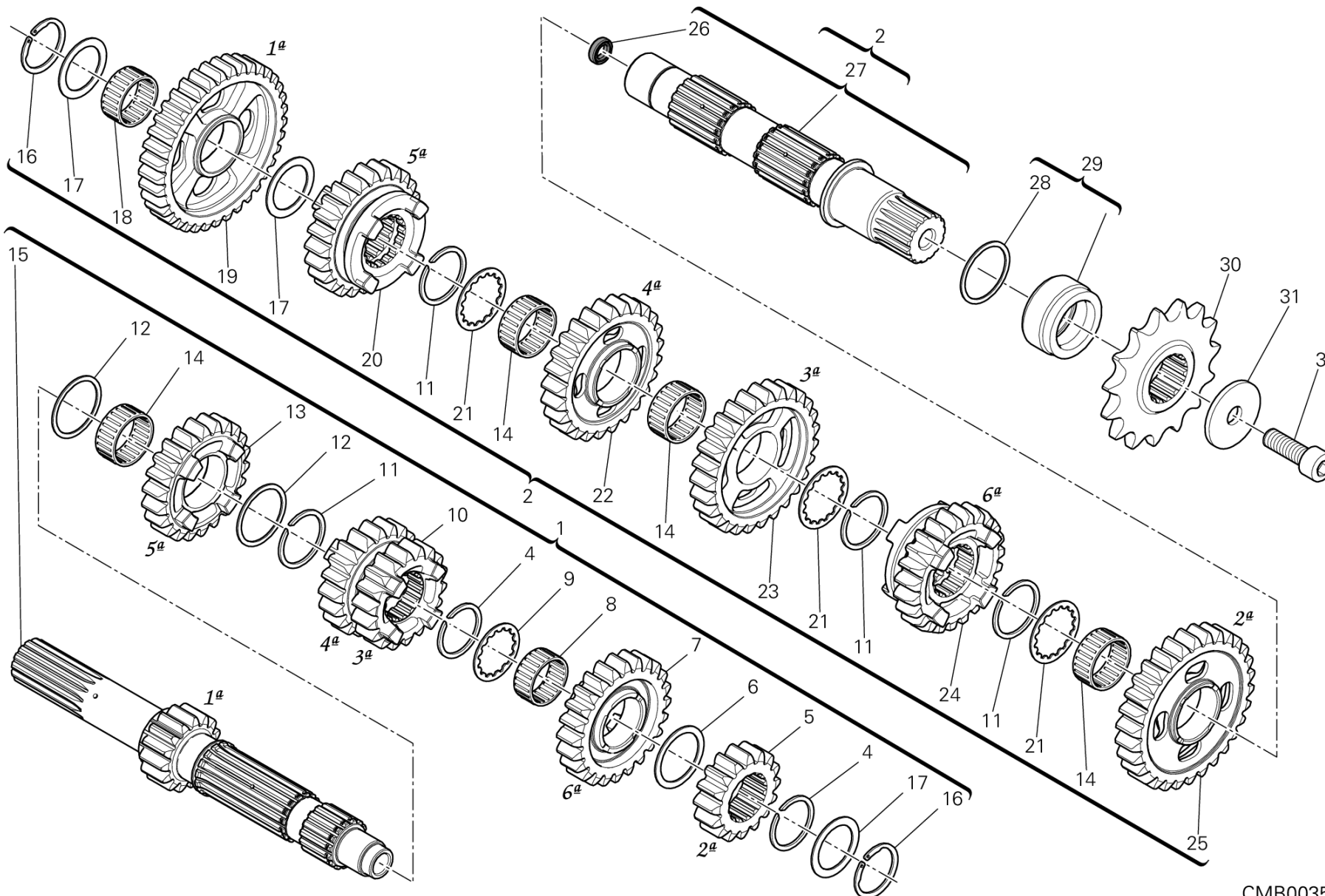


POS.	CODE	DESCRIPTION	QTY	START DATE	END DATE	VALIDITY	NOTES
1	55241612C	GEARBOX POSITION SENSOR	1	11/11/2010		MOD:1199S- A;XST:AUS,CHN,EUR,FRA,JAP	
2	18010271D	5TH,6TH GEAR SELECTOR FORK	1	26/03/2012		MOD:1199S- A;XST:AUS,CHN,EUR,FRA,JAP	
3	82113441B	FORK PIN	2	26/03/2012		MOD:1199S- A;XST:AUS,CHN,EUR,FRA,JAP	
4	71113631A	BUSH	2	26/03/2012		MOD:1199S- A;XST:AUS,CHN,EUR,FRA,JAP	
5	18220353C	COMPLETE GEARBOX DRUM	1	26/03/2012		MOD:1199S- A;XST:AUS,CHN,EUR,FRA,JAP	
6	18010281D	1TH,4TH GEAR SELECTOR FORK	1	26/03/2012		MOD:1199S- A;XST:AUS,CHN,EUR,FRA,JAP	
7	18010291D	2TH,3TH GEAR SELECTOR FORK	1	26/03/2012		MOD:1199S- A;XST:AUS,CHN,EUR,FRA,JAP	
8	77355038B	SCREW	1	26/03/2012		MOD:1199S- A;XST:AUS,CHN,EUR,FRA,JAP	
9	24723652A	GEARBOX CONTROL COVER (Unit)	1	08/05/2012		MOD:1199S- A;XST:AUS,CHN,EUR,FRA,JAP	
10	77253317C	SCREW	5	26/03/2012		MOD:1199S- A;XST:AUS,CHN,EUR,FRA,JAP	
11	93041591A	SEAL RING	1	23/11/2010		MOD:1199S- A;XST:AUS,CHN,EUR,FRA,JAP	
12	71240231A	BUSH	2	24/04/2012		MOD:1199S- A;XST:AUS,CHN,EUR,FRA,JAP	
13	18120051C	GEAR CHANGE MECHANISM (Unit)	1	02/04/2012		MOD:1199S- A;XST:AUS,CHN,EUR,FRA,JAP	
14	88450311A	STOP RING	1	19/12/2011		MOD:1199S- A;XST:AUS,CHN,EUR,FRA,JAP	
15	71611581C	SPACER	1	19/12/2011		MOD:1199S- A;XST:AUS,CHN,EUR,FRA,JAP	
16	79915141C	SPRING	1	19/12/2011		MOD:1199S- A;XST:AUS,CHN,EUR,FRA,JAP	
17	71611571C	SPACER	1	19/12/2011		MOD:1199S- A;XST:AUS,CHN,EUR,FRA,JAP	





POS.	CODE	DESCRIPTION	QTY	START DATE	END DATE	VALIDITY	NOTES
18	88450361A	CIRCLIP	1	19/12/2011		MOD:1199S- A;XST:AUS,CHN,EUR,FRA,JAP	
19	85212651A	WASHER	1	10/11/2010		MOD:1199S- A;XST:AUS,CHN,EUR,FRA,JAP	
20	79915131C	SPRING	1	19/12/2011		MOD:1199S- A;XST:AUS,CHN,EUR,FRA,JAP	
21	86050091A	PIN	1	01/03/2012		MOD:1199S- A;XST:AUS,CHN,EUR,FRA,JAP	
22	77916241A	SCREW, SPECIAL	1	02/11/2011		MOD:1199S- A;XST:AUS,CHN,EUR,FRA,JAP	
23	45520171A	GEAR STOPPER LEVER ASSEMBLY	1	02/11/2011		MOD:1199S- A;XST:AUS,CHN,EUR,FRA,JAP	
24	85212661A	WASHER	1	02/11/2011		MOD:1199S- A;XST:AUS,CHN,EUR,FRA,JAP	
25	79915101C	SPRING	1	02/11/2011		MOD:1199S- A;XST:AUS,CHN,EUR,FRA,JAP	
26	86050061A	PIN M5X10	2	02/11/2011		MOD:1199S- A;XST:AUS,CHN,EUR,FRA,JAP	
27	18220381B	GEARBOX DRUM FLANGE ASSEMBLY	1	26/07/2011		MOD:1199S- A;XST:AUS,CHN,EUR,FRA,JAP	



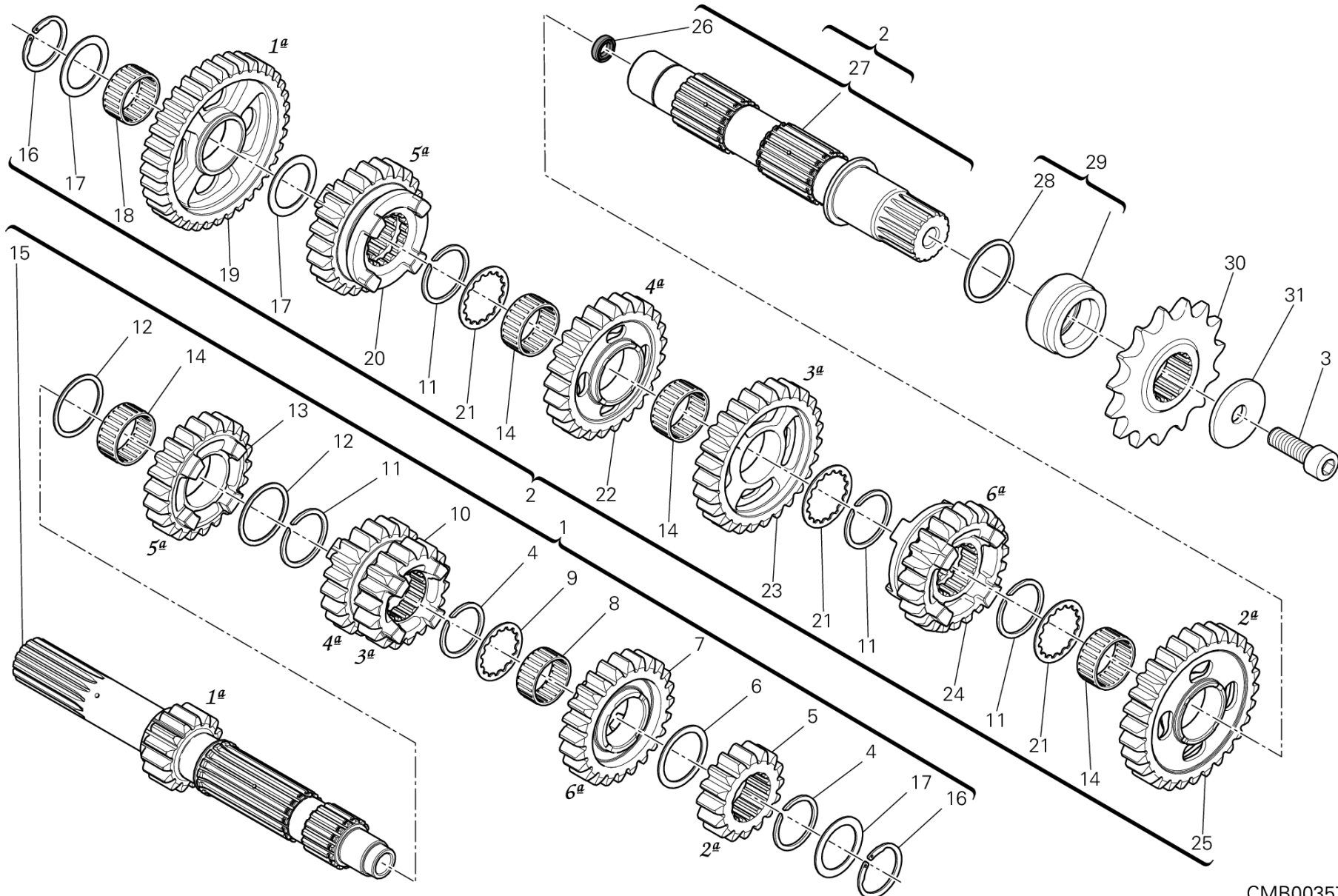
CMB00357

DRAWING 003 - GEAR BOX [MOD:1199S-A;XST:AUS,CHN,EUR,FRA,JAP]

GROUP ENGINE



POS.	CODE	DESCRIPTION	QTY	START DATE	END DATE	VALIDITY	NOTES
1	15021491E	COMPLETE MAIN SHAFT	1	18/07/2012		MOD:1199S- A;XST:AUS,CHN,EUR,FRA,JAP	
2	15021504D	COMPLETE LAY SHAFT	1	18/07/2012		MOD:1199S- A;XST:AUS,CHN,EUR,FRA,JAP	
3	77154337C	SCREW	1	01/12/2011		MOD:1199S- A;XST:AUS,CHN,EUR,FRA,JAP	
4	88440621A	SPRING RING	2	07/12/2011		MOD:1199S- A;XST:AUS,CHN,EUR,FRA,JAP	
5	17213172B	DRIVING GEAR 2ND SP.	1	07/12/2011		MOD:1199S- A;XST:AUS,CHN,EUR,FRA,JAP	
6	85212981A	THRUST WASHER	1	07/12/2011		MOD:1199S- A;XST:AUS,CHN,EUR,FRA,JAP	
7	17213201D	DRIVING GEAR 6TH SP.	1	07/12/2011		MOD:1199S- A;XST:AUS,CHN,EUR,FRA,JAP	
8	70140311A	NEEDLE BEARING	1	07/12/2011		MOD:1199S- A;XST:AUS,CHN,EUR,FRA,JAP	
9	85611372A	WASHER LOCK 28X32.5X1	1	07/12/2011		MOD:1199S- A;XST:AUS,CHN,EUR,FRA,JAP	
10	17213181D	DRIVING GEAR 3RD/4TH SP.	1	07/12/2011		MOD:1199S- A;XST:AUS,CHN,EUR,FRA,JAP	
11	88440381A	SPRING RING	4	01/01/2011		MOD:1199S- A;XST:AUS,CHN,EUR,FRA,JAP	
12	85212621A	THRUST WASHER	2	07/12/2011		MOD:1199S- A;XST:AUS,CHN,EUR,FRA,JAP	
13	17213191D	DRIVING GEAR 5TH SP.	1	07/12/2011		MOD:1199S- A;XST:AUS,CHN,EUR,FRA,JAP	
14	70140321A	NEEDLE BEARING	4	01/01/2011		MOD:1199S- A;XST:AUS,CHN,EUR,FRA,JAP	
15	14910871E	MAIN SHAFT	1	18/07/2012		MOD:1199S- A;XST:AUS,CHN,EUR,FRA,JAP	
16	88440281A	CIRCLIP	2	01/01/2011		MOD:1199S- A;XST:AUS,CHN,EUR,FRA,JAP	
17	85212631A	THRUST WASHER	3	01/01/2011		MOD:1199S- A;XST:AUS,CHN,EUR,FRA,JAP	



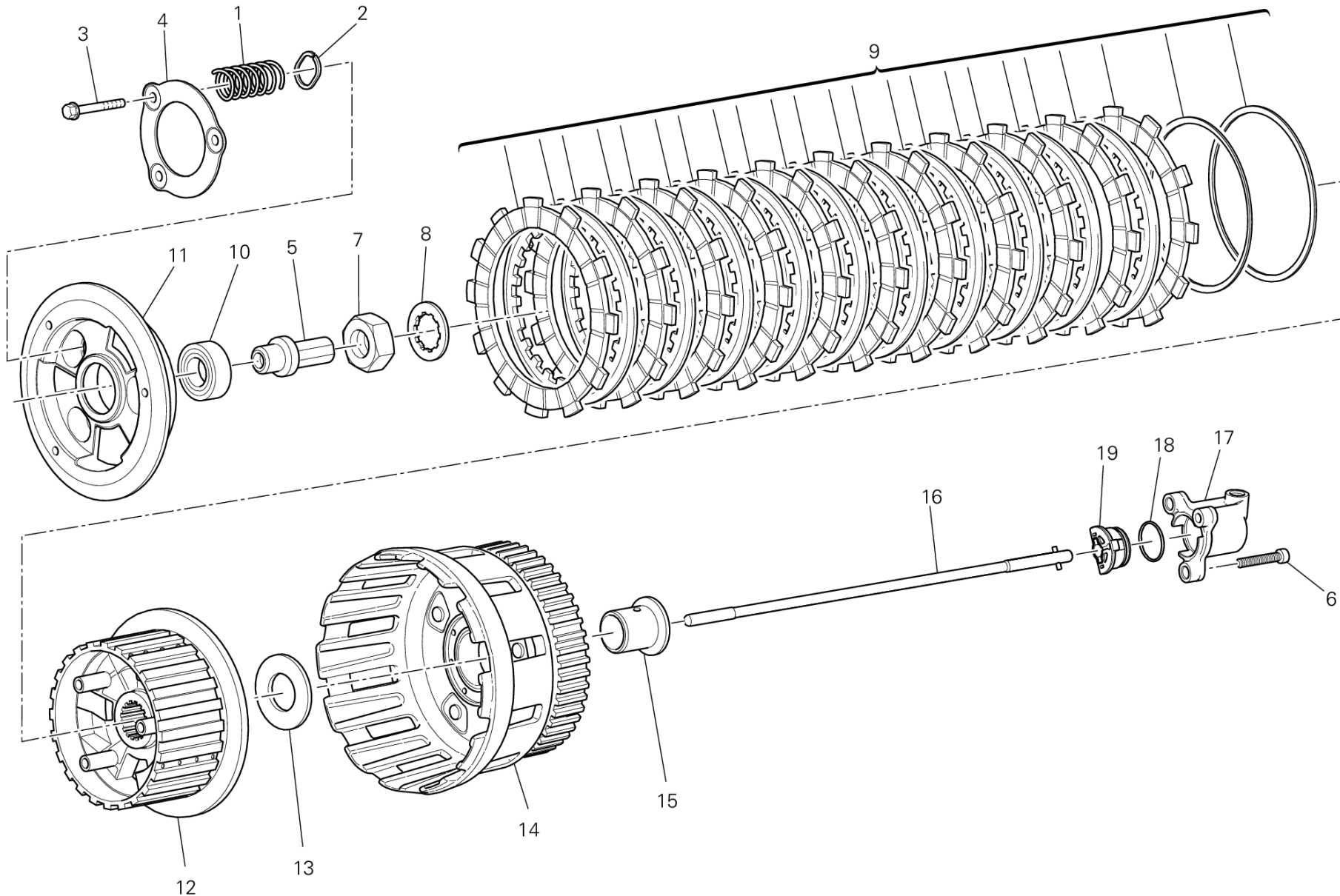
CMB00357

DRAWING 003 - GEAR BOX [MOD:1199S-A;XST:AUS,CHN,EUR,FRA,JAP]

GROUP ENGINE

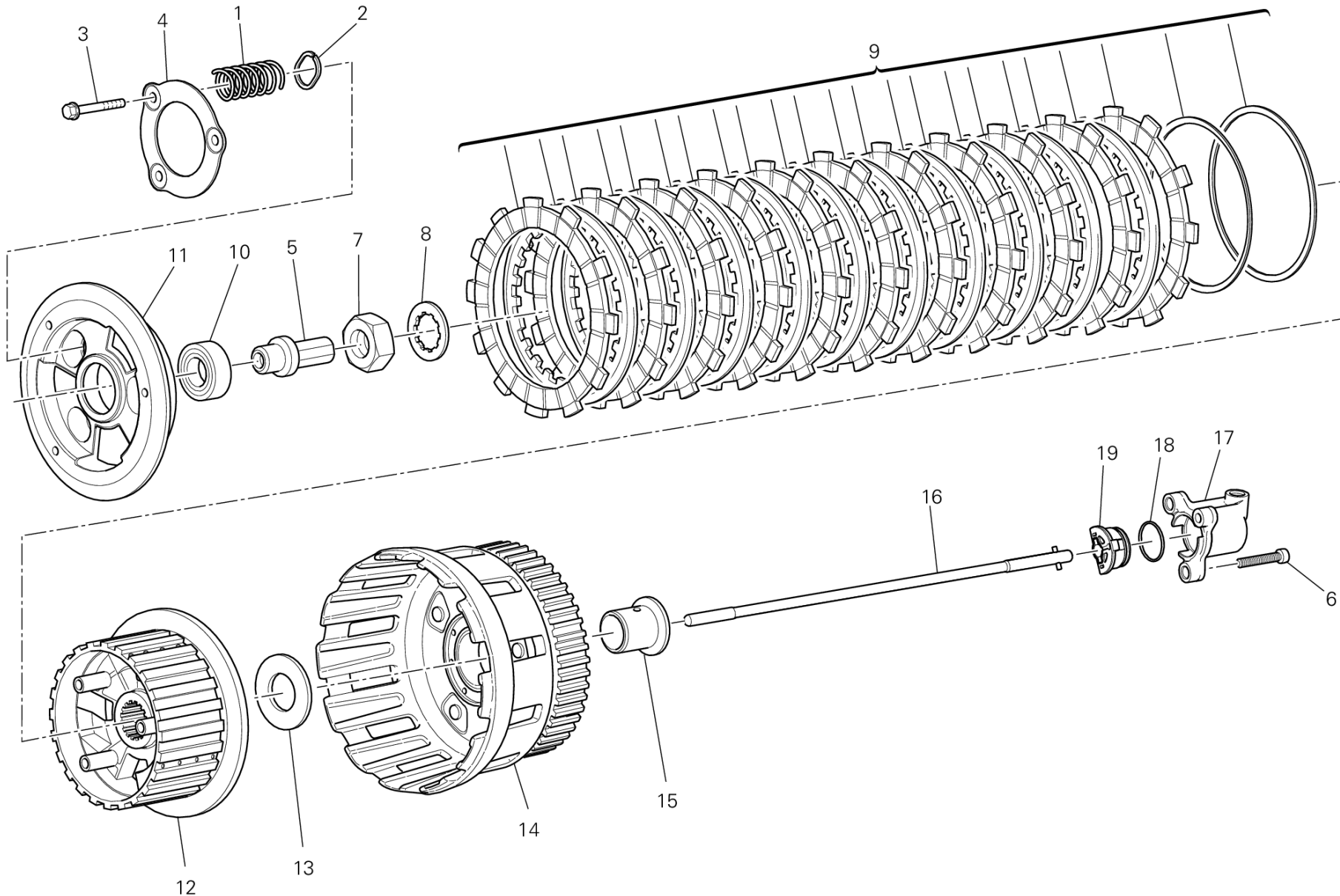


POS.	CODE	DESCRIPTION	QTY	START DATE	END DATE	VALIDITY	NOTES
18	70140331A	NEEDLE BEARING	1	01/01/2011		MOD:1199S-A;XST:AUS,CHN,EUR,FRA,JAP	
19	17213211D	DRIVEN GEAR 1ST SP.	1	07/12/2011		MOD:1199S-A;XST:AUS,CHN,EUR,FRA,JAP	
20	17213251D	DRIVEN GEAR 5TH SP.	1	07/12/2011		MOD:1199S-A;XST:AUS,CHN,EUR,FRA,JAP	
21	85611381A	GROOVED WASHER	3	01/01/2011		MOD:1199S-A;XST:AUS,CHN,EUR,FRA,JAP	
22	17213241D	DRIVEN GEAR 4TH SP.	1	07/12/2011		MOD:1199S-A;XST:AUS,CHN,EUR,FRA,JAP	
23	17213231D	DRIVEN GEAR 3RD SP.	1	07/12/2011		MOD:1199S-A;XST:AUS,CHN,EUR,FRA,JAP	
24	17213261D	DRIVEN GEAR 6TH SP.	1	01/01/2011		MOD:1199S-A;XST:AUS,CHN,EUR,FRA,JAP	
25	17213221D	DRIVEN GEAR 2ND SP.	1	07/12/2011		MOD:1199S-A;XST:AUS,CHN,EUR,FRA,JAP	
26	93041771A	SEAL RING	1	23/11/2011		MOD:1199S-A;XST:AUS,CHN,EUR,FRA,JAP	
27	15021542D	LAY SHAFT	1	28/06/2012		MOD:1199S-A;XST:AUS,CHN,EUR,FRA,JAP	
28	88640042A	O-RING	1	21/04/2011		MOD:1199S-A;XST:AUS,CHN,EUR,FRA,JAP	
29	71320021B	CHAIN SPROCKET SPACER (Unit)	1	11/11/2010		MOD:1199S-A;XST:AUS,CHN,EUR,FRA,JAP	
30	44910611A	SPROCKET T15	1	01/12/2011		MOD:1199S-A;XST:AUS,CHN,EUR,FRA,JAP	
31	85212801A	THRUST WASHER	1	01/12/2011		MOD:1199S-A;XST:AUS,CHN,EUR,FRA,JAP	





POS.	CODE	DESCRIPTION	QTY	START DATE	END DATE	VALIDITY	NOTES
1	79710531B	SPRING	3	19/11/2010		MOD:1199S- A;XST:AUS,CHN,EUR,FRA,JAP	
2	85611391A	THRUST WASHER	3	19/11/2010		MOD:1199S- A;XST:AUS,CHN,EUR,FRA,JAP	
3	77211201A	SCREW	3	19/11/2010		MOD:1199S- A;XST:AUS,CHN,EUR,FRA,JAP	
4	19410511A	RING	1	19/11/2010		MOD:1199S- A;XST:AUS,CHN,EUR,FRA,JAP	
5	81810162A	CLUTCH CONTROL PIN (FCC)	1	11/11/2010		MOD:1199S- A;XST:AUS,CHN,EUR,FRA,JAP	
6	77110471A	SCREW	3	29/03/2012		MOD:1199S- A;XST:AUS,CHN,EUR,FRA,JAP	
7	75010071A	NUT M25X1.5	1	11/11/2010		MOD:1199S- A;XST:AUS,CHN,EUR,FRA,JAP	
8	85110201A	LOCK WASHER	1	11/11/2010		MOD:1199S- A;XST:AUS,CHN,EUR,FRA,JAP	
9	19020232A	CLUTCH DISC SET	1	19/11/2010		MOD:1199S- A;XST:AUS,CHN,EUR,FRA,JAP	
10	70250601A	BEARING	1	19/11/2010		MOD:1199S- A;XST:AUS,CHN,EUR,FRA,JAP	
11	19610541A	DISK, CLUTCH PRESSURE (FCC)	1	19/11/2010		MOD:1199S- A;XST:AUS,CHN,EUR,FRA,JAP	
12	19610531A	PLATE HOLDER HUB (FCC)	1	19/11/2010		MOD:1199S- A;XST:AUS,CHN,EUR,FRA,JAP	
13	71313091A	SPACER 25.2X46X2	1	19/11/2010		MOD:1199S- A;XST:AUS,CHN,EUR,FRA,JAP	
14	19820401A	CLUTCH HOUSING	1	19/11/2010		MOD:1199S- A;XST:AUS,CHN,EUR,FRA,JAP	
15	71314831A	SPACER	1	19/11/2010		MOD:1199S- A;XST:AUS,CHN,EUR,FRA,JAP	
16	11721331B	CLUTCH CONTROL ROD	1	01/08/2011		MOD:1199S- A;XST:AUS,CHN,EUR,FRA,JAP	
17	19540061A	PISTON ASSEMBLY	1	19/10/2011		MOD:1199S- A;XST:AUS,CHN,EUR,FRA,JAP	



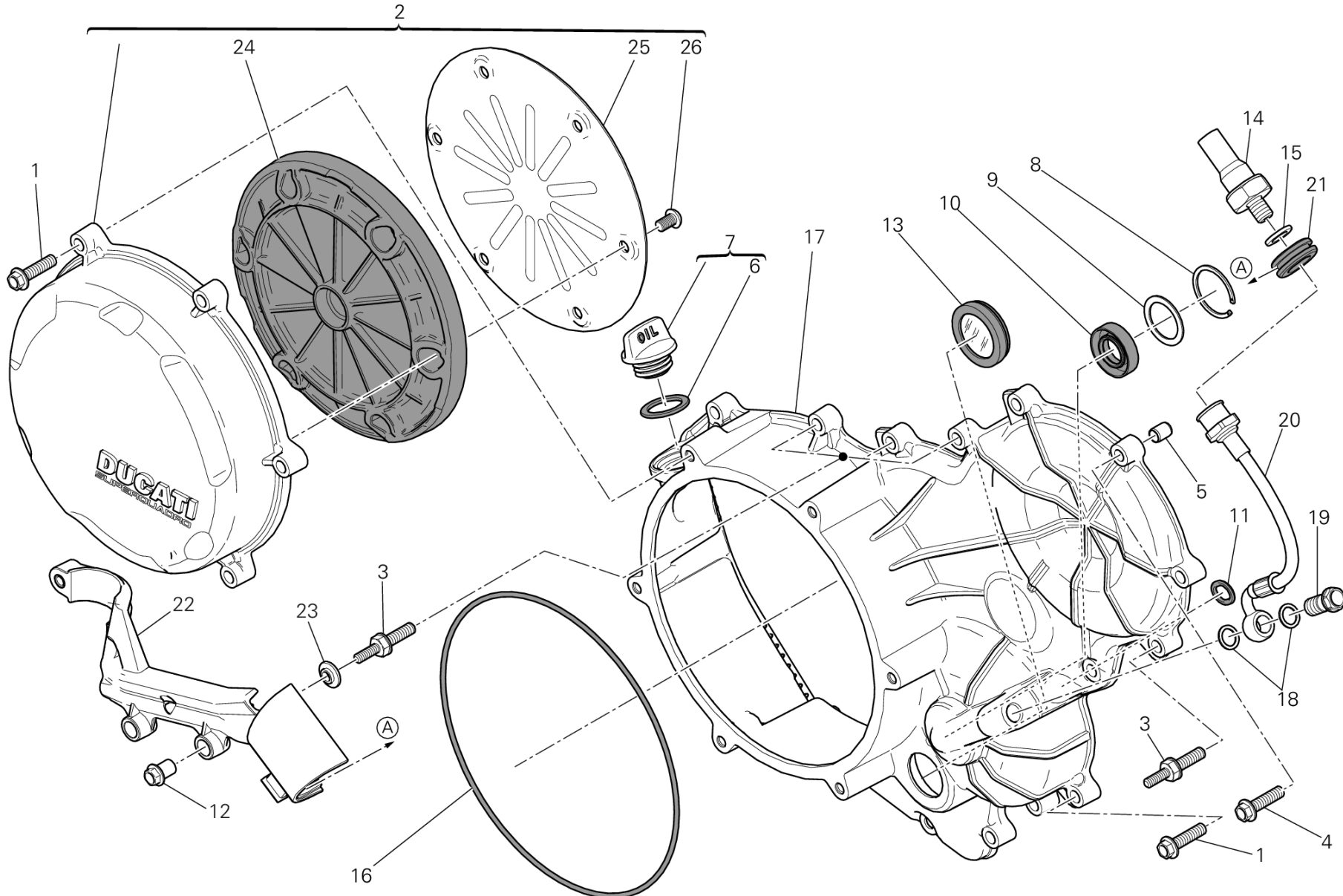


POS.	CODE	DESCRIPTION	QTY	START DATE	END DATE	VALIDITY	NOTES
18	88650541A	O-RING	1	01/12/2011		MOD:1199S-A;XST:AUS,CHN,EUR,FRA,JAP	
19	71319442A	ANTI-ROTATION INSERT	1	01/06/2012		MOD:1199S-A;XST:AUS,CHN,EUR,FRA,JAP	



DRAWING 005 - CLUTCH - SIDE CRANKCASE COVER [MOD:1199S-A;XST:AUS,CHN,EUR,FRA]

GROUP ENGINE



DRAWING 005 - CLUTCH - SIDE CRANKCASE COVER [MOD:1199S-A;XST:AUS,CHN,EUR,FRA]



GROUP ENGINE

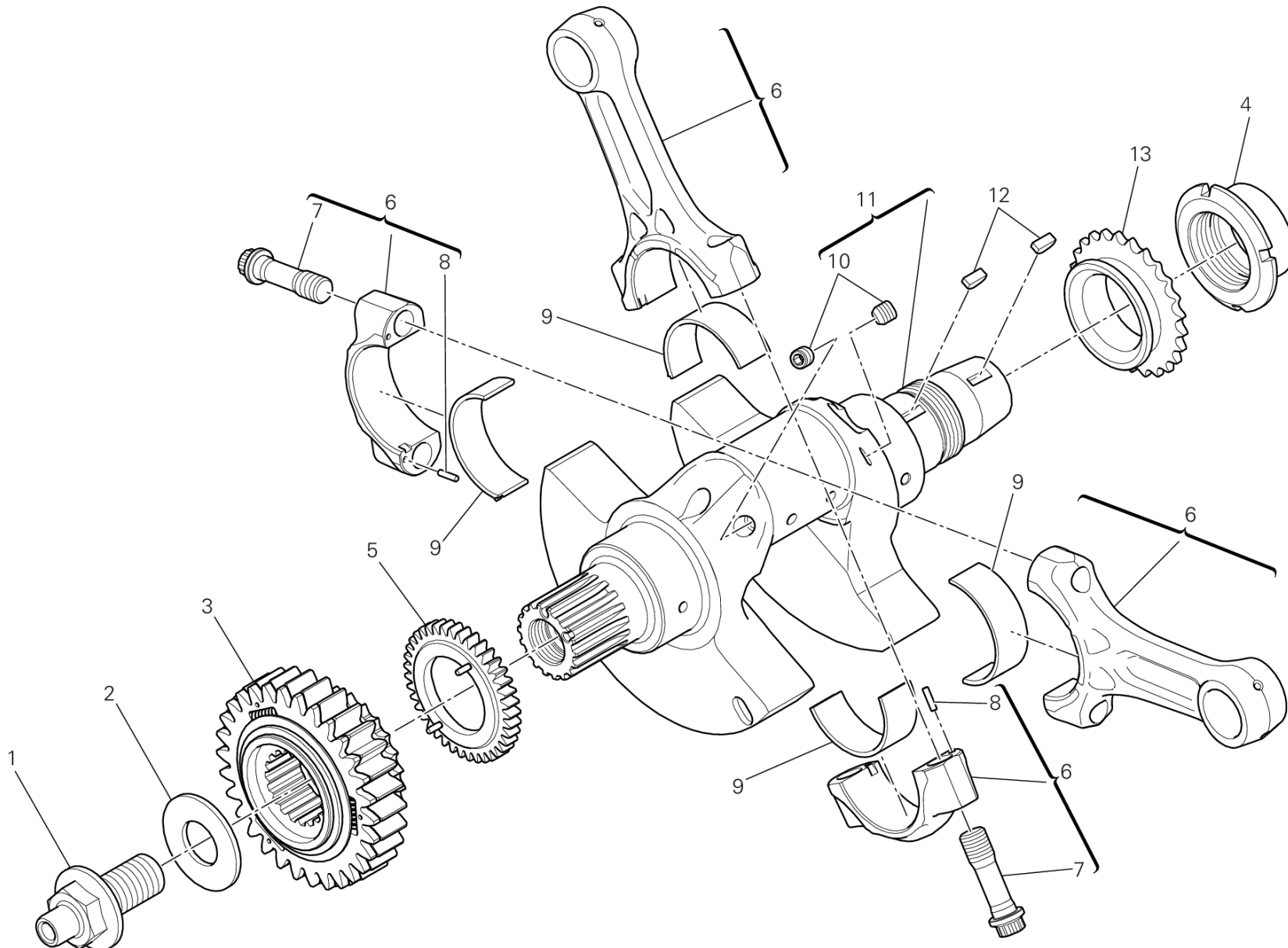
POS.	CODE	DESCRIPTION	QTY	START DATE	END DATE	VALIDITY	NOTES
1	77253337C	SCREW	18	11/11/2010		MOD:1199S-A;XST:AUS,CHN,EUR,FRA	
2	24321343A	CLUTCH PROTECTION COVER (Unit)	1	02/05/2012		MOD:1199S-A;XST:AUS,CHN,EUR,FRA	
3	77917161B	SCREW, SPECIAL	4	21/11/2011		MOD:1199S-A;XST:AUS,CHN,EUR,FRA	
4	77253357C	SCREW	1	11/11/2010		MOD:1199S-A;XST:AUS,CHN,EUR,FRA	
5	71113171A	LOCATING DOWEL	2	11/11/2010		MOD:1199S-A;XST:AUS,CHN,EUR,FRA	
6	88640891A	O-RING 18.64X3.53	1	24/12/2009		MOD:1199S-A;XST:AUS,CHN,EUR,FRA	
7	89320121A	PLUG ASSY	1	26/10/2011		MOD:1199S-A;XST:AUS,CHN,EUR,FRA	
8	88450291A	SNAP RING	1	26/10/2011		MOD:1199S-A;XST:AUS,CHN,EUR,FRA	
9	85212721A	THRUST WASHER	1	26/10/2011		MOD:1199S-A;XST:AUS,CHN,EUR,FRA	
10	93041521A	SEAL RING	1	26/10/2011		MOD:1199S-A;XST:AUS,CHN,EUR,FRA	
11	88641761A	O-RING	1	11/11/2010		MOD:1199S-A;XST:AUS,CHN,EUR,FRA	
12	75011742AA	NUT, SPECIAL	1	26/10/2011		MOD:1199S-A;XST:AUS,CHN,EUR,FRA	
13	25440012A	WINDOW, OIL LEVEL CHECK	1	26/10/2011		MOD:1199S-A;XST:AUS,CHN,EUR,FRA	
14	53940302A	SWITCH ASSY, OIL PRESSURE	1	01/12/2011		MOD:1199S-A;XST:AUS,CHN,EUR,FRA	
15	85211951A	GASKET 10.5X17X2	1	01/12/2011		MOD:1199S-A;XST:AUS,CHN,EUR,FRA	
16	88610281A	O-RING	1	26/10/2011		MOD:1199S-A;XST:AUS,CHN,EUR,FRA	
17	24311274A	TIMING COVER	1	01/01/2012		MOD:1199S-A;XST:AUS,CHN,EUR,FRA	

DRAWING 005 - CLUTCH - SIDE CRANKCASE COVER [MOD:1199S-A;XST:AUS,CHN,EUR,FRA]



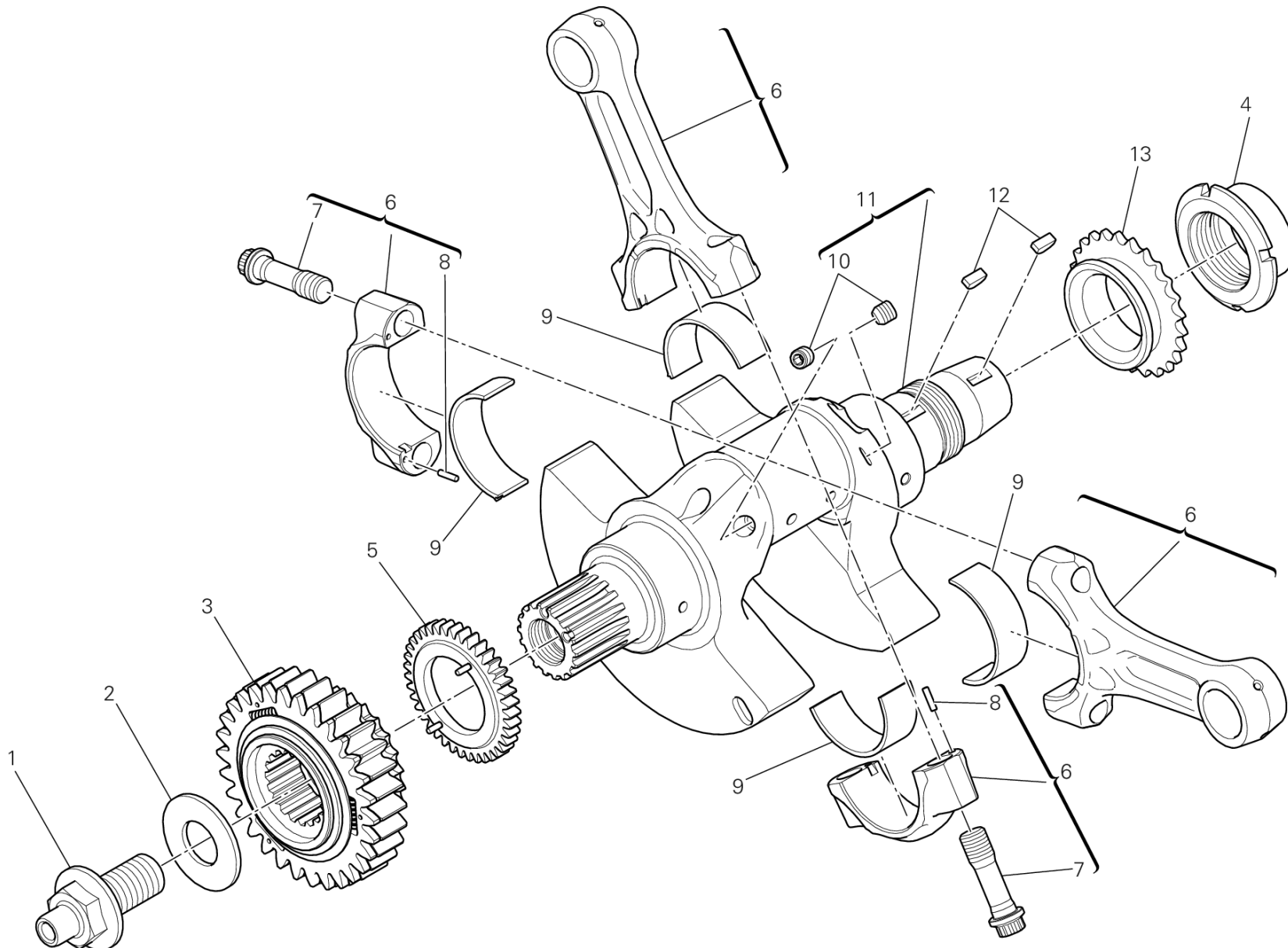
GROUP ENGINE

POS.	CODE	DESCRIPTION	QTY	START DATE	END DATE	VALIDITY	NOTES
18	85250241A	WASHER 10X14X1	2	01/12/2011		MOD:1199S-A;XST:AUS,CHN,EUR,FRA	
19	77913661AB	BOLT, BRAKE HOSE M10X1	1	01/12/2011		MOD:1199S-A;XST:AUS,CHN,EUR,FRA	
20	87721561A	OIL PRESSURE LINE	1	01/12/2011		MOD:1199S-A;XST:AUS,CHN,EUR,FRA	
21	76440581A	RUBBER PAD	1	01/12/2011		MOD:1199S-A;XST:AUS,CHN,EUR,FRA	
22	75810701A	FAIRLEAD	1	01/12/2011		MOD:1199S-A;XST:AUS,CHN,EUR,FRA	
23	71614071A	SPACER 5.2X8.4X2	3	01/12/2011		MOD:1199S-A;XST:AUS,CHN,EUR,FRA	
24	48610851A	DAMPER, SOUND ARRESTER	1	02/05/2012		MOD:1199S-A;XST:AUS,CHN,EUR,FRA	
25	82716012A	SHEET ACOUSTIC DAMPER	1	02/05/2012		MOD:1199S-A;XST:AUS,CHN,EUR,FRA	
26	77550200C	SCREW	6	02/05/2012		MOD:1199S-A;XST:AUS,CHN,EUR,FRA	



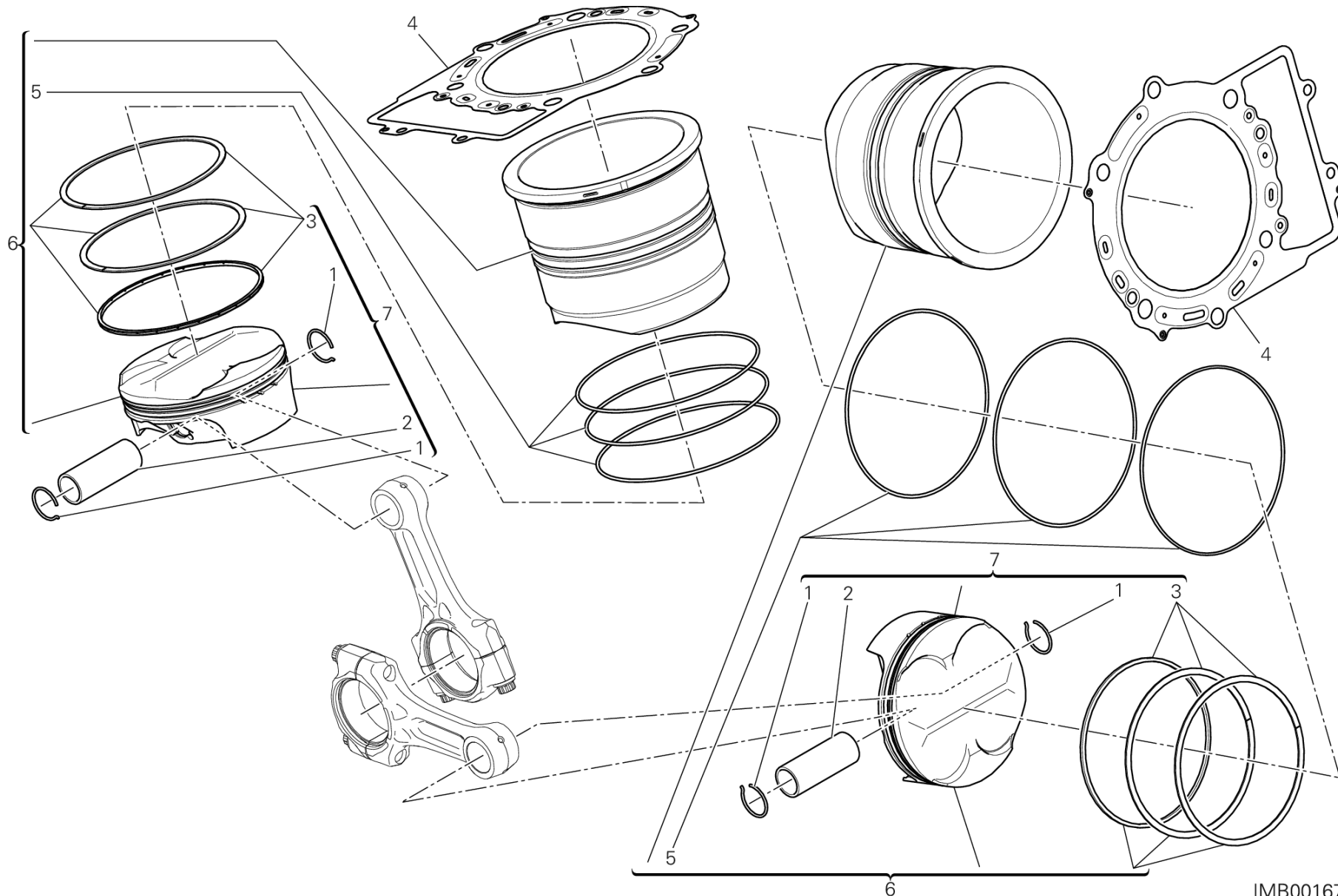


POS.	CODE	DESCRIPTION	QTY	START DATE	END DATE	VALIDITY	NOTES
1	77916551B	SCREW, SPECIAL	1	07/03/2012		MOD:1199S- A;XST:AUS,CHN,EUR,FRA,JAP	
2	85212791A	THRUST WASHER	1	11/11/2010		MOD:1199S- A;XST:AUS,CHN,EUR,FRA,JAP	
3	17021261A	PRIMARY DRIVE FRONT SPROCKET	1	19/11/2010		MOD:1199S- A;XST:AUS,CHN,EUR,FRA,JAP	
4	70310593A	RING NUT	1	01/01/2012		MOD:1199S- A;XST:AUS,CHN,EUR,FRA,JAP	
5	17420581A	PUMP DRIVING GEAR (Unit)	1	28/03/2011		MOD:1199S- A;XST:AUS,CHN,EUR,FRA,JAP	
6	15620861AA	CONNECTING ROD (Class 1)	2	13/01/2012		MOD:1199S- A;XST:AUS,CHN,EUR,FRA,JAP	
	15620861AB	CONNECTING ROD (Class 2)	2	13/01/2012		MOD:1199S- A;XST:AUS,CHN,EUR,FRA,JAP	
	15620861AC	CONNECTING ROD (Class 3)	2	13/01/2012		MOD:1199S- A;XST:AUS,CHN,EUR,FRA,JAP	
7	77916192C	SCREW, SPECIAL	4	07/07/2011		MOD:1199S- A;XST:AUS,CHN,EUR,FRA,JAP	
8	742240570	PIN 2.5X10 SW	4	07/07/2011		MOD:1199S- A;XST:AUS,CHN,EUR,FRA,JAP	
9	11210711AA	SEMICUSCINETTO (Red)	4	15/12/2011		MOD:1199S- A;XST:AUS,CHN,EUR,FRA,JAP	
	11210711AB	SEMICUSCINETTO (Blue)	4	15/12/2011		MOD:1199S- A;XST:AUS,CHN,EUR,FRA,JAP	
	11210711AC	SEMICUSCINETTO (Yellow)	4	15/12/2011		MOD:1199S- A;XST:AUS,CHN,EUR,FRA,JAP	
	11210711AD	SEMICUSCINETTO (Black)	4	15/12/2011		MOD:1199S- A;XST:AUS,CHN,EUR,FRA,JAP	
	11210711AE	SEMICUSCINETTO (Green)	4	15/12/2011		MOD:1199S- A;XST:AUS,CHN,EUR,FRA,JAP	
	11210711AF	SEMICUSCINETTO (Brown)	4	15/12/2011		MOD:1199S- A;XST:AUS,CHN,EUR,FRA,JAP	
10	77915471A	THREADED DOWEL STEI M8X8	2	13/01/2012		MOD:1199S- A;XST:AUS,CHN,EUR,FRA,JAP	





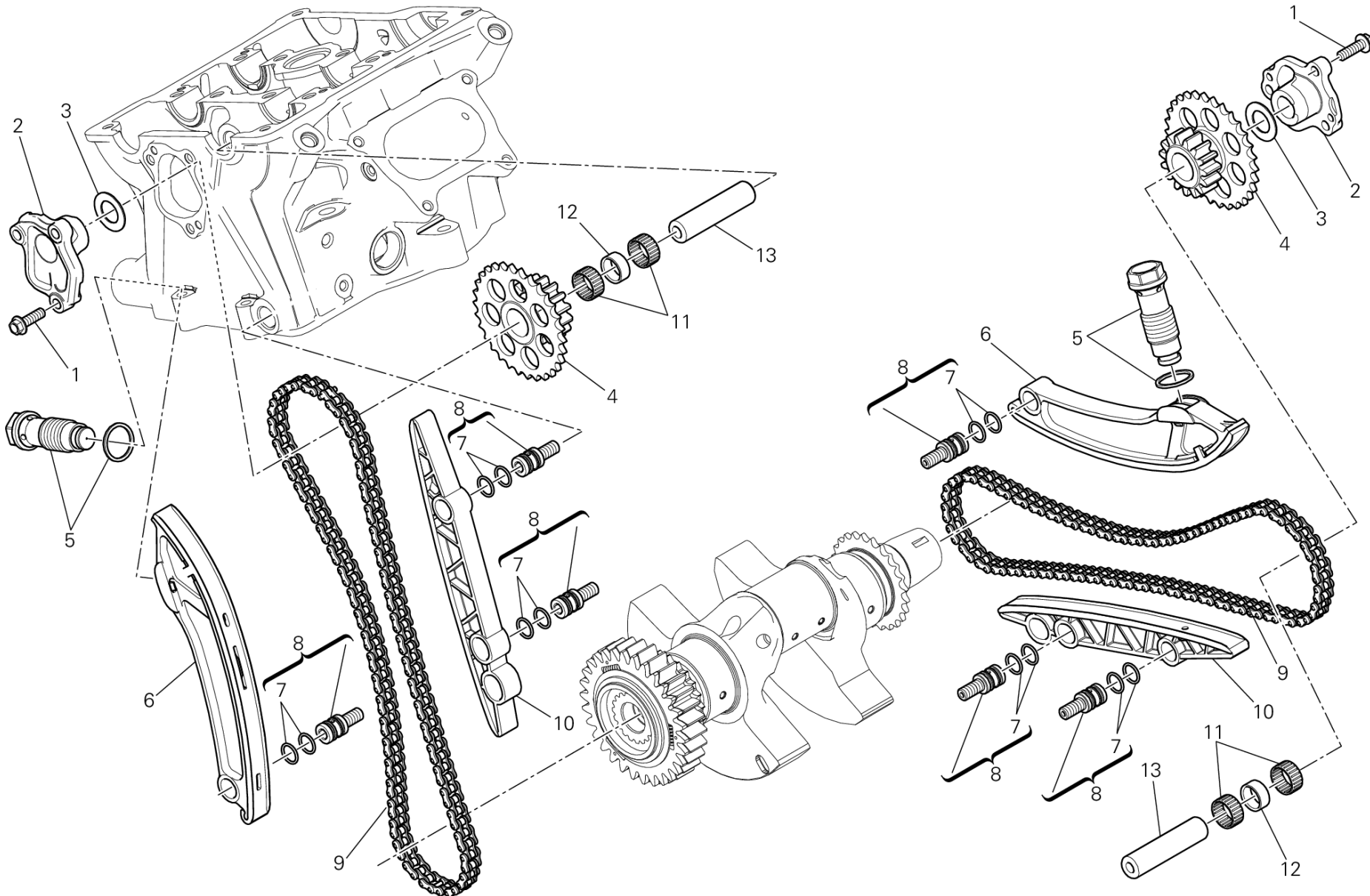
POS.	CODE	DESCRIPTION	QTY	START DATE	END DATE	VALIDITY	NOTES
11	14621872AA	CRANKSHAFT CLASS A	1	26/03/2012		MOD:1199S- A;XST:AUS,CHN,EUR,FRA,JAP	
	14621872AB	CRANKSHAFT CLASS B	1	26/03/2012		MOD:1199S- A;XST:AUS,CHN,EUR,FRA,JAP	
	14621872AC	CRANKSHAFT CLASS C	1	26/03/2012		MOD:1199S- A;XST:AUS,CHN,EUR,FRA,JAP	
12	68010171A	PLATE	2	01/01/2012		MOD:1199S- A;XST:AUS,CHN,EUR,FRA,JAP	
13	17112351B	SPROCKET	1	05/06/2012		MOD:1199S- A;XST:AUS,CHN,EUR,FRA,JAP	



IMB00167

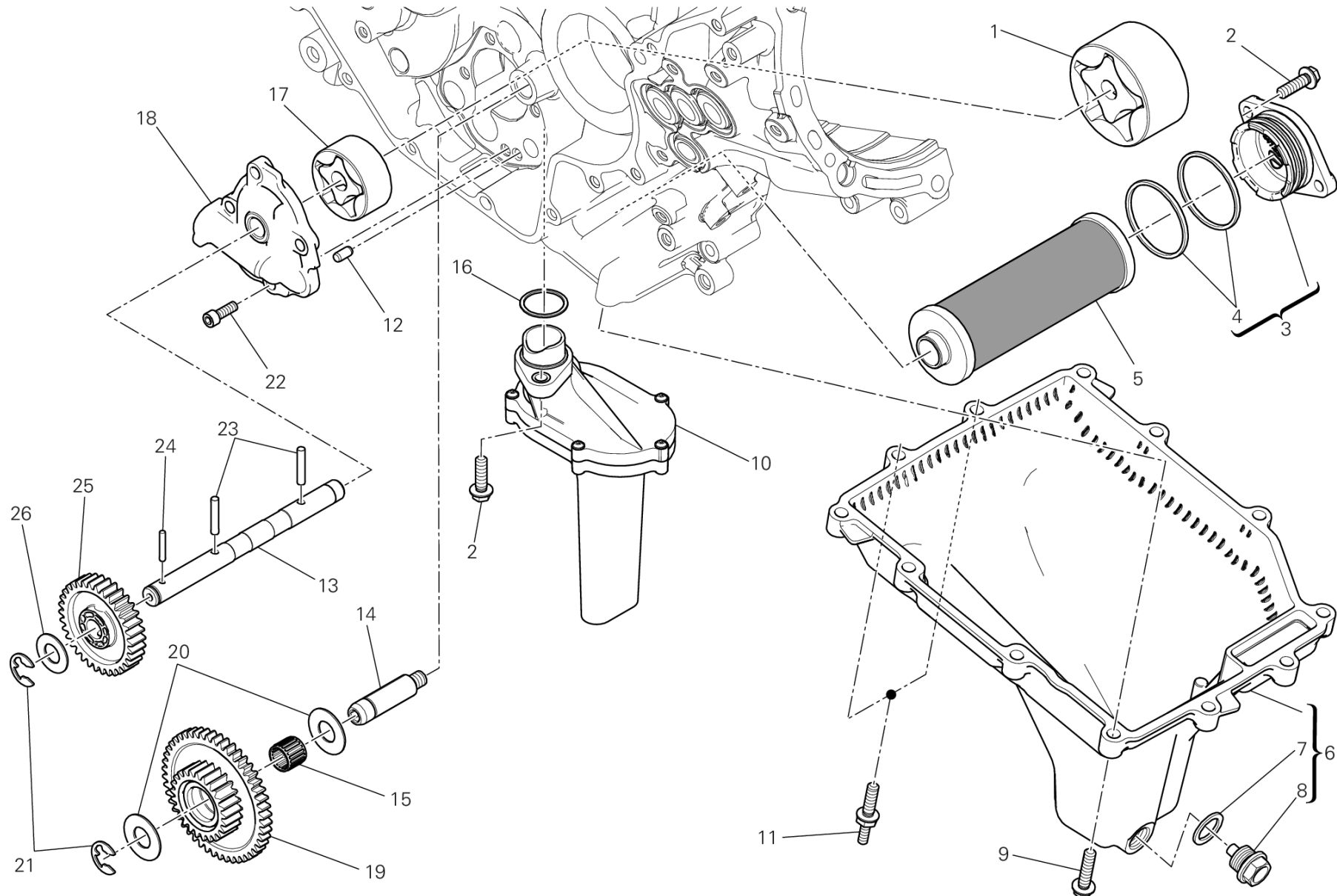


POS.	CODE	DESCRIPTION	QTY	START DATE	END DATE	VALIDITY	NOTES
1	12112601B	PISTON PIN CIRCLIP	4	01/09/2011		MOD:1199S-A;XST:AUS,CHN,EUR,FRA,JAP	
2	12112551C	PISTON PIN	2	07/04/2011		MOD:1199S-A;XST:AUS,CHN,EUR,FRA,JAP	
3	12120561B	PISTON RING SET	2	17/07/2012		MOD:1199S-A;XST:AUS,CHN,EUR,FRA,JAP	
4	78611212C	HEAD-CYLINDER GASKET	2	01/01/2012		MOD:1199S-A;XST:AUS,CHN,EUR,FRA,JAP	
5	79120531B	GASKETS SET	2	19/07/2012		MOD:1199S-A;XST:AUS,CHN,EUR,FRA,JAP	
6	12021983D	CYLINDER LINER-PISTON FIT	2	24/09/2012		MOD:1199S-A;XST:AUS,CHN,EUR,FRA,JAP	
7	12221712DA	PISTON ASSY (Class A)	2	17/07/2012		MOD:1199S-A;XST:AUS,CHN,EUR,FRA,JAP	
	12221712DB	PISTON ASSY (Class B)	2	17/07/2012		MOD:1199S-A;XST:AUS,CHN,EUR,FRA,JAP	
	12221712DC	PISTON ASSY (Class C)	2	17/07/2012		MOD:1199S-A;XST:AUS,CHN,EUR,FRA,JAP	



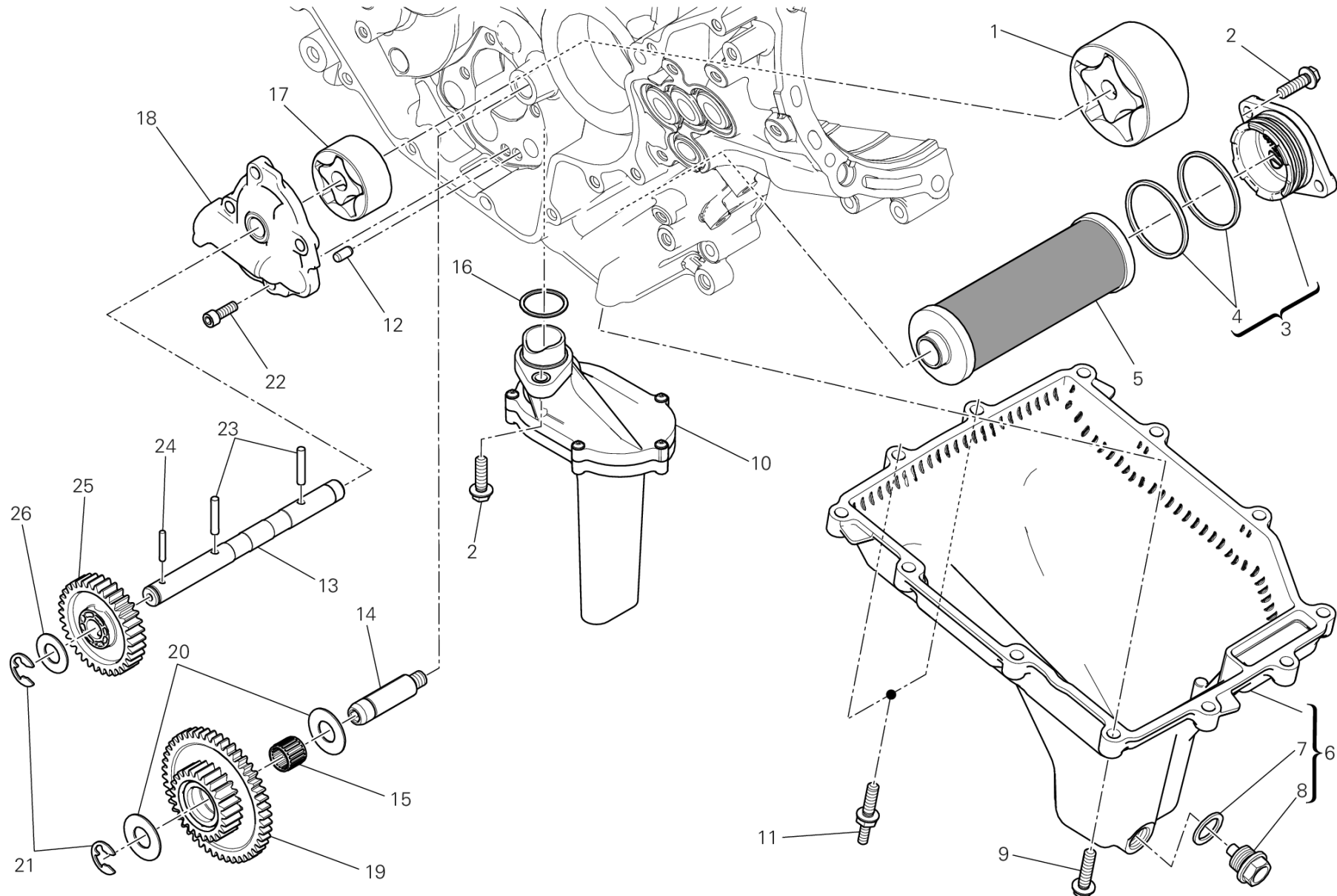


POS.	CODE	DESCRIPTION	QTY	START DATE	END DATE	VALIDITY	NOTES
1	77253317C	SCREW	6	11/11/2010		MOD:1199S- A;XST:AUS,CHN,EUR,FRA	
2	24713912A	COVER	2	01/08/2011		MOD:1199S- A;XST:AUS,CHN,EUR,FRA	
3	85212741A	WASHER, THRUST	2	11/11/2010		MOD:1199S- A;XST:AUS,CHN,EUR,FRA	
4	17112311A	GEAR Z=15 30	2	12/01/2012		MOD:1199S- A;XST:AUS,CHN,EUR,FRA	
5	45140013A	COMPLETE TENSIONER ROLLER	2	01/01/2012		MOD:1199S- A;XST:AUS,CHN,EUR,FRA	
6	44740051A	COMPLETE MOVABLE TENSIONER ROLLER	2	25/06/2012		MOD:1199S- A;XST:AUS,CHN,EUR,FRA	
7	88642081A	O-RING	12	22/03/2012		MOD:1199S- A;XST:AUS,CHN,EUR,FRA	
8	82123692A	TENSIONER ROLLER PIN	6	22/06/2012		MOD:1199S- A;XST:AUS,CHN,EUR,FRA	
9	73840011A	CHAIN	2	12/01/2012		MOD:1199S- A;XST:AUS,CHN,EUR,FRA	
10	44740021B	COMPLETE FIXED TENSIONER ROLLER	2	22/11/2010		MOD:1199S- A;XST:AUS,CHN,EUR,FRA	
11	70140301C	NEEDLE BEARING	4	23/04/2012		MOD:1199S- A;XST:AUS,CHN,EUR,FRA	
12	71319291A	SPACER	2	11/11/2010		MOD:1199S- A;XST:AUS,CHN,EUR,FRA	
13	82010151A	PIN	2	06/04/2011		MOD:1199S- A;XST:AUS,CHN,EUR,FRA	



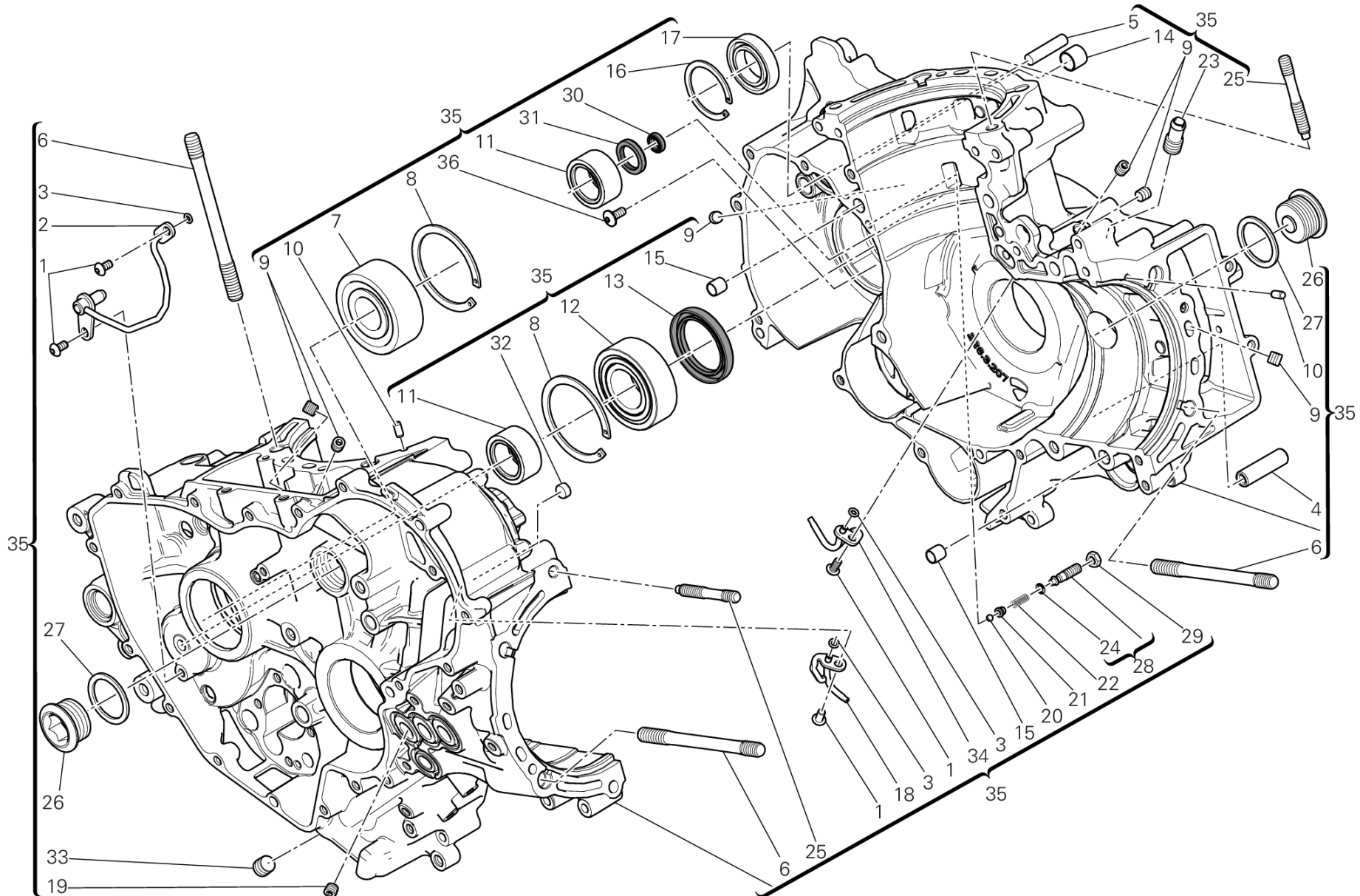


POS.	CODE	DESCRIPTION	QTY	START DATE	END DATE	VALIDITY	NOTES
1	17420571A	OIL PUMP RETURN	1	11/11/2010		MOD:1199S-A;XST:AUS,CHN,EUR,FRA,JAP	
2	77253317C	SCREW	3	11/11/2010		MOD:1199S-A;XST:AUS,CHN,EUR,FRA,JAP	
3	24723842A	FILTER COVER UNIT	1	17/09/2012		MOD:1199S-A;XST:AUS,CHN,EUR,FRA,JAP	
4	88650561A	O-RING	2	25/11/2010		MOD:1199S-A;XST:AUS,CHN,EUR,FRA,JAP	
5	44440291C	FILTER, OIL	1	03/07/2012		MOD:1199S-A;XST:AUS,CHN,EUR,FRA,JAP	
6	25220071A	OIL PAN	1	11/11/2010		MOD:1199S-A;XST:AUS,CHN,EUR,FRA,JAP	
7	85250541A	WASHER	1	29/03/2011		MOD:1199S-A;XST:AUS,CHN,EUR,FRA,JAP	
8	89310151A	OIL DRAIN PLUG WITH MAGNET	1	29/03/2011		MOD:1199S-A;XST:AUS,CHN,EUR,FRA,JAP	
9	77253337C	SCREW	10	11/11/2010		MOD:1199S-A;XST:AUS,CHN,EUR,FRA,JAP	
10	89420112B	MESH FILTER ASSEMBLY	1	01/08/2011		MOD:1199S-A;XST:AUS,CHN,EUR,FRA,JAP	
11	77917161B	SCREW, SPECIAL	2	08/11/2011		MOD:1199S-A;XST:AUS,CHN,EUR,FRA,JAP	
12	86050061A	PIN M5X10	1	02/11/2011		MOD:1199S-A;XST:AUS,CHN,EUR,FRA,JAP	
13	14710903A	OIL PUMP DRIVE SHAFT	1	02/05/2011		MOD:1199S-A;XST:AUS,CHN,EUR,FRA,JAP	
14	82010162A	STARTER REDUCTION SHAFT	1	02/11/2011		MOD:1199S-A;XST:AUS,CHN,EUR,FRA,JAP	
15	70140371A	BEARING, NEEDLE	1	11/11/2010		MOD:1199S-A;XST:AUS,CHN,EUR,FRA,JAP	
16	88641331A	O-RING	1	01/07/2011		MOD:1199S-A;XST:AUS,CHN,EUR,FRA,JAP	
17	17420561A	OIL PUMP DELIVERY	1	11/11/2010		MOD:1199S-A;XST:AUS,CHN,EUR,FRA,JAP	





POS.	CODE	DESCRIPTION	QTY	START DATE	END DATE	VALIDITY	NOTES
18	24723712A	OIL PUMP COVER	1	12/03/2012		MOD:1199S- A;XST:AUS,CHN,EUR,FRA,JAP	
19	17410601A	GEAR, PUMP DRIVEN	1	01/01/2012		MOD:1199S- A;XST:AUS,CHN,EUR,FRA,JAP	
20	85212681A	WASHER, THRUST	2	25/11/2010		MOD:1199S- A;XST:AUS,CHN,EUR,FRA,JAP	
21	88450371A	SNAP RING	2	11/11/2010		MOD:1199S- A;XST:AUS,CHN,EUR,FRA,JAP	
22	77150678B	SCREW TCEI M6X16	4	11/11/2010		MOD:1199S- A;XST:AUS,CHN,EUR,FRA,JAP	
23	70450091A	ROLLER	2	11/11/2010		MOD:1199S- A;XST:AUS,CHN,EUR,FRA,JAP	
24	70450051A	ROLLER	1	11/11/2010		MOD:1199S- A;XST:AUS,CHN,EUR,FRA,JAP	
25	17410611A	PUMP GEAR	1	01/01/2012		MOD:1199S- A;XST:AUS,CHN,EUR,FRA,JAP	
26	85213021A	WASHER, THRUST	1	26/11/2010		MOD:1199S- A;XST:AUS,CHN,EUR,FRA,JAP	

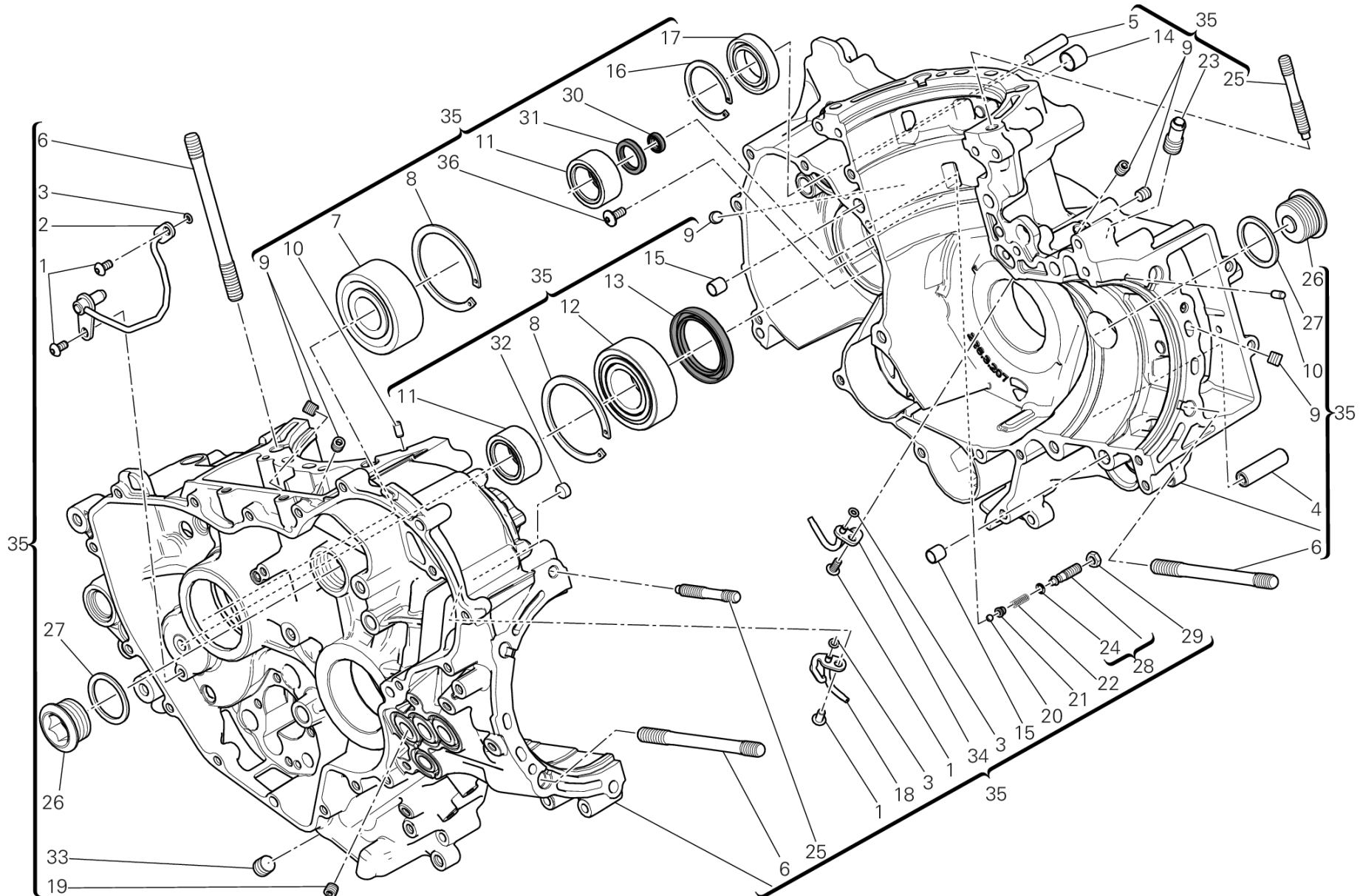


DRAWING 010 - HALF-CRANKCASES PAIR [MOD:1199S-A;XST:AUS,CHN,EUR,FRA,JAP]

GROUP ENGINE



POS.	CODE	DESCRIPTION	QTY	START DATE	END DATE	VALIDITY	NOTES
1	77510311B	SCREW TBEI M5X10	4	02/11/2011		MOD:1199S- A;XST:AUS,CHN,EUR,FRA,JAP	
2	87511791B	HOSE, OIL	1	02/11/2011		MOD:1199S- A;XST:AUS,CHN,EUR,FRA,JAP	
3	88650131A	O-RING 3.68X1.78	3	02/11/2011		MOD:1199S- A;XST:AUS,CHN,EUR,FRA,JAP	
4	82010141A	STARTER REDUCTION SHAFT	1	02/11/2011		MOD:1199S- A;XST:AUS,CHN,EUR,FRA,JAP	
5	86050091A	PIN	1	02/11/2011		MOD:1199S- A;XST:AUS,CHN,EUR,FRA,JAP	
6	76610781A	STUD BOLT FASTENING HEAD CYLINDER	8	02/11/2011		MOD:1199S- A;XST:AUS,CHN,EUR,FRA,JAP	
7	70240131D	BEARING	1	02/11/2011		MOD:1199S- A;XST:AUS,CHN,EUR,FRA,JAP	
8	735034405	SNAP RING	2	02/11/2011		MOD:1199S- A;XST:AUS,CHN,EUR,FRA,JAP	
9	78010871A	THREADED DOWEL	6	02/11/2011		MOD:1199S- A;XST:AUS,CHN,EUR,FRA,JAP	
10	86050061A	PIN M5X10	2	02/11/2011		MOD:1199S- A;XST:AUS,CHN,EUR,FRA,JAP	
11	70240251B	BEARING	2	02/11/2011		MOD:1199S- A;XST:AUS,CHN,EUR,FRA,JAP	
12	70241091A	BEARING, NEEDLE	1	02/11/2011		MOD:1199S- A;XST:AUS,CHN,EUR,FRA,JAP	
13	93040431A	SEAL, OIL 40X55X7	1	02/11/2011		MOD:1199S- A;XST:AUS,CHN,EUR,FRA,JAP	
14	71240231A	BUSH	1	02/11/2011		MOD:1199S- A;XST:AUS,CHN,EUR,FRA,JAP	
15	71113181A	LOCAT. DOWEL	4	02/11/2011		MOD:1199S- A;XST:AUS,CHN,EUR,FRA,JAP	
16	735033804	CIRCLIP	1	02/11/2011		MOD:1199S- A;XST:AUS,CHN,EUR,FRA,JAP	
17	70250411A	BEARING 25X42X9	1	02/11/2011		MOD:1199S- A;XST:AUS,CHN,EUR,FRA,JAP	

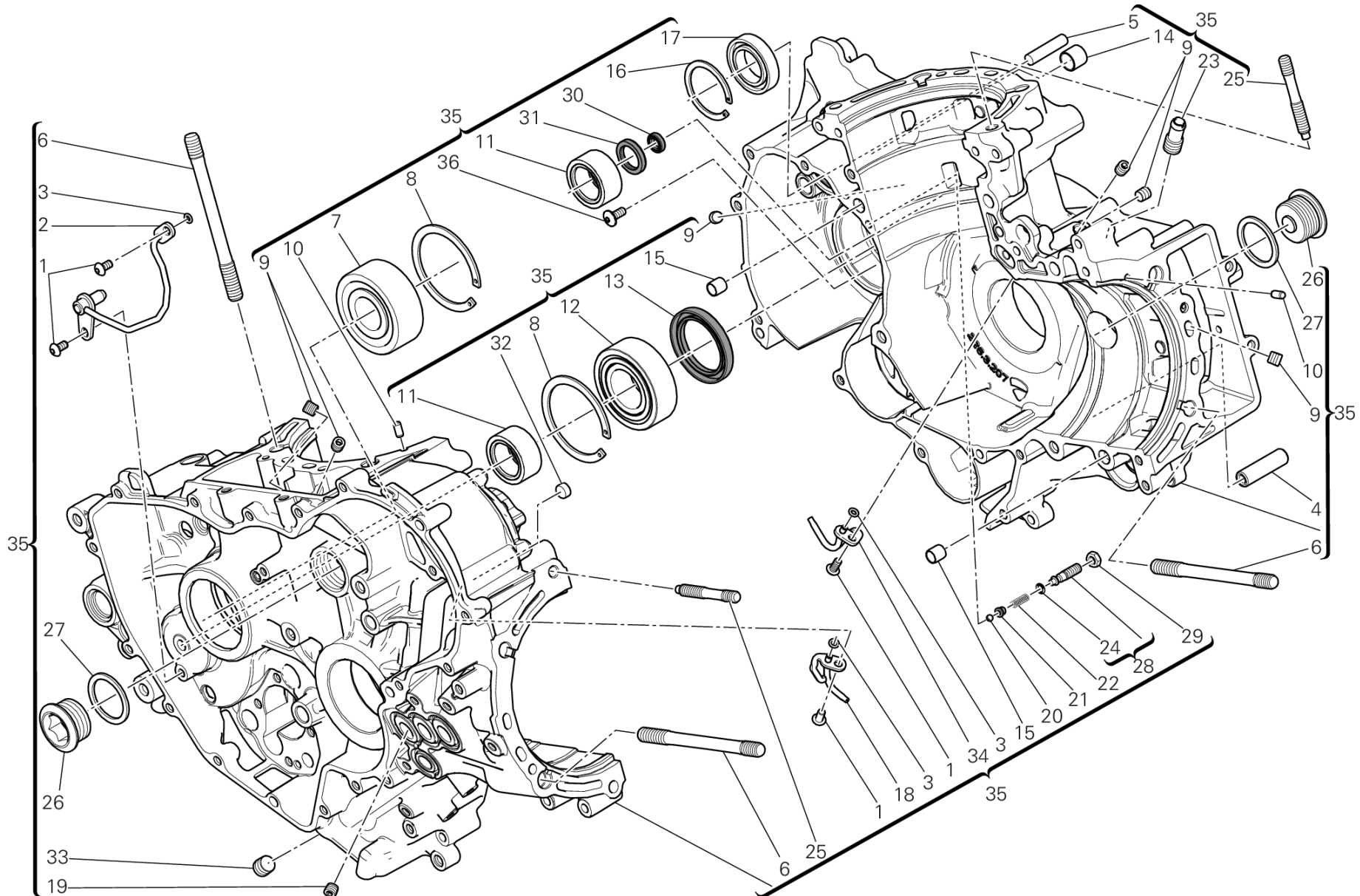


DRAWING 010 - HALF-CRANKCASES PAIR [MOD:1199S-A;XST:AUS,CHN,EUR,FRA,JAP]

GROUP ENGINE



POS.	CODE	DESCRIPTION	QTY	START DATE	END DATE	VALIDITY	NOTES
18	87511651BB	JET RH	1	02/11/2011		MOD:1199S- A;XST:AUS,CHN,EUR,FRA,JAP	
19	78010861A	SPECIAL SCREW	1	02/11/2011		MOD:1199S- A;XST:AUS,CHN,EUR,FRA,JAP	
20	84740061A	BALL	1	02/11/2011		MOD:1199S- A;XST:AUS,CHN,EUR,FRA,JAP	
21	83110151A	PLATE	1	02/11/2011		MOD:1199S- A;XST:AUS,CHN,EUR,FRA,JAP	
22	79940121A	SPRING	1	02/11/2011		MOD:1199S- A;XST:AUS,CHN,EUR,FRA,JAP	
23	81413421B	UNION RETURN	1	08/11/2011		MOD:1199S- A;XST:AUS,CHN,EUR,FRA,JAP	
24	88641961A	O-RING	1	18/04/2011		MOD:1199S- A;XST:AUS,CHN,EUR,FRA,JAP	
25	76610801A	STUD BOLT FASTENING HEAD CYLINDER	2	02/11/2011		MOD:1199S- A;XST:AUS,CHN,EUR,FRA,JAP	
26	78010801A	PLUG	2	02/11/2011		MOD:1199S- A;XST:AUS,CHN,EUR,FRA,JAP	
27	85250491A	WASHER	2	02/11/2011		MOD:1199S- A;XST:AUS,CHN,EUR,FRA,JAP	
28	77927171A	SCREW	1	02/11/2011		MOD:1199S- A;XST:AUS,CHN,EUR,FRA,JAP	
29	74750151A	NUT	1	02/11/2011		MOD:1199S- A;XST:AUS,CHN,EUR,FRA,JAP	
30	93041771A	SEAL RING	1	02/11/2011		MOD:1199S- A;XST:AUS,CHN,EUR,FRA,JAP	
31	93040931A	SEAL, OIL 17X25X4	1	02/11/2011		MOD:1199S- A;XST:AUS,CHN,EUR,FRA,JAP	
32	87310021A	PLUG 10 MM	2	02/11/2011		MOD:1199S- A;XST:AUS,CHN,EUR,FRA,JAP	
33	78010771A	THREADED DOWEL	1	02/11/2011		MOD:1199S- A;XST:AUS,CHN,EUR,FRA,JAP	
34	87511641BB	JET LH	1	02/11/2011		MOD:1199S- A;XST:AUS,CHN,EUR,FRA,JAP	

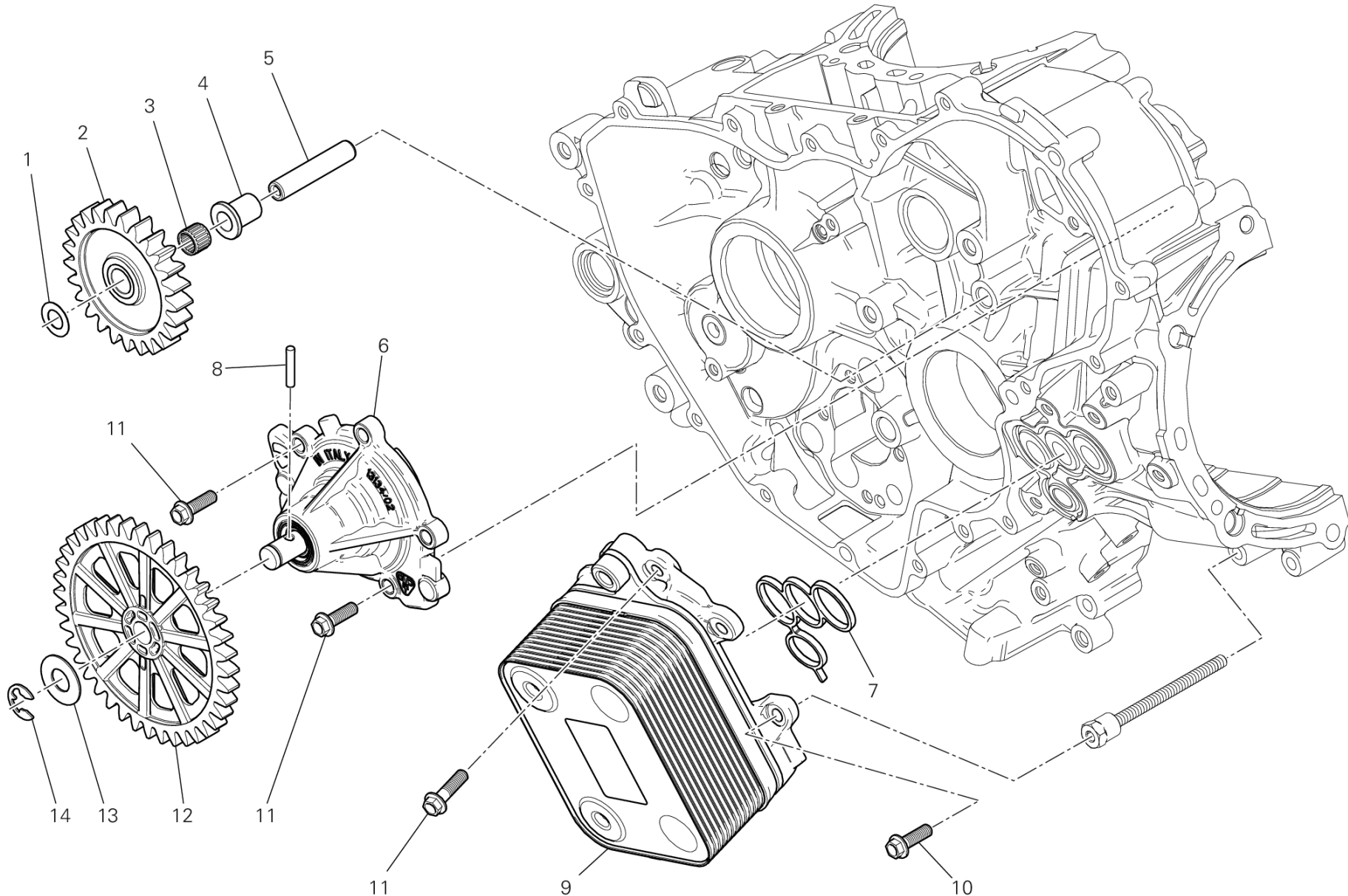


DRAWING 010 - HALF-CRANKCASES PAIR [MOD:1199S-A;XST:AUS,CHN,EUR,FRA,JAP]

GROUP ENGINE



POS.	CODE	DESCRIPTION	QTY	START DATE	END DATE	VALIDITY	NOTES
35	22522602B	COMPLETE HALF-CRANKCASES PAIR	1	19/04/2012	31/12/2030	MOD:1199S-A;XST:AUS,CHN,EUR,FRA,JAP	
36	77240398C	SCREW TBEIF M6X10	2	02/11/2011		MOD:1199S-A;XST:AUS,CHN,EUR,FRA,JAP	



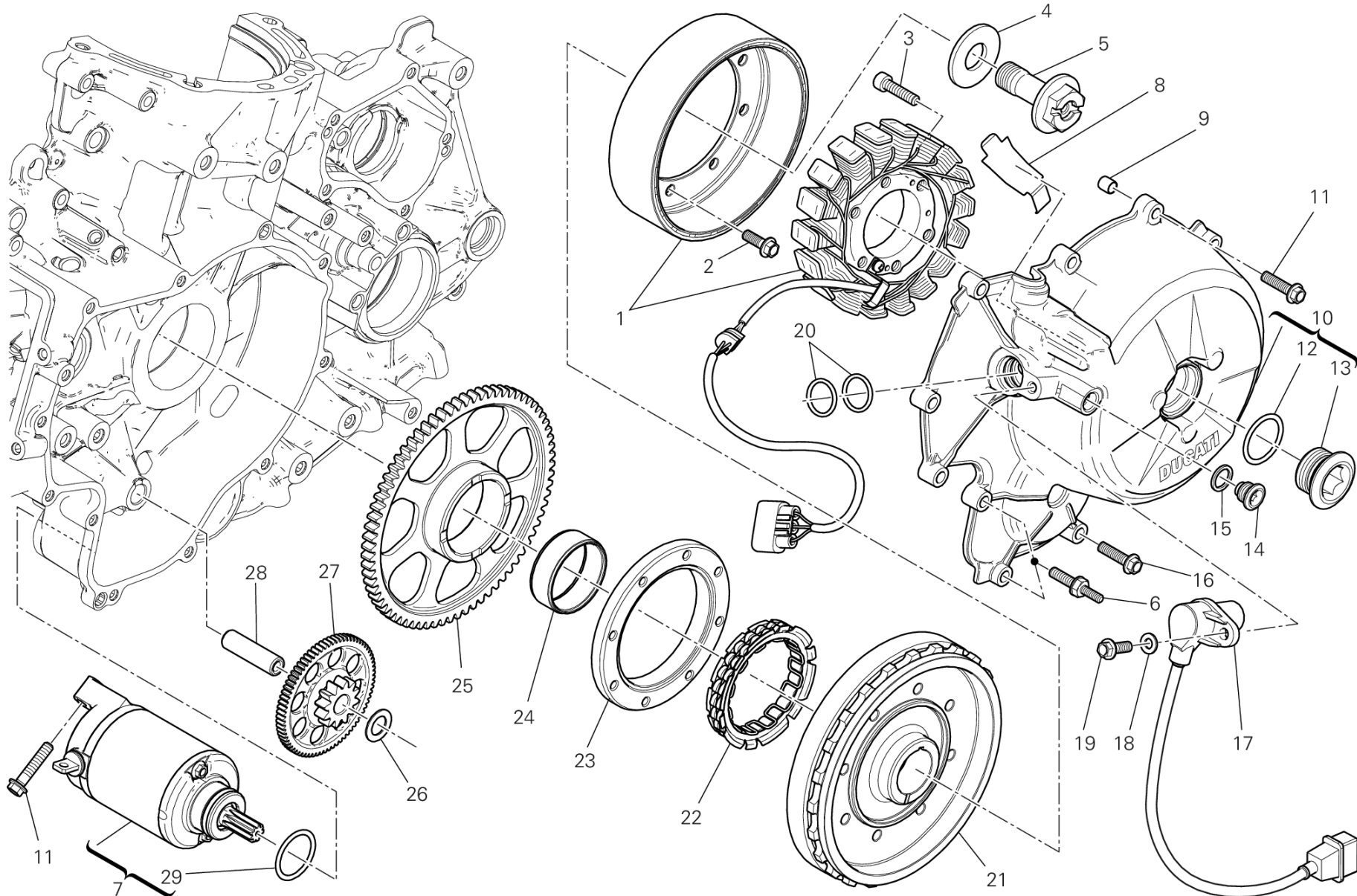


POS.	CODE	DESCRIPTION	QTY	START DATE	END DATE	VALIDITY	NOTES
1	064770010	WASHER, THRUST	1	11/11/2010		MOD:1199S-A;XST:AUS,CHN,EUR,FRA,JAP	
2	17410511A	PUMP GEAR	1	11/11/2010		MOD:1199S-A;XST:AUS,CHN,EUR,FRA,JAP	
3	70140361A	BEARING, NEEDLE	1	11/11/2010		MOD:1199S-A;XST:AUS,CHN,EUR,FRA,JAP	
4	71113221A	BUSH	1	11/11/2010		MOD:1199S-A;XST:AUS,CHN,EUR,FRA,JAP	
5	82010171A	STARTER REDUCTION SHAFT	1	09/12/2010		MOD:1199S-A;XST:AUS,CHN,EUR,FRA,JAP	
6	24723701C	COMPLETE WATER PUMP	1	02/11/2011		MOD:1199S-A;XST:AUS,CHN,EUR,FRA,JAP	
7	78811191A	GASKET	1	26/11/2010		MOD:1199S-A;XST:AUS,CHN,EUR,FRA,JAP	
8	70450091A	ROLLER	1	11/11/2010		MOD:1199S-A;XST:AUS,CHN,EUR,FRA,JAP	
9	54710022B	HEAT EXCHANGER	1	27/01/2012		MOD:1199S-A;XST:AUS,CHN,EUR,FRA,JAP	
10	77253297C	SCREW	2	01/11/2011		MOD:1199S-A;XST:AUS,CHN,EUR,FRA,JAP	
11	77253317C	SCREW	9	01/09/2011	27/01/2012	MOD:1199S-A;XST:AUS,CHN,EUR,FRA,JAP	
12	17410501A	PUMP GEAR	1	11/11/2010		MOD:1199S-A;XST:AUS,CHN,EUR,FRA,JAP	
13	85212681A	WASHER, THRUST	1	03/12/2010		MOD:1199S-A;XST:AUS,CHN,EUR,FRA,JAP	
14	88450371A	SNAP RING	1	11/11/2010		MOD:1199S-A;XST:AUS,CHN,EUR,FRA,JAP	



DRAWING 012 - ELECTRIC STARTING AND IGNITION [MOD:1199S-A;XST:AUS,CHN,EUR,FRA,JAP]

GROUP ENGINE



DRAWING 012 - ELECTRIC STARTING AND IGNITION [MOD:1199S-A;XST:AUS,CHN,EUR,FRA,JAP]



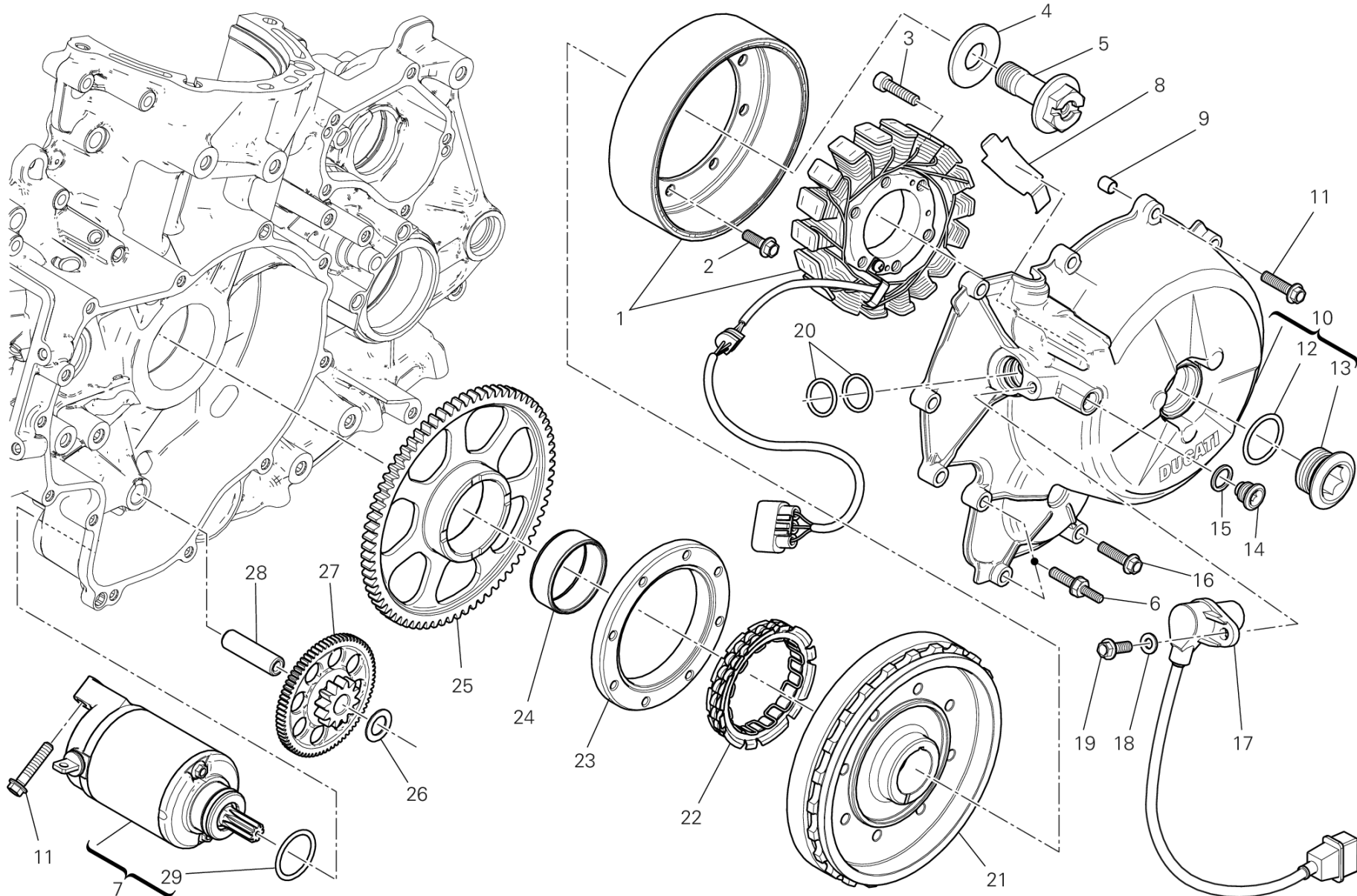
GROUP ENGINE

POS.	CODE	DESCRIPTION	QTY	START DATE	END DATE	VALIDITY	NOTES
1	26420161A	GENERATOR DENSO	1	13/01/2012		MOD:1199S-A;XST:AUS,CHN,EUR,FRA,JAP	
2	77253300Z	SCREW	8	22/11/2010		MOD:1199S-A;XST:AUS,CHN,EUR,FRA,JAP	
3	77110518B	SCREW TCEI M6X25	3	01/04/2011		MOD:1199S-A;XST:AUS,CHN,EUR,FRA,JAP	
4	85212941B	WASHER	1	01/08/2011		MOD:1199S-A;XST:AUS,CHN,EUR,FRA,JAP	
5	77916661B	SCREW, SPECIAL	1	01/08/2011		MOD:1199S-A;XST:AUS,CHN,EUR,FRA,JAP	
6	77917161B	SCREW, SPECIAL	2	08/11/2011		MOD:1199S-A;XST:AUS,CHN,EUR,FRA,JAP	
7	27040134A	COMPLETE STARTER MOTOR	1	08/11/2012		MOD:1199S-A;XST:AUS,CHN,EUR,FRA,JAP	
8	82716091A	PLATE	1	01/04/2011		MOD:1199S-A;XST:AUS,CHN,EUR,FRA,JAP	
9	71113171A	LOCATING DOWEL	1	11/11/2010		MOD:1199S-A;XST:AUS,CHN,EUR,FRA,JAP	
10	24221081BB	GENERATOR COVER	1	15/09/2011		MOD:1199S-A;XST:AUS,CHN,EUR,FRA,JAP	
11	77253357C	SCREW	3	11/11/2010		MOD:1199S-A;XST:AUS,CHN,EUR,FRA,JAP	
12	88640741A	O-RING	1	15/09/2011		MOD:1199S-A;XST:AUS,CHN,EUR,FRA,JAP	
13	78010841A	PLUG	1	15/09/2011		MOD:1199S-A;XST:AUS,CHN,EUR,FRA,JAP	
14	78010511C	PLUG	1	01/04/2011		MOD:1199S-A;XST:AUS,CHN,EUR,FRA,JAP	
15	85250261A	GASKET, ALUMINIUM 12X16X1.5	1	01/04/2011		MOD:1199S-A;XST:AUS,CHN,EUR,FRA,JAP	
16	77253337C	SCREW	8	11/11/2010		MOD:1199S-A;XST:AUS,CHN,EUR,FRA,JAP	
17	55241321B	SENSOR, TIMING & RPM	1	01/04/2011		MOD:1199S-A;XST:AUS,CHN,EUR,FRA,JAP	



DRAWING 012 - ELECTRIC STARTING AND IGNITION [MOD:1199S-A;XST:AUS,CHN,EUR,FRA,JAP]

GROUP ENGINE



DRAWING 012 - ELECTRIC STARTING AND IGNITION [MOD:1199S-A;XST:AUS,CHN,EUR,FRA,JAP]

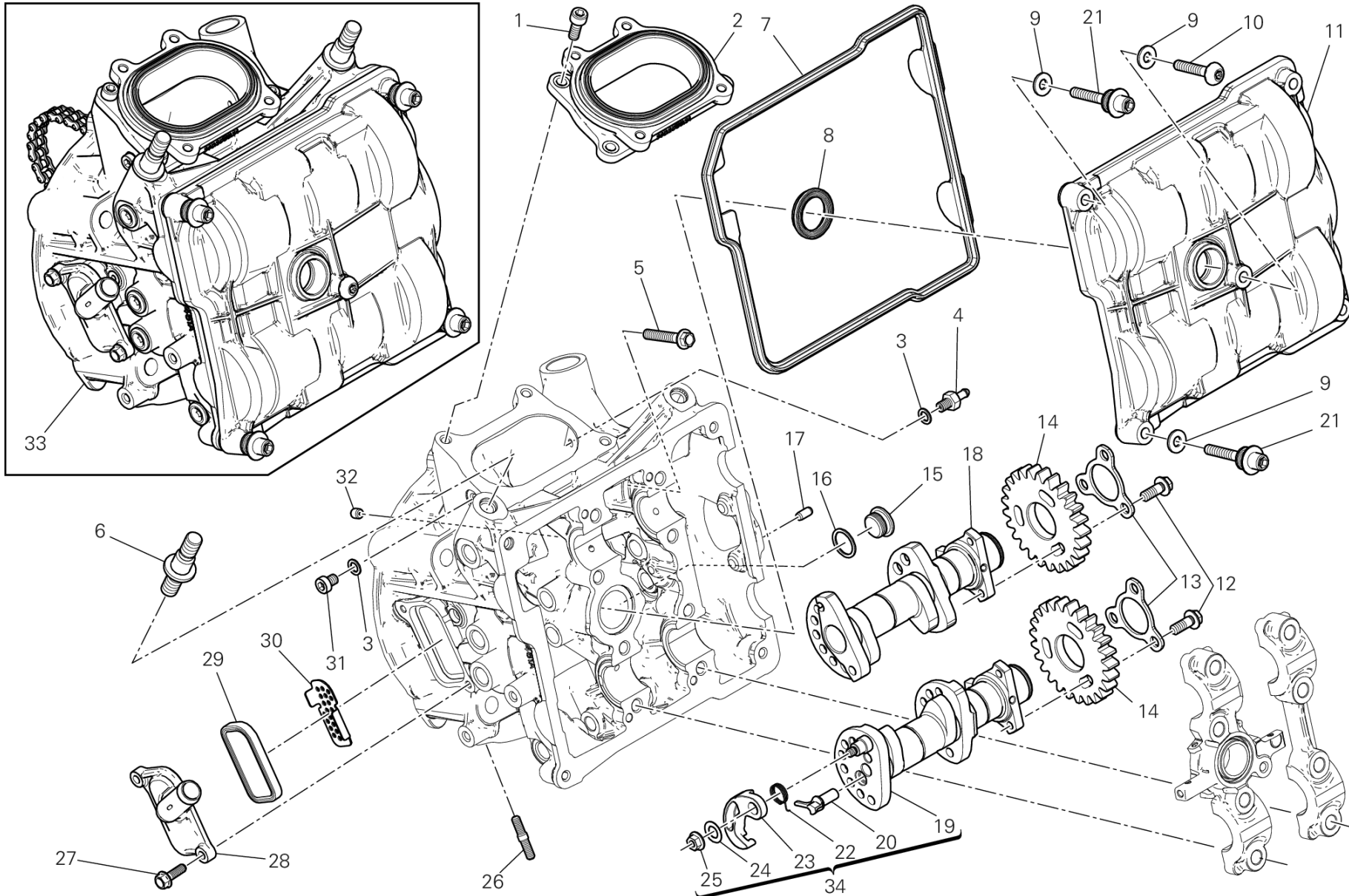


GROUP ENGINE

POS.	CODE	DESCRIPTION	QTY	START DATE	END DATE	VALIDITY	NOTES
18	85310031A	SPRING WASHER 6 MM	1	01/04/2011		MOD:1199S-A;XST:AUS,CHN,EUR,FRA,JAP	
19	77253307C	SCREW	1	01/04/2011		MOD:1199S-A;XST:AUS,CHN,EUR,FRA,JAP	
20	88640331A	O-RING 17.96X2.62	2	01/04/2011		MOD:1199S-A;XST:AUS,CHN,EUR,FRA,JAP	
21	27610602A	IGNITION FLYWHEEL	1	01/08/2011		MOD:1199S-A;XST:AUS,CHN,EUR,FRA,JAP	
22	70140351A	CLUTCH, ONE WAY	1	22/11/2010		MOD:1199S-A;XST:AUS,CHN,EUR,FRA,JAP	
23	16014151A	FLANGE	1	22/11/2010		MOD:1199S-A;XST:AUS,CHN,EUR,FRA,JAP	
24	70240181B	NEEDLE BEARING	1	11/11/2010		MOD:1199S-A;XST:AUS,CHN,EUR,FRA,JAP	
25	17310241A	ELECTRIC STARTER DRIVEN GEAR	1	22/11/2010		MOD:1199S-A;XST:AUS,CHN,EUR,FRA,JAP	
26	85212651A	WASHER	1	11/11/2010		MOD:1199S-A;XST:AUS,CHN,EUR,FRA,JAP	
27	17610221A	DRIVEN GEAR DOUBLE	1	26/11/2010		MOD:1199S-A;XST:AUS,CHN,EUR,FRA,JAP	
28	82010141A	STARTER REDUCTION SHAFT	1	02/11/2011		MOD:1199S-A;XST:AUS,CHN,EUR,FRA,JAP	
29	88641971A	O-RING	1	13/01/2012		MOD:1199S-A;XST:AUS,CHN,EUR,FRA,JAP	



DRAWING 013 - TESTA ORIZZONTALE - DISTRIBUZIONE [MOD:1199S-A;XST:AUS,EUR,FRA,JAP] GROUP ENGINE



DRAWING 013 - TESTA ORIZZONTALE - DISTRIBUZIONE [MOD:1199S-A;XST:AUS,EUR,FRA,JAP]

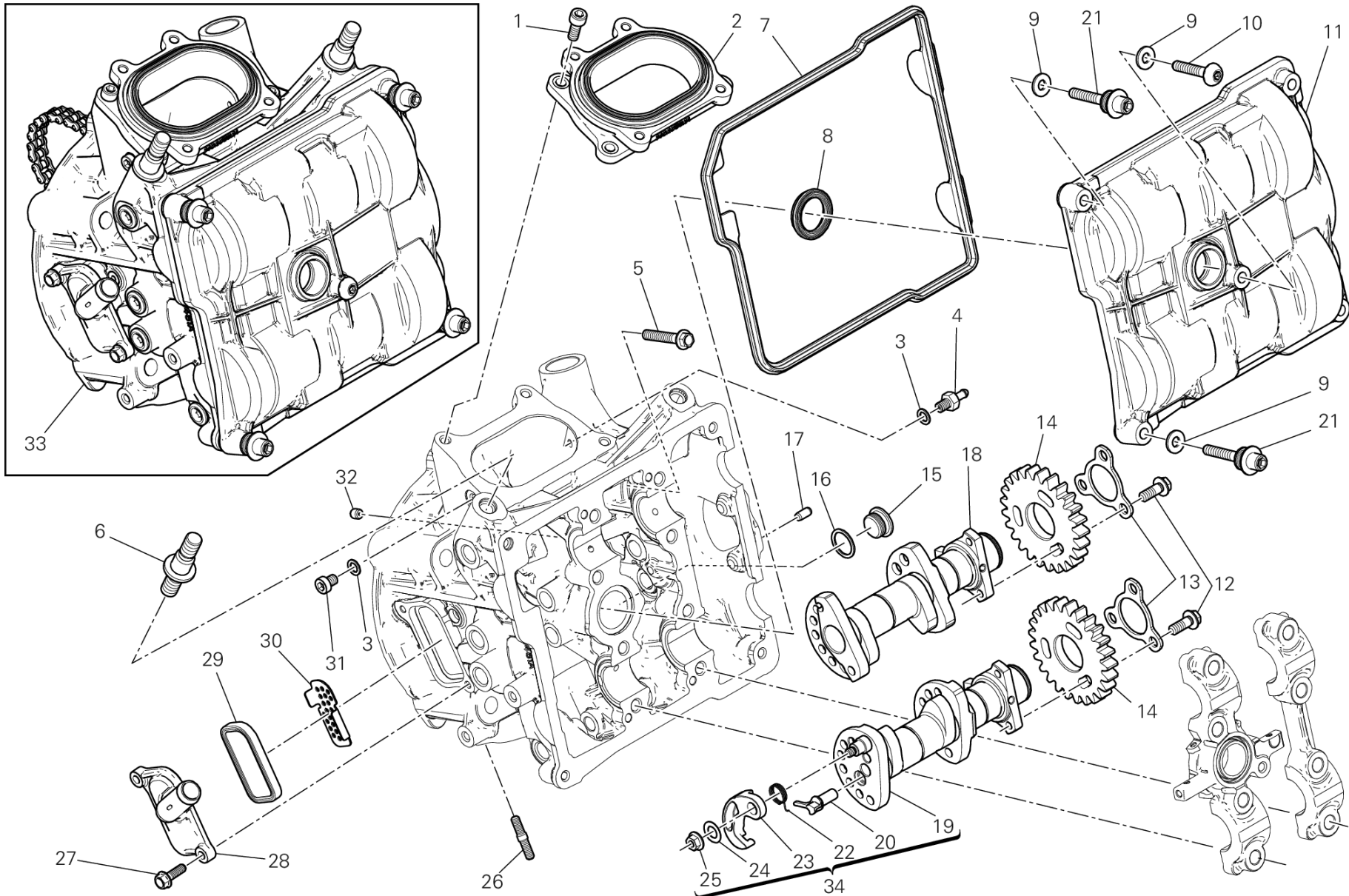


GROUP ENGINE

POS.	CODE	DESCRIPTION	QTY	START DATE	END DATE	VALIDITY	NOTES
1	77112331A	SCREW TCEI M6X16	4	12/01/2012		MOD:1199S-A;XST:AUS,EUR,FRA,JAP	
2	14010691A	INTAKE MANIFOLD	1	12/01/2012		MOD:1199S-A;XST:AUS,EUR,FRA,JAP	
3	85250231A	GASKET	2	01/08/2011		MOD:1199S-A;XST:AUS,EUR,FRA,JAP	
4	81413341A	UNION	1	12/01/2012		MOD:1199S-A;XST:AUS,EUR,FRA,JAP	
5	77253367C	SCREW	2	05/04/2011		MOD:1199S-A;XST:AUS,EUR,FRA,JAP	
6	76610821A	STUD BOLT	2	12/01/2012		MOD:1199S-A;XST:AUS,EUR,FRA,JAP	
7	78811101C	VALVE COVER GASKET EXTERNAL	1	12/01/2012		MOD:1199S-A;XST:AUS,EUR,FRA,JAP	
8	78811131A	VALVE COVER GASKET INTERNAL	1	12/01/2012		MOD:1199S-A;XST:AUS,EUR,FRA,JAP	
9	85212781A	WASHER	5	12/01/2012		MOD:1199S-A;XST:AUS,EUR,FRA,JAP	
10	77916441A	SCREW	1	01/09/2011		MOD:1199S-A;XST:AUS,EUR,FRA,JAP	
11	24713941B	COVER CYLINDER HEAD, HORIZONTAL	1	12/01/2012		MOD:1199S-A;XST:AUS,EUR,FRA,JAP	
12	77253290Z	SCREW	6	01/08/2011		MOD:1199S-A;XST:AUS,EUR,FRA,JAP	
13	85611471A	PLATE, RETAINER	2	12/01/2012		MOD:1199S-A;XST:AUS,EUR,FRA,JAP	
14	17111153A	GEAR Z=25	2	12/01/2012		MOD:1199S-A;XST:AUS,EUR,FRA,JAP	
15	77913541A	THREADED PLUG M15X1	1	06/04/2011		MOD:1199S-A;XST:AUS,EUR,FRA,JAP	
16	85211201A	ALUMINIUM GASKET	1	06/04/2011		MOD:1199S-A;XST:AUS,EUR,FRA,JAP	
17	86050061A	PIN M5X10	2	06/07/2011		MOD:1199S-A;XST:AUS,EUR,FRA,JAP	



DRAWING 013 - TESTA ORIZZONTALE - DISTRIBUZIONE [MOD:1199S-A;XST:AUS,EUR,FRA,JAP] GROUP ENGINE



DRAWING 013 - TESTA ORIZZONTALE - DISTRIBUZIONE [MOD:1199S-A;XST:AUS,EUR,FRA,JAP]



GROUP ENGINE

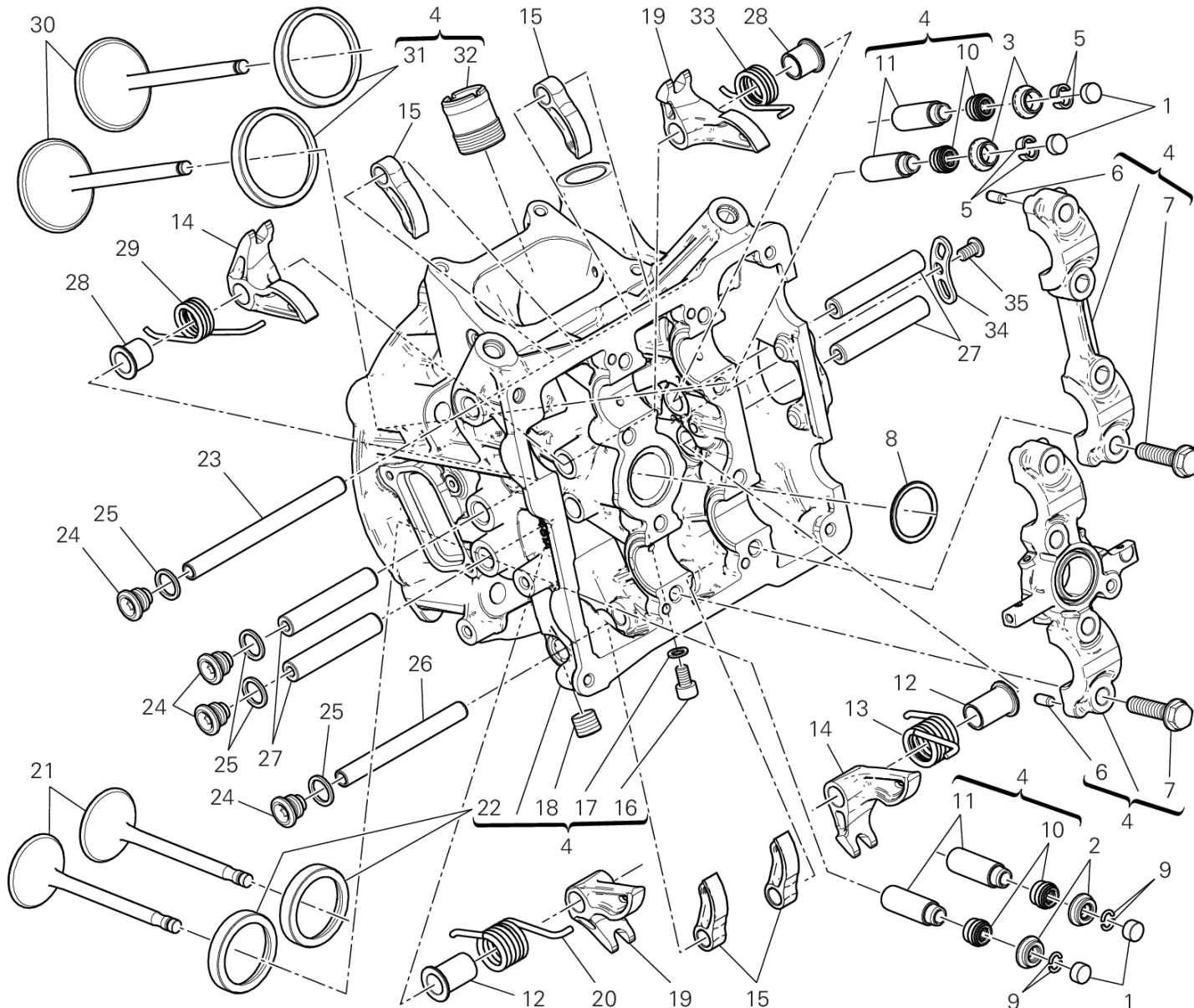
POS.	CODE	DESCRIPTION	QTY	START DATE	END DATE	VALIDITY	NOTES
18	14814381A	HORIZONTAL INTAKE CAMSHAFT	1	12/01/2012		MOD:1199S-A;XST:AUS,EUR,FRA,JAP	
19	14824491C	HORIZONTAL EXHAUST CAMSHAFT	1	12/01/2012		MOD:1199S-A;XST:AUS,EUR,FRA,JAP	
20	82113832A	PIN	1	12/01/2012		MOD:1199S-A;XST:AUS,EUR,FRA,JAP	
21	77916971B	SCREW, SPECIAL	4	08/11/2011		MOD:1199S-A;XST:AUS,EUR,FRA,JAP	
22	79915534A	SPRING	1	12/01/2012		MOD:1199S-A;XST:AUS,EUR,FRA,JAP	
23	30710021A	ARM	1	12/01/2012		MOD:1199S-A;XST:AUS,EUR,FRA,JAP	
24	85240231A	WASHER 8.2X14X0.5	1	13/01/2012		MOD:1199S-A;XST:AUS,EUR,FRA,JAP	
25	74810791A	NUT	1	12/01/2012		MOD:1199S-A;XST:AUS,EUR,FRA,JAP	
26	76640191A	STUD BOLT M6X16	3	12/01/2012		MOD:1199S-A;XST:AUS,EUR,FRA,JAP	
27	77210621A	SCREW TEF M5X16	2	12/01/2012		MOD:1199S-A;XST:AUS,EUR,FRA,JAP	
28	24714101A	COVER	1	12/01/2012		MOD:1199S-A;XST:AUS,EUR,FRA,JAP	
29	81140012B	VALVE	1	12/01/2012		MOD:1199S-A;XST:AUS,EUR,FRA,JAP	
30	82716351A	PLATE	1	12/01/2012		MOD:1199S-A;XST:AUS,EUR,FRA,JAP	
31	77350618B	SCREW TCEIR M6X8	1	06/04/2011		MOD:1199S-A;XST:AUS,EUR,FRA,JAP	
32	86010061A	PIN	1	12/01/2012		MOD:1199S-A;XST:AUS,EUR,FRA,JAP	
33	30124503A	COMPLETE HORIZONTAL HEAD	1	22/06/2012	31/12/2030	MOD:1199S-A;XST:AUS,EUR,FRA,JAP	
34	14823811C	HORIZONTAL EXHAUST CAMSHAFT (Unit)	1	13/01/2012		MOD:1199S-A;XST:AUS,EUR,FRA,JAP	

DRAWING 013 - TESTA ORIZZONTALE - DISTRIBUZIONE [MOD:1199S-A;XST:CHN]

GROUP ENGINE



POS.	CODE	DESCRIPTION	QTY	START DATE	END DATE	VALIDITY	NOTES
1	77112331A	SCREW TCEI M6X16	4	07/12/2011		MOD:1199S-A;XST:CHN	
2	14010691A	INTAKE MANIFOLD	1	07/12/2011		MOD:1199S-A;XST:CHN	
3	85250231A	GASKET	2	07/12/2011		MOD:1199S-A;XST:CHN	
4	81413341A	UNION	2	07/12/2011		MOD:1199S-A;XST:CHN	
5	77253367C	SCREW	2	03/11/2011		MOD:1199S-A;XST:CHN	
6	76610821A	STUD BOLT	2	07/12/2011		MOD:1199S-A;XST:CHN	
7	78811101C	VALVE COVER GASKET EXTERNAL	1	12/01/2012		MOD:1199S-A;XST:CHN	
8	78811131A	VALVE COVER GASKET INTERNAL	1	07/12/2011		MOD:1199S-A;XST:CHN	
9	85212781A	WASHER	5	07/12/2011		MOD:1199S-A;XST:CHN	
10	77916441A	SCREW	1	07/12/2011		MOD:1199S-A;XST:CHN	
11	24713941B	COVER CYLINDER HEAD, HORIZONTAL	1	12/01/2012		MOD:1199S-A;XST:CHN	
12	77253290Z	SCREW	6	03/11/2011		MOD:1199S-A;XST:CHN	
13	85611471A	PLATE, RETAINER	2	07/12/2011		MOD:1199S-A;XST:CHN	
14	17111153A	GEAR Z=25	2	07/12/2011		MOD:1199S-A;XST:CHN	
15	77913541A	THREADED PLUG M15X1	1	03/11/2011		MOD:1199S-A;XST:CHN	
16	85211201A	ALUMINIUM GASKET	1	03/11/2011		MOD:1199S-A;XST:CHN	
17	86050061A	PIN M5X10	2	07/12/2011		MOD:1199S-A;XST:CHN	
18	14814381A	HORIZONTAL INTAKE CAMSHAFT	1	07/12/2011		MOD:1199S-A;XST:CHN	
19	14824491C	HORIZONTAL EXHAUST CAMSHAFT	1	07/12/2011		MOD:1199S-A;XST:CHN	
20	82113832A	PIN	1	12/01/2012		MOD:1199S-A;XST:CHN	
21	77916971B	SCREW, SPECIAL	4	08/11/2011		MOD:1199S-A;XST:CHN	
22	79915534A	SPRING	1	12/01/2012		MOD:1199S-A;XST:CHN	
23	30710021A	ARM	1	07/12/2011		MOD:1199S-A;XST:CHN	
24	85240231A	WASHER 8.2X14X0.5	1	07/12/2011		MOD:1199S-A;XST:CHN	
25	74810791A	NUT	1	12/01/2012		MOD:1199S-A;XST:CHN	
26	76640191A	STUD BOLT M6X16	3	07/12/2011		MOD:1199S-A;XST:CHN	
27	77210621A	SCREW TEF M5X16	2	07/12/2011		MOD:1199S-A;XST:CHN	
28	24714101A	COVER	1	07/12/2011		MOD:1199S-A;XST:CHN	
29	81140012B	VALVE	1	07/12/2011		MOD:1199S-A;XST:CHN	
30	82716351A	PLATE	1	07/12/2011		MOD:1199S-A;XST:CHN	
31	14823811C	HORIZONTAL EXHAUST CAMSHAFT (Unit)	1	13/01/2012		MOD:1199S-A;XST:CHN	
32	86010061A	PIN	1	07/12/2011		MOD:1199S-A;XST:CHN	
33	30124503A	COMPLETE HORIZONTAL HEAD	1	22/06/2012	31/12/2030	MOD:1199S-A;XST:CHN	

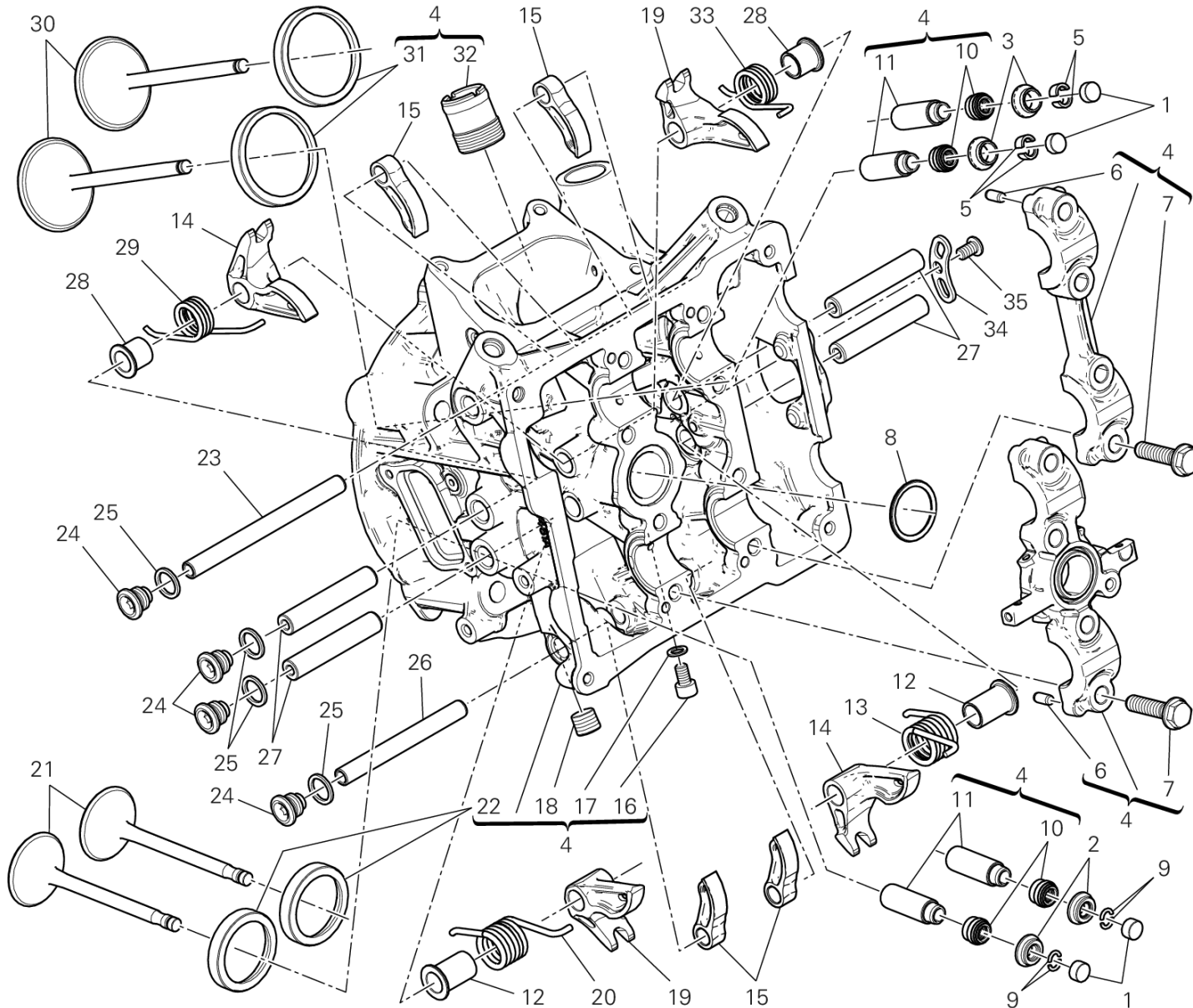


DRAWING 014 - HORIZONTAL HEAD [MOD:1199S-A;XST:AUS,CHN,EUR,FRA,JAP]

GROUP ENGINE



POS.	CODE	DESCRIPTION	QTY	START DATE	END DATE	VALIDITY	NOTES
1	84010013A	ADJUSTER, OPENING ROCKER ARM 2.00 MM	4	09/11/2011		MOD:1199S- A;XST:AUS,CHN,EUR,FRA,JAP	
	84010023A	ADJUSTER, OPENING ROCKER ARM 2.05 MM	4	09/11/2011		MOD:1199S- A;XST:AUS,CHN,EUR,FRA,JAP	
	84010033A	ADJUSTER, OPENING ROCKER ARM 2.10 MM	4	09/11/2011		MOD:1199S- A;XST:AUS,CHN,EUR,FRA,JAP	
	84010043A	ADJUSTER, OPENING ROCKER ARM 2.15 MM	4	09/11/2011		MOD:1199S- A;XST:AUS,CHN,EUR,FRA,JAP	
	84010053A	ADJUSTER, OPENING ROCKER ARM 2.20 MM	4	09/11/2011		MOD:1199S- A;XST:AUS,CHN,EUR,FRA,JAP	
	84010063A	ADJUSTER, OPENING ROCKER ARM 2.25 MM	4	09/11/2011		MOD:1199S- A;XST:AUS,CHN,EUR,FRA,JAP	
	84010073A	ADJUSTER, OPENING ROCKER ARM 2.30 MM	4	09/11/2011		MOD:1199S- A;XST:AUS,CHN,EUR,FRA,JAP	
	84010083A	ADJUSTER, OPENING ROCKER ARM 2.35 MM	4	09/11/2011		MOD:1199S- A;XST:AUS,CHN,EUR,FRA,JAP	
	84010093A	ADJUSTER, OPENING ROCKER ARM 2.40 MM	4	09/11/2011		MOD:1199S- A;XST:AUS,CHN,EUR,FRA,JAP	
	84010103A	ADJUSTER, OPENING ROCKER ARM 2.45 MM	4	09/11/2011		MOD:1199S- A;XST:AUS,CHN,EUR,FRA,JAP	
	84010113A	ADJUSTER, OPENING ROCKER ARM 2.50 MM	4	09/11/2011		MOD:1199S- A;XST:AUS,CHN,EUR,FRA,JAP	
	84010123A	ADJUSTER, OPENING ROCKER ARM 2.55 MM	4	09/11/2011		MOD:1199S- A;XST:AUS,CHN,EUR,FRA,JAP	
	84010133A	ADJUSTER, OPENING ROCKER ARM 2.60 MM	4	09/11/2011		MOD:1199S- A;XST:AUS,CHN,EUR,FRA,JAP	
	84010143A	ADJUSTER, OPENING ROCKER ARM 2.65 MM	4	09/11/2011		MOD:1199S- A;XST:AUS,CHN,EUR,FRA,JAP	
	84010153A	ADJUSTER, OPENING ROCKER ARM 2.70 MM	4	09/11/2011		MOD:1199S- A;XST:AUS,CHN,EUR,FRA,JAP	
	84010163A	ADJUSTER, OPENING ROCKER ARM 2.75 MM	4	09/11/2011		MOD:1199S- A;XST:AUS,CHN,EUR,FRA,JAP	
	84010173A	ADJUSTER, OPENING ROCKER ARM 2.80 MM	4	09/11/2011		MOD:1199S- A;XST:AUS,CHN,EUR,FRA,JAP	

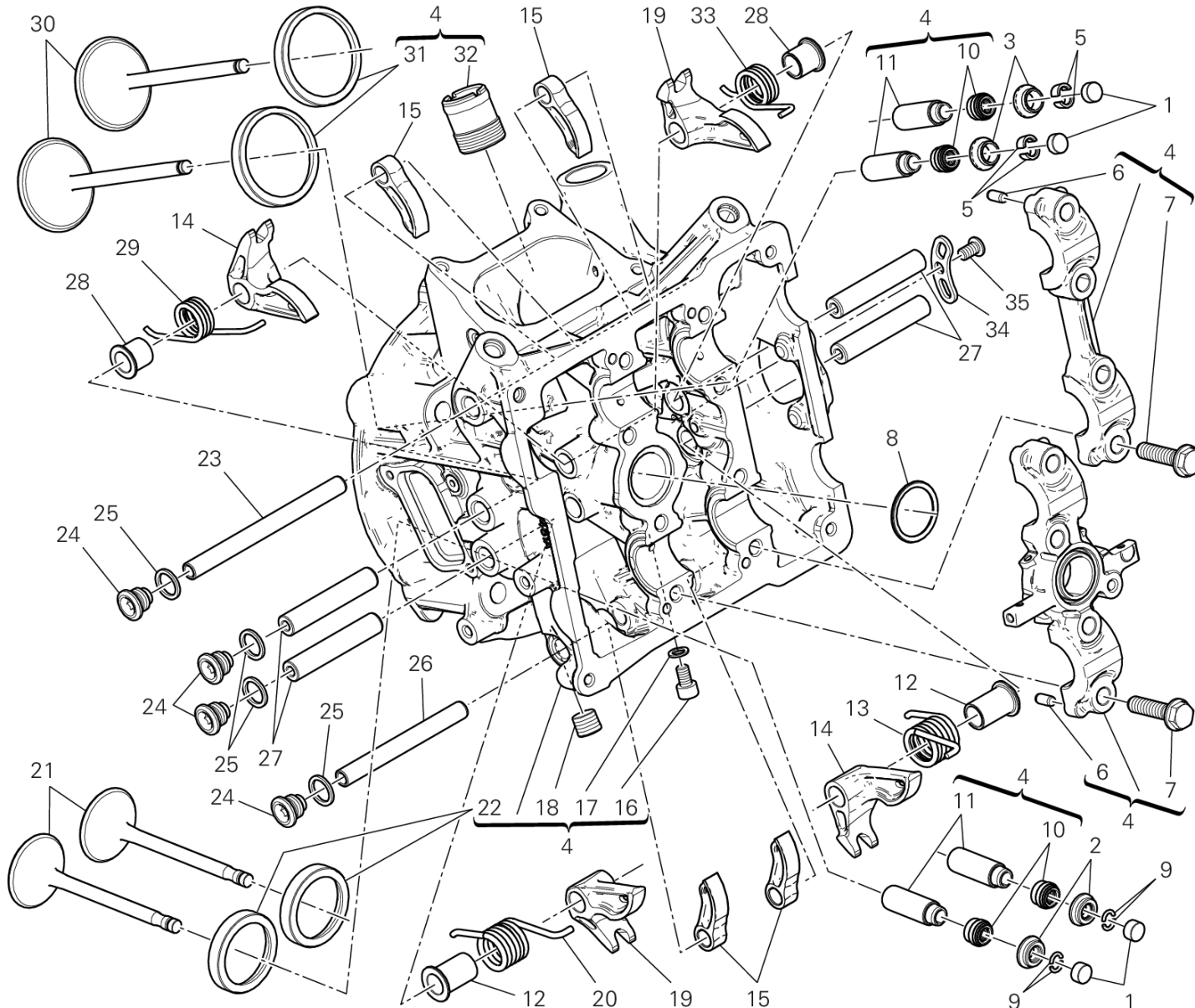


DRAWING 014 - HORIZONTAL HEAD [MOD:1199S-A;XST:AUS,CHN,EUR,FRA,JAP]

GROUP ENGINE



POS.	CODE	DESCRIPTION	QTY	START DATE	END DATE	VALIDITY	NOTES
	84010183A	ADJUSTER, OPENING ROCKER ARM 2.85 MM	4	09/11/2011		MOD:1199S- A;XST:AUS,CHN,EUR,FRA,JAP	
	84010193A	ADJUSTER, OPENING ROCKER ARM 2.90 MM	4	09/11/2011		MOD:1199S- A;XST:AUS,CHN,EUR,FRA,JAP	
	84010203A	ADJUSTER, OPENING ROCKER ARM 2.95 MM	4	09/11/2011		MOD:1199S- A;XST:AUS,CHN,EUR,FRA,JAP	
	84010213A	ADJUSTER, OPENING ROCKER ARM 3.00 MM	4	09/11/2011		MOD:1199S- A;XST:AUS,CHN,EUR,FRA,JAP	
	84010223A	ADJUSTER, OPENING ROCKER ARM 3.05 MM	4	09/11/2011		MOD:1199S- A;XST:AUS,CHN,EUR,FRA,JAP	
	84010233A	ADJUSTER, OPENING ROCKER ARM 3.10 MM	4	09/11/2011		MOD:1199S- A;XST:AUS,CHN,EUR,FRA,JAP	
	84010243A	ADJUSTER, OPENING ROCKER ARM 3.15 MM	4	09/11/2011		MOD:1199S- A;XST:AUS,CHN,EUR,FRA,JAP	
	84010253A	ADJUSTER, OPENING ROCKER ARM 3.20 MM	4	09/11/2011		MOD:1199S- A;XST:AUS,CHN,EUR,FRA,JAP	
	84010263A	ADJUSTER, OPENING ROCKER ARM 3.25 MM	4	09/11/2011		MOD:1199S- A;XST:AUS,CHN,EUR,FRA,JAP	
	84010273A	ADJUSTER, OPENING ROCKER ARM 3.30 MM	4	09/11/2011		MOD:1199S- A;XST:AUS,CHN,EUR,FRA,JAP	
	84010283A	ADJUSTER, OPENING ROCKER ARM 3.35 MM	4	09/11/2011		MOD:1199S- A;XST:AUS,CHN,EUR,FRA,JAP	
	84010293A	ADJUSTER, OPENING ROCKER ARM 3.40 MM	4	09/11/2011		MOD:1199S- A;XST:AUS,CHN,EUR,FRA,JAP	
	84010303A	ADJUSTER, OPENING ROCKER ARM 3.45 MM	4	09/11/2011		MOD:1199S- A;XST:AUS,CHN,EUR,FRA,JAP	
	84010313A	ADJUSTER, OPENING ROCKER ARM 1.80 MM	4	09/11/2011		MOD:1199S- A;XST:AUS,CHN,EUR,FRA,JAP	
	84010323A	ADJUSTER, OPENING ROCKER ARM 1.85 MM	4	09/11/2011		MOD:1199S- A;XST:AUS,CHN,EUR,FRA,JAP	
	84010333A	ADJUSTER, OPENING ROCKER ARM 1.90 MM	4	09/11/2011		MOD:1199S- A;XST:AUS,CHN,EUR,FRA,JAP	
	84010343A	ADJUSTER, OPENING ROCKER ARM 1.95 MM	4	09/11/2011		MOD:1199S- A;XST:AUS,CHN,EUR,FRA,JAP	

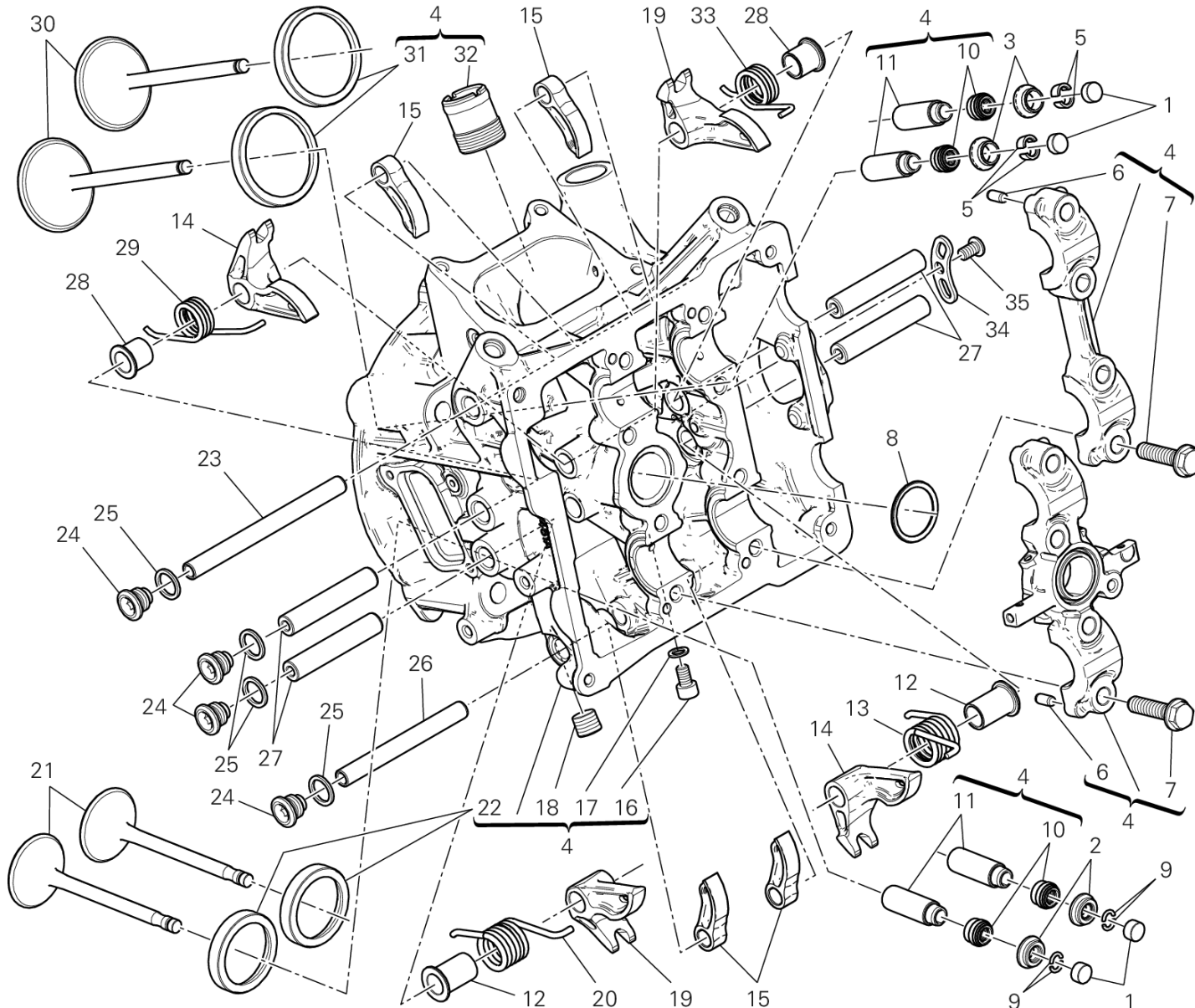


DRAWING 014 - HORIZONTAL HEAD [MOD:1199S-A;XST:AUS,CHN,EUR,FRA,JAP]

GROUP ENGINE



POS.	CODE	DESCRIPTION	QTY	START DATE	END DATE	VALIDITY	NOTES
	84010723A	ADJUSTER, OPENING ROCKER ARM 3.60 MM	4	09/11/2011		MOD:1199S- A;XST:AUS,CHN,EUR,FRA,JAP	
	84010733A	ADJUSTER, OPENING ROCKER ARM 3.80 MM	4	09/11/2011		MOD:1199S- A;XST:AUS,CHN,EUR,FRA,JAP	
	84011083A	ADJUSTER, OPENING ROCKER ARM 3.50 MM	4	09/11/2011		MOD:1199S- A;XST:AUS,CHN,EUR,FRA,JAP	
	84011093A	ADJUSTER, OPENING ROCKER ARM 3.55 MM	4	09/11/2011		MOD:1199S- A;XST:AUS,CHN,EUR,FRA,JAP	
	84011103A	ADJUSTER, OPENING ROCKER ARM 3.65 MM	4	09/11/2011		MOD:1199S- A;XST:AUS,CHN,EUR,FRA,JAP	
	84011113A	ADJUSTER, OPENING ROCKER ARM 3.70 MM	4	09/11/2011		MOD:1199S- A;XST:AUS,CHN,EUR,FRA,JAP	
	84011123A	ADJUSTER, OPENING ROCKER ARM 3.75 MM	4	09/11/2011		MOD:1199S- A;XST:AUS,CHN,EUR,FRA,JAP	
	84011133A	ADJUSTER, OPENING ROCKER ARM 3.85 MM	4	09/11/2011		MOD:1199S- A;XST:AUS,CHN,EUR,FRA,JAP	
	84011143A	ADJUSTER, OPENING ROCKER ARM 3.9 MM	4	09/11/2011		MOD:1199S- A;XST:AUS,CHN,EUR,FRA,JAP	
2	84010412B	ADJUSTER, CLOSING ROCKER ARM 2.20 MM	2	24/12/2009		MOD:1199S- A;XST:AUS,CHN,EUR,FRA,JAP	
	84010422B	ADJUSTER, CLOSING ROCKER ARM 2.25 MM	2	24/12/2009		MOD:1199S- A;XST:AUS,CHN,EUR,FRA,JAP	
	84010432B	ADJUSTER, CLOSING ROCKER ARM 2.30 MM	2	24/12/2009		MOD:1199S- A;XST:AUS,CHN,EUR,FRA,JAP	
	84010442B	ADJUSTER, CLOSING ROCKER ARM 2.35 MM	2	24/12/2009		MOD:1199S- A;XST:AUS,CHN,EUR,FRA,JAP	
	84010452B	ADJUSTER, CLOSING ROCKER ARM 2.40 MM	2	24/12/2009		MOD:1199S- A;XST:AUS,CHN,EUR,FRA,JAP	
	84010462B	ADJUSTER, CLOSING ROCKER ARM 2.45 MM	2	24/12/2009		MOD:1199S- A;XST:AUS,CHN,EUR,FRA,JAP	
	84010472B	ADJUSTER, CLOSING ROCKER ARM 2.50 MM	2	24/12/2009		MOD:1199S- A;XST:AUS,CHN,EUR,FRA,JAP	
	84010482B	ADJUSTER, CLOSING ROCKER ARM 2.55 MM	2	24/12/2009		MOD:1199S- A;XST:AUS,CHN,EUR,FRA,JAP	

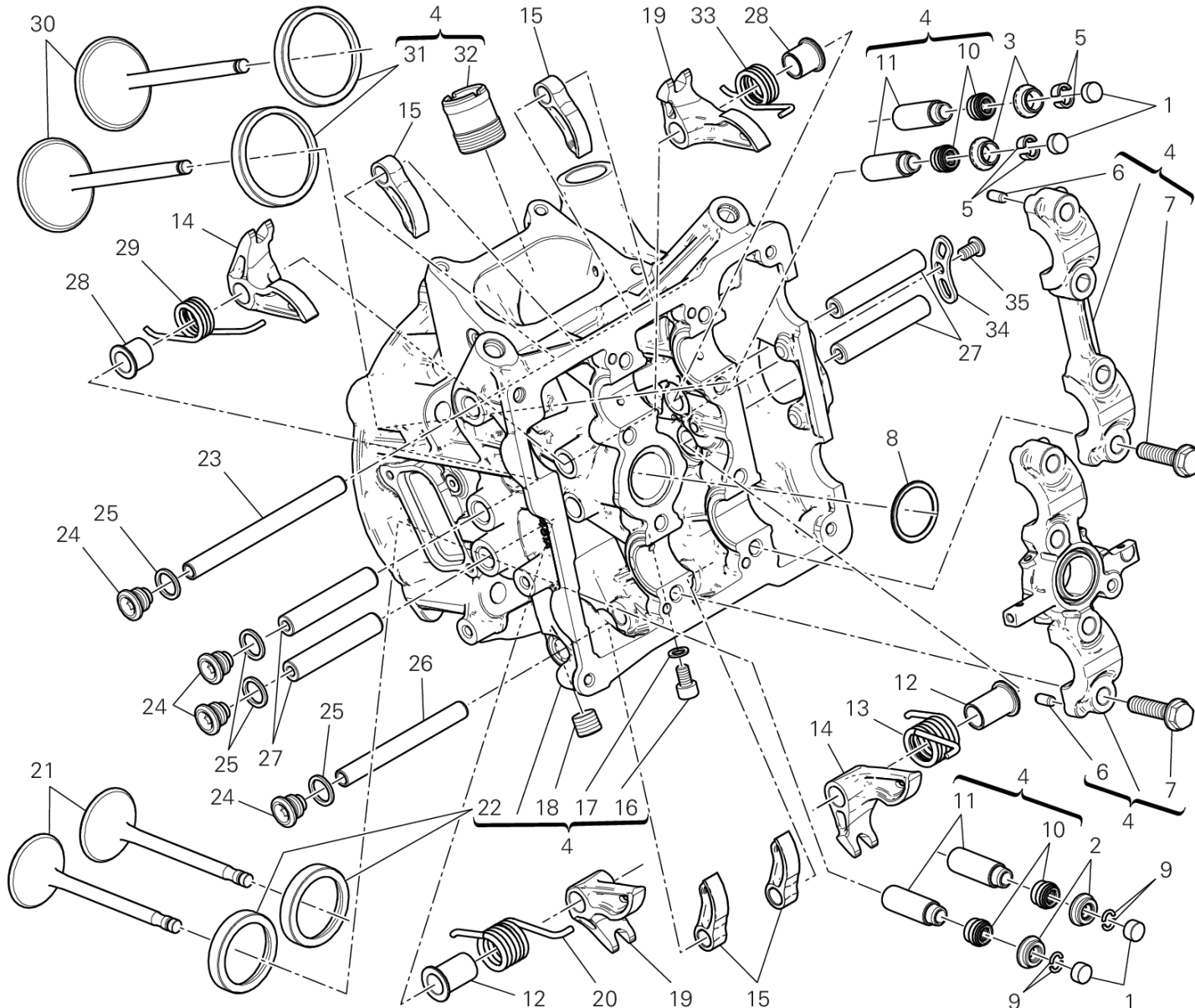


DRAWING 014 - HORIZONTAL HEAD [MOD:1199S-A;XST:AUS,CHN,EUR,FRA,JAP]

GROUP ENGINE



POS.	CODE	DESCRIPTION	QTY	START DATE	END DATE	VALIDITY	NOTES
	84010492B	ADJUSTER, CLOSING ROCKER ARM 2.60 MM	2	24/12/2009		MOD:1199S- A;XST:AUS,CHN,EUR,FRA,JAP	
	84010502B	ADJUSTER, CLOSING ROCKER ARM 2.65 MM	2	24/12/2009		MOD:1199S- A;XST:AUS,CHN,EUR,FRA,JAP	
	84010512B	ADJUSTER, CLOSING ROCKER ARM 2.70 MM	2	24/12/2009		MOD:1199S- A;XST:AUS,CHN,EUR,FRA,JAP	
	84010522B	ADJUSTER, CLOSING ROCKER ARM 2.75 MM	2	24/12/2009		MOD:1199S- A;XST:AUS,CHN,EUR,FRA,JAP	
	84010532B	ADJUSTER, CLOSING ROCKER ARM 2.80 MM	2	24/12/2009		MOD:1199S- A;XST:AUS,CHN,EUR,FRA,JAP	
	84010542B	ADJUSTER, CLOSING ROCKER ARM 2.85 MM	2	24/12/2009		MOD:1199S- A;XST:AUS,CHN,EUR,FRA,JAP	
	84010552B	ADJUSTER, CLOSING ROCKER ARM 2.90 MM	2	24/12/2009		MOD:1199S- A;XST:AUS,CHN,EUR,FRA,JAP	
	84010562B	ADJUSTER, CLOSING ROCKER ARM 2.95 MM	2	24/12/2009		MOD:1199S- A;XST:AUS,CHN,EUR,FRA,JAP	
	84010572B	ADJUSTER, CLOSING ROCKER ARM 3.00 MM	2	24/12/2009		MOD:1199S- A;XST:AUS,CHN,EUR,FRA,JAP	
	84010582B	ADJUSTER, CLOSING ROCKER ARM 3.05 MM	2	24/12/2009		MOD:1199S- A;XST:AUS,CHN,EUR,FRA,JAP	
	84010592B	ADJUSTER, CLOSING ROCKER ARM 3.10 MM	2	24/12/2009		MOD:1199S- A;XST:AUS,CHN,EUR,FRA,JAP	
	84010602B	ADJUSTER, CLOSING ROCKER ARM 3.15 MM	2	24/12/2009		MOD:1199S- A;XST:AUS,CHN,EUR,FRA,JAP	
	84010612B	ADJUSTER, CLOSING ROCKER ARM 3.20 MM	2	24/12/2009		MOD:1199S- A;XST:AUS,CHN,EUR,FRA,JAP	
	84010622B	ADJUSTER, CLOSING ROCKER ARM 3.25 MM	2	24/12/2009		MOD:1199S- A;XST:AUS,CHN,EUR,FRA,JAP	
	84010632B	ADJUSTER, CLOSING ROCKER ARM 3.30 MM	2	24/12/2009		MOD:1199S- A;XST:AUS,CHN,EUR,FRA,JAP	
	84010642B	ADJUSTER, CLOSING ROCKER ARM 3.35 MM	2	24/12/2009		MOD:1199S- A;XST:AUS,CHN,EUR,FRA,JAP	
	84010652B	ADJUSTER, CLOSING ROCKER ARM 3.40 MM	2	24/12/2009		MOD:1199S- A;XST:AUS,CHN,EUR,FRA,JAP	



DRAWING 014 - HORIZONTAL HEAD [MOD:1199S-A;XST:AUS,CHN,EUR,FRA,JAP]

GROUP ENGINE



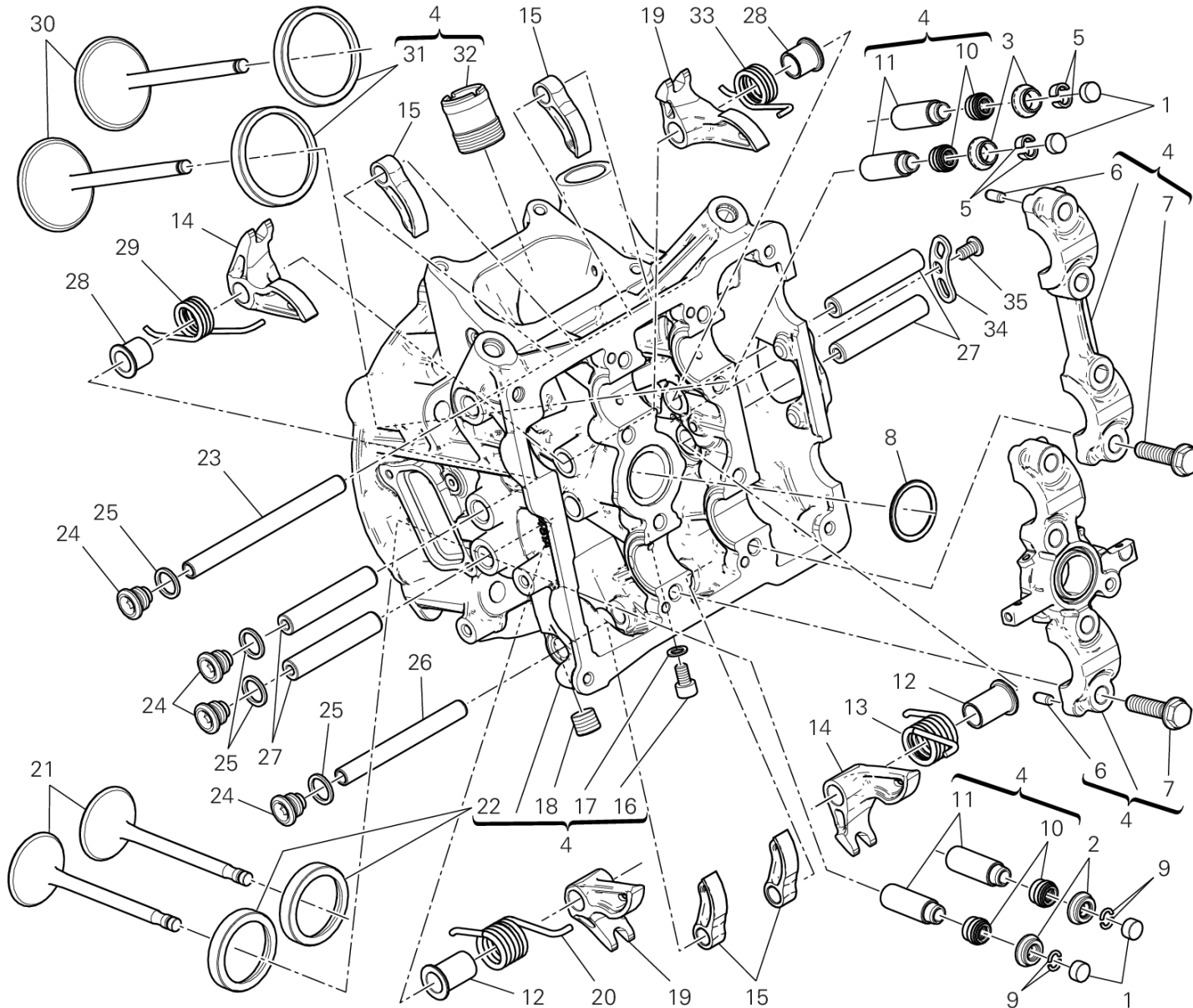
POS.	CODE	DESCRIPTION	QTY	START DATE	END DATE	VALIDITY	NOTES
	84010662B	ADJUSTER, CLOSING ROCKER ARM 3.45 MM	2	24/12/2009		MOD:1199S- A;XST:AUS,CHN,EUR,FRA,JAP	
	84010672B	ADJUSTER, CLOSING ROCKER ARM 3.50 MM	2	24/12/2009		MOD:1199S- A;XST:AUS,CHN,EUR,FRA,JAP	
	84010682B	ADJUSTER, CLOSING ROCKER ARM 3.55 MM	2	24/12/2009		MOD:1199S- A;XST:AUS,CHN,EUR,FRA,JAP	
	84010692B	ADJUSTER, CLOSING ROCKER ARM 3.60 MM	2	24/12/2009		MOD:1199S- A;XST:AUS,CHN,EUR,FRA,JAP	
	84010702B	ADJUSTER, CLOSING ROCKER ARM 3.65 MM	2	24/12/2009		MOD:1199S- A;XST:AUS,CHN,EUR,FRA,JAP	
	84010712B	ADJUSTER, CLOSING ROCKER ARM 3.70 MM	2	24/12/2009		MOD:1199S- A;XST:AUS,CHN,EUR,FRA,JAP	
	84010722B	ADJUSTER, CLOSING ROCKER ARM 3.75 MM	2	24/12/2009		MOD:1199S- A;XST:AUS,CHN,EUR,FRA,JAP	
	84010732B	ADJUSTER, CLOSING ROCKER ARM 3.80 MM	2	24/12/2009		MOD:1199S- A;XST:AUS,CHN,EUR,FRA,JAP	
	84010742B	ADJUSTER, CLOSING ROCKER ARM 3.85 MM	2	24/12/2009		MOD:1199S- A;XST:AUS,CHN,EUR,FRA,JAP	
	84010752B	ADJUSTER, CLOSING ROCKER ARM 3.90 MM	2	24/12/2009		MOD:1199S- A;XST:AUS,CHN,EUR,FRA,JAP	
	84010762B	ADJUSTER, CLOSING ROCKER ARM 3.95 MM	2	24/12/2009		MOD:1199S- A;XST:AUS,CHN,EUR,FRA,JAP	
	84010772B	ADJUSTER, CLOSING ROCKER ARM 4.00 MM	2	24/12/2009		MOD:1199S- A;XST:AUS,CHN,EUR,FRA,JAP	
	84010782B	ADJUSTER, CLOSING ROCKER ARM 4.05 MM	2	24/12/2009		MOD:1199S- A;XST:AUS,CHN,EUR,FRA,JAP	
	84010792B	ADJUSTER, CLOSING ROCKER ARM 4.10 MM	2	24/12/2009		MOD:1199S- A;XST:AUS,CHN,EUR,FRA,JAP	
	84010802B	ADJUSTER, CLOSING ROCKER ARM 4.15 MM	2	24/12/2009		MOD:1199S- A;XST:AUS,CHN,EUR,FRA,JAP	
	84010812B	ADJUSTER, CLOSING ROCKER ARM 4.20 MM	2	24/12/2009		MOD:1199S- A;XST:AUS,CHN,EUR,FRA,JAP	
	84010822B	ADJUSTER, CLOSING ROCKER ARM 4.25 MM	2	24/12/2009		MOD:1199S- A;XST:AUS,CHN,EUR,FRA,JAP	

DRAWING 014 - HORIZONTAL HEAD [MOD:1199S-A;XST:AUS,CHN,EUR,FRA,JAP]

GROUP ENGINE



POS.	CODE	DESCRIPTION	QTY	START DATE	END DATE	VALIDITY	NOTES
	84010832B	ADJUSTER, CLOSING ROCKER ARM 4.30 MM	2	24/12/2009		MOD:1199S- A;XST:AUS,CHN,EUR,FRA,JAP	
	84010842B	ADJUSTER, CLOSING ROCKER ARM 4.35 MM	2	24/12/2009		MOD:1199S- A;XST:AUS,CHN,EUR,FRA,JAP	
	84010852B	ADJUSTER, CLOSING ROCKER ARM 4.40 MM	2	24/12/2009		MOD:1199S- A;XST:AUS,CHN,EUR,FRA,JAP	
	84010862B	ADJUSTER, CLOSING ROCKER ARM 4.45 MM	2	24/12/2009		MOD:1199S- A;XST:AUS,CHN,EUR,FRA,JAP	
	84010872B	ADJUSTER, CLOSING ROCKER ARM 4.50 MM	2	24/12/2009		MOD:1199S- A;XST:AUS,CHN,EUR,FRA,JAP	
3	84011901AA	ADJUSTER, CLOSING ROCKER ARM 4.15 MM	2	02/11/2011		MOD:1199S- A;XST:AUS,CHN,EUR,FRA,JAP	
	84011901AB	ADJUSTER, CLOSING ROCKER ARM 4.20 MM	2	02/11/2011		MOD:1199S- A;XST:AUS,CHN,EUR,FRA,JAP	
	84011901AC	ADJUSTER, CLOSING ROCKER ARM 4.25 MM	2	02/11/2011		MOD:1199S- A;XST:AUS,CHN,EUR,FRA,JAP	
	84011901AD	ADJUSTER, CLOSING ROCKER ARM 4.30 MM	2	02/11/2011		MOD:1199S- A;XST:AUS,CHN,EUR,FRA,JAP	
	84011901AE	ADJUSTER, CLOSING ROCKER ARM 4.35 MM	2	02/11/2011		MOD:1199S- A;XST:AUS,CHN,EUR,FRA,JAP	
	84011901AF	ADJUSTER, CLOSING ROCKER ARM 4.40 MM	2	02/11/2011		MOD:1199S- A;XST:AUS,CHN,EUR,FRA,JAP	
	84011901AG	ADJUSTER, CLOSING ROCKER ARM 4.45 MM	2	02/11/2011		MOD:1199S- A;XST:AUS,CHN,EUR,FRA,JAP	
	84011901AH	ADJUSTER, CLOSING ROCKER ARM 4.50 MM	2	02/11/2011		MOD:1199S- A;XST:AUS,CHN,EUR,FRA,JAP	
	84011901AI	CLOSE ROCKER ARM ADJUSTMENT 4.55 MM	2	02/11/2011		MOD:1199S- A;XST:AUS,CHN,EUR,FRA,JAP	
	84011901AJ	CLOSE ROCKER ARM ADJUSTMENT 4.60 MM	2	02/11/2011		MOD:1199S- A;XST:AUS,CHN,EUR,FRA,JAP	
	84011901AK	CLOSE ROCKER ARM ADJUSTMENT 4.65 MM	2	02/11/2011		MOD:1199S- A;XST:AUS,CHN,EUR,FRA,JAP	
	84011901AL	CLOSE ROCKER ARM ADJUSTMENT 4.70 MM	2	02/11/2011		MOD:1199S- A;XST:AUS,CHN,EUR,FRA,JAP	

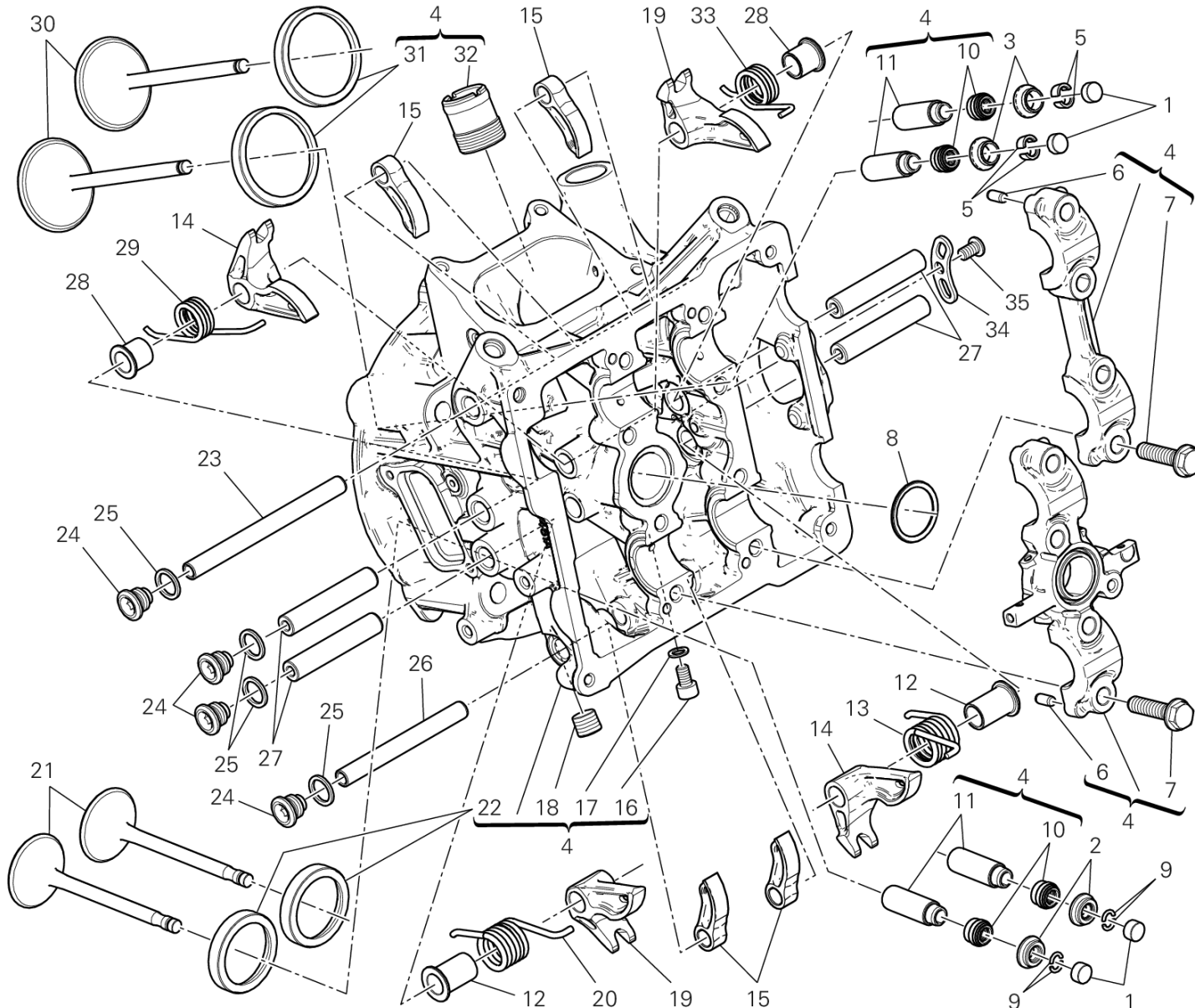


DRAWING 014 - HORIZONTAL HEAD [MOD:1199S-A;XST:AUS,CHN,EUR,FRA,JAP]

GROUP ENGINE



POS.	CODE	DESCRIPTION	QTY	START DATE	END DATE	VALIDITY	NOTES
	84011901AM	CLOSE ROCKER ARM ADJUSTMENT 4.75 MM	2	02/11/2011		MOD:1199S- A;XST:AUS,CHN,EUR,FRA,JAP	
	84011901AN	CLOSE ROCKER ARM ADJUSTMENT 4.80 MM	2	02/11/2011		MOD:1199S- A;XST:AUS,CHN,EUR,FRA,JAP	
	84011901AO	CLOSE ROCKER ARM ADJUSTMENT 4.85 MM	2	02/11/2011		MOD:1199S- A;XST:AUS,CHN,EUR,FRA,JAP	
	84011901AP	CLOSE ROCKER ARM ADJUSTMENT 4.90 MM	2	02/11/2011		MOD:1199S- A;XST:AUS,CHN,EUR,FRA,JAP	
	84011901AQ	CLOSE ROCKER ARM ADJUSTMENT 4.95 MM	2	02/11/2011		MOD:1199S- A;XST:AUS,CHN,EUR,FRA,JAP	
	84011901AR	CLOSE ROCKER ARM ADJUSTMENT 5.00 MM	2	02/11/2011		MOD:1199S- A;XST:AUS,CHN,EUR,FRA,JAP	
4	30123461C	HORIZONTAL HEAD	1	20/06/2012		MOD:1199S- A;XST:AUS,CHN,EUR,FRA,JAP	
5	84510061A	HALF CONE	2	12/01/2012		MOD:1199S- A;XST:AUS,CHN,EUR,FRA,JAP	
6	86050061A	PIN M5X10	4	10/12/2010		MOD:1199S- A;XST:AUS,CHN,EUR,FRA,JAP	
7	77914211A	SCREW TEF M8X32	8	10/12/2010		MOD:1199S- A;XST:AUS,CHN,EUR,FRA,JAP	
8	88640881A	O-RING 26.64X2.62	1	12/01/2012		MOD:1199S- A;XST:AUS,CHN,EUR,FRA,JAP	
9	66910011E	C RING	4	12/01/2012		MOD:1199S- A;XST:AUS,CHN,EUR,FRA,JAP	
10	76410871A	SEAL VALVE STEM	4	21/01/2011		MOD:1199S- A;XST:AUS,CHN,EUR,FRA,JAP	
11	30310671AA	GUIDE, VALVE OVERSIZED 0.03 MM	4	13/01/2012		MOD:1199S- A;XST:AUS,CHN,EUR,FRA,JAP	
12	71319271A	SPACER	2	12/01/2012		MOD:1199S- A;XST:AUS,CHN,EUR,FRA,JAP	
13	79915231A	EXHAUST VALVE RETURN SPRING LH	1	12/01/2012		MOD:1199S- A;XST:AUS,CHN,EUR,FRA,JAP	
14	20910651A	CLOSING ROCKER ARM LEFT	2	01/08/2011		MOD:1199S- A;XST:AUS,CHN,EUR,FRA,JAP	

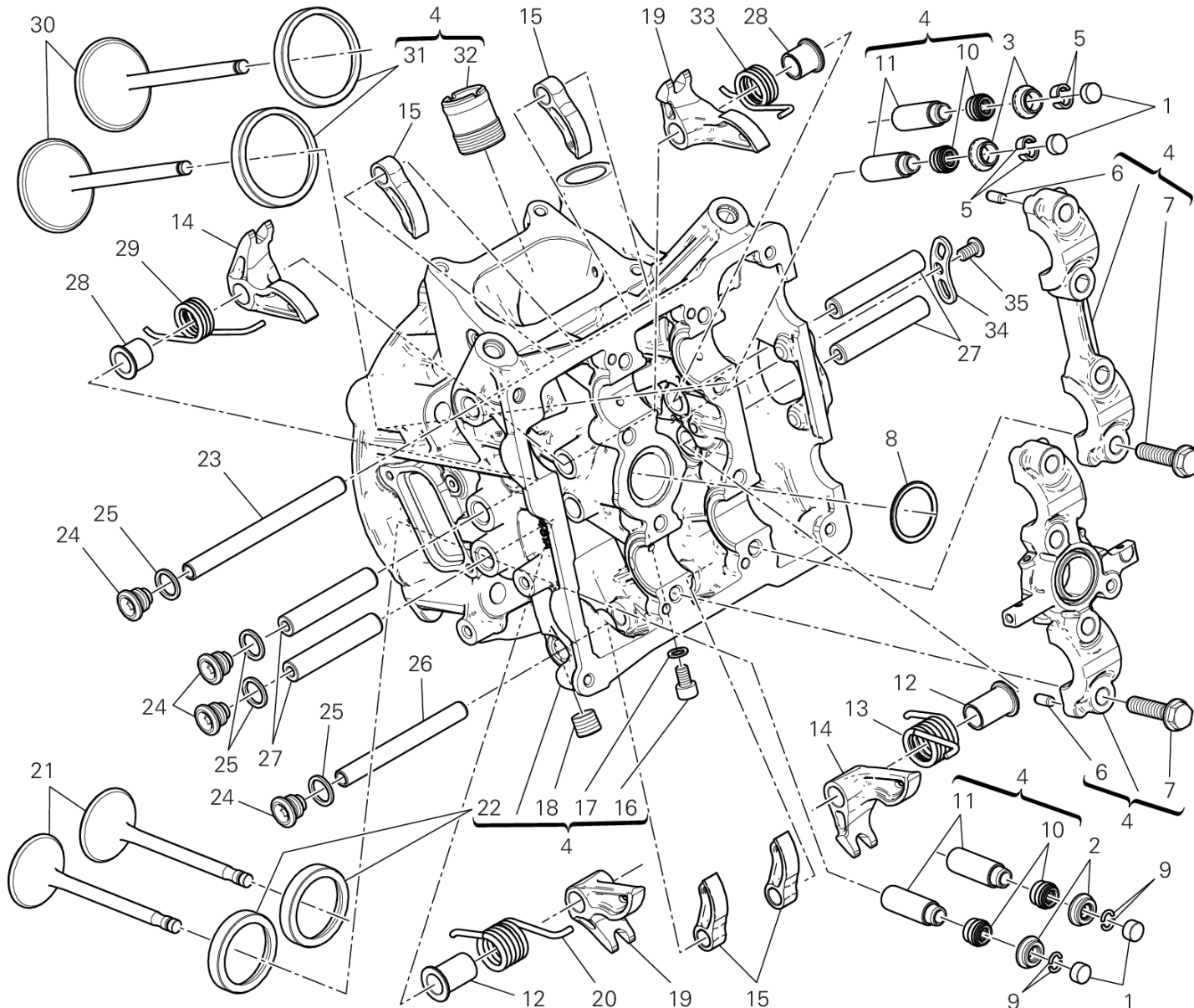


DRAWING 014 - HORIZONTAL HEAD [MOD:1199S-A;XST:AUS,CHN,EUR,FRA,JAP]

GROUP ENGINE



POS.	CODE	DESCRIPTION	QTY	START DATE	END DATE	VALIDITY	NOTES
15	20810381A	OPEN. ROCKER ARM	4	01/08/2011		MOD:1199S- A;XST:AUS,CHN,EUR,FRA,JAP	
16	77150628B	SCREW TCEI M6X10	2	01/08/2011		MOD:1199S- A;XST:AUS,CHN,EUR,FRA,JAP	
17	85240261A	WASHER	2	25/06/2012		MOD:1199S- A;XST:AUS,CHN,EUR,FRA,JAP	
18	78010771A	THREADED DOWEL	2	10/12/2010		MOD:1199S- A;XST:AUS,CHN,EUR,FRA,JAP	
19	20910641A	CLOSING ROCKER ARM RIGHT	2	01/08/2011		MOD:1199S- A;XST:AUS,CHN,EUR,FRA,JAP	
20	79915221A	EXHAUST VALVE RETURN SPRING RH	1	12/01/2012		MOD:1199S- A;XST:AUS,CHN,EUR,FRA,JAP	
21	21110802A	EXHAUST VALVE	2	12/01/2012		MOD:1199S- A;XST:AUS,CHN,EUR,FRA,JAP	
22	304A0931A	SEAT, EXHAUST VALVE	2	29/11/2010		MOD:1199S- A;XST:AUS,CHN,EUR,FRA,JAP	
23	82114041A	OPENING ROCKER SHAFT LONG	1	12/01/2012		MOD:1199S- A;XST:AUS,CHN,EUR,FRA,JAP	
24	78010511C	PLUG	4	12/01/2012		MOD:1199S- A;XST:AUS,CHN,EUR,FRA,JAP	
25	85250261B	GASKET, ALUMINIUM 12X16X1.5	4	12/01/2012		MOD:1199S- A;XST:AUS,CHN,EUR,FRA,JAP	
26	82113361A	OPENING ROCKER SHAFT SHORT	1	12/01/2012		MOD:1199S- A;XST:AUS,CHN,EUR,FRA,JAP	
27	82113371B	CLOSE ROCKER ARM AXLE	4	12/01/2012		MOD:1199S- A;XST:AUS,CHN,EUR,FRA,JAP	
28	71319281A	SPACER	2	12/01/2012		MOD:1199S- A;XST:AUS,CHN,EUR,FRA,JAP	
29	79915211A	INTAKE VALVE RETURN SPRING LH	1	12/01/2012		MOD:1199S- A;XST:AUS,CHN,EUR,FRA,JAP	
30	21010811B	INTAKE VALVE	2	12/01/2012		MOD:1199S- A;XST:AUS,CHN,EUR,FRA,JAP	
31	304A0921A	SEAT, INTAKE VALVE	2	29/11/2010		MOD:1199S- A;XST:AUS,CHN,EUR,FRA,JAP	

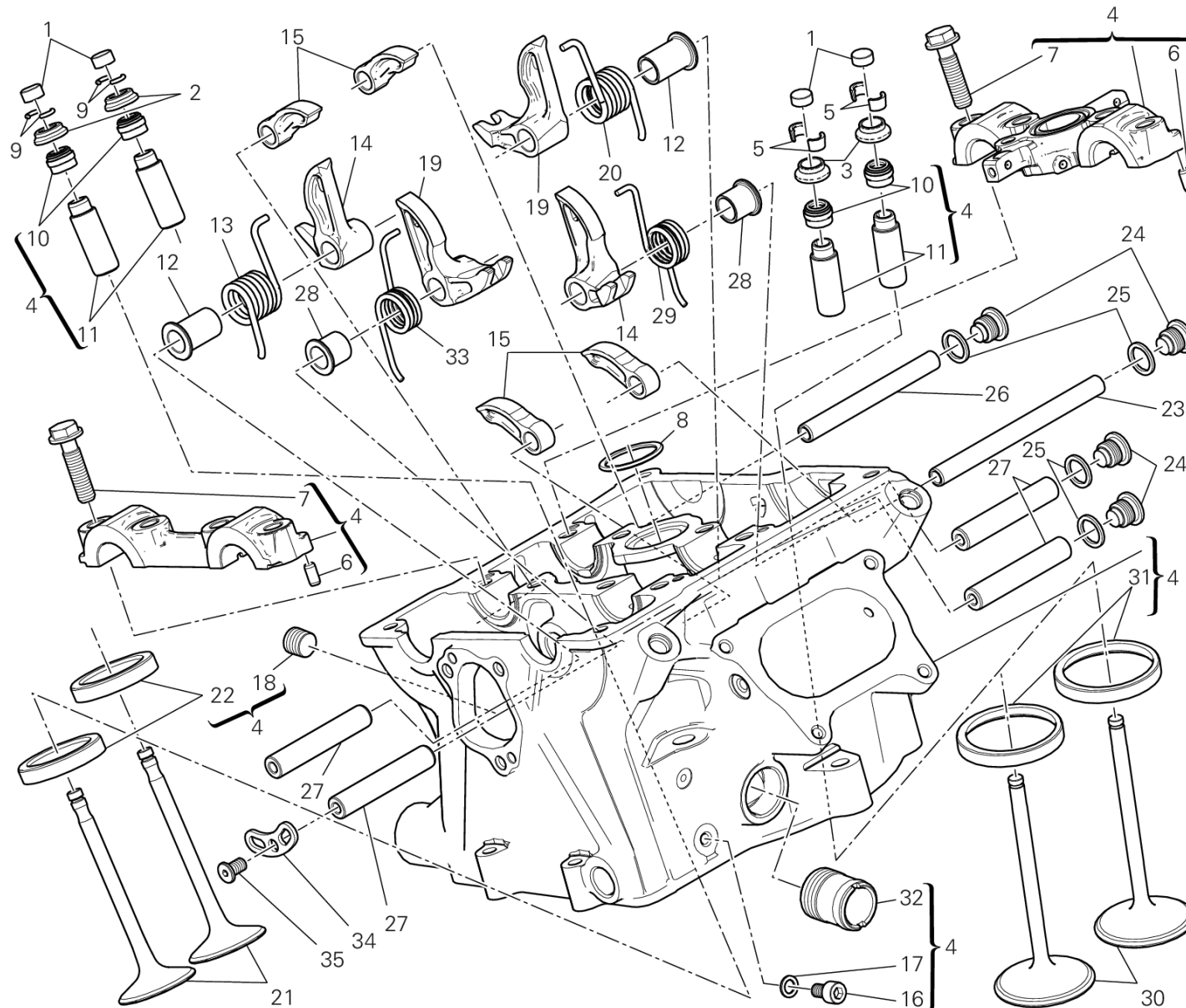


DRAWING 014 - HORIZONTAL HEAD [MOD:1199S-A;XST:AUS,CHN,EUR,FRA,JAP]

GROUP ENGINE



POS.	CODE	DESCRIPTION	QTY	START DATE	END DATE	VALIDITY	NOTES
32	66810491A	FILLER	1	21/01/2011		MOD:1199S-A;XST:AUS,CHN,EUR,FRA,JAP	
33	79915201A	INTAKE VALVE RETURN SPRING RH	1	12/01/2012		MOD:1199S-A;XST:AUS,CHN,EUR,FRA,JAP	
34	82716021A	PLATE, RETAINER	1	12/01/2012		MOD:1199S-A;XST:AUS,CHN,EUR,FRA,JAP	
35	77917231A	SCREW, SPECIAL	1	12/01/2012		MOD:1199S-A;XST:AUS,CHN,EUR,FRA,JAP	



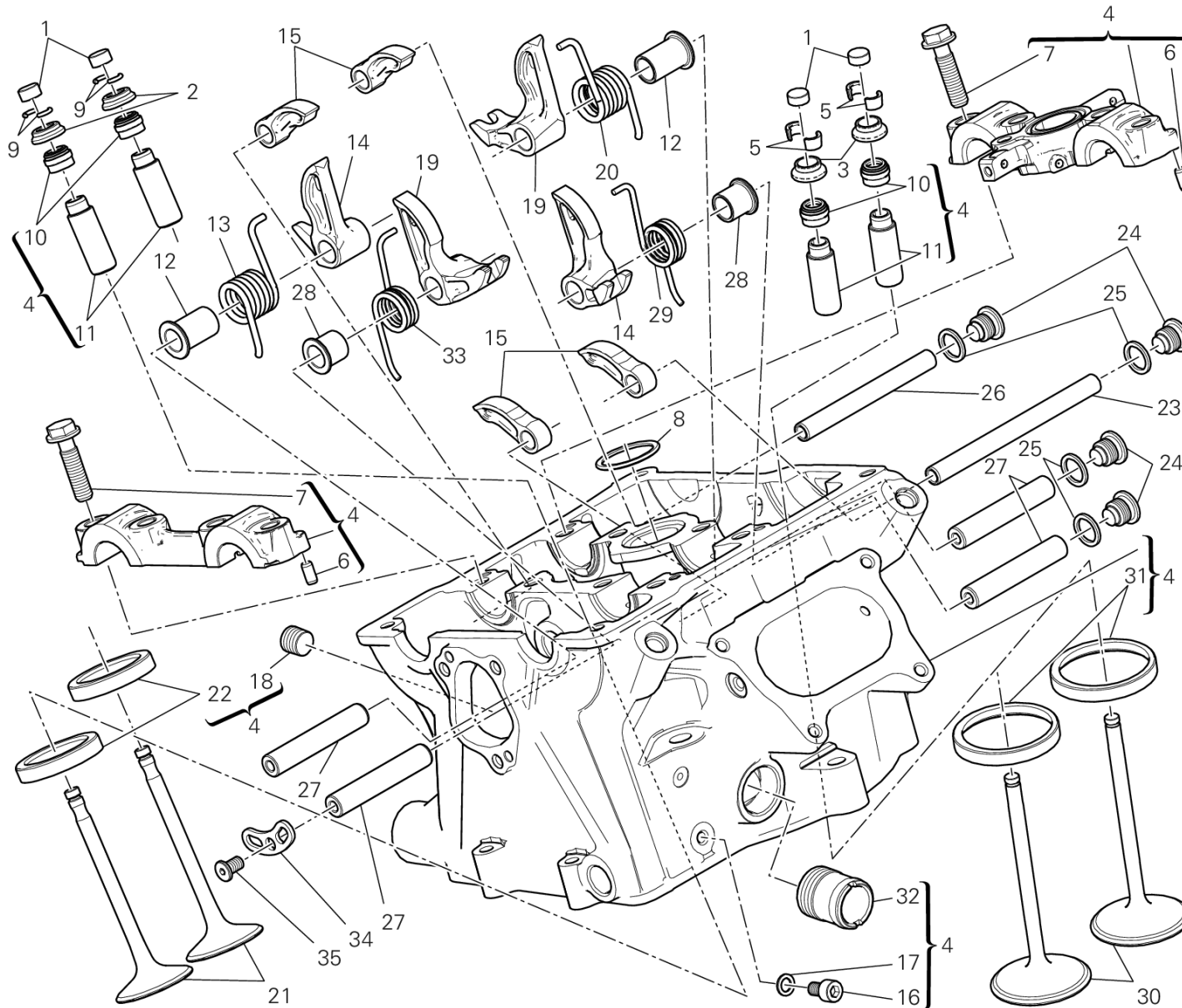
TST00455

DRAWING 015 - VERTICAL HEAD [MOD:1199S-A;XST:AUS,CHN,EUR,FRA,JAP]

GROUP ENGINE



POS.	CODE	DESCRIPTION	QTY	START DATE	END DATE	VALIDITY	NOTES
1	84010013A	ADJUSTER, OPENING ROCKER ARM 2.00 MM	4	09/11/2011		MOD:1199S- A;XST:AUS,CHN,EUR,FRA,JAP	
	84010023A	ADJUSTER, OPENING ROCKER ARM 2.05 MM	4	09/11/2011		MOD:1199S- A;XST:AUS,CHN,EUR,FRA,JAP	
	84010033A	ADJUSTER, OPENING ROCKER ARM 2.10 MM	4	09/11/2011		MOD:1199S- A;XST:AUS,CHN,EUR,FRA,JAP	
	84010043A	ADJUSTER, OPENING ROCKER ARM 2.15 MM	4	09/11/2011		MOD:1199S- A;XST:AUS,CHN,EUR,FRA,JAP	
	84010053A	ADJUSTER, OPENING ROCKER ARM 2.20 MM	4	09/11/2011		MOD:1199S- A;XST:AUS,CHN,EUR,FRA,JAP	
	84010063A	ADJUSTER, OPENING ROCKER ARM 2.25 MM	4	09/11/2011		MOD:1199S- A;XST:AUS,CHN,EUR,FRA,JAP	
	84010073A	ADJUSTER, OPENING ROCKER ARM 2.30 MM	4	09/11/2011		MOD:1199S- A;XST:AUS,CHN,EUR,FRA,JAP	
	84010083A	ADJUSTER, OPENING ROCKER ARM 2.35 MM	4	09/11/2011		MOD:1199S- A;XST:AUS,CHN,EUR,FRA,JAP	
	84010093A	ADJUSTER, OPENING ROCKER ARM 2.40 MM	4	09/11/2011		MOD:1199S- A;XST:AUS,CHN,EUR,FRA,JAP	
	84010103A	ADJUSTER, OPENING ROCKER ARM 2.45 MM	4	09/11/2011		MOD:1199S- A;XST:AUS,CHN,EUR,FRA,JAP	
	84010113A	ADJUSTER, OPENING ROCKER ARM 2.50 MM	4	09/11/2011		MOD:1199S- A;XST:AUS,CHN,EUR,FRA,JAP	
	84010123A	ADJUSTER, OPENING ROCKER ARM 2.55 MM	4	09/11/2011		MOD:1199S- A;XST:AUS,CHN,EUR,FRA,JAP	
	84010133A	ADJUSTER, OPENING ROCKER ARM 2.60 MM	4	09/11/2011		MOD:1199S- A;XST:AUS,CHN,EUR,FRA,JAP	
	84010143A	ADJUSTER, OPENING ROCKER ARM 2.65 MM	4	09/11/2011		MOD:1199S- A;XST:AUS,CHN,EUR,FRA,JAP	
	84010153A	ADJUSTER, OPENING ROCKER ARM 2.70 MM	4	09/11/2011		MOD:1199S- A;XST:AUS,CHN,EUR,FRA,JAP	
	84010163A	ADJUSTER, OPENING ROCKER ARM 2.75 MM	4	09/11/2011		MOD:1199S- A;XST:AUS,CHN,EUR,FRA,JAP	
	84010173A	ADJUSTER, OPENING ROCKER ARM 2.80 MM	4	09/11/2011		MOD:1199S- A;XST:AUS,CHN,EUR,FRA,JAP	



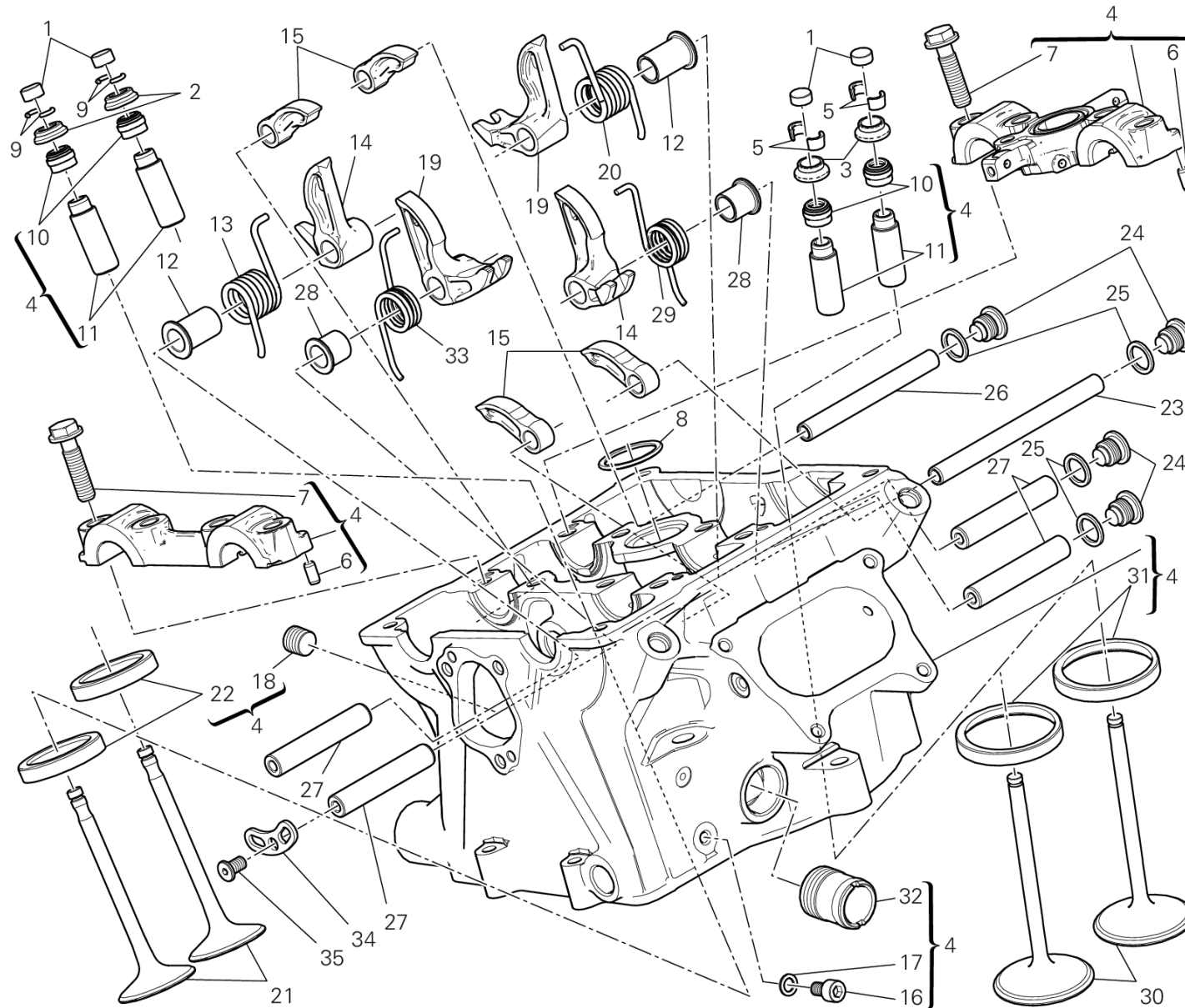
TST00455

DRAWING 015 - VERTICAL HEAD [MOD:1199S-A;XST:AUS,CHN,EUR,FRA,JAP]

GROUP ENGINE



POS.	CODE	DESCRIPTION	QTY	START DATE	END DATE	VALIDITY	NOTES
	84010183A	ADJUSTER, OPENING ROCKER ARM 2.85 MM	4	09/11/2011		MOD:1199S- A;XST:AUS,CHN,EUR,FRA,JAP	
	84010193A	ADJUSTER, OPENING ROCKER ARM 2.90 MM	4	09/11/2011		MOD:1199S- A;XST:AUS,CHN,EUR,FRA,JAP	
	84010203A	ADJUSTER, OPENING ROCKER ARM 2.95 MM	4	09/11/2011		MOD:1199S- A;XST:AUS,CHN,EUR,FRA,JAP	
	84010213A	ADJUSTER, OPENING ROCKER ARM 3.00 MM	4	09/11/2011		MOD:1199S- A;XST:AUS,CHN,EUR,FRA,JAP	
	84010223A	ADJUSTER, OPENING ROCKER ARM 3.05 MM	4	09/11/2011		MOD:1199S- A;XST:AUS,CHN,EUR,FRA,JAP	
	84010233A	ADJUSTER, OPENING ROCKER ARM 3.10 MM	4	09/11/2011		MOD:1199S- A;XST:AUS,CHN,EUR,FRA,JAP	
	84010243A	ADJUSTER, OPENING ROCKER ARM 3.15 MM	4	09/11/2011		MOD:1199S- A;XST:AUS,CHN,EUR,FRA,JAP	
	84010253A	ADJUSTER, OPENING ROCKER ARM 3.20 MM	4	09/11/2011		MOD:1199S- A;XST:AUS,CHN,EUR,FRA,JAP	
	84010263A	ADJUSTER, OPENING ROCKER ARM 3.25 MM	4	09/11/2011		MOD:1199S- A;XST:AUS,CHN,EUR,FRA,JAP	
	84010273A	ADJUSTER, OPENING ROCKER ARM 3.30 MM	4	09/11/2011		MOD:1199S- A;XST:AUS,CHN,EUR,FRA,JAP	
	84010283A	ADJUSTER, OPENING ROCKER ARM 3.35 MM	4	09/11/2011		MOD:1199S- A;XST:AUS,CHN,EUR,FRA,JAP	
	84010293A	ADJUSTER, OPENING ROCKER ARM 3.40 MM	4	09/11/2011		MOD:1199S- A;XST:AUS,CHN,EUR,FRA,JAP	
	84010303A	ADJUSTER, OPENING ROCKER ARM 3.45 MM	4	09/11/2011		MOD:1199S- A;XST:AUS,CHN,EUR,FRA,JAP	
	84010313A	ADJUSTER, OPENING ROCKER ARM 1.80 MM	4	09/11/2011		MOD:1199S- A;XST:AUS,CHN,EUR,FRA,JAP	
	84010323A	ADJUSTER, OPENING ROCKER ARM 1.85 MM	4	09/11/2011		MOD:1199S- A;XST:AUS,CHN,EUR,FRA,JAP	
	84010333A	ADJUSTER, OPENING ROCKER ARM 1.90 MM	4	09/11/2011		MOD:1199S- A;XST:AUS,CHN,EUR,FRA,JAP	
	84010343A	ADJUSTER, OPENING ROCKER ARM 1.95 MM	4	09/11/2011		MOD:1199S- A;XST:AUS,CHN,EUR,FRA,JAP	



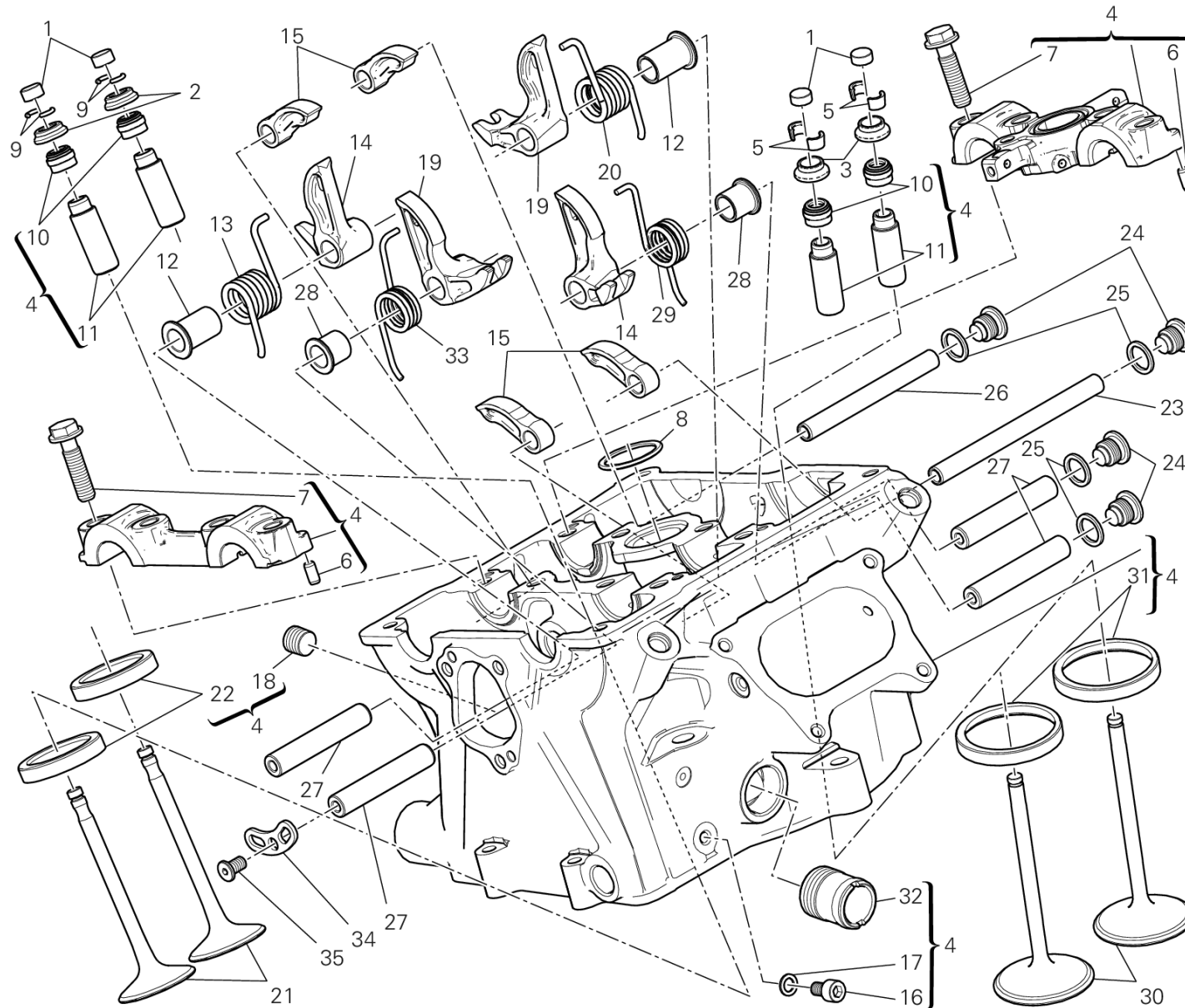
TST00455

DRAWING 015 - VERTICAL HEAD [MOD:1199S-A;XST:AUS,CHN,EUR,FRA,JAP]

GROUP ENGINE



POS.	CODE	DESCRIPTION	QTY	START DATE	END DATE	VALIDITY	NOTES
	84010723A	ADJUSTER, OPENING ROCKER ARM 3.60 MM	4	09/11/2011		MOD:1199S- A;XST:AUS,CHN,EUR,FRA,JAP	
	84010733A	ADJUSTER, OPENING ROCKER ARM 3.80 MM	4	09/11/2011		MOD:1199S- A;XST:AUS,CHN,EUR,FRA,JAP	
	84011083A	ADJUSTER, OPENING ROCKER ARM 3.50 MM	4	09/11/2011		MOD:1199S- A;XST:AUS,CHN,EUR,FRA,JAP	
	84011093A	ADJUSTER, OPENING ROCKER ARM 3.55 MM	4	09/11/2011		MOD:1199S- A;XST:AUS,CHN,EUR,FRA,JAP	
	84011103A	ADJUSTER, OPENING ROCKER ARM 3.65 MM	4	09/11/2011		MOD:1199S- A;XST:AUS,CHN,EUR,FRA,JAP	
	84011113A	ADJUSTER, OPENING ROCKER ARM 3.70 MM	4	09/11/2011		MOD:1199S- A;XST:AUS,CHN,EUR,FRA,JAP	
	84011123A	ADJUSTER, OPENING ROCKER ARM 3.75 MM	4	09/11/2011		MOD:1199S- A;XST:AUS,CHN,EUR,FRA,JAP	
	84011133A	ADJUSTER, OPENING ROCKER ARM 3.85 MM	4	09/11/2011		MOD:1199S- A;XST:AUS,CHN,EUR,FRA,JAP	
	84011143A	ADJUSTER, OPENING ROCKER ARM 3.9 MM	4	09/11/2011		MOD:1199S- A;XST:AUS,CHN,EUR,FRA,JAP	
2	84010412B	ADJUSTER, CLOSING ROCKER ARM 2.20 MM	2	24/12/2009		MOD:1199S- A;XST:AUS,CHN,EUR,FRA,JAP	
	84010422B	ADJUSTER, CLOSING ROCKER ARM 2.25 MM	2	24/12/2009		MOD:1199S- A;XST:AUS,CHN,EUR,FRA,JAP	
	84010432B	ADJUSTER, CLOSING ROCKER ARM 2.30 MM	2	24/12/2009		MOD:1199S- A;XST:AUS,CHN,EUR,FRA,JAP	
	84010442B	ADJUSTER, CLOSING ROCKER ARM 2.35 MM	2	24/12/2009		MOD:1199S- A;XST:AUS,CHN,EUR,FRA,JAP	
	84010452B	ADJUSTER, CLOSING ROCKER ARM 2.40 MM	2	24/12/2009		MOD:1199S- A;XST:AUS,CHN,EUR,FRA,JAP	
	84010462B	ADJUSTER, CLOSING ROCKER ARM 2.45 MM	2	24/12/2009		MOD:1199S- A;XST:AUS,CHN,EUR,FRA,JAP	
	84010472B	ADJUSTER, CLOSING ROCKER ARM 2.50 MM	2	24/12/2009		MOD:1199S- A;XST:AUS,CHN,EUR,FRA,JAP	
	84010482B	ADJUSTER, CLOSING ROCKER ARM 2.55 MM	2	24/12/2009		MOD:1199S- A;XST:AUS,CHN,EUR,FRA,JAP	



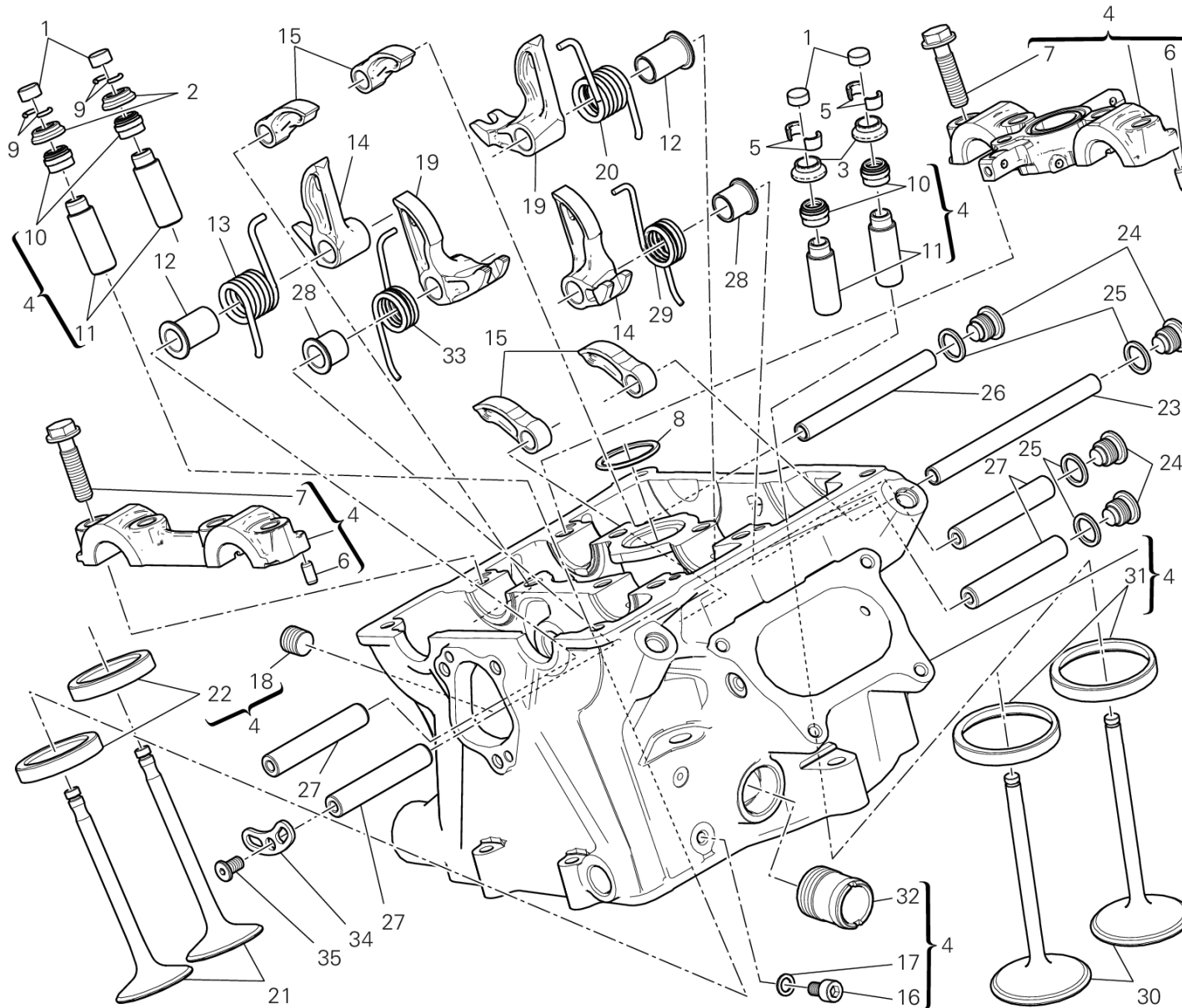
TST00455

DRAWING 015 - VERTICAL HEAD [MOD:1199S-A;XST:AUS,CHN,EUR,FRA,JAP]

GROUP ENGINE



POS.	CODE	DESCRIPTION	QTY	START DATE	END DATE	VALIDITY	NOTES
	84010492B	ADJUSTER, CLOSING ROCKER ARM 2.60 MM	2	24/12/2009		MOD:1199S- A;XST:AUS,CHN,EUR,FRA,JAP	
	84010502B	ADJUSTER, CLOSING ROCKER ARM 2.65 MM	2	24/12/2009		MOD:1199S- A;XST:AUS,CHN,EUR,FRA,JAP	
	84010512B	ADJUSTER, CLOSING ROCKER ARM 2.70 MM	2	24/12/2009		MOD:1199S- A;XST:AUS,CHN,EUR,FRA,JAP	
	84010522B	ADJUSTER, CLOSING ROCKER ARM 2.75 MM	2	24/12/2009		MOD:1199S- A;XST:AUS,CHN,EUR,FRA,JAP	
	84010532B	ADJUSTER, CLOSING ROCKER ARM 2.80 MM	2	24/12/2009		MOD:1199S- A;XST:AUS,CHN,EUR,FRA,JAP	
	84010542B	ADJUSTER, CLOSING ROCKER ARM 2.85 MM	2	24/12/2009		MOD:1199S- A;XST:AUS,CHN,EUR,FRA,JAP	
	84010552B	ADJUSTER, CLOSING ROCKER ARM 2.90 MM	2	24/12/2009		MOD:1199S- A;XST:AUS,CHN,EUR,FRA,JAP	
	84010562B	ADJUSTER, CLOSING ROCKER ARM 2.95 MM	2	24/12/2009		MOD:1199S- A;XST:AUS,CHN,EUR,FRA,JAP	
	84010572B	ADJUSTER, CLOSING ROCKER ARM 3.00 MM	2	24/12/2009		MOD:1199S- A;XST:AUS,CHN,EUR,FRA,JAP	
	84010582B	ADJUSTER, CLOSING ROCKER ARM 3.05 MM	2	24/12/2009		MOD:1199S- A;XST:AUS,CHN,EUR,FRA,JAP	
	84010592B	ADJUSTER, CLOSING ROCKER ARM 3.10 MM	2	24/12/2009		MOD:1199S- A;XST:AUS,CHN,EUR,FRA,JAP	
	84010602B	ADJUSTER, CLOSING ROCKER ARM 3.15 MM	2	24/12/2009		MOD:1199S- A;XST:AUS,CHN,EUR,FRA,JAP	
	84010612B	ADJUSTER, CLOSING ROCKER ARM 3.20 MM	2	24/12/2009		MOD:1199S- A;XST:AUS,CHN,EUR,FRA,JAP	
	84010622B	ADJUSTER, CLOSING ROCKER ARM 3.25 MM	2	24/12/2009		MOD:1199S- A;XST:AUS,CHN,EUR,FRA,JAP	
	84010632B	ADJUSTER, CLOSING ROCKER ARM 3.30 MM	2	24/12/2009		MOD:1199S- A;XST:AUS,CHN,EUR,FRA,JAP	
	84010642B	ADJUSTER, CLOSING ROCKER ARM 3.35 MM	2	24/12/2009		MOD:1199S- A;XST:AUS,CHN,EUR,FRA,JAP	
	84010652B	ADJUSTER, CLOSING ROCKER ARM 3.40 MM	2	24/12/2009		MOD:1199S- A;XST:AUS,CHN,EUR,FRA,JAP	



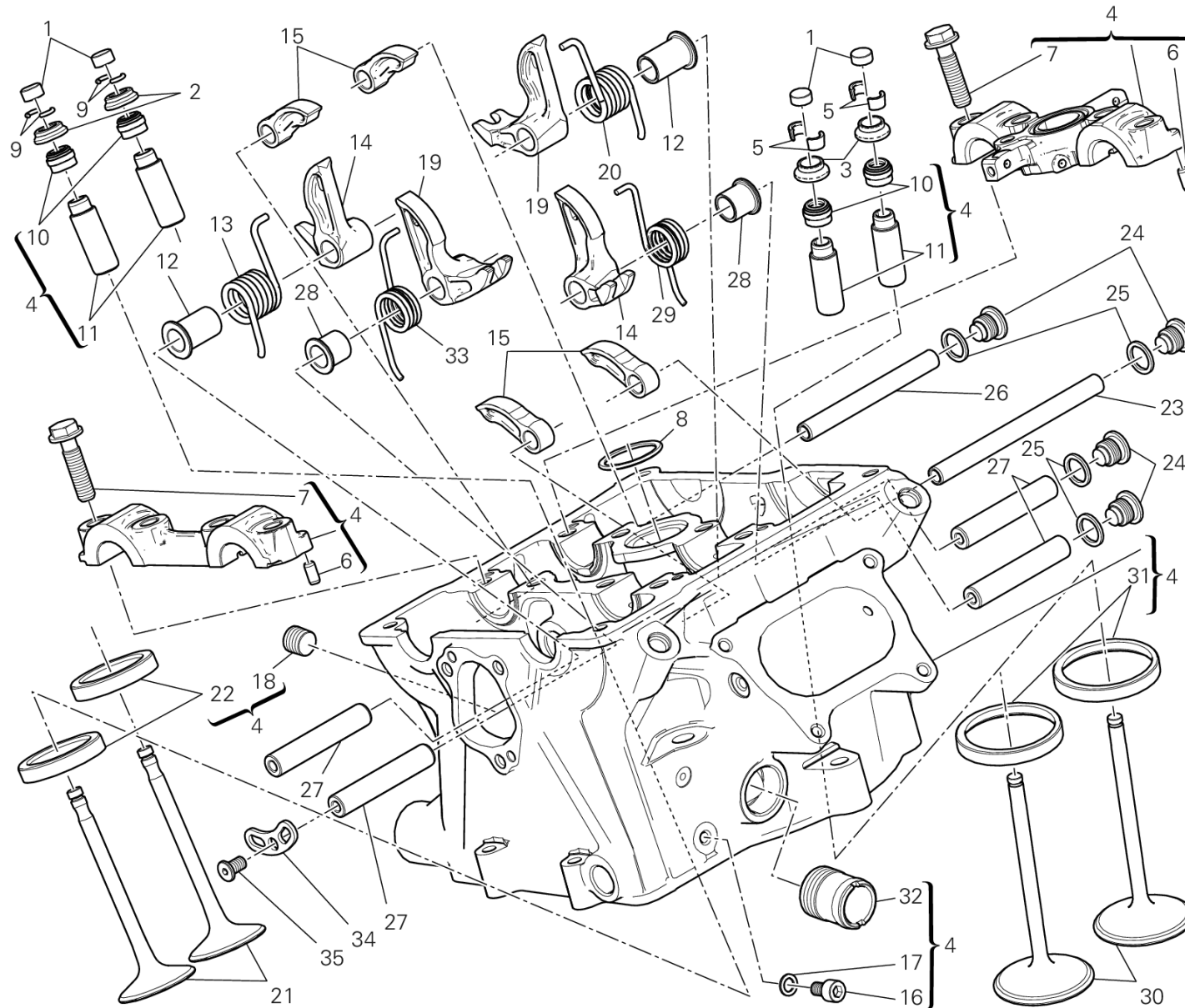
TST00455

DRAWING 015 - VERTICAL HEAD [MOD:1199S-A;XST:AUS,CHN,EUR,FRA,JAP]

GROUP ENGINE



POS.	CODE	DESCRIPTION	QTY	START DATE	END DATE	VALIDITY	NOTES
	84010662B	ADJUSTER, CLOSING ROCKER ARM 3.45 MM	2	24/12/2009		MOD:1199S- A;XST:AUS,CHN,EUR,FRA,JAP	
	84010672B	ADJUSTER, CLOSING ROCKER ARM 3.50 MM	2	24/12/2009		MOD:1199S- A;XST:AUS,CHN,EUR,FRA,JAP	
	84010682B	ADJUSTER, CLOSING ROCKER ARM 3.55 MM	2	24/12/2009		MOD:1199S- A;XST:AUS,CHN,EUR,FRA,JAP	
	84010692B	ADJUSTER, CLOSING ROCKER ARM 3.60 MM	2	24/12/2009		MOD:1199S- A;XST:AUS,CHN,EUR,FRA,JAP	
	84010702B	ADJUSTER, CLOSING ROCKER ARM 3.65 MM	2	24/12/2009		MOD:1199S- A;XST:AUS,CHN,EUR,FRA,JAP	
	84010712B	ADJUSTER, CLOSING ROCKER ARM 3.70 MM	2	24/12/2009		MOD:1199S- A;XST:AUS,CHN,EUR,FRA,JAP	
	84010722B	ADJUSTER, CLOSING ROCKER ARM 3.75 MM	2	24/12/2009		MOD:1199S- A;XST:AUS,CHN,EUR,FRA,JAP	
	84010732B	ADJUSTER, CLOSING ROCKER ARM 3.80 MM	2	24/12/2009		MOD:1199S- A;XST:AUS,CHN,EUR,FRA,JAP	
	84010742B	ADJUSTER, CLOSING ROCKER ARM 3.85 MM	2	24/12/2009		MOD:1199S- A;XST:AUS,CHN,EUR,FRA,JAP	
	84010752B	ADJUSTER, CLOSING ROCKER ARM 3.90 MM	2	24/12/2009		MOD:1199S- A;XST:AUS,CHN,EUR,FRA,JAP	
	84010762B	ADJUSTER, CLOSING ROCKER ARM 3.95 MM	2	24/12/2009		MOD:1199S- A;XST:AUS,CHN,EUR,FRA,JAP	
	84010772B	ADJUSTER, CLOSING ROCKER ARM 4.00 MM	2	24/12/2009		MOD:1199S- A;XST:AUS,CHN,EUR,FRA,JAP	
	84010782B	ADJUSTER, CLOSING ROCKER ARM 4.05 MM	2	24/12/2009		MOD:1199S- A;XST:AUS,CHN,EUR,FRA,JAP	
	84010792B	ADJUSTER, CLOSING ROCKER ARM 4.10 MM	2	24/12/2009		MOD:1199S- A;XST:AUS,CHN,EUR,FRA,JAP	
	84010802B	ADJUSTER, CLOSING ROCKER ARM 4.15 MM	2	24/12/2009		MOD:1199S- A;XST:AUS,CHN,EUR,FRA,JAP	
	84010812B	ADJUSTER, CLOSING ROCKER ARM 4.20 MM	2	24/12/2009		MOD:1199S- A;XST:AUS,CHN,EUR,FRA,JAP	
	84010822B	ADJUSTER, CLOSING ROCKER ARM 4.25 MM	2	24/12/2009		MOD:1199S- A;XST:AUS,CHN,EUR,FRA,JAP	



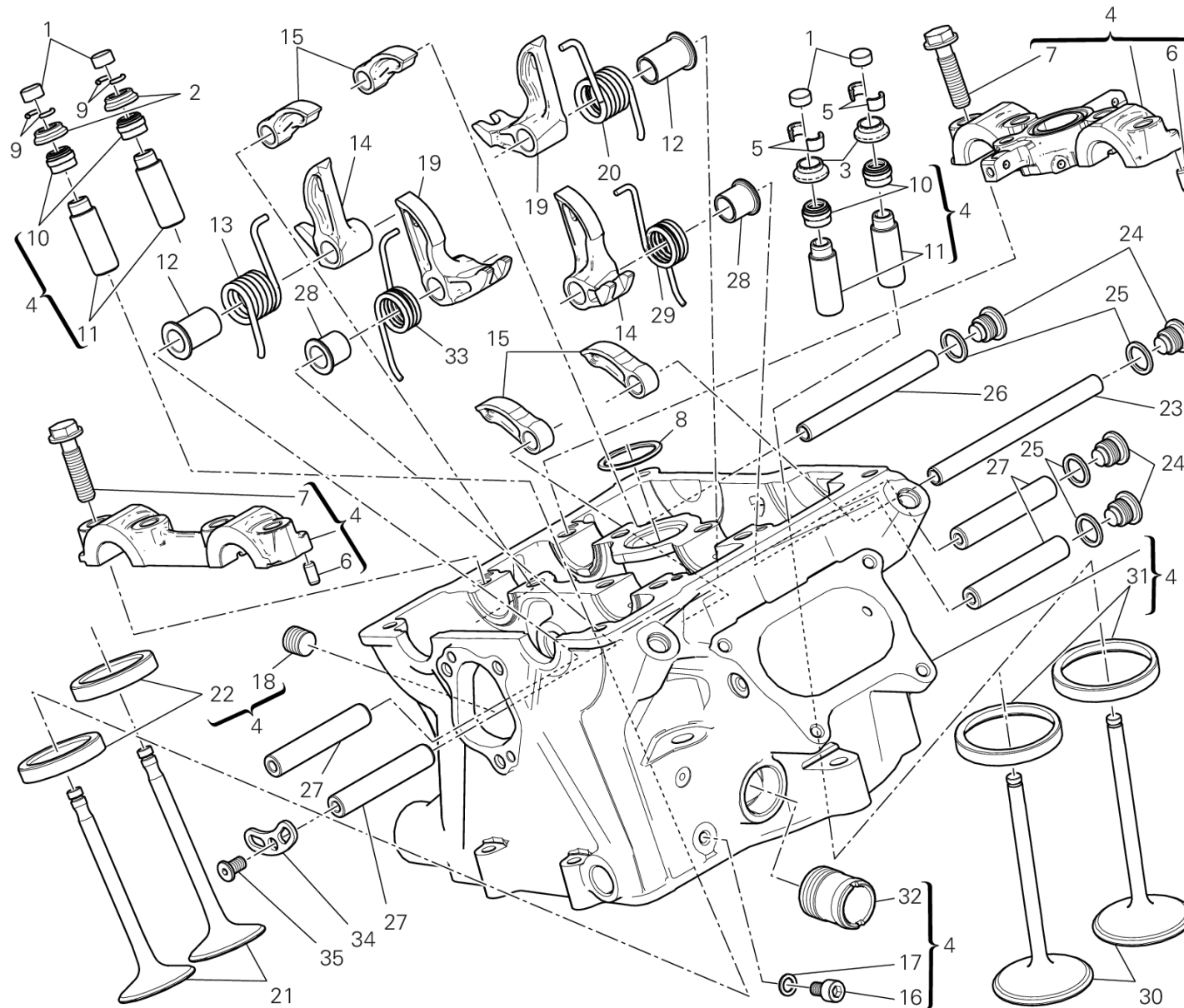
TST00455

DRAWING 015 - VERTICAL HEAD [MOD:1199S-A;XST:AUS,CHN,EUR,FRA,JAP]

GROUP ENGINE



POS.	CODE	DESCRIPTION	QTY	START DATE	END DATE	VALIDITY	NOTES
	84010832B	ADJUSTER, CLOSING ROCKER ARM 4.30 MM	2	24/12/2009		MOD:1199S- A;XST:AUS,CHN,EUR,FRA,JAP	
	84010842B	ADJUSTER, CLOSING ROCKER ARM 4.35 MM	2	24/12/2009		MOD:1199S- A;XST:AUS,CHN,EUR,FRA,JAP	
	84010852B	ADJUSTER, CLOSING ROCKER ARM 4.40 MM	2	24/12/2009		MOD:1199S- A;XST:AUS,CHN,EUR,FRA,JAP	
	84010862B	ADJUSTER, CLOSING ROCKER ARM 4.45 MM	2	24/12/2009		MOD:1199S- A;XST:AUS,CHN,EUR,FRA,JAP	
	84010872B	ADJUSTER, CLOSING ROCKER ARM 4.50 MM	2	24/12/2009		MOD:1199S- A;XST:AUS,CHN,EUR,FRA,JAP	
3	84011901AA	ADJUSTER, CLOSING ROCKER ARM 4.15 MM	2	02/11/2011		MOD:1199S- A;XST:AUS,CHN,EUR,FRA,JAP	
	84011901AB	ADJUSTER, CLOSING ROCKER ARM 4.20 MM	2	02/11/2011		MOD:1199S- A;XST:AUS,CHN,EUR,FRA,JAP	
	84011901AC	ADJUSTER, CLOSING ROCKER ARM 4.25 MM	2	02/11/2011		MOD:1199S- A;XST:AUS,CHN,EUR,FRA,JAP	
	84011901AD	ADJUSTER, CLOSING ROCKER ARM 4.30 MM	2	02/11/2011		MOD:1199S- A;XST:AUS,CHN,EUR,FRA,JAP	
	84011901AE	ADJUSTER, CLOSING ROCKER ARM 4.35 MM	2	02/11/2011		MOD:1199S- A;XST:AUS,CHN,EUR,FRA,JAP	
	84011901AF	ADJUSTER, CLOSING ROCKER ARM 4.40 MM	2	02/11/2011		MOD:1199S- A;XST:AUS,CHN,EUR,FRA,JAP	
	84011901AG	ADJUSTER, CLOSING ROCKER ARM 4.45 MM	2	02/11/2011		MOD:1199S- A;XST:AUS,CHN,EUR,FRA,JAP	
	84011901AH	ADJUSTER, CLOSING ROCKER ARM 4.50 MM	2	02/11/2011		MOD:1199S- A;XST:AUS,CHN,EUR,FRA,JAP	
	84011901AI	CLOSE ROCKER ARM ADJUSTMENT 4.55 MM	2	02/11/2011		MOD:1199S- A;XST:AUS,CHN,EUR,FRA,JAP	
	84011901AJ	CLOSE ROCKER ARM ADJUSTMENT 4.60 MM	2	02/11/2011		MOD:1199S- A;XST:AUS,CHN,EUR,FRA,JAP	
	84011901AK	CLOSE ROCKER ARM ADJUSTMENT 4.65 MM	2	02/11/2011		MOD:1199S- A;XST:AUS,CHN,EUR,FRA,JAP	
	84011901AL	CLOSE ROCKER ARM ADJUSTMENT 4.70 MM	2	02/11/2011		MOD:1199S- A;XST:AUS,CHN,EUR,FRA,JAP	



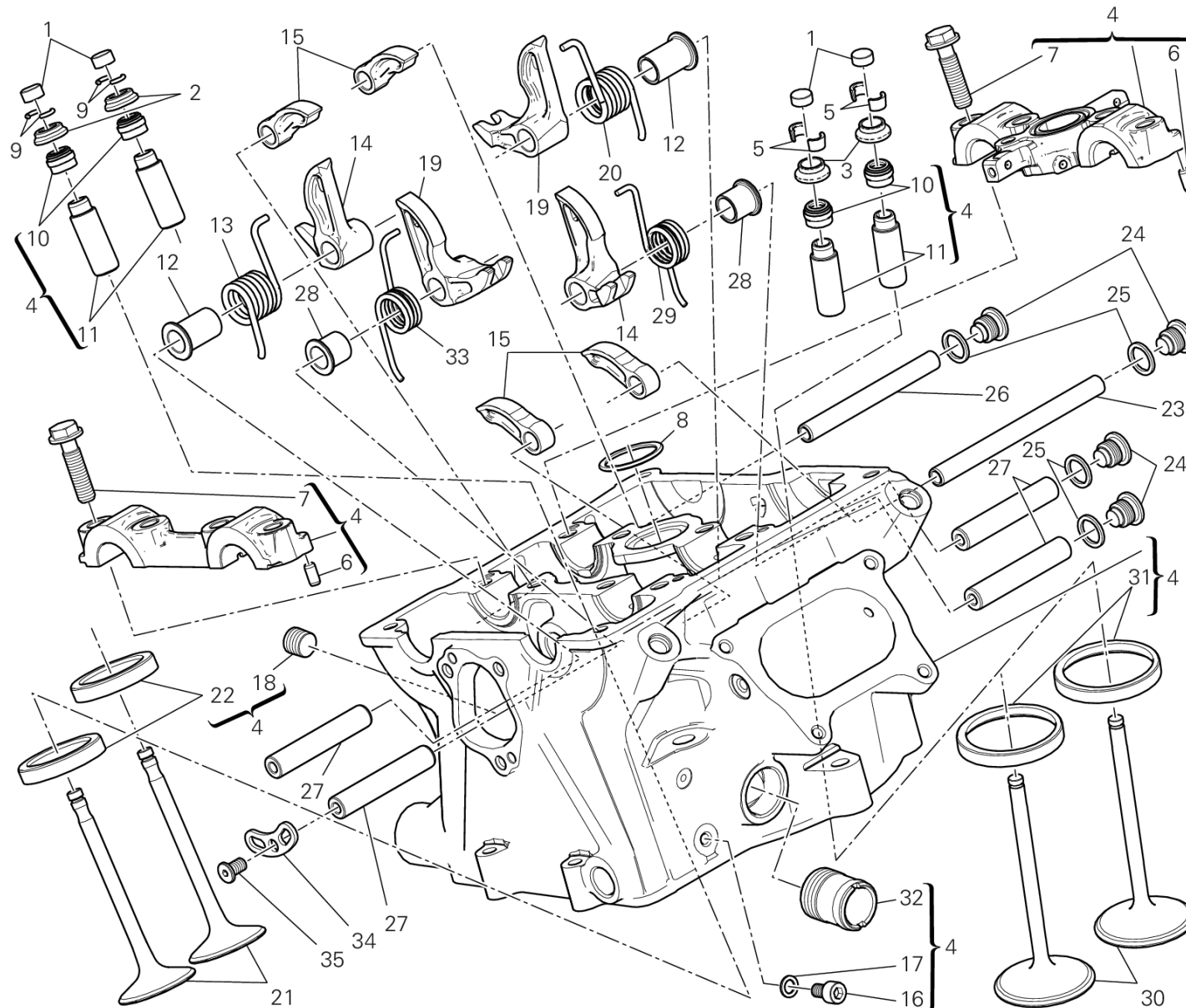
TST00455

DRAWING 015 - VERTICAL HEAD [MOD:1199S-A;XST:AUS,CHN,EUR,FRA,JAP]

GROUP ENGINE



POS.	CODE	DESCRIPTION	QTY	START DATE	END DATE	VALIDITY	NOTES
	84011901AM	CLOSE ROCKER ARM ADJUSTMENT 4.75 MM	2	02/11/2011		MOD:1199S- A;XST:AUS,CHN,EUR,FRA,JAP	
	84011901AN	CLOSE ROCKER ARM ADJUSTMENT 4.80 MM	2	02/11/2011		MOD:1199S- A;XST:AUS,CHN,EUR,FRA,JAP	
	84011901AO	CLOSE ROCKER ARM ADJUSTMENT 4.85 MM	2	02/11/2011		MOD:1199S- A;XST:AUS,CHN,EUR,FRA,JAP	
	84011901AP	CLOSE ROCKER ARM ADJUSTMENT 4.90 MM	2	02/11/2011		MOD:1199S- A;XST:AUS,CHN,EUR,FRA,JAP	
	84011901AQ	CLOSE ROCKER ARM ADJUSTMENT 4.95 MM	2	02/11/2011		MOD:1199S- A;XST:AUS,CHN,EUR,FRA,JAP	
	84011901AR	CLOSE ROCKER ARM ADJUSTMENT 5.00 MM	2	02/11/2011		MOD:1199S- A;XST:AUS,CHN,EUR,FRA,JAP	
4	30123471C	VERTICAL HEAD	1	24/04/2012		MOD:1199S- A;XST:AUS,CHN,EUR,FRA,JAP	
5	84510061A	HALF CONE	2	12/01/2012		MOD:1199S- A;XST:AUS,CHN,EUR,FRA,JAP	
6	86050061A	PIN M5X10	4	10/12/2010		MOD:1199S- A;XST:AUS,CHN,EUR,FRA,JAP	
7	77914211A	SCREW TEF M8X32	8	10/12/2010		MOD:1199S- A;XST:AUS,CHN,EUR,FRA,JAP	
8	88640881A	O-RING 26.64X2.62	1	12/01/2012		MOD:1199S- A;XST:AUS,CHN,EUR,FRA,JAP	
9	66910011E	C RING	4	12/01/2012		MOD:1199S- A;XST:AUS,CHN,EUR,FRA,JAP	
10	76410871A	SEAL VALVE STEM	4	21/01/2011		MOD:1199S- A;XST:AUS,CHN,EUR,FRA,JAP	
11	30310671AA	GUIDE, VALVE OVERSIZED 0.03 MM	4	13/01/2012		MOD:1199S- A;XST:AUS,CHN,EUR,FRA,JAP	
12	71319271A	SPACER	2	12/01/2012		MOD:1199S- A;XST:AUS,CHN,EUR,FRA,JAP	
13	79915231A	EXHAUST VALVE RETURN SPRING LH	1	12/01/2012		MOD:1199S- A;XST:AUS,CHN,EUR,FRA,JAP	
14	20910651A	CLOSING ROCKER ARM LEFT	2	01/08/2011		MOD:1199S- A;XST:AUS,CHN,EUR,FRA,JAP	



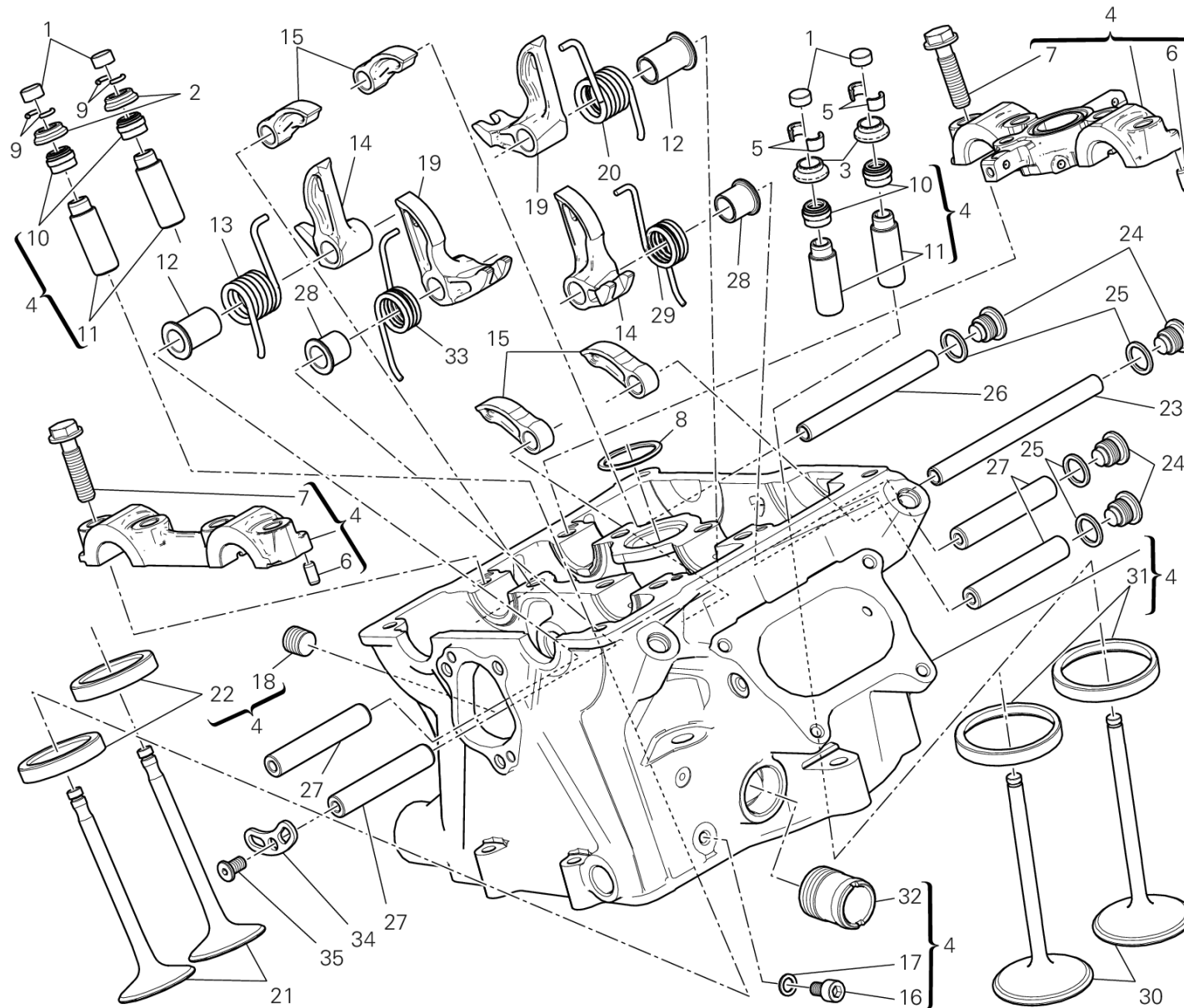
TST00455

DRAWING 015 - VERTICAL HEAD [MOD:1199S-A;XST:AUS,CHN,EUR,FRA,JAP]

GROUP ENGINE



POS.	CODE	DESCRIPTION	QTY	START DATE	END DATE	VALIDITY	NOTES
15	20810381A	OPEN. ROCKER ARM	4	01/08/2011		MOD:1199S- A;XST:AUS,CHN,EUR,FRA,JAP	
16	77150628B	SCREW TCEI M6X10	2	01/08/2011		MOD:1199S- A;XST:AUS,CHN,EUR,FRA,JAP	
17	85240261A	WASHER	2	25/06/2012		MOD:1199S- A;XST:AUS,CHN,EUR,FRA,JAP	
18	78010771A	THREADED DOWEL	2	10/12/2010		MOD:1199S- A;XST:AUS,CHN,EUR,FRA,JAP	
19	20910641A	CLOSING ROCKER ARM RIGHT	2	01/08/2011		MOD:1199S- A;XST:AUS,CHN,EUR,FRA,JAP	
20	79915221A	EXHAUST VALVE RETURN SPRING RH	1	12/01/2012		MOD:1199S- A;XST:AUS,CHN,EUR,FRA,JAP	
21	21110802A	EXHAUST VALVE	2	12/01/2012		MOD:1199S- A;XST:AUS,CHN,EUR,FRA,JAP	
22	304A0931A	SEAT, EXHAUST VALVE	2	29/11/2010		MOD:1199S- A;XST:AUS,CHN,EUR,FRA,JAP	
23	82114041A	OPENING ROCKER SHAFT LONG	1	12/01/2012		MOD:1199S- A;XST:AUS,CHN,EUR,FRA,JAP	
24	78010511C	PLUG	4	12/01/2012		MOD:1199S- A;XST:AUS,CHN,EUR,FRA,JAP	
25	85250261B	GASKET, ALUMINIUM 12X16X1.5	4	12/01/2012		MOD:1199S- A;XST:AUS,CHN,EUR,FRA,JAP	
26	82113361A	OPENING ROCKER SHAFT SHORT	1	12/01/2012		MOD:1199S- A;XST:AUS,CHN,EUR,FRA,JAP	
27	82113371B	CLOSE ROCKER ARM AXLE	4	12/01/2012		MOD:1199S- A;XST:AUS,CHN,EUR,FRA,JAP	
28	71319281A	SPACER	2	12/01/2012		MOD:1199S- A;XST:AUS,CHN,EUR,FRA,JAP	
29	79915211A	INTAKE VALVE RETURN SPRING LH	1	12/01/2012		MOD:1199S- A;XST:AUS,CHN,EUR,FRA,JAP	
30	21010811B	INTAKE VALVE	2	12/01/2012		MOD:1199S- A;XST:AUS,CHN,EUR,FRA,JAP	
31	304A0921A	SEAT, INTAKE VALVE	2	29/11/2010		MOD:1199S- A;XST:AUS,CHN,EUR,FRA,JAP	



TST00455

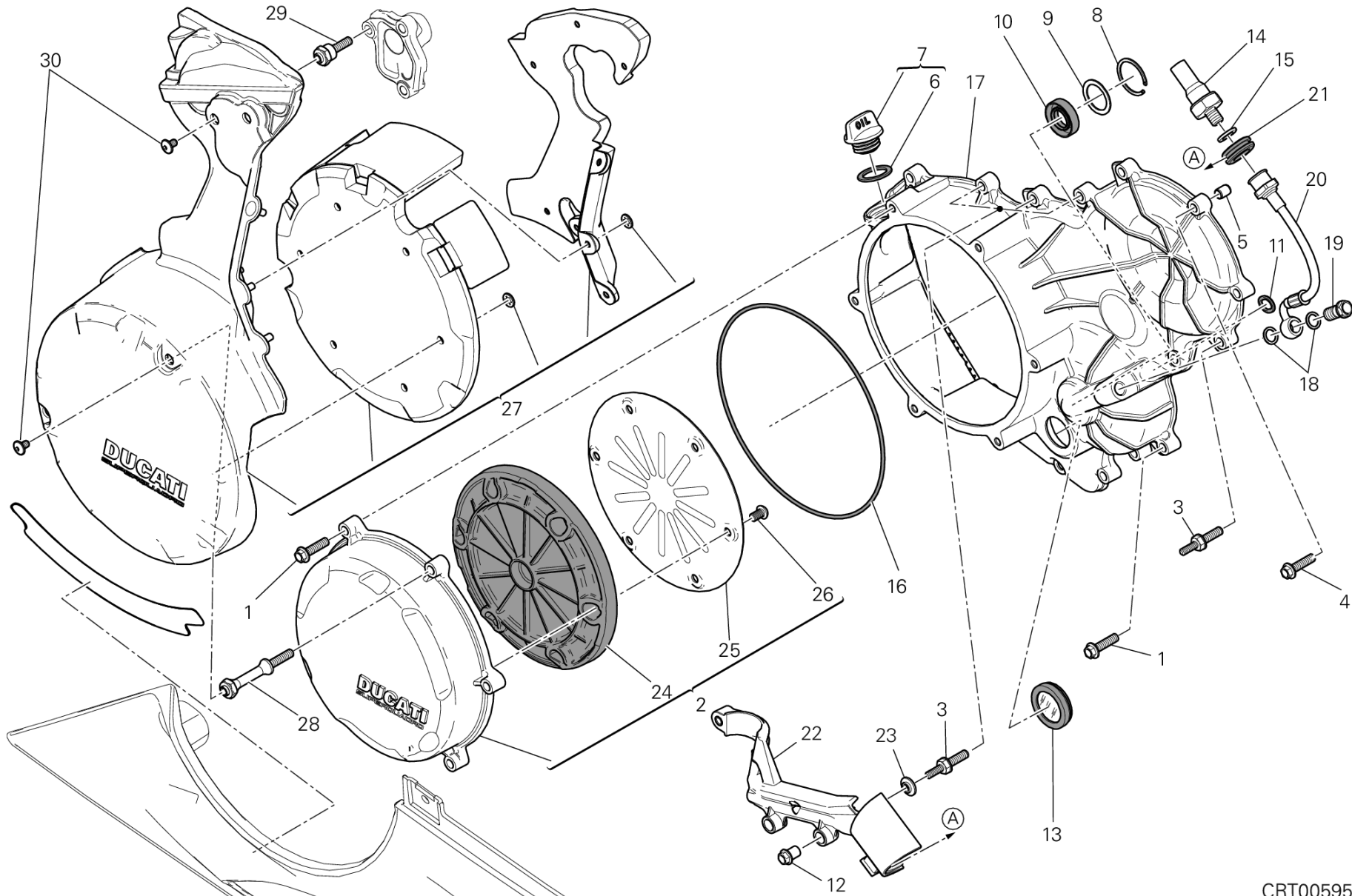


POS.	CODE	DESCRIPTION	QTY	START DATE	END DATE	VALIDITY	NOTES
32	66810491A	FILLER	1	21/01/2011		MOD:1199S-A;XST:AUS,CHN,EUR,FRA,JAP	
33	79915201A	INTAKE VALVE RETURN SPRING RH	1	12/01/2012		MOD:1199S-A;XST:AUS,CHN,EUR,FRA,JAP	
34	82716021A	PLATE, RETAINER	1	12/01/2012		MOD:1199S-A;XST:AUS,CHN,EUR,FRA,JAP	
35	77917231A	SCREW, SPECIAL	1	12/01/2012		MOD:1199S-A;XST:AUS,CHN,EUR,FRA,JAP	



DRAWING 05A - CLUTCH-SIDE CRANKCASE COVER (JAP) [MOD:1199S-A;XST:JAP]

GROUP ENGINE



CRT00595

DRAWING 05A - CLUTCH-SIDE CRANKCASE COVER (JAP) [MOD:1199S-A;XST:JAP]

GROUP ENGINE

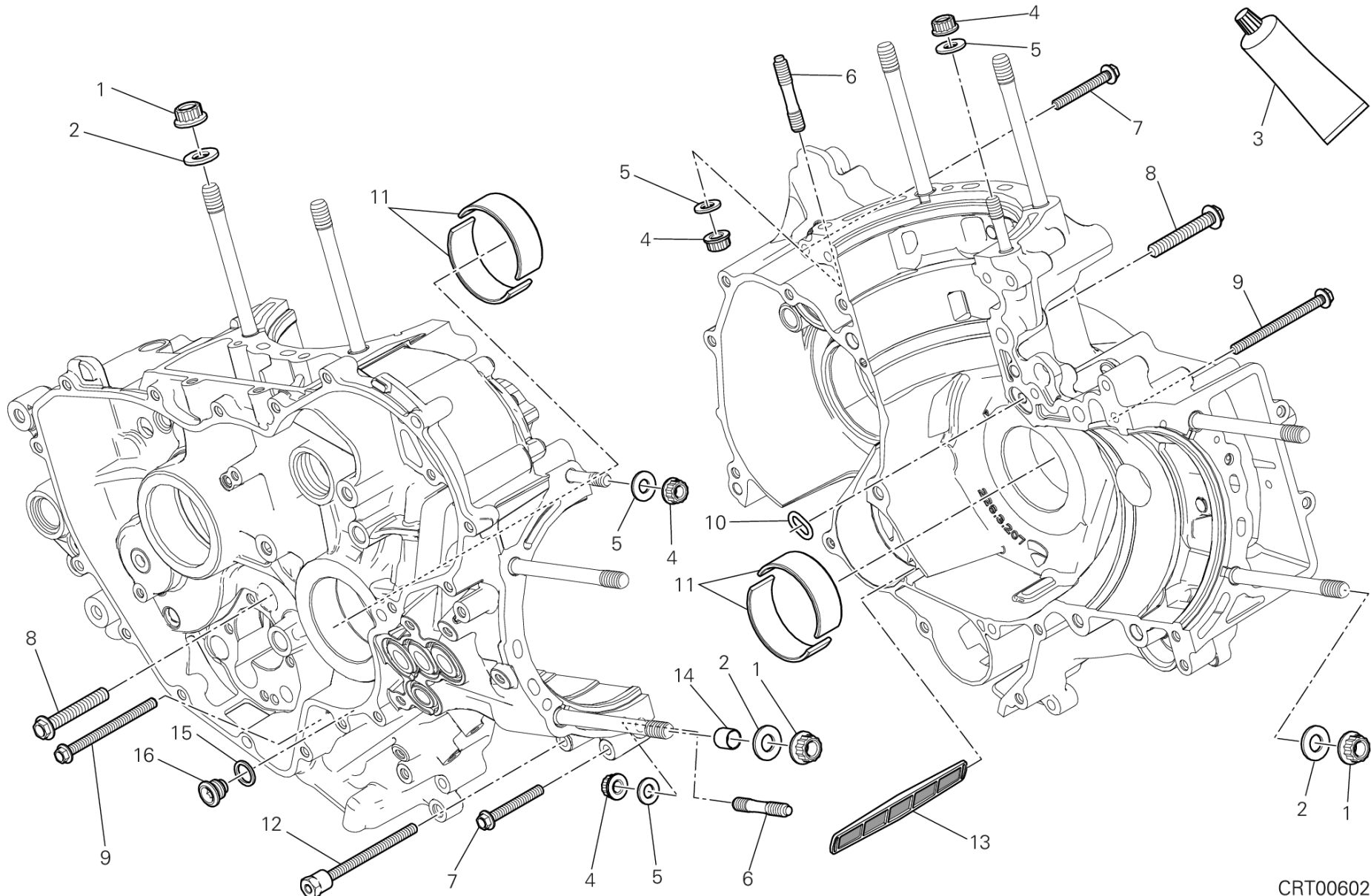


POS.	CODE	DESCRIPTION	QTY	START DATE	END DATE	VALIDITY	NOTES
1	77253337C	SCREW	18	11/11/2010		MOD:1199S-A;XST:JAP	
2	24321343A	CLUTCH PROTECTION COVER (Unit)	1	02/05/2012		MOD:1199S-A;XST:JAP	
3	77917161B	SCREW, SPECIAL	4	21/11/2011		MOD:1199S-A;XST:JAP	
4	77253357C	SCREW	1	11/11/2010		MOD:1199S-A;XST:JAP	
5	71113171A	LOCATING DOWEL	2	11/11/2010		MOD:1199S-A;XST:JAP	
6	88640891A	O-RING 18.64X3.53	1	24/12/2009		MOD:1199S-A;XST:JAP	
7	89320121A	PLUG ASSY	1	26/10/2011		MOD:1199S-A;XST:JAP	
8	88450291A	SNAP RING	1	26/10/2011		MOD:1199S-A;XST:JAP	
9	85212721A	THRUST WASHER	1	26/10/2011		MOD:1199S-A;XST:JAP	
10	93041521A	SEAL RING	1	26/10/2011		MOD:1199S-A;XST:JAP	
11	88641761A	O-RING	1	11/11/2010		MOD:1199S-A;XST:JAP	
12	75011742AA	NUT, SPECIAL	1	26/10/2011		MOD:1199S-A;XST:JAP	
13	25440012A	WINDOW, OIL LEVEL CHECK	1	26/10/2011		MOD:1199S-A;XST:JAP	
14	53940302A	SWITCH ASSY, OIL PRESSURE	1	01/12/2011		MOD:1199S-A;XST:JAP	
15	85211951A	GASKET 10.5X17X2	1	01/12/2011		MOD:1199S-A;XST:JAP	
16	88610281A	O-RING	1	26/10/2011		MOD:1199S-A;XST:JAP	
17	24311274A	TIMING COVER	1	01/01/2012		MOD:1199S-A;XST:JAP	
18	85250241A	WASHER 10X14X1	2	01/12/2011		MOD:1199S-A;XST:JAP	
19	77913661AB	BOLT, BRAKE HOSE M10X1	1	01/12/2011		MOD:1199S-A;XST:JAP	
20	87721561A	OIL PRESSURE LINE	1	01/12/2011		MOD:1199S-A;XST:JAP	
21	76440581A	RUBBER PAD	1	01/12/2011		MOD:1199S-A;XST:JAP	
22	75810701A	FAIRLEAD	1	01/12/2011		MOD:1199S-A;XST:JAP	
23	71614071A	SPACER 5.2X8.4X2	3	01/12/2011		MOD:1199S-A;XST:JAP	
24	48610851A	DAMPER, SOUND ARRESTER	1	02/05/2012		MOD:1199S-A;XST:JAP	
25	82716012A	SHEET ACOUSTIC DAMPER	1	02/05/2012		MOD:1199S-A;XST:JAP	
26	77550200C	SCREW	6	02/05/2012		MOD:1199S-A;XST:JAP	
27	48610911A	CAP RH (Unit)	1	29/03/2012	14/11/2012	MOD:1199S-A;XST:JAP	
28	77917961AA	SPECIAL SCREW LONG	2	20/06/2012		MOD:1199S-A;XST:JAP	
29	77917951AA	SPECIAL SCREW SHORT	2	20/06/2012		MOD:1199S-A;XST:JAP	
30	77240243C	SCREW	4	29/03/2012		MOD:1199S-A;XST:JAP	



DRAWING 10A - HALF-CRANKCASES PAIR [MOD:1199S-A;XST:AUS,CHN,EUR,FRA,JAP]

GROUP ENGINE



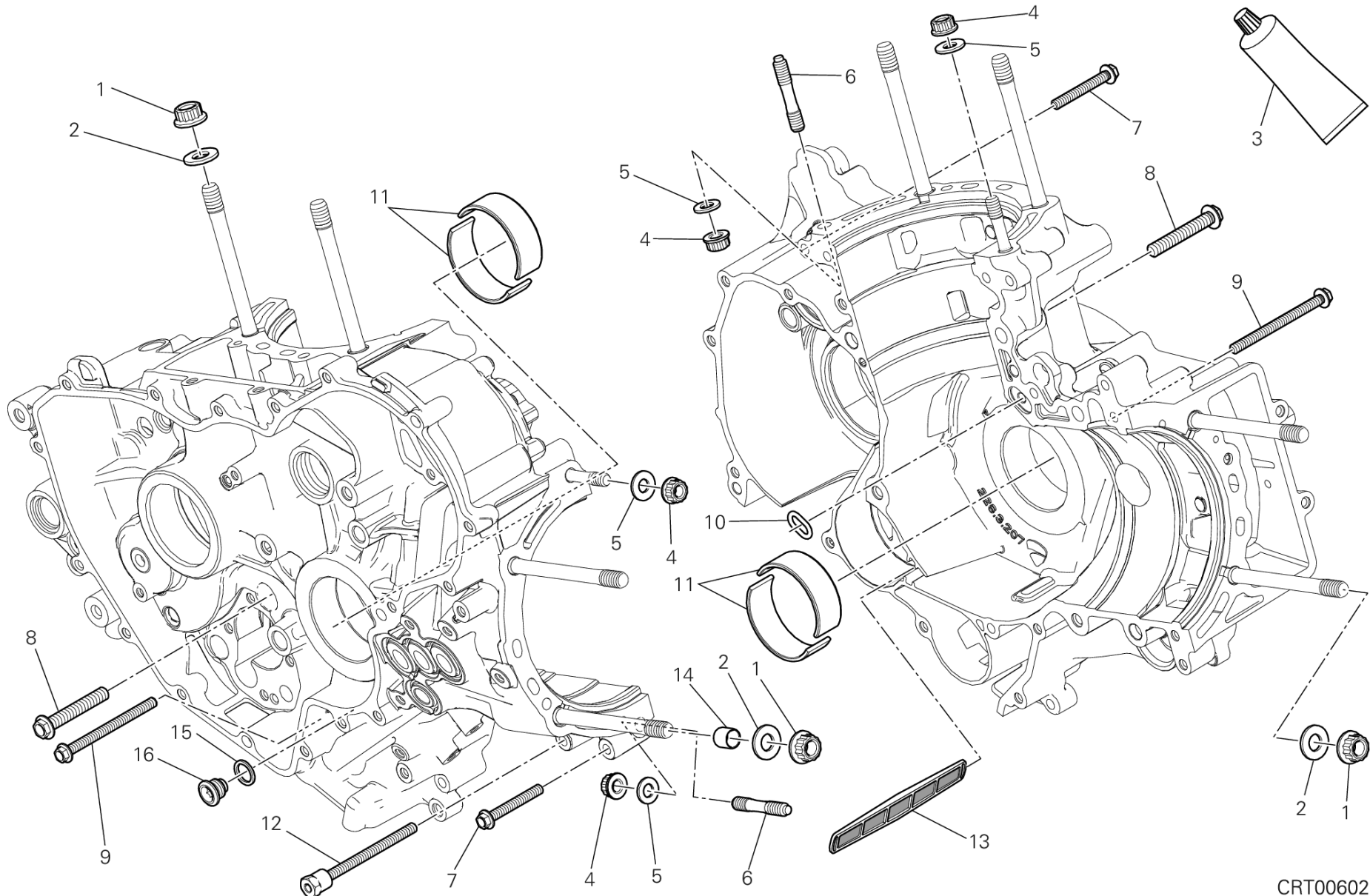
CRT00602

DRAWING 10A - HALF-CRANKCASES PAIR [MOD:1199S-A;XST:AUS,CHN,EUR,FRA,JAP]

GROUP ENGINE



POS.	CODE	DESCRIPTION	QTY	START DATE	END DATE	VALIDITY	NOTES
1	74810461A	NUT, FLANGE M10X1	8	13/12/2010		MOD:1199S-A;XST:AUS,CHN,EUR,FRA,JAP	
2	85610642A	WASHER, SPECIAL 10.5X21X2	8	13/12/2010		MOD:1199S-A;XST:AUS,CHN,EUR,FRA,JAP	
3	942470014	LIQUID GASKET	1			MOD:1199S-A;XST:AUS,CHN,EUR,FRA,JAP	
4	74840481A	NUT, SPECIAL M8	4	13/12/2010		MOD:1199S-A;XST:AUS,CHN,EUR,FRA,JAP	
5	85212771A	WASHER	4	13/12/2010		MOD:1199S-A;XST:AUS,CHN,EUR,FRA,JAP	
6	76610811A	STUD BOLT FASTENING HEAD CYLINDER	2	12/01/2012		MOD:1199S-A;XST:AUS,CHN,EUR,FRA,JAP	
7	77253387C	SCREW	14	11/11/2010		MOD:1199S-A;XST:AUS,CHN,EUR,FRA,JAP	
8	77251387C	SCREW	6	11/11/2010		MOD:1199S-A;XST:AUS,CHN,EUR,FRA,JAP	
9	77253447C	SCREW	4	11/11/2010		MOD:1199S-A;XST:AUS,CHN,EUR,FRA,JAP	
10	88641701A	O-RING	1	24/11/2010		MOD:1199S-A;XST:AUS,CHN,EUR,FRA,JAP	
11	11210771AA	HALF-BEARING RED	1	15/12/2011		MOD:1199S-A;XST:AUS,CHN,EUR,FRA,JAP	
	11210771AB	HALF-BEARING BLUE	1	15/12/2011		MOD:1199S-A;XST:AUS,CHN,EUR,FRA,JAP	
	11210771AC	HALF-BEARING YELLOW	1	15/12/2011		MOD:1199S-A;XST:AUS,CHN,EUR,FRA,JAP	
	11210771AD	HALF-BEARING BLACK	1	15/12/2011		MOD:1199S-A;XST:AUS,CHN,EUR,FRA,JAP	
	11210771AE	HALF-BEARING GREEN	1	15/12/2011		MOD:1199S-A;XST:AUS,CHN,EUR,FRA,JAP	
12	77916991A	SCREW, SPECIAL	1	02/12/2010		MOD:1199S-A;XST:AUS,CHN,EUR,FRA,JAP	
13	42710171A	OIL NET FILTER	1	09/12/2010		MOD:1199S-A;XST:AUS,CHN,EUR,FRA,JAP	



CRT00602

DRAWING 10A - HALF-CRANKCASES PAIR [MOD:1199S-A;XST:AUS,CHN,EUR,FRA,JAP]

GROUP ENGINE



POS.	CODE	DESCRIPTION	QTY	START DATE	END DATE	VALIDITY	NOTES
14	71110932A	PIN DOWEL	4	11/11/2010		MOD:1199S-A;XST:AUS,CHN,EUR,FRA,JAP	
15	85250261A	GASKET, ALUMINIUM 12X16X1.5	1	11/11/2010		MOD:1199S-A;XST:AUS,CHN,EUR,FRA,JAP	
16	78010511C	PLUG	1	28/02/2011		MOD:1199S-A;XST:AUS,CHN,EUR,FRA,JAP	

DRAWING 13A - VERTICAL CYLINDER HEAD - TIMING [MOD:1199S-A;XST:AUS,EUR,FRA,JAP]



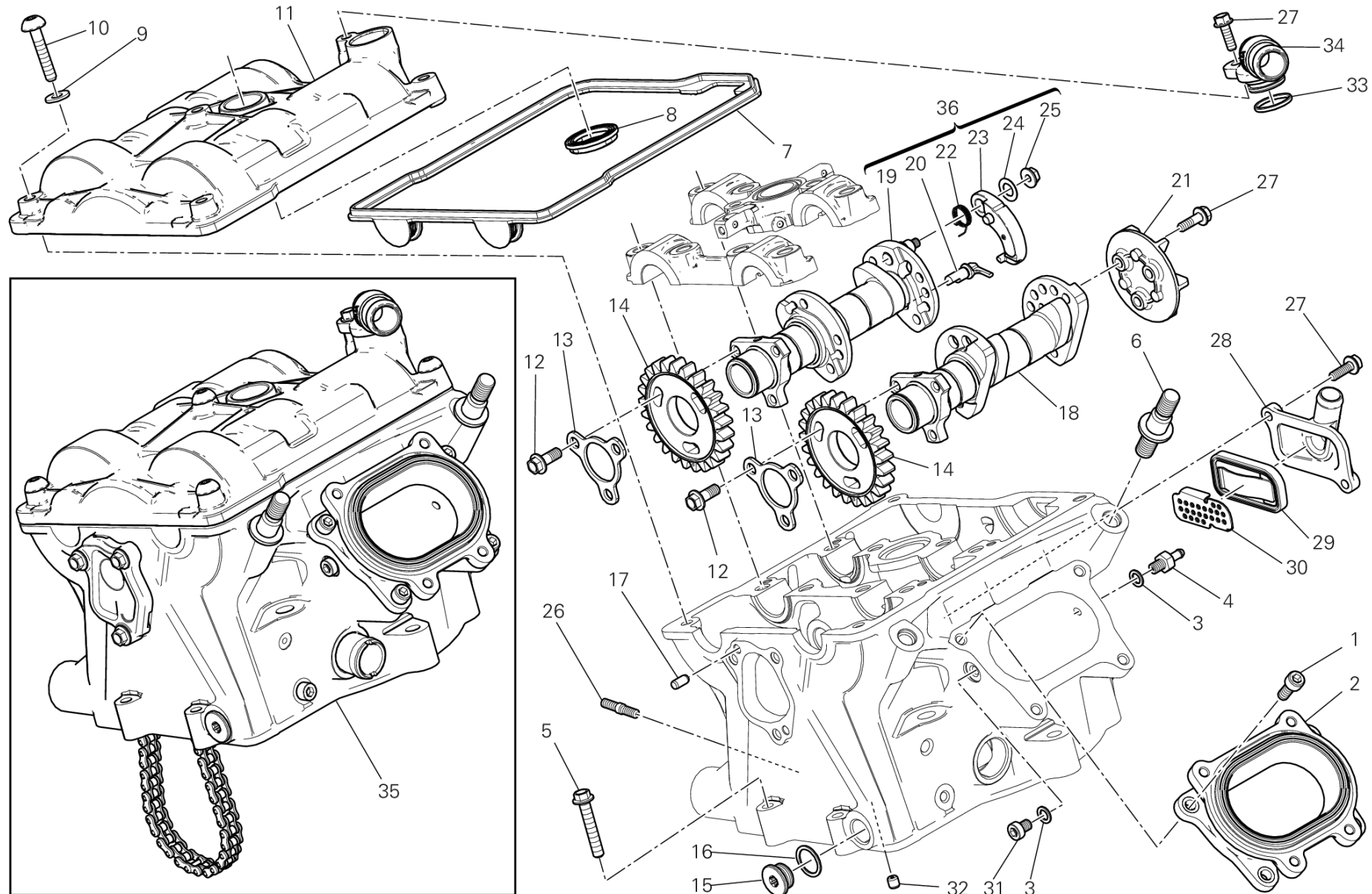
GROUP ENGINE

POS.	CODE	DESCRIPTION	QTY	START DATE	END DATE	VALIDITY	NOTES
1	77112331A	SCREW TCEI M6X16	4	12/01/2012		MOD:1199S-A;XST:AUS,EUR,FRA,JAP	
2	14010691A	INTAKE MANIFOLD	1	12/01/2012		MOD:1199S-A;XST:AUS,EUR,FRA,JAP	
3	85250231A	GASKET	2	01/08/2011		MOD:1199S-A;XST:AUS,EUR,FRA,JAP	
4	81413341A	UNION	1	12/01/2012		MOD:1199S-A;XST:AUS,EUR,FRA,JAP	
5	77253367C	SCREW	2	05/04/2011		MOD:1199S-A;XST:AUS,EUR,FRA,JAP	
6	76610821A	STUD BOLT	2	12/01/2012		MOD:1199S-A;XST:AUS,EUR,FRA,JAP	
7	78811101C	VALVE COVER GASKET EXTERNAL	1	12/01/2012		MOD:1199S-A;XST:AUS,EUR,FRA,JAP	
8	78811131A	VALVE COVER GASKET INTERNAL	1	12/01/2012		MOD:1199S-A;XST:AUS,EUR,FRA,JAP	
9	85212781A	WASHER	5	12/01/2012		MOD:1199S-A;XST:AUS,EUR,FRA,JAP	
10	77916441A	SCREW	5	12/01/2012		MOD:1199S-A;XST:AUS,EUR,FRA,JAP	
11	24713931B	COVER CYLINDER HEAD, VERTICAL	1	12/01/2012		MOD:1199S-A;XST:AUS,EUR,FRA,JAP	
12	77253290Z	SCREW	6	01/08/2011		MOD:1199S-A;XST:AUS,EUR,FRA,JAP	
13	85611471A	PLATE, RETAINER	2	12/01/2012		MOD:1199S-A;XST:AUS,EUR,FRA,JAP	
14	17111153A	GEAR Z=25	2	12/01/2012		MOD:1199S-A;XST:AUS,EUR,FRA,JAP	
15	77913541A	THREADED PLUG M15X1	1	06/04/2011		MOD:1199S-A;XST:AUS,EUR,FRA,JAP	
16	85211201A	ALUMINIUM GASKET	1	06/04/2011		MOD:1199S-A;XST:AUS,EUR,FRA,JAP	
17	86050061A	PIN M5X10	2	12/01/2012		MOD:1199S-A;XST:AUS,EUR,FRA,JAP	



DRAWING 13A - VERTICAL CYLINDER HEAD - TIMING [MOD:1199S-A;XST:AUS,EUR,FRA,JAP]

GROUP ENGINE



DRAWING 13A - VERTICAL CYLINDER HEAD - TIMING [MOD:1199S-A;XST:AUS,EUR,FRA,JAP]

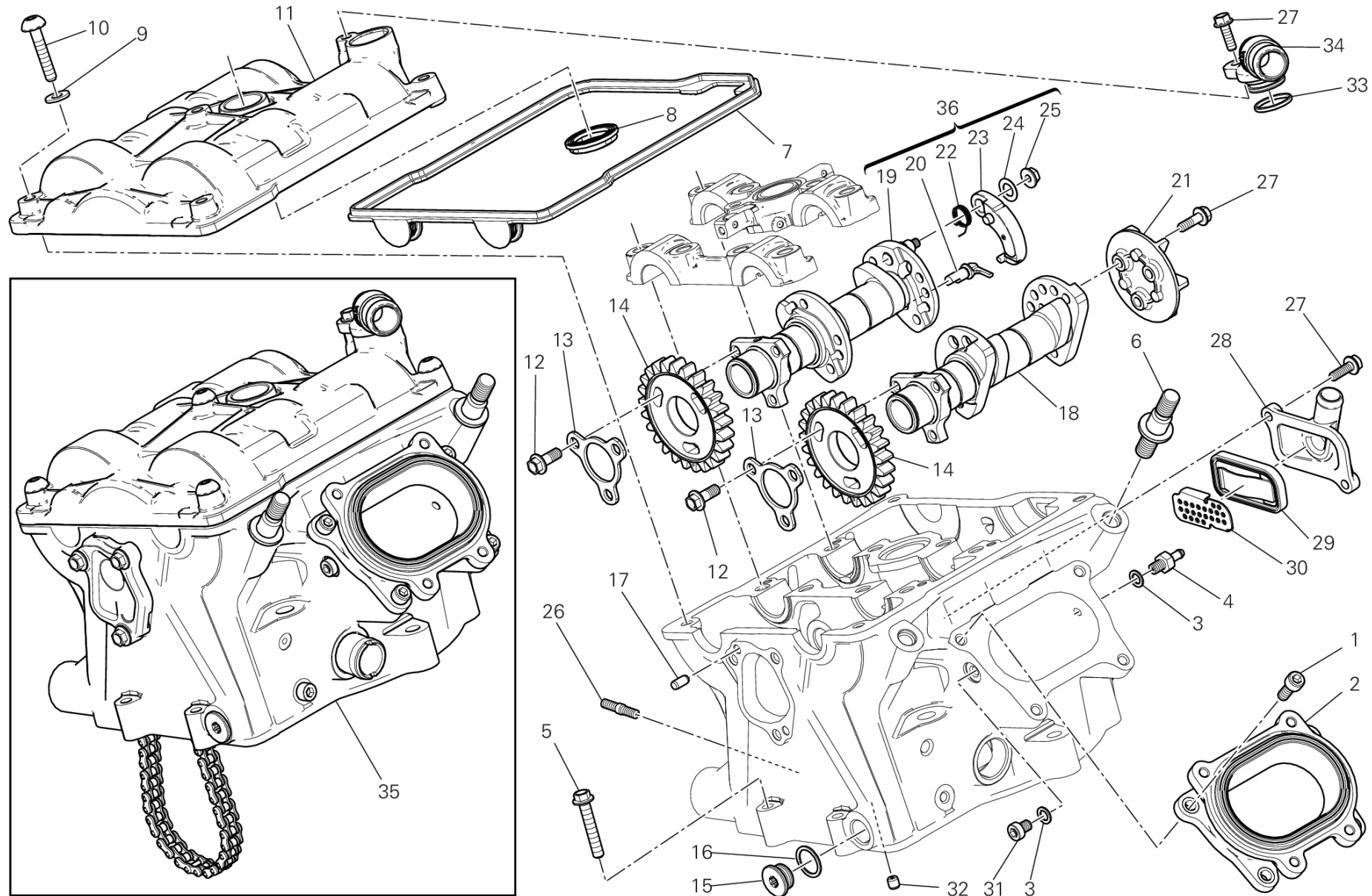


GROUP ENGINE

POS.	CODE	DESCRIPTION	QTY	START DATE	END DATE	VALIDITY	NOTES
18	14814361B	VERTICAL INTAKE CAMSHAFT	1	12/01/2012		MOD:1199S-A;XST:AUS,EUR,FRA,JAP	
19	14824481B	VERTICAL EXHAUST CAMSHAFT	1	13/01/2012		MOD:1199S-A;XST:AUS,EUR,FRA,JAP	
20	82113832A	PIN	1	12/01/2012		MOD:1199S-A;XST:AUS,EUR,FRA,JAP	
21	25130081B	FAN	1	12/01/2012		MOD:1199S-A;XST:AUS,EUR,FRA,JAP	
22	79915534A	SPRING	1	12/01/2012		MOD:1199S-A;XST:AUS,EUR,FRA,JAP	
23	30710021A	ARM	1	12/01/2012		MOD:1199S-A;XST:AUS,EUR,FRA,JAP	
24	85240231A	WASHER 8.2X14X0.5	1	13/01/2012		MOD:1199S-A;XST:AUS,EUR,FRA,JAP	
25	74810791A	NUT	1	12/01/2012		MOD:1199S-A;XST:AUS,EUR,FRA,JAP	
26	76640191A	STUD BOLT M6X16	3	12/01/2012		MOD:1199S-A;XST:AUS,EUR,FRA,JAP	
27	77210621A	SCREW TEF M5X16	6	12/01/2012		MOD:1199S-A;XST:AUS,EUR,FRA,JAP	
28	24714101A	COVER	1	12/01/2012		MOD:1199S-A;XST:AUS,EUR,FRA,JAP	
29	81140012B	VALVE	1	07/12/2011		MOD:1199S-A;XST:AUS,EUR,FRA,JAP	
30	82716351A	PLATE	1	12/01/2012		MOD:1199S-A;XST:AUS,EUR,FRA,JAP	
31	77350618B	SCREW TCEIR M6X8	1	06/04/2011		MOD:1199S-A;XST:AUS,EUR,FRA,JAP	
32	86010061A	PIN	1	12/01/2012		MOD:1199S-A;XST:AUS,EUR,FRA,JAP	
33	88641791A	O-RING	1	12/01/2012		MOD:1199S-A;XST:AUS,EUR,FRA,JAP	
34	81413531A	OUTLET UNION BLOW-BY	1	12/01/2012		MOD:1199S-A;XST:AUS,EUR,FRA,JAP	



DRAWING 13A - VERTICAL CYLINDER HEAD - TIMING [MOD:1199S-A;XST:AUS,EUR,FRA,JAP] GROUP ENGINE



DRAWING 13A - VERTICAL CYLINDER HEAD - TIMING [MOD:1199S-A;XST:AUS,EUR,FRA,JAP]



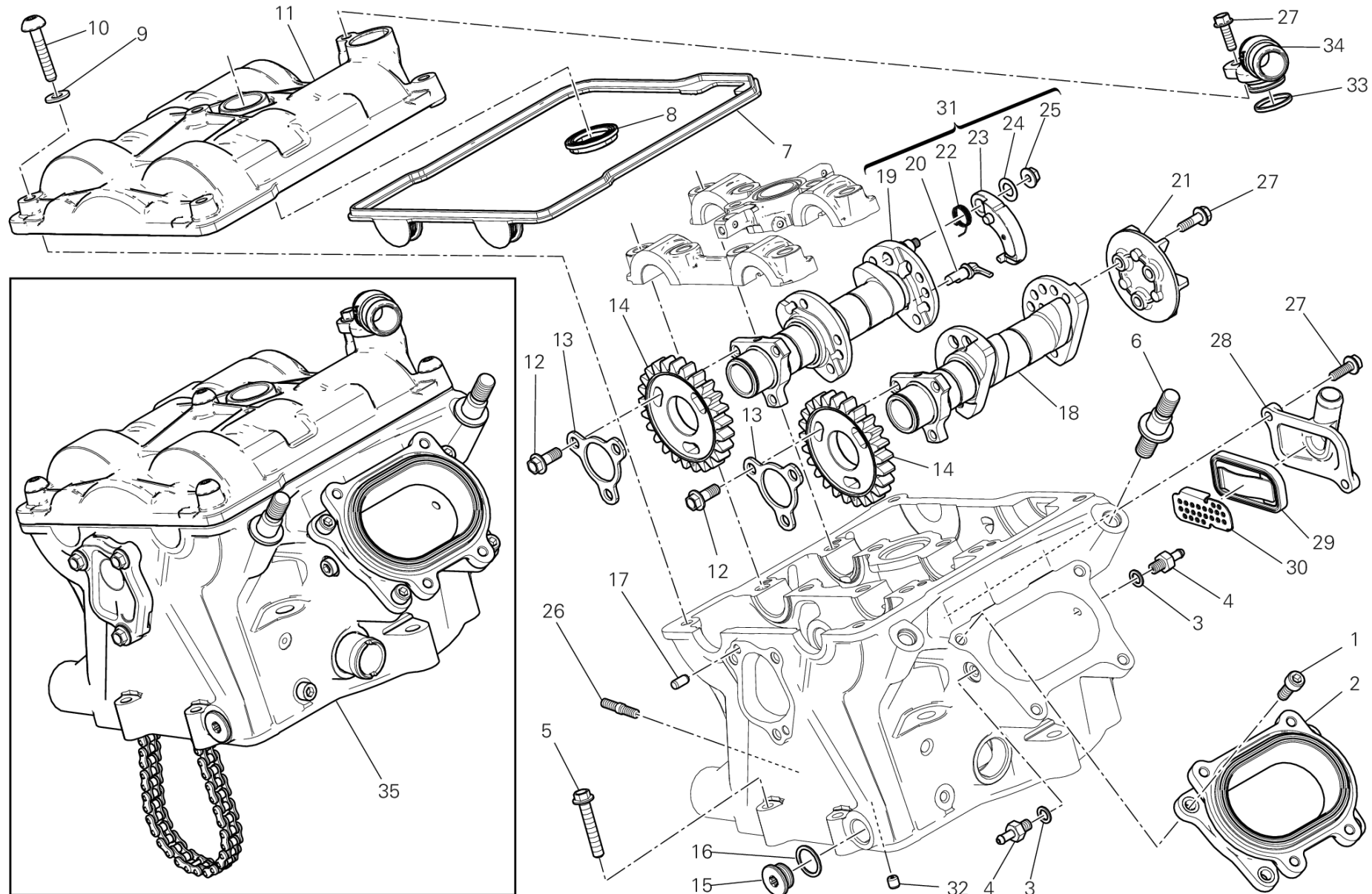
GROUP ENGINE

POS.	CODE	DESCRIPTION	QTY	START DATE	END DATE	VALIDITY	NOTES
35	30124503B	COMPLETE VERTICAL HEAD	1	22/06/2012	31/12/2030	MOD:1199S-A;XST:AUS,EUR,FRA,JAP	
36	14823751C	VERTICAL EXHAUST CAMSHAFT (Unit)	1	13/01/2012		MOD:1199S-A;XST:AUS,EUR,FRA,JAP	



DRAWING 13A - VERTICAL CYLINDER HEAD - TIMING [MOD:1199S-A;XST:CHN]

GROUP ENGINE

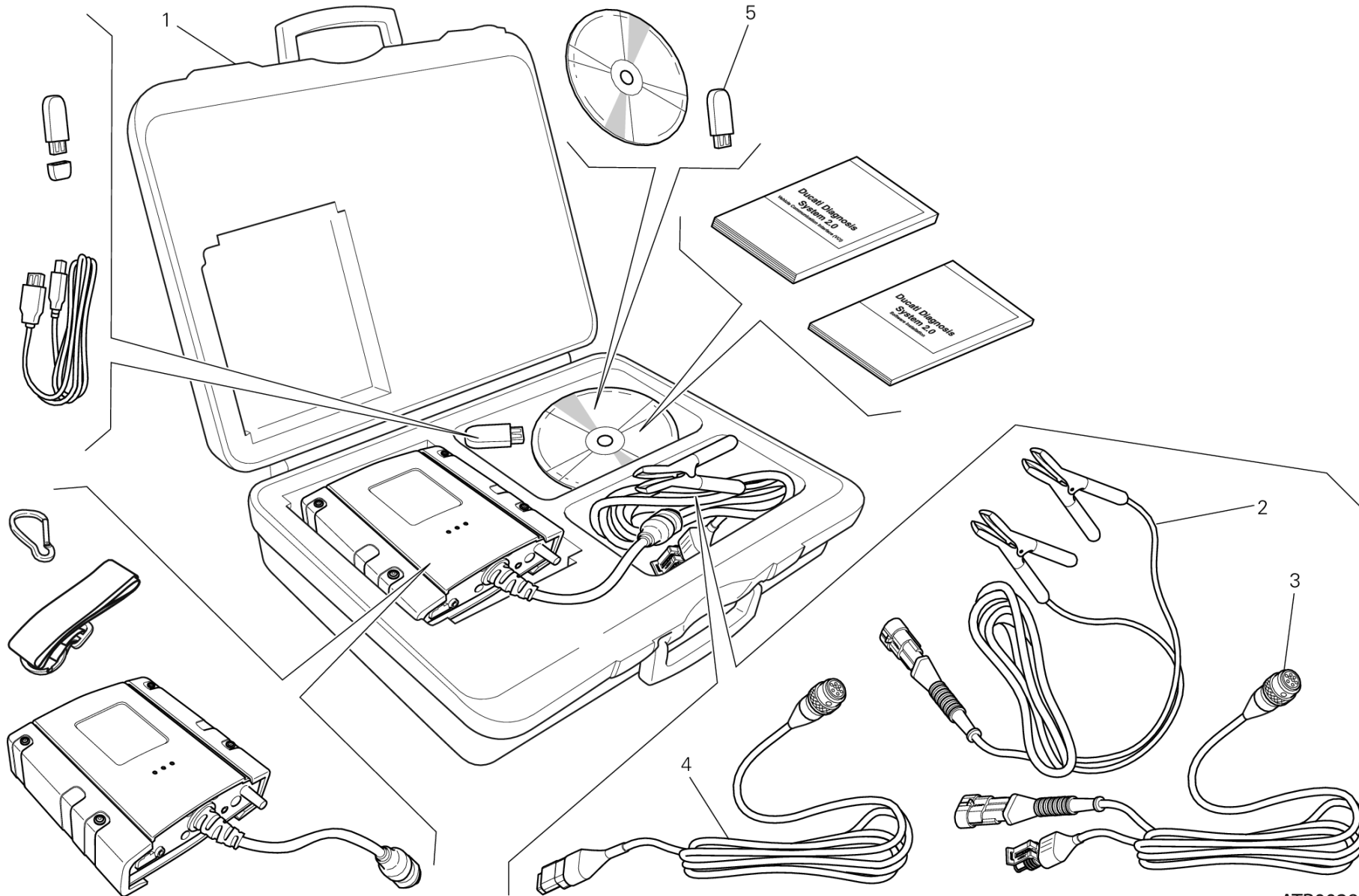


DRAWING 13A - VERTICAL CYLINDER HEAD - TIMING [MOD:1199S-A;XST:CHN]

GROUP ENGINE



POS.	CODE	DESCRIPTION	QTY	START DATE	END DATE	VALIDITY	NOTES
1	77112331A	SCREW TCEI M6X16	4	07/12/2011		MOD:1199S-A;XST:CHN	
2	14010691A	INTAKE MANIFOLD	1	07/12/2011		MOD:1199S-A;XST:CHN	
3	85250231A	GASKET	2	07/12/2011		MOD:1199S-A;XST:CHN	
4	81413341A	UNION	2	07/12/2011		MOD:1199S-A;XST:CHN	
5	77253367C	SCREW	2	03/11/2011		MOD:1199S-A;XST:CHN	
6	76610821A	STUD BOLT	2	07/12/2011		MOD:1199S-A;XST:CHN	
7	78811101C	VALVE COVER GASKET EXTERNAL	1	07/12/2011		MOD:1199S-A;XST:CHN	
8	78811131A	VALVE COVER GASKET INTERNAL	1	07/12/2011		MOD:1199S-A;XST:CHN	
9	85212781A	WASHER	5	07/12/2011		MOD:1199S-A;XST:CHN	
10	77916441A	SCREW	5	07/12/2011		MOD:1199S-A;XST:CHN	
11	24713931B	COVER CYLINDER HEAD, VERTICAL	1	07/12/2011		MOD:1199S-A;XST:CHN	
12	77253290Z	SCREW	6	03/11/2011		MOD:1199S-A;XST:CHN	
13	85611471A	PLATE, RETAINER	2	07/12/2011		MOD:1199S-A;XST:CHN	
14	17111153A	GEAR Z=25	2	07/12/2011		MOD:1199S-A;XST:CHN	
15	77913541A	THREADED PLUG M15X1	1	03/11/2011		MOD:1199S-A;XST:CHN	
16	85211201A	ALUMINIUM GASKET	1	03/11/2011		MOD:1199S-A;XST:CHN	
17	86050061A	PIN M5X10	2	07/12/2011		MOD:1199S-A;XST:CHN	
18	14814361B	VERTICAL INTAKE CAMSHAFT	1	07/12/2011		MOD:1199S-A;XST:CHN	
19	14824481B	VERTICAL EXHAUST CAMSHAFT	1	07/12/2011		MOD:1199S-A;XST:CHN	
20	82113832A	PIN	1	07/12/2011		MOD:1199S-A;XST:CHN	
21	25130081B	FAN	1	07/12/2011		MOD:1199S-A;XST:CHN	
22	79915534A	SPRING	1	07/12/2011		MOD:1199S-A;XST:CHN	
23	30710021A	ARM	1	07/12/2011		MOD:1199S-A;XST:CHN	
24	85240231A	WASHER 8.2X14X0.5	1	07/12/2011		MOD:1199S-A;XST:CHN	
25	74810791A	NUT	1	07/12/2011		MOD:1199S-A;XST:CHN	
26	76640191A	STUD BOLT M6X16	3	07/12/2011		MOD:1199S-A;XST:CHN	
27	77210621A	SCREW TEF M5X16	6	07/12/2011		MOD:1199S-A;XST:CHN	
28	24714101A	COVER	1	07/12/2011		MOD:1199S-A;XST:CHN	
29	81140012B	VALVE	1	07/12/2011		MOD:1199S-A;XST:CHN	
30	82716351A	PLATE	1	07/12/2011		MOD:1199S-A;XST:CHN	
31	14823751C	VERTICAL EXHAUST CAMSHAFT (Unit)	1	13/01/2012		MOD:1199S-A;XST:CHN	
32	86010061A	PIN	1	07/12/2011		MOD:1199S-A;XST:CHN	
33	88641791A	O-RING	1	07/12/2011		MOD:1199S-A;XST:CHN	
34	81413531A	OUTLET UNION BLOW-BY	1	07/12/2011		MOD:1199S-A;XST:CHN	
35	30124503B	COMPLETE VERTICAL HEAD	1	22/06/2012	31/12/2030	MOD:1199S-A;XST:CHN	



ATR00280

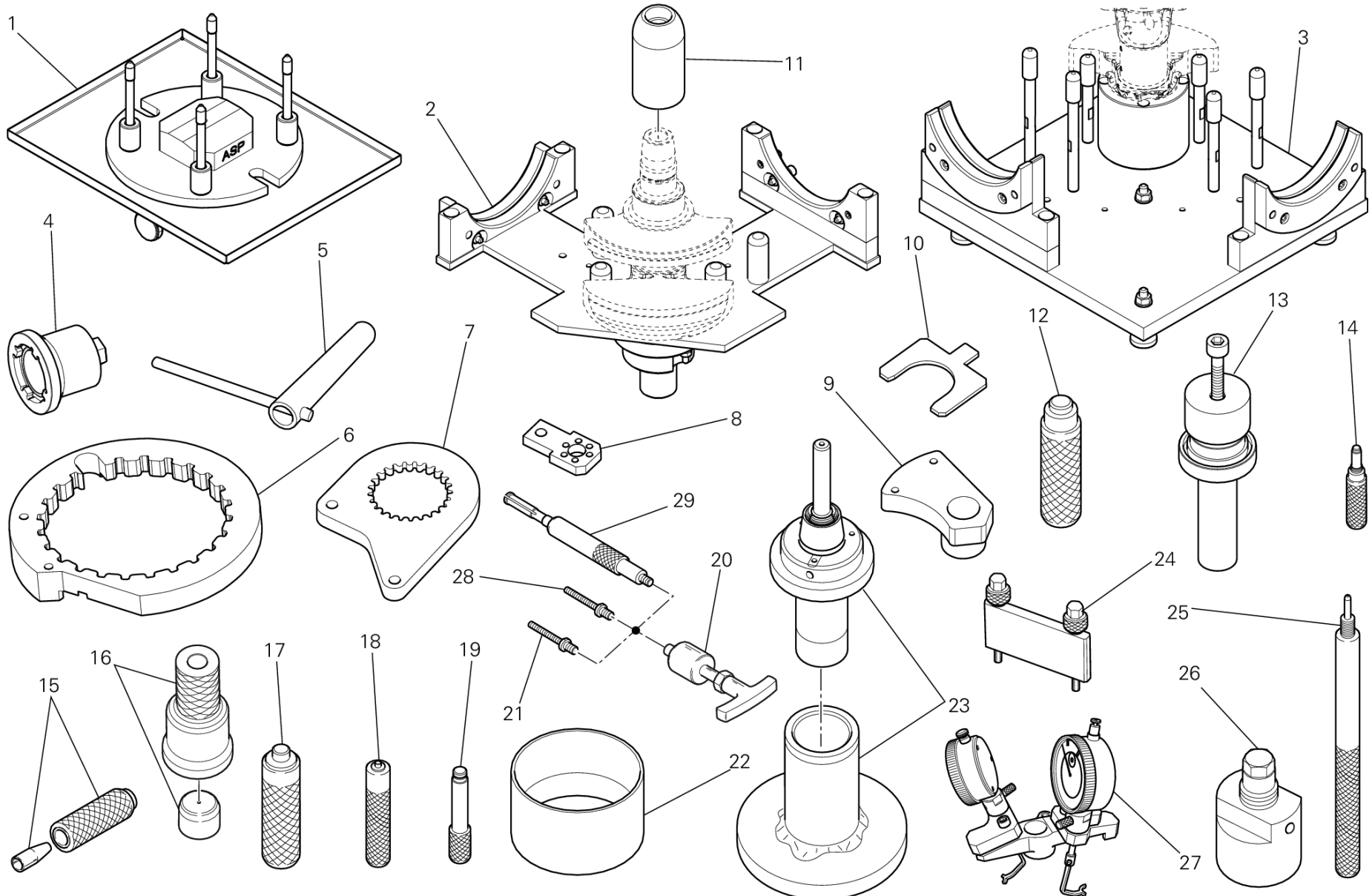


POS.	CODE	DESCRIPTION	QTY	START DATE	END DATE	VALIDITY	NOTES
1	979000252	DDS 2 (Ducati Diagnosis System 2.0)	1			MOD:1199S-A;XST:AUS,CHN,EUR,FRA,JAP	
2	979000256	MAIN CABLE DDS	1			MOD:1199S-A;XST:AUS,CHN,EUR,FRA,JAP	
3	979000254	MAIN CABLE	1			MOD:1199S-A;XST:AUS,CHN,EUR,FRA,JAP	
4	979000255	MAIN CABLE (CAN)	1			MOD:1199S-A;XST:AUS,CHN,EUR,FRA,JAP	
5	28620441A	CHIAVE "PC HASP DDS2.0"	1			MOD:1199S-A;XST:AUS,CHN,EUR,FRA,JAP	



DRAWING 01A - WORKSHOP SERVICE TOOLS [MOD:1199S-A;XST:AUS,CHN,EUR,FRA,JAP]

GROUP TOOLS



DRAWING 01A - WORKSHOP SERVICE TOOLS [MOD:1199S-A;XST:AUS,CHN,EUR,FRA,JAP]



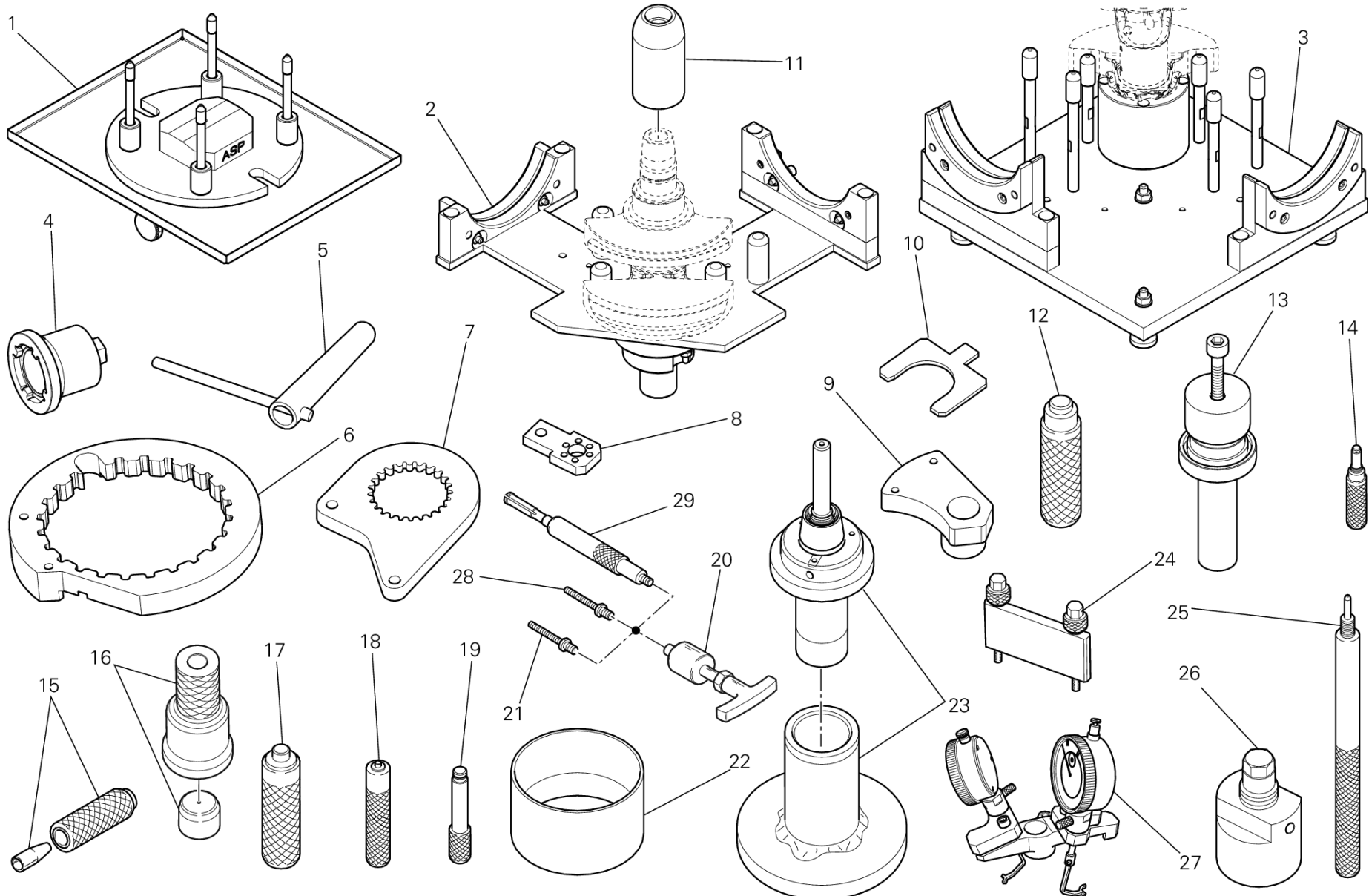
GROUP TOOLS

POS.	CODE	DESCRIPTION	QTY	START DATE	END DATE	VALIDITY	NOTES
1	887133422	HEAD MOUNTING BASE	1			MOD:1199S-A;XST:AUS,CHN,EUR,FRA,JAP	
2	887133437	PLATE (Complete connecting rods assembly)	1			MOD:1199S-A;XST:AUS,CHN,EUR,FRA,JAP	
3	887133440	HOSE GUIDE (Complete connecting rods assembly)	1			MOD:1199S-A;XST:AUS,CHN,EUR,FRA,JAP	
4	887133773	WRENCH FOR TIGHTENING RING NUT	1			MOD:1199S-A;XST:AUS,CHN,EUR,FRA,JAP	
5	887133795	LEVER	1			MOD:1199S-A;XST:AUS,CHN,EUR,FRA,JAP	
6	887133524	REACTION TOOL FOR IGNITION FLYWHEEL	1			MOD:1199S-A;XST:AUS,CHN,EUR,FRA,JAP	
7	887133774	REACTION TOOL (SPROCKET)	1			MOD:1199S-A;XST:AUS,CHN,EUR,FRA,JAP	
8	887133853	REACTION TOOL FOR FLANGE (Gearbox drum)	1			MOD:1199S-A;XST:AUS,CHN,EUR,FRA,JAP	
9	887133549	GEARBOX LAY SHAFT TRUING TOOL	1			MOD:1199S-A;XST:AUS,CHN,EUR,FRA,JAP	
10	887133510	FORK FEELER GAUGE	1			MOD:1199S-A;XST:AUS,CHN,EUR,FRA,JAP	
11	887133436	PAD	1			MOD:1199S-A;XST:AUS,CHN,EUR,FRA,JAP	
12	887133511	TOOL FOR OIL SEAL POSITIONING (17x25x4)	1			MOD:1199S-A;XST:AUS,CHN,EUR,FRA,JAP	
13	887133452	HALF-BEARINGS FITTING TOOL	1			MOD:1199S-A;XST:AUS,CHN,EUR,FRA,JAP	
14	887133500	TOOL TO HOLD CRANKSHAFT IN TDC POSITION	1			MOD:1199S-A;XST:AUS,CHN,EUR,FRA,JAP	
15	887133507	TOOL FOR OIL SEAL POSITIONING (12x22x5)	1			MOD:1199S-A;XST:AUS,CHN,EUR,FRA,JAP	
16	887133508	TOOL FOR OIL SEAL POSITIONING (40x55x7)	1			MOD:1199S-A;XST:AUS,CHN,EUR,FRA,JAP	
17	887133509	TOOL FOR OIL SEAL POSITIONING (14x28x6,5)	1			MOD:1199S-A;XST:AUS,CHN,EUR,FRA,JAP	



DRAWING 01A - WORKSHOP SERVICE TOOLS [MOD:1199S-A;XST:AUS,CHN,EUR,FRA,JAP]

GROUP TOOLS



DRAWING 01A - WORKSHOP SERVICE TOOLS [MOD:1199S-A;XST:AUS,CHN,EUR,FRA,JAP]



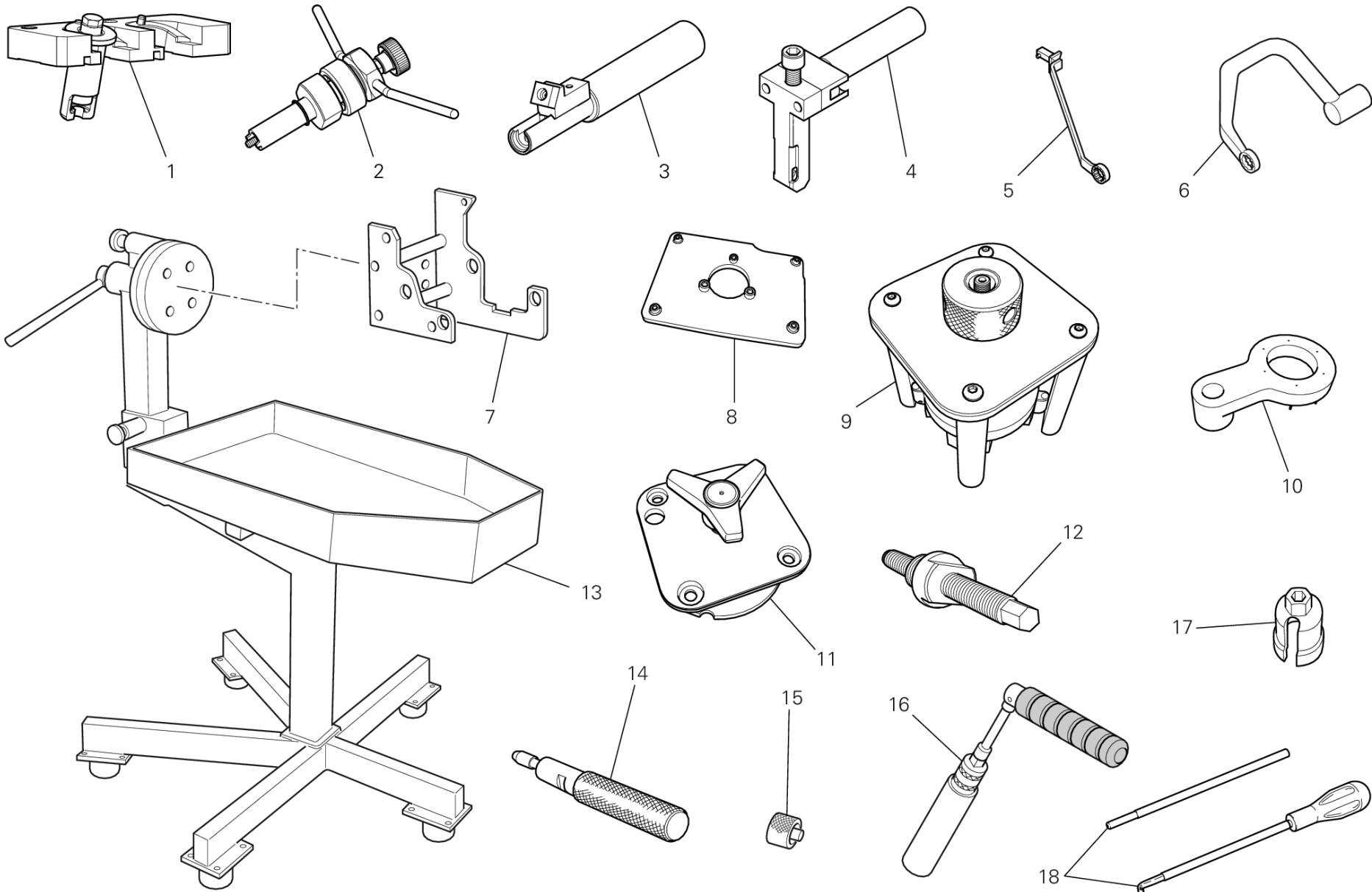
GROUP TOOLS

POS.	CODE	DESCRIPTION	QTY	START DATE	END DATE	VALIDITY	NOTES
18	887133512	TOOL FOR OIL SEAL POSITIONING (8x14x4)	1			MOD:1199S-A;XST:AUS,CHN,EUR,FRA,JAP	
19	887133758	TOOL FOR BUSH POSITIONING	1			MOD:1199S-A;XST:AUS,CHN,EUR,FRA,JAP	
20	887131994	ROCKER PIN EXTRACTOR	1			MOD:1199S-A;XST:AUS,CHN,EUR,FRA,JAP	
21	887133760	SCREW, SPECIAL (M7)	1			MOD:1199S-A;XST:AUS,CHN,EUR,FRA,JAP	
22	887133820	TOOL TO ASSEMBLE PISTON	1			MOD:1199S-A;XST:AUS,CHN,EUR,FRA,JAP	
23	887133502	TOOL TO FIT PISTON GUDGEON PIN CIRCLIPS	1			MOD:1199S-A;XST:AUS,CHN,EUR,FRA,JAP	
24	887651678	CAMSHAFT STROKE CHECKING TOOL	1			MOD:1199S-A;XST:AUS,CHN,EUR,FRA,JAP	
25	887132574	T.D.C. CONTROL GAUGE	1			MOD:1199S-A;XST:AUS,CHN,EUR,FRA,JAP	
26	887133880	IGNITION FLYWHEEL EXTRACTOR	1			MOD:1199S-A;XST:AUS,CHN,EUR,FRA,JAP	
27	887651632	VALVE LIFT GAUGE	1			MOD:1199S-A;XST:AUS,CHN,EUR,FRA,JAP	
28	887133943	SCREW, SPECIAL (M6)	1			MOD:1199S-A;XST:AUS,CHN,EUR,FRA,JAP	
29	887133517	PISTON PIN DISASSEMBLING TOOL	1			MOD:1199S-A;XST:AUS,CHN,EUR,FRA,JAP	



DRAWING 01B - WORKSHOP SERVICE TOOLS [MOD:1199S-A;XST:AUS,CHN,EUR,FRA,JAP]

GROUP TOOLS



DRAWING 01B - WORKSHOP SERVICE TOOLS [MOD:1199S-A;XST:AUS,CHN,EUR,FRA,JAP]



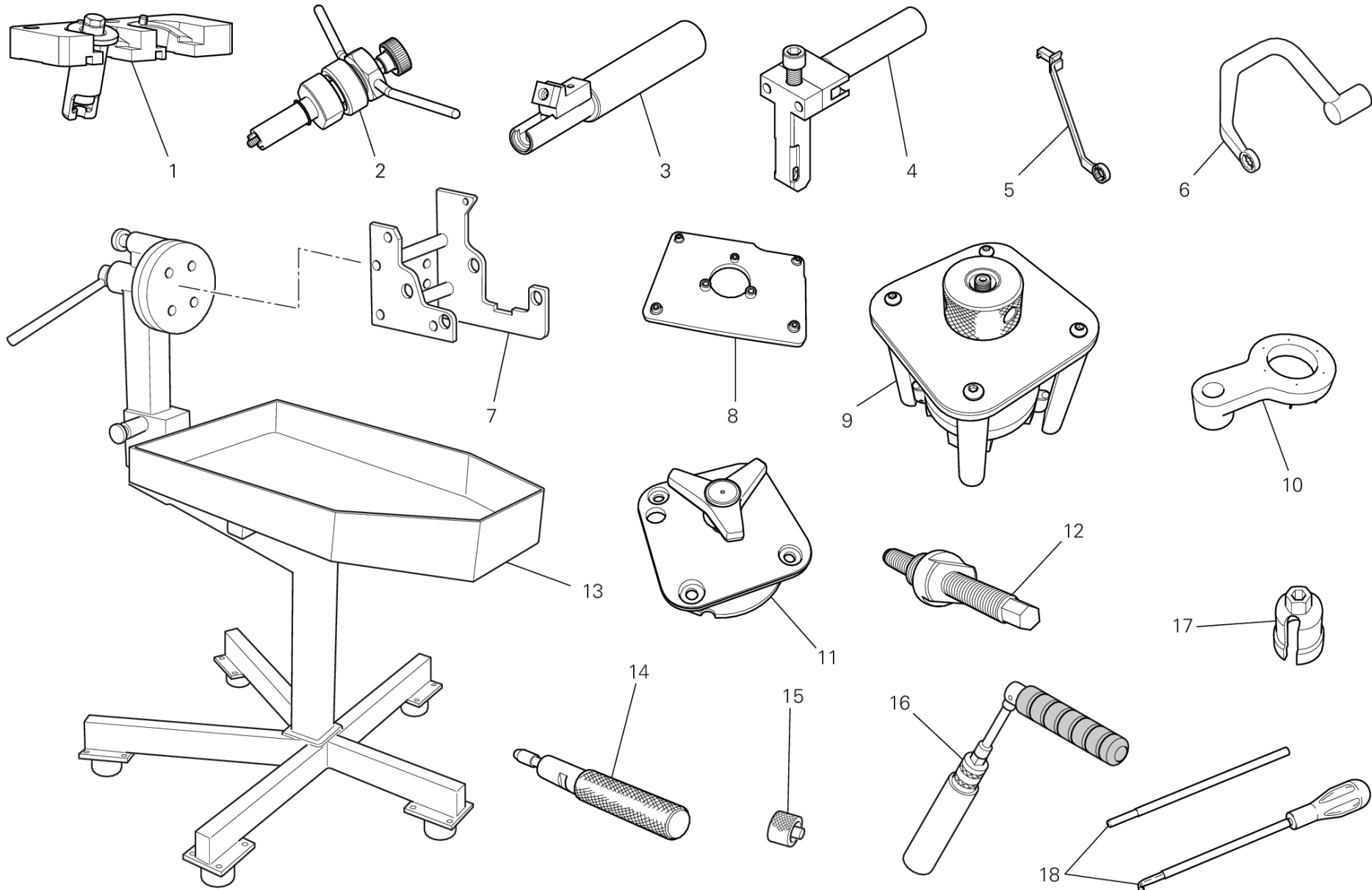
GROUP TOOLS

POS.	CODE	DESCRIPTION	QTY	START DATE	END DATE	VALIDITY	NOTES
1	887133924	TOOL TO REMOVE THE HALF-CONES	1			MOD:1199S-A;XST:AUS,CHN,EUR,FRA,JAP	
2	887133824	DEGREE WHEEL HOLDER TOOL FOR IGNITION ADVANCE CHECK	1			MOD:1199S-A;XST:AUS,CHN,EUR,FRA,JAP	
3	887133468	TOOL TO REMOVE THE HALF-CONES / SPLIT RINGS	1			MOD:1199S-A;XST:AUS,CHN,EUR,FRA,JAP	
4	887133467	TOOL TO FIT VALVE COLLETS	1			MOD:1199S-A;XST:AUS,CHN,EUR,FRA,JAP	
5	887133926	HEAD NUTS HOLDER WRENCH (M8)	1			MOD:1199S-A;XST:AUS,CHN,EUR,FRA,JAP	
6	887132676	HEAD NUTS HOLDER WRENCH (M10)	1			MOD:1199S-A;XST:AUS,CHN,EUR,FRA,JAP	
7	887133875	ENGINE MOUNT	1			MOD:1199S-A;XST:AUS,CHN,EUR,FRA,JAP	
8	887133879	WRENCH FOR TIGHTENING CLUTCH DRUM	1			MOD:1199S-A;XST:AUS,CHN,EUR,FRA,JAP	
9	887133878	CYLINDER DISASSEMBLING TOOL	1			MOD:1199S-A;XST:AUS,CHN,EUR,FRA,JAP	
10	887133925	PRIMARY DRIVE GEAR TIGHTENING TOOL	1			MOD:1199S-A;XST:AUS,CHN,EUR,FRA,JAP	
11	887133923	CYLINDER FITTING TOOL	1			MOD:1199S-A;XST:AUS,CHN,EUR,FRA,JAP	
12	887133922	PULLER TO REMOVE ALTERNATOR COVER	1			MOD:1199S-A;XST:AUS,CHN,EUR,FRA,JAP	
13	887131832	BENCH FOR ENGINE REPAIR	1			MOD:1199S-A;XST:AUS,CHN,EUR,FRA,JAP	
14	887132442	TOOL, OIL SEAL MOUNTING (Ø7)	1			MOD:1199S-A;XST:AUS,CHN,EUR,FRA,JAP	
15	887651298	SPACER FOR CHECKING LOWER VALVE SHIM	1			MOD:1199S-A;XST:AUS,CHN,EUR,FRA,JAP	
16	887132877	SPARK PLUG WRENCH	1			MOD:1199S-A;XST:AUS,CHN,EUR,FRA,JAP	
17	887133407	SPINDLE, TAPER (Gearbox position sensor)	1			MOD:1199S-A;XST:AUS,CHN,EUR,FRA,JAP	



DRAWING 01B - WORKSHOP SERVICE TOOLS [MOD:1199S-A;XST:AUS,CHN,EUR,FRA,JAP]

GROUP TOOLS



DRAWING 01B - WORKSHOP SERVICE TOOLS [MOD:1199S-A;XST:AUS,CHN,EUR,FRA,JAP]



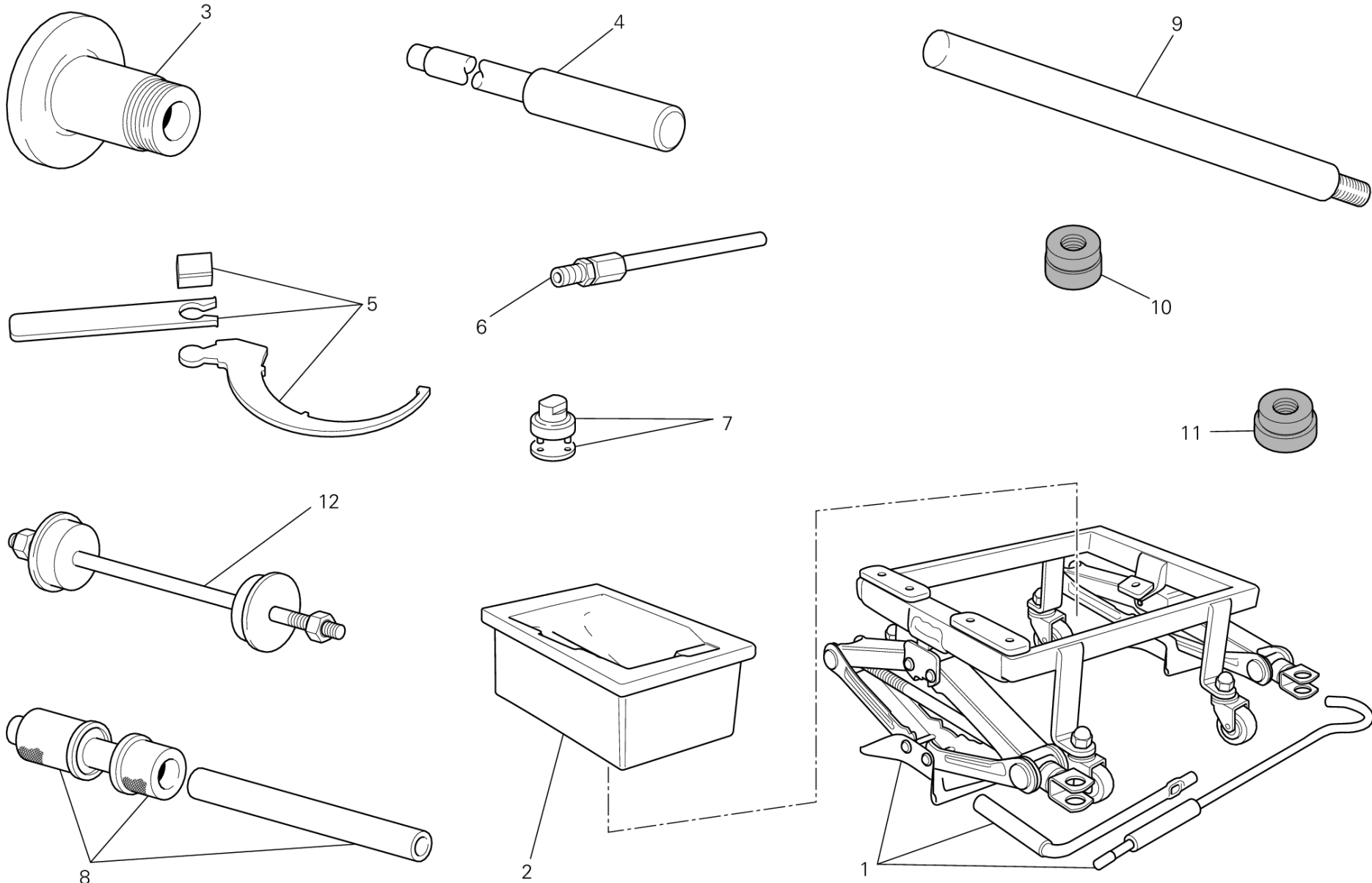
GROUP TOOLS

POS.	CODE	DESCRIPTION	QTY	START DATE	END DATE	VALIDITY	NOTES
18	887132069	ROCKER SPRING PRE-LOAD COMPOUND KIT	1			MOD:1199S-A;XST:AUS,CHN,EUR,FRA,JAP	



DRAWING 01C - WORKSHOP SERVICE TOOLS [MOD:1199S-A;XST:AUS,CHN,EUR,FRA,JAP]

GROUP TOOLS

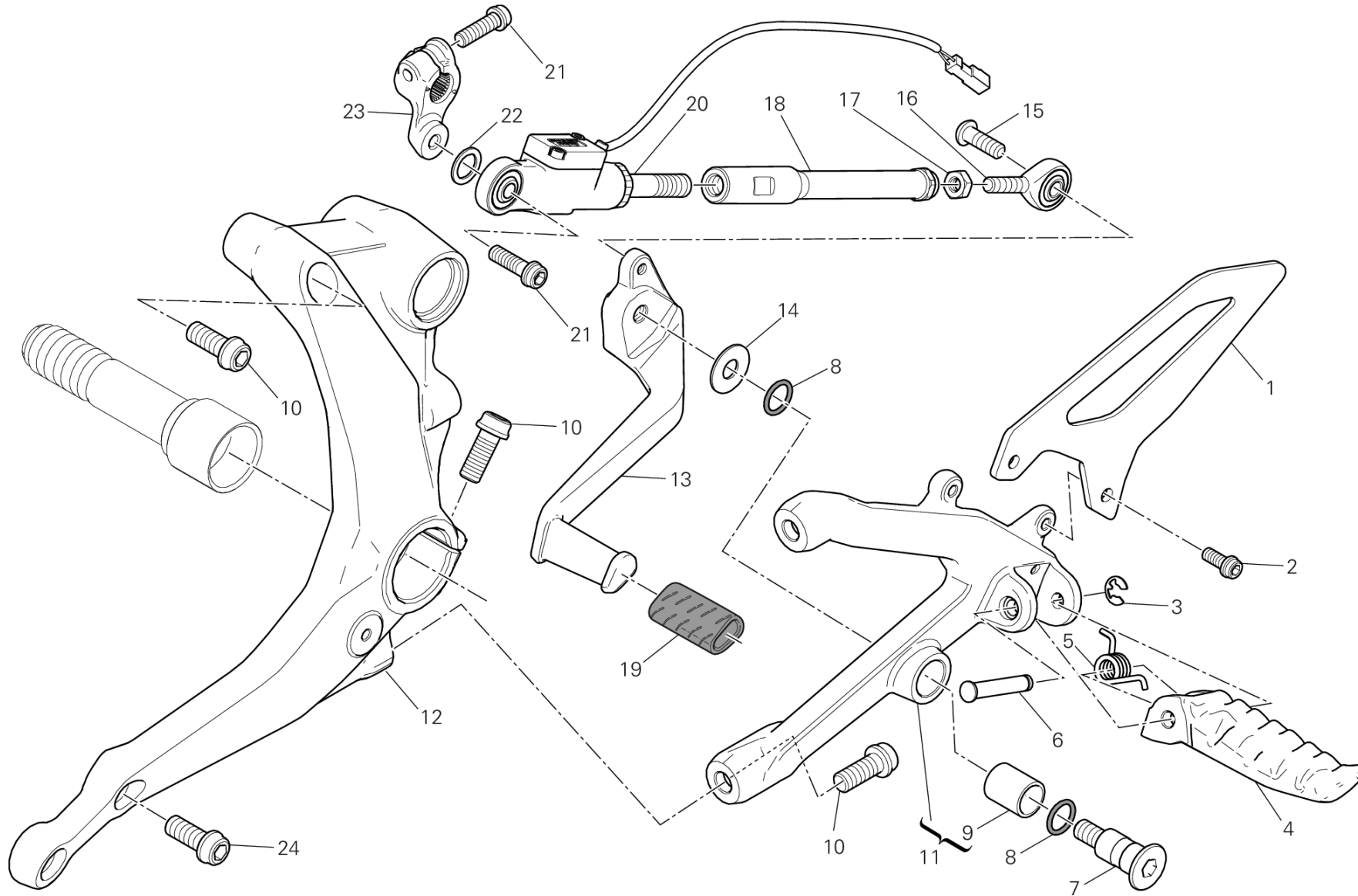


DRAWING 01C - WORKSHOP SERVICE TOOLS [MOD:1199S-A;XST:AUS,CHN,EUR,FRA,JAP]



GROUP TOOLS

POS.	CODE	DESCRIPTION	QTY	START DATE	END DATE	VALIDITY	NOTES
1	887133220	BENCH FOR ENGINE REPAIR	1			MOD:1199S-A;XST:AUS,CHN,EUR,FRA,JAP	
2	887133927	ENGINE MOUNT	1			MOD:1199S-A;XST:AUS,CHN,EUR,FRA,JAP	
3	887132951	TOOL BALANCING REAR WHEEL	1			MOD:1199S-A;XST:AUS,CHN,EUR,FRA,JAP	
4	887131074	TOOL DISASSEMBLING SWINGARM PIVOT	1			MOD:1199S-A;XST:AUS,CHN,EUR,FRA,JAP	
5	887133211	SPANNER FOR ADJUSTING THE ECCENTRIC HUB	1			MOD:1199S-A;XST:AUS,CHN,EUR,FRA,JAP	
6	887131010	CONNECTOR FOR EXHAUST GAS TAKE-UP POINT	1			MOD:1199S-A;XST:AUS,CHN,EUR,FRA,JAP	
7	887131058	SPANNER TO ASSEMBLE THE STEERING SLEEVE	1			MOD:1199S-A;XST:AUS,CHN,EUR,FRA,JAP	
8	887132409	TOOL ASSEMBLING SWINGARM BALL BEARING	1			MOD:1199S-A;XST:AUS,CHN,EUR,FRA,JAP	
9	887133529	BAR BUSHING SUPPORT (OHLINS)	1			MOD:1199S-A;XST:AUS,CHN,EUR,FRA,JAP	
10	887133527	TOOL INSTALLING SLIDING BUSHINGS (OHLINS)	1			MOD:1199S-A;XST:AUS,CHN,EUR,FRA,JAP	
11	887133528	TOOL REMOVING SLIDING BUSHINGS (OHLINS)	1			MOD:1199S-A;XST:AUS,CHN,EUR,FRA,JAP	
12	887131062	TOOL ASSEMBLING STEERING TUBE BEARING	1			MOD:1199S-A;XST:AUS,CHN,EUR,FRA,JAP	



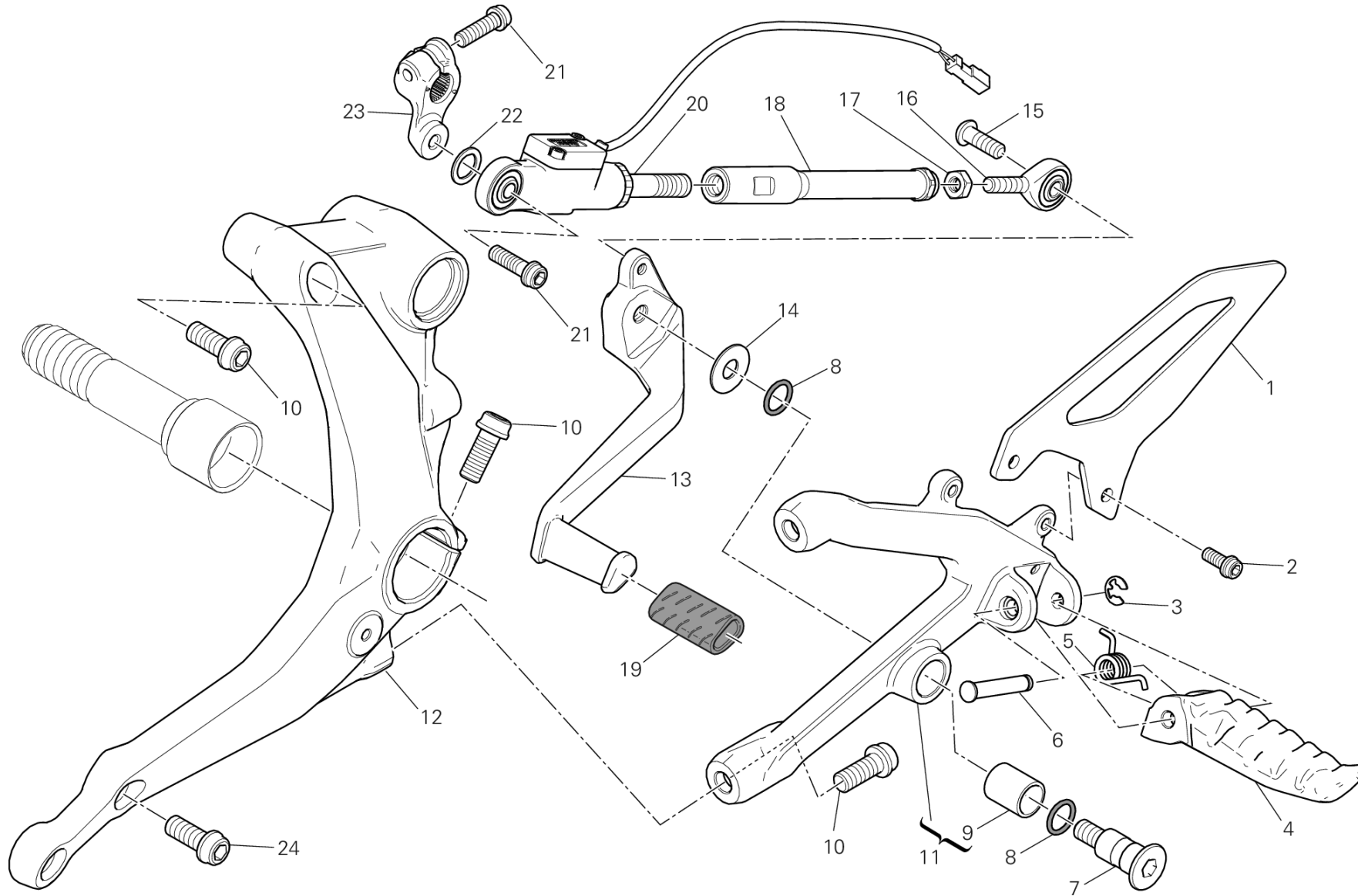
CMB00336

DRAWING 016 - FOOTRESTS, LEFT [MOD:1199S-A;XST:AUS,CHN,EUR,FRA,JAP]

GROUP FRAME



POS.	CODE	DESCRIPTION	QTY	START DATE	END DATE	VALIDITY	NOTES
1	24714041AA	HEEL GUARD FRONT LH	1			MOD:1199S- A;XST:AUS,CHN,EUR,FRA,JAP	
2	77156398B	SCREW TCEIF M5X12	2			MOD:1199S- A;XST:AUS,CHN,EUR,FRA,JAP	
3	88450031A	CIRCLIP E-TYPE	1			MOD:1199S- A;XST:AUS,CHN,EUR,FRA,JAP	
4	46410801AA	LEFT FOOTREST	1			MOD:1199S- A;XST:AUS,CHN,EUR,FRA,JAP	
5	79911661A	SPRING. FOOTREST	1			MOD:1199S- A;XST:AUS,CHN,EUR,FRA,JAP	
6	82110511AB	FOOTREST PIN	1			MOD:1199S- A;XST:AUS,CHN,EUR,FRA,JAP	
7	82111701B	PIN PEDAL	1			MOD:1199S- A;XST:AUS,CHN,EUR,FRA,JAP	
8	88641161A	O-RING	2			MOD:1199S- A;XST:AUS,CHN,EUR,FRA,JAP	
9	71210341A	BUSH	1			MOD:1199S- A;XST:AUS,CHN,EUR,FRA,JAP	
10	77157238B	SCREW TCEIF M8X20	4			MOD:1199S- A;XST:AUS,CHN,EUR,FRA,JAP	
11	82421861AA	FRONT L.H. PLATE	1			MOD:1199S- A;XST:AUS,CHN,EUR,FRA,JAP	
12	8291A431BA	HOLDER Sinistro	1			MOD:1199S- A;XST:AUS,CHN,EUR,FRA,JAP	
13	45612092BA	LEVA COMANDO CAMBIO	1			MOD:1199S- A;XST:AUS,CHN,EUR,FRA,JAP	
14	85211511A	WASHER	1			MOD:1199S- A;XST:AUS,CHN,EUR,FRA,JAP	
15	77550131A	SCREW	1			MOD:1199S- A;XST:AUS,CHN,EUR,FRA,JAP	
16	84850021A	BALL JOINT, RIGHT	1			MOD:1199S- A;XST:AUS,CHN,EUR,FRA,JAP	
17	74750101A	NUT 6MM	1			MOD:1199S- A;XST:AUS,CHN,EUR,FRA,JAP	



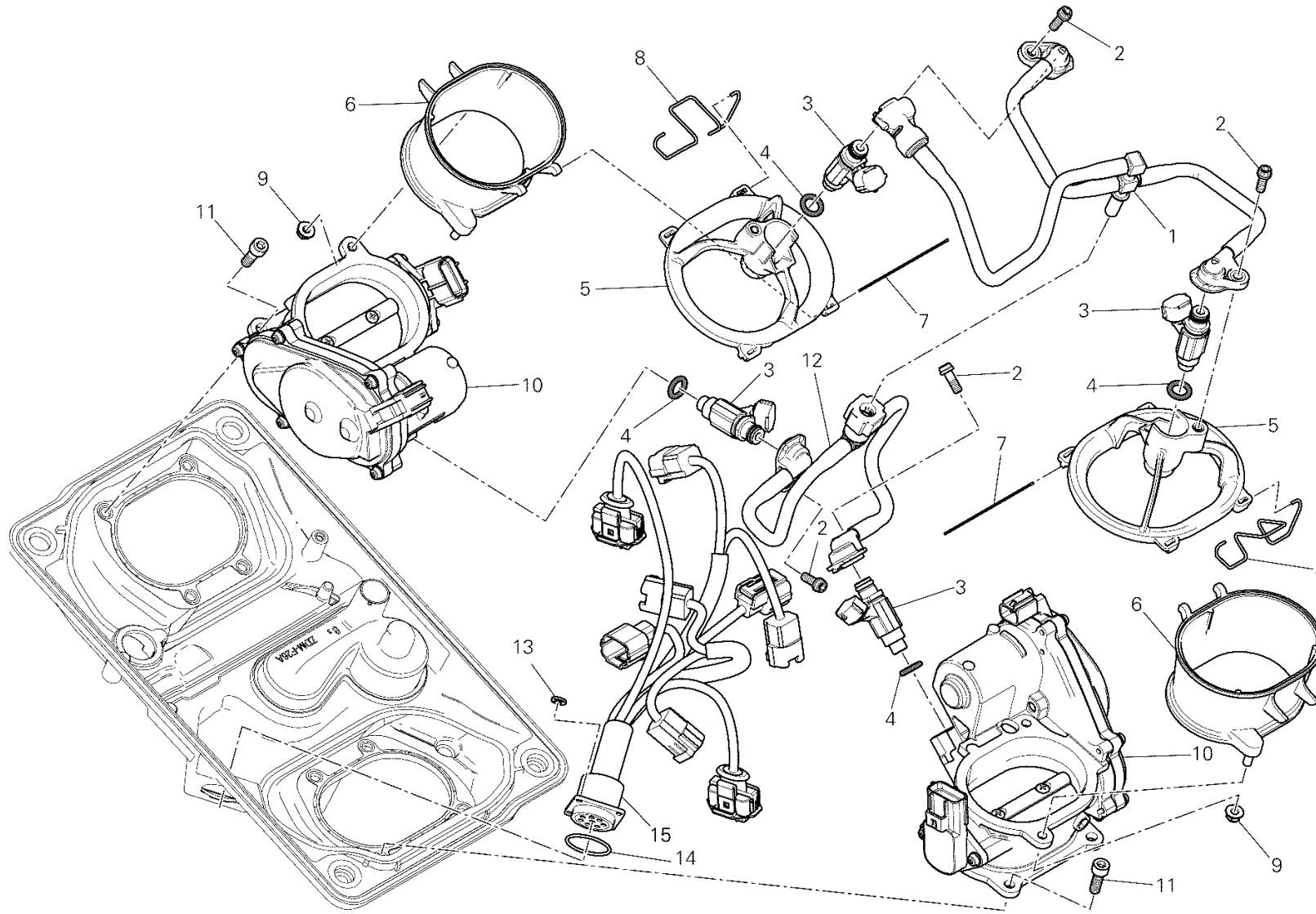
CMB00336

DRAWING 016 - FOOTRESTS, LEFT [MOD:1199S-A;XST:AUS,CHN,EUR,FRA,JAP]

GROUP FRAME



POS.	CODE	DESCRIPTION	QTY	START DATE	END DATE	VALIDITY	NOTES
18	11711261CA	GEARBOX DRIVING ROD	1			MOD:1199S-A;XST:AUS,CHN,EUR,FRA,JAP	
19	76410112A	COVER PEDAL	1			MOD:1199S-A;XST:AUS,CHN,EUR,FRA,JAP	
20	55212881C	DETECTOR Quick Shift	1			MOD:1199S-A;XST:AUS,CHN,EUR,FRA,JAP	
21	77156678B	SCREW TCEIF M6X20	2			MOD:1199S-A;XST:AUS,CHN,EUR,FRA,JAP	
22	85611271A	WASHER	1			MOD:1199S-A;XST:AUS,CHN,EUR,FRA,JAP	
23	45612101AA	GEAR CONTROL LEVER	1			MOD:1199S-A;XST:AUS,CHN,EUR,FRA,JAP	
24	77157288B	SCREW TCEIF M8X35	2	29/03/2012		MOD:1199S-A;XST:AUS,CHN,EUR,FRA,JAP	



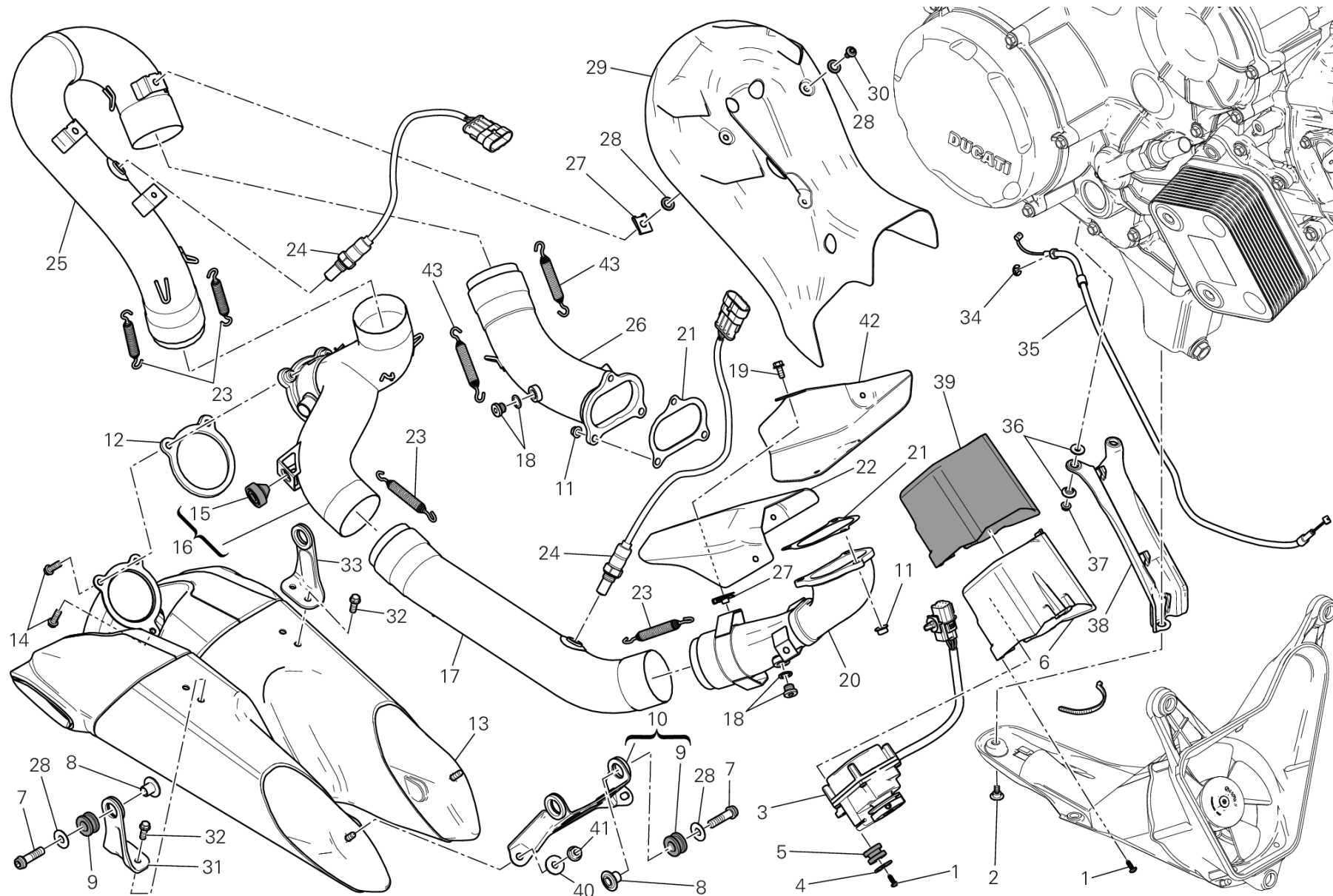
IMP00768

DRAWING 017 - THROTTLE BODY [MOD:1199S-A;XST:AUS,CHN,EUR,FRA,JAP]

GROUP FRAME

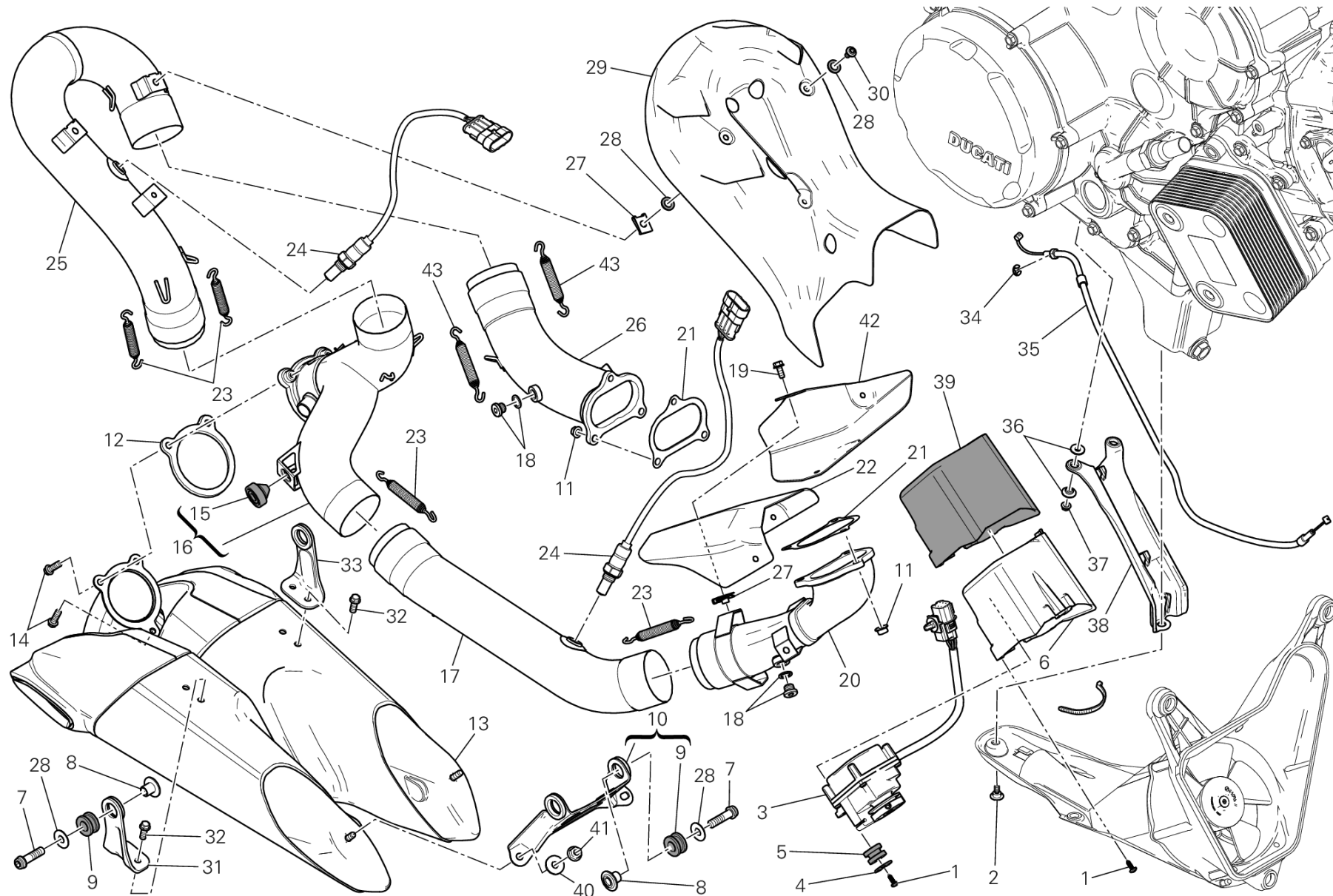


POS.	CODE	DESCRIPTION	QTY	START DATE	END DATE	VALIDITY	NOTES
1	59023511A	COMPLETE PIPE SET UPPER	1			MOD:1199S- A;XST:AUS,CHN,EUR,FRA,JAP	
2	77156408B	SCREW TCEIF M5X14	4			MOD:1199S- A;XST:AUS,CHN,EUR,FRA,JAP	
3	28040331A	INJECTOR	4			MOD:1199S- A;XST:AUS,CHN,EUR,FRA,JAP	
4	88610961A	O-RING	4			MOD:1199S- A;XST:AUS,CHN,EUR,FRA,JAP	
5	13510371B	INJECTOR HOLDER UPPER	2			MOD:1199S- A;XST:AUS,CHN,EUR,FRA,JAP	
6	13510361B	PIPE	2			MOD:1199S- A;XST:AUS,CHN,EUR,FRA,JAP	
7	79915421B	PIN	2			MOD:1199S- A;XST:AUS,CHN,EUR,FRA,JAP	
8	79915432B	SPRING	2			MOD:1199S- A;XST:AUS,CHN,EUR,FRA,JAP	
9	74810351B	NUT	4			MOD:1199S- A;XST:AUS,CHN,EUR,FRA,JAP	
10	28240893A	THROTTLE BODY	2			MOD:1199S- A;XST:AUS,CHN,EUR,FRA,JAP	
11	77150668B	SCREW TCEI M6X18	8			MOD:1199S- A;XST:AUS,CHN,EUR,FRA,JAP	
12	59023531A	COMPLETE PIPE SET BOTTOM	1			MOD:1199S- A;XST:AUS,CHN,EUR,FRA,JAP	
13	85041811A	REAR SPROCKET	4			MOD:1199S- A;XST:AUS,CHN,EUR,FRA,JAP	
14	88642061A	O-RING	1			MOD:1199S- A;XST:AUS,CHN,EUR,FRA,JAP	
15	51017731C	INJECTION WIRING	1			MOD:1199S- A;XST:AUS,CHN,EUR,FRA,JAP	



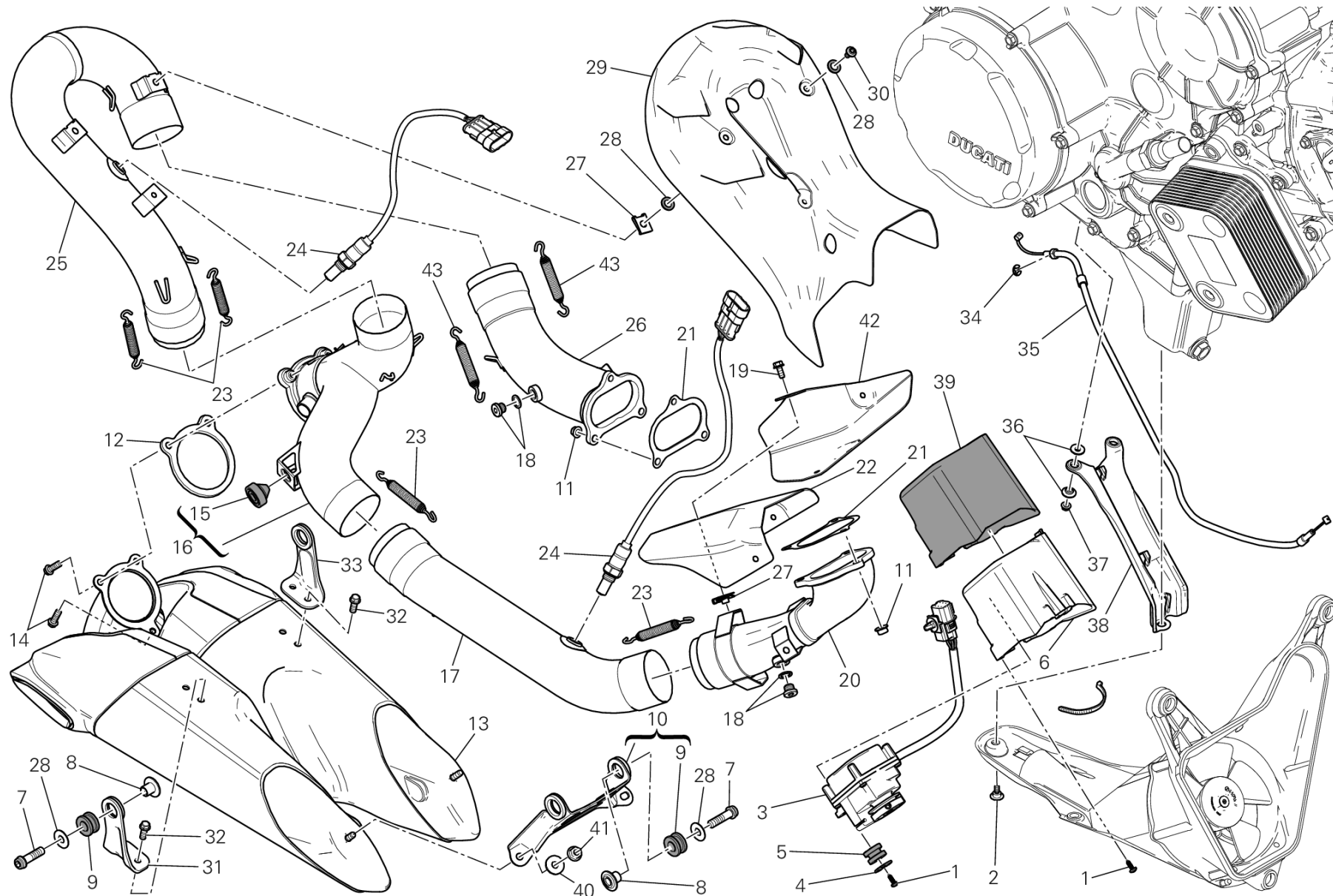


POS.	CODE	DESCRIPTION	QTY	START DATE	END DATE	VALIDITY	NOTES
1	77440203C	SCREW	6			MOD:1199S- A;XST:AUS,CHN,EUR,FRA	
2	77210852C	SCREW	1			MOD:1199S- A;XST:AUS,CHN,EUR,FRA	
3	59340392A	ELECTRIC MOTOR, EXHAUST VALVE	1			MOD:1199S- A;XST:AUS,CHN,EUR,FRA	
4	85213111AA	WASHER	2			MOD:1199S- A;XST:AUS,CHN,EUR,FRA	
5	76411301A	RUBBER PAD	2			MOD:1199S- A;XST:AUS,CHN,EUR,FRA	
6	46015262A	COVER	1			MOD:1199S- A;XST:AUS,CHN,EUR,FRA	
7	77157278B	SCREW TCEIF M8X30	4			MOD:1199S- A;XST:AUS,CHN,EUR,FRA	
8	71614391AA	SPACER	4			MOD:1199S- A;XST:AUS,CHN,EUR,FRA	
9	76411481A	RUBBER PAD	4			MOD:1199S- A;XST:AUS,CHN,EUR,FRA	
10	83026511BA	BRACKET Front	1			MOD:1199S- A;XST:AUS,CHN,EUR,FRA	
11	74810241A	NUT	6			MOD:1199S- A;XST:AUS,CHN,EUR,FRA	
12	79010251A	GASKET, EXHAUST PIPE	1			MOD:1199S- A;XST:AUS,CHN,EUR,FRA	
13	57413243B	SILENCER	1	01/11/2012		MOD:1199S- A;XST:AUS,CHN,EUR,FRA	EUR - AUS - FRA - BRA - CHN - TWN
14	77156658B	SCREW TCEIF M6X16	3			MOD:1199S- A;XST:AUS,CHN,EUR,FRA	
15	76410631A	RUBBER PAD	1			MOD:1199S- A;XST:AUS,CHN,EUR,FRA	
16	57013152B	PIPE, EXHAUST CENTER	1			MOD:1199S- A;XST:AUS,CHN,EUR,FRA	
17	57013072A	EXHAUST PIPE HORIZONTAL	1			MOD:1199S- A;XST:AUS,CHN,EUR,FRA	





POS.	CODE	DESCRIPTION	QTY	START DATE	END DATE	VALIDITY	NOTES
18	78020011A	PLUG	2			MOD:1199S- A;XST:AUS,CHN,EUR,FRA	
19	77250728B	SCREW TEF M5X12	4			MOD:1199S- A;XST:AUS,CHN,EUR,FRA	
20	57013061C	EXHAUST MANIFOLD HORIZONTAL	1			MOD:1199S- A;XST:AUS,CHN,EUR,FRA	
21	79010231B	GASKET, EXHAUST PIPE	2			MOD:1199S- A;XST:AUS,CHN,EUR,FRA	
22	46015331BA	HEAT GUARD HORIZONTAL	1			MOD:1199S- A;XST:AUS,CHN,EUR,FRA	
23	79912632A	SPRING, EXHAUST PIPE	4			MOD:1199S- A;XST:AUS,CHN,EUR,FRA	
24	55212092A	SENSOR LAMBDA SOND	2			MOD:1199S- A;XST:AUS,CHN,EUR,FRA	
25	57113002C	PIPE, EXHAUST Verticale	1			MOD:1199S- A;XST:AUS,CHN,EUR,FRA	
26	57112992C	EXHAUST MANIFOLD VERTICAL	1			MOD:1199S- A;XST:AUS,CHN,EUR,FRA	
27	85040551A	QUICK FASTENING	7			MOD:1199S- A;XST:AUS,CHN,EUR,FRA	
28	85210532A	WASHER 8.2X20X1	4			MOD:1199S- A;XST:AUS,CHN,EUR,FRA	
29	46015031AA	HEAT GUARD VERTICAL	1			MOD:1199S- A;XST:AUS,CHN,EUR,FRA	
30	77213168B	SCREW	3			MOD:1199S- A;XST:AUS,CHN,EUR,FRA	
31	83016491AA	BRACKET REAR RH	1			MOD:1199S- A;XST:AUS,CHN,EUR,FRA	
32	77251018B	SCREW TEF M6X20	4			MOD:1199S- A;XST:AUS,CHN,EUR,FRA	
33	83016501AA	BRACKET REAR L.H.	1			MOD:1199S- A;XST:AUS,CHN,EUR,FRA	
34	88450031A	CIRCLIP E-TYPE	2			MOD:1199S- A;XST:AUS,CHN,EUR,FRA	





POS.	CODE	DESCRIPTION	QTY	START DATE	END DATE	VALIDITY	NOTES
35	73210331B	EXHAUST VALVE ENGINE CABLE	1			MOD:1199S- A;XST:AUS,CHN,EUR,FRA	
36	71614071A	SPACER 5.2X8.4X2	4			MOD:1199S- A;XST:AUS,CHN,EUR,FRA	
37	74840381A	NUT M5	2			MOD:1199S- A;XST:AUS,CHN,EUR,FRA	
38	46015393A	HEAT GUARD BOTTOM	1			MOD:1199S- A;XST:AUS,CHN,EUR,FRA	
39	46015741A	PROTECTION, HEAT	1			MOD:1199S- A;XST:AUS,CHN,EUR,FRA	
40	85250291A	WASHER 6.4X18X1.6	2			MOD:1199S- A;XST:AUS,CHN,EUR,FRA	
41	74810361A	NUT 6MM	2			MOD:1199S- A;XST:AUS,CHN,EUR,FRA	
42	46015781AA	GUARD Orizzontale	1			MOD:1199S- A;XST:AUS,CHN,EUR,FRA	
43	79915651A	SPRING	2			MOD:1199S- A;XST:AUS,CHN,EUR,FRA	

DRAWING 020 - FANALE ANTERIORE E CRUSCOTTO [MOD:1199S-A;XST:AUS,CHN,EUR,FRA,JAP]



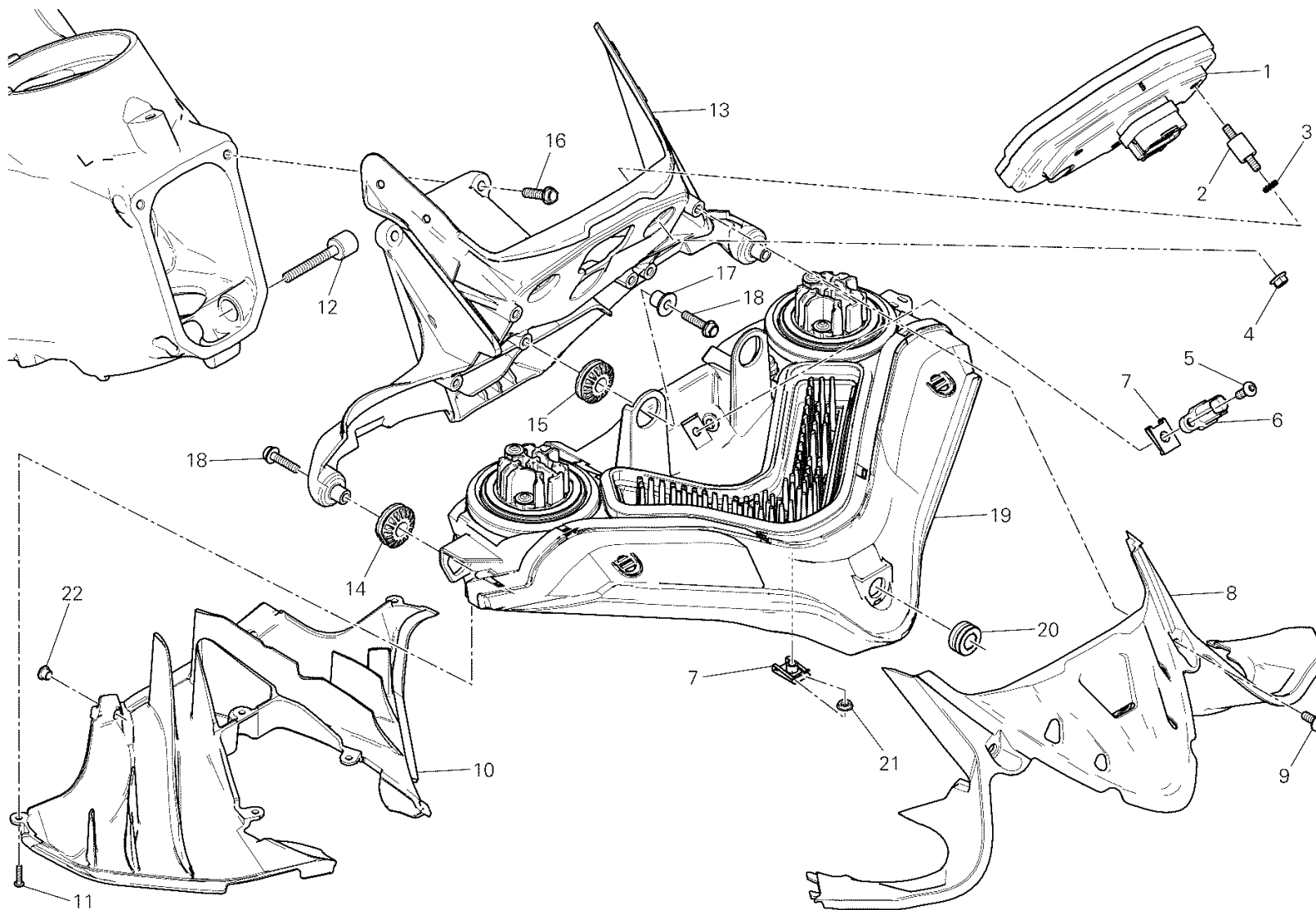
GROUP FRAME

POS.	CODE	DESCRIPTION	QTY	START DATE	END DATE	VALIDITY	NOTES
1	40610901E	INSTRUMENT PANEL	1			MOD:1199S-A;XST:AUS,CHN,EUR,FRA,JAP	
2	70010431A	DAMPER	3			MOD:1199S-A;XST:AUS,CHN,EUR,FRA,JAP	
3	46240461A	WASHER, SPRING	3			MOD:1199S-A;XST:AUS,CHN,EUR,FRA,JAP	
4	74840381A	NUT M5	3			MOD:1199S-A;XST:AUS,CHN,EUR,FRA,JAP	
5	77510041A	SCREW TBEI M5X14	1			MOD:1199S-A;XST:AUS,CHN,EUR,FRA,JAP	
6	55241581A	SENSOR, AIR TEMPERATURE	1			MOD:1199S-A;XST:AUS,CHN,EUR,FRA,JAP	
7	85040551A	QUICK FASTENING	1			MOD:1199S-A;XST:AUS,CHN,EUR,FRA,JAP	
8	46015281A	COVER, METER	1			MOD:1199S-A;XST:AUS,CHN,EUR,FRA,JAP	
9	77240253C	SCREW	4			MOD:1199S-A;XST:AUS,CHN,EUR,FRA,JAP	
10	48411031B	AIR CONVEYOR	1			MOD:1199S-A;XST:AUS,CHN,EUR,FRA,JAP	
11	77440101A	SCREW, TAPPING 3.5X10	5			MOD:1199S-A;XST:AUS,CHN,EUR,FRA,JAP	
12	77916821BA	SCREW, SPECIAL	1			MOD:1199S-A;XST:AUS,CHN,EUR,FRA,JAP	
13	8291A553BA	HEAD-LIGHT SUPPORT	1			MOD:1199S-A;XST:AUS,CHN,EUR,FRA,JAP	
14	76411641A	SEAT RUBBER	2			MOD:1199S-A;XST:AUS,CHN,EUR,FRA,JAP	
15	76411361A	VIBRATION DAMPER PAD	2			MOD:1199S-A;XST:AUS,CHN,EUR,FRA,JAP	
16	77251018B	SCREW TEF M6X20	2			MOD:1199S-A;XST:AUS,CHN,EUR,FRA,JAP	
17	71614381AA	SPACER	2			MOD:1199S-A;XST:AUS,CHN,EUR,FRA,JAP	



DRAWING 020 - FANALE ANTERIORE E CRUSCOTTO [MOD:1199S-A;XST:AUS,CHN,EUR,FRA,JAP]

GROUP FRAME



FAN00229

DRAWING 020 - FANALE ANTERIORE E CRUSCOTTO [MOD:1199S-A;XST:AUS,CHN,EUR,FRA,JAP]



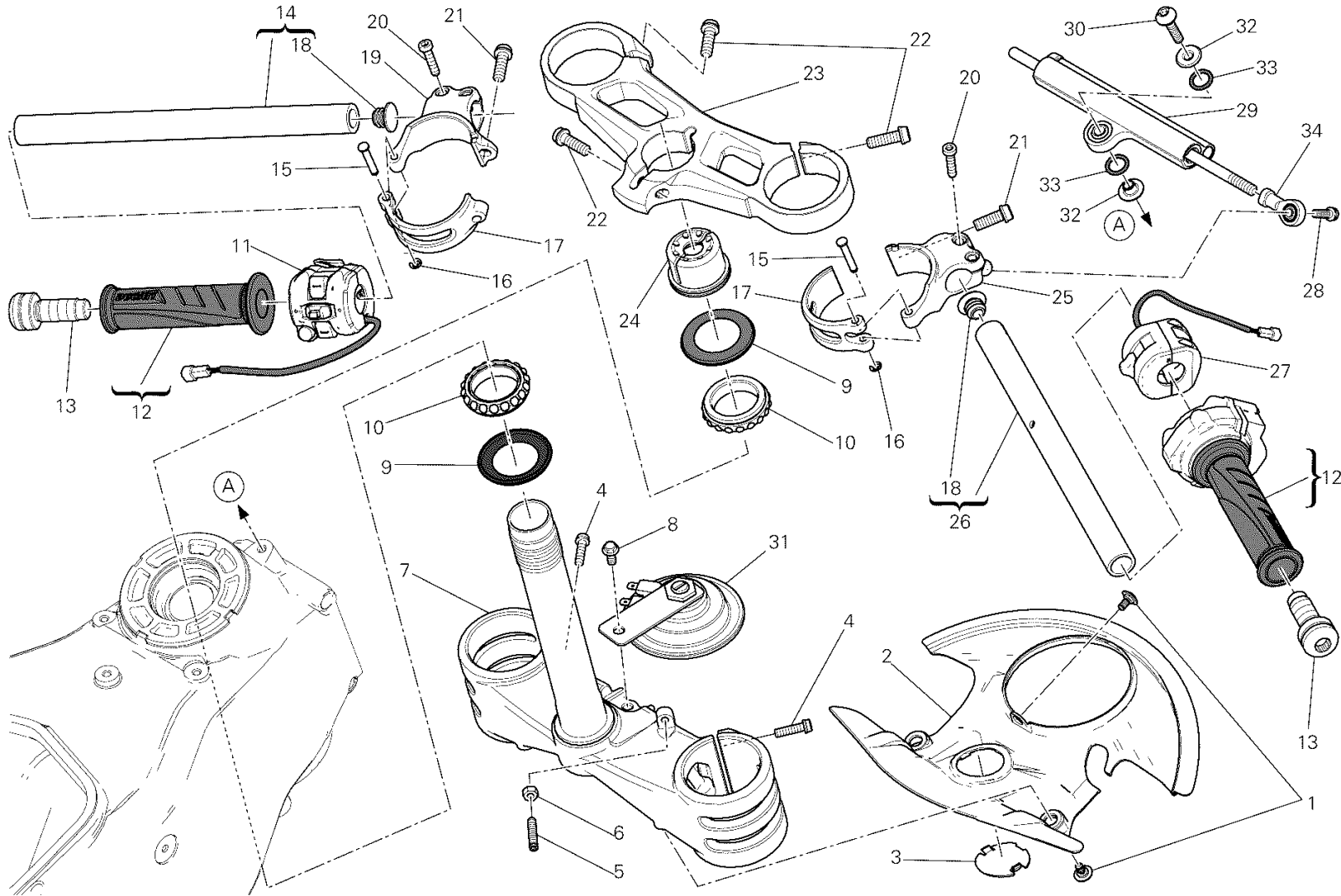
GROUP FRAME

POS.	CODE	DESCRIPTION	QTY	START DATE	END DATE	VALIDITY	NOTES
18	77250788B	SCREW	4			MOD:1199S-A;XST:AUS,CHN,EUR,FRA,JAP	
19	52010228B	HEADLIGHT FRONT	1			MOD:1199S-A;XST:AUS,CHN,EUR,FRA,JAP	
20	76410901A	RUBBER PAD	1			MOD:1199S-A;XST:AUS,CHN,EUR,FRA,JAP	
21	71114122AA	SPACER	1			MOD:1199S-A;XST:AUS,CHN,EUR,FRA,JAP	
22	87240761A	PLUG	1			MOD:1199S-A;XST:AUS,CHN,EUR,FRA,JAP	



DRAWING 021 - SEMIMANUBRI - AMMORTIZZATORE DI STERZO [MOD:1199S-A;XST:AUS,CHN,EUR,FRA,JAP]

GROUP FRAME



SOS00627

DRAWING 021 - SEMIMANUBRI - AMMORTIZZATORE DI STERZO [MOD:1199S-A;XST:AUS,CHN,EUR,FRA,JAP]



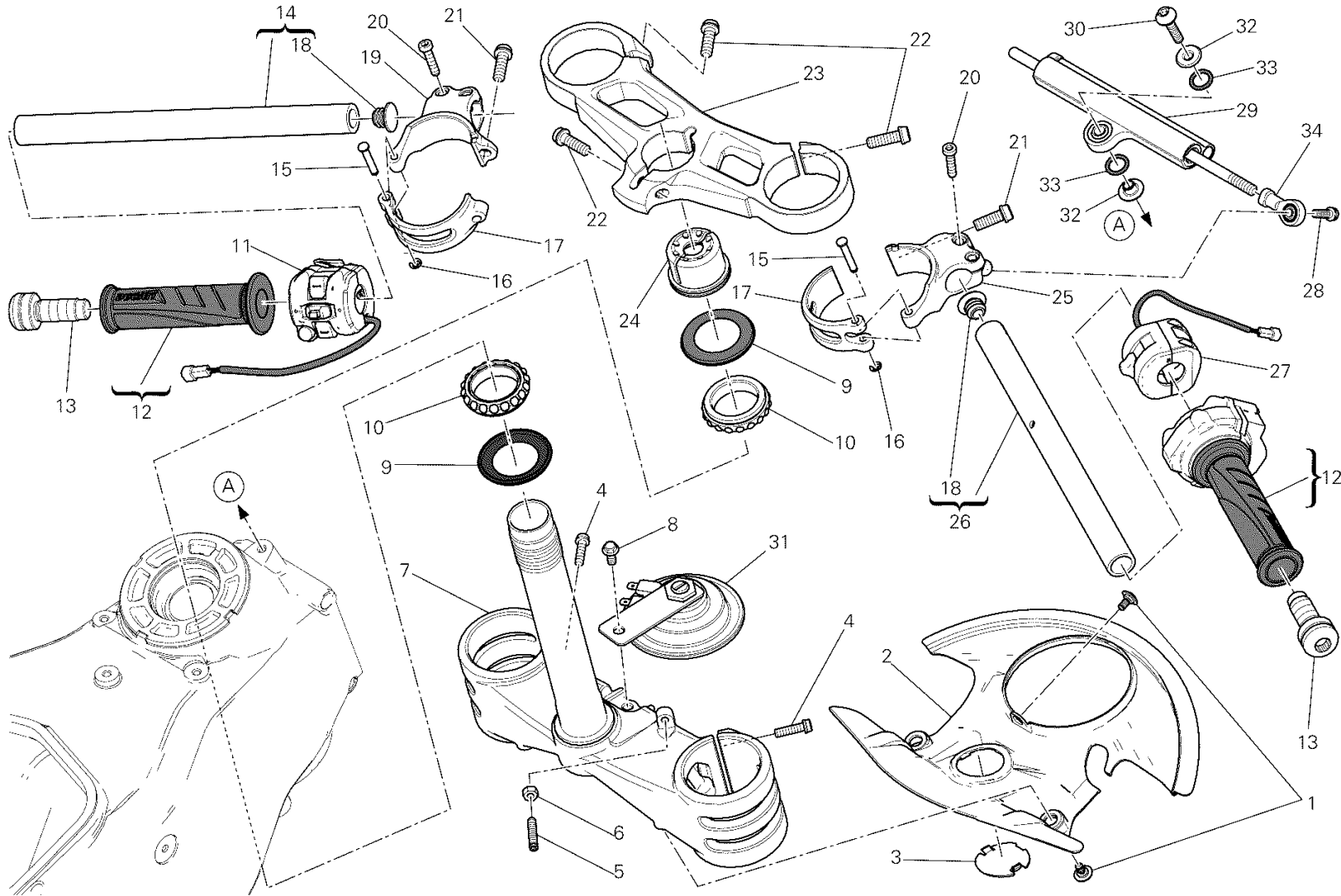
GROUP FRAME

POS.	CODE	DESCRIPTION	QTY	START DATE	END DATE	VALIDITY	NOTES
1	77211251B	SCREW M5X9	3			MOD:1199S-A;XST:AUS,CHN,EUR,FRA,JAP	
2	46014971B	MUDFLAP	1			MOD:1199S-A;XST:AUS,CHN,EUR,FRA,JAP	
3	87210722A	PLUG	1			MOD:1199S-A;XST:AUS,CHN,EUR,FRA,JAP	
4	77156688B	SCREW TCEIF M6X22X18	6			MOD:1199S-A;XST:AUS,CHN,EUR,FRA,JAP	
5	77912981A	SCREW, SPECIAL	2			MOD:1199S-A;XST:AUS,CHN,EUR,FRA,JAP	
6	74750031A	NUT 6MM	2			MOD:1199S-A;XST:AUS,CHN,EUR,FRA,JAP	
7	34220681AA	STEERING HEAD BASE	1			MOD:1199S-A;XST:AUS,CHN,EUR,FRA,JAP	
8	77210741A	SCREW TEF M8X12	1			MOD:1199S-A;XST:AUS,CHN,EUR,FRA,JAP	
9	93010041B	SEAL RING	2			MOD:1199S-A;XST:AUS,CHN,EUR,FRA,JAP	
10	70241231A	BEARING, STEERING NTN SF07A17P	2			MOD:1199S-A;XST:AUS,CHN,EUR,FRA,JAP	
11	65110112E	LEFT SWITCH	1			MOD:1199S-A;XST:AUS,CHN,EUR,FRA,JAP	
12	66020011B	THROTTLE CONTROL	1			MOD:1199S-A;XST:AUS,CHN,EUR,FRA,JAP	
13	15310121A	COUNTERWEIGHT	2			MOD:1199S-A;XST:AUS,CHN,EUR,FRA,JAP	
14	875P1731BA	HANDLEBAR TUBE L.H.	1			MOD:1199S-A;XST:AUS,CHN,EUR,FRA,JAP	
15	82113822BA	PIN	2			MOD:1199S-A;XST:AUS,CHN,EUR,FRA,JAP	
16	88450021A	SPRING RING	2			MOD:1199S-A;XST:AUS,CHN,EUR,FRA,JAP	
17	36011341BA	CLAMP REAR	2			MOD:1199S-A;XST:AUS,CHN,EUR,FRA,JAP	



DRAWING 021 - SEMIMANUBRI - AMMORTIZZATORE DI STERZO [MOD:1199S-A;XST:AUS,CHN,EUR,FRA,JAP]

GROUP FRAME



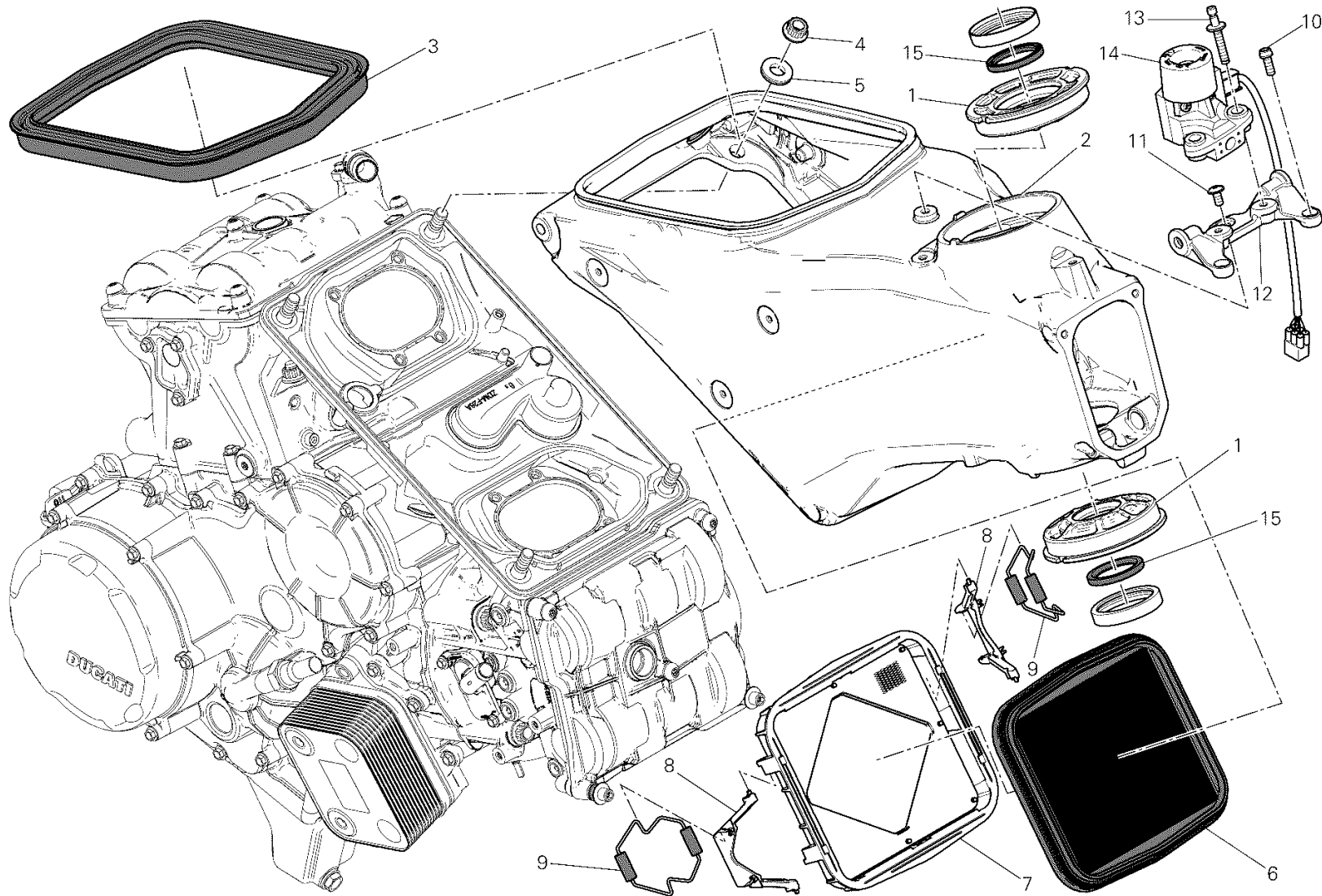
SOS00627

DRAWING 021 - SEMIMANUBRI - AMMORTIZZATORE DI STERZO [MOD:1199S-A;XST:AUS,CHN,EUR,FRA,JAP]



GROUP FRAME

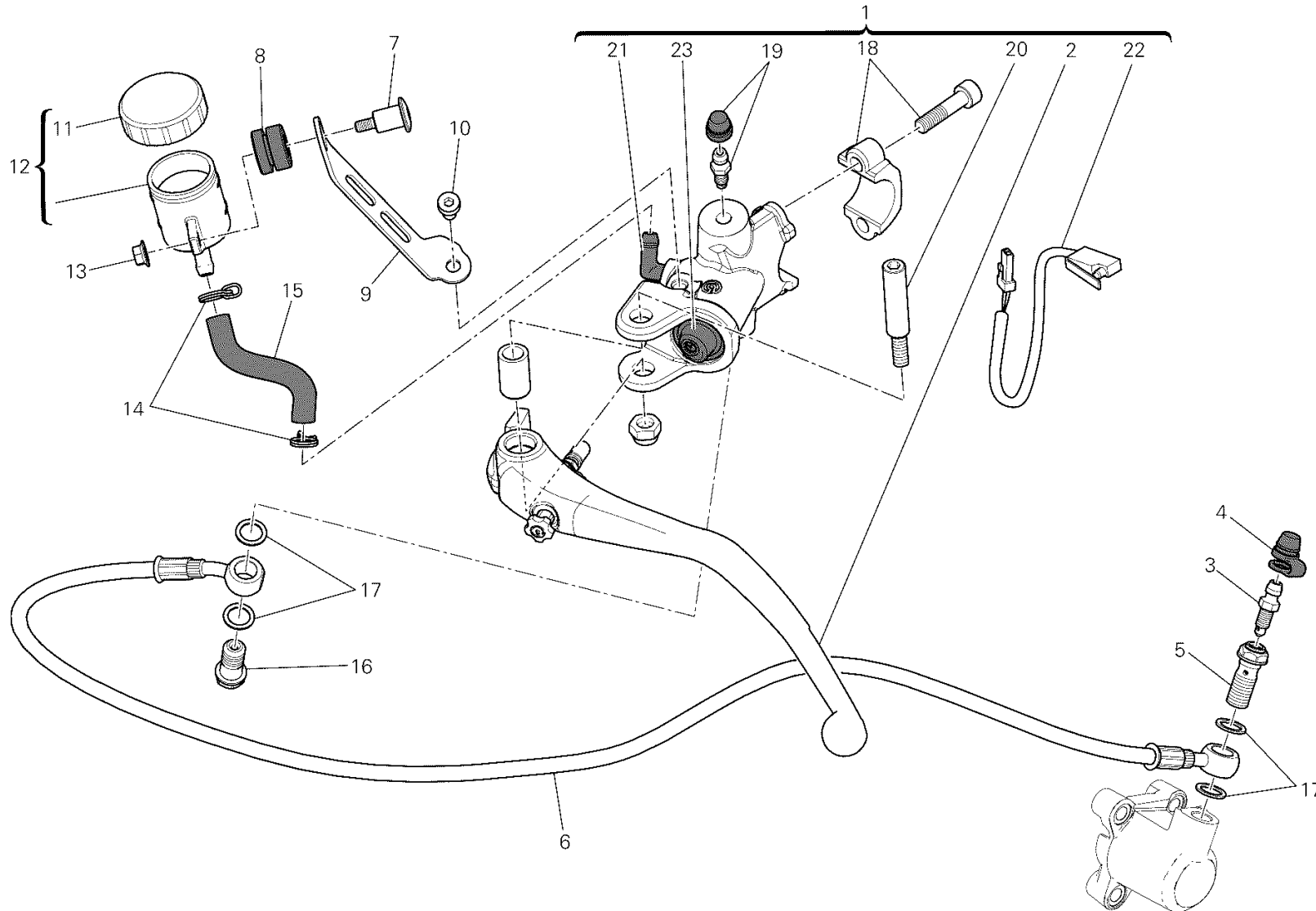
POS.	CODE	DESCRIPTION	QTY	START DATE	END DATE	VALIDITY	NOTES
18	87210481A	CAP	2			MOD:1199S-A;XST:AUS,CHN,EUR,FRA,JAP	
19	36011331BA	CLAMP FRONT LH	1			MOD:1199S-A;XST:AUS,CHN,EUR,FRA,JAP	
20	77354888B	SCREW	4			MOD:1199S-A;XST:AUS,CHN,EUR,FRA,JAP	
21	77157248B	SCREW TCEIF M8X22	2			MOD:1199S-A;XST:AUS,CHN,EUR,FRA,JAP	
22	77157258B	SCREW TCEIF M8X25	3			MOD:1199S-A;XST:AUS,CHN,EUR,FRA,JAP	
23	34110891CA	STEERING HEAD	1			MOD:1199S-A;XST:AUS,CHN,EUR,FRA,JAP	
24	70310601BA	RING NUT	1			MOD:1199S-A;XST:AUS,CHN,EUR,FRA,JAP	
25	36011321BA	CLAMP FRONT RH	1			MOD:1199S-A;XST:AUS,CHN,EUR,FRA,JAP	
26	875P1741BA	HANDLEBAR TUBE R.H.	1			MOD:1199S-A;XST:AUS,CHN,EUR,FRA,JAP	
27	65010092I	RIGHT SWITCH	1			MOD:1199S-A;XST:AUS,CHN,EUR,FRA,JAP	
28	77156668B	SCREW TCEIF M6X18	1			MOD:1199S-A;XST:AUS,CHN,EUR,FRA,JAP	
29	36420111A	STEERING DAMPER	1			MOD:1199S-A;XST:AUS,CHN,EUR,FRA,JAP	
30	77917392AA	SCREW, SPECIAL	1			MOD:1199S-A;XST:AUS,CHN,EUR,FRA,JAP	
31	51640011AB	HORN	1			MOD:1199S-A;XST:AUS,CHN,EUR,FRA,JAP	
32	71319961CA	SPACER	2	03/09/2012		MOD:1199S-A;XST:AUS,CHN,EUR,FRA,JAP	
33	88641061A	O-RING 12.42X1.78	2			MOD:1199S-A;XST:AUS,CHN,EUR,FRA,JAP	
34	84820112AA	BALL JOINT	1			MOD:1199S-A;XST:AUS,CHN,EUR,FRA,JAP	



TEL00707



POS.	CODE	DESCRIPTION	QTY	START DATE	END DATE	VALIDITY	NOTES
1	75610142AA	BUSH	2			MOD:1199S- A;XST:AUS,CHN,EUR,FRA,JAP	
2	47012051CA	FRAME	1			MOD:1199S- A;XST:AUS,CHN,EUR,FRA,JAP	
3	78811182A	GUARNIZIONE AIRBOX - SERBATOIO	1			MOD:1199S- A;XST:AUS,CHN,EUR,FRA,JAP	
4	74810461A	NUT, FLANGE M10X1	4			MOD:1199S- A;XST:AUS,CHN,EUR,FRA,JAP	
5	85540031A	WASHER, SPRING	4			MOD:1199S- A;XST:AUS,CHN,EUR,FRA,JAP	
6	42610341B	FILTER, AIR	1			MOD:1199S- A;XST:AUS,CHN,EUR,FRA,JAP	
7	8291A481B	BRACKET, FILTER	1			MOD:1199S- A;XST:AUS,CHN,EUR,FRA,JAP	
8	83016582A	BRACKET	2			MOD:1199S- A;XST:AUS,CHN,EUR,FRA,JAP	
9	79915493A	SPRING	2			MOD:1199S- A;XST:AUS,CHN,EUR,FRA,JAP	
10	77156658B	SCREW TCEIF M6X16	2			MOD:1199S- A;XST:AUS,CHN,EUR,FRA,JAP	
11	77240408C	SCREW	1			MOD:1199S- A;XST:AUS,CHN,EUR,FRA,JAP	
12	83016471AA	BRACKET	1			MOD:1199S- A;XST:AUS,CHN,EUR,FRA,JAP	
13	77916811AA	SCREW, SPECIAL	2			MOD:1199S- A;XST:AUS,CHN,EUR,FRA,JAP	
14	38510201B	INTERRUTTORE A CHIAVE	1			MOD:1199S- A;XST:AUS,CHN,EUR,FRA,JAP	
15	93041911A	DUST COVER	2			MOD:1199S- A;XST:AUS,CHN,EUR,FRA,JAP	



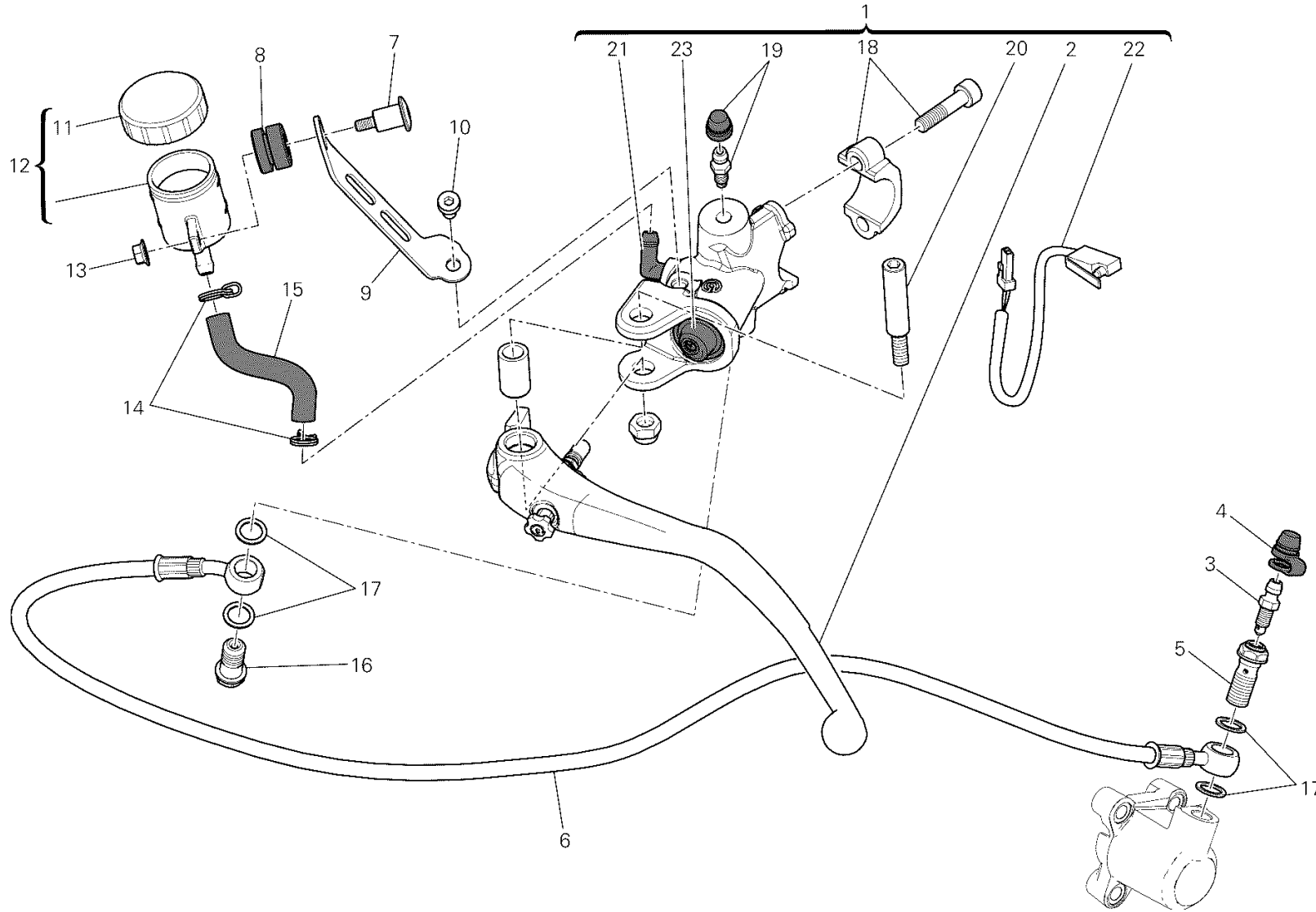
BRB00385

DRAWING 023 - CLUTCH CONTROL [MOD:1199S-A;XST:AUS,CHN,EUR,FRA,JAP]

GROUP FRAME



POS.	CODE	DESCRIPTION	QTY	START DATE	END DATE	VALIDITY	NOTES
1	63040601B	CLUTCH PUMP	1			MOD:1199S- A;XST:AUS,CHN,EUR,FRA,JAP	
2	63140501A	LEVER, CLUTCH LIFTER	1			MOD:1199S- A;XST:AUS,CHN,EUR,FRA,JAP	
3	18710021A	VALVE, BREATHER	1			MOD:1199S- A;XST:AUS,CHN,EUR,FRA,JAP	
4	61240051A	DUST COVER	1			MOD:1199S- A;XST:AUS,CHN,EUR,FRA,JAP	
5	77913971A	BOLT, BRAKE HOSE	1			MOD:1199S- A;XST:AUS,CHN,EUR,FRA,JAP	
6	63210611A	CLUTCH CONTROL PIPE METAL PLAIED	1			MOD:1199S- A;XST:AUS,CHN,EUR,FRA,JAP	(ABS)
7	77910921A	SCREW	1			MOD:1199S- A;XST:AUS,CHN,EUR,FRA,JAP	
8	037072020	DAMPER	1			MOD:1199S- A;XST:AUS,CHN,EUR,FRA,JAP	
9	8291A701AA	BRACKET	1			MOD:1199S- A;XST:AUS,CHN,EUR,FRA,JAP	
10	77350623B	SCREW TCEIR M6X10	1			MOD:1199S- A;XST:AUS,CHN,EUR,FRA,JAP	
11	89340051A	COVER MASTER CYLINDER	1			MOD:1199S- A;XST:AUS,CHN,EUR,FRA,JAP	
12	58540081A	RESERVOIR, BRAKE FLUID	1			MOD:1199S- A;XST:AUS,CHN,EUR,FRA,JAP	
13	74941108B	NUT, SELF LOCKING M5	1			MOD:1199S- A;XST:AUS,CHN,EUR,FRA,JAP	
14	74140431A	CLAMP	2			MOD:1199S- A;XST:AUS,CHN,EUR,FRA,JAP	
15	87711131A	PIPE	1			MOD:1199S- A;XST:AUS,CHN,EUR,FRA,JAP	
16	77913661AB	BOLT, BRAKE HOSE M10X1	1			MOD:1199S- A;XST:AUS,CHN,EUR,FRA,JAP	
17	85250241A	WASHER 10X14X1	4			MOD:1199S- A;XST:AUS,CHN,EUR,FRA,JAP	



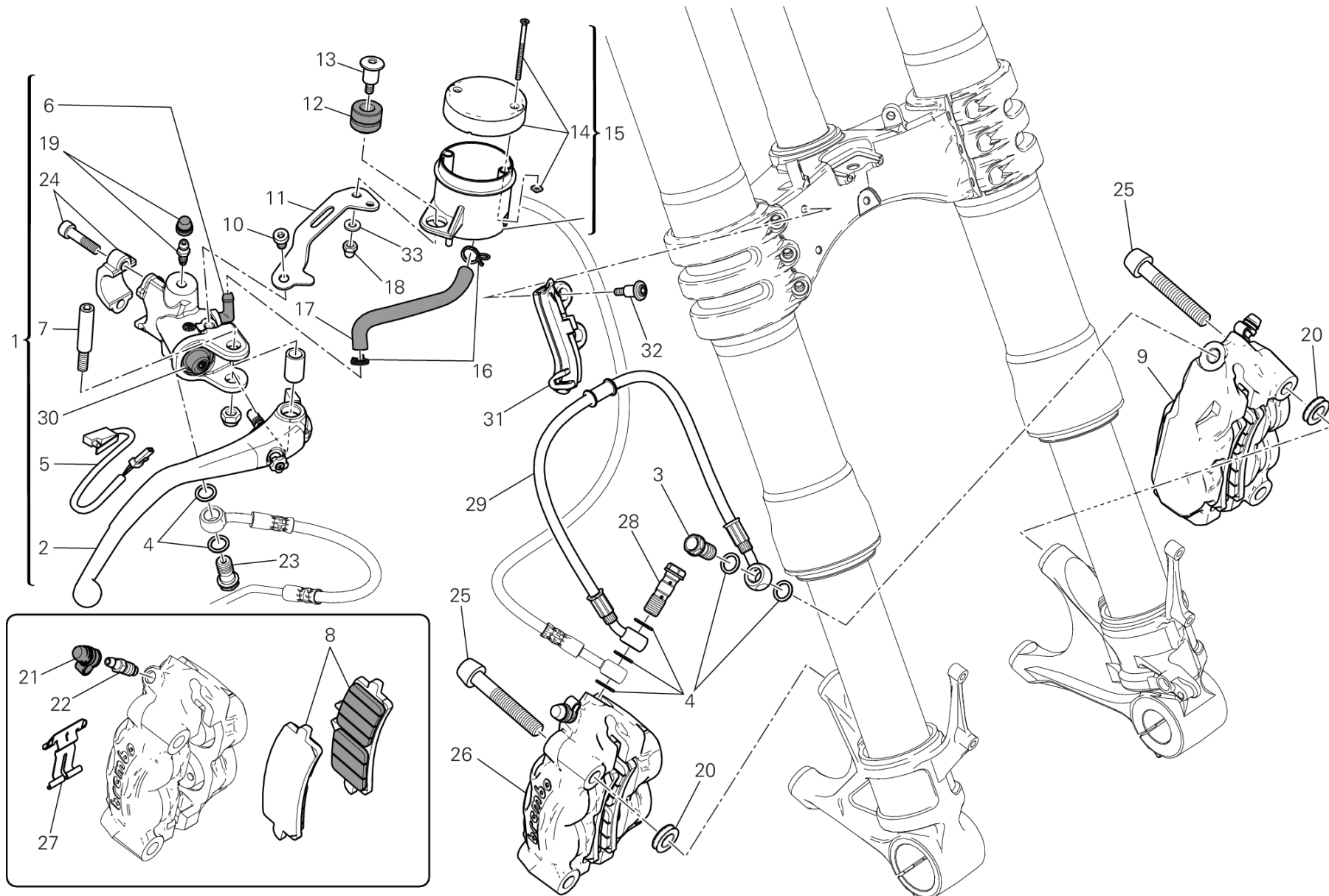
BRB00385

DRAWING 023 - CLUTCH CONTROL [MOD:1199S-A;XST:AUS,CHN,EUR,FRA,JAP]

GROUP FRAME



POS.	CODE	DESCRIPTION	QTY	START DATE	END DATE	VALIDITY	NOTES
18	62640571A	BRACKET, MASTER CYLINDER	1			MOD:1199S-A;XST:AUS,CHN,EUR,FRA,JAP	
19	63140281A	FRONT CALIPER DRAIN SCREW	1			MOD:1199S-A;XST:AUS,CHN,EUR,FRA,JAP	
20	62640561A	BOLT, LEVER	1			MOD:1199S-A;XST:AUS,CHN,EUR,FRA,JAP	
21	63140081A	JOINT, HOSE	1			MOD:1199S-A;XST:AUS,CHN,EUR,FRA,JAP	
22	53940361A	SWITCH, CLUTCH	1			MOD:1199S-A;XST:AUS,CHN,EUR,FRA,JAP	
23	61240391A	DUST COVER	1			MOD:1199S-A;XST:AUS,CHN,EUR,FRA,JAP	

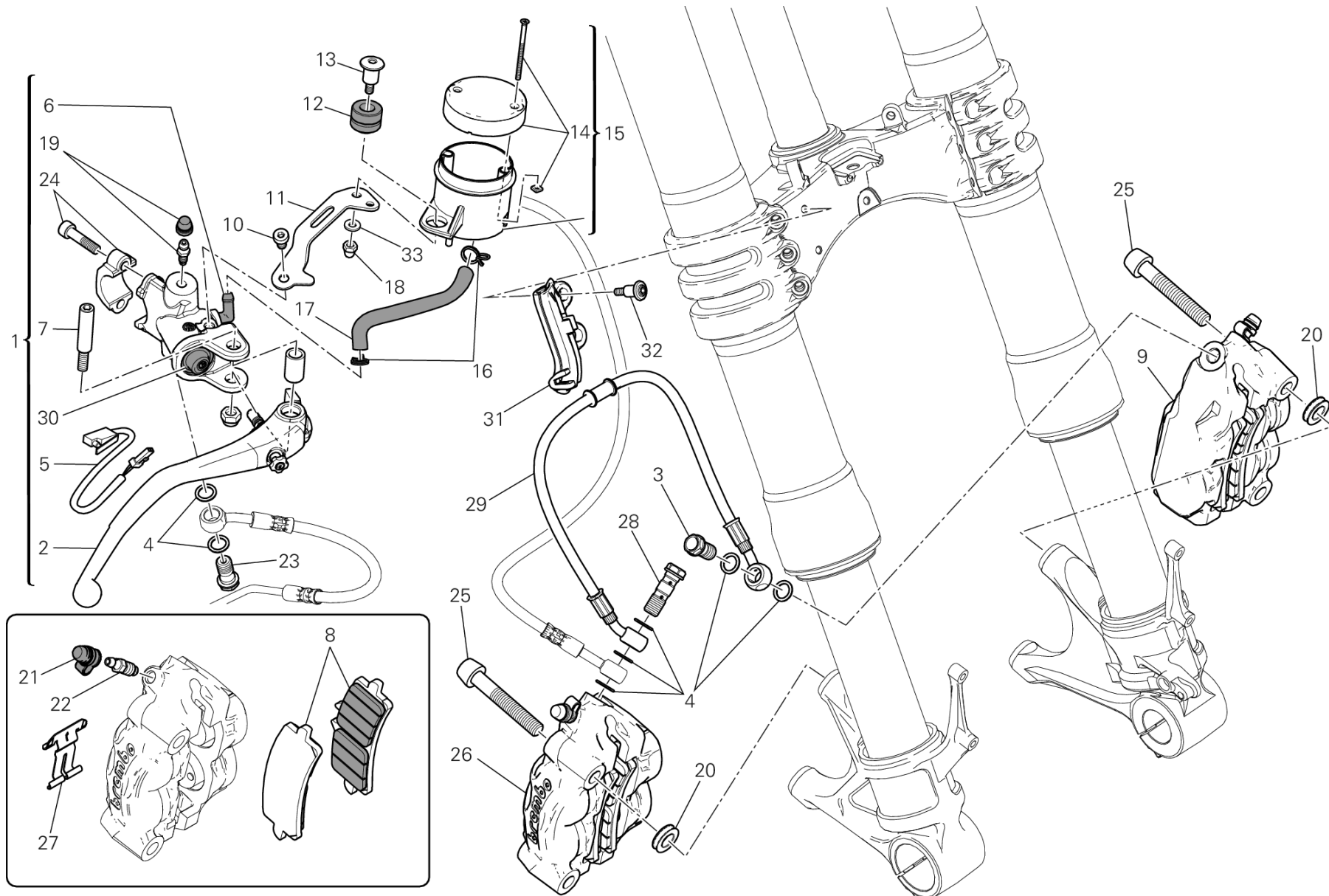


DRAWING 024 - FRENO ANTERIORE [MOD:1199S-A;XST:AUS,CHN,EUR,FRA,JAP]

GROUP FRAME



POS.	CODE	DESCRIPTION	QTY	START DATE	END DATE	VALIDITY	NOTES
1	62440761B	FRONT BRAKE PUMP	1			MOD:1199S- A;XST:AUS,CHN,EUR,FRA,JAP	
2	63140491A	BRAKE CONTROL LEVER	1			MOD:1199S- A;XST:AUS,CHN,EUR,FRA,JAP	
3	77913661AB	BOLT, BRAKE HOSE M10X1	1			MOD:1199S- A;XST:AUS,CHN,EUR,FRA,JAP	
4	85250241A	WASHER 10X14X1	7			MOD:1199S- A;XST:AUS,CHN,EUR,FRA,JAP	
5	53940351A	FRONT BRAKE LIGHT SWITCH	1			MOD:1199S- A;XST:AUS,CHN,EUR,FRA,JAP	
6	63140081A	JOINT, HOSE	1			MOD:1199S- A;XST:AUS,CHN,EUR,FRA,JAP	
7	62640561A	BOLT, LEVER	1			MOD:1199S- A;XST:AUS,CHN,EUR,FRA,JAP	
8	61340961A	PADS PAIR	2			MOD:1199S- A;XST:AUS,CHN,EUR,FRA,JAP	
9	61041371A	LEFT BRAKE CALIPER	1			MOD:1199S- A;XST:AUS,CHN,EUR,FRA,JAP	
10	77950591A	SCREW TCEIR M6X10	1			MOD:1199S- A;XST:AUS,CHN,EUR,FRA,JAP	
11	8291A691AA	BRACKET	1			MOD:1199S- A;XST:AUS,CHN,EUR,FRA,JAP	
12	037072020	DAMPER	1			MOD:1199S- A;XST:AUS,CHN,EUR,FRA,JAP	
13	77910921A	SCREW	1			MOD:1199S- A;XST:AUS,CHN,EUR,FRA,JAP	
14	800068490	CAP BRAKE FLUID TANK	1			MOD:1199S- A;XST:AUS,CHN,EUR,FRA,JAP	
15	58540181A	RESERVOIR, BRAKE FLUID	1			MOD:1199S- A;XST:AUS,CHN,EUR,FRA,JAP	
16	74140431A	CLAMP	2			MOD:1199S- A;XST:AUS,CHN,EUR,FRA,JAP	
17	87711411A	HOSE	1			MOD:1199S- A;XST:AUS,CHN,EUR,FRA,JAP	

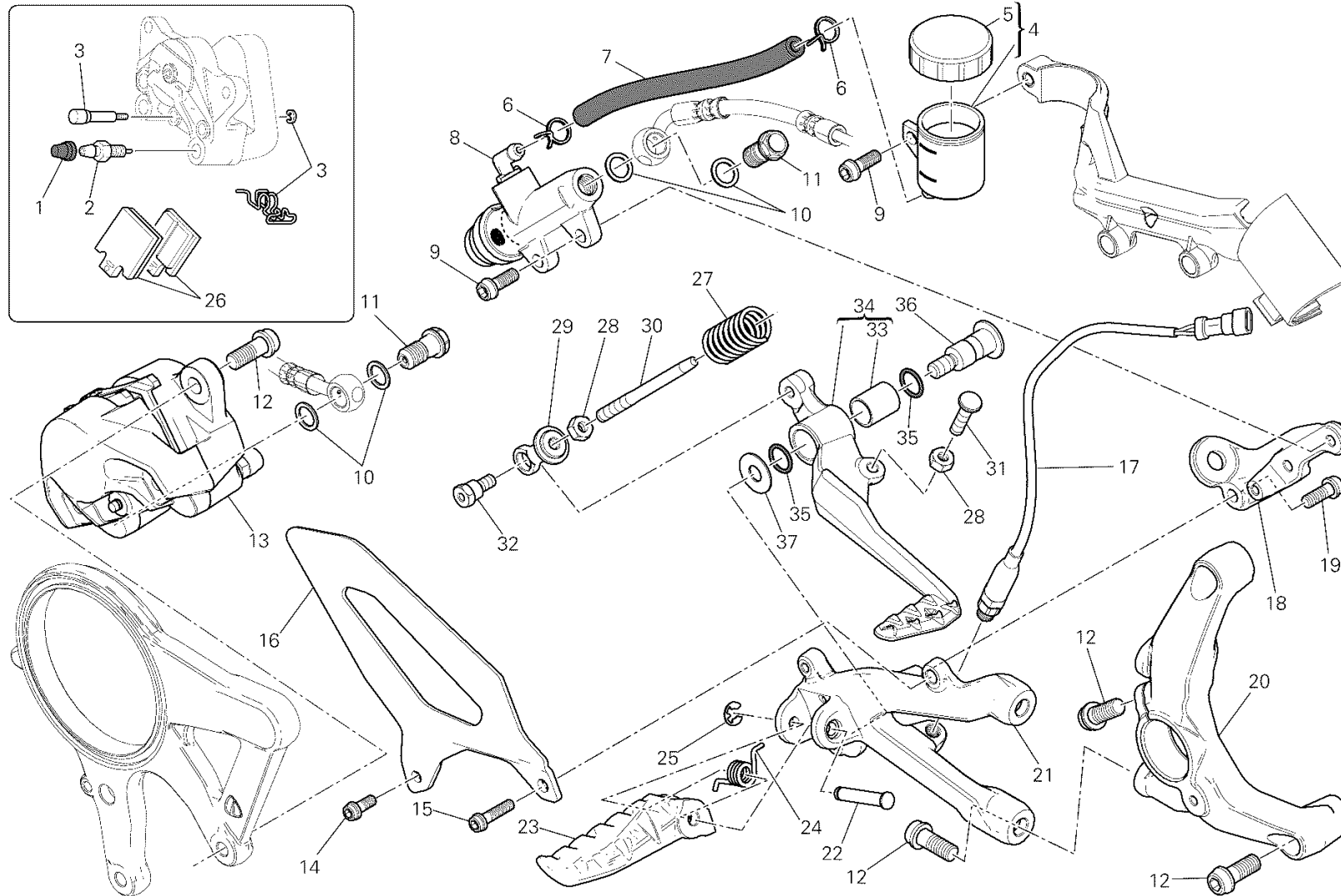


DRAWING 024 - FRENO ANTERIORE [MOD:1199S-A;XST:AUS,CHN,EUR,FRA,JAP]

GROUP FRAME



POS.	CODE	DESCRIPTION	QTY	START DATE	END DATE	VALIDITY	NOTES
18	75040141A	NUT	1			MOD:1199S- A;XST:AUS,CHN,EUR,FRA,JAP	
19	63140281A	FRONT CALIPER DRAIN SCREW	1			MOD:1199S- A;XST:AUS,CHN,EUR,FRA,JAP	
20	71313641A	SPACER	4			MOD:1199S- A;XST:AUS,CHN,EUR,FRA,JAP	
21	61240051A	DUST COVER	2			MOD:1199S- A;XST:AUS,CHN,EUR,FRA,JAP	
22	61240201A	FRONT CALIPER DRAIN SCREW	2			MOD:1199S- A;XST:AUS,CHN,EUR,FRA,JAP	
23	77914151A	BOLT, BRAKE HOSE	1			MOD:1199S- A;XST:AUS,CHN,EUR,FRA,JAP	
24	62640571A	BRACKET, MASTER CYLINDER	1			MOD:1199S- A;XST:AUS,CHN,EUR,FRA,JAP	
25	77913311D	SCREW M 10 X 60	4			MOD:1199S- A;XST:AUS,CHN,EUR,FRA,JAP	
26	61041381A	RIGHT BRAKE CALIPER	1			MOD:1199S- A;XST:AUS,CHN,EUR,FRA,JAP	
27	61240371A	SPRING, PAD STOPPER	2			MOD:1199S- A;XST:AUS,CHN,EUR,FRA,JAP	
28	77913091AB	SCREW, SPECIAL	1			MOD:1199S- A;XST:AUS,CHN,EUR,FRA,JAP	
29	61810361A	FRONT BRAKE HOSE	1			MOD:1199S- A;XST:AUS,CHN,EUR,FRA,JAP	
30	61240391A	DUST COVER	1			MOD:1199S- A;XST:AUS,CHN,EUR,FRA,JAP	
31	83016541B	HOSE GUIDE	1			MOD:1199S- A;XST:AUS,CHN,EUR,FRA,JAP	
32	77211271A	SCREW, SPECIAL M5X10	2			MOD:1199S- A;XST:AUS,CHN,EUR,FRA,JAP	
33	85250191A	WASHER 5X15X1.5	1			MOD:1199S- A;XST:AUS,CHN,EUR,FRA,JAP	



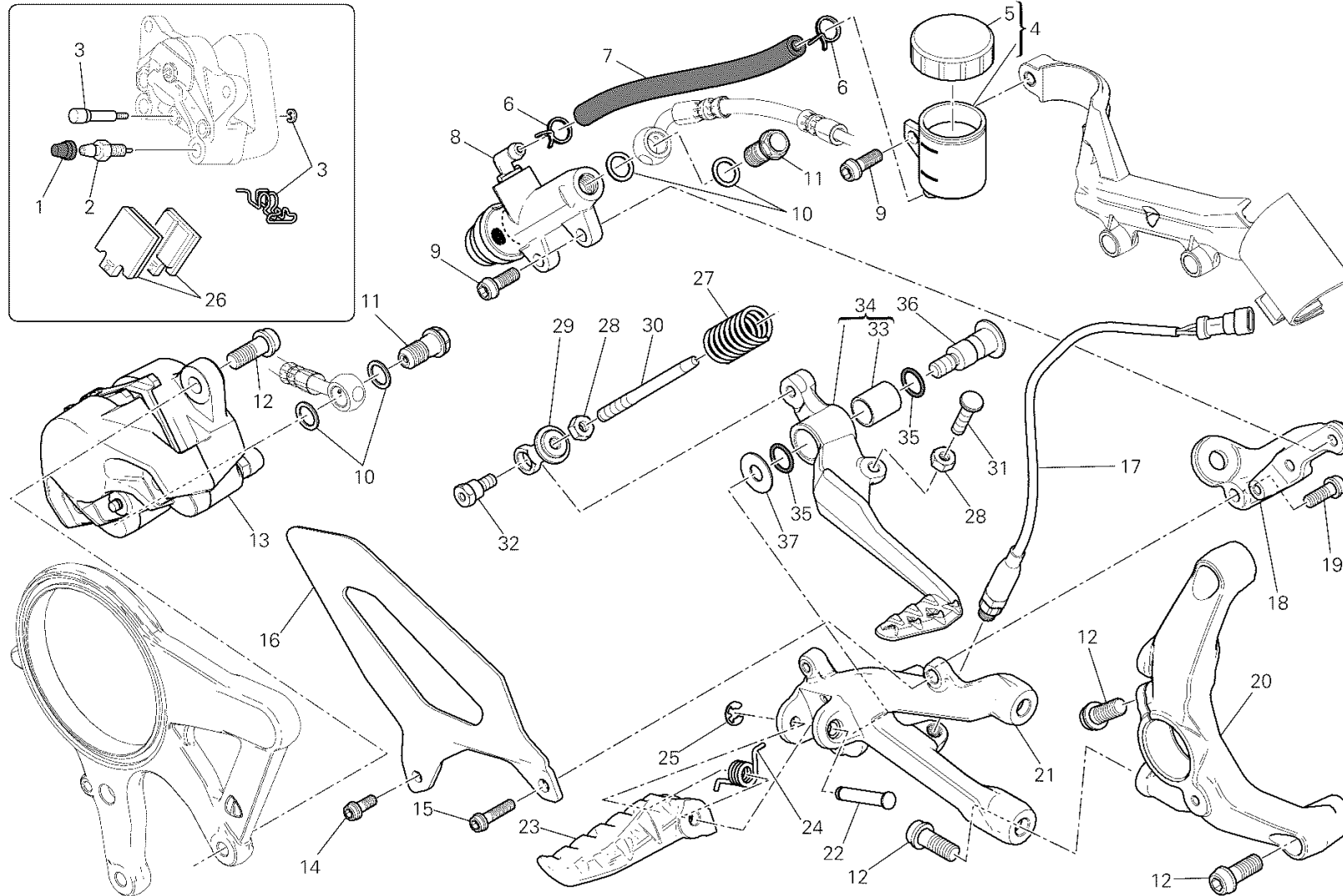
BRB00388

DRAWING 025 - FRENO POSTERIORE [MOD:1199S-A;XST:AUS,CHN,EUR,FRA,JAP]

GROUP FRAME



POS.	CODE	DESCRIPTION	QTY	START DATE	END DATE	VALIDITY	NOTES
1	61240081A	DUST PLUG	1			MOD:1199S- A;XST:AUS,CHN,EUR,FRA,JAP	
2	63140161A	FRONT CALIPER DRAIN SCREW	1			MOD:1199S- A;XST:AUS,CHN,EUR,FRA,JAP	
3	61240161A	PAD PINS OVERHAUL KIT	1			MOD:1199S- A;XST:AUS,CHN,EUR,FRA,JAP	
4	58540081A	RESERVOIR, BRAKE FLUID	1			MOD:1199S- A;XST:AUS,CHN,EUR,FRA,JAP	
5	89340051A	COVER MASTER CYLINDER	1			MOD:1199S- A;XST:AUS,CHN,EUR,FRA,JAP	
6	74140431A	CLAMP	2			MOD:1199S- A;XST:AUS,CHN,EUR,FRA,JAP	
7	87711531A	PIPE	1			MOD:1199S- A;XST:AUS,CHN,EUR,FRA,JAP	
8	62540311C	REAR BRAKE PUMP	1			MOD:1199S- A;XST:AUS,CHN,EUR,FRA,JAP	
9	77156658B	SCREW TCEIF M6X16	3			MOD:1199S- A;XST:AUS,CHN,EUR,FRA,JAP	
10	85250241A	WASHER 10X14X1	4			MOD:1199S- A;XST:AUS,CHN,EUR,FRA,JAP	
11	77913661AB	BOLT, BRAKE HOSE M10X1	2			MOD:1199S- A;XST:AUS,CHN,EUR,FRA,JAP	
12	77157238B	SCREW TCEIF M8X20	7			MOD:1199S- A;XST:AUS,CHN,EUR,FRA,JAP	
13	61140292B	REAR BRAKE CALIPER	1			MOD:1199S- A;XST:AUS,CHN,EUR,FRA,JAP	
14	77156398B	SCREW TCEIF M5X12	1			MOD:1199S- A;XST:AUS,CHN,EUR,FRA,JAP	
15	77156438B	SCREW	1			MOD:1199S- A;XST:AUS,CHN,EUR,FRA,JAP	
16	24714051BA	HEEL GUARD FRONT RH	1			MOD:1199S- A;XST:AUS,CHN,EUR,FRA,JAP	
17	53940031A	SWITCH ASSY, SIDE STAND	1			MOD:1199S- A;XST:AUS,CHN,EUR,FRA,JAP	



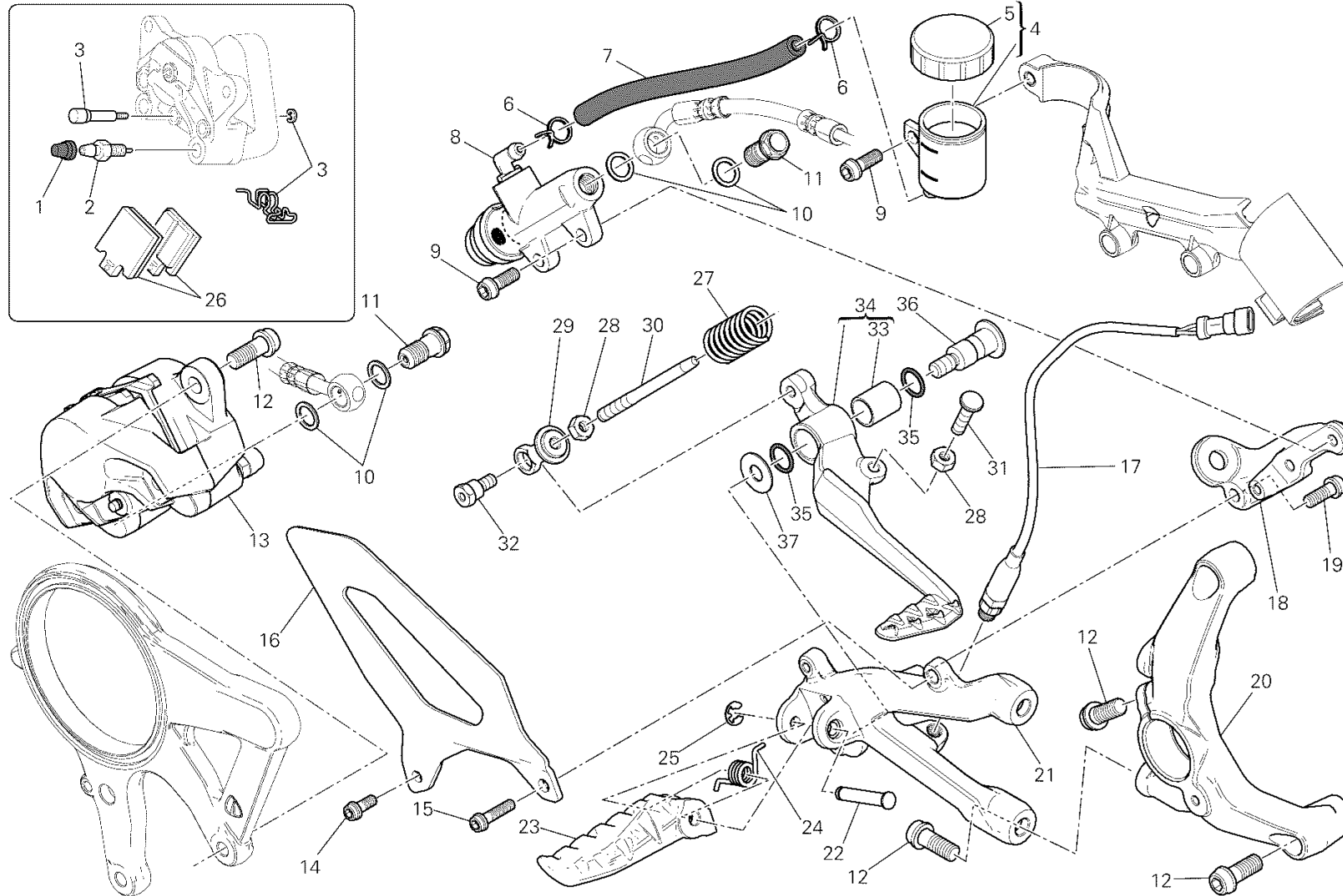
BRB00388

DRAWING 025 - FRENO POSTERIORE [MOD:1199S-A;XST:AUS,CHN,EUR,FRA,JAP]

GROUP FRAME



POS.	CODE	DESCRIPTION	QTY	START DATE	END DATE	VALIDITY	NOTES
18	8291A511BA	BRACKET, PUMP	1			MOD:1199S- A;XST:AUS,CHN,EUR,FRA,JAP	
19	77156688B	SCREW TCEIF M6X22X18	1			MOD:1199S- A;XST:AUS,CHN,EUR,FRA,JAP	
20	8291A441AA	RIGHT HOLDER	1			MOD:1199S- A;XST:AUS,CHN,EUR,FRA,JAP	
21	82411871BA	FRONT R.H. PLATE	1			MOD:1199S- A;XST:AUS,CHN,EUR,FRA,JAP	
22	82110511AB	FOOTREST PIN	1			MOD:1199S- A;XST:AUS,CHN,EUR,FRA,JAP	
23	46410811AA	RIGHT FOOTREST	1			MOD:1199S- A;XST:AUS,CHN,EUR,FRA,JAP	
24	79911661A	SPRING. FOOTREST	1			MOD:1199S- A;XST:AUS,CHN,EUR,FRA,JAP	
25	88450031A	CIRCLIP E-TYPE	1			MOD:1199S- A;XST:AUS,CHN,EUR,FRA,JAP	
26	61340381A	REAR BRAKE PADS SET	1			MOD:1199S- A;XST:AUS,CHN,EUR,FRA,JAP	
27	79915511A	SPRING	1			MOD:1199S- A;XST:AUS,CHN,EUR,FRA,JAP	
28	74750031A	NUT 6MM	2			MOD:1199S- A;XST:AUS,CHN,EUR,FRA,JAP	
29	18410152AA	JOINT	1			MOD:1199S- A;XST:AUS,CHN,EUR,FRA,JAP	
30	11711271AA	PIN	1			MOD:1199S- A;XST:AUS,CHN,EUR,FRA,JAP	
31	77912371B	SCREW	1			MOD:1199S- A;XST:AUS,CHN,EUR,FRA,JAP	
32	82113811AA	PIN	1			MOD:1199S- A;XST:AUS,CHN,EUR,FRA,JAP	
33	71210341A	BUSH	1			MOD:1199S- A;XST:AUS,CHN,EUR,FRA,JAP	
34	45720552AA	BRAKE LEVER ASSEMBLY	1			MOD:1199S- A;XST:AUS,CHN,EUR,FRA,JAP	



BRB00388

DRAWING 025 - FRENO POSTERIORE [MOD:1199S-A;XST:AUS,CHN,EUR,FRA,JAP]

GROUP FRAME

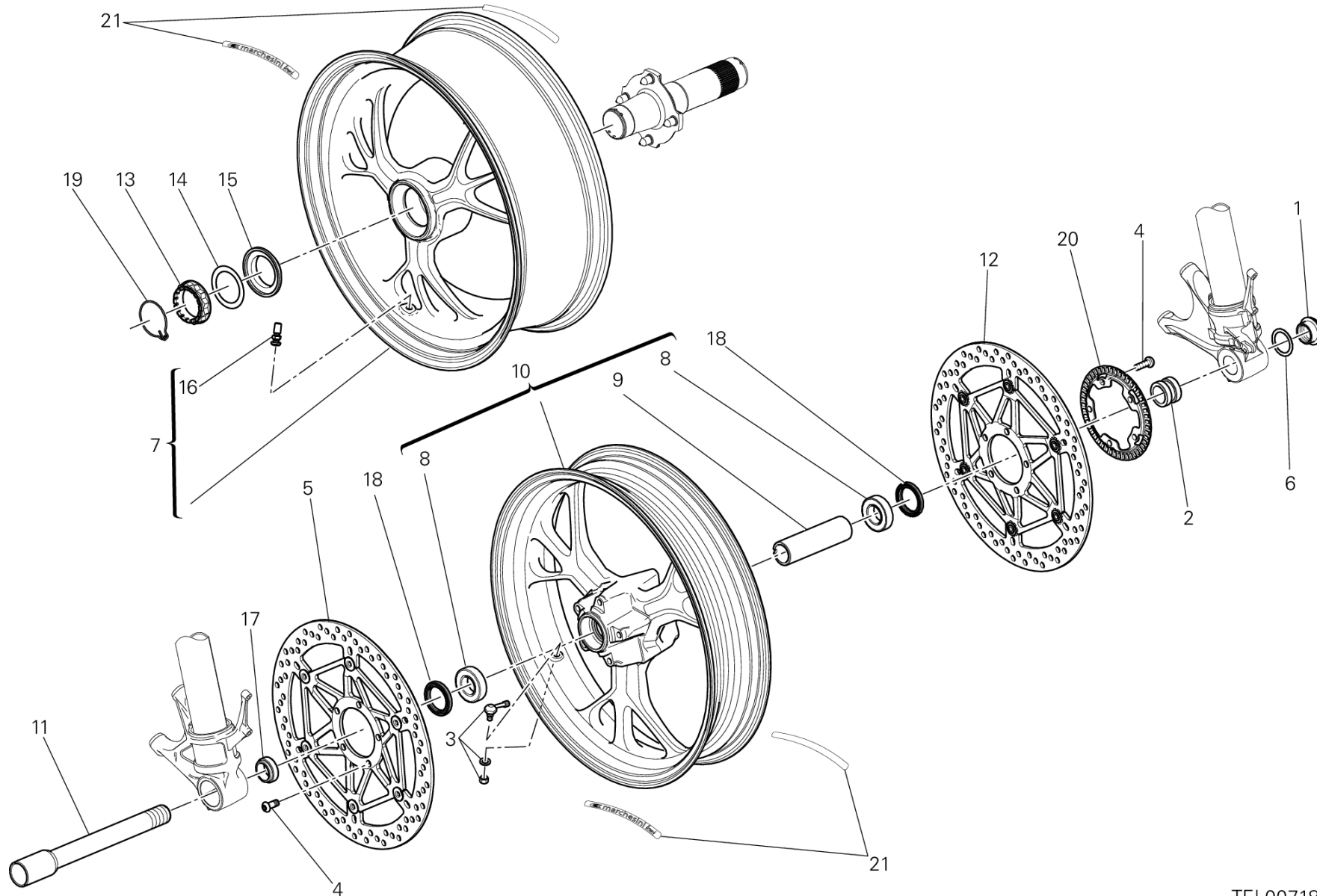


POS.	CODE	DESCRIPTION	QTY	START DATE	END DATE	VALIDITY	NOTES
35	88641161A	O-RING	2			MOD:1199S-A;XST:AUS,CHN,EUR,FRA,JAP	
36	82111701B	PIN PEDAL	1			MOD:1199S-A;XST:AUS,CHN,EUR,FRA,JAP	
37	85211511A	WASHER	1			MOD:1199S-A;XST:AUS,CHN,EUR,FRA,JAP	



DRAWING 026 - RUOTA ANTERIORE E POSTERIORE [MOD:1199S-A;XST:AUS,CHN,EUR,FRA,JAP]

GROUP FRAME



TEL00718

DRAWING 026 - RUOTA ANTERIORE E POSTERIORE [MOD:1199S-A;XST:AUS,CHN,EUR,FRA,JAP]



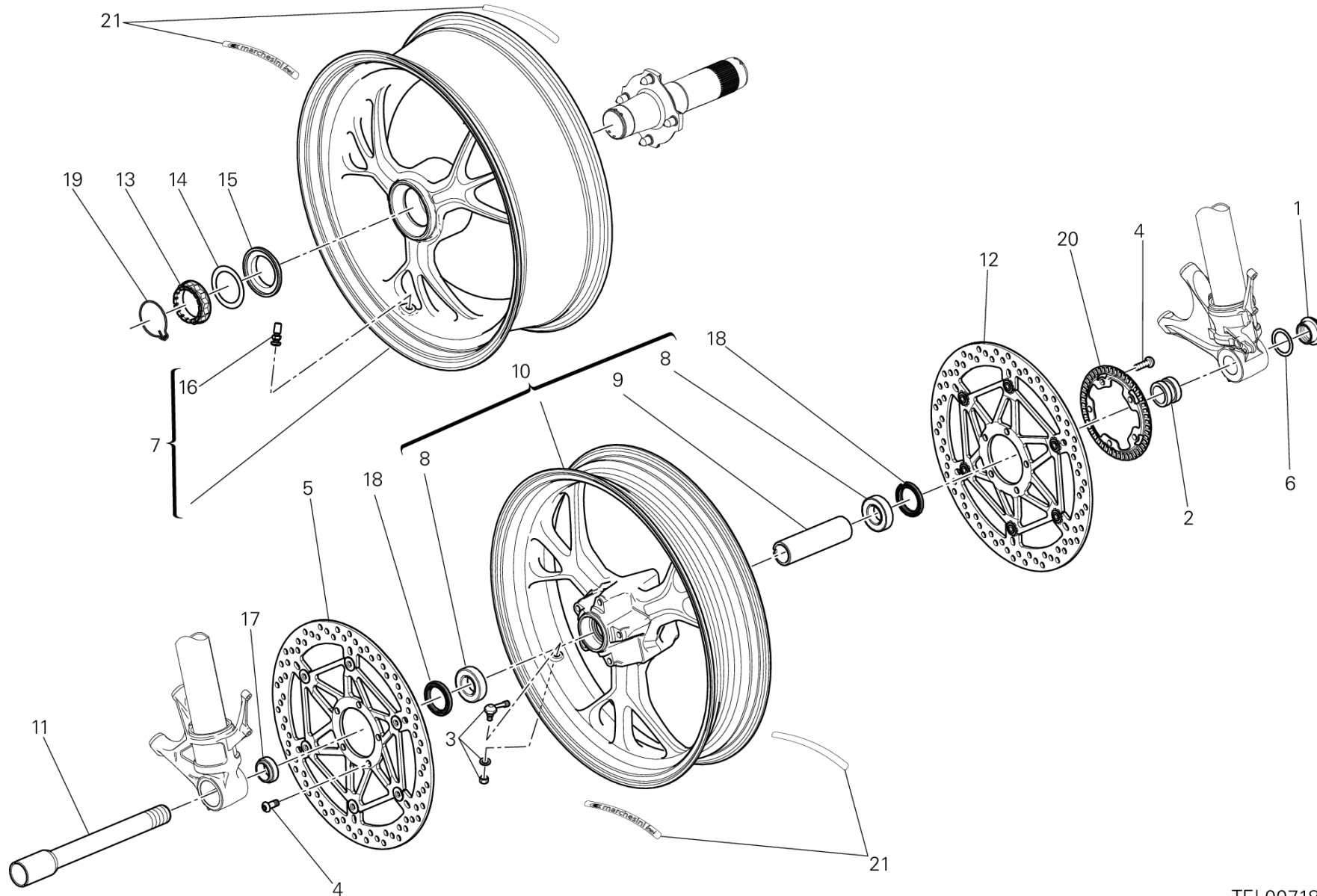
GROUP FRAME

POS.	CODE	DESCRIPTION	QTY	START DATE	END DATE	VALIDITY	NOTES
1	74810651A	NUT	1			MOD:1199S-A;XST:AUS,CHN,EUR,FRA,JAP	
2	71413271AA	LEFT SPACER	1			MOD:1199S-A;XST:AUS,CHN,EUR,FRA,JAP	
3	49720012A	VALVE, TUBELESS TIRE	1			MOD:1199S-A;XST:AUS,CHN,EUR,FRA,JAP	
4	77913991A	SCREW M8X20	10			MOD:1199S-A;XST:AUS,CHN,EUR,FRA,JAP	
5	49240901A	DISC, FRONT BRAKE RH	1			MOD:1199S-A;XST:AUS,CHN,EUR,FRA,JAP	
6	85212221A	WASHER 30X40X1	1			MOD:1199S-A;XST:AUS,CHN,EUR,FRA,JAP	
7	50221501AB	REAR WHEEL RIM	1			MOD:1199S-A;XST:AUS,CHN,EUR,FRA,JAP	
8	70250451A	BEARING	2			MOD:1199S-A;XST:AUS,CHN,EUR,FRA,JAP	
9	71413291A	INNER SPACER	1			MOD:1199S-A;XST:AUS,CHN,EUR,FRA,JAP	
10	50121551AB	FRONT WHEEL RIM	1			MOD:1199S-A;XST:AUS,CHN,EUR,FRA,JAP	
11	81910691A	FRONT WHEEL SPINDLE	1			MOD:1199S-A;XST:AUS,CHN,EUR,FRA,JAP	
12	49240891A	DISC, FRONT BRAKE LH	1			MOD:1199S-A;XST:AUS,CHN,EUR,FRA,JAP	
13	75011391A	NUT	1			MOD:1199S-A;XST:AUS,CHN,EUR,FRA,JAP	
14	85212211A	WASHER 48.5X65X0.5	1			MOD:1199S-A;XST:AUS,CHN,EUR,FRA,JAP	
15	71413231AA	SPACER	1			MOD:1199S-A;XST:AUS,CHN,EUR,FRA,JAP	
16	49720031A	VALVE, TUBELESS TIRE	1			MOD:1199S-A;XST:AUS,CHN,EUR,FRA,JAP	
17	71413261AA	RIGHT SPACER	1			MOD:1199S-A;XST:AUS,CHN,EUR,FRA,JAP	



DRAWING 026 - RUOTA ANTERIORE E POSTERIORE [MOD:1199S-A;XST:AUS,CHN,EUR,FRA,JAP]

GROUP FRAME



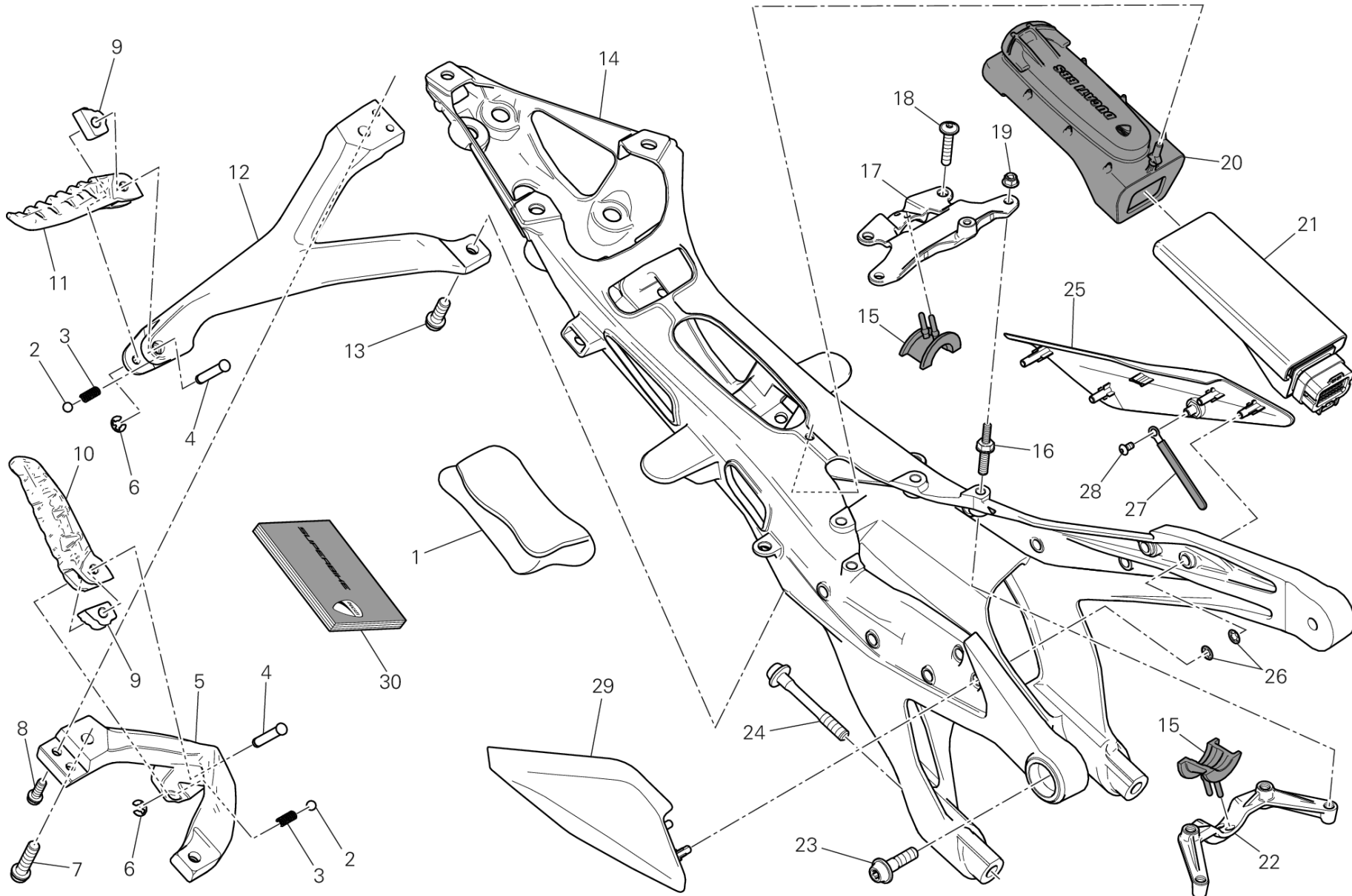
TEL00718

DRAWING 026 - RUOTA ANTERIORE E POSTERIORE [MOD:1199S-A;XST:AUS,CHN,EUR,FRA,JAP]



GROUP FRAME

POS.	CODE	DESCRIPTION	QTY	START DATE	END DATE	VALIDITY	NOTES
18	93040521A	SEAL RING 35X47.15X6.8	2			MOD:1199S-A;XST:AUS,CHN,EUR,FRA,JAP	
19	75910222A	CLIP	1			MOD:1199S-A;XST:AUS,CHN,EUR,FRA,JAP	
20	50410051A	FRONT PHONIC WHEEL	1			MOD:1199S-A;XST:AUS,CHN,EUR,FRA,JAP	
21	43814551A	STICKER "MARCHESINI" YELLO	2			MOD:1199S-A;XST:AUS,CHN,EUR,FRA,JAP	

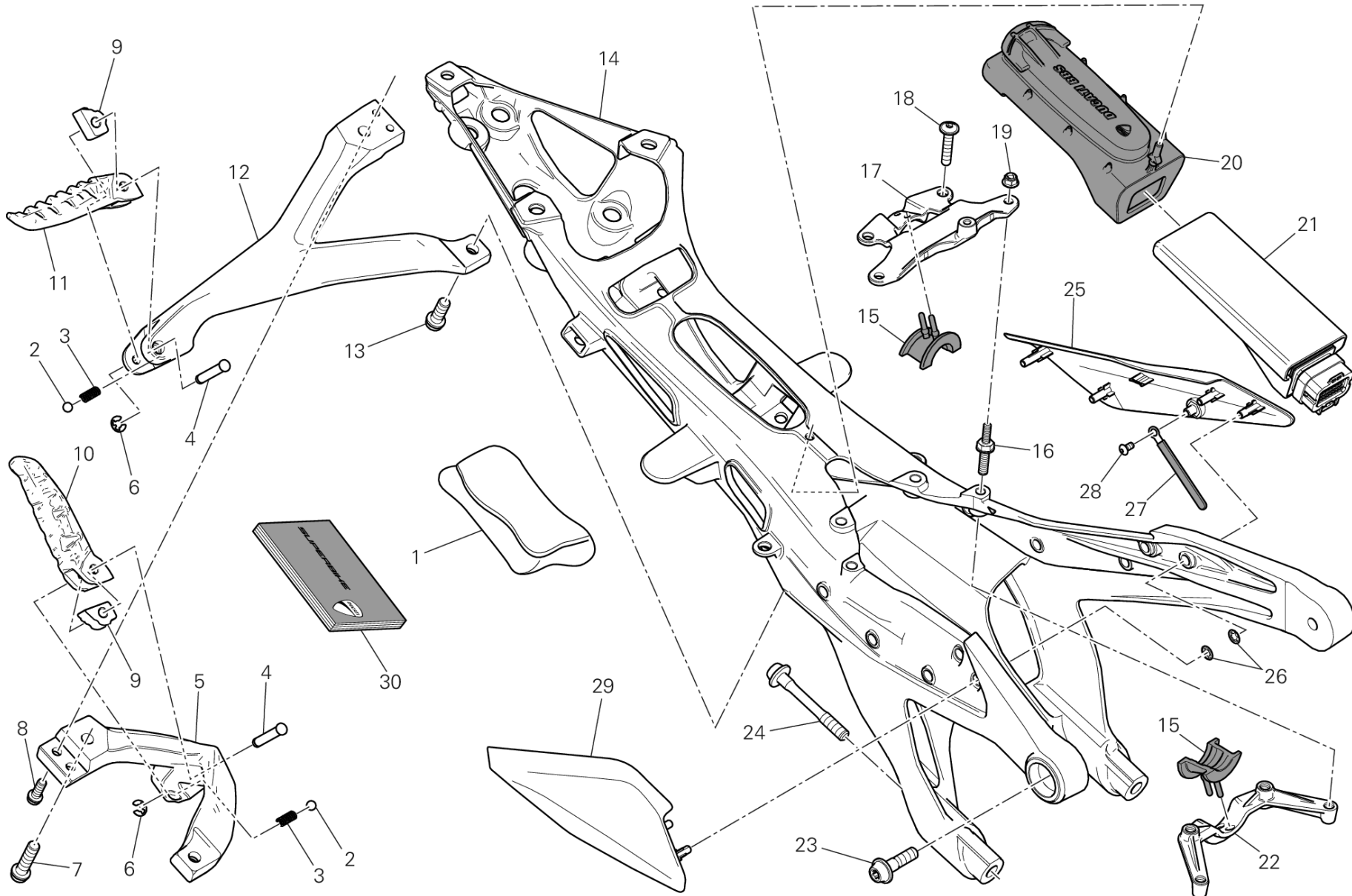


DRAWING 027 - REAR FRAME COMP. [MOD:1199S-A;XST:AUS,CHN,EUR,FRA,JAP]

GROUP FRAME



POS.	CODE	DESCRIPTION	QTY	START DATE	END DATE	VALIDITY	NOTES
1	69720283A	TOOL BAG	1			MOD:1199S-A;XST:AUS,CHN,EUR,FRA,JAP	
2	84740021A	BALL	2			MOD:1199S-A;XST:AUS,CHN,EUR,FRA,JAP	
3	79910241A	SPRING	2			MOD:1199S-A;XST:AUS,CHN,EUR,FRA,JAP	
4	82110511AB	FOOTREST PIN	2			MOD:1199S-A;XST:AUS,CHN,EUR,FRA,JAP	
5	82411881BA	REAR L.H. PLATE	1			MOD:1199S-A;XST:AUS,CHN,EUR,FRA,JAP	
6	88450031A	CIRCLIP E-TYPE	2			MOD:1199S-A;XST:AUS,CHN,EUR,FRA,JAP	
7	77157278B	SCREW TCEIF M8X30	2			MOD:1199S-A;XST:AUS,CHN,EUR,FRA,JAP	
8	77156658B	SCREW TCEIF M6X16	2			MOD:1199S-A;XST:AUS,CHN,EUR,FRA,JAP	
9	69610121A	BLOCK	2			MOD:1199S-A;XST:AUS,CHN,EUR,FRA,JAP	
10	46410801AA	LEFT FOOTREST	1			MOD:1199S-A;XST:AUS,CHN,EUR,FRA,JAP	
11	46410811AA	RIGHT FOOTREST	1			MOD:1199S-A;XST:AUS,CHN,EUR,FRA,JAP	
12	82411892BA	REAR R.H. PLATE	1			MOD:1199S-A;XST:AUS,CHN,EUR,FRA	
	82412251AA	REAR R.H. PLATE	1	01/03/2012		MOD:1199S-A;XST:JAP	JAP
13	77157238B	SCREW TCEIF M8X20	2			MOD:1199S-A;XST:AUS,CHN,EUR,FRA,JAP	
14	47110252BA	REAR FRAME COMP.	1			MOD:1199S-A;XST:AUS,CHN,EUR,FRA,JAP	
15	76411472A	RUBBER PAD	2			MOD:1199S-A;XST:AUS,CHN,EUR,FRA,JAP	
16	77916783AA	SCREW, SPECIAL	2			MOD:1199S-A;XST:AUS,CHN,EUR,FRA,JAP	
17	83016452AA	BRACKET UPPER	1			MOD:1199S-A;XST:AUS,CHN,EUR,FRA,JAP	



DRAWING 027 - REAR FRAME COMP. [MOD:1199S-A;XST:AUS,CHN,EUR,FRA,JAP]

GROUP FRAME

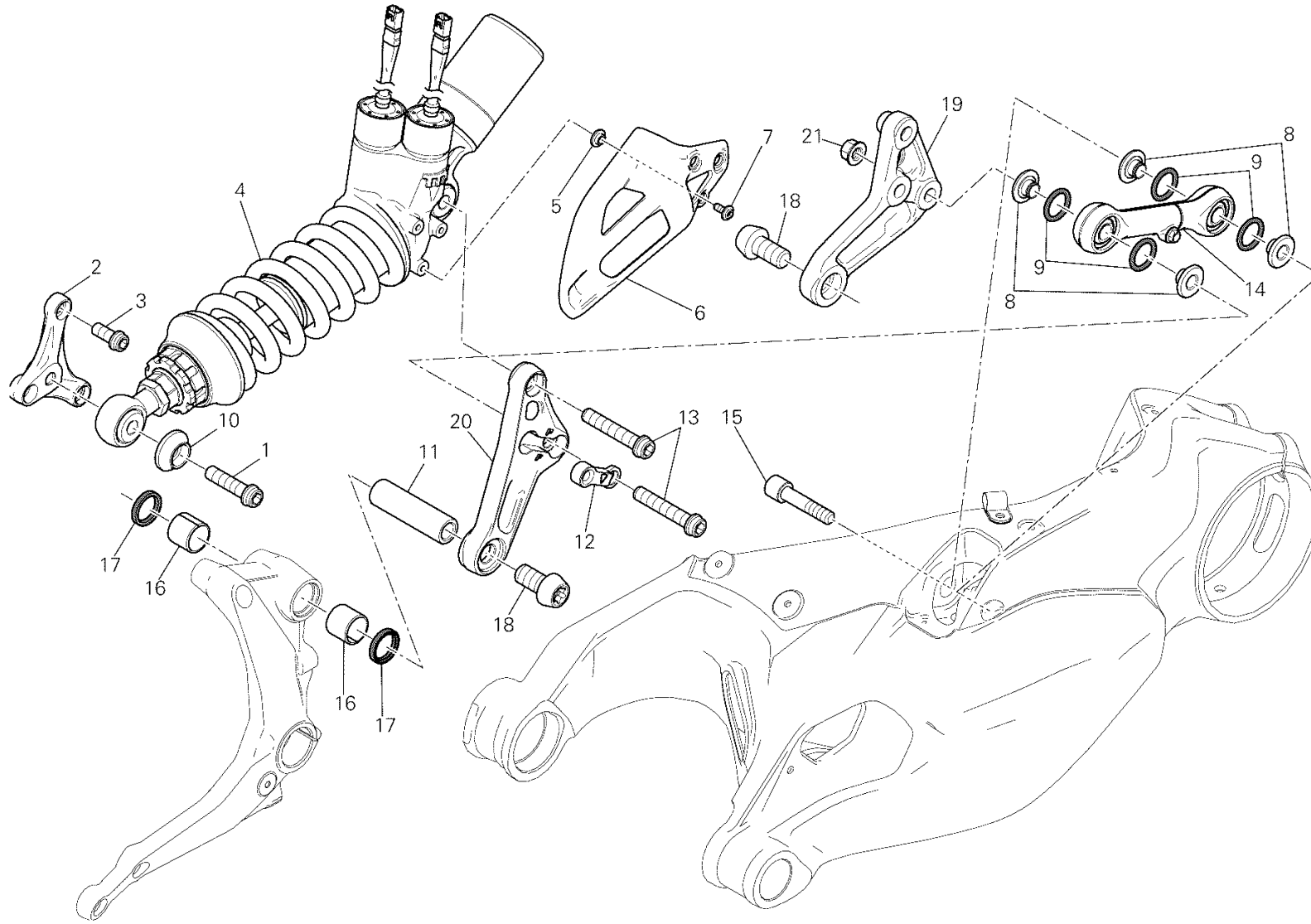


POS.	CODE	DESCRIPTION	QTY	START DATE	END DATE	VALIDITY	NOTES
18	77240483C	SCREW	2			MOD:1199S-A;XST:AUS,CHN,EUR,FRA,JAP	
19	74810351B	NUT	2			MOD:1199S-A;XST:AUS,CHN,EUR,FRA,JAP	
20	70010701A	SUPPORTO ANTIVIBRANTE	1			MOD:1199S-A;XST:AUS,CHN,EUR,FRA,JAP	
21	38510151A	BLACKBOX UNIT	1			MOD:1199S-A;XST:AUS,CHN,EUR,FRA,JAP	1199 S / S ABS / TRI
22	83016442AA	BRACKET	1			MOD:1199S-A;XST:AUS,CHN,EUR,FRA,JAP	
23	77916763AA	SPECIAL SCREW UPPER	2			MOD:1199S-A;XST:AUS,CHN,EUR,FRA,JAP	
24	77916773AA	SPECIAL SCREW BOTTOM	2			MOD:1199S-A;XST:AUS,CHN,EUR,FRA,JAP	
25	46015011B	CAP LH	1			MOD:1199S-A;XST:AUS,CHN,EUR,FRA,JAP	
26	85040521A	CLIP	9			MOD:1199S-A;XST:AUS,CHN,EUR,FRA,JAP	
27	74141671A	PLATE	1			MOD:1199S-A;XST:AUS,CHN,EUR,FRA,JAP	
28	77510161A	SCREW	1			MOD:1199S-A;XST:AUS,CHN,EUR,FRA,JAP	
29	46015022A	CAP RH	1			MOD:1199S-A;XST:AUS,CHN,EUR,FRA,JAP	
30	91371901L	OWNER'S MANUAL	1	29/03/2012		MOD:1199S-A;XST:AUS,EUR,FRA	(1199 S / S ABS) DEU-FRA-GBR-ITA
	91371901M	OWNER'S MANUAL	1	29/03/2012		MOD:1199S-A;XST:JAP	(1199 S / S ABS) ESP-FRA-GBR-JPN
	91371901N	OWNER'S MANUAL	1			MOD:1199S-A;XST:EUR	(1199 S / S ABS) ESP-GRC-PRT
	91371901P	OWNER'S MANUAL	1			MOD:1199S-A;XST:EUR,FRA	(1199 S / S ABS) FRA-NLD
	91371901Q	OWNER'S MANUAL	1			MOD:1199S-A;XST:EUR	(1199 S / S ABS) DNK-FIN-NOR-SWE
	91371901R	OWNER'S MANUAL	1			MOD:1199S-A;XST:EUR	(1199 S / S ABS) CZE-POL-SVK-SLO
	91371901S	OWNER'S MANUAL	1			MOD:1199S-A;XST:EUR	(1199 S / S ABS) BGR-HUN-ROU-RUS
	91371901W	OWNER'S MANUAL	1	29/03/2012		MOD:1199S-A;XST:CHN	(1199 S / S ABS) CHN



DRAWING 028 - SOSPENSIONE POSTERIORE [MOD:1199S-A;XST:AUS,CHN,EUR,FRA,JAP]

GROUP FRAME



SOS00626

DRAWING 028 - SOSPENSIONE POSTERIORE [MOD:1199S-A;XST:AUS,CHN,EUR,FRA,JAP]

GROUP FRAME

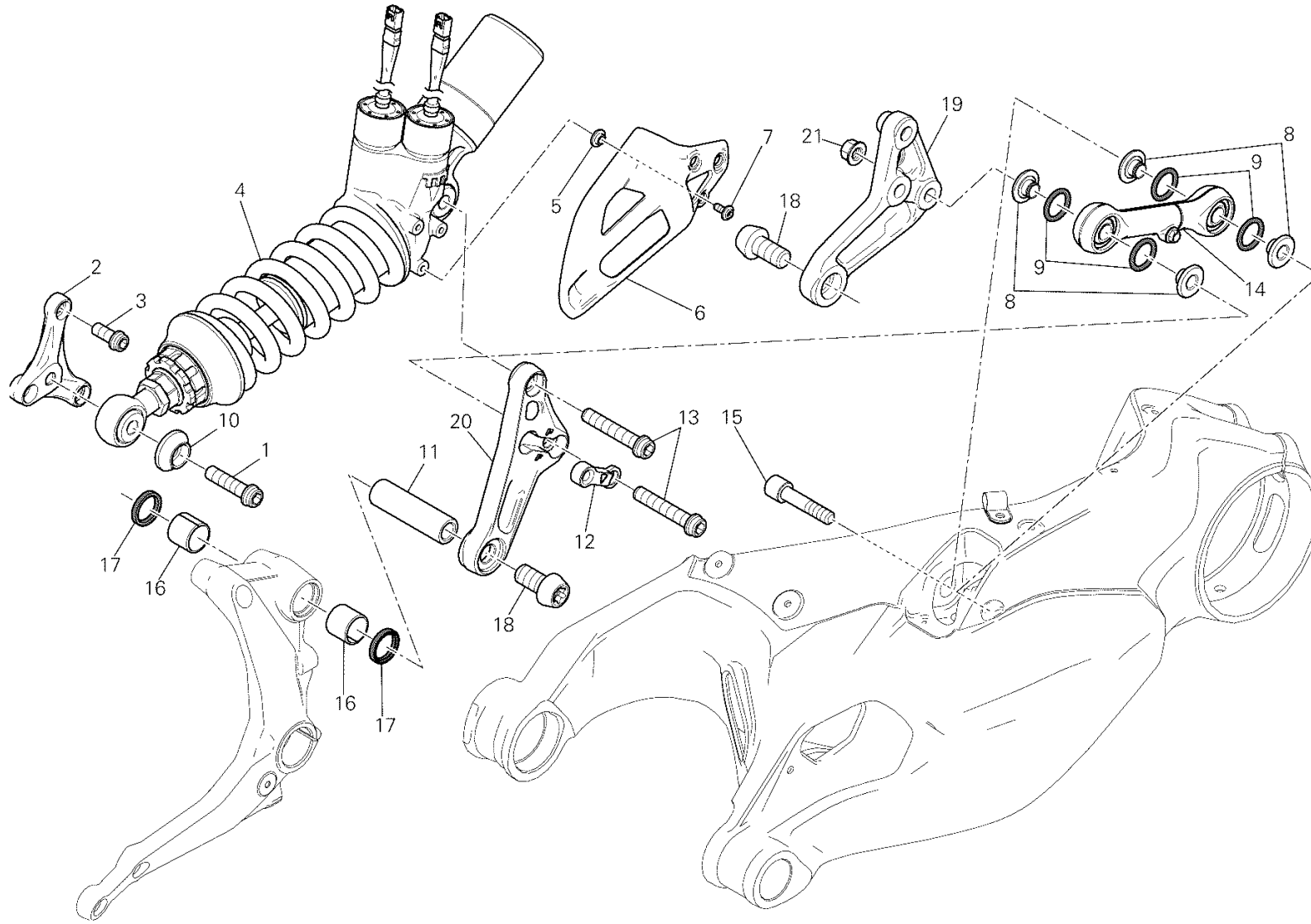


POS.	CODE	DESCRIPTION	QTY	START DATE	END DATE	VALIDITY	NOTES
1	77151598C	SCREW	1			MOD:1199S-A;XST:AUS,CHN,EUR,FRA,JAP	
2	8291A333AA	BRACKET, FRONT	1			MOD:1199S-A;XST:AUS,CHN,EUR,FRA,JAP	
3	77157238B	SCREW TCEIF M8X20	3			MOD:1199S-A;XST:AUS,CHN,EUR,FRA,JAP	
4	36521031A	REAR SHOCK ABSORBER	1			MOD:1199S-A;XST:AUS,CHN,EUR,FRA,JAP	
5	71611441B	SPACER	3			MOD:1199S-A;XST:AUS,CHN,EUR,FRA,JAP	
6	46015341A	GUARD	1			MOD:1199S-A;XST:AUS,CHN,EUR,FRA,JAP	
7	77213173B	SCREW	3			MOD:1199S-A;XST:AUS,CHN,EUR,FRA,JAP	
8	71011642AA	SPINDLE, TAPER	4			MOD:1199S-A;XST:AUS,CHN,EUR,FRA,JAP	
9	88640091A	O-RING	4			MOD:1199S-A;XST:AUS,CHN,EUR,FRA,JAP	
10	71319971AA	SPACER	1			MOD:1199S-A;XST:AUS,CHN,EUR,FRA,JAP	
11	71319421A	SPACER	1			MOD:1199S-A;XST:AUS,CHN,EUR,FRA,JAP	
12	71319522AA	PLATE	1			MOD:1199S-A;XST:AUS,CHN,EUR,FRA,JAP	
13	77157618B	SCREW	2			MOD:1199S-A;XST:AUS,CHN,EUR,FRA,JAP	
14	87521941AA	ROD	1			MOD:1199S-A;XST:AUS,CHN,EUR,FRA,JAP	
15	77915041A	SCREW	1			MOD:1199S-A;XST:AUS,CHN,EUR,FRA,JAP	
16	70241191A	BUSH	2			MOD:1199S-A;XST:AUS,CHN,EUR,FRA,JAP	
17	93041271A	SEAL RING 20X26X4	2			MOD:1199S-A;XST:AUS,CHN,EUR,FRA,JAP	



DRAWING 028 - SOSPENSIONE POSTERIORE [MOD:1199S-A;XST:AUS,CHN,EUR,FRA,JAP]

GROUP FRAME



SOS00626

DRAWING 028 - SOSPENSIONE POSTERIORE [MOD:1199S-A;XST:AUS,CHN,EUR,FRA,JAP]



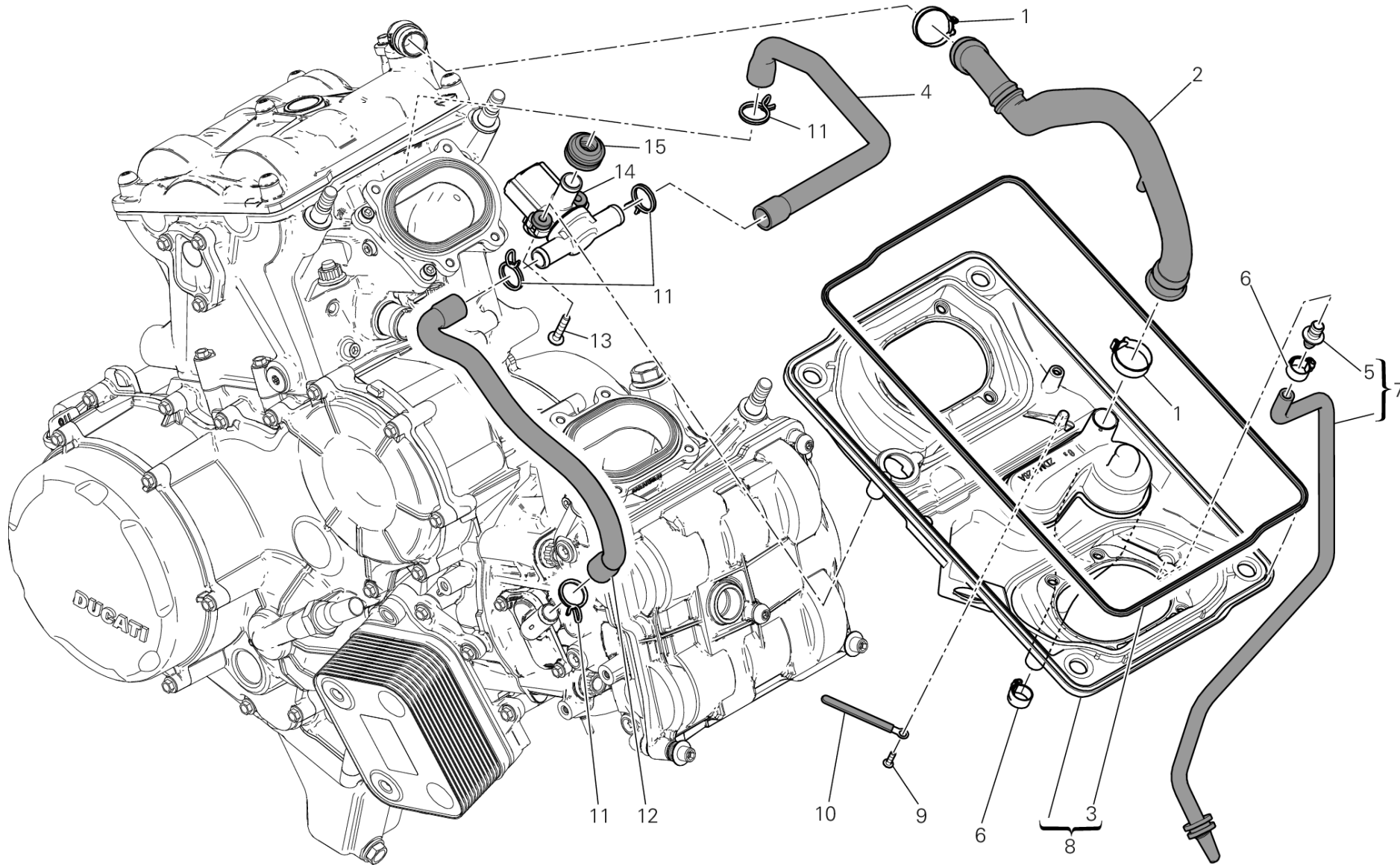
GROUP FRAME

POS.	CODE	DESCRIPTION	QTY	START DATE	END DATE	VALIDITY	NOTES
18	77211361AA	SCREW, SPECIAL	2			MOD:1199S-A;XST:AUS,CHN,EUR,FRA,JAP	
19	37211161BA	REAR ROCKER ARM LH	1			MOD:1199S-A;XST:AUS,CHN,EUR,FRA,JAP	
20	37211171BA	REAR ROCKER ARM RH	1			MOD:1199S-A;XST:AUS,CHN,EUR,FRA,JAP	
21	74940141A	NUT	1			MOD:1199S-A;XST:AUS,CHN,EUR,FRA,JAP	



DRAWING 029 - AIR INTAKE - OIL BREATHER [MOD:1199S-A;XST:AUS,CHN,EUR,FRA,JAP]

GROUP FRAME



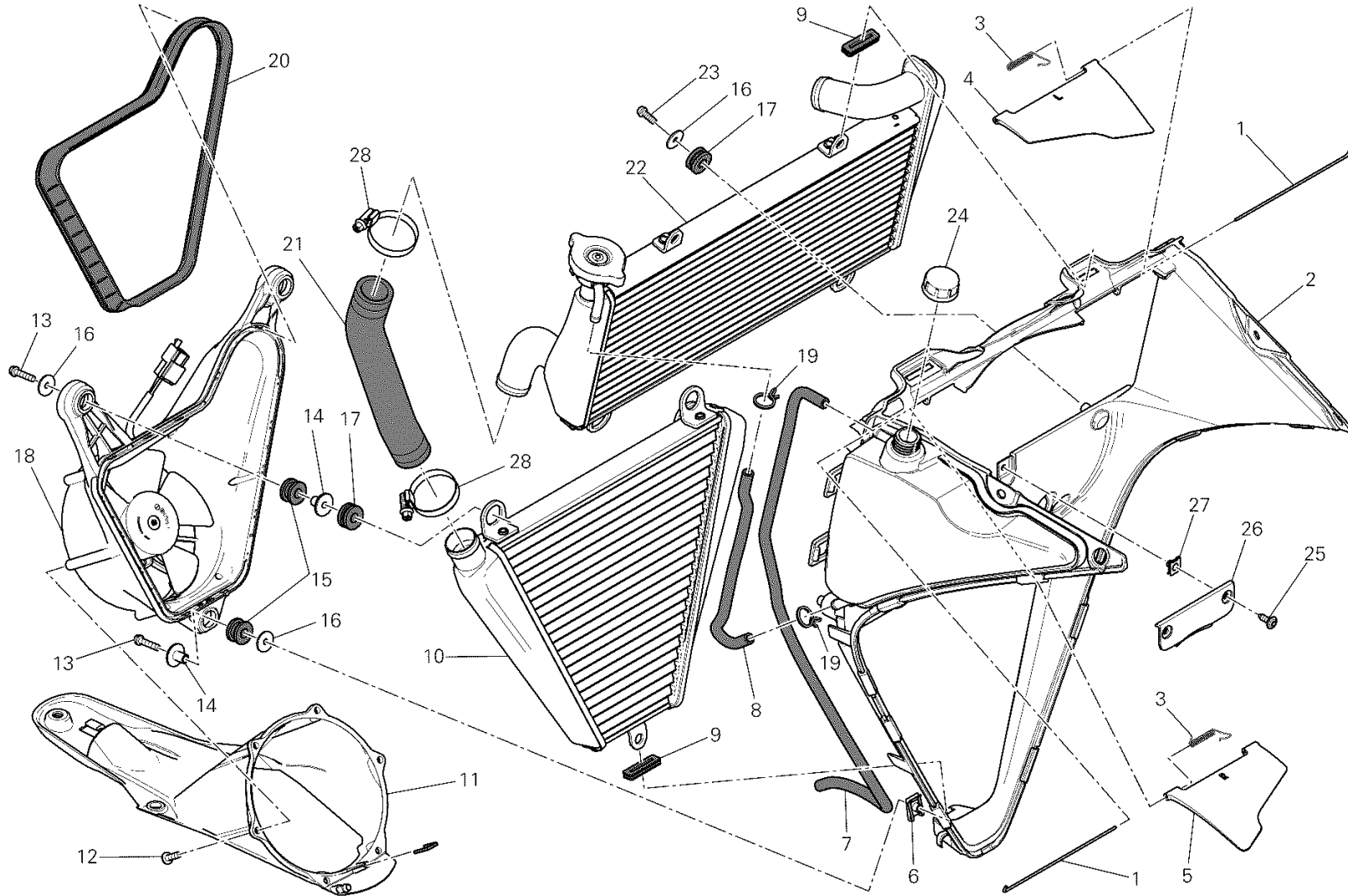
RAF00478

DRAWING 029 - AIR INTAKE - OIL BREATHER [MOD:1199S-A;XST:AUS,CHN,EUR,FRA,JAP]



GROUP FRAME

POS.	CODE	DESCRIPTION	QTY	START DATE	END DATE	VALIDITY	NOTES
1	74142141A	CLAMP	2			MOD:1199S-A;XST:AUS,CHN,EUR,FRA,JAP	
2	87611081A	BREATHER PIPE	1			MOD:1199S-A;XST:AUS,CHN,EUR,FRA,JAP	
3	78811161A	GASKET	1			MOD:1199S-A;XST:AUS,CHN,EUR,FRA,JAP	
4	87611121A	PIPE Verticale	1			MOD:1199S-A;XST:AUS,CHN,EUR,FRA,JAP	
5	81510371A	NIPPLE	1			MOD:1199S-A;XST:AUS,CHN,EUR,FRA,JAP	
6	74140631A	CLAMP	2			MOD:1199S-A;XST:AUS,CHN,EUR,FRA,JAP	
7	59013861A	BREATHER PIPE	1			MOD:1199S-A;XST:AUS,CHN,EUR,FRA,JAP	
8	44212342B	AIRBOX Inferiore	1			MOD:1199S-A;XST:AUS,CHN,EUR,FRA,JAP	
9	77440111A	SCREW	1			MOD:1199S-A;XST:AUS,CHN,EUR,FRA,JAP	
10	74141671A	PLATE	1			MOD:1199S-A;XST:AUS,CHN,EUR,FRA,JAP	
11	74142251A	CLAMP	4			MOD:1199S-A;XST:AUS,CHN,EUR,FRA,JAP	
12	87611131A	PIPE Orizzontale	1			MOD:1199S-A;XST:AUS,CHN,EUR,FRA,JAP	
13	77240323C	SCREW	2			MOD:1199S-A;XST:AUS,CHN,EUR,FRA,JAP	
14	65540081A	VALVE MOTOR	1			MOD:1199S-A;XST:AUS,CHN,EUR,FRA,JAP	
15	76411621A	RUBBER PAD	1			MOD:1199S-A;XST:AUS,CHN,EUR,FRA,JAP	



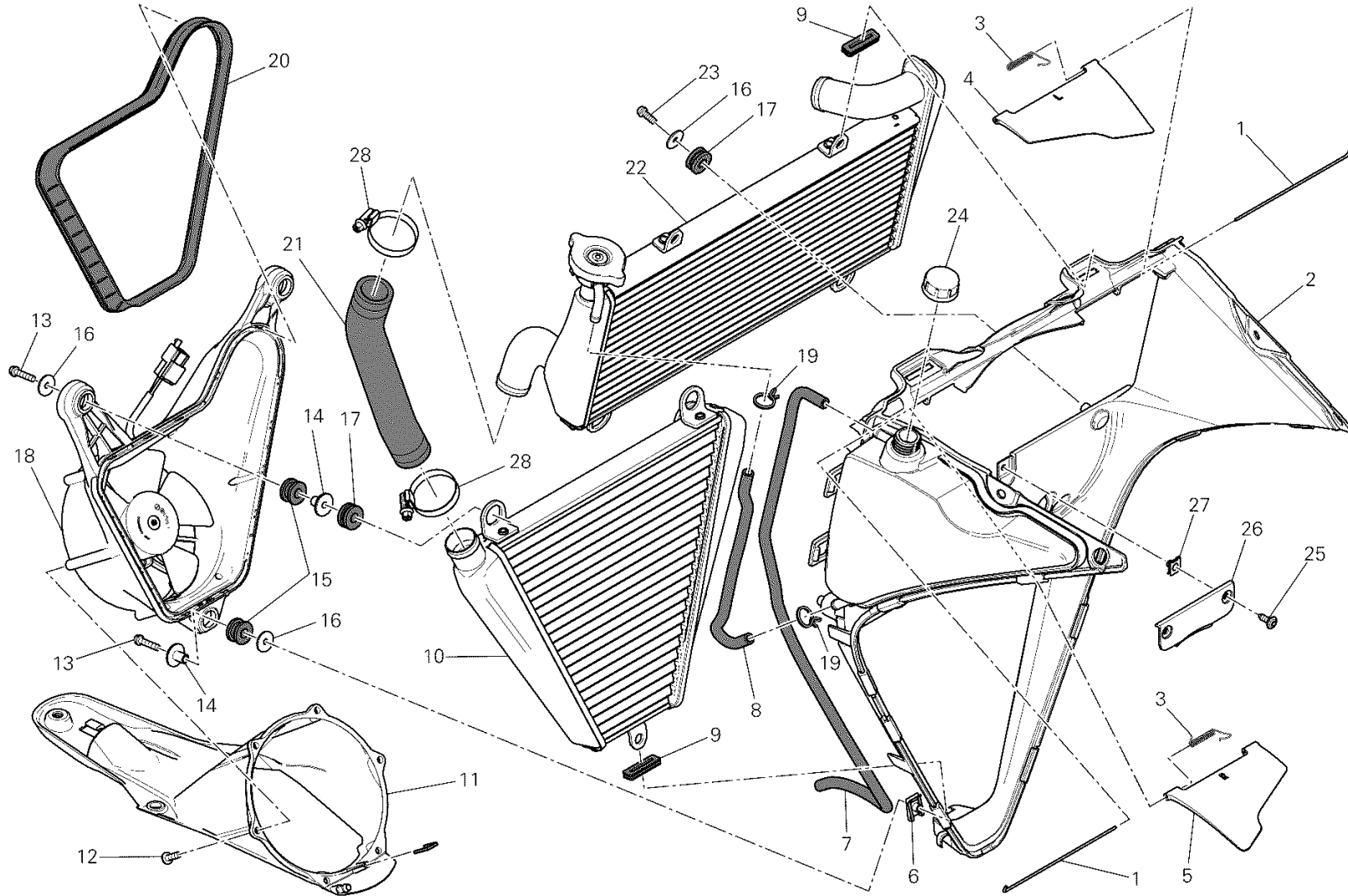
RAF00453

DRAWING 030 - WATER COOLER [MOD:1199S-A;XST:AUS,CHN,EUR,FRA,JAP]

GROUP FRAME



POS.	CODE	DESCRIPTION	QTY	START DATE	END DATE	VALIDITY	NOTES
1	82113751A	PIN	2			MOD:1199S- A;XST:AUS,CHN,EUR,FRA,JAP	
2	48410991B	HOLDER	1			MOD:1199S- A;XST:AUS,CHN,EUR,FRA,JAP	
3	79915441A	SPRING	2			MOD:1199S- A;XST:AUS,CHN,EUR,FRA,JAP	
4	48411043A	DEFLECTOR LH	1			MOD:1199S- A;XST:AUS,CHN,EUR,FRA,JAP	
5	48411053A	DEFLECTOR RH	1			MOD:1199S- A;XST:AUS,CHN,EUR,FRA,JAP	
6	85040551A	QUICK FASTENING	1			MOD:1199S- A;XST:AUS,CHN,EUR,FRA,JAP	
7	59013911B	BREATHER PIPE	1			MOD:1199S- A;XST:AUS,CHN,EUR,FRA,JAP	
8	93410152A	PIPE	1			MOD:1199S- A;XST:AUS,CHN,EUR,FRA,JAP	
9	76411411B	RUBBER PAD	3			MOD:1199S- A;XST:AUS,CHN,EUR,FRA,JAP	
10	54840971B	WATER COOLER	1			MOD:1199S- A;XST:AUS,CHN,EUR,FRA,JAP	
11	8291A352B	ESTRATTORE (REAR)	1			MOD:1199S- A;XST:AUS,CHN,EUR,FRA,JAP	
12	77440203C	SCREW	6			MOD:1199S- A;XST:AUS,CHN,EUR,FRA,JAP	
13	77156443B	SCREW	3			MOD:1199S- A;XST:AUS,CHN,EUR,FRA,JAP	
14	71614331AA	SPACER	3			MOD:1199S- A;XST:AUS,CHN,EUR,FRA,JAP	
15	76411491A	RUBBER PAD	3			MOD:1199S- A;XST:AUS,CHN,EUR,FRA,JAP	
16	85213111AA	WASHER	5			MOD:1199S- A;XST:AUS,CHN,EUR,FRA,JAP	
17	76411501A	RUBBER PAD	4			MOD:1199S- A;XST:AUS,CHN,EUR,FRA,JAP	



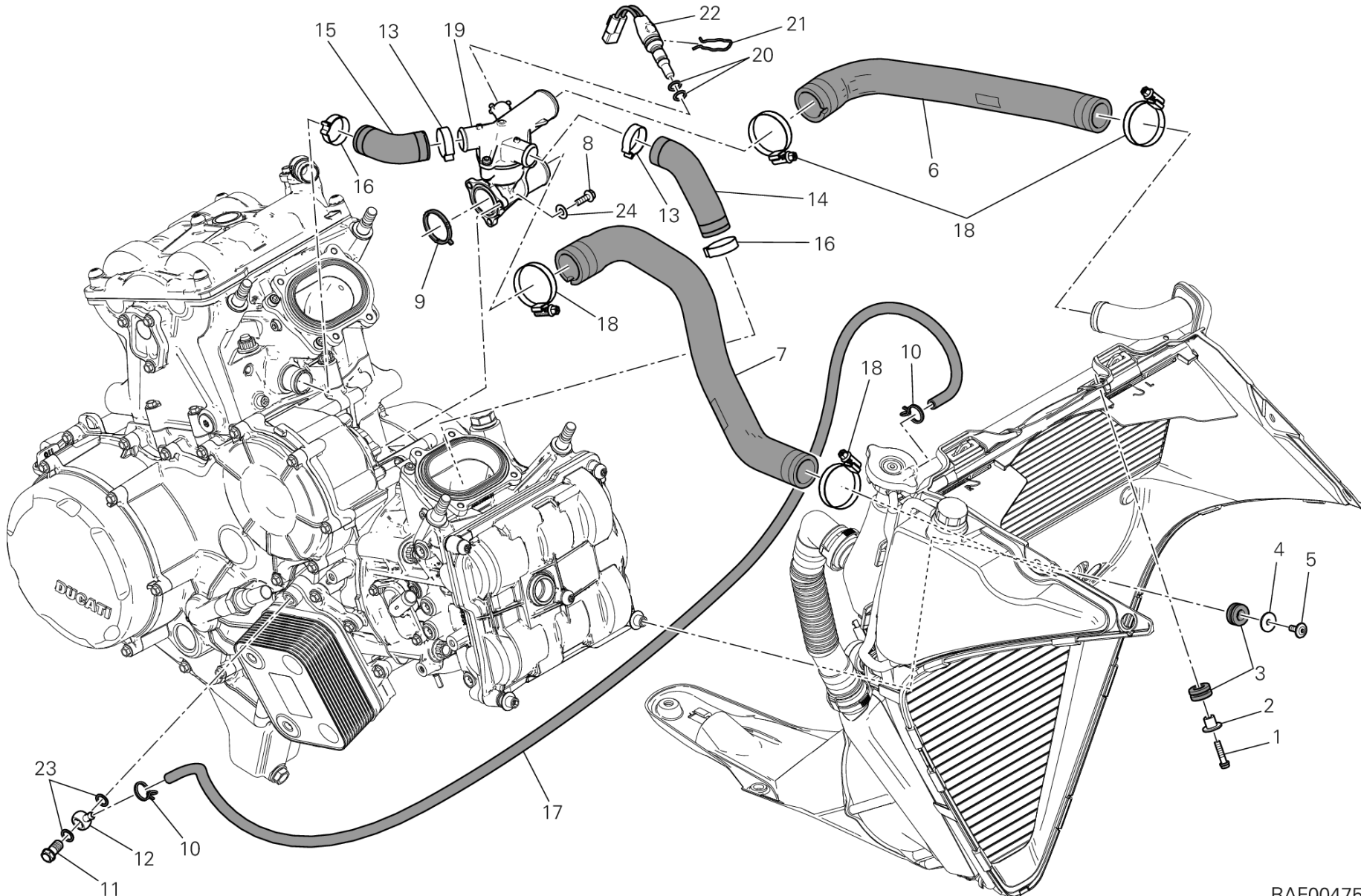
RAF00453

DRAWING 030 - WATER COOLER [MOD:1199S-A;XST:AUS,CHN,EUR,FRA,JAP]

GROUP FRAME



POS.	CODE	DESCRIPTION	QTY	START DATE	END DATE	VALIDITY	NOTES
18	8292A342A	ESTRATTORE (Unit)	1			MOD:1199S-A;XST:AUS,CHN,EUR,FRA,JAP	
19	74140431A	CLAMP	2			MOD:1199S-A;XST:AUS,CHN,EUR,FRA,JAP	
20	79110831A	GASKET	1			MOD:1199S-A;XST:AUS,CHN,EUR,FRA,JAP	
21	80012121A	COOLER COOLER HOSE	1			MOD:1199S-A;XST:AUS,CHN,EUR,FRA,JAP	
22	54840961B	WATER COOLER	1			MOD:1199S-A;XST:AUS,CHN,EUR,FRA,JAP	
23	77156408B	SCREW TCEIF M5X14	2			MOD:1199S-A;XST:AUS,CHN,EUR,FRA,JAP	
24	89310143A	TANK CAP	1			MOD:1199S-A;XST:AUS,CHN,EUR,FRA,JAP	
25	77211091C	SCREW	2			MOD:1199S-A;XST:AUS,CHN,EUR,FRA,JAP	
26	24714291A	COVER	1			MOD:1199S-A;XST:AUS,CHN,EUR,FRA,JAP	
27	85040471A	QUICK FASTENING M5	2			MOD:1199S-A;XST:AUS,CHN,EUR,FRA,JAP	
28	74141851A	CLAMP 25-40 MM	2			MOD:1199S-A;XST:AUS,CHN,EUR,FRA,JAP	



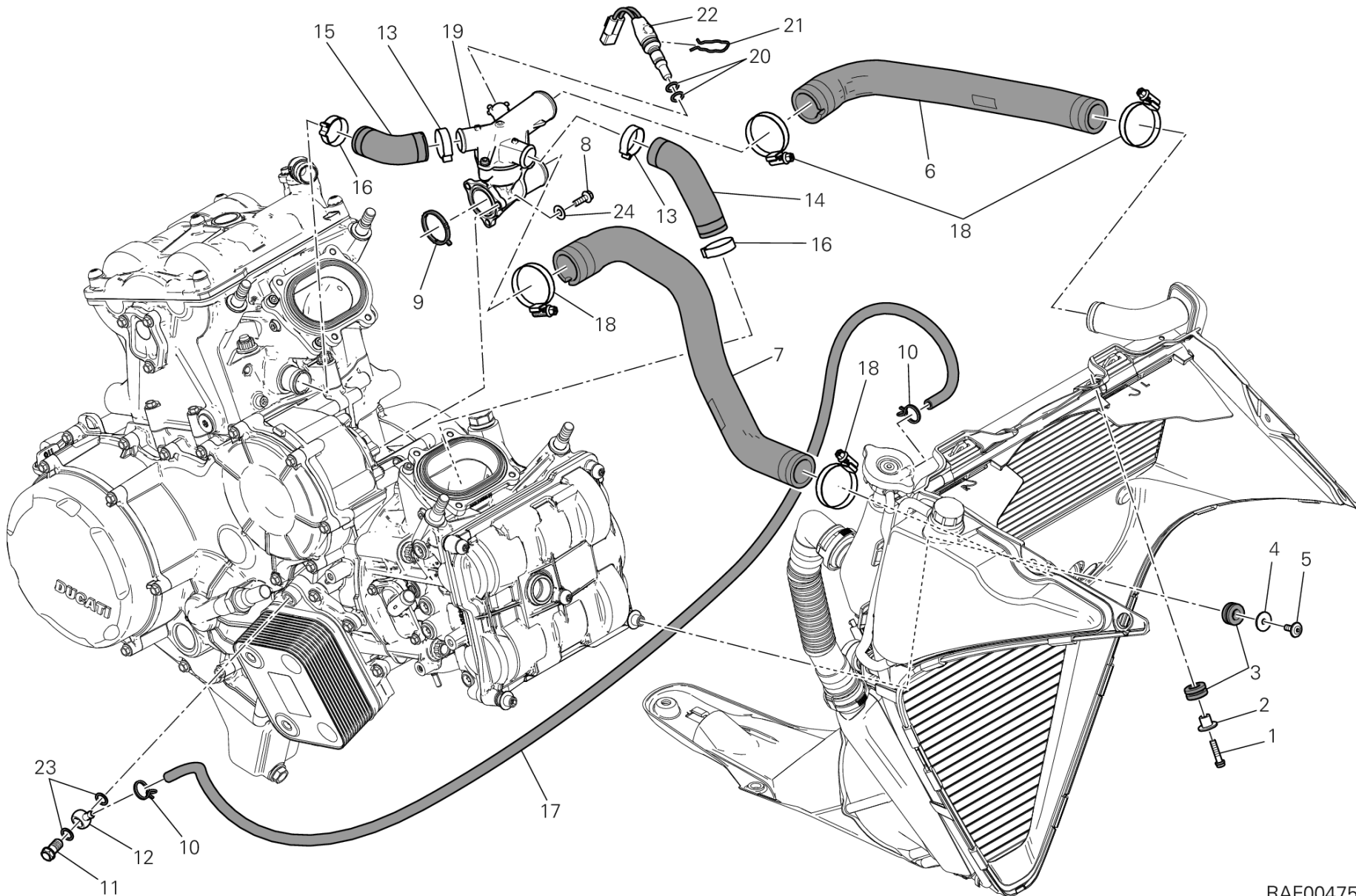
RAF00475

DRAWING 031 - COOLING SYSTEM [MOD:1199S-A;XST:AUS,CHN,EUR,FRA,JAP]

GROUP FRAME



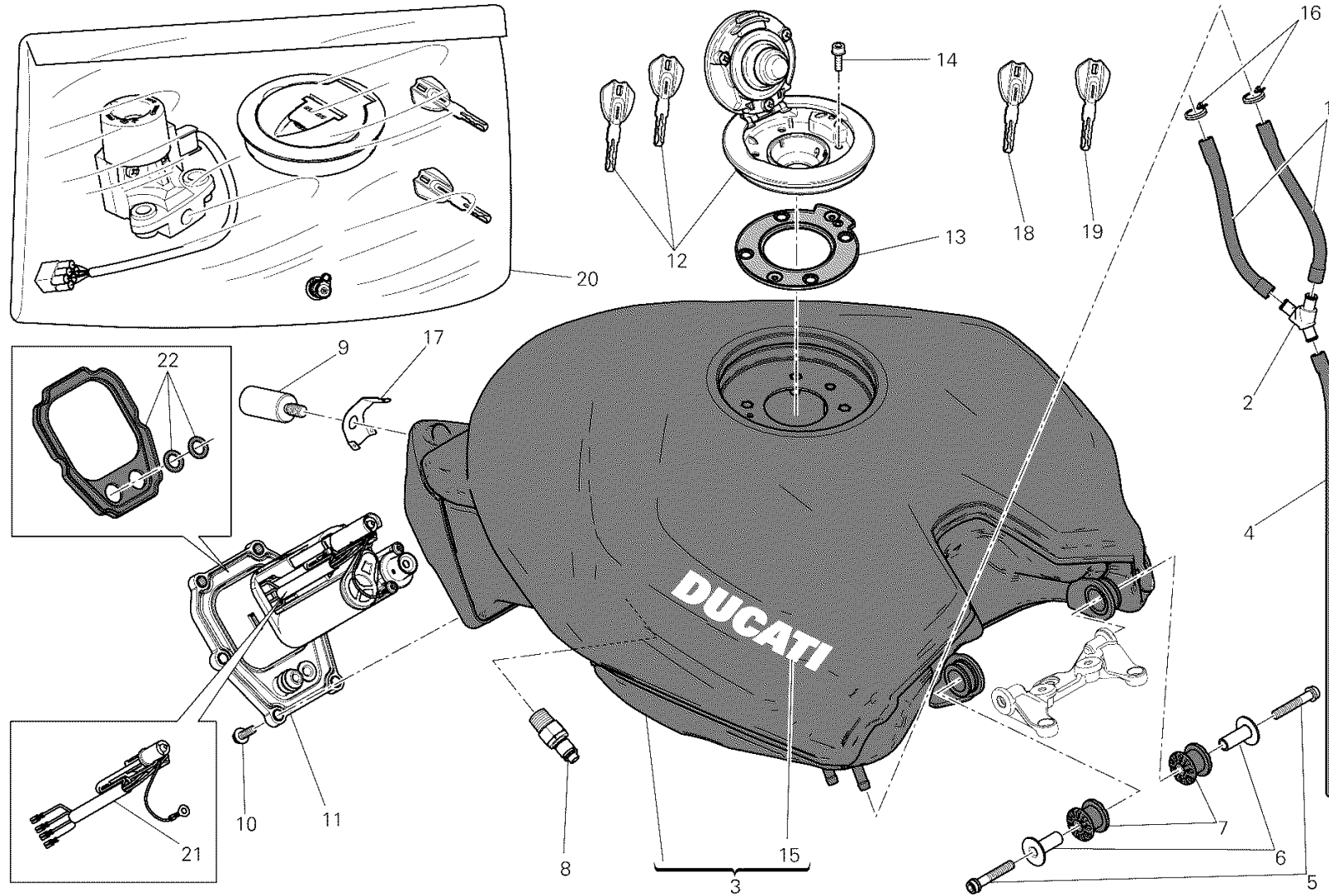
POS.	CODE	DESCRIPTION	QTY	START DATE	END DATE	VALIDITY	NOTES
1	77156443B	SCREW	2			MOD:1199S- A;XST:AUS,CHN,EUR,FRA,JAP	
2	71614342AA	SPACER	2			MOD:1199S- A;XST:AUS,CHN,EUR,FRA,JAP	
3	76410901A	RUBBER PAD	4			MOD:1199S- A;XST:AUS,CHN,EUR,FRA,JAP	
4	71614431AA	SPACER	2			MOD:1199S- A;XST:AUS,CHN,EUR,FRA,JAP	
5	77210882B	SCREW TBEI M5X12	2			MOD:1199S- A;XST:AUS,CHN,EUR,FRA,JAP	
6	80012111A	COOLER THERMOSTAT HOSE UPPER	1			MOD:1199S- A;XST:AUS,CHN,EUR,FRA,JAP	
7	80012131A	COOLER THERMOSTAT HOSE BOTTOM	1			MOD:1199S- A;XST:AUS,CHN,EUR,FRA,JAP	
8	77156408B	SCREW TCEIF M5X14	3			MOD:1199S- A;XST:AUS,CHN,EUR,FRA,JAP	
9	78811201A	GASKET	1			MOD:1199S- A;XST:AUS,CHN,EUR,FRA,JAP	
10	74140431A	CLAMP	2			MOD:1199S- A;XST:AUS,CHN,EUR,FRA,JAP	
11	78110121AA	SCREW, SPECIAL	1	11/06/2012		MOD:1199S- A;XST:AUS,CHN,EUR,FRA,JAP	
12	81415081AA	UNION	1			MOD:1199S- A;XST:AUS,CHN,EUR,FRA,JAP	
13	74141491A	CLAMP 26/8 MM	2			MOD:1199S- A;XST:AUS,CHN,EUR,FRA,JAP	
14	80012051A	THERMOSTAT PUMP HOSE HORIZONTAL	1			MOD:1199S- A;XST:AUS,CHN,EUR,FRA,JAP	
15	80012061A	THERMOSTAT PUMP HOSE VERTICAL	1			MOD:1199S- A;XST:AUS,CHN,EUR,FRA,JAP	
16	74142231A	CLAMP	2			MOD:1199S- A;XST:AUS,CHN,EUR,FRA,JAP	
17	93410173A	PIPE	1			MOD:1199S- A;XST:AUS,CHN,EUR,FRA,JAP	



RAF00475



POS.	CODE	DESCRIPTION	QTY	START DATE	END DATE	VALIDITY	NOTES
18	74141881A	CLAMP 23-35 MM	4	09/05/2012		MOD:1199S- A;XST:AUS,CHN,EUR,FRA,JAP	
19	55320121A	SQUIRTER UNIT	1			MOD:1199S- A;XST:AUS,CHN,EUR,FRA,JAP	
20	88641981A	O-RING	2			MOD:1199S- A;XST:AUS,CHN,EUR,FRA,JAP	
21	79915581A	SPRING	1			MOD:1199S- A;XST:AUS,CHN,EUR,FRA,JAP	
22	55242631A	ENGINE WATER TEMPERATURE SENSOR	1			MOD:1199S- A;XST:AUS,CHN,EUR,FRA,JAP	
23	85250241A	WASHER 10X14X1	2			MOD:1199S- A;XST:AUS,CHN,EUR,FRA,JAP	
24	85250071A	WASHER	3	20/02/2012		MOD:1199S- A;XST:AUS,CHN,EUR,FRA,JAP	



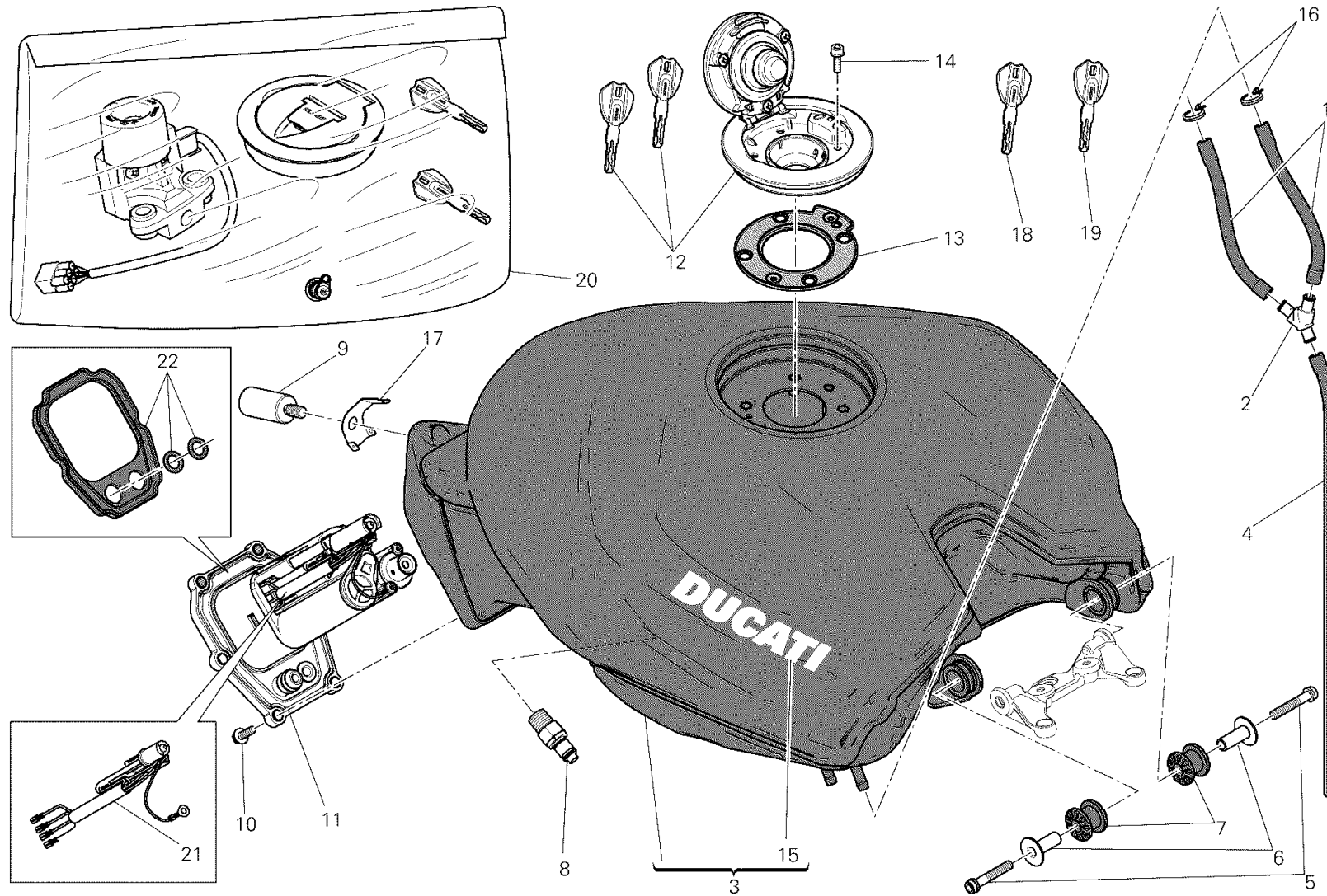
VST01088

DRAWING 032 - TANK [MOD:1199S-A;XST:AUS,EUR,FRA,JAP]

GROUP FRAME



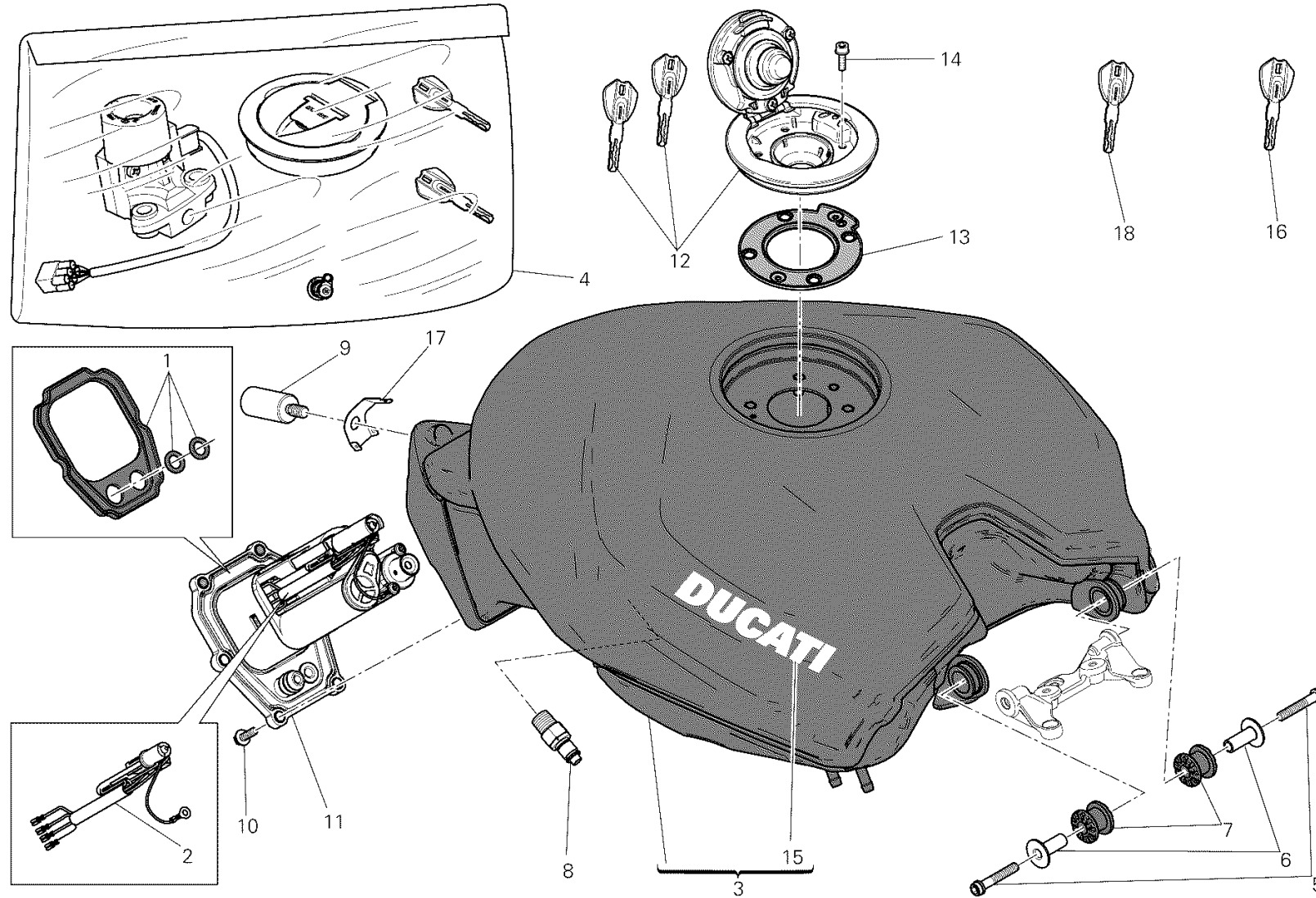
POS.	CODE	DESCRIPTION	QTY	START DATE	END DATE	VALIDITY	NOTES
1	59013901A	PIPE	2			MOD:1199S- A;XST:AUS,EUR,FRA,JAP	
2	61610021A	THREE-WAYS UNION	1			MOD:1199S- A;XST:AUS,EUR,FRA,JAP	
3	58611923AA	TANK RED	1			MOD:1199S- A;XST:AUS,EUR,FRA,JAP	
	58611923AW	TANK WHITE	1	01/01/2011		MOD:1199S- A;XST:AUS,EUR,FRA,JAP	
4	59013911B	BREATHER PIPE	1			MOD:1199S- A;XST:AUS,EUR,FRA,JAP	
5	77156728B	SCREW TCEIF M6X35	2			MOD:1199S- A;XST:AUS,EUR,FRA,JAP	
6	71614351AA	SPACER	2			MOD:1199S- A;XST:AUS,EUR,FRA,JAP	
7	76411521A	RUBBER PAD	2			MOD:1199S- A;XST:AUS,EUR,FRA,JAP	
8	81440681A	QUICK FASTENING	1			MOD:1199S- A;XST:AUS,EUR,FRA,JAP	
9	82114211AA	PIN REAR	1			MOD:1199S- A;XST:AUS,EUR,FRA,JAP	
10	77213203B	SCREW TBEIF M5X18	6			MOD:1199S- A;XST:AUS,EUR,FRA,JAP	
11	16024272A	FLANGE	1			MOD:1199S- A;XST:AUS,EUR,FRA,JAP	
12	89520221A	TANK CAP COMPLETE	1			MOD:1199S- A;XST:AUS,EUR,FRA,JAP	
13	86640061A	GASKET, FUEL TANK CAP	1			MOD:1199S- A;XST:AUS,EUR,FRA,JAP	
14	77156418B	SCREW TCEIF M5X16	4			MOD:1199S- A;XST:AUS,EUR,FRA,JAP	
15	43818151A	EMBLEM DUCATI (Red)	2			MOD:1199S- A;XST:AUS,EUR,FRA,JAP	
	43818151B	EMBLEM DUCATI (WHITE)	2	01/10/2011		MOD:1199S- A;XST:AUS,EUR,FRA,JAP	



VST01088



POS.	CODE	DESCRIPTION	QTY	START DATE	END DATE	VALIDITY	NOTES
16	74140431A	CLAMP	2			MOD:1199S- A;XST:AUS,EUR,FRA,JAP	
17	38710041A	PLATE	1			MOD:1199S- A;XST:AUS,EUR,FRA,JAP	
18	59840321A	WRENCH WITH TRANSPONDER	1			MOD:1199S- A;XST:AUS,EUR,FRA,JAP	
19	59840291A	KEY, NON INDENTED WITHOUT TRANSPONDER	1			MOD:1199S- A;XST:AUS,EUR,FRA,JAP	
20	59821041A	LOCKS KIT	1			MOD:1199S- A;XST:AUS,EUR,FRA,JAP	
21	69926431A	THERMISTOR	1			MOD:1199S- A;XST:AUS,EUR,FRA,JAP	
22	69926441A	GASKET KIT	1			MOD:1199S- A;XST:AUS,EUR,FRA,JAP	



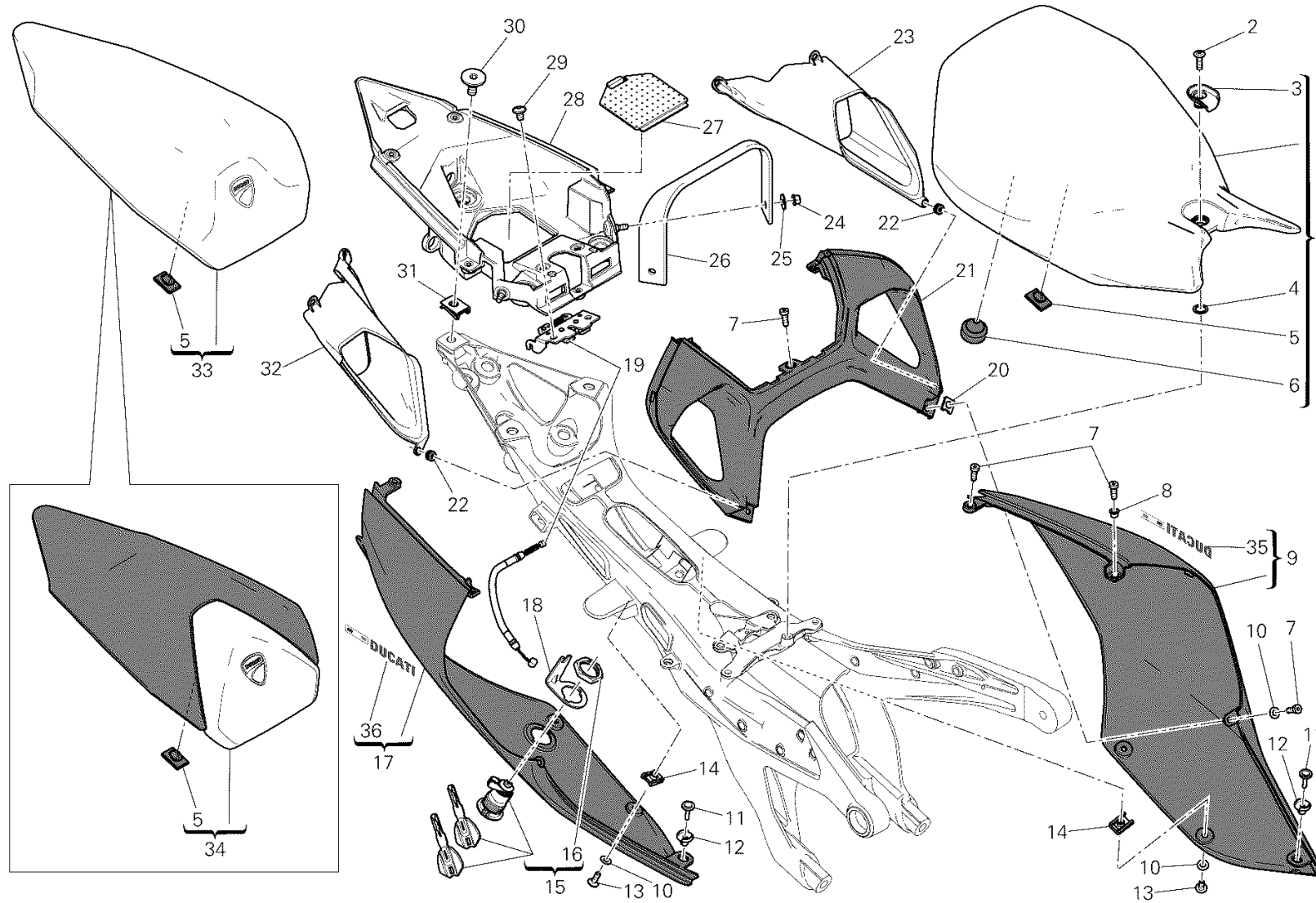
VST01128

DRAWING 032 - TANK [MOD:1199S-A;XST:CHN]

GROUP FRAME



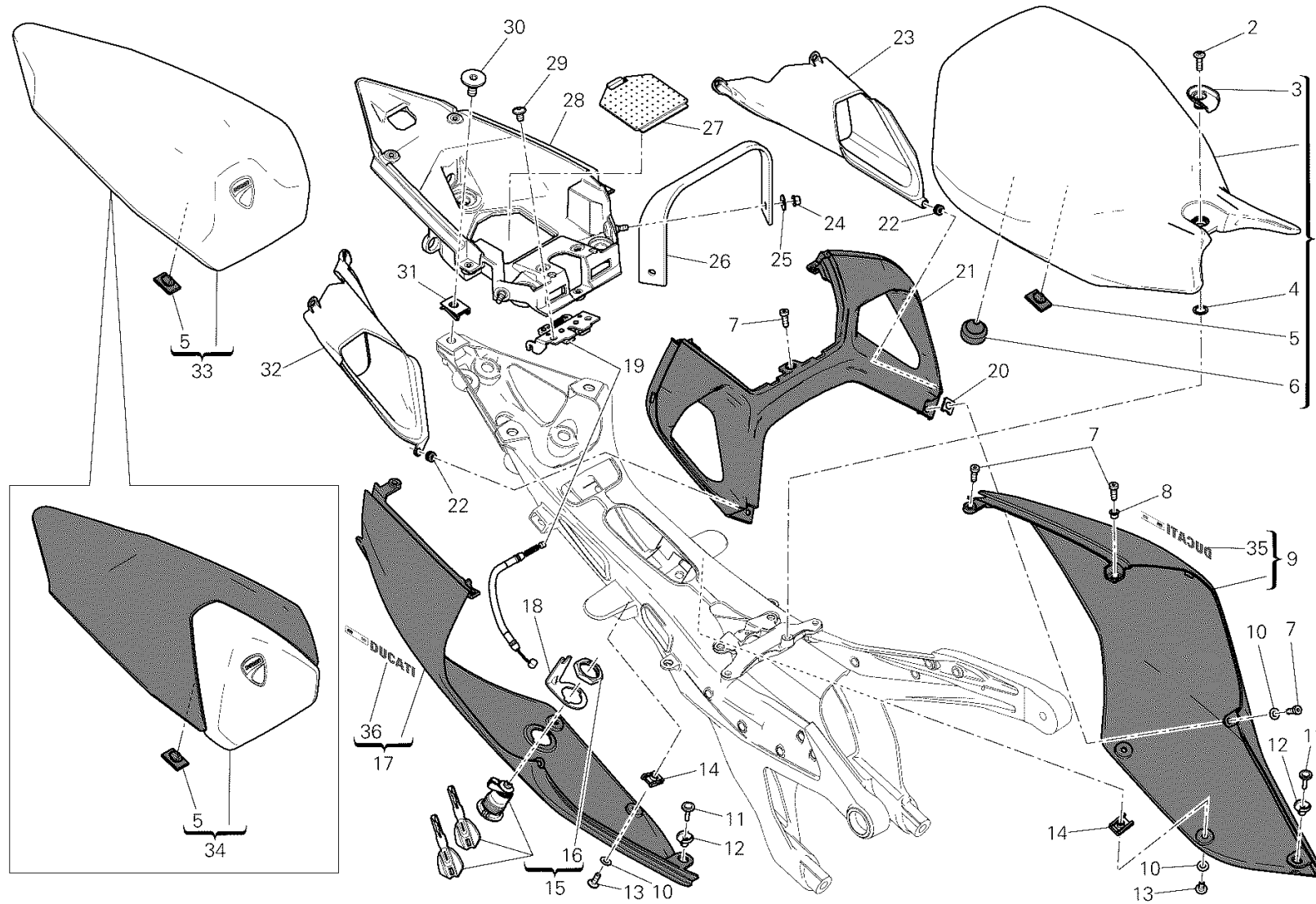
POS.	CODE	DESCRIPTION	QTY	START DATE	END DATE	VALIDITY	NOTES
1	69926441A	GASKET KIT	1			MOD:1199S-A;XST:CHN	
2	69926431A	THERMISTOR	1			MOD:1199S-A;XST:CHN	
3	58611923AA	TANK RED	1			MOD:1199S-A;XST:CHN	
	58611923AW	TANK WHITE	1	01/01/2011		MOD:1199S-A;XST:CHN	
4	59821051A	LOCKS KIT	1			MOD:1199S-A;XST:CHN	
5	77156728B	SCREW TCEIF M6X35	2			MOD:1199S-A;XST:CHN	
6	71614351AA	SPACER	2			MOD:1199S-A;XST:CHN	
7	76411521A	RUBBER PAD	2			MOD:1199S-A;XST:CHN	
8	81440681A	QUICK FASTENING	1			MOD:1199S-A;XST:CHN	
9	82114211AA	PIN REAR	1			MOD:1199S-A;XST:CHN	
10	77213203B	SCREW TBEIF M5X18	6			MOD:1199S-A;XST:CHN	
11	16024272A	FLANGE	1			MOD:1199S-A;XST:CHN	
12	89520221A	TANK CAP COMPLETE	1			MOD:1199S-A;XST:CHN	
13	86640061A	GASKET, FUEL TANK CAP	1			MOD:1199S-A;XST:CHN	
14	77156418B	SCREW TCEIF M5X16	4			MOD:1199S-A;XST:CHN	
15	43818151A	EMBLEM DUCATI (Red)	2			MOD:1199S-A;XST:CHN	
	43818151B	EMBLEM DUCATI (WHITE)	2	01/10/2011		MOD:1199S-A;XST:CHN	
16	59840291A	KEY, NON INDENTED WITHOUT TRANSPONDER	1			MOD:1199S-A;XST:CHN	
17	38710041A	PLATE	1			MOD:1199S-A;XST:CHN	
18	59840321A	WRENCH WITH TRANSPONDER	1			MOD:1199S-A;XST:CHN	



VST01087



POS.	CODE	DESCRIPTION	QTY	START DATE	END DATE	VALIDITY	NOTES
1	59521081B	SEAT	1			MOD:1199S- A;XST:AUS,CHN,EUR,FRA,JAP	
2	77210861B	SCREW TBEI M5X18	1			MOD:1199S- A;XST:AUS,CHN,EUR,FRA,JAP	
3	71319471AA	SPACER	1			MOD:1199S- A;XST:AUS,CHN,EUR,FRA,JAP	
4	88440331A	SPRING RING	1			MOD:1199S- A;XST:AUS,CHN,EUR,FRA,JAP	
5	86610301A	PAD	20			MOD:1199S- A;XST:AUS,CHN,EUR,FRA,JAP	
6	86610611A	RUBBER PAD	2			MOD:1199S- A;XST:AUS,CHN,EUR,FRA,JAP	
7	77350403B	SCREW	7			MOD:1199S- A;XST:AUS,CHN,EUR,FRA,JAP	
8	71611491A	SPACER	2			MOD:1199S- A;XST:AUS,CHN,EUR,FRA,JAP	
9	48211661AA	COVER FRAME LH RED	1			MOD:1199S- A;XST:AUS,CHN,EUR,FRA,JAP	
	48211661AW	COVER FRAME LH WHITE	1	29/03/2012		MOD:1199S- A;XST:AUS,CHN,EUR,FRA,JAP	
10	85611401A	WASHER	6			MOD:1199S- A;XST:AUS,CHN,EUR,FRA,JAP	
11	85041041A	RIVET, MALE	2			MOD:1199S- A;XST:AUS,CHN,EUR,FRA,JAP	
12	85041051A	RIVET, FEMALE	2			MOD:1199S- A;XST:AUS,CHN,EUR,FRA,JAP	
13	77211091C	SCREW	4			MOD:1199S- A;XST:AUS,CHN,EUR,FRA,JAP	
14	85040551A	QUICK FASTENING	4			MOD:1199S- A;XST:AUS,CHN,EUR,FRA,JAP	
15	59820611A	SEAT LOCK	1			MOD:1199S- A;XST:AUS,CHN,EUR,FRA,JAP	
16	75011551A	NUT M22X1.5	1			MOD:1199S- A;XST:AUS,CHN,EUR,FRA,JAP	



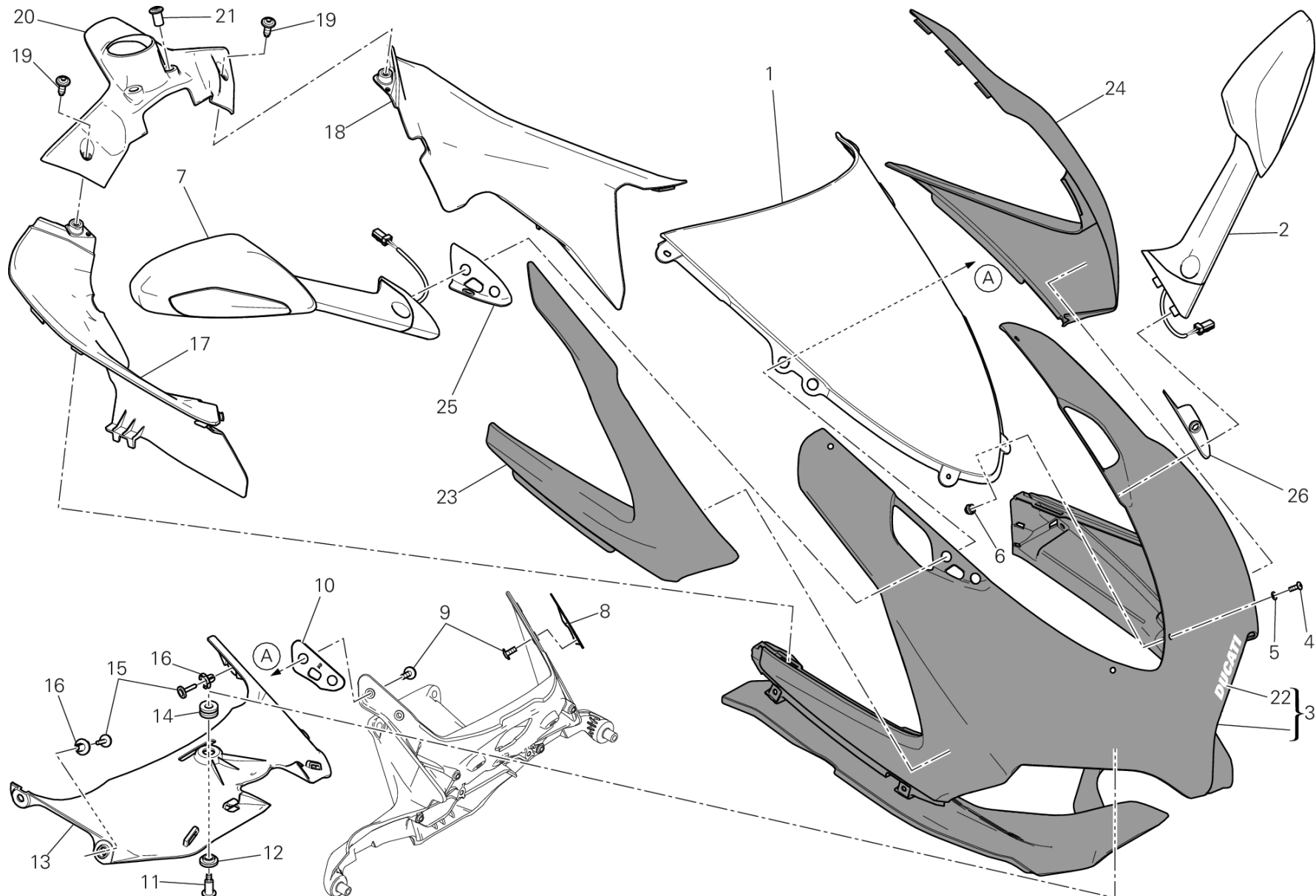
VST01087



POS.	CODE	DESCRIPTION	QTY	START DATE	END DATE	VALIDITY	NOTES
17	48211671AA	COVER FRAME RH RED	1			MOD:1199S- A;XST:AUS,CHN,EUR,FRA,JAP	
	48211671AW	COVER-SIDE, RH, S.WHITE	1	29/03/2012		MOD:1199S- A;XST:AUS,CHN,EUR,FRA,JAP	
18	82716141A	PLATE	1			MOD:1199S- A;XST:AUS,CHN,EUR,FRA,JAP	
19	59940011A	SEAT LOCK	1			MOD:1199S- A;XST:AUS,CHN,EUR,FRA,JAP	
20	85040471A	QUICK FASTENING M5	2			MOD:1199S- A;XST:AUS,CHN,EUR,FRA,JAP	
21	48311722AA	TAIL GUARD CENTRE RED	1			MOD:1199S- A;XST:AUS,CHN,EUR,FRA,JAP	
	48311722AW	CODONE CENTRALE BIANCO	1	29/03/2012		MOD:1199S- A;XST:AUS,CHN,EUR,FRA,JAP	
22	76440561A	RUBBER PAD	8			MOD:1199S- A;XST:AUS,CHN,EUR,FRA,JAP	
23	48411011A	COWLING, INNER LH	1			MOD:1199S- A;XST:AUS,CHN,EUR,FRA,JAP	
24	74941118B	NUT 6MM	2			MOD:1199S- A;XST:AUS,CHN,EUR,FRA,JAP	
25	85211671B	WASHER	2			MOD:1199S- A;XST:AUS,CHN,EUR,FRA,JAP	
26	59511281B	BELT	1			MOD:1199S- A;XST:AUS,CHN,EUR,FRA,JAP	
27	24714062A	COVER	1			MOD:1199S- A;XST:AUS,CHN,EUR,FRA,JAP	
28	48311711B	TRAY	1			MOD:1199S- A;XST:AUS,CHN,EUR,FRA,JAP	
29	77240393C	SCREW TBEIF M6X10 10.9	2			MOD:1199S- A;XST:AUS,CHN,EUR,FRA,JAP	
30	77916792AA	SCREW, SPECIAL	3			MOD:1199S- A;XST:AUS,CHN,EUR,FRA,JAP	
31	85041471A	CLIP NUT	3			MOD:1199S- A;XST:AUS,CHN,EUR,FRA,JAP	

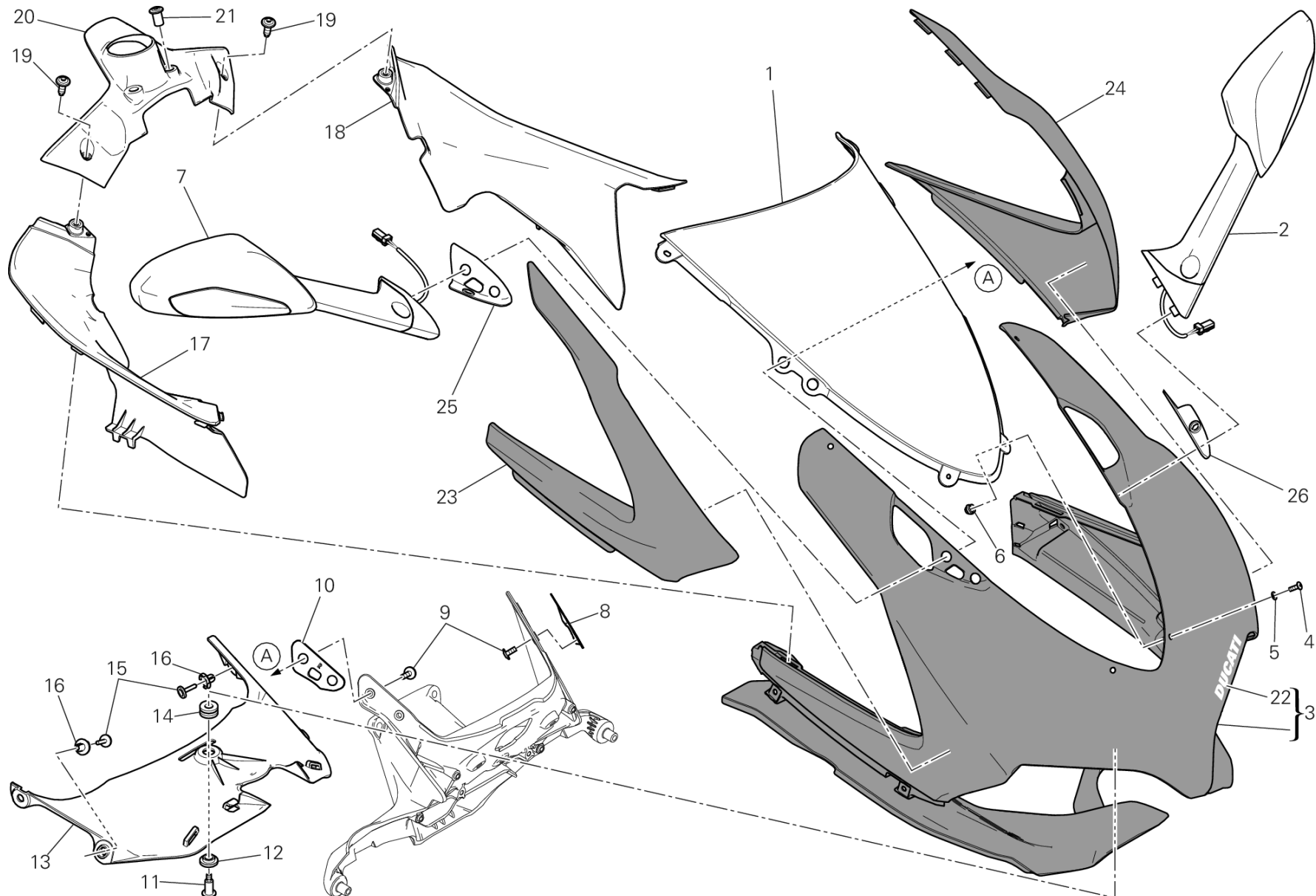


POS.	CODE	DESCRIPTION	QTY	START DATE	END DATE	VALIDITY	NOTES
32	48411021A	PANEL QUARTER, INNER	1			MOD:1199S-A;XST:AUS,CHN,EUR,FRA,JAP	
33	59521091A	PILLION RIDER SEAT	1			MOD:1199S-A;XST:AUS,CHN,EUR,FRA,JAP	
34	247P4022AA	COVER SEAT RED	1			MOD:1199S-A;XST:AUS,CHN,EUR,FRA,JAP	
	247P4022AW	COVER SEAT WHITE	1	29/03/2012		MOD:1199S-A;XST:AUS,CHN,EUR,FRA,JAP	
35	43818081A	ITA FLAG STICKER DUCATI LH (Red)	1			MOD:1199S-A;XST:AUS,CHN,EUR,FRA,JAP	
	43818081AT	ITA FLAG STICKER DUCATI LH (WHITE)	1	25/06/2012		MOD:1199S-A;XST:AUS,CHN,EUR,FRA,JAP	
36	43818091A	ITA FLAG STICKER DUCATI RH (Red)	1			MOD:1199S-A;XST:AUS,CHN,EUR,FRA,JAP	
	43818091AT	ITA FLAG STICKER DUCATI RH (WHITE)	1	25/06/2012		MOD:1199S-A;XST:AUS,CHN,EUR,FRA,JAP	



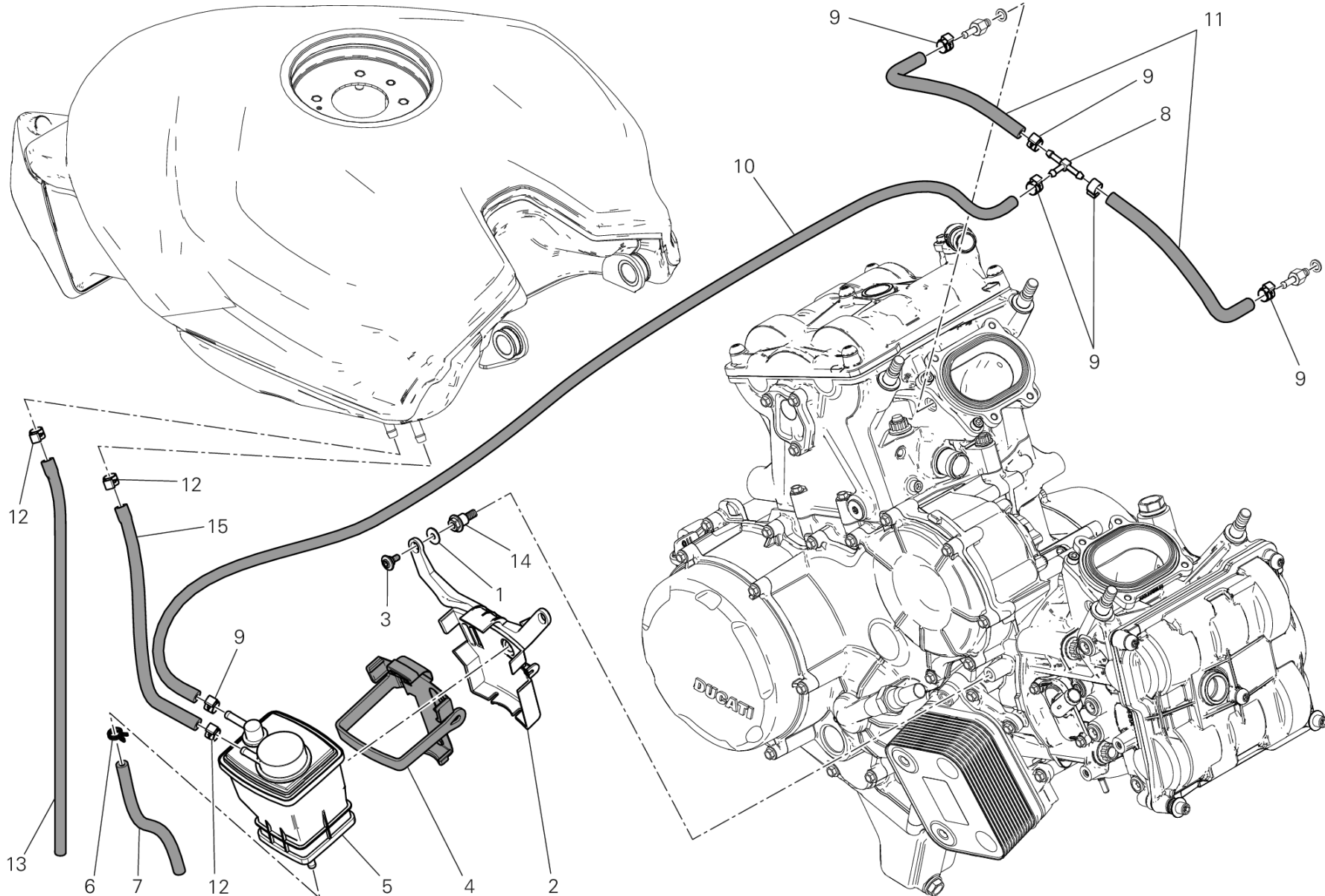


POS.	CODE	DESCRIPTION	QTY	START DATE	END DATE	VALIDITY	NOTES
1	48710562A	WINDSHIELD	1			MOD:1199S- A;XST:AUS,CHN,EUR,FRA,JAP	
2	523S0291A	REAR-VIEW MIRROR L.H.	1			MOD:1199S- A;XST:AUS,CHN,EUR,FRA,JAP	
3	48120742AA	COMPLETE HEADLIGHT FAIRING RED	1			MOD:1199S- A;XST:AUS,CHN,EUR,FRA,JAP	
	48120742AW	COMPLETE HEADLIGHT FAIRING WHITE	1	29/03/2012		MOD:1199S- A;XST:AUS,CHN,EUR,FRA,JAP	
4	77510071AB	SCREW, SPECIAL	4			MOD:1199S- A;XST:AUS,CHN,EUR,FRA,JAP	
5	85210241A	WASHER, NYLON 4X8X0.5	4			MOD:1199S- A;XST:AUS,CHN,EUR,FRA,JAP	
6	75010281A	NUT, SPRING	4			MOD:1199S- A;XST:AUS,CHN,EUR,FRA,JAP	
7	523S0281A	REAR-VIEW MIRROR R.H.	1			MOD:1199S- A;XST:AUS,CHN,EUR,FRA,JAP	
8	78811221A	GASKET INTERNAL LH	1			MOD:1199S- A;XST:AUS,CHN,EUR,FRA,JAP	
9	77240288C	SCREW	4			MOD:1199S- A;XST:AUS,CHN,EUR,FRA,JAP	
10	78811231A	GASKET INTERNAL RH	1			MOD:1199S- A;XST:AUS,CHN,EUR,FRA,JAP	
11	77916951AA	SCREW, SPECIAL	1			MOD:1199S- A;XST:AUS,CHN,EUR,FRA,JAP	
12	76411511A	RUBBER PAD	1			MOD:1199S- A;XST:AUS,CHN,EUR,FRA,JAP	
13	48411002A	MUDFLAP	1			MOD:1199S- A;XST:AUS,CHN,EUR,FRA,JAP	
14	76411141A	VIBRATION DAMPER PAD	1			MOD:1199S- A;XST:AUS,CHN,EUR,FRA,JAP	
15	85041041A	RIVET, MALE	4			MOD:1199S- A;XST:AUS,CHN,EUR,FRA,JAP	
16	85041051A	RIVET, FEMALE	4			MOD:1199S- A;XST:AUS,CHN,EUR,FRA,JAP	





POS.	CODE	DESCRIPTION	QTY	START DATE	END DATE	VALIDITY	NOTES
17	46014951C	RIGHT COVER	1			MOD:1199S- A;XST:AUS,CHN,EUR,FRA,JAP	
18	46014941C	PROTECTION, LEFT	1			MOD:1199S- A;XST:AUS,CHN,EUR,FRA,JAP	
19	77211091C	SCREW	2			MOD:1199S- A;XST:AUS,CHN,EUR,FRA,JAP	
20	46014961C	PROTECTION CENTRE	1			MOD:1199S- A;XST:AUS,CHN,EUR,FRA,JAP	
21	75011491AB	NUT, SPECIAL	2			MOD:1199S- A;XST:AUS,CHN,EUR,FRA,JAP	
22	43818111A	EMBLEM DUCATI (Red)	1			MOD:1199S- A;XST:AUS,CHN,EUR,FRA,JAP	
	43818111AT	EMBLEM DUCATI (WHITE)	1	25/06/2012		MOD:1199S- A;XST:AUS,CHN,EUR,FRA,JAP	
23	48110851AA	RIGHT BULKHEAD (Red)	1			MOD:1199S- A;XST:AUS,CHN,EUR,FRA,JAP	
	48110851AW	RIGHT BULKHEAD (WHITE)	1	29/03/2012		MOD:1199S- A;XST:AUS,CHN,EUR,FRA,JAP	
24	48110841AA	LEFT PANEL (Red)	1			MOD:1199S- A;XST:AUS,CHN,EUR,FRA,JAP	
	48110841AW	LEFT PANEL (WHITE)	1	29/03/2012		MOD:1199S- A;XST:AUS,CHN,EUR,FRA,JAP	
25	78811281A	GASKET, MIRROR RH	1	01/07/2012		MOD:1199S- A;XST:AUS,CHN,EUR,FRA,JAP	
26	78811291A	GASKET, MIRROR LH	1	01/07/2012		MOD:1199S- A;XST:AUS,CHN,EUR,FRA,JAP	



DRAWING 035 - CANISTER FILTER [MOD:1199S-A;XST:CHN]

GROUP FRAME

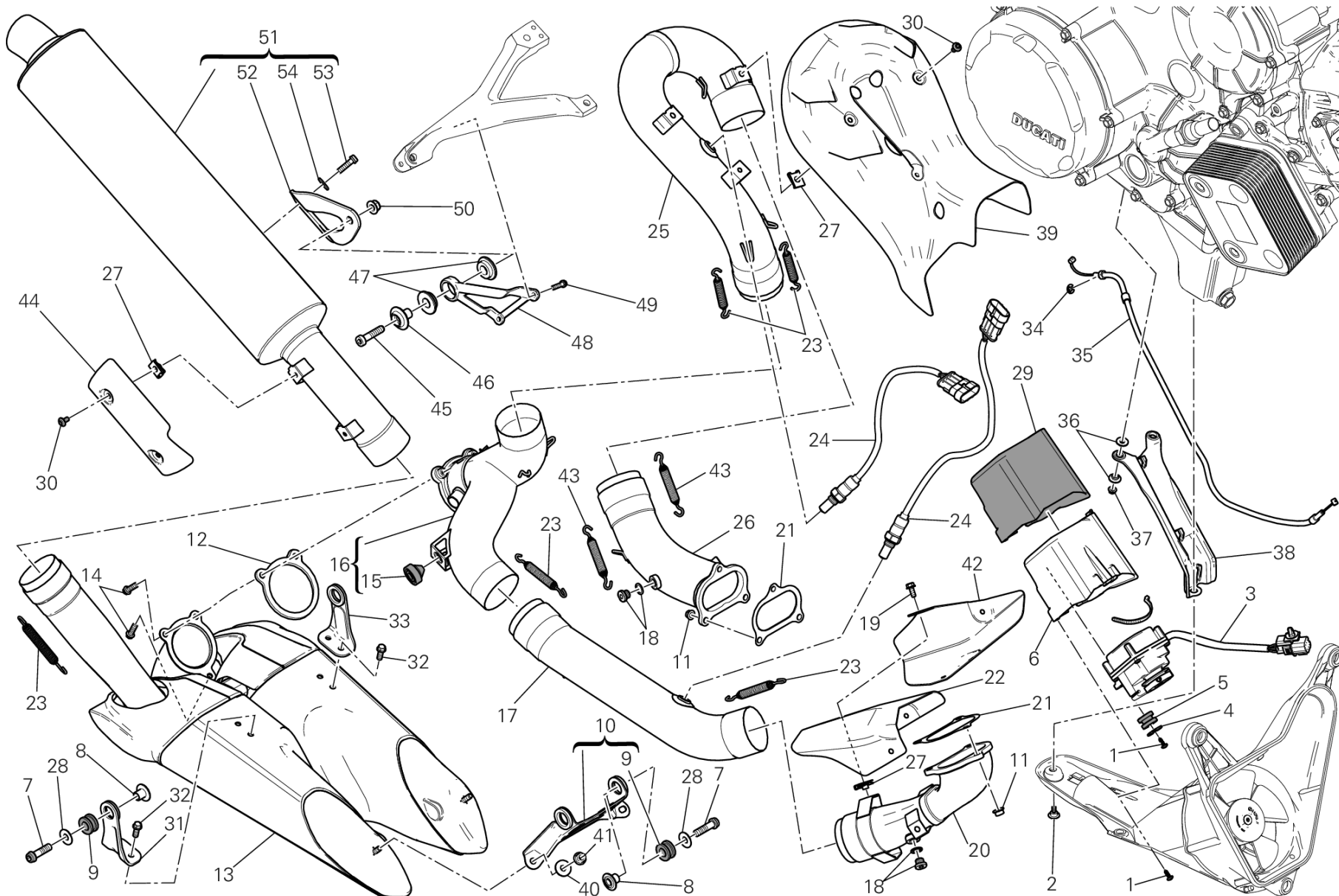


POS.	CODE	DESCRIPTION	QTY	START DATE	END DATE	VALIDITY	NOTES
1	85240091A	WASHER 5.3X15X1	3			MOD:1199S-A;XST:CHN	
2	8291A901A	HOLDER	1			MOD:1199S-A;XST:CHN	
3	77210853B	SCREW TCEI M5X9	3			MOD:1199S-A;XST:CHN	
4	70010751A	VIBRATION DAMPER	1			MOD:1199S-A;XST:CHN	
5	42640041B	CANISTER FILTER	1			MOD:1199S-A;XST:CHN	
6	74140431A	CLAMP	1			MOD:1199S-A;XST:CHN	
7	87611181A	BREATHER PIPE	1			MOD:1199S-A;XST:CHN	
8	81411831A	THREE-WAYS UNION	1			MOD:1199S-A;XST:CHN	
9	74141001A	CLAMP 8.5/7	6			MOD:1199S-A;XST:CHN	
10	93510091A	PIPE	1			MOD:1199S-A;XST:CHN	
11	93510081A	PIPE	2			MOD:1199S-A;XST:CHN	
12	74141711A	CLAMP 10-7 MM	3			MOD:1199S-A;XST:CHN	
13	87611191A	PIPE	1			MOD:1199S-A;XST:CHN	
14	77917291AA	SCREW, SPECIAL	3			MOD:1199S-A;XST:CHN	
15	93510101A	BREATHER PIPE	1			MOD:1199S-A;XST:CHN	



DRAWING 19A - EXHAUST SYSTEM (JAP) [MOD:1199S-A;XST:JAP]

GROUP FRAME



DRAWING 19A - EXHAUST SYSTEM (JAP) [MOD:1199S-A;XST:JAP]

GROUP FRAME

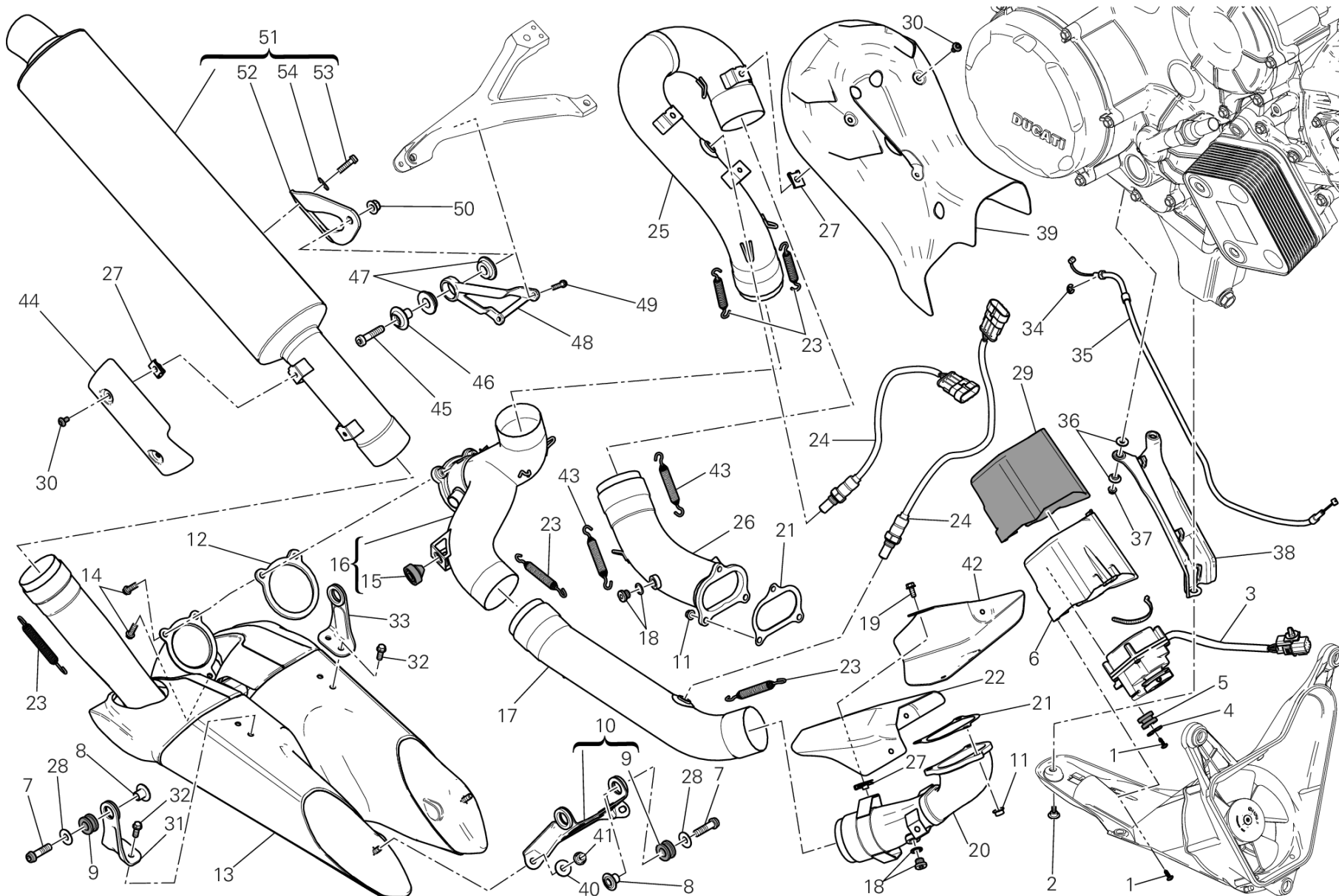


POS.	CODE	DESCRIPTION	QTY	START DATE	END DATE	VALIDITY	NOTES
1	77440203C	SCREW	6			MOD:1199S-A;XST:JAP	
2	77210852C	SCREW	1			MOD:1199S-A;XST:JAP	
3	59340392A	ELECTRIC MOTOR, EXHAUST VALVE	1			MOD:1199S-A;XST:JAP	
4	85213111AA	WASHER	2			MOD:1199S-A;XST:JAP	
5	76411301A	RUBBER PAD	2			MOD:1199S-A;XST:JAP	
6	46015262A	COVER	1			MOD:1199S-A;XST:JAP	
7	77157278B	SCREW TCEIF M8X30	4			MOD:1199S-A;XST:JAP	
8	71614391AA	SPACER	4			MOD:1199S-A;XST:JAP	
9	76411481A	RUBBER PAD	4			MOD:1199S-A;XST:JAP	
10	83026511BA	BRACKET Front	1			MOD:1199S-A;XST:JAP	
11	74810241A	NUT	6			MOD:1199S-A;XST:JAP	
12	79010251A	GASKET, EXHAUST PIPE	1			MOD:1199S-A;XST:JAP	
13	57413301A	SILENCER	1	29/03/2012		MOD:1199S-A;XST:JAP	JAP
14	77156658B	SCREW TCEIF M6X16	3			MOD:1199S-A;XST:JAP	
15	76410631A	RUBBER PAD	1			MOD:1199S-A;XST:JAP	
16	57013152B	PIPE, EXHAUST CENTER	1			MOD:1199S-A;XST:JAP	
17	57013072A	EXHAUST PIPE HORIZONTAL	1			MOD:1199S-A;XST:JAP	
18	78020011A	PLUG	2			MOD:1199S-A;XST:JAP	
19	77250728B	SCREW TEF M5X12	4			MOD:1199S-A;XST:JAP	
20	57013061C	EXHAUST MANIFOLD HORIZONTAL	1			MOD:1199S-A;XST:JAP	
21	79010231B	GASKET, EXHAUST PIPE	2			MOD:1199S-A;XST:JAP	
22	46015331BA	HEAT GUARD HORIZONTAL	1			MOD:1199S-A;XST:JAP	
23	79912632A	SPRING, EXHAUST PIPE	5			MOD:1199S-A;XST:JAP	
24	55212092A	SENSOR LAMBDA SOND	2			MOD:1199S-A;XST:JAP	
25	57113002C	PIPE, EXHAUST Verticale	1			MOD:1199S-A;XST:JAP	
26	57112992C	EXHAUST MANIFOLD VERTICAL	1			MOD:1199S-A;XST:JAP	
27	85040551A	QUICK FASTENING	9			MOD:1199S-A;XST:JAP	
28	85210532A	WASHER 8.2X20X1	4			MOD:1199S-A;XST:JAP	
29	46015031AA	HEAT GUARD VERTICAL	1			MOD:1199S-A;XST:JAP	
30	77244168B	SCREW	3			MOD:1199S-A;XST:JAP	
31	83016491AA	BRACKET REAR RH	1			MOD:1199S-A;XST:JAP	
32	77251018B	SCREW TEF M6X20	4			MOD:1199S-A;XST:JAP	
33	83016501AA	BRACKET REAR L.H.	1			MOD:1199S-A;XST:JAP	
34	88450031A	CIRCLIP E-TYPE	2			MOD:1199S-A;XST:JAP	
35	73210331B	EXHAUST VALVE ENGINE CABLE	1			MOD:1199S-A;XST:JAP	



DRAWING 19A - EXHAUST SYSTEM (JAP) [MOD:1199S-A;XST:JAP]

GROUP FRAME

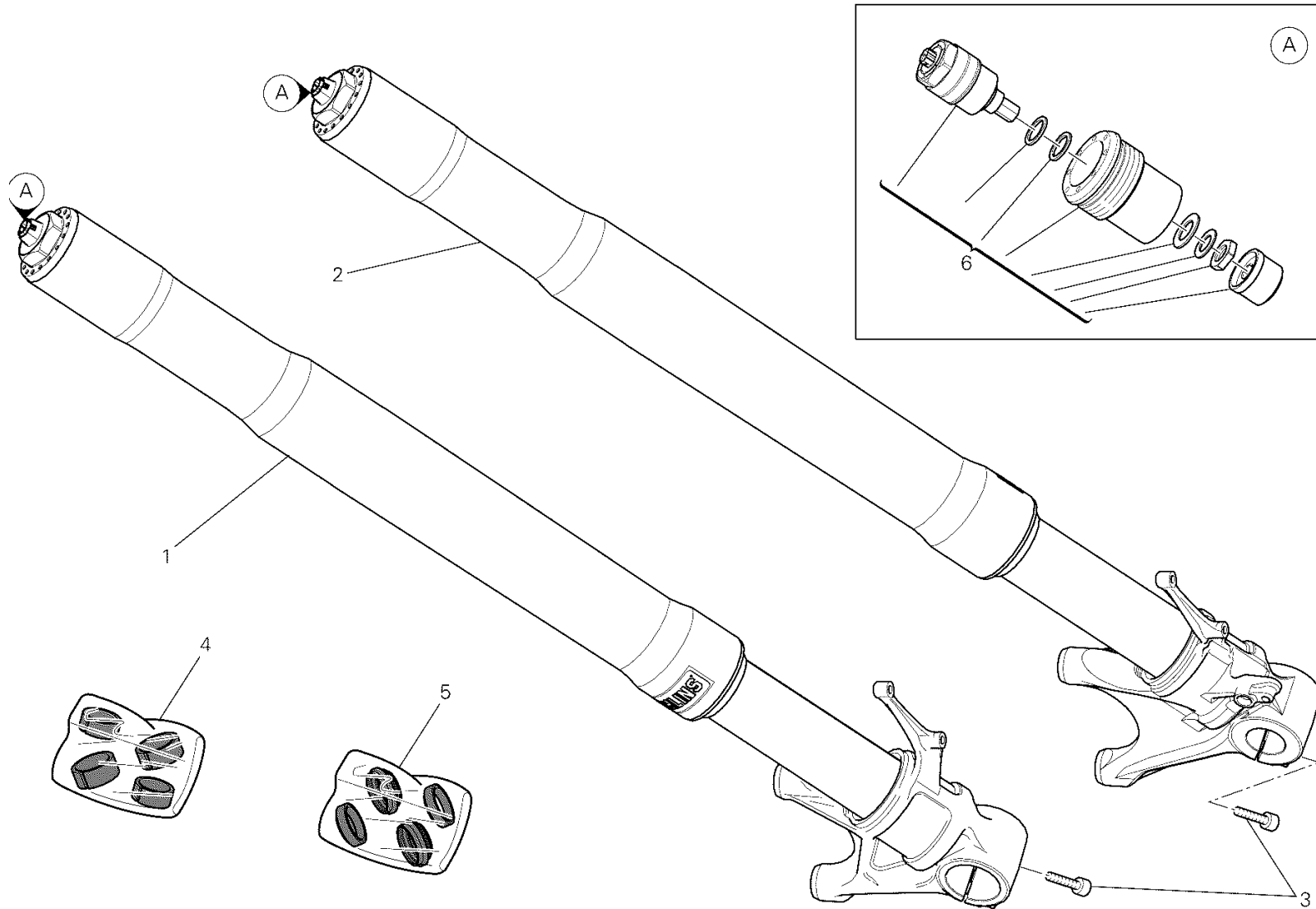


DRAWING 19A - EXHAUST SYSTEM (JAP) [MOD:1199S-A;XST:JAP]

GROUP FRAME



POS.	CODE	DESCRIPTION	QTY	START DATE	END DATE	VALIDITY	NOTES
36	71614071A	SPACER 5.2X8.4X2	4			MOD:1199S-A;XST:JAP	
37	74840381A	NUT M5	2			MOD:1199S-A;XST:JAP	
38	46015393A	HEAT GUARD BOTTOM	1			MOD:1199S-A;XST:JAP	
39	46015741A	PROTECTION, HEAT	1			MOD:1199S-A;XST:JAP	
40	85250291A	WASHER 6.4X18X1.6	2			MOD:1199S-A;XST:JAP	
41	74810361A	NUT 6MM	2			MOD:1199S-A;XST:JAP	
42	46015781AA	GUARD Orizzontale	1			MOD:1199S-A;XST:JAP	
43	79915651A	SPRING	2			MOD:1199S-A;XST:JAP	
44	46110011AA	HEAT GUARD REAR	1	29/03/2012	01/10/2012	MOD:1199S-A;XST:JAP	
45	77355068B	SCREW TCEIR M8X35	1	29/03/2012		MOD:1199S-A;XST:JAP	
46	71314361A	COLLAR, SILENCER MOUNTING	1	29/03/2012		MOD:1199S-A;XST:JAP	
47	76410011A	DAMPER	2	29/03/2012		MOD:1199S-A;XST:JAP	
48	83017791AA	BRACKET, MUFFLER SUPPORT	1	01/03/2012		MOD:1199S-A;XST:JAP	
49	77156438B	SCREW	2	01/03/2012		MOD:1199S-A;XST:JAP	
50	74941128B	NUT M8	1	29/03/2012		MOD:1199S-A;XST:JAP	
51	573P3392A	RIGHT SILENCER	1	25/05/2012		MOD:1199S-A;XST:JAP	
52	57610791AA	BRACKET, RIGHT SILENCER	1	25/05/2012		MOD:1199S-A;XST:JAP	
53	77110211A	SCREW	2	25/05/2012		MOD:1199S-A;XST:JAP	
54	85240161A	WASHER 8.4X20X1.2	2	25/05/2012		MOD:1199S-A;XST:JAP	



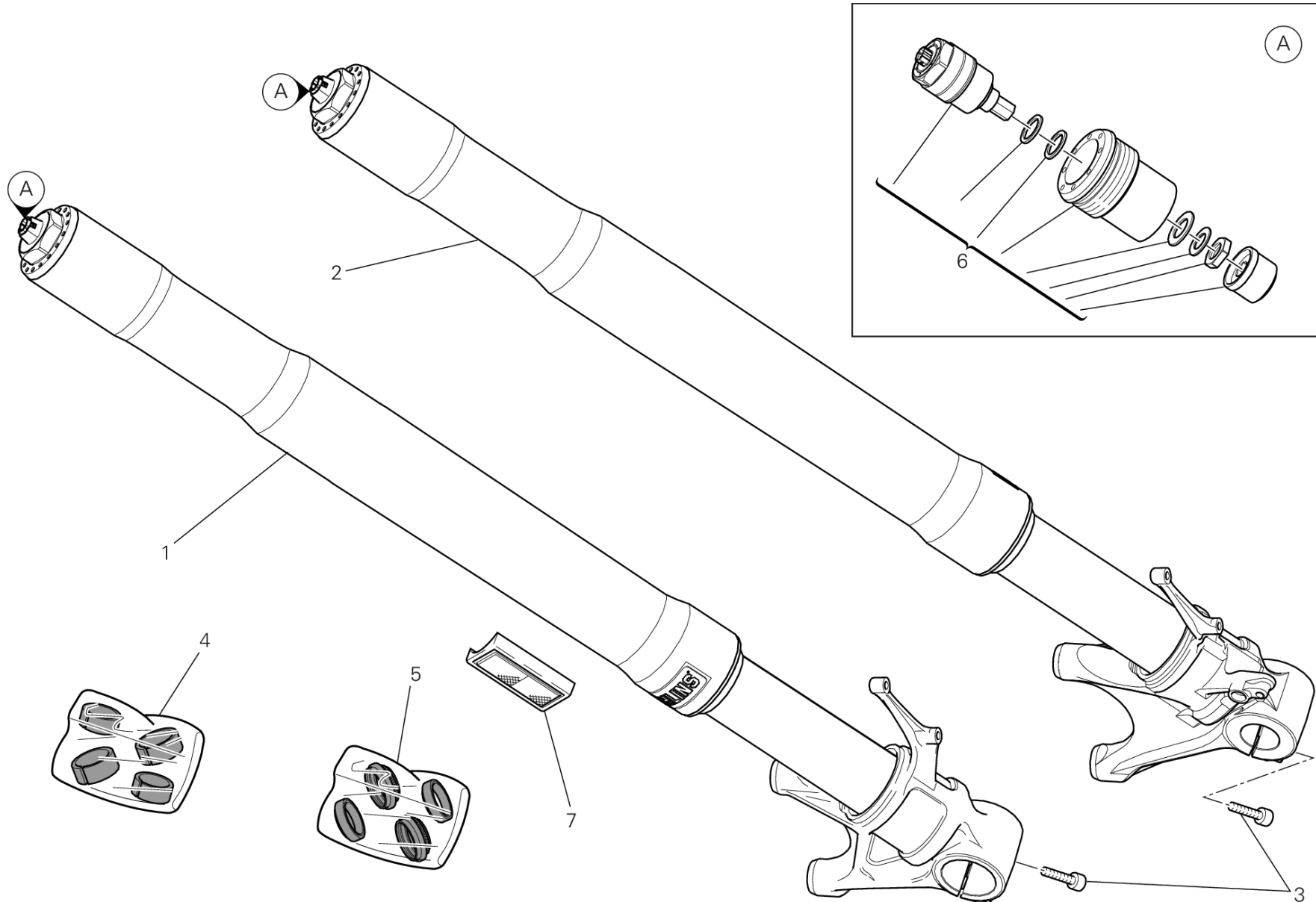
SOS00628

DRAWING 21A - FRONT FORK [MOD:1199S-A;XST:AUS,EUR,FRA,JAP]

GROUP FRAME



POS.	CODE	DESCRIPTION	QTY	START DATE	END DATE	VALIDITY	NOTES
1	34420411A	FORK LEG ASSEMBLY R.H.	1			MOD:1199S-A;XST:AUS,EUR,FRA,JAP	
2	34520411A	FORK LEG ASSEMBLY L.H.	1			MOD:1199S-A;XST:AUS,EUR,FRA,JAP	
3	77110518B	SCREW TCEI M6X25	2			MOD:1199S-A;XST:AUS,EUR,FRA,JAP	
4	34921301A	OVERHAUL KIT	2			MOD:1199S-A;XST:AUS,EUR,FRA,JAP	
5	34921311A	SEAT KIT	2			MOD:1199S-A;XST:AUS,EUR,FRA,JAP	
6	34921321A	CAPS KIT	2			MOD:1199S-A;XST:AUS,EUR,FRA,JAP	

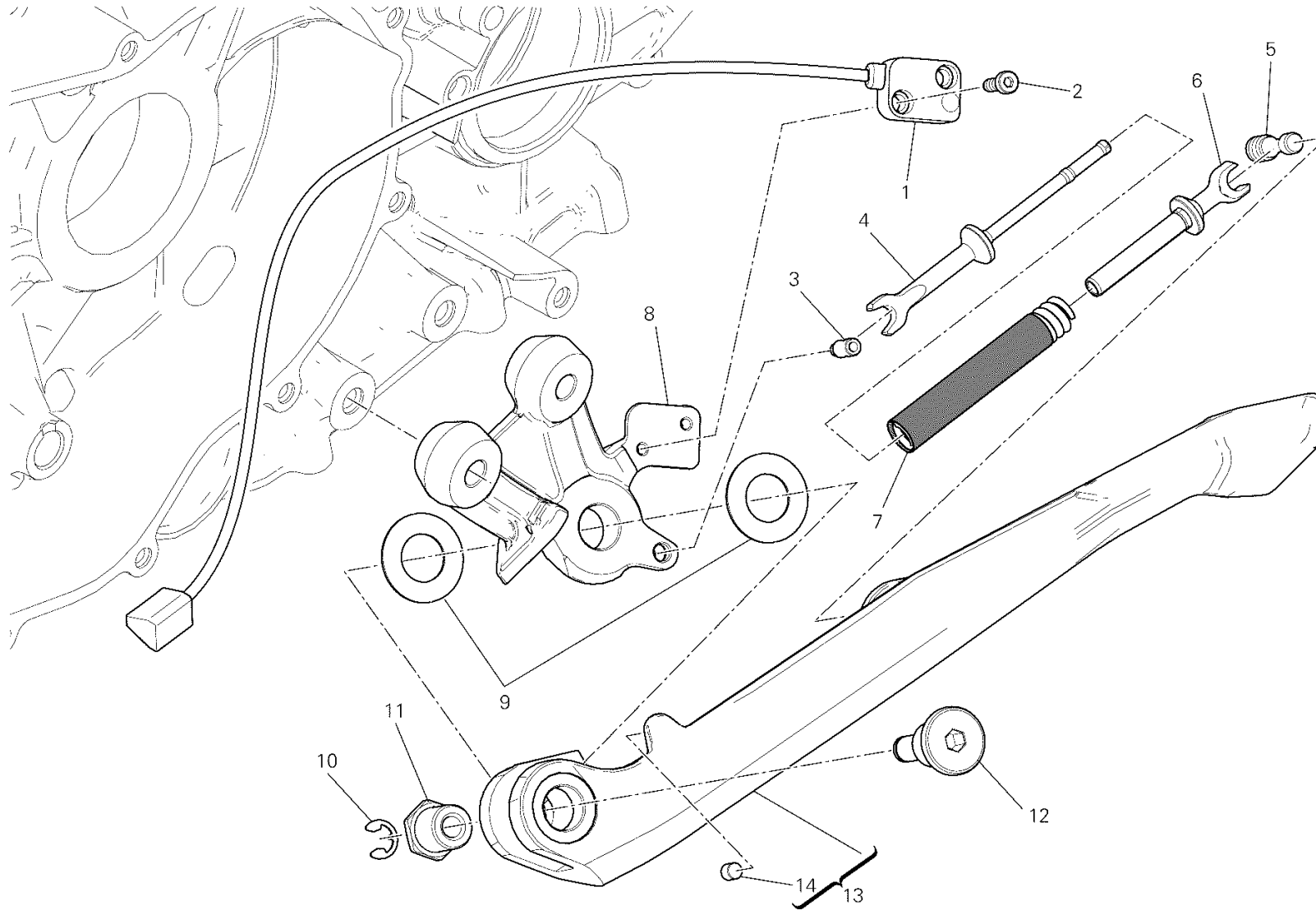


DRAWING 21A - FRONT FORK [MOD:1199S-A;XST:CHN]

GROUP FRAME



POS.	CODE	DESCRIPTION	QTY	START DATE	END DATE	VALIDITY	NOTES
1	34420411A	FORK LEG ASSEMBLY R.H.	1			MOD:1199S-A;XST:CHN	
2	34520411A	FORK LEG ASSEMBLY L.H.	1			MOD:1199S-A;XST:CHN	
3	77110518B	SCREW TCEI M6X25	2			MOD:1199S-A;XST:CHN	
4	34921301A	OVERHAUL KIT	2			MOD:1199S-A;XST:CHN	
5	34921311A	SEAT KIT	2			MOD:1199S-A;XST:CHN	
6	34921321A	CAPS KIT	2			MOD:1199S-A;XST:CHN	
7	52910141A	REFLECTOR, ADHESIVE AMBER	2			MOD:1199S-A;XST:CHN	



TEL00706

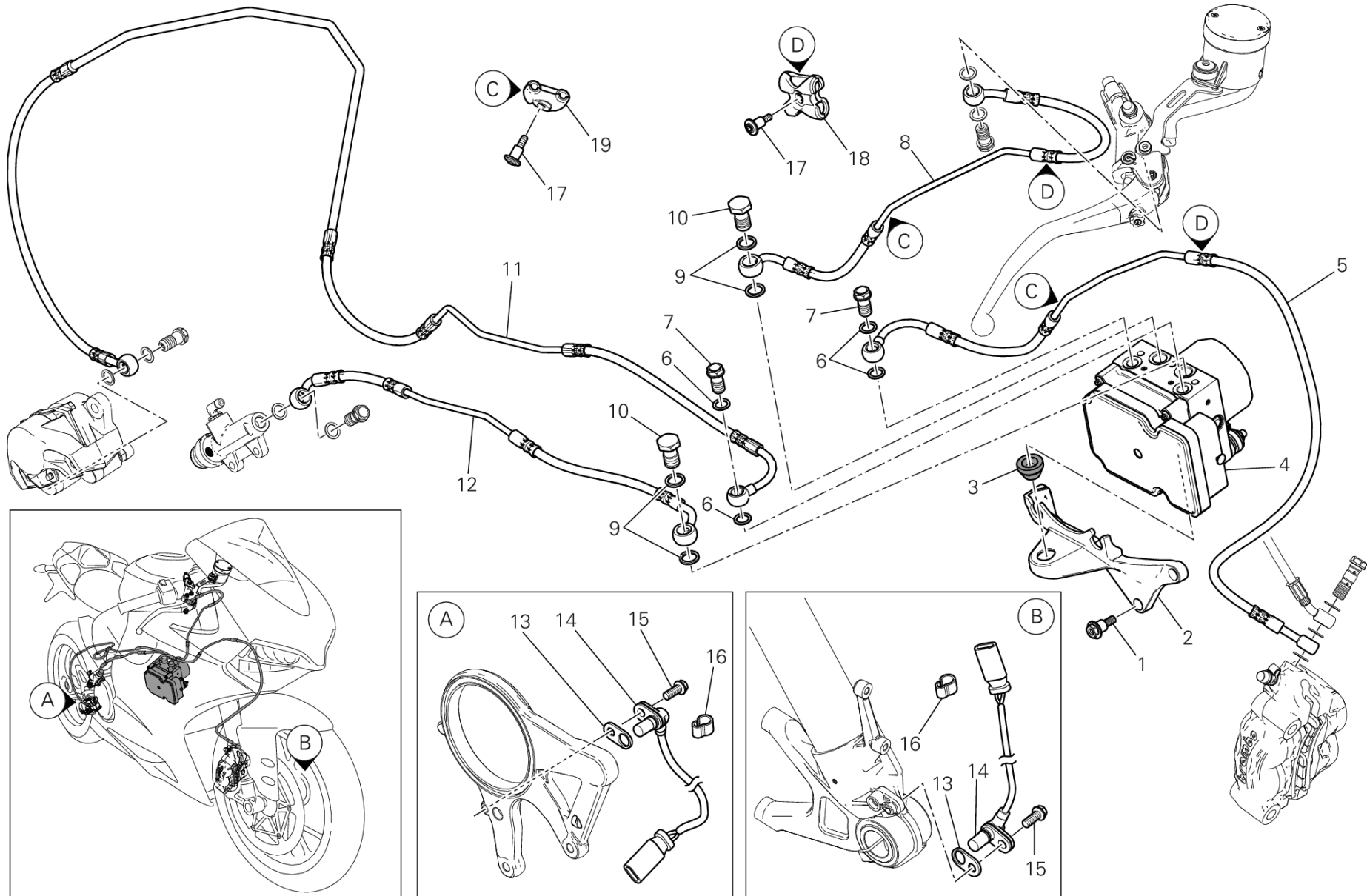


POS.	CODE	DESCRIPTION	QTY	START DATE	END DATE	VALIDITY	NOTES
1	53940601A	SWITCH, STAND	1			MOD:1199S- A;XST:AUS,CHN,EUR,FRA,JAP	
2	77354623B	SCREW M4X10	2			MOD:1199S- A;XST:AUS,CHN,EUR,FRA,JAP	
3	86050361AA	PIN	1			MOD:1199S- A;XST:AUS,CHN,EUR,FRA,JAP	
4	11711252AA	ROD	1			MOD:1199S- A;XST:AUS,CHN,EUR,FRA,JAP	
5	82113731AA	PIN	1			MOD:1199S- A;XST:AUS,CHN,EUR,FRA,JAP	
6	71011611AA	BUSHING WITH CENTER ROD JOINT	1			MOD:1199S- A;XST:AUS,CHN,EUR,FRA,JAP	
7	79925411AA	COMPLETE SPRING	1			MOD:1199S- A;XST:AUS,CHN,EUR,FRA,JAP	
8	55610601BA	PLATE	1			MOD:1199S- A;XST:AUS,CHN,EUR,FRA,JAP	
9	85210681B	SPACER,15X28X1	2			MOD:1199S- A;XST:AUS,CHN,EUR,FRA,JAP	
10	88450031A	CIRCLIP E-TYPE	1			MOD:1199S- A;XST:AUS,CHN,EUR,FRA,JAP	
11	71210471AA	BUSH	1			MOD:1199S- A;XST:AUS,CHN,EUR,FRA,JAP	
12	82113711BA	LOCATING PIN	1			MOD:1199S- A;XST:AUS,CHN,EUR,FRA,JAP	
13	55610612AA	SIDE STAND	1			MOD:1199S- A;XST:AUS,CHN,EUR,FRA,JAP	
14	53940651A	MAGNETE	1			MOD:1199S- A;XST:AUS,CHN,EUR,FRA,JAP	



DRAWING 24A - ANTILOCK BRAKING SYSTEM (ABS) [MOD:1199S-A;XST:AUS,CHN,EUR,FRA,JAP]

GROUP FRAME



DRAWING 24A - ANTILOCK BRAKING SYSTEM (ABS) [MOD:1199S-A;XST:AUS,CHN,EUR,FRA,JAP]



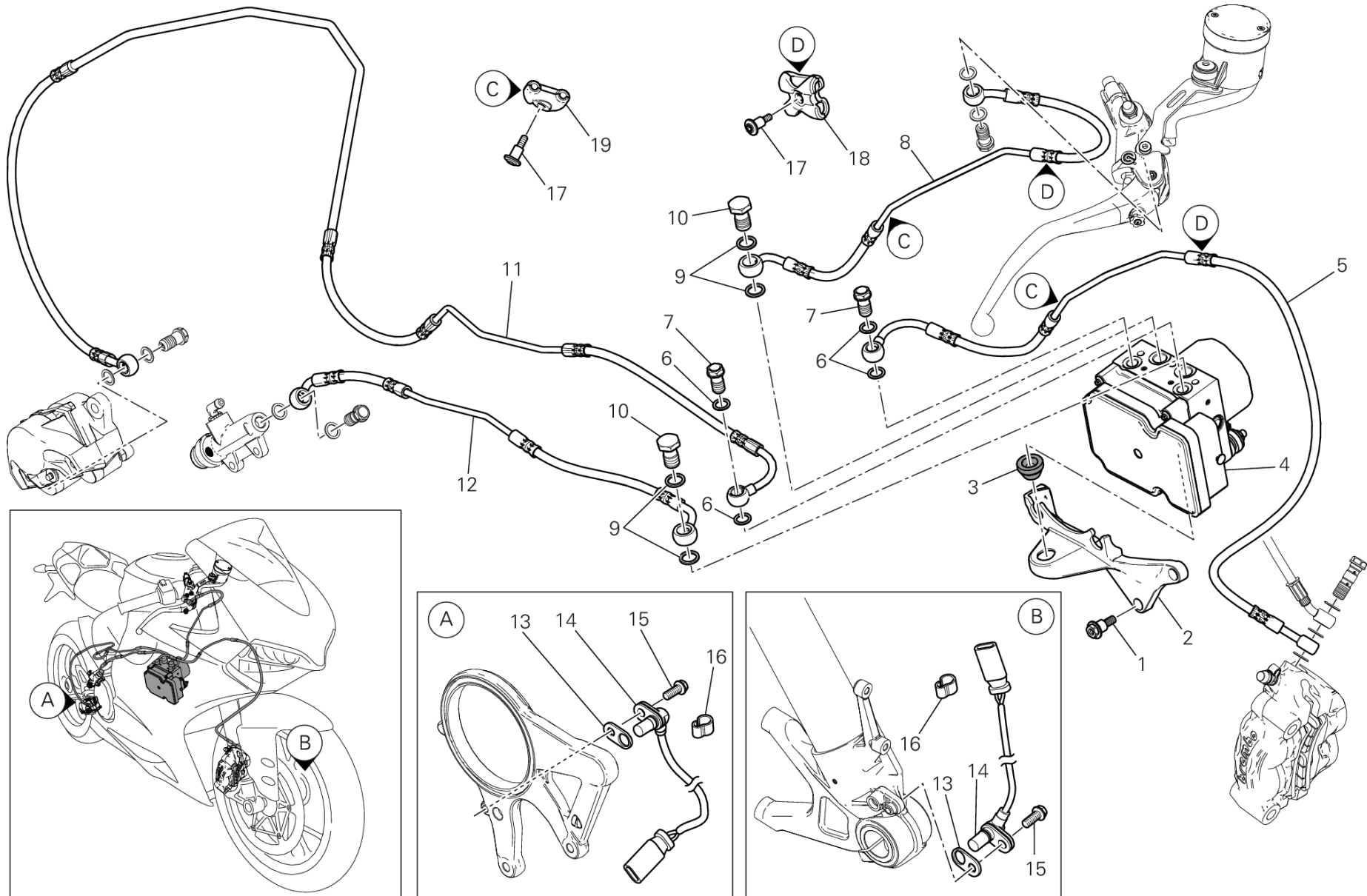
GROUP FRAME

POS.	CODE	DESCRIPTION	QTY	START DATE	END DATE	VALIDITY	NOTES
1	77917291AA	SCREW, SPECIAL	3			MOD:1199S-A;XST:AUS,CHN,EUR,FRA,JAP	
2	8291A743A	HOLDER ABS	1			MOD:1199S-A;XST:AUS,CHN,EUR,FRA,JAP	
3	86640051A	RUBBER PAD	1			MOD:1199S-A;XST:AUS,CHN,EUR,FRA,JAP	
4	54240362A	CONTROL UNIT ABS	1			MOD:1199S-A;XST:AUS,CHN,EUR,FRA,JAP	
5	61841151C	CPU - FRONT CALIPERS LINE	1			MOD:1199S-A;XST:AUS,CHN,EUR,FRA,JAP	
6	85250241A	WASHER 10X14X1	4			MOD:1199S-A;XST:AUS,CHN,EUR,FRA,JAP	
7	77913661AB	BOLT, BRAKE HOSE M10X1	1			MOD:1199S-A;XST:AUS,CHN,EUR,FRA,JAP	
8	61841141C	FRONT MASTER CYLINDER - CPU LINE	1			MOD:1199S-A;XST:AUS,CHN,EUR,FRA,JAP	
9	85250261B	GASKET, ALUMINIUM 12X16X1.5	4			MOD:1199S-A;XST:AUS,CHN,EUR,FRA,JAP	
10	77913141B	SCREW, SPECIAL	2			MOD:1199S-A;XST:AUS,CHN,EUR,FRA,JAP	
11	61940541B	CPU - REAR CALIPER LINE	1			MOD:1199S-A;XST:AUS,CHN,EUR,FRA,JAP	
12	61940531B	REAR MASTER CYLINDER - CPU LINE	1			MOD:1199S-A;XST:AUS,CHN,EUR,FRA,JAP	
13	71314901A	GASKET TH.02	4			MOD:1199S-A;XST:AUS,CHN,EUR,FRA,JAP	
	71319201A	GASKET 0.5 MM	6			MOD:1199S-A;XST:AUS,CHN,EUR,FRA,JAP	
14	55212111B	SPEED SENSOR ABS REAR	2			MOD:1199S-A;XST:AUS,CHN,EUR,FRA,JAP	
15	77210601A	SCREW TEF M6X16	2			MOD:1199S-A;XST:AUS,CHN,EUR,FRA,JAP	
16	75840601A	FAIRLEAD	10			MOD:1199S-A;XST:AUS,CHN,EUR,FRA,JAP	



DRAWING 24A - ANTILOCK BRAKING SYSTEM (ABS) [MOD:1199S-A;XST:AUS,CHN,EUR,FRA,JAP]

GROUP FRAME

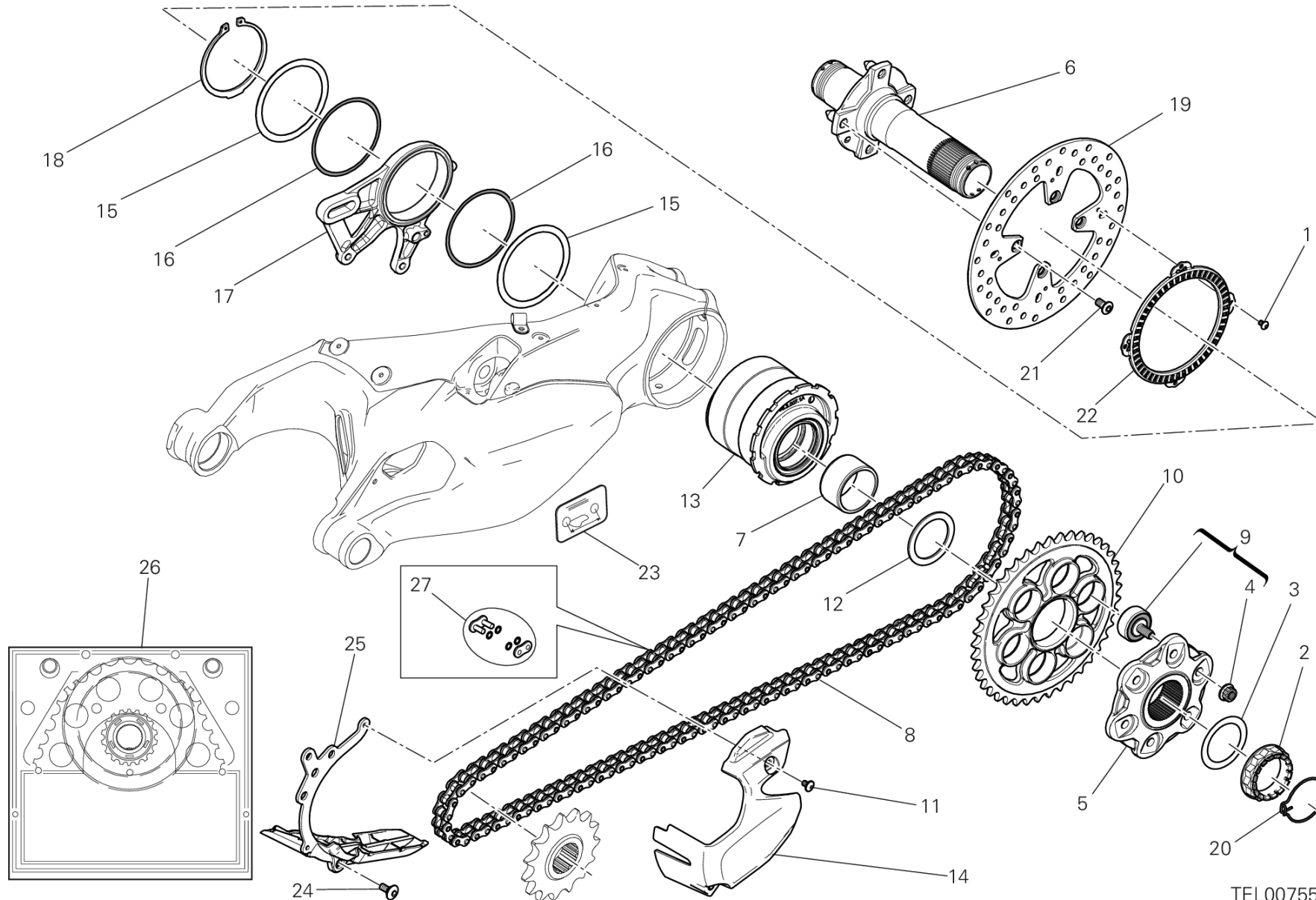


DRAWING 24A - ANTILOCK BRAKING SYSTEM (ABS) [MOD:1199S-A;XST:AUS,CHN,EUR,FRA,JAP]



GROUP FRAME

POS.	CODE	DESCRIPTION	QTY	START DATE	END DATE	VALIDITY	NOTES
17	77211271A	SCREW, SPECIAL M5X10	2			MOD:1199S-A;XST:AUS,CHN,EUR,FRA,JAP	
18	75810721A	HOSE GUIDE ABS UPPER	1			MOD:1199S-A;XST:AUS,CHN,EUR,FRA,JAP	
19	75810711A	HOSE GUIDE ABS BOTTOM	1			MOD:1199S-A;XST:AUS,CHN,EUR,FRA,JAP	



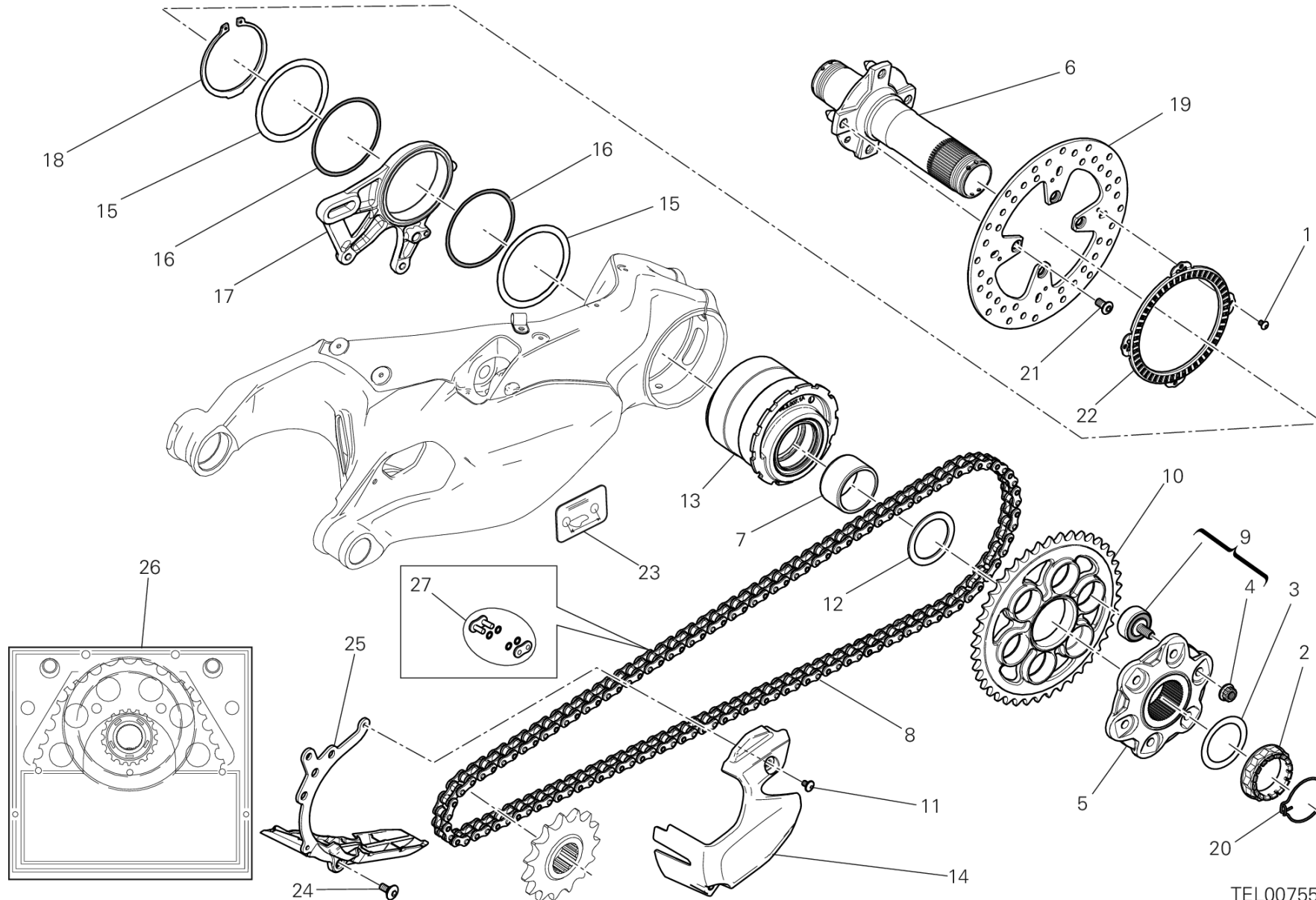
TEL00755

DRAWING 26A - REAR WHEEL SPINDLE [MOD:1199S-A;XST:AUS,CHN,EUR,FRA,JAP]

GROUP FRAME



POS.	CODE	DESCRIPTION	QTY	START DATE	END DATE	VALIDITY	NOTES
1	77510631A	SCREW TBEI M5X8	4			MOD:1199S- A;XST:AUS,CHN,EUR,FRA,JAP	
2	75011391A	NUT	1			MOD:1199S- A;XST:AUS,CHN,EUR,FRA,JAP	
3	85212211A	WASHER 48.5X65X0.5	1			MOD:1199S- A;XST:AUS,CHN,EUR,FRA,JAP	
4	74810461A	NUT, FLANGE M10X1	6			MOD:1199S- A;XST:AUS,CHN,EUR,FRA,JAP	
5	16014201A	REAR SPROCKET FLANGE	1			MOD:1199S- A;XST:AUS,CHN,EUR,FRA,JAP	
6	819Z0021B	REAR WHEEL SPINDLE	1			MOD:1199S- A;XST:AUS,CHN,EUR,FRA,JAP	
7	88110541A	INNER SPACER	1			MOD:1199S- A;XST:AUS,CHN,EUR,FRA,JAP	
8	67640831A	CHAIN 103+1	1			MOD:1199S- A;XST:AUS,CHN,EUR,FRA,JAP	
9	70090562A	ABSORBER, HUB SHOCK	6			MOD:1199S- A;XST:AUS,CHN,EUR,FRA,JAP	
10	49411501AA	RING GEAR Z=39	1			MOD:1199S- A;XST:AUS,CHN,EUR,FRA,JAP	
11	77240243C	SCREW	2			MOD:1199S- A;XST:AUS,CHN,EUR,FRA,JAP	
12	71410751A	SPACER	1			MOD:1199S- A;XST:AUS,CHN,EUR,FRA,JAP	
13	75620131A	HUB	1			MOD:1199S- A;XST:AUS,CHN,EUR,FRA,JAP	
14	46015061A	CHAIN COVER	1			MOD:1199S- A;XST:AUS,CHN,EUR,FRA,JAP	
15	85212171A	WASHER 85.5X101X1	2			MOD:1199S- A;XST:AUS,CHN,EUR,FRA,JAP	
16	88641241A	O-RING 89.5X3	2			MOD:1199S- A;XST:AUS,CHN,EUR,FRA,JAP	
17	82510441A	CALIPER HOLDER PLATE ABS	1			MOD:1199S- A;XST:AUS,CHN,EUR,FRA,JAP	



TEL00755

DRAWING 26A - REAR WHEEL SPINDLE [MOD:1199S-A;XST:AUS,CHN,EUR,FRA,JAP]

GROUP FRAME

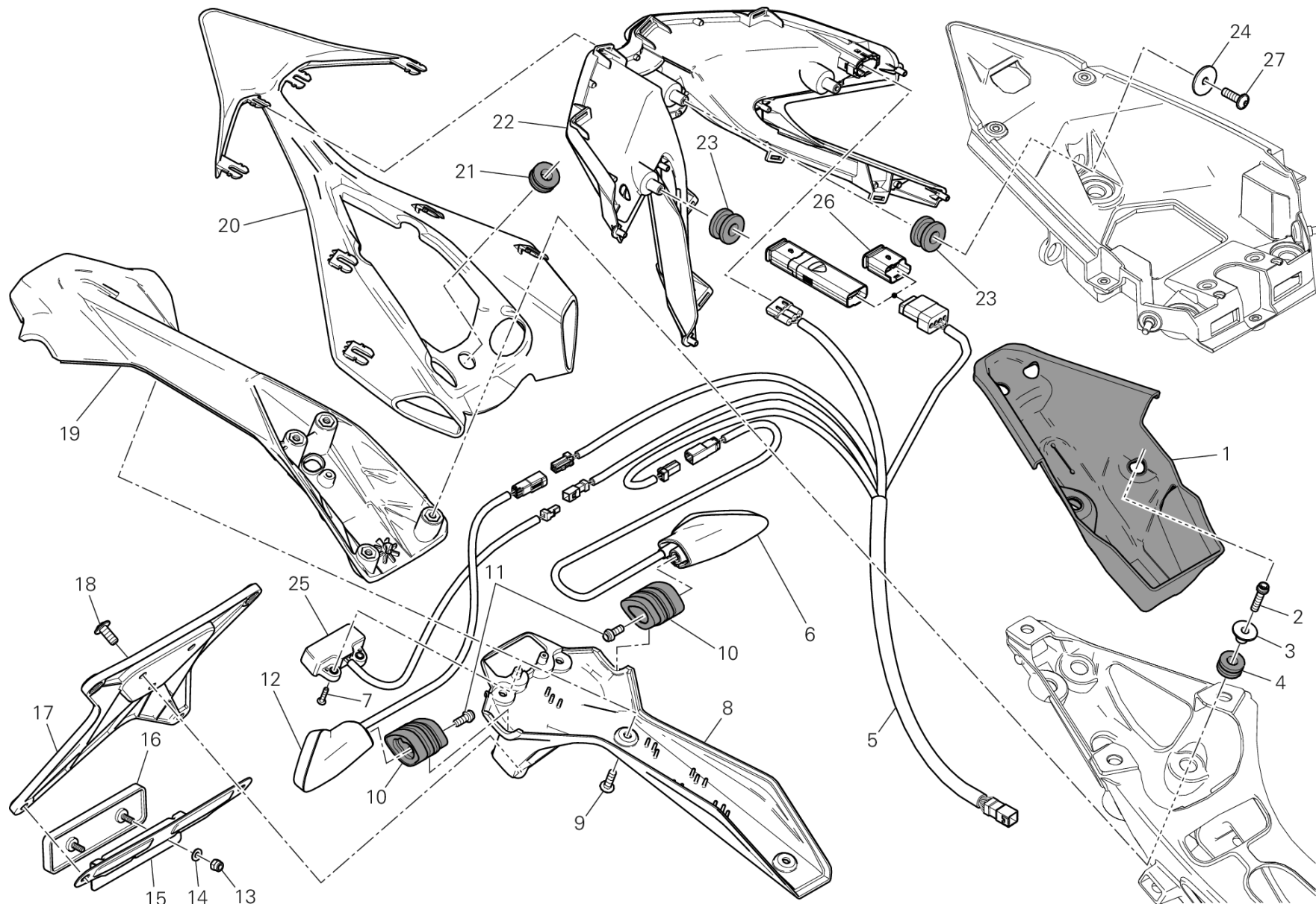


POS.	CODE	DESCRIPTION	QTY	START DATE	END DATE	VALIDITY	NOTES
18	88440511A	CIRCLIP 85X3	1			MOD:1199S-A;XST:AUS,CHN,EUR,FRA,JAP	
19	49210061A	REAR BRAKE DISC	1			MOD:1199S-A;XST:AUS,CHN,EUR,FRA,JAP	
20	75910222A	CLIP	1			MOD:1199S-A;XST:AUS,CHN,EUR,FRA,JAP	
21	77914881A	SCREW	4			MOD:1199S-A;XST:AUS,CHN,EUR,FRA,JAP	
22	50410091A	REAR PHONIC WHEEL	1			MOD:1199S-A;XST:AUS,CHN,EUR,FRA,JAP	
23	43313751A	CHAIN ADJUSTMENT STICKER	1			MOD:1199S-A;XST:AUS,CHN,EUR,FRA	
	43313751B	CHAIN ADJUSTMENT STICKER	1			MOD:1199S-A;XST:JAP	JAP
24	77140663C	SCREW TCEIF M6X18 10.9	1			MOD:1199S-A;XST:AUS,CHN,EUR,FRA,JAP	
25	46015791A	MUDFLAP	1			MOD:1199S-A;XST:AUS,CHN,EUR,FRA,JAP	
26	67620811A	FINAL DRIVE KIT	1			MOD:1199S-A;XST:AUS,CHN,EUR,FRA,JAP	
27	67740141A	CHAIN LINK	1			MOD:1199S-A;XST:AUS,CHN,EUR,FRA,JAP	



DRAWING 27A - PORTATARGA - FANALE POSTERIORE [MOD:1199S-A;XST:CHN,EUR,FRA,JAP]

GROUP FRAME



DRAWING 27A - PORTATARGA - FANALE POSTERIORE [MOD:1199S-A;XST:CHN,EUR,FRA,JAP]



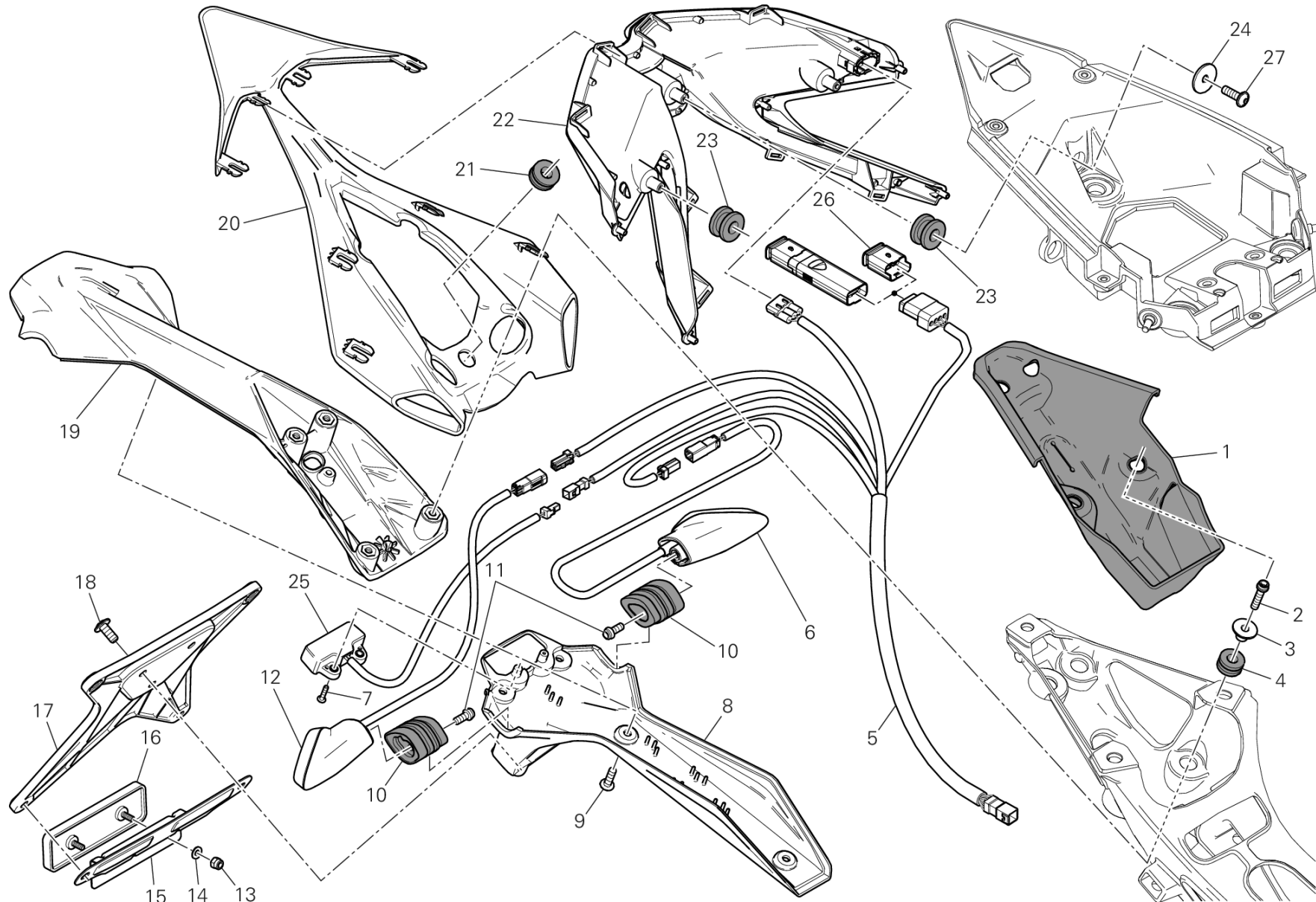
GROUP FRAME

POS.	CODE	DESCRIPTION	QTY	START DATE	END DATE	VALIDITY	NOTES
1	48311731A	RUBBER SECTION	1	01/02/2012		MOD:1199S-A;XST:CHN,EUR,FRA,JAP	
2	77156443B	SCREW	4	01/02/2012		MOD:1199S-A;XST:CHN,EUR,FRA,JAP	
3	71614102AA	SPACER	4	01/02/2012		MOD:1199S-A;XST:CHN,EUR,FRA,JAP	
4	76411141A	VIBRATION DAMPER PAD	4	01/02/2012		MOD:1199S-A;XST:CHN,EUR,FRA,JAP	
5	51017721A	REAR WIRING	1	01/02/2012		MOD:1199S-A;XST:CHN,EUR,FRA,JAP	
6	53010282A	REAR FLASHER LIGHT,LEFT	1	24/02/2012		MOD:1199S-A;XST:CHN,EUR,FRA,JAP	
7	77440183C	SCREW	2	01/02/2012		MOD:1199S-A;XST:CHN,EUR,FRA,JAP	
8	56113043A	NUMBER PLATE HOLDER BOTTOM	1	01/02/2012		MOD:1199S-A;XST:CHN,EUR,FRA,JAP	
9	77440203C	SCREW	4	01/02/2012		MOD:1199S-A;XST:CHN,EUR,FRA,JAP	
10	71314703A	SPACER	2	01/02/2012		MOD:1199S-A;XST:CHN,EUR,FRA,JAP	
11	77156398B	SCREW TCEIF M5X12	2	01/02/2012		MOD:1199S-A;XST:CHN,EUR,FRA,JAP	
12	53010292A	REAR FLASHER LIGHT, RIGHT	1	24/02/2012		MOD:1199S-A;XST:CHN,EUR,FRA,JAP	
13	74950011B	NUT, SPRING	2	22/09/2010		MOD:1199S-A;XST:CHN,EUR,FRA,JAP	
14	85250011C	WASHER 4.3X9X0.8	2	22/09/2010		MOD:1199S-A;XST:CHN,EUR,FRA,JAP	
15	82712981B	BRACKET, REFLECTOR	1	22/09/2010		MOD:1199S-A;XST:CHN,EUR,FRA,JAP	
16	52910061B	REFLEX REFLECTOR, REAR	1	22/09/2010		MOD:1199S-A;XST:CHN,EUR,FRA,JAP	
17	56110261A	NUMBER PLATE HOLDER	1	01/02/2012		MOD:1199S-A;XST:CHN,EUR,FRA,JAP	



DRAWING 27A - PORTATARGA - FANALE POSTERIORE [MOD:1199S-A;XST:CHN,EUR,FRA,JAP]

GROUP FRAME

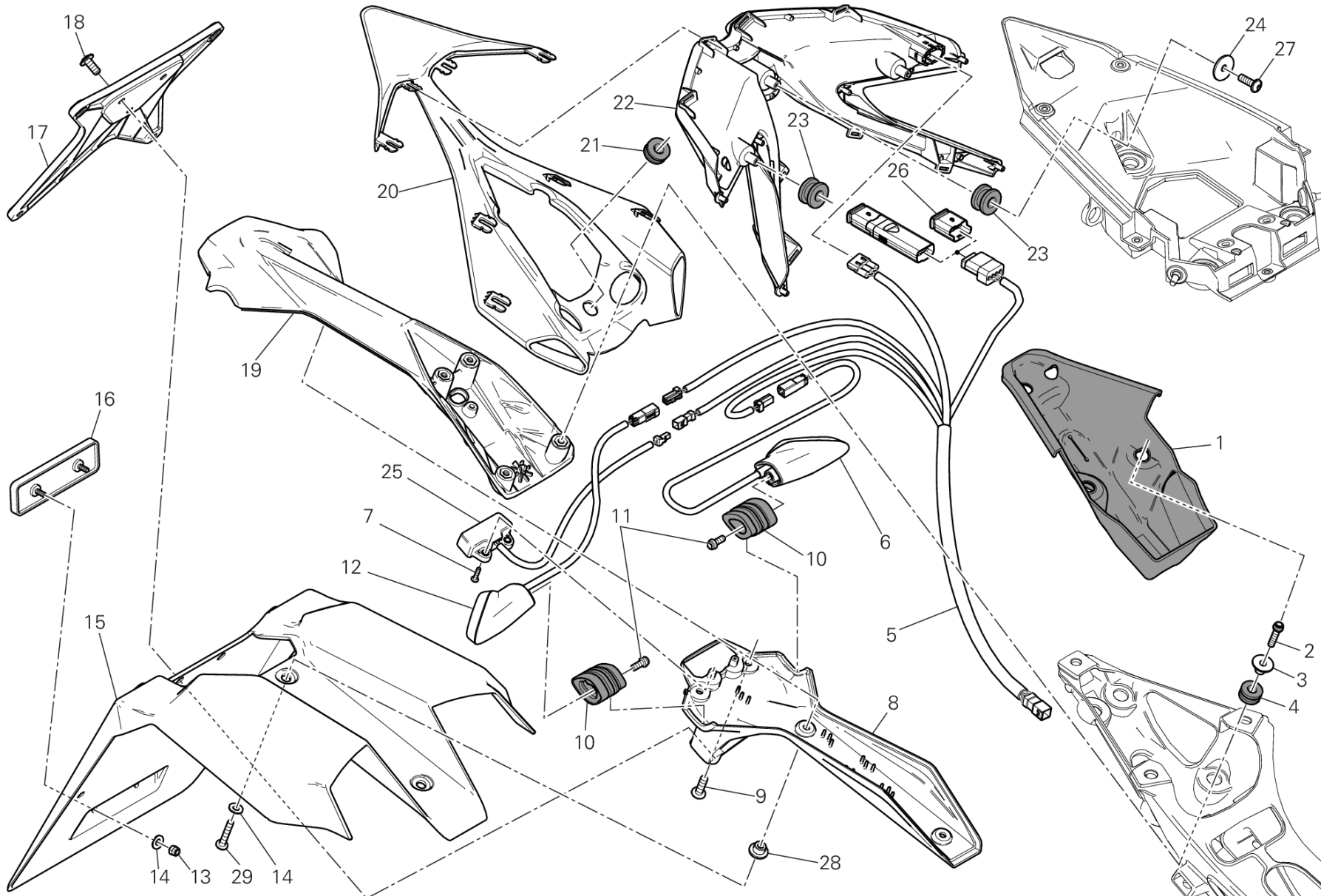


DRAWING 27A - PORTATARGA - FANALE POSTERIORE [MOD:1199S-A;XST:CHN,EUR,FRA,JAP]



GROUP FRAME

POS.	CODE	DESCRIPTION	QTY	START DATE	END DATE	VALIDITY	NOTES
18	77240418C	SCREW	3	01/02/2012		MOD:1199S-A;XST:CHN,EUR,FRA,JAP	
19	56113033A	NUMBER PLATE HOLDER UPPER	1	01/02/2012		MOD:1199S-A;XST:CHN,EUR,FRA,JAP	
20	46014901A	COVER, LOWER	1	01/02/2012		MOD:1199S-A;XST:CHN,EUR,FRA,JAP	
21	76410841B	RUBBER PAD	1	01/02/2012		MOD:1199S-A;XST:CHN,EUR,FRA,JAP	
22	52510443C	TAILLIGHT	1	02/04/2012		MOD:1199S-A;XST:CHN,EUR,FRA,JAP	
23	76411491A	RUBBER PAD	3	01/02/2012		MOD:1199S-A;XST:CHN,EUR,FRA,JAP	
24	85213111AA	WASHER	1	01/02/2012		MOD:1199S-A;XST:CHN,EUR,FRA,JAP	
25	52510432D	LAMP, LICENSE PLATE	1	01/02/2012		MOD:1199S-A;XST:CHN,EUR,FRA,JAP	
26	87210532A	CAP DDA	1			MOD:1199S-A;XST:CHN,EUR,FRA,JAP	
27	77440071A	SCREW, TAPPING M4.5X12	1	01/02/2012		MOD:1199S-A;XST:CHN,EUR,FRA,JAP	

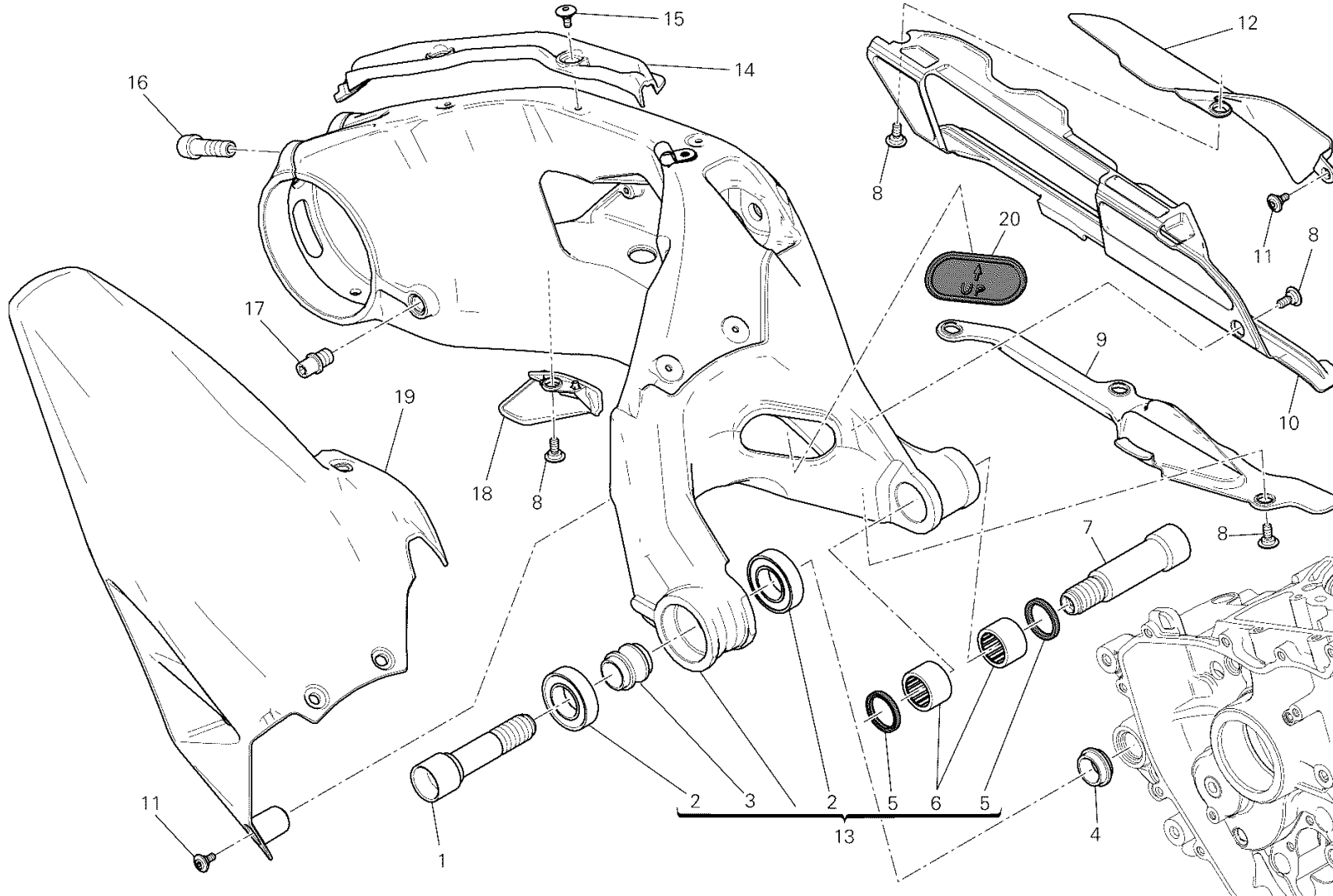


DRAWING 27B - NUMBER PLATE HOLDER - TAIL LIGHT - (AUS) [MOD:1199S-A;XST:AUS]

GROUP FRAME



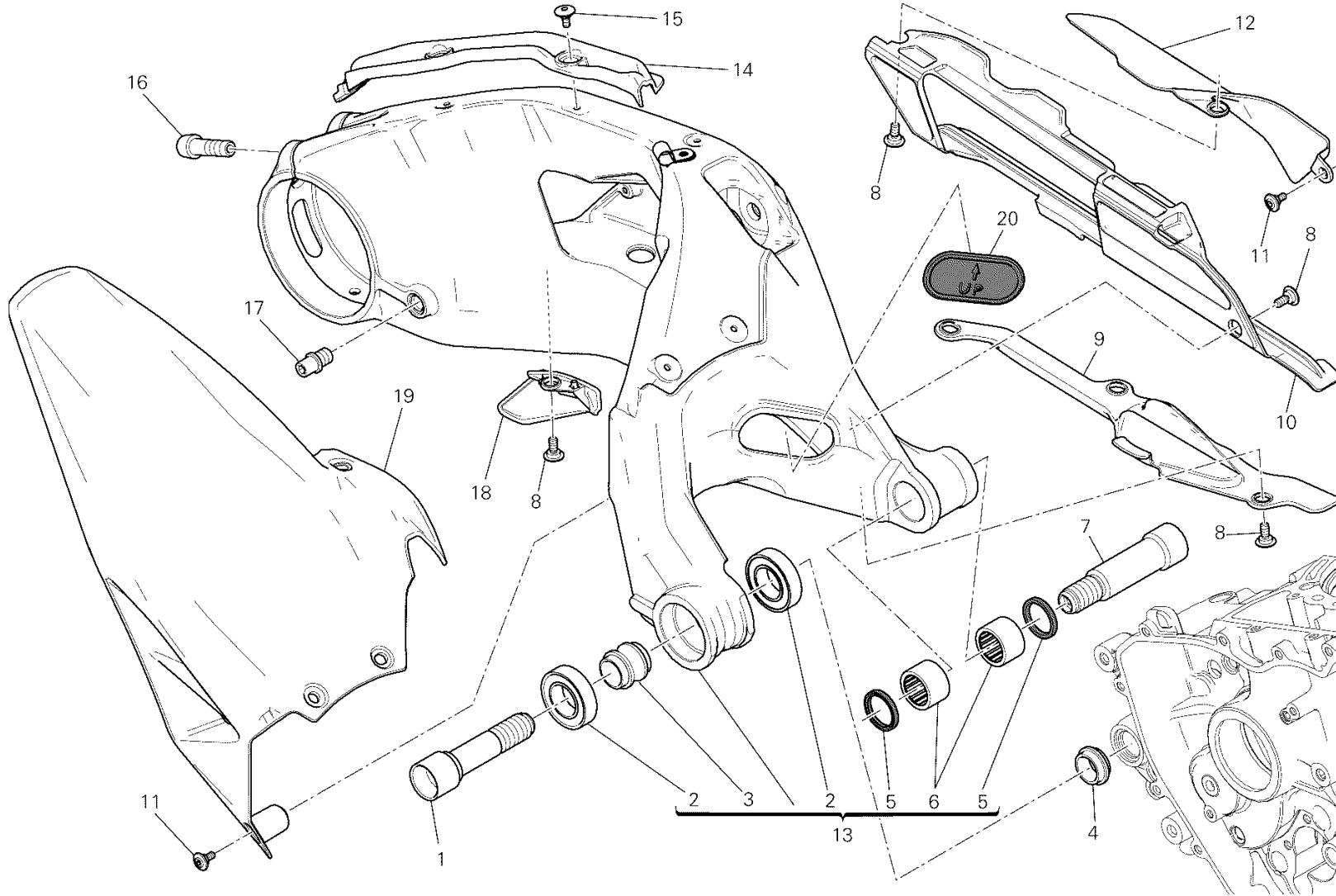
POS.	CODE	DESCRIPTION	QTY	START DATE	END DATE	VALIDITY	NOTES
1	48311731A	RUBBER SECTION	1			MOD:1199S-A;XST:AUS	
2	77156443B	SCREW	4			MOD:1199S-A;XST:AUS	
3	71614102AA	SPACER	4			MOD:1199S-A;XST:AUS	
4	76411141A	VIBRATION DAMPER PAD	4			MOD:1199S-A;XST:AUS	
5	51017721A	REAR WIRING	1			MOD:1199S-A;XST:AUS	
6	53010282A	REAR FLASHER LIGHT,LEFT	1			MOD:1199S-A;XST:AUS	
7	77440183C	SCREW	2			MOD:1199S-A;XST:AUS	
8	56113043A	NUMBER PLATE HOLDER BOTTOM	1			MOD:1199S-A;XST:AUS	
9	77440203C	SCREW	2			MOD:1199S-A;XST:AUS	
10	71314703A	SPACER	2			MOD:1199S-A;XST:AUS	
11	77156398B	SCREW TCEIF M5X12	2			MOD:1199S-A;XST:AUS	
12	53010292A	REAR FLASHER LIGHT, RIGHT	1			MOD:1199S-A;XST:AUS	
13	74950011B	NUT, SPRING	2			MOD:1199S-A;XST:AUS	
14	85240131A	WASHER 5.3X15X1	4			MOD:1199S-A;XST:AUS	
15	46015771A	MUDFLAP	1			MOD:1199S-A;XST:AUS	
16	52910061B	REFLEX REFLECTOR, REAR	1			MOD:1199S-A;XST:AUS	
17	56110261A	NUMBER PLATE HOLDER	1			MOD:1199S-A;XST:AUS	
18	77240423C	SCREW TBEIF M6X16 10.9	3			MOD:1199S-A;XST:AUS	
19	56113033A	NUMBER PLATE HOLDER UPPER	1			MOD:1199S-A;XST:AUS	
20	46014901A	COVER, LOWER	1			MOD:1199S-A;XST:AUS	
21	76410841B	RUBBER PAD	1			MOD:1199S-A;XST:AUS	
22	52510443C	TAILLIGHT	1			MOD:1199S-A;XST:AUS	
23	76411491A	RUBBER PAD	3			MOD:1199S-A;XST:AUS	
24	85213111AA	WASHER	1			MOD:1199S-A;XST:AUS	
25	52510432D	LAMP, LICENSE PLATE	1			MOD:1199S-A;XST:AUS	
26	87210532A	CAP DDA	1			MOD:1199S-A;XST:AUS	
27	77440071A	SCREW, TAPPING M4.5X12	1			MOD:1199S-A;XST:AUS	
28	71614421AA	SPACER	2			MOD:1199S-A;XST:AUS	
29	77440121A	SCREW	2			MOD:1199S-A;XST:AUS	



SOS00621



POS.	CODE	DESCRIPTION	QTY	START DATE	END DATE	VALIDITY	NOTES
1	36911291AA	SWINGARM PIVOT RH	1			MOD:1199S- A;XST:AUS,CHN,EUR,FRA,JAP	
2	70250451A	BEARING	2			MOD:1199S- A;XST:AUS,CHN,EUR,FRA,JAP	
3	71311871A	INNER SPACER	1			MOD:1199S- A;XST:AUS,CHN,EUR,FRA,JAP	
4	71319452AA	RIGHT SPACER	1			MOD:1199S- A;XST:AUS,CHN,EUR,FRA,JAP	
5	93050121A	SEAL RING	2			MOD:1199S- A;XST:AUS,CHN,EUR,FRA,JAP	
6	70140171A	BEARING, NEEDLE	2			MOD:1199S- A;XST:AUS,CHN,EUR,FRA,JAP	
7	36911301AA	SWINGARM PIVOT LH	1			MOD:1199S- A;XST:AUS,CHN,EUR,FRA,JAP	
8	77914401B	SCREW TBEI M6X15	6			MOD:1199S- A;XST:AUS,CHN,EUR,FRA,JAP	
9	44710901A	LOWER CHAIN SLIDING SHOE	1			MOD:1199S- A;XST:AUS,CHN,EUR,FRA,JAP	
10	44710891A	UPPER CHAIN SLIDING SHOE	1			MOD:1199S- A;XST:AUS,CHN,EUR,FRA,JAP	
11	77210852C	SCREW	5			MOD:1199S- A;XST:AUS,CHN,EUR,FRA,JAP	
12	46015451A	MUDFLAP UPPER	1			MOD:1199S- A;XST:AUS,CHN,EUR,FRA,JAP	
13	37021103BA	FORCELLONE POSTERIORE	1			MOD:1199S- A;XST:AUS,CHN,EUR,FRA,JAP	
14	83016641A	GUIDE	1			MOD:1199S- A;XST:AUS,CHN,EUR,FRA,JAP	
15	77210841B	SCREW	3			MOD:1199S- A;XST:AUS,CHN,EUR,FRA,JAP	
16	77915031A	SCREW TCEI M12X1.25X40	2			MOD:1199S- A;XST:AUS,CHN,EUR,FRA,JAP	
17	83210031C	PIN	1			MOD:1199S- A;XST:AUS,CHN,EUR,FRA,JAP	



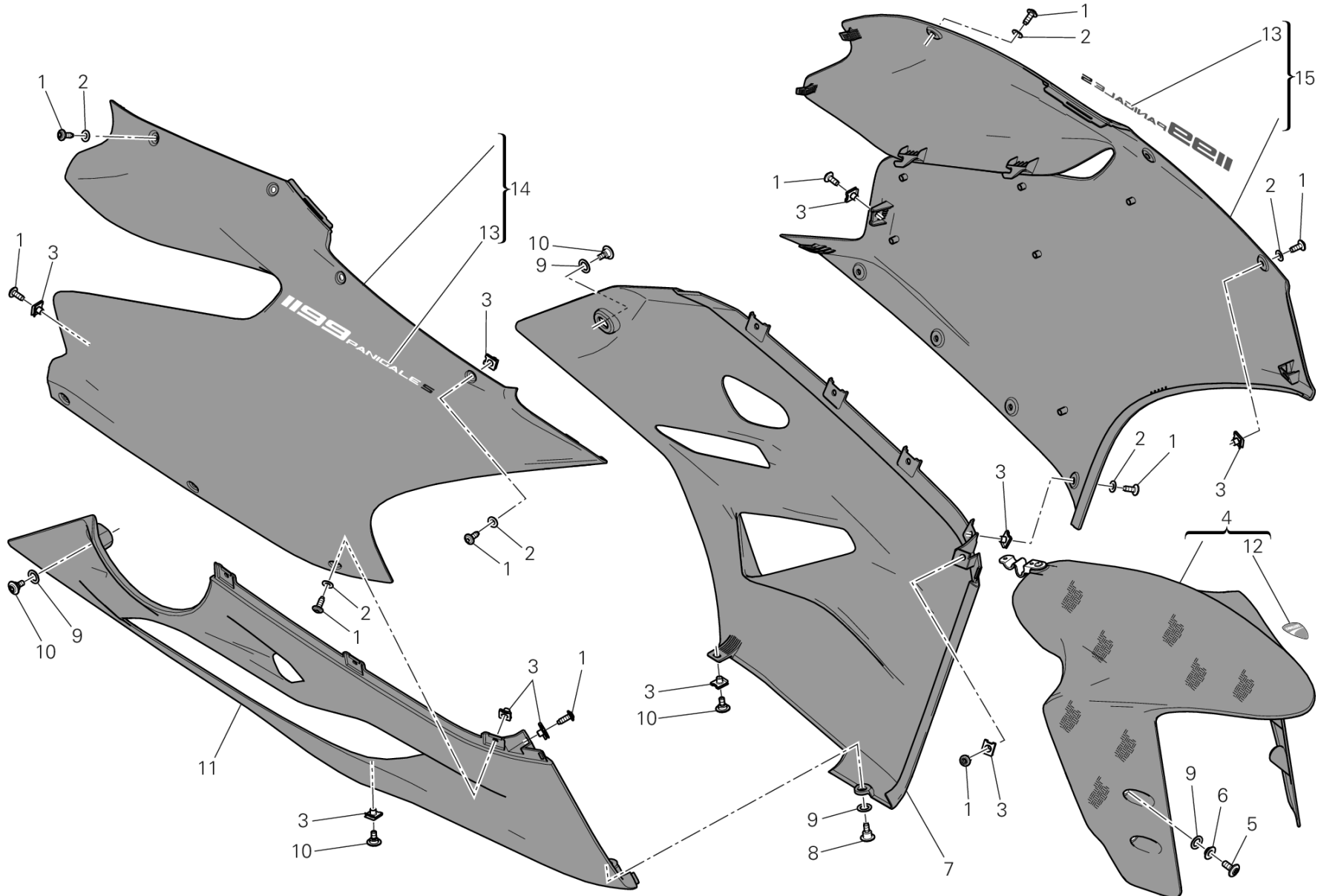
SOS00621

DRAWING 28A - FORCELLONE POSTERIORE [MOD:1199S-A;XST:AUS,CHN,EUR,FRA,JAP]

GROUP FRAME



POS.	CODE	DESCRIPTION	QTY	START DATE	END DATE	VALIDITY	NOTES
18	46014981A	MUDFLAP BOTTOM	1			MOD:1199S-A;XST:AUS,CHN,EUR,FRA,JAP	
19	56510582A	REAR MUDGUARD	1			MOD:1199S-A;XST:AUS,CHN,EUR,FRA,JAP	
20	87210601A	CAP, SWINGARM COVER	1			MOD:1199S-A;XST:AUS,CHN,EUR,FRA,JAP	

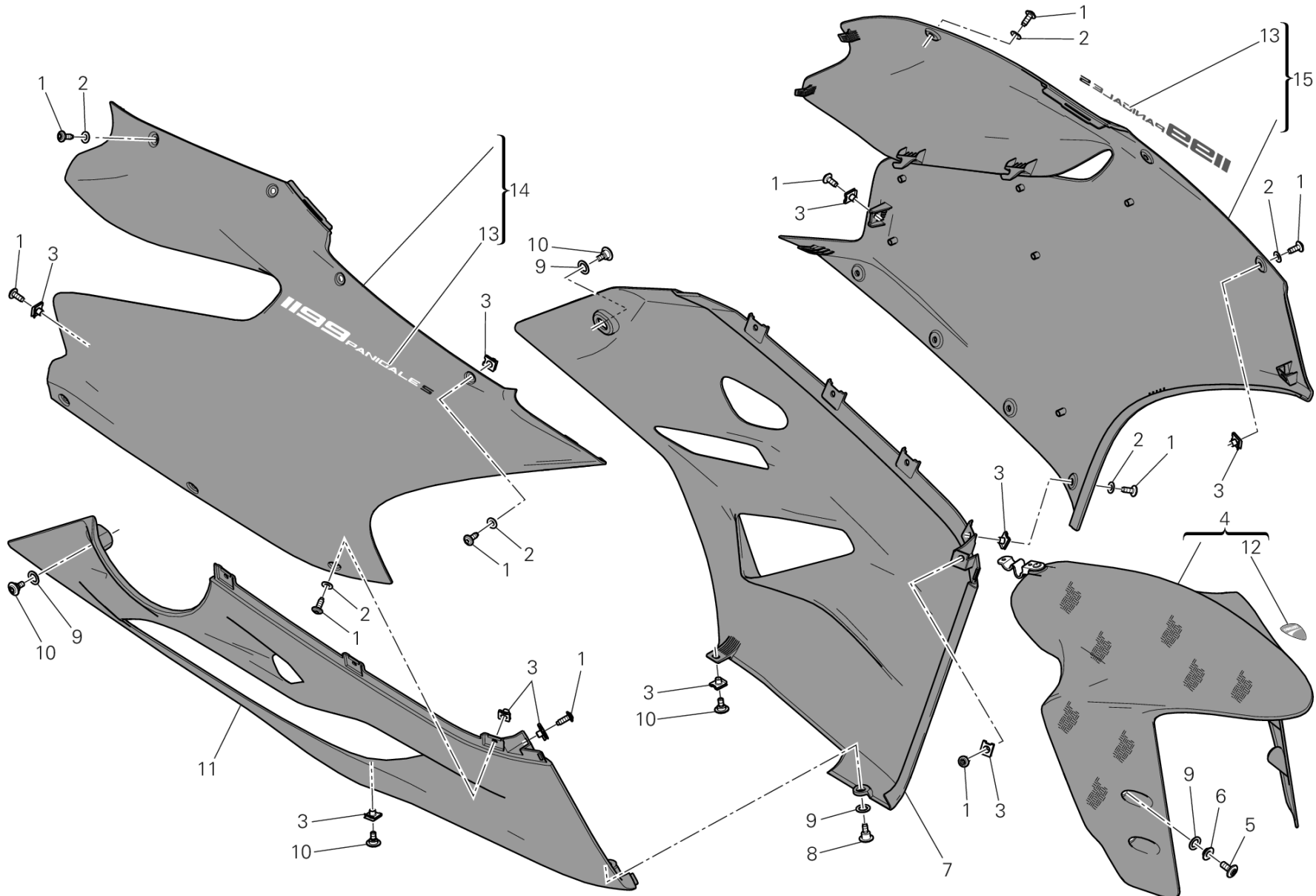


DRAWING 34A - FAIRING [MOD:1199S-A;XST:AUS,CHN,EUR,FRA,JAP]

GROUP FRAME



POS.	CODE	DESCRIPTION	QTY	START DATE	END DATE	VALIDITY	NOTES
1	77211091C	SCREW	19			MOD:1199S- A;XST:AUS,CHN,EUR,FRA,JAP	
2	85611401A	WASHER	15			MOD:1199S- A;XST:AUS,CHN,EUR,FRA,JAP	
3	85040471A	QUICK FASTENING M5	17			MOD:1199S- A;XST:AUS,CHN,EUR,FRA,JAP	
4	56420981A	FRONT MUDGUARD	1			MOD:1199S- A;XST:AUS,CHN,EUR,FRA,JAP	
5	77210893B	SCREW TBEI M6X14	4			MOD:1199S- A;XST:AUS,CHN,EUR,FRA,JAP	
6	71614011B	SPACER 6.2X8.5X14	4			MOD:1199S- A;XST:AUS,CHN,EUR,FRA,JAP	
7	48013333AA	FAIRING, LOWER LH RED	1			MOD:1199S- A;XST:AUS,CHN,EUR,FRA,JAP	
	48013333AW	FAIRING, LOWER LH WHITE	1	25/06/2012		MOD:1199S- A;XST:AUS,CHN,EUR,FRA,JAP	
8	77210841B	SCREW	1			MOD:1199S- A;XST:AUS,CHN,EUR,FRA,JAP	
9	85212181A	WASHER, NYLON 9X14X1	7			MOD:1199S- A;XST:AUS,CHN,EUR,FRA,JAP	
10	77210853B	SCREW TCEI M5X9	4			MOD:1199S- A;XST:AUS,CHN,EUR,FRA,JAP	
11	48013354AA	FAIRING, LOWER RH RED	1			MOD:1199S- A;XST:AUS,CHN,EUR,FRA,JAP	
	48013354AW	FAIRING, LOWER RH WHITE	1	25/06/2012		MOD:1199S- A;XST:AUS,CHN,EUR,FRA,JAP	
12	43814741A	EMBLEM DUCATI	1			MOD:1199S- A;XST:AUS,CHN,EUR,FRA,JAP	
13	43818101B	DECAL "1199 PANIGALE S" (Red)	2			MOD:1199S- A;XST:AUS,CHN,EUR,FRA,JAP	
	43818101BT	DECAL "1199 PANIGALE S" (WHITE)	2	25/06/2012		MOD:1199S- A;XST:AUS,CHN,EUR,FRA,JAP	
14	48013463AA	RIGHT UPPER HALF-FAIRING RED	1			MOD:1199S- A;XST:AUS,CHN,EUR,FRA,JAP	



DRAWING 34A - FAIRING [MOD:1199S-A;XST:AUS,CHN,EUR,FRA,JAP]

GROUP FRAME



POS.	CODE	DESCRIPTION	QTY	START DATE	END DATE	VALIDITY	NOTES
	48013463AW	FAIRING UPPER RH WHITE	1	25/06/2012		MOD:1199S-A;XST:AUS,CHN,EUR,FRA,JAP	
15	48013453AA	LEFT UPPER HALF-FAIRING RED	1			MOD:1199S-A;XST:AUS,CHN,EUR,FRA,JAP	
	48013453AW	FAIRING UPPER LH WHITE	1	25/06/2012		MOD:1199S-A;XST:AUS,CHN,EUR,FRA,JAP	



CODE	NO. TABLE	POS.	CODE	NO. TABLE	POS.	CODE	NO. TABLE	POS.	CODE	NO. TABLE	POS.
037072020	023	8	14824481B	13A	19	18010291D	002	7	24723842A	009	3
037072020	024	12	14824481B	13A	19	18120051C	002	13	247P4022AA	033	34
064770010	011	1	14824491C	013	19	18220353C	002	5	247P4022AW	033	34
069191030	18C	10	14824491C	013	19	18220381B	002	27	247P4072A	18A	20
11210711AA	006	9	14910871E	003	15	18410152AA	025	29	25130081B	13A	21
11210711AB	006	9	15021491E	003	1	18710021A	023	3	25130081B	13A	21
11210711AC	006	9	15021504D	003	2	19020232A	004	9	25220071A	009	6
11210711AD	006	9	15021542D	003	27	19410511A	004	4	25440012A	005	13
11210711AE	006	9	15310121A	021	13	19540061A	004	17	25440012A	05A	13
11210711AF	006	9	15620861AA	006	6	19610531A	004	12	26420161A	012	1
11210771AA	10A	11	15620861AB	006	6	19610541A	004	11	27040134A	012	7
11210771AB	10A	11	15620861AC	006	6	19820401A	004	14	27610602A	012	21
11210771AC	10A	11	16014151A	012	23	20810381A	014	15	28040331A	017	3
11210771AD	10A	11	16014201A	26A	5	20810381A	015	15	28240893A	017	10
11210771AE	10A	11	16024272A	032	11	20910641A	014	19	28620441A	001	5
11711252AA	22A	4	16024272A	032	11	20910641A	015	19	28642211A	18B	10
11711261CA	016	18	17021261A	006	3	20910651A	014	14	28642211C	18B	10
11711271AA	025	30	17111153A	013	14	20910651A	015	14	28642211E	18B	10
11721331B	004	16	17111153A	013	14	21010811B	014	30	28642211F	18B	10
12021983D	007	6	17111153A	13A	14	21010811B	015	30	30123461C	014	4
12112551C	007	2	17111153A	13A	14	21110802A	014	21	30123471C	015	4
12112601B	007	1	17112311A	008	4	21110802A	015	21	30124503A	013	33
12120561B	007	3	17112351B	006	13	22522602B	010	35	30124503A	013	33
12221712DA	007	7	17213172B	003	5	24221081BB	012	10	30124503B	13A	35
12221712DB	007	7	17213181D	003	10	24311274A	005	17	30124503B	13A	35
12221712DC	007	7	17213191D	003	13	24311274A	05A	17	30310671AA	014	11
13510361B	017	6	17213201D	003	7	24321343A	005	2	30310671AA	015	11
13510371B	017	5	17213211D	003	19	24321343A	05A	2	304A0921A	014	31
14010691A	013	2	17213221D	003	25	24713912A	008	2	304A0921A	015	31
14010691A	013	2	17213231D	003	23	24713931B	13A	11	304A0931A	014	22
14010691A	13A	2	17213241D	003	22	24713931B	13A	11	304A0931A	015	22
14010691A	13A	2	17213251D	003	20	24713941B	013	11	30710021A	013	23
14621872AA	006	11	17213261D	003	24	24713941B	013	11	30710021A	013	23
14621872AB	006	11	17310241A	012	25	24714041AA	016	1	30710021A	13A	23
14621872AC	006	11	17410501A	011	12	24714051BA	025	16	30710021A	13A	23
14710903A	009	13	17410511A	011	2	24714062A	033	27	34110891CA	021	23
14814361B	13A	18	17410601A	009	19	24714101A	013	28	34220681AA	021	7
14814361B	13A	18	17410611A	009	25	24714101A	013	28	34420411A	21A	1
14814381A	013	18	17420561A	009	17	24714101A	13A	28	34420411A	21A	1
14814381A	013	18	17420571A	009	1	24714101A	13A	28	34520411A	21A	2
14823751C	13A	31	17420581A	006	5	24714291A	030	26	34520411A	21A	2
14823751C	13A	36	17610221A	012	27	24723652A	002	9	34921301A	21A	4
14823811C	013	31	18010271D	002	2	24723701C	011	6	34921301A	21A	4
14823811C	013	34	18010281D	002	6	24723712A	009	18	34921311A	21A	5



CODE	NO. TABLE	POS.	CODE	NO. TABLE	POS.	CODE	NO. TABLE	POS.	CODE	NO. TABLE	POS.
34921311A	21A	5	43818151A	032	15	46015781AA	019	42	48710562A	034	1
34921321A	21A	6	43818151B	032	15	46015781AA	19A	42	49210061A	26A	19
34921321A	21A	6	43818151B	032	15	46015791A	26A	25	49240891A	026	12
36011321BA	021	25	44212342B	029	8	46110011AA	19A	44	49240901A	026	5
36011331BA	021	19	44440291C	009	5	46240461A	020	3	49411501AA	26A	10
36011341BA	021	17	44710891A	28A	10	46410801AA	016	4	49720012A	026	3
36420111A	021	29	44710901A	28A	9	46410801AA	027	10	49720031A	026	16
36521031A	028	4	44740021B	008	10	46410811AA	025	23	50121551AB	026	10
36911291AA	28A	1	44740051A	008	6	46410811AA	027	11	50221501AB	026	7
36911301AA	28A	7	44910611A	003	30	47012051CA	022	2	50410051A	026	20
37021103BA	28A	13	45140013A	008	5	47110252BA	027	14	50410091A	26A	22
37211161BA	028	19	45520171A	002	23	48013333AA	34A	7	51017721A	27A	5
37211171BA	028	20	45612092BA	016	13	48013333AW	34A	7	51017721A	27B	5
38040221B	018	16	45612101AA	016	23	48013354AA	34A	11	51017731C	017	15
38040221B	18B	19	45720552AA	025	34	48013354AW	34A	11	51017921C	18C	1
38510151A	027	21	46014901A	27A	20	48013453AA	34A	15	51310261A	18A	15
38510201B	022	14	46014901A	27B	20	48013453AW	34A	15	51410671A	18A	7
38710041A	032	17	46014941C	034	18	48013463AA	34A	14	51410681A	18A	11
38710041A	032	17	46014951C	034	17	48013463AW	34A	14	51640011AB	021	31
38940191A	18C	8	46014961C	034	20	48110841AA	034	24	52010228B	020	19
38940201A	18C	8	46014971B	021	2	48110841AW	034	24	523S0281A	034	7
38940211A	18C	8	46014981A	28A	18	48110851AA	034	23	523S0291A	034	2
38940221A	18C	8	46015011B	027	25	48110851AW	034	23	52510432D	27A	25
38940241A	18C	8	46015022A	027	29	48120742AA	034	3	52510432D	27B	25
38940251A	18A	12	46015031AA	019	29	48120742AW	034	3	52510443C	27A	22
39520311A	18A	4	46015031AA	19A	29	48211661AA	033	9	52510443C	27B	22
39740071A	18A	13	46015052A	18A	3	48211661AW	033	9	52910061B	27A	16
40610901E	020	1	46015061A	26A	14	48211671AA	033	17	52910061B	27B	16
42610341B	022	6	46015262A	019	6	48211671AW	033	17	52910141A	21A	7
42640041B	035	5	46015262A	19A	6	48311711B	033	28	53010282A	27A	6
42710171A	10A	13	46015281A	020	8	48311722AA	033	21	53010282A	27B	6
43313751A	26A	23	46015331BA	019	22	48311722AW	033	21	53010292A	27A	12
43313751B	26A	23	46015331BA	19A	22	48311731A	27A	1	53010292A	27B	12
43814551A	026	21	46015341A	028	6	48311731A	27B	1	53940031A	025	17
43814741A	34A	12	46015351A	018	12	48410991B	030	2	53940302A	005	14
43818081A	033	35	46015393A	019	38	48411002A	034	13	53940302A	05A	14
43818081AT	033	35	46015393A	19A	38	48411011A	033	23	53940351A	024	5
43818091A	033	36	46015451A	28A	12	48411021A	033	32	53940361A	023	22
43818091AT	033	36	46015482A	018	7	48411031B	020	10	53940601A	22A	1
43818101B	34A	13	46015631B	18B	5	48411043A	030	4	53940651A	22A	14
43818101BT	34A	13	46015681A	18A	22	48411053A	030	5	54040301B	018	3
43818111A	034	22	46015741A	019	39	48610851A	005	24	54140101A	18C	9
43818111AT	034	22	46015741A	19A	39	48610851A	05A	24	54240362A	24A	4
43818151A	032	15	46015771A	27B	15	48610911A	05A	27	54710022B	011	9



CODE	NO. TABLE	POS.	CODE	NO. TABLE	POS.	CODE	NO. TABLE	POS.	CODE	NO. TABLE	POS.
54840961B	030	22	59013901A	032	1	62640571A	024	24	70140371A	009	15
54840971B	030	10	59013911B	030	7	63040601B	023	1	70240131D	010	7
55212092A	019	24	59013911B	032	4	63140081A	023	21	70240181B	012	24
55212092A	19A	24	59013941A	018	11	63140081A	024	6	70240251B	010	11
55212111B	24A	14	59013951A	018	21	63140161A	025	2	70241091A	010	12
55212881C	016	20	59023511A	017	1	63140281A	023	19	70241191A	028	16
55241321B	012	17	59023531A	017	12	63140281A	024	19	70241231A	021	10
55241571A	018	10	59340392A	019	3	63140491A	024	2	70250411A	010	17
55241581A	020	6	59340392A	19A	3	63140501A	023	2	70250451A	026	8
55241612C	002	1	59511281B	033	26	63210611A	023	6	70250451A	28A	2
55242631A	031	22	59521081B	033	1	65010092I	021	27	70250601A	004	10
55320121A	031	19	59521091A	033	33	65110112E	021	11	70310593A	006	4
55610601BA	22A	8	59820611A	033	15	65540081A	029	14	70310601BA	021	24
55610612AA	22A	13	59821041A	032	20	66020011B	021	12	70450051A	009	24
56110261A	27A	17	59821051A	032	4	66810491A	014	32	70450091A	009	23
56110261A	27B	17	59840291A	032	16	66810491A	015	32	70450091A	011	8
56113033A	27A	19	59840291A	032	19	66910011E	014	9	71011611AA	22A	6
56113033A	27B	19	59840321A	032	18	66910011E	015	9	71011642AA	028	8
56113043A	27A	8	59840321A	032	18	67040451A	018	14	71110932A	10A	14
56113043A	27B	8	59940011A	033	19	67040451A	18B	16	71113171A	005	5
56420981A	34A	4	61041371A	024	9	67110511C	018	15	71113171A	012	9
56510582A	28A	19	61041381A	024	26	67110511C	18B	17	71113171A	05A	5
57013061C	019	20	61140292B	025	13	67620811A	26A	26	71113181A	010	15
57013061C	19A	20	61240051A	023	4	67640831A	26A	8	71113221A	011	4
57013072A	019	17	61240051A	024	21	67740141A	26A	27	71113631A	002	4
57013072A	19A	17	61240081A	025	1	68010171A	006	12	71114122AA	020	21
57013152B	019	16	61240161A	025	3	69610121A	027	9	71210341A	016	9
57013152B	19A	16	61240201A	024	22	69720283A	027	1	71210341A	025	33
57112992C	019	26	61240371A	024	27	69926431A	032	2	71210471AA	22A	11
57112992C	19A	26	61240391A	023	23	69926431A	032	21	71240231A	002	12
57113002C	019	25	61240391A	024	30	69926441A	032	1	71240231A	010	14
57113002C	19A	25	61340381A	025	26	69926441A	032	22	71311871A	28A	3
573P3392A	19A	51	61340961A	024	8	70010431A	020	2	71313091A	004	13
57413243B	019	13	61610021A	032	2	70010701A	027	20	71313641A	024	20
57413301A	19A	13	61810361A	024	29	70010711A	18B	12	71314361A	19A	46
57610791AA	19A	52	61841141C	24A	8	70010751A	035	4	71314703A	27A	10
58540081A	023	12	61841151C	24A	5	70090562A	26A	9	71314703A	27B	10
58540081A	025	4	61940531B	24A	12	70140171A	28A	6	71314831A	004	15
58540181A	024	15	61940541B	24A	11	70140301C	008	11	71314901A	24A	13
58611923AA	032	3	62440761B	024	1	70140311A	003	8	71319201A	24A	13
58611923AA	032	3	62540311C	025	8	70140321A	003	14	71319271A	014	12
58611923AW	032	3	62640561A	023	20	70140331A	003	18	71319271A	015	12
58611923AW	032	3	62640561A	024	7	70140351A	012	22	71319281A	014	28
59013861A	029	7	62640571A	023	18	70140361A	011	3	71319281A	015	28



CODE	NO. TABLE	POS.	CODE	NO. TABLE	POS.	CODE	NO. TABLE	POS.	CODE	NO. TABLE	POS.
71319291A	008	12	73840011A	008	9	74840481A	10A	4	76411141A	27A	4
71319421A	028	11	74140381A	18C	2	74940041A	018	5	76411141A	27B	4
71319442A	004	19	74140431A	023	14	74940141A	028	21	76411301A	019	5
71319452AA	28A	4	74140431A	024	16	74941108B	023	13	76411301A	19A	5
71319471AA	033	3	74140431A	025	6	74941118B	033	24	76411361A	020	15
71319522AA	028	12	74140431A	030	19	74941128B	19A	50	76411411B	018	8
71319961CA	021	32	74140431A	031	10	74950011B	27A	13	76411411B	030	9
71319971AA	028	10	74140431A	032	16	74950011B	27B	13	76411411B	18A	1
71320021B	003	29	74140431A	035	6	75010071A	004	7	76411411B	18B	21
71410751A	26A	12	74140631A	029	6	75010281A	034	6	76411472A	027	15
71413231AA	026	15	74141001A	035	9	75011391A	026	13	76411481A	019	9
71413261AA	026	17	74141491A	031	13	75011391A	26A	2	76411481A	19A	9
71413271AA	026	2	74141671A	027	27	75011491AB	034	21	76411491A	030	15
71413291A	026	9	74141671A	029	10	75011551A	033	16	76411491A	27A	23
71611061A	18A	16	74141711A	018	20	75011742AA	005	12	76411491A	27B	23
71611441B	028	5	74141711A	035	12	75011742AA	05A	12	76411501A	030	17
71611491A	033	8	74141851A	030	28	75011742AA	18B	4	76411511A	034	12
71611571C	002	17	74141881A	031	18	75040141A	024	18	76411521A	032	7
71611581C	002	15	74142141A	029	1	75610142AA	022	1	76411521A	032	7
71614011B	34A	6	74142231A	031	16	75620131A	26A	13	76411621A	029	15
71614071A	005	23	74142251A	029	11	75810701A	005	22	76411641A	020	14
71614071A	019	36	742240570	006	8	75810701A	05A	22	76440561A	018	6
71614071A	05A	23	74750031A	021	6	75810711A	24A	19	76440561A	033	22
71614071A	18A	9	74750031A	025	28	75810721A	24A	18	76440561A	18B	3
71614071A	18B	2	74750101A	016	17	75840601A	24A	16	76440581A	005	21
71614071A	19A	36	74750151A	010	29	75910222A	026	19	76440581A	05A	21
71614102AA	27A	3	74810241A	019	11	75910222A	26A	20	76610781A	010	6
71614102AA	27B	3	74810241A	19A	11	76410011A	19A	47	76610801A	010	25
71614331AA	030	14	74810351B	017	9	76410112A	016	19	76610811A	10A	6
71614342AA	018	18	74810351B	027	19	76410631A	019	15	76610821A	013	6
71614342AA	031	2	74810361A	019	41	76410631A	19A	15	76610821A	013	6
71614342AA	18B	7	74810361A	19A	41	76410741A	018	22	76610821A	13A	6
71614351AA	032	6	74810461A	022	4	76410841B	018	13	76610821A	13A	6
71614351AA	032	6	74810461A	10A	1	76410841B	27A	21	76640191A	013	26
71614381AA	020	17	74810461A	26A	4	76410841B	27B	21	76640191A	013	26
71614391AA	019	8	74810651A	026	1	76410871A	014	10	76640191A	13A	26
71614391AA	19A	8	74810791A	013	25	76410871A	015	10	76640191A	13A	26
71614421AA	27B	28	74810791A	013	25	76410901A	018	19	77110211A	19A	53
71614431AA	031	4	74810791A	13A	25	76410901A	020	20	77110471A	004	6
71614431AA	18C	4	74810791A	13A	25	76410901A	031	3	77110518B	012	3
73210331B	019	35	74840381A	019	37	76410901A	18A	2	77110518B	21A	3
73210331B	19A	35	74840381A	020	4	76410901A	18B	6	77110518B	21A	3
735033804	010	16	74840381A	18A	8	76410901A	18C	5	77112331A	013	1
735034405	010	8	74840381A	19A	37	76411141A	034	14	77112331A	013	1



CODE	NO. TABLE	POS.	CODE	NO. TABLE	POS.	CODE	NO. TABLE	POS.	CODE	NO. TABLE	POS.
77112331A	13A	1	77157258B	021	22	77240323C	029	13	77350618B	13A	31
77112331A	13A	1	77157278B	019	7	77240393C	033	29	77350623B	023	10
77140663C	26A	24	77157278B	027	7	77240398C	010	36	77354623B	22A	2
77150628B	014	16	77157278B	19A	7	77240408C	022	11	77354888B	021	20
77150628B	015	16	77157288B	016	24	77240418C	27A	18	77355038B	002	8
77150668B	017	11	77157618B	028	13	77240423C	27B	18	77355068B	19A	45
77150678B	009	22	77210461B	18A	24	77240483C	027	18	77440071A	27A	27
77151598C	028	1	77210601A	24A	15	77244168B	19A	30	77440071A	27B	27
77154337C	003	3	77210621A	013	27	77250728B	019	19	77440101A	020	11
77156398B	016	2	77210621A	013	27	77250728B	19A	19	77440111A	029	9
77156398B	025	14	77210621A	13A	27	77250788B	020	18	77440121A	27B	29
77156398B	27A	11	77210621A	13A	27	77251018B	019	32	77440183C	27A	7
77156398B	27B	11	77210741A	021	8	77251018B	020	16	77440183C	27B	7
77156408B	017	2	77210841B	28A	15	77251018B	19A	32	77440203C	019	1
77156408B	030	23	77210841B	34A	8	77251023C	18A	14	77440203C	030	12
77156408B	031	8	77210852C	019	2	77251038B	018	4	77440203C	18A	23
77156418B	032	14	77210852C	19A	2	77251038B	18B	18	77440203C	19A	1
77156418B	032	14	77210852C	28A	11	77251387C	10A	8	77440203C	27A	9
77156438B	025	15	77210853B	035	3	77253290Z	013	12	77440203C	27B	9
77156438B	19A	49	77210853B	18B	1	77253290Z	013	12	77510041A	020	5
77156443B	018	17	77210853B	34A	10	77253290Z	13A	12	77510071AB	034	4
77156443B	030	13	77210861B	033	2	77253290Z	13A	12	77510161A	027	28
77156443B	031	1	77210882B	031	5	77253297C	011	10	77510311B	010	1
77156443B	18B	8	77210882B	18C	3	77253300Z	012	2	77510631A	26A	1
77156443B	27A	2	77210893B	34A	5	77253307C	012	19	77550131A	016	15
77156443B	27B	2	77211091C	030	25	77253317C	002	10	77550200C	005	26
77156628B	18A	5	77211091C	033	13	77253317C	008	1	77550200C	05A	26
77156658B	019	14	77211091C	034	19	77253317C	009	2	77910921A	023	7
77156658B	022	10	77211091C	34A	1	77253317C	011	11	77910921A	024	13
77156658B	025	9	77211131A	18A	21	77253337C	005	1	77912371B	025	31
77156658B	027	8	77211201A	004	3	77253337C	009	9	77912981A	021	5
77156658B	19A	14	77211251B	021	1	77253337C	012	16	77913091AB	024	28
77156668B	021	28	77211271A	024	32	77253337C	05A	1	77913141B	24A	10
77156678B	016	21	77211271A	24A	17	77253357C	005	4	77913311D	024	25
77156678B	018	9	77211361AA	028	18	77253357C	012	11	77913541A	013	15
77156688B	021	4	77213168B	019	30	77253357C	05A	4	77913541A	013	15
77156688B	025	19	77213173B	028	7	77253367C	013	5	77913541A	13A	15
77156728B	032	5	77213203B	032	10	77253367C	013	5	77913541A	13A	15
77156728B	032	5	77213203B	032	10	77253367C	13A	5	77913661AB	005	19
77157238B	016	10	77240243C	05A	30	77253367C	13A	5	77913661AB	023	16
77157238B	025	12	77240243C	26A	11	77253387C	10A	7	77913661AB	024	3
77157238B	027	13	77240253C	020	9	77253447C	10A	9	77913661AB	025	11
77157238B	028	3	77240258C	18B	13	77350403B	033	7	77913661AB	05A	19
77157248B	021	21	77240288C	034	9	77350618B	013	31	77913661AB	24A	7



CODE	NO. TABLE	POS.	CODE	NO. TABLE	POS.	CODE	NO. TABLE	POS.	CODE	NO. TABLE	POS.
77913971A	023	5	78010511C	10A	16	79915201A	015	33	81910691A	026	11
77913991A	026	4	78010771A	010	33	79915211A	014	29	81920021B	26A	6
77914151A	024	23	78010771A	014	18	79915211A	015	29	82010141A	010	4
77914211A	014	7	78010771A	015	18	79915221A	014	20	82010141A	012	28
77914211A	015	7	78010801A	010	26	79915221A	015	20	82010151A	008	13
77914401B	28A	8	78010841A	012	13	79915231A	014	13	82010162A	009	14
77914881A	26A	21	78010861A	010	19	79915231A	015	13	82010171A	011	5
77915031A	28A	16	78010871A	010	9	79915421B	017	7	82110511AB	016	6
77915041A	028	15	78020011A	019	18	79915432B	017	8	82110511AB	025	22
77915471A	006	10	78020011A	19A	18	79915441A	030	3	82110511AB	027	4
77916192C	006	7	78110121AA	031	11	79915493A	022	9	82111701B	016	7
77916241A	002	22	78611212C	007	4	79915511A	025	27	82111701B	025	36
77916441A	013	10	78811101C	013	7	79915534A	013	22	82113361A	014	26
77916441A	013	10	78811101C	013	7	79915534A	013	22	82113361A	015	26
77916441A	13A	10	78811101C	13A	7	79915534A	13A	22	82113371B	014	27
77916441A	13A	10	78811101C	13A	7	79915534A	13A	22	82113371B	015	27
77916551B	006	1	78811131A	013	8	79915581A	031	21	82113441B	002	3
77916661B	012	5	78811131A	013	8	79915651A	019	43	82113711BA	22A	12
77916763AA	027	23	78811131A	13A	8	79915651A	19A	43	82113731AA	22A	5
77916773AA	027	24	78811131A	13A	8	79925411AA	22A	7	82113751A	030	1
77916783AA	027	16	78811161A	029	3	79940121A	010	22	82113811AA	025	32
77916792AA	033	30	78811182A	022	3	800068490	024	14	82113822BA	021	15
77916811AA	022	13	78811191A	011	7	80012051A	031	14	82113832A	013	20
77916821BA	020	12	78811201A	031	9	80012061A	031	15	82113832A	013	20
77916951AA	034	11	78811221A	034	8	80012111A	031	6	82113832A	13A	20
77916971B	013	21	78811231A	034	10	80012121A	030	21	82113832A	13A	20
77916971B	013	21	78811281A	034	25	80012131A	031	7	82114041A	014	23
77916991A	10A	12	78811291A	034	26	81140012B	013	29	82114041A	015	23
77917161B	005	3	79010231B	019	21	81140012B	013	29	82114211AA	032	9
77917161B	009	11	79010231B	19A	21	81140012B	13A	29	82114211AA	032	9
77917161B	012	6	79010251A	019	12	81140012B	13A	29	82123692A	008	8
77917161B	05A	3	79010251A	19A	12	81411831A	035	8	82411871BA	025	21
77917231A	014	35	79110831A	030	20	81413341A	013	4	82411881BA	027	5
77917231A	015	35	79120531B	007	5	81413341A	013	4	82411892BA	027	12
77917291AA	035	14	79710531B	004	1	81413341A	13A	4	82412251AA	027	12
77917291AA	24A	1	79910241A	027	3	81413341A	13A	4	82421861AA	016	11
77917392AA	021	30	79911661A	016	5	81413421B	010	23	82510441A	26A	17
77917951AA	05A	29	79911661A	025	24	81413531A	13A	34	82712981B	27A	15
77917961AA	05A	28	79912632A	019	23	81413531A	13A	34	82716012A	005	25
77927171A	010	28	79912632A	19A	23	81415081AA	031	12	82716012A	05A	25
77950591A	024	10	79915101C	002	25	81440681A	032	8	82716021A	014	34
78010511C	012	14	79915131C	002	20	81440681A	032	8	82716021A	015	34
78010511C	014	24	79915141C	002	16	81510371A	029	5	82716091A	012	8
78010511C	015	24	79915201A	014	33	81810162A	004	5	82716141A	033	18



CODE	NO. TABLE	POS.	CODE	NO. TABLE	POS.	CODE	NO. TABLE	POS.	CODE	NO. TABLE	POS.
82716351A	013	30	84010043A	015	1	84010263A	015	1	84010542B	015	2
82716351A	013	30	84010053A	014	1	84010273A	014	1	84010552B	014	2
82716351A	13A	30	84010053A	015	1	84010273A	015	1	84010552B	015	2
82716351A	13A	30	84010063A	014	1	84010283A	014	1	84010562B	014	2
8291A333AA	028	2	84010063A	015	1	84010283A	015	1	84010562B	015	2
8291A352B	030	11	84010073A	014	1	84010293A	014	1	84010572B	014	2
8291A431BA	016	12	84010073A	015	1	84010293A	015	1	84010572B	015	2
8291A441AA	025	20	84010083A	014	1	84010303A	014	1	84010582B	014	2
8291A481B	022	7	84010083A	015	1	84010303A	015	1	84010582B	015	2
8291A511BA	025	18	84010093A	014	1	84010313A	014	1	84010592B	014	2
8291A553BA	020	13	84010093A	015	1	84010313A	015	1	84010592B	015	2
8291A691AA	024	11	84010103A	014	1	84010323A	014	1	84010602B	014	2
8291A701AA	023	9	84010103A	015	1	84010323A	015	1	84010602B	015	2
8291A743A	24A	2	84010113A	014	1	84010333A	014	1	84010612B	014	2
8291A901A	035	2	84010113A	015	1	84010333A	015	1	84010612B	015	2
8292A342A	030	18	84010123A	014	1	84010343A	014	1	84010622B	014	2
829PA361A	018	1	84010123A	015	1	84010343A	015	1	84010622B	015	2
829PA371A	18B	9	84010133A	014	1	84010412B	014	2	84010632B	014	2
829PA541B	18A	17	84010133A	015	1	84010412B	015	2	84010632B	015	2
83016442AA	027	22	84010143A	014	1	84010422B	014	2	84010642B	014	2
83016452AA	027	17	84010143A	015	1	84010422B	015	2	84010642B	015	2
83016471AA	022	12	84010153A	014	1	84010432B	014	2	84010652B	014	2
83016491AA	019	31	84010153A	015	1	84010432B	015	2	84010652B	015	2
83016491AA	19A	31	84010163A	014	1	84010442B	014	2	84010662B	014	2
83016501AA	019	33	84010163A	015	1	84010442B	015	2	84010662B	015	2
83016501AA	19A	33	84010173A	014	1	84010452B	014	2	84010672B	014	2
83016541B	024	31	84010173A	015	1	84010452B	015	2	84010672B	015	2
83016582A	022	8	84010183A	014	1	84010462B	014	2	84010682B	014	2
83016641A	28A	14	84010183A	015	1	84010462B	015	2	84010682B	015	2
83016833A	18A	10	84010193A	014	1	84010472B	014	2	84010692B	014	2
83016861A	18B	14	84010193A	015	1	84010472B	015	2	84010692B	015	2
83017071A	18C	6	84010203A	014	1	84010482B	014	2	84010702B	014	2
83017791AA	19A	48	84010203A	015	1	84010482B	015	2	84010702B	015	2
83026511BA	019	10	84010213A	014	1	84010492B	014	2	84010712B	014	2
83026511BA	19A	10	84010213A	015	1	84010492B	015	2	84010712B	015	2
83110151A	010	21	84010223A	014	1	84010502B	014	2	84010722B	014	2
83210031C	28A	17	84010223A	015	1	84010502B	015	2	84010722B	015	2
84010013A	014	1	84010233A	014	1	84010512B	014	2	84010723A	014	1
84010013A	015	1	84010233A	015	1	84010512B	015	2	84010723A	015	1
84010023A	014	1	84010243A	014	1	84010522B	014	2	84010732B	014	2
84010023A	015	1	84010243A	015	1	84010522B	015	2	84010732B	015	2
84010033A	014	1	84010253A	014	1	84010532B	014	2	84010733A	014	1
84010033A	015	1	84010253A	015	1	84010532B	015	2	84010733A	015	1
84010043A	014	1	84010263A	014	1	84010542B	014	2	84010742B	014	2



CODE	NO. TABLE	POS.	CODE	NO. TABLE	POS.	CODE	NO. TABLE	POS.	CODE	NO. TABLE	POS.
84010742B	015	2	84011901AB	015	3	85040471A	34A	3	85212741A	008	3
84010752B	014	2	84011901AC	014	3	85040521A	027	26	85212771A	10A	5
84010752B	015	2	84011901AC	015	3	85040551A	019	27	85212781A	013	9
84010762B	014	2	84011901AD	014	3	85040551A	020	7	85212781A	013	9
84010762B	015	2	84011901AD	015	3	85040551A	030	6	85212781A	13A	9
84010772B	014	2	84011901AE	014	3	85040551A	033	14	85212781A	13A	9
84010772B	015	2	84011901AE	015	3	85040551A	18A	19	85212791A	006	2
84010782B	014	2	84011901AF	014	3	85040551A	19A	27	85212801A	003	31
84010782B	015	2	84011901AF	015	3	85041041A	033	11	85212941B	012	4
84010792B	014	2	84011901AG	014	3	85041041A	034	15	85212981A	003	6
84010792B	015	2	84011901AG	015	3	85041051A	033	12	85213021A	009	26
84010802B	014	2	84011901AH	014	3	85041051A	034	16	85213111AA	019	4
84010802B	015	2	84011901AH	015	3	85041471A	033	31	85213111AA	030	16
84010812B	014	2	84011901AI	014	3	85041581A	018	2	85213111AA	19A	4
84010812B	015	2	84011901AI	015	3	85041581A	18B	20	85213111AA	27A	24
84010822B	014	2	84011901AJ	014	3	85041811A	017	13	85213111AA	27B	24
84010822B	015	2	84011901AJ	015	3	85110201A	004	8	85240091A	035	1
84010832B	014	2	84011901AK	014	3	85210241A	034	5	85240131A	27B	14
84010832B	015	2	84011901AK	015	3	85210532A	019	28	85240161A	19A	54
84010842B	014	2	84011901AL	014	3	85210532A	19A	28	85240231A	013	24
84010842B	015	2	84011901AL	015	3	85210681B	22A	9	85240231A	013	24
84010852B	014	2	84011901AM	014	3	85211201A	013	16	85240231A	13A	24
84010852B	015	2	84011901AM	015	3	85211201A	013	16	85240231A	13A	24
84010862B	014	2	84011901AN	014	3	85211201A	13A	16	85240261A	014	17
84010862B	015	2	84011901AN	015	3	85211201A	13A	16	85240261A	015	17
84010872B	014	2	84011901AO	014	3	85211511A	016	14	85250011C	27A	14
84010872B	015	2	84011901AO	015	3	85211511A	025	37	85250071A	031	24
84011083A	014	1	84011901AP	014	3	85211671B	033	25	85250191A	024	33
84011083A	015	1	84011901AP	015	3	85211951A	005	15	85250231A	013	3
84011093A	014	1	84011901AQ	014	3	85211951A	05A	15	85250231A	013	3
84011093A	015	1	84011901AQ	015	3	85212171A	26A	15	85250231A	13A	3
84011103A	014	1	84011901AR	014	3	85212181A	34A	9	85250231A	13A	3
84011103A	015	1	84011901AR	015	3	85212211A	026	14	85250241A	005	18
84011113A	014	1	84510061A	014	5	85212211A	26A	3	85250241A	023	17
84011113A	015	1	84510061A	015	5	85212221A	026	6	85250241A	024	4
84011123A	014	1	84740021A	027	2	85212621A	003	12	85250241A	025	10
84011123A	015	1	84740061A	010	20	85212631A	003	17	85250241A	031	23
84011133A	014	1	84820112AA	021	34	85212651A	002	19	85250241A	05A	18
84011133A	015	1	84850021A	016	16	85212651A	012	26	85250241A	24A	6
84011143A	014	1	85040471A	018	23	85212661A	002	24	85250261A	012	15
84011143A	015	1	85040471A	030	27	85212681A	009	20	85250261A	10A	15
84011901AA	014	3	85040471A	033	20	85212681A	011	13	85250261B	014	25
84011901AA	015	3	85040471A	18B	15	85212721A	005	9	85250261B	015	25
84011901AB	014	3	85040471A	18C	7	85212721A	05A	9	85250261B	24A	9



CODE	NO. TABLE	POS.	CODE	NO. TABLE	POS.	CODE	NO. TABLE	POS.	CODE	NO. TABLE	POS.
85250291A	019	40	87210601A	28A	20	88640331A	012	20	887133452	01A	13
85250291A	19A	40	87210722A	021	3	88640741A	012	12	887133467	01B	4
85250491A	010	27	87240761A	020	22	88640881A	014	8	887133468	01B	3
85250541A	009	7	87310021A	010	32	88640881A	015	8	887133500	01A	14
85310031A	012	18	87511641BB	010	34	88640891A	005	6	887133502	01A	23
85350101A	18A	6	87511651BB	010	18	88640891A	05A	6	887133507	01A	15
85540031A	022	5	87511791B	010	2	88641061A	021	33	887133508	01A	16
85610642A	10A	2	87521941AA	028	14	88641161A	016	8	887133509	01A	17
85611271A	016	22	875P1731BA	021	14	88641161A	025	35	887133510	01A	10
85611372A	003	9	875P1741BA	021	26	88641241A	26A	16	887133511	01A	12
85611381A	003	21	87611081A	029	2	88641331A	009	16	887133512	01A	18
85611391A	004	2	87611121A	029	4	88641701A	10A	10	887133517	01A	29
85611401A	033	10	87611131A	029	12	88641761A	005	11	887133524	01A	6
85611401A	34A	2	87611181A	035	7	88641761A	05A	11	887133527	01C	10
85611471A	013	13	87611191A	035	13	88641791A	13A	33	887133528	01C	11
85611471A	013	13	87711131A	023	15	88641791A	13A	33	887133529	01C	9
85611471A	13A	13	87711411A	024	17	88641961A	010	24	887133549	01A	9
85611471A	13A	13	87711531A	025	7	88641971A	012	29	887133758	01A	19
86010061A	013	32	87721561A	005	20	88641981A	031	20	887133760	01A	21
86010061A	013	32	87721561A	05A	20	88642061A	017	14	887133773	01A	4
86010061A	13A	32	88110541A	26A	7	88642081A	008	7	887133774	01A	7
86010061A	13A	32	88440281A	003	16	88650131A	010	3	887133795	01A	5
86050061A	002	26	88440331A	033	4	88650541A	004	18	887133820	01A	22
86050061A	009	12	88440381A	003	11	88650561A	009	4	887133824	01B	2
86050061A	010	10	88440511A	26A	18	887131010	01C	6	887133853	01A	8
86050061A	013	17	88440621A	003	4	887131058	01C	7	887133875	01B	7
86050061A	013	17	88450021A	021	16	887131062	01C	12	887133878	01B	9
86050061A	014	6	88450031A	016	3	887131074	01C	4	887133879	01B	8
86050061A	015	6	88450031A	019	34	887131832	01B	13	887133880	01A	26
86050061A	13A	17	88450031A	025	25	887131994	01A	20	887133922	01B	12
86050061A	13A	17	88450031A	027	6	887132069	01B	18	887133923	01B	11
86050091A	002	21	88450031A	19A	34	887132409	01C	8	887133924	01B	1
86050091A	010	5	88450031A	22A	10	887132442	01B	14	887133925	01B	10
86050361AA	22A	3	88450291A	005	8	887132574	01A	25	887133926	01B	5
86610301A	033	5	88450291A	05A	8	887132676	01B	6	887133927	01C	2
86610361A	18A	18	88450311A	002	14	887132877	01B	16	887133943	01A	28
86610611A	033	6	88450361A	002	18	887132951	01C	3	887651298	01B	15
86611241A	18B	11	88450371A	009	21	887133211	01C	5	887651632	01A	27
86640051A	24A	3	88450371A	011	14	887133220	01C	1	887651678	01A	24
86640061A	032	13	88610281A	005	16	887133407	01B	17	89310143A	030	24
86640061A	032	13	88610281A	05A	16	887133422	01A	1	89310151A	009	8
87210481A	021	18	88610961A	017	4	887133436	01A	11	89320121A	005	7
87210532A	27A	26	88640042A	003	28	887133437	01A	2	89320121A	05A	7
87210532A	27B	26	88640091A	028	9	887133440	01A	3	89340051A	023	11



CODE	NO. TABLE	POS.
89340051A	025	5
89420112B	009	10
89520221A	032	12
89520221A	032	12
91371901L	027	30
91371901M	027	30
91371901N	027	30
91371901P	027	30
91371901Q	027	30
91371901R	027	30
91371901S	027	30
91371901W	027	30
93010041B	021	9
93040431A	010	13
93040521A	026	18
93040931A	010	31
93041271A	028	17
93041521A	005	10
93041521A	05A	10
93041591A	002	11
93041771A	003	26
93041771A	010	30
93041911A	022	15
93050121A	28A	5
93410152A	030	8
93410173A	031	17
93510081A	035	11
93510091A	035	10
93510101A	035	15
942470014	10A	3
979000252	001	1
979000254	001	3
979000255	001	4
979000256	001	2





Ducati Motor Holding S.p.A.

Uffici Commerciali Amministrativi:

Via A. Cavalieri Ducati n. 3

40132 Bologna, Italy

Telefono 051 6413111

Fax 051 406580

Internet www.ducati.com