



XDIAVEL DARK
Model Year 2021

DIAVEL

Chassis prefix:
Cylinder capacity: 1262

D24000021 - 1
SPARE PARTS CATALOGUE
en-US



The present spare parts order exactly the right spare parts.

When ordering specify:

1. the part's code number followed by its description and quantity needed;
2. the motorcycle's serial number, stamped on the steering head.

Reference to right and left apply to the vehicle in terms of its direction of movement.

Spare parts drawings are general and do not represent the part.

The contents of this catalogue are general and can undergo changes without prior notice.

CHARACTERISTICS LEGENDA

CHARACTERISTIC CODE	CHARACTERISTIC DESCRIPTION	VALUE CODE	VALUE DESCRIPTION
DFR	DAFRA	N	NO
MOD	MODEL	XDVL DARK	XDiavel Dark
PLT	PLANT	DB10	DMH
XCO	MAIN COLOUR	NMB	DARK STEALTH
XCR	FRAME / WHEEL COLOUR	CBB	CARB. BLACK FRAME, BLACK WHEELS
XPO	OPTIONS	STD	MOTO STANDARD
XST	STANDARD COUNTRY	AUS	VERSIONE AUSTRALIA
XST	STANDARD COUNTRY	BLG	VERSIONE BELGIO
XST	STANDARD COUNTRY	EUR	VERSIONE EUROPA
XST	STANDARD COUNTRY	GSO	VERSIONE PAESI DEL GOLFO
XST	STANDARD COUNTRY	JAP	VERSIONE GIAPPONE
XST	STANDARD COUNTRY	ROK	VERSIONE SOUTH COREA



COLOUR	COLOUR CODE	COLOUR DESCRIPTION	FINISHED PRODUCTS
	NMB	DARK STEALTH	(D24005721) XDVLDARK 21 EUR NMB CBB STD DMH (D24006021) XDVLDARK 21 JAP NMB CBB STD DMH (D24006121) XDVLDARK 21 AUS NMB CBB STD DMH (D24006221) XDVLDARK 21 ROK NMB CBB STD DMH (D24006421) XDVLDARK 21 GSO NMB CBB STD DMH (D24006521) XDVLDARK 21 BLG NMB CBB STD DMH



General information.....	3
Colours.....	4
Group ELECTRIC.....	8
Drawing 018 - BATTERY HOLDER [MOD:XDVLDARK;XST:AUS,BLG,EUR,GSO,ROK].....	8
Drawing 018 - BATTERY HOLDER [MOD:XDVLDARK;XST:JAP].....	12
Drawing 020 - HEADLIGHT [MOD:XDVLDARK].....	16
Drawing 18A - WIRING HARNESS [MOD:XDVLDARK].....	18
Drawing 20A - INSTRUMENT PANEL [MOD:XDVLDARK].....	20
Drawing 27A - PLATE HOLDER [MOD:XDVLDARK;XST:AUS,BLG,EUR,GSO,ROK].....	22
Drawing 27A - PLATE HOLDER [MOD:XDVLDARK;XST:JAP].....	24
Group OIL.....	26
Drawing L - SHELL ADVANCE [MOD:XDVLDARK].....	26
Group ENGINE.....	28
Drawing 002 - GEAR CHANGE MECHANISM [MOD:XDVLDARK].....	28
Drawing 003 - GEAR BOX [MOD:XDVLDARK].....	30
Drawing 004 - CLUTCH [MOD:XDVLDARK].....	32
Drawing 005 - CLUTCH COVER [MOD:XDVLDARK].....	34
Drawing 006 - CONNECTING RODS [MOD:XDVLDARK].....	36
Drawing 008 - TIMING SYSTEM [MOD:XDVLDARK].....	38
Drawing 009 - OIL PUMP - FILTER [MOD:XDVLDARK].....	40
Drawing 010 - HALF-CRANKCASES PAIR [MOD:XDVLDARK].....	42
Drawing 011 - GENERATOR COVER [MOD:XDVLDARK].....	46
Drawing 012 - ELECTRIC STARTING AND IGNITION [MOD:XDVLDARK].....	48
Drawing 013 - VERTICAL CYLINDER HEAD - TIMING [MOD:XDVLDARK].....	50
Drawing 014 - VERTICAL HEAD [MOD:XDVLDARK].....	52
Drawing 015 - HORIZONTAL HEAD [MOD:XDVLDARK].....	60
Drawing 07A - WATER PUMP [MOD:XDVLDARK].....	68
Drawing 07B - CYLINDERS - PISTONS (KOENIG) [MOD:XDVLDARK].....	70
Drawing 07C - CYLINDERS - PISTONS (ASSO WERKE) [MOD:XDVLDARK].....	72



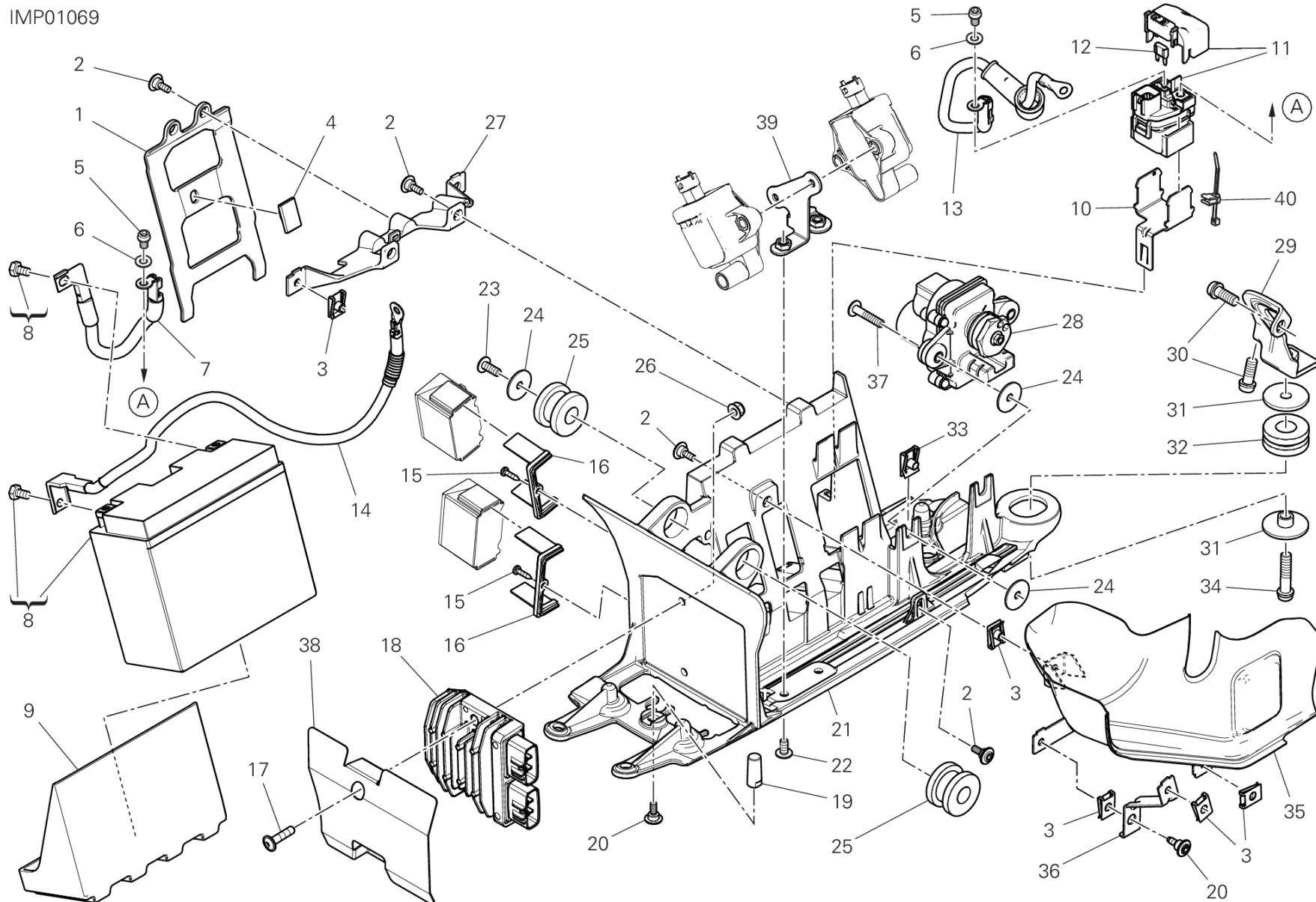
Drawing 10A - HALF-CRANKCASES PAIR [MOD:XDVL DARK].....	74
Drawing 13A - HORIZONTAL HEAD – TIMING SYSTEM [MOD:XDVL DARK].....	76
Group TOOLS.....	80
Drawing 01A - WORKSHOP SERVICE TOOLS, ENGINE [MOD:XDVL DARK].....	80
Drawing 01B - WORKSHOP SERVICE TOOLS, FRAME [MOD:XDVL DARK].....	84
Drawing 01C - DDS (2) TESTER [MOD:XDVL DARK].....	86
Group TYRES.....	88
Drawing A - TYRES [MOD:XDVL DARK].....	88
Drawing B - (*) PIRELLI DIABLO™ ROSSO II [MOD:XDVL DARK].....	90
Drawing D - PIRELLI DIABLO™ ROSSO III [MOD:XDVL DARK].....	92
Group FRAME.....	94
Drawing 016 - OIL COOLER [MOD:XDVL DARK].....	94
Drawing 017 - THROTTLE BODY [MOD:XDVL DARK].....	96
Drawing 019 - EXHAUST SYSTEM [MOD:XDVL DARK].....	98
Drawing 021 - HANDLEBAR [MOD:XDVL DARK].....	102
Drawing 022 - FRAME [MOD:XDVL DARK;XST:AUS,BLG,EUR,GSO,JAP].....	106
Drawing 022 - FRAME [MOD:XDVL DARK;XST:ROK].....	108
Drawing 023 - CLUTCH MASTER CYLINDER [MOD:XDVL DARK].....	110
Drawing 024 - FRONT BRAKE SYSTEM [MOD:XDVL DARK].....	112
Drawing 025 - REAR BRAKE SYSTEM [MOD:XDVL DARK].....	114
Drawing 026 - WHEELS [MOD:XDVL DARK].....	116
Drawing 027 - REAR FRAME COMP. [MOD:XDVL DARK].....	118
Drawing 028 - REAR SHOCK ABSORBER [MOD:XDVL DARK].....	122
Drawing 029 - INTAKE [MOD:XDVL DARK].....	124
Drawing 030 - WATER COOLER [MOD:XDVL DARK].....	126
Drawing 031 - COOLING CIRCUIT [MOD:XDVL DARK].....	128
Drawing 032 - FUEL TANK [MOD:XDVL DARK].....	130
Drawing 033 - SEAT [MOD:XDVL DARK].....	132
Drawing 034 - FAIRING [MOD:XDVL DARK].....	136
Drawing 035 - HOT AIR PIPE CANISTER [MOD:XDVL DARK].....	138



Drawing 037 - WARNING LABELS [MOD:XDVLDARK;XST:JAP].....	140
Drawing 21A - FRONT FORK [MOD:XDVLDARK].....	142
Drawing 22A - SIDE STAND [MOD:XDVLDARK].....	144
Drawing 24A - BRAKING SYSTEM ABS [MOD:XDVLDARK].....	146
Drawing 26A - HUB, REAR WHEEL [MOD:XDVLDARK].....	148
Drawing 27B - FOOTRESTS, LEFT [MOD:XDVLDARK].....	150
Drawing 27C - FOOTRESTS, RIGHT [MOD:XDVLDARK].....	152
Drawing 28A - SWING ARM [MOD:XDVLDARK].....	154
Alphanumeric index.....	156



IMP01069



DRAWING 018 - BATTERY HOLDER [MOD:XDVLDRK;XST:AUS,BLG,EUR,GSO,ROK]

GROUP ELECTRIC



POS.	CODE	DESCRIPTION	QTY	START DATE	END DATE	VALIDITY	NOTES
1	8301E261A	BRACKET, BATTERY BAND	1	14/09/2015			
2	77214081AA	SCREW, SPECIAL	5	14/09/2015			
3	85040551A	QUICK FASTENING	5	14/09/2015			
4	86612151A	RUBBER PAD	1	14/09/2015			
5	77156628B	SCREW TCEIF M6X10	2	14/09/2015			
6	85350101A	WASHER, SPRING	2	14/09/2015			
7	51410771C	BATTERY - SOLENOID STARTER CABLE	1	14/09/2015			
8	69926751A	BATTERY	1	14/09/2015			
9	86612192A	PAD, BATTERY	1	14/09/2015			
10	8301E032AA	BRACKET REMOTE SWITCH	1	18/05/2018			
11	39740071A	STARTER RELAY	1	14/09/2015			
12	38940251A	FUSE 30A	1				
13	51410781A	SOLENOID STARTER - STARTER MOTOR CABLE	1	14/09/2015			
14	51310711C	BATTERY - ENGINE GROUNDING CABLE	1	14/09/2015			
15	77450181A	SCREW	2	14/09/2015			
16	8301E051B	BRACKET FUSE	2	14/09/2015			
17	77240463C	VITE TBEIF	2	14/09/2015			
18	54040331A	VOLTAGE REGULATOR	1	13/05/2019			
19	82115321AA	ANTI-ROTATION INSERT	1	14/09/2015			
20	77210841C	SCREW	2	14/09/2015			
21	8291F021C	BATTERY HOLDER	1	14/09/2015			
22	77240393C	SCREW TBEIF M6X10 10.9	2	14/09/2015			
23	77210423C	SCREW TBEIF M6X16	1	14/09/2015			
24	85211961B	WASHER 6.4X25X1.5	5	14/09/2015			
25	76411431A	VIBRATION DAMPER PAD	2	14/09/2015			
26	74941113B	NUT	2	14/09/2015			
27	8291F361B	HOLDER BRACKET, BATTERY BAND	1	14/09/2015			
28	59340301A	ELECTRIC MOTOR, EXHAUST VALVE	1	14/09/2015			
29	83016131A	HOLDER	1	14/09/2015			
30	77157238B	SCREW TCEIF M8X20	2	14/09/2015			
31	71614271A	SPACER	2	14/09/2015			
32	76411421A	VIBRATION DAMPER PAD	1	14/09/2015			
33	85040381A	QUICK FASTENING	2	14/09/2015			
34	77113851A	SCREW TCEIF M8X35	1	14/09/2015			
35	4601D571A	HEAT GUARD EXHAUST PIPE, HORIZONTAL HEAD	1	14/09/2015			



POS.	CODE	DESCRIPTION	QTY	START DATE	END DATE	VALIDITY	NOTES
36	8301E071AA	BRACKET CAP LH	1	14/09/2015			
37	77240483C	SCREW	2	18/04/2016			
38	4601E931A	GUARD VOLTAGE REGULATOR	1	25/05/2016			
39	8301E021AA	BRACKET, COIL	1	14/09/2015			
40	75840771A	FAIRLEAD	1	28/02/2017			

DRAWING 018 - BATTERY HOLDER [MOD:XDVLDRK;XST:JAP]

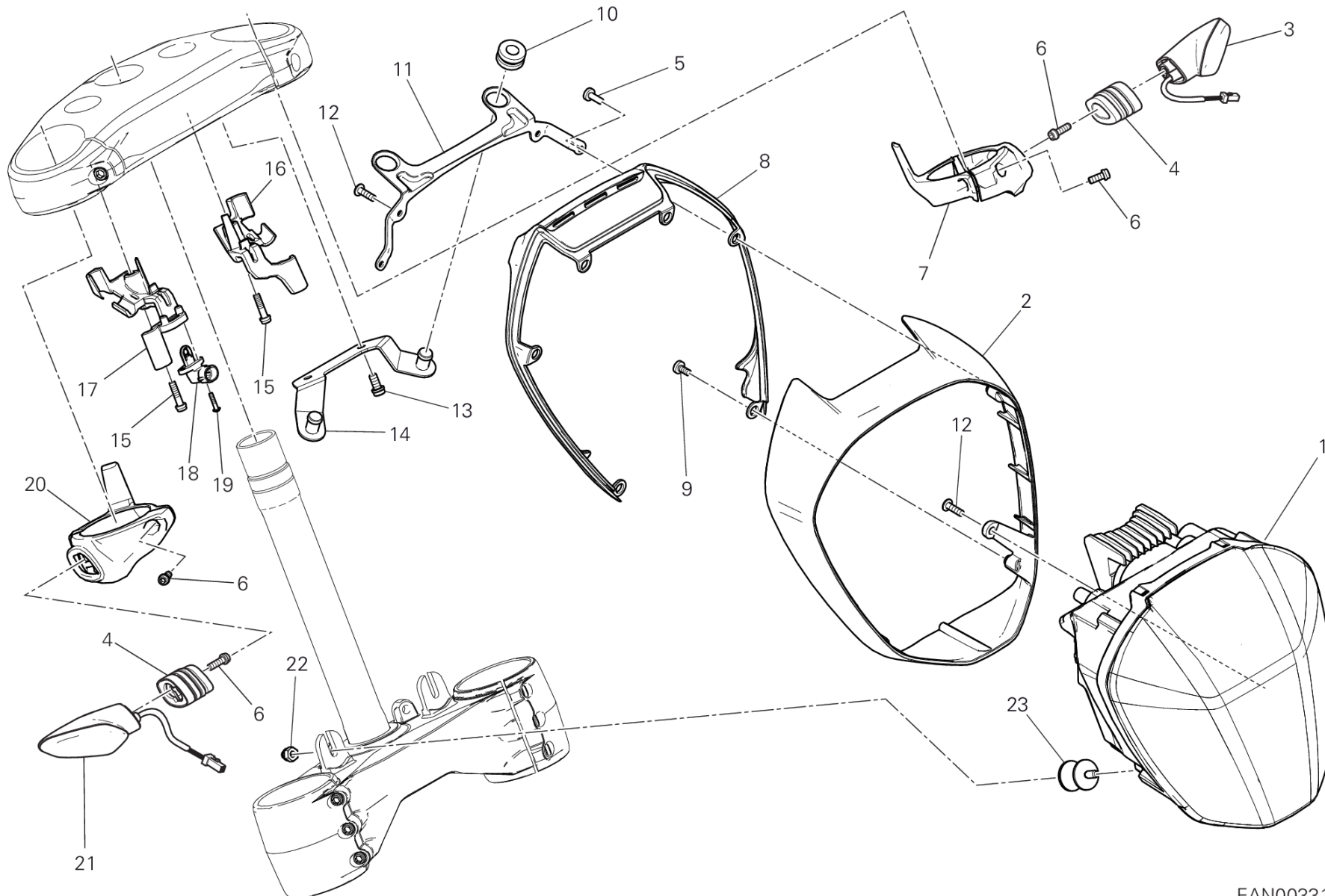
GROUP ELECTRIC



POS.	CODE	DESCRIPTION	QTY	START DATE	END DATE	VALIDITY	NOTES
1	8301E261A	BRACKET, BATTERY BAND	1	14/09/2015			
2	77214081AA	SCREW, SPECIAL	5	14/09/2015			
3	85040551A	QUICK FASTENING	5	14/09/2015			
4	86612151A	RUBBER PAD	1	14/09/2015			
5	77156628B	SCREW TCEIF M6X10	2	14/09/2015			
6	85350101A	WASHER, SPRING	2	14/09/2015			
7	51410771C	BATTERY - SOLENOID STARTER CABLE	1	14/09/2015			
8	69926751A	BATTERY	1	14/09/2015			
9	86612192A	PAD, BATTERY	1	14/09/2015			
10	8301E032AA	BRACKET REMOTE SWITCH	1	18/05/2018			
11	39740071A	STARTER RELAY	1	14/09/2015			
12	38940251A	FUSE 30A	1				
13	51410781A	SOLENOID STARTER - STARTER MOTOR CABLE	1	14/09/2015			
14	51310711C	BATTERY - ENGINE GROUNDING CABLE	1	14/09/2015			
15	77450181A	SCREW	2	14/09/2015			
16	8301E051B	BRACKET FUSE	2	14/09/2015			
17	77240463C	VITE TBEIF	2	14/09/2015			
18	54040331A	VOLTAGE REGULATOR	1	13/05/2019			
19	82115321AA	ANTI-ROTATION INSERT	1	14/09/2015			
20	77210841C	SCREW	2	14/09/2015			
21	8291F021C	BATTERY HOLDER	1	14/09/2015			
22	77240393C	SCREW TBEIF M6X10 10.9	2	14/09/2015			
23	77210423C	SCREW TBEIF M6X16	1	14/09/2015			
24	85211961B	WASHER 6.4X25X1.5	5	14/09/2015			
25	76411431A	VIBRATION DAMPER PAD	2	14/09/2015			
26	74941113B	NUT	2	14/09/2015			
27	8291F361B	HOLDER BRACKET, BATTERY BAND	1	14/09/2015			
28	59340301A	ELECTRIC MOTOR, EXHAUST VALVE	1	14/09/2015			
29	83016131A	HOLDER	1	14/09/2015			
30	77157238B	SCREW TCEIF M8X20	2	14/09/2015			
31	71614271A	SPACER	2	14/09/2015			
32	76411421A	VIBRATION DAMPER PAD	1	14/09/2015			
33	85040381A	QUICK FASTENING	2	14/09/2015			
34	77113851A	SCREW TCEIF M8X35	1	14/09/2015			
35	4601D571A	HEAT GUARD EXHAUST PIPE, HORIZONTAL HEAD	1	14/09/2015			



POS.	CODE	DESCRIPTION	QTY	START DATE	END DATE	VALIDITY	NOTES
36	8301E071AA	BRACKET CAP LH	1	14/09/2015			
37	77240483C	SCREW	2	18/04/2016			
38	4601E931A	GUARD VOLTAGE REGULATOR	1	25/05/2016			
39	8301E021AA	BRACKET, COIL	1	14/09/2015			
40	75840771A	FAIRLEAD	1	28/02/2017			
41	43312541A	MARKING PLATE BATTERY	1	13/05/2019			



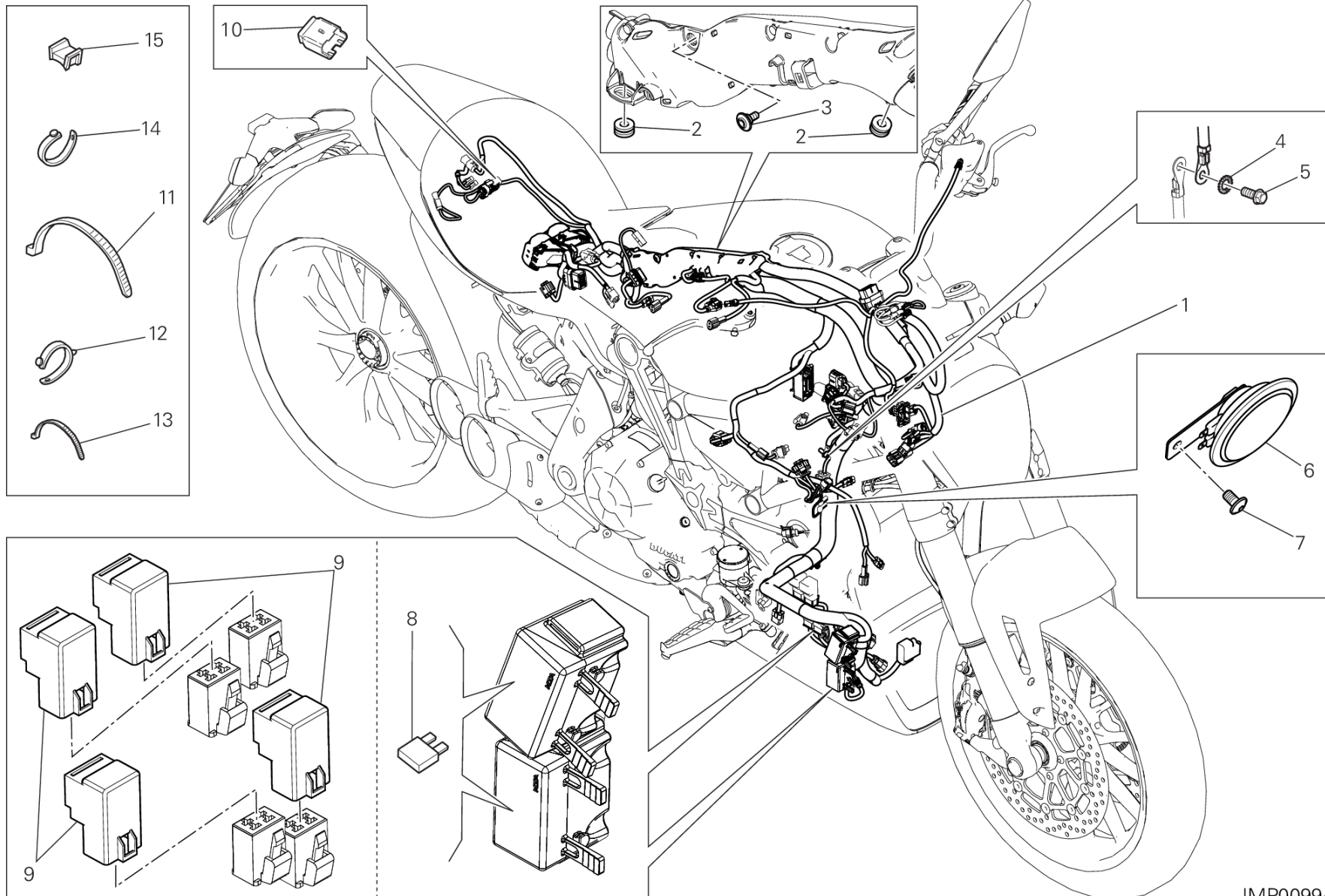
FAN00331

DRAWING 020 - HEADLIGHT [MOD:XDVLDARK]

GROUP ELECTRIC



POS.	CODE	DESCRIPTION	QTY	START DATE	END DATE	VALIDITY	NOTES
1	52010372B	HEADLIGHT	1	14/09/2015			
2	8291E951AA	BRACKET, HEADLIGHT	1	14/09/2015			
3	53010371A	FLASHER LIGHT FRONT LH - REAR RH	1	30/03/2020			
4	71314703A	SPACER	2	14/09/2015			
5	77110751A	SCREW M5X12	2	01/06/2016			
6	77156393B	SCREW M5X12	4	14/09/2015			
7	8291F343A	BRACKET, LEFT FLASHER LIGHT	1	14/09/2015			
8	4601D601A	COVER BRACKET, HEADLIGHT	1	14/09/2015			
9	77110531A	SCREW TBEI M5X10	4	14/09/2015			
10	76410641A	VIBRATION DAMPER PAD	2	14/09/2015			
11	8301D961BA	HEADLIGHT BRACKET	1	16/12/2015			
12	77440041A	SCREW, TAPPING M5X16	4	14/09/2015			
13	77156643B	SCREW TCEIF M6X14 8.8	2	23/11/2015			
14	8301D972A	BRACKET UPPER STEERING HEAD	1	23/11/2015			
15	77156438B	SCREW	2	23/11/2015			
16	75811091A	HOSE GUIDE LEFT	1	23/11/2015			
17	75811101A	HOSE GUIDE RIGHT	1	23/11/2015			
18	55240121A	SENSOR, AIR TEMPERATURE	1	14/09/2015			
19	77440183C	SCREW	2	19/10/2015			
20	8291F353A	BRACKET, RIGHT FLASHER LIGHT	1	14/09/2015			
21	53010361A	FLASHER LIGHT FRONT RH- REAR LH	1	30/03/2020			
22	74841101AA	NUT 6MM	2	14/09/2015			
23	70010481B	DAMPER M6X12	2	14/09/2015			



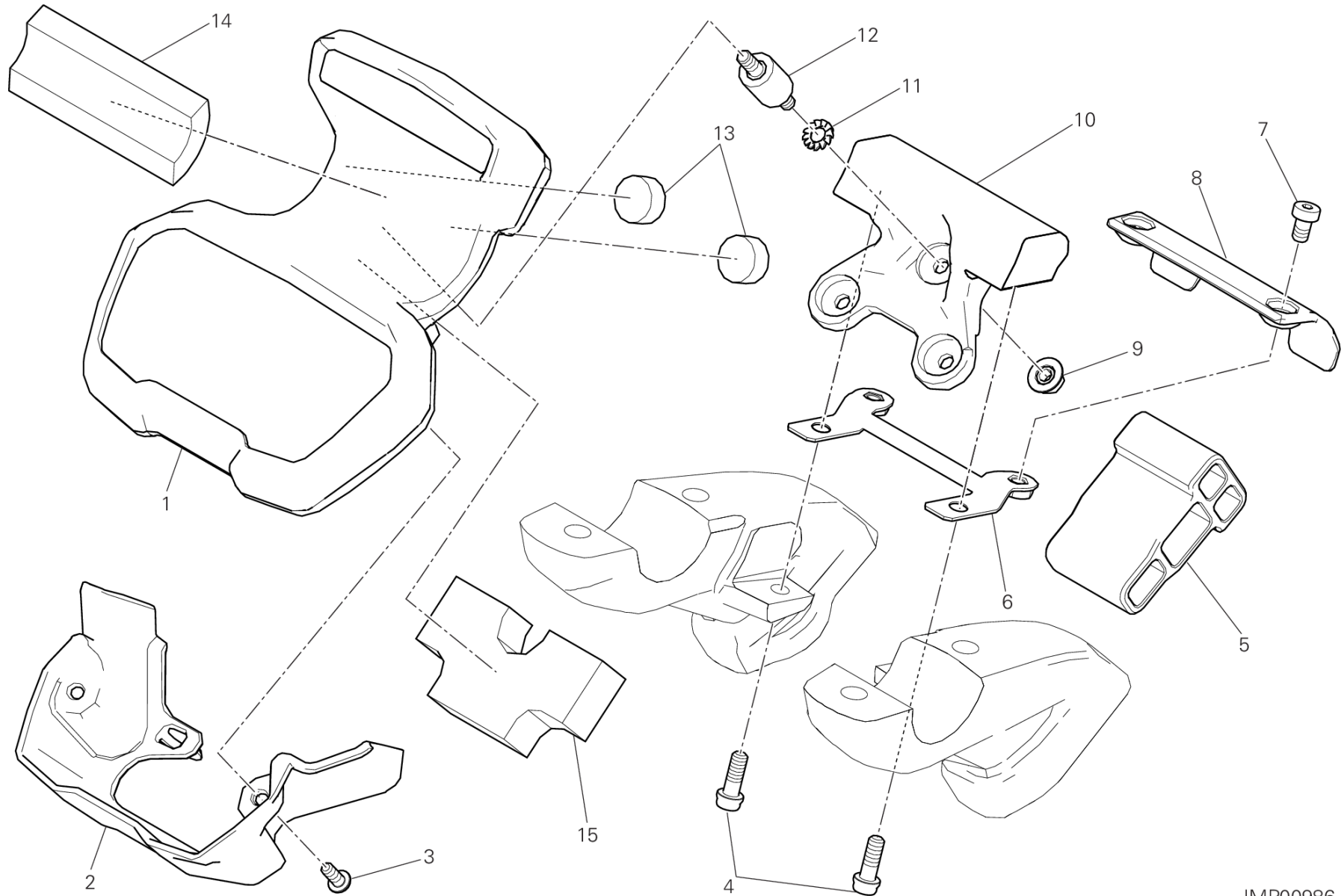
IMP00994

DRAWING 18A - WIRING HARNESS [MOD:XDVLDRK]

GROUP ELECTRIC



POS.	CODE	DESCRIPTION	QTY	START DATE	END DATE	VALIDITY	NOTES
1	5101G871F	MAIN WIRING HARNESS	1	21/09/2020			
2	76411671A	RUBBER PAD	2	14/09/2015			
3	77211131A	SCREW M5X9	1	28/02/2017			
4	85550001B	SPRING WASHER	1	08/05/2013			
5	77211061A	SCREW TEF M6X14	1	08/05/2013			
6	51640021AB	HORN	1	14/09/2015			
7	77240573C	SCREW	1	14/09/2015			
8	38940191A	FUSE 5A	2				
	38940201A	FUSE 10A	3				
	38940211A	FUSE 15A	2				
	38940221A	FUSE 20A	1				
	38940241A	FUSE 7,5A	2				
	38940261A	FUSE 25A	3				
9	54140151A	RELAY	4				
10	87210532A	CAP DDA	1	07/05/2015			
11	069191030	CLAMP	13	08/05/2013			
12	74110551A	CLAMP, RUBBER 39MM	8	17/11/2014			
13	74140381A	CLAMP	12	24/03/2015			
14	74110131A	CLAMP, RUBBER 82MM	2	08/05/2013			
15	85040671A	CLAMP TUCKER	3	07/11/2014			



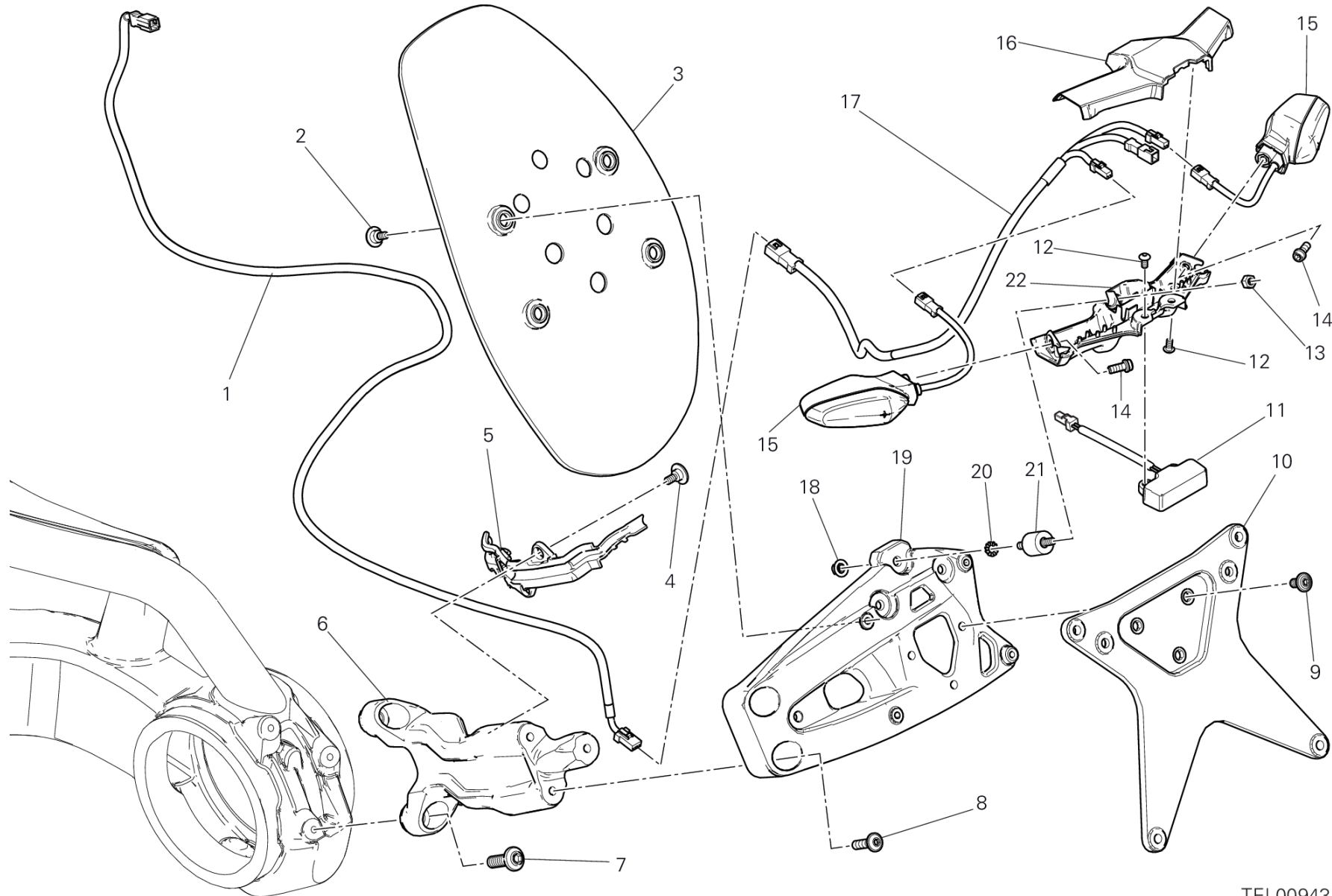
IMP00986

DRAWING 20A - INSTRUMENT PANEL [MOD:XDVLDARK]

GROUP ELECTRIC



POS.	CODE	DESCRIPTION	QTY	START DATE	END DATE	VALIDITY	NOTES
1	40611831B	INSTRUMENT PANEL	1	01/04/2020			
2	4601D591A	COVER, METER LOWER	1	14/09/2015			
3	72050033C	SCREW	2	14/09/2015			
4	77156408B	SCREW TCEIF M5X14	2	12/11/2015			
5	86612251A	BRACKET, CONNECTOR	1	14/09/2015			
6	8301E341AA	BRACKET COVER	1	12/11/2015			
7	77350373B	SCREW	2	14/09/2015			
8	4601E041A	COVER CONNECTOR	1	14/09/2015			
9	74841091AA	NUT	3	21/06/2017			
10	36011891BA	HOLDER INSTRUMENT PANEL	1	12/11/2015			
11	46240461A	WASHER, SPRING	3	12/11/2015			
12	70010901A	VIBRATION DAMPER	3	12/01/2016			
13	70011011A	VIBRATION DAMPER INSTRUMENT PANEL	2	27/11/2015			
14	70011021A	VIBRATION DAMPER INSTRUMENT PANEL	1	27/11/2015			
15	70011031A	VIBRATION DAMPER INSTRUMENT PANEL	1	27/11/2015			



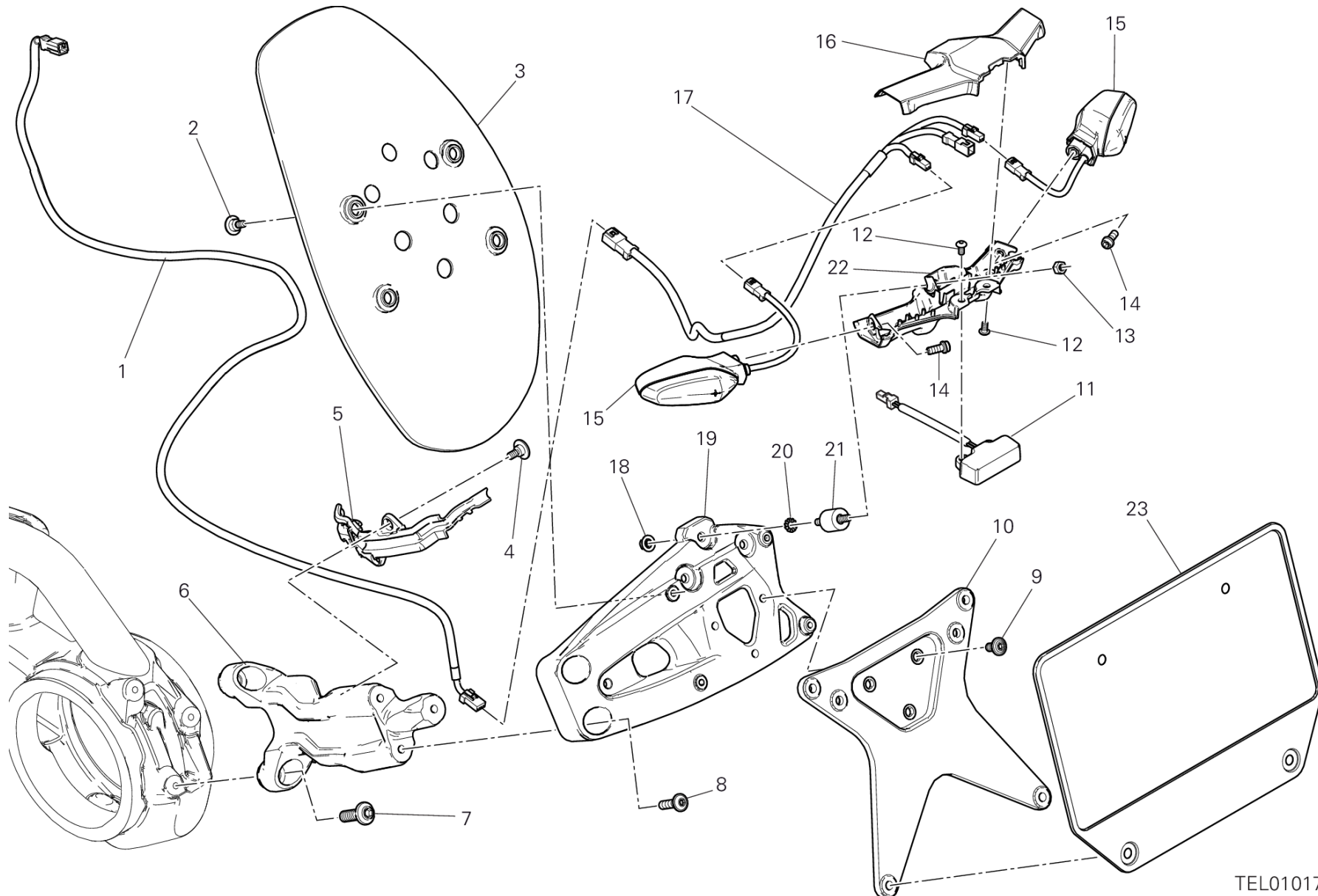
TEL00943

DRAWING 27A - PLATE HOLDER [MOD:XDVL DARK;XST:AUS,BLG,EUR,GSO,ROK]

GROUP ELECTRIC



POS.	CODE	DESCRIPTION	QTY	START DATE	END DATE	VALIDITY	NOTES
1	5101A871C	WIRING SWING ARM	1	14/09/2015			
2	77214411BA	SCREW, SPECIAL	4	24/09/2015			
3	4601D672A	MUDFLAP REAR	1	24/09/2015			
4	77914871C	SCREW	3	24/09/2015			
5	75811081A	FAIRLEAD	1	24/09/2015			
6	56113412AA	HOLDER NUMBER PLATE HOLDER	1	24/09/2015			
7	7724453AF	SCREW M8X25	3	14/09/2015			
8	77240453C	SCREW TBEIF M6X22 10.9	3	24/09/2015			
9	77240403CA	SCREW M6X12	3	24/09/2015			
10	56113392A	PLATE HOLDER	1	24/09/2015			
11	52510611C	LAMP, LICENSE PLATE	1	26/11/2019			
12	77550353B	SCREW M4X8	4	24/09/2015			
13	74750111A	NUT M5	3	24/09/2015			
14	77156398B	SCREW TCEIF M5X12	2	24/09/2015			
15	53010403A	FLASHER LIGHT	2	24/09/2015			
16	8291F211A	BRACKET UPPER FLASHER LIGHT	1	24/09/2015			
17	5101B091B	WIRING PLATE HOLDER	1	24/09/2015			
18	74841091AA	NUT	3	24/09/2015			
19	56113561AA	NUMBER PLATE HOLDER	1	26/11/2019			
20	46240461A	WASHER, SPRING	3	24/09/2015			
21	70010951A	VIBRATION DAMPER	3	24/09/2015			
22	8291F201A	LOWER HOLDER FLASHER LIGHT	1	24/09/2015			



TEL01017

DRAWING 27A - PLATE HOLDER [MOD:XDVLDDARK;XST:JAP]

GROUP ELECTRIC



POS.	CODE	DESCRIPTION	QTY	START DATE	END DATE	VALIDITY	NOTES
1	5101A871C	WIRING SWING ARM	1	14/09/2015			
2	77214411BA	SCREW, SPECIAL	4	24/09/2015			
3	4601D672A	MUDFLAP REAR	1	24/09/2015			
4	77914871C	SCREW	3	24/09/2015			
5	75811081A	FAIRLEAD	1	24/09/2015			
6	56113412AA	HOLDER NUMBER PLATE HOLDER	1	24/09/2015			
7	7724453AF	SCREW M8X25	3	14/09/2015			
8	77240453C	SCREW TBEIF M6X22 10.9	3	24/09/2015			
9	77240403CA	SCREW M6X12	3	24/09/2015			
10	56113392A	PLATE HOLDER	1	24/09/2015			
11	52510434C	LAMP, LICENSE PLATE	1	24/09/2015			
12	77550353B	SCREW M4X8	4	24/09/2015			
13	74750111A	NUT M5	3	24/09/2015			
14	77156398B	SCREW TCEIF M5X12	2	24/09/2015			
15	53010403A	FLASHER LIGHT	2	24/09/2015			
16	8291F211A	BRACKET UPPER FLASHER LIGHT	1	24/09/2015			
17	5101B091B	WIRING PLATE HOLDER	1	24/09/2015			
18	74841091AA	NUT	3	24/09/2015			
19	56113561AA	NUMBER PLATE HOLDER	1	24/09/2015			
20	46240461A	WASHER, SPRING	3	24/09/2015			
21	70010951A	VIBRATION DAMPER	3	24/09/2015			
22	8291F201A	LOWER HOLDER FLASHER LIGHT	1	24/09/2015			
23	56113381AA	PLATE PLATE HOLDER	1	16/05/2016			

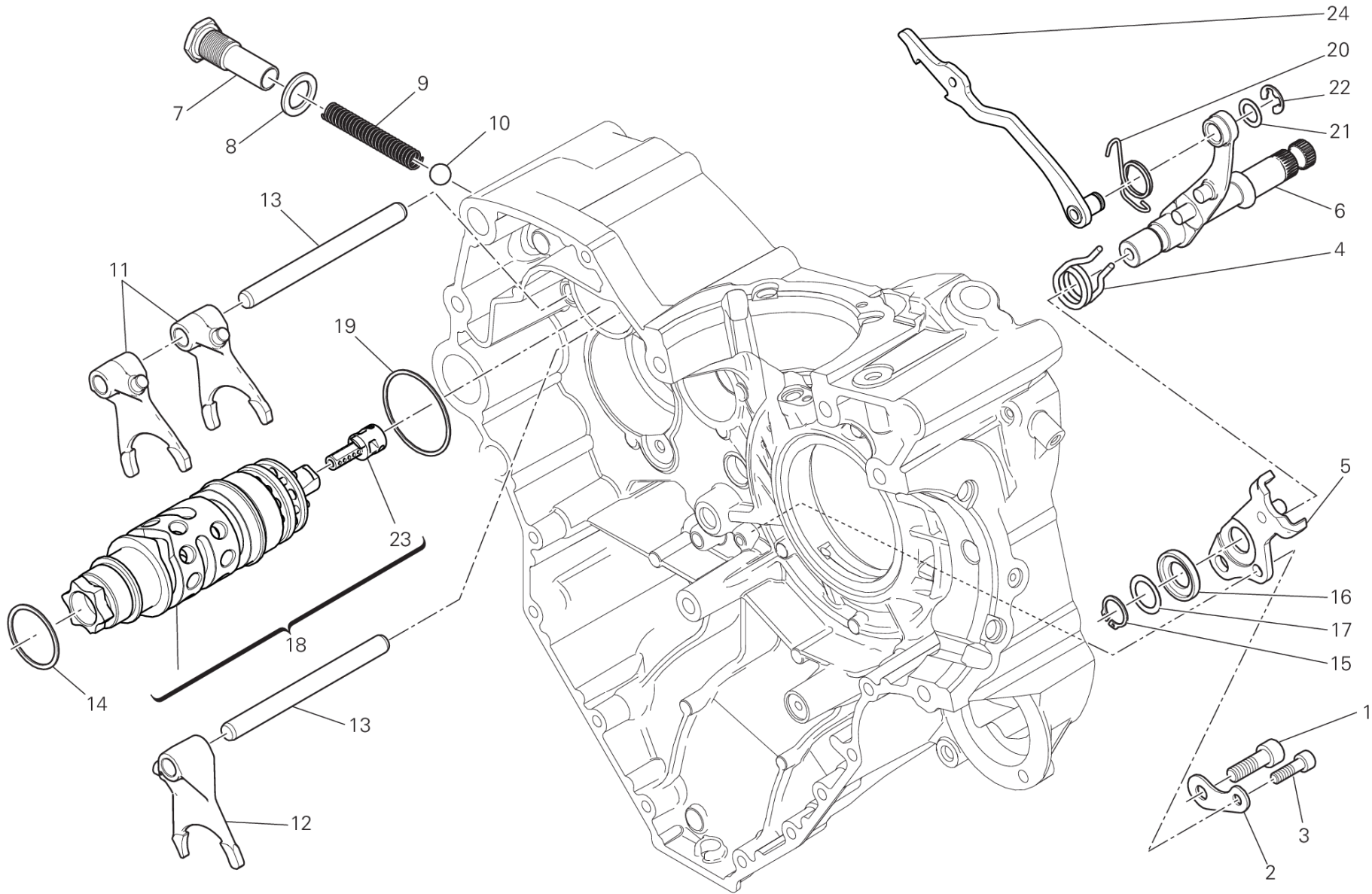


DRAWING L - SHELL ADVANCE [MOD:XDVLDARK]

GROUP OIL



POS.	CODE	DESCRIPTION	QTY	START DATE	END DATE	VALIDITY	NOTES
1	944650035	SHELL ADVANCE DUCATI 15W50 - 1L BOTTLE	1				
2	944650037	SHELL ADVANCE DUCATI 15W50 – 209L DRUM	1				



CMB00521

DRAWING 002 - GEAR CHANGE MECHANISM [MOD:XDVL DARK]

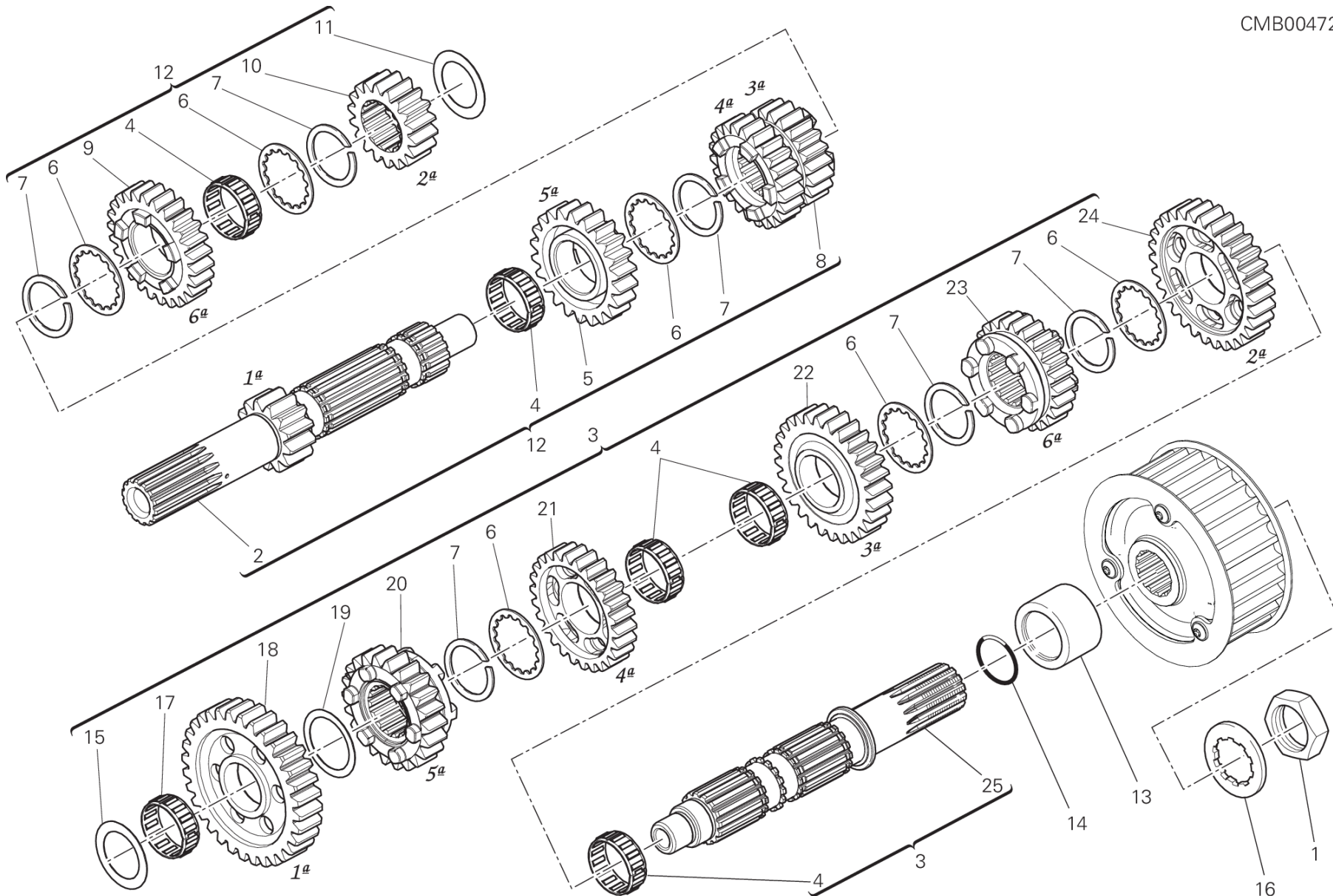
GROUP ENGINE



POS.	CODE	DESCRIPTION	QTY	START DATE	END DATE	VALIDITY	NOTES
1	77151250ZF	SCREW	1	22/03/2013			
2	71319151A	SPACER	1	22/03/2013			
3	77150670ZF	SCREW	1	22/03/2013			
4	79915061A	SPRING, SHIFT RETURN	1	03/05/2012			
5	82610261A	STOPPER PLATE	1	25/07/2016			
6	82114731A	GEAR SELECTOR SHAFT	1	28/11/2013			
7	77912033A	SCREW M16X1.5	1	22/03/2013			
8	027291090	GASKET 16.2X24X2	1	22/03/2013			
9	066013143	GEAR SELECTOR SPRING	1	22/03/2013			
10	768351134	BALL 11MM	1	22/03/2013			
11	180Z0031A	GEAR SELECTOR FORK, 1ST/4TH-2ND/3RD	2	22/03/2013			
12	180Z0041A	FORK-SHIFT, 5TH&6TH	1	22/03/2013			
13	82113881A	FORK PIN	2	25/03/2013			
14	85210051A	THRUST WASHER 1 MM	1	22/03/2013			
15	735001542	CIRCLIP 15 DIN 471	1	28/11/2013			
16	88110121A	CENTERING RING	1	28/11/2013			
17	040029126	THRUST WASHER 15.5X22X0.5	1	28/11/2013			
18	18220681B	COMPLETE GEARBOX DRUM	1	27/06/2019			
19	85210941A	THRUST WASHER 45.2X49X0.9	1	22/03/2013			
20	79912961A	RETURN SPRING	1	28/11/2013			
21	040009050	THRUST WASHER 10.5X16X0.5	1	28/11/2013			
22	88450341B	SPRING RING	1	28/11/2013			
23	55243911A	MAGNETE (Unit)	1	23/11/2017			
24	18020511A	CONTROL FORK	1	16/10/2017			



CMB00472

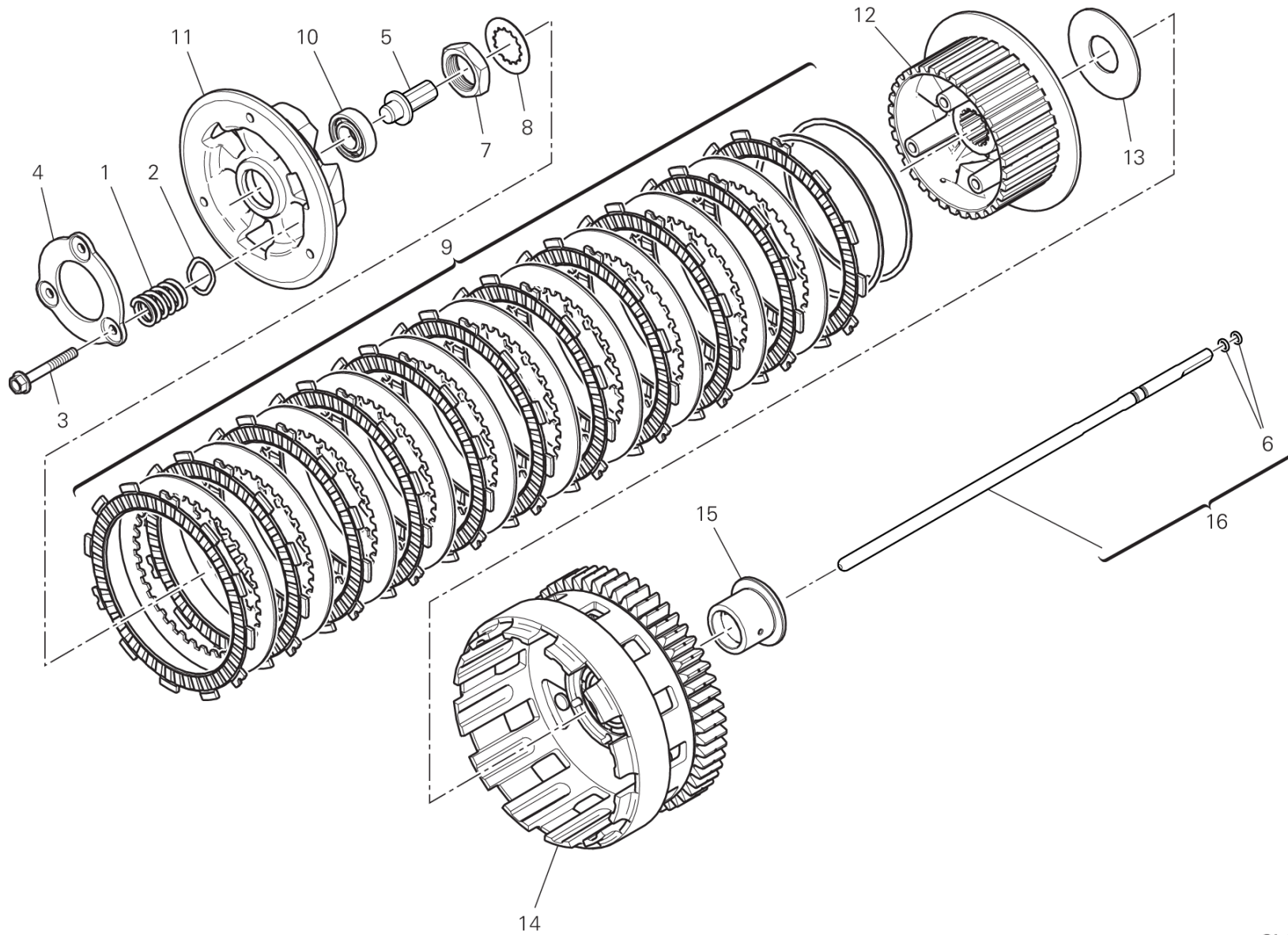


DRAWING 003 - GEAR BOX [MOD:XDVLDARK]

GROUP ENGINE



POS.	CODE	DESCRIPTION	QTY	START DATE	END DATE	VALIDITY	NOTES
1	75010071A	NUT	1	19/03/2015			
2	14910831D	GEARBOX MAIN SHAFT	1	19/02/2013			
3	15021941B	COMPLETE LAY SHAFT	1	19/02/2013			
4	70140051A	BEARING, NEEDLE	5	19/02/2013			
5	17213291C	GEAR DRIVE 5TH SPEED	1	19/02/2013			
6	85611372A	WASHER LOCK 28X32.5X1	6	19/02/2013			
7	88210151A	SPRING RING 25X29X2.4	6	19/02/2013			
8	17213281C	GEAR, 3RD-4TH PINION	1	19/02/2013			
9	17213301C	GEAR DRIVE 6TH SPEED	1	19/02/2013			
10	17213271A	DRIVING GEAR 2ND SP.	1	19/02/2013			
11	71310141E	THRUST WASHER 20.3X32X1.6	1	16/05/2011			
12	15021431E	COMPLETE MAIN SHAFT	1	19/02/2013			
13	71319951A	SPACER, ENGINE SPROCKET	1	18/06/2014			
14	46320537A	O-RING	1	25/03/2013			
15	71312661A	THRUST WASHER 17.3X31X3.15	1	19/02/2013			
16	85110181B	LOCK WASHER	1	22/09/2016			
17	764020002	BEARING, NEEDLE	1	24/12/2009			
18	17213311A	DRIVEN GEAR 1ST SP.	1	24/12/2009			
19	067016155	THRUST WASHER 1 MM	1	24/12/2009			
20	17213351B	DRIVEN GEAR 5TH SPEED 23T	1	19/02/2013			
21	17213341B	DRIVEN GEAR 4TH SPEED T:24	1	19/02/2013			
22	17213331B	DRIVEN GEAR 3RD SPEED T27	1	19/02/2013			
23	17213361B	DRIVEN GEAR 6TH SPEED T22	1	19/02/2013			
24	17213321A	DRIVEN GEAR 2ND SP.	1	24/12/2009			
25	14910891C	DRIVEN SHAFT	1	19/02/2013			

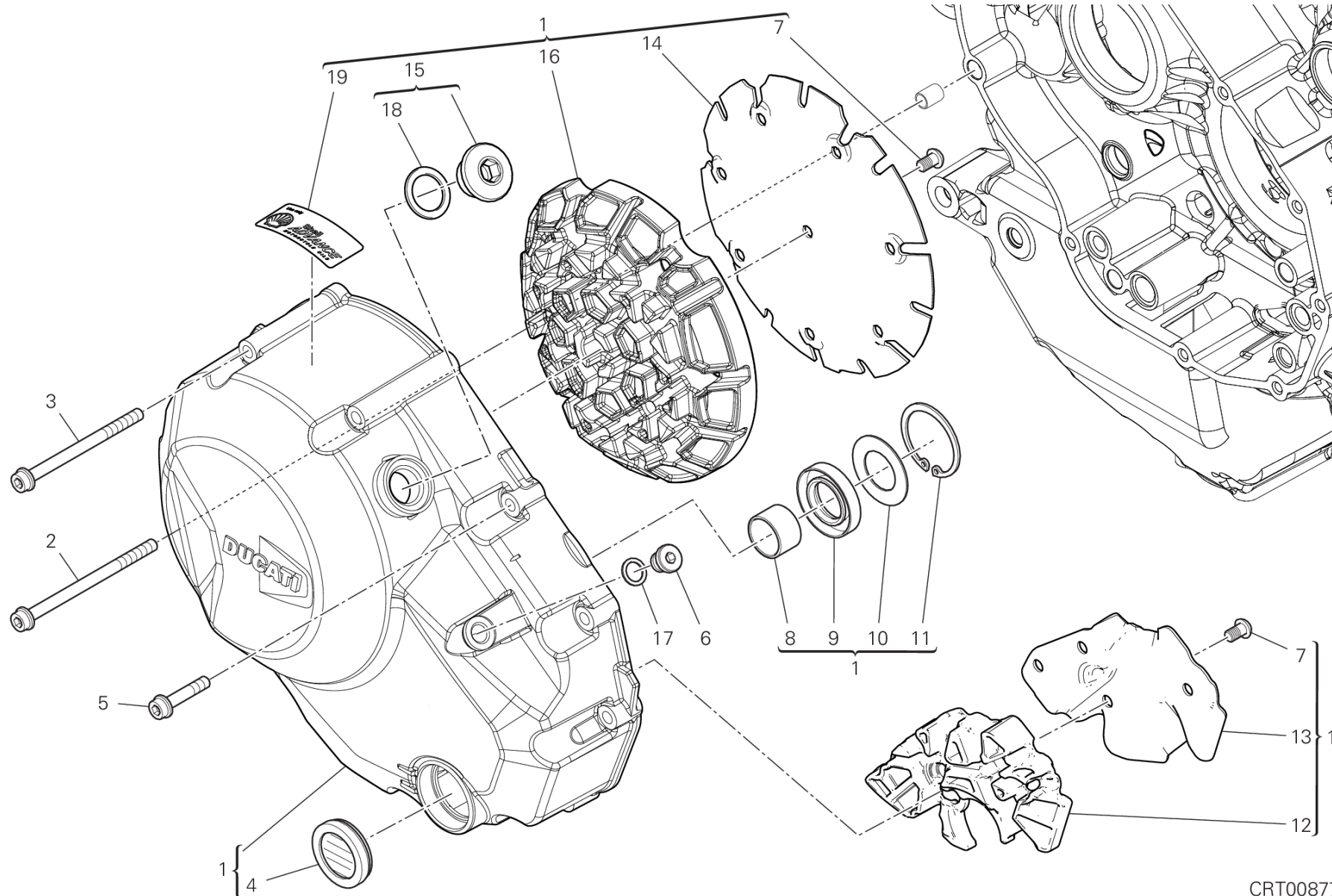


DRAWING 004 - CLUTCH [MOD:XDVLDARK]

GROUP ENGINE



POS.	CODE	DESCRIPTION	QTY	START DATE	END DATE	VALIDITY	NOTES
1	79710741A	SPRING	3	25/02/2016			
2	85611391B	THRUST WASHER	3	02/05/2012			
3	77211201A	SCREW	3	02/05/2012			
4	19410511A	RING	1	02/05/2012			
5	81810162A	CLUTCH CONTROL PIN (FCC)	1	25/03/2013			
6	88641731A	O-RING 1.78X4.76	2	18/07/2011			
7	75010071E	NUT M25X1.5	1	25/03/2013			
8	85110201A	LOCK WASHER	1	25/03/2013			
9	19020531A	CLUTCH DISC SET	1	02/05/2012			
10	70250601A	BEARING	1	02/05/2012			
11	19610542C	DISK, CLUTCH PRESSURE (FCC)	1	06/09/2013			
12	19610532C	PLATE HOLDER HUB (FCC)	1	06/09/2013			
13	71313091A	SPACER	1	02/05/2012			
14	19820441A	PRIMARY DRIVEN GEAR COMP.	1	28/09/2018			
15	71314831A	SPACER	1	17/10/2012			
16	11721811A	CLUTCH CONTROL ROD	1	29/05/2020			



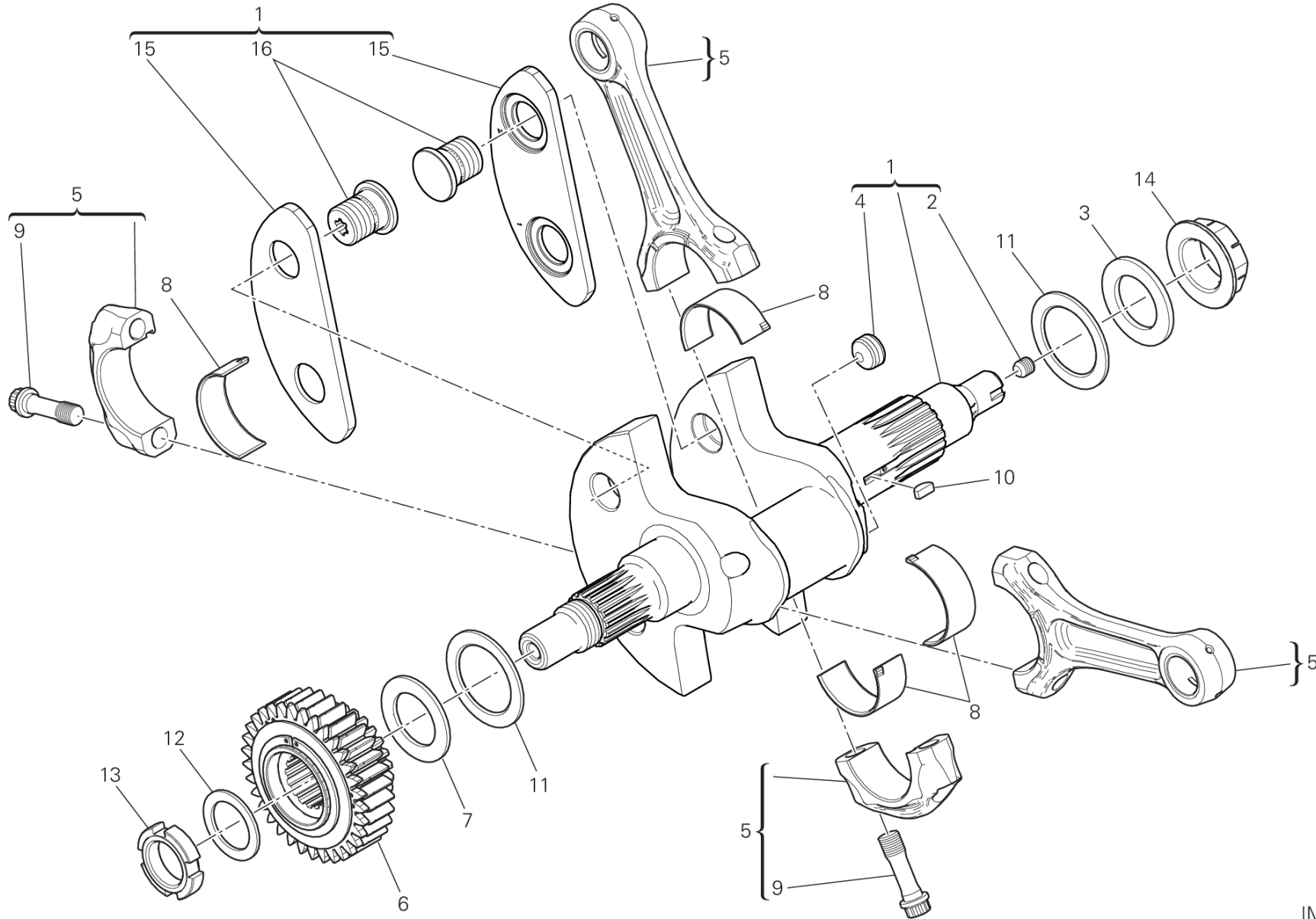
CRT00877

DRAWING 005 - CLUTCH COVER [MOD:XDVL DARK]

GROUP ENGINE



POS.	CODE	DESCRIPTION	QTY	START DATE	END DATE	VALIDITY	NOTES
1	243P1613AN	COVER CLUTCH SIDE MATT BLACK	1	08/10/2018		MOD:XDVL DARK	
2	77140833C	SCREW TCEIF M6X90 10.9	1	14/04/2014			
3	77140813C	SCREW TCEIF M6X80 10.9	3	14/04/2014			
4	25440013A	WINDOW, OIL LEVEL CHECK	1	01/01/2011			
5	77140713C	SCREW TCEIF M6X30 10.9	6	02/02/2015			
6	78011281A	PLUG, THREADED M10X1	1	02/10/2018			
7	77550200CC	SCREW	12	16/07/2018			
8	066549680	BUSH	1	01/01/2011			
9	93040211A	OIL SEAL	1	01/01/2011			
10	85211351A	THRUST WASHER 20.8X37.8X1	1	16/07/2018			
11	88450131A	CIRCLIP	1	16/07/2018			
12	48612201A	DAMPER, SOUND ARRESTER OIL PUMP	1	16/07/2018			
13	82718261A	SHEET ACOUSTIC DAMPER OIL PUMP	1	16/07/2018			
14	82717861B	SHEET ACOUSTIC DAMPER	1	05/10/2015			
15	89320201A	PLUG ASSY	1	06/10/2015			
16	48612211A	DAMPER, SOUND ARRESTER	1	16/07/2018			
17	85250241A	WASHER 10X14X1	1	02/10/2018			
18	88642301A	O-RING	1	05/03/2014			
19	43312502C	TRANSFER "SHELL ULTRA"	1	16/07/2018			



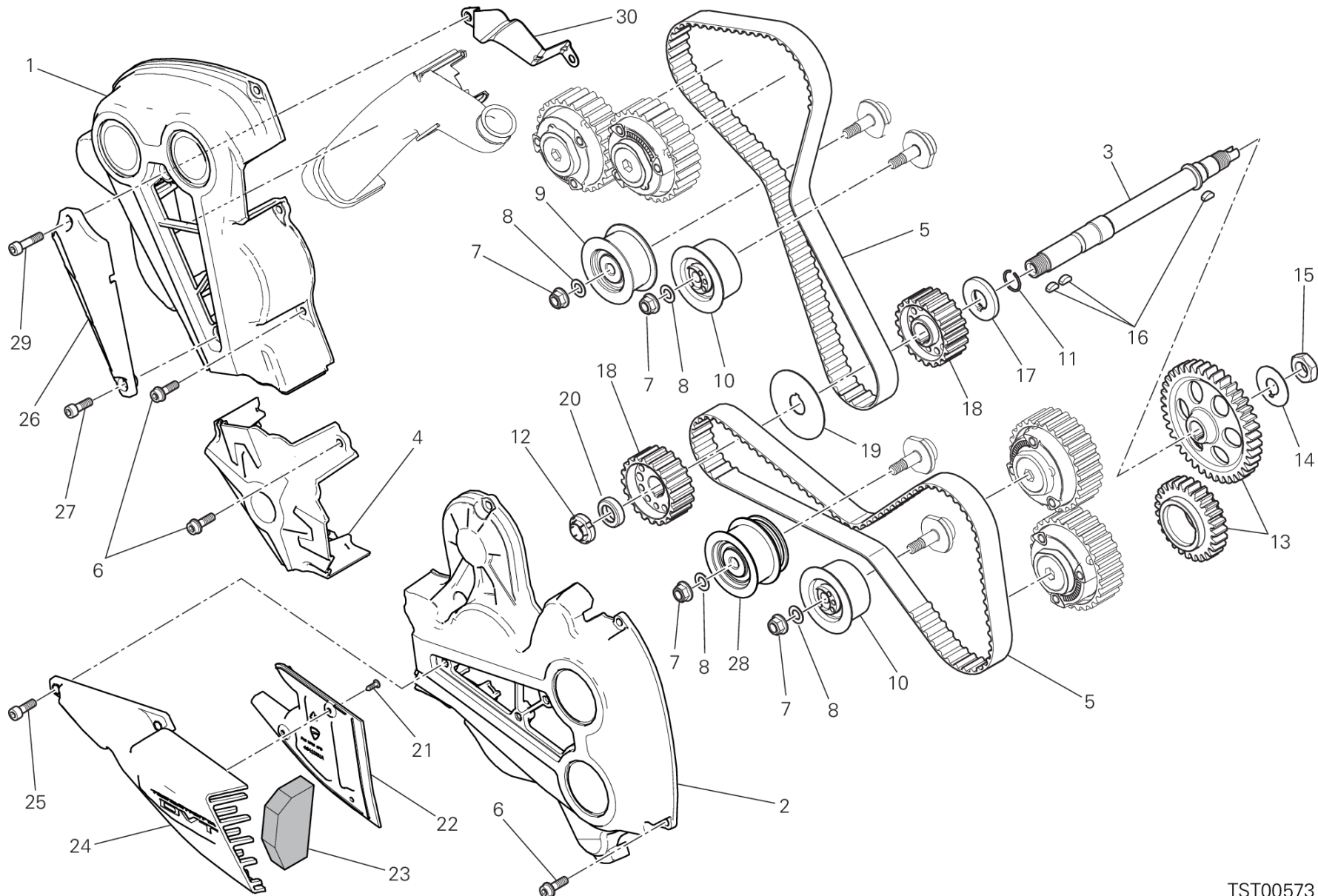
IMB00236

DRAWING 006 - CONNECTING RODS [MOD:XDVLDARK]

GROUP ENGINE



POS.	CODE	DESCRIPTION	QTY	START DATE	END DATE	VALIDITY	NOTES
1	14622373AB	CRANKSHAFT (Class 1-2)	1	23/01/2019			
	14622373AC	CRANKSHAFT (Class 3-4)	1	01/03/2019			
	14622373AD	CRANKSHAFT (Class 5-6)	1	01/03/2019			
2	77911092A	SCREW, SPECIAL	1	25/09/2012			
3	85213641A	WASHER	1	01/03/2014			
4	78010151D	THREADED PLUG M16X1	1	17/05/2016			
5	15621043HA	CONNECTING ROD (Class 1-2)	2	01/03/2019			
	15621043HB	CONNECTING ROD (Class 3-4)	2	01/03/2019			
	15621043HC	CONNECTING ROD (Class 5-6)	2	01/03/2019			
6	17021351A	PRIMARY DRIVE FRONT SPROCKET	1				
7	71011691A	SPACER	1	25/03/2013			
8	11212091AA	HALF-BEARING RED	1				
	11212091AB	HALF-BEARING BLUE	1				
	11212091AC	HALF-BEARING YELLOW	1				
	11212091AD	HALF-BEARING BLACK	1				
	11212091AE	HALF-BEARING GREEN	1				
9	77914041C	BOLT, CONNECTING ROD	4	01/01/2011			
10	68010131A	KEY, WOODRUFF 4X5X10	1	25/03/2013			
11	85212881D	SHIM 50X35X2.05	2	25/03/2013			
12	85140051A	LOCK WASHER	1	25/03/2013			
13	75011561A	RING NUT	1	25/03/2013			
14	75011971A	NUT, FLANGE	1	01/03/2014			
15	15310181A	COUNTERWEIGHT	2	17/05/2016			
16	82010242A	THREATENED PIN	4	17/05/2016			



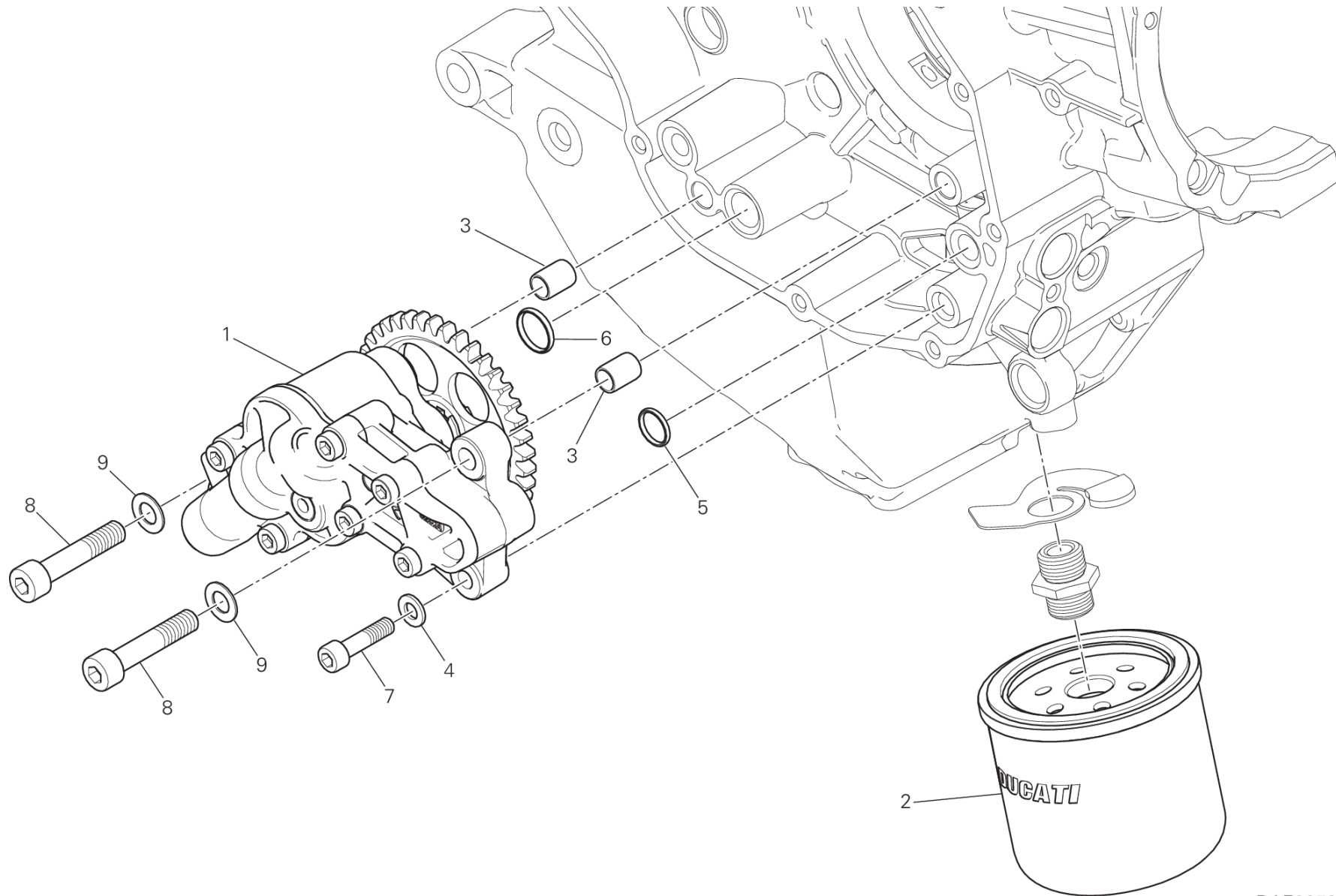
TST00573

DRAWING 008 - TIMING SYSTEM [MOD:XDVL DARK]

GROUP ENGINE



POS.	CODE	DESCRIPTION	QTY	START DATE	END DATE	VALIDITY	NOTES
1	24511612B	VERTICAL BELT OUTER COVER	1	12/04/2016		MOD:XDVL DARK	
2	24511631A	HORIZONTAL BELT EXTERNAL COVER	1	15/07/2015		MOD:XDVL DARK	
3	14710941A	LAYSHAFT TIMING	1	01/03/2014			
4	24531581AB	CENTRAL EXTERNAL COVER	1	01/09/2015		MOD:XDVL DARK	
5	73740342A	TIMING DRIVE TOOTHED BELT	2	31/03/2015			
6	77140663CD	SCREW	16	23/01/2015			
7	74940081A	NUT M8	4	25/03/2013			
8	85310021A	SPRING WASHER 8 MM	4	25/03/2013			
9	45120272A	TENSIONER TIMING BELT FIXED	1	25/03/2013			
10	45120291A	COMPLETE MOVABLE TENSIONER ROLLER	2	25/03/2013			
11	88210031A	SNAP RING	1	25/03/2013			
12	70350062A	ELASTIC-STOP RING NUT	1	25/03/2013			
13	17122391A	TIMING GEARS SET	1	31/03/2015			
14	85110131A	WASHER, LOCK	1	25/03/2013			
15	75011601A	NUT M14X1X7	1	25/03/2013			
16	68010131A	KEY, WOODRUFF 4X5X10	3	25/03/2013			
17	71611281A	SPACER	1	25/03/2013			
18	25510104B	PULLEY, TIMING BELT	2	25/03/2013			
19	85610623A	WASHER, BELT PULLEY	1	25/03/2013			
20	71610722A	SPACER	1	25/03/2013			
21	77211451A	SCREW	3	03/03/2015			
22	48411331A	AIR MANIFOLD INTERNAL R.H. HORIZONTAL	1	26/01/2015			
23	42710221A	FILTER, AIR	1	26/01/2015			
24	48411321A	AIR MANIFOLD EXTERNAL R.H. HORIZONTAL	1	26/01/2015			
25	77113801A	SCREW	3	14/09/2015			
26	48411341A	AIR MANIFOLD EXTERNAL R.H. VERTICAL	1	27/11/2015			
27	77116721A	SCREW	1	27/11/2015			
28	45120301A	TENSIONER TIMING BELT FIXED WATER PUMP	1	23/01/2015			
29	77150693BC	SCREW	1	01/12/2015			
30	82718381A	PLATE HOSE, BLOW-BY	1	01/12/2015			



RAF00532

DRAWING 009 - OIL PUMP - FILTER [MOD:XDVLDARK]

GROUP ENGINE

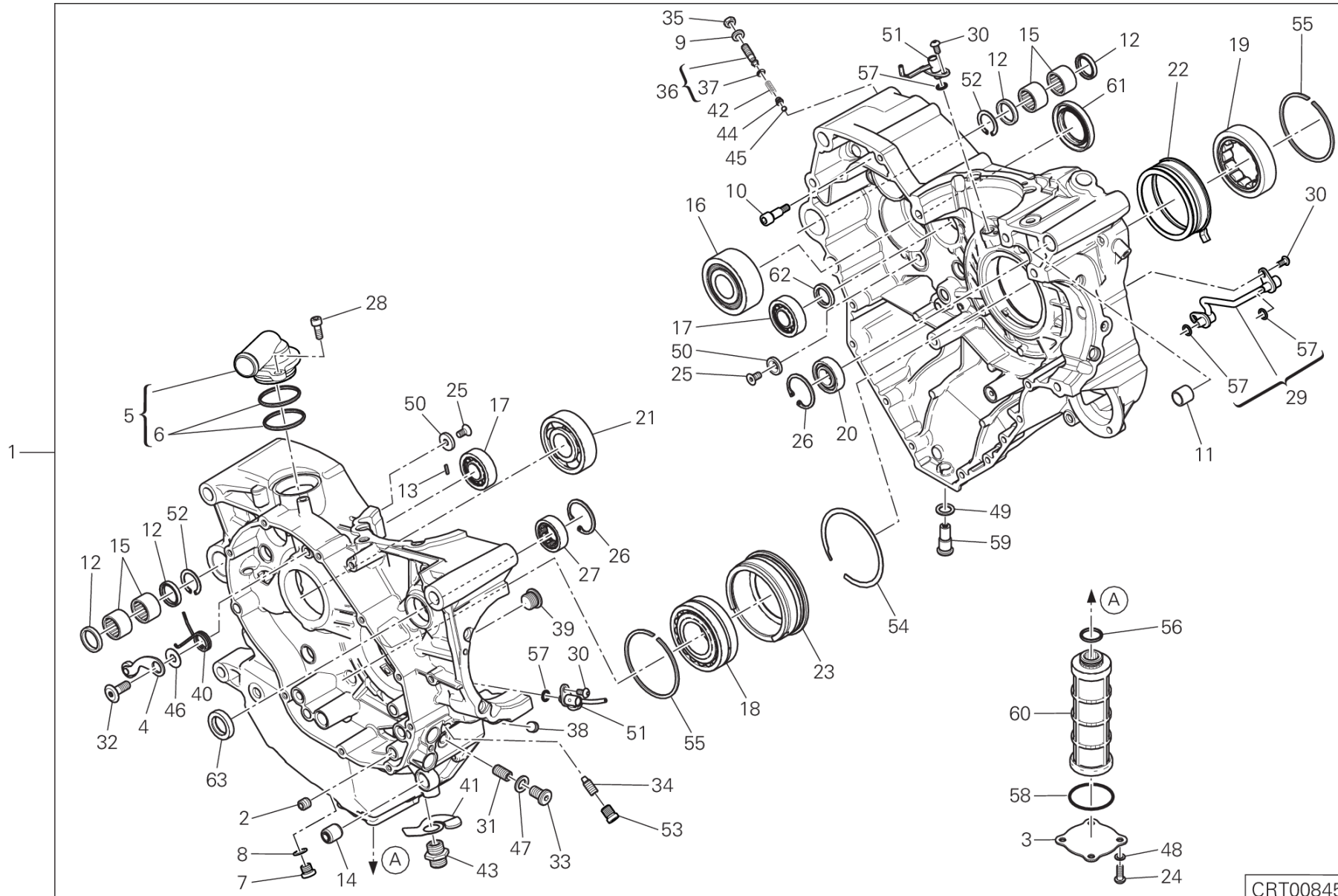


POS.	CODE	DESCRIPTION	QTY	START DATE	END DATE	VALIDITY	NOTES
1	24920444A	OIL PUMP ASSY	1	01/09/2014			
2	44440038A	FILTER, OIL	1	25/03/2013			
3	075949280	LOCATING DOWEL	2	21/03/2013			
4	85310041A	SPRING WASHER 6 MM	1	21/03/2013			
5	88641321A	O-RING	1	21/03/2013			
6	88640371A	O-RING	1	21/03/2013			
7	77110518B	SCREW TCEI M6X25	1	21/03/2013			
8	77151298B	SCREW TCEI M8X40	2	21/03/2013			
9	85310021A	SPRING WASHER 8 MM	2	21/03/2013			



DRAWING 010 - HALF-CRANKCASES PAIR [MOD:XDVL DARK]

GROUP ENGINE



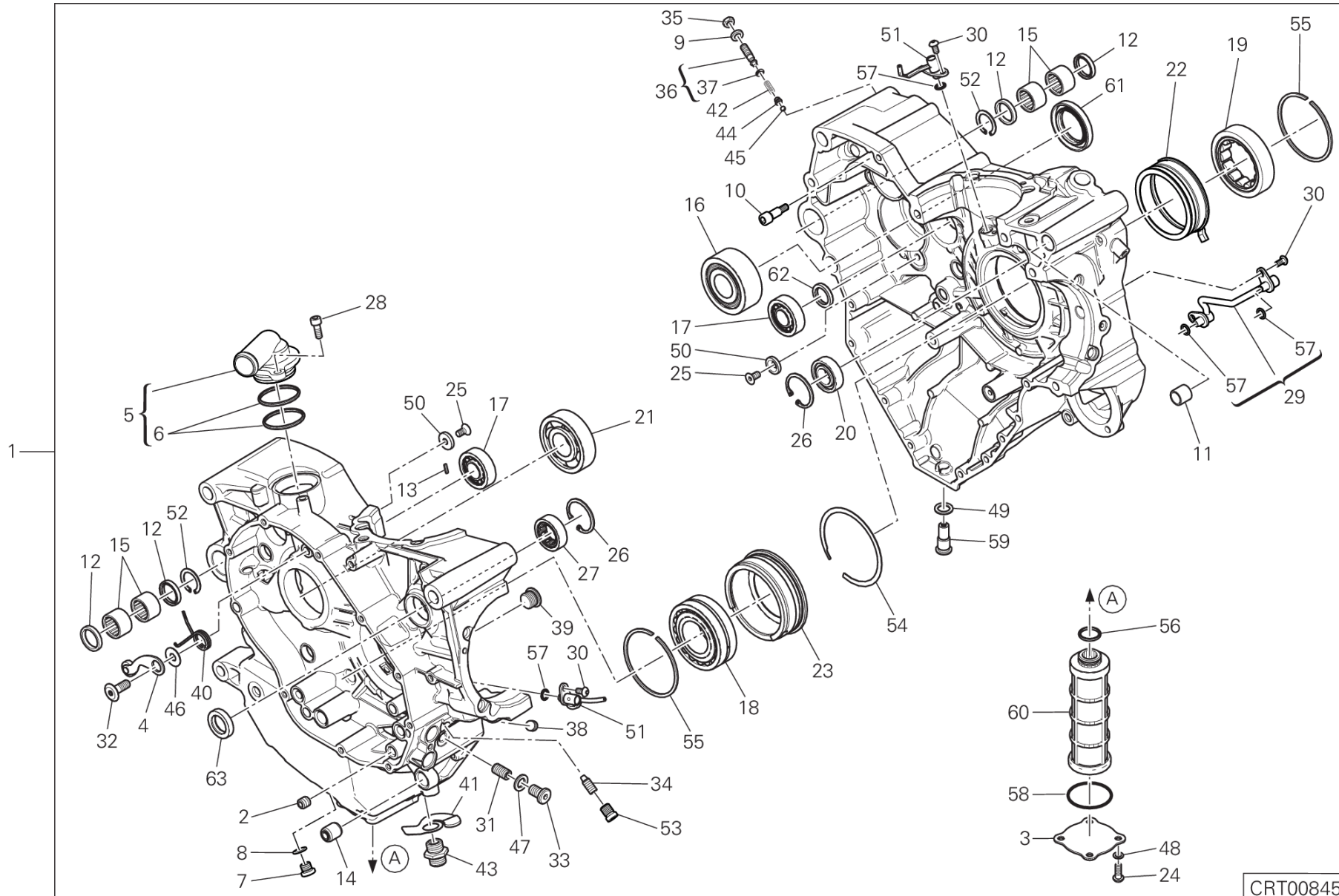
CRT00845

DRAWING 010 - HALF-CRANKCASES PAIR [MOD:XDVLDARK]

GROUP ENGINE



POS.	CODE	DESCRIPTION	QTY	START DATE	END DATE	VALIDITY	NOTES
1	22523113F	COMPLETE HALF-CRANKCASES PAIR	1	24/04/2019			
2	067049310	BUSH	1	08/01/2015			
3	24713511C	FILTER COVER UNIT	1	08/01/2015			
4	45520181A	GEAR FIXING CLICK ASSEMBLY	1	08/01/2015			
5	59320111A	VALVE, BREATHER	1	08/10/2018			
6	46320222A	O-RING	2	06/07/2012			
7	78050012A	PLUG, THREADED M10X1	1				
8	85250241A	WASHER 10X14X1	1				
9	85640141A	WASHER	1	27/03/2015			
10	77919881A	SCREW, SPECIAL	2	07/03/2017			
11	71110951A	PIN DOWEL	2	08/01/2015			
12	93041271A	SEAL RING 20X26X4	4	08/01/2015			
13	68050101A	KEY 2X2X10	1	08/01/2015			
14	70010362A	DAMPER	1	08/01/2015			
15	764000004	BEARING, NEEDLE	4	08/01/2015			
16	70240131A	BEARING	1	08/01/2015			
17	70240331A	BEARING 17X40X12	2	08/01/2015			
18	70241151A	BEARING	1	01/03/2014			
19	70241601A	BEARING	1	08/10/2018			
20	70250081A	BALL BEARING 6003 TN9 C3	1	08/01/2015			
21	70250193A	BEARING	1	08/01/2015			
22	71011991B	BUSHING	1	27/11/2015			
23	71011941A	BUSHING	1	08/01/2015			
24	72050338B	SCREW	4	08/01/2015			
25	720941616	SCREW TSPEI M6X12	4	08/01/2015			
26	735033380	CIRCLIP	2	08/01/2015			
27	757941542	BEARING	1	08/01/2015			
28	77150653B	SCREW TCEI M6X16 UNI5931 8.8	1	08/01/2015			
29	87522391A	HOSE, OIL (Unit)	1	15/12/2015			
30	77510311B	SCREW TBEI M5X10	4	08/01/2015			
31	77840041A	THREADED DOWEL M10X1	1	08/01/2015			
32	77910391A	SCREW M8X21.5	1	08/01/2015			
33	77911622A	SCREW TCEI M10X1.5X16	1	08/01/2015			
34	77917101B	SCREW, SPECIAL	1	08/01/2015			
35	74710151A	NUT	1	08/01/2015			



CRT00845

DRAWING 010 - HALF-CRANKCASES PAIR [MOD:XDVLDRK]

GROUP ENGINE

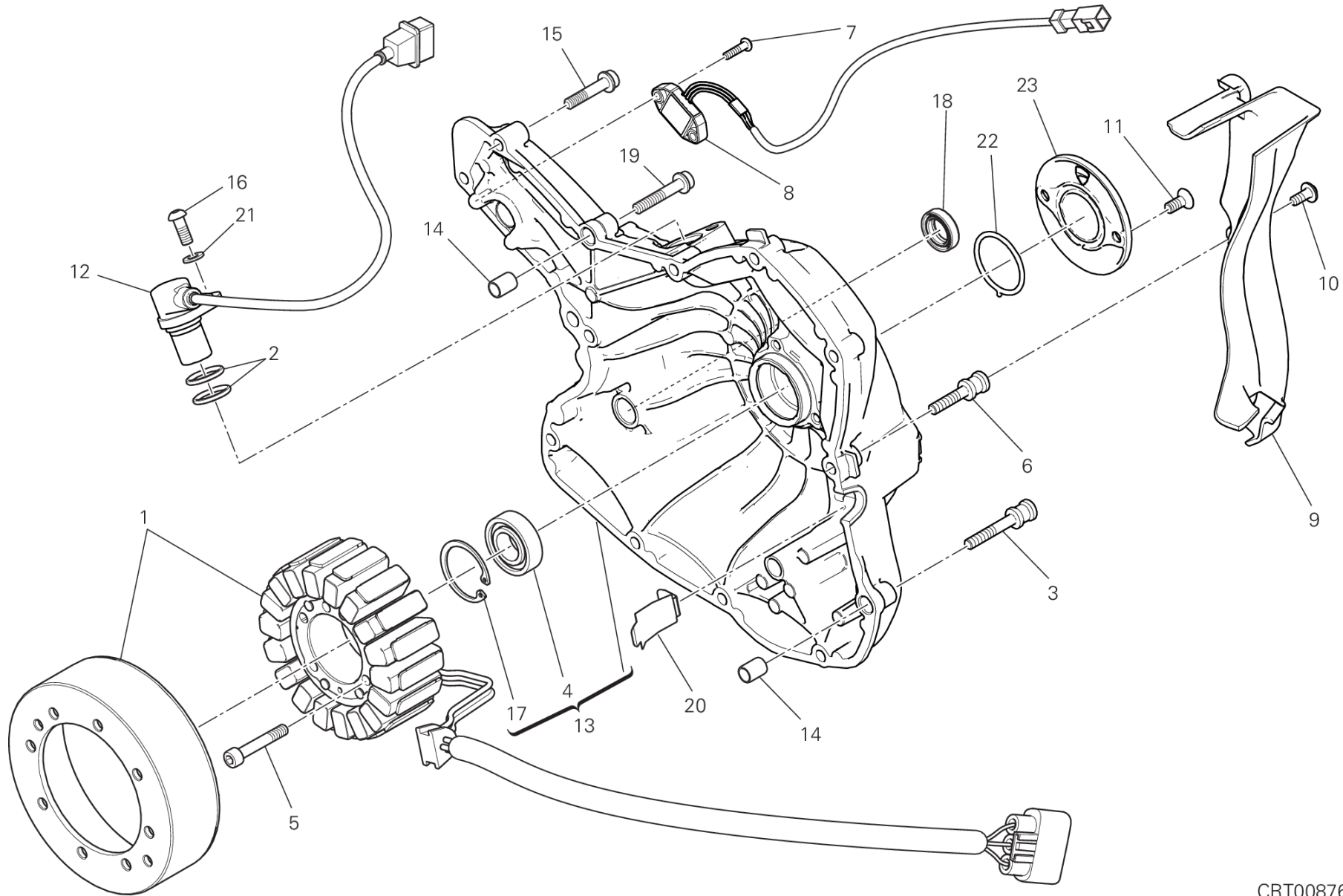


POS.	CODE	DESCRIPTION	QTY	START DATE	END DATE	VALIDITY	NOTES
36	77927171B	SCREW	1	08/01/2015			
37	88641961A	O-RING	1	18/04/2011			
38	77950621A	THREADED DOWEL M10X1	1	08/01/2015			
39	78010721A	PLUG BY-PASS M16X1.5	1	08/01/2015			
40	79910491A	SPRING, RETURN	1	08/01/2015			
41	79920771C	BYPASS SPRING	1	26/11/2019			
42	79940171A	SPRING	1	08/01/2015			
43	81510281A	BOLT UNION	1	08/01/2015			
44	83110151B	PLATE	1	08/01/2015			
45	84740061A	BALL	1	08/01/2015			
46	85210532A	WASHER 8.2X20X1	1	08/01/2015			
47	85211951A	GASKET 10.5X17X2	1	08/01/2015			
48	85250231A	GASKET	4	08/01/2015			
49	85250421A	COPPER GASKET 12.2X18X1.5 MM	1	08/01/2015			
50	85611481A	WASHER	4	08/01/2015			
51	87512131A	JET	2	08/01/2015			
52	88440531A	SPRING RING	2	08/01/2015			
53	78011041A	SCREW, SPECIAL	1	27/11/2015			
54	88440651A	SPRING RING	1	08/01/2015			
55	88450581A	SPRING RING	2	08/01/2015			
56	88640331A	O-RING 17.96X2.62	1	08/01/2015			
57	88641181A	O-RING	4	08/01/2015			
58	88641581A	O-RING	1	08/01/2015			
59	89320062A	PLUG, OIL DRAIN	1	08/01/2015			
60	89410241A	OIL NET FILTER	1	08/01/2015			
61	93040221A	OIL SEAL	1	08/01/2015			
62	93040932A	OIL SEAL	1	08/01/2015			
63	93041233A	SEAL RING	1	27/11/2017			



DRAWING 011 - GENERATOR COVER [MOD:XDVL DARK]

GROUP ENGINE



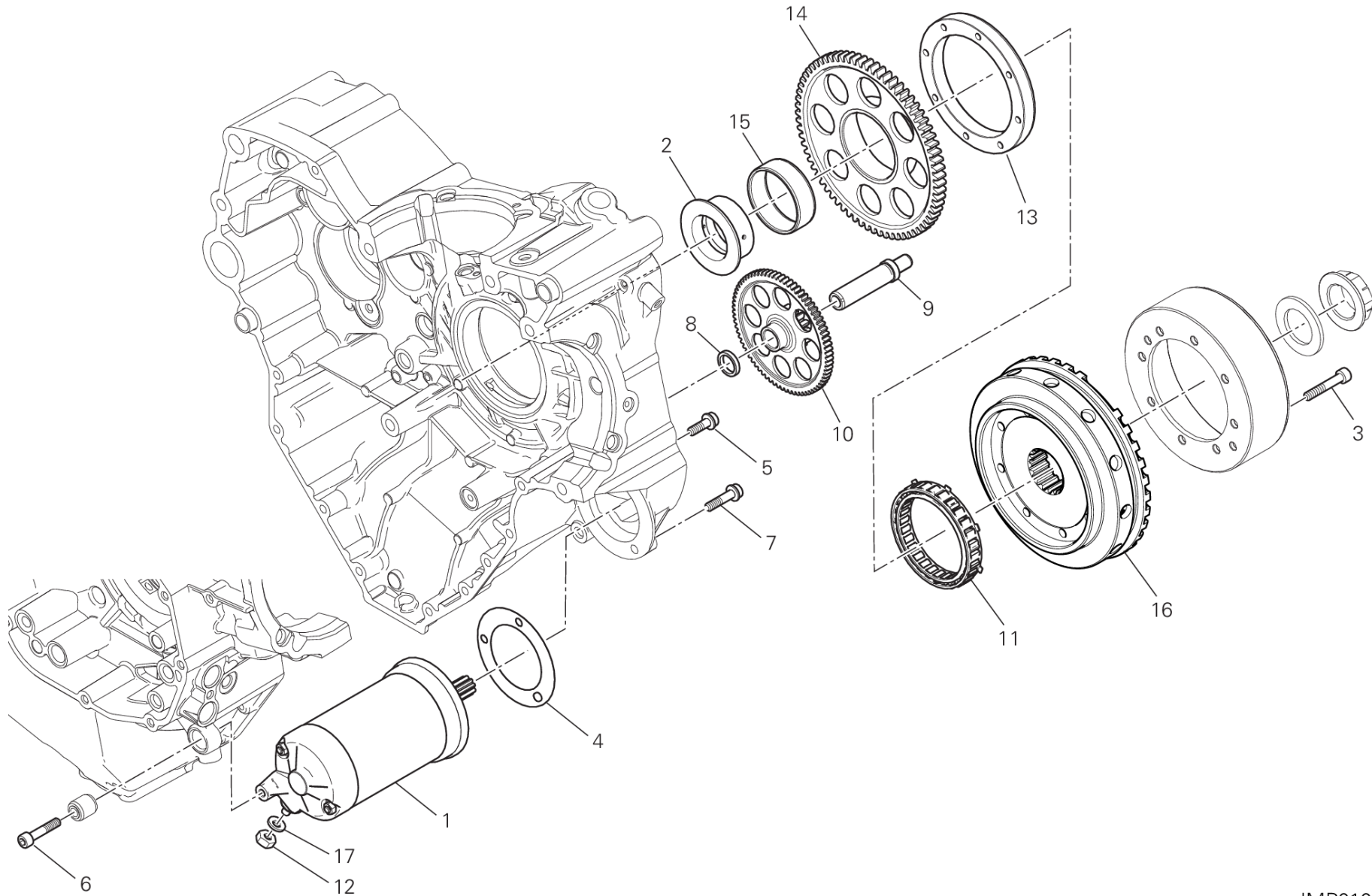
CRT00876

DRAWING 011 - GENERATOR COVER [MOD:XDVL DARK]

GROUP ENGINE



POS.	CODE	DESCRIPTION	QTY	START DATE	END DATE	VALIDITY	NOTES
1	26420501B	GENERATOR DENSO	1	01/09/2015			
2	88640331A	O-RING 17.96X2.62	2	08/01/2015			
3	77916041DA	SCREW, SPECIAL	1	27/10/2015			
4	70250081A	BALL BEARING 6003 TN9 C3	1	01/05/2010			
5	77350738BC	SCREW	3	24/06/2015			
6	77916311A	SCREW, SPECIAL	2	27/10/2015			
7	72050069E	SCREW	2	14/07/2015			
8	55243941A	GEARBOX POSITION SENSOR	1	09/03/2020			
9	4601D792B	COVER, WIRE HARNESS	1	18/12/2015			
10	77244173B	SCREW	3	14/09/2015			
11	77750493C	SCREW	2	25/03/2013			
12	55241321C	SENSOR, TIMING & RPM	1	08/01/2015			
13	24221411GC	COMPLETE GENERATOR COVER MATT BLACK	1	15/07/2015		MOD:XDVL DARK	
14	71111601A	PIN DOWEL	2	25/03/2013			
15	77140713C	SCREW TCEIF M6X30 10.9	9	01/03/2014			
16	77550211B	SCREW TBEI M6X16 ISO7380 10.9	1	08/01/2015			
17	735033380	CIRCLIP	1	24/06/2015			
18	937831524	OIL SEAL	1	01/05/2010			
19	77140723C	SCREW TCEIF M6X35 10.9	1	08/01/2015			
20	82716091A	PLATE	1	08/01/2015			
21	85310031A	SPRING WASHER 6 MM	1	08/01/2015			
22	88610951A	O-RING 32.99X2.62	1	25/03/2013			
23	24734961AC	COVER, SENSOR MATT BLACK	1	16/03/2015		MOD:XDVL DARK	



IMP01010

DRAWING 012 - ELECTRIC STARTING AND IGNITION [MOD:XDVLDARK]

GROUP ENGINE

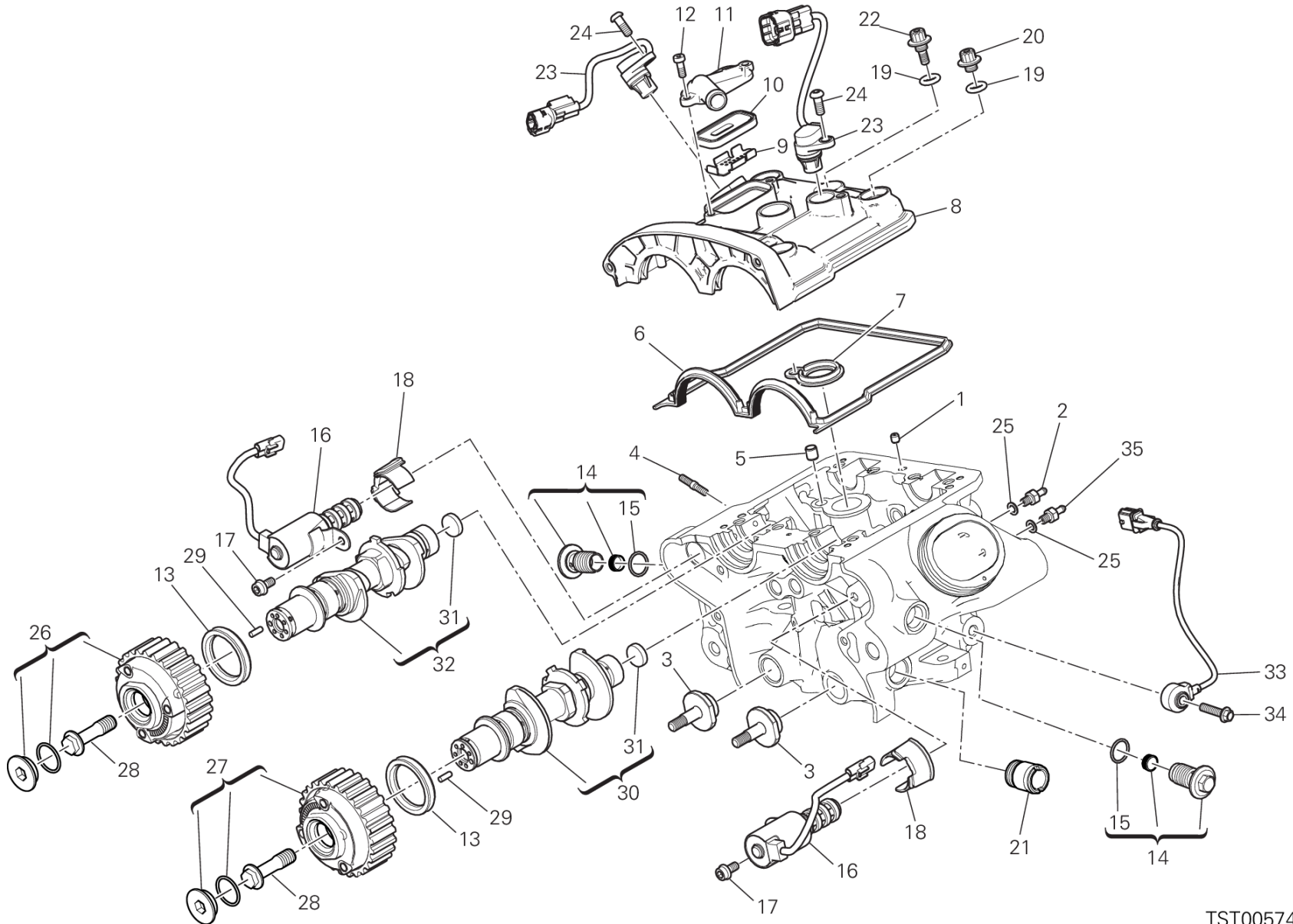


POS.	CODE	DESCRIPTION	QTY	START DATE	END DATE	VALIDITY	NOTES
1	27040107A	STARTING MOTOR	1	21/03/2013			
2	88110921A	INNER RING	1	01/03/2014			
3	77253330ZF	SCREW	8	23/01/2015			
4	78810542A	ENGINE STARTER GASKET	1	21/03/2013			
5	77140677CF	SCREW TCEIF M6X20	2	02/02/2015			
6	77110521A	SCREW TCEI M6X30	1	21/03/2013			
7	77140697CF	SCREW 6x25	1	02/02/2015			
8	71319191A	SPACER	1	21/03/2013			
9	82113471A	STARTER REDUCTION SHAFT	1	21/03/2013			
10	176Z0021A	IDLE GEAR T74/13	1	21/03/2013			
11	70140541A	CLUTCH, ONE WAY	1	03/05/2017			
12	75050051A	NUT 6MM	1	08/05/2013			
13	16012121B	FLANGE STARTING CLUTCH	1	03/05/2017			
14	17310351A	DRIVEN GEAR	1	03/05/2017			
15	70241461A	NEEDLE CAGE	1	01/09/2014			
16	27611081C	COUPLING, FLYWHEEL	1	12/01/2016			
17	85350101A	WASHER, SPRING	1	08/05/2013			



DRAWING 013 - VERTICAL CYLINDER HEAD - TIMING [MOD:XDVL DARK]

GROUP ENGINE



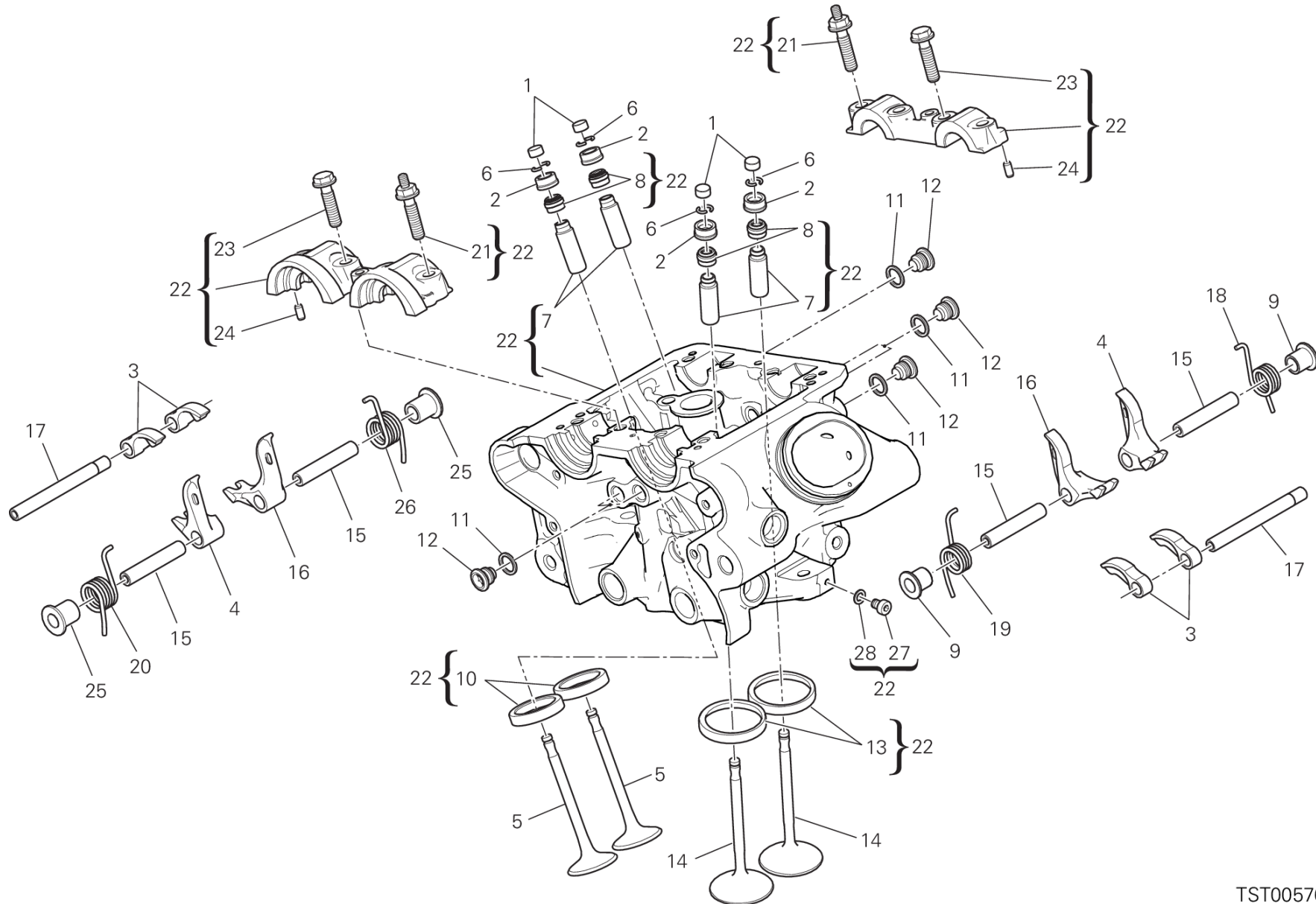
TST00574

DRAWING 013 - VERTICAL CYLINDER HEAD - TIMING [MOD:XDVLDARK]

GROUP ENGINE



POS.	CODE	DESCRIPTION	QTY	START DATE	END DATE	VALIDITY	NOTES
1	86010061A	PIN	1	11/02/2015			
2	81413341A	UNION	1	11/02/2015			
3	45110462A	MOVABLE TENSIONER ROLLER PIN	2	11/02/2015			
4	76640191A	STUD BOLT M6X16	3	11/02/2015			
5	71113742A	BUSH	1	10/09/2019			
6	78811331B	VALVE COVER GASKET EXTERNAL	1	11/02/2015			
7	78811341B	GASKET	1	11/02/2015			
8	24714811EJ	COVER CYLINDER HEAD, VERTICAL	1	29/11/2018			
9	82716351A	PLATE	1	11/02/2015			
10	81140012B	VALVE	1	11/02/2015			
11	24714171A	COVER VERTICAL	1	11/02/2015			
12	77350403B	SCREW	2	11/02/2015			
13	93042181A	SEAL RING	2	29/11/2018			
14	87321421B	PLUG	2	11/02/2015			
15	88640851A	O-RING	2	28/08/2014			
16	45040023A	VALVE	2	11/02/2015			
17	77140648CA	SCREW	2	11/02/2015			
18	24511481A	INSERT	2	11/02/2015			
19	88642621A	O-RING	6	18/11/2015			
20	74810491B	NUT, SPECIAL	4	17/05/2017			
21	66810501B	NIPPLE, HOSE	1	10/06/2015			
22	77919061B	SCREW, SPECIAL	2	18/11/2015			
23	55243341A	DETECTOR	2	11/02/2015			
24	77550218CJ	SCREW	2	11/02/2015			
25	85250231A	GASKET	2	11/02/2015			
26	17740061A	TIMING BELT PULLEY, DRIVEN (DVT)	1	11/02/2015			
27	17740051A	TIMING BELT PULLEY, DRIVEN (DVT)	1	11/02/2015			
28	77918271A	SCREW, SPECIAL	2	11/02/2015			
29	86050131A	PIN	2	11/02/2015			
30	14825031E	VERTICAL INTAKE CAMSHAFT	1	11/02/2015			
31	87310051A	PLUG 18 MM	2	10/09/2014			
32	14825041E	VERTICAL EXHAUST CAMSHAFT	1	11/02/2015			
33	55243181A	DETECTOR	1	07/11/2014			
34	77244661A	SCREW	1	07/11/2014			
35	81411113B	NIPPLE, HOSE	1	03/06/2015			



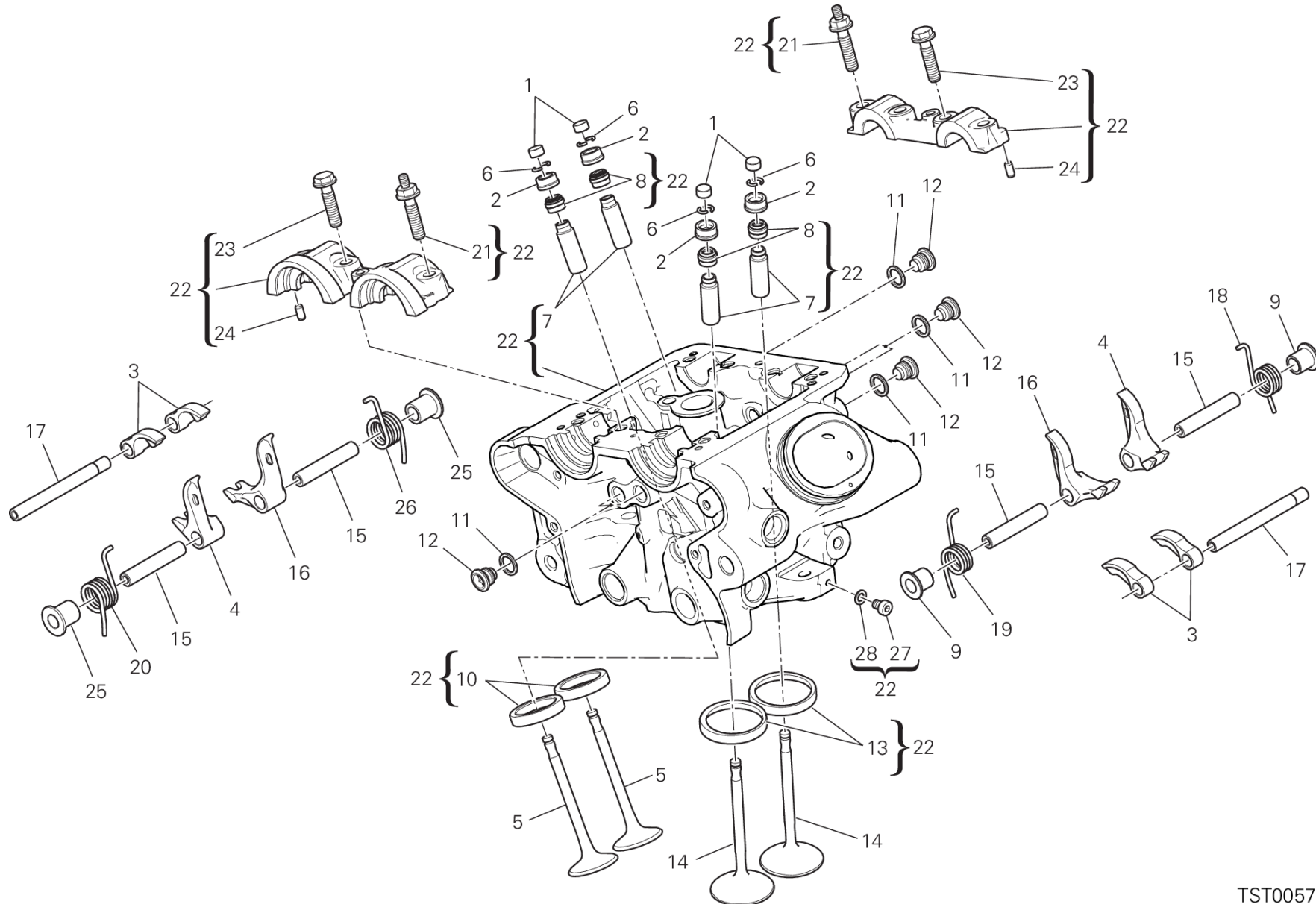
TST00576

DRAWING 014 - VERTICAL HEAD [MOD:XDVL DARK]

GROUP ENGINE



POS.	CODE	DESCRIPTION	QTY	START DATE	END DATE	VALIDITY	NOTES
1	84010012A	ADJUSTER, OPENING ROCKER ARM 2.00 MM	4	20/06/2012			
	84010022A	ADJUSTER, OPENING ROCKER ARM 2.05 MM	4	20/06/2012			
	84010032A	ADJUSTER, OPENING ROCKER ARM 2.10 MM	4	20/06/2012			
	84010042A	ADJUSTER, OPENING ROCKER ARM 2.15 MM	4	20/06/2012			
	84010052A	ADJUSTER, OPENING ROCKER ARM 2.20 MM	4	20/06/2012			
	84010062A	ADJUSTER, OPENING ROCKER ARM 2.25 MM	4	20/06/2012			
	84010072A	ADJUSTER, OPENING ROCKER ARM 2.30 MM	4	20/06/2012			
	84010082A	ADJUSTER, OPENING ROCKER ARM 2.35 MM	4	20/06/2012			
	84010092A	ADJUSTER, OPENING ROCKER ARM 2.40 MM	4	20/06/2012			
	84010102A	ADJUSTER, OPENING ROCKER ARM 2.45 MM	4	20/06/2012			
	84010112A	ADJUSTER, OPENING ROCKER ARM 2.50 MM	4	20/06/2012			
	84010122A	ADJUSTER, OPENING ROCKER ARM 2.55 MM	4	20/06/2012			
	84010132A	ADJUSTER, OPENING ROCKER ARM 2.60 MM	4	20/06/2012			
	84010142A	ADJUSTER, OPENING ROCKER ARM 2.65 MM	4	20/06/2012			
	84010152A	ADJUSTER, OPENING ROCKER ARM 2.70 MM	4	20/06/2012			
	84010162A	ADJUSTER, OPENING ROCKER ARM 2.75 MM	4	20/06/2012			
	84010172A	ADJUSTER, OPENING ROCKER ARM 2.80 MM	4	20/06/2012			
	84010182A	ADJUSTER, OPENING ROCKER ARM 2.85 MM	4	20/06/2012			
	84010192A	ADJUSTER, OPENING ROCKER ARM 2.90 MM	4	20/06/2012			
	84010202A	ADJUSTER, OPENING ROCKER ARM 2.95 MM	4	20/06/2012			
	84010212A	ADJUSTER, OPENING ROCKER ARM 3.00 MM	4	20/06/2012			
	84010222A	ADJUSTER, OPENING ROCKER ARM 3.05 MM	4	20/06/2012			
	84010232A	ADJUSTER, OPENING ROCKER ARM 3.10 MM	4	20/06/2012			
	84010242A	ADJUSTER, OPENING ROCKER ARM 3.15 MM	4	20/06/2012			
	84010252A	ADJUSTER, OPENING ROCKER ARM 3.20 MM	4	20/06/2012			
	84010262A	ADJUSTER, OPENING ROCKER ARM 3.25 MM	4	20/06/2012			
	84010272A	ADJUSTER, OPENING ROCKER ARM 3.30 MM	4	20/06/2012			
	84010282A	ADJUSTER, OPENING ROCKER ARM 3.35 MM	4	20/06/2012			
	84010292A	ADJUSTER, OPENING ROCKER ARM 3.40 MM	4	20/06/2012			
	84010302A	ADJUSTER, OPENING ROCKER ARM 3.45 MM	4	20/06/2012			
	84010312A	ADJUSTER, OPENING ROCKER ARM 1.80 MM	4	20/06/2012			
	84010322A	ADJUSTER, OPENING ROCKER ARM 1.85 MM	4	20/06/2012			
	84010332A	ADJUSTER, OPENING ROCKER ARM 1.90 MM	4	20/06/2012			
	84010342A	ADJUSTER, OPENING ROCKER ARM 1.95 MM	4	20/06/2012			
	84010722A	ADJUSTER, OPENING ROCKER ARM 3.60 MM	4	20/06/2012			



TST00576

DRAWING 014 - VERTICAL HEAD [MOD:XDVL DARK]

GROUP ENGINE

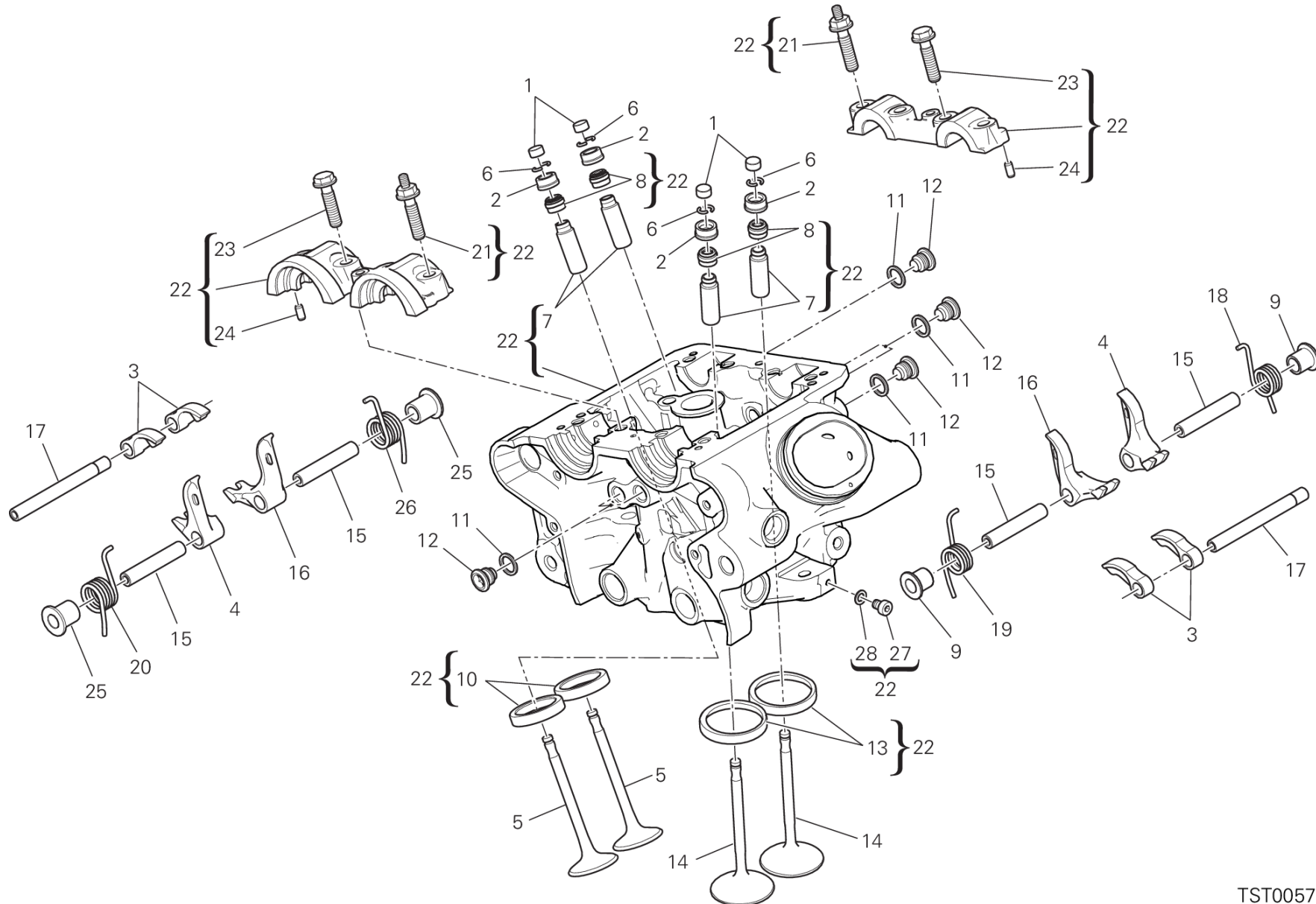


POS.	CODE	DESCRIPTION	QTY	START DATE	END DATE	VALIDITY	NOTES
	84010732A	ADJUSTER, OPENING ROCKER ARM 3.80 MM	4	20/06/2012			
	84011082A	ADJUSTER, OPENING ROCKER ARM 3.50 MM	4	20/06/2012			
	84011092A	ADJUSTER, OPENING ROCKER ARM 3.55 MM	4	20/06/2012			
	84011102A	ADJUSTER, OPENING ROCKER ARM 3.65 MM	4	20/06/2012			
	84011112A	ADJUSTER, OPENING ROCKER ARM 3.70 MM	4	20/06/2012			
	84011122A	ADJUSTER, OPENING ROCKER ARM 3.75 MM	4	20/06/2012			
	84011132A	ADJUSTER, OPENING ROCKER ARM 3.85 MM	4	20/06/2012			
	84011142A	ADJUSTER, OPENING ROCKER ARM 3.9 MM	4	20/06/2012			
2	84010412B	ADJUSTER, CLOSING ROCKER ARM 2.20 MM	4	24/12/2009			
	84010422B	ADJUSTER, CLOSING ROCKER ARM 2.25 MM	4	24/12/2009			
	84010432B	ADJUSTER, CLOSING ROCKER ARM 2.30 MM	4	24/12/2009			
	84010442B	ADJUSTER, CLOSING ROCKER ARM 2.35 MM	4	24/12/2009			
	84010452B	ADJUSTER, CLOSING ROCKER ARM 2.40 MM	4	24/12/2009			
	84010462B	ADJUSTER, CLOSING ROCKER ARM 2.45 MM	4	24/12/2009			
	84010472B	ADJUSTER, CLOSING ROCKER ARM 2.50 MM	4	24/12/2009			
	84010482B	ADJUSTER, CLOSING ROCKER ARM 2.55 MM	4	24/12/2009			
	84010492B	ADJUSTER, CLOSING ROCKER ARM 2.60 MM	4	24/12/2009			
	84010502B	ADJUSTER, CLOSING ROCKER ARM 2.65 MM	4	24/12/2009			
	84010512B	ADJUSTER, CLOSING ROCKER ARM 2.70 MM	4	24/12/2009			
	84010522B	ADJUSTER, CLOSING ROCKER ARM 2.75 MM	4	24/12/2009			
	84010532B	ADJUSTER, CLOSING ROCKER ARM 2.80 MM	4	24/12/2009			
	84010542B	ADJUSTER, CLOSING ROCKER ARM 2.85 MM	4	24/12/2009			
	84010552B	ADJUSTER, CLOSING ROCKER ARM 2.90 MM	4	24/12/2009			
	84010562B	ADJUSTER, CLOSING ROCKER ARM 2.95 MM	4	24/12/2009			
	84010572B	ADJUSTER, CLOSING ROCKER ARM 3.00 MM	4	24/12/2009			
	84010582B	ADJUSTER, CLOSING ROCKER ARM 3.05 MM	4	24/12/2009			
	84010592B	ADJUSTER, CLOSING ROCKER ARM 3.10 MM	4	24/12/2009			
	84010602B	ADJUSTER, CLOSING ROCKER ARM 3.15 MM	4	24/12/2009			
	84010612B	ADJUSTER, CLOSING ROCKER ARM 3.20 MM	4	24/12/2009			
	84010622B	ADJUSTER, CLOSING ROCKER ARM 3.25 MM	4	24/12/2009			
	84010632B	ADJUSTER, CLOSING ROCKER ARM 3.30 MM	4	24/12/2009			
	84010642B	ADJUSTER, CLOSING ROCKER ARM 3.35 MM	4	24/12/2009			
	84010652B	ADJUSTER, CLOSING ROCKER ARM 3.40 MM	4	24/12/2009			
	84010662B	ADJUSTER, CLOSING ROCKER ARM 3.45 MM	4	24/12/2009			
	84010672B	ADJUSTER, CLOSING ROCKER ARM 3.50 MM	4	24/12/2009			



DRAWING 014 - VERTICAL HEAD [MOD:XDVL/DARK]

GROUP ENGINE



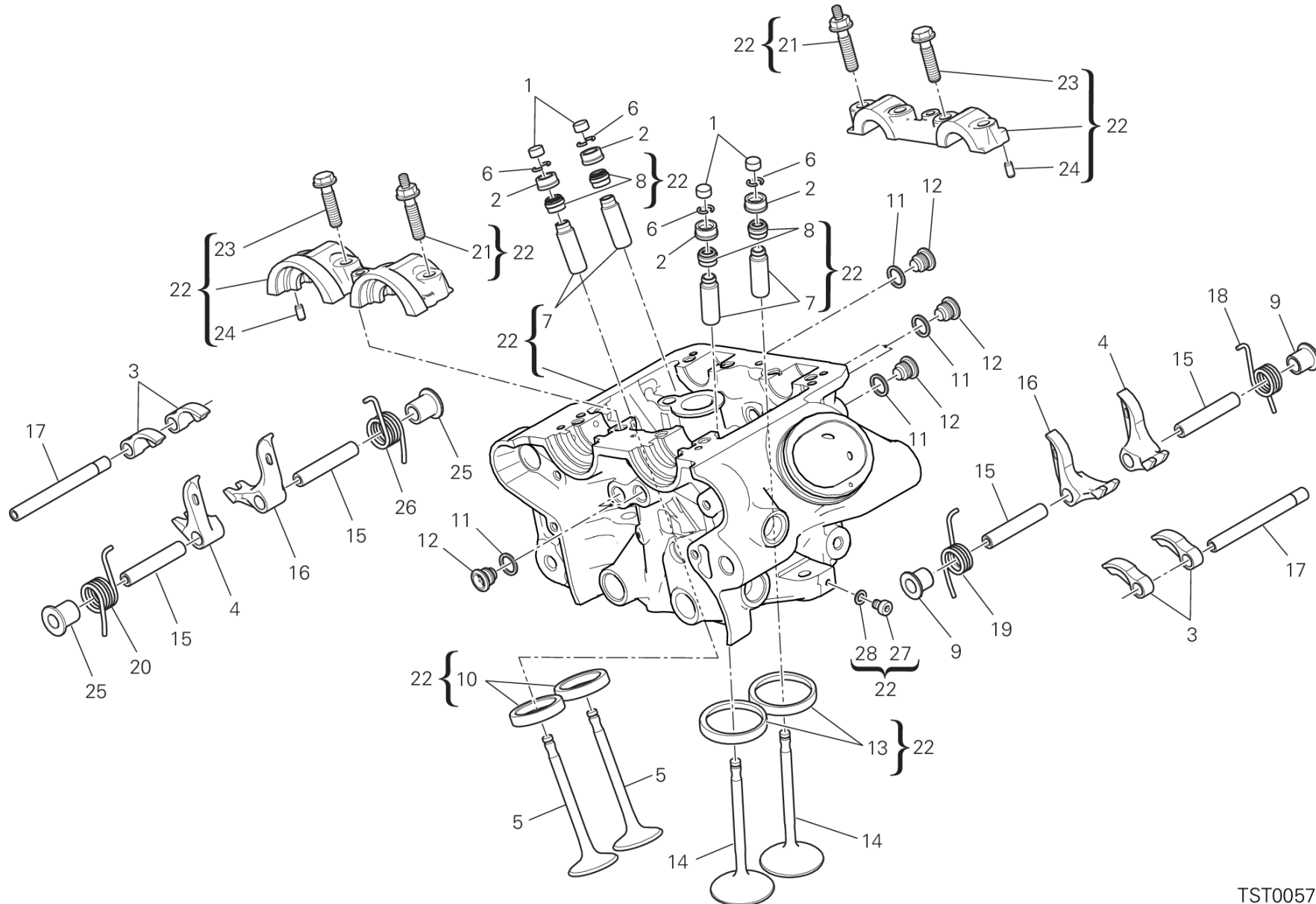
TST00576

DRAWING 014 - VERTICAL HEAD [MOD:XDVL DARK]

GROUP ENGINE



POS.	CODE	DESCRIPTION	QTY	START DATE	END DATE	VALIDITY	NOTES
	84010682B	ADJUSTER, CLOSING ROCKER ARM 3.55 MM	4	24/12/2009			
	84010692B	ADJUSTER, CLOSING ROCKER ARM 3.60 MM	4	24/12/2009			
	84010702B	ADJUSTER, CLOSING ROCKER ARM 3.65 MM	4	24/12/2009			
	84010712B	ADJUSTER, CLOSING ROCKER ARM 3.70 MM	4	24/12/2009			
	84010722B	ADJUSTER, CLOSING ROCKER ARM 3.75 MM	4	24/12/2009			
	84010732B	ADJUSTER, CLOSING ROCKER ARM 3.80 MM	4	24/12/2009			
	84010742B	ADJUSTER, CLOSING ROCKER ARM 3.85 MM	4	24/12/2009			
	84010752B	ADJUSTER, CLOSING ROCKER ARM 3.90 MM	4	24/12/2009			
	84010762B	ADJUSTER, CLOSING ROCKER ARM 3.95 MM	4	24/12/2009			
	84010772B	ADJUSTER, CLOSING ROCKER ARM 4.00 MM	4	24/12/2009			
	84010782B	ADJUSTER, CLOSING ROCKER ARM 4.05 MM	4	24/12/2009			
	84010792B	ADJUSTER, CLOSING ROCKER ARM 4.10 MM	4	24/12/2009			
	84010802B	ADJUSTER, CLOSING ROCKER ARM 4.15 MM	4	24/12/2009			
	84010812B	ADJUSTER, CLOSING ROCKER ARM 4.20 MM	4	24/12/2009			
	84010822B	ADJUSTER, CLOSING ROCKER ARM 4.25 MM	4	24/12/2009			
	84010832B	ADJUSTER, CLOSING ROCKER ARM 4.30 MM	4	24/12/2009			
	84010842B	ADJUSTER, CLOSING ROCKER ARM 4.35 MM	4	24/12/2009			
	84010852B	ADJUSTER, CLOSING ROCKER ARM 4.40 MM	4	24/12/2009			
	84010862B	ADJUSTER, CLOSING ROCKER ARM 4.45 MM	4	24/12/2009			
	84010872B	ADJUSTER, CLOSING ROCKER ARM 4.50 MM	4	24/12/2009			
3	20810321A	OPEN. ROCKER ARM	4	07/12/2012			
4	20910501A	CLOSING ROCKER ARM LEFT	2	07/12/2012			
5	21110831B	EXHAUST VALVE	2	07/12/2012			
6	66910011E	C RING	8	03/06/2015			
7	30310631BB	GUIDE, VALVE OVERSIZED 0.03 MM	4	21/03/2013			
	30310631BC	GUIDE, VALVE OVERSIZED 0.06 MM	4	25/03/2013			
	30310631BD	GUIDE, VALVE OVERSIZED 0.09 MM	4	21/03/2013			
8	76410871A	SEAL VALVE STEM	4	03/04/2012			
9	71312921A	SPACER	2	07/12/2012			
10	30410891A	SEAT, EXHAUST VALVE	2	03/04/2012			
	30410891AB	SEAT, EXHAUST VALVE +0.03 MM	2	25/03/2013			
	30410891AC	SEAT, EXHAUST VALVE +0.06 MM	2	25/03/2013			
11	85250261B	GASKET	6	07/12/2012			
12	78010511E	PLUG	6	07/12/2012			
13	30410881A	SEAT, INTAKE VALVE	2	03/04/2012			



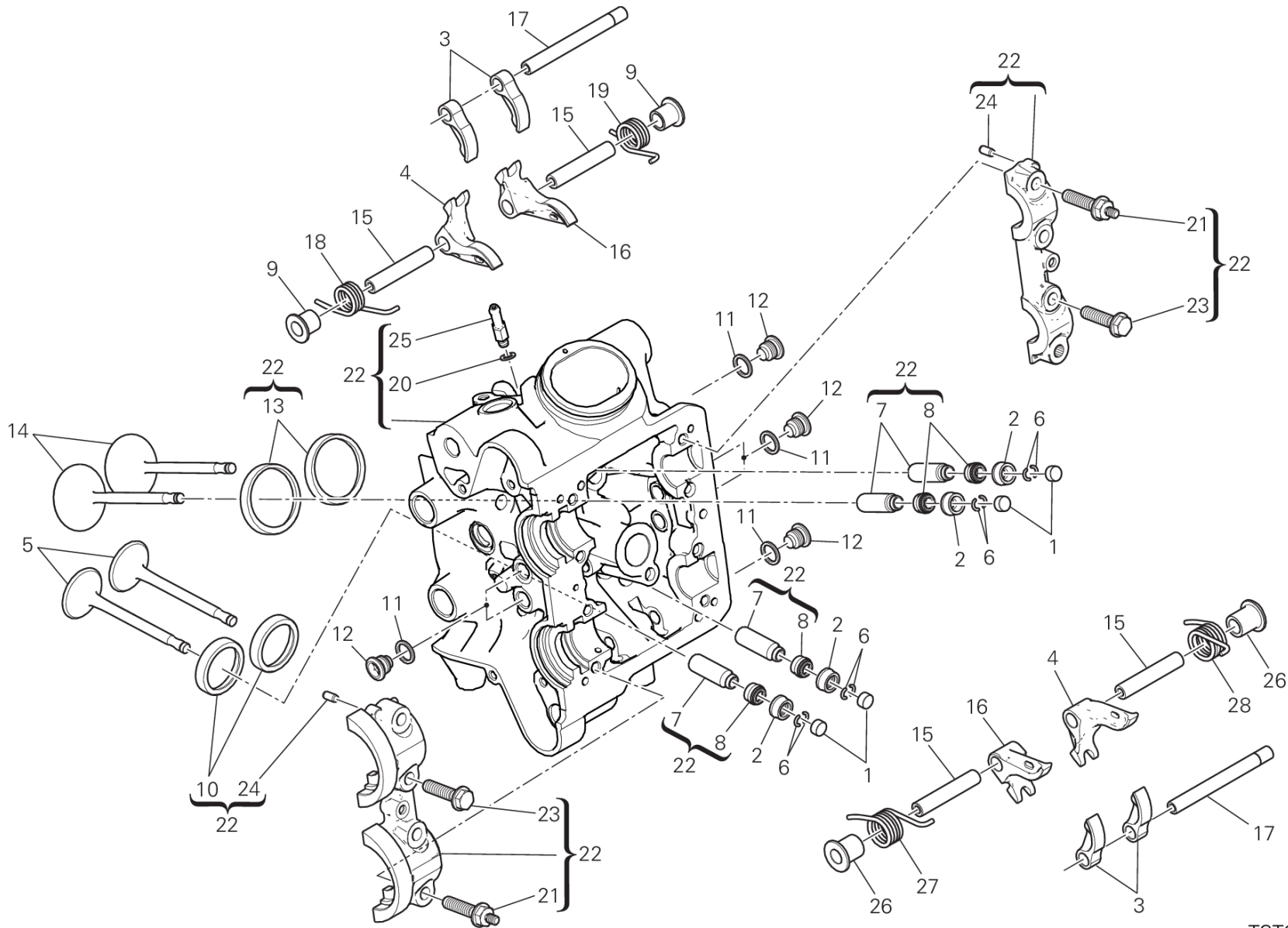
TST00576

DRAWING 014 - VERTICAL HEAD [MOD:XDVL DARK]

GROUP ENGINE



POS.	CODE	DESCRIPTION	QTY	START DATE	END DATE	VALIDITY	NOTES
	30410881AB	SEAT, INLET VALVE +0.03 MM	2	25/03/2013			
	30410881AC	SEAT, INLET VALVE +0.06 MM	2	25/03/2013			
14	21010841C	INTAKE VALVE	2	07/12/2012			
15	82112951A	CLOSE ROCKER ARM AXLE	4	07/12/2012			
16	20910491A	CLOSING ROCKER ARM RIGHT	2	07/12/2012			
17	82115711A	SHAFT, OPENING ROCKER	2	29/11/2018			
18	79915011A	VALVE RETURN SPRING RH.	1	07/12/2012			
19	79915001A	VALVE RETURN SPRING LH.	1	07/12/2012			
20	79915191B	RIGHT VALVE RETURN SPRING	1	07/12/2012			
21	76611041A	STUD BOLT, CYLINDER HEAD	4	11/02/2015			
22	30124911A	COMPLETE VERTICAL HEAD	1	03/06/2015			
23	77914211A	SCREW TEF M8X32	4	03/04/2012			
24	86050061A	PIN M5X10	4	03/04/2012			
25	71312921B	SPACER	2	07/12/2012			
26	79915181B	LEFT VALVE RETURN SPRING	1	07/12/2012			
27	77350618B	SCREW TCEIR M6X8	1	30/01/2015			
28	85250231A	GASKET	1	30/01/2015			



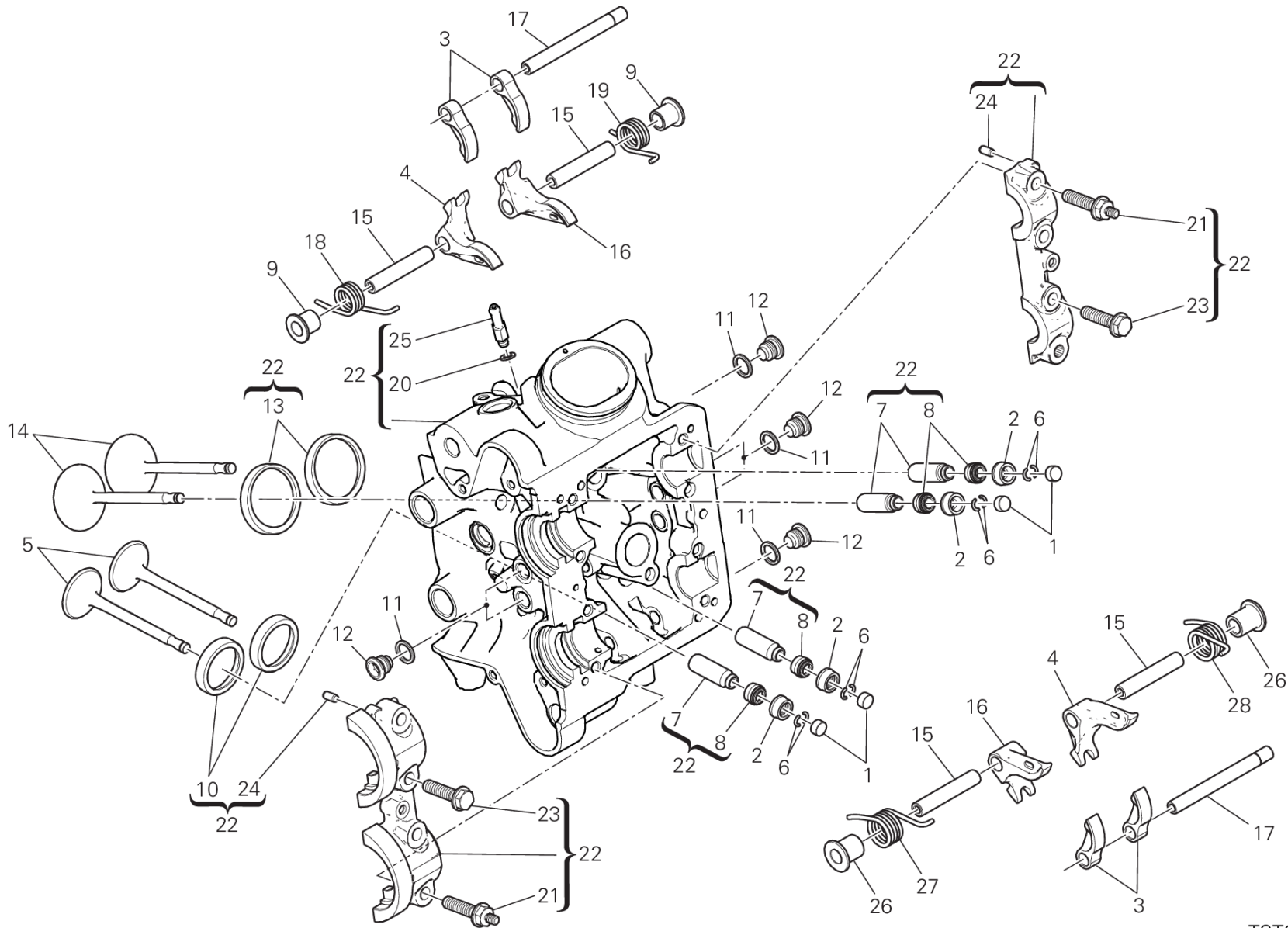
TST00577

DRAWING 015 - HORIZONTAL HEAD [MOD:XDVLDARK]

GROUP ENGINE



POS.	CODE	DESCRIPTION	QTY	START DATE	END DATE	VALIDITY	NOTES
1	84010012A	ADJUSTER, OPENING ROCKER ARM 2.00 MM	4	20/06/2012			
	84010022A	ADJUSTER, OPENING ROCKER ARM 2.05 MM	4	20/06/2012			
	84010032A	ADJUSTER, OPENING ROCKER ARM 2.10 MM	4	20/06/2012			
	84010042A	ADJUSTER, OPENING ROCKER ARM 2.15 MM	4	20/06/2012			
	84010052A	ADJUSTER, OPENING ROCKER ARM 2.20 MM	4	20/06/2012			
	84010062A	ADJUSTER, OPENING ROCKER ARM 2.25 MM	4	20/06/2012			
	84010072A	ADJUSTER, OPENING ROCKER ARM 2.30 MM	4	20/06/2012			
	84010082A	ADJUSTER, OPENING ROCKER ARM 2.35 MM	4	20/06/2012			
	84010092A	ADJUSTER, OPENING ROCKER ARM 2.40 MM	4	20/06/2012			
	84010102A	ADJUSTER, OPENING ROCKER ARM 2.45 MM	4	20/06/2012			
	84010112A	ADJUSTER, OPENING ROCKER ARM 2.50 MM	4	20/06/2012			
	84010122A	ADJUSTER, OPENING ROCKER ARM 2.55 MM	4	20/06/2012			
	84010132A	ADJUSTER, OPENING ROCKER ARM 2.60 MM	4	20/06/2012			
	84010142A	ADJUSTER, OPENING ROCKER ARM 2.65 MM	4	20/06/2012			
	84010152A	ADJUSTER, OPENING ROCKER ARM 2.70 MM	4	20/06/2012			
	84010162A	ADJUSTER, OPENING ROCKER ARM 2.75 MM	4	20/06/2012			
	84010172A	ADJUSTER, OPENING ROCKER ARM 2.80 MM	4	20/06/2012			
	84010182A	ADJUSTER, OPENING ROCKER ARM 2.85 MM	4	20/06/2012			
	84010192A	ADJUSTER, OPENING ROCKER ARM 2.90 MM	4	20/06/2012			
	84010202A	ADJUSTER, OPENING ROCKER ARM 2.95 MM	4	20/06/2012			
	84010212A	ADJUSTER, OPENING ROCKER ARM 3.00 MM	4	20/06/2012			
	84010222A	ADJUSTER, OPENING ROCKER ARM 3.05 MM	4	20/06/2012			
	84010232A	ADJUSTER, OPENING ROCKER ARM 3.10 MM	4	20/06/2012			
	84010242A	ADJUSTER, OPENING ROCKER ARM 3.15 MM	4	20/06/2012			
	84010252A	ADJUSTER, OPENING ROCKER ARM 3.20 MM	4	20/06/2012			
	84010262A	ADJUSTER, OPENING ROCKER ARM 3.25 MM	4	20/06/2012			
	84010272A	ADJUSTER, OPENING ROCKER ARM 3.30 MM	4	20/06/2012			
	84010282A	ADJUSTER, OPENING ROCKER ARM 3.35 MM	4	20/06/2012			
	84010292A	ADJUSTER, OPENING ROCKER ARM 3.40 MM	4	20/06/2012			
	84010302A	ADJUSTER, OPENING ROCKER ARM 3.45 MM	4	20/06/2012			
	84010312A	ADJUSTER, OPENING ROCKER ARM 1.80 MM	4	20/06/2012			
	84010322A	ADJUSTER, OPENING ROCKER ARM 1.85 MM	4	20/06/2012			
	84010332A	ADJUSTER, OPENING ROCKER ARM 1.90 MM	4	20/06/2012			
	84010342A	ADJUSTER, OPENING ROCKER ARM 1.95 MM	4	20/06/2012			
	84010722A	ADJUSTER, OPENING ROCKER ARM 3.60 MM	4	20/06/2012			



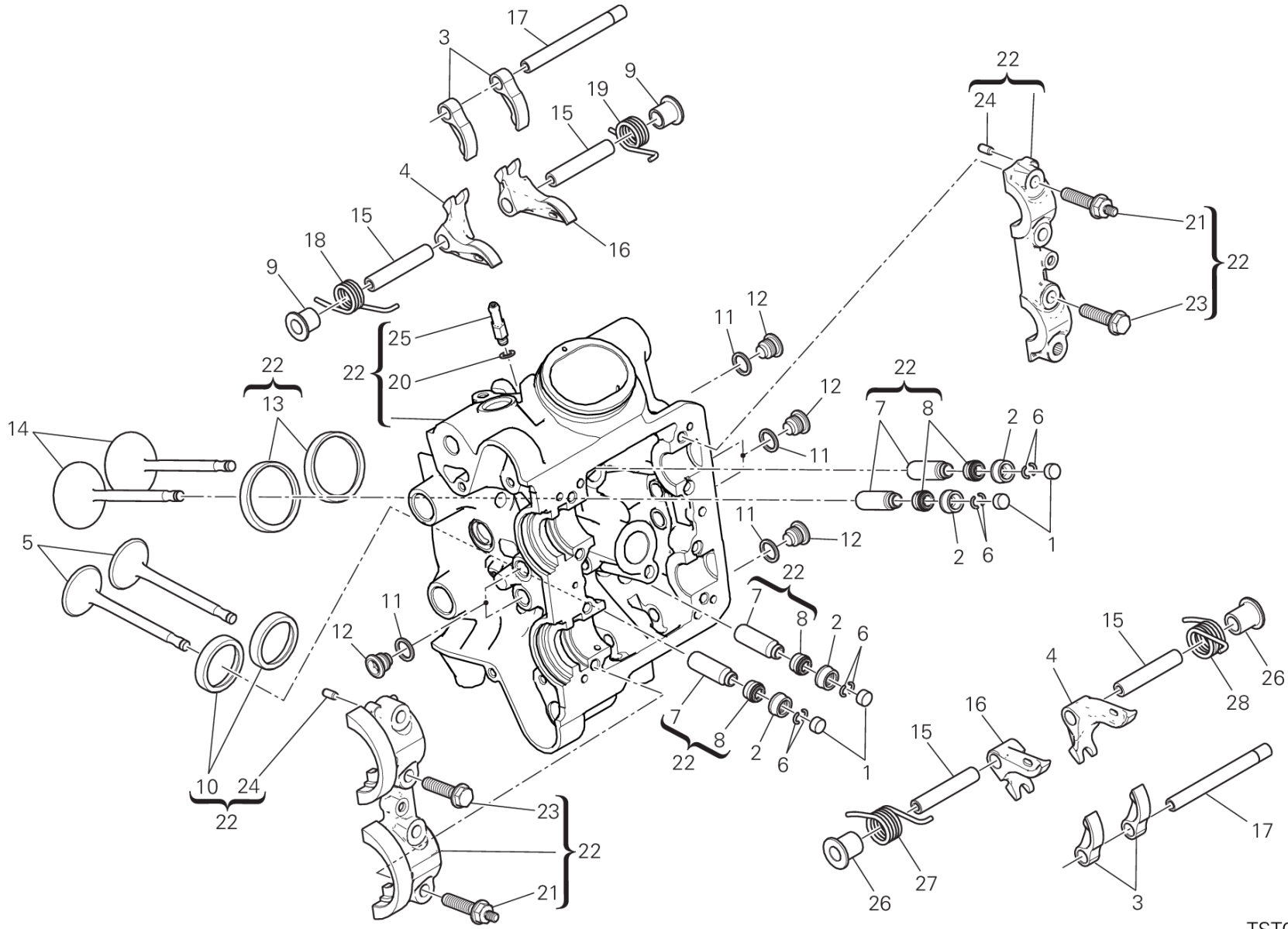
TST00577

DRAWING 015 - HORIZONTAL HEAD [MOD:XDVL DARK]

GROUP ENGINE



POS.	CODE	DESCRIPTION	QTY	START DATE	END DATE	VALIDITY	NOTES
	84010732A	ADJUSTER, OPENING ROCKER ARM 3.80 MM	4	20/06/2012			
	84011082A	ADJUSTER, OPENING ROCKER ARM 3.50 MM	4	20/06/2012			
	84011092A	ADJUSTER, OPENING ROCKER ARM 3.55 MM	4	20/06/2012			
	84011102A	ADJUSTER, OPENING ROCKER ARM 3.65 MM	4	20/06/2012			
	84011112A	ADJUSTER, OPENING ROCKER ARM 3.70 MM	4	20/06/2012			
	84011122A	ADJUSTER, OPENING ROCKER ARM 3.75 MM	4	20/06/2012			
	84011132A	ADJUSTER, OPENING ROCKER ARM 3.85 MM	4	20/06/2012			
	84011142A	ADJUSTER, OPENING ROCKER ARM 3.9 MM	4	20/06/2012			
2	84010412B	ADJUSTER, CLOSING ROCKER ARM 2.20 MM	4	24/12/2009			
	84010422B	ADJUSTER, CLOSING ROCKER ARM 2.25 MM	4	24/12/2009			
	84010432B	ADJUSTER, CLOSING ROCKER ARM 2.30 MM	4	24/12/2009			
	84010442B	ADJUSTER, CLOSING ROCKER ARM 2.35 MM	4	24/12/2009			
	84010452B	ADJUSTER, CLOSING ROCKER ARM 2.40 MM	4	24/12/2009			
	84010462B	ADJUSTER, CLOSING ROCKER ARM 2.45 MM	4	24/12/2009			
	84010472B	ADJUSTER, CLOSING ROCKER ARM 2.50 MM	4	24/12/2009			
	84010482B	ADJUSTER, CLOSING ROCKER ARM 2.55 MM	4	24/12/2009			
	84010492B	ADJUSTER, CLOSING ROCKER ARM 2.60 MM	4	24/12/2009			
	84010502B	ADJUSTER, CLOSING ROCKER ARM 2.65 MM	4	24/12/2009			
	84010512B	ADJUSTER, CLOSING ROCKER ARM 2.70 MM	4	24/12/2009			
	84010522B	ADJUSTER, CLOSING ROCKER ARM 2.75 MM	4	24/12/2009			
	84010532B	ADJUSTER, CLOSING ROCKER ARM 2.80 MM	4	24/12/2009			
	84010542B	ADJUSTER, CLOSING ROCKER ARM 2.85 MM	4	24/12/2009			
	84010552B	ADJUSTER, CLOSING ROCKER ARM 2.90 MM	4	24/12/2009			
	84010562B	ADJUSTER, CLOSING ROCKER ARM 2.95 MM	4	24/12/2009			
	84010572B	ADJUSTER, CLOSING ROCKER ARM 3.00 MM	4	24/12/2009			
	84010582B	ADJUSTER, CLOSING ROCKER ARM 3.05 MM	4	24/12/2009			
	84010592B	ADJUSTER, CLOSING ROCKER ARM 3.10 MM	4	24/12/2009			
	84010602B	ADJUSTER, CLOSING ROCKER ARM 3.15 MM	4	24/12/2009			
	84010612B	ADJUSTER, CLOSING ROCKER ARM 3.20 MM	4	24/12/2009			
	84010622B	ADJUSTER, CLOSING ROCKER ARM 3.25 MM	4	24/12/2009			
	84010632B	ADJUSTER, CLOSING ROCKER ARM 3.30 MM	4	24/12/2009			
	84010642B	ADJUSTER, CLOSING ROCKER ARM 3.35 MM	4	24/12/2009			
	84010652B	ADJUSTER, CLOSING ROCKER ARM 3.40 MM	4	24/12/2009			
	84010662B	ADJUSTER, CLOSING ROCKER ARM 3.45 MM	4	24/12/2009			
	84010672B	ADJUSTER, CLOSING ROCKER ARM 3.50 MM	4	24/12/2009			



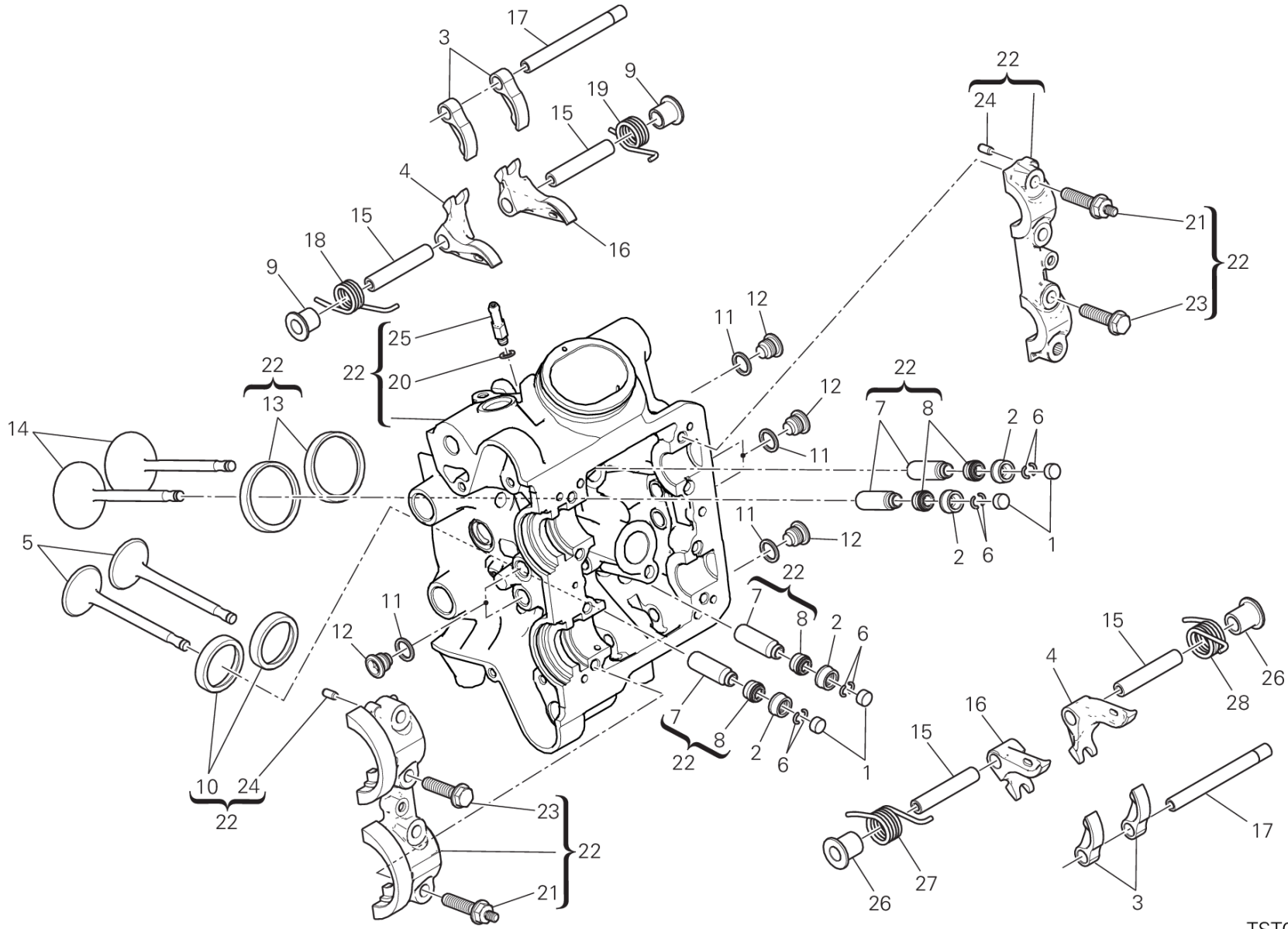
TST00577

DRAWING 015 - HORIZONTAL HEAD [MOD:XDVL DARK]

GROUP ENGINE



POS.	CODE	DESCRIPTION	QTY	START DATE	END DATE	VALIDITY	NOTES
	84010682B	ADJUSTER, CLOSING ROCKER ARM 3.55 MM	4	24/12/2009			
	84010692B	ADJUSTER, CLOSING ROCKER ARM 3.60 MM	4	24/12/2009			
	84010702B	ADJUSTER, CLOSING ROCKER ARM 3.65 MM	4	24/12/2009			
	84010712B	ADJUSTER, CLOSING ROCKER ARM 3.70 MM	4	24/12/2009			
	84010722B	ADJUSTER, CLOSING ROCKER ARM 3.75 MM	4	24/12/2009			
	84010732B	ADJUSTER, CLOSING ROCKER ARM 3.80 MM	4	24/12/2009			
	84010742B	ADJUSTER, CLOSING ROCKER ARM 3.85 MM	4	24/12/2009			
	84010752B	ADJUSTER, CLOSING ROCKER ARM 3.90 MM	4	24/12/2009			
	84010762B	ADJUSTER, CLOSING ROCKER ARM 3.95 MM	4	24/12/2009			
	84010772B	ADJUSTER, CLOSING ROCKER ARM 4.00 MM	4	24/12/2009			
	84010782B	ADJUSTER, CLOSING ROCKER ARM 4.05 MM	4	24/12/2009			
	84010792B	ADJUSTER, CLOSING ROCKER ARM 4.10 MM	4	24/12/2009			
	84010802B	ADJUSTER, CLOSING ROCKER ARM 4.15 MM	4	24/12/2009			
	84010812B	ADJUSTER, CLOSING ROCKER ARM 4.20 MM	4	24/12/2009			
	84010822B	ADJUSTER, CLOSING ROCKER ARM 4.25 MM	4	24/12/2009			
	84010832B	ADJUSTER, CLOSING ROCKER ARM 4.30 MM	4	24/12/2009			
	84010842B	ADJUSTER, CLOSING ROCKER ARM 4.35 MM	4	24/12/2009			
	84010852B	ADJUSTER, CLOSING ROCKER ARM 4.40 MM	4	24/12/2009			
	84010862B	ADJUSTER, CLOSING ROCKER ARM 4.45 MM	4	24/12/2009			
	84010872B	ADJUSTER, CLOSING ROCKER ARM 4.50 MM	4	24/12/2009			
3	20810321A	OPEN. ROCKER ARM	4	07/12/2012			
4	20910501A	CLOSING ROCKER ARM LEFT	2	07/12/2012			
5	21110831B	EXHAUST VALVE	2	07/12/2012			
6	66910011E	C RING	8	03/06/2015			
7	30310631BB	GUIDE, VALVE OVERSIZED 0.03 MM	4	25/03/2013			
	30310631BC	GUIDE, VALVE OVERSIZED 0.06 MM	4	25/03/2013			
	30310631BD	GUIDE, VALVE OVERSIZED 0.09 MM	4	25/03/2013			
8	76410871A	SEAL VALVE STEM	4	03/04/2012			
9	71312921A	SPACER	2	07/12/2012			
10	30410891A	SEAT, EXHAUST VALVE	2	03/04/2012			
	30410891AB	SEAT, EXHAUST VALVE +0.03 MM	2	25/03/2013			
	30410891AC	SEAT, EXHAUST VALVE +0.06 MM	2	25/03/2013			
11	85250261B	GASKET	6	07/12/2012			
12	78010511E	PLUG	6	07/12/2012			
13	30410881A	SEAT, INTAKE VALVE	2	03/04/2012			



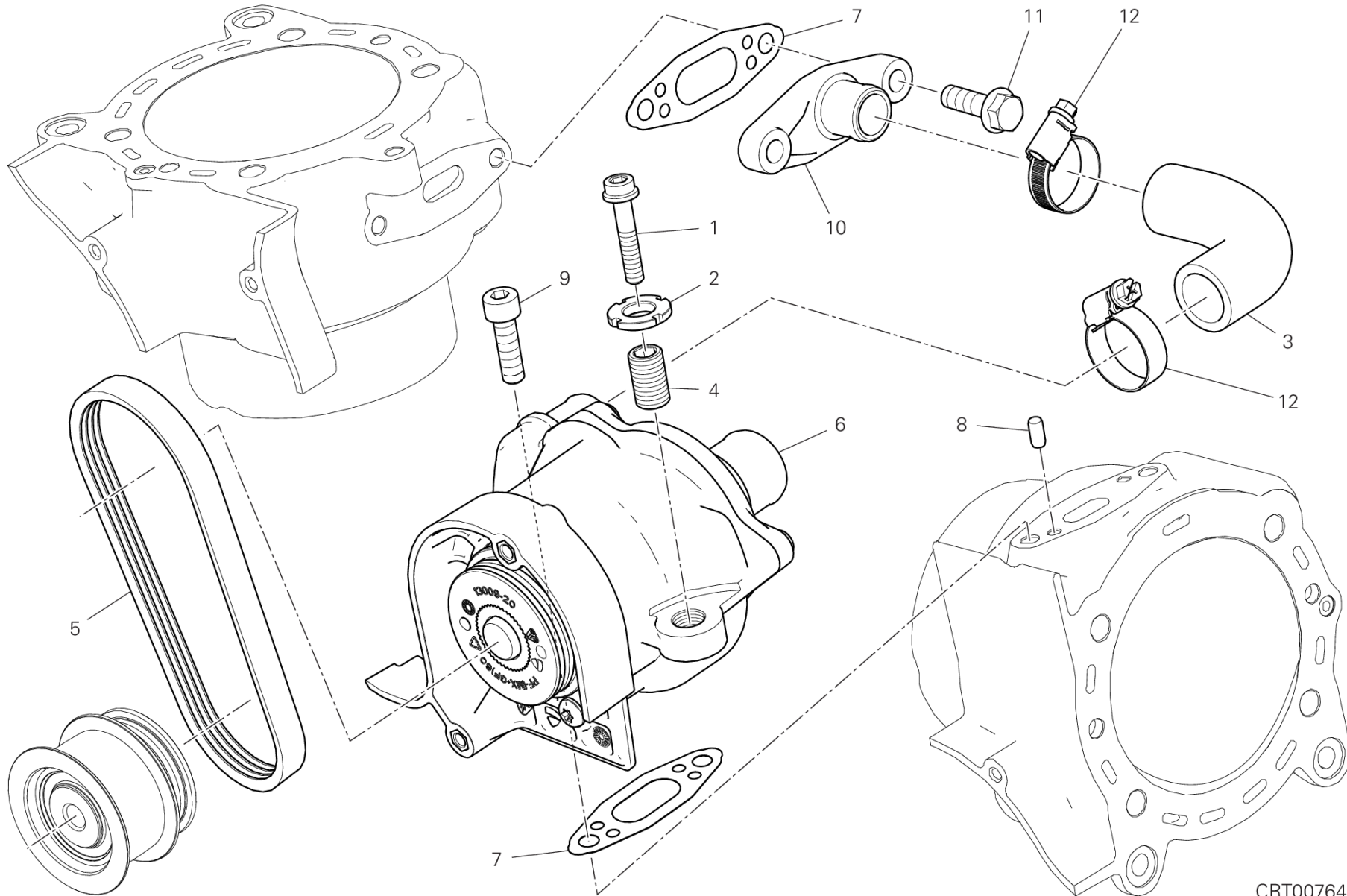
TST00577

DRAWING 015 - HORIZONTAL HEAD [MOD:XDVLDARK]

GROUP ENGINE



POS.	CODE	DESCRIPTION	QTY	START DATE	END DATE	VALIDITY	NOTES
	30410881AB	SEAT, INLET VALVE +0.03 MM	2	25/03/2013			
	30410881AC	SEAT, INLET VALVE +0.06 MM	2	25/03/2013			
14	21010841C	INTAKE VALVE	2	07/12/2012			
15	82112951A	CLOSE ROCKER ARM AXLE	4	07/12/2012			
16	20910491A	CLOSING ROCKER ARM RIGHT	2	07/12/2012			
17	82115711A	SHAFT, OPENING ROCKER	2	07/09/2018			
18	79915011A	VALVE RETURN SPRING RH.	1	07/12/2012			
19	79915001A	VALVE RETURN SPRING LH.	1	07/12/2012			
20	85250231A	GASKET	1	03/04/2012			
21	76611041A	STUD BOLT, CYLINDER HEAD	4	11/02/2015			
22	30124901B	COMPLETE HORIZONTAL HEAD	1	03/06/2015			
23	77914211A	SCREW TEF M8X32	4	03/04/2012			
24	86050061A	PIN M5X10	4	03/04/2012			
25	81414561A	NIPPLE, HOSE	1	10/06/2015			
26	71312921B	SPACER	2	07/12/2012			
27	79915181B	LEFT VALVE RETURN SPRING	1	07/12/2012			
28	79915191B	RIGHT VALVE RETURN SPRING	1	07/12/2012			



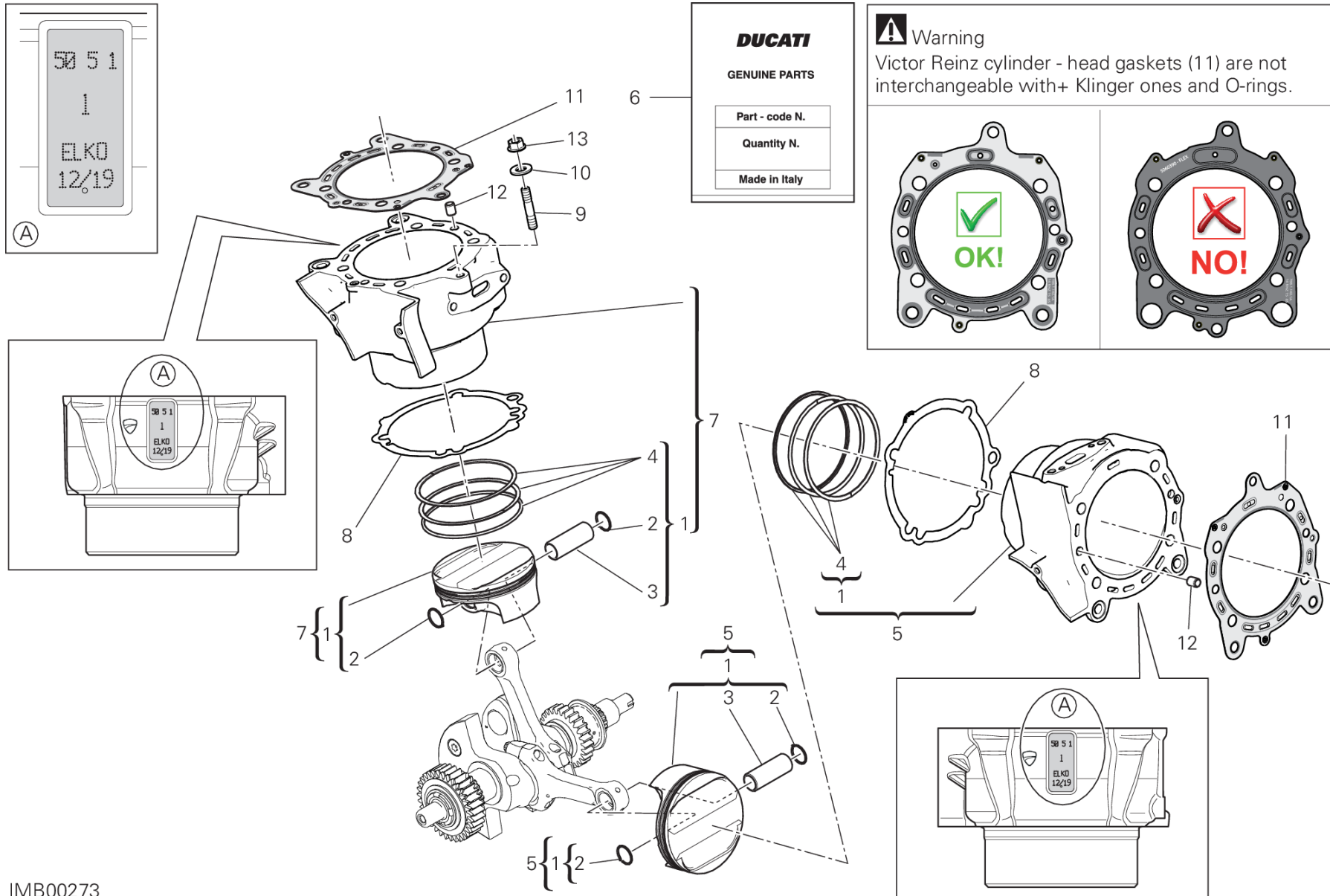
CRT00764

DRAWING 07A - WATER PUMP [MOD:XDVLDARK]

GROUP ENGINE



POS.	CODE	DESCRIPTION	QTY	START DATE	END DATE	VALIDITY	NOTES
1	77113961A	SCREW	1	15/07/2015			
2	70350071A	RING NUT	1	27/11/2015			
3	80012101A	HOSE, WATER	1	15/07/2015			
4	77919961A	THREADED DOWEL	1	27/11/2015			
5	73710211A	BELT	1	16/03/2015			
6	24920471B	COMPLETE WATER PUMP	1	27/11/2015			
7	78611381A	GASKET	2	27/11/2015			
8	86050061A	PIN M5X10	2	27/11/2015			
9	77151268BB	SCREW	2	27/11/2015			
10	16015202AY	FLANGE	1	27/11/2015			
11	77253613BB	SCREW	2	27/11/2015			
12	74142581A	CLAMP 16-27 MM	2	16/12/2015			

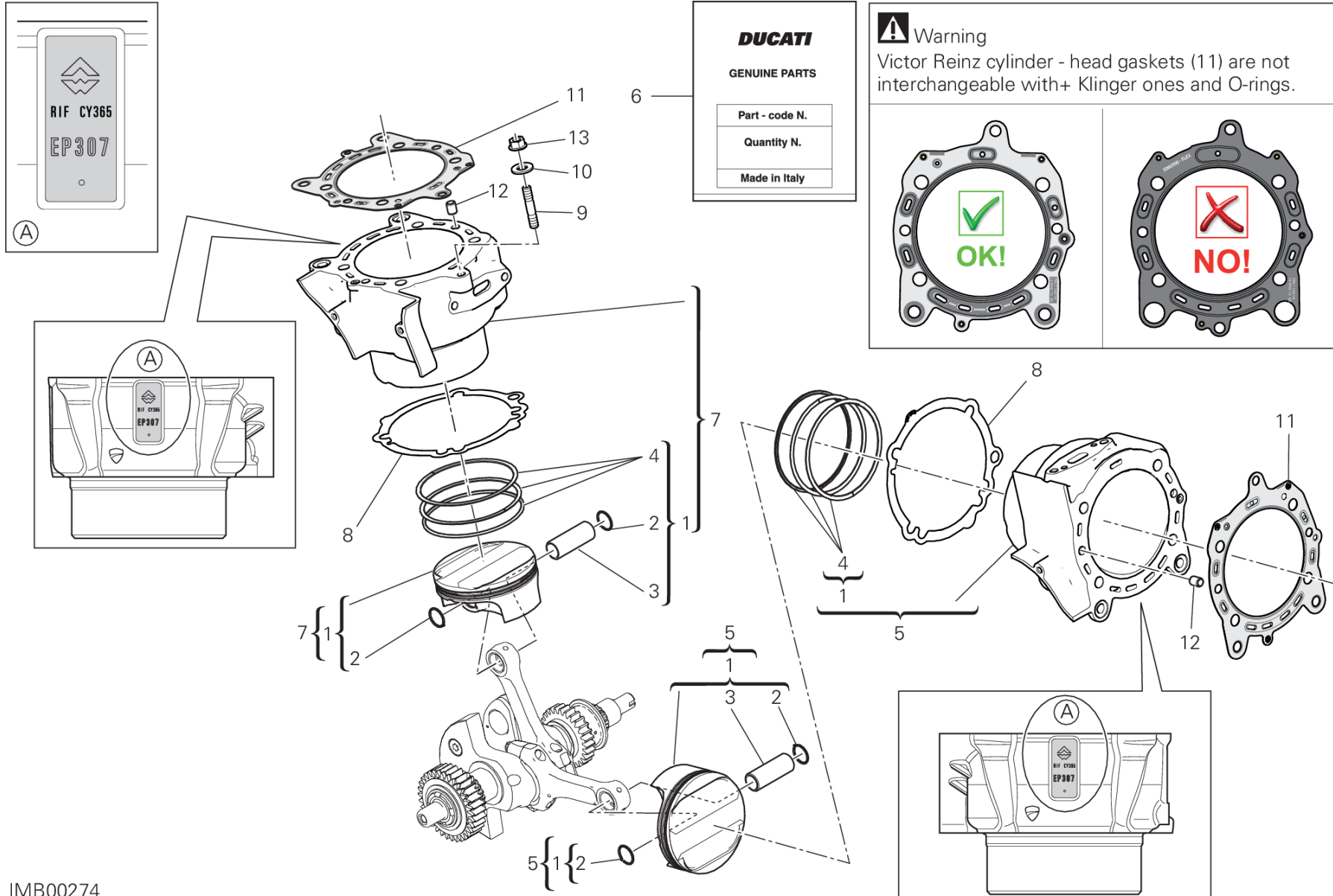


DRAWING 07B - CYLINDERS - PISTONS (KOENIG) [MOD:XDVLDARK]

GROUP ENGINE



POS.	CODE	DESCRIPTION	QTY	START DATE	END DATE	VALIDITY	NOTES
1	12221952A	PISTON ASSY	2				
2	12112481A	CIRCLIP, PISTON PIN	4	08/06/2016			
3	12113422A	PISTON PIN	2	08/06/2016			
4	12120711A	PISTON RING SET	2	08/06/2016			
5	12022781FD	CYLINDER-PISTON FIT HORIZONTAL	1	07/11/2016			
6	79120561D	GASKETS SET	1				
7	12022791FD	CYLINDER-PISTON FIT VERTICAL	1	07/11/2016			
8	78611251A	GASKET, CYLINDER	2				
9	76611102A	STUD BOLT	1				
10	85212771A	WASHER	1				
11	78611401D	HEAD-CYLINDER GASKET (VICTOR REINZ)	1				
12	71112191A	PIN DOWEL	1				
13	74840482A	NUT	1				



DRAWING 07C - CYLINDERS - PISTONS (ASSO WERKE) [MOD:XDVLDARK]

GROUP ENGINE

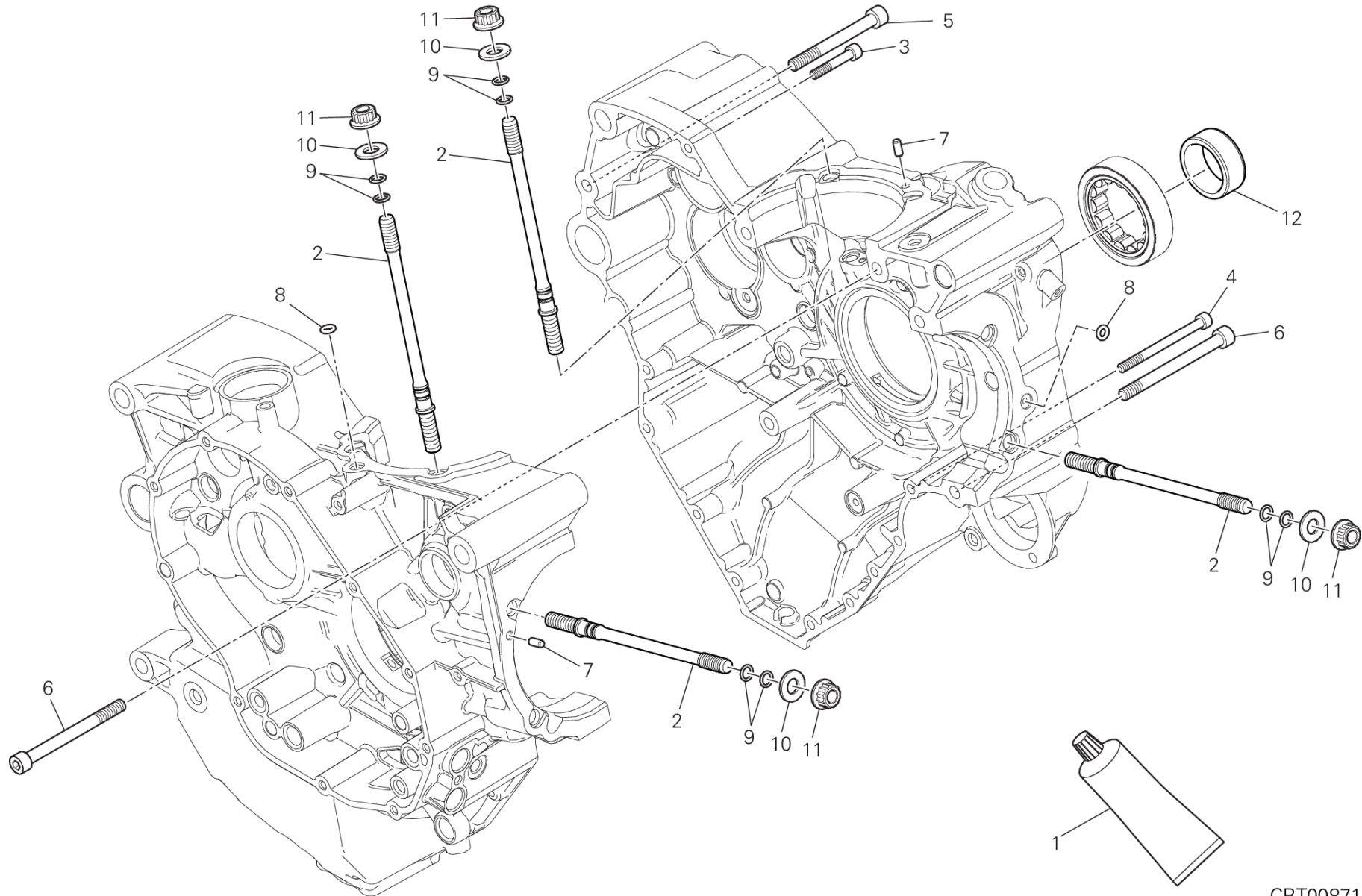


POS.	CODE	DESCRIPTION	QTY	START DATE	END DATE	VALIDITY	NOTES
1	12222352A	PISTON ASSY	2				
2	12112481A	CIRCLIP, PISTON PIN	4				
3	12110781B	PISTON PIN	2				
4	12120521A	PISTON RING SET	2				
5	12022802D	CYLINDER-PISTON FIT HORIZONTAL	1				
6	79120561D	GASKETS SET	1				
7	12022812D	CYLINDER-PISTON FIT VERTICAL	1				
8	78611251A	GASKET, CYLINDER	2				
9	76611102A	STUD BOLT	1				
10	85212771A	WASHER	1				
11	78611401D	HEAD-CYLINDER GASKET (VICTOR REINZ)	2				
12	71112191A	PIN DOWEL	4				
13	74840482A	NUT	1				



DRAWING 10A - HALF-CRANKCASES PAIR [MOD:XDVL DARK]

GROUP ENGINE



CRT00871

DRAWING 10A - HALF-CRANKCASES PAIR [MOD:XDVLDARK]

GROUP ENGINE

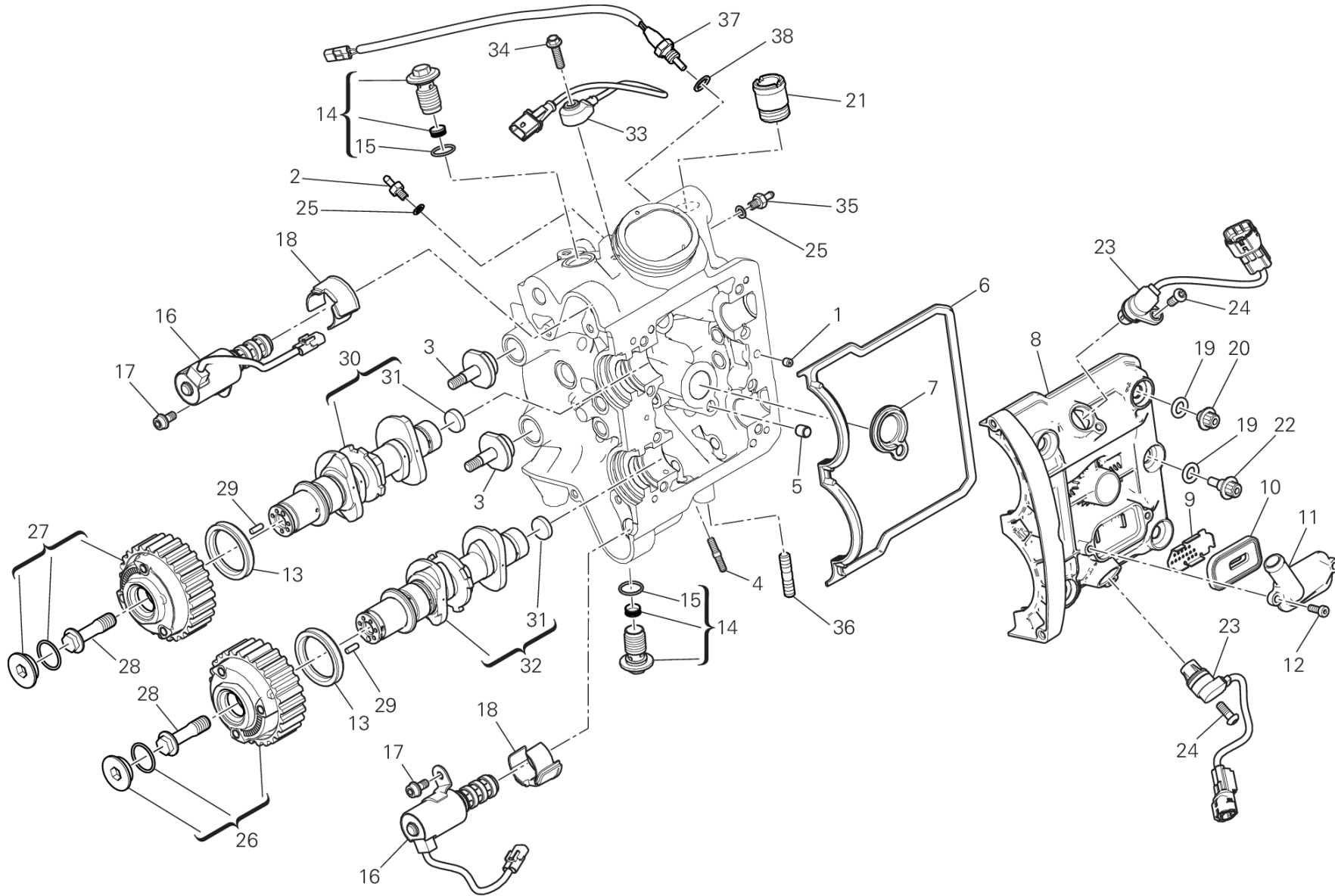


POS.	CODE	DESCRIPTION	QTY	START DATE	END DATE	VALIDITY	NOTES
1	942470014	LIQUID GASKET	1	15/02/2018			
2	76611091C	STUD BOLT FASTENING HEAD CYLINDER	8	15/07/2015			
3	77150723B	SCREW TCEI M6X35 UNI 5931	8	01/03/2014			
4	77150808B	SCREW TCEI M6X75	2	01/03/2014			
5	77151363B	SCREW TCEI M8X75 UNI 5931	3	01/03/2014			
6	77151398B	SCREW TCEI M8X90	4	01/03/2014			
7	86010041A	PIN DOWEL	2	01/03/2014			
8	88610241A	O-RING 5.23X2.62	2	01/03/2014			
9	88642971B	O-RING	16	01/03/2014			
10	85610642A	WASHER, SPECIAL 10.5X21X2	8	01/03/2014			
11	74810501A	NUT M10X1.5	8	01/03/2014			
12	70242071A	INNER RING	1	24/04/2019			



DRAWING 13A - HORIZONTAL HEAD – TIMING SYSTEM [MOD:XDVL DARK]

GROUP ENGINE



TST00575

DRAWING 13A - HORIZONTAL HEAD – TIMING SYSTEM [MOD:XDVL DARK]

GROUP ENGINE

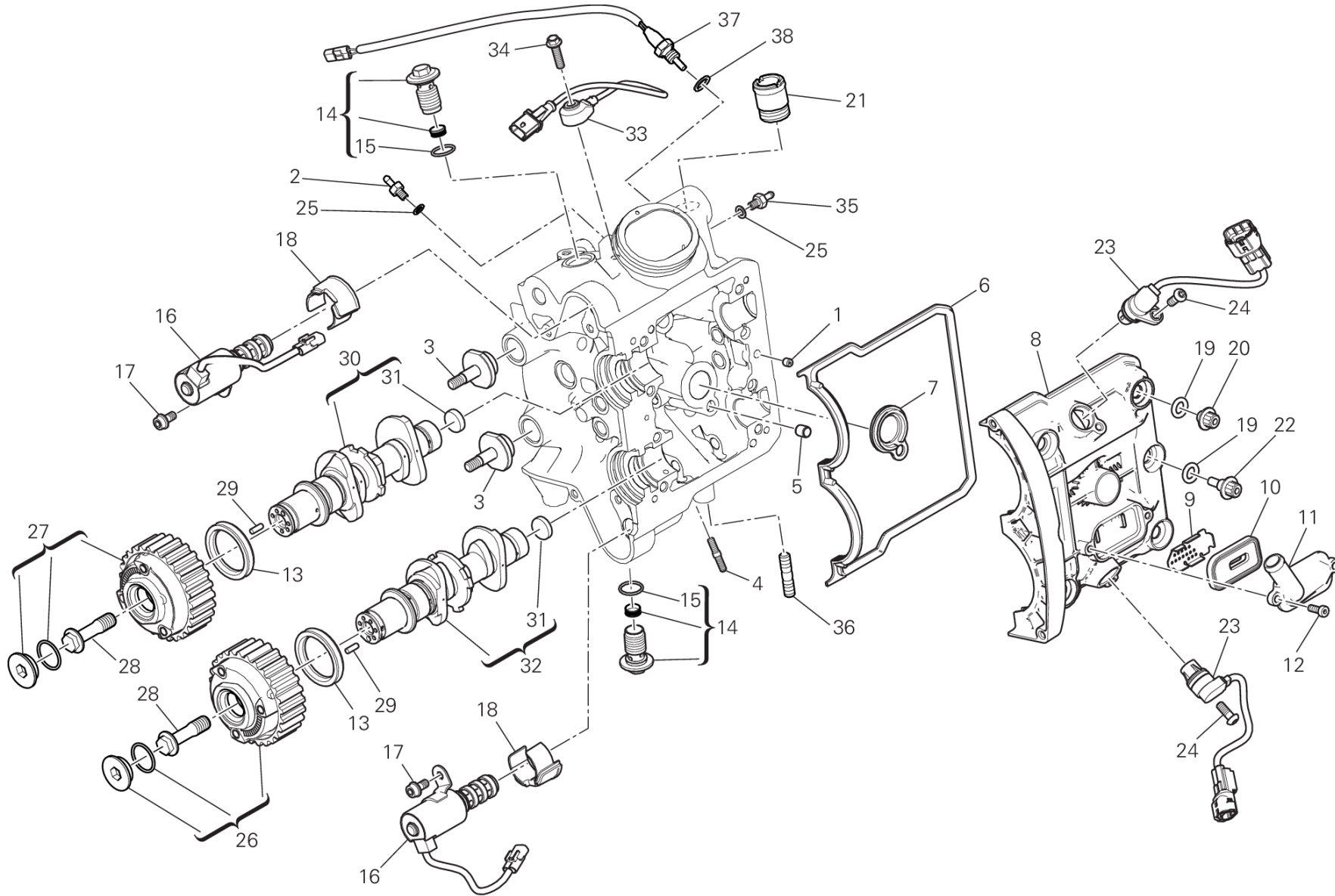


POS.	CODE	DESCRIPTION	QTY	START DATE	END DATE	VALIDITY	NOTES
1	86010061A	PIN	1	11/02/2015			
2	81413341A	UNION	1	11/02/2015			
3	45110462A	MOVABLE TENSIONER ROLLER PIN	2	11/02/2015			
4	76640191A	STUD BOLT M6X16	3	11/02/2015			
5	71113742A	BUSH	1	10/09/2019			
6	78811331B	VALVE COVER GASKET EXTERNAL	1	11/02/2015			
7	78811341B	GASKET	1	11/02/2015			
8	24714801EJ	COVER CYLINDER HEAD, HORIZONTAL	1	29/11/2018			
9	82716351A	PLATE	1	11/02/2015			
10	81140012B	VALVE	1	11/02/2015			
11	24714161A	COVER	1	11/02/2015			
12	77350403B	SCREW	2	11/02/2015			
13	93042181A	SEAL RING	2	29/11/2018			
14	87321421B	PLUG	2	11/02/2015			
15	88640851A	O-RING	2	28/08/2014			
16	45040023A	VALVE	2	11/02/2015			
17	77140648CA	SCREW	2	11/02/2015			
18	24511481A	INSERT	2	11/02/2015			
19	88642621A	O-RING	6	18/11/2015			
20	74810491B	NUT, SPECIAL	4	17/05/2017			
21	66810501B	NIPPLE, HOSE	1	10/06/2015			
22	77919061B	SCREW, SPECIAL	2	18/11/2015			
23	55243341A	DETECTOR	2	11/02/2015			
24	77550218CJ	SCREW	2	11/02/2015			
25	85250231A	GASKET	2	11/02/2015			
26	17740061A	TIMING BELT PULLEY, DRIVEN (DVT)	1	11/02/2015			
27	17740051A	TIMING BELT PULLEY, DRIVEN (DVT)	1	11/02/2015			
28	77918271A	SCREW, SPECIAL	2	11/02/2015			
29	86050131A	PIN	2	11/02/2015			
30	14825011E	HORIZONTAL INTAKE CAMSHAFT	1	11/02/2015			
31	87310051A	PLUG 18 MM	1	10/09/2014			
32	14825021E	HORIZONTAL EXHAUST CAMSHAFT	1	11/02/2015			
33	55243181A	DETECTOR	1	07/11/2014			
34	77244661A	SCREW	1	07/11/2014			
35	81411113B	NIPPLE, HOSE	1	03/06/2015			



DRAWING 13A - HORIZONTAL HEAD – TIMING SYSTEM [MOD:XDVL DARK]

GROUP ENGINE



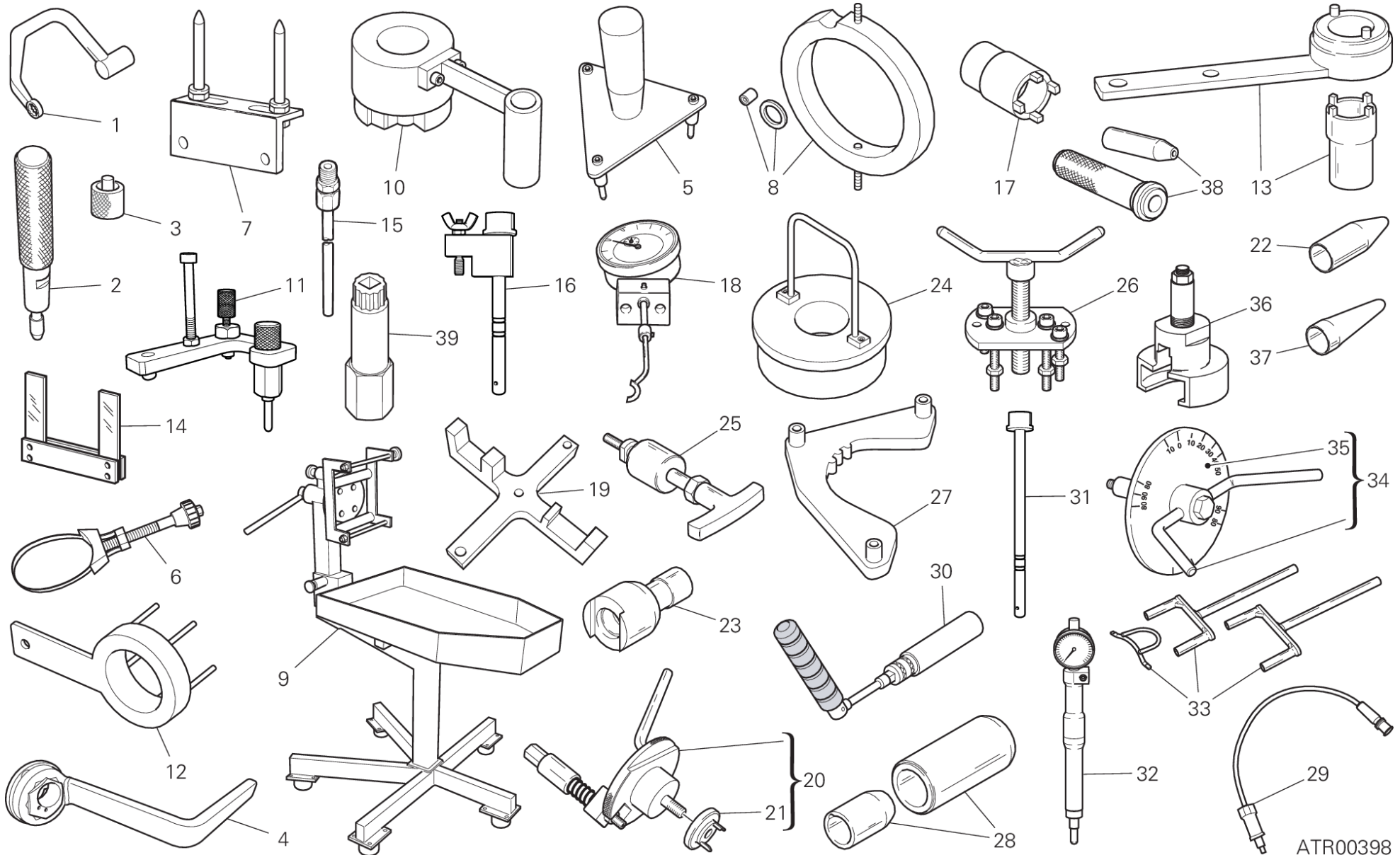
TST00575

DRAWING 13A - HORIZONTAL HEAD – TIMING SYSTEM [MOD:XDVLDARK]

GROUP ENGINE



POS.	CODE	DESCRIPTION	QTY	START DATE	END DATE	VALIDITY	NOTES
36	76640331A	STUD BOLT	1	03/06/2015			
37	55242671A	SENSOR, TEMPERATURE	1	23/07/2015			
38	85250421A	COPPER GASKET 12.2X18X1.5 MM	1	23/07/2015			



ATR00398

DRAWING 01A - WORKSHOP SERVICE TOOLS, ENGINE [MOD:XDVLDARK]

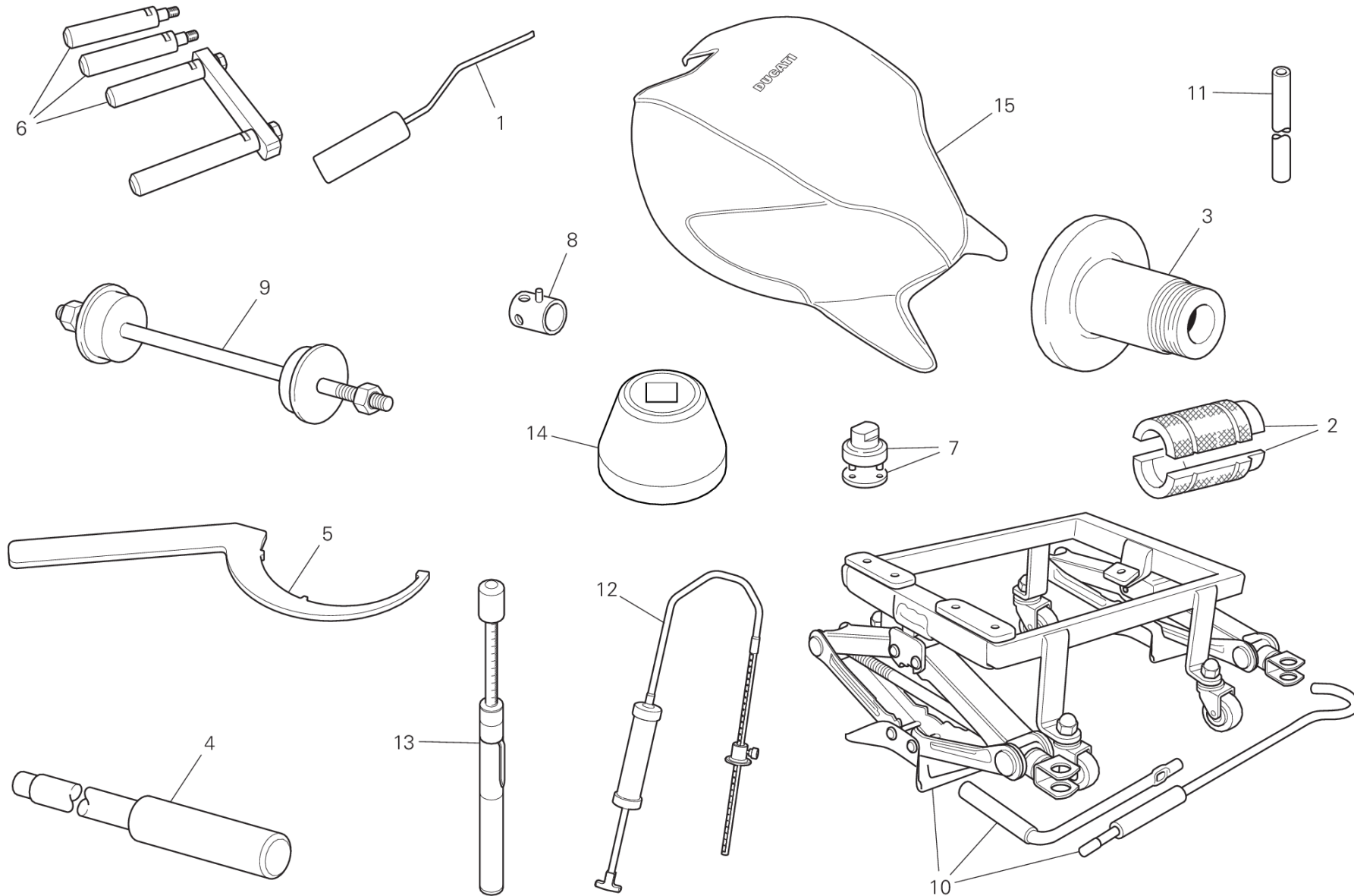
GROUP TOOLS



POS.	CODE	DESCRIPTION	QTY	START DATE	END DATE	VALIDITY	NOTES
1	887134964	HEAD NUTS HOLDER WRENCH	1				
2	887132442	TOOL, OIL SEAL MOUNTING (Ø7)	1				
3	887651298	SPACER FOR CHECKING LOWER VALVE SHIM	1				
4	887133497	WRENCH FOR TENSIONING MOBILE BELT TENSIO	1				
5	887133352	TOOL FOR TIMING CLUTCH PLATES SET	1				
6	887132906	WRENCH, OIL FILTER CARTRIDGE	1				
7	887132103	HEAD MOUNTING BASE	1				
8	887133931	FLYWHEEL WRENCH	1				
9	887131832	BENCH FOR ENGINE REPAIR	1				
10	887133408	REACTION TOOL FOR WET "FCC" CLUTCH	1				
11	887130022	GEARBOX SELECTOR TOOL	1				
12	887133417	TORQUE WRENCH	1				
13	887005644	TIMING PULLEY RETAINING WRENCH	1				
14	887131309	FORK FEELER GAUGE2,35 MM	1				
15	887131010	CONNECTOR FOR EXHAUST GAS TAKE-UP POINT	1				
16	887132695	CLUTCH FLUID PRESSURE MEASURING TOOL	1				
17	887133406	WRENCH TIGHTENING PRIMARY TRANSMISSI	1				
18	887651518	VALVE LIFT GAUGE (GAUGES NOT INCLUDED)	1				
19	887651737	REACTION TOOL CAMSHAFT	1				
20	887132011	CRANKSHAFT RESET TOOL	1				
21	887134411	INSERT	1				
22	887131920	TOOL TO FIT O-RINGS ONTO STUD BOLTS	1				
23	887131821	WRENCH TO TIGHTEN TENSIONING BOLTS	1				
24	887132870	TOOL, CON-ROD GUIDING	1				
25	887131994	ROCKER PIN EXTRACTOR	1				
26	887131749	DRIVE ROLLER PULLER	1				
27	887138836	T.D.C. CONTROL GAUGE	1				
28	887134965	TOOL TO FIT SEALS ON CAMSHAFTS	1				
29	887134966	PRESSURE SENSOR	1				
30	887132877	SPARK PLUG WRENCH	1				
31	887136156	CLUTCH FLUID PRESSURE MEASURING ROD	1				
32	887651297	T.D.C. CONTROL GAUGE (GAUGES NOT INCLUDED)	1				
33	887132068	CLOSING ROCKER PRE-LOAD KIT	1				
34	887651635	DEGREE WHEEL HOLDER TOOL FOR IGNITION ADVANCE CHECK	1				
35	887134791	GONIOMETER IGNITION TIMING CHECKING	1				



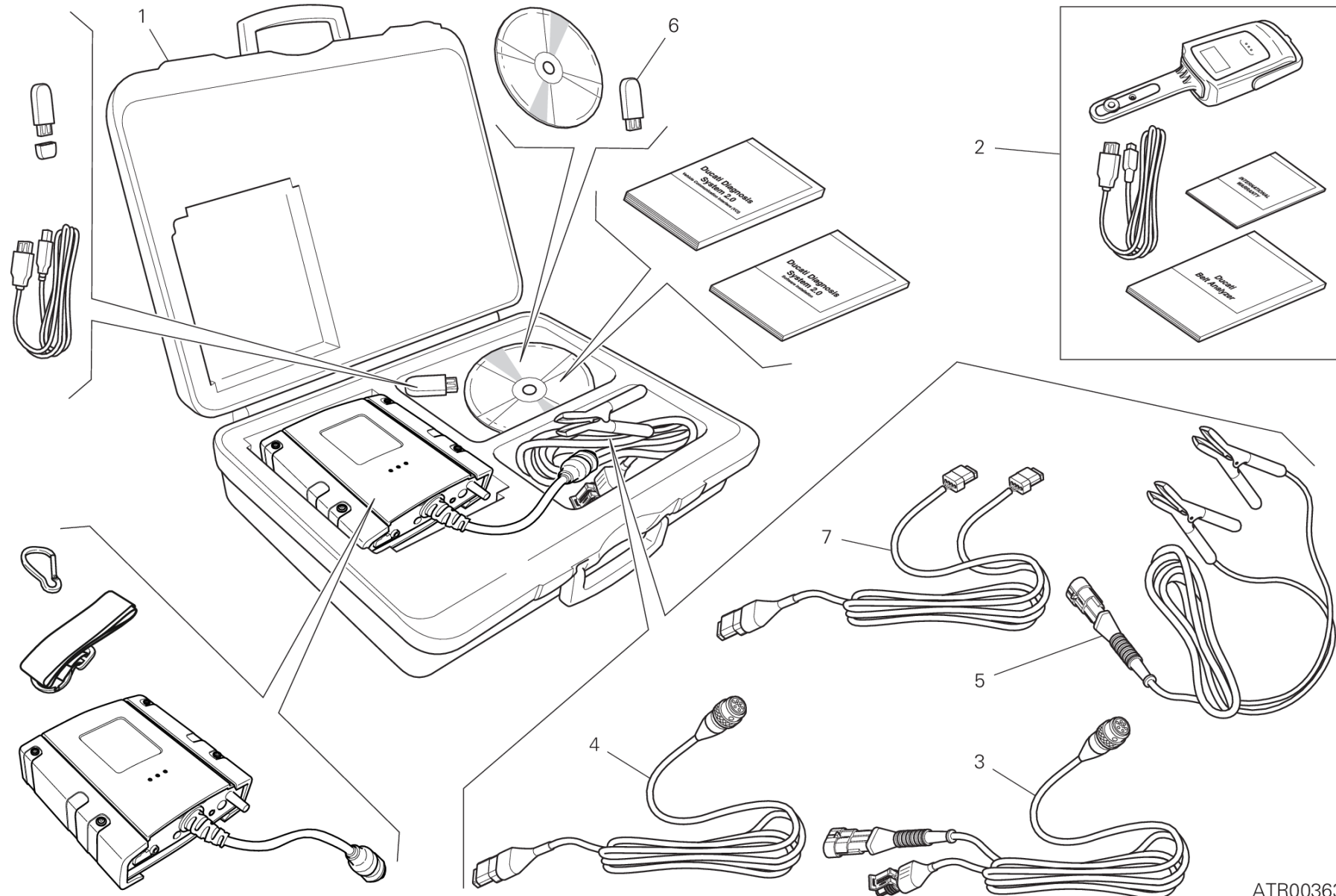
POS.	CODE	DESCRIPTION	QTY	START DATE	END DATE	VALIDITY	NOTES
36	887134882	EXTRACTOR FOR PRIMARY DRIVE GEAR	1				
37	887132913	TOOL INSTALLING O-RINGS	1				
38	887005749	CRANKCASES ASSEMBLING CAP	1				
39	887130023	SPARK PLUG WRENCH	1				



ATR00416



POS.	CODE	DESCRIPTION	QTY	START DATE	END DATE	VALIDITY	NOTES
1	887134967	LEVER	1				
2	887133204	TOOL TO OVERHAUL MARZOCCHI FORKS	1				
3	887132951	TOOL BALANCING REAR WHEEL	1				
4	887131074	TOOL DISASSEMBLING SWINGARM PIVOT	1				
5	887133211	SPANNER FOR ADJUSTING THE ECCENTRIC HUB	1				
6	887131515	FRAME/MOTOR SUPPORT	1				
7	887131058	SPANNER TO ASSEMBLE THE STEERING SLEEVE	1				
8	800070139	WRENCH FOR FRONT WHEEL SPINDLE	1				
9	887131062	TOOL ASSEMBLING STEERING TUBE BEARING	1				
10	887133220	BENCH FOR ENGINE REPAIR	1				
11	887133203	DRAW BAR FOR MARZOCCHI FORKS OVERHAULING	1				
12	887134488	FORK OIL LEVEL SYRINGE	1				
13	887133930	BELT TENSIONING KIT	1				
14	887138848	BUSH FOR INSTALLING/REMOVING THE FORK PLUG	1				
15	887138847	PROTECTOR, FUEL TANK	1				



ATR00363



POS.	CODE	DESCRIPTION	QTY	START DATE	END DATE	VALIDITY	NOTES
1	979000252	DDS 2 (Ducati Diagnosis System 2.0)	1				
2	979000253	BELT TENSIONING KIT	1				
3	979000254	MAIN CABLE	1				
4	979000255	MAIN CABLE (CAN)	1				
5	979000256	MAIN CABLE DDS	1				
6	28620441B	CHIAVE "PC HASP DDS2.0"	1				
7	979000259	WIRING MAP-KEY	1				



DRAWING A - TYRES [MOD:XDVLDARK]

GROUP TYRES



POS.	CODE	DESCRIPTION	QTY	START DATE	END DATE	VALIDITY	NOTES
1	49040663A	FRONT TYRE DIABLO™ ROSSO II D (120-70 ZR17)	1	14/11/2014			(*)=Pneumatico di primo equipaggiamento
2	49140881B	REAR TYRE DIABLO™ ROSSO II (240-45 ZR17)	1	14/11/2014			(*)=Pneumatico di primo equipaggiamento
3	490P0272A	FRONT TYRE DIABLO™ ROSSO III D (120-70 ZR17)	1				
4	491P0349A	REAR TYRE DIABLO™ ROSSO III (240-45 ZR17)	1				



DRAWING B - (*) PIRELLI DIABLO™ ROSSO II [MOD:XDVLDARK]

GROUP TYRES



POS.	CODE	DESCRIPTION	QTY	START DATE	END DATE	VALIDITY	NOTES
1	49040663A	FRONT TYRE DIABLO™ ROSSO II D (120-70 ZR17)	1	14/11/2014			(*)=Pneumatico di primo equipaggiamento
2	49140881B	REAR TYRE DIABLO™ ROSSO II (240-45 ZR17)	1	14/11/2014			(*)=Pneumatico di primo equipaggiamento

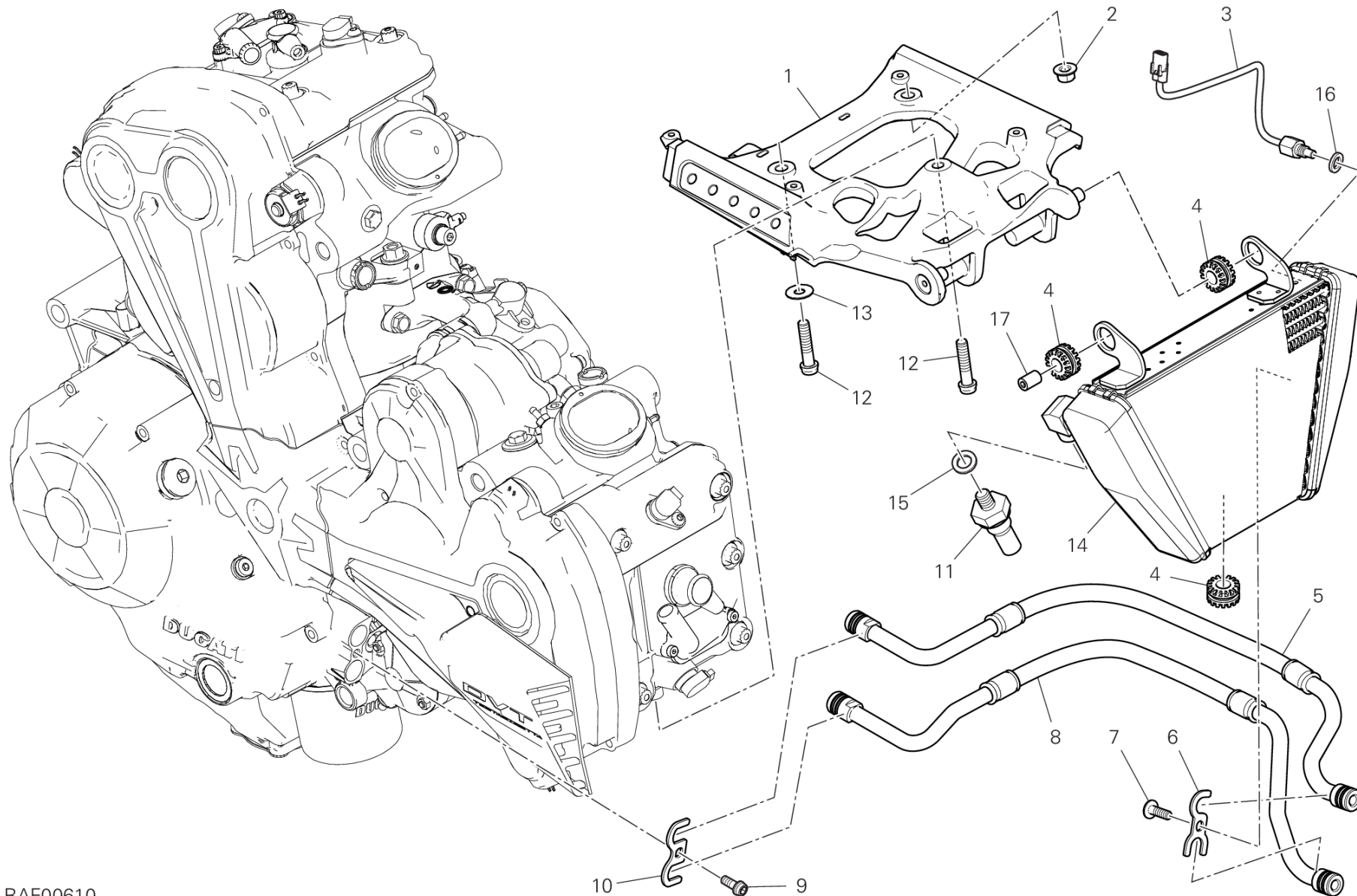


DRAWING D - PIRELLI DIABLO™ ROSSO III [MOD:XDVLDARK]

GROUP TYRES



POS.	CODE	DESCRIPTION	QTY	START DATE	END DATE	VALIDITY	NOTES
1	490P0272A	FRONT TYRE DIABLO™ ROSSO III D (120-70 ZR17)	1	14/09/2016			
2	491P0349A	REAR TYRE DIABLO™ ROSSO III (240-45 ZR17)	1	12/11/2016			



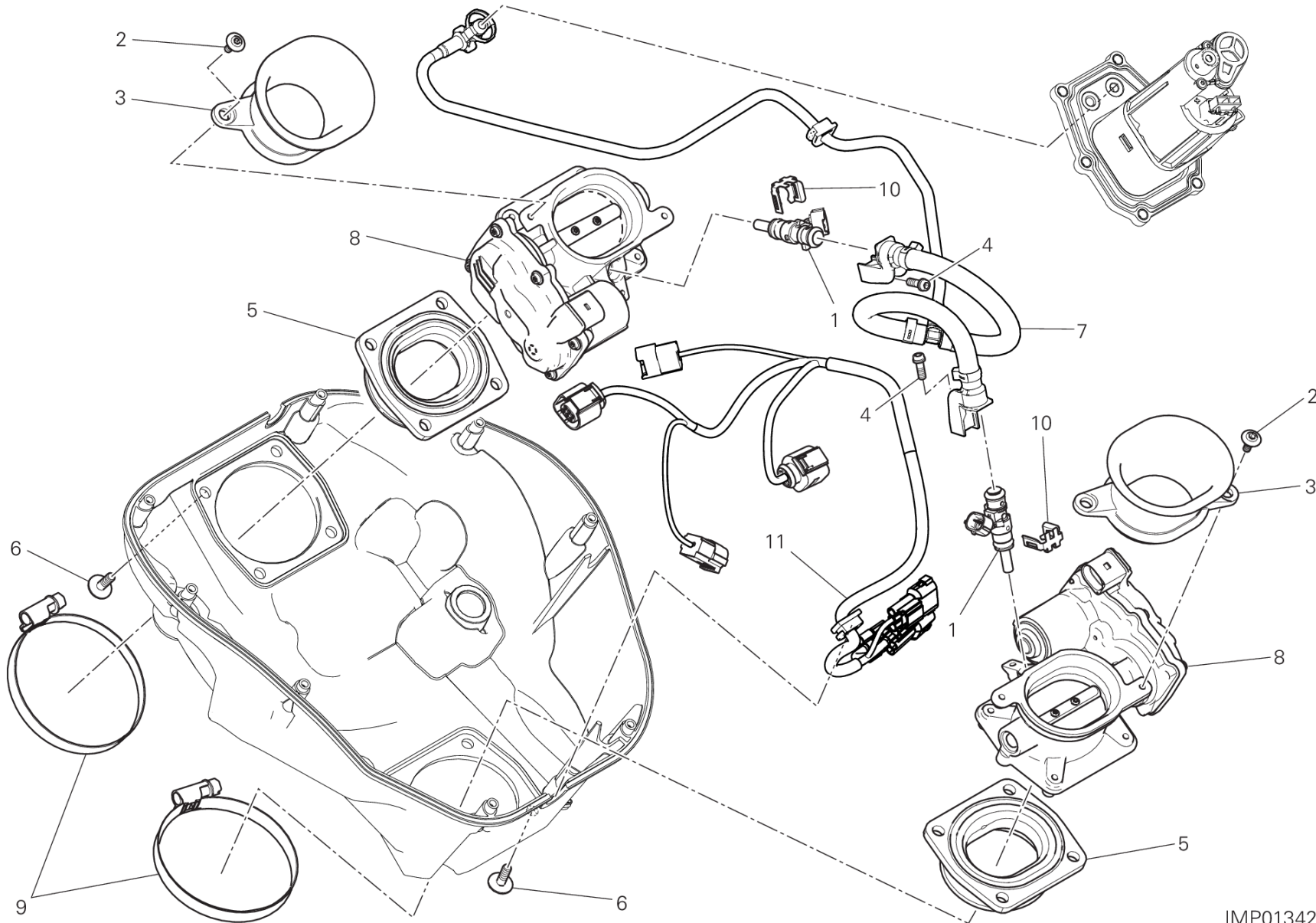
RAF00610

DRAWING 016 - OIL COOLER [MOD:XDVL DARK]

GROUP FRAME



POS.	CODE	DESCRIPTION	QTY	START DATE	END DATE	VALIDITY	NOTES
1	8301E012BA	BRACKET	1	16/12/2015			
2	74941128B	NUT M8	1	14/09/2015			
3	55241452A	SENSOR, TEMPERATURE	1	14/09/2015			
4	76410241A	VIBRATION DAMPER PAD	3	14/09/2015			
5	54911251A	OIL DELIVERY PIPE	1	14/09/2015			
6	82714201A	PLATE	1	14/09/2015			
7	77240438C	SCREW TBEIF M6X18	1	14/09/2015			
8	54911261A	PIPE	1	14/09/2015			
9	77116648B	SCREW M6X14	1	14/09/2015			
10	82715481A	PLATE	1	14/09/2015			
11	53940302A	SWITCH ASSY, OIL PRESSURE	1	14/09/2015			
12	77113851A	SCREW TCEIF M8X35	2	01/12/2015			
13	85211511A	WASHER	1	01/12/2015			
14	54810581B	OIL COOLER	1	14/09/2015		MOD:XDVL DARK	
15	85211951A	GASKET 10.5X17X2	1	01/02/2016			
16	85211971A	GASKET, COPPER 8.5X14X2	1	01/02/2016			
17	82115601AA	PIN	1	28/02/2017			



IMP01342

DRAWING 017 - THROTTLE BODY [MOD:XDVLDARK]

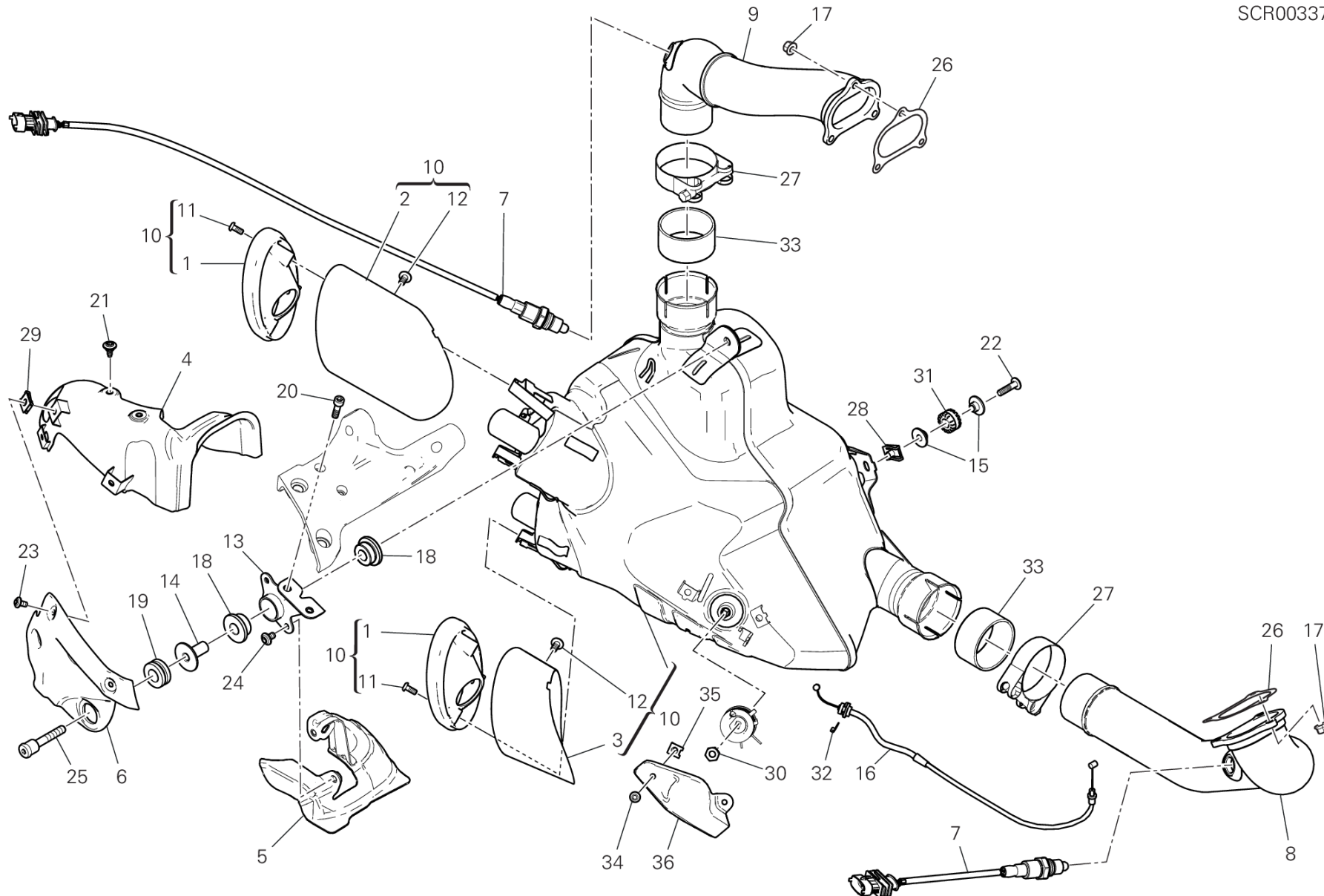
GROUP FRAME



POS.	CODE	DESCRIPTION	QTY	START DATE	END DATE	VALIDITY	NOTES
1	28040431A	INJECTOR	2	10/11/2014			
2	77214411BA	SCREW, SPECIAL	4	28/02/2017			
3	13510421A	AIR FUNNEL	2	10/11/2014			
4	77156408B	SCREW TCEIF M5X14	2	10/11/2014			
5	80110431A	INTAKE MANIFOLD	2	10/11/2014			
6	77510691BA	SCREW	8	10/11/2014			
7	59020441A	COMPLETE PIPE SET	1	13/05/2019			
8	28220962A	COMPLETE THROTTLE BODY	2	10/11/2014			
9	74141871A	CLAMP 60-80 MM	2	10/11/2014			
10	85042131A	CLIP	2	10/11/2014			
11	5101A661B	INJECTION WIRING	1	14/09/2015			



SCR00337



DRAWING 019 - EXHAUST SYSTEM [MOD:XDVLDARK]

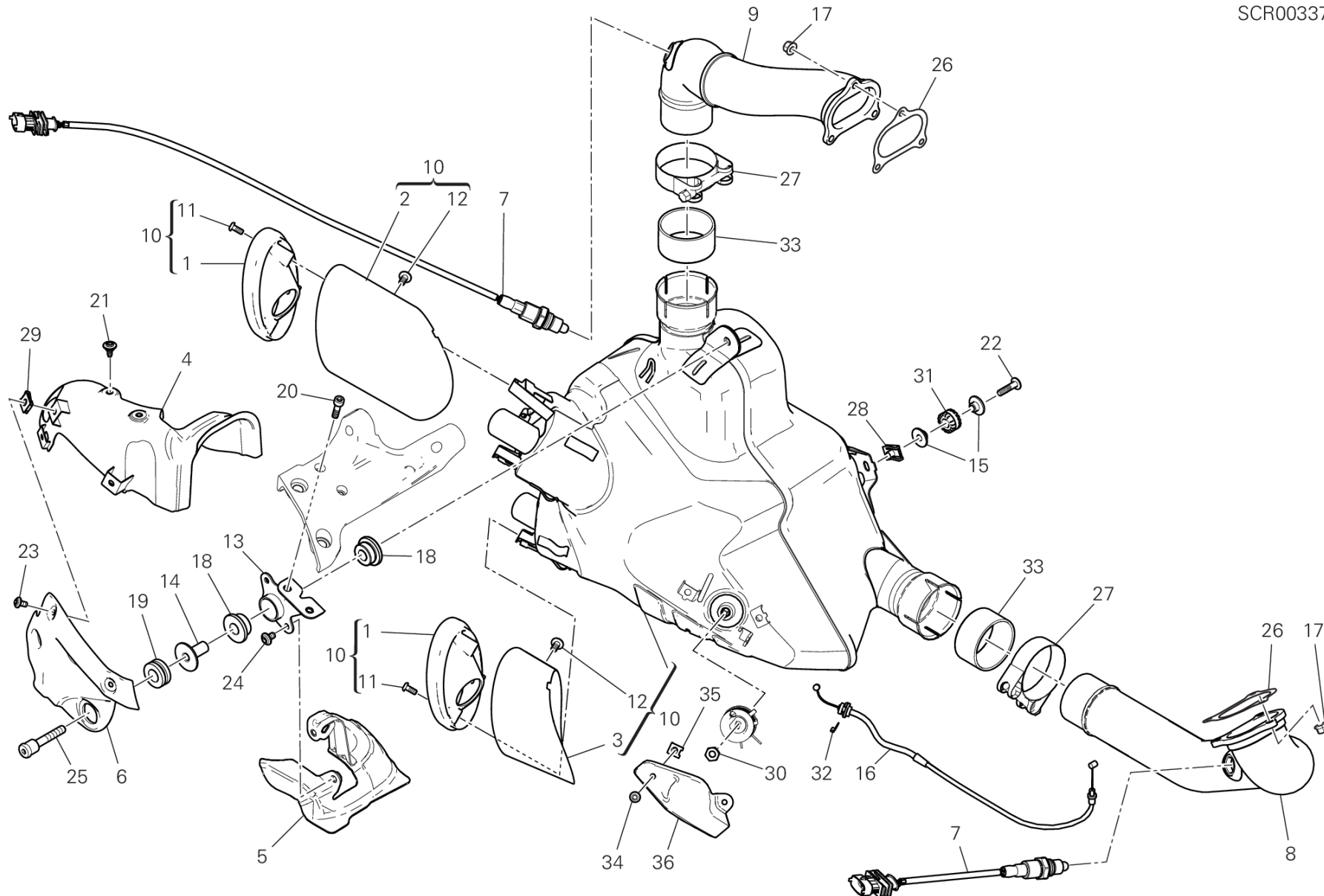
GROUP FRAME



POS.	CODE	DESCRIPTION	QTY	START DATE	END DATE	VALIDITY	NOTES
1	4601H032AA	SILENCER ENDCAP	2	06/03/2018			
2	4601H111A	COVER UPPER	1	06/03/2018			
3	4601H121A	COVER LOWER	1	06/03/2018			
4	46110402A	HEAT GUARD VERTICAL UPPER	1	14/09/2015			
5	46110424C	HEAT GUARD SILENCER	1	17/04/2020			
6	46110411AA	HEAT GUARD VERTICAL	1	13/05/2019			
7	55214491B	SENSOR LAMBDA SOND	2	14/09/2015			
8	57014613B	HORIZONTAL HEAD EXHAUST PIPE	1	17/04/2020			
9	57114613B	EXHAUST MANIFOLD	1	17/04/2020			
10	573P4983A	SILENCER (Unit)	1	01/06/2020			
11	72050173CA	SCREW	6	24/11/2015			
12	77240403CA	SCREW M6X12	2	24/09/2018			
13	57610921C	BRACKET, SILENCER	1	14/09/2015			
14	71210571AA	SPACER	1	14/09/2015			
15	71614141A	SPACER	2	14/09/2015			
16	73210741A	CABLE, EXHAUST VALVE	1	16/05/2018			
17	74810241A	NUT	6	14/09/2015			
18	76411401A	VIBRATION DAMPER PAD	2	14/09/2015			
19	76412041A	RUBBER PAD	1	14/09/2015			
20	77150688B	SCREW M6X22	2	14/09/2015			
21	77211131A	SCREW M5X9	2	14/09/2015			
22	77240463C	VITE TBEIF	1	14/09/2015			
23	77244163B	SCREW TBEI M5X10 BLACK	3	14/09/2015			
24	77244303B	SCREW M6X10	2	14/09/2015			
25	7791A271AA	SCREW, SPECIAL	1	14/09/2015			
26	79010211A	GASKET, EXHAUST PIPE	2	14/09/2015			
27	74142651A	CLAMP	2	22/09/2020			
28	85040381A	QUICK FASTENING	1	24/11/2015			
29	85040551A	QUICK FASTENING	3	14/09/2015			
30	74750071A	NUT	1	16/05/2018			
31	76414211A	VIBRATION DAMPER PAD	1	17/10/2018			
32	88450661A	SNAP RING	1	16/05/2018			
33	79010481A	GASKET	2	08/04/2020			
34	77244173B	SCREW	2	01/09/2019			
35	85040471A	QUICK FASTENING M5	2	01/09/2019			



SCR00337



DRAWING 019 - EXHAUST SYSTEM [MOD:XDVLDARK]

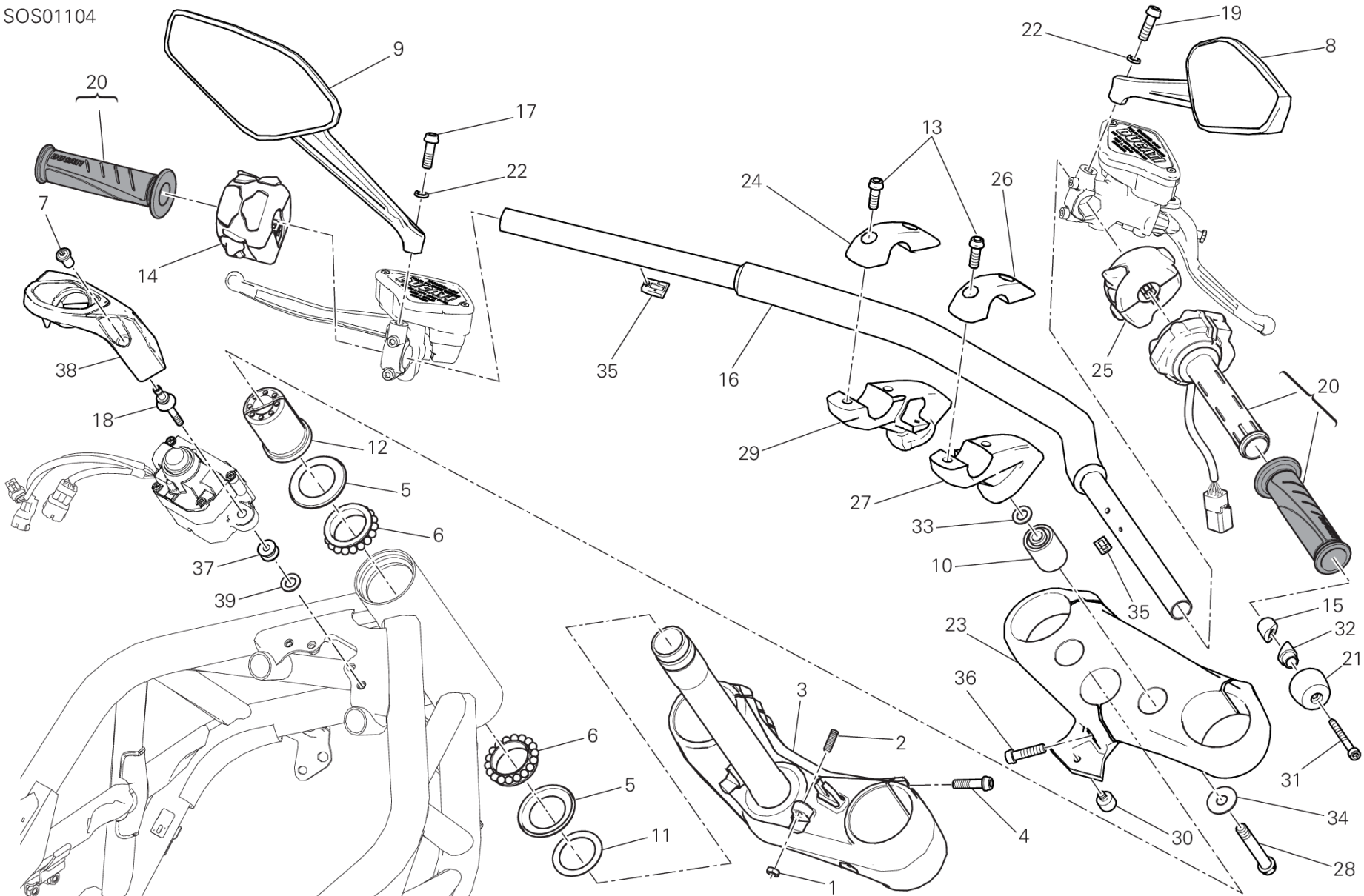
GROUP FRAME



POS.	CODE	DESCRIPTION	QTY	START DATE	END DATE	VALIDITY	NOTES
36	46110961A	HEAT GUARD	1	01/09/2019			



SOS01104



DRAWING 021 - HANDLEBAR [MOD:XDVL DARK]

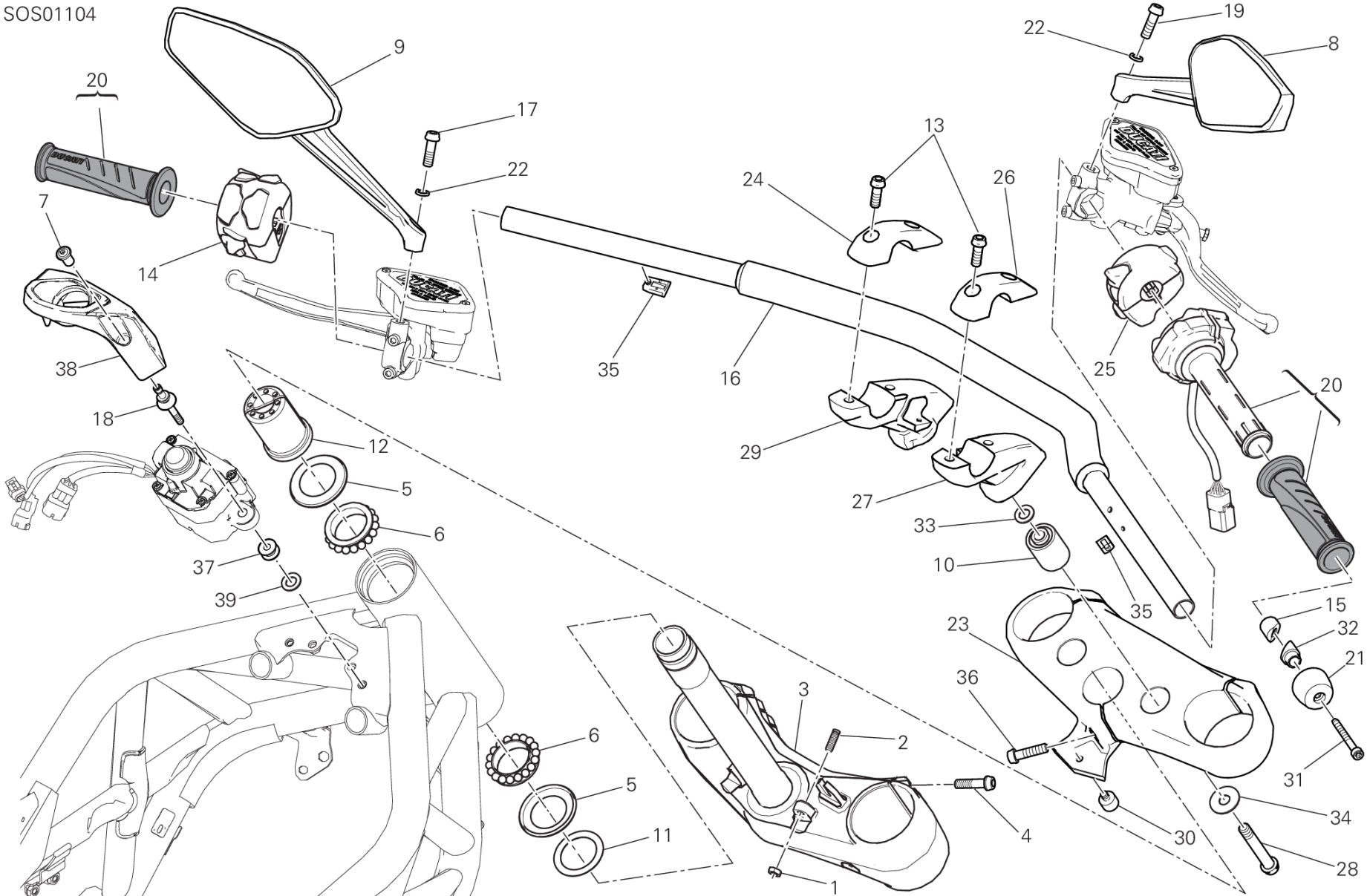
GROUP FRAME



POS.	CODE	DESCRIPTION	QTY	START DATE	END DATE	VALIDITY	NOTES
1	74750071A	NUT	2	05/06/2012			
2	77850281A	THREADED DOWEL STEI M8X25	2	09/09/2015			
3	34220872AA	STEERING HEAD BASE (Unit)	1	09/09/2015			
4	77156688B	SCREW TCEIF	6	09/09/2015			
5	93010041B	SEAL RING	2	05/06/2012			
6	70241231A	BEARING, STEERING NTN SF07A17P	2	19/01/2012			
7	75012341AA	SCREW, SPECIAL	2	07/02/2021			
8	52340242AC	RIGHT MIRROR FOR MAT BLACK	1	15/12/2014			
9	52340252AC	LEFT MIRROR FOR MAT BLACK	1	15/12/2014			
10	70011151A	VIBRATION DAMPER	2	05/06/2012			
11	85211031AB	WASHER	1	05/06/2012			
12	70310441A	RING NUT	1	19/01/2012			
13	77157248B	SCREW TCEIF M8X22	4	12/11/2015			
14	65110232A	LEFT SWITCH	1	12/11/2015			
15	71112791A	BUSH	2	14/09/2015			
16	36011913AC	HANDLEBAR MATT BLACK	1	01/01/2020	07/01/2021	MOD:XDVL DARK;XST:AUS,BLG,EUR,	
	36011923AC	HANDLEBAR BACKWARD	1	01/01/2019	07/01/2021	MOD:XDVL DARK;XST:JAP	
17	77113741A	SCREW TCEIF M8X25	1	19/01/2012			
18	7791A111AA	SCREW, SPECIAL	2	13/05/2019		XST:AUS	
	7791C171BA	SCREW, SPECIAL	2	30/10/2019		XST:BLG,EUR,GSO,JAP,ROK	
19	77113731A	SCREW TCEIF M8X25, LEFT THREAD	1	19/01/2012			
20	66020102B	THROTTLE CONTROL (Unit)	1	11/04/2017			
21	15310072B	BALANCER SET, HANDLE BAR	2	19/01/2012			
22	46210021A	SPRING WASHER 8 MM	2	19/01/2012			
23	34111141AA	STEERING HEAD	1	12/11/2015			
24	36011852AA	HANDLEBAR BRACKET, UPPER LEFT	1	11/04/2017			
25	65010222A	RIGHT SWITCH	1	12/11/2015			
26	36011862AA	HANDLEBAR BRACKET, UPPER RIGHT	1	11/04/2017			
27	36011882AA	HANDLEBAR BRACKET, LOWER RH	1	11/04/2017			
28	77113941A	SCREW TCEIF M10X1.25X65 8.8	2	06/10/2010			
29	36011872AA	HANDLEBAR BRACKET, LOWER LH	1	11/04/2017			
30	82113291B	PIN	1	12/11/2015			
31	77150763B	SCREW TCEI M6X55 UNI5931 8.8	2	19/01/2012			
32	71011451A	BUSH	2	14/09/2015			
33	85250401A	WASHER 10.5X18X1.6	2	05/06/2012			



SOS01104

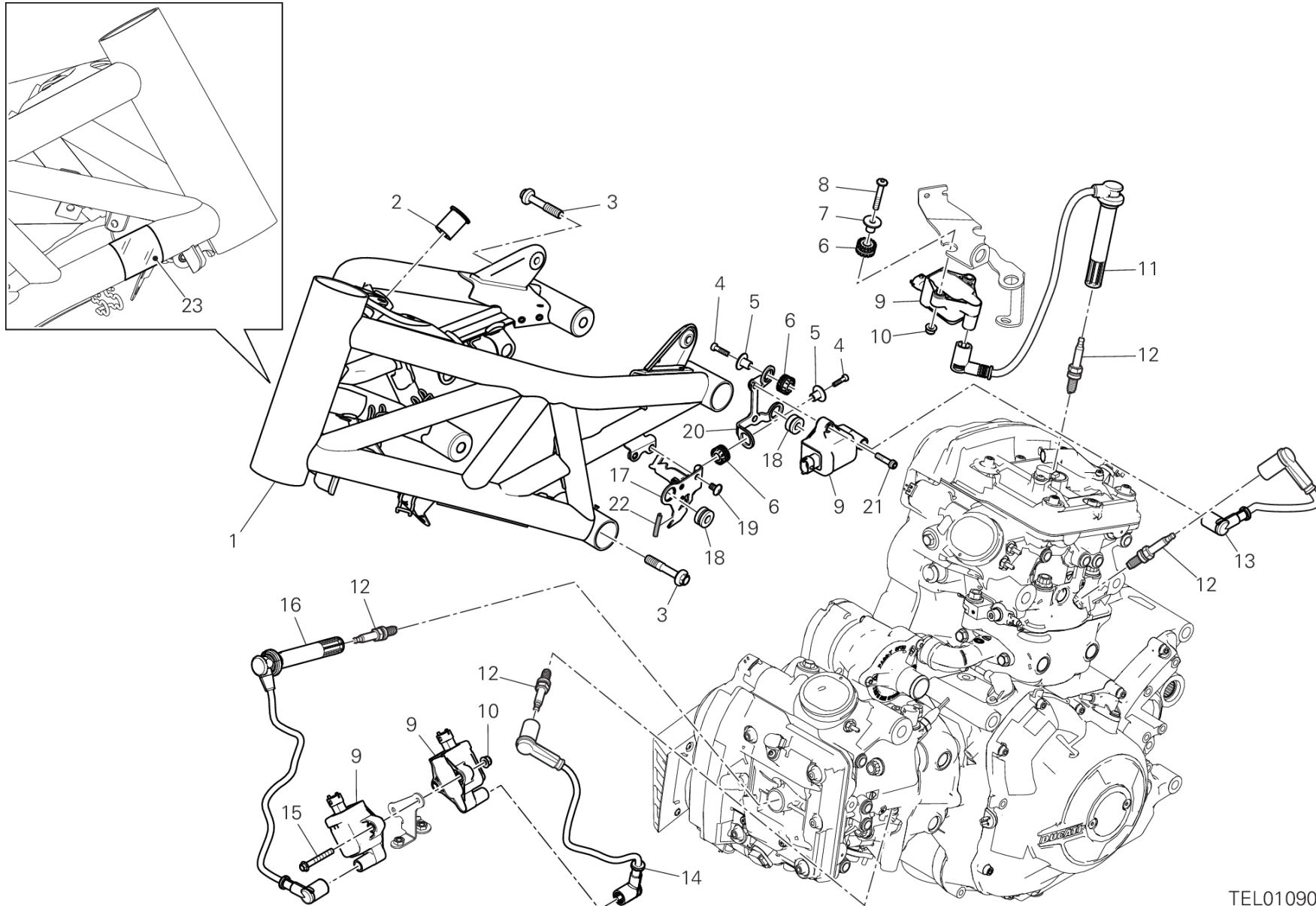


DRAWING 021 - HANDLEBAR [MOD:XDVL DARK]

GROUP FRAME



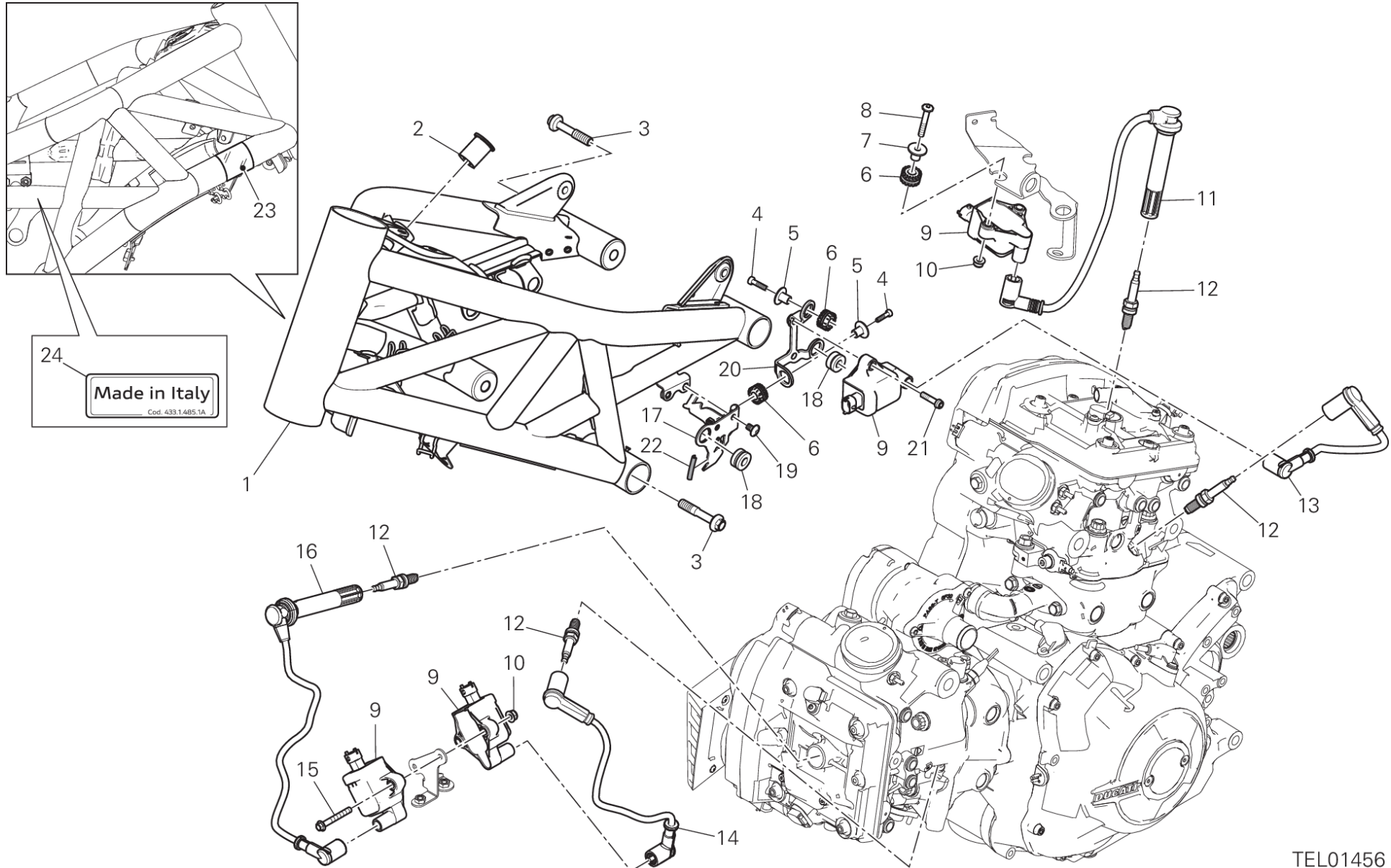
POS.	CODE	DESCRIPTION	QTY	START DATE	END DATE	VALIDITY	NOTES
34	85210491B	WASHER 10.5X28X1.5	2	05/06/2012			
35	83040071A	CLIP	2	12/11/2015			
36	7715727BF	SCREW	3	14/09/2015			
37	71615911AA	SPACER	2	06/11/2020			
38	24716761A	COVER HANDSFREE	1	13/05/2019			
39	85250291A	WASHER	2	07/02/2021			



TEL01090



POS.	CODE	DESCRIPTION	QTY	START DATE	END DATE	VALIDITY	NOTES
1	47013271BC	FRAME BLACK	1	30/10/2019		MOD:XDVL DARK	
2	76410501A	RUBBER PAD	2	14/09/2015			
3	77919841AA	SCREW, SPECIAL	4	14/09/2015			
4	77354743B	SCREW TCEIR M5X20 DIN6912 8.8	2	14/09/2015			
5	71611641AA	SPACER	2	03/09/2015			
6	76410241A	VIBRATION DAMPER PAD	4	03/09/2015			
7	71610061A	SPACER	2	14/09/2015			
8	77240508C	SCREW	2	24/09/2015			
9	38040251A	IGNITION COIL	4	03/09/2015			
10	74941113B	NUT	4	14/09/2015			
11	67110701C	SPARK PLUG CABLE, VERTICAL HEAD LONG	1	14/09/2015			
12	67040451A	SPARK PLUG NGK MAR9A-J	4	16/03/2015			
13	67110711B	SPARK PLUG CABLE, VERTICAL HEAD SHORT	1	14/09/2015			
14	67110731C	SPARK PLUG CABLE, HORIZONTAL HEAD SHORT	1	14/09/2015			
15	77253387C	SCREW	2	14/09/2015			
16	67110721D	SPARK PLUG CABLE, HORIZONTAL HEAD LONG	1	14/09/2015			
17	8301E001BA	BRACKET, CONNECTOR LEFT	1	14/09/2015			
18	76410641A	VIBRATION DAMPER PAD	4	03/09/2015			
19	77113691A	SCREW TCEIF M6X12	2	15/01/2016			
20	8301E061AA	BRACKET, COIL LEFT	1	03/09/2015			
21	77156698B	SCREW TCEIF M6X25	2	03/09/2015			
22	76412131A	RUBBER PAD	1	18/02/2016			
23	92610051A	GUARD	1	28/02/2017			



TEL01456

DRAWING 022 - FRAME [MOD:XDVLDARK;XST:ROK]

GROUP FRAME

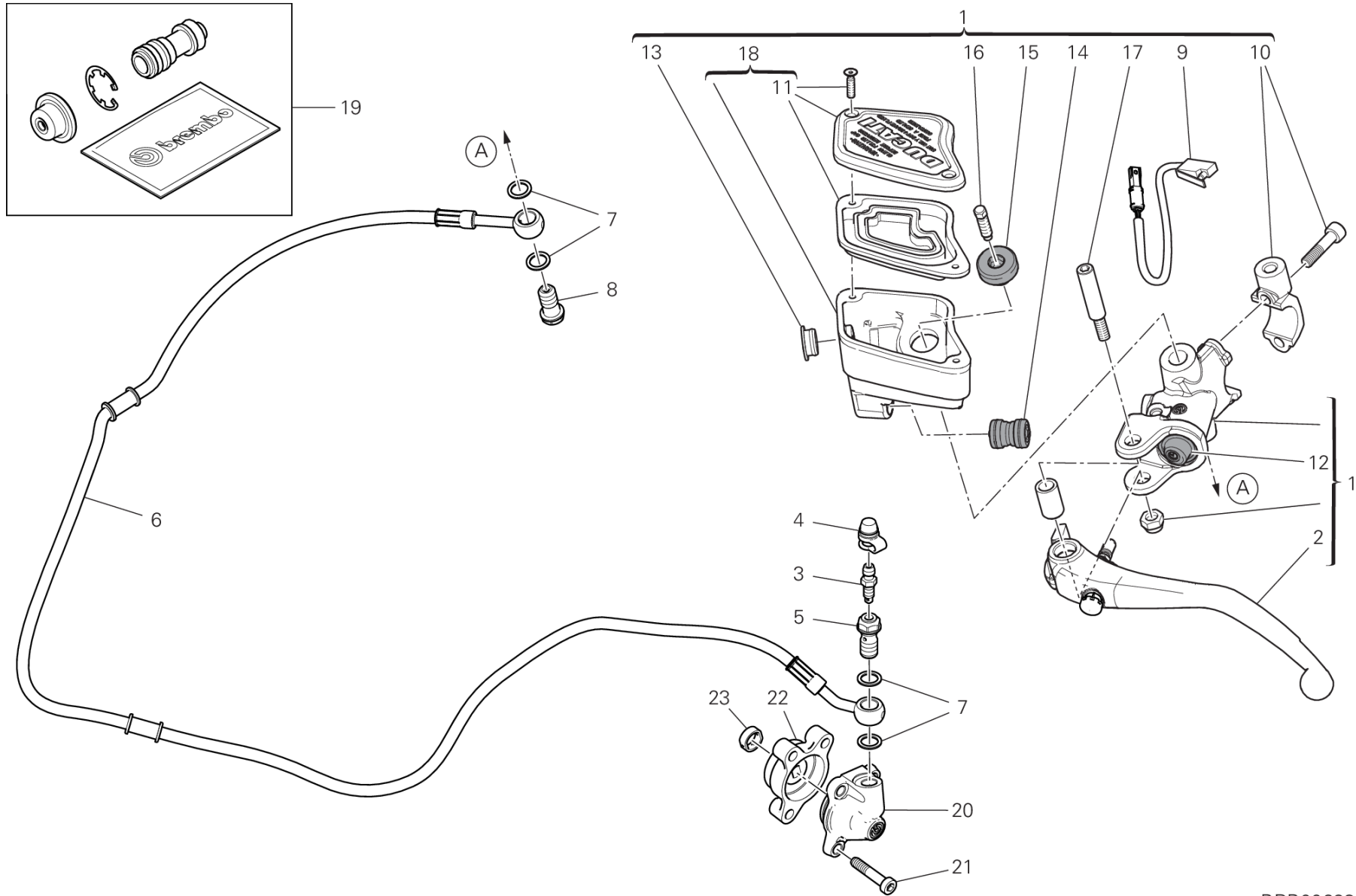


POS.	CODE	DESCRIPTION	QTY	START DATE	END DATE	VALIDITY	NOTES
1	47013271BC	FRAME BLACK	1	30/10/2019		MOD:XDVLDARK	
2	76410501A	RUBBER PAD	2	14/09/2015			
3	77919841AA	SCREW, SPECIAL	4	14/09/2015			
4	77354743B	SCREW TCEIR M5X20 DIN6912 8.8	2	14/09/2015			
5	71611641AA	SPACER	2	03/09/2015			
6	76410241A	VIBRATION DAMPER PAD	4	03/09/2015			
7	71610061A	SPACER	2	14/09/2015			
8	77240508C	SCREW	2	24/09/2015			
9	38040251A	IGNITION COIL	4	03/09/2015			
10	74941113B	NUT	4	14/09/2015			
11	67110701C	SPARK PLUG CABLE, VERTICAL HEAD LONG	1	14/09/2015			
12	67040451A	SPARK PLUG NGK MAR9A-J	4	16/03/2015			
13	67110711B	SPARK PLUG CABLE, VERTICAL HEAD SHORT	1	14/09/2015			
14	67110731C	SPARK PLUG CABLE, HORIZONTAL HEAD SHORT	1	14/09/2015			
15	77253387C	SCREW	2	14/09/2015			
16	67110721D	SPARK PLUG CABLE, HORIZONTAL HEAD LONG	1	14/09/2015			
17	8301E001BA	BRACKET, CONNECTOR LEFT	1	14/09/2015			
18	76410641A	VIBRATION DAMPER PAD	4	03/09/2015			
19	77113691A	SCREW TCEIF M6X12	2	15/01/2016			
20	8301E061AA	BRACKET, COIL LEFT	1	03/09/2015			
21	77156698B	SCREW TCEIF M6X25	2	03/09/2015			
22	76412131A	RUBBER PAD	1	18/02/2016			
23	92610051A	GUARD	1	28/02/2017			
24	43314851A	MARKING PLATE	1	09/03/2020			



DRAWING 023 - CLUTCH MASTER CYLINDER [MOD:XDVL DARK]

GROUP FRAME



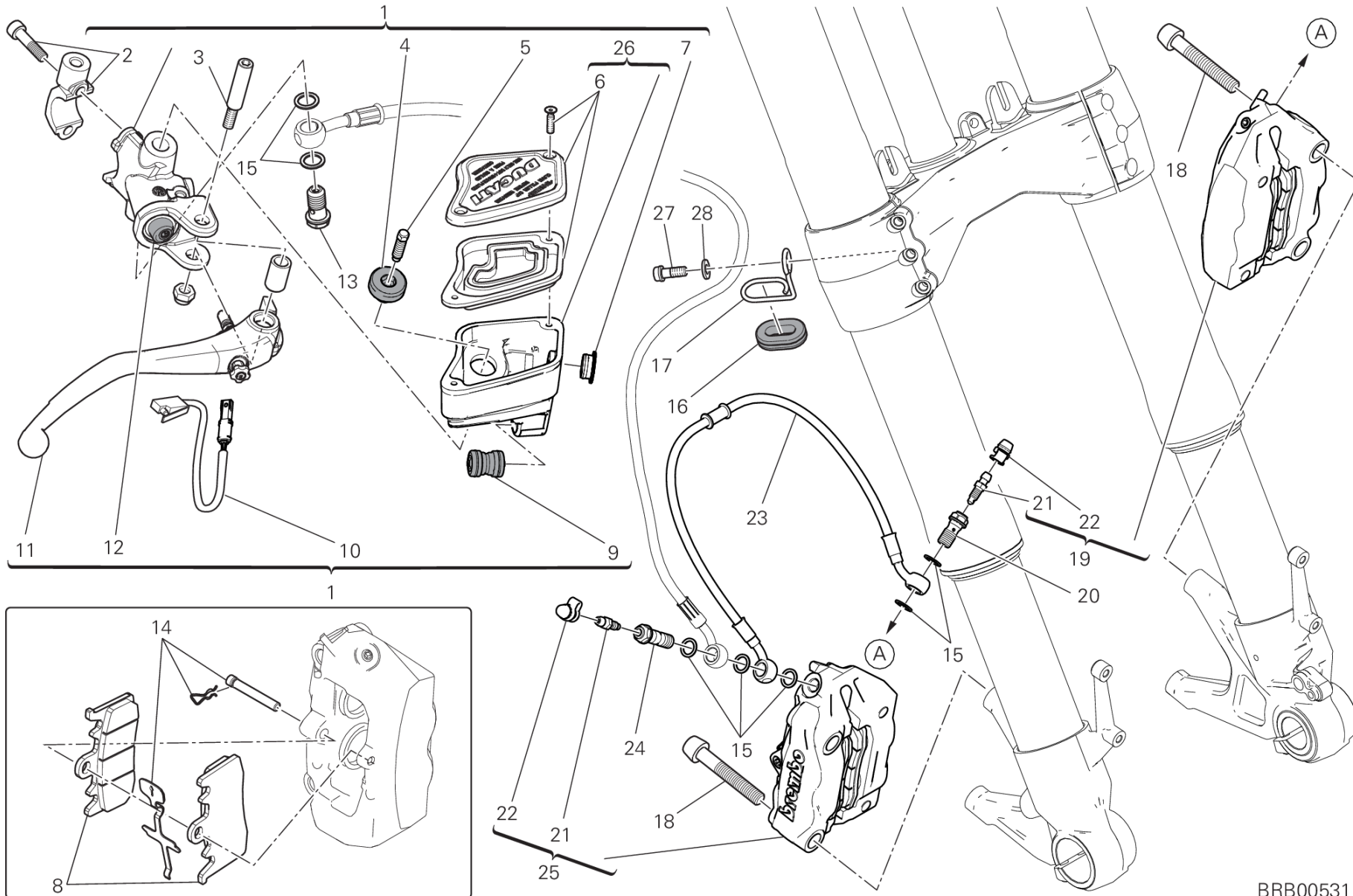
BRB00693

DRAWING 023 - CLUTCH MASTER CYLINDER [MOD:XDVL DARK]

GROUP FRAME



POS.	CODE	DESCRIPTION	QTY	START DATE	END DATE	VALIDITY	NOTES
1	63040704A	CLUTCH MASTER CYLINDER	1	29/08/2017			
2	62610131A	CLUTCH LEVER	1	07/02/2011			
3	18710021A	VALVE, BREATHER	1	06/05/2010			
4	61240052A	DUST COVER	1	01/10/2010			
5	77913971A	BOLT, BRAKE HOSE	1	06/05/2010			
6	63211081A	HOSE, CLUTCH	1	01/01/2020			
7	85250241A	WASHER 10X14X1	4	06/05/2010			
8	77913662AB	SCREW, SPECIAL	1	06/05/2010			
9	53940771A	MICROSWITCH	1	29/08/2017			
10	62640661A	BRACKET, CLUTCH MASTER CYLINDER	1	10/12/2015			
11	89340301A	TANK CAP	1	10/12/2015			
12	61240391A	DUST COVER	1	07/02/2011			
13	62640761A	WINDOW, OIL LEVEL CHECK	1	07/02/2011			
14	62640771A	UNION	1	07/02/2011			
15	61240231A	PLUG, BREATHER	1				
16	77140141A	SCREW TCEIF	1	07/02/2011			
17	62640561A	BOLT, LEVER	1	07/02/2011			
18	58540371A	OIL TANK ASSY	1	10/12/2015			
19	61041991A	BREMBO CLUTCH FLOATING PISTON KIT	1				
20	19540081B	PISTON ASSEMBLY	1	01/01/2020			
21	77354893C	SCREW	3	01/06/2020			
22	19510411D	SPACER	1				
23	78811641C	GASKET	1				



BRB00531

DRAWING 024 - FRONT BRAKE SYSTEM [MOD:XDVLDARK]

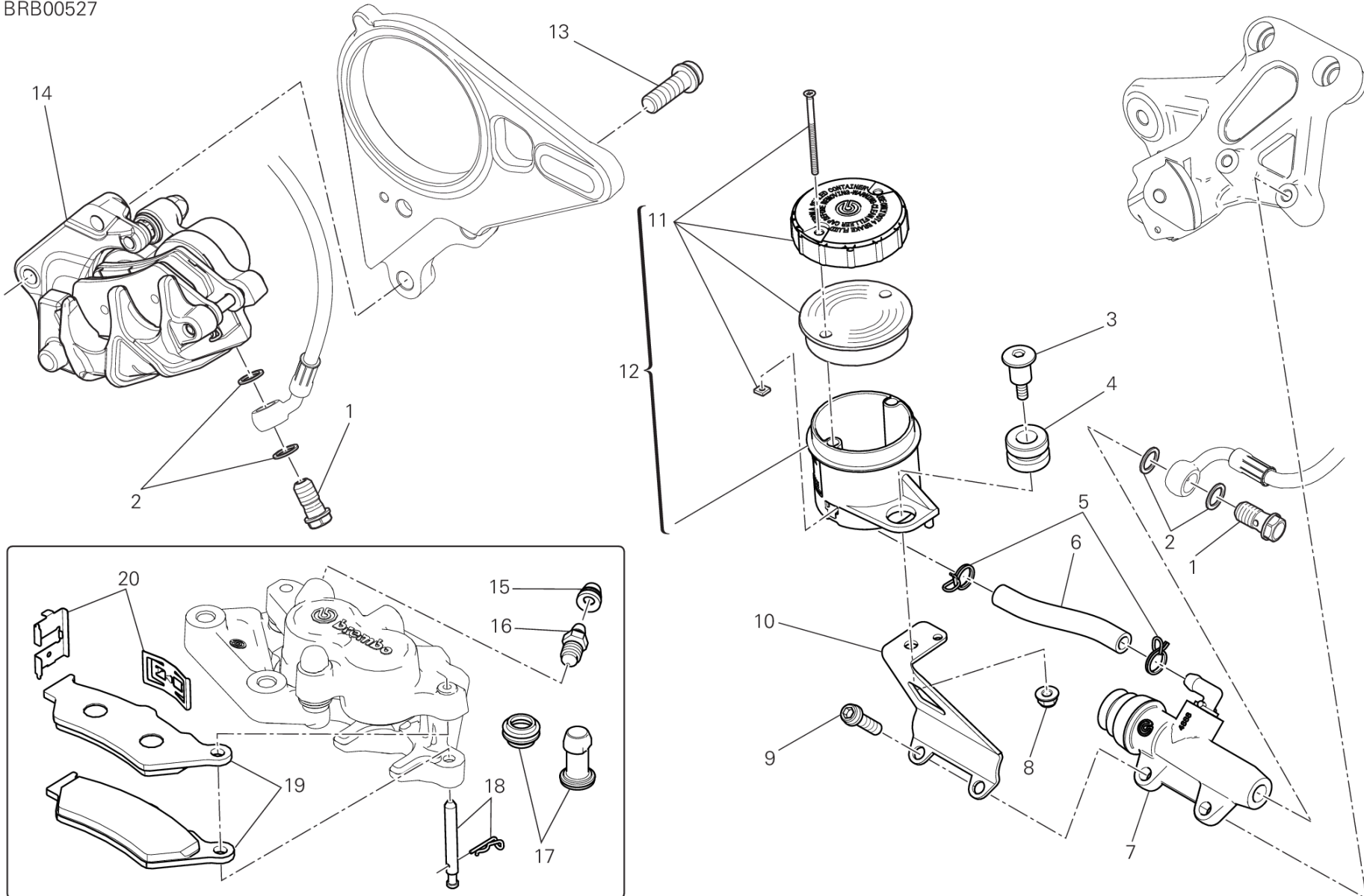
GROUP FRAME



POS.	CODE	DESCRIPTION	QTY	START DATE	END DATE	VALIDITY	NOTES
1	62441026A	FRONT BRAKE PUMP	1	24/09/2015			
2	62640671A	BRACKET, MASTER CYLINDER	1				
3	62640561A	BOLT, LEVER	1	07/02/2011			
4	61240231A	PLUG, BREATHER	1				
5	77140141A	SCREW TCEIF	1	07/02/2011			
6	89340311A	TANK CAP	1	10/12/2015			
7	62640761A	WINDOW, OIL LEVEL CHECK	1	07/02/2011			
8	61341021A	FRONT BRAKE PADS SET	2	01/07/2012			
9	62640771A	UNION	1	07/02/2011			
10	53940831A	MICROSWITCH	1	10/12/2015			
11	62610121A	LEVER, FRONT BRAKE	1	07/02/2011			
12	61240391A	DUST COVER	1	07/02/2011			
13	77914151A	BOLT, BRAKE HOSE	1	24/12/2009			
14	61240511A	SPARE PIN AND SPRING	1	01/07/2012			
15	85250241A	WASHER 10X14X1	7	24/12/2009			
16	75810541B	RUBBER PAD	1	17/12/2015			
17	88110741A	RING	1	17/12/2015			
18	77915111B	SCREW	4	14/09/2015			
19	61041292C	LEFT FRONT BRAKE CALIPER	1	13/03/2017			
20	77913971A	BOLT, BRAKE HOSE	2	24/09/2015			
21	18710021A	VALVE, BREATHER	2	24/09/2015			
22	61240052A	DUST COVER	2	01/10/2010			
23	61810511A	HOSE, FRONT BRAKE CALIPER-CALIPER	1	09/03/2016			
24	77914651A	BOLT, BRAKE HOSE	1				
25	61041302C	RIGHT FRONT BRAKE CALIPER	1				
26	58540341A	RESERVOIR, BRAKE FLUID	1	01/01/2018			
27	77244178B	SCREW	1	01/02/2016			
28	85211761A	WASHER 6.4X12.5X1.6	2	10/10/2017			



BRB00527



DRAWING 025 - REAR BRAKE SYSTEM [MOD:XDVL DARK]

GROUP FRAME



POS.	CODE	DESCRIPTION	QTY	START DATE	END DATE	VALIDITY	NOTES
1	77913662AB	SCREW, SPECIAL	2	24/09/2015			
2	85250241A	WASHER 10X14X1	4	24/09/2015			
3	77910921A	SCREW	1	14/09/2015			
4	76414191A	DAMPER	1	14/09/2015			
5	74140431A	CLAMP	2	24/09/2015			
6	87712721A	HOSE	1	01/01/2020			
7	62540341A	REAR BRAKE PUMP	1	24/09/2015			
8	74810351B	NUT	1	14/09/2015			
9	77156683B	SCREW	2	14/09/2015			
10	8301E281AA	BRACKET, RESERVOIR TANK	1	14/09/2015			
11	89340251A	COVER MASTER CYLINDER	1				
12	58540341A	RESERVOIR, BRAKE FLUID	1	24/09/2015			
13	77159338B	SCREW TCEIF M10X1.25X30 8.8	2	14/09/2015			
14	61140371B	REAR BRAKE CALIPER	1	24/09/2015			
15	61240081A	DUST PLUG (confezione da 20 pezzi)	1	01/10/2010			
16	63140281A	DRAIN	1	01/10/2010			
17	61240301A	DUST COVER	1	01/10/2010			
18	61240321A	PIN BRAKE PAD	1	01/10/2010			
19	61340941A	REAR BRAKE PADS SET	1	01/10/2010			
20	61240481A	SPRING, PAD STOPPER	1	01/10/2010			

DRAWING 026 - WHEELS [MOD:XDVLDARK]

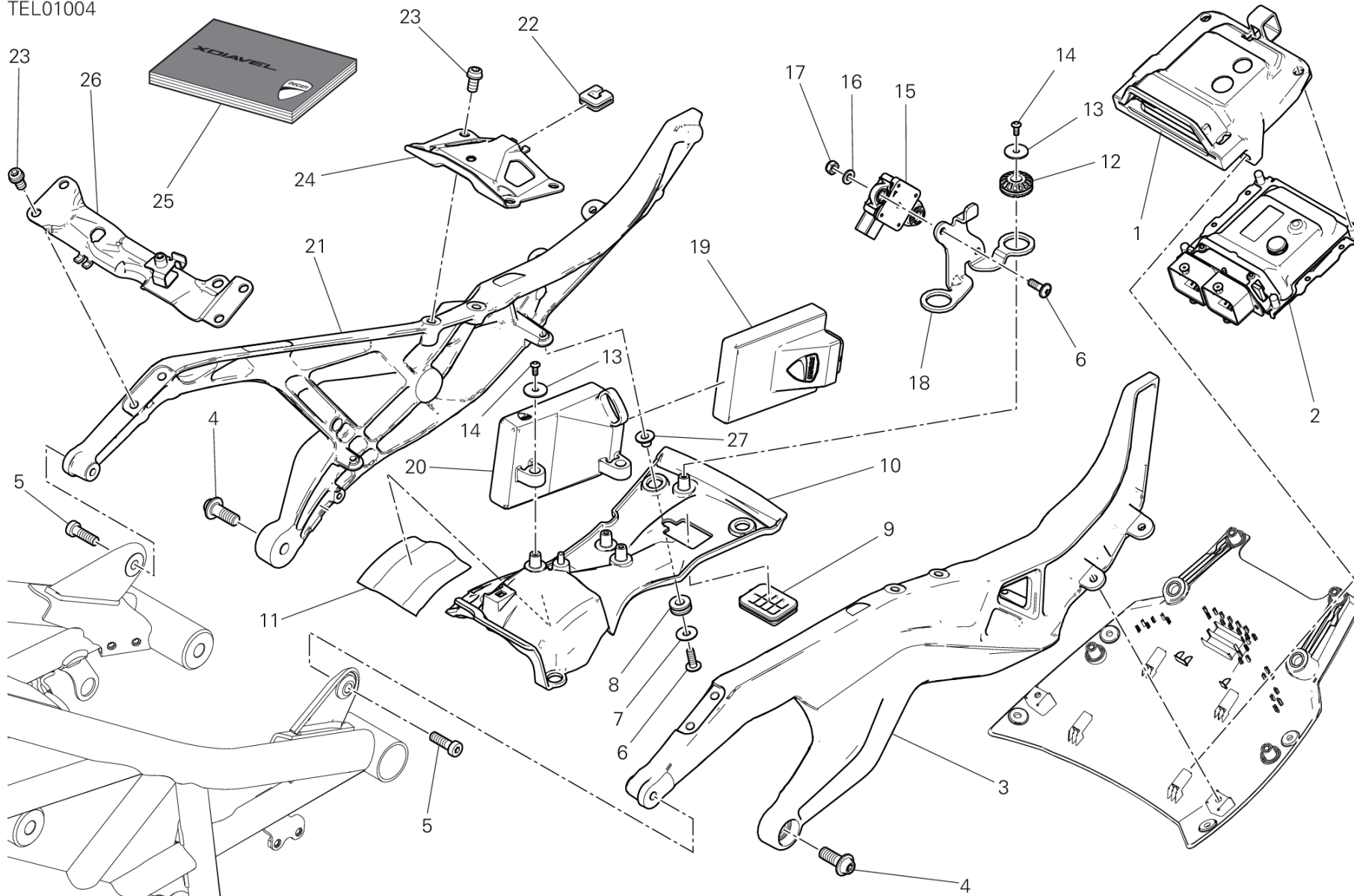
GROUP FRAME



POS.	CODE	DESCRIPTION	QTY	START DATE	END DATE	VALIDITY	NOTES
1	74810651A	NUT	1	19/01/2012			
2	71311973A	LEFT SPACER	1	19/01/2012			
3	49720071AC	VALVE, TUBELESS TIRE	1	26/10/2012			
4	72010513C	SCREW	10	26/10/2012			
5	49241011A	FRONT BRAKE DISC	2	19/01/2012			
6	85212221A	WASHER	1	19/01/2012			
7	50211871AD	REAR WHEEL RIM	1	01/01/2020		MOD:XDVLDARK	
8	70250621A	BEARING	2	24/12/2009			
9	71413221A	INNER SPACER	1	24/12/2009			
10	50122061AB	FRONT WHEEL RIM	1	01/01/2020		MOD:XDVLDARK	
11	81910692AA	FRONT WHEEL SPINDLE	1	04/02/2020			
12	504Z0381AA	PHONIC WHEEL	1	19/01/2012			
13	75012072AA	NUT	1	18/05/2017			
14	85212211A	WASHER 48.5X65X0.5	1	19/01/2012			
15	71411352AA	SPACER	1	28/02/2017			
16	49720031A	VALVE, TUBELESS TIRE	1	01/01/2009			
17	71311961A	RIGHT SPACER	1	19/01/2012			
18	93041501A	SEAL RING	2	24/12/2009			
19	75910222A	CLIP	1	19/01/2012			



TEL01004



DRAWING 027 - REAR FRAME COMP. [MOD:XDVLDARK]

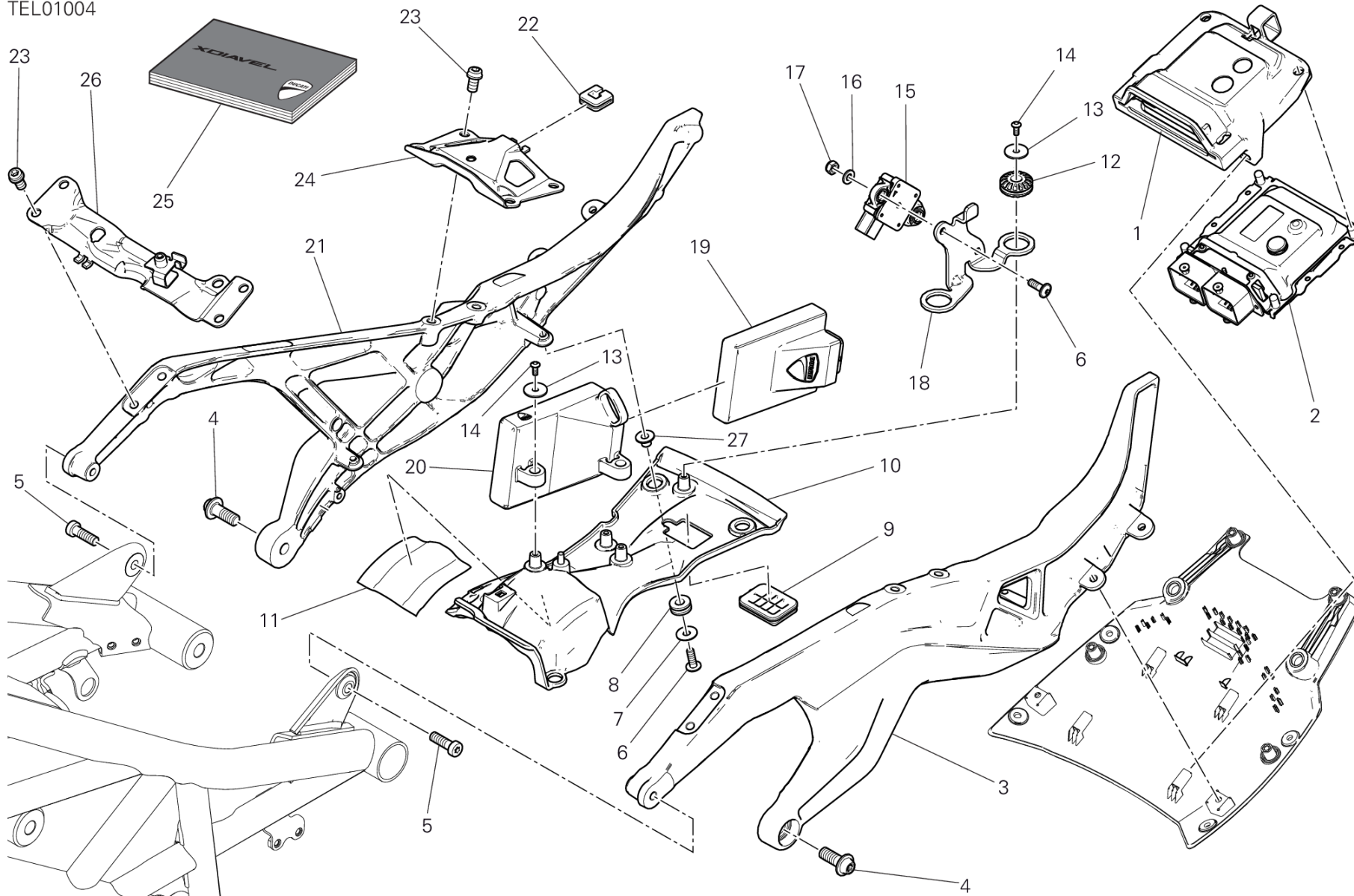
GROUP FRAME



POS.	CODE	DESCRIPTION	QTY	START DATE	END DATE	VALIDITY	NOTES
1	86612181A	MOUNT RUBBER ENGINE CONTROL UNIT	1				
2	28643461A	ENGINE CONTROL UNIT	1	21/09/2020		XST:EUR,GSO,JAP,ROK	
	28643461E	ENGINE CONTROL UNIT	1	21/09/2020		XST:BLG	
	28643461N	ENGINE CONTROL UNIT	1	01/12/2020		XST:AUS	
3	47110681AA	REAR FRAME L.H.	1	14/09/2015		MOD:XDVLDARK	
4	77919822AA	SCREW, SPECIAL	2	28/02/2017			
5	77340281A	SCREW	2	14/09/2015			
6	77240438C	SCREW TBEIF M6X18	6	14/09/2015			
7	85250091A	WASHER 6.4X18X1	4	14/09/2015			
8	76410841B	RUBBER PAD	4	19/10/2015			
9	87211141A	PLUG	1	14/09/2015			
10	4601D433A	COVER LOWER	1	19/10/2015			
11	4601E272A	THERMOREFLECTING PROTECTION	1	19/11/2015			
12	76411361A	VIBRATION DAMPER PAD	2	19/10/2015			
13	85241711A	WASHER	4	19/10/2015			
14	77440061A	SCREW, TAPPING	4	19/10/2015			
15	38540073B	PIATTAFORMA INERZIALE	1	19/10/2015			
16	85211761A	WASHER 6.4X12.5X1.6	2	19/10/2015			
17	74941333B	NUT	2	19/10/2015			
18	8301E091AA	BRACKET PIATTAFORMA INERZIALE	1	19/10/2015			
19	38511284A	BLACKBOX UNIT	1	07/07/2020		XST:AUS,EUR,GSO,JAP,ROK	
	38511532A	BLACKBOX UNIT	1	07/07/2020		XST:BLG	
20	86612171A	MOUNT RUBBER BLACKBOX UNIT	1	19/10/2015			
21	47110691AA	REAR FRAME R.H.	1	14/09/2015		MOD:XDVLDARK	
22	76412341A	RUBBER PAD	1	14/09/2015			
23	77157203B	SCREW TCEIF M8X14 8.8	8	14/09/2015			
24	47110632BA	PLATE, REAR FRAME	1	14/09/2015			
25	91375171AR	OWNER'S MANUAL	1			MOD:XDVLDARK	ARABIC
	91375171BG	OWNER'S MANUAL	1			MOD:XDVLDARK	BULGARIAN
	91375171CA	OWNER'S MANUAL	1			MOD:XDVLDARK	FRENCH (CANADA)
	91375171CS	OWNER'S MANUAL	1			MOD:XDVLDARK	CZECH
	91375171DA	OWNER'S MANUAL	1			MOD:XDVLDARK	DANISH
	91375171DE	OWNER'S MANUAL	1			MOD:XDVLDARK	GERMAN
	91375171EL	OWNER'S MANUAL	1			MOD:XDVLDARK	GREEK
	91375171EN	OWNER'S MANUAL	1			MOD:XDVLDARK	ENGLISH



TEL01004

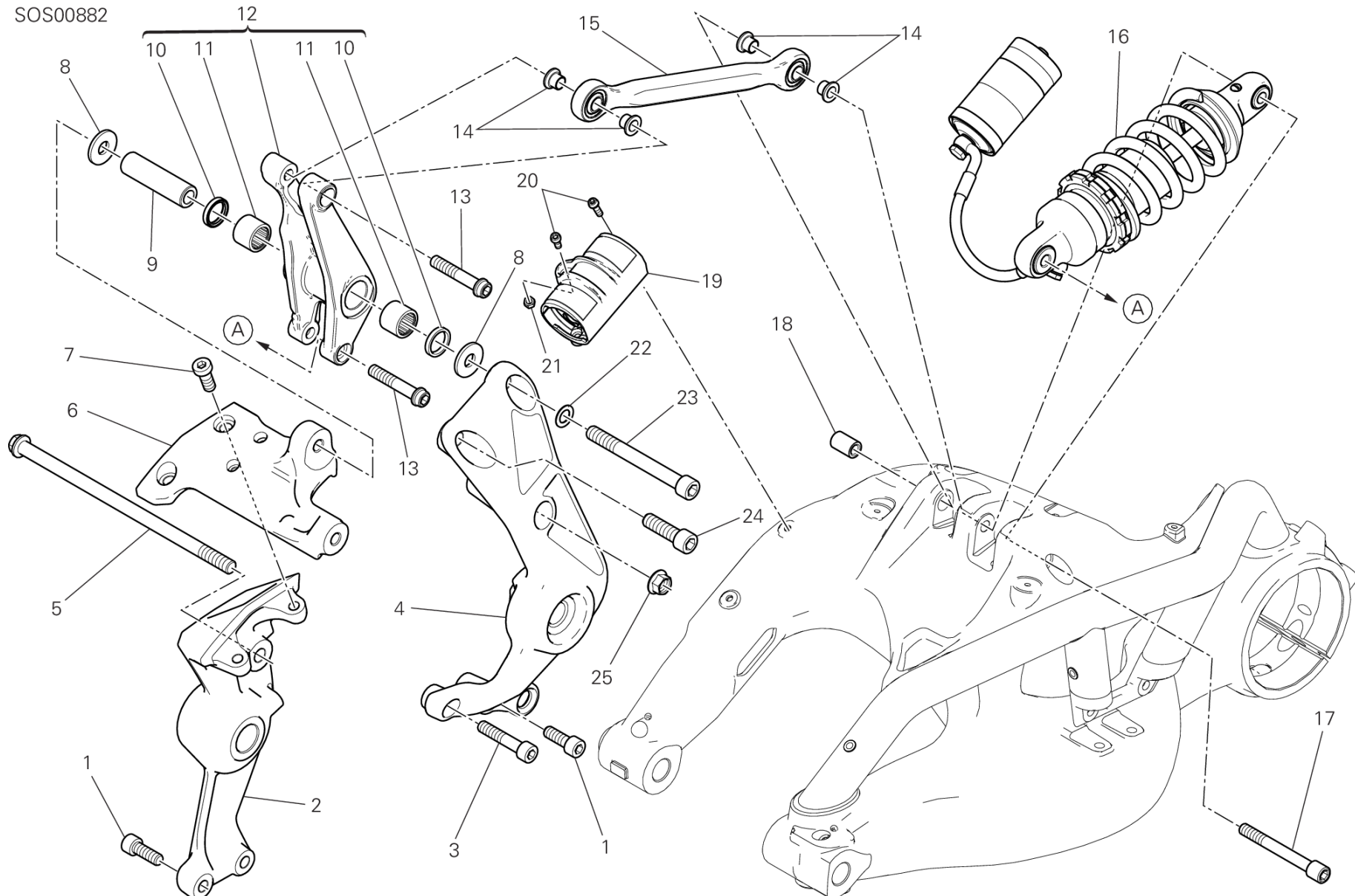


DRAWING 027 - REAR FRAME COMP. [MOD:XDVL DARK]

GROUP FRAME



POS.	CODE	DESCRIPTION	QTY	START DATE	END DATE	VALIDITY	NOTES
	91375171ES	OWNER'S MANUAL	1			MOD:XDVL DARK	SPANISH
	91375171FI	OWNER'S MANUAL	1			MOD:XDVL DARK	FINNISH
	91375171FR	OWNER'S MANUAL	1			MOD:XDVL DARK	FRENCH
	91375171HR	OWNER'S MANUAL	1			MOD:XDVL DARK	CROATO
	91375171HU	OWNER'S MANUAL	1			MOD:XDVL DARK	HUNGARIAN
	91375171IT	OWNER'S MANUAL	1			MOD:XDVL DARK	ITALIAN
	91375171JA	OWNER'S MANUAL	1			MOD:XDVL DARK	JAPANESE
	91375171KO	OWNER'S MANUAL	1			MOD:XDVL DARK	KOREAN
	91375171NL	OWNER'S MANUAL	1			MOD:XDVL DARK	DUTCH
	91375171NO	OWNER'S MANUAL	1			MOD:XDVL DARK	NORWEGIAN
	91375171PL	OWNER'S MANUAL	1			MOD:XDVL DARK	POLISH
	91375171PT	OWNER'S MANUAL	1			MOD:XDVL DARK	PORTUGUESE
	91375171RO	OWNER'S MANUAL	1			MOD:XDVL DARK	ROMANIAN
	91375171RU	OWNER'S MANUAL	1			MOD:XDVL DARK	ROMANIAN
	91375171SK	OWNER'S MANUAL	1			MOD:XDVL DARK	SLOVAK
	91375171SL	OWNER'S MANUAL	1			MOD:XDVL DARK	SLOVENIAN
	91375171SV	OWNER'S MANUAL	1			MOD:XDVL DARK	SWEDISH
	91375171ZH	OWNER'S MANUAL	1			MOD:XDVL DARK	TRADITIONAL CHINESE
26	8301D931AA	BRACKET FRONT	1	14/09/2015			
27	71614691AA	SPACER	4	01/02/2016			

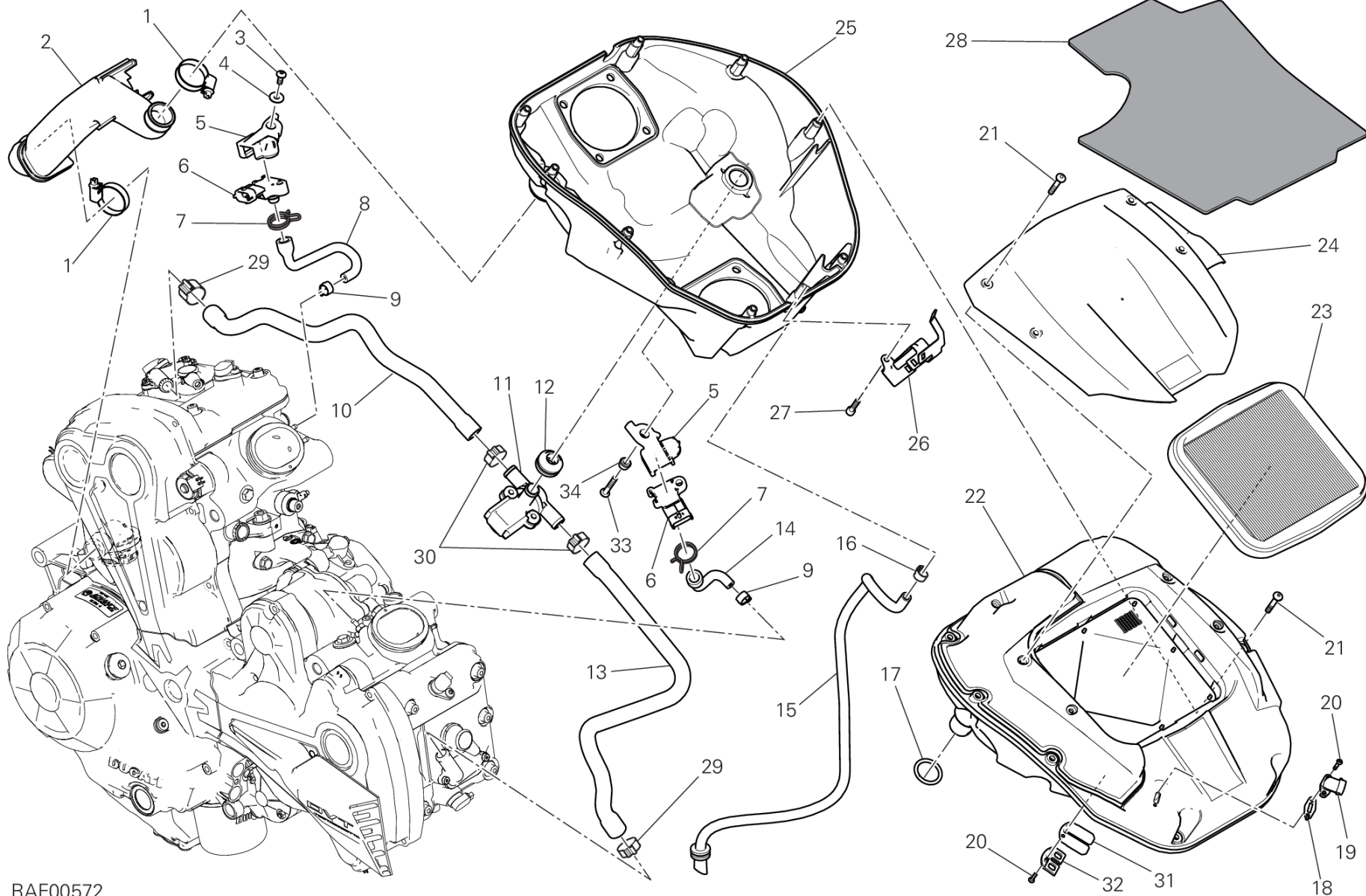


DRAWING 028 - REAR SHOCK ABSORBER [MOD:XDVL DARK]

GROUP FRAME



POS.	CODE	DESCRIPTION	QTY	START DATE	END DATE	VALIDITY	NOTES
1	77151568C	SCREW	3	27/05/2016			
2	47110592AC	PLATE R.H.	1	01/01/2018		MOD:XDVL DARK	
3	7715160BF	SCREW M10X50	1	01/02/2016			
4	47110582BC	PLATE L.H.	1	01/01/2017		MOD:XDVL DARK	
5	77918151AA	SCREW, SPECIAL	1	14/09/2015			
6	47110602AC	CENTRAL PLATE	1	14/09/2015		MOD:XDVL DARK	
7	77351548C	SCREW M10X25	2	14/09/2015			
8	85213841AA	WASHER	2	14/09/2015			
9	71510071B	SPACER	1	14/09/2015			
10	93041271A	SEAL RING 20X26X4	2	23/11/2015			
11	70140381A	BEARING, NEEDLE	2	23/11/2015			
12	37221862AA	LEVER SET, REAR CUSHION (Unit)	1	15/12/2015			
13	77159388B	SCREW TCEIF M10X50X1.25	2	14/09/2015			
14	71011321A	BUSH 10X18X11	4	14/09/2015			
15	37220851A	ROD	1	14/09/2015			
16	36521743A	REAR SHOCK ABSORBER	1	01/07/2017			
17	77110161A	SCREW	1	14/09/2015			
18	75011171A	NUT, SPECIAL	1	14/09/2015			
19	8291H122A	TANK SUPPORT	1	13/07/2017			
20	77156413B	SCREW TCEIF M5X16	3	14/09/2015			
21	74750111A	NUT M5	1	14/09/2015			
22	85213941AA	WASHER	1	14/09/2015			
23	77110641AA	SCREW, SPECIAL	1	14/09/2015			
24	7715186BF	SCREW	1	14/09/2015			
25	74841011AA	NUT, FLANGE	1	14/09/2015			



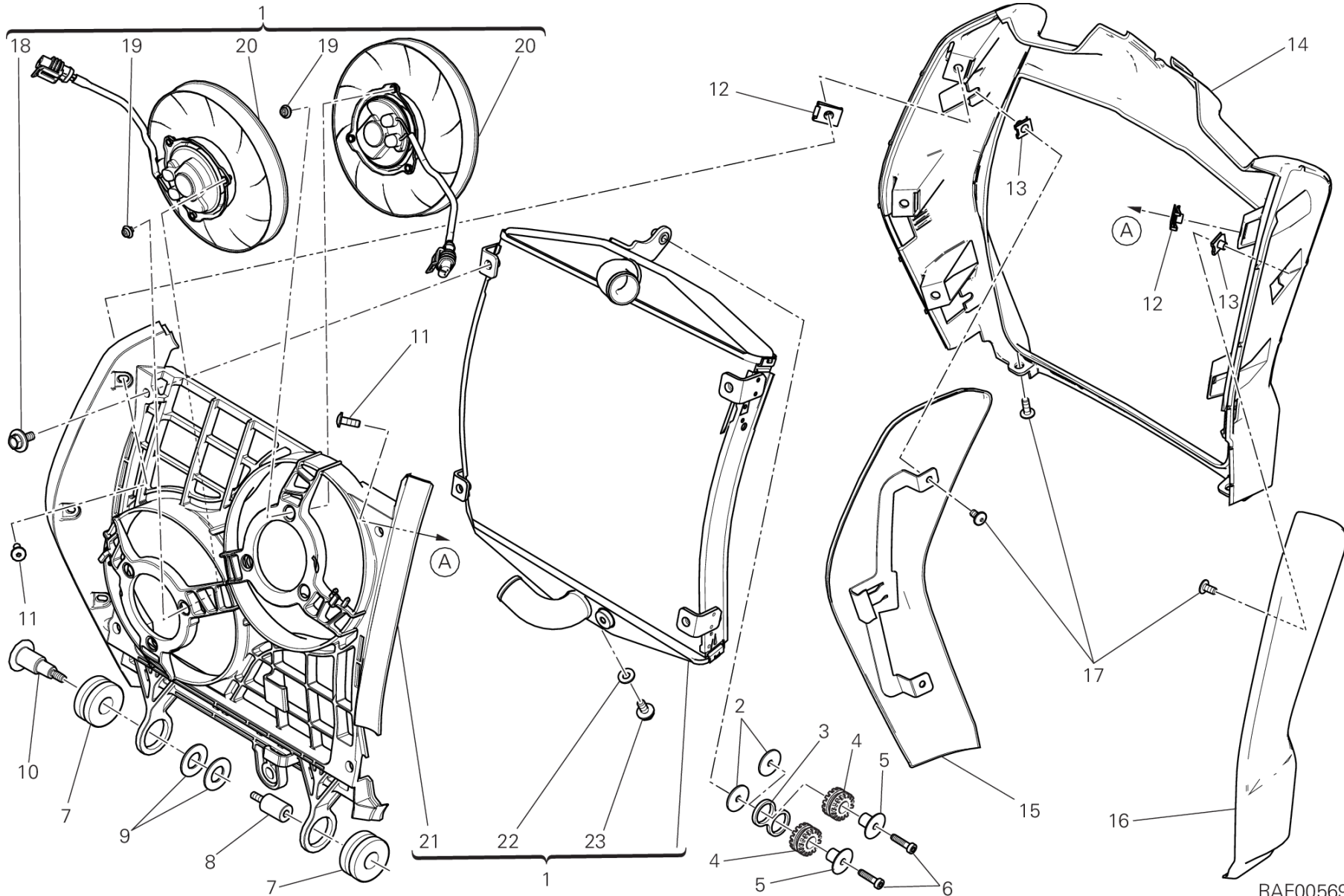
RAF00572

DRAWING 029 - INTAKE [MOD:XDVLDARK]

GROUP FRAME



POS.	CODE	DESCRIPTION	QTY	START DATE	END DATE	VALIDITY	NOTES
1	74141861A	CLAMP 20-32 MM	2	14/09/2015			
2	87611371B	HOSE, BLOW-BY	1	01/12/2015			
3	77440321A	SCREW, TAPPING	1	14/09/2015			
4	85250311A	WASHER	1	14/09/2015			
5	8291D521B	MOUNT RUBBER	2	01/06/2016			
6	55243161B	SENSOR, PRESSURE	2	14/09/2015			
7	74142251A	CLAMP	2	14/09/2015			
8	59018181A	TUBE VERTICAL SENSOR, PRESSURE	1	14/09/2015			
9	74141711A	CLAMP 10-7 MM	1	14/09/2015			
10	80110632A	DUCT, AIR VERTICAL	1	01/09/2016			
11	65540081A	ACTUATOR	1	14/09/2015			
12	76411621A	RUBBER PAD	1	14/09/2015			
13	80110641A	DUCT, AIR HORIZONTAL	1	14/09/2015			
14	59018193A	TUBE HORIZONTAL SENSOR, PRESSURE	1	14/09/2015			
15	59018211A	HOSE, DRAIN AIRBOX	1	14/09/2015			
16	74140651A	CLAMP	1	14/09/2015			
17	88642451A	O-RING	1	14/09/2015			
18	78811041A	GASKET, COOLING WATER SENSOR	1	14/09/2015			
19	55240121A	SENSOR, AIR TEMPERATURE	1	14/09/2015			
20	77440183C	SCREW	3	14/09/2015			
21	77440121A	SCREW	12	14/09/2015			
22	44221751B	AIR FILTER BOX UPPER	1	14/09/2015			
23	42610491A	FILTER, AIR	1	14/09/2015			
24	24612221A	COVER AIR BOX , UPPER	1	14/09/2015			
25	44213122B	LOWER FILTER BOX	1	14/09/2015			
26	8301D991AA	BRACKET, CONNECTOR	1	14/09/2015			
27	77156413B	SCREW TCEIF M5X16	1	14/09/2015			
28	48611141A	DAMPER, SOUND ARRESTER AIRBOX	1	14/09/2015			
29	74142371A	CLAMP	2	14/09/2015			
30	74142401A	CLAMP	2	14/09/2015			
31	81110021A	REED VALVE ASSY	1	15/02/2016			
32	82716031A	SPACER	1	15/02/2016			
33	77440131A	SCREW, TAPPING 5X25 WN1411	1	07/06/2016			
34	85611661A	CLIP SENSOR, PRESSURE	1	07/06/2016			



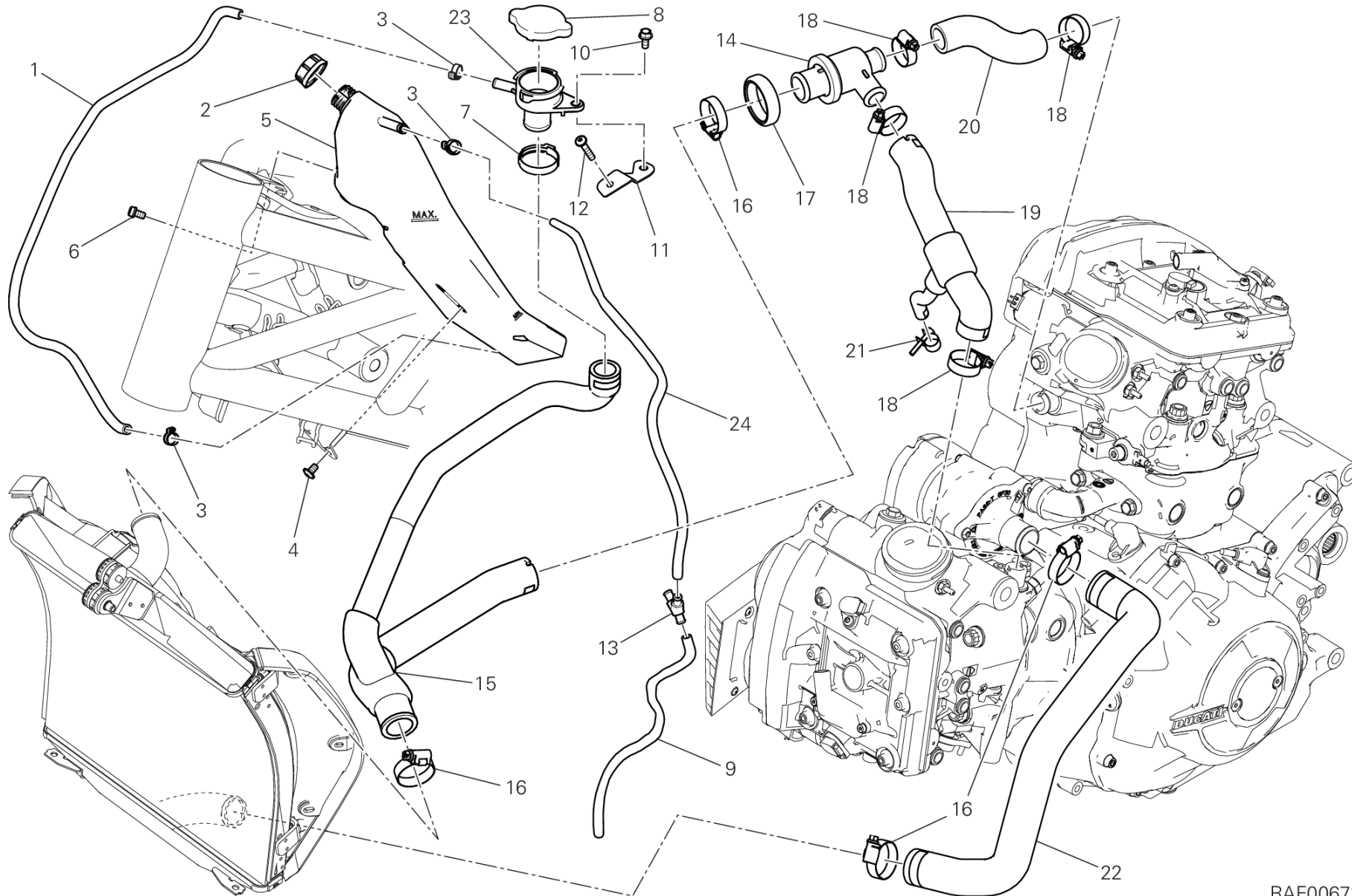
RAF00569

DRAWING 030 - WATER COOLER [MOD:XDVL DARK]

GROUP FRAME



POS.	CODE	DESCRIPTION	QTY	START DATE	END DATE	VALIDITY	NOTES
1	54810591BA	WATER COOLER	1	14/09/2015			
2	85241731A	WASHER 5.5X20X1.5	2	14/09/2015			
3	82718161AA	PLATE	1	01/09/2015			
4	76410241A	VIBRATION DAMPER PAD	2	01/09/2015			
5	71611641AA	SPACER	2	14/09/2015			
6	77150458B	SCREW TCEI M5X25	2	14/09/2015			
7	76412351A	VIBRATION DAMPER PAD	2	14/09/2015			
8	82115401BA	PIN	1	01/02/2016			
9	85210681B	SPACER,15X28X1	2	14/09/2015			
10	82115611BA	PIN LEFT	1	14/09/2015			
11	77240273C	SCREW	5	14/09/2015			
12	85040551A	QUICK FASTENING	5	14/09/2015			
13	85040471A	QUICK FASTENING M5	3	14/09/2015			
14	48017722A	FAIRING WATER COOLER	1	14/09/2015			
15	48017731AC	LEFT COVER RADIATORE ACQUA NERO	1	14/09/2015			
16	48017741AC	RIGHT COVER RADIATORE ACQUA NERO	1	14/09/2015			
17	77240253C	SCREW	6	14/09/2015			
18	77253711A	SCREW	5				
19	77253701A	SCREW	6				
20	55040291A	ELECTRIC FAN	2				
21	48018801A	BRACKET ELECTRIC FAN	1				
22	85250771A	WASHER	1				
23	78050181A	RADIATOR CAP	1				



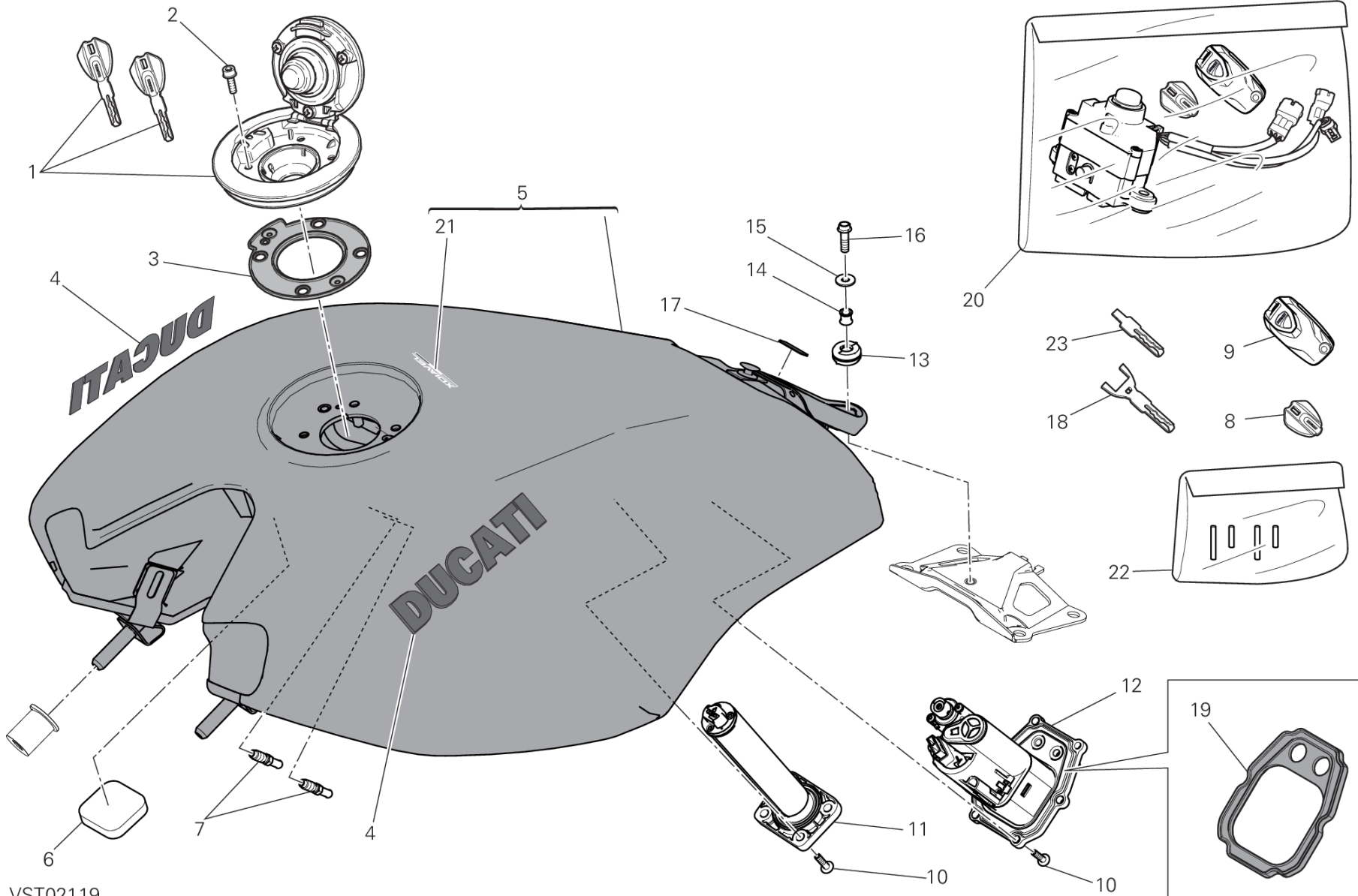
RAF00673

DRAWING 031 - COOLING CIRCUIT [MOD:XDVL DARK]

GROUP FRAME



POS.	CODE	DESCRIPTION	QTY	START DATE	END DATE	VALIDITY	NOTES
1	93410241B	HOSE, WATER TANK, WATER RESERVOIR	1	18/12/2015			
2	89310143A	EXPANSION TANK CAP	1	14/09/2015			
3	74141711A	CLAMP 10-7 MM	3	14/09/2015			
4	77240393C	SCREW TBEIF M6X10 10.9	2	14/09/2015			
5	58511002A	TANK, WATER RESERVOIR	1	14/09/2015			
6	77156628B	SCREW TCEIF M6X10	1	14/09/2015			
7	74141561A	CLAMP	1	14/09/2015			
8	87240601A	RADIATOR CAP	1	14/09/2015			
9	93410271A	BREATHER PIPE LOWER	1	07/03/2016			
10	77210471B	SCREW TEF M5X12	1	14/09/2015			
11	82718191AA	PLATE RADIATOR CAP	1	14/09/2015			
12	77440121A	SCREW	1	14/09/2015			
13	61610021A	THREE-WAYS UNION	1	14/09/2015			
14	55340041A	THERMO-SWITCH	1	14/09/2015			
15	80012541A	SLEEVE	1	14/09/2015			
16	74142591A	CLAMP 20-35 MM	4	14/09/2015			
17	88111281A	THERMOSTAT PROTECTION RING	1	14/09/2015			
18	74142581A	CLAMP 16-27 MM	4	14/09/2015			
19	80012551A	THERMOSTAT/PUMP HOSE HORIZONTAL	1	01/09/2015			
20	80012562A	THERMOSTAT/PUMP HOSE VERTICAL	1	14/09/2015			
21	74142501A	CLAMP	1	01/09/2015			
22	80012531A	PUMP/COOLER HOSE	1	14/09/2015			
23	66840011A	SUPT, FILLER NECK	1	14/09/2015			
24	93410261A	BREATHER PIPE TANK, WATER RESERVOIR	1	07/03/2016			



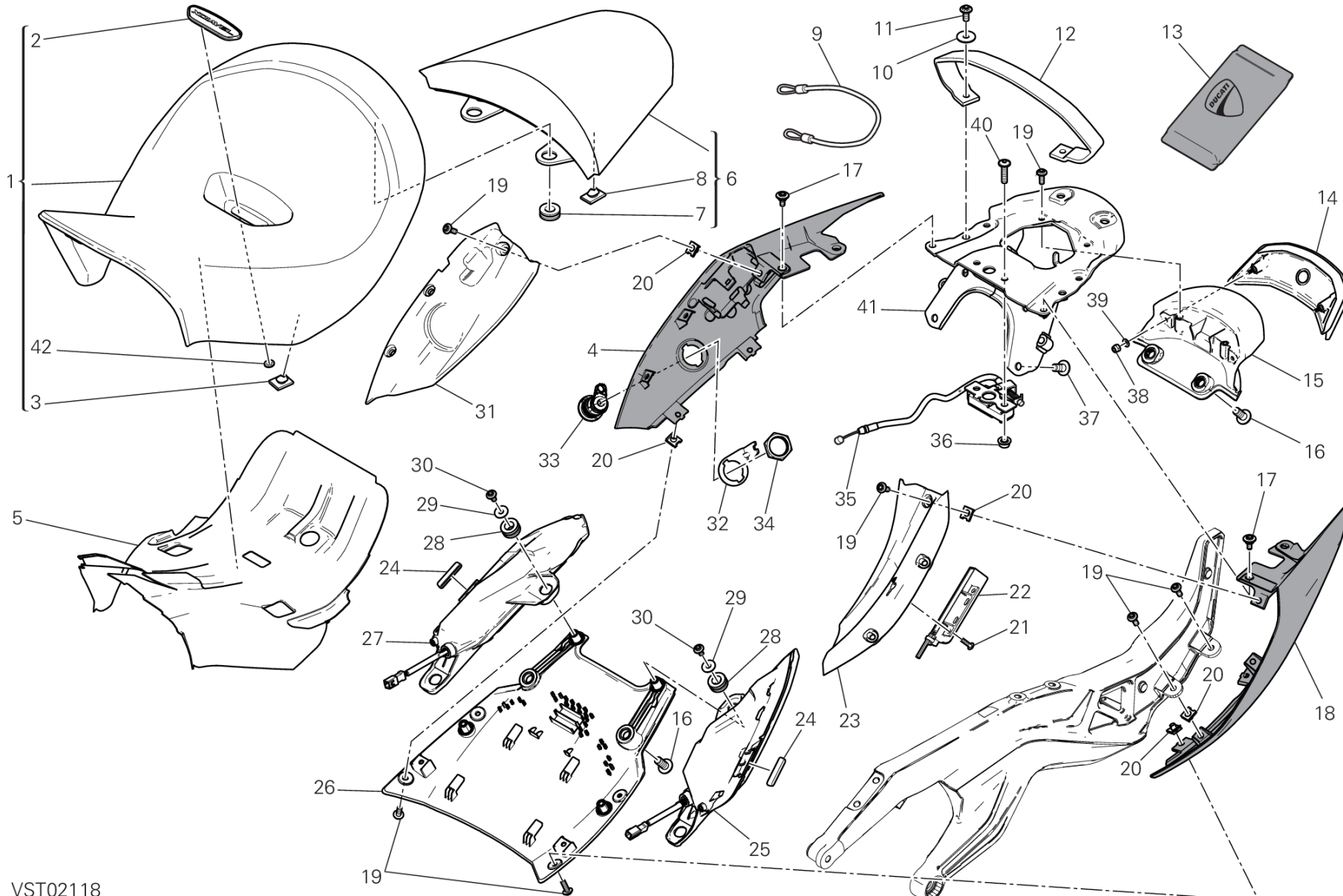
VST02119

DRAWING 032 - FUEL TANK [MOD:XDVL DARK]

GROUP FRAME



POS.	CODE	DESCRIPTION	QTY	START DATE	END DATE	VALIDITY	NOTES
1	89520441A	TANK CAP COMPLETE	1	01/01/2018			
2	77156418B	SCREW TCEIF M5X16	4	14/09/2015			
3	86640081A	GASKET, FUEL TANK CAP	1	03/09/2013			
4	43512761AB	EMBLEM DUCATI FOR MATT GRAY	2	05/05/2017			
5	58612721AS	FUEL TANK MATT BLACK	1	01/01/2020		MOD:XDVL DARK	
6	86611861A	PAD	1	14/09/2015			
7	81413251A	UNION	2	28/07/2015			
8	59810371B	KEY WITHOUT TRANSPONDER	1	01/01/2019			
9	59810361F	KEY WITH TRANSPONDER	1	01/01/2019		XST:AUS,BLG,EUR,GSO,ROK	
	59810381E	KEY WITH TRANSPONDER	1	01/01/2020		XST:JAP	
10	77244213B	SCREW	10	28/07/2015			
11	59210242C	FUEL LEVEL GAUGE	1	28/07/2015			
12	16024181A	FLANGE FUEL PUMP	1	28/07/2015			
13	76412331A	RUBBER PAD	1	28/07/2015			
14	71315861AA	SPACER	1	14/09/2015			
15	85211911A	WASHER 6.4X16X1.5	1	14/09/2015			
16	77251018B	SCREW TEF M6X20	1	14/09/2015			
17	86611821A	RUBBER PAD	1				
18	59840521A	INSERT KEY WITHOUT TRANSPONDER	1	01/01/2019			
19	69926951A	GASKET KIT	1				
20	59821981G	KIT HANDS FREE 433 MHZ	1	12/09/2019		XST:AUS,BLG,EUR,GSO,ROK	
	59821991H	KIT HANDS FREE 315 MHZ	1	01/01/2020		XST:JAP	
21	43817161AA	TRANSFER (XDIAVEL) per NERO OPACO	1	01/01/2020		MOD:XDVL DARK	
22	86020011A	KIT SPINE	1	01/01/2019			
23	59840511A	INSERT KEY WITH TRANSPONDER	1	01/01/2019			



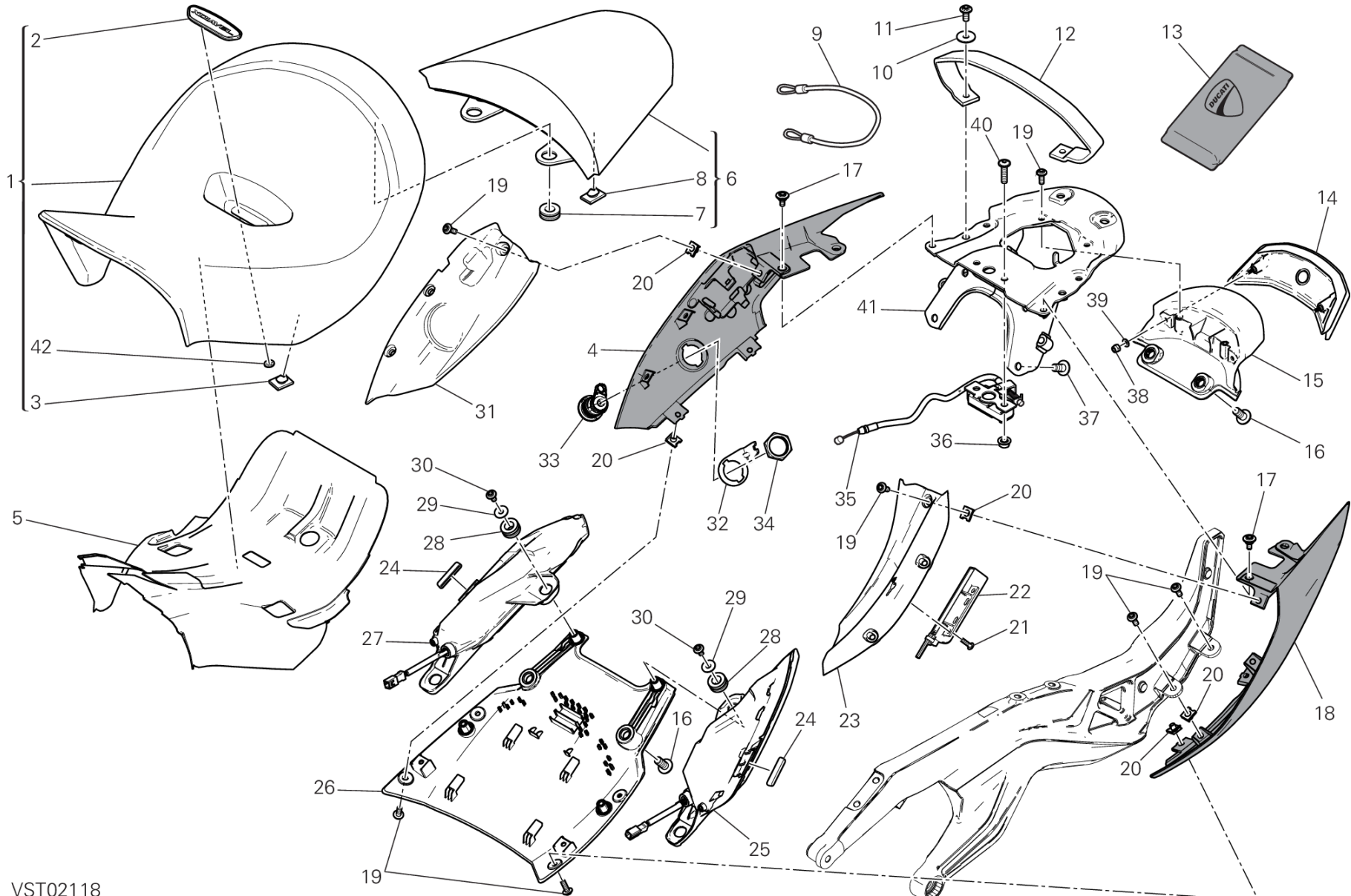
VST02118

DRAWING 033 - SEAT [MOD:XDVL DARK]

GROUP FRAME



POS.	CODE	DESCRIPTION	QTY	START DATE	END DATE	VALIDITY	NOTES
1	595P3101AE	SEAT NERO (Assieme)	1	23/07/2020		MOD:XDVL DARK	
2	433P4191A	MARKING PLATE SEAT	1	05/10/2015			
3	86610301B	RUBBER PAD	3	05/10/2015			
4	48212142AK	COVER, TAIL RH MATT BLACK	1	23/07/2020		MOD:XDVL DARK	
5	4601E152A	PROTECTION, HEAT	1	14/09/2015			
6	595P2941AE	PILLION RIDER SEAT NERO (Assieme)	1	23/07/2020		MOD:XDVL DARK	
7	76411381A	VIBRATION DAMPER PAD	2	26/10/2015			
8	86610301A	PAD	6	26/10/2015			
9	73210071A	ANTI-THEFT CABLE	1	09/12/2015			
10	85211671B	WASHER	2	14/09/2015			
11	77214031A	SCREW, SPECIAL	2	14/09/2015			
12	59513031A	BAND, SEAT BLACK	1	23/07/2020		MOD:XDVL DARK	
13	69720331C	TOOL BAG	1	14/09/2015			
14	52910191B	REFLEX REFLECTOR, REAR	1	01/12/2015			
15	24715631A	REAR FAIRING (REAR)	1	01/12/2015			
16	77244503B	SCREW M8X18	4	14/09/2015			
17	77214411BA	SCREW, SPECIAL	4	28/02/2017			
18	48212132AK	COVER, TAIL LH MATT BLACK	1	23/07/2020		MOD:XDVL DARK	
19	77244183B	SCREW	16	14/09/2015			
20	85040471A	QUICK FASTENING M5	12	14/09/2015			
21	77440061A	SCREW, TAPPING	2	14/09/2015			
22	51840341B	ANTENNA IMMOBILIZER	1	01/04/2020			
23	24715483A	COVER COVER, TAIL LH	1	14/09/2015			
24	76412291A	RUBBER PAD	2	14/09/2015			
25	52510563A	TAIL LIGHT L.H.	1	23/11/2015			
26	24715621A	CODONE INFERIORE	1	23/11/2015			
27	52510573A	TAIL LIGHT R.H.	1	23/11/2015			
28	76412101A	RUBBER PAD	4	23/11/2015			
29	85250311A	WASHER	2	23/11/2015			
30	77244163B	SCREW TBEI M5X10 BLACK	2	23/11/2015			
31	24715472A	COVER COVER, TAIL RH	1	14/09/2015			
32	82716141A	PLATE	1	14/09/2015			
33	59820611A	SEAT LOCK	1	01/01/2019			
34	75011551A	NUT M22X1.5	1	14/09/2015			
35	59810302A	LOCK LATCH	1	27/10/2015			



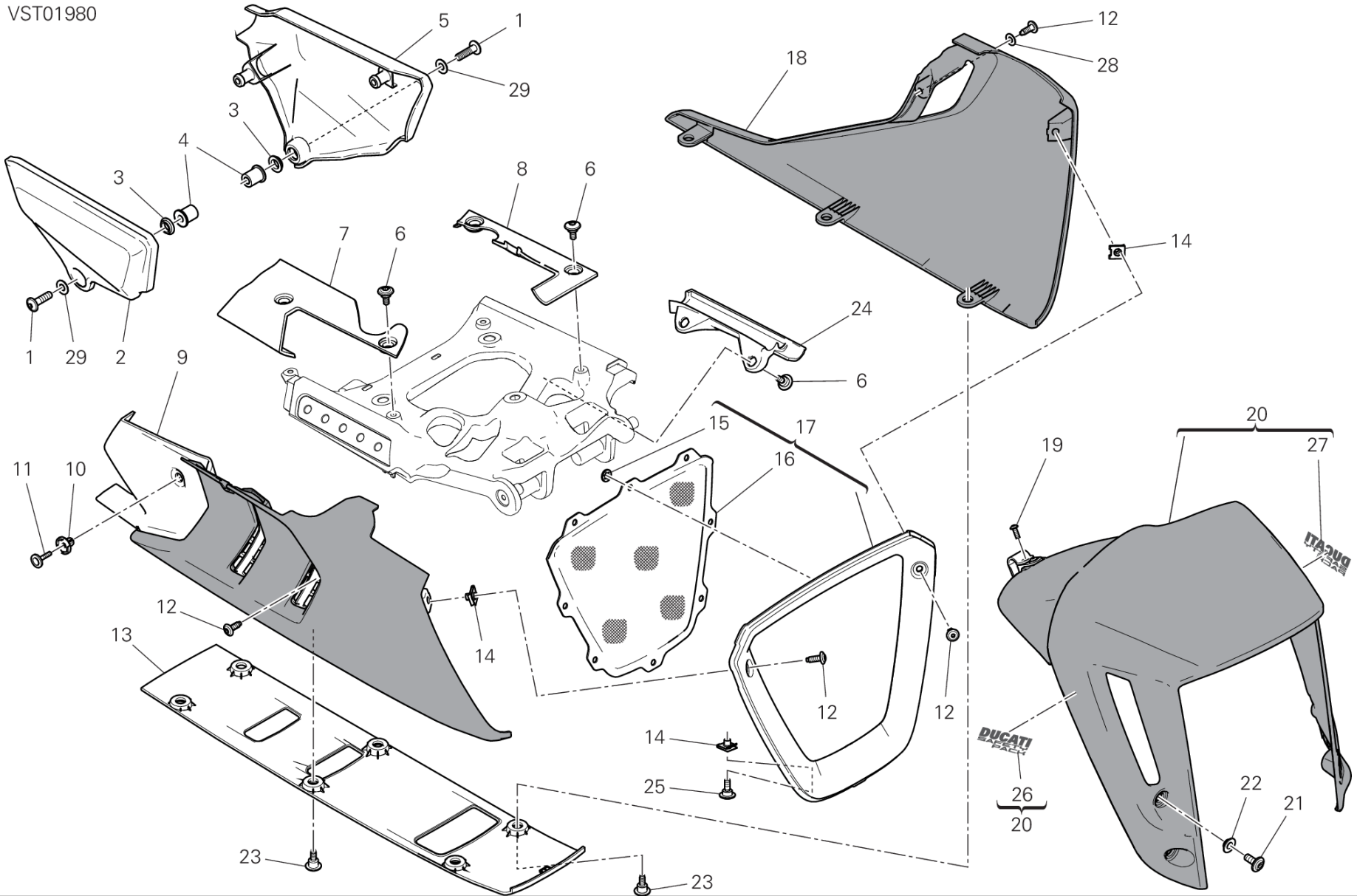
VST02118



POS.	CODE	DESCRIPTION	QTY	START DATE	END DATE	VALIDITY	NOTES
36	74841101AA	NUT 6MM	2	27/10/2015			
37	77240583C	SCREW TBEIF M8X16	4	14/09/2015			
38	74950011B	NUT, SPRING	2	01/12/2015			
39	85250011C	WASHER 4.3X9X0.8	2	01/12/2015			
40	77240463C	VITE TBEIF	2	27/10/2015			
41	8301D924AA	PLATE, REAR FRAME	1	27/10/2015			
42	85044251A	SPRING RING	2	13/06/2016			



VST01980



DRAWING 034 - FAIRING [MOD:XDVL DARK]

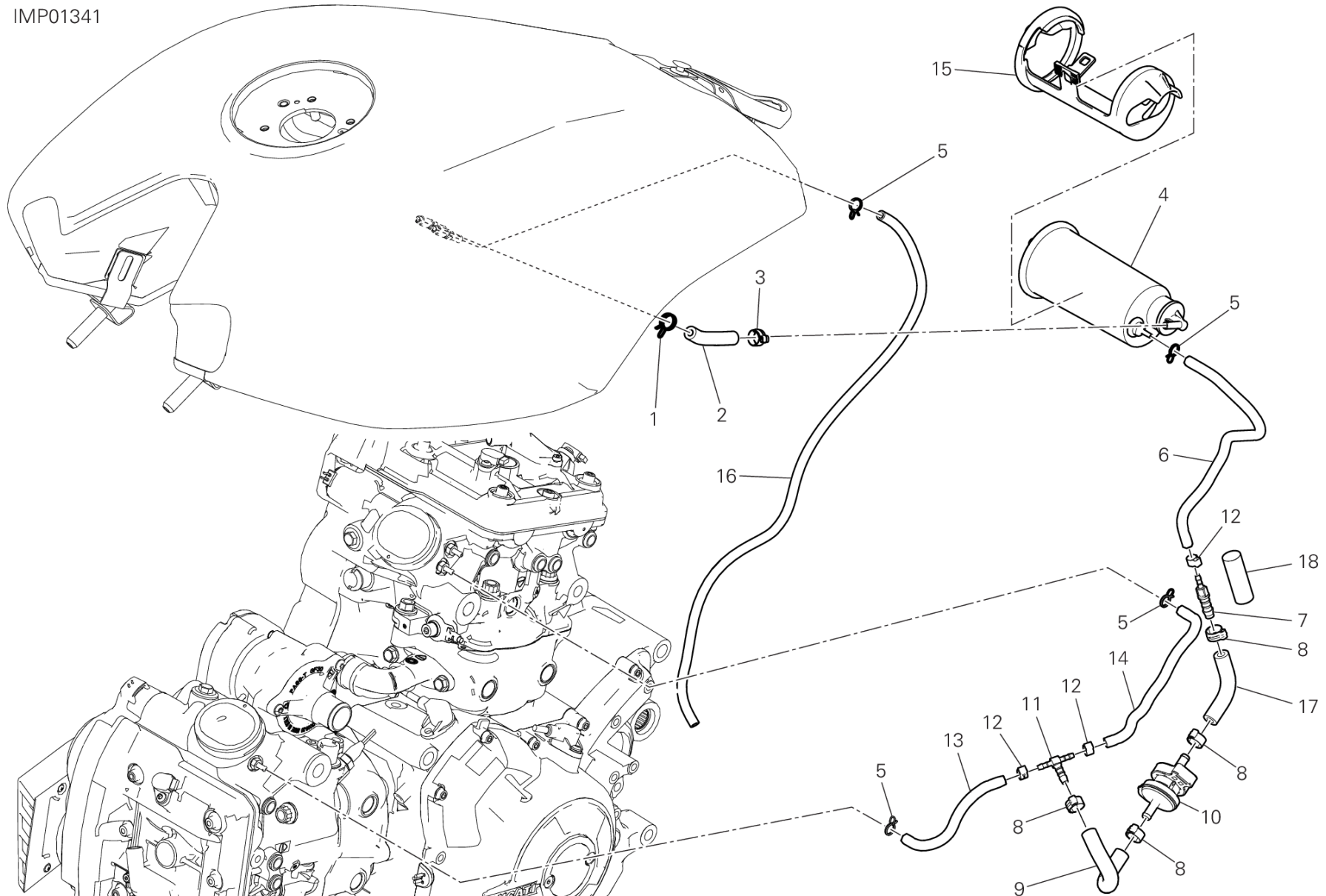
GROUP FRAME



POS.	CODE	DESCRIPTION	QTY	START DATE	END DATE	VALIDITY	NOTES
1	77240453C	SCREW TBEIF M6X22 10.9	2	14/09/2015			
2	4601D831A	CAP RH	1	14/09/2015			
3	71614811AA	SPACER	2	14/09/2015			
4	85041121A	BUSH	2	14/09/2015			
5	4601D841A	CAP LH	1	14/09/2015			
6	77214411BA	SCREW, SPECIAL	6	28/02/2017			
7	48018001A	CAP RH UPPER	1	14/09/2015			
8	48018011A	CAP LH UPPER	1	14/09/2015			
9	48018073AK	CAP RH MATT BLACK	1	23/07/2020		MOD:XDVL DARK	
10	85041051A	RIVET, FEMALE	1	14/09/2015			
11	85041041A	RIVET, MALE	1	14/09/2015			
12	77211091C	SCREW	4	14/09/2015			
13	48018031A	COVER LOWER FAIRING	1	14/09/2015			
14	85040471A	QUICK FASTENING M5	4	14/09/2015			
15	85040521A	CLIP	8	19/06/2015			
16	4601D611AB	MASH	1	19/06/2015			
17	48028021AB	LOWER FAIRING (Unit)	1	14/09/2015			
18	48018042AK	CAP LH MATT BLACK	1	23/07/2020		MOD:XDVL DARK	
19	77440101A	SCREW, TAPPING 3.5X10	1	14/09/2015			
20	564P1402AK	FRONT MUDGUARD MATT BLACK	1	23/07/2020	03/03/2021	MOD:XDVL DARK	
21	77210893B	SCREW	4	14/09/2015			
22	71614011B	SPACER	4	14/09/2015			
23	77210841C	SCREW	6	14/09/2015			
24	48018091A	COVER HOSE, OIL	1	14/09/2015			
25	77214081AA	SCREW, SPECIAL	2	14/09/2015			
26	43713191A	DECAL "DUCATI SAFETY PACK" RIGHT	1	30/05/2016			
27	43713201A	DECAL "DUCATI SAFETY PACK" LEFT	1	01/01/2017			
28	85611401A	WASHER	1	28/02/2017			
29	85240171A	WASHER	2	09/04/2019			



IMP01341

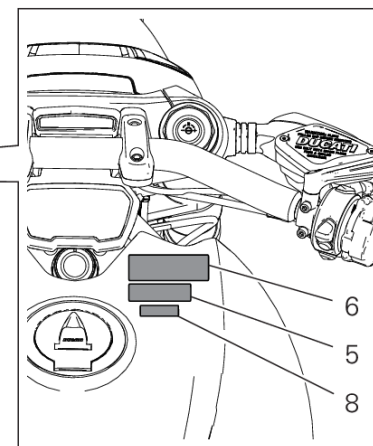
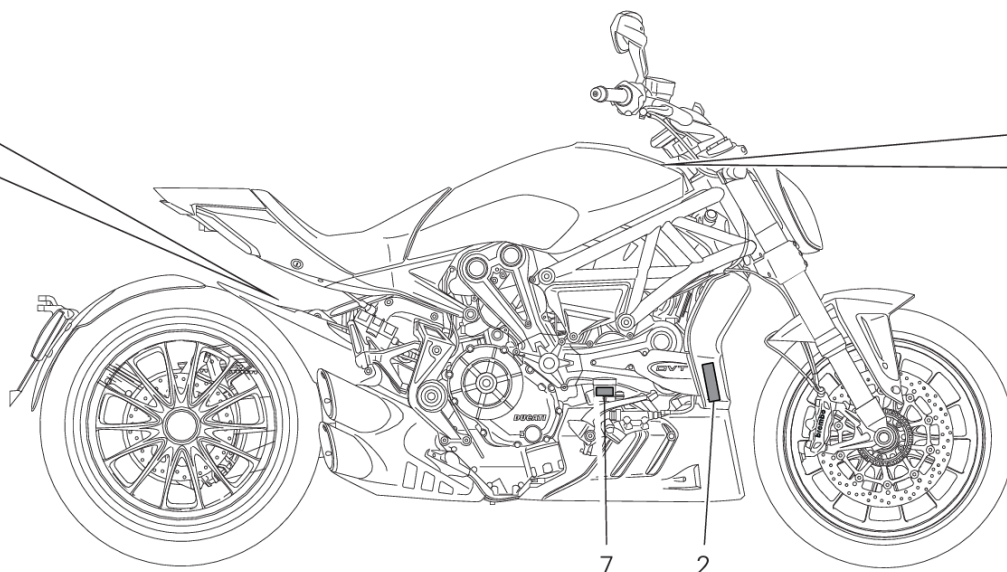
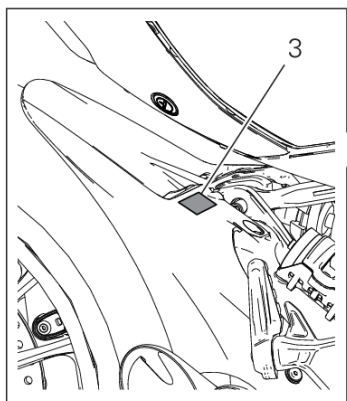
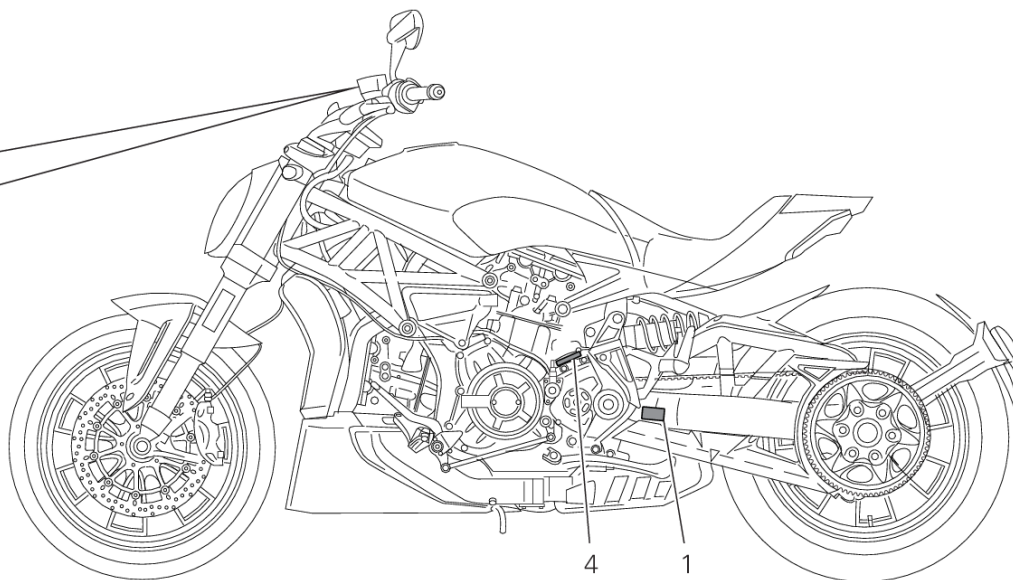
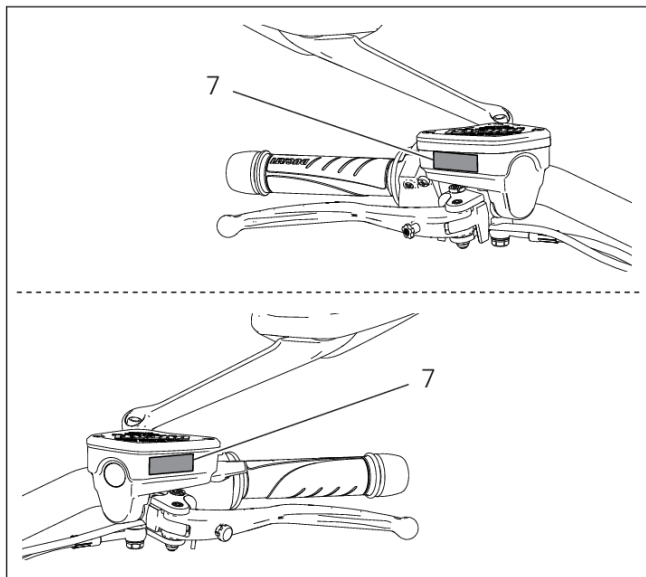


DRAWING 035 - HOT AIR PIPE CANISTER [MOD:XDVLDARK]

GROUP FRAME



POS.	CODE	DESCRIPTION	QTY	START DATE	END DATE	VALIDITY	NOTES
1	74140571A	CLAMP	1	14/09/2015			
2	59014881A	HOSE	1	13/05/2019			
3	74140631A	CLAMP	1	14/09/2015			
4	42610731A	CANISTER FILTER	1	27/04/2020			
5	74140431A	CLAMP	4	07/09/2015			
6	93510871A	HOSE	1	29/06/2020			
7	81441021A	UNION	1	29/06/2020			
8	74140641A	CLAMP	4	07/09/2015			
9	59014791A	PIPE	1	01/01/2018			
10	65540101A	VALVE, BREATHER	1	07/09/2015			
11	81441041A	THREE-WAYS UNION	1	07/09/2015			
12	74140581A	CLAMP	3	07/09/2015			
13	59014931A	HOSE	1	07/09/2015			
14	59013381A	HOSE	1				
15	8291E991A	BRACKET, CANISTER	1	14/09/2015			
16	87611191A	HOSE, DRAIN	1	14/09/2015			
17	93510861A	HOSE	1	29/06/2020			
18	4601F521A	SHEATH	1	29/06/2020			



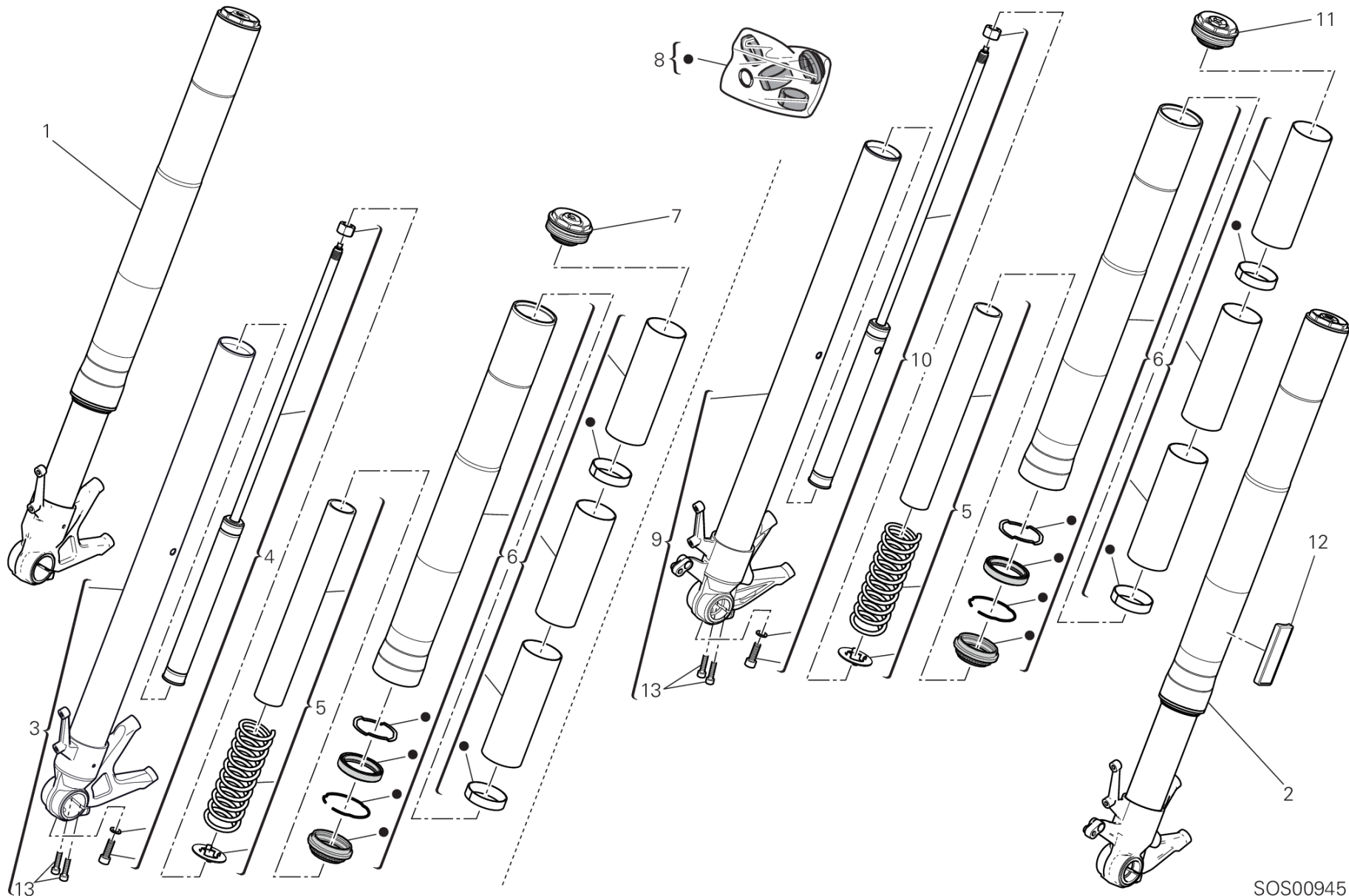
VST02120

DRAWING 037 - WARNING LABELS [MOD:XDVL DARK;XST:JAP]

GROUP FRAME



POS.	CODE	DESCRIPTION	QTY	START DATE	END DATE	VALIDITY	NOTES
1	43314351A	TIRE SIZE AND PRESSURE PLATE	1	16/02/2018			
2	43312531A	WATER RADIATOR PLATE	1	16/02/2018			
3	43312561A	REAR SHOCK ABSORBER PLATE	1	16/02/2018			
4	43312551A	GEAR SEQUENCE PLATE	1	15/09/2015			
5	43310051B	TANK "WARNING" PLATE	1	16/02/2018			
6	43310051C	TARGHETTA IMPORTANTE SERBATOIO	1	16/02/2018			
7	43910071A	CLUTCH-BRAKE MASTER CYLINDER PLATE	3	16/02/2018			
8	43217911Z	TANK "WARNING" PLATE	1	13/05/2019			



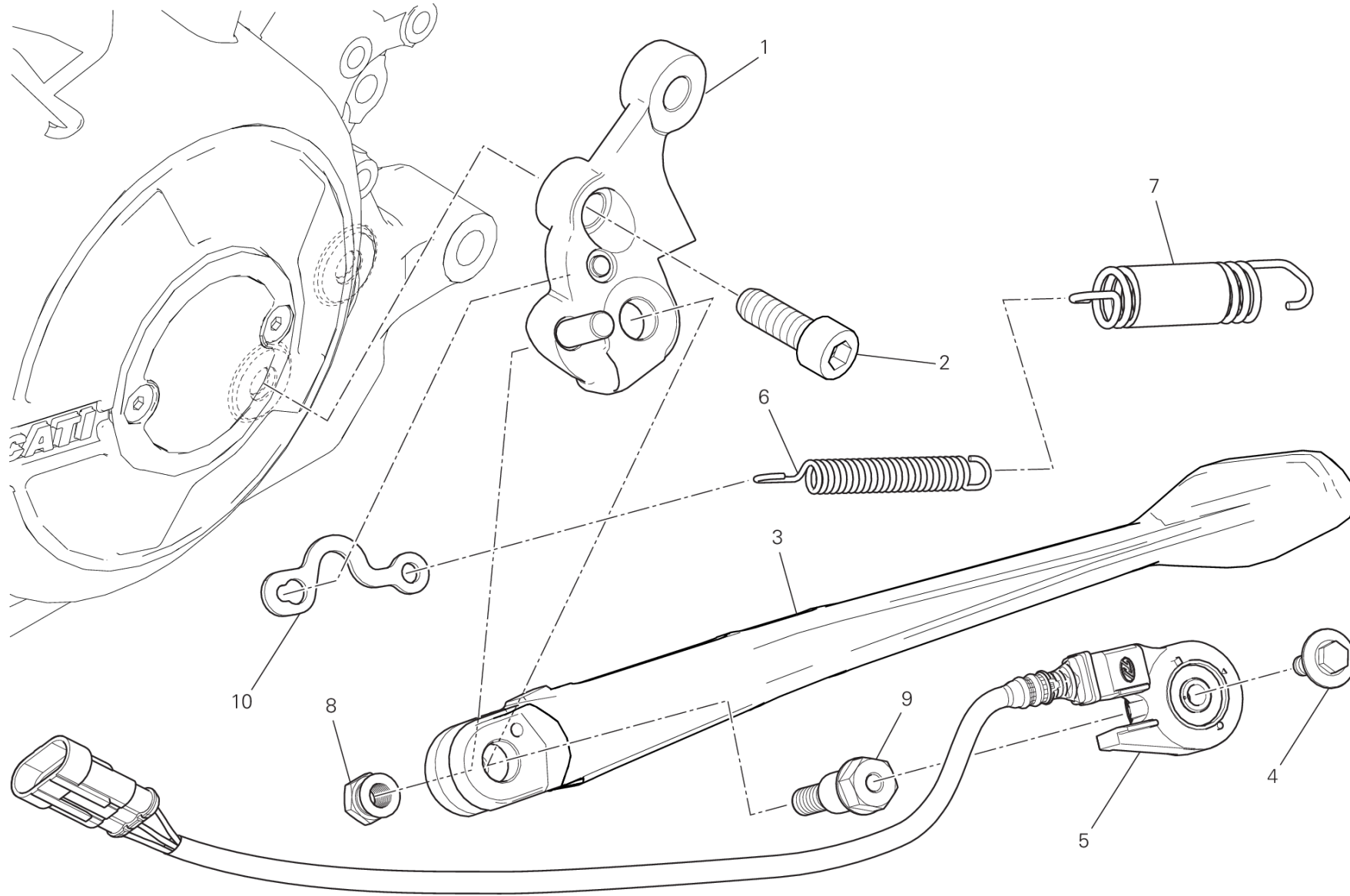
SOS00945

DRAWING 21A - FRONT FORK [MOD:XDVLDARK]

GROUP FRAME



POS.	CODE	DESCRIPTION	QTY	START DATE	END DATE	VALIDITY	NOTES
1	34421001A	FORK LEG ASSY, RIGHT	1	01/07/2017			
2	34521001A	FORK LEG ASSY, LEFT	1	01/07/2017			
3	34922021A	FORK BOTTOM END + SLEEVE UNIT (R.H.)	1				
4	34922041A	COMPLETE PUMPING ELEMENT, RIGHT	1				
5	34922081A	SPRING KIT	2				
6	34922091A	STANCHION TUBE (Unit)	2				
7	34922061A	SLEEVE PLUG RIGHT	1				
8	34922101A	OVERHAUL KIT	1				
9	34922031A	FORK BOTTOM END + SLEEVE UNIT (L.H.)	1				
10	34922051A	COMPLETE PUMPING ELEMENT, LEFT	1				
11	34922071A	SLEEVE PLUG LEFT	1				
12	52910221A	REFLECTOR, ADHESIVE AMBER	2	01/08/2016			
13	34913751A	SCREW	4				



TEL00940

DRAWING 22A - SIDE STAND [MOD:XDVLDARK]

GROUP FRAME

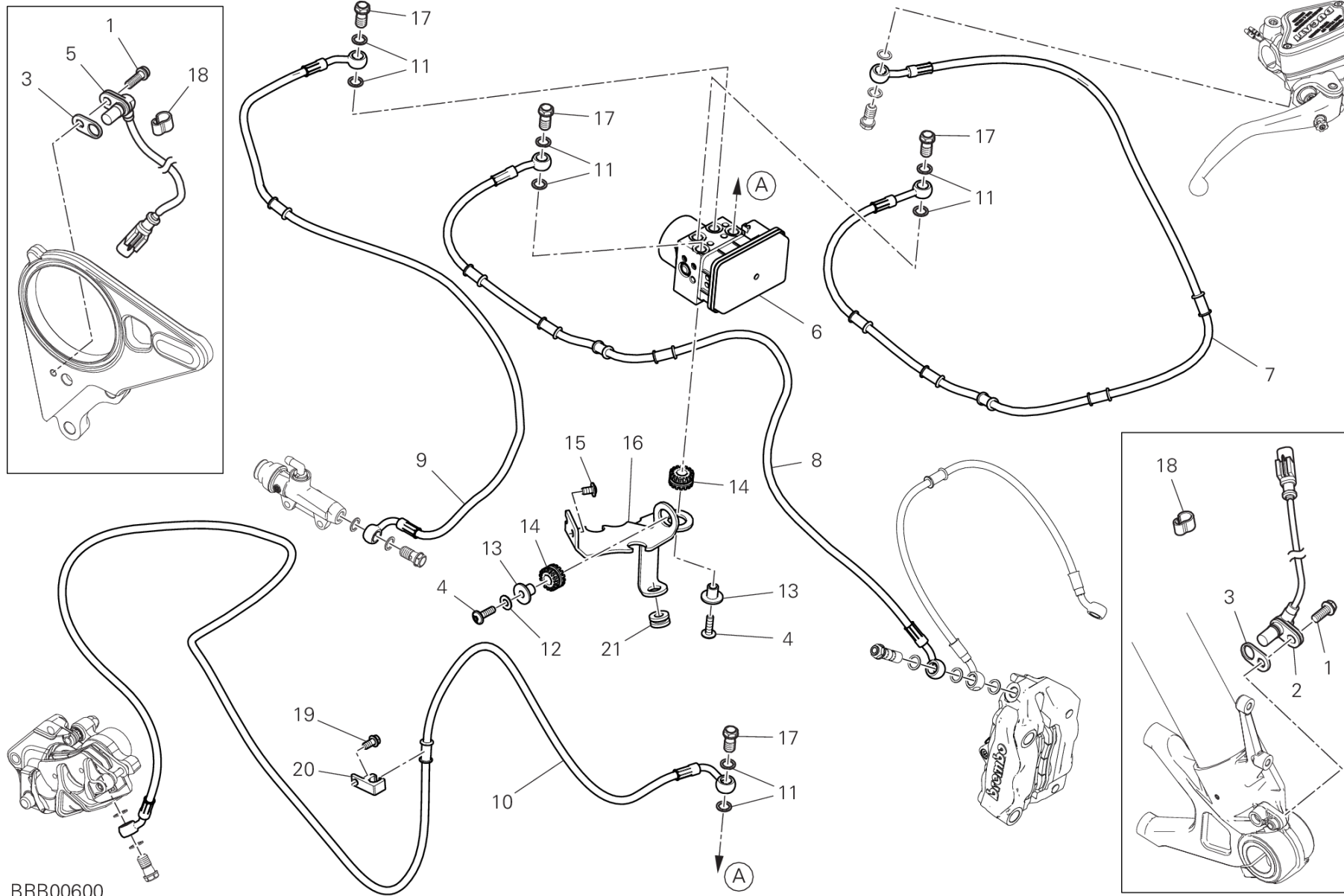


POS.	CODE	DESCRIPTION	QTY	START DATE	END DATE	VALIDITY	NOTES
1	55621052AA	BRACKET, SIDE STAND	1	11/04/2017			
2	77355213C	SCREW TCEIR M10X40 DIN6912 10.9	2	28/02/2017			
3	55610941BA	SIDE STAND	1	11/04/2017			
4	77917241AA	SCREW	1	01/09/2014			
5	53910351A	SWITCH, STAND	1	09/11/2015			
6	79910891C	INNER SPRING	1	02/10/2013			
7	79920881C	COMPLETE SPRING	1	02/10/2013			
8	75010481A	NUT	1	02/10/2013			
9	82118401AA	AXLE, SIDE STAND	1	02/10/2013			
10	82718981AA	PLATE	1	25/11/2020			



DRAWING 24A - BRAKING SYSTEM ABS [MOD:XDVL DARK]

GROUP FRAME



BRB00600

DRAWING 24A - BRAKING SYSTEM ABS [MOD:XDVLDARK]

GROUP FRAME

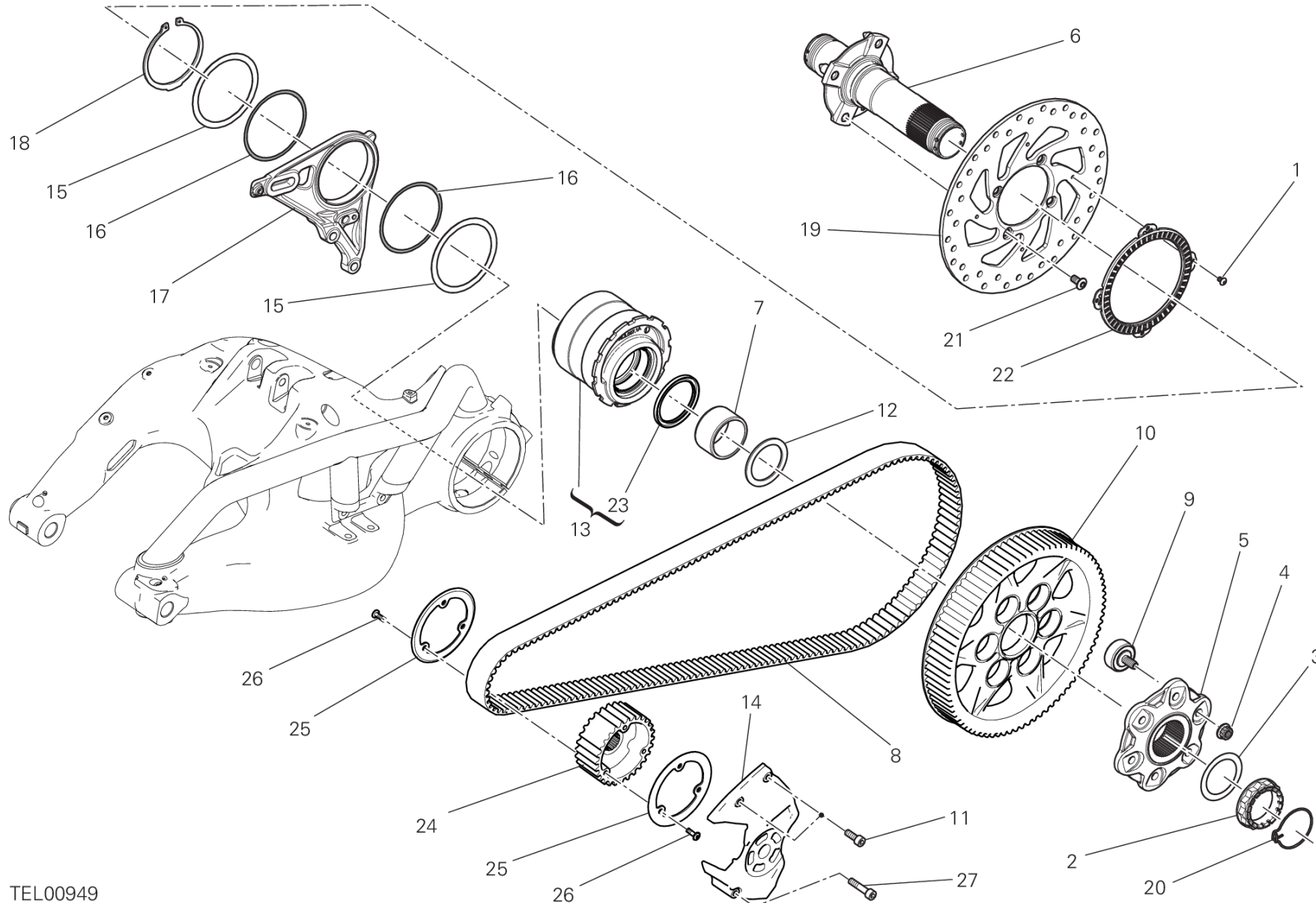


POS.	CODE	DESCRIPTION	QTY	START DATE	END DATE	VALIDITY	NOTES
1	77110401B	SCREW	2	01/02/2016			
2	55212121B	SENSOR, SPEED	1	05/06/2012			
3	71314901A	GASKET TH.02	5	19/01/2012			
	71319201A	GASKET 0.5 MM	11	19/01/2012			
4	77240453C	SCREW TBEIF M6X22 10.9	2	24/09/2015			
5	55214141A	SENSOR, SPEED	1	14/09/2015			
6	54240601C	CONTROL UNIT ABS	1	01/12/2015			
7	61810832A	FRONT MASTER CYLINDER - CPU LINE	1	24/09/2015			
8	61810841B	CPU - FRONT CALIPERS LINE	1	24/09/2015			
9	61911361A	REAR MASTER CYLINDER - CPU LINE	1	24/09/2015			
10	61911341A	CPU - REAR CALIPER LINE	1	24/09/2015			
11	85250241A	WASHER 10X14X1	8	24/12/2009			
12	85240171A	WASHER	1	24/09/2015			
13	71610061A	SPACER	2	24/09/2015			
14	76410241A	VIBRATION DAMPER PAD	2	24/09/2015			
15	77211021A	SCREW TBEIF M6X10	2	14/09/2015			
16	8301E041AA	BRACKET	1	24/09/2015			
17	77913662AB	SCREW, SPECIAL	4	24/12/2009			
18	75840601A	FAIRLEAD	6	19/01/2012			
19	77210501C	SCREW TEF M6X12	1	14/09/2015			
20	75840921A	FAIRLEAD	1	14/09/2015			
21	76411141A	VIBRATION DAMPER PAD	1	24/09/2015			



DRAWING 26A - HUB, REAR WHEEL [MOD:XDVL DARK]

GROUP FRAME



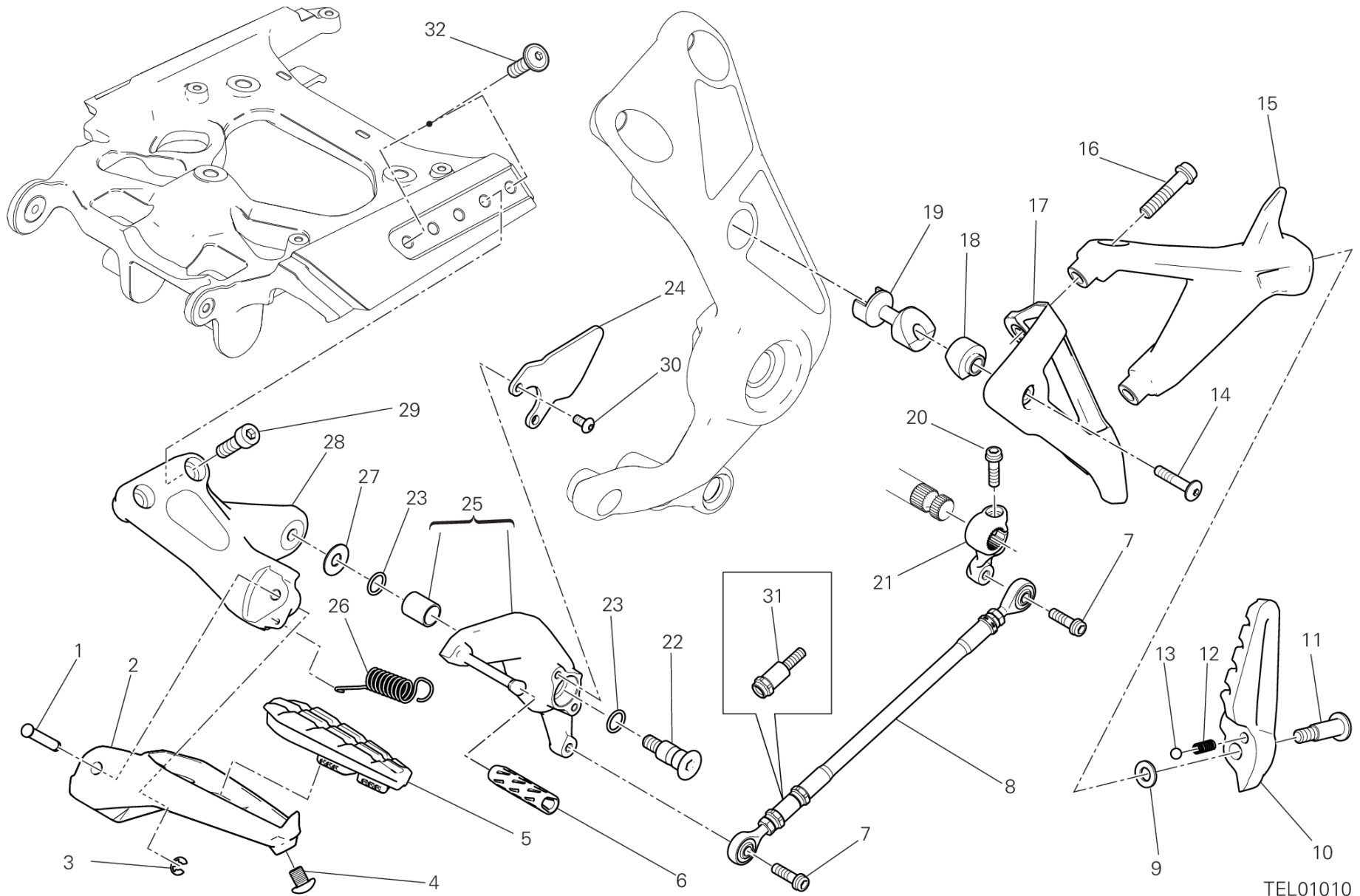
TEL00949

DRAWING 26A - HUB, REAR WHEEL [MOD:XDVL DARK]

GROUP FRAME



POS.	CODE	DESCRIPTION	QTY	START DATE	END DATE	VALIDITY	NOTES
1	72050159EA	SCREW	4	16/11/2012			
2	75012072AA	NUT	1	18/05/2017			
3	85212211A	WASHER 48.5X65X0.5	1	19/01/2012			
4	74810461A	NUT, FLANGE M10X1	6	24/12/2009			
5	16016841AA	REAR SPROCKET FLANGE	1	24/12/2009			
6	81920021B	REAR WHEEL SPINDLE	1	01/01/2001			
7	88110541A	INNER SPACER	1	08/07/2010			
8	73710222A	TOOTHED BELT	1	14/09/2015			
9	70010571A	RUBBER CUSH DRIVE HUB M10x1	6	22/10/2015			
10	49411721AB	DRIVEN PULLEY	1	22/10/2015			
11	77140693C	SCREW	2	13/05/2019		XST:ROK	
	77156653B	SCREW	2	01/07/2016		XST:AUS,BLG,EUR,GSO,JAP	
12	71410751A	SPACER	1	19/01/2012			
13	75620481A	HUB, ECCENTRIC	1	13/10/2015			
14	24715751BB	COVER MATT BLACK	1	01/07/2016		MOD:XDVL DARK	
15	85212171A	WASHER 85.5X101X1	2	08/07/2010			
16	88641241A	O-RING 89.5X3	2	08/07/2010			
17	82510451B	CALIPER HOLDER PLATE ABS	1	19/01/2012			
18	88440511A	CIRCLIP 85X3	1	19/01/2012			
19	49241111A	REAR BRAKE DISC	1	01/01/2001			
20	75910222A	CLIP	1	19/01/2012			
21	77918261AA	SCREW	4	09/12/2015			
22	50410361AA	REAR PHONIC WHEEL	1	01/01/2001			
23	93010102A	DUST COVER	1	27/04/2015			
24	25510452D	DRIVE PULLEY	1	28/02/2017			
25	82610361A	SPACER	2	14/09/2015			
26	71850338C	SCREW	6	14/09/2015			
27	77140743C	SCREW	1	14/09/2015			



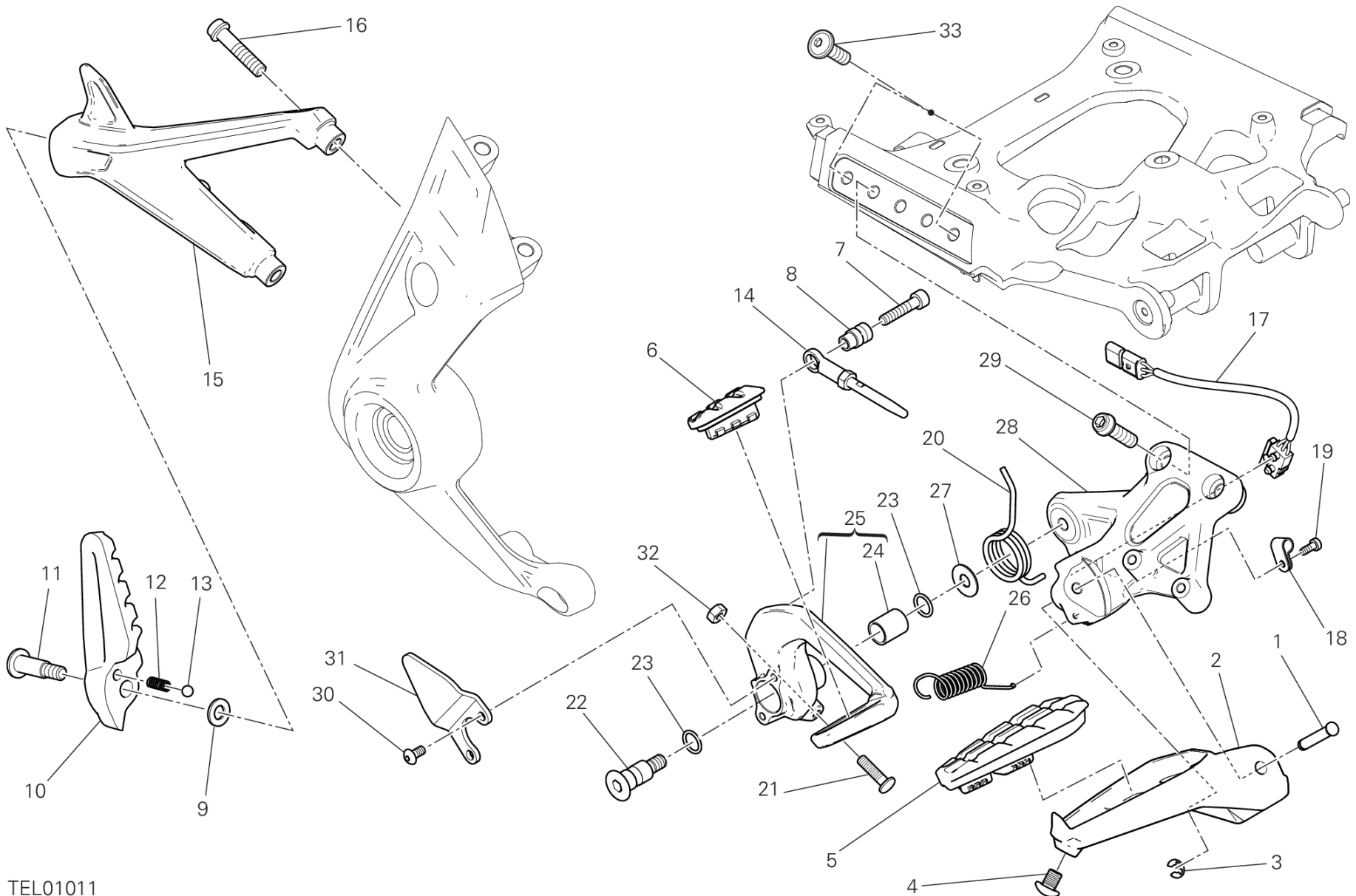
TEL01010

DRAWING 27B - FOOTRESTS, LEFT [MOD:XDVL DARK]

GROUP FRAME



POS.	CODE	DESCRIPTION	QTY	START DATE	END DATE	VALIDITY	NOTES
1	82110512AA	FOOTREST PIN	1	21/12/2015			
2	46411041AA	FOOTREST, FRONT LH	1	03/11/2015			
3	88450031A	CIRCLIP E-TYPE	1	07/09/2015			
4	82115311A	SCREW, SPECIAL	1	03/11/2015			
5	76510091A	COVER, FOOTREST LEFT	1	03/11/2015			
6	76411451A	COVER PEDAL	1	03/11/2015			
7	77156678B	SCREW TCEIF M6X20	2	03/11/2015			
8	11721881AA	GEARBOX TRANSMISSION ROD ASSEMBLY	1	08/09/2017			
9	85250041C	WASHER 8.4X17X1.6	1	29/10/2015			
10	46510722BA	REAR LEFT FOOT-REST	1	29/10/2015			
11	77919832AA	PIN, REAR FOOT REST	1	29/10/2015			
12	79910241B	SPRING	1	27/10/2015			
13	84740021A	BALL	1	29/10/2015			
14	77240463C	VITE TBEIF	1	27/10/2015			
15	82412952AA	REAR L.H. PLATE	1	29/10/2015			
16	77157283B	SCREW TCEIF M8X35 8.8	2	14/09/2015			
17	4601E091A	HEAT GUARD REAR L.H. PLATE	1	14/09/2015			
18	71116331A	BUSH	1	14/09/2015			
19	71116321A	SPINDLE, TAPER	1	14/09/2015			
20	77156668B	SCREW TCEIF M6X18	1	14/09/2015			
21	45612381AA	GEAR CONTROL LEVER	1	14/09/2015			
22	82118251AA	PIN PEDAL	1	17/02/2016			
23	88641721A	O-RING 1.78X14	2	17/02/2016			
24	4601D801AA	HEEL GUARD FRONT LH	1	14/09/2015			
25	45622312BA	GEARCHANGE LEVER	1	03/11/2015			
26	79916131A	SPRING. FOOTREST	1	03/11/2015			
27	85210541B	WASHER 10.2X20X1	1	17/02/2016			
28	82412922BA	FRONT L.H. PLATE	1	03/11/2015		MOD:XDVL DARK	
29	77113953C	SCREW	2	14/09/2015			
30	77510511B	SCREW TBEI M5X10	2	14/09/2015			
31	11711671AA	EXTENSION GEARCHANGE ROD	1	14/09/2015			
32	77240583C	SCREW TBEIF M8X16	2	01/02/2016			



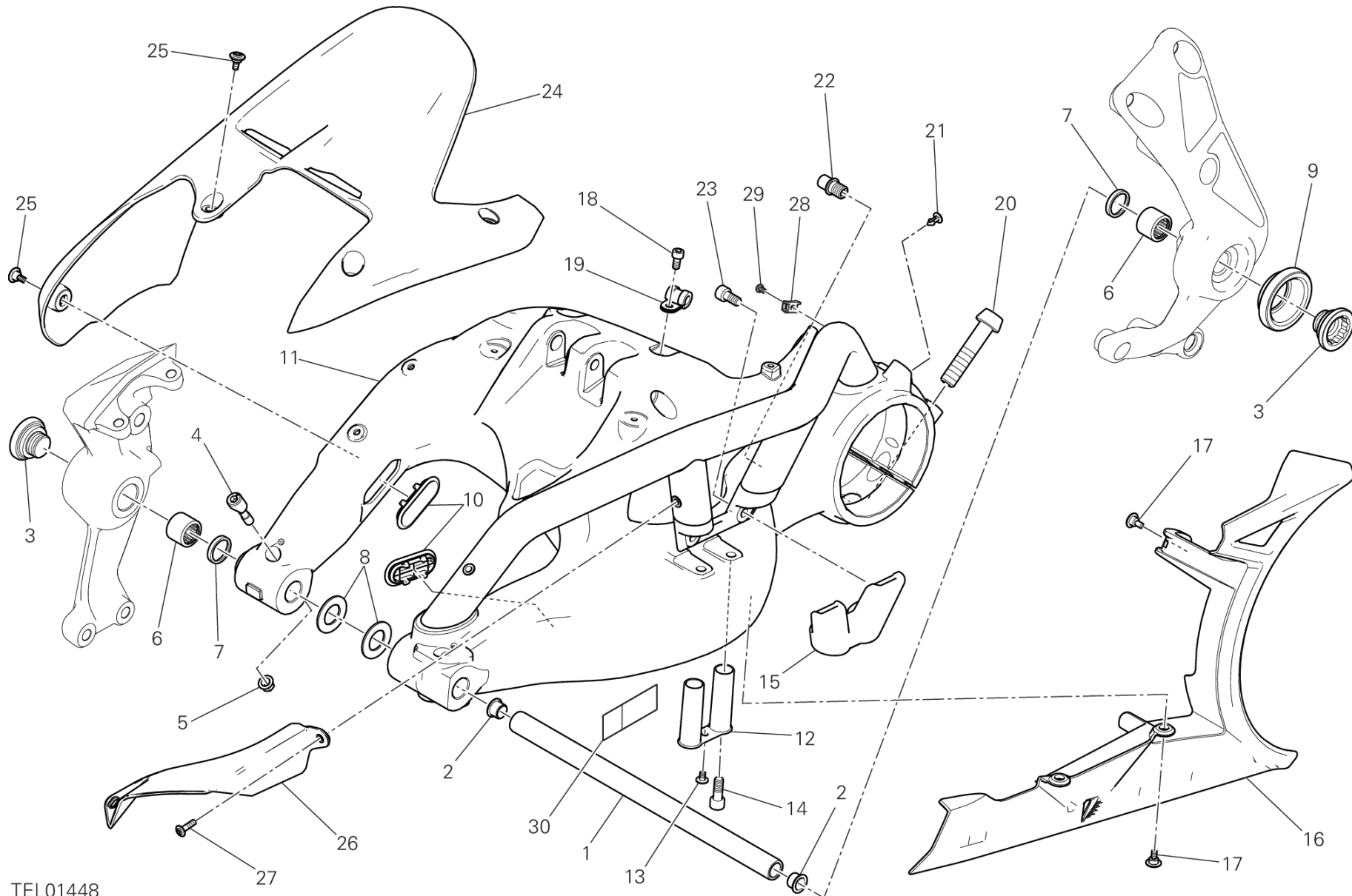
TEL01011

DRAWING 27C - FOOTRESTS, RIGHT [MOD:XDVL DARK]

GROUP FRAME



POS.	CODE	DESCRIPTION	QTY	START DATE	END DATE	VALIDITY	NOTES
1	82110512AA	FOOTREST PIN	1	21/12/2015			
2	46411051AA	FOOTREST, FRONT RH	1	07/09/2015			
3	88450031A	CIRCLIP E-TYPE	1	07/09/2015			
4	82115311A	SCREW, SPECIAL	1	03/11/2015			
5	76510101A	COVER, FOOTREST RIGHT	1	07/09/2015			
6	76510141A	COVER PEDAL	1	21/12/2015			
7	77150708B	SCREW	1	07/09/2015			
8	82113311A	SPACER	1	07/09/2015			
9	85250041C	WASHER 8.4X17X1.6	1	29/10/2015			
10	46510732BA	REAR RIGHT FOOTREST	1	27/10/2015			
11	77919832AA	PIN, REAR FOOT REST	1	29/10/2015			
12	79910241B	SPRING	1	27/10/2015			
13	84740021A	BALL	1	29/10/2015			
14	11723521A	BRAKE CONTROL ROD	1	15/01/2016			
15	82412961AA	REAR R.H. PLATE	1	27/10/2015			
16	77157283B	SCREW TCEIF M8X35 8.8	2	14/09/2015			
17	53910421B	STOP MICROSWITCH	1	07/09/2015			
18	75840911A	FAIRLEAD	1	07/09/2015			
19	77354623B	SCREW M4X10	1	07/09/2015			
20	79915881AA	SPRING	1	07/09/2015			
21	77912371B	SCREW	1	21/12/2015			
22	82111701B	PIN PEDAL	1	21/12/2015			
23	88641161A	O-RING	2	07/09/2015			
24	71210341A	BUSH	1	17/09/2015			
25	45720862AA	BRAKE CONTROL LEVER	1	07/09/2015			
26	79916131A	SPRING. FOOTREST	1	03/11/2015			
27	85211511A	WASHER	1	07/09/2015			
28	82412941AA	FRONT R.H. PLATE	1	21/12/2015		MOD:XDVL DARK	
29	77113953C	SCREW	2	14/09/2015			
30	77510511B	SCREW TBEI M5X10	2	14/09/2015			
31	4601D811AA	HEEL GUARD FRONT RH	1	14/09/2015			
32	74750031A	NUT 6MM	1	21/12/2015			
33	77240583C	SCREW TBEIF M8X16	2	01/02/2016			



TEL01448

DRAWING 28A - SWING ARM [MOD:XDVL DARK]

GROUP FRAME



POS.	CODE	DESCRIPTION	QTY	START DATE	END DATE	VALIDITY	NOTES
1	36911391A	AXLE, REAR SWING ARM	1	14/09/2015			
2	71140021A	BUSH WITH COLLAR	2	14/09/2015			
3	87311563AA	PLUG AXLE, REAR SWING ARM	2	14/09/2015			
4	80810461A	CLAMP	2	14/09/2015			
5	74840341B	NUT M8	2	14/09/2015			
6	70140491A	BEARING, NEEDLE	2	27/10/2015			
7	93041271A	SEAL RING 20X26X4	2	07/10/2015			
8	85210011B	THRUST WASHER 20.5X36X1.8 MM	2	14/09/2015			
	85210021B	THRUST WASHER 20.5X36X0.2 MM	2	14/09/2015			
	85210031B	THRUST WASHER 20.5X36X0.1 MM	2	14/09/2015			
9	87211151A	PLUG LEFT	1	14/09/2015			
10	87210741A	CAP, SWINGARM COVER	2	13/10/2015			
11	37011923AC	REAR SWINGING ARM	1	04/09/2015		MOD:XDVL DARK	
12	87211111A	PLUG LOWER	1	13/10/2015			
13	77211091D	SCREW	1	04/09/2015			
14	7715124BF	SCREW	2	14/09/2015			
15	37513421AC	FORK	1	14/09/2015		MOD:XDVL DARK	
16	4601D682A	GUARD TOOTHED BELT	1	14/09/2015			
17	77214411BA	SCREW, SPECIAL	3	28/02/2017			
18	77150638B	SCREW TCEI M6X12	2	14/09/2015			
19	74140621A	HOSE CLAMP 8 MM	3	14/09/2015			
20	77918251AA	SCREW, SPECIAL	1	04/09/2015			
21	87240561A	PLUG	1	14/09/2015			
22	83210031E	PIN	1	04/09/2015			
23	7715121BF	SCREW M8X16	2	14/09/2015			
24	56510842A	REAR MUDGUARD	1	14/09/2015			
25	77214411AA	SCREW	4	28/02/2017			
26	44610341A	VERTICAL TIMING BELT COVER	1	14/09/2015			
27	77210861B	SCREW TBEI M5X18	2	14/09/2015			
28	85041711A	HOSE GUIDE	1	25/01/2016			
29	77550221A	SCREW TBEI M4X10	1	25/01/2016			
30	43314291A	TARGHETTA ATTENZIONE CONTRAPPESI RUOTA POSTERIORE	1	13/05/2019		MOD:XDVL DARK	



CODE	NO. TABLE	POS.	CODE	NO. TABLE	POS.	CODE	NO. TABLE	POS.	CODE	NO. TABLE	POS.
027291090	002	8	15310181A	006	15	20910501A	015	4	30310631BC	014	7
040009050	002	21	15621043HA	006	5	21010841C	014	14	30310631BC	015	7
040029126	002	17	15621043HB	006	5	21010841C	015	14	30310631BD	014	7
066013143	002	9	15621043HC	006	5	21110831B	014	5	30310631BD	015	7
066549680	005	8	16012121B	012	13	21110831B	015	5	30410881A	014	13
067016155	003	19	16015202AY	07A	10	22523113F	010	1	30410881A	015	13
067049310	010	2	16016841AA	26A	5	24221411GC	011	13	30410881AB	014	13
069191030	18A	11	16024181A	032	12	243P1613AN	005	1	30410881AB	015	13
075949280	009	3	17021351A	006	6	24511481A	013	18	30410881AC	014	13
11212091AA	006	8	17122391A	008	13	24511481A	13A	18	30410881AC	015	13
11212091AB	006	8	17213271A	003	10	24511612B	008	1	30410891A	014	10
11212091AC	006	8	17213281C	003	8	24511631A	008	2	30410891A	015	10
11212091AD	006	8	17213291C	003	5	24531581AB	008	4	30410891AB	014	10
11212091AE	006	8	17213301C	003	9	24612221A	029	24	30410891AB	015	10
11711671AA	27B	31	17213311A	003	18	24713511C	010	3	30410891AC	014	10
11721811A	004	16	17213321A	003	24	24714161A	13A	11	30410891AC	015	10
11721881AA	27B	8	17213331B	003	22	24714171A	013	11	34111141AA	021	23
11723521A	27C	14	17213341B	003	21	24714801EJ	13A	8	34220872AA	021	3
12022781FD	07B	5	17213351B	003	20	24714811EJ	013	8	34421001A	21A	1
12022791FD	07B	7	17213361B	003	23	24715472A	033	31	34521001A	21A	2
12022802D	07C	5	17310351A	012	14	24715483A	033	23	34913751A	21A	13
12022812D	07C	7	176Z0021A	012	10	24715621A	033	26	34922021A	21A	3
12110781B	07C	3	17740051A	013	27	24715631A	033	15	34922031A	21A	9
12112481A	07B	2	17740051A	13A	27	24715751BB	26A	14	34922041A	21A	4
12112481A	07C	2	17740061A	013	26	24716761A	021	38	34922051A	21A	10
12113422A	07B	3	17740061A	13A	26	24734961AC	011	23	34922061A	21A	7
12120521A	07C	4	18020511A	002	24	24920444A	009	1	34922071A	21A	11
12120711A	07B	4	180Z0031A	002	11	24920471B	07A	6	34922081A	21A	5
12221952A	07B	1	180Z0041A	002	12	25440013A	005	4	34922091A	21A	6
12222352A	07C	1	18220681B	002	18	25510104B	008	18	34922101A	21A	8
13510421A	017	3	18710021A	023	3	25510452D	26A	24	36011852AA	021	24
14622373AB	006	1	18710021A	024	21	26420501B	011	1	36011862AA	021	26
14622373AC	006	1	19020531A	004	9	27040107A	012	1	36011872AA	021	29
14622373AD	006	1	19410511A	004	4	27611081C	012	16	36011882AA	021	27
14710941A	008	3	19510411D	023	22	28040431A	017	1	36011891BA	20A	10
14825011E	13A	30	19540081B	023	20	28220962A	017	8	36011913AC	021	16
14825021E	13A	32	19610532C	004	12	28620441B	01C	6	36011923AC	021	16
14825031E	013	30	19610542C	004	11	28643461A	027	2	36521743A	028	16
14825041E	013	32	19820441A	004	14	28643461E	027	2	36911391A	28A	1
14910831D	003	2	20810321A	014	3	28643461N	027	2	37011923AC	28A	11
14910891C	003	25	20810321A	015	3	30124901B	015	22	37220851A	028	15
15021431E	003	12	20910491A	014	16	30124911A	014	22	37221862AA	028	12
15021941B	003	3	20910491A	015	16	30310631BB	014	7	37513421AC	28A	15
15310072B	021	21	20910501A	014	4	30310631BB	015	7	38040251A	022	9



CODE	NO. TABLE	POS.	CODE	NO. TABLE	POS.	CODE	NO. TABLE	POS.	CODE	NO. TABLE	POS.
38040251A	022	9	45120291A	008	10	47013271BC	022	1	5101A661B	017	11
38511284A	027	19	45120301A	008	28	47013271BC	022	1	5101A871C	27A	1
38511532A	027	19	45520181A	010	4	47110582BC	028	4	5101A871C	27A	1
38540073B	027	15	45612381AA	27B	21	47110592AC	028	2	5101B091B	27A	17
38940191A	18A	8	45622312BA	27B	25	47110602AC	028	6	5101B091B	27A	17
38940201A	18A	8	45720862AA	27C	25	47110632BA	027	24	5101G871F	18A	1
38940211A	18A	8	4601D433A	027	10	47110681AA	027	3	51310711C	018	14
38940221A	18A	8	4601D571A	018	35	47110691AA	027	21	51310711C	018	14
38940241A	18A	8	4601D571A	018	35	48017722A	030	14	51410771C	018	7
38940251A	018	12	4601D591A	20A	2	48017731AC	030	15	51410771C	018	7
38940251A	018	12	4601D601A	020	8	48017741AC	030	16	51410781A	018	13
38940261A	18A	8	4601D611AB	034	16	48018001A	034	7	51410781A	018	13
39740071A	018	11	4601D672A	27A	3	48018011A	034	8	51640021AB	18A	6
39740071A	018	11	4601D672A	27A	3	48018031A	034	13	51840341B	033	22
40611831B	20A	1	4601D682A	28A	16	48018042AK	034	18	52010372B	020	1
42610491A	029	23	4601D792B	011	9	48018073AK	034	9	52340242AC	021	8
42610731A	035	4	4601D801AA	27B	24	48018091A	034	24	52340252AC	021	9
42710221A	008	23	4601D811AA	27C	31	48018801A	030	21	52510434C	27A	11
43217911Z	037	8	4601D831A	034	2	48028021AB	034	17	52510563A	033	25
43310051B	037	5	4601D841A	034	5	48212132AK	033	18	52510573A	033	27
43310051C	037	6	4601E041A	20A	8	48212142AK	033	4	52510611C	27A	11
43312502C	005	19	4601E091A	27B	17	48411321A	008	24	52910191B	033	14
43312531A	037	2	4601E152A	033	5	48411331A	008	22	52910221A	21A	12
43312541A	018	41	4601E272A	027	11	48411341A	008	26	53010361A	020	21
43312551A	037	4	4601E931A	018	38	48611141A	029	28	53010371A	020	3
43312561A	037	3	4601E931A	018	38	48612201A	005	12	53010403A	27A	15
43314291A	28A	30	4601F521A	035	18	48612211A	005	16	53010403A	27A	15
43314351A	037	1	4601H032AA	019	1	49040663A	A	1	53910351A	22A	5
43314851A	022	24	4601H111A	019	2	49040663A	B	1	53910421B	27C	17
433P4191A	033	2	4601H121A	019	3	490P0272A	A	3	53940302A	016	11
43512761AB	032	4	46110402A	019	4	490P0272A	D	1	53940771A	023	9
43713191A	034	26	46110411AA	019	6	49140881B	A	2	53940831A	024	10
43713201A	034	27	46110424C	019	5	49140881B	B	2	54040331A	018	18
43817161AA	032	21	46110961A	019	36	491P0349A	A	4	54040331A	018	18
43910071A	037	7	46210021A	021	22	491P0349A	D	2	54140151A	18A	9
44213122B	029	25	46240461A	20A	11	49241011A	026	5	54240601C	24A	6
44221751B	029	22	46240461A	27A	20	49241111A	26A	19	54810581B	016	14
44440038A	009	2	46240461A	27A	20	49411721AB	26A	10	54810591BA	030	1
44610341A	28A	26	46320222A	010	6	49720031A	026	16	54911251A	016	5
45040023A	013	16	46320537A	003	14	49720071AC	026	3	54911261A	016	8
45040023A	13A	16	46411041AA	27B	2	50122061AB	026	10	55040291A	030	20
45110462A	013	3	46411051AA	27C	2	50211871AD	026	7	55212121B	24A	2
45110462A	13A	3	46510722BA	27B	10	50410361AA	26A	22	55214141A	24A	5
45120272A	008	9	46510732BA	27C	10	504Z0381AA	026	12	55214491B	019	7



CODE	NO. TABLE	POS.	CODE	NO. TABLE	POS.	CODE	NO. TABLE	POS.	CODE	NO. TABLE	POS.
55240121A	020	18	59340301A	018	28	62640761A	023	13	70140051A	003	4
55240121A	029	19	59513031A	033	12	62640761A	024	7	70140381A	028	11
55241321C	011	12	595P2941AE	033	6	62640771A	023	14	70140491A	28A	6
55241452A	016	3	595P3101AE	033	1	62640771A	024	9	70140541A	012	11
55242671A	13A	37	59810302A	033	35	63040704A	023	1	70240131A	010	16
55243161B	029	6	59810361F	032	9	63140281A	025	16	70240331A	010	17
55243181A	013	33	59810371B	032	8	63211081A	023	6	70241151A	010	18
55243181A	13A	33	59810381E	032	9	65010222A	021	25	70241231A	021	6
55243341A	013	23	59820611A	033	33	65110232A	021	14	70241461A	012	15
55243341A	13A	23	59821981G	032	20	65540081A	029	11	70241601A	010	19
55243911A	002	23	59821991H	032	20	65540101A	035	10	70242071A	10A	12
55243941A	011	8	59840511A	032	23	66020102B	021	20	70250081A	010	20
55340041A	031	14	59840521A	032	18	66810501B	013	21	70250081A	011	4
55610941BA	22A	3	61041292C	024	19	66810501B	13A	21	70250193A	010	21
55621052AA	22A	1	61041302C	024	25	66840011A	031	23	70250601A	004	10
56113381AA	27A	23	61041991A	023	19	66910011E	014	6	70250621A	026	8
56113392A	27A	10	61140371B	025	14	66910011E	015	6	70310441A	021	12
56113392A	27A	10	61240052A	023	4	67040451A	022	12	70350062A	008	12
56113412AA	27A	6	61240052A	024	22	67040451A	022	12	70350071A	07A	2
56113412AA	27A	6	61240081A	025	15	67110701C	022	11	71011321A	028	14
56113561AA	27A	19	61240231A	023	15	67110701C	022	11	71011451A	021	32
56113561AA	27A	19	61240231A	024	4	67110711B	022	13	71011691A	006	7
564P1402AK	034	20	61240301A	025	17	67110711B	022	13	71011941A	010	23
56510842A	28A	24	61240321A	025	18	67110721D	022	16	71011991B	010	22
57014613B	019	8	61240391A	023	12	67110721D	022	16	71110951A	010	11
57114613B	019	9	61240391A	024	12	67110731C	022	14	71111601A	011	14
573P4983A	019	10	61240481A	025	20	67110731C	022	14	71112191A	07B	12
57610921C	019	13	61240511A	024	14	68010131A	006	10	71112191A	07C	12
58511002A	031	5	61340941A	025	19	68010131A	008	16	71112791A	021	15
58540341A	024	26	61341021A	024	8	68050101A	010	13	71113742A	013	5
58540341A	025	12	61610021A	031	13	69720331C	033	13	71113742A	13A	5
58540371A	023	18	61810511A	024	23	69926751A	018	8	71116321A	27B	19
58612721AS	032	5	61810832A	24A	7	69926751A	018	8	71116331A	27B	18
59013381A	035	14	61810841B	24A	8	69926951A	032	19	71140021A	28A	2
59014791A	035	9	61911341A	24A	10	70010362A	010	14	71210341A	27C	24
59014881A	035	2	61911361A	24A	9	70010481B	020	23	71210571AA	019	14
59014931A	035	13	62441026A	024	1	70010571A	26A	9	71310141E	003	11
59018181A	029	8	62540341A	025	7	70010901A	20A	12	71311961A	026	17
59018193A	029	14	62610121A	024	11	70010951A	27A	21	71311973A	026	2
59018211A	029	15	62610131A	023	2	70010951A	27A	21	71312661A	003	15
59020441A	017	7	62640561A	023	17	70011011A	20A	13	71312921A	014	9
59210242C	032	11	62640561A	024	3	70011021A	20A	14	71312921A	015	9
59320111A	010	5	62640661A	023	10	70011031A	20A	15	71312921B	014	25
59340301A	018	28	62640671A	024	2	70011151A	021	10	71312921B	015	26



CODE	NO. TABLE	POS.	CODE	NO. TABLE	POS.	CODE	NO. TABLE	POS.	CODE	NO. TABLE	POS.
71313091A	004	13	74110131A	18A	14	74841091AA	27A	18	76410501A	022	2
71314703A	020	4	74110551A	18A	12	74841101AA	020	22	76410501A	022	2
71314831A	004	15	74140381A	18A	13	74841101AA	033	36	76410641A	020	10
71314901A	24A	3	74140431A	025	5	74940081A	008	7	76410641A	022	18
71315861AA	032	14	74140431A	035	5	74941113B	018	26	76410641A	022	18
71319151A	002	2	74140571A	035	1	74941113B	018	26	76410841B	027	8
71319191A	012	8	74140581A	035	12	74941113B	022	10	76410871A	014	8
71319201A	24A	3	74140621A	28A	19	74941113B	022	10	76410871A	015	8
71319951A	003	13	74140631A	035	3	74941128B	016	2	76411141A	24A	21
71410751A	26A	12	74140641A	035	8	74941333B	027	17	76411361A	027	12
71411352AA	026	15	74140651A	029	16	74950011B	033	38	76411381A	033	7
71413221A	026	9	74141561A	031	7	75010071A	003	1	76411401A	019	18
71510071B	028	9	74141711A	029	9	75010071E	004	7	76411421A	018	32
71610061A	022	7	74141711A	031	3	75010481A	22A	8	76411421A	018	32
71610061A	022	7	74141861A	029	1	75011171A	028	18	76411431A	018	25
71610061A	24A	13	74141871A	017	9	75011551A	033	34	76411431A	018	25
71610722A	008	20	74142251A	029	7	75011561A	006	13	76411451A	27B	6
71611281A	008	17	74142371A	029	29	75011601A	008	15	76411621A	029	12
71611641AA	022	5	74142401A	029	30	75011971A	006	14	76411671A	18A	2
71611641AA	022	5	74142501A	031	21	75012072AA	026	13	76412041A	019	19
71611641AA	030	5	74142581A	031	18	75012072AA	26A	2	76412101A	033	28
71614011B	034	22	74142581A	07A	12	75012341AA	021	7	76412131A	022	22
71614141A	019	15	74142591A	031	16	75050051A	012	12	76412131A	022	22
71614271A	018	31	74142651A	019	27	75620481A	26A	13	76412291A	033	24
71614271A	018	31	74710151A	010	35	757941542	010	27	76412331A	032	13
71614691AA	027	27	74750031A	27C	32	75810541B	024	16	76412341A	027	22
71614811AA	034	3	74750071A	019	30	75811081A	27A	5	76412351A	030	7
71615911AA	021	37	74750071A	021	1	75811081A	27A	5	76414191A	025	4
71850338C	26A	26	74750111A	028	21	75811091A	020	16	76414211A	019	31
72010513C	026	4	74750111A	27A	13	75811101A	020	17	76510091A	27B	5
72050033C	20A	3	74750111A	27A	13	75840601A	24A	18	76510101A	27C	5
72050069E	011	7	74810241A	019	17	75840771A	018	40	76510141A	27C	6
72050159EA	26A	1	74810351B	025	8	75840771A	018	40	76611041A	014	21
72050173CA	019	11	74810461A	26A	4	75840911A	27C	18	76611041A	015	21
72050338B	010	24	74810491B	013	20	75840921A	24A	20	76611091C	10A	2
720941616	010	25	74810491B	13A	20	75910222A	026	19	76611102A	07B	9
73210071A	033	9	74810501A	10A	11	75910222A	26A	20	76611102A	07C	9
73210741A	019	16	74810651A	026	1	764000004	010	15	76640191A	013	4
735001542	002	15	74840341B	28A	5	764020002	003	17	76640191A	13A	4
735033380	010	26	74840482A	07B	13	76410241A	016	4	76640331A	13A	36
735033380	011	17	74840482A	07C	13	76410241A	022	6	768351134	002	10
73710211A	07A	5	74841011AA	028	25	76410241A	022	6	77110161A	028	17
73710222A	26A	8	74841091AA	20A	9	76410241A	030	4	77110401B	24A	1
73740342A	008	5	74841091AA	27A	18	76410241A	24A	14	77110518B	009	7



CODE	NO. TABLE	POS.	CODE	NO. TABLE	POS.	CODE	NO. TABLE	POS.	CODE	NO. TABLE	POS.
77110521A	012	6	77151250ZF	002	1	77210861B	28A	27	77240573C	18A	7
77110531A	020	9	77151268BB	07A	9	77210893B	034	21	77240583C	033	37
77110641AA	028	23	77151298B	009	8	77211021A	24A	15	77240583C	27B	32
77110751A	020	5	77151363B	10A	5	77211061A	18A	5	77240583C	27C	33
77113691A	022	19	77151398B	10A	6	77211091C	034	12	77244163B	019	23
77113691A	022	19	77151568C	028	1	77211091D	28A	13	77244163B	033	30
77113731A	021	19	77151608B	028	3	77211131A	019	21	77244173B	011	10
77113741A	021	17	77151868B	028	24	77211131A	18A	3	77244173B	019	34
77113801A	008	25	77156393B	020	6	77211201A	004	3	77244178B	024	27
77113851A	016	12	77156398B	27A	14	77211451A	008	21	77244183B	033	19
77113851A	018	34	77156398B	27A	14	77214031A	033	11	77244213B	032	10
77113851A	018	34	77156408B	017	4	77214081AA	018	2	77244303B	019	24
77113941A	021	28	77156408B	20A	4	77214081AA	018	2	77244503B	033	16
77113953C	27B	29	77156413B	028	20	77214081AA	034	25	7724453AF	27A	7
77113953C	27C	29	77156413B	029	27	77214411AA	28A	25	7724453AF	27A	7
77113961A	07A	1	77156418B	032	2	77214411BA	017	2	77244661A	013	34
77116648B	016	9	77156438B	020	15	77214411BA	033	17	77244661A	13A	34
77116721A	008	27	77156628B	018	5	77214411BA	034	6	77251018B	032	16
77140141A	023	16	77156628B	018	5	77214411BA	27A	2	77253330ZF	012	3
77140141A	024	5	77156628B	031	6	77214411BA	27A	2	77253387C	022	15
77140648CA	013	17	77156643B	020	13	77214411BA	28A	17	77253387C	022	15
77140648CA	13A	17	77156653B	26A	11	77240253C	030	17	77253613BB	07A	11
77140663CD	008	6	77156668B	27B	20	77240273C	030	11	77253701A	030	19
77140677CF	012	5	77156678B	27B	7	77240393C	018	22	77253711A	030	18
77140693C	26A	11	77156683B	025	9	77240393C	018	22	77340281A	027	5
77140697CF	012	7	77156688B	021	4	77240393C	031	4	77350373B	20A	7
77140713C	005	5	77156698B	022	21	77240403CA	019	12	77350403B	013	12
77140713C	011	15	77156698B	022	21	77240403CA	27A	9	77350403B	13A	12
77140723C	011	19	77157203B	027	23	77240403CA	27A	9	77350618B	014	27
77140743C	26A	27	77157238B	018	30	77240438C	016	7	77350738BC	011	5
77140813C	005	3	77157238B	018	30	77240438C	027	6	77351548C	028	7
77140833C	005	2	77157248B	021	13	77240453C	034	1	77354623B	27C	19
77150458B	030	6	77157278B	021	36	77240453C	24A	4	77354743B	022	4
77150638B	28A	18	77157283B	27B	16	77240453C	27A	8	77354743B	022	4
77150653B	010	28	77157283B	27C	16	77240453C	27A	8	77354893C	023	21
77150670ZF	002	3	77159338B	025	13	77240463C	018	17	77355213C	22A	2
77150688B	019	20	77159388B	028	13	77240463C	018	17	77440041A	020	12
77150693BC	008	29	77210423C	018	23	77240463C	019	22	77440061A	027	14
77150708B	27C	7	77210423C	018	23	77240463C	033	40	77440061A	033	21
77150723B	10A	3	77210471B	031	10	77240463C	27B	14	77440101A	034	19
77150763B	021	31	77210501C	24A	19	77240483C	018	37	77440121A	029	21
77150808B	10A	4	77210841C	018	20	77240483C	018	37	77440121A	031	12
77151218B	28A	23	77210841C	018	20	77240508C	022	8	77440131A	029	33
77151248B	28A	14	77210841C	034	23	77240508C	022	8	77440183C	020	19



CODE	NO. TABLE	POS.	CODE	NO. TABLE	POS.	CODE	NO. TABLE	POS.	CODE	NO. TABLE	POS.
77440183C	029	20	77918271A	013	28	79910891C	22A	6	82110512AA	27C	1
77440321A	029	3	77918271A	13A	28	79912961A	002	20	82111701B	27C	22
77450181A	018	15	77919061B	013	22	79915001A	014	19	82112951A	014	15
77450181A	018	15	77919061B	13A	22	79915001A	015	19	82112951A	015	15
77510311B	010	30	77919822AA	027	4	79915011A	014	18	82113291B	021	30
77510511B	27B	30	77919832AA	27B	11	79915011A	015	18	82113311A	27C	8
77510511B	27C	30	77919832AA	27C	11	79915061A	002	4	82113471A	012	9
77510691BA	017	6	77919841AA	022	3	79915181B	014	26	82113881A	002	13
77550200CC	005	7	77919841AA	022	3	79915181B	015	27	82114731A	002	6
77550211B	011	16	77919881A	010	10	79915191B	014	20	82115311A	27B	4
77550218CJ	013	24	77919961A	07A	4	79915191B	015	28	82115311A	27C	4
77550218CJ	13A	24	7791A111AA	021	18	79915881AA	27C	20	82115321AA	018	19
77550221A	28A	29	7791A271AA	019	25	79916131A	27B	26	82115321AA	018	19
77550353B	27A	12	7791C171BA	021	18	79916131A	27C	26	82115401BA	030	8
77550353B	27A	12	77927171B	010	36	79920771C	010	41	82115601AA	016	17
77750493C	011	11	77950621A	010	38	79920881C	22A	7	82115611BA	030	10
77840041A	010	31	78010151D	006	4	79940171A	010	42	82115711A	014	17
77850281A	021	2	78010511E	014	12	800070139	01B	8	82115711A	015	17
77910391A	010	32	78010511E	015	12	80012101A	07A	3	82118251AA	27B	22
77910921A	025	3	78010721A	010	39	80012531A	031	22	82118401AA	22A	9
77911092A	006	2	78011041A	010	53	80012541A	031	15	82412922BA	27B	28
77911622A	010	33	78011281A	005	6	80012551A	031	19	82412941AA	27C	28
77912033A	002	7	78050012A	010	7	80012562A	031	20	82412952AA	27B	15
77912371B	27C	21	78050181A	030	23	80110431A	017	5	82412961AA	27C	15
77913662AB	023	8	78611251A	07B	8	80110632A	029	10	82510451B	26A	17
77913662AB	025	1	78611251A	07C	8	80110641A	029	13	82610261A	002	5
77913662AB	24A	17	78611381A	07A	7	80810461A	28A	4	82610361A	26A	25
77913971A	023	5	78611401D	07B	11	81110021A	029	31	82714201A	016	6
77913971A	024	20	78611401D	07C	11	81140012B	013	10	82715481A	016	10
77914041C	006	9	78810542A	012	4	81140012B	13A	10	82716031A	029	32
77914151A	024	13	78811041A	029	18	81411113B	013	35	82716091A	011	20
77914211A	014	23	78811331B	013	6	81411113B	13A	35	82716141A	033	32
77914211A	015	23	78811331B	13A	6	81413251A	032	7	82716351A	013	9
77914651A	024	24	78811341B	013	7	81413341A	013	2	82716351A	13A	9
77914871C	27A	4	78811341B	13A	7	81413341A	13A	2	82717861B	005	14
77914871C	27A	4	78811641C	023	23	81414561A	015	25	82718161AA	030	3
77915111B	024	18	79010211A	019	26	81441021A	035	7	82718191AA	031	11
77916041DA	011	3	79010481A	019	33	81441041A	035	11	82718261A	005	13
77916311A	011	6	79120561D	07B	6	81510281A	010	43	82718381A	008	30
77917101B	010	34	79120561D	07C	6	81810162A	004	5	82718981AA	22A	10
77917241AA	22A	4	79710741A	004	1	81910692AA	026	11	8291D521B	029	5
77918151AA	028	5	79910241B	27B	12	81920021B	26A	6	8291E951AA	020	2
77918251AA	28A	20	79910241B	27C	12	82010242A	006	16	8291E991A	035	15
77918261AA	26A	21	79910491A	010	40	82110512AA	27B	1	8291F021C	018	21



CODE	NO. TABLE	POS.	CODE	NO. TABLE	POS.	CODE	NO. TABLE	POS.	CODE	NO. TABLE	POS.
8291F021C	018	21	84010032A	015	1	84010252A	015	1	84010532B	015	2
8291F201A	27A	22	84010042A	014	1	84010262A	014	1	84010542B	014	2
8291F201A	27A	22	84010042A	015	1	84010262A	015	1	84010542B	015	2
8291F211A	27A	16	84010052A	014	1	84010272A	014	1	84010552B	014	2
8291F211A	27A	16	84010052A	015	1	84010272A	015	1	84010552B	015	2
8291F343A	020	7	84010062A	014	1	84010282A	014	1	84010562B	014	2
8291F353A	020	20	84010062A	015	1	84010282A	015	1	84010562B	015	2
8291F361B	018	27	84010072A	014	1	84010292A	014	1	84010572B	014	2
8291F361B	018	27	84010072A	015	1	84010292A	015	1	84010572B	015	2
8291H122A	028	19	84010082A	014	1	84010302A	014	1	84010582B	014	2
83016131A	018	29	84010082A	015	1	84010302A	015	1	84010582B	015	2
83016131A	018	29	84010092A	014	1	84010312A	014	1	84010592B	014	2
8301D924AA	033	41	84010092A	015	1	84010312A	015	1	84010592B	015	2
8301D931AA	027	26	84010102A	014	1	84010322A	014	1	84010602B	014	2
8301D961BA	020	11	84010102A	015	1	84010322A	015	1	84010602B	015	2
8301D972A	020	14	84010112A	014	1	84010332A	014	1	84010612B	014	2
8301D991AA	029	26	84010112A	015	1	84010332A	015	1	84010612B	015	2
8301E001BA	022	17	84010122A	014	1	84010342A	014	1	84010622B	014	2
8301E001BA	022	17	84010122A	015	1	84010342A	015	1	84010622B	015	2
8301E012BA	016	1	84010132A	014	1	84010412B	014	2	84010632B	014	2
8301E021AA	018	39	84010132A	015	1	84010412B	015	2	84010632B	015	2
8301E021AA	018	39	84010142A	014	1	84010422B	014	2	84010642B	014	2
8301E032AA	018	10	84010142A	015	1	84010422B	015	2	84010642B	015	2
8301E032AA	018	10	84010152A	014	1	84010432B	014	2	84010652B	014	2
8301E041AA	24A	16	84010152A	015	1	84010432B	015	2	84010652B	015	2
8301E051B	018	16	84010162A	014	1	84010442B	014	2	84010662B	014	2
8301E051B	018	16	84010162A	015	1	84010442B	015	2	84010662B	015	2
8301E061AA	022	20	84010172A	014	1	84010452B	014	2	84010672B	014	2
8301E061AA	022	20	84010172A	015	1	84010452B	015	2	84010672B	015	2
8301E071AA	018	36	84010182A	014	1	84010462B	014	2	84010682B	014	2
8301E071AA	018	36	84010182A	015	1	84010462B	015	2	84010682B	015	2
8301E091AA	027	18	84010192A	014	1	84010472B	014	2	84010692B	014	2
8301E261A	018	1	84010192A	015	1	84010472B	015	2	84010692B	015	2
8301E261A	018	1	84010202A	014	1	84010482B	014	2	84010702B	014	2
8301E281AA	025	10	84010202A	015	1	84010482B	015	2	84010702B	015	2
8301E341AA	20A	6	84010212A	014	1	84010492B	014	2	84010712B	014	2
83040071A	021	35	84010212A	015	1	84010492B	015	2	84010712B	015	2
83110151B	010	44	84010222A	014	1	84010502B	014	2	84010722A	014	1
83210031E	28A	22	84010222A	015	1	84010502B	015	2	84010722A	015	1
84010012A	014	1	84010232A	014	1	84010512B	014	2	84010722B	014	2
84010012A	015	1	84010232A	015	1	84010512B	015	2	84010722B	015	2
84010022A	014	1	84010242A	014	1	84010522B	014	2	84010732A	014	1
84010022A	015	1	84010242A	015	1	84010522B	015	2	84010732A	015	1
84010032A	014	1	84010252A	014	1	84010532B	014	2	84010732B	014	2



CODE	NO. TABLE	POS.	CODE	NO. TABLE	POS.	CODE	NO. TABLE	POS.	CODE	NO. TABLE	POS.
84010732B	015	2	84740021A	27C	13	85211961B	018	24	85310041A	009	4
84010742B	014	2	84740061A	010	45	85211961B	018	24	85350101A	012	17
84010742B	015	2	85040381A	018	33	85211971A	016	16	85350101A	018	6
84010752B	014	2	85040381A	018	33	85212171A	26A	15	85350101A	018	6
84010752B	015	2	85040381A	019	28	85212211A	026	14	85550001B	18A	4
84010762B	014	2	85040471A	019	35	85212211A	26A	3	85610623A	008	19
84010762B	015	2	85040471A	030	13	85212221A	026	6	85610642A	10A	10
84010772B	014	2	85040471A	033	20	85212771A	07B	10	85611372A	003	6
84010772B	015	2	85040471A	034	14	85212771A	07C	10	85611391B	004	2
84010782B	014	2	85040521A	034	15	85212881D	006	11	85611401A	034	28
84010782B	015	2	85040551A	018	3	85213641A	006	3	85611481A	010	50
84010792B	014	2	85040551A	018	3	85213841AA	028	8	85611661A	029	34
84010792B	015	2	85040551A	019	29	85213941AA	028	22	85640141A	010	9
84010802B	014	2	85040551A	030	12	85240171A	034	29	86010041A	10A	7
84010802B	015	2	85040671A	18A	15	85240171A	24A	12	86010061A	013	1
84010812B	014	2	85041041A	034	11	85241711A	027	13	86010061A	13A	1
84010812B	015	2	85041051A	034	10	85241731A	030	2	86020011A	032	22
84010822B	014	2	85041121A	034	4	85250011C	033	39	86050061A	014	24
84010822B	015	2	85041711A	28A	28	85250041C	27B	9	86050061A	015	24
84010832B	014	2	85042131A	017	10	85250041C	27C	9	86050061A	07A	8
84010832B	015	2	85044251A	033	42	85250091A	027	7	86050131A	013	29
84010842B	014	2	85110131A	008	14	85250231A	010	48	86050131A	13A	29
84010842B	015	2	85110181B	003	16	85250231A	013	25	86610301A	033	8
84010852B	014	2	85110201A	004	8	85250231A	014	28	86610301B	033	3
84010852B	015	2	85140051A	006	12	85250231A	015	20	86611821A	032	17
84010862B	014	2	85210011B	28A	8	85250231A	13A	25	86611861A	032	6
84010862B	015	2	85210021B	28A	8	85250241A	005	17	86612151A	018	4
84010872B	014	2	85210031B	28A	8	85250241A	010	8	86612151A	018	4
84010872B	015	2	85210051A	002	14	85250241A	023	7	86612171A	027	20
84011082A	014	1	85210491B	021	34	85250241A	024	15	86612181A	027	1
84011082A	015	1	85210532A	010	46	85250241A	025	2	86612192A	018	9
84011092A	014	1	85210541B	27B	27	85250241A	24A	11	86612192A	018	9
84011092A	015	1	85210681B	030	9	85250261B	014	11	86612251A	20A	5
84011102A	014	1	85210941A	002	19	85250261B	015	11	86640081A	032	3
84011102A	015	1	85211031AB	021	11	85250291A	021	39	87210532A	18A	10
84011112A	014	1	85211351A	005	10	85250311A	029	4	87210741A	28A	10
84011112A	015	1	85211511A	016	13	85250311A	033	29	87211111A	28A	12
84011122A	014	1	85211511A	27C	27	85250401A	021	33	87211141A	027	9
84011122A	015	1	85211671B	033	10	85250421A	010	49	87211151A	28A	9
84011132A	014	1	85211761A	024	28	85250421A	13A	38	87240561A	28A	21
84011132A	015	1	85211761A	027	16	85250771A	030	22	87240601A	031	8
84011142A	014	1	85211911A	032	15	85310021A	008	8	87310051A	013	31
84011142A	015	1	85211951A	010	47	85310021A	009	9	87310051A	13A	31
84740021A	27B	13	85211951A	016	15	85310031A	011	21	87311563AA	28A	3



CODE	NO. TABLE	POS.	CODE	NO. TABLE	POS.	CODE	NO. TABLE	POS.	CODE	NO. TABLE	POS.
87321421B	013	14	887005749	01A	38	887138836	01A	27	93010041B	021	5
87321421B	13A	14	887130022	01A	11	887138847	01B	15	93010102A	26A	23
87512131A	010	51	887130023	01A	39	887138848	01B	14	93040211A	005	9
87522391A	010	29	887131010	01A	15	887651297	01A	32	93040221A	010	61
87611191A	035	16	887131058	01B	7	887651298	01A	3	93040932A	010	62
87611371B	029	2	887131062	01B	9	887651518	01A	18	93041233A	010	63
87712721A	025	6	887131074	01B	4	887651635	01A	34	93041271A	010	12
88110121A	002	16	887131309	01A	14	887651737	01A	19	93041271A	028	10
88110541A	26A	7	887131515	01B	6	89310143A	031	2	93041271A	28A	7
88110741A	024	17	887131749	01A	26	89320062A	010	59	93041501A	026	18
88110921A	012	2	887131821	01A	23	89320201A	005	15	93042181A	013	13
88111281A	031	17	887131832	01A	9	89340251A	025	11	93042181A	13A	13
88210031A	008	11	887131920	01A	22	89340301A	023	11	93410241B	031	1
88210151A	003	7	887131994	01A	25	89340311A	024	6	93410261A	031	24
88440511A	26A	18	887132011	01A	20	89410241A	010	60	93410271A	031	9
88440531A	010	52	887132068	01A	33	89520441A	032	1	93510861A	035	17
88440651A	010	54	887132103	01A	7	91375171AR	027	25	93510871A	035	6
88450031A	27B	3	887132442	01A	2	91375171BG	027	25	93783152A	011	18
88450031A	27C	3	887132695	01A	16	91375171CA	027	25	94247001A	10A	1
88450131A	005	11	887132870	01A	24	91375171CS	027	25	944650035	L	1
88450341B	002	22	887132877	01A	30	91375171DA	027	25	944650037	L	2
88450581A	010	55	887132906	01A	6	91375171DE	027	25	979000252	01C	1
88450661A	019	32	887132913	01A	37	91375171EL	027	25	979000253	01C	2
88610241A	10A	8	887132951	01B	3	91375171EN	027	25	979000254	01C	3
88610951A	011	22	887133203	01B	11	91375171ES	027	25	979000255	01C	4
88640331A	010	56	887133204	01B	2	91375171FI	027	25	979000256	01C	5
88640331A	011	2	887133211	01B	5	91375171FR	027	25	979000259	01C	7
88640371A	009	6	887133220	01B	10	91375171HR	027	25			
88640851A	013	15	887133352	01A	5	91375171HU	027	25			
88640851A	13A	15	887133406	01A	17	91375171IT	027	25			
88641161A	27C	23	887133408	01A	10	91375171JA	027	25			
88641181A	010	57	887133417	01A	12	91375171KO	027	25			
88641241A	26A	16	887133497	01A	4	91375171NL	027	25			
88641321A	009	5	887133930	01B	13	91375171NO	027	25			
88641581A	010	58	887133931	01A	8	91375171PL	027	25			
88641721A	27B	23	887134411	01A	21	91375171PT	027	25			
88641731A	004	6	887134488	01B	12	91375171RO	027	25			
88641961A	010	37	887134791	01A	35	91375171RU	027	25			
88642301A	005	18	887134882	01A	36	91375171SK	027	25			
88642451A	029	17	887134964	01A	1	91375171SL	027	25			
88642621A	013	19	887134965	01A	28	91375171SV	027	25			
88642621A	13A	19	887134966	01A	29	91375171ZH	027	25			
88642971B	10A	9	887134967	01B	1	92610051A	022	23			
887005644	01A	13	887136156	01A	31	92610051A	022	23			



Ducati Motor Holding S.p.A.

Uffici Commerciali Amministrativi:

Via A. Cavalieri Ducati n. 3

40132 Bologna, Italy

Telefono 051 6413111

Fax 051 406580

Internet www.ducati.com