



899 Panigale ABS
Model Year 2015

SUPERBIKE

Chassis prefix:
Cylinder capacity: 1198

D15000015 - I
SPARE PARTS CATALOGUE
en-US



The present spare parts order exactly the right spare parts.

When ordering specify:

1. the part's code number followed by its description and quantity needed;
2. the motorcycle's serial number, stamped on the steering head.

Reference to right and left apply to the vehicle in terms of its direction of movement.



Spare parts drawings are general and do not represent the part.

The contents of this catalogue are general and can undergo changes without prior notice.

CHARACTERISTICS LEGENDA

CHARACTERISTIC CODE	CHARACTERISTIC DESCRIPTION	VALUE CODE	VALUE DESCRIPTION
DFR	DAFRA	N	NO
MOD	MODEL	899 ABS	
MOD	MODEL	899 AWS	
PLT	PLANT	DB10	
XCO	MAIN COLOUR	AWS	
XCO	MAIN COLOUR	R	
XCR	FRAME / WHEEL COLOUR	-B	BLACK
XCR	FRAME / WHEEL COLOUR	-MR	
XPO	OPTIONS	BIP	
XST	STANDARD COUNTRY	AUS	
XST	STANDARD COUNTRY	EUR	
XST	STANDARD COUNTRY	FRA	
XST	STANDARD COUNTRY	JAP	
XST	STANDARD COUNTRY	TWN	



COLOUR	COLOUR CODE	COLOUR DESCRIPTION	FINISHED PRODUCTS
	AWS	WHITE SILK	(D15032315) 899 AWS 15 EUR AWS -MR BIP DMH (D15032515) 899 AWS 15 JAP AWS -MR BIP DMH (D15033115) 899 AWS 15 FRA AWS -MR BIP DMH (D15033315) 899 AWS 15 TWN AWS -MR BIP DMH (D15033515) 899 AWS 15 AUS AWS -MR BIP DMH
	R	RED	(D15032215) 899 ABS 15 EUR R -B BIP DMH (D15032415) 899 ABS 15 JAP R -B BIP DMH (D15033015) 899 ABS 15 FRA R -B BIP DMH (D15033215) 899 ABS 15 TWN R -B BIP DMH (D15033415) 899 ABS 15 AUS R -B BIP DMH



General information.....	3
Colours.....	4
Group ELECTRIC.....	8
Drawing 018 - IMPIANTO ELETTRICO SINISTRO [MOD:899 ABS,899 AWS].....	8
Drawing 18A - BATTERY HOLDER [MOD:899 ABS,899 AWS].....	10
Drawing 18B - IMPIANTO ELETTRICO DESTRO [MOD:899 ABS,899 AWS].....	12
Drawing 18C - WIRING HARNESS [MOD:899 ABS,899 AWS].....	14
Group ENGINE.....	16
Drawing 002 - GEARCHANGE CONTROL [MOD:899 ABS,899 AWS].....	16
Drawing 003 - GEAR BOX [MOD:899 ABS,899 AWS].....	18
Drawing 004 - CLUTCH [MOD:899 ABS,899 AWS].....	20
Drawing 005 - CLUTCH - SIDE CRANKCASE COVER [MOD:899 ABS,899 AWS;XST:AUS,EUR,FRA].....	22
Drawing 006 - CONNECTING RODS [MOD:899 ABS,899 AWS].....	24
Drawing 007 - CYLINDERS - PISTONS [MOD:899 ABS,899 AWS].....	26
Drawing 008 - DISTRIBUZIONE [MOD:899 ABS,899 AWS].....	28
Drawing 009 - FILTERS AND OIL PUMP [MOD:899 ABS,899 AWS].....	30
Drawing 010 - HALF-CRANKCASES PAIR [MOD:899 ABS,899 AWS].....	32
Drawing 011 - POMPA ACQUA [MOD:899 ABS,899 AWS].....	36
Drawing 012 - ELECTRIC STARTING AND IGNITION [MOD:899 ABS,899 AWS].....	38
Drawing 013 - TESTA ORIZZONTALE - DISTRIBUZIONE [MOD:899 ABS,899 AWS;XST:AUS,EUR,FRA,JAP].....	40
Drawing 013 - TESTA ORIZZONTALE - DISTRIBUZIONE [MOD:899 ABS,899 AWS;XST:TWN].....	42
Drawing 014 - HORIZONTAL HEAD [MOD:899 ABS,899 AWS].....	44
Drawing 015 - VERTICAL HEAD [MOD:899 ABS,899 AWS].....	52
Drawing 05A - CLUTCH-SIDE CRANKCASE COVER (JAP) [MOD:899 ABS,899 AWS;XST:JAP,TWN].....	60
Drawing 10A - HALF-CRANKCASES PAIR [MOD:899 ABS,899 AWS].....	62
Drawing 13A - VERTICAL CYLINDER HEAD - TIMING [MOD:899 ABS,899 AWS;XST:AUS,EUR,FRA,JAP].....	64
Drawing 13A - VERTICAL CYLINDER HEAD - TIMING [MOD:899 ABS,899 AWS;XST:TWN].....	66
Group TOOLS.....	68
Drawing 001 - DDS (2) TESTER [MOD:899 ABS,899 AWS].....	68



Drawing 01A - WORKSHOP SERVICE TOOLS [MOD:899 ABS,899 AWS].....	70
Drawing 01B - WORKSHOP SERVICE TOOLS [MOD:899 ABS,899 AWS].....	74
Drawing 01C - WORKSHOP SERVICE TOOLS [MOD:899 ABS,899 AWS].....	76
Group FRAME.....	78
Drawing 016 - FOOTRESTS, LEFT [MOD:899 ABS,899 AWS].....	78
Drawing 017 - THROTTLE BODY [MOD:899 ABS,899 AWS].....	80
Drawing 019 - GRUPPO SCARICO [MOD:899 ABS,899 AWS;XST:AUS,EUR,FRA].....	82
Drawing 020 - FANALE ANTERIORE E CRUSCOTTO [MOD:899 ABS,899 AWS].....	86
Drawing 021 - SEMIMANUBRI - AMMORTIZZATORE DI STERZO [MOD:899 ABS,899 AWS].....	88
Drawing 022 - FRAME [MOD:899 ABS,899 AWS].....	90
Drawing 023 - CLUTCH CONTROL [MOD:899 ABS,899 AWS].....	92
Drawing 024 - FRENO ANTERIORE [MOD:899 ABS,899 AWS].....	94
Drawing 025 - FRENO POSTERIORE [MOD:899 ABS,899 AWS].....	96
Drawing 026 - RUOTA ANTERIORE E POSTERIORE [MOD:899 ABS,899 AWS].....	100
Drawing 027 - REAR FRAME COMP. [MOD:899 ABS,899 AWS].....	104
Drawing 028 - SOSPENSIONE POSTERIORE [MOD:899 ABS,899 AWS].....	108
Drawing 029 - AIR INTAKE - OIL BREATHER [MOD:899 ABS,899 AWS].....	110
Drawing 030 - WATER COOLER [MOD:899 ABS,899 AWS].....	112
Drawing 031 - COOLING SYSTEM [MOD:899 ABS,899 AWS].....	114
Drawing 032 - TANK [MOD:899 ABS,899 AWS;XST:AUS,EUR,FRA,JAP].....	116
Drawing 032 - TANK [MOD:899 ABS,899 AWS;XST:TWN].....	118
Drawing 033 - SEAT [MOD:899 ABS,899 AWS].....	120
Drawing 034 - COWLING [MOD:899 ABS,899 AWS].....	124
Drawing 035 - CANISTER FILTER [MOD:899 ABS,899 AWS;XST:TWN].....	126
Drawing 19A - EXHAUST SYSTEM (JAP) [MOD:899 ABS,899 AWS;XST:JAP,TWN].....	128
Drawing 21A - FRONT FORK [MOD:899 ABS,899 AWS;XST:AUS,EUR,FRA,JAP,TWN].....	132
Drawing 22A - STAND [MOD:899 ABS,899 AWS].....	134
Drawing 24A - ANTILOCK BRAKING SYSTEM (ABS) [MOD:899 ABS,899 AWS].....	136
Drawing 27A - NUMBER PLATE HOLDER - TAIL LIGHT [MOD:899 ABS,899 AWS;XST:EUR,FRA,JAP,TWN].....	138
Drawing 27B - NUMBER PLATE HOLDER - TAIL LIGHT - (AUS) [MOD:899 ABS,899 AWS;XST:AUS].....	140

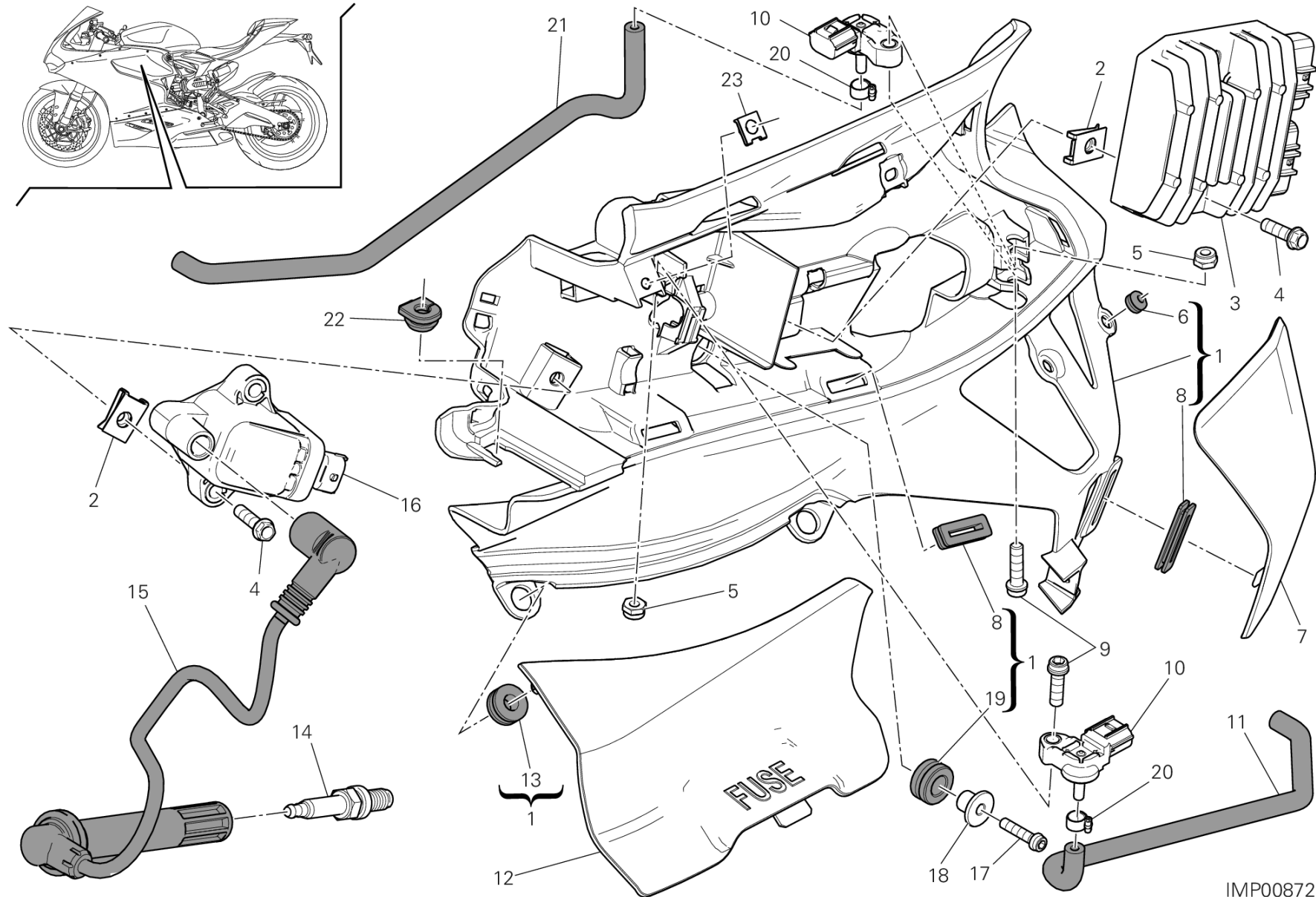


Drawing 28A - FORCELLONE POSTERIORE [MOD:899 ABS,899 AWS].....	142
Drawing 34A - FAIRING [MOD:899 ABS,899 AWS].....	144
Alphanumeric index.....	146



DRAWING 018 - IMPIANTO ELETTRICO SINISTRO [MOD:899 ABS,899 AWS]

GROUP ELECTRIC



DRAWING 018 - IMPIANTO ELETTRICO SINISTRO [MOD:899 ABS,899 AWS]

GROUP ELECTRIC

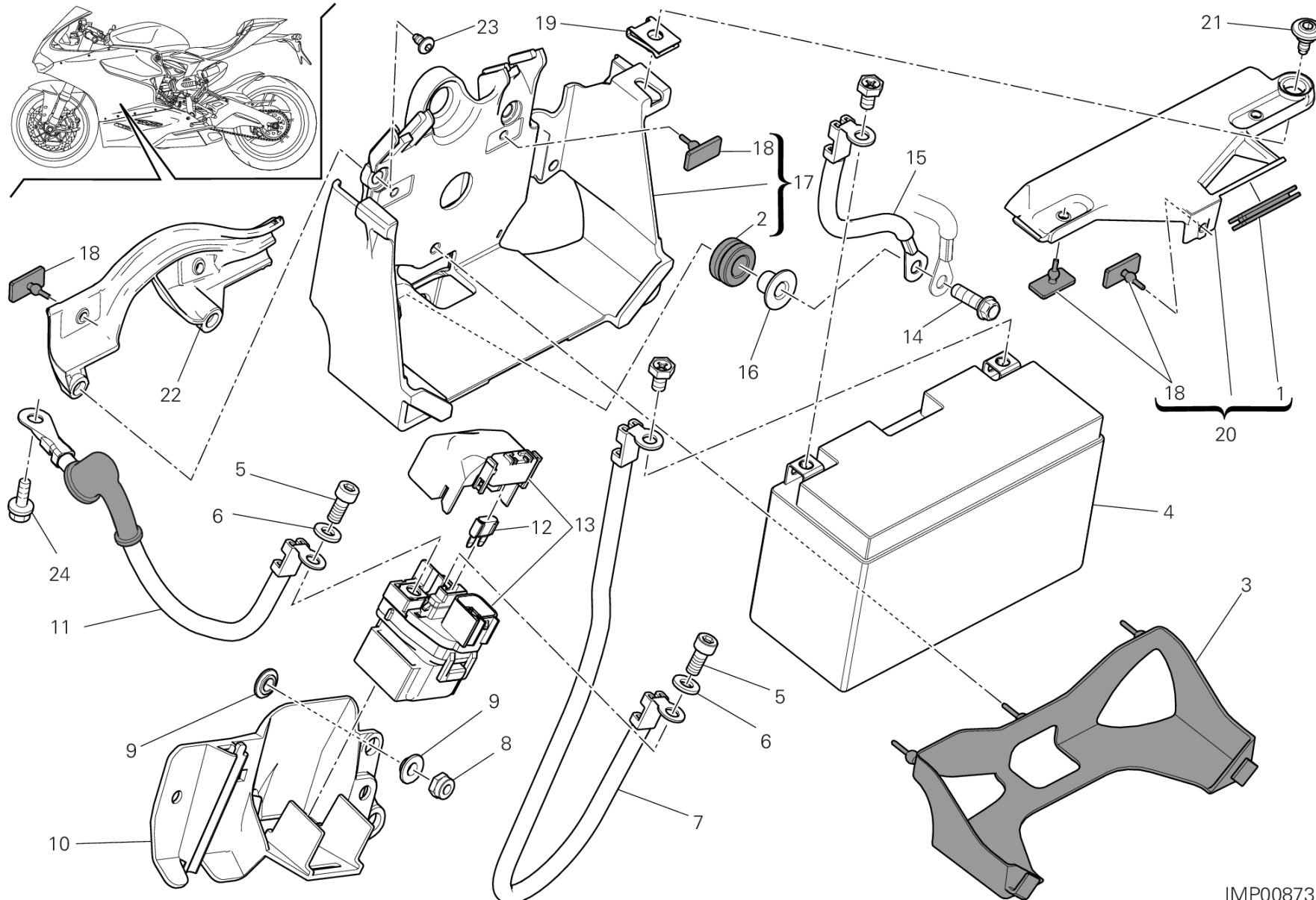


POS.	CODE	DESCRIPTION	QTY	START DATE	END DATE	VALIDITY	NOTES
1	829PA361A	LEFT HOLDER	1				
2	85041581A	CLIP NUT	4				
3	54040301B	VOLTAGE REGULATOR	1				
4	77251038B	SCREW TEF M6X25	4				
5	74940041A	NUT, SELF-LOCKING M6	2				
6	76440561A	RUBBER PAD	2				
7	46015482A	COVER	1				
8	76411411B	RUBBER PAD	3				
9	77156688B	SCREW TCEIF M6X22X18	2	01/11/2012			
10	55241571A	SENSOR, PRESSURE	2				
11	59013941A	TUBE VERTICAL	1				
12	46015351A	COVER	1				
13	76410841B	RUBBER PAD	2				
14	67040451A	SPARK PLUG	1				
15	67110511C	SPARK PLUG WIRING	1				
16	38040221B	IGNITION COIL ASSY	1				
17	77156443B	SCREW	3				
18	71614342AA	SPACER	3				
19	76410901A	RUBBER PAD	3				
20	74141711A	CLAMP 10-7 MM	2				
21	59013951A	TUBE HORIZONTAL	1				
22	76410741A	HOSE GUIDE	1				
23	85040471A	QUICK FASTENING M5	2				



DRAWING 18A - BATTERY HOLDER [MOD:899 ABS,899 AWS]

GROUP ELECTRIC



IMP00873

DRAWING 18A - BATTERY HOLDER [MOD:899 ABS,899 AWS]

GROUP ELECTRIC

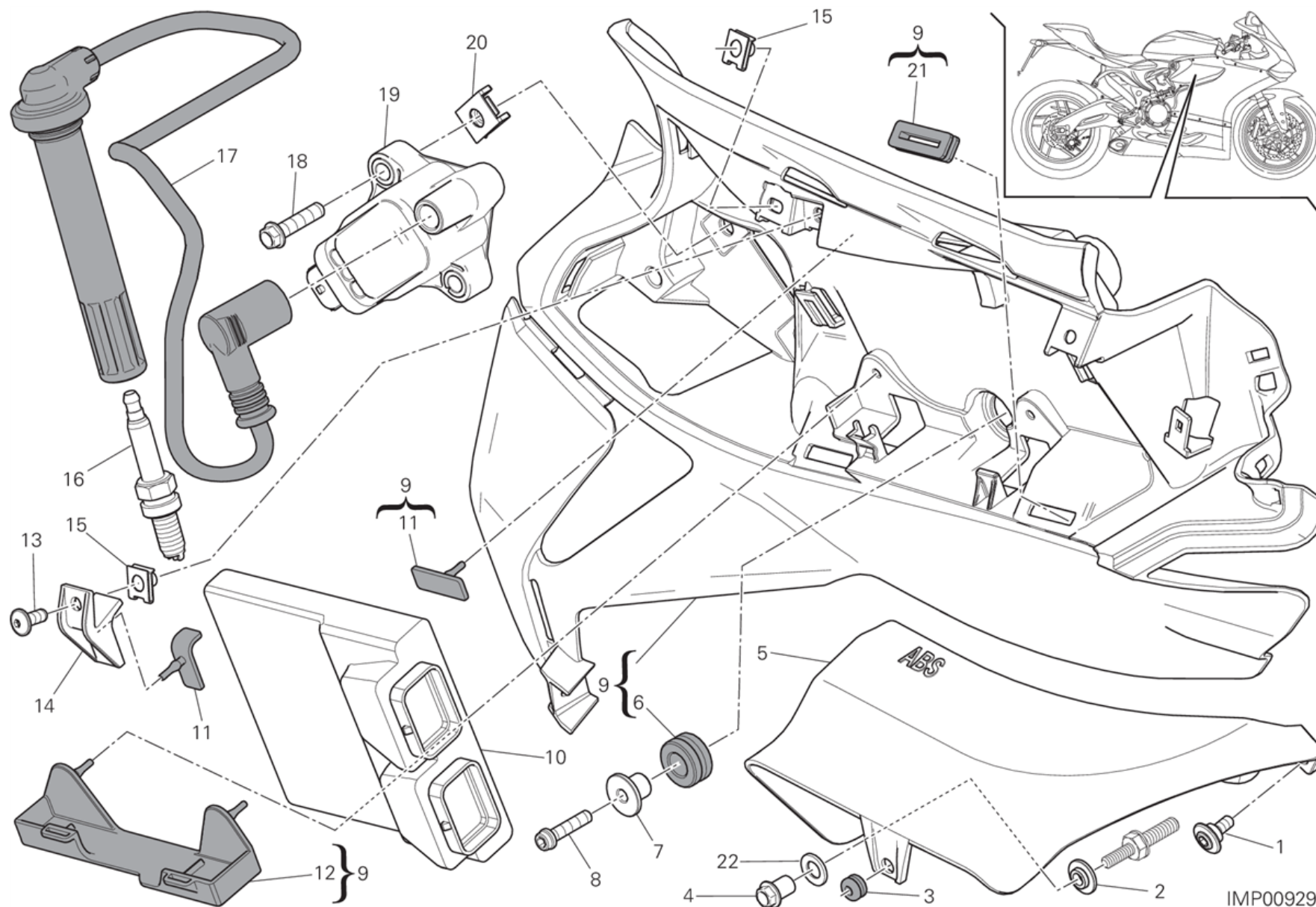


POS.	CODE	DESCRIPTION	QTY	START DATE	END DATE	VALIDITY	NOTES
1	76411411B	RUBBER PAD	1				
2	76410901A	RUBBER PAD	3				
3	46015052A	BATTERY CARPET	1				
4	69926761A	BATTERY	1				
5	77156628B	SCREW TCEIF M6X10	2				
6	85350101A	WASHER, SPRING	2				
7	51410671A	BATTERY - SOLENOID STARTER CABLE	1				
8	74840381A	NUT M5	2				
9	71614071A	SPACER 5.2X8.4X2	4				
10	83016833A	HOLDER	1				
11	51410681A	SOLENOID STARTER - STARTER MOTOR CABLE	1				
12	38940251A	FUSE 30A	1				
13	39740071A	STARTER RELAY	1				
14	77251023C	SCREW TEF M6X22 10.9	3				
15	51310261A	CABLE	1				
16	71611061A	SPACER 7X10X20	3				
17	829PA541B	BATTERY HOLDER	1				
18	86610361A	RUBBER PAD	7				
19	85040551A	QUICK FASTENING	1				
20	247P4072A	COVER ASSEMBLY	1				
21	77211131A	SCREW	1				
22	46015681A	GUARD	1				
23	77440203C	SCREW	2				
24	77210461B	SCREW TEF M5X8	1				



DRAWING 18B - IMPIANTO ELETTRICO DESTRO [MOD:899 ABS,899 AWS]

GROUP ELECTRIC

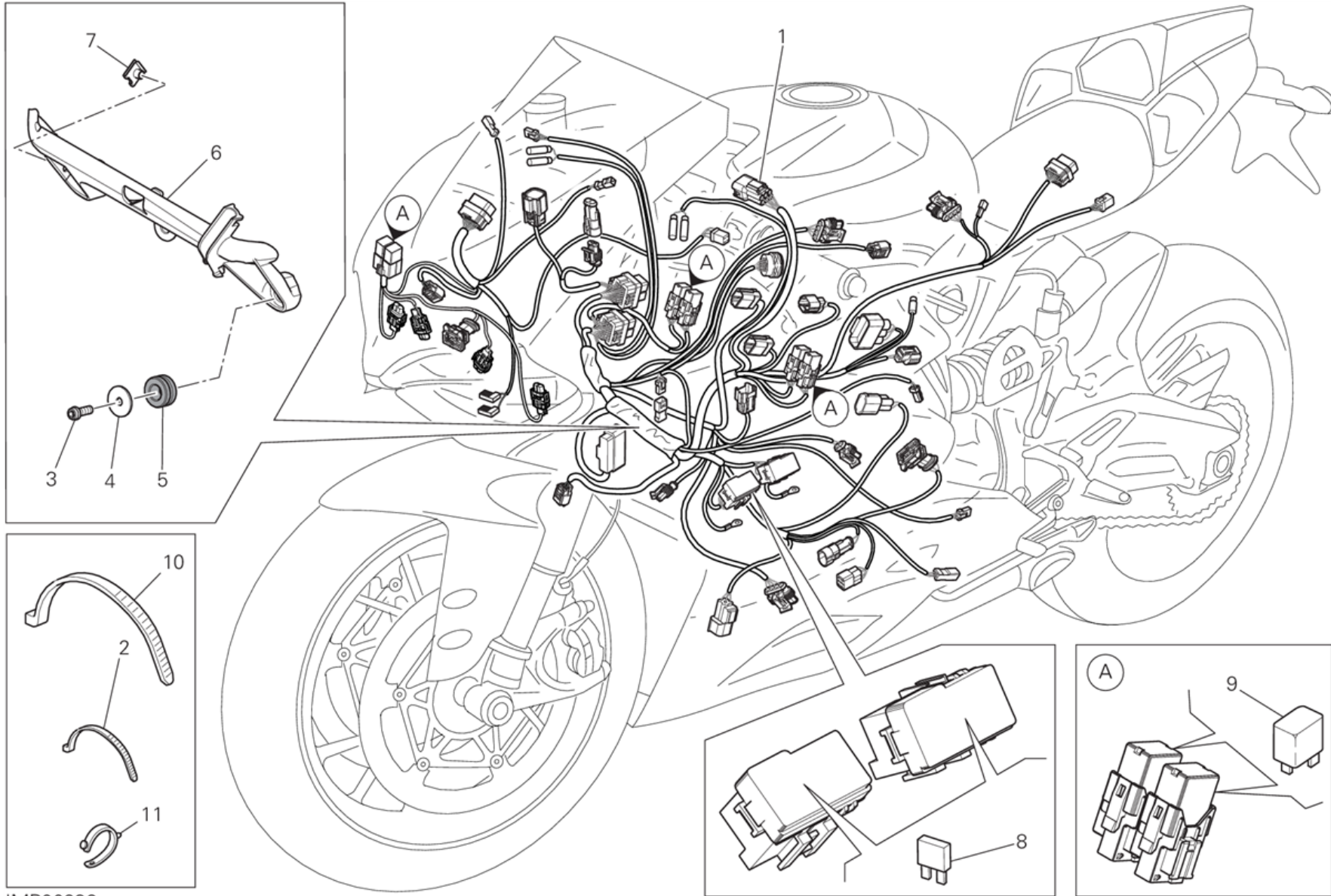


DRAWING 18B - IMPIANTO ELETTRICO DESTRO [MOD:899 ABS,899 AWS]

GROUP ELECTRIC



POS.	CODE	DESCRIPTION	QTY	START DATE	END DATE	VALIDITY	NOTES
1	77210853B	SCREW TCEI M5X9	1				
2	71614071A	SPACER 5.2X8.4X2	1				
3	76440561A	RUBBER PAD	1				
4	75011742AA	NUT, SPECIAL	1				
5	46015631B	COVER	1				
6	76410901A	RUBBER PAD	3				
7	71614342AA	SPACER	3				
8	77156443B	SCREW	3				
9	829PA371A	RIGHT HOLDER	1				
10	28642421A	ENGINE CONTROL UNIT	1	20/07/2013		XST:AUS,EUR	AUS-BRA-EUR-THA
	28642421E	ENGINE CONTROL UNIT	1	20/07/2013		XST:FRA	FRA
	28642421F	ENGINE CONTROL UNIT	1	20/07/2013		XST:JAP,TWN	JAP-TWN
11	86611241A	RUBBER PAD	2				
12	70010711A	VIBRATION DAMPER	1				
13	77240258C	SCREW	1				
14	83016861A	BRACKET	1				
15	85040471A	QUICK FASTENING M5	3				
16	67040451A	SPARK PLUG	1				
17	67110511C	SPARK PLUG WIRING	1				
18	77251038B	SCREW TEF M6X25	2				
19	38040221B	IGNITION COIL ASSY	1				
20	85041581A	CLIP NUT	2				
21	76411411B	RUBBER PAD	2				
22	85211561A	SPRING WASHER 8.1X14X1	1	16/06/2014			



IMP00932

DRAWING 18C - WIRING HARNESS [MOD:899 ABS,899 AWS]

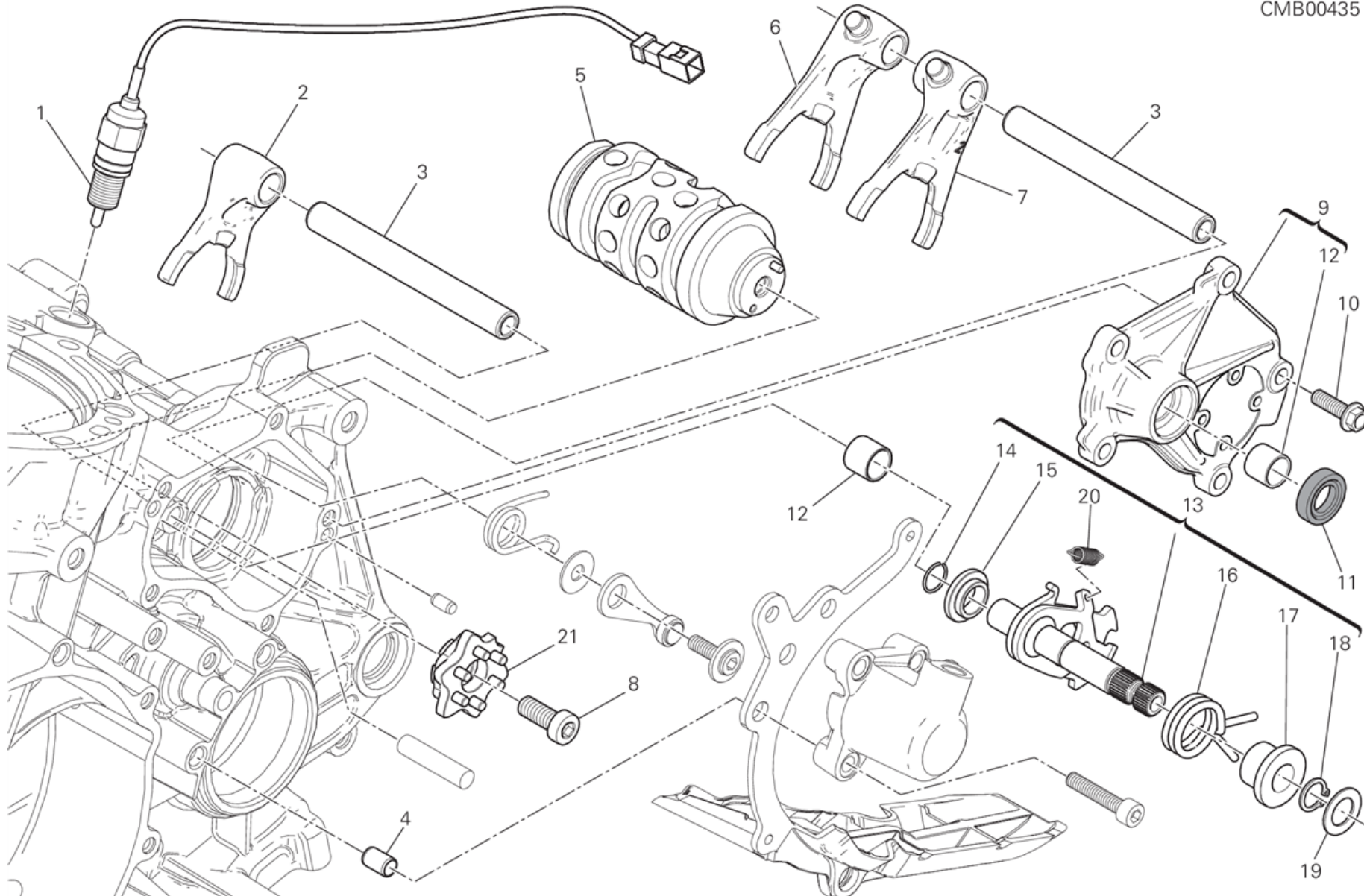
GROUP ELECTRIC



POS.	CODE	DESCRIPTION	QTY	START DATE	END DATE	VALIDITY	NOTES
1	51019671A	MAIN WIRING HARNESS	1	20/07/2013			
2	74140381A	CLAMP	39				
3	77210882B	SCREW TBEI M5X12	2				
4	71614431AA	SPACER	2				
5	76410901A	RUBBER PAD	2				
6	83017071A	BRACKET, FRONT	1				
7	85040471A	QUICK FASTENING M5	1				
8	38940191A	FUSE 5A	1				
	38940201A	FUSE 10A	1				
	38940211A	FUSE 15A	1				
	38940221A	FUSE 20A	1				
	38940241A	FUSE 7,5A	1				
	38940251A	FUSE 30A	1				
	38940261A	FUSE 25A	1				
9	54140101A	RELAY	4				
10	069191030	CLAMP	25				
11	74110121A	CLAMP, RUBBER 62MM	3	16/06/2014			



CMB00435

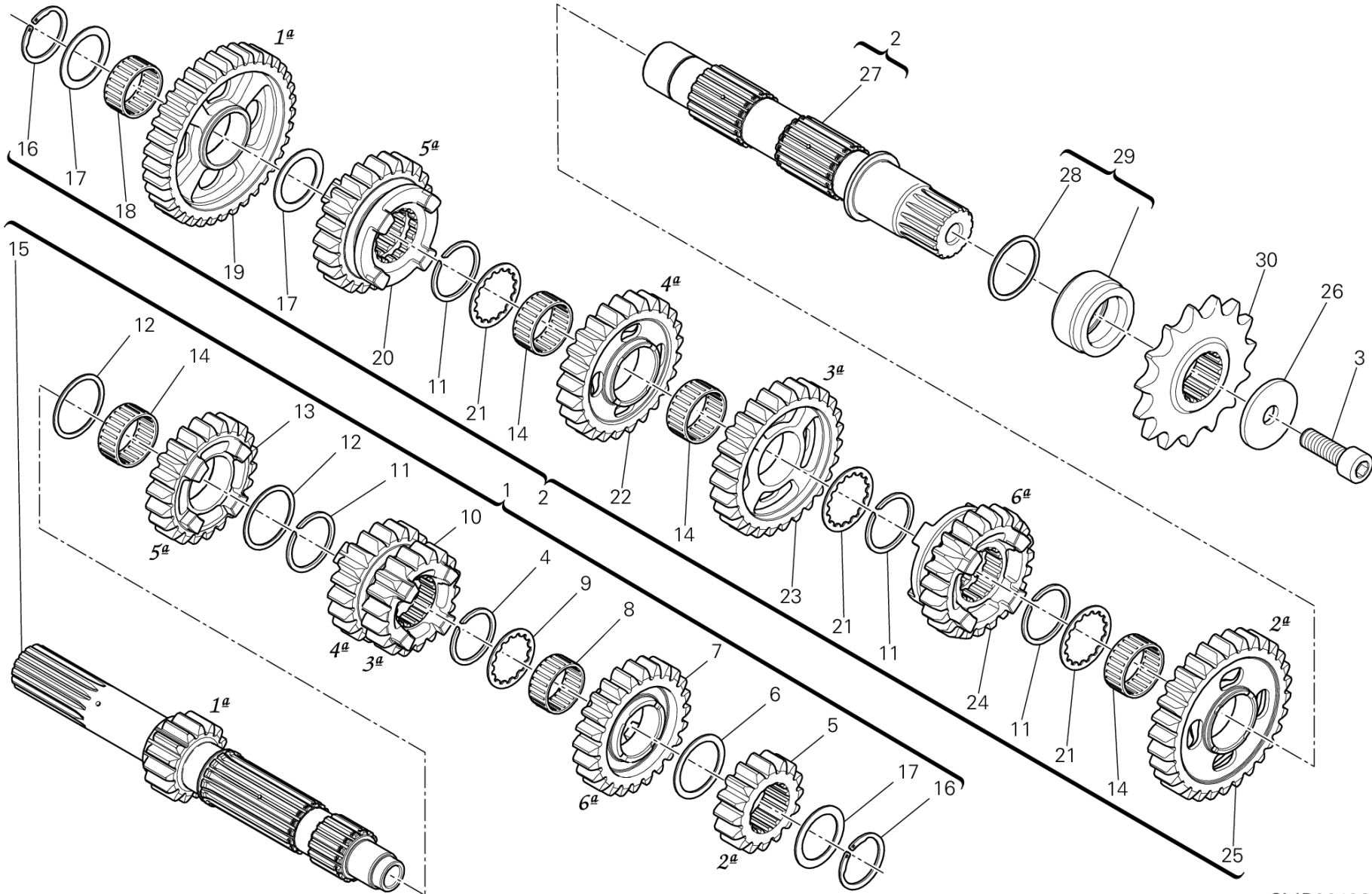


DRAWING 002 - GEARCHANGE CONTROL [MOD:899 ABS,899 AWS]

GROUP ENGINE



POS.	CODE	DESCRIPTION	QTY	START DATE	END DATE	VALIDITY	NOTES
1	55241612C	GEARBOX POSITION SENSOR	1	11/11/2010			
2	18010271D	5TH,6TH GEAR SELECTOR FORK	1	26/03/2012			
3	82113441B	FORK PIN	2	26/03/2012			
4	71113631A	BUSH	2	26/03/2012			
5	18220353C	COMPLETE GEARBOX DRUM	1	26/03/2012			
6	18010281D	1TH,4TH GEAR SELECTOR FORK	1	26/03/2012			
7	18010291D	2TH,3TH GEAR SELECTOR FORK	1	26/03/2012			
8	77355038B	SCREW	1	26/03/2012			
9	24723652A	GEARBOX CONTROL COVER (Unit)	1	08/05/2012			
10	77253317C	SCREW	5	26/03/2012			
11	93041591A	SEAL RING	1	23/11/2010			
12	71240231A	BUSH	2	24/04/2012			
13	18120051C	GEAR CHANGE MECHANISM (Unit)	1	09/05/2014			
14	88450311A	STOP RING	1	19/12/2011			
15	71611581C	SPACER	1	19/12/2011			
16	79915141C	SPRING	1	19/12/2011			
17	71611571C	SPACER	1	19/12/2011			
18	88450361A	CIRCLIP	1	19/12/2011			
19	85212651A	WASHER	1	10/11/2010			
20	79915131C	SPRING	1	19/12/2011			
21	18220381B	GEARBOX DRUM FLANGE ASSEMBLY	1	26/07/2011			



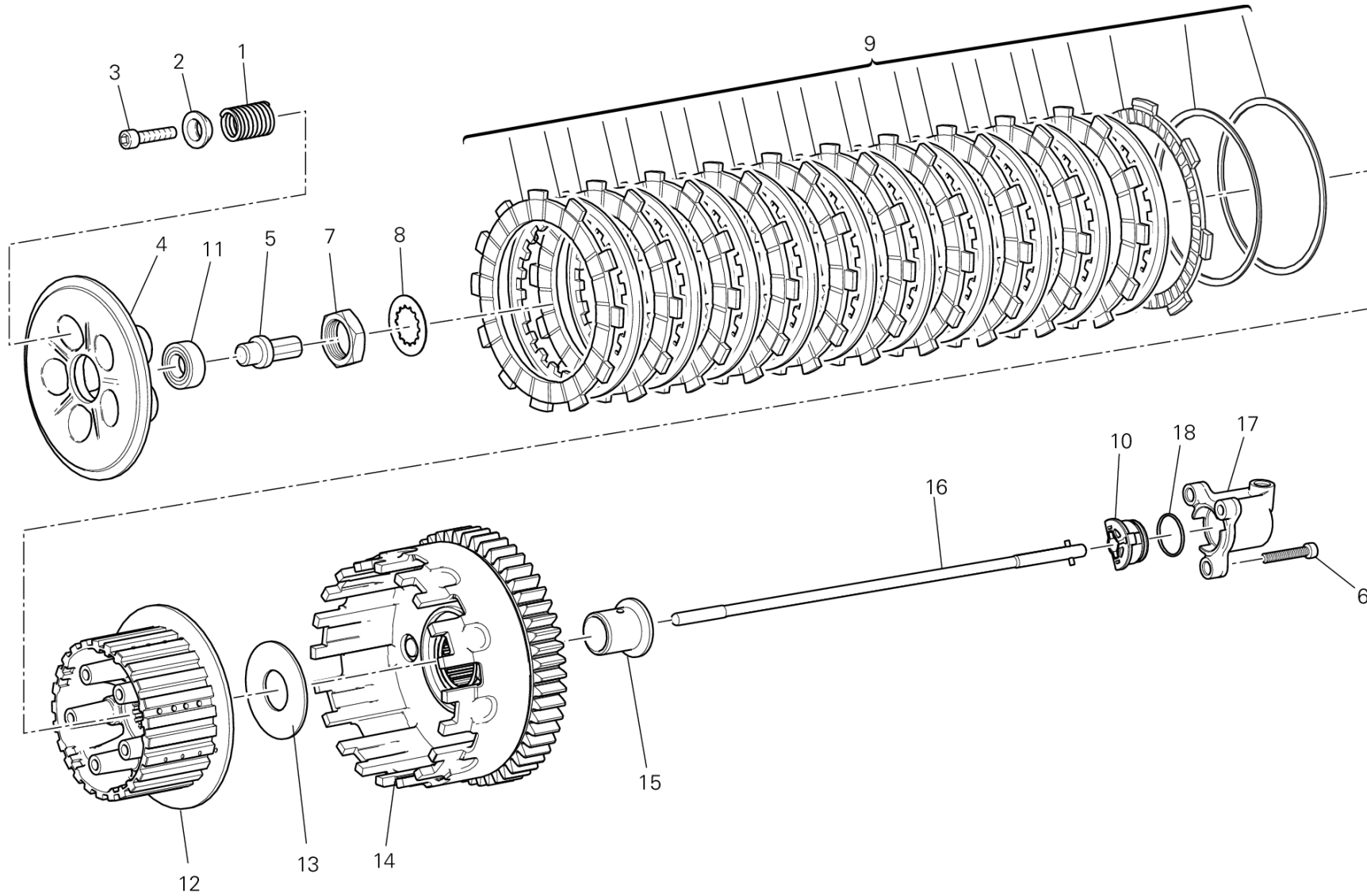
CMB00406

DRAWING 003 - GEAR BOX [MOD:899 ABS,899 AWS]

GROUP ENGINE



POS.	CODE	DESCRIPTION	QTY	START DATE	END DATE	VALIDITY	NOTES
1	15021991A	COMPLETE MAIN SHAFT	1	16/01/2013			
2	15022001A	COMPLETE LAY SHAFT	1	16/01/2013			
3	77154337C	SCREW	1	01/12/2011			
4	88440731A	SPRING RING	1	16/01/2013			
5	17213172A	DRIVING GEAR 2ND SP.	1	07/12/2011			
6	85213301A	THRUST WASHER	1	16/01/2013			
7	17213202A	DRIVING GEAR 6TH SP.	1	07/12/2011			
8	70140311A	NEEDLE BEARING	1	07/12/2011			
9	85611372A	WASHER LOCK 28X32.5X1	1	16/01/2013			
10	17213182A	DRIVING GEAR 3RD/4TH SP.	1	16/01/2013			
11	88440741A	SPRING RING	4	16/01/2013			
12	85213291A	THRUST WASHER	2	16/01/2013			
13	17213192A	DRIVING GEAR 5TH SP.	1	16/01/2013			
14	70140321A	NEEDLE BEARING	4	01/01/2011			
15	14911201A	MAIN SHAFT	1	16/01/2013			
16	88440751A	CIRCLIP	2	16/01/2013			
17	85213311A	THRUST WASHER	3	16/01/2013			
18	70140331A	NEEDLE BEARING	1	01/01/2011			
19	17213212A	DRIVEN GEAR 1ST SP.	1	16/01/2013			
20	17213252A	DRIVEN GEAR 5TH SP.	1	16/01/2013			
21	85611491A	GROOVED WASHER	3	16/01/2013			
22	17213242A	DRIVEN GEAR 4TH SP.	1	16/01/2013			
23	17213232A	DRIVEN GEAR 3RD SP.	1	16/01/2013			
24	17213262A	DRIVEN GEAR 6TH SP.	1	16/01/2013			
25	17213222A	DRIVEN GEAR 2ND SP.	1	16/01/2013			
26	85212801A	THRUST WASHER	1	01/12/2011			
27	14910881F	LAY SHAFT	1	16/01/2013			
28	88640042A	O-RING	1	21/04/2011			
29	71320021B	CHAIN SPROCKET SPACER (Unit)	1	11/11/2010			
30	44910661A	SPROCKET T15	1	20/07/2013			



CMB00407

DRAWING 004 - CLUTCH [MOD:899 ABS,899 AWS]

GROUP ENGINE

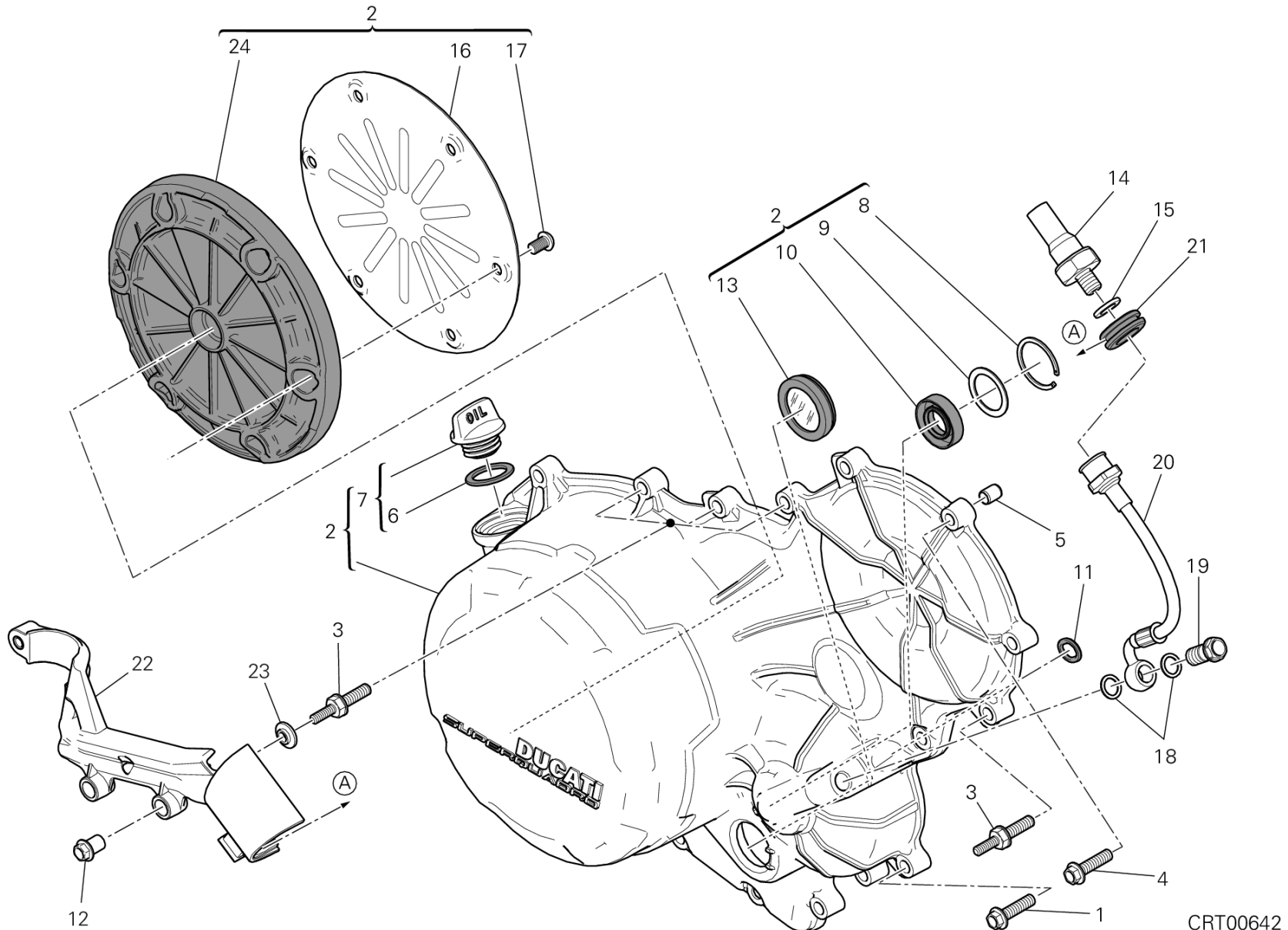


POS.	CODE	DESCRIPTION	QTY	START DATE	END DATE	VALIDITY	NOTES
1	79710321A	CLUTCH SPRING	5	18/10/2012			
2	84110461A	RETAINER	5	26/07/2012			
3	77150728C	SCREW TCEI M6X35	5	26/07/2012			
4	19410611A	DISK, CLUTCH PRESSURE	1	26/07/2012			
5	81810162A	CLUTCH CONTROL PIN (FCC)	1	11/11/2010			
6	77110471A	SCREW	3	20/07/2013			
7	75010071A	NUT M25X1.5	1	11/11/2010			
8	85110201A	LOCK WASHER	1	11/11/2010			
9	19020131A	CLUTCH DISC SET	1	26/07/2012			
10	71320031A	ANTI-ROTATION INSERT	1	01/06/2012			
11	70250601A	BEARING	1	26/07/2012			
12	19610631A	BOSS, CLUTCH	1	26/07/2012			
13	71313091A	SPACER	1	19/11/2010			
14	19820421A	PRIMARY DRIVEN GEAR COMP.	1	10/07/2013			
15	71314831A	SPACER	1	19/11/2010			
16	11721332B	CLUTCH CONTROL ROD	1	23/01/2013			
17	19540061A	PISTON ASSEMBLY	1	19/10/2011			
18	88650541B	O-RING	1	01/12/2011			



DRAWING 005 - CLUTCH - SIDE CRANKCASE COVER [MOD:899 ABS,899 AWS;XST:AUS,EUR,FRA]

GROUP ENGINE



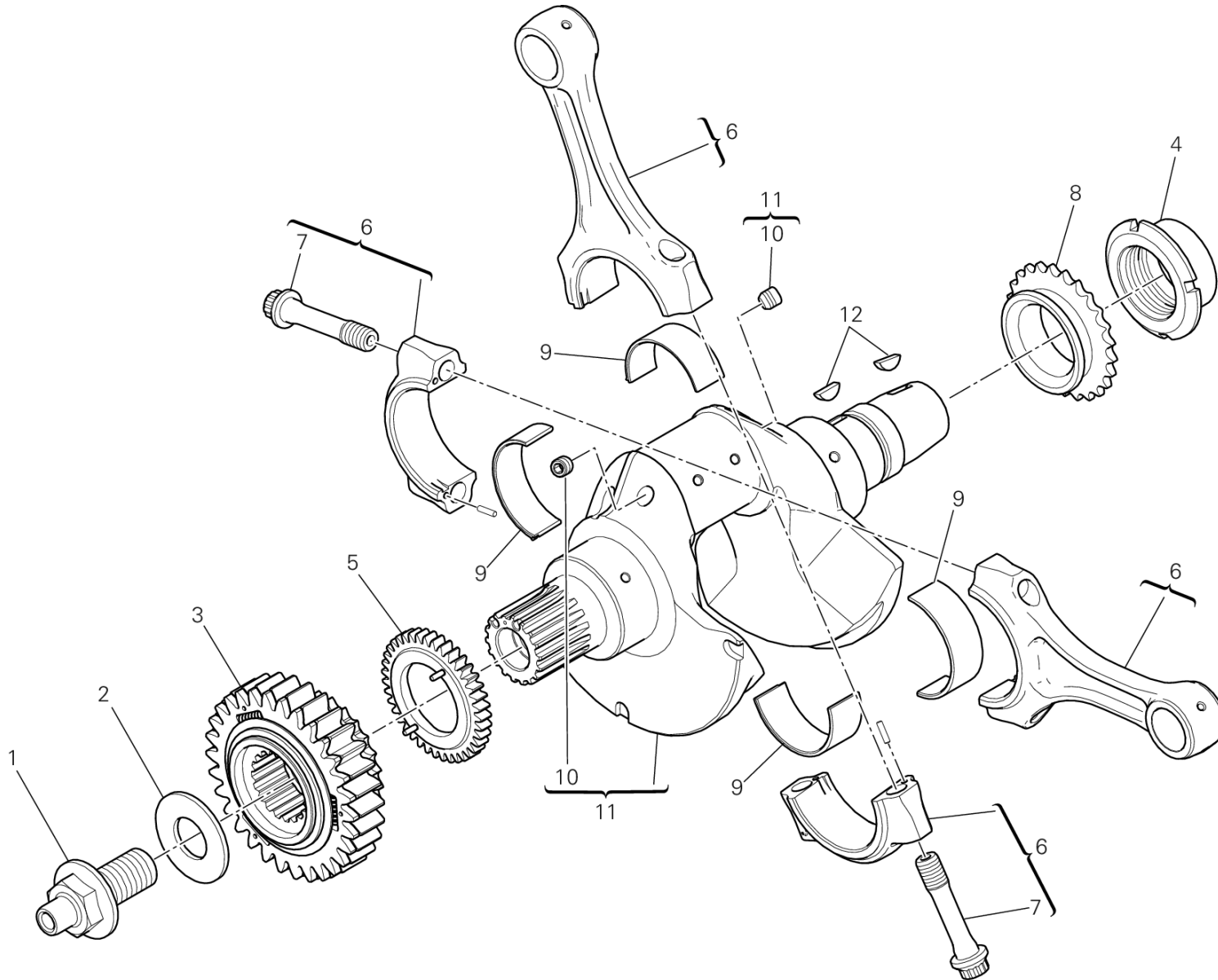
CRT00642

DRAWING 005 - CLUTCH - SIDE CRANKCASE COVER [MOD:899 ABS,899 AWS;XST:AUS,EUR,FRA]



GROUP ENGINE

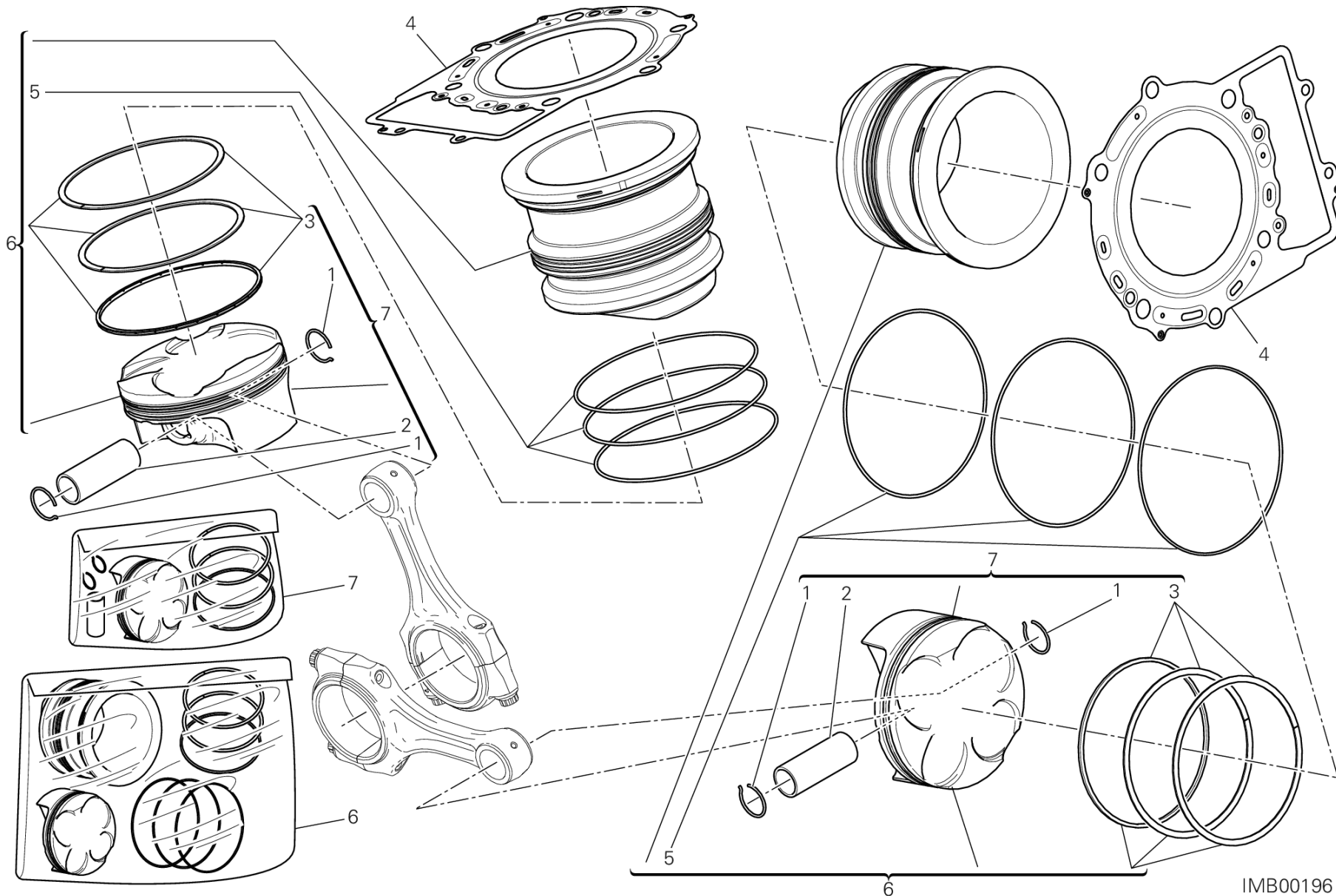
POS.	CODE	DESCRIPTION	QTY	START DATE	END DATE	VALIDITY	NOTES
1	77253337C	SCREW	12	11/11/2010			
2	24321402A	CLUTCH PROTECTION COVER (Unit)	1	06/05/2013			
3	77917161B	SCREW, SPECIAL	4	21/11/2011			
4	77253357C	SCREW	1	11/11/2010			
5	71113171A	LOCATING DOWEL	2	11/11/2010			
6	88640891A	O-RING 18.64X3.53	1	24/12/2009			
7	89320121A	PLUG ASSY	1	26/10/2011			
8	88450291A	SNAP RING	1	26/10/2011			
9	85212721A	THRUST WASHER	1	26/10/2011			
10	93041521A	SEAL RING	1	26/10/2011			
11	88641761A	O-RING	1	11/11/2010			
12	75011742AA	NUT, SPECIAL	1	15/07/2013			
	75011841AA	NUT, SPECIAL	2	26/10/2011			
13	25440012A	WINDOW, OIL LEVEL CHECK	1	26/10/2011			
14	53940302A	SWITCH ASSY, OIL PRESSURE	1	01/12/2011			
15	85211951A	GASKET 10.5X17X2	1	01/12/2011			
16	82716012A	SHEET ACOUSTIC DAMPER	1	02/05/2012			
17	77550200C	SCREW	6	02/05/2012			
18	85250241A	WASHER 10X14X1	2	01/12/2011			
19	78110121AA	SCREW, SPECIAL	1	01/12/2011			
20	87721561A	OIL PRESSURE LINE	1	01/12/2011			
21	76440581A	RUBBER PAD	1	01/12/2011			
22	75810701B	FAIRLEAD	1	01/12/2011			
23	71614071A	SPACER 5.2X8.4X2	3	01/12/2011			
24	48610851A	DAMPER, SOUND ARRESTER	1	02/05/2012			



IMB00195



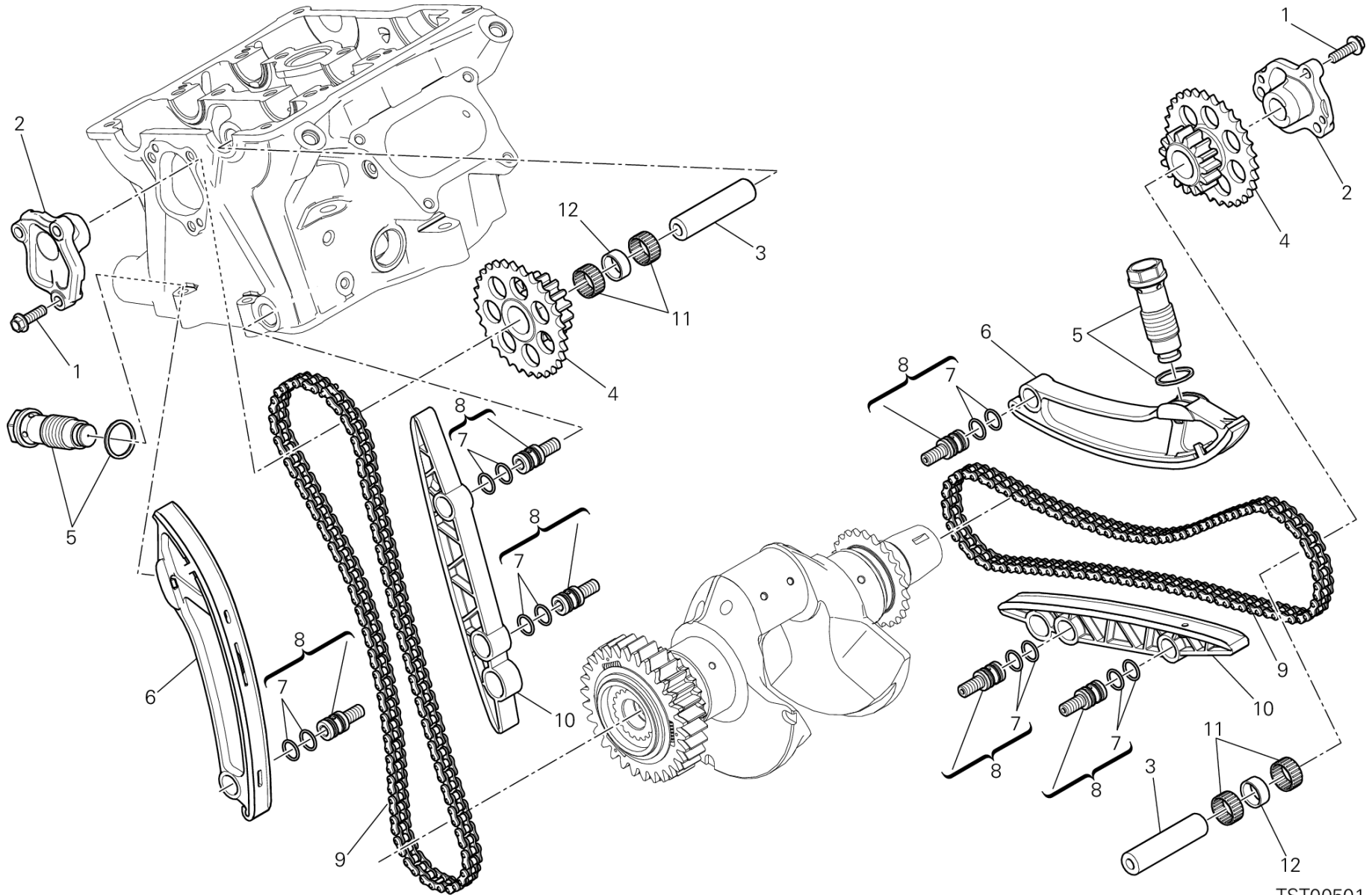
POS.	CODE	DESCRIPTION	QTY	START DATE	END DATE	VALIDITY	NOTES
1	77916551B	SCREW, SPECIAL	1	07/03/2012			
2	85212791A	THRUST WASHER	1	11/11/2010			
3	17021322A	PRIMARY DRIVE FRONT SPROCKET	1	10/07/2013			
4	70310593A	RING NUT	1	01/01/2012			
5	17420581B	PUMP DRIVING GEAR (Unit)	1	28/03/2011			
6	15620891BA	CONNECTING ROD (Class 1)	2	14/05/2012			
	15620891BB	CONNECTING ROD (Class 2)	2	14/05/2012			
	15620891BC	CONNECTING ROD (Class 3)	2	14/05/2012			
	15620891BD	CONNECTING ROD (Class 4)	1	09/05/2014			
7	77918351A	SCREW, SPECIAL	4	18/01/2013			
8	17112351B	SPROCKET	1	05/06/2012			
9	11210711AA	SEMICUSCINETTO (Red)	4	15/12/2011			
	11210711AB	SEMICUSCINETTO (Blue)	4	15/12/2011			
	11210711AC	SEMICUSCINETTO (Yellow)	4	15/12/2011			
	11210711AD	SEMICUSCINETTO (Black)	4	15/12/2011			
	11210711AE	SEMICUSCINETTO (Green)	4	15/12/2011			
	11210711AF	SEMICUSCINETTO (Brown)	4	15/12/2011			
10	77915471A	THREADED DOWEL STEI M8X8	2	13/01/2012			
11	14622172AA	CRANKSHAFT (Class A)	1	16/06/2014			
	14622172AB	CRANKSHAFT (Class B)	1	16/06/2014			
	14622172AC	CRANKSHAFT (Class C)	1	16/06/2014			
	14622172AE	CRANKSHAFT (Class D)	1	16/06/2014			
12	68010171A	PLATE	2	01/01/2012			



IMB00196



POS.	CODE	DESCRIPTION	QTY	START DATE	END DATE	VALIDITY	NOTES
1	12112481A	CIRCLIP, PISTON PIN	4	26/02/2013			
2	12113241A	PISTON PIN	2	13/09/2013			
3	12120591A	PISTON RING SET	2	14/05/2012			
4	78611271A	HEAD-CYLINDER GASKET	2	14/05/2012			
5	79120531B	GASKETS SET	2	19/07/2012			
6	12022071A	CYLINDER LINER-PISTON FIT	2	14/05/2012			
7	12221911CA	PISTON ASSY (Class A)	2	14/05/2012			
	12221911CB	PISTON ASSY (Class B)	2	14/05/2012			
	12221911CC	PISTON ASSY (Class C)	2	14/05/2012			



TST00501



POS.	CODE	DESCRIPTION	QTY	START DATE	END DATE	VALIDITY	NOTES
1	77253317C	SCREW	6	22/10/2012			
2	24713911B	COVER	2	21/03/2013			
3	82010151A	PIN	2	06/04/2011			
4	17112311A	GEAR Z=15 30	2	12/01/2012			
5	45140013A	COMPLETE TENSIONER ROLLER	2	01/01/2012			
6	44740051A	COMPLETE MOVABLE TENSIONER ROLLER	2	25/06/2012			
7	88642081A	O-RING	12	22/03/2012			
8	82123692A	TENSIONER ROLLER PIN	6	22/06/2012			
9	73840011A	CHAIN	2	12/01/2012			
10	44740021B	COMPLETE FIXED TENSIONER ROLLER	2	22/11/2010			
11	70140301C	NEEDLE BEARING	4	23/04/2012			
12	71319291A	SPACER	2	11/11/2010			

DRAWING 009 - FILTERS AND OIL PUMP [MOD:899 ABS,899 AWS]

GROUP ENGINE

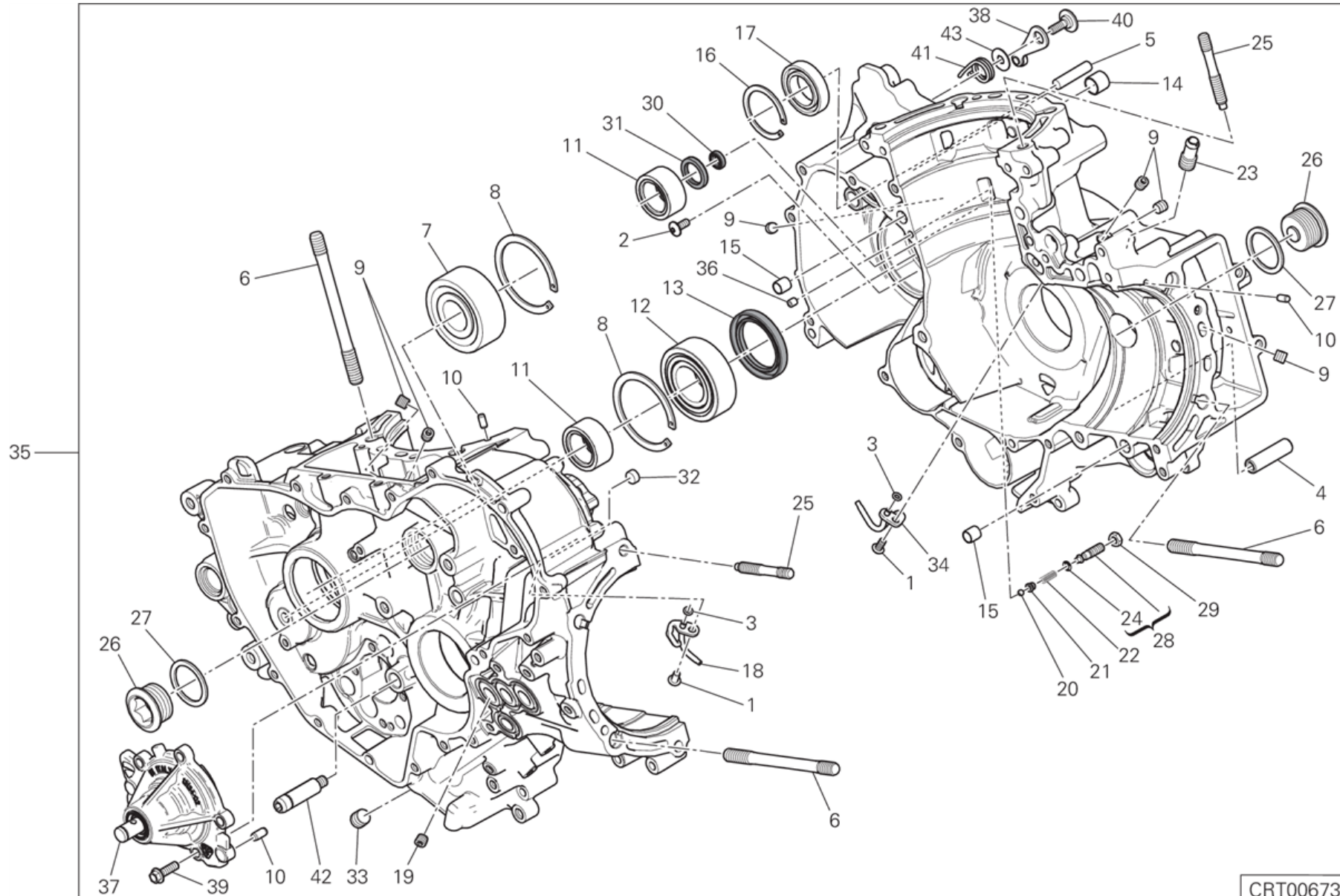


POS.	CODE	DESCRIPTION	QTY	START DATE	END DATE	VALIDITY	NOTES
1	17420571A	OIL PUMP RETURN	1	11/11/2010			
2	77253317C	SCREW	3	11/11/2010			
3	24723842A	FILTER COVER UNIT	1	17/09/2012			
4	88650561A	O-RING	2	25/11/2010			
5	44440312B	FILTER, OIL	1	06/05/2013			
6	25220141B	OIL PAN	1	28/03/2013			
7	85250541A	WASHER	1	29/03/2011			
8	89310153A	OIL DRAIN PLUG WITH MAGNET	1	06/05/2013			
9	77253337C	SCREW	10	11/11/2010			
10	89420113B	MESH FILTER ASSEMBLY	1	01/08/2011			
11	77917161B	SCREW, SPECIAL	2	08/11/2011			
12	85213021A	WASHER, THRUST	1	26/11/2010			
13	14710903A	OIL PUMP DRIVE SHAFT	1	02/05/2011			
14	17410483A	PUMP GEAR	1	14/05/2012			
15	70140371A	BEARING, NEEDLE	1	11/11/2010			
16	88641331A	O-RING	1	01/07/2011			
17	17420561A	OIL PUMP DELIVERY	1	11/11/2010			
18	24723712A	OIL PUMP COVER	1	12/03/2012			
19	17410523A	GEAR, PUMP DRIVEN	1	14/05/2012			
20	85212681A	WASHER, THRUST	3	25/11/2010			
21	88450371A	SNAP RING	2	11/11/2010			
22	77150678B	SCREW TCEI M6X16	4	11/11/2010			
23	70450091A	ROLLER	2	11/11/2010			
24	70450051A	ROLLER	1	11/11/2010			



DRAWING 010 - HALF-CRANKCASES PAIR [MOD:899 ABS,899 AWS]

GROUP ENGINE



CRT00673

DRAWING 010 - HALF-CRANKCASES PAIR [MOD:899 ABS,899 AWS]

GROUP ENGINE

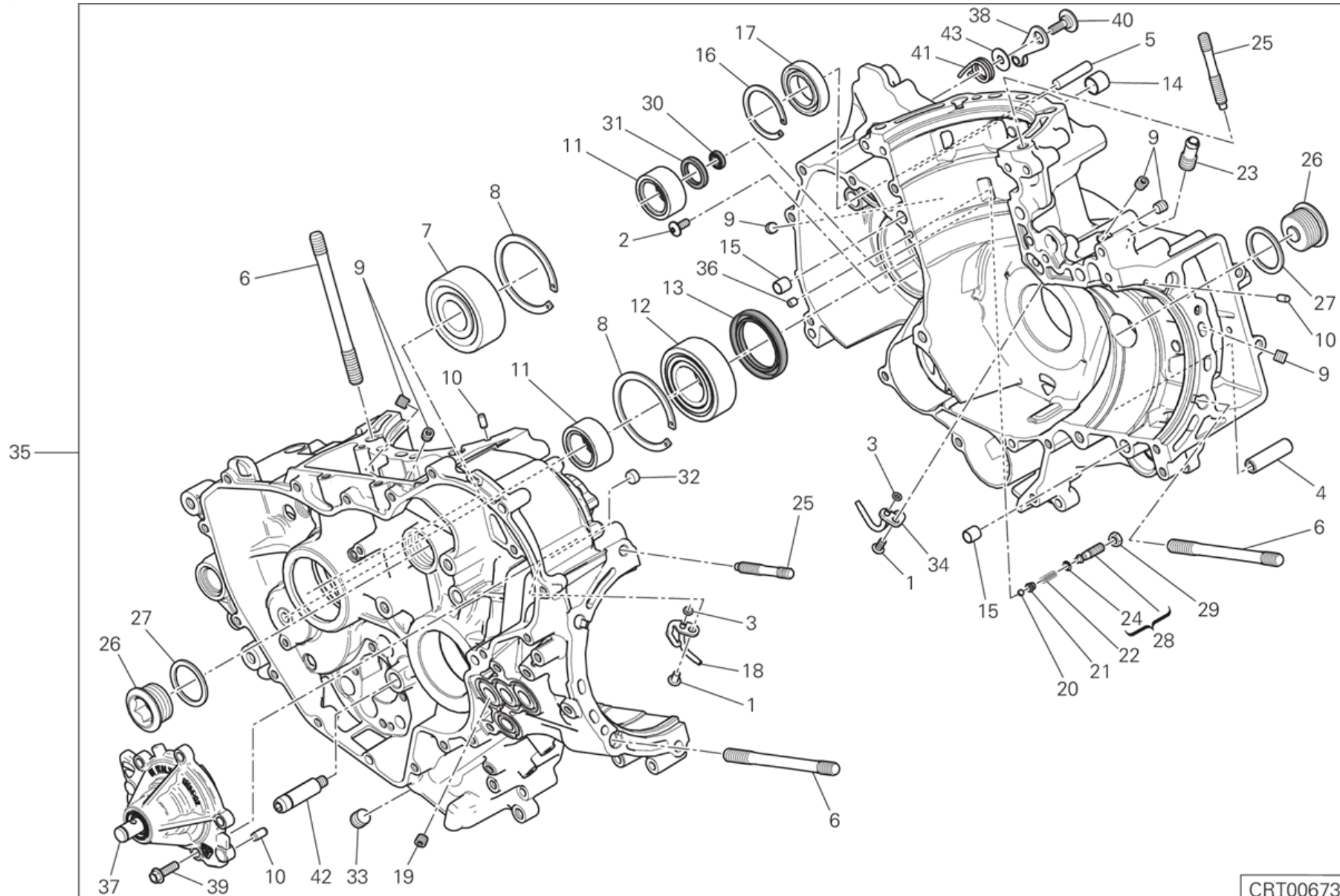


POS.	CODE	DESCRIPTION	QTY	START DATE	END DATE	VALIDITY	NOTES
1	77510311B	SCREW TBEI M5X10	2	02/11/2011			
2	77240398C	SCREW TBEIF M6X10	2	02/11/2011			
3	88650131A	O-RING 3.68X1.78	2	02/11/2011			
4	82010141A	STARTER REDUCTION SHAFT	1	02/11/2011			
5	86050371A	PIN	1	20/12/2012			
6	76610781A	STUD BOLT FASTENING HEAD CYLINDER	8	02/11/2011			
7	70240131D	BEARING	1	07/11/2012			
8	735034405	SNAP RING	2	02/11/2011			
9	78010871A	THREADED DOWEL	6	02/11/2011			
10	86050061A	PIN M5X10	2	02/11/2011			
11	70240251B	BEARING	2	02/11/2011			
12	70241091B	BEARING, NEEDLE	1	07/11/2012			
13	93040431A	SEAL, OIL 40X55X7	1	02/11/2011			
14	71240231A	BUSH	1	02/11/2011			
15	71113181A	LOCAT. DOWEL	4	02/11/2011			
16	735033804	CIRCLIP	1	02/11/2011			
17	70250411A	BEARING 25X42X9	1	02/11/2011			
18	87511651BB	JET RH	1	02/11/2011			
19	78010861A	SPECIAL SCREW	1	02/11/2011			
20	84740061A	BALL	1	02/11/2011			
21	83110151A	PLATE	1	02/11/2011			
22	79940121A	SPRING	1	02/11/2011			
23	81413421B	UNION RETURN	1	08/11/2011			
24	88641961A	O-RING	1	18/04/2011			
25	76610801A	STUD BOLT FASTENING HEAD CYLINDER	2	02/11/2011			
26	78010801A	PLUG	2	02/11/2011			
27	85250491A	WASHER	2	02/11/2011			
28	77927171A	SCREW	1	02/11/2011			
29	74710151A	NUT	1	02/11/2011			
30	93041771A	SEAL RING	1	02/11/2011			
31	93040931A	SEAL, OIL 17X25X4	1	02/11/2011			
32	87310021A	PLUG 10 MM	2	02/11/2011			
33	78010771A	THREADED DOWEL	1	02/11/2011			
34	87511641BB	JET LH	1	02/11/2011			
35	22522961B	COMPLETE HALF-CRANKCASES PAIR	1	29/07/2014			



DRAWING 010 - HALF-CRANKCASES PAIR [MOD:899 ABS,899 AWS]

GROUP ENGINE



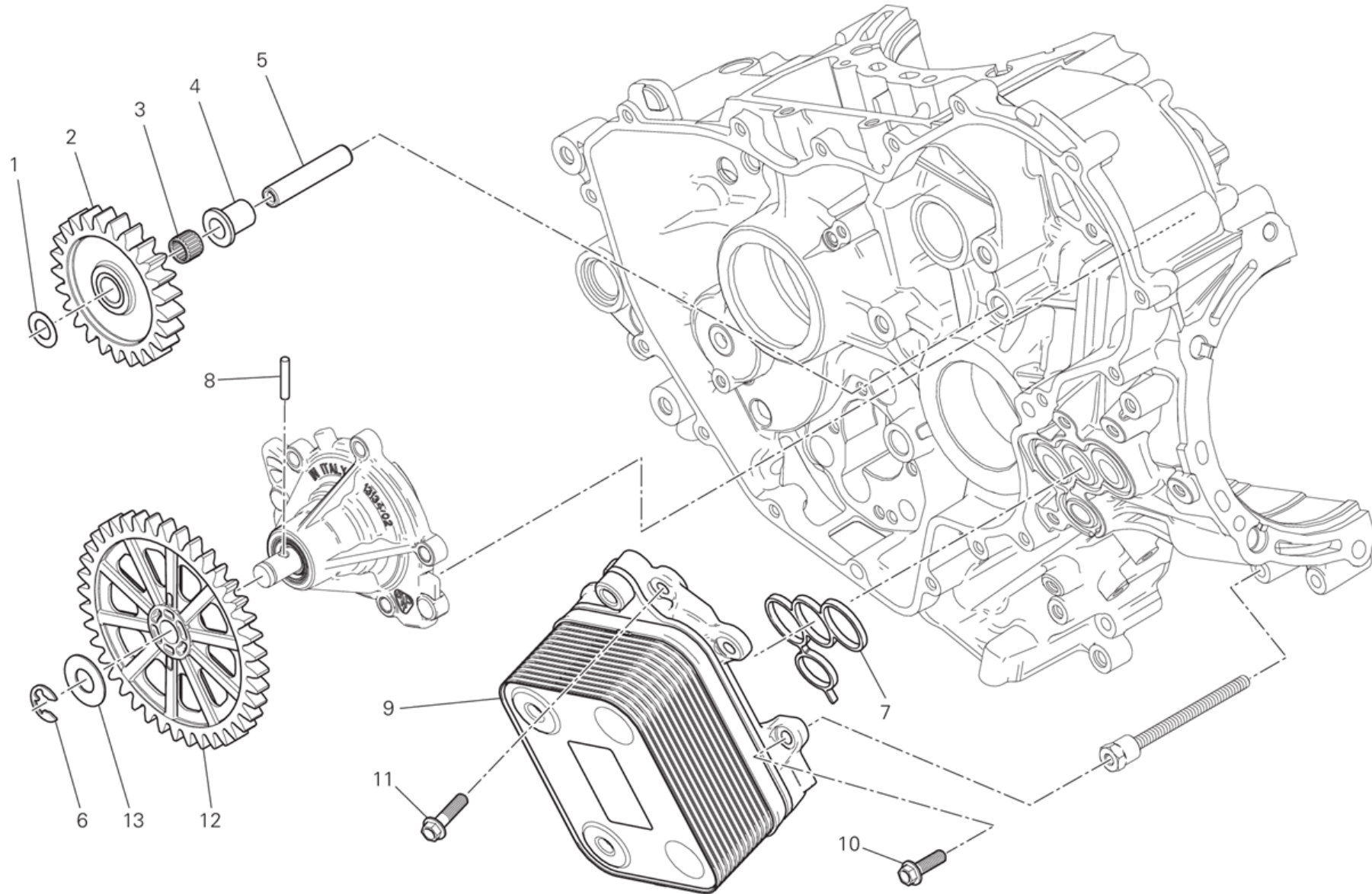
CRT00673

DRAWING 010 - HALF-CRANKCASES PAIR [MOD:899 ABS,899 AWS]

GROUP ENGINE



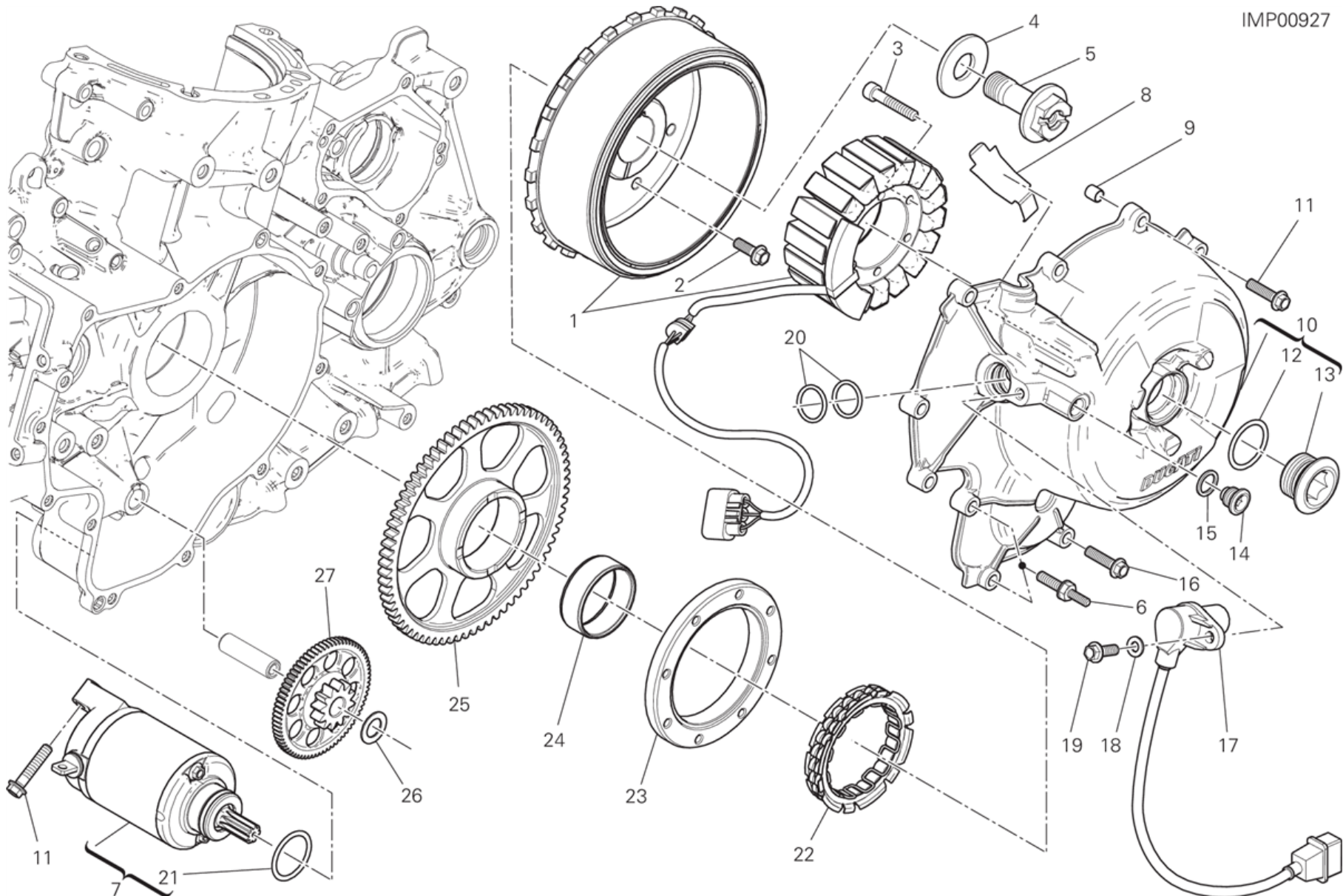
POS.	CODE	DESCRIPTION	QTY	START DATE	END DATE	VALIDITY	NOTES
36	71115051A	BUSH	1	04/06/2013			
37	24723701G	COMPLETE WATER PUMP	1	02/07/2014			
38	45520172A	GEAR STOPPER LEVER ASSEMBLY	1	02/07/2014			
39	77253317C	SCREW	5	02/07/2014			
40	77916241A	SCREW, SPECIAL	1	02/07/2014			
41	79915101C	SPRING	1	18/12/2013			
42	82010161B	STARTER REDUCTION SHAFT	1	18/12/2013			
43	85212661A	WASHER	1	18/12/2013			



CRT00674



POS.	CODE	DESCRIPTION	QTY	START DATE	END DATE	VALIDITY	NOTES
1	064770010	WASHER, THRUST	1	11/11/2010			
2	17410511A	PUMP GEAR	1	11/11/2010			
3	70140361A	BEARING, NEEDLE	1	11/11/2010			
4	71113222A	BUSH	1	09/05/2014			
5	82010171A	STARTER REDUCTION SHAFT	1	09/12/2010			
6	88450371A	SNAP RING	1	11/11/2010			
7	78811191A	GASKET	1	26/11/2010			
8	70450091A	ROLLER	1	11/11/2010			
9	54710022B	HEAT EXCHANGER	1	27/01/2012			
10	77253297C	SCREW	2	01/11/2011			
11	77253317C	SCREW	4	01/09/2011			
12	17410501A	PUMP GEAR	1	11/11/2010			
13	85212681A	WASHER, THRUST	1	03/12/2010			



DRAWING 012 - ELECTRIC STARTING AND IGNITION [MOD:899 ABS,899 AWS]

GROUP ENGINE



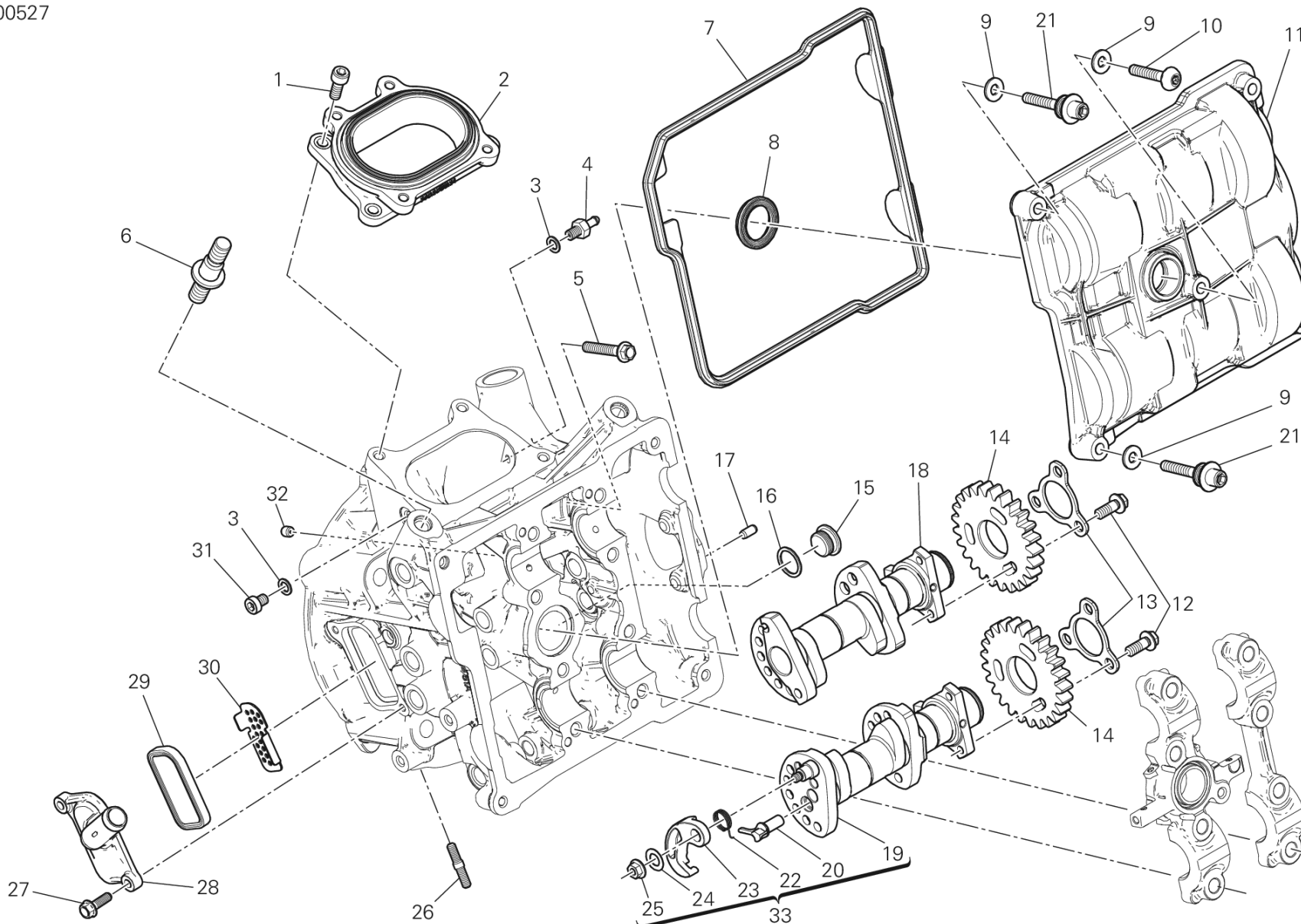
POS.	CODE	DESCRIPTION	QTY	START DATE	END DATE	VALIDITY	NOTES
1	26420211A	GENERATOR "FERRITE"	1	14/05/2012			
2	77253300ZF	SCREW	8	22/11/2010			
3	77150738B	SCREW TCEI M6X40	3	05/03/2013			
4	85212941B	WASHER	1	01/08/2011			
5	77916661B	SCREW, SPECIAL	1	01/08/2011			
6	77917161B	SCREW, SPECIAL	2	08/11/2011			
7	27040134A	COMPLETE STARTER MOTOR	1	08/11/2012			
8	82716091A	PLATE	1	01/04/2011			
9	71113171A	LOCATING DOWEL	1	11/11/2010			
10	24221251AA	GENERATOR COVER	1	14/05/2012			
11	77253357C	SCREW	3	11/11/2010			
12	88640741A	O-RING	1	15/09/2011			
13	78010841A	PLUG	1	15/09/2011			
14	78010511C	PLUG	1	01/04/2011			
15	85250261A	GASKET, ALUMINIUM 12X16X1.5	1	01/04/2011			
16	77253337C	SCREW	8	11/11/2010			
17	55241321B	SENSOR, TIMING & RPM	1	01/04/2011			
18	85310031A	SPRING WASHER 6 MM	1	01/04/2011			
19	77253307C	SCREW	1	01/04/2011			
20	88640331A	O-RING 17.96X2.62	2	01/04/2011			
21	88641971A	O-RING	1	13/01/2012			
22	70140351A	CLUTCH, ONE WAY	1	22/11/2010			
23	16014151A	FLANGE	1	22/11/2010			
24	70240181B	NEEDLE BEARING	1	11/11/2010			
25	17310241A	ELECTRIC STARTER DRIVEN GEAR	1	22/11/2010			
26	85212651A	WASHER	1	11/11/2010			
27	17610221A	DRIVEN GEAR DOUBLE	1	26/11/2010			



DRAWING 013 - TESTA ORIZZONTALE - DISTRIBUZIONE [MOD:899 ABS,899 AWS;XST:AUS,EUR,FRA,JAP]

GROUP ENGINE

TST00527



DRAWING 013 - TESTA ORIZZONTALE - DISTRIBUZIONE [MOD:899 ABS,899 AWS;XST:AUS,EUR,FRA,JAP]

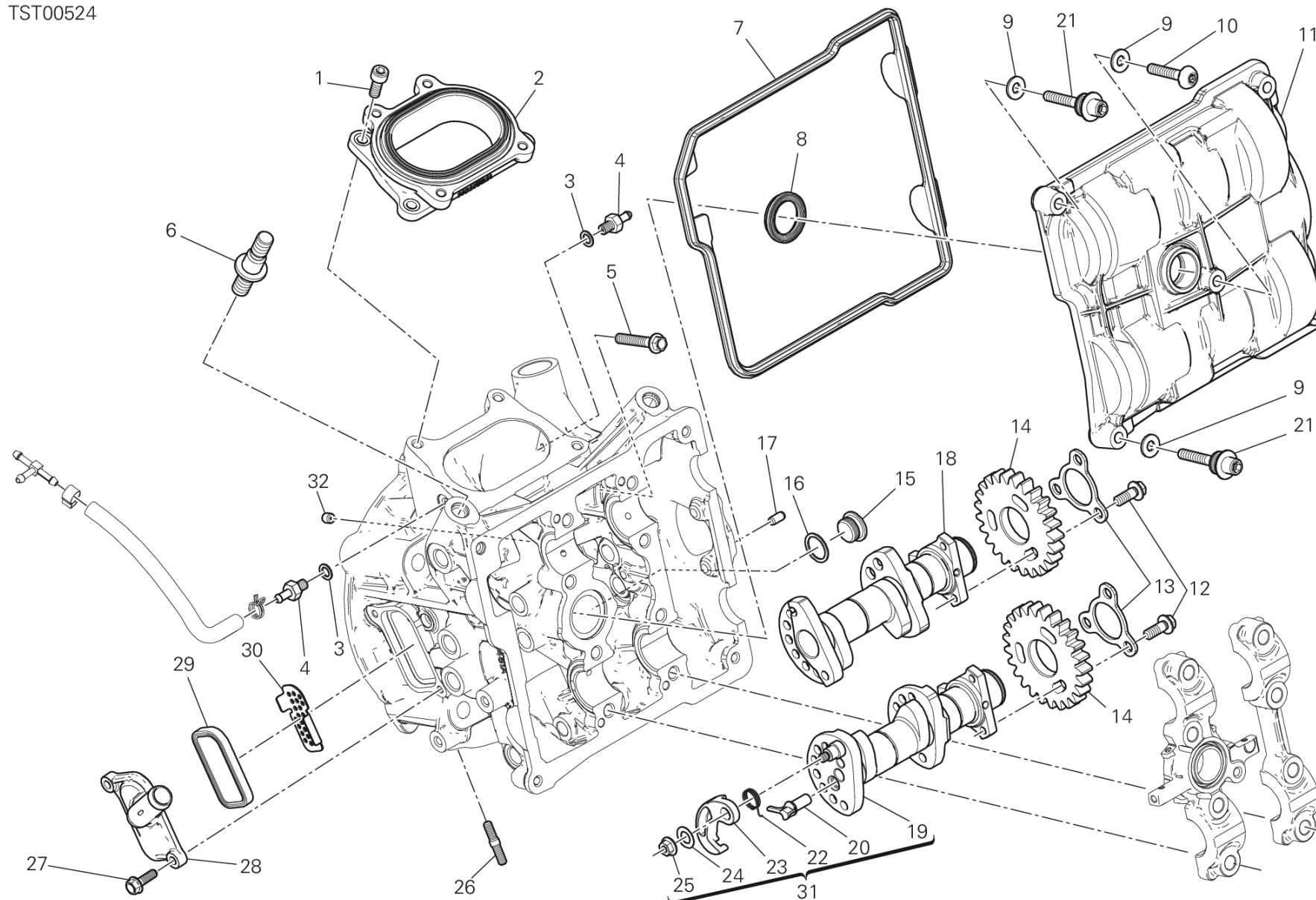


GROUP ENGINE

POS.	CODE	DESCRIPTION	QTY	START DATE	END DATE	VALIDITY	NOTES
1	77112331A	SCREW TCEI M6X16	4	12/01/2012			
2	14010701B	INTAKE MANIFOLD	1	19/04/2013			
3	85250231A	GASKET	2	01/08/2011			
4	81413341A	UNION	1	12/01/2012			
5	77253367C	SCREW	2	05/04/2011			
6	76610821A	STUD BOLT	2	12/01/2012			
7	78811102C	VALVE COVER GASKET EXTERNAL	1	12/01/2012			
8	78811131A	VALVE COVER GASKET INTERNAL	1	12/01/2012			
9	85212781B	WASHER	5	12/01/2012			
10	77916441A	SCREW	1	01/09/2011			
11	24714501A	COVER CYLINDER HEAD, HORIZONTAL	1	15/02/2013			
12	77253290Z	SCREW	6	01/08/2011			
13	85611471A	PLATE, RETAINER	2	12/01/2012			
14	17111154A	GEAR Z=25	2	12/01/2012			
15	77913541A	THREADED PLUG M15X1	1	06/04/2011			
16	85211201A	ALUMINIUM GASKET	1	06/04/2011			
17	86050061A	PIN M5X10	2	06/07/2011			
18	14814201B	HORIZONTAL INTAKE CAMSHAFT	1	15/02/2013			
19	14824211B	HORIZONTAL EXHAUST CAMSHAFT	1	07/11/2012			
20	82113832A	PIN	1	12/01/2012			
21	77916971B	SCREW, SPECIAL	4	08/11/2011			
22	79915534A	SPRING	1	12/01/2012			
23	30710021A	DECOMPRESSION DEVICE	1	12/01/2012			
24	85240231A	WASHER 8.2X14X0.5	1	13/01/2012			
25	74810791A	NUT	1	12/01/2012			
26	76610841A	STUD BOLT	3	12/01/2012			
27	77210621A	SCREW TEF M5X16	2	12/01/2012			
28	24714101A	COVER	1	12/01/2012			
29	81140012B	VALVE	1	12/01/2012			
30	82716351A	PLATE	1	12/01/2012			
31	77350618B	SCREW TCEIR M6X8	1	06/04/2011			
32	86010061A	PIN	1	12/01/2012			
33	14824511A	HORIZONTAL EXHAUST CAMSHAFT (Unit)	1	14/05/2012			



TST00524



DRAWING 013 - TESTA ORIZZONTALE - DISTRIBUZIONE [MOD:899 ABS,899 AWS;XST:TWN]

GROUP ENGINE

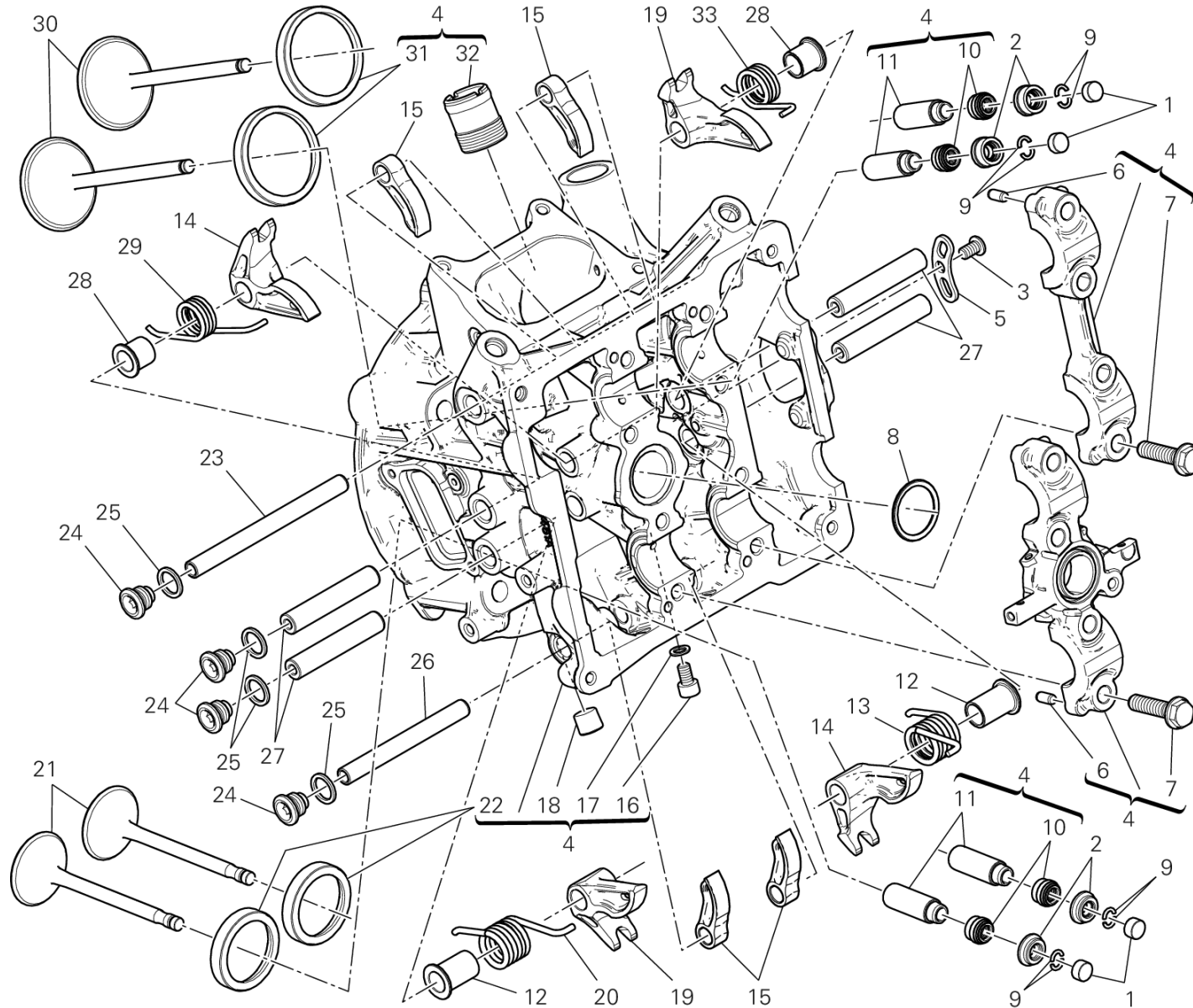


POS.	CODE	DESCRIPTION	QTY	START DATE	END DATE	VALIDITY	NOTES
1	77112331A	SCREW TCEI M6X16	4	15/02/2013			
2	14010701B	INTAKE MANIFOLD	1	19/04/2013			
3	85250231A	GASKET	2	05/12/2012			
4	81413341A	UNION	2	07/12/2011			
5	77253367C	SCREW	2	03/11/2011			
6	76610821A	STUD BOLT	2	07/12/2011			
7	78811102C	VALVE COVER GASKET EXTERNAL	1	12/01/2012			
8	78811131A	VALVE COVER GASKET INTERNAL	1	07/12/2011			
9	85212781B	WASHER	5	07/12/2011			
10	77916441A	SCREW	1	07/12/2011			
11	24714501A	COVER CYLINDER HEAD, HORIZONTAL	1	15/02/2013			
12	77253290Z	SCREW	6	03/11/2011			
13	85611471A	PLATE, RETAINER	2	07/12/2011			
14	17111154A	GEAR Z=25	2	07/12/2011			
15	77913541A	THREADED PLUG M15X1	1	03/11/2011			
16	85211201A	ALUMINIUM GASKET	1	03/11/2011			
17	86050061A	PIN M5X10	2	07/12/2011			
18	14814201B	HORIZONTAL INTAKE CAMSHAFT	1	15/02/2013			
19	14824211B	HORIZONTAL EXHAUST CAMSHAFT	1	15/02/2013			
20	82113832A	PIN	1	12/01/2012			
21	77916971B	SCREW, SPECIAL	4	08/11/2011			
22	79915534A	SPRING	1	12/01/2012			
23	30710021A	DECOMPRESSION DEVICE	1	07/12/2011			
24	85240231A	WASHER 8.2X14X0.5	1	07/12/2011			
25	74810791A	NUT	1	12/01/2012			
26	76610841A	STUD BOLT	3	07/12/2011			
27	77210621A	SCREW TEF M5X16	2	07/12/2011			
28	24714101A	COVER	1	07/12/2011			
29	81140012B	VALVE	1	07/12/2011			
30	82716351A	PLATE	1	07/12/2011			
31	14824511A	HORIZONTAL EXHAUST CAMSHAFT (Unit)	1	05/12/2012			
32	86010061A	PIN	1	07/12/2011			



DRAWING 014 - HORIZONTAL HEAD [MOD:899 ABS,899 AWS]

GROUP ENGINE



TST00504

DRAWING 014 - HORIZONTAL HEAD [MOD:899 ABS,899 AWS]

GROUP ENGINE

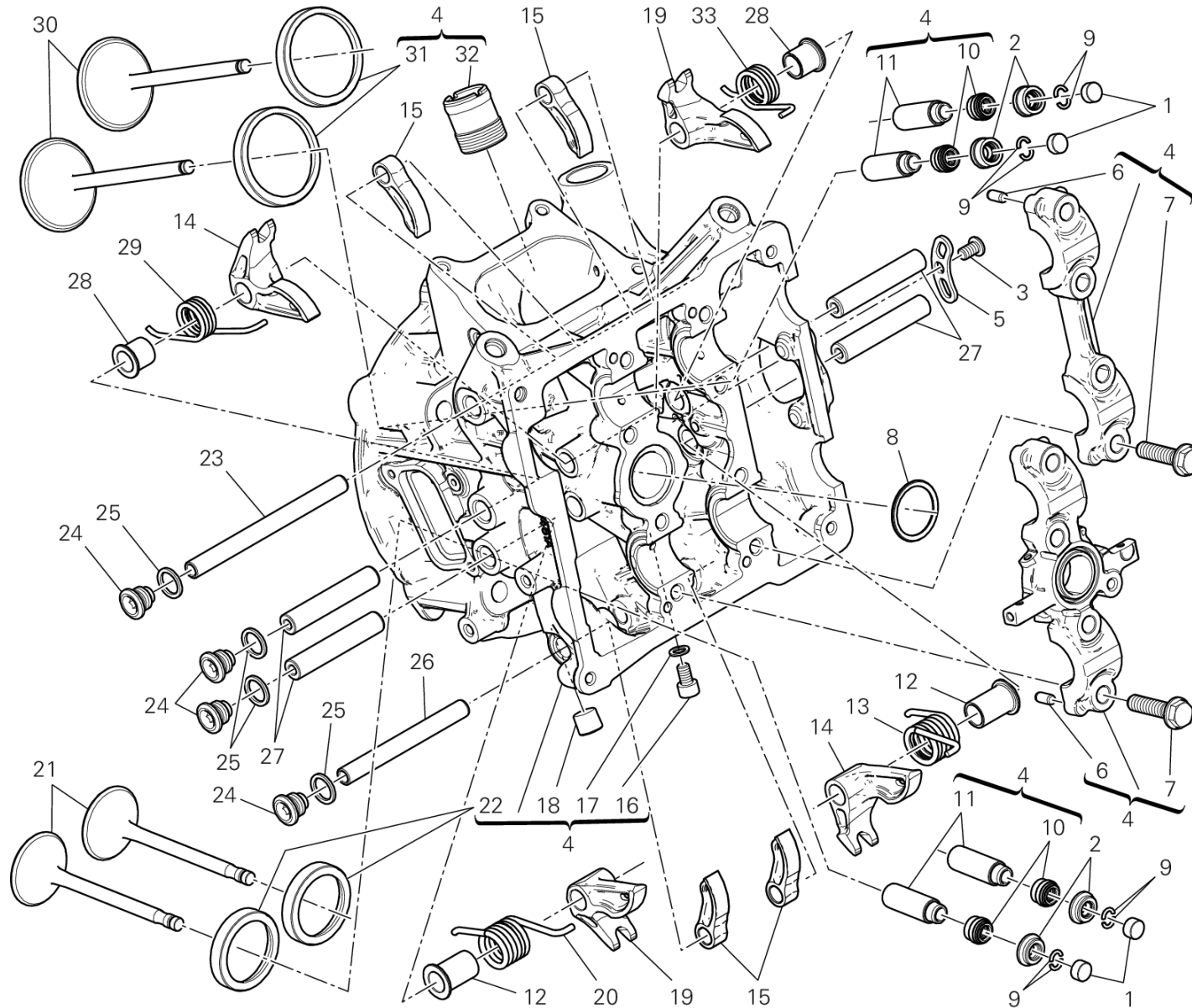


POS.	CODE	DESCRIPTION	QTY	START DATE	END DATE	VALIDITY	NOTES
1	84010012A	ADJUSTER, OPENING ROCKER ARM 2.00 MM	4	09/11/2011			
	84010022A	ADJUSTER, OPENING ROCKER ARM 2.05 MM	4	09/11/2011			
	84010032A	ADJUSTER, OPENING ROCKER ARM 2.10 MM	4	09/11/2011			
	84010042A	ADJUSTER, OPENING ROCKER ARM 2.15 MM	4	09/11/2011			
	84010052A	ADJUSTER, OPENING ROCKER ARM 2.20 MM	4	09/11/2011			
	84010062A	ADJUSTER, OPENING ROCKER ARM 2.25 MM	4	09/11/2011			
	84010072A	ADJUSTER, OPENING ROCKER ARM 2.30 MM	4	09/11/2011			
	84010082A	ADJUSTER, OPENING ROCKER ARM 2.35 MM	4	09/11/2011			
	84010092A	ADJUSTER, OPENING ROCKER ARM 2.40 MM	4	09/11/2011			
	84010102A	ADJUSTER, OPENING ROCKER ARM 2.45 MM	4	09/11/2011			
	84010112A	ADJUSTER, OPENING ROCKER ARM 2.50 MM	4	09/11/2011			
	84010122A	ADJUSTER, OPENING ROCKER ARM 2.55 MM	4	09/11/2011			
	84010132A	ADJUSTER, OPENING ROCKER ARM 2.60 MM	4	09/11/2011			
	84010142A	ADJUSTER, OPENING ROCKER ARM 2.65 MM	4	09/11/2011			
	84010152A	ADJUSTER, OPENING ROCKER ARM 2.70 MM	4	09/11/2011			
	84010162A	ADJUSTER, OPENING ROCKER ARM 2.75 MM	4	09/11/2011			
	84010172A	ADJUSTER, OPENING ROCKER ARM 2.80 MM	4	09/11/2011			
	84010182A	ADJUSTER, OPENING ROCKER ARM 2.85 MM	4	09/11/2011			
	84010192A	ADJUSTER, OPENING ROCKER ARM 2.90 MM	4	09/11/2011			
	84010202A	ADJUSTER, OPENING ROCKER ARM 2.95 MM	4	09/11/2011			
	84010212A	ADJUSTER, OPENING ROCKER ARM 3.00 MM	4	09/11/2011			
	84010222A	ADJUSTER, OPENING ROCKER ARM 3.05 MM	4	09/11/2011			
	84010232A	ADJUSTER, OPENING ROCKER ARM 3.10 MM	4	09/11/2011			
	84010242A	ADJUSTER, OPENING ROCKER ARM 3.15 MM	4	09/11/2011			
	84010252A	ADJUSTER, OPENING ROCKER ARM 3.20 MM	4	09/11/2011			
	84010262A	ADJUSTER, OPENING ROCKER ARM 3.25 MM	4	09/11/2011			
	84010272A	ADJUSTER, OPENING ROCKER ARM 3.30 MM	4	09/11/2011			
	84010282A	ADJUSTER, OPENING ROCKER ARM 3.35 MM	4	09/11/2011			
	84010292A	ADJUSTER, OPENING ROCKER ARM 3.40 MM	4	09/11/2011			
	84010302A	ADJUSTER, OPENING ROCKER ARM 3.45 MM	4	09/11/2011			
	84010312A	ADJUSTER, OPENING ROCKER ARM 1.80 MM	4	09/11/2011			
	84010322A	ADJUSTER, OPENING ROCKER ARM 1.85 MM	4	09/11/2011			
	84010332A	ADJUSTER, OPENING ROCKER ARM 1.90 MM	4	09/11/2011			
	84010342A	ADJUSTER, OPENING ROCKER ARM 1.95 MM	4	09/11/2011			
	84010722A	ADJUSTER, OPENING ROCKER ARM 3.60 MM	4	09/11/2011			



DRAWING 014 - HORIZONTAL HEAD [MOD:899 ABS,899 AWS]

GROUP ENGINE



TST00504

DRAWING 014 - HORIZONTAL HEAD [MOD:899 ABS,899 AWS]

GROUP ENGINE

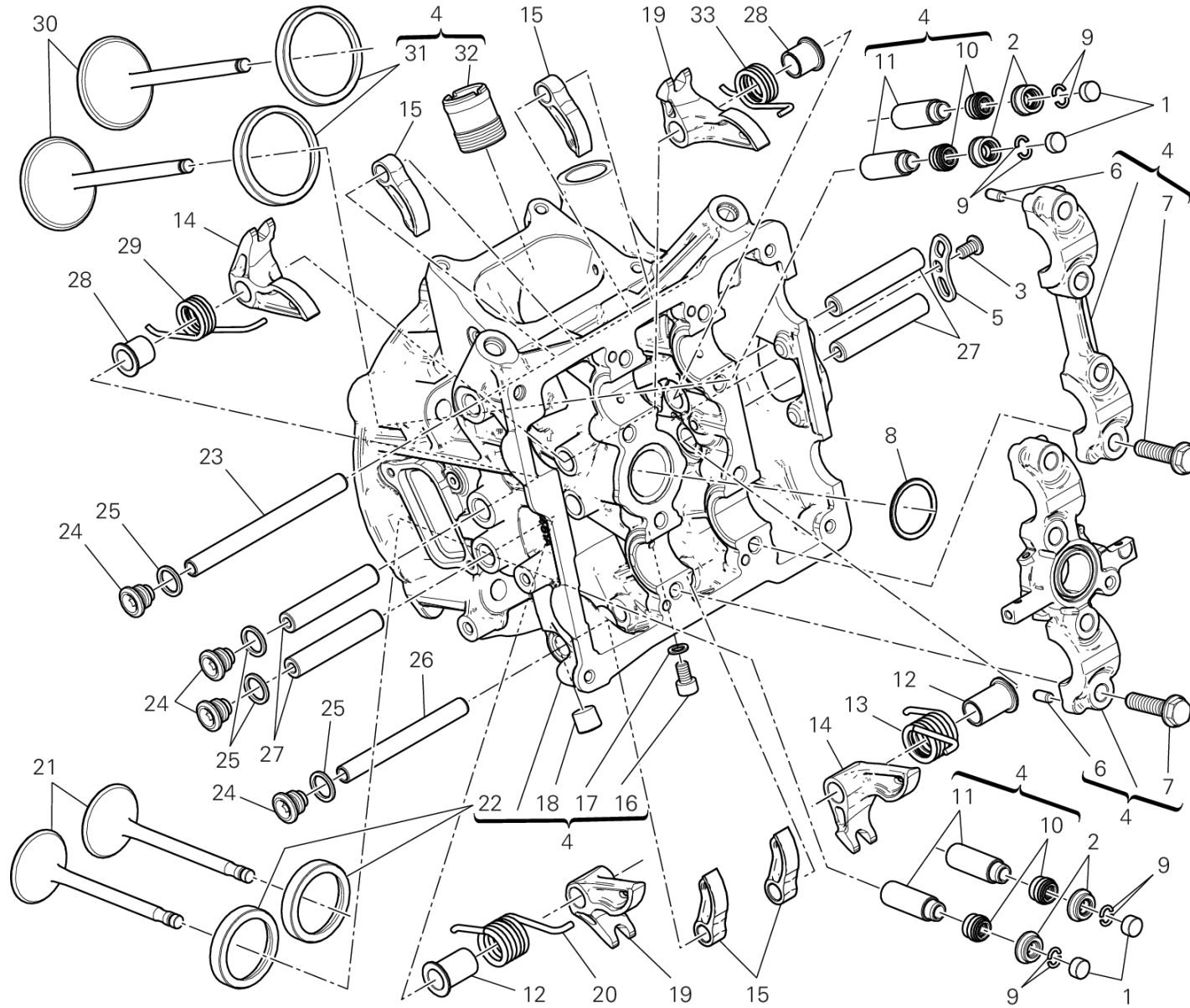


POS.	CODE	DESCRIPTION	QTY	START DATE	END DATE	VALIDITY	NOTES
	84010732A	ADJUSTER, OPENING ROCKER ARM 3.80 MM	4	09/11/2011			
	84011082A	ADJUSTER, OPENING ROCKER ARM 3.50 MM	4	09/11/2011			
	84011092A	ADJUSTER, OPENING ROCKER ARM 3.55 MM	4	09/11/2011			
	84011102A	ADJUSTER, OPENING ROCKER ARM 3.65 MM	4	09/11/2011			
	84011112A	ADJUSTER, OPENING ROCKER ARM 3.70 MM	4	09/11/2011			
	84011122A	ADJUSTER, OPENING ROCKER ARM 3.75 MM	4	09/11/2011			
	84011132A	ADJUSTER, OPENING ROCKER ARM 3.85 MM	4	09/11/2011			
	84011142A	ADJUSTER, OPENING ROCKER ARM 3.9 MM	4	09/11/2011			
2	84010412B	ADJUSTER, CLOSING ROCKER ARM 2.20 MM	4	24/12/2009			
	84010422B	ADJUSTER, CLOSING ROCKER ARM 2.25 MM	4	24/12/2009			
	84010432B	ADJUSTER, CLOSING ROCKER ARM 2.30 MM	4	24/12/2009			
	84010442B	ADJUSTER, CLOSING ROCKER ARM 2.35 MM	4	24/12/2009			
	84010452B	ADJUSTER, CLOSING ROCKER ARM 2.40 MM	4	24/12/2009			
	84010462B	ADJUSTER, CLOSING ROCKER ARM 2.45 MM	4	24/12/2009			
	84010472B	ADJUSTER, CLOSING ROCKER ARM 2.50 MM	4	24/12/2009			
	84010482B	ADJUSTER, CLOSING ROCKER ARM 2.55 MM	4	24/12/2009			
	84010492B	ADJUSTER, CLOSING ROCKER ARM 2.60 MM	4	24/12/2009			
	84010502B	ADJUSTER, CLOSING ROCKER ARM 2.65 MM	4	24/12/2009			
	84010512B	ADJUSTER, CLOSING ROCKER ARM 2.70 MM	4	24/12/2009			
	84010522B	ADJUSTER, CLOSING ROCKER ARM 2.75 MM	4	24/12/2009			
	84010532B	ADJUSTER, CLOSING ROCKER ARM 2.80 MM	4	24/12/2009			
	84010542B	ADJUSTER, CLOSING ROCKER ARM 2.85 MM	4	24/12/2009			
	84010552B	ADJUSTER, CLOSING ROCKER ARM 2.90 MM	4	24/12/2009			
	84010562B	ADJUSTER, CLOSING ROCKER ARM 2.95 MM	4	24/12/2009			
	84010572B	ADJUSTER, CLOSING ROCKER ARM 3.00 MM	4	24/12/2009			
	84010582B	ADJUSTER, CLOSING ROCKER ARM 3.05 MM	4	24/12/2009			
	84010592B	ADJUSTER, CLOSING ROCKER ARM 3.10 MM	4	24/12/2009			
	84010602B	ADJUSTER, CLOSING ROCKER ARM 3.15 MM	4	24/12/2009			
	84010612B	ADJUSTER, CLOSING ROCKER ARM 3.20 MM	4	24/12/2009			
	84010622B	ADJUSTER, CLOSING ROCKER ARM 3.25 MM	4	24/12/2009			
	84010632B	ADJUSTER, CLOSING ROCKER ARM 3.30 MM	4	24/12/2009			
	84010642B	ADJUSTER, CLOSING ROCKER ARM 3.35 MM	4	24/12/2009			
	84010652B	ADJUSTER, CLOSING ROCKER ARM 3.40 MM	4	24/12/2009			
	84010662B	ADJUSTER, CLOSING ROCKER ARM 3.45 MM	4	24/12/2009			
	84010672B	ADJUSTER, CLOSING ROCKER ARM 3.50 MM	4	24/12/2009			



DRAWING 014 - HORIZONTAL HEAD [MOD:899 ABS,899 AWS]

GROUP ENGINE



TST00504

DRAWING 014 - HORIZONTAL HEAD [MOD:899 ABS,899 AWS]

GROUP ENGINE

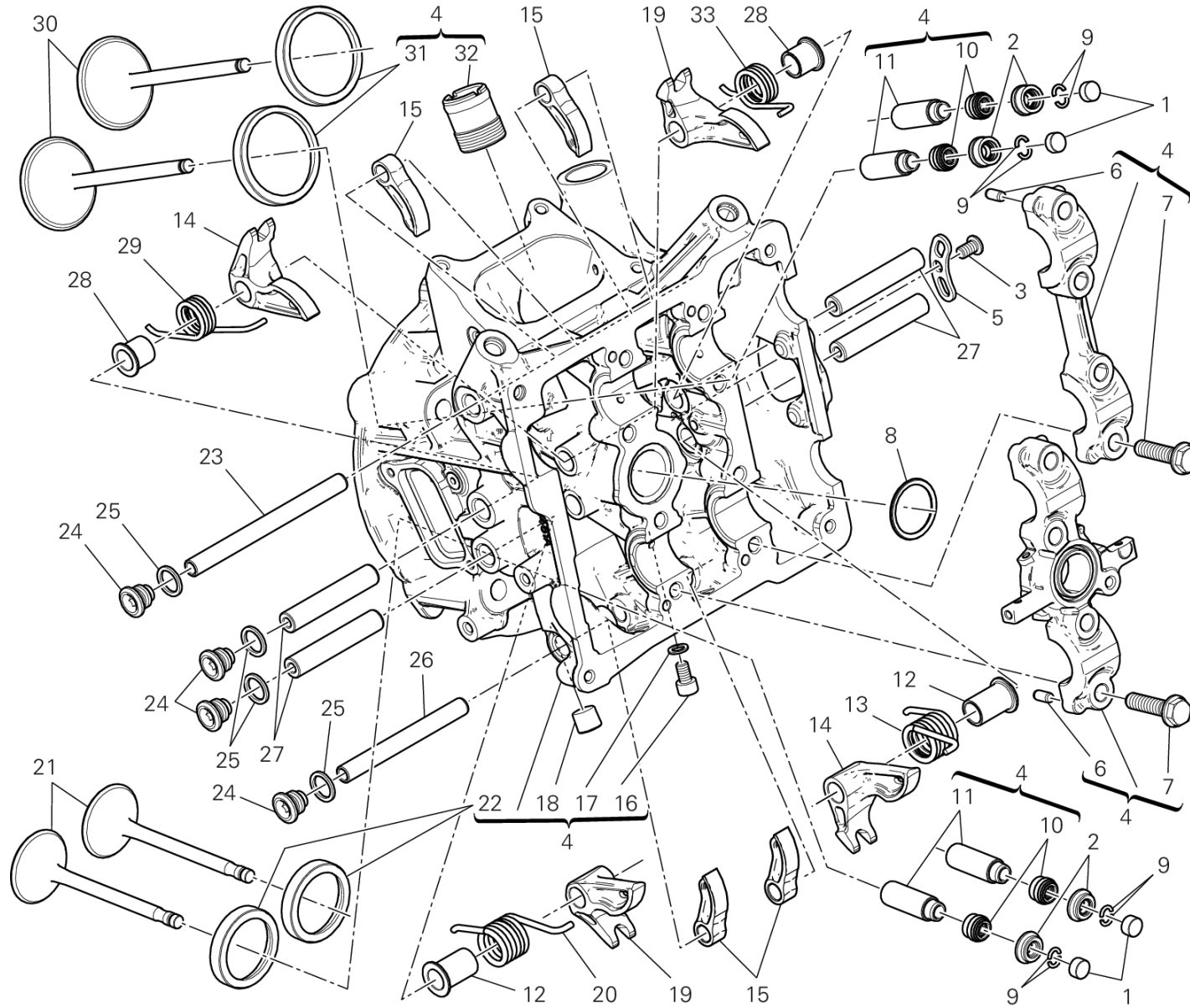


POS.	CODE	DESCRIPTION	QTY	START DATE	END DATE	VALIDITY	NOTES
	84010682B	ADJUSTER, CLOSING ROCKER ARM 3.55 MM	4	24/12/2009			
	84010692B	ADJUSTER, CLOSING ROCKER ARM 3.60 MM	4	24/12/2009			
	84010702B	ADJUSTER, CLOSING ROCKER ARM 3.65 MM	4	24/12/2009			
	84010712B	ADJUSTER, CLOSING ROCKER ARM 3.70 MM	4	24/12/2009			
	84010722B	ADJUSTER, CLOSING ROCKER ARM 3.75 MM	4	24/12/2009			
	84010732B	ADJUSTER, CLOSING ROCKER ARM 3.80 MM	4	24/12/2009			
	84010742B	ADJUSTER, CLOSING ROCKER ARM 3.85 MM	4	24/12/2009			
	84010752B	ADJUSTER, CLOSING ROCKER ARM 3.90 MM	4	24/12/2009			
	84010762B	ADJUSTER, CLOSING ROCKER ARM 3.95 MM	4	24/12/2009			
	84010772B	ADJUSTER, CLOSING ROCKER ARM 4.00 MM	4	24/12/2009			
	84010782B	ADJUSTER, CLOSING ROCKER ARM 4.05 MM	4	24/12/2009			
	84010792B	ADJUSTER, CLOSING ROCKER ARM 4.10 MM	4	24/12/2009			
	84010802B	ADJUSTER, CLOSING ROCKER ARM 4.15 MM	4	24/12/2009			
	84010812B	ADJUSTER, CLOSING ROCKER ARM 4.20 MM	4	24/12/2009			
	84010822B	ADJUSTER, CLOSING ROCKER ARM 4.25 MM	4	24/12/2009			
	84010832B	ADJUSTER, CLOSING ROCKER ARM 4.30 MM	4	24/12/2009			
	84010842B	ADJUSTER, CLOSING ROCKER ARM 4.35 MM	4	24/12/2009			
	84010852B	ADJUSTER, CLOSING ROCKER ARM 4.40 MM	4	24/12/2009			
	84010862B	ADJUSTER, CLOSING ROCKER ARM 4.45 MM	4	24/12/2009			
	84010872B	ADJUSTER, CLOSING ROCKER ARM 4.50 MM	4	24/12/2009			
3	77917231A	SCREW, SPECIAL	1	12/01/2012			
4	30123281B	HORIZONTAL HEAD	1	15/02/2013			
5	82716021A	PLATE, RETAINER	1	12/01/2012			
6	86050061A	PIN M5X10	4	10/12/2010			
7	77914211A	SCREW TEF M8X32	8	10/12/2010			
8	88640881A	O-RING 26.64X2.62	1	12/01/2012			
9	66910011E	C RING	8	12/01/2012			
10	76410871A	SEAL VALVE STEM	4	21/01/2011			
11	30310671AA	GUIDE, VALVE OVERSIZED 0.03 MM	4	13/01/2012			
	30310671AB	GUIDE, VALVE OVERSIZED 0.06 MM	4	02/10/2012			
	30310671AC	GUIDE, VALVE OVERSIZED 0.09 MM	4	02/10/2012			
12	71319271A	SPACER	2	12/01/2012			
13	79915231A	EXHAUST VALVE RETURN SPRING LH	1	12/01/2012			
14	20910751A	CLOSING ROCKER ARM LEFT	2	01/08/2011			
15	20810381A	OPEN. ROCKER ARM	4	01/08/2011			



DRAWING 014 - HORIZONTAL HEAD [MOD:899 ABS,899 AWS]

GROUP ENGINE



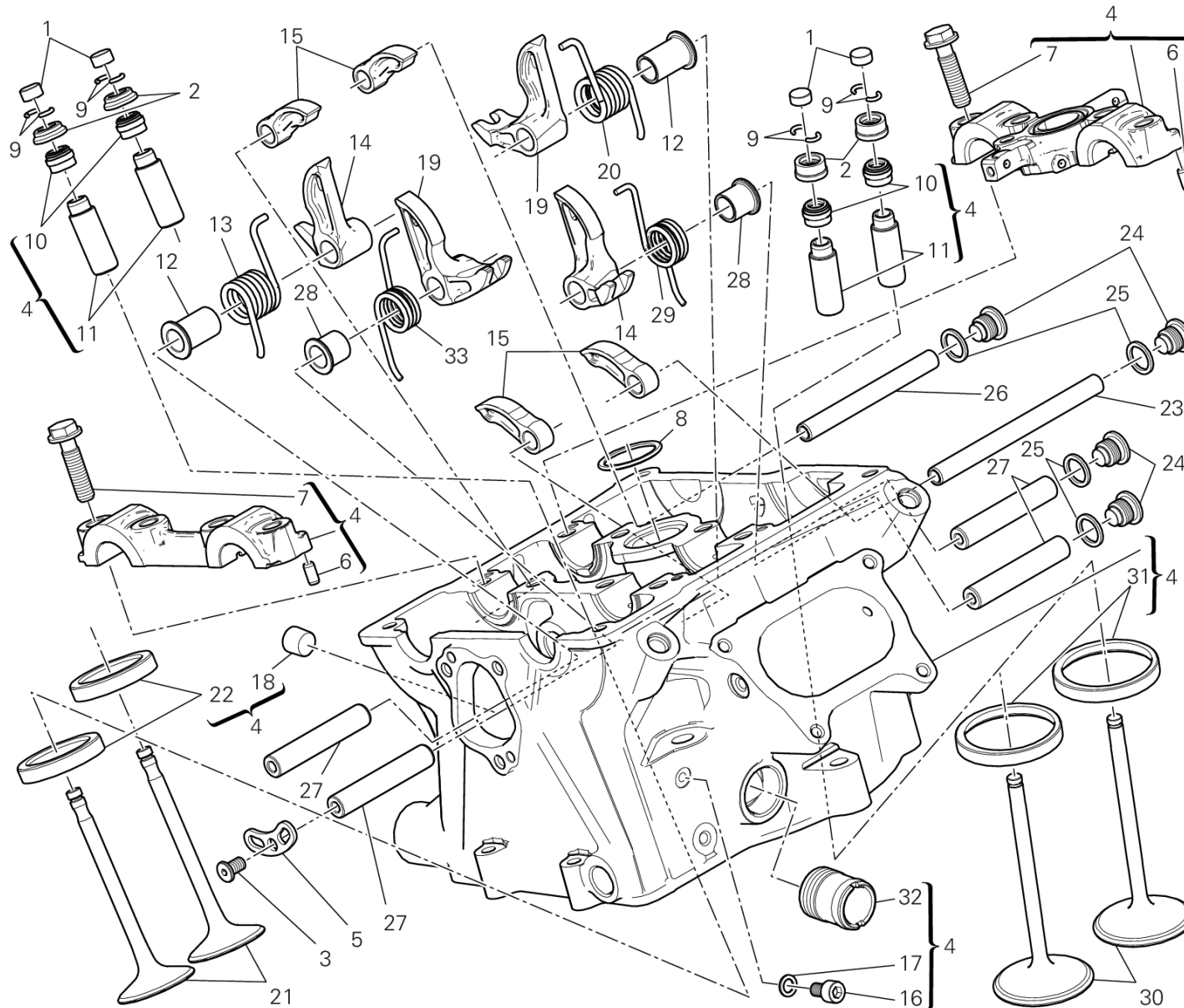
TST00504

DRAWING 014 - HORIZONTAL HEAD [MOD:899 ABS,899 AWS]

GROUP ENGINE



POS.	CODE	DESCRIPTION	QTY	START DATE	END DATE	VALIDITY	NOTES
16	77150628B	SCREW TCEI M6X10	2	01/08/2011			
17	85240261A	WASHER	2	25/06/2012			
18	87350251A	PLUG	2	20/02/2013			
19	20910741A	CLOSING ROCKER ARM RIGHT	2	01/08/2011			
20	79915221A	EXHAUST VALVE RETURN SPRING RH	1	12/01/2012			
21	21111001A	EXHAUST VALVE	2	19/03/2013			
22	304A0971AB	SEAT, EXHAUST VALVE +0.03 MM	2	14/05/2012			
	304A0971AC	SEAT, EXHAUST VALVE +0.06 MM	2	14/05/2012			
23	82114041A	OPENING ROCKER SHAFT LONG	1	12/01/2012			
24	78010511C	PLUG	4	12/01/2012			
25	85250261B	GASKET, ALUMINIUM 12X16X1.5	4	12/01/2012			
26	82113361A	OPENING ROCKER SHAFT SHORT	1	12/01/2012			
27	82113371B	CLOSE ROCKER ARM AXLE	4	12/01/2012			
28	71319281A	SPACER	2	12/01/2012			
29	79915211A	INTAKE VALVE RETURN SPRING LH	1	12/01/2012			
30	21011011B	INTAKE VALVE	2	24/05/2013			
31	304A0961AB	SEAT, INLET VALVE +0.03 MM	2	14/05/2012			
	304A0961AC	SEAT, INLET VALVE +0.06 MM	2	14/05/2012			
32	66810491A	FILLER	1	21/01/2011			
33	79915201A	INTAKE VALVE RETURN SPRING RH	1	12/01/2012			



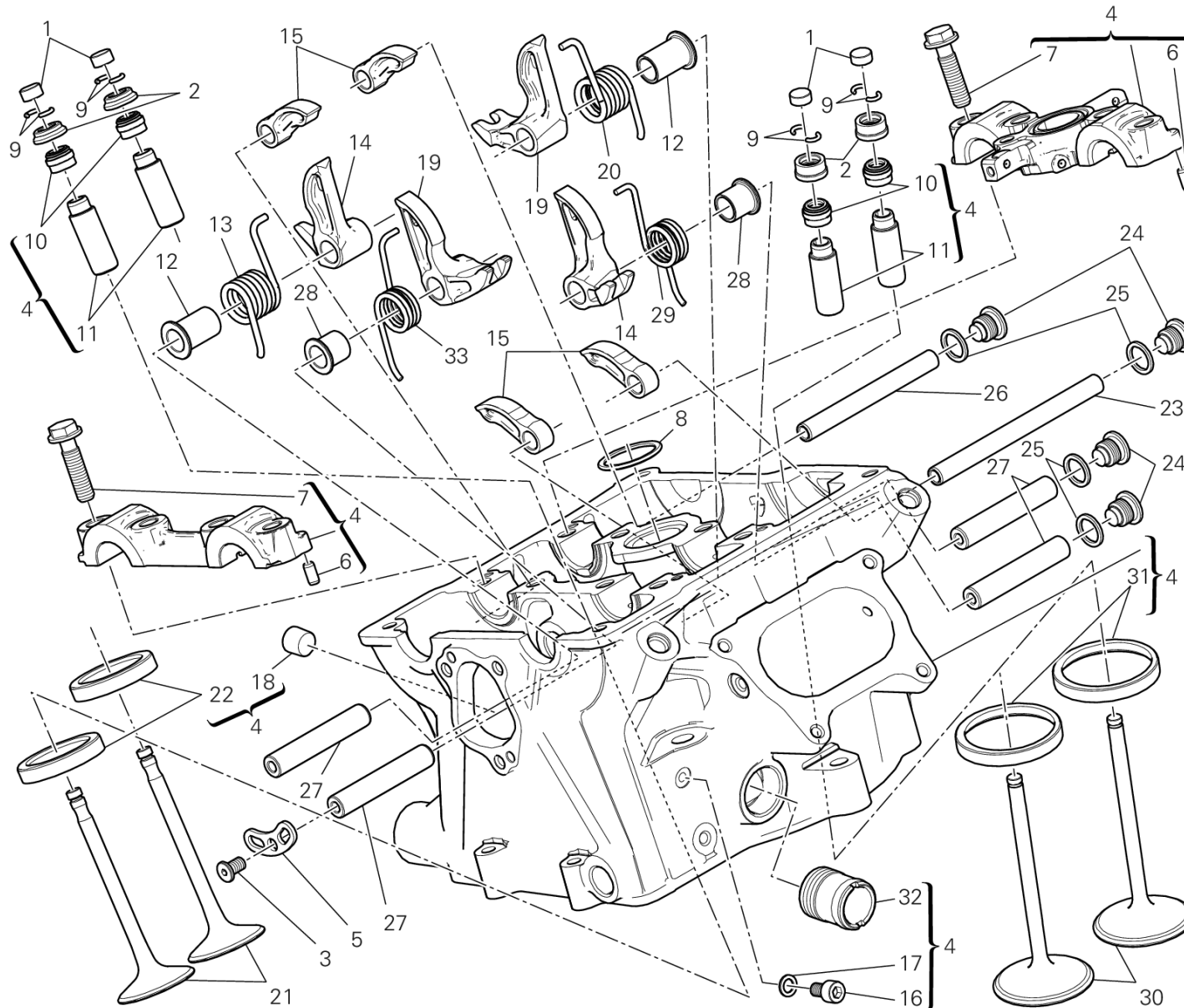
TST00505

DRAWING 015 - VERTICAL HEAD [MOD:899 ABS,899 AWS]

GROUP ENGINE



POS.	CODE	DESCRIPTION	QTY	START DATE	END DATE	VALIDITY	NOTES
1	84010012A	ADJUSTER, OPENING ROCKER ARM 2.00 MM	4	09/11/2011			
	84010022A	ADJUSTER, OPENING ROCKER ARM 2.05 MM	4	09/11/2011			
	84010032A	ADJUSTER, OPENING ROCKER ARM 2.10 MM	4	09/11/2011			
	84010042A	ADJUSTER, OPENING ROCKER ARM 2.15 MM	4	09/11/2011			
	84010052A	ADJUSTER, OPENING ROCKER ARM 2.20 MM	4	09/11/2011			
	84010062A	ADJUSTER, OPENING ROCKER ARM 2.25 MM	4	09/11/2011			
	84010072A	ADJUSTER, OPENING ROCKER ARM 2.30 MM	4	09/11/2011			
	84010082A	ADJUSTER, OPENING ROCKER ARM 2.35 MM	4	09/11/2011			
	84010092A	ADJUSTER, OPENING ROCKER ARM 2.40 MM	4	09/11/2011			
	84010102A	ADJUSTER, OPENING ROCKER ARM 2.45 MM	4	09/11/2011			
	84010112A	ADJUSTER, OPENING ROCKER ARM 2.50 MM	4	09/11/2011			
	84010122A	ADJUSTER, OPENING ROCKER ARM 2.55 MM	4	09/11/2011			
	84010132A	ADJUSTER, OPENING ROCKER ARM 2.60 MM	4	09/11/2011			
	84010142A	ADJUSTER, OPENING ROCKER ARM 2.65 MM	4	09/11/2011			
	84010152A	ADJUSTER, OPENING ROCKER ARM 2.70 MM	4	09/11/2011			
	84010162A	ADJUSTER, OPENING ROCKER ARM 2.75 MM	4	09/11/2011			
	84010172A	ADJUSTER, OPENING ROCKER ARM 2.80 MM	4	09/11/2011			
	84010182A	ADJUSTER, OPENING ROCKER ARM 2.85 MM	4	09/11/2011			
	84010192A	ADJUSTER, OPENING ROCKER ARM 2.90 MM	4	09/11/2011			
	84010202A	ADJUSTER, OPENING ROCKER ARM 2.95 MM	4	09/11/2011			
	84010212A	ADJUSTER, OPENING ROCKER ARM 3.00 MM	4	09/11/2011			
	84010222A	ADJUSTER, OPENING ROCKER ARM 3.05 MM	4	09/11/2011			
	84010232A	ADJUSTER, OPENING ROCKER ARM 3.10 MM	4	09/11/2011			
	84010242A	ADJUSTER, OPENING ROCKER ARM 3.15 MM	4	09/11/2011			
	84010252A	ADJUSTER, OPENING ROCKER ARM 3.20 MM	4	09/11/2011			
	84010262A	ADJUSTER, OPENING ROCKER ARM 3.25 MM	4	09/11/2011			
	84010272A	ADJUSTER, OPENING ROCKER ARM 3.30 MM	4	09/11/2011			
	84010282A	ADJUSTER, OPENING ROCKER ARM 3.35 MM	4	09/11/2011			
	84010292A	ADJUSTER, OPENING ROCKER ARM 3.40 MM	4	09/11/2011			
	84010302A	ADJUSTER, OPENING ROCKER ARM 3.45 MM	4	09/11/2011			
	84010312A	ADJUSTER, OPENING ROCKER ARM 1.80 MM	4	09/11/2011			
	84010322A	ADJUSTER, OPENING ROCKER ARM 1.85 MM	4	09/11/2011			
	84010332A	ADJUSTER, OPENING ROCKER ARM 1.90 MM	4	09/11/2011			
	84010342A	ADJUSTER, OPENING ROCKER ARM 1.95 MM	4	09/11/2011			
	84010722A	ADJUSTER, OPENING ROCKER ARM 3.60 MM	4	09/11/2011			



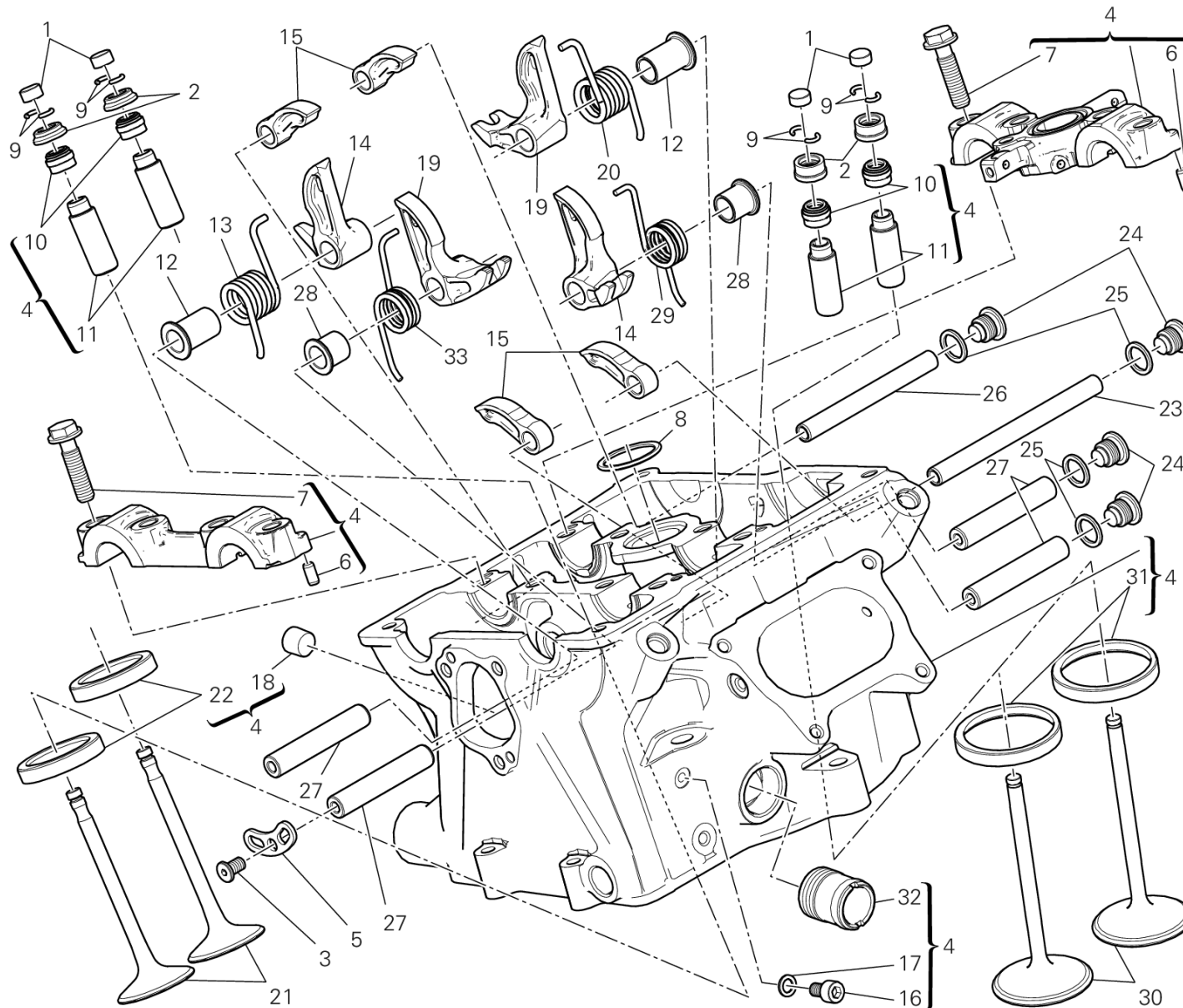
TST00505

DRAWING 015 - VERTICAL HEAD [MOD:899 ABS,899 AWS]

GROUP ENGINE



POS.	CODE	DESCRIPTION	QTY	START DATE	END DATE	VALIDITY	NOTES
	84010732A	ADJUSTER, OPENING ROCKER ARM 3.80 MM	4	09/11/2011			
	84011082A	ADJUSTER, OPENING ROCKER ARM 3.50 MM	4	09/11/2011			
	84011092A	ADJUSTER, OPENING ROCKER ARM 3.55 MM	4	09/11/2011			
	84011102A	ADJUSTER, OPENING ROCKER ARM 3.65 MM	4	09/11/2011			
	84011112A	ADJUSTER, OPENING ROCKER ARM 3.70 MM	4	09/11/2011			
	84011122A	ADJUSTER, OPENING ROCKER ARM 3.75 MM	4	09/11/2011			
	84011132A	ADJUSTER, OPENING ROCKER ARM 3.85 MM	4	09/11/2011			
	84011142A	ADJUSTER, OPENING ROCKER ARM 3.9 MM	4	09/11/2011			
2	84010412B	ADJUSTER, CLOSING ROCKER ARM 2.20 MM	4	24/12/2009			
	84010422B	ADJUSTER, CLOSING ROCKER ARM 2.25 MM	4	24/12/2009			
	84010432B	ADJUSTER, CLOSING ROCKER ARM 2.30 MM	4	24/12/2009			
	84010442B	ADJUSTER, CLOSING ROCKER ARM 2.35 MM	4	24/12/2009			
	84010452B	ADJUSTER, CLOSING ROCKER ARM 2.40 MM	4	24/12/2009			
	84010462B	ADJUSTER, CLOSING ROCKER ARM 2.45 MM	4	24/12/2009			
	84010472B	ADJUSTER, CLOSING ROCKER ARM 2.50 MM	4	24/12/2009			
	84010482B	ADJUSTER, CLOSING ROCKER ARM 2.55 MM	4	24/12/2009			
	84010492B	ADJUSTER, CLOSING ROCKER ARM 2.60 MM	4	24/12/2009			
	84010502B	ADJUSTER, CLOSING ROCKER ARM 2.65 MM	4	24/12/2009			
	84010512B	ADJUSTER, CLOSING ROCKER ARM 2.70 MM	4	24/12/2009			
	84010522B	ADJUSTER, CLOSING ROCKER ARM 2.75 MM	4	24/12/2009			
	84010532B	ADJUSTER, CLOSING ROCKER ARM 2.80 MM	4	24/12/2009			
	84010542B	ADJUSTER, CLOSING ROCKER ARM 2.85 MM	4	24/12/2009			
	84010552B	ADJUSTER, CLOSING ROCKER ARM 2.90 MM	4	24/12/2009			
	84010562B	ADJUSTER, CLOSING ROCKER ARM 2.95 MM	4	24/12/2009			
	84010572B	ADJUSTER, CLOSING ROCKER ARM 3.00 MM	4	24/12/2009			
	84010582B	ADJUSTER, CLOSING ROCKER ARM 3.05 MM	4	24/12/2009			
	84010592B	ADJUSTER, CLOSING ROCKER ARM 3.10 MM	4	24/12/2009			
	84010602B	ADJUSTER, CLOSING ROCKER ARM 3.15 MM	4	24/12/2009			
	84010612B	ADJUSTER, CLOSING ROCKER ARM 3.20 MM	4	24/12/2009			
	84010622B	ADJUSTER, CLOSING ROCKER ARM 3.25 MM	4	24/12/2009			
	84010632B	ADJUSTER, CLOSING ROCKER ARM 3.30 MM	4	24/12/2009			
	84010642B	ADJUSTER, CLOSING ROCKER ARM 3.35 MM	4	24/12/2009			
	84010652B	ADJUSTER, CLOSING ROCKER ARM 3.40 MM	4	24/12/2009			
	84010662B	ADJUSTER, CLOSING ROCKER ARM 3.45 MM	4	24/12/2009			
	84010672B	ADJUSTER, CLOSING ROCKER ARM 3.50 MM	4	24/12/2009			



TST00505

DRAWING 015 - VERTICAL HEAD [MOD:899 ABS,899 AWS]

GROUP ENGINE

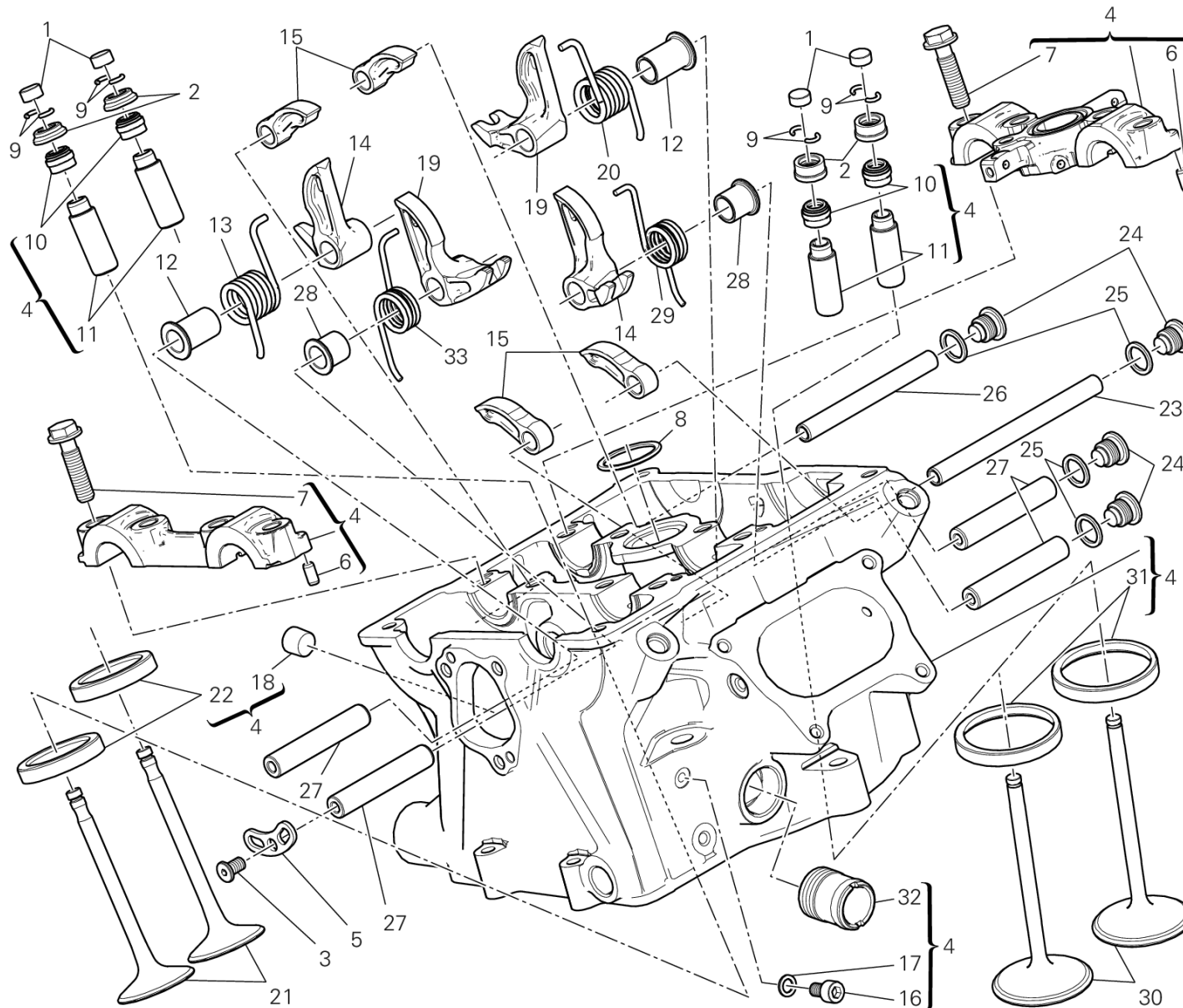


POS.	CODE	DESCRIPTION	QTY	START DATE	END DATE	VALIDITY	NOTES
	84010682B	ADJUSTER, CLOSING ROCKER ARM 3.55 MM	4	24/12/2009			
	84010692B	ADJUSTER, CLOSING ROCKER ARM 3.60 MM	4	24/12/2009			
	84010702B	ADJUSTER, CLOSING ROCKER ARM 3.65 MM	4	24/12/2009			
	84010712B	ADJUSTER, CLOSING ROCKER ARM 3.70 MM	4	24/12/2009			
	84010722B	ADJUSTER, CLOSING ROCKER ARM 3.75 MM	4	24/12/2009			
	84010732B	ADJUSTER, CLOSING ROCKER ARM 3.80 MM	4	24/12/2009			
	84010742B	ADJUSTER, CLOSING ROCKER ARM 3.85 MM	4	24/12/2009			
	84010752B	ADJUSTER, CLOSING ROCKER ARM 3.90 MM	4	24/12/2009			
	84010762B	ADJUSTER, CLOSING ROCKER ARM 3.95 MM	4	24/12/2009			
	84010772B	ADJUSTER, CLOSING ROCKER ARM 4.00 MM	4	24/12/2009			
	84010782B	ADJUSTER, CLOSING ROCKER ARM 4.05 MM	4	24/12/2009			
	84010792B	ADJUSTER, CLOSING ROCKER ARM 4.10 MM	4	24/12/2009			
	84010802B	ADJUSTER, CLOSING ROCKER ARM 4.15 MM	4	24/12/2009			
	84010812B	ADJUSTER, CLOSING ROCKER ARM 4.20 MM	4	24/12/2009			
	84010822B	ADJUSTER, CLOSING ROCKER ARM 4.25 MM	4	24/12/2009			
	84010832B	ADJUSTER, CLOSING ROCKER ARM 4.30 MM	4	24/12/2009			
	84010842B	ADJUSTER, CLOSING ROCKER ARM 4.35 MM	4	24/12/2009			
	84010852B	ADJUSTER, CLOSING ROCKER ARM 4.40 MM	4	24/12/2009			
	84010862B	ADJUSTER, CLOSING ROCKER ARM 4.45 MM	4	24/12/2009			
	84010872B	ADJUSTER, CLOSING ROCKER ARM 4.50 MM	4	24/12/2009			
3	77917231A	SCREW, SPECIAL	1	12/01/2012			
4	30123271B	VERTICAL HEAD	1	15/02/2013			
5	82716021A	PLATE, RETAINER	1	12/01/2012			
6	86050061A	PIN M5X10	4	10/12/2010			
7	77914211A	SCREW TEF M8X32	8	10/12/2010			
8	88640881A	O-RING 26.64X2.62	1	12/01/2012			
9	66910011E	C RING	8	12/01/2012			
10	76410871A	SEAL VALVE STEM	4	21/01/2011			
11	30310671AA	GUIDE, VALVE OVERSIZED 0.03 MM	4	13/01/2012			
	30310671AB	GUIDE, VALVE OVERSIZED 0.06 MM	4	02/10/2012			
	30310671AC	GUIDE, VALVE OVERSIZED 0.09 MM	4	02/10/2012			
12	71319271A	SPACER	2	12/01/2012			
13	79915231A	EXHAUST VALVE RETURN SPRING LH	1	12/01/2012			
14	20910751A	CLOSING ROCKER ARM LEFT	2	01/08/2011			
15	20810381A	OPEN. ROCKER ARM	4	01/08/2011			



DRAWING 015 - VERTICAL HEAD [MOD:899 ABS,899 AWS]

GROUP ENGINE



TST00505

DRAWING 015 - VERTICAL HEAD [MOD:899 ABS,899 AWS]

GROUP ENGINE



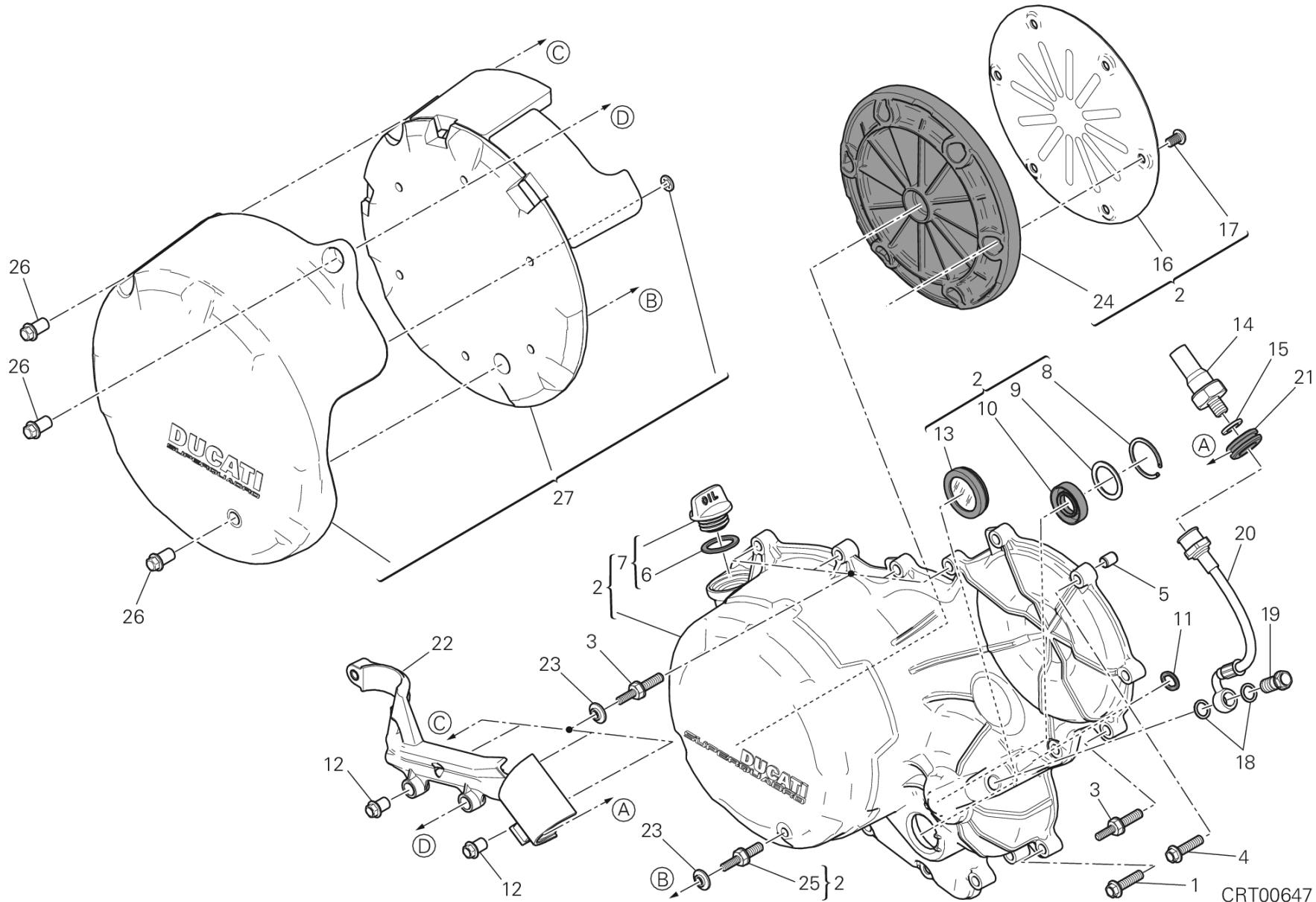
POS.	CODE	DESCRIPTION	QTY	START DATE	END DATE	VALIDITY	NOTES
16	77150628B	SCREW TCEI M6X10	2	01/08/2011			
17	85240261A	WASHER	2	25/06/2012			
18	87350251A	PLUG	2	20/02/2013			
19	20910741A	CLOSING ROCKER ARM RIGHT	2	01/08/2011			
20	79915221A	EXHAUST VALVE RETURN SPRING RH	1	12/01/2012			
21	21111001A	EXHAUST VALVE	2	19/03/2013			
22	304A0971AB	SEAT, EXHAUST VALVE +0.03 MM	2	14/05/2012			
	304A0971AC	SEAT, EXHAUST VALVE +0.06 MM	2	14/05/2012			
23	82114041A	OPENING ROCKER SHAFT LONG	1	12/01/2012			
24	78010511C	PLUG	4	12/01/2012			
25	85250261B	GASKET, ALUMINIUM 12X16X1.5	4	12/01/2012			
26	82113361A	OPENING ROCKER SHAFT SHORT	1	12/01/2012			
27	82113371B	CLOSE ROCKER ARM AXLE	4	12/01/2012			
28	71319281A	SPACER	2	12/01/2012			
29	79915211A	INTAKE VALVE RETURN SPRING LH	1	12/01/2012			
30	21011011B	INTAKE VALVE	2	24/05/2013			
31	304A0961AB	SEAT, INLET VALVE +0.03 MM	2	14/05/2012			
	304A0961AC	SEAT, INLET VALVE +0.06 MM	2	14/05/2012			
32	66810491A	FILLER	1	21/01/2011			
33	79915201A	INTAKE VALVE RETURN SPRING RH	1	12/01/2012			



DRAWING 05A - CLUTCH-SIDE CRANKCASE COVER (JAP) [MOD:899 ABS,899

AWS;XST:JAP,TWN]

GROUP ENGINE



DRAWING 05A - CLUTCH-SIDE CRANKCASE COVER (JAP) [MOD:899 ABS,899

AWS;XST:JAP,TWN]

GROUP ENGINE

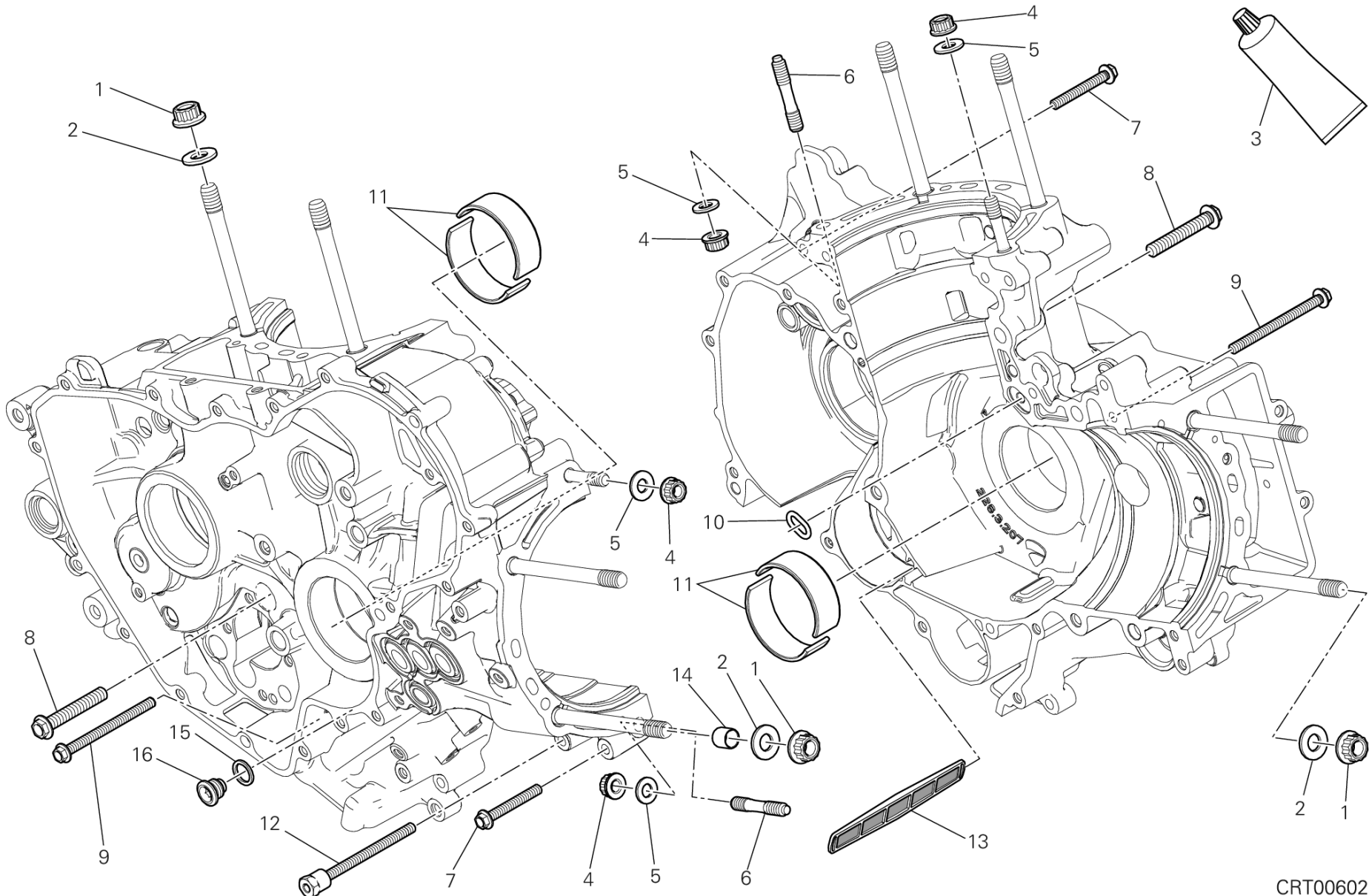


POS.	CODE	DESCRIPTION	QTY	START DATE	END DATE	VALIDITY	NOTES
1	77253337C	SCREW	11	11/10/2013			
2	24321431A	CLUTCH PROTECTION COVER (Unit)	1	12/09/2013			
3	77917161B	SCREW, SPECIAL	5	21/11/2011			
4	77253357C	SCREW	1	11/11/2010			
5	71113171A	LOCATING DOWEL	2	11/11/2010			
6	88640891A	O-RING 18.64X3.53	1	24/12/2009			
7	89320121A	PLUG ASSY	1	06/09/2013			
8	88450291A	SNAP RING	1	06/09/2013			
9	85212721A	THRUST WASHER	1	06/09/2013			
10	93041521A	SEAL RING	1	06/09/2013			
11	88641761A	O-RING	1	11/11/2010			
12	75011742AA	NUT, SPECIAL	2	26/10/2011			
13	25440012A	WINDOW, OIL LEVEL CHECK	1	06/09/2013			
14	53940302A	SWITCH ASSY, OIL PRESSURE	1	29/01/2013			
15	85211951A	GASKET 10.5X17X2	1	01/12/2011			
16	82716012A	SHEET ACOUSTIC DAMPER	1	06/09/2013			
17	77550200C	SCREW	5	06/09/2013			
18	85250241A	WASHER 10X14X1	2	01/12/2011			
19	78110121AA	SCREW, SPECIAL	1	01/12/2011			
20	87721561A	OIL PRESSURE LINE	1	01/12/2011			
21	76440581A	RUBBER PAD	1	01/12/2011			
22	75810701B	FAIRLEAD	1	01/12/2011			
23	71614071A	SPACER 5.2X8.4X2	5	01/12/2011			
24	48610851A	DAMPER, SOUND ARRESTER	1	02/05/2012			
25	77918811A	SCREW, SPECIAL	1	06/09/2013			
26	75011841AA	NUT, SPECIAL	3				
27	4602B321A	CAP RH (Unit)	1	15/07/2013			



DRAWING 10A - HALF-CRANKCASES PAIR [MOD:899 ABS,899 AWS]

GROUP ENGINE



CRT00602

DRAWING 10A - HALF-CRANKCASES PAIR [MOD:899 ABS,899 AWS]

GROUP ENGINE



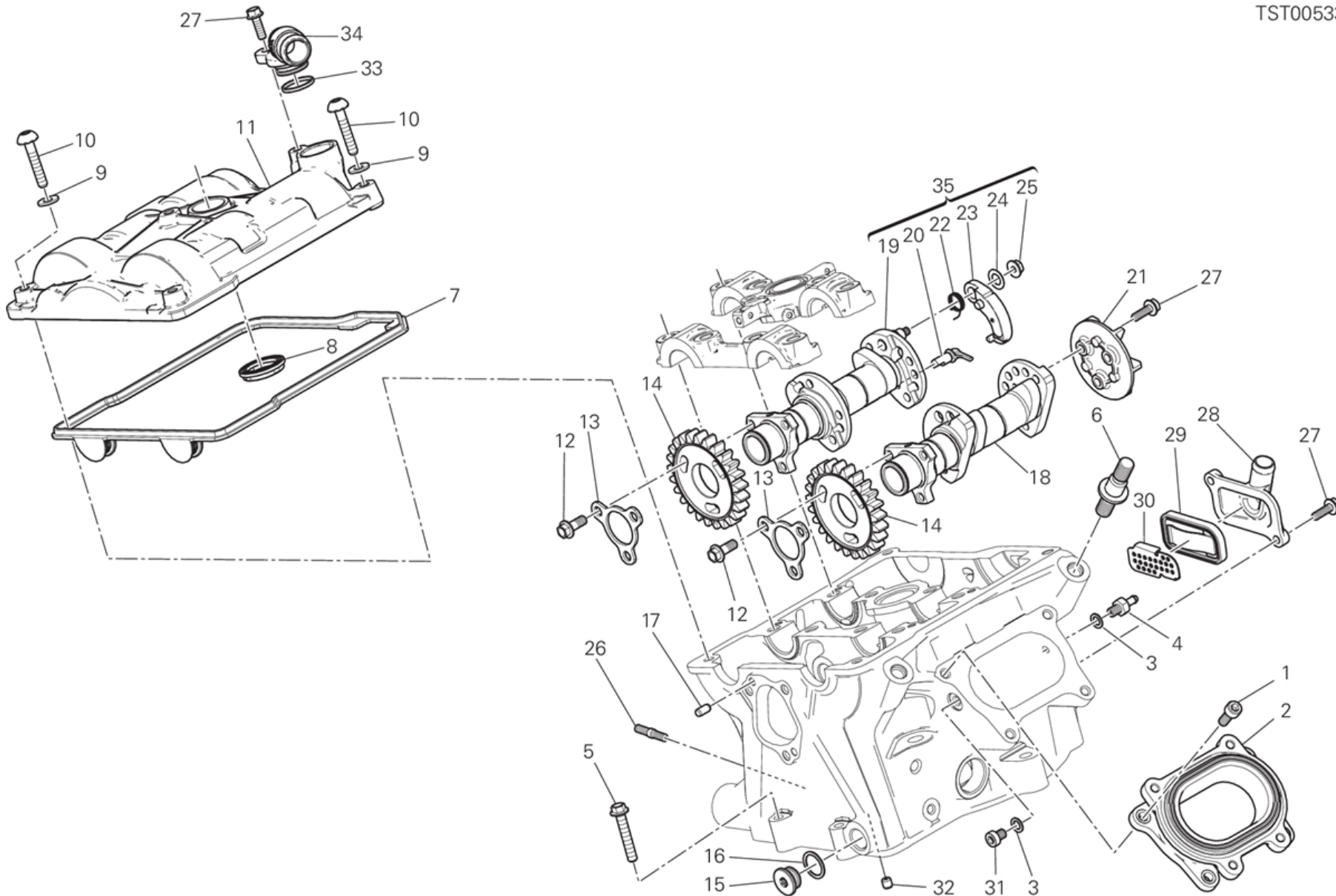
POS.	CODE	DESCRIPTION	QTY	START DATE	END DATE	VALIDITY	NOTES
1	74810461A	NUT, FLANGE M10X1	8	13/12/2010			
2	85610642A	WASHER, SPECIAL 10.5X21X2	8	13/12/2010			
3	942470036	LIQUID GASKET	1				
4	74840481A	NUT, SPECIAL M8	4	13/12/2010			
5	85212771A	WASHER	4	13/12/2010			
6	76610811A	STUD BOLT FASTENING HEAD CYLINDER	2	12/01/2012			
7	77253387C	SCREW	14	11/11/2010			
8	77251387C	SCREW	6	11/11/2010			
9	77253447C	SCREW	4	11/11/2010			
10	88641701A	O-RING	1	24/11/2010			
11	11210771AA	HALF-BEARING RED	1	15/12/2011			
	11210771AB	HALF-BEARING BLUE	1	15/12/2011			
	11210771AC	HALF-BEARING YELLOW	1	15/12/2011			
	11210771AD	HALF-BEARING BLACK	1	15/12/2011			
	11210771AE	HALF-BEARING GREEN	1	15/12/2011			
12	77916991A	SCREW, SPECIAL	1	02/12/2010			
13	42710171A	OIL NET FILTER	1	09/12/2010			
14	71110932A	PIN DOWEL	4	11/11/2010			
15	85250261A	GASKET, ALUMINIUM 12X16X1.5	1	11/11/2010			
16	78010511C	PLUG	1	28/02/2011			



DRAWING 13A - VERTICAL CYLINDER HEAD - TIMING [MOD:899 ABS,899 AWS;XST:AUS,EUR,FRA,JAP]

GROUP ENGINE

TST00533



DRAWING 13A - VERTICAL CYLINDER HEAD - TIMING [MOD:899 ABS,899

AWS;XST:AUS,EUR,FRA,JAP]

GROUP ENGINE



POS.	CODE	DESCRIPTION	QTY	START DATE	END DATE	VALIDITY	NOTES
1	77112331A	SCREW TCEI M6X16	4	12/01/2012			
2	14010701B	INTAKE MANIFOLD	1	19/04/2013			
3	85250231A	GASKET	2	01/08/2011			
4	81413341A	UNION	1	12/01/2012			
5	77253367C	SCREW	2	05/04/2011			
6	76610821A	STUD BOLT	2	12/01/2012			
7	78811102C	VALVE COVER GASKET EXTERNAL	1	12/01/2012			
8	78811131A	VALVE COVER GASKET INTERNAL	1	12/01/2012			
9	85212781B	WASHER	5	12/01/2012			
10	77916441A	SCREW	5	12/01/2012			
11	24714491A	COVER CYLINDER HEAD, VERTICAL	1	15/02/2013			
12	77253290Z	SCREW	6	01/08/2011			
13	85611471A	PLATE, RETAINER	2	12/01/2012			
14	17111154A	GEAR Z=25	2	12/01/2012			
15	77913541A	THREADED PLUG M15X1	1	06/04/2011			
16	85211201A	ALUMINIUM GASKET	1	06/04/2011			
17	86050061A	PIN M5X10	2	12/01/2012			
18	14814181B	VERTICAL INTAKE CAMSHAFT	1	15/02/2013			
19	14824191B	VERTICAL EXHAUST CAMSHAFT	1	15/02/2013			
20	82113832A	PIN	1	12/01/2012			
21	25130081B	FAN	1	12/01/2012			
22	79915534A	SPRING	1	12/01/2012			
23	30710021A	DECOMPRESSION DEVICE	1	12/01/2012			
24	85240231A	WASHER 8.2X14X0.5	1	13/01/2012			
25	74810791A	NUT	1	12/01/2012			
26	76610841A	STUD BOLT	3	12/01/2012			
27	77210621A	SCREW TEF M5X16	6	12/01/2012			
28	24714101A	COVER	1	12/01/2012			
29	81140012B	VALVE	1	07/12/2011			
30	82716351A	PLATE	1	12/01/2012			
31	77350618B	SCREW TCEIR M6X8	1	06/04/2011			
32	86010061A	PIN	1	12/01/2012			
33	88641791A	O-RING	1	12/01/2012			
34	81413531A	OUTLET UNION BLOW-BY	1	12/01/2012			
35	14824501A	VERTICAL EXHAUST CAMSHAFT (Unit)	1	14/05/2012			

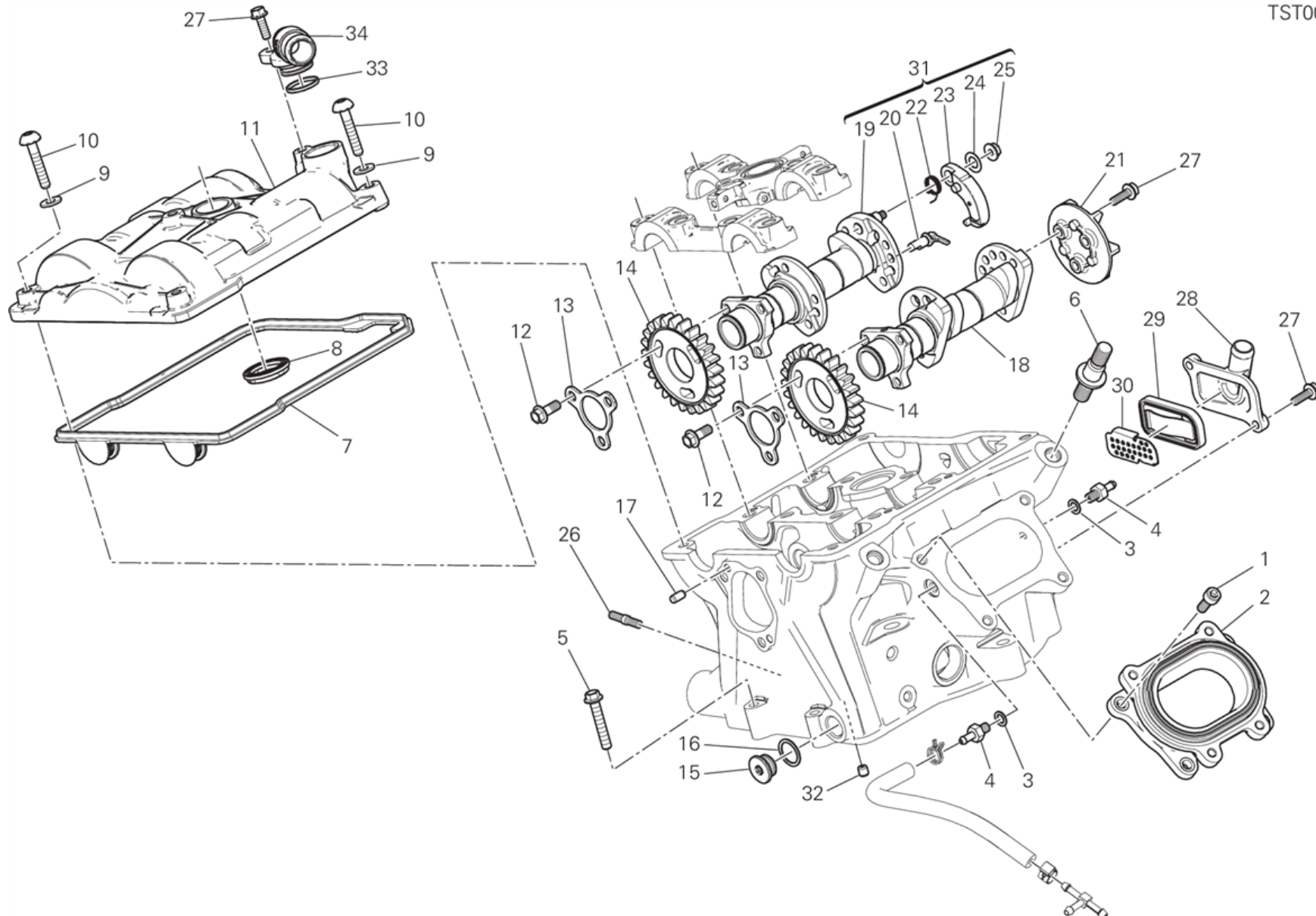


DRAWING 13A - VERTICAL CYLINDER HEAD - TIMING [MOD:899 ABS,899

AWS;XST:TNW]

GROUP ENGINE

TST00534



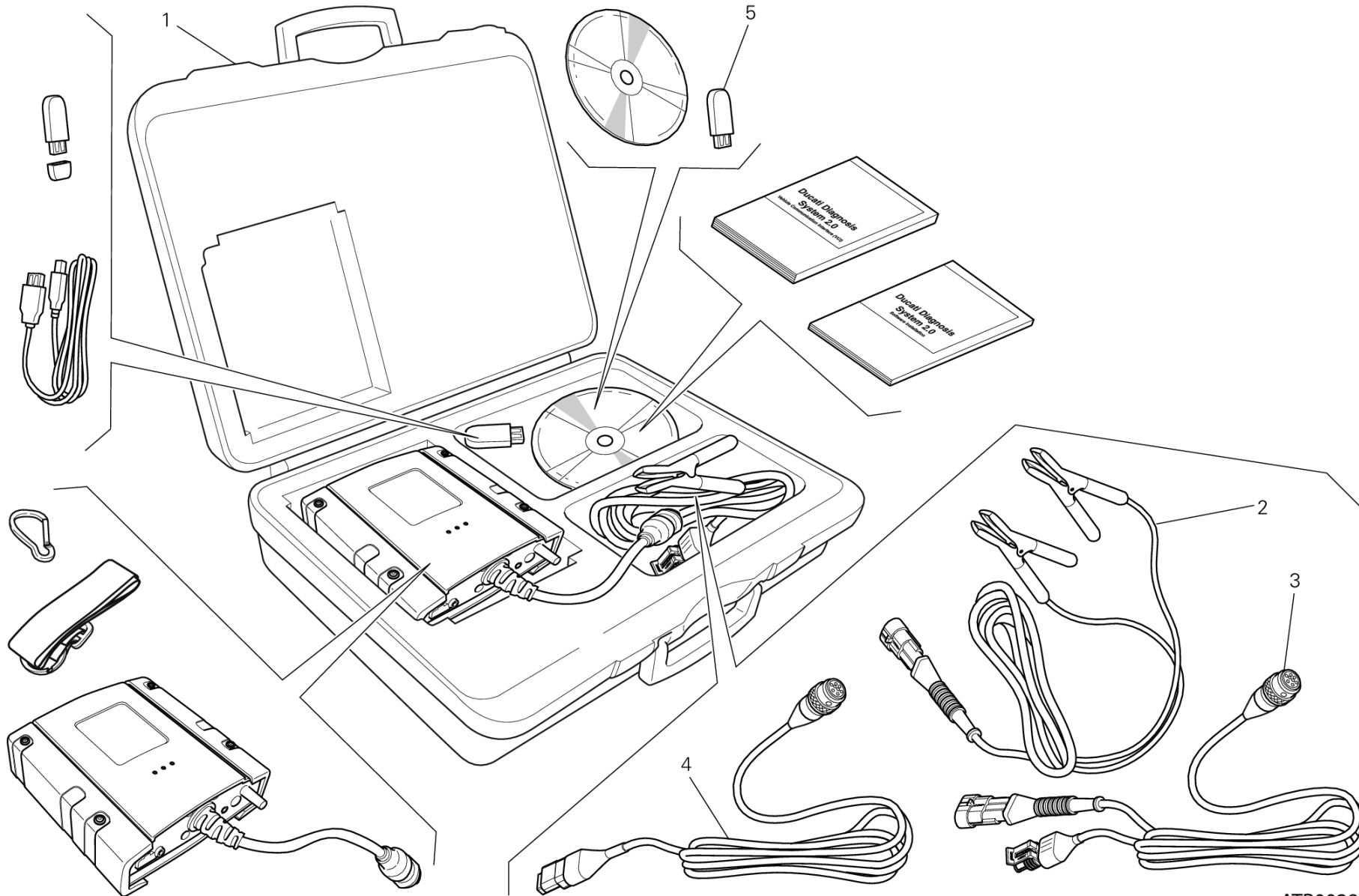
DRAWING 13A - VERTICAL CYLINDER HEAD - TIMING [MOD:899 ABS,899

AWS;XST:TWN]

GROUP ENGINE



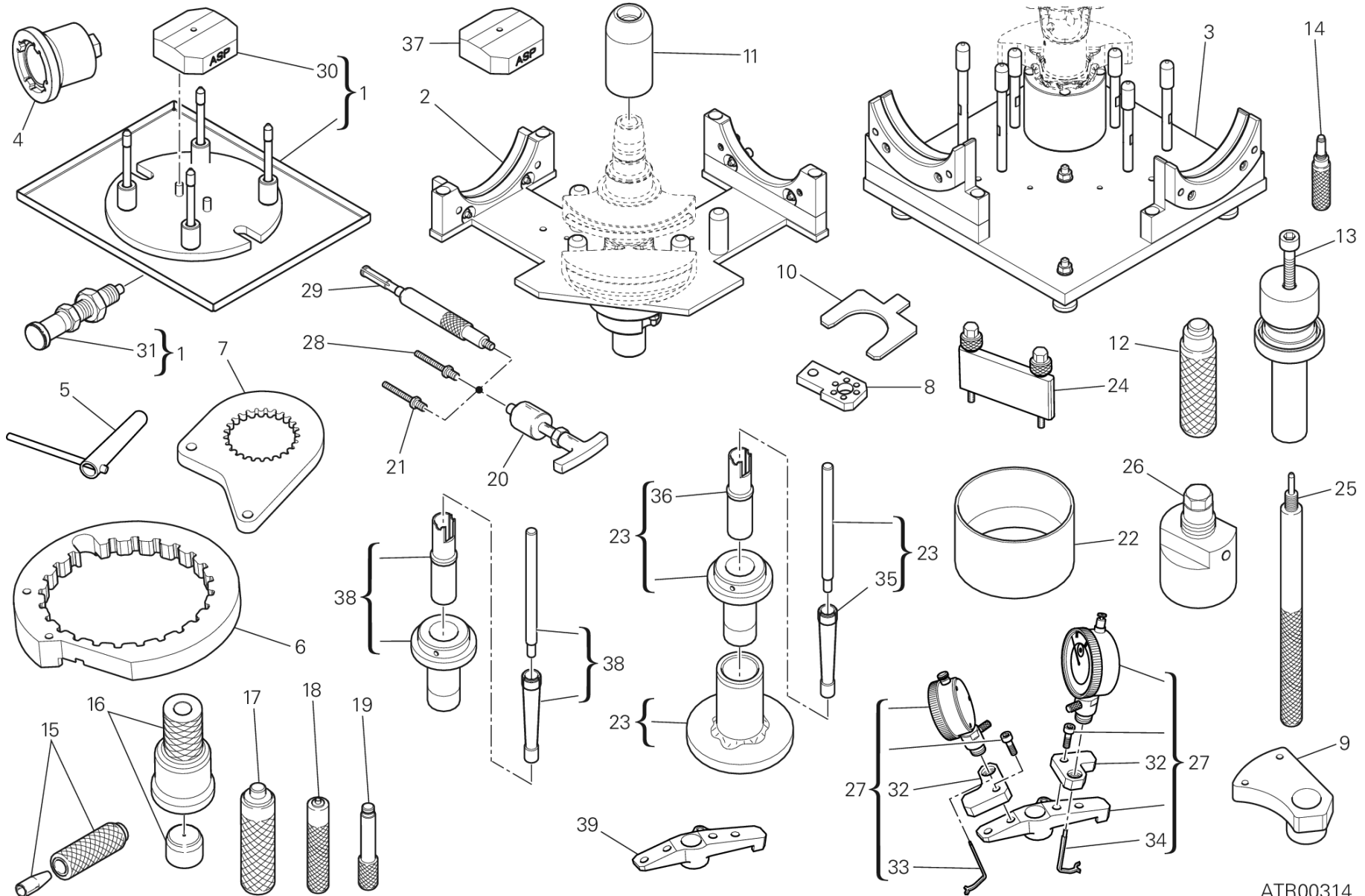
POS.	CODE	DESCRIPTION	QTY	START DATE	END DATE	VALIDITY	NOTES
1	77112331A	SCREW TCEI M6X16	4	12/01/2012			
2	14010701B	INTAKE MANIFOLD	1	19/04/2013			
3	85250231A	GASKET	2	01/08/2011			
4	81413341A	UNION	2	12/01/2012			
5	77253367C	SCREW	2	05/04/2011			
6	76610821A	STUD BOLT	2	12/01/2012			
7	78811102C	VALVE COVER GASKET EXTERNAL	1	12/01/2012			
8	78811131A	VALVE COVER GASKET INTERNAL	1	12/01/2012			
9	85212781B	WASHER	5	12/01/2012			
10	77916441A	SCREW	5	12/01/2012			
11	24714491A	COVER CYLINDER HEAD, VERTICAL	1	15/02/2013			
12	77253290Z	SCREW	6	01/08/2011			
13	85611471A	PLATE, RETAINER	2	12/01/2012			
14	17111154A	GEAR Z=25	2	12/01/2012			
15	77913541A	THREADED PLUG M15X1	1	06/04/2011			
16	85211201A	ALUMINIUM GASKET	1	06/04/2011			
17	86050061A	PIN M5X10	2	12/01/2012			
18	14814181B	VERTICAL INTAKE CAMSHAFT	1	15/02/2013			
19	14824191B	VERTICAL EXHAUST CAMSHAFT	1	15/02/2013			
20	82113832A	PIN	1	12/01/2012			
21	25130081B	FAN	1	12/01/2012			
22	79915534A	SPRING	1	12/01/2012			
23	30710021A	DECOMPRESSION DEVICE	1	12/01/2012			
24	85240231A	WASHER 8.2X14X0.5	1	13/01/2012			
25	74810791A	NUT	1	12/01/2012			
26	76610841A	STUD BOLT	3	12/01/2012			
27	77210621A	SCREW TEF M5X16	6	12/01/2012			
28	24714101A	COVER	1	12/01/2012			
29	81140012B	VALVE	1	07/12/2011			
30	82716351A	PLATE	1	12/01/2012			
31	14824501A	VERTICAL EXHAUST CAMSHAFT (Unit)	1	14/05/2012			
32	86010061A	PIN	1	12/01/2012			
33	88641791A	O-RING	1	12/01/2012			
34	81413531A	OUTLET UNION BLOW-BY	1	12/01/2012			



ATR00280



POS.	CODE	DESCRIPTION	QTY	START DATE	END DATE	VALIDITY	NOTES
1	979000252	DDS 2 (Ducati Diagnosis System 2.0)	1				
2	979000256	MAIN CABLE DDS	1				
3	979000254	MAIN CABLE	1				
4	979000255	MAIN CABLE (CAN)	1				
5	28620441A	CHIAVE "PC HASP DDS2.0"	1				



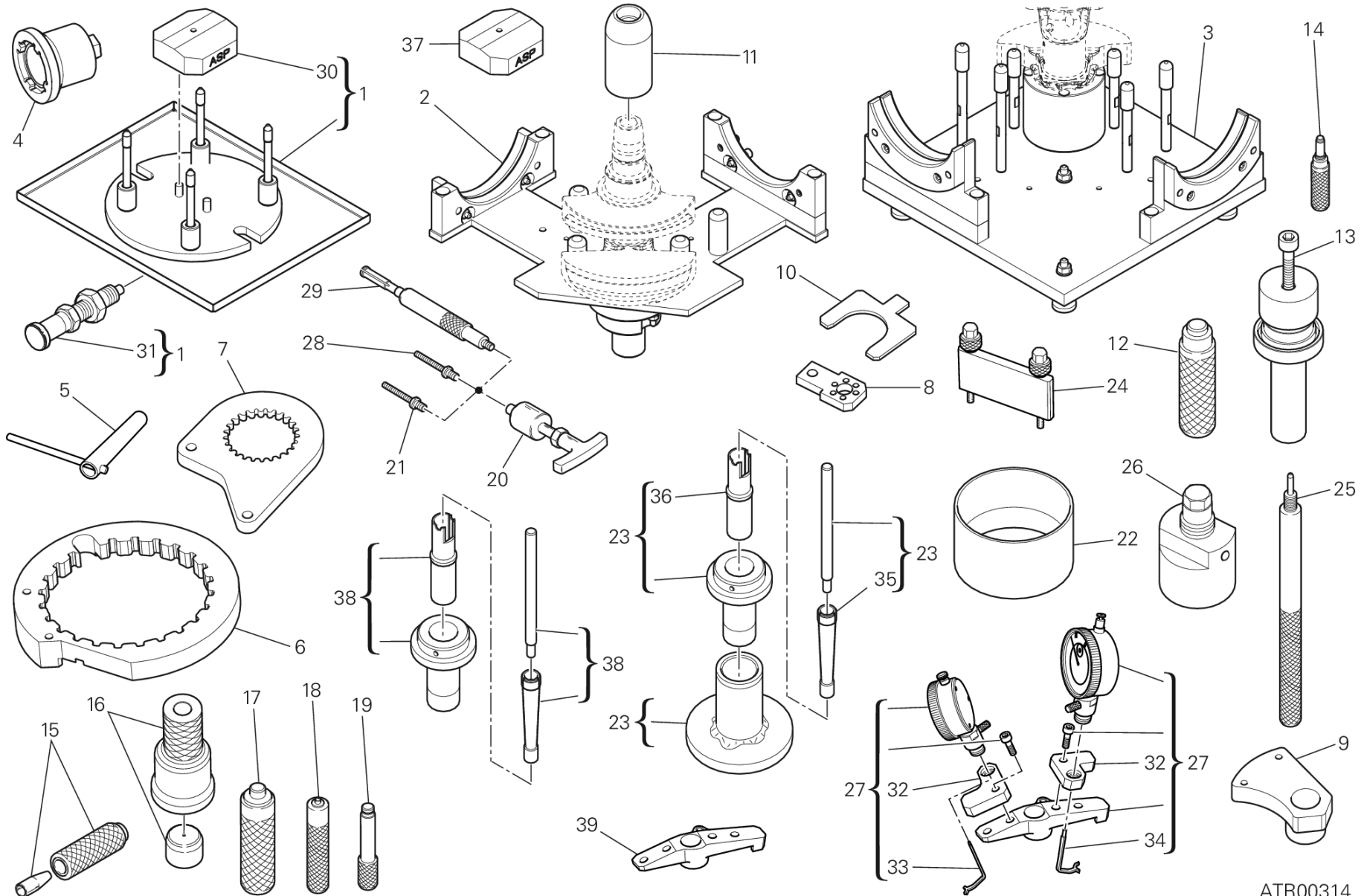
ATR00314

DRAWING 01A - WORKSHOP SERVICE TOOLS [MOD:899 ABS,899 AWS]

GROUP TOOLS



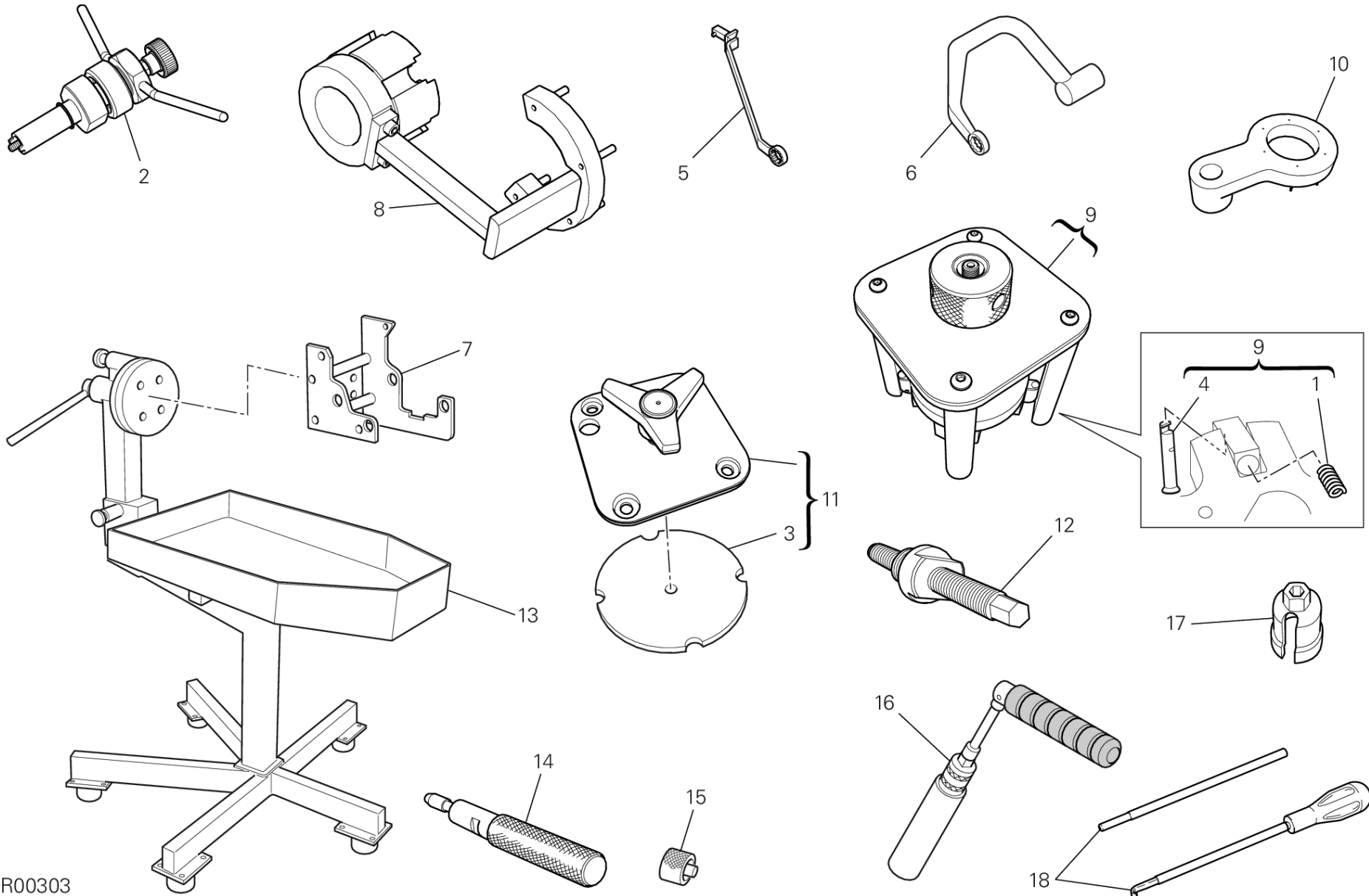
POS.	CODE	DESCRIPTION	QTY	START DATE	END DATE	VALIDITY	NOTES
1	887133422	HEAD MOUNTING BASE	1				
2	887133437	PLATE (Complete connecting rods assembly)	1				
3	887133440	HOSE GUIDE (Complete connecting rods assembly)	1				
4	887133773	WRENCH FOR TIGHTENING RING NUT	1				
5	887133795	LEVER	1				
6	887133524	REACTION TOOL FOR IGNITION FLYWHEEL	1				
7	887133774	REACTION TOOL (SPROCKET)	1				
8	887133853	REACTION TOOL FOR FLANGE (Gearbox drum)	1				
9	887133549	GEARBOX LAY SHAFT TRUING TOOL	1				
10	887133510	FORK FEELER GAUGE	1				
11	887133436	PAD	1				
12	887133511	TOOL FOR OIL SEAL POSITIONING (17x25x4)	1				
13	887133452	HALF-BEARINGS FITTING TOOL	1				
14	887133500	TOOL TO HOLD CRANKSHAFT IN TDC POSITION	1				
15	887133507	TOOL FOR OIL SEAL POSITIONING (12x22x5)	1				
16	887133508	TOOL FOR OIL SEAL POSITIONING (40x55x7)	1				
17	887133509	TOOL FOR OIL SEAL POSITIONING (14x28x6,5)	1				
18	887133512	TOOL FOR OIL SEAL POSITIONING (8x14x4)	1				
19	887133758	TOOL FOR BUSH POSITIONING	1				
20	887131994	ROCKER PIN EXTRACTOR	1				
21	887133760	SCREW, SPECIAL (M7)	1				
22	887134308	TOOL TO ASSEMBLE PISTON	1				
23	887133502	TOOL TO FIT PISTON GUDGEON PIN CIRCLIPS	1				
24	887651678	CAMSHAFT STROKE CHECKING TOOL	1				
25	887132574	T.D.C. CONTROL GAUGE	1				
26	887134257	IGNITION FLYWHEEL EXTRACTOR	1				
27	887651632	VALVE LIFT GAUGE	1				
28	887133943	SCREW, SPECIAL (M6)	1				
29	887133517	PISTON PIN DISASSEMBLING TOOL	1				
30	887134131	SOSTEGNO VALVOLE	1				
31	887134132	KNOB	1				
32	887651702	HOLDER	2				
33	887651703	CONTROL ROD SHORT	1				
34	887651704	CONTROL ROD LONG	1				
35	887134139	FLEXIBLE BUSH	1				



ATR00314



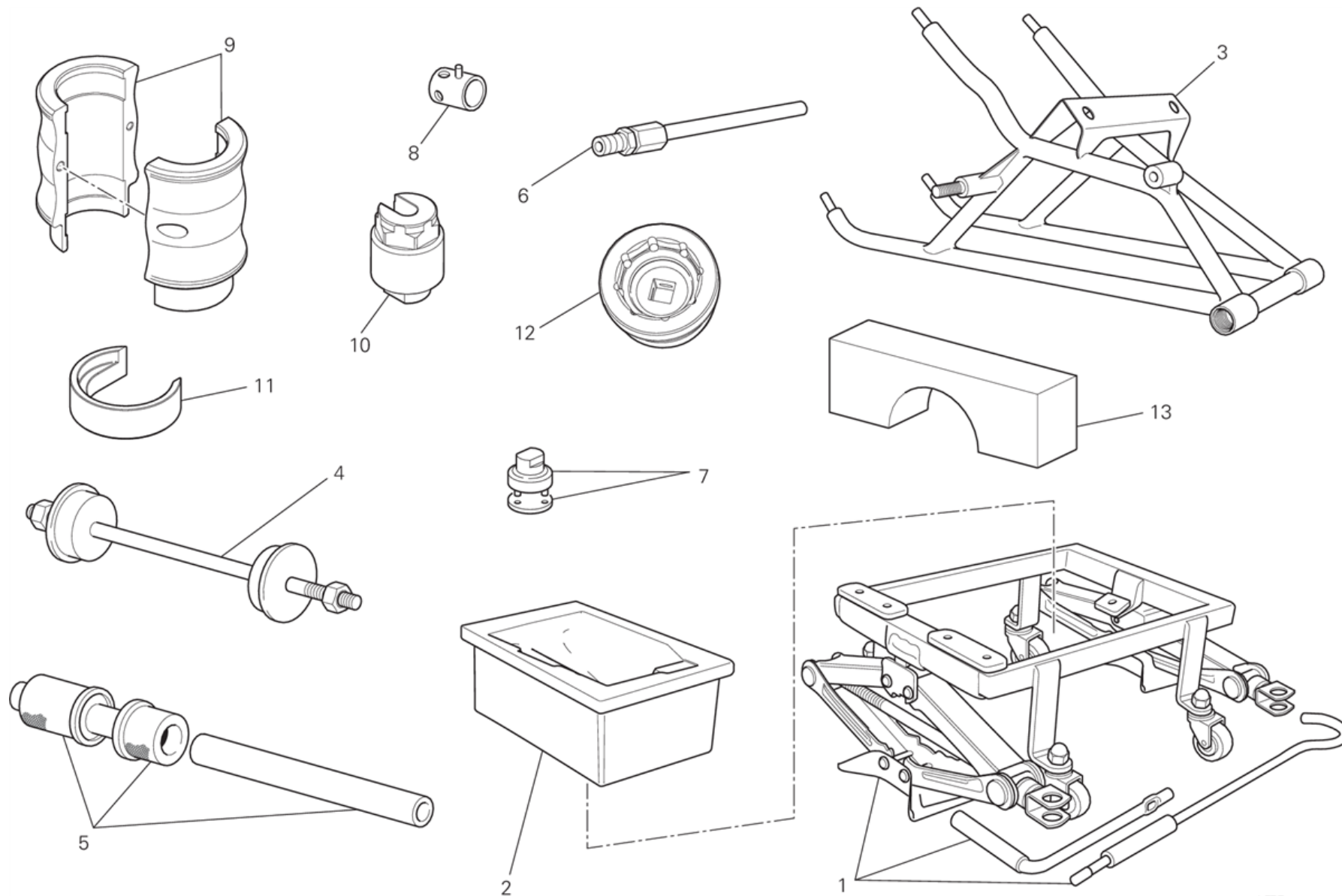
POS.	CODE	DESCRIPTION	QTY	START DATE	END DATE	VALIDITY	NOTES
36	887134138	TUBE	1				
37	887134314	SOSTEGNO VALVOLE	1				
38	887134116	TOOL TO FIT PISTON GUDGEON PIN CIRCLIPS	1				
39	887651718	VALVE LIFT GAUGE HOSE GUIDE	1				



ATR00303



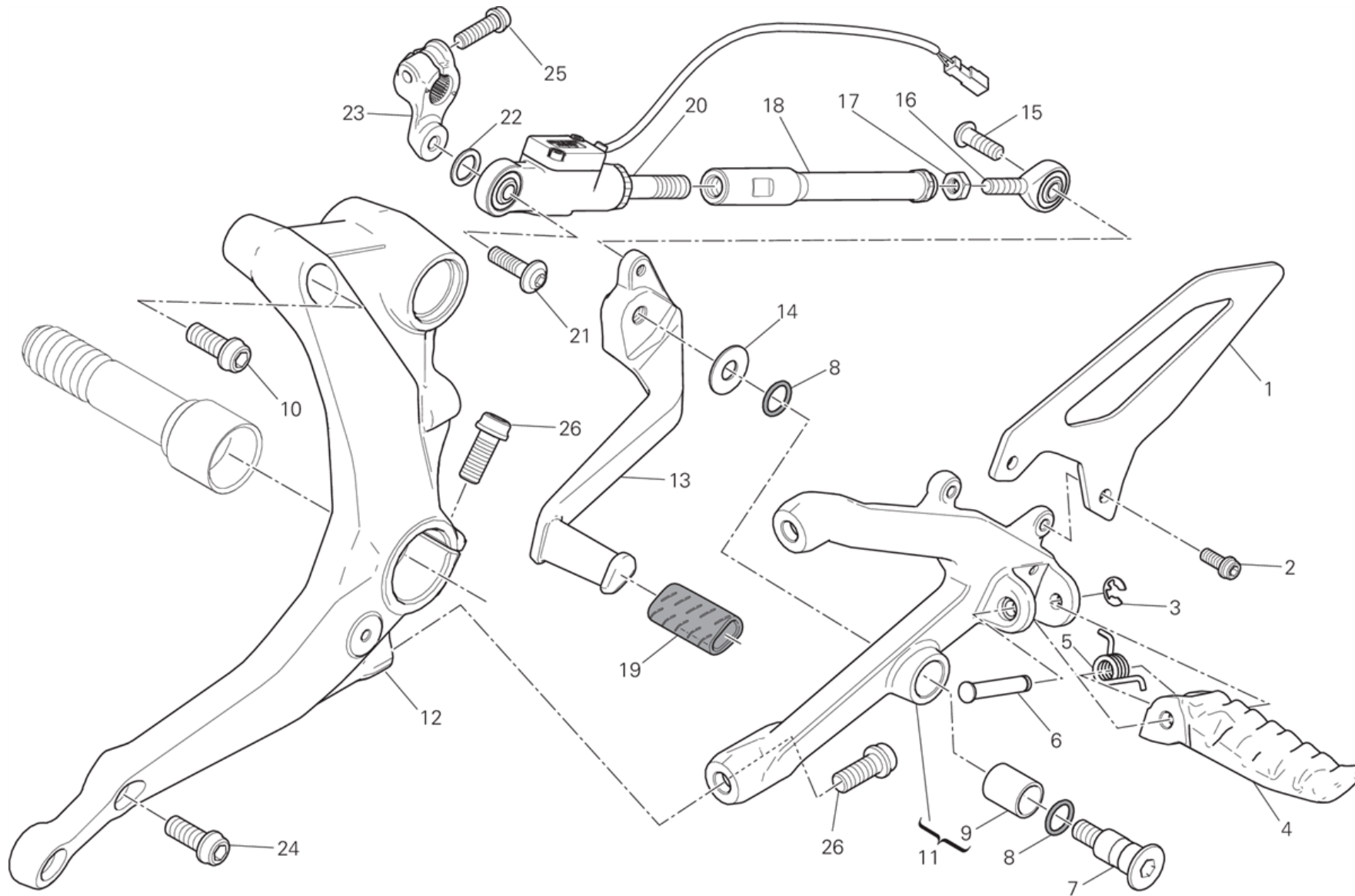
POS.	CODE	DESCRIPTION	QTY	START DATE	END DATE	VALIDITY	NOTES
1	887134135	SPRING	4				
2	887133824	DEGREE WHEEL HOLDER TOOL FOR IGNITION ADVANCE CHECK	1				
3	887134136	PLATE	1				
4	887134134	HOOK	4				
5	887133926	HEAD NUTS HOLDER WRENCH (M8)	1				
6	887132676	HEAD NUTS HOLDER WRENCH (M10)	1				
7	887133875	ENGINE MOUNT	1				
8	887134392	WRENCH FOR TIGHTENING CLUTCH DRUM	1				
9	887133878	CYLINDER DISASSEMBLING TOOL	1				
10	887133925	PRIMARY DRIVE GEAR TIGHTENING TOOL	1				
11	887133923	CYLINDER FITTING TOOL	1				
12	887133922	PULLER TO REMOVE ALTERNATOR COVER	1				
13	887131832	BENCH FOR ENGINE REPAIR	1				
14	887132442	TOOL, OIL SEAL MOUNTING (Ø7)	1				
15	887651298	SPACER FOR CHECKING LOWER VALVE SHIM	1				
16	887132877	SPARK PLUG WRENCH	1				
17	887133407	SPINDLE, TAPER (Gearbox position sensor)	1				
18	887132069	ROCKER SPRING PRE-LOAD COMPOUND KIT	1				



ATR00304



POS.	CODE	DESCRIPTION	QTY	START DATE	END DATE	VALIDITY	NOTES
1	887133220	BENCH FOR ENGINE REPAIR	1				
2	887133927	ENGINE MOUNT	1				
3	887134207	BRACKET	1				
4	887131062	TOOL ASSEMBLING STEERING TUBE BEARING	1				
5	887132409	TOOL ASSEMBLING SWINGARM BALL BEARING	1				
6	887131010	CONNECTOR FOR EXHAUST GAS TAKE-UP POINT	1				
7	887131058	SPANNER TO ASSEMBLE THE STEERING SLEEVE	1				
8	800070139	WRENCH FOR FRONT WHEEL SPINDLE	1				
9	887134484	SEAL RING DRIVING TOOL	1				
10	887134485	TOOL TO KEEP THE SPACER SHOWA FORKS	1				
11	887134486	SPACER FORK OUTER TUBE	1				
12	887134487	BUSH FOR INSTALLING/REMOVING THE FORK PLUG	1				
13	887134302	ATTREZZO SERRAGGIO STELO FORCELLE	1				



CMB00438

DRAWING 016 - FOOTRESTS, LEFT [MOD:899 ABS,899 AWS]

GROUP FRAME



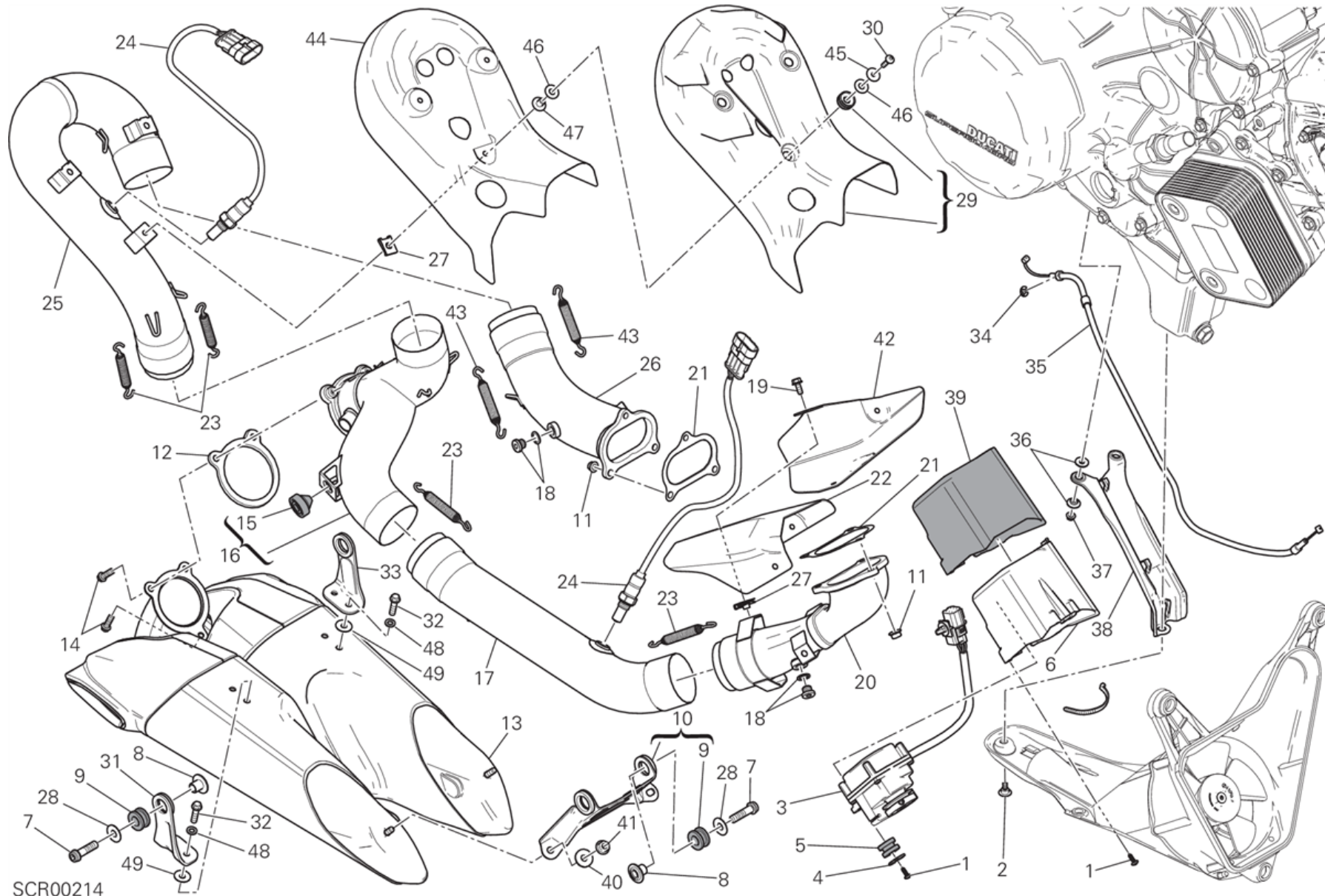
POS.	CODE	DESCRIPTION	QTY	START DATE	END DATE	VALIDITY	NOTES
1	24714041AA	HEEL GUARD FRONT LH	1				
2	77156398B	SCREW TCEIF M5X12	2				
3	88450031A	CIRCLIP E-TYPE	1				
4	46410801AA	LEFT FOOTREST	1				
5	79911661A	SPRING. FOOTREST	1				
6	82110511AB	FOOTREST PIN	1				
7	82111701B	PIN PEDAL	1				
8	88641161A	O-RING	2				
9	71210341A	BUSH	1				
10	77157238B	SCREW TCEIF M8X20	1				
11	82421862AA	FRONT L.H. PLATE	1				
12	8291A433CA	LEFT HOLDER	1				
13	45612092BA	GEARCHANGE LEVER	1				
14	85211511A	WASHER	1				
15	77550131A	SCREW	1				
16	84850021A	BALL JOINT, RIGHT	1				
17	74750101A	NUT 6MM	1				
18	11711261CA	GEARBOX DRIVING ROD	1				
19	76410112A	COVER PEDAL	1				
20	55212881D	DETECTOR Quick Shift	1				
21	77244358BA	SCREW	1	16/06/2014			
22	85611271A	WASHER	1				
23	45612101AA	GEAR CONTROL LEVER	1				
24	77157288B	SCREW TCEIF M8X35	2	29/03/2012			
25	77110191A	SCREW TCEIF M6X20	1	18/10/2013			
26	77157248B	SCREW TCEIF M8X22	3	21/10/2013			

DRAWING 017 - THROTTLE BODY [MOD:899 ABS,899 AWS]

GROUP FRAME



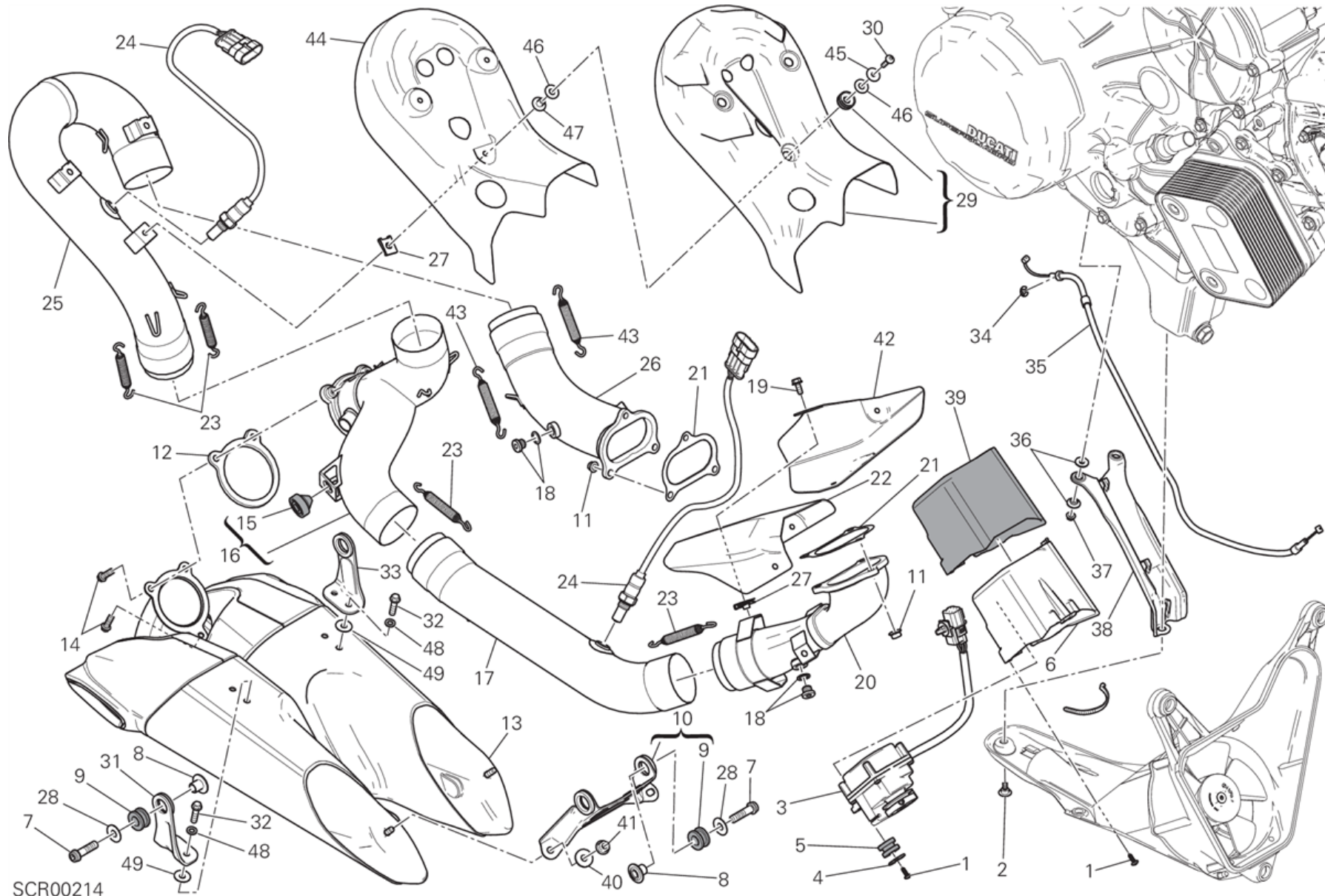
POS.	CODE	DESCRIPTION	QTY	START DATE	END DATE	VALIDITY	NOTES
1	51018971A	INJECTION WIRING	1	20/07/2013			
2	77156408B	SCREW TCEIF M5X14	2				
3	28040331A	INJECTOR	2				
4	88610961A	O-RING	2				
5	88642061A	O-RING	1				
6	13510392A	AIR FUNNEL	2	20/07/2013			
7	85041811A	REAR SPROCKET	4				
8	59023991A	COMPLETE PIPE SET	1	15/07/2013			
9	74810351B	NUT	4				
10	28240921A	THROTTLE BODY	2	20/07/2013			
11	77150668B	SCREW TCEI M6X18	8				



SCR00214



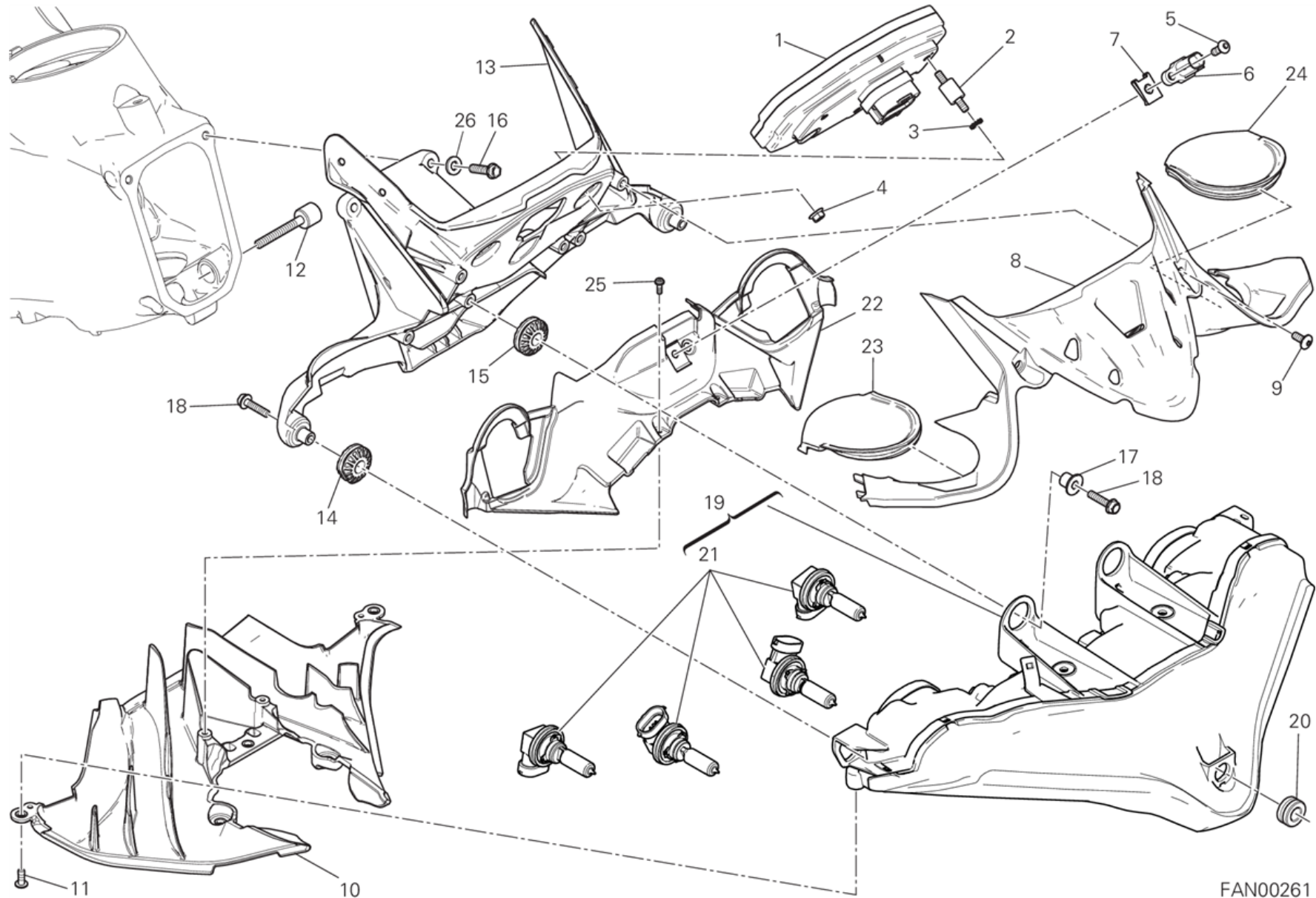
POS.	CODE	DESCRIPTION	QTY	START DATE	END DATE	VALIDITY	NOTES
1	77440203C	SCREW	6				
2	77210852C	SCREW	1				
3	59340393A	ELECTRIC MOTOR, EXHAUST VALVE	1				
4	85213111AA	WASHER	2				
5	76411301A	RUBBER PAD	2				
6	46015262A	COVER	1				
7	77157278B	SCREW TCEIF M8X30	4				
8	71614391AA	SPACER	4				
9	76411481A	RUBBER PAD	4				
10	83026511BA	BRACKET Front	1				
11	74810241A	NUT	6				
12	79010251A	GASKET, EXHAUST PIPE	1				
13	57413691A	SILENCER	1	16/06/2014		XST:AUS,EUR,FRA	AUS - CHN - EUR - FRA
14	77116648B	SCREW	3	01/11/2012			
15	86611001A	PAD	1	01/09/2013			
16	570P3152B	PIPE, EXHAUST CENTER	1				
17	57013073A	EXHAUST PIPE HORIZONTAL	1	20/07/2013			
18	78020011A	PLUG ASSY	2				
19	77250728B	SCREW TEF M5X12	4				
20	57013062C	EXHAUST MANIFOLD HORIZONTAL	1				
21	79010231B	GASKET, EXHAUST PIPE	2				
22	46015331BA	HEAT GUARD HORIZONTAL	1				
23	79912632A	SPRING, EXHAUST PIPE	4				
24	55212092A	SENSOR LAMBDA SOND	2				
25	57113002C	PIPE, EXHAUST VERTICAL	1				
26	57112992C	EXHAUST MANIFOLD VERTICAL	1				
27	85040551A	QUICK FASTENING	7				
28	85210532A	WASHER 8.2X20X1	4				
29	460PB071AA	HEAT GUARD VERTICAL UPPER	1	15/07/2013			
30	77244213B	SCREW	3	01/02/2013			
31	83016491AA	BRACKET REAR RH	1				
32	77251028C	SCREW	4	18/07/2014			
33	83016501AA	BRACKET REAR L.H.	1				
34	88450031A	CIRCLIP E-TYPE	2				
35	73210331B	EXHAUST VALVE ENGINE CABLE	1				



SCR00214



POS.	CODE	DESCRIPTION	QTY	START DATE	END DATE	VALIDITY	NOTES
36	71614071A	SPACER 5.2X8.4X2	4				
37	74840381A	NUT M5	2				
38	46015393A	HEAT GUARD BOTTOM	1				
39	46015741A	PROTECTION, HEAT	1				
40	85250291A	WASHER 6.4X18X1.6	2				
41	74810361A	NUT 6MM	2				
42	46015781AA	GUARD HORIZONTAL	1				
43	79915651A	SPRING	2				
44	46014571A	HEAT GUARD VERTICAL LOWER	1	20/07/2013			
45	85213002A	WASHER	3	16/06/2014			
46	85640121A	WASHER	6	01/02/2013			
47	71614102AA	SPACER	3	01/02/2013			
48	85140071A	WASHER	4	20/06/2014			
49	71614881AA	SPACER	4	20/06/2014			



FAN00261

DRAWING 020 - FANALE ANTERIORE E CRUSCOTTO [MOD:899 ABS,899 AWS]

GROUP FRAME

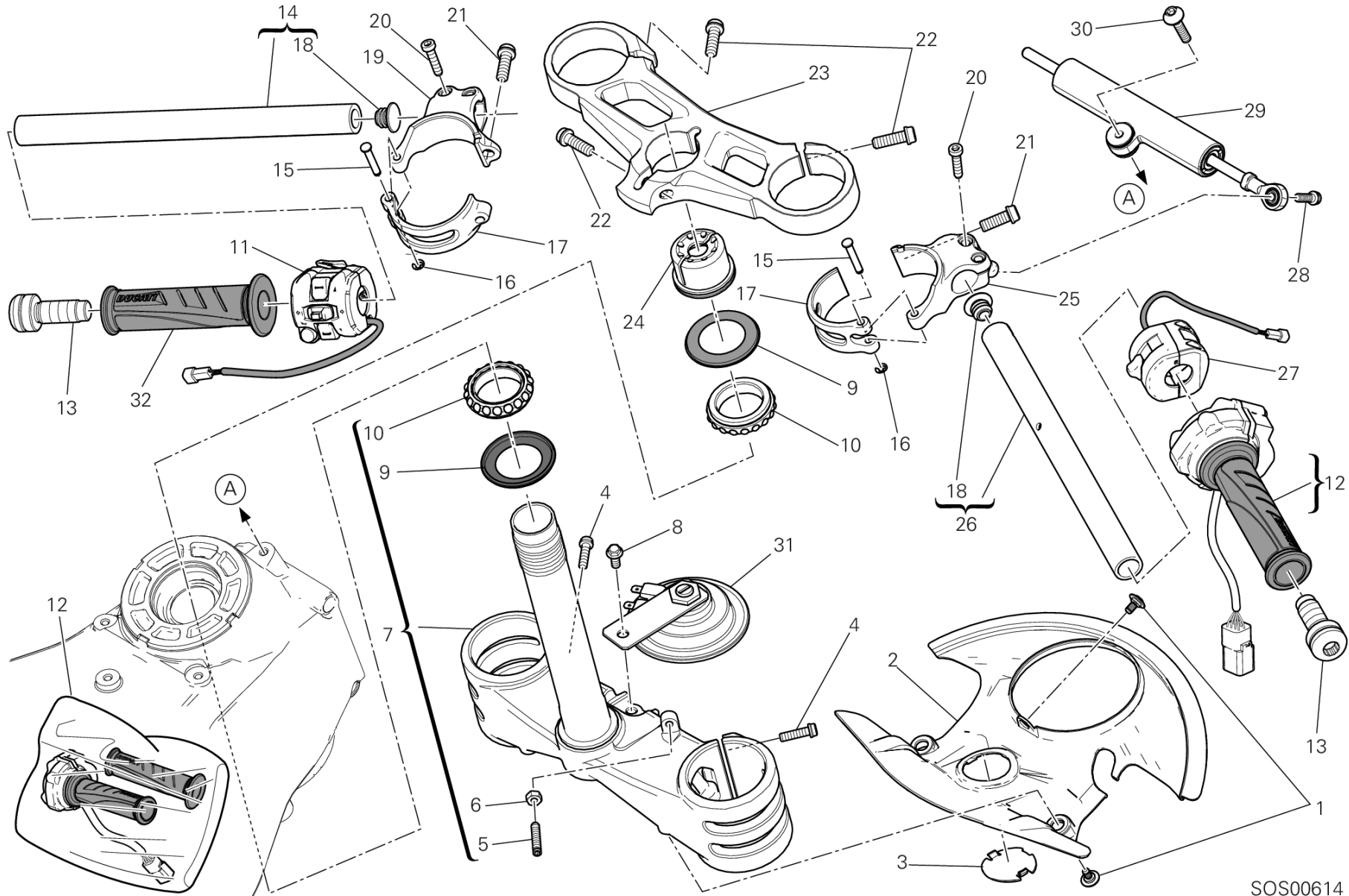


POS.	CODE	DESCRIPTION	QTY	START DATE	END DATE	VALIDITY	NOTES
1	40610992C	INSTRUMENT PANEL	1	16/06/2014			
2	70010431A	DAMPER	3				
3	46240461A	WASHER, SPRING	3				
4	74840381A	NUT M5	3				
5	77510041A	SCREW TBEI M5X14	1				
6	55241581A	SENSOR, AIR TEMPERATURE	1				
7	85040551A	QUICK FASTENING	1				
8	46015282A	COVER, METER	1				
9	77240253C	SCREW	4				
10	48411091A	AIR CONVEYOR	1				
11	77240263C	SCREW	5				
12	77916821BA	SCREW, SPECIAL	1				
13	8291B501AC	HEAD-LIGHT SUPPORT	1	20/07/2013			
14	76411641A	SEAT RUBBER	2				
15	76411361A	VIBRATION DAMPER PAD	2				
16	77251018B	SCREW TEF M6X20	2				
17	71614381AA	SPACER	2				
18	77250788B	SCREW	4				
19	52010252A	HEADLIGHT FRONT	1				
20	76410901A	RUBBER PAD	1				
21	39040201A	BULB 12V, 55W	4				
22	24714332A	AIR MANIFOLD COVER	1				
23	24714361B	INSTRUMENT PANEL COVER RH	1				
24	24714371B	INSTRUMENT PANEL COVER LH	1				
25	77440101A	SCREW, TAPPING 3.5X10	4				
26	85250271A	WASHER 6.2X12X1	2	16/06/2014			



DRAWING 021 - SEMIMANUBRI - AMMORTIZZATORE DI STERZO [MOD:899 ABS,899 AWS]

GROUP FRAME



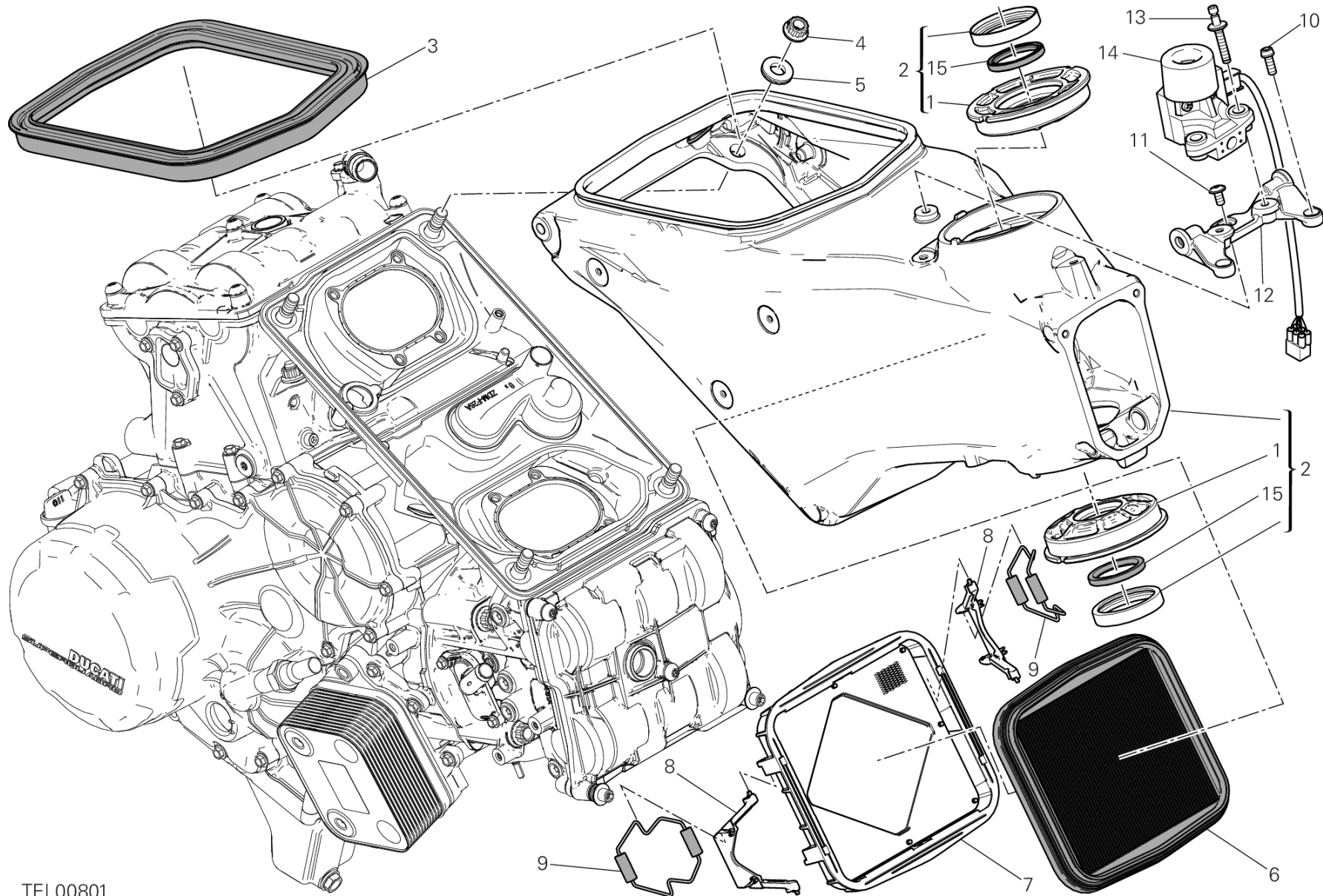
SOS00614

DRAWING 021 - SEMIMANUBRI - AMMORTIZZATORE DI STERZO [MOD:899 ABS,899 AWS]

GROUP FRAME



POS.	CODE	DESCRIPTION	QTY	START DATE	END DATE	VALIDITY	NOTES
1	77211251B	SCREW M5X9	3				
2	46014971B	MUDFLAP	1				
3	87210722A	PLUG	1				
4	77156688B	SCREW TCEIF M6X22X18	6				
5	77912981A	SCREW, SPECIAL	2				
6	74750031A	NUT 6MM	2				
7	34220681AA	STEERING HEAD BASE	1				
8	77211341A	SCREW	1				
9	93010041B	SEAL RING	2				
10	70241231A	BEARING, STEERING NTN SF07A17P	2				
11	65110131A	LEFT SWITCH	1				
12	66020011B	THROTTLE CONTROL	1				
13	15310121A	COUNTERWEIGHT	2				
14	875P1731BA	HANDLEBAR TUBE L.H.	1				
15	82113822BA	PIN	2				
16	88450021A	SPRING RING	2				
17	36011621AA	CLAMP REAR	1				
18	87210481A	CAP	2				
19	36011611AA	CLAMP FRONT LH	1				
20	77354888B	SCREW	4				
21	77157248B	SCREW TCEIF M8X22	2				
22	77157258B	SCREW TCEIF M8X25	3				
23	34110891CA	STEERING HEAD	1	20/07/2013			
24	70310601BA	RING NUT	1				
25	36011601AA	CLAMP FRONT RH	1				
26	875P1741BA	HANDLEBAR TUBE R.H.	1				
27	65010092I	RIGHT SWITCH	1				
28	77156678B	SCREW TCEIF M6X20	1				
29	36420101A	STEERING DAMPER	1				
30	77917392AA	SCREW, SPECIAL	1				
31	51640011AB	HORN	1				
32	36140161A	HAND GRIP LH	1	01/06/2011			



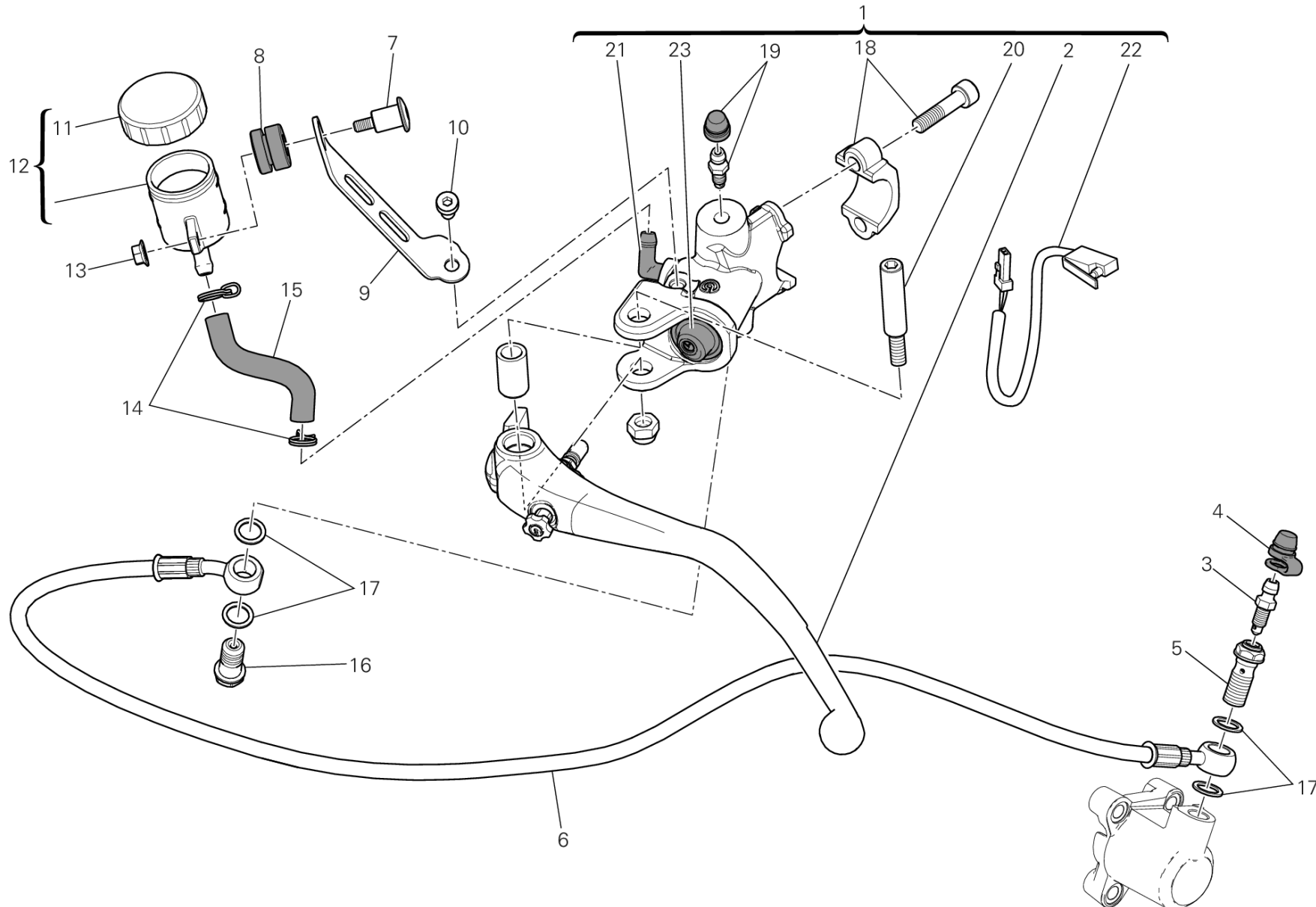
TEL00801

DRAWING 022 - FRAME [MOD:899 ABS,899 AWS]

GROUP FRAME



POS.	CODE	DESCRIPTION	QTY	START DATE	END DATE	VALIDITY	NOTES
1	75610361AA	BUSH	2	10/04/2013			
2	47022731AA	FRAME	1	10/04/2013			
3	78811182A	GUARNIZIONE AIRBOX - SERBATOIO	1				
4	74810461A	NUT, FLANGE M10X1	4				
5	85540031A	WASHER, SPRING	4				
6	42610341B	FILTER, AIR	1				
7	8291A481B	BRACKET, FILTER	1				
8	83016582A	BRACKET	2				
9	79915493A	SPRING	2				
10	77156658B	SCREW TCEIF M6X16	2				
11	77240408C	SCREW	1				
12	83016471AA	BRACKET	1				
13	77916811AA	SCREW, SPECIAL	2				
14	38510331B	KEY-OPERATED SWITCH	1	20/11/2012			
15	93041911A	DUST COVER	2				



DRAWING 023 - CLUTCH CONTROL [MOD:899 ABS,899 AWS]

GROUP FRAME

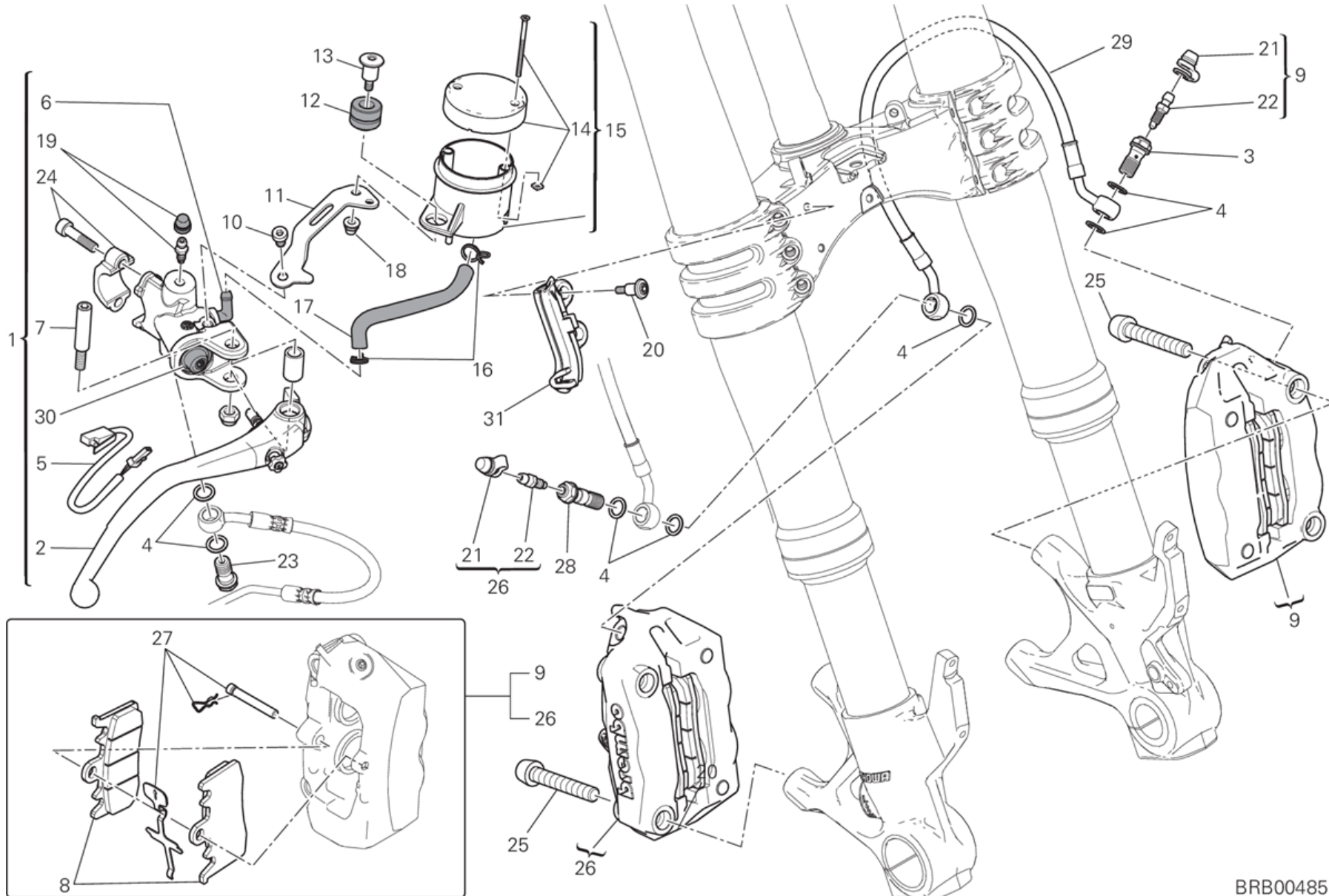


POS.	CODE	DESCRIPTION	QTY	START DATE	END DATE	VALIDITY	NOTES
1	63040601B	CLUTCH PUMP	1				
2	63140501A	LEVER, CLUTCH LIFTER	1				
3	18710021A	VALVE, BREATHER	1				
4	61240052A	DUST COVER (SACCHETTO Q.tà 20)	1				
5	77913971A	BOLT, BRAKE HOSE	1				
6	63210611A	CLUTCH CONTROL PIPE METAL PLAIED	1				
7	77910921A	SCREW	1				
8	037072020	DAMPER	1				
9	8291A701AA	BRACKET	1				
10	77350623B	SCREW TCEIR M6X10	1				
11	89340051A	COVER MASTER CYLINDER	1				
12	58540081A	RESERVOIR, BRAKE FLUID	1				
13	74941108B	NUT, SELF LOCKING M5	1				
14	74140431A	CLAMP	2				
15	87711131A	PIPE	1				
16	77913662AB	BOLT, BRAKE HOSE	1	25/10/2013			
17	85250241A	WASHER 10X14X1	4				
18	62640571A	BRACKET, MASTER CYLINDER	1				
19	63140281A	DRAIN	1				
20	62640561A	BOLT, LEVER	1				
21	63140081A	JOINT, HOSE	1				
22	53940361A	SWITCH, CLUTCH	1				
23	61240391A	DUST COVER	1				



DRAWING 024 - FRENO ANTERIORE [MOD:899 ABS,899 AWS]

GROUP FRAME



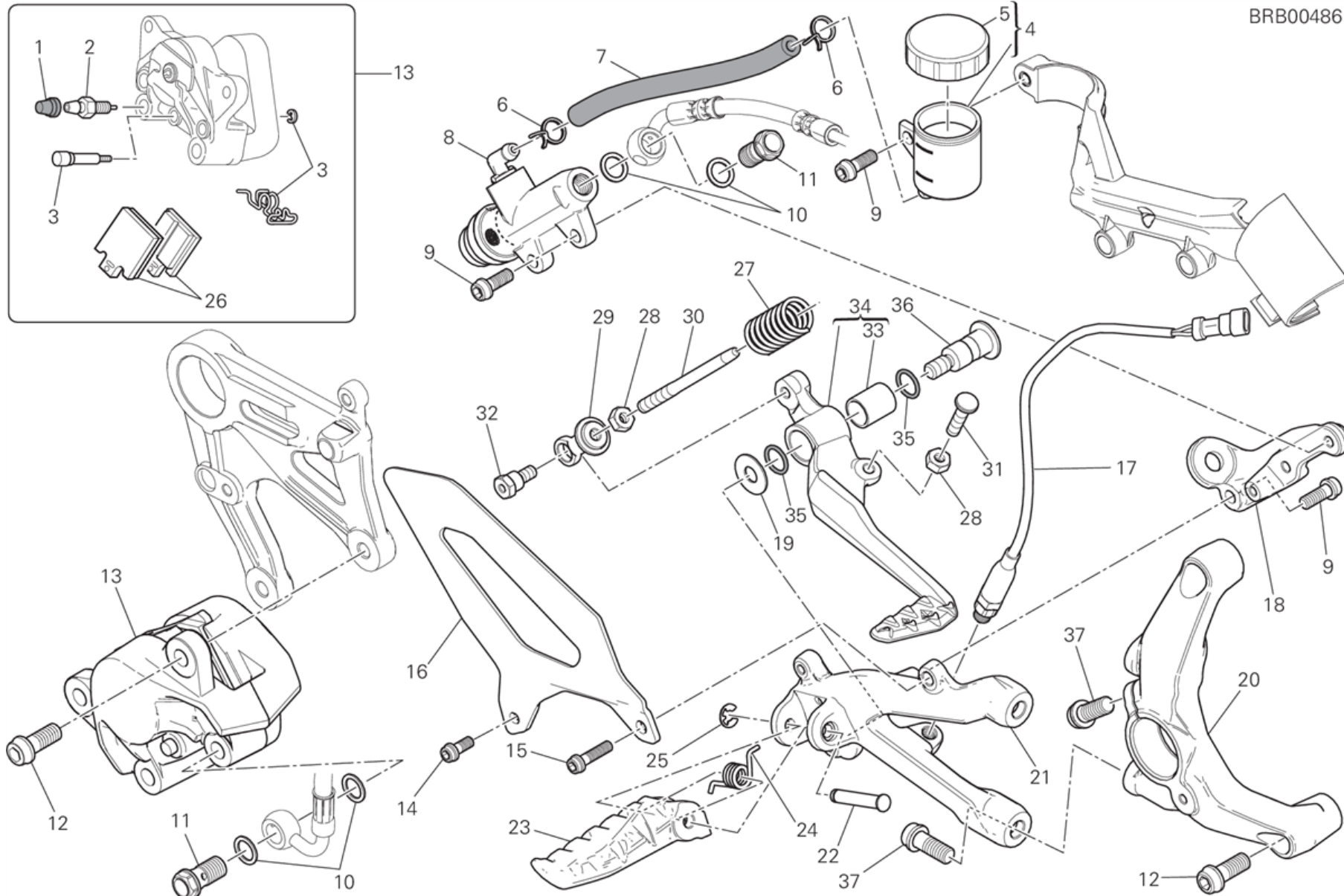
BRB00485

DRAWING 024 - FRENO ANTERIORE [MOD:899 ABS,899 AWS]

GROUP FRAME



POS.	CODE	DESCRIPTION	QTY	START DATE	END DATE	VALIDITY	NOTES
1	62440861A	FRONT BRAKE PUMP	1	01/06/2013			
2	63140491A	BRAKE CONTROL LEVER	1				
3	77913971A	BOLT, BRAKE HOSE	1				
4	85250241A	WASHER 10X14X1	7				
5	53940351A	FRONT BRAKE LIGHT SWITCH	1				
6	63140081A	JOINT, HOSE	1				
7	62640561A	BOLT, LEVER	1				
8	61340121A	PAD	2	21/11/2012			
9	61041491A	LEFT BRAKE CALIPER	1	01/06/2013			
10	77350623B	SCREW TCEIR M6X10	1				
11	8291A691AA	BRACKET	1				
12	037072020	DAMPER	1				
13	77910921B	SCREW	1				
14	800068490	CAP BRAKE FLUID TANK	1				
15	58540181A	RESERVOIR, BRAKE FLUID	1				
16	74140431A	CLAMP	2				
17	87711411A	HOSE	1				
18	75011921A	NUT	1				
19	63140281A	DRAIN	1				
20	77211271A	SCREW, SPECIAL M5X10	2				
21	61240052A	DUST COVER (SACCHETTO Q.tà 20)	2				
22	61240201A	FRONT CALIPER DRAIN SCREW	2				
23	77914151A	BOLT, BRAKE HOSE	1				
24	62640571A	BRACKET, MASTER CYLINDER	1				
25	77915111B	SCREW	4	20/07/2013			
26	61041501A	RIGHT BRAKE CALIPER	1	30/11/2012			
27	61240511A	SPARE PIN AND SPRING	2	21/11/2012			
28	77914651A	BOLT, BRAKE HOSE	1				
29	61841321A	HOSE, FRONT BRAKE CALIPER-CALIPER	1	30/11/2012			
30	61240391A	DUST COVER	1				
31	83016541B	HOSE GUIDE	1				



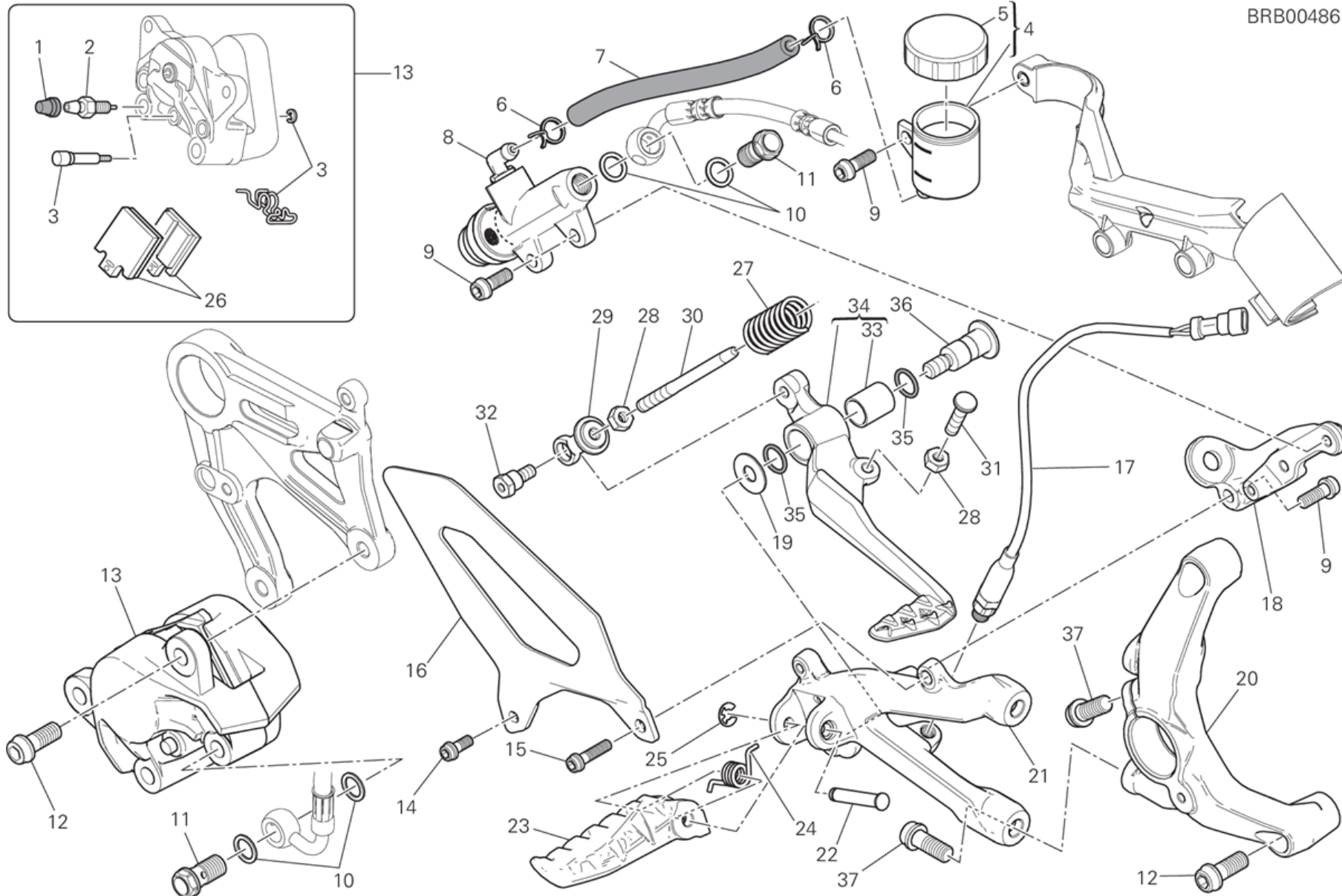
BRB00486

DRAWING 025 - FRENO POSTERIORE [MOD:899 ABS,899 AWS]

GROUP FRAME



POS.	CODE	DESCRIPTION	QTY	START DATE	END DATE	VALIDITY	NOTES
1	61240081A	DUST PLUG	1				
2	63140161A	FRONT CALIPER DRAIN SCREW	1				
3	61240161A	PAD PINS OVERHAUL KIT	1				
4	58540081A	RESERVOIR, BRAKE FLUID	1				
5	89340051A	COVER MASTER CYLINDER	1				
6	74140431A	CLAMP	2				
7	87711491A	PIPE	1				
8	62540311C	REAR BRAKE PUMP	1				
9	77156658B	SCREW TCEIF M6X16	4				
10	85250241A	WASHER 10X14X1	4				
11	77913662AB	BOLT, BRAKE HOSE	2				
12	77157238B	SCREW TCEIF M8X20	4				
13	61140412A	REAR BRAKE CALIPER	1				
14	77156408B	SCREW TCEIF M5X14	1	15/07/2013			
15	77156448B	SCREW	1	11/06/2013			
16	24714831BA	HEEL GUARD FRONT RH	1	15/07/2013			
17	53940031A	SWITCH, REAR BRAKE	1				
18	8291A511BA	BRACKET, PUMP	1				
19	85211511A	WASHER	1				
20	8291A441BA	RIGHT HOLDER	1				
21	82411871BA	FRONT R.H. PLATE	1				
22	82110511AB	FOOTREST PIN	1				
23	46410811AA	RIGHT FOOTREST	1				
24	79911661A	SPRING. FOOTREST	1				
25	88450031A	CIRCLIP E-TYPE	1				
26	61340381A	REAR BRAKE PADS SET	1				
27	79915511A	SPRING	1				
28	74750031A	NUT 6MM	2				
29	18410152AA	JOINT	1				
30	11711272AA	PIN	1				
31	77912371B	SCREW	1				
32	82113811AA	PIN	1				
33	71210341A	BUSH	1				
34	45720552AA	BRAKE LEVER ASSEMBLY	1				
35	88641161A	O-RING	2				



DRAWING 025 - FRENO POSTERIORE [MOD:899 ABS,899 AWS]

GROUP FRAME

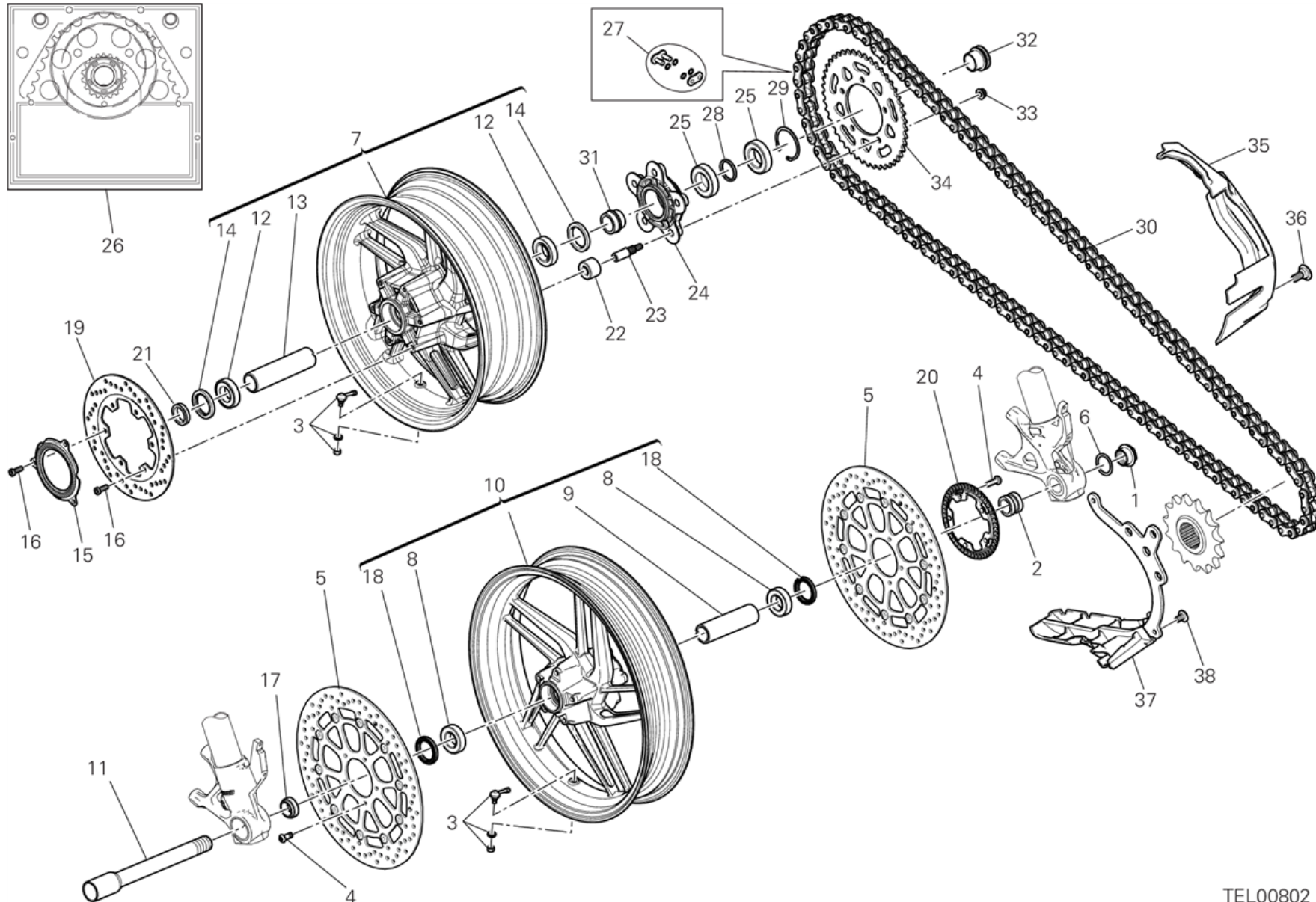


POS.	CODE	DESCRIPTION	QTY	START DATE	END DATE	VALIDITY	NOTES
36	82111701B	PIN PEDAL	1				
37	77157248B	SCREW TCEIF M8X22	3	11/06/2013			



DRAWING 026 - RUOTA ANTERIORE E POSTERIORE [MOD:899 ABS,899 AWS]

GROUP FRAME



TEL00802

DRAWING 026 - RUOTA ANTERIORE E POSTERIORE [MOD:899 ABS,899 AWS]

GROUP FRAME

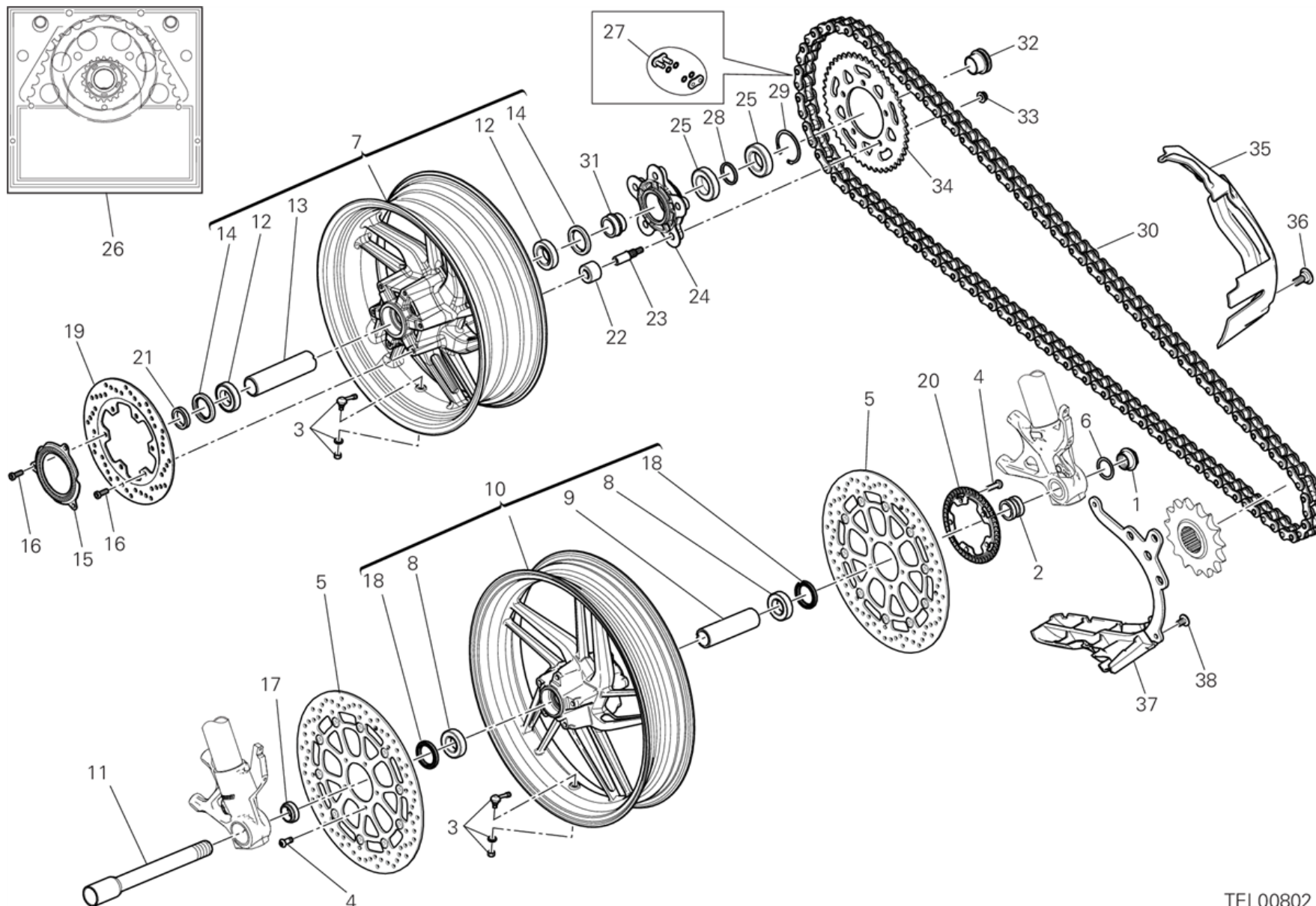


POS.	CODE	DESCRIPTION	QTY	START DATE	END DATE	VALIDITY	NOTES
1	74810651A	NUT	1				
2	71413271AA	LEFT SPACER	1				
3	49720041A	VALVE, TUBELESS TIRE	2				
4	72010513C	SCREW	10				
5	49240851A	FRONT BRAKE DISC	2	24/05/2013			
6	85212221A	WASHER 30X40X1	1				
7	50221611AA	REAR WHEEL RIM RED	1	31/05/2013			
	50221671AA	REAR WHEEL RIM BLACK	1	25/11/2013			
8	70250451A	BEARING	2				
9	71413281AA	INNER SPACER	1				
10	50121542AA	FRONT WHEEL RIM RED	1	31/05/2013			
	50121681AA	FRONT WHEEL RIM BLACK	1	24/05/2013			
11	81910691A	FRONT WHEEL SPINDLE	1				
12	70250681A	BEARING	2	31/05/2013			
13	71411041AA	SPACER	1	29/11/2012			
14	93040391A	SEAL RING 40X55X7	2	10/05/2013			
15	50410061A	REAR PHONIC WHEEL	1	10/05/2013			
16	77310071A	SCREW	6	31/05/2013			
17	71413261AA	RIGHT SPACER	1				
18	93041501A	SEAL RING	2				
19	49240032A	REAR BRAKE DISC	1	10/05/2013			
20	50410051A	FRONT PHONIC WHEEL	1				
21	71312051A	INNER SPACER	1	20/07/2013			
22	70010591A	WHEEL RUNNER BUSH	5	31/05/2013			
23	82114741AA	SPRING DRIVE FIXING BUSH	5	23/09/2013			
24	16010922A	REAR SPROCKET FLANGE	1	18/01/2013			
25	70240381A	BEARING, 35X62X14	2	18/04/2013			
26	67620871A	FINAL DRIVE KIT	1				
27	67740201A	CHAIN LINK	1	01/08/2013			
28	71311841A	INNER SPACER	1	18/04/2013			
29	88440061A	CIRCLIP	1	18/04/2013			
30	67640961A	CHAIN 105+1	1	20/07/2013			
31	7131A371AA	SPACER	1	12/03/2013			
32	7131A361AA	FINAL SPROKET SLEEVE	1	12/03/2013			
33	74810461A	NUT, FLANGE M10X1	5	12/03/2013			



DRAWING 026 - RUOTA ANTERIORE E POSTERIORE [MOD:899 ABS,899 AWS]

GROUP FRAME



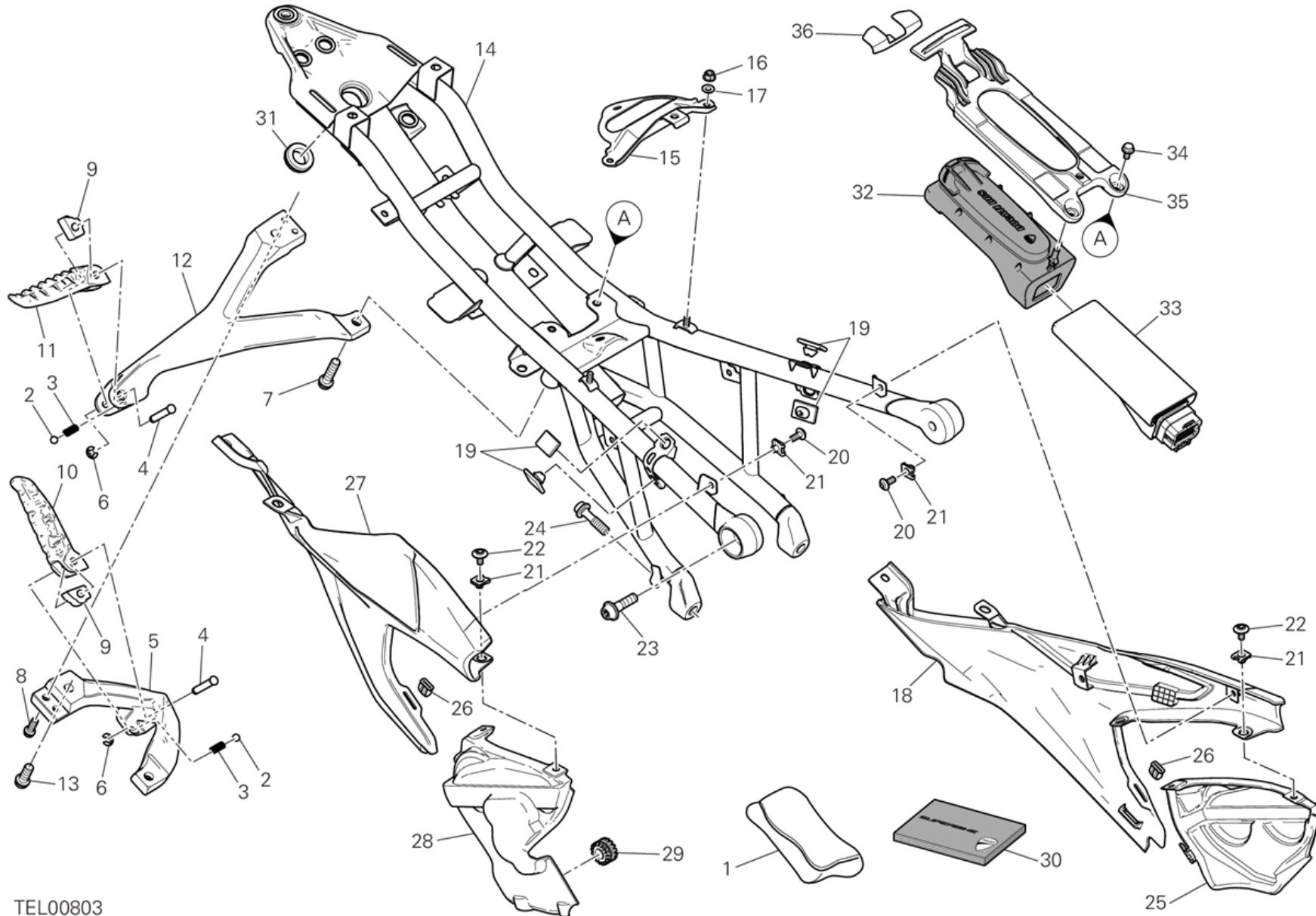
TEL00802

DRAWING 026 - RUOTA ANTERIORE E POSTERIORE [MOD:899 ABS,899 AWS]

GROUP FRAME



POS.	CODE	DESCRIPTION	QTY	START DATE	END DATE	VALIDITY	NOTES
34	49411611AA	REAR SPROCKET T44	1	30/05/2013			
35	46015061A	CHAIN COVER	1	20/07/2013			
36	77240243C	SCREW	2	20/07/2013			
37	46015792B	MUDFLAP	1	20/07/2013			
38	77140663C	SCREW TCEIF M6X18 10.9	1	20/07/2013			



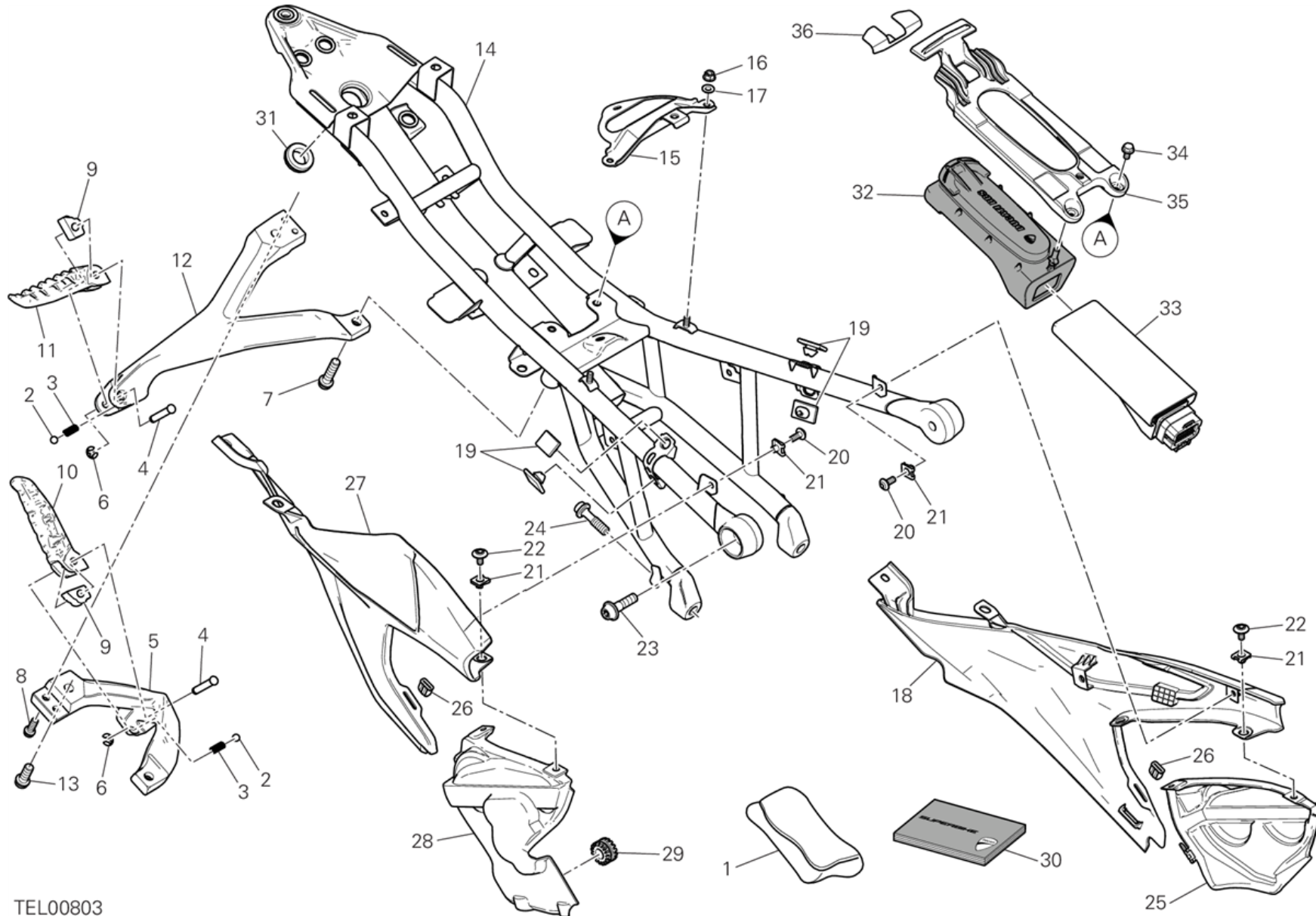
TEL00803

DRAWING 027 - REAR FRAME COMP. [MOD:899 ABS,899 AWS]

GROUP FRAME



POS.	CODE	DESCRIPTION	QTY	START DATE	END DATE	VALIDITY	NOTES
1	69720284A	TOOL BAG	1				
2	84740021A	BALL	2				
3	79910241A	SPRING	2				
4	82110511AB	FOOTREST PIN	2				
5	82411881BA	REAR L.H. PLATE	1				
6	88450031A	CIRCLIP E-TYPE	2				
7	77157278B	SCREW TCEIF M8X30	2				
8	77156658B	SCREW TCEIF M6X16	2				
9	69610121A	BLOCK	2				
10	46410801AA	LEFT FOOTREST	1				
11	46410811AA	RIGHT FOOTREST	1				
12	82411892BA	REAR R.H. PLATE	1	19/12/2011			
13	77157238B	SCREW TCEIF M8X20	2				
14	47017262AA	REAR FRAME COMP.	1	20/11/2012			
15	83018441AA	BRACKET	1	20/07/2013			
16	74840381A	NUT M5	2	20/07/2013			
17	85240131A	WASHER 5.3X15X1	2	16/05/2013			
18	46016301A	CAP RH	1	20/07/2013			
19	86610301A	PAD	4	24/03/2013			
20	77244173B	SCREW	4	15/07/2013			
21	85041951AA	QUICK FASTENING	8	15/07/2013			
22	77211251B	SCREW M5X9	4	15/07/2013			
23	77916763AA	SCREW, SPECIAL	2				
24	77918471AA	SCREW, SPECIAL LOWER	2	16/06/2014	31/12/2014		
25	46016411A	HEAT GUARD L.H.	1	20/07/2013			
26	76411891A	PROTECTION SHEATH	2	15/07/2013			
27	46016311A	CAP RH	1	20/07/2013			
28	46016401A	HEAT GUARD R.H.	1	15/07/2013			
29	76410241A	VIBRATION DAMPER PAD	1	15/07/2013			
30	91372631A	OWNER'S MANUAL	1	16/06/2014		XST:AUS,EUR,FRA	ITA-GBR-FRA-DEU
	91372631B	OWNER'S MANUAL	1	16/06/2014		XST:JAP,TWN	ESP-FRA-GBR-JPN
	91372631C	OWNER'S MANUAL	1			XST:EUR	ESP-GR-PRT
	91372631D	OWNER'S MANUAL	1			XST:EUR,FRA	FRA-NL-KR
	91372631E	OWNER'S MANUAL	1			XST:EUR	DK-FIN-NOR-SWE
	91372631F	OWNER'S MANUAL	1			XST:EUR	CZE-POL-SVK-SLO



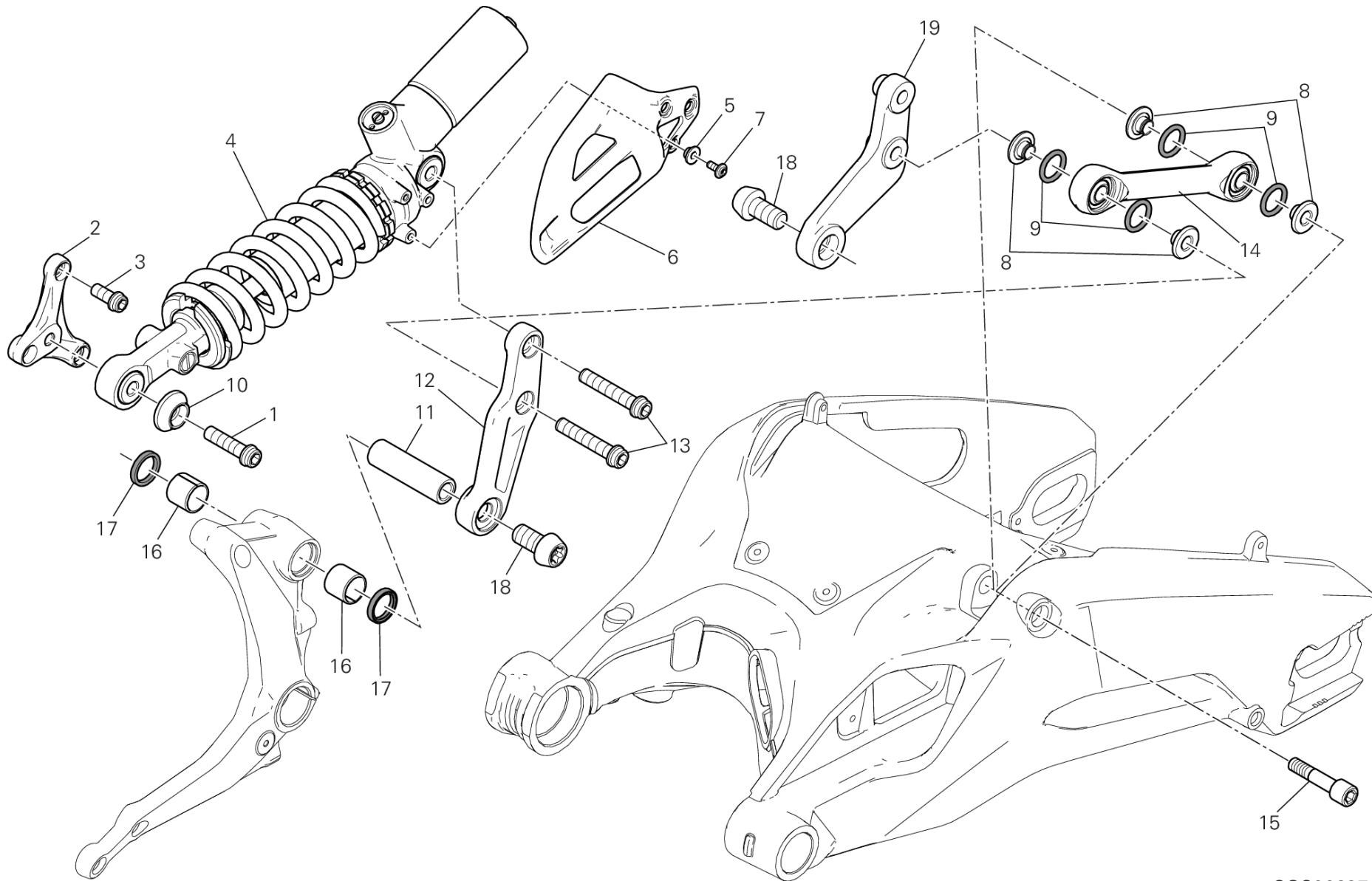
TEL00803

DRAWING 027 - REAR FRAME COMP. [MOD:899 ABS,899 AWS]

GROUP FRAME



POS.	CODE	DESCRIPTION	QTY	START DATE	END DATE	VALIDITY	NOTES
	91372631G	OWNER'S MANUAL	1			XST:EUR	BGR-HUN-ROU-RUS
31	76440591A	RUBBER PAD	1	07/03/2013			
32	70010702A	VIBRATION DAMPER HOLDER	1	04/12/2012			
33	38512091C	BLACKBOX UNIT	1	05/08/2013			
34	77250718B	SCREW TEF M5X10	2	04/12/2012			
35	8291B701A	BRACKET BLACKBOX UNIT	1	04/12/2012			
36	92610312A	GUARD	1				



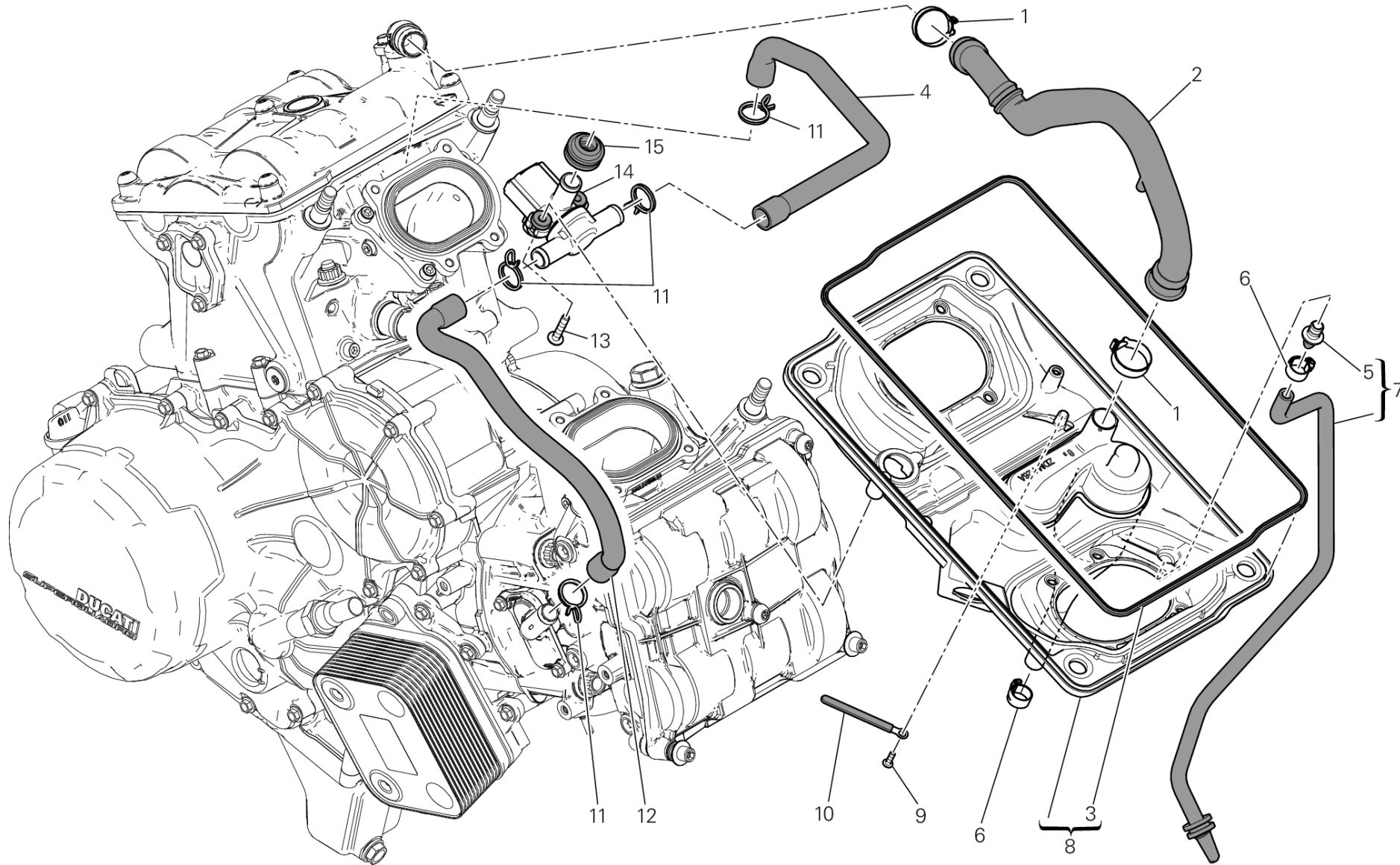
SOS00697

DRAWING 028 - SOSPENSIONE POSTERIORE [MOD:899 ABS,899 AWS]

GROUP FRAME



POS.	CODE	DESCRIPTION	QTY	START DATE	END DATE	VALIDITY	NOTES
1	77151598C	SCREW	1				
2	8291A333AA	BRACKET, FRONT	1				
3	77157238B	SCREW TCEIF M8X20	3				
4	36521232A	REAR SHOCK ABSORBER	1	29/07/2014			
5	71611441B	SPACER	3				
6	46015341A	GUARD	1				
7	77244173B	SCREW	3				
8	71011642AA	SPINDLE, TAPER	4				
9	88640091A	O-RING	4				
10	71319971AA	SPACER	1				
11	71319421A	SPACER	1				
12	37211631AA	REAR ROCKER ARM LH	1	11/06/2013			
13	77157618B	SCREW	2				
14	87521961AA	ROD	1	11/06/2013			
15	77915041A	SCREW, SPECIAL	1				
16	70241191A	BUSH	2				
17	93041271A	SEAL RING 20X26X4	2				
18	77211361AA	SCREW, SPECIAL	2				
19	37211641AA	REAR ROCKER ARM RH	1	11/06/2013			



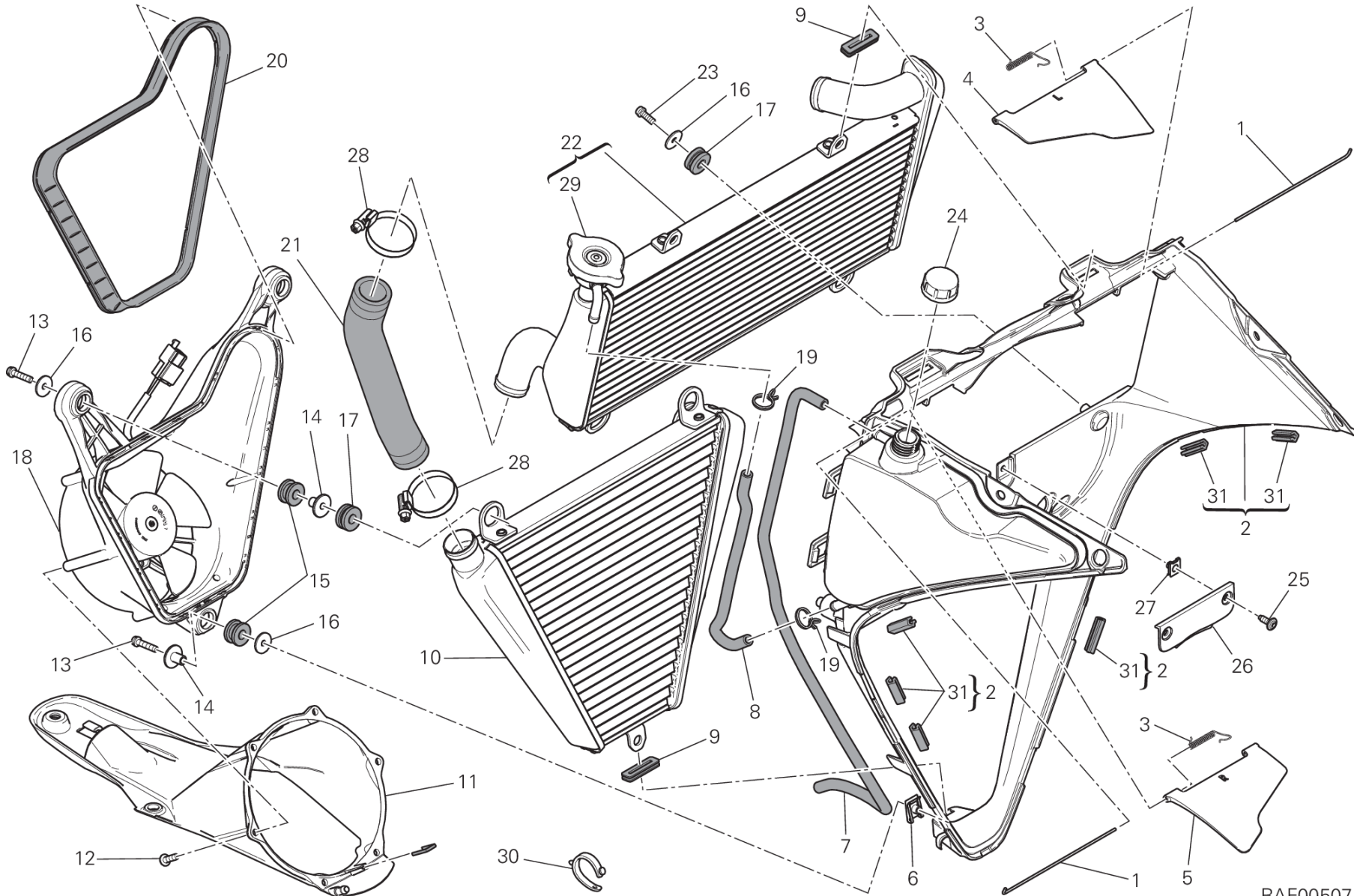
RAF00494

DRAWING 029 - AIR INTAKE - OIL BREATHER [MOD:899 ABS,899 AWS]

GROUP FRAME



POS.	CODE	DESCRIPTION	QTY	START DATE	END DATE	VALIDITY	NOTES
1	74142141A	CLAMP	2				
2	87611081A	BREATHER PIPE	1				
3	78811161A	GASKET	1				
4	87611121A	PIPE VERTICAL	1				
5	81510371A	NIPPLE	1				
6	74140631A	CLAMP	2				
7	59013861A	BREATHER PIPE	1				
8	44212342B	AIRBOX Before replacing the component, refer to Technical Bulletin 901-SAT (SVC-14-010 for US).	1				
9	77440111A	SCREW	1				
10	74141671A	PLATE	1				
11	74142251A	CLAMP	4				
12	87611131A	PIPE HORIZONTAL	1				
13	77240323C	SCREW	2				
14	65540081A	VALVE MOTOR	1				
15	76411621A	RUBBER PAD	1				



RAF00507

DRAWING 030 - WATER COOLER [MOD:899 ABS,899 AWS]

GROUP FRAME

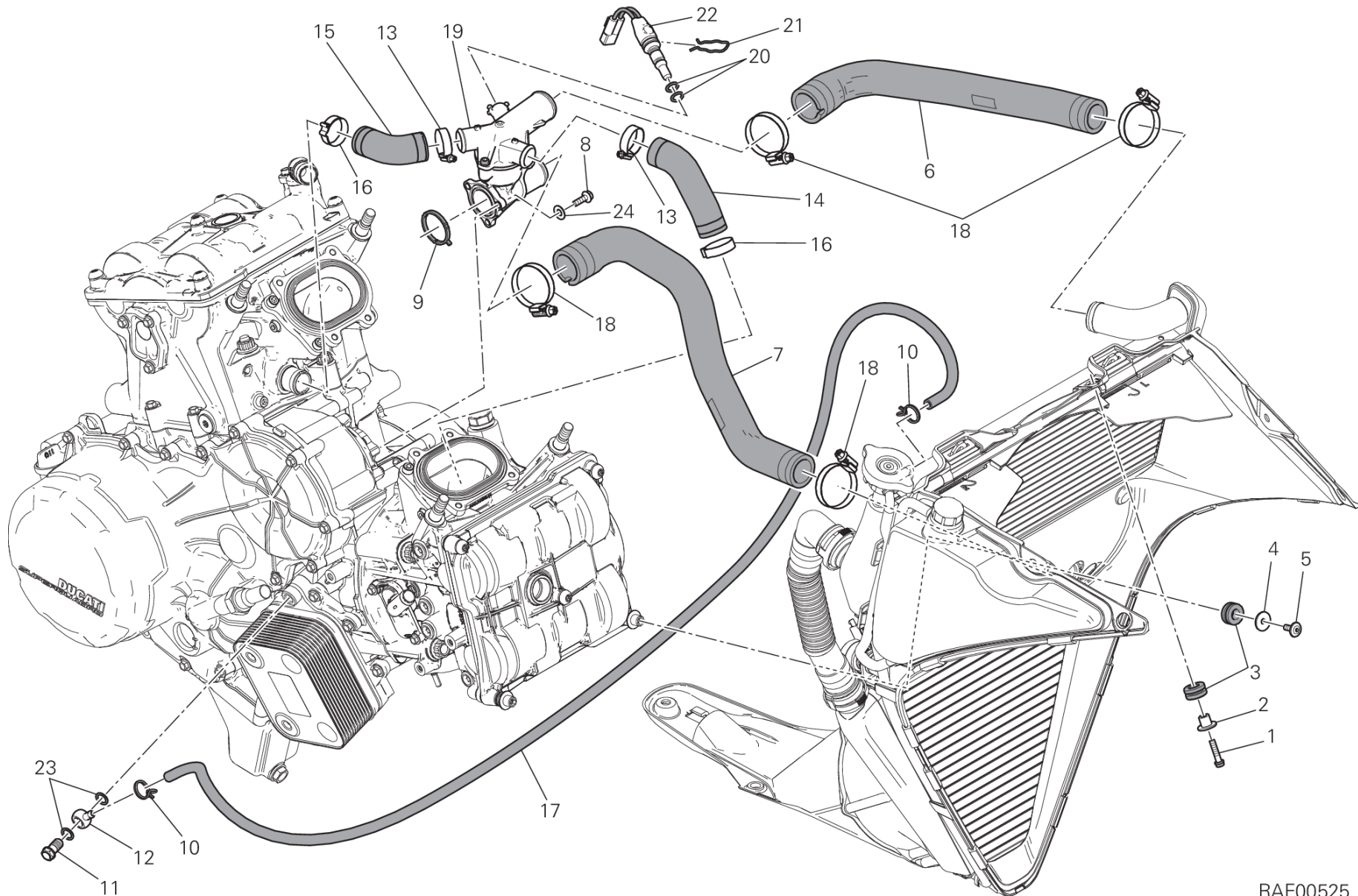


POS.	CODE	DESCRIPTION	QTY	START DATE	END DATE	VALIDITY	NOTES
1	82113751A	PIN	2				
2	48410991B	HOLDER	1				
3	79915441A	SPRING	2				
4	48411043A	DEFLECTOR LH	1				
5	48411053A	DEFLECTOR RH	1				
6	85040551A	QUICK FASTENING	1				
7	59013911B	BREATHER PIPE	1				
8	93410152A	PIPE	1				
9	76411411B	RUBBER PAD	3				
10	54840972B	RADIATOR, WATER LOWER	1				
11	8291A352B	ESTRATTORE (REAR)	1				
12	77440203C	SCREW	6				
13	77156443B	SCREW	3				
14	71614331AA	SPACER	3				
15	76411491A	RUBBER PAD	3				
16	85213111AA	WASHER	5				
17	76411501A	RUBBER PAD	4				
18	8292A342A	ESTRATTORE (Unit)	1				
19	74140431A	CLAMP	2				
20	79110831A	GASKET	1				
21	80012121A	COOLER COOLER HOSE	1				
22	54840962B	RADIATOR, WATER UPPER	1				
23	77156408B	SCREW TCEIF M5X14	2				
24	89310143A	TANK CAP	1				
25	77211091C	SCREW	2				
26	24714291A	COVER	1				
27	85040471A	QUICK FASTENING M5	2				
28	74141851A	CLAMP 25-40 MM	2				
29	87240881A	RADIATOR CAP	1				
30	74110551A	CLAMP	1	21/10/2013			
31	76411541A	RUBBER PAD	10				



DRAWING 031 - COOLING SYSTEM [MOD:899 ABS,899 AWS]

GROUP FRAME



RAF00525

DRAWING 031 - COOLING SYSTEM [MOD:899 ABS,899 AWS]

GROUP FRAME



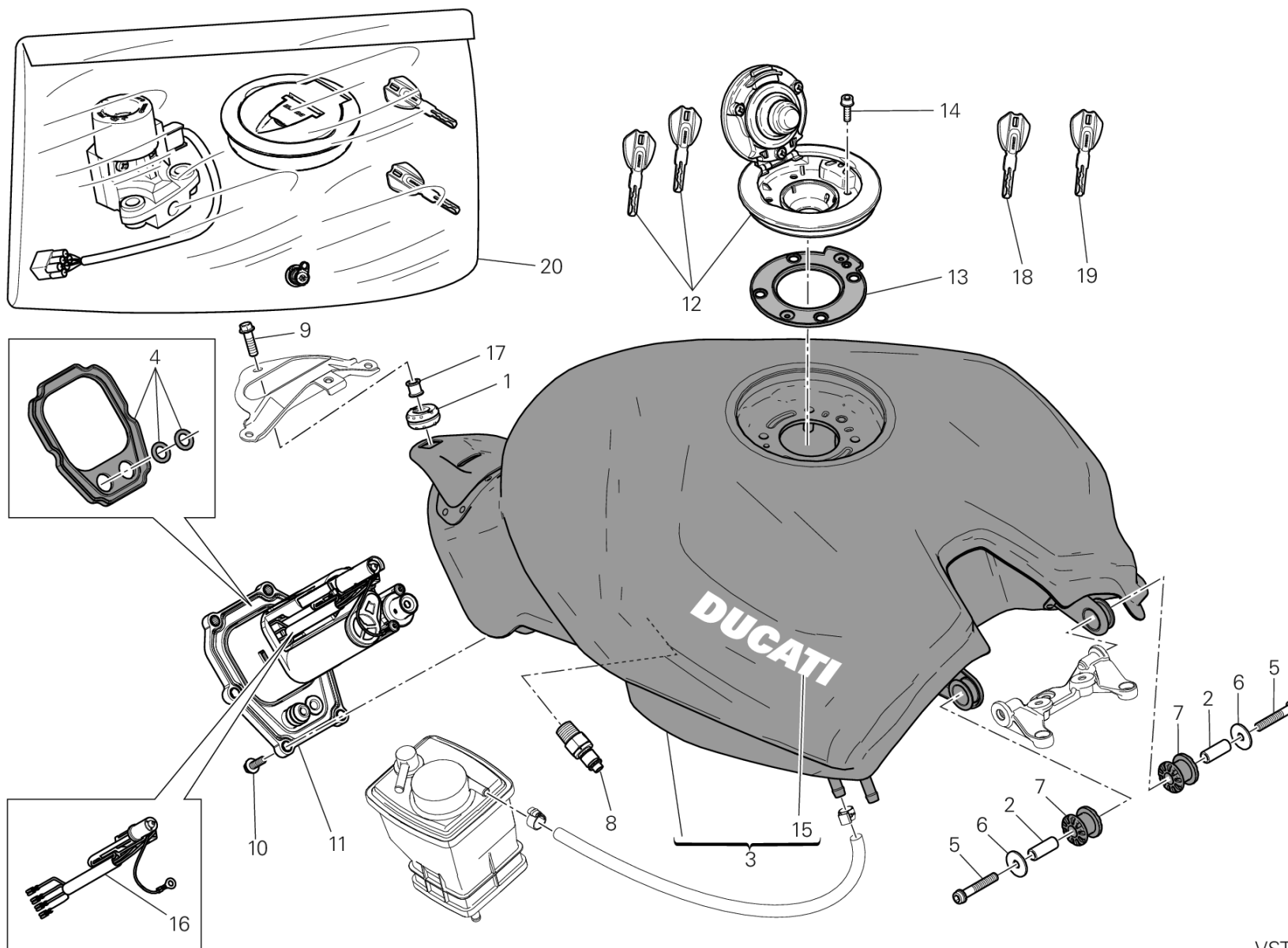
POS.	CODE	DESCRIPTION	QTY	START DATE	END DATE	VALIDITY	NOTES
1	77156443B	SCREW	2				
2	71614342AA	SPACER	2				
3	76410901A	RUBBER PAD	4				
4	71614431AA	SPACER	2				
5	77210882B	SCREW TBEI M5X12	2				
6	80012111A	COOLER THERMOSTAT HOSE UPPER	1				
7	80012131A	COOLER THERMOSTAT HOSE BOTTOM	1				
8	77210623B	SCREW	3				
9	78811201A	GASKET	1				
10	74140431A	CLAMP	2				
11	78110121AA	SCREW, SPECIAL	1	11/06/2012			
12	81415081AA	UNION	1				
13	74141861A	CLAMP 20-32 MM	2				
14	80012051A	THERMOSTAT PUMP HOSE HORIZONTAL	1				
15	80012061A	THERMOSTAT PUMP HOSE VERTICAL	1				
16	74142231A	CLAMP	2				
17	93410173A	PIPE	1				
18	74141881A	CLAMP 23-35 MM	4	09/05/2012			
19	55320121A	SQUIRTER UNIT	1				
20	88641981A	O-RING	2				
21	79915581A	SPRING	1				
22	55242631A	ENGINE WATER TEMPERATURE SENSOR	1				
23	85250241A	WASHER 10X14X1	2				
24	85250071A	WASHER	3	20/02/2012			

DRAWING 032 - TANK [MOD:899 ABS,899 AWS;XST:AUS,EUR,FRA,JAP]

GROUP FRAME



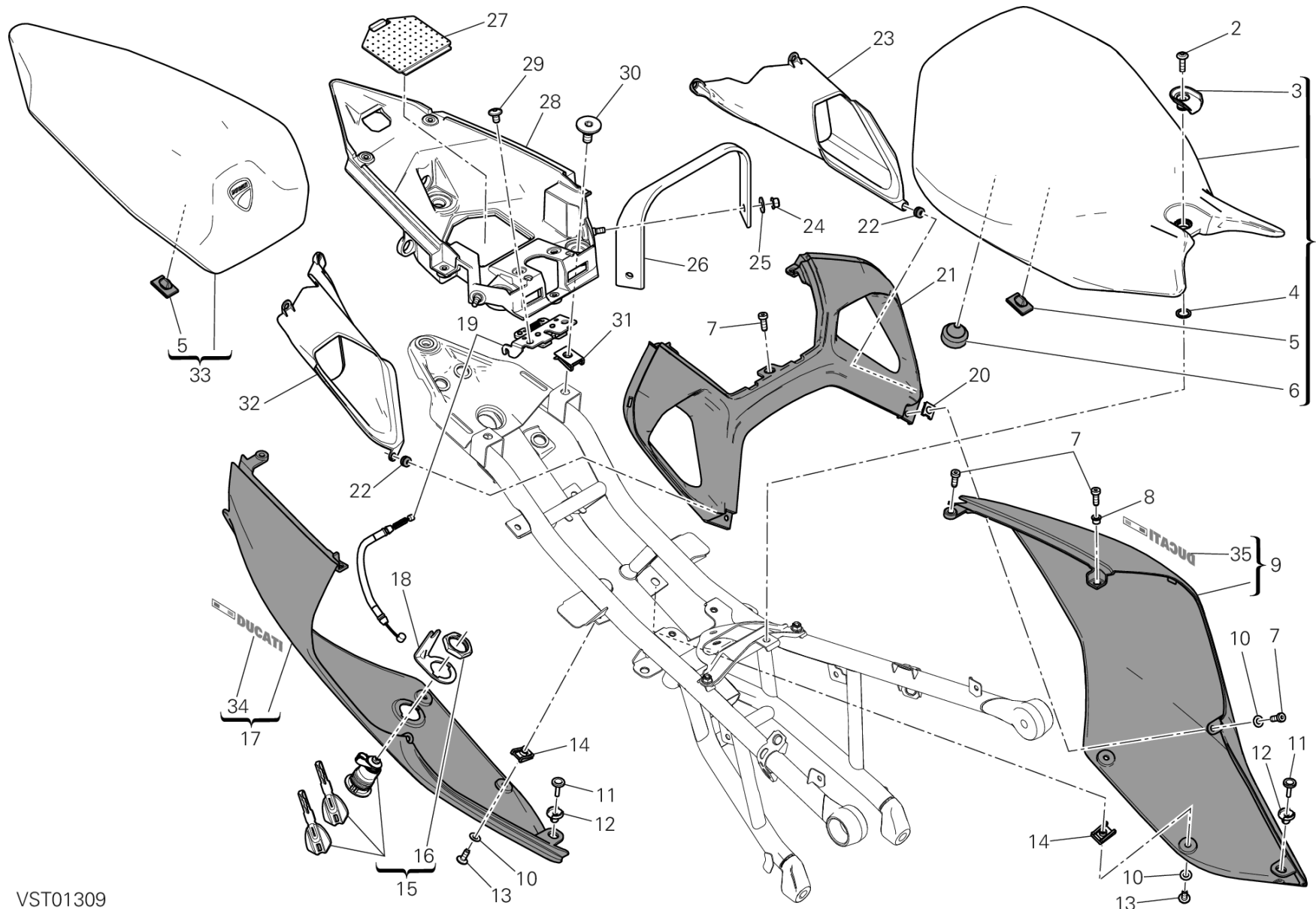
POS.	CODE	DESCRIPTION	QTY	START DATE	END DATE	VALIDITY	NOTES
1	59013901A	PIPE	2				
2	61610021A	THREE-WAYS UNION	1				
3	58612061AA	TANK RED	1	26/11/2012			
	58612061AW	TANK WHITE	1	04/06/2013			
4	59013911B	BREATHER PIPE	1				
5	77156728B	SCREW TCEIF M6X35	2				
6	85211671A	WASHER 6.2X20X1.5	2	20/07/2013			
7	76411521A	RUBBER PAD	2				
8	81440681A	QUICK FASTENING	1				
9	77240443C	SCREW	1	20/07/2013			
10	77244213B	SCREW	6	04/06/2013			
11	16024272A	FLANGE	1				
12	89520441A	TANK CAP COMPLETE	1	12/04/2013			
13	86640081A	GASKET, FUEL TANK CAP	1				
14	77156418B	SCREW TCEIF M5X16	4				
15	43818971A	EMBLEM DUCATI FOR RED	2	28/03/2013			
	43818971AS	EMBLEM DUCATI FOR WHITE	2	04/06/2013			
16	74140431A	CLAMP	2				
17	71315861AA	SPACER	1	20/07/2013			
18	59840321A	WRENCH WITH TRANSPONDER	1				
19	59840291A	KEY, NON INDENTED WITHOUT TRANSPONDER	1				
20	59821361A	LOCKS KIT	1	20/07/2013			
21	69926431A	THERMISTOR	1				
22	69926441A	GASKET KIT	1				
23	71315871AA	SPACER	2	20/07/2013			
24	76411861A	RUBBER PAD	1	20/07/2013			
25	81413251A	UNION	2	26/11/2012			



VST01325



POS.	CODE	DESCRIPTION	QTY	START DATE	END DATE	VALIDITY	NOTES
1	76411861A	RUBBER PAD	1	20/07/2013			
2	71315871AA	SPACER	2	20/07/2013			
3	58612061AA	TANK RED	1	26/11/2012			
	58612061AW	TANK WHITE	1	04/06/2013			
4	69926441A	GASKET KIT	1				
5	77156728B	SCREW TCEIF M6X35	2				
6	85211671A	WASHER 6.2X20X1.5	2	20/07/2013			
7	76411521A	RUBBER PAD	2				
8	81440681A	QUICK FASTENING	1				
9	77240443C	SCREW	1	20/07/2013			
10	77244213B	SCREW	6	04/06/2013			
11	16024272A	FLANGE	1				
12	89520441A	TANK CAP COMPLETE	1	02/08/2013		XST:TWN	
13	86640061A	GASKET, FUEL TANK CAP	1	20/11/2012		XST:TWN	
14	77156418B	SCREW TCEIF M5X16	4				
15	43818971A	EMBLEM DUCATI FOR RED	2	28/03/2013			
	43818971AS	EMBLEM DUCATI FOR WHITE	2	04/06/2013			
16	69926431A	THERMISTOR	1				
17	71315861AA	SPACER	1	20/07/2013			
18	59840321A	WRENCH WITH TRANSPONDER	1				
19	59840291A	KEY, NON INDENTED WITHOUT TRANSPONDER	1				
20	59821361A	LOCKS KIT	1	20/07/2013		XST:TWN	



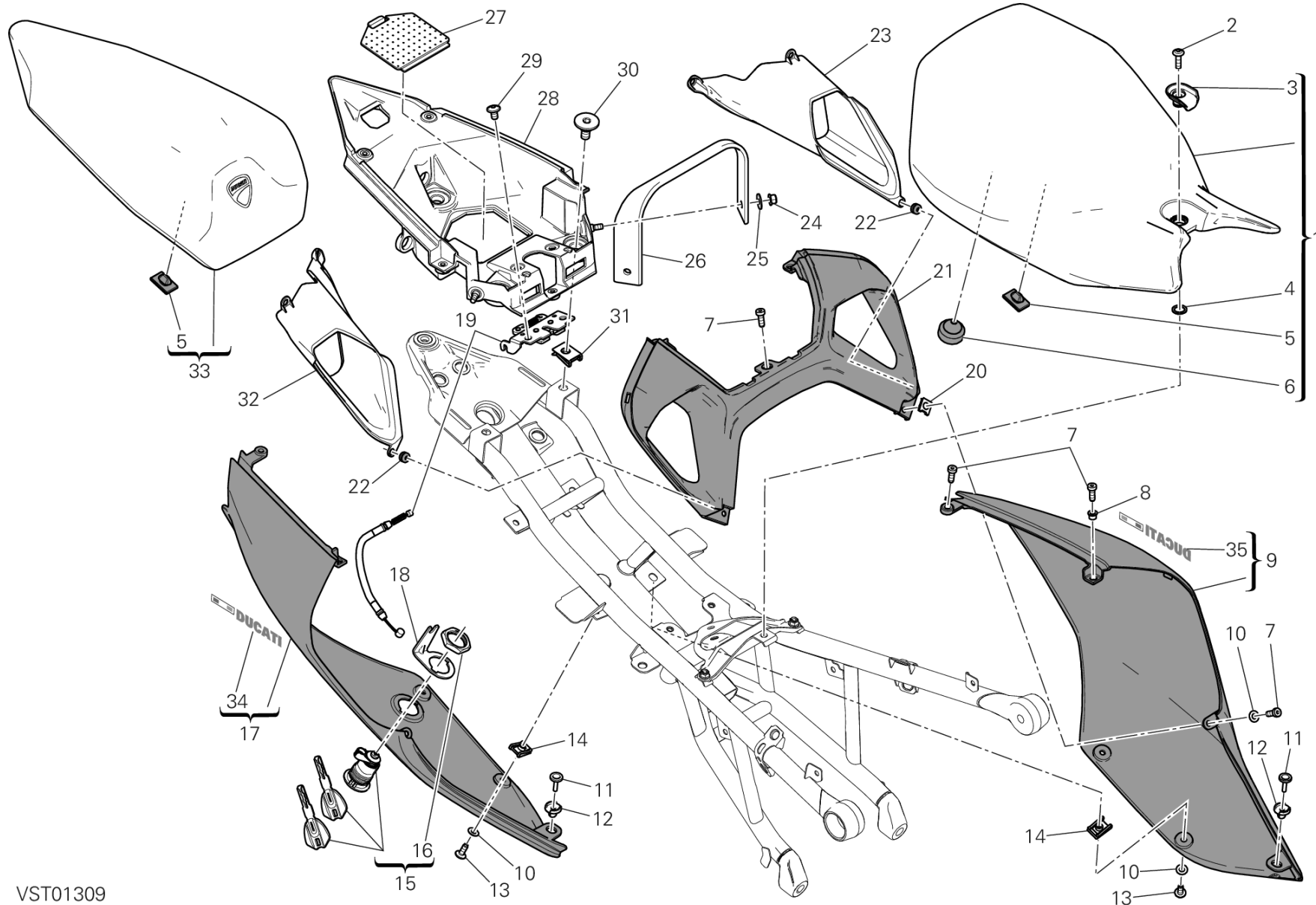
VST01309

DRAWING 033 - SEAT [MOD:899 ABS,899 AWS]

GROUP FRAME



POS.	CODE	DESCRIPTION	QTY	START DATE	END DATE	VALIDITY	NOTES
1	59522191A	SEAT	1	15/07/2013			
2	77210861B	SCREW TBEI M5X18	1				
3	71319471AA	SPACER	1				
4	88440331A	SPRING RING	1				
5	86610301A	PAD	15				
6	86610611A	RUBBER PAD	2				
7	77350403B	SCREW	7				
8	71611491A	SPACER	2				
9	48211901AA	COVER FRAME LH RED	1	15/07/2013			
	48211901AW	COVER FRAME LH WHITE	1	15/07/2013			
10	85611401A	WASHER	6				
11	85041041A	RIVET, MALE	2				
12	85041051A	RIVET, FEMALE	2				
13	77211091C	SCREW	4				
14	85040551A	QUICK FASTENING	4				
15	59820611A	SEAT LOCK	1				
16	75011551A	NUT M22X1.5	1				
17	48211911AA	COVER FRAME RH RED	1	15/07/2013			
	48211911AW	COVER-SIDE, RH, S.WHITE	1	15/07/2013			
18	82716141A	PLATE	1				
19	59940011A	SEAT LOCK	1				
20	85040471A	QUICK FASTENING M5	2				
21	48311821AA	TAIL GUARD CENTRE RED	1	15/07/2013			
	48311821AW	CODONE CENTRALE BIANCO	1	15/07/2013			
22	76440561A	RUBBER PAD	8				
23	48411012A	COWLING, INNER LH	1	23/07/2013			
24	74941118B	NUT 6MM	2				
25	85211671B	WASHER	2				
26	59511281B	BELT	1				
27	24714063A	COVER	1				
28	48311711B	TRAY	1				
29	77240393C	SCREW TBEIF M6X10 10.9	2				
30	77916792AA	SCREW, SPECIAL	3				
31	85041471A	CLIP NUT	2				
32	48411022A	PANEL QUARTER, INNER	1	19/07/2013			



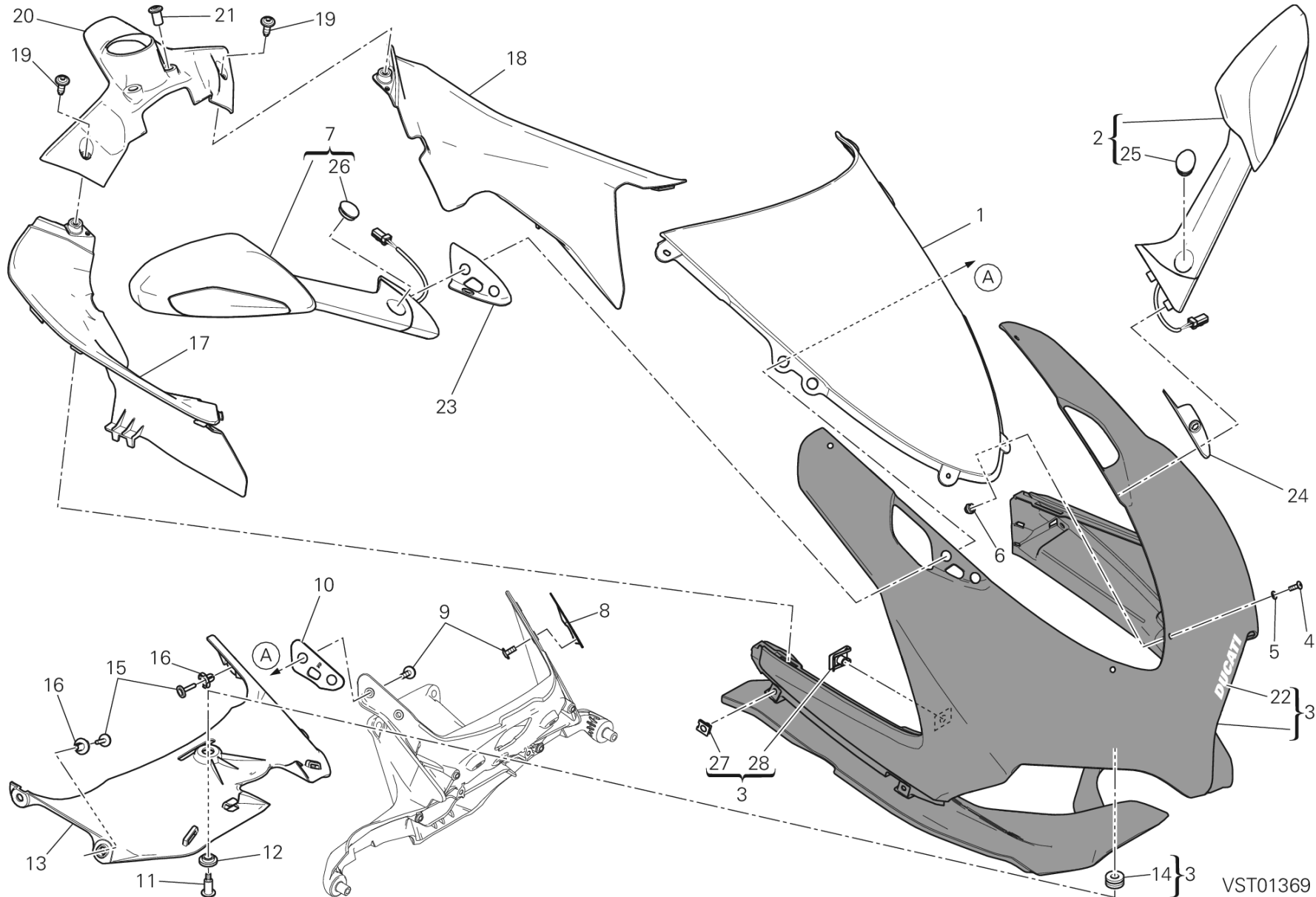
VST01309

DRAWING 033 - SEAT [MOD:899 ABS,899 AWS]

GROUP FRAME



POS.	CODE	DESCRIPTION	QTY	START DATE	END DATE	VALIDITY	NOTES
33	59522251A	PILLION RIDER SEAT	1				
34	43818951A	ITA FLAG STICKER DUCATI RH FOR RED	1	28/03/2013			
	43818951AS	ITA FLAG STICKER DUCATI RH FOR WHITE	1	17/06/2013			
35	43818961A	ITA FLAG STICKER DUCATI LH FOR RED	1	28/03/2013			
	43818961AS	ITA FLAG STICKER DUCATI LH FOR WHITE	1	28/03/2013			



DRAWING 034 - COWLING [MOD:899 ABS,899 AWS]

GROUP FRAME

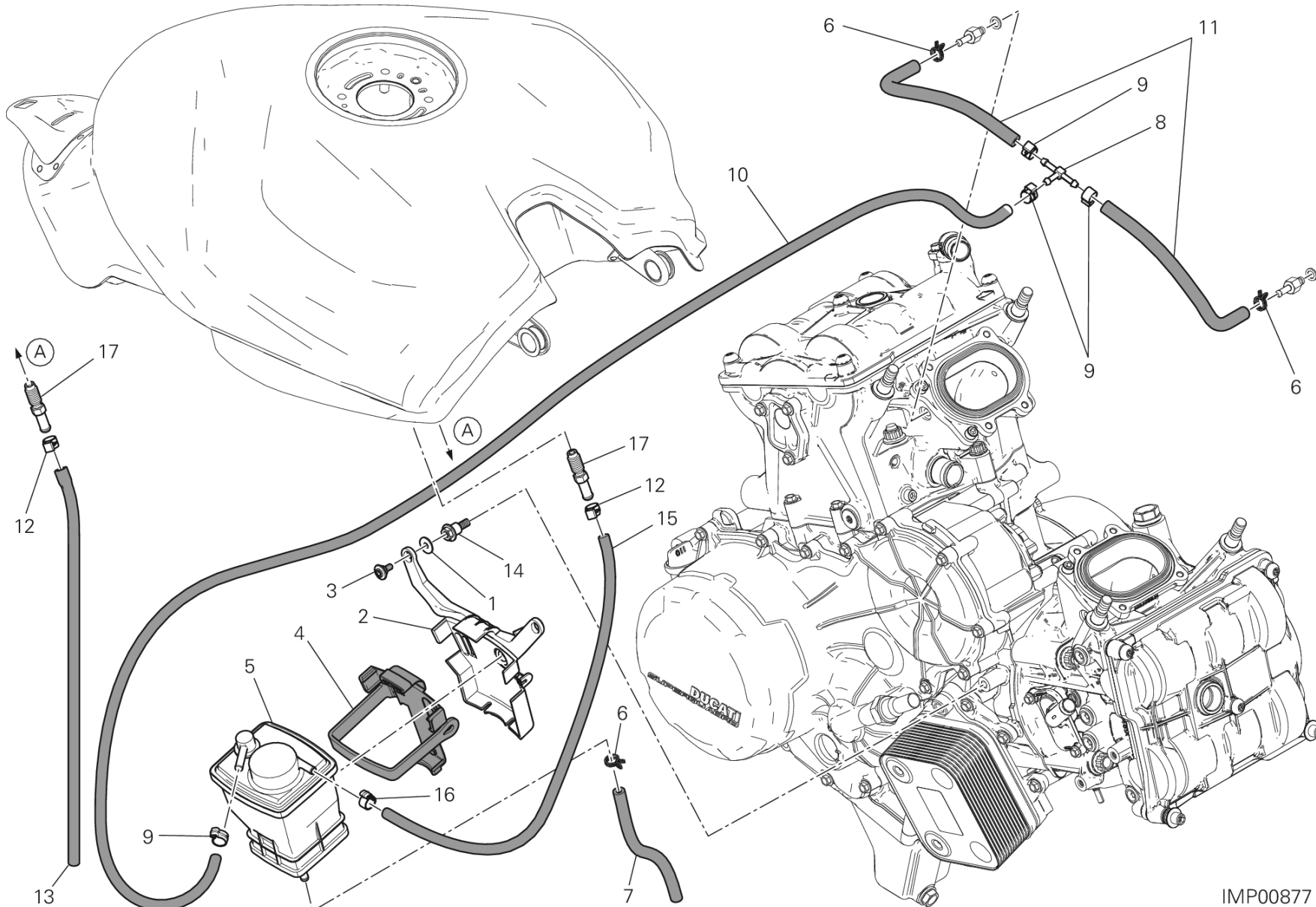


POS.	CODE	DESCRIPTION	QTY	START DATE	END DATE	VALIDITY	NOTES
1	48710563A	WINDSHIELD	1				
2	523S0293B	REAR-VIEW MIRROR L.H.	1				
3	481P1021AA	COMPLETE HEADLIGHT FAIRING RED	1	15/07/2013			
	481P1021AW	COMPLETE HEADLIGHT FAIRING WHITE	1	15/07/2013			
4	77510071AB	SCREW, SPECIAL	4				
5	85210241A	WASHER, NYLON 4X8X0.5	4				
6	75010281A	NUT, SPRING	4				
7	523S0283B	REAR-VIEW MIRROR R.H.	1				
8	78811221A	GASKET INTERNAL LH	1				
9	77240288C	SCREW	4				
10	78811231A	GASKET INTERNAL RH	1				
11	77916951AA	SCREW, SPECIAL	1				
12	76411511A	RUBBER PAD	1				
13	48411002A	MUDFLAP	1				
14	76411141A	VIBRATION DAMPER PAD	1				
15	85041041A	RIVET, MALE	4				
16	85041051A	RIVET, FEMALE	4				
17	46014952C	RIGHT COVER	1				
18	46014942C	PROTECTION, LEFT	1				
19	77211091C	SCREW	2				
20	46014962C	PROTECTION CENTRE	1				
21	75011491AB	NUT, SPECIAL	2				
22	43818931A	EMBLEM DUCATI FOR RED	1	28/03/2013			
	43818931AS	EMBLEM DUCATI FOR WHITE	1	17/06/2013			
23	78811281A	GASKET, MIRROR RH	1	01/07/2012			
24	78811291A	GASKET, MIRROR LH	1	01/07/2012			
25	87210781A	PLUG	1	15/02/2013			
26	87210791A	PLUG, RH	1	15/02/2013			
27	85040471A	QUICK FASTENING M5	4	01/09/2011			
28	85040551A	QUICK FASTENING	2	01/09/2011			



DRAWING 035 - CANISTER FILTER [MOD:899 ABS,899 AWS;XST:TWN]

GROUP FRAME



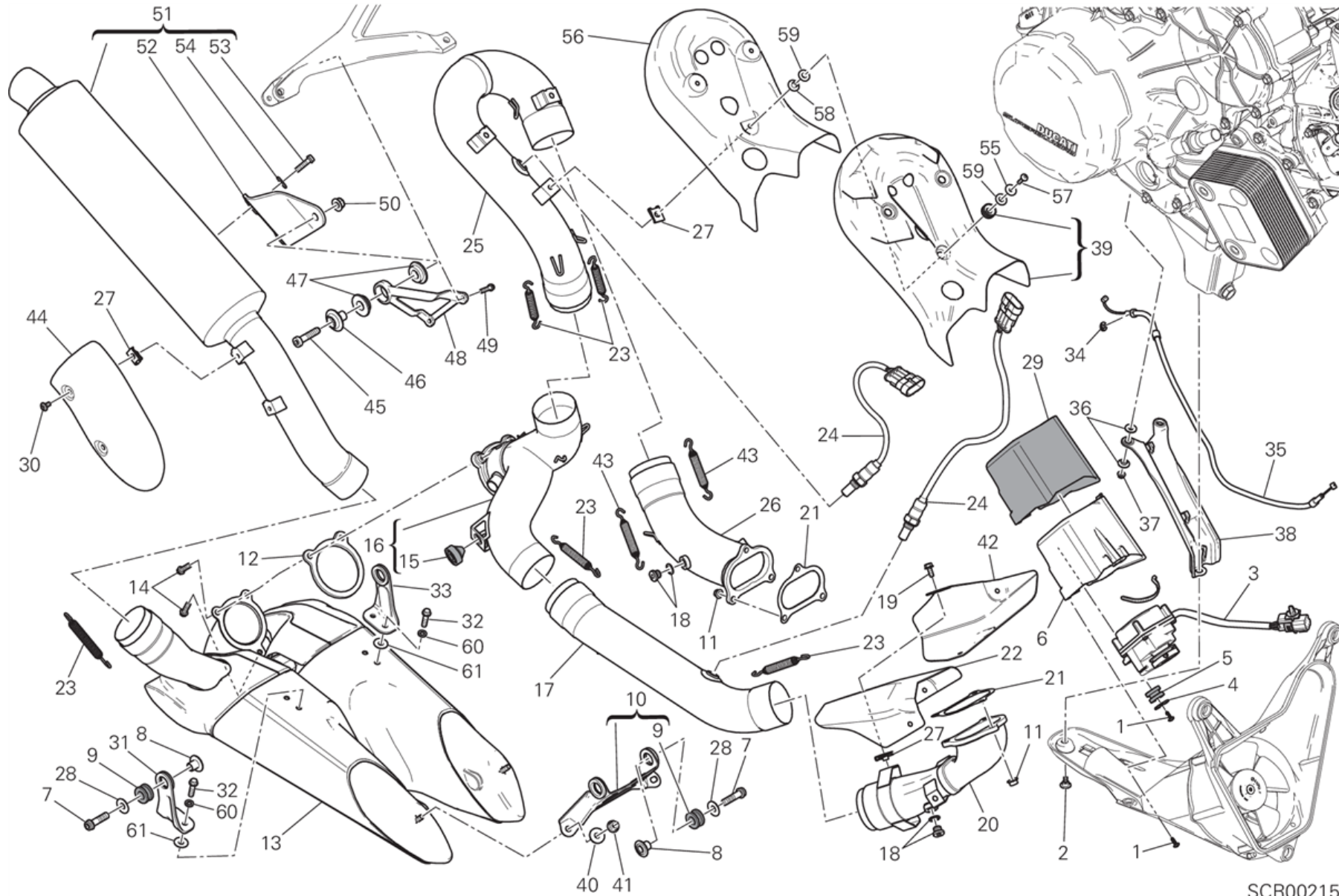
IMP00877

DRAWING 035 - CANISTER FILTER [MOD:899 ABS,899 AWS;XST:TWN]

GROUP FRAME



POS.	CODE	DESCRIPTION	QTY	START DATE	END DATE	VALIDITY	NOTES
1	85240091A	WASHER 5.3X15X1	3				
2	8291A901A	HOLDER	1				
3	77210852C	SCREW	3				
4	70010751A	VIBRATION DAMPER	1				
5	42640041B	CANISTER FILTER	1				
6	74140431A	CLAMP	3				
7	87611181A	BREATHER PIPE	1				
8	81411831A	THREE-WAYS UNION	1				
9	74140581A	CLAMP	3				
10	93510091A	PIPE	1				
11	93510081A	PIPE	2				
12	74140651A	CLAMP	3				
13	87611191A	PIPE	1				
14	77917291AA	SCREW, SPECIAL	3				
15	93510101A	BREATHER PIPE	1				
16	74110551A	CLAMP	1	20/07/2013			
17	81413251A	UNION	2	26/11/2012			



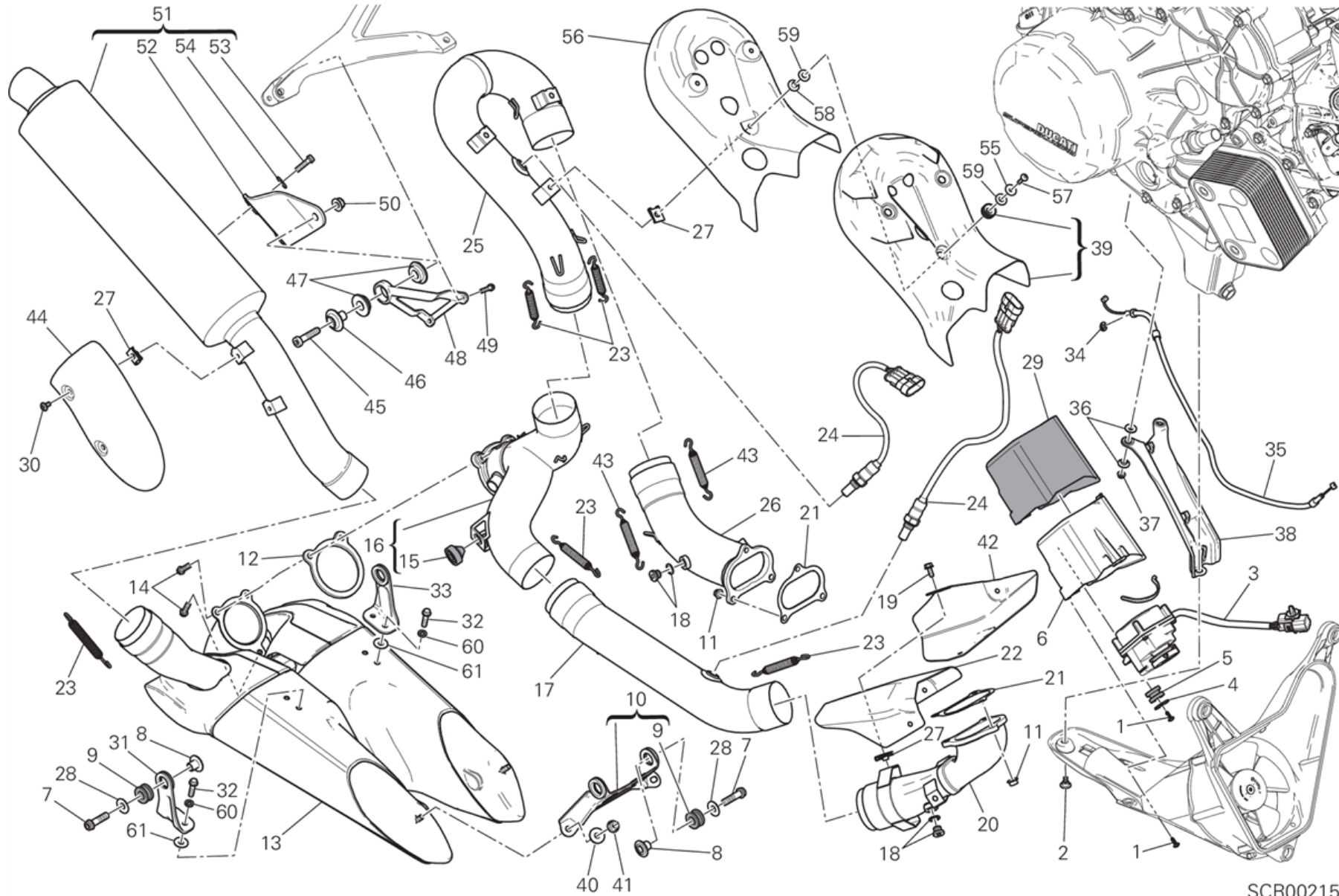
SCR00215

DRAWING 19A - EXHAUST SYSTEM (JAP) [MOD:899 ABS,899 AWS;XST:JAP,TWN]

GROUP FRAME



POS.	CODE	DESCRIPTION	QTY	START DATE	END DATE	VALIDITY	NOTES
1	77440203C	SCREW	6	01/06/2011			
2	77210852C	SCREW	1	01/11/2012			
3	59340393A	ELECTRIC MOTOR, EXHAUST VALVE	1	01/06/2011			
4	85213111AA	WASHER	3	28/01/2013			
5	76411301A	RUBBER PAD	2	01/06/2011			
6	46015262A	COVER	1	06/06/2012			
7	77157278B	SCREW TCEIF M8X30	4	01/11/2012			
8	71614391AA	SPACER	4	01/11/2012			
9	76411481A	RUBBER PAD	4	01/11/2012			
10	83026511BA	BRACKET Front	1	01/11/2012			
11	74810241A	NUT	6	01/11/2012			
12	79010251A	GASKET, EXHAUST PIPE	1	01/11/2012			
13	57413441B	PRESILENCER	1	18/07/2014			
14	77116648B	SCREW	3	01/11/2012			
15	76411741A	RUBBER PAD	1	28/10/2013			
16	570P3152C	PIPE, EXHAUST CENTER	1	01/11/2012			
17	57013073A	EXHAUST PIPE HORIZONTAL	1	01/11/2012			
18	78020011A	PLUG ASSY	2				
19	77250728B	SCREW TEF M5X12	4	01/11/2012			
20	57013062C	EXHAUST MANIFOLD HORIZONTAL	1	01/11/2012			
21	79010231B	GASKET, EXHAUST PIPE	2	01/11/2012			
22	46015331BA	HEAT GUARD HORIZONTAL	1	01/11/2012			
23	79912632A	SPRING, EXHAUST PIPE	5	01/11/2012			
24	55212092A	SENSOR LAMBDA SOND	2	01/11/2012			
25	57113002C	PIPE, EXHAUST VERTICAL	1	01/11/2012			
26	57112992C	EXHAUST MANIFOLD VERTICAL	1	01/11/2012			
27	85040551A	QUICK FASTENING	9	01/11/2012			
28	85210532A	WASHER 8.2X20X1	4	01/11/2012			
29	46015741A	PROTECTION, HEAT	1	08/11/2011			
30	77240253C	SCREW	2	01/11/2012			
31	83016491AA	BRACKET REAR RH	1	01/11/2012			
32	77251028C	SCREW	4	20/06/2014			
33	83016501AA	BRACKET REAR L.H.	1	01/11/2012			
34	88450031A	CIRCLIP E-TYPE	2	01/11/2012			
35	73210331B	EXHAUST VALVE ENGINE CABLE	1	01/06/2011			



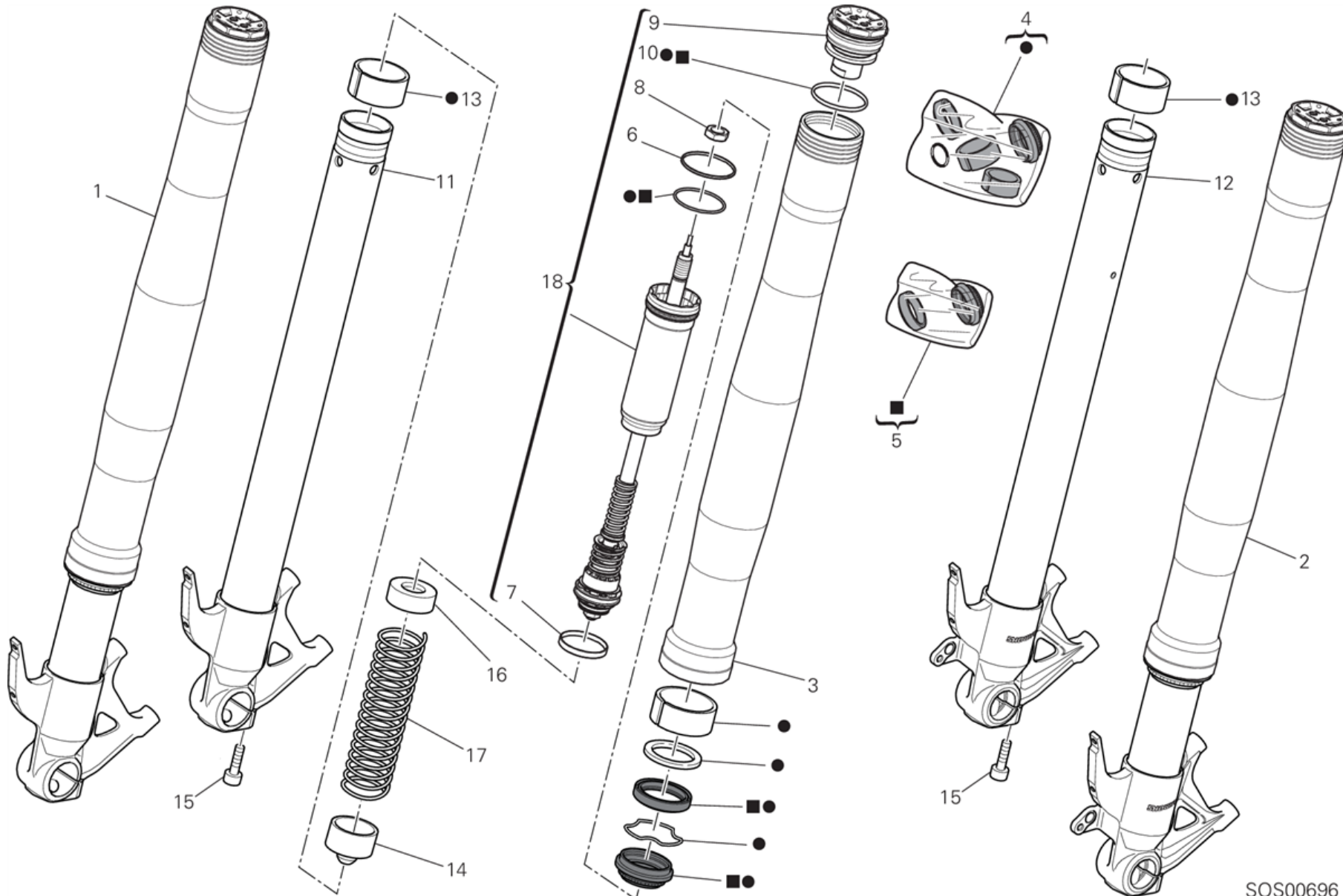
SCR00215

DRAWING 19A - EXHAUST SYSTEM (JAP) [MOD:899 ABS,899 AWS;XST:JAP,TWN]

GROUP FRAME



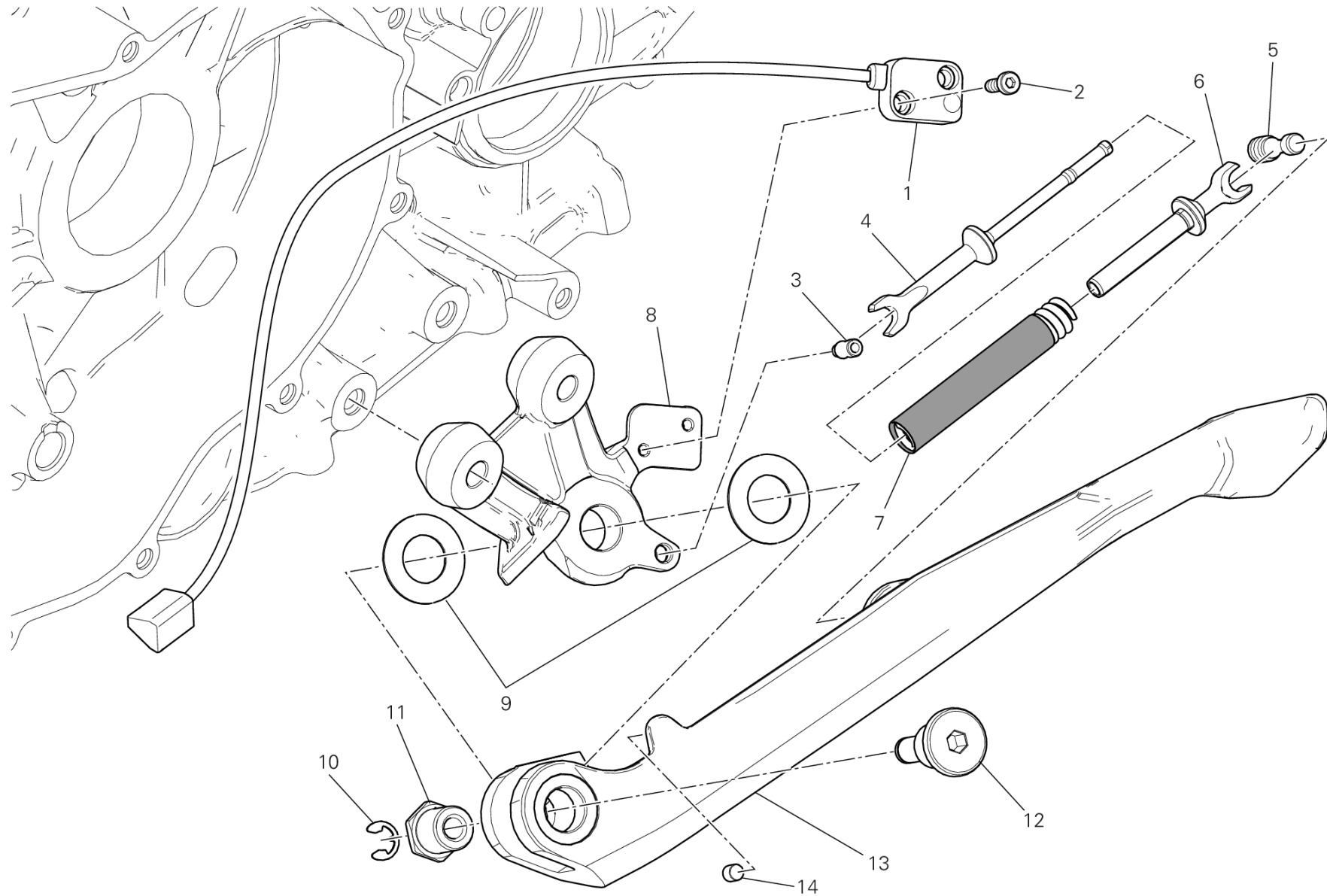
POS.	CODE	DESCRIPTION	QTY	START DATE	END DATE	VALIDITY	NOTES
36	71614071A	SPACER 5.2X8.4X2	4	01/11/2012			
37	74840381A	NUT M5	2	01/11/2012			
38	46015393A	HEAT GUARD BOTTOM	1	01/11/2012			
39	460PB071AA	HEAT GUARD VERTICAL UPPER	1	15/07/2013			
40	85250291A	WASHER 6.4X18X1.6	2	01/11/2012			
41	74810361A	NUT 6MM	2	01/11/2012			
42	46015781AA	GUARD HORIZONTAL	1	01/11/2012			
43	79915651A	SPRING	2	01/11/2012			
44	46110041AA	HEAT GUARD REAR	1	15/07/2013			
45	77355068B	SCREW TCEIR M8X35	1	01/11/2012			
46	71314361A	COLLAR, SILENCER MOUNTING	1	01/11/2012			
47	76410011A	DAMPER	2	01/11/2012			
48	83017791AA	BRACKET, MUFFLER SUPPORT	1	01/03/2012			
49	77156438B	SCREW	2	01/03/2012			
50	74941128B	NUT M8	1	01/11/2012			
51	573P3642A	SILENCER (Unit)	1	07/01/2014			
52	57610881AA	BRACKET, RIGHT SILENCER	1	10/06/2013			
53	77110211A	SCREW	2	25/05/2012			
54	85240161A	WASHER 8.4X20X1.2	2	25/05/2012			
55	85213002A	WASHER	3				
56	46014571A	HEAT GUARD VERTICAL LOWER	1	20/07/2013			
57	77244213B	SCREW	3	28/01/2013			
58	71614102AA	SPACER	3	28/01/2013			
59	85640121A	WASHER	6	28/01/2013			
60	85140071A	WASHER	4	20/06/2014			
61	71614881AA	SPACER	4	16/06/2014			



SOS00696



POS.	CODE	DESCRIPTION	QTY	START DATE	END DATE	VALIDITY	NOTES
1	34420561B	RIGHT FORK LEG ASSY	1	19/11/2012			
2	34520561B	LEFT FORK LEG ASSY	1	19/11/2012			
3	34914171A	STANCHION TUBE	2	19/06/2013			
4	34921691A	SEAL KIT	2	19/06/2013			
5	34921681A	OVERHAUL KIT	2	19/06/2013			
6	34914211A	GASKET	2	19/06/2013			
7	34914191A	GASKET	2	19/06/2013			
8	34914221A	NUT	2	19/06/2013			
9	34921671A	PLUG	2	19/06/2013			
10	34912141A	O-RING	2	19/06/2013			
11	34914071A	FORK BOTTOM END + SLEEVE UNIT (R.H.)	1	19/06/2013			
12	34914081A	FORK BOTTOM END + SLEEVE UNIT (L.H.)	1	19/06/2013			
13	34913091A	BUSH	2	19/06/2013			
14	34914141A	SPINDLE, TAPER	2	19/06/2013			
15	34914091A	SCREW	4	19/06/2013			
16	34914161A	SPACER	2	19/06/2013			
17	34914151A	SPRING	2	19/06/2013			
18	34914181A	PLUNGER ASSY	2	19/06/2013			



TEL00785

DRAWING 22A - STAND [MOD:899 ABS,899 AWS]

GROUP FRAME

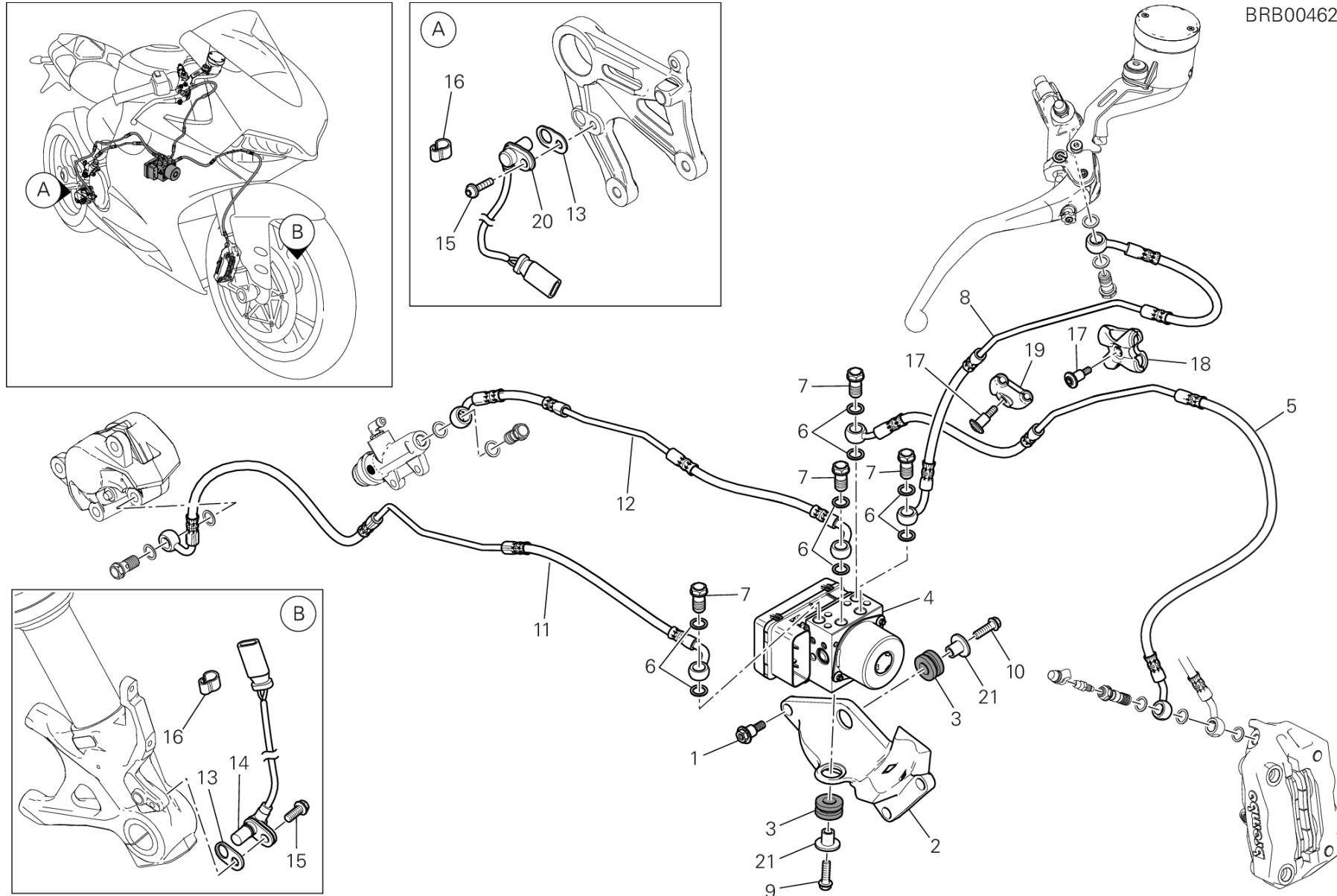


POS.	CODE	DESCRIPTION	QTY	START DATE	END DATE	VALIDITY	NOTES
1	53940601A	SWITCH, STAND	1				
2	77354623B	SCREW M4X10	2				
3	86050361AA	PIN	1				
4	11711252AA	ROD	1				
5	82113731AA	PIN	1				
6	71011611AA	BUSHING WITH CENTER ROD JOINT	1				
7	79925411AA	COMPLETE SPRING	1				
8	55610601BA	PLATE	1				
9	85210681B	SPACER,15X28X1	2				
10	88450031A	CIRCLIP E-TYPE	1				
11	71210471AA	BUSH	1				
12	82113711BA	LOCATING PIN	1				
13	55610612AA	SIDE STAND	1				
14	53940651A	MAGNETE	1				



DRAWING 24A - ANTILOCK BRAKING SYSTEM (ABS) [MOD:899 ABS,899 AWS]

GROUP FRAME



DRAWING 24A - ANTILOCK BRAKING SYSTEM (ABS) [MOD:899 ABS,899 AWS]

GROUP FRAME



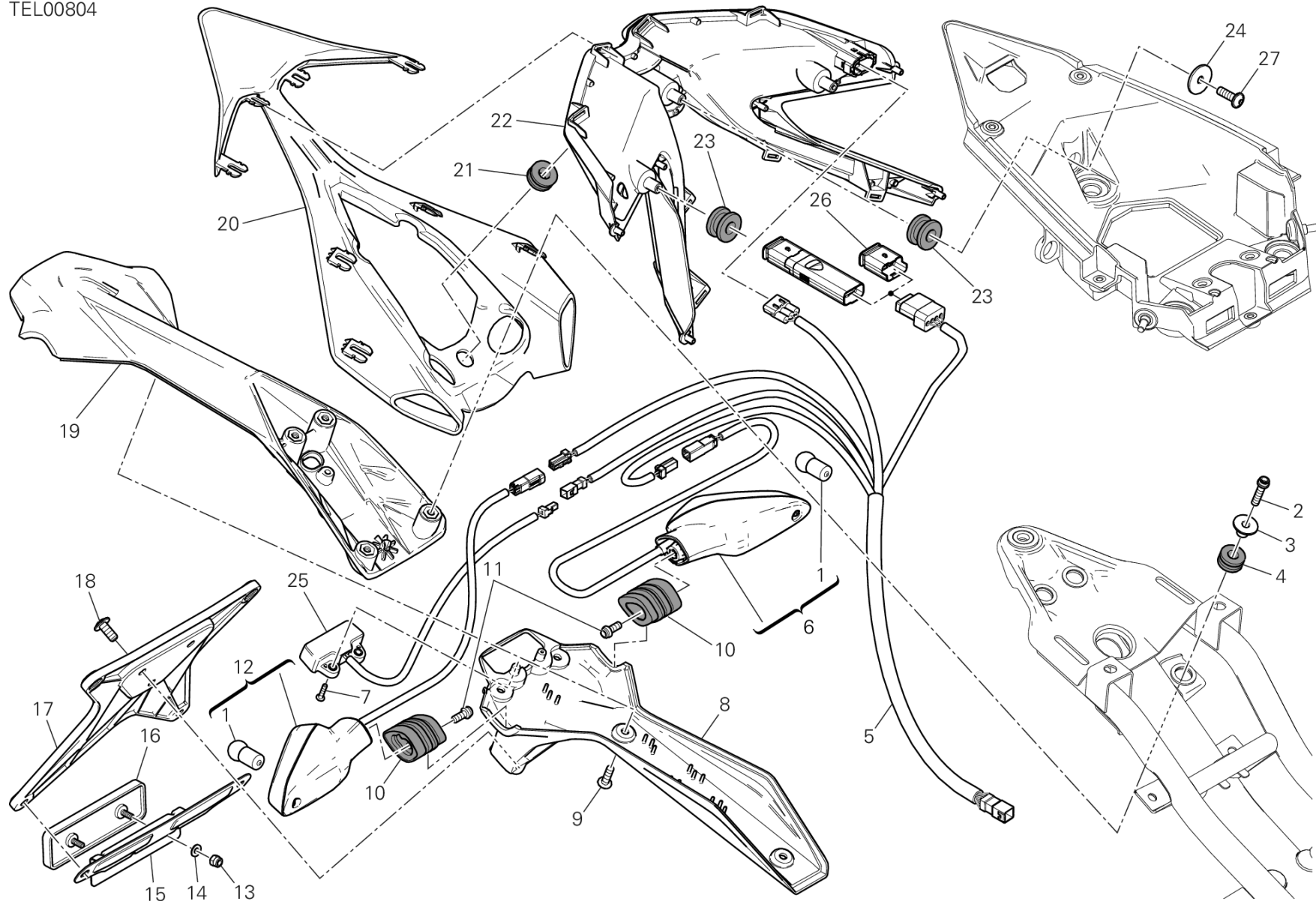
POS.	CODE	DESCRIPTION	QTY	START DATE	END DATE	VALIDITY	NOTES
1	77917291AA	SCREW, SPECIAL	3	20/07/2013			
2	8291B801A	HOLDER ABS	1	01/02/2013			
3	76410641A	VIBRATION DAMPER PAD	2	01/02/2013			
4	54240431B	CONTROL UNIT ABS	1	01/06/2013			
5	61841311A	CPU - FRONT CALIPERS LINE	1	01/06/2013			
6	85250241A	WASHER 10X14X1	8	01/06/2013			
7	77913662AB	BOLT, BRAKE HOSE	4	01/06/2013			
8	61841301A	FRONT MASTER CYLINDER - CPU LINE	1	01/06/2013			
9	77240458C	SCREW	1	01/02/2013			
10	77240443C	SCREW	1	01/02/2013			
11	61940631A	CPU - REAR CALIPER LINE	1	01/06/2013			
12	61940621A	REAR MASTER CYLINDER - CPU LINE	1	01/06/2013			
13	71314901A	GASKET TH.02	4	20/07/2013			
	71319201A	GASKET 0.5 MM	6	20/07/2013			
14	55212111B	SENSOR, SPEED	1	20/07/2013			
15	77210601A	SCREW TEF M6X16	2	20/07/2013			
16	75840601A	FAIRLEAD	10	20/07/2013			
17	77211271A	SCREW, SPECIAL M5X10	2	20/07/2013			
18	75810722A	HOSE GUIDE ABS UPPER	1	16/06/2014			
19	75810711A	HOSE GUIDE ABS BOTTOM	1	20/07/2013			
20	55212121B	SENSOR, SPEED	1	20/07/2013			
21	71610031A	SPACER	2	01/02/2013			



DRAWING 27A - NUMBER PLATE HOLDER - TAIL LIGHT [MOD:899 ABS,899 AWS;XST:EUR,FRA,JAP,TWN]

GROUP FRAME

TEL00804

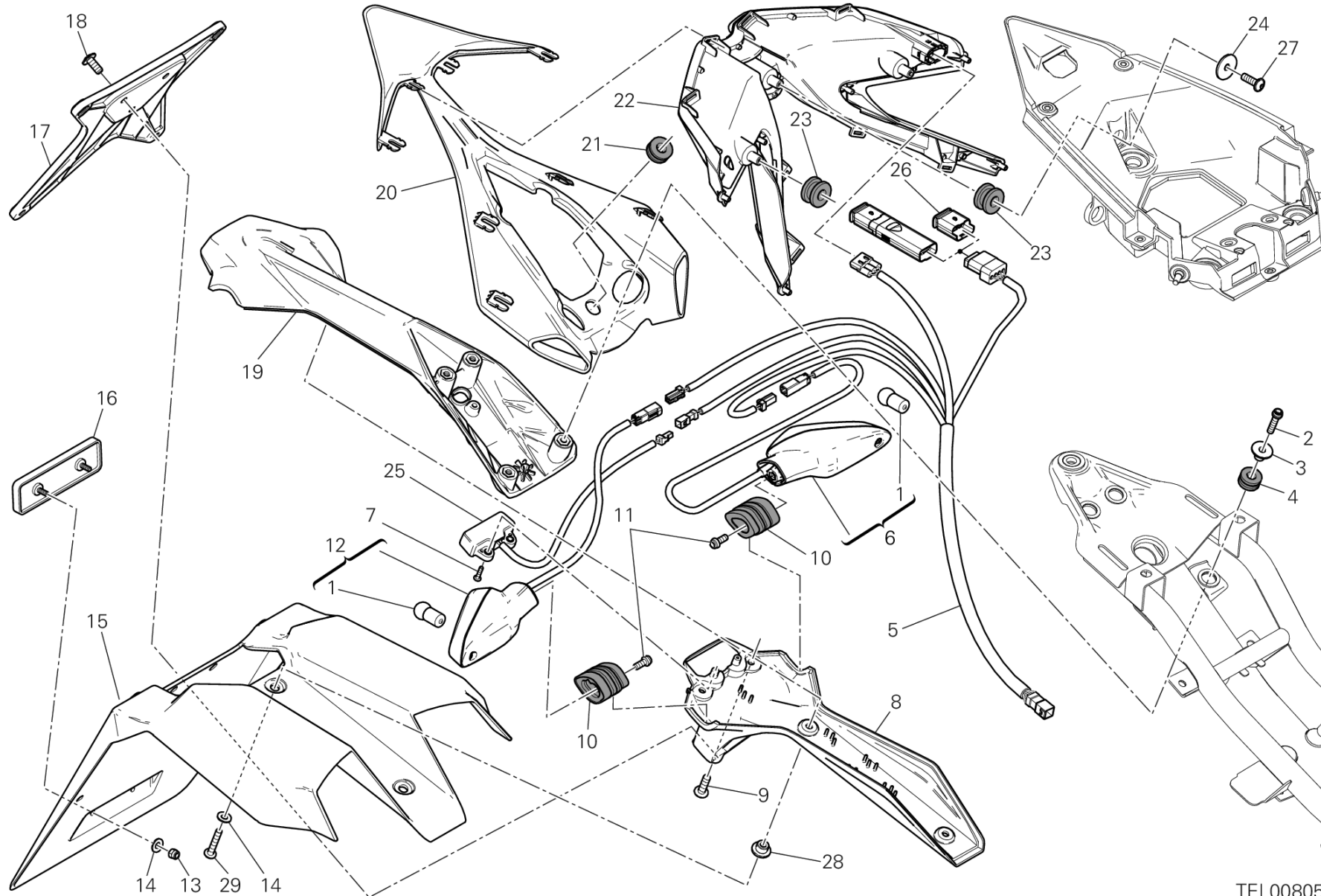


DRAWING 27A - NUMBER PLATE HOLDER - TAIL LIGHT [MOD:899 ABS,899 AWS;XST:EUR,FRA,JAP,TWN]



GROUP FRAME

POS.	CODE	DESCRIPTION	QTY	START DATE	END DATE	VALIDITY	NOTES
1	39040211A	BULB	2	01/02/2012			
2	77156443B	SCREW	4	01/02/2012			
3	71614102AA	SPACER	4	01/02/2012			
4	76411141A	VIBRATION DAMPER PAD	4	01/02/2012			
5	51017721A	REAR WIRING	1	01/02/2012			
6	53010236B	FLASHER LIGHT FRONT RH- REAR LH	1	11/02/2013			
7	77440183C	SCREW	2	01/02/2012			
8	56113043A	NUMBER PLATE HOLDER BOTTOM	1	01/02/2012			
9	77440203C	SCREW	4	01/02/2012			
10	71314703A	SPACER	2	01/02/2012			
11	77156398B	SCREW TCEIF M5X12	2	01/02/2012			
12	53010226B	FLASHER LIGHT FRONT LH - REAR RH	1	11/02/2013			
13	74950011B	NUT, SPRING	2	22/09/2010			
14	85250011C	WASHER 4.3X9X0.8	2	22/09/2010			
15	82712981B	BRACKET, REFLECTOR	1	22/09/2010			
16	52910061B	REFLEX REFLECTOR, REAR	1	22/09/2010			
17	56110261A	NUMBER PLATE HOLDER	1	01/02/2012			
18	77240418C	SCREW	3	01/02/2012			
19	56113033A	NUMBER PLATE HOLDER UPPER	1	01/02/2012			
20	46014902A	COVER, LOWER	1	01/02/2012			
21	76410841B	RUBBER PAD	1	01/02/2012			
22	52510445C	TAILLIGHT	1	02/04/2012			
23	76411491A	RUBBER PAD	3	01/02/2012			
24	85213111AA	WASHER	1	01/02/2012			
25	52510432D	LAMP, LICENSE PLATE	1	01/02/2012			
26	87210532A	CAP DDA	1				
27	77440071A	SCREW, TAPPING M4.5X12	1	01/02/2012			



TEL00805

DRAWING 27B - NUMBER PLATE HOLDER - TAIL LIGHT - (AUS) [MOD:899 ABS,899

AWS;XST:AUS]

GROUP FRAME



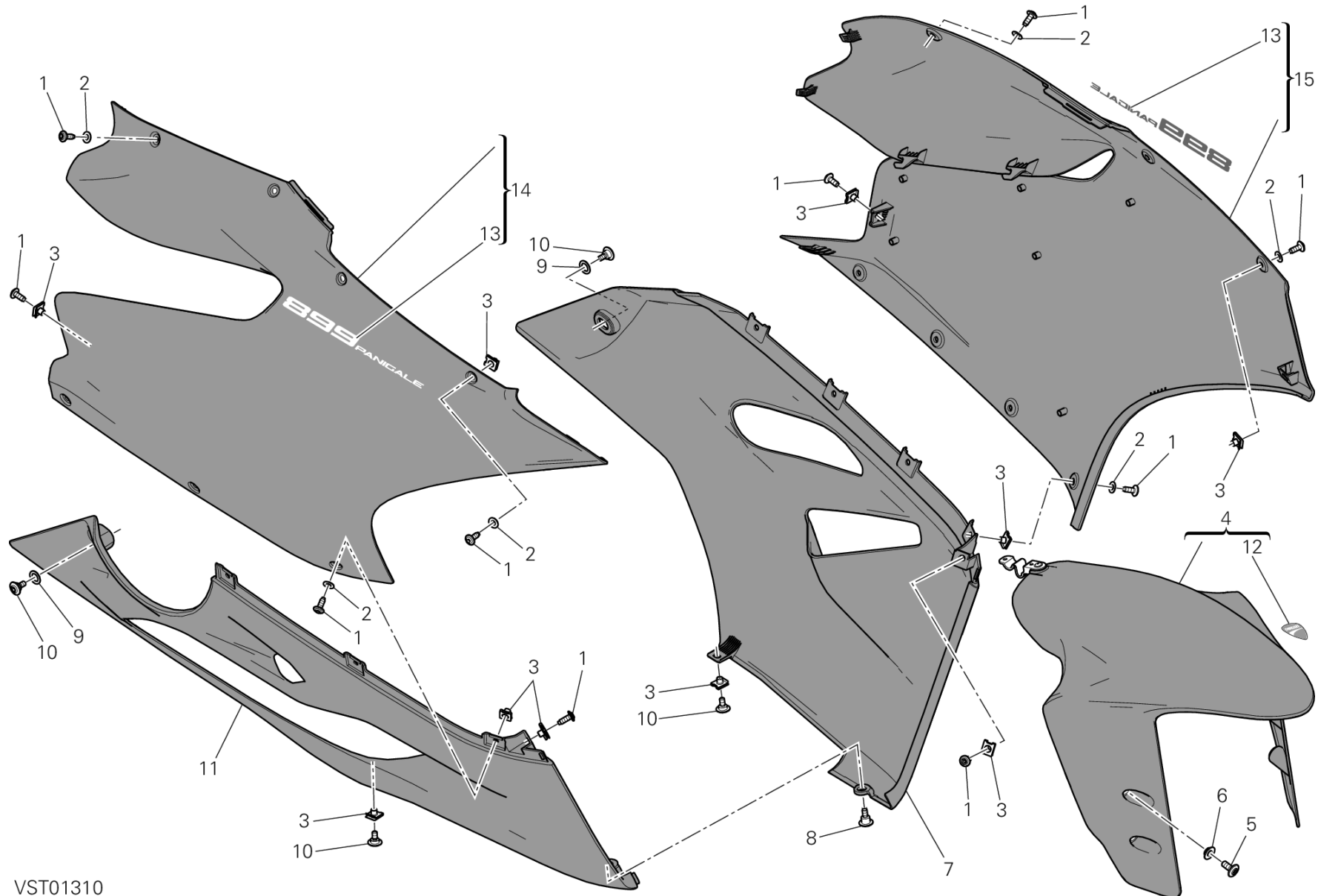
POS.	CODE	DESCRIPTION	QTY	START DATE	END DATE	VALIDITY	NOTES
1	39040211A	BULB	2				
2	77156443B	SCREW	4				
3	71614102AA	SPACER	4				
4	76411141A	VIBRATION DAMPER PAD	4				
5	51017721A	REAR WIRING	1				
6	53010236B	FLASHER LIGHT FRONT RH- REAR LH	1	01/07/2013			
7	77440183C	SCREW	2				
8	56113043A	NUMBER PLATE HOLDER BOTTOM	1				
9	77440203C	SCREW	2				
10	71314703A	SPACER	2				
11	77156398B	SCREW TCEIF M5X12	2				
12	53010226B	FLASHER LIGHT FRONT LH - REAR RH	1	01/07/2013			
13	74950011B	NUT, SPRING	2				
14	85240131A	WASHER 5.3X15X1	4				
15	46015771A	MUDFLAP	1				
16	52910061B	REFLEX REFLECTOR, REAR	1				
17	56110261A	NUMBER PLATE HOLDER	1				
18	77240423C	SCREW TBEIF M6X16 10.9	3				
19	56113033A	NUMBER PLATE HOLDER UPPER	1				
20	46014902A	COVER, LOWER	1				
21	76410841B	RUBBER PAD	1				
22	52510445C	TAILLIGHT	1	01/08/2013			
23	76411491A	RUBBER PAD	3				
24	85213111AA	WASHER	1				
25	52510432D	LAMP, LICENSE PLATE	1				
26	87210532A	CAP DDA	1				
27	77440071A	SCREW, TAPPING M4.5X12	1				
28	71614421AA	SPACER	2				
29	77440121A	SCREW	2				

DRAWING 28A - FORCELLONE POSTERIORE [MOD:899 ABS,899 AWS]

GROUP FRAME



POS.	CODE	DESCRIPTION	QTY	START DATE	END DATE	VALIDITY	NOTES
1	36911292AA	SWINGARM PIVOT RH	1				
2	70250451A	BEARING	2				
3	71311871A	INNER SPACER	1				
4	71319452AA	RIGHT SPACER	1				
5	93050121A	SEAL RING	2				
6	70140171A	BEARING, NEEDLE	2				
7	36911302AA	SWINGARM PIVOT LH	1				
8	77210842A	SCREW TCEI M5X8.5	1	01/11/2012			
9	44711121B	CHAIN SLIDER	1	01/11/2012			
10	46016281B	MUDFLAP	1	20/07/2013			
11	77210852C	SCREW	8				
12	56510661B	REAR MUDGUARD	1	15/07/2013			
13	37011361BA	FORCELLONE POSTERIORE	1	01/11/2012			
14	37310871BA	SLIDING SHOE LEFT	1	20/07/2013			
15	81910742AA	REAR WHEEL SPINDLE	1	20/07/2013			
16	77913722AA	SCREW, SPECIAL	2	24/10/2013			
17	75011251A	NUT, SPECIAL M8	2	01/11/2012			
18	37310861BA	SLIDING SHOE	1	20/07/2013			
19	71313882A	WASHER, THRUST	1	20/07/2013			
20	87210601A	CAP, SWINGARM COVER	1				
21	74140331A	CLAMP	1	20/07/2013			
22	77240403C	SCREW	1	20/07/2013			
23	75011891AA	NUT	1	20/07/2013			
24	43313881A	CHAIN ADJUSTMENT STICKER	1	20/07/2013		MOD:899 ABS;XST:AUS,EUR,FRA,TWN	
	43313881B	CHAIN ADJUSTMENT STICKER	1	20/07/2013		MOD:899 ABS;XST:JAP	
25	82510501AA	CALIPER HOLDER BRACKET	1	01/11/2012			



VST01310

DRAWING 34A - FAIRING [MOD:899 ABS,899 AWS]

GROUP FRAME



POS.	CODE	DESCRIPTION	QTY	START DATE	END DATE	VALIDITY	NOTES
1	77211091C	SCREW	19				
2	85611401A	WASHER	15				
3	85040471A	QUICK FASTENING M5	17				
4	56420941AN	FRONT FENDER, BLACK	1	20/07/2013			
5	77210893B	SCREW	4				
6	71614011B	SPACER 6.2X8.5X14	4				
7	48013761AA	FAIRING, LOWER LH RED	1	28/03/2013			
	48013761AW	FAIRING, LOWER LH WHITE	1	17/06/2013			
8	77210841C	SCREW	1				
9	85212181A	WASHER, NYLON 9X14X1	2				
10	77210853B	SCREW TCEI M5X9	4				
11	48013771AA	FAIRING, LOWER RH RED	1	28/03/2013			
	48013771AW	FAIRING, LOWER RH WHITE	1	17/06/2013			
12	43814741A	EMBLEM DUCATI	1				
13	43818941A	DECAL 899 PANIGALE FOR RED	2	28/03/2013			
	43818941AS	DECAL 899 PANIGALE FOR WHITE	2	17/06/2013			
14	48015531AA	RIGHT UPPER HALF-FAIRING RED	1	28/03/2013			
	48015531AW	FAIRING UPPER RH WHITE	1	17/06/2013			
15	48015521AA	LEFT UPPER HALF-FAIRING RED	1	28/03/2013			
	48015521AW	FAIRING UPPER LH WHITE	1	17/06/2013			



CODE	NO. TABLE	POS.	CODE	NO. TABLE	POS.	CODE	NO. TABLE	POS.	CODE	NO. TABLE	POS.
037072020	023	8	14824501A	13A	31	18010281D	002	6	24723712A	009	18
037072020	024	12	14824501A	13A	35	18010291D	002	7	24723842A	009	3
064770010	011	1	14824511A	013	31	18120051C	002	13	247P4072A	18A	20
069191030	18C	10	14824511A	013	33	18220353C	002	5	25130081B	13A	21
11210711AA	006	9	14910881F	003	27	18220381B	002	21	25130081B	13A	21
11210711AB	006	9	14911201A	003	15	18410152AA	025	29	25220141B	009	6
11210711AC	006	9	15021991A	003	1	18710021A	023	3	25440012A	005	13
11210711AD	006	9	15022001A	003	2	19020131A	004	9	25440012A	05A	13
11210711AE	006	9	15310121A	021	13	19410611A	004	4	26420211A	012	1
11210711AF	006	9	15620891BA	006	6	19540061A	004	17	27040134A	012	7
11210771AA	10A	11	15620891BB	006	6	19610631A	004	12	28040331A	017	3
11210771AB	10A	11	15620891BC	006	6	19820421A	004	14	28240921A	017	10
11210771AC	10A	11	15620891BD	006	6	20810381A	014	15	28620441A	001	5
11210771AD	10A	11	16010922A	026	24	20810381A	015	15	28642421A	18B	10
11210771AE	10A	11	16014151A	012	23	20910741A	014	19	28642421E	18B	10
11711252AA	22A	4	16024272A	032	11	20910741A	015	19	28642421F	18B	10
11711261CA	016	18	16024272A	032	11	20910751A	014	14	30123271B	015	4
11711272AA	025	30	17021322A	006	3	20910751A	015	14	30123281B	014	4
11721332B	004	16	17111154A	013	14	21011011B	014	30	30310671AA	014	11
12022071A	007	6	17111154A	013	14	21011011B	015	30	30310671AA	015	11
12112481A	007	1	17111154A	13A	14	21111001A	014	21	30310671AB	014	11
12113241A	007	2	17111154A	13A	14	21111001A	015	21	30310671AB	015	11
12120591A	007	3	17112311A	008	4	22522961B	010	35	30310671AC	014	11
12221911CA	007	7	17112351B	006	8	24221251AA	012	10	30310671AC	015	11
12221911CB	007	7	17213172A	003	5	24321402A	005	2	304A0961AB	014	31
12221911CC	007	7	17213182A	003	10	24321431A	05A	2	304A0961AB	015	31
13510392A	017	6	17213192A	003	13	24713911B	008	2	304A0961AC	014	31
14010701B	013	2	17213202A	003	7	24714041AA	016	1	304A0961AC	015	31
14010701B	013	2	17213212A	003	19	24714063A	033	27	304A0971AB	014	22
14010701B	13A	2	17213222A	003	25	24714101A	013	28	304A0971AB	015	22
14010701B	13A	2	17213232A	003	23	24714101A	013	28	304A0971AC	014	22
14622172AA	006	11	17213242A	003	22	24714101A	13A	28	304A0971AC	015	22
14622172AB	006	11	17213252A	003	20	24714101A	13A	28	30710021A	013	23
14622172AC	006	11	17213262A	003	24	24714291A	030	26	30710021A	013	23
14622172AE	006	11	17310241A	012	25	24714332A	020	22	30710021A	13A	23
14710903A	009	13	17410483A	009	14	24714361B	020	23	30710021A	13A	23
14814181B	13A	18	17410501A	011	12	24714371B	020	24	34110891CA	021	23
14814181B	13A	18	17410511A	011	2	24714491A	13A	11	34220681AA	021	7
14814201B	013	18	17410523A	009	19	24714491A	13A	11	34420561B	21A	1
14814201B	013	18	17420561A	009	17	24714501A	013	11	34520561B	21A	2
14824191B	13A	19	17420571A	009	1	24714501A	013	11	34912141A	21A	10
14824191B	13A	19	17420581B	006	5	24714831BA	025	16	34913091A	21A	13
14824211B	013	19	17610221A	012	27	24723652A	002	9	34914071A	21A	11
14824211B	013	19	18010271D	002	2	24723701G	010	37	34914081A	21A	12



CODE	NO. TABLE	POS.	CODE	NO. TABLE	POS.	CODE	NO. TABLE	POS.	CODE	NO. TABLE	POS.
34914091A	21A	15	42710171A	10A	13	46015393A	019	38	48410991B	030	2
34914141A	21A	14	43313881A	28A	24	46015393A	19A	38	48411002A	034	13
34914151A	21A	17	43313881B	28A	24	46015482A	018	7	48411012A	033	23
34914161A	21A	16	43814741A	34A	12	46015631B	18B	5	48411022A	033	32
34914171A	21A	3	43818931A	034	22	46015681A	18A	22	48411043A	030	4
34914181A	21A	18	43818931AS	034	22	46015741A	019	39	48411053A	030	5
34914191A	21A	7	43818941A	34A	13	46015741A	19A	29	48411091A	020	10
34914211A	21A	6	43818941AS	34A	13	46015771A	27B	15	48610851A	005	24
34914221A	21A	8	43818951A	033	34	46015781AA	019	42	48610851A	05A	24
34921671A	21A	9	43818951AS	033	34	46015781AA	19A	42	48710563A	034	1
34921681A	21A	5	43818961A	033	35	46015792B	026	37	49240032A	026	19
34921691A	21A	4	43818961AS	033	35	46016281B	28A	10	49240851A	026	5
36011601AA	021	25	43818971A	032	15	46016301A	027	18	49411611AA	026	34
36011611AA	021	19	43818971A	032	15	46016311A	027	27	49720041A	026	3
36011621AA	021	17	43818971AS	032	15	46016401A	027	28	50121542AA	026	10
36140161A	021	32	43818971AS	032	15	46016411A	027	25	50121681AA	026	10
36420101A	021	29	44212342B	029	8	4602B321A	05A	27	50221611AA	026	7
36521232A	028	4	44440312B	009	5	460PB071AA	019	29	50221671AA	026	7
36911292AA	28A	1	44711121B	28A	9	460PB071AA	19A	39	50410051A	026	20
36911302AA	28A	7	44740021B	008	10	46110041AA	19A	44	50410061A	026	15
37011361BA	28A	13	44740051A	008	6	46240461A	020	3	51017721A	27A	5
37211631AA	028	12	44910661A	003	30	46410801AA	016	4	51017721A	27B	5
37211641AA	028	19	45140013A	008	5	46410801AA	027	10	51018971A	017	1
37310861BA	28A	18	45520172A	010	38	46410811AA	025	23	51019671A	18C	1
37310871BA	28A	14	45612092BA	016	13	46410811AA	027	11	51310261A	18A	15
38040221B	018	16	45612101AA	016	23	47017262AA	027	14	51410671A	18A	7
38040221B	18B	19	45720552AA	025	34	47022731AA	022	2	51410681A	18A	11
38510331B	022	14	46014571A	019	44	48013761AA	34A	7	51640011AB	021	31
38512091C	027	33	46014571A	19A	56	48013761AW	34A	7	52010252A	020	19
38940191A	18C	8	46014902A	27A	20	48013771AA	34A	11	523S0283B	034	7
38940201A	18C	8	46014902A	27B	20	48013771AW	34A	11	523S0293B	034	2
38940211A	18C	8	46014942C	034	18	48015521AA	34A	15	52510432D	27A	25
38940221A	18C	8	46014952C	034	17	48015521AW	34A	15	52510432D	27B	25
38940241A	18C	8	46014962C	034	20	48015531AA	34A	14	52510445C	27A	22
38940251A	18A	12	46014971B	021	2	48015531AW	34A	14	52510445C	27B	22
38940251A	18C	8	46015052A	18A	3	481P1021AA	034	3	52910061B	27A	16
38940261A	18C	8	46015061A	026	35	481P1021AW	034	3	52910061B	27B	16
39040201A	020	21	46015262A	019	6	48211901AA	033	9	53010226B	27A	12
39040211A	27A	1	46015262A	19A	6	48211901AW	033	9	53010226B	27B	12
39040211A	27B	1	46015282A	020	8	48211911AA	033	17	53010236B	27A	6
39740071A	18A	13	46015331BA	019	22	48211911AW	033	17	53010236B	27B	6
40610992C	020	1	46015331BA	19A	22	48311711B	033	28	53940031A	025	17
42610341B	022	6	46015341A	028	6	48311821AA	033	21	53940302A	005	14
42640041B	035	5	46015351A	018	12	48311821AW	033	21	53940302A	05A	14



CODE	NO. TABLE	POS.	CODE	NO. TABLE	POS.	CODE	NO. TABLE	POS.	CODE	NO. TABLE	POS.
53940351A	024	5	57610881AA	19A	52	61841321A	024	29	70010711A	18B	12
53940361A	023	22	58540081A	023	12	61940621A	24A	12	70010751A	035	4
53940601A	22A	1	58540081A	025	4	61940631A	24A	11	70140171A	28A	6
53940651A	22A	14	58540181A	024	15	62440861A	024	1	70140301C	008	11
54040301B	018	3	58612061AA	032	3	62540311C	025	8	70140311A	003	8
54140101A	18C	9	58612061AA	032	3	62640561A	023	20	70140321A	003	14
54240431B	24A	4	58612061AW	032	3	62640561A	024	7	70140331A	003	18
54710022B	011	9	58612061AW	032	3	62640571A	023	18	70140351A	012	22
54840962B	030	22	59013861A	029	7	62640571A	024	24	70140361A	011	3
54840972B	030	10	59013901A	032	1	63040601B	023	1	70140371A	009	15
55212092A	019	24	59013911B	030	7	63140081A	023	21	70240131D	010	7
55212092A	19A	24	59013911B	032	4	63140081A	024	6	70240181B	012	24
55212111B	24A	14	59013941A	018	11	63140161A	025	2	70240251B	010	11
55212121B	24A	20	59013951A	018	21	63140281A	023	19	70240381A	026	25
55212881D	016	20	59023991A	017	8	63140281A	024	19	70241091B	010	12
55241321B	012	17	59340393A	019	3	63140491A	024	2	70241191A	028	16
55241571A	018	10	59340393A	19A	3	63140501A	023	2	70241231A	021	10
55241581A	020	6	59511281B	033	26	63210611A	023	6	70250411A	010	17
55241612C	002	1	59522191A	033	1	65010092I	021	27	70250451A	026	8
55242631A	031	22	59522251A	033	33	65110131A	021	11	70250451A	28A	2
55320121A	031	19	59820611A	033	15	65540081A	029	14	70250601A	004	11
55610601BA	22A	8	59821361A	032	20	66020011B	021	12	70250681A	026	12
55610612AA	22A	13	59821361A	032	20	66810491A	014	32	70310593A	006	4
56110261A	27A	17	59840291A	032	19	66810491A	015	32	70310601BA	021	24
56110261A	27B	17	59840291A	032	19	66910011E	014	9	70450051A	009	24
56113033A	27A	19	59840321A	032	18	66910011E	015	9	70450091A	009	23
56113033A	27B	19	59840321A	032	18	67040451A	018	14	70450091A	011	8
56113043A	27A	8	59940011A	033	19	67040451A	18B	16	71011611AA	22A	6
56113043A	27B	8	61041491A	024	9	67110511C	018	15	71011642AA	028	8
56420941AN	34A	4	61041501A	024	26	67110511C	18B	17	71110932A	10A	14
56510661B	28A	12	61140412A	025	13	67620871A	026	26	71113171A	005	5
57013062C	019	20	61240052A	023	4	67640961A	026	30	71113171A	012	9
57013062C	19A	20	61240052A	024	21	67740201A	026	27	71113171A	05A	5
57013073A	019	17	61240081A	025	1	68010171A	006	12	71113181A	010	15
57013073A	19A	17	61240161A	025	3	69610121A	027	9	71113222A	011	4
570P3152B	019	16	61240201A	024	22	69720284A	027	1	71113631A	002	4
570P3152C	19A	16	61240391A	023	23	69926431A	032	16	71115051A	010	36
57112992C	019	26	61240391A	024	30	69926431A	032	21	71210341A	016	9
57112992C	19A	26	61240511A	024	27	69926441A	032	22	71210341A	025	33
57113002C	019	25	61340121A	024	8	69926441A	032	4	71210471AA	22A	11
57113002C	19A	25	61340381A	025	26	69926761A	18A	4	71240231A	002	12
573P3642A	19A	51	61610021A	032	2	70010431A	020	2	71240231A	010	14
57413441B	19A	13	61841301A	24A	8	70010591A	026	22	71311841A	026	28
57413691A	019	13	61841311A	24A	5	70010702A	027	32	71311871A	28A	3



CODE	NO. TABLE	POS.	CODE	NO. TABLE	POS.	CODE	NO. TABLE	POS.	CODE	NO. TABLE	POS.
71312051A	026	21	71614102AA	19A	58	74710151A	010	29	75810711A	24A	19
71313091A	004	13	71614102AA	27A	3	74750031A	021	6	75810722A	24A	18
71313882A	28A	19	71614102AA	27B	3	74750031A	025	28	75840601A	24A	16
71314361A	19A	46	71614331AA	030	14	74750101A	016	17	76410011A	19A	47
71314703A	27A	10	71614342AA	018	18	74810241A	019	11	76410112A	016	19
71314703A	27B	10	71614342AA	031	2	74810241A	19A	11	76410241A	027	29
71314831A	004	15	71614342AA	18B	7	74810351B	017	9	76410641A	24A	3
71314901A	24A	13	71614381AA	020	17	74810361A	019	41	76410741A	018	22
71315861AA	032	17	71614391AA	019	8	74810361A	19A	41	76410841B	018	13
71315861AA	032	17	71614391AA	19A	8	74810461A	022	4	76410841B	27A	21
71315871AA	032	2	71614421AA	27B	28	74810461A	026	33	76410841B	27B	21
71315871AA	032	23	71614431AA	031	4	74810461A	10A	1	76410871A	014	10
71319201A	24A	13	71614431AA	18C	4	74810651A	026	1	76410871A	015	10
71319271A	014	12	71614881AA	019	49	74810791A	013	25	76410901A	018	19
71319271A	015	12	71614881AA	19A	61	74810791A	013	25	76410901A	020	20
71319281A	014	28	72010513C	026	4	74810791A	13A	25	76410901A	031	3
71319281A	015	28	73210331B	019	35	74810791A	13A	25	76410901A	18A	2
71319291A	008	12	73210331B	19A	35	74840381A	019	37	76410901A	18B	6
71319421A	028	11	735033804	010	16	74840381A	020	4	76410901A	18C	5
71319452AA	28A	4	735034405	010	8	74840381A	027	16	76411141A	034	14
71319471AA	033	3	73840011A	008	9	74840381A	18A	8	76411141A	27A	4
71319971AA	028	10	74110121A	18C	11	74840381A	19A	37	76411141A	27B	4
7131A361AA	026	32	74110551A	030	30	74840481A	10A	4	76411301A	019	5
7131A371AA	026	31	74110551A	035	16	74940041A	018	5	76411301A	19A	5
71320021B	003	29	74140331A	28A	21	74941108B	023	13	76411361A	020	15
71320031A	004	10	74140381A	18C	2	74941118B	033	24	76411411B	018	8
71411041AA	026	13	74140431A	023	14	74941128B	19A	50	76411411B	030	9
71413261AA	026	17	74140431A	024	16	74950011B	27A	13	76411411B	18A	1
71413271AA	026	2	74140431A	025	6	74950011B	27B	13	76411411B	18B	21
71413281AA	026	9	74140431A	030	19	75010071A	004	7	76411481A	019	9
71610031A	24A	21	74140431A	031	10	75010281A	034	6	76411481A	19A	9
71611061A	18A	16	74140431A	032	16	75011251A	28A	17	76411491A	030	15
71611441B	028	5	74140431A	035	6	75011491AB	034	21	76411491A	27A	23
71611491A	033	8	74140581A	035	9	75011551A	033	16	76411491A	27B	23
71611571C	002	17	74140631A	029	6	75011742AA	005	12	76411501A	030	17
71611581C	002	15	74140651A	035	12	75011742AA	05A	12	76411511A	034	12
71614011B	34A	6	74141671A	029	10	75011742AA	18B	4	76411521A	032	7
71614071A	005	23	74141711A	018	20	75011841AA	005	12	76411521A	032	7
71614071A	019	36	74141851A	030	28	75011841AA	05A	26	76411541A	030	31
71614071A	05A	23	74141861A	031	13	75011891AA	28A	23	76411621A	029	15
71614071A	18A	9	74141881A	031	18	75011921A	024	18	76411641A	020	14
71614071A	18B	2	74142141A	029	1	75610361AA	022	1	76411741A	19A	15
71614071A	19A	36	74142231A	031	16	75810701B	005	22	76411861A	032	1
71614102AA	019	47	74142251A	029	11	75810701B	05A	22	76411861A	032	24



CODE	NO. TABLE	POS.	CODE	NO. TABLE	POS.	CODE	NO. TABLE	POS.	CODE	NO. TABLE	POS.
76411891A	027	26	77156438B	19A	49	77210853B	34A	10	77251018B	020	16
76440561A	018	6	77156443B	018	17	77210861B	033	2	77251023C	18A	14
76440561A	033	22	77156443B	030	13	77210882B	031	5	77251028C	019	32
76440561A	18B	3	77156443B	031	1	77210882B	18C	3	77251028C	19A	32
76440581A	005	21	77156443B	18B	8	77210893B	34A	5	77251038B	018	4
76440581A	05A	21	77156443B	27A	2	77211091C	030	25	77251038B	18B	18
76440591A	027	31	77156443B	27B	2	77211091C	033	13	77251387C	10A	8
76610781A	010	6	77156448B	025	15	77211091C	034	19	77253290Z	013	12
76610801A	010	25	77156628B	18A	5	77211091C	34A	1	77253290Z	013	12
76610811A	10A	6	77156658B	022	10	77211131A	18A	21	77253290Z	13A	12
76610821A	013	6	77156658B	025	9	77211251B	021	1	77253290Z	13A	12
76610821A	013	6	77156658B	027	8	77211251B	027	22	77253297C	011	10
76610821A	13A	6	77156678B	021	28	77211271A	024	20	77253300ZF	012	2
76610821A	13A	6	77156688B	018	9	77211271A	24A	17	77253307C	012	19
76610841A	013	26	77156688B	021	4	77211341A	021	8	77253317C	002	10
76610841A	013	26	77156728B	032	5	77211361AA	028	18	77253317C	008	1
76610841A	13A	26	77156728B	032	5	77240243C	026	36	77253317C	009	2
76610841A	13A	26	77157238B	016	10	77240253C	020	9	77253317C	010	39
77110191A	016	25	77157238B	025	12	77240253C	19A	30	77253317C	011	11
77110211A	19A	53	77157238B	027	13	77240258C	18B	13	77253337C	005	1
77110471A	004	6	77157238B	028	3	77240263C	020	11	77253337C	009	9
77112331A	013	1	77157248B	016	26	77240288C	034	9	77253337C	012	16
77112331A	013	1	77157248B	021	21	77240323C	029	13	77253337C	05A	1
77112331A	13A	1	77157248B	025	37	77240393C	033	29	77253357C	005	4
77112331A	13A	1	77157258B	021	22	77240398C	010	2	77253357C	012	11
77116648B	019	14	77157278B	019	7	77240403C	28A	22	77253357C	05A	4
77116648B	19A	14	77157278B	027	7	77240408C	022	11	77253367C	013	5
77140663C	026	38	77157278B	19A	7	77240418C	27A	18	77253367C	013	5
77150628B	014	16	77157288B	016	24	77240423C	27B	18	77253367C	13A	5
77150628B	015	16	77157618B	028	13	77240443C	032	9	77253367C	13A	5
77150668B	017	11	77210461B	18A	24	77240443C	032	9	77253387C	10A	7
77150678B	009	22	77210601A	24A	15	77240443C	24A	10	77253447C	10A	9
77150728C	004	3	77210621A	013	27	77240458C	24A	9	77310071A	026	16
77150738B	012	3	77210621A	013	27	77244173B	027	20	77350403B	033	7
77151598C	028	1	77210621A	13A	27	77244173B	028	7	77350618B	013	31
77154337C	003	3	77210621A	13A	27	77244213B	019	30	77350618B	13A	31
77156398B	016	2	77210623B	031	8	77244213B	032	10	77350623B	023	10
77156398B	27A	11	77210841C	34A	8	77244213B	032	10	77350623B	024	10
77156398B	27B	11	77210842A	28A	8	77244213B	19A	57	77354623B	22A	2
77156408B	017	2	77210852C	019	2	77244358BA	016	21	77354888B	021	20
77156408B	025	14	77210852C	035	3	77250718B	027	34	77355038B	002	8
77156408B	030	23	77210852C	19A	2	77250728B	019	19	77355068B	19A	45
77156418B	032	14	77210852C	28A	11	77250728B	19A	19	77440071A	27A	27
77156418B	032	14	77210853B	18B	1	77250788B	020	18	77440071A	27B	27



CODE	NO. TABLE	POS.	CODE	NO. TABLE	POS.	CODE	NO. TABLE	POS.	CODE	NO. TABLE	POS.
77440101A	020	25	77916661B	012	5	78811131A	13A	8	800068490	024	14
77440111A	029	9	77916763AA	027	23	78811161A	029	3	800070139	01C	8
77440121A	27B	29	77916792AA	033	30	78811182A	022	3	80012051A	031	14
77440183C	27A	7	77916811AA	022	13	78811191A	011	7	80012061A	031	15
77440183C	27B	7	77916821BA	020	12	78811201A	031	9	80012111A	031	6
77440203C	019	1	77916951AA	034	11	78811221A	034	8	80012121A	030	21
77440203C	030	12	77916971B	013	21	78811231A	034	10	80012131A	031	7
77440203C	18A	23	77916971B	013	21	78811281A	034	23	81140012B	013	29
77440203C	19A	1	77916991A	10A	12	78811291A	034	24	81140012B	013	29
77440203C	27A	9	77917161B	005	3	79010231B	019	21	81140012B	13A	29
77440203C	27B	9	77917161B	009	11	79010231B	19A	21	81140012B	13A	29
77510041A	020	5	77917161B	012	6	79010251A	019	12	81411831A	035	8
77510071AB	034	4	77917161B	05A	3	79010251A	19A	12	81413251A	032	25
77510311B	010	1	77917231A	014	3	79110831A	030	20	81413251A	035	17
77550131A	016	15	77917231A	015	3	79120531B	007	5	81413341A	013	4
77550200C	005	17	77917291AA	035	14	79710321A	004	1	81413341A	013	4
77550200C	05A	17	77917291AA	24A	1	79910241A	027	3	81413341A	13A	4
77910921A	023	7	77917392AA	021	30	79911661A	016	5	81413341A	13A	4
77910921B	024	13	77918351A	006	7	79911661A	025	24	81413421B	010	23
77912371B	025	31	77918471AA	027	24	79912632A	019	23	81413531A	13A	34
77912981A	021	5	77918811A	05A	25	79912632A	19A	23	81413531A	13A	34
77913541A	013	15	77927171A	010	28	79915101C	010	41	81415081AA	031	12
77913541A	013	15	78010511C	012	14	79915131C	002	20	81440681A	032	8
77913541A	13A	15	78010511C	014	24	79915141C	002	16	81440681A	032	8
77913541A	13A	15	78010511C	015	24	79915201A	014	33	81510371A	029	5
77913662AB	023	16	78010511C	10A	16	79915201A	015	33	81810162A	004	5
77913662AB	025	11	78010771A	010	33	79915211A	014	29	81910691A	026	11
77913662AB	24A	7	78010801A	010	26	79915211A	015	29	81910742AA	28A	15
77913722AA	28A	16	78010841A	012	13	79915221A	014	20	82010141A	010	4
77913971A	023	5	78010861A	010	19	79915221A	015	20	82010151A	008	3
77913971A	024	3	78010871A	010	9	79915231A	014	13	82010161B	010	42
77914151A	024	23	78020011A	019	18	79915231A	015	13	82010171A	011	5
77914211A	014	7	78020011A	19A	18	79915441A	030	3	82110511AB	016	6
77914211A	015	7	78110121AA	005	19	79915493A	022	9	82110511AB	025	22
77914651A	024	28	78110121AA	031	11	79915511A	025	27	82110511AB	027	4
77915041A	028	15	78110121AA	05A	19	79915534A	013	22	82111701B	016	7
77915111B	024	25	78611271A	007	4	79915534A	013	22	82111701B	025	36
77915471A	006	10	78811102C	013	7	79915534A	13A	22	82113361A	014	26
77916241A	010	40	78811102C	013	7	79915534A	13A	22	82113361A	015	26
77916441A	013	10	78811102C	13A	7	79915581A	031	21	82113371B	014	27
77916441A	013	10	78811102C	13A	7	79915651A	019	43	82113371B	015	27
77916441A	13A	10	78811131A	013	8	79915651A	19A	43	82113441B	002	3
77916441A	13A	10	78811131A	013	8	79925411AA	22A	7	82113711BA	22A	12
77916551B	006	1	78811131A	13A	8	79940121A	010	22	82113731AA	22A	5



CODE	NO. TABLE	POS.	CODE	NO. TABLE	POS.	CODE	NO. TABLE	POS.	CODE	NO. TABLE	POS.
82113751A	030	1	83016491AA	019	31	84010162A	014	1	84010442B	014	2
82113811AA	025	32	83016491AA	19A	31	84010162A	015	1	84010442B	015	2
82113822BA	021	15	83016501AA	019	33	84010172A	014	1	84010452B	014	2
82113832A	013	20	83016501AA	19A	33	84010172A	015	1	84010452B	015	2
82113832A	013	20	83016541B	024	31	84010182A	014	1	84010462B	014	2
82113832A	13A	20	83016582A	022	8	84010182A	015	1	84010462B	015	2
82113832A	13A	20	83016833A	18A	10	84010192A	014	1	84010472B	014	2
82114041A	014	23	83016861A	18B	14	84010192A	015	1	84010472B	015	2
82114041A	015	23	83017071A	18C	6	84010202A	014	1	84010482B	014	2
82114741AA	026	23	83017791AA	19A	48	84010202A	015	1	84010482B	015	2
82123692A	008	8	83018441AA	027	15	84010212A	014	1	84010492B	014	2
82411871BA	025	21	83026511BA	019	10	84010212A	015	1	84010492B	015	2
82411881BA	027	5	83026511BA	19A	10	84010222A	014	1	84010502B	014	2
82411892BA	027	12	83110151A	010	21	84010222A	015	1	84010502B	015	2
82421862AA	016	11	84010012A	014	1	84010232A	014	1	84010512B	014	2
82510501AA	28A	25	84010012A	015	1	84010232A	015	1	84010512B	015	2
82712981B	27A	15	84010022A	014	1	84010242A	014	1	84010522B	014	2
82716012A	005	16	84010022A	015	1	84010242A	015	1	84010522B	015	2
82716012A	05A	16	84010032A	014	1	84010252A	014	1	84010532B	014	2
82716021A	014	5	84010032A	015	1	84010252A	015	1	84010532B	015	2
82716021A	015	5	84010042A	014	1	84010262A	014	1	84010542B	014	2
82716091A	012	8	84010042A	015	1	84010262A	015	1	84010542B	015	2
82716141A	033	18	84010052A	014	1	84010272A	014	1	84010552B	014	2
82716351A	013	30	84010052A	015	1	84010272A	015	1	84010552B	015	2
82716351A	013	30	84010062A	014	1	84010282A	014	1	84010562B	014	2
82716351A	13A	30	84010062A	015	1	84010282A	015	1	84010562B	015	2
82716351A	13A	30	84010072A	014	1	84010292A	014	1	84010572B	014	2
8291A333AA	028	2	84010072A	015	1	84010292A	015	1	84010572B	015	2
8291A352B	030	11	84010082A	014	1	84010302A	014	1	84010582B	014	2
8291A433CA	016	12	84010082A	015	1	84010302A	015	1	84010582B	015	2
8291A441BA	025	20	84010092A	014	1	84010312A	014	1	84010592B	014	2
8291A481B	022	7	84010092A	015	1	84010312A	015	1	84010592B	015	2
8291A511BA	025	18	84010102A	014	1	84010322A	014	1	84010602B	014	2
8291A691AA	024	11	84010102A	015	1	84010322A	015	1	84010602B	015	2
8291A701AA	023	9	84010112A	014	1	84010332A	014	1	84010612B	014	2
8291A901A	035	2	84010112A	015	1	84010332A	015	1	84010612B	015	2
8291B501AC	020	13	84010122A	014	1	84010342A	014	1	84010622B	014	2
8291B701A	027	35	84010122A	015	1	84010342A	015	1	84010622B	015	2
8291B801A	24A	2	84010132A	014	1	84010412B	014	2	84010632B	014	2
8292A342A	030	18	84010132A	015	1	84010412B	015	2	84010632B	015	2
829PA361A	018	1	84010142A	014	1	84010422B	014	2	84010642B	014	2
829PA371A	18B	9	84010142A	015	1	84010422B	015	2	84010642B	015	2
829PA541B	18A	17	84010152A	014	1	84010432B	014	2	84010652B	014	2
83016471AA	022	12	84010152A	015	1	84010432B	015	2	84010652B	015	2



CODE	NO. TABLE	POS.	CODE	NO. TABLE	POS.	CODE	NO. TABLE	POS.	CODE	NO. TABLE	POS.
84010662B	014	2	84010862B	014	2	85041951AA	027	21	85213111AA	27B	24
84010662B	015	2	84010862B	015	2	85110201A	004	8	85213291A	003	12
84010672B	014	2	84010872B	014	2	85140071A	019	48	85213301A	003	6
84010672B	015	2	84010872B	015	2	85140071A	19A	60	85213311A	003	17
84010682B	014	2	84011082A	014	1	85210241A	034	5	85240091A	035	1
84010682B	015	2	84011082A	015	1	85210532A	019	28	85240131A	027	17
84010692B	014	2	84011092A	014	1	85210532A	19A	28	85240131A	27B	14
84010692B	015	2	84011092A	015	1	85210681B	22A	9	85240161A	19A	54
84010702B	014	2	84011102A	014	1	85211201A	013	16	85240231A	013	24
84010702B	015	2	84011102A	015	1	85211201A	013	16	85240231A	013	24
84010712B	014	2	84011112A	014	1	85211201A	13A	16	85240231A	13A	24
84010712B	015	2	84011112A	015	1	85211201A	13A	16	85240231A	13A	24
84010722A	014	1	84011122A	014	1	85211511A	016	14	85240261A	014	17
84010722A	015	1	84011122A	015	1	85211511A	025	19	85240261A	015	17
84010722B	014	2	84011132A	014	1	85211561A	18B	22	85250011C	27A	14
84010722B	015	2	84011132A	015	1	85211671A	032	6	85250071A	031	24
84010732A	014	1	84011142A	014	1	85211671A	032	6	85250231A	013	3
84010732A	015	1	84011142A	015	1	85211671B	033	25	85250231A	013	3
84010732B	014	2	84110461A	004	2	85211951A	005	15	85250231A	13A	3
84010732B	015	2	84740021A	027	2	85211951A	05A	15	85250231A	13A	3
84010742B	014	2	84740061A	010	20	85212181A	34A	9	85250241A	005	18
84010742B	015	2	84850021A	016	16	85212221A	026	6	85250241A	023	17
84010752B	014	2	85040471A	018	23	85212651A	002	19	85250241A	024	4
84010752B	015	2	85040471A	030	27	85212651A	012	26	85250241A	025	10
84010762B	014	2	85040471A	033	20	85212661A	010	43	85250241A	031	23
84010762B	015	2	85040471A	034	27	85212681A	009	20	85250241A	05A	18
84010772B	014	2	85040471A	18B	15	85212681A	011	13	85250241A	24A	6
84010772B	015	2	85040471A	18C	7	85212721A	005	9	85250261A	012	15
84010782B	014	2	85040471A	34A	3	85212721A	05A	9	85250261A	10A	15
84010782B	015	2	85040551A	019	27	85212771A	10A	5	85250261B	014	25
84010792B	014	2	85040551A	020	7	85212781B	013	9	85250261B	015	25
84010792B	015	2	85040551A	030	6	85212781B	013	9	85250271A	020	26
84010802B	014	2	85040551A	033	14	85212781B	13A	9	85250291A	019	40
84010802B	015	2	85040551A	034	28	85212781B	13A	9	85250291A	19A	40
84010812B	014	2	85040551A	18A	19	85212791A	006	2	85250491A	010	27
84010812B	015	2	85040551A	19A	27	85212801A	003	26	85250541A	009	7
84010822B	014	2	85041041A	033	11	85212941B	012	4	85310031A	012	18
84010822B	015	2	85041041A	034	15	85213002A	019	45	85350101A	18A	6
84010832B	014	2	85041051A	033	12	85213002A	19A	55	85540031A	022	5
84010832B	015	2	85041051A	034	16	85213021A	009	12	85610642A	10A	2
84010842B	014	2	85041471A	033	31	85213111AA	019	4	85611271A	016	22
84010842B	015	2	85041581A	018	2	85213111AA	030	16	85611372A	003	9
84010852B	014	2	85041581A	18B	20	85213111AA	19A	4	85611401A	033	10
84010852B	015	2	85041811A	017	7	85213111AA	27A	24	85611401A	34A	2



CODE	NO. TABLE	POS.	CODE	NO. TABLE	POS.	CODE	NO. TABLE	POS.	CODE	NO. TABLE	POS.
85611471A	013	13	87611081A	029	2	88641791A	13A	33	887133853	01A	8
85611471A	013	13	87611121A	029	4	88641961A	010	24	887133875	01B	7
85611471A	13A	13	87611131A	029	12	88641971A	012	21	887133878	01B	9
85611471A	13A	13	87611181A	035	7	88641981A	031	20	887133922	01B	12
85611491A	003	21	87611191A	035	13	88642061A	017	5	887133923	01B	11
85640121A	019	46	87711131A	023	15	88642081A	008	7	887133925	01B	10
85640121A	19A	59	87711411A	024	17	88650131A	010	3	887133926	01B	5
86010061A	013	32	87711491A	025	7	88650541B	004	18	887133927	01C	2
86010061A	013	32	87721561A	005	20	88650561A	009	4	887133943	01A	28
86010061A	13A	32	87721561A	05A	20	887131010	01C	6	887134116	01A	38
86010061A	13A	32	88440061A	026	29	887131058	01C	7	887134131	01A	30
86050061A	010	10	88440331A	033	4	887131062	01C	4	887134132	01A	31
86050061A	013	17	88440731A	003	4	887131832	01B	13	887134134	01B	4
86050061A	013	17	88440741A	003	11	887131994	01A	20	887134135	01B	1
86050061A	014	6	88440751A	003	16	887132069	01B	18	887134136	01B	3
86050061A	015	6	88450021A	021	16	887132409	01C	5	887134138	01A	36
86050061A	13A	17	88450031A	016	3	887132442	01B	14	887134139	01A	35
86050061A	13A	17	88450031A	019	34	887132574	01A	25	887134207	01C	3
86050361AA	22A	3	88450031A	025	25	887132676	01B	6	887134257	01A	26
86050371A	010	5	88450031A	027	6	887132877	01B	16	887134302	01C	13
86610301A	027	19	88450031A	19A	34	887133220	01C	1	887134308	01A	22
86610301A	033	5	88450031A	22A	10	887133407	01B	17	887134314	01A	37
86610361A	18A	18	88450291A	005	8	887133422	01A	1	887134392	01B	8
86610611A	033	6	88450291A	05A	8	887133436	01A	11	887134484	01C	9
86611001A	019	15	88450311A	002	14	887133437	01A	2	887134485	01C	10
86611241A	18B	11	88450361A	002	18	887133440	01A	3	887134486	01C	11
86640061A	032	13	88450371A	009	21	887133452	01A	13	887134487	01C	12
86640081A	032	13	88450371A	011	6	887133500	01A	14	887651298	01B	15
87210481A	021	18	88610961A	017	4	887133502	01A	23	887651632	01A	27
87210532A	27A	26	88640042A	003	28	887133507	01A	15	887651678	01A	24
87210532A	27B	26	88640091A	028	9	887133508	01A	16	887651702	01A	32
87210601A	28A	20	88640331A	012	20	887133509	01A	17	887651703	01A	33
87210722A	021	3	88640741A	012	12	887133510	01A	10	887651704	01A	34
87210781A	034	25	88640881A	014	8	887133511	01A	12	887651718	01A	39
87210791A	034	26	88640881A	015	8	887133512	01A	18	89310143A	030	24
87240881A	030	29	88640891A	005	6	887133517	01A	29	89310153A	009	8
87310021A	010	32	88640891A	05A	6	887133524	01A	6	89320121A	005	7
87350251A	014	18	88641161A	016	8	887133549	01A	9	89320121A	05A	7
87350251A	015	18	88641161A	025	35	887133758	01A	19	89340051A	023	11
87511641BB	010	34	88641331A	009	16	887133760	01A	21	89340051A	025	5
87511651BB	010	18	88641701A	10A	10	887133773	01A	4	89420113B	009	10
87521961AA	028	14	88641761A	005	11	887133774	01A	7	89520441A	032	12
875P1731BA	021	14	88641761A	05A	11	887133795	01A	5	89520441A	032	12
875P1741BA	021	26	88641791A	13A	33	887133824	01B	2	91372631A	027	30



CODE	NO. TABLE	POS.
91372631B	027	30
91372631C	027	30
91372631D	027	30
91372631E	027	30
91372631F	027	30
91372631G	027	30
92610312A	027	36
93010041B	021	9
93040391A	026	14
93040431A	010	13
93040931A	010	31
93041271A	028	17
93041501A	026	18
93041521A	005	10
93041521A	05A	10
93041591A	002	11
93041771A	010	30
93041911A	022	15
93050121A	28A	5
93410152A	030	8
93410173A	031	17
93510081A	035	11
93510091A	035	10
93510101A	035	15
942470036	10A	3
979000252	001	1
979000254	001	3
979000255	001	4
979000256	001	2





Ducati Motor Holding S.p.A.

Uffici Commerciali Amministrativi:

Via A. Cavalieri Ducati n. 3

40132 Bologna, Italy

Telefono 051 6413111

Fax 051 406580

Internet www.ducati.com