



1199 Panigale ABS

Model Year 2013



SUPERBIKE

Chassis prefix:
Cylinder capacity: 1200

D15000013 - 1199
SPARE PARTS CATALOGUE
en-US



The present spare parts order exactly the right spare parts.

When ordering specify:

1. the part's code number followed by its description and quantity needed;
2. the motorcycle's serial number, stamped on the steering head.

Reference to right and left apply to the vehicle in terms of its direction of movement.



Spare parts drawings are general and do not represent the part.

The contents of this catalogue are general and can undergo changes without prior notice.

CHARACTERISTICS LEGENDA

CHARACTERISTIC CODE	CHARACTERISTIC DESCRIPTION	VALUE CODE	VALUE DESCRIPTION
DFR	DAFRA	N	NO
MOD	MODEL	1199 ABS	
PLT	PLANT	DB10	DMH
XCO	MAIN COLOUR	AW	
XCO	MAIN COLOUR	R	
XCR	FRAME / WHEEL COLOUR	-B	
XPO	OPTIONS	STD	MOTO STANDARD
XST	STANDARD COUNTRY	AUS	
XST	STANDARD COUNTRY	CHN	
XST	STANDARD COUNTRY	EUR	
XST	STANDARD COUNTRY	FRA	
XST	STANDARD COUNTRY	JAP	



COLOUR	COLOUR CODE	COLOUR DESCRIPTION	FINISHED PRODUCTS
	AW	ARTIC WHITE	(D15026313) 1199 ABS PANIGALE 13 JAP AW -B STD DMH (D15026413) 1199 ABS PANIGALE 13 FRA AW -B STD DMH (D15026613) 1199 ABS PANIGALE 13 AUS AW -B STD DMH (D15026713) 1199 ABS PANIGALE 13 CHN AW -B STD DMH (D15026113) 1199 ABS PANIGALE 13 EUR AW -B STD DMH
	R	RED DUCATI	(D15024513) 1199 ABS PANIGALE 13 JAP R -B STD DMH (D15024913) 1199 ABS PANIGALE 13 CHN R -B STD DMH (D15022013) 1199 ABS PANIGALE 13 EUR R -B STD DMH (D15022913) 1199 ABS PANIGALE 13 FRA R -B STD DMH (D15023413) 1199 ABS PANIGALE 13 AUS R -B STD DMH



General information.....	3
Colours.....	4
Group ELECTRIC.....	8
Drawing 018 - IMPIANTO ELETTRICO SINISTRO [MOD:1199 ABS;XST:AUS,CHN,EUR,FRA,JAP].....	8
Drawing 18A - BATTERY HOLDER [MOD:1199 ABS;XST:AUS,CHN,EUR,FRA,JAP].....	12
Drawing 18B - IMPIANTO ELETTRICO DESTRO [MOD:1199 ABS;XST:AUS,CHN,EUR,FRA,JAP].....	16
Drawing 18C - WIRING HARNESS [MOD:1199 ABS;XST:AUS,CHN,EUR,FRA,JAP].....	20
Group ENGINE.....	22
Drawing 002 - GEARCHANGE CONTROL [MOD:1199 ABS;XST:AUS,CHN,EUR,FRA,JAP].....	22
Drawing 003 - GEAR BOX [MOD:1199 ABS;XST:AUS,CHN,EUR,FRA,JAP].....	26
Drawing 004 - CLUTCH [MOD:1199 ABS;XST:AUS,CHN,EUR,FRA,JAP].....	30
Drawing 005 - CLUTCH - SIDE CRANKCASE COVER [MOD:1199 ABS;XST:AUS,CHN,EUR,FRA].....	34
Drawing 006 - IMBIELLAGGIO [MOD:1199 ABS;XST:AUS,CHN,EUR,FRA,JAP].....	38
Drawing 007 - CYLINDERS - PISTONS [MOD:1199 ABS;XST:AUS,CHN,EUR,FRA,JAP].....	42
Drawing 008 - DISTRIBUZIONE [MOD:1199 ABS;XST:AUS,CHN,EUR,FRA].....	44
Drawing 009 - FILTRI E POMPA OLIO [MOD:1199 ABS;XST:AUS,CHN,EUR,FRA,JAP].....	46
Drawing 010 - HALF-CRANKCASES PAIR [MOD:1199 ABS;XST:AUS,CHN,EUR,FRA,JAP].....	50
Drawing 011 - POMPA ACQUA [MOD:1199 ABS;XST:AUS,CHN,EUR,FRA,JAP].....	56
Drawing 012 - ELECTRIC STARTING AND IGNITION [MOD:1199 ABS;XST:AUS,CHN,EUR,FRA,JAP].....	58
Drawing 013 - TESTA ORIZZONTALE - DISTRIBUZIONE [MOD:1199 ABS;XST:AUS,EUR,FRA,JAP].....	62
Drawing 013 - TESTA ORIZZONTALE - DISTRIBUZIONE [MOD:1199 ABS;XST:CHN].....	66
Drawing 014 - HORIZONTAL HEAD [MOD:1199 ABS;XST:AUS,CHN,EUR,FRA,JAP].....	68
Drawing 015 - VERTICAL HEAD [MOD:1199 ABS;XST:AUS,CHN,EUR,FRA,JAP].....	86
Drawing 05A - CLUTCH-SIDE CRANKCASE COVER (JAP) [MOD:1199 ABS;XST:JAP].....	104
Drawing 10A - HALF-CRANKCASES PAIR [MOD:1199 ABS;XST:AUS,CHN,EUR,FRA,JAP].....	106
Drawing 13A - VERTICAL CYLINDER HEAD - TIMING [MOD:1199 ABS;XST:AUS,EUR,FRA,JAP].....	110
Drawing 13A - VERTICAL CYLINDER HEAD - TIMING [MOD:1199 ABS;XST:CHN].....	116
Group TOOLS.....	118
Drawing 001 - DDS (2) TESTER [MOD:1199 ABS;XST:AUS,CHN,EUR,FRA,JAP].....	118



Drawing 01A - WORKSHOP SERVICE TOOLS [MOD:1199 ABS;XST:AUS,CHN,EUR,FRA,JAP].....	120
Drawing 01B - WORKSHOP SERVICE TOOLS [MOD:1199 ABS;XST:AUS,CHN,EUR,FRA,JAP].....	124
Drawing 01C - WORKSHOP SERVICE TOOLS [MOD:1199 ABS;XST:AUS,CHN,EUR,FRA,JAP].....	128
Group FRAME.....	130
Drawing 016 - FOOTRESTS, LEFT [MOD:1199 ABS;XST:AUS,CHN,EUR,FRA,JAP].....	130
Drawing 017 - THROTTLE BODY [MOD:1199 ABS;XST:AUS,CHN,EUR,FRA,JAP].....	134
Drawing 019 - GRUPPO SCARICO [MOD:1199 ABS;XST:AUS,CHN,EUR,FRA].....	136
Drawing 020 - FANALE ANTERIORE E CRUSCOTTO [MOD:1199 ABS;XST:AUS,CHN,EUR,FRA,JAP].....	142
Drawing 021 - SEMIMANUBRI - AMMORTIZZATORE DI STERZO [MOD:1199 ABS;XST:AUS,CHN,EUR,FRA,JAP].....	146
Drawing 022 - FRAME [MOD:1199 ABS;XST:AUS,CHN,EUR,FRA,JAP].....	150
Drawing 023 - CLUTCH CONTROL [MOD:1199 ABS;XST:AUS,CHN,EUR,FRA,JAP].....	152
Drawing 024 - FRENO ANTERIORE [MOD:1199 ABS;XST:AUS,CHN,EUR,FRA,JAP].....	156
Drawing 025 - FRENO POSTERIORE [MOD:1199 ABS;XST:AUS,CHN,EUR,FRA,JAP].....	160
Drawing 026 - RUOTA ANTERIORE E POSTERIORE [MOD:1199 ABS;XST:AUS,CHN,EUR,FRA,JAP].....	166
Drawing 027 - REAR FRAME COMP. [MOD:1199 ABS;XST:AUS,CHN,EUR,FRA,JAP].....	170
Drawing 028 - SOSPENSIONE POSTERIORE [MOD:1199 ABS;XST:AUS,CHN,EUR,FRA,JAP].....	174
Drawing 029 - AIR INTAKE - OIL BREATHER [MOD:1199 ABS;XST:AUS,CHN,EUR,FRA,JAP].....	178
Drawing 030 - WATER COOLER [MOD:1199 ABS;XST:AUS,CHN,EUR,FRA,JAP].....	180
Drawing 031 - COOLING SYSTEM [MOD:1199 ABS;XST:AUS,CHN,EUR,FRA,JAP].....	184
Drawing 032 - TANK [MOD:1199 ABS;XST:AUS,EUR,FRA,JAP].....	188
Drawing 032 - TANK [MOD:1199 ABS;XST:CHN].....	192
Drawing 033 - SEAT [MOD:1199 ABS;XST:AUS,CHN,EUR,FRA,JAP].....	194
Drawing 034 - COWLING [MOD:1199 ABS;XST:AUS,CHN,EUR,FRA,JAP].....	200
Drawing 035 - CANISTER FILTER [MOD:1199 ABS;XST:CHN].....	204
Drawing 19A - EXHAUST SYSTEM (JAP) [MOD:1199 ABS;XST:JAP].....	206
Drawing 21A - FRONT FORK [MOD:1199 ABS;XST:CHN].....	210
Drawing 21A - FRONT FORK [MOD:1199 ABS;XST:AUS,EUR,FRA,JAP].....	212
Drawing 22A - STAND [MOD:1199 ABS;XST:AUS,CHN,EUR,FRA,JAP].....	216
Drawing 24A - ANTILOCK BRAKING SYSTEM (ABS) [MOD:1199 ABS;XST:AUS,CHN,EUR,FRA,JAP].....	218
Drawing 26A - REAR WHEEL SPINDLE [MOD:1199 ABS;XST:AUS,CHN,EUR,FRA,JAP].....	222

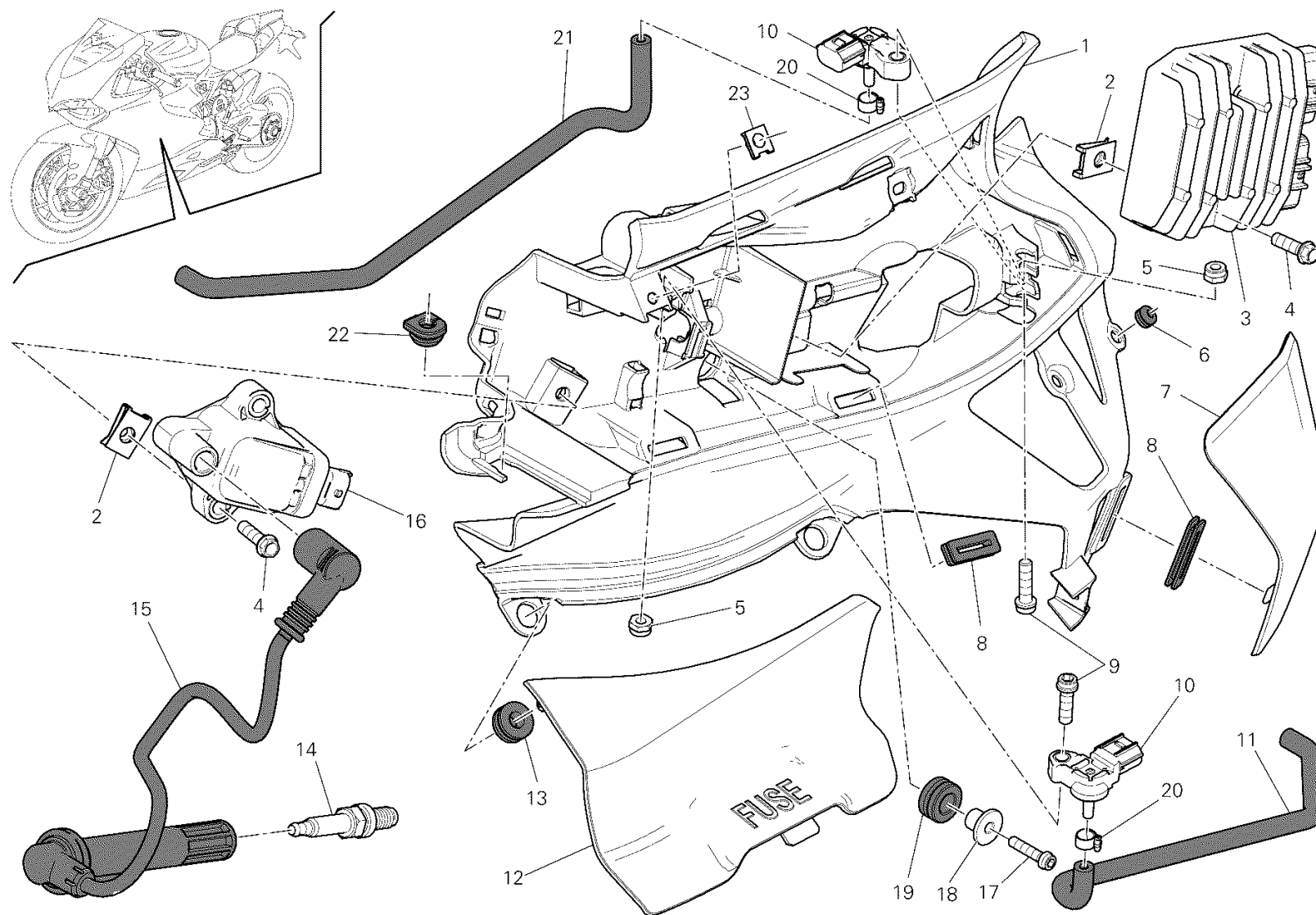


Drawing 27A - PORTATARGA - FANALE POSTERIORE [MOD:1199 ABS;XST:CHN,EUR,FRA,JAP].....	226
Drawing 27B - NUMBER PLATE HOLDER - TAIL LIGHT - (AUS) [MOD:1199 ABS;XST:AUS].....	230
Drawing 28A - FORCELLONE POSTERIORE [MOD:1199 ABS;XST:AUS,CHN,EUR,FRA,JAP].....	232
Drawing 34A - FAIRING [MOD:1199 ABS;XST:AUS,CHN,EUR,FRA,JAP].....	236
Alphanumeric index.....	240



DRAWING 018 - IMPIANTO ELETTRICO SINISTRO [MOD:1199 ABS;XST:AUS,CHN,EUR,FRA,JAP]

GROUP ELECTRIC



IMP00769

DRAWING 018 - IMPIANTO ELETTRICO SINISTRO [MOD:1199

ABS;XST:AUS,CHN,EUR,FRA,JAP]

GROUP ELECTRIC

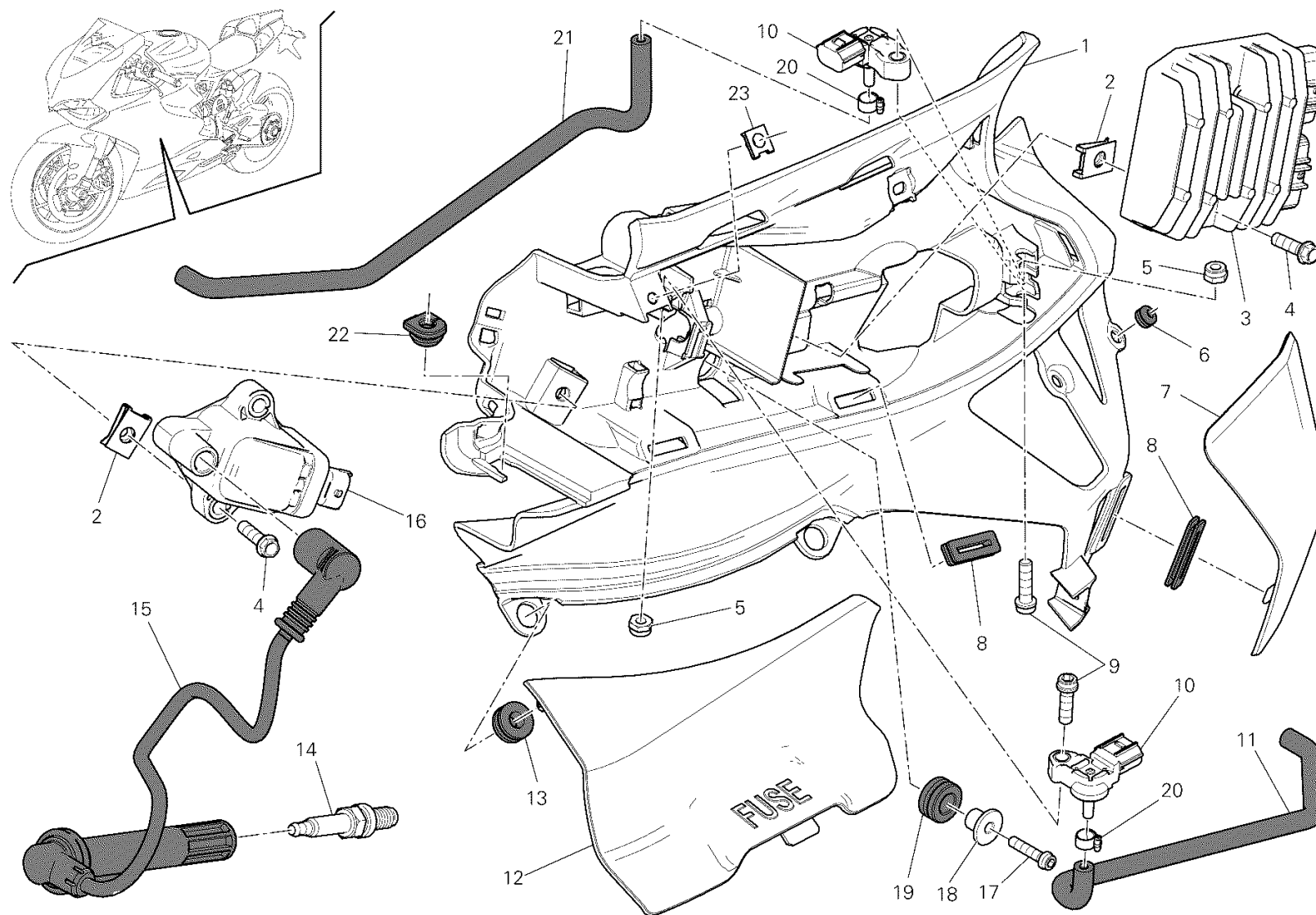


POS.	CODE	DESCRIPTION	QTY	START DATE	END DATE	VALIDITY	NOTES
1	829PA361A	LEFT HOLDER	1			MOD:1199 ABS;XST:AUS,CHN,EUR,FRA,JAP	
2	85041581A	CLIP NUT	4			MOD:1199 ABS;XST:AUS,CHN,EUR,FRA,JAP	
3	54040301B	VOLTAGE REGULATOR	1			MOD:1199 ABS;XST:AUS,CHN,EUR,FRA,JAP	
4	77251038B	SCREW TEF M6X25	4			MOD:1199 ABS;XST:AUS,CHN,EUR,FRA,JAP	
5	74940041A	NUT, SELF-LOCKING M6	2			MOD:1199 ABS;XST:AUS,CHN,EUR,FRA,JAP	
6	76440561A	RUBBER PAD	2			MOD:1199 ABS;XST:AUS,CHN,EUR,FRA,JAP	
7	46015482A	COVER	1			MOD:1199 ABS;XST:AUS,CHN,EUR,FRA,JAP	
8	76411411B	RUBBER PAD	3			MOD:1199 ABS;XST:AUS,CHN,EUR,FRA,JAP	
9	77156678B	SCREW TCEIF M6X20	2				
10	55241571A	SENSOR, PRESSURE	2			MOD:1199 ABS;XST:AUS,CHN,EUR,FRA,JAP	
11	59013941A	TUBE VERTICAL	1			MOD:1199 ABS;XST:AUS,CHN,EUR,FRA,JAP	
12	46015351A	COVER	1			MOD:1199 ABS;XST:AUS,CHN,EUR,FRA,JAP	
13	76410841B	RUBBER PAD	2			MOD:1199 ABS;XST:AUS,CHN,EUR,FRA,JAP	
14	67040451A	SPARK PLUG	1			MOD:1199 ABS;XST:AUS,CHN,EUR,FRA,JAP	
15	67110511C	SPARK PLUG WIRING	1			MOD:1199 ABS;XST:AUS,CHN,EUR,FRA,JAP	
16	38040221B	IGNITION COIL ASSY	1			MOD:1199 ABS;XST:AUS,CHN,EUR,FRA,JAP	
17	77156443B	SCREW	3			MOD:1199 ABS;XST:AUS,CHN,EUR,FRA,JAP	
18	71614342AA	SPACER	3			MOD:1199 ABS;XST:AUS,CHN,EUR,FRA,JAP	



DRAWING 018 - IMPIANTO ELETTRICO SINISTRO [MOD:1199 ABS;XST:AUS,CHN,EUR,FRA,JAP]

GROUP ELECTRIC



IMP00769

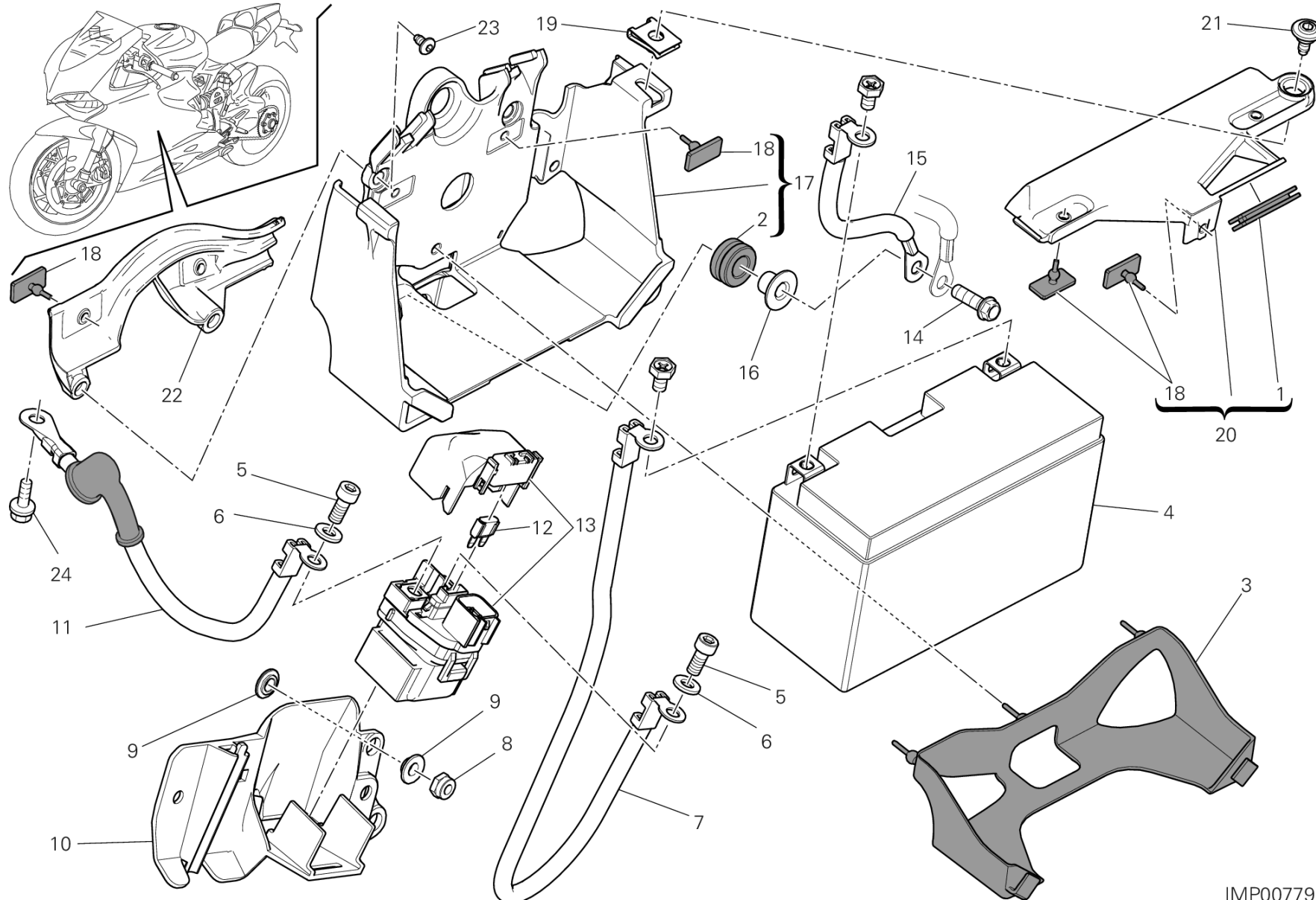
DRAWING 018 - IMPIANTO ELETTRICO SINISTRO [MOD:1199

ABS;XST:AUS,CHN,EUR,FRA,JAP]

GROUP ELECTRIC



POS.	CODE	DESCRIPTION	QTY	START DATE	END DATE	VALIDITY	NOTES
19	76410901A	RUBBER PAD	3			MOD:1199 ABS;XST:AUS,CHN,EUR,FRA,JAP	
20	74141711A	CLAMP 10-7 MM	2			MOD:1199 ABS;XST:AUS,CHN,EUR,FRA,JAP	
21	59013951A	TUBE HORIZONTAL	1			MOD:1199 ABS;XST:AUS,CHN,EUR,FRA,JAP	
22	76410741A	HOSE GUIDE	1			MOD:1199 ABS;XST:AUS,CHN,EUR,FRA,JAP	
23	85040471A	QUICK FASTENING M5	2			MOD:1199 ABS;XST:AUS,CHN,EUR,FRA,JAP	



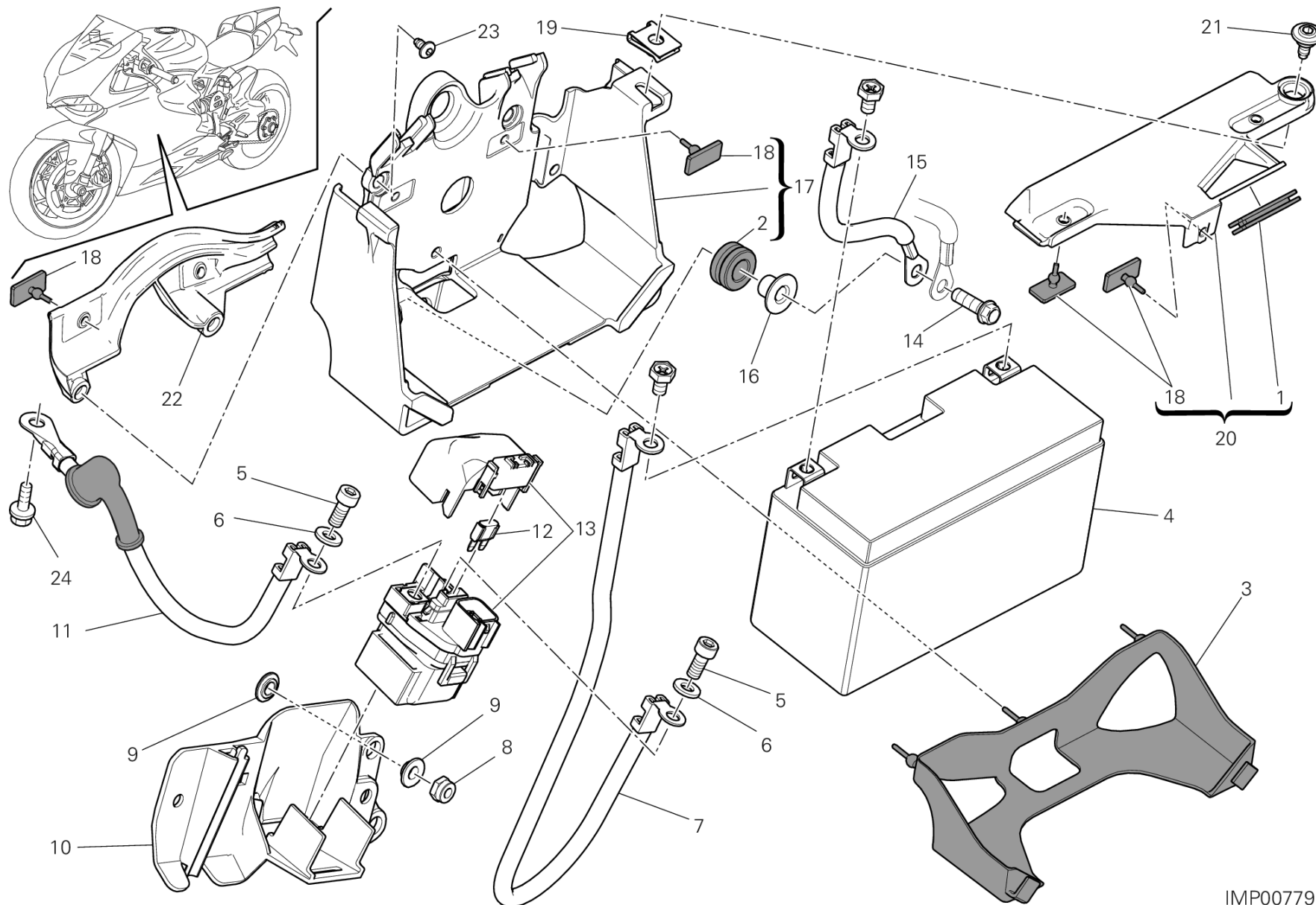
IMP00779

DRAWING 18A - BATTERY HOLDER [MOD:1199 ABS;XST:AUS,CHN,EUR,FRA,JAP]

GROUP ELECTRIC



POS.	CODE	DESCRIPTION	QTY	START DATE	END DATE	VALIDITY	NOTES
1	76411411B	RUBBER PAD	1			MOD:1199 ABS;XST:AUS,CHN,EUR,FRA,JAP	
2	76410901A	RUBBER PAD	3			MOD:1199 ABS;XST:AUS,CHN,EUR,FRA,JAP	
3	46015052A	BATTERY CARPET	1			MOD:1199 ABS;XST:AUS,CHN,EUR,FRA,JAP	
4	39520311A	BATTERY	1			MOD:1199 ABS;XST:AUS,CHN,EUR,FRA,JAP	
5	77156628B	SCREW TCEIF M6X10	2			MOD:1199 ABS;XST:AUS,CHN,EUR,FRA,JAP	
6	85350101A	WASHER, SPRING	2			MOD:1199 ABS;XST:AUS,CHN,EUR,FRA,JAP	
7	51410671A	BATTERY - SOLENOID STARTER CABLE	1			MOD:1199 ABS;XST:AUS,CHN,EUR,FRA,JAP	
8	74840381A	NUT M5	2			MOD:1199 ABS;XST:AUS,CHN,EUR,FRA,JAP	
9	71614071A	SPACER 5.2X8.4X2	4			MOD:1199 ABS;XST:AUS,CHN,EUR,FRA,JAP	
10	83016833A	HOLDER	1			MOD:1199 ABS;XST:AUS,CHN,EUR,FRA,JAP	
11	51410681A	SOLENOID STARTER - STARTER MOTOR CABLE	1			MOD:1199 ABS;XST:AUS,CHN,EUR,FRA,JAP	
12	38940251A	FUSE 30A	1			MOD:1199 ABS;XST:AUS,CHN,EUR,FRA,JAP	
13	39740071A	STARTER RELAY	1			MOD:1199 ABS;XST:AUS,CHN,EUR,FRA,JAP	
14	77251023C	SCREW TEF M6X22 10.9	3			MOD:1199 ABS;XST:AUS,CHN,EUR,FRA,JAP	
15	51310261A	CABLE	1			MOD:1199 ABS;XST:AUS,CHN,EUR,FRA,JAP	
16	71611061A	SPACER 7X10X20	3			MOD:1199 ABS;XST:AUS,CHN,EUR,FRA,JAP	
17	829PA541B	BATTERY HOLDER	1			MOD:1199 ABS;XST:AUS,CHN,EUR,FRA,JAP	



IMP00779

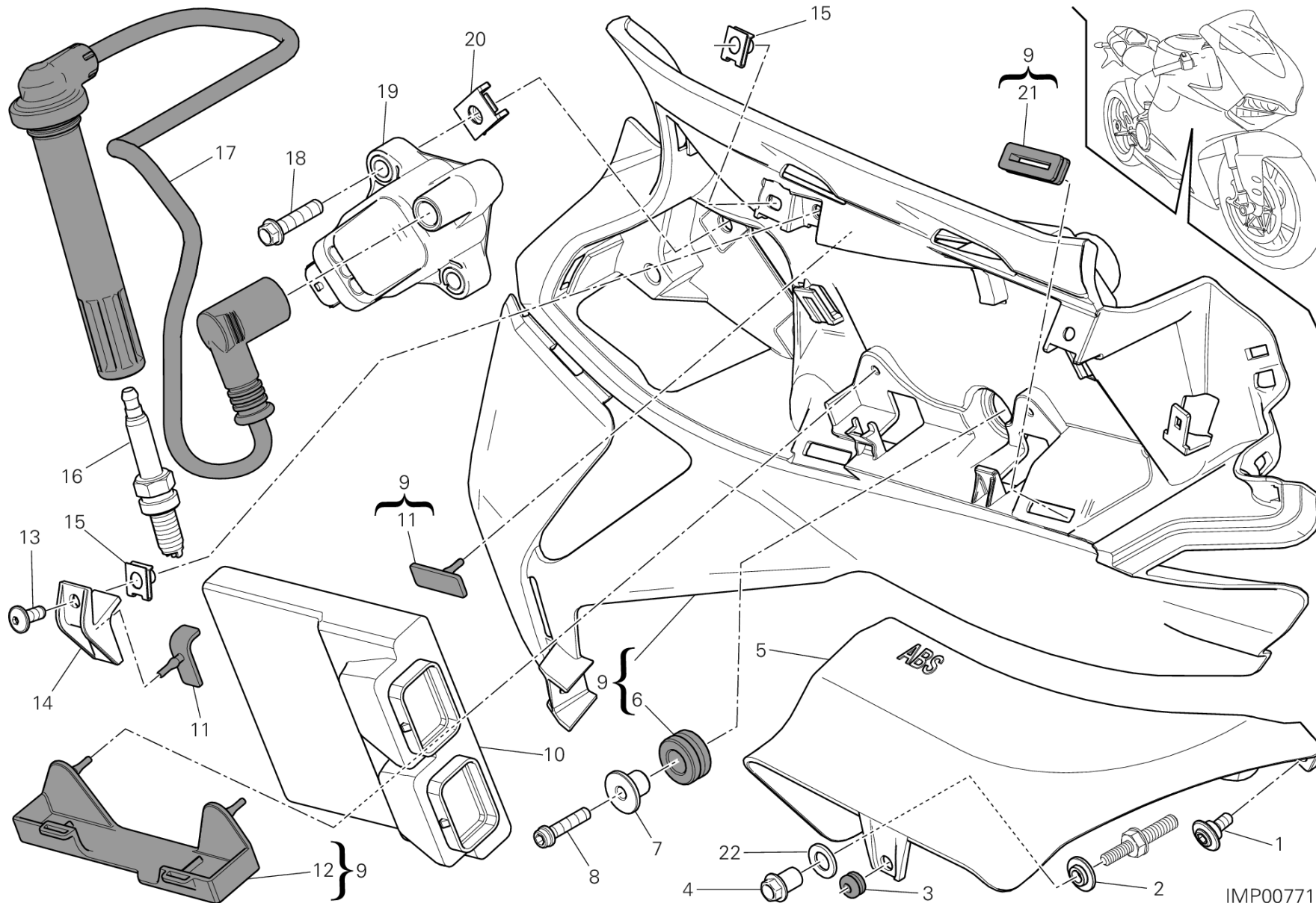


POS.	CODE	DESCRIPTION	QTY	START DATE	END DATE	VALIDITY	NOTES
18	86610361A	RUBBER PAD	7			MOD:1199 ABS;XST:AUS,CHN,EUR,FRA,JAP	
19	85040551A	QUICK FASTENING	1			MOD:1199 ABS;XST:AUS,CHN,EUR,FRA,JAP	
20	247P4072A	COVER ASSEMBLY	1			MOD:1199 ABS;XST:AUS,CHN,EUR,FRA,JAP	
21	77211131A	SCREW	1			MOD:1199 ABS;XST:AUS,CHN,EUR,FRA,JAP	
22	46015681A	GUARD	1			MOD:1199 ABS;XST:AUS,CHN,EUR,FRA,JAP	
23	77440203C	SCREW	2			MOD:1199 ABS;XST:AUS,CHN,EUR,FRA,JAP	
24	77210461B	SCREW TEF M5X8	1			MOD:1199 ABS;XST:AUS,CHN,EUR,FRA,JAP	



DRAWING 18B - IMPIANTO ELETTRICO DESTRO [MOD:1199 ABS;XST:AUS,CHN,EUR,FRA,JAP]

GROUP ELECTRIC



DRAWING 18B - IMPIANTO ELETTRICO DESTRO [MOD:1199

ABS;XST:AUS,CHN,EUR,FRA,JAP]

GROUP ELECTRIC

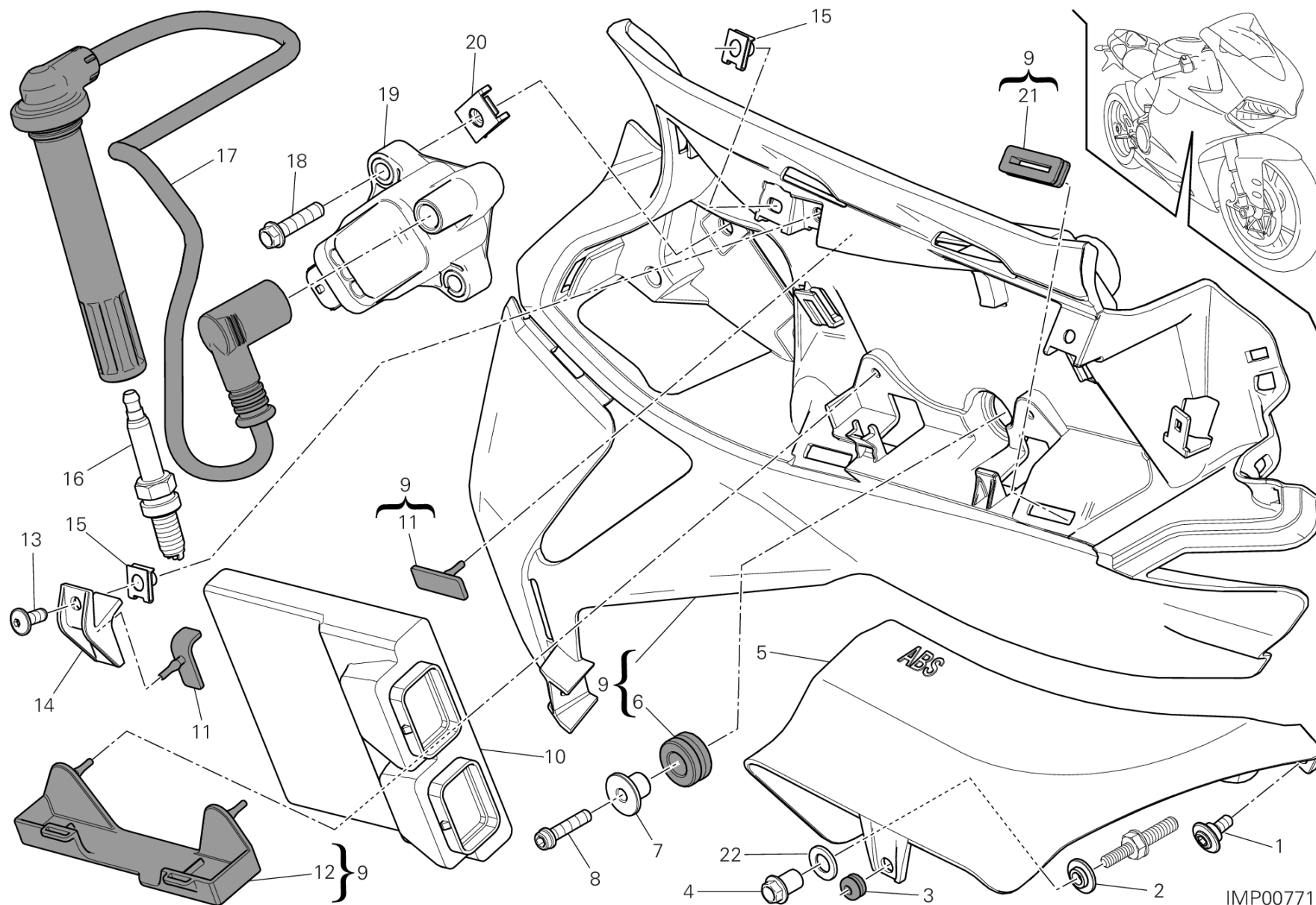


POS.	CODE	DESCRIPTION	QTY	START DATE	END DATE	VALIDITY	NOTES
1	77210853B	SCREW TCEI M5X9	1			MOD:1199 ABS;XST:AUS,CHN,EUR,FRA,JAP	
2	71614071A	SPACER 5.2X8.4X2	1			MOD:1199 ABS;XST:AUS,CHN,EUR,FRA,JAP	
3	76440561A	RUBBER PAD	1			MOD:1199 ABS;XST:AUS,CHN,EUR,FRA,JAP	
4	75011742AA	NUT, SPECIAL	1			MOD:1199 ABS;XST:AUS,CHN,EUR,FRA,JAP	
5	46015631B	COVER	1			MOD:1199 ABS;XST:AUS,CHN,EUR,FRA,JAP	
6	76410901A	RUBBER PAD	3			MOD:1199 ABS;XST:AUS,CHN,EUR,FRA,JAP	
7	71614342AA	SPACER	3			MOD:1199 ABS;XST:AUS,CHN,EUR,FRA,JAP	
8	77156443B	SCREW	3			MOD:1199 ABS;XST:AUS,CHN,EUR,FRA,JAP	
9	829PA371A	RIGHT HOLDER	1			MOD:1199 ABS;XST:AUS,CHN,EUR,FRA,JAP	
10	28642211A	CONTROL UNIT	1			MOD:1199 ABS;XST:AUS,EUR	EUR - AUS - BRA - TWN
	28642211C	CONTROL UNIT	1	29/03/2012		MOD:1199 ABS;XST:CHN	CAL - CDN - CHN
	28642211E	CONTROL UNIT	1			MOD:1199 ABS;XST:FRA	FRA
	28642211F	ENGINE CONTROL UNIT	1			MOD:1199 ABS;XST:JAP	JPN
11	86611241A	RUBBER PAD	2			MOD:1199 ABS;XST:AUS,CHN,EUR,FRA,JAP	
12	70010711A	VIBRATION DAMPER	1			MOD:1199 ABS;XST:AUS,CHN,EUR,FRA,JAP	
13	77240258C	SCREW	1			MOD:1199 ABS;XST:AUS,CHN,EUR,FRA,JAP	
14	83016861A	BRACKET	1			MOD:1199 ABS;XST:AUS,CHN,EUR,FRA,JAP	
15	85040471A	QUICK FASTENING M5	3			MOD:1199 ABS;XST:AUS,CHN,EUR,FRA,JAP	
16	67040451A	SPARK PLUG	1			MOD:1199 ABS;XST:AUS,CHN,EUR,FRA,JAP	



DRAWING 18B - IMPIANTO ELETTRICO DESTRO [MOD:1199 ABS;XST:AUS,CHN,EUR,FRA,JAP]

GROUP ELECTRIC



IMP00771

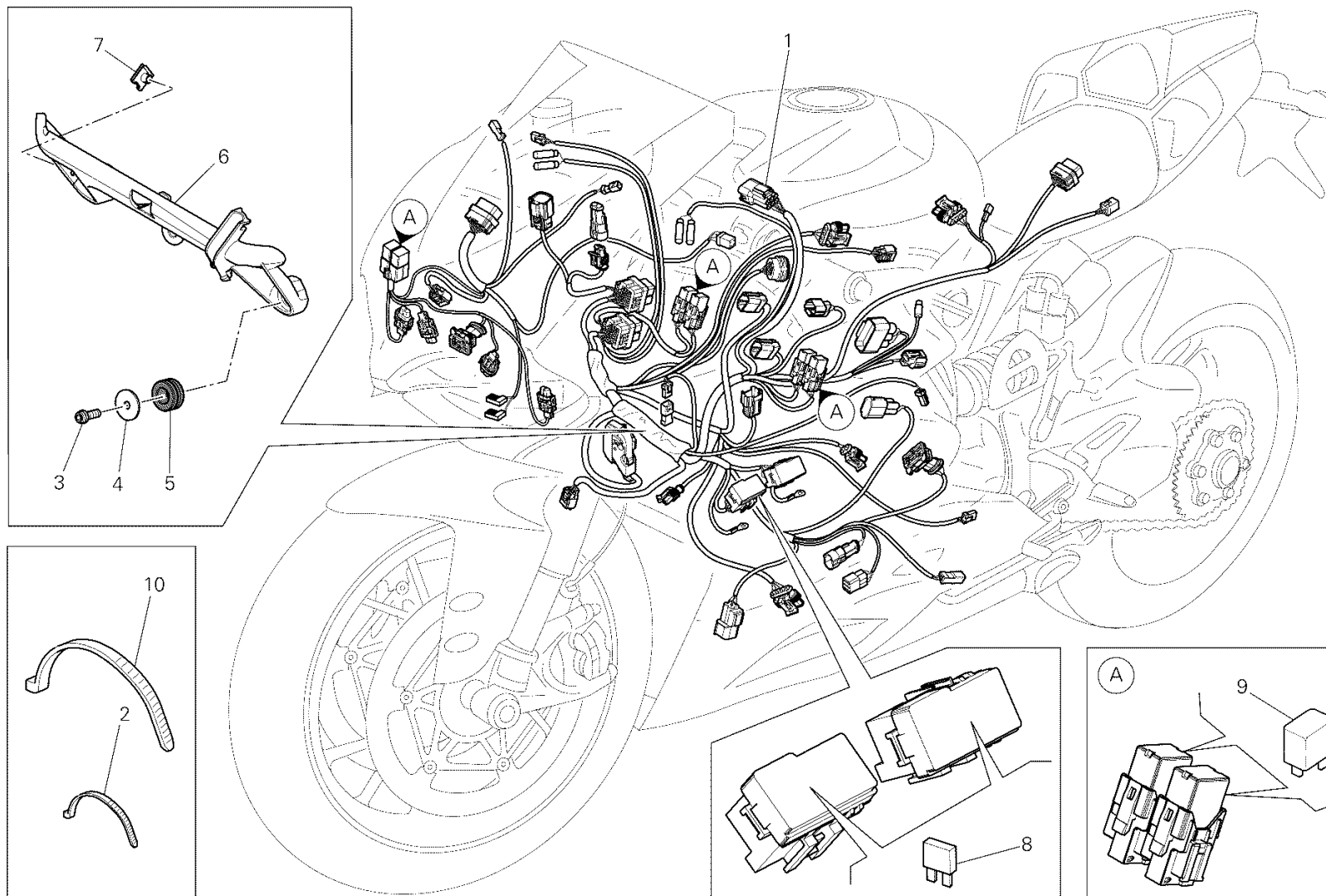
DRAWING 18B - IMPIANTO ELETTRICO DESTRO [MOD:1199

ABS;XST:AUS,CHN,EUR,FRA,JAP]

GROUP ELECTRIC



POS.	CODE	DESCRIPTION	QTY	START DATE	END DATE	VALIDITY	NOTES
17	67110511C	SPARK PLUG WIRING	1			MOD:1199 ABS;XST:AUS,CHN,EUR,FRA,JAP	
18	77251038B	SCREW TEF M6X25	2			MOD:1199 ABS;XST:AUS,CHN,EUR,FRA,JAP	
19	38040221B	IGNITION COIL ASSY	1			MOD:1199 ABS;XST:AUS,CHN,EUR,FRA,JAP	
20	85041581A	CLIP NUT	2			MOD:1199 ABS;XST:AUS,CHN,EUR,FRA,JAP	
21	76411411B	RUBBER PAD	2			MOD:1199 ABS;XST:AUS,CHN,EUR,FRA,JAP	



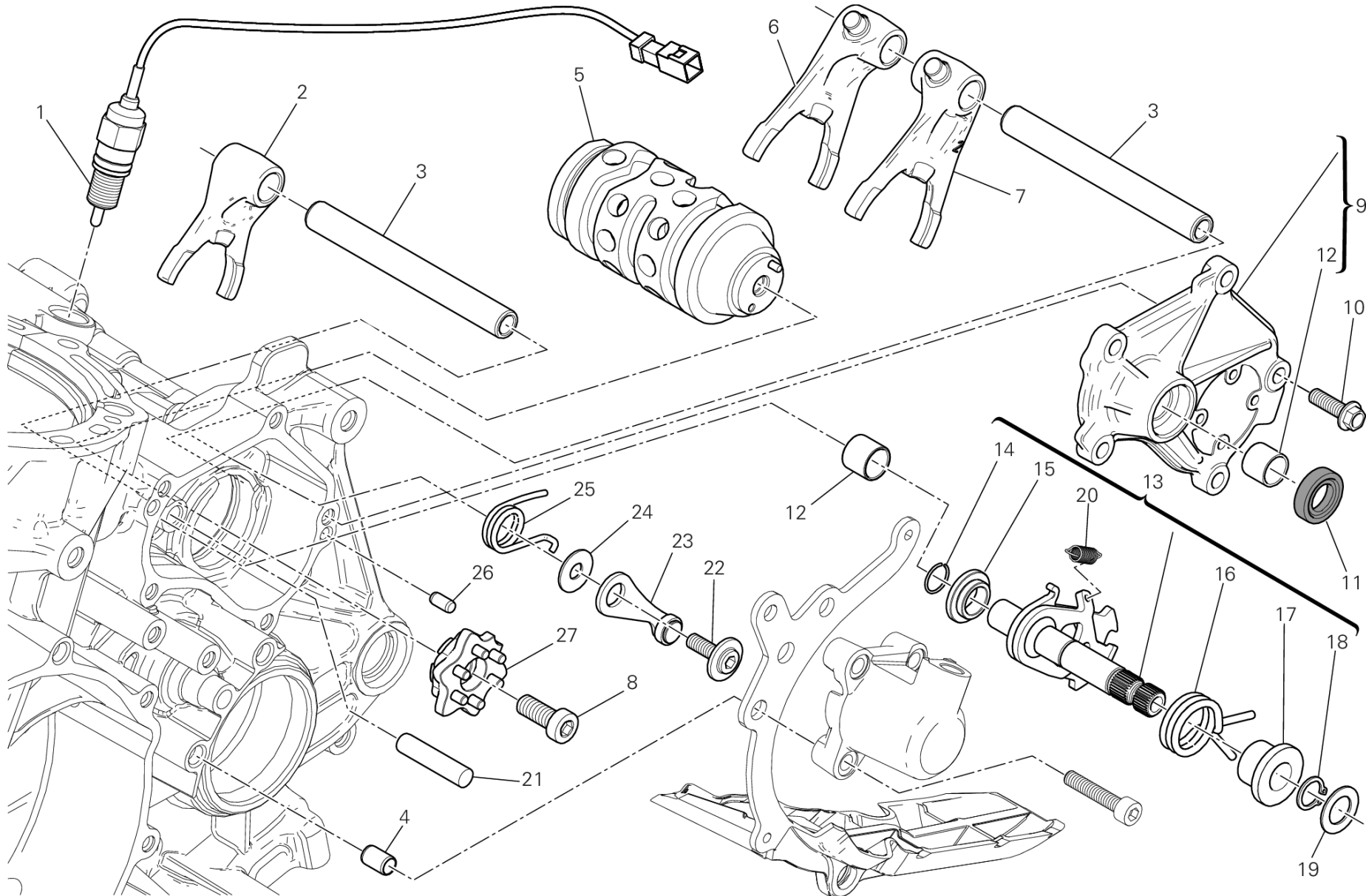
IMP00791

DRAWING 18C - WIRING HARNESS [MOD:1199 ABS;XST:AUS,CHN,EUR,FRA,JAP]

GROUP ELECTRIC

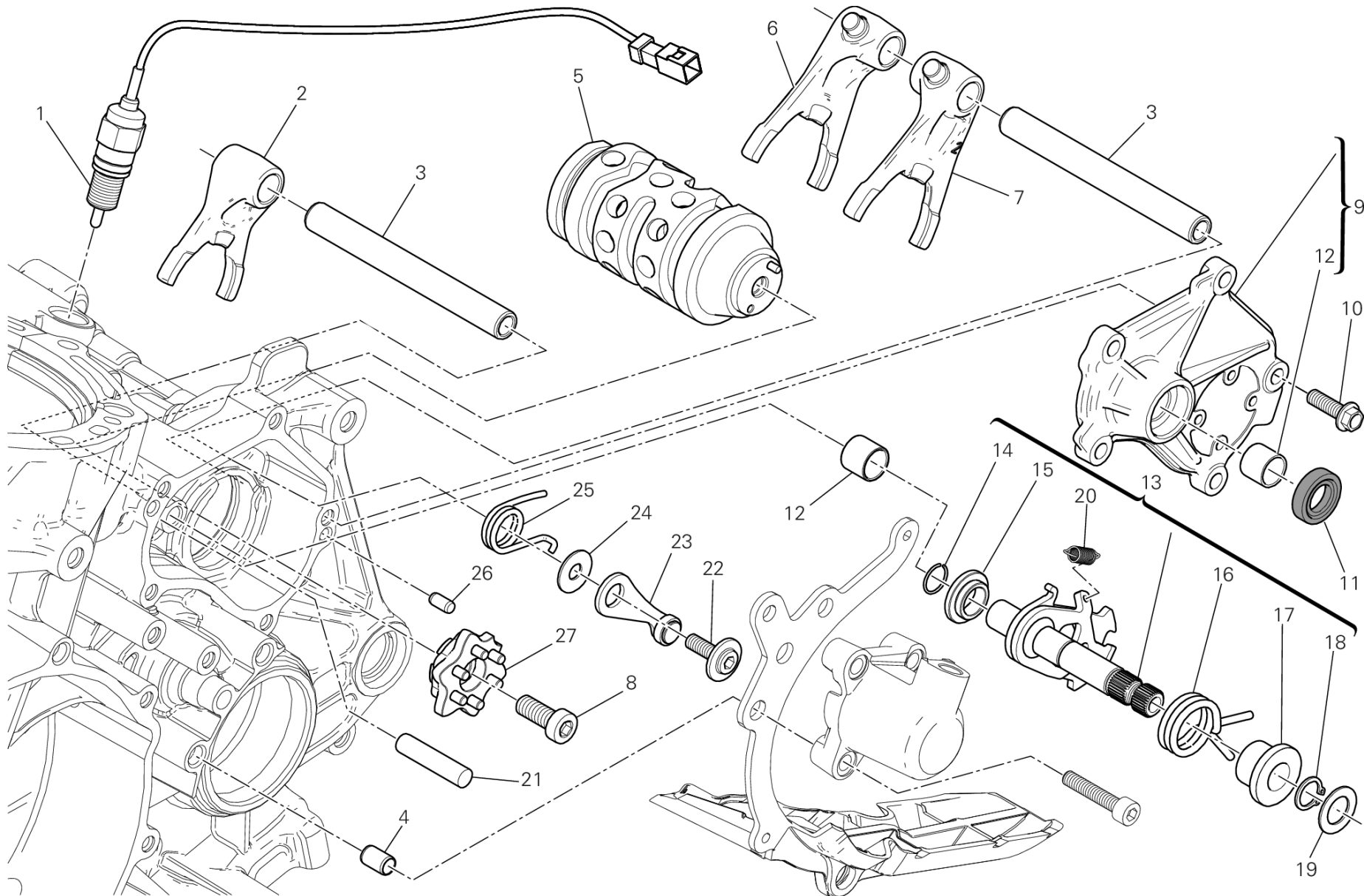


POS.	CODE	DESCRIPTION	QTY	START DATE	END DATE	VALIDITY	NOTES
1	51017881A	MAIN WIRING HARNESS	1			MOD:1199 ABS;XST:AUS,CHN,EUR,FRA,JAP	
2	74140381A	CLAMP	39			MOD:1199 ABS;XST:AUS,CHN,EUR,FRA,JAP	
3	77210882B	SCREW TBEI M5X12	2			MOD:1199 ABS;XST:AUS,CHN,EUR,FRA,JAP	
4	71614431AA	SPACER	2			MOD:1199 ABS;XST:AUS,CHN,EUR,FRA,JAP	
5	76410901A	RUBBER PAD	2			MOD:1199 ABS;XST:AUS,CHN,EUR,FRA,JAP	
6	83017071A	BRACKET, FRONT	1			MOD:1199 ABS;XST:AUS,CHN,EUR,FRA,JAP	
7	85040471A	QUICK FASTENING M5	1			MOD:1199 ABS;XST:AUS,CHN,EUR,FRA,JAP	
8	38940191A	FUSE 5A	1			MOD:1199 ABS;XST:AUS,CHN,EUR,FRA,JAP	
	38940201A	FUSE 10A	1			MOD:1199 ABS;XST:AUS,CHN,EUR,FRA,JAP	
	38940211A	FUSE 15A	1			MOD:1199 ABS;XST:AUS,CHN,EUR,FRA,JAP	
	38940221A	FUSE 20A	1			MOD:1199 ABS;XST:AUS,CHN,EUR,FRA,JAP	
	38940241A	FUSE 7,5A	1			MOD:1199 ABS;XST:AUS,CHN,EUR,FRA,JAP	
9	54140101A	RELAY	4			MOD:1199 ABS;XST:AUS,CHN,EUR,FRA,JAP	
10	069191030	CLAMP	27			MOD:1199 ABS;XST:AUS,CHN,EUR,FRA,JAP	



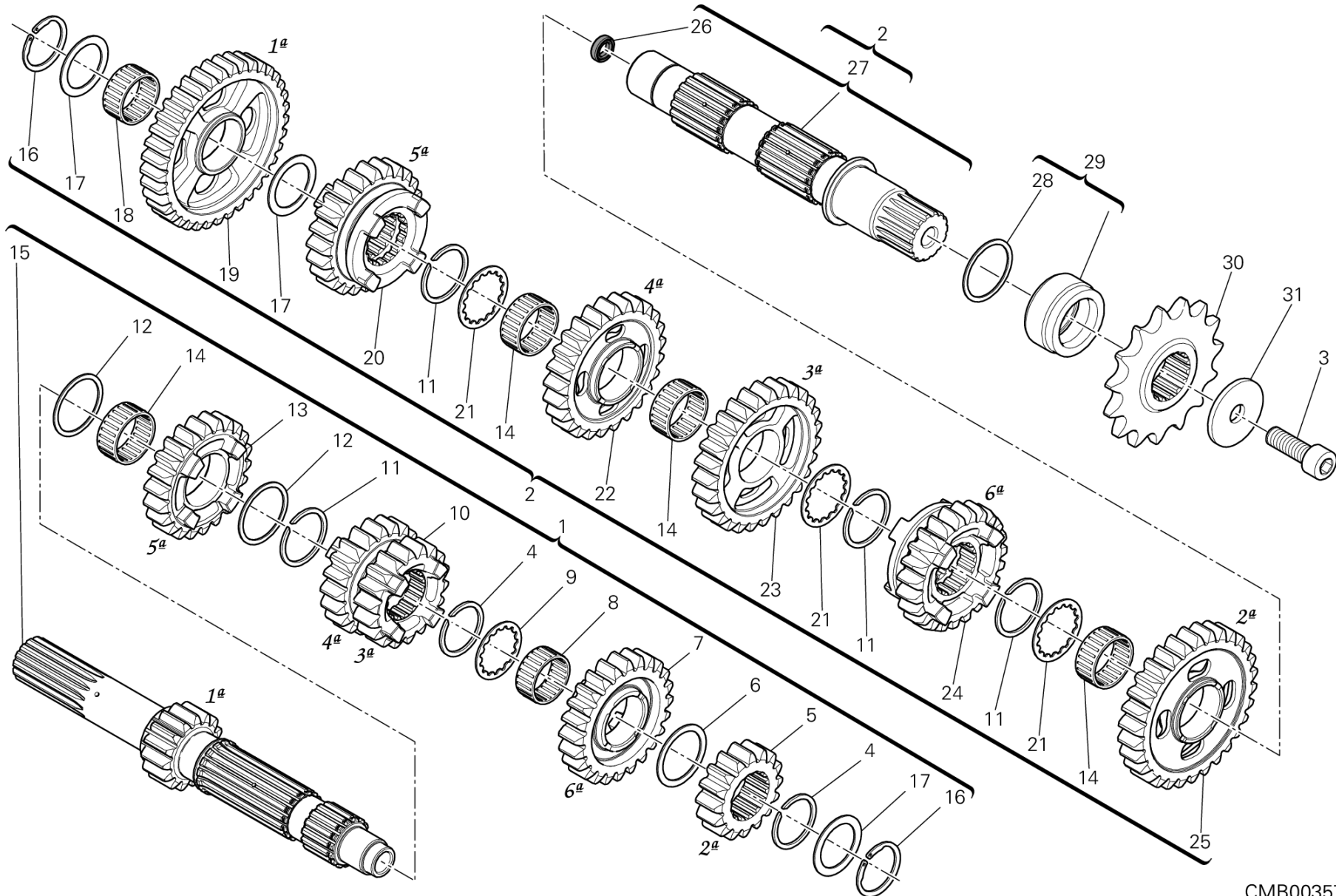


POS.	CODE	DESCRIPTION	QTY	START DATE	END DATE	VALIDITY	NOTES
1	55241612C	GEARBOX POSITION SENSOR	1	11/11/2010		MOD:1199 ABS;XST:AUS,CHN,EUR,FRA,JAP	
2	18010271D	5TH,6TH GEAR SELECTOR FORK	1	26/03/2012		MOD:1199 ABS;XST:AUS,CHN,EUR,FRA,JAP	
3	82113441B	FORK PIN	2	26/03/2012		MOD:1199 ABS;XST:AUS,CHN,EUR,FRA,JAP	
4	71113631A	BUSH	2	26/03/2012		MOD:1199 ABS;XST:AUS,CHN,EUR,FRA,JAP	
5	18220353C	COMPLETE GEARBOX DRUM	1	26/03/2012		MOD:1199 ABS;XST:AUS,CHN,EUR,FRA,JAP	
6	18010281D	1TH,4TH GEAR SELECTOR FORK	1	26/03/2012		MOD:1199 ABS;XST:AUS,CHN,EUR,FRA,JAP	
7	18010291D	2TH,3TH GEAR SELECTOR FORK	1	26/03/2012		MOD:1199 ABS;XST:AUS,CHN,EUR,FRA,JAP	
8	77355038B	SCREW	1	26/03/2012		MOD:1199 ABS;XST:AUS,CHN,EUR,FRA,JAP	
9	24723652A	GEARBOX CONTROL COVER (Unit)	1	08/05/2012		MOD:1199 ABS;XST:AUS,CHN,EUR,FRA,JAP	
10	77253317C	SCREW	5	26/03/2012		MOD:1199 ABS;XST:AUS,CHN,EUR,FRA,JAP	
11	93041591A	SEAL RING	1	23/11/2010		MOD:1199 ABS;XST:AUS,CHN,EUR,FRA,JAP	
12	71240231A	BUSH	2	24/04/2012		MOD:1199 ABS;XST:AUS,CHN,EUR,FRA,JAP	
13	18120051C	GEAR CHANGE MECHANISM (Unit)	1	02/04/2012		MOD:1199 ABS;XST:AUS,CHN,EUR,FRA,JAP	
14	88450311A	STOP RING	1	19/12/2011		MOD:1199 ABS;XST:AUS,CHN,EUR,FRA,JAP	
15	71611581C	SPACER	1	19/12/2011		MOD:1199 ABS;XST:AUS,CHN,EUR,FRA,JAP	
16	79915141C	SPRING	1	19/12/2011		MOD:1199 ABS;XST:AUS,CHN,EUR,FRA,JAP	
17	71611571C	SPACER	1	19/12/2011		MOD:1199 ABS;XST:AUS,CHN,EUR,FRA,JAP	





POS.	CODE	DESCRIPTION	QTY	START DATE	END DATE	VALIDITY	NOTES
18	88450361A	CIRCLIP	1	19/12/2011		MOD:1199 ABS;XST:AUS,CHN,EUR,FRA,JAP	
19	85212651A	WASHER	1	10/11/2010		MOD:1199 ABS;XST:AUS,CHN,EUR,FRA,JAP	
20	79915131C	SPRING	1	19/12/2011		MOD:1199 ABS;XST:AUS,CHN,EUR,FRA,JAP	
21	86050091A	PIN	1	01/03/2012		MOD:1199 ABS;XST:AUS,CHN,EUR,FRA,JAP	
22	77916241A	SCREW, SPECIAL	1	02/11/2011		MOD:1199 ABS;XST:AUS,CHN,EUR,FRA,JAP	
23	45520171A	GEAR STOPPER LEVER ASSEMBLY	1	02/11/2011		MOD:1199 ABS;XST:AUS,CHN,EUR,FRA,JAP	
24	85212661A	WASHER	1	02/11/2011		MOD:1199 ABS;XST:AUS,CHN,EUR,FRA,JAP	
25	79915101C	SPRING	1	02/11/2011		MOD:1199 ABS;XST:AUS,CHN,EUR,FRA,JAP	
26	86050061A	PIN M5X10	2	02/11/2011		MOD:1199 ABS;XST:AUS,CHN,EUR,FRA,JAP	
27	18220381B	GEARBOX DRUM FLANGE ASSEMBLY	1	26/07/2011		MOD:1199 ABS;XST:AUS,CHN,EUR,FRA,JAP	



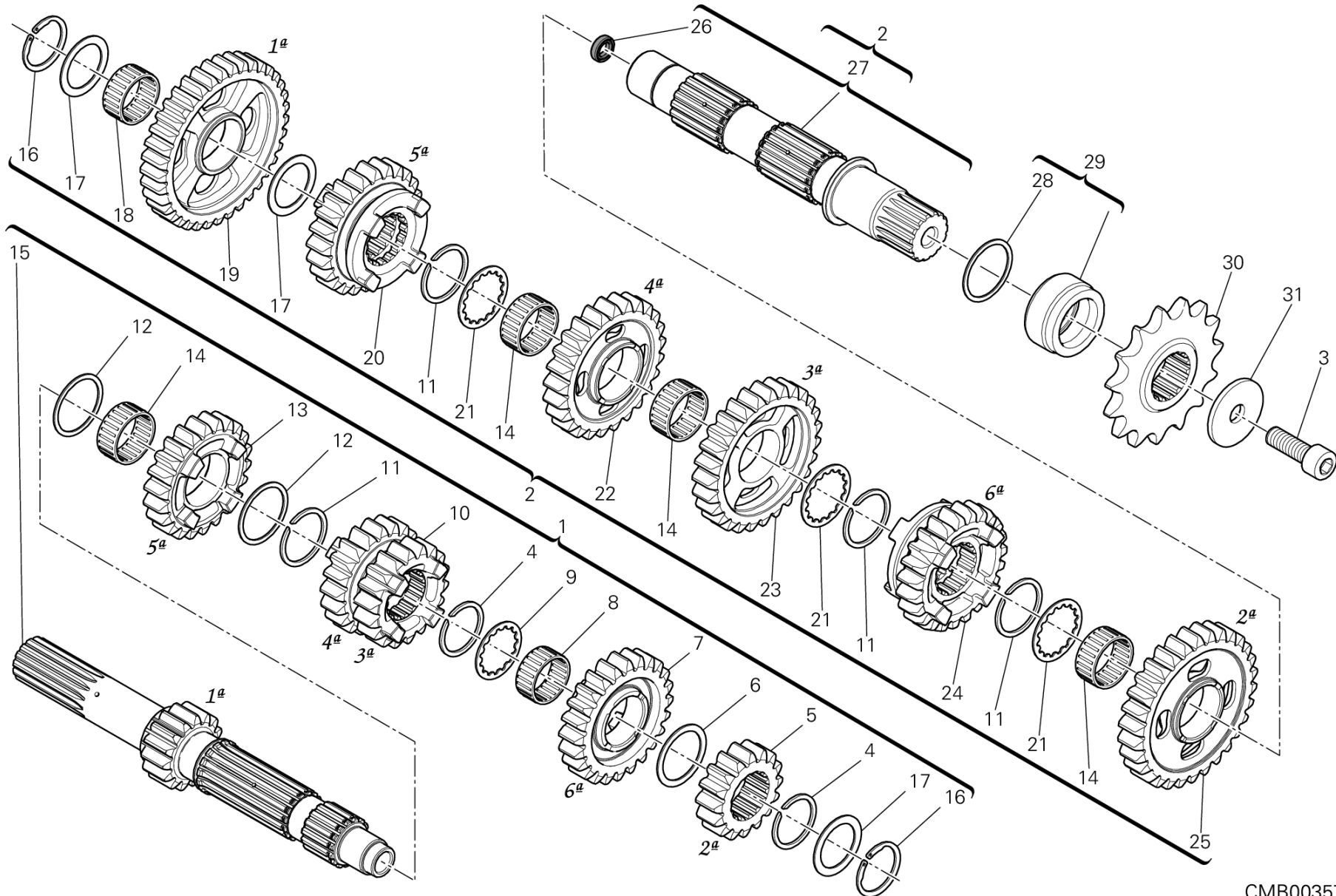
CMB00357

DRAWING 003 - GEAR BOX [MOD:1199 ABS;XST:AUS,CHN,EUR,FRA,JAP]

GROUP ENGINE



POS.	CODE	DESCRIPTION	QTY	START DATE	END DATE	VALIDITY	NOTES
1	15021491E	COMPLETE MAIN SHAFT	1	18/07/2012		MOD:1199 ABS;XST:AUS,CHN,EUR,FRA,JAP	
2	15021504D	COMPLETE LAY SHAFT	1	18/07/2012		MOD:1199 ABS;XST:AUS,CHN,EUR,FRA,JAP	
3	77154337C	SCREW	1	01/12/2011		MOD:1199 ABS;XST:AUS,CHN,EUR,FRA,JAP	
4	88440621A	SPRING RING	2	07/12/2011		MOD:1199 ABS;XST:AUS,CHN,EUR,FRA,JAP	
5	17213172B	DRIVING GEAR 2ND SP.	1	07/12/2011		MOD:1199 ABS;XST:AUS,CHN,EUR,FRA,JAP	
6	85212981A	THRUST WASHER	1	07/12/2011		MOD:1199 ABS;XST:AUS,CHN,EUR,FRA,JAP	
7	17213201D	DRIVING GEAR 6TH SP.	1	07/12/2011		MOD:1199 ABS;XST:AUS,CHN,EUR,FRA,JAP	
8	70140311A	NEEDLE BEARING	1	07/12/2011		MOD:1199 ABS;XST:AUS,CHN,EUR,FRA,JAP	
9	85611372A	WASHER LOCK 28X32.5X1	1	07/12/2011		MOD:1199 ABS;XST:AUS,CHN,EUR,FRA,JAP	
10	17213181D	DRIVING GEAR 3RD/4TH SP.	1	07/12/2011		MOD:1199 ABS;XST:AUS,CHN,EUR,FRA,JAP	
11	88440381A	SPRING RING	4	01/01/2011		MOD:1199 ABS;XST:AUS,CHN,EUR,FRA,JAP	
12	85212621A	THRUST WASHER	2	07/12/2011		MOD:1199 ABS;XST:AUS,CHN,EUR,FRA,JAP	
13	17213191D	DRIVING GEAR 5TH SP.	1	07/12/2011		MOD:1199 ABS;XST:AUS,CHN,EUR,FRA,JAP	
14	70140321A	NEEDLE BEARING	4	01/01/2011		MOD:1199 ABS;XST:AUS,CHN,EUR,FRA,JAP	
15	14910871E	MAIN SHAFT	1	18/07/2012		MOD:1199 ABS;XST:AUS,CHN,EUR,FRA,JAP	
16	88440281A	CIRCLIP	2	01/01/2011		MOD:1199 ABS;XST:AUS,CHN,EUR,FRA,JAP	
17	85212631A	THRUST WASHER	3	01/01/2011		MOD:1199 ABS;XST:AUS,CHN,EUR,FRA,JAP	



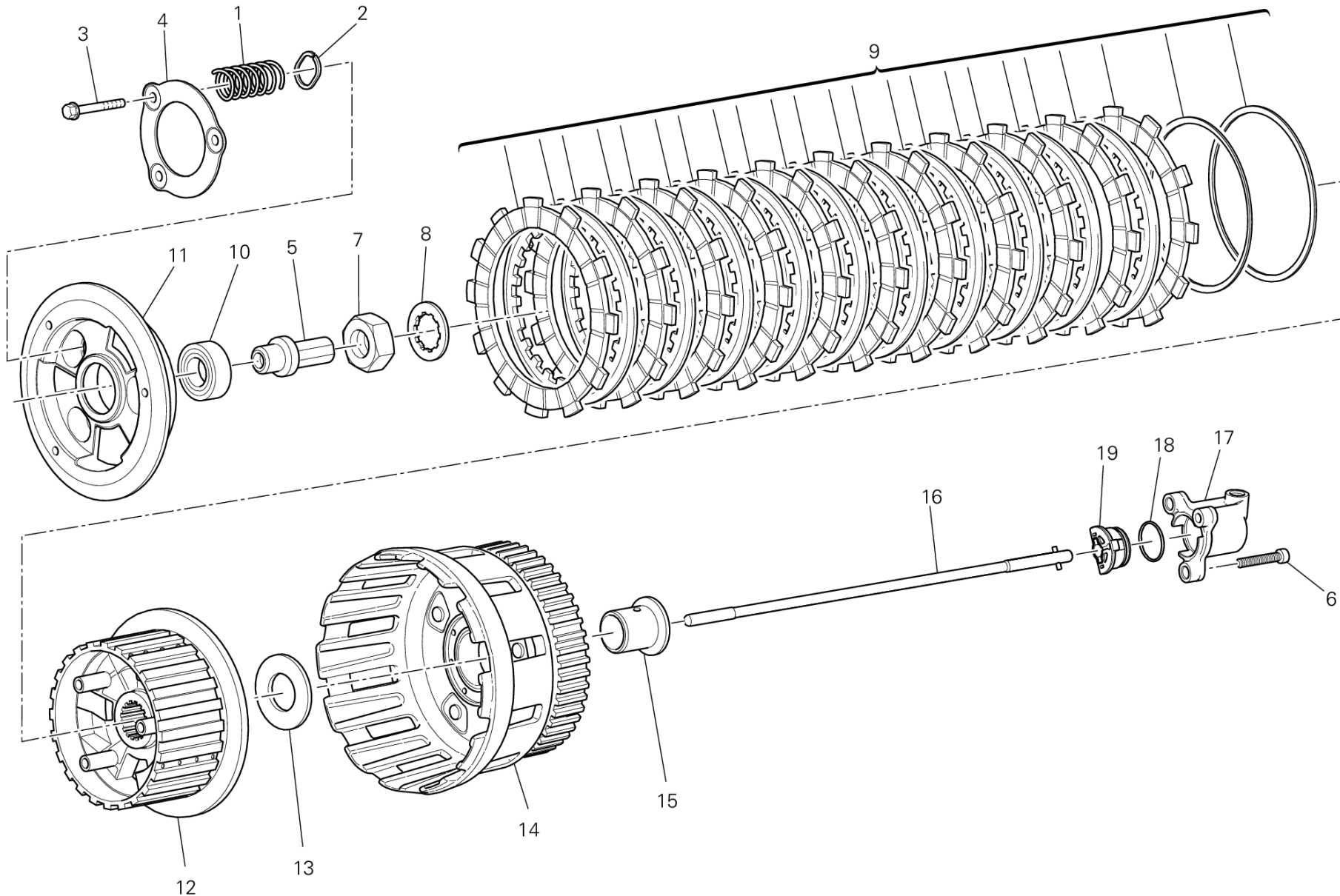
CMB00357

DRAWING 003 - GEAR BOX [MOD:1199 ABS;XST:AUS,CHN,EUR,FRA,JAP]

GROUP ENGINE



POS.	CODE	DESCRIPTION	QTY	START DATE	END DATE	VALIDITY	NOTES
18	70140331A	NEEDLE BEARING	1	01/01/2011		MOD:1199 ABS;XST:AUS,CHN,EUR,FRA,JAP	
19	17213211D	DRIVEN GEAR 1ST SP.	1	07/12/2011		MOD:1199 ABS;XST:AUS,CHN,EUR,FRA,JAP	
20	17213251D	DRIVEN GEAR 5TH SP.	1	07/12/2011		MOD:1199 ABS;XST:AUS,CHN,EUR,FRA,JAP	
21	85611381A	GROOVED WASHER	3	01/01/2011		MOD:1199 ABS;XST:AUS,CHN,EUR,FRA,JAP	
22	17213241D	DRIVEN GEAR 4TH SP.	1	07/12/2011		MOD:1199 ABS;XST:AUS,CHN,EUR,FRA,JAP	
23	17213231D	DRIVEN GEAR 3RD SP.	1	07/12/2011		MOD:1199 ABS;XST:AUS,CHN,EUR,FRA,JAP	
24	17213261D	DRIVEN GEAR 6TH SP.	1	01/01/2011		MOD:1199 ABS;XST:AUS,CHN,EUR,FRA,JAP	
25	17213221D	DRIVEN GEAR 2ND SP.	1	07/12/2011		MOD:1199 ABS;XST:AUS,CHN,EUR,FRA,JAP	
26	93041771A	SEAL RING	1	23/11/2011		MOD:1199 ABS;XST:AUS,CHN,EUR,FRA,JAP	
27	15021542D	LAY SHAFT	1	28/06/2012		MOD:1199 ABS;XST:AUS,CHN,EUR,FRA,JAP	
28	88640042A	O-RING	1	21/04/2011		MOD:1199 ABS;XST:AUS,CHN,EUR,FRA,JAP	
29	71320021B	CHAIN SPROCKET SPACER (Unit)	1	11/11/2010		MOD:1199 ABS;XST:AUS,CHN,EUR,FRA,JAP	
30	44910611A	SPROCKET T15	1	01/12/2011		MOD:1199 ABS;XST:AUS,CHN,EUR,FRA,JAP	
31	85212801A	THRUST WASHER	1	01/12/2011		MOD:1199 ABS;XST:AUS,CHN,EUR,FRA,JAP	

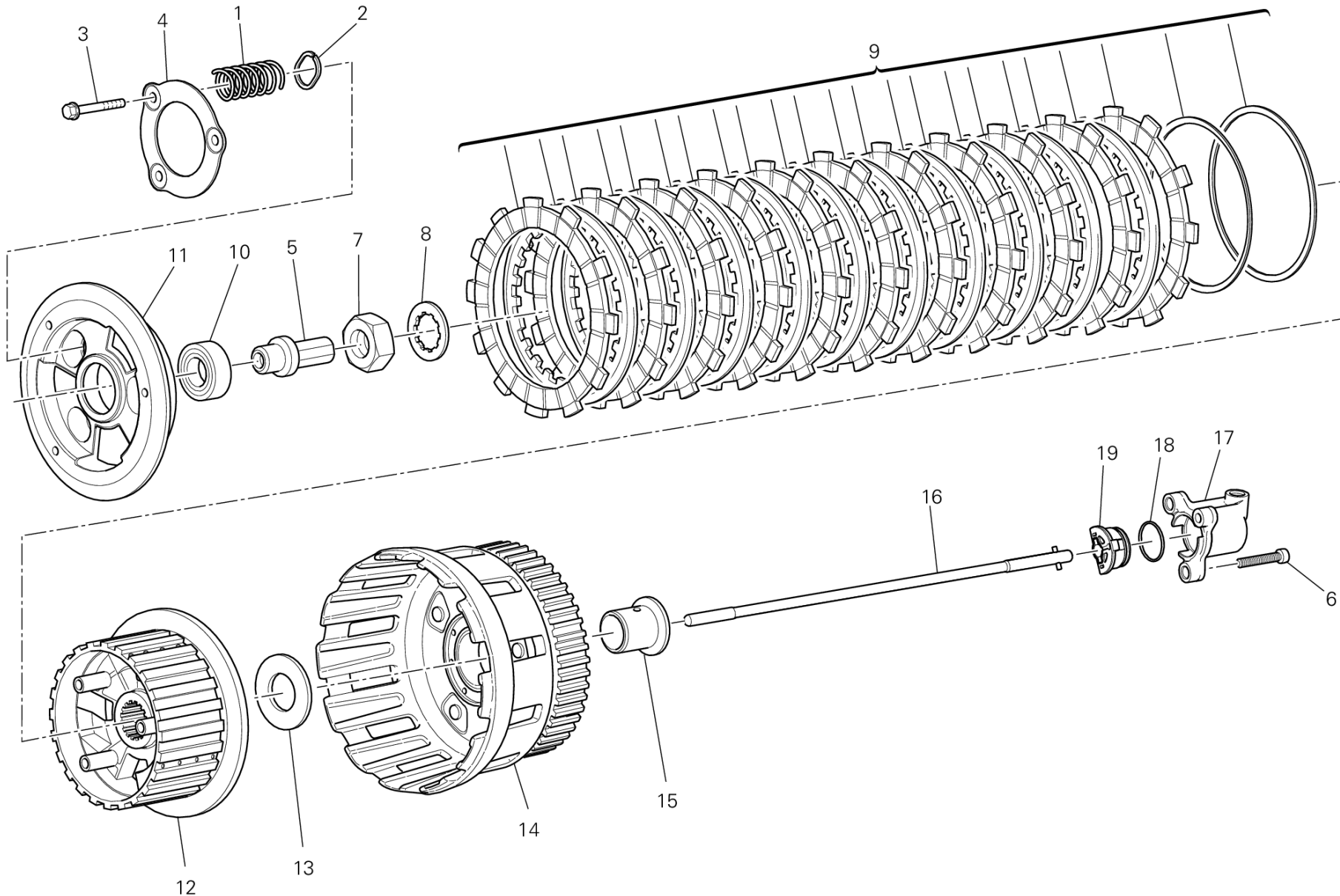


DRAWING 004 - CLUTCH [MOD:1199 ABS;XST:AUS,CHN,EUR,FRA,JAP]

GROUP ENGINE



POS.	CODE	DESCRIPTION	QTY	START DATE	END DATE	VALIDITY	NOTES
1	79710531B	SPRING	3	19/11/2010		MOD:1199 ABS;XST:AUS,CHN,EUR,FRA,JAP	
2	85611391A	THRUST WASHER	3	19/11/2010		MOD:1199 ABS;XST:AUS,CHN,EUR,FRA,JAP	
3	77211201A	SCREW	3	19/11/2010		MOD:1199 ABS;XST:AUS,CHN,EUR,FRA,JAP	
4	19410511A	RING	1	19/11/2010		MOD:1199 ABS;XST:AUS,CHN,EUR,FRA,JAP	
5	81810162A	CLUTCH CONTROL PIN (FCC)	1	11/11/2010		MOD:1199 ABS;XST:AUS,CHN,EUR,FRA,JAP	
6	77110471A	SCREW	3	29/03/2012		MOD:1199 ABS;XST:AUS,CHN,EUR,FRA,JAP	
7	75010071A	NUT M25X1.5	1	11/11/2010		MOD:1199 ABS;XST:AUS,CHN,EUR,FRA,JAP	
8	85110201A	LOCK WASHER	1	11/11/2010		MOD:1199 ABS;XST:AUS,CHN,EUR,FRA,JAP	
9	19020232A	CLUTCH DISC SET	1	19/11/2010		MOD:1199 ABS;XST:AUS,CHN,EUR,FRA,JAP	
10	70250601A	BEARING	1	19/11/2010		MOD:1199 ABS;XST:AUS,CHN,EUR,FRA,JAP	
11	19610541A	DISK, CLUTCH PRESSURE (FCC)	1	19/11/2010		MOD:1199 ABS;XST:AUS,CHN,EUR,FRA,JAP	
12	19610531A	PLATE HOLDER HUB (FCC)	1	19/11/2010		MOD:1199 ABS;XST:AUS,CHN,EUR,FRA,JAP	
13	71313091A	SPACER 25.2X46X2	1	19/11/2010		MOD:1199 ABS;XST:AUS,CHN,EUR,FRA,JAP	
14	19820401A	CLUTCH HOUSING	1	19/11/2010		MOD:1199 ABS;XST:AUS,CHN,EUR,FRA,JAP	
15	71314831A	SPACER	1	19/11/2010		MOD:1199 ABS;XST:AUS,CHN,EUR,FRA,JAP	
16	11721331B	CLUTCH CONTROL ROD	1	01/08/2011		MOD:1199 ABS;XST:AUS,CHN,EUR,FRA,JAP	
17	19540061A	PISTON ASSEMBLY	1	19/10/2011		MOD:1199 ABS;XST:AUS,CHN,EUR,FRA,JAP	





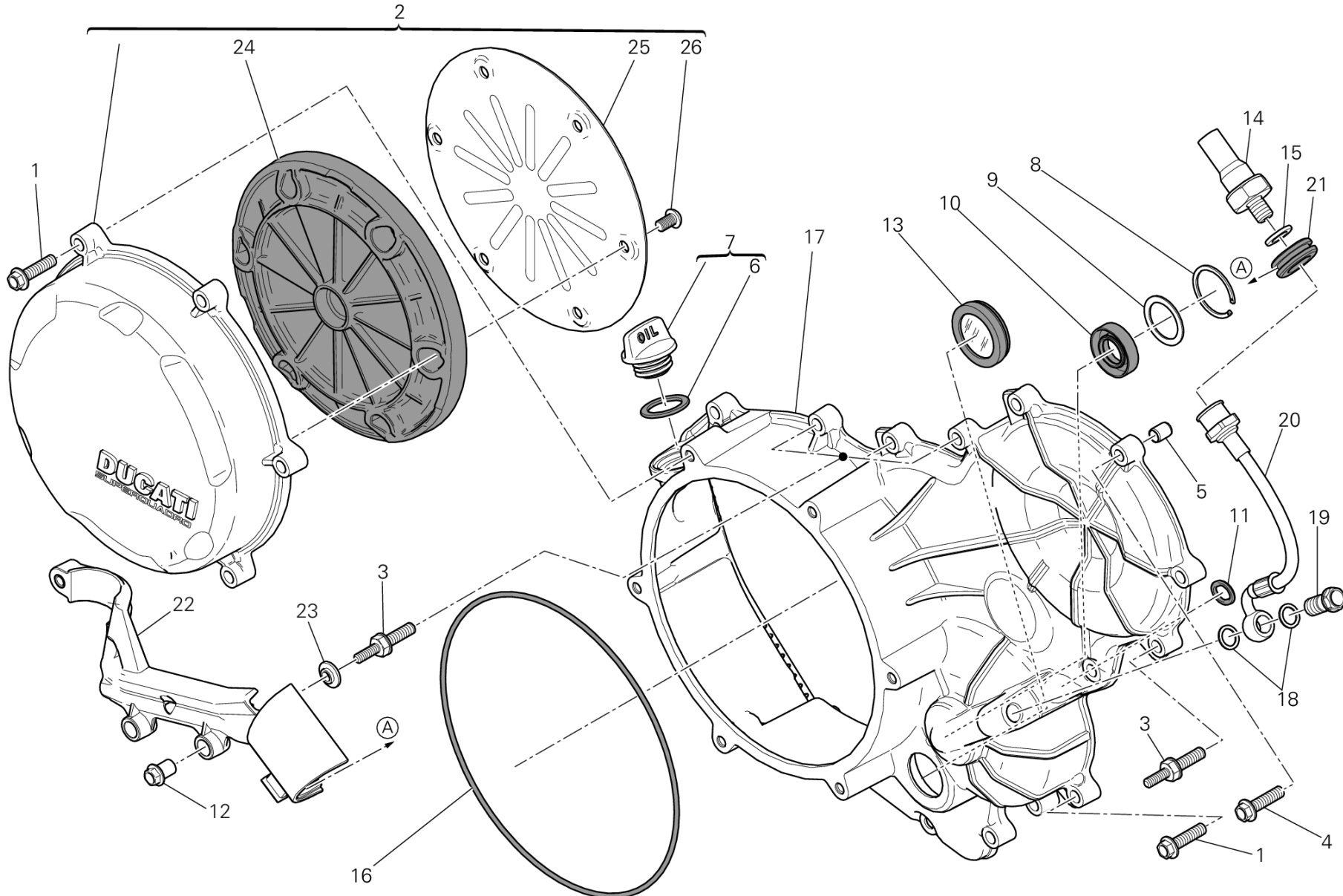
POS.	CODE	DESCRIPTION	QTY	START DATE	END DATE	VALIDITY	NOTES
18	88650541A	O-RING	1	01/12/2011		MOD:1199 ABS;XST:AUS,CHN,EUR,FRA,JAP	
19	71319442A	ANTI-ROTATION INSERT	1	01/06/2012		MOD:1199 ABS;XST:AUS,CHN,EUR,FRA,JAP	



DRAWING 005 - CLUTCH - SIDE CRANKCASE COVER [MOD:1199

ABS;XST:AUS,CHN,EUR,FRA]

GROUP ENGINE



DRAWING 005 - CLUTCH - SIDE CRANKCASE COVER [MOD:1199 ABS;XST:AUS,CHN,EUR,FRA]



GROUP ENGINE

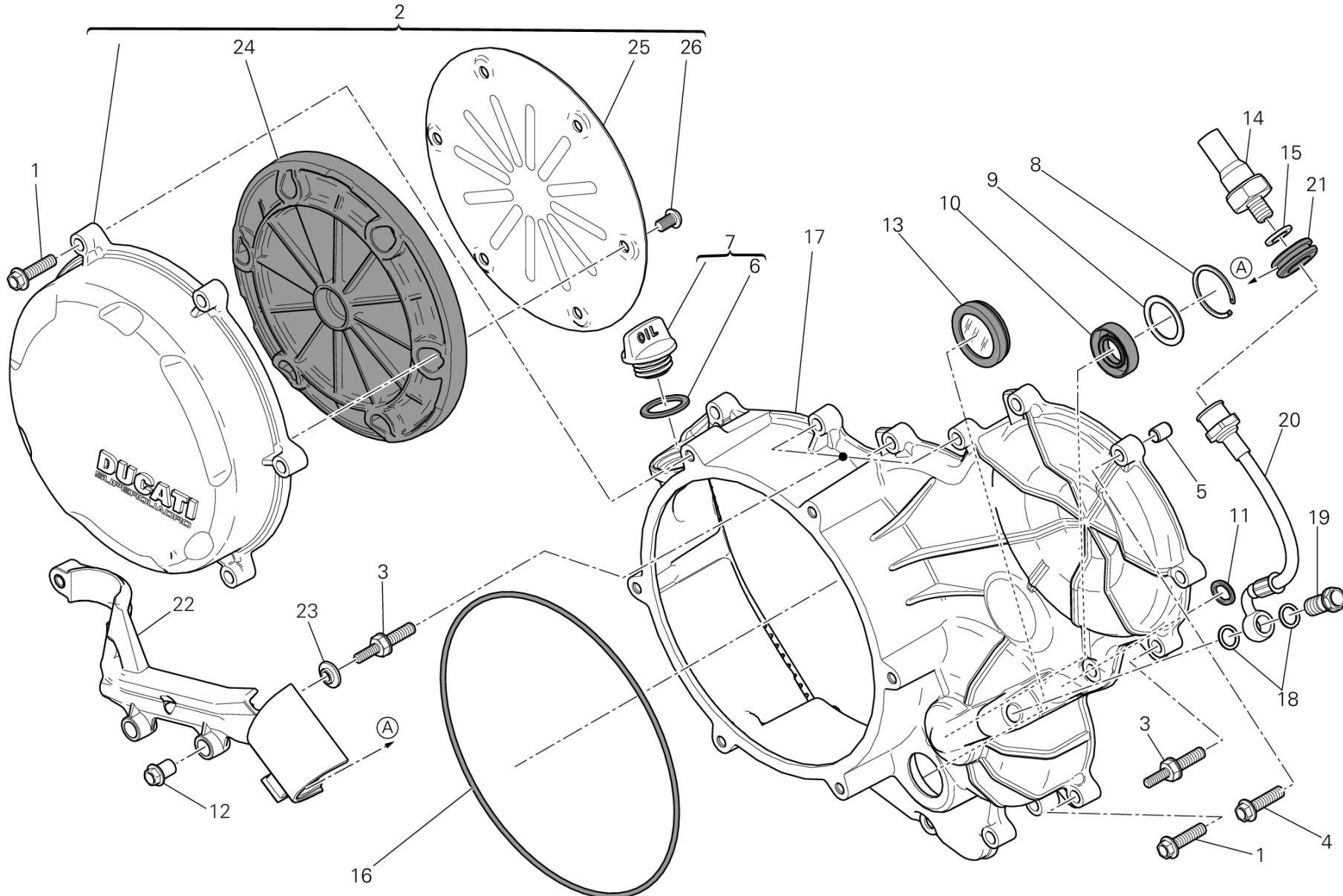
POS.	CODE	DESCRIPTION	QTY	START DATE	END DATE	VALIDITY	NOTES
1	77253337C	SCREW	18	11/11/2010		MOD:1199 ABS;XST:AUS,CHN,EUR,FRA	
2	24321343A	CLUTCH PROTECTION COVER (Unit)	1	02/05/2012		MOD:1199 ABS;XST:AUS,CHN,EUR,FRA	
3	77917161B	SCREW, SPECIAL	4	21/11/2011		MOD:1199 ABS;XST:AUS,CHN,EUR,FRA	
4	77253357C	SCREW	1	11/11/2010		MOD:1199 ABS;XST:AUS,CHN,EUR,FRA	
5	71113171A	LOCATING DOWEL	2	11/11/2010		MOD:1199 ABS;XST:AUS,CHN,EUR,FRA	
6	88640891A	O-RING 18.64X3.53	1	24/12/2009		MOD:1199 ABS;XST:AUS,CHN,EUR,FRA	
7	89320121A	PLUG ASSY	1	26/10/2011		MOD:1199 ABS;XST:AUS,CHN,EUR,FRA	
8	88450291A	SNAP RING	1	26/10/2011		MOD:1199 ABS;XST:AUS,CHN,EUR,FRA	
9	85212721A	THRUST WASHER	1	26/10/2011		MOD:1199 ABS;XST:AUS,CHN,EUR,FRA	
10	93041521A	SEAL RING	1	26/10/2011		MOD:1199 ABS;XST:AUS,CHN,EUR,FRA	
11	88641761A	O-RING	1	11/11/2010		MOD:1199 ABS;XST:AUS,CHN,EUR,FRA	
12	75011742AA	NUT, SPECIAL	1	26/10/2011		MOD:1199 ABS;XST:AUS,CHN,EUR,FRA	
13	25440012A	WINDOW, OIL LEVEL CHECK	1	26/10/2011		MOD:1199 ABS;XST:AUS,CHN,EUR,FRA	
14	53940302A	SWITCH ASSY, OIL PRESSURE	1	01/12/2011		MOD:1199 ABS;XST:AUS,CHN,EUR,FRA	
15	85211951A	GASKET 10.5X17X2	1	01/12/2011		MOD:1199 ABS;XST:AUS,CHN,EUR,FRA	
16	88610281A	O-RING	1	26/10/2011		MOD:1199 ABS;XST:AUS,CHN,EUR,FRA	
17	24311274A	TIMING COVER	1	01/01/2012		MOD:1199 ABS;XST:AUS,CHN,EUR,FRA	



DRAWING 005 - CLUTCH - SIDE CRANKCASE COVER [MOD:1199

ABS;XST:AUS,CHN,EUR,FRA]

GROUP ENGINE

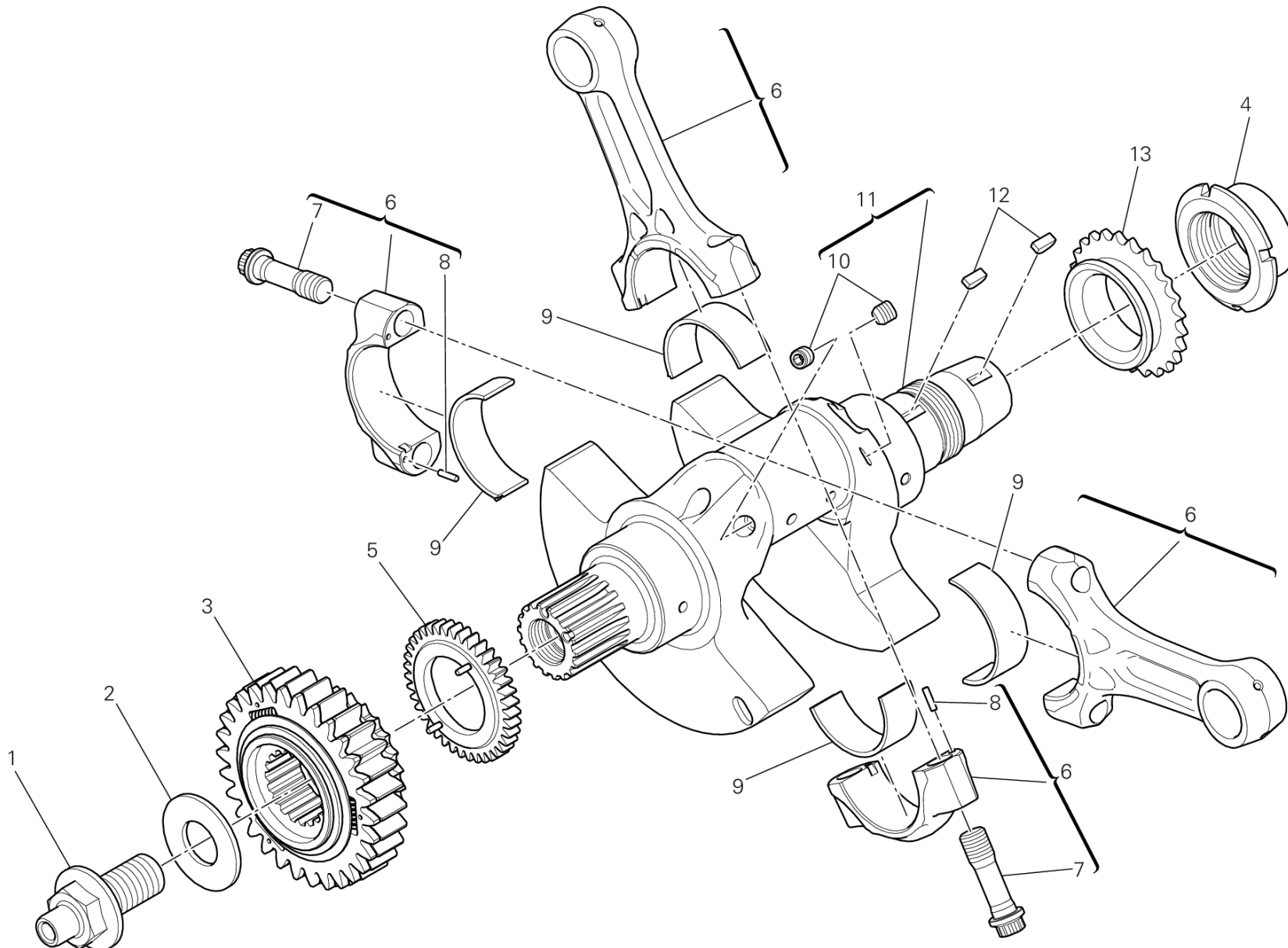


DRAWING 005 - CLUTCH - SIDE CRANKCASE COVER [MOD:1199 ABS;XST:AUS,CHN,EUR,FRA]



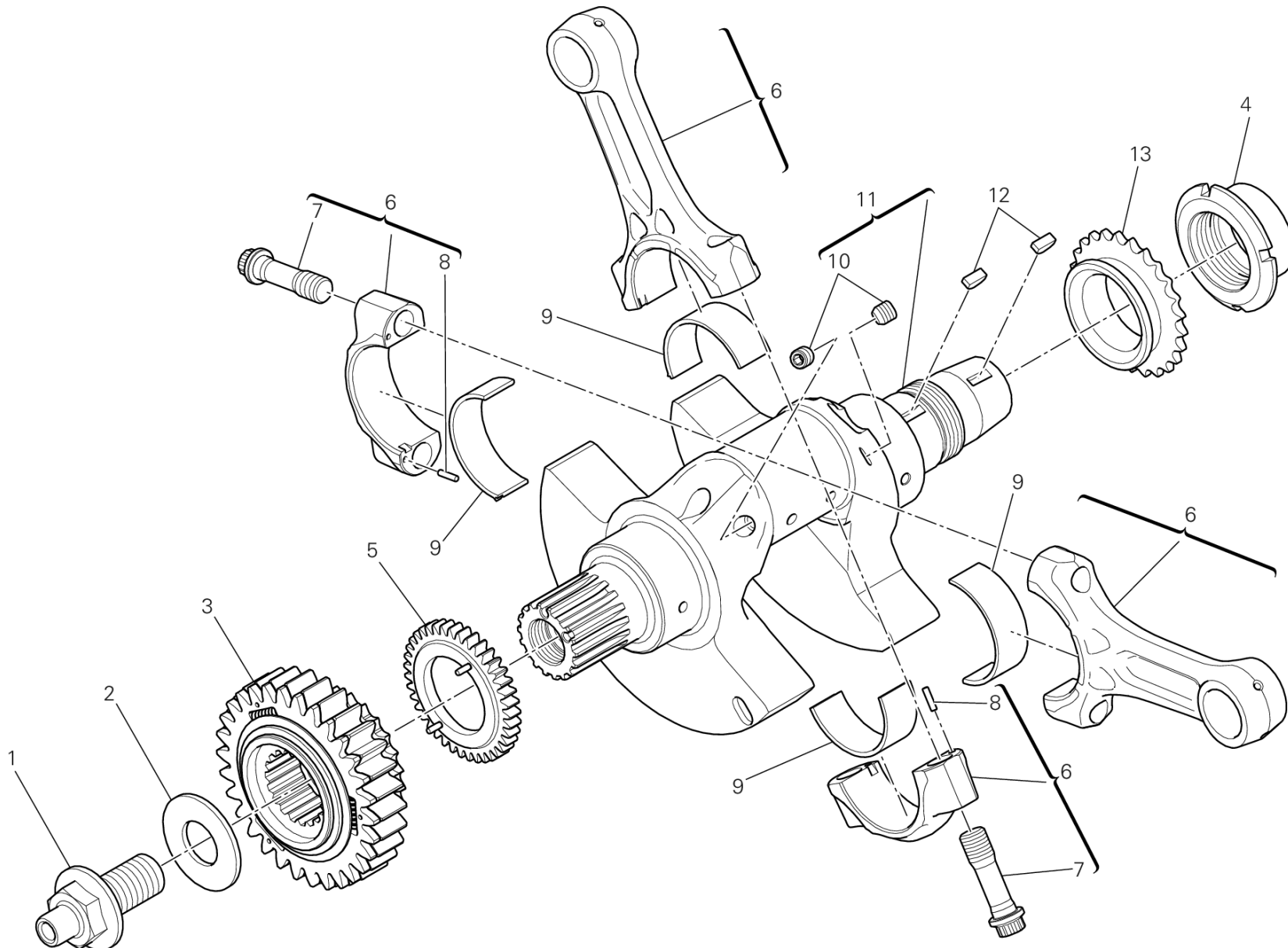
GROUP ENGINE

POS.	CODE	DESCRIPTION	QTY	START DATE	END DATE	VALIDITY	NOTES
18	85250241A	WASHER 10X14X1	2	01/12/2011		MOD:1199 ABS;XST:AUS,CHN,EUR,FRA	
19	77913661AB	BOLT, BRAKE HOSE M10X1	1	01/12/2011		MOD:1199 ABS;XST:AUS,CHN,EUR,FRA	
20	87721561A	OIL PRESSURE LINE	1	01/12/2011		MOD:1199 ABS;XST:AUS,CHN,EUR,FRA	
21	76440581A	RUBBER PAD	1	01/12/2011		MOD:1199 ABS;XST:AUS,CHN,EUR,FRA	
22	75810701A	FAIRLEAD	1	01/12/2011		MOD:1199 ABS;XST:AUS,CHN,EUR,FRA	
23	71614071A	SPACER 5.2X8.4X2	3	01/12/2011		MOD:1199 ABS;XST:AUS,CHN,EUR,FRA	
24	48610851A	DAMPER, SOUND ARRESTER	1	02/05/2012		MOD:1199 ABS;XST:AUS,CHN,EUR,FRA	
25	82716012A	SHEET ACOUSTIC DAMPER	1	02/05/2012		MOD:1199 ABS;XST:AUS,CHN,EUR,FRA	
26	77550200C	SCREW	6	02/05/2012		MOD:1199 ABS;XST:AUS,CHN,EUR,FRA	



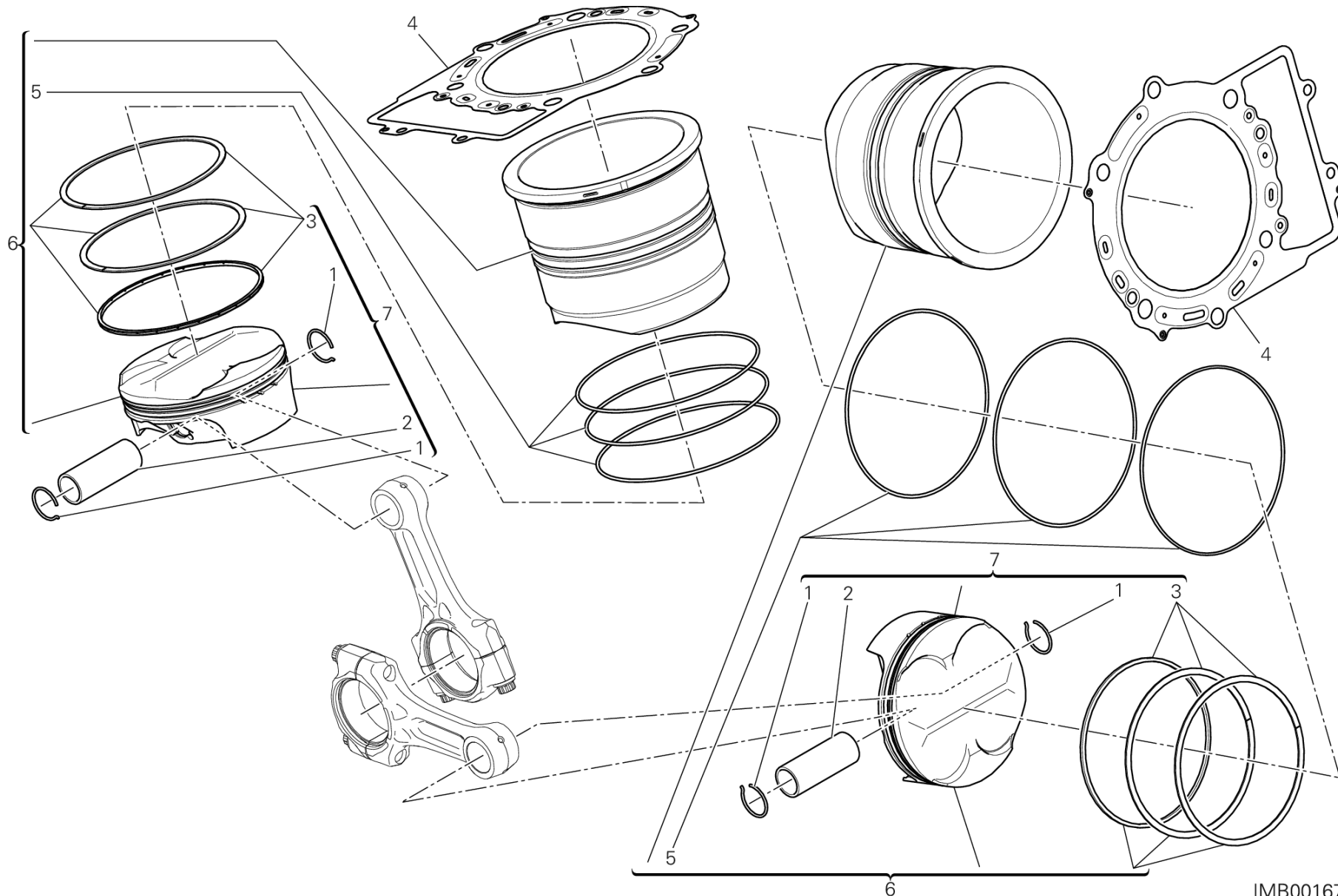


POS.	CODE	DESCRIPTION	QTY	START DATE	END DATE	VALIDITY	NOTES
1	77916551B	SCREW, SPECIAL	1	07/03/2012		MOD:1199 ABS;XST:AUS,CHN,EUR,FRA,JAP	
2	85212791A	THRUST WASHER	1	11/11/2010		MOD:1199 ABS;XST:AUS,CHN,EUR,FRA,JAP	
3	17021261A	PRIMARY DRIVE FRONT SPROCKET	1	19/11/2010		MOD:1199 ABS;XST:AUS,CHN,EUR,FRA,JAP	
4	70310593A	RING NUT	1	01/01/2012		MOD:1199 ABS;XST:AUS,CHN,EUR,FRA,JAP	
5	17420581A	PUMP DRIVING GEAR (Unit)	1	28/03/2011		MOD:1199 ABS;XST:AUS,CHN,EUR,FRA,JAP	
6	15620861AA	CONNECTING ROD (Class 1)	2	13/01/2012		MOD:1199 ABS;XST:AUS,CHN,EUR,FRA,JAP	
	15620861AB	CONNECTING ROD (Class 2)	2	13/01/2012		MOD:1199 ABS;XST:AUS,CHN,EUR,FRA,JAP	
	15620861AC	CONNECTING ROD (Class 3)	2	13/01/2012		MOD:1199 ABS;XST:AUS,CHN,EUR,FRA,JAP	
7	77916192C	SCREW, SPECIAL	4	07/07/2011		MOD:1199 ABS;XST:AUS,CHN,EUR,FRA,JAP	
8	742240570	PIN 2.5X10 SW	4	07/07/2011		MOD:1199 ABS;XST:AUS,CHN,EUR,FRA,JAP	
9	11210711AA	SEMICUSCINETTO (Red)	4	15/12/2011		MOD:1199 ABS;XST:AUS,CHN,EUR,FRA,JAP	
	11210711AB	SEMICUSCINETTO (Blue)	4	15/12/2011		MOD:1199 ABS;XST:AUS,CHN,EUR,FRA,JAP	
	11210711AC	SEMICUSCINETTO (Yellow)	4	15/12/2011		MOD:1199 ABS;XST:AUS,CHN,EUR,FRA,JAP	
	11210711AD	SEMICUSCINETTO (Black)	4	15/12/2011		MOD:1199 ABS;XST:AUS,CHN,EUR,FRA,JAP	
	11210711AE	SEMICUSCINETTO (Green)	4	15/12/2011		MOD:1199 ABS;XST:AUS,CHN,EUR,FRA,JAP	
	11210711AF	SEMICUSCINETTO (Brown)	4	15/12/2011		MOD:1199 ABS;XST:AUS,CHN,EUR,FRA,JAP	
10	77915471A	THREADED DOWEL STEI M8X8	2	13/01/2012		MOD:1199 ABS;XST:AUS,CHN,EUR,FRA,JAP	





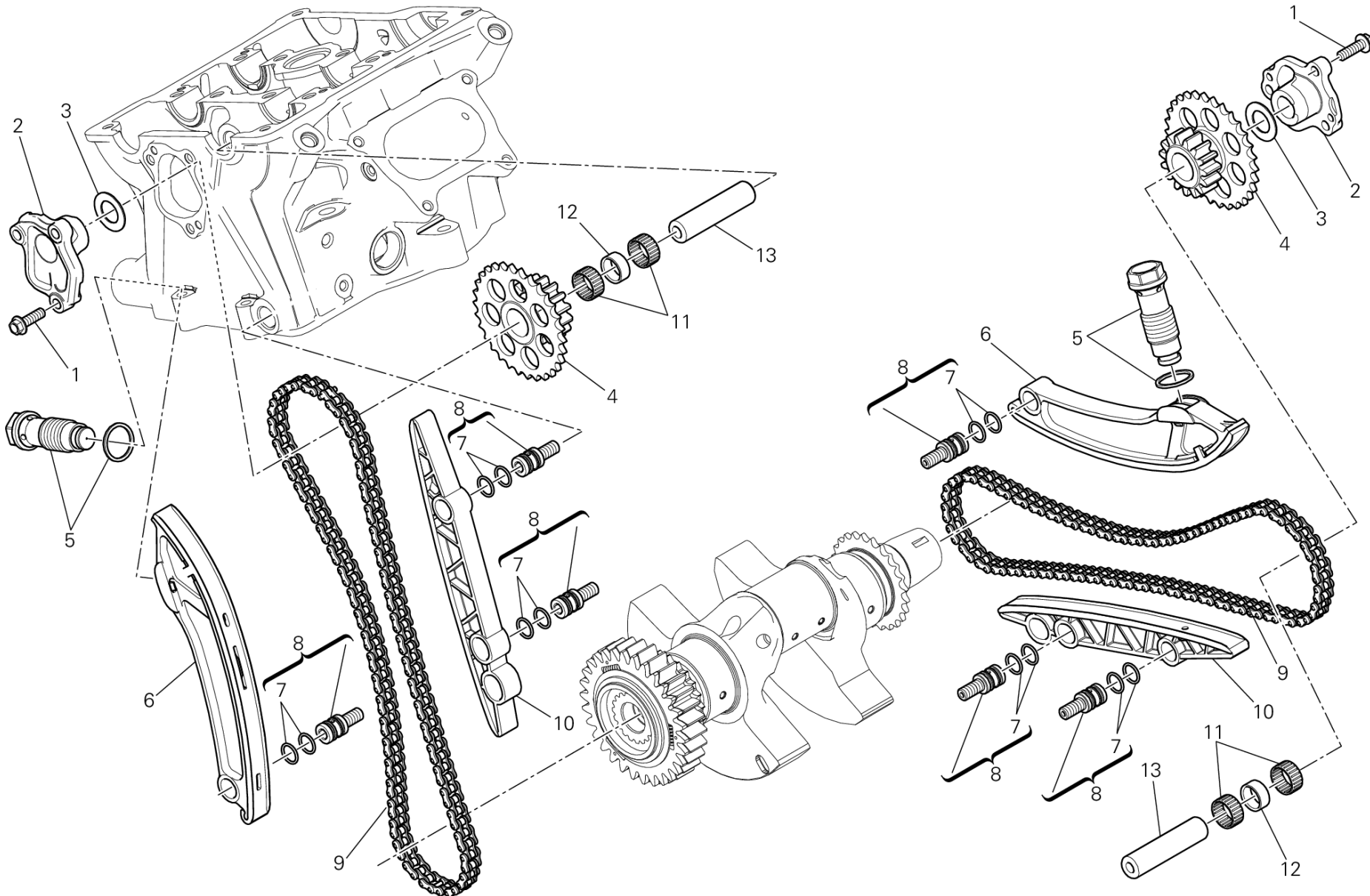
POS.	CODE	DESCRIPTION	QTY	START DATE	END DATE	VALIDITY	NOTES
11	14621872AA	CRANKSHAFT CLASS A	1	26/03/2012		MOD:1199 ABS;XST:AUS,CHN,EUR,FRA,JAP	
	14621872AB	CRANKSHAFT CLASS B	1	26/03/2012		MOD:1199 ABS;XST:AUS,CHN,EUR,FRA,JAP	
	14621872AC	CRANKSHAFT CLASS C	1	26/03/2012		MOD:1199 ABS;XST:AUS,CHN,EUR,FRA,JAP	
12	68010171A	PLATE	2	01/01/2012		MOD:1199 ABS;XST:AUS,CHN,EUR,FRA,JAP	
13	17112351B	SPROCKET	1	05/06/2012		MOD:1199 ABS;XST:AUS,CHN,EUR,FRA,JAP	



IMB00167

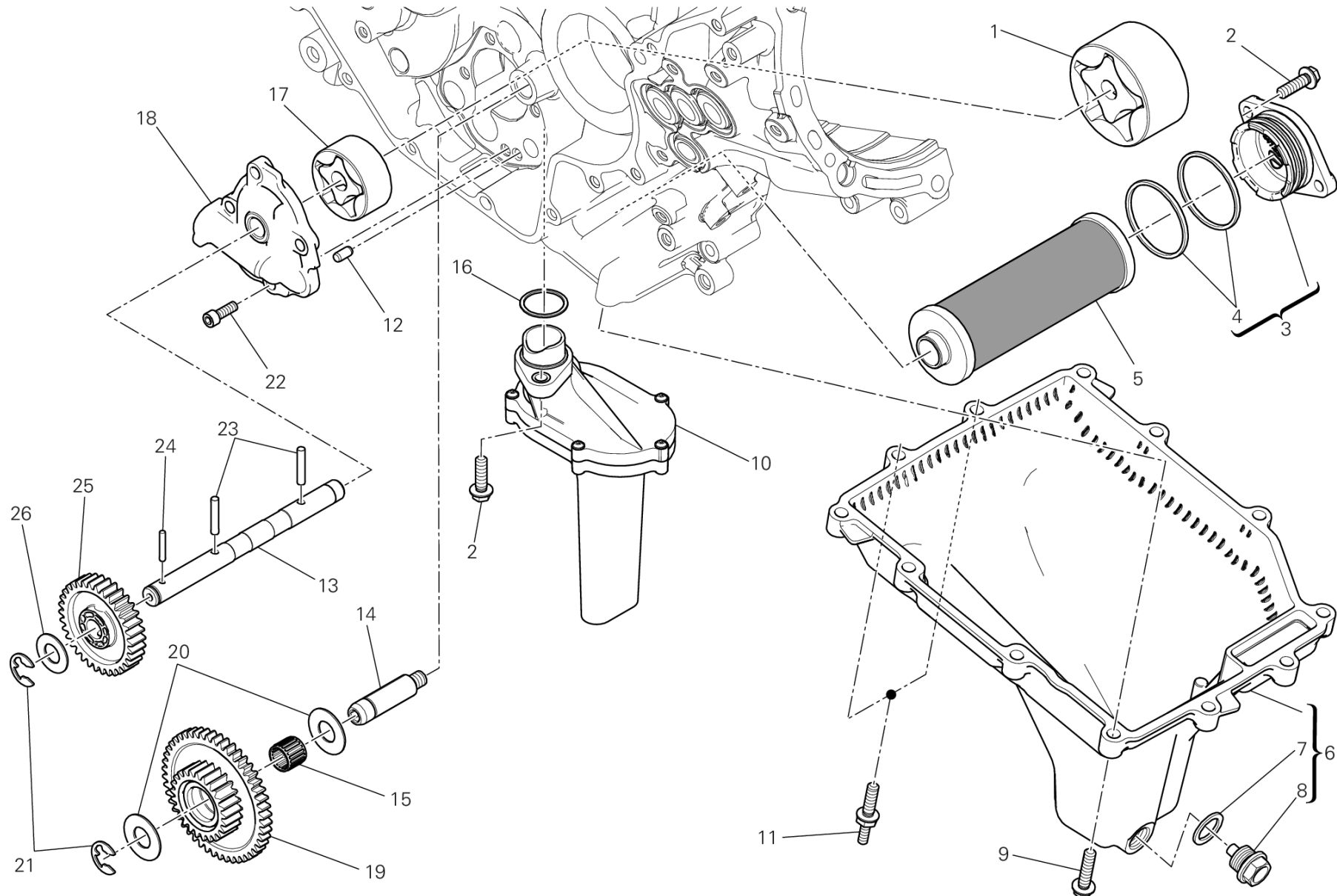


POS.	CODE	DESCRIPTION	QTY	START DATE	END DATE	VALIDITY	NOTES
1	12112601B	PISTON PIN CIRCLIP	4	01/09/2011		MOD:1199 ABS;XST:AUS,CHN,EUR,FRA,JAP	
2	12112551C	PISTON PIN	2	07/04/2011		MOD:1199 ABS;XST:AUS,CHN,EUR,FRA,JAP	
3	12120561B	PISTON RING SET	2	17/07/2012		MOD:1199 ABS;XST:AUS,CHN,EUR,FRA,JAP	
4	78611212C	HEAD-CYLINDER GASKET	2	01/01/2012		MOD:1199 ABS;XST:AUS,CHN,EUR,FRA,JAP	
5	79120531B	GASKETS SET	2	19/07/2012		MOD:1199 ABS;XST:AUS,CHN,EUR,FRA,JAP	
6	12021983D	CYLINDER LINER-PISTON FIT	2	24/09/2012		MOD:1199 ABS;XST:AUS,CHN,EUR,FRA,JAP	
7	12221712DA	PISTON ASSY (Class A)	2	17/07/2012		MOD:1199 ABS;XST:AUS,CHN,EUR,FRA,JAP	
	12221712DB	PISTON ASSY (Class B)	2	17/07/2012		MOD:1199 ABS;XST:AUS,CHN,EUR,FRA,JAP	
	12221712DC	PISTON ASSY (Class C)	2	17/07/2012		MOD:1199 ABS;XST:AUS,CHN,EUR,FRA,JAP	



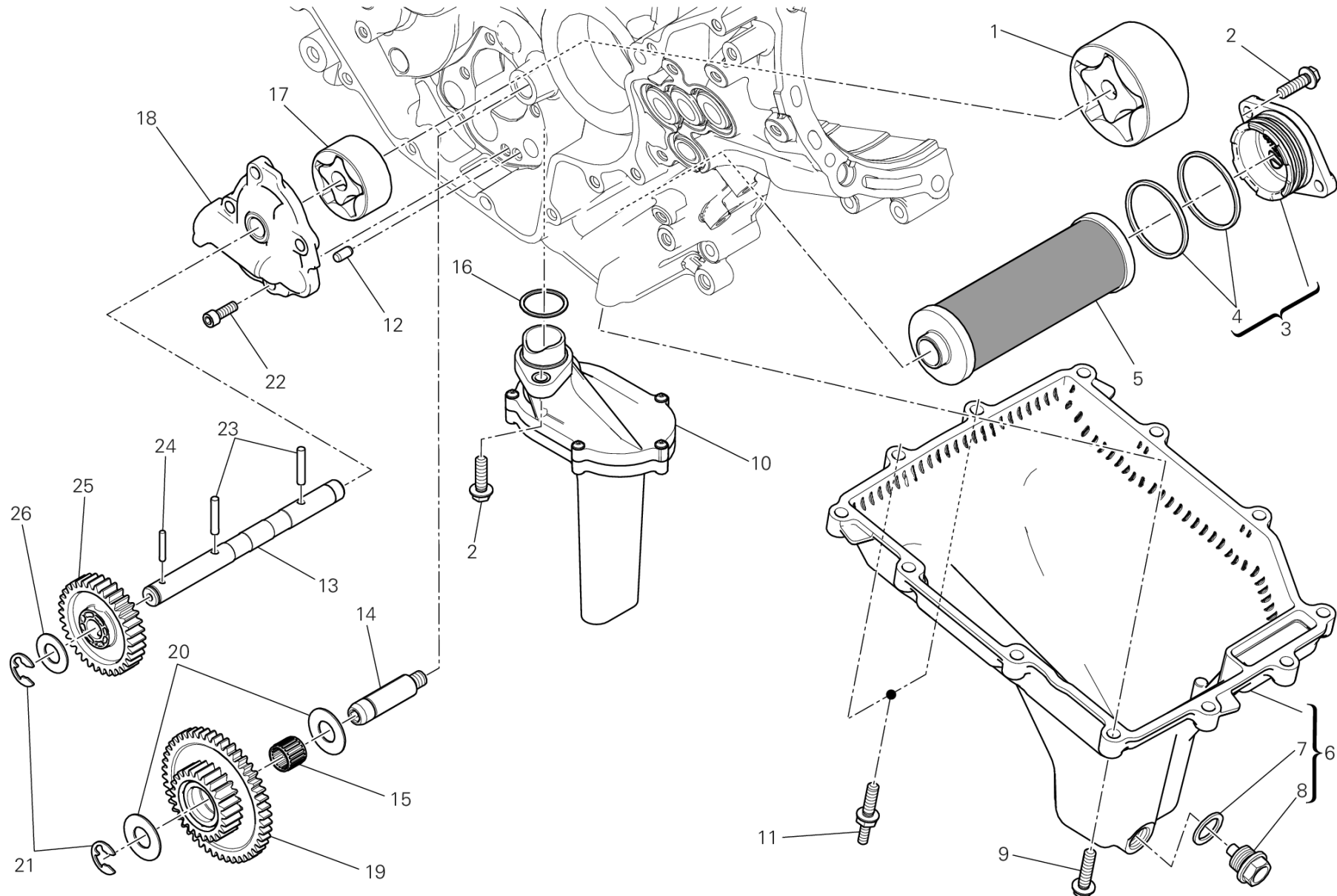


POS.	CODE	DESCRIPTION	QTY	START DATE	END DATE	VALIDITY	NOTES
1	77253317C	SCREW	6	11/11/2010		MOD:1199 ABS;XST:AUS,CHN,EUR,FRA	
2	24713912A	COVER	2	01/08/2011		MOD:1199 ABS;XST:AUS,CHN,EUR,FRA	
3	85212741A	WASHER, THRUST	2	11/11/2010		MOD:1199 ABS;XST:AUS,CHN,EUR,FRA	
4	17112311A	GEAR Z=15 30	2	12/01/2012		MOD:1199 ABS;XST:AUS,CHN,EUR,FRA	
5	45140013A	COMPLETE TENSIONER ROLLER	2	01/01/2012		MOD:1199 ABS;XST:AUS,CHN,EUR,FRA	
6	44740051A	COMPLETE MOVABLE TENSIONER ROLLER	2	25/06/2012		MOD:1199 ABS;XST:AUS,CHN,EUR,FRA	
7	88642081A	O-RING	12	22/03/2012		MOD:1199 ABS;XST:AUS,CHN,EUR,FRA	
8	82123692A	TENSIONER ROLLER PIN	6	22/06/2012		MOD:1199 ABS;XST:AUS,CHN,EUR,FRA	
9	73840011A	CHAIN	2	12/01/2012		MOD:1199 ABS;XST:AUS,CHN,EUR,FRA	
10	44740021B	COMPLETE FIXED TENSIONER ROLLER	2	22/11/2010		MOD:1199 ABS;XST:AUS,CHN,EUR,FRA	
11	70140301C	NEEDLE BEARING	4	23/04/2012		MOD:1199 ABS;XST:AUS,CHN,EUR,FRA	
12	71319291A	SPACER	2	11/11/2010		MOD:1199 ABS;XST:AUS,CHN,EUR,FRA	
13	82010151A	PIN	2	06/04/2011		MOD:1199 ABS;XST:AUS,CHN,EUR,FRA	



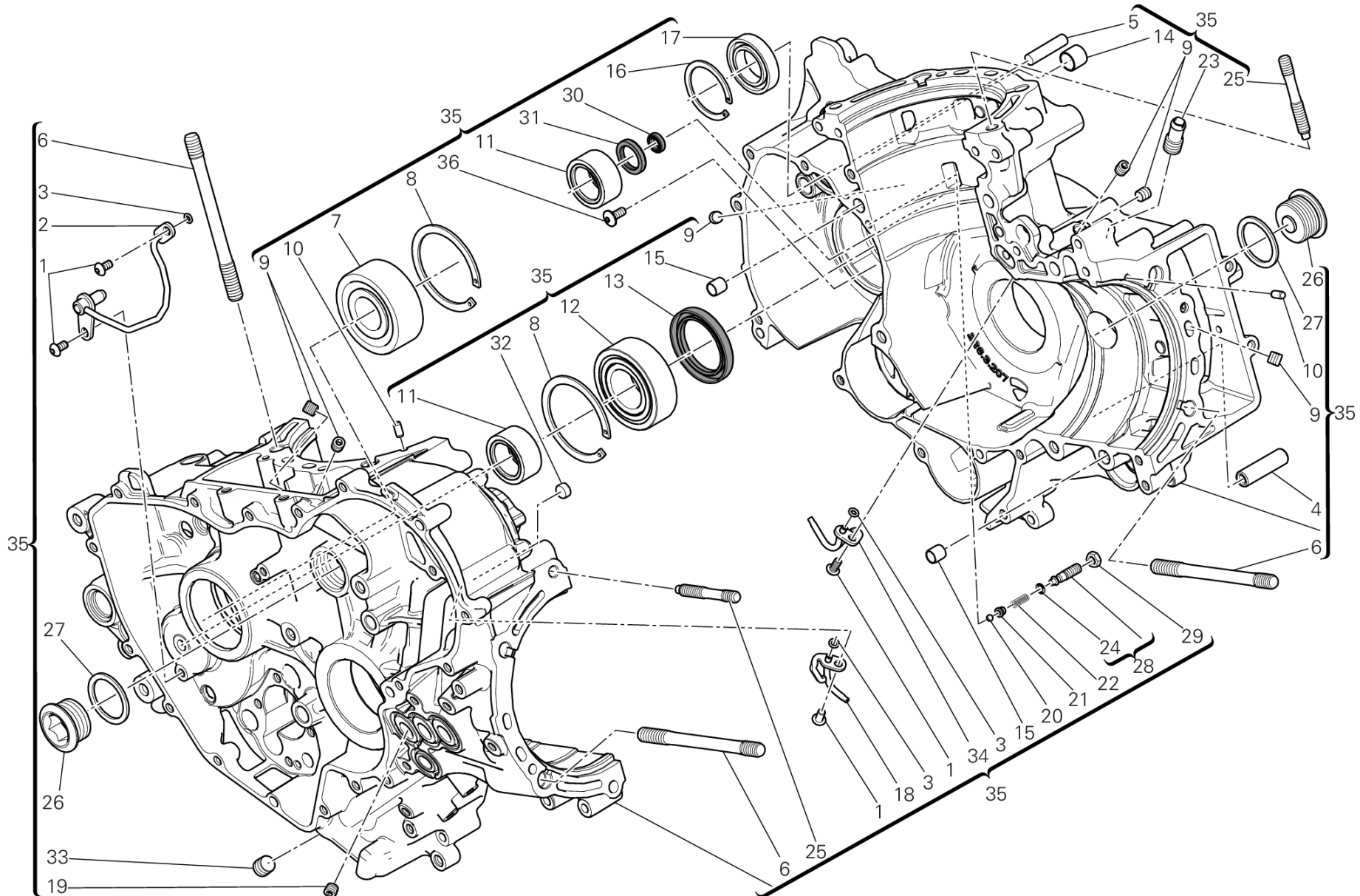


POS.	CODE	DESCRIPTION	QTY	START DATE	END DATE	VALIDITY	NOTES
1	17420571A	OIL PUMP RETURN	1	11/11/2010		MOD:1199 ABS;XST:AUS,CHN,EUR,FRA,JAP	
2	77253317C	SCREW	3	11/11/2010		MOD:1199 ABS;XST:AUS,CHN,EUR,FRA,JAP	
3	24723842A	FILTER COVER UNIT	1	17/09/2012		MOD:1199 ABS;XST:AUS,CHN,EUR,FRA,JAP	
4	88650561A	O-RING	2	25/11/2010		MOD:1199 ABS;XST:AUS,CHN,EUR,FRA,JAP	
5	44440291C	FILTER, OIL	1	03/07/2012		MOD:1199 ABS;XST:AUS,CHN,EUR,FRA,JAP	
6	25220071A	OIL PAN	1	11/11/2010		MOD:1199 ABS;XST:AUS,CHN,EUR,FRA,JAP	
7	85250541A	WASHER	1	29/03/2011		MOD:1199 ABS;XST:AUS,CHN,EUR,FRA,JAP	
8	89310151A	OIL DRAIN PLUG WITH MAGNET	1	29/03/2011		MOD:1199 ABS;XST:AUS,CHN,EUR,FRA,JAP	
9	77253337C	SCREW	10	11/11/2010		MOD:1199 ABS;XST:AUS,CHN,EUR,FRA,JAP	
10	89420112B	MESH FILTER ASSEMBLY	1	01/08/2011		MOD:1199 ABS;XST:AUS,CHN,EUR,FRA,JAP	
11	77917161B	SCREW, SPECIAL	2	08/11/2011		MOD:1199 ABS;XST:AUS,CHN,EUR,FRA,JAP	
12	86050061A	PIN M5X10	1	02/11/2011		MOD:1199 ABS;XST:AUS,CHN,EUR,FRA,JAP	
13	14710903A	OIL PUMP DRIVE SHAFT	1	02/05/2011		MOD:1199 ABS;XST:AUS,CHN,EUR,FRA,JAP	
14	82010162A	STARTER REDUCTION SHAFT	1	02/11/2011		MOD:1199 ABS;XST:AUS,CHN,EUR,FRA,JAP	
15	70140371A	BEARING, NEEDLE	1	11/11/2010		MOD:1199 ABS;XST:AUS,CHN,EUR,FRA,JAP	
16	88641331A	O-RING	1	01/07/2011		MOD:1199 ABS;XST:AUS,CHN,EUR,FRA,JAP	
17	17420561A	OIL PUMP DELIVERY	1	11/11/2010		MOD:1199 ABS;XST:AUS,CHN,EUR,FRA,JAP	



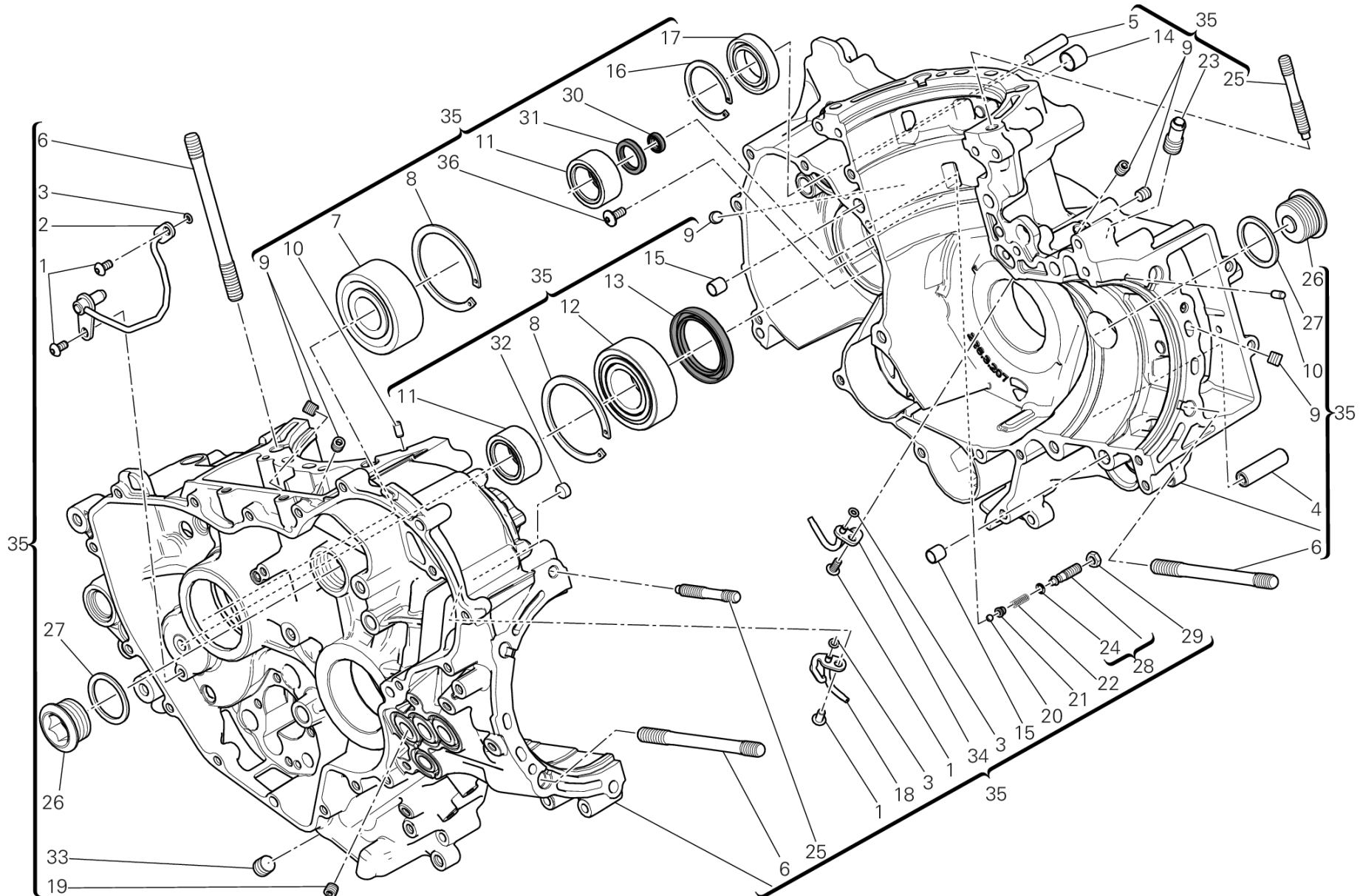


POS.	CODE	DESCRIPTION	QTY	START DATE	END DATE	VALIDITY	NOTES
18	24723712A	OIL PUMP COVER	1	12/03/2012		MOD:1199 ABS;XST:AUS,CHN,EUR,FRA,JAP	
19	17410601A	GEAR, PUMP DRIVEN	1	01/01/2012		MOD:1199 ABS;XST:AUS,CHN,EUR,FRA,JAP	
20	85212681A	WASHER, THRUST	2	25/11/2010		MOD:1199 ABS;XST:AUS,CHN,EUR,FRA,JAP	
21	88450371A	SNAP RING	2	11/11/2010		MOD:1199 ABS;XST:AUS,CHN,EUR,FRA,JAP	
22	77150678B	SCREW TCEI M6X16	4	11/11/2010		MOD:1199 ABS;XST:AUS,CHN,EUR,FRA,JAP	
23	70450091A	ROLLER	2	11/11/2010		MOD:1199 ABS;XST:AUS,CHN,EUR,FRA,JAP	
24	70450051A	ROLLER	1	11/11/2010		MOD:1199 ABS;XST:AUS,CHN,EUR,FRA,JAP	
25	17410611A	PUMP GEAR	1	01/01/2012		MOD:1199 ABS;XST:AUS,CHN,EUR,FRA,JAP	
26	85213021A	WASHER, THRUST	1	26/11/2010		MOD:1199 ABS;XST:AUS,CHN,EUR,FRA,JAP	





POS.	CODE	DESCRIPTION	QTY	START DATE	END DATE	VALIDITY	NOTES
1	77510311B	SCREW TBEI M5X10	4	02/11/2011		MOD:1199 ABS;XST:AUS,CHN,EUR,FRA,JAP	
2	87511791B	HOSE, OIL	1	02/11/2011		MOD:1199 ABS;XST:AUS,CHN,EUR,FRA,JAP	
3	88650131A	O-RING 3.68X1.78	3	02/11/2011		MOD:1199 ABS;XST:AUS,CHN,EUR,FRA,JAP	
4	82010141A	STARTER REDUCTION SHAFT	1	02/11/2011		MOD:1199 ABS;XST:AUS,CHN,EUR,FRA,JAP	
5	86050091A	PIN	1	02/11/2011		MOD:1199 ABS;XST:AUS,CHN,EUR,FRA,JAP	
6	76610781A	STUD BOLT FASTENING HEAD CYLINDER	8	02/11/2011		MOD:1199 ABS;XST:AUS,CHN,EUR,FRA,JAP	
7	70240131D	BEARING	1	02/11/2011		MOD:1199 ABS;XST:AUS,CHN,EUR,FRA,JAP	
8	735034405	SNAP RING	2	02/11/2011		MOD:1199 ABS;XST:AUS,CHN,EUR,FRA,JAP	
9	78010871A	THREADED DOWEL	6	02/11/2011		MOD:1199 ABS;XST:AUS,CHN,EUR,FRA,JAP	
10	86050061A	PIN M5X10	2	02/11/2011		MOD:1199 ABS;XST:AUS,CHN,EUR,FRA,JAP	
11	70240251B	BEARING	2	02/11/2011		MOD:1199 ABS;XST:AUS,CHN,EUR,FRA,JAP	
12	70241091A	BEARING, NEEDLE	1	02/11/2011		MOD:1199 ABS;XST:AUS,CHN,EUR,FRA,JAP	
13	93040431A	SEAL, OIL 40X55X7	1	02/11/2011		MOD:1199 ABS;XST:AUS,CHN,EUR,FRA,JAP	
14	71240231A	BUSH	1	02/11/2011		MOD:1199 ABS;XST:AUS,CHN,EUR,FRA,JAP	
15	71113181A	LOCAT. DOWEL	4	02/11/2011		MOD:1199 ABS;XST:AUS,CHN,EUR,FRA,JAP	
16	735033804	CIRCLIP	1	02/11/2011		MOD:1199 ABS;XST:AUS,CHN,EUR,FRA,JAP	
17	70250411A	BEARING 25X42X9	1	02/11/2011		MOD:1199 ABS;XST:AUS,CHN,EUR,FRA,JAP	

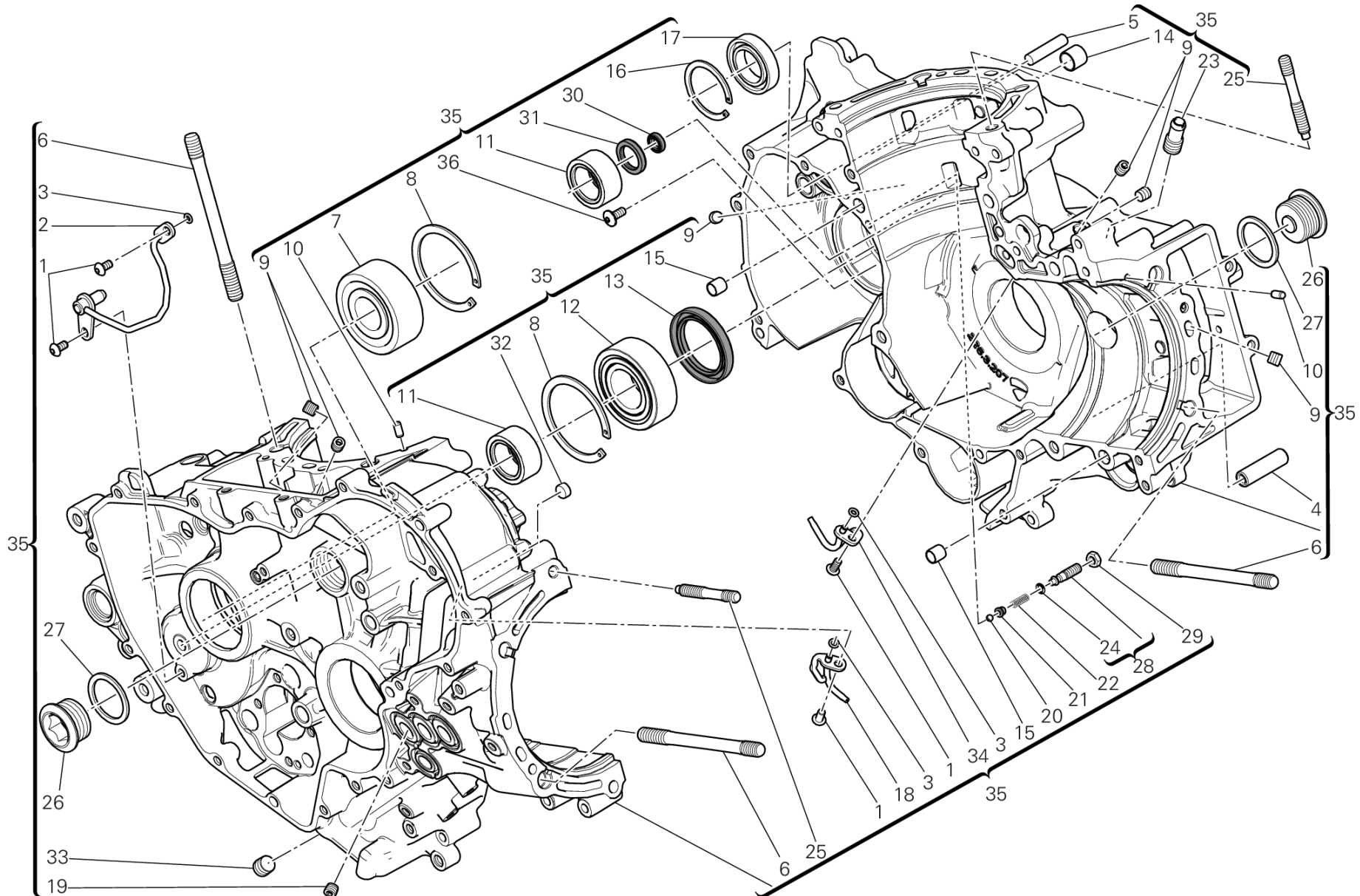


DRAWING 010 - HALF-CRANKCASES PAIR [MOD:1199 ABS;XST:AUS,CHN,EUR,FRA,JAP]

GROUP ENGINE

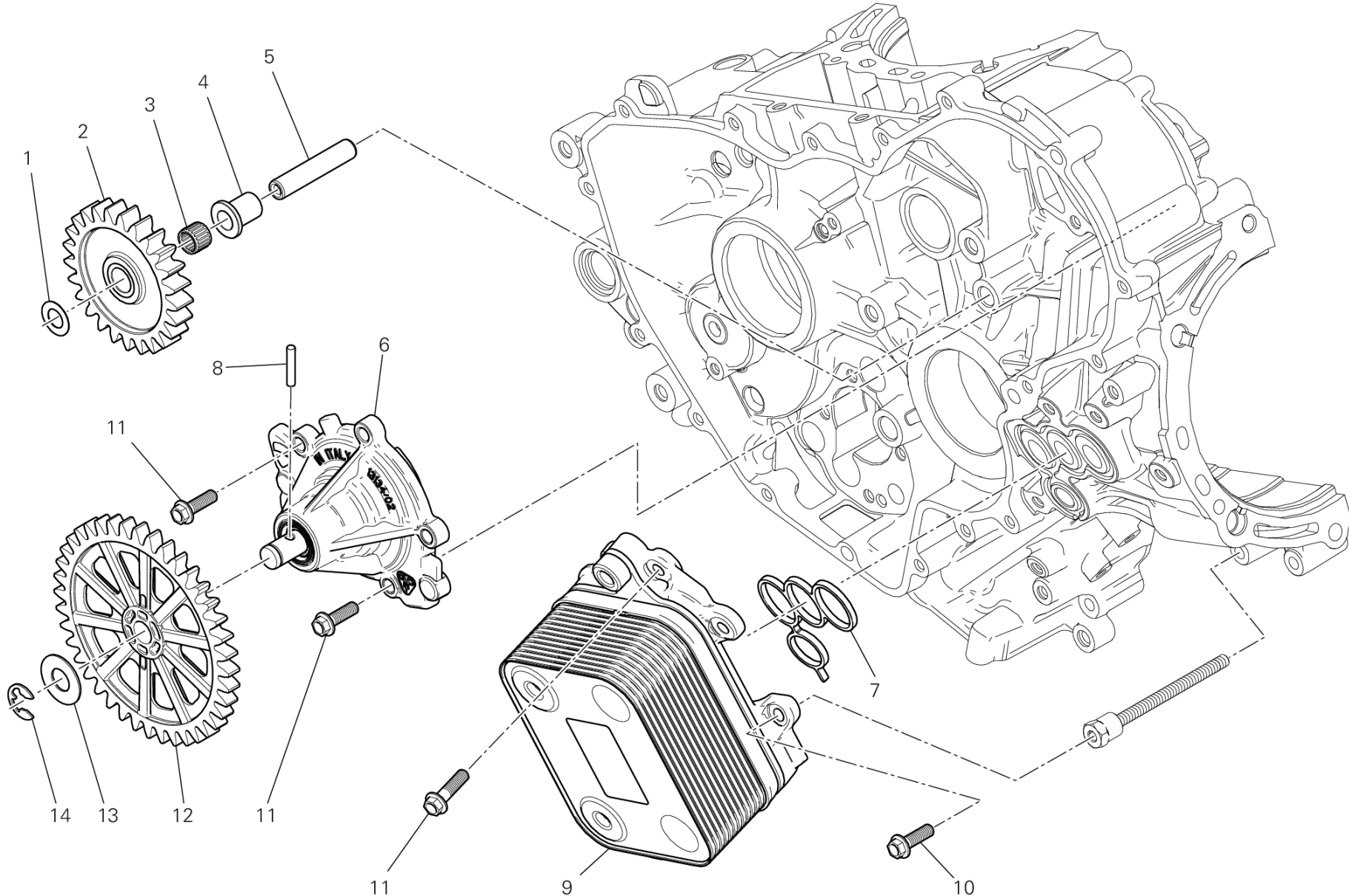


POS.	CODE	DESCRIPTION	QTY	START DATE	END DATE	VALIDITY	NOTES
18	87511651BB	JET RH	1	02/11/2011		MOD:1199 ABS;XST:AUS,CHN,EUR,FRA,JAP	
19	78010861A	SPECIAL SCREW	1	02/11/2011		MOD:1199 ABS;XST:AUS,CHN,EUR,FRA,JAP	
20	84740061A	BALL	1	02/11/2011		MOD:1199 ABS;XST:AUS,CHN,EUR,FRA,JAP	
21	83110151A	PLATE	1	02/11/2011		MOD:1199 ABS;XST:AUS,CHN,EUR,FRA,JAP	
22	79940121A	SPRING	1	02/11/2011		MOD:1199 ABS;XST:AUS,CHN,EUR,FRA,JAP	
23	81413421B	UNION RETURN	1	08/11/2011		MOD:1199 ABS;XST:AUS,CHN,EUR,FRA,JAP	
24	88641961A	O-RING	1	18/04/2011		MOD:1199 ABS;XST:AUS,CHN,EUR,FRA,JAP	
25	76610801A	STUD BOLT FASTENING HEAD CYLINDER	2	02/11/2011		MOD:1199 ABS;XST:AUS,CHN,EUR,FRA,JAP	
26	78010801A	PLUG	2	02/11/2011		MOD:1199 ABS;XST:AUS,CHN,EUR,FRA,JAP	
27	85250491A	WASHER	2	02/11/2011		MOD:1199 ABS;XST:AUS,CHN,EUR,FRA,JAP	
28	77927171A	SCREW	1	02/11/2011		MOD:1199 ABS;XST:AUS,CHN,EUR,FRA,JAP	
29	74750151A	NUT	1	02/11/2011		MOD:1199 ABS;XST:AUS,CHN,EUR,FRA,JAP	
30	93041771A	SEAL RING	1	02/11/2011		MOD:1199 ABS;XST:AUS,CHN,EUR,FRA,JAP	
31	93040931A	SEAL, OIL 17X25X4	1	02/11/2011		MOD:1199 ABS;XST:AUS,CHN,EUR,FRA,JAP	
32	87310021A	PLUG 10 MM	2	02/11/2011		MOD:1199 ABS;XST:AUS,CHN,EUR,FRA,JAP	
33	78010771A	THREADED DOWEL	1	02/11/2011		MOD:1199 ABS;XST:AUS,CHN,EUR,FRA,JAP	
34	87511641BB	JET LH	1	02/11/2011		MOD:1199 ABS;XST:AUS,CHN,EUR,FRA,JAP	



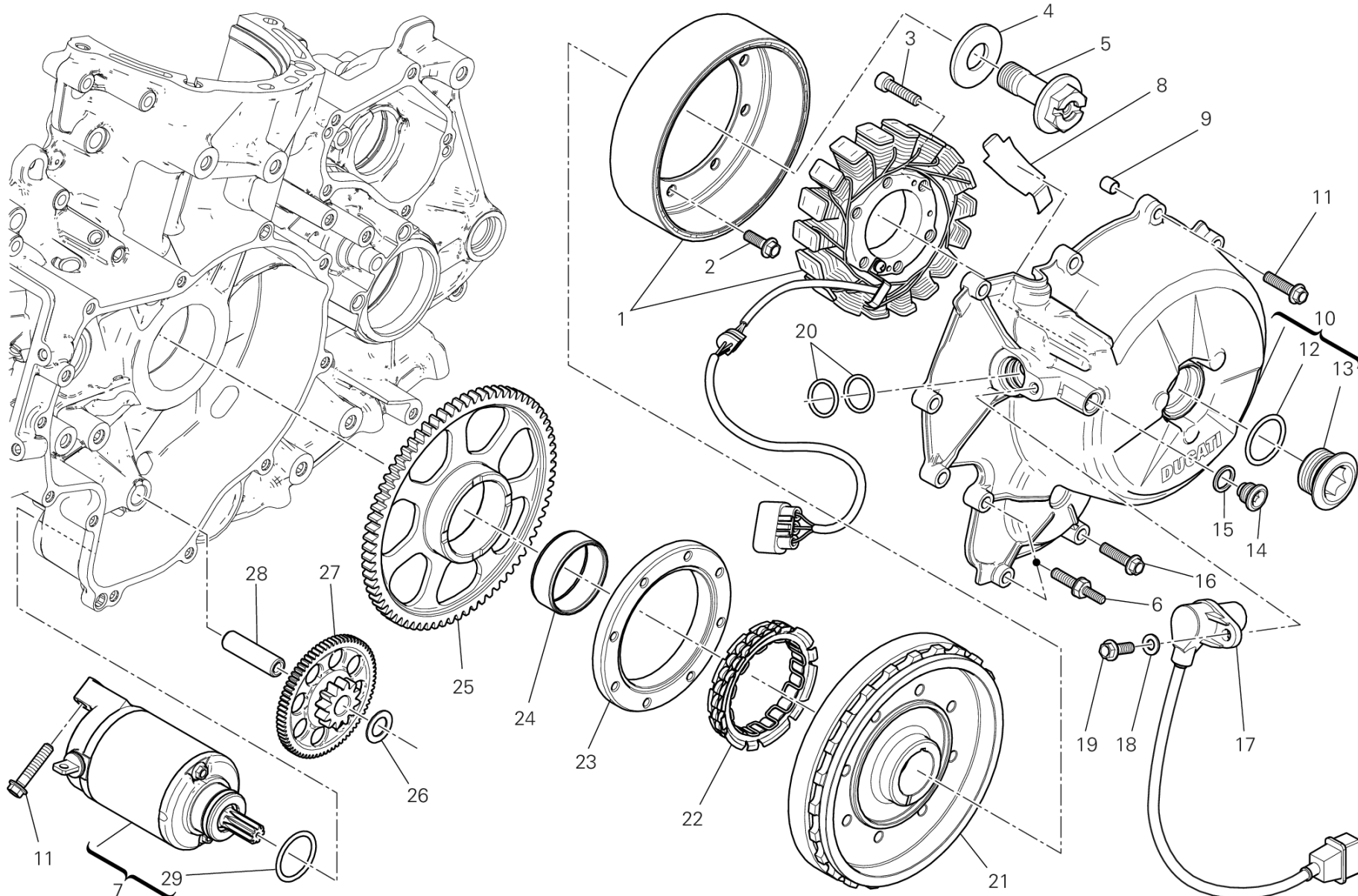


POS.	CODE	DESCRIPTION	QTY	START DATE	END DATE	VALIDITY	NOTES
35	22522602B	COMPLETE HALF-CRANKCASES PAIR	1	19/04/2012	31/12/2030	MOD:1199 ABS;XST:AUS,CHN,EUR,FRA,JAP	
36	77240398C	SCREW TBEIF M6X10	2	02/11/2011		MOD:1199 ABS;XST:AUS,CHN,EUR,FRA,JAP	





POS.	CODE	DESCRIPTION	QTY	START DATE	END DATE	VALIDITY	NOTES
1	064770010	WASHER, THRUST	1	11/11/2010		MOD:1199 ABS;XST:AUS,CHN,EUR,FRA,JAP	
2	17410511A	PUMP GEAR	1	11/11/2010		MOD:1199 ABS;XST:AUS,CHN,EUR,FRA,JAP	
3	70140361A	BEARING, NEEDLE	1	11/11/2010		MOD:1199 ABS;XST:AUS,CHN,EUR,FRA,JAP	
4	71113221A	BUSH	1	11/11/2010		MOD:1199 ABS;XST:AUS,CHN,EUR,FRA,JAP	
5	82010171A	STARTER REDUCTION SHAFT	1	09/12/2010		MOD:1199 ABS;XST:AUS,CHN,EUR,FRA,JAP	
6	24723701C	COMPLETE WATER PUMP	1	02/11/2011		MOD:1199 ABS;XST:AUS,CHN,EUR,FRA,JAP	
7	78811191A	GASKET	1	26/11/2010		MOD:1199 ABS;XST:AUS,CHN,EUR,FRA,JAP	
8	70450091A	ROLLER	1	11/11/2010		MOD:1199 ABS;XST:AUS,CHN,EUR,FRA,JAP	
9	54710022B	HEAT EXCHANGER	1	27/01/2012		MOD:1199 ABS;XST:AUS,CHN,EUR,FRA,JAP	
10	77253297C	SCREW	2	01/11/2011		MOD:1199 ABS;XST:AUS,CHN,EUR,FRA,JAP	
11	77253317C	SCREW	9	01/09/2011	27/01/2012	MOD:1199 ABS;XST:AUS,CHN,EUR,FRA,JAP	
12	17410501A	PUMP GEAR	1	11/11/2010		MOD:1199 ABS;XST:AUS,CHN,EUR,FRA,JAP	
13	85212681A	WASHER, THRUST	1	03/12/2010		MOD:1199 ABS;XST:AUS,CHN,EUR,FRA,JAP	
14	88450371A	SNAP RING	1	11/11/2010		MOD:1199 ABS;XST:AUS,CHN,EUR,FRA,JAP	



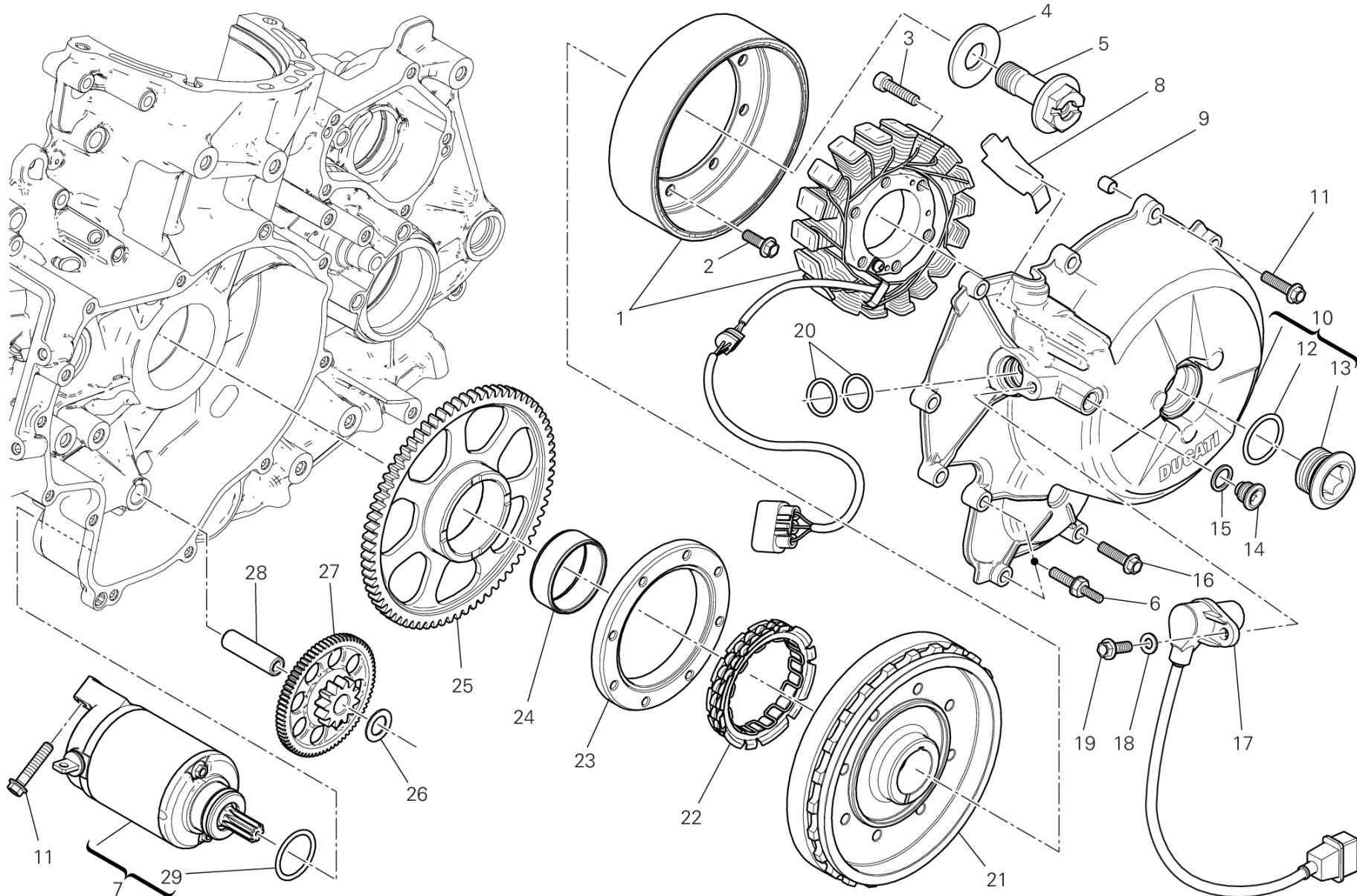
DRAWING 012 - ELECTRIC STARTING AND IGNITION [MOD:1199

ABS;XST:AUS,CHN,EUR,FRA,JAP]

GROUP ENGINE



POS.	CODE	DESCRIPTION	QTY	START DATE	END DATE	VALIDITY	NOTES
1	26420161A	GENERATOR DENSO	1	13/01/2012		MOD:1199 ABS;XST:AUS,CHN,EUR,FRA,JAP	
2	77253300Z	SCREW	8	22/11/2010		MOD:1199 ABS;XST:AUS,CHN,EUR,FRA,JAP	
3	77110518B	SCREW TCEI M6X25	3	01/04/2011		MOD:1199 ABS;XST:AUS,CHN,EUR,FRA,JAP	
4	85212941B	WASHER	1	01/08/2011		MOD:1199 ABS;XST:AUS,CHN,EUR,FRA,JAP	
5	77916661B	SCREW, SPECIAL	1	01/08/2011		MOD:1199 ABS;XST:AUS,CHN,EUR,FRA,JAP	
6	77917161B	SCREW, SPECIAL	2	08/11/2011		MOD:1199 ABS;XST:AUS,CHN,EUR,FRA,JAP	
7	27040134A	COMPLETE STARTER MOTOR	1	08/11/2012		MOD:1199 ABS;XST:AUS,CHN,EUR,FRA,JAP	
8	82716091A	PLATE	1	01/04/2011		MOD:1199 ABS;XST:AUS,CHN,EUR,FRA,JAP	
9	71113171A	LOCATING DOWEL	1	11/11/2010		MOD:1199 ABS;XST:AUS,CHN,EUR,FRA,JAP	
10	24221081BB	GENERATOR COVER	1	15/09/2011		MOD:1199 ABS;XST:AUS,CHN,EUR,FRA,JAP	
11	77253357C	SCREW	3	11/11/2010		MOD:1199 ABS;XST:AUS,CHN,EUR,FRA,JAP	
12	88640741A	O-RING	1	15/09/2011		MOD:1199 ABS;XST:AUS,CHN,EUR,FRA,JAP	
13	78010841A	PLUG	1	15/09/2011		MOD:1199 ABS;XST:AUS,CHN,EUR,FRA,JAP	
14	78010511C	PLUG	1	01/04/2011		MOD:1199 ABS;XST:AUS,CHN,EUR,FRA,JAP	
15	85250261A	GASKET, ALUMINIUM 12X16X1.5	1	01/04/2011		MOD:1199 ABS;XST:AUS,CHN,EUR,FRA,JAP	
16	77253337C	SCREW	8	11/11/2010		MOD:1199 ABS;XST:AUS,CHN,EUR,FRA,JAP	
17	55241321B	SENSOR, TIMING & RPM	1	01/04/2011		MOD:1199 ABS;XST:AUS,CHN,EUR,FRA,JAP	



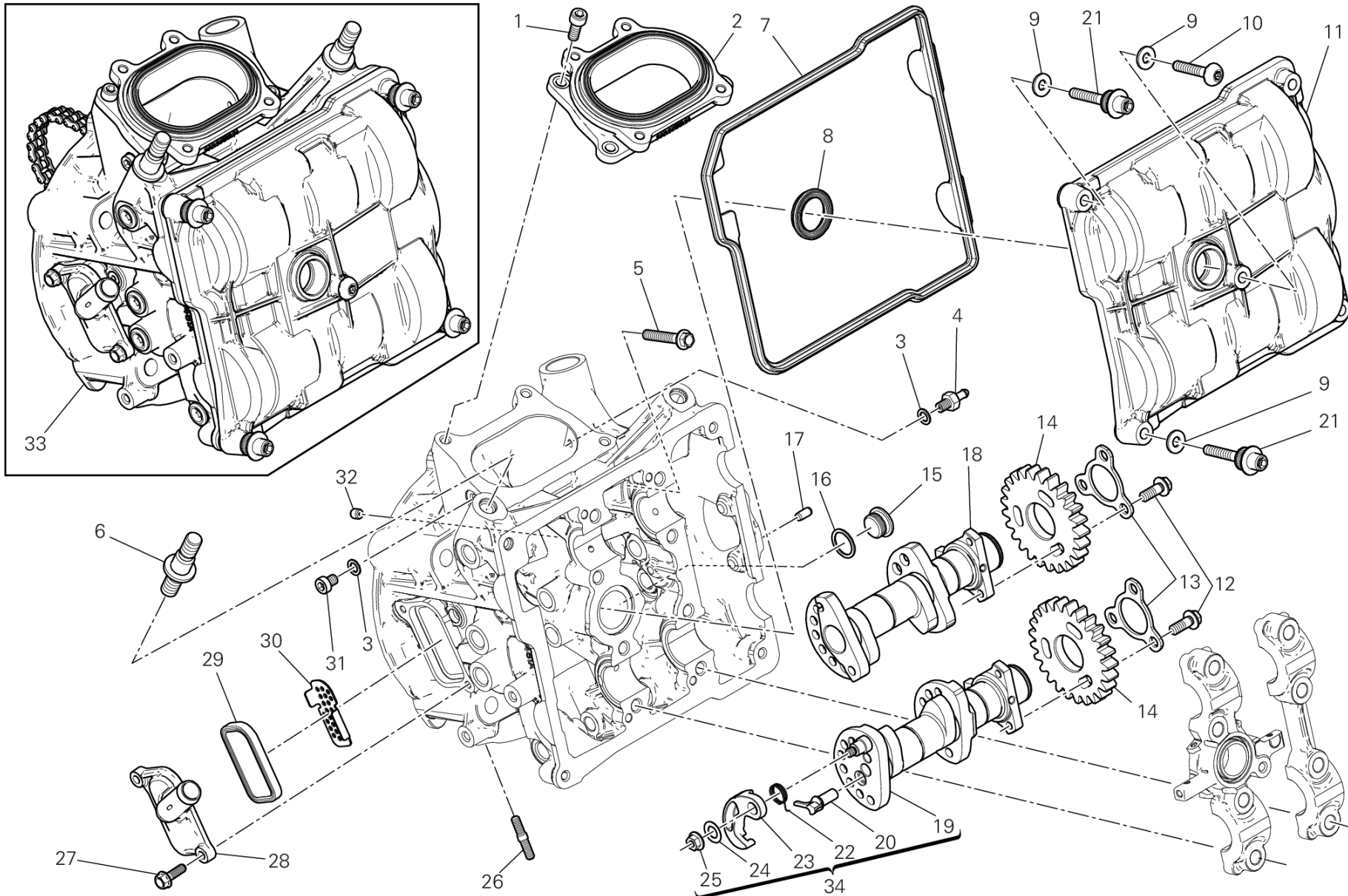
DRAWING 012 - ELECTRIC STARTING AND IGNITION [MOD:1199

ABS;XST:AUS,CHN,EUR,FRA,JAP]

GROUP ENGINE



POS.	CODE	DESCRIPTION	QTY	START DATE	END DATE	VALIDITY	NOTES
18	85310031A	SPRING WASHER 6 MM	1	01/04/2011		MOD:1199 ABS;XST:AUS,CHN,EUR,FRA,JAP	
19	77253307C	SCREW	1	01/04/2011		MOD:1199 ABS;XST:AUS,CHN,EUR,FRA,JAP	
20	88640331A	O-RING 17.96X2.62	2	01/04/2011		MOD:1199 ABS;XST:AUS,CHN,EUR,FRA,JAP	
21	27610602A	IGNITION FLYWHEEL	1	01/08/2011		MOD:1199 ABS;XST:AUS,CHN,EUR,FRA,JAP	
22	70140351A	CLUTCH, ONE WAY	1	22/11/2010		MOD:1199 ABS;XST:AUS,CHN,EUR,FRA,JAP	
23	16014151A	FLANGE	1	22/11/2010		MOD:1199 ABS;XST:AUS,CHN,EUR,FRA,JAP	
24	70240181B	NEEDLE BEARING	1	11/11/2010		MOD:1199 ABS;XST:AUS,CHN,EUR,FRA,JAP	
25	17310241A	ELECTRIC STARTER DRIVEN GEAR	1	22/11/2010		MOD:1199 ABS;XST:AUS,CHN,EUR,FRA,JAP	
26	85212651A	WASHER	1	11/11/2010		MOD:1199 ABS;XST:AUS,CHN,EUR,FRA,JAP	
27	17610221A	DRIVEN GEAR DOUBLE	1	26/11/2010		MOD:1199 ABS;XST:AUS,CHN,EUR,FRA,JAP	
28	82010141A	STARTER REDUCTION SHAFT	1	02/11/2011		MOD:1199 ABS;XST:AUS,CHN,EUR,FRA,JAP	
29	88641971A	O-RING	1	13/01/2012		MOD:1199 ABS;XST:AUS,CHN,EUR,FRA,JAP	



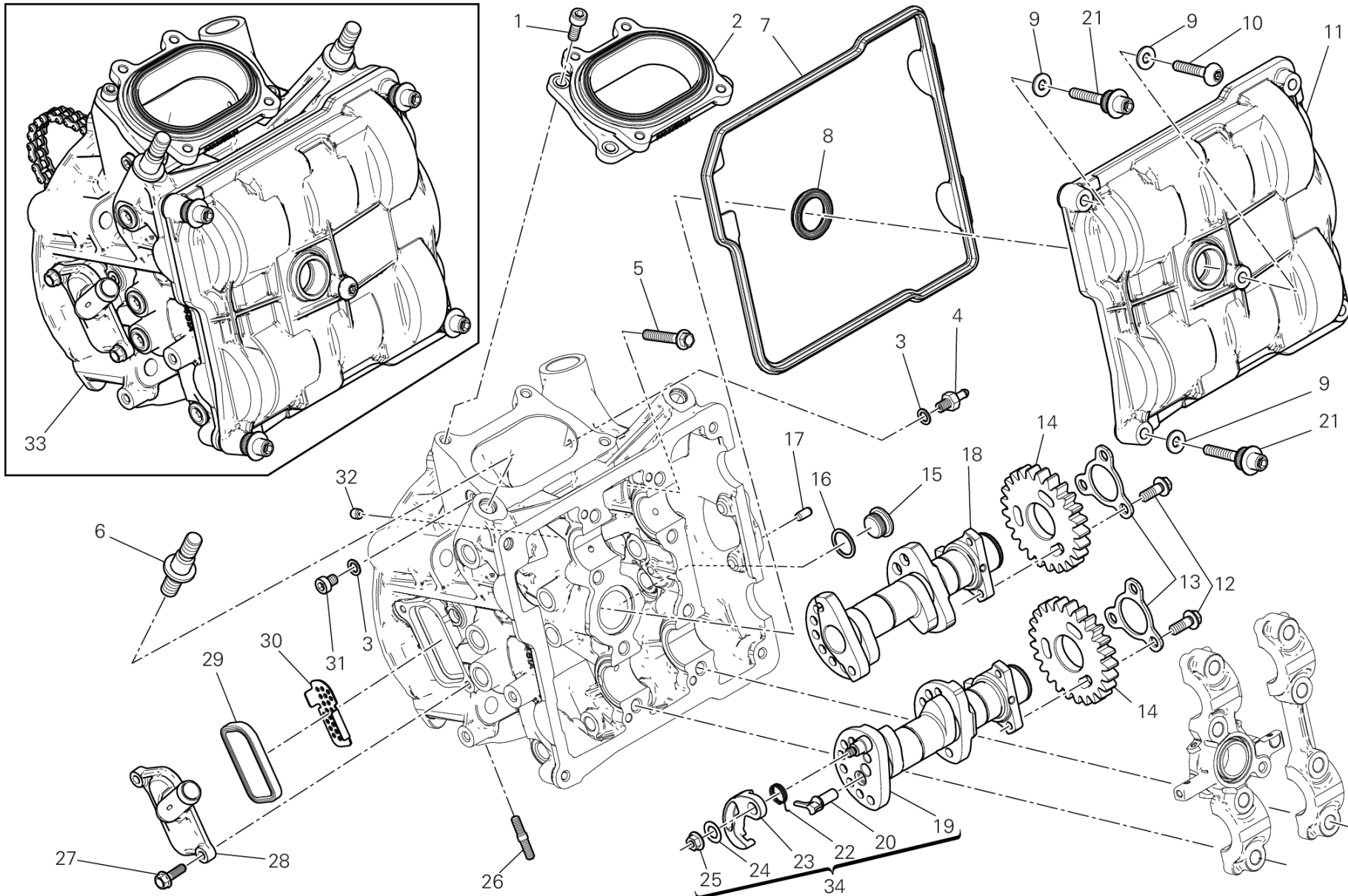
DRAWING 013 - TESTA ORIZZONTALE - DISTRIBUZIONE [MOD:1199

ABS;XST:AUS,EUR,FRA,JAP]

GROUP ENGINE



POS.	CODE	DESCRIPTION	QTY	START DATE	END DATE	VALIDITY	NOTES
1	77112331A	SCREW TCEI M6X16	4	12/01/2012		MOD:1199 ABS;XST:AUS,EUR,FRA,JAP	
2	14010691A	INTAKE MANIFOLD	1	12/01/2012		MOD:1199 ABS;XST:AUS,EUR,FRA,JAP	
3	85250231A	GASKET	2	01/08/2011		MOD:1199 ABS;XST:AUS,EUR,FRA,JAP	
4	81413341A	UNION	1	12/01/2012		MOD:1199 ABS;XST:AUS,EUR,FRA,JAP	
5	77253367C	SCREW	2	05/04/2011		MOD:1199 ABS;XST:AUS,EUR,FRA,JAP	
6	76610821A	STUD BOLT	2	12/01/2012		MOD:1199 ABS;XST:AUS,EUR,FRA,JAP	
7	78811101C	VALVE COVER GASKET EXTERNAL	1	12/01/2012		MOD:1199 ABS;XST:AUS,EUR,FRA,JAP	
8	78811131A	VALVE COVER GASKET INTERNAL	1	12/01/2012		MOD:1199 ABS;XST:AUS,EUR,FRA,JAP	
9	85212781A	WASHER	5	12/01/2012		MOD:1199 ABS;XST:AUS,EUR,FRA,JAP	
10	77916441A	SCREW	1	01/09/2011		MOD:1199 ABS;XST:AUS,EUR,FRA,JAP	
11	24713941B	COVER CYLINDER HEAD, HORIZONTAL	1	12/01/2012		MOD:1199 ABS;XST:AUS,EUR,FRA,JAP	
12	77253290Z	SCREW	6	01/08/2011		MOD:1199 ABS;XST:AUS,EUR,FRA,JAP	
13	85611471A	PLATE, RETAINER	2	12/01/2012		MOD:1199 ABS;XST:AUS,EUR,FRA,JAP	
14	17111153A	GEAR Z=25	2	12/01/2012		MOD:1199 ABS;XST:AUS,EUR,FRA,JAP	
15	77913541A	THREADED PLUG M15X1	1	06/04/2011		MOD:1199 ABS;XST:AUS,EUR,FRA,JAP	
16	85211201A	ALUMINIUM GASKET	1	06/04/2011		MOD:1199 ABS;XST:AUS,EUR,FRA,JAP	
17	86050061A	PIN M5X10	2	06/07/2011		MOD:1199 ABS;XST:AUS,EUR,FRA,JAP	



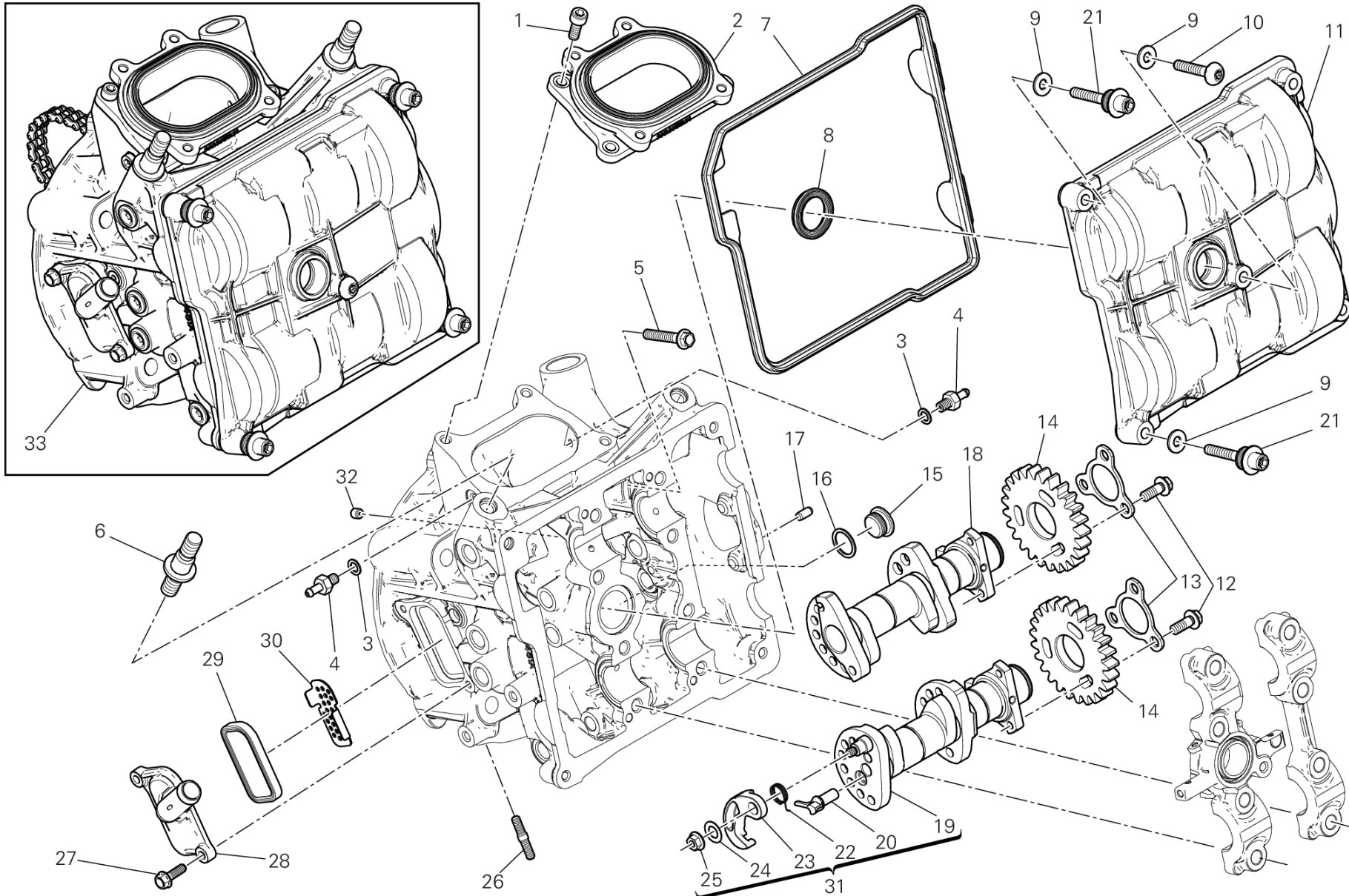
DRAWING 013 - TESTA ORIZZONTALE - DISTRIBUZIONE [MOD:1199

ABS;XST:AUS,EUR,FRA,JAP]

GROUP ENGINE



POS.	CODE	DESCRIPTION	QTY	START DATE	END DATE	VALIDITY	NOTES
18	14814381A	HORIZONTAL INTAKE CAMSHAFT	1	12/01/2012		MOD:1199 ABS;XST:AUS,EUR,FRA,JAP	
19	14824491C	HORIZONTAL EXHAUST CAMSHAFT	1	12/01/2012		MOD:1199 ABS;XST:AUS,EUR,FRA,JAP	
20	82113832A	PIN	1	12/01/2012		MOD:1199 ABS;XST:AUS,EUR,FRA,JAP	
21	77916971B	SCREW, SPECIAL	4	08/11/2011		MOD:1199 ABS;XST:AUS,EUR,FRA,JAP	
22	79915534A	SPRING	1	12/01/2012		MOD:1199 ABS;XST:AUS,EUR,FRA,JAP	
23	30710021A	ARM	1	12/01/2012		MOD:1199 ABS;XST:AUS,EUR,FRA,JAP	
24	85240231A	WASHER 8.2X14X0.5	1	13/01/2012		MOD:1199 ABS;XST:AUS,EUR,FRA,JAP	
25	74810791A	NUT	1	12/01/2012		MOD:1199 ABS;XST:AUS,EUR,FRA,JAP	
26	76640191A	STUD BOLT M6X16	3	12/01/2012		MOD:1199 ABS;XST:AUS,EUR,FRA,JAP	
27	77210621A	SCREW TEF M5X16	2	12/01/2012		MOD:1199 ABS;XST:AUS,EUR,FRA,JAP	
28	24714101A	COVER	1	12/01/2012		MOD:1199 ABS;XST:AUS,EUR,FRA,JAP	
29	81140012B	VALVE	1	12/01/2012		MOD:1199 ABS;XST:AUS,EUR,FRA,JAP	
30	82716351A	PLATE	1	12/01/2012		MOD:1199 ABS;XST:AUS,EUR,FRA,JAP	
31	77350618B	SCREW TCEIR M6X8	1	06/04/2011		MOD:1199 ABS;XST:AUS,EUR,FRA,JAP	
32	86010061A	PIN	1	12/01/2012		MOD:1199 ABS;XST:AUS,EUR,FRA,JAP	
33	30124503A	COMPLETE HORIZONTAL HEAD	1	22/06/2012	31/12/2030	MOD:1199 ABS;XST:AUS,EUR,FRA,JAP	
34	14823811C	HORIZONTAL EXHAUST CAMSHAFT (Unit)	1	13/01/2012		MOD:1199 ABS;XST:AUS,EUR,FRA,JAP	

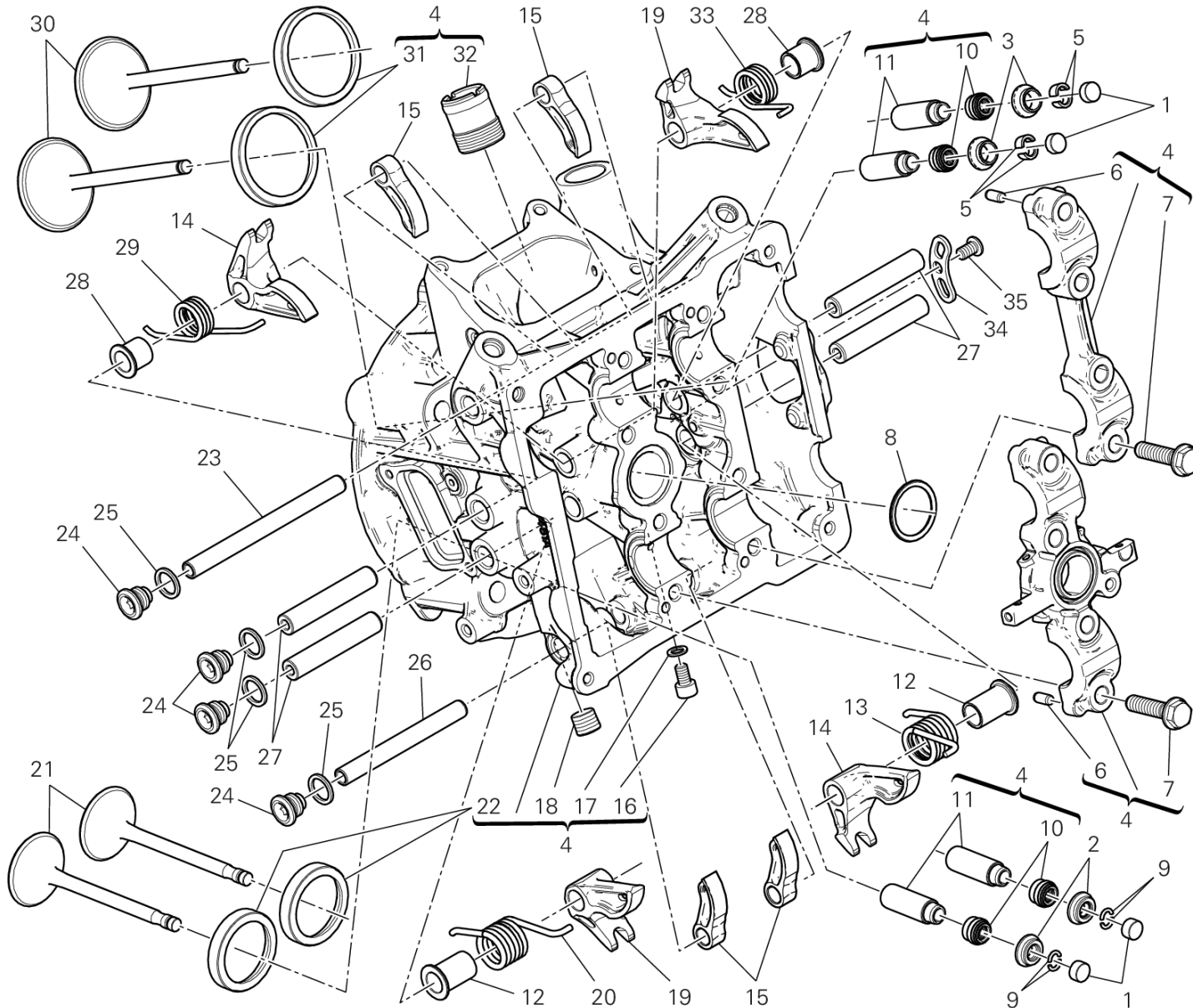


DRAWING 013 - TESTA ORIZZONTALE - DISTRIBUZIONE [MOD:1199 ABS;XST:CHN]

GROUP ENGINE



POS.	CODE	DESCRIPTION	QTY	START DATE	END DATE	VALIDITY	NOTES
1	77112331A	SCREW TCEI M6X16	4	07/12/2011		MOD:1199 ABS;XST:CHN	
2	14010691A	INTAKE MANIFOLD	1	07/12/2011		MOD:1199 ABS;XST:CHN	
3	85250231A	GASKET	2	07/12/2011		MOD:1199 ABS;XST:CHN	
4	81413341A	UNION	2	07/12/2011		MOD:1199 ABS;XST:CHN	
5	77253367C	SCREW	2	03/11/2011		MOD:1199 ABS;XST:CHN	
6	76610821A	STUD BOLT	2	07/12/2011		MOD:1199 ABS;XST:CHN	
7	78811101C	VALVE COVER GASKET EXTERNAL	1	12/01/2012		MOD:1199 ABS;XST:CHN	
8	78811131A	VALVE COVER GASKET INTERNAL	1	07/12/2011		MOD:1199 ABS;XST:CHN	
9	85212781A	WASHER	5	07/12/2011		MOD:1199 ABS;XST:CHN	
10	77916441A	SCREW	1	07/12/2011		MOD:1199 ABS;XST:CHN	
11	24713941B	COVER CYLINDER HEAD, HORIZONTAL	1	12/01/2012		MOD:1199 ABS;XST:CHN	
12	77253290Z	SCREW	6	03/11/2011		MOD:1199 ABS;XST:CHN	
13	85611471A	PLATE, RETAINER	2	07/12/2011		MOD:1199 ABS;XST:CHN	
14	17111153A	GEAR Z=25	2	07/12/2011		MOD:1199 ABS;XST:CHN	
15	77913541A	THREADED PLUG M15X1	1	03/11/2011		MOD:1199 ABS;XST:CHN	
16	85211201A	ALUMINIUM GASKET	1	03/11/2011		MOD:1199 ABS;XST:CHN	
17	86050061A	PIN M5X10	2	07/12/2011		MOD:1199 ABS;XST:CHN	
18	14814381A	HORIZONTAL INTAKE CAMSHAFT	1	07/12/2011		MOD:1199 ABS;XST:CHN	
19	14824491C	HORIZONTAL EXHAUST CAMSHAFT	1	07/12/2011		MOD:1199 ABS;XST:CHN	
20	82113832A	PIN	1	12/01/2012		MOD:1199 ABS;XST:CHN	
21	77916971B	SCREW, SPECIAL	4	08/11/2011		MOD:1199 ABS;XST:CHN	
22	79915534A	SPRING	1	12/01/2012		MOD:1199 ABS;XST:CHN	
23	30710021A	ARM	1	07/12/2011		MOD:1199 ABS;XST:CHN	
24	85240231A	WASHER 8.2X14X0.5	1	07/12/2011		MOD:1199 ABS;XST:CHN	
25	74810791A	NUT	1	12/01/2012		MOD:1199 ABS;XST:CHN	
26	76640191A	STUD BOLT M6X16	3	07/12/2011		MOD:1199 ABS;XST:CHN	
27	77210621A	SCREW TEF M5X16	2	07/12/2011		MOD:1199 ABS;XST:CHN	
28	24714101A	COVER	1	07/12/2011		MOD:1199 ABS;XST:CHN	
29	81140012B	VALVE	1	07/12/2011		MOD:1199 ABS;XST:CHN	
30	82716351A	PLATE	1	07/12/2011		MOD:1199 ABS;XST:CHN	
31	14823811C	HORIZONTAL EXHAUST CAMSHAFT (Unit)	1	13/01/2012		MOD:1199 ABS;XST:CHN	
32	86010061A	PIN	1	07/12/2011		MOD:1199 ABS;XST:CHN	
33	30124503A	COMPLETE HORIZONTAL HEAD	1	22/06/2012	31/12/2030	MOD:1199 ABS;XST:CHN	

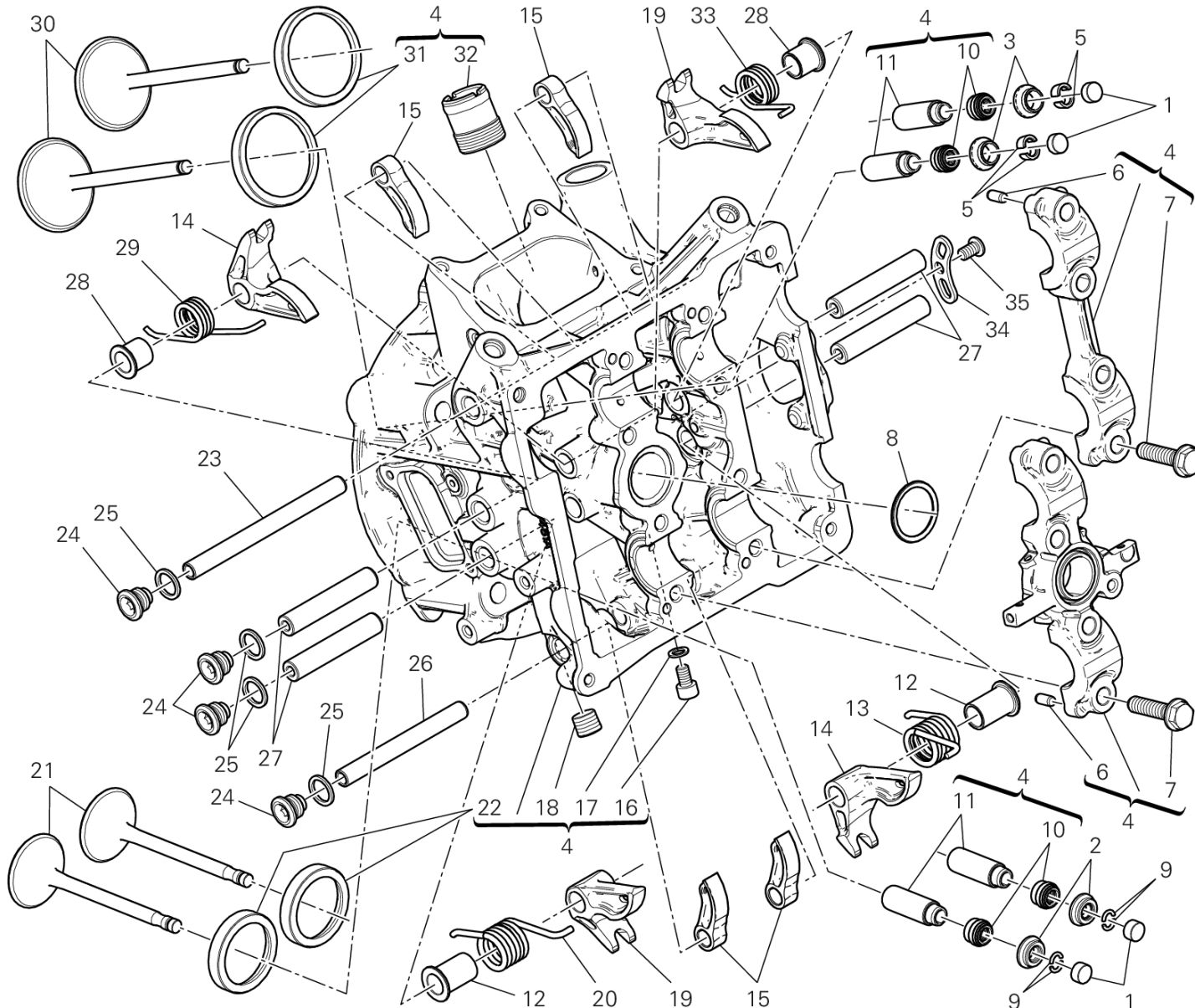


DRAWING 014 - HORIZONTAL HEAD [MOD:1199 ABS;XST:AUS,CHN,EUR,FRA,JAP]

GROUP ENGINE



POS.	CODE	DESCRIPTION	QTY	START DATE	END DATE	VALIDITY	NOTES
1	84010013A	ADJUSTER, OPENING ROCKER ARM 2.00 MM	4	09/11/2011		MOD:1199 ABS;XST:AUS,CHN,EUR,FRA,JAP	
	84010023A	ADJUSTER, OPENING ROCKER ARM 2.05 MM	4	09/11/2011		MOD:1199 ABS;XST:AUS,CHN,EUR,FRA,JAP	
	84010033A	ADJUSTER, OPENING ROCKER ARM 2.10 MM	4	09/11/2011		MOD:1199 ABS;XST:AUS,CHN,EUR,FRA,JAP	
	84010043A	ADJUSTER, OPENING ROCKER ARM 2.15 MM	4	09/11/2011		MOD:1199 ABS;XST:AUS,CHN,EUR,FRA,JAP	
	84010053A	ADJUSTER, OPENING ROCKER ARM 2.20 MM	4	09/11/2011		MOD:1199 ABS;XST:AUS,CHN,EUR,FRA,JAP	
	84010063A	ADJUSTER, OPENING ROCKER ARM 2.25 MM	4	09/11/2011		MOD:1199 ABS;XST:AUS,CHN,EUR,FRA,JAP	
	84010073A	ADJUSTER, OPENING ROCKER ARM 2.30 MM	4	09/11/2011		MOD:1199 ABS;XST:AUS,CHN,EUR,FRA,JAP	
	84010083A	ADJUSTER, OPENING ROCKER ARM 2.35 MM	4	09/11/2011		MOD:1199 ABS;XST:AUS,CHN,EUR,FRA,JAP	
	84010093A	ADJUSTER, OPENING ROCKER ARM 2.40 MM	4	09/11/2011		MOD:1199 ABS;XST:AUS,CHN,EUR,FRA,JAP	
	84010103A	ADJUSTER, OPENING ROCKER ARM 2.45 MM	4	09/11/2011		MOD:1199 ABS;XST:AUS,CHN,EUR,FRA,JAP	
	84010113A	ADJUSTER, OPENING ROCKER ARM 2.50 MM	4	09/11/2011		MOD:1199 ABS;XST:AUS,CHN,EUR,FRA,JAP	
	84010123A	ADJUSTER, OPENING ROCKER ARM 2.55 MM	4	09/11/2011		MOD:1199 ABS;XST:AUS,CHN,EUR,FRA,JAP	
	84010133A	ADJUSTER, OPENING ROCKER ARM 2.60 MM	4	09/11/2011		MOD:1199 ABS;XST:AUS,CHN,EUR,FRA,JAP	
	84010143A	ADJUSTER, OPENING ROCKER ARM 2.65 MM	4	09/11/2011		MOD:1199 ABS;XST:AUS,CHN,EUR,FRA,JAP	
	84010153A	ADJUSTER, OPENING ROCKER ARM 2.70 MM	4	09/11/2011		MOD:1199 ABS;XST:AUS,CHN,EUR,FRA,JAP	
	84010163A	ADJUSTER, OPENING ROCKER ARM 2.75 MM	4	09/11/2011		MOD:1199 ABS;XST:AUS,CHN,EUR,FRA,JAP	
	84010173A	ADJUSTER, OPENING ROCKER ARM 2.80 MM	4	09/11/2011		MOD:1199 ABS;XST:AUS,CHN,EUR,FRA,JAP	

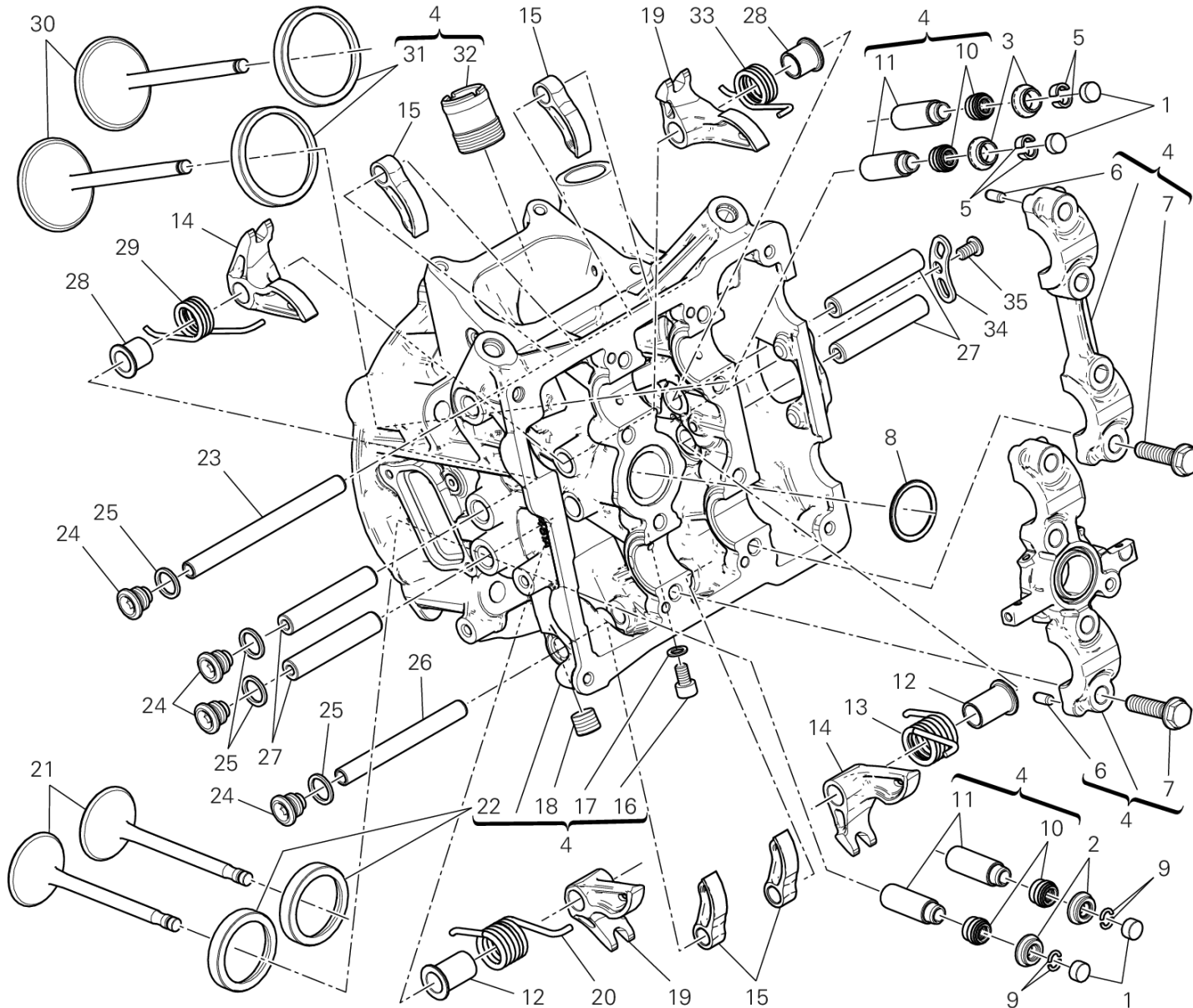


DRAWING 014 - HORIZONTAL HEAD [MOD:1199 ABS;XST:AUS,CHN,EUR,FRA,JAP]

GROUP ENGINE



POS.	CODE	DESCRIPTION	QTY	START DATE	END DATE	VALIDITY	NOTES
	84010183A	ADJUSTER, OPENING ROCKER ARM 2.85 MM	4	09/11/2011		MOD:1199 ABS;XST:AUS,CHN,EUR,FRA,JAP	
	84010193A	ADJUSTER, OPENING ROCKER ARM 2.90 MM	4	09/11/2011		MOD:1199 ABS;XST:AUS,CHN,EUR,FRA,JAP	
	84010203A	ADJUSTER, OPENING ROCKER ARM 2.95 MM	4	09/11/2011		MOD:1199 ABS;XST:AUS,CHN,EUR,FRA,JAP	
	84010213A	ADJUSTER, OPENING ROCKER ARM 3.00 MM	4	09/11/2011		MOD:1199 ABS;XST:AUS,CHN,EUR,FRA,JAP	
	84010223A	ADJUSTER, OPENING ROCKER ARM 3.05 MM	4	09/11/2011		MOD:1199 ABS;XST:AUS,CHN,EUR,FRA,JAP	
	84010233A	ADJUSTER, OPENING ROCKER ARM 3.10 MM	4	09/11/2011		MOD:1199 ABS;XST:AUS,CHN,EUR,FRA,JAP	
	84010243A	ADJUSTER, OPENING ROCKER ARM 3.15 MM	4	09/11/2011		MOD:1199 ABS;XST:AUS,CHN,EUR,FRA,JAP	
	84010253A	ADJUSTER, OPENING ROCKER ARM 3.20 MM	4	09/11/2011		MOD:1199 ABS;XST:AUS,CHN,EUR,FRA,JAP	
	84010263A	ADJUSTER, OPENING ROCKER ARM 3.25 MM	4	09/11/2011		MOD:1199 ABS;XST:AUS,CHN,EUR,FRA,JAP	
	84010273A	ADJUSTER, OPENING ROCKER ARM 3.30 MM	4	09/11/2011		MOD:1199 ABS;XST:AUS,CHN,EUR,FRA,JAP	
	84010283A	ADJUSTER, OPENING ROCKER ARM 3.35 MM	4	09/11/2011		MOD:1199 ABS;XST:AUS,CHN,EUR,FRA,JAP	
	84010293A	ADJUSTER, OPENING ROCKER ARM 3.40 MM	4	09/11/2011		MOD:1199 ABS;XST:AUS,CHN,EUR,FRA,JAP	
	84010303A	ADJUSTER, OPENING ROCKER ARM 3.45 MM	4	09/11/2011		MOD:1199 ABS;XST:AUS,CHN,EUR,FRA,JAP	
	84010313A	ADJUSTER, OPENING ROCKER ARM 1.80 MM	4	09/11/2011		MOD:1199 ABS;XST:AUS,CHN,EUR,FRA,JAP	
	84010323A	ADJUSTER, OPENING ROCKER ARM 1.85 MM	4	09/11/2011		MOD:1199 ABS;XST:AUS,CHN,EUR,FRA,JAP	
	84010333A	ADJUSTER, OPENING ROCKER ARM 1.90 MM	4	09/11/2011		MOD:1199 ABS;XST:AUS,CHN,EUR,FRA,JAP	
	84010343A	ADJUSTER, OPENING ROCKER ARM 1.95 MM	4	09/11/2011		MOD:1199 ABS;XST:AUS,CHN,EUR,FRA,JAP	

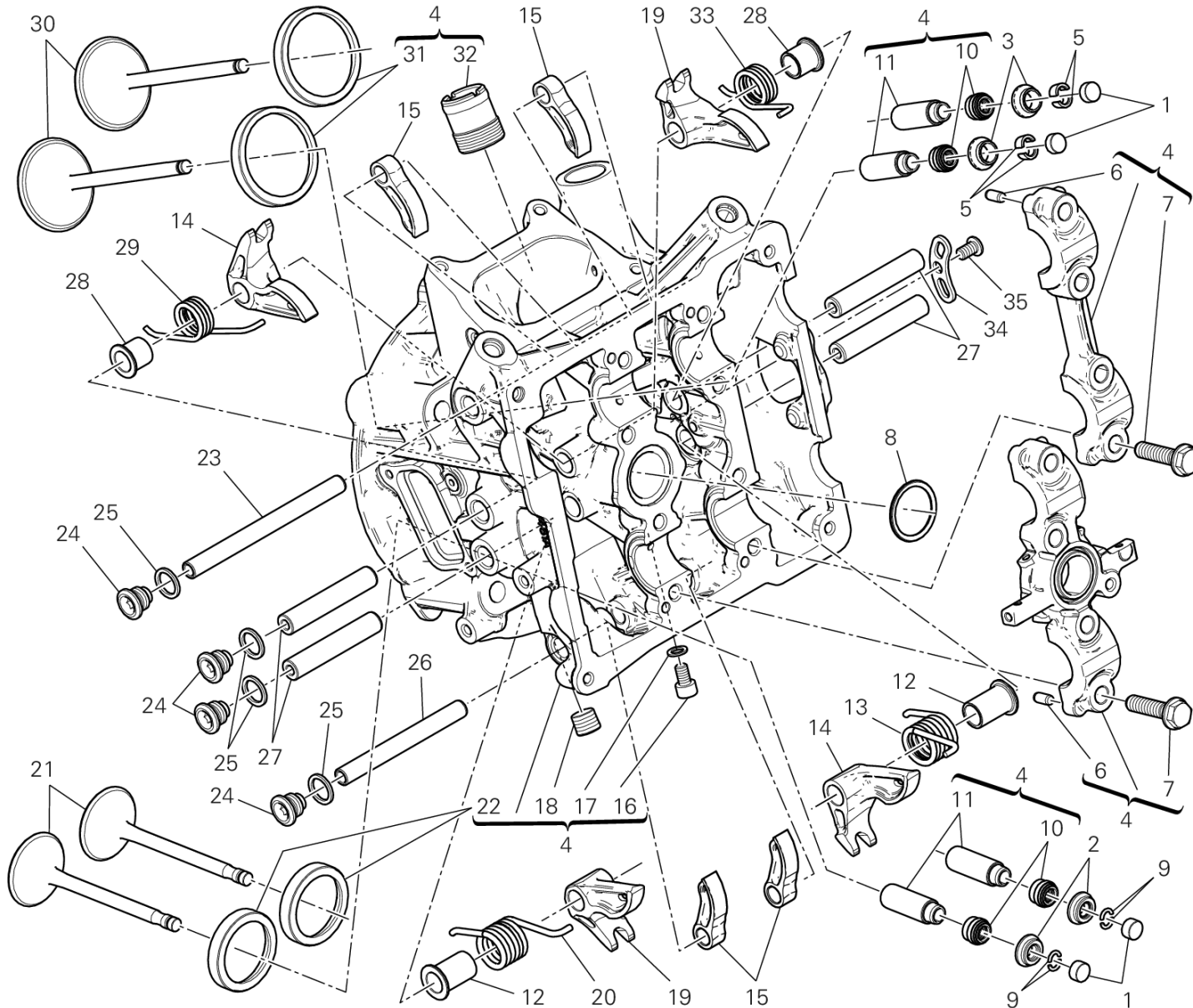


DRAWING 014 - HORIZONTAL HEAD [MOD:1199 ABS;XST:AUS,CHN,EUR,FRA,JAP]

GROUP ENGINE



POS.	CODE	DESCRIPTION	QTY	START DATE	END DATE	VALIDITY	NOTES
	84010723A	ADJUSTER, OPENING ROCKER ARM 3.60 MM	4	09/11/2011		MOD:1199 ABS;XST:AUS,CHN,EUR,FRA,JAP	
	84010733A	ADJUSTER, OPENING ROCKER ARM 3.80 MM	4	09/11/2011		MOD:1199 ABS;XST:AUS,CHN,EUR,FRA,JAP	
	84011083A	ADJUSTER, OPENING ROCKER ARM 3.50 MM	4	09/11/2011		MOD:1199 ABS;XST:AUS,CHN,EUR,FRA,JAP	
	84011093A	ADJUSTER, OPENING ROCKER ARM 3.55 MM	4	09/11/2011		MOD:1199 ABS;XST:AUS,CHN,EUR,FRA,JAP	
	84011103A	ADJUSTER, OPENING ROCKER ARM 3.65 MM	4	09/11/2011		MOD:1199 ABS;XST:AUS,CHN,EUR,FRA,JAP	
	84011113A	ADJUSTER, OPENING ROCKER ARM 3.70 MM	4	09/11/2011		MOD:1199 ABS;XST:AUS,CHN,EUR,FRA,JAP	
	84011123A	ADJUSTER, OPENING ROCKER ARM 3.75 MM	4	09/11/2011		MOD:1199 ABS;XST:AUS,CHN,EUR,FRA,JAP	
	84011133A	ADJUSTER, OPENING ROCKER ARM 3.85 MM	4	09/11/2011		MOD:1199 ABS;XST:AUS,CHN,EUR,FRA,JAP	
	84011143A	ADJUSTER, OPENING ROCKER ARM 3.9 MM	4	09/11/2011		MOD:1199 ABS;XST:AUS,CHN,EUR,FRA,JAP	
2	84010412B	ADJUSTER, CLOSING ROCKER ARM 2.20 MM	2	24/12/2009		MOD:1199 ABS;XST:AUS,CHN,EUR,FRA,JAP	
	84010422B	ADJUSTER, CLOSING ROCKER ARM 2.25 MM	2	24/12/2009		MOD:1199 ABS;XST:AUS,CHN,EUR,FRA,JAP	
	84010432B	ADJUSTER, CLOSING ROCKER ARM 2.30 MM	2	24/12/2009		MOD:1199 ABS;XST:AUS,CHN,EUR,FRA,JAP	
	84010442B	ADJUSTER, CLOSING ROCKER ARM 2.35 MM	2	24/12/2009		MOD:1199 ABS;XST:AUS,CHN,EUR,FRA,JAP	
	84010452B	ADJUSTER, CLOSING ROCKER ARM 2.40 MM	2	24/12/2009		MOD:1199 ABS;XST:AUS,CHN,EUR,FRA,JAP	
	84010462B	ADJUSTER, CLOSING ROCKER ARM 2.45 MM	2	24/12/2009		MOD:1199 ABS;XST:AUS,CHN,EUR,FRA,JAP	
	84010472B	ADJUSTER, CLOSING ROCKER ARM 2.50 MM	2	24/12/2009		MOD:1199 ABS;XST:AUS,CHN,EUR,FRA,JAP	
	84010482B	ADJUSTER, CLOSING ROCKER ARM 2.55 MM	2	24/12/2009		MOD:1199 ABS;XST:AUS,CHN,EUR,FRA,JAP	

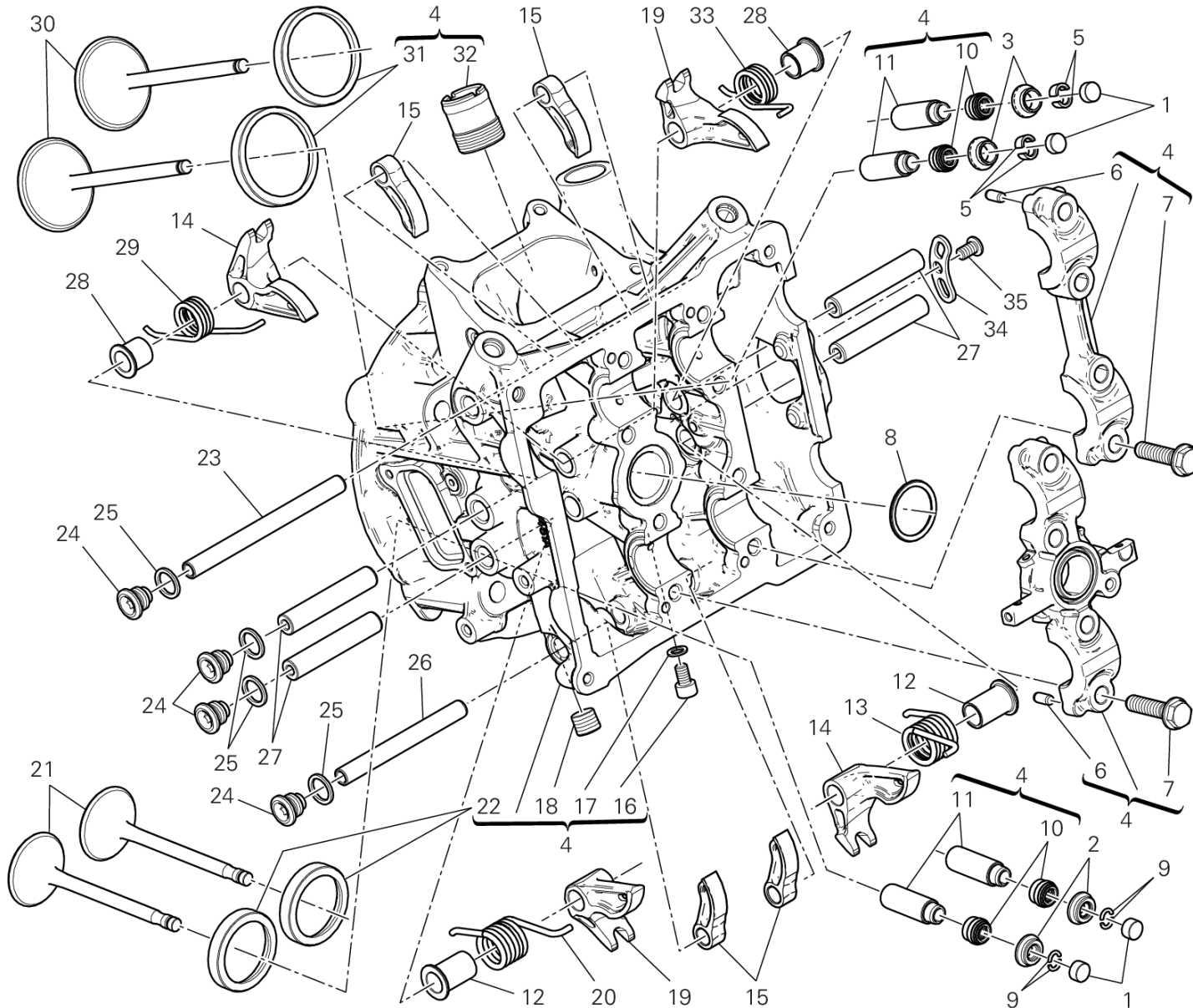


DRAWING 014 - HORIZONTAL HEAD [MOD:1199 ABS;XST:AUS,CHN,EUR,FRA,JAP]

GROUP ENGINE



POS.	CODE	DESCRIPTION	QTY	START DATE	END DATE	VALIDITY	NOTES
	84010492B	ADJUSTER, CLOSING ROCKER ARM 2.60 MM	2	24/12/2009		MOD:1199 ABS;XST:AUS,CHN,EUR,FRA,JAP	
	84010502B	ADJUSTER, CLOSING ROCKER ARM 2.65 MM	2	24/12/2009		MOD:1199 ABS;XST:AUS,CHN,EUR,FRA,JAP	
	84010512B	ADJUSTER, CLOSING ROCKER ARM 2.70 MM	2	24/12/2009		MOD:1199 ABS;XST:AUS,CHN,EUR,FRA,JAP	
	84010522B	ADJUSTER, CLOSING ROCKER ARM 2.75 MM	2	24/12/2009		MOD:1199 ABS;XST:AUS,CHN,EUR,FRA,JAP	
	84010532B	ADJUSTER, CLOSING ROCKER ARM 2.80 MM	2	24/12/2009		MOD:1199 ABS;XST:AUS,CHN,EUR,FRA,JAP	
	84010542B	ADJUSTER, CLOSING ROCKER ARM 2.85 MM	2	24/12/2009		MOD:1199 ABS;XST:AUS,CHN,EUR,FRA,JAP	
	84010552B	ADJUSTER, CLOSING ROCKER ARM 2.90 MM	2	24/12/2009		MOD:1199 ABS;XST:AUS,CHN,EUR,FRA,JAP	
	84010562B	ADJUSTER, CLOSING ROCKER ARM 2.95 MM	2	24/12/2009		MOD:1199 ABS;XST:AUS,CHN,EUR,FRA,JAP	
	84010572B	ADJUSTER, CLOSING ROCKER ARM 3.00 MM	2	24/12/2009		MOD:1199 ABS;XST:AUS,CHN,EUR,FRA,JAP	
	84010582B	ADJUSTER, CLOSING ROCKER ARM 3.05 MM	2	24/12/2009		MOD:1199 ABS;XST:AUS,CHN,EUR,FRA,JAP	
	84010592B	ADJUSTER, CLOSING ROCKER ARM 3.10 MM	2	24/12/2009		MOD:1199 ABS;XST:AUS,CHN,EUR,FRA,JAP	
	84010602B	ADJUSTER, CLOSING ROCKER ARM 3.15 MM	2	24/12/2009		MOD:1199 ABS;XST:AUS,CHN,EUR,FRA,JAP	
	84010612B	ADJUSTER, CLOSING ROCKER ARM 3.20 MM	2	24/12/2009		MOD:1199 ABS;XST:AUS,CHN,EUR,FRA,JAP	
	84010622B	ADJUSTER, CLOSING ROCKER ARM 3.25 MM	2	24/12/2009		MOD:1199 ABS;XST:AUS,CHN,EUR,FRA,JAP	
	84010632B	ADJUSTER, CLOSING ROCKER ARM 3.30 MM	2	24/12/2009		MOD:1199 ABS;XST:AUS,CHN,EUR,FRA,JAP	
	84010642B	ADJUSTER, CLOSING ROCKER ARM 3.35 MM	2	24/12/2009		MOD:1199 ABS;XST:AUS,CHN,EUR,FRA,JAP	
	84010652B	ADJUSTER, CLOSING ROCKER ARM 3.40 MM	2	24/12/2009		MOD:1199 ABS;XST:AUS,CHN,EUR,FRA,JAP	

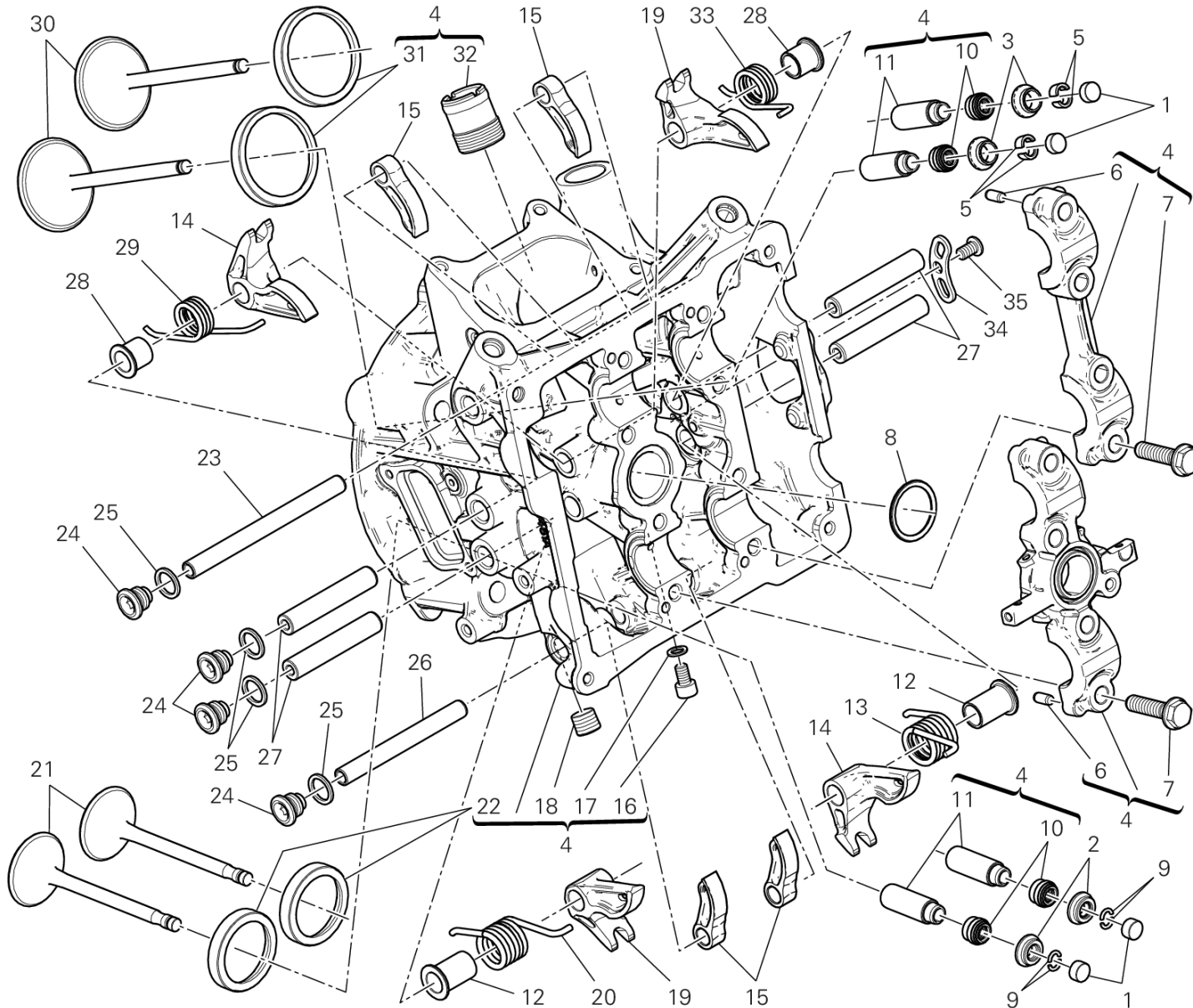


DRAWING 014 - HORIZONTAL HEAD [MOD:1199 ABS;XST:AUS,CHN,EUR,FRA,JAP]

GROUP ENGINE



POS.	CODE	DESCRIPTION	QTY	START DATE	END DATE	VALIDITY	NOTES
	84010662B	ADJUSTER, CLOSING ROCKER ARM 3.45 MM	2	24/12/2009		MOD:1199 ABS;XST:AUS,CHN,EUR,FRA,JAP	
	84010672B	ADJUSTER, CLOSING ROCKER ARM 3.50 MM	2	24/12/2009		MOD:1199 ABS;XST:AUS,CHN,EUR,FRA,JAP	
	84010682B	ADJUSTER, CLOSING ROCKER ARM 3.55 MM	2	24/12/2009		MOD:1199 ABS;XST:AUS,CHN,EUR,FRA,JAP	
	84010692B	ADJUSTER, CLOSING ROCKER ARM 3.60 MM	2	24/12/2009		MOD:1199 ABS;XST:AUS,CHN,EUR,FRA,JAP	
	84010702B	ADJUSTER, CLOSING ROCKER ARM 3.65 MM	2	24/12/2009		MOD:1199 ABS;XST:AUS,CHN,EUR,FRA,JAP	
	84010712B	ADJUSTER, CLOSING ROCKER ARM 3.70 MM	2	24/12/2009		MOD:1199 ABS;XST:AUS,CHN,EUR,FRA,JAP	
	84010722B	ADJUSTER, CLOSING ROCKER ARM 3.75 MM	2	24/12/2009		MOD:1199 ABS;XST:AUS,CHN,EUR,FRA,JAP	
	84010732B	ADJUSTER, CLOSING ROCKER ARM 3.80 MM	2	24/12/2009		MOD:1199 ABS;XST:AUS,CHN,EUR,FRA,JAP	
	84010742B	ADJUSTER, CLOSING ROCKER ARM 3.85 MM	2	24/12/2009		MOD:1199 ABS;XST:AUS,CHN,EUR,FRA,JAP	
	84010752B	ADJUSTER, CLOSING ROCKER ARM 3.90 MM	2	24/12/2009		MOD:1199 ABS;XST:AUS,CHN,EUR,FRA,JAP	
	84010762B	ADJUSTER, CLOSING ROCKER ARM 3.95 MM	2	24/12/2009		MOD:1199 ABS;XST:AUS,CHN,EUR,FRA,JAP	
	84010772B	ADJUSTER, CLOSING ROCKER ARM 4.00 MM	2	24/12/2009		MOD:1199 ABS;XST:AUS,CHN,EUR,FRA,JAP	
	84010782B	ADJUSTER, CLOSING ROCKER ARM 4.05 MM	2	24/12/2009		MOD:1199 ABS;XST:AUS,CHN,EUR,FRA,JAP	
	84010792B	ADJUSTER, CLOSING ROCKER ARM 4.10 MM	2	24/12/2009		MOD:1199 ABS;XST:AUS,CHN,EUR,FRA,JAP	
	84010802B	ADJUSTER, CLOSING ROCKER ARM 4.15 MM	2	24/12/2009		MOD:1199 ABS;XST:AUS,CHN,EUR,FRA,JAP	
	84010812B	ADJUSTER, CLOSING ROCKER ARM 4.20 MM	2	24/12/2009		MOD:1199 ABS;XST:AUS,CHN,EUR,FRA,JAP	
	84010822B	ADJUSTER, CLOSING ROCKER ARM 4.25 MM	2	24/12/2009		MOD:1199 ABS;XST:AUS,CHN,EUR,FRA,JAP	

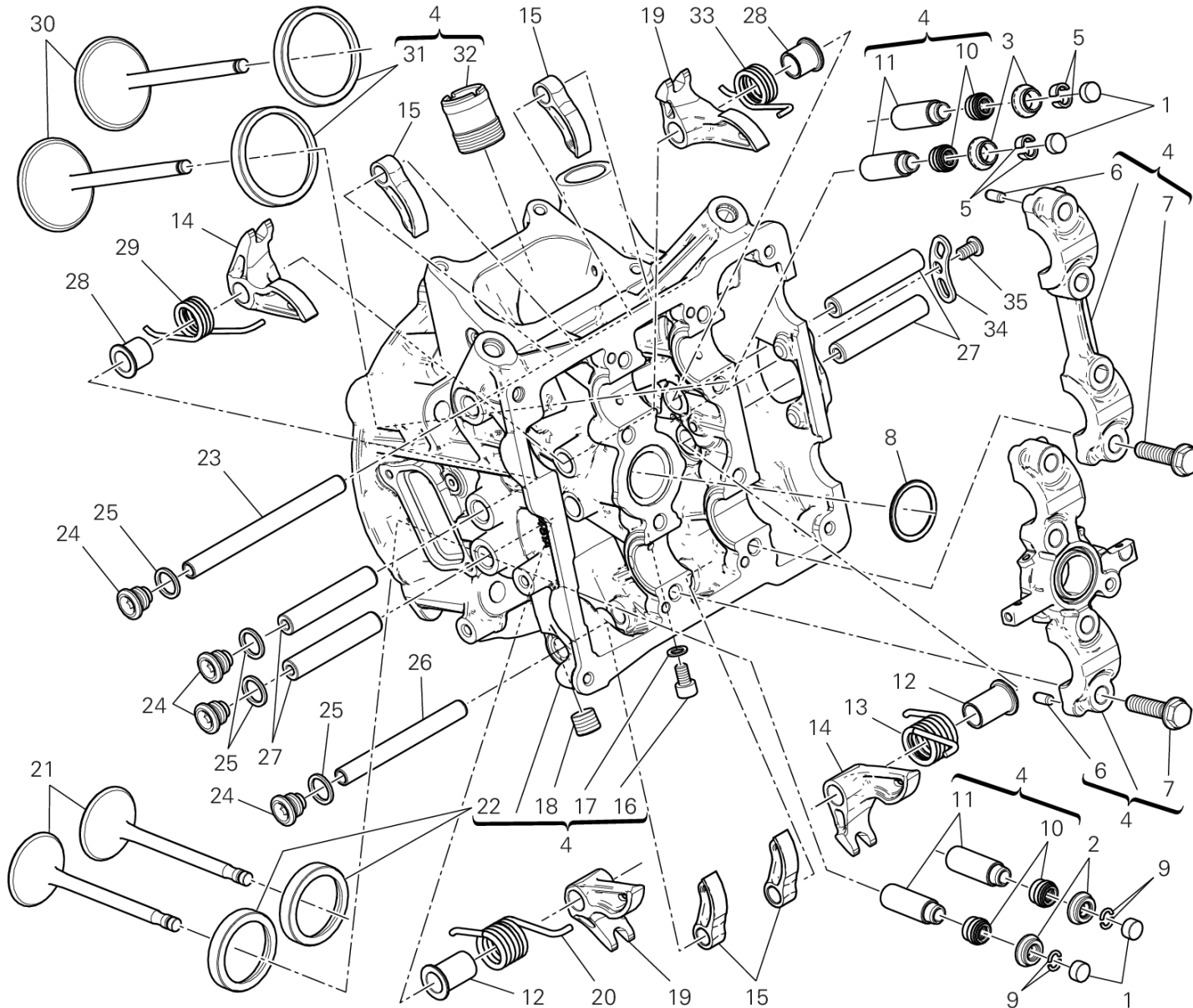


DRAWING 014 - HORIZONTAL HEAD [MOD:1199 ABS;XST:AUS,CHN,EUR,FRA,JAP]

GROUP ENGINE



POS.	CODE	DESCRIPTION	QTY	START DATE	END DATE	VALIDITY	NOTES
	84010832B	ADJUSTER, CLOSING ROCKER ARM 4.30 MM	2	24/12/2009		MOD:1199 ABS;XST:AUS,CHN,EUR,FRA,JAP	
	84010842B	ADJUSTER, CLOSING ROCKER ARM 4.35 MM	2	24/12/2009		MOD:1199 ABS;XST:AUS,CHN,EUR,FRA,JAP	
	84010852B	ADJUSTER, CLOSING ROCKER ARM 4.40 MM	2	24/12/2009		MOD:1199 ABS;XST:AUS,CHN,EUR,FRA,JAP	
	84010862B	ADJUSTER, CLOSING ROCKER ARM 4.45 MM	2	24/12/2009		MOD:1199 ABS;XST:AUS,CHN,EUR,FRA,JAP	
	84010872B	ADJUSTER, CLOSING ROCKER ARM 4.50 MM	2	24/12/2009		MOD:1199 ABS;XST:AUS,CHN,EUR,FRA,JAP	
3	84011901AA	ADJUSTER, CLOSING ROCKER ARM 4.15 MM	2	02/11/2011		MOD:1199 ABS;XST:AUS,CHN,EUR,FRA,JAP	
	84011901AB	ADJUSTER, CLOSING ROCKER ARM 4.20 MM	2	02/11/2011		MOD:1199 ABS;XST:AUS,CHN,EUR,FRA,JAP	
	84011901AC	ADJUSTER, CLOSING ROCKER ARM 4.25 MM	2	02/11/2011		MOD:1199 ABS;XST:AUS,CHN,EUR,FRA,JAP	
	84011901AD	ADJUSTER, CLOSING ROCKER ARM 4.30 MM	2	02/11/2011		MOD:1199 ABS;XST:AUS,CHN,EUR,FRA,JAP	
	84011901AE	ADJUSTER, CLOSING ROCKER ARM 4.35 MM	2	02/11/2011		MOD:1199 ABS;XST:AUS,CHN,EUR,FRA,JAP	
	84011901AF	ADJUSTER, CLOSING ROCKER ARM 4.40 MM	2	02/11/2011		MOD:1199 ABS;XST:AUS,CHN,EUR,FRA,JAP	
	84011901AG	ADJUSTER, CLOSING ROCKER ARM 4.45 MM	2	02/11/2011		MOD:1199 ABS;XST:AUS,CHN,EUR,FRA,JAP	
	84011901AH	ADJUSTER, CLOSING ROCKER ARM 4.50 MM	2	02/11/2011		MOD:1199 ABS;XST:AUS,CHN,EUR,FRA,JAP	
	84011901AI	CLOSE ROCKER ARM ADJUSTMENT 4.55 MM	2	02/11/2011		MOD:1199 ABS;XST:AUS,CHN,EUR,FRA,JAP	
	84011901AJ	CLOSE ROCKER ARM ADJUSTMENT 4.60 MM	2	02/11/2011		MOD:1199 ABS;XST:AUS,CHN,EUR,FRA,JAP	
	84011901AK	CLOSE ROCKER ARM ADJUSTMENT 4.65 MM	2	02/11/2011		MOD:1199 ABS;XST:AUS,CHN,EUR,FRA,JAP	
	84011901AL	CLOSE ROCKER ARM ADJUSTMENT 4.70 MM	2	02/11/2011		MOD:1199 ABS;XST:AUS,CHN,EUR,FRA,JAP	

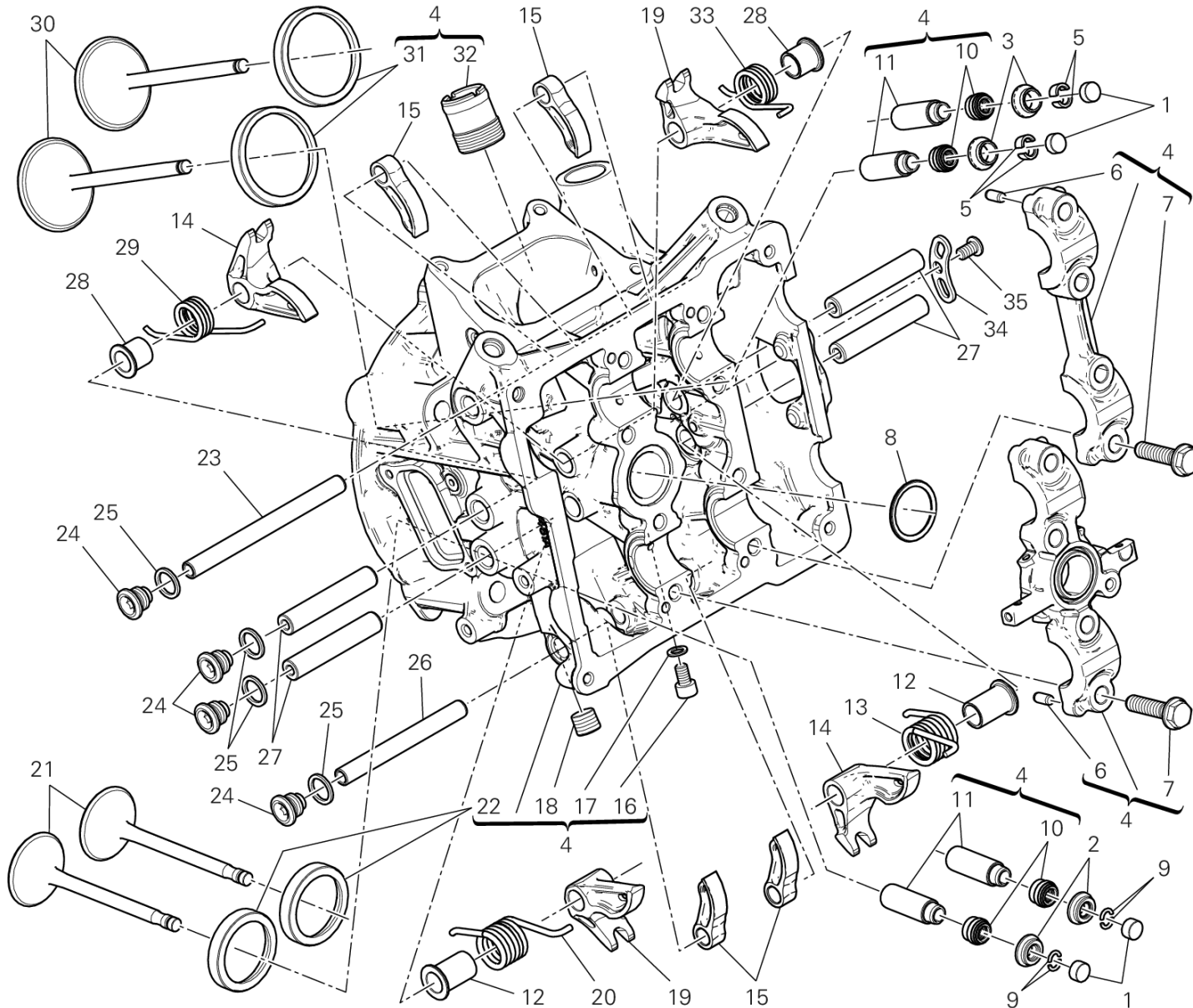


DRAWING 014 - HORIZONTAL HEAD [MOD:1199 ABS;XST:AUS,CHN,EUR,FRA,JAP]

GROUP ENGINE



POS.	CODE	DESCRIPTION	QTY	START DATE	END DATE	VALIDITY	NOTES
	84011901AM	CLOSE ROCKER ARM ADJUSTMENT 4.75 MM	2	02/11/2011		MOD:1199 ABS;XST:AUS,CHN,EUR,FRA,JAP	
	84011901AN	CLOSE ROCKER ARM ADJUSTMENT 4.80 MM	2	02/11/2011		MOD:1199 ABS;XST:AUS,CHN,EUR,FRA,JAP	
	84011901AO	CLOSE ROCKER ARM ADJUSTMENT 4.85 MM	2	02/11/2011		MOD:1199 ABS;XST:AUS,CHN,EUR,FRA,JAP	
	84011901AP	CLOSE ROCKER ARM ADJUSTMENT 4.90 MM	2	02/11/2011		MOD:1199 ABS;XST:AUS,CHN,EUR,FRA,JAP	
	84011901AQ	CLOSE ROCKER ARM ADJUSTMENT 4.95 MM	2	02/11/2011		MOD:1199 ABS;XST:AUS,CHN,EUR,FRA,JAP	
	84011901AR	CLOSE ROCKER ARM ADJUSTMENT 5.00 MM	2	02/11/2011		MOD:1199 ABS;XST:AUS,CHN,EUR,FRA,JAP	
4	30123461C	HORIZONTAL HEAD	1	20/06/2012		MOD:1199 ABS;XST:AUS,CHN,EUR,FRA,JAP	
5	84510061A	HALF CONE	2	12/01/2012		MOD:1199 ABS;XST:AUS,CHN,EUR,FRA,JAP	
6	86050061A	PIN M5X10	4	10/12/2010		MOD:1199 ABS;XST:AUS,CHN,EUR,FRA,JAP	
7	77914211A	SCREW TEF M8X32	8	10/12/2010		MOD:1199 ABS;XST:AUS,CHN,EUR,FRA,JAP	
8	88640881A	O-RING 26.64X2.62	1	12/01/2012		MOD:1199 ABS;XST:AUS,CHN,EUR,FRA,JAP	
9	66910011E	C RING	4	12/01/2012		MOD:1199 ABS;XST:AUS,CHN,EUR,FRA,JAP	
10	76410871A	SEAL VALVE STEM	4	21/01/2011		MOD:1199 ABS;XST:AUS,CHN,EUR,FRA,JAP	
11	30310671AA	GUIDE, VALVE OVERSIZED 0.03 MM	4	13/01/2012		MOD:1199 ABS;XST:AUS,CHN,EUR,FRA,JAP	
12	71319271A	SPACER	2	12/01/2012		MOD:1199 ABS;XST:AUS,CHN,EUR,FRA,JAP	
13	79915231A	EXHAUST VALVE RETURN SPRING LH	1	12/01/2012		MOD:1199 ABS;XST:AUS,CHN,EUR,FRA,JAP	
14	20910651A	CLOSING ROCKER ARM LEFT	2	01/08/2011		MOD:1199 ABS;XST:AUS,CHN,EUR,FRA,JAP	

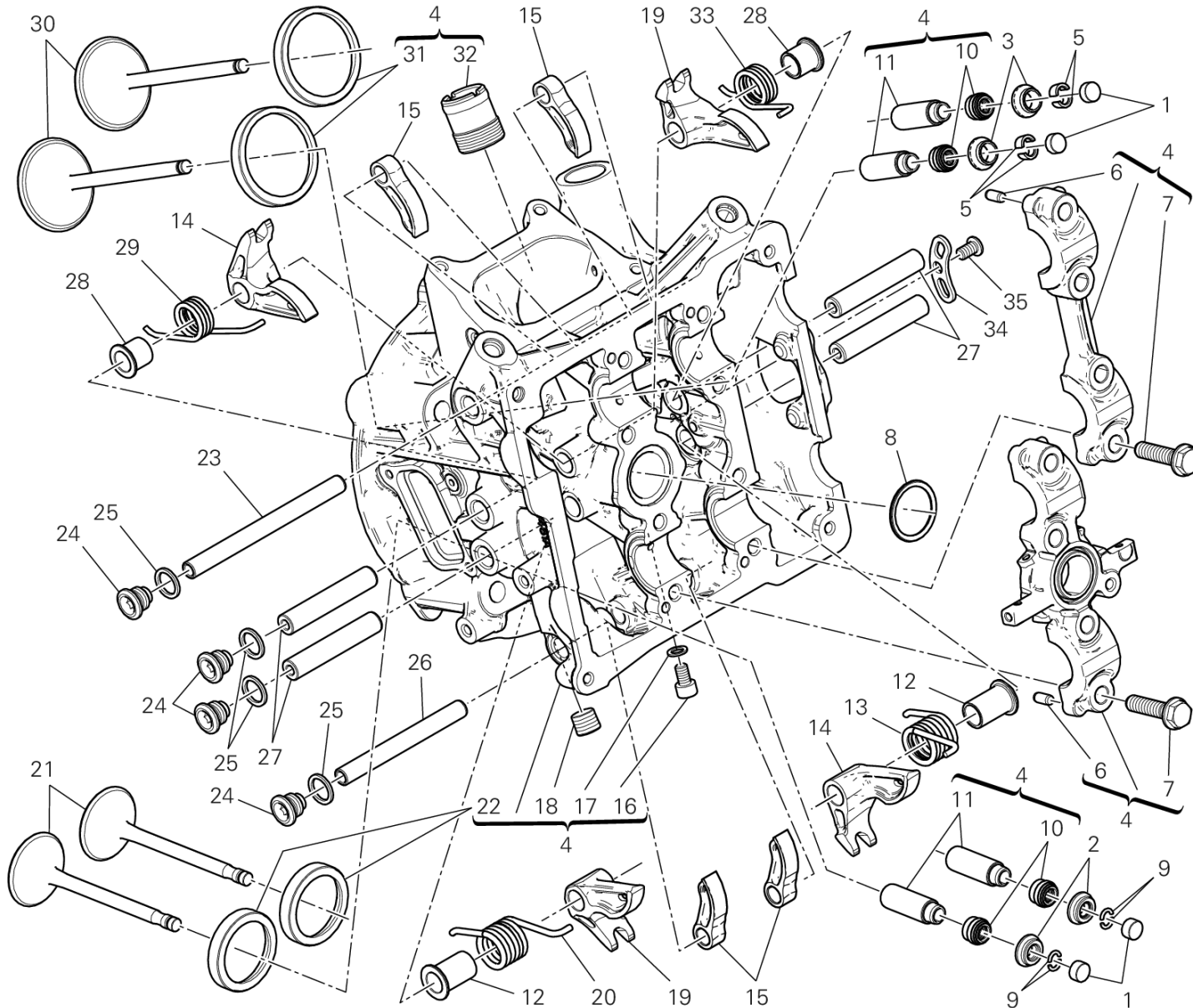


DRAWING 014 - HORIZONTAL HEAD [MOD:1199 ABS;XST:AUS,CHN,EUR,FRA,JAP]

GROUP ENGINE



POS.	CODE	DESCRIPTION	QTY	START DATE	END DATE	VALIDITY	NOTES
15	20810381A	OPEN. ROCKER ARM	4	01/08/2011		MOD:1199 ABS;XST:AUS,CHN,EUR,FRA,JAP	
16	77150628B	SCREW TCEI M6X10	2	01/08/2011		MOD:1199 ABS;XST:AUS,CHN,EUR,FRA,JAP	
17	85240261A	WASHER	2	25/06/2012		MOD:1199 ABS;XST:AUS,CHN,EUR,FRA,JAP	
18	78010771A	THREADED DOWEL	2	10/12/2010		MOD:1199 ABS;XST:AUS,CHN,EUR,FRA,JAP	
19	20910641A	CLOSING ROCKER ARM RIGHT	2	01/08/2011		MOD:1199 ABS;XST:AUS,CHN,EUR,FRA,JAP	
20	79915221A	EXHAUST VALVE RETURN SPRING RH	1	12/01/2012		MOD:1199 ABS;XST:AUS,CHN,EUR,FRA,JAP	
21	21110802A	EXHAUST VALVE	2	12/01/2012		MOD:1199 ABS;XST:AUS,CHN,EUR,FRA,JAP	
22	304A0931A	SEAT, EXHAUST VALVE	2	29/11/2010		MOD:1199 ABS;XST:AUS,CHN,EUR,FRA,JAP	
23	82114041A	OPENING ROCKER SHAFT LONG	1	12/01/2012		MOD:1199 ABS;XST:AUS,CHN,EUR,FRA,JAP	
24	78010511C	PLUG	4	12/01/2012		MOD:1199 ABS;XST:AUS,CHN,EUR,FRA,JAP	
25	85250261B	GASKET, ALUMINIUM 12X16X1.5	4	12/01/2012		MOD:1199 ABS;XST:AUS,CHN,EUR,FRA,JAP	
26	82113361A	OPENING ROCKER SHAFT SHORT	1	12/01/2012		MOD:1199 ABS;XST:AUS,CHN,EUR,FRA,JAP	
27	82113371B	CLOSE ROCKER ARM AXLE	4	12/01/2012		MOD:1199 ABS;XST:AUS,CHN,EUR,FRA,JAP	
28	71319281A	SPACER	2	12/01/2012		MOD:1199 ABS;XST:AUS,CHN,EUR,FRA,JAP	
29	79915211A	INTAKE VALVE RETURN SPRING LH	1	12/01/2012		MOD:1199 ABS;XST:AUS,CHN,EUR,FRA,JAP	
30	21010811B	INTAKE VALVE	2	12/01/2012		MOD:1199 ABS;XST:AUS,CHN,EUR,FRA,JAP	
31	304A0921A	SEAT, INTAKE VALVE	2	29/11/2010		MOD:1199 ABS;XST:AUS,CHN,EUR,FRA,JAP	

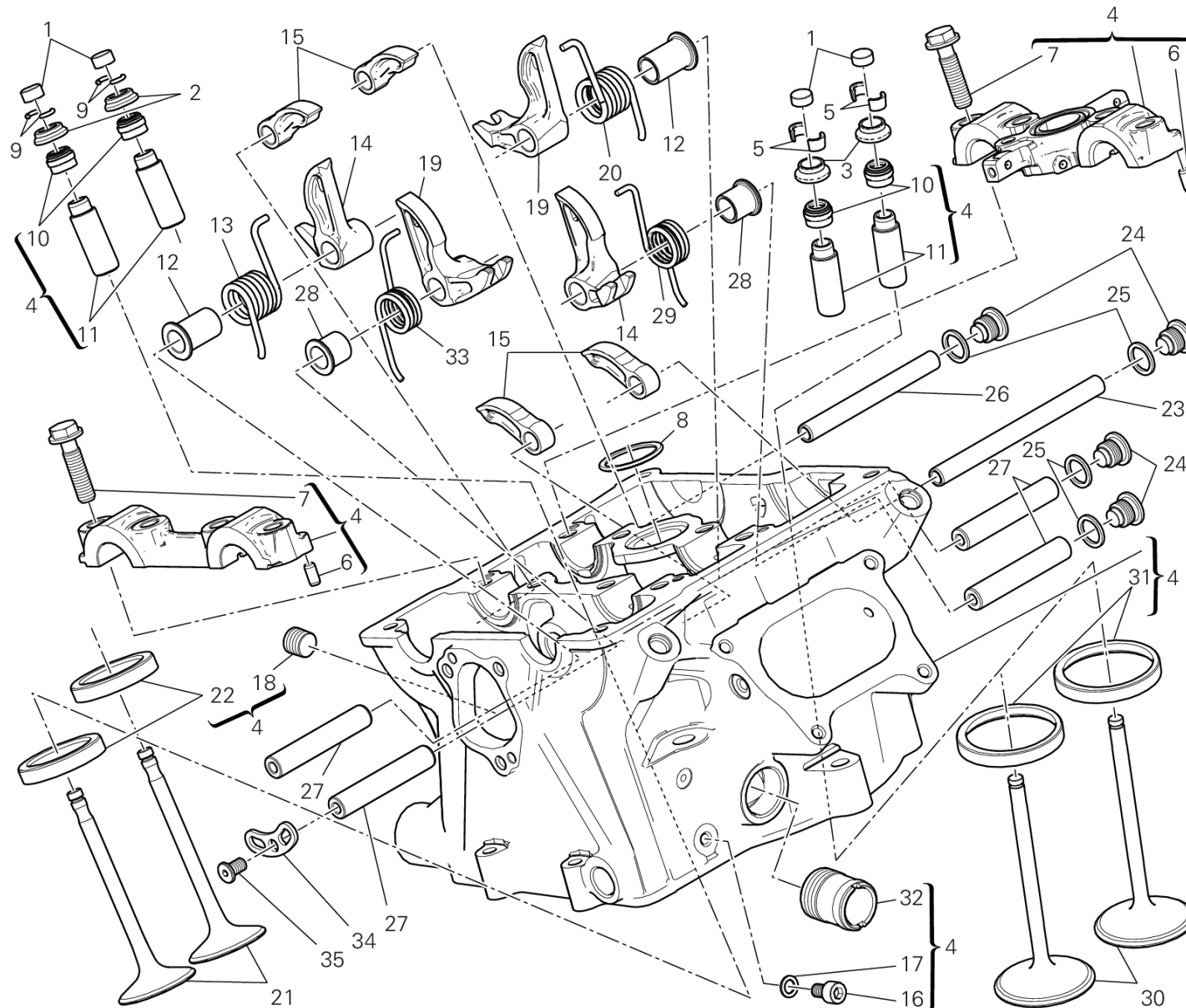


DRAWING 014 - HORIZONTAL HEAD [MOD:1199 ABS;XST:AUS,CHN,EUR,FRA,JAP]

GROUP ENGINE



POS.	CODE	DESCRIPTION	QTY	START DATE	END DATE	VALIDITY	NOTES
32	66810491A	FILLER	1	21/01/2011		MOD:1199 ABS;XST:AUS,CHN,EUR,FRA,JAP	
33	79915201A	INTAKE VALVE RETURN SPRING RH	1	12/01/2012		MOD:1199 ABS;XST:AUS,CHN,EUR,FRA,JAP	
34	82716021A	PLATE, RETAINER	1	12/01/2012		MOD:1199 ABS;XST:AUS,CHN,EUR,FRA,JAP	
35	77917231A	SCREW, SPECIAL	1	12/01/2012		MOD:1199 ABS;XST:AUS,CHN,EUR,FRA,JAP	



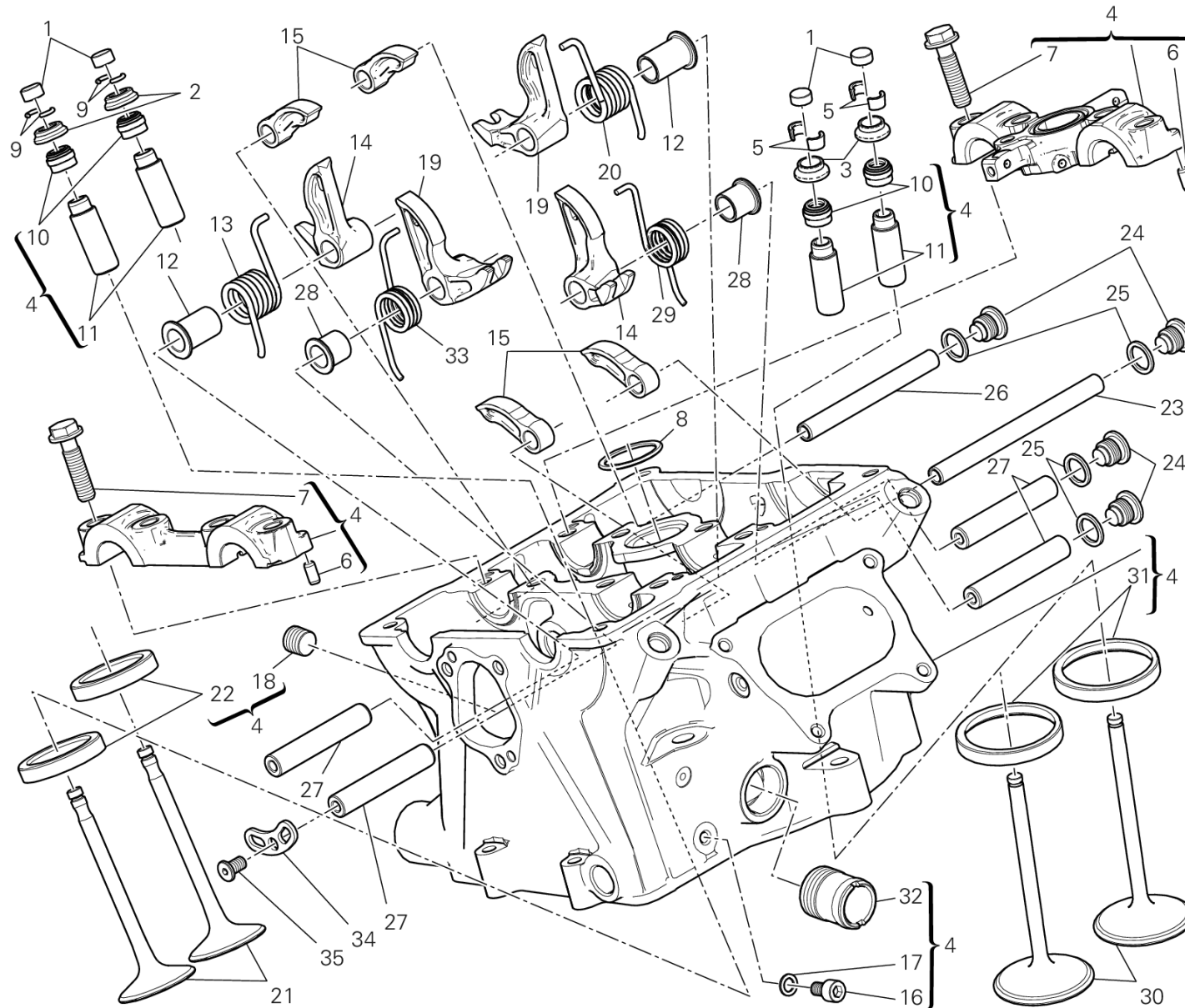
TST00455

DRAWING 015 - VERTICAL HEAD [MOD:1199 ABS;XST:AUS,CHN,EUR,FRA,JAP]

GROUP ENGINE



POS.	CODE	DESCRIPTION	QTY	START DATE	END DATE	VALIDITY	NOTES
1	84010013A	ADJUSTER, OPENING ROCKER ARM 2.00 MM	4	09/11/2011		MOD:1199 ABS;XST:AUS,CHN,EUR,FRA,JAP	
	84010023A	ADJUSTER, OPENING ROCKER ARM 2.05 MM	4	09/11/2011		MOD:1199 ABS;XST:AUS,CHN,EUR,FRA,JAP	
	84010033A	ADJUSTER, OPENING ROCKER ARM 2.10 MM	4	09/11/2011		MOD:1199 ABS;XST:AUS,CHN,EUR,FRA,JAP	
	84010043A	ADJUSTER, OPENING ROCKER ARM 2.15 MM	4	09/11/2011		MOD:1199 ABS;XST:AUS,CHN,EUR,FRA,JAP	
	84010053A	ADJUSTER, OPENING ROCKER ARM 2.20 MM	4	09/11/2011		MOD:1199 ABS;XST:AUS,CHN,EUR,FRA,JAP	
	84010063A	ADJUSTER, OPENING ROCKER ARM 2.25 MM	4	09/11/2011		MOD:1199 ABS;XST:AUS,CHN,EUR,FRA,JAP	
	84010073A	ADJUSTER, OPENING ROCKER ARM 2.30 MM	4	09/11/2011		MOD:1199 ABS;XST:AUS,CHN,EUR,FRA,JAP	
	84010083A	ADJUSTER, OPENING ROCKER ARM 2.35 MM	4	09/11/2011		MOD:1199 ABS;XST:AUS,CHN,EUR,FRA,JAP	
	84010093A	ADJUSTER, OPENING ROCKER ARM 2.40 MM	4	09/11/2011		MOD:1199 ABS;XST:AUS,CHN,EUR,FRA,JAP	
	84010103A	ADJUSTER, OPENING ROCKER ARM 2.45 MM	4	09/11/2011		MOD:1199 ABS;XST:AUS,CHN,EUR,FRA,JAP	
	84010113A	ADJUSTER, OPENING ROCKER ARM 2.50 MM	4	09/11/2011		MOD:1199 ABS;XST:AUS,CHN,EUR,FRA,JAP	
	84010123A	ADJUSTER, OPENING ROCKER ARM 2.55 MM	4	09/11/2011		MOD:1199 ABS;XST:AUS,CHN,EUR,FRA,JAP	
	84010133A	ADJUSTER, OPENING ROCKER ARM 2.60 MM	4	09/11/2011		MOD:1199 ABS;XST:AUS,CHN,EUR,FRA,JAP	
	84010143A	ADJUSTER, OPENING ROCKER ARM 2.65 MM	4	09/11/2011		MOD:1199 ABS;XST:AUS,CHN,EUR,FRA,JAP	
	84010153A	ADJUSTER, OPENING ROCKER ARM 2.70 MM	4	09/11/2011		MOD:1199 ABS;XST:AUS,CHN,EUR,FRA,JAP	
	84010163A	ADJUSTER, OPENING ROCKER ARM 2.75 MM	4	09/11/2011		MOD:1199 ABS;XST:AUS,CHN,EUR,FRA,JAP	
	84010173A	ADJUSTER, OPENING ROCKER ARM 2.80 MM	4	09/11/2011		MOD:1199 ABS;XST:AUS,CHN,EUR,FRA,JAP	



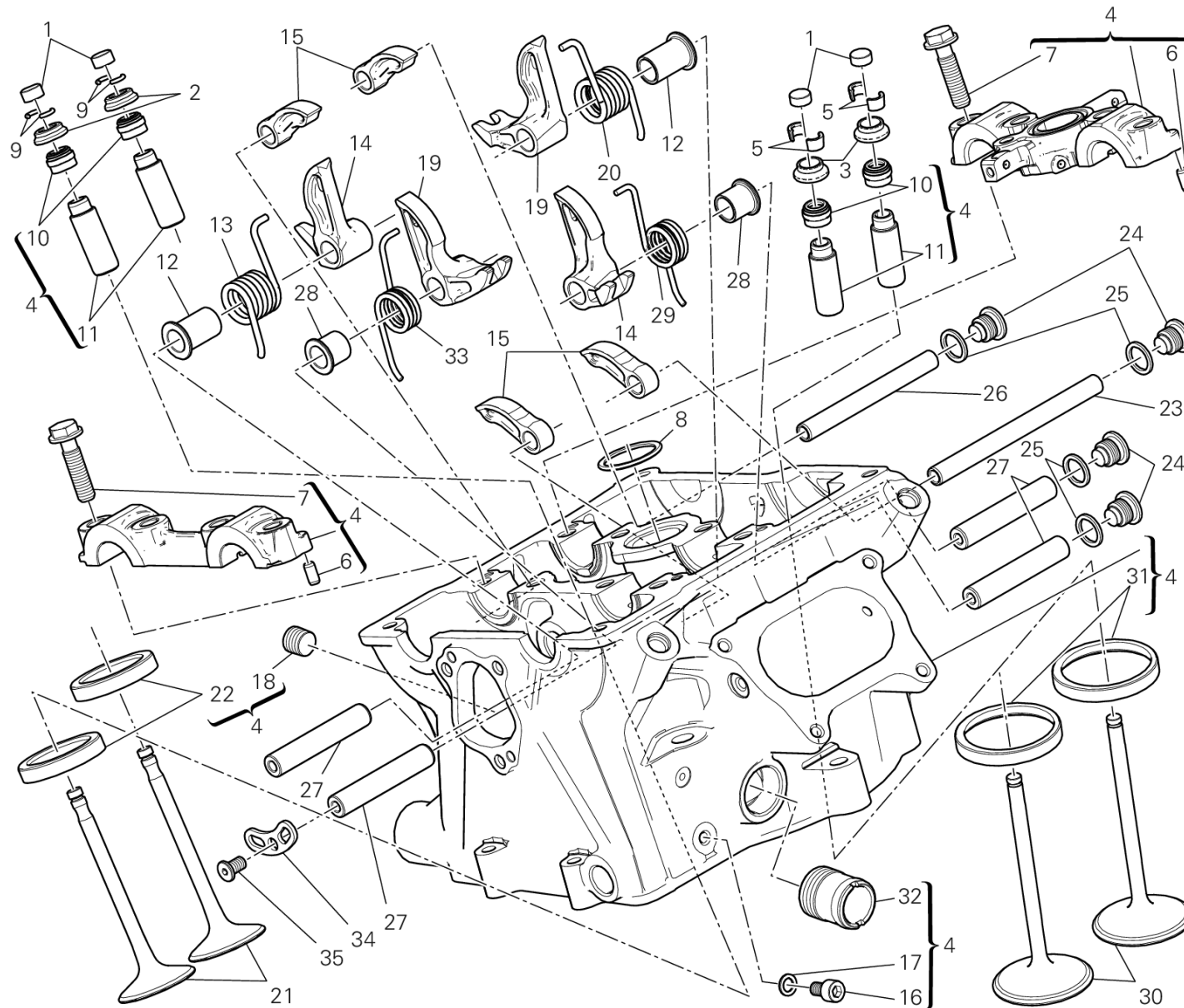
TST00455

DRAWING 015 - VERTICAL HEAD [MOD:1199 ABS;XST:AUS,CHN,EUR,FRA,JAP]

GROUP ENGINE



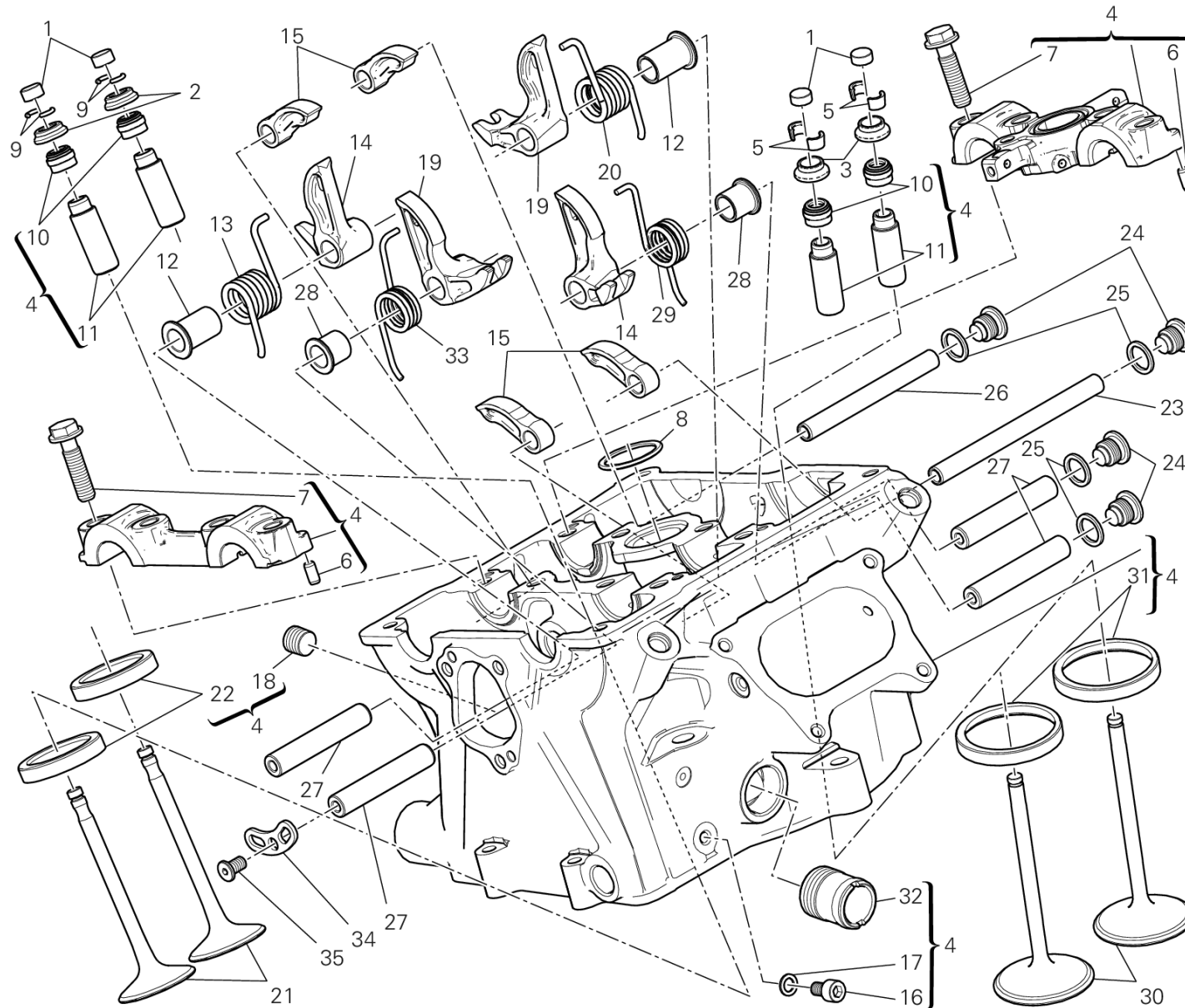
POS.	CODE	DESCRIPTION	QTY	START DATE	END DATE	VALIDITY	NOTES
	84010183A	ADJUSTER, OPENING ROCKER ARM 2.85 MM	4	09/11/2011		MOD:1199 ABS;XST:AUS,CHN,EUR,FRA,JAP	
	84010193A	ADJUSTER, OPENING ROCKER ARM 2.90 MM	4	09/11/2011		MOD:1199 ABS;XST:AUS,CHN,EUR,FRA,JAP	
	84010203A	ADJUSTER, OPENING ROCKER ARM 2.95 MM	4	09/11/2011		MOD:1199 ABS;XST:AUS,CHN,EUR,FRA,JAP	
	84010213A	ADJUSTER, OPENING ROCKER ARM 3.00 MM	4	09/11/2011		MOD:1199 ABS;XST:AUS,CHN,EUR,FRA,JAP	
	84010223A	ADJUSTER, OPENING ROCKER ARM 3.05 MM	4	09/11/2011		MOD:1199 ABS;XST:AUS,CHN,EUR,FRA,JAP	
	84010233A	ADJUSTER, OPENING ROCKER ARM 3.10 MM	4	09/11/2011		MOD:1199 ABS;XST:AUS,CHN,EUR,FRA,JAP	
	84010243A	ADJUSTER, OPENING ROCKER ARM 3.15 MM	4	09/11/2011		MOD:1199 ABS;XST:AUS,CHN,EUR,FRA,JAP	
	84010253A	ADJUSTER, OPENING ROCKER ARM 3.20 MM	4	09/11/2011		MOD:1199 ABS;XST:AUS,CHN,EUR,FRA,JAP	
	84010263A	ADJUSTER, OPENING ROCKER ARM 3.25 MM	4	09/11/2011		MOD:1199 ABS;XST:AUS,CHN,EUR,FRA,JAP	
	84010273A	ADJUSTER, OPENING ROCKER ARM 3.30 MM	4	09/11/2011		MOD:1199 ABS;XST:AUS,CHN,EUR,FRA,JAP	
	84010283A	ADJUSTER, OPENING ROCKER ARM 3.35 MM	4	09/11/2011		MOD:1199 ABS;XST:AUS,CHN,EUR,FRA,JAP	
	84010293A	ADJUSTER, OPENING ROCKER ARM 3.40 MM	4	09/11/2011		MOD:1199 ABS;XST:AUS,CHN,EUR,FRA,JAP	
	84010303A	ADJUSTER, OPENING ROCKER ARM 3.45 MM	4	09/11/2011		MOD:1199 ABS;XST:AUS,CHN,EUR,FRA,JAP	
	84010313A	ADJUSTER, OPENING ROCKER ARM 1.80 MM	4	09/11/2011		MOD:1199 ABS;XST:AUS,CHN,EUR,FRA,JAP	
	84010323A	ADJUSTER, OPENING ROCKER ARM 1.85 MM	4	09/11/2011		MOD:1199 ABS;XST:AUS,CHN,EUR,FRA,JAP	
	84010333A	ADJUSTER, OPENING ROCKER ARM 1.90 MM	4	09/11/2011		MOD:1199 ABS;XST:AUS,CHN,EUR,FRA,JAP	
	84010343A	ADJUSTER, OPENING ROCKER ARM 1.95 MM	4	09/11/2011		MOD:1199 ABS;XST:AUS,CHN,EUR,FRA,JAP	



TST00455



POS.	CODE	DESCRIPTION	QTY	START DATE	END DATE	VALIDITY	NOTES
	84010723A	ADJUSTER, OPENING ROCKER ARM 3.60 MM	4	09/11/2011		MOD:1199 ABS;XST:AUS,CHN,EUR,FRA,JAP	
	84010733A	ADJUSTER, OPENING ROCKER ARM 3.80 MM	4	09/11/2011		MOD:1199 ABS;XST:AUS,CHN,EUR,FRA,JAP	
	84011083A	ADJUSTER, OPENING ROCKER ARM 3.50 MM	4	09/11/2011		MOD:1199 ABS;XST:AUS,CHN,EUR,FRA,JAP	
	84011093A	ADJUSTER, OPENING ROCKER ARM 3.55 MM	4	09/11/2011		MOD:1199 ABS;XST:AUS,CHN,EUR,FRA,JAP	
	84011103A	ADJUSTER, OPENING ROCKER ARM 3.65 MM	4	09/11/2011		MOD:1199 ABS;XST:AUS,CHN,EUR,FRA,JAP	
	84011113A	ADJUSTER, OPENING ROCKER ARM 3.70 MM	4	09/11/2011		MOD:1199 ABS;XST:AUS,CHN,EUR,FRA,JAP	
	84011123A	ADJUSTER, OPENING ROCKER ARM 3.75 MM	4	09/11/2011		MOD:1199 ABS;XST:AUS,CHN,EUR,FRA,JAP	
	84011133A	ADJUSTER, OPENING ROCKER ARM 3.85 MM	4	09/11/2011		MOD:1199 ABS;XST:AUS,CHN,EUR,FRA,JAP	
	84011143A	ADJUSTER, OPENING ROCKER ARM 3.9 MM	4	09/11/2011		MOD:1199 ABS;XST:AUS,CHN,EUR,FRA,JAP	
2	84010412B	ADJUSTER, CLOSING ROCKER ARM 2.20 MM	2	24/12/2009		MOD:1199 ABS;XST:AUS,CHN,EUR,FRA,JAP	
	84010422B	ADJUSTER, CLOSING ROCKER ARM 2.25 MM	2	24/12/2009		MOD:1199 ABS;XST:AUS,CHN,EUR,FRA,JAP	
	84010432B	ADJUSTER, CLOSING ROCKER ARM 2.30 MM	2	24/12/2009		MOD:1199 ABS;XST:AUS,CHN,EUR,FRA,JAP	
	84010442B	ADJUSTER, CLOSING ROCKER ARM 2.35 MM	2	24/12/2009		MOD:1199 ABS;XST:AUS,CHN,EUR,FRA,JAP	
	84010452B	ADJUSTER, CLOSING ROCKER ARM 2.40 MM	2	24/12/2009		MOD:1199 ABS;XST:AUS,CHN,EUR,FRA,JAP	
	84010462B	ADJUSTER, CLOSING ROCKER ARM 2.45 MM	2	24/12/2009		MOD:1199 ABS;XST:AUS,CHN,EUR,FRA,JAP	
	84010472B	ADJUSTER, CLOSING ROCKER ARM 2.50 MM	2	24/12/2009		MOD:1199 ABS;XST:AUS,CHN,EUR,FRA,JAP	
	84010482B	ADJUSTER, CLOSING ROCKER ARM 2.55 MM	2	24/12/2009		MOD:1199 ABS;XST:AUS,CHN,EUR,FRA,JAP	



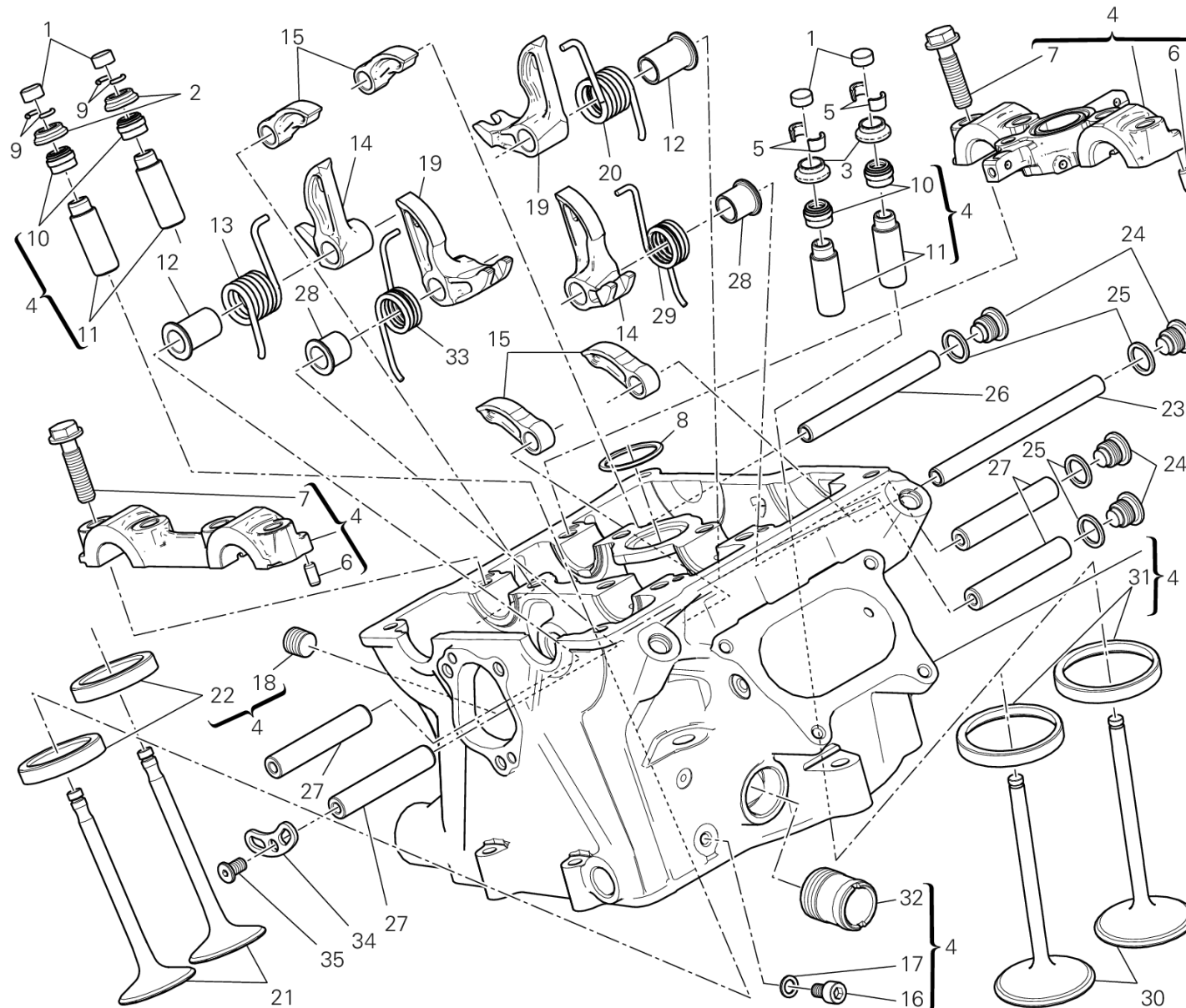
TST00455

DRAWING 015 - VERTICAL HEAD [MOD:1199 ABS;XST:AUS,CHN,EUR,FRA,JAP]

GROUP ENGINE



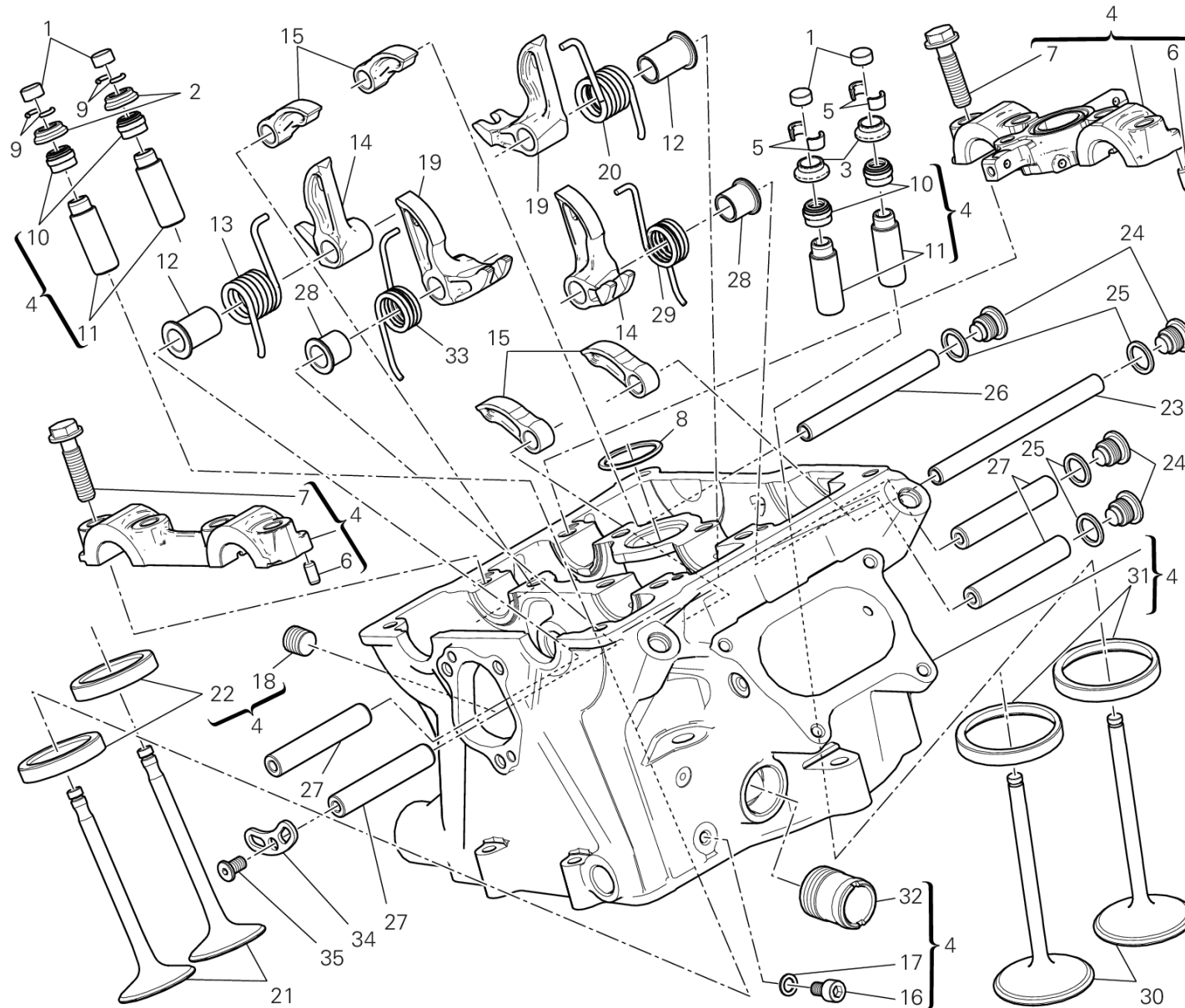
POS.	CODE	DESCRIPTION	QTY	START DATE	END DATE	VALIDITY	NOTES
	84010492B	ADJUSTER, CLOSING ROCKER ARM 2.60 MM	2	24/12/2009		MOD:1199 ABS;XST:AUS,CHN,EUR,FRA,JAP	
	84010502B	ADJUSTER, CLOSING ROCKER ARM 2.65 MM	2	24/12/2009		MOD:1199 ABS;XST:AUS,CHN,EUR,FRA,JAP	
	84010512B	ADJUSTER, CLOSING ROCKER ARM 2.70 MM	2	24/12/2009		MOD:1199 ABS;XST:AUS,CHN,EUR,FRA,JAP	
	84010522B	ADJUSTER, CLOSING ROCKER ARM 2.75 MM	2	24/12/2009		MOD:1199 ABS;XST:AUS,CHN,EUR,FRA,JAP	
	84010532B	ADJUSTER, CLOSING ROCKER ARM 2.80 MM	2	24/12/2009		MOD:1199 ABS;XST:AUS,CHN,EUR,FRA,JAP	
	84010542B	ADJUSTER, CLOSING ROCKER ARM 2.85 MM	2	24/12/2009		MOD:1199 ABS;XST:AUS,CHN,EUR,FRA,JAP	
	84010552B	ADJUSTER, CLOSING ROCKER ARM 2.90 MM	2	24/12/2009		MOD:1199 ABS;XST:AUS,CHN,EUR,FRA,JAP	
	84010562B	ADJUSTER, CLOSING ROCKER ARM 2.95 MM	2	24/12/2009		MOD:1199 ABS;XST:AUS,CHN,EUR,FRA,JAP	
	84010572B	ADJUSTER, CLOSING ROCKER ARM 3.00 MM	2	24/12/2009		MOD:1199 ABS;XST:AUS,CHN,EUR,FRA,JAP	
	84010582B	ADJUSTER, CLOSING ROCKER ARM 3.05 MM	2	24/12/2009		MOD:1199 ABS;XST:AUS,CHN,EUR,FRA,JAP	
	84010592B	ADJUSTER, CLOSING ROCKER ARM 3.10 MM	2	24/12/2009		MOD:1199 ABS;XST:AUS,CHN,EUR,FRA,JAP	
	84010602B	ADJUSTER, CLOSING ROCKER ARM 3.15 MM	2	24/12/2009		MOD:1199 ABS;XST:AUS,CHN,EUR,FRA,JAP	
	84010612B	ADJUSTER, CLOSING ROCKER ARM 3.20 MM	2	24/12/2009		MOD:1199 ABS;XST:AUS,CHN,EUR,FRA,JAP	
	84010622B	ADJUSTER, CLOSING ROCKER ARM 3.25 MM	2	24/12/2009		MOD:1199 ABS;XST:AUS,CHN,EUR,FRA,JAP	
	84010632B	ADJUSTER, CLOSING ROCKER ARM 3.30 MM	2	24/12/2009		MOD:1199 ABS;XST:AUS,CHN,EUR,FRA,JAP	
	84010642B	ADJUSTER, CLOSING ROCKER ARM 3.35 MM	2	24/12/2009		MOD:1199 ABS;XST:AUS,CHN,EUR,FRA,JAP	
	84010652B	ADJUSTER, CLOSING ROCKER ARM 3.40 MM	2	24/12/2009		MOD:1199 ABS;XST:AUS,CHN,EUR,FRA,JAP	



TST00455



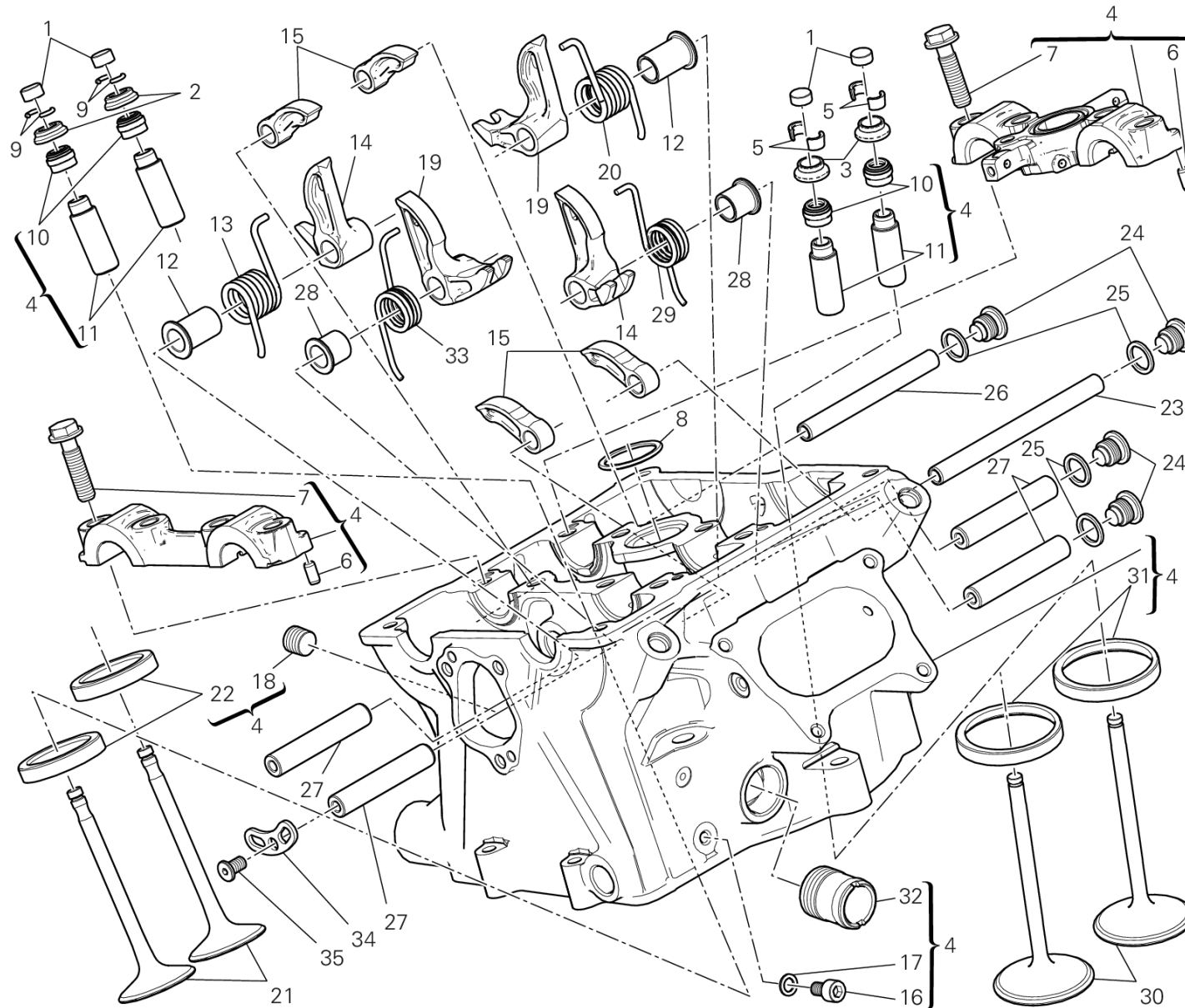
POS.	CODE	DESCRIPTION	QTY	START DATE	END DATE	VALIDITY	NOTES
	84010662B	ADJUSTER, CLOSING ROCKER ARM 3.45 MM	2	24/12/2009		MOD:1199 ABS;XST:AUS,CHN,EUR,FRA,JAP	
	84010672B	ADJUSTER, CLOSING ROCKER ARM 3.50 MM	2	24/12/2009		MOD:1199 ABS;XST:AUS,CHN,EUR,FRA,JAP	
	84010682B	ADJUSTER, CLOSING ROCKER ARM 3.55 MM	2	24/12/2009		MOD:1199 ABS;XST:AUS,CHN,EUR,FRA,JAP	
	84010692B	ADJUSTER, CLOSING ROCKER ARM 3.60 MM	2	24/12/2009		MOD:1199 ABS;XST:AUS,CHN,EUR,FRA,JAP	
	84010702B	ADJUSTER, CLOSING ROCKER ARM 3.65 MM	2	24/12/2009		MOD:1199 ABS;XST:AUS,CHN,EUR,FRA,JAP	
	84010712B	ADJUSTER, CLOSING ROCKER ARM 3.70 MM	2	24/12/2009		MOD:1199 ABS;XST:AUS,CHN,EUR,FRA,JAP	
	84010722B	ADJUSTER, CLOSING ROCKER ARM 3.75 MM	2	24/12/2009		MOD:1199 ABS;XST:AUS,CHN,EUR,FRA,JAP	
	84010732B	ADJUSTER, CLOSING ROCKER ARM 3.80 MM	2	24/12/2009		MOD:1199 ABS;XST:AUS,CHN,EUR,FRA,JAP	
	84010742B	ADJUSTER, CLOSING ROCKER ARM 3.85 MM	2	24/12/2009		MOD:1199 ABS;XST:AUS,CHN,EUR,FRA,JAP	
	84010752B	ADJUSTER, CLOSING ROCKER ARM 3.90 MM	2	24/12/2009		MOD:1199 ABS;XST:AUS,CHN,EUR,FRA,JAP	
	84010762B	ADJUSTER, CLOSING ROCKER ARM 3.95 MM	2	24/12/2009		MOD:1199 ABS;XST:AUS,CHN,EUR,FRA,JAP	
	84010772B	ADJUSTER, CLOSING ROCKER ARM 4.00 MM	2	24/12/2009		MOD:1199 ABS;XST:AUS,CHN,EUR,FRA,JAP	
	84010782B	ADJUSTER, CLOSING ROCKER ARM 4.05 MM	2	24/12/2009		MOD:1199 ABS;XST:AUS,CHN,EUR,FRA,JAP	
	84010792B	ADJUSTER, CLOSING ROCKER ARM 4.10 MM	2	24/12/2009		MOD:1199 ABS;XST:AUS,CHN,EUR,FRA,JAP	
	84010802B	ADJUSTER, CLOSING ROCKER ARM 4.15 MM	2	24/12/2009		MOD:1199 ABS;XST:AUS,CHN,EUR,FRA,JAP	
	84010812B	ADJUSTER, CLOSING ROCKER ARM 4.20 MM	2	24/12/2009		MOD:1199 ABS;XST:AUS,CHN,EUR,FRA,JAP	
	84010822B	ADJUSTER, CLOSING ROCKER ARM 4.25 MM	2	24/12/2009		MOD:1199 ABS;XST:AUS,CHN,EUR,FRA,JAP	



TST00455



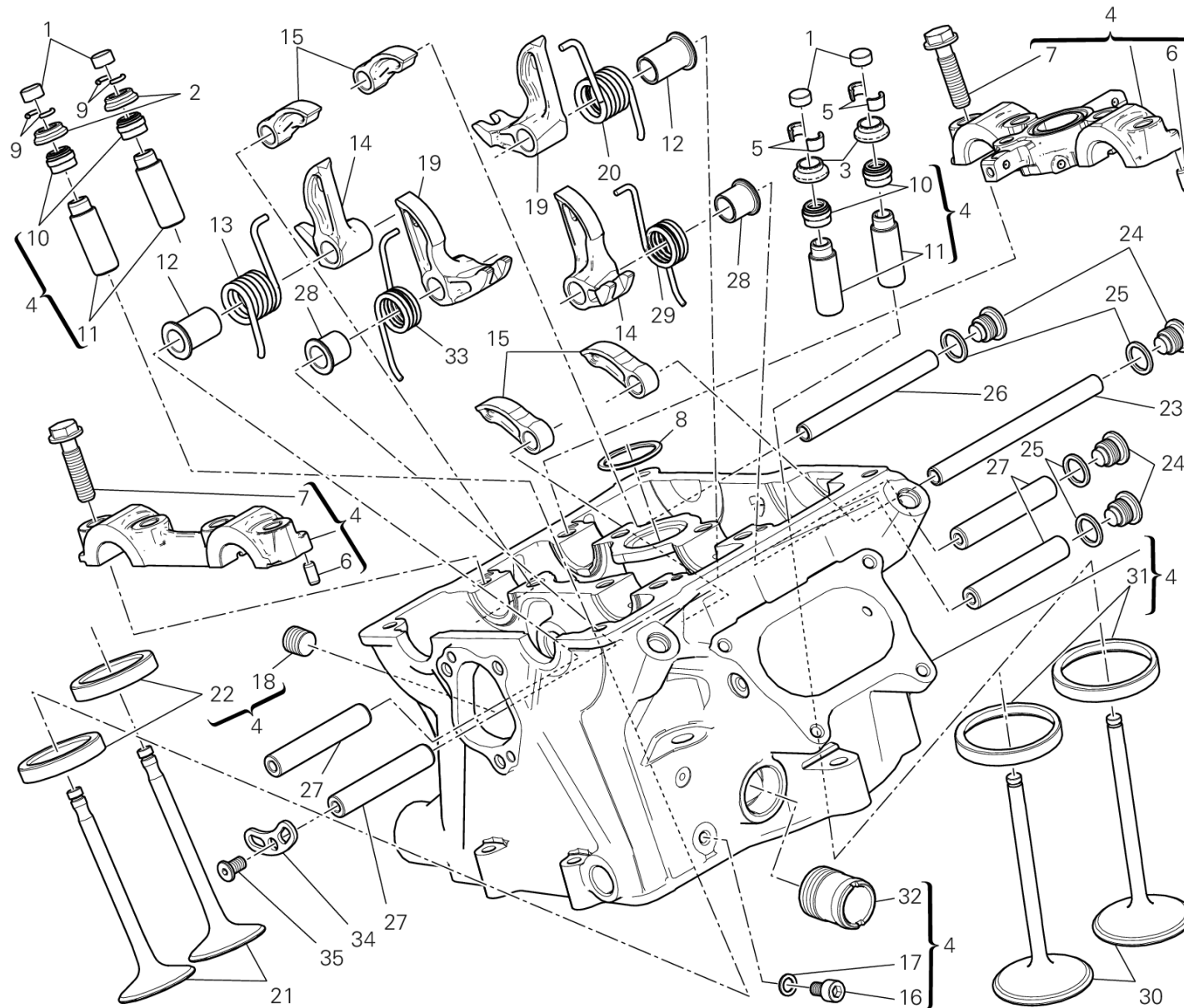
POS.	CODE	DESCRIPTION	QTY	START DATE	END DATE	VALIDITY	NOTES
	84010832B	ADJUSTER, CLOSING ROCKER ARM 4.30 MM	2	24/12/2009		MOD:1199 ABS;XST:AUS,CHN,EUR,FRA,JAP	
	84010842B	ADJUSTER, CLOSING ROCKER ARM 4.35 MM	2	24/12/2009		MOD:1199 ABS;XST:AUS,CHN,EUR,FRA,JAP	
	84010852B	ADJUSTER, CLOSING ROCKER ARM 4.40 MM	2	24/12/2009		MOD:1199 ABS;XST:AUS,CHN,EUR,FRA,JAP	
	84010862B	ADJUSTER, CLOSING ROCKER ARM 4.45 MM	2	24/12/2009		MOD:1199 ABS;XST:AUS,CHN,EUR,FRA,JAP	
	84010872B	ADJUSTER, CLOSING ROCKER ARM 4.50 MM	2	24/12/2009		MOD:1199 ABS;XST:AUS,CHN,EUR,FRA,JAP	
3	84011901AA	ADJUSTER, CLOSING ROCKER ARM 4.15 MM	2	02/11/2011		MOD:1199 ABS;XST:AUS,CHN,EUR,FRA,JAP	
	84011901AB	ADJUSTER, CLOSING ROCKER ARM 4.20 MM	2	02/11/2011		MOD:1199 ABS;XST:AUS,CHN,EUR,FRA,JAP	
	84011901AC	ADJUSTER, CLOSING ROCKER ARM 4.25 MM	2	02/11/2011		MOD:1199 ABS;XST:AUS,CHN,EUR,FRA,JAP	
	84011901AD	ADJUSTER, CLOSING ROCKER ARM 4.30 MM	2	02/11/2011		MOD:1199 ABS;XST:AUS,CHN,EUR,FRA,JAP	
	84011901AE	ADJUSTER, CLOSING ROCKER ARM 4.35 MM	2	02/11/2011		MOD:1199 ABS;XST:AUS,CHN,EUR,FRA,JAP	
	84011901AF	ADJUSTER, CLOSING ROCKER ARM 4.40 MM	2	02/11/2011		MOD:1199 ABS;XST:AUS,CHN,EUR,FRA,JAP	
	84011901AG	ADJUSTER, CLOSING ROCKER ARM 4.45 MM	2	02/11/2011		MOD:1199 ABS;XST:AUS,CHN,EUR,FRA,JAP	
	84011901AH	ADJUSTER, CLOSING ROCKER ARM 4.50 MM	2	02/11/2011		MOD:1199 ABS;XST:AUS,CHN,EUR,FRA,JAP	
	84011901AI	CLOSE ROCKER ARM ADJUSTMENT 4.55 MM	2	02/11/2011		MOD:1199 ABS;XST:AUS,CHN,EUR,FRA,JAP	
	84011901AJ	CLOSE ROCKER ARM ADJUSTMENT 4.60 MM	2	02/11/2011		MOD:1199 ABS;XST:AUS,CHN,EUR,FRA,JAP	
	84011901AK	CLOSE ROCKER ARM ADJUSTMENT 4.65 MM	2	02/11/2011		MOD:1199 ABS;XST:AUS,CHN,EUR,FRA,JAP	
	84011901AL	CLOSE ROCKER ARM ADJUSTMENT 4.70 MM	2	02/11/2011		MOD:1199 ABS;XST:AUS,CHN,EUR,FRA,JAP	



TST00455



POS.	CODE	DESCRIPTION	QTY	START DATE	END DATE	VALIDITY	NOTES
	84011901AM	CLOSE ROCKER ARM ADJUSTMENT 4.75 MM	2	02/11/2011		MOD:1199 ABS;XST:AUS,CHN,EUR,FRA,JAP	
	84011901AN	CLOSE ROCKER ARM ADJUSTMENT 4.80 MM	2	02/11/2011		MOD:1199 ABS;XST:AUS,CHN,EUR,FRA,JAP	
	84011901AO	CLOSE ROCKER ARM ADJUSTMENT 4.85 MM	2	02/11/2011		MOD:1199 ABS;XST:AUS,CHN,EUR,FRA,JAP	
	84011901AP	CLOSE ROCKER ARM ADJUSTMENT 4.90 MM	2	02/11/2011		MOD:1199 ABS;XST:AUS,CHN,EUR,FRA,JAP	
	84011901AQ	CLOSE ROCKER ARM ADJUSTMENT 4.95 MM	2	02/11/2011		MOD:1199 ABS;XST:AUS,CHN,EUR,FRA,JAP	
	84011901AR	CLOSE ROCKER ARM ADJUSTMENT 5.00 MM	2	02/11/2011		MOD:1199 ABS;XST:AUS,CHN,EUR,FRA,JAP	
4	30123471C	VERTICAL HEAD	1	24/04/2012		MOD:1199 ABS;XST:AUS,CHN,EUR,FRA,JAP	
5	84510061A	HALF CONE	2	12/01/2012		MOD:1199 ABS;XST:AUS,CHN,EUR,FRA,JAP	
6	86050061A	PIN M5X10	4	10/12/2010		MOD:1199 ABS;XST:AUS,CHN,EUR,FRA,JAP	
7	77914211A	SCREW TEF M8X32	8	10/12/2010		MOD:1199 ABS;XST:AUS,CHN,EUR,FRA,JAP	
8	88640881A	O-RING 26.64X2.62	1	12/01/2012		MOD:1199 ABS;XST:AUS,CHN,EUR,FRA,JAP	
9	66910011E	C RING	4	12/01/2012		MOD:1199 ABS;XST:AUS,CHN,EUR,FRA,JAP	
10	76410871A	SEAL VALVE STEM	4	21/01/2011		MOD:1199 ABS;XST:AUS,CHN,EUR,FRA,JAP	
11	30310671AA	GUIDE, VALVE OVERSIZED 0.03 MM	4	13/01/2012		MOD:1199 ABS;XST:AUS,CHN,EUR,FRA,JAP	
12	71319271A	SPACER	2	12/01/2012		MOD:1199 ABS;XST:AUS,CHN,EUR,FRA,JAP	
13	79915231A	EXHAUST VALVE RETURN SPRING LH	1	12/01/2012		MOD:1199 ABS;XST:AUS,CHN,EUR,FRA,JAP	
14	20910651A	CLOSING ROCKER ARM LEFT	2	01/08/2011		MOD:1199 ABS;XST:AUS,CHN,EUR,FRA,JAP	



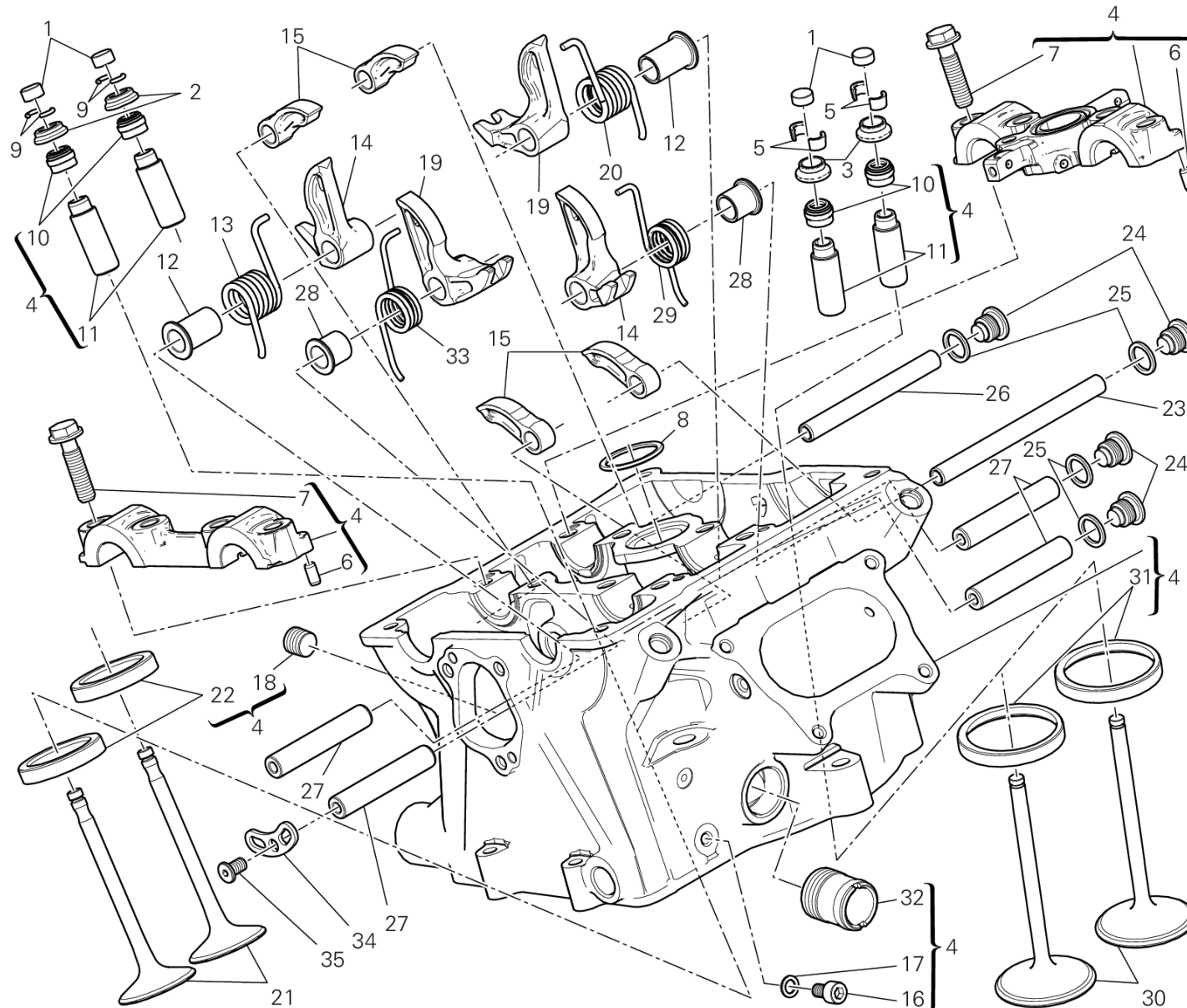
TST00455

DRAWING 015 - VERTICAL HEAD [MOD:1199 ABS;XST:AUS,CHN,EUR,FRA,JAP]

GROUP ENGINE



POS.	CODE	DESCRIPTION	QTY	START DATE	END DATE	VALIDITY	NOTES
15	20810381A	OPEN. ROCKER ARM	4	01/08/2011		MOD:1199 ABS;XST:AUS,CHN,EUR,FRA,JAP	
16	77150628B	SCREW TCEI M6X10	2	01/08/2011		MOD:1199 ABS;XST:AUS,CHN,EUR,FRA,JAP	
17	85240261A	WASHER	2	25/06/2012		MOD:1199 ABS;XST:AUS,CHN,EUR,FRA,JAP	
18	78010771A	THREADED DOWEL	2	10/12/2010		MOD:1199 ABS;XST:AUS,CHN,EUR,FRA,JAP	
19	20910641A	CLOSING ROCKER ARM RIGHT	2	01/08/2011		MOD:1199 ABS;XST:AUS,CHN,EUR,FRA,JAP	
20	79915221A	EXHAUST VALVE RETURN SPRING RH	1	12/01/2012		MOD:1199 ABS;XST:AUS,CHN,EUR,FRA,JAP	
21	21110802A	EXHAUST VALVE	2	12/01/2012		MOD:1199 ABS;XST:AUS,CHN,EUR,FRA,JAP	
22	304A0931A	SEAT, EXHAUST VALVE	2	29/11/2010		MOD:1199 ABS;XST:AUS,CHN,EUR,FRA,JAP	
23	82114041A	OPENING ROCKER SHAFT LONG	1	12/01/2012		MOD:1199 ABS;XST:AUS,CHN,EUR,FRA,JAP	
24	78010511C	PLUG	4	12/01/2012		MOD:1199 ABS;XST:AUS,CHN,EUR,FRA,JAP	
25	85250261B	GASKET, ALUMINIUM 12X16X1.5	4	12/01/2012		MOD:1199 ABS;XST:AUS,CHN,EUR,FRA,JAP	
26	82113361A	OPENING ROCKER SHAFT SHORT	1	12/01/2012		MOD:1199 ABS;XST:AUS,CHN,EUR,FRA,JAP	
27	82113371B	CLOSE ROCKER ARM AXLE	4	12/01/2012		MOD:1199 ABS;XST:AUS,CHN,EUR,FRA,JAP	
28	71319281A	SPACER	2	12/01/2012		MOD:1199 ABS;XST:AUS,CHN,EUR,FRA,JAP	
29	79915211A	INTAKE VALVE RETURN SPRING LH	1	12/01/2012		MOD:1199 ABS;XST:AUS,CHN,EUR,FRA,JAP	
30	21010811B	INTAKE VALVE	2	12/01/2012		MOD:1199 ABS;XST:AUS,CHN,EUR,FRA,JAP	
31	304A0921A	SEAT, INTAKE VALVE	2	29/11/2010		MOD:1199 ABS;XST:AUS,CHN,EUR,FRA,JAP	



TST00455

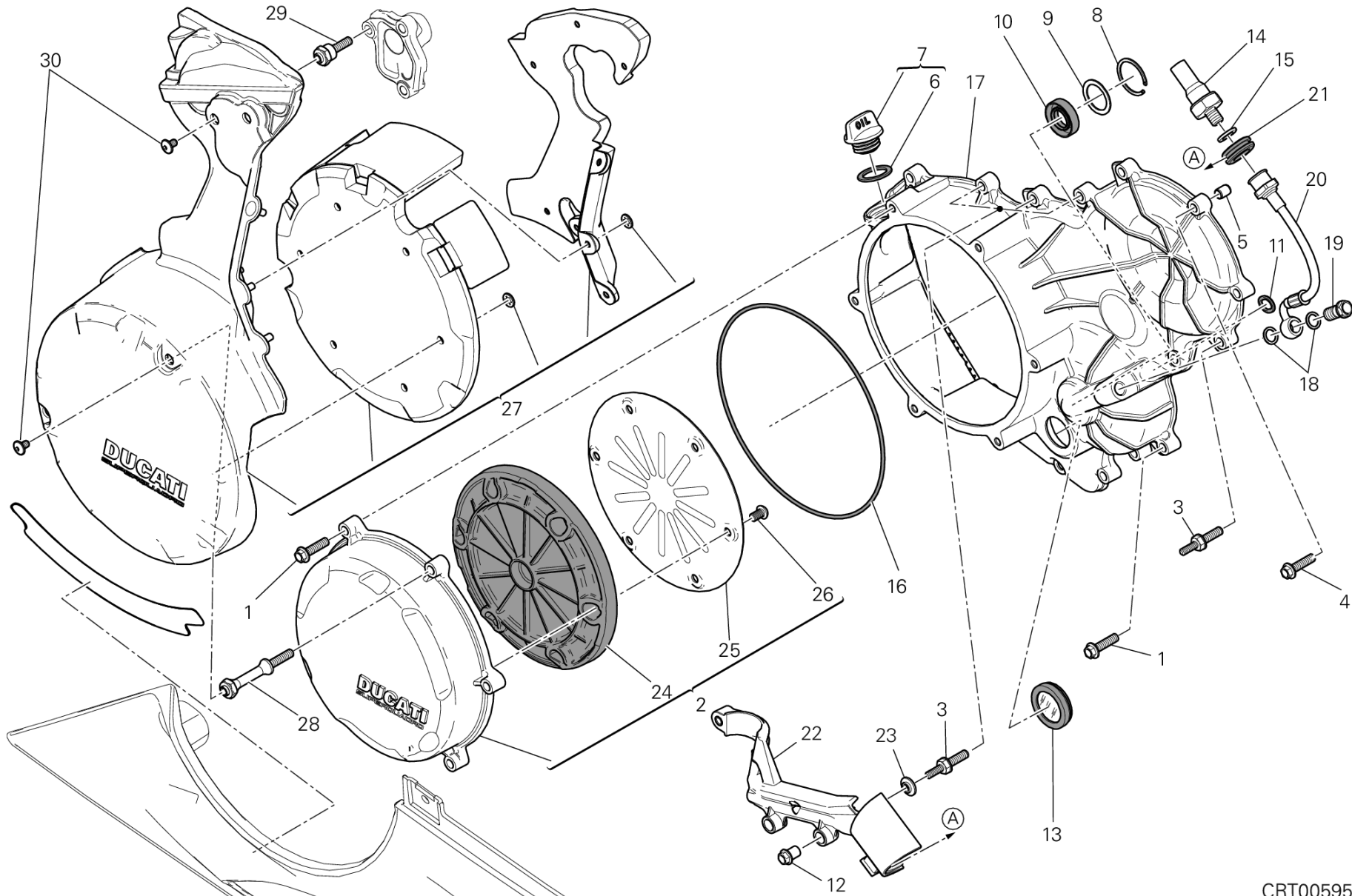


POS.	CODE	DESCRIPTION	QTY	START DATE	END DATE	VALIDITY	NOTES
32	66810491A	FILLER	1	21/01/2011		MOD:1199 ABS;XST:AUS,CHN,EUR,FRA,JAP	
33	79915201A	INTAKE VALVE RETURN SPRING RH	1	12/01/2012		MOD:1199 ABS;XST:AUS,CHN,EUR,FRA,JAP	
34	82716021A	PLATE, RETAINER	1	12/01/2012		MOD:1199 ABS;XST:AUS,CHN,EUR,FRA,JAP	
35	77917231A	SCREW, SPECIAL	1	12/01/2012		MOD:1199 ABS;XST:AUS,CHN,EUR,FRA,JAP	



DRAWING 05A - CLUTCH-SIDE CRANKCASE COVER (JAP) [MOD:1199 ABS;XST:JAP]

GROUP ENGINE



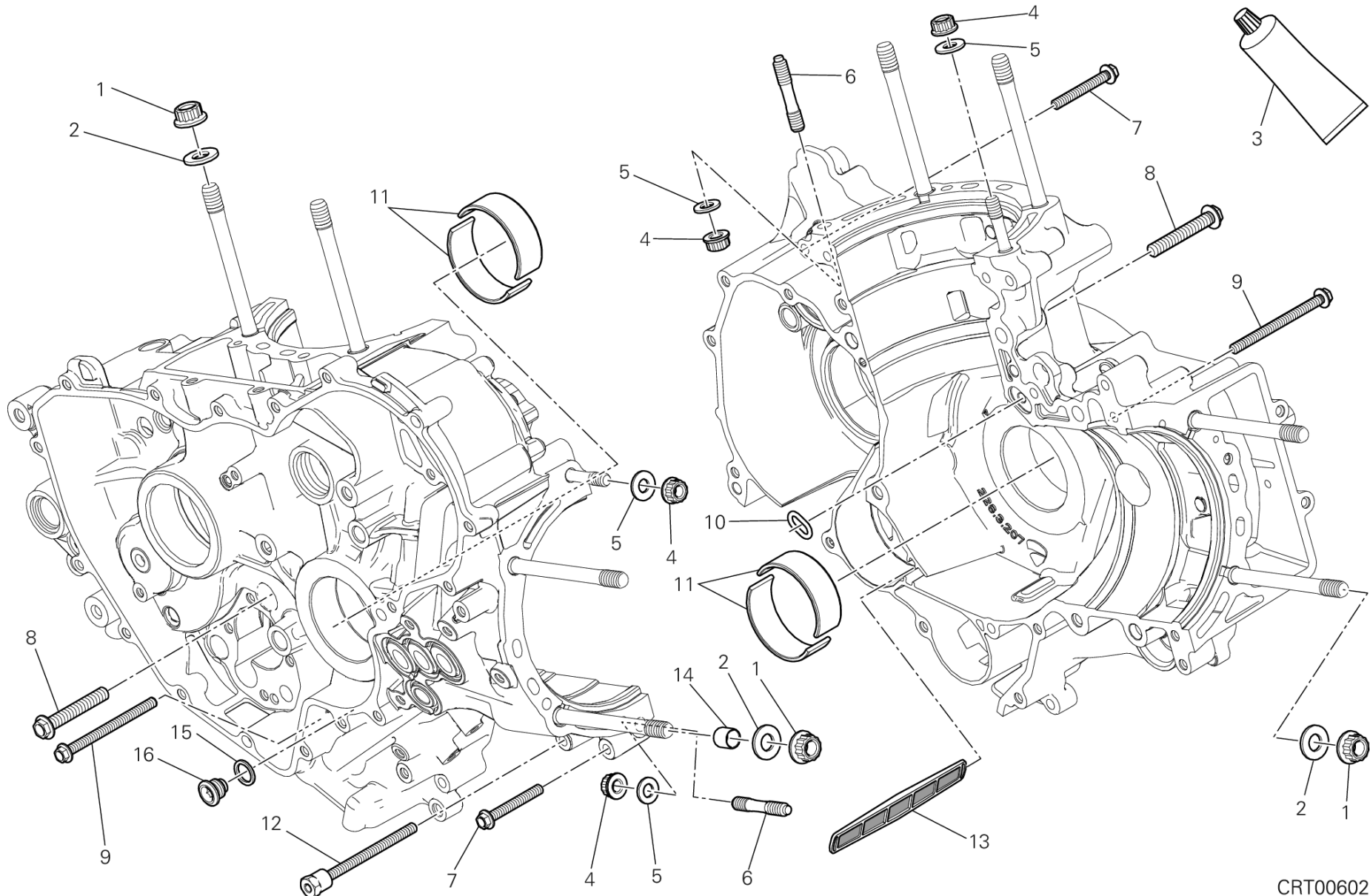
CRT00595

DRAWING 05A - CLUTCH-SIDE CRANKCASE COVER (JAP) [MOD:1199 ABS;XST:JAP]

GROUP ENGINE



POS.	CODE	DESCRIPTION	QTY	START DATE	END DATE	VALIDITY	NOTES
1	77253337C	SCREW	18	11/11/2010		MOD:1199 ABS;XST:JAP	
2	24321343A	CLUTCH PROTECTION COVER (Unit)	1	02/05/2012		MOD:1199 ABS;XST:JAP	
3	77917161B	SCREW, SPECIAL	4	21/11/2011		MOD:1199 ABS;XST:JAP	
4	77253357C	SCREW	1	11/11/2010		MOD:1199 ABS;XST:JAP	
5	71113171A	LOCATING DOWEL	2	11/11/2010		MOD:1199 ABS;XST:JAP	
6	88640891A	O-RING 18.64X3.53	1	24/12/2009		MOD:1199 ABS;XST:JAP	
7	89320121A	PLUG ASSY	1	26/10/2011		MOD:1199 ABS;XST:JAP	
8	88450291A	SNAP RING	1	26/10/2011		MOD:1199 ABS;XST:JAP	
9	85212721A	THRUST WASHER	1	26/10/2011		MOD:1199 ABS;XST:JAP	
10	93041521A	SEAL RING	1	26/10/2011		MOD:1199 ABS;XST:JAP	
11	88641761A	O-RING	1	11/11/2010		MOD:1199 ABS;XST:JAP	
12	75011742AA	NUT, SPECIAL	1	26/10/2011		MOD:1199 ABS;XST:JAP	
13	25440012A	WINDOW, OIL LEVEL CHECK	1	26/10/2011		MOD:1199 ABS;XST:JAP	
14	53940302A	SWITCH ASSY, OIL PRESSURE	1	01/12/2011		MOD:1199 ABS;XST:JAP	
15	85211951A	GASKET 10.5X17X2	1	01/12/2011		MOD:1199 ABS;XST:JAP	
16	88610281A	O-RING	1	26/10/2011		MOD:1199 ABS;XST:JAP	
17	24311274A	TIMING COVER	1	01/01/2012		MOD:1199 ABS;XST:JAP	
18	85250241A	WASHER 10X14X1	2	01/12/2011		MOD:1199 ABS;XST:JAP	
19	77913661AB	BOLT, BRAKE HOSE M10X1	1	01/12/2011		MOD:1199 ABS;XST:JAP	
20	87721561A	OIL PRESSURE LINE	1	01/12/2011		MOD:1199 ABS;XST:JAP	
21	76440581A	RUBBER PAD	1	01/12/2011		MOD:1199 ABS;XST:JAP	
22	75810701A	FAIRLEAD	1	01/12/2011		MOD:1199 ABS;XST:JAP	
23	71614071A	SPACER 5.2X8.4X2	3	01/12/2011		MOD:1199 ABS;XST:JAP	
24	48610851A	DAMPER, SOUND ARRESTER	1	02/05/2012		MOD:1199 ABS;XST:JAP	
25	82716012A	SHEET ACOUSTIC DAMPER	1	02/05/2012		MOD:1199 ABS;XST:JAP	
26	77550200C	SCREW	6	02/05/2012		MOD:1199 ABS;XST:JAP	
27	48610911A	CAP RH (Unit)	1	29/03/2012	14/11/2012	MOD:1199 ABS;XST:JAP	
28	77917961AA	SPECIAL SCREW LONG	2	20/06/2012		MOD:1199 ABS;XST:JAP	
29	77917951AA	SPECIAL SCREW SHORT	2	20/06/2012		MOD:1199 ABS;XST:JAP	
30	77240243C	SCREW	4	29/03/2012		MOD:1199 ABS;XST:JAP	



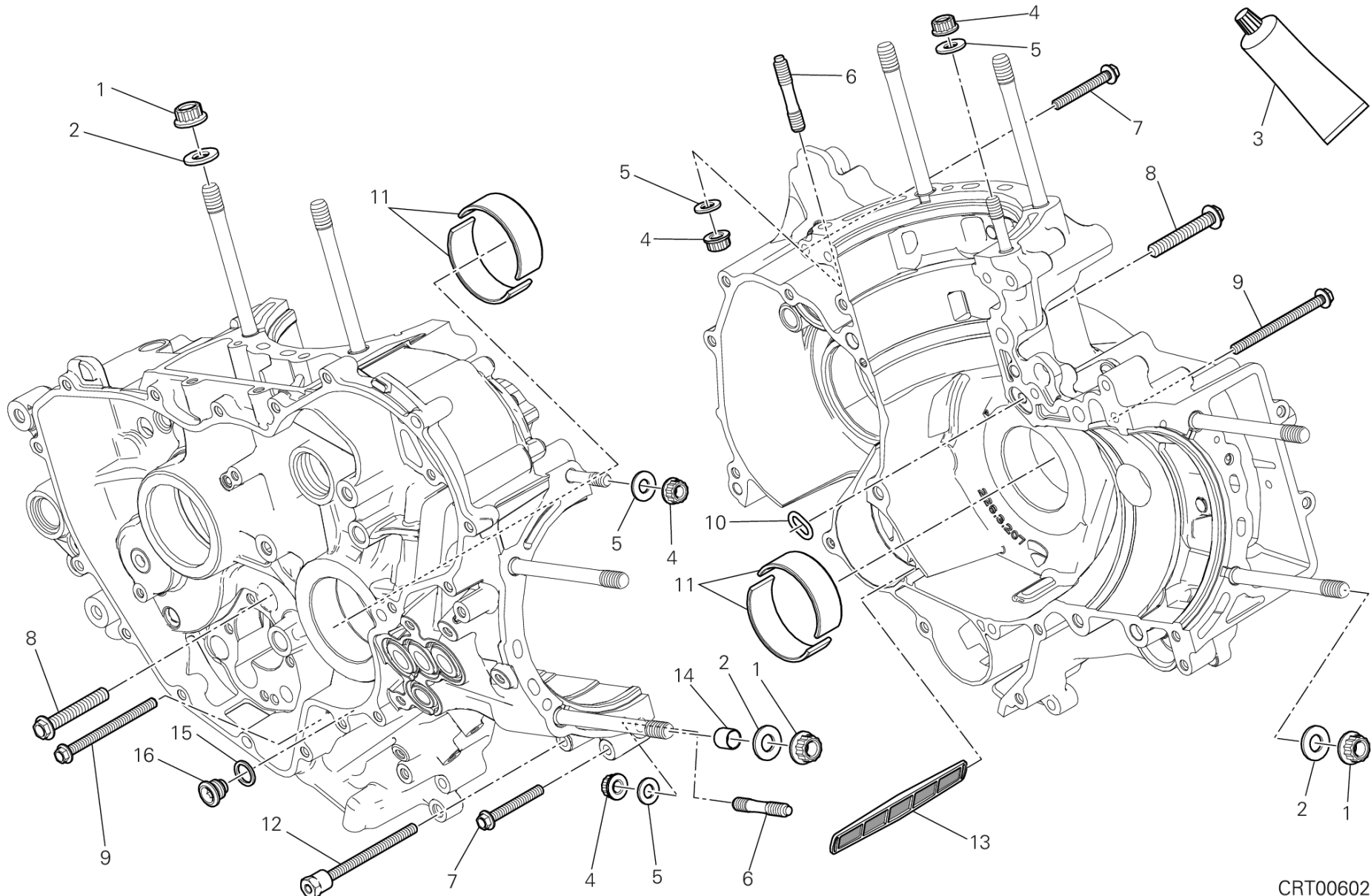
CRT00602

DRAWING 10A - HALF-CRANKCASES PAIR [MOD:1199 ABS;XST:AUS,CHN,EUR,FRA,JAP]

GROUP ENGINE



POS.	CODE	DESCRIPTION	QTY	START DATE	END DATE	VALIDITY	NOTES
1	74810461A	NUT, FLANGE M10X1	8	13/12/2010		MOD:1199 ABS;XST:AUS,CHN,EUR,FRA,JAP	
2	85610642A	WASHER, SPECIAL 10.5X21X2	8	13/12/2010		MOD:1199 ABS;XST:AUS,CHN,EUR,FRA,JAP	
3	942470014	LIQUID GASKET	1			MOD:1199 ABS;XST:AUS,CHN,EUR,FRA,JAP	
4	74840481A	NUT, SPECIAL M8	4	13/12/2010		MOD:1199 ABS;XST:AUS,CHN,EUR,FRA,JAP	
5	85212771A	WASHER	4	13/12/2010		MOD:1199 ABS;XST:AUS,CHN,EUR,FRA,JAP	
6	76610811A	STUD BOLT FASTENING HEAD CYLINDER	2	12/01/2012		MOD:1199 ABS;XST:AUS,CHN,EUR,FRA,JAP	
7	77253387C	SCREW	14	11/11/2010		MOD:1199 ABS;XST:AUS,CHN,EUR,FRA,JAP	
8	77251387C	SCREW	6	11/11/2010		MOD:1199 ABS;XST:AUS,CHN,EUR,FRA,JAP	
9	77253447C	SCREW	4	11/11/2010		MOD:1199 ABS;XST:AUS,CHN,EUR,FRA,JAP	
10	88641701A	O-RING	1	24/11/2010		MOD:1199 ABS;XST:AUS,CHN,EUR,FRA,JAP	
11	11210771AA	HALF-BEARING RED	1	15/12/2011		MOD:1199 ABS;XST:AUS,CHN,EUR,FRA,JAP	
	11210771AB	HALF-BEARING BLUE	1	15/12/2011		MOD:1199 ABS;XST:AUS,CHN,EUR,FRA,JAP	
	11210771AC	HALF-BEARING YELLOW	1	15/12/2011		MOD:1199 ABS;XST:AUS,CHN,EUR,FRA,JAP	
	11210771AD	HALF-BEARING BLACK	1	15/12/2011		MOD:1199 ABS;XST:AUS,CHN,EUR,FRA,JAP	
	11210771AE	HALF-BEARING GREEN	1	15/12/2011		MOD:1199 ABS;XST:AUS,CHN,EUR,FRA,JAP	
12	77916991A	SCREW, SPECIAL	1	02/12/2010		MOD:1199 ABS;XST:AUS,CHN,EUR,FRA,JAP	
13	42710171A	OIL NET FILTER	1	09/12/2010		MOD:1199 ABS;XST:AUS,CHN,EUR,FRA,JAP	



CRT00602

DRAWING 10A - HALF-CRANKCASES PAIR [MOD:1199 ABS;XST:AUS,CHN,EUR,FRA,JAP]

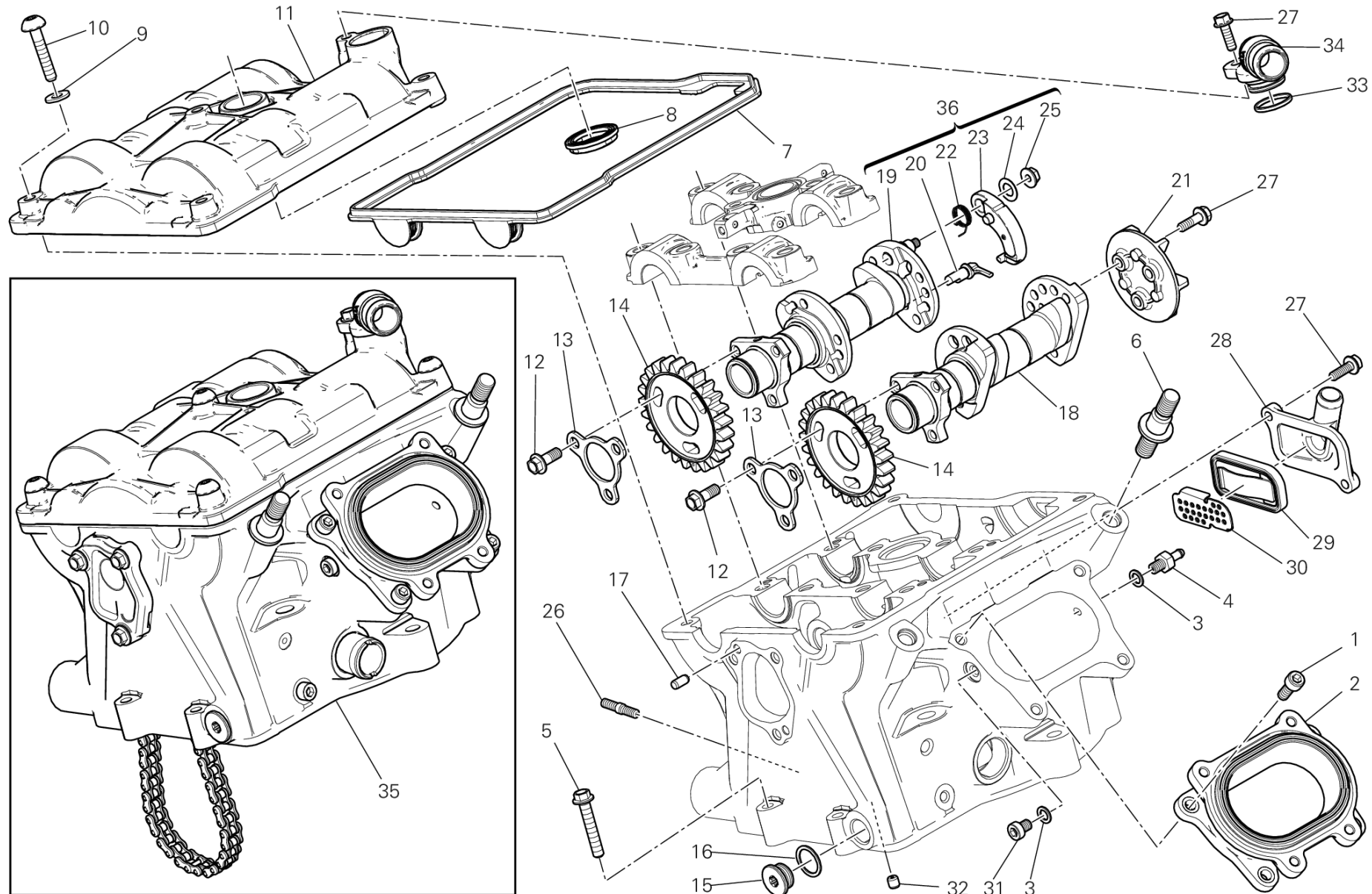
GROUP ENGINE



POS.	CODE	DESCRIPTION	QTY	START DATE	END DATE	VALIDITY	NOTES
14	71110932A	PIN DOWEL	4	11/11/2010		MOD:1199 ABS;XST:AUS,CHN,EUR,FRA,JAP	
15	85250261A	GASKET, ALUMINIUM 12X16X1.5	1	11/11/2010		MOD:1199 ABS;XST:AUS,CHN,EUR,FRA,JAP	
16	78010511C	PLUG	1	28/02/2011		MOD:1199 ABS;XST:AUS,CHN,EUR,FRA,JAP	



DRAWING 13A - VERTICAL CYLINDER HEAD - TIMING [MOD:1199 ABS;XST:AUS,EUR,FRA,JAP] GROUP ENGINE



DRAWING 13A - VERTICAL CYLINDER HEAD - TIMING [MOD:1199

ABS;XST:AUS,EUR,FRA,JAP]

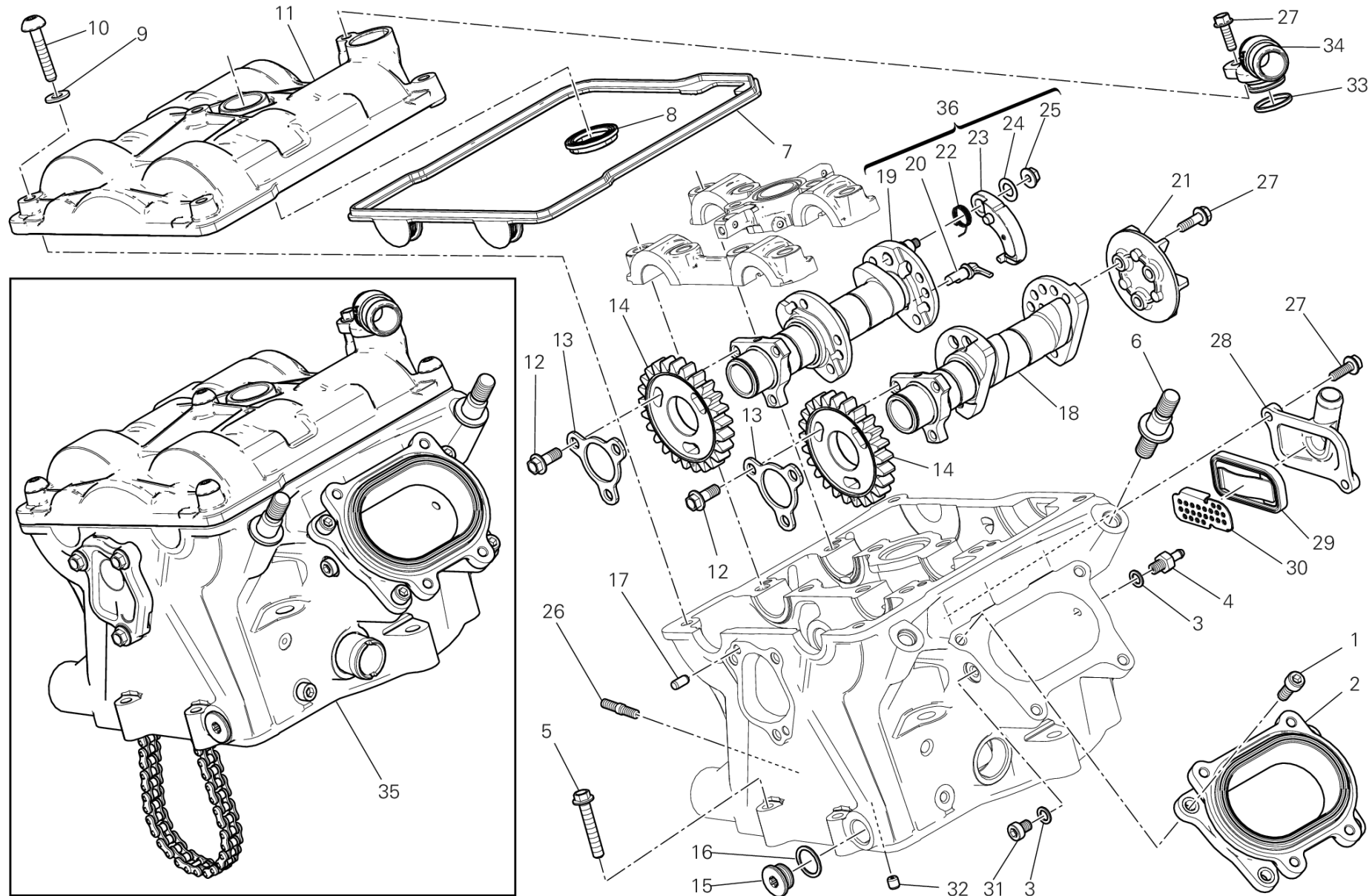
GROUP ENGINE



POS.	CODE	DESCRIPTION	QTY	START DATE	END DATE	VALIDITY	NOTES
1	77112331A	SCREW TCEI M6X16	4	12/01/2012		MOD:1199 ABS;XST:AUS,EUR,FRA,JAP	
2	14010691A	INTAKE MANIFOLD	1	12/01/2012		MOD:1199 ABS;XST:AUS,EUR,FRA,JAP	
3	85250231A	GASKET	2	01/08/2011		MOD:1199 ABS;XST:AUS,EUR,FRA,JAP	
4	81413341A	UNION	1	12/01/2012		MOD:1199 ABS;XST:AUS,EUR,FRA,JAP	
5	77253367C	SCREW	2	05/04/2011		MOD:1199 ABS;XST:AUS,EUR,FRA,JAP	
6	76610821A	STUD BOLT	2	12/01/2012		MOD:1199 ABS;XST:AUS,EUR,FRA,JAP	
7	78811101C	VALVE COVER GASKET EXTERNAL	1	12/01/2012		MOD:1199 ABS;XST:AUS,EUR,FRA,JAP	
8	78811131A	VALVE COVER GASKET INTERNAL	1	12/01/2012		MOD:1199 ABS;XST:AUS,EUR,FRA,JAP	
9	85212781A	WASHER	5	12/01/2012		MOD:1199 ABS;XST:AUS,EUR,FRA,JAP	
10	77916441A	SCREW	5	12/01/2012		MOD:1199 ABS;XST:AUS,EUR,FRA,JAP	
11	24713931B	COVER CYLINDER HEAD, VERTICAL	1	12/01/2012		MOD:1199 ABS;XST:AUS,EUR,FRA,JAP	
12	77253290Z	SCREW	6	01/08/2011		MOD:1199 ABS;XST:AUS,EUR,FRA,JAP	
13	85611471A	PLATE, RETAINER	2	12/01/2012		MOD:1199 ABS;XST:AUS,EUR,FRA,JAP	
14	17111153A	GEAR Z=25	2	12/01/2012		MOD:1199 ABS;XST:AUS,EUR,FRA,JAP	
15	77913541A	THREADED PLUG M15X1	1	06/04/2011		MOD:1199 ABS;XST:AUS,EUR,FRA,JAP	
16	85211201A	ALUMINIUM GASKET	1	06/04/2011		MOD:1199 ABS;XST:AUS,EUR,FRA,JAP	
17	86050061A	PIN M5X10	2	12/01/2012		MOD:1199 ABS;XST:AUS,EUR,FRA,JAP	



DRAWING 13A - VERTICAL CYLINDER HEAD - TIMING [MOD:1199 ABS;XST:AUS,EUR,FRA,JAP] GROUP ENGINE



DRAWING 13A - VERTICAL CYLINDER HEAD - TIMING [MOD:1199

ABS;XST:AUS,EUR,FRA,JAP]

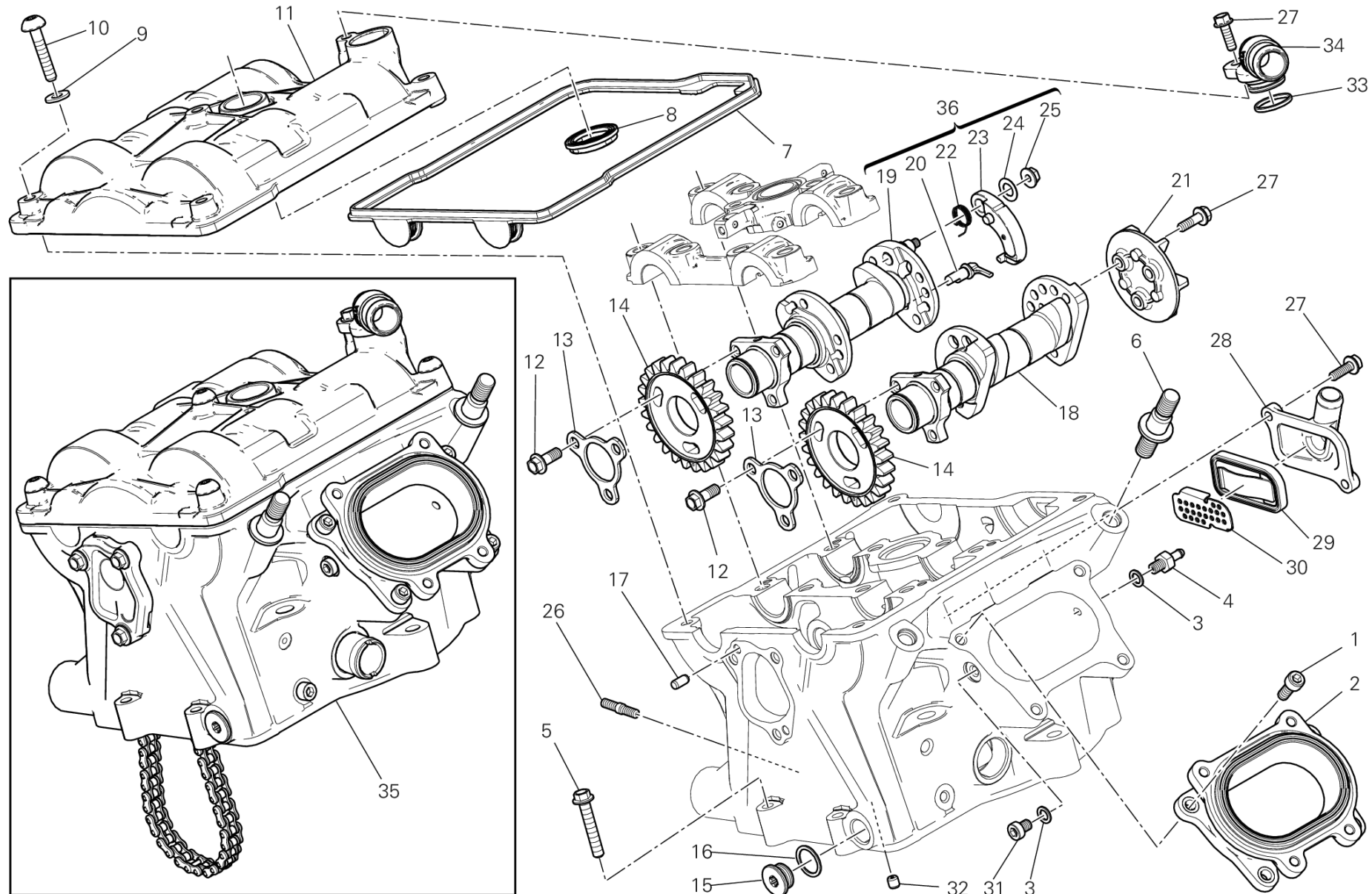
GROUP ENGINE



POS.	CODE	DESCRIPTION	QTY	START DATE	END DATE	VALIDITY	NOTES
18	14814361B	VERTICAL INTAKE CAMSHAFT	1	12/01/2012		MOD:1199 ABS;XST:AUS,EUR,FRA,JAP	
19	14824481B	VERTICAL EXHAUST CAMSHAFT	1	13/01/2012		MOD:1199 ABS;XST:AUS,EUR,FRA,JAP	
20	82113832A	PIN	1	12/01/2012		MOD:1199 ABS;XST:AUS,EUR,FRA,JAP	
21	25130081B	FAN	1	12/01/2012		MOD:1199 ABS;XST:AUS,EUR,FRA,JAP	
22	79915534A	SPRING	1	12/01/2012		MOD:1199 ABS;XST:AUS,EUR,FRA,JAP	
23	30710021A	ARM	1	12/01/2012		MOD:1199 ABS;XST:AUS,EUR,FRA,JAP	
24	85240231A	WASHER 8.2X14X0.5	1	13/01/2012		MOD:1199 ABS;XST:AUS,EUR,FRA,JAP	
25	74810791A	NUT	1	12/01/2012		MOD:1199 ABS;XST:AUS,EUR,FRA,JAP	
26	76640191A	STUD BOLT M6X16	3	12/01/2012		MOD:1199 ABS;XST:AUS,EUR,FRA,JAP	
27	77210621A	SCREW TEF M5X16	6	12/01/2012		MOD:1199 ABS;XST:AUS,EUR,FRA,JAP	
28	24714101A	COVER	1	12/01/2012		MOD:1199 ABS;XST:AUS,EUR,FRA,JAP	
29	81140012B	VALVE	1	07/12/2011		MOD:1199 ABS;XST:AUS,EUR,FRA,JAP	
30	82716351A	PLATE	1	12/01/2012		MOD:1199 ABS;XST:AUS,EUR,FRA,JAP	
31	77350618B	SCREW TCEIR M6X8	1	06/04/2011		MOD:1199 ABS;XST:AUS,EUR,FRA,JAP	
32	86010061A	PIN	1	12/01/2012		MOD:1199 ABS;XST:AUS,EUR,FRA,JAP	
33	88641791A	O-RING	1	12/01/2012		MOD:1199 ABS;XST:AUS,EUR,FRA,JAP	
34	81413531A	OUTLET UNION BLOW-BY	1	12/01/2012		MOD:1199 ABS;XST:AUS,EUR,FRA,JAP	



DRAWING 13A - VERTICAL CYLINDER HEAD - TIMING [MOD:1199 ABS;XST:AUS,EUR,FRA,JAP] GROUP ENGINE



DRAWING 13A - VERTICAL CYLINDER HEAD - TIMING [MOD:1199

ABS;XST:AUS,EUR,FRA,JAP]

GROUP ENGINE

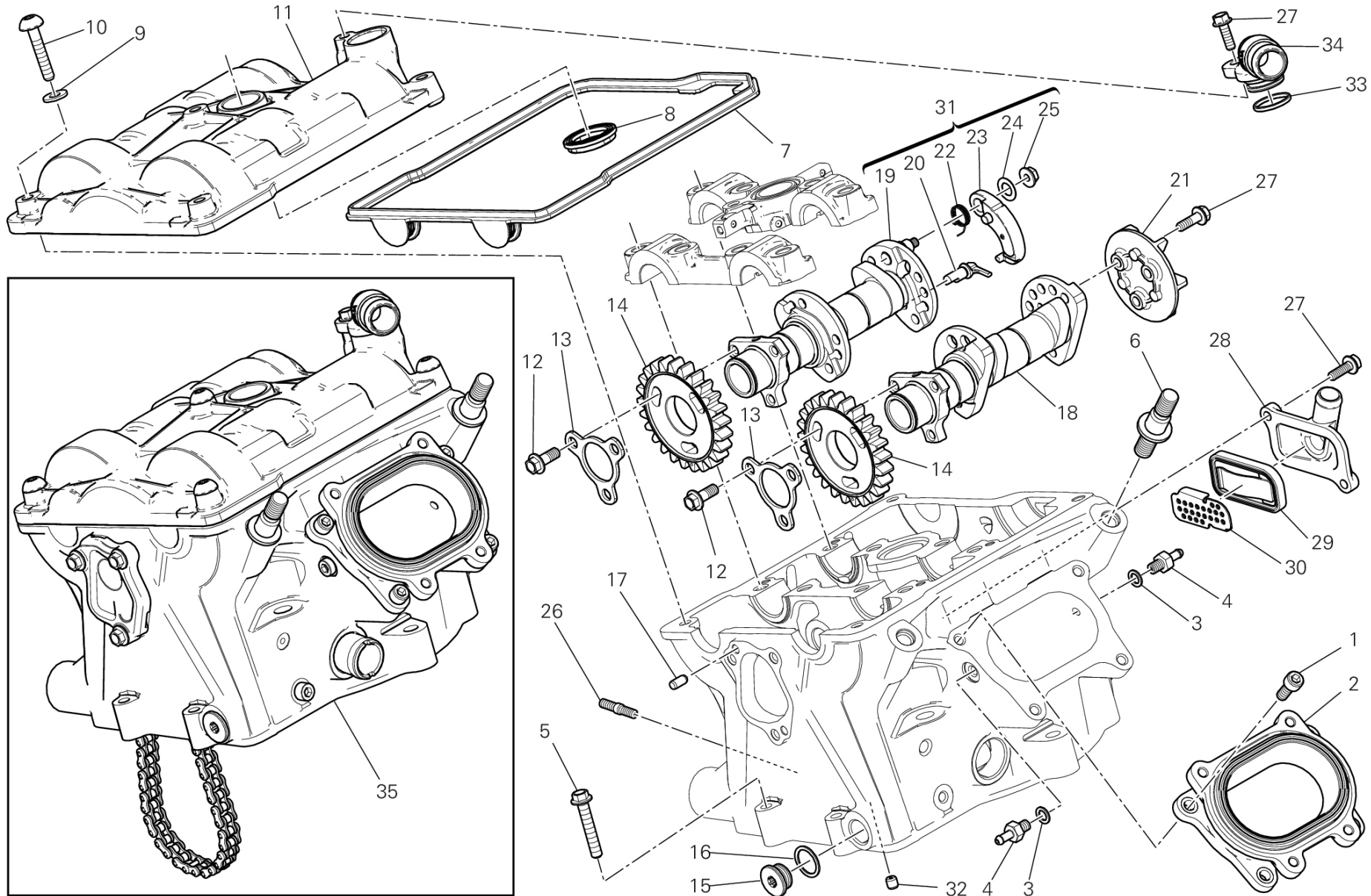


POS.	CODE	DESCRIPTION	QTY	START DATE	END DATE	VALIDITY	NOTES
35	30124503B	COMPLETE VERTICAL HEAD	1	22/06/2012	31/12/2030	MOD:1199 ABS;XST:AUS,EUR,FRA,JAP	
36	14823751C	VERTICAL EXHAUST CAMSHAFT (Unit)	1	13/01/2012		MOD:1199 ABS;XST:AUS,EUR,FRA,JAP	



DRAWING 13A - VERTICAL CYLINDER HEAD - TIMING [MOD:1199 ABS;XST:CHN]

GROUP ENGINE

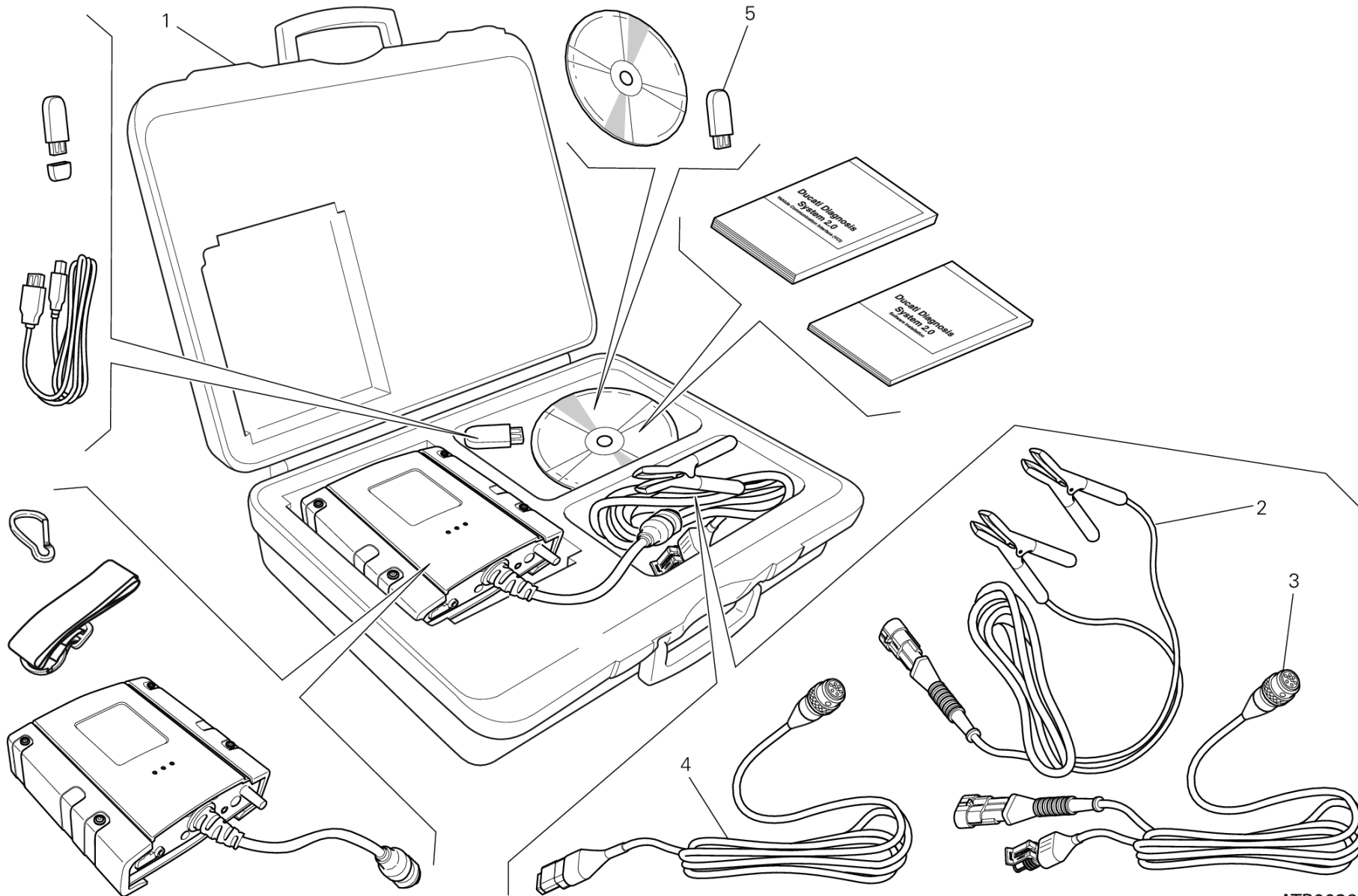


DRAWING 13A - VERTICAL CYLINDER HEAD - TIMING [MOD:1199 ABS;XST:CHN]

GROUP ENGINE



POS.	CODE	DESCRIPTION	QTY	START DATE	END DATE	VALIDITY	NOTES
1	77112331A	SCREW TCEI M6X16	4	07/12/2011		MOD:1199 ABS;XST:CHN	
2	14010691A	INTAKE MANIFOLD	1	07/12/2011		MOD:1199 ABS;XST:CHN	
3	85250231A	GASKET	2	07/12/2011		MOD:1199 ABS;XST:CHN	
4	81413341A	UNION	2	07/12/2011		MOD:1199 ABS;XST:CHN	
5	77253367C	SCREW	2	03/11/2011		MOD:1199 ABS;XST:CHN	
6	76610821A	STUD BOLT	2	07/12/2011		MOD:1199 ABS;XST:CHN	
7	78811101C	VALVE COVER GASKET EXTERNAL	1	07/12/2011		MOD:1199 ABS;XST:CHN	
8	78811131A	VALVE COVER GASKET INTERNAL	1	07/12/2011		MOD:1199 ABS;XST:CHN	
9	85212781A	WASHER	5	07/12/2011		MOD:1199 ABS;XST:CHN	
10	77916441A	SCREW	5	07/12/2011		MOD:1199 ABS;XST:CHN	
11	24713931B	COVER CYLINDER HEAD, VERTICAL	1	07/12/2011		MOD:1199 ABS;XST:CHN	
12	77253290Z	SCREW	6	03/11/2011		MOD:1199 ABS;XST:CHN	
13	85611471A	PLATE, RETAINER	2	07/12/2011		MOD:1199 ABS;XST:CHN	
14	17111153A	GEAR Z=25	2	07/12/2011		MOD:1199 ABS;XST:CHN	
15	77913541A	THREADED PLUG M15X1	1	03/11/2011		MOD:1199 ABS;XST:CHN	
16	85211201A	ALUMINIUM GASKET	1	03/11/2011		MOD:1199 ABS;XST:CHN	
17	86050061A	PIN M5X10	2	07/12/2011		MOD:1199 ABS;XST:CHN	
18	14814361B	VERTICAL INTAKE CAMSHAFT	1	07/12/2011		MOD:1199 ABS;XST:CHN	
19	14824481B	VERTICAL EXHAUST CAMSHAFT	1	07/12/2011		MOD:1199 ABS;XST:CHN	
20	82113832A	PIN	1	07/12/2011		MOD:1199 ABS;XST:CHN	
21	25130081B	FAN	1	07/12/2011		MOD:1199 ABS;XST:CHN	
22	79915534A	SPRING	1	07/12/2011		MOD:1199 ABS;XST:CHN	
23	30710021A	ARM	1	07/12/2011		MOD:1199 ABS;XST:CHN	
24	85240231A	WASHER 8.2X14X0.5	1	07/12/2011		MOD:1199 ABS;XST:CHN	
25	74810791A	NUT	1	07/12/2011		MOD:1199 ABS;XST:CHN	
26	76640191A	STUD BOLT M6X16	3	07/12/2011		MOD:1199 ABS;XST:CHN	
27	77210621A	SCREW TEF M5X16	6	07/12/2011		MOD:1199 ABS;XST:CHN	
28	24714101A	COVER	1	07/12/2011		MOD:1199 ABS;XST:CHN	
29	81140012B	VALVE	1	07/12/2011		MOD:1199 ABS;XST:CHN	
30	82716351A	PLATE	1	07/12/2011		MOD:1199 ABS;XST:CHN	
31	14823751C	VERTICAL EXHAUST CAMSHAFT (Unit)	1	13/01/2012		MOD:1199 ABS;XST:CHN	
32	86010061A	PIN	1	07/12/2011		MOD:1199 ABS;XST:CHN	
33	88641791A	O-RING	1	07/12/2011		MOD:1199 ABS;XST:CHN	
34	81413531A	OUTLET UNION BLOW-BY	1	07/12/2011		MOD:1199 ABS;XST:CHN	
35	30124503B	COMPLETE VERTICAL HEAD	1	22/06/2012	31/12/2030	MOD:1199 ABS;XST:CHN	



ATR00280

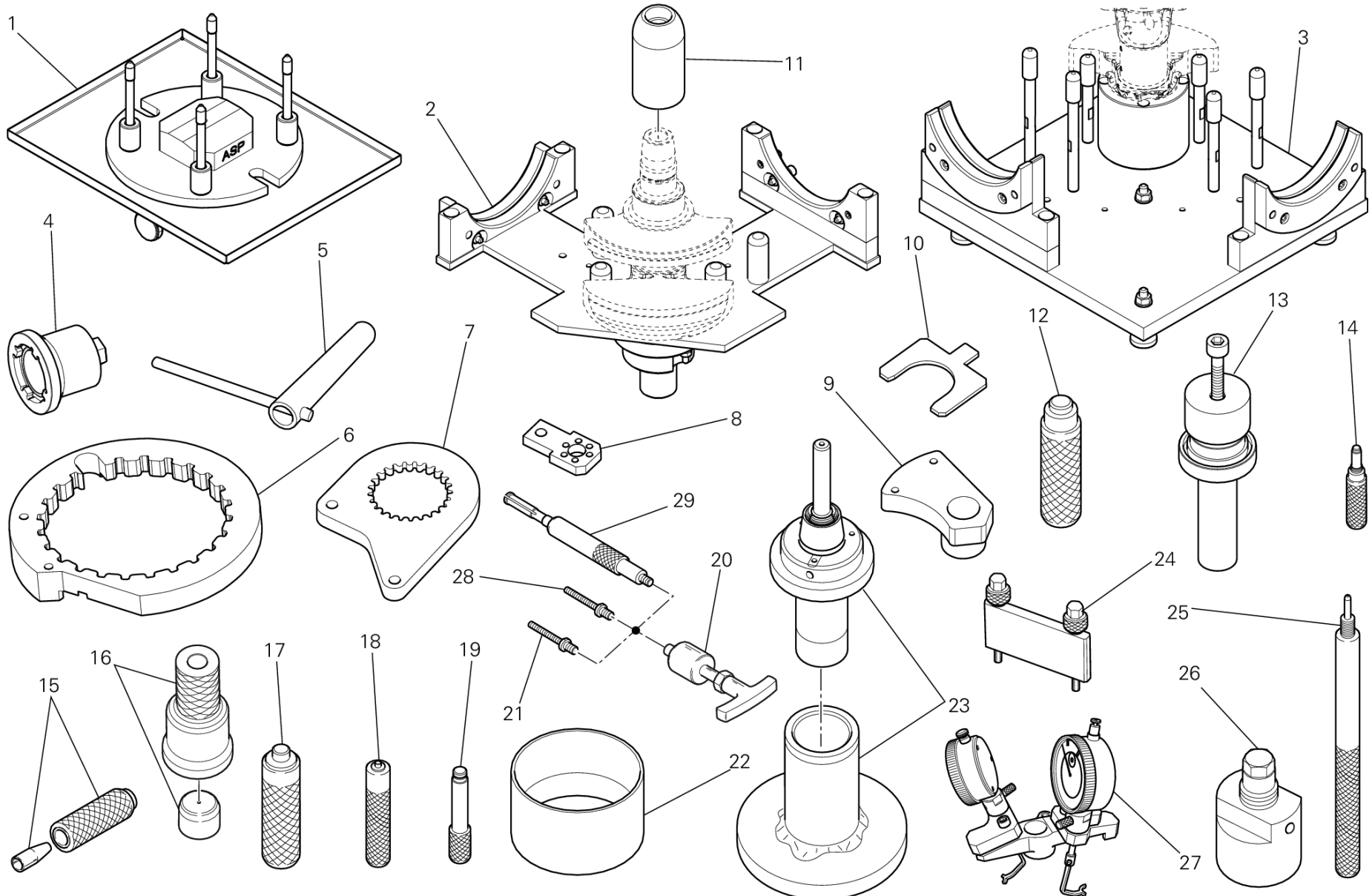


POS.	CODE	DESCRIPTION	QTY	START DATE	END DATE	VALIDITY	NOTES
1	979000252	DDS 2 (Ducati Diagnosis System 2.0)	1			MOD:1199 ABS;XST:AUS,CHN,EUR,FRA,JAP	
2	979000256	MAIN CABLE DDS	1			MOD:1199 ABS;XST:AUS,CHN,EUR,FRA,JAP	
3	979000254	MAIN CABLE	1			MOD:1199 ABS;XST:AUS,CHN,EUR,FRA,JAP	
4	979000255	MAIN CABLE (CAN)	1			MOD:1199 ABS;XST:AUS,CHN,EUR,FRA,JAP	
5	28620441A	CHIAVE "PC HASP DDS2.0"	1			MOD:1199 ABS;XST:AUS,CHN,EUR,FRA,JAP	



DRAWING 01A - WORKSHOP SERVICE TOOLS [MOD:1199 ABS;XST:AUS,CHN,EUR,FRA,JAP]

GROUP TOOLS



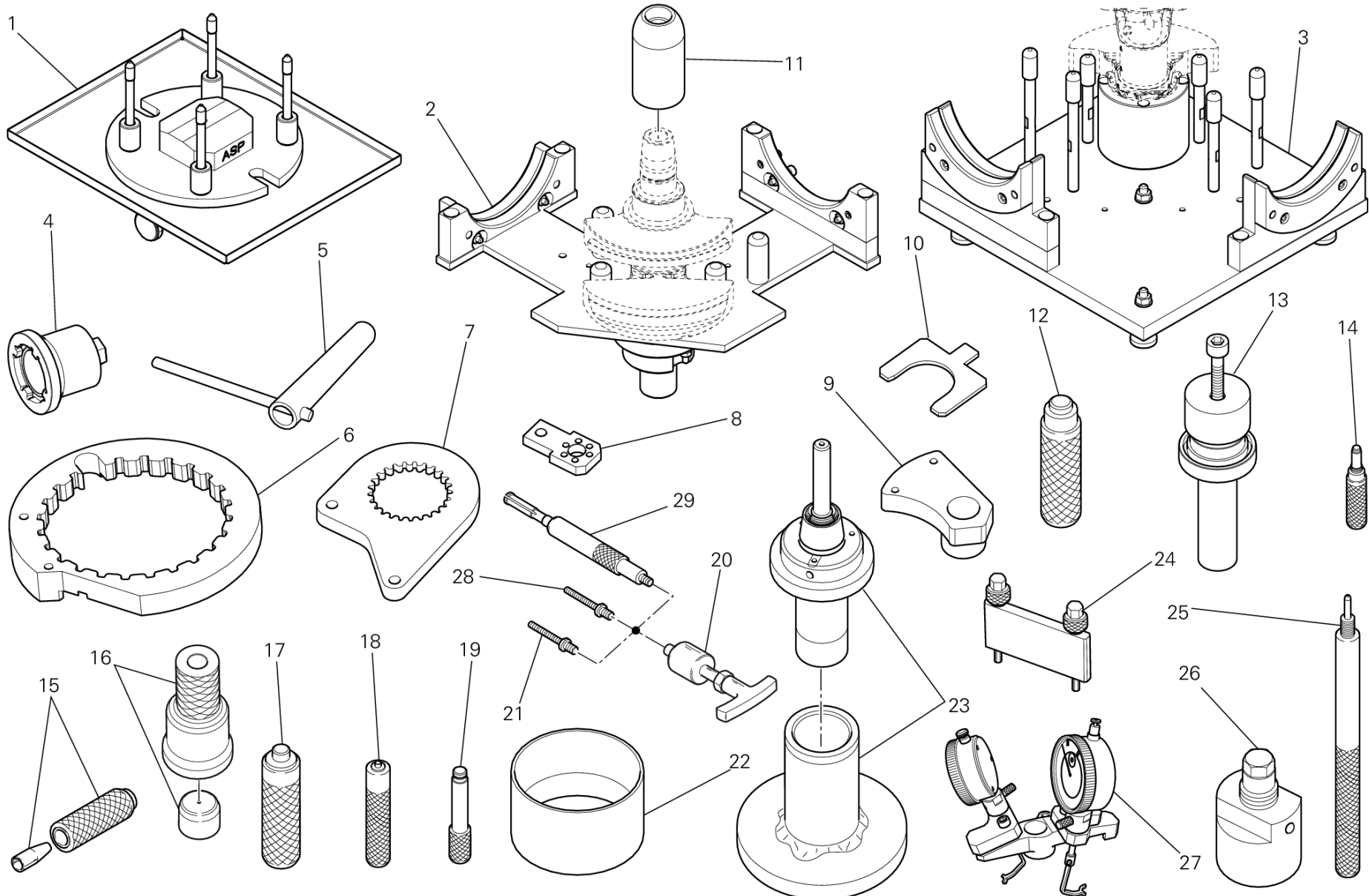
DRAWING 01A - WORKSHOP SERVICE TOOLS [MOD:1199

ABS;XST:AUS,CHN,EUR,FRA,JAP]

GROUP TOOLS



POS.	CODE	DESCRIPTION	QTY	START DATE	END DATE	VALIDITY	NOTES
1	887133422	HEAD MOUNTING BASE	1			MOD:1199 ABS;XST:AUS,CHN,EUR,FRA,JAP	
2	887133437	PLATE (Complete connecting rods assembly)	1			MOD:1199 ABS;XST:AUS,CHN,EUR,FRA,JAP	
3	887133440	HOSE GUIDE (Complete connecting rods assembly)	1			MOD:1199 ABS;XST:AUS,CHN,EUR,FRA,JAP	
4	887133773	WRENCH FOR TIGHTENING RING NUT	1			MOD:1199 ABS;XST:AUS,CHN,EUR,FRA,JAP	
5	887133795	LEVER	1			MOD:1199 ABS;XST:AUS,CHN,EUR,FRA,JAP	
6	887133524	REACTION TOOL FOR IGNITION FLYWHEEL	1			MOD:1199 ABS;XST:AUS,CHN,EUR,FRA,JAP	
7	887133774	REACTION TOOL (SPROCKET)	1			MOD:1199 ABS;XST:AUS,CHN,EUR,FRA,JAP	
8	887133853	REACTION TOOL FOR FLANGE (Gearbox drum)	1			MOD:1199 ABS;XST:AUS,CHN,EUR,FRA,JAP	
9	887133549	GEARBOX LAY SHAFT TRUING TOOL	1			MOD:1199 ABS;XST:AUS,CHN,EUR,FRA,JAP	
10	887133510	FORK FEELER GAUGE	1			MOD:1199 ABS;XST:AUS,CHN,EUR,FRA,JAP	
11	887133436	PAD	1			MOD:1199 ABS;XST:AUS,CHN,EUR,FRA,JAP	
12	887133511	TOOL FOR OIL SEAL POSITIONING (17x25x4)	1			MOD:1199 ABS;XST:AUS,CHN,EUR,FRA,JAP	
13	887133452	HALF-BEARINGS FITTING TOOL	1			MOD:1199 ABS;XST:AUS,CHN,EUR,FRA,JAP	
14	887133500	TOOL TO HOLD CRANKSHAFT IN TDC POSITION	1			MOD:1199 ABS;XST:AUS,CHN,EUR,FRA,JAP	
15	887133507	TOOL FOR OIL SEAL POSITIONING (12x22x5)	1			MOD:1199 ABS;XST:AUS,CHN,EUR,FRA,JAP	
16	887133508	TOOL FOR OIL SEAL POSITIONING (40x55x7)	1			MOD:1199 ABS;XST:AUS,CHN,EUR,FRA,JAP	
17	887133509	TOOL FOR OIL SEAL POSITIONING (14x28x6,5)	1			MOD:1199 ABS;XST:AUS,CHN,EUR,FRA,JAP	



DRAWING 01A - WORKSHOP SERVICE TOOLS [MOD:1199

ABS;XST:AUS,CHN,EUR,FRA,JAP]

GROUP TOOLS

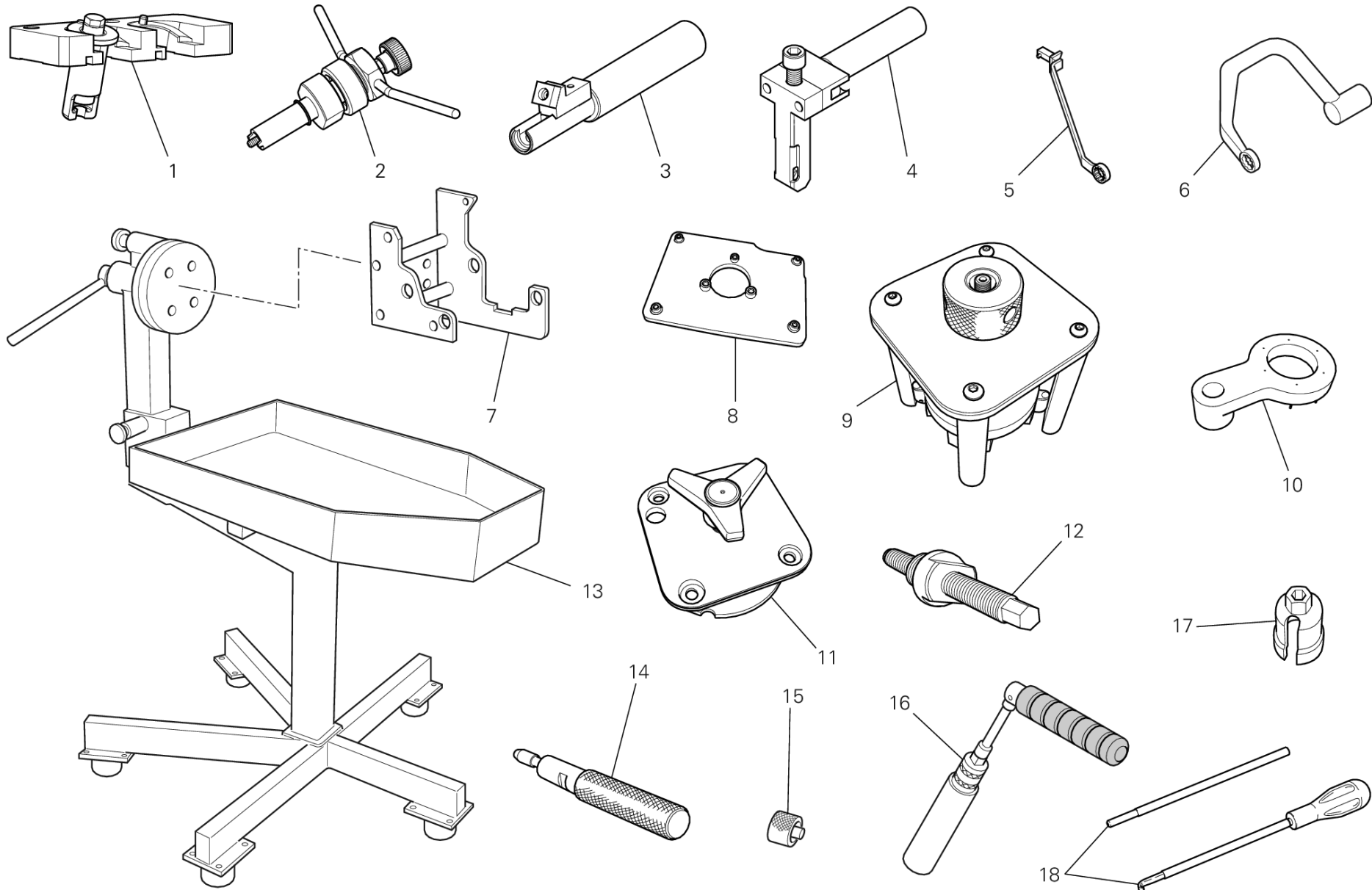


POS.	CODE	DESCRIPTION	QTY	START DATE	END DATE	VALIDITY	NOTES
18	887133512	TOOL FOR OIL SEAL POSITIONING (8x14x4)	1			MOD:1199 ABS;XST:AUS,CHN,EUR,FRA,JAP	
19	887133758	TOOL FOR BUSH POSITIONING	1			MOD:1199 ABS;XST:AUS,CHN,EUR,FRA,JAP	
20	887131994	ROCKER PIN EXTRACTOR	1			MOD:1199 ABS;XST:AUS,CHN,EUR,FRA,JAP	
21	887133760	SCREW, SPECIAL (M7)	1			MOD:1199 ABS;XST:AUS,CHN,EUR,FRA,JAP	
22	887133820	TOOL TO ASSEMBLE PISTON	1			MOD:1199 ABS;XST:AUS,CHN,EUR,FRA,JAP	
23	887133502	TOOL TO FIT PISTON GUDGEON PIN CIRCLIPS	1			MOD:1199 ABS;XST:AUS,CHN,EUR,FRA,JAP	
24	887651678	CAMSHAFT STROKE CHECKING TOOL	1			MOD:1199 ABS;XST:AUS,CHN,EUR,FRA,JAP	
25	887132574	T.D.C. CONTROL GAUGE	1			MOD:1199 ABS;XST:AUS,CHN,EUR,FRA,JAP	
26	887133880	IGNITION FLYWHEEL EXTRACTOR	1			MOD:1199 ABS;XST:AUS,CHN,EUR,FRA,JAP	
27	887651632	VALVE LIFT GAUGE	1			MOD:1199 ABS;XST:AUS,CHN,EUR,FRA,JAP	
28	887133943	SCREW, SPECIAL (M6)	1			MOD:1199 ABS;XST:AUS,CHN,EUR,FRA,JAP	
29	887133517	PISTON PIN DISASSEMBLING TOOL	1			MOD:1199 ABS;XST:AUS,CHN,EUR,FRA,JAP	



DRAWING 01B - WORKSHOP SERVICE TOOLS [MOD:1199 ABS;XST:AUS,CHN,EUR,FRA,JAP]

GROUP TOOLS



DRAWING 01B - WORKSHOP SERVICE TOOLS [MOD:1199

ABS;XST:AUS,CHN,EUR,FRA,JAP]

GROUP TOOLS

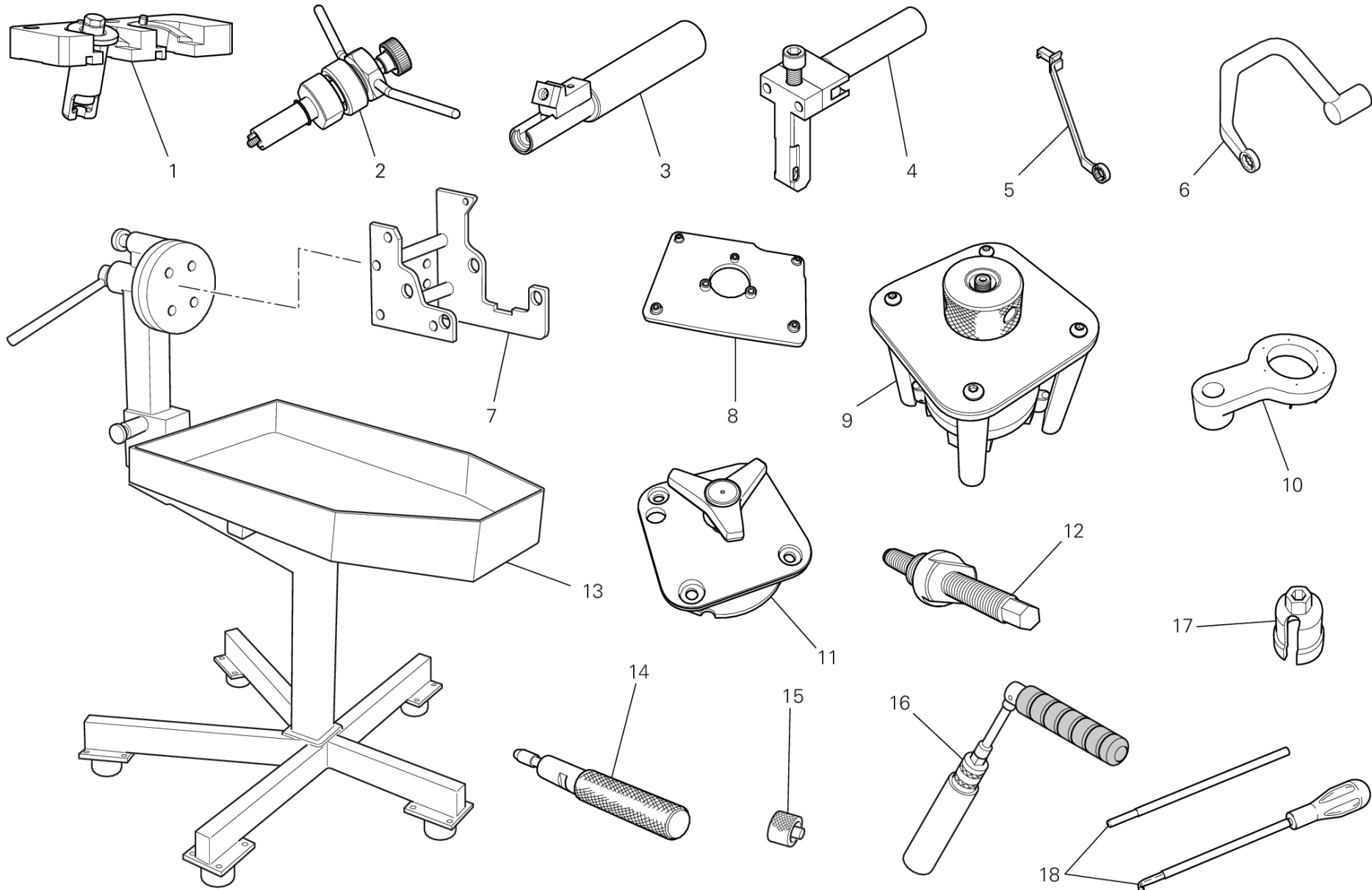


POS.	CODE	DESCRIPTION	QTY	START DATE	END DATE	VALIDITY	NOTES
1	887133924	TOOL TO REMOVE THE HALF-CONES	1			MOD:1199 ABS;XST:AUS,CHN,EUR,FRA,JAP	
2	887133824	DEGREE WHEEL HOLDER TOOL FOR IGNITION ADVANCE CHECK	1			MOD:1199 ABS;XST:AUS,CHN,EUR,FRA,JAP	
3	887133468	TOOL TO REMOVE THE HALF-CONES / SPLIT RINGS	1			MOD:1199 ABS;XST:AUS,CHN,EUR,FRA,JAP	
4	887133467	TOOL TO FIT VALVE COLLETS	1			MOD:1199 ABS;XST:AUS,CHN,EUR,FRA,JAP	
5	887133926	HEAD NUTS HOLDER WRENCH (M8)	1			MOD:1199 ABS;XST:AUS,CHN,EUR,FRA,JAP	
6	887132676	HEAD NUTS HOLDER WRENCH (M10)	1			MOD:1199 ABS;XST:AUS,CHN,EUR,FRA,JAP	
7	887133875	ENGINE MOUNT	1			MOD:1199 ABS;XST:AUS,CHN,EUR,FRA,JAP	
8	887133879	WRENCH FOR TIGHTENING CLUTCH DRUM	1			MOD:1199 ABS;XST:AUS,CHN,EUR,FRA,JAP	
9	887133878	CYLINDER DISASSEMBLING TOOL	1			MOD:1199 ABS;XST:AUS,CHN,EUR,FRA,JAP	
10	887133925	PRIMARY DRIVE GEAR TIGHTENING TOOL	1			MOD:1199 ABS;XST:AUS,CHN,EUR,FRA,JAP	
11	887133923	CYLINDER FITTING TOOL	1			MOD:1199 ABS;XST:AUS,CHN,EUR,FRA,JAP	
12	887133922	PULLER TO REMOVE ALTERNATOR COVER	1			MOD:1199 ABS;XST:AUS,CHN,EUR,FRA,JAP	
13	887131832	BENCH FOR ENGINE REPAIR	1			MOD:1199 ABS;XST:AUS,CHN,EUR,FRA,JAP	
14	887132442	TOOL, OIL SEAL MOUNTING (Ø7)	1			MOD:1199 ABS;XST:AUS,CHN,EUR,FRA,JAP	
15	887651298	SPACER FOR CHECKING LOWER VALVE SHIM	1			MOD:1199 ABS;XST:AUS,CHN,EUR,FRA,JAP	
16	887132877	SPARK PLUG WRENCH	1			MOD:1199 ABS;XST:AUS,CHN,EUR,FRA,JAP	
17	887133407	SPINDLE, TAPER (Gearbox position sensor)	1			MOD:1199 ABS;XST:AUS,CHN,EUR,FRA,JAP	



DRAWING 01B - WORKSHOP SERVICE TOOLS [MOD:1199 ABS;XST:AUS,CHN,EUR,FRA,JAP]

GROUP TOOLS



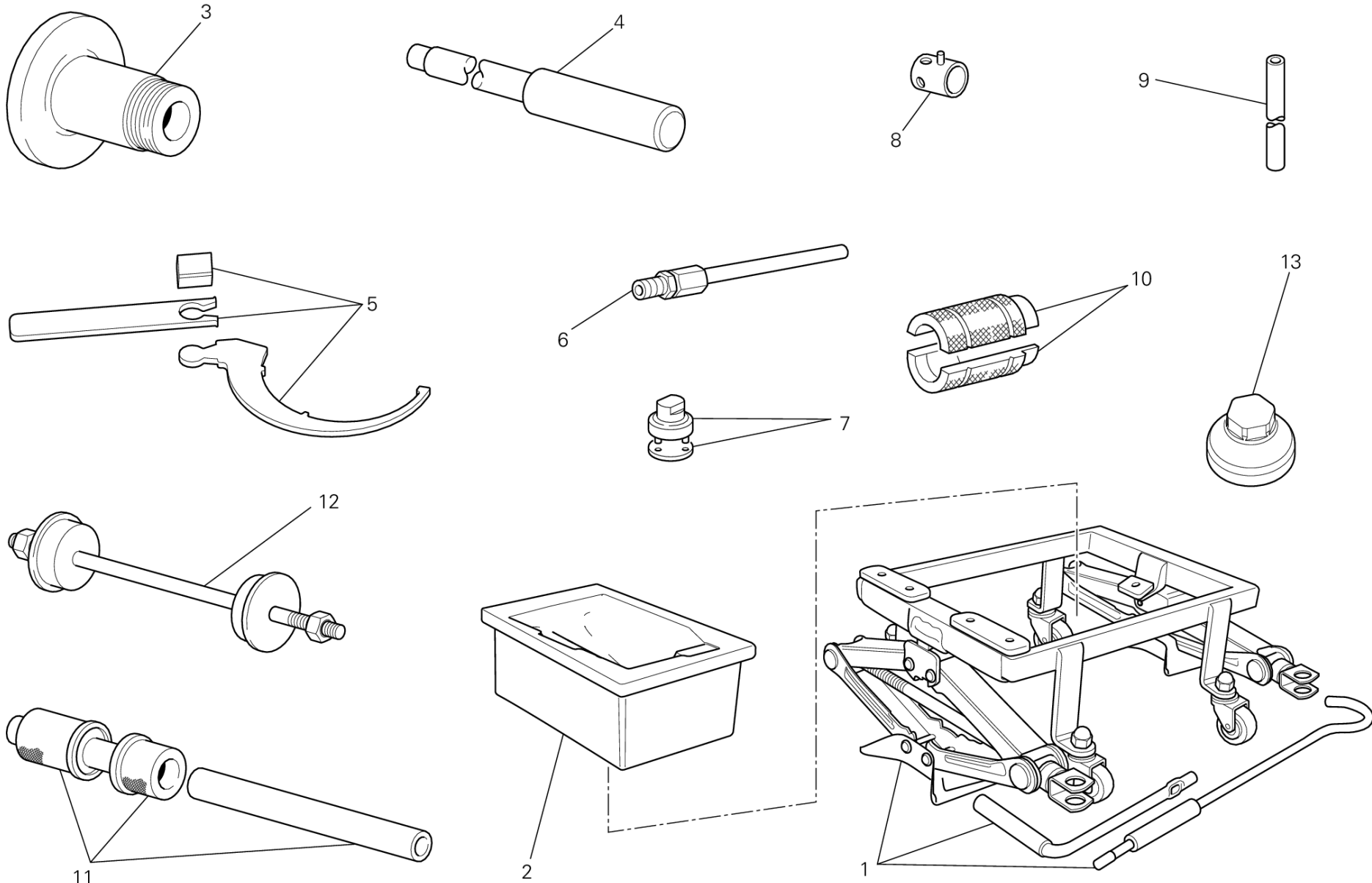
DRAWING 01B - WORKSHOP SERVICE TOOLS [MOD:1199

ABS;XST:AUS,CHN,EUR,FRA,JAP]

GROUP TOOLS



POS.	CODE	DESCRIPTION	QTY	START DATE	END DATE	VALIDITY	NOTES
18	887132069	ROCKER SPRING PRE-LOAD COMPOUND KIT	1			MOD:1199 ABS;XST:AUS,CHN,EUR,FRA,JAP	



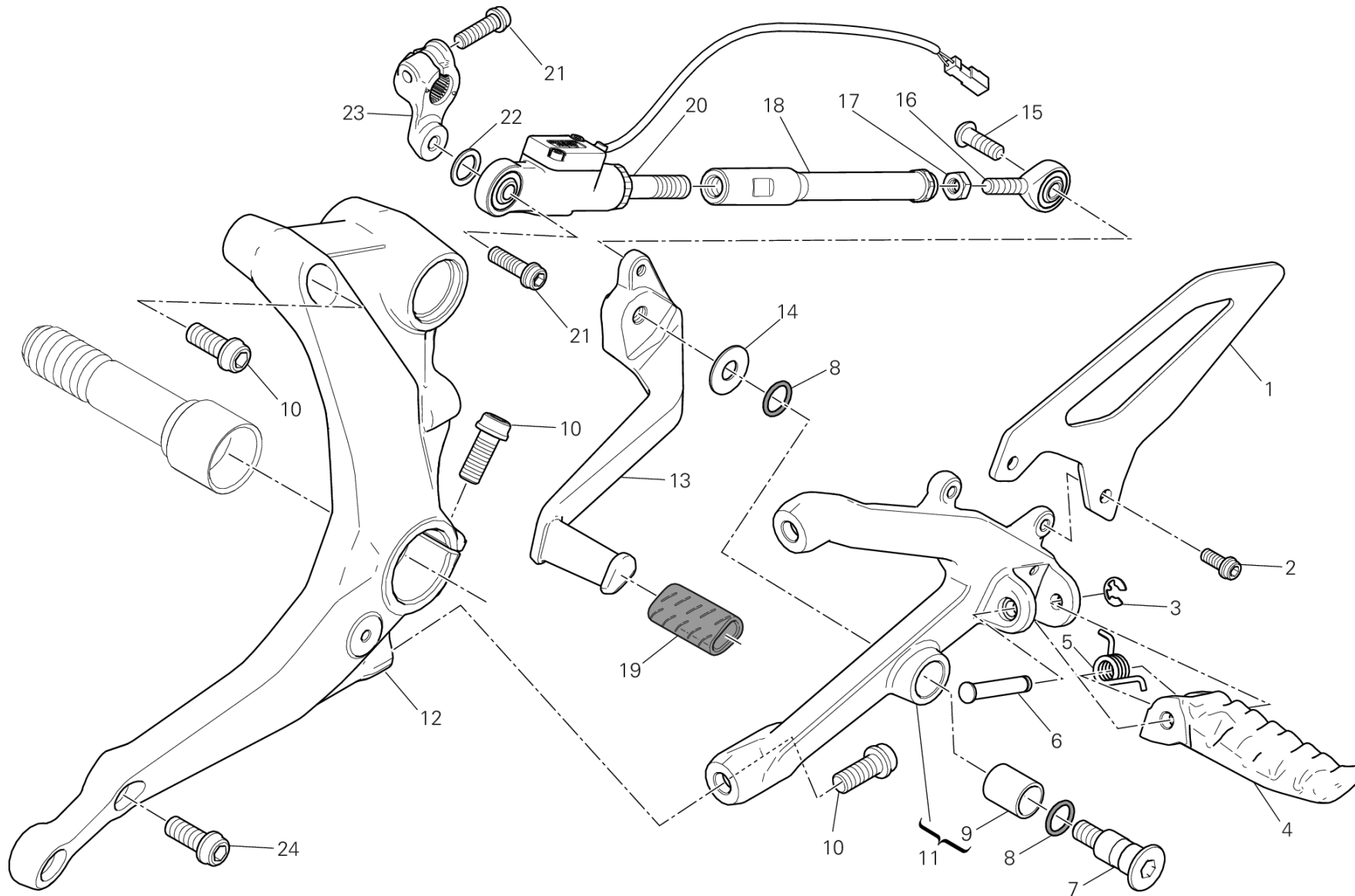
DRAWING 01C - WORKSHOP SERVICE TOOLS [MOD:1199

ABS;XST:AUS,CHN,EUR,FRA,JAP]

GROUP TOOLS



POS.	CODE	DESCRIPTION	QTY	START DATE	END DATE	VALIDITY	NOTES
1	887133220	BENCH FOR ENGINE REPAIR	1			MOD:1199 ABS;XST:AUS,CHN,EUR,FRA,JAP	
2	887133927	ENGINE MOUNT	1			MOD:1199 ABS;XST:AUS,CHN,EUR,FRA,JAP	
3	887132951	TOOL BALANCING REAR WHEEL	1			MOD:1199 ABS;XST:AUS,CHN,EUR,FRA,JAP	
4	887131074	TOOL DISASSEMBLING SWINGARM PIVOT	1			MOD:1199 ABS;XST:AUS,CHN,EUR,FRA,JAP	
5	887133211	SPANNER FOR ADJUSTING THE ECCENTRIC HUB	1			MOD:1199 ABS;XST:AUS,CHN,EUR,FRA,JAP	
6	887131010	CONNECTOR FOR EXHAUST GAS TAKE-UP POINT	1			MOD:1199 ABS;XST:AUS,CHN,EUR,FRA,JAP	
7	887131058	SPANNER TO ASSEMBLE THE STEERING SLEEVE	1			MOD:1199 ABS;XST:AUS,CHN,EUR,FRA,JAP	
8	800070139	WRENCH FOR FRONT WHEEL SPINDLE	1			MOD:1199 ABS;XST:AUS,CHN,EUR,FRA,JAP	
9	887133203	DRAW BAR FOR MARZOCCHI FORKS OVERHAULING	1			MOD:1199 ABS;XST:AUS,CHN,EUR,FRA,JAP	
10	887133204	TOOL TO OVERHAUL MARZOCCHI FORKS	1			MOD:1199 ABS;XST:AUS,CHN,EUR,FRA,JAP	
11	887132409	TOOL ASSEMBLING SWINGARM BALL BEARING	1			MOD:1199 ABS;XST:AUS,CHN,EUR,FRA,JAP	
12	887131062	TOOL ASSEMBLING STEERING TUBE BEARING	1			MOD:1199 ABS;XST:AUS,CHN,EUR,FRA,JAP	
13	887133091	BUSH INSTALLING/REMOVING PLUG	1			MOD:1199 ABS;XST:AUS,CHN,EUR,FRA,JAP	



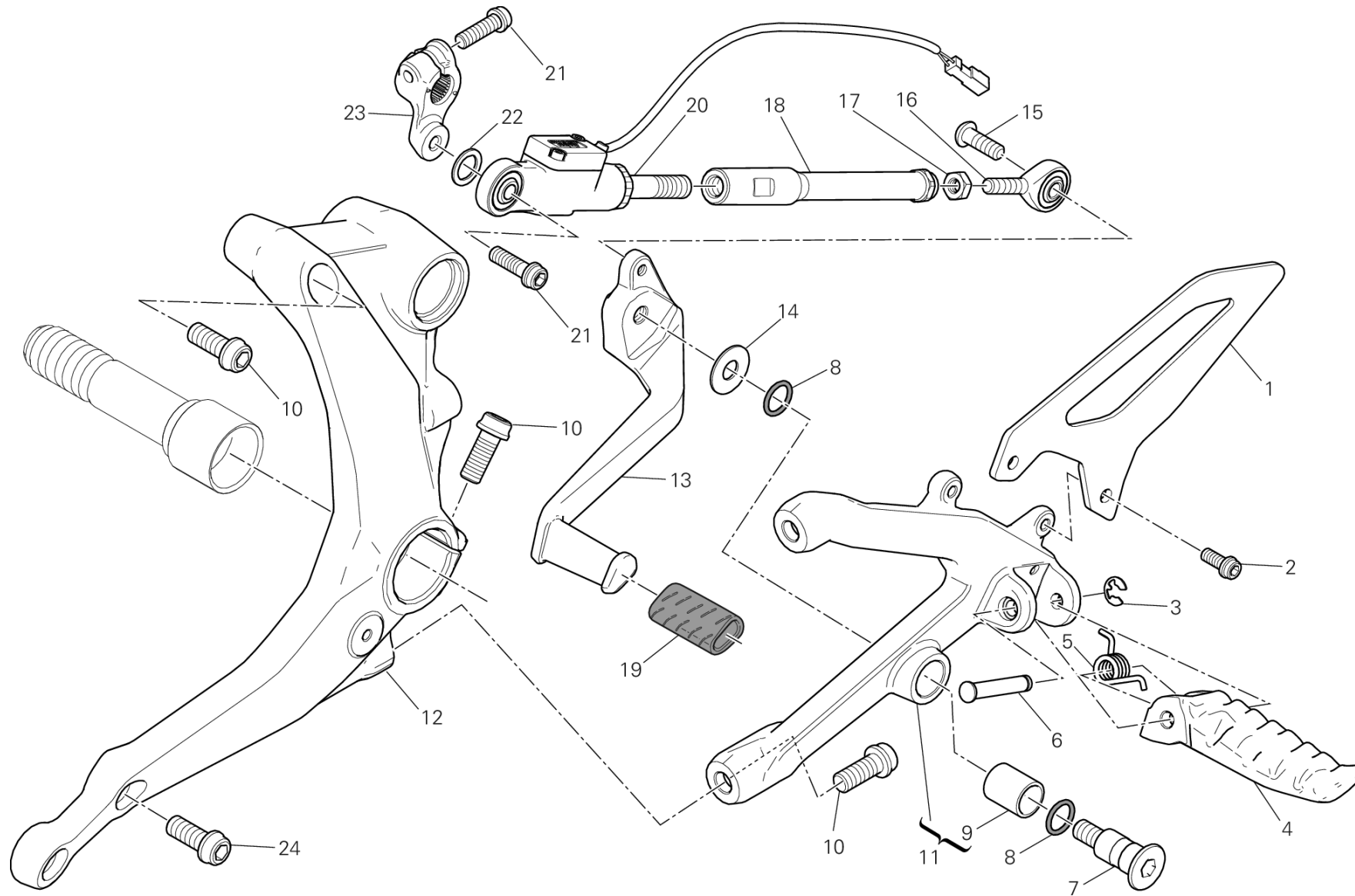
CMB00336

DRAWING 016 - FOOTRESTS, LEFT [MOD:1199 ABS;XST:AUS,CHN,EUR,FRA,JAP]

GROUP FRAME



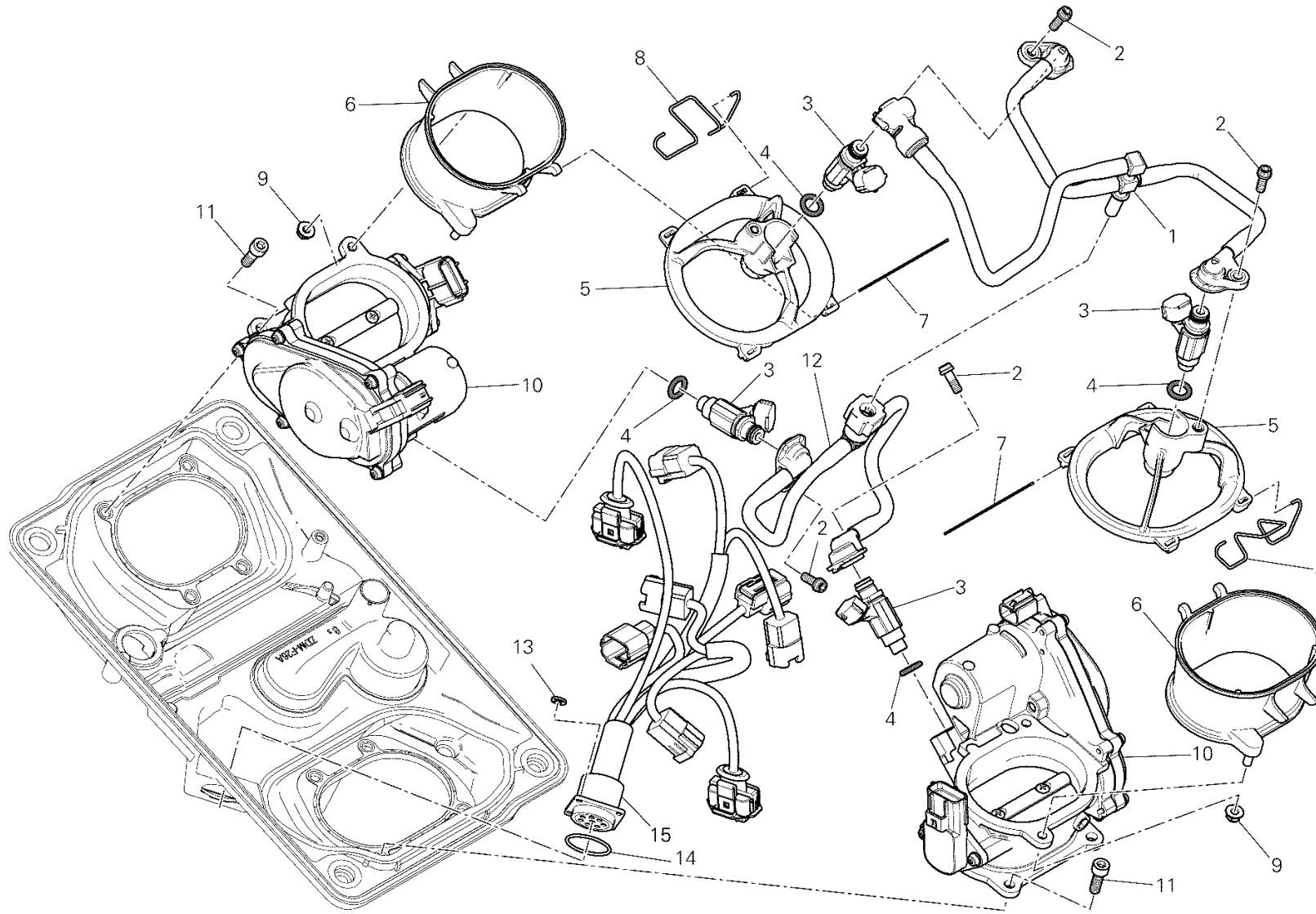
POS.	CODE	DESCRIPTION	QTY	START DATE	END DATE	VALIDITY	NOTES
1	24714041AA	HEEL GUARD FRONT LH	1			MOD:1199 ABS;XST:AUS,CHN,EUR,FRA,JAP	
2	77156398B	SCREW TCEIF M5X12	2			MOD:1199 ABS;XST:AUS,CHN,EUR,FRA,JAP	
3	88450031A	CIRCLIP E-TYPE	1			MOD:1199 ABS;XST:AUS,CHN,EUR,FRA,JAP	
4	46410801AA	LEFT FOOTREST	1			MOD:1199 ABS;XST:AUS,CHN,EUR,FRA,JAP	
5	79911661A	SPRING. FOOTREST	1			MOD:1199 ABS;XST:AUS,CHN,EUR,FRA,JAP	
6	82110511AB	FOOTREST PIN	1			MOD:1199 ABS;XST:AUS,CHN,EUR,FRA,JAP	
7	82111701B	PIN PEDAL	1			MOD:1199 ABS;XST:AUS,CHN,EUR,FRA,JAP	
8	88641161A	O-RING	2			MOD:1199 ABS;XST:AUS,CHN,EUR,FRA,JAP	
9	71210341A	BUSH	1			MOD:1199 ABS;XST:AUS,CHN,EUR,FRA,JAP	
10	77157238B	SCREW TCEIF M8X20	4			MOD:1199 ABS;XST:AUS,CHN,EUR,FRA,JAP	
11	82421861AA	FRONT L.H. PLATE	1			MOD:1199 ABS;XST:AUS,CHN,EUR,FRA,JAP	
12	8291A431BA	HOLDER Sinistro	1			MOD:1199 ABS;XST:AUS,CHN,EUR,FRA,JAP	
13	45612092BA	LEVA COMANDO CAMBIO	1			MOD:1199 ABS;XST:AUS,CHN,EUR,FRA,JAP	
14	85211511A	WASHER	1			MOD:1199 ABS;XST:AUS,CHN,EUR,FRA,JAP	
15	77550131A	SCREW	1			MOD:1199 ABS;XST:AUS,CHN,EUR,FRA,JAP	
16	84850021A	BALL JOINT, RIGHT	1			MOD:1199 ABS;XST:AUS,CHN,EUR,FRA,JAP	
17	74750101A	NUT 6MM	1			MOD:1199 ABS;XST:AUS,CHN,EUR,FRA,JAP	



CMB00336



POS.	CODE	DESCRIPTION	QTY	START DATE	END DATE	VALIDITY	NOTES
18	11711261CA	GEARBOX DRIVING ROD	1			MOD:1199 ABS;XST:AUS,CHN,EUR,FRA,JAP	
19	76410112A	COVER PEDAL	1			MOD:1199 ABS;XST:AUS,CHN,EUR,FRA,JAP	
20	55212881C	DETECTOR Quick Shift	1			MOD:1199 ABS;XST:AUS,CHN,EUR,FRA,JAP	
21	77156678B	SCREW TCEIF M6X20	2			MOD:1199 ABS;XST:AUS,CHN,EUR,FRA,JAP	
22	85611271A	WASHER	1			MOD:1199 ABS;XST:AUS,CHN,EUR,FRA,JAP	
23	45612101AA	GEAR CONTROL LEVER	1			MOD:1199 ABS;XST:AUS,CHN,EUR,FRA,JAP	
24	77157288B	SCREW TCEIF M8X35	2	29/03/2012		MOD:1199 ABS;XST:AUS,CHN,EUR,FRA,JAP	



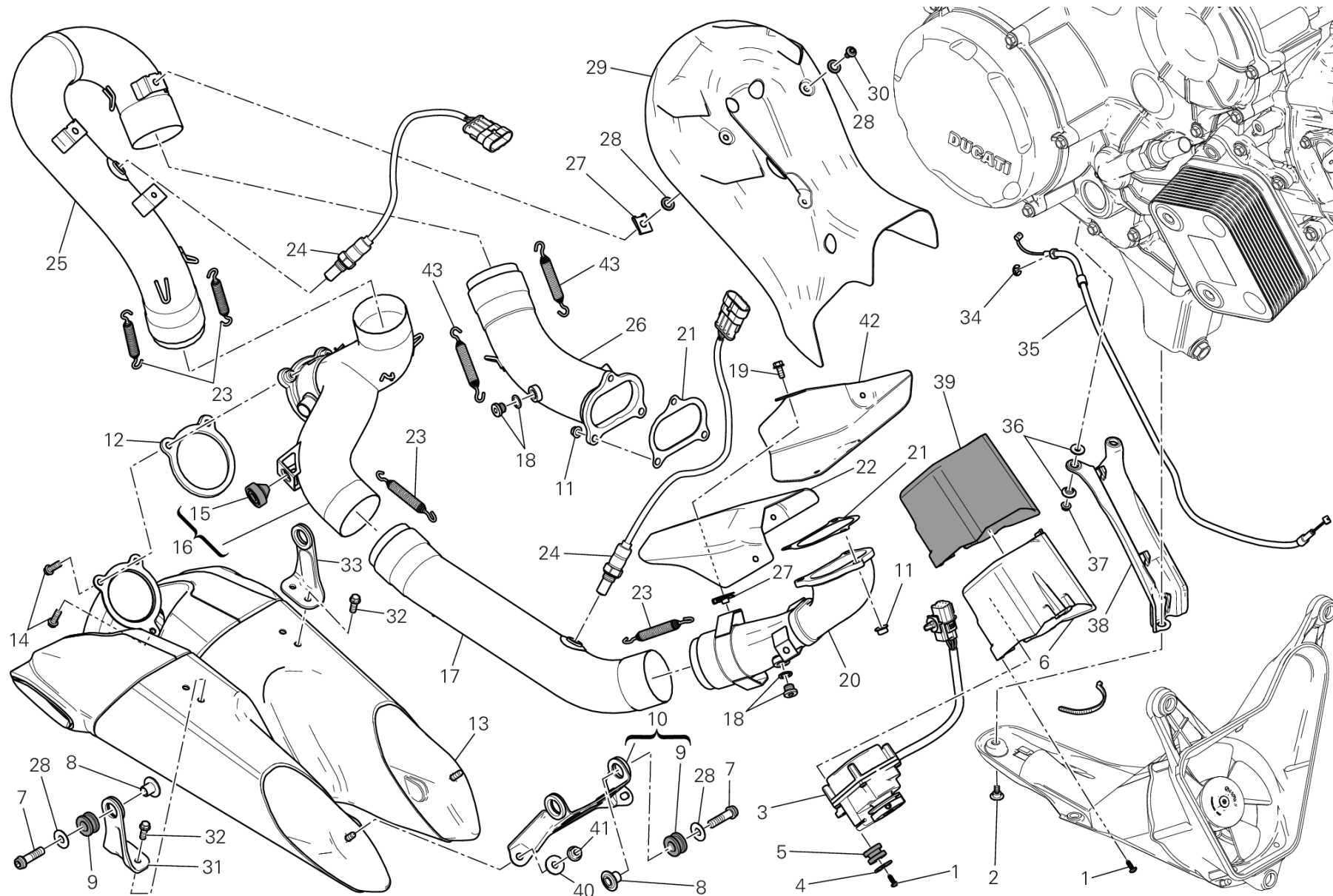
IMP00768

DRAWING 017 - THROTTLE BODY [MOD:1199 ABS;XST:AUS,CHN,EUR,FRA,JAP]

GROUP FRAME

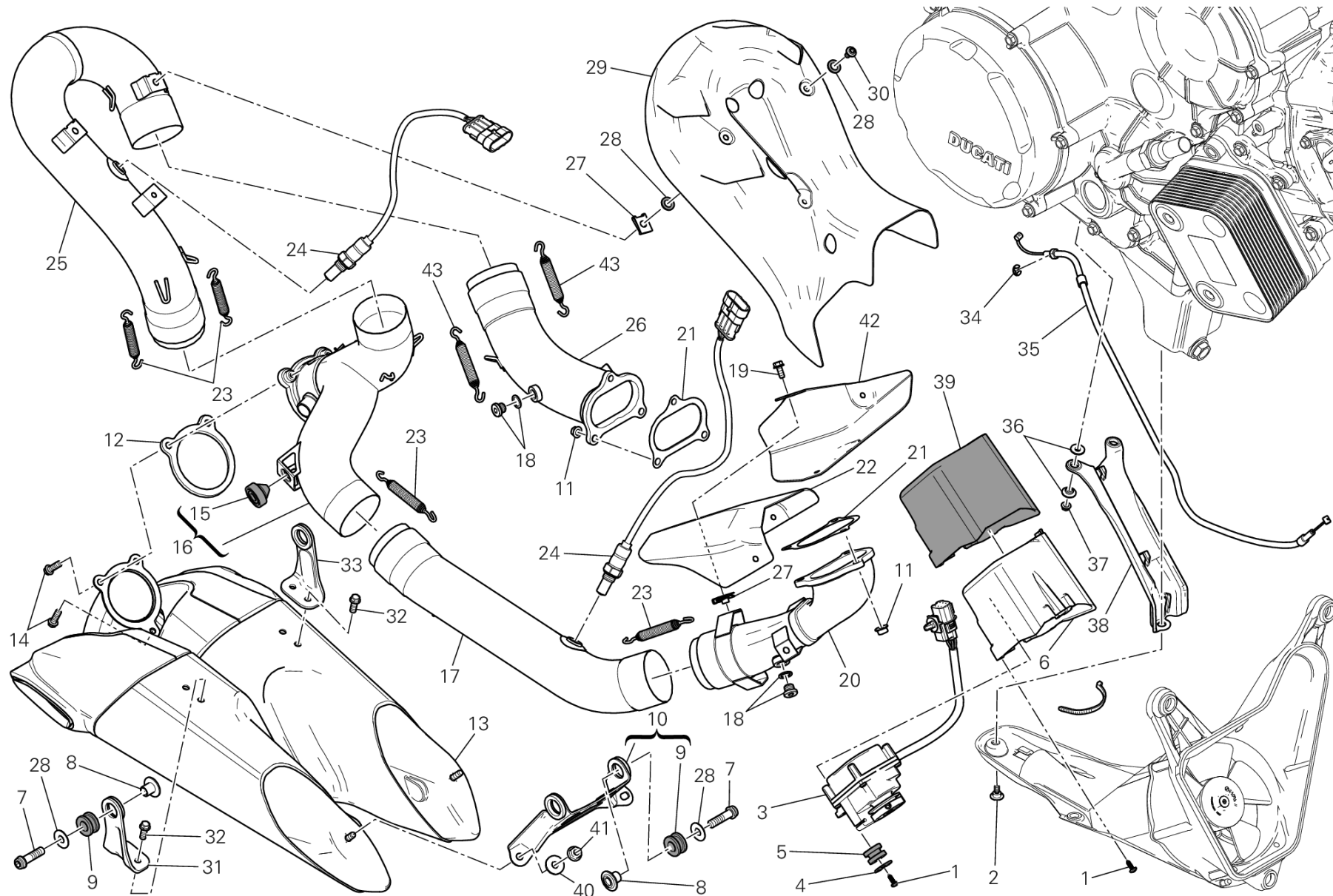


POS.	CODE	DESCRIPTION	QTY	START DATE	END DATE	VALIDITY	NOTES
1	59023511A	COMPLETE PIPE SET UPPER	1			MOD:1199 ABS;XST:AUS,CHN,EUR,FRA,JAP	
2	77156408B	SCREW TCEIF M5X14	4			MOD:1199 ABS;XST:AUS,CHN,EUR,FRA,JAP	
3	28040331A	INJECTOR	4			MOD:1199 ABS;XST:AUS,CHN,EUR,FRA,JAP	
4	88610961A	O-RING	4			MOD:1199 ABS;XST:AUS,CHN,EUR,FRA,JAP	
5	13510371B	INJECTOR HOLDER UPPER	2			MOD:1199 ABS;XST:AUS,CHN,EUR,FRA,JAP	
6	13510361B	PIPE	2			MOD:1199 ABS;XST:AUS,CHN,EUR,FRA,JAP	
7	79915421B	PIN	2			MOD:1199 ABS;XST:AUS,CHN,EUR,FRA,JAP	
8	79915432B	SPRING	2			MOD:1199 ABS;XST:AUS,CHN,EUR,FRA,JAP	
9	74810351B	NUT	4			MOD:1199 ABS;XST:AUS,CHN,EUR,FRA,JAP	
10	28240893A	THROTTLE BODY	2			MOD:1199 ABS;XST:AUS,CHN,EUR,FRA,JAP	
11	77150668B	SCREW TCEI M6X18	8			MOD:1199 ABS;XST:AUS,CHN,EUR,FRA,JAP	
12	59023531A	COMPLETE PIPE SET BOTTOM	1			MOD:1199 ABS;XST:AUS,CHN,EUR,FRA,JAP	
13	85041811A	REAR SPROCKET	4			MOD:1199 ABS;XST:AUS,CHN,EUR,FRA,JAP	
14	88642061A	O-RING	1			MOD:1199 ABS;XST:AUS,CHN,EUR,FRA,JAP	
15	51017731C	INJECTION WIRING	1			MOD:1199 ABS;XST:AUS,CHN,EUR,FRA,JAP	



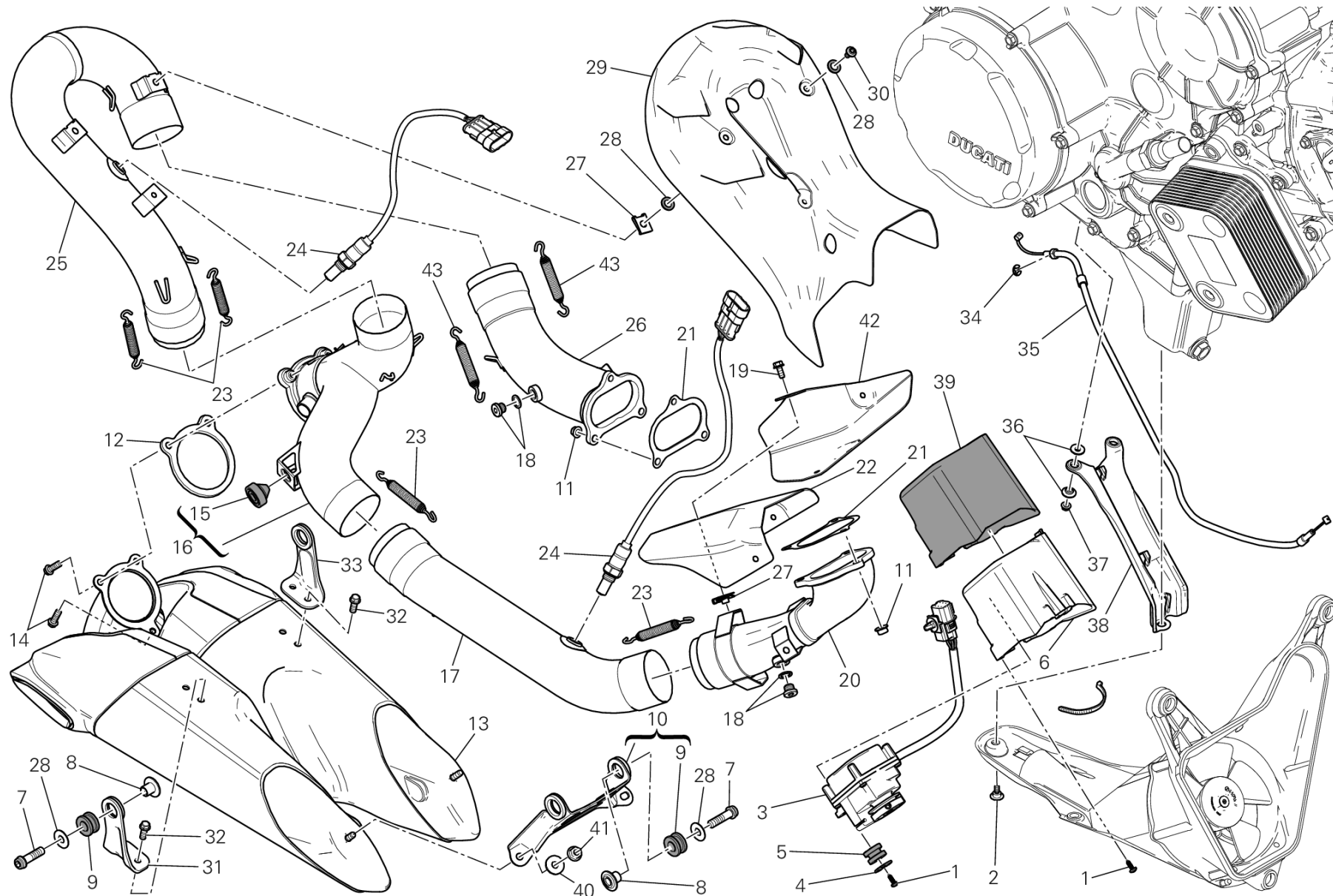


POS.	CODE	DESCRIPTION	QTY	START DATE	END DATE	VALIDITY	NOTES
1	77440203C	SCREW	6			MOD:1199 ABS;XST:AUS,CHN,EUR,FRA	
2	77210852C	SCREW	1			MOD:1199 ABS;XST:AUS,CHN,EUR,FRA	
3	59340392A	ELECTRIC MOTOR, EXHAUST VALVE	1			MOD:1199 ABS;XST:AUS,CHN,EUR,FRA	
4	85213111AA	WASHER	2			MOD:1199 ABS;XST:AUS,CHN,EUR,FRA	
5	76411301A	RUBBER PAD	2			MOD:1199 ABS;XST:AUS,CHN,EUR,FRA	
6	46015262A	COVER	1			MOD:1199 ABS;XST:AUS,CHN,EUR,FRA	
7	77157278B	SCREW TCEIF M8X30	4			MOD:1199 ABS;XST:AUS,CHN,EUR,FRA	
8	71614391AA	SPACER	4			MOD:1199 ABS;XST:AUS,CHN,EUR,FRA	
9	76411481A	RUBBER PAD	4			MOD:1199 ABS;XST:AUS,CHN,EUR,FRA	
10	83026511BA	BRACKET Front	1			MOD:1199 ABS;XST:AUS,CHN,EUR,FRA	
11	74810241A	NUT	6			MOD:1199 ABS;XST:AUS,CHN,EUR,FRA	
12	79010251A	GASKET, EXHAUST PIPE	1			MOD:1199 ABS;XST:AUS,CHN,EUR,FRA	
13	57413243B	SILENCER	1	01/11/2012		MOD:1199 ABS;XST:AUS,CHN,EUR,FRA	EUR - AUS - FRA - BRA - CHN - TWN
14	77156658B	SCREW TCEIF M6X16	3			MOD:1199 ABS;XST:AUS,CHN,EUR,FRA	
15	76410631A	RUBBER PAD	1			MOD:1199 ABS;XST:AUS,CHN,EUR,FRA	
16	57013152B	PIPE, EXHAUST CENTER	1			MOD:1199 ABS;XST:AUS,CHN,EUR,FRA	
17	57013072A	EXHAUST PIPE HORIZONTAL	1			MOD:1199 ABS;XST:AUS,CHN,EUR,FRA	



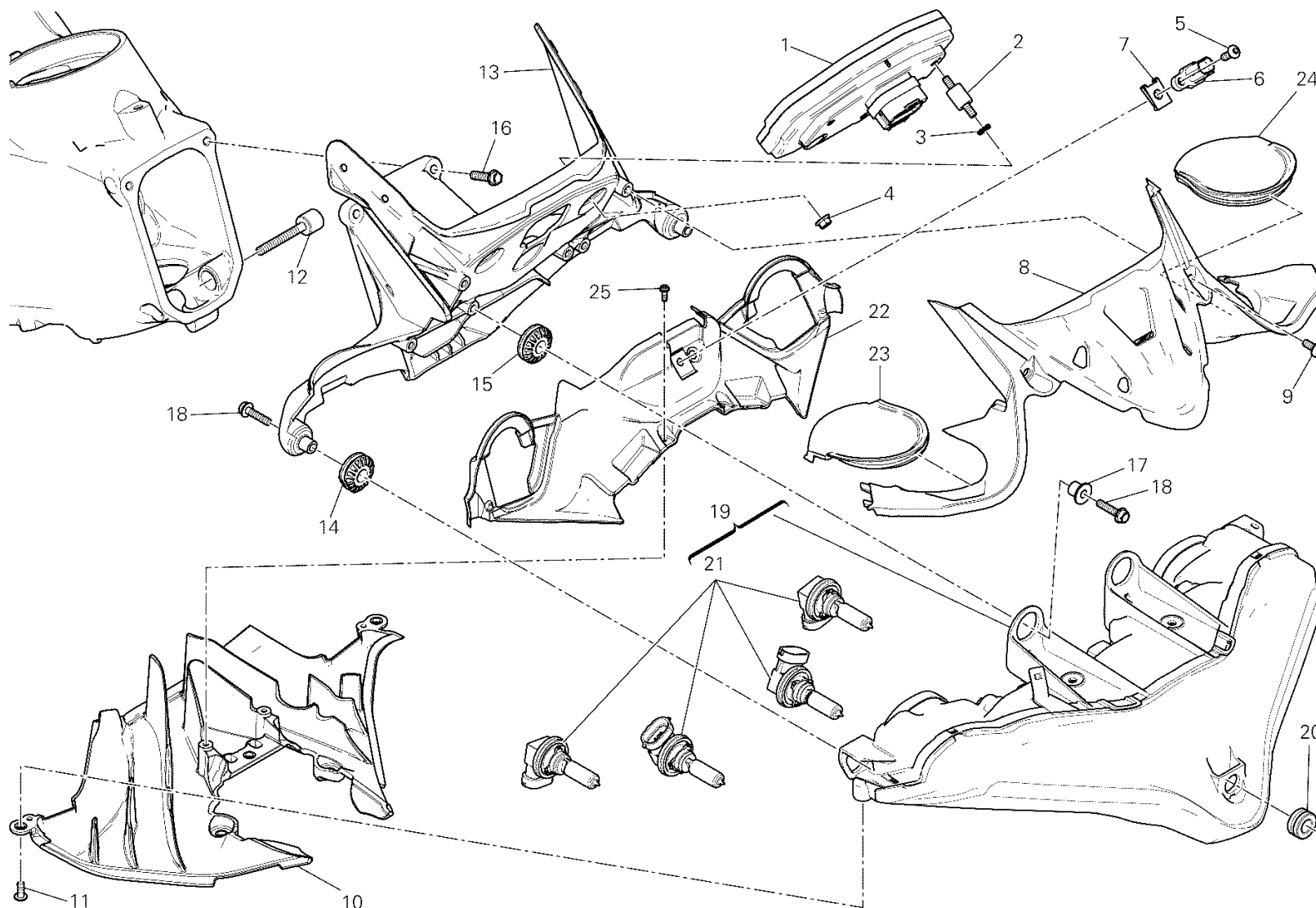


POS.	CODE	DESCRIPTION	QTY	START DATE	END DATE	VALIDITY	NOTES
18	78020011A	PLUG	2			MOD:1199 ABS;XST:AUS,CHN,EUR,FRA	
19	77250728B	SCREW TEF M5X12	4			MOD:1199 ABS;XST:AUS,CHN,EUR,FRA	
20	57013061C	EXHAUST MANIFOLD HORIZONTAL	1			MOD:1199 ABS;XST:AUS,CHN,EUR,FRA	
21	79010231B	GASKET, EXHAUST PIPE	2			MOD:1199 ABS;XST:AUS,CHN,EUR,FRA	
22	46015331BA	HEAT GUARD HORIZONTAL	1			MOD:1199 ABS;XST:AUS,CHN,EUR,FRA	
23	79912632A	SPRING, EXHAUST PIPE	4			MOD:1199 ABS;XST:AUS,CHN,EUR,FRA	
24	55212092A	SENSOR LAMBDA SOND	2			MOD:1199 ABS;XST:AUS,CHN,EUR,FRA	
25	57113002C	PIPE, EXHAUST Verticale	1			MOD:1199 ABS;XST:AUS,CHN,EUR,FRA	
26	57112992C	EXHAUST MANIFOLD VERTICAL	1			MOD:1199 ABS;XST:AUS,CHN,EUR,FRA	
27	85040551A	QUICK FASTENING	7			MOD:1199 ABS;XST:AUS,CHN,EUR,FRA	
28	85210532A	WASHER 8.2X20X1	4			MOD:1199 ABS;XST:AUS,CHN,EUR,FRA	
29	46015031AA	HEAT GUARD VERTICAL	1			MOD:1199 ABS;XST:AUS,CHN,EUR,FRA	
30	77213168B	SCREW	3			MOD:1199 ABS;XST:AUS,CHN,EUR,FRA	
31	83016491AA	BRACKET REAR RH	1			MOD:1199 ABS;XST:AUS,CHN,EUR,FRA	
32	77251018B	SCREW TEF M6X20	4			MOD:1199 ABS;XST:AUS,CHN,EUR,FRA	
33	83016501AA	BRACKET REAR L.H.	1			MOD:1199 ABS;XST:AUS,CHN,EUR,FRA	
34	88450031A	CIRCLIP E-TYPE	2			MOD:1199 ABS;XST:AUS,CHN,EUR,FRA	





POS.	CODE	DESCRIPTION	QTY	START DATE	END DATE	VALIDITY	NOTES
35	73210331B	EXHAUST VALVE ENGINE CABLE	1			MOD:1199 ABS;XST:AUS,CHN,EUR,FRA	
36	71614071A	SPACER 5.2X8.4X2	4			MOD:1199 ABS;XST:AUS,CHN,EUR,FRA	
37	74840381A	NUT M5	2			MOD:1199 ABS;XST:AUS,CHN,EUR,FRA	
38	46015393A	HEAT GUARD BOTTOM	1			MOD:1199 ABS;XST:AUS,CHN,EUR,FRA	
39	46015741A	PROTECTION, HEAT	1			MOD:1199 ABS;XST:AUS,CHN,EUR,FRA	
40	85250291A	WASHER 6.4X18X1.6	2			MOD:1199 ABS;XST:AUS,CHN,EUR,FRA	
41	74810361A	NUT 6MM	2			MOD:1199 ABS;XST:AUS,CHN,EUR,FRA	
42	46015781AA	GUARD Orizzontale	1			MOD:1199 ABS;XST:AUS,CHN,EUR,FRA	
43	79915651A	SPRING	2			MOD:1199 ABS;XST:AUS,CHN,EUR,FRA	



FAN00227

DRAWING 020 - FANALE ANTERIORE E CRUSCOTTO [MOD:1199

ABS;XST:AUS,CHN,EUR,FRA,JAP]

GROUP FRAME



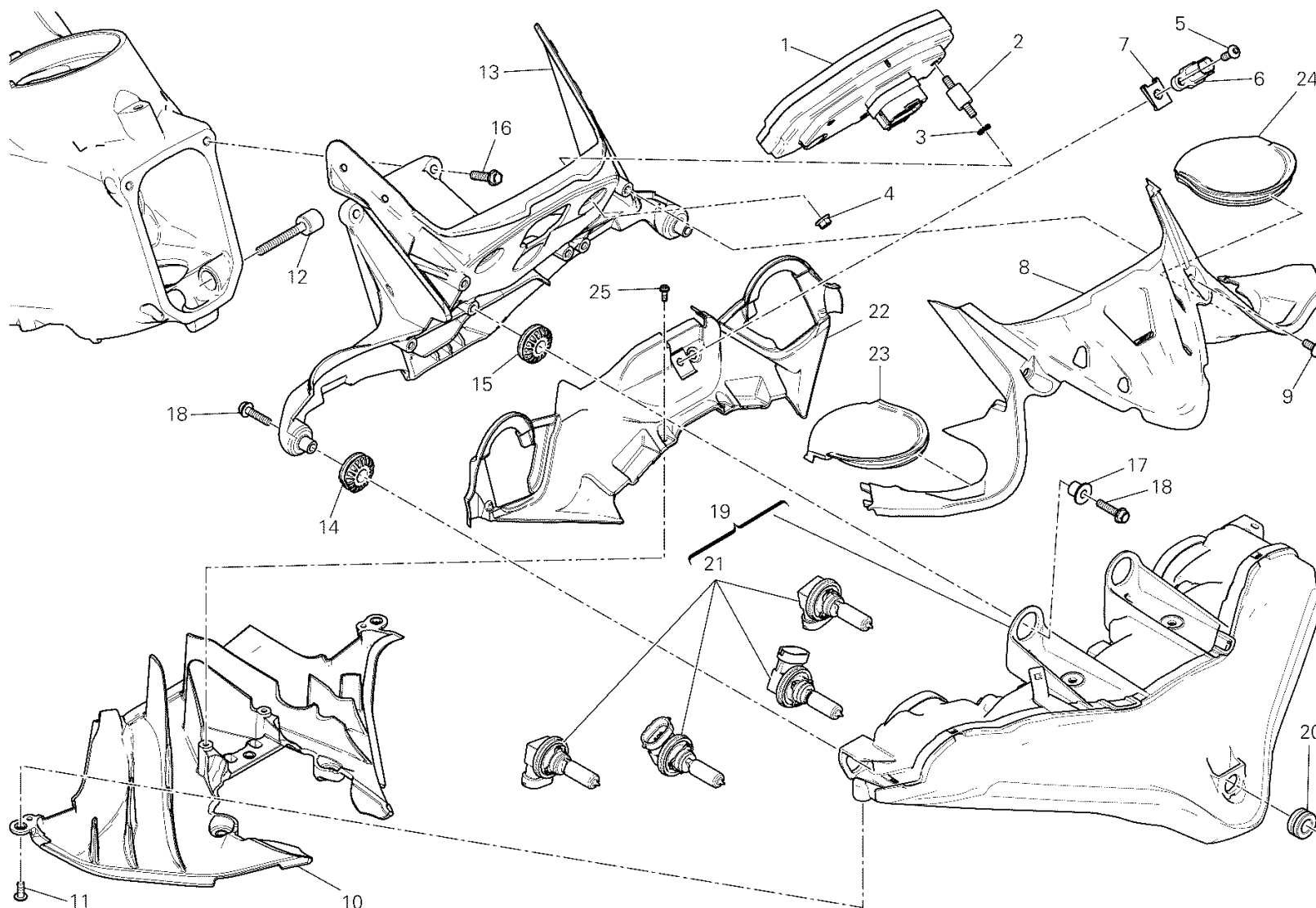
POS.	CODE	DESCRIPTION	QTY	START DATE	END DATE	VALIDITY	NOTES
1	40610931C	INSTRUMENT PANEL	1			MOD:1199 ABS;XST:AUS,CHN,EUR,FRA,JAP	
2	70010431A	DAMPER	3			MOD:1199 ABS;XST:AUS,CHN,EUR,FRA,JAP	
3	46240461A	WASHER, SPRING	3			MOD:1199 ABS;XST:AUS,CHN,EUR,FRA,JAP	
4	74840381A	NUT M5	3			MOD:1199 ABS;XST:AUS,CHN,EUR,FRA,JAP	
5	77510041A	SCREW TBEI M5X14	1			MOD:1199 ABS;XST:AUS,CHN,EUR,FRA,JAP	
6	55241581A	SENSOR, AIR TEMPERATURE	1			MOD:1199 ABS;XST:AUS,CHN,EUR,FRA,JAP	
7	85040551A	QUICK FASTENING	1			MOD:1199 ABS;XST:AUS,CHN,EUR,FRA,JAP	
8	46015281A	COVER, METER	1			MOD:1199 ABS;XST:AUS,CHN,EUR,FRA,JAP	
9	77240253C	SCREW	4			MOD:1199 ABS;XST:AUS,CHN,EUR,FRA,JAP	
10	48411091A	AIR CONVEYOR	1			MOD:1199 ABS;XST:AUS,CHN,EUR,FRA,JAP	
11	77240263C	SCREW	5			MOD:1199 ABS;XST:AUS,CHN,EUR,FRA,JAP	
12	77916821BA	SCREW, SPECIAL	1			MOD:1199 ABS;XST:AUS,CHN,EUR,FRA,JAP	
13	8291A553BA	HEAD-LIGHT SUPPORT	1			MOD:1199 ABS;XST:AUS,CHN,EUR,FRA,JAP	
14	76411641A	SEAT RUBBER	2			MOD:1199 ABS;XST:AUS,CHN,EUR,FRA,JAP	
15	76411361A	VIBRATION DAMPER PAD	2			MOD:1199 ABS;XST:AUS,CHN,EUR,FRA,JAP	
16	77251018B	SCREW TEF M6X20	2			MOD:1199 ABS;XST:AUS,CHN,EUR,FRA,JAP	
17	71614381AA	SPACER	2			MOD:1199 ABS;XST:AUS,CHN,EUR,FRA,JAP	



DRAWING 020 - FANALE ANTERIORE E CRUSCOTTO [MOD:1199

ABS;XST:AUS,CHN,EUR,FRA,JAP]

GROUP FRAME



FAN00227

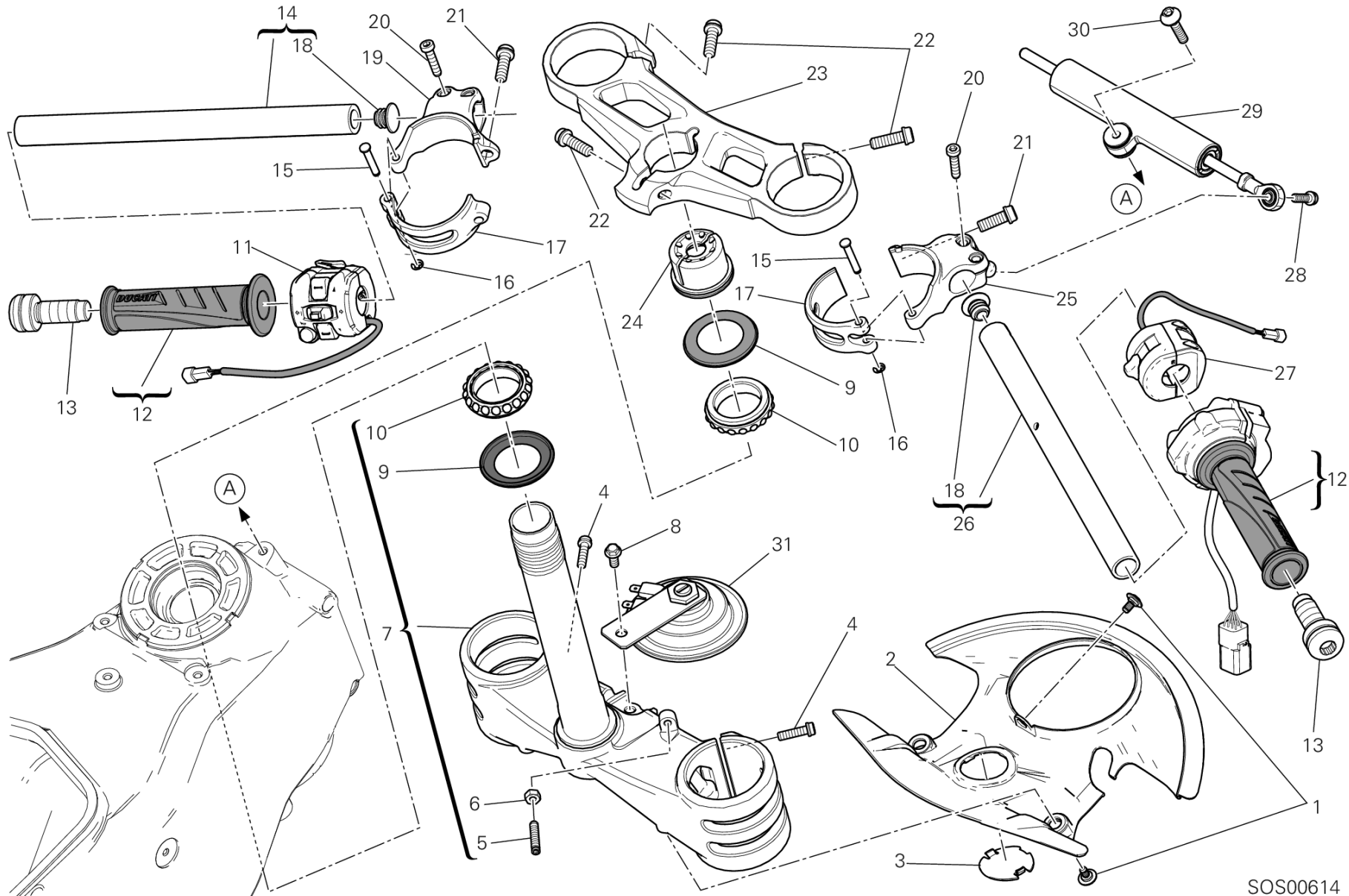
DRAWING 020 - FANALE ANTERIORE E CRUSCOTTO [MOD:1199

ABS;XST:AUS,CHN,EUR,FRA,JAP]

GROUP FRAME



POS.	CODE	DESCRIPTION	QTY	START DATE	END DATE	VALIDITY	NOTES
18	77250788B	SCREW	4			MOD:1199 ABS;XST:AUS,CHN,EUR,FRA,JAP	
19	52010252A	HEADLIGHT FRONT	1			MOD:1199 ABS;XST:AUS,CHN,EUR,FRA,JAP	
20	76410901A	RUBBER PAD	1			MOD:1199 ABS;XST:AUS,CHN,EUR,FRA,JAP	
21	39040201A	BULB 12V, 55W	4			MOD:1199 ABS;XST:AUS,CHN,EUR,FRA,JAP	
22	24714332A	AIR MANIFOLD COVER	1			MOD:1199 ABS;XST:AUS,CHN,EUR,FRA,JAP	
23	24714361B	INSTRUMENT PANEL COVER RH	1			MOD:1199 ABS;XST:AUS,CHN,EUR,FRA,JAP	
24	24714371B	INSTRUMENT PANEL COVER LH	1			MOD:1199 ABS;XST:AUS,CHN,EUR,FRA,JAP	
25	77440101A	SCREW, TAPPING 3.5X10	4			MOD:1199 ABS;XST:AUS,CHN,EUR,FRA,JAP	



SOS00614

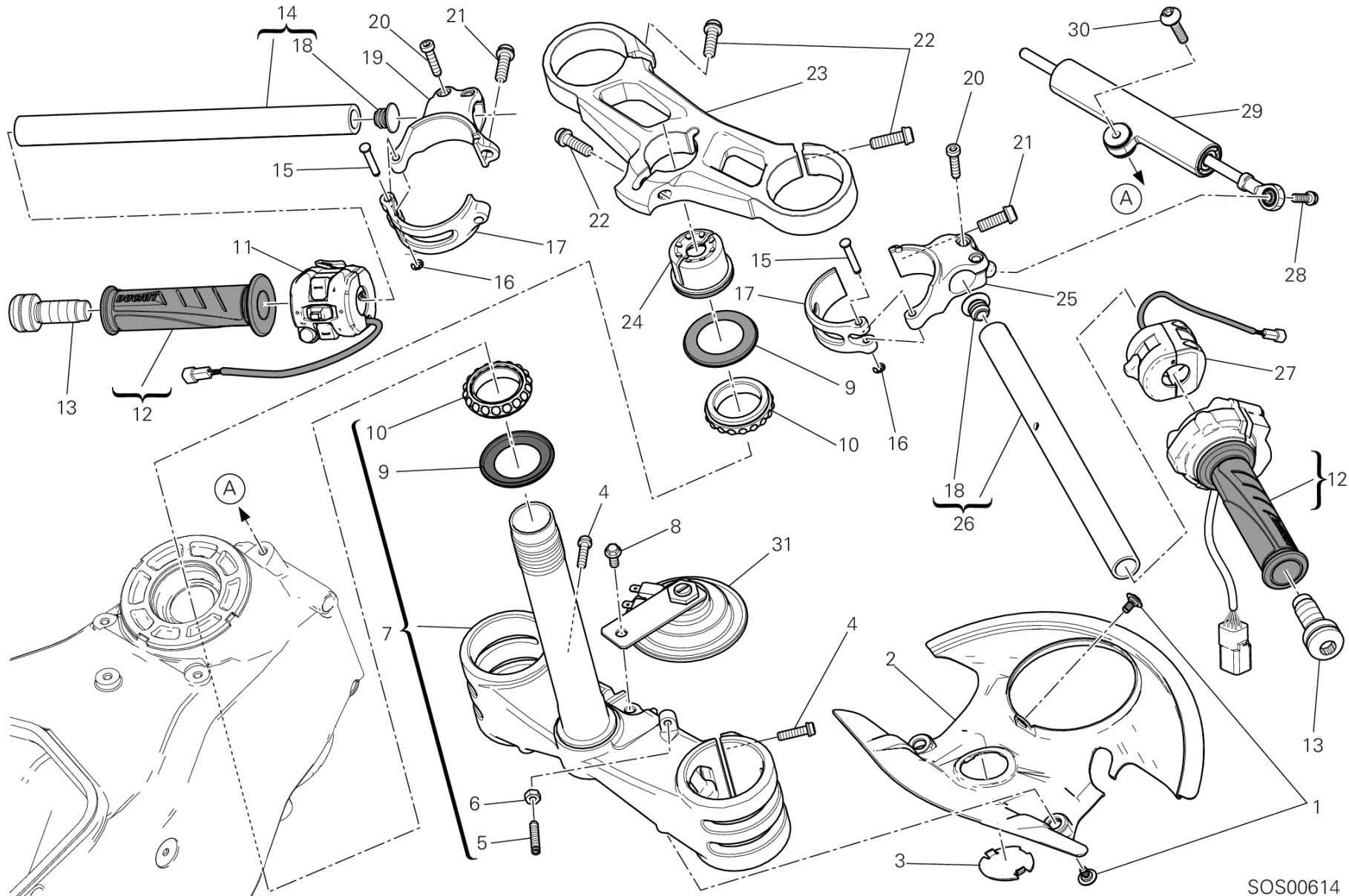
DRAWING 021 - SEMIMANUBRI - AMMORTIZZATORE DI STERZO [MOD:1199

ABS;XST:AUS,CHN,EUR,FRA,JAP]

GROUP FRAME



POS.	CODE	DESCRIPTION	QTY	START DATE	END DATE	VALIDITY	NOTES
1	77211251B	SCREW M5X9	3			MOD:1199 ABS;XST:AUS,CHN,EUR,FRA,JAP	
2	46014971B	MUDFLAP	1			MOD:1199 ABS;XST:AUS,CHN,EUR,FRA,JAP	
3	87210722A	PLUG	1			MOD:1199 ABS;XST:AUS,CHN,EUR,FRA,JAP	
4	77156688B	SCREW TCEIF M6X22X18	6			MOD:1199 ABS;XST:AUS,CHN,EUR,FRA,JAP	
5	77912981A	SCREW, SPECIAL	2			MOD:1199 ABS;XST:AUS,CHN,EUR,FRA,JAP	
6	74750031A	NUT 6MM	2			MOD:1199 ABS;XST:AUS,CHN,EUR,FRA,JAP	
7	34220681AA	STEERING HEAD BASE	1			MOD:1199 ABS;XST:AUS,CHN,EUR,FRA,JAP	
8	77210741A	SCREW TEF M8X12	1			MOD:1199 ABS;XST:AUS,CHN,EUR,FRA,JAP	
9	93010041B	SEAL RING	2			MOD:1199 ABS;XST:AUS,CHN,EUR,FRA,JAP	
10	70241231A	BEARING, STEERING NTN SF07A17P	2			MOD:1199 ABS;XST:AUS,CHN,EUR,FRA,JAP	
11	65110112E	LEFT SWITCH	1			MOD:1199 ABS;XST:AUS,CHN,EUR,FRA,JAP	
12	66020011B	THROTTLE CONTROL	1			MOD:1199 ABS;XST:AUS,CHN,EUR,FRA,JAP	
13	15310121A	COUNTERWEIGHT	2			MOD:1199 ABS;XST:AUS,CHN,EUR,FRA,JAP	
14	875P1731BA	HANDLEBAR TUBE L.H.	1			MOD:1199 ABS;XST:AUS,CHN,EUR,FRA,JAP	
15	82113822BA	PIN	2			MOD:1199 ABS;XST:AUS,CHN,EUR,FRA,JAP	
16	88450021A	SPRING RING	2			MOD:1199 ABS;XST:AUS,CHN,EUR,FRA,JAP	
17	36011311BA	CLAMP REAR	2			MOD:1199 ABS;XST:AUS,CHN,EUR,FRA,JAP	



SOS00614

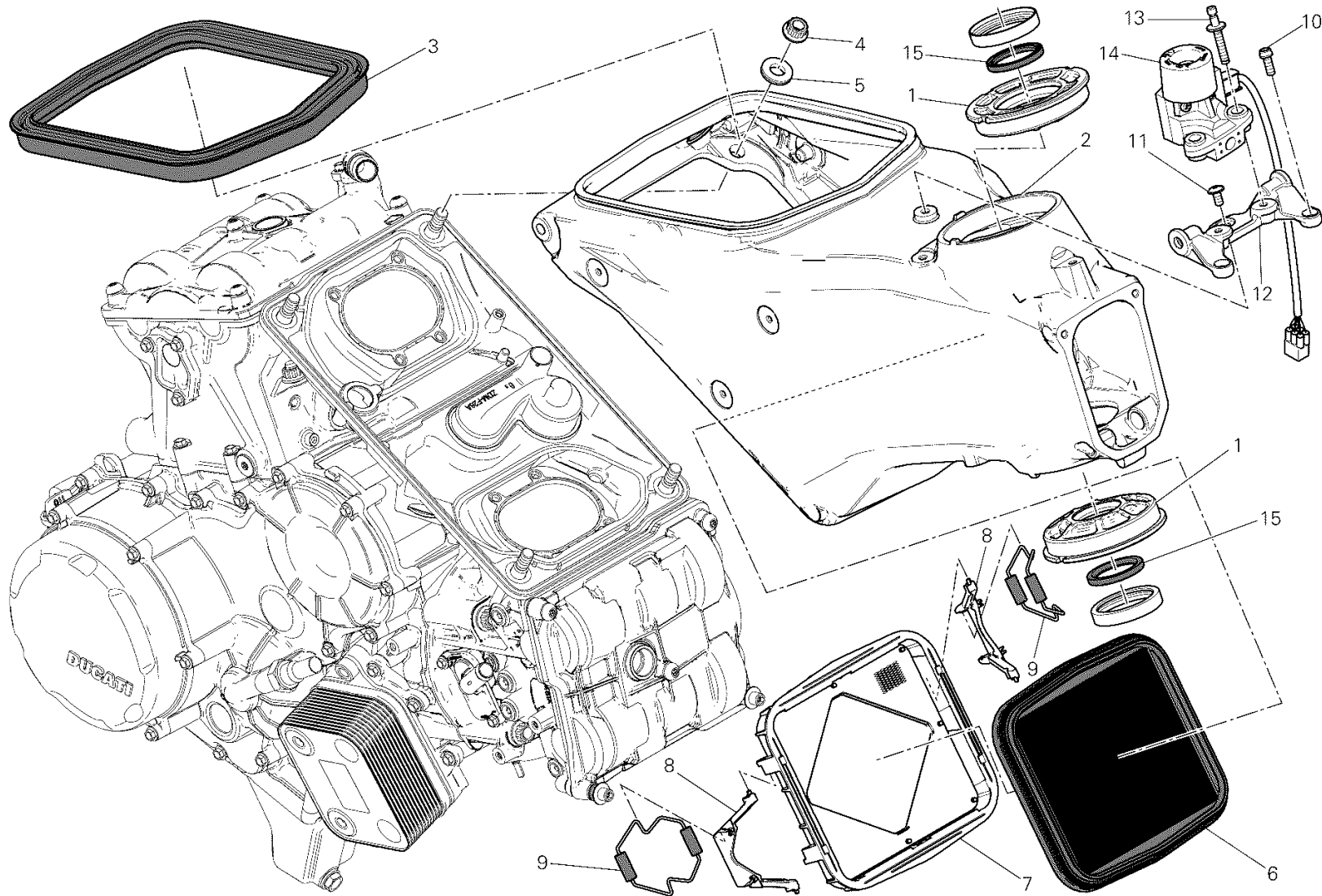
DRAWING 021 - SEMIMANUBRI - AMMORTIZZATORE DI STERZO [MOD:1199

ABS;XST:AUS,CHN,EUR,FRA,JAP]

GROUP FRAME



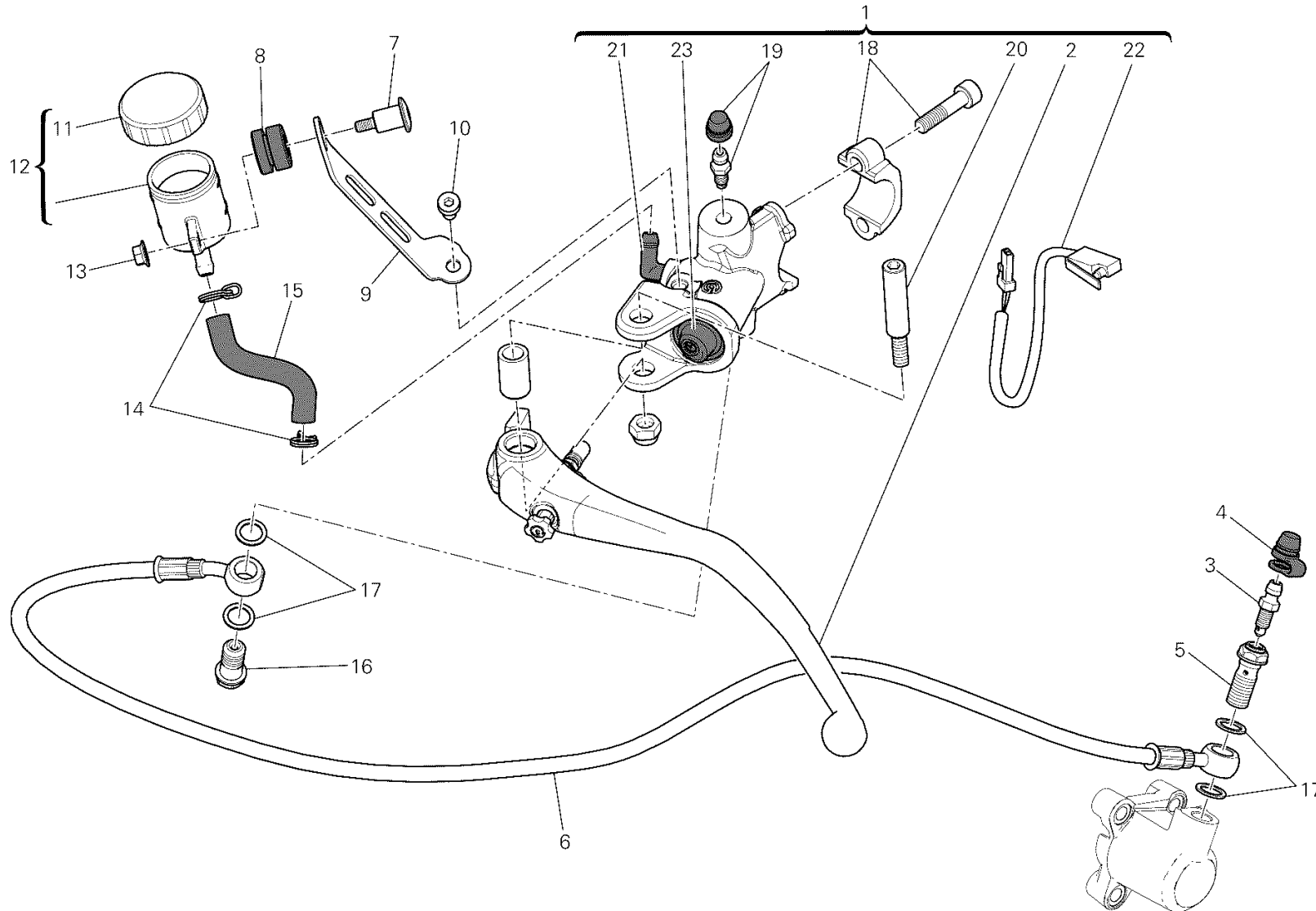
POS.	CODE	DESCRIPTION	QTY	START DATE	END DATE	VALIDITY	NOTES
18	87210481A	CAP	2			MOD:1199 ABS;XST:AUS,CHN,EUR,FRA,JAP	
19	36011301BA	CLAMP FRONT LH	1			MOD:1199 ABS;XST:AUS,CHN,EUR,FRA,JAP	
20	77354888B	SCREW	4			MOD:1199 ABS;XST:AUS,CHN,EUR,FRA,JAP	
21	77157248B	SCREW TCEIF M8X22	2			MOD:1199 ABS;XST:AUS,CHN,EUR,FRA,JAP	
22	77157258B	SCREW TCEIF M8X25	3			MOD:1199 ABS;XST:AUS,CHN,EUR,FRA,JAP	
23	34110881CA	STEERING HEAD	1			MOD:1199 ABS;XST:AUS,CHN,EUR,FRA,JAP	
24	70310601BA	RING NUT	1			MOD:1199 ABS;XST:AUS,CHN,EUR,FRA,JAP	
25	36011291BA	CLAMP FRONT RH	1			MOD:1199 ABS;XST:AUS,CHN,EUR,FRA,JAP	
26	875P1741BA	HANDLEBAR TUBE R.H.	1			MOD:1199 ABS;XST:AUS,CHN,EUR,FRA,JAP	
27	65010092I	RIGHT SWITCH	1			MOD:1199 ABS;XST:AUS,CHN,EUR,FRA,JAP	
28	77156668B	SCREW TCEIF M6X18	1			MOD:1199 ABS;XST:AUS,CHN,EUR,FRA,JAP	
29	36420101A	STEERING DAMPER	1			MOD:1199 ABS;XST:AUS,CHN,EUR,FRA,JAP	
30	77917392AA	SCREW, SPECIAL	1			MOD:1199 ABS;XST:AUS,CHN,EUR,FRA,JAP	
31	51640011AB	HORN	1			MOD:1199 ABS;XST:AUS,CHN,EUR,FRA,JAP	



TEL00707



POS.	CODE	DESCRIPTION	QTY	START DATE	END DATE	VALIDITY	NOTES
1	75610142AA	BUSH	2			MOD:1199 ABS;XST:AUS,CHN,EUR,FRA,JAP	
2	47012051CA	FRAME	1			MOD:1199 ABS;XST:AUS,CHN,EUR,FRA,JAP	
3	78811182A	GUARNIZIONE AIRBOX - SERBATOIO	1			MOD:1199 ABS;XST:AUS,CHN,EUR,FRA,JAP	
4	74810461A	NUT, FLANGE M10X1	4			MOD:1199 ABS;XST:AUS,CHN,EUR,FRA,JAP	
5	85540031A	WASHER, SPRING	4			MOD:1199 ABS;XST:AUS,CHN,EUR,FRA,JAP	
6	42610341B	FILTER, AIR	1			MOD:1199 ABS;XST:AUS,CHN,EUR,FRA,JAP	
7	8291A481B	BRACKET, FILTER	1			MOD:1199 ABS;XST:AUS,CHN,EUR,FRA,JAP	
8	83016582A	BRACKET	2			MOD:1199 ABS;XST:AUS,CHN,EUR,FRA,JAP	
9	79915493A	SPRING	2			MOD:1199 ABS;XST:AUS,CHN,EUR,FRA,JAP	
10	77156658B	SCREW TCEIF M6X16	2			MOD:1199 ABS;XST:AUS,CHN,EUR,FRA,JAP	
11	77240408C	SCREW	1			MOD:1199 ABS;XST:AUS,CHN,EUR,FRA,JAP	
12	83016471AA	BRACKET	1			MOD:1199 ABS;XST:AUS,CHN,EUR,FRA,JAP	
13	77916811AA	SCREW, SPECIAL	2			MOD:1199 ABS;XST:AUS,CHN,EUR,FRA,JAP	
14	38510201B	INTERRUTTORE A CHIAVE	1			MOD:1199 ABS;XST:AUS,CHN,EUR,FRA,JAP	
15	93041911A	DUST COVER	2			MOD:1199 ABS;XST:AUS,CHN,EUR,FRA,JAP	



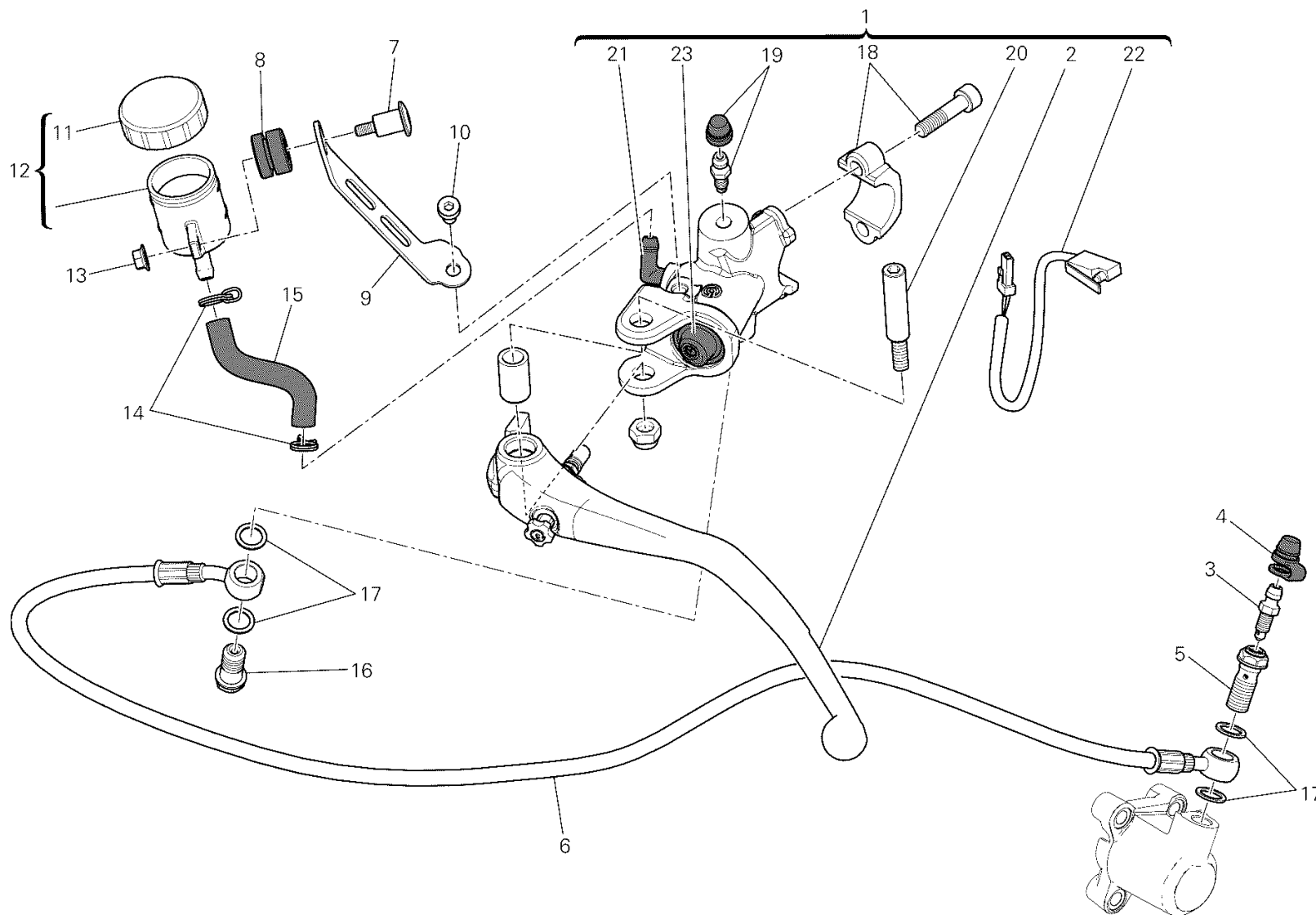
BRB00385

DRAWING 023 - CLUTCH CONTROL [MOD:1199 ABS;XST:AUS,CHN,EUR,FRA,JAP]

GROUP FRAME



POS.	CODE	DESCRIPTION	QTY	START DATE	END DATE	VALIDITY	NOTES
1	63040601B	CLUTCH PUMP	1			MOD:1199 ABS;XST:AUS,CHN,EUR,FRA,JAP	
2	63140501A	LEVER, CLUTCH LIFTER	1			MOD:1199 ABS;XST:AUS,CHN,EUR,FRA,JAP	
3	18710021A	VALVE, BREATHER	1			MOD:1199 ABS;XST:AUS,CHN,EUR,FRA,JAP	
4	61240051A	DUST COVER	1			MOD:1199 ABS;XST:AUS,CHN,EUR,FRA,JAP	
5	77913971A	BOLT, BRAKE HOSE	1			MOD:1199 ABS;XST:AUS,CHN,EUR,FRA,JAP	
6	63210611A	CLUTCH CONTROL PIPE METAL PLAIED	1			MOD:1199 ABS;XST:AUS,CHN,EUR,FRA,JAP	(ABS)
7	77910921A	SCREW	1			MOD:1199 ABS;XST:AUS,CHN,EUR,FRA,JAP	
8	037072020	DAMPER	1			MOD:1199 ABS;XST:AUS,CHN,EUR,FRA,JAP	
9	8291A701AA	BRACKET	1			MOD:1199 ABS;XST:AUS,CHN,EUR,FRA,JAP	
10	77350623B	SCREW TCEIR M6X10	1			MOD:1199 ABS;XST:AUS,CHN,EUR,FRA,JAP	
11	89340051A	COVER MASTER CYLINDER	1			MOD:1199 ABS;XST:AUS,CHN,EUR,FRA,JAP	
12	58540081A	RESERVOIR, BRAKE FLUID	1			MOD:1199 ABS;XST:AUS,CHN,EUR,FRA,JAP	
13	74941108B	NUT, SELF LOCKING M5	1			MOD:1199 ABS;XST:AUS,CHN,EUR,FRA,JAP	
14	74140431A	CLAMP	2			MOD:1199 ABS;XST:AUS,CHN,EUR,FRA,JAP	
15	87711131A	PIPE	1			MOD:1199 ABS;XST:AUS,CHN,EUR,FRA,JAP	
16	77913661AB	BOLT, BRAKE HOSE M10X1	1			MOD:1199 ABS;XST:AUS,CHN,EUR,FRA,JAP	
17	85250241A	WASHER 10X14X1	4			MOD:1199 ABS;XST:AUS,CHN,EUR,FRA,JAP	



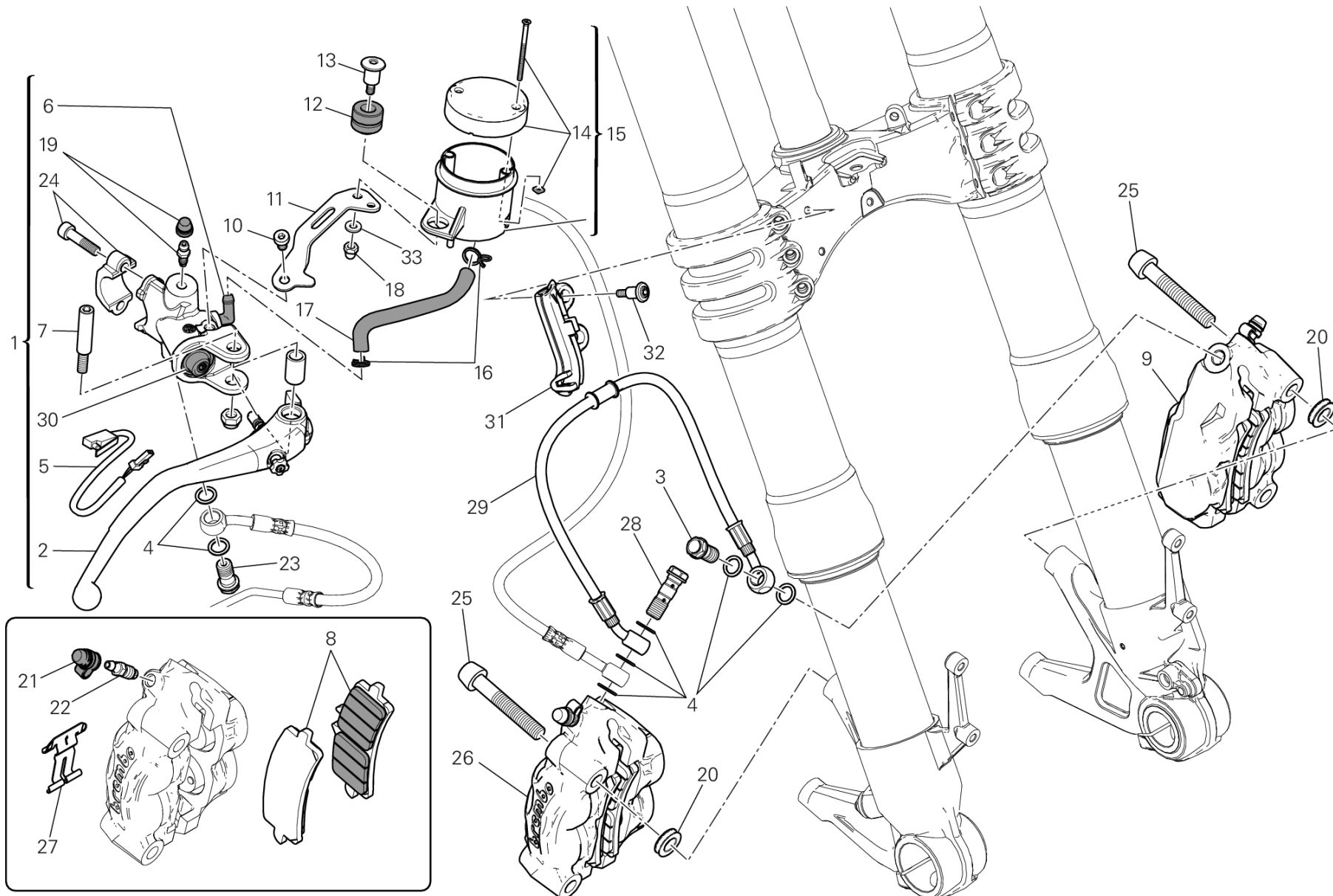
BRB00385

DRAWING 023 - CLUTCH CONTROL [MOD:1199 ABS;XST:AUS,CHN,EUR,FRA,JAP]

GROUP FRAME



POS.	CODE	DESCRIPTION	QTY	START DATE	END DATE	VALIDITY	NOTES
18	62640571A	BRACKET, MASTER CYLINDER	1			MOD:1199 ABS;XST:AUS,CHN,EUR,FRA,JAP	
19	63140281A	FRONT CALIPER DRAIN SCREW	1			MOD:1199 ABS;XST:AUS,CHN,EUR,FRA,JAP	
20	62640561A	BOLT, LEVER	1			MOD:1199 ABS;XST:AUS,CHN,EUR,FRA,JAP	
21	63140081A	JOINT, HOSE	1			MOD:1199 ABS;XST:AUS,CHN,EUR,FRA,JAP	
22	53940361A	SWITCH, CLUTCH	1			MOD:1199 ABS;XST:AUS,CHN,EUR,FRA,JAP	
23	61240391A	DUST COVER	1			MOD:1199 ABS;XST:AUS,CHN,EUR,FRA,JAP	

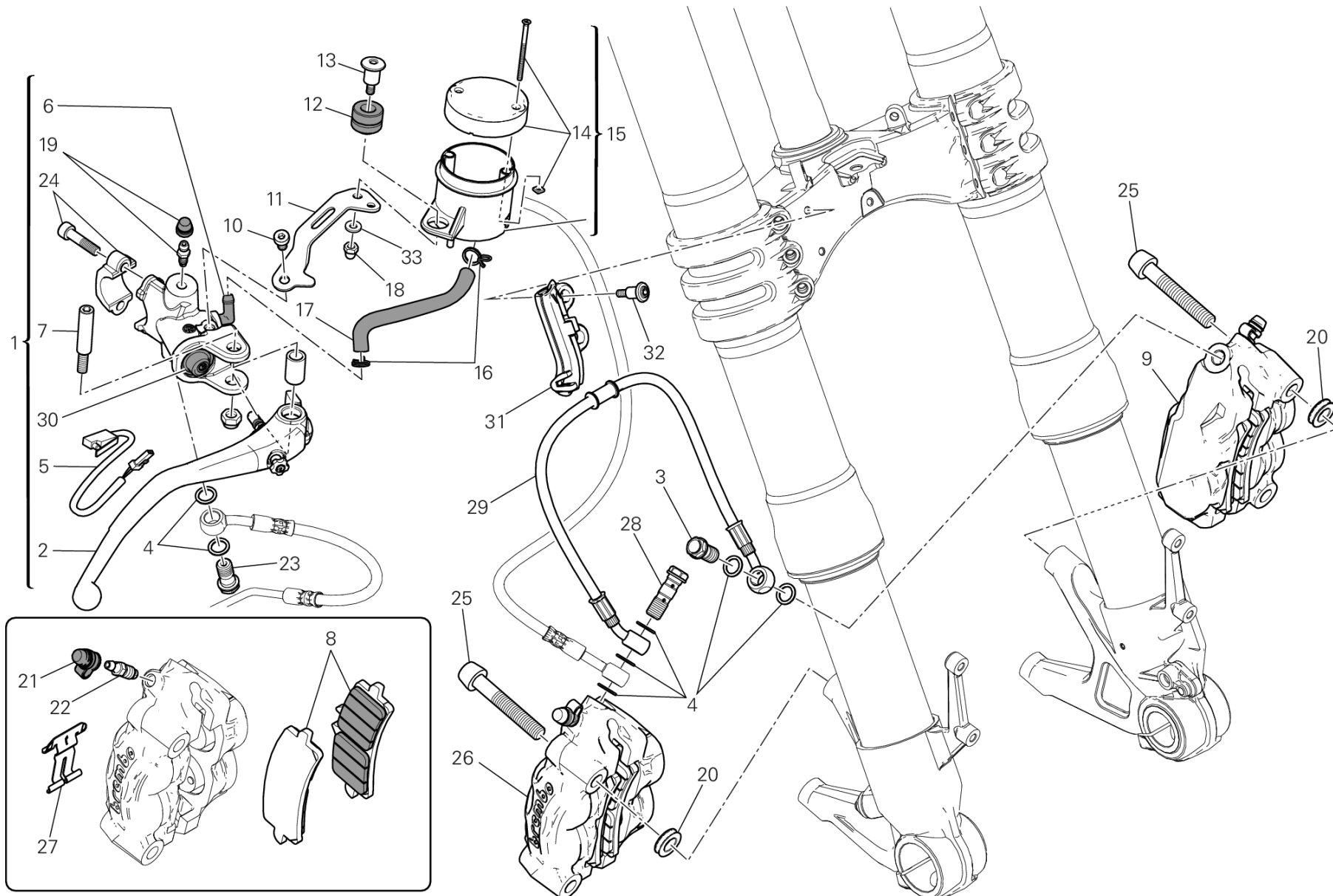


DRAWING 024 - FRENO ANTERIORE [MOD:1199 ABS;XST:AUS,CHN,EUR,FRA,JAP]

GROUP FRAME



POS.	CODE	DESCRIPTION	QTY	START DATE	END DATE	VALIDITY	NOTES
1	62440761B	FRONT BRAKE PUMP	1			MOD:1199 ABS;XST:AUS,CHN,EUR,FRA,JAP	
2	63140491A	BRAKE CONTROL LEVER	1			MOD:1199 ABS;XST:AUS,CHN,EUR,FRA,JAP	
3	77913661AB	BOLT, BRAKE HOSE M10X1	1			MOD:1199 ABS;XST:AUS,CHN,EUR,FRA,JAP	
4	85250241A	WASHER 10X14X1	7			MOD:1199 ABS;XST:AUS,CHN,EUR,FRA,JAP	
5	53940351A	FRONT BRAKE LIGHT SWITCH	1			MOD:1199 ABS;XST:AUS,CHN,EUR,FRA,JAP	
6	63140081A	JOINT, HOSE	1			MOD:1199 ABS;XST:AUS,CHN,EUR,FRA,JAP	
7	62640561A	BOLT, LEVER	1			MOD:1199 ABS;XST:AUS,CHN,EUR,FRA,JAP	
8	61340961A	PADS PAIR	2			MOD:1199 ABS;XST:AUS,CHN,EUR,FRA,JAP	
9	61041371A	LEFT BRAKE CALIPER	1			MOD:1199 ABS;XST:AUS,CHN,EUR,FRA,JAP	
10	77950591A	SCREW TCEIR M6X10	1			MOD:1199 ABS;XST:AUS,CHN,EUR,FRA,JAP	
11	8291A691AA	BRACKET	1			MOD:1199 ABS;XST:AUS,CHN,EUR,FRA,JAP	
12	037072020	DAMPER	1			MOD:1199 ABS;XST:AUS,CHN,EUR,FRA,JAP	
13	77910921A	SCREW	1			MOD:1199 ABS;XST:AUS,CHN,EUR,FRA,JAP	
14	800068490	CAP BRAKE FLUID TANK	1			MOD:1199 ABS;XST:AUS,CHN,EUR,FRA,JAP	
15	58540181A	RESERVOIR, BRAKE FLUID	1			MOD:1199 ABS;XST:AUS,CHN,EUR,FRA,JAP	
16	74140431A	CLAMP	2			MOD:1199 ABS;XST:AUS,CHN,EUR,FRA,JAP	
17	87711411A	HOSE	1			MOD:1199 ABS;XST:AUS,CHN,EUR,FRA,JAP	

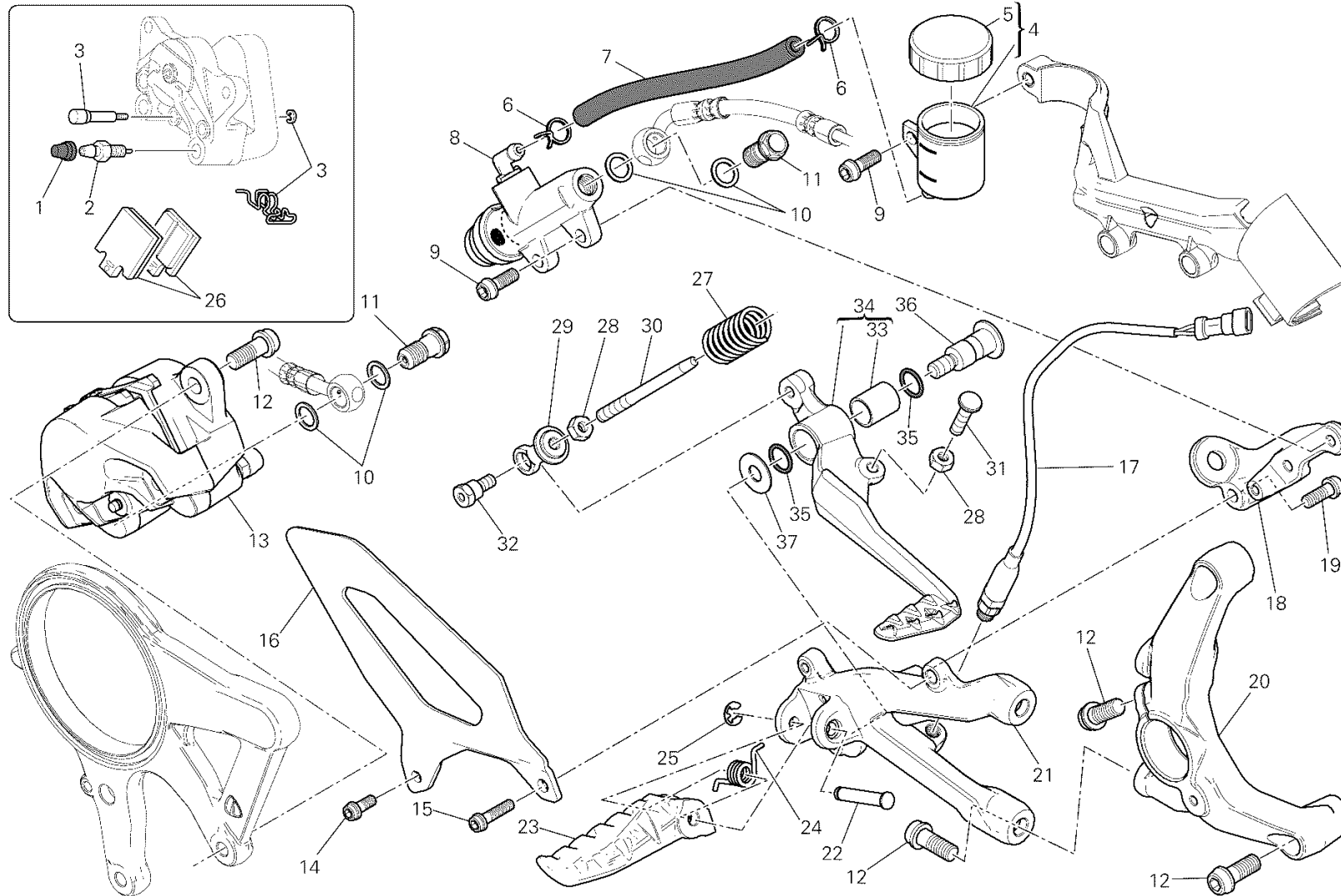


DRAWING 024 - FRENO ANTERIORE [MOD:1199 ABS;XST:AUS,CHN,EUR,FRA,JAP]

GROUP FRAME



POS.	CODE	DESCRIPTION	QTY	START DATE	END DATE	VALIDITY	NOTES
18	75040141A	NUT	1			MOD:1199 ABS;XST:AUS,CHN,EUR,FRA,JAP	
19	63140281A	FRONT CALIPER DRAIN SCREW	1			MOD:1199 ABS;XST:AUS,CHN,EUR,FRA,JAP	
20	71313641A	SPACER	4			MOD:1199 ABS;XST:AUS,CHN,EUR,FRA,JAP	
21	61240051A	DUST COVER	2			MOD:1199 ABS;XST:AUS,CHN,EUR,FRA,JAP	
22	61240201A	FRONT CALIPER DRAIN SCREW	2			MOD:1199 ABS;XST:AUS,CHN,EUR,FRA,JAP	
23	77914151A	BOLT, BRAKE HOSE	1			MOD:1199 ABS;XST:AUS,CHN,EUR,FRA,JAP	
24	62640571A	BRACKET, MASTER CYLINDER	1			MOD:1199 ABS;XST:AUS,CHN,EUR,FRA,JAP	
25	77913311D	SCREW M 10 X 60	4			MOD:1199 ABS;XST:AUS,CHN,EUR,FRA,JAP	
26	61041381A	RIGHT BRAKE CALIPER	1			MOD:1199 ABS;XST:AUS,CHN,EUR,FRA,JAP	
27	61240371A	SPRING, PAD STOPPER	2			MOD:1199 ABS;XST:AUS,CHN,EUR,FRA,JAP	
28	77913091AB	SCREW, SPECIAL	1			MOD:1199 ABS;XST:AUS,CHN,EUR,FRA,JAP	
29	61810361A	FRONT BRAKE HOSE	1			MOD:1199 ABS;XST:AUS,CHN,EUR,FRA,JAP	
30	61240391A	DUST COVER	1			MOD:1199 ABS;XST:AUS,CHN,EUR,FRA,JAP	
31	83016541B	HOSE GUIDE	1			MOD:1199 ABS;XST:AUS,CHN,EUR,FRA,JAP	
32	77211271A	SCREW, SPECIAL M5X10	2			MOD:1199 ABS;XST:AUS,CHN,EUR,FRA,JAP	
33	85250191A	WASHER 5X15X1.5	1			MOD:1199 ABS;XST:AUS,CHN,EUR,FRA,JAP	



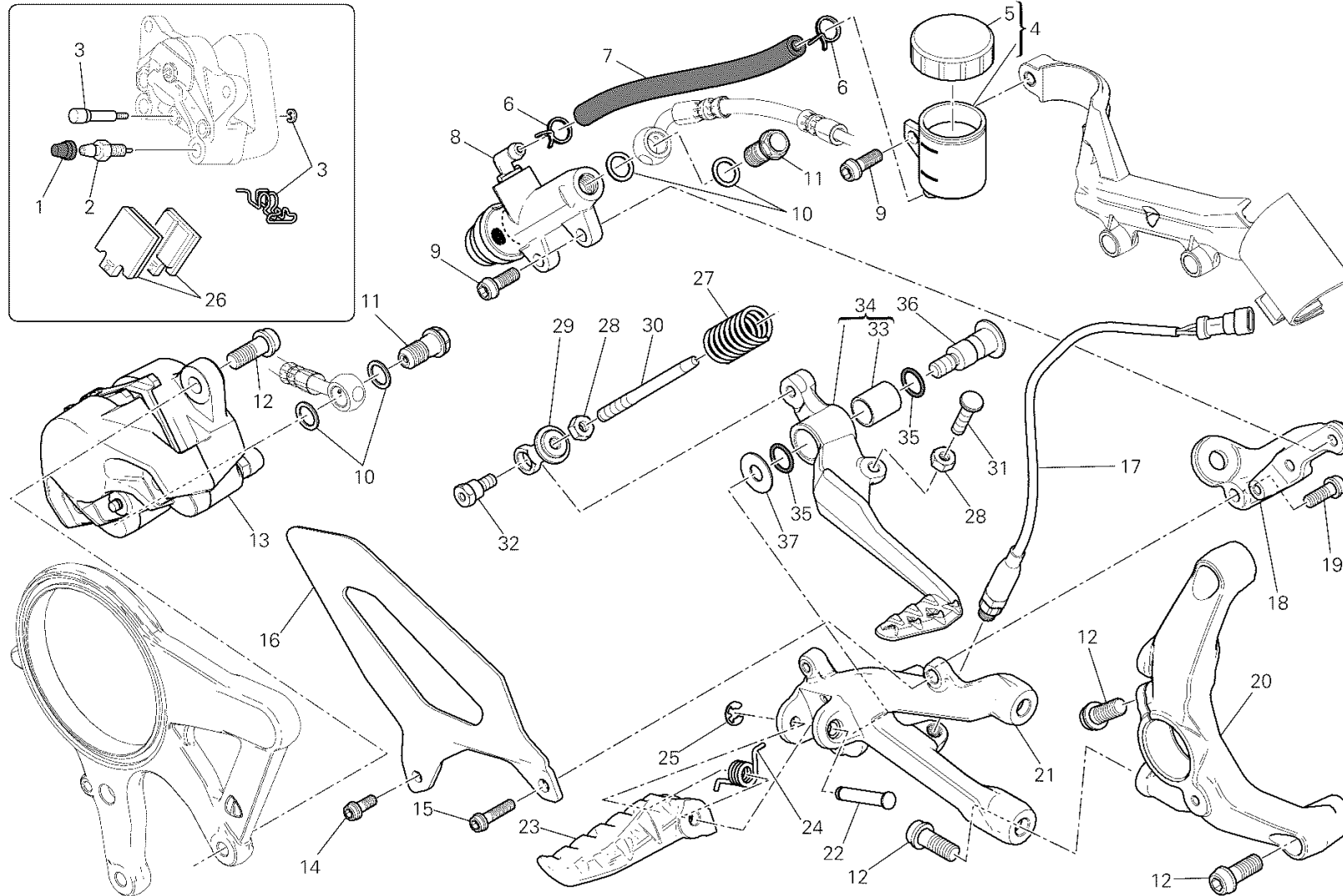
BRB00388

DRAWING 025 - FRENO POSTERIORE [MOD:1199 ABS;XST:AUS,CHN,EUR,FRA,JAP]

GROUP FRAME



POS.	CODE	DESCRIPTION	QTY	START DATE	END DATE	VALIDITY	NOTES
1	61240081A	DUST PLUG	1			MOD:1199 ABS;XST:AUS,CHN,EUR,FRA,JAP	
2	63140161A	FRONT CALIPER DRAIN SCREW	1			MOD:1199 ABS;XST:AUS,CHN,EUR,FRA,JAP	
3	61240161A	PAD PINS OVERHAUL KIT	1			MOD:1199 ABS;XST:AUS,CHN,EUR,FRA,JAP	
4	58540081A	RESERVOIR, BRAKE FLUID	1			MOD:1199 ABS;XST:AUS,CHN,EUR,FRA,JAP	
5	89340051A	COVER MASTER CYLINDER	1			MOD:1199 ABS;XST:AUS,CHN,EUR,FRA,JAP	
6	74140431A	CLAMP	2			MOD:1199 ABS;XST:AUS,CHN,EUR,FRA,JAP	
7	87711531A	PIPE	1			MOD:1199 ABS;XST:AUS,CHN,EUR,FRA,JAP	
8	62540311C	REAR BRAKE PUMP	1			MOD:1199 ABS;XST:AUS,CHN,EUR,FRA,JAP	
9	77156658B	SCREW TCEIF M6X16	3			MOD:1199 ABS;XST:AUS,CHN,EUR,FRA,JAP	
10	85250241A	WASHER 10X14X1	4			MOD:1199 ABS;XST:AUS,CHN,EUR,FRA,JAP	
11	77913661AB	BOLT, BRAKE HOSE M10X1	2			MOD:1199 ABS;XST:AUS,CHN,EUR,FRA,JAP	
12	77157238B	SCREW TCEIF M8X20	7			MOD:1199 ABS;XST:AUS,CHN,EUR,FRA,JAP	
13	61140292B	REAR BRAKE CALIPER	1			MOD:1199 ABS;XST:AUS,CHN,EUR,FRA,JAP	
14	77156398B	SCREW TCEIF M5X12	1			MOD:1199 ABS;XST:AUS,CHN,EUR,FRA,JAP	
15	77156438B	SCREW	1			MOD:1199 ABS;XST:AUS,CHN,EUR,FRA,JAP	
16	24714051BA	HEEL GUARD FRONT RH	1			MOD:1199 ABS;XST:AUS,CHN,EUR,FRA,JAP	
17	53940031A	SWITCH ASSY, SIDE STAND	1			MOD:1199 ABS;XST:AUS,CHN,EUR,FRA,JAP	



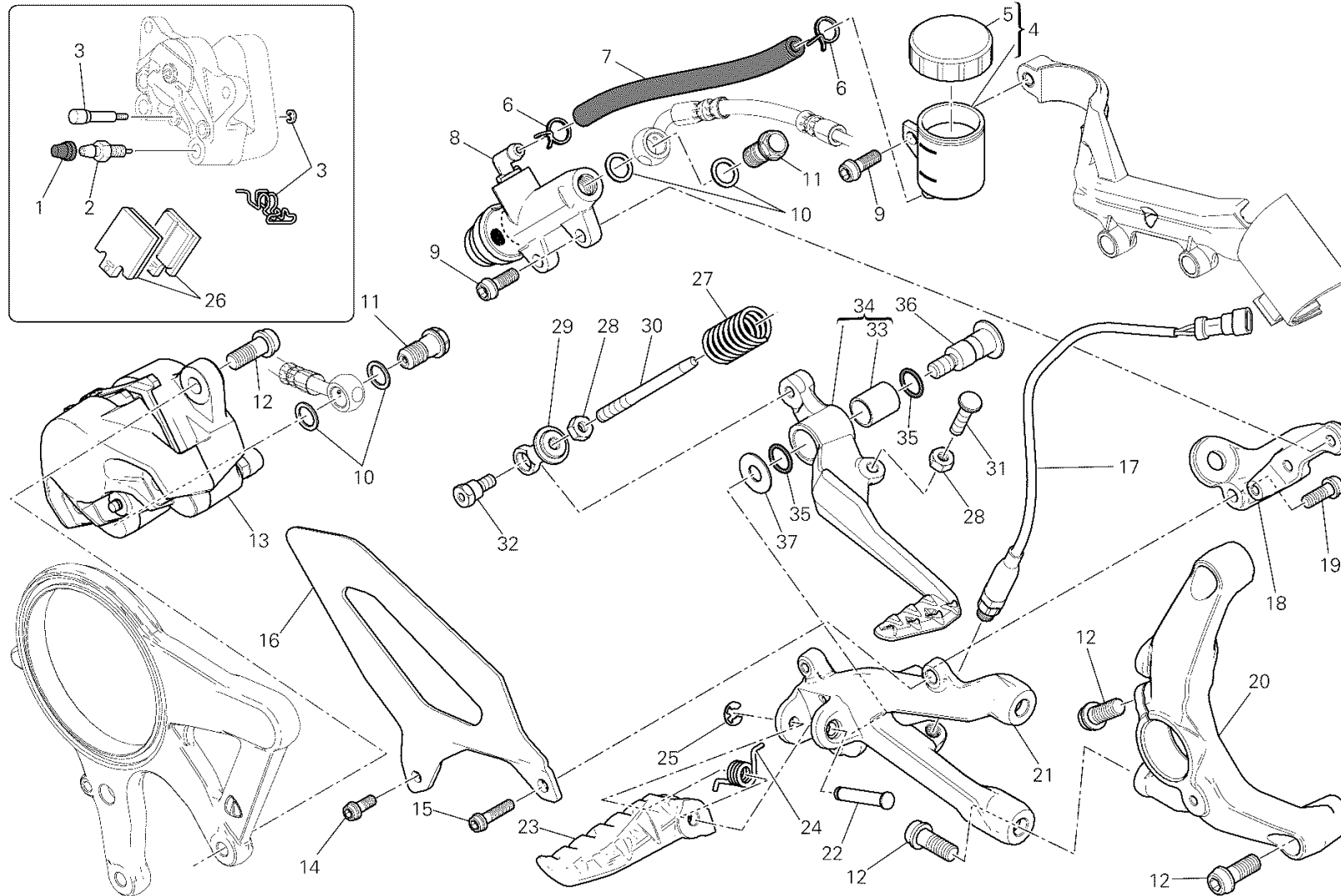
BRB00388

DRAWING 025 - FRENO POSTERIORE [MOD:1199 ABS;XST:AUS,CHN,EUR,FRA,JAP]

GROUP FRAME



POS.	CODE	DESCRIPTION	QTY	START DATE	END DATE	VALIDITY	NOTES
18	8291A511BA	BRACKET, PUMP	1			MOD:1199 ABS;XST:AUS,CHN,EUR,FRA,JAP	
19	77156688B	SCREW TCEIF M6X22X18	1			MOD:1199 ABS;XST:AUS,CHN,EUR,FRA,JAP	
20	8291A441AA	RIGHT HOLDER	1			MOD:1199 ABS;XST:AUS,CHN,EUR,FRA,JAP	
21	82411871BA	FRONT R.H. PLATE	1			MOD:1199 ABS;XST:AUS,CHN,EUR,FRA,JAP	
22	82110511AB	FOOTREST PIN	1			MOD:1199 ABS;XST:AUS,CHN,EUR,FRA,JAP	
23	46410811AA	RIGHT FOOTREST	1			MOD:1199 ABS;XST:AUS,CHN,EUR,FRA,JAP	
24	79911661A	SPRING. FOOTREST	1			MOD:1199 ABS;XST:AUS,CHN,EUR,FRA,JAP	
25	88450031A	CIRCLIP E-TYPE	1			MOD:1199 ABS;XST:AUS,CHN,EUR,FRA,JAP	
26	61340381A	REAR BRAKE PADS SET	1			MOD:1199 ABS;XST:AUS,CHN,EUR,FRA,JAP	
27	79915511A	SPRING	1			MOD:1199 ABS;XST:AUS,CHN,EUR,FRA,JAP	
28	74750031A	NUT 6MM	2			MOD:1199 ABS;XST:AUS,CHN,EUR,FRA,JAP	
29	18410152AA	JOINT	1			MOD:1199 ABS;XST:AUS,CHN,EUR,FRA,JAP	
30	11711271AA	PIN	1			MOD:1199 ABS;XST:AUS,CHN,EUR,FRA,JAP	
31	77912371B	SCREW	1			MOD:1199 ABS;XST:AUS,CHN,EUR,FRA,JAP	
32	82113811AA	PIN	1			MOD:1199 ABS;XST:AUS,CHN,EUR,FRA,JAP	
33	71210341A	BUSH	1			MOD:1199 ABS;XST:AUS,CHN,EUR,FRA,JAP	
34	45720552AA	BRAKE LEVER ASSEMBLY	1			MOD:1199 ABS;XST:AUS,CHN,EUR,FRA,JAP	



BRB00388

DRAWING 025 - FRENO POSTERIORE [MOD:1199 ABS;XST:AUS,CHN,EUR,FRA,JAP]

GROUP FRAME

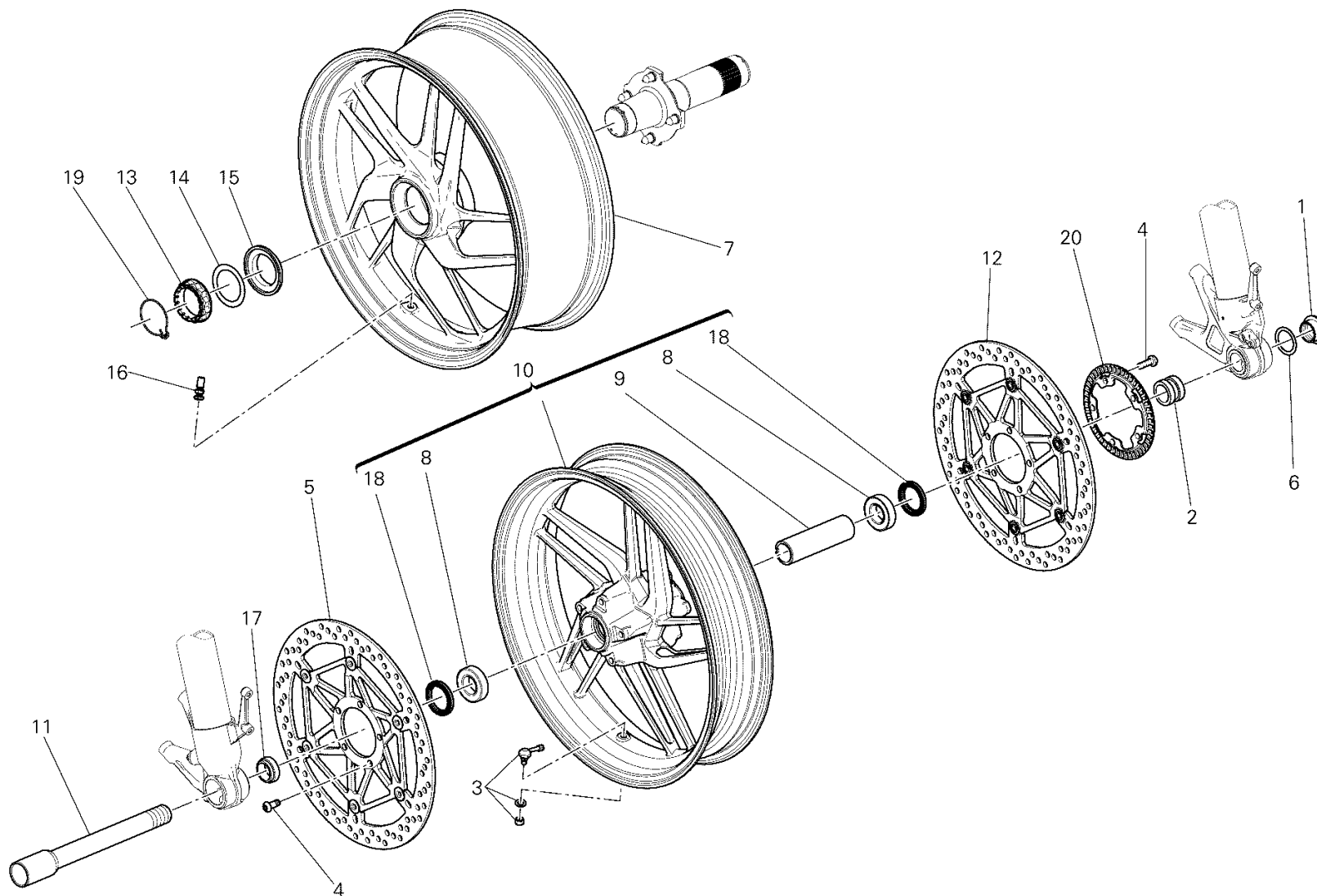


POS.	CODE	DESCRIPTION	QTY	START DATE	END DATE	VALIDITY	NOTES
35	88641161A	O-RING	2			MOD:1199 ABS;XST:AUS,CHN,EUR,FRA,JAP	
36	82111701B	PIN PEDAL	1			MOD:1199 ABS;XST:AUS,CHN,EUR,FRA,JAP	
37	85211511A	WASHER	1			MOD:1199 ABS;XST:AUS,CHN,EUR,FRA,JAP	



DRAWING 026 - RUOTA ANTERIORE E POSTERIORE [MOD:1199 ABS;XST:AUS,CHN,EUR,FRA,JAP]

GROUP FRAME



TEL00708

DRAWING 026 - RUOTA ANTERIORE E POSTERIORE [MOD:1199

ABS;XST:AUS,CHN,EUR,FRA,JAP]

GROUP FRAME

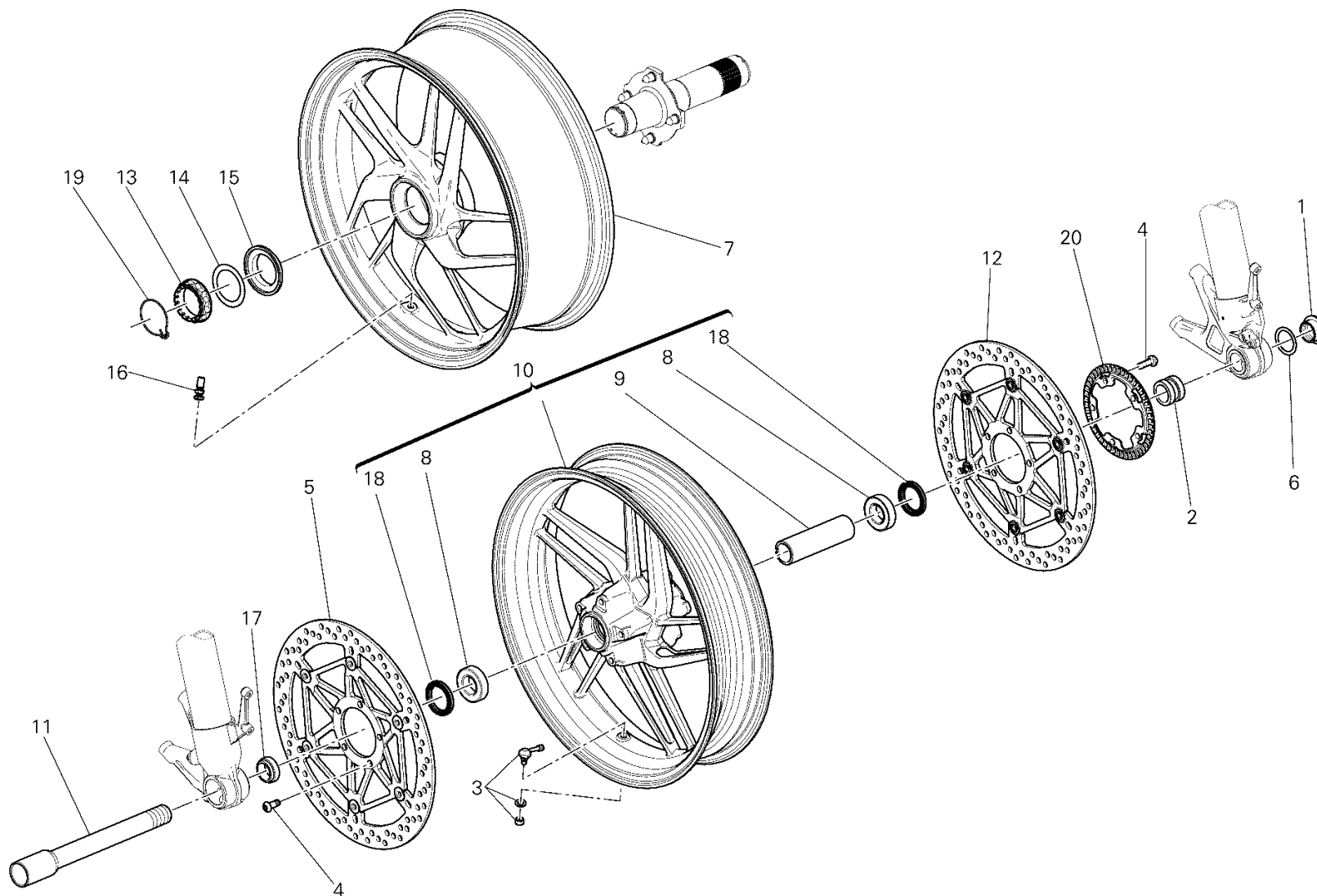


POS.	CODE	DESCRIPTION	QTY	START DATE	END DATE	VALIDITY	NOTES
1	74810651A	NUT	1			MOD:1199 ABS;XST:AUS,CHN,EUR,FRA,JAP	
2	71413271AA	LEFT SPACER	1			MOD:1199 ABS;XST:AUS,CHN,EUR,FRA,JAP	
3	49720012A	VALVE, TUBELESS TIRE	1			MOD:1199 ABS;XST:AUS,CHN,EUR,FRA,JAP	
4	77913991A	SCREW M8X20	10			MOD:1199 ABS;XST:AUS,CHN,EUR,FRA,JAP	
5	49240901A	DISC, FRONT BRAKE RH	1			MOD:1199 ABS;XST:AUS,CHN,EUR,FRA,JAP	
6	85212221A	WASHER 30X40X1	1			MOD:1199 ABS;XST:AUS,CHN,EUR,FRA,JAP	
7	50211482AB	REAR WHEEL RIM	1			MOD:1199 ABS;XST:AUS,CHN,EUR,FRA,JAP	
8	70250451A	BEARING	2			MOD:1199 ABS;XST:AUS,CHN,EUR,FRA,JAP	
9	71413281AA	INNER SPACER	1			MOD:1199 ABS;XST:AUS,CHN,EUR,FRA,JAP	
10	50121541A	FRONT WHEEL RIM	1			MOD:1199 ABS;XST:AUS,CHN,EUR,FRA,JAP	
11	81910691A	FRONT WHEEL SPINDLE	1			MOD:1199 ABS;XST:AUS,CHN,EUR,FRA,JAP	
12	49240891A	DISC, FRONT BRAKE LH	1			MOD:1199 ABS;XST:AUS,CHN,EUR,FRA,JAP	
13	75011391A	NUT	1			MOD:1199 ABS;XST:AUS,CHN,EUR,FRA,JAP	
14	85212211A	WASHER 48.5X65X0.5	1			MOD:1199 ABS;XST:AUS,CHN,EUR,FRA,JAP	
15	71413231AA	SPACER	1			MOD:1199 ABS;XST:AUS,CHN,EUR,FRA,JAP	
16	49720031A	VALVE, TUBELESS TIRE	1			MOD:1199 ABS;XST:AUS,CHN,EUR,FRA,JAP	
17	71413261AA	RIGHT SPACER	1			MOD:1199 ABS;XST:AUS,CHN,EUR,FRA,JAP	



DRAWING 026 - RUOTA ANTERIORE E POSTERIORE [MOD:1199 ABS;XST:AUS,CHN,EUR,FRA,JAP]

GROUP FRAME



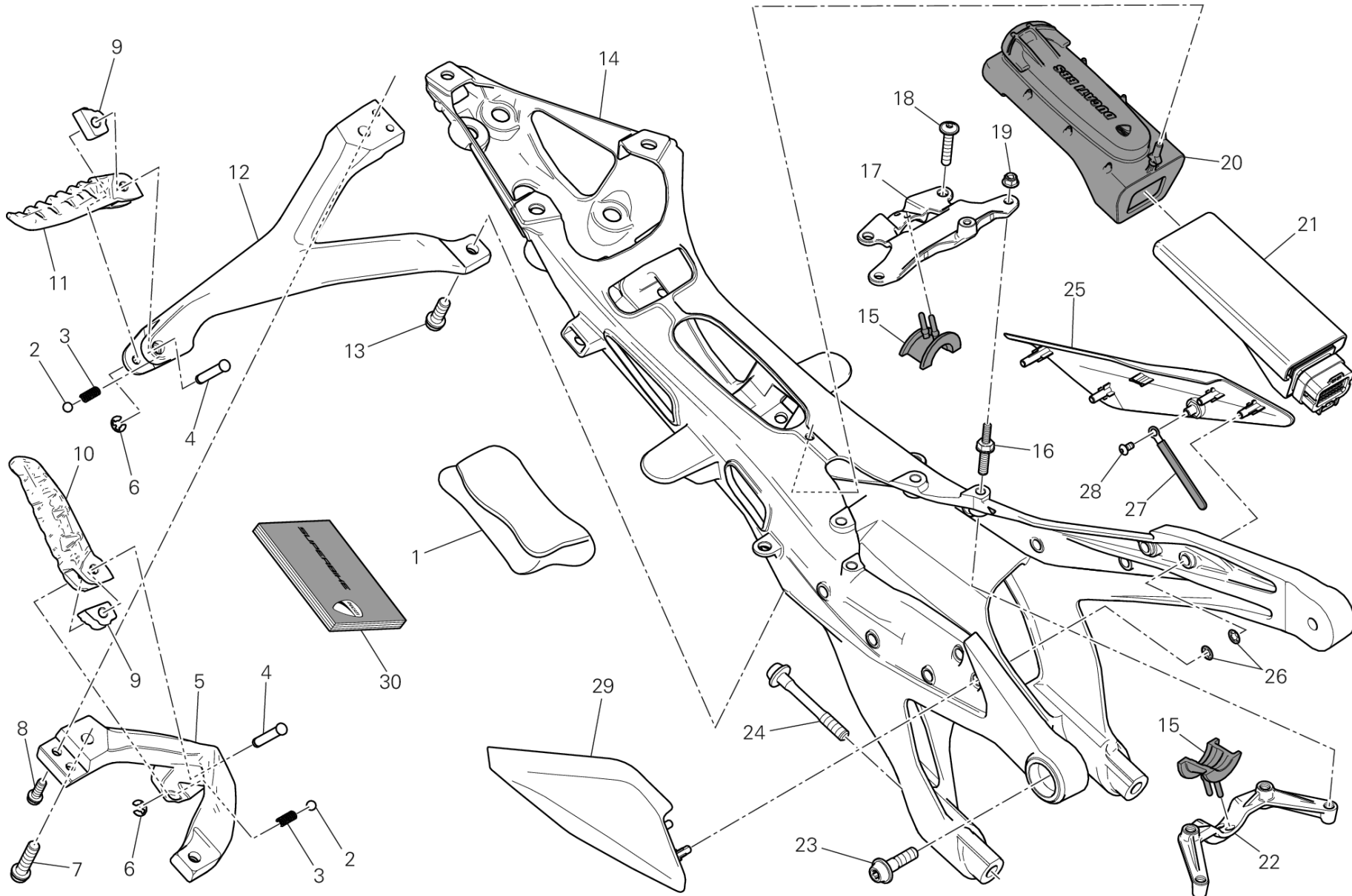
TEL00708

DRAWING 026 - RUOTA ANTERIORE E POSTERIORE [MOD:1199 ABS;XST:AUS,CHN,EUR,FRA,JAP]



GROUP FRAME

POS.	CODE	DESCRIPTION	QTY	START DATE	END DATE	VALIDITY	NOTES
18	93040521A	SEAL RING 35X47.15X6.8	2			MOD:1199 ABS;XST:AUS,CHN,EUR,FRA,JAP	
19	75910222A	CLIP	1			MOD:1199 ABS;XST:AUS,CHN,EUR,FRA,JAP	
20	50410051A	FRONT PHONIC WHEEL	1			MOD:1199 ABS;XST:AUS,CHN,EUR,FRA,JAP	

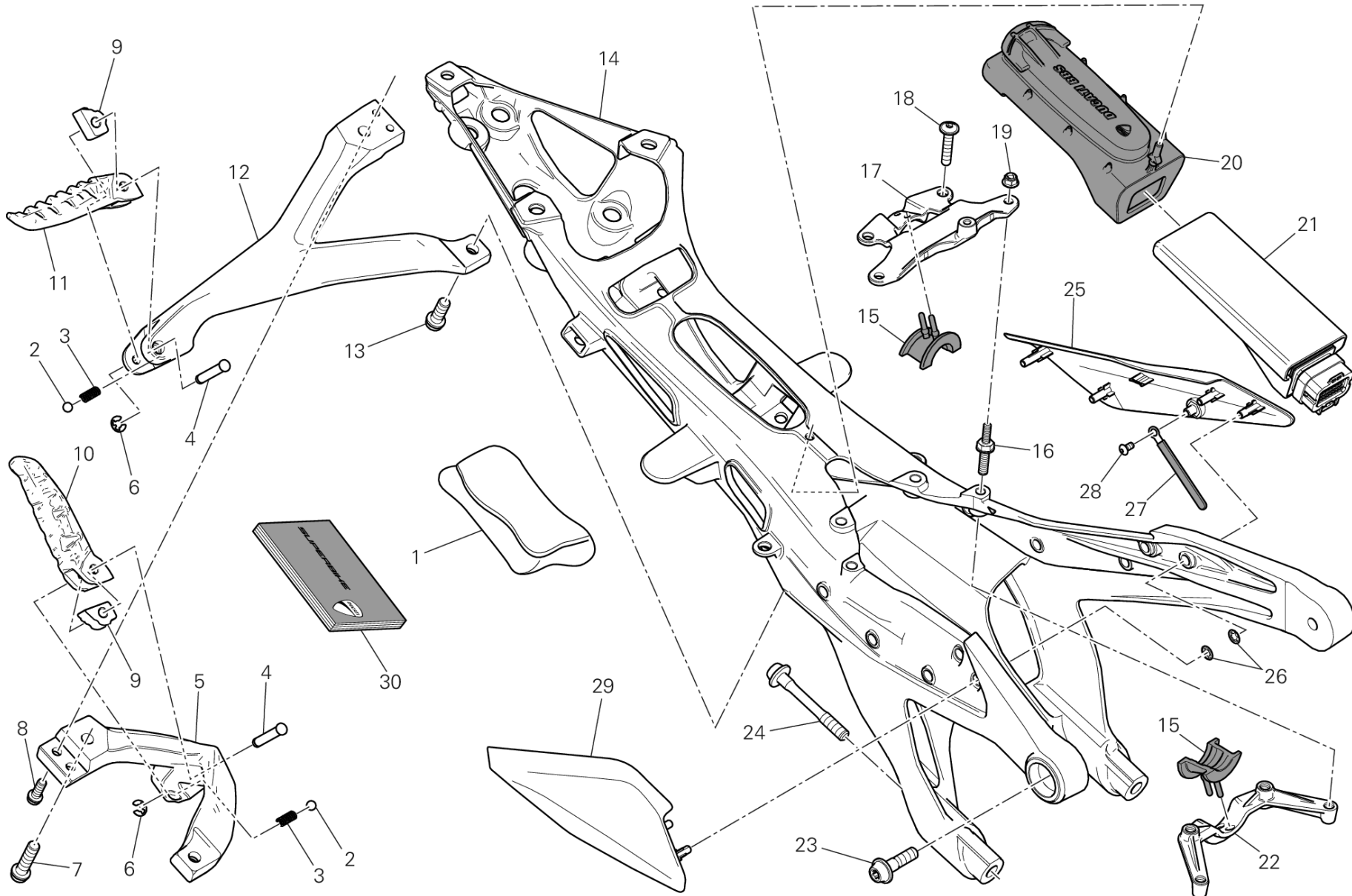


DRAWING 027 - REAR FRAME COMP. [MOD:1199 ABS;XST:AUS,CHN,EUR,FRA,JAP]

GROUP FRAME



POS.	CODE	DESCRIPTION	QTY	START DATE	END DATE	VALIDITY	NOTES
1	69720283A	TOOL BAG	1			MOD:1199 ABS;XST:AUS,CHN,EUR,FRA,JAP	
2	84740021A	BALL	2			MOD:1199 ABS;XST:AUS,CHN,EUR,FRA,JAP	
3	79910241A	SPRING	2			MOD:1199 ABS;XST:AUS,CHN,EUR,FRA,JAP	
4	82110511AB	FOOTREST PIN	2			MOD:1199 ABS;XST:AUS,CHN,EUR,FRA,JAP	
5	82411881BA	REAR L.H. PLATE	1			MOD:1199 ABS;XST:AUS,CHN,EUR,FRA,JAP	
6	88450031A	CIRCLIP E-TYPE	2			MOD:1199 ABS;XST:AUS,CHN,EUR,FRA,JAP	
7	77157278B	SCREW TCEIF M8X30	2			MOD:1199 ABS;XST:AUS,CHN,EUR,FRA,JAP	
8	77156658B	SCREW TCEIF M6X16	2			MOD:1199 ABS;XST:AUS,CHN,EUR,FRA,JAP	
9	69610121A	BLOCK	2			MOD:1199 ABS;XST:AUS,CHN,EUR,FRA,JAP	
10	46410801AA	LEFT FOOTREST	1			MOD:1199 ABS;XST:AUS,CHN,EUR,FRA,JAP	
11	46410811AA	RIGHT FOOTREST	1			MOD:1199 ABS;XST:AUS,CHN,EUR,FRA,JAP	
12	82411892BA	REAR R.H. PLATE	1			MOD:1199 ABS;XST:AUS,CHN,EUR,FRA	
	82412251AA	REAR R.H. PLATE	1	01/03/2012		MOD:1199 ABS;XST:JAP	JAP
13	77157238B	SCREW TCEIF M8X20	2			MOD:1199 ABS;XST:AUS,CHN,EUR,FRA,JAP	
14	47110252BA	REAR FRAME COMP.	1			MOD:1199 ABS;XST:AUS,CHN,EUR,FRA,JAP	
15	76411472A	RUBBER PAD	2			MOD:1199 ABS;XST:AUS,CHN,EUR,FRA,JAP	
16	77916783AA	SCREW, SPECIAL	2			MOD:1199 ABS;XST:AUS,CHN,EUR,FRA,JAP	
17	83016452AA	BRACKET UPPER	1			MOD:1199 ABS;XST:AUS,CHN,EUR,FRA,JAP	



DRAWING 027 - REAR FRAME COMP. [MOD:1199 ABS;XST:AUS,CHN,EUR,FRA,JAP]

GROUP FRAME

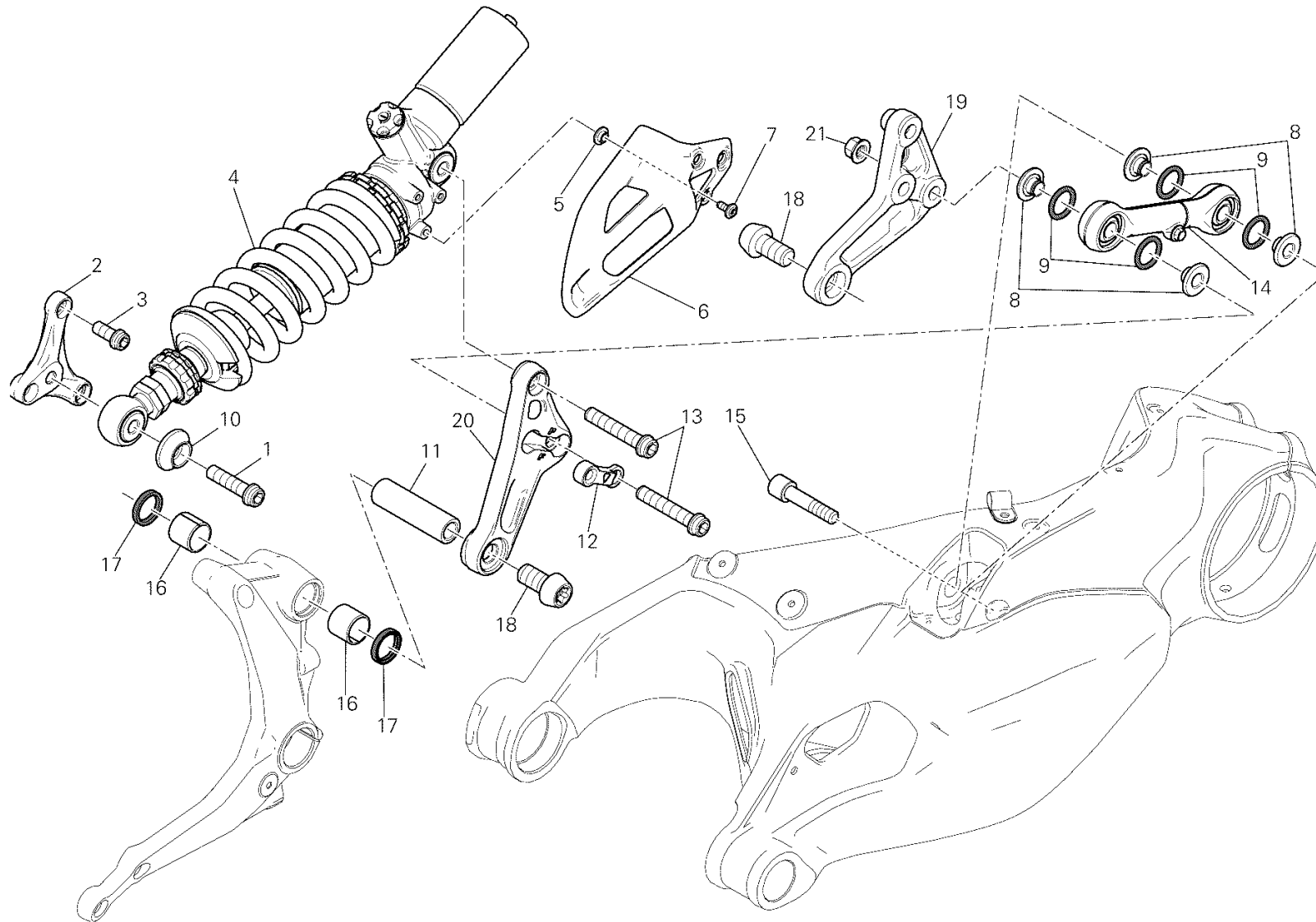


POS.	CODE	DESCRIPTION	QTY	START DATE	END DATE	VALIDITY	NOTES
18	77240483C	SCREW	2			MOD:1199 ABS;XST:AUS,CHN,EUR,FRA,JAP	
19	74810351B	NUT	2			MOD:1199 ABS;XST:AUS,CHN,EUR,FRA,JAP	
20	70010701A	SUPPORTO ANTIVIBRANTE	1			MOD:1199 ABS;XST:AUS,CHN,EUR,FRA,JAP	
21	38510161A	BLACKBOX UNIT	1	04/07/2012		MOD:1199 ABS;XST:AUS,CHN,EUR,FRA,JAP	1199 / ABS
22	83016442AA	BRACKET	1			MOD:1199 ABS;XST:AUS,CHN,EUR,FRA,JAP	
23	77916763AA	SPECIAL SCREW UPPER	2			MOD:1199 ABS;XST:AUS,CHN,EUR,FRA,JAP	
24	77916773AA	SPECIAL SCREW BOTTOM	2			MOD:1199 ABS;XST:AUS,CHN,EUR,FRA,JAP	
25	46015011B	CAP LH	1			MOD:1199 ABS;XST:AUS,CHN,EUR,FRA,JAP	
26	85040521A	CLIP	9			MOD:1199 ABS;XST:AUS,CHN,EUR,FRA,JAP	
27	74141671A	PLATE	1			MOD:1199 ABS;XST:AUS,CHN,EUR,FRA,JAP	
28	77510161A	SCREW	1			MOD:1199 ABS;XST:AUS,CHN,EUR,FRA,JAP	
29	46015022A	CAP RH	1			MOD:1199 ABS;XST:AUS,CHN,EUR,FRA,JAP	
30	91371921L	OWNER'S MANUAL	1			MOD:1199 ABS;XST:AUS,EUR,FRA	(1199 / ABS) DEU-FRA-GBR-ITA
	91371921M	OWNER'S MANUAL	1	29/03/2012		MOD:1199 ABS;XST:JAP	(1199 / ABS) ESP-FRA-GBR-JPN
	91371921N	OWNER'S MANUAL	1			MOD:1199 ABS;XST:EUR	(1199 / ABS) ESP-GRC-PRT
	91371921P	OWNER'S MANUAL	1			MOD:1199 ABS;XST:EUR,FRA	(1199 / ABS) FRA-NLD
	91371921Q	OWNER'S MANUAL	1			MOD:1199 ABS;XST:EUR	(1199 / ABS) DNK-FIN-NOR-SWE
	91371921R	OWNER'S MANUAL	1			MOD:1199 ABS;XST:EUR	(1199 / ABS) CZE-POL-SVK-SLO
	91371921S	OWNER'S MANUAL	1			MOD:1199 ABS;XST:EUR	(1199 / ABS) BGR-HUN-ROU-RUS
	91371921W	OWNER'S MANUAL	1	29/03/2012		MOD:1199 ABS;XST:CHN	(1199 / ABS) CHN



DRAWING 028 - SOSPENSIONE POSTERIORE [MOD:1199 ABS;XST:AUS,CHN,EUR,FRA,JAP]

GROUP FRAME



SOS00620

DRAWING 028 - SOSPENSIONE POSTERIORE [MOD:1199

ABS;XST:AUS,CHN,EUR,FRA,JAP]

GROUP FRAME

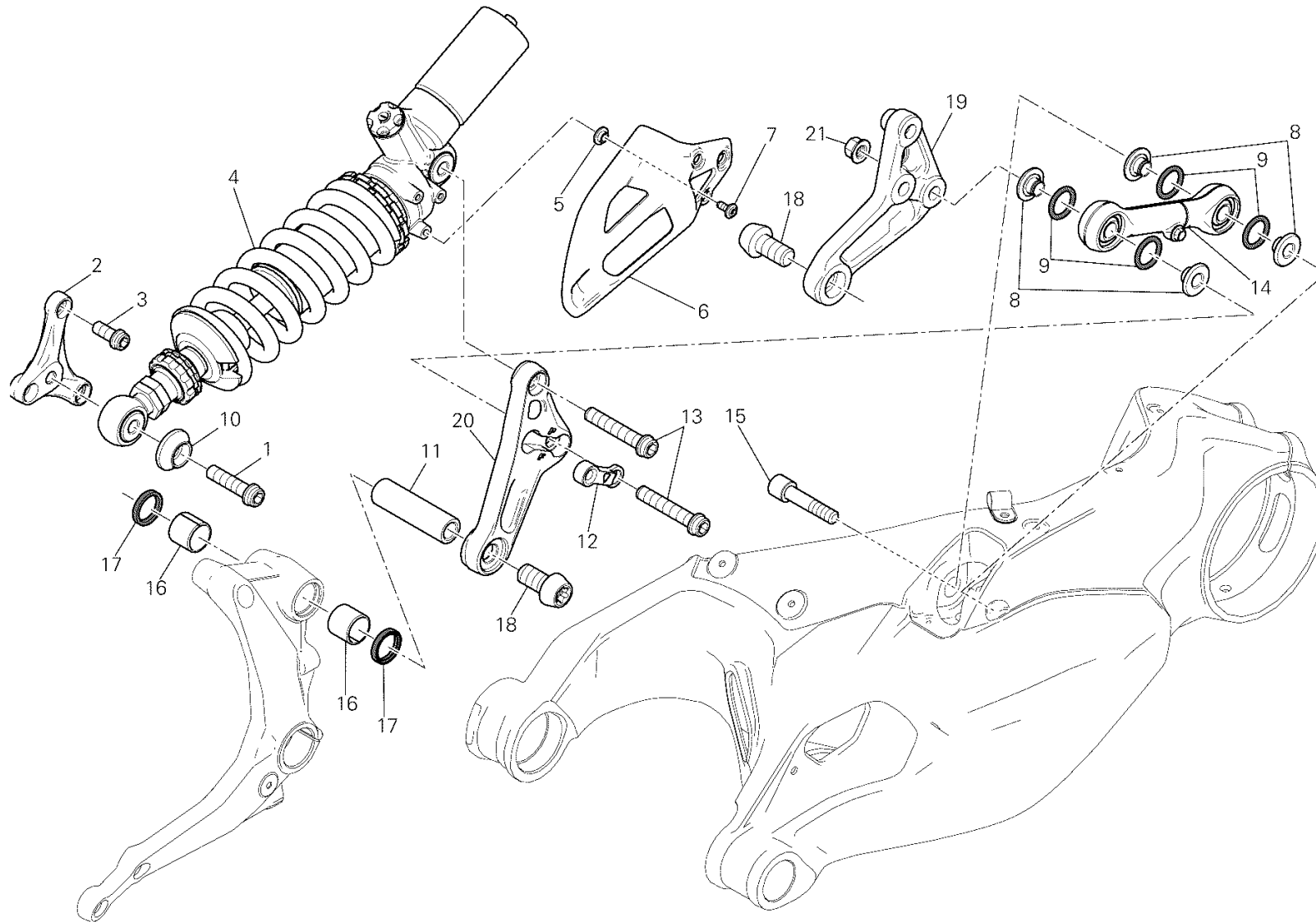


POS.	CODE	DESCRIPTION	QTY	START DATE	END DATE	VALIDITY	NOTES
1	77151598C	SCREW	1			MOD:1199 ABS;XST:AUS,CHN,EUR,FRA,JAP	
2	8291A333AA	BRACKET, FRONT	1			MOD:1199 ABS;XST:AUS,CHN,EUR,FRA,JAP	
3	77157238B	SCREW TCEIF M8X20	3			MOD:1199 ABS;XST:AUS,CHN,EUR,FRA,JAP	
4	36521022A	REAR SHOCK ABSORBER	1			MOD:1199 ABS;XST:AUS,CHN,EUR,FRA,JAP	
5	71611441B	SPACER	3			MOD:1199 ABS;XST:AUS,CHN,EUR,FRA,JAP	
6	46015341A	GUARD	1			MOD:1199 ABS;XST:AUS,CHN,EUR,FRA,JAP	
7	77213173B	SCREW	3			MOD:1199 ABS;XST:AUS,CHN,EUR,FRA,JAP	
8	71011642AA	SPINDLE, TAPER	4			MOD:1199 ABS;XST:AUS,CHN,EUR,FRA,JAP	
9	88640091A	O-RING	4			MOD:1199 ABS;XST:AUS,CHN,EUR,FRA,JAP	
10	71319971AA	SPACER	1			MOD:1199 ABS;XST:AUS,CHN,EUR,FRA,JAP	
11	71319421A	SPACER	1			MOD:1199 ABS;XST:AUS,CHN,EUR,FRA,JAP	
12	71319522AA	PLATE	1			MOD:1199 ABS;XST:AUS,CHN,EUR,FRA,JAP	
13	77157618B	SCREW	2			MOD:1199 ABS;XST:AUS,CHN,EUR,FRA,JAP	
14	87521941AA	ROD	1			MOD:1199 ABS;XST:AUS,CHN,EUR,FRA,JAP	
15	77915041A	SCREW	1			MOD:1199 ABS;XST:AUS,CHN,EUR,FRA,JAP	
16	70241191A	BUSH	2			MOD:1199 ABS;XST:AUS,CHN,EUR,FRA,JAP	
17	93041271A	SEAL RING 20X26X4	2			MOD:1199 ABS;XST:AUS,CHN,EUR,FRA,JAP	



DRAWING 028 - SOSPENSIONE POSTERIORE [MOD:1199 ABS;XST:AUS,CHN,EUR,FRA,JAP]

GROUP FRAME



SOS00620

DRAWING 028 - SOSPENSIONE POSTERIORE [MOD:1199

ABS;XST:AUS,CHN,EUR,FRA,JAP]

GROUP FRAME

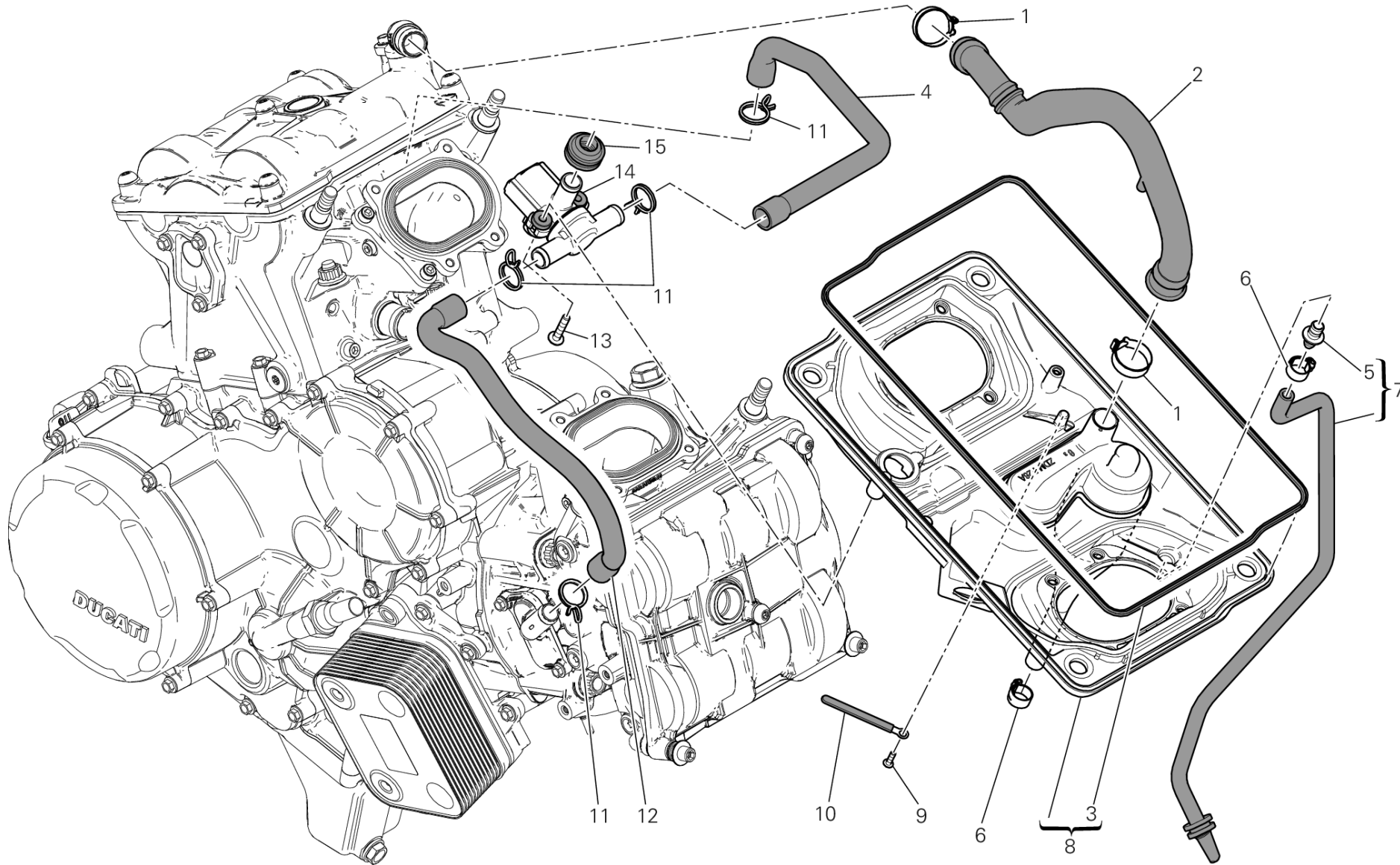


POS.	CODE	DESCRIPTION	QTY	START DATE	END DATE	VALIDITY	NOTES
18	77211361AA	SCREW, SPECIAL	2			MOD:1199 ABS;XST:AUS,CHN,EUR,FRA,JAP	
19	37211161BA	REAR ROCKER ARM LH	1			MOD:1199 ABS;XST:AUS,CHN,EUR,FRA,JAP	
20	37211171BA	REAR ROCKER ARM RH	1			MOD:1199 ABS;XST:AUS,CHN,EUR,FRA,JAP	
21	74940141A	NUT	1			MOD:1199 ABS;XST:AUS,CHN,EUR,FRA,JAP	



DRAWING 029 - AIR INTAKE - OIL BREATHER [MOD:1199 ABS;XST:AUS,CHN,EUR,FRA,JAP]

GROUP FRAME



RAF00478

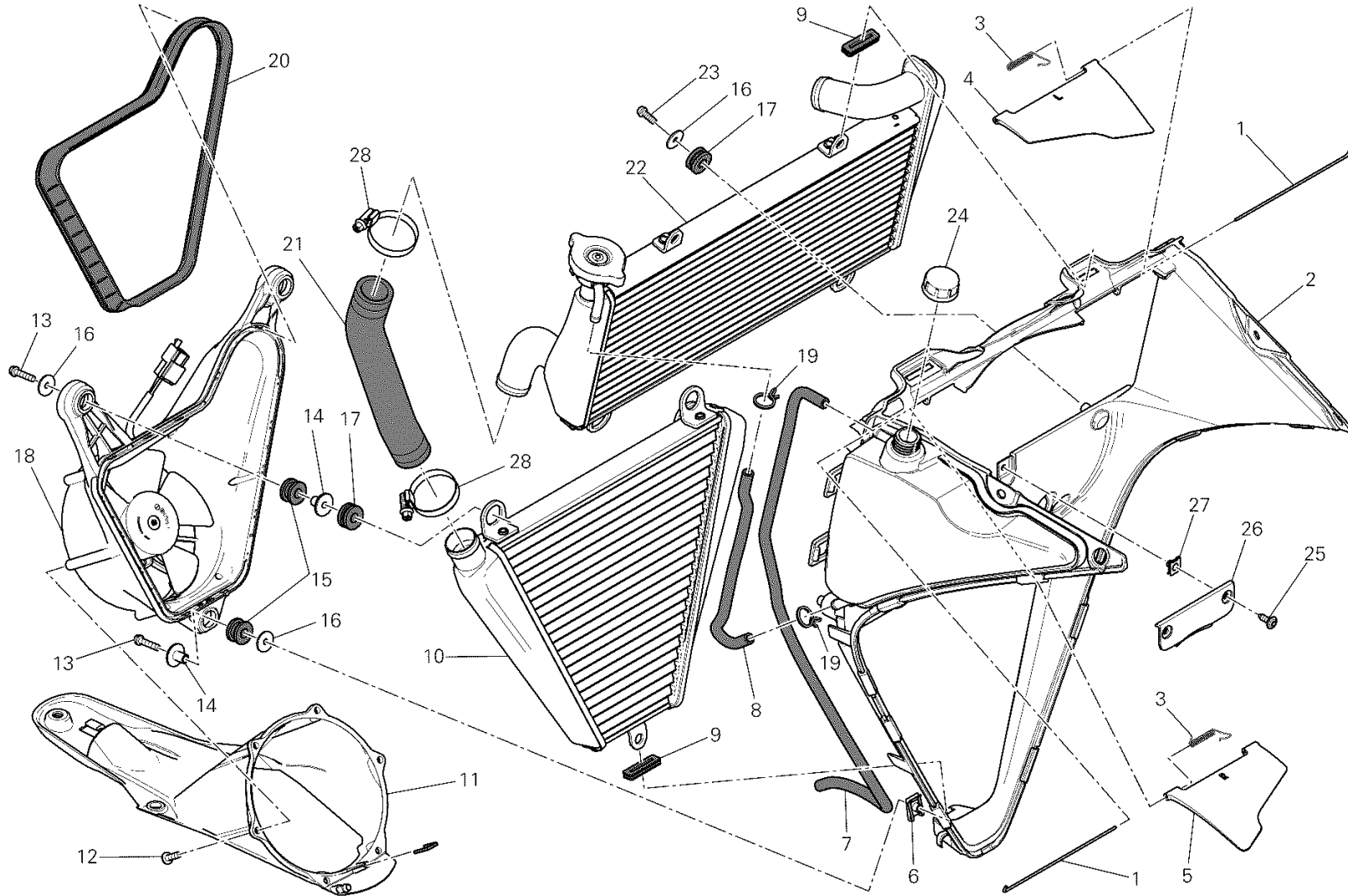
DRAWING 029 - AIR INTAKE - OIL BREATHER [MOD:1199

ABS;XST:AUS,CHN,EUR,FRA,JAP]

GROUP FRAME



POS.	CODE	DESCRIPTION	QTY	START DATE	END DATE	VALIDITY	NOTES
1	74142141A	CLAMP	2			MOD:1199 ABS;XST:AUS,CHN,EUR,FRA,JAP	
2	87611081A	BREATHER PIPE	1			MOD:1199 ABS;XST:AUS,CHN,EUR,FRA,JAP	
3	78811161A	GASKET	1			MOD:1199 ABS;XST:AUS,CHN,EUR,FRA,JAP	
4	87611121A	PIPE Verticale	1			MOD:1199 ABS;XST:AUS,CHN,EUR,FRA,JAP	
5	81510371A	NIPPLE	1			MOD:1199 ABS;XST:AUS,CHN,EUR,FRA,JAP	
6	74140631A	CLAMP	2			MOD:1199 ABS;XST:AUS,CHN,EUR,FRA,JAP	
7	59013861A	BREATHER PIPE	1			MOD:1199 ABS;XST:AUS,CHN,EUR,FRA,JAP	
8	44212342B	AIRBOX Inferiore	1			MOD:1199 ABS;XST:AUS,CHN,EUR,FRA,JAP	
9	77440111A	SCREW	1			MOD:1199 ABS;XST:AUS,CHN,EUR,FRA,JAP	
10	74141671A	PLATE	1			MOD:1199 ABS;XST:AUS,CHN,EUR,FRA,JAP	
11	74142251A	CLAMP	4			MOD:1199 ABS;XST:AUS,CHN,EUR,FRA,JAP	
12	87611131A	PIPE Orizzontale	1			MOD:1199 ABS;XST:AUS,CHN,EUR,FRA,JAP	
13	77240323C	SCREW	2			MOD:1199 ABS;XST:AUS,CHN,EUR,FRA,JAP	
14	65540081A	VALVE MOTOR	1			MOD:1199 ABS;XST:AUS,CHN,EUR,FRA,JAP	
15	76411621A	RUBBER PAD	1			MOD:1199 ABS;XST:AUS,CHN,EUR,FRA,JAP	



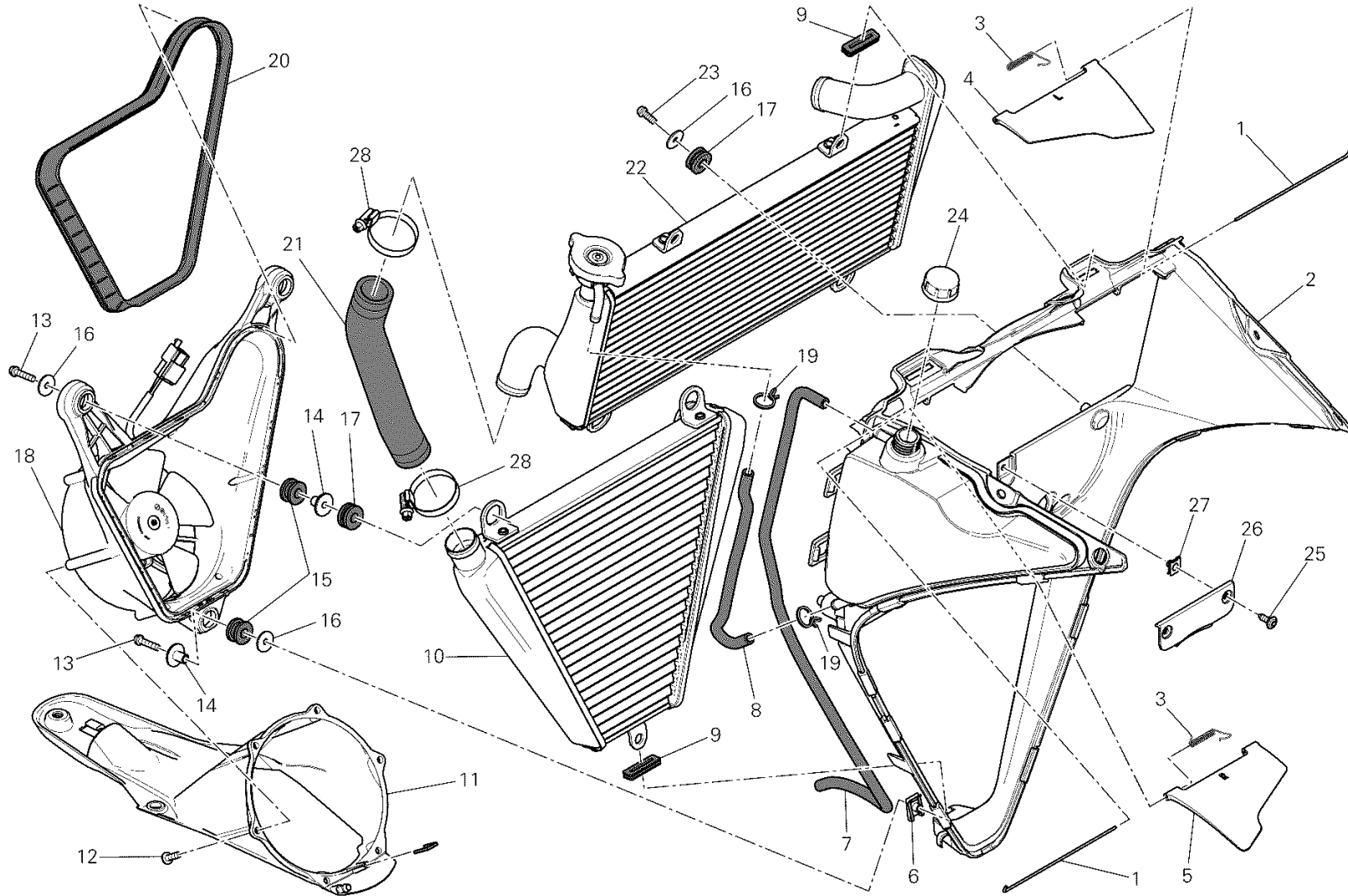
RAF00453

DRAWING 030 - WATER COOLER [MOD:1199 ABS;XST:AUS,CHN,EUR,FRA,JAP]

GROUP FRAME



POS.	CODE	DESCRIPTION	QTY	START DATE	END DATE	VALIDITY	NOTES
1	82113751A	PIN	2			MOD:1199 ABS;XST:AUS,CHN,EUR,FRA,JAP	
2	48410991B	HOLDER	1			MOD:1199 ABS;XST:AUS,CHN,EUR,FRA,JAP	
3	79915441A	SPRING	2			MOD:1199 ABS;XST:AUS,CHN,EUR,FRA,JAP	
4	48411043A	DEFLECTOR LH	1			MOD:1199 ABS;XST:AUS,CHN,EUR,FRA,JAP	
5	48411053A	DEFLECTOR RH	1			MOD:1199 ABS;XST:AUS,CHN,EUR,FRA,JAP	
6	85040551A	QUICK FASTENING	1			MOD:1199 ABS;XST:AUS,CHN,EUR,FRA,JAP	
7	59013911B	BREATHER PIPE	1			MOD:1199 ABS;XST:AUS,CHN,EUR,FRA,JAP	
8	93410152A	PIPE	1			MOD:1199 ABS;XST:AUS,CHN,EUR,FRA,JAP	
9	76411411B	RUBBER PAD	3			MOD:1199 ABS;XST:AUS,CHN,EUR,FRA,JAP	
10	54840971B	WATER COOLER	1			MOD:1199 ABS;XST:AUS,CHN,EUR,FRA,JAP	
11	8291A352B	ESTRATTORE (REAR)	1			MOD:1199 ABS;XST:AUS,CHN,EUR,FRA,JAP	
12	77440203C	SCREW	6			MOD:1199 ABS;XST:AUS,CHN,EUR,FRA,JAP	
13	77156443B	SCREW	3			MOD:1199 ABS;XST:AUS,CHN,EUR,FRA,JAP	
14	71614331AA	SPACER	3			MOD:1199 ABS;XST:AUS,CHN,EUR,FRA,JAP	
15	76411491A	RUBBER PAD	3			MOD:1199 ABS;XST:AUS,CHN,EUR,FRA,JAP	
16	85213111AA	WASHER	5			MOD:1199 ABS;XST:AUS,CHN,EUR,FRA,JAP	
17	76411501A	RUBBER PAD	4			MOD:1199 ABS;XST:AUS,CHN,EUR,FRA,JAP	



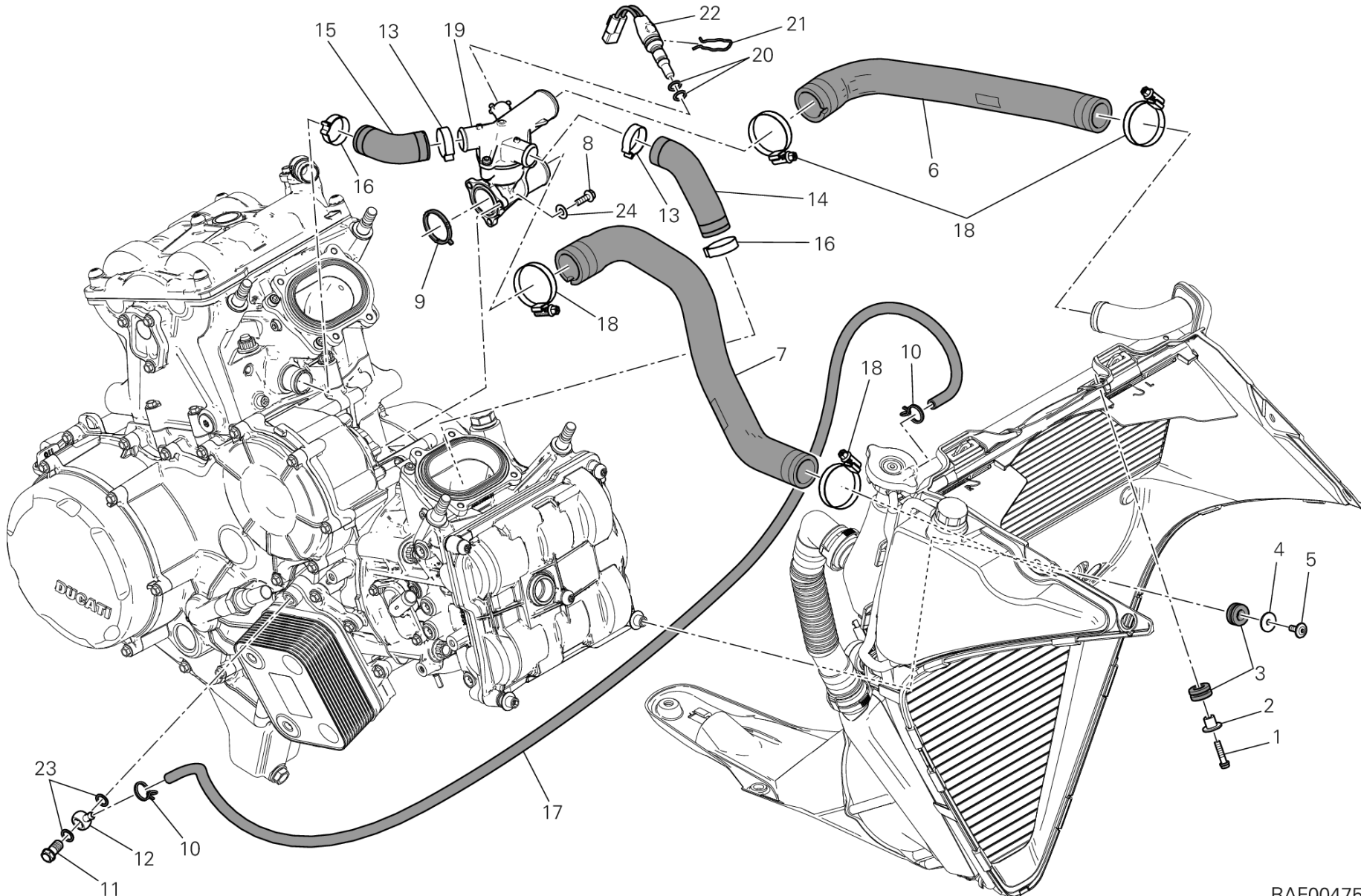
RAF00453

DRAWING 030 - WATER COOLER [MOD:1199 ABS;XST:AUS,CHN,EUR,FRA,JAP]

GROUP FRAME



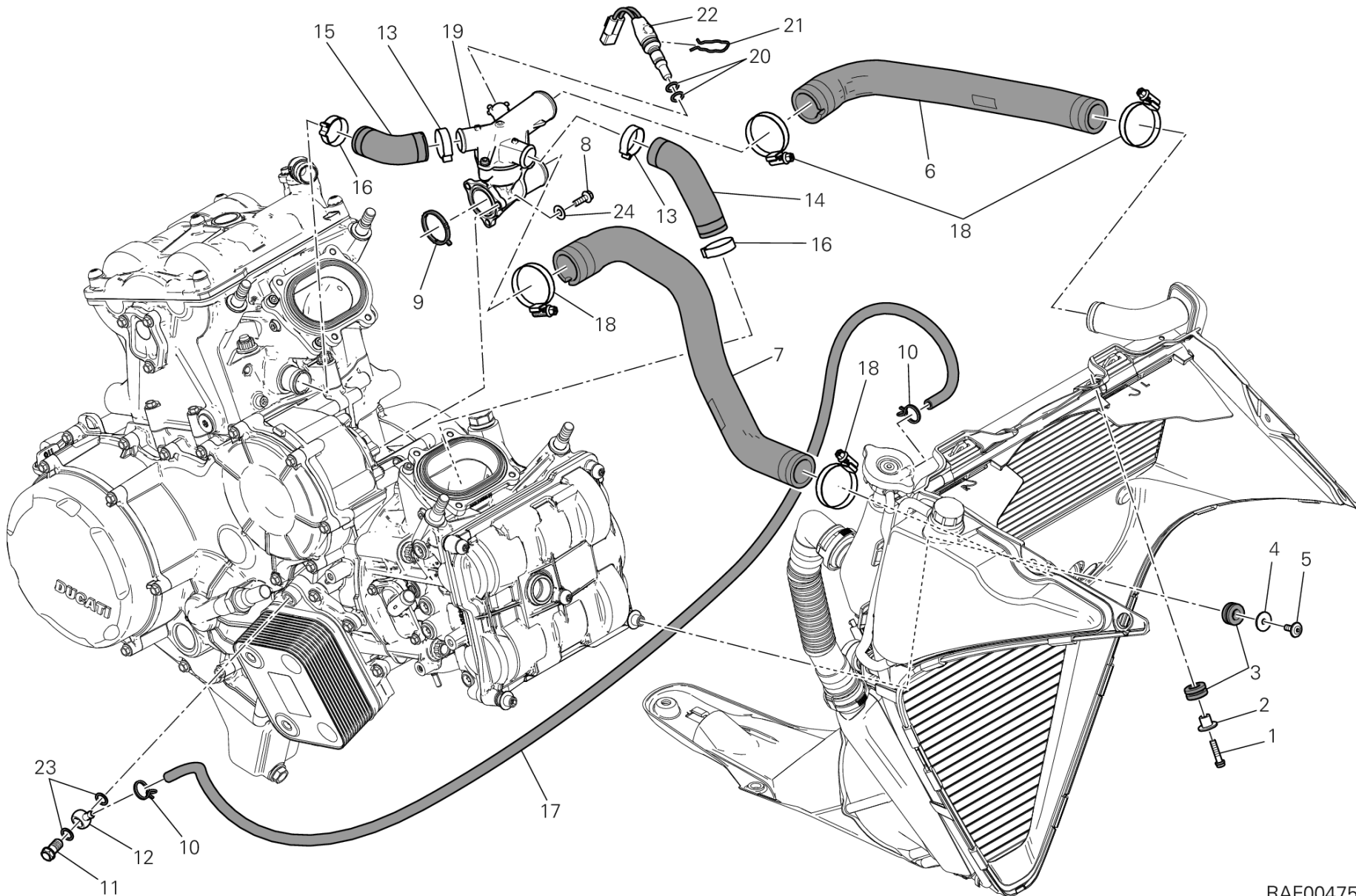
POS.	CODE	DESCRIPTION	QTY	START DATE	END DATE	VALIDITY	NOTES
18	8292A342A	ESTRATTORE (Unit)	1			MOD:1199 ABS;XST:AUS,CHN,EUR,FRA,JAP	
19	74140431A	CLAMP	2			MOD:1199 ABS;XST:AUS,CHN,EUR,FRA,JAP	
20	79110831A	GASKET	1			MOD:1199 ABS;XST:AUS,CHN,EUR,FRA,JAP	
21	80012121A	COOLER COOLER HOSE	1			MOD:1199 ABS;XST:AUS,CHN,EUR,FRA,JAP	
22	54840961B	WATER COOLER	1			MOD:1199 ABS;XST:AUS,CHN,EUR,FRA,JAP	
23	77156408B	SCREW TCEIF M5X14	2			MOD:1199 ABS;XST:AUS,CHN,EUR,FRA,JAP	
24	89310143A	TANK CAP	1			MOD:1199 ABS;XST:AUS,CHN,EUR,FRA,JAP	
25	77211091C	SCREW	2			MOD:1199 ABS;XST:AUS,CHN,EUR,FRA,JAP	
26	24714291A	COVER	1			MOD:1199 ABS;XST:AUS,CHN,EUR,FRA,JAP	
27	85040471A	QUICK FASTENING M5	2			MOD:1199 ABS;XST:AUS,CHN,EUR,FRA,JAP	
28	74141851A	CLAMP 25-40 MM	2			MOD:1199 ABS;XST:AUS,CHN,EUR,FRA,JAP	



RAF00475



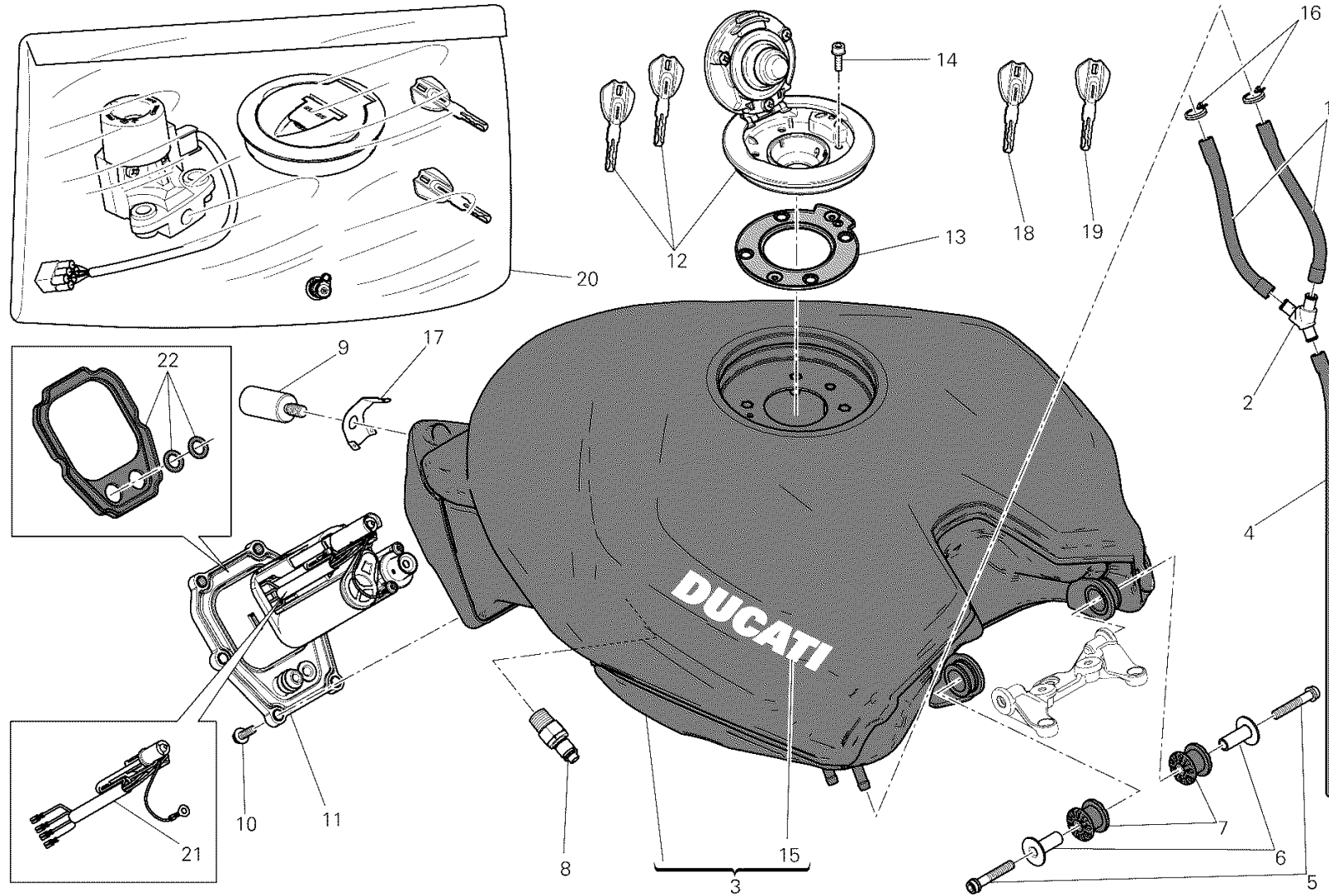
POS.	CODE	DESCRIPTION	QTY	START DATE	END DATE	VALIDITY	NOTES
1	77156443B	SCREW	2			MOD:1199 ABS;XST:AUS,CHN,EUR,FRA,JAP	
2	71614342AA	SPACER	2			MOD:1199 ABS;XST:AUS,CHN,EUR,FRA,JAP	
3	76410901A	RUBBER PAD	4			MOD:1199 ABS;XST:AUS,CHN,EUR,FRA,JAP	
4	71614431AA	SPACER	2			MOD:1199 ABS;XST:AUS,CHN,EUR,FRA,JAP	
5	77210882B	SCREW TBEI M5X12	2			MOD:1199 ABS;XST:AUS,CHN,EUR,FRA,JAP	
6	80012111A	COOLER THERMOSTAT HOSE UPPER	1			MOD:1199 ABS;XST:AUS,CHN,EUR,FRA,JAP	
7	80012131A	COOLER THERMOSTAT HOSE BOTTOM	1			MOD:1199 ABS;XST:AUS,CHN,EUR,FRA,JAP	
8	77156408B	SCREW TCEIF M5X14	3			MOD:1199 ABS;XST:AUS,CHN,EUR,FRA,JAP	
9	78811201A	GASKET	1			MOD:1199 ABS;XST:AUS,CHN,EUR,FRA,JAP	
10	74140431A	CLAMP	2			MOD:1199 ABS;XST:AUS,CHN,EUR,FRA,JAP	
11	78110121AA	SCREW, SPECIAL	1	11/06/2012		MOD:1199 ABS;XST:AUS,CHN,EUR,FRA,JAP	
12	81415081AA	UNION	1			MOD:1199 ABS;XST:AUS,CHN,EUR,FRA,JAP	
13	74141491A	CLAMP 26/8 MM	2			MOD:1199 ABS;XST:AUS,CHN,EUR,FRA,JAP	
14	80012051A	THERMOSTAT PUMP HOSE HORIZONTAL	1			MOD:1199 ABS;XST:AUS,CHN,EUR,FRA,JAP	
15	80012061A	THERMOSTAT PUMP HOSE VERTICAL	1			MOD:1199 ABS;XST:AUS,CHN,EUR,FRA,JAP	
16	74142231A	CLAMP	2			MOD:1199 ABS;XST:AUS,CHN,EUR,FRA,JAP	
17	93410173A	PIPE	1			MOD:1199 ABS;XST:AUS,CHN,EUR,FRA,JAP	



RAF00475



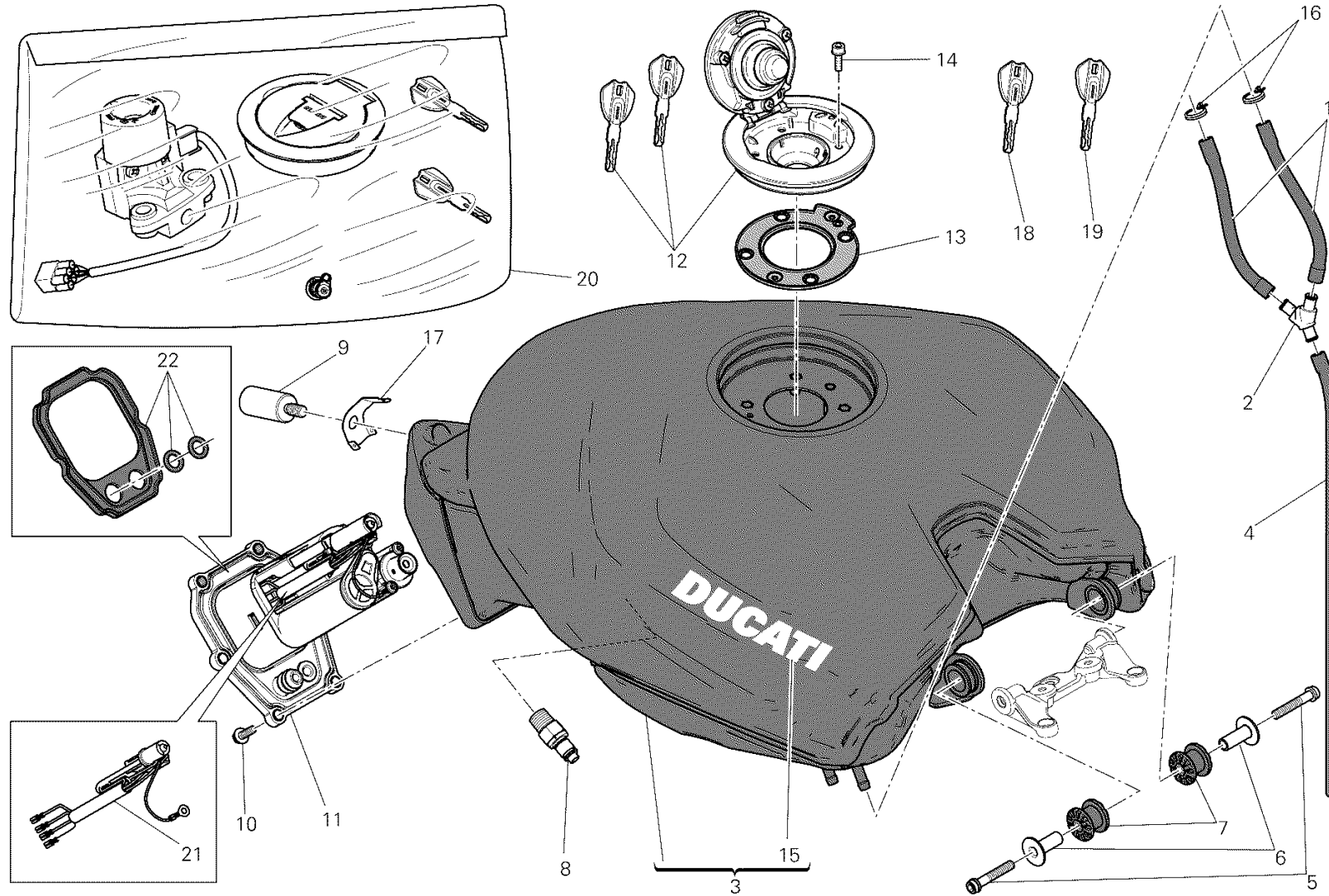
POS.	CODE	DESCRIPTION	QTY	START DATE	END DATE	VALIDITY	NOTES
18	74141881A	CLAMP 23-35 MM	4	09/05/2012		MOD:1199 ABS;XST:AUS,CHN,EUR,FRA,JAP	
19	55320121A	SQUIRTER UNIT	1			MOD:1199 ABS;XST:AUS,CHN,EUR,FRA,JAP	
20	88641981A	O-RING	2			MOD:1199 ABS;XST:AUS,CHN,EUR,FRA,JAP	
21	79915581A	SPRING	1			MOD:1199 ABS;XST:AUS,CHN,EUR,FRA,JAP	
22	55242631A	ENGINE WATER TEMPERATURE SENSOR	1			MOD:1199 ABS;XST:AUS,CHN,EUR,FRA,JAP	
23	85250241A	WASHER 10X14X1	2			MOD:1199 ABS;XST:AUS,CHN,EUR,FRA,JAP	
24	85250071A	WASHER	3	20/02/2012		MOD:1199 ABS;XST:AUS,CHN,EUR,FRA,JAP	



VST01088



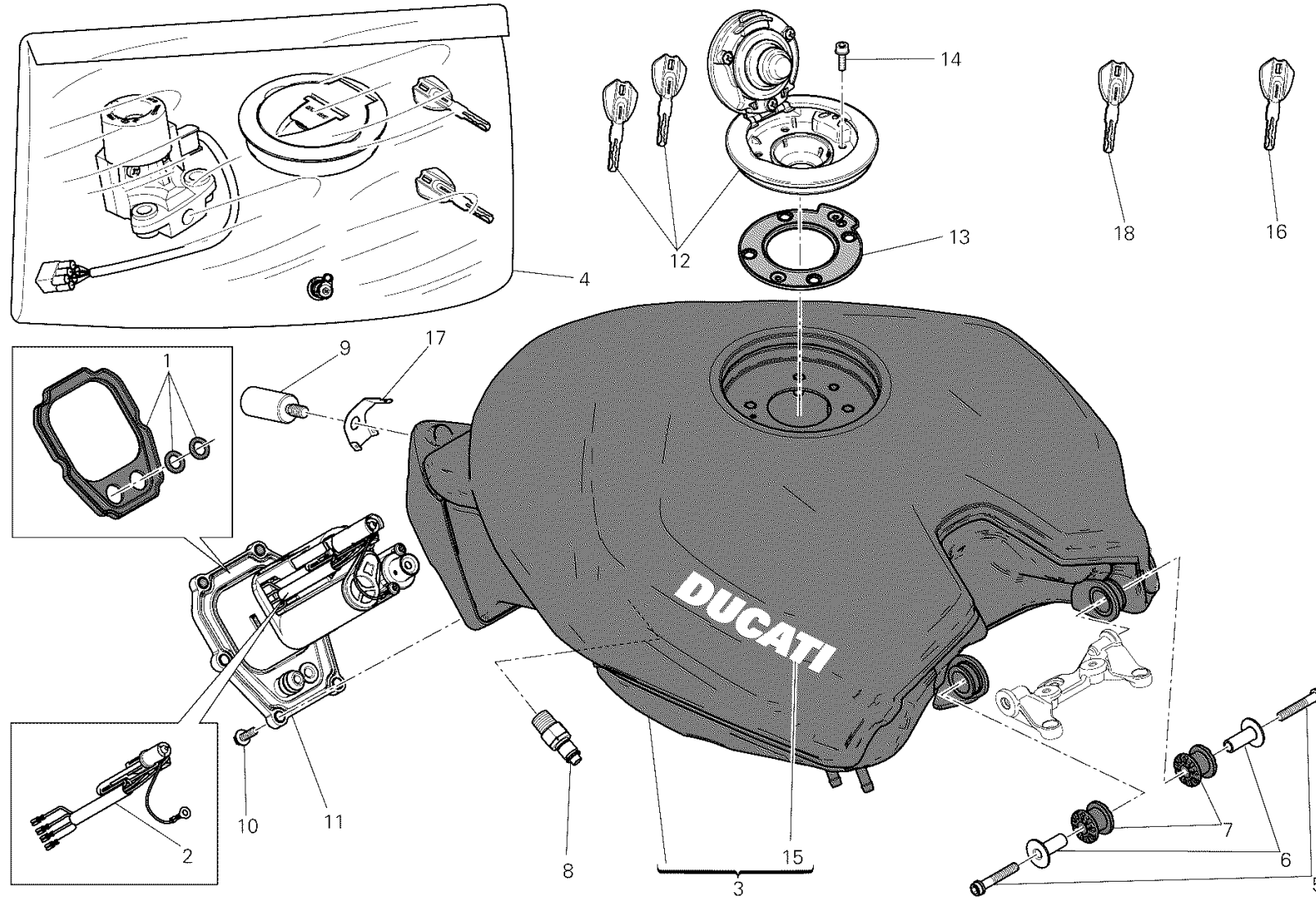
POS.	CODE	DESCRIPTION	QTY	START DATE	END DATE	VALIDITY	NOTES
1	59013901A	PIPE	2			MOD:1199 ABS;XST:AUS,EUR,FRA,JAP	
2	61610021A	THREE-WAYS UNION	1			MOD:1199 ABS;XST:AUS,EUR,FRA,JAP	
3	58611923AA	TANK RED	1			MOD:1199 ABS;XST:AUS,EUR,FRA,JAP	
	58611923AW	TANK WHITE	1	01/01/2011		MOD:1199 ABS;XST:AUS,EUR,FRA,JAP	
4	59013911B	BREATHER PIPE	1			MOD:1199 ABS;XST:AUS,EUR,FRA,JAP	
5	77156728B	SCREW TCEIF M6X35	2			MOD:1199 ABS;XST:AUS,EUR,FRA,JAP	
6	71614351AA	SPACER	2			MOD:1199 ABS;XST:AUS,EUR,FRA,JAP	
7	76411521A	RUBBER PAD	2			MOD:1199 ABS;XST:AUS,EUR,FRA,JAP	
8	81440681A	QUICK FASTENING	1			MOD:1199 ABS;XST:AUS,EUR,FRA,JAP	
9	82114211AA	PIN REAR	1			MOD:1199 ABS;XST:AUS,EUR,FRA,JAP	
10	77213203B	SCREW TBEIF M5X18	6			MOD:1199 ABS;XST:AUS,EUR,FRA,JAP	
11	16024272A	FLANGE	1			MOD:1199 ABS;XST:AUS,EUR,FRA,JAP	
12	89520221A	TANK CAP COMPLETE	1			MOD:1199 ABS;XST:AUS,EUR,FRA,JAP	
13	86640061A	GASKET, FUEL TANK CAP	1			MOD:1199 ABS;XST:AUS,EUR,FRA,JAP	
14	77156418B	SCREW TCEIF M5X16	4			MOD:1199 ABS;XST:AUS,EUR,FRA,JAP	
15	43818151A	EMBLEM DUCATI (Red)	2			MOD:1199 ABS;XST:AUS,EUR,FRA,JAP	
	43818151B	EMBLEM DUCATI (WHITE)	2	01/10/2011		MOD:1199 ABS;XST:AUS,EUR,FRA,JAP	



VST01088



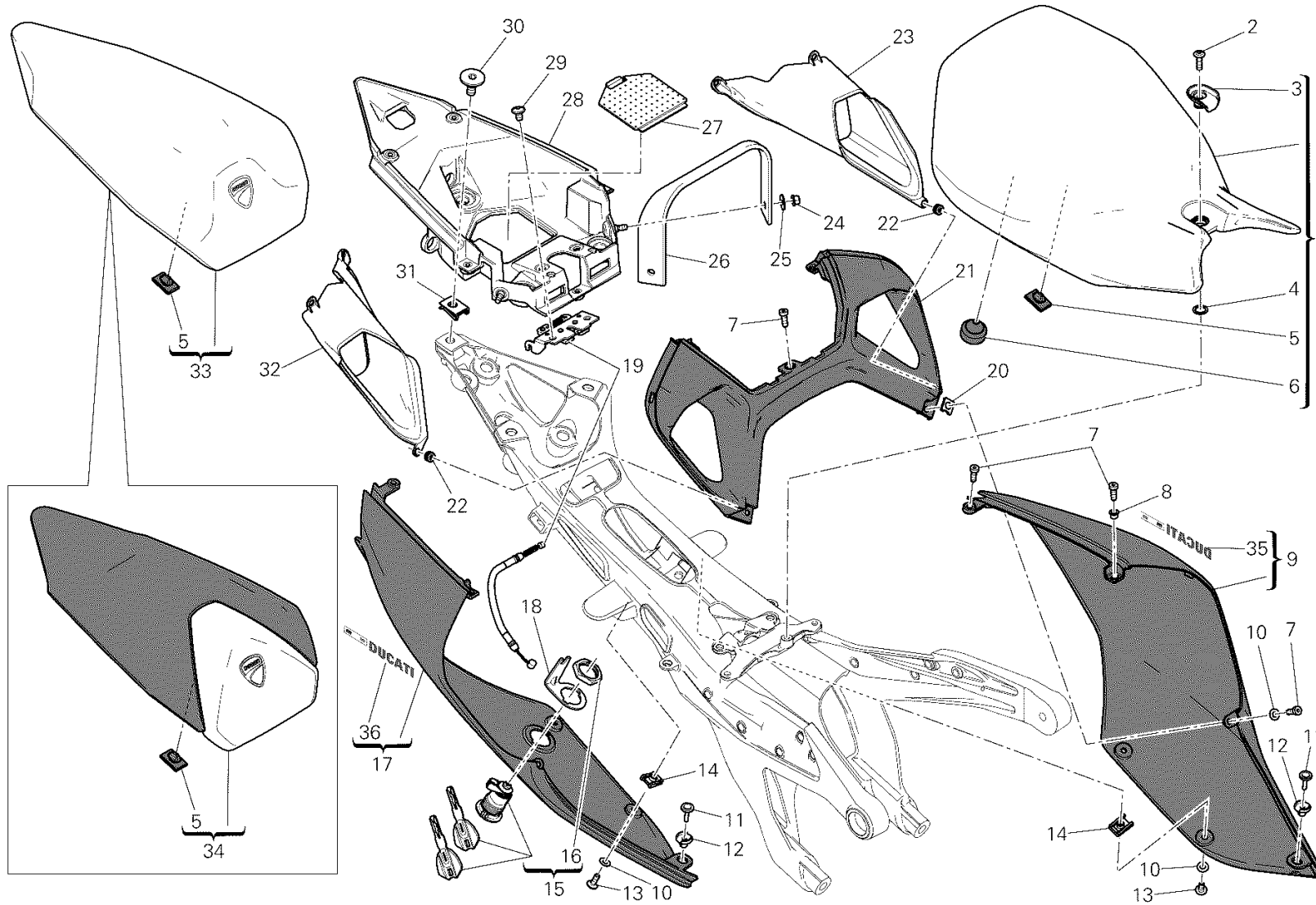
POS.	CODE	DESCRIPTION	QTY	START DATE	END DATE	VALIDITY	NOTES
16	74140431A	CLAMP	2			MOD:1199 ABS;XST:AUS,EUR,FRA,JAP	
17	38710041A	PLATE	1			MOD:1199 ABS;XST:AUS,EUR,FRA,JAP	
18	59840321A	WRENCH WITH TRANSPONDER	1			MOD:1199 ABS;XST:AUS,EUR,FRA,JAP	
19	59840291A	KEY, NON INDENTED WITHOUT TRANSPONDER	1			MOD:1199 ABS;XST:AUS,EUR,FRA,JAP	
20	59821041A	LOCKS KIT	1			MOD:1199 ABS;XST:AUS,EUR,FRA,JAP	
21	69926431A	THERMISTOR	1			MOD:1199 ABS;XST:AUS,EUR,FRA,JAP	
22	69926441A	GASKET KIT	1			MOD:1199 ABS;XST:AUS,EUR,FRA,JAP	



VST01128



POS.	CODE	DESCRIPTION	QTY	START DATE	END DATE	VALIDITY	NOTES
1	69926441A	GASKET KIT	1			MOD:1199 ABS;XST:CHN	
2	69926431A	THERMISTOR	1			MOD:1199 ABS;XST:CHN	
3	58611923AA	TANK RED	1			MOD:1199 ABS;XST:CHN	
	58611923AW	TANK WHITE	1	01/01/2011		MOD:1199 ABS;XST:CHN	
4	59821051A	LOCKS KIT	1			MOD:1199 ABS;XST:CHN	
5	77156728B	SCREW TCEIF M6X35	2			MOD:1199 ABS;XST:CHN	
6	71614351AA	SPACER	2			MOD:1199 ABS;XST:CHN	
7	76411521A	RUBBER PAD	2			MOD:1199 ABS;XST:CHN	
8	81440681A	QUICK FASTENING	1			MOD:1199 ABS;XST:CHN	
9	82114211AA	PIN REAR	1			MOD:1199 ABS;XST:CHN	
10	77213203B	SCREW TBEIF M5X18	6			MOD:1199 ABS;XST:CHN	
11	16024272A	FLANGE	1			MOD:1199 ABS;XST:CHN	
12	89520221A	TANK CAP COMPLETE	1			MOD:1199 ABS;XST:CHN	
13	86640061A	GASKET, FUEL TANK CAP	1			MOD:1199 ABS;XST:CHN	
14	77156418B	SCREW TCEIF M5X16	4			MOD:1199 ABS;XST:CHN	
15	43818151A	EMBLEM DUCATI (Red)	2			MOD:1199 ABS;XST:CHN	
	43818151B	EMBLEM DUCATI (WHITE)	2	01/10/2011		MOD:1199 ABS;XST:CHN	
16	59840291A	KEY, NON INDENTED WITHOUT TRANSPONDER	1			MOD:1199 ABS;XST:CHN	
17	38710041A	PLATE	1			MOD:1199 ABS;XST:CHN	
18	59840321A	WRENCH WITH TRANSPONDER	1			MOD:1199 ABS;XST:CHN	



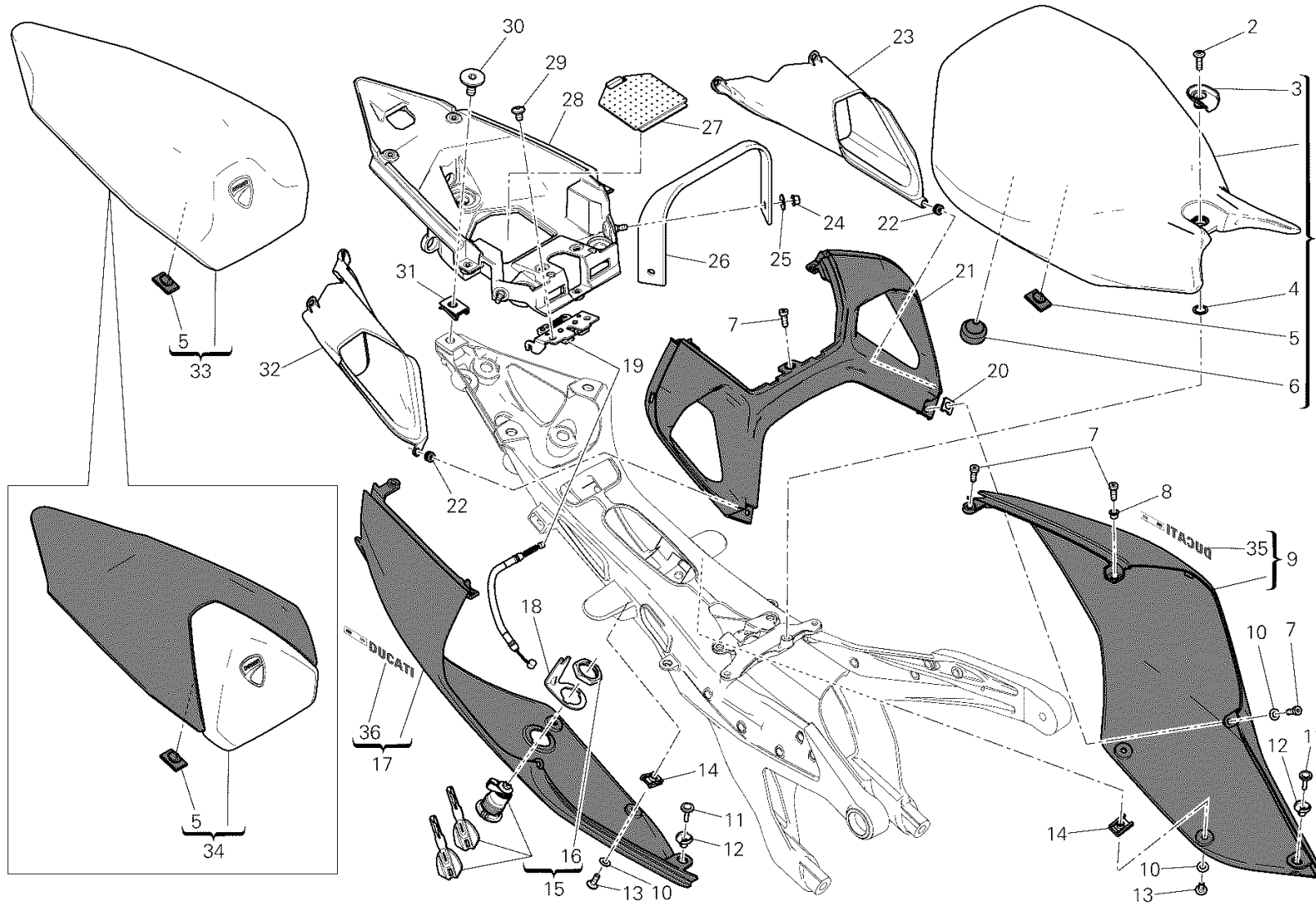
VST01087

DRAWING 033 - SEAT [MOD:1199 ABS;XST:AUS,CHN,EUR,FRA,JAP]

GROUP FRAME



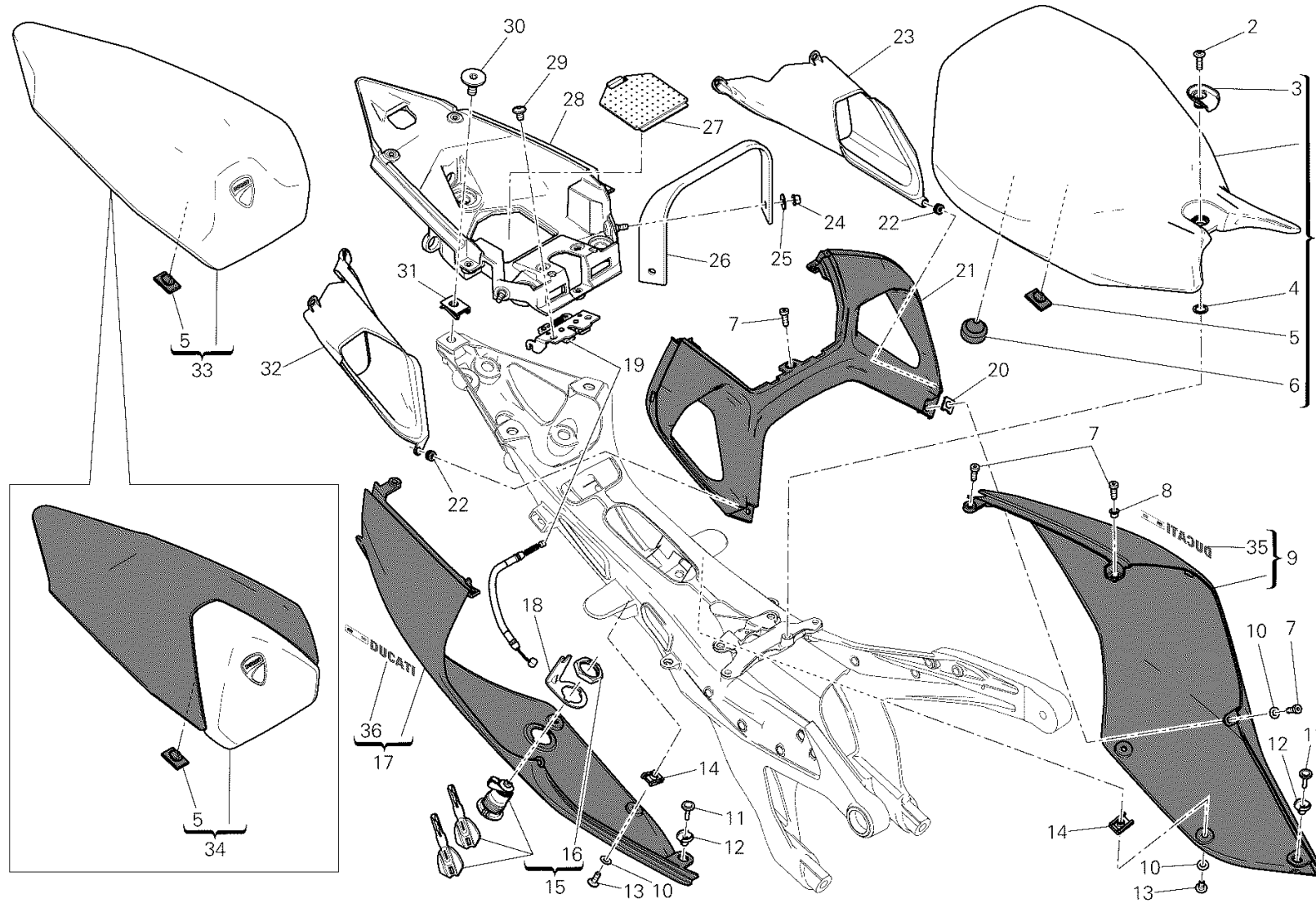
POS.	CODE	DESCRIPTION	QTY	START DATE	END DATE	VALIDITY	NOTES
1	59521081B	SEAT	1			MOD:1199 ABS;XST:AUS,CHN,EUR,FRA,JAP	
2	77210861B	SCREW TBEI M5X18	1			MOD:1199 ABS;XST:AUS,CHN,EUR,FRA,JAP	
3	71319471AA	SPACER	1			MOD:1199 ABS;XST:AUS,CHN,EUR,FRA,JAP	
4	88440331A	SPRING RING	1			MOD:1199 ABS;XST:AUS,CHN,EUR,FRA,JAP	
5	86610301A	PAD	20			MOD:1199 ABS;XST:AUS,CHN,EUR,FRA,JAP	
6	86610611A	RUBBER PAD	2			MOD:1199 ABS;XST:AUS,CHN,EUR,FRA,JAP	
7	77350403B	SCREW	7			MOD:1199 ABS;XST:AUS,CHN,EUR,FRA,JAP	
8	71611491A	SPACER	2			MOD:1199 ABS;XST:AUS,CHN,EUR,FRA,JAP	
9	48211661AA	COVER FRAME LH RED	1			MOD:1199 ABS;XST:AUS,CHN,EUR,FRA,JAP	
	48211661AW	COVER FRAME LH WHITE	1	29/03/2012		MOD:1199 ABS;XST:AUS,CHN,EUR,FRA,JAP	
10	85611401A	WASHER	6			MOD:1199 ABS;XST:AUS,CHN,EUR,FRA,JAP	
11	85041041A	RIVET, MALE	2			MOD:1199 ABS;XST:AUS,CHN,EUR,FRA,JAP	
12	85041051A	RIVET, FEMALE	2			MOD:1199 ABS;XST:AUS,CHN,EUR,FRA,JAP	
13	77211091C	SCREW	4			MOD:1199 ABS;XST:AUS,CHN,EUR,FRA,JAP	
14	85040551A	QUICK FASTENING	4			MOD:1199 ABS;XST:AUS,CHN,EUR,FRA,JAP	
15	59820611A	SEAT LOCK	1			MOD:1199 ABS;XST:AUS,CHN,EUR,FRA,JAP	
16	75011551A	NUT M22X1.5	1			MOD:1199 ABS;XST:AUS,CHN,EUR,FRA,JAP	



VST01087



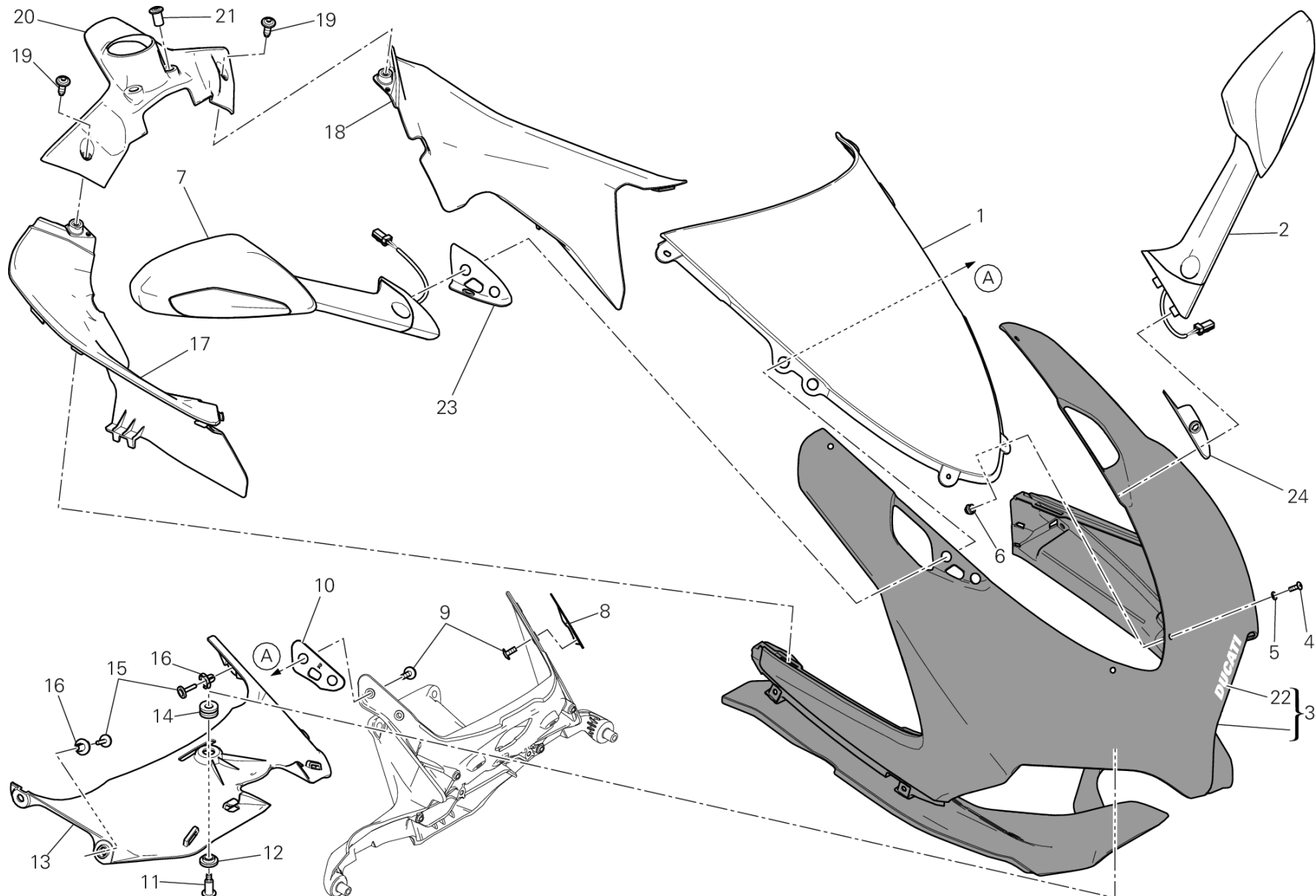
POS.	CODE	DESCRIPTION	QTY	START DATE	END DATE	VALIDITY	NOTES
17	48211671AA	COVER FRAME RH RED	1			MOD:1199 ABS;XST:AUS,CHN,EUR,FRA,JAP	
	48211671AW	COVER-SIDE, RH, S.WHITE	1	29/03/2012		MOD:1199 ABS;XST:AUS,CHN,EUR,FRA,JAP	
18	82716141A	PLATE	1			MOD:1199 ABS;XST:AUS,CHN,EUR,FRA,JAP	
19	59940011A	SEAT LOCK	1			MOD:1199 ABS;XST:AUS,CHN,EUR,FRA,JAP	
20	85040471A	QUICK FASTENING M5	2			MOD:1199 ABS;XST:AUS,CHN,EUR,FRA,JAP	
21	48311722AA	TAIL GUARD CENTRE RED	1			MOD:1199 ABS;XST:AUS,CHN,EUR,FRA,JAP	
	48311722AW	CODONE CENTRALE BIANCO	1	29/03/2012		MOD:1199 ABS;XST:AUS,CHN,EUR,FRA,JAP	
22	76440561A	RUBBER PAD	8			MOD:1199 ABS;XST:AUS,CHN,EUR,FRA,JAP	
23	48411011A	COWLING, INNER LH	1			MOD:1199 ABS;XST:AUS,CHN,EUR,FRA,JAP	
24	74941118B	NUT 6MM	2			MOD:1199 ABS;XST:AUS,CHN,EUR,FRA,JAP	
25	85211671B	WASHER	2			MOD:1199 ABS;XST:AUS,CHN,EUR,FRA,JAP	
26	59511281B	BELT	1			MOD:1199 ABS;XST:AUS,CHN,EUR,FRA,JAP	
27	24714062A	COVER	1			MOD:1199 ABS;XST:AUS,CHN,EUR,FRA,JAP	
28	48311711B	TRAY	1			MOD:1199 ABS;XST:AUS,CHN,EUR,FRA,JAP	
29	77240393C	SCREW TBEIF M6X10 10.9	2			MOD:1199 ABS;XST:AUS,CHN,EUR,FRA,JAP	
30	77916792AA	SCREW, SPECIAL	3			MOD:1199 ABS;XST:AUS,CHN,EUR,FRA,JAP	
31	85041471A	CLIP NUT	3			MOD:1199 ABS;XST:AUS,CHN,EUR,FRA,JAP	



VST01087

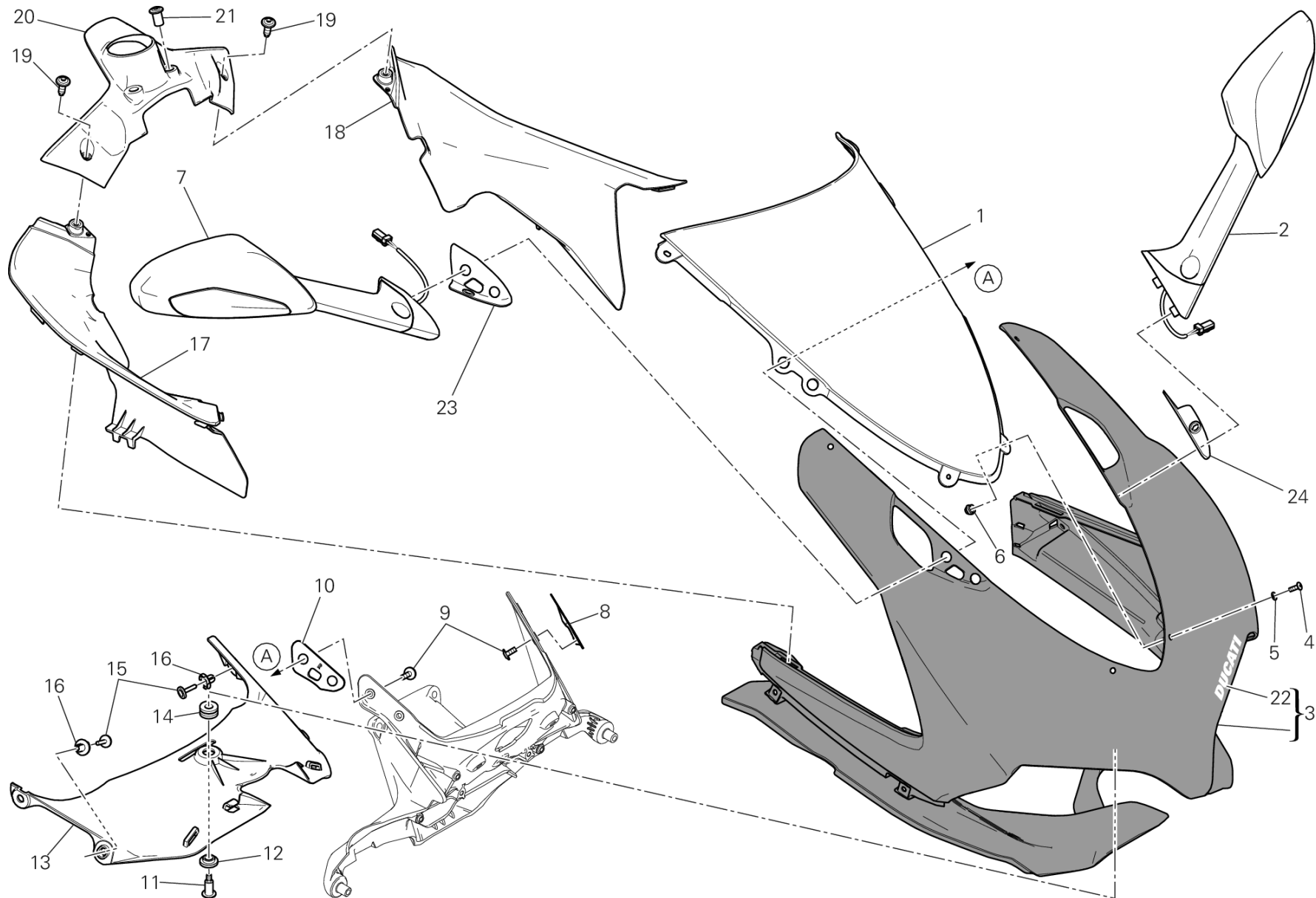


POS.	CODE	DESCRIPTION	QTY	START DATE	END DATE	VALIDITY	NOTES
32	48411021A	PANEL QUARTER, INNER	1			MOD:1199 ABS;XST:AUS,CHN,EUR,FRA,JAP	
33	59521091A	PILLION RIDER SEAT	1			MOD:1199 ABS;XST:AUS,CHN,EUR,FRA,JAP	
34	247P4022AA	COVER SEAT RED	1			MOD:1199 ABS;XST:AUS,CHN,EUR,FRA,JAP	
	247P4022AW	COVER SEAT WHITE	1	29/03/2012		MOD:1199 ABS;XST:AUS,CHN,EUR,FRA,JAP	
35	43818081A	ITA FLAG STICKER DUCATI LH (Red)	1			MOD:1199 ABS;XST:AUS,CHN,EUR,FRA,JAP	
	43818081AT	ITA FLAG STICKER DUCATI LH (WHITE)	1	25/06/2012		MOD:1199 ABS;XST:AUS,CHN,EUR,FRA,JAP	
36	43818091A	ITA FLAG STICKER DUCATI RH (Red)	1			MOD:1199 ABS;XST:AUS,CHN,EUR,FRA,JAP	
	43818091AT	ITA FLAG STICKER DUCATI RH (WHITE)	1	25/06/2012		MOD:1199 ABS;XST:AUS,CHN,EUR,FRA,JAP	



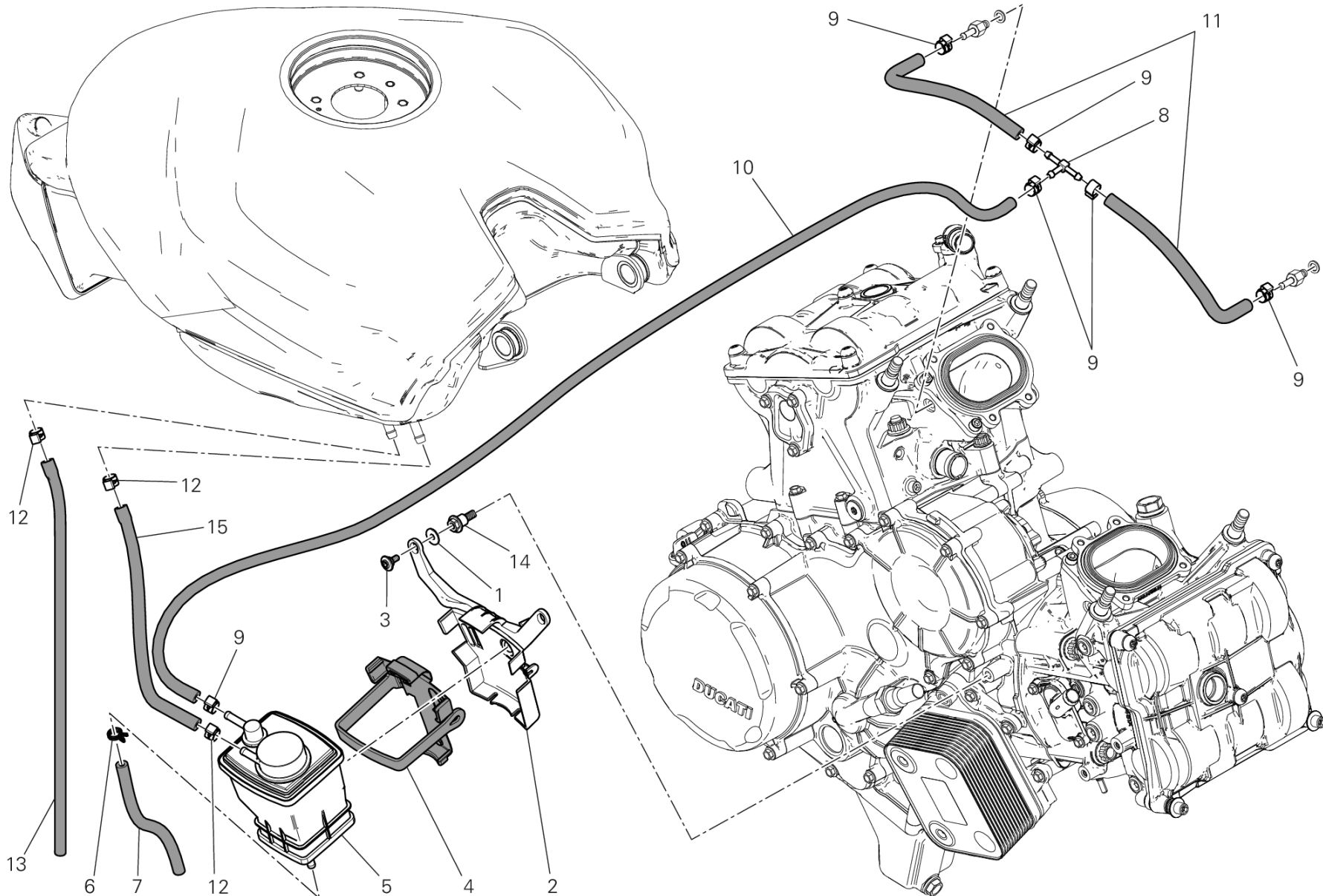


POS.	CODE	DESCRIPTION	QTY	START DATE	END DATE	VALIDITY	NOTES
1	48710562A	WINDSHIELD	1			MOD:1199 ABS;XST:AUS,CHN,EUR,FRA,JAP	
2	523S0291A	REAR-VIEW MIRROR L.H.	1			MOD:1199 ABS;XST:AUS,CHN,EUR,FRA,JAP	
3	48120742AA	COMPLETE HEADLIGHT FAIRING RED	1			MOD:1199 ABS;XST:AUS,CHN,EUR,FRA,JAP	
	48120742AW	COMPLETE HEADLIGHT FAIRING WHITE	1	29/03/2012		MOD:1199 ABS;XST:AUS,CHN,EUR,FRA,JAP	
4	77510071AB	SCREW, SPECIAL	4			MOD:1199 ABS;XST:AUS,CHN,EUR,FRA,JAP	
5	85210241A	WASHER, NYLON 4X8X0.5	4			MOD:1199 ABS;XST:AUS,CHN,EUR,FRA,JAP	
6	75010281A	NUT, SPRING	4			MOD:1199 ABS;XST:AUS,CHN,EUR,FRA,JAP	
7	523S0281A	REAR-VIEW MIRROR R.H.	1			MOD:1199 ABS;XST:AUS,CHN,EUR,FRA,JAP	
8	78811221A	GASKET INTERNAL LH	1			MOD:1199 ABS;XST:AUS,CHN,EUR,FRA,JAP	
9	77240288C	SCREW	4			MOD:1199 ABS;XST:AUS,CHN,EUR,FRA,JAP	
10	78811231A	GASKET INTERNAL RH	1			MOD:1199 ABS;XST:AUS,CHN,EUR,FRA,JAP	
11	77916951AA	SCREW, SPECIAL	1			MOD:1199 ABS;XST:AUS,CHN,EUR,FRA,JAP	
12	76411511A	RUBBER PAD	1			MOD:1199 ABS;XST:AUS,CHN,EUR,FRA,JAP	
13	48411002A	MUDFLAP	1			MOD:1199 ABS;XST:AUS,CHN,EUR,FRA,JAP	
14	76411141A	VIBRATION DAMPER PAD	1			MOD:1199 ABS;XST:AUS,CHN,EUR,FRA,JAP	
15	85041041A	RIVET, MALE	4			MOD:1199 ABS;XST:AUS,CHN,EUR,FRA,JAP	
16	85041051A	RIVET, FEMALE	4			MOD:1199 ABS;XST:AUS,CHN,EUR,FRA,JAP	





POS.	CODE	DESCRIPTION	QTY	START DATE	END DATE	VALIDITY	NOTES
17	46014951C	RIGHT COVER	1			MOD:1199 ABS;XST:AUS,CHN,EUR,FRA,JAP	
18	46014941C	PROTECTION, LEFT	1			MOD:1199 ABS;XST:AUS,CHN,EUR,FRA,JAP	
19	77211091C	SCREW	2			MOD:1199 ABS;XST:AUS,CHN,EUR,FRA,JAP	
20	46014961C	PROTECTION CENTRE	1			MOD:1199 ABS;XST:AUS,CHN,EUR,FRA,JAP	
21	75011491AB	NUT, SPECIAL	2			MOD:1199 ABS;XST:AUS,CHN,EUR,FRA,JAP	
22	43818111A	EMBLEM DUCATI (Red)	1			MOD:1199 ABS;XST:AUS,CHN,EUR,FRA,JAP	
	43818111AT	EMBLEM DUCATI (WHITE)	1	25/06/2012		MOD:1199 ABS;XST:AUS,CHN,EUR,FRA,JAP	
23	78811281A	GASKET, MIRROR RH	1	01/07/2012		MOD:1199 ABS;XST:AUS,CHN,EUR,FRA,JAP	
24	78811291A	GASKET, MIRROR LH	1	01/07/2012		MOD:1199 ABS;XST:AUS,CHN,EUR,FRA,JAP	

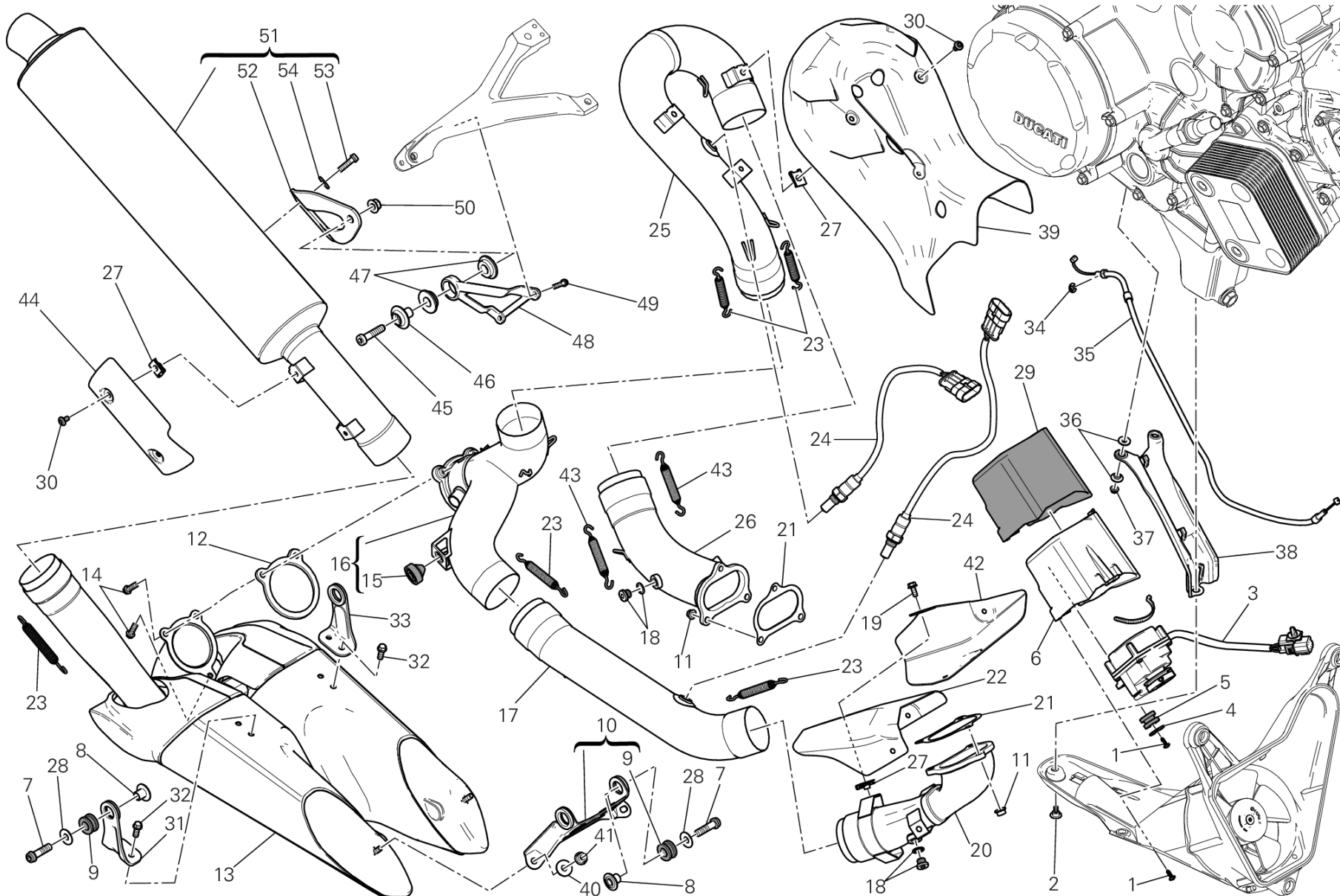


DRAWING 035 - CANISTER FILTER [MOD:1199 ABS;XST:CHN]

GROUP FRAME



POS.	CODE	DESCRIPTION	QTY	START DATE	END DATE	VALIDITY	NOTES
1	85240091A	WASHER 5.3X15X1	3			MOD:1199 ABS;XST:CHN	
2	8291A901A	HOLDER	1			MOD:1199 ABS;XST:CHN	
3	77210853B	SCREW TCEI M5X9	3			MOD:1199 ABS;XST:CHN	
4	70010751A	VIBRATION DAMPER	1			MOD:1199 ABS;XST:CHN	
5	42640041B	CANISTER FILTER	1			MOD:1199 ABS;XST:CHN	
6	74140431A	CLAMP	1			MOD:1199 ABS;XST:CHN	
7	87611181A	BREATHER PIPE	1			MOD:1199 ABS;XST:CHN	
8	81411831A	THREE-WAYS UNION	1			MOD:1199 ABS;XST:CHN	
9	74141001A	CLAMP 8.5/7	6			MOD:1199 ABS;XST:CHN	
10	93510091A	PIPE	1			MOD:1199 ABS;XST:CHN	
11	93510081A	PIPE	2			MOD:1199 ABS;XST:CHN	
12	74141711A	CLAMP 10-7 MM	3			MOD:1199 ABS;XST:CHN	
13	87611191A	PIPE	1			MOD:1199 ABS;XST:CHN	
14	77917291AA	SCREW, SPECIAL	3			MOD:1199 ABS;XST:CHN	
15	93510101A	BREATHER PIPE	1			MOD:1199 ABS;XST:CHN	

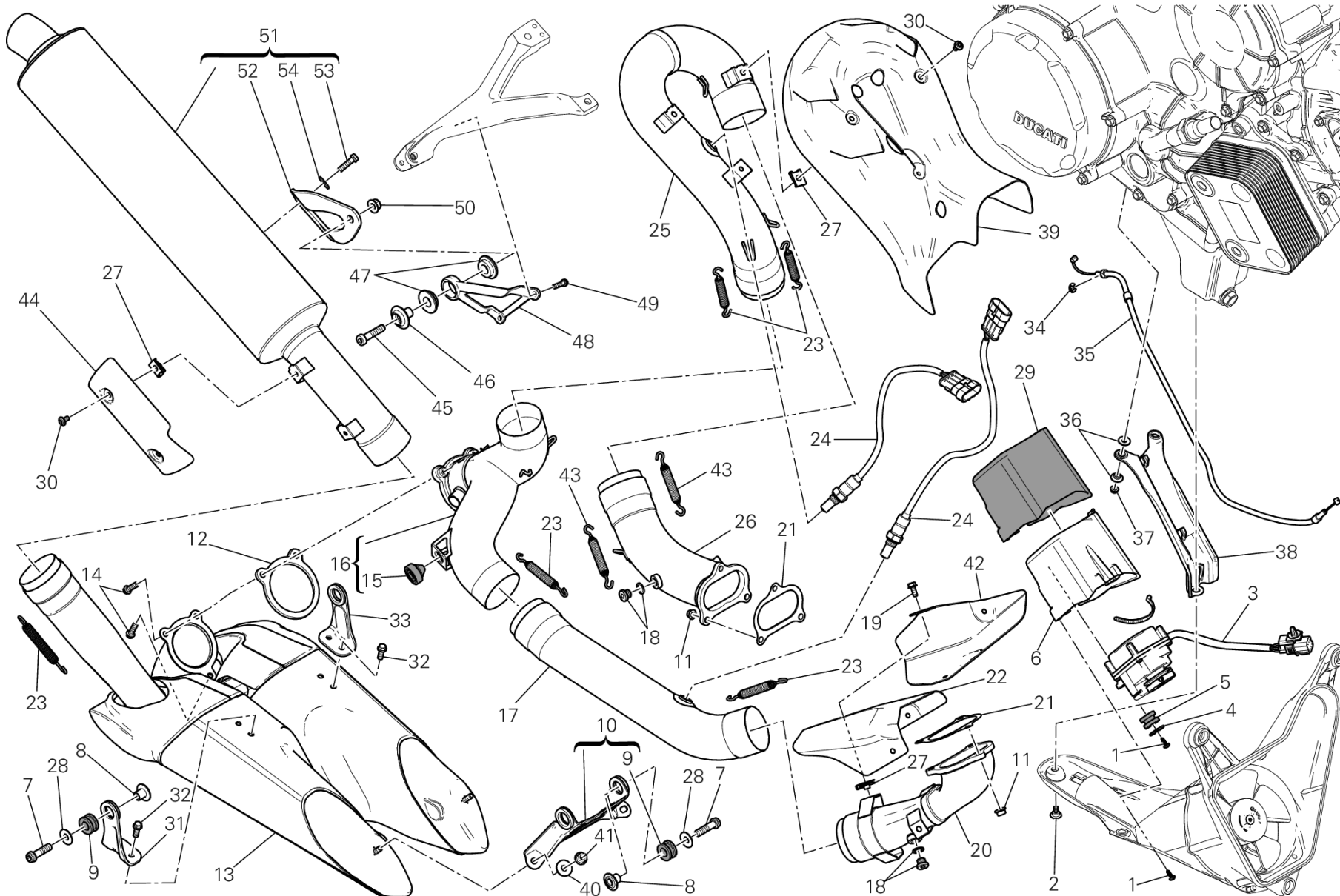


DRAWING 19A - EXHAUST SYSTEM (JAP) [MOD:1199 ABS;XST:JAP]

GROUP FRAME



POS.	CODE	DESCRIPTION	QTY	START DATE	END DATE	VALIDITY	NOTES
1	77440203C	SCREW	6			MOD:1199 ABS;XST:JAP	
2	77210852C	SCREW	1			MOD:1199 ABS;XST:JAP	
3	59340392A	ELECTRIC MOTOR, EXHAUST VALVE	1			MOD:1199 ABS;XST:JAP	
4	85213111AA	WASHER	2			MOD:1199 ABS;XST:JAP	
5	76411301A	RUBBER PAD	2			MOD:1199 ABS;XST:JAP	
6	46015262A	COVER	1			MOD:1199 ABS;XST:JAP	
7	77157278B	SCREW TCEIF M8X30	4			MOD:1199 ABS;XST:JAP	
8	71614391AA	SPACER	4			MOD:1199 ABS;XST:JAP	
9	76411481A	RUBBER PAD	4			MOD:1199 ABS;XST:JAP	
10	83026511BA	BRACKET Front	1			MOD:1199 ABS;XST:JAP	
11	74810241A	NUT	6			MOD:1199 ABS;XST:JAP	
12	79010251A	GASKET, EXHAUST PIPE	1			MOD:1199 ABS;XST:JAP	
13	57413301A	SILENCER	1	29/03/2012		MOD:1199 ABS;XST:JAP	JAP
14	77156658B	SCREW TCEIF M6X16	3			MOD:1199 ABS;XST:JAP	
15	76410631A	RUBBER PAD	1			MOD:1199 ABS;XST:JAP	
16	57013152B	PIPE, EXHAUST CENTER	1			MOD:1199 ABS;XST:JAP	
17	57013072A	EXHAUST PIPE HORIZONTAL	1			MOD:1199 ABS;XST:JAP	
18	78020011A	PLUG	2			MOD:1199 ABS;XST:JAP	
19	77250728B	SCREW TEF M5X12	4			MOD:1199 ABS;XST:JAP	
20	57013061C	EXHAUST MANIFOLD HORIZONTAL	1			MOD:1199 ABS;XST:JAP	
21	79010231B	GASKET, EXHAUST PIPE	2			MOD:1199 ABS;XST:JAP	
22	46015331BA	HEAT GUARD HORIZONTAL	1			MOD:1199 ABS;XST:JAP	
23	79912632A	SPRING, EXHAUST PIPE	5			MOD:1199 ABS;XST:JAP	
24	55212092A	SENSOR LAMBDA SOND	2			MOD:1199 ABS;XST:JAP	
25	57113002C	PIPE, EXHAUST Verticale	1			MOD:1199 ABS;XST:JAP	
26	57112992C	EXHAUST MANIFOLD VERTICAL	1			MOD:1199 ABS;XST:JAP	
27	85040551A	QUICK FASTENING	9			MOD:1199 ABS;XST:JAP	
28	85210532A	WASHER 8.2X20X1	4			MOD:1199 ABS;XST:JAP	
29	46015031AA	HEAT GUARD VERTICAL	1			MOD:1199 ABS;XST:JAP	
30	77244168B	SCREW	3			MOD:1199 ABS;XST:JAP	
31	83016491AA	BRACKET REAR RH	1			MOD:1199 ABS;XST:JAP	
32	77251018B	SCREW TEF M6X20	4			MOD:1199 ABS;XST:JAP	
33	83016501AA	BRACKET REAR L.H.	1			MOD:1199 ABS;XST:JAP	
34	88450031A	CIRCLIP E-TYPE	2			MOD:1199 ABS;XST:JAP	
35	73210331B	EXHAUST VALVE ENGINE CABLE	1			MOD:1199 ABS;XST:JAP	

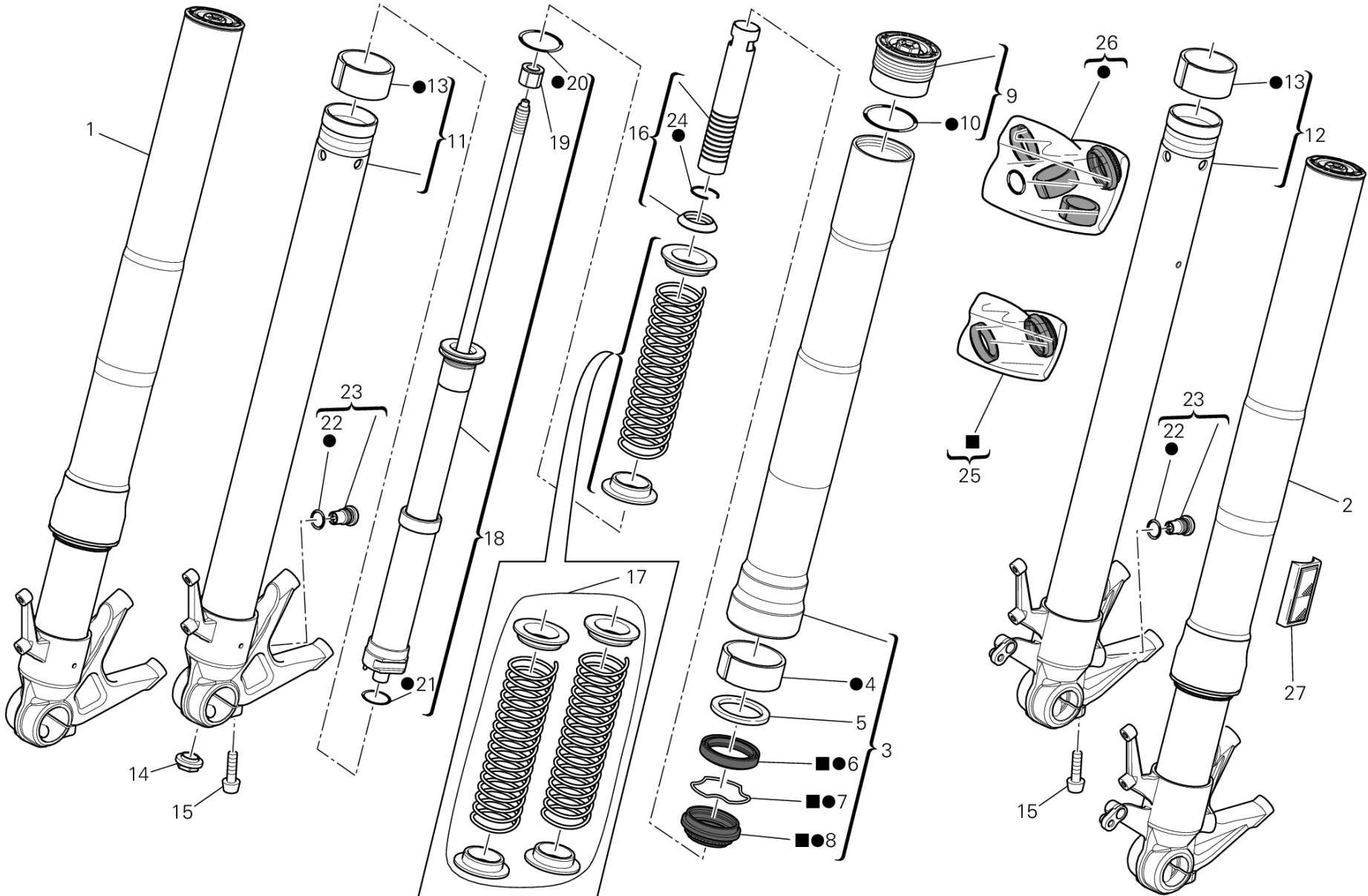


DRAWING 19A - EXHAUST SYSTEM (JAP) [MOD:1199 ABS;XST:JAP]

GROUP FRAME



POS.	CODE	DESCRIPTION	QTY	START DATE	END DATE	VALIDITY	NOTES
36	71614071A	SPACER 5.2X8.4X2	4			MOD:1199 ABS;XST:JAP	
37	74840381A	NUT M5	2			MOD:1199 ABS;XST:JAP	
38	46015393A	HEAT GUARD BOTTOM	1			MOD:1199 ABS;XST:JAP	
39	46015741A	PROTECTION, HEAT	1			MOD:1199 ABS;XST:JAP	
40	85250291A	WASHER 6.4X18X1.6	2			MOD:1199 ABS;XST:JAP	
41	74810361A	NUT 6MM	2			MOD:1199 ABS;XST:JAP	
42	46015781AA	GUARD Orizzontale	1			MOD:1199 ABS;XST:JAP	
43	79915651A	SPRING	2			MOD:1199 ABS;XST:JAP	
44	46110011AA	HEAT GUARD REAR	1	29/03/2012	01/10/2012	MOD:1199 ABS;XST:JAP	
45	77355068B	SCREW TCEIR M8X35	1	29/03/2012		MOD:1199 ABS;XST:JAP	
46	71314361A	COLLAR, SILENCER MOUNTING	1	29/03/2012		MOD:1199 ABS;XST:JAP	
47	76410011A	DAMPER	2	29/03/2012		MOD:1199 ABS;XST:JAP	
48	83017791AA	BRACKET, MUFFLER SUPPORT	1	01/03/2012		MOD:1199 ABS;XST:JAP	
49	77156438B	SCREW	2	01/03/2012		MOD:1199 ABS;XST:JAP	
50	74941128B	NUT M8	1	29/03/2012		MOD:1199 ABS;XST:JAP	
51	573P3392A	RIGHT SILENCER	1	25/05/2012		MOD:1199 ABS;XST:JAP	
52	57610791AA	BRACKET, RIGHT SILENCER	1	25/05/2012		MOD:1199 ABS;XST:JAP	
53	77110211A	SCREW	2	25/05/2012		MOD:1199 ABS;XST:JAP	
54	85240161A	WASHER 8.4X20X1.2	2	25/05/2012		MOD:1199 ABS;XST:JAP	



DRAWING 21A - FRONT FORK [MOD:1199 ABS;XST:CHN]

GROUP FRAME

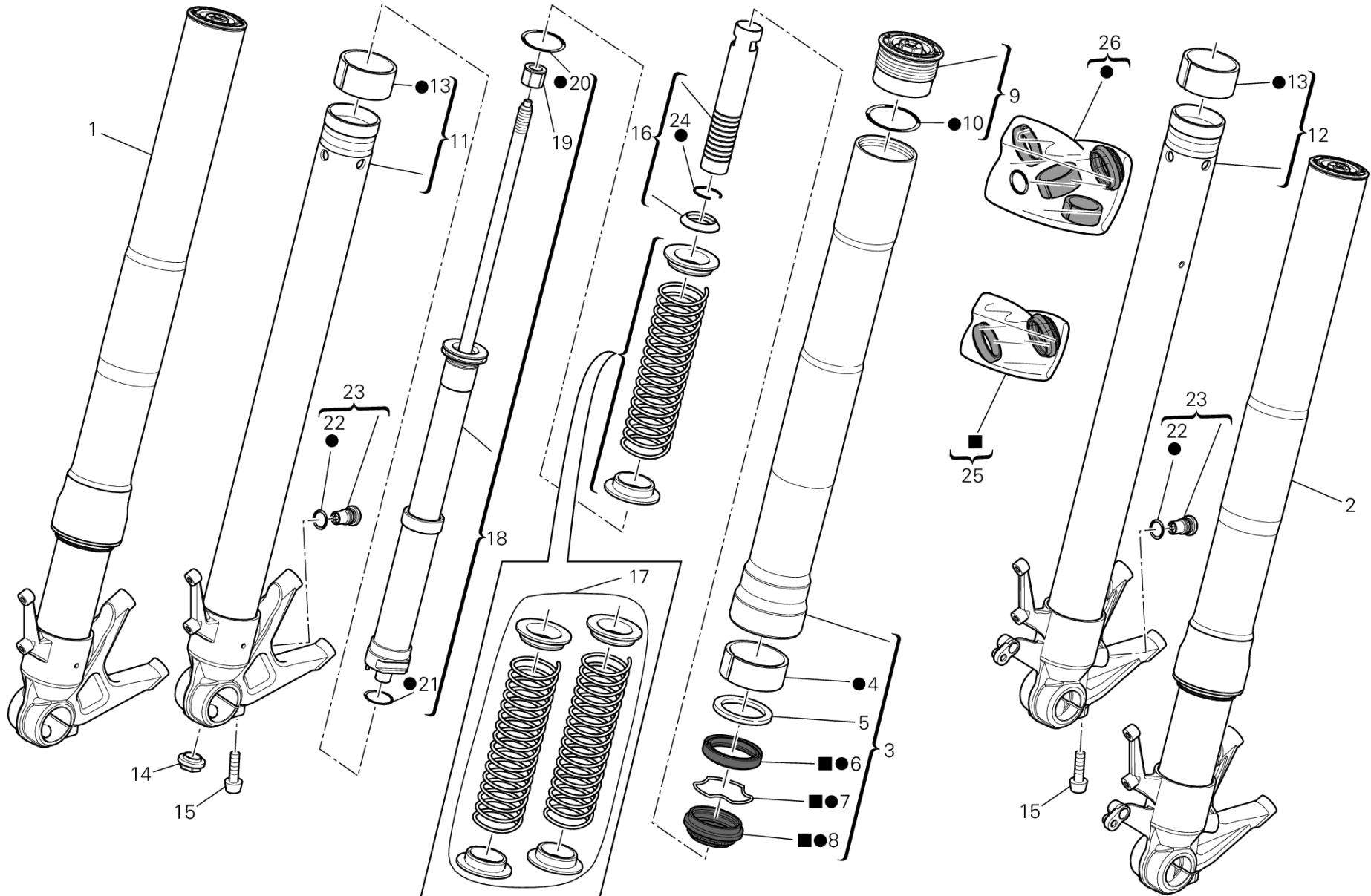


POS.	CODE	DESCRIPTION	QTY	START DATE	END DATE	VALIDITY	NOTES
1	34420401D	RIGHT FORK LEG ASSY	1			MOD:1199 ABS;XST:CHN	
2	34520401D	LEFT FORK LEG ASSY	1			MOD:1199 ABS;XST:CHN	
3	34921191A	STANCHION TUBE	2			MOD:1199 ABS;XST:CHN	
4	34913251A	UPPER BUSHING	2			MOD:1199 ABS;XST:CHN	
5	34913721A	RETAINER	2			MOD:1199 ABS;XST:CHN	
6	34913221A	SEAL OIL, FORK	2			MOD:1199 ABS;XST:CHN	
7	34913161A	STOP RING	2			MOD:1199 ABS;XST:CHN	
8	34913731A	SCAPER RING	2			MOD:1199 ABS;XST:CHN	
9	34921201A	PLUG	2			MOD:1199 ABS;XST:CHN	
10	34913181A	O-RING 3193 2.62X48.89	2			MOD:1199 ABS;XST:CHN	
11	34921211A	FORK OUTER TUBE RH	1			MOD:1199 ABS;XST:CHN	
12	34921221A	FORK OUTER TUBE, LEFT	1			MOD:1199 ABS;XST:CHN	
13	34912151A	LOWER BUSH	2			MOD:1199 ABS;XST:CHN	
14	34913741A	NUT	2			MOD:1199 ABS;XST:CHN	
15	34913751A	SCREW	4			MOD:1199 ABS;XST:CHN	
16	34921231A	PRELOAD TUBE	2			MOD:1199 ABS;XST:CHN	
17	34921241A	SPRING KIT	2			MOD:1199 ABS;XST:CHN	
18	34921251A	PLUNGER ASSY	2			MOD:1199 ABS;XST:CHN	
19	34913761A	NUT	2			MOD:1199 ABS;XST:CHN	
20	46320200A	O RING	2			MOD:1199 ABS;XST:CHN	
21	34913771A	O-RING	2			MOD:1199 ABS;XST:CHN	
22	34913781A	O-RING	2			MOD:1199 ABS;XST:CHN	
23	34921261A	ADJUSTING SCREW UNIT	2			MOD:1199 ABS;XST:CHN	
24	34913791A	STOP RING	2			MOD:1199 ABS;XST:CHN	
25	34921271A	SEAL KIT	2			MOD:1199 ABS;XST:CHN	
26	34921291A	OVERHAUL KIT	2			MOD:1199 ABS;XST:CHN	
27	52910141A	REFLECTOR, ADHESIVE AMBER	2			MOD:1199 ABS;XST:CHN	



DRAWING 21A - FRONT FORK [MOD:1199 ABS;XST:AUS,EUR,FRA,JAP]

GROUP FRAME

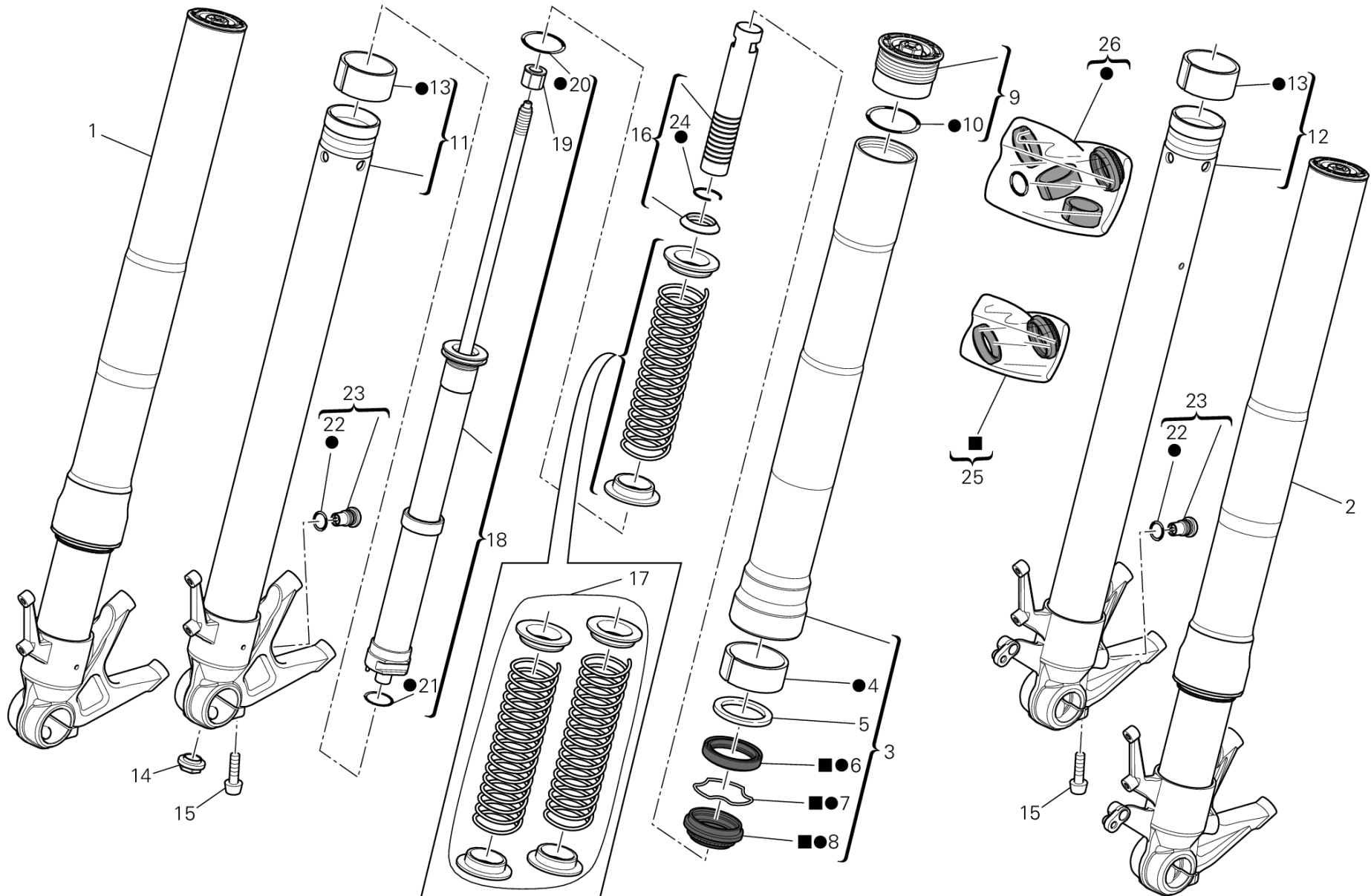


DRAWING 21A - FRONT FORK [MOD:1199 ABS;XST:AUS,EUR,FRA,JAP]

GROUP FRAME



POS.	CODE	DESCRIPTION	QTY	START DATE	END DATE	VALIDITY	NOTES
1	34420401D	RIGHT FORK LEG ASSY	1			MOD:1199 ABS;XST:AUS,EUR,FRA,JAP	
2	34520401D	LEFT FORK LEG ASSY	1			MOD:1199 ABS;XST:AUS,EUR,FRA,JAP	
3	34921191A	STANCHION TUBE	2			MOD:1199 ABS;XST:AUS,EUR,FRA,JAP	
4	34913251A	UPPER BUSHING	2			MOD:1199 ABS;XST:AUS,EUR,FRA,JAP	
5	34913721A	RETAINER	2			MOD:1199 ABS;XST:AUS,EUR,FRA,JAP	
6	34913221A	SEAL OIL, FORK	2			MOD:1199 ABS;XST:AUS,EUR,FRA,JAP	
7	34913161A	STOP RING	2			MOD:1199 ABS;XST:AUS,EUR,FRA,JAP	
8	34913731A	SCAPER RING	2			MOD:1199 ABS;XST:AUS,EUR,FRA,JAP	
9	34921201A	PLUG	2			MOD:1199 ABS;XST:AUS,EUR,FRA,JAP	
10	34913181A	O-RING 3193 2.62X48.89	2			MOD:1199 ABS;XST:AUS,EUR,FRA,JAP	
11	34921211A	FORK OUTER TUBE RH	1			MOD:1199 ABS;XST:AUS,EUR,FRA,JAP	
12	34921221A	FORK OUTER TUBE, LEFT	1			MOD:1199 ABS;XST:AUS,EUR,FRA,JAP	
13	34912151A	LOWER BUSH	2			MOD:1199 ABS;XST:AUS,EUR,FRA,JAP	
14	34913741A	NUT	2			MOD:1199 ABS;XST:AUS,EUR,FRA,JAP	
15	34913751A	SCREW	4			MOD:1199 ABS;XST:AUS,EUR,FRA,JAP	
16	34921231A	PRELOAD TUBE	2			MOD:1199 ABS;XST:AUS,EUR,FRA,JAP	
17	34921241A	SPRING KIT	2			MOD:1199 ABS;XST:AUS,EUR,FRA,JAP	

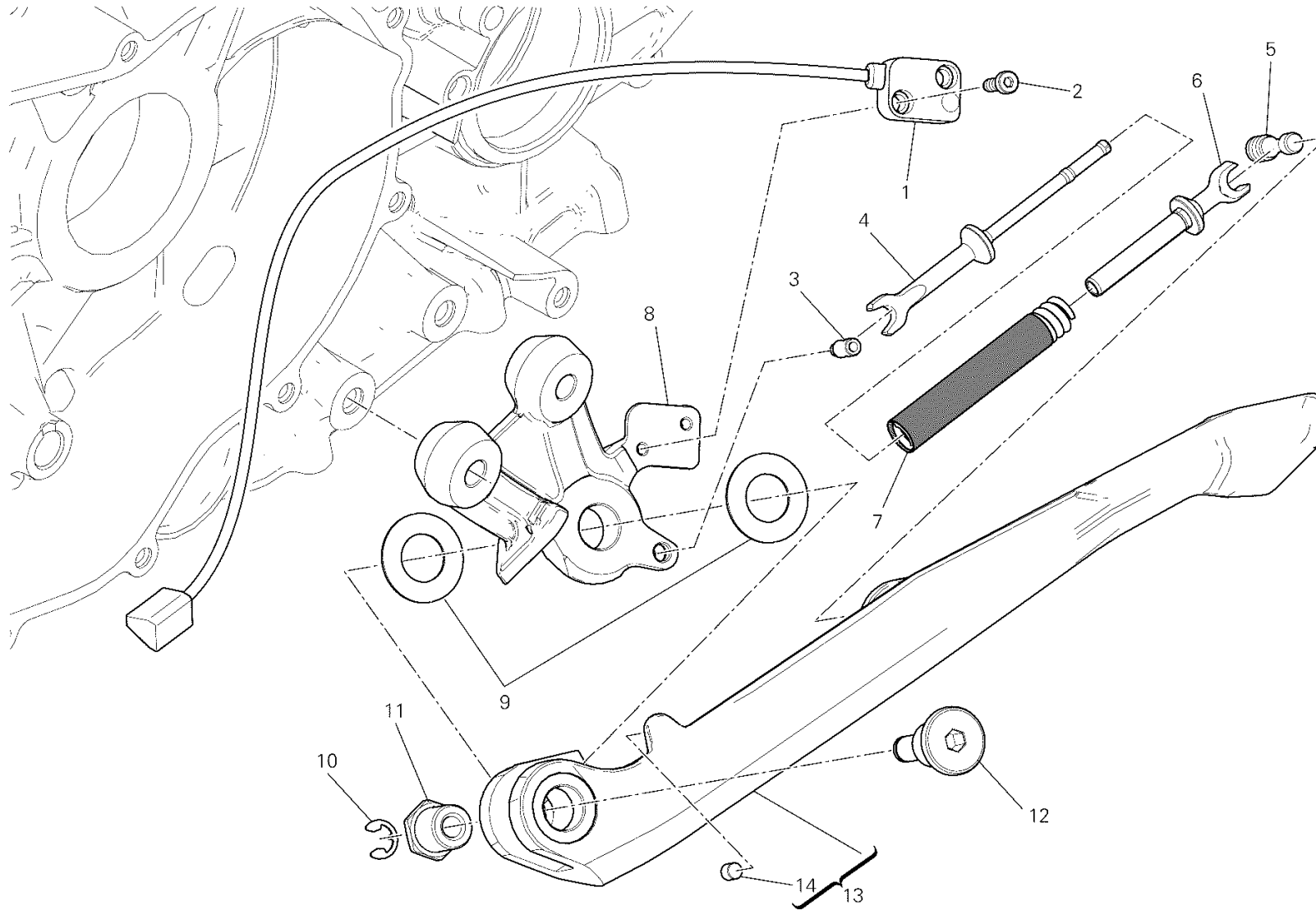


DRAWING 21A - FRONT FORK [MOD:1199 ABS;XST:AUS,EUR,FRA,JAP]

GROUP FRAME



POS.	CODE	DESCRIPTION	QTY	START DATE	END DATE	VALIDITY	NOTES
18	34921251A	PLUNGER ASSY	2			MOD:1199 ABS;XST:AUS,EUR,FRA,JAP	
19	34913761A	NUT	2			MOD:1199 ABS;XST:AUS,EUR,FRA,JAP	
20	46320200A	O RING	2			MOD:1199 ABS;XST:AUS,EUR,FRA,JAP	
21	34913771A	O-RING	2			MOD:1199 ABS;XST:AUS,EUR,FRA,JAP	
22	34913781A	O-RING	2			MOD:1199 ABS;XST:AUS,EUR,FRA,JAP	
23	34921261A	ADJUSTING SCREW UNIT	2			MOD:1199 ABS;XST:AUS,EUR,FRA,JAP	
24	34913791A	STOP RING	2			MOD:1199 ABS;XST:AUS,EUR,FRA,JAP	
25	34921271A	SEAL KIT	2			MOD:1199 ABS;XST:AUS,EUR,FRA,JAP	
26	34921291A	OVERHAUL KIT	2			MOD:1199 ABS;XST:AUS,EUR,FRA,JAP	



TEL00706



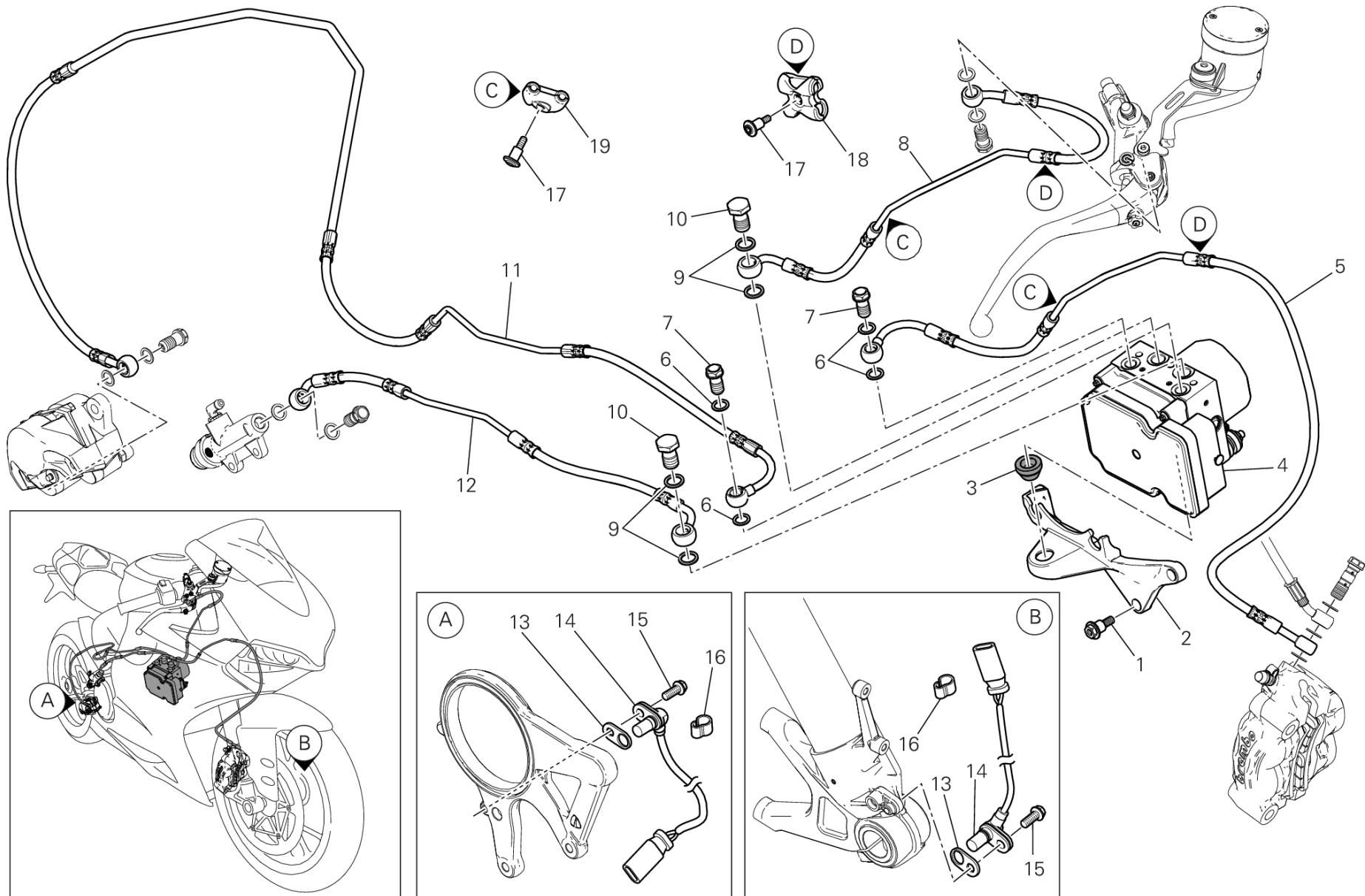
POS.	CODE	DESCRIPTION	QTY	START DATE	END DATE	VALIDITY	NOTES
1	53940601A	SWITCH, STAND	1			MOD:1199 ABS;XST:AUS,CHN,EUR,FRA,JAP	
2	77354623B	SCREW M4X10	2			MOD:1199 ABS;XST:AUS,CHN,EUR,FRA,JAP	
3	86050361AA	PIN	1			MOD:1199 ABS;XST:AUS,CHN,EUR,FRA,JAP	
4	11711252AA	ROD	1			MOD:1199 ABS;XST:AUS,CHN,EUR,FRA,JAP	
5	82113731AA	PIN	1			MOD:1199 ABS;XST:AUS,CHN,EUR,FRA,JAP	
6	71011611AA	BUSHING WITH CENTER ROD JOINT	1			MOD:1199 ABS;XST:AUS,CHN,EUR,FRA,JAP	
7	79925411AA	COMPLETE SPRING	1			MOD:1199 ABS;XST:AUS,CHN,EUR,FRA,JAP	
8	55610601BA	PLATE	1			MOD:1199 ABS;XST:AUS,CHN,EUR,FRA,JAP	
9	85210681B	SPACER,15X28X1	2			MOD:1199 ABS;XST:AUS,CHN,EUR,FRA,JAP	
10	88450031A	CIRCLIP E-TYPE	1			MOD:1199 ABS;XST:AUS,CHN,EUR,FRA,JAP	
11	71210471AA	BUSH	1			MOD:1199 ABS;XST:AUS,CHN,EUR,FRA,JAP	
12	82113711BA	LOCATING PIN	1			MOD:1199 ABS;XST:AUS,CHN,EUR,FRA,JAP	
13	55610612AA	SIDE STAND	1			MOD:1199 ABS;XST:AUS,CHN,EUR,FRA,JAP	
14	53940651A	MAGNETE	1			MOD:1199 ABS;XST:AUS,CHN,EUR,FRA,JAP	



DRAWING 24A - ANTILOCK BRAKING SYSTEM (ABS) [MOD:1199

ABS;XST:AUS,CHN,EUR,FRA,JAP]

GROUP FRAME



DRAWING 24A - ANTILOCK BRAKING SYSTEM (ABS) [MOD:1199

ABS;XST:AUS,CHN,EUR,FRA,JAP]

GROUP FRAME



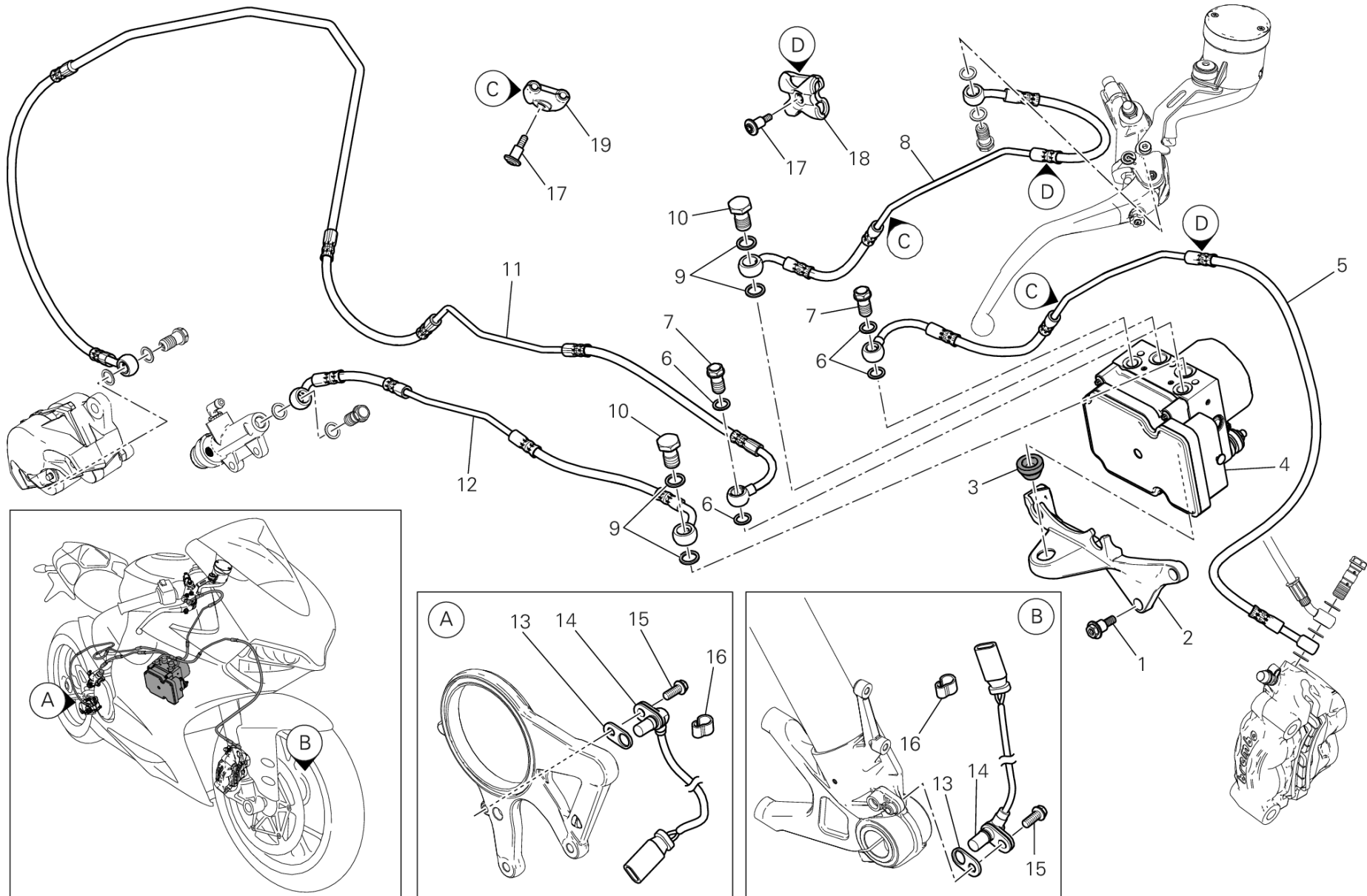
POS.	CODE	DESCRIPTION	QTY	START DATE	END DATE	VALIDITY	NOTES
1	77917291AA	SCREW, SPECIAL	3			MOD:1199 ABS;XST:AUS,CHN,EUR,FRA,JAP	
2	8291A743A	HOLDER ABS	1			MOD:1199 ABS;XST:AUS,CHN,EUR,FRA,JAP	
3	86640051A	RUBBER PAD	1			MOD:1199 ABS;XST:AUS,CHN,EUR,FRA,JAP	
4	54240362A	CONTROL UNIT ABS	1			MOD:1199 ABS;XST:AUS,CHN,EUR,FRA,JAP	
5	61841151C	CPU - FRONT CALIPERS LINE	1			MOD:1199 ABS;XST:AUS,CHN,EUR,FRA,JAP	
6	85250241A	WASHER 10X14X1	4			MOD:1199 ABS;XST:AUS,CHN,EUR,FRA,JAP	
7	77913661AB	BOLT, BRAKE HOSE M10X1	1			MOD:1199 ABS;XST:AUS,CHN,EUR,FRA,JAP	
8	61841141C	FRONT MASTER CYLINDER - CPU LINE	1			MOD:1199 ABS;XST:AUS,CHN,EUR,FRA,JAP	
9	85250261B	GASKET, ALUMINIUM 12X16X1.5	4			MOD:1199 ABS;XST:AUS,CHN,EUR,FRA,JAP	
10	77913141B	SCREW, SPECIAL	2			MOD:1199 ABS;XST:AUS,CHN,EUR,FRA,JAP	
11	61940541B	CPU - REAR CALIPER LINE	1			MOD:1199 ABS;XST:AUS,CHN,EUR,FRA,JAP	
12	61940531B	REAR MASTER CYLINDER - CPU LINE	1			MOD:1199 ABS;XST:AUS,CHN,EUR,FRA,JAP	
13	71314901A	GASKET TH.02	4			MOD:1199 ABS;XST:AUS,CHN,EUR,FRA,JAP	
	71319201A	GASKET 0.5 MM	6			MOD:1199 ABS;XST:AUS,CHN,EUR,FRA,JAP	
14	55212111B	SPEED SENSOR ABS REAR	2			MOD:1199 ABS;XST:AUS,CHN,EUR,FRA,JAP	
15	77210601A	SCREW TEF M6X16	2			MOD:1199 ABS;XST:AUS,CHN,EUR,FRA,JAP	
16	75840601A	FAIRLEAD	10			MOD:1199 ABS;XST:AUS,CHN,EUR,FRA,JAP	



DRAWING 24A - ANTILOCK BRAKING SYSTEM (ABS) [MOD:1199

ABS;XST:AUS,CHN,EUR,FRA,JAP]

GROUP FRAME



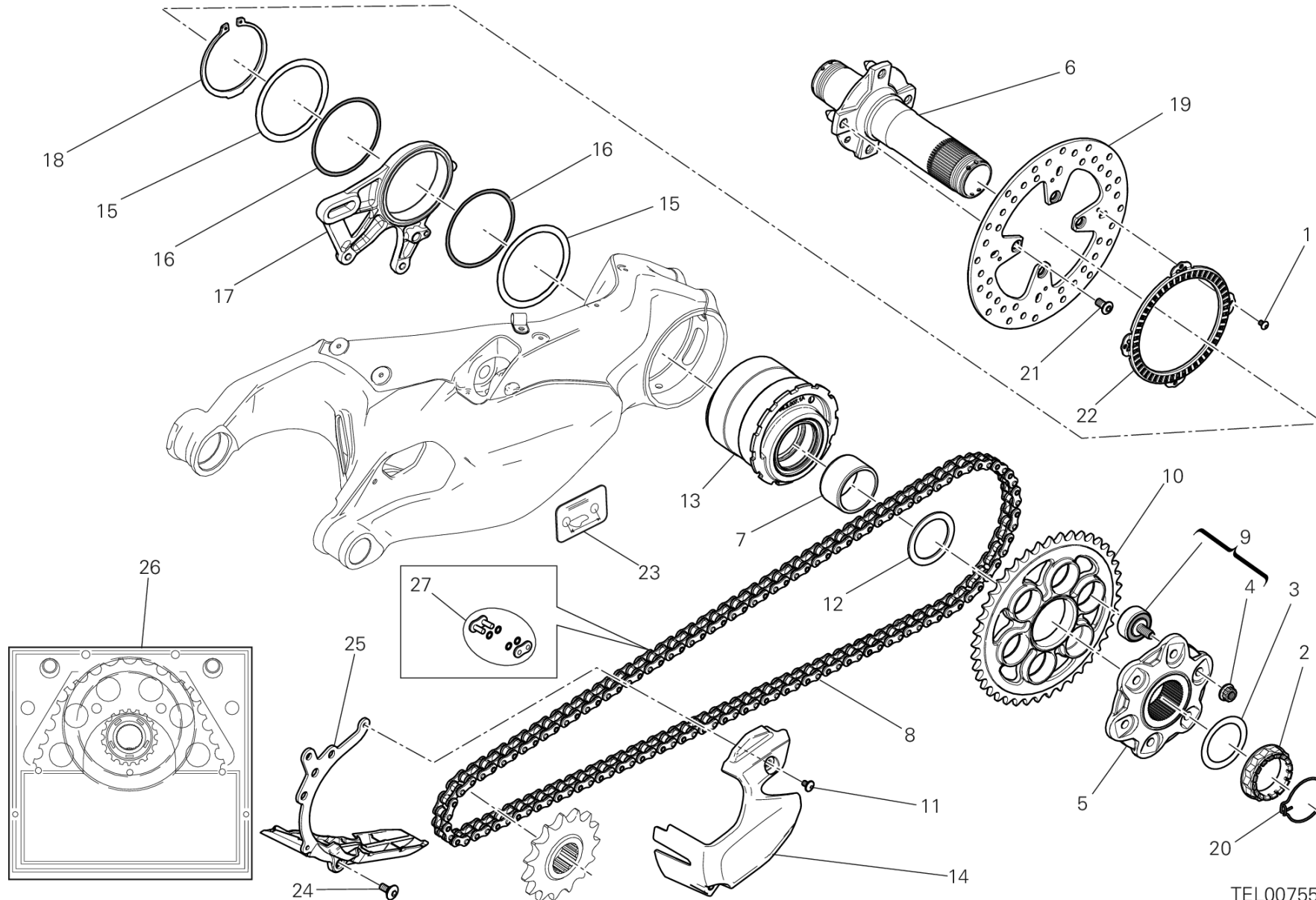
DRAWING 24A - ANTILOCK BRAKING SYSTEM (ABS) [MOD:1199

ABS;XST:AUS,CHN,EUR,FRA,JAP]

GROUP FRAME



POS.	CODE	DESCRIPTION	QTY	START DATE	END DATE	VALIDITY	NOTES
17	77211271A	SCREW, SPECIAL M5X10	2			MOD:1199 ABS;XST:AUS,CHN,EUR,FRA,JAP	
18	75810721A	HOSE GUIDE ABS UPPER	1			MOD:1199 ABS;XST:AUS,CHN,EUR,FRA,JAP	
19	75810711A	HOSE GUIDE ABS BOTTOM	1			MOD:1199 ABS;XST:AUS,CHN,EUR,FRA,JAP	



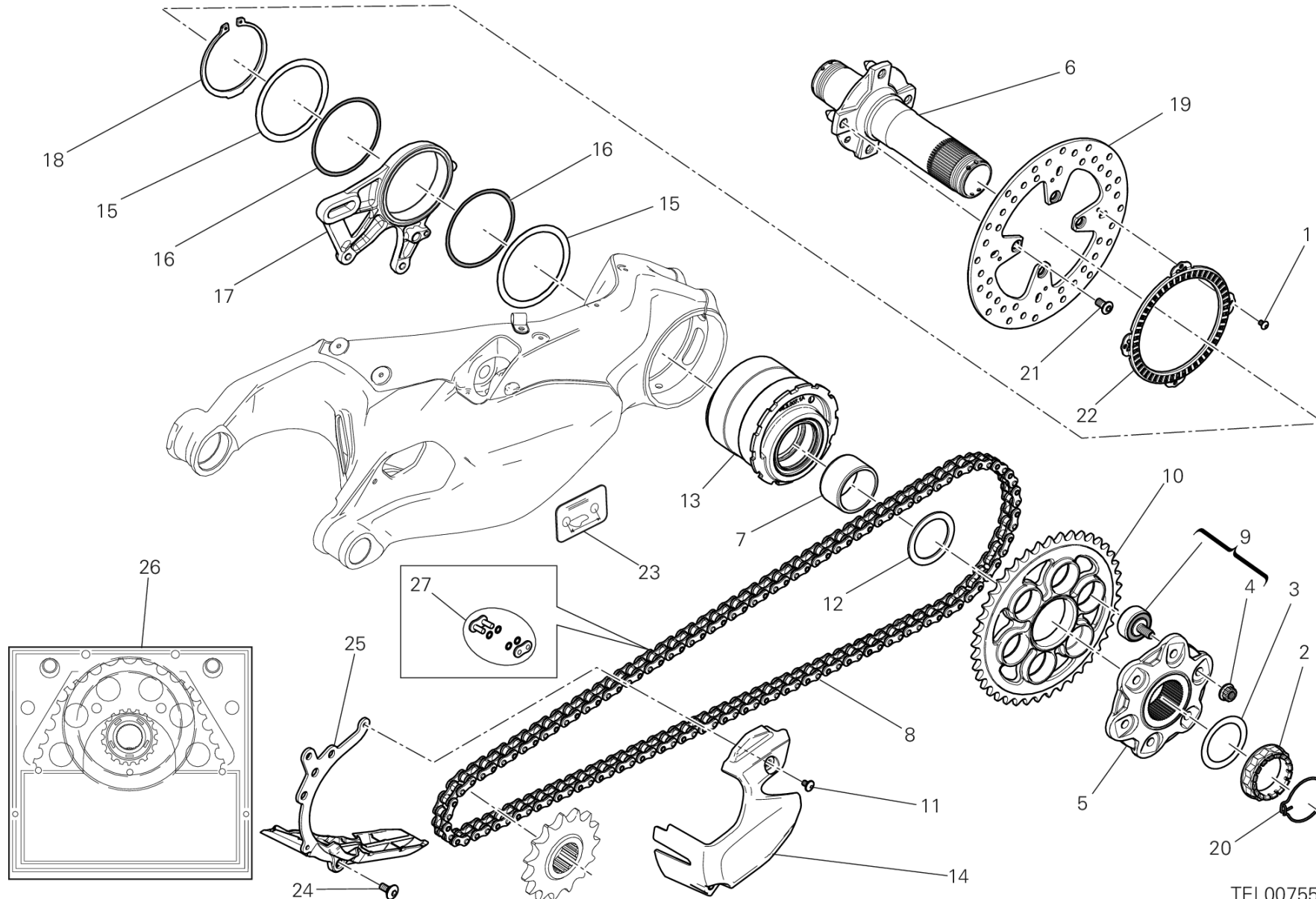
TEL00755

DRAWING 26A - REAR WHEEL SPINDLE [MOD:1199 ABS;XST:AUS,CHN,EUR,FRA,JAP]

GROUP FRAME



POS.	CODE	DESCRIPTION	QTY	START DATE	END DATE	VALIDITY	NOTES
1	77510631A	SCREW TBEI M5X8	4			MOD:1199 ABS;XST:AUS,CHN,EUR,FRA,JAP	
2	75011391A	NUT	1			MOD:1199 ABS;XST:AUS,CHN,EUR,FRA,JAP	
3	85212211A	WASHER 48.5X65X0.5	1			MOD:1199 ABS;XST:AUS,CHN,EUR,FRA,JAP	
4	74810461A	NUT, FLANGE M10X1	6			MOD:1199 ABS;XST:AUS,CHN,EUR,FRA,JAP	
5	16014201A	REAR SPROCKET FLANGE	1			MOD:1199 ABS;XST:AUS,CHN,EUR,FRA,JAP	
6	819Z0021B	REAR WHEEL SPINDLE	1			MOD:1199 ABS;XST:AUS,CHN,EUR,FRA,JAP	
7	88110541A	INNER SPACER	1			MOD:1199 ABS;XST:AUS,CHN,EUR,FRA,JAP	
8	67640831A	CHAIN 103+1	1			MOD:1199 ABS;XST:AUS,CHN,EUR,FRA,JAP	
9	70090562A	ABSORBER, HUB SHOCK	6			MOD:1199 ABS;XST:AUS,CHN,EUR,FRA,JAP	
10	49411501AA	RING GEAR Z=39	1			MOD:1199 ABS;XST:AUS,CHN,EUR,FRA,JAP	
11	77240243C	SCREW	2			MOD:1199 ABS;XST:AUS,CHN,EUR,FRA,JAP	
12	71410751A	SPACER	1			MOD:1199 ABS;XST:AUS,CHN,EUR,FRA,JAP	
13	75620131A	HUB	1			MOD:1199 ABS;XST:AUS,CHN,EUR,FRA,JAP	
14	46015061A	CHAIN COVER	1			MOD:1199 ABS;XST:AUS,CHN,EUR,FRA,JAP	
15	85212171A	WASHER 85.5X101X1	2			MOD:1199 ABS;XST:AUS,CHN,EUR,FRA,JAP	
16	88641241A	O-RING 89.5X3	2			MOD:1199 ABS;XST:AUS,CHN,EUR,FRA,JAP	
17	82510441A	CALIPER HOLDER PLATE ABS	1			MOD:1199 ABS;XST:AUS,CHN,EUR,FRA,JAP	



TEL00755

DRAWING 26A - REAR WHEEL SPINDLE [MOD:1199 ABS;XST:AUS,CHN,EUR,FRA,JAP]

GROUP FRAME

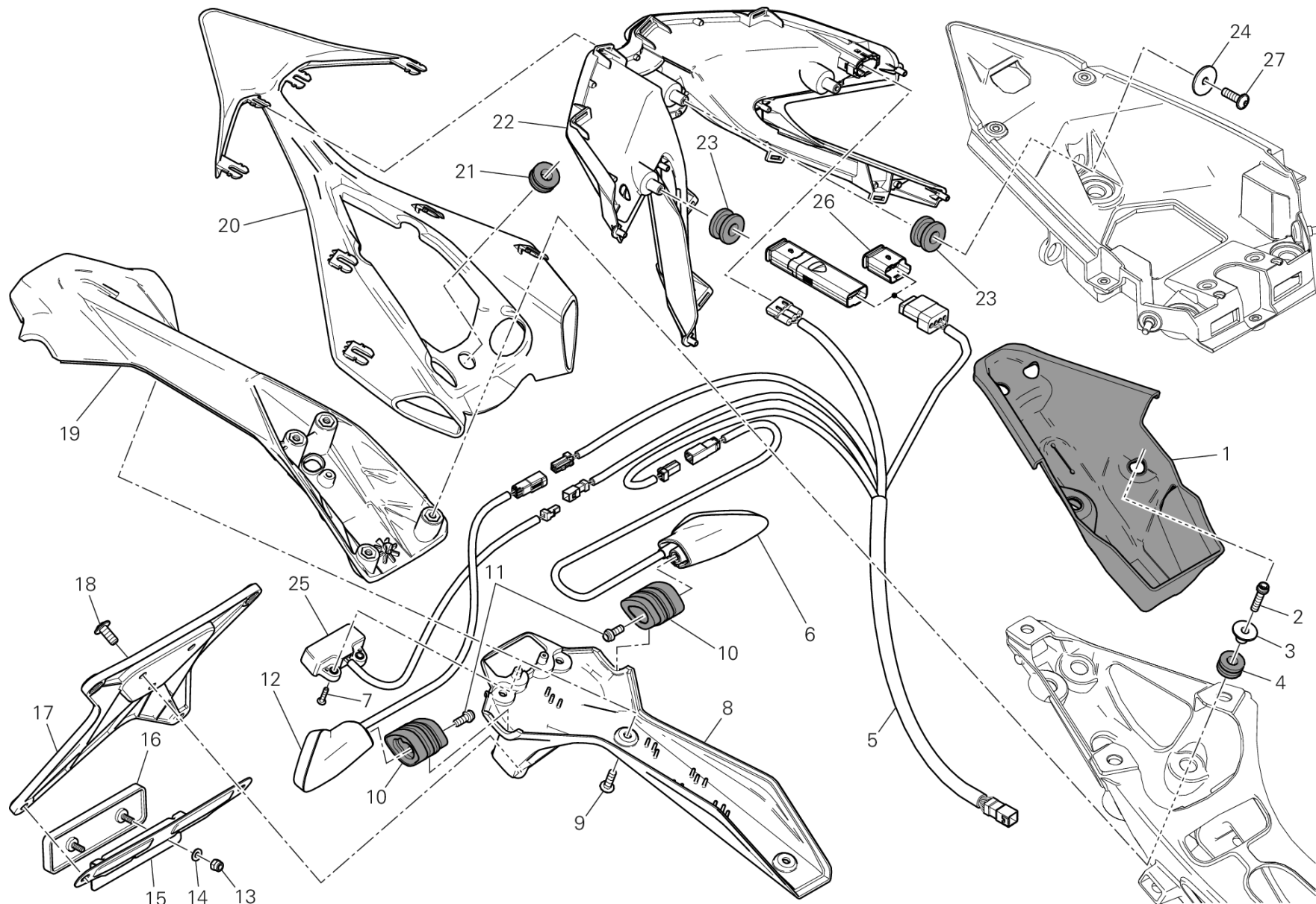


POS.	CODE	DESCRIPTION	QTY	START DATE	END DATE	VALIDITY	NOTES
18	88440511A	CIRCLIP 85X3	1			MOD:1199 ABS;XST:AUS,CHN,EUR,FRA,JAP	
19	49210061A	REAR BRAKE DISC	1			MOD:1199 ABS;XST:AUS,CHN,EUR,FRA,JAP	
20	75910222A	CLIP	1			MOD:1199 ABS;XST:AUS,CHN,EUR,FRA,JAP	
21	77914881A	SCREW	4			MOD:1199 ABS;XST:AUS,CHN,EUR,FRA,JAP	
22	50410091A	REAR PHONIC WHEEL	1			MOD:1199 ABS;XST:AUS,CHN,EUR,FRA,JAP	
23	43313751A	CHAIN ADJUSTMENT STICKER	1			MOD:1199 ABS;XST:AUS,CHN,EUR,FRA	
	43313751B	CHAIN ADJUSTMENT STICKER	1			MOD:1199 ABS;XST:JAP	JAP
24	77140663C	SCREW TCEIF M6X18 10.9	1			MOD:1199 ABS;XST:AUS,CHN,EUR,FRA,JAP	
25	46015791A	MUDFLAP	1			MOD:1199 ABS;XST:AUS,CHN,EUR,FRA,JAP	
26	67620811A	FINAL DRIVE KIT	1			MOD:1199 ABS;XST:AUS,CHN,EUR,FRA,JAP	
27	67740141A	CHAIN LINK	1			MOD:1199 ABS;XST:AUS,CHN,EUR,FRA,JAP	



DRAWING 27A - PORTATARGA - FANALE POSTERIORE [MOD:1199 ABS;XST:CHN,EUR,FRA,JAP]

GROUP FRAME



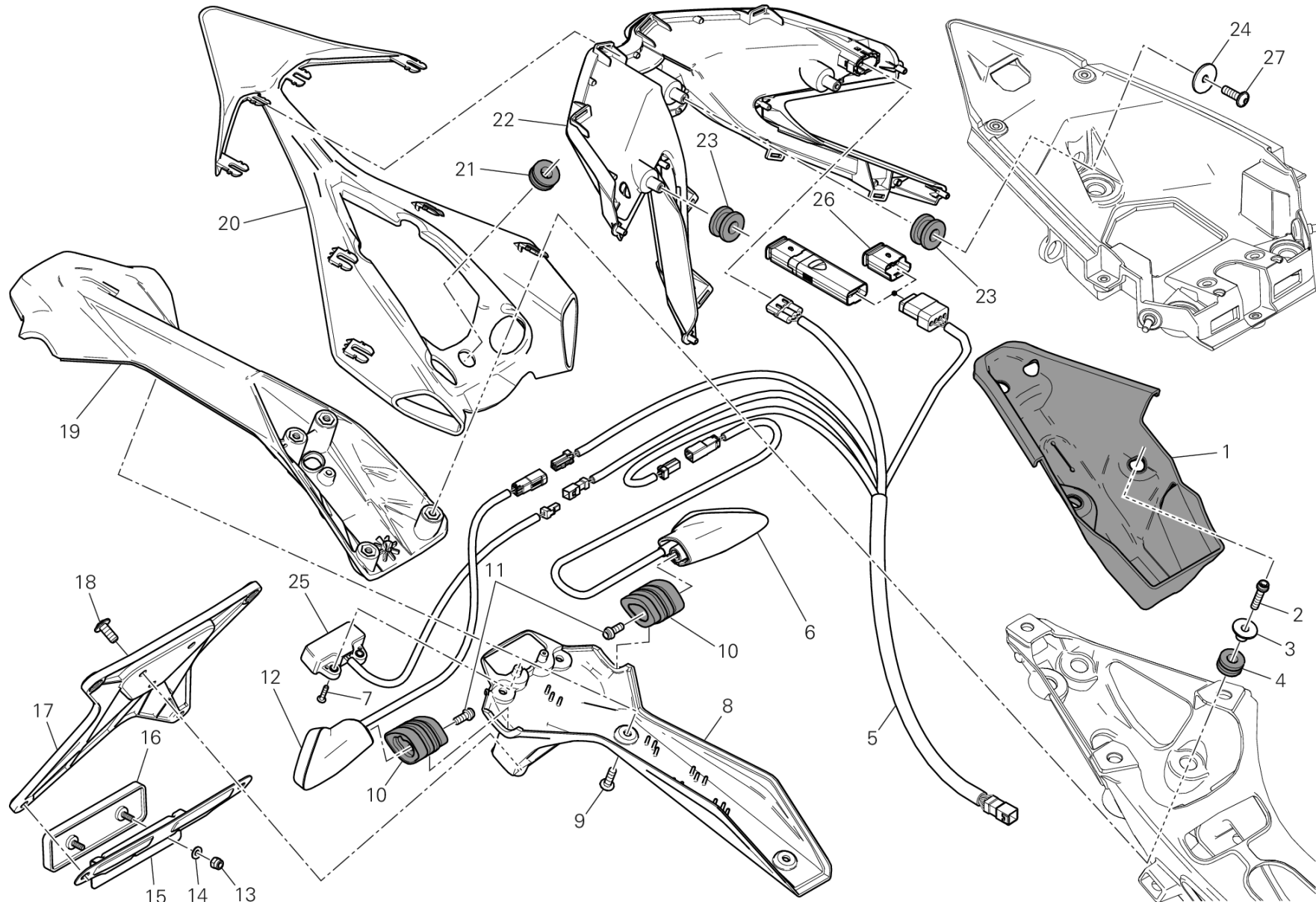
DRAWING 27A - PORTATARGA - FANALE POSTERIORE [MOD:1199

ABS;XST:CHN,EUR,FRA,JAP]

GROUP FRAME



POS.	CODE	DESCRIPTION	QTY	START DATE	END DATE	VALIDITY	NOTES
1	48311731A	RUBBER SECTION	1	01/02/2012		MOD:1199 ABS;XST:CHN,EUR,FRA,JAP	
2	77156443B	SCREW	4	01/02/2012		MOD:1199 ABS;XST:CHN,EUR,FRA,JAP	
3	71614102AA	SPACER	4	01/02/2012		MOD:1199 ABS;XST:CHN,EUR,FRA,JAP	
4	76411141A	VIBRATION DAMPER PAD	4	01/02/2012		MOD:1199 ABS;XST:CHN,EUR,FRA,JAP	
5	51017721A	REAR WIRING	1	01/02/2012		MOD:1199 ABS;XST:CHN,EUR,FRA,JAP	
6	53010282A	REAR FLASHER LIGHT,LEFT	1	24/02/2012		MOD:1199 ABS;XST:CHN,EUR,FRA,JAP	
7	77440183C	SCREW	2	01/02/2012		MOD:1199 ABS;XST:CHN,EUR,FRA,JAP	
8	56113043A	NUMBER PLATE HOLDER BOTTOM	1	01/02/2012		MOD:1199 ABS;XST:CHN,EUR,FRA,JAP	
9	77440203C	SCREW	4	01/02/2012		MOD:1199 ABS;XST:CHN,EUR,FRA,JAP	
10	71314703A	SPACER	2	01/02/2012		MOD:1199 ABS;XST:CHN,EUR,FRA,JAP	
11	77156398B	SCREW TCEIF M5X12	2	01/02/2012		MOD:1199 ABS;XST:CHN,EUR,FRA,JAP	
12	53010292A	REAR FLASHER LIGHT, RIGHT	1	24/02/2012		MOD:1199 ABS;XST:CHN,EUR,FRA,JAP	
13	74950011B	NUT, SPRING	2	22/09/2010		MOD:1199 ABS;XST:CHN,EUR,FRA,JAP	
14	85250011C	WASHER 4.3X9X0.8	2	22/09/2010		MOD:1199 ABS;XST:CHN,EUR,FRA,JAP	
15	82712981B	BRACKET, REFLECTOR	1	22/09/2010		MOD:1199 ABS;XST:CHN,EUR,FRA,JAP	
16	52910061B	REFLEX REFLECTOR, REAR	1	22/09/2010		MOD:1199 ABS;XST:CHN,EUR,FRA,JAP	
17	56110261A	NUMBER PLATE HOLDER	1	01/02/2012		MOD:1199 ABS;XST:CHN,EUR,FRA,JAP	



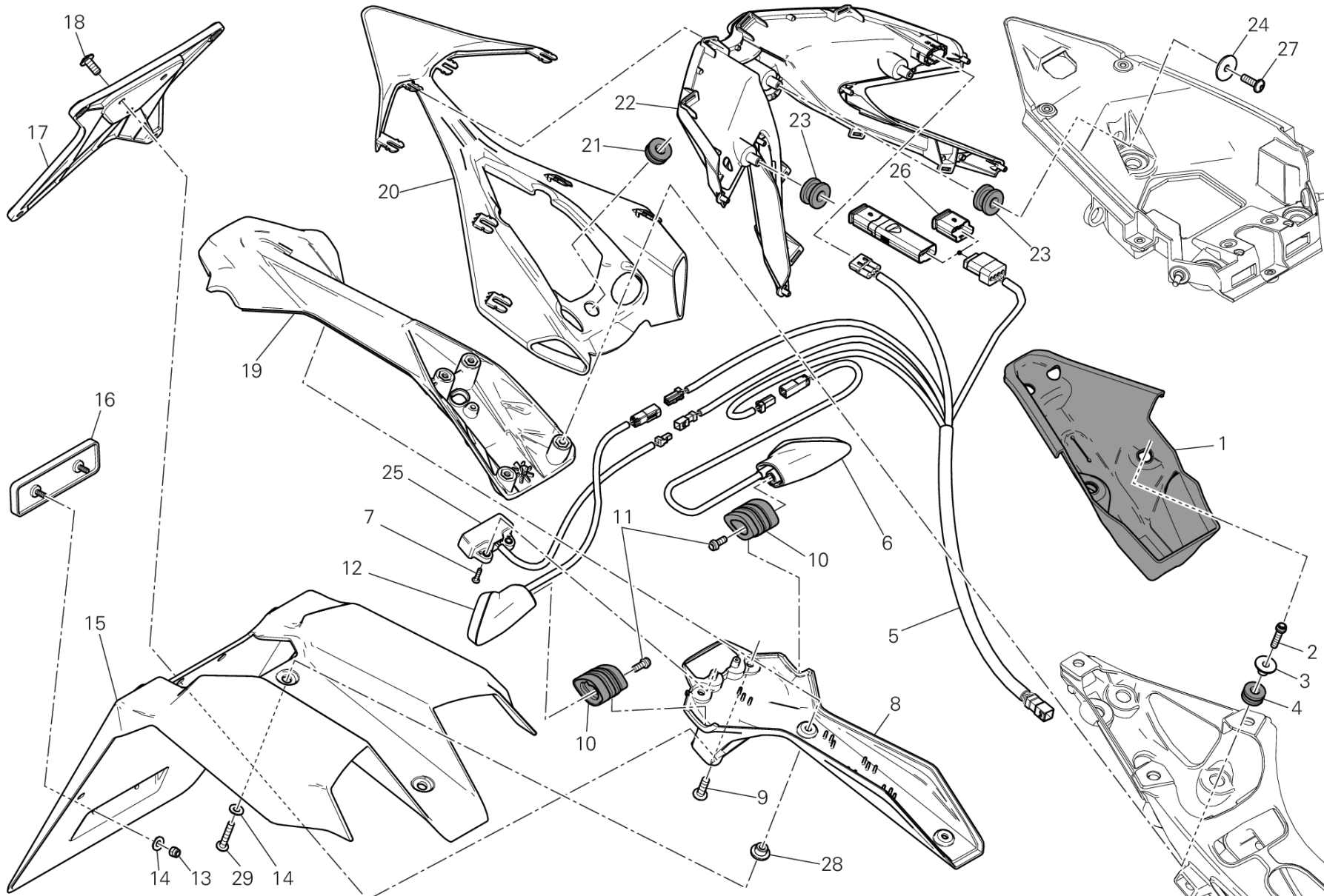
DRAWING 27A - PORTATARGA - FANALE POSTERIORE [MOD:1199

ABS;XST:CHN,EUR,FRA,JAP]

GROUP FRAME



POS.	CODE	DESCRIPTION	QTY	START DATE	END DATE	VALIDITY	NOTES
18	77240418C	SCREW	3	01/02/2012		MOD:1199 ABS;XST:CHN,EUR,FRA,JAP	
19	56113033A	NUMBER PLATE HOLDER UPPER	1	01/02/2012		MOD:1199 ABS;XST:CHN,EUR,FRA,JAP	
20	46014901A	COVER, LOWER	1	01/02/2012		MOD:1199 ABS;XST:CHN,EUR,FRA,JAP	
21	76410841B	RUBBER PAD	1	01/02/2012		MOD:1199 ABS;XST:CHN,EUR,FRA,JAP	
22	52510443C	TAILLIGHT	1	02/04/2012		MOD:1199 ABS;XST:CHN,EUR,FRA,JAP	
23	76411491A	RUBBER PAD	3	01/02/2012		MOD:1199 ABS;XST:CHN,EUR,FRA,JAP	
24	85213111AA	WASHER	1	01/02/2012		MOD:1199 ABS;XST:CHN,EUR,FRA,JAP	
25	52510432D	LAMP, LICENSE PLATE	1	01/02/2012		MOD:1199 ABS;XST:CHN,EUR,FRA,JAP	
26	87210532A	CAP DDA	1			MOD:1199 ABS;XST:CHN,EUR,FRA,JAP	
27	77440071A	SCREW, TAPPING M4.5X12	1	01/02/2012		MOD:1199 ABS;XST:CHN,EUR,FRA,JAP	



DRAWING 27B - NUMBER PLATE HOLDER - TAIL LIGHT - (AUS) [MOD:1199

ABS;XST:AUS]

GROUP FRAME

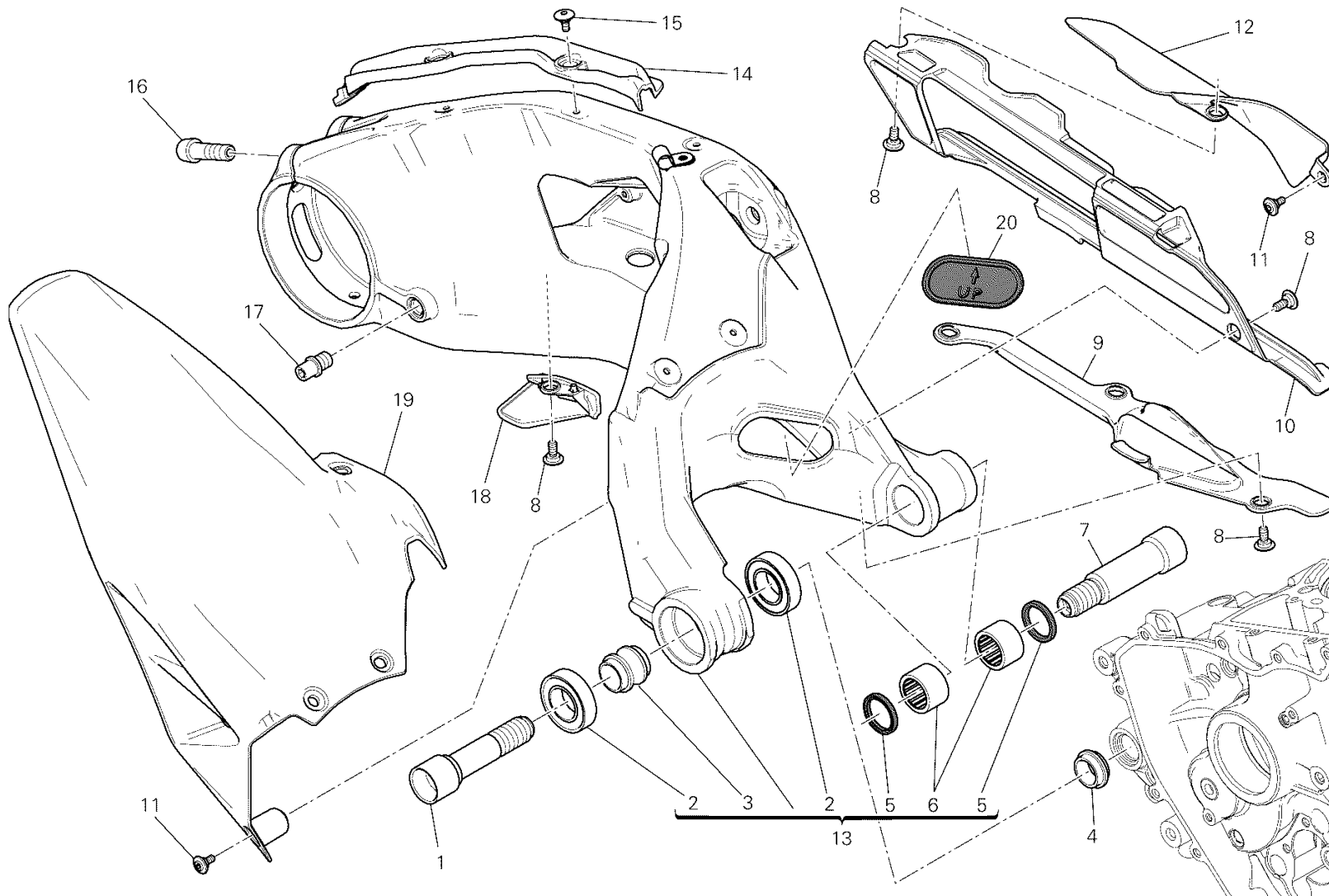


POS.	CODE	DESCRIPTION	QTY	START DATE	END DATE	VALIDITY	NOTES
1	48311731A	RUBBER SECTION	1			MOD:1199 ABS;XST:AUS	
2	77156443B	SCREW	4			MOD:1199 ABS;XST:AUS	
3	71614102AA	SPACER	4			MOD:1199 ABS;XST:AUS	
4	76411141A	VIBRATION DAMPER PAD	4			MOD:1199 ABS;XST:AUS	
5	51017721A	REAR WIRING	1			MOD:1199 ABS;XST:AUS	
6	53010282A	REAR FLASHER LIGHT,LEFT	1			MOD:1199 ABS;XST:AUS	
7	77440183C	SCREW	2			MOD:1199 ABS;XST:AUS	
8	56113043A	NUMBER PLATE HOLDER BOTTOM	1			MOD:1199 ABS;XST:AUS	
9	77440203C	SCREW	2			MOD:1199 ABS;XST:AUS	
10	71314703A	SPACER	2			MOD:1199 ABS;XST:AUS	
11	77156398B	SCREW TCEIF M5X12	2			MOD:1199 ABS;XST:AUS	
12	53010292A	REAR FLASHER LIGHT, RIGHT	1			MOD:1199 ABS;XST:AUS	
13	74950011B	NUT, SPRING	2			MOD:1199 ABS;XST:AUS	
14	85240131A	WASHER 5.3X15X1	4			MOD:1199 ABS;XST:AUS	
15	46015771A	MUDFLAP	1			MOD:1199 ABS;XST:AUS	
16	52910061B	REFLEX REFLECTOR, REAR	1			MOD:1199 ABS;XST:AUS	
17	56110261A	NUMBER PLATE HOLDER	1			MOD:1199 ABS;XST:AUS	
18	77240423C	SCREW TBEIF M6X16 10.9	3			MOD:1199 ABS;XST:AUS	
19	56113033A	NUMBER PLATE HOLDER UPPER	1			MOD:1199 ABS;XST:AUS	
20	46014901A	COVER, LOWER	1			MOD:1199 ABS;XST:AUS	
21	76410841B	RUBBER PAD	1			MOD:1199 ABS;XST:AUS	
22	52510443C	TAILLIGHT	1			MOD:1199 ABS;XST:AUS	
23	76411491A	RUBBER PAD	3			MOD:1199 ABS;XST:AUS	
24	85213111AA	WASHER	1			MOD:1199 ABS;XST:AUS	
25	52510432D	LAMP, LICENSE PLATE	1			MOD:1199 ABS;XST:AUS	
26	87210532A	CAP DDA	1			MOD:1199 ABS;XST:AUS	
27	77440071A	SCREW, TAPPING M4.5X12	1			MOD:1199 ABS;XST:AUS	
28	71614421AA	SPACER	2			MOD:1199 ABS;XST:AUS	
29	77440121A	SCREW	2			MOD:1199 ABS;XST:AUS	



DRAWING 28A - FORCELLONE POSTERIORE [MOD:1199 ABS;XST:AUS,CHN,EUR,FRA,JAP]

GROUP FRAME



SOS00621

DRAWING 28A - FORCELLONE POSTERIORE [MOD:1199

ABS;XST:AUS,CHN,EUR,FRA,JAP]

GROUP FRAME

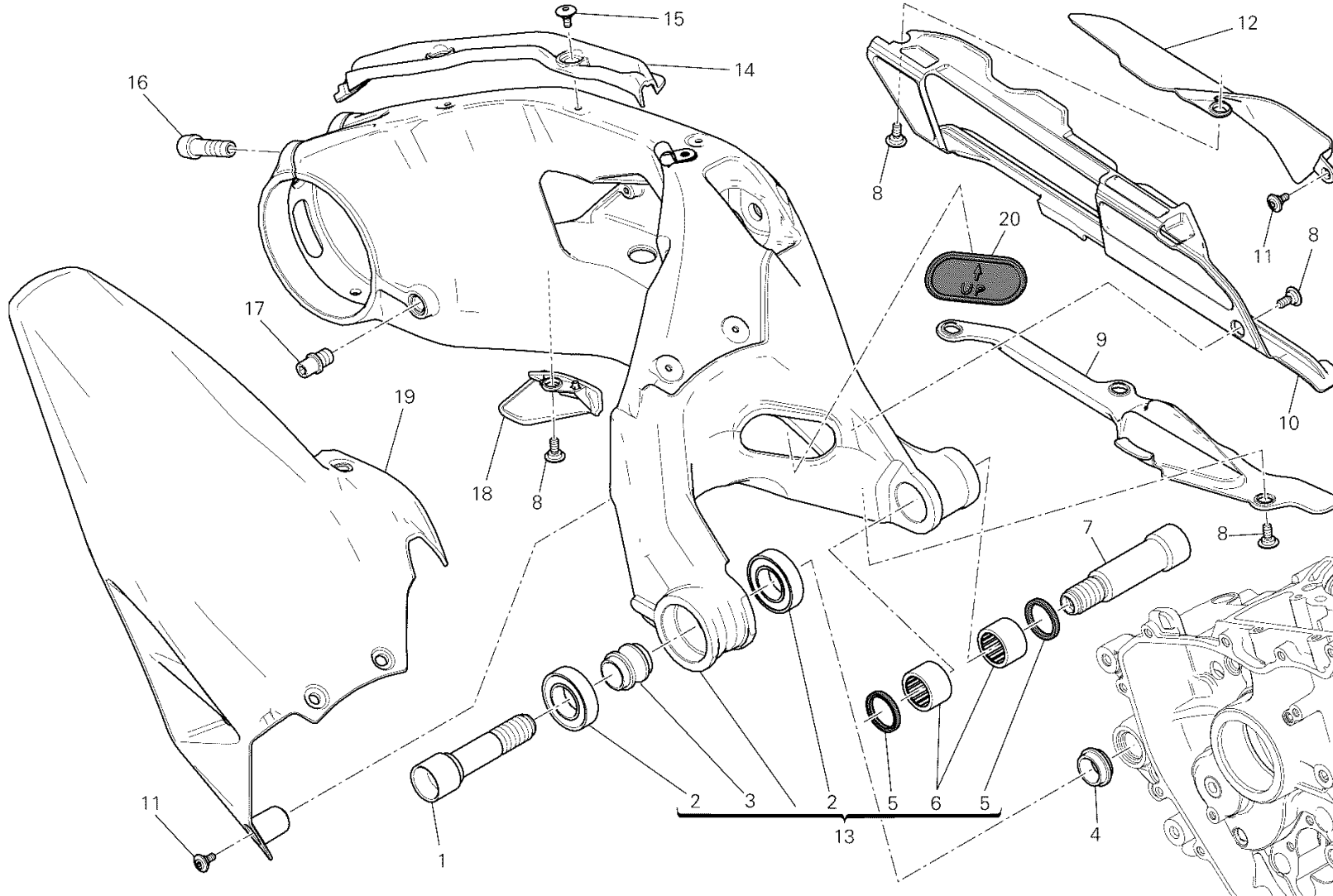


POS.	CODE	DESCRIPTION	QTY	START DATE	END DATE	VALIDITY	NOTES
1	36911291AA	SWINGARM PIVOT RH	1			MOD:1199 ABS;XST:AUS,CHN,EUR,FRA,JAP	
2	70250451A	BEARING	2			MOD:1199 ABS;XST:AUS,CHN,EUR,FRA,JAP	
3	71311871A	INNER SPACER	1			MOD:1199 ABS;XST:AUS,CHN,EUR,FRA,JAP	
4	71319452AA	RIGHT SPACER	1			MOD:1199 ABS;XST:AUS,CHN,EUR,FRA,JAP	
5	93050121A	SEAL RING	2			MOD:1199 ABS;XST:AUS,CHN,EUR,FRA,JAP	
6	70140171A	BEARING, NEEDLE	2			MOD:1199 ABS;XST:AUS,CHN,EUR,FRA,JAP	
7	36911301AA	SWINGARM PIVOT LH	1			MOD:1199 ABS;XST:AUS,CHN,EUR,FRA,JAP	
8	77914401B	SCREW TBEI M6X15	6			MOD:1199 ABS;XST:AUS,CHN,EUR,FRA,JAP	
9	44710901A	LOWER CHAIN SLIDING SHOE	1			MOD:1199 ABS;XST:AUS,CHN,EUR,FRA,JAP	
10	44710891A	UPPER CHAIN SLIDING SHOE	1			MOD:1199 ABS;XST:AUS,CHN,EUR,FRA,JAP	
11	77210852C	SCREW	5			MOD:1199 ABS;XST:AUS,CHN,EUR,FRA,JAP	
12	46015451A	MUDFLAP UPPER	1			MOD:1199 ABS;XST:AUS,CHN,EUR,FRA,JAP	
13	37021103BA	FORCELLONE POSTERIORE	1			MOD:1199 ABS;XST:AUS,CHN,EUR,FRA,JAP	
14	83016641A	GUIDE	1			MOD:1199 ABS;XST:AUS,CHN,EUR,FRA,JAP	
15	77210841B	SCREW	3			MOD:1199 ABS;XST:AUS,CHN,EUR,FRA,JAP	
16	77915031A	SCREW TCEI M12X1.25X40	2			MOD:1199 ABS;XST:AUS,CHN,EUR,FRA,JAP	
17	83210031C	PIN	1			MOD:1199 ABS;XST:AUS,CHN,EUR,FRA,JAP	



DRAWING 28A - FORCELLONE POSTERIORE [MOD:1199 ABS;XST:AUS,CHN,EUR,FRA,JAP]

GROUP FRAME



SOS00621

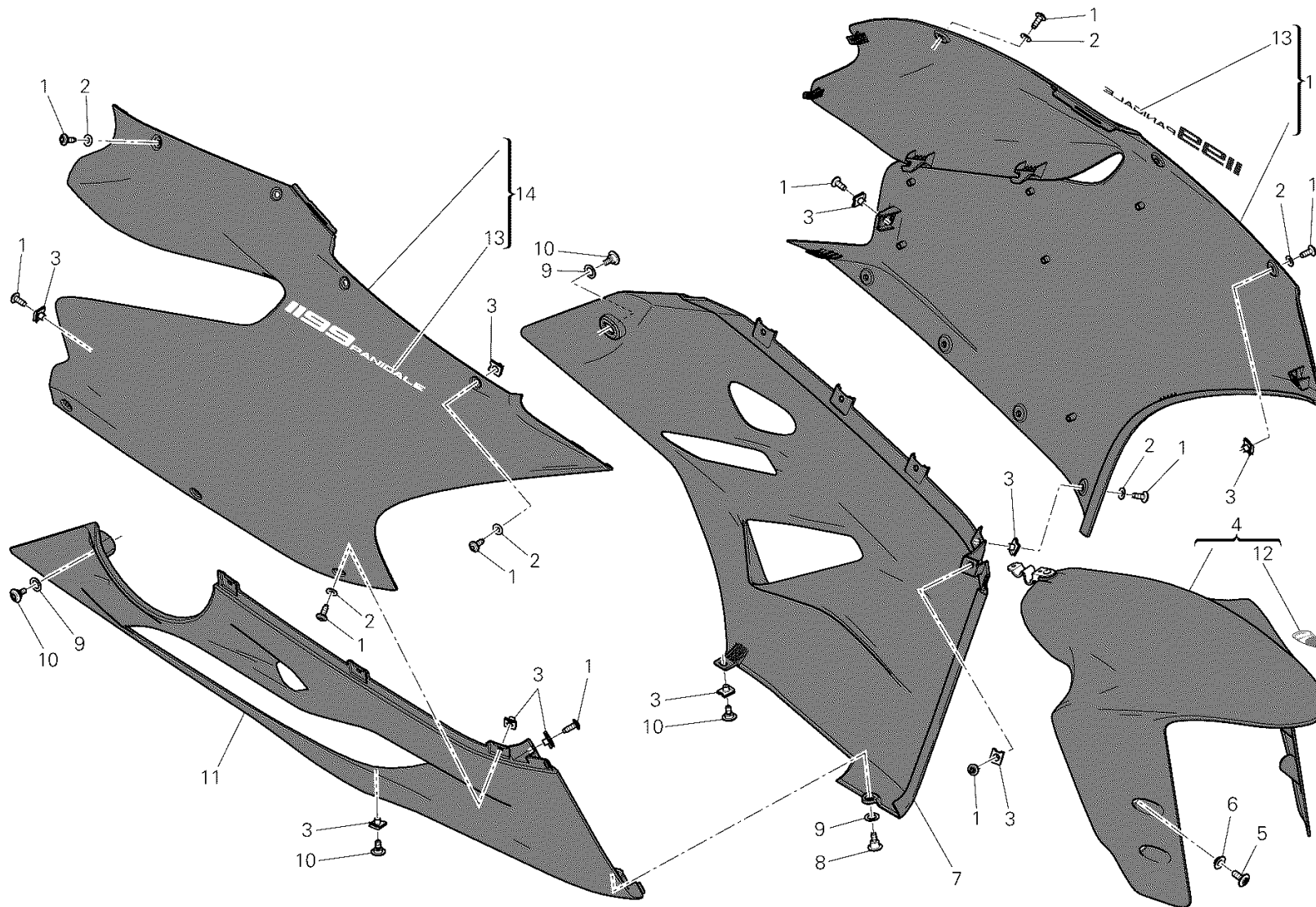
DRAWING 28A - FORCELLONE POSTERIORE [MOD:1199

ABS;XST:AUS,CHN,EUR,FRA,JAP]

GROUP FRAME



POS.	CODE	DESCRIPTION	QTY	START DATE	END DATE	VALIDITY	NOTES
18	46014981A	MUDFLAP BOTTOM	1			MOD:1199 ABS;XST:AUS,CHN,EUR,FRA,JAP	
19	56510582A	REAR MUDGUARD	1			MOD:1199 ABS;XST:AUS,CHN,EUR,FRA,JAP	
20	87210601A	CAP, SWINGARM COVER	1			MOD:1199 ABS;XST:AUS,CHN,EUR,FRA,JAP	



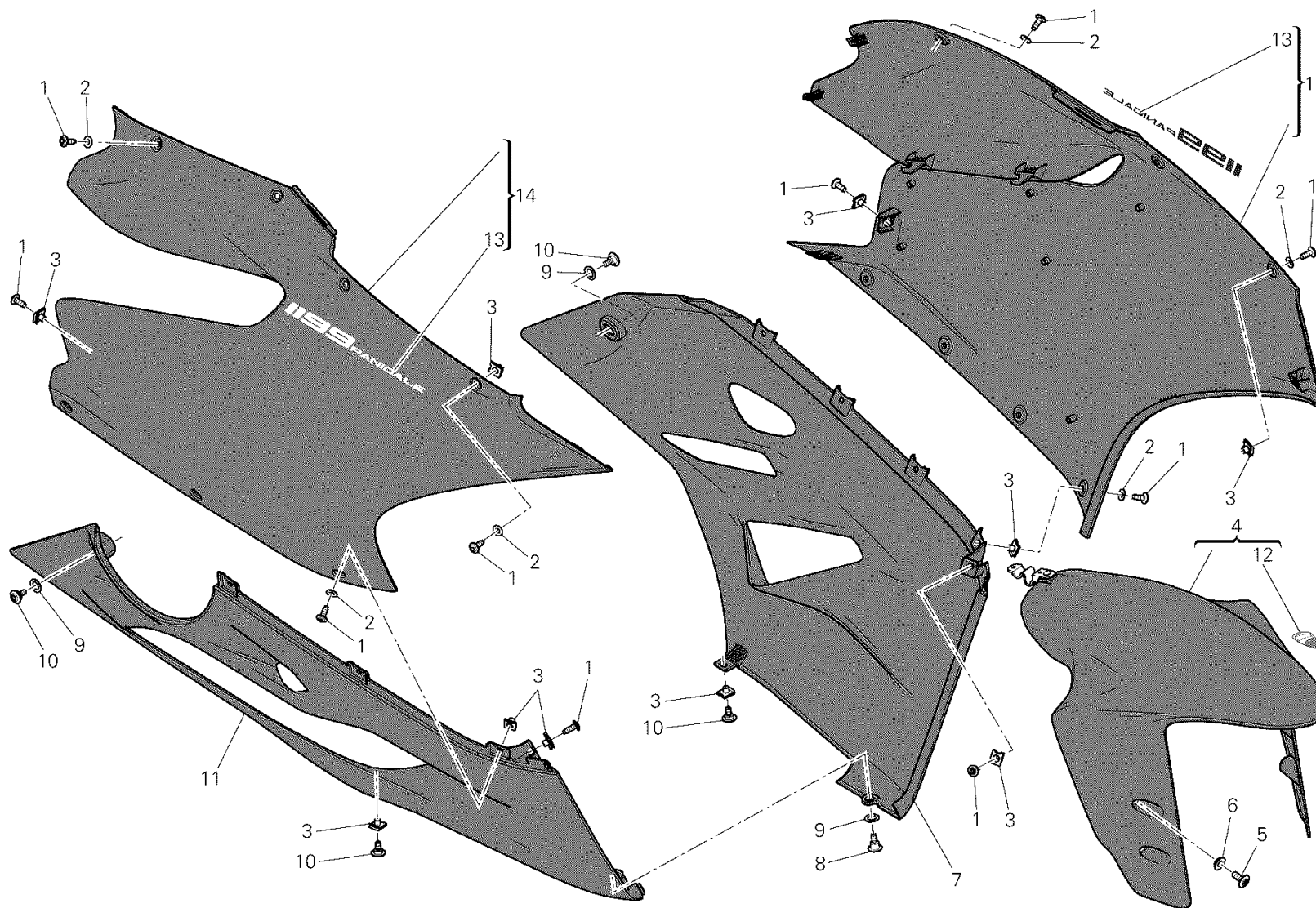
VST01090

DRAWING 34A - FAIRING [MOD:1199 ABS;XST:AUS,CHN,EUR,FRA,JAP]

GROUP FRAME



POS.	CODE	DESCRIPTION	QTY	START DATE	END DATE	VALIDITY	NOTES
1	77211091C	SCREW	19			MOD:1199 ABS;XST:AUS,CHN,EUR,FRA,JAP	
2	85611401A	WASHER	15			MOD:1199 ABS;XST:AUS,CHN,EUR,FRA,JAP	
3	85040471A	QUICK FASTENING M5	17			MOD:1199 ABS;XST:AUS,CHN,EUR,FRA,JAP	
4	56420941AA	FRONT FENDER RED	1			MOD:1199 ABS;XST:AUS,CHN,EUR,FRA,JAP	
	56420941AW	FRONT MUDGUARD WHITE	1	29/03/2012		MOD:1199 ABS;XST:AUS,CHN,EUR,FRA,JAP	
5	77210893B	SCREW TBEI M6X14	4			MOD:1199 ABS;XST:AUS,CHN,EUR,FRA,JAP	
6	71614011B	SPACER 6.2X8.5X14	4			MOD:1199 ABS;XST:AUS,CHN,EUR,FRA,JAP	
7	48013333AA	FAIRING, LOWER LH RED	1			MOD:1199 ABS;XST:AUS,CHN,EUR,FRA,JAP	
	48013333AW	FAIRING, LOWER LH WHITE	1	25/06/2012		MOD:1199 ABS;XST:AUS,CHN,EUR,FRA,JAP	
8	77210841B	SCREW	1			MOD:1199 ABS;XST:AUS,CHN,EUR,FRA,JAP	
9	85212181A	WASHER, NYLON 9X14X1	7			MOD:1199 ABS;XST:AUS,CHN,EUR,FRA,JAP	
10	77210853B	SCREW TCEI M5X9	4			MOD:1199 ABS;XST:AUS,CHN,EUR,FRA,JAP	
11	48013354AA	FAIRING, LOWER RH RED	1			MOD:1199 ABS;XST:AUS,CHN,EUR,FRA,JAP	
	48013354AW	FAIRING, LOWER RH WHITE	1	25/06/2012		MOD:1199 ABS;XST:AUS,CHN,EUR,FRA,JAP	
12	43814741A	EMBLEM DUCATI	1			MOD:1199 ABS;XST:AUS,CHN,EUR,FRA,JAP	
13	43818101A	DECAL 1199 PANIGALE (Red)	2			MOD:1199 ABS;XST:AUS,CHN,EUR,FRA,JAP	
	43818101AT	DECAL 1199 PANIGALE (WHITE)	2	25/06/2012		MOD:1199 ABS;XST:AUS,CHN,EUR,FRA,JAP	



VST01090



POS.	CODE	DESCRIPTION	QTY	START DATE	END DATE	VALIDITY	NOTES
14	48013345AA	RIGHT UPPER HALF-FAIRING RED	1			MOD:1199 ABS;XST:AUS,CHN,EUR,FRA,JAP	
	48013345AW	FAIRING UPPER RH WHITE	1	25/06/2012		MOD:1199 ABS;XST:AUS,CHN,EUR,FRA,JAP	
15	48013325AA	LEFT UPPER HALF-FAIRING RED	1			MOD:1199 ABS;XST:AUS,CHN,EUR,FRA,JAP	
	48013325AW	FAIRING UPPER LH WHITE	1	25/06/2012		MOD:1199 ABS;XST:AUS,CHN,EUR,FRA,JAP	



CODE	NO. TABLE	POS.	CODE	NO. TABLE	POS.	CODE	NO. TABLE	POS.	CODE	NO. TABLE	POS.
037072020	023	8	14824481B	13A	19	18010291D	002	7	24723652A	002	9
037072020	024	12	14824481B	13A	19	18120051C	002	13	24723701C	011	6
064770010	011	1	14824491C	013	19	18220353C	002	5	24723712A	009	18
069191030	18C	10	14824491C	013	19	18220381B	002	27	24723842A	009	3
11210711AA	006	9	14910871E	003	15	18410152AA	025	29	247P4022AA	033	34
11210711AB	006	9	15021491E	003	1	18710021A	023	3	247P4022AW	033	34
11210711AC	006	9	15021504D	003	2	19020232A	004	9	247P4072A	18A	20
11210711AD	006	9	15021542D	003	27	19410511A	004	4	25130081B	13A	21
11210711AE	006	9	15310121A	021	13	19540061A	004	17	25130081B	13A	21
11210711AF	006	9	15620861AA	006	6	19610531A	004	12	25220071A	009	6
11210771AA	10A	11	15620861AB	006	6	19610541A	004	11	25440012A	005	13
11210771AB	10A	11	15620861AC	006	6	19820401A	004	14	25440012A	05A	13
11210771AC	10A	11	16014151A	012	23	20810381A	014	15	26420161A	012	1
11210771AD	10A	11	16014201A	26A	5	20810381A	015	15	27040134A	012	7
11210771AE	10A	11	16024272A	032	11	20910641A	014	19	27610602A	012	21
11711252AA	22A	4	16024272A	032	11	20910641A	015	19	28040331A	017	3
11711261CA	016	18	17021261A	006	3	20910651A	014	14	28240893A	017	10
11711271AA	025	30	17111153A	013	14	20910651A	015	14	28620441A	001	5
11721331B	004	16	17111153A	013	14	21010811B	014	30	28642211A	18B	10
12021983D	007	6	17111153A	13A	14	21010811B	015	30	28642211C	18B	10
12112551C	007	2	17111153A	13A	14	21110802A	014	21	28642211E	18B	10
12112601B	007	1	17112311A	008	4	21110802A	015	21	28642211F	18B	10
12120561B	007	3	17112351B	006	13	22522602B	010	35	30123461C	014	4
12221712DA	007	7	17213172B	003	5	24221081BB	012	10	30123471C	015	4
12221712DB	007	7	17213181D	003	10	24311274A	005	17	30124503A	013	33
12221712DC	007	7	17213191D	003	13	24311274A	05A	17	30124503A	013	33
13510361B	017	6	17213201D	003	7	24321343A	005	2	30124503B	13A	35
13510371B	017	5	17213211D	003	19	24321343A	05A	2	30124503B	13A	35
14010691A	013	2	17213221D	003	25	24713912A	008	2	30310671AA	014	11
14010691A	013	2	17213231D	003	23	24713931B	13A	11	30310671AA	015	11
14010691A	13A	2	17213241D	003	22	24713931B	13A	11	304A0921A	014	31
14010691A	13A	2	17213251D	003	20	24713941B	013	11	304A0921A	015	31
14621872AA	006	11	17213261D	003	24	24713941B	013	11	304A0931A	014	22
14621872AB	006	11	17310241A	012	25	24714041AA	016	1	304A0931A	015	22
14621872AC	006	11	17410501A	011	12	24714051BA	025	16	30710021A	013	23
14710903A	009	13	17410511A	011	2	24714062A	033	27	30710021A	013	23
14814361B	13A	18	17410601A	009	19	24714101A	013	28	30710021A	13A	23
14814361B	13A	18	17410611A	009	25	24714101A	013	28	30710021A	13A	23
14814381A	013	18	17420561A	009	17	24714101A	13A	28	34110881CA	021	23
14814381A	013	18	17420571A	009	1	24714101A	13A	28	34220681AA	021	7
14823751C	13A	31	17420581A	006	5	24714291A	030	26	34420401D	21A	1
14823751C	13A	36	17610221A	012	27	24714332A	020	22	34420401D	21A	1
14823811C	013	31	18010271D	002	2	24714361B	020	23	34520401D	21A	2
14823811C	013	34	18010281D	002	6	24714371B	020	24	34520401D	21A	2



CODE	NO. TABLE	POS.	CODE	NO. TABLE	POS.	CODE	NO. TABLE	POS.	CODE	NO. TABLE	POS.
34912151A	21A	13	34921291A	21A	26	43818151B	032	15	46015781AA	19A	42
34912151A	21A	13	34921291A	21A	26	43818151B	032	15	46015791A	26A	25
34913161A	21A	7	36011291BA	021	25	44212342B	029	8	46110011AA	19A	44
34913161A	21A	7	36011301BA	021	19	44440291C	009	5	46240461A	020	3
34913181A	21A	10	36011311BA	021	17	44710891A	28A	10	46320200A	21A	20
34913181A	21A	10	36420101A	021	29	44710901A	28A	9	46320200A	21A	20
34913221A	21A	6	36521022A	028	4	44740021B	008	10	46410801AA	016	4
34913221A	21A	6	36911291AA	28A	1	44740051A	008	6	46410801AA	027	10
34913251A	21A	4	36911301AA	28A	7	44910611A	003	30	46410811AA	025	23
34913251A	21A	4	37021103BA	28A	13	45140013A	008	5	46410811AA	027	11
34913721A	21A	5	37211161BA	028	19	45520171A	002	23	47012051CA	022	2
34913721A	21A	5	37211171BA	028	20	45612092BA	016	13	47110252BA	027	14
34913731A	21A	8	38040221B	018	16	45612101AA	016	23	48013325AA	34A	15
34913731A	21A	8	38040221B	18B	19	45720552AA	025	34	48013325AW	34A	15
34913741A	21A	14	38510161A	027	21	46014901A	27A	20	48013333AA	34A	7
34913741A	21A	14	38510201B	022	14	46014901A	27B	20	48013333AW	34A	7
34913751A	21A	15	38710041A	032	17	46014941C	034	18	48013345AA	34A	14
34913751A	21A	15	38710041A	032	17	46014951C	034	17	48013345AW	34A	14
34913761A	21A	19	38940191A	18C	8	46014961C	034	20	48013354AA	34A	11
34913761A	21A	19	38940201A	18C	8	46014971B	021	2	48013354AW	34A	11
34913771A	21A	21	38940211A	18C	8	46014981A	28A	18	48120742AA	034	3
34913771A	21A	21	38940221A	18C	8	46015011B	027	25	48120742AW	034	3
34913781A	21A	22	38940241A	18C	8	46015022A	027	29	48211661AA	033	9
34913781A	21A	22	38940251A	18A	12	46015031AA	019	29	48211661AW	033	9
34913791A	21A	24	39040201A	020	21	46015031AA	19A	29	48211671AA	033	17
34913791A	21A	24	39520311A	18A	4	46015052A	18A	3	48211671AW	033	17
34921191A	21A	3	39740071A	18A	13	46015061A	26A	14	48311711B	033	28
34921191A	21A	3	40610931C	020	1	46015262A	019	6	48311722AA	033	21
34921201A	21A	9	42610341B	022	6	46015262A	19A	6	48311722AW	033	21
34921201A	21A	9	42640041B	035	5	46015281A	020	8	48311731A	27A	1
34921211A	21A	11	42710171A	10A	13	46015331BA	019	22	48311731A	27B	1
34921211A	21A	11	43313751A	26A	23	46015331BA	19A	22	48410991B	030	2
34921221A	21A	12	43313751B	26A	23	46015341A	028	6	48411002A	034	13
34921221A	21A	12	43814741A	34A	12	46015351A	018	12	48411011A	033	23
34921231A	21A	16	43818081A	033	35	46015393A	019	38	48411021A	033	32
34921231A	21A	16	43818081AT	033	35	46015393A	19A	38	48411043A	030	4
34921241A	21A	17	43818091A	033	36	46015451A	28A	12	48411053A	030	5
34921241A	21A	17	43818091AT	033	36	46015482A	018	7	48411091A	020	10
34921251A	21A	18	43818101A	34A	13	46015631B	18B	5	48610851A	005	24
34921251A	21A	18	43818101AT	34A	13	46015681A	18A	22	48610851A	05A	24
34921261A	21A	23	43818111A	034	22	46015741A	019	39	48610911A	05A	27
34921261A	21A	23	43818111AT	034	22	46015741A	19A	39	48710562A	034	1
34921271A	21A	25	43818151A	032	15	46015771A	27B	15	49210061A	26A	19
34921271A	21A	25	43818151A	032	15	46015781AA	019	42	49240891A	026	12



CODE	NO. TABLE	POS.	CODE	NO. TABLE	POS.	CODE	NO. TABLE	POS.	CODE	NO. TABLE	POS.
49240901A	026	5	55212092A	19A	24	59013911B	032	4	63140081A	023	21
49411501AA	26A	10	55212111B	24A	14	59013941A	018	11	63140081A	024	6
49720012A	026	3	55212881C	016	20	59013951A	018	21	63140161A	025	2
49720031A	026	16	55241321B	012	17	59023511A	017	1	63140281A	023	19
50121541A	026	10	55241571A	018	10	59023531A	017	12	63140281A	024	19
50211482AB	026	7	55241581A	020	6	59340392A	019	3	63140491A	024	2
50410051A	026	20	55241612C	002	1	59340392A	19A	3	63140501A	023	2
50410091A	26A	22	55242631A	031	22	59511281B	033	26	63210611A	023	6
51017721A	27A	5	55320121A	031	19	59521081B	033	1	65010092I	021	27
51017721A	27B	5	55610601BA	22A	8	59521091A	033	33	65110112E	021	11
51017731C	017	15	55610612AA	22A	13	59820611A	033	15	65540081A	029	14
51017881A	18C	1	56110261A	27A	17	59821041A	032	20	66020011B	021	12
51310261A	18A	15	56110261A	27B	17	59821051A	032	4	66810491A	014	32
51410671A	18A	7	56113033A	27A	19	59840291A	032	16	66810491A	015	32
51410681A	18A	11	56113033A	27B	19	59840291A	032	19	66910011E	014	9
51640011AB	021	31	56113043A	27A	8	59840321A	032	18	66910011E	015	9
52010252A	020	19	56113043A	27B	8	59840321A	032	18	67040451A	018	14
52350281A	034	7	56420941AA	34A	4	59940011A	033	19	67040451A	18B	16
52350291A	034	2	56420941AW	34A	4	61041371A	024	9	67110511C	018	15
52510432D	27A	25	56510582A	28A	19	61041381A	024	26	67110511C	18B	17
52510432D	27B	25	57013061C	019	20	61140292B	025	13	67620811A	26A	26
52510443C	27A	22	57013061C	19A	20	61240051A	023	4	67640831A	26A	8
52510443C	27B	22	57013072A	019	17	61240051A	024	21	67740141A	26A	27
52910061B	27A	16	57013072A	19A	17	61240081A	025	1	68010171A	006	12
52910061B	27B	16	57013152B	019	16	61240161A	025	3	69610121A	027	9
52910141A	21A	27	57013152B	19A	16	61240201A	024	22	69720283A	027	1
53010282A	27A	6	57112992C	019	26	61240371A	024	27	69926431A	032	2
53010282A	27B	6	57112992C	19A	26	61240391A	023	23	69926431A	032	21
53010292A	27A	12	57113002C	019	25	61240391A	024	30	69926441A	032	1
53010292A	27B	12	57113002C	19A	25	61340381A	025	26	69926441A	032	22
53940031A	025	17	573P3392A	19A	51	61340961A	024	8	70010431A	020	2
53940302A	005	14	57413243B	019	13	61610021A	032	2	70010701A	027	20
53940302A	05A	14	57413301A	19A	13	61810361A	024	29	70010711A	18B	12
53940351A	024	5	57610791AA	19A	52	61841141C	24A	8	70010751A	035	4
53940361A	023	22	58540081A	023	12	61841151C	24A	5	70090562A	26A	9
53940601A	22A	1	58540081A	025	4	61940531B	24A	12	70140171A	28A	6
53940651A	22A	14	58540181A	024	15	61940541B	24A	11	70140301C	008	11
54040301B	018	3	58611923AA	032	3	62440761B	024	1	70140311A	003	8
54140101A	18C	9	58611923AA	032	3	62540311C	025	8	70140321A	003	14
54240362A	24A	4	58611923AW	032	3	62640561A	023	20	70140331A	003	18
54710022B	011	9	58611923AW	032	3	62640561A	024	7	70140351A	012	22
54840961B	030	22	59013861A	029	7	62640571A	023	18	70140361A	011	3
54840971B	030	10	59013901A	032	1	62640571A	024	24	70140371A	009	15
55212092A	019	24	59013911B	030	7	63040601B	023	1	70240131D	010	7



CODE	NO. TABLE	POS.	CODE	NO. TABLE	POS.	CODE	NO. TABLE	POS.	CODE	NO. TABLE	POS.
70240181B	012	24	71319452AA	28A	4	74140431A	025	6	74941118B	033	24
70240251B	010	11	71319471AA	033	3	74140431A	030	19	74941128B	19A	50
70241091A	010	12	71319522AA	028	12	74140431A	031	10	74950011B	27A	13
70241191A	028	16	71319971AA	028	10	74140431A	032	16	74950011B	27B	13
70241231A	021	10	71320021B	003	29	74140431A	035	6	75010071A	004	7
70250411A	010	17	71410751A	26A	12	74140631A	029	6	75010281A	034	6
70250451A	026	8	71413231AA	026	15	74141001A	035	9	75011391A	026	13
70250451A	28A	2	71413261AA	026	17	74141491A	031	13	75011391A	26A	2
70250601A	004	10	71413271AA	026	2	74141671A	027	27	75011491AB	034	21
70310593A	006	4	71413281AA	026	9	74141671A	029	10	75011551A	033	16
70310601BA	021	24	71611061A	18A	16	74141711A	018	20	75011742AA	005	12
70450051A	009	24	71611441B	028	5	74141711A	035	12	75011742AA	05A	12
70450091A	009	23	71611491A	033	8	74141851A	030	28	75011742AA	18B	4
70450091A	011	8	71611571C	002	17	74141881A	031	18	75040141A	024	18
71011611AA	22A	6	71611581C	002	15	74142141A	029	1	75610142AA	022	1
71011642AA	028	8	71614011B	34A	6	74142231A	031	16	75620131A	26A	13
71110932A	10A	14	71614071A	005	23	74142251A	029	11	75810701A	005	22
71113171A	005	5	71614071A	019	36	742240570	006	8	75810701A	05A	22
71113171A	012	9	71614071A	05A	23	74750031A	021	6	75810711A	24A	19
71113171A	05A	5	71614071A	18A	9	74750031A	025	28	75810721A	24A	18
71113181A	010	15	71614071A	18B	2	74750101A	016	17	75840601A	24A	16
71113221A	011	4	71614071A	19A	36	74750151A	010	29	75910222A	026	19
71113631A	002	4	71614102AA	27A	3	74810241A	019	11	75910222A	26A	20
71210341A	016	9	71614102AA	27B	3	74810241A	19A	11	76410011A	19A	47
71210341A	025	33	71614331AA	030	14	74810351B	017	9	76410112A	016	19
71210471AA	22A	11	71614342AA	018	18	74810351B	027	19	76410631A	019	15
71240231A	002	12	71614342AA	031	2	74810361A	019	41	76410631A	19A	15
71240231A	010	14	71614342AA	18B	7	74810361A	19A	41	76410741A	018	22
71311871A	28A	3	71614351AA	032	6	74810461A	022	4	76410841B	018	13
71313091A	004	13	71614351AA	032	6	74810461A	10A	1	76410841B	27A	21
71313641A	024	20	71614381AA	020	17	74810461A	26A	4	76410841B	27B	21
71314361A	19A	46	71614391AA	019	8	74810651A	026	1	76410871A	014	10
71314703A	27A	10	71614391AA	19A	8	74810791A	013	25	76410871A	015	10
71314703A	27B	10	71614421AA	27B	28	74810791A	013	25	76410901A	018	19
71314831A	004	15	71614431AA	031	4	74810791A	13A	25	76410901A	020	20
71314901A	24A	13	71614431AA	18C	4	74810791A	13A	25	76410901A	031	3
71319201A	24A	13	73210331B	019	35	74840381A	019	37	76410901A	18A	2
71319271A	014	12	73210331B	19A	35	74840381A	020	4	76410901A	18B	6
71319271A	015	12	735033804	010	16	74840381A	18A	8	76410901A	18C	5
71319281A	014	28	735034405	010	8	74840381A	19A	37	76411141A	034	14
71319281A	015	28	73840011A	008	9	74840481A	10A	4	76411141A	27A	4
71319291A	008	12	74140381A	18C	2	74940041A	018	5	76411141A	27B	4
71319421A	028	11	74140431A	023	14	74940141A	028	21	76411301A	019	5
71319442A	004	19	74140431A	024	16	74941108B	023	13	76411301A	19A	5



CODE	NO. TABLE	POS.	CODE	NO. TABLE	POS.	CODE	NO. TABLE	POS.	CODE	NO. TABLE	POS.
76411361A	020	15	77150678B	009	22	77210461B	18A	24	77240423C	27B	18
76411411B	018	8	77151598C	028	1	77210601A	24A	15	77240483C	027	18
76411411B	030	9	77154337C	003	3	77210621A	013	27	77244168B	19A	30
76411411B	18A	1	77156398B	016	2	77210621A	013	27	77250728B	019	19
76411411B	18B	21	77156398B	025	14	77210621A	13A	27	77250728B	19A	19
76411472A	027	15	77156398B	27A	11	77210621A	13A	27	77250788B	020	18
76411481A	019	9	77156398B	27B	11	77210741A	021	8	77251018B	019	32
76411481A	19A	9	77156408B	017	2	77210841B	28A	15	77251018B	020	16
76411491A	030	15	77156408B	030	23	77210841B	34A	8	77251018B	19A	32
76411491A	27A	23	77156408B	031	8	77210852C	019	2	77251023C	18A	14
76411491A	27B	23	77156418B	032	14	77210852C	19A	2	77251038B	018	4
76411501A	030	17	77156418B	032	14	77210852C	28A	11	77251038B	18B	18
76411511A	034	12	77156438B	025	15	77210853B	035	3	77251387C	10A	8
76411521A	032	7	77156438B	19A	49	77210853B	18B	1	77253290Z	013	12
76411521A	032	7	77156443B	018	17	77210853B	34A	10	77253290Z	013	12
76411621A	029	15	77156443B	030	13	77210861B	033	2	77253290Z	13A	12
76411641A	020	14	77156443B	031	1	77210882B	031	5	77253290Z	13A	12
76440561A	018	6	77156443B	18B	8	77210882B	18C	3	77253297C	011	10
76440561A	033	22	77156443B	27A	2	77210893B	34A	5	77253300Z	012	2
76440561A	18B	3	77156443B	27B	2	77211091C	030	25	77253307C	012	19
76440581A	005	21	77156628B	18A	5	77211091C	033	13	77253317C	002	10
76440581A	05A	21	77156658B	019	14	77211091C	034	19	77253317C	008	1
76610781A	010	6	77156658B	022	10	77211091C	34A	1	77253317C	009	2
76610801A	010	25	77156658B	025	9	77211131A	18A	21	77253317C	011	11
76610811A	10A	6	77156658B	027	8	77211201A	004	3	77253337C	005	1
76610821A	013	6	77156658B	19A	14	77211251B	021	1	77253337C	009	9
76610821A	013	6	77156668B	021	28	77211271A	024	32	77253337C	012	16
76610821A	13A	6	77156678B	016	21	77211271A	24A	17	77253337C	05A	1
76610821A	13A	6	77156678B	018	9	77211361AA	028	18	77253357C	005	4
76640191A	013	26	77156688B	021	4	77213168B	019	30	77253357C	012	11
76640191A	013	26	77156688B	025	19	77213173B	028	7	77253357C	05A	4
76640191A	13A	26	77156728B	032	5	77213203B	032	10	77253367C	013	5
76640191A	13A	26	77156728B	032	5	77213203B	032	10	77253367C	013	5
77110211A	19A	53	77157238B	016	10	77240243C	05A	30	77253367C	13A	5
77110471A	004	6	77157238B	025	12	77240243C	26A	11	77253367C	13A	5
77110518B	012	3	77157238B	027	13	77240253C	020	9	77253387C	10A	7
77112331A	013	1	77157238B	028	3	77240258C	18B	13	77253447C	10A	9
77112331A	013	1	77157248B	021	21	77240263C	020	11	77350403B	033	7
77112331A	13A	1	77157258B	021	22	77240288C	034	9	77350618B	013	31
77112331A	13A	1	77157278B	019	7	77240323C	029	13	77350618B	13A	31
77140663C	26A	24	77157278B	027	7	77240393C	033	29	77350623B	023	10
77150628B	014	16	77157278B	19A	7	77240398C	010	36	77354623B	22A	2
77150628B	015	16	77157288B	016	24	77240408C	022	11	77354888B	021	20
77150668B	017	11	77157618B	028	13	77240418C	27A	18	77355038B	002	8



CODE	NO. TABLE	POS.	CODE	NO. TABLE	POS.	CODE	NO. TABLE	POS.	CODE	NO. TABLE	POS.
77355068B	19A	45	77914401B	28A	8	78010841A	012	13	79915231A	014	13
77440071A	27A	27	77914881A	26A	21	78010861A	010	19	79915231A	015	13
77440071A	27B	27	77915031A	28A	16	78010871A	010	9	79915421B	017	7
77440101A	020	25	77915041A	028	15	78020011A	019	18	79915432B	017	8
77440111A	029	9	77915471A	006	10	78020011A	19A	18	79915441A	030	3
77440121A	27B	29	77916192C	006	7	78110121AA	031	11	79915493A	022	9
77440183C	27A	7	77916241A	002	22	78611212C	007	4	79915511A	025	27
77440183C	27B	7	77916441A	013	10	78811101C	013	7	79915534A	013	22
77440203C	019	1	77916441A	013	10	78811101C	013	7	79915534A	013	22
77440203C	030	12	77916441A	13A	10	78811101C	13A	7	79915534A	13A	22
77440203C	18A	23	77916441A	13A	10	78811101C	13A	7	79915534A	13A	22
77440203C	19A	1	77916551B	006	1	78811131A	013	8	79915581A	031	21
77440203C	27A	9	77916661B	012	5	78811131A	013	8	79915651A	019	43
77440203C	27B	9	77916763AA	027	23	78811131A	13A	8	79915651A	19A	43
77510041A	020	5	77916773AA	027	24	78811131A	13A	8	79925411AA	22A	7
77510071AB	034	4	77916783AA	027	16	78811161A	029	3	79940121A	010	22
77510161A	027	28	77916792AA	033	30	78811182A	022	3	800068490	024	14
77510311B	010	1	77916811AA	022	13	78811191A	011	7	800070139	01C	8
77510631A	26A	1	77916821BA	020	12	78811201A	031	9	80012051A	031	14
77550131A	016	15	77916951AA	034	11	78811221A	034	8	80012061A	031	15
77550200C	005	26	77916971B	013	21	78811231A	034	10	80012111A	031	6
77550200C	05A	26	77916971B	013	21	78811281A	034	23	80012121A	030	21
77910921A	023	7	77916991A	10A	12	78811291A	034	24	80012131A	031	7
77910921A	024	13	77917161B	005	3	79010231B	019	21	81140012B	013	29
77912371B	025	31	77917161B	009	11	79010231B	19A	21	81140012B	013	29
77912981A	021	5	77917161B	012	6	79010251A	019	12	81140012B	13A	29
77913091AB	024	28	77917161B	05A	3	79010251A	19A	12	81140012B	13A	29
77913141B	24A	10	77917231A	014	35	79110831A	030	20	81411831A	035	8
77913311D	024	25	77917231A	015	35	79120531B	007	5	81413341A	013	4
77913541A	013	15	77917291AA	035	14	79710531B	004	1	81413341A	013	4
77913541A	013	15	77917291AA	24A	1	79910241A	027	3	81413341A	13A	4
77913541A	13A	15	77917392AA	021	30	79911661A	016	5	81413341A	13A	4
77913541A	13A	15	77917951AA	05A	29	79911661A	025	24	81413421B	010	23
77913661AB	005	19	77917961AA	05A	28	79912632A	019	23	81413531A	13A	34
77913661AB	023	16	77927171A	010	28	79912632A	19A	23	81413531A	13A	34
77913661AB	024	3	77950591A	024	10	79915101C	002	25	81415081AA	031	12
77913661AB	025	11	78010511C	012	14	79915131C	002	20	81440681A	032	8
77913661AB	05A	19	78010511C	014	24	79915141C	002	16	81440681A	032	8
77913661AB	24A	7	78010511C	015	24	79915201A	014	33	81510371A	029	5
77913971A	023	5	78010511C	10A	16	79915201A	015	33	81810162A	004	5
77913991A	026	4	78010771A	010	33	79915211A	014	29	81910691A	026	11
77914151A	024	23	78010771A	014	18	79915211A	015	29	81920021B	26A	6
77914211A	014	7	78010771A	015	18	79915221A	014	20	82010141A	010	4
77914211A	015	7	78010801A	010	26	79915221A	015	20	82010141A	012	28



CODE	NO. TABLE	POS.	CODE	NO. TABLE	POS.	CODE	NO. TABLE	POS.	CODE	NO. TABLE	POS.
82010151A	008	13	8291A333AA	028	2	84010063A	015	1	84010283A	015	1
82010162A	009	14	8291A352B	030	11	84010073A	014	1	84010293A	014	1
82010171A	011	5	8291A431BA	016	12	84010073A	015	1	84010293A	015	1
82110511AB	016	6	8291A441AA	025	20	84010083A	014	1	84010303A	014	1
82110511AB	025	22	8291A481B	022	7	84010083A	015	1	84010303A	015	1
82110511AB	027	4	8291A511BA	025	18	84010093A	014	1	84010313A	014	1
82111701B	016	7	8291A553BA	020	13	84010093A	015	1	84010313A	015	1
82111701B	025	36	8291A691AA	024	11	84010103A	014	1	84010323A	014	1
82113361A	014	26	8291A701AA	023	9	84010103A	015	1	84010323A	015	1
82113361A	015	26	8291A743A	24A	2	84010113A	014	1	84010333A	014	1
82113371B	014	27	8291A901A	035	2	84010113A	015	1	84010333A	015	1
82113371B	015	27	8292A342A	030	18	84010123A	014	1	84010343A	014	1
82113441B	002	3	829PA361A	018	1	84010123A	015	1	84010343A	015	1
82113711BA	22A	12	829PA371A	18B	9	84010133A	014	1	84010412B	014	2
82113731AA	22A	5	829PA541B	18A	17	84010133A	015	1	84010412B	015	2
82113751A	030	1	83016442AA	027	22	84010143A	014	1	84010422B	014	2
82113811AA	025	32	83016452AA	027	17	84010143A	015	1	84010422B	015	2
82113822BA	021	15	83016471AA	022	12	84010153A	014	1	84010432B	014	2
82113832A	013	20	83016491AA	019	31	84010153A	015	1	84010432B	015	2
82113832A	013	20	83016491AA	19A	31	84010163A	014	1	84010442B	014	2
82113832A	13A	20	83016501AA	019	33	84010163A	015	1	84010442B	015	2
82113832A	13A	20	83016501AA	19A	33	84010173A	014	1	84010452B	014	2
82114041A	014	23	83016541B	024	31	84010173A	015	1	84010452B	015	2
82114041A	015	23	83016582A	022	8	84010183A	014	1	84010462B	014	2
82114211AA	032	9	83016641A	28A	14	84010183A	015	1	84010462B	015	2
82114211AA	032	9	83016833A	18A	10	84010193A	014	1	84010472B	014	2
82123692A	008	8	83016861A	18B	14	84010193A	015	1	84010472B	015	2
82411871BA	025	21	83017071A	18C	6	84010203A	014	1	84010482B	014	2
82411881BA	027	5	83017791AA	19A	48	84010203A	015	1	84010482B	015	2
82411892BA	027	12	83026511BA	019	10	84010213A	014	1	84010492B	014	2
82412251AA	027	12	83026511BA	19A	10	84010213A	015	1	84010492B	015	2
82421861AA	016	11	83110151A	010	21	84010223A	014	1	84010502B	014	2
82510441A	26A	17	83210031C	28A	17	84010223A	015	1	84010502B	015	2
82712981B	27A	15	84010013A	014	1	84010233A	014	1	84010512B	014	2
82716012A	005	25	84010013A	015	1	84010233A	015	1	84010512B	015	2
82716012A	05A	25	84010023A	014	1	84010243A	014	1	84010522B	014	2
82716021A	014	34	84010023A	015	1	84010243A	015	1	84010522B	015	2
82716021A	015	34	84010033A	014	1	84010253A	014	1	84010532B	014	2
82716091A	012	8	84010033A	015	1	84010253A	015	1	84010532B	015	2
82716141A	033	18	84010043A	014	1	84010263A	014	1	84010542B	014	2
82716351A	013	30	84010043A	015	1	84010263A	015	1	84010542B	015	2
82716351A	013	30	84010053A	014	1	84010273A	014	1	84010552B	014	2
82716351A	13A	30	84010053A	015	1	84010273A	015	1	84010552B	015	2
82716351A	13A	30	84010063A	014	1	84010283A	014	1	84010562B	014	2



CODE	NO. TABLE	POS.	CODE	NO. TABLE	POS.	CODE	NO. TABLE	POS.	CODE	NO. TABLE	POS.
84010562B	015	2	84010762B	015	2	84011901AD	015	3	85040551A	033	14
84010572B	014	2	84010772B	014	2	84011901AE	014	3	85040551A	18A	19
84010572B	015	2	84010772B	015	2	84011901AE	015	3	85040551A	19A	27
84010582B	014	2	84010782B	014	2	84011901AF	014	3	85041041A	033	11
84010582B	015	2	84010782B	015	2	84011901AF	015	3	85041041A	034	15
84010592B	014	2	84010792B	014	2	84011901AG	014	3	85041051A	033	12
84010592B	015	2	84010792B	015	2	84011901AG	015	3	85041051A	034	16
84010602B	014	2	84010802B	014	2	84011901AH	014	3	85041471A	033	31
84010602B	015	2	84010802B	015	2	84011901AH	015	3	85041581A	018	2
84010612B	014	2	84010812B	014	2	84011901AI	014	3	85041581A	18B	20
84010612B	015	2	84010812B	015	2	84011901AI	015	3	85041811A	017	13
84010622B	014	2	84010822B	014	2	84011901AJ	014	3	85110201A	004	8
84010622B	015	2	84010822B	015	2	84011901AJ	015	3	85210241A	034	5
84010632B	014	2	84010832B	014	2	84011901AK	014	3	85210532A	019	28
84010632B	015	2	84010832B	015	2	84011901AK	015	3	85210532A	19A	28
84010642B	014	2	84010842B	014	2	84011901AL	014	3	85210681B	22A	9
84010642B	015	2	84010842B	015	2	84011901AL	015	3	85211201A	013	16
84010652B	014	2	84010852B	014	2	84011901AM	014	3	85211201A	013	16
84010652B	015	2	84010852B	015	2	84011901AM	015	3	85211201A	13A	16
84010662B	014	2	84010862B	014	2	84011901AN	014	3	85211201A	13A	16
84010662B	015	2	84010862B	015	2	84011901AN	015	3	85211511A	016	14
84010672B	014	2	84010872B	014	2	84011901AO	014	3	85211511A	025	37
84010672B	015	2	84010872B	015	2	84011901AO	015	3	85211671B	033	25
84010682B	014	2	84011083A	014	1	84011901AP	014	3	85211951A	005	15
84010682B	015	2	84011083A	015	1	84011901AP	015	3	85211951A	05A	15
84010692B	014	2	84011093A	014	1	84011901AQ	014	3	85212171A	26A	15
84010692B	015	2	84011093A	015	1	84011901AQ	015	3	85212181A	34A	9
84010702B	014	2	84011103A	014	1	84011901AR	014	3	85212211A	026	14
84010702B	015	2	84011103A	015	1	84011901AR	015	3	85212211A	26A	3
84010712B	014	2	84011113A	014	1	84510061A	014	5	85212221A	026	6
84010712B	015	2	84011113A	015	1	84510061A	015	5	85212621A	003	12
84010722B	014	2	84011123A	014	1	84740021A	027	2	85212631A	003	17
84010722B	015	2	84011123A	015	1	84740061A	010	20	85212651A	002	19
84010723A	014	1	84011133A	014	1	84850021A	016	16	85212651A	012	26
84010723A	015	1	84011133A	015	1	85040471A	018	23	85212661A	002	24
84010732B	014	2	84011143A	014	1	85040471A	030	27	85212681A	009	20
84010732B	015	2	84011143A	015	1	85040471A	033	20	85212681A	011	13
84010733A	014	1	84011901AA	014	3	85040471A	18B	15	85212721A	005	9
84010733A	015	1	84011901AA	015	3	85040471A	18C	7	85212721A	05A	9
84010742B	014	2	84011901AB	014	3	85040471A	34A	3	85212741A	008	3
84010742B	015	2	84011901AB	015	3	85040521A	027	26	85212771A	10A	5
84010752B	014	2	84011901AC	014	3	85040551A	019	27	85212781A	013	9
84010752B	015	2	84011901AC	015	3	85040551A	020	7	85212781A	013	9
84010762B	014	2	84011901AD	014	3	85040551A	030	6	85212781A	13A	9



CODE	NO. TABLE	POS.	CODE	NO. TABLE	POS.	CODE	NO. TABLE	POS.	CODE	NO. TABLE	POS.
85212781A	13A	9	85350101A	18A	6	87511791B	010	2	88641161A	016	8
85212791A	006	2	85540031A	022	5	87521941AA	028	14	88641161A	025	35
85212801A	003	31	85610642A	10A	2	875P1731BA	021	14	88641241A	26A	16
85212941B	012	4	85611271A	016	22	875P1741BA	021	26	88641331A	009	16
85212981A	003	6	85611372A	003	9	87611081A	029	2	88641701A	10A	10
85213021A	009	26	85611381A	003	21	87611121A	029	4	88641761A	005	11
85213111AA	019	4	85611391A	004	2	87611131A	029	12	88641761A	05A	11
85213111AA	030	16	85611401A	033	10	87611181A	035	7	88641791A	13A	33
85213111AA	19A	4	85611401A	34A	2	87611191A	035	13	88641791A	13A	33
85213111AA	27A	24	85611471A	013	13	87711131A	023	15	88641961A	010	24
85213111AA	27B	24	85611471A	013	13	87711411A	024	17	88641971A	012	29
85240091A	035	1	85611471A	13A	13	87711531A	025	7	88641981A	031	20
85240131A	27B	14	85611471A	13A	13	87721561A	005	20	88642061A	017	14
85240161A	19A	54	86010061A	013	32	87721561A	05A	20	88642081A	008	7
85240231A	013	24	86010061A	013	32	88110541A	26A	7	88650131A	010	3
85240231A	013	24	86010061A	13A	32	88440281A	003	16	88650541A	004	18
85240231A	13A	24	86010061A	13A	32	88440331A	033	4	88650561A	009	4
85240231A	13A	24	86050061A	002	26	88440381A	003	11	887131010	01C	6
85240261A	014	17	86050061A	009	12	88440511A	26A	18	887131058	01C	7
85240261A	015	17	86050061A	010	10	88440621A	003	4	887131062	01C	12
85250011C	27A	14	86050061A	013	17	88450021A	021	16	887131074	01C	4
85250071A	031	24	86050061A	013	17	88450031A	016	3	887131832	01B	13
85250191A	024	33	86050061A	014	6	88450031A	019	34	887131994	01A	20
85250231A	013	3	86050061A	015	6	88450031A	025	25	887132069	01B	18
85250231A	013	3	86050061A	13A	17	88450031A	027	6	887132409	01C	11
85250231A	13A	3	86050061A	13A	17	88450031A	19A	34	887132442	01B	14
85250231A	13A	3	86050091A	002	21	88450031A	22A	10	887132574	01A	25
85250241A	005	18	86050091A	010	5	88450291A	005	8	887132676	01B	6
85250241A	023	17	86050361AA	22A	3	88450291A	05A	8	887132877	01B	16
85250241A	024	4	86610301A	033	5	88450311A	002	14	887132951	01C	3
85250241A	025	10	86610361A	18A	18	88450361A	002	18	887133091	01C	13
85250241A	031	23	86610611A	033	6	88450371A	009	21	887133203	01C	9
85250241A	05A	18	86611241A	18B	11	88450371A	011	14	887133204	01C	10
85250241A	24A	6	86640051A	24A	3	88610281A	005	16	887133211	01C	5
85250261A	012	15	86640061A	032	13	88610281A	05A	16	887133220	01C	1
85250261A	10A	15	86640061A	032	13	88610961A	017	4	887133407	01B	17
85250261B	014	25	87210481A	021	18	88640042A	003	28	887133422	01A	1
85250261B	015	25	87210532A	27A	26	88640091A	028	9	887133436	01A	11
85250261B	24A	9	87210532A	27B	26	88640331A	012	20	887133437	01A	2
85250291A	019	40	87210601A	28A	20	88640741A	012	12	887133440	01A	3
85250291A	19A	40	87210722A	021	3	88640881A	014	8	887133452	01A	13
85250491A	010	27	87310021A	010	32	88640881A	015	8	887133467	01B	4
85250541A	009	7	87511641BB	010	34	88640891A	005	6	887133468	01B	3
85310031A	012	18	87511651BB	010	18	88640891A	05A	6	887133500	01A	14



CODE	NO. TABLE	POS.	CODE	NO. TABLE	POS.
887133502	01A	23	91371921P	027	30
887133507	01A	15	91371921Q	027	30
887133508	01A	16	91371921R	027	30
887133509	01A	17	91371921S	027	30
887133510	01A	10	91371921W	027	30
887133511	01A	12	93010041B	021	9
887133512	01A	18	93040431A	010	13
887133517	01A	29	93040521A	026	18
887133524	01A	6	93040931A	010	31
887133549	01A	9	93041271A	028	17
887133758	01A	19	93041521A	005	10
887133760	01A	21	93041521A	05A	10
887133773	01A	4	93041591A	002	11
887133774	01A	7	93041771A	003	26
887133795	01A	5	93041771A	010	30
887133820	01A	22	93041911A	022	15
887133824	01B	2	93050121A	28A	5
887133853	01A	8	93410152A	030	8
887133875	01B	7	93410173A	031	17
887133878	01B	9	93510081A	035	11
887133879	01B	8	93510091A	035	10
887133880	01A	26	93510101A	035	15
887133922	01B	12	942470014	10A	3
887133923	01B	11	979000252	001	1
887133924	01B	1	979000254	001	3
887133925	01B	10	979000255	001	4
887133926	01B	5	979000256	001	2
887133927	01C	2			
887133943	01A	28			
887651298	01B	15			
887651632	01A	27			
887651678	01A	24			
89310143A	030	24			
89310151A	009	8			
89320121A	005	7			
89320121A	05A	7			
89340051A	023	11			
89340051A	025	5			
89420112B	009	10			
89520221A	032	12			
89520221A	032	12			
91371921L	027	30			
91371921M	027	30			
91371921N	027	30			





Ducati Motor Holding S.p.A.

Uffici Commerciali Amministrativi:

Via A. Cavalieri Ducati n. 3

40132 Bologna, Italy

Telefono 051 6413111

Fax 051 406580

Internet www.ducati.com