



DESERT X  
Model Year 2023



*DESERT X*

Chassis prefix:  
Cylinder capacity: 937

D35000023  
SPARE PARTS CATALOGUE  
en-US





The present spare parts order exactly the right spare parts.

When ordering specify:

1. the part's code number followed by its description and quantity needed;
2. the motorcycle's serial number, stamped on the steering head.

Reference to right and left apply to the vehicle in terms of its direction of movement.

Spare parts drawings are general and do not represent the part.

The contents of this catalogue are general and can undergo changes without prior notice.



## CHARACTERISTICS LEGENDA

CHARACTERISTIC CODE	CHARACTERISTIC DESCRIPTION	VALUE CODE	VALUE DESCRIPTION
CPT	PART CAR	D35	DEPOTENZIATO 35KW
CPT	PART CAR	STD	MOTO STANDARD
DFR	DFR	N	NO
MOD	MODEL	DSX	DesertX
PLT	PLANT	DB10	DMH
XCO	MAIN CLR	MSG	Matt Saturn Grey
XCO	MAIN CLR	NGWS	STAR WHITE SILK
XCR	FR/W COL	GB-SW	GLOSSY BLACK FRAME AND SPOKED WHEELS
XPO	OPTIONS	STD	MOTO STANDARD
XST	STD CNTY	AUS	VERSIONE AUSTRALIA
XST	STD CNTY	CAL	VERSIONE CALIFORNIA
XST	STD CNTY	CDN	VERSIONE CANADA
XST	STD CNTY	EUR	VERSIONE EUROPA
XST	STD CNTY	GSO	VERSIONE PAESI DEL GOLFO
XST	STD CNTY	JPN	VERSIONE JAPAN
XST	STD CNTY	ROK	VERSIONE SOUTH COREA
XST	STD CNTY	TUR	VERSIONE TURCHIA



CHARACTERISTIC CODE	CHARACTERISTIC DESCRIPTION	VALUE CODE	VALUE DESCRIPTION
XST	STD CNTY	TWN	VERSIONE TAIWAN



COLOUR	COLOUR CODE	COLOUR DESCRIPTION	FINISHED PRODUCTS
	MSG	Matt Saturn Grey	(D35001123) DSX 23 EUR MSG GB-SW STD DMH (D35001223) DSX 23 AUS MSG GB-SW STD DMH (D35001323) DSX 23 JPN MSG GB-SW STD DMH (D35001423) DSX 23 TWN MSG GB-SW STD DMH (D35001523) DSX 23 CAL MSG GB-SW STD DMH (D35001623) DSX 23 CDN MSG GB-SW STD DMH (D35001723) DSX 23 ROK MSG GB-SW STD DMH (D35001923) DSX 23 GSO MSG GB-SW STD DMH (D35002023) DSX 23 EUR MSG GB-SW D35 STD DMH (D35003523) DSX 23 TUR MSG GB-SW STD DMH
	NGWS	STAR WHITE SILK	(D35000123) DSX 23 EUR NGWS GB-SW STD DMH (D35000223) DSX 23 AUS NGWS GB-SW STD DMH (D35000323) DSX 23 JPN NGWS GB-SW STD DMH (D35000423) DSX 23 TWN NGWS GB-SW STD DMH (D35000723) DSX 23 ROK NGWS GB-SW STD DMH (D35000923) DSX 23 GSO NGWS GB-SW STD DMH (D35001023) DSX 23 EUR NGWS GB-SW D35 STD DMH (D35003423) DSX 23 TUR NGWS GB-SW STD DMH



General information.....	3
Colours.....	5
Group ELECTRIC.....	10
Drawing 12A - VEHICLE ELECTRIC SYSTEM.....	10
Drawing 12B - BATTERY HOLDER.....	12
Drawing 12C - ELECTRICAL DEVICES.....	14
Drawing 12D - ELECTRICAL DEVICES.....	16
Drawing 12D - ELECTRICAL DEVICES.....	18
Drawing 13A - HEADLIGHT.....	20
Drawing 13B - TAILLIGHT.....	22
Drawing 13C - TURN INDICATORS [XST:AUS,EUR,JPN,GSO,ROK,TWN,TUR].....	24
Drawing 13C - TURN INDICATORS [XST:CAL,CDN].....	26
Drawing 14A - INSTRUMENT PANEL.....	28
Group OIL.....	30
Drawing L - SHELL ADVANCE.....	30
Group ENGINE.....	32
Drawing 02A - SHIFT CAM - FORK.....	32
Drawing 03A - GEAR BOX.....	34
Drawing 03B - CLUTCH.....	36
Drawing 04A - CLUTCH COVER.....	38
Drawing 04B - GENERATOR COVER.....	40
Drawing 05A - CONNECTING RODS.....	42
Drawing 06A - CYLINDERS - PISTONS.....	44
Drawing 07A - TIMING SYSTEM.....	46
Drawing 08A - OIL PUMP.....	48
Drawing 09A - HALF-CRANKCASES PAIR.....	50
Drawing 09B - HALF-CRANKCASES PAIR.....	54
Drawing 10A - ELECTRIC STARTING AND IGNITION.....	56
Drawing 11A - VERTICAL CYLINDER HEAD - TIMING.....	58



Drawing 11B - HORIZONTAL HEAD – TIMING SYSTEM.....	60
Drawing 11C - VERTICAL HEAD.....	62
Drawing 11D - HORIZONTAL HEAD.....	70
Group TOOLS.....	78
Drawing 01A - WORKSHOP SERVICE TOOLS (ENGINE).....	78
Drawing 01B - WORKSHOP SERVICE TOOLS (FRAME).....	80
Drawing 01C - CHECK INSTRUMENT DDS.....	82
Group TYRES.....	84
Drawing A - TYRES.....	84
Drawing B - ORIGINAL EQUIPMENT TYRES.....	86
Drawing R - PIRELLI SCORPION™ TRAIL II.....	88
Drawing W - PIRELLI SCORPION™ RALLY.....	90
Group FRAME.....	92
Drawing 15A - STAND.....	92
Drawing 16A - FRONT SPROCKET - CHAIN.....	94
Drawing 17A - STEERING ASSEMBLY.....	96
Drawing 17B - FRONT FORK.....	100
Drawing 18A - REAR SWINGING ARM.....	102
Drawing 19A - FRONT BRAKE PUMP.....	104
Drawing 19B - FRONT BRAKE SYSTEM.....	106
Drawing 19C - BRAKING SYSTEM ABS.....	108
Drawing 19D - REAR BRAKE SYSTEM.....	110
Drawing 20A - PLATE HOLDER [XST:AUS,EUR,GSO,ROK,TWN,TUR].....	112
Drawing 20A - PLATE HOLDER [XST:JPN].....	114
Drawing 20A - PLATE HOLDER [XST:CAL,CDN].....	116
Drawing 21A - HANDLEBAR.....	118
Drawing 21B - CLUTCH CONTROL.....	120
Drawing 22A - REAR SHOCK ABSORBER.....	122
Drawing 23A - FRONT MUDGUARD.....	124
Drawing 23A - FRONT MUDGUARD [XCO:MSG].....	126



Drawing 24A - WATER COOLER..... 128

Drawing 24B - COOLING CIRCUIT..... 130

Drawing 25A - FOOTRESTS, LEFT..... 132

Drawing 25B - FOOTRESTS, RIGHT..... 134

Drawing 25C - REAR FOOTREST..... 136

Drawing 26A - REAR MUDGUARD..... 138

Drawing 26A - REAR MUDGUARD [XCO:MSG]..... 140

Drawing 27A - FRONT WHEEL..... 142

Drawing 28A - REAR WHEEL..... 144

Drawing 29A - FUEL TANK [XCO:NGWS]..... 146

Drawing 29A - FUEL TANK [XCO:MSG]..... 148

Drawing 30A - EXHAUST MANIFOLD..... 150

Drawing 30B - EXHAUST SILENCER..... 152

Drawing 30C - SECONDARY AIR SYSTEM..... 154

Drawing 31A - SEAT..... 156

Drawing 32A - FRAME [XST:AUS,CAL,CDN,EUR,JPN,GSO,TWN,TUR]..... 160

Drawing 32A - FRAME [XST:ROK]..... 162

Drawing 32B - REAR FRAME COMP..... 164

Drawing 34A - AIR INTAKE - OIL BREATHER..... 166

Drawing 35A - THROTTLE BODY..... 168

Drawing 35B - CANISTER FILTER..... 170

Drawing 36A - COWLING..... 172

Drawing 36B - FAIRING [XCO:NGWS]..... 174

Drawing 36B - FAIRING [XCO:MSG]..... 176

Drawing 36C - FAIRING..... 178

Drawing 36D - FAIRING..... 180

Drawing 37A - POSITIONING PLATES [XST:JPN]..... 182

Alphanumeric index..... 184

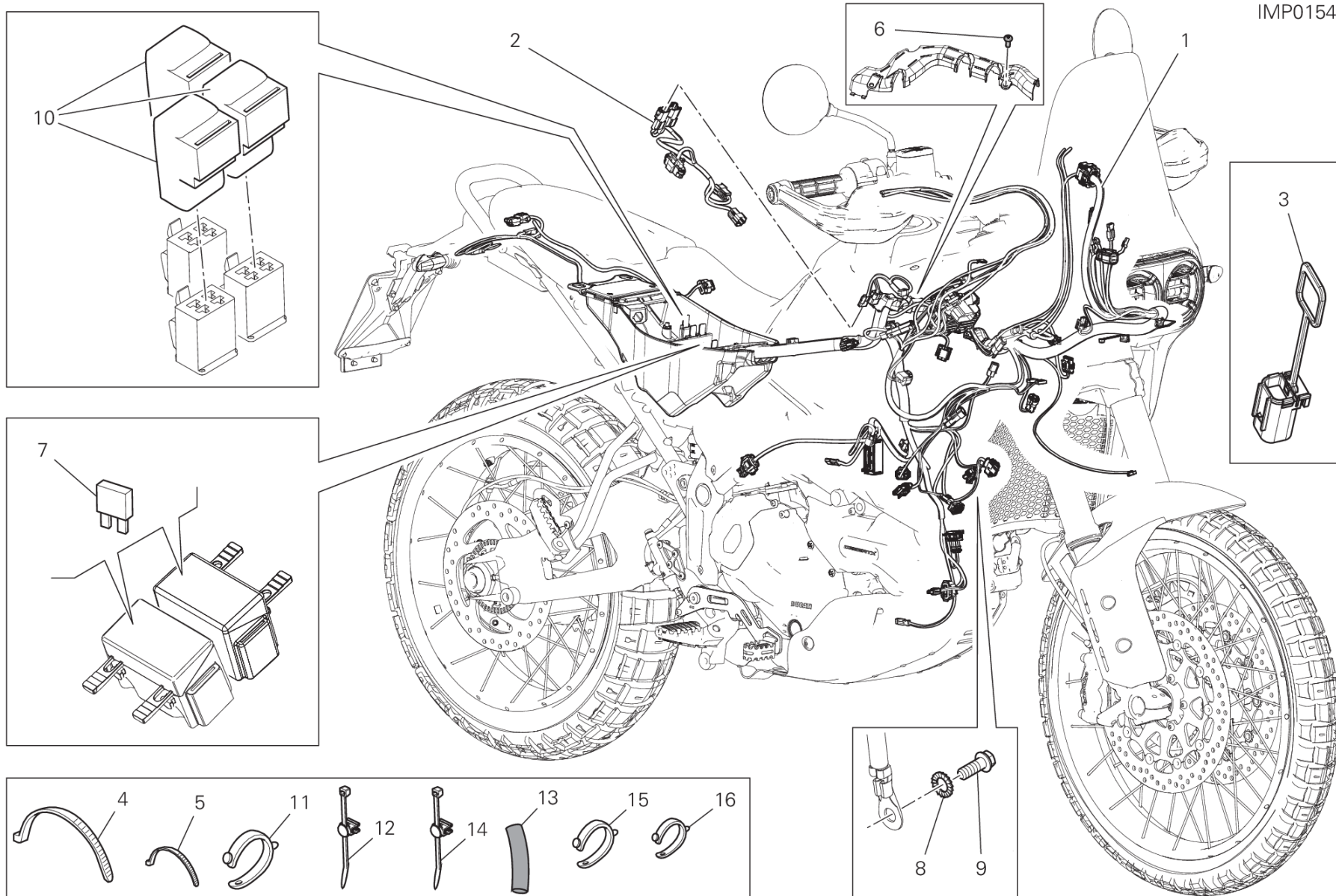




# DRAWING 12A - VEHICLE ELECTRIC SYSTEM

## GROUP ELECTRIC

IMP01540



# DRAWING 12A - VEHICLE ELECTRIC SYSTEM

## GROUP ELECTRIC

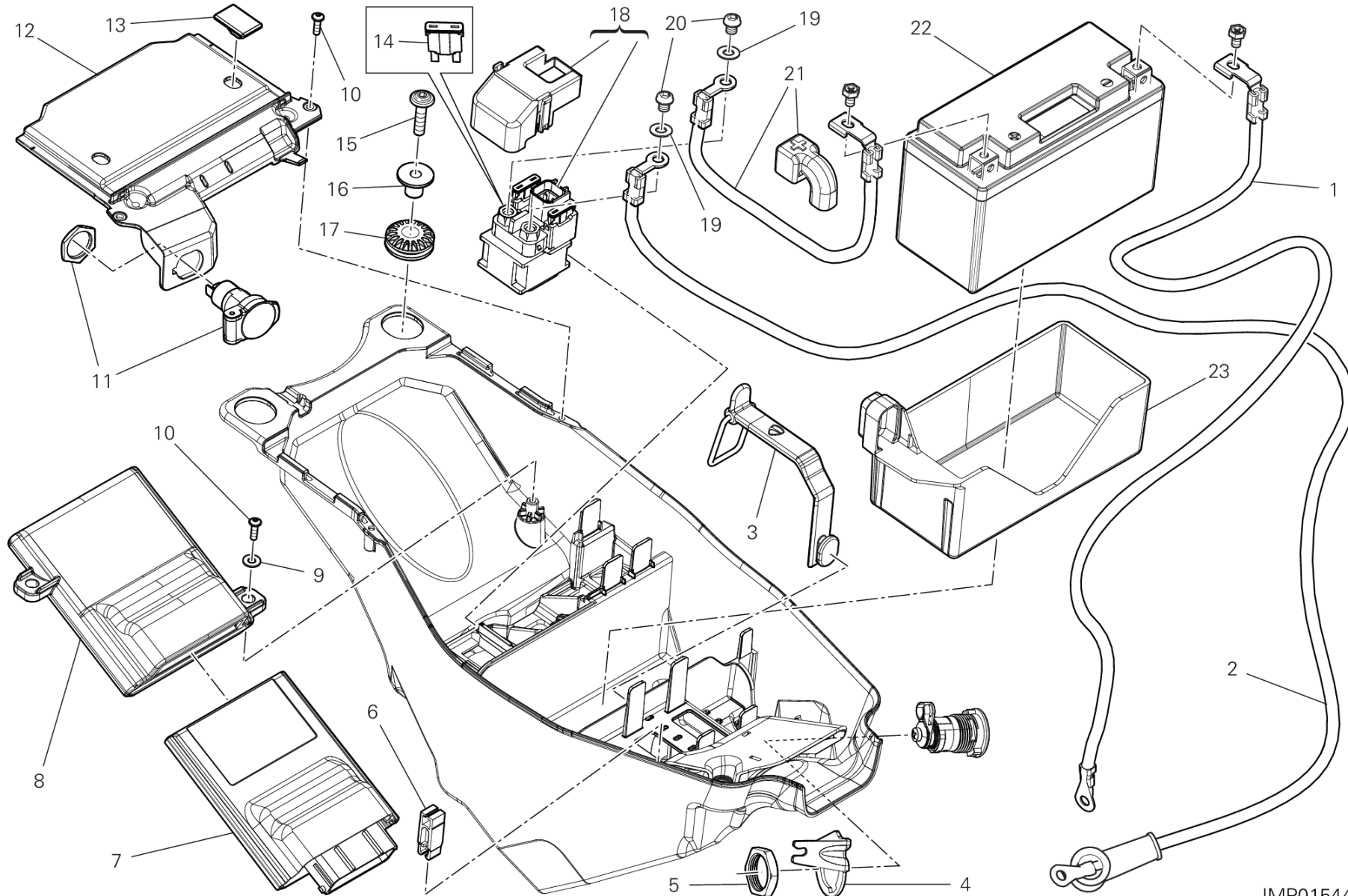


POS.	CODE	DESCRIPTION	QTY	VALIDITY	NOTES
1	5102L141C	MAIN WIRING HARNESS	1		
2	5101I041A	INJECTION WIRING	1		
3	87211681A	CAP DDA	1		
4	069191030	CLAMP	4		
5	74140381A	CLAMP	9		
6	77440203C	SCREW	3		
7	38940071A	FUSE 7.5A	1		
	38940191A	FUSE 5A	1		
	38940201A	FUSE 10A	1		
	38940211A	FUSE 15A	1		
	38940221A	FUSE 20A	1		
	38940261A	FUSE 25A	1		
8	85550001B	SPRING WASHER	1		
9	77211061A	SCREW TEF M6X14	1		
10	54140151A	RELAY	3		
11	74110131A	CLAMP, RUBBER 82MM	3		
12	75840771A	FAIRLEAD	2		
13	4601C581A	PROTECTION SHEATH	1		
14	75840801A	CLAMP	2		
15	74110121A	CLAMP, RUBBER 62MM	7		
16	74110551A	CLAMP, RUBBER 39MM	14		



# DRAWING 12B - BATTERY HOLDER

GROUP ELECTRIC



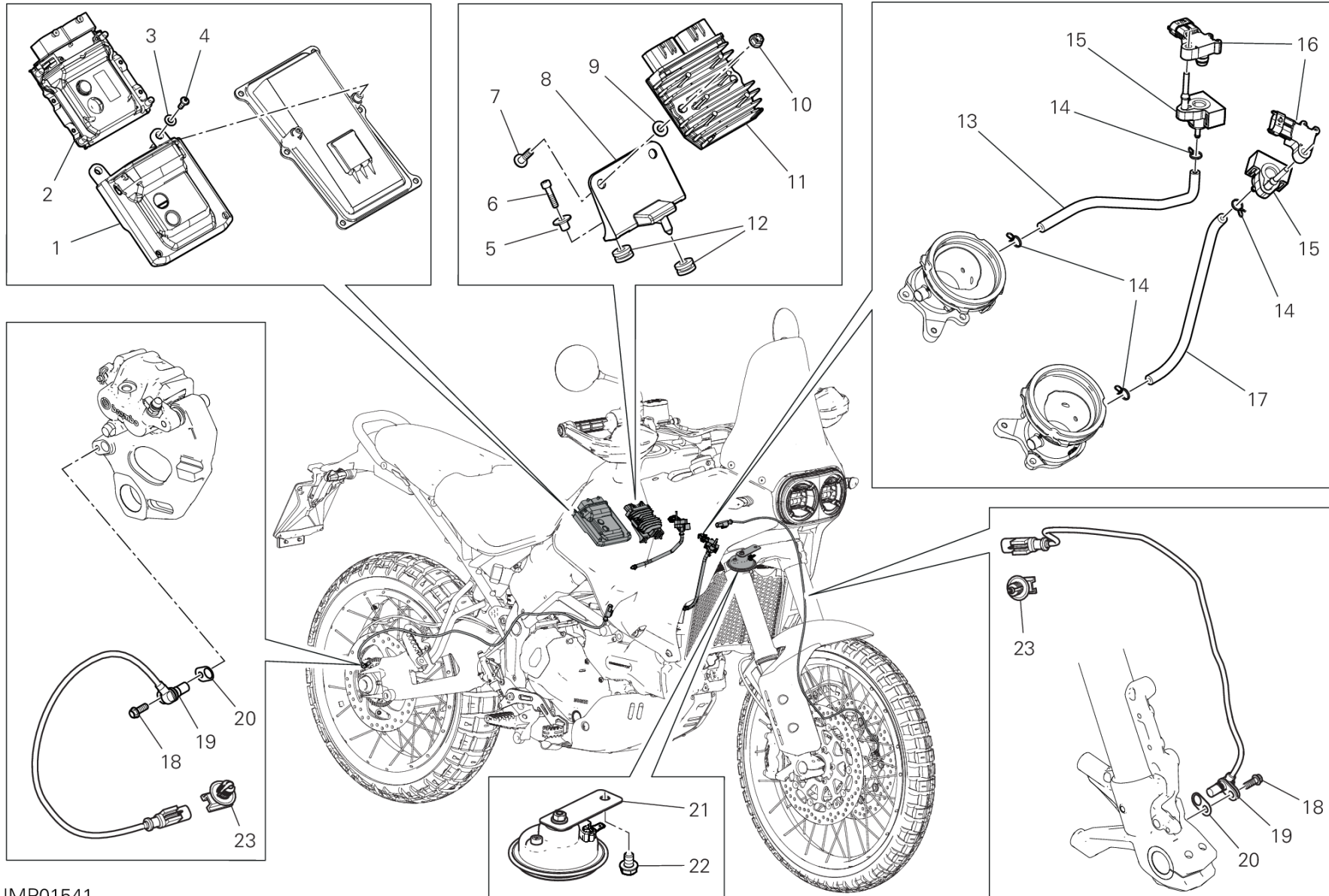
IMP01544

# DRAWING 12B - BATTERY HOLDER

GROUP ELECTRIC



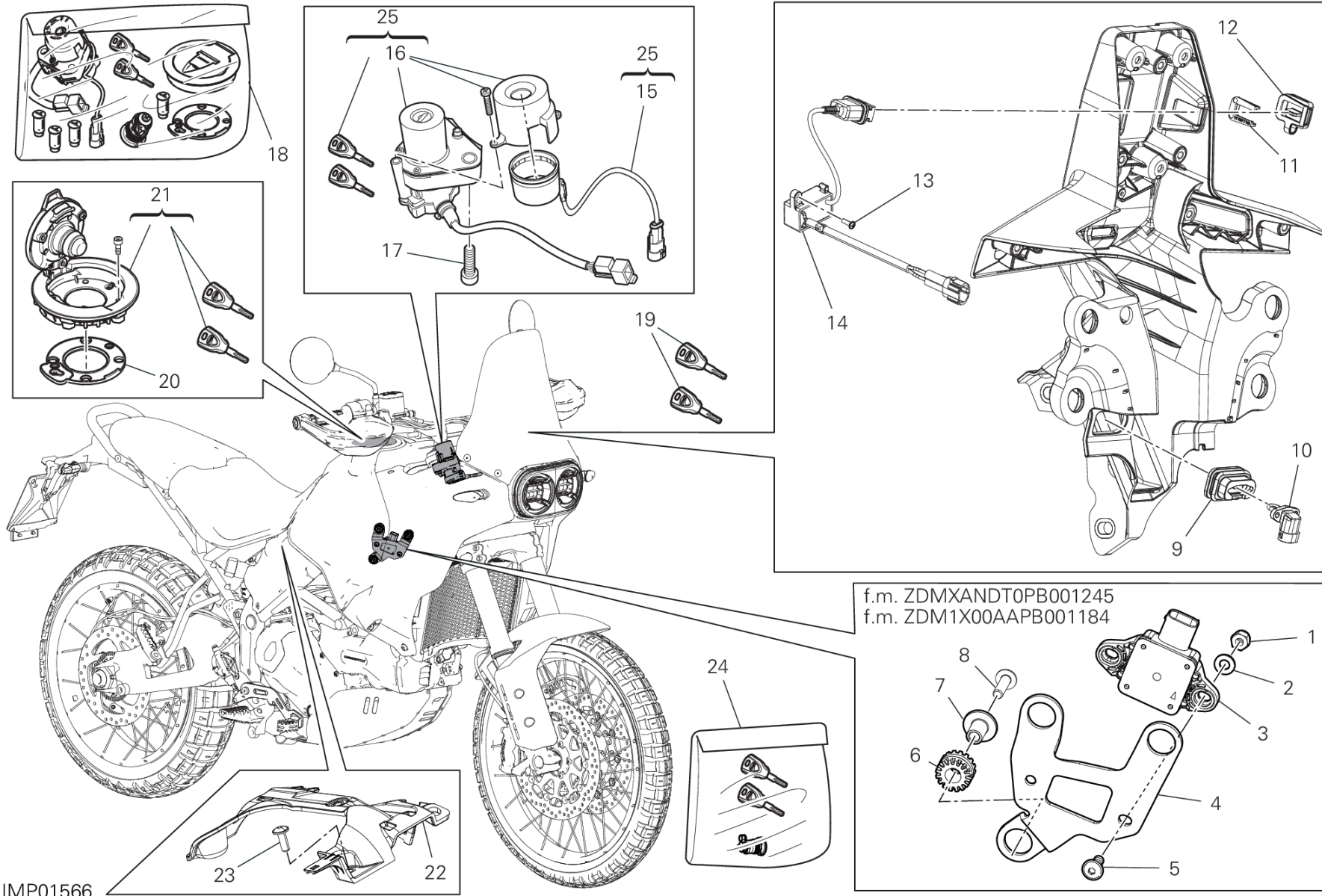
POS.	CODE	DESCRIPTION	QTY	VALIDITY	NOTES
1	51310961C	CABLE	1		
2	51411161C	SOLENOID STARTER - STARTER MOTOR CABLE	1		
3	75910431B	BAND BATTERY	1		
4	82714821A	PLATE	1		
5	75011551A	NUT M22X1.5	1		
6	69710081A	FUSE PLIERS	1		
7	38511545A	BLACKBOX UNIT	1	XST:AUS,EUR,JPN,GSO,ROK,TWN,TUR	
	38511791A	BLACKBOX UNIT	1	XST:CAL,CDN	
	38511851A	BLACKBOX UNIT	1	XST:EUR;CPT:D35	
8	86613221A	BRACKET	1		
9	85240211A	WASHER 4.7X10X1	2		
10	77440111A	SCREW	4		
11	38640132A	SOCKET, LOW VOLTAGE	1		
12	8291N421A	BRACKET, SOCKET, LOW VOLTAGE	1		
13	86610301A	PAD	2		
14	38940231A	FUSE 30A	2		
15	77210971B	SCREW	4		
16	71610061A	SPACER	4		
17	76411361A	VIBRATION DAMPER PAD	4		
18	39740081B	STARTER RELAY	1		
19	85350101A	WASHER, SPRING	2		
20	77156628B	SCREW TCEIF M6X10	2		
21	51411151C	BATTERY - SOLENOID STARTER CABLE	1		
22	39540601A	BATTERY	1		
23	86613211A	PAD	1		



IMP01541



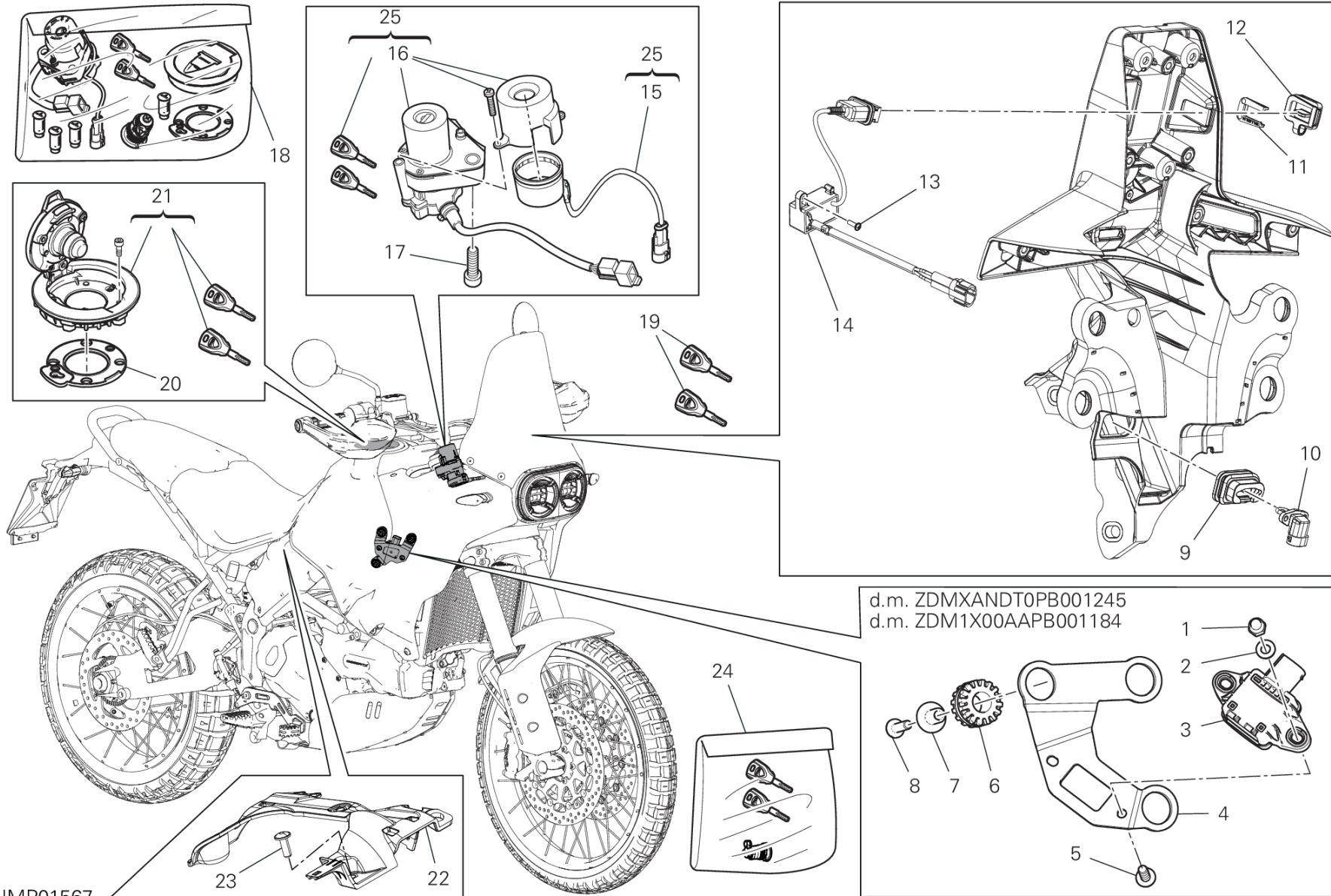
POS.	CODE	DESCRIPTION	QTY	VALIDITY	NOTES
1	86613081A	BRACKET ENGINE CONTROL UNIT	1		
2	28643341C	ENGINE CONTROL UNIT	1	XST:AUS,CDN,EUR,JPN,GSO,ROK,TUR	
	28643701C	ENGINE CONTROL UNIT	1	XST:CAL	
	28643701H	ENGINE CONTROL UNIT	1	XST:TWN	
	28643711A	ENGINE CONTROL UNIT	1	CPT:D35	
3	85240171A	WASHER	2		
4	77440203C	SCREW	2		
5	71614102AB	SPACER	2		
6	77150443B	SCREW TCEI M5X22 UNI5931 8.8	2		
7	77240463C	VITE TBEIF	2		
8	8291N731A	HOLDER VOLTAGE RECTIFIER	1		
9	71611181AA	SPACER	2		
10	74941113B	NUT	2		
11	54040331A	VOLTAGE REGULATOR	1		
12	76411141A	VIBRATION DAMPER PAD	3		
13	59018991A	PIPE	1		
14	74140431A	CLAMP	4		
15	8291D011A	BRACKET SENSOR PRESSURE	2		
16	55243161B	SENSOR, PRESSURE	2		
17	59018981A	PIPE	1		
18	77110401B	SCREW	2		
19	55219421B	SENSOR, SPEED	2		
20	71314901A	GASKET TH.02	2		
	71319201A	GASKET 0.5 MM	6		
21	51610053D	HORN	1		
22	77240573C	SCREW	1		
23	75841181A	CLIP	2		



IMP01566



POS.	CODE	DESCRIPTION	QTY	VALIDITY	NOTES
1	74910021A	NUT, CAP M6	2		
2	85211761A	WASHER 6.4X12.5X1.6	2		
3	38540073B	PIATTAFORMA INERZIALE	1		For serial number ZDMXANDTOPB001245 or next For serial number ZDM1X00AAPB001184 or next
	38540093B	PIATTAFORMA INERZIALE	1		For serial number before ZDMXANDTOPB001245 For serial number before ZDM1X00AAPB001184
4	8301B181AA	BRACKET	1		For serial number before ZDMXANDTOPB001245 For serial number before ZDM1X00AAPB001184
5	77240423C	SCREW	2		
6	76410241A	VIBRATION DAMPER PAD	3		For serial number before ZDMXANDTOPB001245 For serial number before ZDM1X00AAPB001184
	76411361A	VIBRATION DAMPER PAD	3		For serial number ZDMXANDTOPB001245 or next For serial number ZDM1X00AAPB001184 or next
7	71610061A	SPACER	3		
8	77240453C	SCREW TBEIF M6X22 10.9	3		
9	76410971A	RUBBER PAD	1		
10	55240121A	SENSOR, AIR TEMPERATURE	1		
11	18410231A	USB SUPPORT	1		
12	87211731A		1		
13	77440183C	SCREW	2		
14	38641001A		1		
15	51840051B	COIL ANTENNA, IMMOBILIZER	1		
16	65220241D	KEY-OPERATED SWITCH	1		
17	77151278B	SCREW TCEI M8X30	2		
18	59822561A	LOCK KIT	1		
19	59810331A	KEY WITH TRANSPONDER	1		
20	86642771A	GASKET, FUEL TANK CAP	1		
21	89520411AB	TANK CAP COMPLETE	1		
22	8291J471B	HOLDER WIRING	1		
23	77240278C	SCREW	3		
24	59820611A		1		
25	65220371A		1		

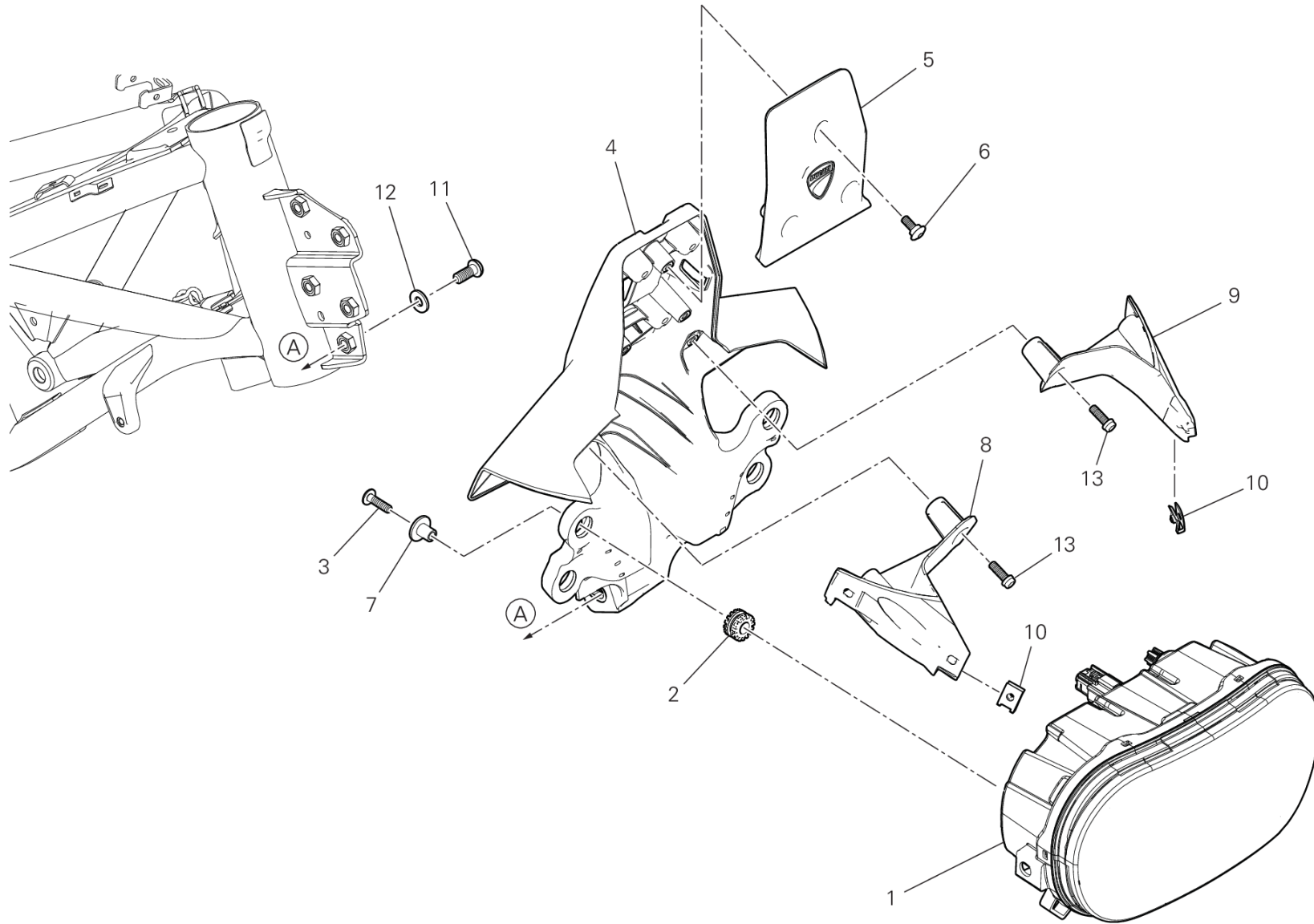


d.m. ZDMXANDTOPB001245  
d.m. ZDM1X00AAPB001184

IMP01567



POS.	CODE	DESCRIPTION	QTY	VALIDITY	NOTES
1	74910021A	NUT, CAP M6	2		
2	85211761A	WASHER 6.4X12.5X1.6	2		
3	38540073B	PIATTAFORMA INERZIALE	1		For serial number ZDMXANDTOPB001245 or next For serial number ZDM1X00AAPB001184 or next
	38540093B	PIATTAFORMA INERZIALE	1		For serial number before ZDMXANDTOPB001245 For serial number before ZDM1X00AAPB001184
4	8301B191BA	BRACKET	1		For serial number ZDMXANDTOPB001245 or next For serial number ZDM1X00AAPB001184 or next
5	77240423C	SCREW	2		
6	76410241A	VIBRATION DAMPER PAD	3		For serial number before ZDMXANDTOPB001245 For serial number before ZDM1X00AAPB001184
	76411361A	VIBRATION DAMPER PAD	3		For serial number ZDMXANDTOPB001245 or next For serial number ZDM1X00AAPB001184 or next
7	71610061A	SPACER	3		
8	77240453C	SCREW TBEIF M6X22 10.9	3		
9	76410971A	RUBBER PAD	1		
10	55240121A	SENSOR, AIR TEMPERATURE	1		
11	18410231A	USB SUPPORT	1		
12	87211731A		1		
13	77440183C	SCREW	2		
14	38641001A		1		
15	51840051B	COIL ANTENNA, IMMOBILIZER	1		
16	65220241D	KEY-OPERATED SWITCH	1		
17	77151278B	SCREW TCEI M8X30	2		
18	59822561A	LOCK KIT	1		
19	59810331A	KEY WITH TRANSPONDER	1		
20	86642771A	GASKET, FUEL TANK CAP	1		
21	89520411AB	TANK CAP COMPLETE	1		
22	8291J471B	HOLDER WIRING	1		
23	77240278C	SCREW	3		
24	59820611A		1		
25	65220371A		1		



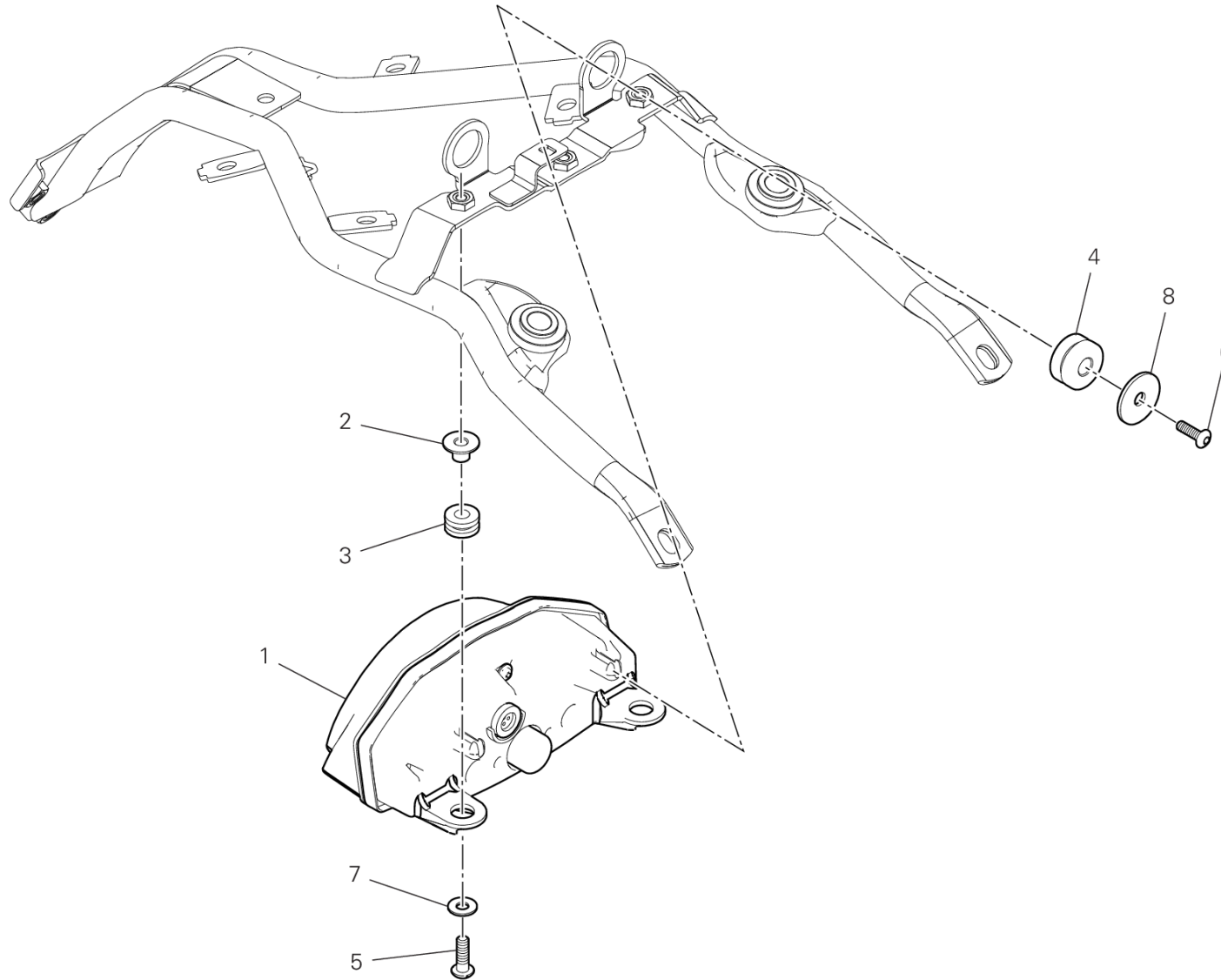
FAN00422

# DRAWING 13A - HEADLIGHT

## GROUP ELECTRIC



POS.	CODE	DESCRIPTION	QTY	VALIDITY	NOTES
1	52010573A	HEADLIGHT	1	XST:AUS,EUR,JPN,GSO,ROK,TWN,TUR	
	52010581A	HEADLIGHT	1	XST:CAL,CDN	
2	76410241A	VIBRATION DAMPER PAD	4		
3	77240453C	SCREW TBEIF M6X22 10.9	4		
4	8291N661B	BRACKET, HEADLIGHT	1		
5	4601M051B	COVER	1		
6	77211261B	SCREW, SPECIAL	3		
7	71610061A	SPACER	4		
8	8301B961A	STAY, WINDSHIELD	1		
9	8301B971A	STAY, WINDSHIELD	1		
10	85041031A	NUT, SPRING M5	4		
11	72010513C	SCREW	3		
12	85212031A	WASHER 8.2X18X2	3		
13	77110401B	SCREW	4		



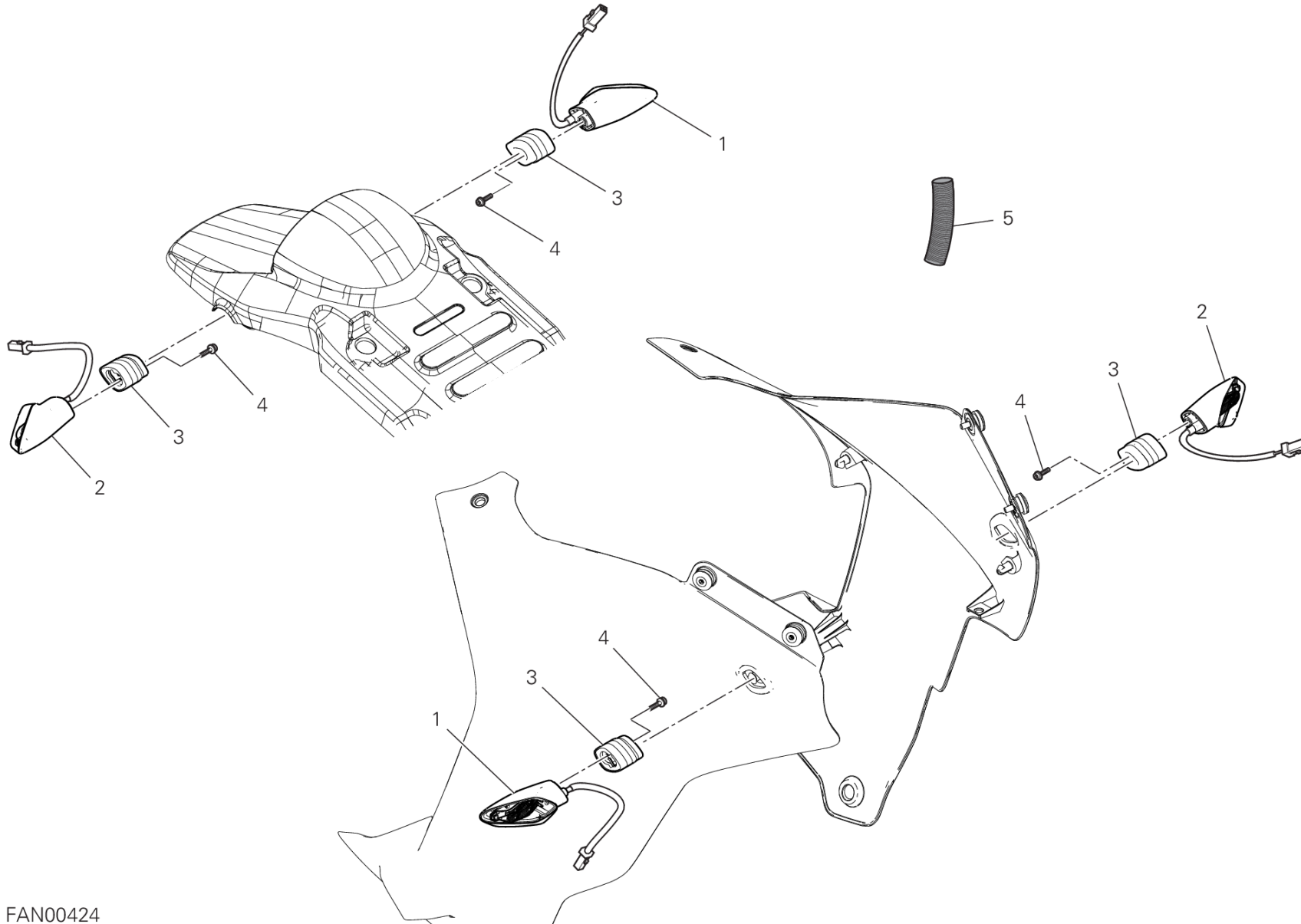
FAN00423

# DRAWING 13B - TAILLIGHT

## GROUP ELECTRIC



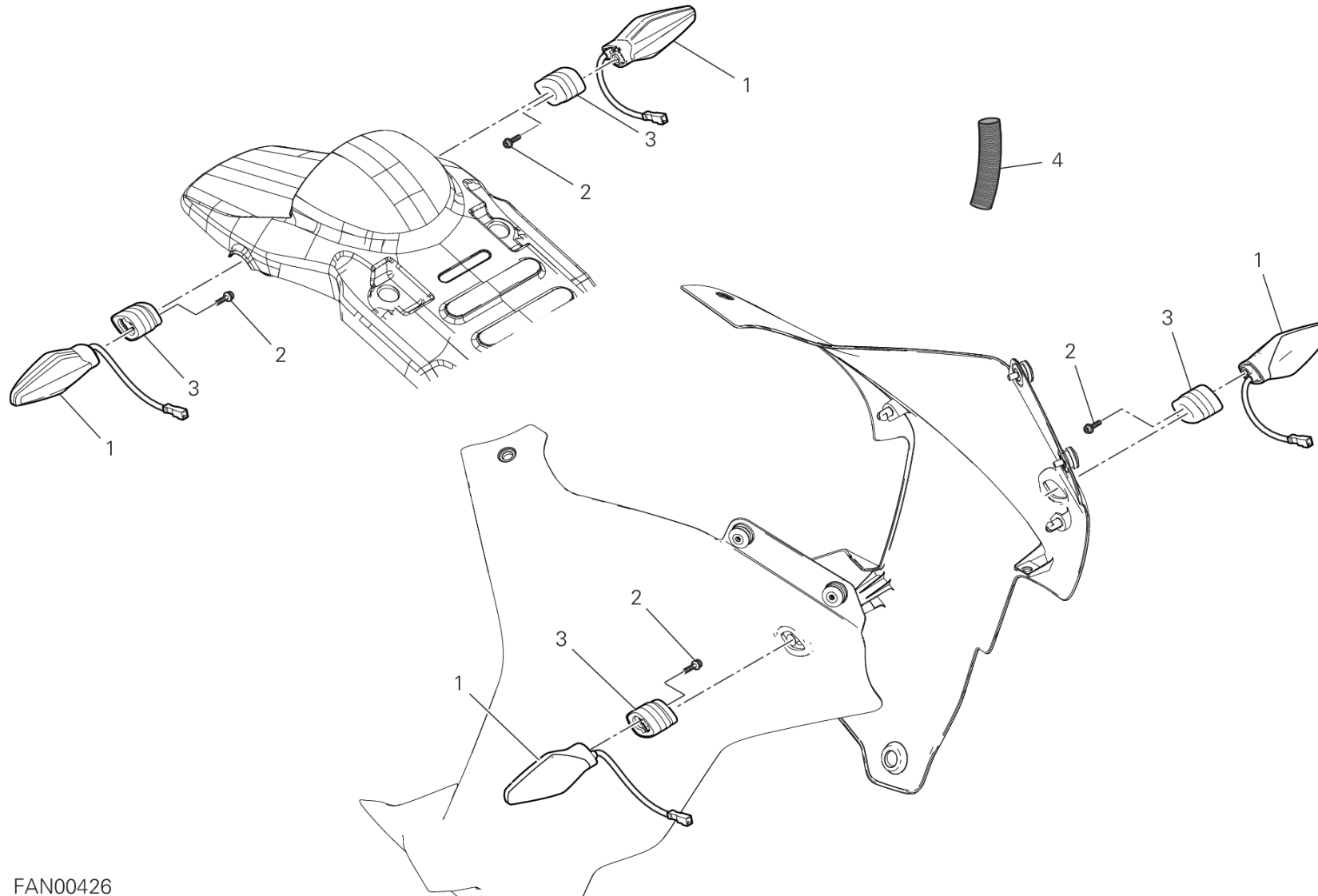
POS.	CODE	DESCRIPTION	QTY	VALIDITY	NOTES
1	52510509A	TAILLIGHT	1		
2	71615261AA	SPACER	2		
3	76411671A	RUBBER PAD	2		
4	76412281A	RUBBER PAD	2		
5	77510171A	SCREW TBEI M5X16	2		
6	77440111A	SCREW	2		
7	85240131A	WASHER 5.3X15X1	2		
8	85241711A	WASHER	2		



FAN00424



POS.	CODE	DESCRIPTION	QTY	VALIDITY	NOTES
1	53010362A	FRONT FLASHER LIGHT, RIGHT	2		
2	53010372A	FLASHER LIGHT FRONT LH - REAR RH	2		
3	71314703A	SPACER	4		
4	77156398B	SCREW TCEIF M5X12	4		
5	4601H701A	PROTECTION SHEATH	2		



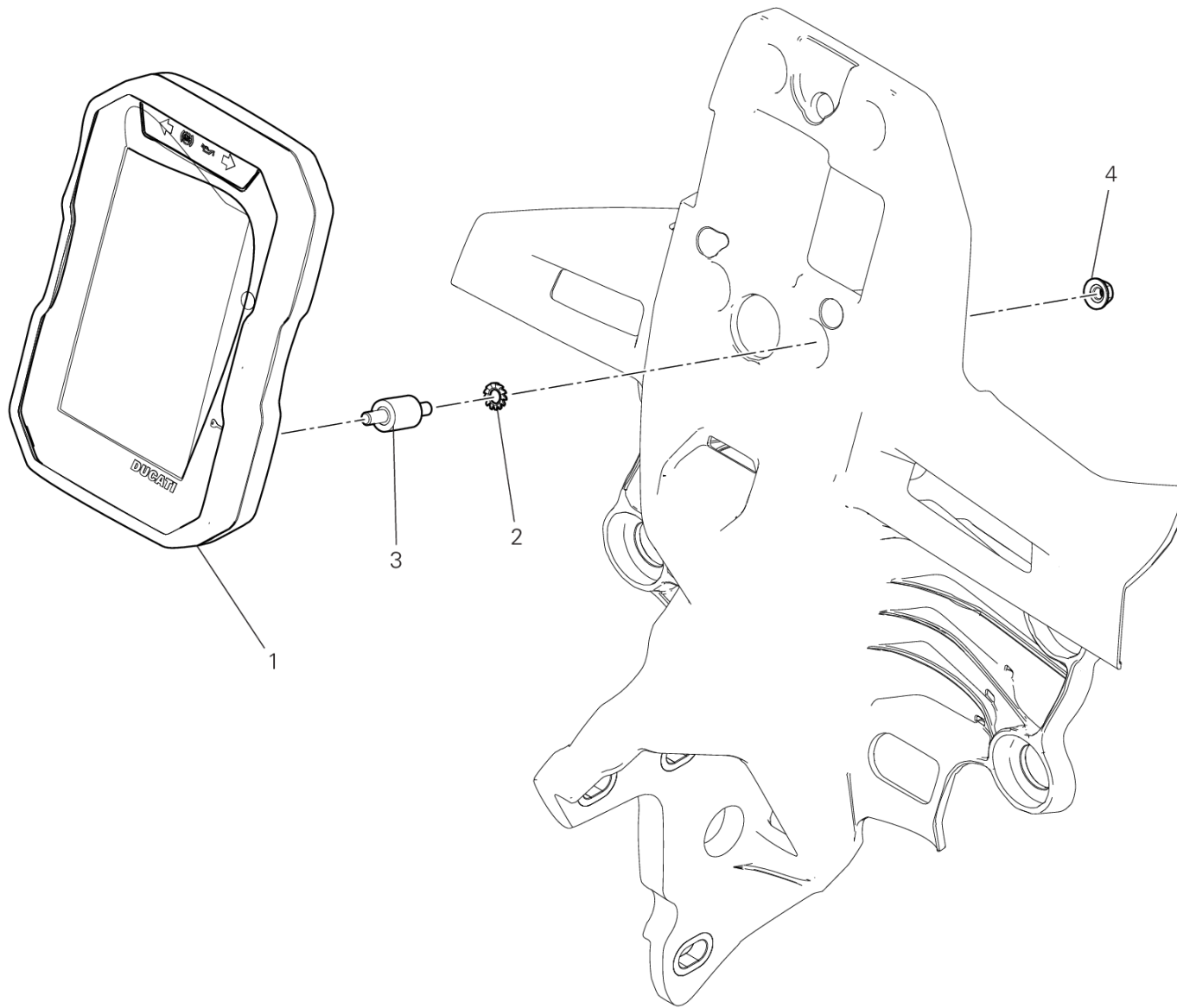
FAN00426

# DRAWING 13C - TURN INDICATORS [XST:CAL,CDN]

GROUP ELECTRIC



POS.	CODE	DESCRIPTION	QTY	VALIDITY	NOTES
1	53010463B	TURN INDICATOR	4		
2	77156398B	SCREW TCEIF M5X12	4		
3	71314703A	SPACER	4		
4	4601H701A	PROTECTION SHEATH	2		



FAN00425

DESERT X /23

035000023

# DRAWING 14A - INSTRUMENT PANEL

GROUP ELECTRIC



POS.	CODE	DESCRIPTION	QTY	VALIDITY	NOTES
1	40611936A	INSTRUMENT PANEL	1		
2	46240461A	WASHER, SPRING	4		
3	70010431A	DAMPER	4		
4	74841091AA	NUT	4		



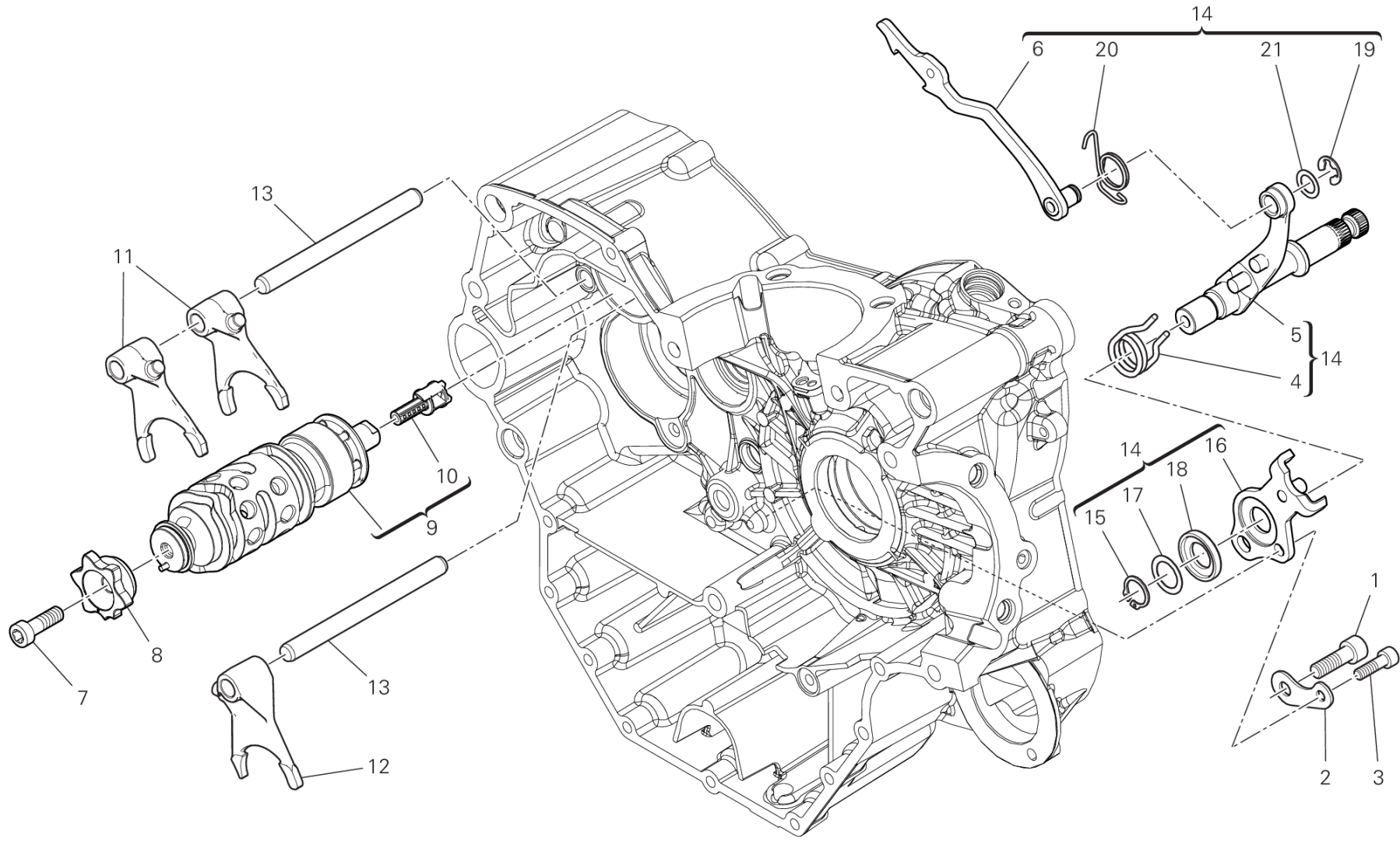


POS.	CODE	DESCRIPTION	QTY	VALIDITY	NOTES
1	944650035	SHELL ADVANCE DUCATI 15W50 - 1L BOTTLE	1		
2	944650037	SHELL ADVANCE DUCATI 15W50 – 209L DRUM	1		



# DRAWING 02A - SHIFT CAM - FORK

GROUP ENGINE



CMB00569

# DRAWING 02A - SHIFT CAM - FORK

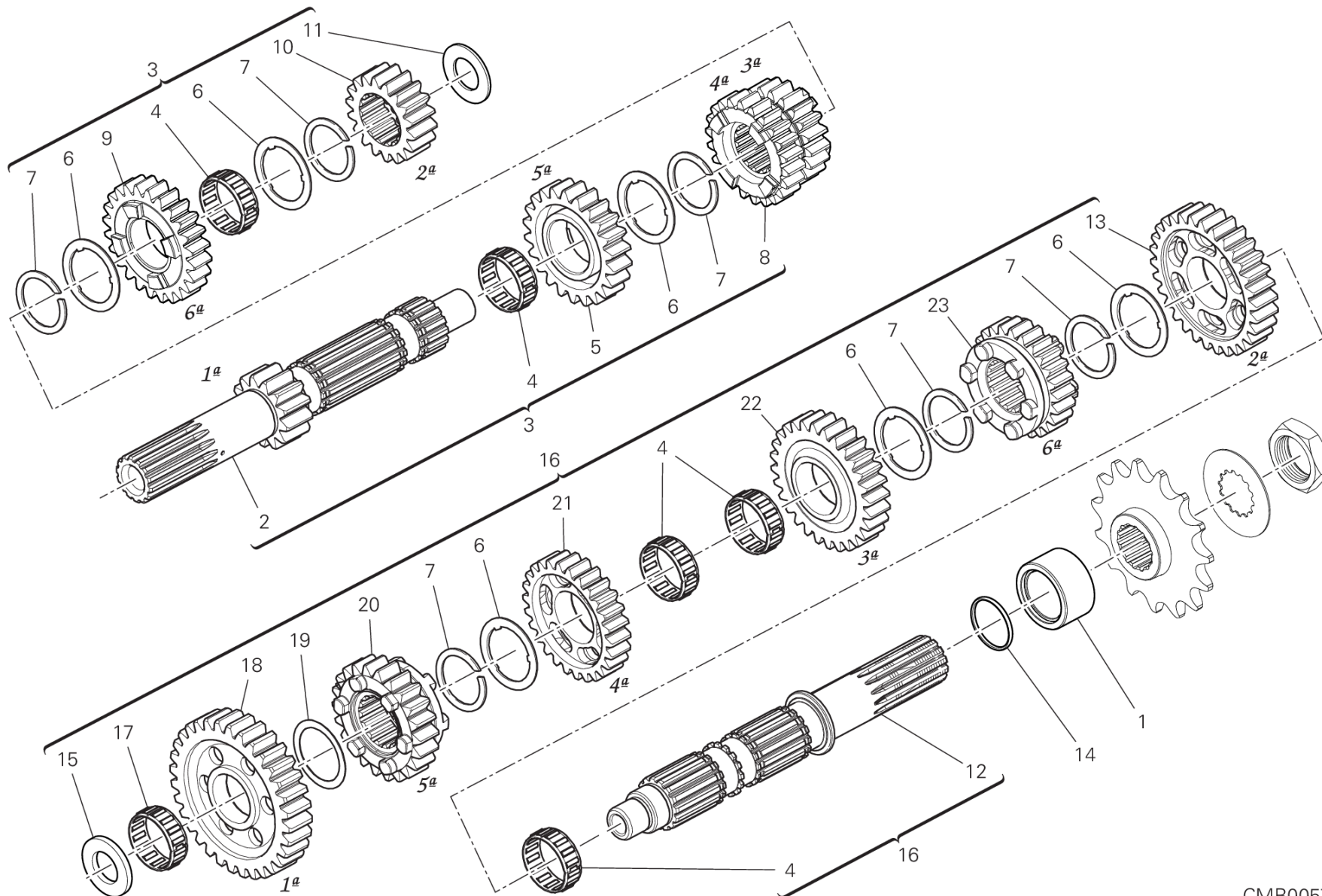
## GROUP ENGINE



POS.	CODE	DESCRIPTION	QTY	VALIDITY	NOTES
1	77151250ZF	SCREW	1		
2	71319151A	SPACER	1		
3	77150670ZF	SCREW	1		
4	79915061A	SPRING, SHIFT RETURN	1		
5	82114731A	GEAR SELECTOR SHAFT	1		
6	18020511A	CONTROL FORK	1		
7	71950538C	SCREW	1		
8	18210781A	FLANGE	1		
9	18220772A	COMPLETE GEARBOX DRUM	1		
10	55243911A	MAGNETE	1		
11	180Z0031A	GEAR SELECTOR FORK,1ST/4TH-2ND/3RD	2		
12	180Z0041A	FORK-SHIFT, 5TH&6TH	1		
13	82113881A	FORK PIN	2		
14	82120151A	CONTROL FORK	1		
15	735001542	CIRCLIP 15 DIN 471	1		
16	82610261A	STOPPER PLATE	1		
17	040029126	THRUST WASHER 15.5X22X0.5	1		
18	88110121A	CENTERING RING	1		
19	88450341B	SPRING RING	1		
20	79912961A	RETURN SPRING	1		
21	040009050	THRUST WASHER 10.5X16X0.5	1		



# DRAWING 03A - GEAR BOX GROUP ENGINE



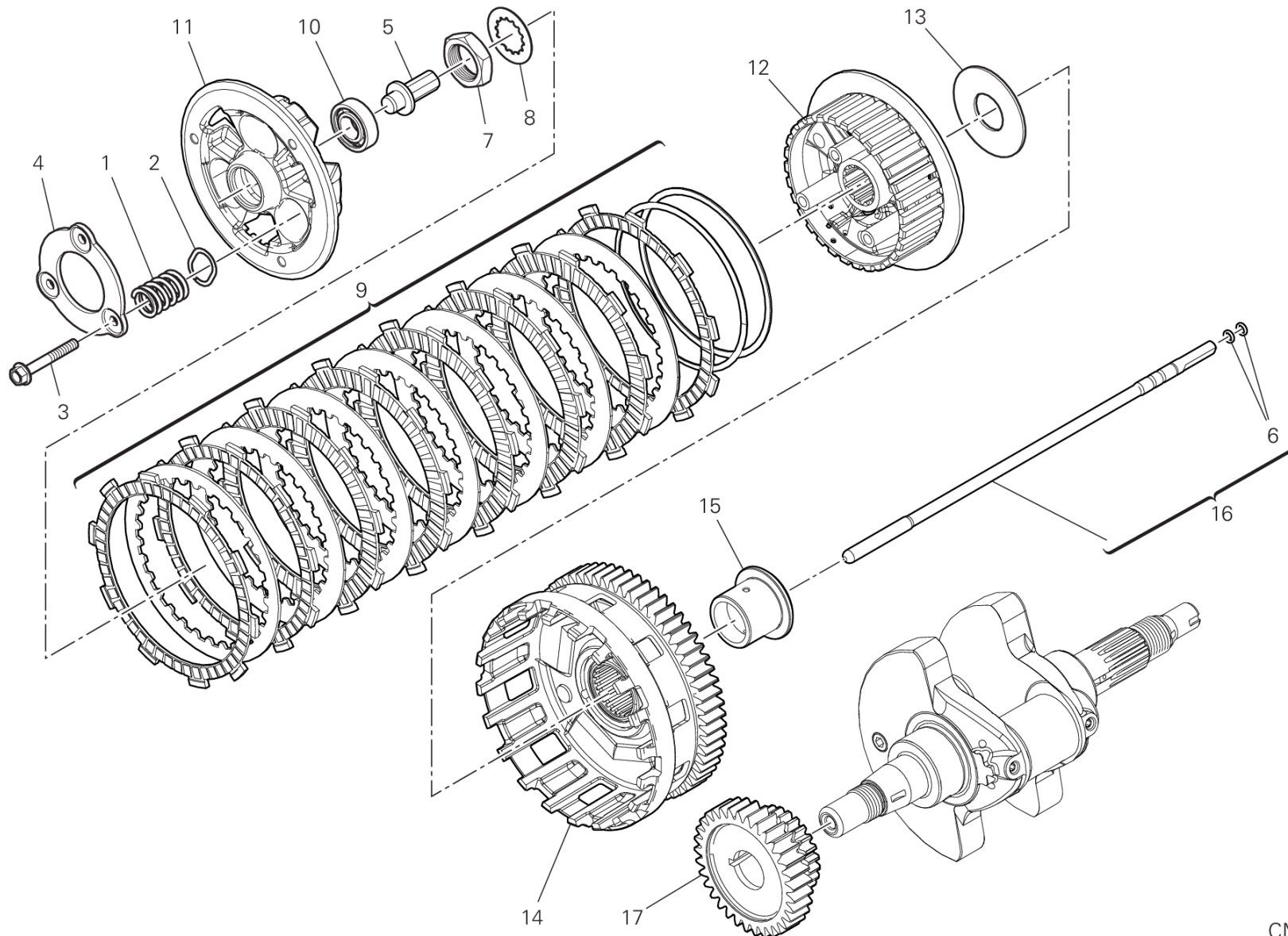
CMB00570

# DRAWING 03A - GEAR BOX

## GROUP ENGINE



POS.	CODE	DESCRIPTION	QTY	VALIDITY	NOTES
1	71313931A	SPACER, ENGINE SPROCKET	1		
2	14912661A	GEARBOX MAIN SHAFT	1		
3	15022592E	COMPLETE MAIN SHAFT	1		
4	70140051A	BEARING, NEEDLE	5		
5	17214961B	GEAR DRIVE 5TH SPEED T23	1		
6	85611261A	THRUST WASHER 0.5 MM	6		
7	88210141A	SPRING RING	6		
8	17214951B	GEAR DRIVE 3/4TH SPEED T20/22	1		
9	17214971B	GEAR DRIVE 6TH SPEEDTt24	1		
10	17216501A	GEAR, 2ND DRIVE, NT:17	1		
11	71310141E	THRUST WASHER 20.3X32X1.6	1		
12	14911191A	LAY SHAFT	1		
13	17216531A		1		
14	46320537A	O-RING	1		
15	71312661A	THRUST WASHER 17.3X31X3.15	1		
16	15022602E	COMPLETE LAY SHAFT	1		
17	70140211A	BEARING, NEEDLE	1		
18	17216521A		1		
19	85611231A	THRUST WASHER 1 MM	1		
20	17210103C	DRIVEN GEAR 5TH SPEED T24	1		
21	17214621A	DRIVEN GEAR 4TH SPEED T:24	1		
22	17210081C	DRIVEN GEAR 3RD SPEED T28	1		
23	17210113C	DRIVEN GEAR 6TH SPEED T23	1		



# DRAWING 03B - CLUTCH

## GROUP ENGINE

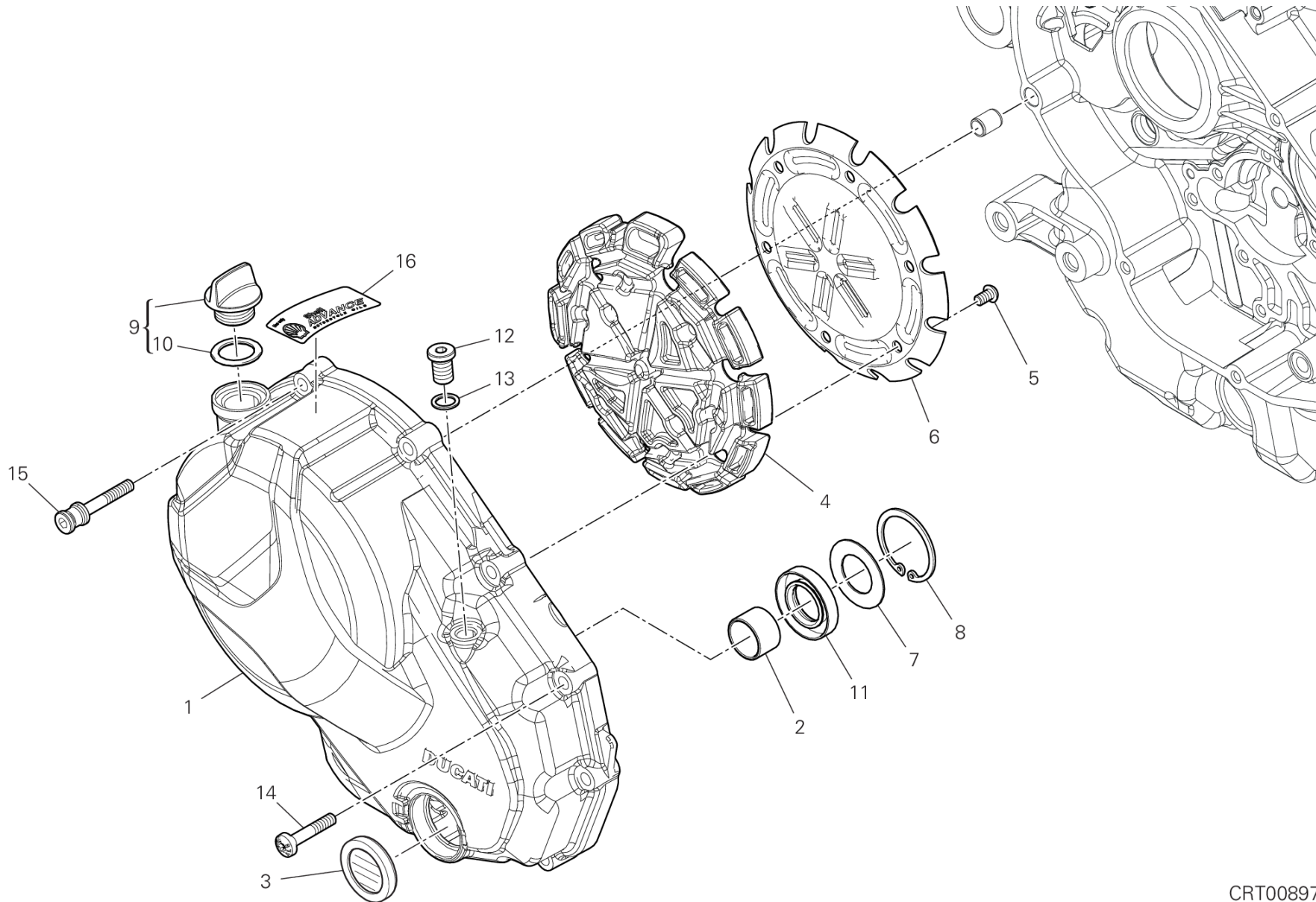


POS.	CODE	DESCRIPTION	QTY	VALIDITY	NOTES
1	79710881A	SPRING	3		
2	85611391B	THRUST WASHER	3		
3	77215251A	SCREW	3		
4	19410751A	RING	1		
5	81810162A	CLUTCH CONTROL PIN	1		
6	88641731A	O-RING 1.78X4.76	2		
7	75010781A	NUT	1		
8	85110201B	LOCK WASHER	1		
9	19020591A	CLUTCH DISC SET	1		
10	70250861A	BEARING	1		
11	19611021A	DISK, CLUTCH PRESSURE	1		
12	19611011A	PLATE HOLDER HUB	1		
13	85611911A	SPACER	1		
14	19820661A	PRIMARY DRIVEN GEAR COMP.	1		
15	71314831B	SPACER	1		
16	11723691A	CLUTCH CONTROL ROD	1		
17	17011751A	PRIMARY DRIVE FRONT SPROCKET	1		



# DRAWING 04A - CLUTCH COVER

GROUP ENGINE



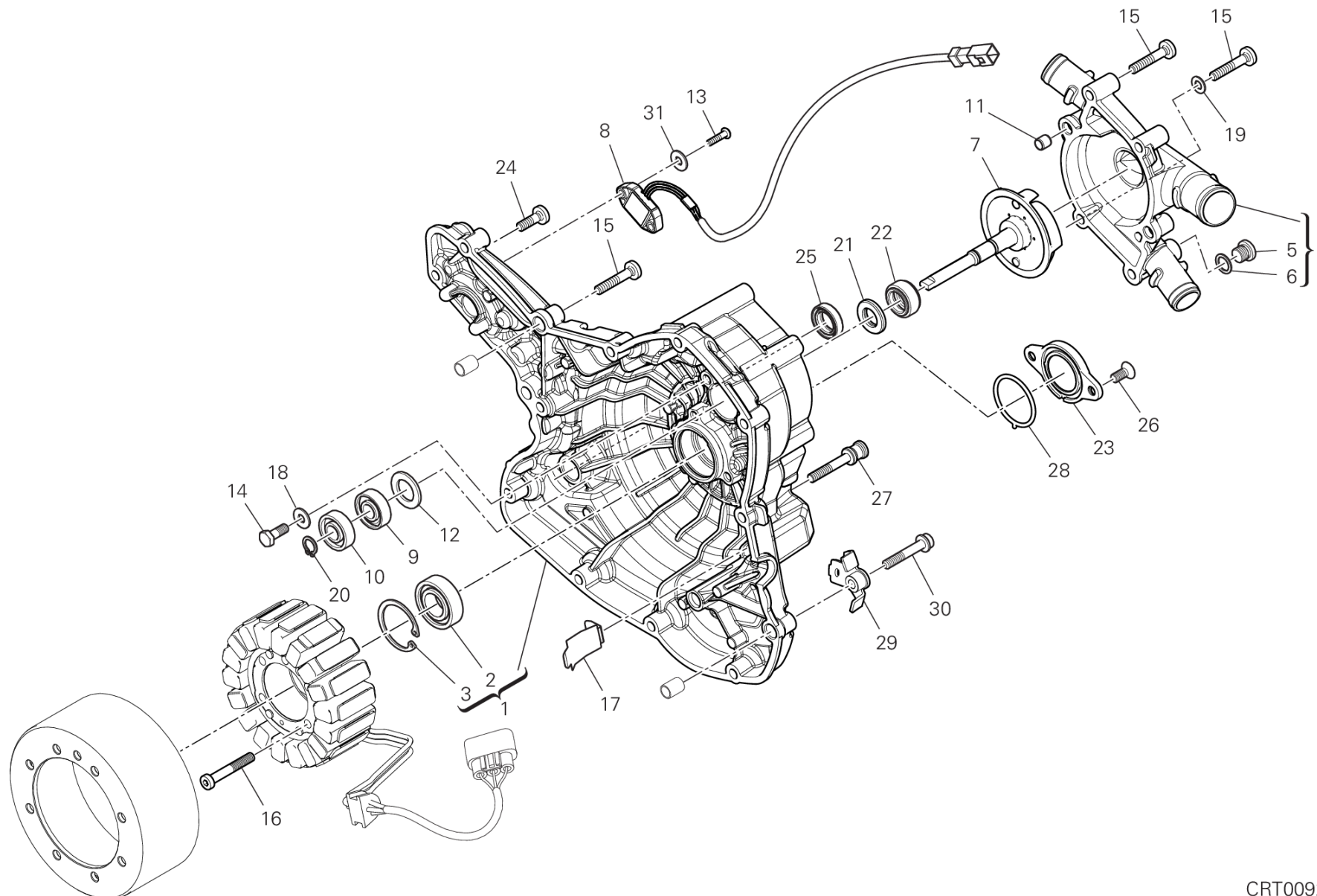
CRT00897

# DRAWING 04A - CLUTCH COVER

## GROUP ENGINE



POS.	CODE	DESCRIPTION	QTY	VALIDITY	NOTES
1	24321711A5	CLUTCH COVER	1		
2	066549680	BUSH	1		
3	25440013A	WINDOW, OIL LEVEL CHECK	1		
4	48612611A	DAMPER, SOUND ARRESTER	1		
5	77550200CC	SCREW	6		
6	82719161A	SHEET ACOUSTIC DAMPER	1		
7	85211351A	THRUST WASHER 20.8X37.8X1	1		
8	88450131A	CIRCLIP	1		
9	89320121A	PLUG ASSY	1		
10	88640891A	O-RING 18.64X3.53	1		
11	93040211A	OIL SEAL	1		
12	78011281A	PLUG, THREADED M10X1	1		
13	85250241A	WASHER 10X14X1	1		
14	77942032A	SCREW	6		
15	77916041D	SCREW, SPECIAL	4		
16	43313912A	WARNING LABEL	1		
	43315011A	WARNING LABEL	1		



CRT00923

# DRAWING 04B - GENERATOR COVER

## GROUP ENGINE



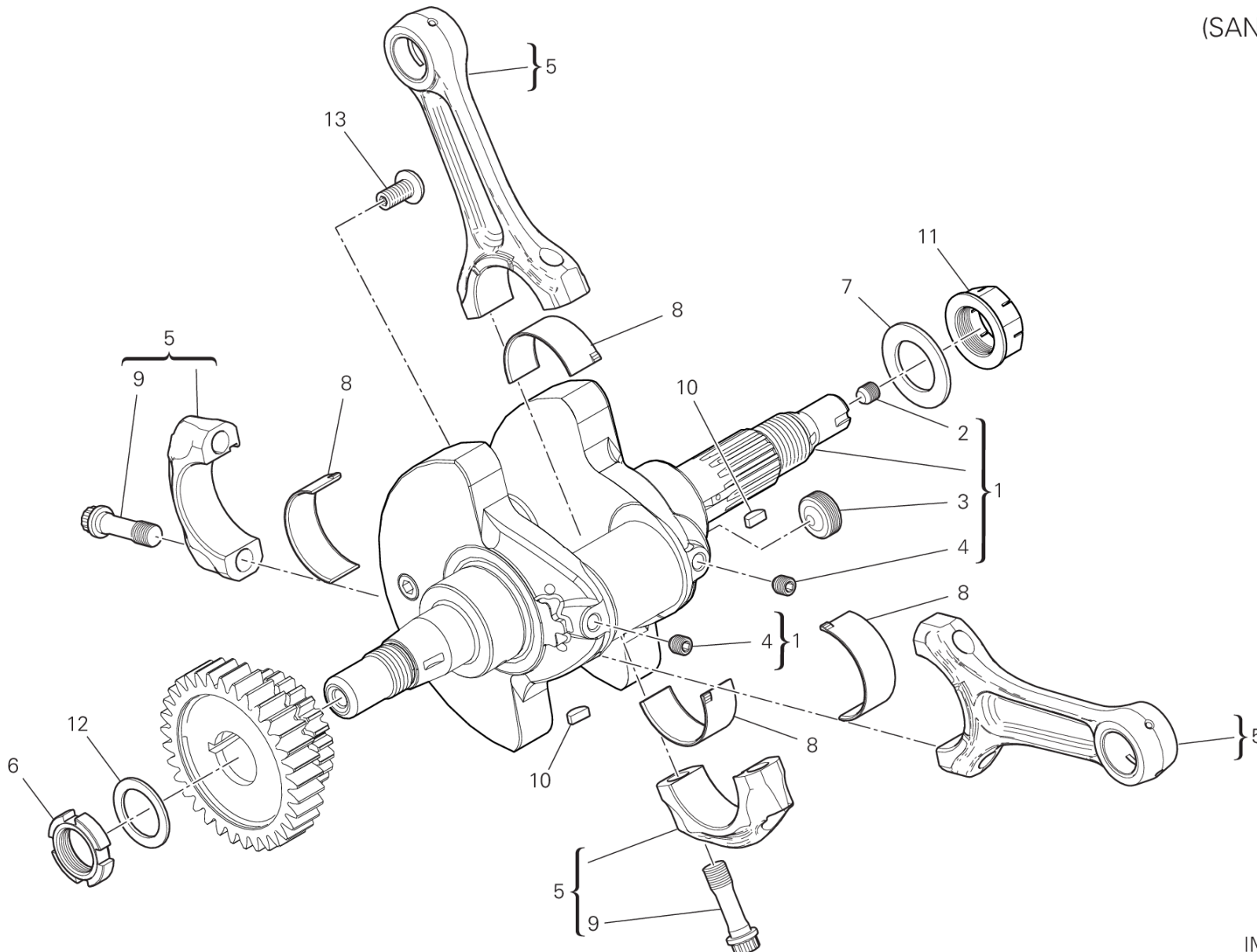
POS.	CODE	DESCRIPTION	QTY	VALIDITY	NOTES
1	24221551A5	GENERATOR COVER	1		
2	70250081A	BALL BEARING 6003 TN9 C3	1		
3	735033380	CIRCLIP	1		
4	24725241BI	WATER PUMP COVER	1		
5	78011001A	PLUG, THREADED M10X1	1		
6	85250631A	WASHER	1		
7	25120131A	WATER PUMP ROTOR	1		
8	55243942A	GEARBOX POSITION SENSOR	1		
9	70240091A	BALL BEARING 6000	1		
10	70240102A	BEARING	1		
11	71110922A	BUSH	2		
12	71311281B	SPACER	1		
13	72050069E	SCREW	2		
14	77052508B	SCREW TE M6X16	2		
15	77942032A	SCREW	14		
16	77150698BC	SCREW	3		
17	82716091A	PLATE	1		
18	85211721A	WASHER 6X14.2X1.3	2		
19	85250481A	GASKET 6X12X1 DIN7603-A	2		
20	88450431A	CIRCLIP	1		
21	93050051A	MECHANICAL SEAL	1		
22	93050062B	MECHANICAL SEAL	1		
23	24713571AO	COVER	1		
24	77941992A	SCREW	2		
25	93042691A	SEAL RING	1		
26	77750493C	SCREW	2		
27	77916041D	SCREW, SPECIAL	2		
28	88610951A	O-RING 32.99X2.62	1		
29	83019891AA	LEFT BRACKET	1		
30	77140743C	SCREW	1		
31	85250871A	WASHER	2		



# DRAWING 05A - CONNECTING RODS

GROUP ENGINE

(SANSERA)



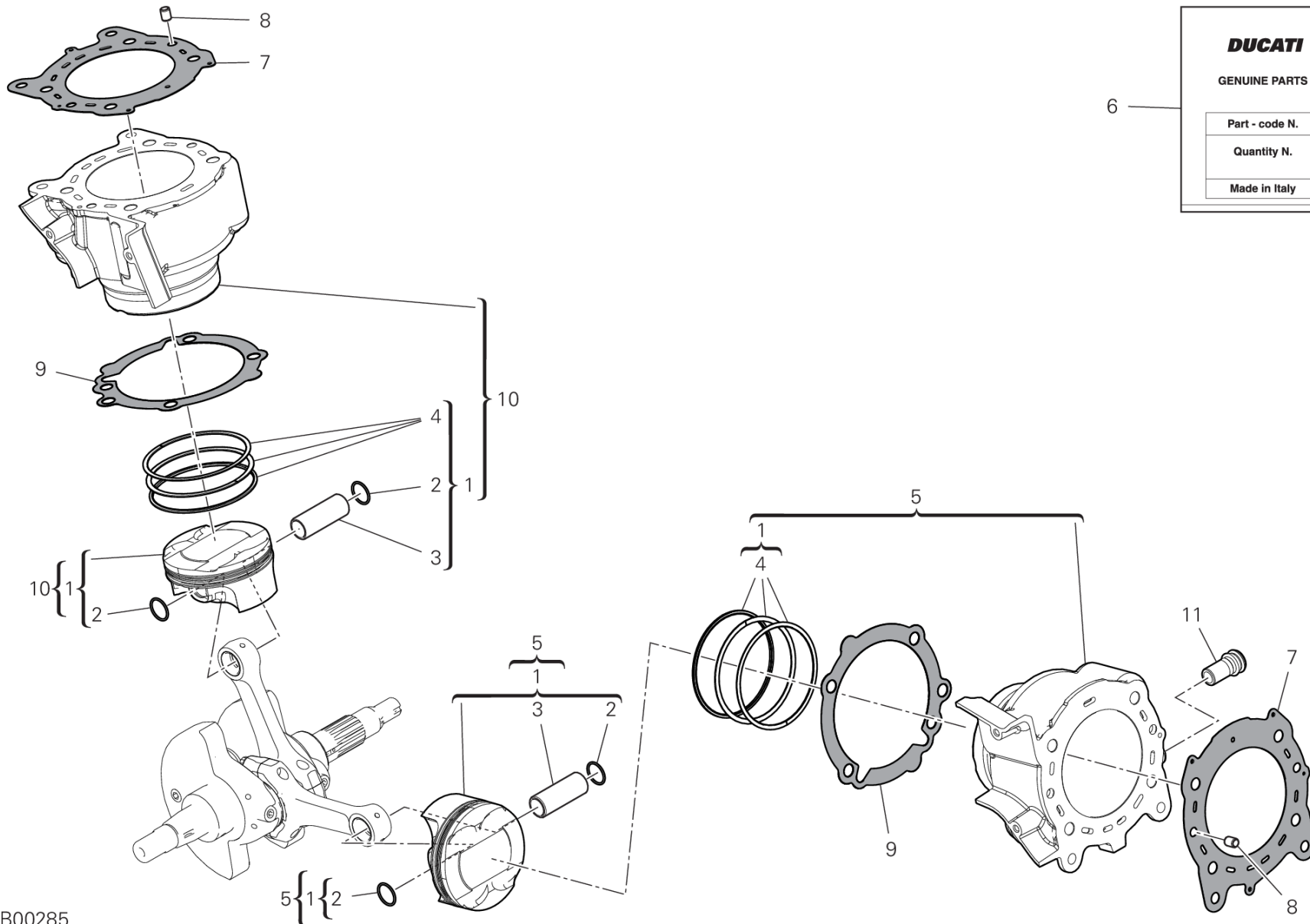
IMB00293

# DRAWING 05A - CONNECTING RODS

## GROUP ENGINE



POS.	CODE	DESCRIPTION	QTY	VALIDITY	NOTES
1	14622162CA	DRIVE SHAFT COMPLETEO	1		
	14622162CB	DRIVE SHAFT COMPLETEO	1		
	14622162CC	DRIVE SHAFT COMPLETEO	1		
	14622162CE	DRIVE SHAFT COMPLETEO	1		
2	77911092A	SCREW, SPECIAL	1		
3	78010161B	THREADED PLUG	1		
4	77915471A	THREADED DOWEL STEI M8X8	2		
5	15622261BA	CONNECTING ROD	2		
	15622261BB	CONNECTING ROD	2		
	15622261BC	CONNECTING ROD	2		
	15622261BE	CONNECTING ROD	2		
6	75011131A	RING NUT	1		
7	85212691A	WASHER	1		
8	11210121AA	PLANE BEARING, CONNECTING ROD RED	4		
	11210121AB	PLANE BEARING, CONNECTING ROD BLUE	4		
	11210121AC	PLANE BEARING, CONNECTING ROD YELLOW	4		
	11210121AD	PLANE BEARING, CONNECTING ROD BLACK	4		
	11210121AE	PLANE BEARING, CONNECTING ROD GREEN	4		
9	77914045B	BOLT, CONNECTING ROD	4		
10	68010131A	KEY, WOODRUFF 4X5X10	2		
11	75010121D	NUT, SPECIAL	1		
12	85140031A	WASHER, LOCK	1		
13	87311072A	PLUG	2		



<b>DUCATI</b>	
GENUINE PARTS	
6	Part - code N.
	Quantity N.
	Made in Italy

IMB00285

# DRAWING 06A - CYLINDERS - PISTONS

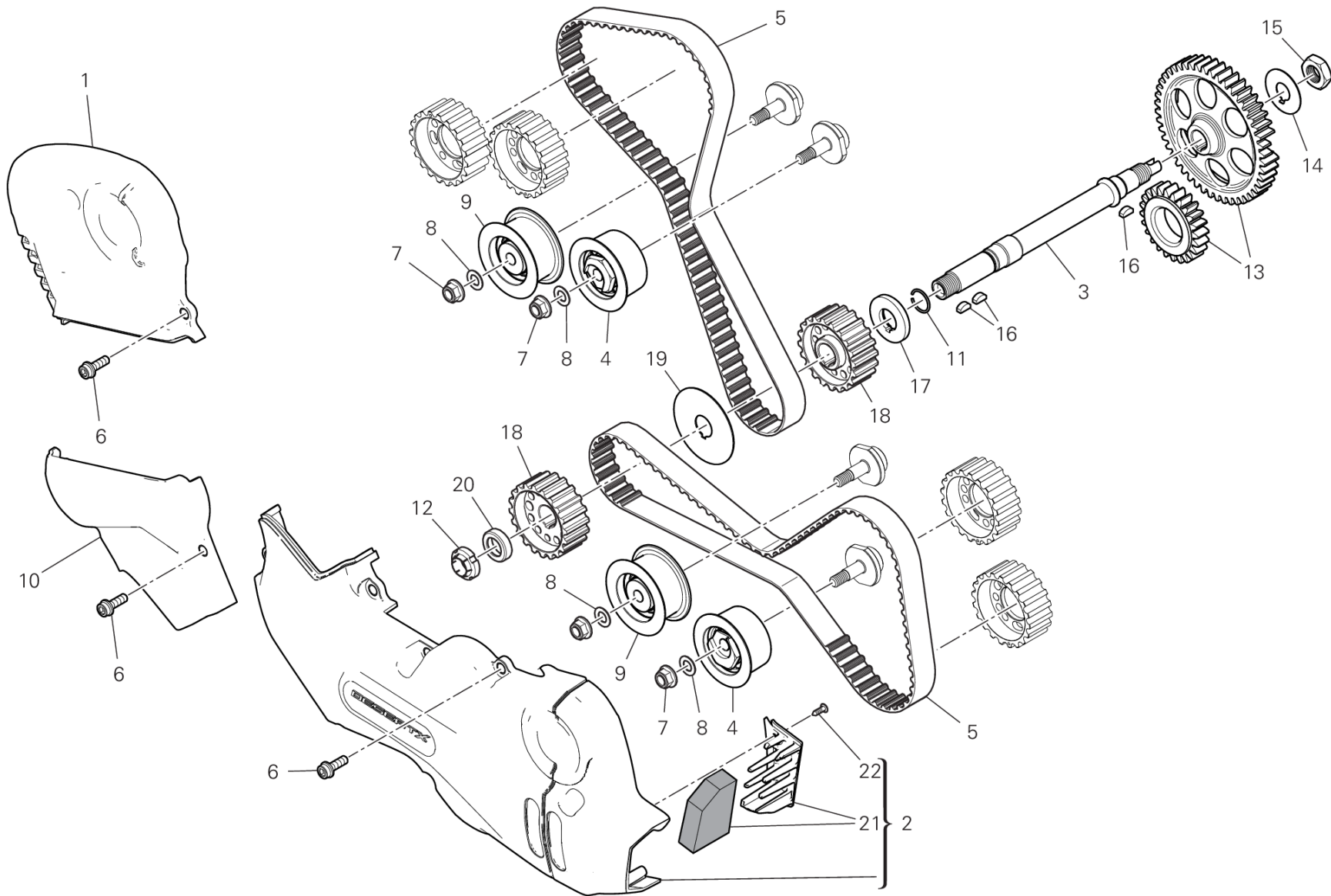
## GROUP ENGINE



POS.	CODE	DESCRIPTION	QTY	VALIDITY	NOTES
1	12222392C	PISTON ASSY	2		
	12222392CA	PISTON ASSY	2		
	12222392CB	PISTON ASSY	2		
	12222392CC	PISTON ASSY	2		
2	12110791A	CIRCLIP, PISTON PIN	4		
3	12110781B	PISTON PIN	2		
4	12120822A	PISTON RING SET	2		
5	120P3081AA	HORIZONTAL CYLINDER-PISTON ASSY	1		
6	79120571C	GASKETS SET	1		
7	78611622B	GASKET, CYLINDER HEAD	2		
8	71112191A	PIN DOWEL	4		
9	78611511A	GASKET, CYLINDER	2		
10	120P3091AA	VERTICAL CYLINDER-PISTON ASSY	1		
11	71117802A	BUSH	1		



# DRAWING 07A - TIMING SYSTEM GROUP ENGINE



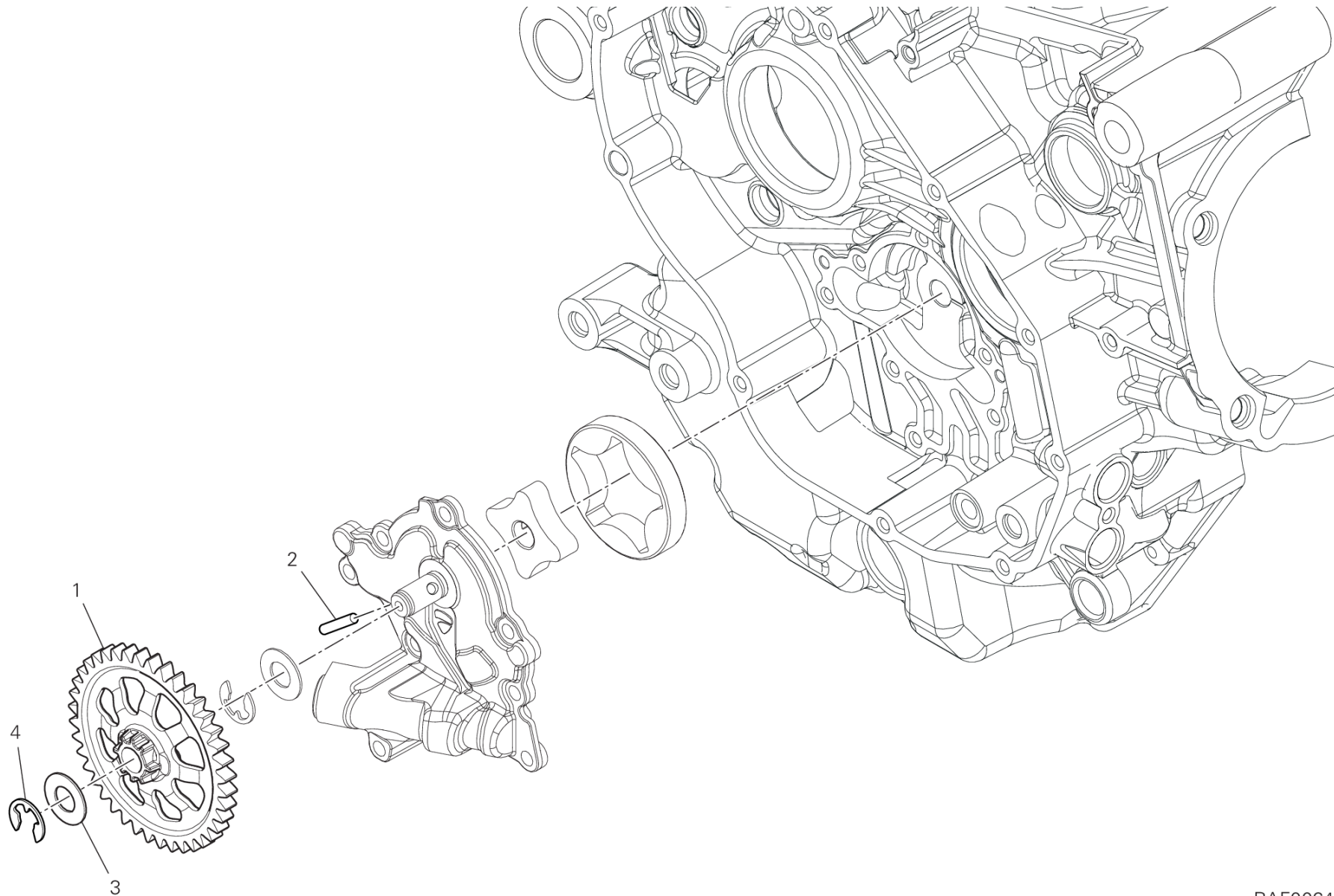
TST00708

# DRAWING 07A - TIMING SYSTEM

## GROUP ENGINE



POS.	CODE	DESCRIPTION	QTY	VALIDITY	NOTES
1	24511921A		1		
2	24521901A	HORIZONTAL BELT EXTERNAL COVER	1		
3	14710811A	LAYSHAFT TIMING	1		
4	45120311C	COMPLETE MOVABLE TENSIONER ROLLER	2		
5	73740251B	TIMING BELT	2		
6	77140663CD	SCREW	13		
7	74940081A	NUT M8	4		
8	85310021A	SPRING WASHER 8 MM	4		
9	45120321B	TENSIONER TIMING BELT FIXED	2		
10	24511911A		1		
11	88210031A	SNAP RING	1		
12	70350062A	ELASTIC-STOP RING NUT	1		
13	17122421A	TIMING GEARS SET	1		
14	85110131A	WASHER, LOCK	1		
15	75011601A	NUT M14X1X7	1		
16	68010131A	KEY, WOODRUFF 4X5X10	3		
17	71611281A	SPACER	1		
18	25510104B	PULLEY, TIMING BELT	2		
19	85610623A	WASHER, BELT PULLEY	1		
20	71610722A	SPACER	1		
21	8292A331A	BRACKET, FILTER	1		
22	77250341C	SCREW	2		



RAF00648

# DRAWING 08A - OIL PUMP

## GROUP ENGINE

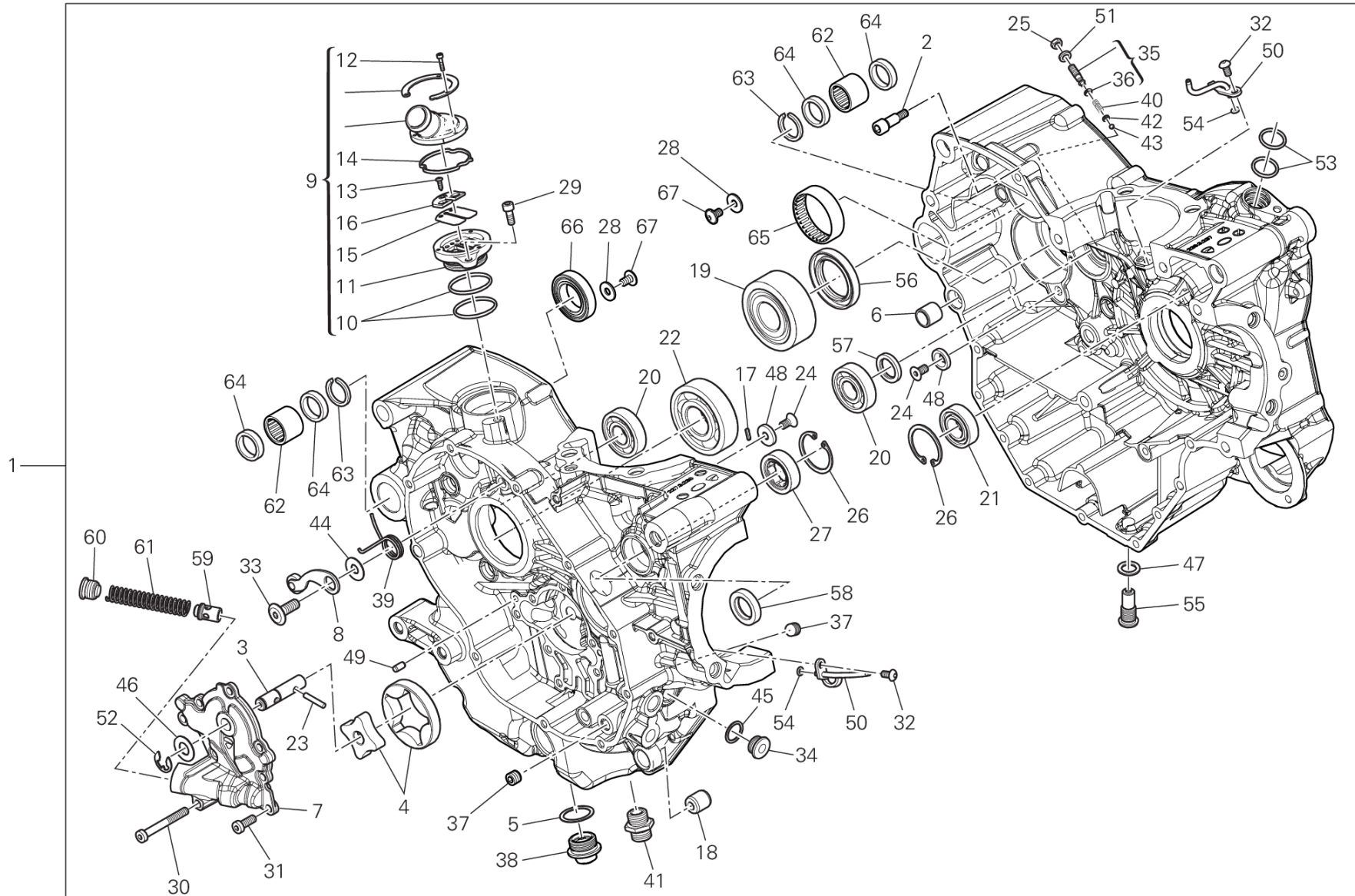


POS.	CODE	DESCRIPTION	QTY	VALIDITY	NOTES
1	17410621B	GEAR, OIL PUMP DRIVE	1		
2	70450091A	ROLLER	1		
3	85213021A	WASHER, THRUST	1		
4	88450371A	SNAP RING	1		



# DRAWING 09A - HALF-CRANKCASES PAIR

## GROUP ENGINE



CRT00925

# DRAWING 09A - HALF-CRANKCASES PAIR

## GROUP ENGINE

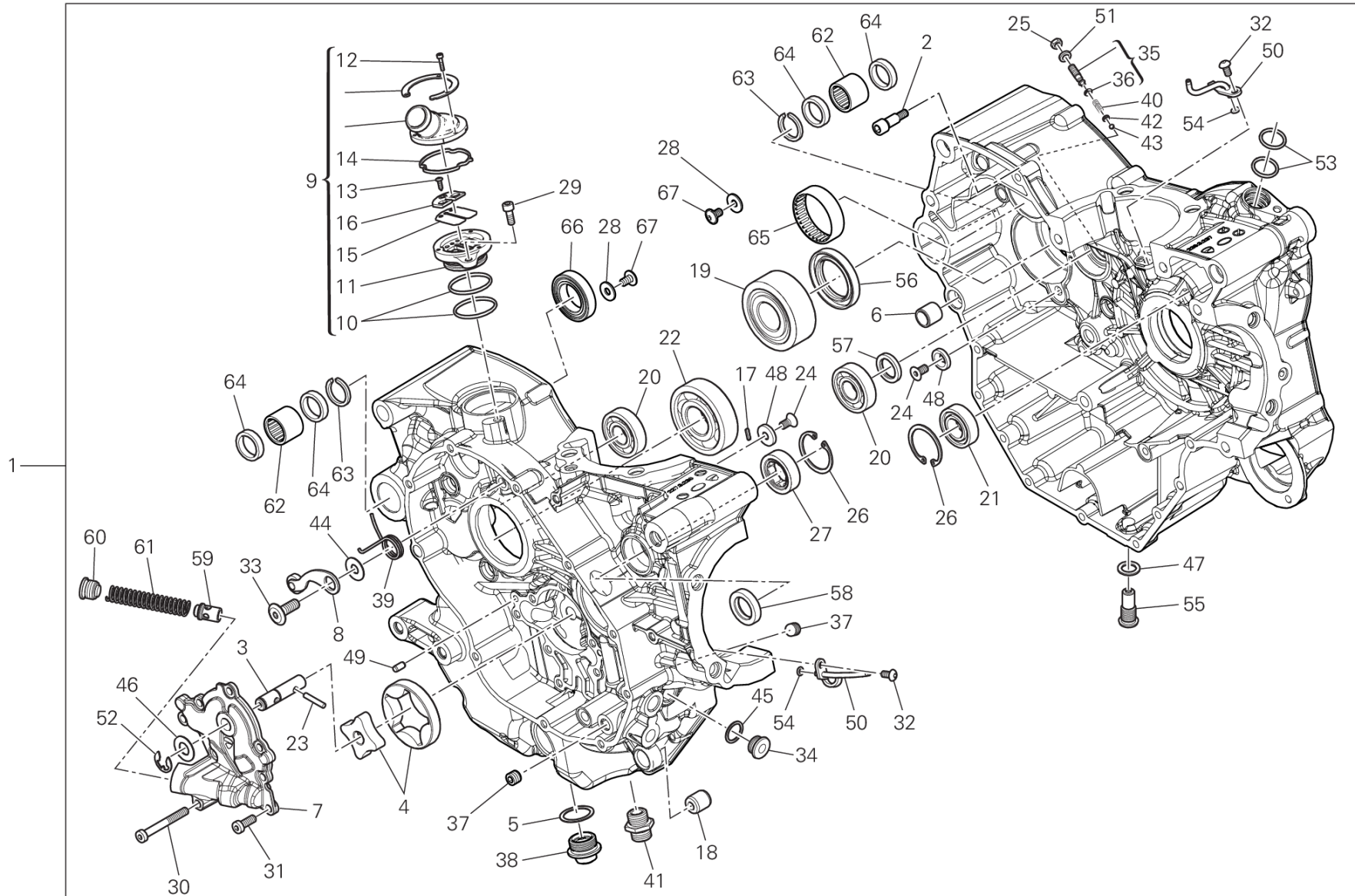


POS.	CODE	DESCRIPTION	QTY	VALIDITY	NOTES
1	225P0241B	COMPLETE HALF-CRANKCASES PAIR	1		
2	77919881A	SCREW, SPECIAL	2		
3	14710951B	OIL PUMP DRIVE SHAFT	1		
4	17420591A	OIL PUMP	1		
5	22032083A	ALUMINIUM GASKET	1		
6	71110951A	PIN DOWEL	2		
7	24714612A	OIL PUMP COVER	1		
8	45520192A	GEAR FIXING CLICK ASSEMBLY	1		
9	59320641D	VALVE, BREATHER	1		
10	46320222A	O-RING	2		
11	59310601B	HOLDER READ VALVE	1		
12	77150078B	SCREW	3		
13	77250341B	SCREW, TAPPING 3.5X12	1		
14	78811151A	GASKET	1		
15	81110021A	REED VALVE ASSY	1		
16	82716031A	SPACER	1		
17	68050101A	KEY 2X2X10	1		
18	70010362A	DAMPER	1		
19	70240131A	BEARING	1		
20	70240401B	BEARING 17X40X12	2		
21	70250081A	BALL BEARING 6003 TN9 C3	1		
22	70250193A	BEARING	1		
23	70450091A	ROLLER	1		
24	720941616	SCREW TSPEI M6X12	4		
25	74710151A	NUT	1		
26	735033380	CIRCLIP	2		
27	70242261A	BEARING	1		
28	85214082A	WASHER	3		
29	77150653B	SCREW TCEI M6X16 UNI5931 8.8	1		
30	77150758B	SCREW	1		
31	77350658B	SCREW TCEIR M6X16	7		
32	77510311B	SCREW TBEI M5X10	2		
33	77910391A	SCREW M8X21.5	1		
34	77911982A	THREADED PLUG M15X1	1		
35	77927171B	SCREW	1		



# DRAWING 09A - HALF-CRANKCASES PAIR

## GROUP ENGINE



CRT00925

# DRAWING 09A - HALF-CRANKCASES PAIR

## GROUP ENGINE

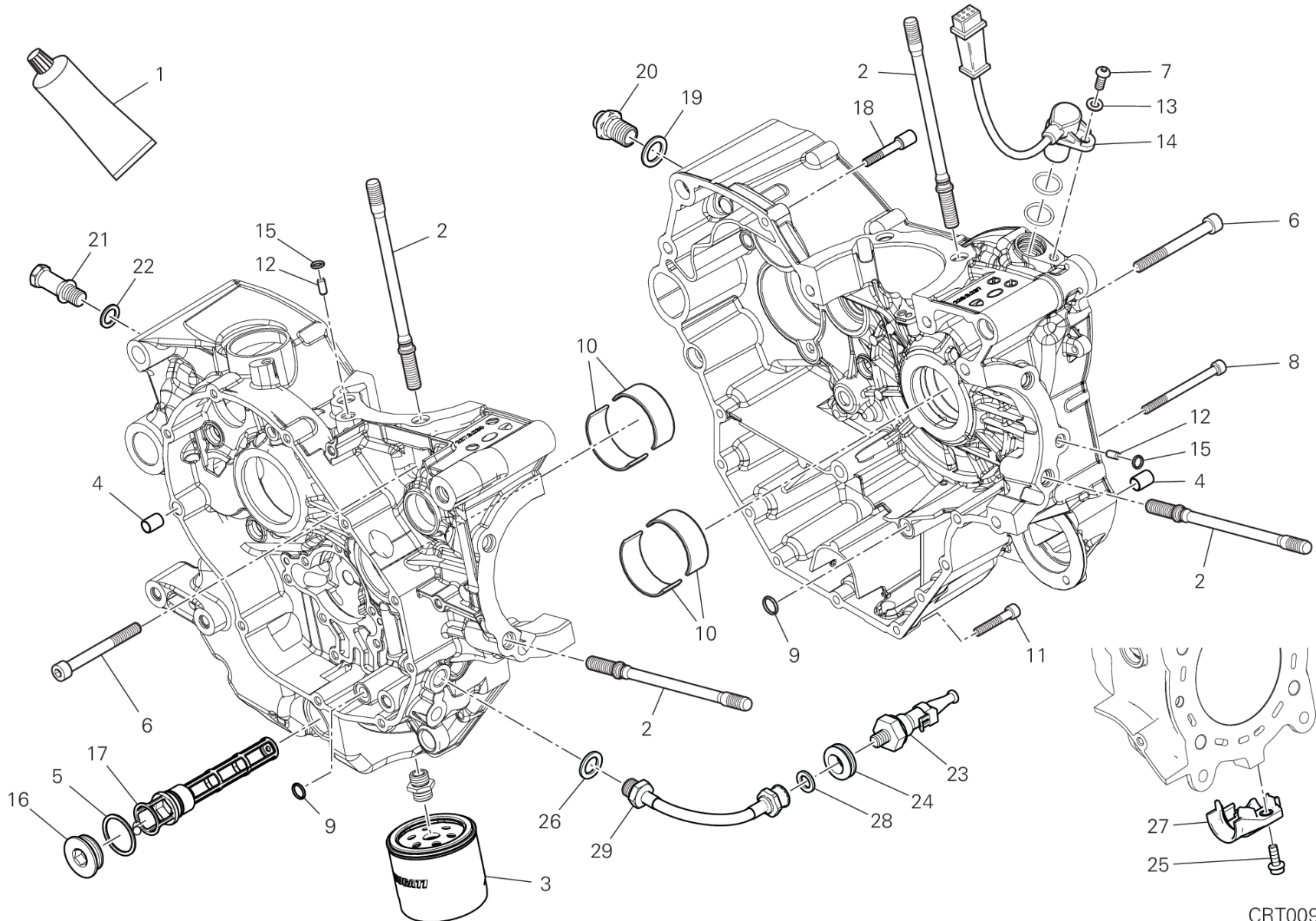


POS.	CODE	DESCRIPTION	QTY	VALIDITY	NOTES
36	88641961A	O-RING	1		
37	77950621A	THREADED DOWEL M10X1	2		
38	78011171A	PLUG	1		
39	79910491D	SPRING, RETURN	1		
40	79940171A	SPRING	1		
41	81510281A	BOLT UNION	1		
42	83110151B	PLATE	1		
43	84740061A	BALL	1		
44	85210532A	WASHER 8.2X20X1	1		
45	85211201A	ALUMINIUM GASKET	1		
46	85213021A	WASHER, THRUST	1		
47	85250421A	COPPER GASKET 12.2X18X1.5 MM	1		
48	85611481A	WASHER	4		
49	86050061A	PIN M5X10	2		
50	87511461B	JET	2		
51	85640141A	WASHER	1		
52	88450371A	SNAP RING	1		
53	88640331A	O-RING 17.96X2.62	2		
54	88650131A	O-RING 3.68X1.78	2		
55	89320062A	PLUG, OIL DRAIN	1		
56	93040221A	OIL SEAL	1		
57	93040932A	OIL SEAL	1		
58	93041631B	SEAL RING	1		
59	59310801B	BY-PASS VALVE	1		
60	78010941B	PLUG	1		
61	79915741B	BYPASS SPRING	1		
62	70140381A	BEARING, NEEDLE	2		
63	88440531A	SPRING RING	2		
64	93041271A	SEAL RING 20X26X4	4		
65	70242211A	NEEDLE BUSH	1		
66	70250412A	BALL BEARING	1		
67	77240398CC	SCREW	3		



# DRAWING 09B - HALF-CRANKCASES PAIR

GROUP ENGINE



CRT00902

# DRAWING 09B - HALF-CRANKCASES PAIR

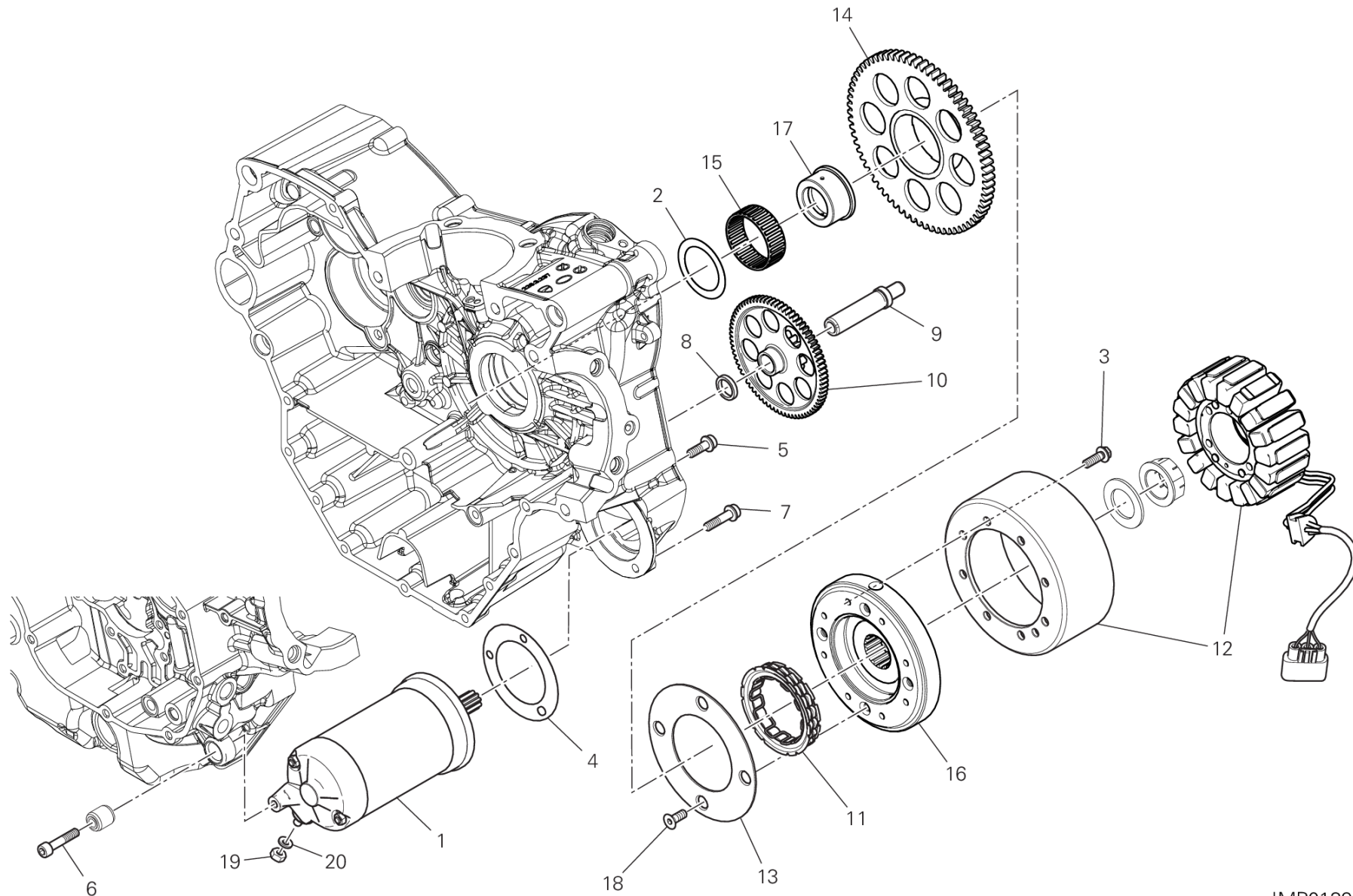
## GROUP ENGINE



POS.	CODE	DESCRIPTION	QTY	VALIDITY	NOTES
1	942470014	LIQUID GASKET	1		
2	76610551D	STUD BOLT FASTENING HEAD CYLINDER	8		
3	44440039A	FILTER, OIL	1		
4	71111601A	PIN DOWEL	3		
5	85250051A	GASKET 32X38X1.5	1		
6	77151363B	SCREW TCEI M8X75 UNI 5931	7		
7	77550211B	SCREW TBEI M6X16 ISO7380 10.9	1		
8	77150808B	SCREW TCEI M6X75	2		
9	88641321A	O-RING	2		
10	11210791A0		4		
	11210791AA	HALF-BEARING RED	4		
	11210791AB	HALF-BEARING BLUE	4		
	11210791AC	HALF-BEARING YELLOW	4		
	11210791AD	HALF-BEARING BLACK	4		
	11210791AE	HALF-BEARING GREEN	4		
11	77150723B	SCREW TCEI M6X35 UNI 5931	7		
12	86010051B	DOWEL	2		
13	85310031A	SPRING WASHER 6 MM	1		
14	55241321C	SENSOR, TIMING & RPM	1		
15	88610241A	O-RING 5.23X2.62	2		
16	87310371A	THREADED PLUG M32X1.5	1		
17	89420121F	OIL NET FILTER	1		
18	77916041D	SCREW, SPECIAL	1		
19	027291090	GASKET 16.2X24X2	1		
20	7791C461A	SCREW, SPECIAL	1		
21	7791C451A	SCREW, SPECIAL	1		
22	85250421A	COPPER GASKET 12.2X18X1.5 MM	1		
23	53940302A	SWITCH ASSY, OIL PRESSURE	1		
24	76440581A	RUBBER PAD	1		
25	77140653CC	SCREW	1		
26	78710111A	GASKET, ALUMINIUM 14X22X2	1		
27	82916531A	HOLDER SENSOR	1		
28	85211951A	GASKET 10.5X17X2	1		
29	87711572A	HOSE, OIL	1		



# DRAWING 10A - ELECTRIC STARTING AND IGNITION GROUP ENGINE



IMP01391

# DRAWING 10A - ELECTRIC STARTING AND IGNITION

## GROUP ENGINE

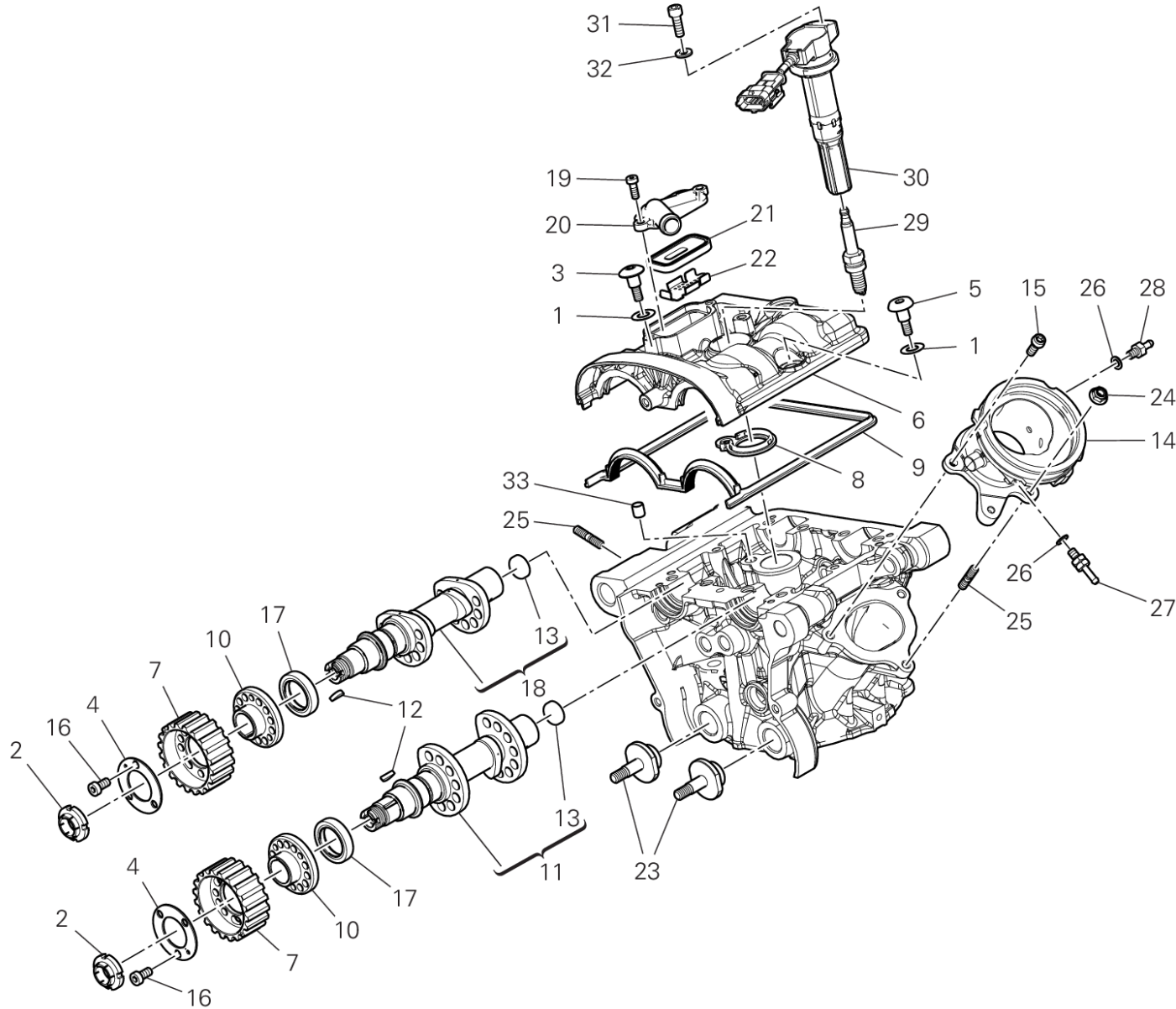


POS.	CODE	DESCRIPTION	QTY	VALIDITY	NOTES
1	27040107A	STARTING MOTOR	1		
2	85610751A	WASHER, THRUST	1		
3	77253300ZF	SCREW	8		
4	78810542A	ENGINE STARTER GASKET	1		
5	77140677CF	SCREW TCEIF M6X20	2		
6	77110521A	SCREW TCEI M6X30	1		
7	77140697CF	SCREW	1		
8	71319191A	SPACER	1		
9	82113471A	STARTER REDUCTION SHAFT	1		
10	176Z0021A	IDLE GEAR T74/13	1		
11	70140591A	CLUTCH, ONE WAY	1		
12	26420511A	GENERATOR DENSO	1		
13	16016371A	PLATE	1		
14	173Z0021A	ELECTRIC STARTER DRIVEN GEAR	1		
15	70240181B	NEEDLE BEARING	1		
16	27611201B	IGNITION FLYWHEEL	1		
17	88110341A	BUSH	1		
18	77750508CC	SCREW	4		
19	75050051A	NUT 6MM	1		
20	85350101A	WASHER, SPRING	1		



# DRAWING 11A - VERTICAL CYLINDER HEAD - TIMING

GROUP ENGINE



TST00702

DESERT X /23

035000023

# DRAWING 11A - VERTICAL CYLINDER HEAD - TIMING

## GROUP ENGINE

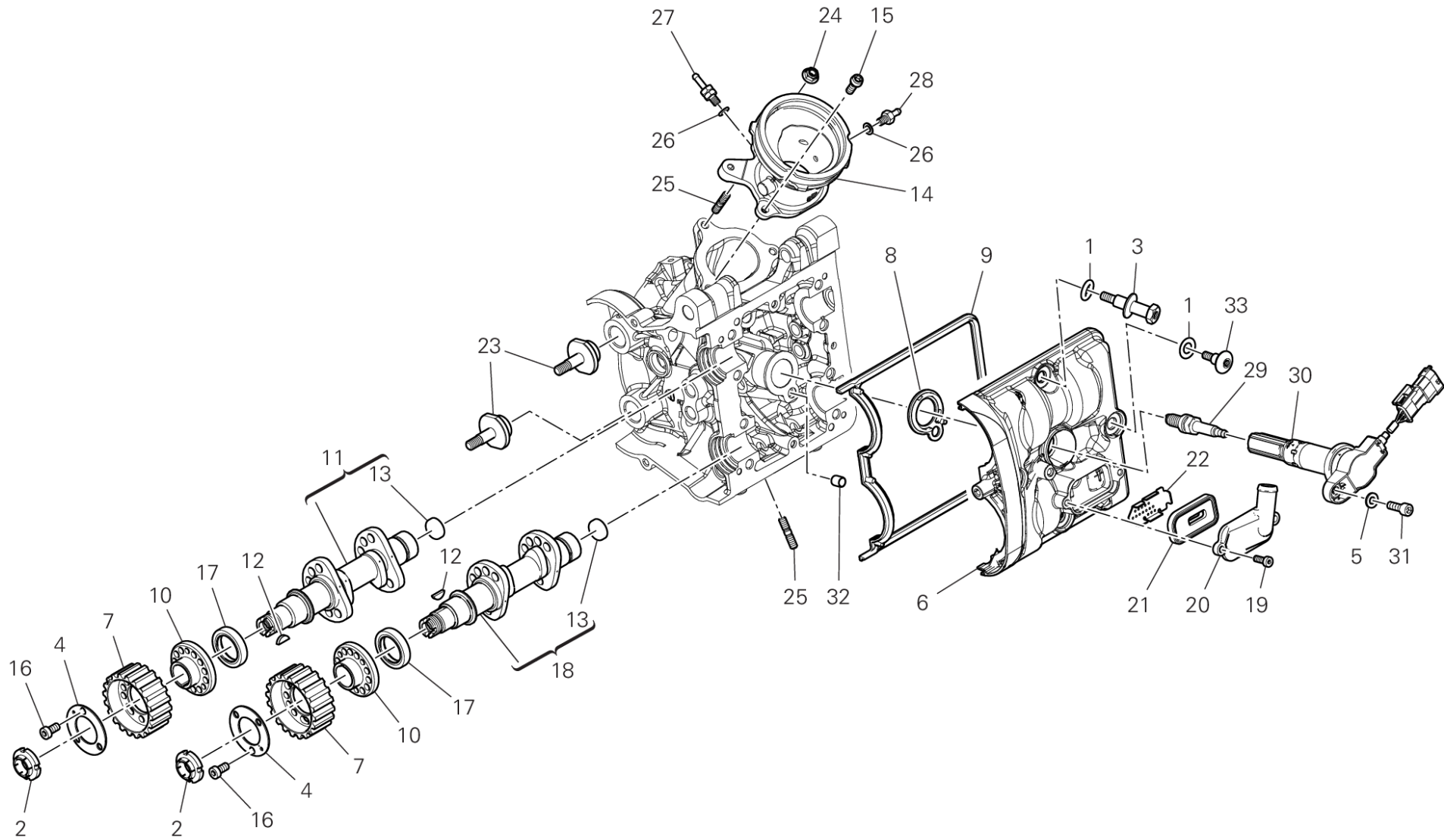


POS.	CODE	DESCRIPTION	QTY	VALIDITY	NOTES
1	88650511A	O-RING 12.39X3.53	4		
2	70350022A	RING NUT M17X1	2		
3	77915093A	SCREW, SPECIAL	1		
4	85610743A	WASHER, SPECIAL	2		
5	77918141A	SCREW, SPECIAL	3		
6	24716801AH	COVER CYLINDER HEAD, VERTICAL	1		
7	25510193A	TIMING BELT PULLEY, DRIVEN T20	2		
8	78811911A	GASKET	1		
9	78810931A	GASKET CYLINDER HEAD COVER	1		
10	16010941A	FLANGE	2		
11	14824232A	VERTICAL INTAKE CAMSHAFT	1		
12	68050061A	WOODRUFF KEY 3X5	2		
13	87310051A	PLUG 18 MM	2		
14	14010961A	INTAKE MANIFOLD	1		
15	77110391B	SCREW	2		
16	77950302A	SCREW TC M6X12	6		
17	93050072A	SEAL RING	2		
18	14825741A	VERTICAL EXHAUST CAMSHAFT	1		
19	77350403B	SCREW	2		
20	24717012B		1		
21	81140012B	VALVE	1		
22	82716351A	PLATE	1		
23	45110462A	MOVABLE TENSIONER ROLLER PIN	2		
24	74941113B	NUT	1		
25	76640191A	STUD BOLT M6X16	4		
26	85250231A	GASKET	2		
27	81411111C	NIPPLE, HOSE	1		
28	81413341A	UNION	1		
29	67040451A	SPARK PLUG NGK MAR9A-J	1		
30	38010221A	IGNITION COIL ASSY	2		
31	77110401B	SCREW	1		
32	85212641A	WASHER 6.4X12.5X1.6	1		
33	71113742A	BUSH	1		



# DRAWING 11B - HORIZONTAL HEAD – TIMING SYSTEM

GROUP ENGINE



TST00709

# DRAWING 11B - HORIZONTAL HEAD – TIMING SYSTEM

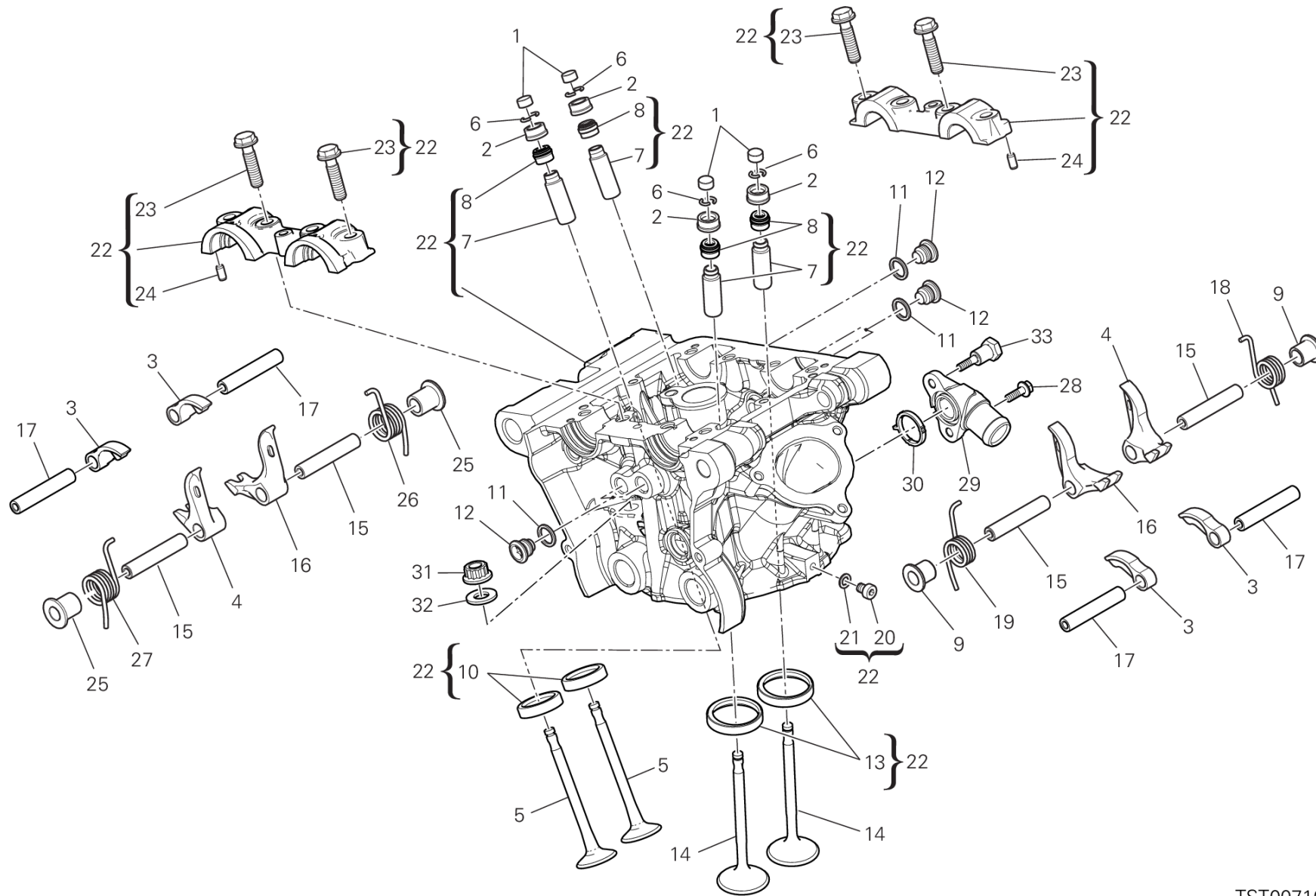
## GROUP ENGINE



POS.	CODE	DESCRIPTION	QTY	VALIDITY	NOTES
1	88650511A	O-RING 12.39X3.53	4		
2	70350022A	RING NUT M17X1	2		
3	77919251B	SCREW, SPECIAL	1		
4	85610743A	WASHER, SPECIAL	2		
5	85212641A	WASHER 6.4X12.5X1.6	1		
6	24716791AH	COVER CYLINDER HEAD, HORIZONTAL	1		
7	25510193A	TIMING BELT PULLEY, DRIVEN T20	2		
8	78811911A	GASKET	1		
9	78810931A	GASKET CYLINDER HEAD COVER	1		
10	16010941A	FLANGE	2		
11	14824222A	HORIZONTAL INTAKE CAMSHAFT	1		
12	68050061A	WOODRUFF KEY 3X5	2		
13	87310051A	PLUG 18 MM	2		
14	14010951A	INTAKE MANIFOLD	1		
15	77110391B	SCREW	2		
16	77950302A	SCREW TC M6X12	6		
17	93050072A	SEAL RING	2		
18	14825731A	HORIZONTAL EXHAUST CAMSHAFT	1		
19	77350403B	SCREW	2		
20	24717012B		1		
21	81140012B	VALVE	1		
22	82716351A	PLATE	1		
23	45110462A	MOVABLE TENSIONER ROLLER PIN	2		
24	74941113B	NUT	1		
25	76640191A	STUD BOLT M6X16	4		
26	85250231A	GASKET	2		
27	81411111C	NIPPLE, HOSE	1		
28	81413341A	UNION	1		
29	67040451A	SPARK PLUG NGK MAR9A-J	1		
30	38010221A	IGNITION COIL ASSY	1		
31	77110401B	SCREW	1		
32	71113742A	BUSH	1		
33	77918141A	SCREW, SPECIAL	3		



# DRAWING 11C - VERTICAL HEAD GROUP ENGINE



TST00710

# DRAWING 11C - VERTICAL HEAD

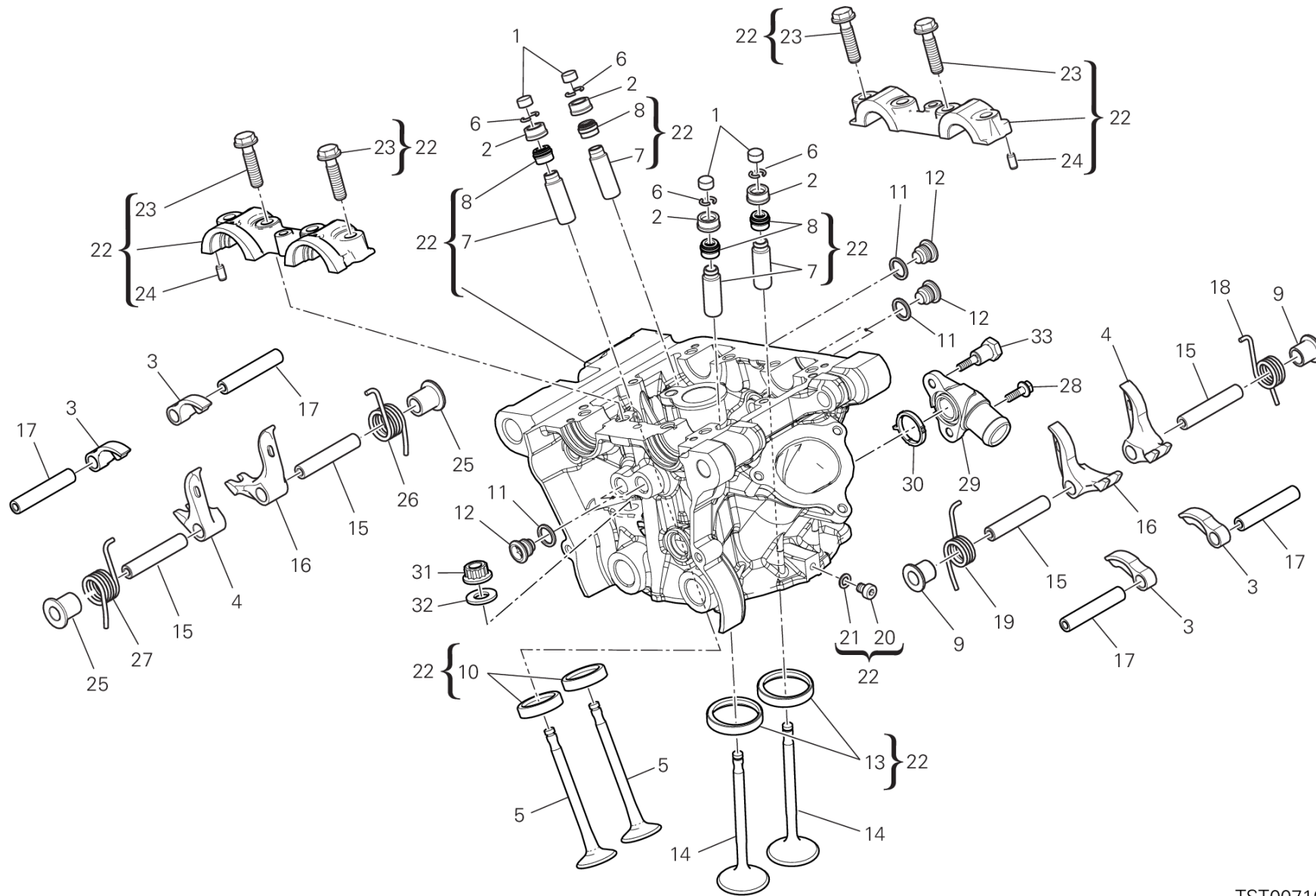
## GROUP ENGINE



POS.	CODE	DESCRIPTION	QTY	VALIDITY	NOTES
1	84010012A	ADJUSTER, OPENING ROCKER ARM 2.00 MM	4		
	84010022A	ADJUSTER, OPENING ROCKER ARM 2.05 MM	4		
	84010032A	ADJUSTER, OPENING ROCKER ARM 2.10 MM	4		
	84010042A	ADJUSTER, OPENING ROCKER ARM 2.15 MM	4		
	84010052A	ADJUSTER, OPENING ROCKER ARM 2.20 MM	4		
	84010062A	ADJUSTER, OPENING ROCKER ARM 2.25 MM	4		
	84010072A	ADJUSTER, OPENING ROCKER ARM 2.30 MM	4		
	84010082A	ADJUSTER, OPENING ROCKER ARM 2.35 MM	4		
	84010092A	ADJUSTER, OPENING ROCKER ARM 2.40 MM	4		
	84010102A	ADJUSTER, OPENING ROCKER ARM 2.45 MM	4		
	84010112A	ADJUSTER, OPENING ROCKER ARM 2.50 MM	4		
	84010122A	ADJUSTER, OPENING ROCKER ARM 2.55 MM	4		
	84010132A	ADJUSTER, OPENING ROCKER ARM 2.60 MM	4		
	84010142A	ADJUSTER, OPENING ROCKER ARM 2.65 MM	4		
	84010152A	ADJUSTER, OPENING ROCKER ARM 2.70 MM	4		
	84010162A	ADJUSTER, OPENING ROCKER ARM 2.75 MM	4		
	84010172A	ADJUSTER, OPENING ROCKER ARM 2.80 MM	4		
	84010182A	ADJUSTER, OPENING ROCKER ARM 2.85 MM	4		
	84010192A	ADJUSTER, OPENING ROCKER ARM 2.90 MM	4		
	84010202A	ADJUSTER, OPENING ROCKER ARM 2.95 MM	4		
	84010212A	ADJUSTER, OPENING ROCKER ARM 3.00 MM	4		
	84010222A	ADJUSTER, OPENING ROCKER ARM 3.05 MM	4		
	84010232A	ADJUSTER, OPENING ROCKER ARM 3.10 MM	4		
	84010242A	ADJUSTER, OPENING ROCKER ARM 3.15 MM	4		
	84010252A	ADJUSTER, OPENING ROCKER ARM 3.20 MM	4		
	84010262A	ADJUSTER, OPENING ROCKER ARM 3.25 MM	4		
	84010272A	ADJUSTER, OPENING ROCKER ARM 3.30 MM	4		
	84010282A	ADJUSTER, OPENING ROCKER ARM 3.35 MM	4		
	84010292A	ADJUSTER, OPENING ROCKER ARM 3.40 MM	4		
	84010302A	ADJUSTER, OPENING ROCKER ARM 3.45 MM	4		
	84010312A	ADJUSTER, OPENING ROCKER ARM 1.80 MM	4		
	84010322A	ADJUSTER, OPENING ROCKER ARM 1.85 MM	4		
	84010332A	ADJUSTER, OPENING ROCKER ARM 1.90 MM	4		
	84010342A	ADJUSTER, OPENING ROCKER ARM 1.95 MM	4		
	84010722A	ADJUSTER, OPENING ROCKER ARM 3.60 MM	4		



# DRAWING 11C - VERTICAL HEAD GROUP ENGINE



TST00710

# DRAWING 11C - VERTICAL HEAD

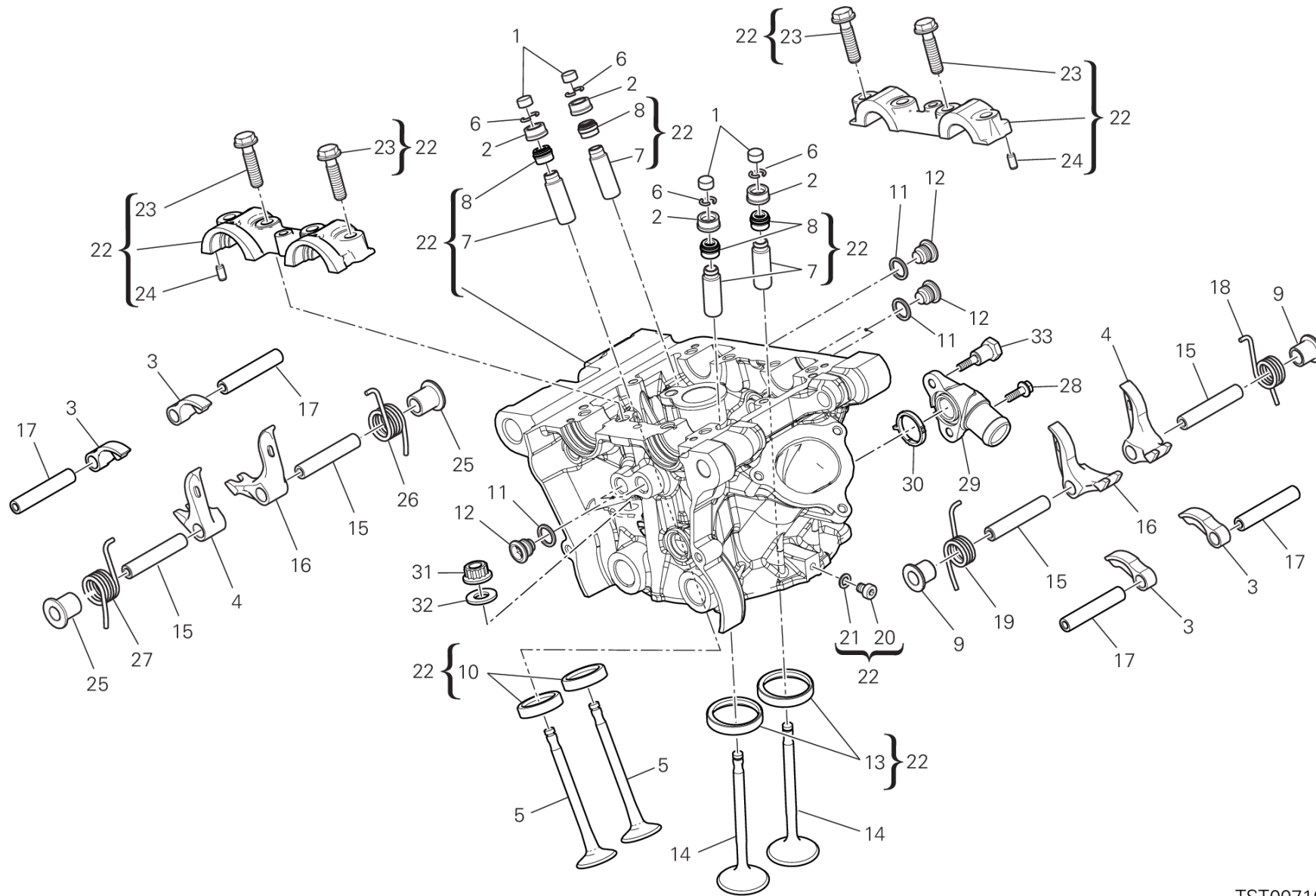
## GROUP ENGINE



POS.	CODE	DESCRIPTION	QTY	VALIDITY	NOTES
	84010732A	ADJUSTER, OPENING ROCKER ARM 3.80 MM	4		
	84011082A	ADJUSTER, OPENING ROCKER ARM 3.50 MM	4		
	84011092A	ADJUSTER, OPENING ROCKER ARM 3.55 MM	4		
	84011102A	ADJUSTER, OPENING ROCKER ARM 3.65 MM	4		
	84011112A	ADJUSTER, OPENING ROCKER ARM 3.70 MM	4		
	84011122A	ADJUSTER, OPENING ROCKER ARM 3.75 MM	4		
	84011132A	ADJUSTER, OPENING ROCKER ARM 3.85 MM	4		
	84011142A	ADJUSTER, OPENING ROCKER ARM 3.9 MM	4		
2	84010412B	ADJUSTER, CLOSING ROCKER ARM 2.20 MM	4		
	84010422B	ADJUSTER, CLOSING ROCKER ARM 2.25 MM	4		
	84010432B	ADJUSTER, CLOSING ROCKER ARM 2.30 MM	4		
	84010442B	ADJUSTER, CLOSING ROCKER ARM 2.35 MM	4		
	84010452B	ADJUSTER, CLOSING ROCKER ARM 2.40 MM	4		
	84010462B	ADJUSTER, CLOSING ROCKER ARM 2.45 MM	4		
	84010472B	ADJUSTER, CLOSING ROCKER ARM 2.50 MM	4		
	84010482B	ADJUSTER, CLOSING ROCKER ARM 2.55 MM	4		
	84010492B	ADJUSTER, CLOSING ROCKER ARM 2.60 MM	4		
	84010502B	ADJUSTER, CLOSING ROCKER ARM 2.65 MM	4		
	84010512B	ADJUSTER, CLOSING ROCKER ARM 2.70 MM	4		
	84010522B	ADJUSTER, CLOSING ROCKER ARM 2.75 MM	4		
	84010532B	ADJUSTER, CLOSING ROCKER ARM 2.80 MM	4		
	84010542B	ADJUSTER, CLOSING ROCKER ARM 2.85 MM	4		
	84010552B	ADJUSTER, CLOSING ROCKER ARM 2.90 MM	4		
	84010562B	ADJUSTER, CLOSING ROCKER ARM 2.95 MM	4		
	84010572B	ADJUSTER, CLOSING ROCKER ARM 3.00 MM	4		
	84010582B	ADJUSTER, CLOSING ROCKER ARM 3.05 MM	4		
	84010592B	ADJUSTER, CLOSING ROCKER ARM 3.10 MM	4		
	84010602B	ADJUSTER, CLOSING ROCKER ARM 3.15 MM	4		
	84010612B	ADJUSTER, CLOSING ROCKER ARM 3.20 MM	4		
	84010622B	ADJUSTER, CLOSING ROCKER ARM 3.25 MM	4		
	84010632B	ADJUSTER, CLOSING ROCKER ARM 3.30 MM	4		
	84010642B	ADJUSTER, CLOSING ROCKER ARM 3.35 MM	4		
	84010652B	ADJUSTER, CLOSING ROCKER ARM 3.40 MM	4		
	84010662B	ADJUSTER, CLOSING ROCKER ARM 3.45 MM	4		
	84010672B	ADJUSTER, CLOSING ROCKER ARM 3.50 MM	4		



# DRAWING 11C - VERTICAL HEAD GROUP ENGINE



TST00710

# DRAWING 11C - VERTICAL HEAD

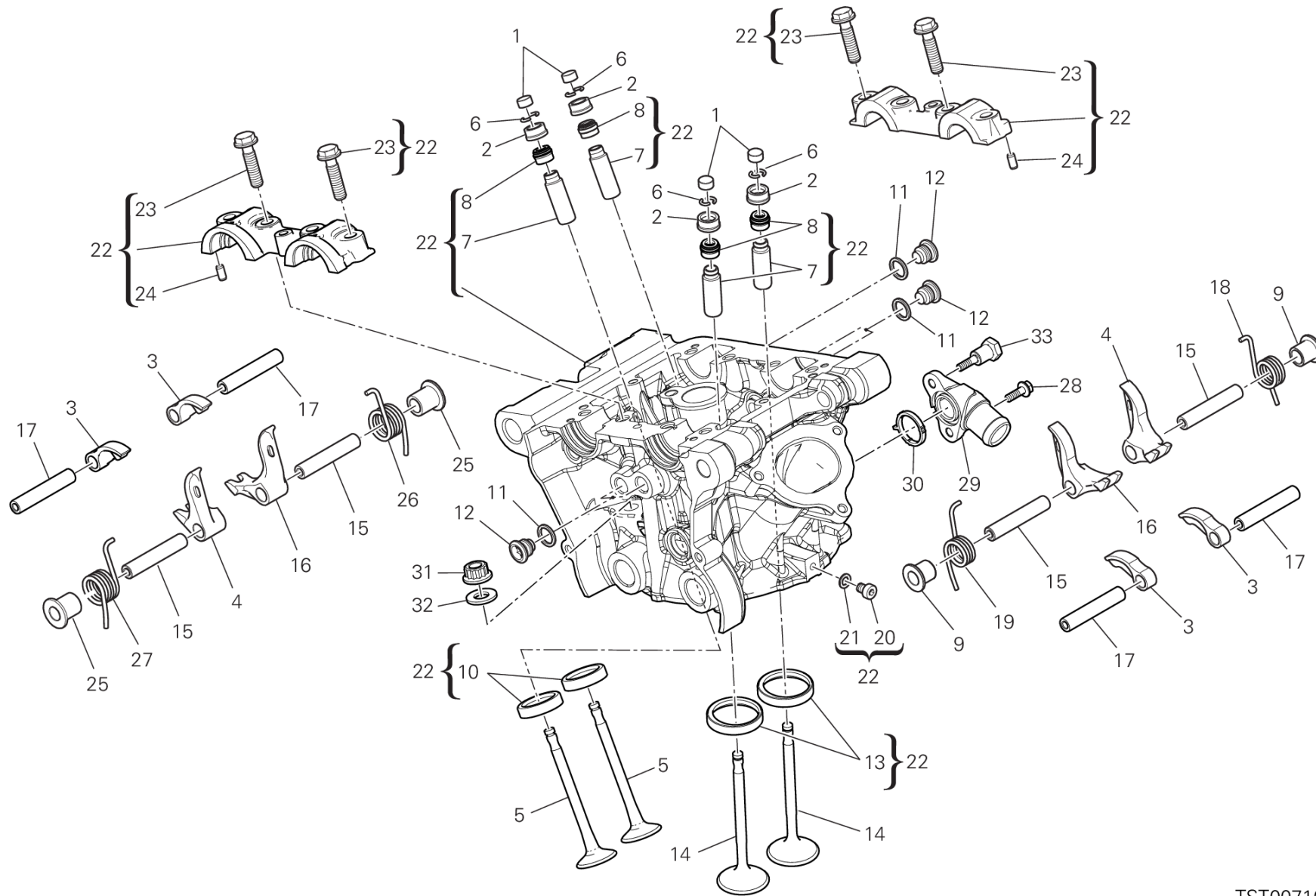
## GROUP ENGINE



POS.	CODE	DESCRIPTION	QTY	VALIDITY	NOTES
	84010682B	ADJUSTER, CLOSING ROCKER ARM 3.55 MM	4		
	84010692B	ADJUSTER, CLOSING ROCKER ARM 3.60 MM	4		
	84010702B	ADJUSTER, CLOSING ROCKER ARM 3.65 MM	4		
	84010712B	ADJUSTER, CLOSING ROCKER ARM 3.70 MM	4		
	84010722B	ADJUSTER, CLOSING ROCKER ARM 3.75 MM	4		
	84010732B	ADJUSTER, CLOSING ROCKER ARM 3.80 MM	4		
	84010742B	ADJUSTER, CLOSING ROCKER ARM 3.85 MM	4		
	84010752B	ADJUSTER, CLOSING ROCKER ARM 3.90 MM	4		
	84010762B	ADJUSTER, CLOSING ROCKER ARM 3.95 MM	4		
	84010772B	ADJUSTER, CLOSING ROCKER ARM 4.00 MM	4		
	84010782B	ADJUSTER, CLOSING ROCKER ARM 4.05 MM	4		
	84010792B	ADJUSTER, CLOSING ROCKER ARM 4.10 MM	4		
	84010802B	ADJUSTER, CLOSING ROCKER ARM 4.15 MM	4		
	84010812B	ADJUSTER, CLOSING ROCKER ARM 4.20 MM	4		
	84010822B	ADJUSTER, CLOSING ROCKER ARM 4.25 MM	4		
	84010832B	ADJUSTER, CLOSING ROCKER ARM 4.30 MM	4		
	84010842B	ADJUSTER, CLOSING ROCKER ARM 4.35 MM	4		
	84010852B	ADJUSTER, CLOSING ROCKER ARM 4.40 MM	4		
	84010862B	ADJUSTER, CLOSING ROCKER ARM 4.45 MM	4		
	84010872B	ADJUSTER, CLOSING ROCKER ARM 4.50 MM	4		
3	20810321A	OPEN. ROCKER ARM	4		
4	20910501A	CLOSING ROCKER ARM LEFT	2		
5	21110991A	EXHAUST VALVE	2		
6	66910011E	C RING	8		
7	30310631BB	GUIDE, VALVE OVERSIZED 0.03 MM	4		
	30310631BC	GUIDE, VALVE OVERSIZED 0.06 MM	4		
	30310631BD	GUIDE, VALVE OVERSIZED 0.09 MM	4		
8	76440572A	SEAL VALVE STEM	4		
9	71312921A	SPACER	2		
10	30411011BB	SEAT, EXHAUST VALVE +0.03 MM	2		
	30411011BC	SEAT, EXHAUST VALVE +0.06 MM	2		
11	85250261B	GASKET	8		
12	78010511E	PLUG	8		
13	30411001AB	SEAT, INLET VALVE +0.03 MM	2		
	30411001AC	SEAT, INLET VALVE +0.06 MM	2		



# DRAWING 11C - VERTICAL HEAD GROUP ENGINE



TST00710

# DRAWING 11C - VERTICAL HEAD

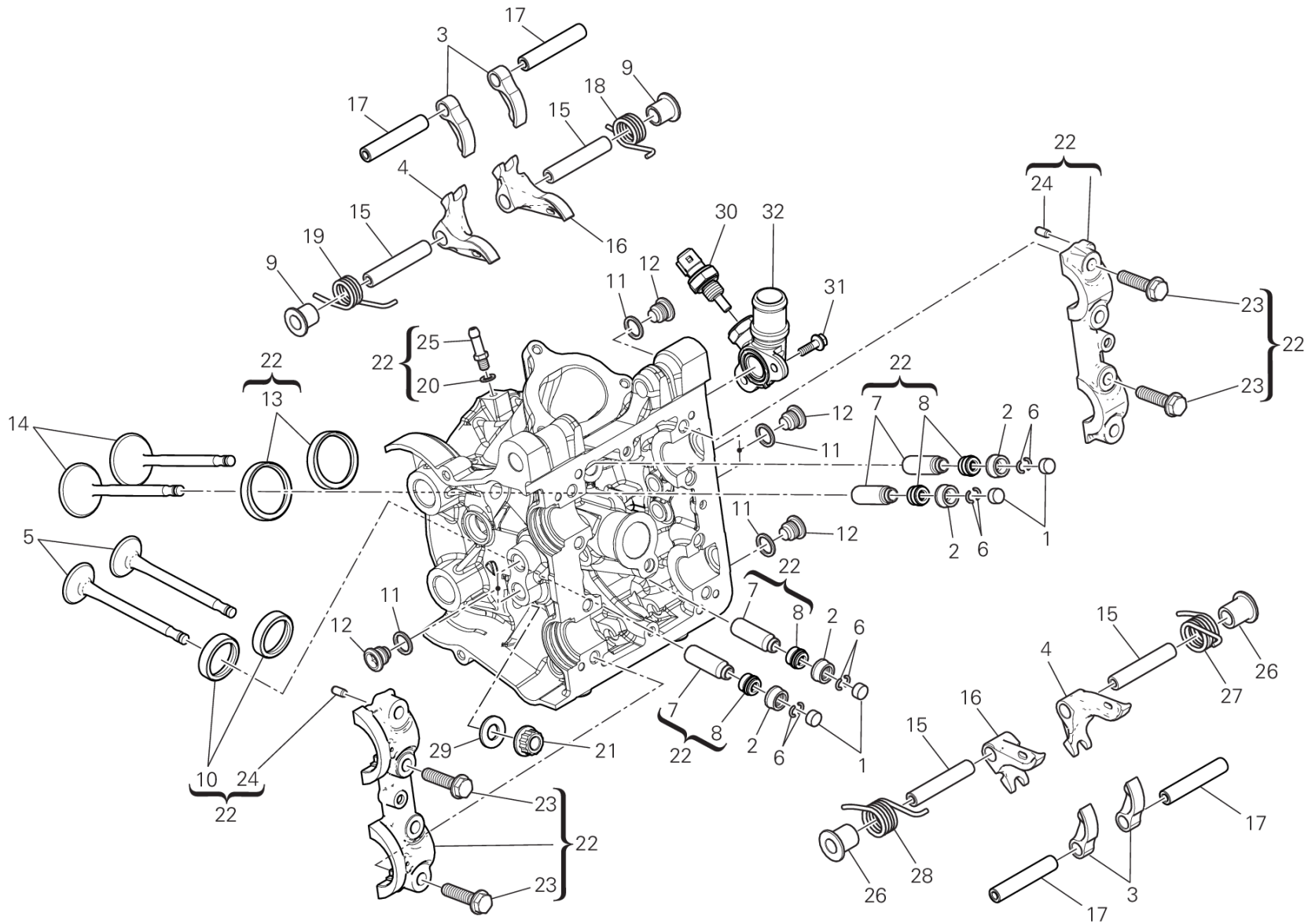
## GROUP ENGINE



POS.	CODE	DESCRIPTION	QTY	VALIDITY	NOTES
14	21010991A	INTAKE VALVE	2		
15	82112951A	CLOSE ROCKER ARM AXLE	4		
16	20910491A	CLOSING ROCKER ARM RIGHT	2		
17	82112941A	SHAFT, OPENING ROCKER	4		
18	79915011A	VALVE RETURN SPRING RH.	1		
19	79915001A	VALVE RETURN SPRING LH.	1		
20	77350618B	SCREW TCEIR M6X8	1		
21	85250231A	GASKET	1		
22	30125961AA	COMPLETE VERTICAL HEAD	1		
23	77914211A	SCREW TEF M8X32	8		
24	86050061A	PIN M5X10	4		
25	71312921B	SPACER	2		
26	79915181B	LEFT VALVE RETURN SPRING	1		
27	79915191B	RIGHT VALVE RETURN SPRING	1		
28	77210623B	SCREW	2		
29	81413261B	JOINT, WATER HOSE VERTICAL	1		
30	88641031A	O-RING	1		
31	74810501A	NUT M10X1.5	4		
32	85610642A	WASHER, SPECIAL 10.5X21X2	4		
33	77919162AA	SCREW, SPECIAL	1		



# DRAWING 11D - HORIZONTAL HEAD GROUP ENGINE



TST00705

# DRAWING 11D - HORIZONTAL HEAD

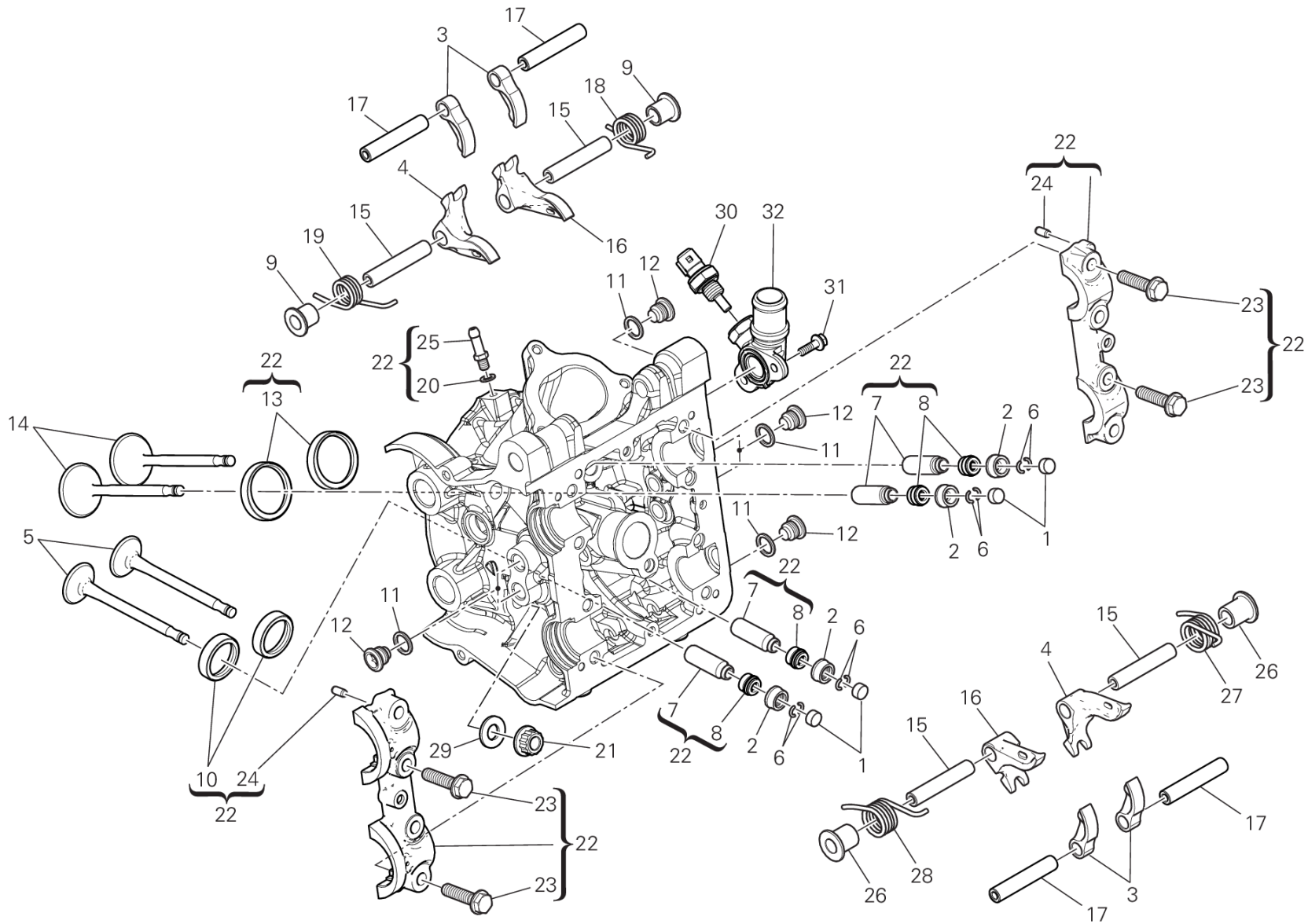
## GROUP ENGINE



POS.	CODE	DESCRIPTION	QTY	VALIDITY	NOTES
1	84010012A	ADJUSTER, OPENING ROCKER ARM 2.00 MM	4		
	84010022A	ADJUSTER, OPENING ROCKER ARM 2.05 MM	4		
	84010032A	ADJUSTER, OPENING ROCKER ARM 2.10 MM	4		
	84010042A	ADJUSTER, OPENING ROCKER ARM 2.15 MM	4		
	84010052A	ADJUSTER, OPENING ROCKER ARM 2.20 MM	4		
	84010062A	ADJUSTER, OPENING ROCKER ARM 2.25 MM	4		
	84010072A	ADJUSTER, OPENING ROCKER ARM 2.30 MM	4		
	84010082A	ADJUSTER, OPENING ROCKER ARM 2.35 MM	4		
	84010092A	ADJUSTER, OPENING ROCKER ARM 2.40 MM	4		
	84010102A	ADJUSTER, OPENING ROCKER ARM 2.45 MM	4		
	84010112A	ADJUSTER, OPENING ROCKER ARM 2.50 MM	4		
	84010122A	ADJUSTER, OPENING ROCKER ARM 2.55 MM	4		
	84010132A	ADJUSTER, OPENING ROCKER ARM 2.60 MM	4		
	84010142A	ADJUSTER, OPENING ROCKER ARM 2.65 MM	4		
	84010152A	ADJUSTER, OPENING ROCKER ARM 2.70 MM	4		
	84010162A	ADJUSTER, OPENING ROCKER ARM 2.75 MM	4		
	84010172A	ADJUSTER, OPENING ROCKER ARM 2.80 MM	4		
	84010182A	ADJUSTER, OPENING ROCKER ARM 2.85 MM	4		
	84010192A	ADJUSTER, OPENING ROCKER ARM 2.90 MM	4		
	84010202A	ADJUSTER, OPENING ROCKER ARM 2.95 MM	4		
	84010212A	ADJUSTER, OPENING ROCKER ARM 3.00 MM	4		
	84010222A	ADJUSTER, OPENING ROCKER ARM 3.05 MM	4		
	84010232A	ADJUSTER, OPENING ROCKER ARM 3.10 MM	4		
	84010242A	ADJUSTER, OPENING ROCKER ARM 3.15 MM	4		
	84010252A	ADJUSTER, OPENING ROCKER ARM 3.20 MM	4		
	84010262A	ADJUSTER, OPENING ROCKER ARM 3.25 MM	4		
	84010272A	ADJUSTER, OPENING ROCKER ARM 3.30 MM	4		
	84010282A	ADJUSTER, OPENING ROCKER ARM 3.35 MM	4		
	84010292A	ADJUSTER, OPENING ROCKER ARM 3.40 MM	4		
	84010302A	ADJUSTER, OPENING ROCKER ARM 3.45 MM	4		
	84010312A	ADJUSTER, OPENING ROCKER ARM 1.80 MM	4		
	84010322A	ADJUSTER, OPENING ROCKER ARM 1.85 MM	4		
	84010332A	ADJUSTER, OPENING ROCKER ARM 1.90 MM	4		
	84010342A	ADJUSTER, OPENING ROCKER ARM 1.95 MM	4		
	84010722A	ADJUSTER, OPENING ROCKER ARM 3.60 MM	4		



# DRAWING 11D - HORIZONTAL HEAD GROUP ENGINE



TST00705

# DRAWING 11D - HORIZONTAL HEAD

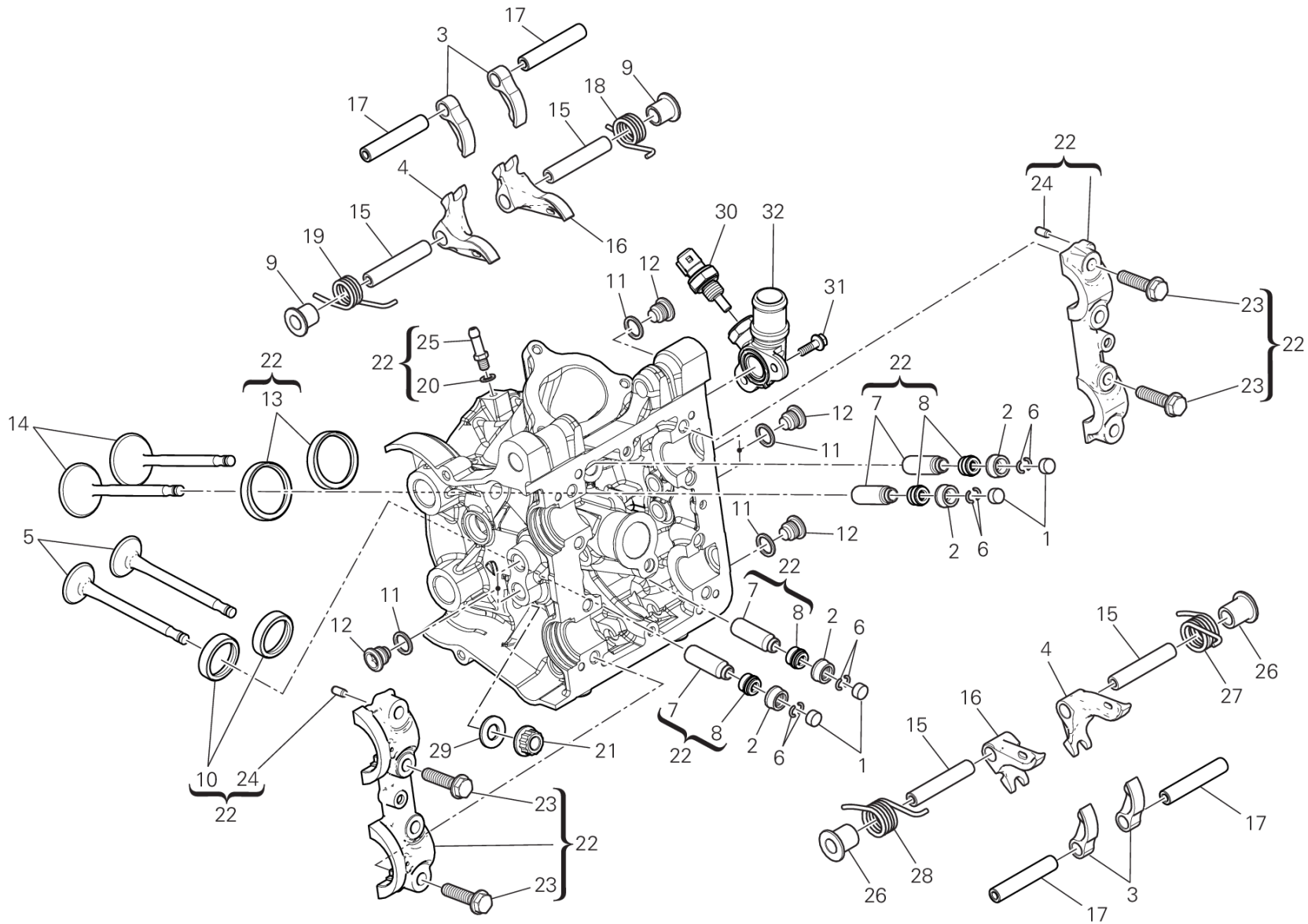
## GROUP ENGINE



POS.	CODE	DESCRIPTION	QTY	VALIDITY	NOTES
	84010732A	ADJUSTER, OPENING ROCKER ARM 3.80 MM	4		
	84011082A	ADJUSTER, OPENING ROCKER ARM 3.50 MM	4		
	84011092A	ADJUSTER, OPENING ROCKER ARM 3.55 MM	4		
	84011102A	ADJUSTER, OPENING ROCKER ARM 3.65 MM	4		
	84011112A	ADJUSTER, OPENING ROCKER ARM 3.70 MM	4		
	84011122A	ADJUSTER, OPENING ROCKER ARM 3.75 MM	4		
	84011132A	ADJUSTER, OPENING ROCKER ARM 3.85 MM	4		
	84011142A	ADJUSTER, OPENING ROCKER ARM 3.9 MM	4		
2	84010412B	ADJUSTER, CLOSING ROCKER ARM 2.20 MM	4		
	84010422B	ADJUSTER, CLOSING ROCKER ARM 2.25 MM	4		
	84010432B	ADJUSTER, CLOSING ROCKER ARM 2.30 MM	4		
	84010442B	ADJUSTER, CLOSING ROCKER ARM 2.35 MM	4		
	84010452B	ADJUSTER, CLOSING ROCKER ARM 2.40 MM	4		
	84010462B	ADJUSTER, CLOSING ROCKER ARM 2.45 MM	4		
	84010472B	ADJUSTER, CLOSING ROCKER ARM 2.50 MM	4		
	84010482B	ADJUSTER, CLOSING ROCKER ARM 2.55 MM	4		
	84010492B	ADJUSTER, CLOSING ROCKER ARM 2.60 MM	4		
	84010502B	ADJUSTER, CLOSING ROCKER ARM 2.65 MM	4		
	84010512B	ADJUSTER, CLOSING ROCKER ARM 2.70 MM	4		
	84010522B	ADJUSTER, CLOSING ROCKER ARM 2.75 MM	4		
	84010532B	ADJUSTER, CLOSING ROCKER ARM 2.80 MM	4		
	84010542B	ADJUSTER, CLOSING ROCKER ARM 2.85 MM	4		
	84010552B	ADJUSTER, CLOSING ROCKER ARM 2.90 MM	4		
	84010562B	ADJUSTER, CLOSING ROCKER ARM 2.95 MM	4		
	84010572B	ADJUSTER, CLOSING ROCKER ARM 3.00 MM	4		
	84010582B	ADJUSTER, CLOSING ROCKER ARM 3.05 MM	4		
	84010592B	ADJUSTER, CLOSING ROCKER ARM 3.10 MM	4		
	84010602B	ADJUSTER, CLOSING ROCKER ARM 3.15 MM	4		
	84010612B	ADJUSTER, CLOSING ROCKER ARM 3.20 MM	4		
	84010622B	ADJUSTER, CLOSING ROCKER ARM 3.25 MM	4		
	84010632B	ADJUSTER, CLOSING ROCKER ARM 3.30 MM	4		
	84010642B	ADJUSTER, CLOSING ROCKER ARM 3.35 MM	4		
	84010652B	ADJUSTER, CLOSING ROCKER ARM 3.40 MM	4		
	84010662B	ADJUSTER, CLOSING ROCKER ARM 3.45 MM	4		
	84010672B	ADJUSTER, CLOSING ROCKER ARM 3.50 MM	4		



# DRAWING 11D - HORIZONTAL HEAD GROUP ENGINE



TST00705

# DRAWING 11D - HORIZONTAL HEAD

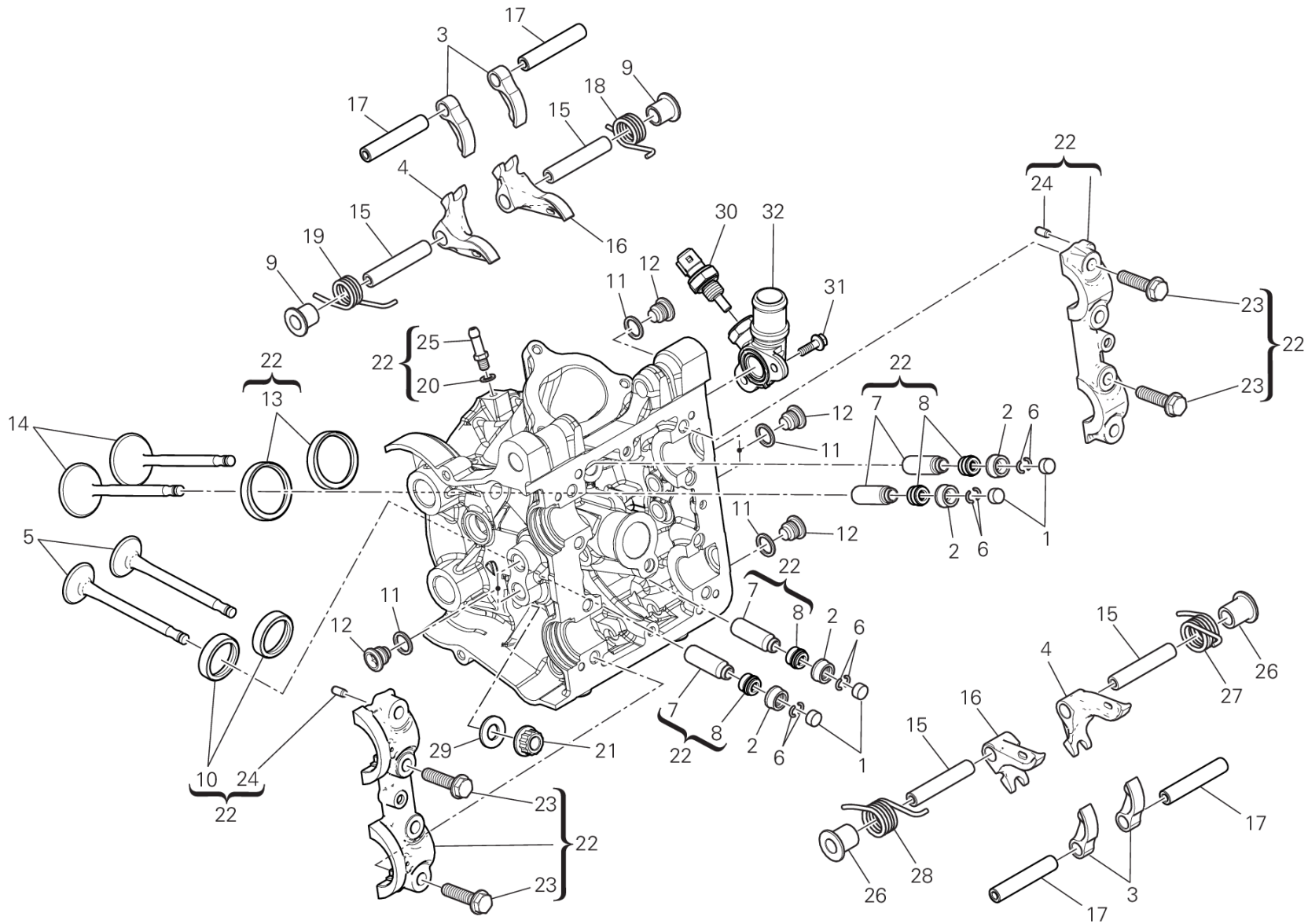
## GROUP ENGINE



POS.	CODE	DESCRIPTION	QTY	VALIDITY	NOTES
	84010682B	ADJUSTER, CLOSING ROCKER ARM 3.55 MM	4		
	84010692B	ADJUSTER, CLOSING ROCKER ARM 3.60 MM	4		
	84010702B	ADJUSTER, CLOSING ROCKER ARM 3.65 MM	4		
	84010712B	ADJUSTER, CLOSING ROCKER ARM 3.70 MM	4		
	84010722B	ADJUSTER, CLOSING ROCKER ARM 3.75 MM	4		
	84010732B	ADJUSTER, CLOSING ROCKER ARM 3.80 MM	4		
	84010742B	ADJUSTER, CLOSING ROCKER ARM 3.85 MM	4		
	84010752B	ADJUSTER, CLOSING ROCKER ARM 3.90 MM	4		
	84010762B	ADJUSTER, CLOSING ROCKER ARM 3.95 MM	4		
	84010772B	ADJUSTER, CLOSING ROCKER ARM 4.00 MM	4		
	84010782B	ADJUSTER, CLOSING ROCKER ARM 4.05 MM	4		
	84010792B	ADJUSTER, CLOSING ROCKER ARM 4.10 MM	4		
	84010802B	ADJUSTER, CLOSING ROCKER ARM 4.15 MM	4		
	84010812B	ADJUSTER, CLOSING ROCKER ARM 4.20 MM	4		
	84010822B	ADJUSTER, CLOSING ROCKER ARM 4.25 MM	4		
	84010832B	ADJUSTER, CLOSING ROCKER ARM 4.30 MM	4		
	84010842B	ADJUSTER, CLOSING ROCKER ARM 4.35 MM	4		
	84010852B	ADJUSTER, CLOSING ROCKER ARM 4.40 MM	4		
	84010862B	ADJUSTER, CLOSING ROCKER ARM 4.45 MM	4		
	84010872B	ADJUSTER, CLOSING ROCKER ARM 4.50 MM	4		
3	20810321A	OPEN. ROCKER ARM	4		
4	20910501A	CLOSING ROCKER ARM LEFT	2		
5	21110991A	EXHAUST VALVE	2		
6	66910011E	C RING	8		
7	30310631BB	GUIDE, VALVE OVERSIZED 0.03 MM	4		
	30310631BC	GUIDE, VALVE OVERSIZED 0.06 MM	4		
	30310631BD	GUIDE, VALVE OVERSIZED 0.09 MM	4		
8	76440572A	SEAL VALVE STEM	4		
9	71312921A	SPACER	2		
10	30411011BB	SEAT, EXHAUST VALVE +0.03 MM	4		
	30411011BC	SEAT, EXHAUST VALVE +0.06 MM	4		
11	85250261B	GASKET	8		
12	78010511E	PLUG	8		
13	30411001AB	SEAT, INLET VALVE +0.03 MM	2		
	30411001AC	SEAT, INLET VALVE +0.06 MM	2		



# DRAWING 11D - HORIZONTAL HEAD GROUP ENGINE



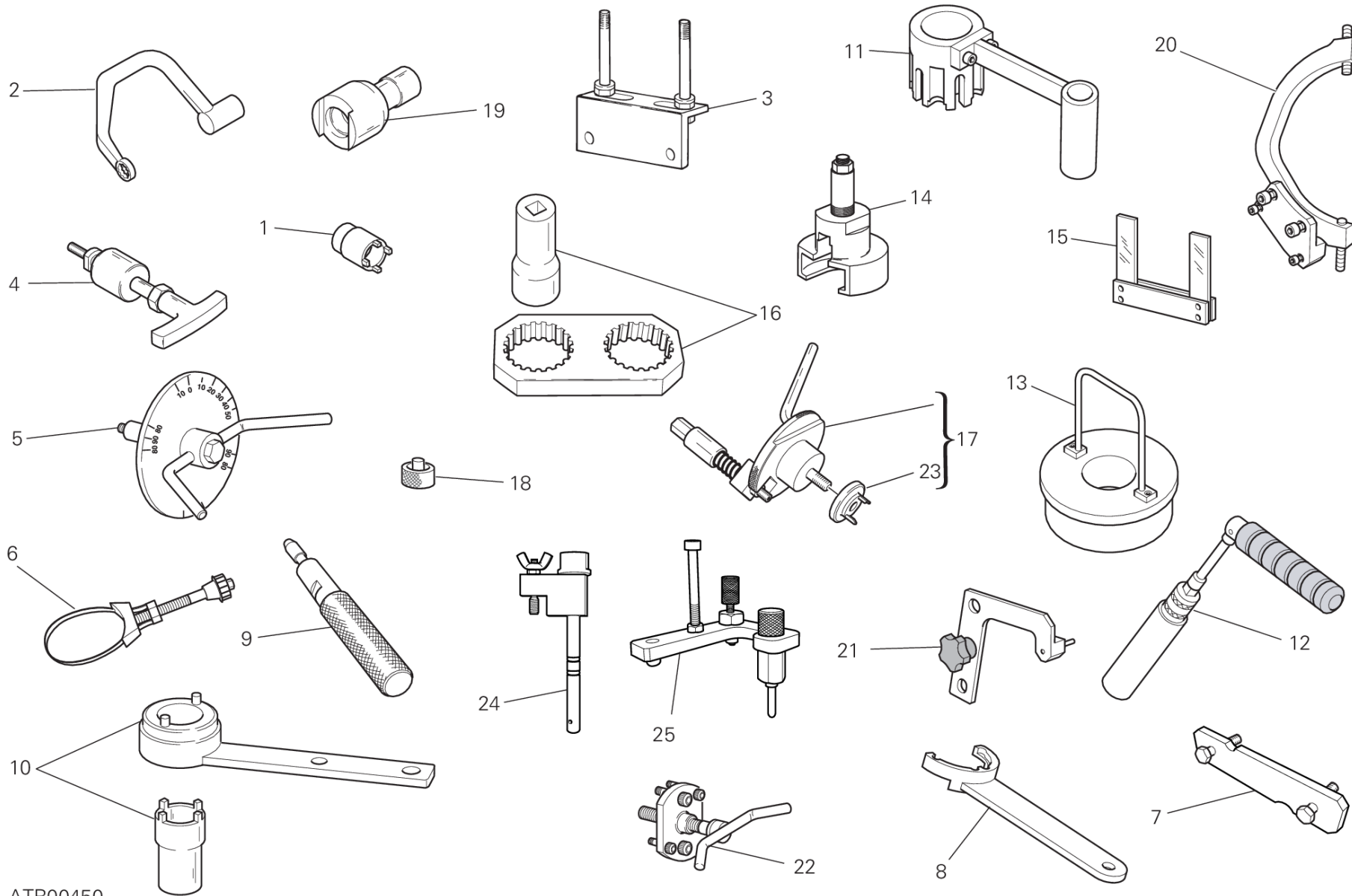
TST00705

# DRAWING 11D - HORIZONTAL HEAD

## GROUP ENGINE



POS.	CODE	DESCRIPTION	QTY	VALIDITY	NOTES
14	21010991A	INTAKE VALVE	2		
15	82112951A	CLOSE ROCKER ARM AXLE	4		
16	20910491A	CLOSING ROCKER ARM RIGHT	2		
17	82112941A	SHAFT, OPENING ROCKER	4		
18	79915001A	VALVE RETURN SPRING LH.	1		
19	79915011A	VALVE RETURN SPRING RH.	1		
20	85250231A	GASKET	1		
21	74810501A	NUT M10X1.5	4		
22	30125951AA	COMPLETE HORIZONTAL HEAD	1		
23	77914211A	SCREW TEF M8X32	8		
24	86050061A	PIN M5X10	4		
25	81411881A	NIPPLE, HOSE	1		
26	71312921B	SPACER	2		
27	79915191B	RIGHT VALVE RETURN SPRING	1		
28	79915181B	LEFT VALVE RETURN SPRING	1		
29	85610642A	WASHER, SPECIAL 10.5X21X2	4		
30	55243442A	WATER TEMPERATURE SENSOR	1		
31	77210623B	SCREW	2		
32	81420051A	JOINT, WATER HOSE HORIZONTAL	1		



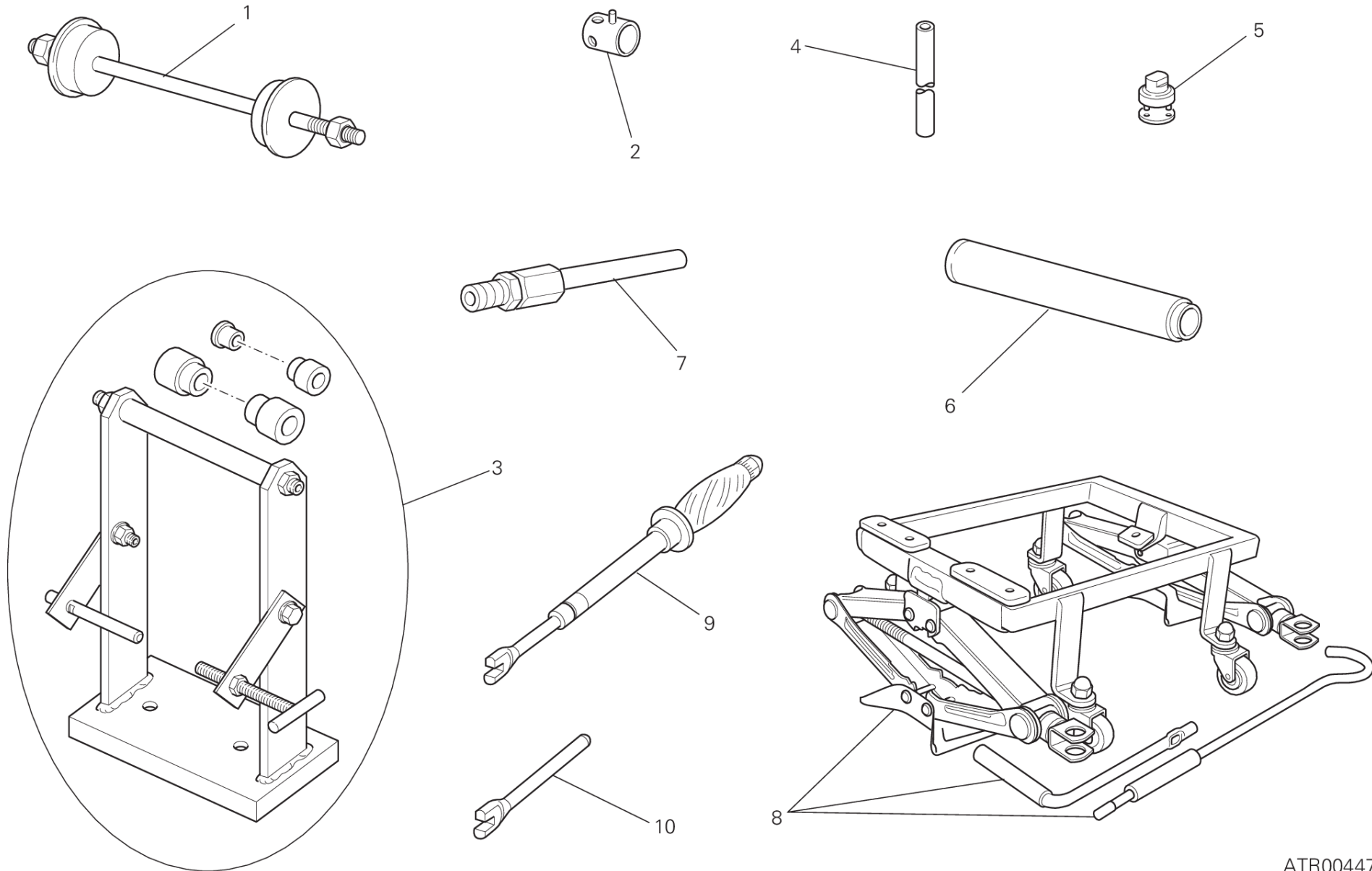
ATR00450

# DRAWING 01A - WORKSHOP SERVICE TOOLS (ENGINE)

## GROUP TOOLS



POS.	CODE	DESCRIPTION	QTY	VALIDITY	NOTES
1	887133406	WRENCH TIGHTENING PRIMARY TRANSMISSI	1		
2	887132676	HEAD NUTS HOLDER WRENCH	1		
3	887132103	HEAD MOUNTING BASE	1		
4	887131994	ROCKER PIN EXTRACTOR	1		
5	887651635	DEGREE WHEEL HOLDER TOOL FOR IGNITION ADVANCE CHECK	1		
6	887132906	WRENCH, OIL FILTER CARTRIDGE	1		
7	887651623	BELT ROLLER TIMING TOOL	1		
8	887133219	TIMING BELT ROLLER REACTION TOOL	1		
9	887132442	TOOL, OIL SEAL MOUNTING	1		
10	887005644	TIMING PULLEY RETAINING WRENCH	1		
11	887132651	REACTION TOOL FOR WET CLUTCH	1		
12	887132877	SPARK PLUG WRENCH	1		
13	887132870	TOOL, CON-ROD GUIDING	1		
14	887130031	EXTRACTOR FOR PRIMARY DRIVE GEAR	1		
15	887131309	FORK FEELER GAUGE2,35 MM	1		
16	887131806	REACTION TOOL BELT ROLLER TIGHTENING	1		
17	887132011	CRANKSHAFT RESET TOOL	1		
18	887651298	SPACER FOR CHECKING LOWER VALVE SHIM	1		
19	887131821	WRENCH TO TIGHTEN TENSIONING BOLTS	1		
20	887133367	FLYWHEEL WRENCH	1		
21	887133334	PLATE POSITIONING GEAR ENGAGEMENT FORK	1		
22	887131749	DRIVE ROLLER PULLER	1		
23	887134411	INSERT	1		
24	887132695	CLUTCH FLUID PRESSURE MEASURING TOOL	1		
25	887130022	GEARBOX SELECTOR TOOL	1		



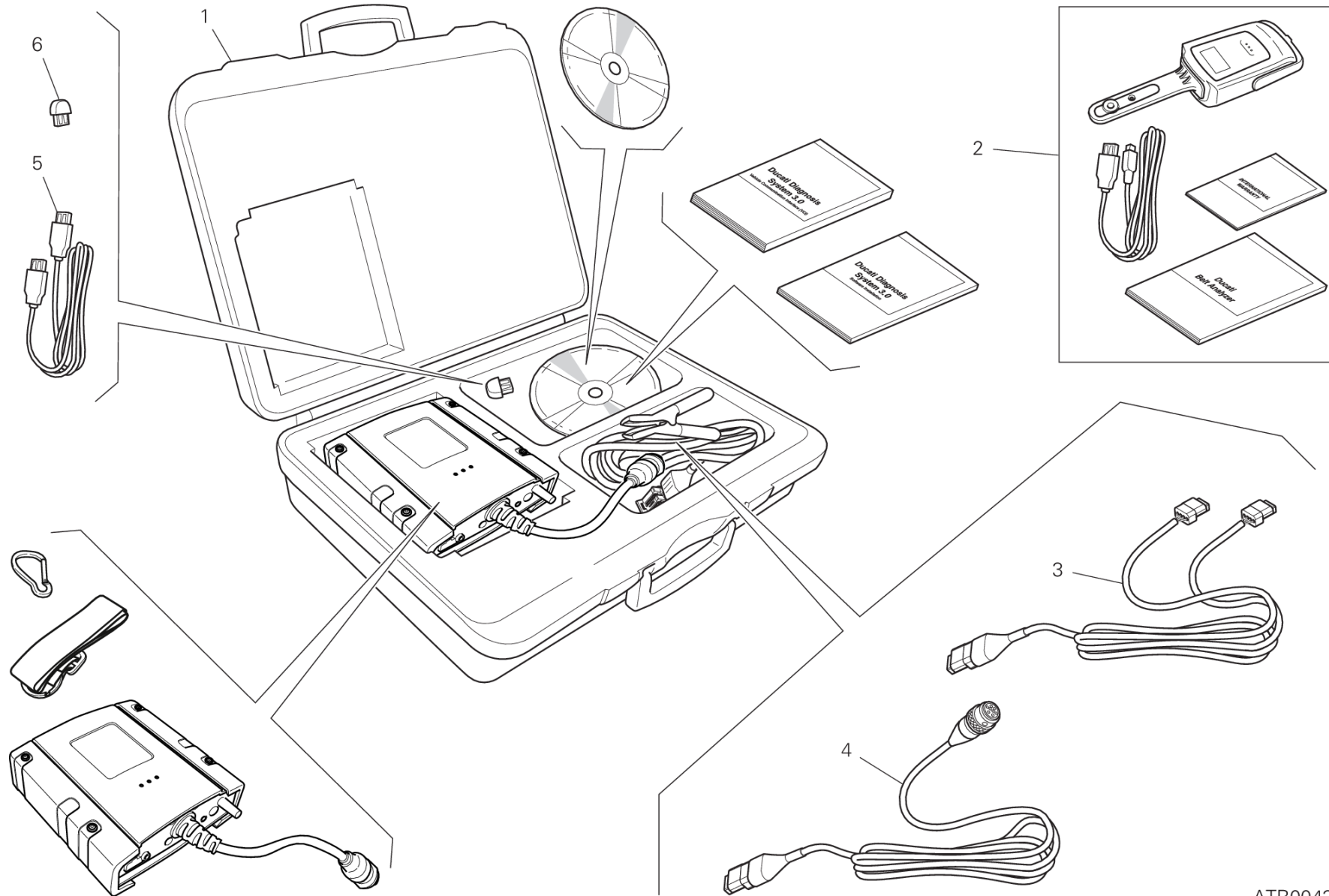
ATR00447

# DRAWING 01B - WORKSHOP SERVICE TOOLS (FRAME)

## GROUP TOOLS



POS.	CODE	DESCRIPTION	QTY	VALIDITY	NOTES
1	887131062	TOOL ASSEMBLING STEERING TUBE BEARING	1		
2	800070139	WRENCH FOR FRONT WHEEL SPINDLE	1		
3	887132775	TOOL SPOKE WHEELS TRUING	1		
4	887130958	TRACTION BAR SHOWA FORKS OVERHAULING	1		
5	887131058	SPANNER TO ASSEMBLE THE STEERING SLEEVE	1		
6	887131072	DRIVING STOPPER FOR THE HALF BEARING	1		
7	887131010	CONNECTOR FOR EXHAUST GAS TAKE-UP POINT	1		
8	887133220	BENCH FOR ENGINE REPAIR	1		
9	887132777	WRENCH NIPPLES TORQUE	1		
10	887132776	WRENCH NIPPLES TIGHTENING	1		



ATR00435



POS.	CODE	DESCRIPTION	QTY	VALIDITY	NOTES
1	979000279	DDS 3	1		
2	979000253	BELT TENSIONING KIT	1		
3	979000282	DIAGNOSIS CABLE	1		
4	979000283	CONNECTING CABLE	1		
5	979000284	USB CABLE	1		
6	979000281	HASP DDS3 KEY	1		





POS.	CODE	DESCRIPTION	QTY	VALIDITY	NOTES
1	490PE350A		1		(*)=Pneumatico di primo equipaggiamento
2	491PE341A		1		(*)=Pneumatico di primo equipaggiamento
3	490P0319A		1		
4	491PE335A		1		
5	490PC413A		1		
6	491PE366A		1		



# DRAWING B - ORIGINAL EQUIPMENT TYRES

## GROUP TYRES



POS.	CODE	DESCRIPTION	QTY	VALIDITY	NOTES
1	490PE350A		1		(*)=Pneumatico di primo equipaggiamento
2	491PE341A		1		(*)=Pneumatico di primo equipaggiamento



# DRAWING R - PIRELLI SCORPION™ TRAIL II

## GROUP TYRES



POS.	CODE	DESCRIPTION	QTY	VALIDITY	NOTES
1	490P0319A		1		
2	491PE335A		1		

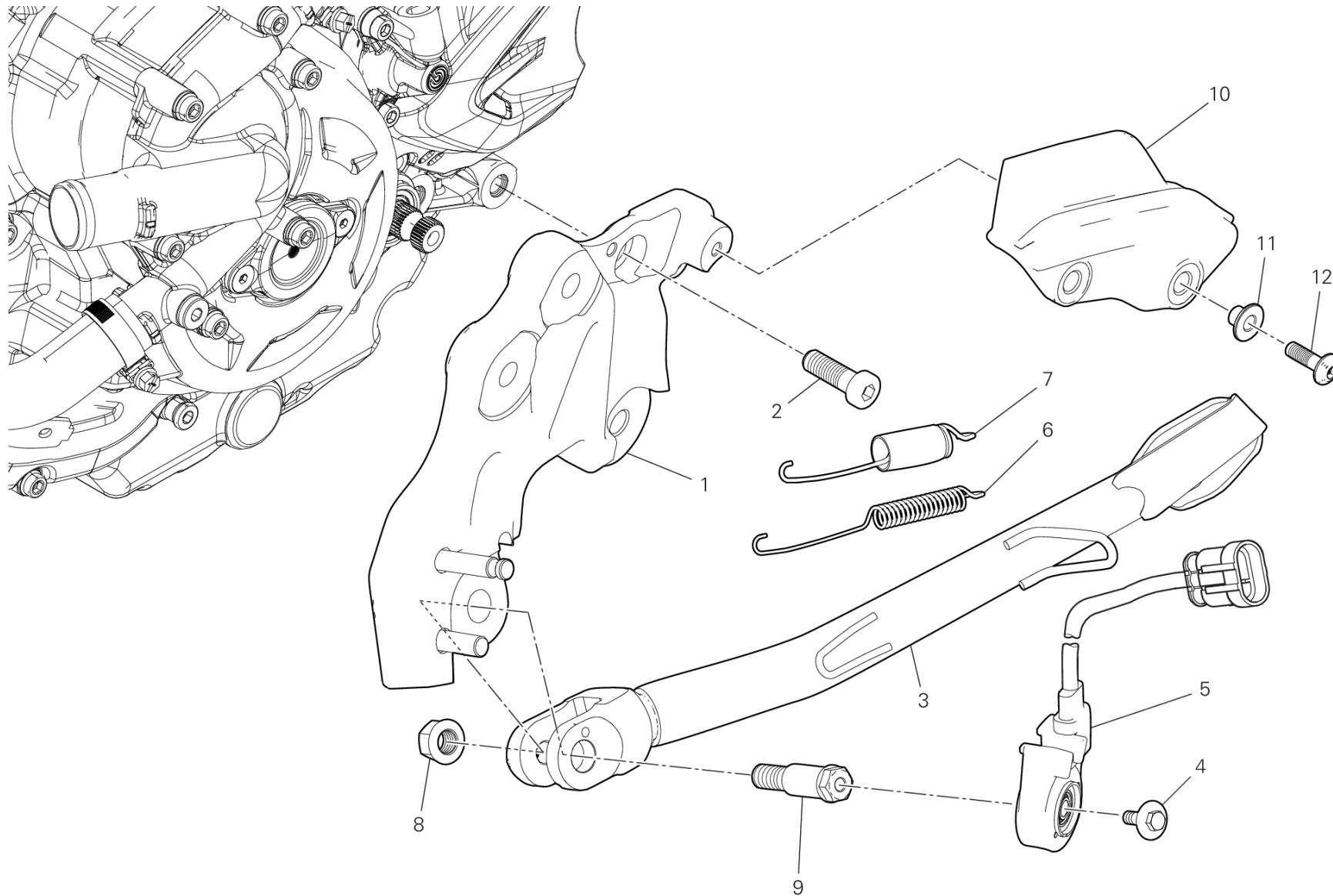


# DRAWING W - PIRELLI SCORPION™ RALLY

## GROUP TYRES



POS.	CODE	DESCRIPTION	QTY	VALIDITY	NOTES
1	490PC413A		1		
2	491PE366A		1		



TEL01596

# DRAWING 15A - STAND

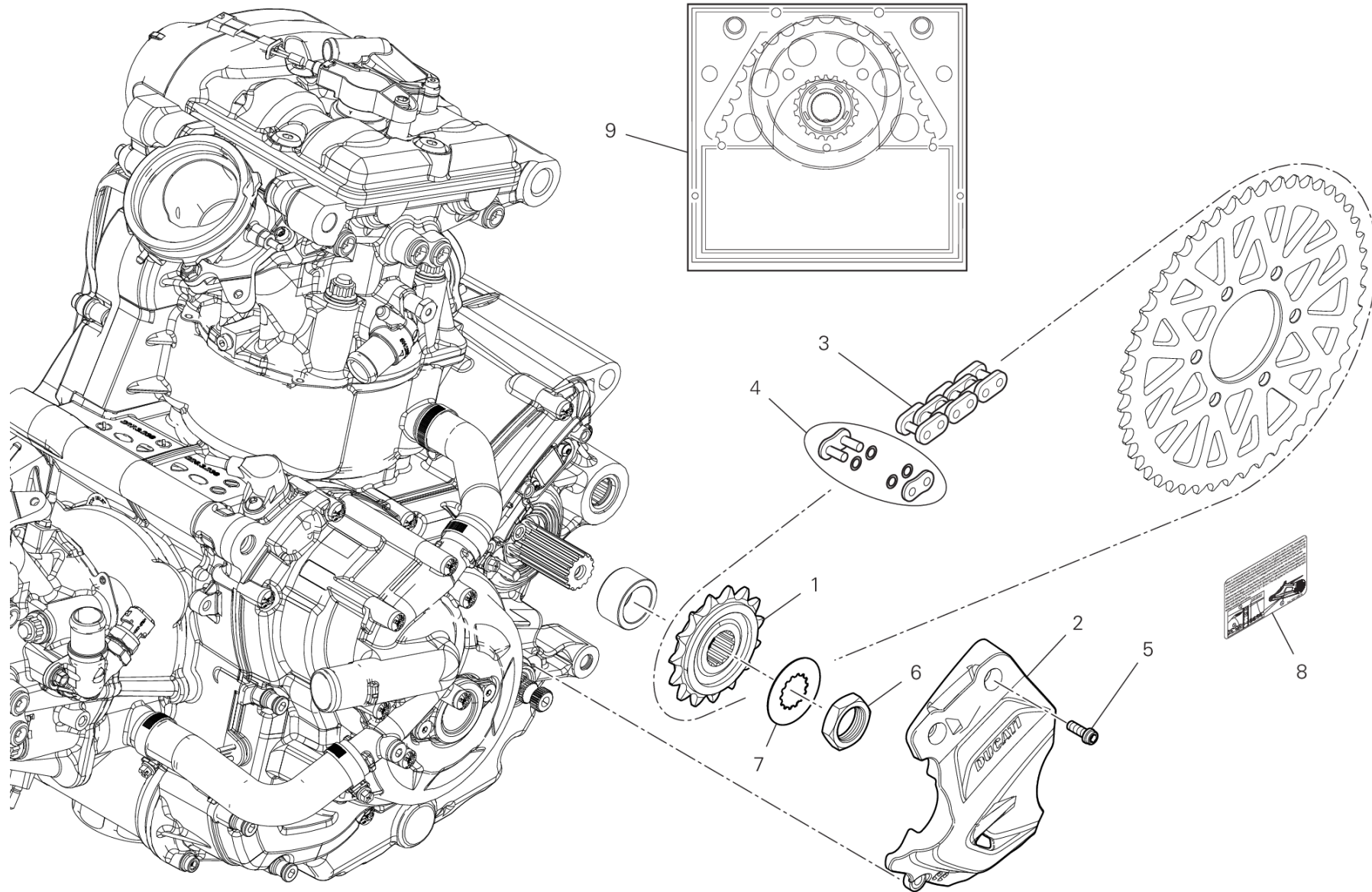
## GROUP FRAME



POS.	CODE	DESCRIPTION	QTY	VALIDITY	NOTES
1	55621301AA	BRACKET, SIDE STAND	1		
2	77351568C	SCREW	1		
3	55611291BA	SIDE STAND	1	XST:AUS,CAL,CDN,EUR,GSO,TUR	
	55611291CA	SIDE STAND	1	XST:TWN	
	55611391AA	SIDE STAND	1	XST:JPN	
4	77917241AA	SCREW	1		
5	53910351A	SWITCH, STAND	1		
6	79915081A	INNER SPRING	1		
7	79921602A	COMPLETE SPRING	1		
8	74810761A	NUT	1		
9	82119582BC	AXLE, SIDE STAND	1		
10	44711781A	LOWER CHAIN SLIDING SHOE	1		
11	71614111A	SPACER	2		
12	77244353BA	SCREW	2		



# DRAWING 16A - FRONT SPROCKET - CHAIN GROUP FRAME



TEL01599

# DRAWING 16A - FRONT SPROCKET - CHAIN

## GROUP FRAME

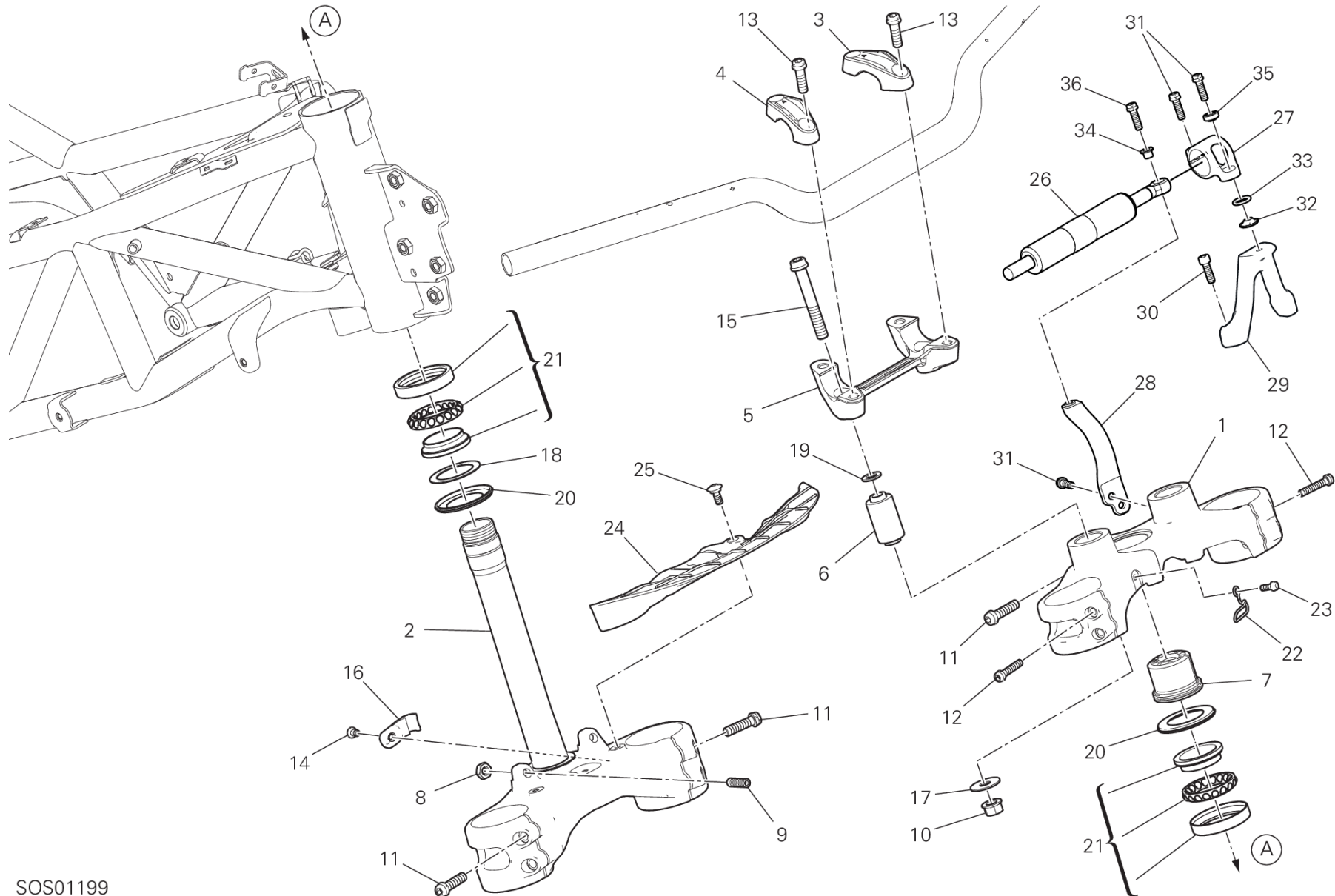


POS.	CODE	DESCRIPTION	QTY	VALIDITY	NOTES
1	44910792A	SPROCKET T15	1		
2	4601L084A	CHAIN PINION COVER	1		
3	67641702A	CHAIN 113+1	1		
4	67740361A	COUPLING	1		
5	77110391B	SCREW	3		
6	75010071A	NUT	1		
7	85110041A	WASHER, LOCK	1		
8	43315081A	CHAIN ADJUSTMENT STICKER	1	XST:AUS,CAL,CDN,EUR,GSO,ROK,TWN,TUR	
	43315081B	CHAIN ADJUSTMENT STICKER	1	XST:JPN	
9	67621371A	FINAL DRIVE KIT	1		



# DRAWING 17A - STEERING ASSEMBLY

## GROUP FRAME



SOS01199

DESERT X /23

035000023

Page 96 / 196

SPARE PARTS CATALOGUE

21/12/2022

# DRAWING 17A - STEERING ASSEMBLY

## GROUP FRAME

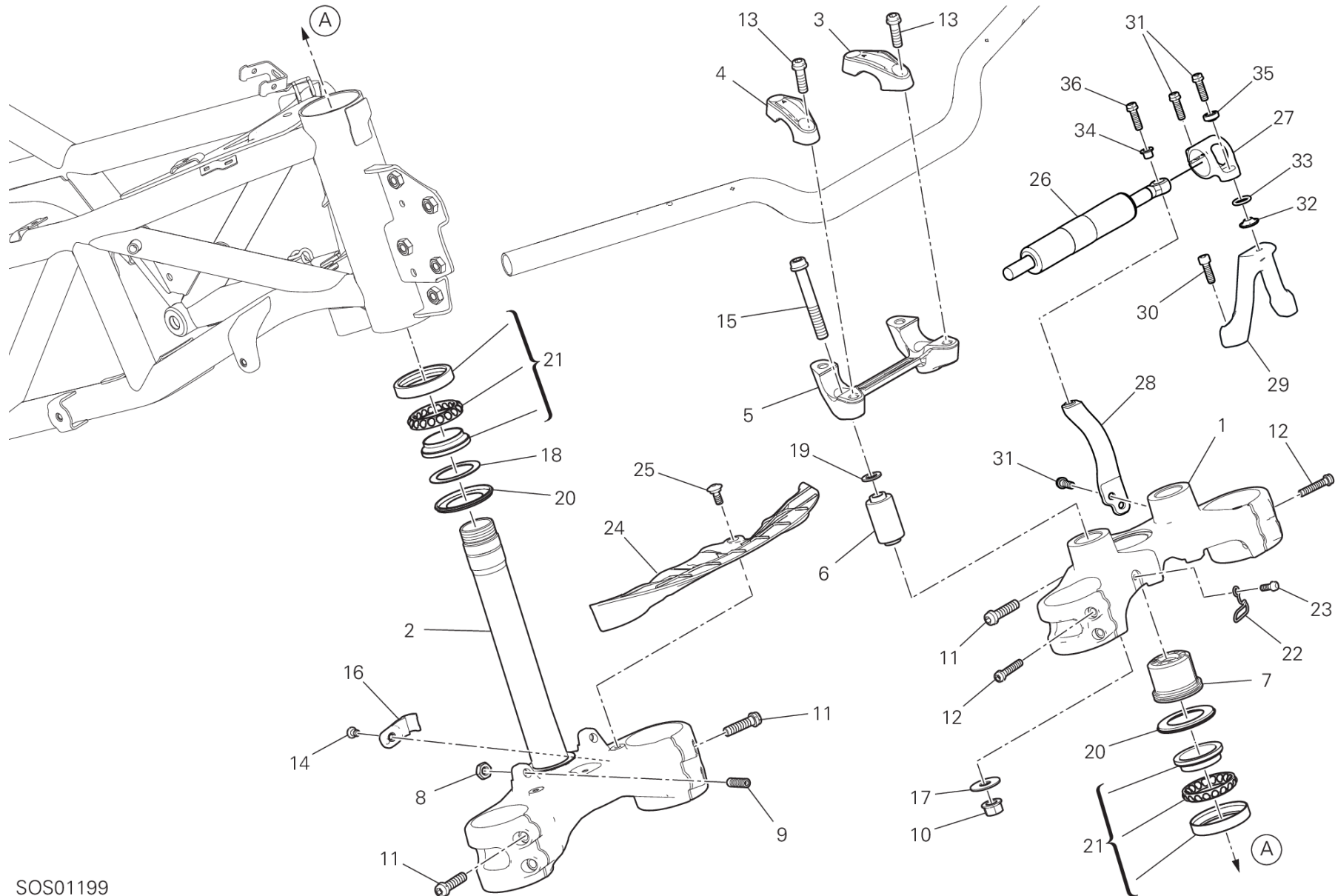


POS.	CODE	DESCRIPTION	QTY	VALIDITY	NOTES
1	34111831BA	STEERING HEAD	1		
2	34221221AA	STEERING HEAD BASE	1		
3	36015901AB	HANDLEBAR BRACKET, UPPER	1		
4	36015911AB	HANDLEBAR BRACKET, UPPER	1		
5	36015951AB	HOLDER, HANDLE LOWER	1		
6	70011121A	VIBRATION DAMPER	2		
7	70310131A	THREAD, STEERING HEAD TOP	1		
8	74750071A	NUT	2		
9	77910991B	SCREW	2		
10	74840241AB	NUT	2		
11	77157278B	SCREW TCEIF M8X30	5		
12	77156718B	SCREW TCEIF	4		
13	77157258B	SCREW TCEIF M8X25	4		
14	77510541A	SCREW TBEI M6X10	1		
15	77159414B	SCREW	2		
16	83018691A	GUIDE, FRONT BRAKE HOSE	1		
17	85210491B	WASHER 10.5X28X1.5	2		
18	85211031AB	WASHER	1		
19	85250401A	WASHER 10.5X18X1.6	2		
20	93010041B	SEAL RING	2		
21	70241231A	BEARING, STEERING NTN SF07A17P	2		
22	75811951A	HOSE GUIDE ABS	1		
23	77156398B	SCREW TCEIF M5X12	1		
24	4601M251A	MUDFLAP	1		
25	77211221B	SCREW, SPECIAL	3		
26	36420211A	STEERING DAMPER	1		
27	80812351AA	CLAMPER, STEERING DAMPER	1		
28	8301C051AA	BRACKET UPPER	1		
29	8301C061AA	LOWER HOLDER	1		
30	77110191A	SCREW TCEIF M6X20	2		
31	77110191A	SCREW TCEIF M6X20	5		
32	7131C931AA	SPACER	1		
33	88650141A	O-RING	1		
34	71614581AA	SPACER	1		
35	84840011A	BALL JOINT	1		



# DRAWING 17A - STEERING ASSEMBLY

## GROUP FRAME



SOS01199

DESERT X /23

035000023

Page 98 / 196

SPARE PARTS CATALOGUE

21/12/2022

# DRAWING 17A - STEERING ASSEMBLY

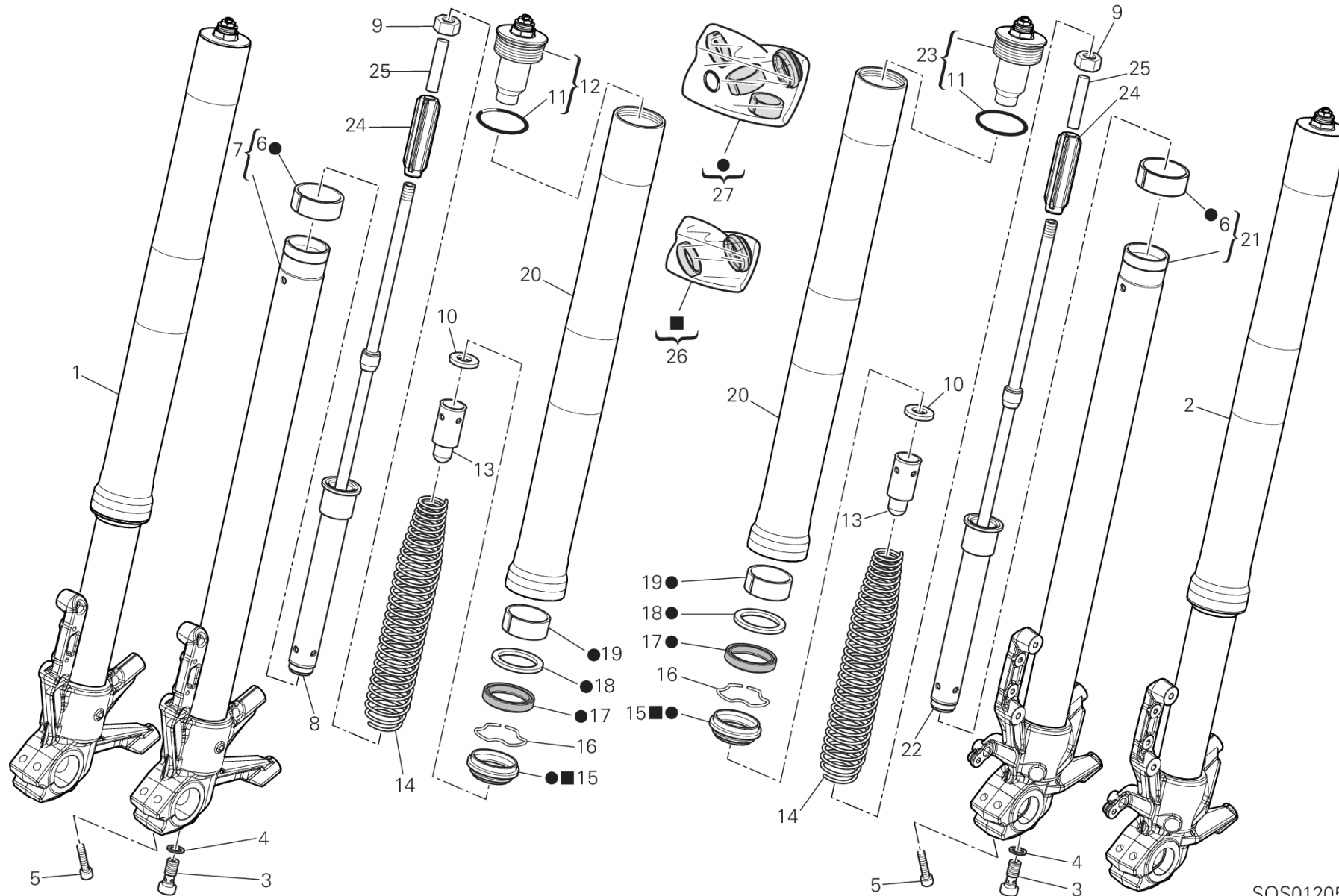
## GROUP FRAME



POS.	CODE	DESCRIPTION	QTY	VALIDITY	NOTES
36	77140697CF	SCREW	1		



# DRAWING 17B - FRONT FORK GROUP FRAME



SOS01205

# DRAWING 17B - FRONT FORK

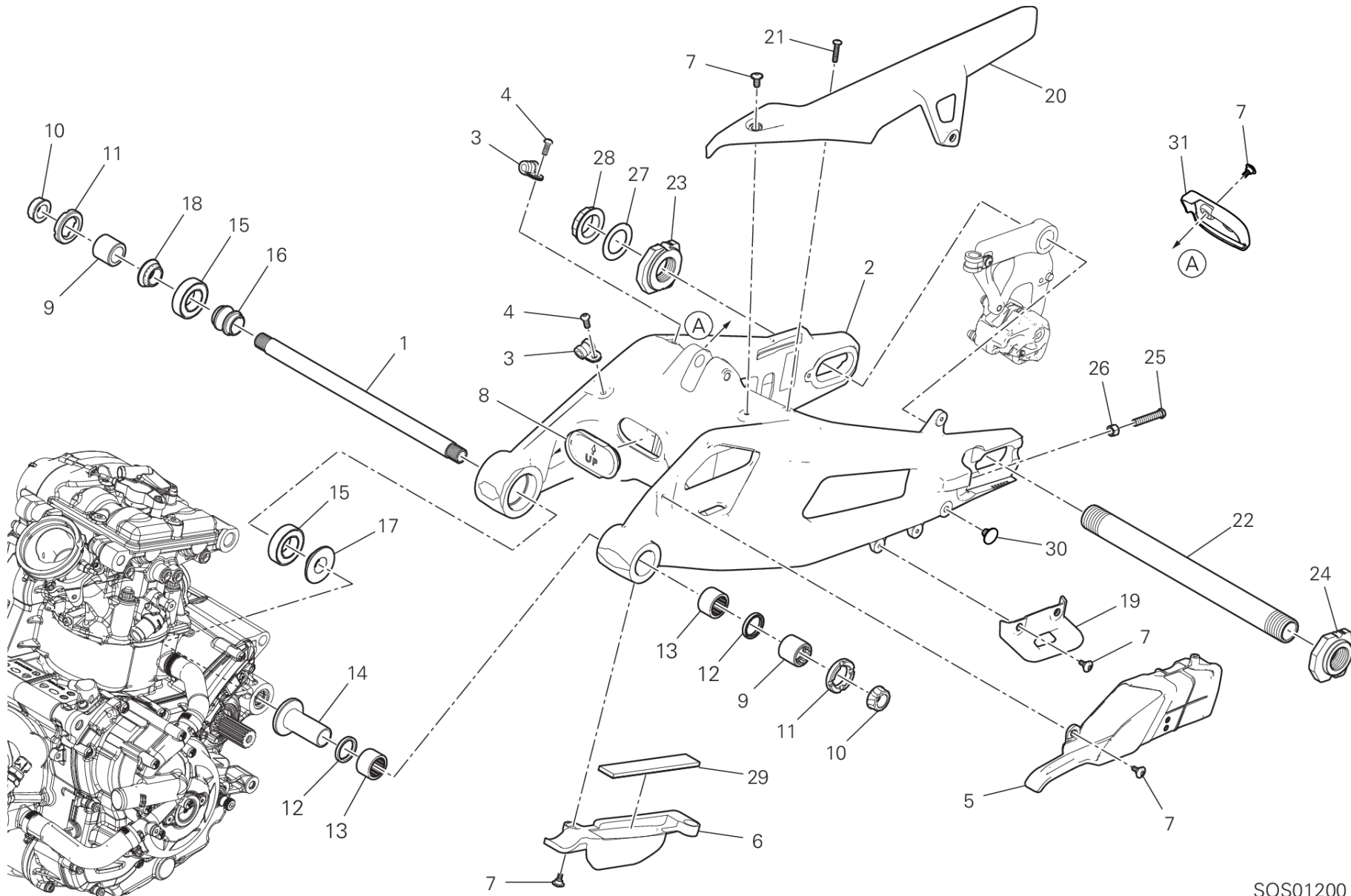
## GROUP FRAME



POS.	CODE	DESCRIPTION	QTY	VALIDITY	NOTES
1	34421291C	RIGHT FORK LEG ASSY	1	XST:AUS,CAL,CDN,EUR,GSO,TWN,TUR	
	34421391A	RIGHT FORK LEG ASSY	1	XST:JPN	
2	34521291C	LEFT FORK LEG ASSY	1	XST:AUS,CAL,CDN,EUR,GSO,TWN,TUR	
	34521391A	LEFT FORK LEG ASSY	1	XST:JPN	
3	34914721A	SCREW	2		
4	34912741A	WASHER, SPECIAL	2		
5	34914831A	SCREW	4		
6	34914811A	BUSH	2		
7	34923131A	COMPLETE RIGHT SLIDER	1		
8	34915021A	COMPLETE PUMPING ELEMENT, RIGHT	1		
9	34912711A	NUT	2		
10	34914411A	WASHER	2		
11	34912681A	O-RING	2		
12	34923141A	PLUG ASSY	1		
13	34915081A	PRELOAD TUBE	2		
14	34915071A	FORK SPRING	2		
15	34915041A	DUST COVER	2		
16	34914771A	STOP RING	2		
17	34914781A	OIL SEAL	2		
18	34914791A	WASHER	2		
19	34914801A	BUSH	2		
20	34915031A	FORK OUTER TUBE	2		
21	34923111A	COMPLETE LEFT SLIDER	1		
22	34915011A	COMPLETE PUMPING ELEMENT, LEFT	1		
23	34923121A	PLUG ASSY	1		
24	34915051A	GUIDE, FORK SPRING	2		
25	34915061A	SPACER	2		
26	34923151A	SEAL KIT	1		
27	34923161A	OVERHAUL KIT	1		



# DRAWING 18A - REAR SWINGING ARM GROUP FRAME



SOS01200

# DRAWING 18A - REAR SWINGING ARM

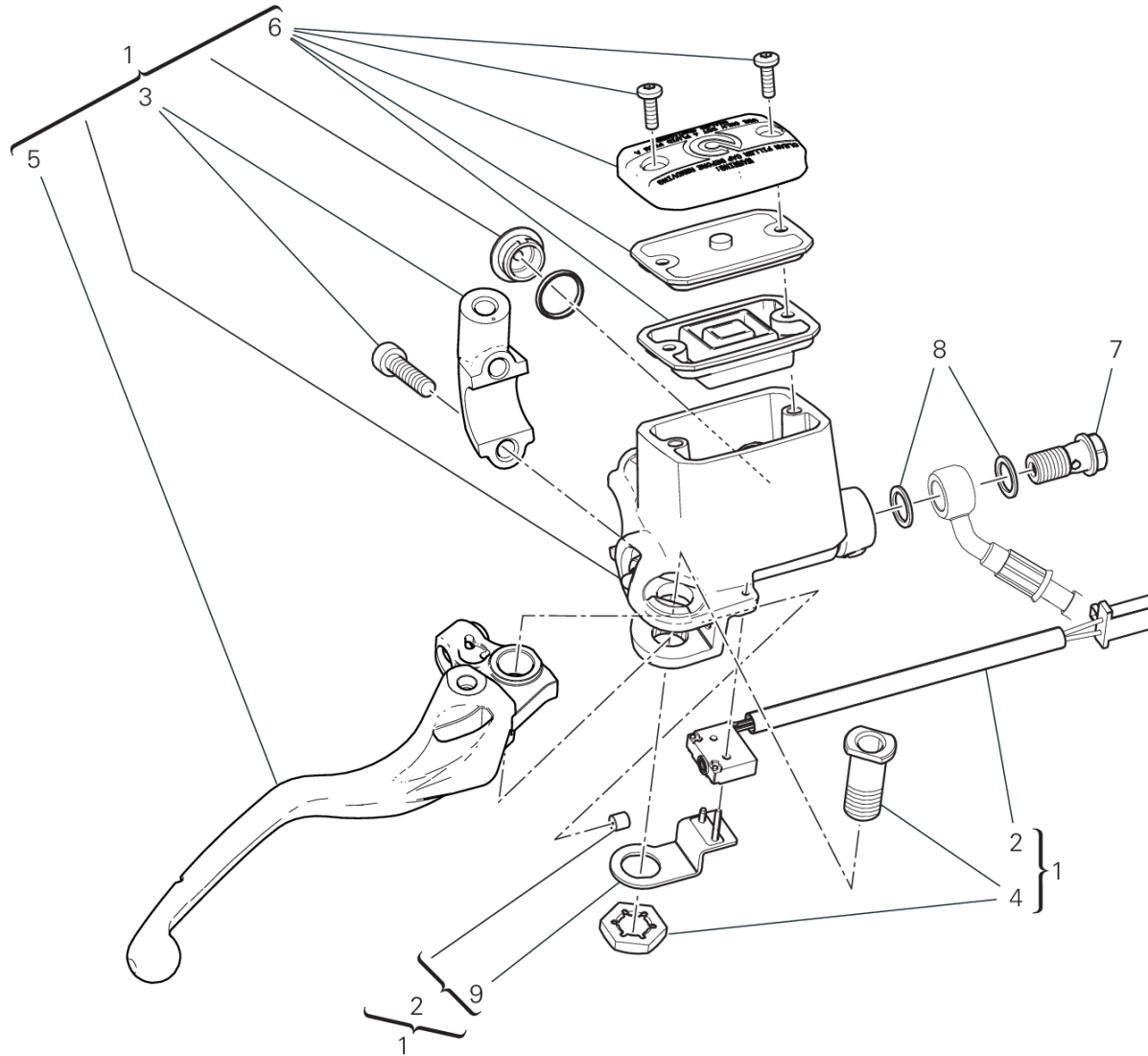
## GROUP FRAME



POS.	CODE	DESCRIPTION	QTY	VALIDITY	NOTES
1	36911661AA	AXLE, REAR SWING ARM	1		
2	37025081BA	REAR SWINGING ARM	1		
3	74140621A	HOSE CLAMP 8 MM	2		
4	77550213C	SCREW TBEI M6X16	2		
5	44712451A	UPPER CHAIN SLIDING SHOE	1		
6	44712461A	LOWER CHAIN SLIDING SHOE	1		
7	77214411BA	SCREW, SPECIAL	9		
8	87210971A	CAP, SWINGARM COVER	1		
9	7791A491AA	THREADED DOWEL	2		
10	74811201AA	NUT	2		
11	70310861BA	RING NUT	2		
12	93050121A	SEAL RING	2		
13	70140171A	BEARING, NEEDLE	2		
14	71015051A	SPACER	1		
15	70250451A	BEARING	2		
16	71311871A	INNER SPACER	1		
17	71210591AA	INNER SPACER	2		
18	71210301A	RIGHT SPACER	1		
19	44610571A	CHAIN GUARD FIN	1		
20	44610561A	CHAIN GUARD	1		
21	77440571A	SCREW, TAPPING	1		
22	81910891AA	REAR WHEEL SPINDLE	1		
23	37310861BA	SLIDING SHOE	1		
24	37310871BA	SLIDING SHOE	1		
25	77913722AA	SCREW, SPECIAL	2		
26	75011251A	NUT, SPECIAL M8	2		
27	71313882A	WASHER, THRUST	1		
28	75011891AA	NUT	1		
29	86613371A	ADHESIVE PAD	1		
30	87240821A	PLUG	2		
31	4601N841A	GUARD	1		



# DRAWING 19A - FRONT BRAKE PUMP GROUP FRAME



BRB00836

# DRAWING 19A - FRONT BRAKE PUMP

## GROUP FRAME

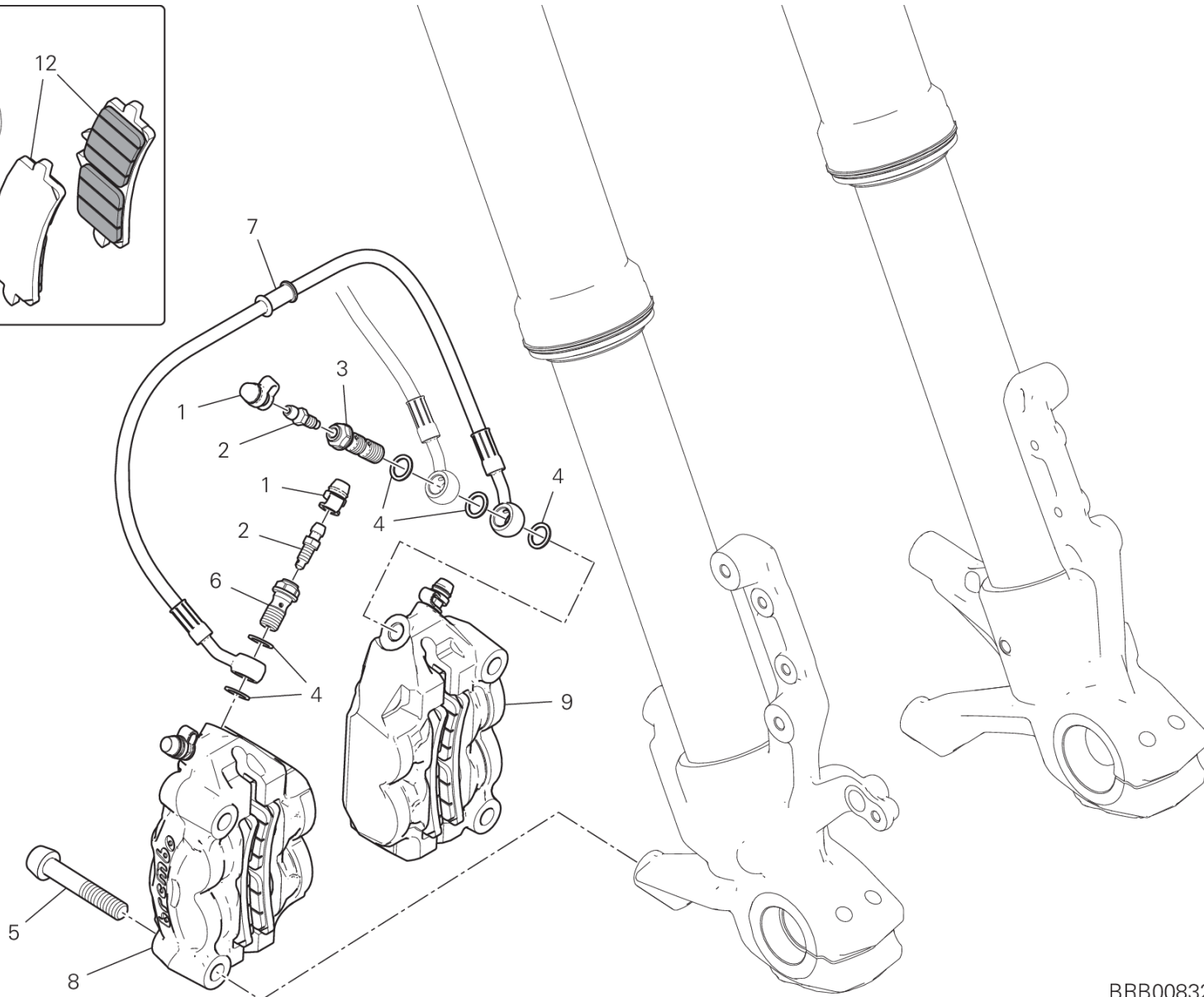
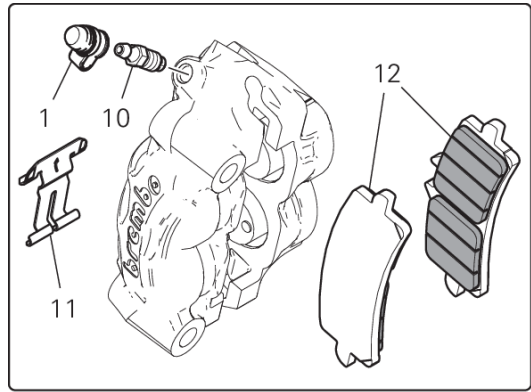


POS.	CODE	DESCRIPTION	QTY	VALIDITY	NOTES
1	62441391A	FRONT BRAKE PUMP	1		
2	53910661A	MICROSWITCH	1		
3	62640231A	U-BOLT KIT	1		
4	62640601A	BOLT, PIVOT	1		
5	63140691A	LEVER, FRONT BRAKE	1		
6	89340351A	PLUG ASSY	1		
7	77914151A	BOLT, BRAKE HOSE	1		
8	85250241A	WASHER 10X14X1	2		
9	58540271A	HOLDER	1		



# DRAWING 19B - FRONT BRAKE SYSTEM

## GROUP FRAME



BRB00832

# DRAWING 19B - FRONT BRAKE SYSTEM

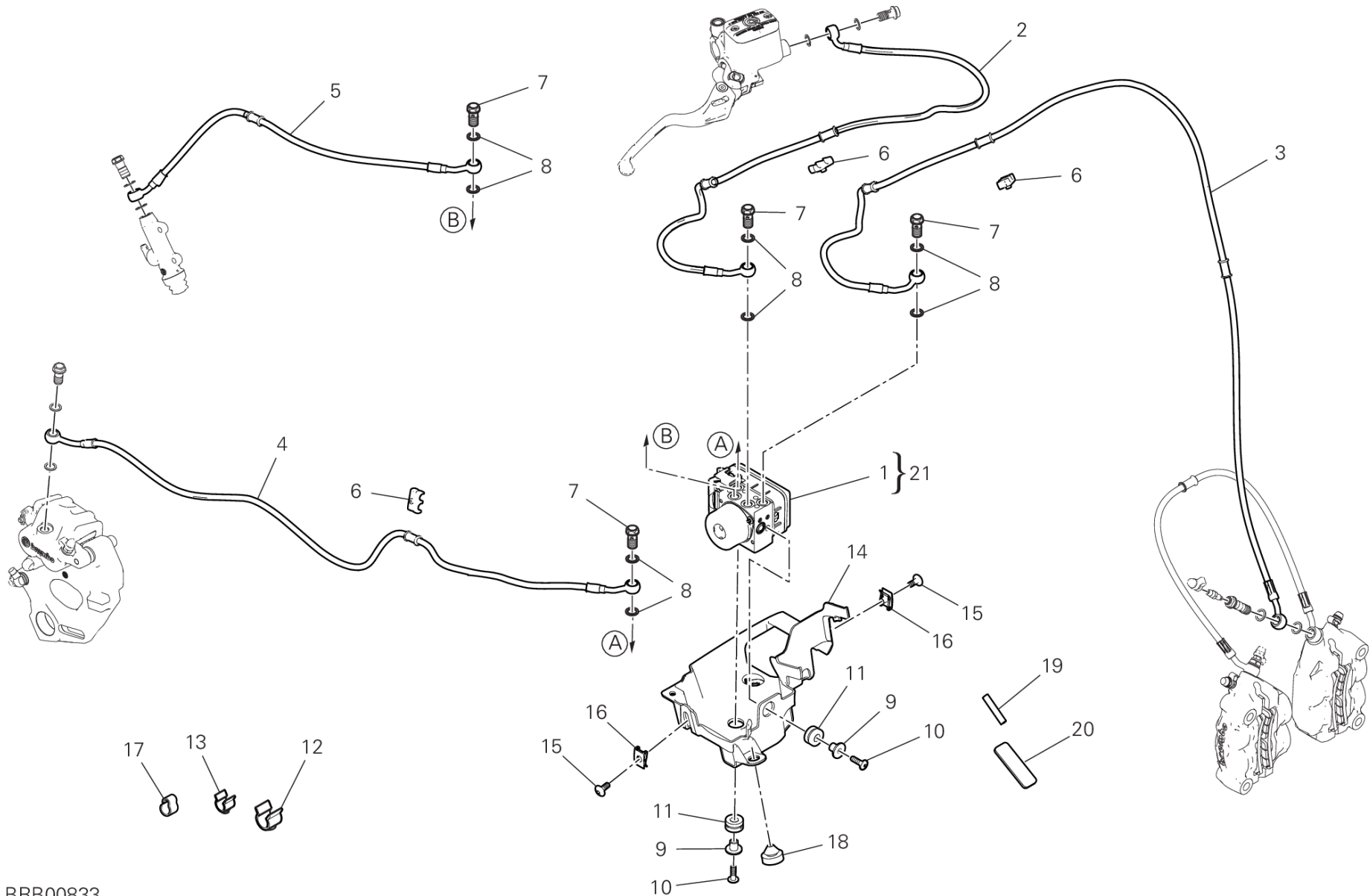
## GROUP FRAME



POS.	CODE	DESCRIPTION	QTY	VALIDITY	NOTES
1	61240052A	DUST COVER	4		
2	18710021A	VALVE, BREATHER	2		
3	77913091AB	SCREW, SPECIAL	1		
4	85250241A	WASHER 10X14X1	5		
5	77915111B	SCREW	4		
6	77913662AB	SCREW, SPECIAL	1		
7	61811951A	HOSE, FRONT BRAKE CALIPER-CALIPER	1		
8	61041522A	RIGHT FRONT BRAKE CALIPER	1		
9	61041512A	LEFT FRONT BRAKE CALIPER	1		
10	61240201A	FRONT CALIPER DRAIN SCREW	2		
11	61240371A	SPRING, PAD STOPPER	2		
12	61341101A	PADS PAIR	2		



# DRAWING 19C - BRAKING SYSTEM ABS GROUP FRAME



BRB00833

DESERT X /23

035000023

# DRAWING 19C - BRAKING SYSTEM ABS

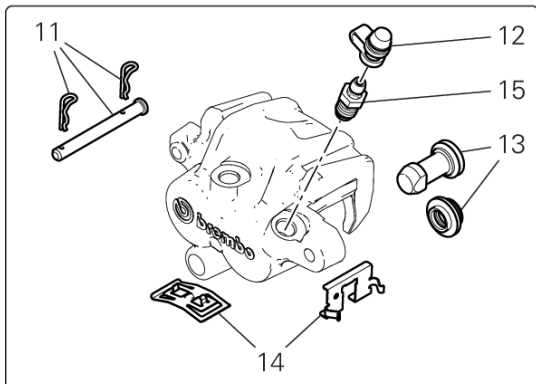
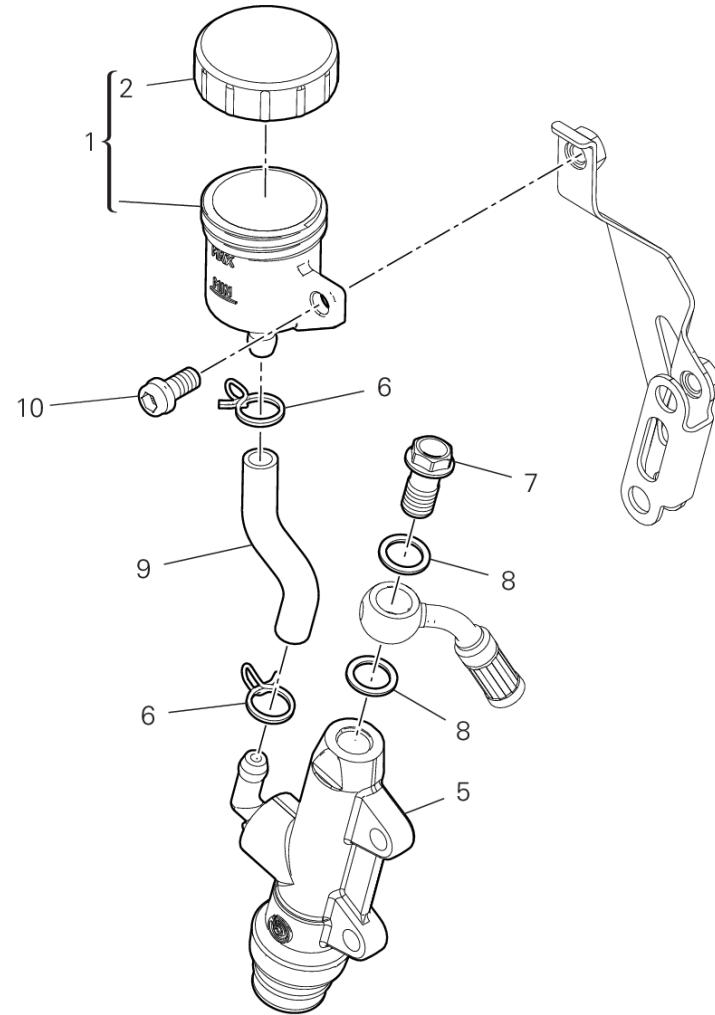
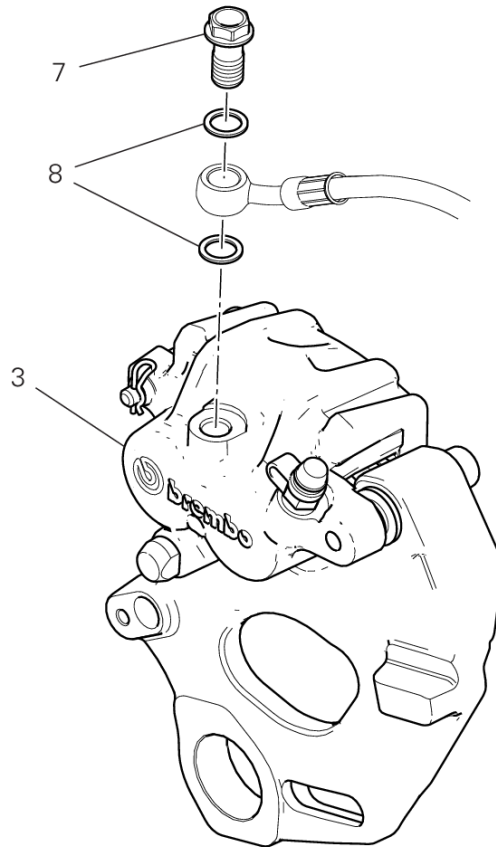
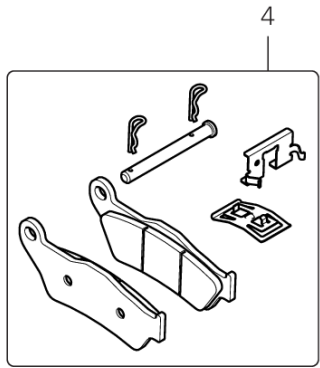
## GROUP FRAME



POS.	CODE	DESCRIPTION	QTY	VALIDITY	NOTES
1	54241072A	CONTROL UNIT ABS	1		
2	61811791B	FRONT MASTER CYLINDER - CPU LINE	1		
3	61811961B	CPU - FRONT CALIPERS LINE	1		
4	61911771A	CPU-REAR CALIPER LINE	1	XST:EUR,JPN,GSO,ROK,TWN,TUR	
	61912081A	CPU-REAR CALIPER LINE	1	XST:AUS,CAL,CDN	
5	61911781B	REAR MASTER CYLINDER-CPU LINE	1	XST:EUR,JPN,GSO,ROK,TWN,TUR	
	61912091A	REAR MASTER CYLINDER-CPU LINE	1	XST:AUS,CAL,CDN	
6	86611121A	RUBBER PAD	3		
7	77913662AB	SCREW, SPECIAL	4		
8	85250241A	WASHER 10X14X1	8		
9	71610031A	SPACER	2		
10	77240443C	SCREW	2		
11	76410641A	VIBRATION DAMPER PAD	3		
12	75841091A	FEMALE CABLE RING	1		
13	75841101A	MALE CABLE RING	1		
14	8291N541B	HOLDER ABS	1		
15	77210893B	SCREW	2		
16	85040381A	QUICK FASTENING	2		
17	75812071A	FAIRLEAD	15		
18	86611001B	PAD	2		
19	76412131A	RUBBER PAD	1		
20	86612101A	PAD	1		
21	69929721A		1		



# DRAWING 19D - REAR BRAKE SYSTEM GROUP FRAME



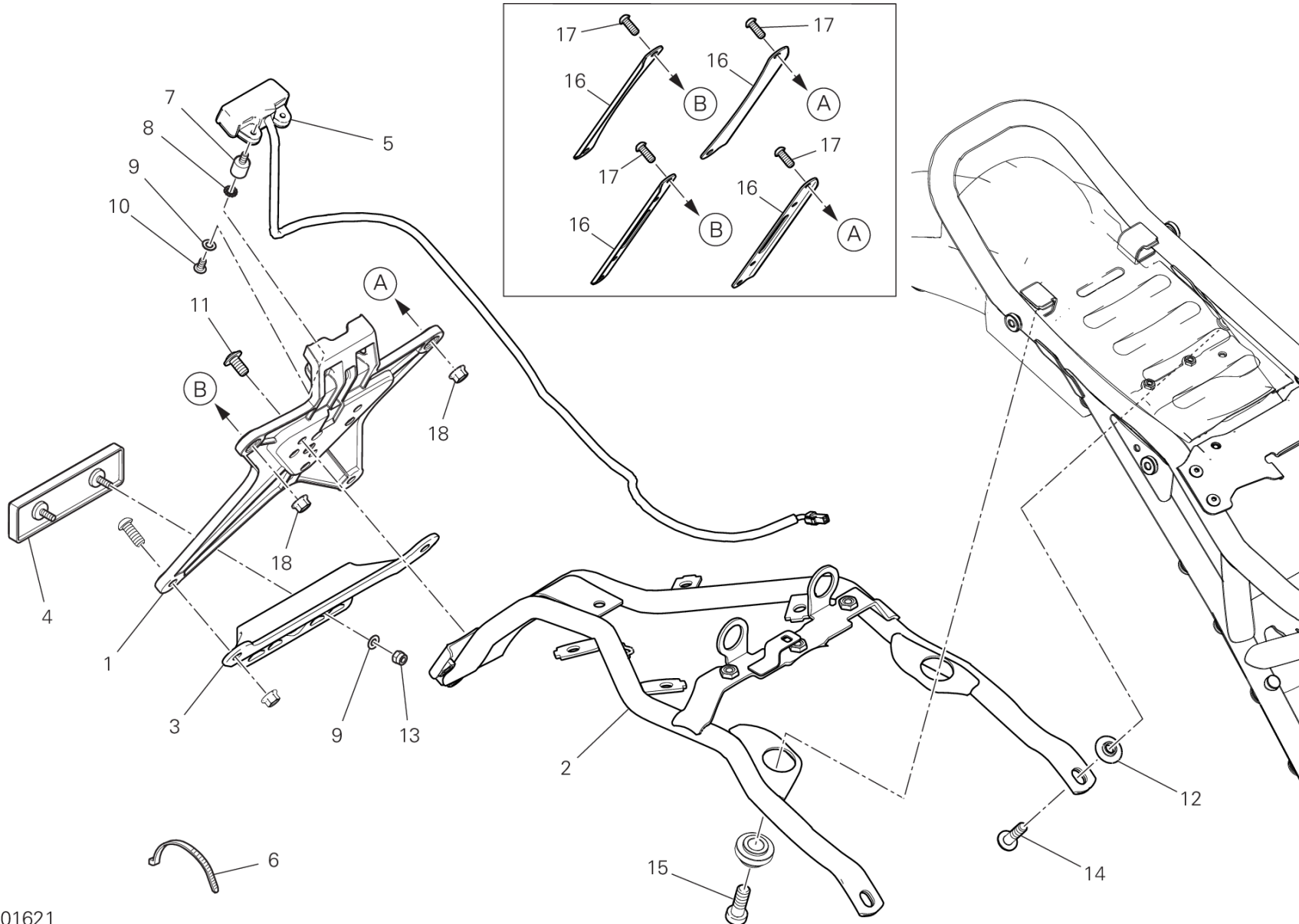
BRB00834

# DRAWING 19D - REAR BRAKE SYSTEM

## GROUP FRAME



POS.	CODE	DESCRIPTION	QTY	VALIDITY	NOTES
1	58540311A	RESERVOIR, BRAKE FLUID	1		
2	89340241A	COVER MASTER CYLINDER	1		
3	61141672A	REAR BRAKE CALIPER	1		
4	61341611A	KIT REAR BRAKE PADS	1		
5	62540191A	REAR BRAKE PUMP	1		
6	74140431A	CLAMP	2		
7	77913662AB	SCREW, SPECIAL	2		
8	85250241A	WASHER 10X14X1	4		
9	87712711A	PIPE	1		
10	77240253C	SCREW	1		
11	61240311A	PIN BRAKE PAD	1		
12	61240052A	DUST COVER	1		
13	61240302A	DUST COVER	1		
14	61240611A	SPRING, PAD STOPPER	1		
15	63140261A	VALVE, BREATHER	1		



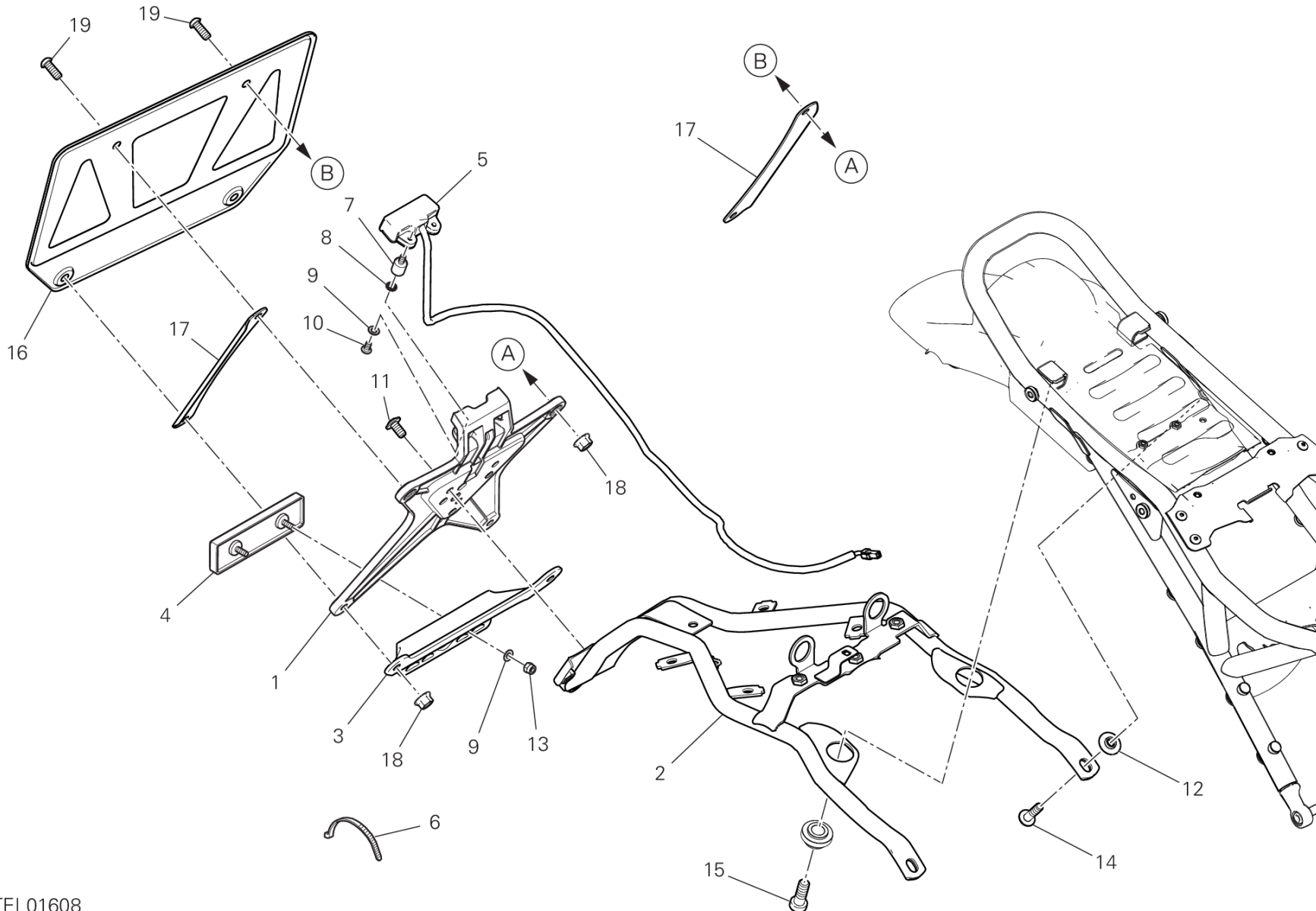
TEL01621

## DRAWING 20A - PLATE HOLDER [XST:AUS,EUR,GSO,ROK,TWN,TUR]

## GROUP FRAME



POS.	CODE	DESCRIPTION	QTY	VALIDITY	NOTES
1	56113371A	PLATE HOLDER	1		
2	56116451CA		1		
3	82719181A	BRACKET	1		
4	52910231A	REFLEX REFLECTOR, REAR	1		
5	52510433D	LAMP, LICENSE PLATE	1		
6	74140381A	CLAMP	6		
7	70010691A	VIBRATION DAMPER	2		
8	85550021A	TOOTHED LOCK WASHER	2		
9	85212511A	WASHER 4.5X9X0.5	4		
10	77550171A	SCREW TBEI M4X8	2		
11	77240403C	SCREW	3		
12	71610111AB	SPACER	2		
13	74950011B	NUT, SPRING	2		
14	77240453C	SCREW TBEIF M6X22 10.9	2		
15	77310071A	SCREW	2		
16	8301B201A	BRACKET	2		
	8301B221A	BRACKET	2		Finland, Greece, Germany, Russia, Israel
17	77156678B	SCREW TCEIF M6X20	4		
18	74810361A	NUT	4		



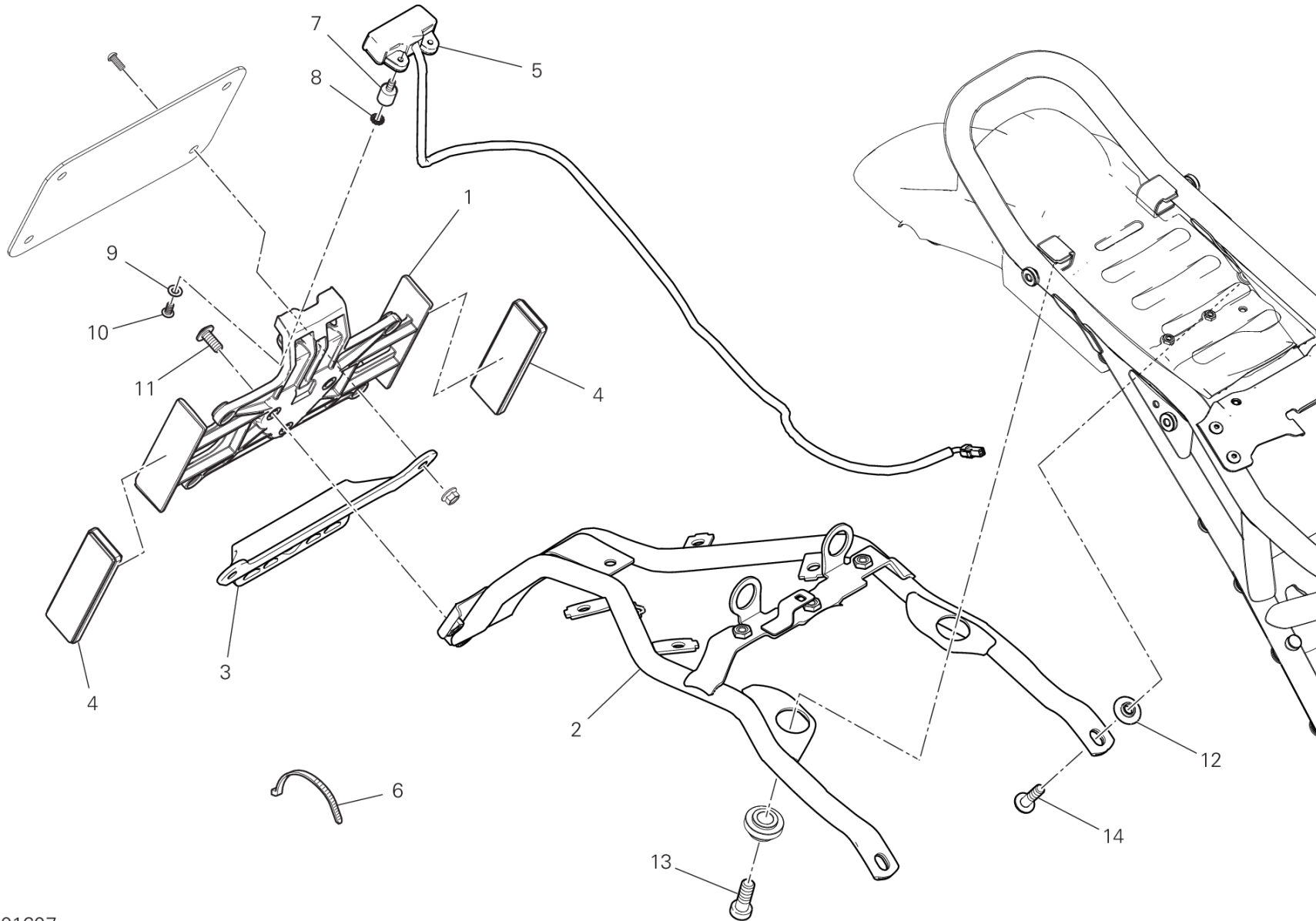
TEL01608

## DRAWING 20A - PLATE HOLDER [XST:JPN]

## GROUP FRAME



POS.	CODE	DESCRIPTION	QTY	VALIDITY	NOTES
1	56113371A	PLATE HOLDER	1		
2	56116451CA		1		
3	82719181A	BRACKET	1		
4	52910231A	REFLEX REFLECTOR, REAR	1		
5	52510433D	LAMP, LICENSE PLATE	1		
6	74140381A	CLAMP	6		
7	70010691A	VIBRATION DAMPER	2		
8	85550021A	TOOTHED LOCK WASHER	2		
9	85212511A	WASHER 4.5X9X0.5	4		
10	77550171A	SCREW TBEI M4X8	2		
11	77240403C	SCREW	3		
12	71610111AB	SPACER	2		
13	74950011B	NUT, SPRING	2		
14	77240453C	SCREW TBEIF M6X22 10.9	2		
15	77310071A	SCREW	2		
16	56113381AA	PLATE	1		
17	8301B201A	BRACKET	2		
18	77156678B	SCREW TCEIF M6X20	4		
19	74810361A	NUT	4		



TEL01607

DESERT X /23

035000023

## DRAWING 20A - PLATE HOLDER [XST:CAL,CDN]

## GROUP FRAME

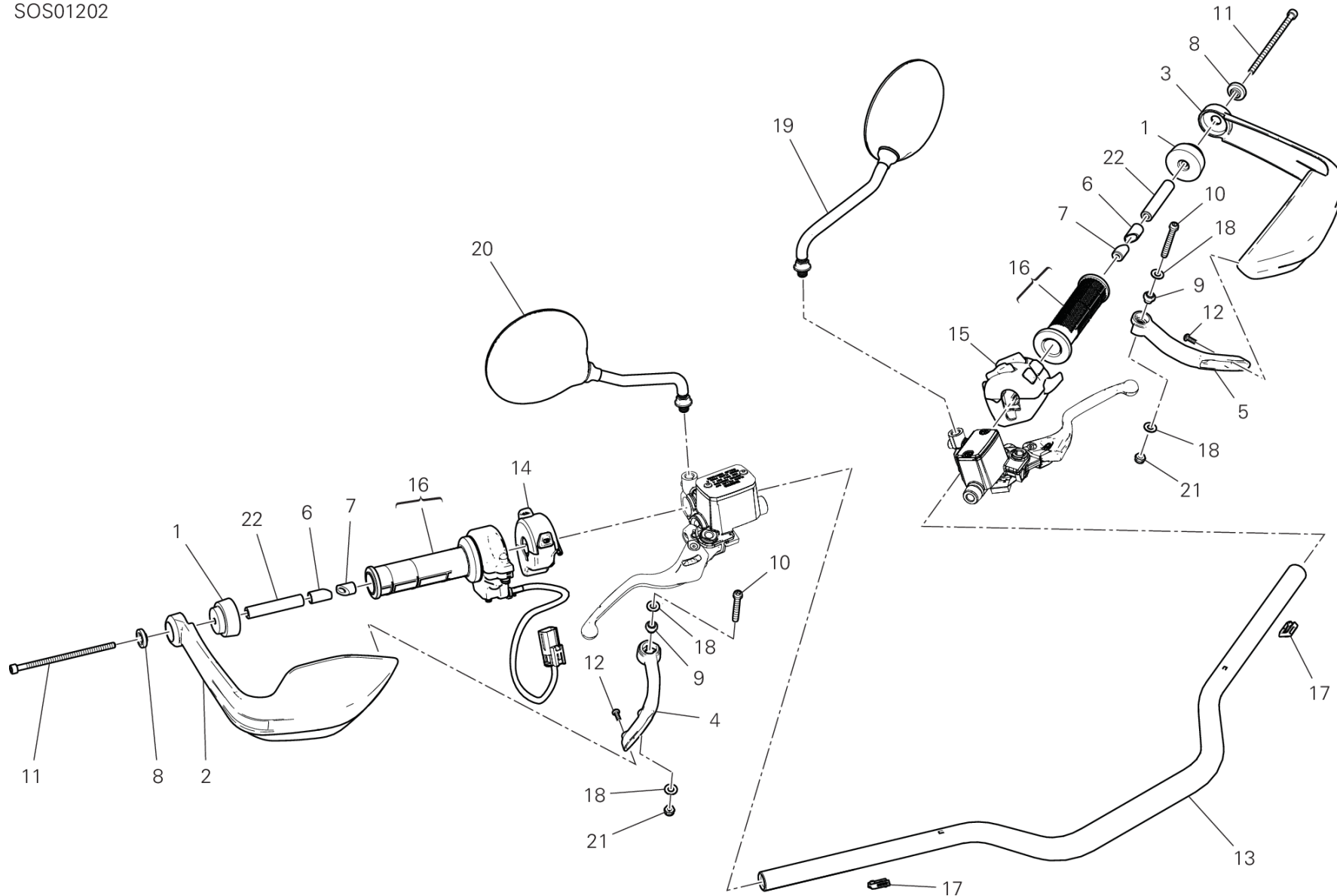


POS.	CODE	DESCRIPTION	QTY	VALIDITY	NOTES
1	56113211A	PLATE HOLDER	1		
2	56116451CA		1		
3	82719181A	BRACKET	1		
4	52910131B	REFLECTOR, ADHESIVE RED	2		
5	52510433D	LAMP, LICENSE PLATE	1		
6	74140381A	CLAMP	6		
7	70010691A	VIBRATION DAMPER	2		
8	85550021A	TOOTHED LOCK WASHER	2		
9	85212511A	WASHER 4.5X9X0.5	2		
10	77550171A	SCREW TBEI M4X8	2		
11	77240403C	SCREW	3		
12	71610111AB	SPACER	2		
13	77310071A	SCREW	2		
14	77240453C	SCREW TBEIF M6X22 10.9	2		



# DRAWING 21A - HANDLEBAR GROUP FRAME

SOS01202



# DRAWING 21A - HANDLEBAR

## GROUP FRAME

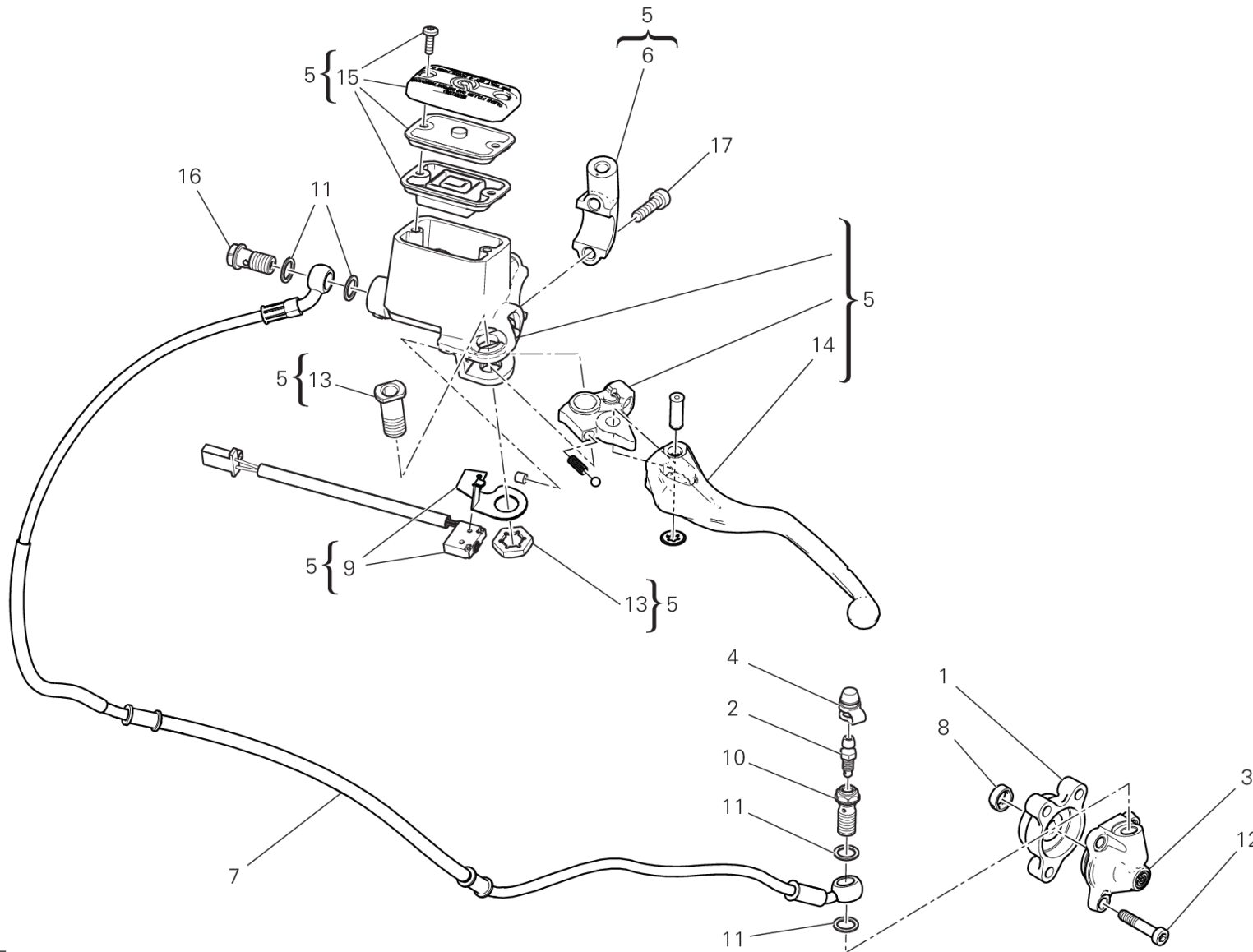


POS.	CODE	DESCRIPTION	QTY	VALIDITY	NOTES
1	15310311BA	BALANCER SET, HANDLE BAR	2		
2	4601H921AA	GUARD, KNUCKLE, RH	1		
3	4601H931AA	GUARD, KNUCKLE, LH	1		
4	4601L901A	HAND GUARD ARM	1		
5	4601L911A	HAND GUARD ARM	1		
6	71011071A	BUSH	2		
7	71111301A	SPINDLE, TAPER	2		
8	7131B281AA	SPACER	2		
9	71115471AA	BUSH	2		
10	77150753B	SCREW	2		
11	77150873B	SCREW	2		
12	77440251A	SCREW	4		
13	36016151AA	HANDLEBAR	1		
14	65010461C	RIGHT SWITCH	1	XST:AUS,CAL,EUR,JPN,GSO,ROK,TWN,TUR	
	65010471B	RIGHT SWITCH	1	XST:CDN	
15	65110531C	LEFT SWITCH	1		
16	66020121B	THROTTLE CONTROL	1		
17	83040071A	CLIP	2		
18	85240171A	WASHER	4		
19	52310731A	LEFT MIRROR	1		
20	52310721A	RIGHT MIRROR	1		
21	74940041A	NUT, SELF-LOCKING M6	2		
22	7131E251AA	SPACER	2		



# DRAWING 21B - CLUTCH CONTROL

## GROUP FRAME



BRB00835

DESERT X /23

035000023

Page 120 / 196

SPARE PARTS CATALOGUE

21/12/2022

# DRAWING 21B - CLUTCH CONTROL

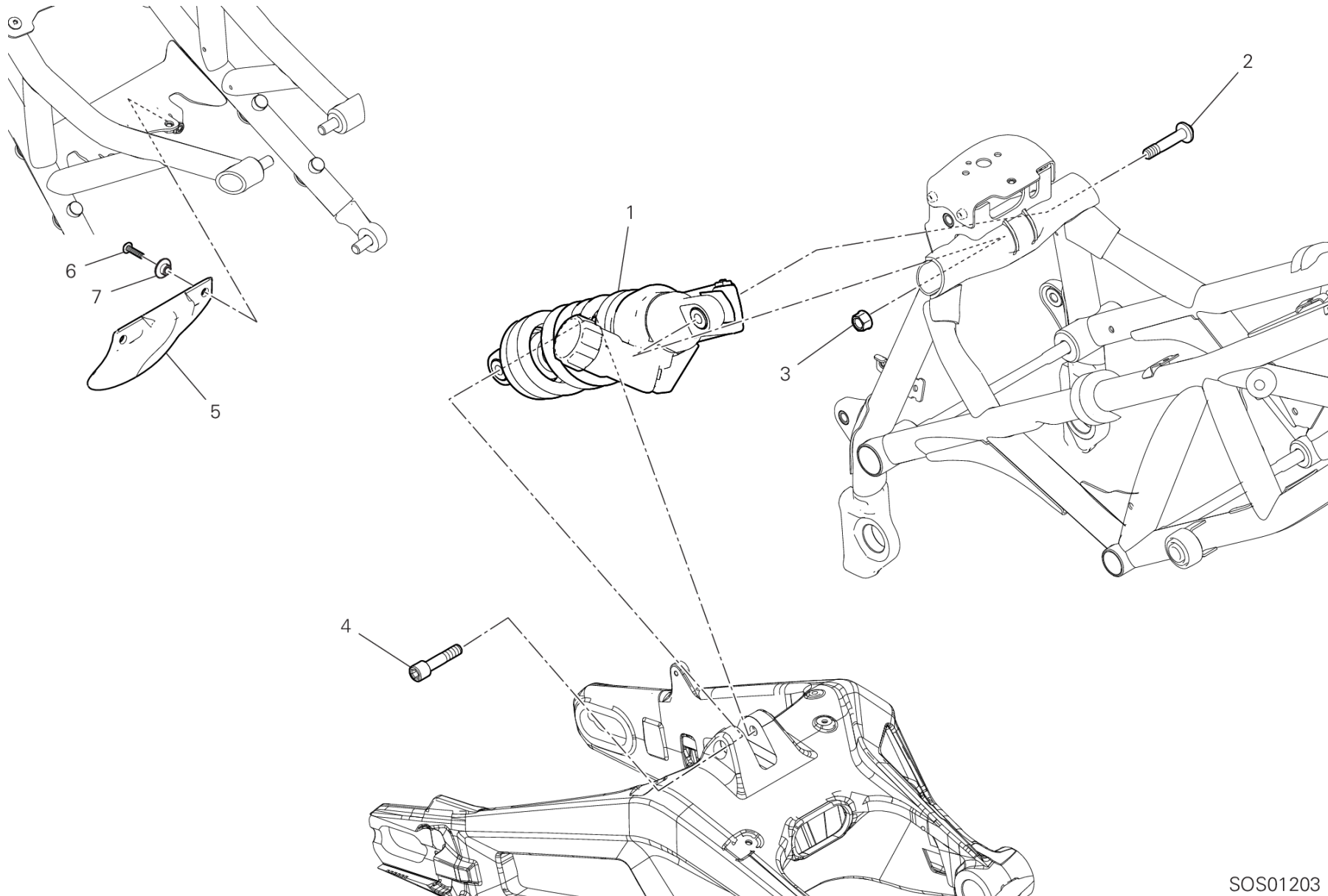
## GROUP FRAME



POS.	CODE	DESCRIPTION	QTY	VALIDITY	NOTES
1	19510411D	SPACER	1		
2	18710021A	VALVE, BREATHER	1		
3	19540081B	PISTON ASSEMBLY	1		
4	61240052A	DUST COVER	1		
5	63040981A	CLUTCH MASTER CYLINDER	1		
6	62640291A	BRACKET, CLUTCH MASTER CYLINDER	1		
7	63211131A	CLUTCH CONTROL PIPE	1		
8	78811641C	GASKET	1		
9	53910691A	MICROSWITCH	1		
10	77913971A	BOLT, BRAKE HOSE	1		
11	85250241A	WASHER 10X14X1	4		
12	77354898B	SCREW TCEIR M6X30	3		
13	62640601A	BOLT, PIVOT	1		
14	63140661A	CLUTCH LEVER	1		
15	89340341A	PLUG ASSY	1		
16	77913662AB	SCREW, SPECIAL	1		
17	77150693B	SCREW	2		



# DRAWING 22A - REAR SHOCK ABSORBER GROUP FRAME



SOS01203

# DRAWING 22A - REAR SHOCK ABSORBER

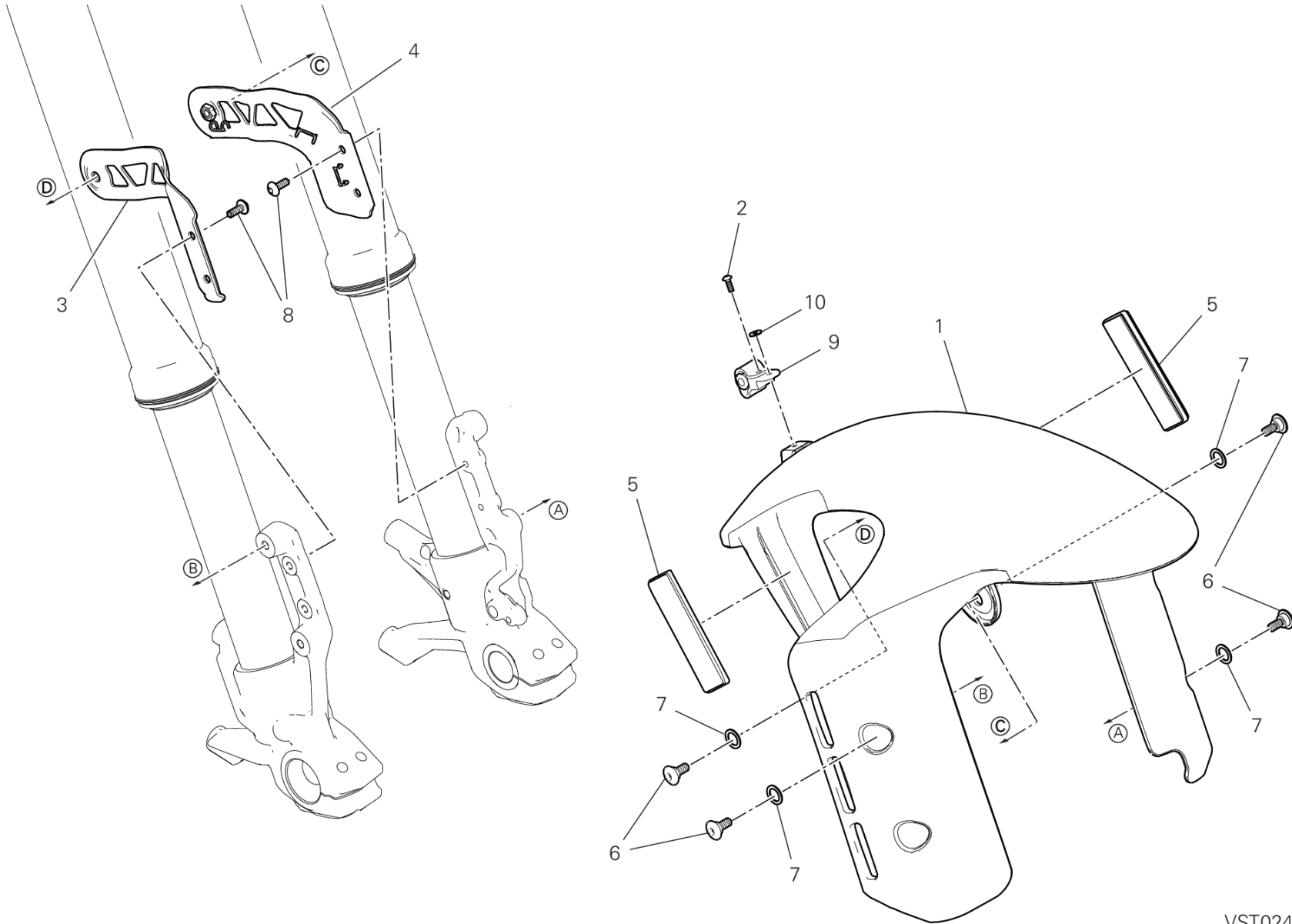
## GROUP FRAME



POS.	CODE	DESCRIPTION	QTY	VALIDITY	NOTES
1	36522091C	REAR SHOCK ABSORBER	1	XST:AUS,CAL,CDN,EUR,GSO,TUR	
	36522241B	REAR SHOCK ABSORBER	1	XST:JPN,ROK,TWN	
2	74850021A	NUT	2		
3	7791A991AA	SCREW, SPECIAL	1		
4	7791A561AC	SCREW, SPECIAL	1		
5	4601L921A	GUARD	1		
6	77244213B	SCREW	2		
7	71614291AB		2		



# DRAWING 23A - FRONT MUDGUARD GROUP FRAME



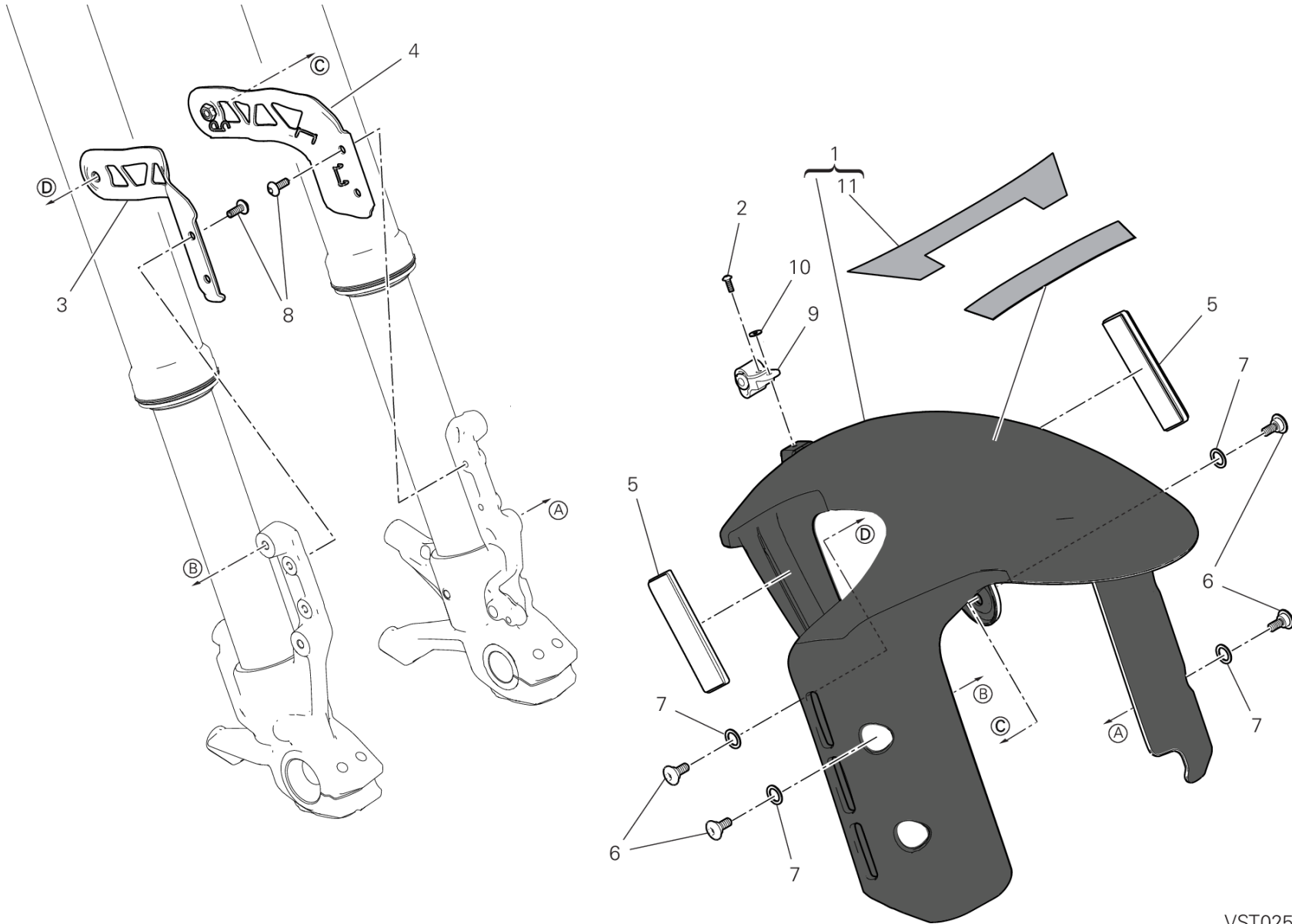
VST02437

# DRAWING 23A - FRONT MUDGUARD

## GROUP FRAME



POS.	CODE	DESCRIPTION	QTY	VALIDITY	NOTES
1	564P6831AA	FRONT MUDGUARD	1		
2	77440101A	SCREW, TAPPING 3.5X10	1		
3	8301L461AA	RIGHT BRACKET	1		
4	8301L472AA	LEFT BRACKET	1		
5	52910271A	REFLECTOR, ADHESIVE AMBER	2		
6	77914391C	SCREW	6		
7	85611271A	WASHER	6		
8	77244183B	SCREW	4		
9	85012091B	HOSE GUIDE	1		
10	85210751B	WASHER 3.5X9X0.7	1		



VST02577

# DRAWING 23A - FRONT MUDGUARD [XCO:MSG]

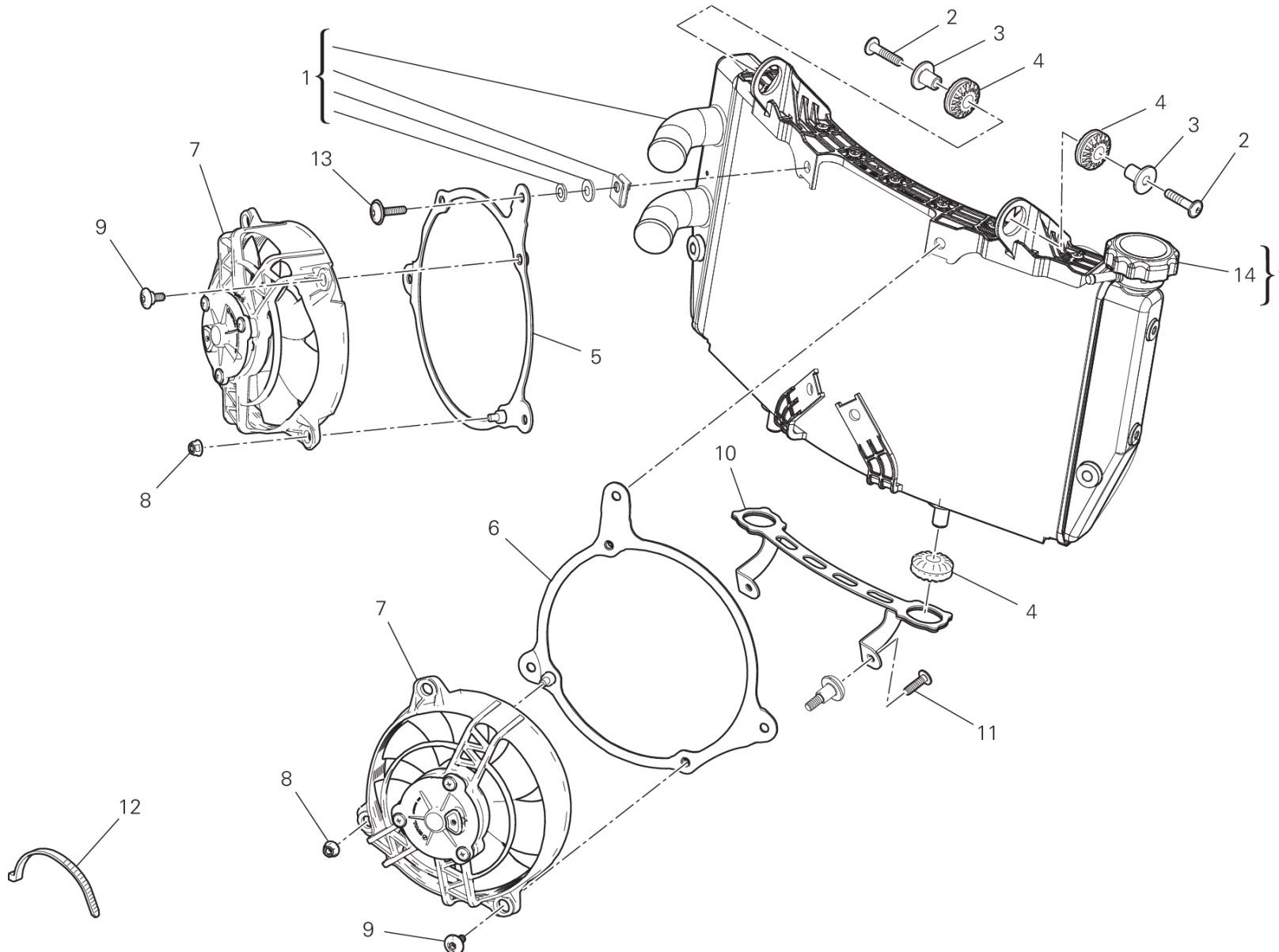
## GROUP FRAME



POS.	CODE	DESCRIPTION	QTY	VALIDITY	NOTES
1	564P6831AB	FRONT MUDGUARD	1		
2	77440101A	SCREW, TAPPING 3.5X10	1		
3	8301L461AA	RIGHT BRACKET	1		
4	8301L472AA	LEFT BRACKET	1		
5	52910271A	REFLECTOR, ADHESIVE AMBER	2		
6	77914391C	SCREW	6		
7	85611271A	WASHER	6		
8	77244183B	SCREW	4		
9	85012091B	HOSE GUIDE	1		
10	85210751B	WASHER 3.5X9X0.7	1		
11	4381F321A	TRANSFER	1		



# DRAWING 24A - WATER COOLER GROUP FRAME



RAF00765

# DRAWING 24A - WATER COOLER

## GROUP FRAME

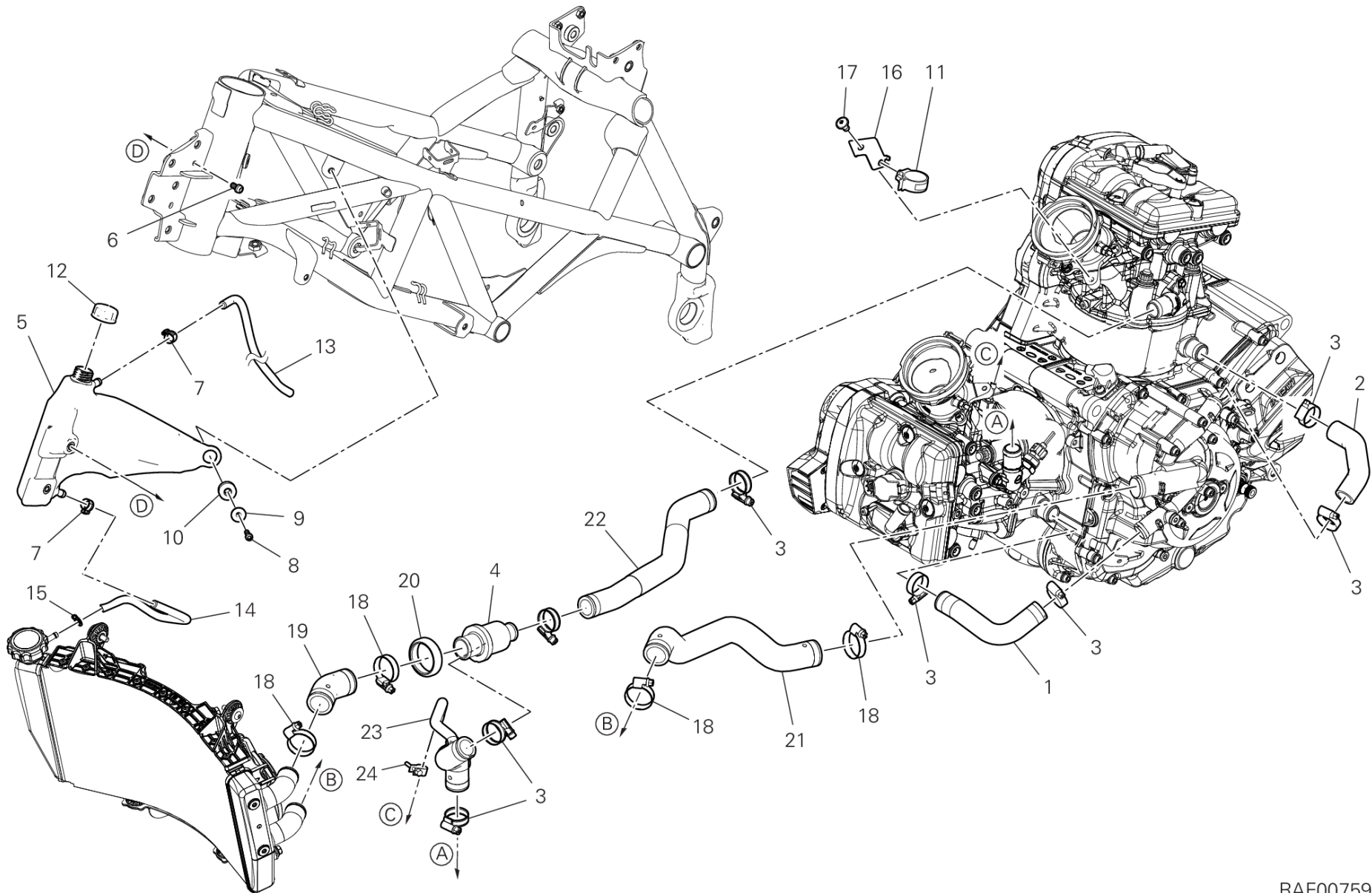


POS.	CODE	DESCRIPTION	QTY	VALIDITY	NOTES
1	54841231C	WATER COOLER	1		
2	77550191A	SCREW	2		
3	71614191A	SPACER	2		
4	76411361A	VIBRATION DAMPER PAD	4		
5	8301C031AA	LEFT BRACKET	1		
6	8301C021AA	RIGHT BRACKET	1		
7	55040381A	ELECTRIC FAN	2		
8	74810351B	NUT	2		
9	77214411BA	SCREW, SPECIAL	4		
10	8301B881AA	BRACKET	1		
11	77244173B	SCREW	2		
12	74140381A	CLAMP	2		
13	77240403CA	SCREW M6X12	6		
14	89310231A	RADIATOR CAP	1		



# DRAWING 24B - COOLING CIRCUIT

## GROUP FRAME



RAF00759

# DRAWING 24B - COOLING CIRCUIT

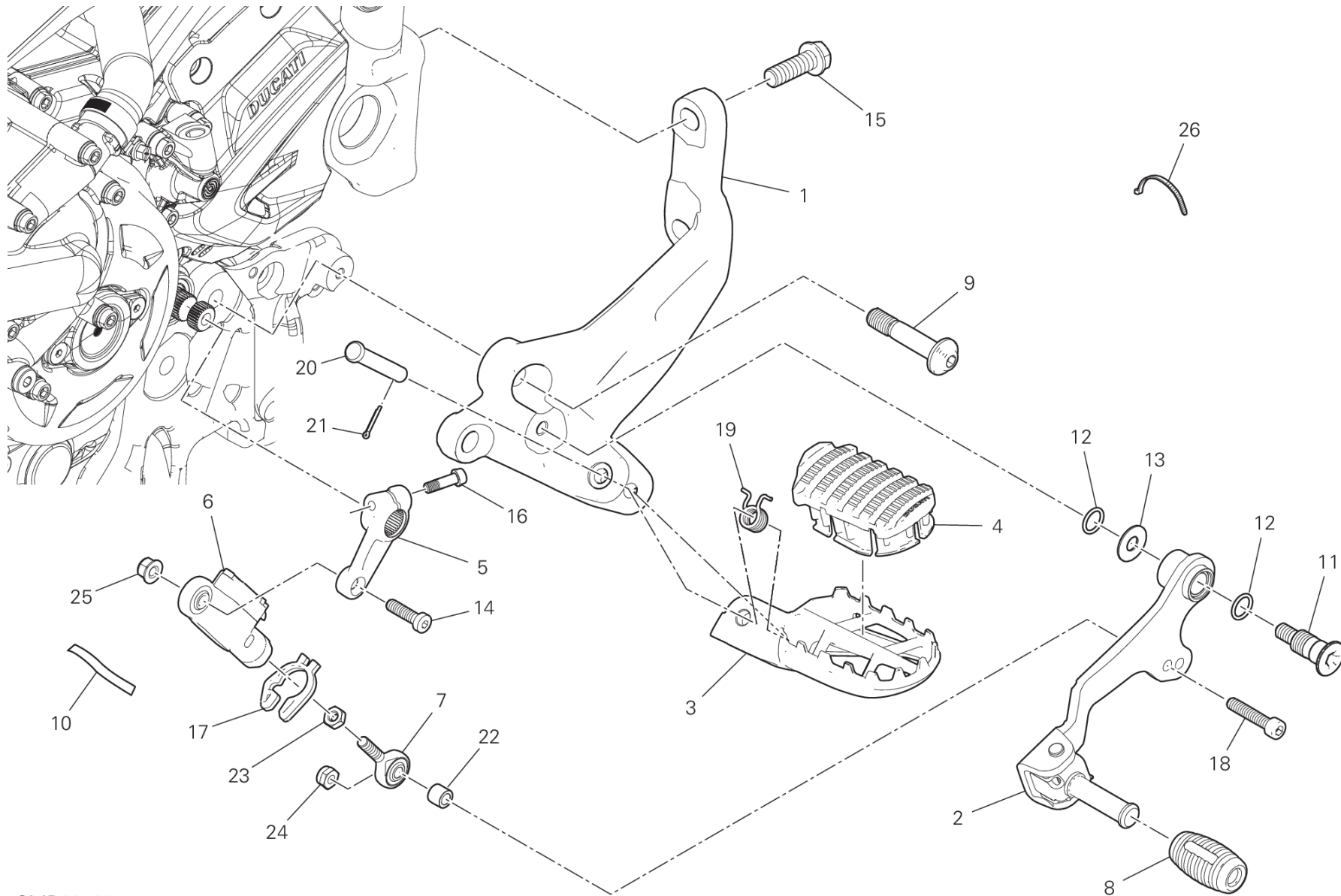
## GROUP FRAME



POS.	CODE	DESCRIPTION	QTY	VALIDITY	NOTES
1	80011852B	HOSE, HORIZONTAL CYLINDER WATER INLET	1		
2	80012481B	HOSE, VERTICAL CYLINDER WATER INLET	1		
3	74142581A	CLAMP 16-27 MM	8		
4	55340111A	THERMO-SWITCH	1		
5	58511351A	TANK, WATER RESERVOIR	1		
6	77156623B	SCREW TCEIF M6X10 8.8	2		
7	74140651A	FASCETTA 11-7 MM	2		
8	77156438B	SCREW	1		
9	71615151AA	SPACER	1		
10	76411501A	RUBBER PAD	1		
11	75840641A	HOSE GUIDE	1		
12	89310143A	EXPANSION TANK CAP	1		
13	93410511A	BREATHER PIPE	1		
14	93410501A		1		
15	74140431A	CLAMP	1		
16	8301L022AA	BRACKET	1		
17	77240403C	SCREW	1		
18	74142591A	CLAMP 20-35 MM	4		
19	80018391A	HOSE COOLER/THERMOSTAT	1		
20	88111281A	THERMOSTAT PROTECTION RING	1		
21	80018421A		1		
22	80018401A	THERMOSTAT/PUMP HOSE VERTICAL	1		
23	80018411B	THERMOSTAT/PUMP HOSE HORIZONTAL	1		
24	74142501A	CLAMP	1		



# DRAWING 25A - FOOTRESTS, LEFT GROUP FRAME



CMB00585

# DRAWING 25A - FOOTRESTS, LEFT

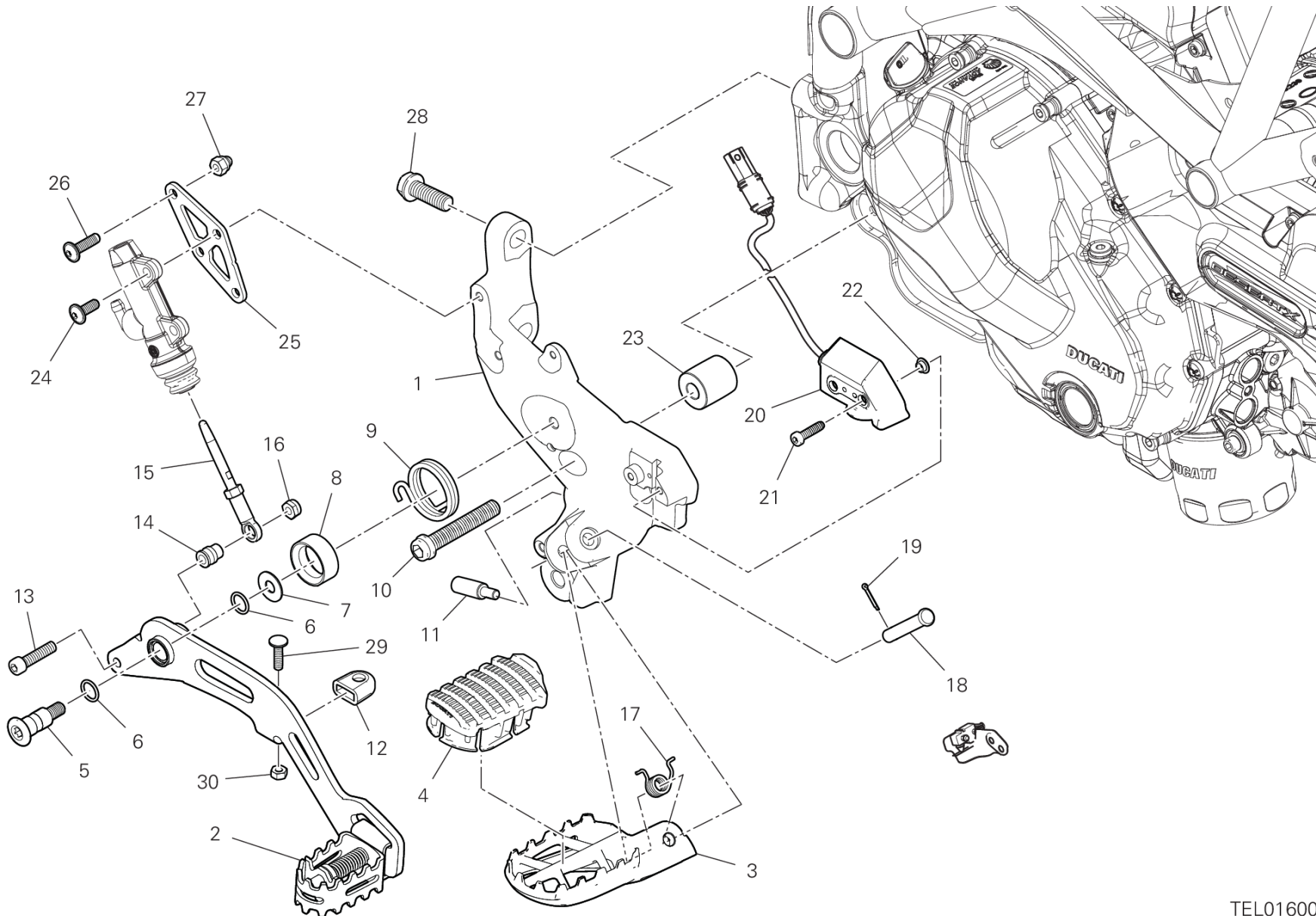
## GROUP FRAME



POS.	CODE	DESCRIPTION	QTY	VALIDITY	NOTES
1	82414131AA	L.H. FOOT PEG HOLDER PLATE	1		
2	45623541BA		1		
3	46411242AA	FOOTREST, FRONT LH	1		
4	76510322A	FOOT PEG RUBBER COVER L.H.	1		
5	45612372AA	GEAR CONTROL LEVER	1		
6	55215491E	Quick Shift	1		
7	84850021A	BALL JOINT, RIGHT	1		
8	76510171A	RUBBER PAD	1		
9	7791A991AA	SCREW, SPECIAL	2		
10	92611021A	PELLICOLA ADESIVA ANTIABRASIONE	1		
11	82111701CA	PIN PEDAL	1		
12	88641161A	O-RING	2		
13	85211511A	WASHER	1		
14	77156688B	SCREW TCEIF	1		
15	7725164BG	SCREW TEF M10X30	2		
16	77110191A	SCREW TCEIF M6X20	1		
17	75811582AA	FAIRLEAD	1		
18	77110471A	SCREW	1		
19	79916201AA	SPRING. FOOTREST	1		
20	82119351AA	FOOTREST PIN	1		
21	68540011A	COTTER PIN	1		
22	71616281AA	SPACER	1		
23	74750101A	NUT 6MM	1		
24	74940041A	NUT, SELF-LOCKING M6	1		
25	74941118B	NUT 6MM	1		
26	74140381A	CLAMP	1		



# DRAWING 25B - FOOTRESTS, RIGHT GROUP FRAME



TEL01600

# DRAWING 25B - FOOTRESTS, RIGHT

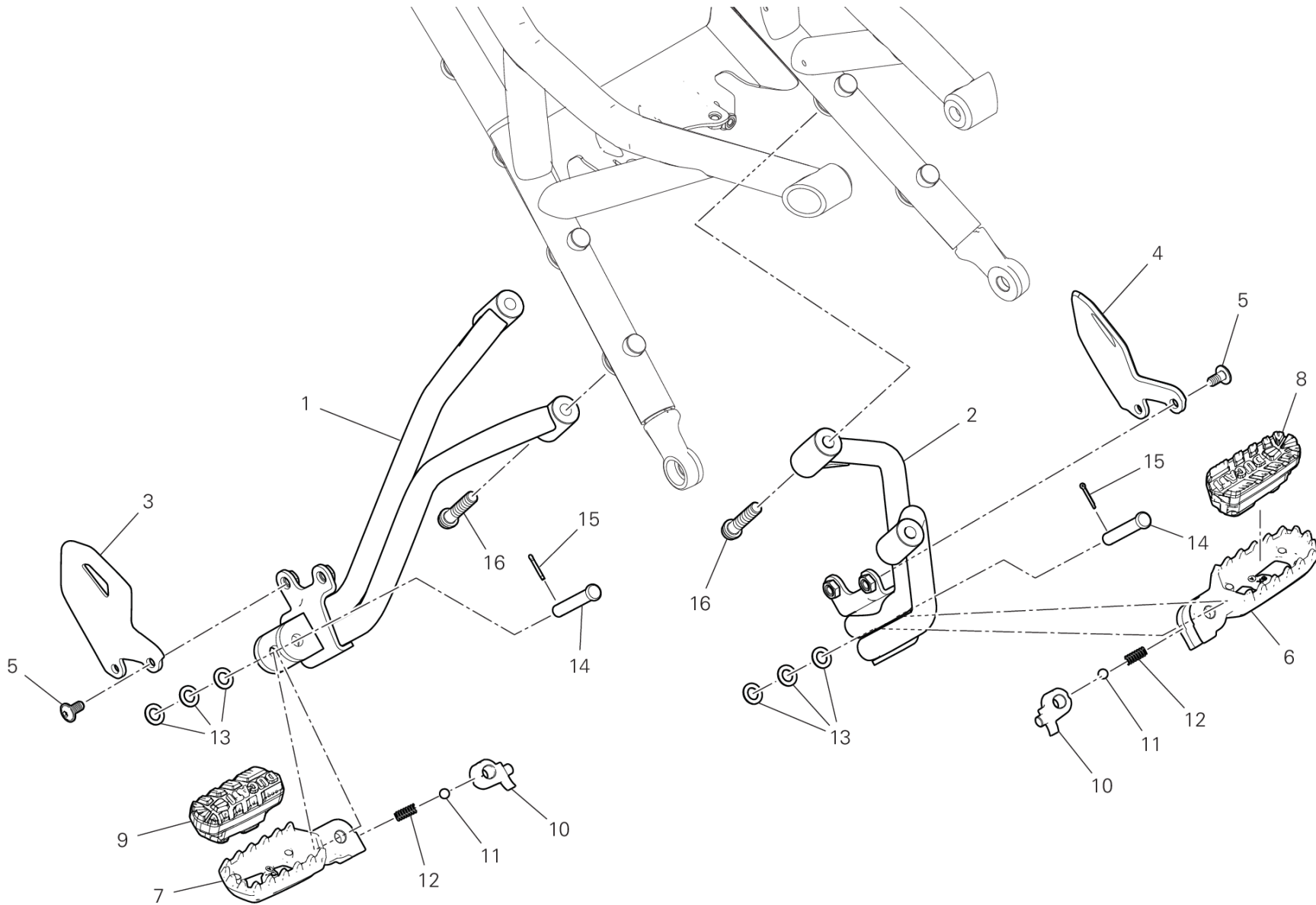
## GROUP FRAME



POS.	CODE	DESCRIPTION	QTY	VALIDITY	NOTES
1	82414141BA	R.H. FOOT PEG HOLDER PLATE	1		
2	45721181AA	BRAKE LEVER ASSEMBLY	1		
3	46411252AA	RIGHT FOOTREST	1		
4	76510312A	FOOT PEG RUBBER COVER R.H.	1		
5	82111701CA	PIN PEDAL	1		
6	88641161A	O-RING	2		
7	85211511A	WASHER	1		
8	71210651B	BUSH	1		
9	79916461A	SPRING, RETURN	1		
10	77157628C	SCREW	2		
11	7791C231BA	SCREW, SPECIAL	1		
12	86613471A	PAD	1		
13	77150708B	SCREW	1		
14	82119651AA	PIN	1		
15	11723581A	ROD, PUSH	1		
16	74940041A	NUT, SELF-LOCKING M6	1		
17	79916201AA	SPRING. FOOTREST	1		
18	82119351AA	FOOTREST PIN	1		
19	68540011A	COTTER PIN	1		
20	53920931A	INTERUTTORE STOP	1		
21	77354743B	SCREW TCEIR M5X20 DIN6912 8.8	2		
22	71611521A	SPACER WITH COLLAR	2		
23	7131E581AA	SPACER FOOTREST	2		
24	77240423C	SCREW	2		
25	8301B991BA	BRACKET	1		
26	77240453C	SCREW TBEIF M6X22 10.9	2		
27	74910021A	NUT, CAP M6	2		
28	7725164BG	SCREW TEF M10X30	2		
29	7791C511AA	SCREW, SPECIAL	1		
30	74750031A	NUT 6MM	1		



# DRAWING 25C - REAR FOOTREST GROUP FRAME



TEL01601

# DRAWING 25C - REAR FOOTREST

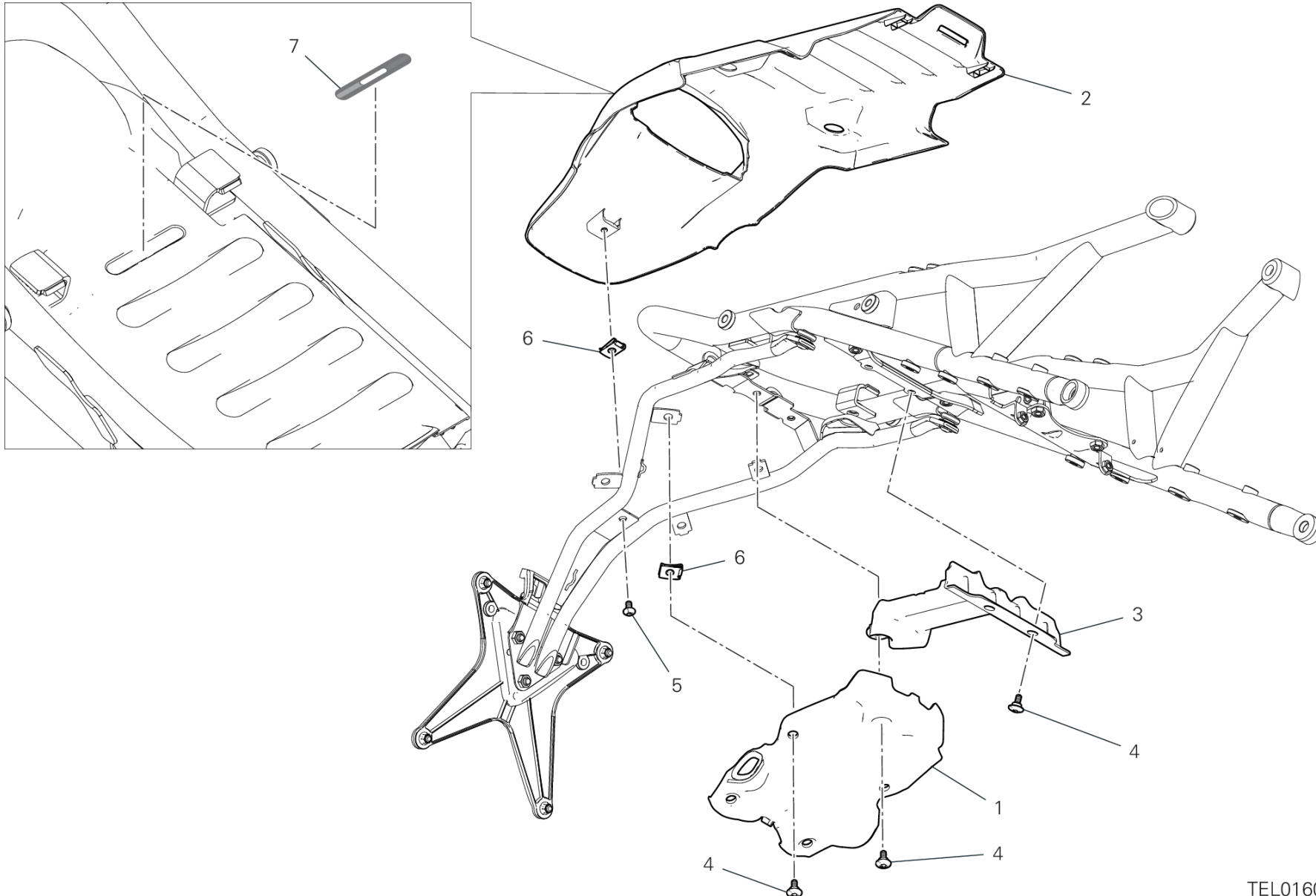
## GROUP FRAME



POS.	CODE	DESCRIPTION	QTY	VALIDITY	NOTES
1	46510761BA	REAR RIGHT FOOTREST	1		
2	46510771BA	REAR LEFT FOOT-REST	1		
3	4601E941BA	HEEL GUARD R.H.	1		
4	4601E951BA	HEEL GUARD L.H.	1		
5	77240403C	SCREW	4		
6	46411171AA	LEFT FOOTREST	1		
7	46411161AA	RIGHT FOOTREST	1		
8	76510251A	FOOT PEG COVER	1		
9	76510241A	FOOT PEG COVER	1		
10	69610251A	SPRING RETAINER	2		
11	84740021A	BALL	2		
12	79910241B	SPRING	2		
13	85211561A	SPRING WASHER 8.1X14X1	6		
14	82119351AA	FOOTREST PIN	2		
15	68540011A	COTTER PIN	2		
16	7715128BG	SCREW	4		



# DRAWING 26A - REAR MUDGUARD GROUP FRAME



TEL01602

# DRAWING 26A - REAR MUDGUARD

## GROUP FRAME



POS.	CODE	DESCRIPTION	QTY	VALIDITY	NOTES
1	56511421A	REAR LOWER MUDGUARD	1		
2	565P1411AA	REAR MUDGUARD	1		
3	4601M341A	COVER	1		
4	77214411BA	SCREW, SPECIAL	7		
5	77240253C	SCREW	1		
6	85044691A	QUICK FASTENING	5		
7	4381G371A	ITA FLAG STICKER	1		



# DRAWING 26A - REAR MUDGUARD [XCO:MSG]

## GROUP FRAME

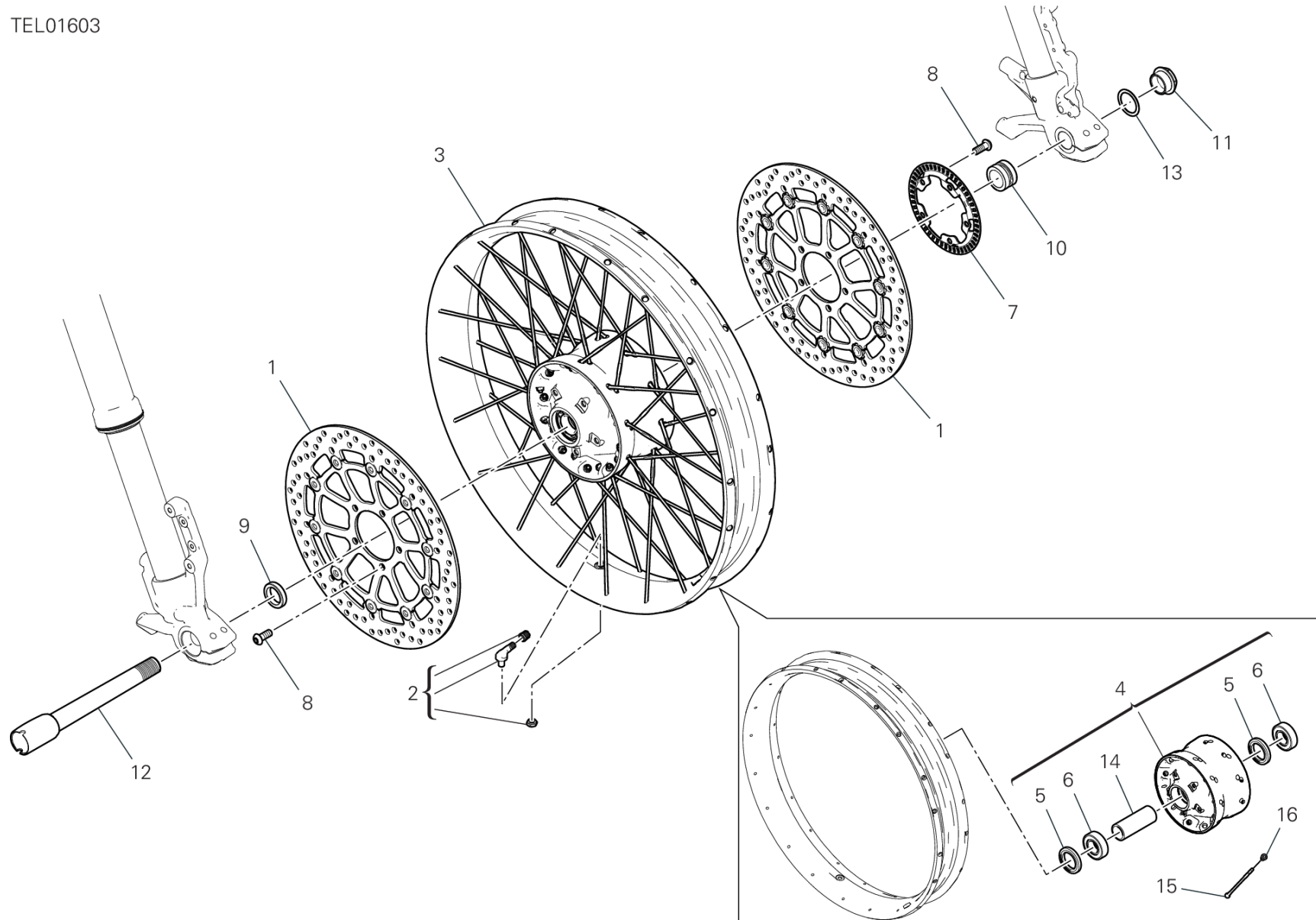


POS.	CODE	DESCRIPTION	QTY	VALIDITY	NOTES
1	56511421A	REAR LOWER MUDGUARD	1		
2	565P1411AB	REAR MUDGUARD	1		
3	4601M341A	COVER	1		
4	77214411BA	SCREW, SPECIAL	7		
5	77240253C	SCREW	1		
6	85044691A	QUICK FASTENING	5		
7	4381G371A	ITA FLAG STICKER	1		
8	4381F331A	TRANSFER	1		



# DRAWING 27A - FRONT WHEEL GROUP FRAME

TEL01603



# DRAWING 27A - FRONT WHEEL

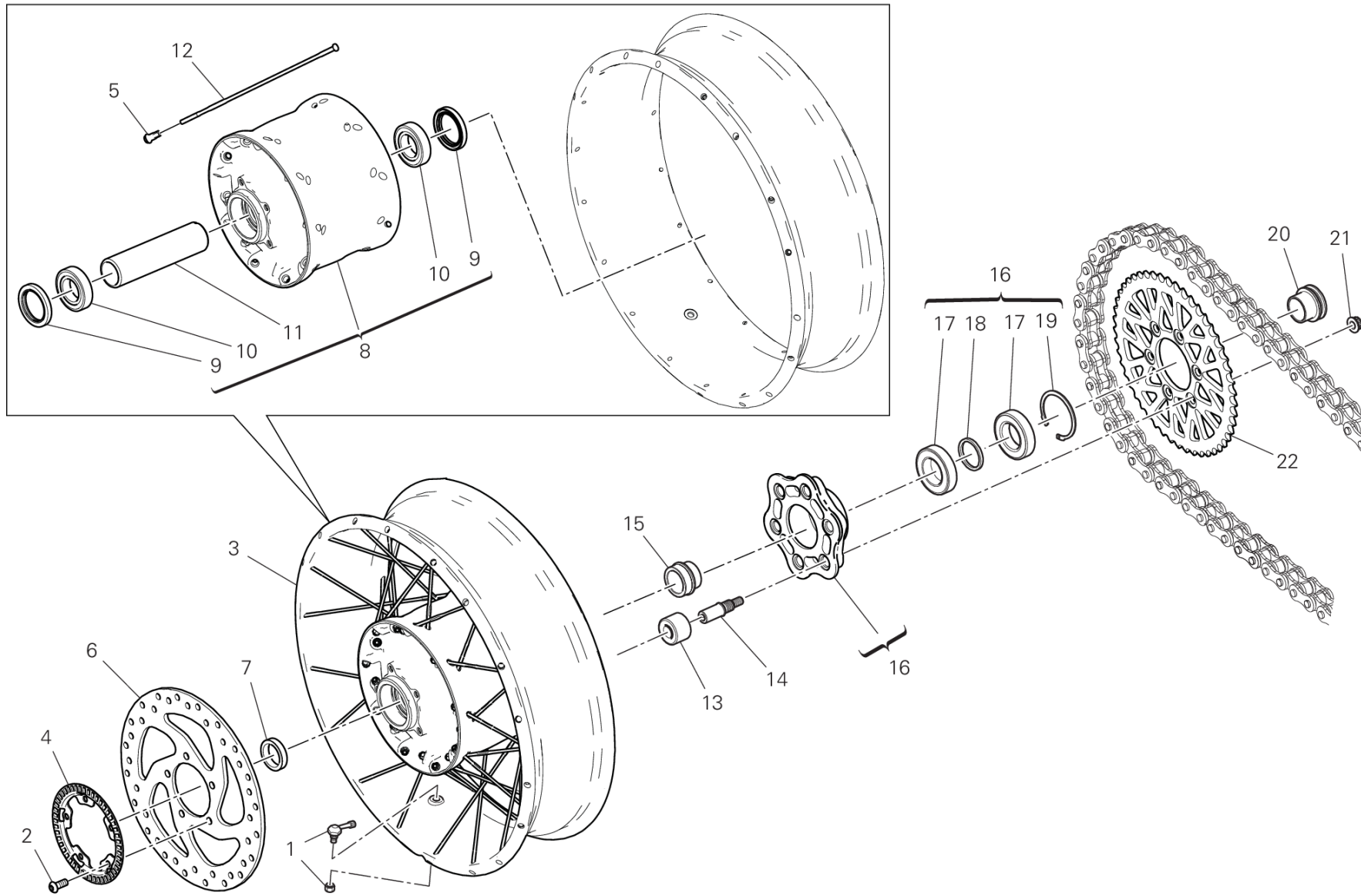
## GROUP FRAME



POS.	CODE	DESCRIPTION	QTY	VALIDITY	NOTES
1	49241551A	FRONT BRAKE DISC	2		
2	49720071AC	VALVE, TUBELESS TIRE	1		
3	50122752AA		1		
4	16220881BA	HUB, FRONT WHEEL	1		
5	93041501A	SEAL RING	2		
6	70250621A	BEARING	2		
7	50420381AA	PHONIC WHEEL	1		
8	72010513C	SCREW	10		
9	71311961A	RIGHT SPACER	1		
10	71311973A	LEFT SPACER	1		
11	74810651A	NUT	1		
12	81910601BA	FRONT WHEEL SPINDLE	1		
13	85212221A	WASHER	1		
14	71410941A	INNER SPACER	1		
15	49610141B	SPOKE, WHEEL	40		
16	81510411AA	NIPPLE, SPOKE	40		



# DRAWING 28A - REAR WHEEL GROUP FRAME



TEL01604

# DRAWING 28A - REAR WHEEL

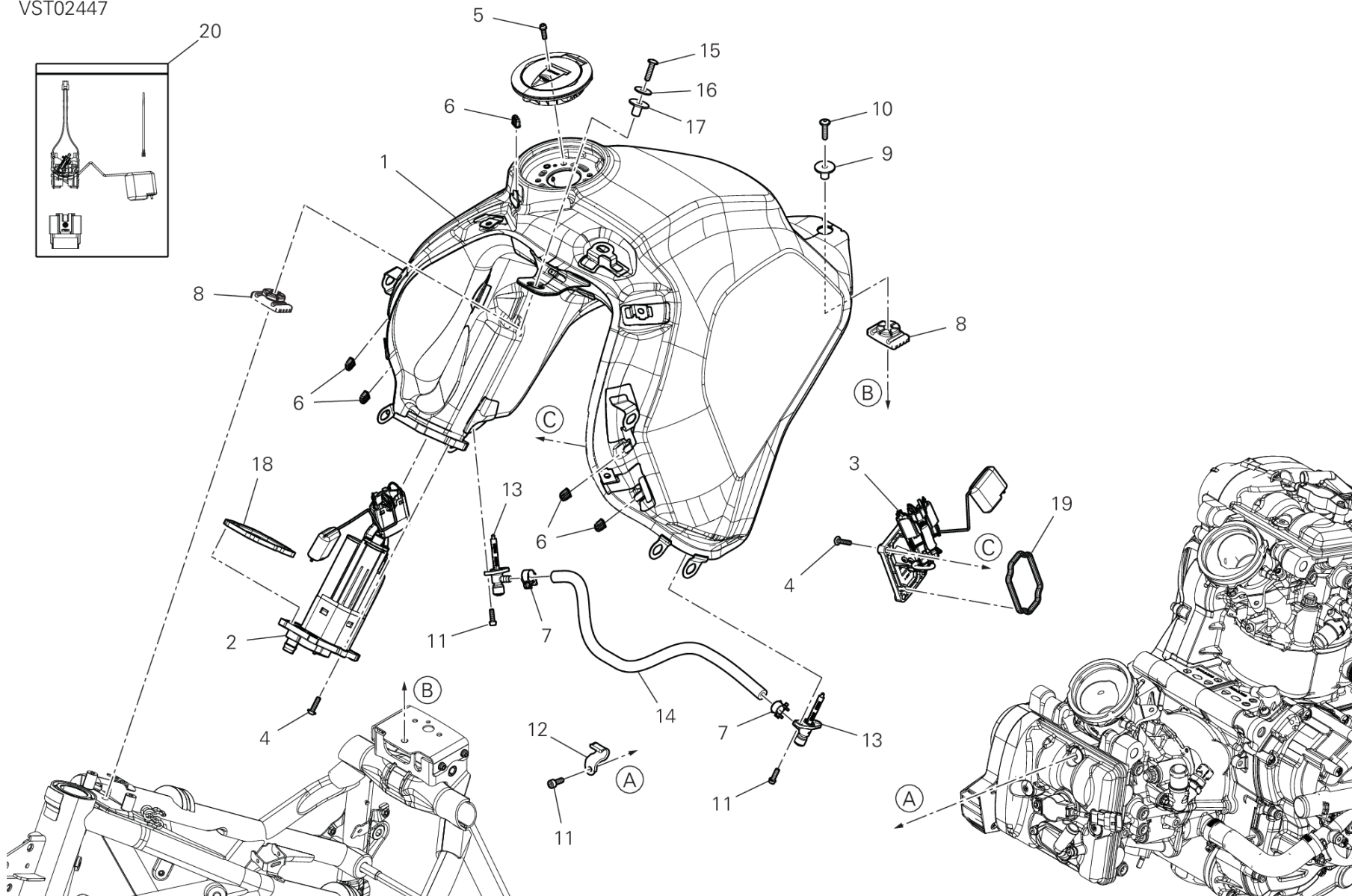
## GROUP FRAME



POS.	CODE	DESCRIPTION	QTY	VALIDITY	NOTES
1	49720071AC	VALVE, TUBELESS TIRE	1		
2	72010513C	SCREW	5		
3	50222452AA		1		
4	504Z0381AA	PHONIC WHEEL	1		
5	81510411AA	NIPPLE, SPOKE	36		
6	49241531A	REAR BRAKE DISC	1		
7	71312051A	INNER SPACER	1		
8	16220892BA	MOZZO POSTERIORE	1		
9	93040391A	SEAL RING	2		
10	70250681A	BEARING	2		
11	71413441A	INNER SPACER	1		
12	49610131A	SPOKE, WHEEL	36		
13	70010591A	WHEEL RUNNER BUSH	6		
14	82114741AA	SPRING DRIVE FIXING BUSH	6		
15	7131A371AA	SPACER	1		
16	16022501A	DRUM, SPROCKET MOUNTING ASSY	1		
17	70240381A	BEARING	2		
18	71311841A	INNER SPACER	1		
19	88440061A	CIRCLIP	1		
20	7131A361AA	FINAL SPROKET SLEEVE	1		
21	74810461A	NUT, FLANGE M10X1	6		
22	49417021AA		1		



VST02447



# DRAWING 29A - FUEL TANK [XCO:NGWS]

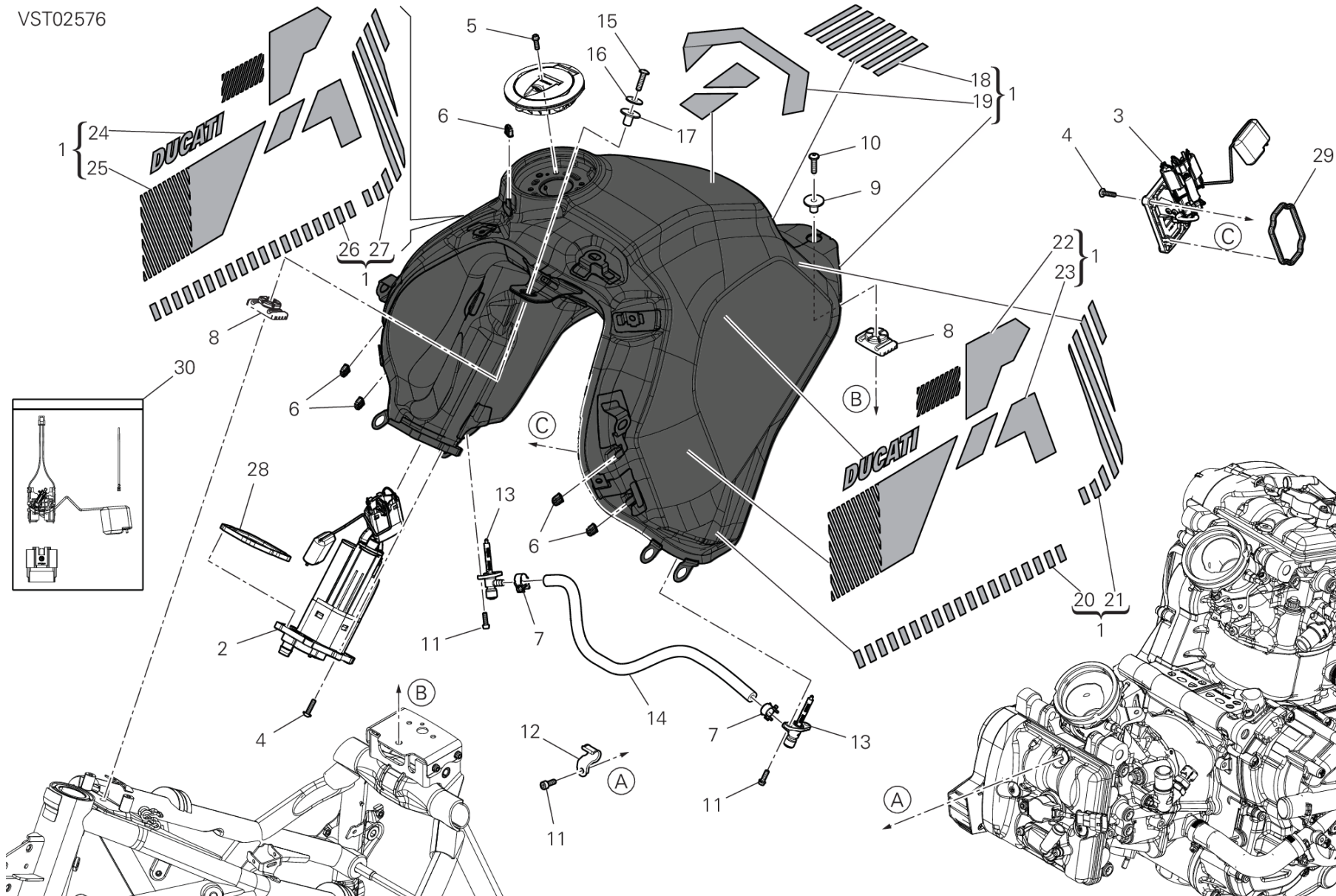
## GROUP FRAME



POS.	CODE	DESCRIPTION	QTY	VALIDITY	NOTES
1	58613091FA	FUEL TANK	1		
2	16024421B	FUEL PUMP	1		
3	59210321B	FUEL LEVEL GAUGE	1		
4	77244213B	SCREW	10		
5	77156418B	SCREW TCEIF M5X16	4		
6	76411891A	PROTECTION SHEATH	5		
7	74142121A	CLAMP	2		
8	86612561A	PAD	2		
9	71615611AA	SPACER	1		
10	77240463C	VITE TBEIF	1		
11	77150638B	SCREW TCEI M6X12	5		
12	8301B831AA	BRACKET	1		
13	58840232A	FUEL COCK	2		
14	59019111A	PIPE	1		
15	77244398BA	SCREW	1		
16	85215181A	WASHER	1		
17	71616401A	SPACER	1		
18	69929221A	GASKET	1		
19	69929751A	GASKET	1		
20	42520091A		1		



VST02576



## DRAWING 29A - FUEL TANK [XCO:MSG]

## GROUP FRAME

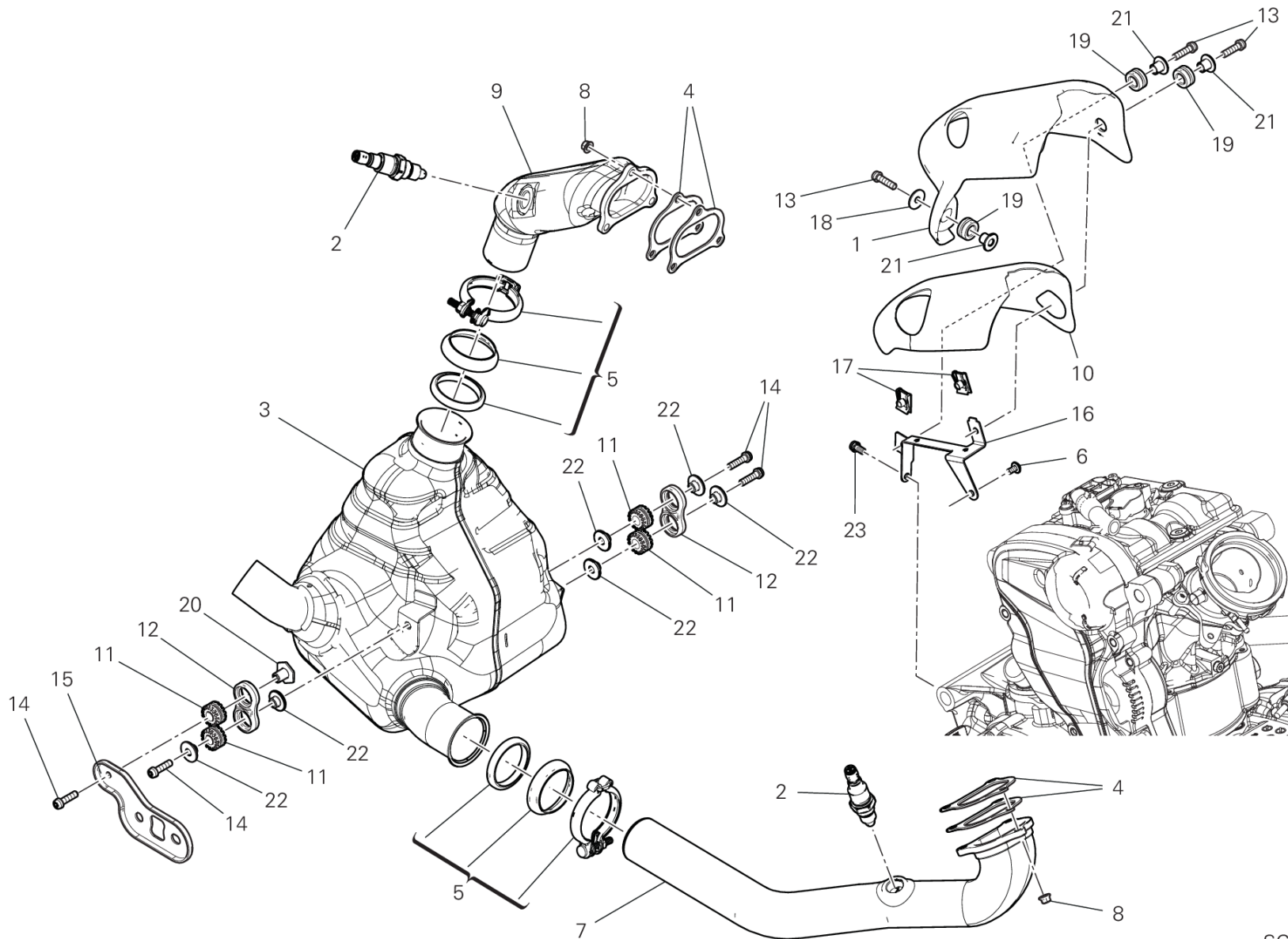


POS.	CODE	DESCRIPTION	QTY	VALIDITY	NOTES
1	58613091FB	FUEL TANK	1		
2	16024421B	FUEL PUMP	1		
3	59210321B	FUEL LEVEL GAUGE	1		
4	77244213B	SCREW	10		
5	77156418B	SCREW TCEIF M5X16	4		
6	76411891A	PROTECTION SHEATH	5		
7	74142121A	CLAMP	2		
8	86612561A	PAD	2		
9	71615611AA	SPACER	1		
10	77240463C	VITE TBEIF	1		
11	77150638B	SCREW TCEI M6X12	5		
12	8301B831AA	BRACKET	1		
13	58840232A	FUEL COCK	2		
14	59019111A	PIPE	1		
15	77244398BA	SCREW	1		
16	85215181A	WASHER	1		
17	71616401A	SPACER	1		
18	4381G861A	UPPER TANK DECAL	1		
19	4381G921A	UPPER TANK DECAL	1		
20	4381G801A		1		
21	4381G811A		1		
22	4381G831A		1		
23	4381G821A		1		
24	4381G851A		1		
25	4381G841A		1		
26	4381G781A		1		
27	4381G791A		1		
28	69929221A	GASKET	1		
29	69929751A	GASKET	1		
30	42520091A		1		



# DRAWING 30A - EXHAUST MANIFOLD

## GROUP FRAME



SCR00402

# DRAWING 30A - EXHAUST MANIFOLD

## GROUP FRAME

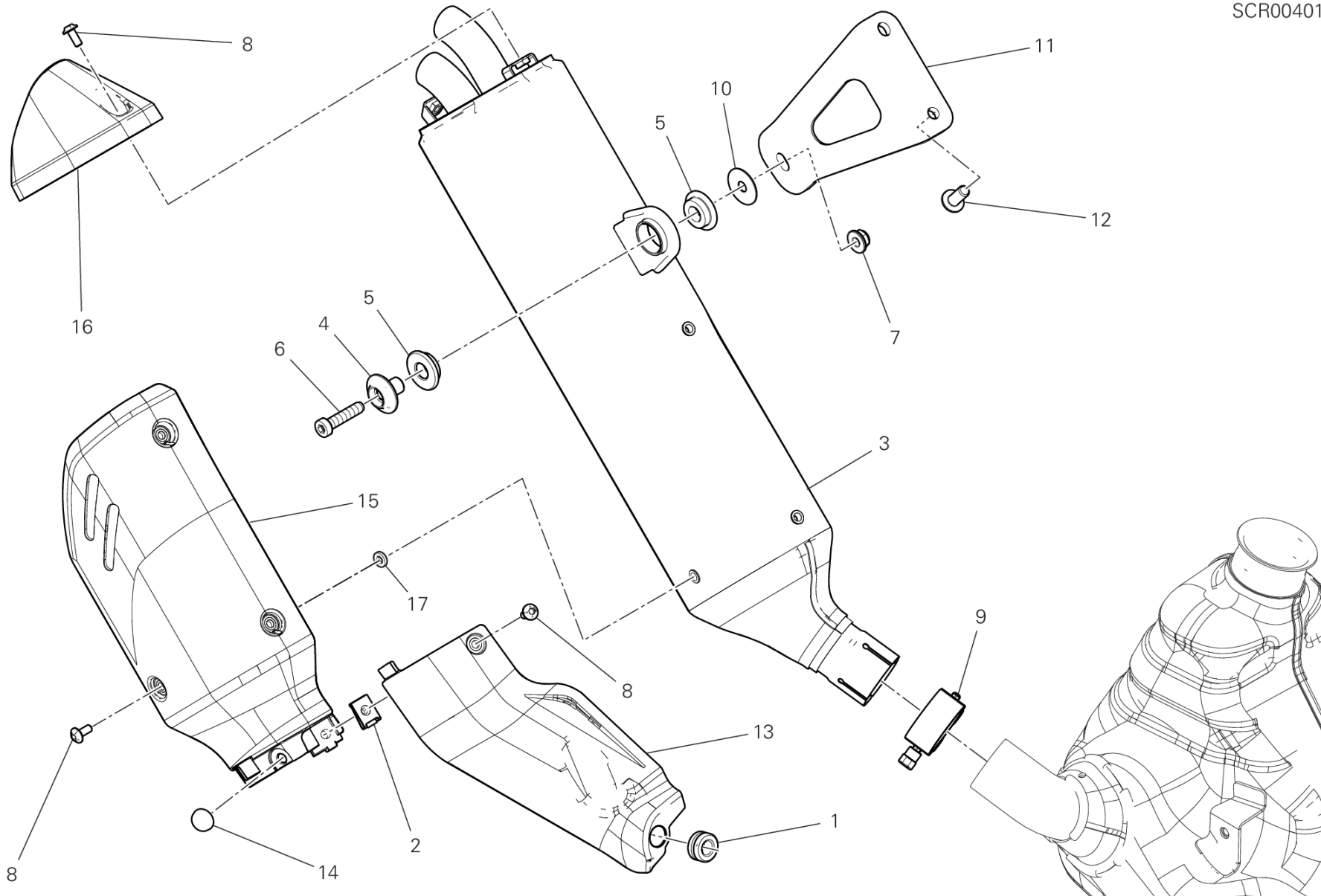


POS.	CODE	DESCRIPTION	QTY	VALIDITY	NOTES
1	46111121B	HEAT GUARD VERTICAL	1		
2	55214491B	SENSOR LAMBDA SOND	2		
3	57212122C	PRESILENCER	1	XST:AUS,CAL,CDN	
	57212151A	PRESILENCER	1	XST:EUR,JPN,GSO,ROK,TWN,TUR	
4	79010151A	GASKET, EXHAUST PIPE	4		
5	575P0071A	EXHAUST JOINT KIT	2		
6	77244163B	SCREW TBEI M5X10	1		
7	57015182C	HORIZONTAL EXHAUST PIPE	1		
8	74810361A	NUT	6		
9	57115142A	VERTICAL EXHAUST PIPE	1		
10	4601L322A	HEAT GUARD	1		
11	76410241A	VIBRATION DAMPER PAD	4		
12	57610671A	BRACKET, SILENCER	2		
13	77156683B	SCREW	3		
14	77156688B	SCREW TCEIF	4		
15	8301I951AA	BRACKET, MUFFLER SUPPORT	1		
16	8301L102BA	HEAT GUARD SUPPORT BRACKET	1		
17	85040381A	QUICK FASTENING	2		
18	85211671B	WASHER	1		
19	76412101B	RUBBER PAD	3		
20	71011491A	SPINDLE, TAPER	1		
21	71610221BB	SPACER 6.5X10X9.5	3		
22	71614141A	SPACER 6.25X10X5.75	6		
23	77156623B	SCREW TCEIF M6X10 8.8	1		



# DRAWING 30B - EXHAUST SILENCER GROUP FRAME

SCR00401



# DRAWING 30B - EXHAUST SILENCER

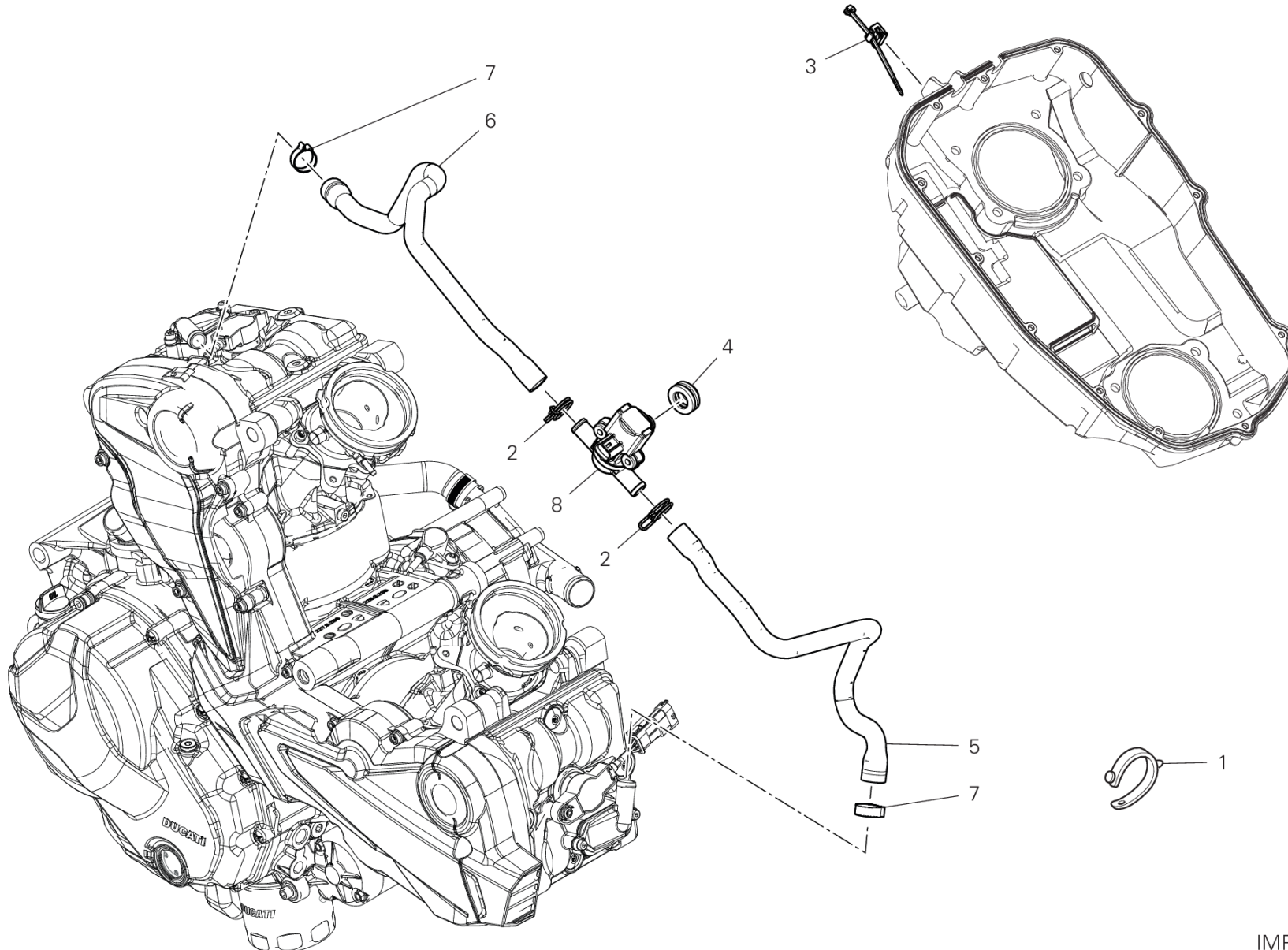
## GROUP FRAME



POS.	CODE	DESCRIPTION	QTY	VALIDITY	NOTES
1	76412101B	RUBBER PAD	1		
2	85044691A	QUICK FASTENING	1		
3	57315411C	SILENCER	1		
4	71314361AB	BUSH	1		
5	76410011A	DAMPER	2		
6	77355068B	SCREW TCEIR M8X35	1		
7	74940321A	NUT	1		
8	77244173B	SCREW	6		
9	74142901A	CLAMP	1		
10	85212901A	WASHER	1		
11	8301L451AA	BRACKET	1		
12	77240593C	SCREW	2		
13	4601L821A	HEAT GUARD	1		
14	86612661A	PAD	1		
15	4601L871A	HEAT GUARD	1		
16	4601L881A	SILENCER ENDCAP	1		
17	85213081A	WASHER	3		



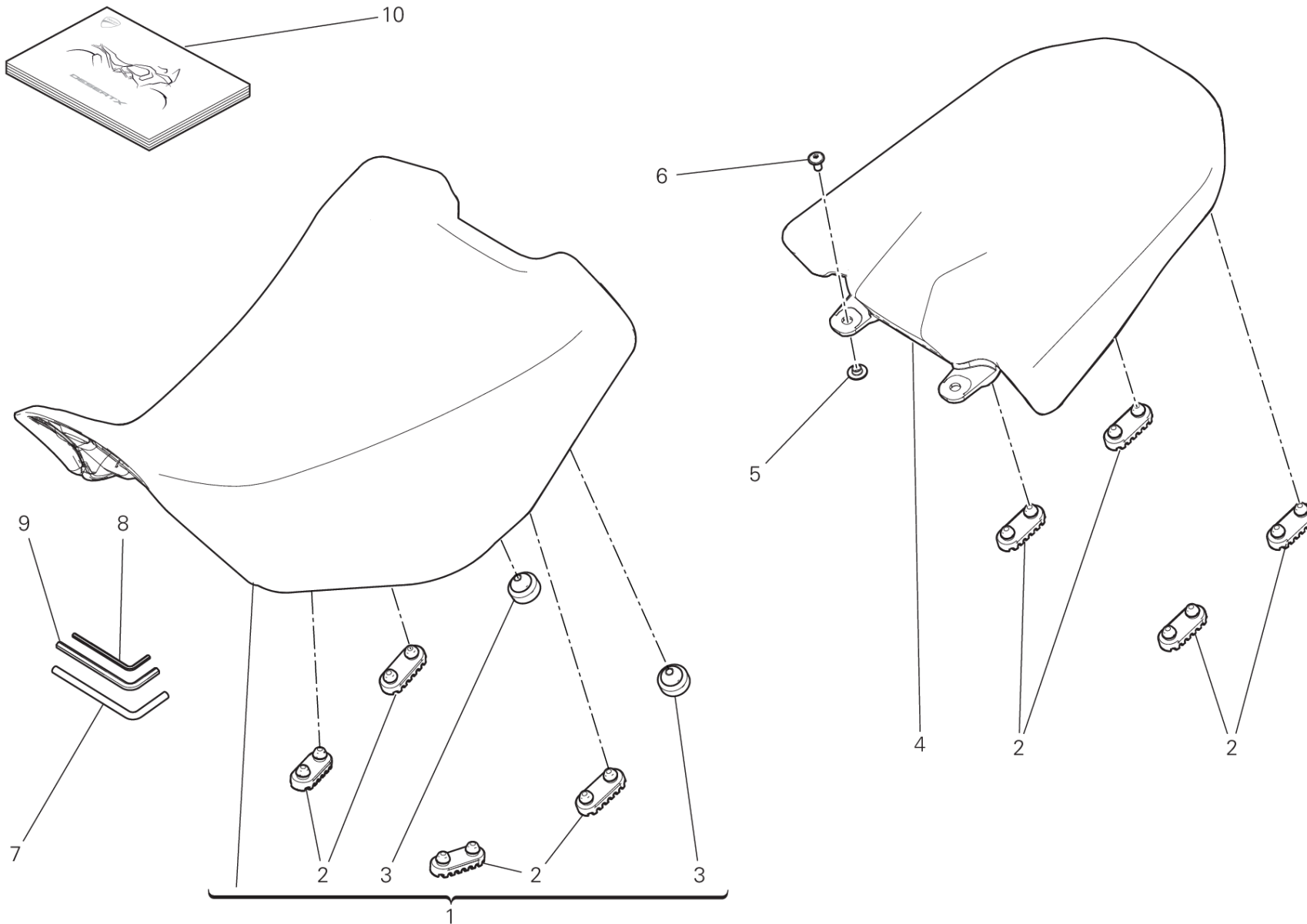
# DRAWING 30C - SECONDARY AIR SYSTEM GROUP FRAME



IMP01397



POS.	CODE	DESCRIPTION	QTY	VALIDITY	NOTES
1	74110121A	CLAMP, RUBBER 62MM	1		
2	74142401A	CLAMP	2		
3	75840801A	CLAMP	1		
4	76411621A	RUBBER PAD	1		
5	87611552A	THERMOSTAT PUMP HOSE HORIZONTAL	1		
6	87611542A	THERMOSTAT PUMP HOSE VERTICAL	1		
7	74142371A	CLAMP	2		
8	65540081A	ACTUATOR	1		



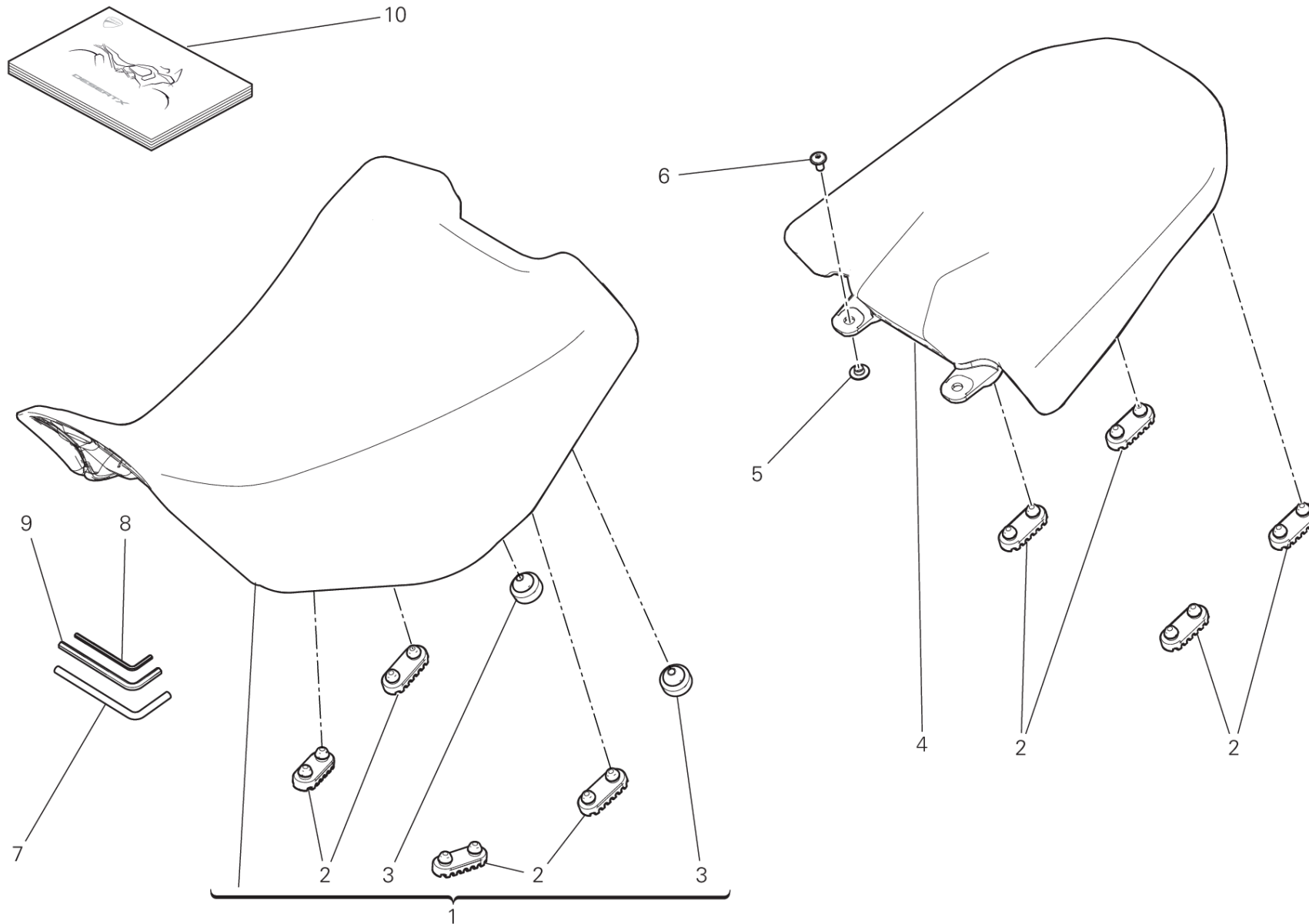
VST02446

# DRAWING 31A - SEAT

## GROUP FRAME



POS.	CODE	DESCRIPTION	QTY	VALIDITY	NOTES
1	59516921B	SEAT	1	XST:AUS,CAL,CDN,JPN,GSO,TUR	
	59516921B	SEAT	1	XST:EUR	
	96881121BA		1	XST:ROK,TWN	
2	86610191A	CUSHION, SEAT	8		
3	86610611A	RUBBER PAD	2		
4	59516931A	PILLION RIDER SEAT	1		
5	71611071A	SPACER	2		
6	77240403C	SCREW	2		
7	69710391A	BENT SCREWDRIVER	1		
8	69710161A	3 MM ALLEN WRENCH	1		
9	69710141A	5 MM ALLEN WRENCH	1		
10	91376051AR	OWNER'S MANUAL	1		ARABIC
	91376051BG	OWNER'S MANUAL	1		BULGARIAN
	91376051CA	OWNER'S MANUAL	1		CANADA / FRA
	91376051CS	OWNER'S MANUAL	1		CZECH REPUBLIC
	91376051DA	OWNER'S MANUAL	1		DANISH
	91376051DE	OWNER'S MANUAL	1		GERMAN
	91376051EL	OWNER'S MANUAL	1		GREEK
	91376051EN	OWNER'S MANUAL	1		ENGLISH
	91376051ES	OWNER'S MANUAL	1		SPANISH
	91376051FI	OWNER'S MANUAL	1		FINNISH
	91376051FR	OWNER'S MANUAL	1		FRENCH
	91376051HR	OWNER'S MANUAL	1		CROATIAN
	91376051HU	OWNER'S MANUAL	1		HUNGARIAN
	91376051IT	OWNER'S MANUAL	1		ITALIAN
	91376051JA	OWNER'S MANUAL	1		JAPANESE
	91376051KO	OWNER'S MANUAL	1		KOREAN
	91376051MX	OWNER'S MANUAL	1		MEXICAN
	91376051NL	OWNER'S MANUAL	1		HOLLAND
	91376051NO	OWNER'S MANUAL	1		NORWEGIAN
	91376051PL	OWNER'S MANUAL	1		POLISH
	91376051PT	OWNER'S MANUAL	1		PORTUGUESE
	91376051RO	OWNER'S MANUAL	1		ROMANIAN
	91376051RU	OWNER'S MANUAL	1		RUSSIAN
	91376051SK	OWNER'S MANUAL	1		SLOVAK



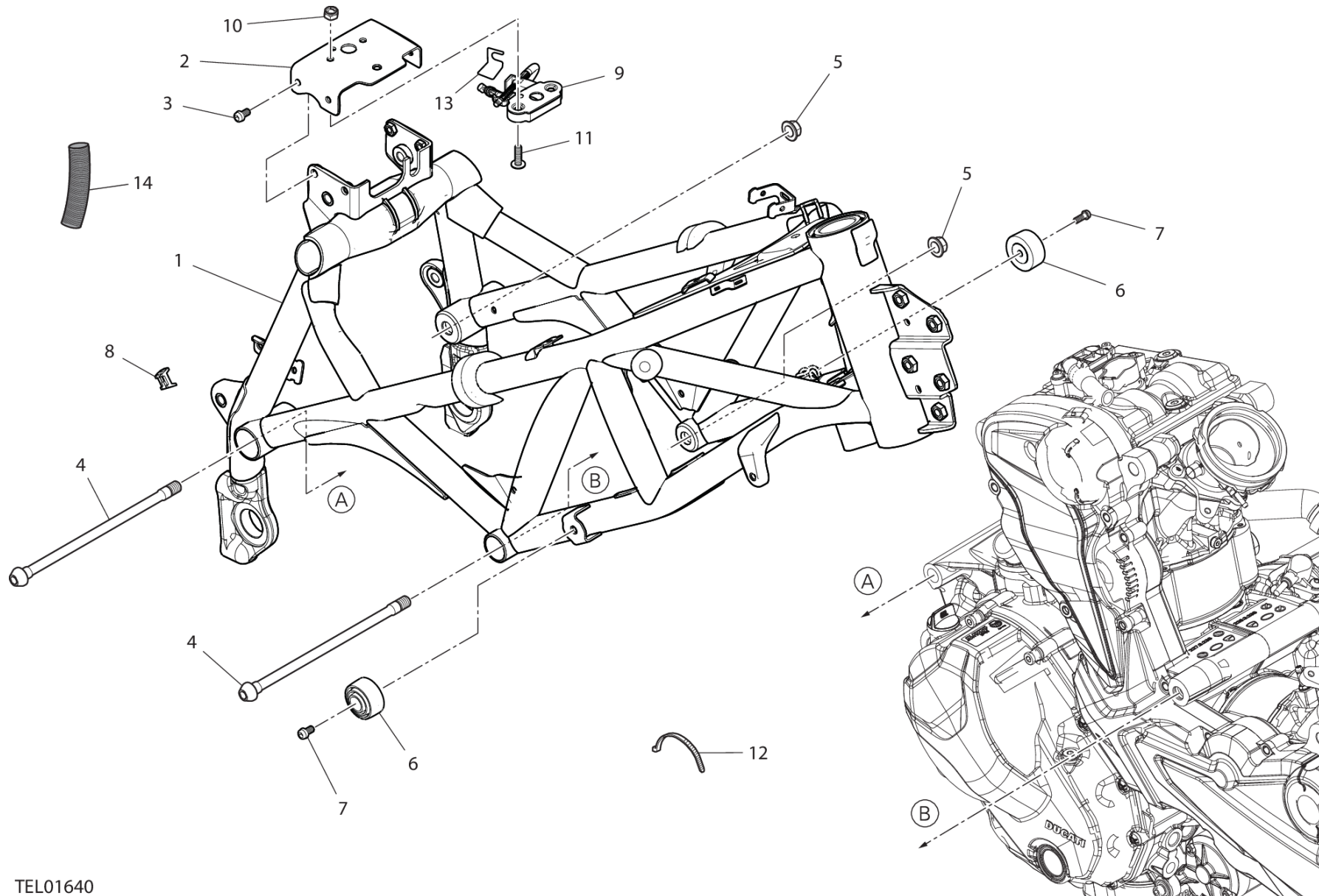
VST02446

# DRAWING 31A - SEAT

## GROUP FRAME



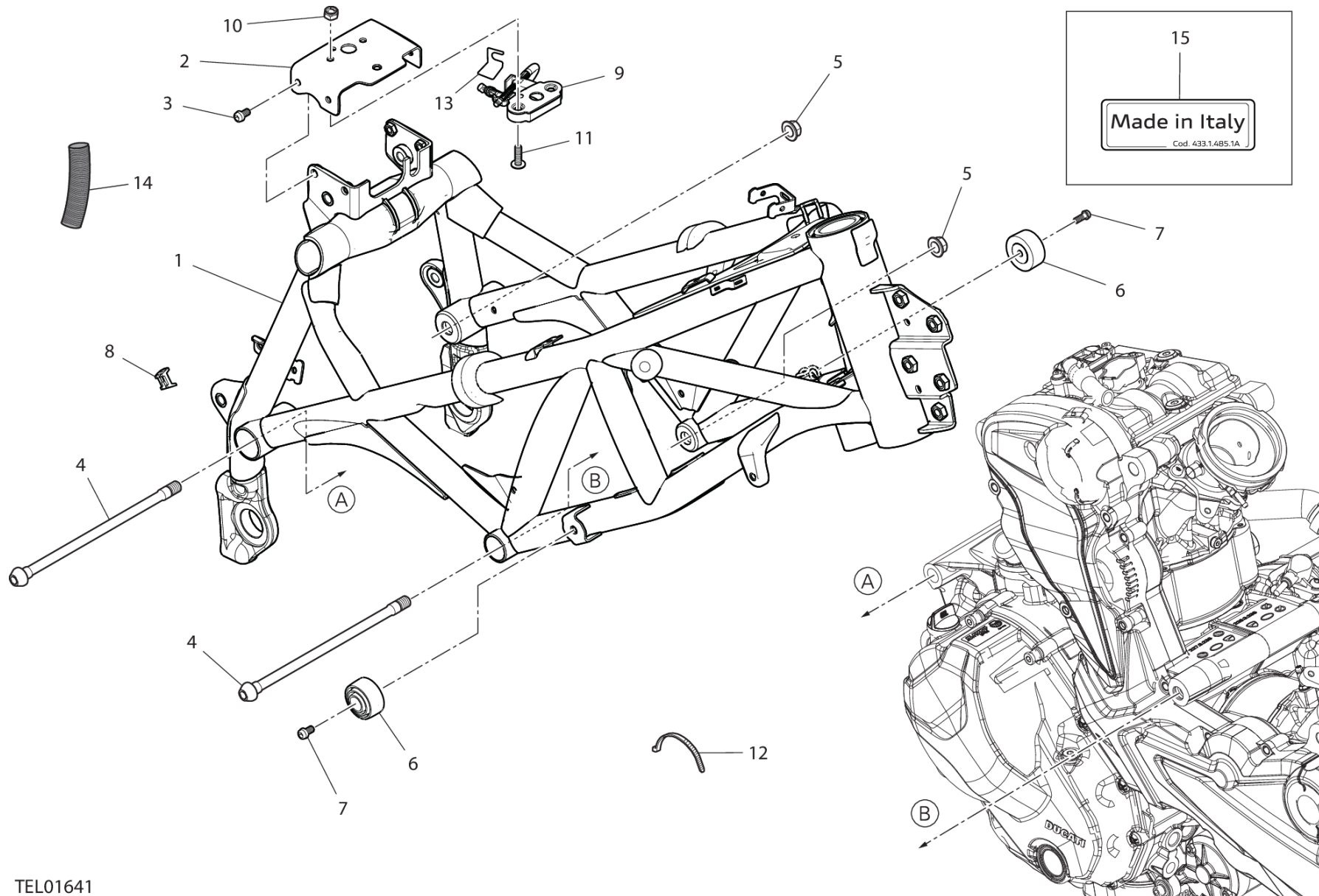
POS.	CODE	DESCRIPTION	QTY	VALIDITY	NOTES
	91376051SL	OWNER'S MANUAL	1		SLOVENIAN
	91376051SV	OWNER'S MANUAL	1		SWEDISH
	91376051US	OWNER'S MANUAL	1		USA
	91376051ZH	OWNER'S MANUAL	1		TRADITIONAL CHINESE



TEL01640



POS.	CODE	DESCRIPTION	QTY	VALIDITY	NOTES
1	47018381BA	FRAME	1		
2	8271H591AA		1		
3	77211021A	SCREW TBEIF M6X10	4		
4	7791A131AA	PIN	2		
5	74841011AA	NUT, FLANGE	2		
6	86610621A	RUBBER PAD	2		
7	77156628B	SCREW TCEIF M6X10	2		
8	85040671A	CLAMP TUCKER	1		
9	59840531A	STRIKER, SEAT LOCK	1		
10	74941333B	NUT	2		
11	77240443C	SCREW	2		
12	069191030	CLAMP	2		
13	82719261A	CLIP	1		
14	4601H701A	PROTECTION SHEATH	1		



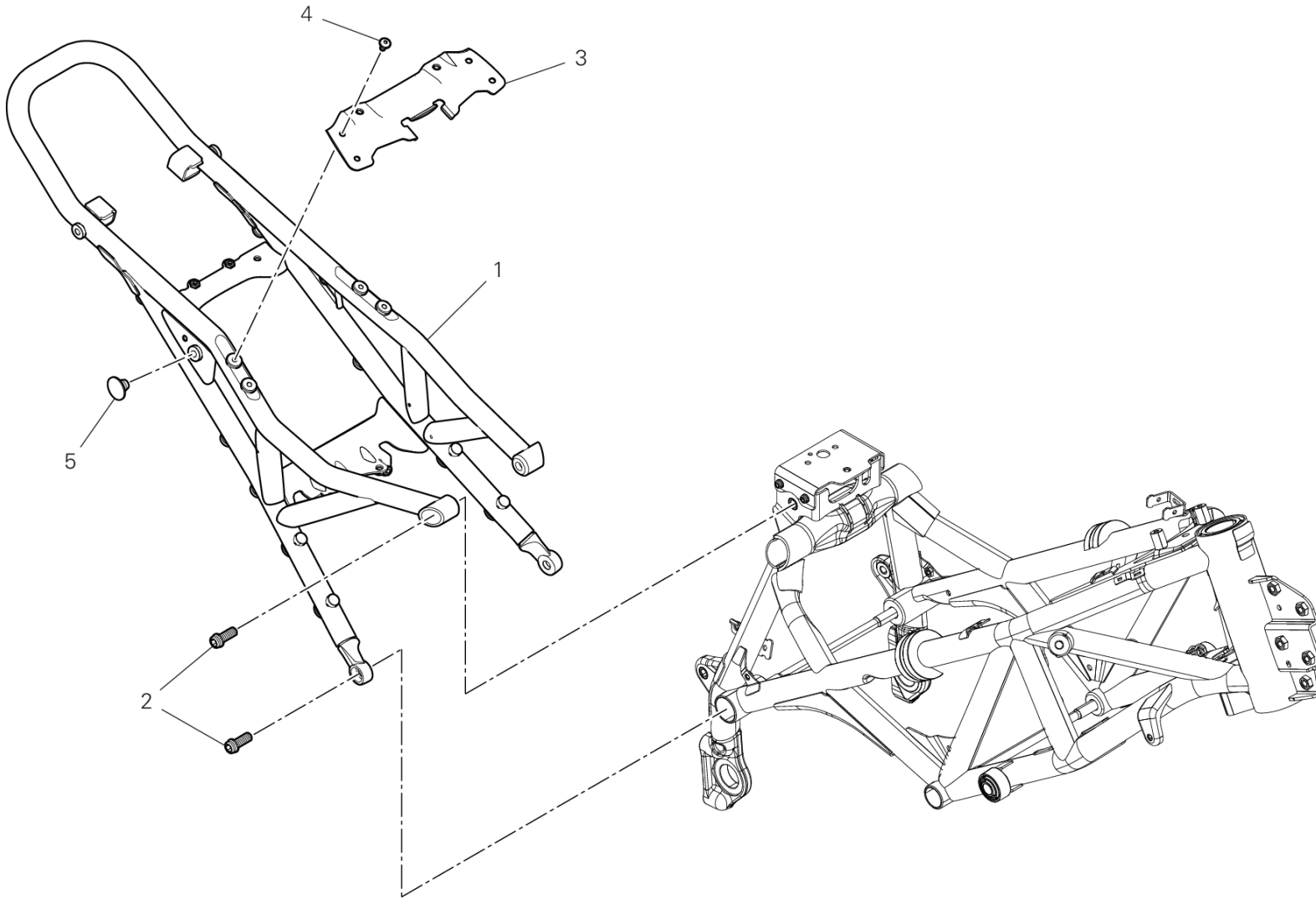
TEL01641

# DRAWING 32A - FRAME [XST:ROK]

## GROUP FRAME



POS.	CODE	DESCRIPTION	QTY	VALIDITY	NOTES
1	47018381BA	FRAME	1		
2	8271H591AA		1		
3	77211021A	SCREW TBEIF M6X10	4		
4	7791A131AA	PIN	2		
5	74841011AA	NUT, FLANGE	2		
6	86610621A	RUBBER PAD	2		
7	77156628B	SCREW TCEIF M6X10	2		
8	85040671A	CLAMP TUCKER	1		
9	59840531A	STRIKER, SEAT LOCK	1		
10	74941333B	NUT	2		
11	77240443C	SCREW	2		
12	069191030	CLAMP	2		
13	82719261A	CLIP	1		
14	4601H701A	PROTECTION SHEATH	1		
15	43314851A	MARKING PLATE	1		



TEL01606

# DRAWING 32B - REAR FRAME COMP.

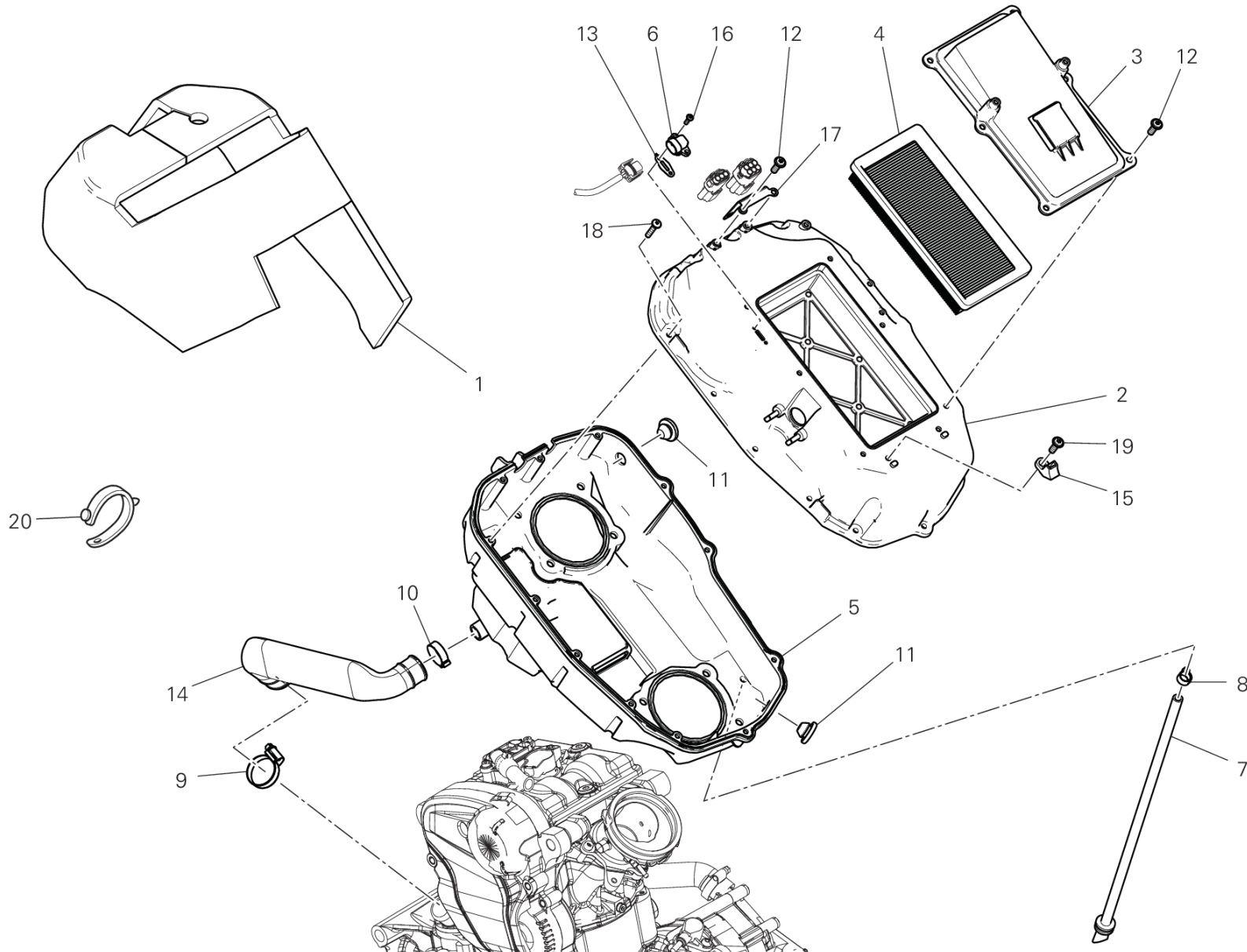
## GROUP FRAME



POS.	CODE	DESCRIPTION	QTY	VALIDITY	NOTES
1	47018391BA	REAR FRAME COMP.	1	XST:AUS,CAL,CDN,EUR,JPN,GSO,TWN,TUR	
2	7715754BG	SCREW TCEIF M10X25	4		
3	8271H581AA	BRACKET, SEAT	1		
4	77240403C	SCREW	4		
5	87240821A	PLUG	4		



# DRAWING 34A - AIR INTAKE - OIL BREATHER GROUP FRAME



RAF00760

# DRAWING 34A - AIR INTAKE - OIL BREATHER

## GROUP FRAME



POS.	CODE	DESCRIPTION	QTY	VALIDITY	NOTES
1	48613051A	SOUNDPROOFING COVERING	1		
2	44219672A	COVER AIR BOX , UPPER	1	XST:AUS,CAL,CDN,EUR,JPN,GSO,ROK,TWN	
	44219673A		1	XST:TUR	
3	24716872A	FILTER COVER UNIT	1	XST:AUS,CAL,CDN,EUR,JPN,GSO,ROK,TWN	
	24716873A	FILTER COVER UNIT	1	XST:TUR	
4	42610751A	FILTER, AIR	1		
5	44219664A	COVER AIR BOX , UPPER	1	XST:AUS,CAL,CDN,EUR,JPN,GSO,ROK,TWN	
	44219665A		1	XST:TUR	
6	55240121A	SENSOR, AIR TEMPERATURE	1		
7	59018572A	HOSE, DRAIN AIRBOX	1		
8	74140651A	FASCETTA 11-7 MM	1		
9	74141861A	CLAMP 20-32 MM	1		
10	74142801A	CLAMP	1		
11	76411851A	BYPASS CAP	2		
12	77440203C	SCREW	8		
13	78811041A	GASKET, COOLING WATER SENSOR	1		
14	87614101A	HOSE, BLOW-BY	1		
15	75841121A	FAIRLEAD	1		
16	77440213C	SCREW	2		
17	83011891AA	BRACKET	1		
18	77440571A	SCREW, TAPPING	12		
19	77440228C	SCREW	2		
20	74140381A	CLAMP	3		



# DRAWING 35A - THROTTLE BODY

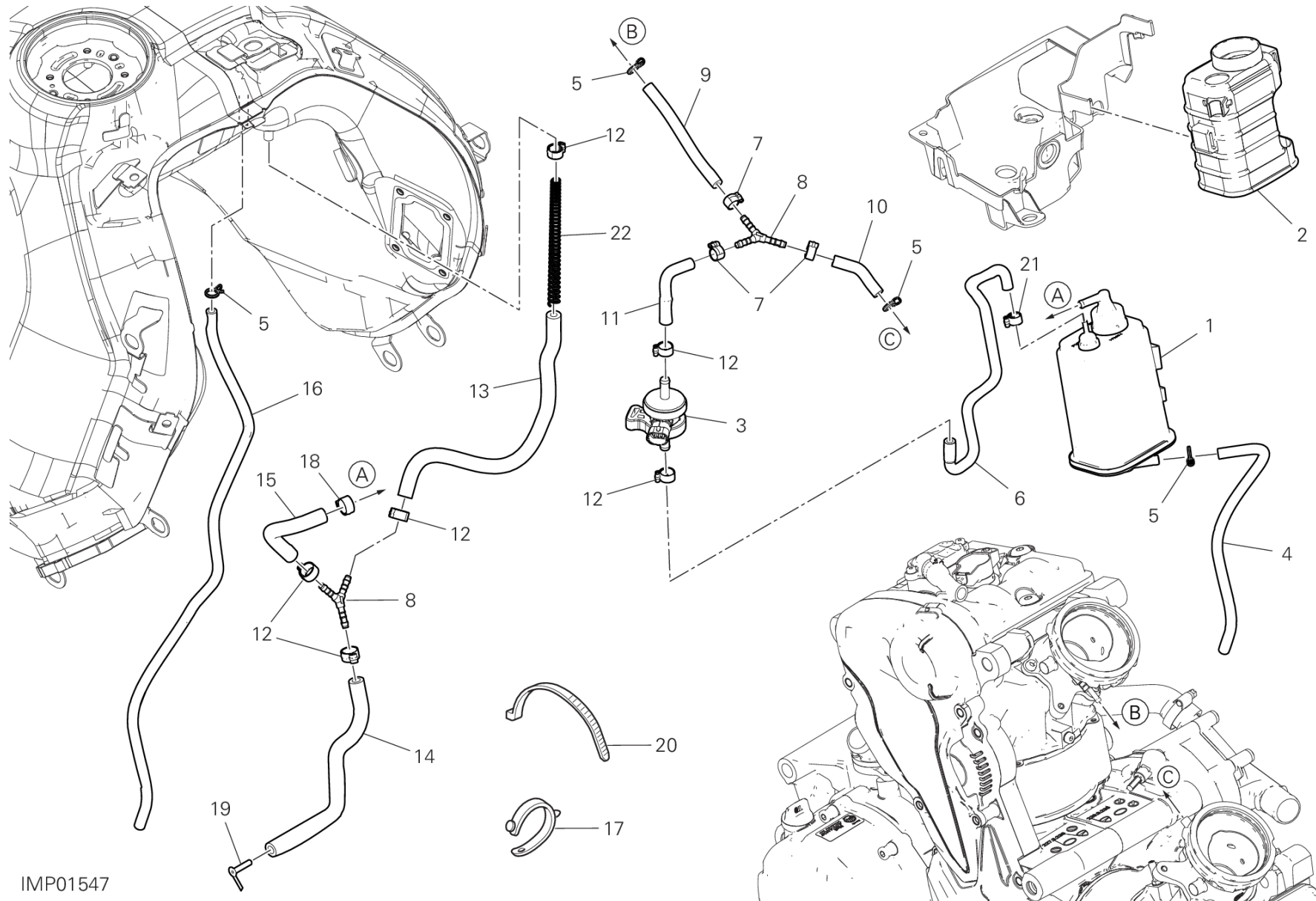
## GROUP FRAME



POS.	CODE	DESCRIPTION	QTY	VALIDITY	NOTES
1	13510471A	AIR FUNNEL	2		
2	28040441A	INJECTOR	2		
3	28240932A	THROTTLE BODY	1		
4	59024171A	COMPLETE PIPE SET	1		
5	77150408B	SCREW TCEI M5X14	2		
6	77214411BA	SCREW, SPECIAL	4		
7	77912741A	SCREW TBEI M6X14	8		
8	78811301A	GASKET AIR FUNNEL	2		
9	88642231A	O-RING	2		
10	74141871A	CLAMP 60-80 MM	2		
11	4601H512A	PROTECTION SHEATH	1		
12	85042131A	CLIP	2		



# DRAWING 35B - CANISTER FILTER GROUP FRAME



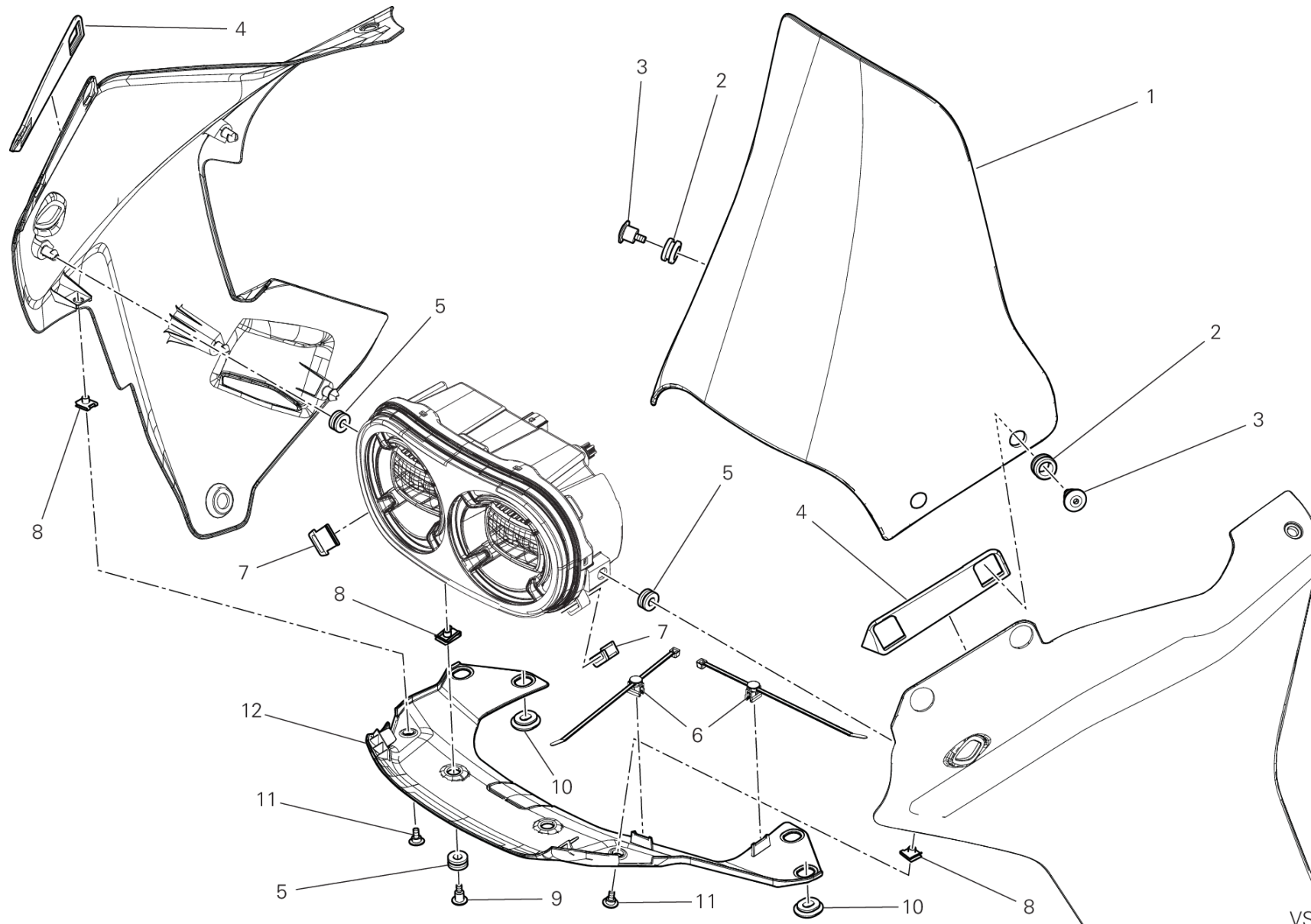
IMP01547

# DRAWING 35B - CANISTER FILTER

## GROUP FRAME



POS.	CODE	DESCRIPTION	QTY	VALIDITY	NOTES
1	42610741A	CANISTER FILTER	1		
2	86613391A	VIBRATION DAMPER	1		
3	65540101A	VALVE, BREATHER	1		
4	93510441A	HOSE	1		
5	74140431A	CLAMP	4		
6	93511151A		1		
7	74141001A	CLAMP 8.5/7	3		
8	81417351A	JOINT Y	2		
9	93511171A	HOSE	1		
10	93511181A	HOSE	1		
11	93511161A		1		
12	74140651A	FASCETTA 11-7 MM	6		
13	93512021A		1		
14	93512171A		1		
15	93512161A	BREATHER PIPE	1		
16	93512181A		1		
17	74110551A	CLAMP, RUBBER 39MM	1		
18	74140631A	CLAMP	1		
19	87211751A	PLUG	1		
20	069191030	CLAMP	1		
21	74140581A	CLAMP	1		
22	79917291A		1		



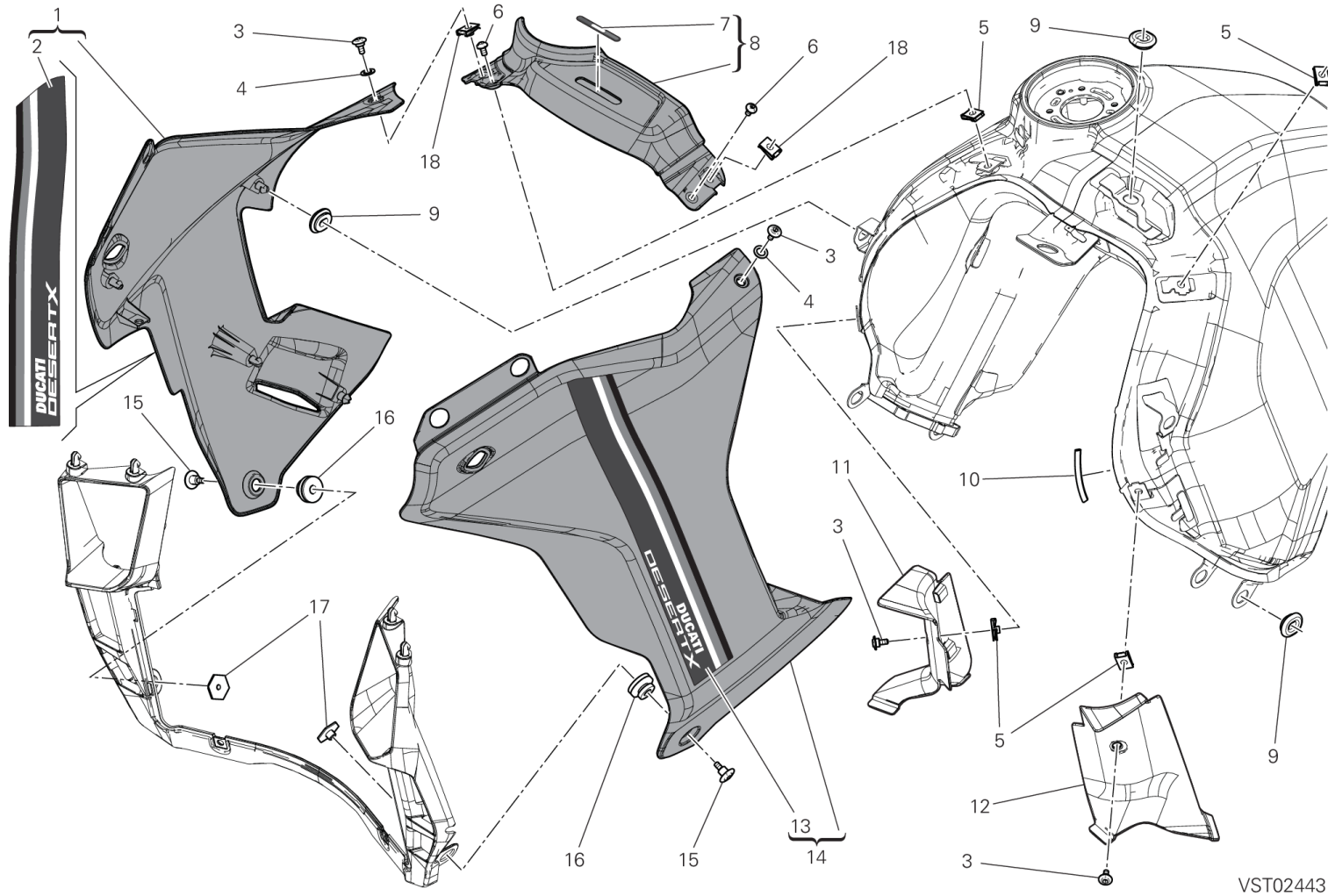
VST02442

# DRAWING 36A - COWLING

## GROUP FRAME



POS.	CODE	DESCRIPTION	QTY	VALIDITY	NOTES
1	48711331A	WINDSHIELD	1		
2	75840621A	RUBBER PAD	4		
3	77918092AA	SCREW, SPECIAL	4		
4	76417671A		2		
5	76411141A	VIBRATION DAMPER PAD	4		
6	75841151A	CLAMP	2		
7	76417691A	RUBBER PAD	2		
8	85044691A	QUICK FASTENING	4		
9	77214221AA	SCREW, SPECIAL	2		
10	76417661A		4		
11	77214411BA	SCREW, SPECIAL	2		
12	4601M211A		1		



VST02443

## DRAWING 36B - FAIRING [XCO:NGWS]

## GROUP FRAME



POS.	CODE	DESCRIPTION	QTY	VALIDITY	NOTES
1	480PC872AA	FAIRING, RH	1		
2	4381F181A		1		
3	77214411BA	SCREW, SPECIAL	4		
4	85212181A	WASHER, NYLON 9X14X1	2		
5	85044691A	QUICK FASTENING	4		
6	77244163B	SCREW TBEI M5X10	2		
7	4381G371A	ITA FLAG STICKER	1		
8	460PM981AA	TANK COVER	1		
9	76417661A		7		
10	76417701A	GOMMINO ANTITAGLIO	1		
11	48412861A	COVER, RADIATOR, RH	1		
12	48412871A	COVER, RADIATOR, LH	1		
13	4381F191A		1		
14	480PC882AA	FAIRING, LH	1		
15	77211121C	SCREW, SPECIAL	2		
16	76410481A	VIBRATION DAMPER	2		
17	71011301A	SPINDLE, TAPER	2		
18	85040471A	QUICK FASTENING M5	2		

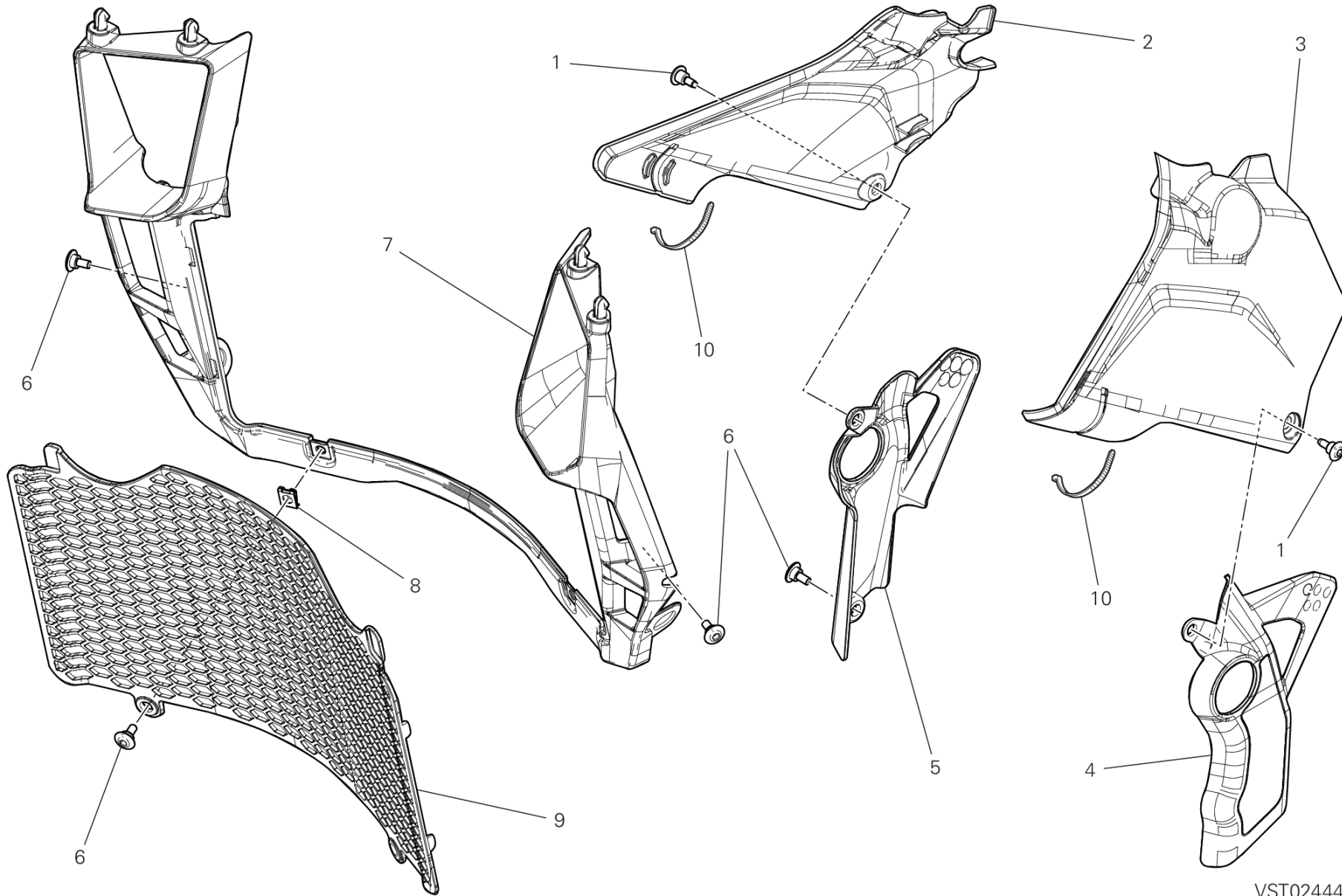


## DRAWING 36B - FAIRING [XCO:MSG]

## GROUP FRAME



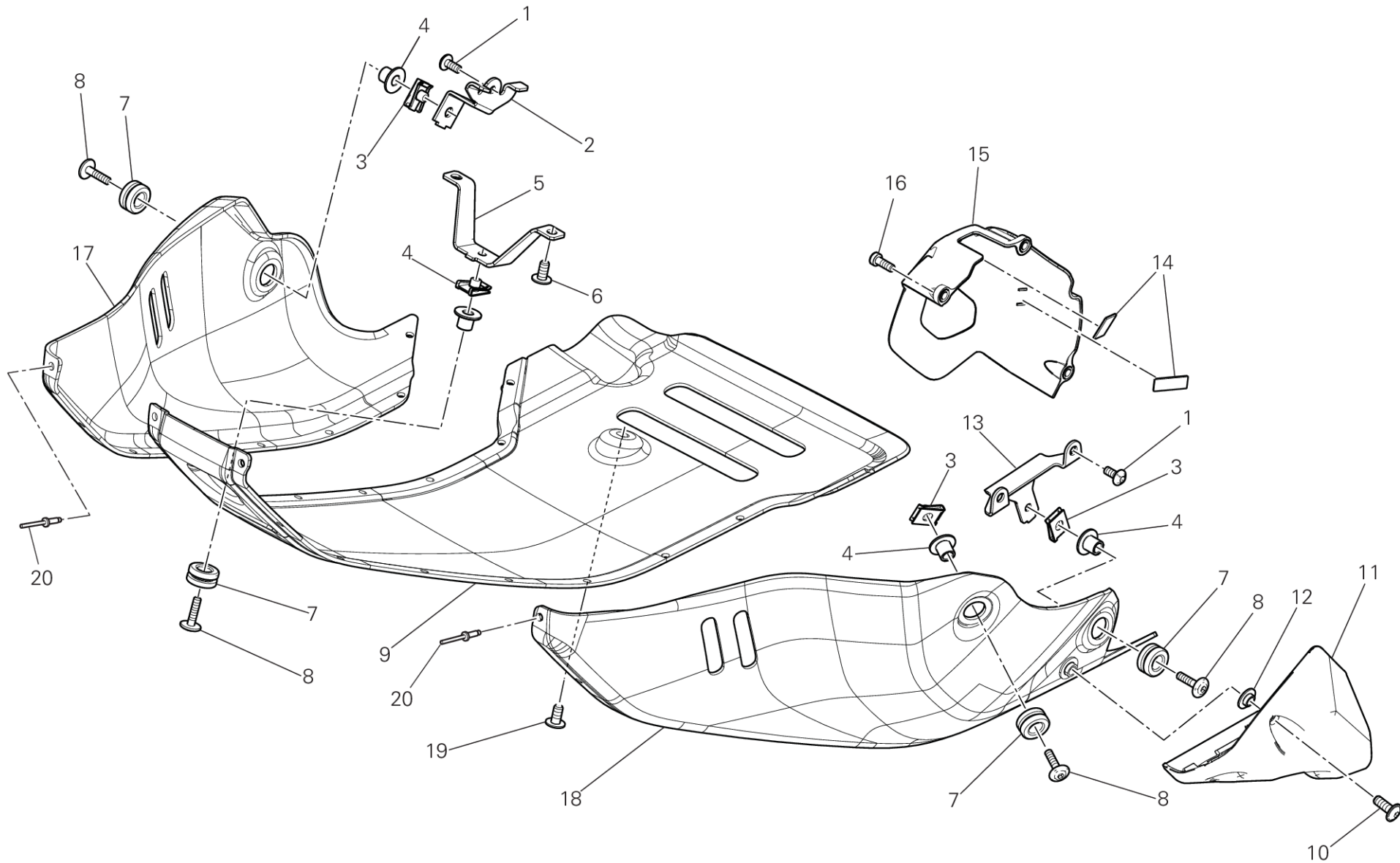
POS.	CODE	DESCRIPTION	QTY	VALIDITY	NOTES
1	480PC881AB	FAIRING, RH	1		
2	4381G901A	RIGHT STICKER	1		
3	77214411BA	SCREW, SPECIAL	4		
4	85212181A	WASHER, NYLON 9X14X1	2		
5	85044691A	QUICK FASTENING	4		
6	77244163B	SCREW TBEI M5X10	2		
7	4381G371A	ITA FLAG STICKER	1		
8	460PM981AB	TANK COVER	1		
9	76417661A		7		
10	76417701A	GOMMINO ANTITAGLIO	1		
11	48412861A	COVER, RADIATOR, RH	1		
12	48412871A	COVER, RADIATOR, LH	1		
13	4381G871A	LEFT STICKER	1		
14	480PC871AB	FAIRING, LH	1		
15	772111121C	SCREW, SPECIAL	2		
16	76410481A	VIBRATION DAMPER	2		
17	71011301A	SPINDLE, TAPER	2		
18	4381G751A	RIGHT STICKER	1		
	85040471A	QUICK FASTENING M5	2		
19	4381G761A	RIGHT STICKER	1		
20	4381G771A	RIGHT STICKER	1		
21	4381G881A	RIGHT STICKER	1		
22	4381G911A	LEFT STICKER	1		
23	4381G891A	LEFT STICKER	1		



VST02444



POS.	CODE	DESCRIPTION	QTY	VALIDITY	NOTES
1	77210841C	SCREW	2		
2	4601M801A		1		
3	4601M791A		1		
4	4601M471A	CAP LH	1		
5	4601M461A	CAP RH	1		
6	77214411BA	SCREW, SPECIAL	7		
7	48412881A		1		
8	85040471A	QUICK FASTENING M5	2		
9	4601M241A		1		
10	069191030	CLAMP	2		



VST02574

DESERT X /23

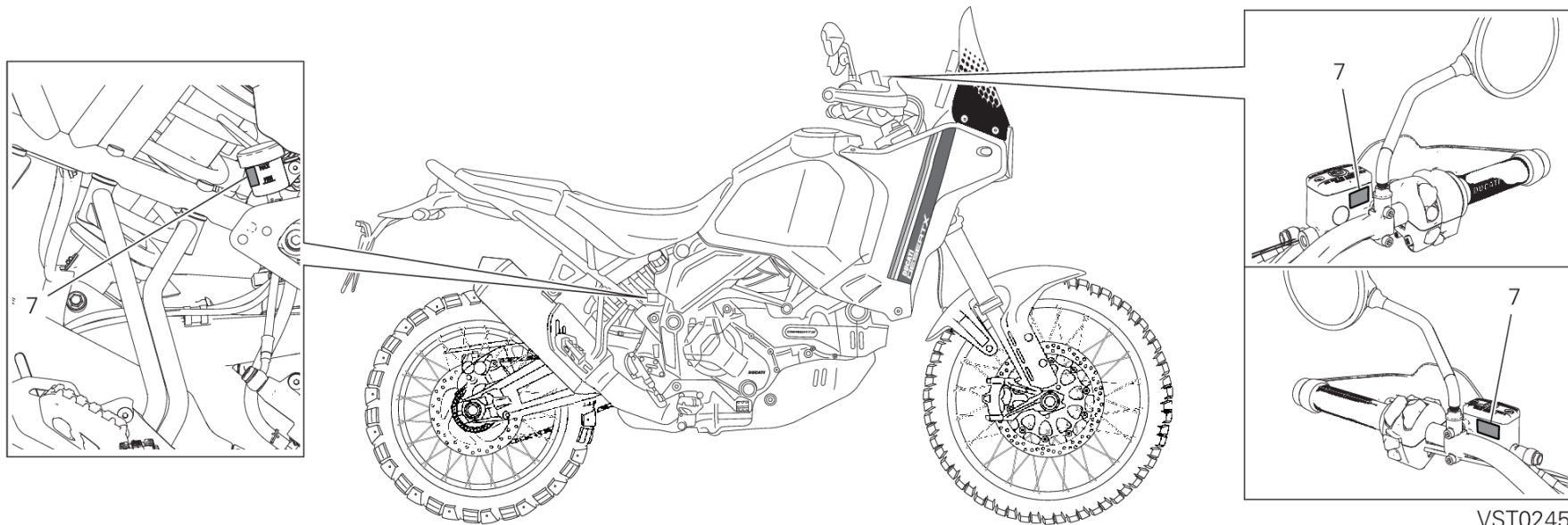
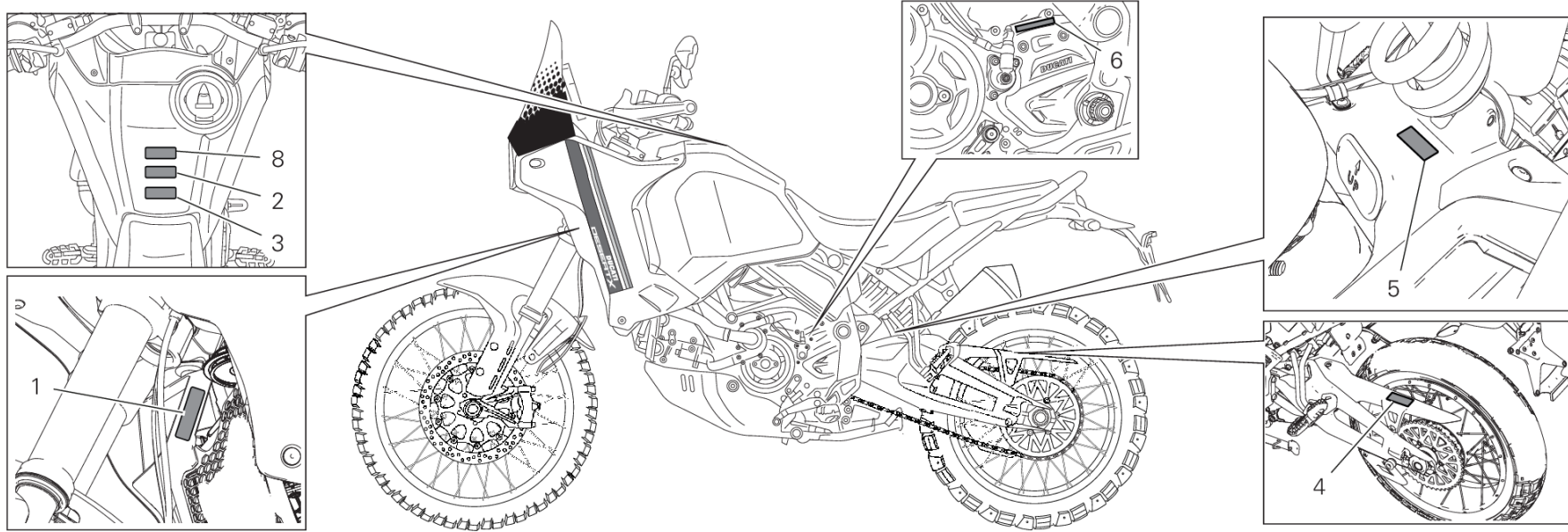
035000023

# DRAWING 36D - FAIRING

## GROUP FRAME



POS.	CODE	DESCRIPTION	QTY	VALIDITY	NOTES
1	77244173B	SCREW	3		
2	8301B911AA	RIGHT BRACKET	1		
3	85044691A	QUICK FASTENING	4		
4	71611431A	SPACER 5.5X10X16	4		
5	8301B901AA		1		
6	77240403CA	SCREW M6X12	2		
7	76412101A	RUBBER PAD	4		
8	77211281AB	SCREW	4		
9	4601L931AA		1		
10	77240423C	SCREW	3		
11	4601N811A	GUARD	1		
12	71611181AA	SPACER	3		
13	8301B931AA		1		
14	86612791A	RUBBER PAD	2		
15	4601N051A		1		
16	77350403B	SCREW	3		
17	4601L941AA		1		
18	4601L951BA		1		
19	77210501C	SCREW TEF M6X12	1		
20	73640361A	RIVET	16		



VST02455

# DRAWING 37A - POSITIONING PLATES [XST:JPN]

## GROUP FRAME



POS.	CODE	DESCRIPTION	QTY	VALIDITY	NOTES
1	43312531A	WATER RADIATOR PLATE	1		
2	43310051B	TANK "WARNING" PLATE	1		
3	43310051C	TARGHETTA IMPORTANTE SERBATOIO	1		
4	43315091A	TIRE SIZE AND PRESSURE PLATE	1		
5	43312561A	REAR SHOCK ABSORBER PLATE	1		
6	43312551A	GEAR SEQUENCE PLATE	1		
7	43910071A	CLUTCH-BRAKE MASTER CYLINDER PLATE	3		
8	43217911Z	TANK "WARNING" PLATE	1		



CODE	NO. TABLE	POS.	CODE	NO. TABLE	POS.	CODE	NO. TABLE	POS.	CODE	NO. TABLE	POS.
027291090	09B	19	14911191A	03A	12	19510411D	21B	1	28643711A	12C	2
040009050	02A	21	14912661A	03A	2	19540081B	21B	3	30125951AA	11D	22
040029126	02A	17	15022592E	03A	3	19611011A	03B	12	30125961AA	11C	22
066549680	04A	2	15022602E	03A	16	19611021A	03B	11	30310631BB	11C	7
069191030	12A	4	15310311BA	21A	1	19820661A	03B	14	30310631BB	11D	7
069191030	32A	12	15622261BA	05A	5	20810321A	11C	3	30310631BC	11C	7
069191030	32A	12	15622261BB	05A	5	20810321A	11D	3	30310631BC	11D	7
069191030	35B	20	15622261BC	05A	5	20910491A	11C	16	30310631BD	11C	7
069191030	36C	10	15622261BE	05A	5	20910491A	11D	16	30310631BD	11D	7
11210121AA	05A	8	16010941A	11A	10	20910501A	11C	4	30411001AB	11C	13
11210121AB	05A	8	16010941A	11B	10	20910501A	11D	4	30411001AB	11D	13
11210121AC	05A	8	16016371A	10A	13	21010991A	11C	14	30411001AC	11C	13
11210121AD	05A	8	16022501A	28A	16	21010991A	11D	14	30411001AC	11D	13
11210121AE	05A	8	16024421B	29A	2	21110991A	11C	5	30411011BB	11C	10
11210791A0	09B	10	16024421B	29A	2	21110991A	11D	5	30411011BB	11D	10
11210791AA	09B	10	16220881BA	27A	4	22032083A	09A	5	30411011BC	11C	10
11210791AB	09B	10	16220892BA	28A	8	225P0241B	09A	1	30411011BC	11D	10
11210791AC	09B	10	17011751A	03B	17	24221551A5	04B	1	34111831BA	17A	1
11210791AD	09B	10	17122421A	07A	13	24321711A5	04A	1	34221221AA	17A	2
11210791AE	09B	10	17210081C	03A	22	24511911A	07A	10	34421291C	17B	1
11723581A	25B	15	17210103C	03A	20	24511921A	07A	1	34421391A	17B	1
11723691A	03B	16	17210113C	03A	23	24521901A	07A	2	34521291C	17B	2
120P3081AA	06A	5	17214621A	03A	21	24713571AO	04B	23	34521391A	17B	2
120P3091AA	06A	10	17214951B	03A	8	24714612A	09A	7	34912681A	17B	11
12110781B	06A	3	17214961B	03A	5	24716791AH	11B	6	34912711A	17B	9
12110791A	06A	2	17214971B	03A	9	24716801AH	11A	6	34912741A	17B	4
12120822A	06A	4	17216501A	03A	10	24716872A	34A	3	34914411A	17B	10
12222392C	06A	1	17216521A	03A	18	24716873A	34A	3	34914721A	17B	3
12222392CA	06A	1	17216531A	03A	13	24717012B	11A	20	34914771A	17B	16
12222392CB	06A	1	173Z0021A	10A	14	24717012B	11B	20	34914781A	17B	17
12222392CC	06A	1	17410621B	08A	1	24725241BI	04B	4	34914791A	17B	18
13510471A	35A	1	17420591A	09A	4	25120131A	04B	7	34914801A	17B	19
14010951A	11B	14	176Z0021A	10A	10	25440013A	04A	3	34914811A	17B	6
14010961A	11A	14	18020511A	02A	6	25510104B	07A	18	34914831A	17B	5
14622162CA	05A	1	180Z0031A	02A	11	25510193A	11A	7	34915011A	17B	22
14622162CB	05A	1	180Z0041A	02A	12	25510193A	11B	7	34915021A	17B	8
14622162CC	05A	1	18210781A	02A	8	26420511A	10A	12	34915031A	17B	20
14622162CE	05A	1	18220772A	02A	9	27040107A	10A	1	34915041A	17B	15
14710811A	07A	3	18410231A	12D	11	27611201B	10A	16	34915051A	17B	24
14710951B	09A	3	18410231A	12D	11	28040441A	35A	2	34915061A	17B	25
14824222A	11B	11	18710021A	19B	2	28240932A	35A	3	34915071A	17B	14
14824232A	11A	11	18710021A	21B	2	28643341C	12C	2	34915081A	17B	13
14825731A	11B	18	19020591A	03B	9	28643701C	12C	2	34923111A	17B	21
14825741A	11A	18	19410751A	03B	4	28643701H	12C	2	34923121A	17B	23



CODE	NO. TABLE	POS.	CODE	NO. TABLE	POS.	CODE	NO. TABLE	POS.	CODE	NO. TABLE	POS.
34923131A	17B	7	43312531A	37A	1	44712451A	18A	5	4601N841A	18A	31
34923141A	17B	12	43312551A	37A	6	44712461A	18A	6	460PM981AA	36B	8
34923151A	17B	26	43312561A	37A	5	44910792A	16A	1	460PM981AB	36B	8
34923161A	17B	27	43313912A	04A	16	45110462A	11A	23	46111121B	30A	1
36015901AB	17A	3	43314851A	32A	15	45110462A	11B	23	46240461A	14A	2
36015911AB	17A	4	43315011A	04A	16	45120311C	07A	4	46320222A	09A	10
36015951AB	17A	5	43315081A	16A	8	45120321B	07A	9	46320537A	03A	14
36016151AA	21A	13	43315081B	16A	8	45520192A	09A	8	46411161AA	25C	7
36420211A	17A	26	43315091A	37A	4	45612372AA	25A	5	46411171AA	25C	6
36522091C	22A	1	4381F181A	36B	2	45623541BA	25A	2	46411242AA	25A	3
36522241B	22A	1	4381F191A	36B	13	45721181AA	25B	2	46411252AA	25B	3
36911661AA	18A	1	4381F321A	23A	11	4601C581A	12A	13	46510761BA	25C	1
37025081BA	18A	2	4381F331A	26A	8	4601E941BA	25C	3	46510771BA	25C	2
37310861BA	18A	23	4381G371A	26A	7	4601E951BA	25C	4	47018381BA	32A	1
37310871BA	18A	24	4381G371A	26A	7	4601H512A	35A	11	47018381BA	32A	1
38010221A	11A	30	4381G371A	36B	7	4601H701A	13C	4	47018391BA	32B	1
38010221A	11B	30	4381G371A	36B	7	4601H701A	13C	5	480PC871AB	36B	14
38511545A	12B	7	4381G751A	36B	18	4601H701A	32A	14	480PC872AA	36B	1
38511791A	12B	7	4381G761A	36B	19	4601H701A	32A	14	480PC881AB	36B	1
38511851A	12B	7	4381G771A	36B	20	4601H921AA	21A	2	480PC882AA	36B	14
38540073B	12D	3	4381G781A	29A	26	4601H931AA	21A	3	48412861A	36B	11
38540073B	12D	3	4381G791A	29A	27	4601L084A	16A	2	48412861A	36B	11
38540093B	12D	3	4381G801A	29A	20	4601L322A	30A	10	48412871A	36B	12
38540093B	12D	3	4381G811A	29A	21	4601L821A	30B	13	48412871A	36B	12
38640132A	12B	11	4381G821A	29A	23	4601L871A	30B	15	48412881A	36C	7
38641001A	12D	14	4381G831A	29A	22	4601L881A	30B	16	48612611A	04A	4
38641001A	12D	14	4381G841A	29A	25	4601L901A	21A	4	48613051A	34A	1
38940071A	12A	7	4381G851A	29A	24	4601L911A	21A	5	48711331A	36A	1
38940191A	12A	7	4381G861A	29A	18	4601L921A	22A	5	490P0319A	A	3
38940201A	12A	7	4381G871A	36B	13	4601L931AA	36D	9	490P0319A	R	1
38940211A	12A	7	4381G881A	36B	21	4601L941AA	36D	17	490PC413A	A	5
38940221A	12A	7	4381G891A	36B	23	4601L951BA	36D	18	490PC413A	W	1
38940231A	12B	14	4381G901A	36B	2	4601M051B	13A	5	490PE350A	A	1
38940261A	12A	7	4381G911A	36B	22	4601M211A	36A	12	490PE350A	B	1
39540601A	12B	22	4381G921A	29A	19	4601M241A	36C	9	491PE335A	A	4
39740081B	12B	18	43910071A	37A	7	4601M251A	17A	24	491PE335A	R	2
40611936A	14A	1	44219664A	34A	5	4601M341A	26A	3	491PE341A	A	2
42520091A	29A	20	44219665A	34A	5	4601M341A	26A	3	491PE341A	B	2
42520091A	29A	30	44219672A	34A	2	4601M461A	36C	5	491PE366A	A	6
42610741A	35B	1	44219673A	34A	2	4601M471A	36C	4	491PE366A	W	2
42610751A	34A	4	44440039A	09B	3	4601M791A	36C	3	49241531A	28A	6
43217911Z	37A	8	44610561A	18A	20	4601M801A	36C	2	49241551A	27A	1
43310051B	37A	2	44610571A	18A	19	4601N051A	36D	15	49417021AA	28A	22
43310051C	37A	3	44711781A	15A	10	4601N811A	36D	11	49610131A	28A	12



CODE	NO. TABLE	POS.	CODE	NO. TABLE	POS.	CODE	NO. TABLE	POS.	CODE	NO. TABLE	POS.
49610141B	27A	15	55240121A	12D	10	59019111A	29A	14	63040981A	21B	5
49720071AC	27A	2	55240121A	12D	10	59024171A	35A	4	63140261A	19D	15
49720071AC	28A	1	55240121A	34A	6	59210321B	29A	3	63140661A	21B	14
50122752AA	27A	3	55241321C	09B	14	59210321B	29A	3	63140691A	19A	5
50222452AA	28A	3	55243161B	12C	16	59310601B	09A	11	63211131A	21B	7
50420381AA	27A	7	55243442A	11D	30	59310801B	09A	59	65010461C	21A	14
50420381AA	28A	4	55243911A	02A	10	59320641D	09A	9	65010471B	21A	14
51011041A	12A	2	55243942A	04B	8	59516921B	31A	1	65110531C	21A	15
5102L141C	12A	1	55340111A	24B	4	59516921B	31A	1	65220241D	12D	16
51310961C	12B	1	55611291BA	15A	3	59516931A	31A	4	65220241D	12D	16
51411151C	12B	21	55611291CA	15A	3	59810331A	12D	19	65220371A	12D	25
51411161C	12B	2	55611391AA	15A	3	59810331A	12D	19	65220371A	12D	25
51610053D	12C	21	55621301AA	15A	1	59820611A	12D	24	65540081A	30C	8
51840051B	12D	15	56113211A	20A	1	59820611A	12D	24	65540101A	35B	3
51840051B	12D	15	56113371A	20A	1	59822561A	12D	18	66020121B	21A	16
52010573A	13A	1	56113371A	20A	1	59822561A	12D	18	66910011E	11C	6
52010581A	13A	1	56113381AA	20A	16	59840531A	32A	9	66910011E	11D	6
52310721A	21A	20	56116451CA	20A	2	59840531A	32A	9	67040451A	11A	29
52310731A	21A	19	56116451CA	20A	2	61041512A	19B	9	67040451A	11B	29
52510433D	20A	5	56116451CA	20A	2	61041522A	19B	8	67621371A	16A	9
52510433D	20A	5	564P6831AA	23A	1	61141672A	19D	3	67641702A	16A	3
52510433D	20A	5	564P6831AB	23A	1	61240052A	19B	1	67740361A	16A	4
52510509A	13B	1	56511421A	26A	1	61240052A	19D	12	68010131A	05A	10
52910131B	20A	4	56511421A	26A	1	61240052A	21B	4	68010131A	07A	16
52910231A	20A	4	565P1411AA	26A	2	61240201A	19B	10	68050061A	11A	12
52910231A	20A	4	565P1411AB	26A	2	61240302A	19D	13	68050061A	11B	12
52910271A	23A	5	57015182C	30A	7	61240311A	19D	11	68050101A	09A	17
52910271A	23A	5	57115142A	30A	9	61240371A	19B	11	68540011A	25A	21
53010362A	13C	1	57212122C	30A	3	61240611A	19D	14	68540011A	25B	19
53010372A	13C	2	57212151A	30A	3	61341101A	19B	12	68540011A	25C	15
53010463B	13C	1	57315411C	30B	3	61341611A	19D	4	69610251A	25C	10
53910351A	15A	5	575P0071A	30A	5	61811791B	19C	2	69710081A	12B	6
53910661A	19A	2	57610671A	30A	12	61811951A	19B	7	69710141A	31A	9
53910691A	21B	9	58511351A	24B	5	61811961B	19C	3	69710161A	31A	8
53920931A	25B	20	58540271A	19A	9	61911771A	19C	4	69710391A	31A	7
53940302A	09B	23	58540311A	19D	1	61911781B	19C	5	69929221A	29A	18
54040331A	12C	11	58613091FA	29A	1	61912081A	19C	4	69929221A	29A	28
54140151A	12A	10	58613091FB	29A	1	61912091A	19C	5	69929721A	19C	21
54241072A	19C	1	58840232A	29A	13	62441391A	19A	1	69929751A	29A	19
54841231C	24A	1	58840232A	29A	13	62540191A	19D	5	69929751A	29A	29
55040381A	24A	7	59018572A	34A	7	62640231A	19A	3	70010362A	09A	18
55214491B	30A	2	59018981A	12C	17	62640291A	21B	6	70010431A	14A	3
55215491E	25A	6	59018991A	12C	13	62640601A	19A	4	70010591A	28A	13
55219421B	12C	19	59019111A	29A	14	62640601A	21B	13	70010691A	20A	7



CODE	NO. TABLE	POS.	CODE	NO. TABLE	POS.	CODE	NO. TABLE	POS.	CODE	NO. TABLE	POS.
70010691A	20A	7	71115471AA	21A	9	71610722A	07A	20	74140431A	19D	6
70010691A	20A	7	71117802A	06A	11	71611071A	31A	5	74140431A	24B	15
70011121A	17A	6	71210301A	18A	18	71611181AA	12C	9	74140431A	35B	5
70140051A	03A	4	71210591AA	18A	17	71611181AA	36D	12	74140581A	35B	21
70140171A	18A	13	71210651B	25B	8	71611281A	07A	17	74140621A	18A	3
70140211A	03A	17	71310141E	03A	11	71611431A	36D	4	74140631A	35B	18
70140381A	09A	62	71311281B	04B	12	71611521A	25B	22	74140651A	24B	7
70140591A	10A	11	71311841A	28A	18	71614102AB	12C	5	74140651A	34A	8
70240091A	04B	9	71311871A	18A	16	71614111A	15A	11	74140651A	35B	12
70240102A	04B	10	71311961A	27A	9	71614141A	30A	22	74141001A	35B	7
70240131A	09A	19	71311973A	27A	10	71614191A	24A	3	74141861A	34A	9
70240181B	10A	15	71312051A	28A	7	71614291AB	22A	7	74141871A	35A	10
70240381A	28A	17	71312661A	03A	15	71614581AA	17A	34	74142121A	29A	7
70240401B	09A	20	71312921A	11C	9	71615151AA	24B	9	74142121A	29A	7
70241231A	17A	21	71312921A	11D	9	71615261AA	13B	2	74142371A	30C	7
70242211A	09A	65	71312921B	11C	25	71615611AA	29A	9	74142401A	30C	2
70242261A	09A	27	71312921B	11D	26	71615611AA	29A	9	74142501A	24B	24
70250081A	04B	2	71313882A	18A	27	71616281AA	25A	22	74142581A	24B	3
70250081A	09A	21	71313931A	03A	1	71616401A	29A	17	74142591A	24B	18
70250193A	09A	22	71314361AB	30B	4	71616401A	29A	17	74142801A	34A	10
70250412A	09A	66	71314703A	13C	3	71950538C	02A	7	74142901A	30B	9
70250451A	18A	15	71314703A	13C	3	72010513C	13A	11	74710151A	09A	25
70250621A	27A	6	71314831B	03B	15	72010513C	27A	8	74750031A	25B	30
70250681A	28A	10	71314901A	12C	20	72010513C	28A	2	74750071A	17A	8
70250861A	03B	10	71319151A	02A	2	72050069E	04B	13	74750101A	25A	23
70310131A	17A	7	71319191A	10A	8	720941616	09A	24	74810351B	24A	8
70310861BA	18A	11	71319201A	12C	20	735001542	02A	15	74810361A	20A	18
70350022A	11A	2	7131A361AA	28A	20	735033380	04B	3	74810361A	20A	19
70350022A	11B	2	7131A371AA	28A	15	735033380	09A	26	74810361A	30A	8
70350062A	07A	12	7131B281AA	21A	8	73640361A	36D	20	74810461A	28A	21
70450091A	08A	2	7131C931AA	17A	32	73740251B	07A	5	74810501A	11C	31
70450091A	09A	23	7131E251AA	21A	22	74110121A	12A	15	74810501A	11D	21
71011071A	21A	6	7131E581AA	25B	23	74110121A	30C	1	74810651A	27A	11
71011301A	36B	17	71410941A	27A	14	74110131A	12A	11	74810761A	15A	8
71011301A	36B	17	71413441A	28A	11	74110551A	12A	16	74811201AA	18A	10
71011491A	30A	20	71610031A	19C	9	74110551A	35B	17	74840241AB	17A	10
71015051A	18A	14	71610061A	12B	16	74140381A	12A	5	74841011AA	32A	5
71110922A	04B	11	71610061A	12D	7	74140381A	20A	6	74841011AA	32A	5
71110951A	09A	6	71610061A	12D	7	74140381A	20A	6	74841091AA	14A	4
71111301A	21A	7	71610061A	13A	7	74140381A	20A	6	74850021A	22A	2
71111601A	09B	4	71610111AB	20A	12	74140381A	24A	12	74910021A	12D	1
71112191A	06A	8	71610111AB	20A	12	74140381A	25A	26	74910021A	12D	1
71113742A	11A	33	71610111AB	20A	12	74140381A	34A	20	74910021A	25B	27
71113742A	11B	32	71610221BB	30A	21	74140431A	12C	14	74940041A	21A	21



CODE	NO. TABLE	POS.	CODE	NO. TABLE	POS.	CODE	NO. TABLE	POS.	CODE	NO. TABLE	POS.
74940041A	25A	24	76410971A	12D	9	77110401B	11B	31	77156683B	30A	13
74940041A	25B	16	76411141A	12C	12	77110401B	12C	18	77156688B	25A	14
74940081A	07A	7	76411141A	36A	5	77110401B	13A	13	77156688B	30A	14
74940321A	30B	7	76411361A	12B	17	77110471A	25A	18	77156718B	17A	12
74941113B	11A	24	76411361A	12D	6	77110521A	10A	6	77157258B	17A	13
74941113B	11B	24	76411361A	12D	6	77140653CC	09B	25	77157278B	17A	11
74941113B	12C	10	76411361A	24A	4	77140663CD	07A	6	7715754BG	32B	2
74941118B	25A	25	76411501A	24B	10	77140677CF	10A	5	77157628C	25B	10
74941333B	32A	10	76411621A	30C	4	77140697CF	10A	7	77159414B	17A	15
74941333B	32A	10	76411671A	13B	3	77140697CF	17A	36	77210501C	36D	19
74950011B	20A	13	76411851A	34A	11	77140743C	04B	30	77210623B	11C	28
74950011B	20A	13	76411891A	29A	6	77150078B	09A	12	77210623B	11D	31
75010071A	16A	6	76411891A	29A	6	77150408B	35A	5	77210841C	36C	1
75010121D	05A	11	76412101A	36D	7	77150443B	12C	6	77210893B	19C	15
75010781A	03B	7	76412101B	30A	19	77150638B	29A	11	77210971B	12B	15
75011131A	05A	6	76412101B	30B	1	77150638B	29A	11	77211021A	32A	3
75011251A	18A	26	76412131A	19C	19	77150653B	09A	29	77211021A	32A	3
75011551A	12B	5	76412281A	13B	4	77150670ZF	02A	3	77211061A	12A	9
75011601A	07A	15	76417661A	36A	10	77150693B	21B	17	77211121C	36B	15
75011891AA	18A	28	76417661A	36B	9	77150698BC	04B	16	77211121C	36B	15
75050051A	10A	19	76417661A	36B	9	77150708B	25B	13	77211221B	17A	25
75811582AA	25A	17	76417671A	36A	4	77150723B	09B	11	77211261B	13A	6
75811951A	17A	22	76417691A	36A	7	77150753B	21A	10	77211281AB	36D	8
75812071A	19C	17	76417701A	36B	10	77150758B	09A	30	77214221AA	36A	9
75840621A	36A	2	76417701A	36B	10	77150808B	09B	8	77214411BA	18A	7
75840641A	24B	11	76440572A	11C	8	77150873B	21A	11	77214411BA	24A	9
75840771A	12A	12	76440572A	11D	8	77151250ZF	02A	1	77214411BA	26A	4
75840801A	12A	14	76440581A	09B	24	77151278B	12D	17	77214411BA	26A	4
75840801A	30C	3	76510171A	25A	8	77151278B	12D	17	77214411BA	35A	6
75841091A	19C	12	76510241A	25C	9	7715128BG	25C	16	77214411BA	36A	11
75841101A	19C	13	76510251A	25C	8	77151363B	09B	6	77214411BA	36B	3
75841121A	34A	15	76510312A	25B	4	77156398B	13C	2	77214411BA	36B	3
75841151A	36A	6	76510322A	25A	4	77156398B	13C	4	77214411BA	36C	6
75841181A	12C	23	76610551D	09B	2	77156398B	17A	23	77215251A	03B	3
75910431B	12B	3	76640191A	11A	25	77156418B	29A	5	77240253C	19D	10
76410011A	30B	5	76640191A	11B	25	77156418B	29A	5	77240253C	26A	5
76410241A	12D	6	77052508B	04B	14	77156438B	24B	8	77240253C	26A	5
76410241A	12D	6	77110191A	17A	30	77156623B	24B	6	77240278C	12D	23
76410241A	13A	2	77110191A	17A	31	77156623B	30A	23	77240278C	12D	23
76410241A	30A	11	77110191A	25A	16	77156628B	12B	20	77240398CC	09A	67
76410481A	36B	16	77110391B	11A	15	77156628B	32A	7	77240403C	20A	11
76410481A	36B	16	77110391B	11B	15	77156628B	32A	7	77240403C	20A	11
76410641A	19C	11	77110391B	16A	5	77156678B	20A	17	77240403C	20A	11
76410971A	12D	9	77110401B	11A	31	77156678B	20A	18	77240403C	24B	17



CODE	NO. TABLE	POS.	CODE	NO. TABLE	POS.	CODE	NO. TABLE	POS.	CODE	NO. TABLE	POS.
77240403C	25C	5	77310071A	20A	15	77913662AB	19C	7	78010941B	09A	60
77240403C	31A	6	77310071A	20A	15	77913662AB	19D	7	78011001A	04B	5
77240403C	32B	4	77350403B	11A	19	77913662AB	21B	16	78011171A	09A	38
77240403CA	24A	13	77350403B	11B	19	77913722AA	18A	25	78011281A	04A	12
77240403CA	36D	6	77350403B	36D	16	77913971A	21B	10	78611511A	06A	9
77240423C	12D	5	77350618B	11C	20	77914045B	05A	9	78611622B	06A	7
77240423C	12D	5	77350658B	09A	31	77914151A	19A	7	78710111A	09B	26
77240423C	25B	24	77351568C	15A	2	77914211A	11C	23	78810542A	10A	4
77240423C	36D	10	77354743B	25B	21	77914211A	11D	23	78810931A	11A	9
77240443C	19C	10	77354898B	21B	12	77914391C	23A	6	78810931A	11B	9
77240443C	32A	11	77355068B	30B	6	77914391C	23A	6	78811041A	34A	13
77240443C	32A	11	77440101A	23A	2	77915093A	11A	3	78811151A	09A	14
77240453C	12D	8	77440101A	23A	2	77915111B	19B	5	78811301A	35A	8
77240453C	12D	8	77440111A	12B	10	77915471A	05A	4	78811641C	21B	8
77240453C	13A	3	77440111A	13B	6	77916041D	04A	15	78811911A	11A	8
77240453C	20A	14	77440183C	12D	13	77916041D	04B	27	78811911A	11B	8
77240453C	20A	14	77440183C	12D	13	77916041D	09B	18	79010151A	30A	4
77240453C	20A	14	77440203C	12A	6	77917241AA	15A	4	79120571C	06A	6
77240453C	25B	26	77440203C	12C	4	77918092AA	36A	3	79710881A	03B	1
77240463C	12C	7	77440203C	34A	12	77918141A	11A	5	79910241B	25C	12
77240463C	29A	10	77440213C	34A	16	77918141A	11B	33	79910491D	09A	39
77240463C	29A	10	77440228C	34A	19	77919162AA	11C	33	79912961A	02A	20
77240573C	12C	22	77440251A	21A	12	77919251B	11B	3	79915001A	11C	19
77240593C	30B	12	77440571A	18A	21	77919881A	09A	2	79915001A	11D	18
77244163B	30A	6	77440571A	34A	18	7791A131AA	32A	4	79915011A	11C	18
77244163B	36B	6	77510171A	13B	5	7791A131AA	32A	4	79915011A	11D	19
77244163B	36B	6	77510311B	09A	32	7791A491AA	18A	9	79915061A	02A	4
77244173B	24A	11	77510541A	17A	14	7791A561AC	22A	4	79915081A	15A	6
77244173B	30B	8	77550171A	20A	10	7791A991AA	22A	3	79915181B	11C	26
77244173B	36D	1	77550171A	20A	10	7791A991AA	25A	9	79915181B	11D	28
77244183B	23A	8	77550171A	20A	10	7791C231BA	25B	11	79915191B	11C	27
77244183B	23A	8	77550191A	24A	2	7791C451A	09B	21	79915191B	11D	27
77244213B	22A	6	77550200CC	04A	5	7791C461A	09B	20	79915741B	09A	61
77244213B	29A	4	77550211B	09B	7	7791C511AA	25B	29	79916201AA	25A	19
77244213B	29A	4	77550213C	18A	4	77927171B	09A	35	79916201AA	25B	17
77244353BA	15A	12	77750493C	04B	26	77941992A	04B	24	79916461A	25B	9
77244398BA	29A	15	77750508CC	10A	18	77942032A	04A	14	79917291A	35B	22
77244398BA	29A	15	77910391A	09A	33	77942032A	04B	15	79921602A	15A	7
77250341B	09A	13	77910991B	17A	9	77950302A	11A	16	79940171A	09A	40
77250341C	07A	22	77911092A	05A	2	77950302A	11B	16	800070139	01B	2
7725164BG	25A	15	77911982A	09A	34	77950621A	09A	37	80011852B	24B	1
7725164BG	25B	28	77912741A	35A	7	78010161B	05A	3	80012481B	24B	2
77253300ZF	10A	3	77913091AB	19B	3	78010511E	11C	12	80018391A	24B	19
77310071A	20A	13	77913662AB	19B	6	78010511E	11D	12	80018401A	24B	22



CODE	NO. TABLE	POS.	CODE	NO. TABLE	POS.	CODE	NO. TABLE	POS.	CODE	NO. TABLE	POS.
80018411B	24B	23	82719161A	04A	6	8301L461AA	23A	3	84010202A	11D	1
80018421A	24B	21	82719181A	20A	3	8301L472AA	23A	4	84010212A	11C	1
80812351AA	17A	27	82719181A	20A	3	8301L472AA	23A	4	84010212A	11D	1
81110021A	09A	15	82719181A	20A	3	83040071A	21A	17	84010222A	11C	1
81140012B	11A	21	82719261A	32A	13	83110151B	09A	42	84010222A	11D	1
81140012B	11B	21	82719261A	32A	13	84010012A	11C	1	84010232A	11C	1
81411111C	11A	27	8271H581AA	32B	3	84010012A	11D	1	84010232A	11D	1
81411111C	11B	27	8271H591AA	32A	2	84010022A	11C	1	84010242A	11C	1
81411881A	11D	25	8271H591AA	32A	2	84010022A	11D	1	84010242A	11D	1
81413261B	11C	29	82916531A	09B	27	84010032A	11C	1	84010252A	11C	1
81413341A	11A	28	8291D011A	12C	15	84010032A	11D	1	84010252A	11D	1
81413341A	11B	28	8291J471B	12D	22	84010042A	11C	1	84010262A	11C	1
81417351A	35B	8	8291J471B	12D	22	84010042A	11D	1	84010262A	11D	1
81420051A	11D	32	8291N421A	12B	12	84010052A	11C	1	84010272A	11C	1
81510281A	09A	41	8291N541B	19C	14	84010052A	11D	1	84010272A	11D	1
81510411AA	27A	16	8291N661B	13A	4	84010062A	11C	1	84010282A	11C	1
81510411AA	28A	5	8291N731A	12C	8	84010062A	11D	1	84010282A	11D	1
81810162A	03B	5	8292A331A	07A	21	84010072A	11C	1	84010292A	11C	1
81910601BA	27A	12	83018691A	17A	16	84010072A	11D	1	84010292A	11D	1
81910891AA	18A	22	83019891AA	04B	29	84010082A	11C	1	84010302A	11C	1
82111701CA	25A	11	8301B181AA	12D	4	84010082A	11D	1	84010302A	11D	1
82111701CA	25B	5	8301B191BA	12D	4	84010092A	11C	1	84010312A	11C	1
82112941A	11C	17	8301B201A	20A	16	84010092A	11D	1	84010312A	11D	1
82112941A	11D	17	8301B201A	20A	17	84010102A	11C	1	84010322A	11C	1
82112951A	11C	15	8301B221A	20A	16	84010102A	11D	1	84010322A	11D	1
82112951A	11D	15	8301B831AA	29A	12	84010112A	11C	1	84010332A	11C	1
82113471A	10A	9	8301B831AA	29A	12	84010112A	11D	1	84010332A	11D	1
82113881A	02A	13	8301B881AA	24A	10	84010122A	11C	1	84010342A	11C	1
82114731A	02A	5	8301B901AA	36D	5	84010122A	11D	1	84010342A	11D	1
82114741AA	28A	14	8301B911AA	36D	2	84010132A	11C	1	84010412B	11C	2
82119351AA	25A	20	8301B931AA	36D	13	84010132A	11D	1	84010412B	11D	2
82119351AA	25B	18	8301B961A	13A	8	84010142A	11C	1	84010422B	11C	2
82119351AA	25C	14	8301B971A	13A	9	84010142A	11D	1	84010422B	11D	2
82119582BC	15A	9	8301B991BA	25B	25	84010152A	11C	1	84010432B	11C	2
82119651AA	25B	14	8301C021AA	24A	6	84010152A	11D	1	84010432B	11D	2
82120151A	02A	14	8301C031AA	24A	5	84010162A	11C	1	84010442B	11C	2
82414131AA	25A	1	8301C051AA	17A	28	84010162A	11D	1	84010442B	11D	2
82414141BA	25B	1	8301C061AA	17A	29	84010172A	11C	1	84010452B	11C	2
82610261A	02A	16	8301I891AA	34A	17	84010172A	11D	1	84010452B	11D	2
82714821A	12B	4	8301I951AA	30A	15	84010182A	11C	1	84010462B	11C	2
82716031A	09A	16	8301L022AA	24B	16	84010182A	11D	1	84010462B	11D	2
82716091A	04B	17	8301L102BA	30A	16	84010192A	11C	1	84010472B	11C	2
82716351A	11A	22	8301L451AA	30B	11	84010192A	11D	1	84010472B	11D	2
82716351A	11B	22	8301L461AA	23A	3	84010202A	11C	1	84010482B	11C	2



CODE	NO. TABLE	POS.	CODE	NO. TABLE	POS.	CODE	NO. TABLE	POS.	CODE	NO. TABLE	POS.
84010482B	11D	2	84010702B	11D	2	84011102A	11D	1	85211561A	25C	13
84010492B	11C	2	84010712B	11C	2	84011112A	11C	1	85211671B	30A	18
84010492B	11D	2	84010712B	11D	2	84011112A	11D	1	85211721A	04B	18
84010502B	11C	2	84010722A	11C	1	84011122A	11C	1	85211761A	12D	2
84010502B	11D	2	84010722A	11D	1	84011122A	11D	1	85211761A	12D	2
84010512B	11C	2	84010722B	11C	2	84011132A	11C	1	85211951A	09B	28
84010512B	11D	2	84010722B	11D	2	84011132A	11D	1	85212031A	13A	12
84010522B	11C	2	84010732A	11C	1	84011142A	11C	1	85212181A	36B	4
84010522B	11D	2	84010732A	11D	1	84011142A	11D	1	85212181A	36B	4
84010532B	11C	2	84010732B	11C	2	84740021A	25C	11	85212221A	27A	13
84010532B	11D	2	84010732B	11D	2	84740061A	09A	43	85212511A	20A	9
84010542B	11C	2	84010742B	11C	2	84840011A	17A	35	85212511A	20A	9
84010542B	11D	2	84010742B	11D	2	84850021A	25A	7	85212511A	20A	9
84010552B	11C	2	84010752B	11C	2	85012091B	23A	9	85212641A	11A	32
84010552B	11D	2	84010752B	11D	2	85012091B	23A	9	85212641A	11B	5
84010562B	11C	2	84010762B	11C	2	85040381A	19C	16	85212691A	05A	7
84010562B	11D	2	84010762B	11D	2	85040381A	30A	17	85212901A	30B	10
84010572B	11C	2	84010772B	11C	2	85040471A	36B	18	85213021A	08A	3
84010572B	11D	2	84010772B	11D	2	85040471A	36B	18	85213021A	09A	46
84010582B	11C	2	84010782B	11C	2	85040471A	36C	8	85213081A	30B	17
84010582B	11D	2	84010782B	11D	2	85040671A	32A	8	85214082A	09A	28
84010592B	11C	2	84010792B	11C	2	85040671A	32A	8	85215181A	29A	16
84010592B	11D	2	84010792B	11D	2	85040671A	32A	8	85215181A	29A	16
84010602B	11C	2	84010802B	11C	2	85041031A	13A	10	85215181A	29A	16
84010602B	11D	2	84010802B	11D	2	85042131A	35A	12	85240131A	13B	7
84010612B	11C	2	84010812B	11C	2	85044691A	26A	6	85240171A	12C	3
84010612B	11D	2	84010812B	11D	2	85044691A	26A	6	85240171A	21A	18
84010622B	11C	2	84010812B	11C	2	85044691A	30B	2	85240211A	12B	9
84010622B	11D	2	84010822B	11C	2	85044691A	36A	8	85241711A	13B	8
84010632B	11C	2	84010822B	11D	2	85044691A	36B	5	85250051A	09B	5
84010632B	11D	2	84010832B	11C	2	85044691A	36B	5	85250231A	11A	26
84010642B	11C	2	84010832B	11D	2	85044691A	36D	3	85250231A	11B	26
84010642B	11D	2	84010842B	11C	2	85110041A	16A	7	85250231A	11C	21
84010652B	11C	2	84010842B	11D	2	85110131A	07A	14	85250231A	11D	20
84010652B	11D	2	84010852B	11C	2	85110201B	03B	8	85250241A	04A	13
84010662B	11C	2	84010852B	11D	2	85140031A	05A	12	85250241A	19A	8
84010662B	11D	2	84010862B	11C	2	85210491B	17A	17	85250241A	19B	4
84010662B	11C	2	84010862B	11D	2	85210532A	09A	44	85250241A	19C	8
84010672B	11C	2	84010872B	11C	2	85210751B	23A	10	85250241A	19D	8
84010672B	11D	2	84010872B	11D	2	85210751B	23A	10	85250241A	21B	11
84010682B	11C	2	84011082A	11C	1	85211031AB	17A	18	85250261B	11C	11
84010682B	11D	2	84011082A	11D	1	85211201A	09A	45	85250261B	11D	11
84010692B	11C	2	84011092A	11C	1	85211351A	04A	7	85250401A	17A	19
84010692B	11D	2	84011092A	11D	1	85211511A	25A	13	85250421A	09A	47
84010702B	11C	2	84011102A	11C	1	85211511A	25B	7	85250421A	09B	22



CODE	NO. TABLE	POS.	CODE	NO. TABLE	POS.	CODE	NO. TABLE	POS.	CODE	NO. TABLE	POS.
85250481A	04B	19	86613371A	18A	29	88642231A	35A	9	89340341A	21B	15
85250631A	04B	6	86613391A	35B	2	88650131A	09A	54	89340351A	19A	6
85250871A	04B	31	86613471A	25B	12	88650141A	17A	33	89420121F	09B	17
85310021A	07A	8	86642771A	12D	20	88650511A	11A	1	89520411AB	12D	21
85310031A	09B	13	86642771A	12D	20	88650511A	11B	1	89520411AB	12D	21
85350101A	10A	20	87210971A	18A	8	88700564A	01A	10	91376051AR	31A	10
85350101A	12B	19	87211681A	12A	3	887130022	01A	25	91376051BG	31A	10
85550001B	12A	8	87211731A	12D	12	887130031	01A	14	91376051CA	31A	10
85550021A	20A	8	87211731A	12D	12	887130958	01B	4	91376051CS	31A	10
85550021A	20A	8	87211751A	35B	19	887131010	01B	7	91376051DA	31A	10
85550021A	20A	8	87240821A	18A	30	887131058	01B	5	91376051DE	31A	10
85610623A	07A	19	87240821A	32B	5	887131062	01B	1	91376051EL	31A	10
85610642A	11C	32	87310051A	11A	13	887131072	01B	6	91376051EN	31A	10
85610642A	11D	29	87310051A	11B	13	887131309	01A	15	91376051ES	31A	10
85610743A	11A	4	87310371A	09B	16	887131749	01A	22	91376051FI	31A	10
85610743A	11B	4	87311072A	05A	13	887131806	01A	16	91376051FR	31A	10
85610751A	10A	2	87511461B	09A	50	887131821	01A	19	91376051HR	31A	10
85611231A	03A	19	87611542A	30C	6	887131994	01A	4	91376051HU	31A	10
85611261A	03A	6	87611552A	30C	5	887132011	01A	17	91376051IT	31A	10
85611271A	23A	7	87614101A	34A	14	887132103	01A	3	91376051JA	31A	10
85611271A	23A	7	87711572A	09B	29	887132442	01A	9	91376051KO	31A	10
85611391B	03B	2	87712711A	19D	9	887132651	01A	11	91376051MX	31A	10
85611481A	09A	48	88110121A	02A	18	887132676	01A	2	91376051NL	31A	10
85611911A	03B	13	88110341A	10A	17	887132695	01A	24	91376051NO	31A	10
85640141A	09A	51	88111281A	24B	20	887132775	01B	3	91376051PL	31A	10
86010051B	09B	12	88210031A	07A	11	887132776	01B	10	91376051PT	31A	10
86050061A	09A	49	88210141A	03A	7	887132777	01B	9	91376051RO	31A	10
86050061A	11C	24	88440061A	28A	19	887132870	01A	13	91376051RU	31A	10
86050061A	11D	24	88440531A	09A	63	887132877	01A	12	91376051SK	31A	10
86610191A	31A	2	88450131A	04A	8	887132906	01A	6	91376051SL	31A	10
86610301A	12B	13	88450341B	02A	19	887133219	01A	8	91376051SV	31A	10
86610611A	31A	3	88450371A	08A	4	887133220	01B	8	91376051US	31A	10
86610621A	32A	6	88450371A	09A	52	887133334	01A	21	91376051ZH	31A	10
86610621A	32A	6	88450431A	04B	20	887133367	01A	20	92611021A	25A	10
86611001B	19C	18	88610241A	09B	15	887133406	01A	1	93010041B	17A	20
86611121A	19C	6	88610951A	04B	28	887134411	01A	23	93040211A	04A	11
86612101A	19C	20	88640331A	09A	53	887651298	01A	18	93040221A	09A	56
86612561A	29A	8	88640891A	04A	10	887651623	01A	7	93040391A	28A	9
86612561A	29A	8	88641031A	11C	30	887651635	01A	5	93040932A	09A	57
86612661A	30B	14	88641161A	25A	12	89310143A	24B	12	93041271A	09A	64
86612791A	36D	14	88641161A	25B	6	89310231A	24A	14	93041501A	27A	5
86613081A	12C	1	88641321A	09B	9	89320062A	09A	55	93041631B	09A	58
86613211A	12B	23	88641731A	03B	6	89320121A	04A	9	93042691A	04B	25
86613221A	12B	8	88641961A	09A	36	89340241A	19D	2	93050051A	04B	21



CODE	NO. TABLE	POS.
93050062B	04B	22
93050072A	11A	17
93050072A	11B	17
93050121A	18A	12
93410501A	24B	14
93410511A	24B	13
93510441A	35B	4
93511151A	35B	6
93511161A	35B	11
93511171A	35B	9
93511181A	35B	10
93512021A	35B	13
93512161A	35B	15
93512171A	35B	14
93512181A	35B	16
942470014	09B	1
944650035	L	1
944650037	L	2
96881121BA	31A	1
979000253	01C	2
979000279	01C	1
979000281	01C	6
979000282	01C	3
979000283	01C	4
979000284	01C	5







**Ducati Motor Holding S.p.A.**

Uffici Commerciali Amministrativi:

Via A. Cavalieri Ducati n. 3

40132 Bologna, Italy

Telefono 051 6413111

Fax 051 406580

Internet [www.ducati.com](http://www.ducati.com)