



MONSTER PLUS

Model Year 2022



MONSTER

Chassis prefix:
Cylinder capacity:

D19000022
SPARE PARTS CATALOGUE
en-US



The present spare parts order exactly the right spare parts.

When ordering specify:

1. the part's code number followed by its description and quantity needed;
2. the motorcycle's serial number, stamped on the steering head.

Reference to right and left apply to the vehicle in terms of its direction of movement.



Spare parts drawings are general and do not represent the part.

The contents of this catalogue are general and can undergo changes without prior notice.

CHARACTERISTICS LEGENDA

CHARACTERISTIC CODE	CHARACTERISTIC DESCRIPTION	VALUE CODE	VALUE DESCRIPTION
CPT	PARTICOLAR CHARACTERISTICS	D35	
CPT	PARTICOLAR CHARACTERISTICS	STD	MOTO STANDARD
DFR	DAFRA	N	
MOD	MODEL	M937+	
PLT	PLANT	DB10	
XCO	MAIN COLOUR	AG	
XCO	MAIN COLOUR	NMB	
XCO	MAIN COLOUR	R	
XCR	FRAME / WHEEL COLOUR	UG-GB	
XCR	FRAME / WHEEL COLOUR	UG-RF	
XST	STANDARD COUNTRY	AUS	
XST	STANDARD COUNTRY	EUR	
XST	STANDARD COUNTRY	GSO	
XST	STANDARD COUNTRY	JAP	
XST	STANDARD COUNTRY	ROK	
XST	STANDARD COUNTRY	TWN	



COLOUR	COLOUR CODE	COLOUR DESCRIPTION	FINISHED PRODUCTS
	AG	AVIATOR GREY	(D19041022) M937+ 22 GSO AG UG-RF STD DMH (D19041122) M937+ 22 EUR AG UG-RF D35 DMH (D19040222) M937+ 22 EUR AG UG-RF STD DMH (D19040322) M937+ 22 AUS AG UG-RF STD DMH (D19040422) M937+ 22 JPN AG UG-RF STD DMH (D19040522) M937+ 22 TWN AG UG-RF STD DMH (D19040822) M937+ 22 ROK AG UG-RF STD DMH
	NMB	DARK STEALTH	(D19038922) M937+ 22 EUR NMB UG-GB STD DMH (D19039022) M937+ 22 AUS NMB UG-GB STD DMH (D19039122) M937+ 22 JPN NMB UG-GB STD DMH (D19039222) M937+ 22 TWN NMB UG-GB STD DMH (D19039522) M937+ 22 ROK NMB UG-GB STD DMH (D19039722) M937+ 22 GSO NMB UG-GB STD DMH (D19039822) M937+ 22 EUR NMB UG-GB D35 DMH
	R	Red	(D19037622) M937+ 22 EUR R UG-GB STD DMH (D19037722) M937+ 22 AUS R UG-GB STD DMH (D19037822) M937+ 22 JPN R UG-GB STD DMH (D19037922) M937+ 22 TWN R UG-GB STD DMH (D19038222) M937+ 22 ROK R UG-GB STD DMH (D19038422) M937+ 22 GSO R UG-GB STD DMH (D19038522) M937+ 22 EUR R UG-GB D35 DMH



General information.....	3
Colours.....	4
Group ELECTRIC.....	10
Drawing 12A - VEHICLE ELECTRIC SYSTEM [MOD:M937+].....	10
Drawing 12B - BATTERY HOLDER [MOD:M937+;XST:AUS,EUR,ROK,TWN].....	12
Drawing 12B - BATTERY HOLDER [MOD:M937+;XST:JAP].....	14
Drawing 12C - ELECTRICAL DEVICES [MOD:M937+].....	16
Drawing 12D - ELECTRICAL DEVICES [MOD:M937+].....	18
Drawing 13A - HEADLIGHT [MOD:M937+].....	20
Drawing 13B - TAILLIGHT [MOD:M937+].....	22
Drawing 13C - TURN INDICATORS [MOD:M937+;XST:AUS,EUR,GSO,JAP,TWN].....	24
Drawing 13C - TURN INDICATORS [MOD:M937+;XST:ROK].....	26
Drawing 14A - INSTRUMENT PANEL [MOD:M937+].....	28
Group OIL.....	30
Drawing L - SHELL ADVANCE [MOD:M937+].....	30
Group ENGINE.....	32
Drawing 02A - SHIFT CAM - FORK [MOD:M937+].....	32
Drawing 03A - GEAR BOX [MOD:M937+].....	34
Drawing 03B - CLUTCH [MOD:M937+].....	36
Drawing 04A - CLUTCH COVER [MOD:M937+].....	38
Drawing 04B - GENERATOR COVER [MOD:M937+].....	40
Drawing 05A - CONNECTING RODS [MOD:M937+].....	42
Drawing 05A - CONNECTING RODS [MOD:M937+].....	44
Drawing 06A - CYLINDERS - PISTONS [MOD:M937+].....	46
Drawing 07A - TIMING SYSTEM [MOD:M937+].....	48
Drawing 08A - OIL PUMP [MOD:M937+].....	50
Drawing 09A - HALF-CRANKCASES PAIR [MOD:M937+].....	52
Drawing 09B - HALF-CRANKCASES PAIR [MOD:M937+].....	56
Drawing 10A - ELECTRIC STARTING AND IGNITION [MOD:M937+].....	58



Drawing 11A - VERTICAL CYLINDER HEAD - TIMING [MOD:M937+].....	60
Drawing 11B - HORIZONTAL HEAD – TIMING SYSTEM [MOD:M937+].....	62
Drawing 11C - VERTICAL HEAD [MOD:M937+].....	64
Drawing 11D - HORIZONTAL HEAD [MOD:M937+].....	72
Group TOOLS.....	80
Drawing 01A - WORKSHOP SERVICE TOOLS (ENGINE) [MOD:M937+].....	80
Drawing 01B - WORKSHOP SERVICE TOOLS (FRAME) [MOD:M937+].....	82
Drawing 01C - CHECK INSTRUMENT DDS [MOD:M937+].....	84
Group TYRES.....	86
Drawing A - TYRES [MOD:M937+].....	86
Drawing B - ORIGINAL EQUIPMENT TYRES [MOD:M937+].....	90
Drawing C - PIRELLI DIABLO™ ROSSO II [MOD:M937+].....	92
Drawing D - PIRELLI ANGEL™ GT II [MOD:M937+].....	94
Drawing E - PIRELLI DIABLO™ SUPERCORSA SP [MOD:M937+].....	96
Drawing F - PIRELLI DIABLO™ ROSSO CORSA II [MOD:M937+].....	98
Drawing H - PIRELLI DIABLO™ SUPERCORSA SP V3 [MOD:M937+].....	100
Drawing J - (#) PIRELLI DIABLO™ SUPERBIKE [MOD:M937+].....	102
Drawing K - (#) PIRELLI DIABLO™ WET [MOD:M937+].....	104
Drawing M - (#) PIRELLI DIABLO™ RAIN [MOD:M937+].....	106
Drawing N - (#) PIRELLI DIABLO™ SUPERCORSA SC V2 [MOD:M937+].....	108
Drawing O - (#) PIRELLI DIABLO™ SUPERCORSA SC [MOD:M937+].....	110
Drawing P - PIRELLI ANGEL™ GT [MOD:M937+].....	112
Drawing S - PIRELLI DIABLO™ ROSSO IV [MOD:M937+].....	114
Drawing T - (#) PIRELLI DIABLO™ SUPERCORSA SC V3 [MOD:M937+].....	116
Group FRAME.....	118
Drawing 15A - STAND [MOD:M937+].....	118
Drawing 16A - FRONT SPROCKET - CHAIN [MOD:M937+].....	120
Drawing 17A - STEERING ASSEMBLY [MOD:M937+].....	122
Drawing 17B - FRONT FORK [MOD:M937+].....	124
Drawing 18A - REAR SWINGING ARM [MOD:M937+].....	128

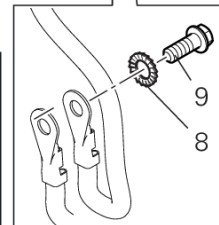
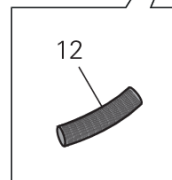
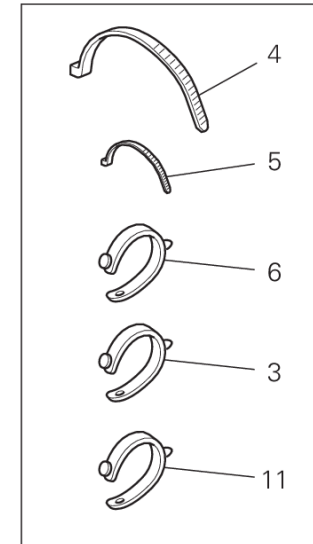
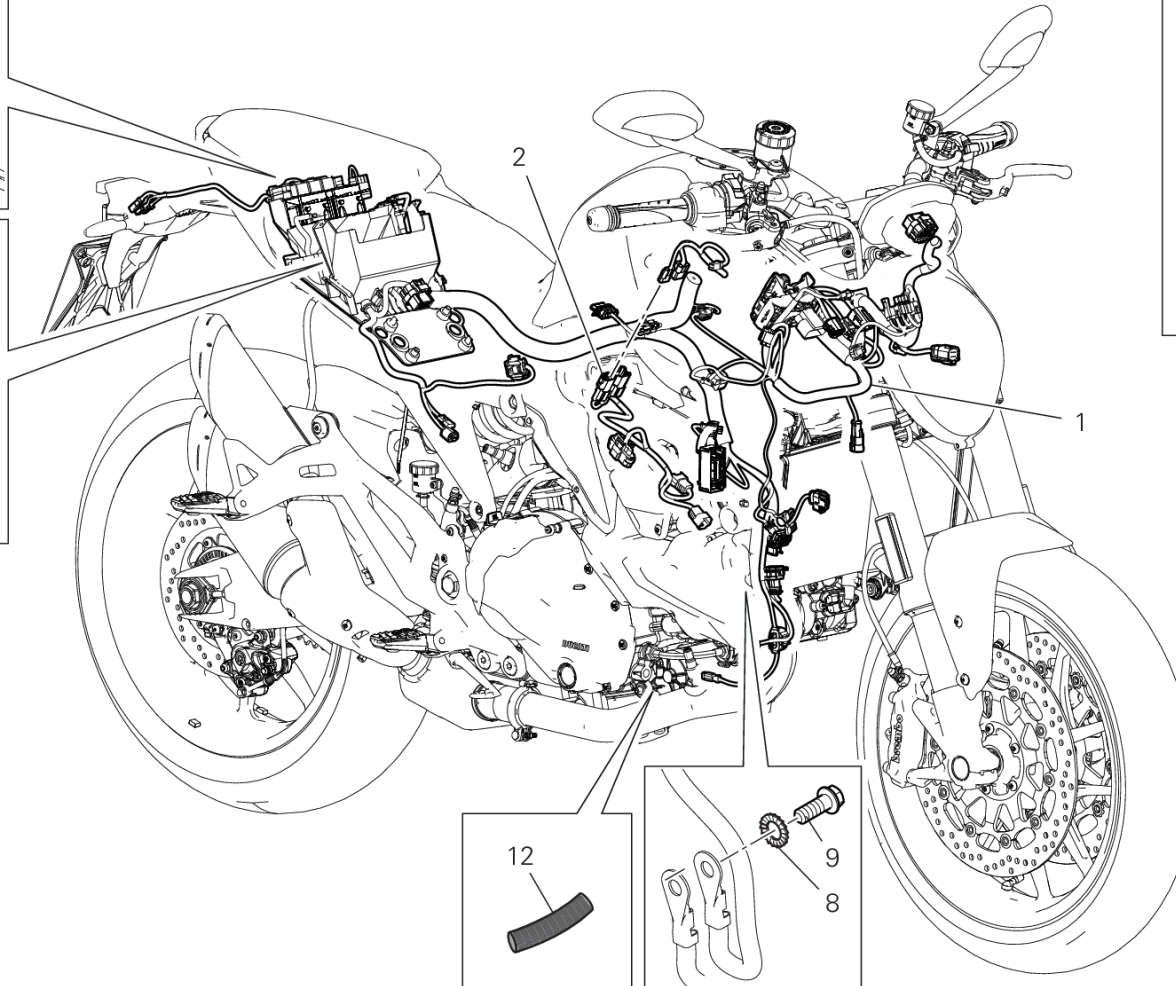
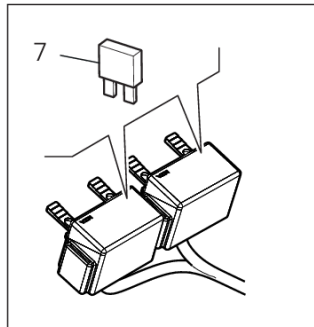
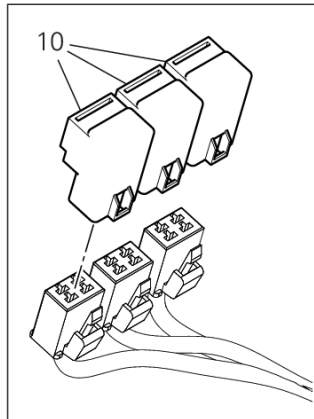


Drawing 19A - FRONT BRAKE PUMP [MOD:M937+].....	130
Drawing 19B - FRONT BRAKE SYSTEM [MOD:M937+].....	132
Drawing 19C - BRAKING SYSTEM ABS [MOD:M937+].....	134
Drawing 19D - REAR BRAKE SYSTEM [MOD:M937+].....	136
Drawing 20A - PLATE HOLDER [MOD:M937+;XST:AUS,EUR,GSO,ROK,TWN].....	138
Drawing 20A - PLATE HOLDER [MOD:M937+;XST:JAP].....	140
Drawing 21A - HANDLEBAR [MOD:M937+].....	142
Drawing 21B - CLUTCH CONTROL [MOD:M937+].....	144
Drawing 22A - REAR SHOCK ABSORBER [MOD:M937+;XST:AUS,EUR,GSO,JAP,ROK,TWN].....	146
Drawing 23A - FRONT MUDGUARD [MOD:M937+].....	148
Drawing 24A - WATER COOLER [MOD:M937+].....	150
Drawing 24B - COOLING CIRCUIT [MOD:M937+].....	152
Drawing 25A - FOOTRESTS, LEFT [MOD:M937+].....	156
Drawing 25B - FOOTRESTS, RIGHT [MOD:M937+].....	158
Drawing 26A - REAR MUDGUARD [MOD:M937+].....	160
Drawing 27A - FRONT WHEEL [MOD:M937+;XCO:NMB,R].....	162
Drawing 27A - FRONT WHEEL [MOD:M937+;XCO:AG].....	164
Drawing 28A - REAR WHEEL [MOD:M937+;XCO:NMB,R].....	166
Drawing 28A - REAR WHEEL [MOD:M937+;XCO:AG].....	168
Drawing 29A - FUEL TANK [MOD:M937+].....	170
Drawing 30A - EXHAUST MANIFOLD [MOD:M937+].....	172
Drawing 30B - EXHAUST SILENCER [MOD:M937+].....	174
Drawing 30C - SECONDARY AIR SYSTEM [MOD:M937+].....	176
Drawing 31A - SEAT [MOD:M937+].....	178
Drawing 31B - LOCKER [MOD:M937+].....	182
Drawing 32A - FRAME [MOD:M937+;XST:EUR,GSO,JAPTWN].....	184
Drawing 32A - FRAME [MOD:M937+;XST:ROK].....	186
Drawing 32A - FRAME [MOD:M937+;XST:AUS].....	188
Drawing 32B - REAR FRAME COMP. [MOD:M937+].....	190
Drawing 34A - AIR INTAKE - OIL BREATHER [MOD:M937+].....	192



Drawing 35A - THROTTLE BODY [MOD:M937+].....	194
Drawing 35B - CANISTER FILTER [MOD:M937+].....	196
Drawing 36A - COWLING [MOD:M937+].....	198
Drawing 36B - FAIRING [MOD:M937+].....	200
Drawing 36C - FAIRING [MOD:M937+].....	202
Drawing 37A - POSITIONING PLATES [MOD:M937+;XST:JAP].....	206
Alphanumeric index.....	208





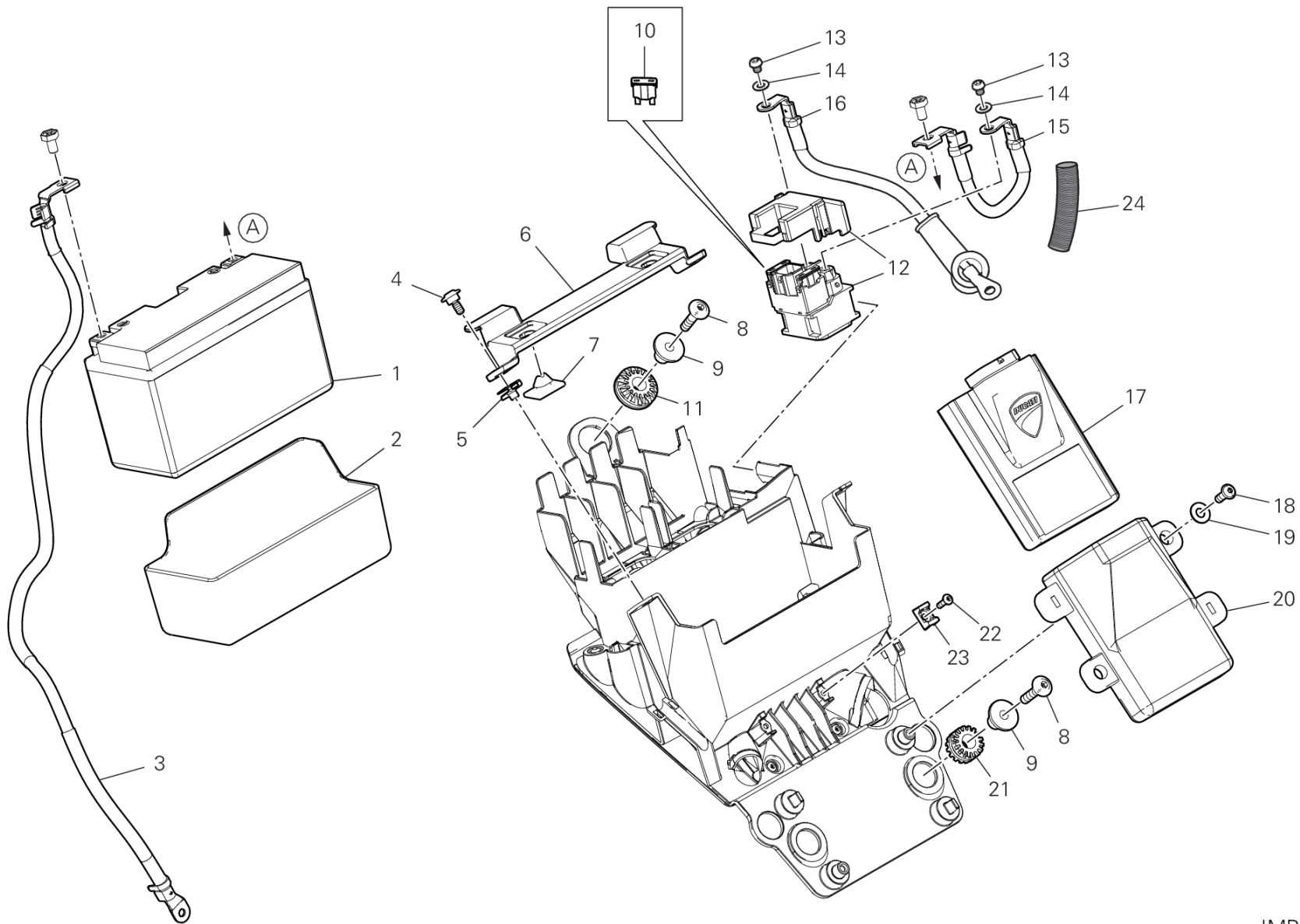
IMP01451

DRAWING 12A - VEHICLE ELECTRIC SYSTEM [MOD:M937+]

GROUP ELECTRIC



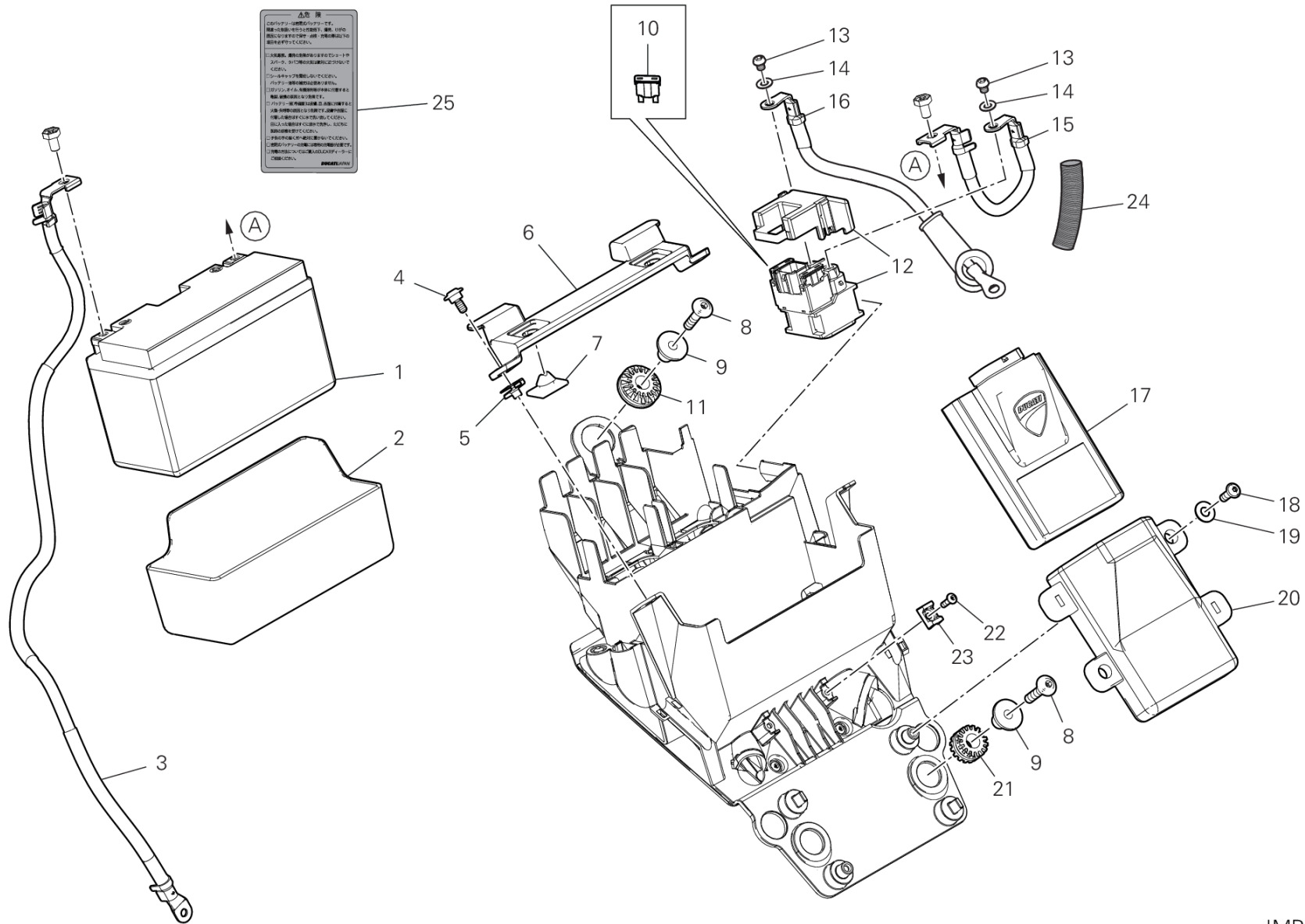
POS.	CODE	DESCRIPTION	QTY	START DATE	END DATE	VALIDITY	NOTES
1	5101H921E	MAIN WIRING HARNESS	1	08/02/2021			
2	5101I041A	INJECTION WIRING	1	18/12/2020			
3	74110551A	CLAMP, RUBBER 39MM	6	18/12/2020			
4	069191030	CLAMP	15	11/12/2017			
5	74140381A	CLAMP	5	20/06/2018			
6	74110121A	CLAMP, RUBBER 62MM	10	20/06/2018			
7	38940071A	FUSE 7.5A	1				
	38940191A	FUSE 5A	1				
	38940201A	FUSE 10A	1				
	38940211A	FUSE 15A	1				
	38940221A	FUSE 20A	1				
	38940261A	FUSE 25A	1				
8	85550001B	SPRING WASHER	1	09/01/2018			
9	77211061A	SCREW TEF M6X14	1	09/01/2018			
10	54140151A	RELAY	3				
11	74110131A	CLAMP, RUBBER 82MM	2	30/10/2018			
12	4601F281A	PROTECTION SHEATH	1	01/01/2021			



IMP01408



POS.	CODE	DESCRIPTION	QTY	START DATE	END DATE	VALIDITY	NOTES
1	69926761A	BATTERY	1	05/03/2020			
2	86613111A	BATTERY HOLDER	1	21/12/2020			
3	51310891D	CABLE	1	08/02/2021			
4	77214411AA	SCREW	2	21/12/2020			
5	85041951AA	QUICK FASTENING	2	01/01/2020			
6	8301L091B	BRACKET	1	21/12/2020			
7	86610301B	RUBBER PAD	2	21/12/2020			
8	77210971B	SCREW	3	01/01/2020			
9	71610061A	SPACER	3	01/01/2020			
10	38940231A	FUSE 30A	2				
11	76411361A	VIBRATION DAMPER PAD	1	01/01/2020			
12	39740081B	STARTER RELAY	1	01/01/2020			
13	77156628B	SCREW TCEIF M6X10	2	13/06/2018			
14	85350101A	WASHER, SPRING	2	13/06/2018			
15	51411091C	BATTERY - SOLENOID STARTER CABLE	1	08/02/2021			
16	51411081C	SOLENOID STARTER - STARTER MOTOR CABLE	1	08/02/2021			
17	38511352B	BLACKBOX UNIT	1	18/12/2020		XST:AUS,EUR,GSO,ROK,TWN	
18	77440203C	SCREW	2	01/01/2020			
19	85240171A	WASHER	2	01/01/2020			
20	86613122A	BRACKET	1	01/01/2021			
21	76410241A	VIBRATION DAMPER PAD	2	01/01/2021			
22	77440111A	SCREW	2	18/12/2020			
23	85041711A	HOSE GUIDE	2	18/12/2020			
24	4601H701A	PROTECTION SHEATH	1	26/03/2021			



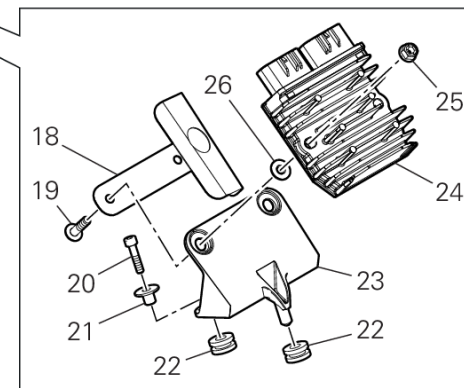
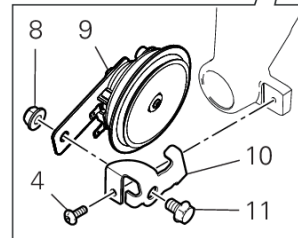
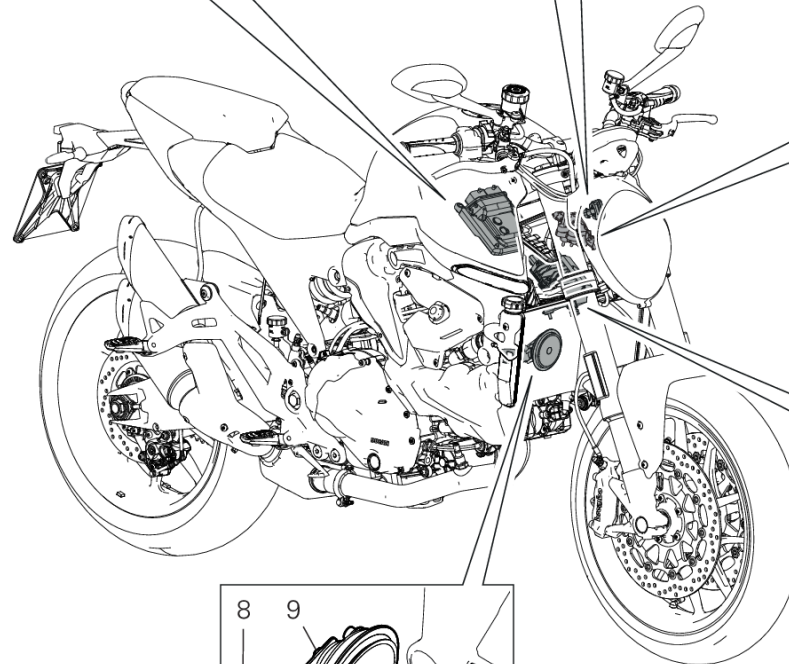
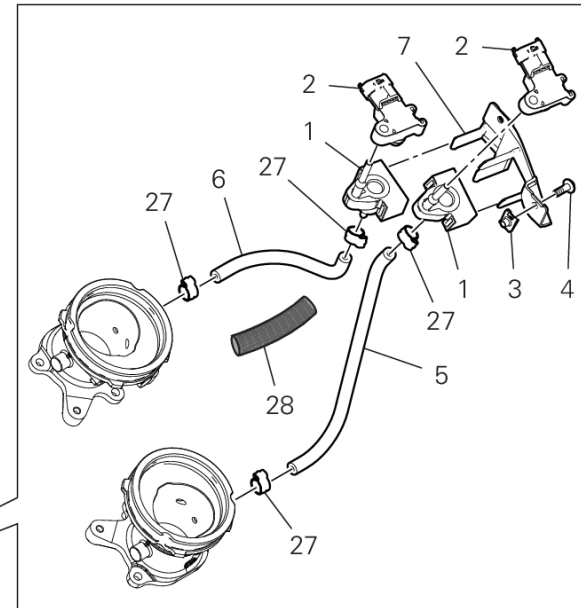
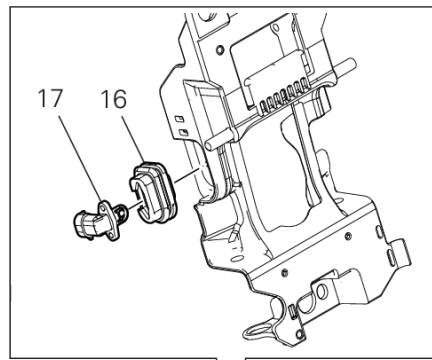
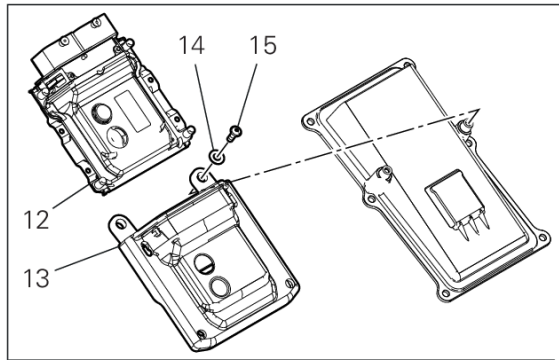
IMP01433

DRAWING 12B - BATTERY HOLDER [MOD:M937+;XST:JAP]

GROUP ELECTRIC



POS.	CODE	DESCRIPTION	QTY	START DATE	END DATE	VALIDITY	NOTES
1	69926761A	BATTERY	1	05/03/2020			
2	86613111A	BATTERY HOLDER	1	21/12/2020			
3	51310891D	CABLE	1	08/02/2021			
4	77214411AA	SCREW	2	21/12/2020			
5	85041951AA	QUICK FASTENING	2	01/01/2020			
6	8301L091B	BRACKET	1	21/12/2020			
7	86610301B	RUBBER PAD	2	21/12/2020			
8	77210971B	SCREW	3	01/01/2020			
9	71610061A	SPACER	3	01/01/2020			
10	38940231A	FUSE 30A	2				
11	76411361A	VIBRATION DAMPER PAD	1	01/01/2020			
12	39740081B	STARTER RELAY	1	01/01/2020			
13	77156628B	SCREW TCEIF M6X10	2	13/06/2018			
14	85350101A	WASHER, SPRING	2	13/06/2018			
15	51411091C	BATTERY - SOLENOID STARTER CABLE	1	08/02/2021			
16	51411081C	SOLENOID STARTER - STARTER MOTOR CABLE	1	08/02/2021			
17	38511352B	BLACKBOX UNIT	1	18/12/2020			
18	77440203C	SCREW	2	01/01/2020			
19	85240171A	WASHER	2	01/01/2020			
20	86613122A	BRACKET	1	01/01/2021			
21	76410241A	VIBRATION DAMPER PAD	2	01/01/2021			
22	77440111A	SCREW	2	18/12/2020			
23	85041711A	HOSE GUIDE	2	18/12/2020			
24	4601H701A	PROTECTION SHEATH	1	26/03/2021			
25	43312541A	MARKING PLATE BATTERY	1				



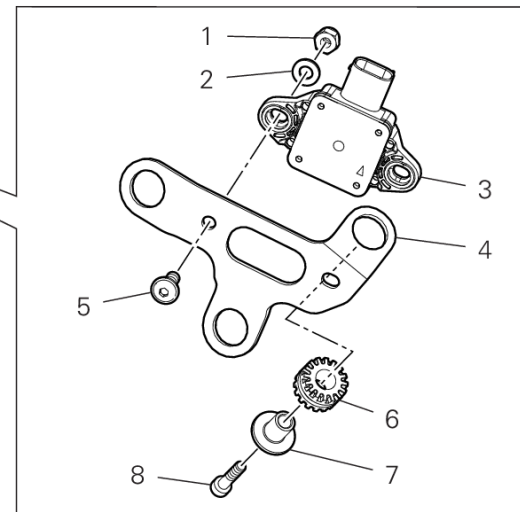
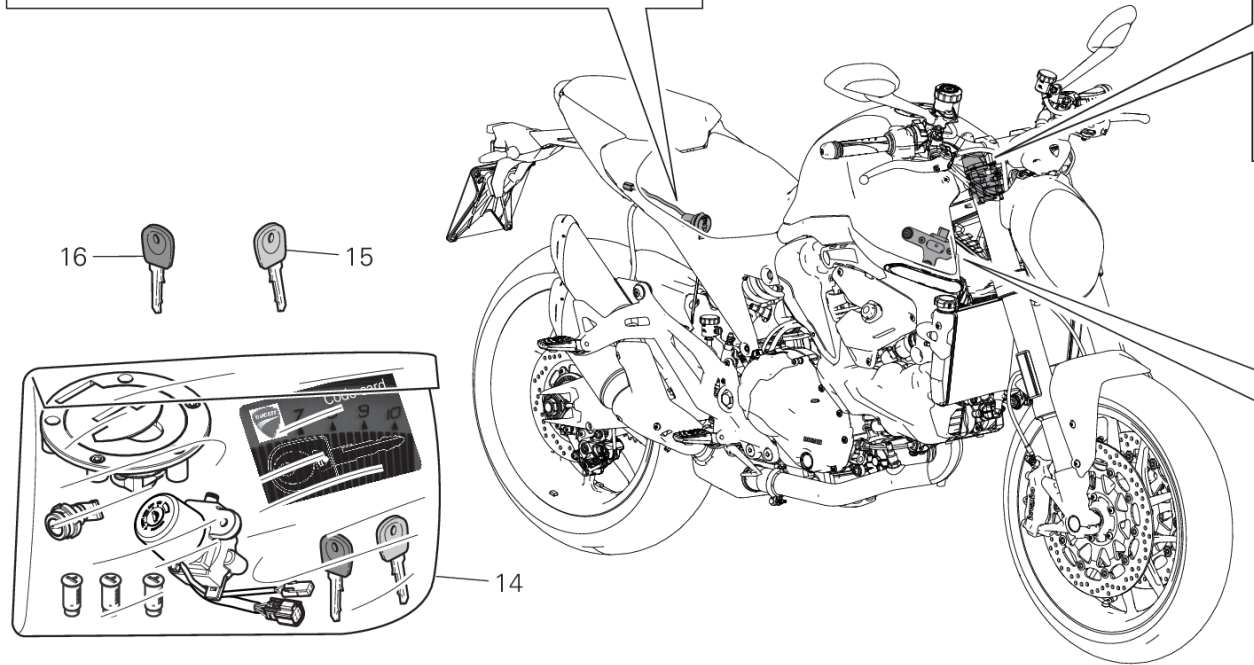
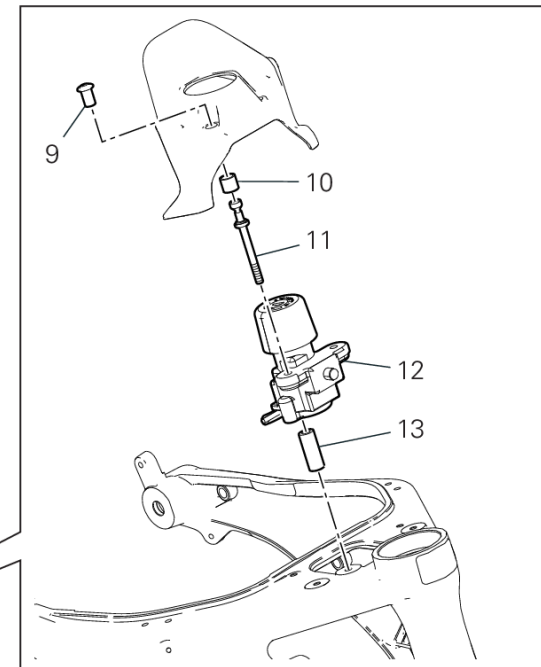
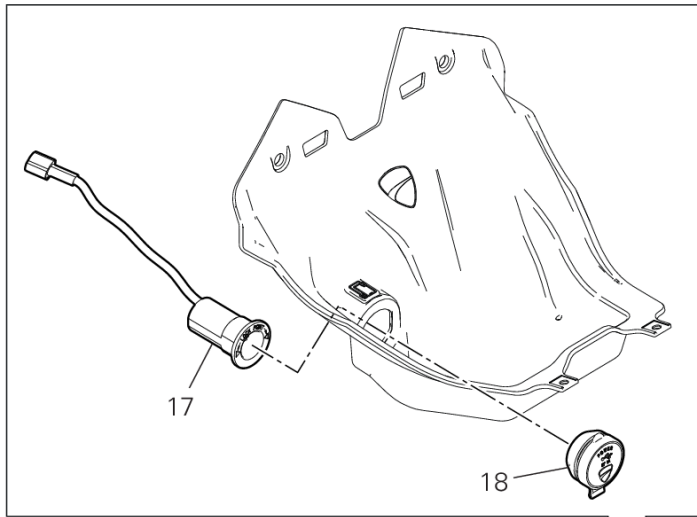
IMP01450

DRAWING 12C - ELECTRICAL DEVICES [MOD:M937+]

GROUP ELECTRIC



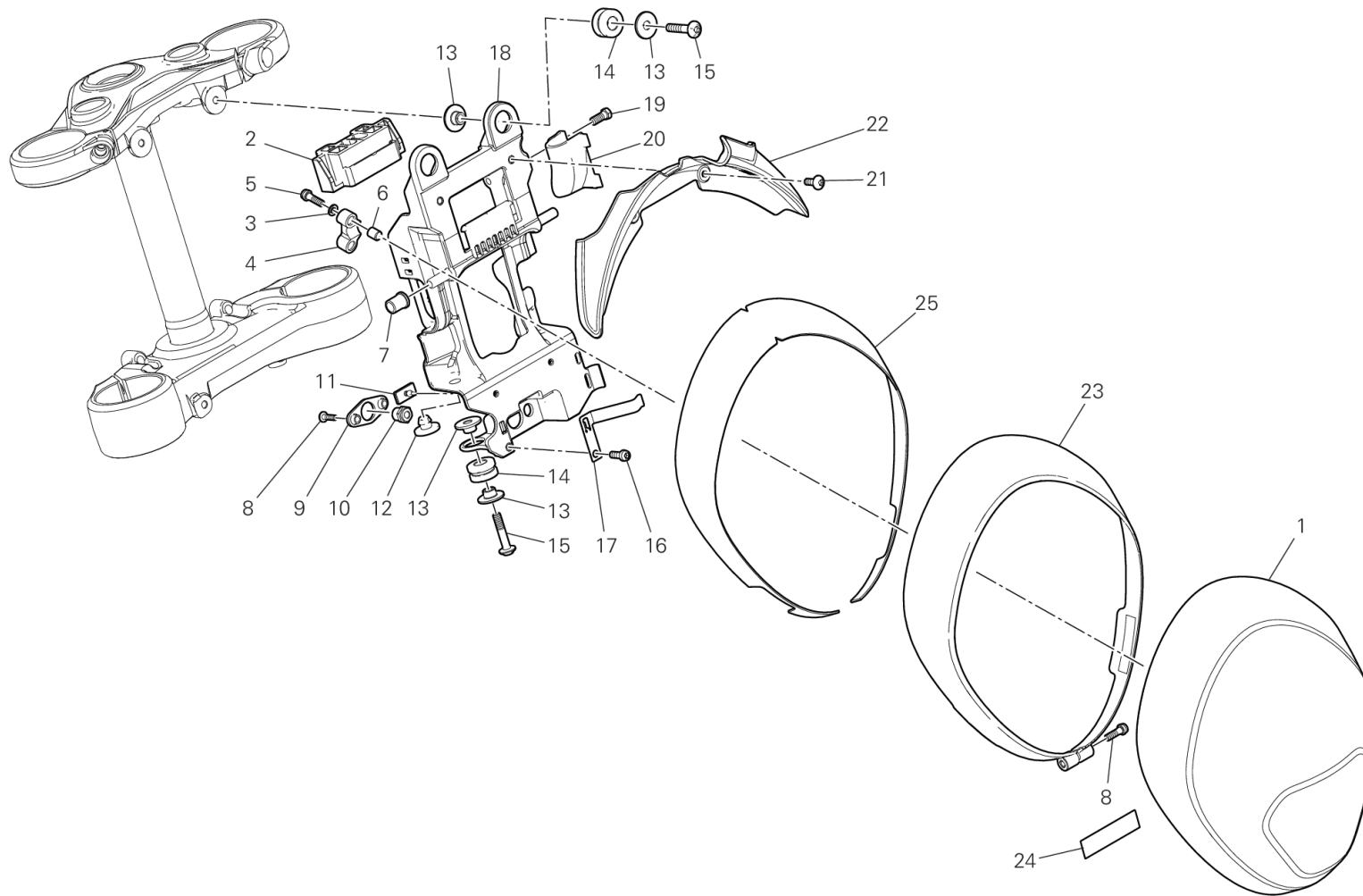
POS.	CODE	DESCRIPTION	QTY	START DATE	END DATE	VALIDITY	NOTES
1	8291D011A	BRACKET SENSOR PRESSURE	2	18/12/2020			
2	55243161B	SENSOR, PRESSURE	2	18/12/2020			
3	85041951AA	QUICK FASTENING	2	01/01/2021			
4	77244183B	SCREW	3	18/12/2020			
5	59018872A	HOSE PRESSURE SENSOR HORIZONTAL	1	18/12/2020			
6	59018882A	HOSE PRESSURE SENSOR VERTICAL	1	18/12/2020			
7	8301812A	BRACKET	1	18/12/2020			
8	74940321A	NUT	1	15/02/2021			
9	51610053D	HORN	1	18/12/2020			
10	8301L121BA	BRACKET	1	15/02/2021			
11	77240593C	SCREW	1	15/02/2021			
12	28643501A	ENGINE CONTROL UNIT	1	23/12/2020		CPT:STD;XST:EUR,GSO,JAP,ROK	
	28643501H	ENGINE CONTROL UNIT	1	23/12/2020		XST:TWN	
	28643501N	ENGINE CONTROL UNIT	1	23/12/2020		XST:AUS	
	28643511A	ENGINE CONTROL UNIT	1	23/12/2020		CPT:D35	
13	86613081A	BRACKET ENGINE CONTROL UNIT	1	18/12/2020			
14	85240171A	WASHER	2	18/12/2020			
15	77440203C	SCREW	2	18/12/2020			
16	76410971A	RUBBER PAD	1	11/12/2017			
17	55240121A	SENSOR, AIR TEMPERATURE	1	11/12/2017			
18	4601L861AA	GUARD	1	01/01/2021			
19	77240458C	SCREW	2	18/12/2020			
20	77150443B	SCREW TCEI M5X22 UNI5931 8.8	2	18/12/2020			
21	71614102AB	SPACER	2	18/12/2020			
22	76411141A	VIBRATION DAMPER PAD	3	18/12/2020			
23	8291M891A	HOLDER VOLTAGE RECTIFIER	1	18/12/2020			
24	54040321A	VOLTAGE REGULATOR	1	18/12/2020			
25	74941113B	NUT	2	18/12/2020			
26	71611181AA	SPACER	2	01/01/2021			
27	74141711A	CLAMP 10-7 MM	4	18/12/2020			
28	4601C581A	PROTECTION SHEATH	1	06/09/2021			



IMP01410



POS.	CODE	DESCRIPTION	QTY	START DATE	END DATE	VALIDITY	NOTES
1	74910021A	NUT, CAP M6	2	01/06/2018			
2	85211761A	WASHER 6.4X12.5X1.6	2	01/06/2018			
3	38540093B	PIATTAFORMA INERZIALE	1	01/01/2021			
4	83011771AA	BRACKET	1	01/01/2021			
5	77240423C	SCREW	2	01/06/2018			
6	76410241A	VIBRATION DAMPER PAD	3	01/01/2021			
7	71614191A	SPACER	3	01/01/2021			
8	77150443B	SCREW TCEI M5X22 UNI5931 8.8	3	01/01/2021			
9	75012341AA	SCREW, SPECIAL	2	18/12/2020			
10	71113331AA	BUSH	2	18/12/2020			
11	7791C411AA	SCREW, SPECIAL	2	18/12/2020			
12	65240371A	KEY-OPERATED SWITCH	1	01/01/2020			
13	71616041AA	SPACER	2	18/12/2020			
14	59822451A	LOCKS KIT	1	01/01/2020		XST:AUS,EUR,GSO,JAP,ROK,TWN	
15	59840183A	KEY WITHOUT TRANSPONDER	1	01/01/2020		XST:AUS,EUR,GSO,JAP,ROK,TWN	
16	59840541A	KEY WITH TRANSPONDER	1	01/01/2020			
17	38640591A	SOCKET, LOW VOLTAGE (USB)	1	18/12/2020			
18	76412421B	HOLDER SOCKET, LOW VOLTAGE	1	18/12/2020			



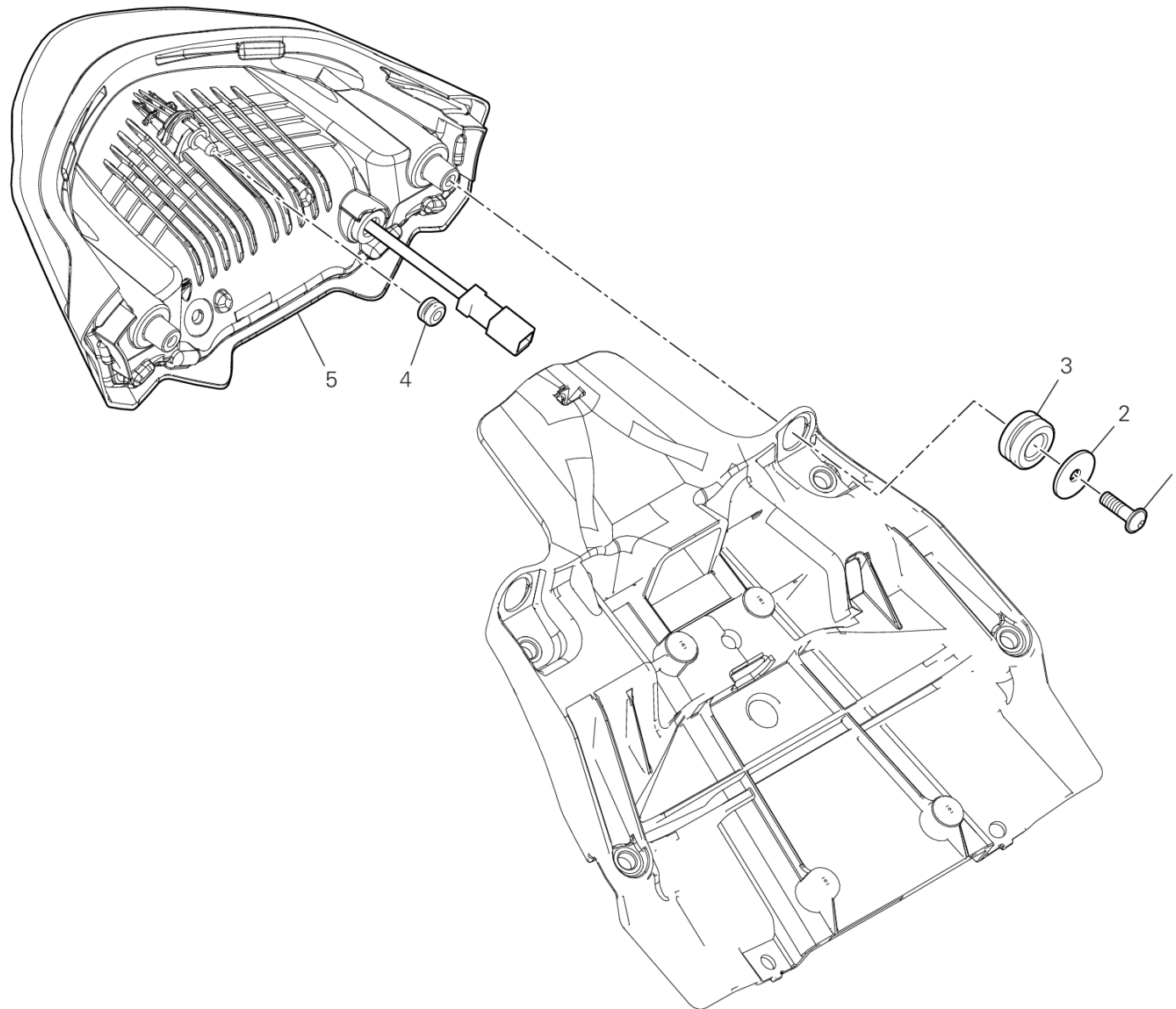
FAN00416

DRAWING 13A - HEADLIGHT [MOD:M937+]

GROUP ELECTRIC



POS.	CODE	DESCRIPTION	QTY	START DATE	END DATE	VALIDITY	NOTES
1	52010554A	HEADLIGHT	1	08/02/2021			
2	86613101B	BRACKET, CONNECTOR	1	18/12/2020			
3	85340021A	SPRING WASHER	4	18/12/2020			
4	8291E041A	U-BOLT KIT	2	18/12/2020			
5	77156413BA	SCREW	4	08/02/2021			
6	71115491A	SPACER	4	18/12/2020			
7	71011901A	SPINDLE, TAPER	2	18/12/2020			
8	77440251A	SCREW	3	18/12/2020			
9	8301L071A	GUIDE	1	18/12/2020			
10	8301L081A	GUIDE FASTENING	1	18/12/2020			
11	86610361A	RUBBER PAD	2	18/12/2020			
12	86612111A	CUSHION, SEAT	2	18/12/2020			
13	71614142B	SPACER	8	18/12/2020			
14	76410641A	VIBRATION DAMPER PAD	4	13/06/2018			
15	77244393BA	SCREW	4	04/03/2021			
16	77156408B	SCREW TCEIF M5X14	1	18/12/2020			
17	7991B661B	SPRING	1	18/12/2020			
18	8291M941B	FRONT SUBFRAME	1	08/02/2021			
19	77050413B	SCREW	1	18/12/2020			
20	8301L061C	GUIDE, CABLE	1	08/02/2021			
21	77244183B	SCREW	2	18/12/2020			
22	24717181A	HEADLIGHT FRAME	1	23/02/2021			
23	4601L981A	HEADLIGHT FRAME	1	23/02/2021			
24	92610321A	GUARD	1	18/12/2020			
25	86613341A	RUBBER PAD	1	14/06/2021			



FAN00408

MONSTER PLUS /22

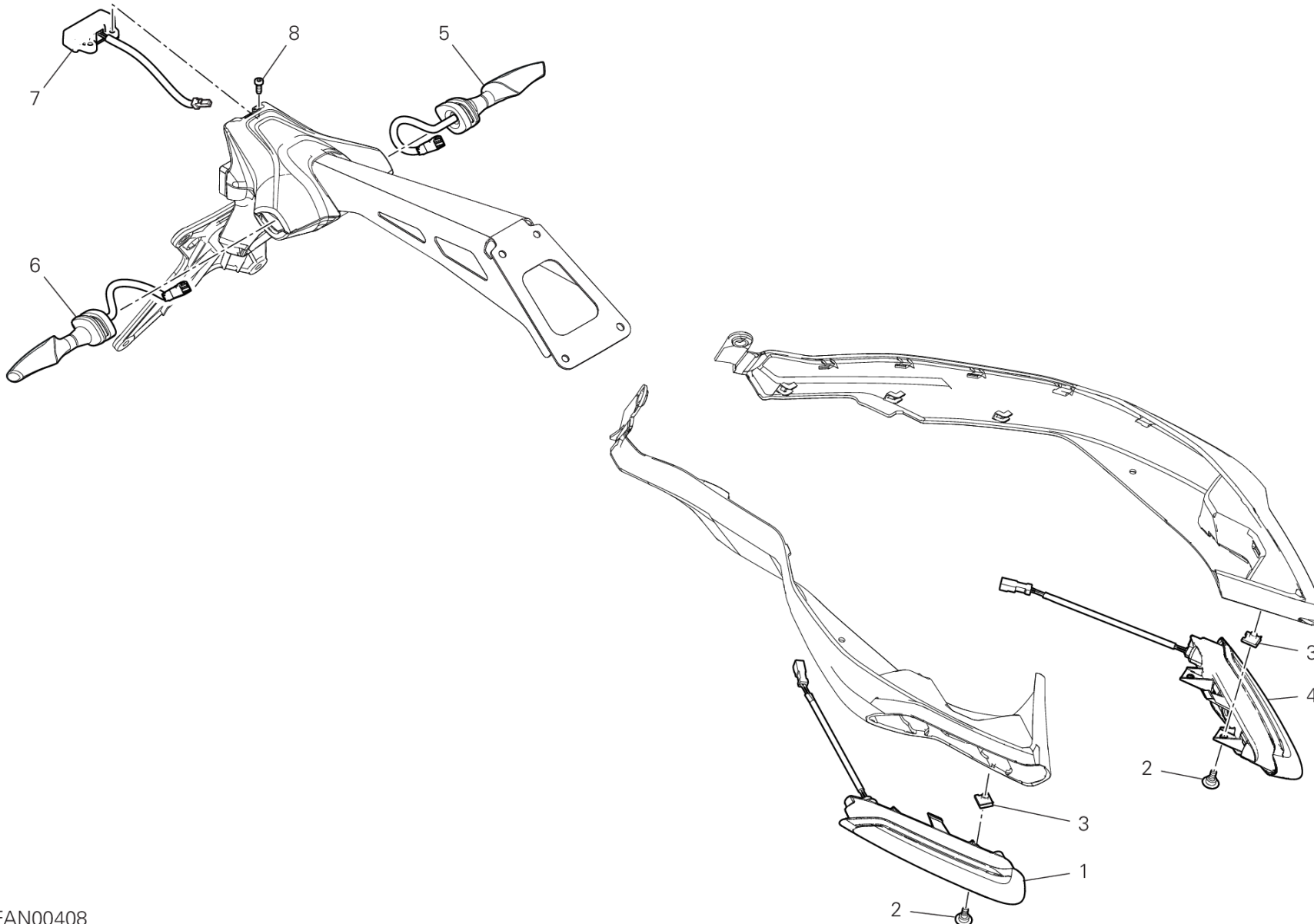
019000022

DRAWING 13B - TAILLIGHT [MOD:M937+]

GROUP ELECTRIC



POS.	CODE	DESCRIPTION	QTY	START DATE	END DATE	VALIDITY	NOTES
1	77440041A	SCREW, TAPPING M5X16	2	11/12/2017			
2	85241711A	WASHER	2	11/12/2017			
3	76410901A	RUBBER PAD	2	11/12/2017			
4	76417651A	RUBBER PAD	1	08/02/2021			
5	52510704A	TAILLIGHT	1	08/02/2021			



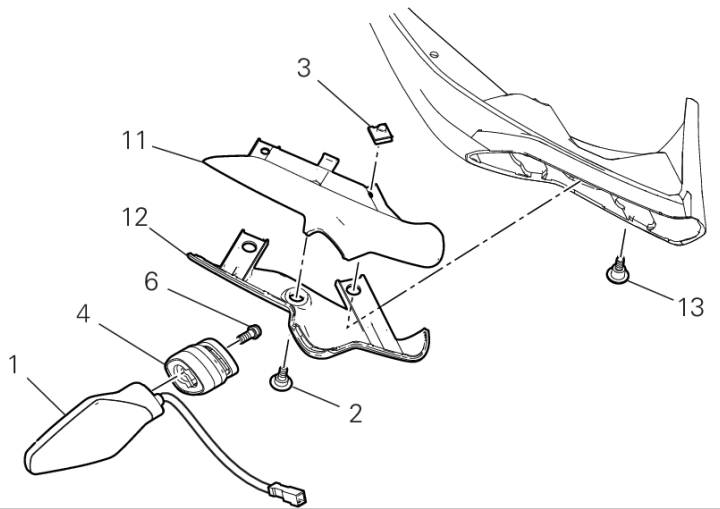
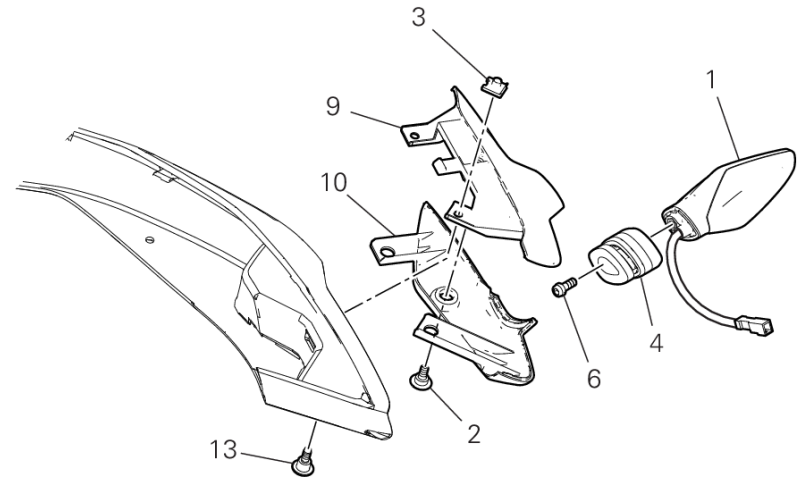
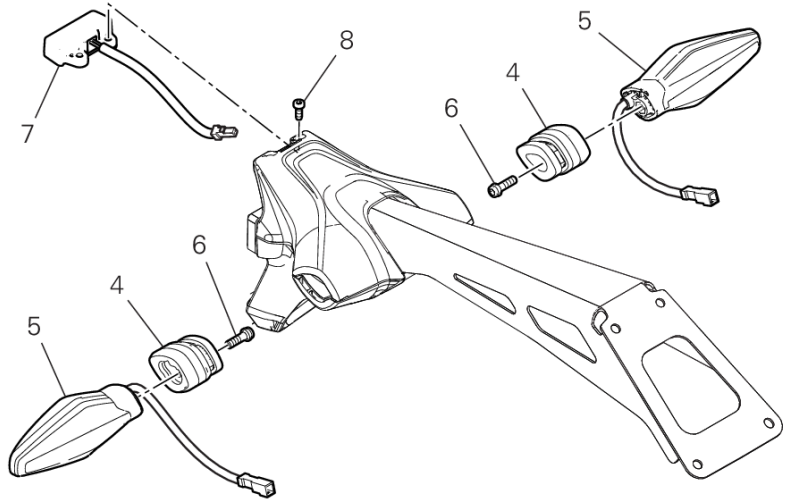
FAN00408

DRAWING 13C - TURN INDICATORS [MOD:M937+;XST:AUS,EUR,GSO,JAP,TWN]

GROUP ELECTRIC



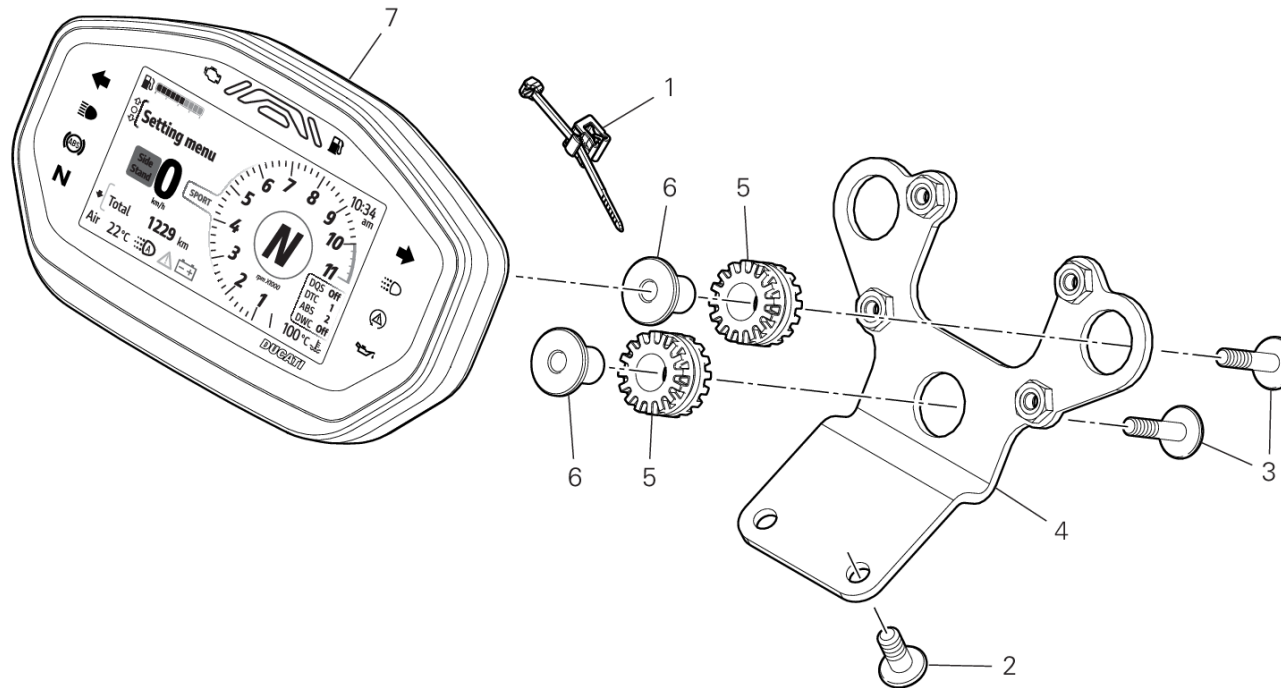
POS.	CODE	DESCRIPTION	QTY	START DATE	END DATE	VALIDITY	NOTES
1	53010484A	TURN INDICATOR FRONT R.H.	1	08/02/2021			
2	77214411AA	SCREW	4	18/12/2020			
3	85040471A	QUICK FASTENING M5	4	18/12/2020			
4	53010474A	TURN INDICATOR FRONT L.H.	1	08/02/2021			
5	53010511A	TURN INDICATOR L.H.	1	01/01/2020			
6	53010501A	TURN INDICATOR R.H.	1	01/01/2020			
7	52510433D	LAMP, LICENSE PLATE	1	01/01/2020			
8	77354623B	SCREW M4X10	2	01/01/2020			



FAN00411



POS.	CODE	DESCRIPTION	QTY	START DATE	END DATE	VALIDITY	NOTES
1	53010463B	TURN INDICATOR	2	16/12/2020			
2	77214411AA	SCREW	2	18/12/2020			
3	85041951AA	QUICK FASTENING	4	02/03/2021			
4	7131A923A	SPACER, FLASHER LIGHT	4	02/03/2021			
5	53010491A	TURN INDICATOR	2	01/01/2021			
6	77156398B	SCREW TCEIF M5X12	4	16/12/2020			
7	52510433D	LAMP, LICENSE PLATE	1	01/01/2020		XST:ROK	
8	77354623B	SCREW M4X10	2	01/01/2020			
9	8291N181A	BRACKET UPPER LEFT	1	01/01/2020			
10	8291N191A	LOWER HOLDER LEFT	1	01/01/2020			
11	8291N201A	BRACKET UPPER RIGHT	1	18/12/2020			
12	8291N211A	LOWER HOLDER RIGHT	1	18/12/2020			
13	77210841B	SCREW	4	08/02/2021			



FAN00412

MONSTER PLUS /22

019000022

DRAWING 14A - INSTRUMENT PANEL [MOD:M937+]

GROUP ELECTRIC



POS.	CODE	DESCRIPTION	QTY	START DATE	END DATE	VALIDITY	NOTES
1	75840801A	CLAMP	1	15/03/2021			
2	77210893B	SCREW	2	26/02/2021			
3	77214061AA	SCREW, SPECIAL TCEI M5x22	3	01/01/2021			
4	8291N471AB	HOLDER	1	01/01/2021			
5	76410641A	VIBRATION DAMPER PAD	3	08/02/2021			
6	71615541AA	SPACER	3	01/01/2021			
7	40611881B	INSTRUMENT PANEL	1	01/01/2021			

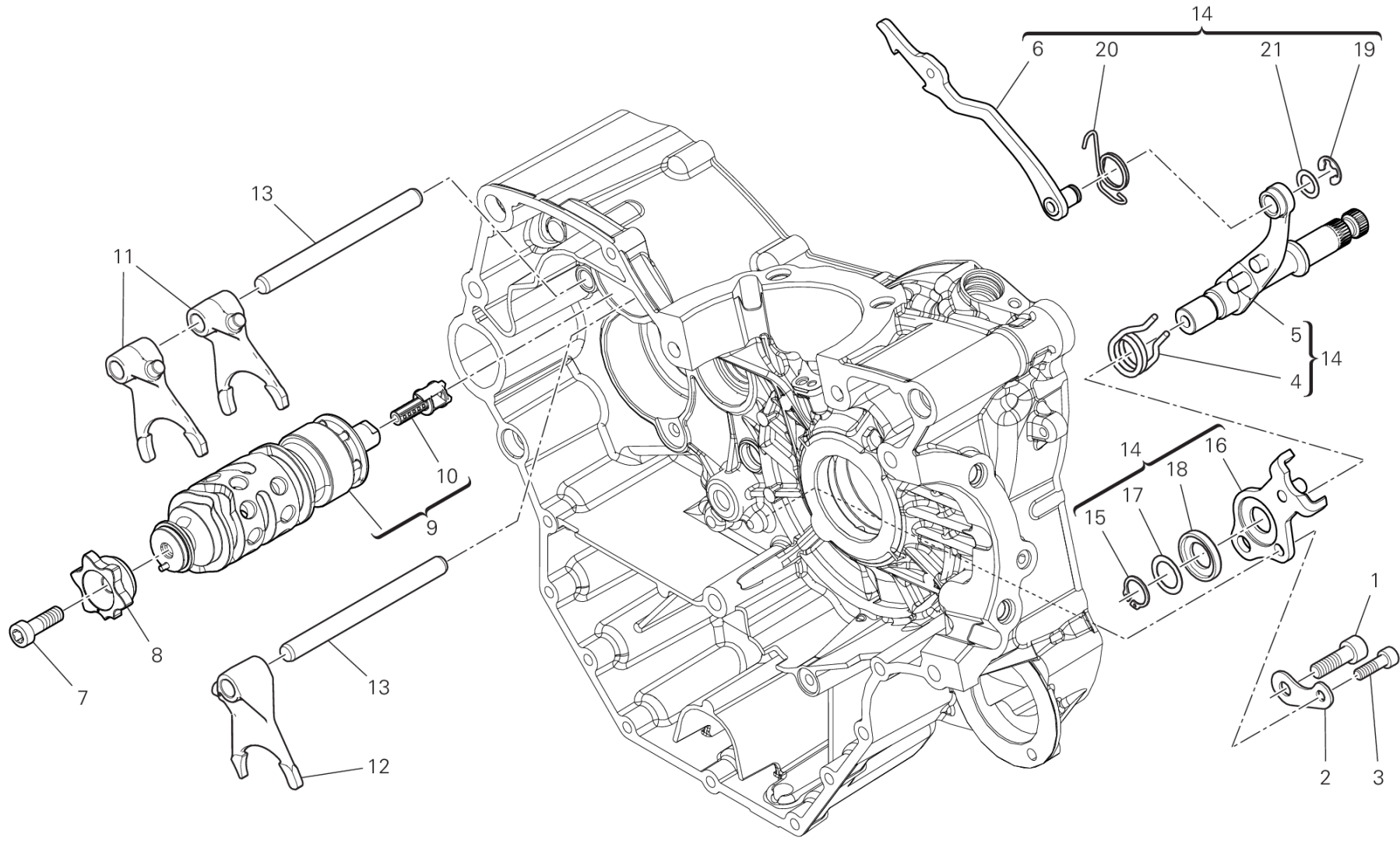


DRAWING L - SHELL ADVANCE [MOD:M937+]

GROUP OIL



POS.	CODE	DESCRIPTION	QTY	START DATE	END DATE	VALIDITY	NOTES
1	944650035	SHELL ADVANCE DUCATI 15W50 - 1L BOTTLE	1				
2	944650037	SHELL ADVANCE DUCATI 15W50 – 209L DRUM	1				



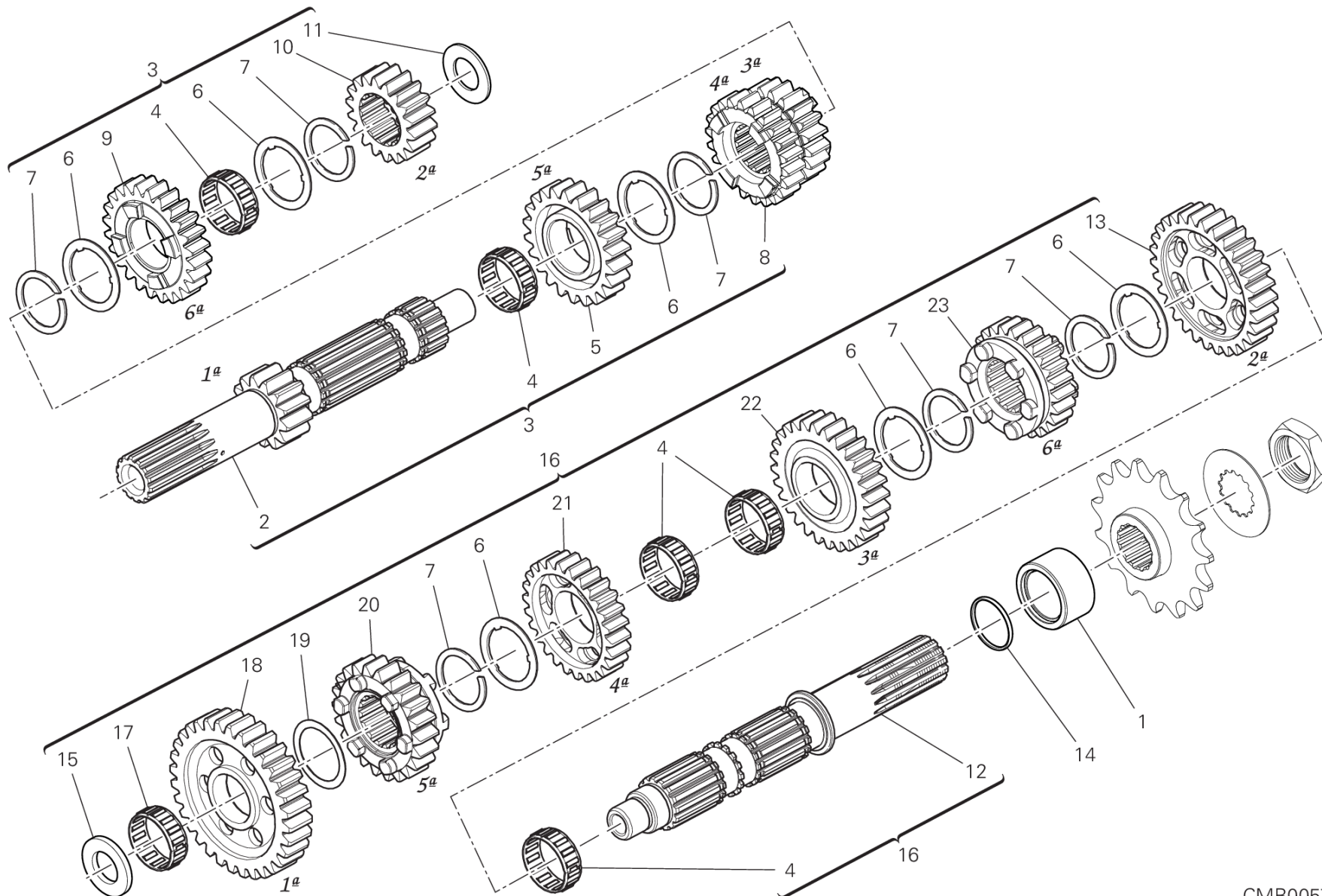
CMB00569

DRAWING 02A - SHIFT CAM - FORK [MOD:M937+]

GROUP ENGINE



POS.	CODE	DESCRIPTION	QTY	START DATE	END DATE	VALIDITY	NOTES
1	77151250ZF	SCREW	1	18/09/2012			
2	71319151A	SPACER	1	19/09/2011			
3	77150670ZF	SCREW	1	18/09/2012			
4	79915061A	SPRING, SHIFT RETURN	1	03/05/2012			
5	82114731A	GEAR SELECTOR SHAFT	1	25/07/2016			
6	18020511A	CONTROL FORK	1	16/10/2017			
7	71950538C	SCREW	1	08/01/2021			
8	18210781A	FLANGE	1	26/10/2020			
9	18220772A	COMPLETE GEARBOX DRUM	1	22/03/2021			
10	55243911A	MAGNETE (Unit)	1	24/09/2019			
11	180Z0031A	GEAR SELECTOR FORK,1ST/4TH-2ND/3RD	2	19/09/2011			
12	180Z0041A	FORK-SHIFT, 5TH&6TH	1	19/09/2011			
13	82113881A	FORK PIN	2	19/09/2011			
14	82120151A	CONTROL FORK	1	02/11/2015			
15	735001542	CIRCLIP 15 DIN 471	1	24/12/2009			
16	82610261A	STOPPER PLATE	1	24/12/2009			
17	040029126	THRUST WASHER 15.5X22X0.5	1	24/12/2009			
18	88110121A	CENTERING RING	1	24/12/2009			
19	88450341B	SPRING RING	1	24/12/2009			
20	79912961A	RETURN SPRING	1	24/12/2009			
21	040009050	THRUST WASHER 10.5X16X0.5	1	24/12/2009			



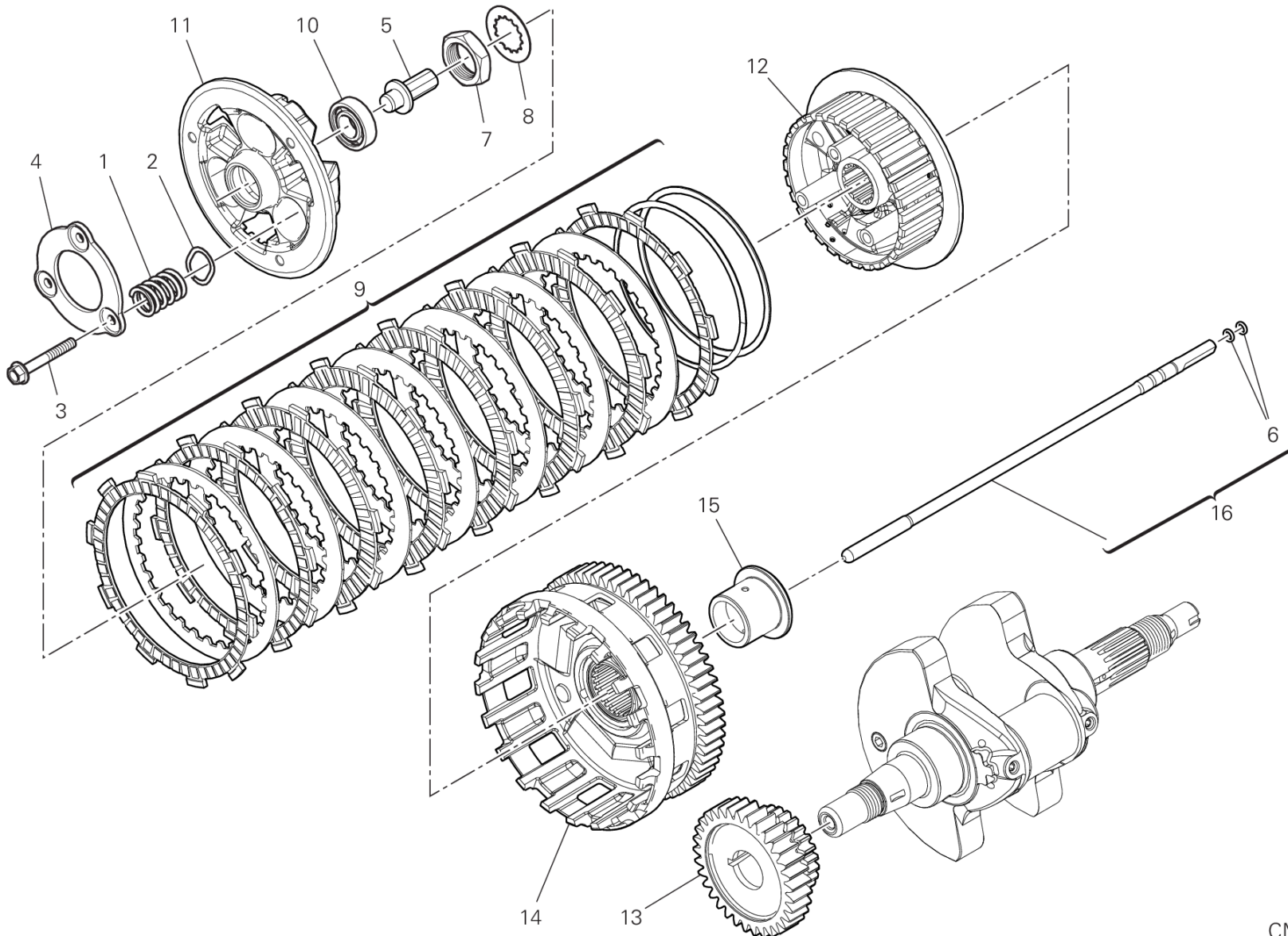
CMB00570

DRAWING 03A - GEAR BOX [MOD:M937+]

GROUP ENGINE



POS.	CODE	DESCRIPTION	QTY	START DATE	END DATE	VALIDITY	NOTES
1	71313931A	SPACER, ENGINE SPROCKET	1	26/05/2020			
2	14911181A	GEARBOX MAIN SHAFT	1	10/12/2019			
3	15021961B	COMPLETE MAIN SHAFT	1	28/10/2011			
4	70140051A	BEARING, NEEDLE	5	28/10/2011			
5	17214961B	GEAR DRIVE 5TH SPEED T23	1	10/12/2019			
6	85611261A	THRUST WASHER 0.5 MM	6	10/12/2019			
7	88210141A	SPRING RING	6	10/12/2019			
8	17214951B	GEAR DRIVE 3/4TH SPEED T20/22	1	10/12/2019			
9	17214971B	GEAR DRIVE 6TH SPEEDTt24	1	10/12/2019			
10	17214941A	GEAR, 2ND DRIVE, NT:17	1	10/12/2019			
11	71310141E	THRUST WASHER 20.3X32X1.6	1	19/09/2011			
12	14911191A	LAY SHAFT	1	03/10/2014			
13	17215021A	DRIVEN GEAR 2ND SPEED T30	1	03/10/2014			
14	46320537A	O-RING	1	19/09/2011			
15	71312661A	THRUST WASHER 17.3X31X3.15	1	28/10/2011			
16	15021971A	COMPLETE LAY SHAFT	1	10/12/2019			
17	70140211A	BEARING, NEEDLE	1	03/10/2014			
18	17215011A	DRIVEN GEAR 1ST SPEED T37	1	03/10/2014			
19	85611231A	THRUST WASHER 1 MM	1	03/10/2014			
20	17214991A	DRIVEN GEAR 5TH SPEED T24	1	03/10/2014			
21	17215031A	DRIVEN GEAR 4TH SPEED T:26	1	03/10/2014			
22	17214981A	DRIVEN GEAR 3RD SPEED T28	1	03/10/2014			
23	17215001A	DRIVEN GEAR 6TH SPEED T23	1	03/10/2014			



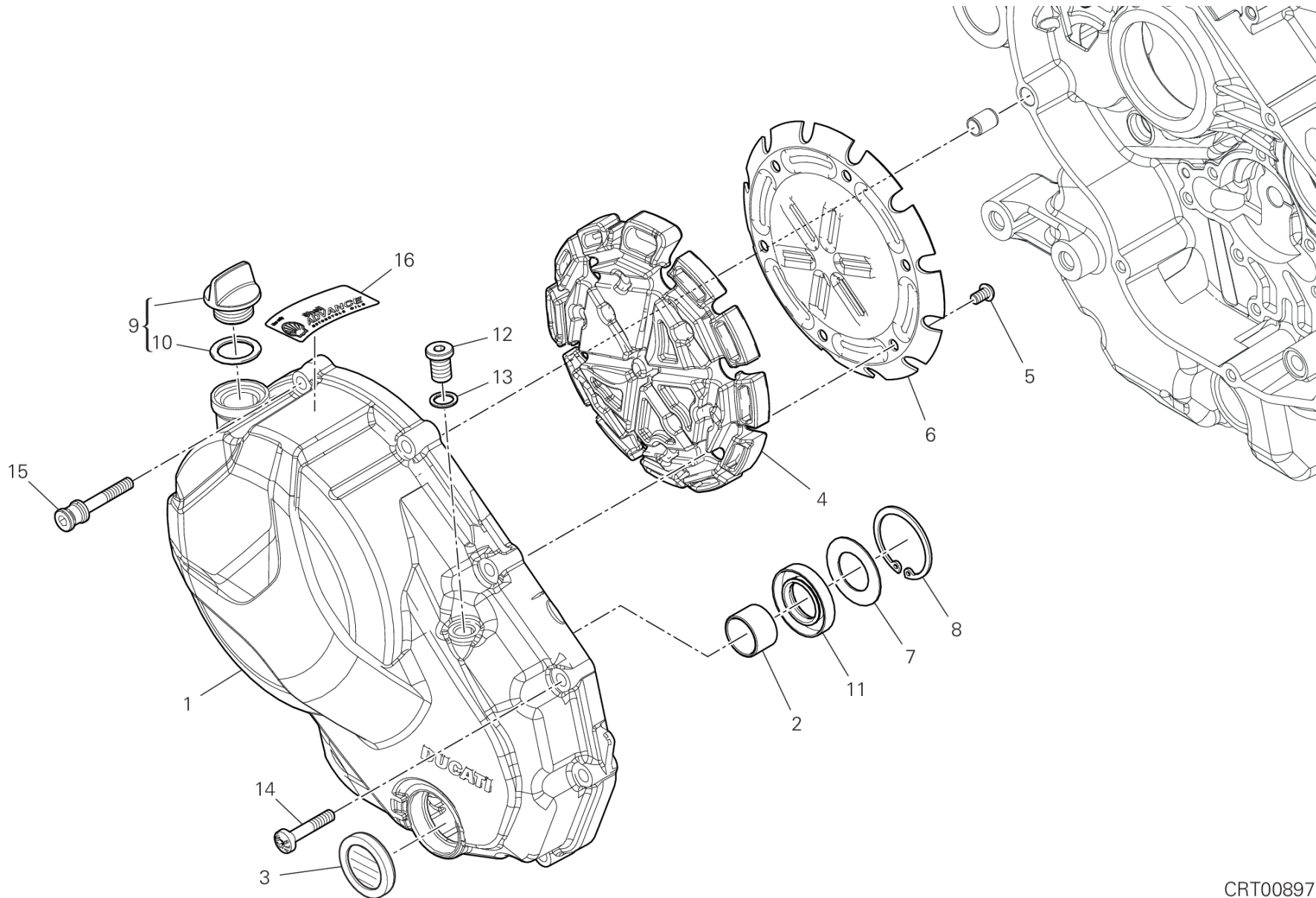
CMB00572

DRAWING 03B - CLUTCH [MOD:M937+]

GROUP ENGINE



POS.	CODE	DESCRIPTION	QTY	START DATE	END DATE	VALIDITY	NOTES
1	79710881A	SPRING	3	01/09/2020			
2	85611391B	THRUST WASHER	3	02/05/2012			
3	77215251A	SCREW	3	18/02/2020			
4	19410751A	RING	1	10/02/2021			
5	81810162A	CLUTCH CONTROL PIN (FCC)	1	25/03/2013			
6	88641731A	O-RING 1.78X4.76	2	18/07/2011			
7	75010781A	NUT	1	01/02/2021			
8	85110201B	LOCK WASHER	1	04/02/2021			
9	19020591A	CLUTCH DISC SET	1	18/02/2020			
10	70250861A	BEARING	1	18/02/2020			
11	19611021A	DISK, CLUTCH PRESSURE (FCC)	1	18/02/2020			
12	19611011A	PLATE HOLDER HUB (FCC)	1	18/02/2020			
13	17011751A	PRIMARY DRIVE FRONT SPROCKET	1	18/02/2020			
14	19820661A	PRIMARY DRIVEN GEAR COMP.	1	18/02/2020			
15	71314831B	SPACER	1	27/11/2018			
16	11723691A	CLUTCH CONTROL ROD	1	27/07/2020			



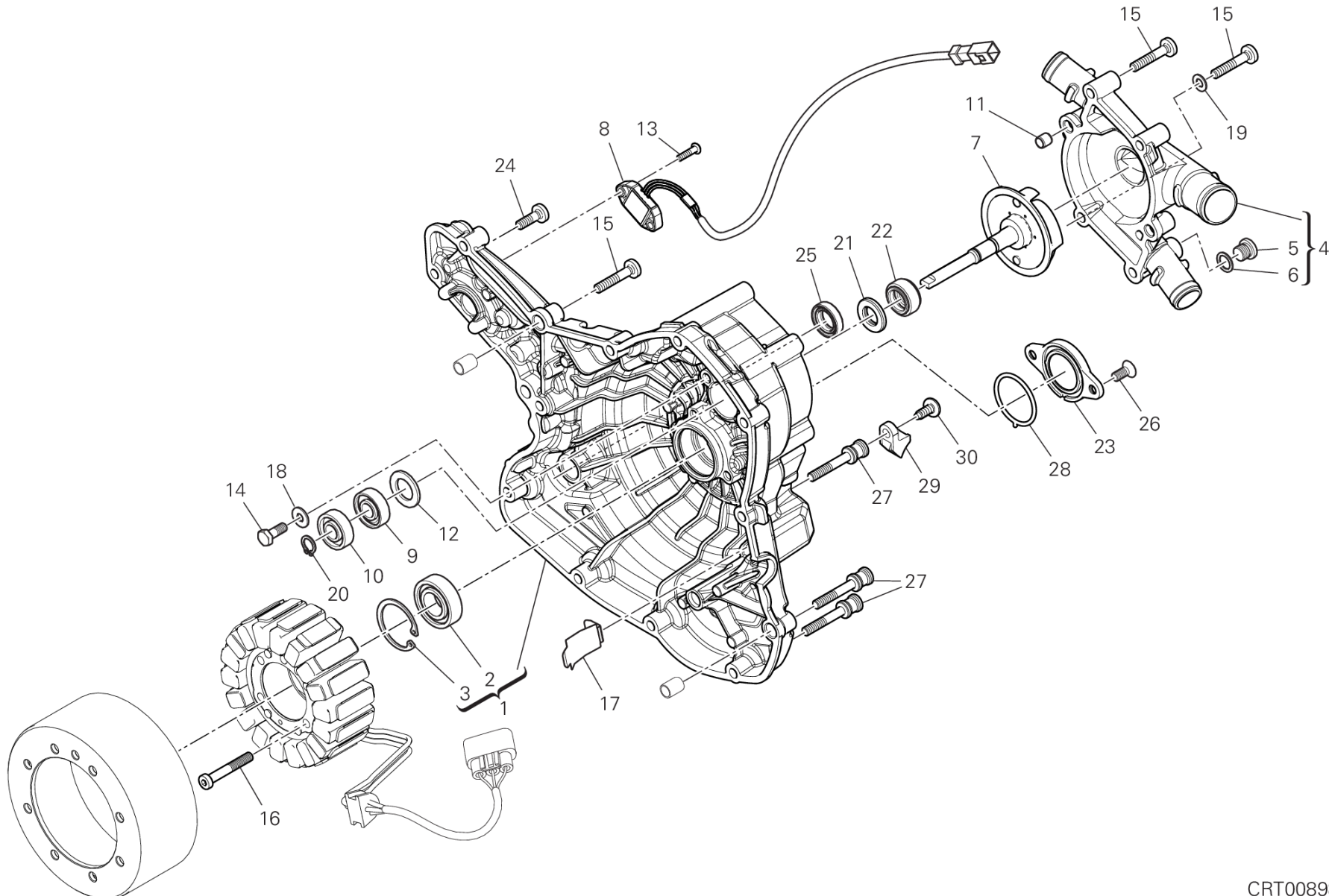
CRT00897

DRAWING 04A - CLUTCH COVER [MOD:M937+]

GROUP ENGINE



POS.	CODE	DESCRIPTION	QTY	START DATE	END DATE	VALIDITY	NOTES
1	24321652B5	CLUTCH COVER	1	06/11/2020			
2	066549680	BUSH	1	24/05/2017			
3	25440013A	WINDOW, OIL LEVEL CHECK	1	24/05/2017			
4	48612611A	DAMPER, SOUND ARRESTER	1	06/11/2020			
5	77510721A	SCREW	6	06/11/2020			
6	82719021B	SHEET ACOUSTIC DAMPER	1	06/11/2020			
7	85213601A	WASHER, THRUST 22x37.8x1	1	06/11/2020			
8	88450711A	SPRING RING	1	06/11/2020			
9	89320191A	PLUG ASSY	1	06/11/2020			
10	88642301A	O-RING	1	05/03/2014			
11	93040211A	OIL SEAL	1	24/05/2017			
12	78011281A	PLUG, THREADED M10X1	1	18/09/2017			
13	85250241A	WASHER 10X14X1	1	18/09/2017			
14	77942032A	SCREW	6	28/07/2020			
15	77916041D	SCREW, SPECIAL	3	26/05/2020			
16	43313912A	WARNING LABEL	1	24/05/2017			



CRT00898

DRAWING 04B - GENERATOR COVER [MOD:M937+]

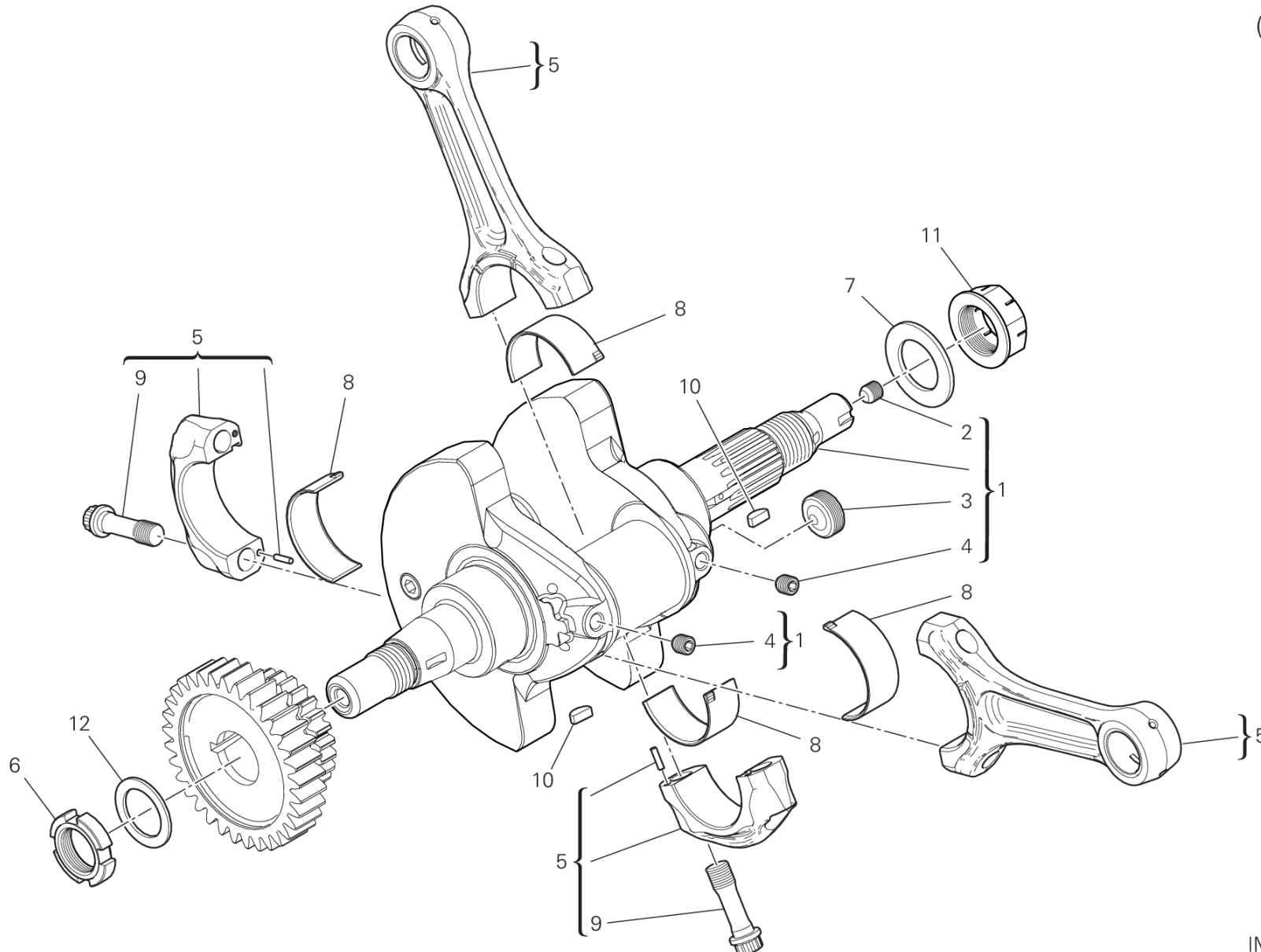
GROUP ENGINE



POS.	CODE	DESCRIPTION	QTY	START DATE	END DATE	VALIDITY	NOTES
1	24221551A5	GENERATOR COVER	1	28/07/2020			
2	70250081A	BALL BEARING 6003 TN9 C3	1	24/05/2017			
3	735033380	CIRCLIP	1	24/05/2017			
4	24725241BI	WATER PUMP COVER ASSY	1	24/05/2017			
5	78011001A	PLUG, THREADED M10X1	1	21/03/2017			
6	85250631A	WASHER	1	21/03/2017			
7	25120131A	WATER PUMP ROTOR	1	24/05/2017			
8	55243941A	GEARBOX POSITION SENSOR	1	24/05/2017			
9	70240091A	BALL BEARING 6000	1	24/05/2017			
10	70240102A	BEARING	1	24/05/2017			
11	71110922A	BUSH	2	24/05/2017			
12	71311281B	SPACER	1	24/05/2017			
13	72050069E	SCREW	2	24/05/2017			
14	77052508B	SCREW TE M6X16	2	24/05/2017			
15	77942032A	SCREW	14	28/07/2020			
16	71950418CF	SCREW	3	28/07/2020			
17	82716091A	PLATE	1	24/05/2017			
18	85211721A	WASHER 6X14.2X1.3	2	24/05/2017			
19	85250481A	GASKET 6X12X1 DIN7603-A	2	24/05/2017			
20	88450431A	CIRCLIP	1	24/05/2017			
21	93050051A	MECHANICAL SEAL	1	24/05/2017			
22	93050062B	MECHANICAL SEAL	1	24/05/2017			
23	24713571AO	COVER	1	09/11/2020			
24	77941992A	SCREW	2	10/01/2020			
25	93042691A	SEAL RING	1	10/01/2020			
26	77750493C	SCREW	2	18/09/2017			
27	77916041D	SCREW, SPECIAL	3	18/09/2017			
28	88610951A	O-RING 32.99X2.62	1	18/09/2017			
29	75841121A	FAIRLEAD	1	18/12/2020			
30	77244183B	SCREW	1	18/12/2020			



(MAPE)



IMB00287

DRAWING 05A - CONNECTING RODS [MOD:M937+]

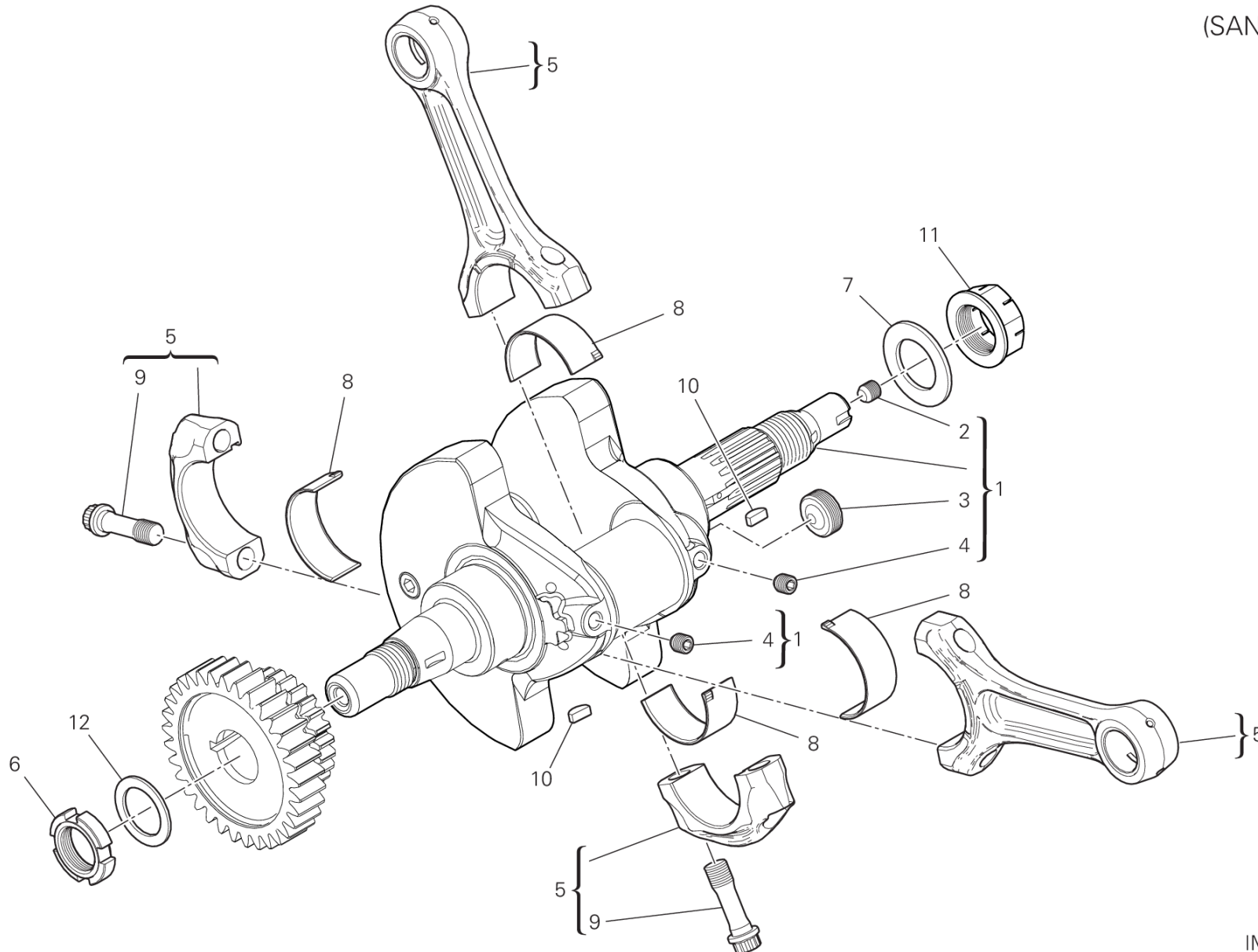
GROUP ENGINE



POS.	CODE	DESCRIPTION	QTY	START DATE	END DATE	VALIDITY	NOTES
1	14622167AA	DRIVE SHAFT COMPLETO (Class 1-2)	1	29/04/2016			
	14622167AB	DRIVE SHAFT COMPLETO (Class 3-4)	1	29/04/2016			
	14622167AC	DRIVE SHAFT COMPLETO (Class 5-6)	1	29/04/2016			
2	77911092A	SCREW, SPECIAL	1	14/09/2012			
3	78010161B	THREADED PLUG	1	26/04/2016			
4	77915471A	THREADED DOWEL STEI M8X8	2	14/09/2012			
5	15620671CA	CONNECTING ROD BLUE/YELLOW	2	15/02/2021			
	15620671CB	CONNECTING ROD GREEN/RED	2	15/02/2021			
	15620671CC	CONNECTING ROD BIANCO/NERO	2				
6	75011131A	RING NUT	1	25/11/2014			
7	85212691A	WASHER	1	01/01/2013			
8	11210121AA	PLANE BEARING, CONNECTING ROD RED	4				
	11210121AB	PLANE BEARING, CONNECTING ROD BLUE	4				
	11210121AC	PLANE BEARING, CONNECTING ROD YELLOW	4				
	11210121AD	PLANE BEARING, CONNECTING ROD BLACK	4				
	11210121AE	PLANE BEARING, CONNECTING ROD GREEN	4				
9	77914045B	BOLT, CONNECTING ROD	4	01/01/2011			
10	68010131A	KEY, WOODRUFF 4X5X10	2	19/09/2011			
11	75010121D	NUT, SPECIAL	1	01/01/2013			
12	85140031A	WASHER, LOCK	1	25/11/2014			



(SANSERA)



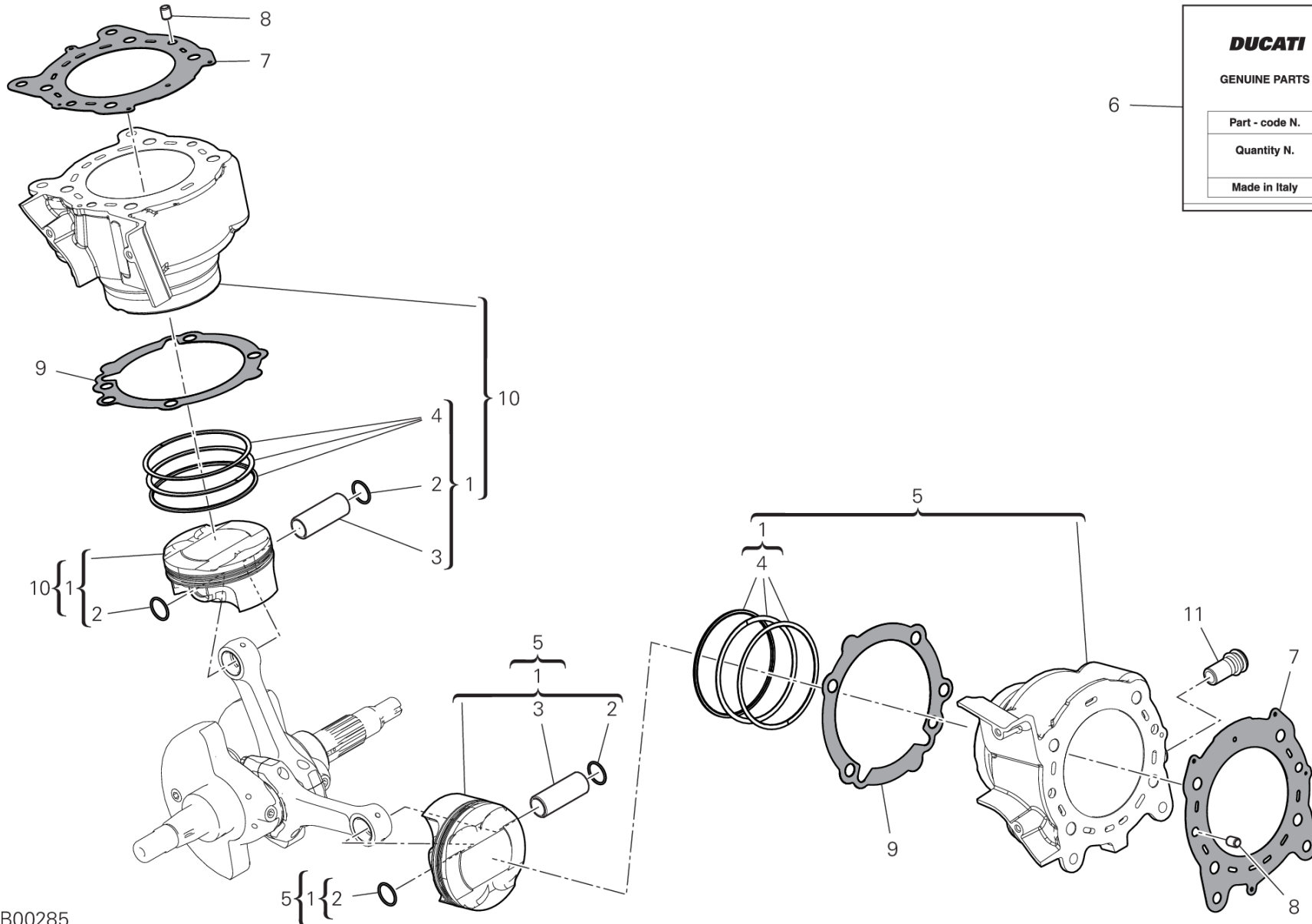
IMB00286

DRAWING 05A - CONNECTING RODS [MOD:M937+]

GROUP ENGINE



POS.	CODE	DESCRIPTION	QTY	START DATE	END DATE	VALIDITY	NOTES
1	14622162CA	DRIVE SHAFT COMPLETO (Class 1-2)	1	29/04/2016			
	14622162CB	DRIVE SHAFT COMPLETO (Class 3-4)	1	29/04/2016			
	14622162CC	DRIVE SHAFT COMPLETO (Class 5-6)	1	29/04/2016			
	14622162CE	DRIVE SHAFT COMPLETO (Class 7)	1				
2	77911092A	SCREW, SPECIAL	1	14/09/2012			
3	78010161B	THREADED PLUG	1	26/04/2016			
4	77915471A	THREADED DOWEL STEI M8X8	2	14/09/2012			
5	15622261BA	CONNECTING ROD (Class 1-2)	2	15/02/2021			
	15622261BB	CONNECTING ROD (Class 3-4)	2	15/02/2021			
	15622261BC	CONNECTING ROD (Class 5-6)	2				
	15622261BE	CONNECTING ROD (Class 7)	2				
6	75011131A	RING NUT	1	25/11/2014			
7	85212691A	WASHER	1	01/01/2013			
8	11210121AA	PLANE BEARING, CONNECTING ROD RED	4				
	11210121AB	PLANE BEARING, CONNECTING ROD BLUE	4				
	11210121AC	PLANE BEARING, CONNECTING ROD YELLOW	4				
	11210121AD	PLANE BEARING, CONNECTING ROD BLACK	4				
	11210121AE	PLANE BEARING, CONNECTING ROD GREEN	4				
9	77914045B	BOLT, CONNECTING ROD	4	01/01/2011			
10	68010131A	KEY, WOODRUFF 4X5X10	2	19/09/2011			
11	75010121D	NUT, SPECIAL	1	01/01/2013			
12	85140031A	WASHER, LOCK	1	25/11/2014			



DUCATI	
GENUINE PARTS	
Part - code N.	
Quantity N.	
Made in Italy	

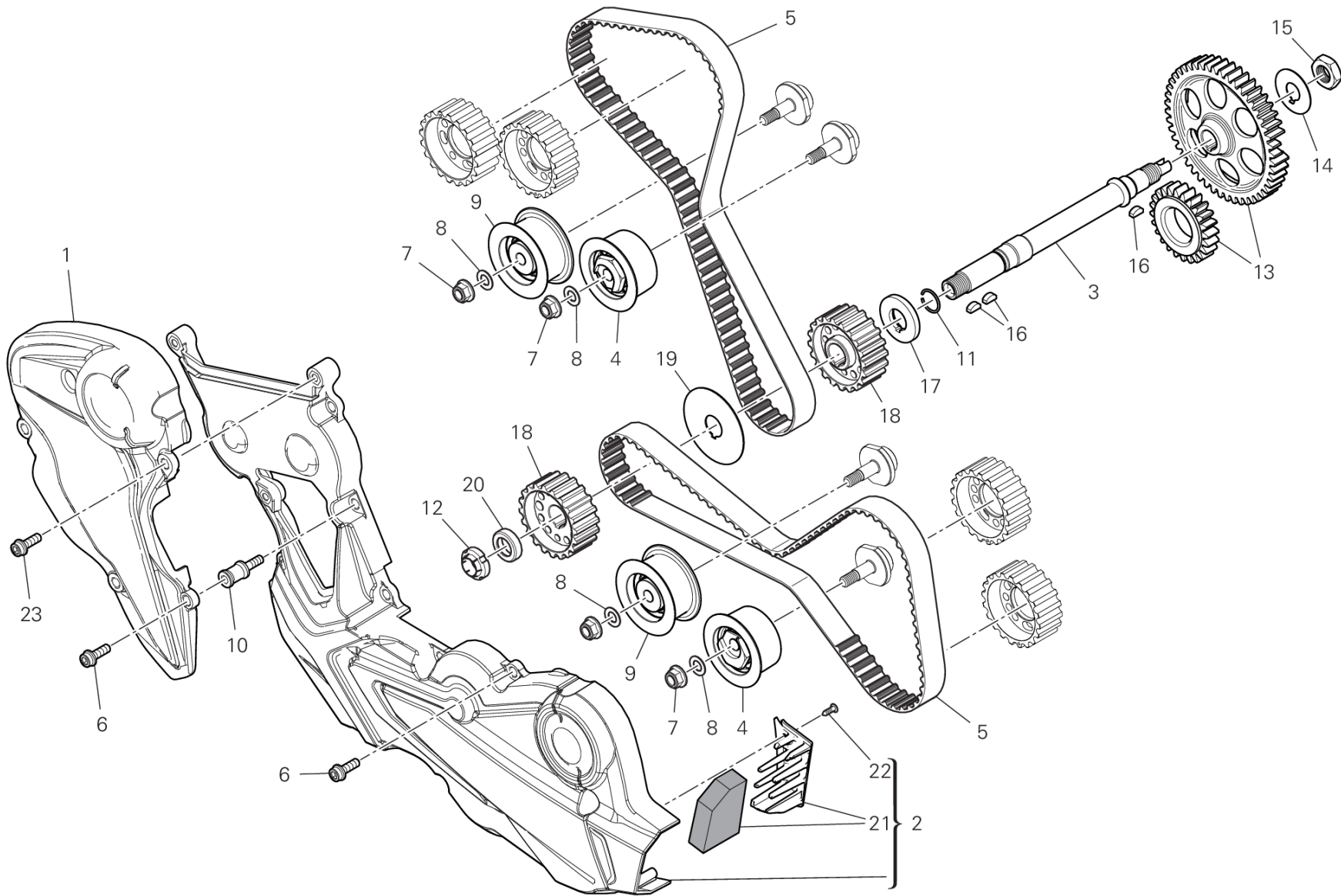
IMB00285

DRAWING 06A - CYLINDERS - PISTONS [MOD:M937+]

GROUP ENGINE



POS.	CODE	DESCRIPTION	QTY	START DATE	END DATE	VALIDITY	NOTES
1	12222392C	PISTON ASSY	2	02/03/2020			
2	12110791A	CIRCLIP, PISTON PIN	4	11/05/2015			
3	12110781B	PISTON PIN	2	11/05/2015			
4	12120822A	PISTON RING SET	1	18/02/2020			
5	120P3081AA	HORIZONTAL CYLINDER-PISTON ASSY	1	09/11/2020			
6	79120571C	GASKETS SET	1	26/05/2020			
7	78610961A	GASKET, CYLINDER HEAD	2	10/02/2020			
8	71112191A	PIN DOWEL	4	19/09/2011			
9	78611511A	GASKET, CYLINDER	2	19/09/2011			
10	120P3091AA	VERTICAL CYLINDER-PISTON ASSY	1	09/11/2020			
11	71117802A	BUSH	1	30/11/2020			



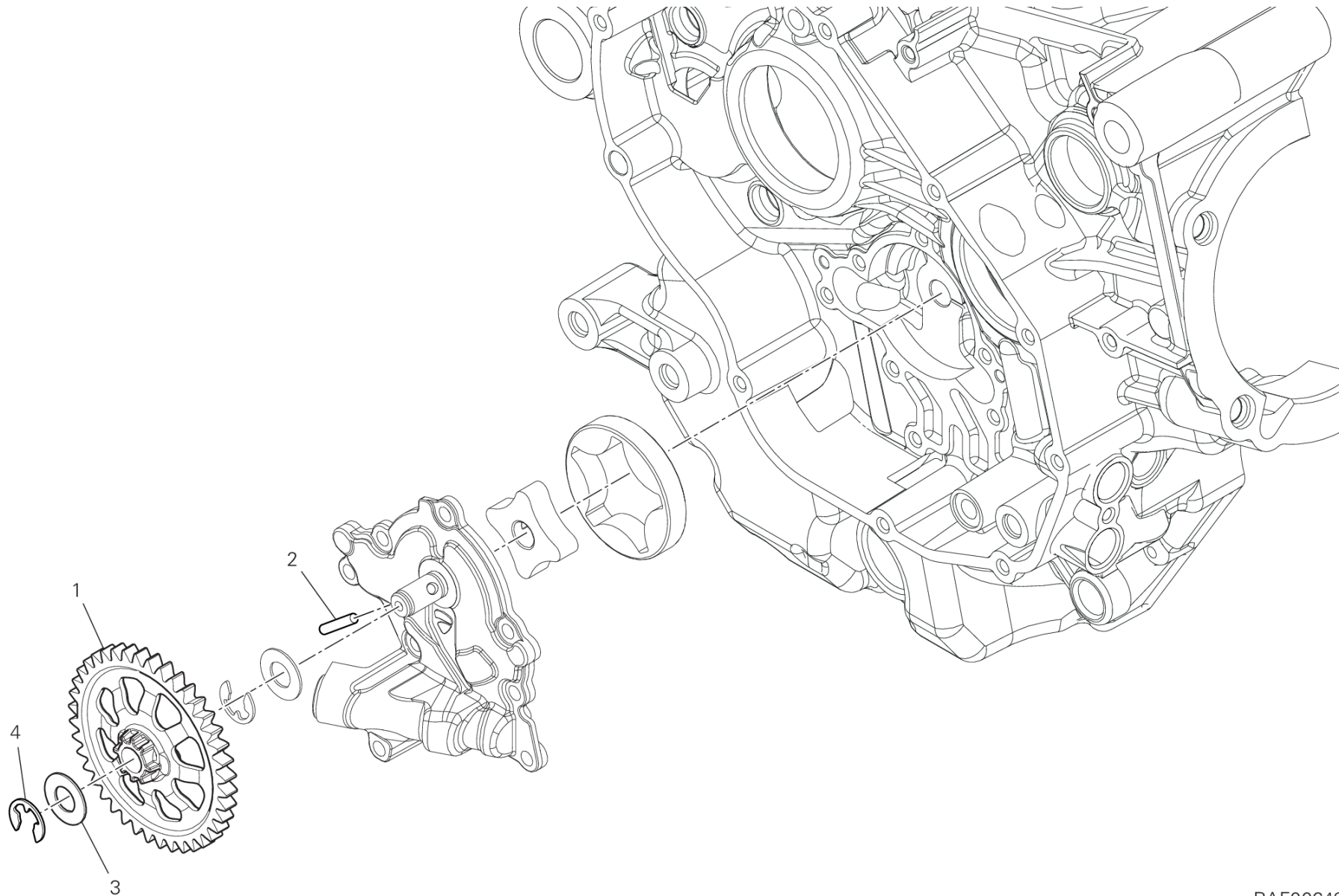
TST00701

DRAWING 07A - TIMING SYSTEM [MOD:M937+]

GROUP ENGINE



POS.	CODE	DESCRIPTION	QTY	START DATE	END DATE	VALIDITY	NOTES
1	24511862A	VERTICAL BELT OUTER COVER	1	01/02/2021			
2	24521852B	HORIZONTAL BELT EXTERNAL COVER	1	01/02/2021			
3	14710811A	LAYSHAFT TIMING	1	19/09/2011			
4	45120311C	COMPLETE MOVABLE TENSIONER ROLLER	2	18/09/2017			
5	73740311B	TIMING DRIVE TOOTHED BELT	2	02/04/2021			
6	77140663CD	SCREW	11	19/09/2011			
7	74940081A	NUT M8	4	19/09/2011			
8	85310021A	SPRING WASHER 8 MM	4	01/01/2012			
9	45120321B	TENSIONER TIMING BELT FIXED	2	18/09/2017			
10	7791C441A	SCREW, SPECIAL	1	27/07/2020			
11	88210031A	SNAP RING	1	19/09/2011			
12	70350062A	ELASTIC-STOP RING NUT	1	19/09/2011			
13	17122421A	TIMING GEARS SET	1	18/09/2017			
14	85110131A	WASHER, LOCK	1	19/09/2011			
15	75011601A	NUT M14X1X7	1	19/09/2011			
16	68010131A	KEY, WOODRUFF 4X5X10	3	19/09/2011			
17	71611281A	SPACER	1	19/09/2011			
18	25510104B	PULLEY, TIMING BELT	2	19/09/2011			
19	85610623A	WASHER, BELT PULLEY	1	17/09/2012			
20	71610722A	SPACER	1	19/09/2011			
21	24521071A	BRACKET, FILTER	1	06/06/2013			
22	77250341C	SCREW	2	31/05/2012			
23	77140677C	SCREW	2	09/11/2020			



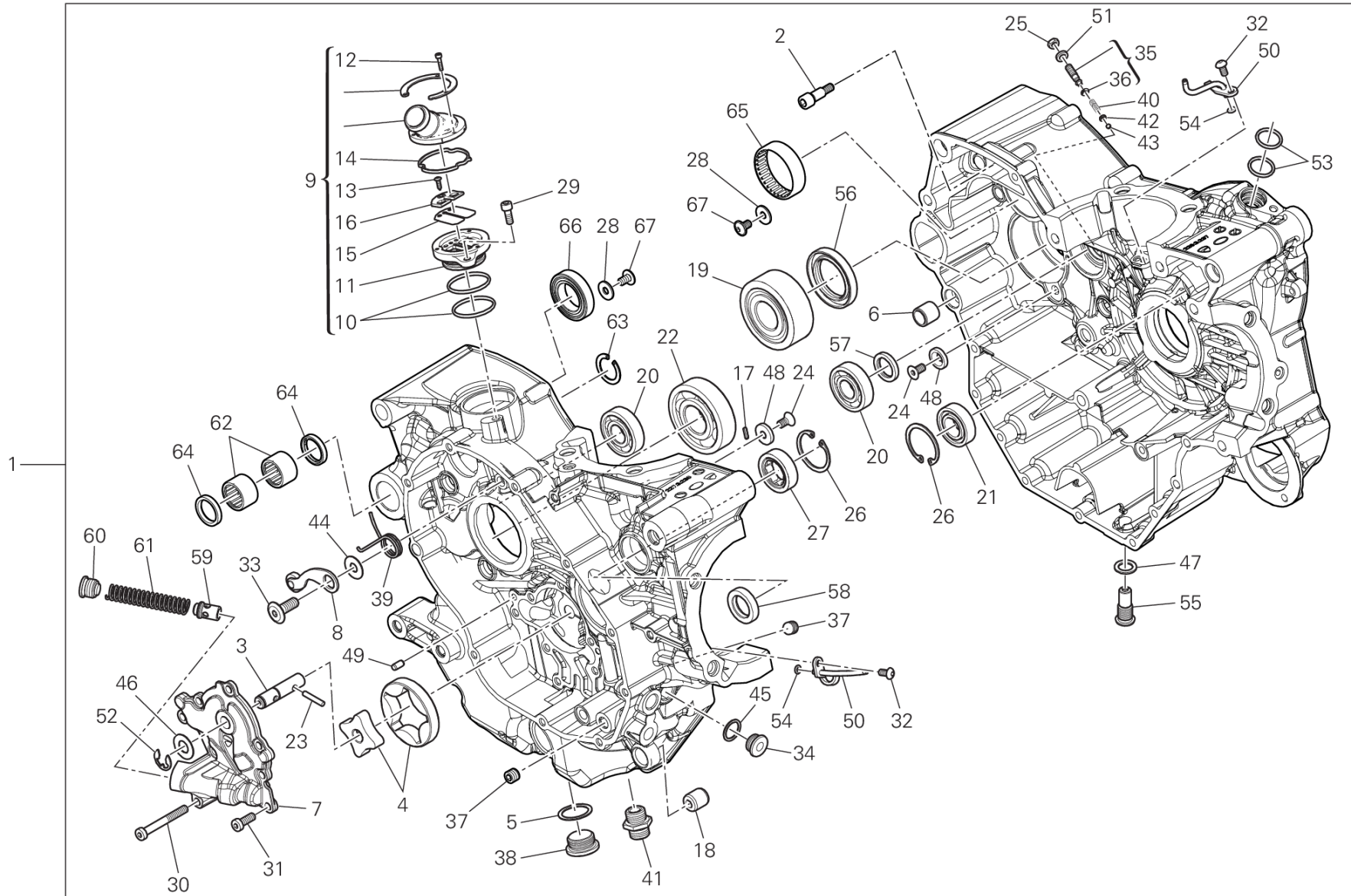
RAF00648

DRAWING 08A - OIL PUMP [MOD:M937+]

GROUP ENGINE



POS.	CODE	DESCRIPTION	QTY	START DATE	END DATE	VALIDITY	NOTES
1	17410621B	GEAR, OIL PUMP DRIVE	1	18/09/2017			
2	70450091A	ROLLER	1	18/09/2017			
3	85213021A	WASHER, THRUST	1	18/09/2017			
4	88450371A	SNAP RING	1	18/09/2017			



CRT00899

DRAWING 09A - HALF-CRANKCASES PAIR [MOD:M937+]

GROUP ENGINE

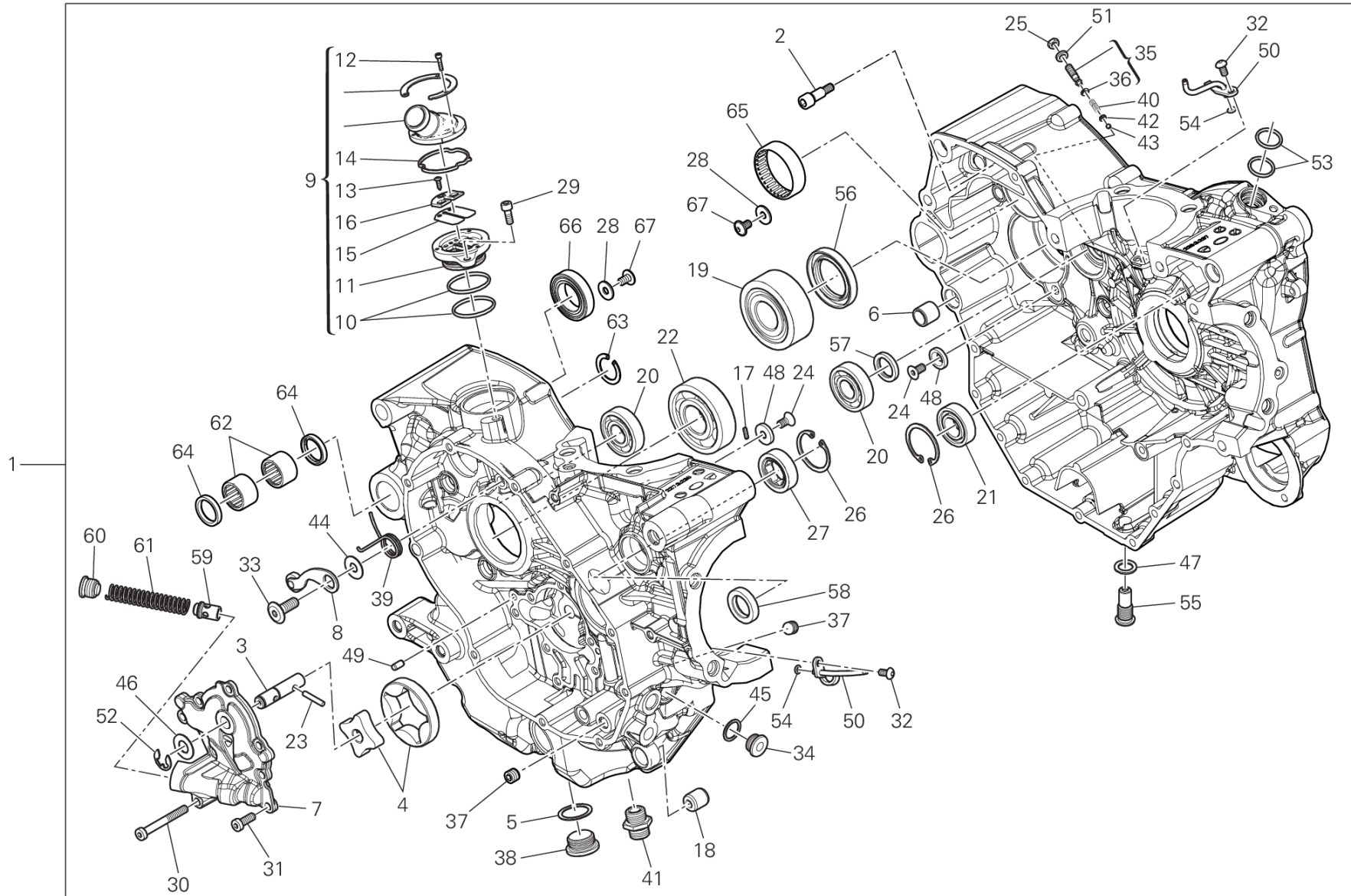


POS.	CODE	DESCRIPTION	QTY	START DATE	END DATE	VALIDITY	NOTES
1	225P0061E	COMPLETE HALF-CRANKCASES PAIR	1	01/02/2021			
2	77919881A	SCREW, SPECIAL	2	21/04/2016			
3	14710951B	OIL PUMP DRIVE SHAFT	1	20/02/2014			
4	17420591A	OIL PUMP ROTOR	1	04/04/2014			
5	22032083A	ALUMINIUM GASKET	1	04/02/2014			
6	71110951A	PIN DOWEL	2	07/11/2011			
7	24714612A	OIL PUMP COVER	1	04/04/2014			
8	45520192A	GEAR FIXING CLICK ASSEMBLY	1	17/06/2020			
9	59320641D	VALVE, BREATHER	1	04/11/2020			
10	46320222A	O-RING	2	02/04/2010			
11	59310601B	HOLDER READ VALVE	1	02/04/2010			
12	77150078B	SCREW	3	15/10/2010			
13	77250341B	SCREW, TAPPING 3.5X12	1	02/04/2010			
14	78811151A	GASKET	1	02/04/2010			
15	81110021A	REED VALVE ASSY	1	02/04/2010			
16	82716031A	SPACER	1	02/04/2010			
17	68050101A	KEY 2X2X10	1	23/09/2011			
18	70010362A	DAMPER	1	23/09/2011			
19	70240131A	BEARING	1	04/02/2014			
20	70240401B	BEARING 17X40X12	2	04/11/2020			
21	70250081A	BALL BEARING 6003 TN9 C3	1	04/02/2014			
22	70250193A	BEARING	1	23/09/2011			
23	70450091A	ROLLER	1	20/02/2014			
24	720941616	SCREW TSPEI M6X12	4	04/02/2014			
25	74710151A	NUT	1	04/04/2014			
26	735033380	CIRCLIP	2	04/02/2014			
27	70242261A	BEARING	1	04/11/2020			
28	85214082A	WASHER	3	17/06/2020			
29	77150653B	SCREW TCEI M6X16 UNI5931 8.8	1	04/02/2014			
30	77150758B	SCREW	1	20/02/2014			
31	77350658B	SCREW TCEIR M6X16	7	28/09/2018			
32	77510311B	SCREW TBEI M5X10	2	23/09/2011			
33	77910391A	SCREW M8X21.5	1	04/02/2014			
34	77911982A	THREADED PLUG M15X1	1	04/02/2014			
35	77927171B	SCREW	1	04/04/2014			



DRAWING 09A - HALF-CRANKCASES PAIR [MOD:M937+]

GROUP ENGINE



CRT00899

DRAWING 09A - HALF-CRANKCASES PAIR [MOD:M937+]

GROUP ENGINE

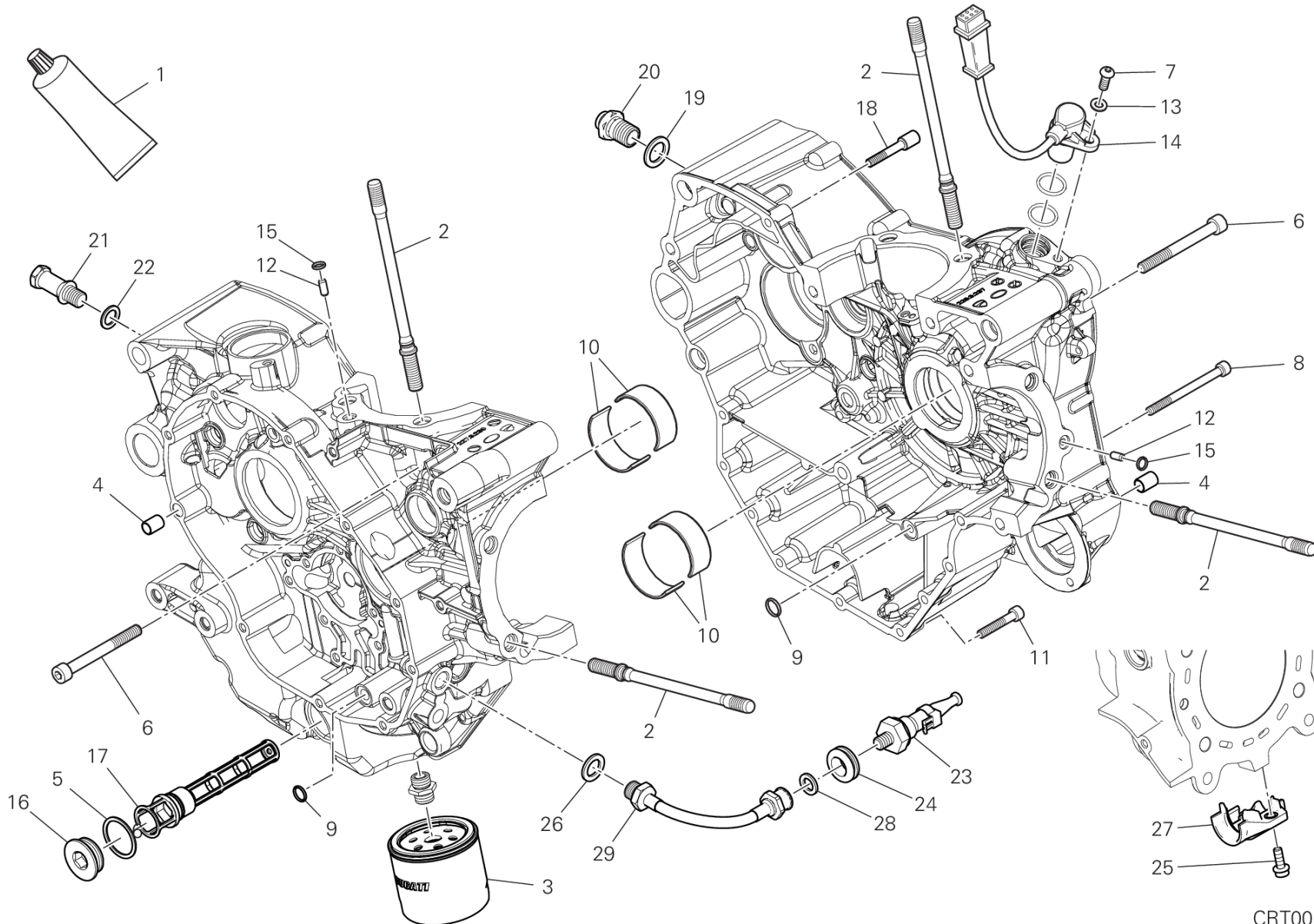


POS.	CODE	DESCRIPTION	QTY	START DATE	END DATE	VALIDITY	NOTES
36	88641961A	O-RING	1	18/04/2011			
37	77950621A	THREADED DOWEL M10X1	2	23/09/2011			
38	78010921A	PLUG	1	04/02/2014			
39	79910491D	SPRING, RETURN	1	17/06/2020			
40	79940171A	SPRING	1	04/02/2014			
41	81510281A	BOLT UNION	1	04/02/2014			
42	83110151B	PLATE	1	04/02/2014			
43	84740061A	BALL	1	04/02/2014			
44	85210532A	WASHER 8.2X20X1	1	04/02/2014			
45	85211201A	ALUMINIUM GASKET	1	04/02/2014			
46	85213021A	WASHER, THRUST	1	20/02/2014			
47	85250421A	COPPER GASKET 12.2X18X1.5 MM	1	04/02/2014			
48	85611481A	WASHER	4	04/02/2014			
49	86050061A	PIN M5X10	2	04/02/2014			
50	87511461B	JET	2	14/12/2015			
51	85640141A	WASHER	1	14/12/2015			
52	88450371A	SNAP RING	1	20/02/2014			
53	88640331A	O-RING 17.96X2.62	2	04/02/2014			
54	88650131A	O-RING 3.68X1.78	2	04/02/2014			
55	89320062A	PLUG, OIL DRAIN	1	04/02/2014			
56	93040221A	OIL SEAL	1	04/02/2014			
57	93040931A	SEAL, OIL 17X25X4	1	04/02/2014			
58	93041631B	SEAL RING	1	13/02/2018			
59	59310801B	BY-PASS VALVE	1	20/02/2014			
60	78010941B	PLUG	1	20/02/2014			
61	79915741B	BYPASS SPRING	1	20/02/2014			
62	70140681A	NEEDLE BUSH	4	04/11/2020			
63	88440531A	SPRING RING	2	04/11/2020			
64	93041271A	SEAL RING 20X26X4	4	04/11/2020			
65	70242211A	NEEDLE BUSH	1	17/06/2020			
66	70250412A	BALL BEARING	1	17/06/2020			
67	77240398CC	SCREW	3	17/06/2020			



DRAWING 09B - HALF-CRANKCASES PAIR [MOD:M937+]

GROUP ENGINE



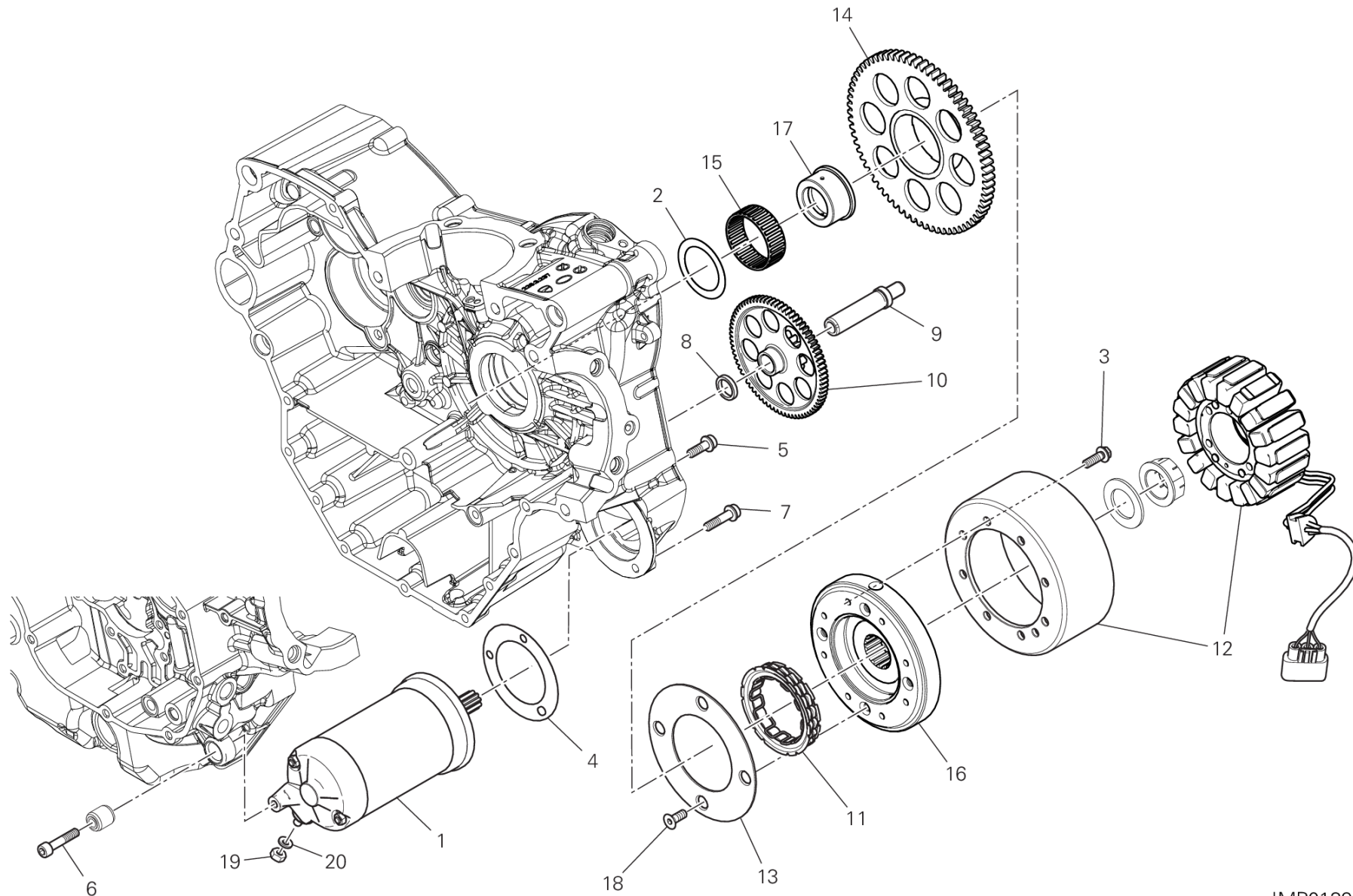
CRT00902

DRAWING 09B - HALF-CRANKCASES PAIR [MOD:M937+]

GROUP ENGINE



POS.	CODE	DESCRIPTION	QTY	START DATE	END DATE	VALIDITY	NOTES
1	942470014	LIQUID GASKET	1	16/04/2013			
2	76610551D	STUD BOLT FASTENING HEAD CYLINDER	8	16/04/2013			
3	44440038A	FILTER, OIL	1	10/01/2020			
4	71111601A	PIN DOWEL	3	18/09/2017			
5	85250051A	GASKET 32X38X1.5	1	18/09/2017			
6	77151363B	SCREW TCEI M8X75 UNI 5931	7	16/04/2013			
7	77550211B	SCREW TBEI M6X16 ISO7380 10.9	1	23/09/2011			
8	77150808B	SCREW TCEI M6X75	2	16/04/2013			
9	88641321A	O-RING	2	16/04/2013			
10	11210791A0	PURPLE BEARING SHELLS	4	13/09/2021			
	11210791AA	HALF-BEARING RED	4	05/07/2013			
	11210791AB	HALF-BEARING BLUE	4	05/07/2013			
	11210791AC	HALF-BEARING YELLOW	4	05/07/2013			
	11210791AD	HALF-BEARING BLACK	4	05/07/2013			
	11210791AE	HALF-BEARING GREEN	4	05/07/2013			
11	77150723B	SCREW TCEI M6X35 UNI 5931	7	16/04/2013			
12	86010051B	DOWEL	2	16/04/2013			
13	85310031A	SPRING WASHER 6 MM	1	16/04/2013			
14	55241321C	SENSOR, TIMING & RPM	1	16/04/2013			
15	88610241A	O-RING 5.23X2.62	2	16/04/2013			
16	87310371A	THREADED PLUG M32X1.5	1	18/09/2017			
17	89420121F	OIL NET FILTER	1	18/09/2017			
18	77916041D	SCREW, SPECIAL	1	13/07/2020			
19	027291090	GASKET 16.2X24X2	1	25/03/2020			
20	7791C461A	SCREW, SPECIAL	1	13/07/2020			
21	7791C451A	SCREW, SPECIAL	1	13/07/2020			
22	85250421A	COPPER GASKET 12.2X18X1.5 MM	1	04/11/2020			
23	53940302A	SWITCH ASSY, OIL PRESSURE	1	18/12/2020			
24	76440581A	RUBBER PAD	1	18/12/2020			
25	77140653CC	SCREW	1	18/12/2020			
26	78710111A	GASKET, ALUMINIUM 14X22X2	1	18/12/2020			
27	82916531A	HOLDER SENSOR	1	18/12/2020			
28	85211951A	GASKET 10.5X17X2	1	18/12/2020			
29	87711572A	HOSE, OIL	1	18/12/2020			



IMP01391

DRAWING 10A - ELECTRIC STARTING AND IGNITION [MOD:M937+]

GROUP ENGINE

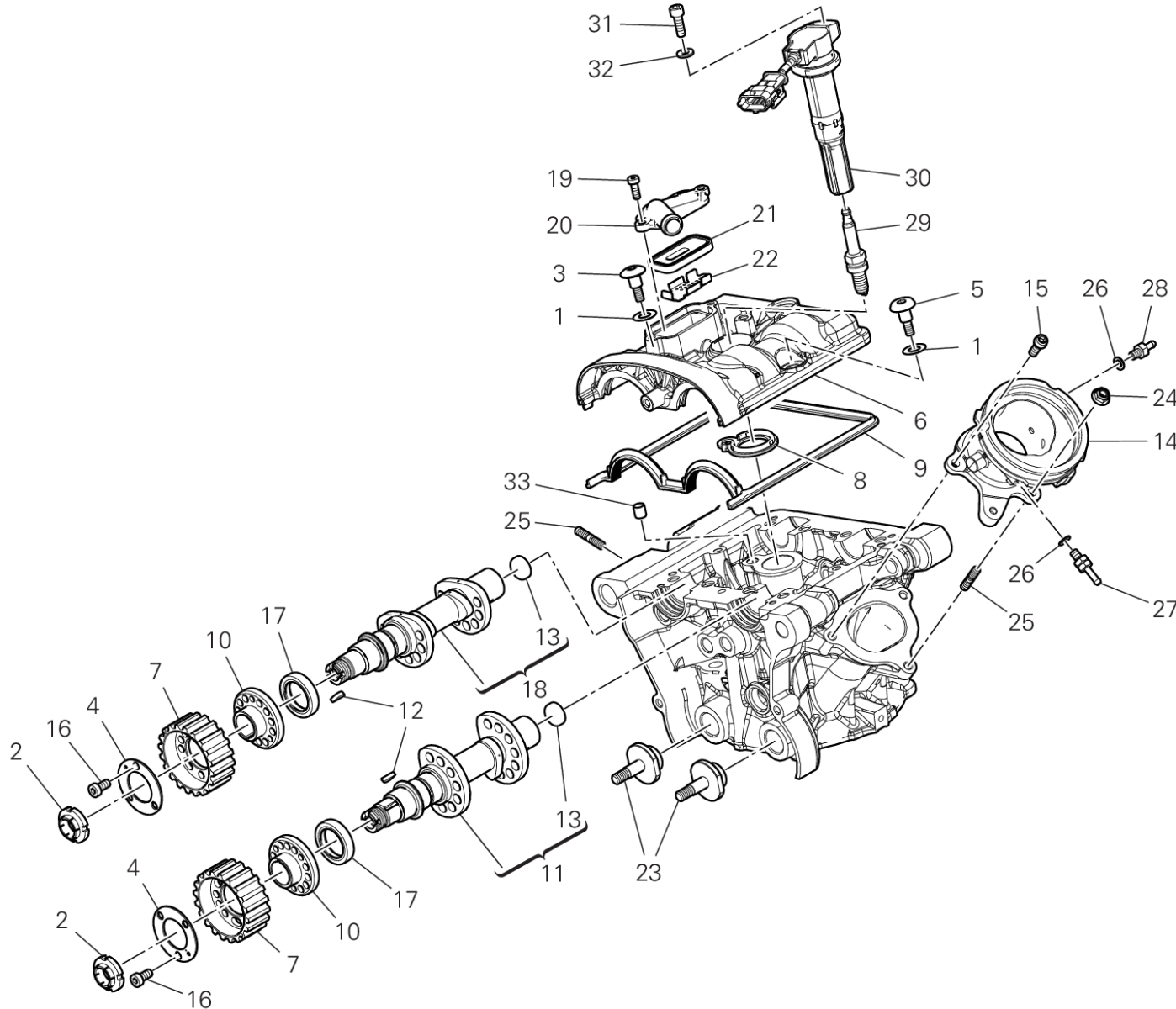


POS.	CODE	DESCRIPTION	QTY	START DATE	END DATE	VALIDITY	NOTES
1	27040107A	STARTING MOTOR	1	07/03/2018			
2	85610751A	WASHER, THRUST	1	16/10/2017			
3	77253300ZF	SCREW	8	09/05/2018			
4	78810542A	ENGINE STARTER GASKET	1	21/03/2013			
5	77140677CF	SCREW TCEIF M6X20	2	07/03/2018			
6	77110521A	SCREW TCEI M6X30	1	21/03/2013			
7	77140697CF	SCREW 6x25	1	02/02/2015			
8	71319191A	SPACER	1	21/03/2013			
9	82113471A	STARTER REDUCTION SHAFT	1	21/03/2013			
10	176Z0021A	IDLE GEAR T74/13	1	21/03/2013			
11	70140591A	CLUTCH, ONE WAY	1	09/05/2018			
12	26420501B	GENERATOR DENSO	1	18/09/2017			
13	16016371A	PLATE CLUTCH, ONE WAY	1	09/05/2018			
14	173Z0021A	ELECTRIC STARTER DRIVEN GEAR	1	24/08/2017			
15	70240181B	NEEDLE BEARING	1	16/10/2017			
16	27611211B	COUPLING, FLYWHEEL	1	09/05/2018			
17	88110341A	BUSH	1	16/10/2017			
18	77750508CC	SCREW	4	09/05/2018			
19	75050051A	NUT 6MM	1	05/03/2020			
20	85350101A	WASHER, SPRING	1	08/04/2021			



DRAWING 11A - VERTICAL CYLINDER HEAD - TIMING [MOD:M937+]

GROUP ENGINE



TST00702

MONSTER PLUS /22

019000022

Page 60 / 220

SPARE PARTS CATALOGUE

24/12/2021

DRAWING 11A - VERTICAL CYLINDER HEAD - TIMING [MOD:M937+]

GROUP ENGINE

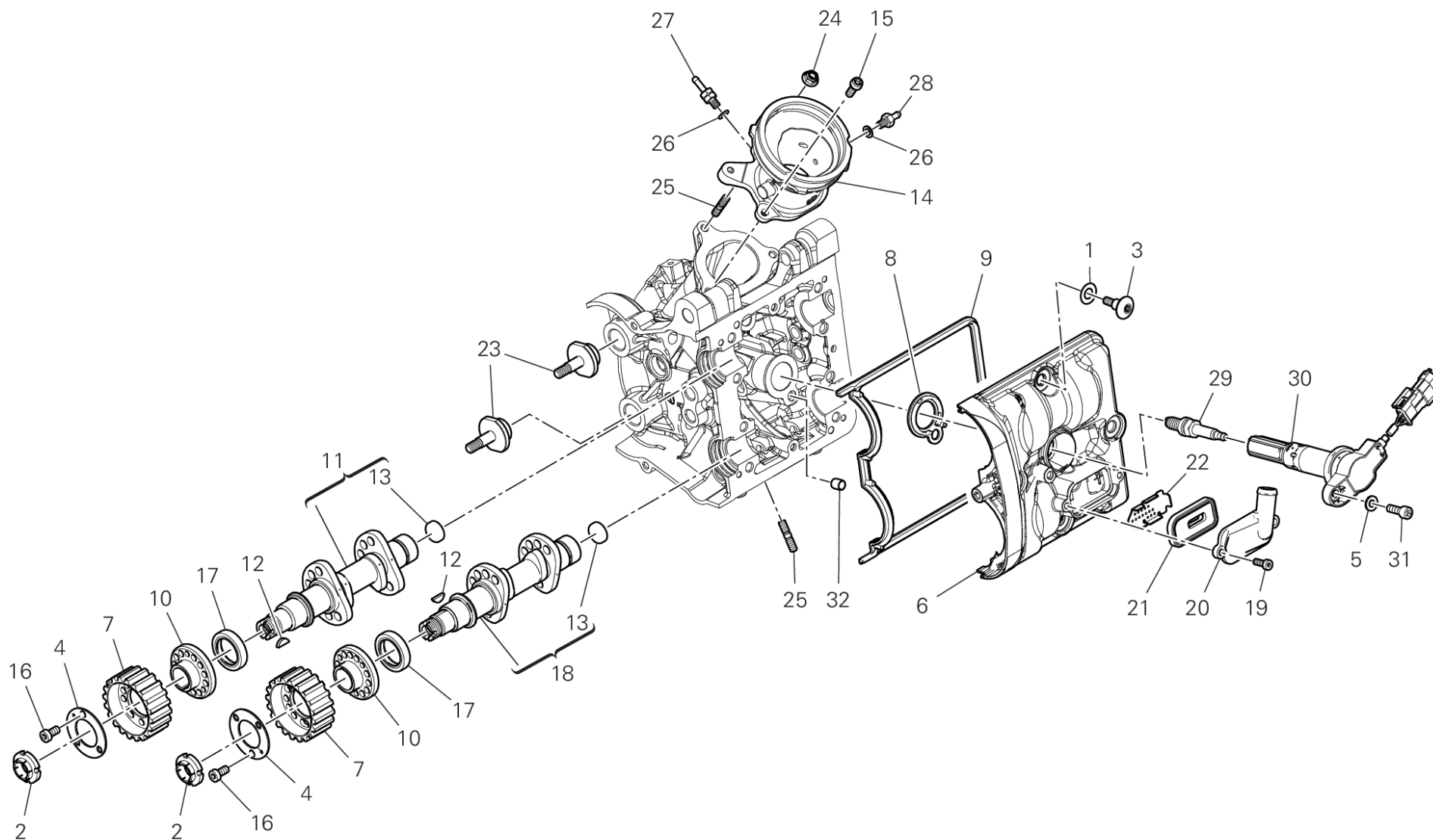


POS.	CODE	DESCRIPTION	QTY	START DATE	END DATE	VALIDITY	NOTES
1	88650511A	O-RING 12.39X3.53	4	05/12/2012			
2	70350022A	RING NUT M17X1	2	05/12/2012			
3	77915093A	SCREW, SPECIAL	1	05/12/2012			
4	85610743A	WASHER, SPECIAL	2	05/12/2012			
5	77918141A	SCREW, SPECIAL	3	25/08/2020			
6	24716801AH	COVER CYLINDER HEAD, VERTICAL	1	25/08/2020			
7	25510193A	TIMING BELT PULLEY, DRIVEN T20	2	05/12/2012			
8	78811911A	GASKET	1	25/08/2020			
9	78810931A	GASKET CYLINDER HEAD COVER	1	05/12/2012			
10	16010941A	FLANGE	2	05/12/2012			
11	14824232A	VERTICAL INTAKE CAMSHAFT	1	05/12/2012			
12	68050061A	WOODRUFF KEY 3X5	2	05/12/2012			
13	87310051A	PLUG 18 MM	2	02/07/2012			
14	14010961A	INTAKE MANIFOLD	1	25/08/2020			
15	77110391B	SCREW	2	14/12/2017			
16	77950302A	SCREW TC M6X12	6	05/12/2012			
17	93050072A	SEAL RING	2	05/12/2012			
18	14825741A	VERTICAL EXHAUST CAMSHAFT	1	14/12/2017			
19	77350403B	SCREW	2	25/08/2020			
20	24714171A	COVER VERTICAL	1	25/08/2020			
21	81140012B	VALVE	1	05/12/2012			
22	82716351A	PLATE	1	05/12/2012			
23	45110462A	MOVABLE TENSIONER ROLLER PIN	2	01/08/2014			
24	74941113B	NUT	1	24/07/2017			
25	76640191A	STUD BOLT M6X16	4	03/09/2018			
26	85250231A	GASKET	2	23/03/2017			
27	81411111C	NIPPLE, HOSE	1	16/05/2018			
28	81413341A	UNION	1	03/09/2018			
29	67040451A	SPARK PLUG NGK MAR9A-J	1	18/09/2017			
30	38010221A	IGNITION COIL ASSY	2	10/01/2020			
31	77110401B	SCREW	1	18/09/2017			
32	85212641A	WASHER 6.4X12.5X1.6	1	18/09/2017			
33	71113742A	BUSH	1	07/09/2020			



DRAWING 11B - HORIZONTAL HEAD – TIMING SYSTEM [MOD:M937+]

GROUP ENGINE



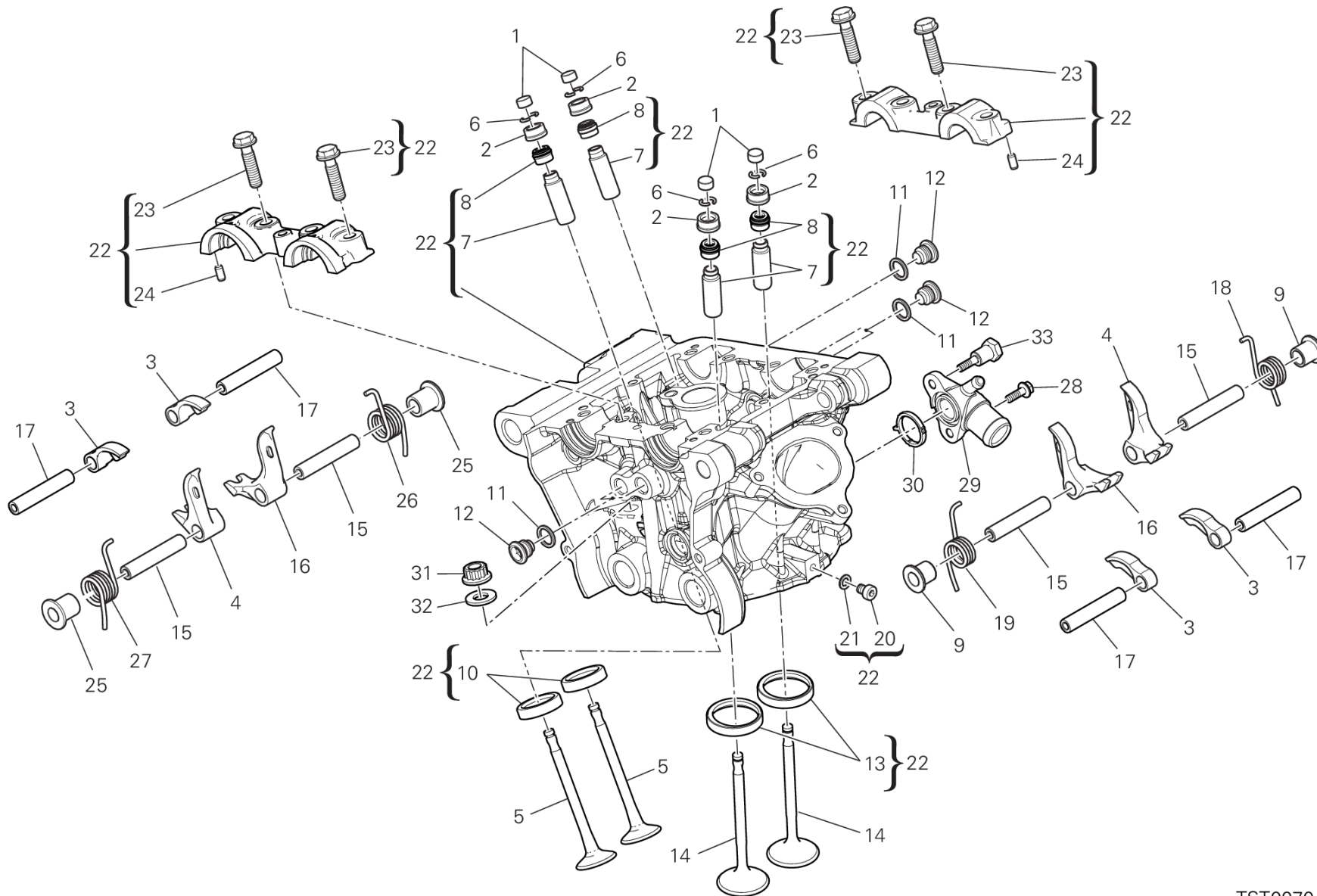
TST00703

DRAWING 11B - HORIZONTAL HEAD – TIMING SYSTEM [MOD:M937+]

GROUP ENGINE



POS.	CODE	DESCRIPTION	QTY	START DATE	END DATE	VALIDITY	NOTES
1	88650511A	O-RING 12.39X3.53	4	05/12/2012			
2	70350022A	RING NUT M17X1	2	05/12/2012			
3	77915093A	SCREW, SPECIAL	4	05/12/2012			
4	85610743A	WASHER, SPECIAL	2	05/12/2012			
5	85212641A	WASHER 6.4X12.5X1.6	1	18/09/2017			
6	24716791AH	COVER CYLINDER HEAD, HORIZONTAL	1	07/09/2020			
7	25510193A	TIMING BELT PULLEY, DRIVEN T20	2	05/12/2012			
8	78811911A	GASKET	1	07/09/2020			
9	78810931A	GASKET CYLINDER HEAD COVER	1	05/12/2012			
10	16010941A	FLANGE	2	05/12/2012			
11	14824222A	HORIZONTAL INTAKE CAMSHAFT	1	24/07/2017			
12	68050061A	WOODRUFF KEY 3X5	2	05/12/2012			
13	87310051A	PLUG 18 MM	2	02/07/2012			
14	14010951A	INTAKE MANIFOLD	1	07/09/2020			
15	77110391B	SCREW	2	14/12/2017			
16	77950302A	SCREW TC M6X12	6	05/12/2012			
17	93050072A	SEAL RING	2	05/12/2012			
18	14825731A	HORIZONTAL EXHAUST CAMSHAFT	1	24/07/2017			
19	77350403B	SCREW	2	07/09/2020			
20	24714891A	COVER HORIZONTAL	1	07/09/2020			
21	81140012B	VALVE	1	05/12/2012			
22	82716351A	PLATE	1	05/12/2012			
23	45110462A	MOVABLE TENSIONER ROLLER PIN	2	01/08/2014			
24	74941113B	NUT	1	24/07/2017			
25	76640191A	STUD BOLT M6X16	4	03/09/2018			
26	85250231A	GASKET	2	23/03/2017			
27	81411111C	NIPPLE, HOSE	1	16/05/2018			
28	81413341A	UNION	1	03/09/2018			
29	67040451A	SPARK PLUG NGK MAR9A-J	1	18/09/2017			
30	38010221A	IGNITION COIL ASSY	1	26/05/2020			
31	77110401B	SCREW	1	18/09/2017			
32	71113742A	BUSH	1	07/09/2020			



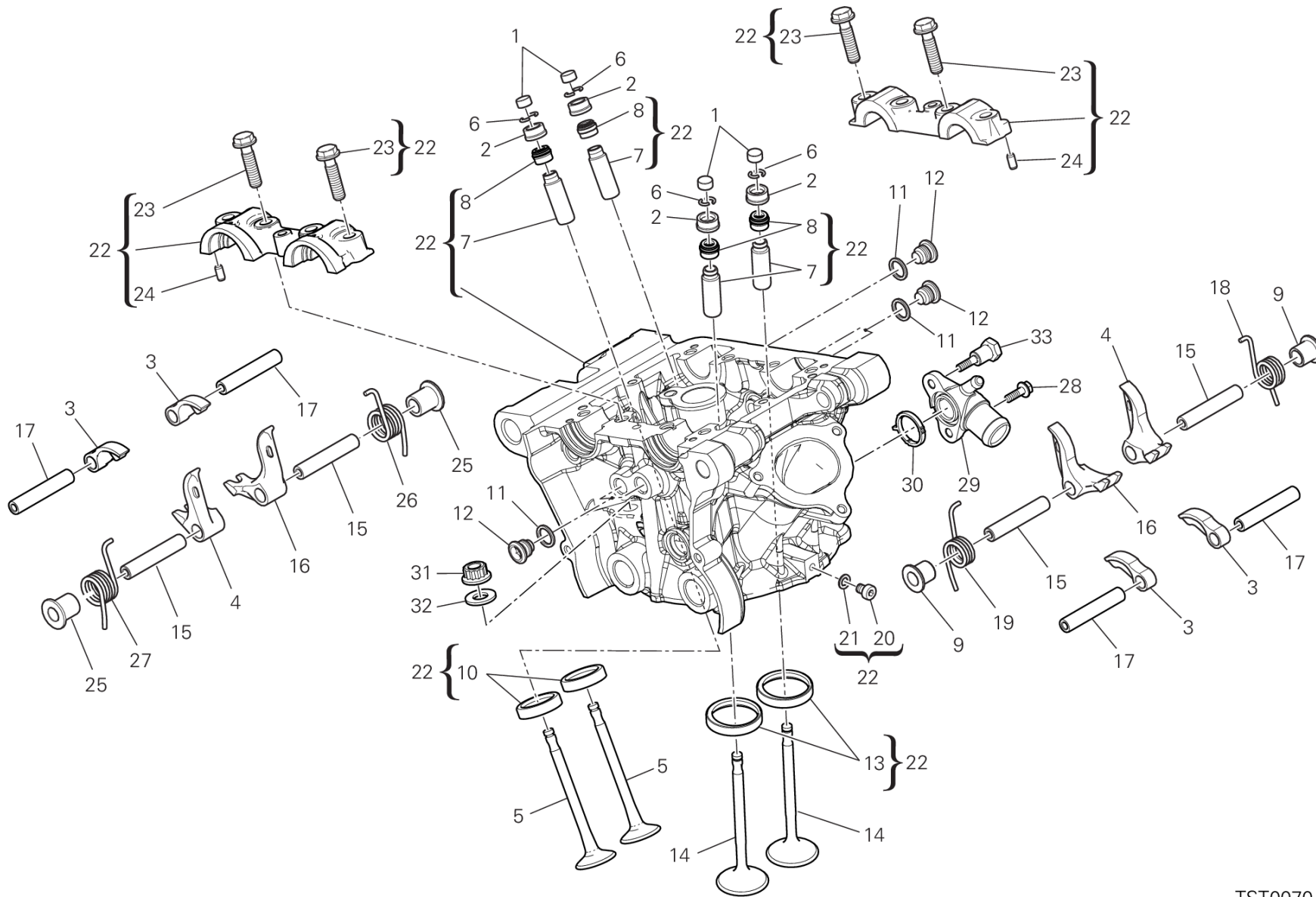
TST00704

DRAWING 11C - VERTICAL HEAD [MOD:M937+]

GROUP ENGINE



POS.	CODE	DESCRIPTION	QTY	START DATE	END DATE	VALIDITY	NOTES
1	84010012A	ADJUSTER, OPENING ROCKER ARM 2.00 MM	4	24/12/2009			
	84010022A	ADJUSTER, OPENING ROCKER ARM 2.05 MM	4	24/12/2009			
	84010032A	ADJUSTER, OPENING ROCKER ARM 2.10 MM	4	24/12/2009			
	84010042A	ADJUSTER, OPENING ROCKER ARM 2.15 MM	4	24/12/2009			
	84010052A	ADJUSTER, OPENING ROCKER ARM 2.20 MM	4	24/12/2009			
	84010062A	ADJUSTER, OPENING ROCKER ARM 2.25 MM	4	24/12/2009			
	84010072A	ADJUSTER, OPENING ROCKER ARM 2.30 MM	4	24/12/2009			
	84010082A	ADJUSTER, OPENING ROCKER ARM 2.35 MM	4	24/12/2009			
	84010092A	ADJUSTER, OPENING ROCKER ARM 2.40 MM	4	24/12/2009			
	84010102A	ADJUSTER, OPENING ROCKER ARM 2.45 MM	4	24/12/2009			
	84010112A	ADJUSTER, OPENING ROCKER ARM 2.50 MM	4	24/12/2009			
	84010122A	ADJUSTER, OPENING ROCKER ARM 2.55 MM	4	24/12/2009			
	84010132A	ADJUSTER, OPENING ROCKER ARM 2.60 MM	4	24/12/2009			
	84010142A	ADJUSTER, OPENING ROCKER ARM 2.65 MM	4	24/12/2009			
	84010152A	ADJUSTER, OPENING ROCKER ARM 2.70 MM	4	24/12/2009			
	84010162A	ADJUSTER, OPENING ROCKER ARM 2.75 MM	4	24/12/2009			
	84010172A	ADJUSTER, OPENING ROCKER ARM 2.80 MM	4	24/12/2009			
	84010182A	ADJUSTER, OPENING ROCKER ARM 2.85 MM	4	24/12/2009			
	84010192A	ADJUSTER, OPENING ROCKER ARM 2.90 MM	4	24/12/2009			
	84010202A	ADJUSTER, OPENING ROCKER ARM 2.95 MM	4	24/12/2009			
	84010212A	ADJUSTER, OPENING ROCKER ARM 3.00 MM	4	24/12/2009			
	84010222A	ADJUSTER, OPENING ROCKER ARM 3.05 MM	4	24/12/2009			
	84010232A	ADJUSTER, OPENING ROCKER ARM 3.10 MM	4	24/12/2009			
	84010242A	ADJUSTER, OPENING ROCKER ARM 3.15 MM	4	24/12/2009			
	84010252A	ADJUSTER, OPENING ROCKER ARM 3.20 MM	4	24/12/2009			
	84010262A	ADJUSTER, OPENING ROCKER ARM 3.25 MM	4	24/12/2009			
	84010272A	ADJUSTER, OPENING ROCKER ARM 3.30 MM	4	24/12/2009			
	84010282A	ADJUSTER, OPENING ROCKER ARM 3.35 MM	4	24/12/2009			
	84010292A	ADJUSTER, OPENING ROCKER ARM 3.40 MM	4	24/12/2009			
	84010302A	ADJUSTER, OPENING ROCKER ARM 3.45 MM	4	24/12/2009			
	84010312A	ADJUSTER, OPENING ROCKER ARM 1.80 MM	4	24/12/2009			
	84010322A	ADJUSTER, OPENING ROCKER ARM 1.85 MM	4	24/12/2009			
	84010332A	ADJUSTER, OPENING ROCKER ARM 1.90 MM	4	24/12/2009			
	84010342A	ADJUSTER, OPENING ROCKER ARM 1.95 MM	4	24/12/2009			
	84010722A	ADJUSTER, OPENING ROCKER ARM 3.60 MM	4	20/06/2012			



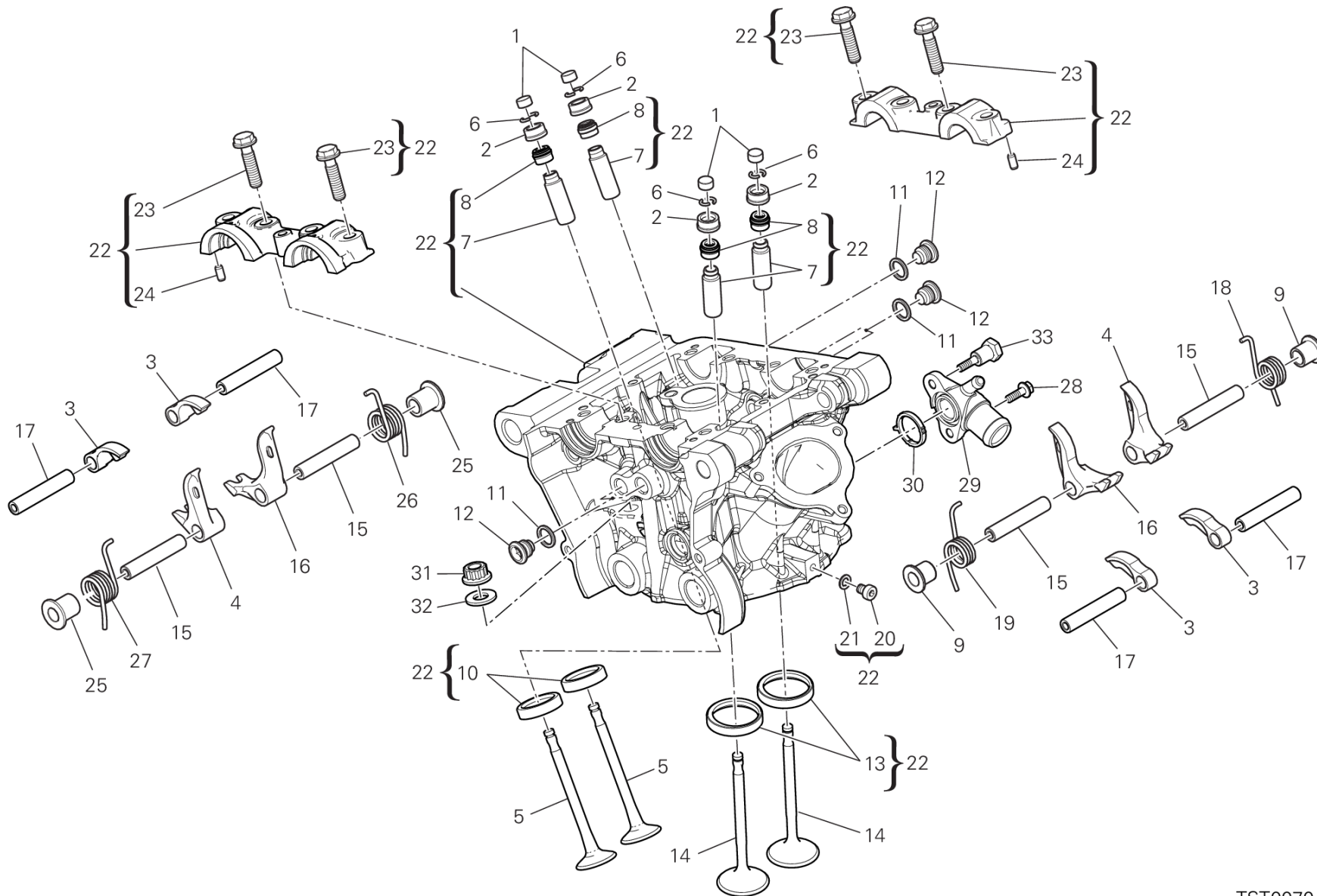
TST00704

DRAWING 11C - VERTICAL HEAD [MOD:M937+]

GROUP ENGINE



POS.	CODE	DESCRIPTION	QTY	START DATE	END DATE	VALIDITY	NOTES
	84010732A	ADJUSTER, OPENING ROCKER ARM 3.80 MM	4	20/06/2012			
	84011082A	ADJUSTER, OPENING ROCKER ARM 3.50 MM	4	20/06/2012			
	84011092A	ADJUSTER, OPENING ROCKER ARM 3.55 MM	4	20/06/2012			
	84011102A	ADJUSTER, OPENING ROCKER ARM 3.65 MM	4	20/06/2012			
	84011112A	ADJUSTER, OPENING ROCKER ARM 3.70 MM	4	20/06/2012			
	84011122A	ADJUSTER, OPENING ROCKER ARM 3.75 MM	4	20/06/2012			
	84011132A	ADJUSTER, OPENING ROCKER ARM 3.85 MM	4	20/06/2012			
	84011142A	ADJUSTER, OPENING ROCKER ARM 3.9 MM	4	20/06/2012			
2	84010412B	ADJUSTER, CLOSING ROCKER ARM 2.20 MM	4	24/12/2009			
	84010422B	ADJUSTER, CLOSING ROCKER ARM 2.25 MM	4	24/12/2009			
	84010432B	ADJUSTER, CLOSING ROCKER ARM 2.30 MM	4	24/12/2009			
	84010442B	ADJUSTER, CLOSING ROCKER ARM 2.35 MM	4	24/12/2009			
	84010452B	ADJUSTER, CLOSING ROCKER ARM 2.40 MM	4	24/12/2009			
	84010462B	ADJUSTER, CLOSING ROCKER ARM 2.45 MM	4	24/12/2009			
	84010472B	ADJUSTER, CLOSING ROCKER ARM 2.50 MM	4	24/12/2009			
	84010482B	ADJUSTER, CLOSING ROCKER ARM 2.55 MM	4	24/12/2009			
	84010492B	ADJUSTER, CLOSING ROCKER ARM 2.60 MM	4	24/12/2009			
	84010502B	ADJUSTER, CLOSING ROCKER ARM 2.65 MM	4	24/12/2009			
	84010512B	ADJUSTER, CLOSING ROCKER ARM 2.70 MM	4	24/12/2009			
	84010522B	ADJUSTER, CLOSING ROCKER ARM 2.75 MM	4	24/12/2009			
	84010532B	ADJUSTER, CLOSING ROCKER ARM 2.80 MM	4	24/12/2009			
	84010542B	ADJUSTER, CLOSING ROCKER ARM 2.85 MM	4	24/12/2009			
	84010552B	ADJUSTER, CLOSING ROCKER ARM 2.90 MM	4	24/12/2009			
	84010562B	ADJUSTER, CLOSING ROCKER ARM 2.95 MM	4	24/12/2009			
	84010572B	ADJUSTER, CLOSING ROCKER ARM 3.00 MM	4	24/12/2009			
	84010582B	ADJUSTER, CLOSING ROCKER ARM 3.05 MM	4	24/12/2009			
	84010592B	ADJUSTER, CLOSING ROCKER ARM 3.10 MM	4	24/12/2009			
	84010602B	ADJUSTER, CLOSING ROCKER ARM 3.15 MM	4	24/12/2009			
	84010612B	ADJUSTER, CLOSING ROCKER ARM 3.20 MM	4	24/12/2009			
	84010622B	ADJUSTER, CLOSING ROCKER ARM 3.25 MM	4	24/12/2009			
	84010632B	ADJUSTER, CLOSING ROCKER ARM 3.30 MM	4	24/12/2009			
	84010642B	ADJUSTER, CLOSING ROCKER ARM 3.35 MM	4	24/12/2009			
	84010652B	ADJUSTER, CLOSING ROCKER ARM 3.40 MM	4	24/12/2009			
	84010662B	ADJUSTER, CLOSING ROCKER ARM 3.45 MM	4	24/12/2009			
	84010672B	ADJUSTER, CLOSING ROCKER ARM 3.50 MM	4	24/12/2009			



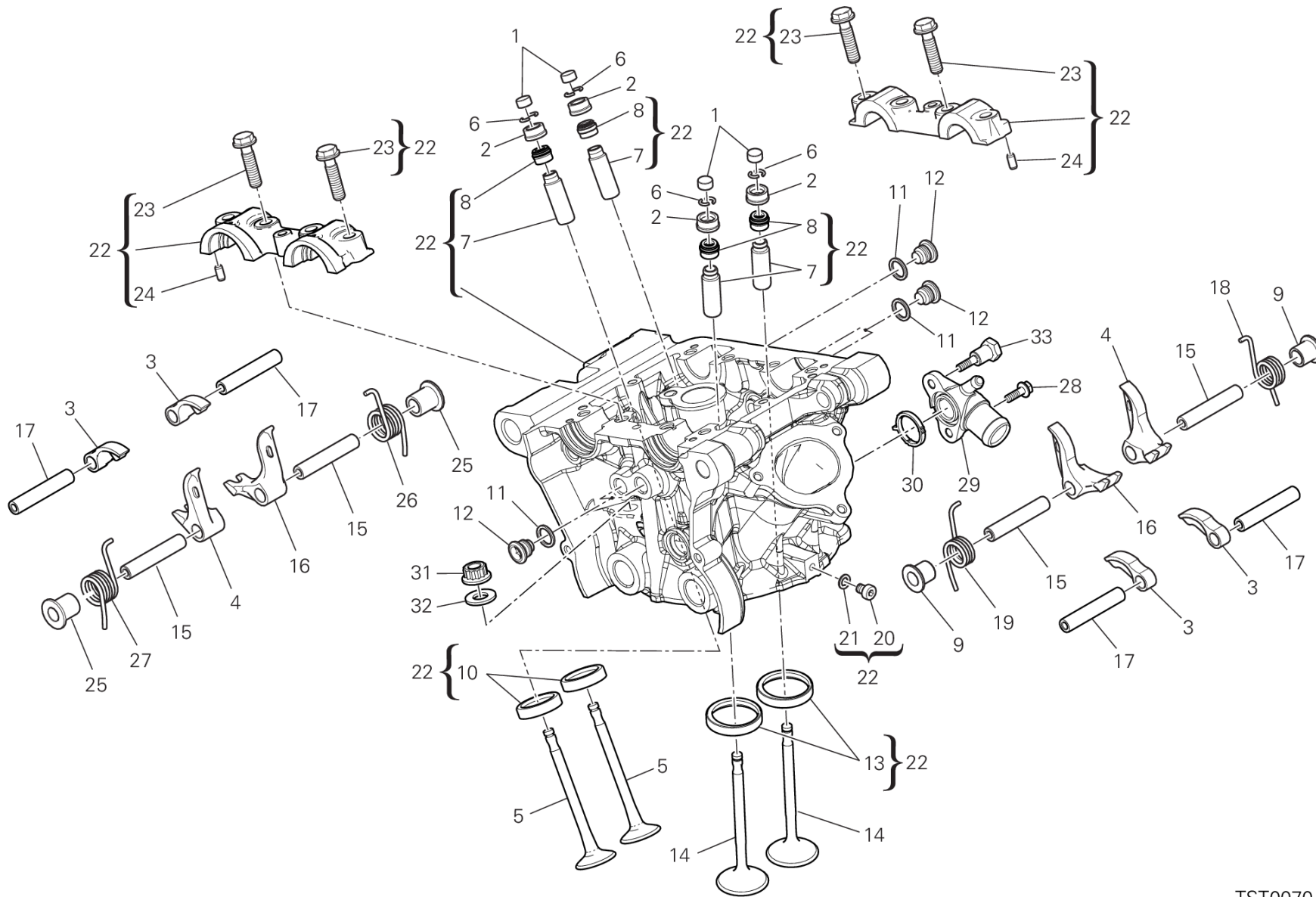
TST00704

DRAWING 11C - VERTICAL HEAD [MOD:M937+]

GROUP ENGINE



POS.	CODE	DESCRIPTION	QTY	START DATE	END DATE	VALIDITY	NOTES
	84010682B	ADJUSTER, CLOSING ROCKER ARM 3.55 MM	4	24/12/2009			
	84010692B	ADJUSTER, CLOSING ROCKER ARM 3.60 MM	4	24/12/2009			
	84010702B	ADJUSTER, CLOSING ROCKER ARM 3.65 MM	4	24/12/2009			
	84010712B	ADJUSTER, CLOSING ROCKER ARM 3.70 MM	4	24/12/2009			
	84010722B	ADJUSTER, CLOSING ROCKER ARM 3.75 MM	4	24/12/2009			
	84010732B	ADJUSTER, CLOSING ROCKER ARM 3.80 MM	4	24/12/2009			
	84010742B	ADJUSTER, CLOSING ROCKER ARM 3.85 MM	4	24/12/2009			
	84010752B	ADJUSTER, CLOSING ROCKER ARM 3.90 MM	4	24/12/2009			
	84010762B	ADJUSTER, CLOSING ROCKER ARM 3.95 MM	4	24/12/2009			
	84010772B	ADJUSTER, CLOSING ROCKER ARM 4.00 MM	4	24/12/2009			
	84010782B	ADJUSTER, CLOSING ROCKER ARM 4.05 MM	4	24/12/2009			
	84010792B	ADJUSTER, CLOSING ROCKER ARM 4.10 MM	4	24/12/2009			
	84010802B	ADJUSTER, CLOSING ROCKER ARM 4.15 MM	4	24/12/2009			
	84010812B	ADJUSTER, CLOSING ROCKER ARM 4.20 MM	4	24/12/2009			
	84010822B	ADJUSTER, CLOSING ROCKER ARM 4.25 MM	4	24/12/2009			
	84010832B	ADJUSTER, CLOSING ROCKER ARM 4.30 MM	4	24/12/2009			
	84010842B	ADJUSTER, CLOSING ROCKER ARM 4.35 MM	4	24/12/2009			
	84010852B	ADJUSTER, CLOSING ROCKER ARM 4.40 MM	4	24/12/2009			
	84010862B	ADJUSTER, CLOSING ROCKER ARM 4.45 MM	4	24/12/2009			
	84010872B	ADJUSTER, CLOSING ROCKER ARM 4.50 MM	4	24/12/2009			
3	20810321A	OPEN. ROCKER ARM	4	05/12/2012			
4	20910501A	CLOSING ROCKER ARM LEFT	2	05/12/2012			
5	21110991A	EXHAUST VALVE	2	05/12/2012			
6	66910011E	C RING	8	05/12/2012			
7	30310631BB	GUIDE, VALVE OVERSIZED 0.03 MM	4	19/09/2011			
	30310631BC	GUIDE, VALVE OVERSIZED 0.06 MM	4	19/09/2011			
	30310631BD	GUIDE, VALVE OVERSIZED 0.09 MM	4	19/09/2011			
8	76440572A	SEAL VALVE STEM	4	01/10/2012			
9	71312921A	SPACER	2	05/12/2012			
10	30411011BB	SEAT, EXHAUST VALVE +0.03 MM	4	10/02/2020			
	30411011BC	SEAT, EXHAUST VALVE +0.06 MM	4	10/02/2020			
11	85250261B	GASKET	8	05/12/2012			
12	78010511E	PLUG	8	07/09/2020			
13	30411001AB	SEAT, INLET VALVE +0.03 MM	2	19/09/2011			
	30411001AC	SEAT, INLET VALVE +0.06 MM	2	19/09/2011			



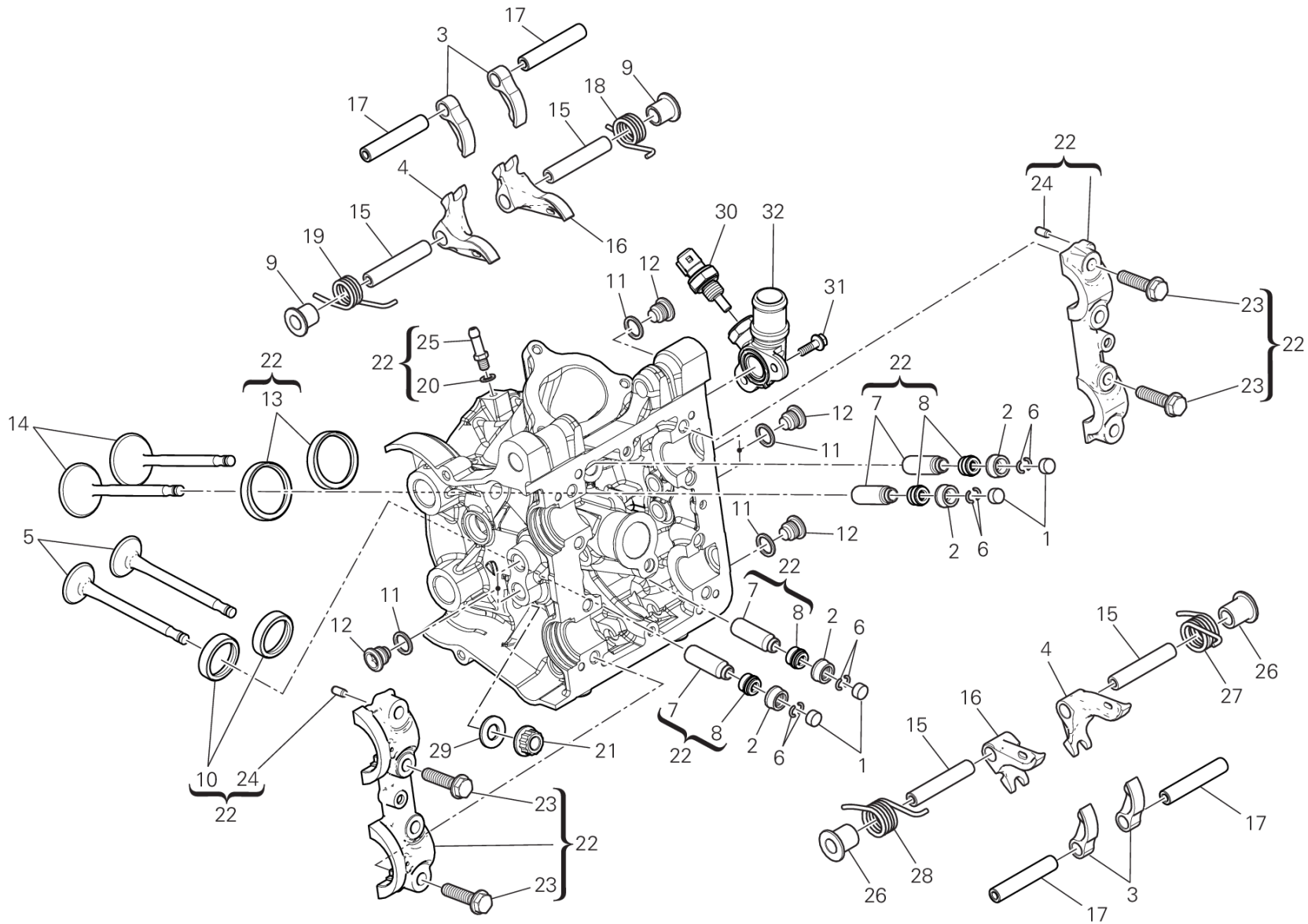
TST00704

DRAWING 11C - VERTICAL HEAD [MOD:M937+]

GROUP ENGINE



POS.	CODE	DESCRIPTION	QTY	START DATE	END DATE	VALIDITY	NOTES
14	21010991A	INTAKE VALVE	2	05/12/2012			
15	82112951A	CLOSE ROCKER ARM AXLE	4	01/08/2014			
16	20910491A	CLOSING ROCKER ARM RIGHT	2	05/12/2012			
17	82112941A	SHAFT, OPENING ROCKER	4	24/07/2017			
18	79915001A	VALVE RETURN SPRING LH.	1	03/09/2018			
19	79915011A	VALVE RETURN SPRING RH.	1	03/09/2018			
20	77350618B	SCREW TCEIR M6X8	1	01/10/2012			
21	85250231A	GASKET	1	01/10/2012			
22	30125861AA	COMPLETE VERTICAL HEAD	1	25/08/2020			
23	77914211A	SCREW TEF M8X32	8	01/10/2012			
24	86050061A	PIN M5X10	4	01/10/2012			
25	71312921B	SPACER	2	05/12/2012			
26	79915181B	LEFT VALVE RETURN SPRING	1	05/12/2012			
27	79915191B	RIGHT VALVE RETURN SPRING	1	05/12/2012			
28	77210623B	SCREW	2	03/09/2018			
29	81413261B	JOINT, WATER HOSE VERTICAL	1	03/03/2020			
30	88641031A	O-RING	1	03/09/2018			
31	74810501A	NUT M10X1.5	4	18/09/2017			
32	85610642A	WASHER, SPECIAL 10.5X21X2	4	18/09/2017			
33	77919162AA	SCREW, SPECIAL	1	24/01/2020			



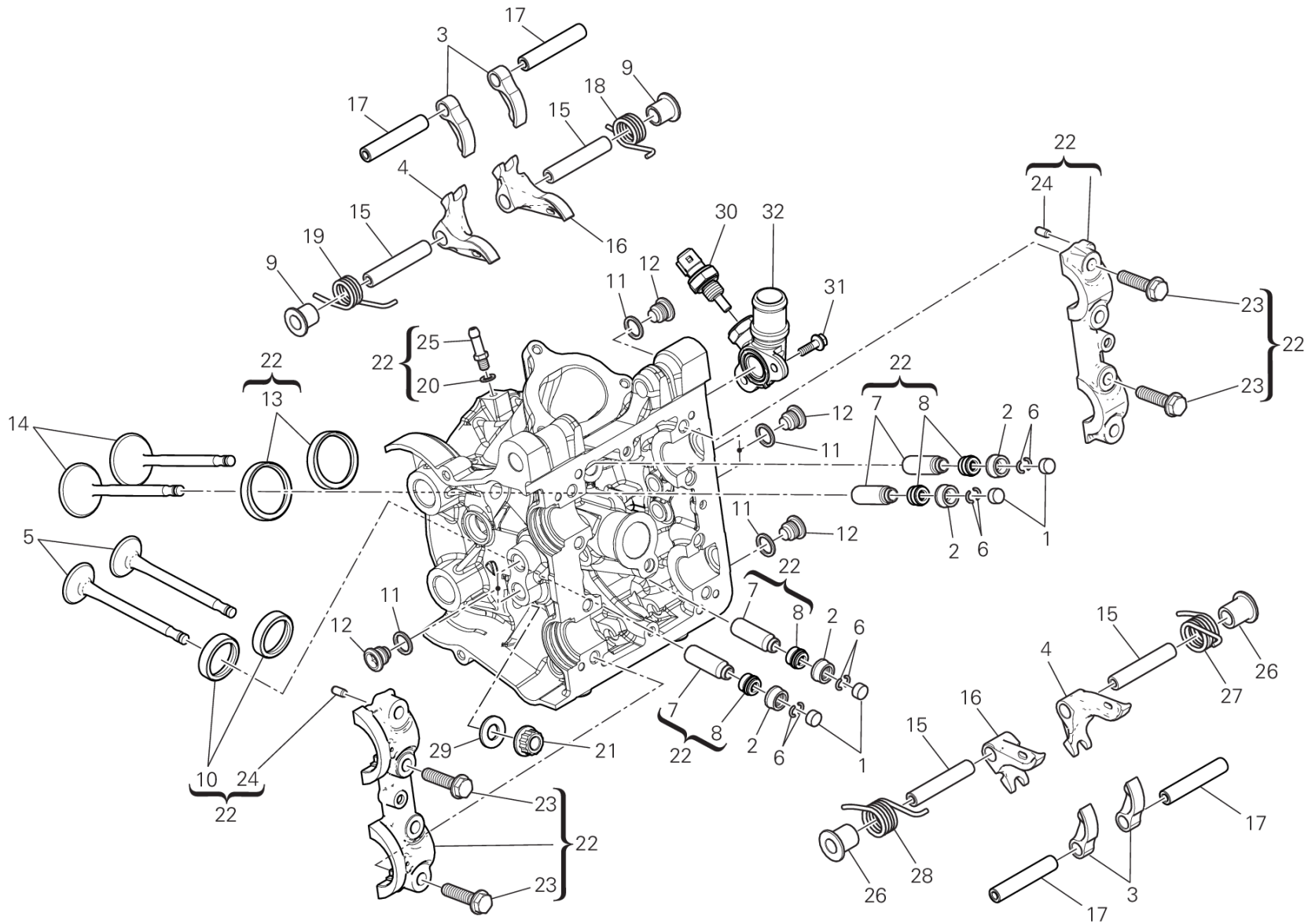
TST00705

DRAWING 11D - HORIZONTAL HEAD [MOD:M937+]

GROUP ENGINE



POS.	CODE	DESCRIPTION	QTY	START DATE	END DATE	VALIDITY	NOTES
1	84010012A	ADJUSTER, OPENING ROCKER ARM 2.00 MM	4	24/12/2009			
	84010022A	ADJUSTER, OPENING ROCKER ARM 2.05 MM	4	24/12/2009			
	84010032A	ADJUSTER, OPENING ROCKER ARM 2.10 MM	4	24/12/2009			
	84010042A	ADJUSTER, OPENING ROCKER ARM 2.15 MM	4	24/12/2009			
	84010052A	ADJUSTER, OPENING ROCKER ARM 2.20 MM	4	24/12/2009			
	84010062A	ADJUSTER, OPENING ROCKER ARM 2.25 MM	4	24/12/2009			
	84010072A	ADJUSTER, OPENING ROCKER ARM 2.30 MM	4	24/12/2009			
	84010082A	ADJUSTER, OPENING ROCKER ARM 2.35 MM	4	24/12/2009			
	84010092A	ADJUSTER, OPENING ROCKER ARM 2.40 MM	4	24/12/2009			
	84010102A	ADJUSTER, OPENING ROCKER ARM 2.45 MM	4	24/12/2009			
	84010112A	ADJUSTER, OPENING ROCKER ARM 2.50 MM	4	24/12/2009			
	84010122A	ADJUSTER, OPENING ROCKER ARM 2.55 MM	4	24/12/2009			
	84010132A	ADJUSTER, OPENING ROCKER ARM 2.60 MM	4	24/12/2009			
	84010142A	ADJUSTER, OPENING ROCKER ARM 2.65 MM	4	24/12/2009			
	84010152A	ADJUSTER, OPENING ROCKER ARM 2.70 MM	4	24/12/2009			
	84010162A	ADJUSTER, OPENING ROCKER ARM 2.75 MM	4	24/12/2009			
	84010172A	ADJUSTER, OPENING ROCKER ARM 2.80 MM	4	24/12/2009			
	84010182A	ADJUSTER, OPENING ROCKER ARM 2.85 MM	4	24/12/2009			
	84010192A	ADJUSTER, OPENING ROCKER ARM 2.90 MM	4	24/12/2009			
	84010202A	ADJUSTER, OPENING ROCKER ARM 2.95 MM	4	24/12/2009			
	84010212A	ADJUSTER, OPENING ROCKER ARM 3.00 MM	4	24/12/2009			
	84010222A	ADJUSTER, OPENING ROCKER ARM 3.05 MM	4	24/12/2009			
	84010232A	ADJUSTER, OPENING ROCKER ARM 3.10 MM	4	24/12/2009			
	84010242A	ADJUSTER, OPENING ROCKER ARM 3.15 MM	4	24/12/2009			
	84010252A	ADJUSTER, OPENING ROCKER ARM 3.20 MM	4	24/12/2009			
	84010262A	ADJUSTER, OPENING ROCKER ARM 3.25 MM	4	24/12/2009			
	84010272A	ADJUSTER, OPENING ROCKER ARM 3.30 MM	4	24/12/2009			
	84010282A	ADJUSTER, OPENING ROCKER ARM 3.35 MM	4	24/12/2009			
	84010292A	ADJUSTER, OPENING ROCKER ARM 3.40 MM	4	24/12/2009			
	84010302A	ADJUSTER, OPENING ROCKER ARM 3.45 MM	4	24/12/2009			
	84010312A	ADJUSTER, OPENING ROCKER ARM 1.80 MM	4	24/12/2009			
	84010322A	ADJUSTER, OPENING ROCKER ARM 1.85 MM	4	24/12/2009			
	84010332A	ADJUSTER, OPENING ROCKER ARM 1.90 MM	4	24/12/2009			
	84010342A	ADJUSTER, OPENING ROCKER ARM 1.95 MM	4	24/12/2009			
	84010722A	ADJUSTER, OPENING ROCKER ARM 3.60 MM	4	20/06/2012			



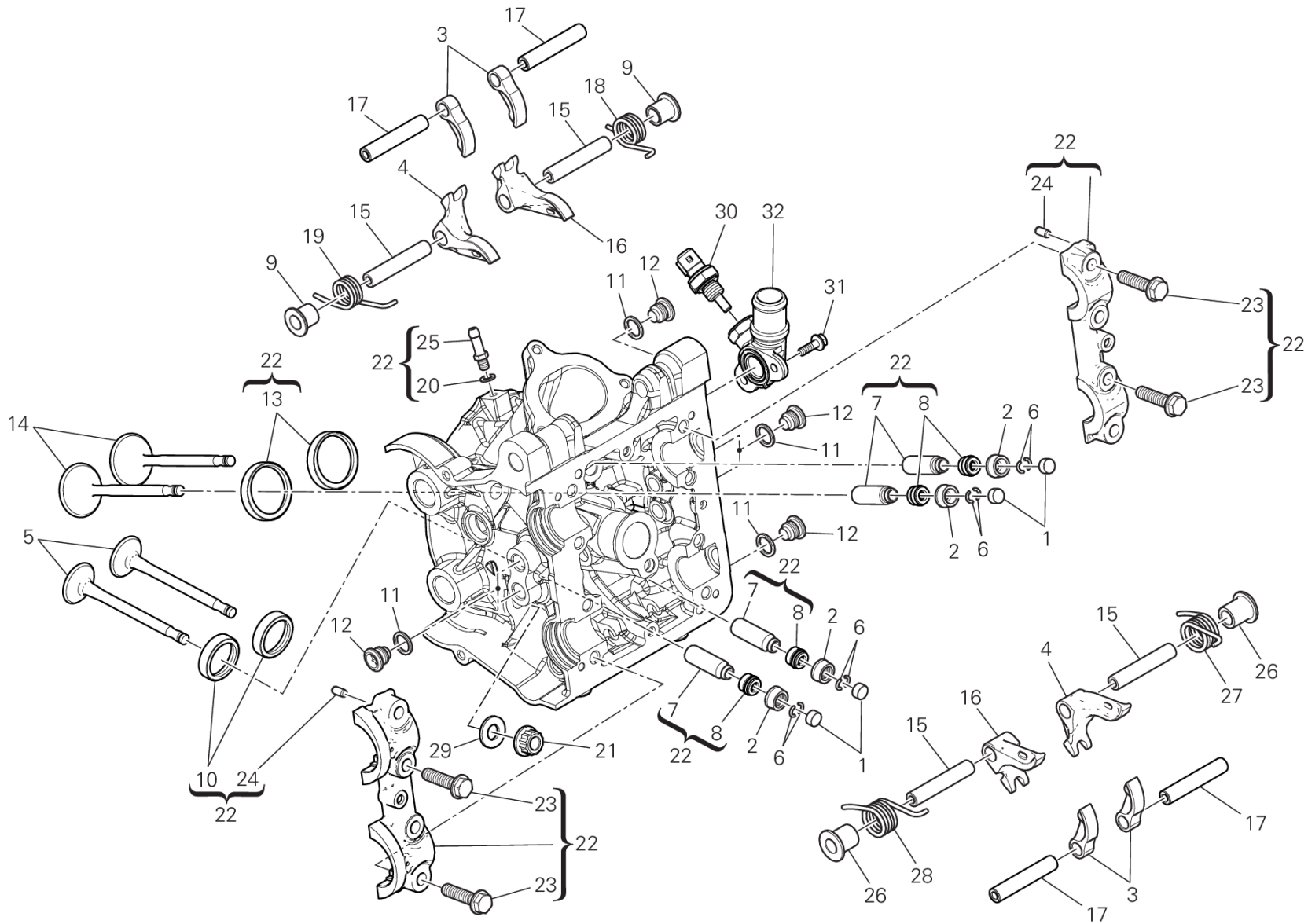
TST00705

DRAWING 11D - HORIZONTAL HEAD [MOD:M937+]

GROUP ENGINE



POS.	CODE	DESCRIPTION	QTY	START DATE	END DATE	VALIDITY	NOTES
	84010732A	ADJUSTER, OPENING ROCKER ARM 3.80 MM	4	20/06/2012			
	84011082A	ADJUSTER, OPENING ROCKER ARM 3.50 MM	4	20/06/2012			
	84011092A	ADJUSTER, OPENING ROCKER ARM 3.55 MM	4	20/06/2012			
	84011102A	ADJUSTER, OPENING ROCKER ARM 3.65 MM	4	20/06/2012			
	84011112A	ADJUSTER, OPENING ROCKER ARM 3.70 MM	4	20/06/2012			
	84011122A	ADJUSTER, OPENING ROCKER ARM 3.75 MM	4	20/06/2012			
	84011132A	ADJUSTER, OPENING ROCKER ARM 3.85 MM	4	20/06/2012			
	84011142A	ADJUSTER, OPENING ROCKER ARM 3.9 MM	4	20/06/2012			
2	84010412B	ADJUSTER, CLOSING ROCKER ARM 2.20 MM	4	24/12/2009			
	84010422B	ADJUSTER, CLOSING ROCKER ARM 2.25 MM	4	24/12/2009			
	84010432B	ADJUSTER, CLOSING ROCKER ARM 2.30 MM	4	24/12/2009			
	84010442B	ADJUSTER, CLOSING ROCKER ARM 2.35 MM	4	24/12/2009			
	84010452B	ADJUSTER, CLOSING ROCKER ARM 2.40 MM	4	24/12/2009			
	84010462B	ADJUSTER, CLOSING ROCKER ARM 2.45 MM	4	24/12/2009			
	84010472B	ADJUSTER, CLOSING ROCKER ARM 2.50 MM	4	24/12/2009			
	84010482B	ADJUSTER, CLOSING ROCKER ARM 2.55 MM	4	24/12/2009			
	84010492B	ADJUSTER, CLOSING ROCKER ARM 2.60 MM	4	24/12/2009			
	84010502B	ADJUSTER, CLOSING ROCKER ARM 2.65 MM	4	24/12/2009			
	84010512B	ADJUSTER, CLOSING ROCKER ARM 2.70 MM	4	24/12/2009			
	84010522B	ADJUSTER, CLOSING ROCKER ARM 2.75 MM	4	24/12/2009			
	84010532B	ADJUSTER, CLOSING ROCKER ARM 2.80 MM	4	24/12/2009			
	84010542B	ADJUSTER, CLOSING ROCKER ARM 2.85 MM	4	24/12/2009			
	84010552B	ADJUSTER, CLOSING ROCKER ARM 2.90 MM	4	24/12/2009			
	84010562B	ADJUSTER, CLOSING ROCKER ARM 2.95 MM	4	24/12/2009			
	84010572B	ADJUSTER, CLOSING ROCKER ARM 3.00 MM	4	24/12/2009			
	84010582B	ADJUSTER, CLOSING ROCKER ARM 3.05 MM	4	24/12/2009			
	84010592B	ADJUSTER, CLOSING ROCKER ARM 3.10 MM	4	24/12/2009			
	84010602B	ADJUSTER, CLOSING ROCKER ARM 3.15 MM	4	24/12/2009			
	84010612B	ADJUSTER, CLOSING ROCKER ARM 3.20 MM	4	24/12/2009			
	84010622B	ADJUSTER, CLOSING ROCKER ARM 3.25 MM	4	24/12/2009			
	84010632B	ADJUSTER, CLOSING ROCKER ARM 3.30 MM	4	24/12/2009			
	84010642B	ADJUSTER, CLOSING ROCKER ARM 3.35 MM	4	24/12/2009			
	84010652B	ADJUSTER, CLOSING ROCKER ARM 3.40 MM	4	24/12/2009			
	84010662B	ADJUSTER, CLOSING ROCKER ARM 3.45 MM	4	24/12/2009			
	84010672B	ADJUSTER, CLOSING ROCKER ARM 3.50 MM	4	24/12/2009			



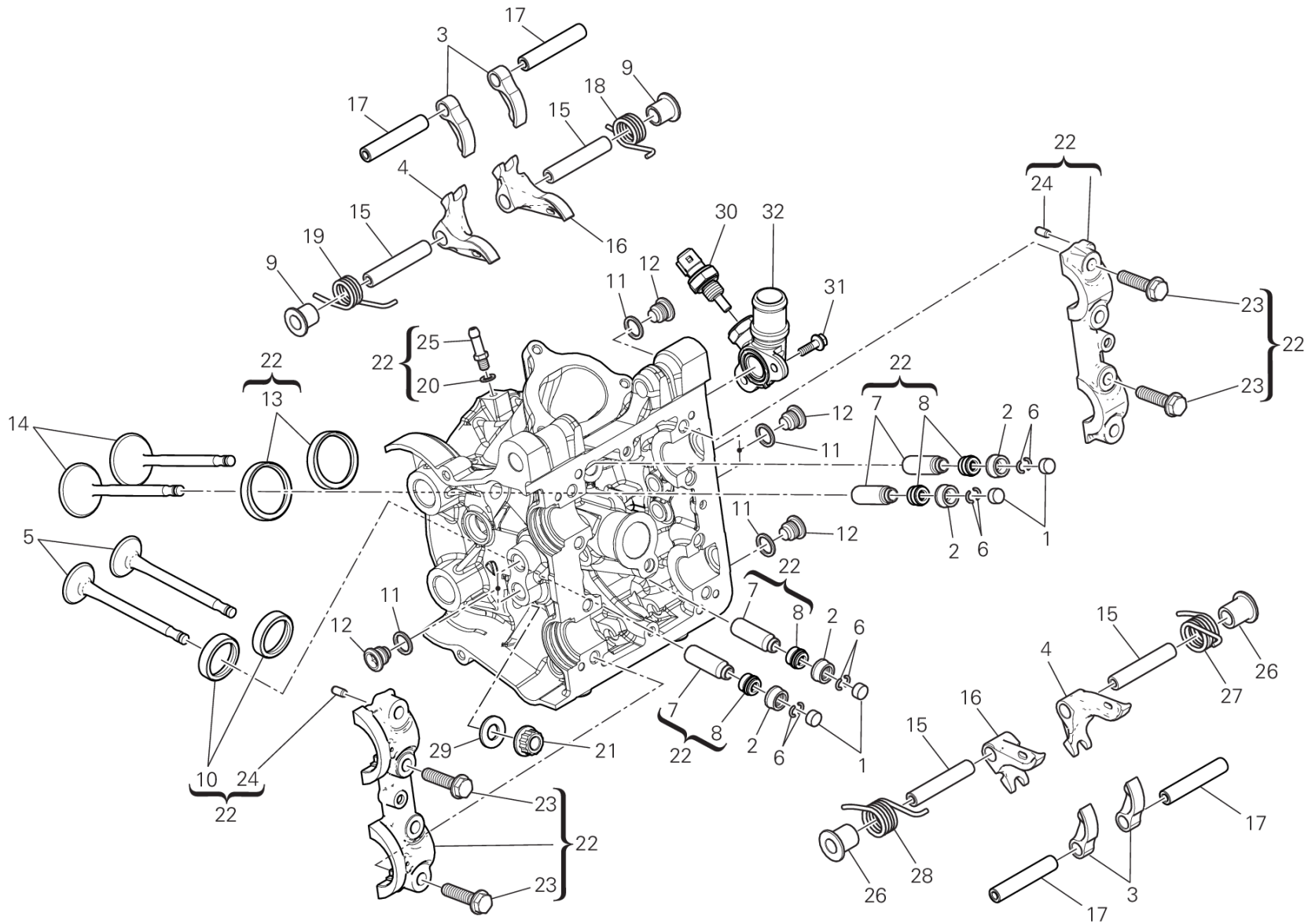
TST00705

DRAWING 11D - HORIZONTAL HEAD [MOD:M937+]

GROUP ENGINE



POS.	CODE	DESCRIPTION	QTY	START DATE	END DATE	VALIDITY	NOTES
	84010682B	ADJUSTER, CLOSING ROCKER ARM 3.55 MM	4	24/12/2009			
	84010692B	ADJUSTER, CLOSING ROCKER ARM 3.60 MM	4	24/12/2009			
	84010702B	ADJUSTER, CLOSING ROCKER ARM 3.65 MM	4	24/12/2009			
	84010712B	ADJUSTER, CLOSING ROCKER ARM 3.70 MM	4	24/12/2009			
	84010722B	ADJUSTER, CLOSING ROCKER ARM 3.75 MM	4	24/12/2009			
	84010732B	ADJUSTER, CLOSING ROCKER ARM 3.80 MM	4	24/12/2009			
	84010742B	ADJUSTER, CLOSING ROCKER ARM 3.85 MM	4	24/12/2009			
	84010752B	ADJUSTER, CLOSING ROCKER ARM 3.90 MM	4	24/12/2009			
	84010762B	ADJUSTER, CLOSING ROCKER ARM 3.95 MM	4	24/12/2009			
	84010772B	ADJUSTER, CLOSING ROCKER ARM 4.00 MM	4	24/12/2009			
	84010782B	ADJUSTER, CLOSING ROCKER ARM 4.05 MM	4	24/12/2009			
	84010792B	ADJUSTER, CLOSING ROCKER ARM 4.10 MM	4	24/12/2009			
	84010802B	ADJUSTER, CLOSING ROCKER ARM 4.15 MM	4	24/12/2009			
	84010812B	ADJUSTER, CLOSING ROCKER ARM 4.20 MM	4	24/12/2009			
	84010822B	ADJUSTER, CLOSING ROCKER ARM 4.25 MM	4	24/12/2009			
	84010832B	ADJUSTER, CLOSING ROCKER ARM 4.30 MM	4	24/12/2009			
	84010842B	ADJUSTER, CLOSING ROCKER ARM 4.35 MM	4	24/12/2009			
	84010852B	ADJUSTER, CLOSING ROCKER ARM 4.40 MM	4	24/12/2009			
	84010862B	ADJUSTER, CLOSING ROCKER ARM 4.45 MM	4	24/12/2009			
	84010872B	ADJUSTER, CLOSING ROCKER ARM 4.50 MM	4	24/12/2009			
3	20810321A	OPEN. ROCKER ARM	4	05/12/2012			
4	20910501A	CLOSING ROCKER ARM LEFT	2	05/12/2012			
5	21110991A	EXHAUST VALVE	2	05/12/2012			
6	66910011E	C RING	8	05/12/2012			
7	30310631BB	GUIDE, VALVE OVERSIZED 0.03 MM	4	19/09/2011			
	30310631BC	GUIDE, VALVE OVERSIZED 0.06 MM	4	19/09/2011			
	30310631BD	GUIDE, VALVE OVERSIZED 0.09 MM	4	19/09/2011			
8	76440572A	SEAL VALVE STEM	4	01/10/2012			
9	71312921A	SPACER	2	05/12/2012			
10	30411011BB	SEAT, EXHAUST VALVE +0.03 MM	4	10/02/2020			
	30411011BC	SEAT, EXHAUST VALVE +0.06 MM	4	10/02/2020			
11	85250261B	GASKET	8	05/12/2012			
12	78010511E	PLUG	8	07/09/2020			
13	30411001AB	SEAT, INLET VALVE +0.03 MM	2	19/09/2011			
	30411001AC	SEAT, INLET VALVE +0.06 MM	2	19/09/2011			



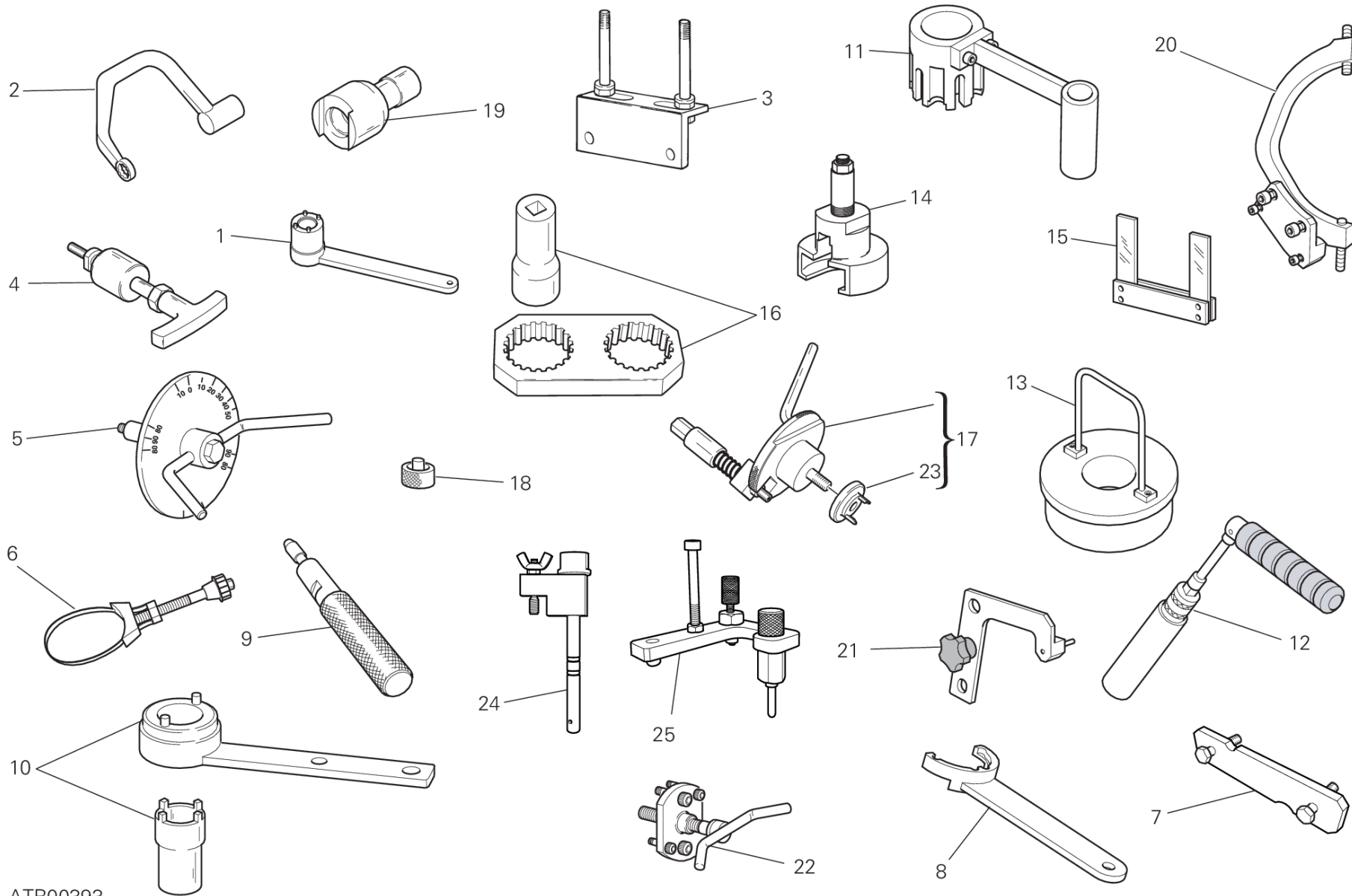
TST00705

DRAWING 11D - HORIZONTAL HEAD [MOD:M937+]

GROUP ENGINE



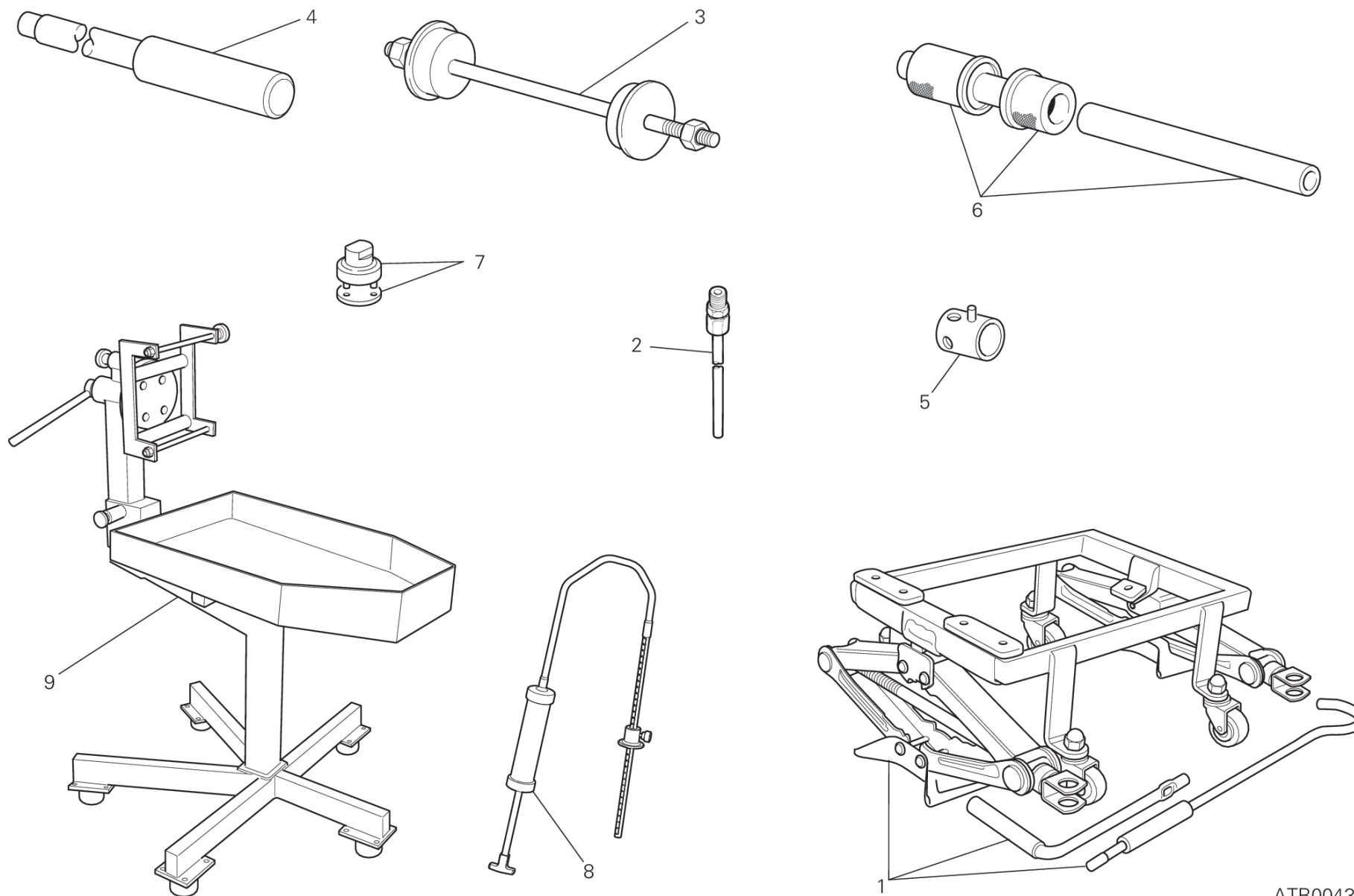
POS.	CODE	DESCRIPTION	QTY	START DATE	END DATE	VALIDITY	NOTES
14	21010991A	INTAKE VALVE	2	05/12/2012			
15	82112951A	CLOSE ROCKER ARM AXLE	4	01/08/2014			
16	20910491A	CLOSING ROCKER ARM RIGHT	2	05/12/2012			
17	82112941A	SHAFT, OPENING ROCKER	4	14/12/2017			
18	79915011A	VALVE RETURN SPRING RH.	1	03/09/2018			
19	79915001A	VALVE RETURN SPRING LH.	1	14/12/2017			
20	85250231A	GASKET	1	05/12/2012			
21	74810501A	NUT M10X1.5	4	18/09/2017			
22	30125852AA	COMPLETE HORIZONTAL HEAD	1	07/09/2020			
23	77914211A	SCREW TEF M8X32	8	01/10/2012			
24	86050061A	PIN M5X10	4	01/10/2012			
25	81411881A	NIPPLE, HOSE	1	01/10/2012			
26	71312921B	SPACER	2	05/12/2012			
27	79915191B	RIGHT VALVE RETURN SPRING	1	05/12/2012			
28	79915181B	LEFT VALVE RETURN SPRING	1	05/12/2012			
29	85610642A	WASHER, SPECIAL 10.5X21X2	4	18/09/2017			
30	55243442A	WATER TEMPERATURE SENSOR	1	18/09/2017			
31	77210623B	SCREW	2	03/09/2018			
32	81420051A	JOINT, WATER HOSE HORIZONTAL	1	18/09/2017			



ATR00393



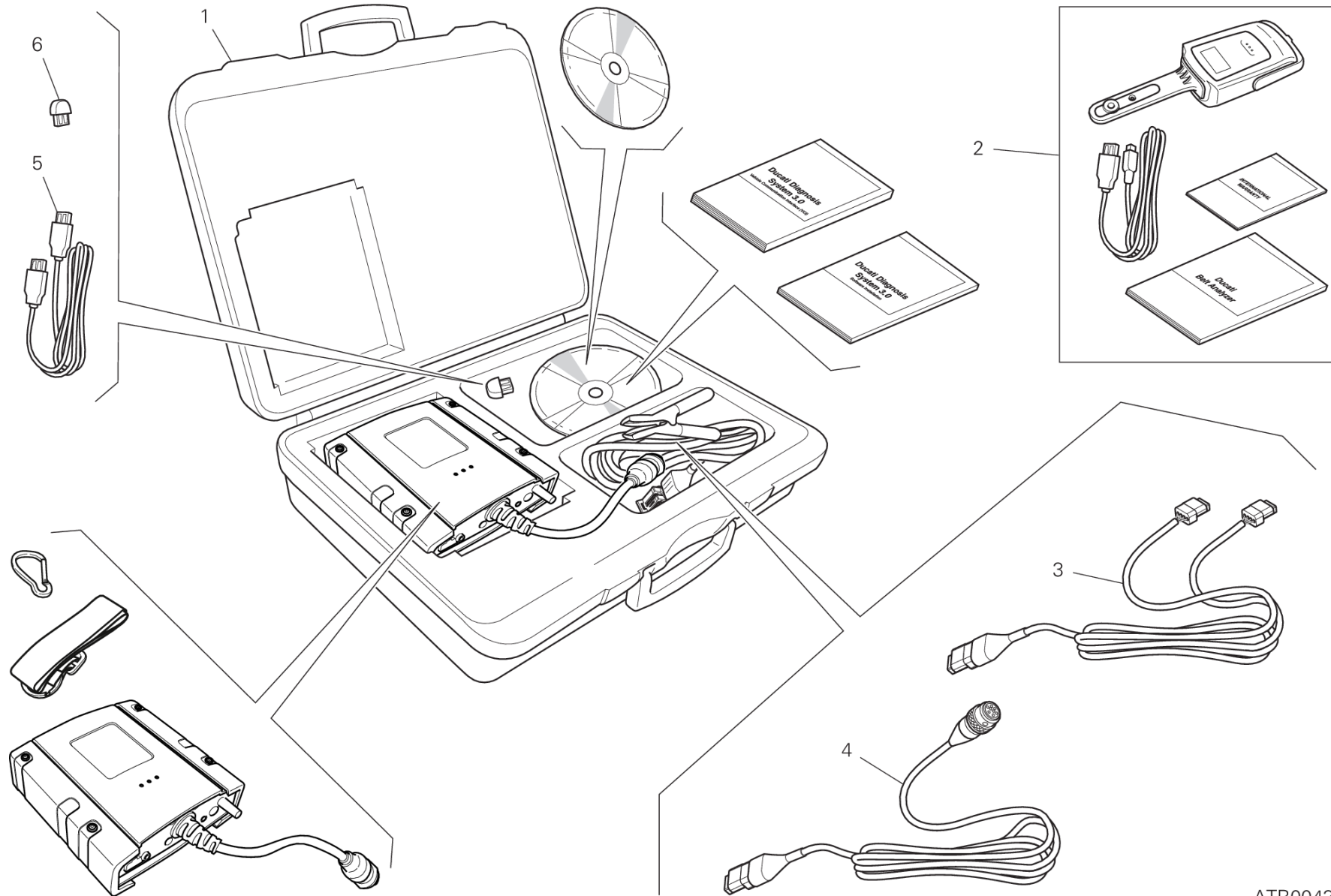
POS.	CODE	DESCRIPTION	QTY	START DATE	END DATE	VALIDITY	NOTES
1	887130137	CRANKSHAFT GEAR RETAINING WRENCH	1				
2	887132676	HEAD NUTS HOLDER WRENCH (M10)	1				
3	887132103	HEAD MOUNTING BASE	1				
4	887131994	ROCKER PIN EXTRACTOR	1				
5	887651635	DEGREE WHEEL HOLDER TOOL FOR IGNITION ADVANCE CHECK	1				
6	887132906	WRENCH, OIL FILTER CARTRIDGE	1				
7	887651623	BELT ROLLER TIMING TOOL	1				
8	887133219	TIMING BELT ROLLER REACTION TOOL	1				
9	887132442	TOOL, OIL SEAL MOUNTING (Ø7)	1				
10	887005644	TIMING PULLEY RETAINING WRENCH	1				
11	887132651	REACTION TOOL FOR WET CLUTCH	1				
12	887132877	SPARK PLUG WRENCH	1				
13	887132870	TOOL, CON-ROD GUIDING	1				
14	887130031	EXTRACTOR FOR PRIMARY DRIVE GEAR	1				
15	887131309	FORK FEELER GAUGE2,35 MM	1				
16	887131806	REACTION TOOL BELT ROLLER TIGHTENING	1				
17	887132011	CRANKSHAFT RESET TOOL	1				
18	887651298	SPACER FOR CHECKING LOWER VALVE SHIM	1				
19	887131821	WRENCH TO TIGHTEN TENSIONING BOLTS	1				
20	887133367	FLYWHEEL WRENCH	1				
21	887133334	PLATE POSITIONING GEAR ENGAGEMENT FORK	1				
22	887131749	DRIVE ROLLER PULLER	1				
23	887134411	INSERT	1				
24	887132695	CLUTCH FLUID PRESSURE MEASURING TOOL	1				
25	887130022	GEARBOX SELECTOR TOOL	1				



ATR00434



POS.	CODE	DESCRIPTION	QTY	START DATE	END DATE	VALIDITY	NOTES
1	887133220	BENCH FOR ENGINE REPAIR	1				
2	887131010	CONNECTOR FOR EXHAUST GAS TAKE-UP POINT	1				
3	887131062	TOOL ASSEMBLING STEERING TUBE BEARING	1				
4	887131074	TOOL DISASSEMBLING SWINGARM PIVOT	1				
5	800070139	WRENCH FOR FRONT WHEEL SPINDLE	1				
6	887131059	ASSEMBLING BEARINGS TOOL	1				
7	887131058	SPANNER TO ASSEMBLE THE STEERING SLEEVE	1				
8	887134488	FORK OIL LEVEL SYRINGE	1				
9	887131832	BENCH FOR ENGINE REPAIR	1				



ATR00435



POS.	CODE	DESCRIPTION	QTY	START DATE	END DATE	VALIDITY	NOTES
1	979000279	DDS 3 (Ducati Diagnosis System 3.0)	1				
2	979000253	BELT TENSIONING KIT	1				
3	979000282	DIAGNOSIS CABLE	1				
4	979000283	CONNECTING CABLE	1				
5	979000284	USB CABLE	1				
6	979000281	HASP DDS3 KEY	1				



DRAWING A - TYRES [MOD:M937+]

GROUP TYRES



POS.	CODE	DESCRIPTION	QTY	START DATE	END DATE	VALIDITY	NOTES
1	490P0272A	FRONT TYRE DIABLO™ ROSSO III D (120-70 ZR17)	1	19/01/2017			(*)=Pneumatico di primo equipaggiamento
2	491P0323A	REAR TYRE DIABLO™ ROSSO III D (180-55 ZR17)	1	19/12/2016			(*)=Pneumatico di primo equipaggiamento
3	49041081A	FRONT TYRE DIABLO™ ROSSO CORSA II (120-70 ZR17)	1				
4	49141601A	REAR TYRE DIABLO™ ROSSO CORSA II (180-55 ZR17)	1				
5	49040711A	FRONT TYRE DIABLO™ SUPERCORSA SP (120-70 ZR17)	1				
6	49140951A	REAR TYRE DIABLO™ SUPERCORSA SP (180-55 ZR17)	1				
7	490P0324A	FRONT TYRE DIABLO™ ROSSO IV (120-70 ZR17)	1				
8	491P0387A	REAR TYRE DIABLO™ ROSSO IV (180-55 ZR17)	1				
9	49040663A	FRONT TYRE DIABLO™ ROSSO II D (120-70 ZR17)	1				
10	49140851B	REAR TYRE DIABLO™ ROSSO II (180-55 ZR17)	1				
11	490P0325A	FRONT TYRE ANGEL™ GT (120-70 ZR17)	1				
12	49141271A	REAR TYRE ANGEL™ GT (180-55 ZR17)	1				
13	490P0002A	FRONT TYRE DIABLO™ SUPERBIKE (120-70 R17 SC1)	1				(#)=For competition use only
14	490P0003A	FRONT TYRE DIABLO™ SUPERBIKE (120-70 R17 SC2)	1				(#)=For competition use only
15	490P0004A	FRONT TYRE DIABLO™ SUPERBIKE (120-70 R17 SC3)	1				(#)=For competition use only
16	491P0009A	REAR TYRE DIABLO™ SUPERBIKE (180-55 R17 SC2)	1				(#)=For competition use only
17	491P0010A	REAR TYRE DIABLO™ SUPERBIKE (180-60 R17 SC0)	1				(#)=For competition use only
18	491P0011A	REAR TYRE DIABLO™ SUPERBIKE (180-60 R17 SC1)	1				(#)=For competition use only
19	491P0012A	REAR TYRE DIABLO™ SUPERBIKE (180-60 R17 SC2)	1				(#)=For competition use only
20	491P0013A	REAR TYRE DIABLO™ SUPERBIKE (180-60 R17 SC3)	1				(#)=For competition use only
21	490P0019A	FRONT TYRE DIABLO™ WET (120-70 R17)	1				(#)=For competition use only
22	490P0022A	FRONT TYRE DIABLO™ RAIN (120-70 R17)	1				(#)=For competition use only
23	490P0029A	FRONT TYRE DIABLO™ SUPERCORSA SC V2 (120-70 R17 SC1)	1				(#)=For competition use only
24	490P0030A	FRONT TYRE DIABLO™ SUPERCORSA SC V2 (120-70 R17 SC2)	1				(#)=For competition use only
25	491P0036A	REAR TYRE DIABLO™ SUPERCORSA SC V2 (180-55 R17 SC2)	1				(#)=For competition use only
26	491P0037A	REAR TYRE DIABLO™ SUPERCORSA SC V2 (180-60 R17 SC0)	1				(#)=For competition use only
27	491P0038A	REAR TYRE DIABLO™ SUPERCORSA SC V2 (180-60 R17 SC1)	1				(#)=For competition use only
28	491P0039A	REAR TYRE DIABLO™ SUPERCORSA SC V2 (180-60 R17 SC2)	1				(#)=For competition use only
29	490P0044A	FRONT TYRE DIABLO™ SUPERCORSA SC (120-70 R17 SC2)	1				(#)=For competition use only
30	490P0248A	FRONT TYRE DIABLO™ SUPERCORSA SC (120-70 R17 SC1)	1				(#)=For competition use only
31	491P0045A	REAR TYRE DIABLO™ SUPERCORSA SC (180-55 R17 SC2)	1				(#)=For competition use only
32	490P0301A	FRONT TYRE ANGEL™ GT II (120-70 ZR17)	1				
33	491P0355A	REAR TYRE ANGEL™ GT II (180-55 ZR17)	1				



DRAWING A - TYRES [MOD:M937+]

GROUP TYRES



POS.	CODE	DESCRIPTION	QTY	START DATE	END DATE	VALIDITY	NOTES
34	49041071A	FRONT TYRE DIABLO™ SUPERCORSA SP V3 (120-70 ZR17)	1				
35	491P0343A	REAR TYRE DIABLO™ SUPERCORSA SP V3 (180-55 ZR17)	1				
36	490P0297A	FRONT TYRE DIABLO™ SUPERCORSA SC V3 (120-70 ZR17)	1				(#)=For competition use only
37	490P0298A	FRONT TYRE DIABLO™ SUPERCORSA SC V3 (120-70 ZR17 TL)	1				(#)=For competition use only
38	491P0334A	REAR TYRE DIABLO™ SUPERCORSA SC V3 (180-55 ZR17 73W)	1				(#)=For competition use only
39	491P0335A	REAR TYRE DIABLO™ SUPERCORSA SC V3 (180-60 ZR17 75V)	1				(#)=For competition use only
40	491P0336A	REAR TYRE DIABLO™ SUPERCORSA SC V3 (180-60 ZR17 75W)	1				(#)=For competition use only
41	491P0337A	REAR TYRE DIABLO™ SUPERCORSA SC V3 (180-60 ZR17 75W)	1				(#)=For competition use only



DRAWING B - ORIGINAL EQUIPMENT TYRES [MOD:M937+]

GROUP TYRES



POS.	CODE	DESCRIPTION	QTY	START DATE	END DATE	VALIDITY	NOTES
1	490P0272A	FRONT TYRE DIABLO™ ROSSO III D (120-70 ZR17)	1	19/01/2017			(*)=Pneumatico di primo equipaggiamento
2	491P0323A	REAR TYRE DIABLO™ ROSSO III D (180-55 ZR17)	1	19/12/2016			(*)=Pneumatico di primo equipaggiamento



DRAWING C - PIRELLI DIABLO™ ROSSO II [MOD:M937+]

GROUP TYRES



POS.	CODE	DESCRIPTION	QTY	START DATE	END DATE	VALIDITY	NOTES
1	49040663A	FRONT TYRE DIABLO™ ROSSO II D (120-70 ZR17)	1	25/03/2013			
2	49140851B	REAR TYRE DIABLO™ ROSSO II (180-55 ZR17)	1	17/09/2013			



DRAWING D - PIRELLI ANGEL™ GT II [MOD:M937+]

GROUP TYRES



POS.	CODE	DESCRIPTION	QTY	START DATE	END DATE	VALIDITY	NOTES
1	490P0301A	FRONT TYRE ANGEL™ GT II (120-70 ZR17)	1	01/02/2016			
2	491P0355A	REAR TYRE ANGEL™ GT II (180-55 ZR17)	1	01/02/2016			



DRAWING E - PIRELLI DIABLO™ SUPERCORSA SP [MOD:M937+]

GROUP TYRES



POS.	CODE	DESCRIPTION	QTY	START DATE	END DATE	VALIDITY	NOTES
1	49040711A	FRONT TYRE DIABLO™ SUPERCORSA SP (120-70 ZR17)	1	12/01/2015			
2	49140951A	REAR TYRE DIABLO™ SUPERCORSA SP (180-55 ZR17)	1	24/09/2012			



DRAWING F - PIRELLI DIABLO™ ROSSO CORSA II [MOD:M937+]

GROUP TYRES



POS.	CODE	DESCRIPTION	QTY	START DATE	END DATE	VALIDITY	NOTES
1	49041081A	FRONT TYRE DIABLO™ ROSSO CORSA II (120-70 ZR17)	1	25/10/2013			
2	49141601A	REAR TYRE DIABLO™ ROSSO CORSA II (180-55 ZR17)	1	28/05/2015			



DRAWING H - PIRELLI DIABLO™ SUPERCORSA SP V3 [MOD:M937+]

GROUP TYRES



POS.	CODE	DESCRIPTION	QTY	START DATE	END DATE	VALIDITY	NOTES
1	49041071A	FRONT TYRE DIABLO™ SUPERCORSA SP V3 (120-70 ZR17)	1	19/01/2017			
2	491P0343A	REAR TYRE DIABLO™ SUPERCORSA SP V3 (180-55 ZR17)	1	19/12/2016			



DRAWING J - (#) PIRELLI DIABLO™ SUPERBIKE [MOD:M937+]

GROUP TYRES



POS.	CODE	DESCRIPTION	QTY	START DATE	END DATE	VALIDITY	NOTES
1	490P0002A	FRONT TYRE DIABLO™ SUPERBIKE (120-70 R17 SC1)	1				(#)=For competition use only
2	490P0003A	FRONT TYRE DIABLO™ SUPERBIKE (120-70 R17 SC2)	1				(#)=For competition use only
3	490P0004A	FRONT TYRE DIABLO™ SUPERBIKE (120-70 R17 SC3)	1				(#)=For competition use only
4	491P0009A	REAR TYRE DIABLO™ SUPERBIKE (180-55 R17 SC2)	1				(#)=For competition use only
5	491P0010A	REAR TYRE DIABLO™ SUPERBIKE (180-60 R17 SC0)	1				(#)=For competition use only
6	491P0011A	REAR TYRE DIABLO™ SUPERBIKE (180-60 R17 SC1)	1				(#)=For competition use only
7	491P0012A	REAR TYRE DIABLO™ SUPERBIKE (180-60 R17 SC2)	1				(#)=For competition use only
8	491P0013A	REAR TYRE DIABLO™ SUPERBIKE (180-60 R17 SC3)	1				(#)=For competition use only



DRAWING K - (#) PIRELLI DIABLO™ WET [MOD:M937+]

GROUP TYRES



POS.	CODE	DESCRIPTION	QTY	START DATE	END DATE	VALIDITY	NOTES
1	490P0019A	FRONT TYRE DIABLO™ WET (120-70 R17)	1				(#)=For competition use only



DRAWING M - (#) PIRELLI DIABLO™ RAIN [MOD:M937+]

GROUP TYRES



POS.	CODE	DESCRIPTION	QTY	START DATE	END DATE	VALIDITY	NOTES
1	490P0022A	FRONT TYRE DIABLO™ RAIN (120-70 R17)	1				(#)=For competition use only



DRAWING N - (#) PIRELLI DIABLO™ SUPERCORSA SC V2 [MOD:M937+]

GROUP TYRES



POS.	CODE	DESCRIPTION	QTY	START DATE	END DATE	VALIDITY	NOTES
1	490P0029A	FRONT TYRE DIABLO™ SUPERCORSA SC V2 (120-70 R17 SC1)	1				(#)=For competition use only
2	490P0030A	FRONT TYRE DIABLO™ SUPERCORSA SC V2 (120-70 R17 SC2)	1				(#)=For competition use only
3	491P0036A	REAR TYRE DIABLO™ SUPERCORSA SC V2 (180-55 R17 SC2)	1				(#)=For competition use only
4	491P0037A	REAR TYRE DIABLO™ SUPERCORSA SC V2 (180-60 R17 SC0)	1				(#)=For competition use only
5	491P0038A	REAR TYRE DIABLO™ SUPERCORSA SC V2 (180-60 R17 SC1)	1				(#)=For competition use only
6	491P0039A	REAR TYRE DIABLO™ SUPERCORSA SC V2 (180-60 R17 SC2)	1				(#)=For competition use only



DRAWING O - (#) PIRELLI DIABLO™ SUPERCORSA SC [MOD:M937+]

GROUP TYRES



POS.	CODE	DESCRIPTION	QTY	START DATE	END DATE	VALIDITY	NOTES
1	490P0044A	FRONT TYRE DIABLO™ SUPERCORSA SC (120-70 R17 SC2)	1				(#)=For competition use only
2	490P0248A	FRONT TYRE DIABLO™ SUPERCORSA SC (120-70 R17 SC1)	1				(#)=For competition use only
3	491P0045A	REAR TYRE DIABLO™ SUPERCORSA SC (180-55 R17 SC2)	1				(#)=For competition use only



DRAWING P - PIRELLI ANGEL™ GT [MOD:M937+]

GROUP TYRES



POS.	CODE	DESCRIPTION	QTY	START DATE	END DATE	VALIDITY	NOTES
1	490P0325A	FRONT TYRE ANGEL™ GT (120-70 ZR17)	1	18/06/2014			
2	49141271A	REAR TYRE ANGEL™ GT (180-55 ZR17)	1	08/03/2013			



DRAWING S - PIRELLI DIABLO™ ROSSO IV [MOD:M937+]

GROUP TYRES



POS.	CODE	DESCRIPTION	QTY	START DATE	END DATE	VALIDITY	NOTES
1	490P0324A	FRONT TYRE DIABLO™ ROSSO IV (120-70 ZR17)	1	19/01/2017			
2	491P0387A	REAR TYRE DIABLO™ ROSSO IV (180-55 ZR17)	1	19/12/2016			

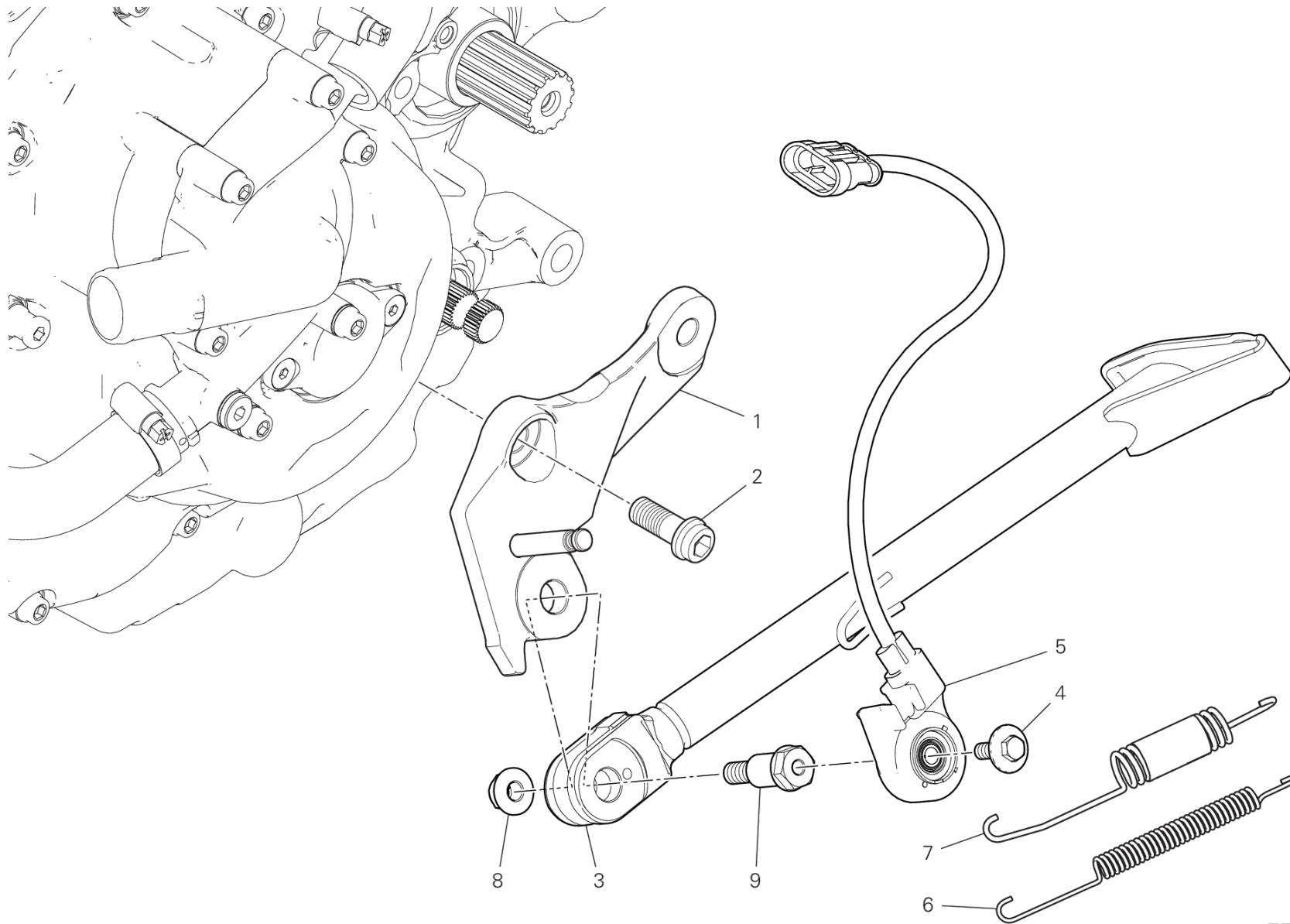


DRAWING T - (#) PIRELLI DIABLO™ SUPERCORSA SC V3 [MOD:M937+]

GROUP TYRES



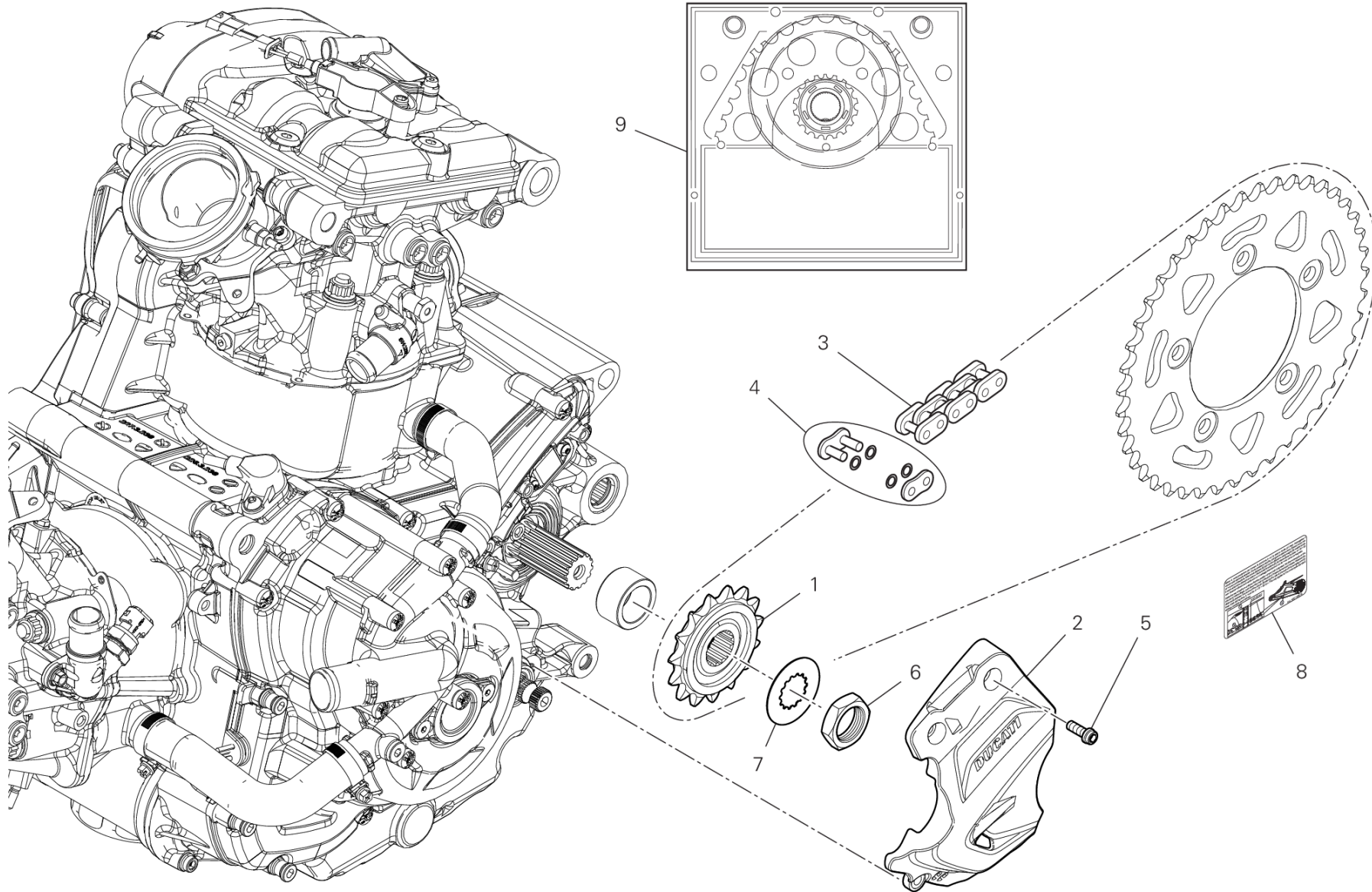
POS.	CODE	DESCRIPTION	QTY	START DATE	END DATE	VALIDITY	NOTES
1	490P0297A	FRONT TYRE DIABLO™ SUPERCORSA SC V3 (120-70 ZR17)	1				(#)=For competition use only
2	490P0298A	FRONT TYRE DIABLO™ SUPERCORSA SC V3 (120-70 ZR17 TL)	1				(#)=For competition use only
3	491P0334A	REAR TYRE DIABLO™ SUPERCORSA SC V3 (180-55 ZR17 73W)	1				(#)=For competition use only
4	491P0335A	REAR TYRE DIABLO™ SUPERCORSA SC V3 (180-60 ZR17 75V)	1				(#)=For competition use only
5	491P0336A	REAR TYRE DIABLO™ SUPERCORSA SC V3 (180-60 ZR17 75W)	1				(#)=For competition use only
6	491P0337A	REAR TYRE DIABLO™ SUPERCORSA SC V3 (180-60 ZR17 75W)	1				(#)=For competition use only



TEL01481



POS.	CODE	DESCRIPTION	QTY	START DATE	END DATE	VALIDITY	NOTES
1	55620681AA	BRACKET, SIDE STAND	1	02/02/2012			
2	77110431A	SCREW TCEIF M10X25	1	15/11/2012			
3	55611152AA	SIDE STAND	1	29/04/2020		XST:AUS,GSO,TWN	
	55611152AA	SIDE STAND	1	01/01/2021		PLT:DB10;XST:EUR	
	55611181BA	SIDE STAND	1	29/04/2020		XST:JAP,ROK	
4	77917241AA	SCREW	1	02/03/2014			
5	53910351A	SWITCH, STAND	1	02/03/2014			
6	79915081A	INNER SPRING	1	09/03/2012			
7	79921602A	COMPLETE SPRING	1	09/03/2012			
8	74941128B	NUT M8	1	30/05/2016			
9	82114632BB	AXLE, SIDE STAND	1	16/07/2019			



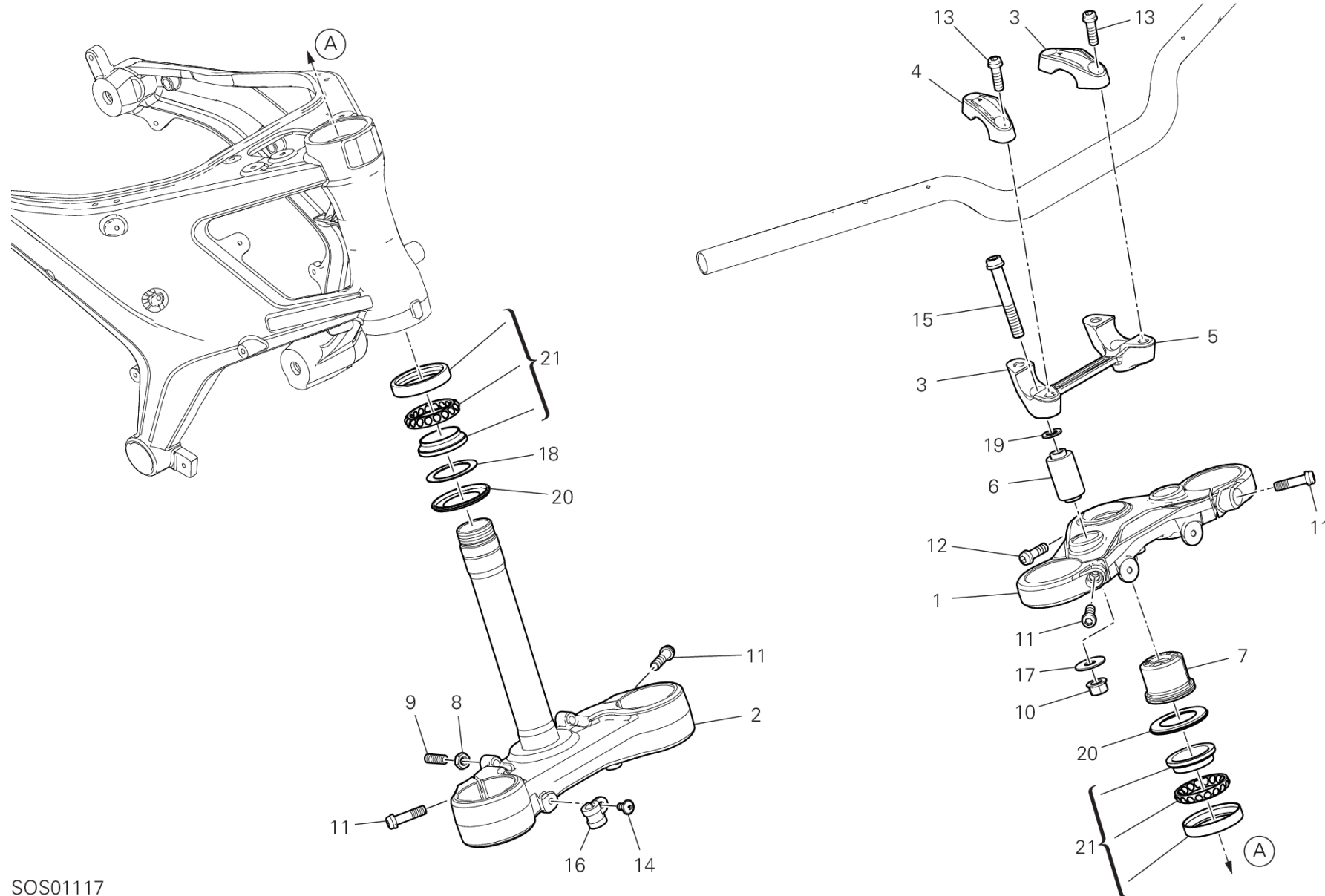
TEL01482

DRAWING 16A - FRONT SPROCKET - CHAIN [MOD:M937+]

GROUP FRAME



POS.	CODE	DESCRIPTION	QTY	START DATE	END DATE	VALIDITY	NOTES
1	44910821A	SPROCKET T15	1	18/12/2020			
2	4601L082A	CHAIN PINION COVER	1	08/02/2021			
3	67640961A	CHAIN 105+1	1	11/12/2017			
4	67740201A	CHAIN LINK	1	01/08/2013			
5	77110391B	SCREW	3	20/06/2018			
6	75010071A	NUT	1				
7	85110041A	WASHER, LOCK	1				
8	43314991A	CHAIN ADJUSTMENT STICKER	1	17/02/2021		XST:AUS,EUR,GSO,ROK,TWN	
	43314991B	CHAIN ADJUSTMENT STICKER	1	17/02/2021		XST:JAP	
9	67621321A	FINAL DRIVE KIT	1				



SOS01117

DRAWING 17A - STEERING ASSEMBLY [MOD:M937+]

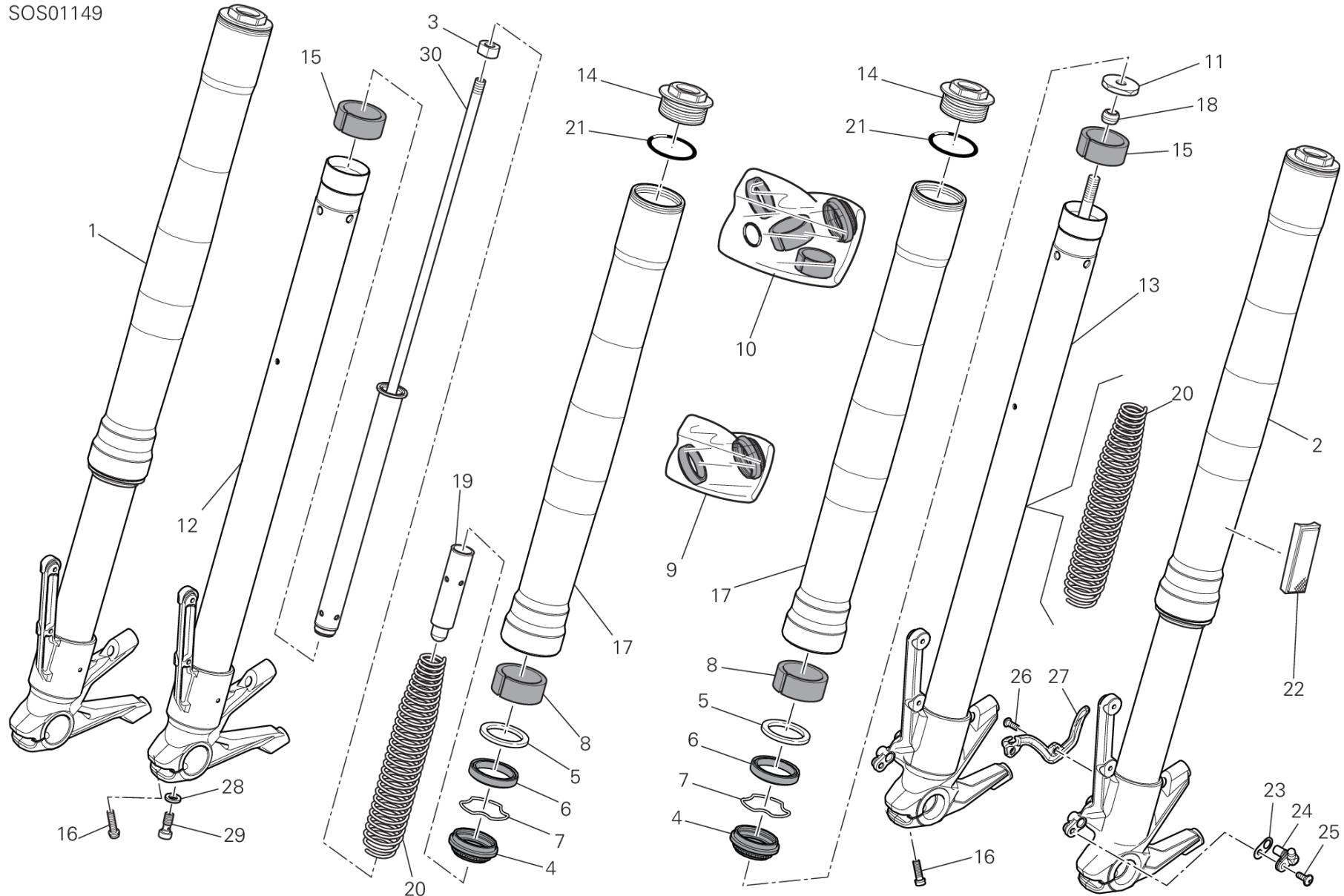
GROUP FRAME



POS.	CODE	DESCRIPTION	QTY	START DATE	END DATE	VALIDITY	NOTES
1	34111801BA	STEERING HEAD	1	18/12/2020			
2	342P1191BA	STEERING HEAD BASE	1	30/11/2020			
3	36015901AA	HANDLEBAR BRACKET, UPPER LEFT	1	01/01/2020			
4	36015911AA	HANDLEBAR BRACKET, UPPER RIGHT	1	01/01/2020			
5	36015951AA	HOLDER, HANDLE LOWER	1	01/01/2020			
6	70011141A	VIBRATION DAMPER	2	11/12/2017			
7	70310131A	THREAD, STEERING HEAD TOP	1	18/12/2020			
8	74750071A	NUT	2	11/12/2017			
9	77850281A	THREADED DOWEL STEI M8X25	2	11/12/2017			
10	74840241AB	NUT M10X1.25	2	11/12/2017			
11	77157273B	SCREW	6	18/06/2018			
12	77157248C	SCREW TCEIF M8X22	1	01/01/2020			
13	77157253B	SCREW	4	01/01/2020			
14	77240403C	SCREW	1	18/12/2020			
15	77159418B	SCREW M10X1.25X70	2	11/12/2017			
16	74140331A	CLAMP	1	18/12/2020			
17	85210491B	WASHER 10.5X28X1.5	2	11/12/2017			
18	85211031AB	WASHER	1	28/12/2017			
19	85250401A	WASHER 10.5X18X1.6	2	18/06/2018			
20	93010041B	SEAL RING	2	28/12/2017			
21	70241231A	BEARING, STEERING NTN SF07A17P	2				



SOS01149



DRAWING 17B - FRONT FORK [MOD:M937+]

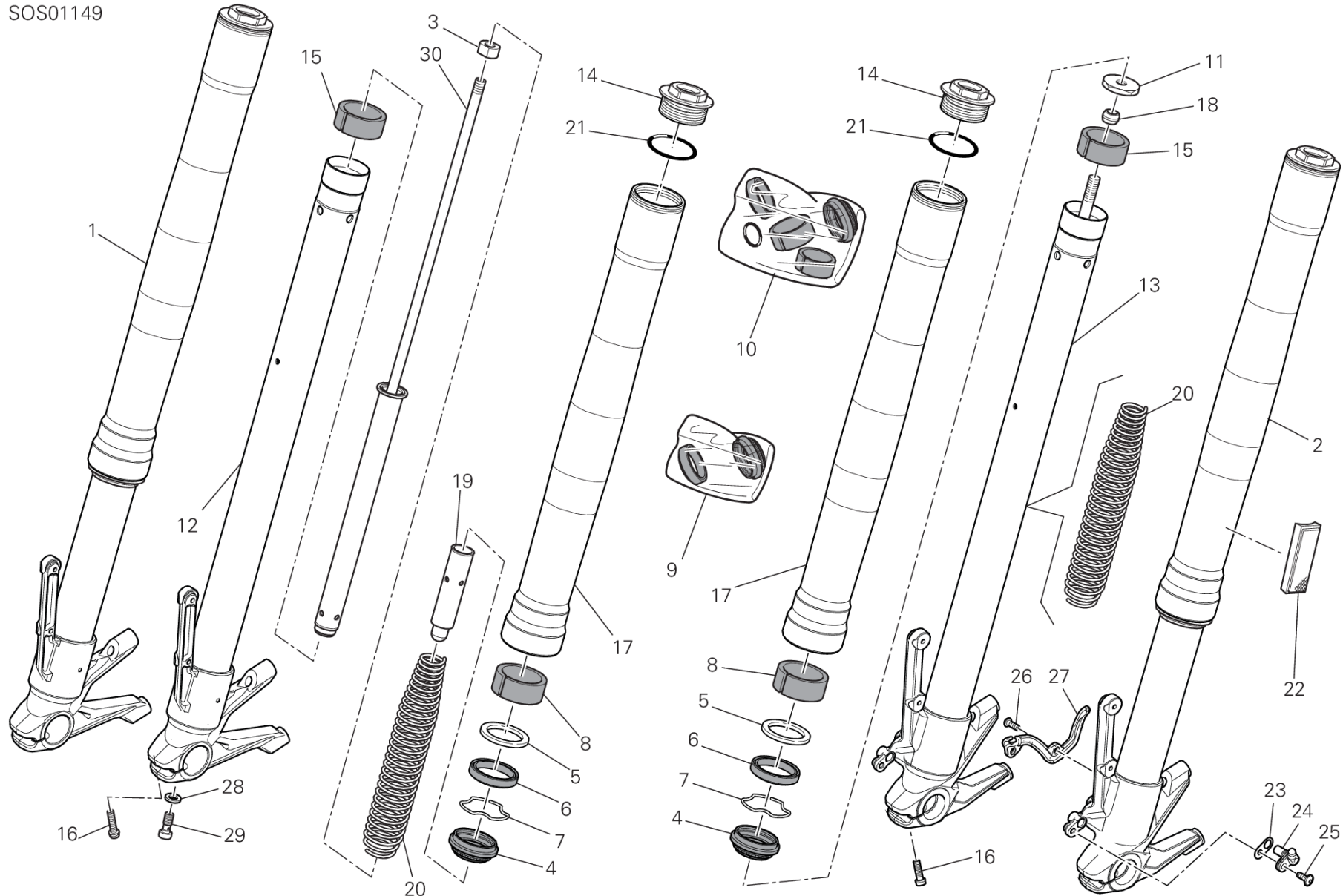
GROUP FRAME



POS.	CODE	DESCRIPTION	QTY	START DATE	END DATE	VALIDITY	NOTES
1	34421183A	RIGHT FORK LEG ASSY	1			XST:AUS,GSO,TWN	
	34421183A	RIGHT FORK LEG ASSY	1	11/06/2021		PLT:DB10;XST:EUR	
	34421261A	RIGHT FORK LEG ASSY	1			XST:JAP,ROK	
2	34521183A	LEFT FORK LEG ASSY	1			XST:AUS,GSO,TWN	
	34521183A	LEFT FORK LEG ASSY	1	11/06/2021		PLT:DB10;XST:EUR	
	34521261A	LEFT FORK LEG ASSY	1			XST:JAP,ROK	
3	34913621A	NUT	1				
4	34913531A	DUST COVER	2				
5	34913561A	WASHER	2				
6	34913551A	SEAL RING	2				
7	34913541A	STOP RING	2				
8	34913571A	LOWER BUSH	2				
9	34921051A	SEAL KIT	2				
10	34921041A	OVERHAUL KIT	2				
11	34913991A	NUT, SPECIAL	1				
12	34923031A	FORK BOTTOM END + SLEEVE UNIT (L.H.)	1	30/06/2021		PLT:DB10;XST:EUR	
	34923031A	FORK BOTTOM END + SLEEVE UNIT (L.H.)	1			XST:AUS,GSO,JAP,ROK,TWN	
13	34923041A	FORK BOTTOM END + SLEEVE UNIT (R.H.)	1				
14	34913981A	CAP,FORK TOP	2				
15	34913581A	UPPER BUSHING	2				
16	77310021A	SCREW TCEIR M6X25	4	25/11/2013			
17	34914991A	STANCHION TUBE	1				
18	34914001A	RUBBER PAD	1				
19	34914011A	PRELOAD TUBE	1				
20	34914971A	SPRING	2			XST:AUS,GSO,TWN	
	34914971A	SPRING	1	30/06/2021		PLT:DB10;XST:EUR	
	34915001A	SPRING	2			XST:JAP,ROK	
21	34913671A	O-RING	2				
22	52910221A	REFLECTOR, ADHESIVE AMBER	2	26/06/2014			
23	71314901A	GASKET TH.02	1	18/12/2020			
	71319201A	GASKET 0.5 MM	3	18/12/2020			
24	55212121B	SENSOR, SPEED	1	26/02/2021			
25	77210423C	SCREW TBEIF M6X16	1	18/12/2020			
26	77550213C	SCREW TBEI M6X16	2	18/12/2020			
27	75810642A	FAIRLEAD	1	01/01/2020			



SOS01149

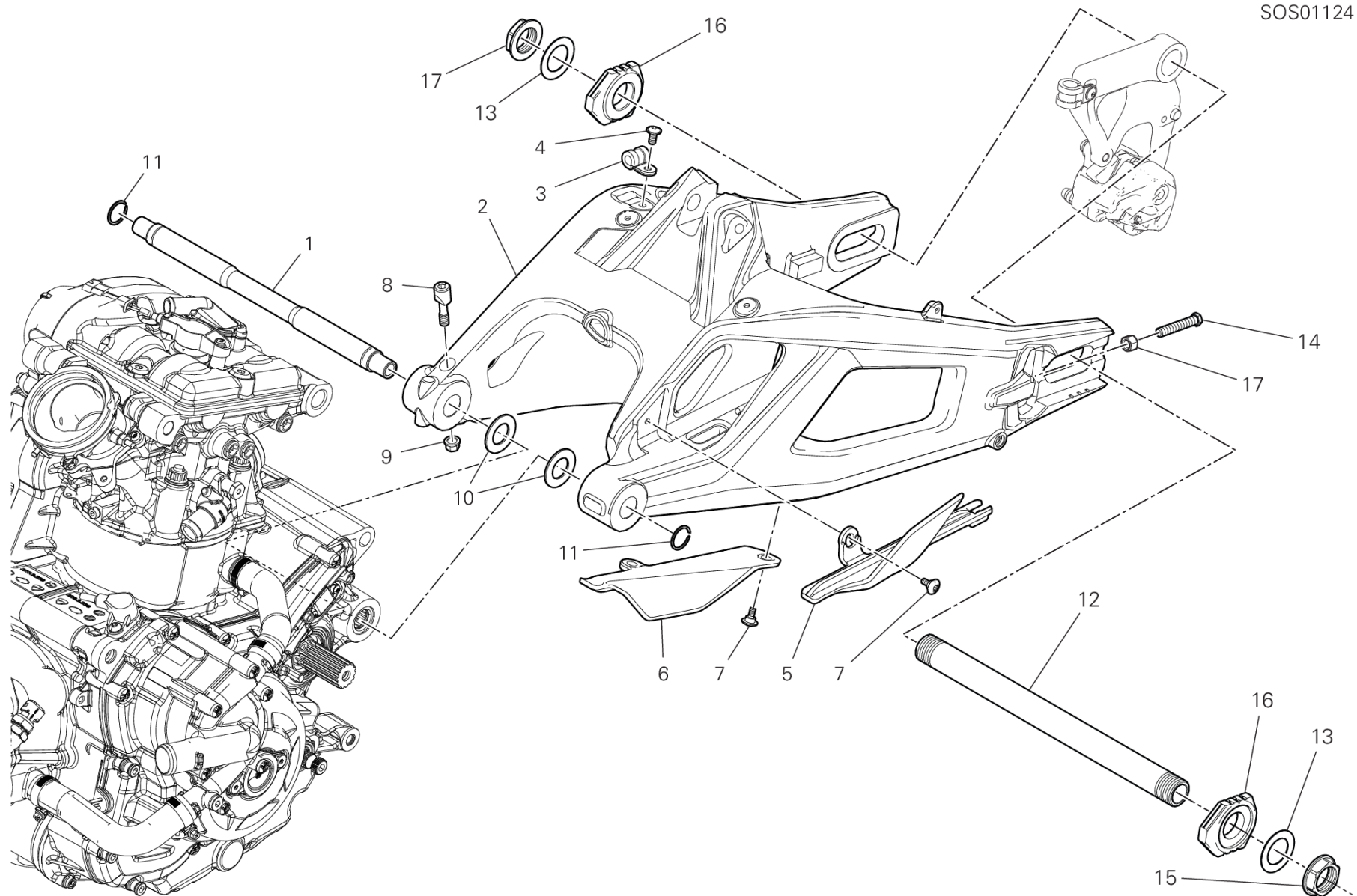


DRAWING 17B - FRONT FORK [MOD:M937+]

GROUP FRAME



POS.	CODE	DESCRIPTION	QTY	START DATE	END DATE	VALIDITY	NOTES
28	34913601A	WASHER	1				
29	34913611A	SCREW	1				
30	34914981A	PLUNGER	1				



DRAWING 18A - REAR SWINGING ARM [MOD:M937+]

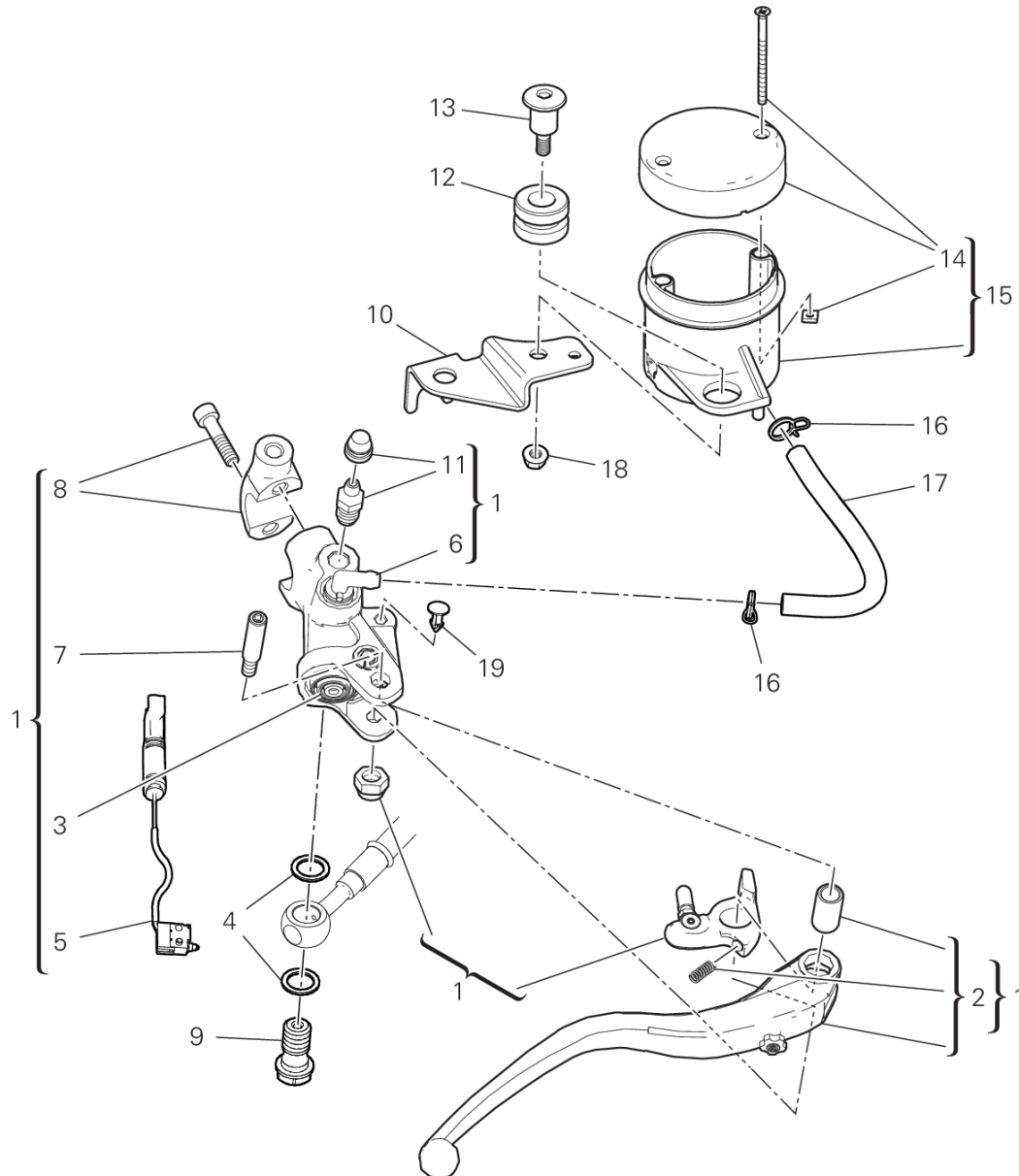
GROUP FRAME



POS.	CODE	DESCRIPTION	QTY	START DATE	END DATE	VALIDITY	NOTES
1	36911401A	AXLE, REAR SWING ARM	1	23/03/2019			
2	37012493AA	REAR SWINGING ARM	1	15/02/2021			
3	74140621A	HOSE CLAMP 8 MM	1	13/01/2021			
4	77240403C	SCREW	1	18/12/2020			
5	44712411A	UPPER CHAIN SLIDING SHOE	1	13/01/2021			
6	44712421A	LOWER CHAIN SLIDING SHOE	1	13/01/2021			
7	77214411BA	SCREW, SPECIAL	3	11/12/2017			
8	80810461A	CLAMP	1	11/12/2017			
9	74840341B	NUT M8	1	11/12/2017			
10	85210011B	THRUST WASHER 20.5X36X1.8 MM	2	11/12/2017			
	85210021B	THRUST WASHER 20.5X36X0.2 MM	2	11/12/2017			
	85210031B	THRUST WASHER 20.5X36X0.1 MM	2	11/12/2017			
11	88440071A	SPRING RING	2	11/12/2017			
12	81910791AA	REAR WHEEL SPINDLE	1				
13	85214791A	WASHER	2	18/12/2020			
14	77913722AA	SCREW, SPECIAL	2	18/12/2020			
15	74810232B	NUT	2	18/12/2020			
16	37311061BA	SLIDING SHOE	2	18/12/2020			
17	75011251A	NUT, SPECIAL M8	2	18/12/2020			



BRB00770

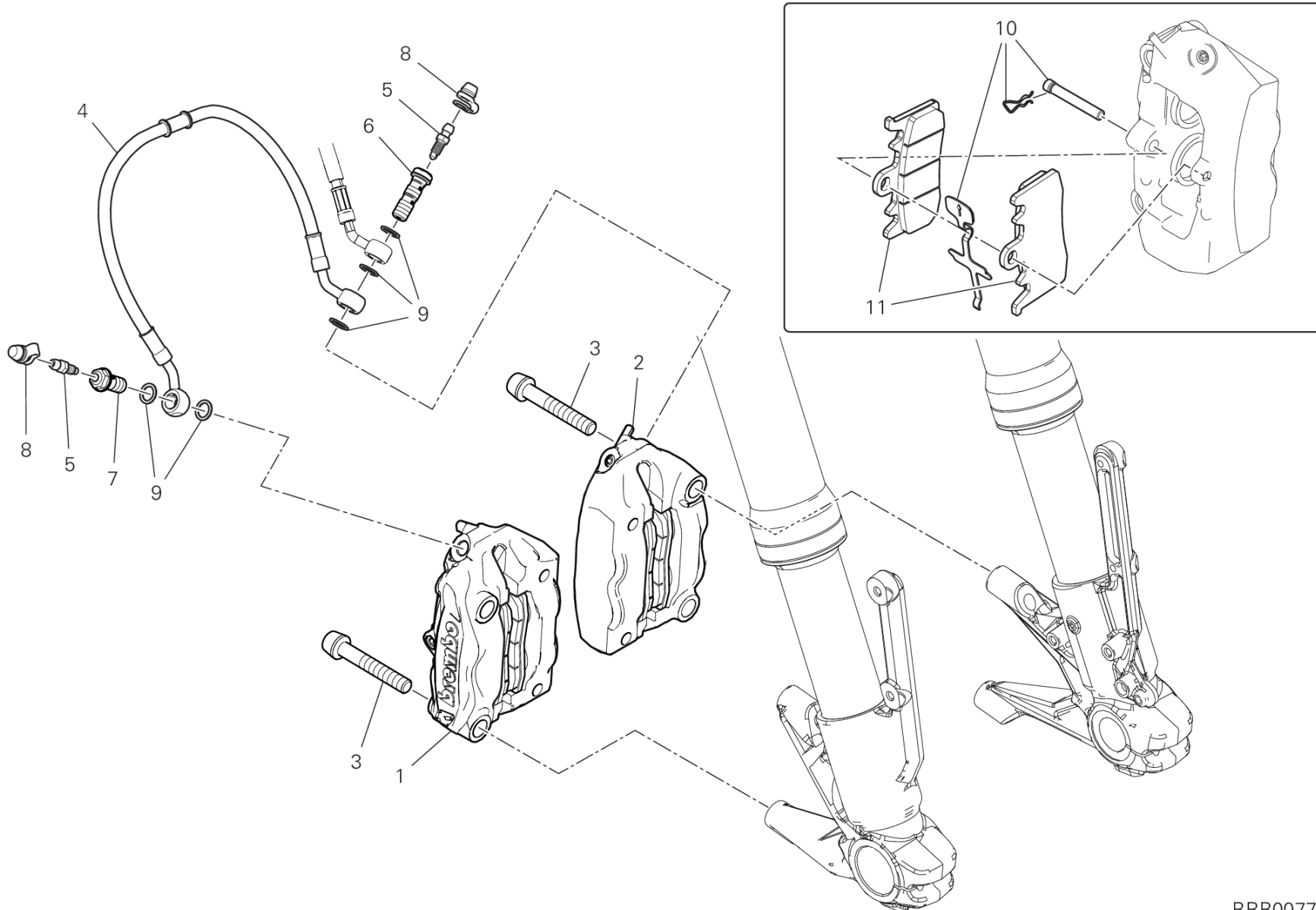


DRAWING 19A - FRONT BRAKE PUMP [MOD:M937+]

GROUP FRAME



POS.	CODE	DESCRIPTION	QTY	START DATE	END DATE	VALIDITY	NOTES
1	62441351B	FRONT BRAKE PUMP	1	18/12/2020			
2	63140601A	LEVER, FRONT BRAKE	1				
3	61241241A	DUST COVER	1	01/01/2020			
4	85250241A	WASHER 10X14X1	2				
5	53941061A	MICROSWITCH	1	01/01/2020			
6	63140081A	JOINT, HOSE	1				
7	62640561A	BOLT, LEVER	1				
8	62641121A	BRACKET, MASTER CYLINDER	1	01/01/2020			
9	77914151A	BOLT, BRAKE HOSE	1				
10	8291B911BA	BRACKET, BRAKE FLUID TANK	1	01/01/2019			
11	63140281A	DRAIN	1				
12	76414191A	DAMPER	1	28/02/2018			
13	77910921A	SCREW	1				
14	89340251A	COVER MASTER CYLINDER	1	26/02/2018			
15	58540341A	RESERVOIR, BRAKE FLUID	1	01/01/2019			
16	74142951A	CLAMP	2	08/02/2021			
17	93310611A	HOSE, OIL	1	01/01/2021			
18	74810351B	NUT	1	18/12/2020			
19	87240561A	PLUG	1	15/03/2021			



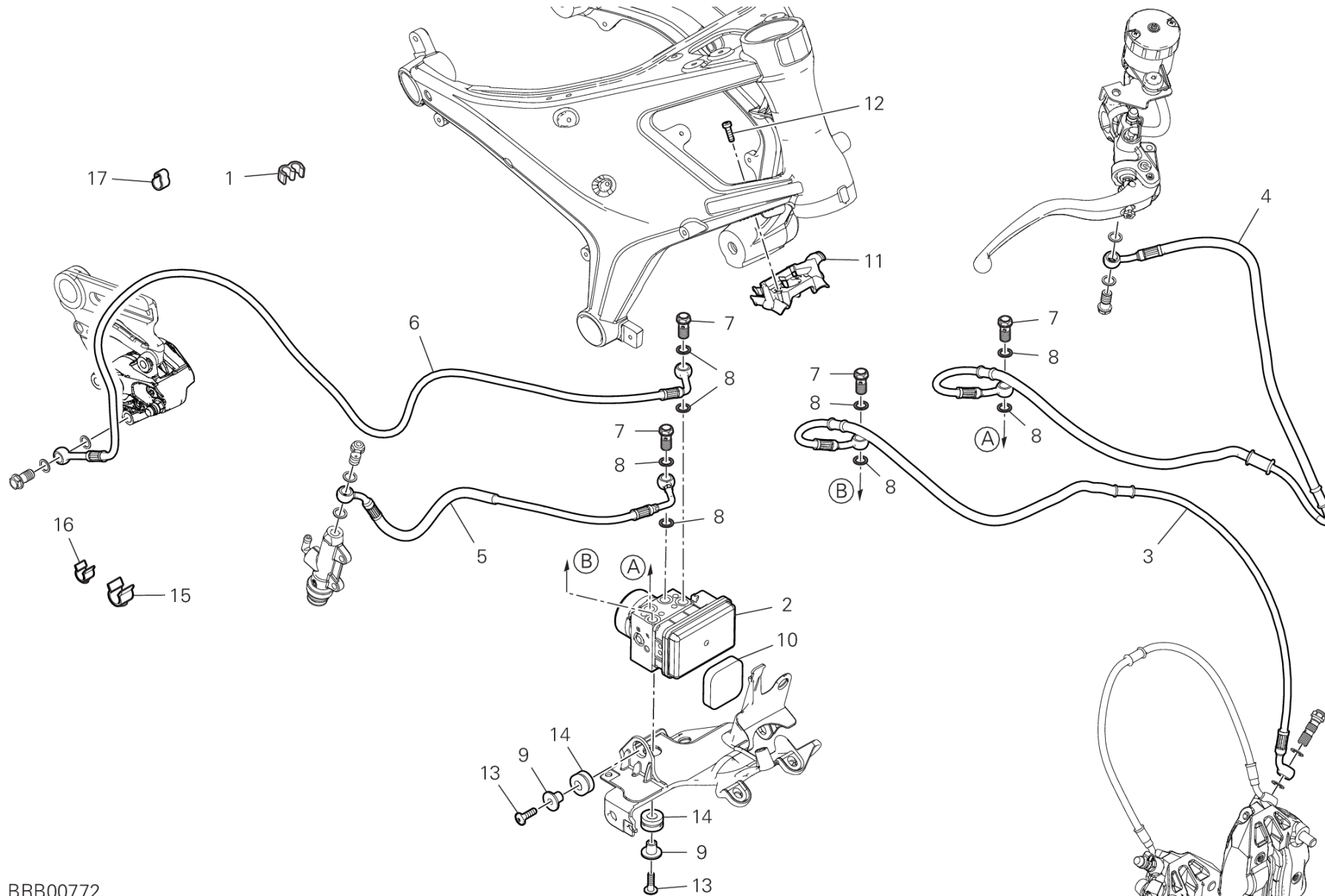
BRB00771

DRAWING 19B - FRONT BRAKE SYSTEM [MOD:M937+]

GROUP FRAME



POS.	CODE	DESCRIPTION	QTY	START DATE	END DATE	VALIDITY	NOTES
1	61041302C	RIGHT FRONT BRAKE CALIPER	1				
2	61041292C	LEFT FRONT BRAKE CALIPER	1				
3	77915111B	SCREW	4	18/12/2020			
4	61810871A	HOSE, FRONT BRAKE CALIPER-CALIPER	1	01/01/2021			
5	18710021A	VALVE, BREATHER	2				
6	77914651A	BOLT, BRAKE HOSE	1				
7	77913971A	BOLT, BRAKE HOSE	1				
8	61240052A	DUST COVER	1				
9	85250241A	WASHER 10X14X1	5				
10	61240511A	SPARE PIN AND SPRING	2				
11	61341021A	FRONT BRAKE PADS SET	2				



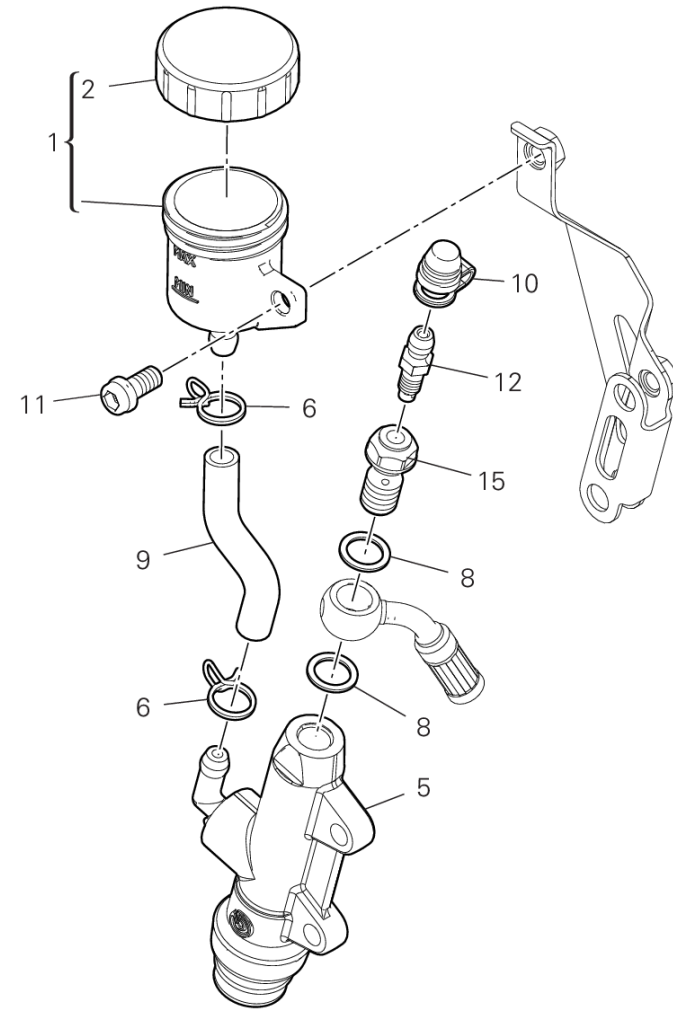
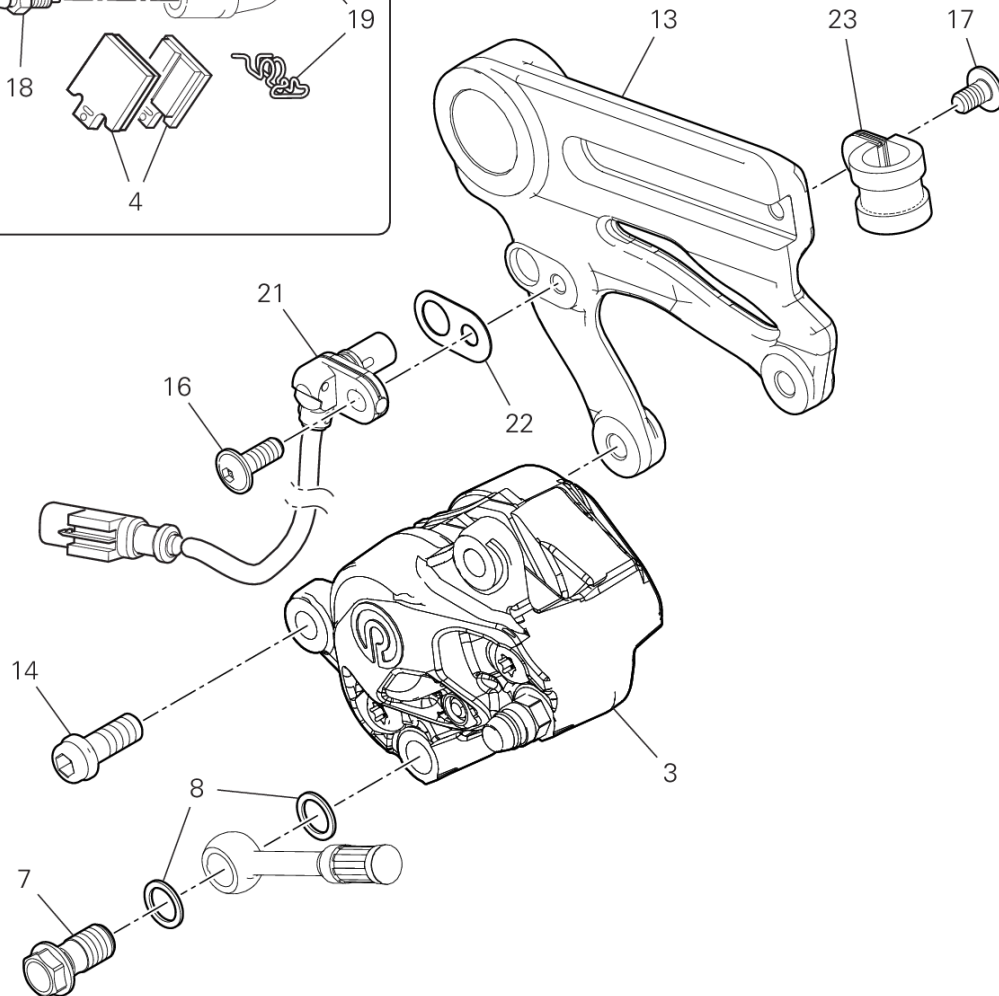
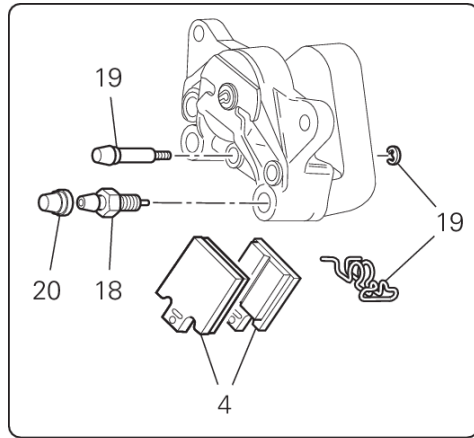
BRB00772

DRAWING 19C - BRAKING SYSTEM ABS [MOD:M937+]

GROUP FRAME



POS.	CODE	DESCRIPTION	QTY	START DATE	END DATE	VALIDITY	NOTES
1	75840611A	FAIRLEAD	2	08/02/2021			
2	54241011A	CONTROL UNIT ABS	1	11/01/2021			
3	61811712B	CPU - FRONT CALIPERS LINE	1	04/03/2021			
4	61811702B	FRONT MASTER CYLINDER - CPU LINE	1	01/01/2021			
5	61911682C	REAR MASTER CYLINDER-CPU LINE	1	01/01/2021			
6	61911692B	CPU-REAR CALIPER LINE	1	04/03/2021			
7	77913662AB	SCREW, SPECIAL	4	23/04/2013			
8	85250241A	WASHER 10X14X1	8	05/12/2012			
9	71610031A	SPACER	2	24/09/2012			
10	86611861A	PAD	1	01/01/2021			
11	8291N531A	ABS PIPE SUPPORT	1	08/02/2021			
12	77350413B	SCREW TCEIR M5X16	2	08/02/2021			
13	77240443C	SCREW	1	24/09/2012			
14	76410641A	VIBRATION DAMPER PAD	2	24/09/2012			
15	75841091A	FEMALE CABLE RING	1	08/02/2021			
16	75841101A	MALE CABLE RING	1	08/02/2021			
17	75840601A	FAIRLEAD	16	02/03/2021			



BRB00773

DRAWING 19D - REAR BRAKE SYSTEM [MOD:M937+]

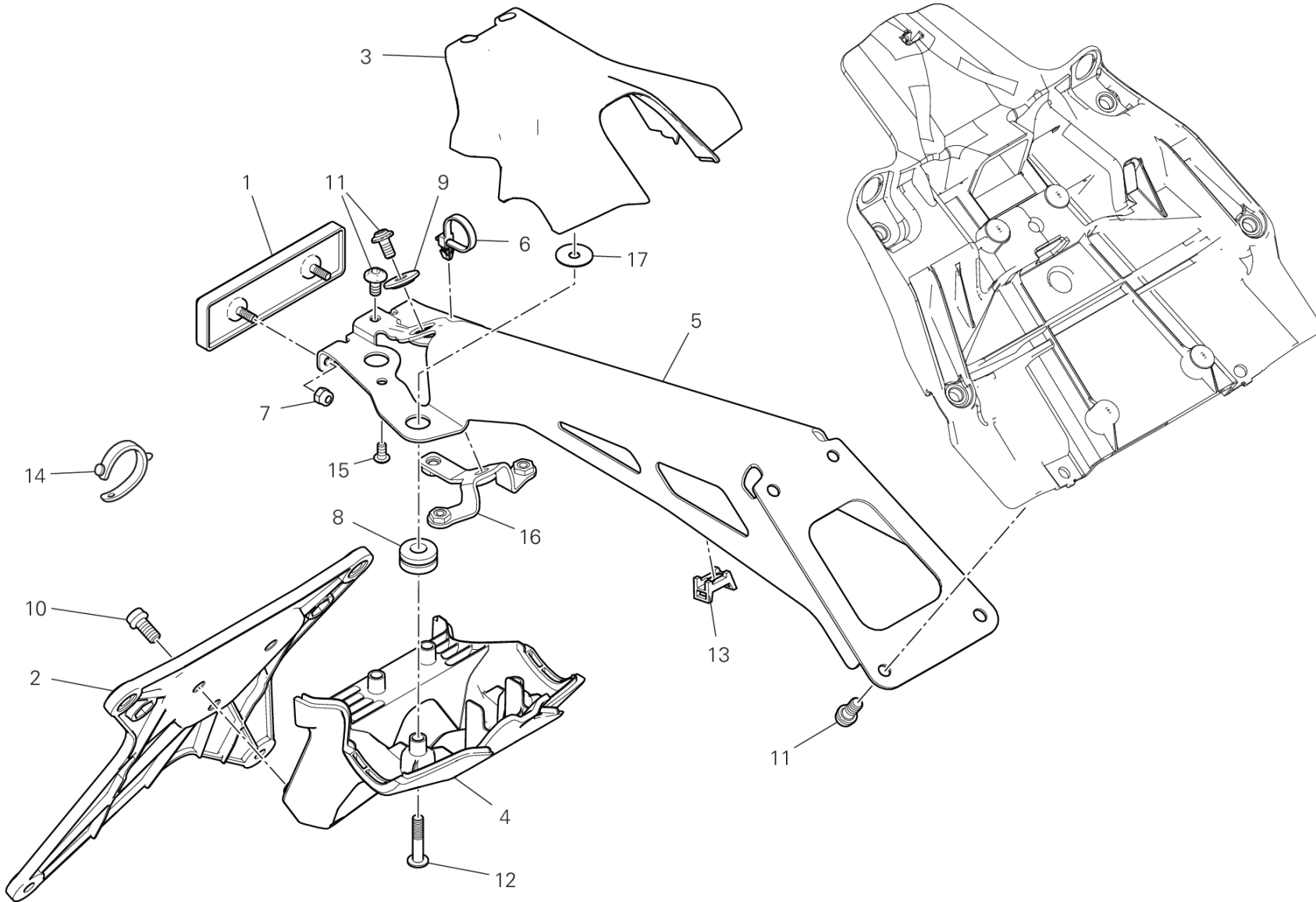
GROUP FRAME



POS.	CODE	DESCRIPTION	QTY	START DATE	END DATE	VALIDITY	NOTES
1	58540351A	SUB TANK, OIL	1	01/01/2021			
2	89340241A	COVER MASTER CYLINDER	1	26/02/2018			
3	61140421A	REAR BRAKE CALIPER	1	18/12/2020			
4	61340951A	REAR BRAKE PADS SET	1	14/04/2014			
5	62540201A	REAR BRAKE PUMP	1	01/01/2020			
6	74142951A	CLAMP	2	08/02/2021			
7	77913662AB	SCREW, SPECIAL	1	26/02/2018			
8	85250241A	WASHER 10X14X1	4	26/02/2018			
9	93310601A	HOSE, OIL	1	20/10/2020			
10	61240052A	DUST COVER	1	01/01/2021			
11	77113691A	SCREW TCEIF M6X12	1	04/03/2021			
12	18710021A	VALVE, BREATHER	1	18/12/2020			
13	82510681AA	PLATE	1	29/04/2020			
14	77157238B	SCREW TCEIF M8X20	2	11/12/2017			
15	77913971A	BOLT, BRAKE HOSE	1	18/12/2020			
16	77210423C	SCREW TBEIF M6X16	1	18/12/2020			
17	77240398C	SCREW TBEIF M6X10	1	02/04/2021			
18	63140161A	FRONT CALIPER DRAIN SCREW	1				
19	61240161A	PAD PINS OVERHAUL KIT	1				
20	61240081A	DUST PLUG (confezione da 20 pezzi)	1				
21	55212121B	SENSOR, SPEED	1	18/12/2020			
22	71314901A	GASKET TH.02	1	08/02/2021			
	71319201A	GASKET 0.5 MM	3	18/12/2020			
23	74142241A	CLAMP	1	18/12/2020			



TEL01483

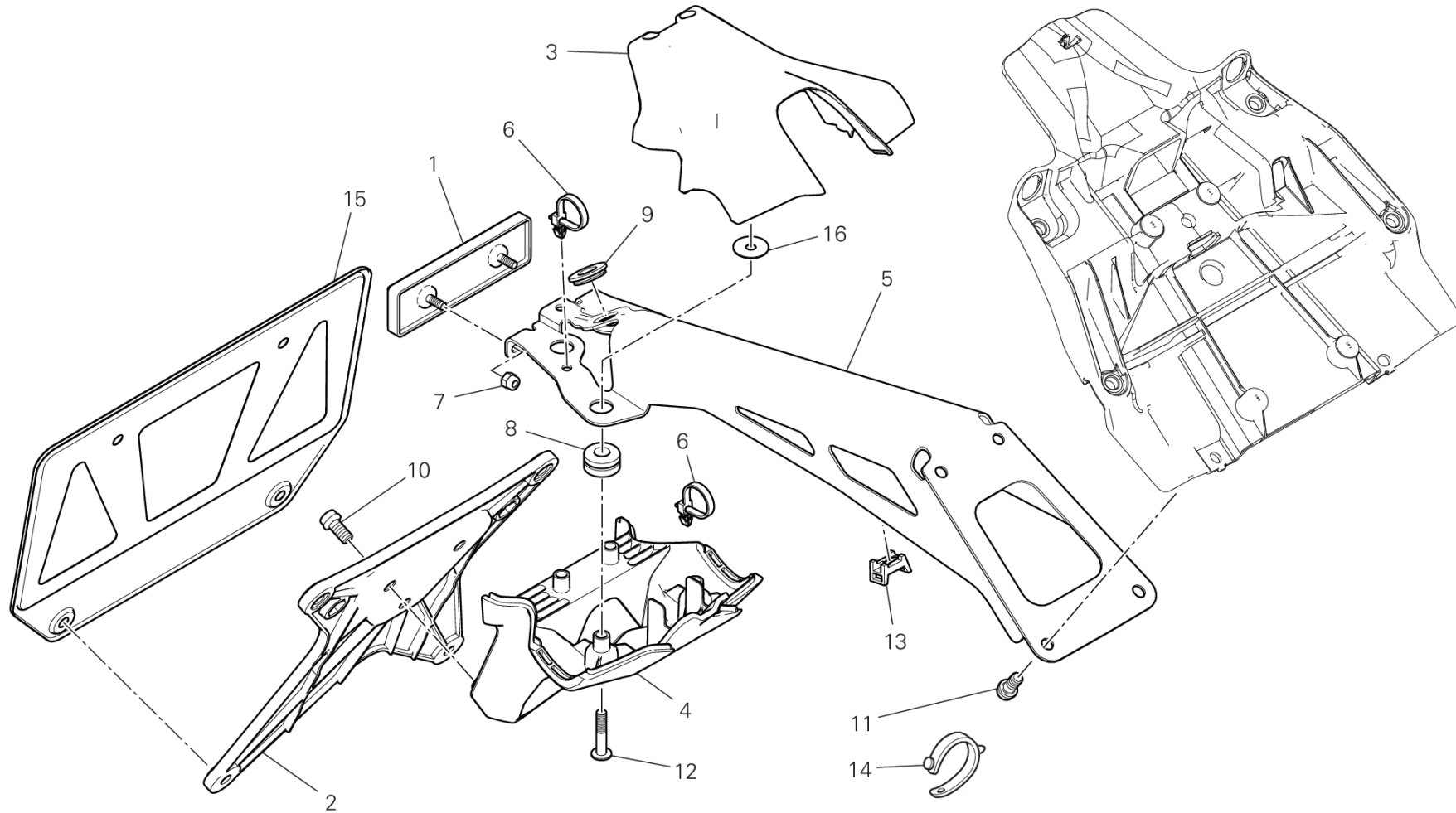




POS.	CODE	DESCRIPTION	QTY	START DATE	END DATE	VALIDITY	NOTES
1	52910231A	REFLEX REFLECTOR, REAR	1	13/06/2018			
2	56113392A	PLATE HOLDER	1	11/12/2017			
3	56113521B	NUMBER PLATE HOLDER UPPER	1	08/02/2021			
4	56113531A	NUMBER PLATE HOLDER BOTTOM	1	11/12/2017			
5	56113641DA	STAY COMP.	1	18/12/2020			
6	74140381A	CLAMP	6	13/06/2018			
7	74950011B	NUT, SPRING	2	13/06/2018			
8	76410291A	RUBBER PAD	4	13/06/2018			
9	71616161A	SPACER	1	17/02/2021			
10	77113691A	SCREW TCEIF M6X12	7	13/06/2018			
11	77244163B	SCREW TBEI M5X10 BLACK	2	17/02/2021			
12	77440571A	SCREW, TAPPING	4	08/02/2021			
13	85040671A	CLAMP TUCKER	2	11/12/2017			
14	74110121A	CLAMP, RUBBER 62MM	1	18/12/2020			
15	77550353B	SCREW M4X8	2	17/02/2021			
16	8301L671AA	BRACKET	1	17/02/2021			
17	85213002A	WASHER	4	08/02/2021			



TEL01532

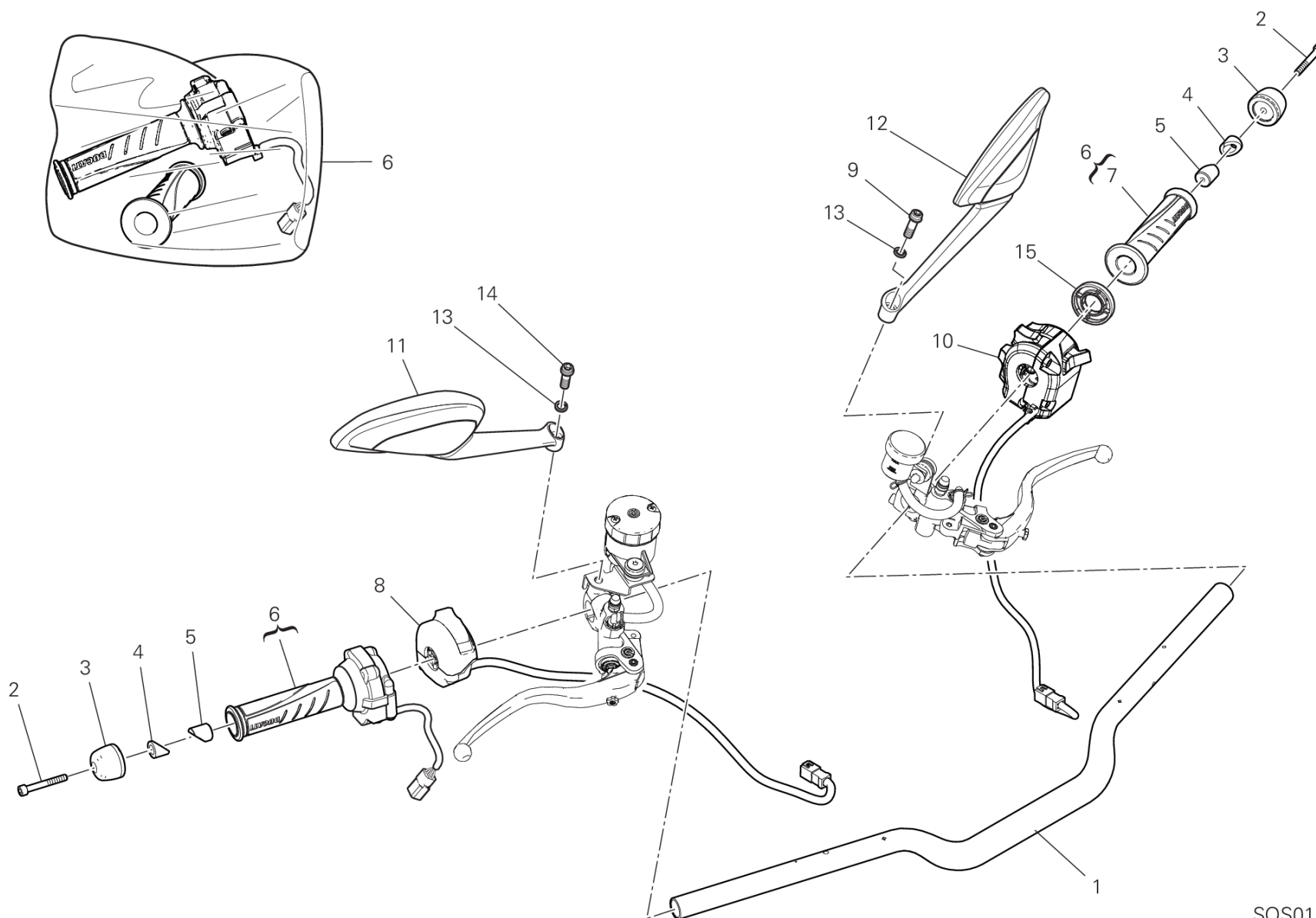


DRAWING 20A - PLATE HOLDER [MOD:M937+;XST:JAP]

GROUP FRAME



POS.	CODE	DESCRIPTION	QTY	START DATE	END DATE	VALIDITY	NOTES
1	52910231A	REFLEX REFLECTOR, REAR	1	13/06/2018			
2	56113392A	PLATE HOLDER	1	11/12/2017			
3	56113521B	NUMBER PLATE HOLDER UPPER	1	13/06/2018			
4	56113531A	NUMBER PLATE HOLDER BOTTOM	1	11/12/2017			
5	56113611AA	PLATE HOLDER	1	11/12/2017			
6	74140381A	CLAMP	4	13/06/2018			
7	74950011B	NUT, SPRING	2	13/06/2018			
8	76410291A	RUBBER PAD	4	13/06/2018			
9	76412151A	RUBBER PAD	1	13/06/2018			
10	77113691A	SCREW TCEIF M6X12	3	13/06/2018			
11	77110212A	SCREW	3	20/06/2018			
12	77440131A	SCREW, TAPPING 5X25 WN1411	4	11/12/2017			
13	85040671A	CLAMP TUCKER	2	11/12/2017			
14	74110551A	CLAMP, RUBBER 39MM	1				
15	56113381AA	PLATE PLATE HOLDER	1				
16	85213002A	WASHER	4				



SOS01119

DRAWING 21A - HANDLEBAR [MOD:M937+]

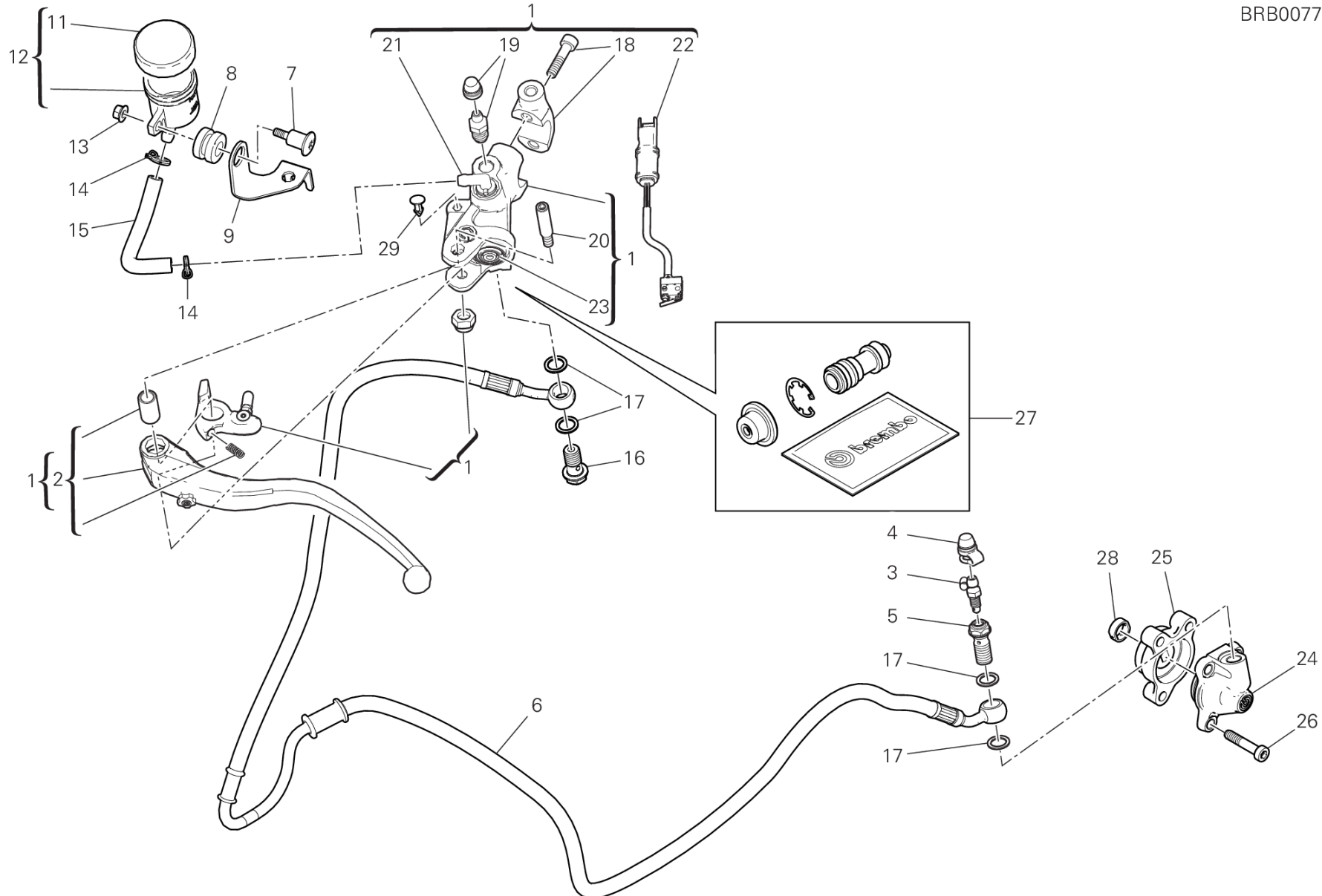
GROUP FRAME



POS.	CODE	DESCRIPTION	QTY	START DATE	END DATE	VALIDITY	NOTES
1	36012191AA	HANDLEBAR	1	01/01/2020			
2	77150743B	SCREW	2	09/02/2021			
3	15310072B	BALANCER SET, HANDLE BAR	2	08/02/2021			
4	71015041A	SPINDLE, TAPER	2	08/02/2021			
5	71112791A	BUSH	2	08/02/2021			
6	66020093B	THROTTLE CONTROL (Unit)	1	18/12/2020			
7	36140161A	HAND GRIP LH	1	22/02/2016			
8	65010273B	RIGHT SWITCH	1	01/01/2020		XST:AUS,EUR,GSO,JAP,ROK,TWN	
9	77113741A	SCREW TCEIF M8X25	1	04/12/2019			
10	65110281C	LEFT SWITCH	1	01/01/2020			
11	52310541A	REAR-VIEW MIRROR R.H.	1	04/12/2019			
12	52310551A	REAR-VIEW MIRROR L.H.	1	04/12/2019			
13	46210021A	SPRING WASHER 8 MM	2	04/12/2019			
14	77113731A	SCREW TCEIF M8X25, LEFT THREAD	1	04/12/2019			
15	71316171A	SPACER HAND GRIP LH	1	11/03/2021			



BRB00774



DRAWING 21B - CLUTCH CONTROL [MOD:M937+]

GROUP FRAME



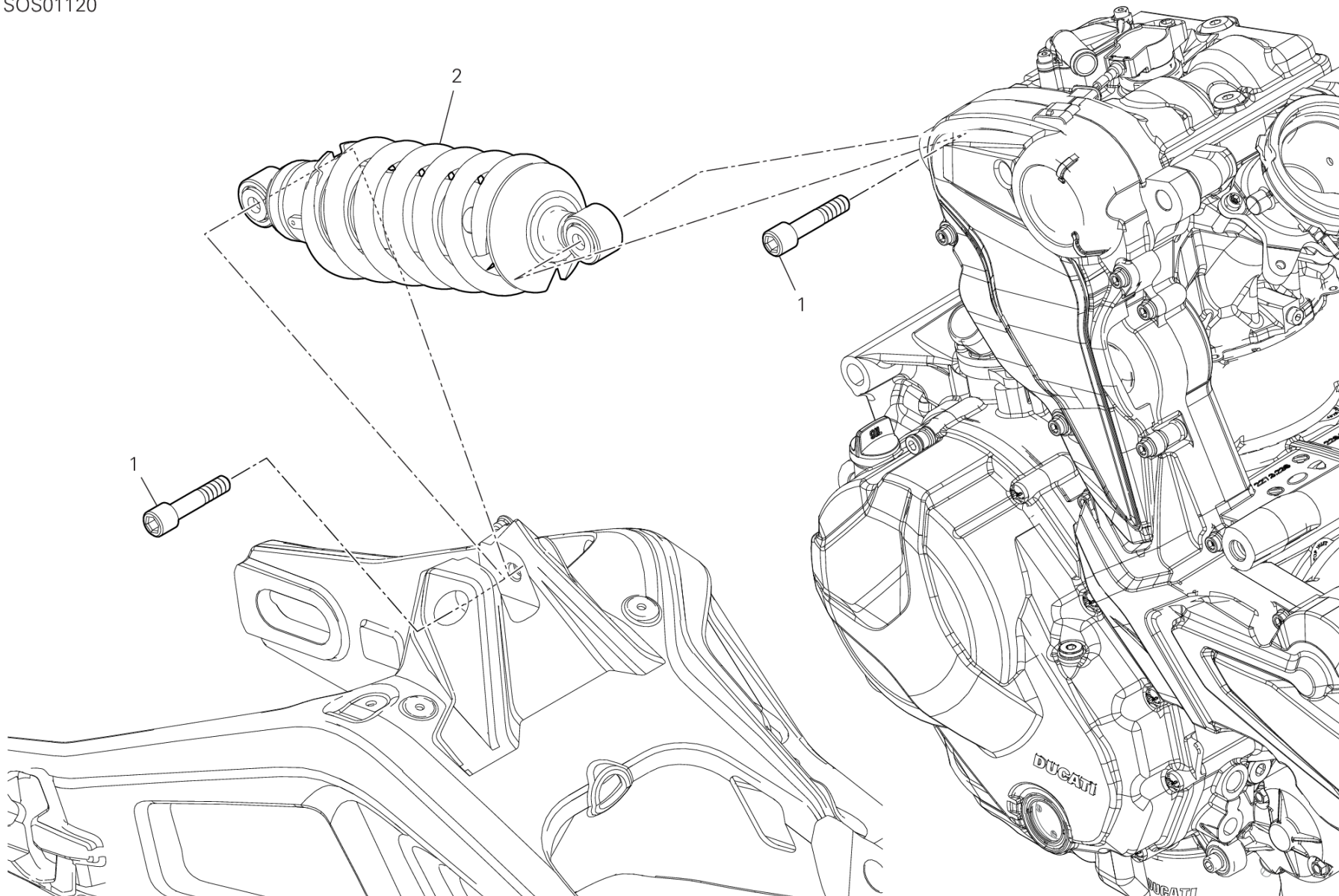
POS.	CODE	DESCRIPTION	QTY	START DATE	END DATE	VALIDITY	NOTES
1	63040941B	CLUTCH PUMP	1	01/01/2021			
2	63140631A	LEVER, CLUTCH LIFTER	1	29/04/2020			
3	18710021A	VALVE, BREATHER	1				
4	61240052A	DUST COVER	1				
5	77913971A	BOLT, BRAKE HOSE	1				
6	63211101C	CLUTCH OIL HOSE	1	04/03/2021			
7	77910921A	SCREW	1	03/10/2017			
8	76414191A	DAMPER	1				
9	8291B951BA	BRACKET, BRAKE FLUID TANK	1	29/01/2019			
11	89340241A	COVER MASTER CYLINDER	1				
12	58540351A	SUB TANK, OIL	1				
13	74810351B	NUT	1	18/12/2020			
14	74142951A	CLAMP	2	08/02/2021			
15	93310711A	PIPE	1	01/01/2021			
16	77913662AB	SCREW, SPECIAL	1	25/10/2013			
17	85250241A	WASHER 10X14X1	4				
18	62641081A	BRACKET, CLUTCH MASTER CYLINDER	1	29/04/2020			
19	63140281A	DRAIN	1				
20	62640561A	BOLT, LEVER	1				
21	63140541A	JOINT, HOSE	1				
22	53941051A	MICROSWITCH	1	19/07/2017			
23	61240391A	DUST COVER	1				
24	19540081B	PISTON ASSEMBLY	1	13/01/2021			
25	19510411D	SPACER	1	13/01/2021			
26	77354893C	SCREW	3	18/12/2020			
27	61041991A	BREMBO CLUTCH FLOATING PISTON KIT	1				
28	78811641C	GASKET	1	13/01/2021			
29	87240561A	PLUG	1	15/03/2021			



DRAWING 22A - REAR SHOCK ABSORBER [MOD:M937+;XST:AUS,EUR,GSO,JAP,ROK,TWN]

GROUP FRAME

SOS01120



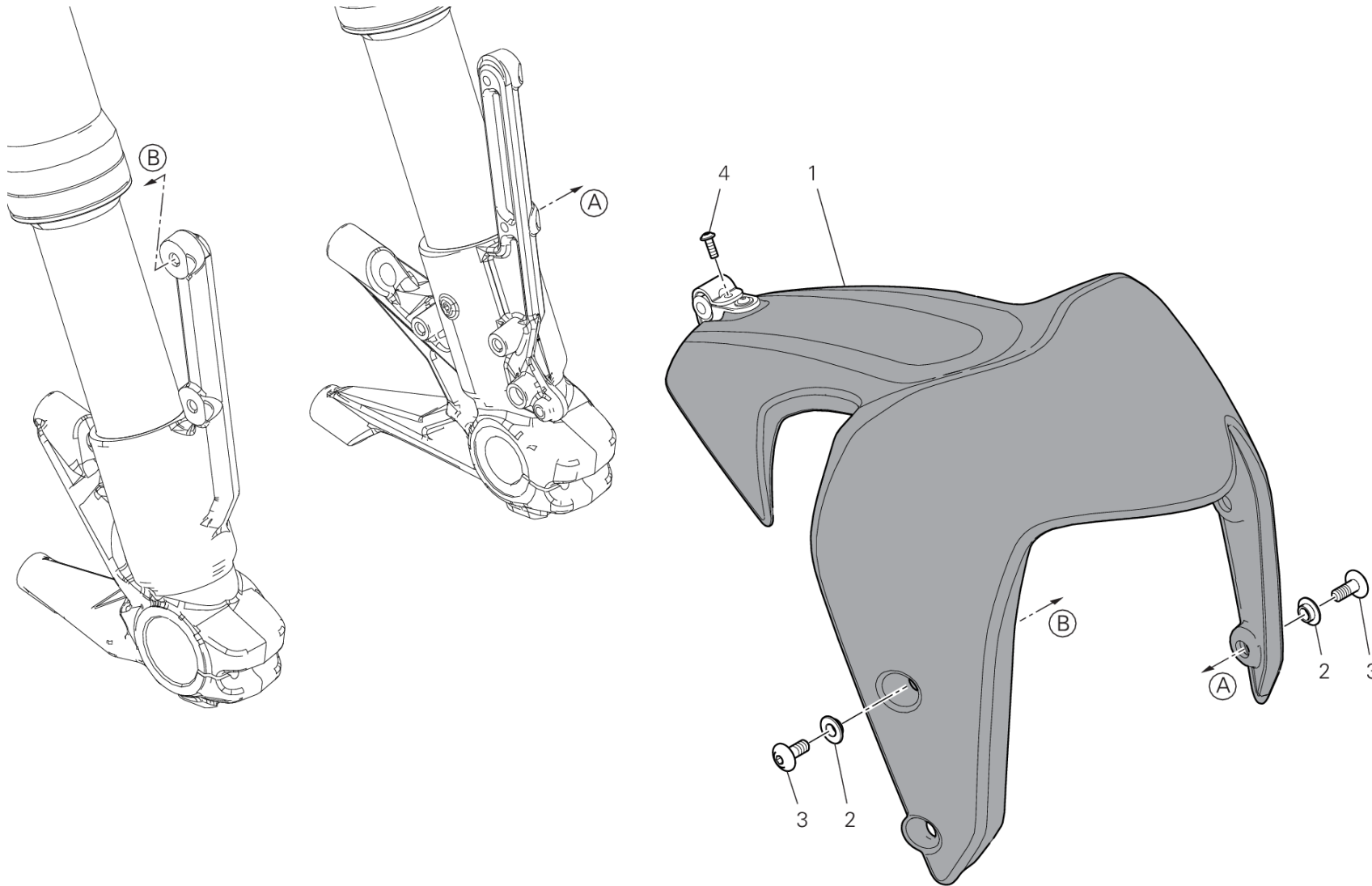
DRAWING 22A - REAR SHOCK ABSORBER

[MOD:M937+;XST:AUS,EUR,GSO,JAP,ROK,TWN]



GROUP FRAME

POS.	CODE	DESCRIPTION	QTY	START DATE	END DATE	VALIDITY	NOTES
1	77915041A	SCREW, SPECIAL	2	15/11/2012			
2	36521973A	REAR SHOCK ABSORBER	1	15/02/2021		XST:AUS,GSO,TWN	
	36521973A	REAR SHOCK ABSORBER	1			PLT:DB10;XST:EUR	
	36522071A	REAR SHOCK ABSORBER	1	18/12/2020		XST:JAP,ROK	



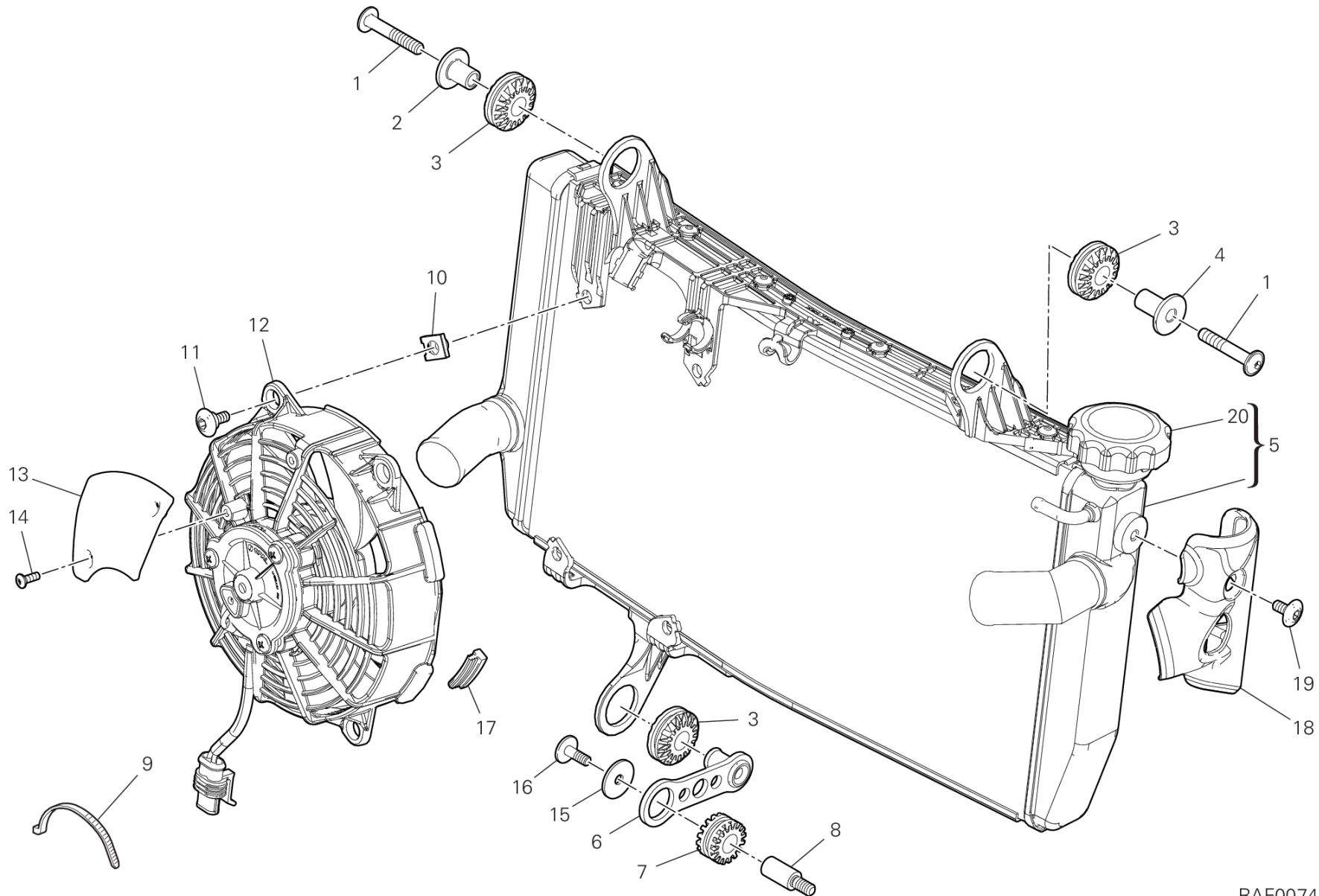
VST02216

DRAWING 23A - FRONT MUDGUARD [MOD:M937+]

GROUP FRAME



POS.	CODE	DESCRIPTION	QTY	START DATE	END DATE	VALIDITY	NOTES
1	564P6591AA	FRONT FENDER RED	1	18/12/2020		XCO:R	
	564P6591AB	FRONT FENDER, BLACK	1	18/12/2020		XCO:NMB	
	564P6591AC	FRONT MUDGUARD GREY	1	18/12/2020		XCO:AG	
2	71614011B	SPACER	4	30/07/2018			
3	77210893B	SCREW	4	30/07/2018			
4	77440101A	SCREW, TAPPING 3.5X10	1	30/07/2018			



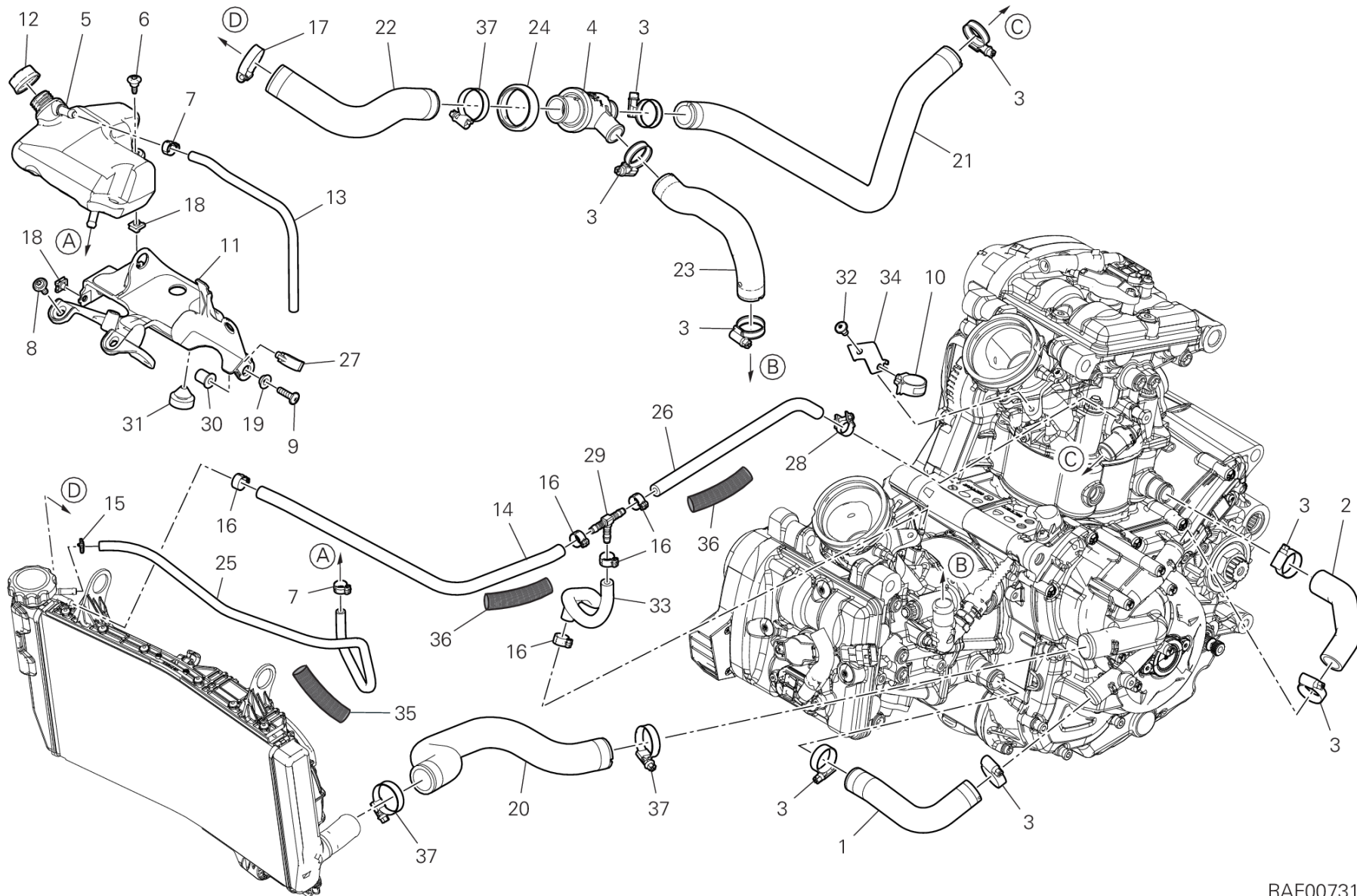
RAF00745

DRAWING 24A - WATER COOLER [MOD:M937+]

GROUP FRAME



POS.	CODE	DESCRIPTION	QTY	START DATE	END DATE	VALIDITY	NOTES
1	77240483C	SCREW	2	27/04/2021			
2	71614191A	SPACER	1	30/10/2018			
3	76411361A	VIBRATION DAMPER PAD	3	23/07/2018			
4	71616011AA	SPACER	1	18/12/2020			
5	54812611B	WATER COOLER	1	18/12/2020			
6	83014041B	BRACE, RADIATOR	1	11/12/2017			
7	76410241A	VIBRATION DAMPER PAD	1	11/12/2017			
8	77916081A	SCREW, SPECIAL	1	11/12/2017			
9	74140381A	CLAMP	2	16/07/2018			
10	85041951AA	QUICK FASTENING	4	18/12/2020			
11	77214411AA	SCREW	4	18/12/2020			
12	55010051B	ELECTRIC FAN	1	18/12/2020			
13	48412751A	DEFLECTOR LH	1	18/12/2020			
14	77440101A	SCREW, TAPPING 3.5X10	2	18/12/2020			
15	85241711A	WASHER	1	18/12/2020			
16	77510741A	SCREW	1	08/02/2021			
17	76414651A	RUBBER PAD	4	18/12/2020			
18	4601L261A	COVER	1	18/12/2020			
19	77211251B	SCREW M5X9	1	18/12/2020			
20	87240921A	RADIATOR CAP	1	14/06/2021			



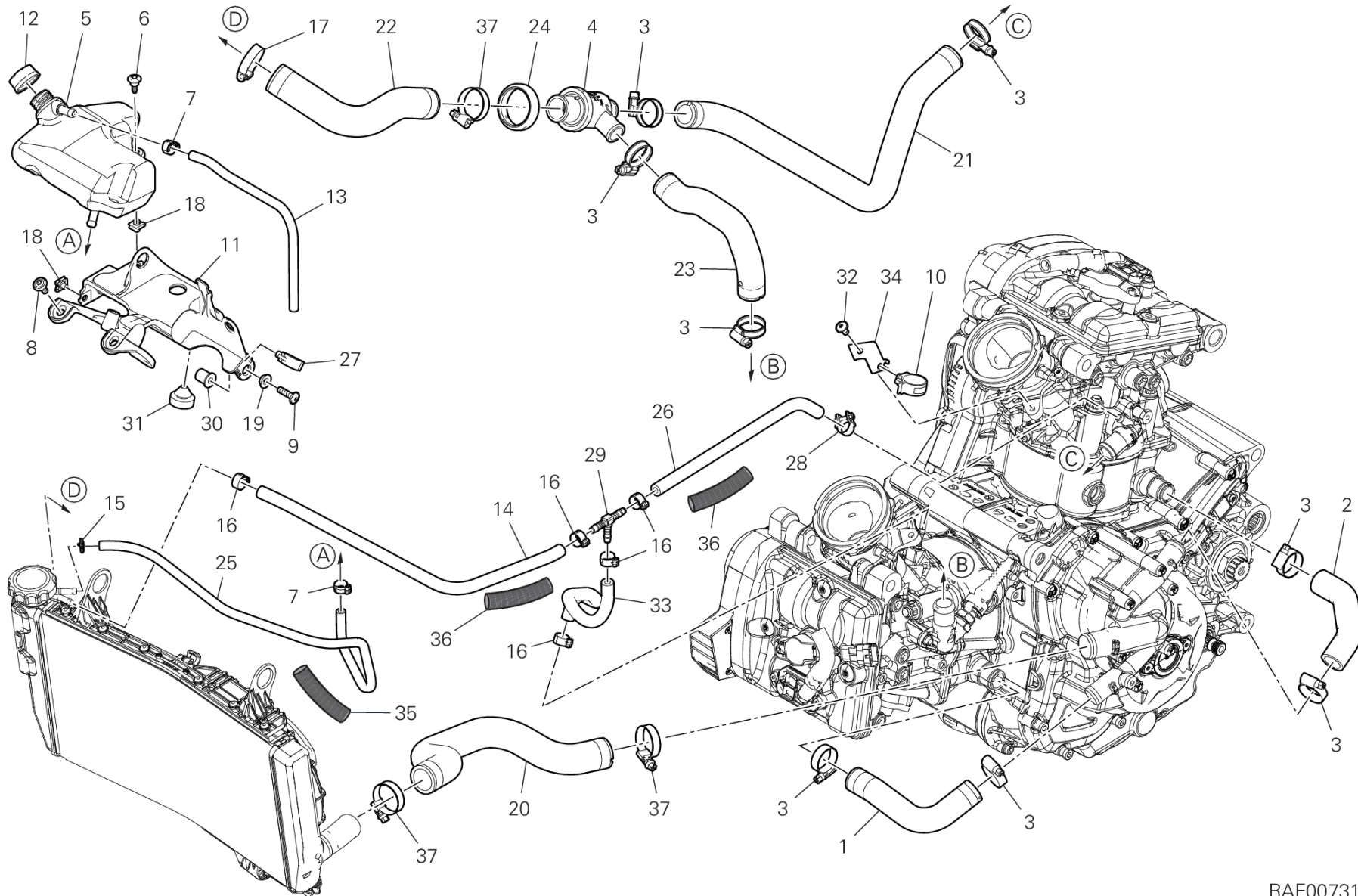
RAF00731

DRAWING 24B - COOLING CIRCUIT [MOD:M937+]

GROUP FRAME



POS.	CODE	DESCRIPTION	QTY	START DATE	END DATE	VALIDITY	NOTES
1	80011852B	HOSE, HORIZONTAL CYLINDER WATER INLET	1	27/01/2021			
2	80012481B	HOSE, VERTICAL CYLINDER WATER INLET	1	10/01/2020			
3	74142581A	CLAMP 16-27 MM	8	18/09/2017			
4	55340041A	THERMO-SWITCH	1	18/12/2020			
5	58511332A	TANK, WATER RESERVOIR	1	18/12/2020			
6	77210842A	SCREW TCEI M5X8.5	2	18/12/2020			
7	74140651A	FASCETTA 11-7 MM	2	13/06/2018			
8	77912741A	SCREW TBEI M6X14	2	18/12/2020			
9	77240453C	SCREW TBEIF M6X22 10.9	2	18/12/2020			
10	75840641A	HOSE GUIDE	1	18/12/2020			
11	8291M701A	BRACKET, WATER TANK	1	29/04/2020			
12	89310143A	EXPANSION TANK CAP	1	11/12/2017			
13	93410201A	BREATHER PIPE	1	11/12/2017			
14	80018361A	BREATHER PIPE	1	18/12/2020			
15	74140431A	CLAMP	1	11/12/2017			
16	74140631A	CLAMP	4	18/12/2020			
17	74142591A	CLAMP 20-35 MM	4	20/06/2018			
18	85041951AA	QUICK FASTENING	2	18/12/2020			
19	71615211AA	SPACER	2	18/12/2020			
20	80018321B	HOSE PUMP/COOLER	1	18/12/2020			
21	80018312A	THERMOSTAT/PUMP HOSE VERTICAL	1	18/12/2020			
22	80018301B	HOSE COOLER/THERMOSTAT	1	25/02/2021			
23	80018331B	THERMOSTAT/PUMP HOSE HORIZONTAL	1	18/12/2020			
24	88111281A	THERMOSTAT PROTECTION RING	1	11/12/2017			
25	93410471A	BREATHER PIPE	1	18/12/2020			
26	80018353A	BREATHER PIPE VERTICAL HEAD	1	08/02/2021			
27	75840721A	HOSE GUIDE	1	18/12/2020			
28	74142121A	CLAMP	1	18/12/2020			
29	81446871A	THREE-WAYS UNION	1	18/12/2020			
30	85041121A	BUSH	2	18/12/2020			
31	86611001B	PAD	1	01/01/2021			
32	77240403C	SCREW	1	18/12/2020			
33	80018341A	BREATHER PIPE HORIZONTAL HEAD	1	18/12/2020			
34	8301L022AA	BRACKET	1	18/12/2020			
35	4601H512A	PROTECTION SHEATH	1	04/03/2021			



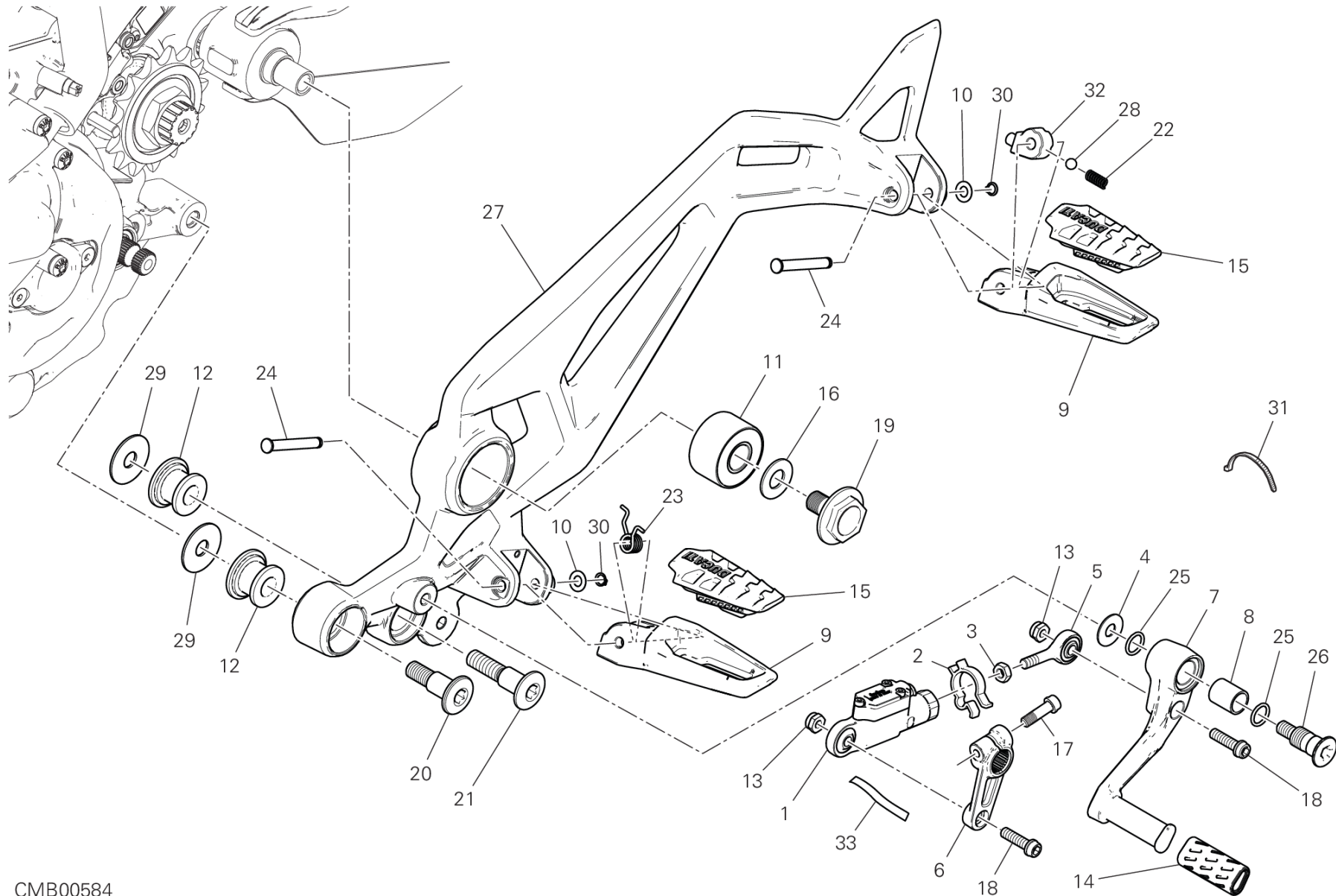
RAF00731

DRAWING 24B - COOLING CIRCUIT [MOD:M937+]

GROUP FRAME



POS.	CODE	DESCRIPTION	QTY	START DATE	END DATE	VALIDITY	NOTES
36	4601C581A	PROTECTION SHEATH	2	04/03/2021			
37	74141911A	CLAMP	3	05/03/2021			



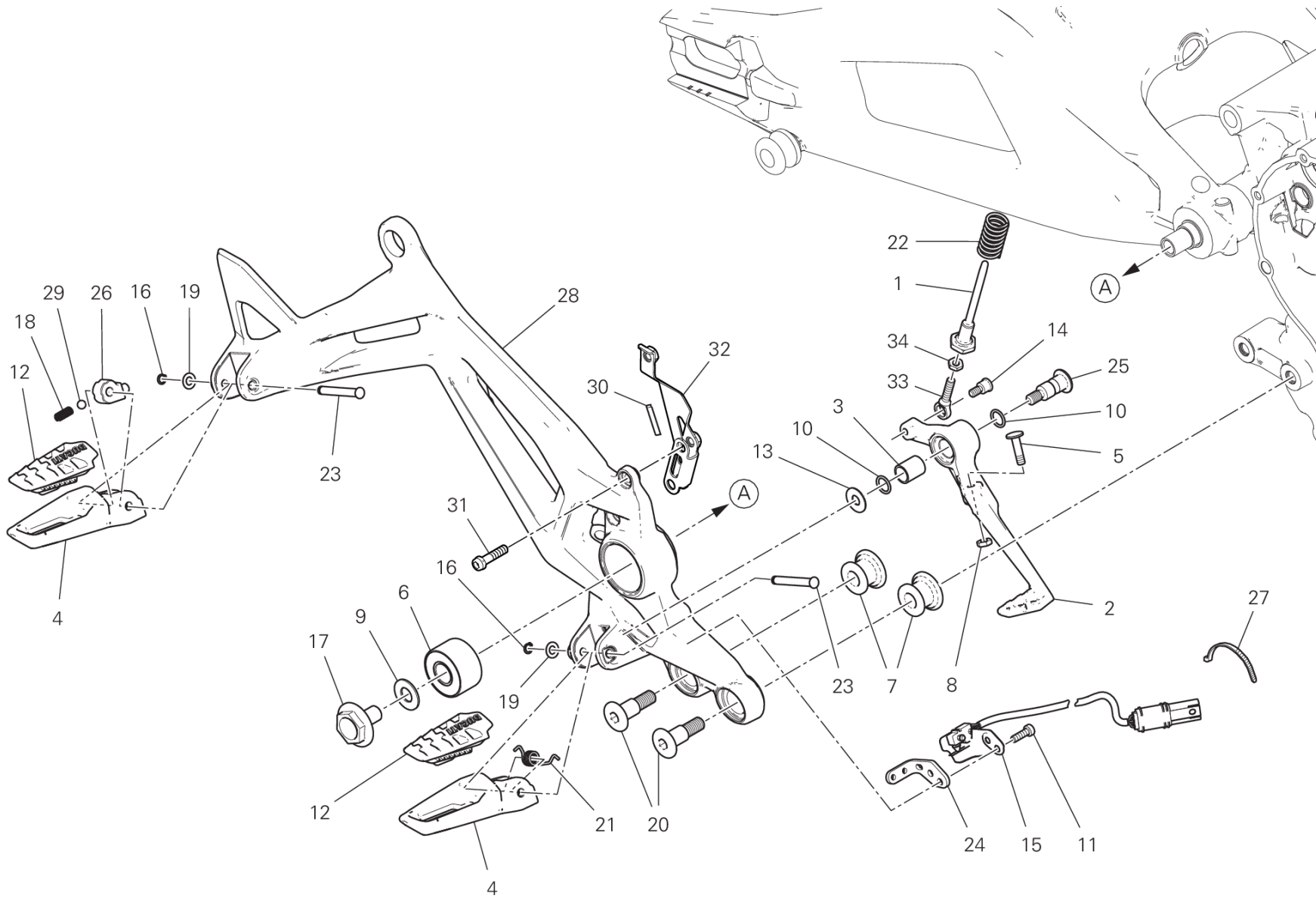
CMB00584

DRAWING 25A - FOOTRESTS, LEFT [MOD:M937+]

GROUP FRAME



POS.	CODE	DESCRIPTION	QTY	START DATE	END DATE	VALIDITY	NOTES
1	55215494B	Quick Shift	1	08/11/2018			
2	75811582AA	FAIRLEAD	1	14/06/2018			
3	74750101A	NUT 6MM	1	12/01/2017			
4	85210532A	WASHER 8.2X20X1	1	11/12/2017			
5	84850021A	BALL JOINT, RIGHT	1	10/02/2017			
6	45612372AA	GEAR CONTROL LEVER	1	14/06/2018			
7	45623511AA	GEARCHANGE LEVER	1	11/12/2017			
8	71210341A	BUSH	1	11/12/2017			
9	46410971AA	LEFT FOOTREST	2	11/12/2017			
10	85213661AA	WASHER	2	18/12/2020			
11	70011161A	DAMPER FOOTREST	1	15/06/2018			
12	70010491A	DAMPER	2	15/06/2018			
13	74940041A	NUT, SELF-LOCKING M6	2	14/06/2018			
14	76411451A	COVER PEDAL	1	14/06/2018			
15	76510261A	FOOT PEG RUBBER COVER L.H.	2	11/12/2017			
16	85211571A	WASHER 12.2X25X1.5	2	11/12/2018			
17	77110191A	SCREW TCEIF M6X20	1	30/10/2018			
18	77156688B	SCREW TCEIF	3	20/06/2018			
19	7791C591AA	SCREW, SPECIAL	1	11/12/2017			
20	77914181AA	SCREW, SPECIAL	1	11/12/2017			
21	77912061AB	SCREW	1	11/12/2017			
22	79910241B	SPRING	1	11/12/2017			
23	79914991A	SPRING. FOOTREST	1	11/12/2017			
24	82115101AA	FOOTREST PIN	2	14/06/2018			
25	88641161A	O-RING	2	14/06/2018			
26	82111701B	PIN PEDAL	1	14/06/2018			
27	82414032AA	L.H. FOOT PEG HOLDER PLATE	1	20/06/2018			
28	84740021A	BALL	1	15/06/2018			
29	85210651B	WASHER 10.2X31X1.5	2	11/12/2017			
30	88450441A	CIRCLIP	2	14/06/2018			
31	74140381A	CLAMP	1	18/12/2020			
32	69610261A	SPRING RETAINER	1	16/03/2021			
33	92611021A	PELLICOLA ADESIVA ANTIABRASIONE	1	10/11/2021			



TEL01516

DRAWING 25B - FOOTRESTS, RIGHT [MOD:M937+]

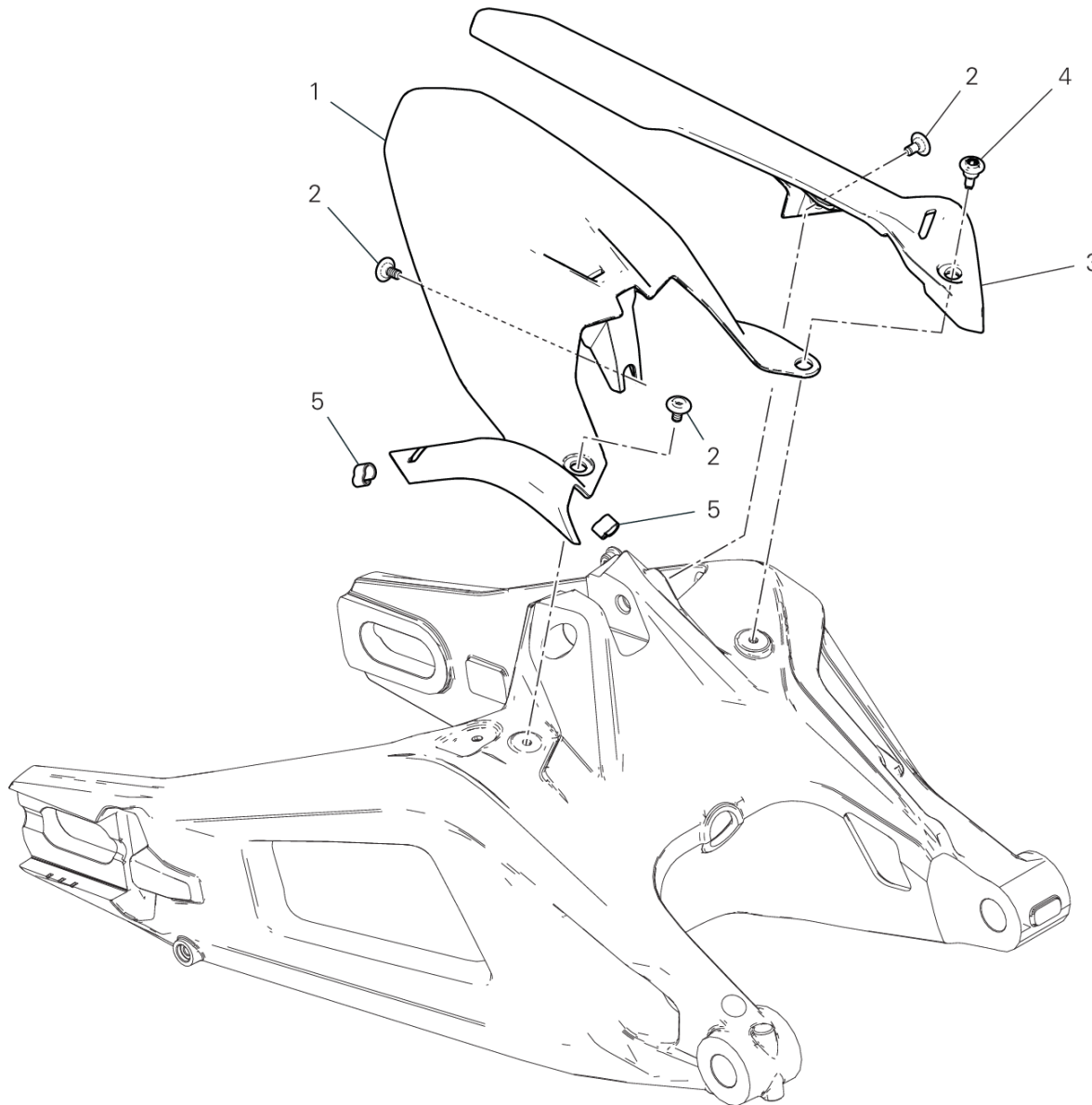
GROUP FRAME



POS.	CODE	DESCRIPTION	QTY	START DATE	END DATE	VALIDITY	NOTES
1	11713781AA	ASTA RINVIO FRENO	1	01/01/2021			
2	45721161AA	BRAKE LEVER ASSEMBLY	1	14/06/2018			
3	71210341A	BUSH	1	11/12/2017			
4	46410961AA	RIGHT FOOTREST	2	11/12/2017			
5	7791C511AA	SCREW, SPECIAL	1	14/06/2018			
6	70011161A	DAMPER FOOTREST	1	15/06/2018			
7	70010491A	DAMPER	2	11/12/2017			
8	74750031A	NUT 6MM	1	11/12/2017			
9	85211571A	WASHER 12.2X25X1.5	2	11/12/2018			
10	88641161A	O-RING	2	11/12/2017			
11	77350413B	SCREW TCEIR M5X16	2	08/02/2021			
12	76510271A	FOOT PEG RUBBER COVER R.H.	2	14/06/2018			
13	85210532A	WASHER 8.2X20X1	1	11/12/2017			
14	82113811AA	PIN	1	18/12/2020			
15	53920901A	SWITCH, REAR BRAKE	1	18/12/2020			
16	88450441A	CIRCLIP	2	18/12/2020			
17	7791C591AA	SCREW, SPECIAL	1	08/02/2021			
18	79910241B	SPRING	1	11/12/2017			
19	85213661AA	WASHER	2				
20	77914181AA	SCREW, SPECIAL	2	11/12/2017			
21	79914991A	SPRING. FOOTREST	1	15/06/2018			
22	79915511A	SPRING	1	14/06/2018			
23	82115101AA	FOOTREST PIN	2	14/06/2018			
24	8301L261BA	PLATE	1	08/02/2021			
25	82111701B	PIN PEDAL	1	14/06/2018			
26	69610261A	SPRING RETAINER	1	16/03/2021			
27	74140381A	CLAMP	1	18/12/2020			
28	82414042AA	R.H. FOOT PEG HOLDER PLATE	1	08/02/2021			
29	84740021A	BALL	1	11/12/2017			
30	76412131A	RUBBER PAD	1	12/03/2021			
31	77310021A	SCREW TCEIR M6X25	2	18/12/2020			
32	8301L181AA	BRACKET, REAR MASTER CYLINDER	1	18/12/2020			
33	18410241AA	YOKE	1	01/03/2021			
34	74750051B	NUT	1	01/01/2021			



TEL01493

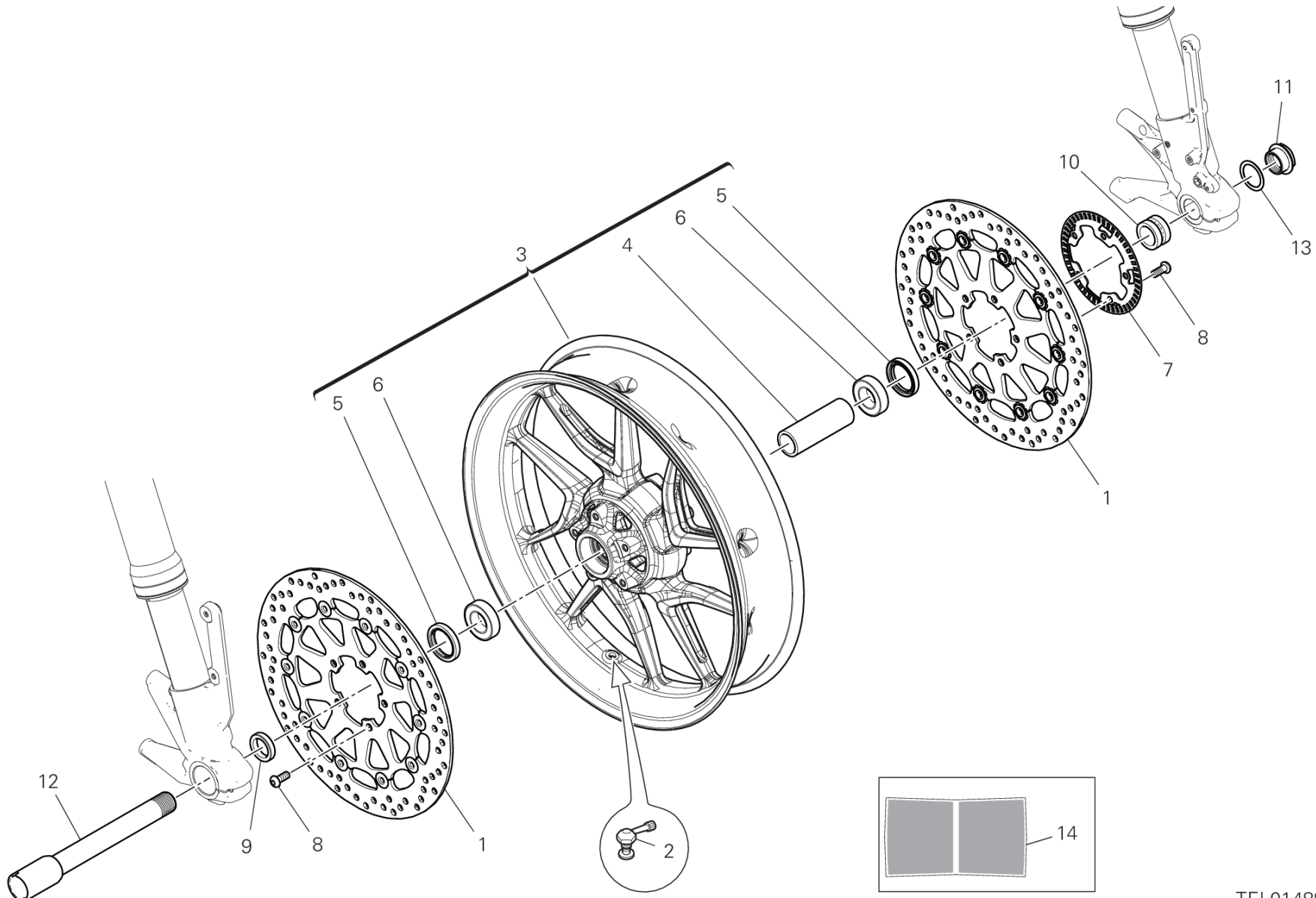


DRAWING 26A - REAR MUDGUARD [MOD:M937+]

GROUP FRAME



POS.	CODE	DESCRIPTION	QTY	START DATE	END DATE	VALIDITY	NOTES
1	56511392A	REAR MUDGUARD	1	11/12/2017			
2	77211251B	SCREW M5X9	3	11/12/2017			
3	44610541A	MUDFLAP	1	18/12/2020			
4	77210841C	SCREW	1	18/12/2020			
5	75840601A	FAIRLEAD	2	02/03/2021			



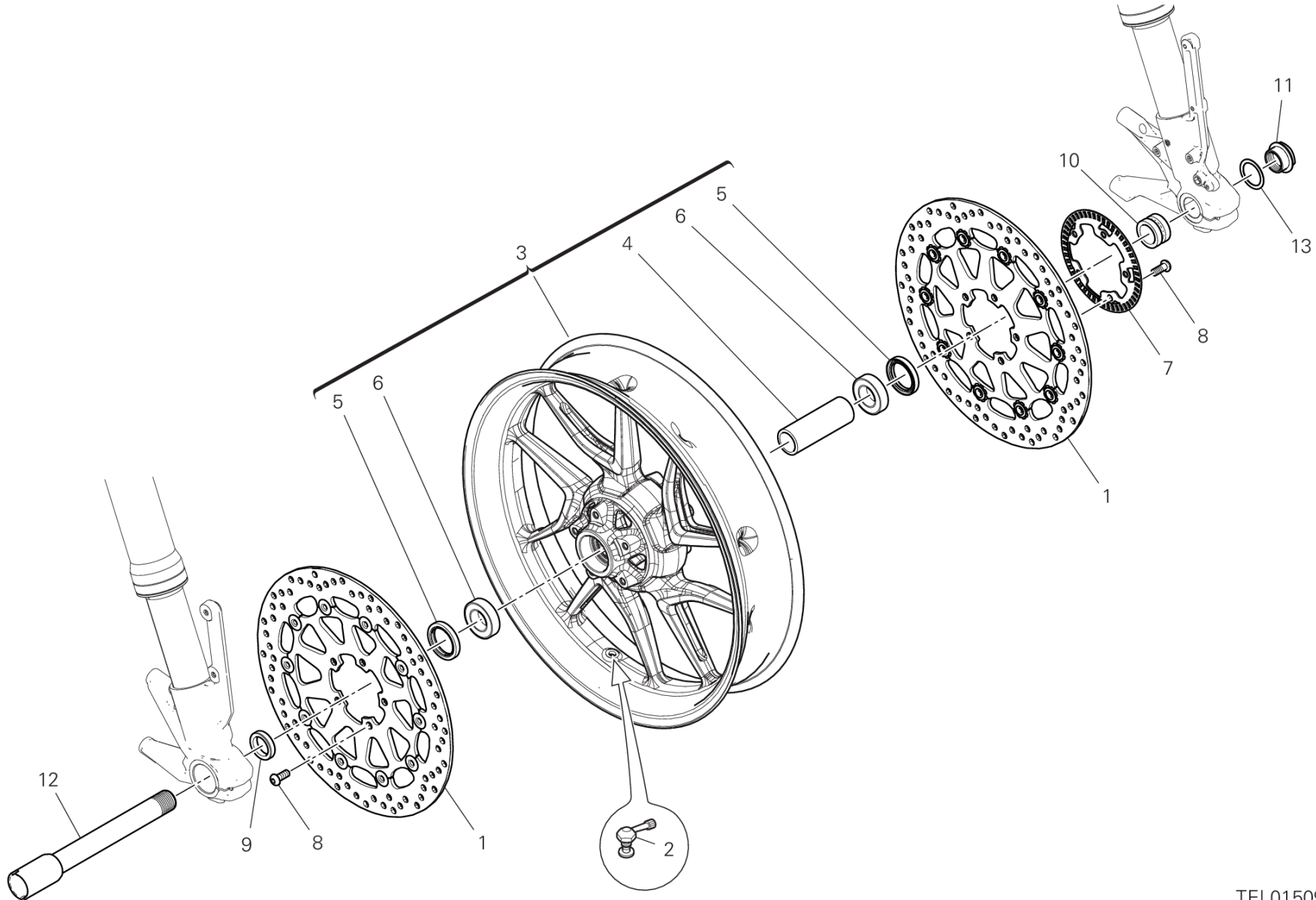
TEL01488

DRAWING 27A - FRONT WHEEL [MOD:M937+;XCO:NMB,R]

GROUP FRAME



POS.	CODE	DESCRIPTION	QTY	START DATE	END DATE	VALIDITY	NOTES
1	49241011A	FRONT BRAKE DISC	2	11/12/2017			
2	49720012A	VALVE, TUBELESS TIRE	1	11/12/2017			
3	50122551AA	FRONT WHEEL RIM BLACK	1	11/12/2017			
4	71413241AA	INNER SPACER	1	26/09/2013			
5	93040521A	SEAL RING 35X47.15X6.8	2	26/09/2013			
6	70250621A	BEARING	2	26/09/2013			
7	504Z0381AA	PHONIC WHEEL	1	11/12/2017			
8	72010513C	SCREW	10	11/12/2017			
9	71311961A	RIGHT SPACER	1	11/12/2017			
10	71311973A	LEFT SPACER	1	11/12/2017			
11	74810651A	NUT	1	11/12/2017			
12	81910602AA	FRONT WHEEL SPINDLE	1	11/12/2017			
13	85212221A	WASHER	1	11/12/2017			
14	4381E461AA	TRANSFER	1			XCO:R	
	4381E461AB	TRANSFER	1	01/01/2021		XCO:NMB	



TEL01509

DRAWING 27A - FRONT WHEEL [MOD:M937+;XCO:AG]

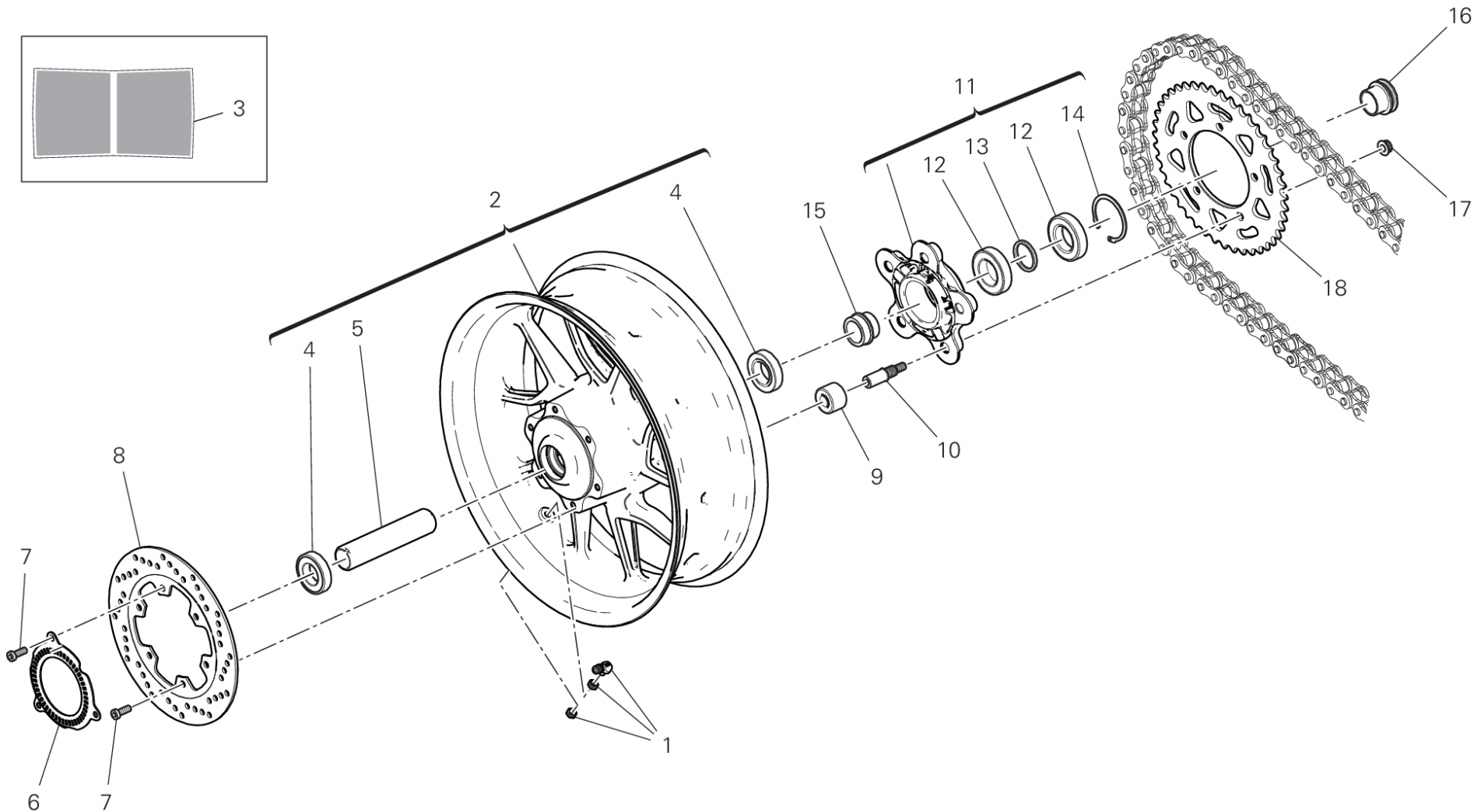
GROUP FRAME



POS.	CODE	DESCRIPTION	QTY	START DATE	END DATE	VALIDITY	NOTES
1	49241011A	FRONT BRAKE DISC	2	11/12/2017			
2	49720012A	VALVE, TUBELESS TIRE	1	11/12/2017			
3	50122551AB	FRONT WHEEL RIM RED	1	11/12/2017			
4	71413241AA	INNER SPACER	1	26/09/2013			
5	93040521A	SEAL RING 35X47.15X6.8	2	26/09/2013			
6	70250621A	BEARING	2	26/09/2013			
7	504Z0381AA	PHONIC WHEEL	1	11/12/2017			
8	72010513C	SCREW	10	11/12/2017			
9	71311961A	RIGHT SPACER	1	11/12/2017			
10	71311973A	LEFT SPACER	1	11/12/2017			
11	74810651A	NUT	1	11/12/2017			
12	81910602AA	FRONT WHEEL SPINDLE	1	11/12/2017			
13	85212221A	WASHER	1	11/12/2017			



TEL01490



DRAWING 28A - REAR WHEEL [MOD:M937+;XCO:NMB,R]

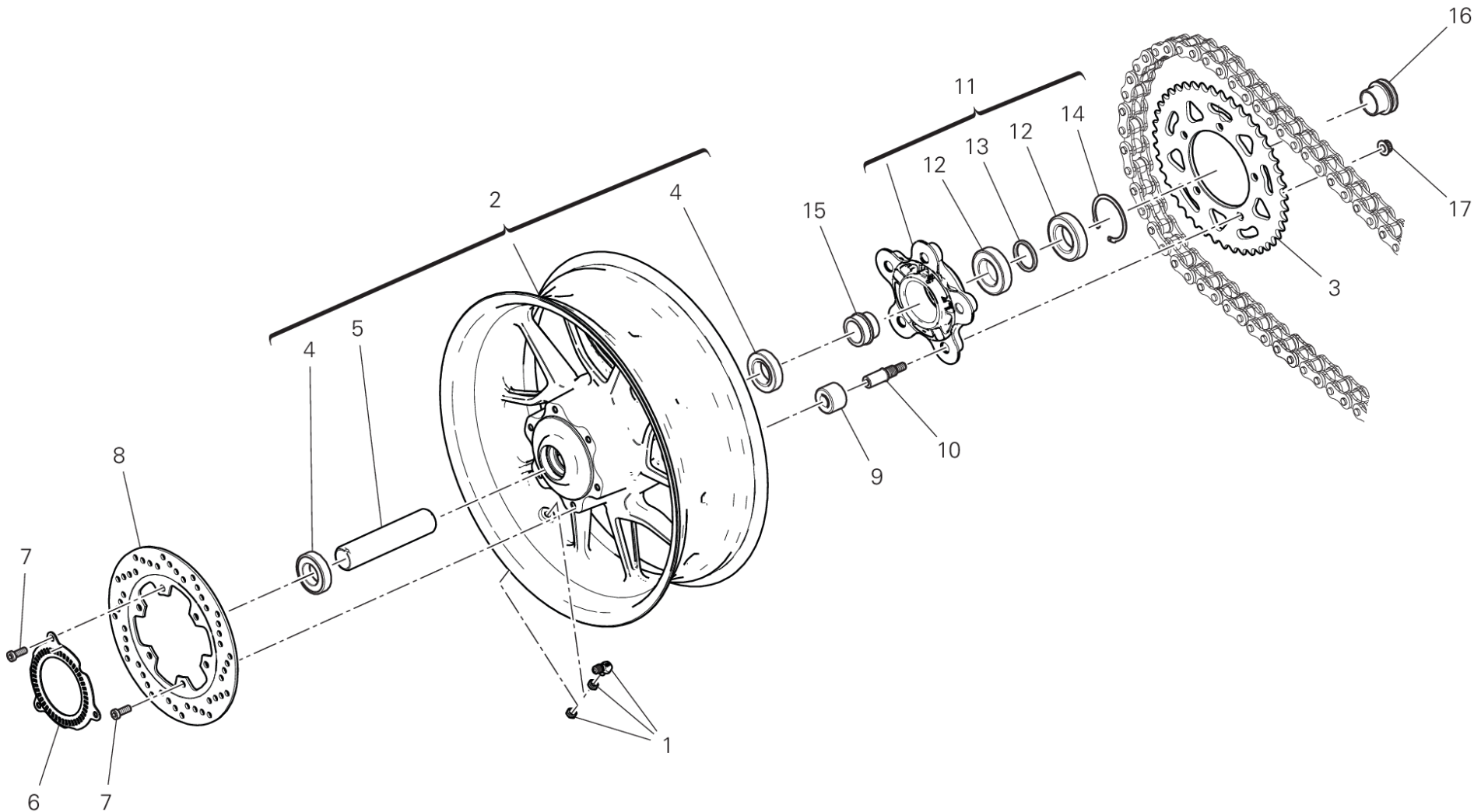
GROUP FRAME



POS.	CODE	DESCRIPTION	QTY	START DATE	END DATE	VALIDITY	NOTES
1	49720071AC	VALVE, TUBELESS TIRE	1	24/02/2016			
2	50222311AA	REAR WHEEL RIM	1	21/01/2014			
3	4381E451AA	TRANSFER	1			XCO:R	
	4381E451AB	TRANSFER	1	01/01/2021		XCO:NMB	
4	70250621A	BEARING	2	25/11/2013			
5	7131C551A	INNER SPACER	1	25/11/2013			
6	50410061A	REAR PHONIC WHEEL	1	10/05/2013			
7	77310071A	SCREW	6	31/05/2013			
8	49240032A	REAR BRAKE DISC	1	10/05/2013			
9	70010591A	WHEEL RUNNER BUSH	5	31/05/2013			
10	82114741AA	SPRING DRIVE FIXING BUSH	5	23/09/2013			
11	16022491A	DRUM, SPROCKET MOUNTING ASSY	1	01/01/2019			
12	70240381A	BEARING	2	18/04/2013			
13	71311841A	INNER SPACER	1	18/04/2013			
14	88440061A	CIRCLIP	1	18/04/2013			
15	7131A371AA	SPACER	1	12/03/2013			
16	7131A811A	OUTSIDE SPACER	1	12/03/2013			
17	74810461A	NUT, FLANGE M10X1	5	12/03/2013			
18	49411731AA	REAR SPROCKET T43	1	28/04/2014			



TEL01510

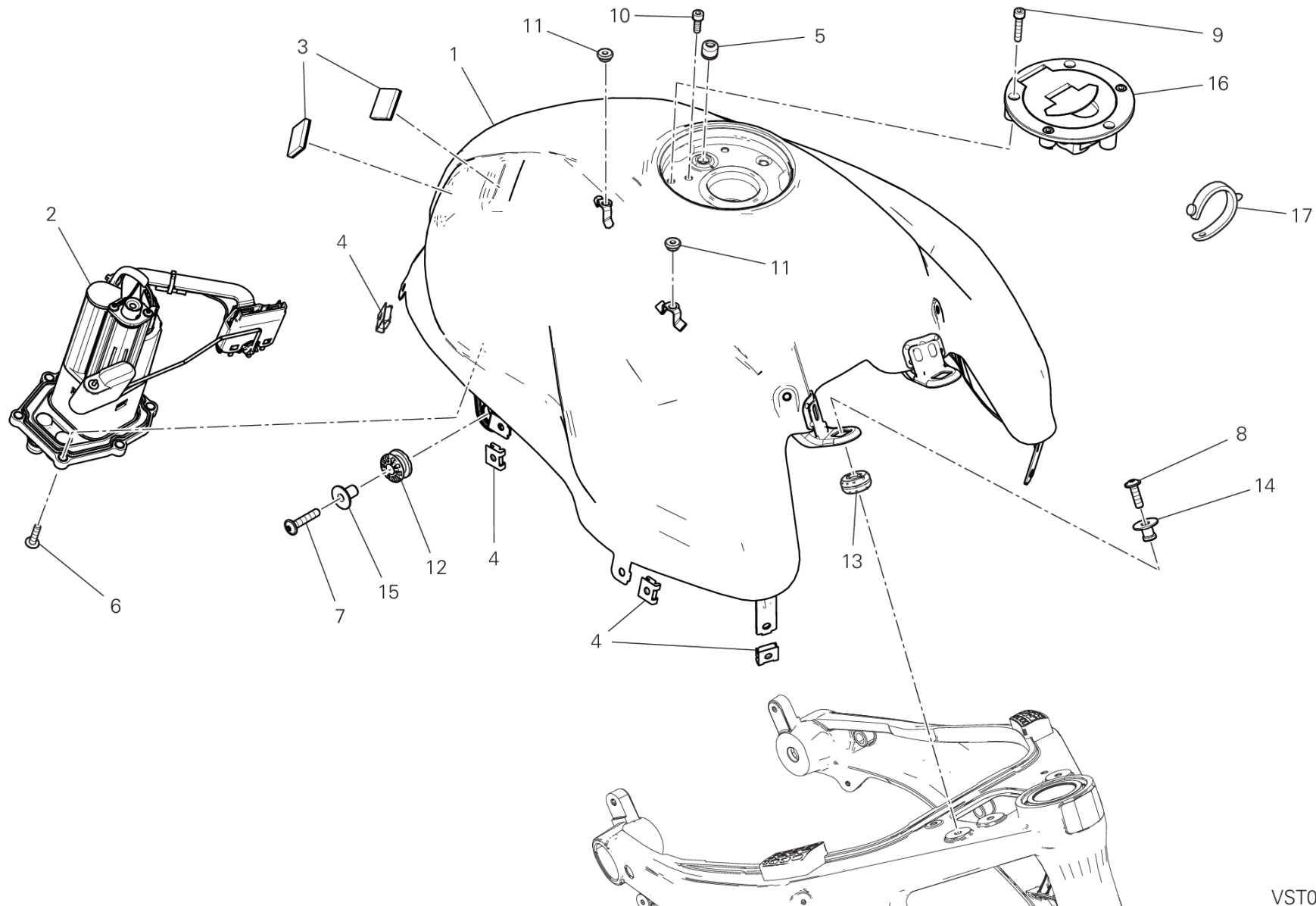


DRAWING 28A - REAR WHEEL [MOD:M937+;XCO:AG]

GROUP FRAME



POS.	CODE	DESCRIPTION	QTY	START DATE	END DATE	VALIDITY	NOTES
1	49720071AC	VALVE, TUBELESS TIRE	1	24/02/2016			
2	50222311AB	REAR WHEEL RIM	1	21/01/2014			
3	49411731AA	REAR SPROCKET T43	1	28/04/2014			
4	70250621A	BEARING	2	25/11/2013			
5	7131C551A	INNER SPACER	1	25/11/2013			
6	50410061A	REAR PHONIC WHEEL	1	10/05/2013			
7	77310071A	SCREW	6	31/05/2013			
8	49240032A	REAR BRAKE DISC	1	10/05/2013			
9	70010591A	WHEEL RUNNER BUSH	5	31/05/2013			
10	82114741AA	SPRING DRIVE FIXING BUSH	5	23/09/2013			
11	16022491A	DRUM, SPROCKET MOUNTING ASSY	1	01/01/2019			
12	70240381A	BEARING	2	18/04/2013			
13	71311841A	INNER SPACER	1	18/04/2013			
14	88440061A	CIRCLIP	1	18/04/2013			
15	7131A371AA	SPACER	1	12/03/2013			
16	7131A811A	OUTSIDE SPACER	1	12/03/2013			
17	74810461A	NUT, FLANGE M10X1	5	12/03/2013			



VST02279

DRAWING 29A - FUEL TANK [MOD:M937+]

GROUP FRAME

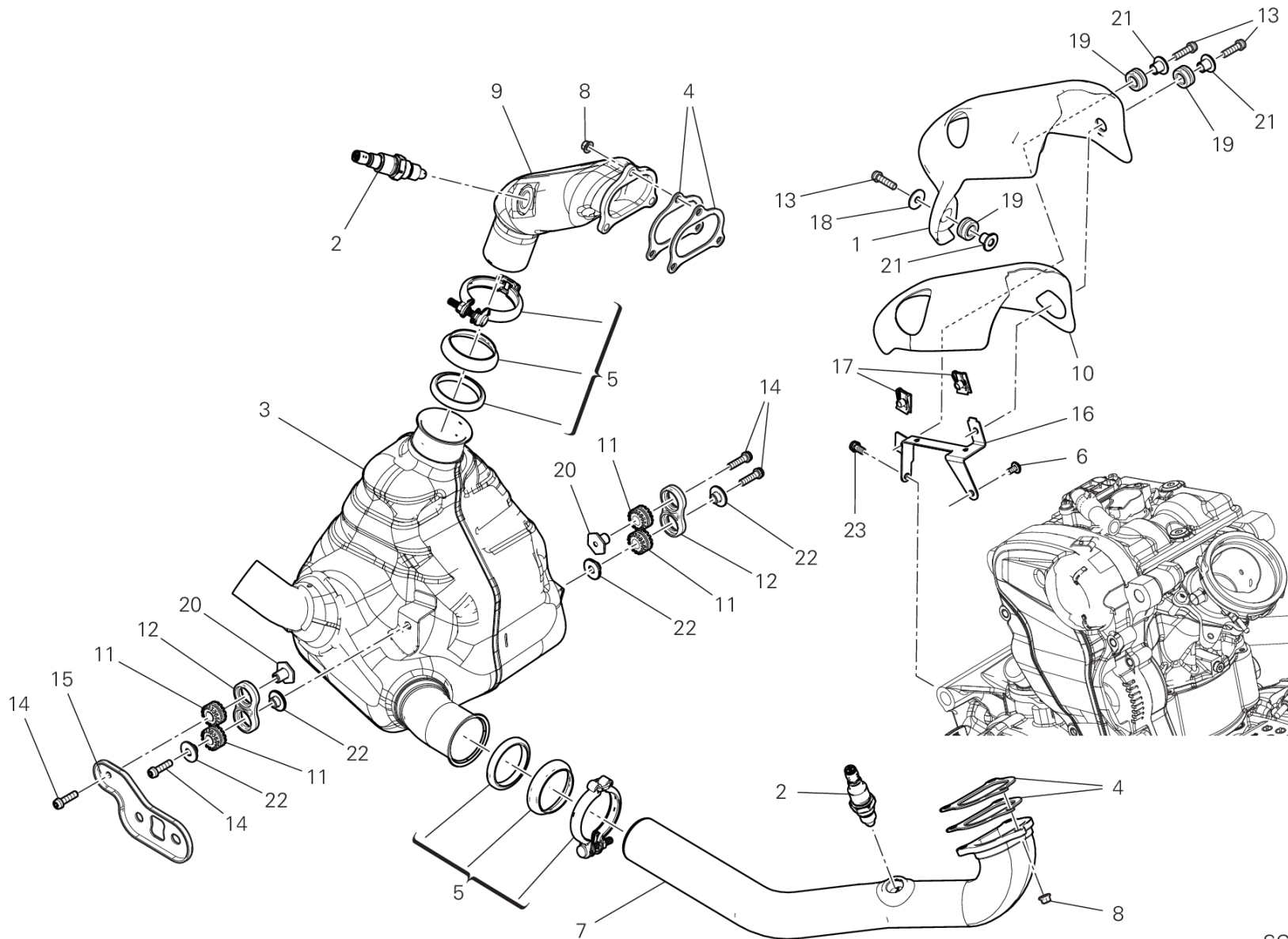


POS.	CODE	DESCRIPTION	QTY	START DATE	END DATE	VALIDITY	NOTES
1	58613044AA	FUEL TANK	1	30/10/2018			
2	16024403B	FUEL PUMP	1	25/05/2018			
3	85042242A	DUAL LOCK	4	01/11/2018			
4	85041931A	CLIP	8	20/06/2018			
5	79111111A	GASKET	1	25/05/2018			
6	77244213B	SCREW	6	25/05/2018			
7	77240483C	SCREW	2	20/06/2018			
8	77240463C	VITE TBEIF	2	25/05/2018			
9	77150457E	SCREW M5X25	3	25/05/2018			
10	77150408B	SCREW TCEI M5X14	1	11/12/2017			
11	76417651A	RUBBER PAD	4	25/05/2018			
12	76414611A	VIBRATION DAMPER PAD	2	01/11/2018			
13	76411861B	SEAL 8.5X14X24	2	11/12/2017			
14	71616151AA	SPACER 6.5X8.5X20.5	2	11/12/2017			
15	71616021BA	SPACER 6.2X9X20	2	11/12/2017			
16	89520072A	CAP SET, FUEL TANK	1	01/01/2020		XST:AUS,EUR,GSO,JAP,ROK,TWN	
17	74141001A	CLAMP 8.5/7	1	10/07/2018			
18	92610051A	GUARD	1	25/03/2021			



DRAWING 30A - EXHAUST MANIFOLD [MOD:M937+]

GROUP FRAME



SCR00391

DRAWING 30A - EXHAUST MANIFOLD [MOD:M937+]

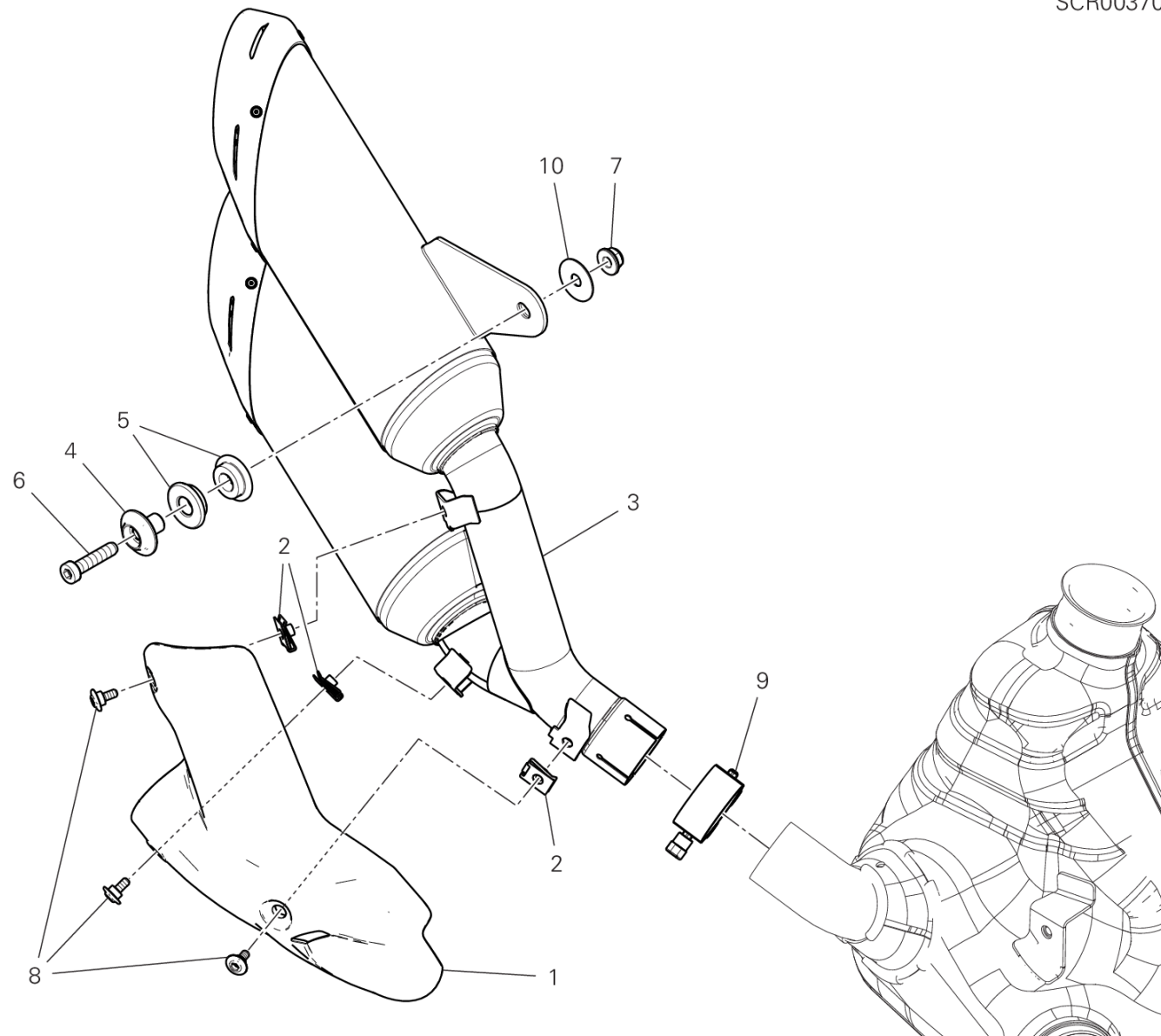
GROUP FRAME



POS.	CODE	DESCRIPTION	QTY	START DATE	END DATE	VALIDITY	NOTES
1	46111121B	HEAT GUARD VERTICAL	1	11/12/2017			
2	55214491B	SENSOR LAMBDA SOND	2	11/12/2017			
3	57212103A	PRESILENCER	1	01/08/2018		XST:EUR,GSO,JAP,ROK,TWN	
	57212121C	PRESILENCER	1	16/04/2021		XST:AUS	
4	79010151A	GASKET, EXHAUST PIPE	4	11/12/2017			
5	575P0071A	EXHAUST JOINT KIT	2	18/12/2020			
6	77244163B	SCREW TBEI M5X10 BLACK	1	30/10/2018			
7	57015182C	HORIZONTAL EXHAUST PIPE	1	18/12/2020			
8	74810361A	NUT	6	20/06/2018			
9	57115142A	VERTICAL EXHAUST PIPE	1	18/10/2019			
10	4601L322A	HEAT GUARD	1	11/12/2017			
11	76410241A	VIBRATION DAMPER PAD	4	20/06/2018			
12	57610671A	BRACKET, SILENCER	1	20/06/2018			
13	77156683B	SCREW	3	11/12/2017			
14	77156688B	SCREW TCEIF	3	11/02/2018			
15	8301I951AA	BRACKET, MUFFLER SUPPORT	1	27/06/2018			
16	8301L102BA	HEAT GUARD SUPPORT BRACKET	1	20/06/2018			
17	85040381A	QUICK FASTENING	2	11/12/2017			
18	85211671B	WASHER	1	11/12/2017			
19	76412101B	RUBBER PAD	3	20/06/2018			
20	71011491A	SPINDLE, TAPER	2	04/07/2018			
21	71610221BB	SPACER 6.5X10X9.5	3	11/12/2017			
22	71614141A	SPACER 6.25X10X5.75	2	20/06/2018			
23	77156623B	SCREW TCEIF M6X10 8.8	1	20/06/2018			



SCR00370

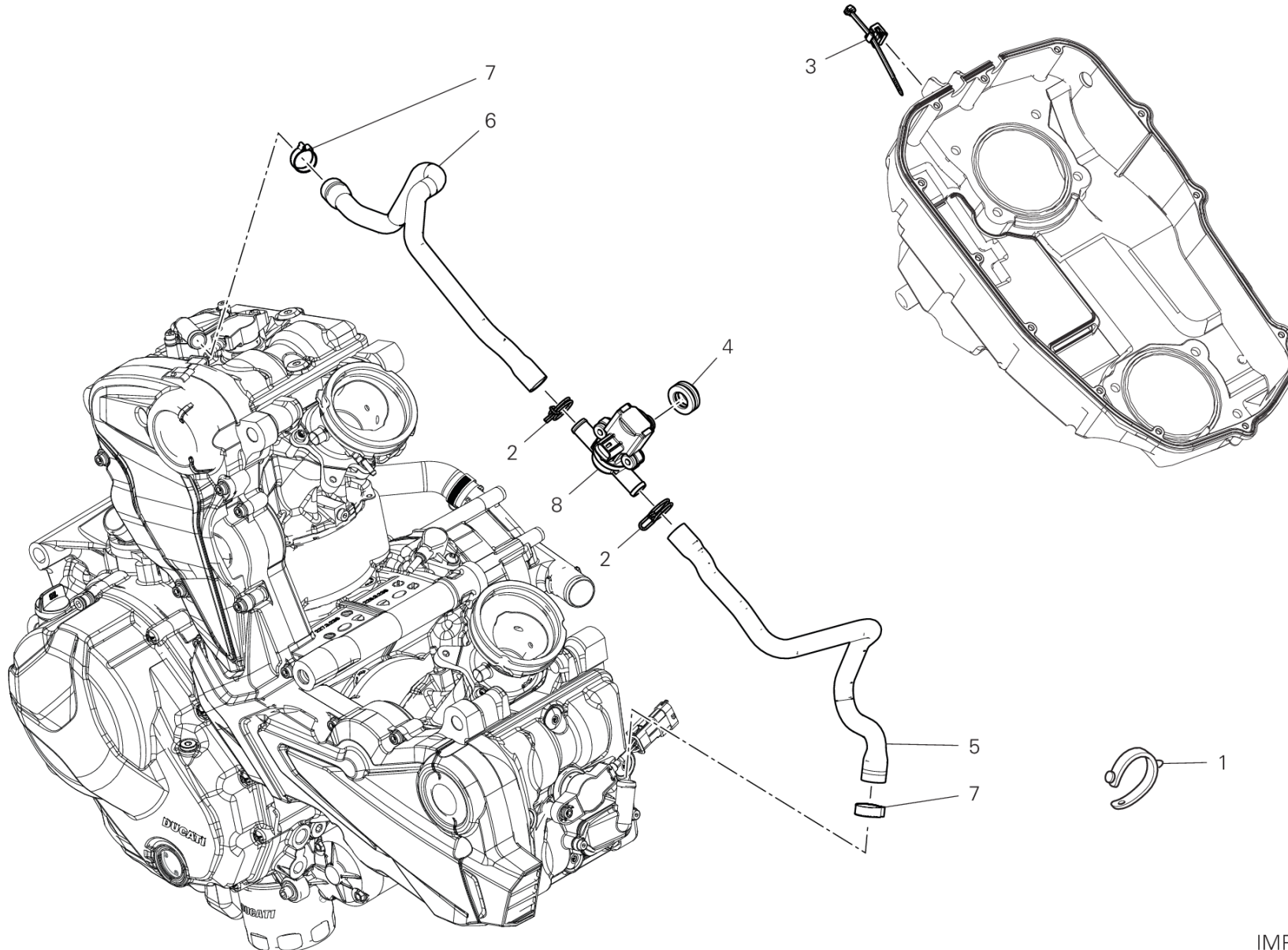


DRAWING 30B - EXHAUST SILENCER [MOD:M937+]

GROUP FRAME



POS.	CODE	DESCRIPTION	QTY	START DATE	END DATE	VALIDITY	NOTES
1	46011641B	HEAT GUARD SILENCER	1	13/06/2018			
2	85040551A	QUICK FASTENING	3	01/11/2018			
3	57315071B	SILENCER	1	20/06/2018			
4	71314361AB	BUSH	1	20/06/2018			
5	76410011A	DAMPER	2	12/10/2018			
6	77355068B	SCREW TCEIR M8X35	1	20/06/2018			
7	74940321A	NUT	1	20/06/2018			
8	77214411AA	SCREW	3	28/03/2018			
9	77240608C	SCREW	4	28/03/2018			
10	85212901A	WASHER	1				



IMP01397



POS.	CODE	DESCRIPTION	QTY	START DATE	END DATE	VALIDITY	NOTES
1	74110121A	CLAMP, RUBBER 62MM	1	30/10/2018			
2	74142401A	CLAMP	2	30/10/2018			
3	75840801A	CLAMP	1	30/10/2018			
4	76411621A	RUBBER PAD	1	01/06/2018			
5	87611552A	THERMOSTAT PUMP HOSE HORIZONTAL	1	01/06/2018			
6	87611542A	THERMOSTAT PUMP HOSE VERTICAL	1	30/10/2018			
7	74142371A	CLAMP	2	30/10/2018			
8	65540081A	ACTUATOR	1	30/10/2018			

DRAWING 31A - SEAT [MOD:M937+]

GROUP FRAME



POS.	CODE	DESCRIPTION	QTY	START DATE	END DATE	VALIDITY	NOTES
1	59516821B	BAND, SEAT	1				
2	77210841BA	SCREW	2	05/04/2018			
3	77214411AA	SCREW	1	05/04/2018			
4	24727071AA	COVER	1	13/01/2021		XCO:R	
	24727071AB	COVER	1	13/01/2021		XCO:NMB	
	24727071AC	COVER	1	13/01/2021		XCO:AG	
5	595P6801CA	SEAT	1	05/04/2018		XST:AUS,GSO	
	595P6801CA	SEAT	1	28/05/2021		PLT:DB10;XST:EUR	
	595P6961BA	SEAT LOW	1	01/06/2021		XST:JAP,ROK,TWN	
6	76410631B	RUBBER PAD	2	05/04/2018			
7	86610301B	RUBBER PAD	2	05/04/2018			
8	86612221A	CUSHION, SEAT	4	11/12/2017			
9	69710151A	4 MM ALLEN WRENCH	1	26/02/2021			
10	69710161A	3 MM ALLEN WRENCH	1	11/12/2017			
11	69710391A	BENT SCREWDRIVER	1	11/12/2017			
12	8301L111A	BRACKET, SEAT	1				
13	77214031A	SCREW, SPECIAL	2				
14	85211671B	WASHER	2				
15	91375701AR	OWNER'S MANUAL	1			PLT:DB10	ARABIC
	91375701BG	OWNER'S MANUAL	1			PLT:DB10	BULGARIAN
	91375701CA	OWNER'S MANUAL	1			PLT:DB10	BULGARIAN
	91375701CS	OWNER'S MANUAL	1			PLT:DB10	CZECH REPUBLIC
	91375701DA	OWNER'S MANUAL	1			PLT:DB10	DENMARK
	91375701DE	OWNER'S MANUAL	1			PLT:DB10	GERMAN
	91375701EL	OWNER'S MANUAL	1			PLT:DB10	GREECE
	91375701EN	OWNER'S MANUAL	1			PLT:DB10	ENGLISH
	91375701ES	OWNER'S MANUAL	1			PLT:DB10	SPANISH
	91375701FI	OWNER'S MANUAL	1			PLT:DB10	FINLAND
	91375701FR	OWNER'S MANUAL	1			PLT:DB10	FRENCH
	91375701HR	OWNER'S MANUAL	1			PLT:DB10	CROATIA
	91375701HU	OWNER'S MANUAL	1			PLT:DB10	HUNGARY
	91375701IT	OWNER'S MANUAL	1			PLT:DB10	ITALY
	91375701JA	OWNER'S MANUAL	1			PLT:DB10	JAPAN
	91375701KO	OWNER'S MANUAL	1			PLT:DB10	KOREA
	91375701MX	OWNER'S MANUAL	1			PLT:DB10	MEXICO/ESP

DRAWING 31A - SEAT [MOD:M937+]

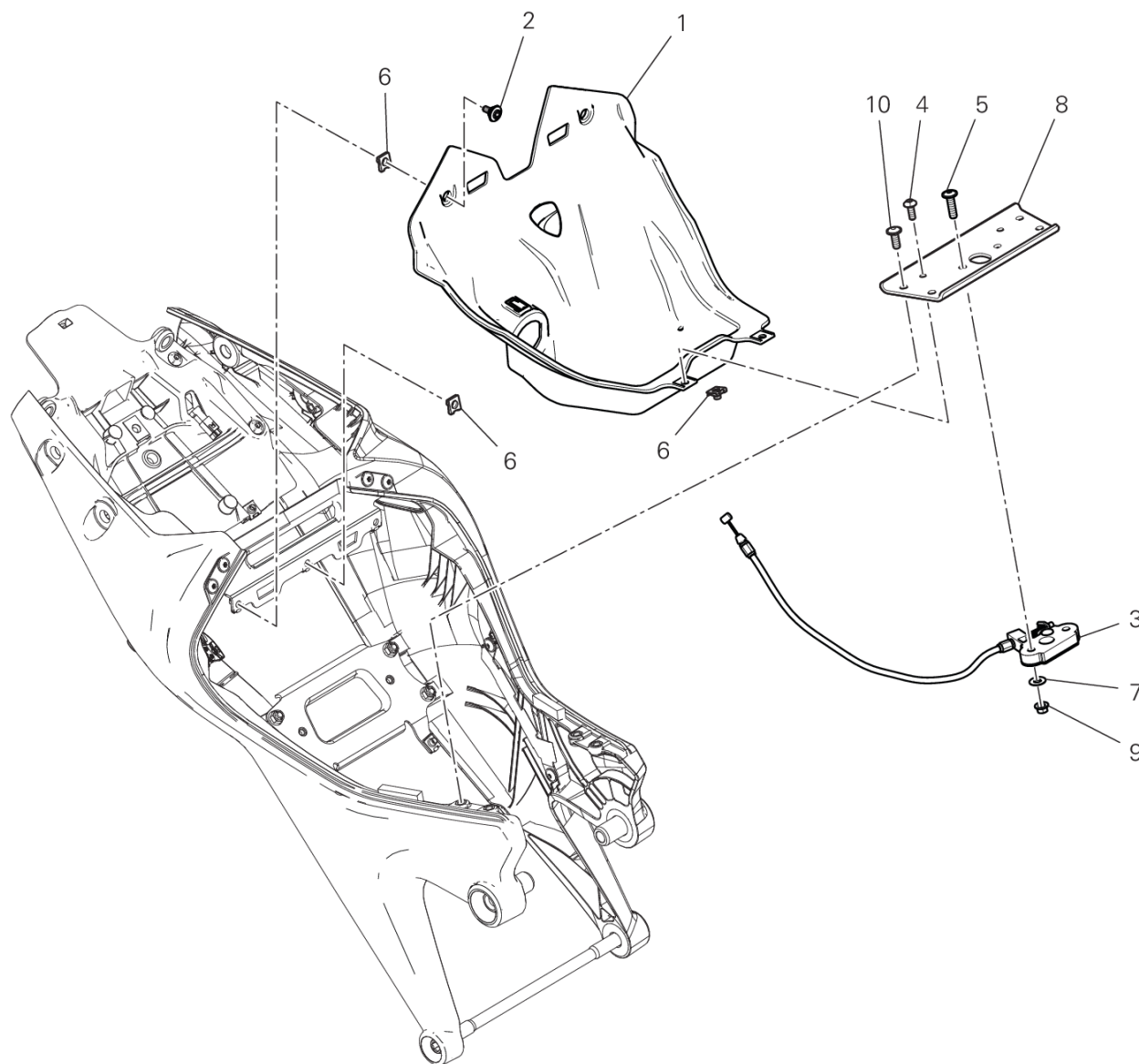
GROUP FRAME



POS.	CODE	DESCRIPTION	QTY	START DATE	END DATE	VALIDITY	NOTES
	91375701NL	OWNER'S MANUAL	1			PLT:DB10	HOLLAND
	91375701NO	OWNER'S MANUAL	1			PLT:DB10	NORWAY
	91375701PL	OWNER'S MANUAL	1			PLT:DB10	POLAND
	91375701RO	OWNER'S MANUAL	1			PLT:DB10	ROMANIA
	91375701RU	OWNER'S MANUAL	1			PLT:DB10	RUSSIAN
	91375701SK	OWNER'S MANUAL	1			PLT:DB10	SLOVAK
	91375701SL	OWNER'S MANUAL	1			PLT:DB10	SLOVENIAN
	91375701SV	OWNER'S MANUAL	1			PLT:DB10	SWEDISH
	91375701US	OWNER'S MANUAL	1			PLT:DB10	USA
	91375701ZH	OWNER'S MANUAL	1			PLT:DB10	TRADITIONAL CHINESE
16	78812011A	RUBBER PAD STICKER	1	27/04/2021			
17	595P6811BA	PILLION RIDER SEAT	1	27/04/2021			



TEL01503

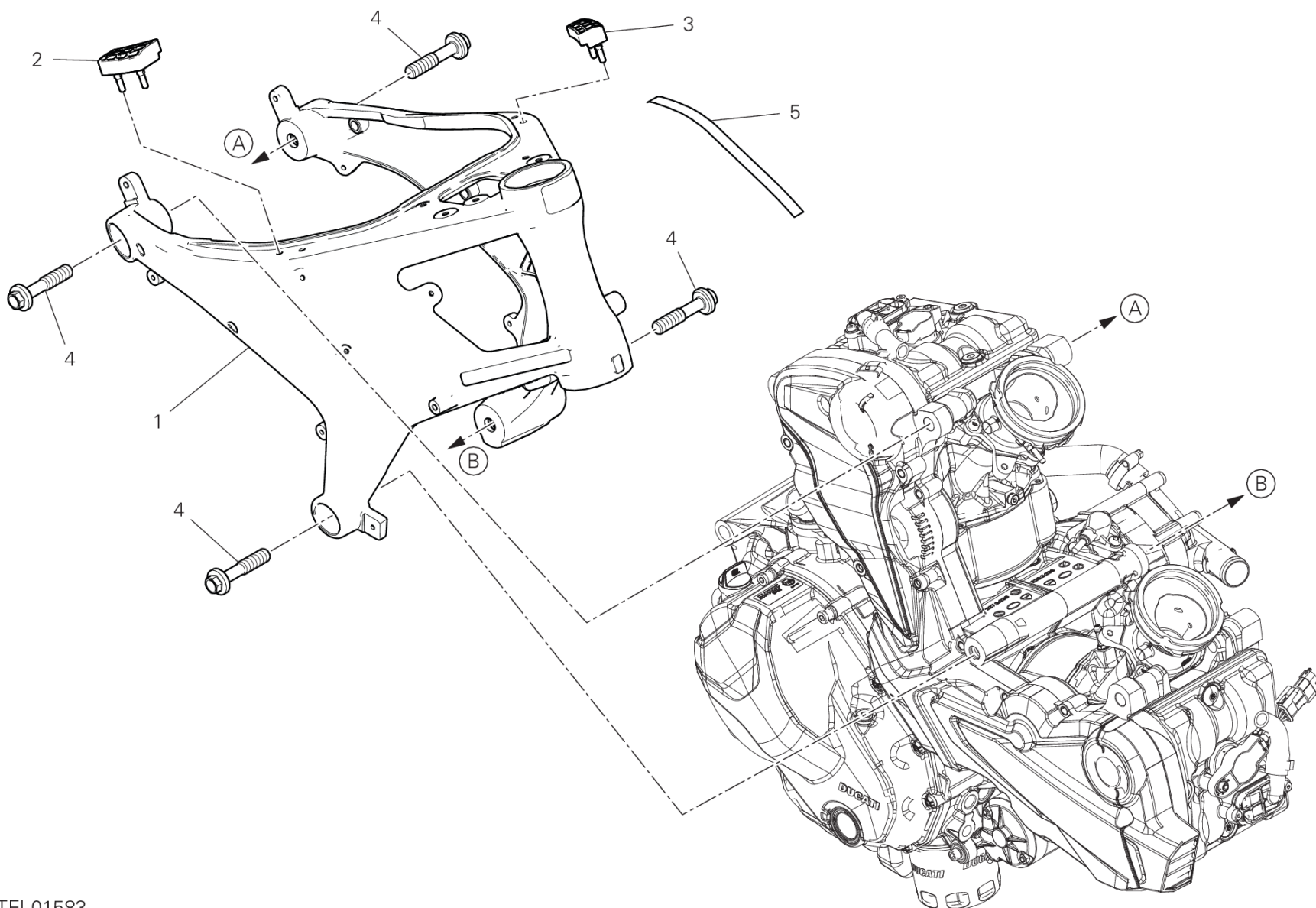


DRAWING 31B - LOCKER [MOD:M937+]

GROUP FRAME



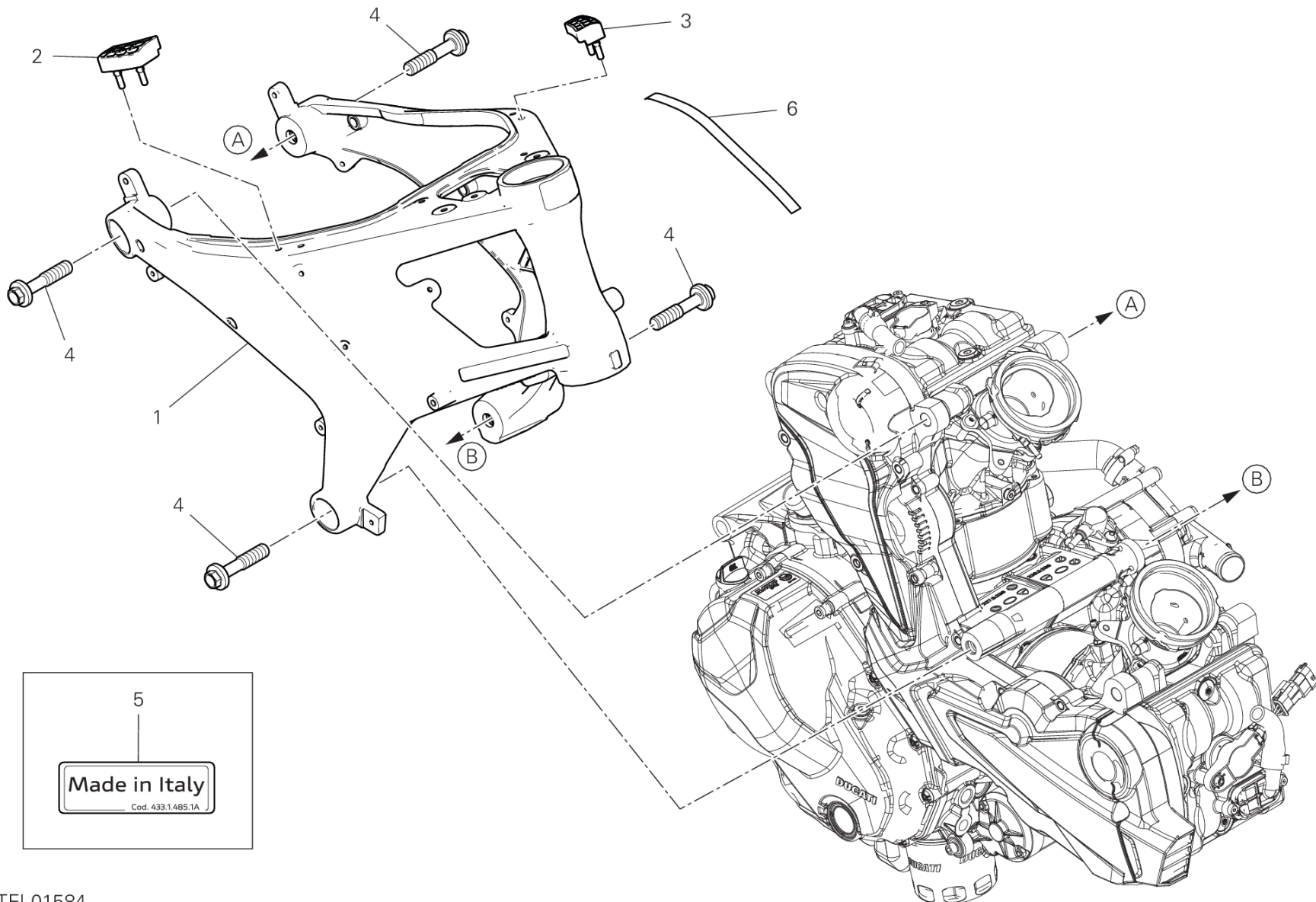
POS.	CODE	DESCRIPTION	QTY	START DATE	END DATE	VALIDITY	NOTES
1	55910201A	LOCKER	1	18/12/2020			
2	77214411AA	SCREW	2	18/12/2020			
3	59920181A	LOCK LATCH	1				
4	77244183B	SCREW	2	18/12/2020			
5	77240453C	SCREW TBEIF M6X22 10.9	2				
6	85041951AA	QUICK FASTENING	5	18/12/2020			
7	85240171A	WASHER	2				
8	8301I962AB	CROSS BAR	1	01/01/2021			
9	74810361A	NUT	2	13/01/2021			
10	77240423C	SCREW	4	13/01/2021			



TEL01583



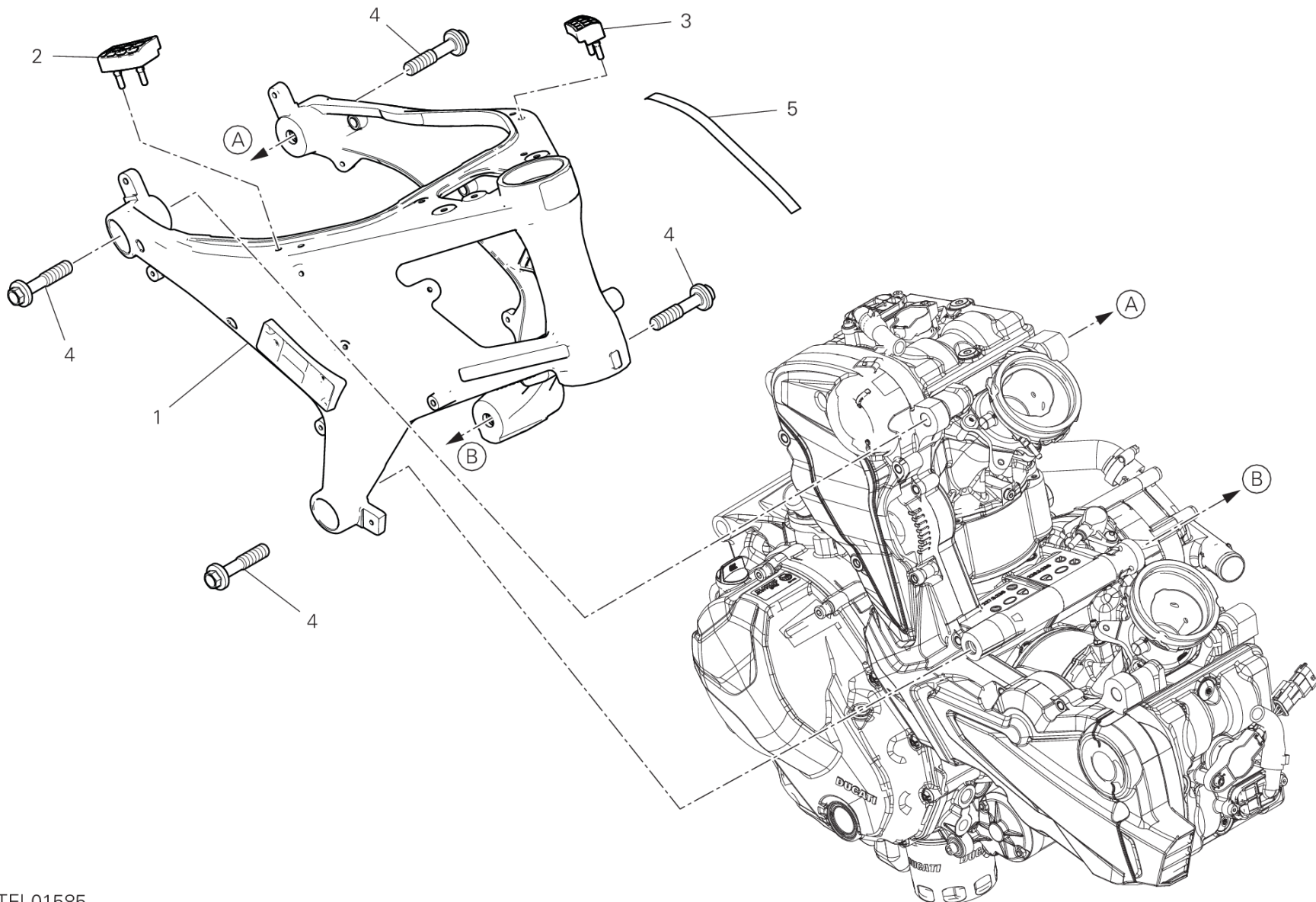
POS.	CODE	DESCRIPTION	QTY	START DATE	END DATE	VALIDITY	NOTES
1	47111851CA	FRAME	1	15/11/2018			
2	86613271B	PAD, FUEL TANK RIGHT	1	11/12/2017			
3	86613261B	PAD, FUEL TANK LEFT	1	11/12/2017			
4	77918291AA	SCREW, SPECIAL	4	11/12/2017			
5	76417681A	RUBBER PAD PROTETTIVO	1				



TEL01584



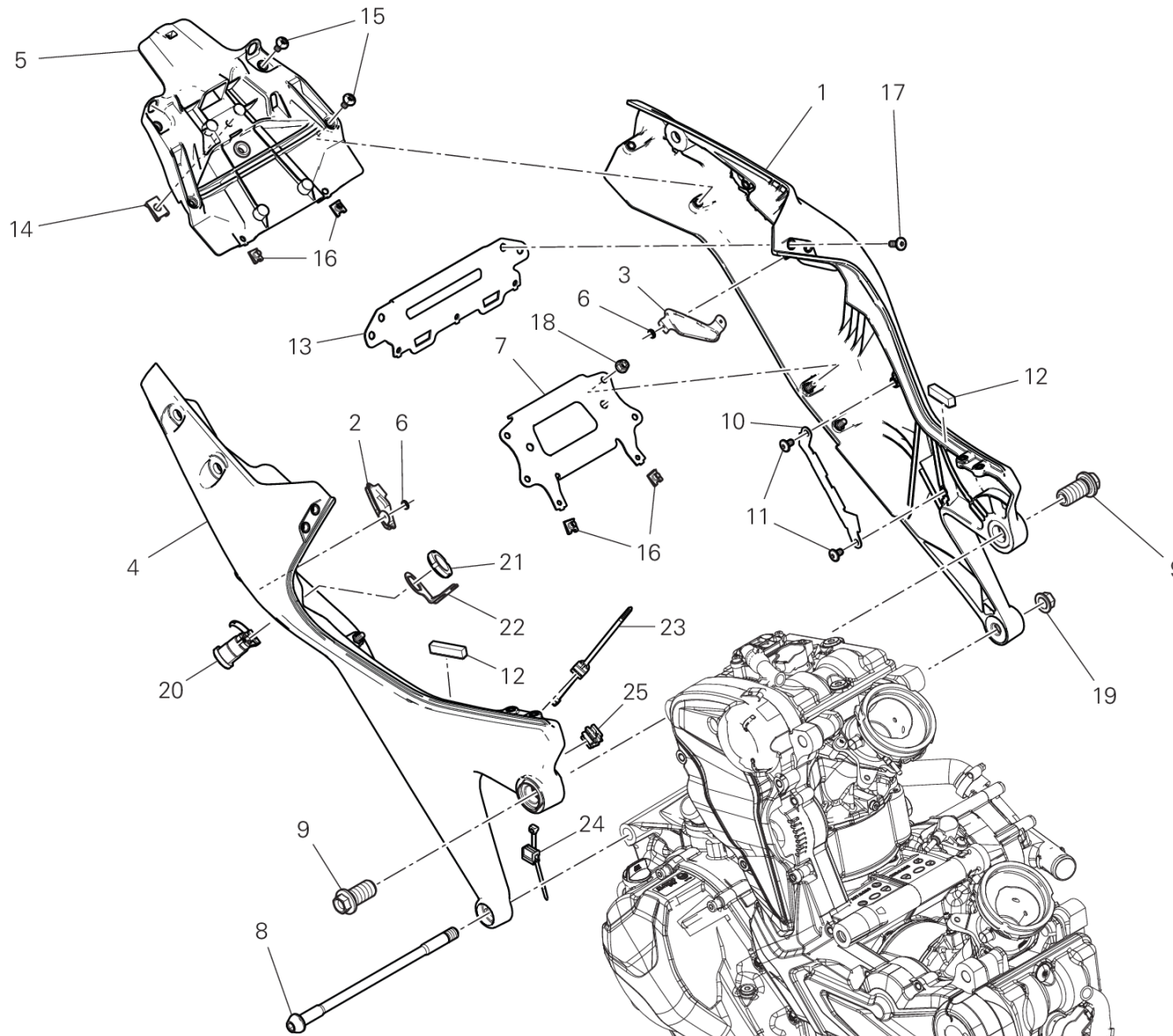
POS.	CODE	DESCRIPTION	QTY	START DATE	END DATE	VALIDITY	NOTES
1	47111851CA	FRAME	1	15/11/2018			
2	86613271B	PAD, FUEL TANK RIGHT	1	11/12/2017			
3	86613261B	PAD, FUEL TANK LEFT	1	11/12/2017			
4	77918291AA	SCREW, SPECIAL	4	11/12/2017			
5	43314851A	MARKING PLATE	1	09/03/2020			
6	76417681A	RUBBER PAD PROTETTIVO	1				



TEL01585



POS.	CODE	DESCRIPTION	QTY	START DATE	END DATE	VALIDITY	NOTES
1	47111891AA	FRAME	1	05/04/2021			
2	86613271B	PAD, FUEL TANK RIGHT	1	11/12/2017			
3	86613261B	PAD, FUEL TANK LEFT	1	11/12/2017			
4	77918291AA	SCREW, SPECIAL	4	11/12/2017			
5	76417681A	RUBBER PAD PROTETTIVO	1				



TEL01506

MONSTER PLUS /22

019000022

DRAWING 32B - REAR FRAME COMP. [MOD:M937+]

GROUP FRAME

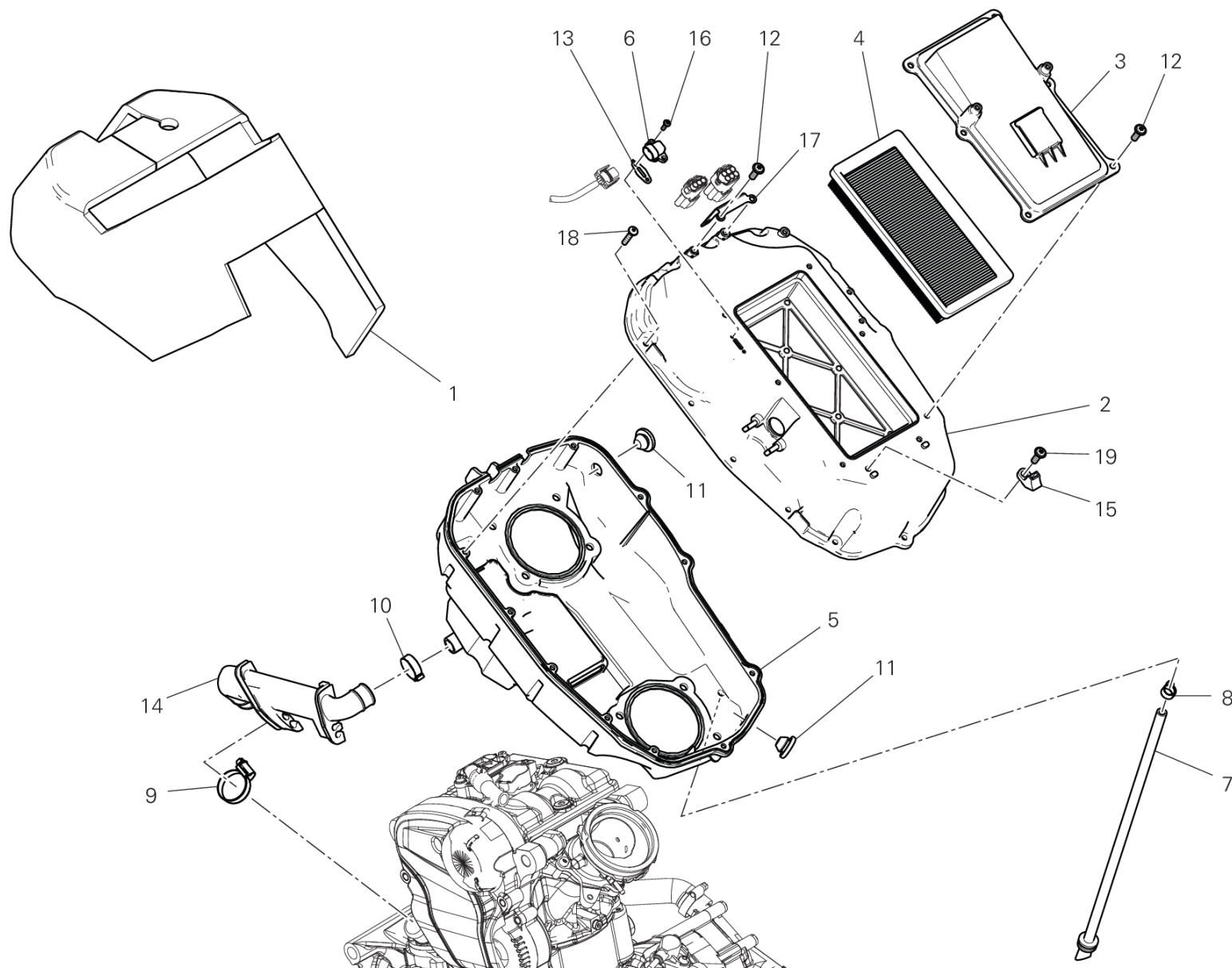


POS.	CODE	DESCRIPTION	QTY	START DATE	END DATE	VALIDITY	NOTES
1	46910421B	REAR FRAME L.H.	1	26/02/2020			
2	4601L071B	NET REAR RH	1	22/03/2021			
3	4601L061B	NET REAR LH	1	22/03/2021			
4	46910431B	REAR FRAME R.H.	1	11/12/2017			
5	46910442A	CROSS BAR REAR	1	13/06/2018			
6	85041811A	REAR SPROCKET	4	20/06/2018			
7	8301I971AA	CENTRAL CROSS BAR	1				
8	7791A131AA	PIN FRONT	1				
9	77918301AB	SCREW, SPECIAL	2				
10	8301L341AA	BRACKET	1				
11	77240393C	SCREW TBEIF M6X10 10.9	2				
12	86613301B	ADHESIVE PAD	2	08/02/2021			
13	8301I981BA	CROSS BAR	1				
14	85040381A	QUICK FASTENING	1	01/01/2021			
15	77214031A	SCREW, SPECIAL	4				
16	85041951AA	QUICK FASTENING	4	01/01/2021			
17	77240423C	SCREW	4	01/01/2020			
18	74941118B	NUT 6MM	4	01/01/2020			
19	74841011AA	NUT, FLANGE	1	13/01/2021			
20	59820572A	SEAT LOCK	1	01/01/2020			
21	75012192A	NUT	1	01/01/2020			
22	83014401A	BRACKET, SEAT LOCK	1	18/12/2020			
23	75840771A	FAIRLEAD	2	01/01/2020			
24	75840951A	CLAMP	2	01/01/2021			
25	75841041A	CLIP	1	18/12/2020			



DRAWING 34A - AIR INTAKE - OIL BREATHER [MOD:M937+]

GROUP FRAME



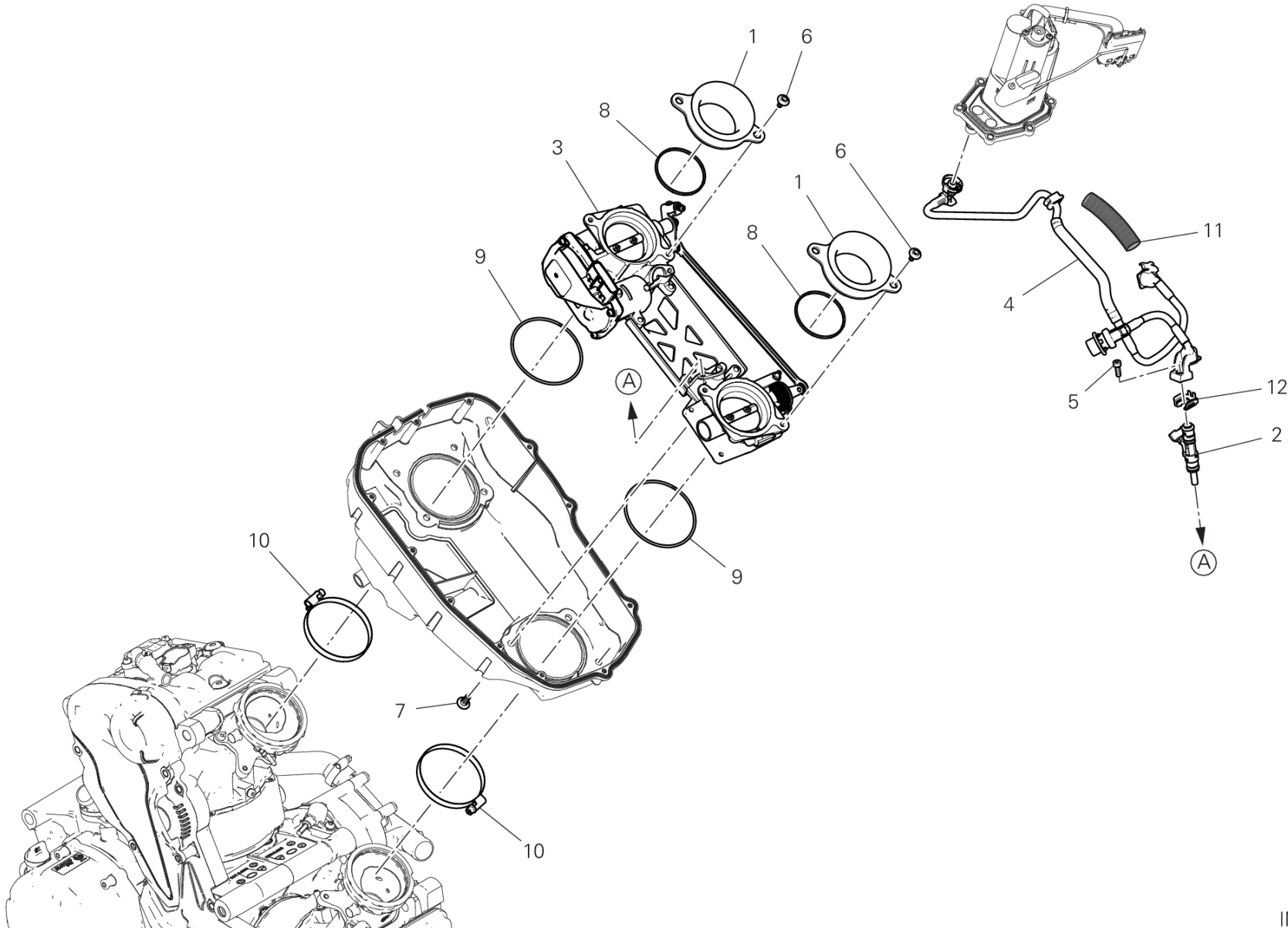
RAF00732

DRAWING 34A - AIR INTAKE - OIL BREATHER [MOD:M937+]

GROUP FRAME



POS.	CODE	DESCRIPTION	QTY	START DATE	END DATE	VALIDITY	NOTES
1	48612711B	SOUNDPROOFING COVERING	1	01/06/2018			
2	44219672A	COVER AIR BOX , UPPER UPPER	1	11/12/2017			
3	24716872A	FILTER COVER UNIT	1	20/06/2018			
4	42610751A	FILTER, AIR	1	01/11/2018			
5	44219664A	COVER AIR BOX , UPPER LOWER	1	01/06/2018			
6	55240121A	SENSOR, AIR TEMPERATURE	1	01/06/2018			
7	59018572A	HOSE, DRAIN AIRBOX	1	20/06/2018			
8	74140651A	FASCETTA 11-7 MM	1	01/06/2018			
9	74141911A	CLAMP	1	01/06/2018			
10	74142801A	CLAMP	1	11/12/2017			
11	76411851A	BYPASS CAP	2	01/06/2018			
12	77440203C	SCREW	14	01/06/2018			
13	78811041A	GASKET, COOLING WATER SENSOR	1	20/06/2018			
14	87614081A	HOSE, BLOW-BY	1	20/06/2018			
15	75841121A	FAIRLEAD	1	20/06/2018			
16	77440213C	SCREW	2	11/12/2017			
17	83011891AA	BRACKET	1	18/12/2020			
18	77440571A	SCREW, TAPPING	12	30/10/2018			
19	77440228C	SCREW	2	02/03/2021			



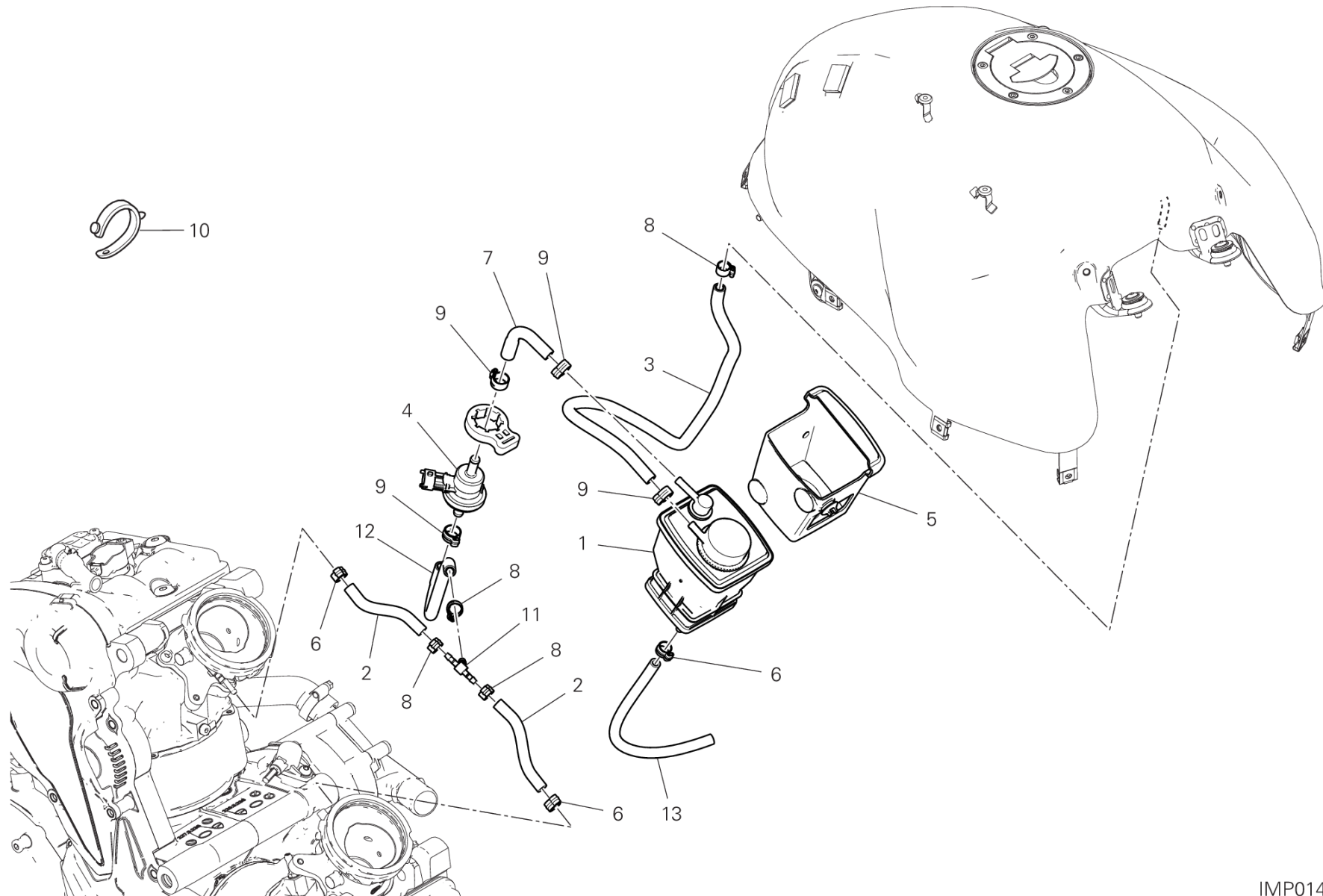
IMP01403

DRAWING 35A - THROTTLE BODY [MOD:M937+]

GROUP FRAME



POS.	CODE	DESCRIPTION	QTY	START DATE	END DATE	VALIDITY	NOTES
1	13510471A	AIR FUNNEL	2	11/12/2017			
2	28040441A	INJECTOR	2	27/04/2021			
3	28240932A	THROTTLE BODY	1	01/06/2018			
4	59018861C	COMPLETE PIPE SET	1	05/03/2021			
5	77156408B	SCREW TCEIF M5X14	2	01/06/2018			
6	77214411BA	SCREW, SPECIAL	4	01/06/2018			
7	77912741A	SCREW TBEI M6X14	8	01/06/2018			
8	78811301A	GASKET AIR FUNNEL	2	11/12/2017			
9	88642231A	O-RING	2	11/12/2017			
10	74141871A	CLAMP 60-80 MM	2	11/12/2017			
11	4601H512A	PROTECTION SHEATH	1	15/11/2018			
12	85042131A	CLIP	2	18/12/2020			



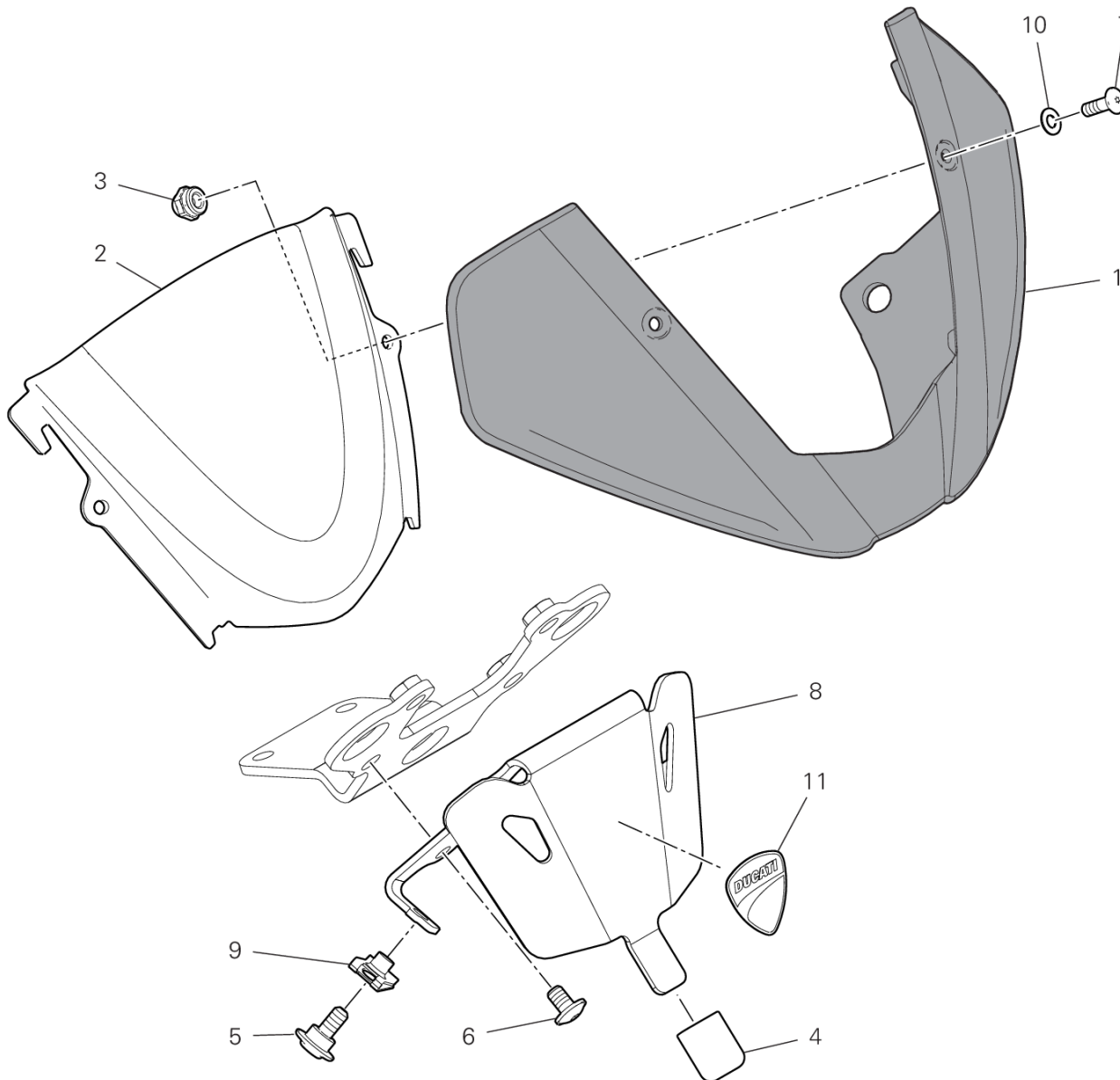
IMP01404

DRAWING 35B - CANISTER FILTER [MOD:M937+]

GROUP FRAME



POS.	CODE	DESCRIPTION	QTY	START DATE	END DATE	VALIDITY	NOTES
1	42610681A	HOT AIR PIPE CANISTER	1	11/12/2017			
2	59014131A	HOSE	2	11/12/2017			
3	93510891B	HOSE	1	01/11/2018			
4	65540101A	VALVE, BREATHER	1	13/06/2018			
5	70011291A	VIBRATION DAMPER	1	11/12/2017			
6	74141711A	CLAMP 10-7 MM	3	13/06/2018			
7	93511042A	HOSE	1	11/12/2017			
8	74140651A	FASCETTA 11-7 MM	4	20/06/2018			
9	74140631A	CLAMP	2	13/06/2018			
10	74110551A	CLAMP, RUBBER 39MM	1	10/07/2018			
11	81441041A	THREE-WAYS UNION	1	11/12/2017			
12	93511051A	HOSE	1	20/06/2018			
13	93510491A	BREATHER PIPE UPPER	1	13/06/2018			



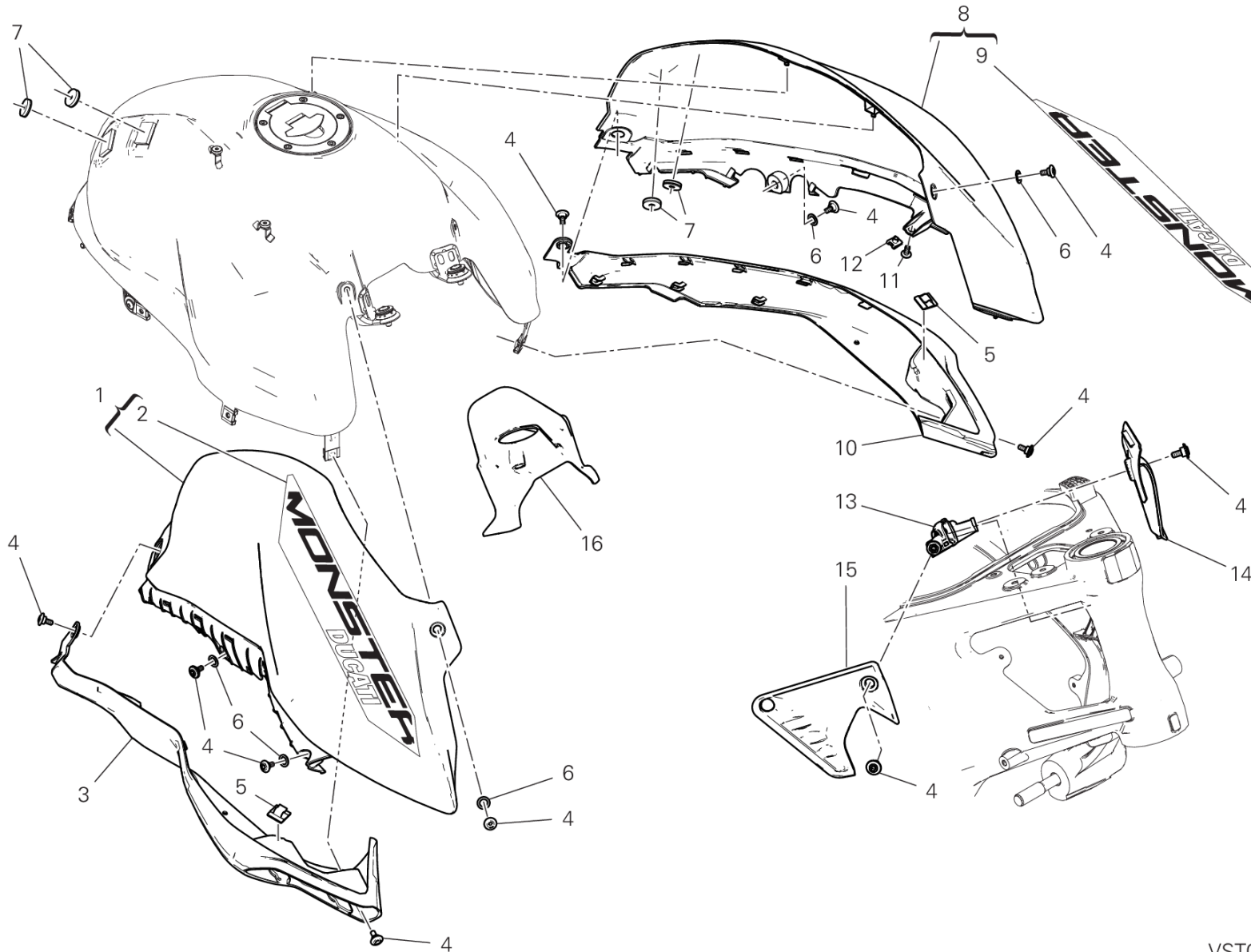
VST02246

DRAWING 36A - COWLING [MOD:M937+]

GROUP FRAME



POS.	CODE	DESCRIPTION	QTY	START DATE	END DATE	VALIDITY	NOTES
1	48114311AA	COWLING	1	13/01/2021		XCO:R	
	48114311AB	COWLING	1	13/01/2021		XCO:NMB	
	48114311AC	COWLING	1	13/01/2021		XCO:AG	
2	48114321A	PLEXIGLAS WINDSCREEN	1	13/01/2021			
3	75010281A	NUT, SPRING	2	13/01/2021			
4	76414381A	RUBBER PAD	1	13/01/2021			
5	77214411AA	SCREW	2	13/01/2021			
6	77240243C	SCREW	4	13/01/2021			
7	77510071AB	SCREW, SPECIAL	2	13/01/2021			
8	8301L351AA	BRACKET	1	13/01/2021			
9	85041951AA	QUICK FASTENING	2	13/01/2021			
10	85210241A	WASHER, NYLON 4X8X0.5	2	13/01/2021			
11	43815821A	EMBLEM DUCATI	1	13/01/2021			



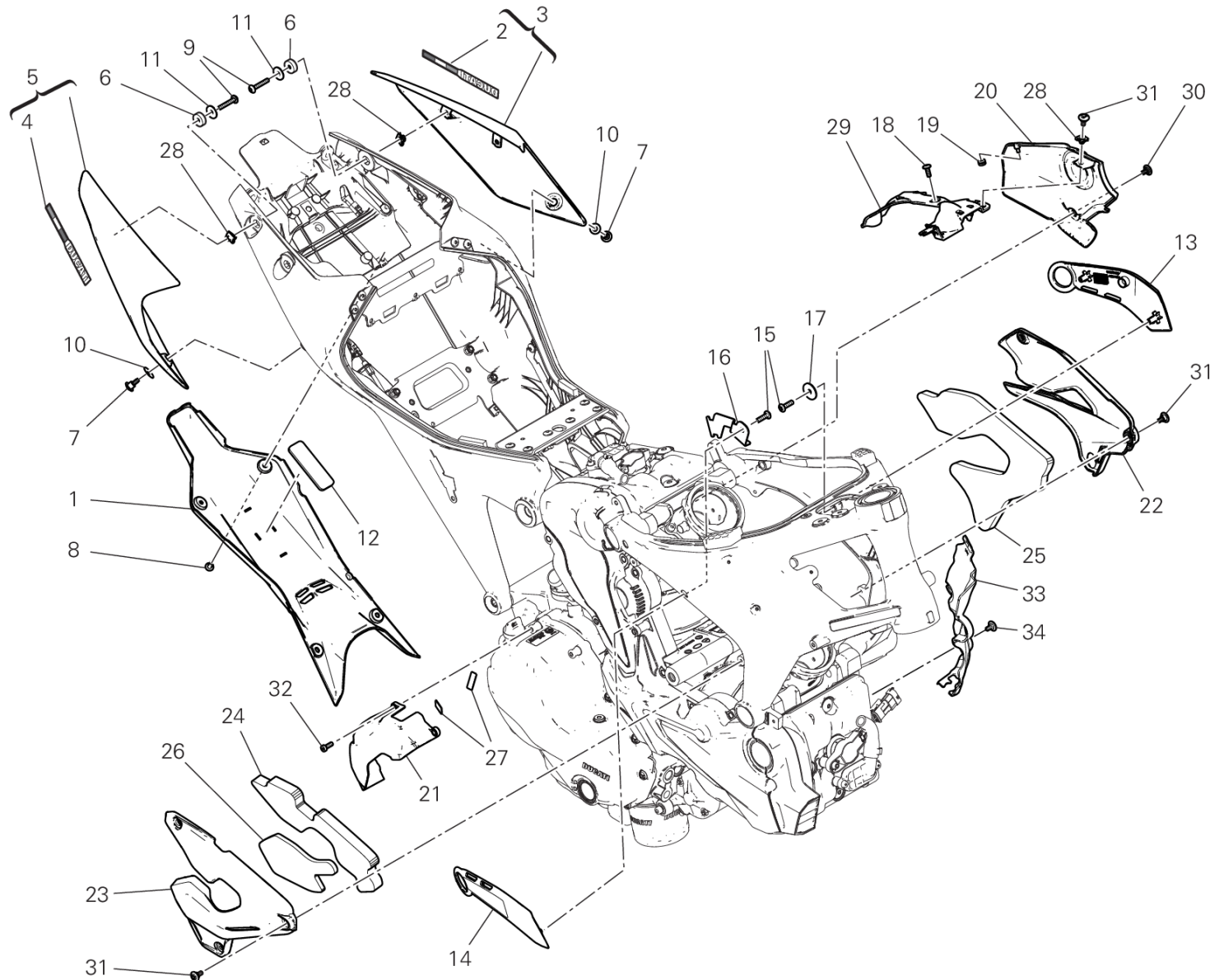
VST02233

DRAWING 36B - FAIRING [MOD:M937+]

GROUP FRAME



POS.	CODE	DESCRIPTION	QTY	START DATE	END DATE	VALIDITY	NOTES
1	480PC262AA	COVER ASSEMBLY RIGHT	1	11/12/2017		XCO:R	
	480PC262AB	COVER ASSEMBLY RIGHT	1	08/02/2021		XCO:NMB	
	480PC262AC	COVER ASSEMBLY RIGHT	1	12/01/2021		XCO:AG	
2	4381E441AA	RIGHT STICKER	1	11/12/2017		XCO:R	
	4381E441AB	RIGHT STICKER	1	12/01/2021		XCO:NMB	
	4381E441AC	RIGHT STICKER	1	12/01/2021		XCO:AG	
3	4801C282A	TANK BODY PART RIGHT	1	11/12/2017			
4	77214411AA	SCREW	12	11/12/2017			
5	75840871A	CLAMP, WIRE	2	11/12/2017			
6	85212181A	WASHER, NYLON 9X14X1	7	11/12/2017			
7	86613281A	ADHESIVE PAD	4	11/12/2017			
8	480PC252AA	COVER ASSEMBLY LEFT	1	11/12/2017		XCO:R	
	480PC252AB	COVER ASSEMBLY LEFT	1	08/02/2021		XCO:NMB	
	480PC252AC	COVER ASSEMBLY LEFT	1	08/02/2021		XCO:AG	
9	4381E431AA	LEFT STICKER	1	11/12/2017		XCO:R	
	4381E431AB	LEFT STICKER	1	12/01/2021		XCO:NMB	
	4381E431AC	LEFT STICKER	1	15/01/2021		XCO:AG	
10	4801C272A	TANK BODY PART LEFT	1	20/06/2018			
11	77244183B	SCREW	2	10/07/2018			
12	85041951AA	QUICK FASTENING	2	01/11/2018			
13	8291N241A	RETAINING U-BOLT	1	12/12/2017			
14	87211691A	PLUG	1	23/07/2018			
15	87211701A	PLUG, RH	1	11/12/2017			
16	4601L091A	COVER, IGNITION SWITCH	1				



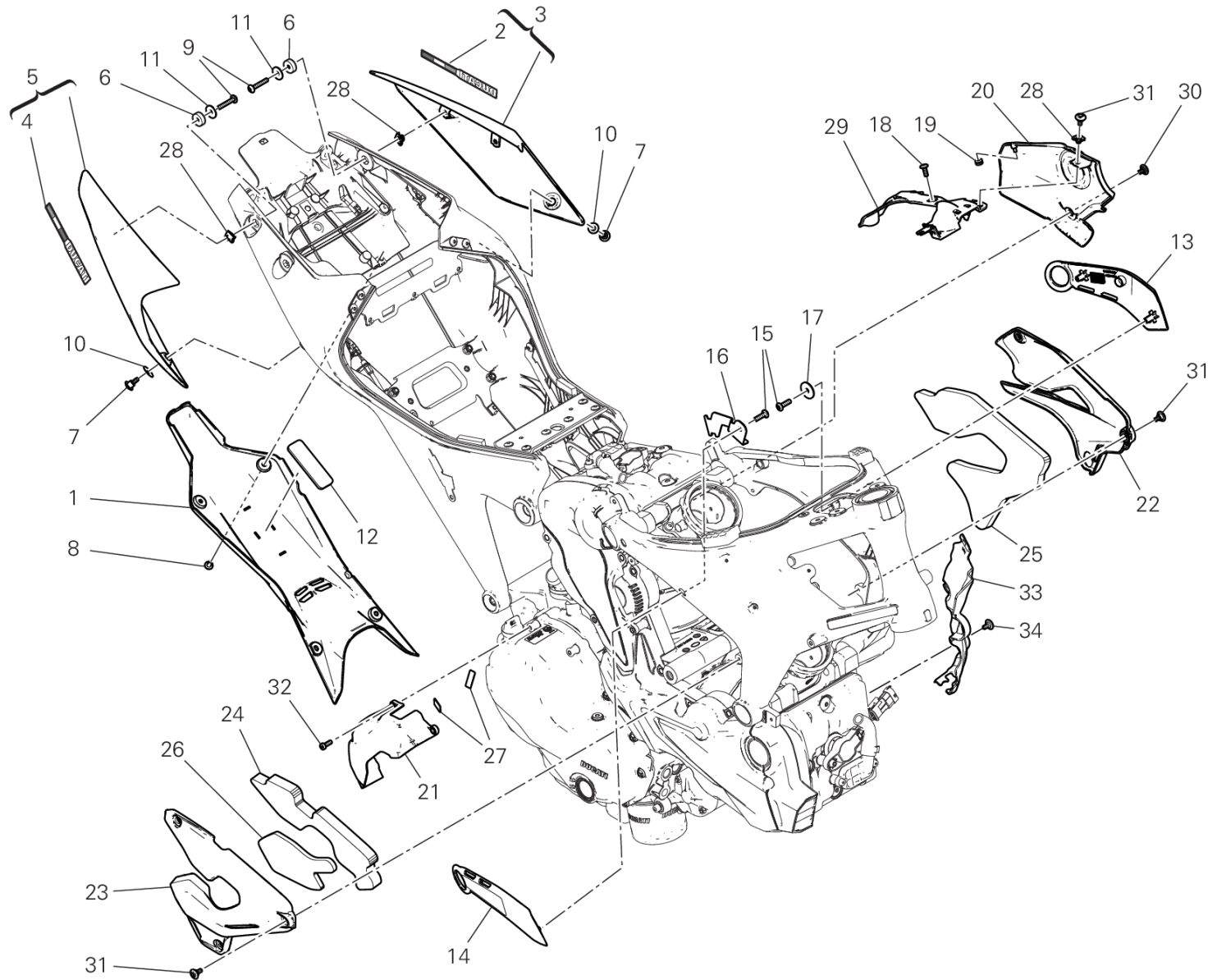
VST02232

DRAWING 36C - FAIRING [MOD:M937+]

GROUP FRAME



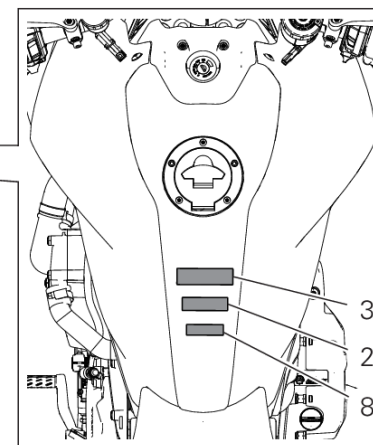
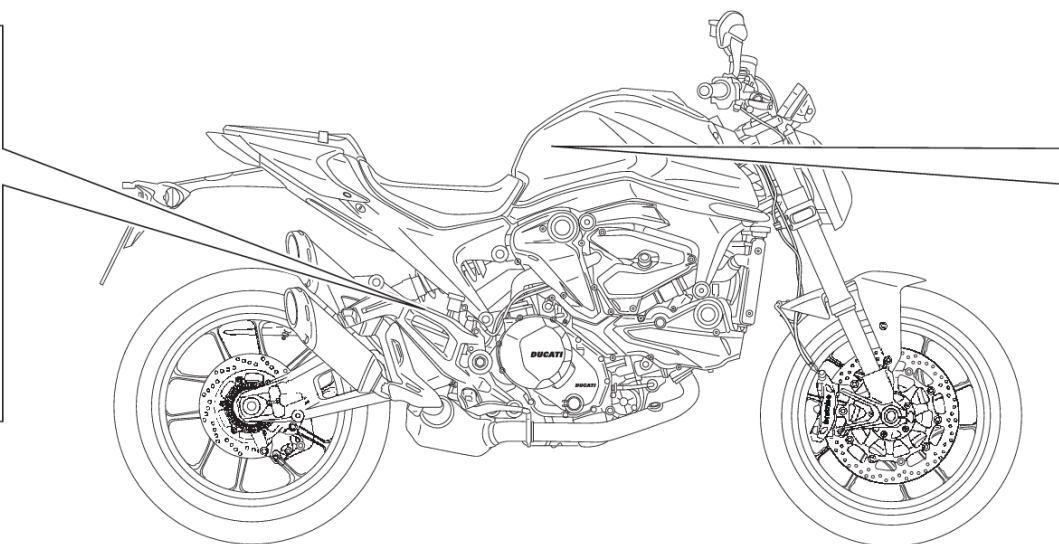
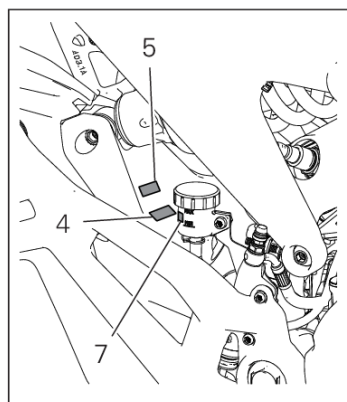
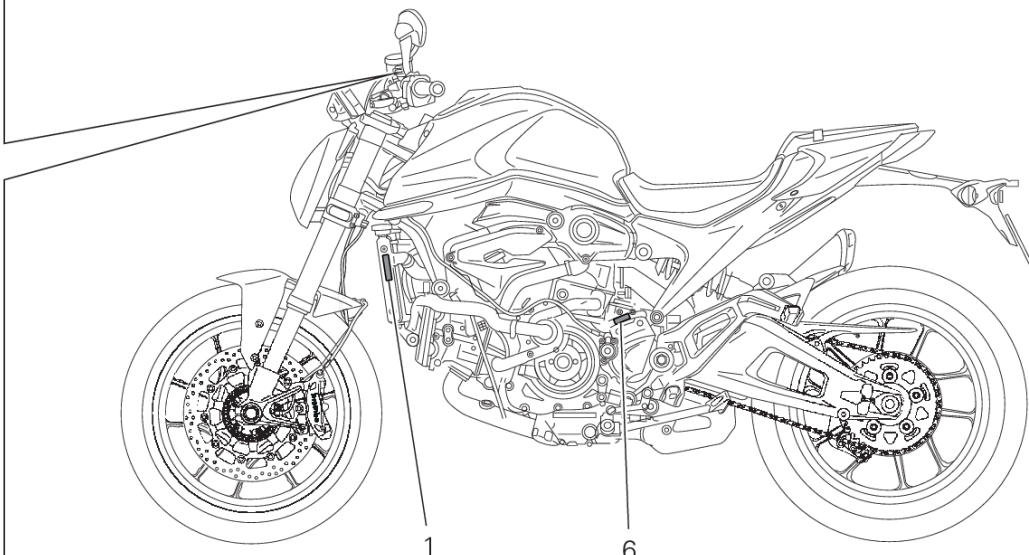
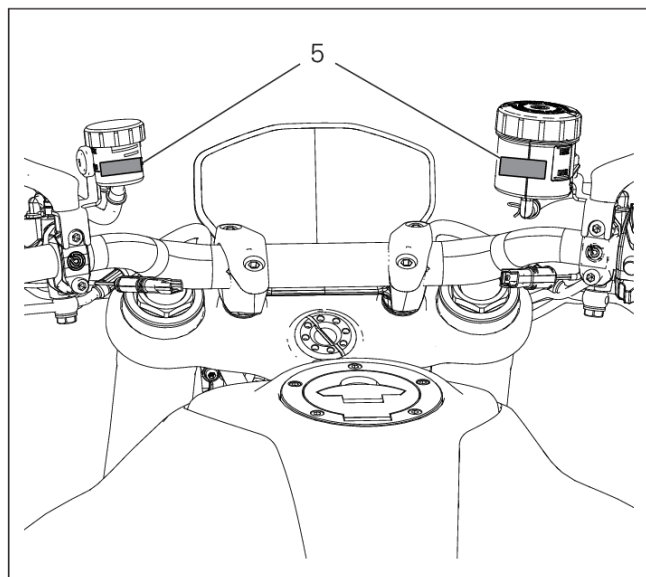
POS.	CODE	DESCRIPTION	QTY	START DATE	END DATE	VALIDITY	NOTES
1	48217001A	UNDER-TAIL COVER	1	13/06/2018			
2	4381D251A	ITA FLAG STICKER DUCATI LH	1	11/12/2017		XCO:R	
	4381D251B	ITA FLAG STICKER DUCATI LH	1			XCO:AG	
	4381D251C	ITA FLAG STICKER DUCATI LH	1	01/01/2020		XCO:NMB	
3	48216981AB	SIDE COVER, LEFT BLACK	1	18/12/2020		XCO:NMB	
	482P6981AA	COVER FRAME LH RED	1	13/06/2018		XCO:R	
	482P6981AC	BODY PANEL L.H. GREY	1	15/02/2021		XCO:AG	
4	4381D261A	ITA FLAG STICKER DUCATI RH	1	13/06/2018		XCO:R	
	4381D261B	ITA FLAG STICKER RH	1			XCO:AG	
	4381D261C	ITA FLAG STICKER DUCATI RH	1	01/01/2020		XCO:NMB	
5	48216991AB	SIDE COVER, RIGHT BLACK	1	18/12/2020		XCO:NMB	
	482P6991AA	COVER FRAME RH RED	1	11/12/2017		XCO:R	
	482P6991AC	BODY PANEL R.H. GREY	1	15/02/2021		XCO:AG	
6	71616031AA	SPACER	4	20/06/2018			
7	77210841B	SCREW	2	13/06/2018			
8	77244183B	SCREW	4	01/11/2018			
9	77244253C	SCREW	4	12/10/2018			
10	85212181A	WASHER, NYLON 9X14X1	2	11/02/2018			
11	85213111AA	WASHER	4	11/12/2017			
12	86612101A	PAD	1	13/06/2018			
13	4601L191A	FRAME HEAT PROTECTION LEFT	1	01/11/2018			
14	4601L201A	FRAME HEAT PROTECTION RIGHT	1	01/11/2018			
15	77440251A	SCREW	4	05/11/2018			
16	8301L211BA	BRACKET	1	05/11/2018			
17	85213751AA	WASHER	3	27/11/2018			
18	77240278C	SCREW	3	13/01/2021			
19	76440561A	RUBBER PAD	1	01/01/2020			
20	4601I682B	PROTECTION, LEFT CYLINDER HEAD	1	23/03/2019			
21	46111241A	HEAT GUARD CLUTCH COVER	1	08/02/2021			
22	48217012A	COVER HOT AIR PIPE CANISTER	1	18/12/2020			
23	48217022A	COVER TANK, WATER RESERVOIR	1	18/12/2020			
24	48612692B	DAMPER, SOUND ARRESTER COVER	1	08/02/2021			
25	48612701B	DAMPER, SOUND ARRESTER COVER	1	08/02/2021			
26	48612741A	DAMPER, SOUND ARRESTER TANK, WATER RESERVOIR	1	08/02/2021			
27	86612791A	RUBBER PAD	2	15/02/2021			



VST02232



POS.	CODE	DESCRIPTION	QTY	START DATE	END DATE	VALIDITY	NOTES
28	85041951AA	QUICK FASTENING	5	01/01/2020			
29	8291J471B	HOLDER WIRING	1	08/02/2021			
30	77211251A	SCREW	1	18/12/2020			
31	77214411AA	SCREW	6	18/12/2020			
32	77350403B	SCREW	3	08/02/2021			
33	75811841A	GENERATOR WIRING COVER	1	08/02/2021			
34	77240263C	SCREW	2	18/12/2020			



VST02251

DRAWING 37A - POSITIONING PLATES [MOD:M937+;XST:JAP]

GROUP FRAME



POS.	CODE	DESCRIPTION	QTY	START DATE	END DATE	VALIDITY	NOTES
1	43312531A	WATER RADIATOR PLATE	1				
2	43310051B	TANK "WARNING" PLATE	1				
3	43310051C	TARGHETTA IMPORTANTE SERBATOIO	1				
4	43315001A	TIRE SIZE AND PRESSURE PLATE	1	25/03/2021			
5	43312561A	REAR SHOCK ABSORBER PLATE	1				
6	43312551A	GEAR SEQUENCE PLATE	1				
7	43910071A	CLUTCH-BRAKE MASTER CYLINDER PLATE	3				
8	43217911Z	TANK "WARNING" PLATE	1	25/02/2021			



CODE	NO. TABLE	POS.	CODE	NO. TABLE	POS.	CODE	NO. TABLE	POS.	CODE	NO. TABLE	POS.
027291090	09B	19	14825741A	11A	18	19020591A	03B	9	28040441A	35A	2
040009050	02A	21	14911181A	03A	2	19410751A	03B	4	28240932A	35A	3
040029126	02A	17	14911191A	03A	12	19510411D	21B	25	28643501A	12C	12
066549680	04A	2	15021961B	03A	3	19540081B	21B	24	28643501H	12C	12
069191030	12A	4	15021971A	03A	16	19611011A	03B	12	28643501N	12C	12
11210121AA	05A	8	15310072B	21A	3	19611021A	03B	11	28643511A	12C	12
11210121AA	05A	8	15620671CA	05A	5	19820661A	03B	14	30125852AA	11D	22
11210121AB	05A	8	15620671CB	05A	5	20810321A	11C	3	30125861AA	11C	22
11210121AB	05A	8	15620671CC	05A	5	20810321A	11D	3	30310631BB	11C	7
11210121AC	05A	8	15622261BA	05A	5	20910491A	11C	16	30310631BB	11D	7
11210121AC	05A	8	15622261BB	05A	5	20910491A	11D	16	30310631BC	11C	7
11210121AD	05A	8	15622261BC	05A	5	20910501A	11C	4	30310631BC	11D	7
11210121AD	05A	8	15622261BE	05A	5	20910501A	11D	4	30310631BD	11C	7
11210121AE	05A	8	16010941A	11A	10	21010991A	11C	14	30310631BD	11D	7
11210121AE	05A	8	16010941A	11B	10	21010991A	11D	14	30411001AB	11C	13
11210791A0	09B	10	16016371A	10A	13	21110991A	11C	5	30411001AB	11D	13
11210791AA	09B	10	16022491A	28A	11	21110991A	11D	5	30411001AC	11C	13
11210791AB	09B	10	16022491A	28A	11	22032083A	09A	5	30411001AC	11D	13
11210791AC	09B	10	16024403B	29A	2	225P0061E	09A	1	30411011BB	11C	10
11210791AD	09B	10	17011751A	03B	13	24221551A5	04B	1	30411011BB	11D	10
11210791AE	09B	10	17122421A	07A	13	24321652B5	04A	1	30411011BC	11C	10
11713781AA	25B	1	17214941A	03A	10	24511862A	07A	1	30411011BC	11D	10
11723691A	03B	16	17214951B	03A	8	24521071A	07A	21	34111801BA	17A	1
120P3081AA	06A	5	17214961B	03A	5	24521852B	07A	2	342P1191BA	17A	2
120P3091AA	06A	10	17214971B	03A	9	24713571AO	04B	23	34421183A	17B	1
12110781B	06A	3	17214981A	03A	22	24714171A	11A	20	34421183A	17B	1
12110791A	06A	2	17214991A	03A	20	24714612A	09A	7	34421261A	17B	1
12120822A	06A	4	17215001A	03A	23	24714891A	11B	20	34521183A	17B	2
12222392C	06A	1	17215011A	03A	18	24716791AH	11B	6	34521183A	17B	2
13510471A	35A	1	17215021A	03A	13	24716801AH	11A	6	34521261A	17B	2
14010951A	11B	14	17215031A	03A	21	24716872A	34A	3	34913531A	17B	4
14010961A	11A	14	173Z0021A	10A	14	24717181A	13A	22	34913541A	17B	7
14622162CA	05A	1	17410621B	08A	1	24725241BI	04B	4	34913551A	17B	6
14622162CB	05A	1	17420591A	09A	4	24727071AA	31A	4	34913561A	17B	5
14622162CC	05A	1	176Z0021A	10A	10	24727071AB	31A	4	34913571A	17B	8
14622162CE	05A	1	18020511A	02A	6	24727071AC	31A	4	34913581A	17B	15
14622167AA	05A	1	180Z0031A	02A	11	25120131A	04B	7	34913601A	17B	28
14622167AB	05A	1	180Z0041A	02A	12	25440013A	04A	3	34913611A	17B	29
14622167AC	05A	1	18210781A	02A	8	25510104B	07A	18	34913621A	17B	3
14710811A	07A	3	18220772A	02A	9	25510193A	11A	7	34913671A	17B	21
14710951B	09A	3	18410241AA	25B	33	25510193A	11B	7	34913981A	17B	14
14824222A	11B	11	18710021A	19B	5	26420501B	10A	12	34913991A	17B	11
14824232A	11A	11	18710021A	19D	12	27040107A	10A	1	34914001A	17B	18
14825731A	11B	18	18710021A	21B	3	27611211B	10A	16	34914011A	17B	19



CODE	NO. TABLE	POS.	CODE	NO. TABLE	POS.	CODE	NO. TABLE	POS.	CODE	NO. TABLE	POS.
34914971A	17B	20	43312541A	12B	25	4601H512A	24B	35	48217012A	36C	22
34914971A	17B	20	43312551A	37A	6	4601H512A	35A	11	48217022A	36C	23
34914981A	17B	30	43312561A	37A	5	4601H701A	12B	24	482P6981AA	36C	3
34914991A	17B	17	43313912A	04A	16	4601H701A	12B	24	482P6981AC	36C	3
34915001A	17B	20	43314851A	32A	5	4601I641B	30B	1	482P6991AA	36C	5
34921041A	17B	10	43314991A	16A	8	4601I682B	36C	20	482P6991AC	36C	5
34921051A	17B	9	43314991B	16A	8	4601L061B	32B	3	48412751A	24A	13
34923031A	17B	12	43315001A	37A	4	4601L071B	32B	2	48612611A	04A	4
34923031A	17B	12	43815821A	36A	11	4601L082A	16A	2	48612692B	36C	24
34923041A	17B	13	4381D251A	36C	2	4601L091A	36B	16	48612701B	36C	25
36012191AA	21A	1	4381D251B	36C	2	4601L191A	36C	13	48612711B	34A	1
36015901AA	17A	3	4381D251C	36C	2	4601L201A	36C	14	48612741A	36C	26
36015911AA	17A	4	4381D261A	36C	4	4601L261A	24A	18	49040663A	A	9
36015951AA	17A	5	4381D261B	36C	4	4601L322A	30A	10	49040663A	C	1
36140161A	21A	7	4381D261C	36C	4	4601L861AA	12C	18	49040711A	A	5
36521973A	22A	2	4381E431AA	36B	9	4601L981A	13A	23	49040711A	E	1
36521973A	22A	2	4381E431AB	36B	9	46111121B	30A	1	49041071A	A	34
36522071A	22A	2	4381E431AC	36B	9	46111241A	36C	21	49041071A	H	1
36911401A	18A	1	4381E441AA	36B	2	46210021A	21A	13	49041081A	A	3
37012493AA	18A	2	4381E441AB	36B	2	46320222A	09A	10	49041081A	F	1
37311061BA	18A	16	4381E441AC	36B	2	46320537A	03A	14	490P0002A	A	13
38010221A	11A	30	4381E451AA	28A	3	46410961AA	25B	4	490P0002A	J	1
38010221A	11B	30	4381E451AB	28A	3	46410971AA	25A	9	490P0003A	A	14
38511352B	12B	17	4381E461AA	27A	14	46910421B	32B	1	490P0003A	J	2
38511352B	12B	17	4381E461AB	27A	14	46910431B	32B	4	490P0004A	A	15
38540093B	12D	3	43910071A	37A	7	46910442A	32B	5	490P0004A	J	3
38640591A	12D	17	44219664A	34A	5	47111851CA	32A	1	490P0019A	A	21
38940071A	12A	7	44219672A	34A	2	47111851CA	32A	1	490P0019A	K	1
38940191A	12A	7	44440038A	09B	3	47111891AA	32A	1	490P0022A	A	22
38940201A	12A	7	44610541A	26A	3	4801C272A	36B	10	490P0022A	M	1
38940211A	12A	7	44712411A	18A	5	4801C282A	36B	3	490P0029A	A	23
38940221A	12A	7	44712421A	18A	6	480PC252AA	36B	8	490P0029A	N	1
38940231A	12B	10	44910821A	16A	1	480PC252AB	36B	8	490P0030A	A	24
38940231A	12B	10	45110462A	11A	23	480PC252AC	36B	8	490P0030A	N	2
38940261A	12A	7	45110462A	11B	23	480PC262AA	36B	1	490P0044A	A	29
39740081B	12B	12	45120311C	07A	4	480PC262AB	36B	1	490P0044A	O	1
39740081B	12B	12	45120321B	07A	9	480PC262AC	36B	1	490P0248A	A	30
40611881B	14A	7	45520192A	09A	8	48114311AA	36A	1	490P0248A	O	2
42610681A	35B	1	45612372AA	25A	6	48114311AB	36A	1	490P0272A	A	1
42610751A	34A	4	45623511AA	25A	7	48114311AC	36A	1	490P0272A	B	1
43217911Z	37A	8	45721161AA	25B	2	48114321A	36A	2	490P0297A	A	36
43310051B	37A	2	4601C581A	12C	28	48216981AB	36C	3	490P0297A	T	1
43310051C	37A	3	4601C581A	24B	36	48216991AB	36C	5	490P0298A	A	37
43312531A	37A	1	4601F281A	12A	12	48217001A	36C	1	490P0298A	T	2



CODE	NO. TABLE	POS.	CODE	NO. TABLE	POS.	CODE	NO. TABLE	POS.	CODE	NO. TABLE	POS.
490P0301A	A	32	491P0343A	A	35	53010484A	13C	1	57015182C	30A	7
490P0301A	D	1	491P0343A	H	2	53010491A	13C	5	57115142A	30A	9
490P0324A	A	7	491P0355A	A	33	53010501A	13C	6	57212103A	30A	3
490P0324A	S	1	491P0355A	D	2	53010511A	13C	5	57212121C	30A	3
490P0325A	A	11	491P0387A	A	8	53910351A	15A	5	57315071B	30B	3
490P0325A	P	1	491P0387A	S	2	53920901A	25B	15	575P0071A	30A	5
49140851B	A	10	49240032A	28A	8	53940302A	09B	23	57610671A	30A	12
49140851B	C	2	49240032A	28A	8	53941051A	21B	22	58511332A	24B	5
49140951A	A	6	49241011A	27A	1	53941061A	19A	5	58540341A	19A	15
49140951A	E	2	49241011A	27A	1	54040321A	12C	24	58540351A	19D	1
49141271A	A	12	49411731AA	28A	18	54140151A	12A	10	58540351A	21B	12
49141271A	P	2	49411731AA	28A	3	54241011A	19C	2	58613044AA	29A	1
49141601A	A	4	49720012A	27A	2	54812611B	24A	5	59014131A	35B	2
49141601A	F	2	49720012A	27A	2	55010051B	24A	12	59018572A	34A	7
491P0009A	A	16	49720071AC	28A	1	55212121B	17B	24	59018861C	35A	4
491P0009A	J	4	49720071AC	28A	1	55212121B	19D	21	59018872A	12C	5
491P0010A	A	17	50122551AA	27A	3	55214491B	30A	2	59018882A	12C	6
491P0010A	J	5	50122551AB	27A	3	55215494B	25A	1	59018882A	09A	11
491P0011A	A	18	50222311AA	28A	2	55240121A	12C	17	59310801B	09A	59
491P0011A	J	6	50222311AB	28A	2	55240121A	34A	6	59320641D	09A	9
491P0012A	A	19	50410061A	28A	6	55241321C	09B	14	59516821B	31A	1
491P0012A	J	7	50410061A	28A	6	55243161B	12C	2	595P6801CA	31A	5
491P0013A	A	20	50420381AA	27A	7	55243442A	11D	30	595P6801CA	31A	5
491P0013A	J	8	50420381AA	27A	7	55243911A	02A	10	595P6811BA	31A	17
491P0036A	A	25	5101H921E	12A	1	55243941A	04B	8	595P6961BA	31A	5
491P0036A	N	3	51011041A	12A	2	55340041A	24B	4	59820572A	32B	20
491P0037A	A	26	51310891D	12B	3	55611152AA	15A	3	59822451A	12D	14
491P0037A	N	4	51310891D	12B	3	55611152AA	15A	3	59840183A	12D	15
491P0038A	A	27	51411081C	12B	16	55611181BA	15A	3	59840541A	12D	16
491P0038A	N	5	51411081C	12B	16	55620681AA	15A	1	59920181A	31B	3
491P0039A	A	28	51411091C	12B	15	55910201A	31B	1	61041292C	19B	2
491P0039A	N	6	51411091C	12B	15	56113381AA	20A	15	61041302C	19B	1
491P0045A	A	31	51610053D	12C	9	56113392A	20A	2	61041991A	21B	27
491P0045A	O	3	52010554A	13A	1	56113392A	20A	2	61140421A	19D	3
491P0323A	A	2	52310541A	21A	11	56113521B	20A	3	61240052A	19B	8
491P0323A	B	2	52310551A	21A	12	56113521B	20A	3	61240052A	19D	10
491P0334A	A	38	52510433D	13C	7	56113531A	20A	4	61240052A	21B	4
491P0334A	T	3	52510433D	13C	7	56113531A	20A	4	61240081A	19D	20
491P0335A	A	39	52510704A	13B	5	56113611AA	20A	5	61240161A	19D	19
491P0335A	T	4	52910221A	17B	22	56113641DA	20A	5	61240391A	21B	23
491P0336A	A	40	52910231A	20A	1	564P6591AA	23A	1	61240511A	19B	10
491P0336A	T	5	52910231A	20A	1	564P6591AB	23A	1	61241241A	19A	3
491P0337A	A	41	53010463B	13C	1	564P6591AC	23A	1	61340951A	19D	4
491P0337A	T	6	53010474A	13C	4	56511392A	26A	1	61341021A	19B	11



CODE	NO. TABLE	POS.	CODE	NO. TABLE	POS.	CODE	NO. TABLE	POS.	CODE	NO. TABLE	POS.
61810871A	19B	4	69926761A	12B	1	71110951A	09A	6	71610061A	12B	9
61811702B	19C	4	69926761A	12B	1	71111601A	09B	4	71610061A	12B	9
61811712B	19C	3	70010362A	09A	18	71112191A	06A	8	71610221BB	30A	21
61911682C	19C	5	70010491A	25A	12	71112791A	21A	5	71610722A	07A	20
61911692B	19C	6	70010491A	25B	7	71113331AA	12D	10	71611181AA	12C	26
62441351B	19A	1	70010591A	28A	9	71113742A	11A	33	71611281A	07A	17
62540201A	19D	5	70010591A	28A	9	71113742A	11B	32	71614011B	23A	2
62640561A	19A	7	70011141A	17A	6	71115491A	13A	6	71614102AB	12C	21
62640561A	21B	20	70011161A	25A	11	71117802A	06A	11	71614141A	30A	22
62641081A	21B	18	70011161A	25B	6	71210341A	25A	8	71614142B	13A	13
62641121A	19A	8	70011291A	35B	5	71210341A	25B	3	71614191A	12D	7
63040941B	21B	1	70140051A	03A	4	71310141E	03A	11	71614191A	24A	2
63140081A	19A	6	70140211A	03A	17	71311281B	04B	12	71615211AA	24B	19
63140161A	19D	18	70140591A	10A	11	71311841A	28A	13	71615541AA	14A	6
63140281A	19A	11	70140681A	09A	62	71311841A	28A	13	71616011AA	24A	4
63140281A	21B	19	70240091A	04B	9	71311961A	27A	9	71616021BA	29A	15
63140541A	21B	21	70240102A	04B	10	71311961A	27A	9	71616031AA	36C	6
63140601A	19A	2	70240131A	09A	19	71311973A	27A	10	71616041AA	12D	13
63140631A	21B	2	70240181B	10A	15	71311973A	27A	10	71616151AA	29A	14
63211101C	21B	6	70240381A	28A	12	71312661A	03A	15	71616161A	20A	9
65010273B	21A	8	70240381A	28A	12	71312921A	11C	9	71950418CF	04B	16
65110281C	21A	10	70240401B	09A	20	71312921A	11D	9	71950538C	02A	7
65240371A	12D	12	70241231A	17A	21	71312921B	11C	25	72010513C	27A	8
65540081A	30C	8	70242211A	09A	65	71312921B	11D	26	72010513C	27A	8
65540101A	35B	4	70242261A	09A	27	71313931A	03A	1	72050069E	04B	13
66020093B	21A	6	70250081A	04B	2	71314361AB	30B	4	720941616	09A	24
66910011E	11C	6	70250081A	09A	21	71314831B	03B	15	735001542	02A	15
66910011E	11D	6	70250193A	09A	22	71314901A	17B	23	735033380	04B	3
67040451A	11A	29	70250412A	09A	66	71314901A	19D	22	735033380	09A	26
67040451A	11B	29	70250621A	27A	6	71316171A	21A	15	73740311B	07A	5
67621321A	16A	9	70250621A	27A	6	71319151A	02A	2	74110121A	12A	6
67640961A	16A	3	70250621A	28A	4	71319191A	10A	8	74110121A	20A	14
67740201A	16A	4	70250621A	28A	4	71319201A	17B	23	74110121A	30C	1
68010131A	05A	10	70250861A	03B	10	71319201A	19D	22	74110131A	12A	11
68010131A	05A	10	70310131A	17A	7	7131A371AA	28A	15	74110551A	12A	3
68010131A	07A	16	70350022A	11A	2	7131A371AA	28A	15	74110551A	20A	14
68050061A	11A	12	70350022A	11B	2	7131A811A	28A	16	74110551A	35B	10
68050061A	11B	12	70350062A	07A	12	7131A811A	28A	16	74140331A	17A	16
68050101A	09A	17	70450091A	08A	2	7131A923A	13C	4	74140381A	12A	5
69610261A	25A	32	70450091A	09A	23	7131C551A	28A	5	74140381A	20A	6
69610261A	25B	26	71011491A	30A	20	7131C551A	28A	5	74140381A	20A	6
69710151A	31A	9	71011901A	13A	7	71413241AA	27A	4	74140381A	24A	9
69710161A	31A	10	71015041A	21A	4	71413241AA	27A	4	74140381A	25A	31
69710391A	31A	11	71110922A	04B	11	71610031A	19C	9	74140381A	25B	27



CODE	NO. TABLE	POS.	CODE	NO. TABLE	POS.	CODE	NO. TABLE	POS.	CODE	NO. TABLE	POS.
74140431A	24B	15	74940081A	07A	7	76410241A	24A	7	77110212A	20A	11
74140621A	18A	3	74940321A	12C	8	76410241A	30A	11	77110391B	11A	15
74140631A	24B	16	74940321A	30B	7	76410291A	20A	8	77110391B	11B	15
74140631A	35B	9	74941113B	11A	24	76410291A	20A	8	77110391B	16A	5
74140651A	24B	7	74941113B	11B	24	76410631B	31A	6	77110401B	11A	31
74140651A	34A	8	74941113B	12C	25	76410641A	13A	14	77110401B	11B	31
74140651A	35B	8	74941118B	32B	18	76410641A	14A	5	77110431A	15A	2
74141001A	29A	17	74941128B	15A	8	76410641A	19C	14	77110521A	10A	6
74141711A	12C	27	74950011B	20A	7	76410901A	13B	3	77113691A	19D	11
74141711A	35B	6	74950011B	20A	7	76410971A	12C	16	77113691A	20A	10
74141871A	35A	10	75010071A	16A	6	76411141A	12C	22	77113691A	20A	10
74141911A	24B	37	75010121D	05A	11	76411361A	12B	11	77113731A	21A	14
74141911A	34A	9	75010121D	05A	11	76411361A	12B	11	77113741A	21A	9
74142121A	24B	28	75010281A	36A	3	76411361A	24A	3	77140653CC	09B	25
74142241A	19D	23	75010781A	03B	7	76411451A	25A	14	77140663CD	07A	6
74142371A	30C	7	75011131A	05A	6	76411621A	30C	4	77140677C	07A	23
74142401A	30C	2	75011131A	05A	6	76411851A	34A	11	77140677CF	10A	5
74142581A	24B	3	75011251A	18A	17	76411861B	29A	13	77140697CF	10A	7
74142591A	24B	17	75011601A	07A	15	76412101B	30A	19	77150078B	09A	12
74142801A	34A	10	75012192A	32B	21	76412131A	25B	30	77150408B	29A	10
74142951A	19A	16	75012341AA	12D	9	76412151A	20A	9	77150443B	12C	20
74142951A	19D	6	75050051A	10A	19	76412421B	12D	18	77150443B	12D	8
74142951A	21B	14	75810642A	17B	27	76414191A	19A	12	77150457E	29A	9
74710151A	09A	25	75811582AA	25A	2	76414191A	21B	8	77150653B	09A	29
74750031A	25B	8	75811841A	36C	33	76414381A	36A	4	77150670ZF	02A	3
74750051B	25B	34	75840601A	19C	17	76414611A	29A	12	77150723B	09B	11
74750071A	17A	8	75840601A	26A	5	76414651A	24A	17	77150743B	21A	2
74750101A	25A	3	75840611A	19C	1	76417651A	13B	4	77150758B	09A	30
74810232B	18A	15	75840641A	24B	10	76417651A	29A	11	77150808B	09B	8
74810351B	19A	18	75840721A	24B	27	76417681A	32A	5	77151250ZF	02A	1
74810351B	21B	13	75840771A	32B	23	76417681A	32A	5	77151363B	09B	6
74810361A	30A	8	75840801A	14A	1	76417681A	32A	6	77156398B	13C	6
74810361A	31B	9	75840801A	30C	3	76440561A	36C	19	77156408B	13A	16
74810461A	28A	17	75840871A	36B	5	76440572A	11C	8	77156408B	35A	5
74810461A	28A	17	75840951A	32B	24	76440572A	11D	8	77156413BA	13A	5
74810501A	11C	31	75841041A	32B	25	76440581A	09B	24	77156623B	30A	23
74810501A	11D	21	75841091A	19C	15	76510261A	25A	15	77156628B	12B	13
74810651A	27A	11	75841101A	19C	16	76510271A	25B	12	77156628B	12B	13
74810651A	27A	11	75841121A	04B	29	76610551D	09B	2	77156683B	30A	13
74840241AB	17A	10	75841121A	34A	15	76640191A	11A	25	77156688B	25A	18
74840341B	18A	9	76410011A	30B	5	76640191A	11B	25	77156688B	30A	14
74841011AA	32B	19	76410241A	12B	21	77050413B	13A	19	77157238B	19D	14
74910021A	12D	1	76410241A	12B	21	77052508B	04B	14	77157248C	17A	12
74940041A	25A	13	76410241A	12D	6	77110191A	25A	17	77157253B	17A	13



CODE	NO. TABLE	POS.	CODE	NO. TABLE	POS.	CODE	NO. TABLE	POS.	CODE	NO. TABLE	POS.
77157273B	17A	11	77240403C	24B	32	77440101A	24A	14	77914181AA	25B	20
77159418B	17A	15	77240423C	12D	5	77440111A	12B	22	77914211A	11C	23
77210423C	17B	25	77240423C	31B	10	77440111A	12B	22	77914211A	11D	23
77210423C	19D	16	77240423C	32B	17	77440131A	20A	12	77914651A	19B	6
77210623B	11C	28	77240443C	19C	13	77440203C	12B	18	77915041A	22A	1
77210623B	11D	31	77240453C	24B	9	77440203C	12B	18	77915093A	11A	3
77210841B	13C	13	77240453C	31B	5	77440203C	12C	15	77915093A	11B	3
77210841B	36C	7	77240458C	12C	19	77440203C	34A	12	77915111B	19B	3
77210841BA	31A	2	77240463C	29A	8	77440213C	34A	16	77915471A	05A	4
77210841C	26A	4	77240483C	24A	1	77440228C	34A	19	77915471A	05A	4
77210842A	24B	6	77240483C	29A	7	77440251A	13A	8	77916041D	04A	15
77210893B	14A	2	77240593C	12C	11	77440251A	36C	15	77916041D	04B	27
77210893B	23A	3	77240608C	30B	9	77440571A	20A	12	77916041D	09B	18
77210971B	12B	8	77244163B	20A	11	77440571A	34A	18	77916081A	24A	8
77210971B	12B	8	77244163B	30A	6	77510071AB	36A	7	77917241AA	15A	4
77211061A	12A	9	77244183B	04B	30	77510311B	09A	32	77918141A	11A	5
77211251A	36C	30	77244183B	12C	4	77510721A	04A	5	77918291AA	32A	4
77211251B	24A	19	77244183B	13A	21	77510741A	24A	16	77918291AA	32A	4
77211251B	26A	2	77244183B	31B	4	77550211B	09B	7	77918291AA	32A	4
77214031A	31A	13	77244183B	36B	11	77550213C	17B	26	77918301AB	32B	9
77214031A	32B	15	77244183B	36C	8	77550353B	20A	15	77919162AA	11C	33
77214061AA	14A	3	77244213B	29A	6	77750493C	04B	26	77919881A	09A	2
77214411AA	12B	4	77244253C	36C	9	77750508CC	10A	18	7791A131AA	32B	8
77214411AA	12B	4	77244393BA	13A	15	77850281A	17A	9	7791C411AA	12D	11
77214411AA	13C	2	77250341B	09A	13	77910391A	09A	33	7791C441A	07A	10
77214411AA	13C	2	77250341C	07A	22	77910921A	19A	13	7791C451A	09B	21
77214411AA	24A	11	77253300ZF	10A	3	77910921A	21B	7	7791C461A	09B	20
77214411AA	30B	8	77310021A	17B	16	77911092A	05A	2	7791C511AA	25B	5
77214411AA	31A	3	77310021A	25B	31	77911092A	05A	2	7791C591AA	25A	19
77214411AA	31B	2	77310071A	28A	7	77911982A	09A	34	7791C591AA	25B	17
77214411AA	36A	5	77310071A	28A	7	77912061AB	25A	21	77927171B	09A	35
77214411AA	36B	4	77350403B	11A	19	77912741A	24B	8	77941992A	04B	24
77214411AA	36C	31	77350403B	11B	19	77912741A	35A	7	77942032A	04A	14
77214411BA	18A	7	77350403B	36C	32	77913662AB	19C	7	77942032A	04B	15
77214411BA	35A	6	77350413B	19C	12	77913662AB	19D	7	77950302A	11A	16
77215251A	03B	3	77350413B	25B	11	77913662AB	21B	16	77950302A	11B	16
77240243C	36A	6	77350618B	11C	20	77913722AA	18A	14	77950621A	09A	37
77240263C	36C	34	77350658B	09A	31	77913971A	19B	7	78010161B	05A	3
77240278C	36C	18	77354623B	13C	8	77913971A	19D	15	78010161B	05A	3
77240393C	32B	11	77354623B	13C	8	77913971A	21B	5	78010511E	11C	12
77240398C	19D	17	77354893C	21B	26	77914045B	05A	9	78010511E	11D	12
77240398CC	09A	67	77355068B	30B	6	77914045B	05A	9	78010921A	09A	38
77240403C	17A	14	77440041A	13B	1	77914151A	19A	9	78010941B	09A	60
77240403C	18A	4	77440101A	23A	4	77914181AA	25A	20	78011001A	04B	5



CODE	NO. TABLE	POS.	CODE	NO. TABLE	POS.	CODE	NO. TABLE	POS.	CODE	NO. TABLE	POS.
78011281A	04A	12	80018321B	24B	20	82716091A	04B	17	83110151B	09A	42
78610961A	06A	7	80018331B	24B	23	82716351A	11A	22	84010012A	11C	1
78611511A	06A	9	80018341A	24B	33	82716351A	11B	22	84010012A	11D	1
78710111A	09B	26	80018353A	24B	26	82719021B	04A	6	84010022A	11C	1
78810542A	10A	4	80018361A	24B	14	82916531A	09B	27	84010022A	11D	1
78810931A	11A	9	80810461A	18A	8	8291B911BA	19A	10	84010032A	11C	1
78810931A	11B	9	81110021A	09A	15	8291B951BA	21B	9	84010032A	11D	1
78811041A	34A	13	81140012B	11A	21	8291D011A	12C	1	84010042A	11C	1
78811151A	09A	14	81140012B	11B	21	8291E041A	13A	4	84010042A	11D	1
78811301A	35A	8	81411111C	11A	27	8291J471B	36C	29	84010052A	11C	1
78811641C	21B	28	81411111C	11B	27	8291M701A	24B	11	84010052A	11D	1
78811911A	11A	8	81411881A	11D	25	8291M891A	12C	23	84010062A	11C	1
78811911A	11B	8	81413261B	11C	29	8291M941B	13A	18	84010062A	11D	1
78812011A	31A	16	81413341A	11A	28	8291N181A	13C	9	84010072A	11C	1
79010151A	30A	4	81413341A	11B	28	8291N191A	13C	10	84010072A	11D	1
79111111A	29A	5	81420051A	11D	32	8291N201A	13C	11	84010082A	11C	1
79120571C	06A	6	81441041A	35B	11	8291N211A	13C	12	84010082A	11D	1
79710881A	03B	1	81446871A	24B	29	8291N241A	36B	13	84010092A	11C	1
79910241B	25A	22	81510281A	09A	41	8291N471AB	14A	4	84010092A	11D	1
79910241B	25B	18	81810162A	03B	5	8291N531A	19C	11	84010102A	11C	1
79910491D	09A	39	81910602AA	27A	12	83014041B	24A	6	84010102A	11D	1
79912961A	02A	20	81910602AA	27A	12	83014401A	32B	22	84010112A	11C	1
79914991A	25A	23	81910791AA	18A	12	8301I771AA	12D	4	84010112A	11D	1
79914991A	25B	21	82111701B	25A	26	8301I812A	12C	7	84010122A	11C	1
79915001A	11C	18	82111701B	25B	25	8301I891AA	34A	17	84010122A	11D	1
79915001A	11D	19	82112941A	11C	17	8301I951AA	30A	15	84010132A	11C	1
79915011A	11C	19	82112941A	11D	17	8301I962AB	31B	8	84010132A	11D	1
79915011A	11D	18	82112951A	11C	15	8301I971AA	32B	7	84010142A	11C	1
79915061A	02A	4	82112951A	11D	15	8301I981BA	32B	13	84010142A	11D	1
79915081A	15A	6	82113471A	10A	9	8301L022AA	24B	34	84010152A	11C	1
79915181B	11C	26	82113811AA	25B	14	8301L061C	13A	20	84010152A	11D	1
79915181B	11D	28	82113881A	02A	13	8301L071A	13A	9	84010162A	11C	1
79915191B	11C	27	82114632BB	15A	9	8301L081A	13A	10	84010162A	11D	1
79915191B	11D	27	82114731A	02A	5	8301L091B	12B	6	84010172A	11C	1
79915511A	25B	22	82114741AA	28A	10	8301L091B	12B	6	84010172A	11D	1
79915741B	09A	61	82114741AA	28A	10	8301L102BA	30A	16	84010182A	11C	1
79918661B	13A	17	82115101AA	25A	24	8301L111A	31A	12	84010182A	11D	1
79921602A	15A	7	82115101AA	25B	23	8301L121BA	12C	10	84010192A	11C	1
79940171A	09A	40	82120151A	02A	14	8301L181AA	25B	32	84010192A	11D	1
800070139	01B	5	82414032AA	25A	27	8301L211BA	36C	16	84010202A	11C	1
80011852B	24B	1	82414042AA	25B	28	8301L261BA	25B	24	84010202A	11D	1
80012481B	24B	2	82510681AA	19D	13	8301L341AA	32B	10	84010212A	11C	1
80018301B	24B	22	82610261A	02A	16	8301L351AA	36A	8	84010212A	11D	1
80018312A	24B	21	82716031A	09A	16	8301L671AA	20A	16	84010222A	11C	1



CODE	NO. TABLE	POS.	CODE	NO. TABLE	POS.	CODE	NO. TABLE	POS.	CODE	NO. TABLE	POS.
84010222A	11D	1	84010502B	11D	2	84010722A	11D	1	84011122A	11D	1
84010232A	11C	1	84010512B	11C	2	84010722B	11C	2	84011132A	11C	1
84010232A	11D	1	84010512B	11D	2	84010722B	11D	2	84011132A	11D	1
84010242A	11C	1	84010522B	11C	2	84010732A	11C	1	84011142A	11C	1
84010242A	11D	1	84010522B	11D	2	84010732A	11D	1	84011142A	11D	1
84010252A	11C	1	84010532B	11C	2	84010732B	11C	2	84740021A	25A	28
84010252A	11D	1	84010532B	11D	2	84010732B	11D	2	84740021A	25B	29
84010262A	11C	1	84010542B	11C	2	84010742B	11C	2	84740061A	09A	43
84010262A	11D	1	84010542B	11D	2	84010742B	11D	2	84850021A	25A	5
84010272A	11C	1	84010552B	11C	2	84010752B	11C	2	85040381A	30A	17
84010272A	11D	1	84010552B	11D	2	84010752B	11D	2	85040381A	32B	14
84010282A	11C	1	84010562B	11C	2	84010762B	11C	2	85040471A	13C	3
84010282A	11D	1	84010562B	11D	2	84010762B	11D	2	85040551A	30B	2
84010292A	11C	1	84010572B	11C	2	84010772B	11C	2	85040671A	20A	13
84010292A	11D	1	84010572B	11D	2	84010772B	11D	2	85040671A	20A	13
84010302A	11C	1	84010582B	11C	2	84010782B	11C	2	85041121A	24B	30
84010302A	11D	1	84010582B	11D	2	84010782B	11D	2	85041711A	12B	23
84010312A	11C	1	84010592B	11C	2	84010792B	11C	2	85041711A	12B	23
84010312A	11D	1	84010592B	11D	2	84010792B	11D	2	85041811A	32B	6
84010322A	11C	1	84010602B	11C	2	84010802B	11C	2	85041931A	29A	4
84010322A	11D	1	84010602B	11D	2	84010802B	11D	2	85041951AA	12B	5
84010332A	11C	1	84010612B	11C	2	84010812B	11C	2	85041951AA	12B	5
84010332A	11D	1	84010612B	11D	2	84010812B	11D	2	85041951AA	12C	3
84010342A	11C	1	84010622B	11C	2	84010822B	11C	2	85041951AA	13C	3
84010342A	11D	1	84010622B	11D	2	84010822B	11D	2	85041951AA	24A	10
84010412B	11C	2	84010632B	11C	2	84010832B	11C	2	85041951AA	24B	18
84010412B	11D	2	84010632B	11D	2	84010832B	11D	2	85041951AA	31B	6
84010422B	11C	2	84010642B	11C	2	84010842B	11C	2	85041951AA	32B	16
84010422B	11D	2	84010642B	11D	2	84010842B	11D	2	85041951AA	36A	9
84010432B	11C	2	84010652B	11C	2	84010852B	11C	2	85041951AA	36B	12
84010432B	11D	2	84010652B	11D	2	84010852B	11D	2	85041951AA	36C	28
84010442B	11C	2	84010662B	11C	2	84010862B	11C	2	85042131A	35A	12
84010442B	11D	2	84010662B	11D	2	84010862B	11D	2	85042242A	29A	3
84010452B	11C	2	84010672B	11C	2	84010872B	11C	2	85110041A	16A	7
84010452B	11D	2	84010672B	11D	2	84010872B	11D	2	85110131A	07A	14
84010462B	11C	2	84010682B	11C	2	84011082A	11C	1	85110201B	03B	8
84010462B	11D	2	84010682B	11D	2	84011082A	11D	1	85110201B	03B	8
84010472B	11C	2	84010692B	11C	2	84011092A	11C	1	85140031A	05A	12
84010472B	11D	2	84010692B	11D	2	84011092A	11D	1	85140031A	05A	12
84010482B	11C	2	84010702B	11C	2	84011102A	11C	1	85210011B	18A	10
84010482B	11D	2	84010702B	11D	2	84011102A	11D	1	85210021B	18A	10
84010492B	11C	2	84010712B	11C	2	840111102A	11D	1	85210031B	18A	10
84010492B	11D	2	84010712B	11D	2	84011112A	11C	1	85210241A	36A	10
84010502B	11C	2	84010722A	11C	1	84011112A	11D	1	85210491B	17A	17
						84011122A	11C	1	85210532A	09A	44



CODE	NO. TABLE	POS.	CODE	NO. TABLE	POS.	CODE	NO. TABLE	POS.	CODE	NO. TABLE	POS.
85210532A	25A	4	85250241A	19A	4	86613081A	12C	13	88610241A	09B	15
85210532A	25B	13	85250241A	19B	9	86613101B	13A	2	88610951A	04B	28
85210651B	25A	29	85250241A	19C	8	86613111A	12B	2	88640331A	09A	53
85211031AB	17A	18	85250241A	19D	8	86613111A	12B	2	88641031A	11C	30
85211201A	09A	45	85250241A	21B	17	86613122A	12B	20	88641161A	25A	25
85211571A	25A	16	85250261B	11C	11	86613122A	12B	20	88641161A	25B	10
85211571A	25B	9	85250261B	11D	11	86613261B	32A	3	88641321A	09B	9
85211671B	30A	18	85250401A	17A	19	86613261B	32A	3	88641731A	03B	6
85211671B	31A	14	85250421A	09A	47	86613261B	32A	3	88641961A	09A	36
85211721A	04B	18	85250421A	09B	22	86613271B	32A	2	88642231A	35A	9
85211761A	12D	2	85250481A	04B	19	86613271B	32A	2	88642301A	04A	10
85211951A	09B	28	85250631A	04B	6	86613271B	32A	2	88650131A	09A	54
85212181A	36B	6	85310021A	07A	8	86613281A	36B	7	88650511A	11A	1
85212181A	36C	10	85310031A	09B	13	86613301B	32B	12	88650511A	11B	1
85212221A	27A	13	85340021A	13A	3	86613341A	13A	25	887005644	01A	10
85212221A	27A	13	85350101A	10A	20	87211691A	36B	14	887130022	01A	25
85212641A	11A	32	85350101A	12B	14	87211701A	36B	15	887130031	01A	14
85212641A	11B	5	85350101A	12B	14	87240561A	19A	19	887130137	01A	1
85212691A	05A	7	85550001B	12A	8	87240561A	21B	29	887131010	01B	2
85212691A	05A	7	85610623A	07A	19	87240921A	24A	20	887131058	01B	7
85212901A	30B	10	85610642A	11C	32	87310051A	11A	13	887131059	01B	6
85213002A	20A	16	85610642A	11D	29	87310051A	11B	13	887131062	01B	3
85213002A	20A	17	85610743A	11A	4	87310371A	09B	16	887131074	01B	4
85213021A	08A	3	85610743A	11B	4	87511461B	09A	50	887131309	01A	15
85213021A	09A	46	85610751A	10A	2	87611542A	30C	6	887131749	01A	22
85213111AA	36C	11	85611231A	03A	19	87611552A	30C	5	887131806	01A	16
85213601A	04A	7	85611261A	03A	6	87614081A	34A	14	887131821	01A	19
85213661AA	25A	10	85611391B	03B	2	87711572A	09B	29	887131832	01B	9
85213661AA	25B	19	85611481A	09A	48	88110121A	02A	18	887131994	01A	4
85213751AA	36C	17	85640141A	09A	51	88110341A	10A	17	887132011	01A	17
85214082A	09A	28	86010051B	09B	12	88111281A	24B	24	887132103	01A	3
85214791A	18A	13	86050061A	09A	49	88210031A	07A	11	887132442	01A	9
85240171A	12B	19	86050061A	11C	24	88210141A	03A	7	887132651	01A	11
85240171A	12B	19	86050061A	11D	24	88440061A	28A	14	887132676	01A	2
85240171A	12C	14	86610301B	12B	7	88440061A	28A	14	887132695	01A	24
85240171A	31B	7	86610301B	12B	7	88440071A	18A	11	887132870	01A	13
85241711A	13B	2	86610301B	31A	7	88440531A	09A	63	887132877	01A	12
85241711A	24A	15	86610361A	13A	11	88450341B	02A	19	887132906	01A	6
85250051A	09B	5	86611001B	24B	31	88450371A	08A	4	887133219	01A	8
85250231A	11A	26	86611861A	19C	10	88450371A	09A	52	887133220	01B	1
85250231A	11B	26	86612101A	36C	12	88450431A	04B	20	887133334	01A	21
85250231A	11C	21	86612111A	13A	12	88450441A	25A	30	887133367	01A	20
85250231A	11D	20	86612221A	31A	8	88450441A	25B	16	887134411	01A	23
85250241A	04A	13	86612791A	36C	27	88450711A	04A	8	887134488	01B	8



CODE	NO. TABLE	POS.	CODE	NO. TABLE	POS.
887651298	01A	18	93040521A	27A	5
887651623	01A	7	93040521A	27A	5
887651635	01A	5	93040931A	09A	57
89310143A	24B	12	93041271A	09A	64
89320062A	09A	55	93041631B	09A	58
89320191A	04A	9	93042691A	04B	25
89340241A	19D	2	93050051A	04B	21
89340241A	21B	11	93050062B	04B	22
89340251A	19A	14	93050072A	11A	17
89420121F	09B	17	93050072A	11B	17
89520072A	29A	16	93310601A	19D	9
91375701AR	31A	15	93310611A	19A	17
91375701BG	31A	15	93310711A	21B	15
91375701CA	31A	15	93410201A	24B	13
91375701CS	31A	15	93410471A	24B	25
91375701DA	31A	15	93510491A	35B	13
91375701DE	31A	15	93510891B	35B	3
91375701EL	31A	15	93511042A	35B	7
91375701EN	31A	15	93511051A	35B	12
91375701ES	31A	15	942470014	09B	1
91375701FI	31A	15	944650035	L	1
91375701FR	31A	15	944650037	L	2
91375701HR	31A	15	979000253	01C	2
91375701HU	31A	15	979000279	01C	1
91375701IT	31A	15	979000281	01C	6
91375701JA	31A	15	979000282	01C	3
91375701KO	31A	15	979000283	01C	4
91375701MX	31A	15	979000284	01C	5
91375701NL	31A	15			
91375701NO	31A	15			
91375701PL	31A	15			
91375701RO	31A	15			
91375701RU	31A	15			
91375701SK	31A	15			
91375701SL	31A	15			
91375701SV	31A	15			
91375701US	31A	15			
91375701ZH	31A	15			
92610051A	29A	18			
92610321A	13A	24			
92611021A	25A	33			
93010041B	17A	20			
93040211A	04A	11			
93040221A	09A	56			





Ducati Motor Holding S.p.A.

Uffici Commerciali Amministrativi:

Via A. Cavalieri Ducati n. 3

40132 Bologna, Italy

Telefono 051 6413111

Fax 051 406580

Internet www.ducati.com