



HYPERMOTARD 950

Model Year 2022

HYPERMOTARD

Chassis prefix:
Cylinder capacity:

030000022
SPARE PARTS CATALOGUE
en-US



The present spare parts order exactly the right spare parts.

When ordering specify:

1. the part's code number followed by its description and quantity needed;
2. the motorcycle's serial number, stamped on the steering head.

Reference to right and left apply to the vehicle in terms of its direction of movement.


Spare parts drawings are general and do not represent the part.

The contents of this catalogue are general and can undergo changes without prior notice.

CHARACTERISTICS LEGENDA

CHARACTERISTIC CODE	CHARACTERISTIC DESCRIPTION	VALUE CODE	VALUE DESCRIPTION
CPT	PART CAR	D35	DEPOTENZIATO 35KW
CPT	PART CAR	STD	MOTO STANDARD
DFR	DFR	N	NO
MOD	MODEL	HYM 950	Hypermotard 950
PLT	PLANT	DB10	DMH
XCO	MAIN CLR	R	Red
XCR	FR/W COL	R-B	RED FRAME,WITH BLACK WHEELS
XST	STD CNTY	AUS	VERSIONE AUSTRALIA
XST	STD CNTY	EUR	VERSIONE EUROPA
XST	STD CNTY	GSO	VERSIONE PAESI DEL GOLFO
XST	STD CNTY	JAP	VERSIONE GIAPPONE
XST	STD CNTY	ROK	VERSIONE SOUTH COREA
XST	STD CNTY	TWN	VERSIONE TAIWAN



COLOUR	COLOUR CODE	COLOUR DESCRIPTION	FINISHED PRODUCTS
	R	Red	(D30000122) HYM 950 22 EUR R R-B STD DMH (D30000222) HYM 950 22 AUS R R-B STD DMH (D30000322) HYM 950 22 JPN R R-B STD DMH (D30000522) HYM 950 22 GSO R R-B STD DMH (D30000622) HYM 950 22 TWN R R-B STD DMH (D30000822) HYM 950 22 EUR R R-B D35 DMH (D30002122) HYM 950 22 ROK R R-B STD DMH



General information.....	3
Colours.....	4
Group ELECTRIC.....	10
Drawing 12A - VEHICLE ELECTRIC SYSTEM [XST:EUR,JAP,GSO,ROK,TWN].....	10
Drawing 12A - VEHICLE ELECTRIC SYSTEM [XST:AUS].....	12
Drawing 12B - BATTERY HOLDER [XST:AUS,EUR,GSO,ROK,TWN].....	14
Drawing 12B - BATTERY HOLDER [XST:JAP].....	16
Drawing 12C - ELECTRICAL DEVICES.....	18
Drawing 12D - ELECTRICAL DEVICES.....	22
Drawing 13A - HEADLIGHT.....	24
Drawing 13B - TAILLIGHT.....	26
Drawing 14A - INSTRUMENT PANEL.....	28
Group OIL.....	30
Drawing L - SHELL ADVANCE.....	30
Group ENGINE.....	32
Drawing 02A - SHIFT CAM - FORK.....	32
Drawing 03A - GEAR BOX.....	34
Drawing 03B - CLUTCH.....	36
Drawing 04A - CLUTCH COVER.....	38
Drawing 04B - GENERATOR COVER.....	40
Drawing 05A - CONNECTING RODS.....	42
Drawing 05A - CONNECTING RODS.....	44
Drawing 06A - CYLINDERS - PISTONS.....	46
Drawing 07A - TIMING SYSTEM.....	48
Drawing 08A - OIL PUMP.....	50
Drawing 09A - HALF-CRANKCASES PAIR.....	52
Drawing 09B - HALF-CRANKCASES PAIR.....	56
Drawing 10A - ELECTRIC STARTING AND IGNITION.....	58
Drawing 11A - VERTICAL CYLINDER HEAD - TIMING.....	60



Drawing 11B - HORIZONTAL HEAD – TIMING SYSTEM.....	62
Drawing 11C - VERTICAL HEAD.....	64
Drawing 11D - HORIZONTAL HEAD.....	72
Group TOOLS.....	80
Drawing 01A - WORKSHOP SERVICE TOOLS (ENGINE).....	80
Drawing 01B - WORKSHOP SERVICE TOOLS (FRAME).....	82
Drawing 01C - CHECK INSTRUMENT DDS.....	84
Group TYRES.....	86
Drawing A - TYRES.....	86
Drawing B - ORIGINAL EQUIPMENT TYRES.....	90
Drawing D - PIRELLI ANGEL™ GT II.....	92
Drawing E - PIRELLI DIABLO™ SUPERCORSA SP.....	94
Drawing F - PIRELLI DIABLO™ ROSSO CORSA II.....	96
Drawing G - PIRELLI PHANTOM™ SPORTSCOMP.....	98
Drawing H - PIRELLI DIABLO™ SUPERCORSA SP V3.....	100
Drawing J - (#) PIRELLI DIABLO™ SUPERBIKE.....	102
Drawing K - (#) PIRELLI DIABLO™ WET.....	104
Drawing M - (#) PIRELLI DIABLO™ RAIN.....	106
Drawing N - (#) PIRELLI DIABLO™ SUPERCORSA SC V2.....	108
Drawing O - (#) PIRELLI DIABLO™ SUPERCORSA SC.....	110
Drawing P - PIRELLI ANGEL™ GT.....	112
Drawing S - PIRELLI DIABLO™ ROSSO IV.....	114
Drawing T - (#) PIRELLI DIABLO™ SUPERCORSA SC V3.....	116
Drawing U - PIRELLI DIABLO™ ROSSO II.....	118
Group FRAME.....	120
Drawing 15A - STAND.....	120
Drawing 16A - FRONT SPROCKET - CHAIN.....	122
Drawing 17A - STEERING ASSEMBLY.....	124
Drawing 17B - FRONT FORK.....	126
Drawing 18A - REAR SWINGING ARM [XST:EUR,GSO,JAP,ROK,TWN].....	128

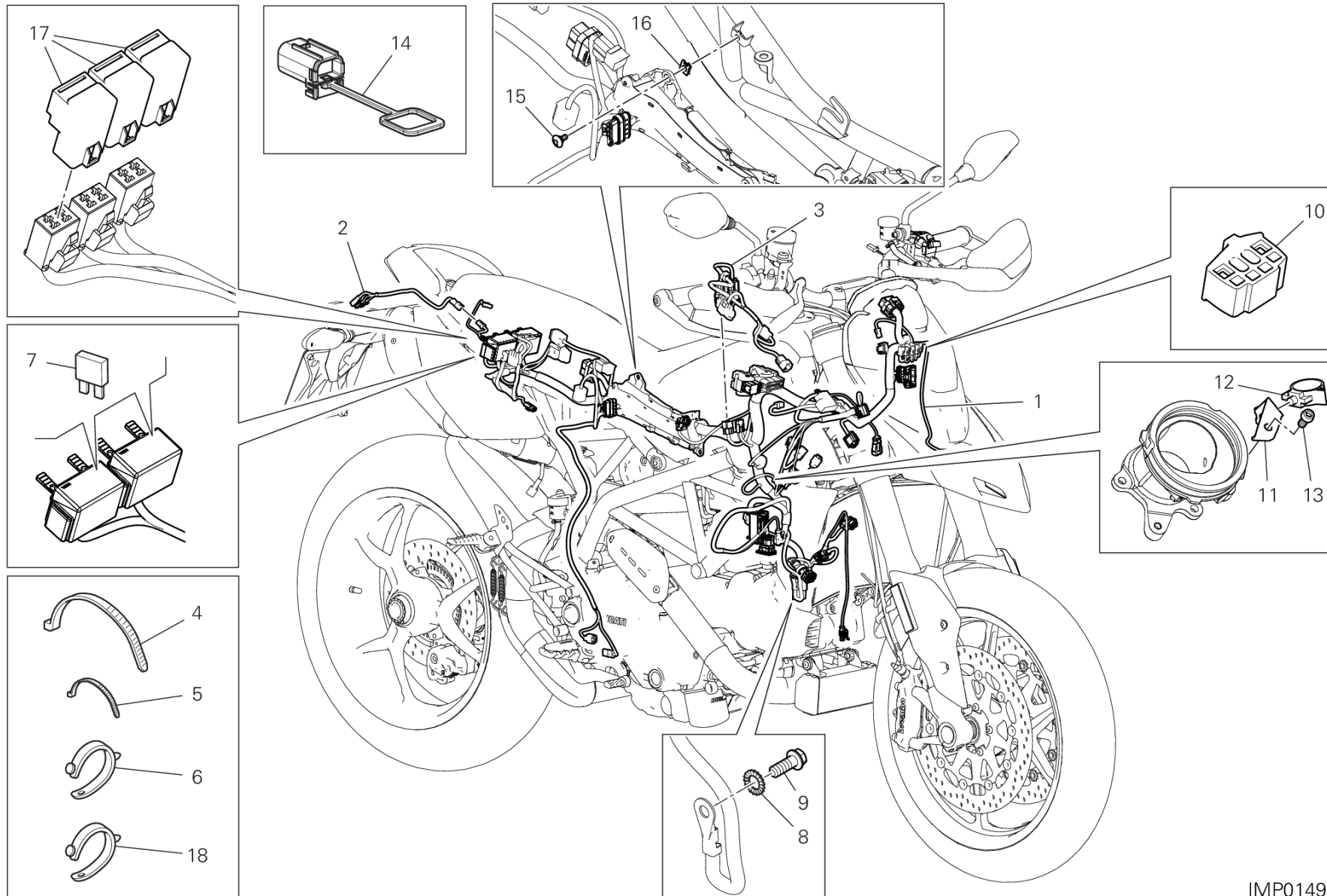


Drawing 18A - REAR SWINGING ARM [XST:AUS].....	130
Drawing 19A - FRONT BRAKE PUMP.....	132
Drawing 19B - FRONT BRAKE SYSTEM.....	134
Drawing 19C - BRAKING SYSTEM ABS.....	136
Drawing 19D - REAR BRAKE SYSTEM.....	138
Drawing 20A - PLATE HOLDER [XST:AUS,EUR,GSO,ROK,TWN].....	140
Drawing 20A - PLATE HOLDER [XST:JAP].....	142
Drawing 21A - HANDLEBAR.....	144
Drawing 21B - CLUTCH CONTROL.....	146
Drawing 22A - REAR SHOCK ABSORBER.....	148
Drawing 23A - FRONT MUDGUARD.....	150
Drawing 24A - WATER COOLER.....	152
Drawing 24B - COOLING CIRCUIT.....	154
Drawing 25A - FOOTRESTS, LEFT.....	156
Drawing 25B - FOOTRESTS, RIGHT.....	160
Drawing 26A - REAR MUDGUARD.....	164
Drawing 27A - FRONT WHEEL.....	166
Drawing 28A - REAR WHEEL.....	168
Drawing 28B - REAR WHEEL SPINDLE.....	170
Drawing 29A - FUEL TANK.....	172
Drawing 30A - EXHAUST MANIFOLD [XST:EUR,GSO,JAP,ROK,TWN].....	174
Drawing 30A - EXHAUST MANIFOLD [XST:AUS].....	176
Drawing 30B - EXHAUST SILENCER.....	178
Drawing 30C - SECONDARY AIR SYSTEM.....	180
Drawing 31A - SEAT.....	182
Drawing 32A - FRAME [XST:AUS,EUR,GSO,JAPTWN].....	186
Drawing 32A - FRAME [XST:ROK].....	188
Drawing 32B - REAR FRAME COMP.....	190
Drawing 33A - OIL COOLER.....	192
Drawing 34A - AIR INTAKE - OIL BREATHER [XST:EUR,GSO,JAP,ROK,TWN].....	194



Drawing 34A - AIR INTAKE - OIL BREATHER [XST:AUS].....	196
Drawing 35A - THROTTLE BODY.....	198
Drawing 35B - CANISTER FILTER.....	200
Drawing 36A - COWLING.....	202
Drawing 36B - FAIRING [XST:AUS,EUR,GSO,ROK,TWN].....	204
Drawing 36B - FAIRING [XST:JAP].....	206
Drawing 36C - FAIRING.....	208
Drawing 37A - POSITIONING PLATES [XST:JAP].....	210
Alphanumeric index.....	212

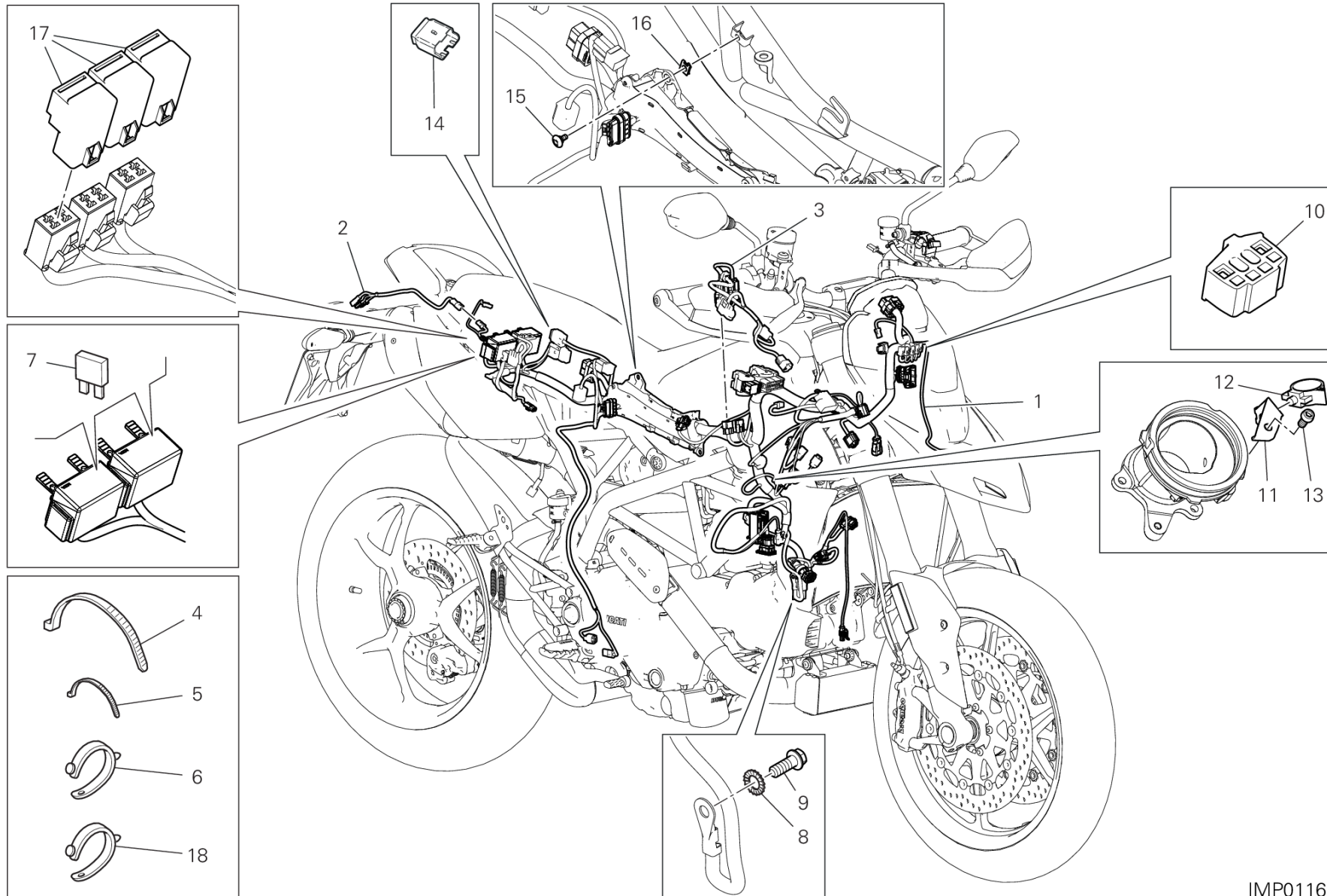




IMP01492



POS.	CODE	DESCRIPTION	QTY	VALIDITY	NOTES
1	5101I121B	MAIN WIRING HARNESS	1		
2	5101D091C	REAR WIRING	1		
3	5101D081C	INJECTION WIRING	1		
4	069191030	CLAMP	12		
5	74140381A	CLAMP	7		
6	74110121A	CLAMP, RUBBER 62MM	2		
7	38940101A	FUSE 30A	1		
	38940191A	FUSE 5A	1		
	38940201A	FUSE 10A	1		
	38940211A	FUSE 15A	1		
	38940221A	FUSE 20A	1		
	38940261A	FUSE 25A	1		
8	85550001B	SPRING WASHER	1		
9	77211061A	SCREW TEF M6X14	1		
10	86612861A	BRACKET, CONNECTOR	1		
11	8301A991AA	BRACKET	1		
12	75840641A	HOSE GUIDE	1		
13	77113691A	SCREW TCEIF M6X12	1		
14	87211681A	CAP DDA	1		
15	77214411AA	SCREW	2		
16	85040471A	QUICK FASTENING M5	2		
17	54140151A	RELAY	3		
18	74110131A	CLAMP, RUBBER 82MM	2		



IMP01165

DRAWING 12A - VEHICLE ELECTRIC SYSTEM [XST:AUS]

GROUP ELECTRIC

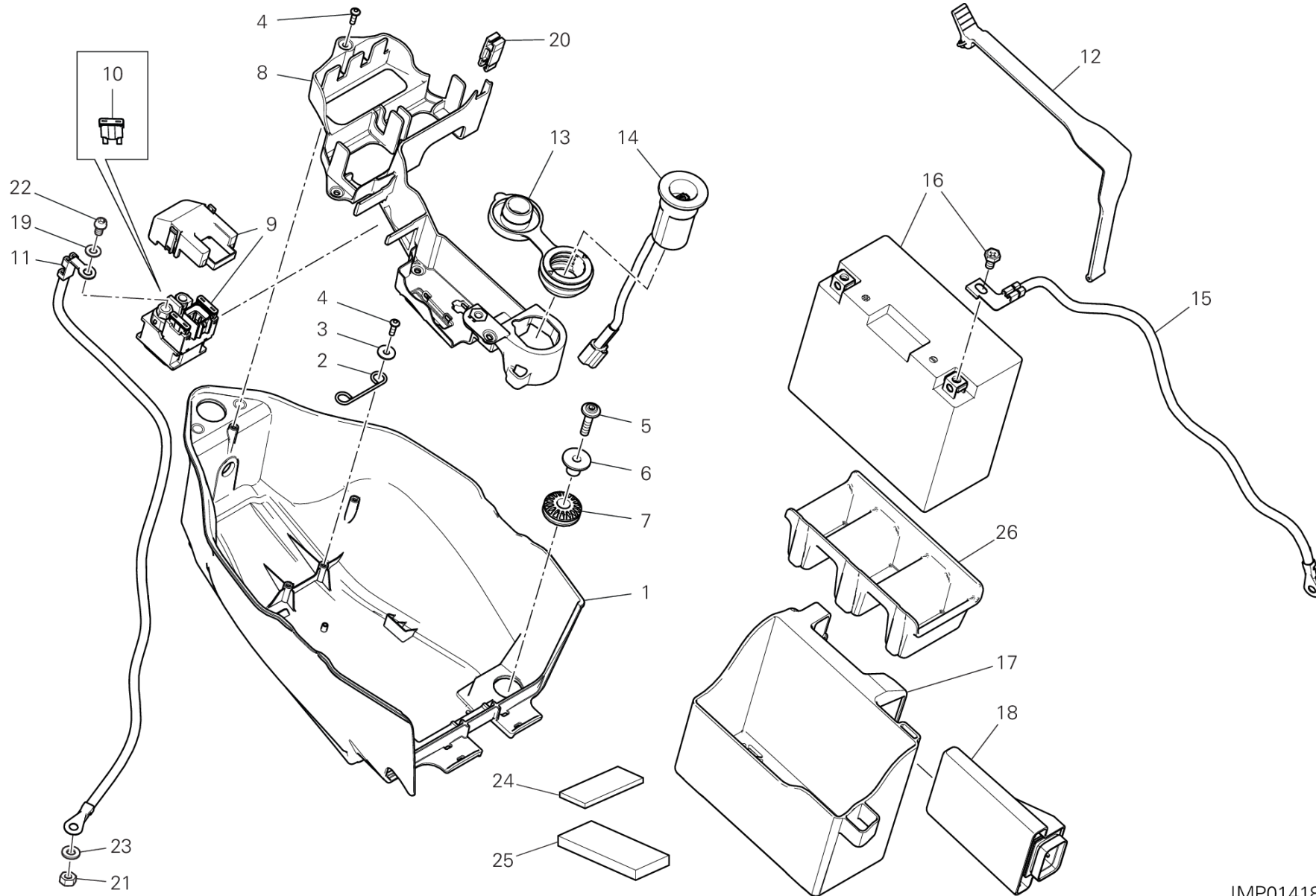


POS.	CODE	DESCRIPTION	QTY	VALIDITY	NOTES
1	5101D071E	MAIN WIRING HARNESS	1		
2	5101D091C	REAR WIRING	1		
3	5101D081C	INJECTION WIRING	1		
4	069191030	CLAMP	12		
5	74140381A	CLAMP	7		
6	74110121A	CLAMP, RUBBER 62MM	2		
7	38940101A	FUSE 30A	1		
	38940191A	FUSE 5A	1		
	38940201A	FUSE 10A	1		
	38940211A	FUSE 15A	1		
	38940221A	FUSE 20A	1		
	38940261A	FUSE 25A	1		
8	85550001B	SPRING WASHER	1		
9	77211061A	SCREW TEF M6X14	1		
10	86612861A	BRACKET, CONNECTOR	1		
11	8301A991AA	BRACKET	1		
12	75840641A	HOSE GUIDE	1		
13	77113691A	SCREW TCEIF M6X12	1		
14	87210532A	CAP DDA	1		
15	77214411AA	SCREW	2		
16	85040471A	QUICK FASTENING M5	2		
17	54140151A	RELAY	3		
18	74110131A	CLAMP, RUBBER 82MM	2		



DRAWING 12B - BATTERY HOLDER [XST:AUS, EUR, GSO, ROK, TWN]

GROUP ELECTRIC



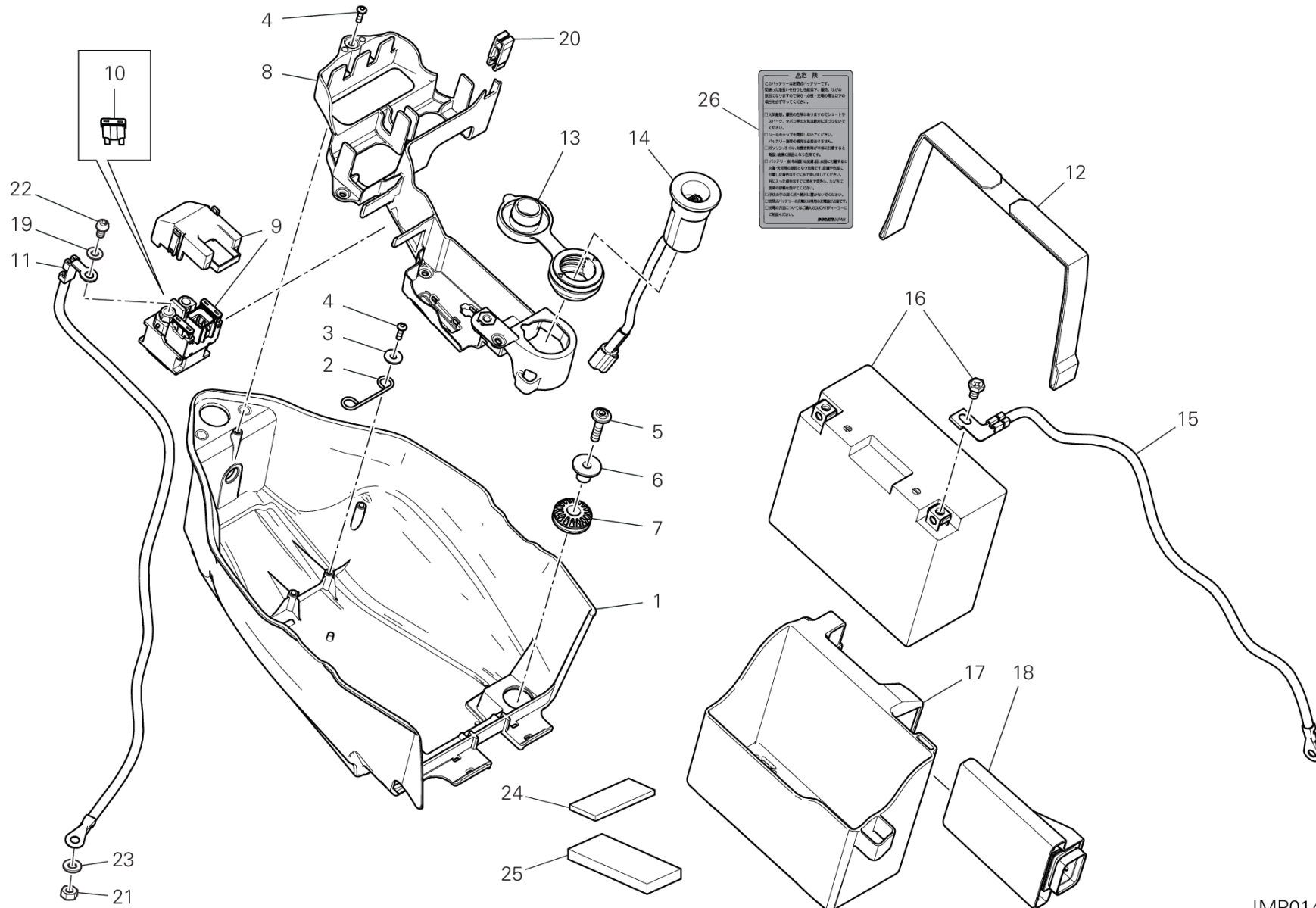
IMP01418

DRAWING 12B - BATTERY HOLDER [XST:AUS,EUR,GSO,ROK,TWN]

GROUP ELECTRIC



POS.	CODE	DESCRIPTION	QTY	VALIDITY	NOTES
1	8291H202A	BOX, BATTERY	1		
2	75811411A	CLIP	1		
3	85213711A	WASHER	2		
4	77440111A	SCREW	7		
5	77210971B	SCREW	3		
6	71610061A	SPACER	3		
7	76411361A	VIBRATION DAMPER PAD	3		
8	8291H212A	BATTERY HOLDER	1		
9	39740081B	STARTER RELAY	1		
10	38940231A	FUSE 30A	2		
11	51410892C	WIRE STARTER MOTOR	1		
12	75910381A	BAND BATTERY	1		
13	76412421B	HOLDER	1		
14	38640591A	SOCKET, LOW VOLTAGE	1		
15	51310782B	BATTERY - ENGINE GROUNDING CABLE	1		
16	69926761A	BATTERY	1		
17	86612682A	BATTERY CARPET	1		
18	38510996A	BLACKBOX UNIT	1		
	38511392A	BLACKBOX UNIT	1	XST:EUR,GSO,ROK,TWN	
19	85350101A	WASHER, SPRING	2		
20	69710081A	FUSE PLIERS	1		
21	75011211A	NUT	1		
22	77156628B	SCREW TCEIF M6X10	2		
23	85310031A	SPRING WASHER 6 MM	1		
24	86611871A	PAD	1		
25	86613001A	PAD	1		
26	87910021A	TRAY	1		



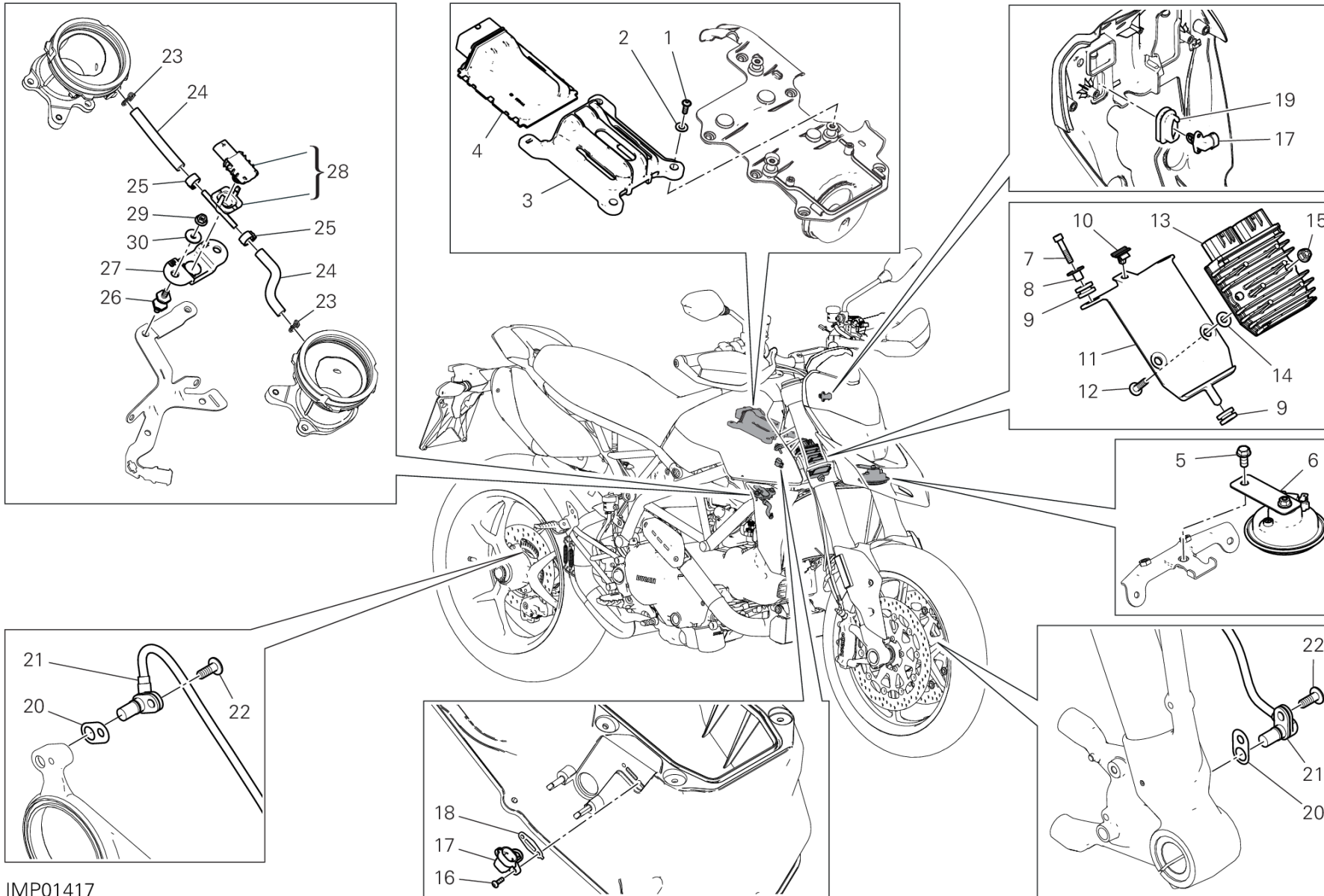
IMP01406

DRAWING 12B - BATTERY HOLDER [XST:JAP]

GROUP ELECTRIC



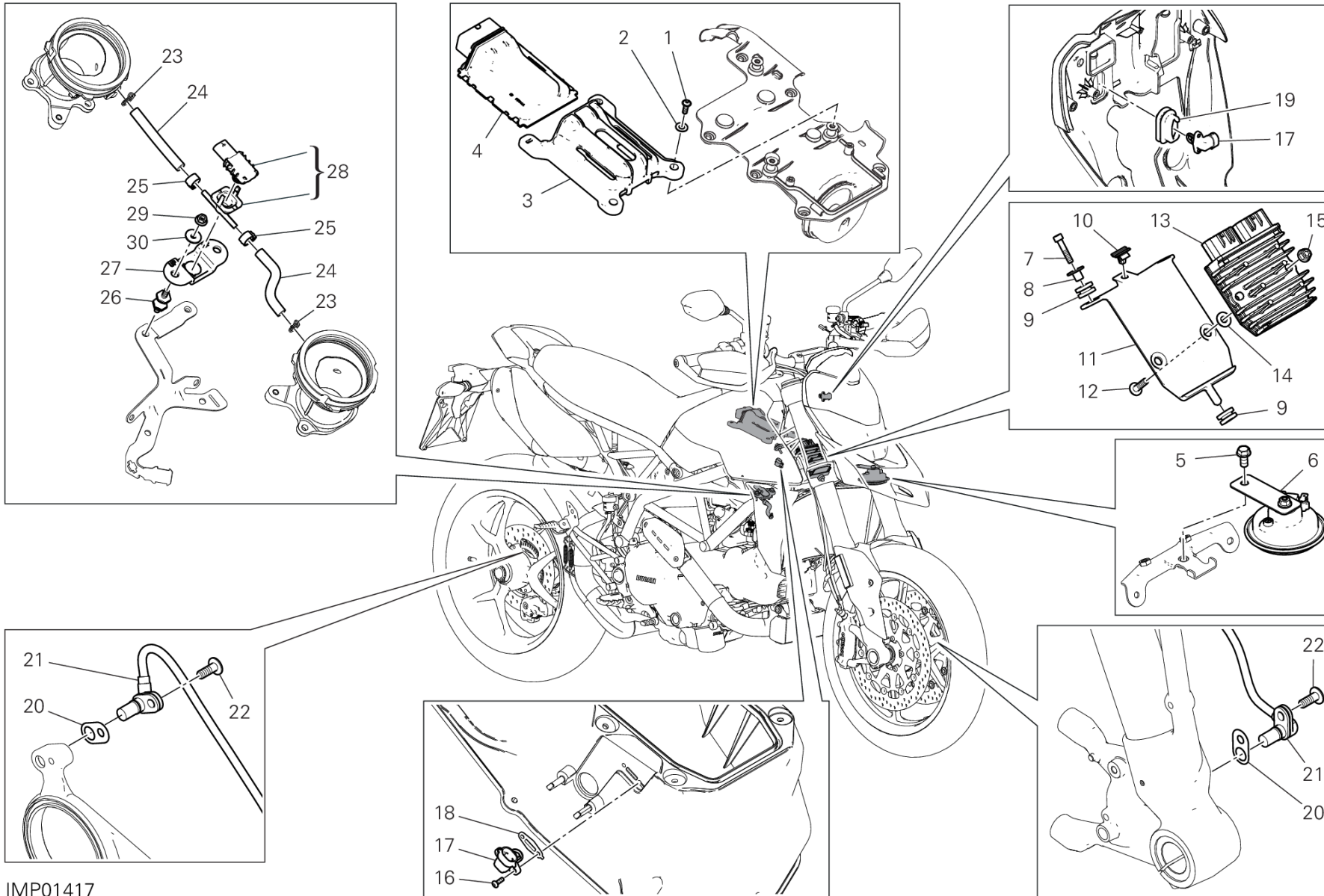
POS.	CODE	DESCRIPTION	QTY	VALIDITY	NOTES
1	8291H202A	BOX, BATTERY	1		
2	75811411A	CLIP	1		
3	85213711A	WASHER	2		
4	77440111A	SCREW	7		
5	77210971B	SCREW	3		
6	71610061A	SPACER	3		
7	76411361A	VIBRATION DAMPER PAD	3		
8	8291H212A	BATTERY HOLDER	1		
9	39740081B	STARTER RELAY	1		
10	38940231A	FUSE 30A	2		
11	51410892C	WIRE STARTER MOTOR	1		
12	75910381A	BAND BATTERY	1		
13	76412421B	HOLDER	1		
14	38640591A	SOCKET, LOW VOLTAGE	1		
15	51310782B	BATTERY - ENGINE GROUNDING CABLE	1		
16	69926751A	BATTERY	1		
17	86612682A	BATTERY CARPET	1		
18	38511392A	BLACKBOX UNIT	1		
19	85350101A	WASHER, SPRING	2		
20	69710081A	FUSE PLIERS	1		
21	75011211A	NUT	1		
22	77156628B	SCREW TCEIF M6X10	2		
23	85310031A	SPRING WASHER 6 MM	1		
24	86611871A	PAD	1		
25	86613001A	PAD	1		
26	43312541A	MARKING PLATE	1		



IMP01417



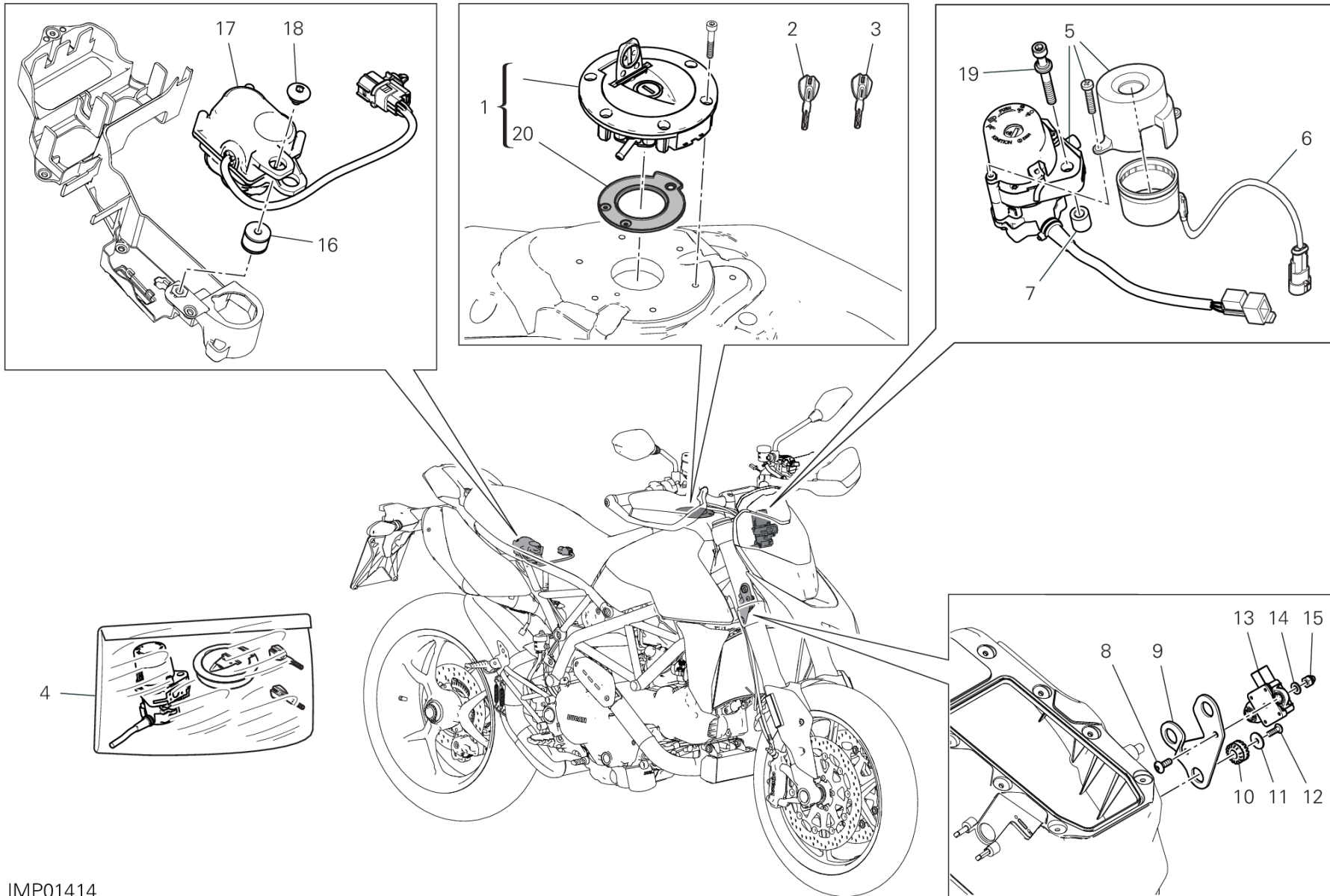
POS.	CODE	DESCRIPTION	QTY	VALIDITY	NOTES
1	77440203C	SCREW	3		
2	85240171A	WASHER	3		
3	86612711A	BRACKET ENGINE CONTROL UNIT	1		
	86613091A	BRACKET ENGINE CONTROL UNIT	1	XST:EUR,GSO,JAP,ROK,TWN	
4	28642331A	ENGINE CONTROL UNIT	1		
	28643071D	ENGINE CONTROL UNIT	1	XST:GSO,JAP,ROK	
	28643261A	ENGINE CONTROL UNIT	1	XST:AUS	
	28643581A	ENGINE CONTROL UNIT	1	CPT:STD;XST:EUR	
	28643581H	ENGINE CONTROL UNIT	1	XST:TWN	
	28643591A	ENGINE CONTROL UNIT	1	CPT:D35;XST:EUR	
5	77211341A	SCREW	1		
6	51610053C	HORN	1		
7	77244233B	SCREW	2		
8	71614102AB	SPACER	2		
9	76411141A	VIBRATION DAMPER PAD	3		
10	85040431A	QUICK FASTENING	1		
11	8291H441A	HOLDER VOLTAGE RECTIFIER	1		
12	77240458C	SCREW	2		
13	54040321A	VOLTAGE REGULATOR	1		
14	71611181AA	SPACER	2		
15	74941113B	NUT	2		
16	77440213C	SCREW	2		
17	55240121A	SENSOR, AIR TEMPERATURE	2		
18	78811041A	GASKET, COOLING WATER SENSOR	1		
19	76410971A	RUBBER PAD	1		
20	71314901A	GASKET TH.02	2		
	71319201A	GASKET 0.5 MM	6		
21	55212121B	SENSOR, SPEED	2		
22	77210423C	SCREW TBEIF M6X16	2		
23	74140431A	CLAMP	2		
24	59018592A	HOSE	2		
25	74141711A	CLAMP 10-7 MM	2		
26	70010901A	VIBRATION DAMPER	2		
27	86612691A	RUBBER PAD	1		
28	69929301A	PRESSURE SENSOR KIT AND SUPPORT	1		



IMP01417



POS.	CODE	DESCRIPTION	QTY	VALIDITY	NOTES
29	74841091AA	NUT	2		
30	71611071B	SPACER	2		



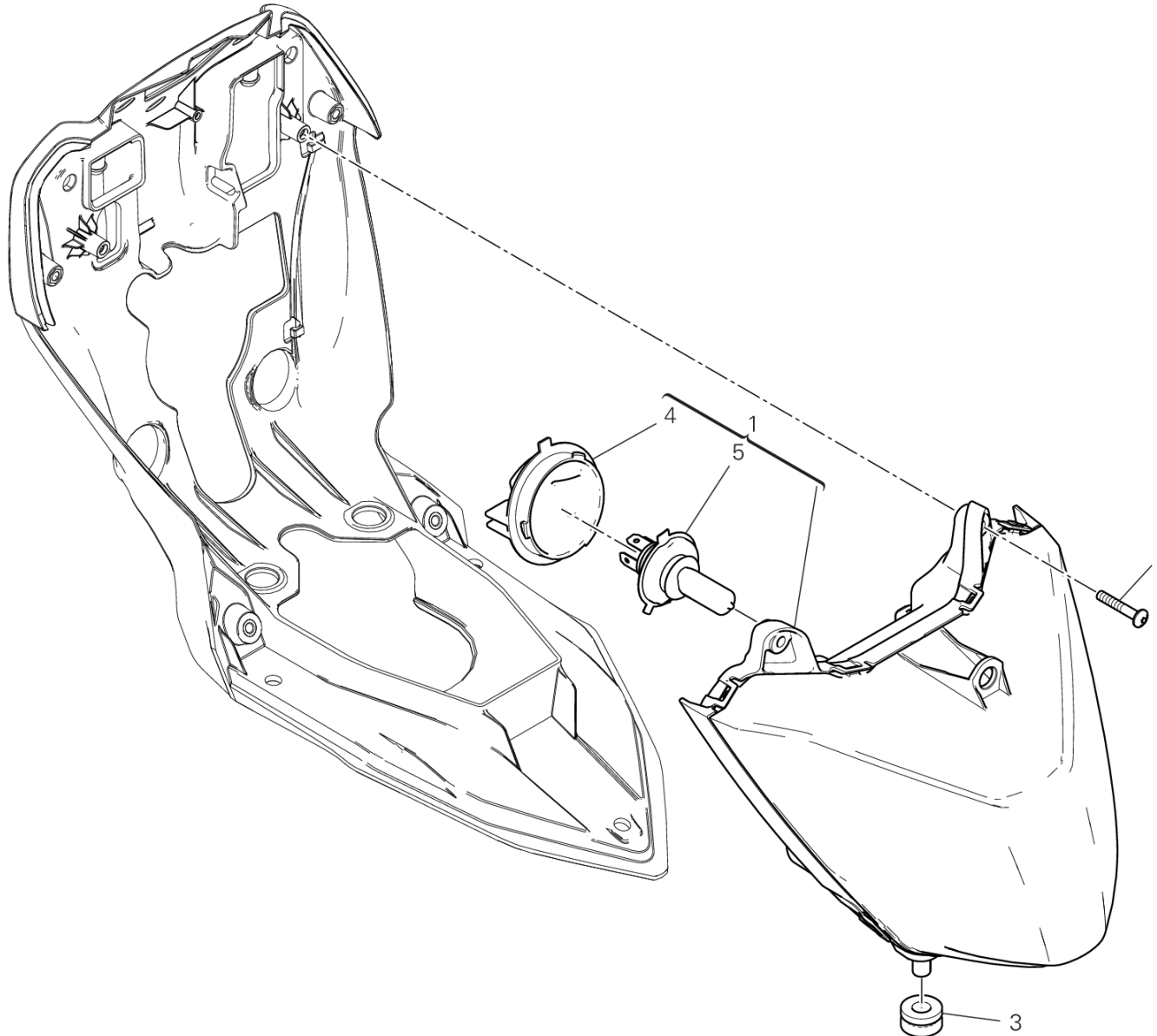
IMP01414

DRAWING 12D - ELECTRICAL DEVICES

GROUP ELECTRIC



POS.	CODE	DESCRIPTION	QTY	VALIDITY	NOTES
1	89510431B	CAP SET, FUEL TANK	1	XST:EUR	
	89510431B	CAP SET, FUEL TANK	1		
	89520421B	CAP SET, FUEL TANK	1	XST:TWN	
2	59810341A	KEY WITH TRANSPONDER ACTIVE	1		
3	59840291A	KEY, NON INDENTED WITHOUT TRANSPONDER	1		
4	59822061B	LOCKS KIT	1	XST:EUR	
	59822061B	LOCKS KIT	1		
	59822081B	LOCKS KIT	1	XST:TWN	
5	65220351B	KEY-OPERATED SWITCH	1		
6	51840051B	COIL ANTENNA, IMMOBILIZER	1		
7	71615641AA	SPACER	2		
8	77240423C	SCREW	2		
9	8301G421BA	BRACKET	1		
10	76410241A	VIBRATION DAMPER PAD	3		
11	85213111AA	WASHER	3		
12	77440203C	SCREW	3		
13	38540093B	PIATTAFORMA INERZIALE	1		
14	85211761A	WASHER 6.4X12.5X1.6	2		
15	74910021A	NUT, CAP M6	2		
16	70010311A	DAMPER	2		
17	59340393A	ELECTRIC MOTOR, EXHAUST VALVE	1		
18	77211351AA	SCREW	2		
19	7791B081AA	SCREW, SPECIAL	2		
20	86640091A	GASKET, CAP	1		



FAN00360

HYPERMOTARD 950 /22

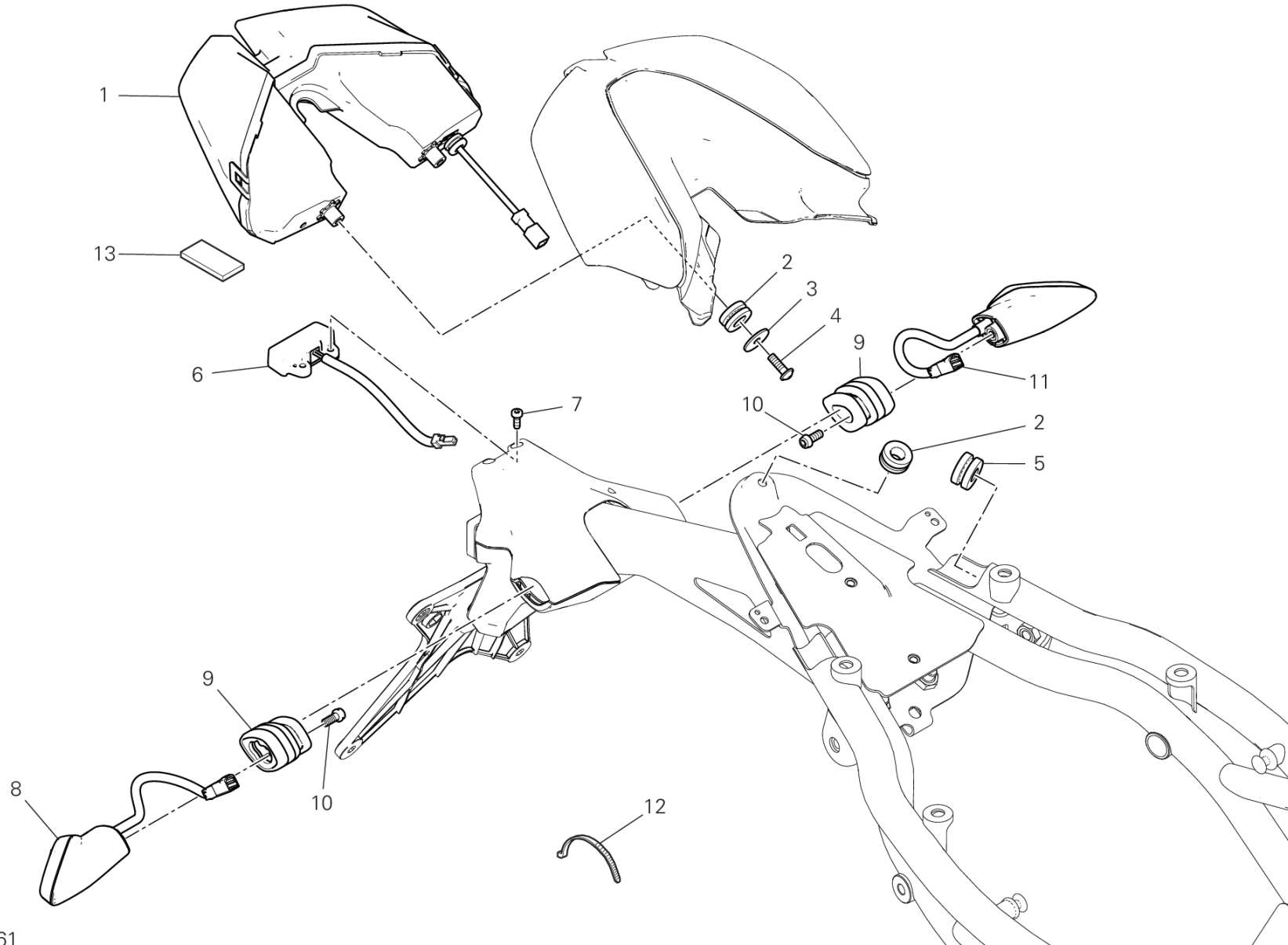
030000022

DRAWING 13A - HEADLIGHT

GROUP ELECTRIC



POS.	CODE	DESCRIPTION	QTY	VALIDITY	NOTES
1	52010461C	HEADLIGHT	1		
2	77440121A	SCREW	2		
3	76410641A	VIBRATION DAMPER PAD	2		
4	39040351A	CAP	1		
5	39040291A	BULB	1		



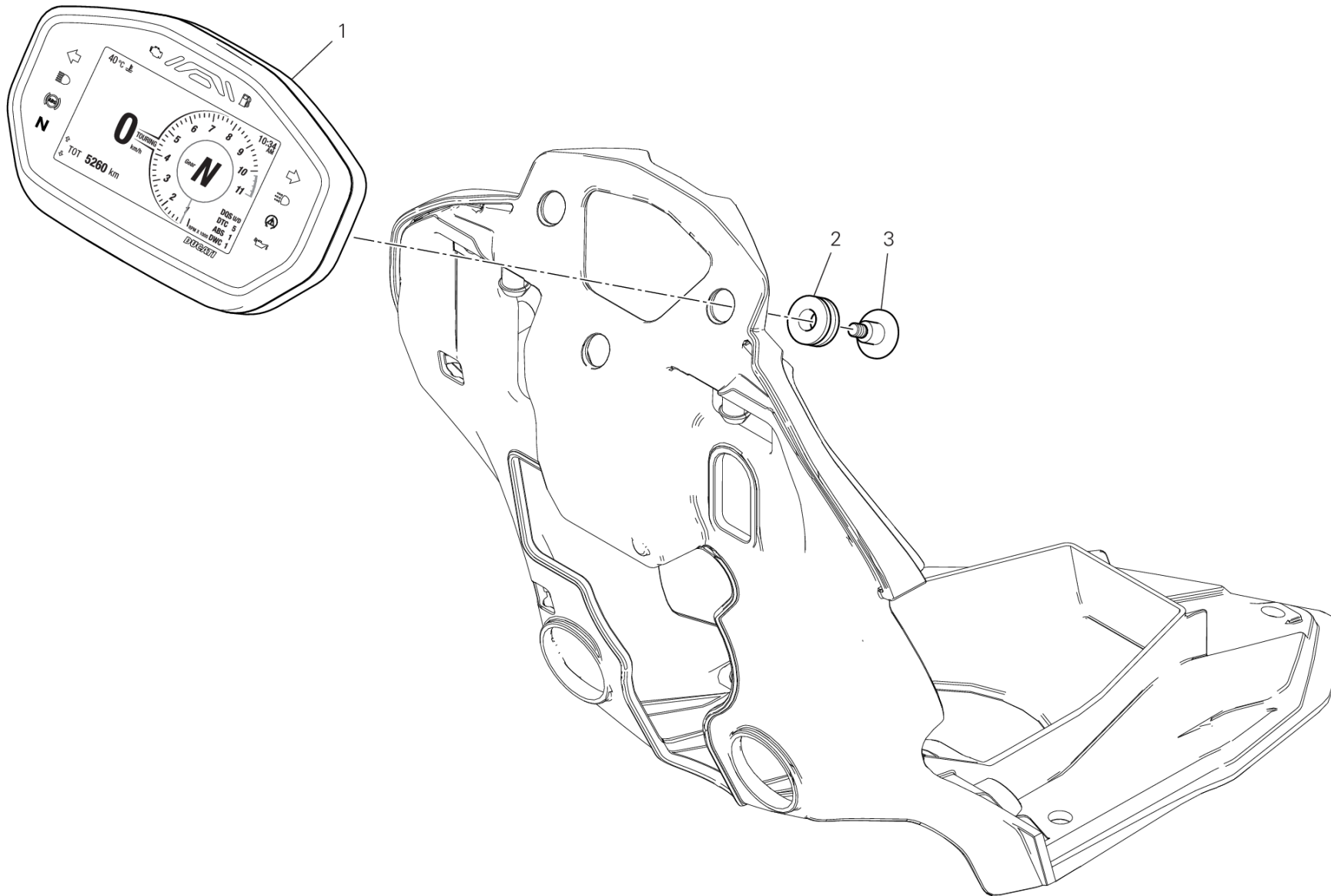
FAN00361

DRAWING 13B - TAILLIGHT

GROUP ELECTRIC



POS.	CODE	DESCRIPTION	QTY	VALIDITY	NOTES
1	52510452B	TAILLIGHT	1		
2	76410901A	RUBBER PAD	3		
3	85241711A	WASHER	2		
4	77440041A	SCREW, TAPPING M5X16	2		
5	76410641A	VIBRATION DAMPER PAD	1		
6	52510433D	LAMP, LICENSE PLATE	1		
7	77354623B	SCREW M4X10	2		
8	53010332A	FRONT FLASHER LIGHT, LEFT	1		
9	7131A923A	SPACER, FLASHER LIGHT	2		
10	77156398B	SCREW TCEIF M5X12	2		
11	53010322A	FRONT FLASHER LIGHT, RIGHT	1		
12	74140381A	CLAMP	2		
13	86612511A	PAD	2		



FAN00362

HYPERMOTARD 950 /22

030000022

DRAWING 14A - INSTRUMENT PANEL

GROUP ELECTRIC



POS.	CODE	DESCRIPTION	QTY	VALIDITY	NOTES
1	40611591C	INSTRUMENT PANEL	1		
2	76410841A	VIBRATION DAMPER PAD	3		
3	77214161AA	SCREW, SPECIAL	3		



DRAWING L - SHELL ADVANCE

GROUP OIL

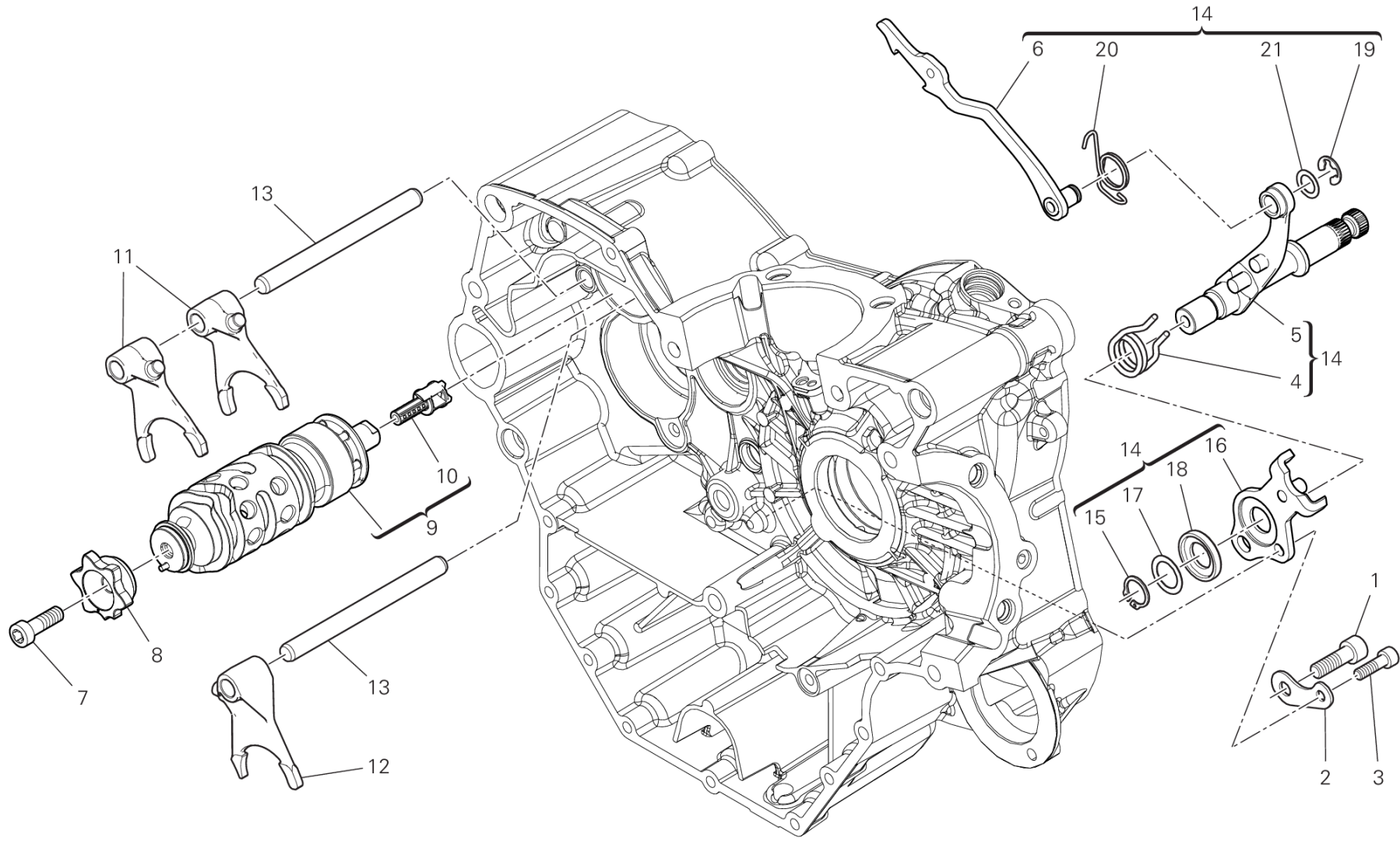


POS.	CODE	DESCRIPTION	QTY	VALIDITY	NOTES
1	944650035	SHELL ADVANCE DUCATI 15W50 - 1L BOTTLE	1		
2	944650037	SHELL ADVANCE DUCATI 15W50 – 209L DRUM	1		



DRAWING 02A - SHIFT CAM - FORK

GROUP ENGINE



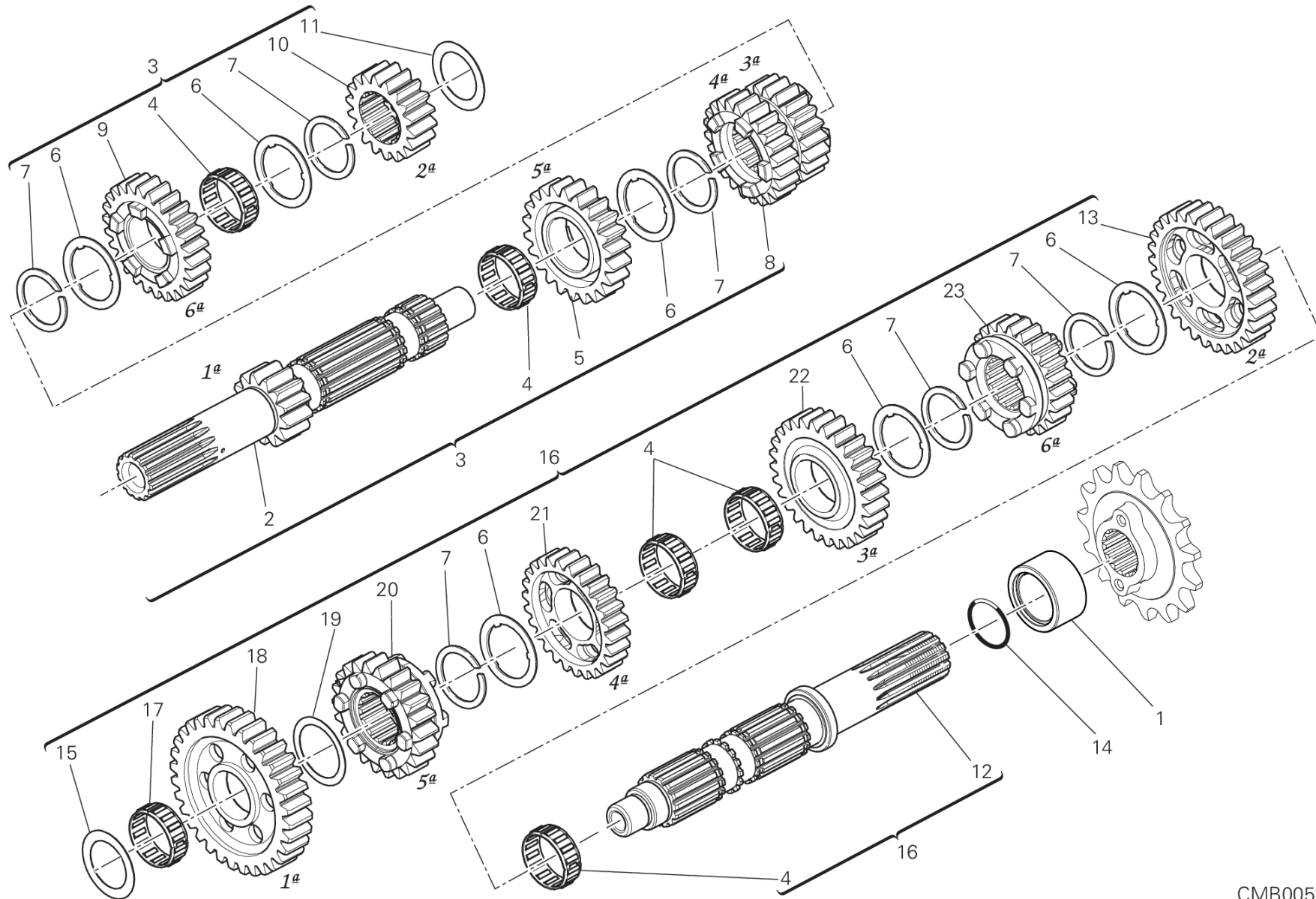
CMB00569

DRAWING 02A - SHIFT CAM - FORK

GROUP ENGINE



POS.	CODE	DESCRIPTION	QTY	VALIDITY	NOTES
1	77151250ZF	SCREW	1		
2	71319151A	SPACER	1		
3	77150670ZF	SCREW	1		
4	79915061A	SPRING, SHIFT RETURN	1		
5	82114731A	GEAR SELECTOR SHAFT	1		
6	18020511A	CONTROL FORK	1		
7	71950538C	SCREW	1		
8	18210781A	FLANGE	1		
9	18220772A	COMPLETE GEARBOX DRUM	1		
10	55243911A	MAGNETE	1		
11	180Z0031A	GEAR SELECTOR FORK,1ST/4TH-2ND/3RD	2		
12	180Z0041A	FORK-SHIFT, 5TH&6TH	1		
13	82113881A	FORK PIN	2		
14	82120151A	CONTROL FORK	1		
15	735001542	CIRCLIP 15 DIN 471	1		
16	82610261A	STOPPER PLATE	1		
17	040029126	THRUST WASHER 15.5X22X0.5	1		
18	88110121A	CENTERING RING	1		
19	88450341B	SPRING RING	1		
20	79912961A	RETURN SPRING	1		
21	040009050	THRUST WASHER 10.5X16X0.5	1		



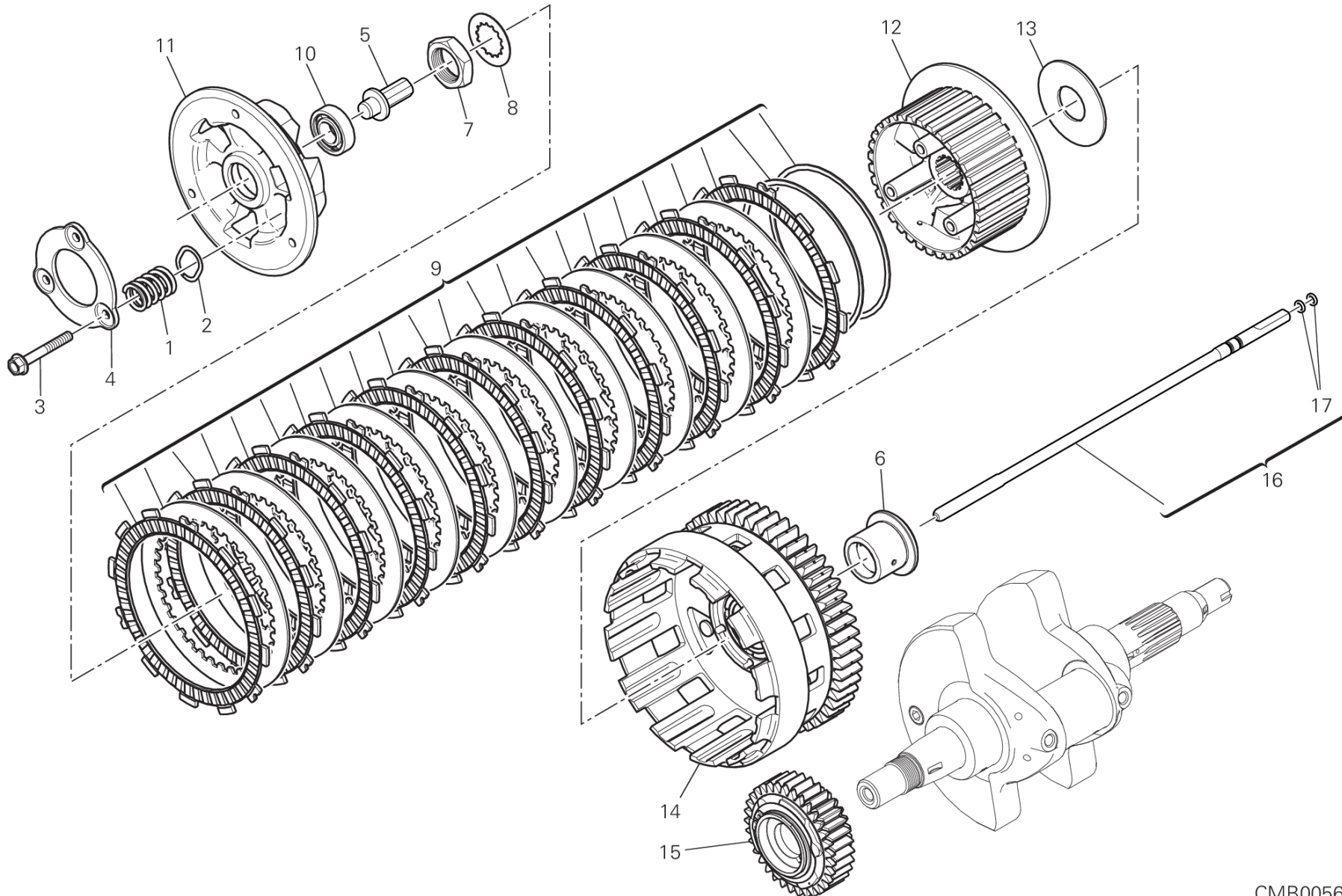
CMB00529

DRAWING 03A - GEAR BOX

GROUP ENGINE



POS.	CODE	DESCRIPTION	QTY	VALIDITY	NOTES
1	71313931A	SPACER, ENGINE SPROCKET	1		
2	14911101A	GEARBOX MAIN SHAFT	1		
3	15021961B	COMPLETE MAIN SHAFT	1		
4	70140051A	BEARING, NEEDLE	5		
5	17214601A	DRIVEN GEAR 5TH SPEED 23T	1		
6	85610011A	THRUST WASHER 0.5 MM	6		
7	067016145	SPRING RING	6		
8	17214591A	GEAR DRIVE 3/4TH SPEED T20/22	1		
9	17214611A	GEAR DRIVE 6TH SPEED T24	1		
10	17210021B	GEAR, 2ND DRIVE, NT:17	1		
11	71310141E	THRUST WASHER 20.3X32X1.6	1		
12	14911111B	LAY SHAFT	1		
13	17212192A	DRIVEN GEAR 2ND SPEED T30	1		
14	46320537A	O-RING	1		
15	71312661A	THRUST WASHER 17.3X31X3.15	1		
16	15021971A	COMPLETE LAY SHAFT	1		
17	764020002	BEARING, NEEDLE	1		
18	17212182A	DRIVEN GEAR 1ST SPEED T37	1		
19	067016155	THRUST WASHER 1 MM	1		
20	17210103C	DRIVEN GEAR 5TH SPEED T24	1		
21	17214621A	DRIVEN GEAR 4TH SPEED T:24	1		
22	17210081C	DRIVEN GEAR 3RD SPEED T28	1		
23	17210113C	DRIVEN GEAR 6TH SPEED T23	1		



CMB00561

DRAWING 03B - CLUTCH

GROUP ENGINE

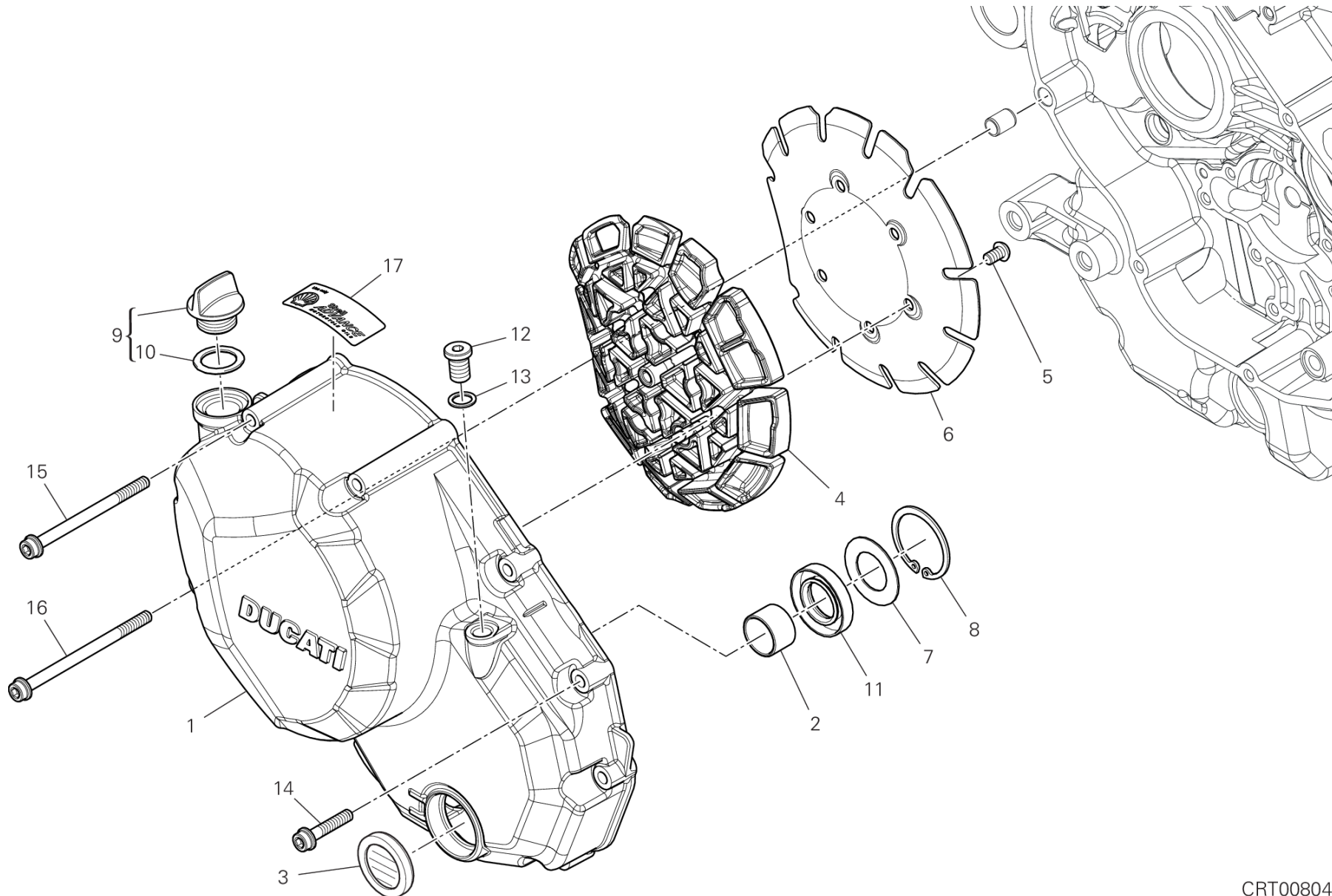


POS.	CODE	DESCRIPTION	QTY	VALIDITY	NOTES
1	79710731A	SPRING	3		
2	85611391B	THRUST WASHER	3		
3	77211201A	SCREW	3		
4	19410511A	RING	1		
5	81810162A	CLUTCH CONTROL PIN	1		
6	71314831B	SPACER	1		
7	75010071E	NUT M25X1.5	1		
8	85110201A	LOCK WASHER	1		
9	19020531A	CLUTCH DISC SET	1		
10	70250601A	BEARING	1		
11	19610542C	DISK, CLUTCH PRESSURE	1		
12	19610681A	PLATE HOLDER HUB	1		
13	71313091A	SPACER	1		
14	19820441A	PRIMARY DRIVEN GEAR COMP.	1		
15	17021361A	PRIMARY DRIVE FRONT SPROCKET	1		
16	11723621A	CLUTCH CONTROL ROD	1		
17	88641731A	O-RING 1.78X4.76	2		



DRAWING 04A - CLUTCH COVER

GROUP ENGINE



CRT00804

DRAWING 04A - CLUTCH COVER

GROUP ENGINE

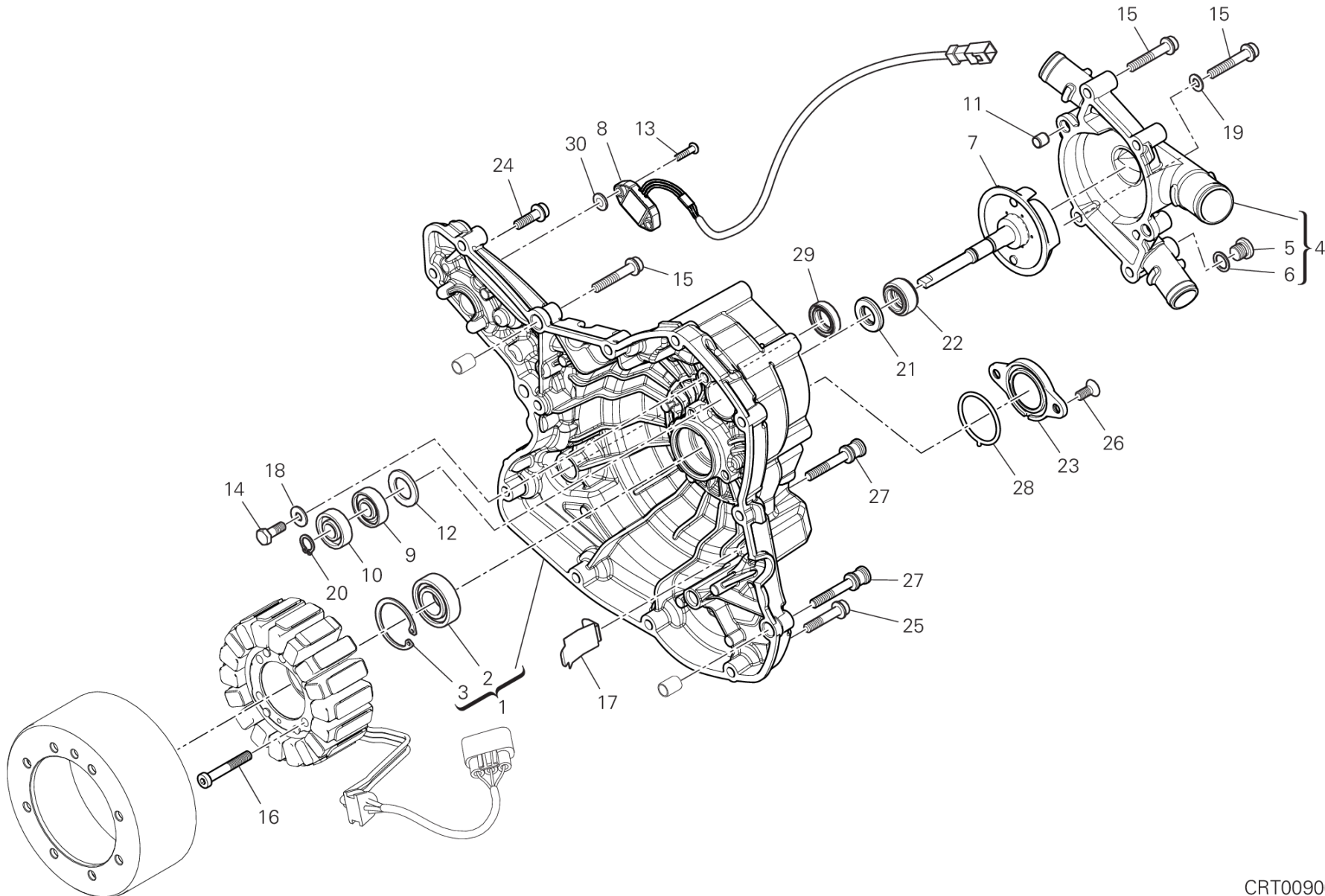


POS.	CODE	DESCRIPTION	QTY	VALIDITY	NOTES
1	24310501A5	CLUTCH COVER	1		
2	066549680	BUSH	1		
3	25440013A	WINDOW, OIL LEVEL CHECK	1		
4	48611971A	DAMPER, SOUND ARRESTER	1		
5	77550200CC	SCREW	6		
6	82718612A	SHEET ACOUSTIC DAMPER	1		
7	85211351A	THRUST WASHER 20.8X37.8X1	1		
8	88450131A	CIRCLIP	1		
9	89320121A	PLUG ASSY	1		
10	88640891A	O-RING 18.64X3.53	1		
11	93040211A	OIL SEAL	1		
12	78011281A	PLUG, THREADED M10X1	1		
13	85250241A	WASHER 10X14X1	1		
14	77140713C	SCREW TCEIF M6X30 10.9	6		
15	77140813C	SCREW TCEIF M6X80 10.9	3		
16	77140833C	SCREW TCEIF M6X90 10.9	1		
17	43312502C	TRANSFER	1		



DRAWING 04B - GENERATOR COVER

GROUP ENGINE



CRT00906

DRAWING 04B - GENERATOR COVER

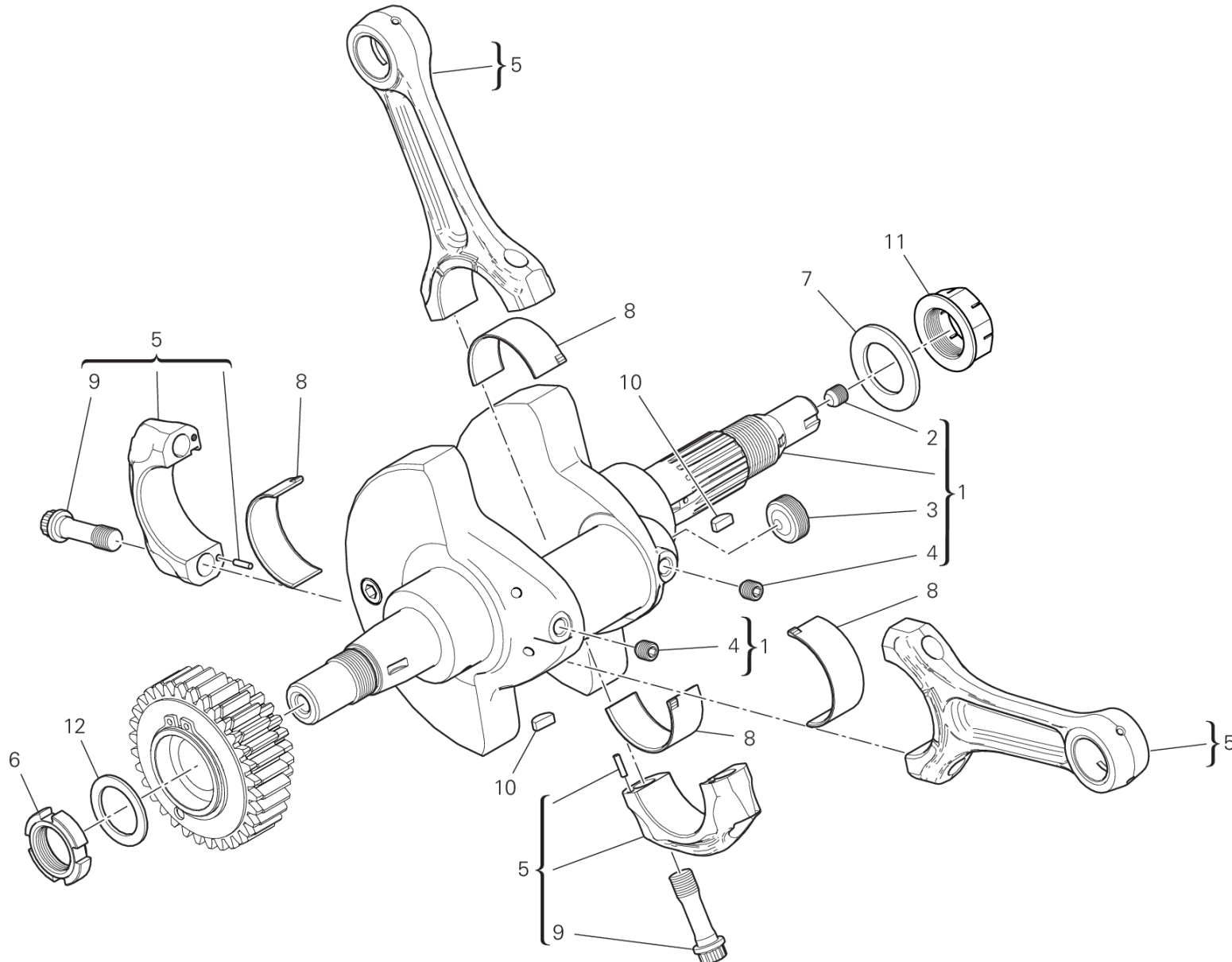
GROUP ENGINE



POS.	CODE	DESCRIPTION	QTY	VALIDITY	NOTES
1	24221551A5	GENERATOR COVER	1		
2	70250081A	BALL BEARING 6003 TN9 C3	1		
3	735033380	CIRCLIP	1		
4	24725241BI	WATER PUMP COVER ASSY	1		
5	78011001A	PLUG, THREADED M10X1	1		
6	85250631A	WASHER	1		
7	25120131A	WATER PUMP ROTOR	1		
8	55243941A	GEARBOX POSITION SENSOR	1		
9	70240091A	BALL BEARING 6000	1		
10	70240102A	BEARING	1		
11	71110922A	BUSH	2		
12	71311281B	SPACER	1		
13	72050069E	SCREW	2		
14	77052508B	SCREW TE M6X16	2		
15	77140723C	SCREW TCEIF M6X35 10.9	7		
16	77350738BC	SCREW	3		
17	82716091A	PLATE	1		
18	85211721A	WASHER 6X14.2X1.3	2		
19	85250481A	GASKET 6X12X1 DIN7603-A	2		
20	88450431A	CIRCLIP	1		
21	93050051A	MECHANICAL SEAL	1		
22	93050062B	MECHANICAL SEAL	1		
23	24713571AO	COVER	1		
24	77140673C	SCREW	2		
25	77140713C	SCREW TCEIF M6X30 10.9	8		
26	77750493C	SCREW	2		
27	77916041D	SCREW, SPECIAL	2		
28	88610951A	O-RING 32.99X2.62	1		
29	93042691A	SEAL RING	1		
30	85250871A	WASHER	2		



(MAPE)



IMB00288

DRAWING 05A - CONNECTING RODS

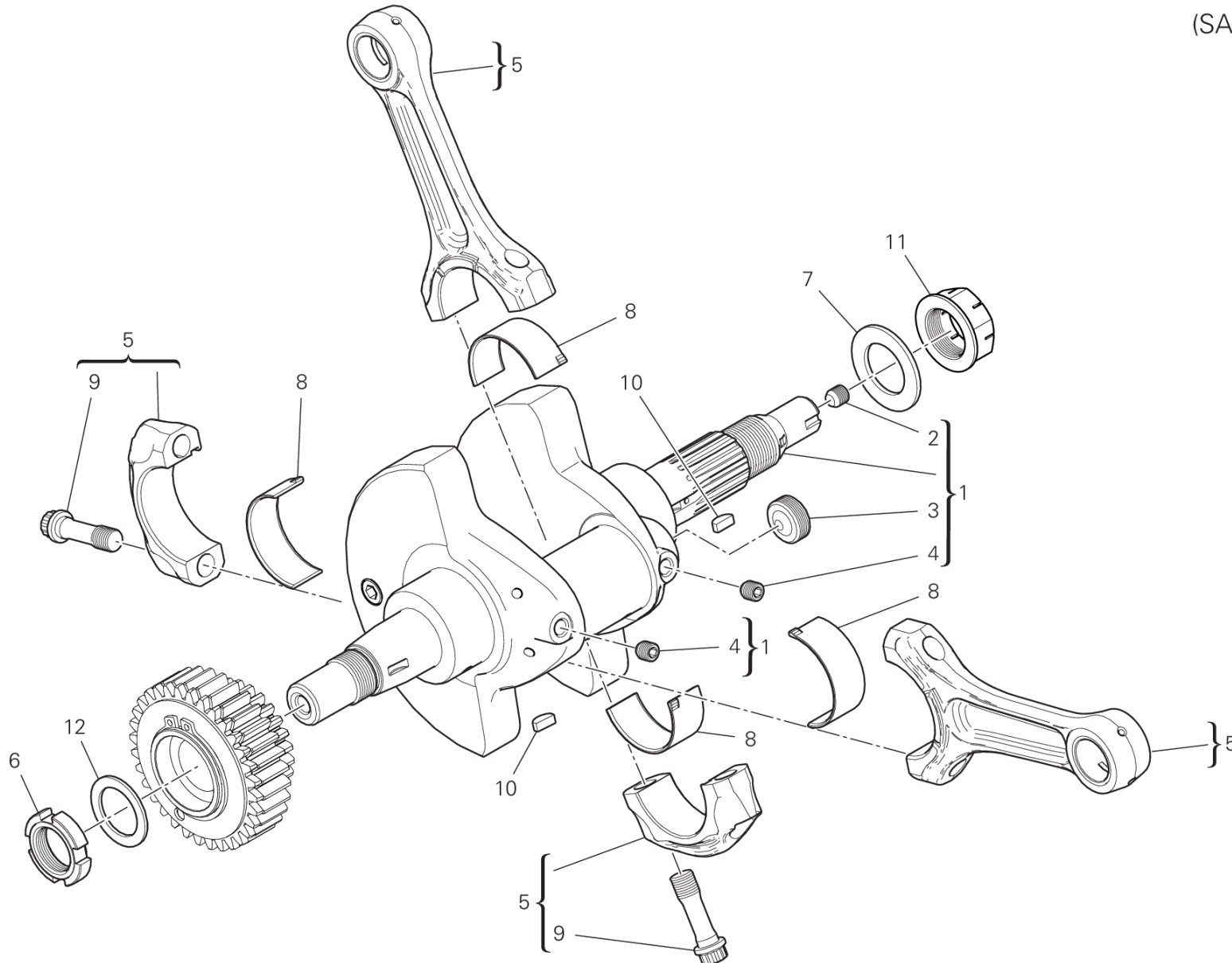
GROUP ENGINE



POS.	CODE	DESCRIPTION	QTY	VALIDITY	NOTES
1	14622167AA	DRIVE SHAFT COMPLETEO	1		
	14622167AB	DRIVE SHAFT COMPLETEO	1		
	14622167AC	DRIVE SHAFT COMPLETEO	1		
2	77911092A	SCREW, SPECIAL	1		
3	78010161B	THREADED PLUG	1		
4	77915471A	THREADED DOWEL STEI M8X8	2		
5	15620671CA	CONNECTING ROD	2		
	15620671CB	CONNECTING ROD	2		
	15620671CC	CONNECTING ROD	2		
6	75011131A	RING NUT	1		
7	85212691A	WASHER	1		
8	11210121AA	PLANE BEARING, CONNECTING ROD RED	4		
	11210121AB	PLANE BEARING, CONNECTING ROD BLUE	4		
	11210121AC	PLANE BEARING, CONNECTING ROD YELLOW	4		
	11210121AD	PLANE BEARING, CONNECTING ROD BLACK	4		
	11210121AE	PLANE BEARING, CONNECTING ROD GREEN	4		
9	77914045B	BOLT, CONNECTING ROD	4		
10	68010131A	KEY, WOODRUFF 4X5X10	2		
11	75010121D	NUT, SPECIAL	1		
12	85140031A	WASHER, LOCK	1		



(SANSERA)



IMB00289

DRAWING 05A - CONNECTING RODS

GROUP ENGINE

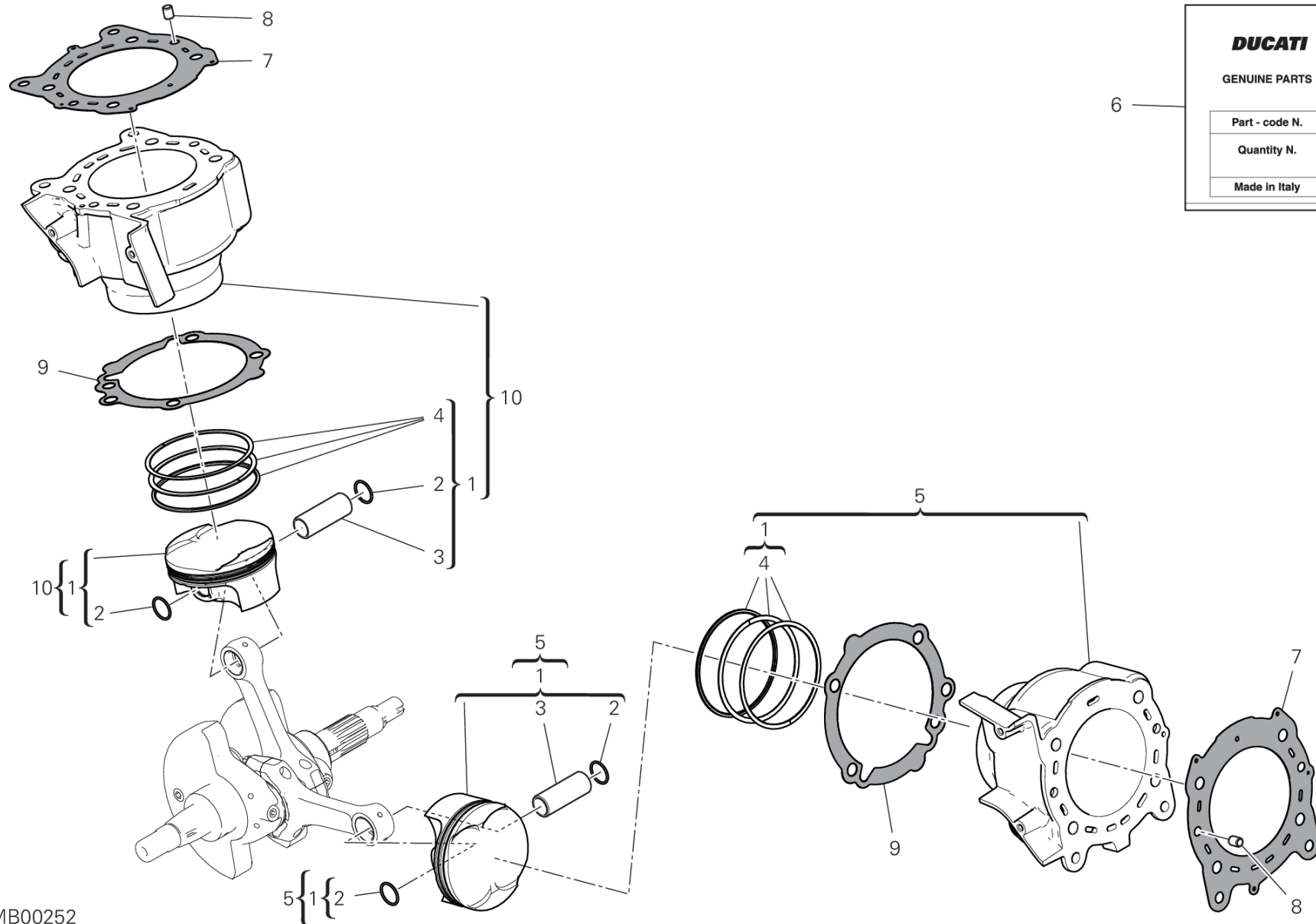


POS.	CODE	DESCRIPTION	QTY	VALIDITY	NOTES
1	14622162CA	DRIVE SHAFT COMPLETEO	1		
	14622162CB	DRIVE SHAFT COMPLETEO	1		
	14622162CC	DRIVE SHAFT COMPLETEO	1		
	14622162CE	DRIVE SHAFT COMPLETEO	1		
2	77911092A	SCREW, SPECIAL	1		
3	78010161B	THREADED PLUG	1		
4	77915471A	THREADED DOWEL STEI M8X8	2		
5	15622261BA	CONNECTING ROD	2		
	15622261BB	CONNECTING ROD	2		
	15622261BC	CONNECTING ROD	2		
	15622261BE	CONNECTING ROD	2		
6	75011131A	RING NUT	1		
7	85212691A	WASHER	1		
8	11210121AA	PLANE BEARING, CONNECTING ROD RED	4		
	11210121AB	PLANE BEARING, CONNECTING ROD BLUE	4		
	11210121AC	PLANE BEARING, CONNECTING ROD YELLOW	4		
	11210121AD	PLANE BEARING, CONNECTING ROD BLACK	4		
	11210121AE	PLANE BEARING, CONNECTING ROD GREEN	4		
9	77914045B	BOLT, CONNECTING ROD	4		
10	68010131A	KEY, WOODRUFF 4X5X10	2		
11	75010121D	NUT, SPECIAL	1		
12	85140031A	WASHER, LOCK	1		



DRAWING 06A - CYLINDERS - PISTONS

GROUP ENGINE



IMB00252

DRAWING 06A - CYLINDERS - PISTONS

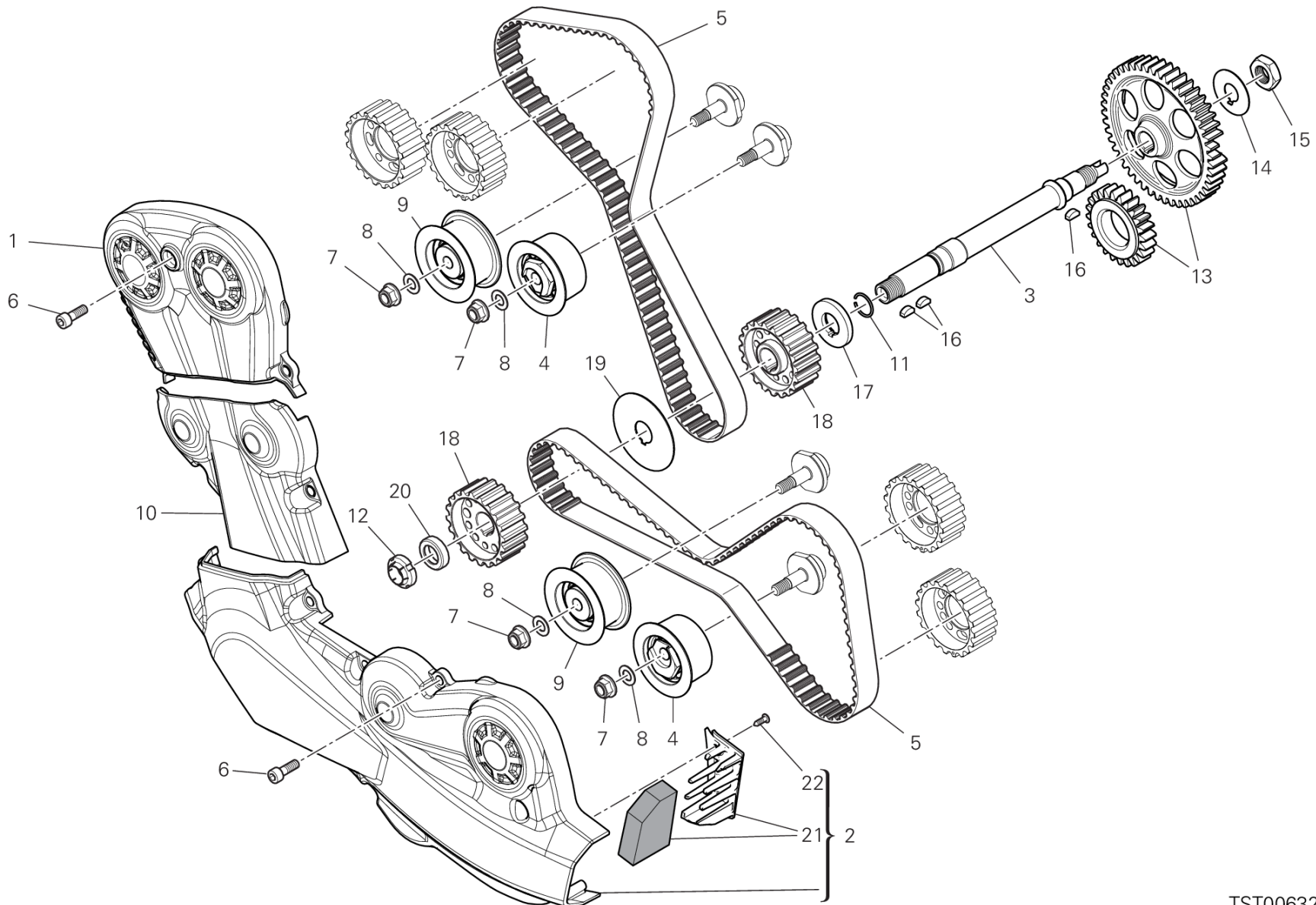
GROUP ENGINE



POS.	CODE	DESCRIPTION	QTY	VALIDITY	NOTES
1	12222392C	PISTON ASSY	2		
2	12110791A	CIRCLIP, PISTON PIN	4		
3	12110781B	PISTON PIN	2		
4	12120822A	PISTON RING SET	2		
5	120P3081AA	HORIZONTAL CYLINDER-PISTON ASSY	1		
6	79120572B	GASKETS SET	1		
7	78610961A	GASKET, CYLINDER HEAD	2		
8	71112191A	PIN DOWEL	4		
9	78611511A	GASKET, CYLINDER	2		
10	120P3091AA	VERTICAL CYLINDER-PISTON ASSY	1		



DRAWING 07A - TIMING SYSTEM GROUP ENGINE



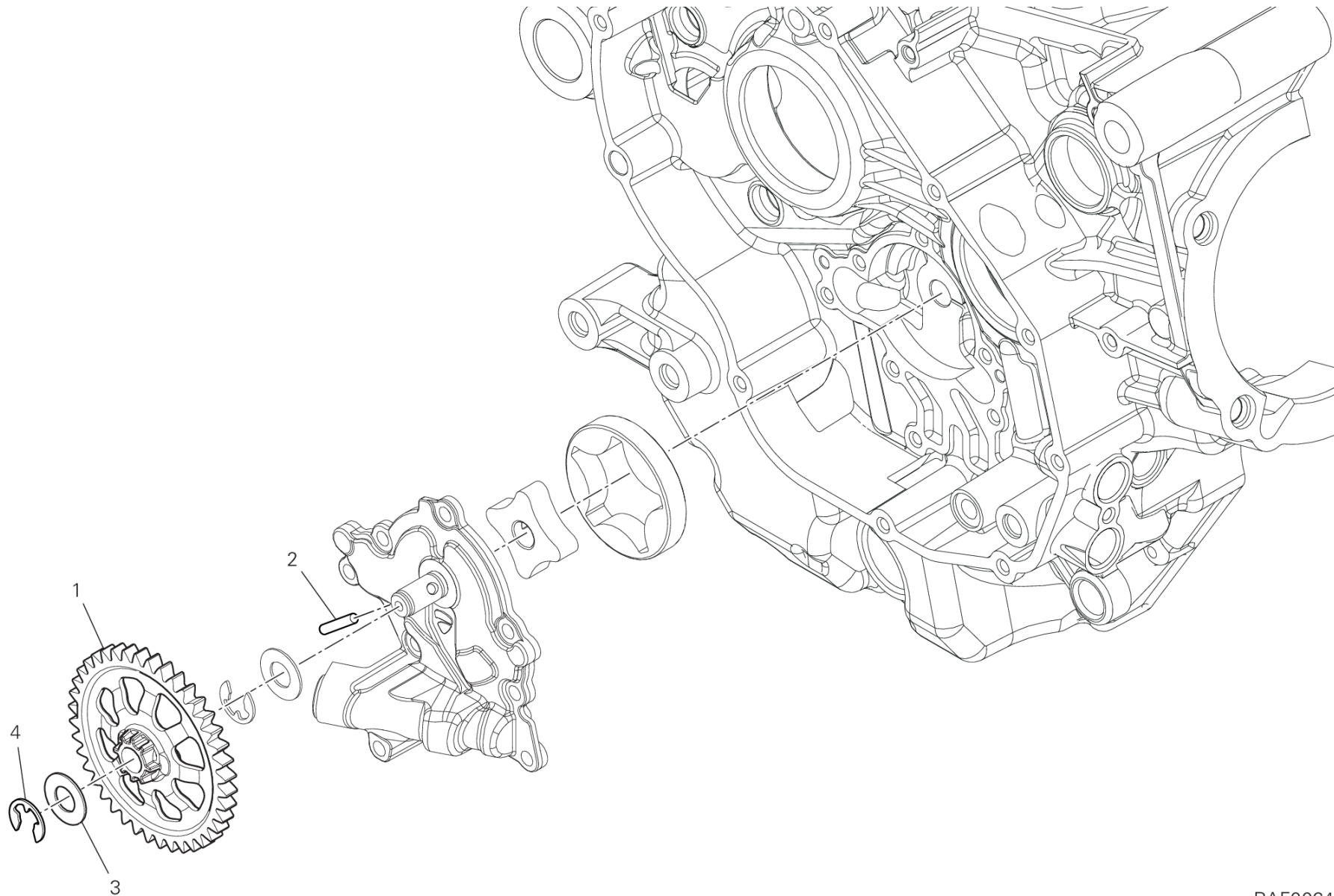
TST00632

DRAWING 07A - TIMING SYSTEM

GROUP ENGINE



POS.	CODE	DESCRIPTION	QTY	VALIDITY	NOTES
1	24511731A	VERTICAL BELT OUTER COVER UPPER	1		
2	24521431A	HORIZONTAL BELT EXTERNAL COVER	1		
3	14710811A	LAYSHAFT TIMING	1		
4	45120311C	COMPLETE MOVABLE TENSIONER ROLLER	2		
5	73740311B	TIMING DRIVE TOOTHED BELT	2		
6	77113801A	SCREW	13		
7	74940081A	NUT M8	4		
8	85310021A	SPRING WASHER 8 MM	4		
9	45120321B	TENSIONER TIMING BELT FIXED	2		
10	24511741A	VERTICAL BELT OUTER COVER BOTTOM	1		
11	88210031A	SNAP RING	1		
12	70350062A	ELASTIC-STOP RING NUT	1		
13	17122421A	TIMING GEARS SET	1		
14	85110131A	WASHER, LOCK	1		
15	75011601A	NUT M14X1X7	1		
16	68010131A	KEY, WOODRUFF 4X5X10	3		
17	71611281A	SPACER	1		
18	25510104B	PULLEY, TIMING BELT	2		
19	85610623A	WASHER, BELT PULLEY	1		
20	71610722A	SPACER	1		
21	24521071A	BRACKET, FILTER	1		
22	77250341C	SCREW	2		



RAF00648

DRAWING 08A - OIL PUMP

GROUP ENGINE

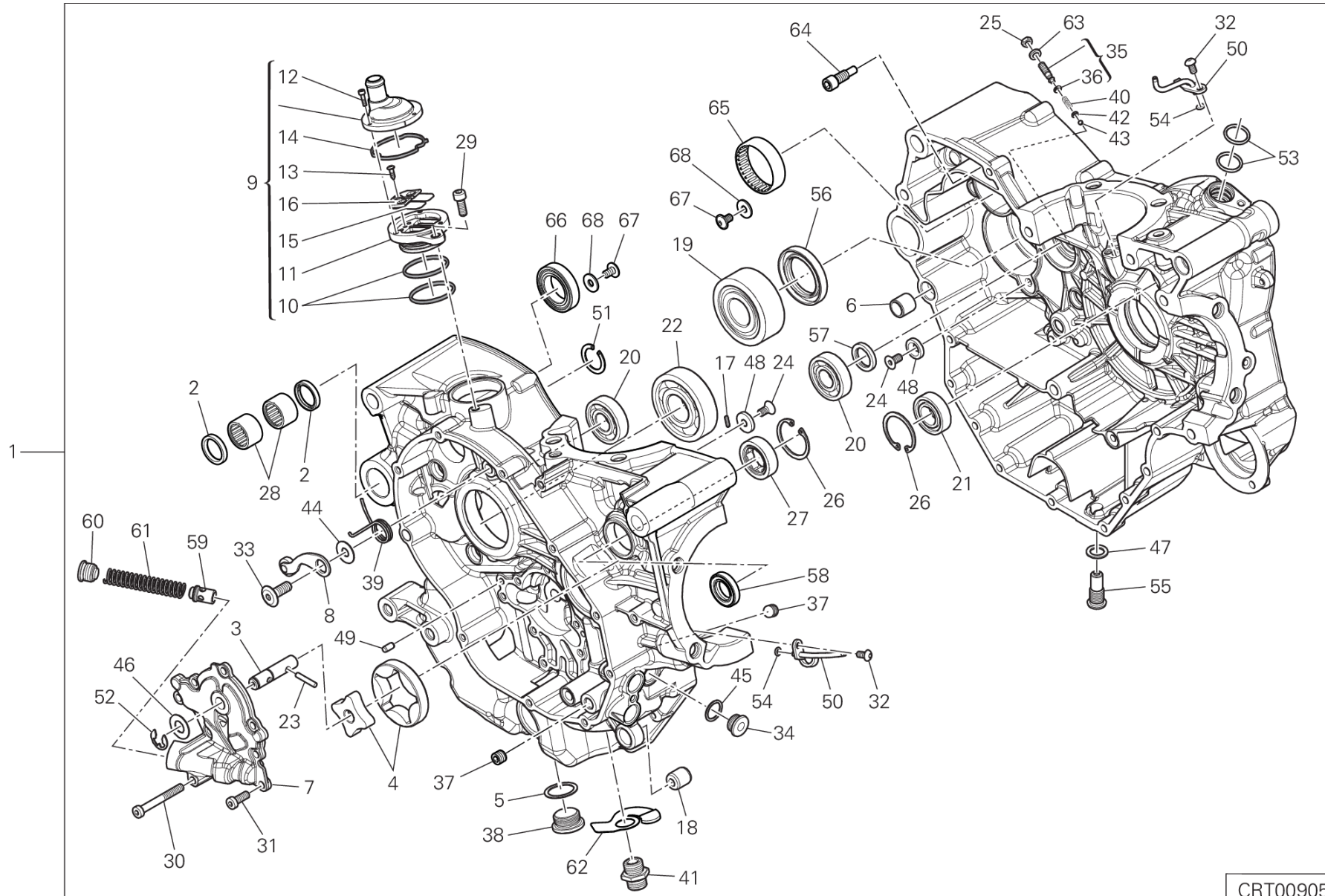


POS.	CODE	DESCRIPTION	QTY	VALIDITY	NOTES
1	17410621B	GEAR, OIL PUMP DRIVE	1		
2	70450091A	ROLLER	1		
3	85213021A	WASHER, THRUST	1		
4	88450371A	SNAP RING	1		



DRAWING 09A - HALF-CRANKCASES PAIR

GROUP ENGINE



CRT00905

DRAWING 09A - HALF-CRANKCASES PAIR

GROUP ENGINE

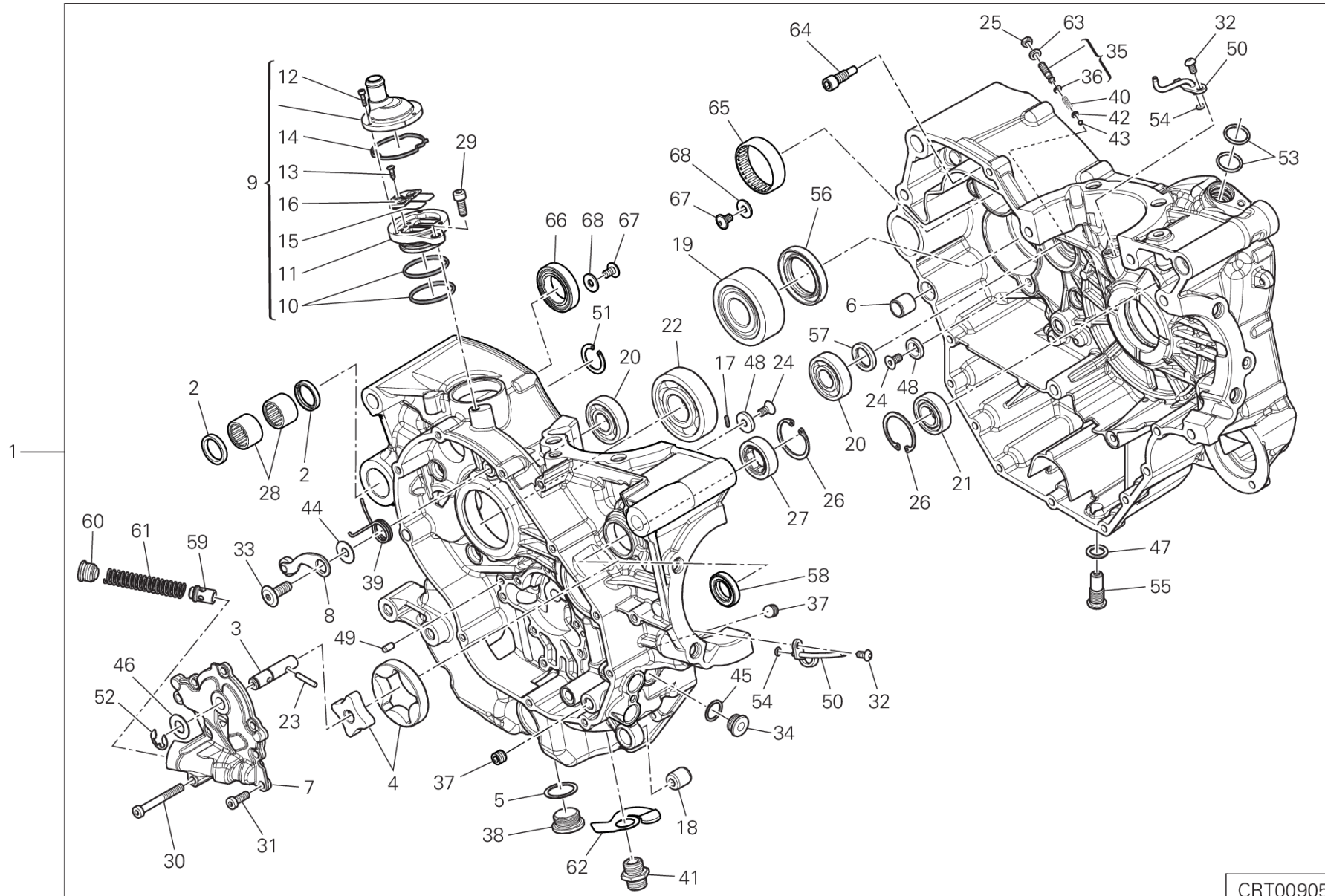


POS.	CODE	DESCRIPTION	QTY	VALIDITY	NOTES
1	225P0181B	COMPLETE HALF-CRANKCASES PAIR	1		
2	93041271A	SEAL RING 20X26X4	4		
3	14710951B	OIL PUMP DRIVE SHAFT	1		
4	17420591A	OIL PUMP	1		
5	22032083A	ALUMINIUM GASKET	1		
6	71110951A	PIN DOWEL	2		
7	24714612A	OIL PUMP COVER	1		
8	45520192A	GEAR FIXING CLICK ASSEMBLY	1		
9	59320621B	BREATHER VALVE	1		
10	46320222A	O-RING	2		
11	59310601B	HOLDER READ VALVE	1		
12	77150068B	SCREW	3		
13	77250341B	SCREW, TAPPING 3.5X12	1		
14	78811151A	GASKET	1		
15	81110021A	REED VALVE ASSY	1		
16	82716031A	SPACER	1		
17	68050101A	KEY 2X2X10	1		
18	70010362A	DAMPER	1		
19	70240131A	BEARING	1		
20	70240401B	BEARING 17X40X12	2		
21	70250081A	BALL BEARING 6003 TN9 C3	1		
22	70250193A	BEARING	1		
23	70450091A	ROLLER	1		
24	720941616	SCREW TSPEI M6X12	4		
25	74710151A	NUT	1		
26	735033380	CIRCLIP	2		
27	70242261A	BEARING	1		
28	70140681A	NEEDLE BUSH	4		
29	77150653B	SCREW TCEI M6X16 UNI5931 8.8	1		
30	77150758B	SCREW	1		
31	77350658B	SCREW TCEIR M6X16	7		
32	77510311B	SCREW TBEI M5X10	2		
33	77910391A	SCREW M8X21.5	1		
34	77911982A	THREADED PLUG M15X1	1		
35	77927171B	SCREW	1		



DRAWING 09A - HALF-CRANKCASES PAIR

GROUP ENGINE



CRT00905

DRAWING 09A - HALF-CRANKCASES PAIR

GROUP ENGINE

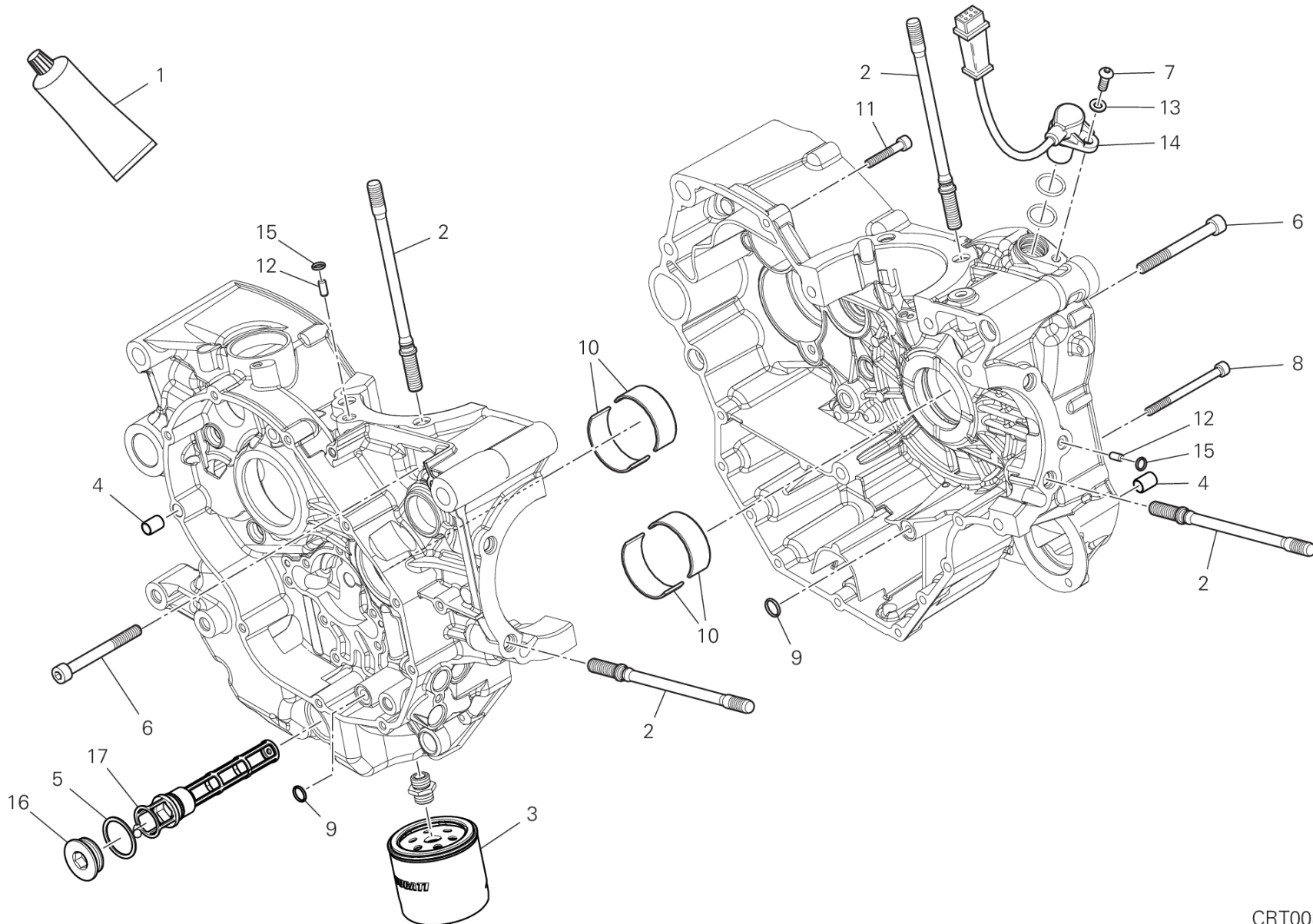


POS.	CODE	DESCRIPTION	QTY	VALIDITY	NOTES
36	88641961A	O-RING	1		
37	77950621A	THREADED DOWEL M10X1	2		
38	78010921A	PLUG	1		
39	79910491D	SPRING, RETURN	1		
40	79940171A	SPRING	1		
41	81510281A	BOLT UNION	1		
42	83110151B	PLATE	1		
43	84740061A	BALL	1		
44	85210532A	WASHER 8.2X20X1	1		
45	85211201A	ALUMINIUM GASKET	1		
46	85213021A	WASHER, THRUST	1		
47	85250421A	COPPER GASKET 12.2X18X1.5 MM	1		
48	85611481A	WASHER	4		
49	86050061A	PIN M5X10	2		
50	87511461B	JET	2		
51	88440531A	SPRING RING	2		
52	88450371A	SNAP RING	1		
53	88640331A	O-RING 17.96X2.62	2		
54	88650131A	O-RING 3.68X1.78	2		
55	89320062A	PLUG, OIL DRAIN	1		
56	93040221A	OIL SEAL	1		
57	93040932A	OIL SEAL	1		
58	93041631B	SEAL RING	1		
59	59310801B	BY-PASS VALVE	1		
60	78010941B	PLUG	1		
61	79915741B	BYPASS SPRING	1		
62	79920771C	BYPASS SPRING	1		
63	85640141A	WASHER	1		
64	77919881A	SCREW, SPECIAL	2		
65	70242211A	NEEDLE BUSH	1		
66	70250412A	BALL BEARING	1		
67	77240398CC	SCREW	3		
68	85214082A	WASHER	3		



DRAWING 09B - HALF-CRANKCASES PAIR

GROUP ENGINE



CRT00807

DRAWING 09B - HALF-CRANKCASES PAIR

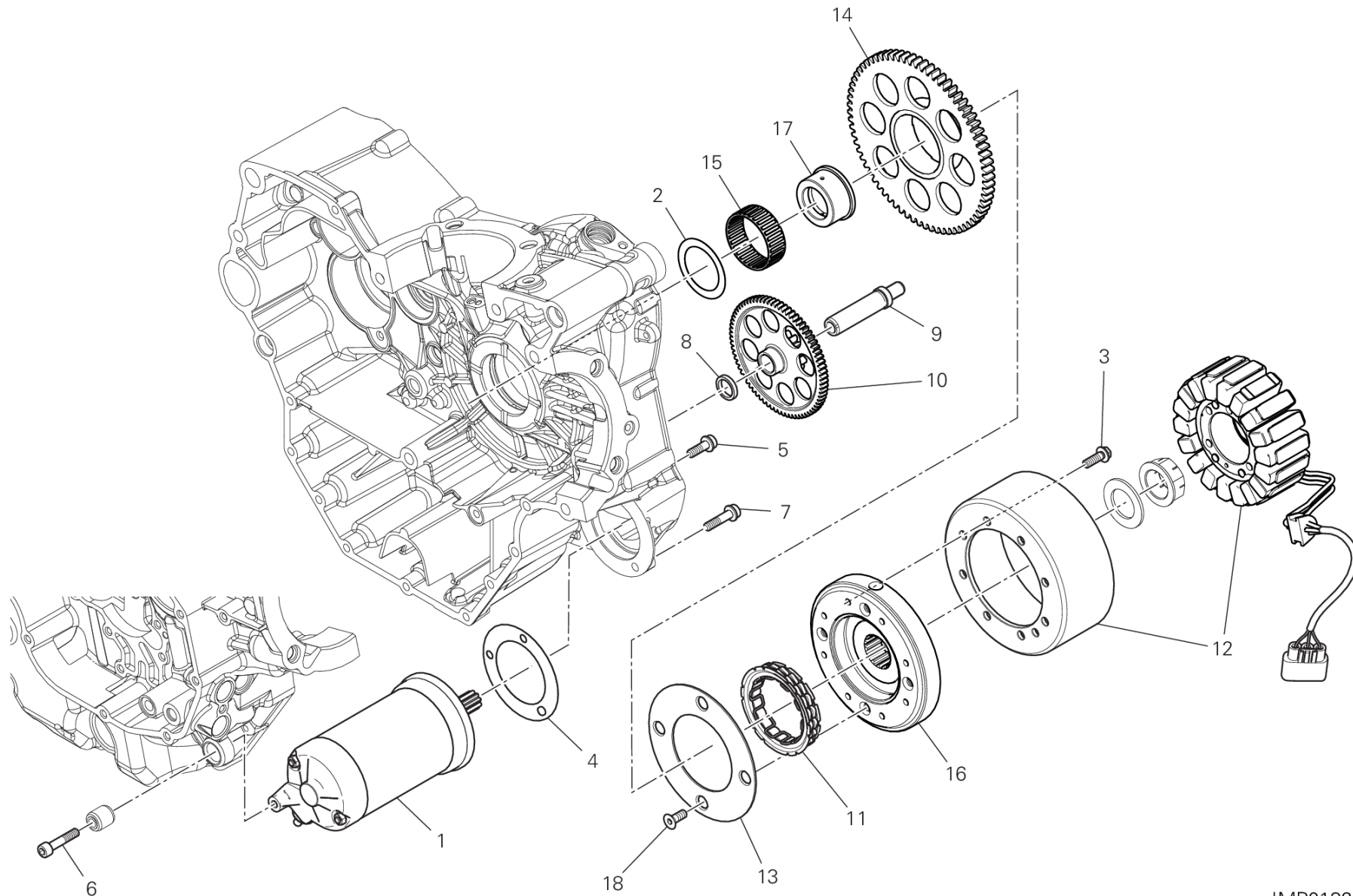
GROUP ENGINE



POS.	CODE	DESCRIPTION	QTY	VALIDITY	NOTES
1	942470014	LIQUID GASKET	1		
2	76610551D	STUD BOLT FASTENING HEAD CYLINDER	8		
3	44440039A	FILTER, OIL	1		
4	71111601A	PIN DOWEL	3		
5	85250051A	GASKET 32X38X1.5	1		
6	77151363B	SCREW TCEI M8X75 UNI 5931	7		
7	77550211B	SCREW TBEI M6X16 ISO7380 10.9	1		
8	77150808B	SCREW TCEI M6X75	2		
9	88641321A	O-RING	2		
10	11210791AA	HALF-BEARING RED	4		
	11210791AB	HALF-BEARING BLUE	4		
	11210791AC	HALF-BEARING YELLOW	4		
	11210791AD	HALF-BEARING BLACK	4		
	11210791AE	HALF-BEARING GREEN	4		
11	77150723B	SCREW TCEI M6X35 UNI 5931	8		
12	86010051B	DOWEL	2		
13	85310031A	SPRING WASHER 6 MM	1		
14	55241321C	SENSOR, TIMING & RPM	1		
15	88610241A	O-RING 5.23X2.62	2		
16	87310371A	THREADED PLUG M32X1.5	1		
17	89420121F	OIL NET FILTER	1		



DRAWING 10A - ELECTRIC STARTING AND IGNITION GROUP ENGINE



IMP01325

DRAWING 10A - ELECTRIC STARTING AND IGNITION

GROUP ENGINE

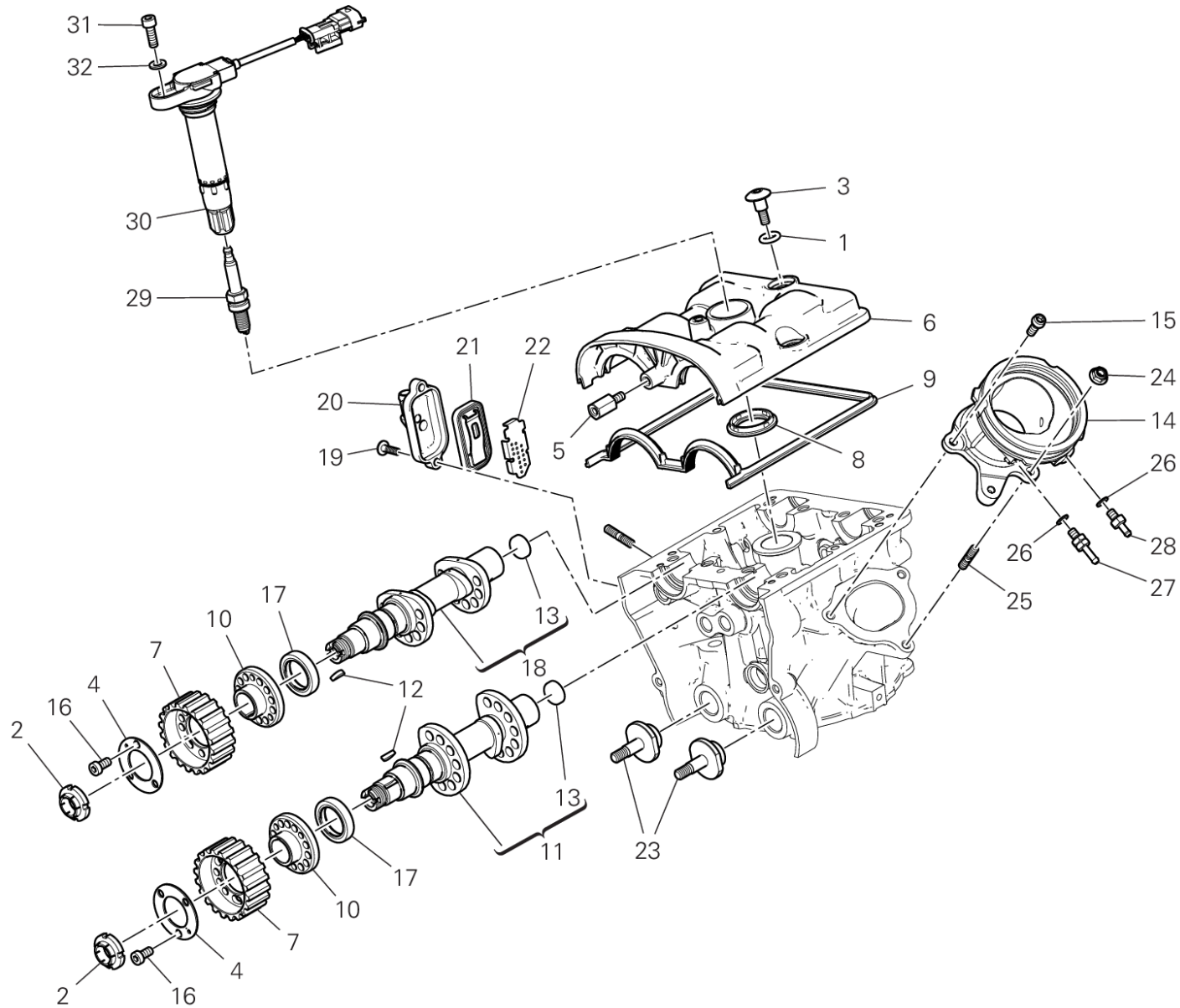


POS.	CODE	DESCRIPTION	QTY	VALIDITY	NOTES
1	27040107A	STARTING MOTOR	1		
2	85610751A	WASHER, THRUST	1		
3	77253300ZF	SCREW	8		
4	78810542A	ENGINE STARTER GASKET	1		
5	77140677CF	SCREW TCEIF M6X20	2		
6	77110521A	SCREW TCEI M6X30	1		
7	77140697CF	SCREW	1		
8	71319191A	SPACER	1		
9	82113471A	STARTER REDUCTION SHAFT	1		
10	176Z0021A	IDLE GEAR T74/13	1		
11	70140591A	CLUTCH, ONE WAY	1		
12	26420501B	GENERATOR DENSO	1		
13	16016371A	PLATE	1		
14	173Z0021A	ELECTRIC STARTER DRIVEN GEAR	1		
15	70240181B	NEEDLE BEARING	1		
16	27611211B	COUPLING, FLYWHEEL	1		
17	88110341A	BUSH	1		
18	77750508CC	SCREW	4		



DRAWING 11A - VERTICAL CYLINDER HEAD - TIMING

GROUP ENGINE



TST00633

DRAWING 11A - VERTICAL CYLINDER HEAD - TIMING

GROUP ENGINE

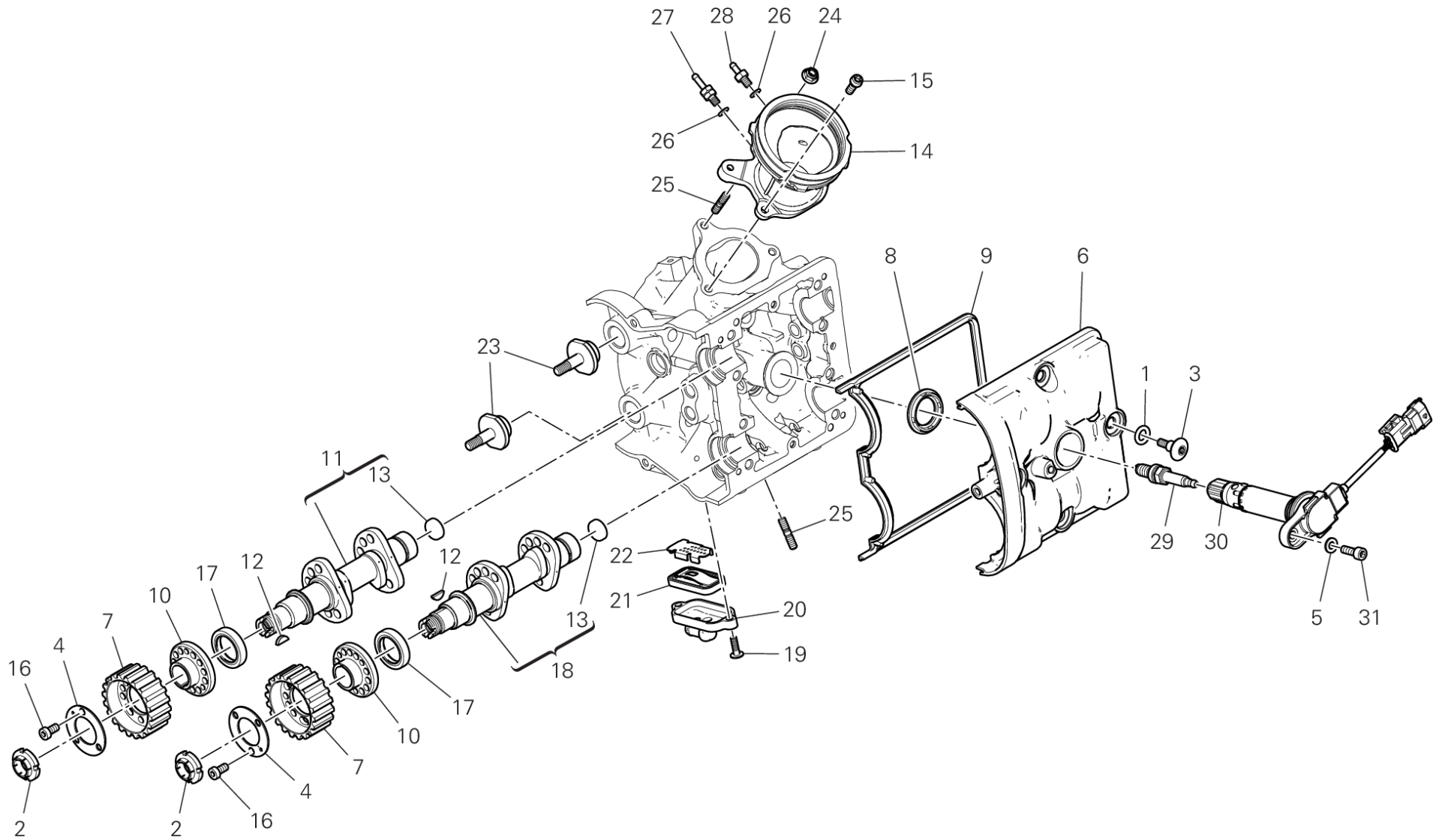


POS.	CODE	DESCRIPTION	QTY	VALIDITY	NOTES
1	88650511A	O-RING 12.39X3.53	4		
2	70350022A	RING NUT M17X1	2		
3	77915093A	SCREW, SPECIAL	4		
4	85610743A	WASHER, SPECIAL	2		
5	7791B171A	SCREW, SPECIAL	1		
6	24712882D	EXHAUST VALVE COVER VERTICAL	1		
7	25510193A	TIMING BELT PULLEY, DRIVEN T20	2		
8	78810941A	SEAL, SPARK PLUG HOLE	1		
9	78810931A	GASKET CYLINDER HEAD COVER	1		
10	16010941A	FLANGE	2		
11	14824232A	VERTICAL INTAKE CAMSHAFT	1		
12	68050061A	WOODRUFF KEY 3X5	2		
13	87310051A	PLUG 18 MM	2		
14	14010911A	INTAKE MANIFOLD	1		
15	77110391B	SCREW	2		
16	77950302A	SCREW TC M6X12	6		
17	93050072A	SEAL RING	2		
18	14825741A	VERTICAL EXHAUST CAMSHAFT	1		
19	77240288C	SCREW	2		
20	24714081A	COVER	1		
21	81140012B	VALVE	1		
22	82716351A	PLATE	1		
23	45110462A	MOVABLE TENSIONER ROLLER PIN	2		
24	74941113B	NUT	1		
25	76640191A	STUD BOLT M6X16	4		
26	85250231A	GASKET	2		
27	81411111C	NIPPLE, HOSE	1		
28	81413341A	UNION	1		
29	67040451A	SPARK PLUG NGK MAR9A-J	1		
30	38010145B	IGNITION COIL	1		
31	77110401B	SCREW	1		
32	85212641A	WASHER 6.4X12.5X1.6	1		



DRAWING 11B - HORIZONTAL HEAD – TIMING SYSTEM

GROUP ENGINE



TST00634

DRAWING 11B - HORIZONTAL HEAD – TIMING SYSTEM

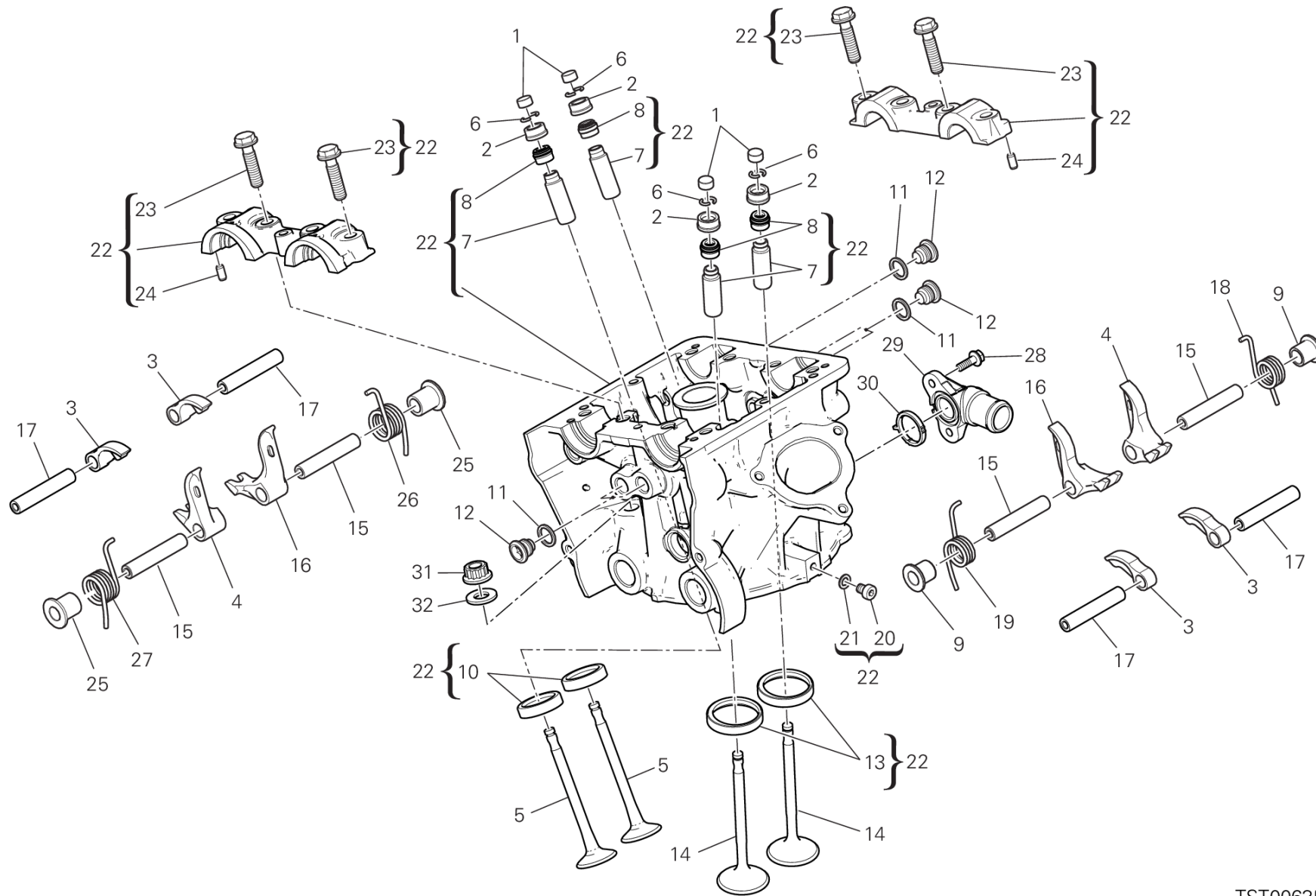
GROUP ENGINE



POS.	CODE	DESCRIPTION	QTY	VALIDITY	NOTES
1	88650511A	O-RING 12.39X3.53	4		
2	70350022A	RING NUT M17X1	2		
3	77915093A	SCREW, SPECIAL	4		
4	85610743A	WASHER, SPECIAL	2		
5	85212641A	WASHER 6.4X12.5X1.6	1		
6	24712871B	COVER CYLINDER HEAD, HORIZONTAL	1		
7	25510193A	TIMING BELT PULLEY, DRIVEN T20	2		
8	78810941A	SEAL, SPARK PLUG HOLE	1		
9	78810931A	GASKET CYLINDER HEAD COVER	1		
10	16010941A	FLANGE	2		
11	14824222A	HORIZONTAL INTAKE CAMSHAFT	1		
12	68050061A	WOODRUFF KEY 3X5	2		
13	87310051A	PLUG 18 MM	2		
14	14010911A	INTAKE MANIFOLD	1		
15	77110391B	SCREW	2		
16	77950302A	SCREW TC M6X12	6		
17	93050072A	SEAL RING	2		
18	14825731A	HORIZONTAL EXHAUST CAMSHAFT	1		
19	77240288C	SCREW	2		
20	24714081A	COVER	1		
21	81140012B	VALVE	1		
22	82716351A	PLATE	1		
23	45110462A	MOVABLE TENSIONER ROLLER PIN	2		
24	74941113B	NUT	1		
25	76640191A	STUD BOLT M6X16	4		
26	85250231A	GASKET	2		
27	81411111C	NIPPLE, HOSE	1		
28	81413341A	UNION	1		
29	67040451A	SPARK PLUG NGK MAR9A-J	1		
30	38010145B	IGNITION COIL	1		
31	77110401B	SCREW	1		



DRAWING 11C - VERTICAL HEAD GROUP ENGINE



TST00635

DRAWING 11C - VERTICAL HEAD

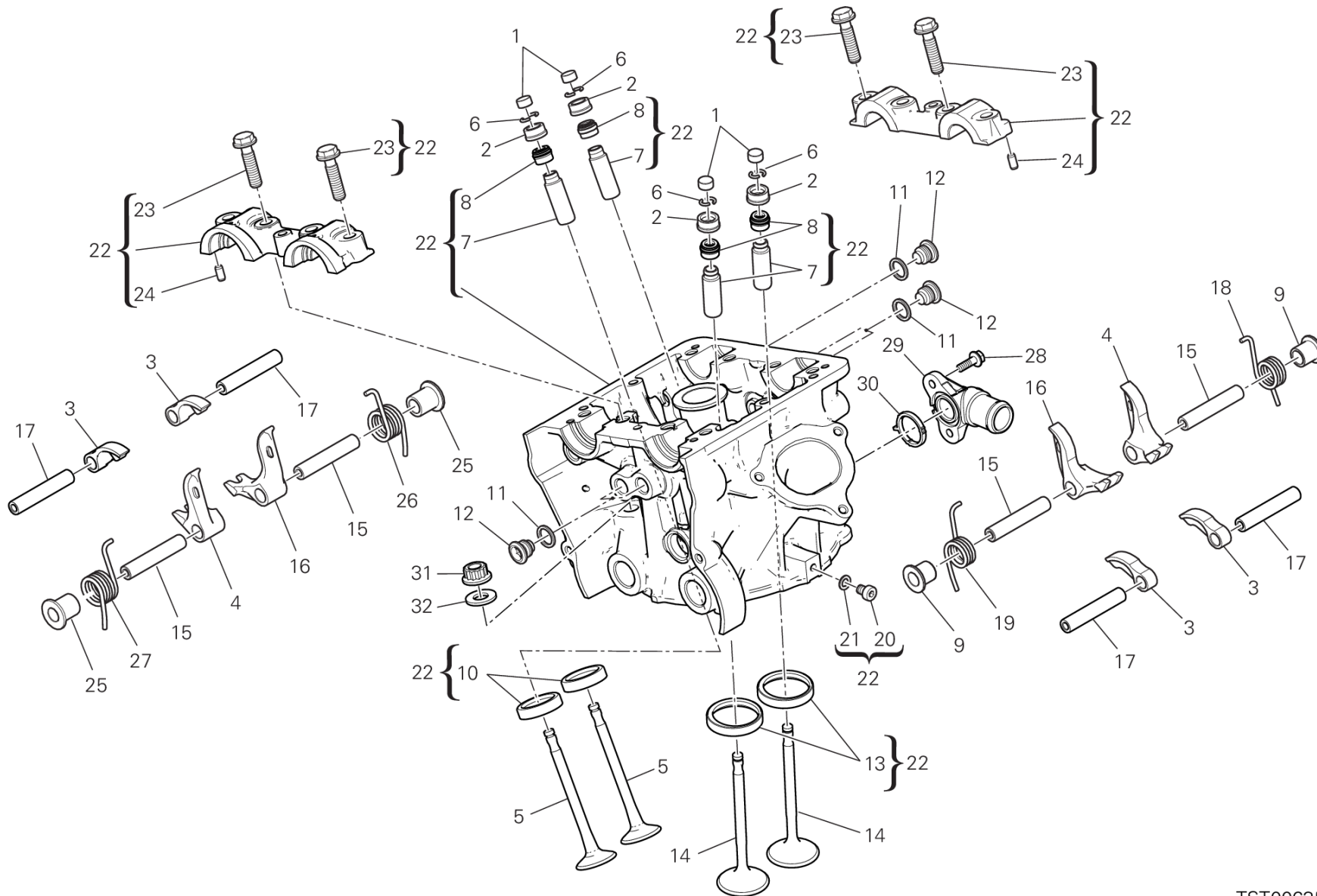
GROUP ENGINE



POS.	CODE	DESCRIPTION	QTY	VALIDITY	NOTES
1	84010012A	ADJUSTER, OPENING ROCKER ARM 2.00 MM	4		
	84010022A	ADJUSTER, OPENING ROCKER ARM 2.05 MM	4		
	84010032A	ADJUSTER, OPENING ROCKER ARM 2.10 MM	4		
	84010042A	ADJUSTER, OPENING ROCKER ARM 2.15 MM	4		
	84010052A	ADJUSTER, OPENING ROCKER ARM 2.20 MM	4		
	84010062A	ADJUSTER, OPENING ROCKER ARM 2.25 MM	4		
	84010072A	ADJUSTER, OPENING ROCKER ARM 2.30 MM	4		
	84010082A	ADJUSTER, OPENING ROCKER ARM 2.35 MM	4		
	84010092A	ADJUSTER, OPENING ROCKER ARM 2.40 MM	4		
	84010102A	ADJUSTER, OPENING ROCKER ARM 2.45 MM	4		
	84010112A	ADJUSTER, OPENING ROCKER ARM 2.50 MM	4		
	84010122A	ADJUSTER, OPENING ROCKER ARM 2.55 MM	4		
	84010132A	ADJUSTER, OPENING ROCKER ARM 2.60 MM	4		
	84010142A	ADJUSTER, OPENING ROCKER ARM 2.65 MM	4		
	84010152A	ADJUSTER, OPENING ROCKER ARM 2.70 MM	4		
	84010162A	ADJUSTER, OPENING ROCKER ARM 2.75 MM	4		
	84010172A	ADJUSTER, OPENING ROCKER ARM 2.80 MM	4		
	84010182A	ADJUSTER, OPENING ROCKER ARM 2.85 MM	4		
	84010192A	ADJUSTER, OPENING ROCKER ARM 2.90 MM	4		
	84010202A	ADJUSTER, OPENING ROCKER ARM 2.95 MM	4		
	84010212A	ADJUSTER, OPENING ROCKER ARM 3.00 MM	4		
	84010222A	ADJUSTER, OPENING ROCKER ARM 3.05 MM	4		
	84010232A	ADJUSTER, OPENING ROCKER ARM 3.10 MM	4		
	84010242A	ADJUSTER, OPENING ROCKER ARM 3.15 MM	4		
	84010252A	ADJUSTER, OPENING ROCKER ARM 3.20 MM	4		
	84010262A	ADJUSTER, OPENING ROCKER ARM 3.25 MM	4		
	84010272A	ADJUSTER, OPENING ROCKER ARM 3.30 MM	4		
	84010282A	ADJUSTER, OPENING ROCKER ARM 3.35 MM	4		
	84010292A	ADJUSTER, OPENING ROCKER ARM 3.40 MM	4		
	84010302A	ADJUSTER, OPENING ROCKER ARM 3.45 MM	4		
	84010312A	ADJUSTER, OPENING ROCKER ARM 1.80 MM	4		
	84010322A	ADJUSTER, OPENING ROCKER ARM 1.85 MM	4		
	84010332A	ADJUSTER, OPENING ROCKER ARM 1.90 MM	4		
	84010342A	ADJUSTER, OPENING ROCKER ARM 1.95 MM	4		
	84010722A	ADJUSTER, OPENING ROCKER ARM 3.60 MM	4		



DRAWING 11C - VERTICAL HEAD GROUP ENGINE



TST00635

DRAWING 11C - VERTICAL HEAD

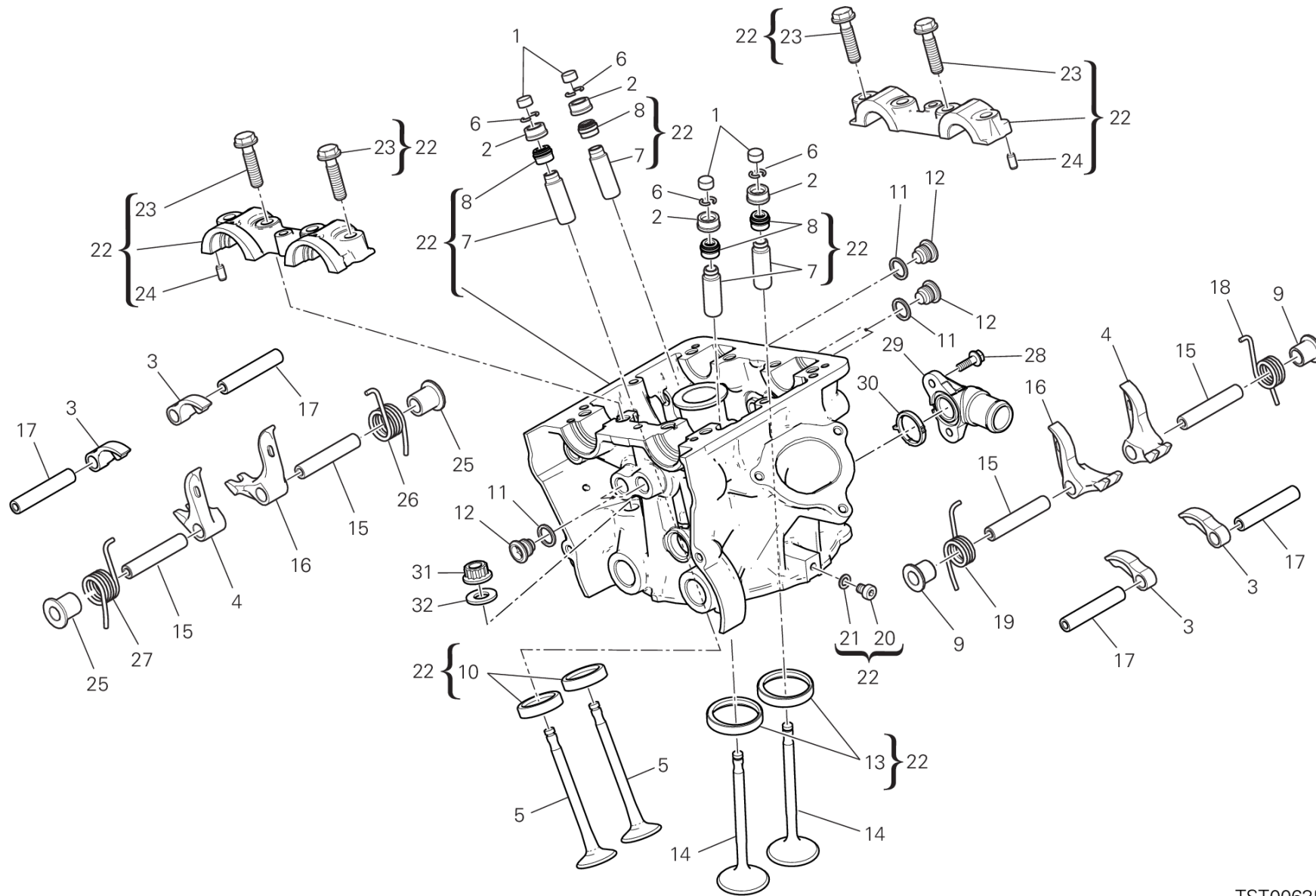
GROUP ENGINE



POS.	CODE	DESCRIPTION	QTY	VALIDITY	NOTES
	84010732A	ADJUSTER, OPENING ROCKER ARM 3.80 MM	4		
	84011082A	ADJUSTER, OPENING ROCKER ARM 3.50 MM	4		
	84011092A	ADJUSTER, OPENING ROCKER ARM 3.55 MM	4		
	84011102A	ADJUSTER, OPENING ROCKER ARM 3.65 MM	4		
	84011112A	ADJUSTER, OPENING ROCKER ARM 3.70 MM	4		
	84011122A	ADJUSTER, OPENING ROCKER ARM 3.75 MM	4		
	84011132A	ADJUSTER, OPENING ROCKER ARM 3.85 MM	4		
	84011142A	ADJUSTER, OPENING ROCKER ARM 3.9 MM	4		
2	84010412B	ADJUSTER, CLOSING ROCKER ARM 2.20 MM	4		
	84010422B	ADJUSTER, CLOSING ROCKER ARM 2.25 MM	4		
	84010432B	ADJUSTER, CLOSING ROCKER ARM 2.30 MM	4		
	84010442B	ADJUSTER, CLOSING ROCKER ARM 2.35 MM	4		
	84010452B	ADJUSTER, CLOSING ROCKER ARM 2.40 MM	4		
	84010462B	ADJUSTER, CLOSING ROCKER ARM 2.45 MM	4		
	84010472B	ADJUSTER, CLOSING ROCKER ARM 2.50 MM	4		
	84010482B	ADJUSTER, CLOSING ROCKER ARM 2.55 MM	4		
	84010492B	ADJUSTER, CLOSING ROCKER ARM 2.60 MM	4		
	84010502B	ADJUSTER, CLOSING ROCKER ARM 2.65 MM	4		
	84010512B	ADJUSTER, CLOSING ROCKER ARM 2.70 MM	4		
	84010522B	ADJUSTER, CLOSING ROCKER ARM 2.75 MM	4		
	84010532B	ADJUSTER, CLOSING ROCKER ARM 2.80 MM	4		
	84010542B	ADJUSTER, CLOSING ROCKER ARM 2.85 MM	4		
	84010552B	ADJUSTER, CLOSING ROCKER ARM 2.90 MM	4		
	84010562B	ADJUSTER, CLOSING ROCKER ARM 2.95 MM	4		
	84010572B	ADJUSTER, CLOSING ROCKER ARM 3.00 MM	4		
	84010582B	ADJUSTER, CLOSING ROCKER ARM 3.05 MM	4		
	84010592B	ADJUSTER, CLOSING ROCKER ARM 3.10 MM	4		
	84010602B	ADJUSTER, CLOSING ROCKER ARM 3.15 MM	4		
	84010612B	ADJUSTER, CLOSING ROCKER ARM 3.20 MM	4		
	84010622B	ADJUSTER, CLOSING ROCKER ARM 3.25 MM	4		
	84010632B	ADJUSTER, CLOSING ROCKER ARM 3.30 MM	4		
	84010642B	ADJUSTER, CLOSING ROCKER ARM 3.35 MM	4		
	84010652B	ADJUSTER, CLOSING ROCKER ARM 3.40 MM	4		
	84010662B	ADJUSTER, CLOSING ROCKER ARM 3.45 MM	4		
	84010672B	ADJUSTER, CLOSING ROCKER ARM 3.50 MM	4		



DRAWING 11C - VERTICAL HEAD GROUP ENGINE



TST00635

DRAWING 11C - VERTICAL HEAD

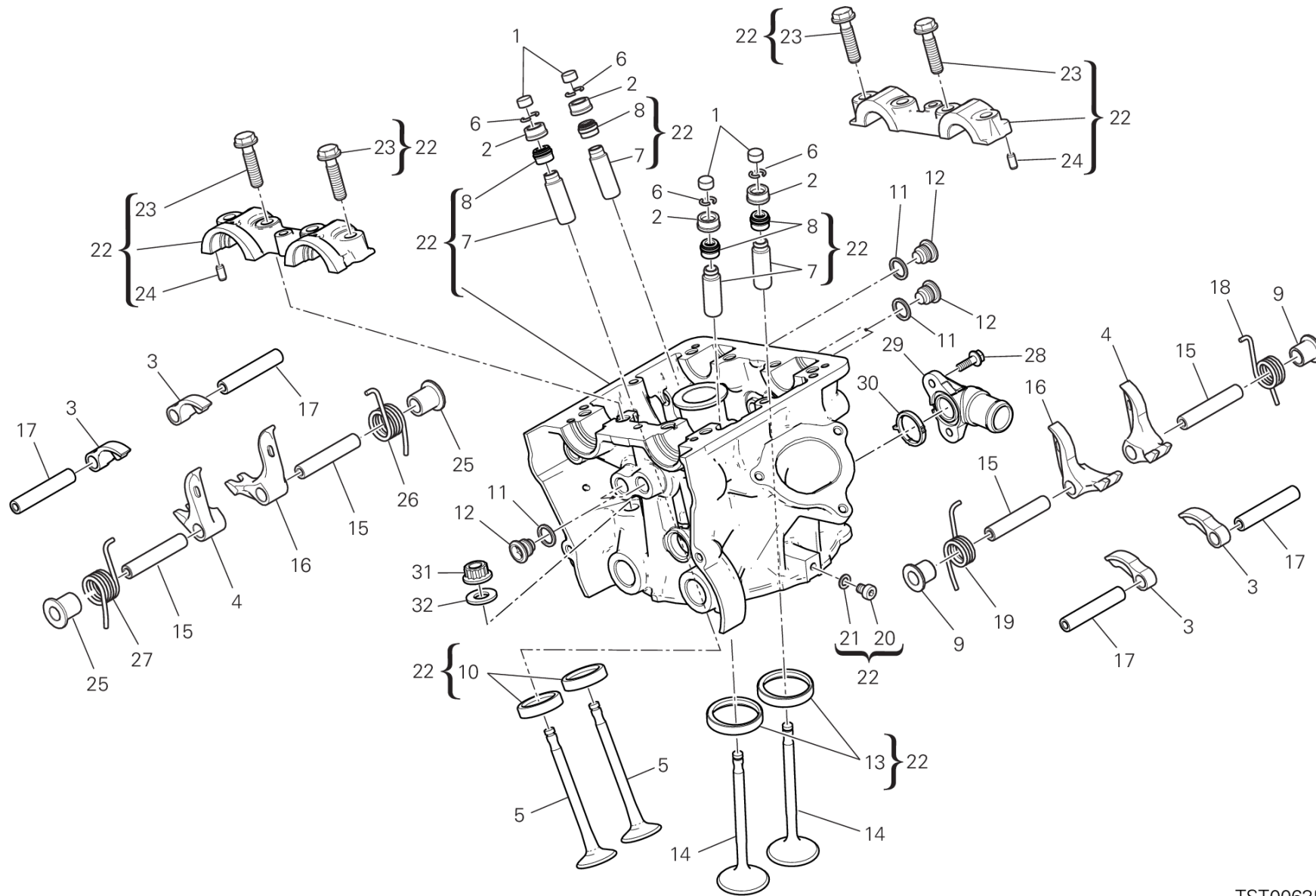
GROUP ENGINE



POS.	CODE	DESCRIPTION	QTY	VALIDITY	NOTES
	84010682B	ADJUSTER, CLOSING ROCKER ARM 3.55 MM	4		
	84010692B	ADJUSTER, CLOSING ROCKER ARM 3.60 MM	4		
	84010702B	ADJUSTER, CLOSING ROCKER ARM 3.65 MM	4		
	84010712B	ADJUSTER, CLOSING ROCKER ARM 3.70 MM	4		
	84010722B	ADJUSTER, CLOSING ROCKER ARM 3.75 MM	4		
	84010732B	ADJUSTER, CLOSING ROCKER ARM 3.80 MM	4		
	84010742B	ADJUSTER, CLOSING ROCKER ARM 3.85 MM	4		
	84010752B	ADJUSTER, CLOSING ROCKER ARM 3.90 MM	4		
	84010762B	ADJUSTER, CLOSING ROCKER ARM 3.95 MM	4		
	84010772B	ADJUSTER, CLOSING ROCKER ARM 4.00 MM	4		
	84010782B	ADJUSTER, CLOSING ROCKER ARM 4.05 MM	4		
	84010792B	ADJUSTER, CLOSING ROCKER ARM 4.10 MM	4		
	84010802B	ADJUSTER, CLOSING ROCKER ARM 4.15 MM	4		
	84010812B	ADJUSTER, CLOSING ROCKER ARM 4.20 MM	4		
	84010822B	ADJUSTER, CLOSING ROCKER ARM 4.25 MM	4		
	84010832B	ADJUSTER, CLOSING ROCKER ARM 4.30 MM	4		
	84010842B	ADJUSTER, CLOSING ROCKER ARM 4.35 MM	4		
	84010852B	ADJUSTER, CLOSING ROCKER ARM 4.40 MM	4		
	84010862B	ADJUSTER, CLOSING ROCKER ARM 4.45 MM	4		
	84010872B	ADJUSTER, CLOSING ROCKER ARM 4.50 MM	4		
3	20810321A	OPEN. ROCKER ARM	4		
4	20910501A	CLOSING ROCKER ARM LEFT	2		
5	21110991A	EXHAUST VALVE	2		
6	66910011E	C RING	8		
7	30310631BB	GUIDE, VALVE OVERSIZED 0.03 MM	4		
	30310631BC	GUIDE, VALVE OVERSIZED 0.06 MM	4		
	30310631BD	GUIDE, VALVE OVERSIZED 0.09 MM	4		
8	76440572A	SEAL VALVE STEM	4		
9	71312921A	SPACER	2		
10	30411011BB	SEAT, EXHAUST VALVE +0.03 MM	4		
	30411011BC	SEAT, EXHAUST VALVE +0.06 MM	4		
11	85250261B	GASKET	8		
12	78010511D	THREADED PLUG	8		
13	30411001AB	SEAT, INLET VALVE +0.03 MM	2		
	30411001AC	SEAT, INLET VALVE +0.06 MM	2		



DRAWING 11C - VERTICAL HEAD GROUP ENGINE



TST00635

DRAWING 11C - VERTICAL HEAD

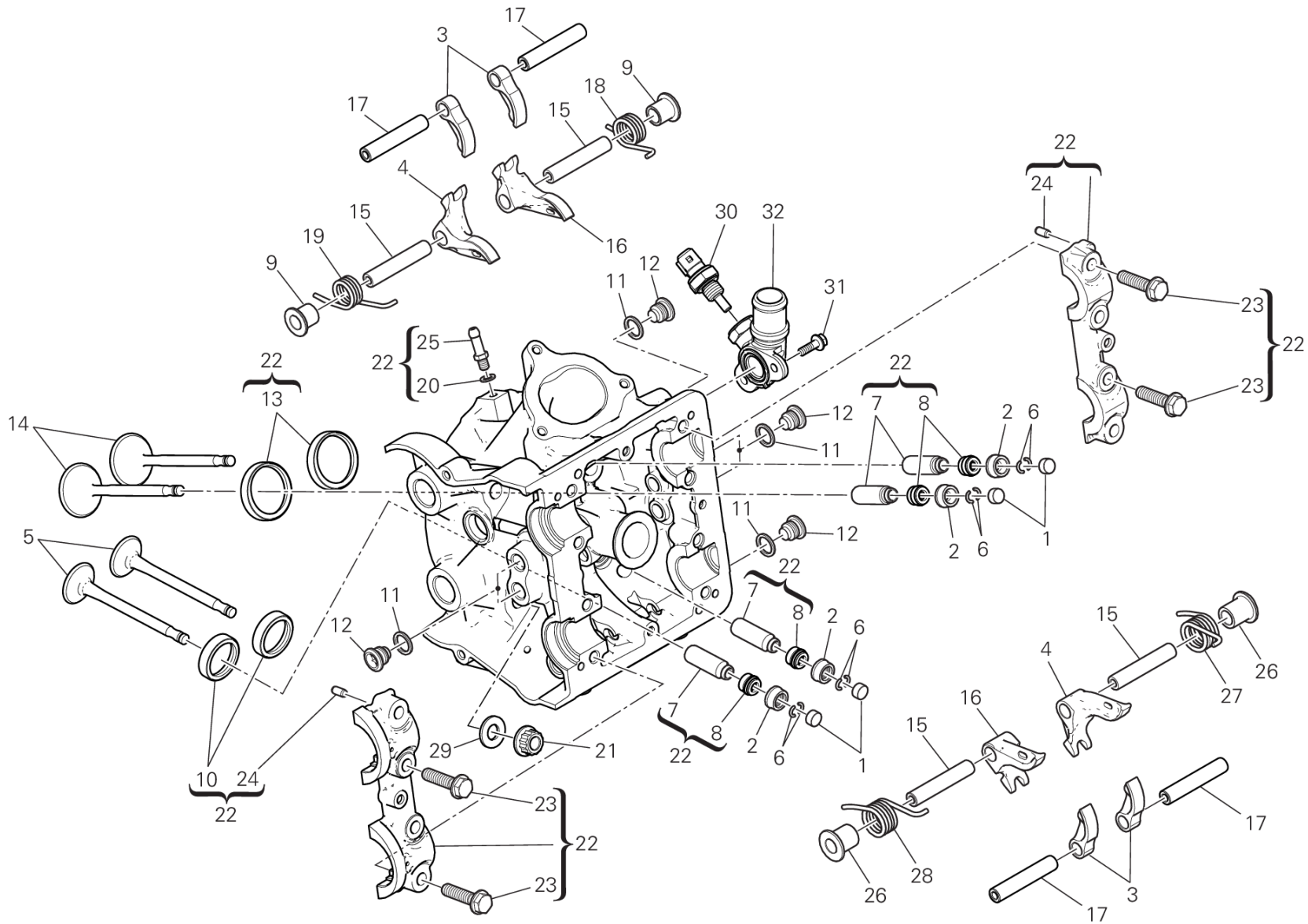
GROUP ENGINE



POS.	CODE	DESCRIPTION	QTY	VALIDITY	NOTES
14	21010991A	INTAKE VALVE	2		
15	82112951A	CLOSE ROCKER ARM AXLE	4		
16	20910491A	CLOSING ROCKER ARM RIGHT	2		
17	82112941A	SHAFT, OPENING ROCKER	4		
18	79915001A	VALVE RETURN SPRING LH.	1		
19	79915011A	VALVE RETURN SPRING RH.	1		
20	77350618B	SCREW TCEIR M6X8	1		
21	85250231A	GASKET	1		
22	30124081DA	COMPLETE VERTICAL HEAD	1		
23	77914211A	SCREW TEF M8X32	8		
24	86050061A	PIN M5X10	4		
25	71312921B	SPACER	2		
26	79915181B	LEFT VALVE RETURN SPRING	1		
27	79915191B	RIGHT VALVE RETURN SPRING	1		
28	77210623B	SCREW	2		
29	81412351B	JOINT, WATER HOSE VERTICAL	1		
30	88641031A	O-RING	1		
31	74810501A	NUT M10X1.5	4		
32	85610642A	WASHER, SPECIAL 10.5X21X2	4		



DRAWING 11D - HORIZONTAL HEAD GROUP ENGINE



TST00636

DRAWING 11D - HORIZONTAL HEAD

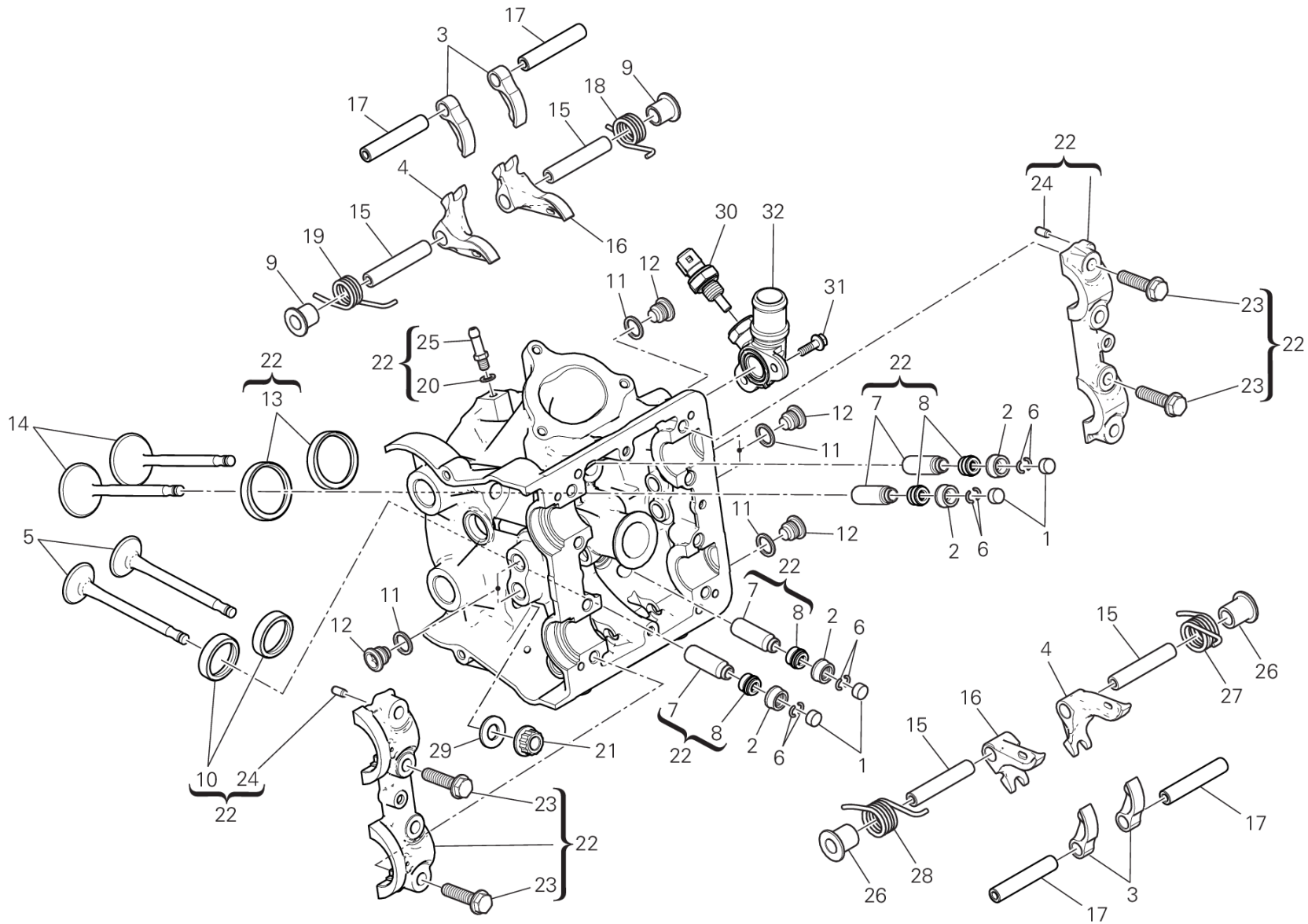
GROUP ENGINE



POS.	CODE	DESCRIPTION	QTY	VALIDITY	NOTES
1	84010012A	ADJUSTER, OPENING ROCKER ARM 2.00 MM	4		
	84010022A	ADJUSTER, OPENING ROCKER ARM 2.05 MM	4		
	84010032A	ADJUSTER, OPENING ROCKER ARM 2.10 MM	4		
	84010042A	ADJUSTER, OPENING ROCKER ARM 2.15 MM	4		
	84010052A	ADJUSTER, OPENING ROCKER ARM 2.20 MM	4		
	84010062A	ADJUSTER, OPENING ROCKER ARM 2.25 MM	4		
	84010072A	ADJUSTER, OPENING ROCKER ARM 2.30 MM	4		
	84010082A	ADJUSTER, OPENING ROCKER ARM 2.35 MM	4		
	84010092A	ADJUSTER, OPENING ROCKER ARM 2.40 MM	4		
	84010102A	ADJUSTER, OPENING ROCKER ARM 2.45 MM	4		
	84010112A	ADJUSTER, OPENING ROCKER ARM 2.50 MM	4		
	84010122A	ADJUSTER, OPENING ROCKER ARM 2.55 MM	4		
	84010132A	ADJUSTER, OPENING ROCKER ARM 2.60 MM	4		
	84010142A	ADJUSTER, OPENING ROCKER ARM 2.65 MM	4		
	84010152A	ADJUSTER, OPENING ROCKER ARM 2.70 MM	4		
	84010162A	ADJUSTER, OPENING ROCKER ARM 2.75 MM	4		
	84010172A	ADJUSTER, OPENING ROCKER ARM 2.80 MM	4		
	84010182A	ADJUSTER, OPENING ROCKER ARM 2.85 MM	4		
	84010192A	ADJUSTER, OPENING ROCKER ARM 2.90 MM	4		
	84010202A	ADJUSTER, OPENING ROCKER ARM 2.95 MM	4		
	84010212A	ADJUSTER, OPENING ROCKER ARM 3.00 MM	4		
	84010222A	ADJUSTER, OPENING ROCKER ARM 3.05 MM	4		
	84010232A	ADJUSTER, OPENING ROCKER ARM 3.10 MM	4		
	84010242A	ADJUSTER, OPENING ROCKER ARM 3.15 MM	4		
	84010252A	ADJUSTER, OPENING ROCKER ARM 3.20 MM	4		
	84010262A	ADJUSTER, OPENING ROCKER ARM 3.25 MM	4		
	84010272A	ADJUSTER, OPENING ROCKER ARM 3.30 MM	4		
	84010282A	ADJUSTER, OPENING ROCKER ARM 3.35 MM	4		
	84010292A	ADJUSTER, OPENING ROCKER ARM 3.40 MM	4		
	84010302A	ADJUSTER, OPENING ROCKER ARM 3.45 MM	4		
	84010312A	ADJUSTER, OPENING ROCKER ARM 1.80 MM	4		
	84010322A	ADJUSTER, OPENING ROCKER ARM 1.85 MM	4		
	84010332A	ADJUSTER, OPENING ROCKER ARM 1.90 MM	4		
	84010342A	ADJUSTER, OPENING ROCKER ARM 1.95 MM	4		
	84010722A	ADJUSTER, OPENING ROCKER ARM 3.60 MM	4		



DRAWING 11D - HORIZONTAL HEAD GROUP ENGINE



TST00636

DRAWING 11D - HORIZONTAL HEAD

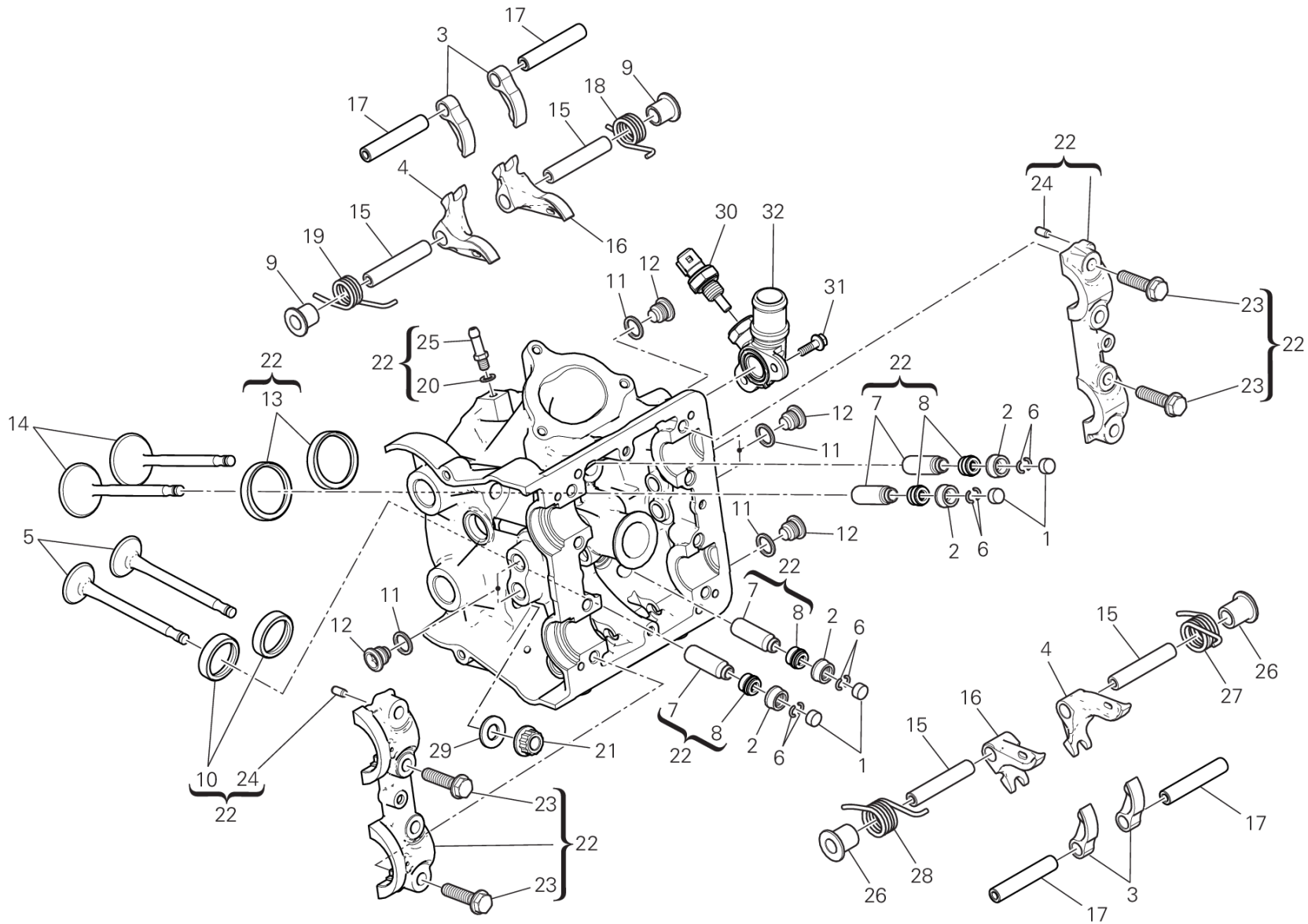
GROUP ENGINE



POS.	CODE	DESCRIPTION	QTY	VALIDITY	NOTES
	84010732A	ADJUSTER, OPENING ROCKER ARM 3.80 MM	4		
	84011082A	ADJUSTER, OPENING ROCKER ARM 3.50 MM	4		
	84011092A	ADJUSTER, OPENING ROCKER ARM 3.55 MM	4		
	84011102A	ADJUSTER, OPENING ROCKER ARM 3.65 MM	4		
	84011112A	ADJUSTER, OPENING ROCKER ARM 3.70 MM	4		
	84011122A	ADJUSTER, OPENING ROCKER ARM 3.75 MM	4		
	84011132A	ADJUSTER, OPENING ROCKER ARM 3.85 MM	4		
	84011142A	ADJUSTER, OPENING ROCKER ARM 3.9 MM	4		
2	84010412B	ADJUSTER, CLOSING ROCKER ARM 2.20 MM	4		
	84010422B	ADJUSTER, CLOSING ROCKER ARM 2.25 MM	4		
	84010432B	ADJUSTER, CLOSING ROCKER ARM 2.30 MM	4		
	84010442B	ADJUSTER, CLOSING ROCKER ARM 2.35 MM	4		
	84010452B	ADJUSTER, CLOSING ROCKER ARM 2.40 MM	4		
	84010462B	ADJUSTER, CLOSING ROCKER ARM 2.45 MM	4		
	84010472B	ADJUSTER, CLOSING ROCKER ARM 2.50 MM	4		
	84010482B	ADJUSTER, CLOSING ROCKER ARM 2.55 MM	4		
	84010492B	ADJUSTER, CLOSING ROCKER ARM 2.60 MM	4		
	84010502B	ADJUSTER, CLOSING ROCKER ARM 2.65 MM	4		
	84010512B	ADJUSTER, CLOSING ROCKER ARM 2.70 MM	4		
	84010522B	ADJUSTER, CLOSING ROCKER ARM 2.75 MM	4		
	84010532B	ADJUSTER, CLOSING ROCKER ARM 2.80 MM	4		
	84010542B	ADJUSTER, CLOSING ROCKER ARM 2.85 MM	4		
	84010552B	ADJUSTER, CLOSING ROCKER ARM 2.90 MM	4		
	84010562B	ADJUSTER, CLOSING ROCKER ARM 2.95 MM	4		
	84010572B	ADJUSTER, CLOSING ROCKER ARM 3.00 MM	4		
	84010582B	ADJUSTER, CLOSING ROCKER ARM 3.05 MM	4		
	84010592B	ADJUSTER, CLOSING ROCKER ARM 3.10 MM	4		
	84010602B	ADJUSTER, CLOSING ROCKER ARM 3.15 MM	4		
	84010612B	ADJUSTER, CLOSING ROCKER ARM 3.20 MM	4		
	84010622B	ADJUSTER, CLOSING ROCKER ARM 3.25 MM	4		
	84010632B	ADJUSTER, CLOSING ROCKER ARM 3.30 MM	4		
	84010642B	ADJUSTER, CLOSING ROCKER ARM 3.35 MM	4		
	84010652B	ADJUSTER, CLOSING ROCKER ARM 3.40 MM	4		
	84010662B	ADJUSTER, CLOSING ROCKER ARM 3.45 MM	4		
	84010672B	ADJUSTER, CLOSING ROCKER ARM 3.50 MM	4		



DRAWING 11D - HORIZONTAL HEAD GROUP ENGINE



TST00636

DRAWING 11D - HORIZONTAL HEAD

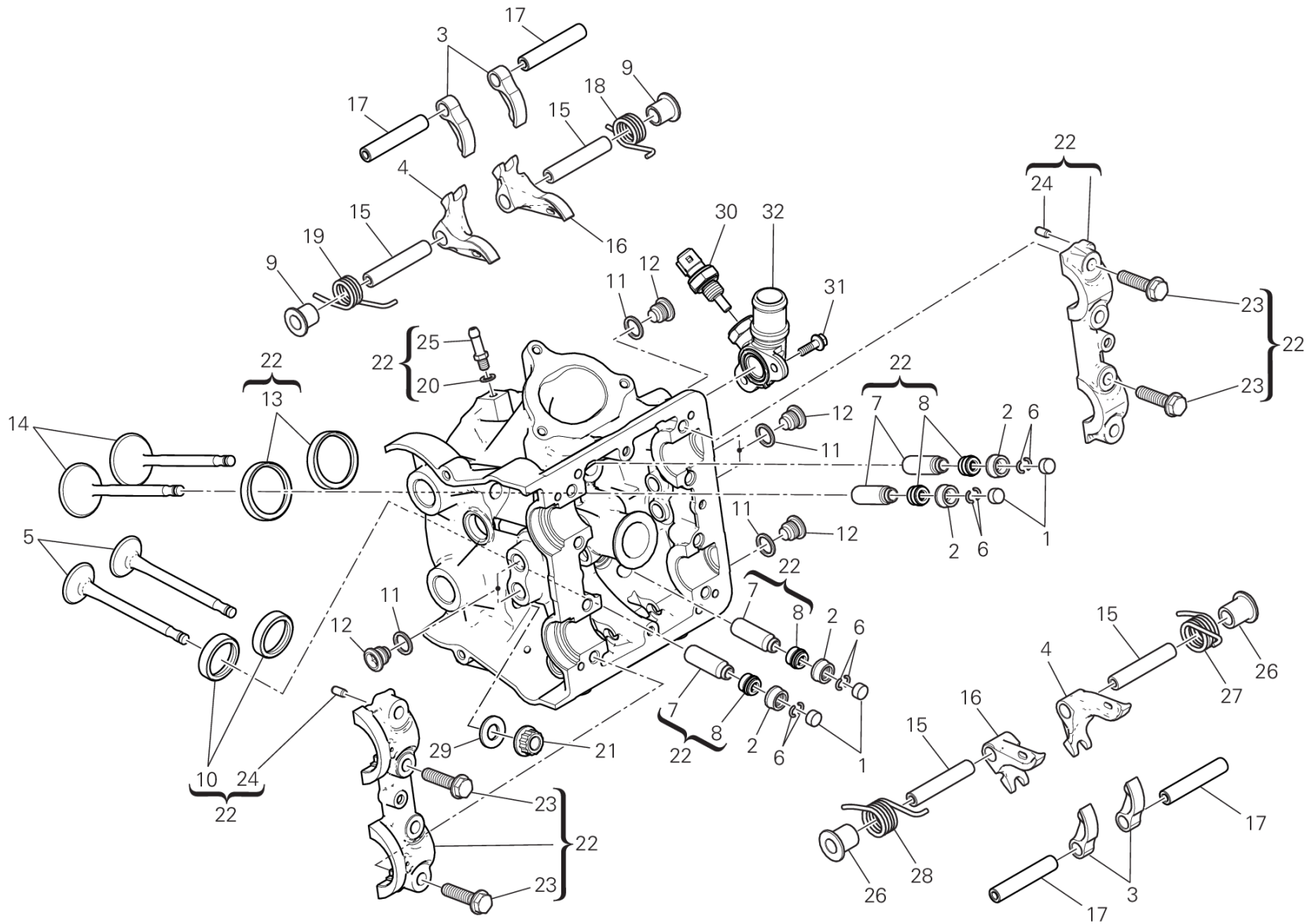
GROUP ENGINE



POS.	CODE	DESCRIPTION	QTY	VALIDITY	NOTES
	84010682B	ADJUSTER, CLOSING ROCKER ARM 3.55 MM	4		
	84010692B	ADJUSTER, CLOSING ROCKER ARM 3.60 MM	4		
	84010702B	ADJUSTER, CLOSING ROCKER ARM 3.65 MM	4		
	84010712B	ADJUSTER, CLOSING ROCKER ARM 3.70 MM	4		
	84010722B	ADJUSTER, CLOSING ROCKER ARM 3.75 MM	4		
	84010732B	ADJUSTER, CLOSING ROCKER ARM 3.80 MM	4		
	84010742B	ADJUSTER, CLOSING ROCKER ARM 3.85 MM	4		
	84010752B	ADJUSTER, CLOSING ROCKER ARM 3.90 MM	4		
	84010762B	ADJUSTER, CLOSING ROCKER ARM 3.95 MM	4		
	84010772B	ADJUSTER, CLOSING ROCKER ARM 4.00 MM	4		
	84010782B	ADJUSTER, CLOSING ROCKER ARM 4.05 MM	4		
	84010792B	ADJUSTER, CLOSING ROCKER ARM 4.10 MM	4		
	84010802B	ADJUSTER, CLOSING ROCKER ARM 4.15 MM	4		
	84010812B	ADJUSTER, CLOSING ROCKER ARM 4.20 MM	4		
	84010822B	ADJUSTER, CLOSING ROCKER ARM 4.25 MM	4		
	84010832B	ADJUSTER, CLOSING ROCKER ARM 4.30 MM	4		
	84010842B	ADJUSTER, CLOSING ROCKER ARM 4.35 MM	4		
	84010852B	ADJUSTER, CLOSING ROCKER ARM 4.40 MM	4		
	84010862B	ADJUSTER, CLOSING ROCKER ARM 4.45 MM	4		
	84010872B	ADJUSTER, CLOSING ROCKER ARM 4.50 MM	4		
3	20810321A	OPEN. ROCKER ARM	4		
4	20910501A	CLOSING ROCKER ARM LEFT	2		
5	21110991A	EXHAUST VALVE	2		
6	66910011E	C RING	8		
7	30310631BB	GUIDE, VALVE OVERSIZED 0.03 MM	4		
	30310631BC	GUIDE, VALVE OVERSIZED 0.06 MM	4		
	30310631BD	GUIDE, VALVE OVERSIZED 0.09 MM	4		
8	76440572A	SEAL VALVE STEM	4		
9	71312921A	SPACER	2		
10	30411011BB	SEAT, EXHAUST VALVE +0.03 MM	4		
	30411011BC	SEAT, EXHAUST VALVE +0.06 MM	4		
11	85250261B	GASKET	8		
12	78010511D	THREADED PLUG	8		
13	30411001AB	SEAT, INLET VALVE +0.03 MM	2		
	30411001AC	SEAT, INLET VALVE +0.06 MM	2		



DRAWING 11D - HORIZONTAL HEAD GROUP ENGINE



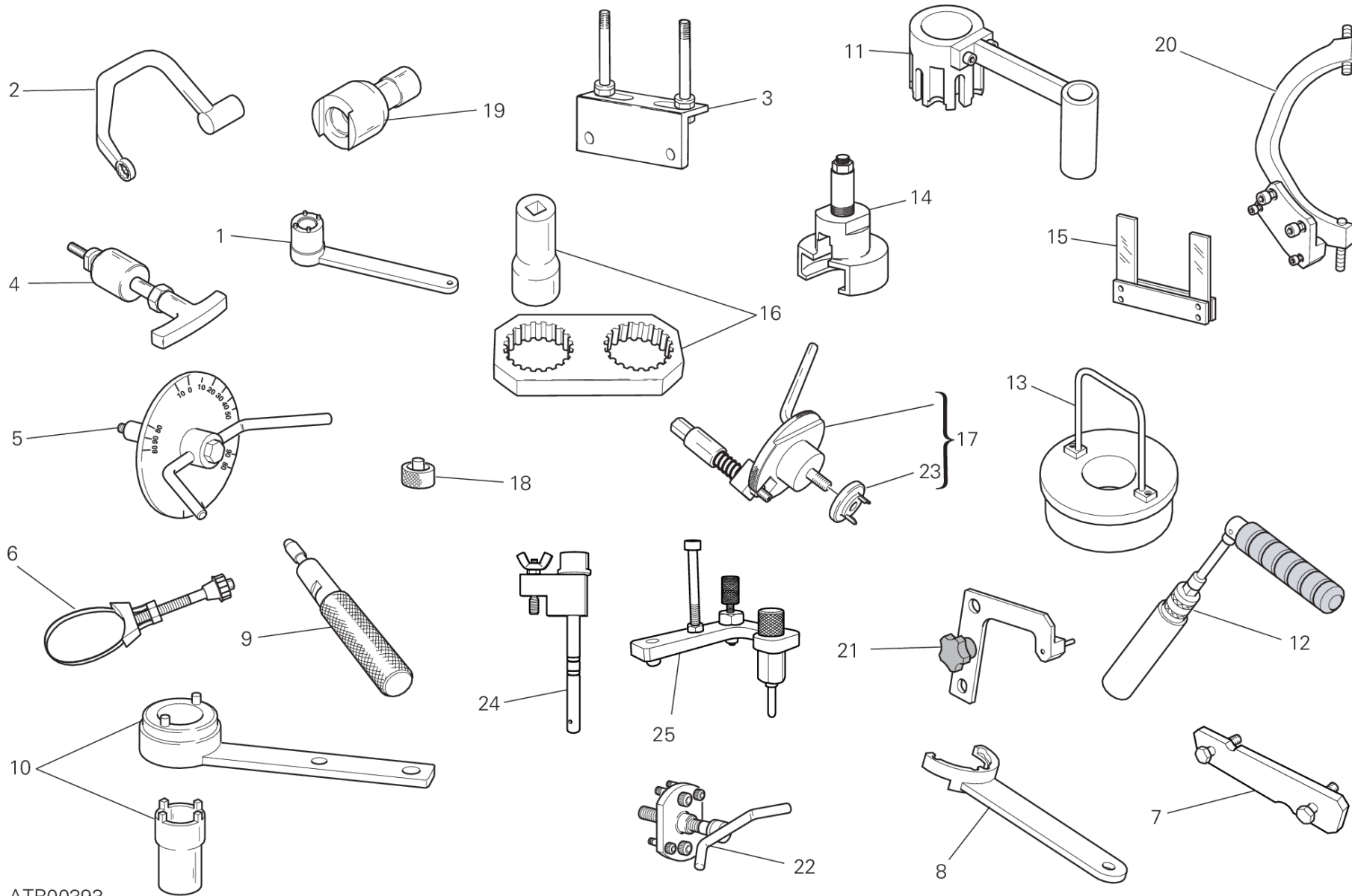
TST00636

DRAWING 11D - HORIZONTAL HEAD

GROUP ENGINE



POS.	CODE	DESCRIPTION	QTY	VALIDITY	NOTES
14	21010991A	INTAKE VALVE	2		
15	82112951A	CLOSE ROCKER ARM AXLE	4		
16	20910491A	CLOSING ROCKER ARM RIGHT	2		
17	82112941A	SHAFT, OPENING ROCKER	4		
18	79915011A	VALVE RETURN SPRING RH.	1		
19	79915001A	VALVE RETURN SPRING LH.	1		
20	85250231A	GASKET	1		
21	74810501A	NUT M10X1.5	8		
22	30124071DA	COMPLETE HORIZONTAL HEAD	1		
23	77914211A	SCREW TEF M8X32	8		
24	86050061A	PIN M5X10	4		
25	81411881A	NIPPLE, HOSE	1		
26	71312921B	SPACER	2		
27	79915191B	RIGHT VALVE RETURN SPRING	1		
28	79915181B	LEFT VALVE RETURN SPRING	1		
29	85610642A	WASHER, SPECIAL 10.5X21X2	8		
30	55243442A	WATER TEMPERATURE SENSOR	1		
31	77210623B	SCREW	2		
32	81420051A	JOINT, WATER HOSE HORIZONTAL	1		



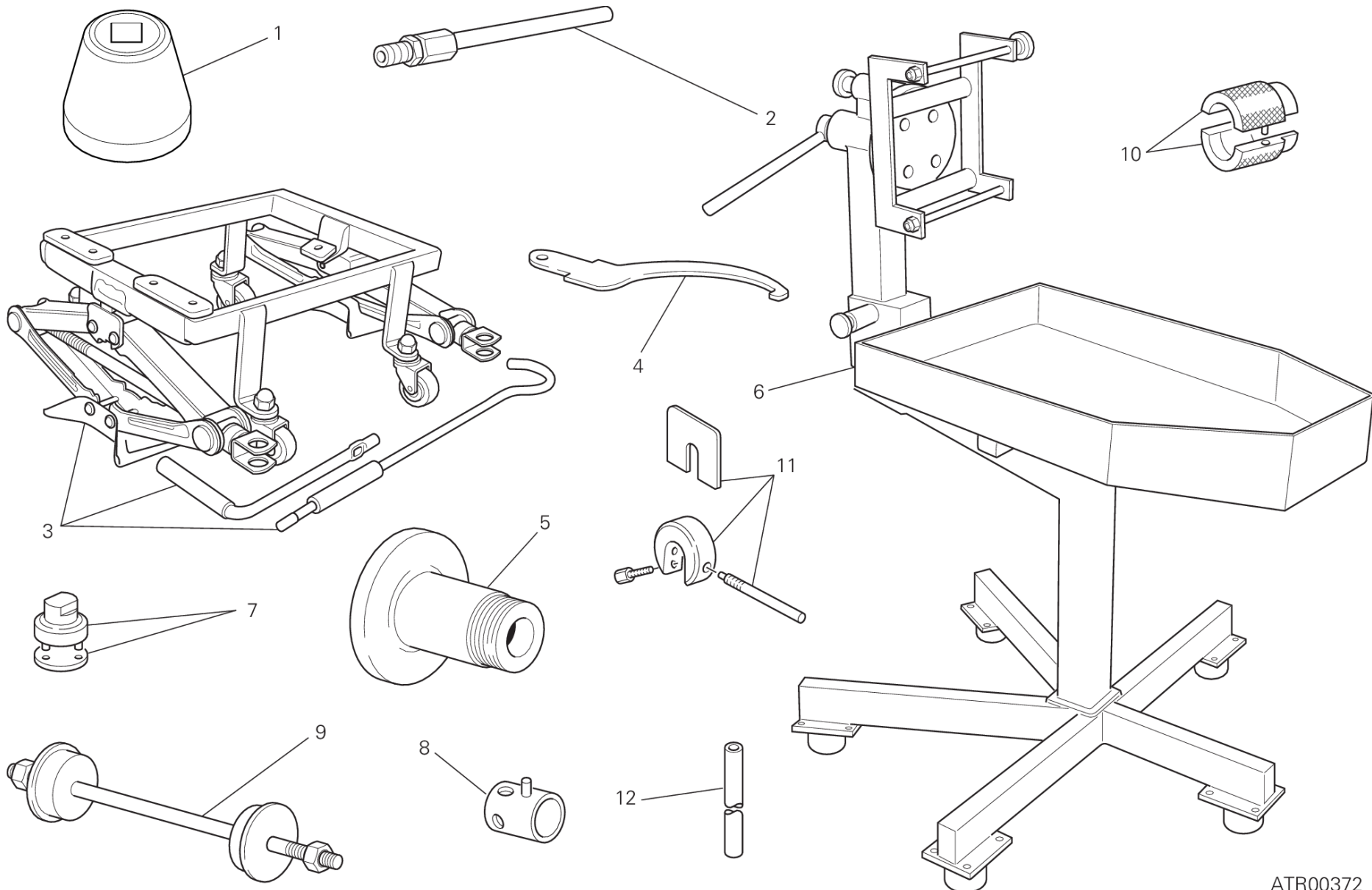
ATR00393

DRAWING 01A - WORKSHOP SERVICE TOOLS (ENGINE)

GROUP TOOLS



POS.	CODE	DESCRIPTION	QTY	VALIDITY	NOTES
1	887130137	CRANKSHAFT GEAR RETAINING WRENCH	1		
2	887132676	HEAD NUTS HOLDER WRENCH	1		
3	887132103	HEAD MOUNTING BASE	1		
4	887131994	ROCKER PIN EXTRACTOR	1		
5	887651635	DEGREE WHEEL HOLDER TOOL FOR IGNITION ADVANCE CHECK	1		
6	887132906	WRENCH, OIL FILTER CARTRIDGE	1		
7	887651623	BELT ROLLER TIMING TOOL	1		
8	887133219	TIMING BELT ROLLER REACTION TOOL	1		
9	887132442	TOOL, OIL SEAL MOUNTING	1		
10	887005644	TIMING PULLEY RETAINING WRENCH	1		
11	887132651	REACTION TOOL FOR WET CLUTCH	1		
12	887132877	SPARK PLUG WRENCH	1		
13	887132870	TOOL, CON-ROD GUIDING	1		
14	887130031	EXTRACTOR FOR PRIMARY DRIVE GEAR	1		
15	887131309	FORK FEELER GAUGE2,35 MM	1		
16	887131806	REACTION TOOL BELT ROLLER TIGHTENING	1		
17	887132011	CRANKSHAFT RESET TOOL	1		
18	887651298	SPACER FOR CHECKING LOWER VALVE SHIM	1		
19	887131821	WRENCH TO TIGHTEN TENSIONING BOLTS	1		
20	887133367	FLYWHEEL WRENCH	1		
21	887133334	PLATE POSITIONING GEAR ENGAGEMENT FORK	1		
22	887131749	DRIVE ROLLER PULLER	1		
23	887134411	INSERT	1		
24	887132695	CLUTCH FLUID PRESSURE MEASURING TOOL	1		
25	887130022	GEARBOX SELECTOR TOOL	1		



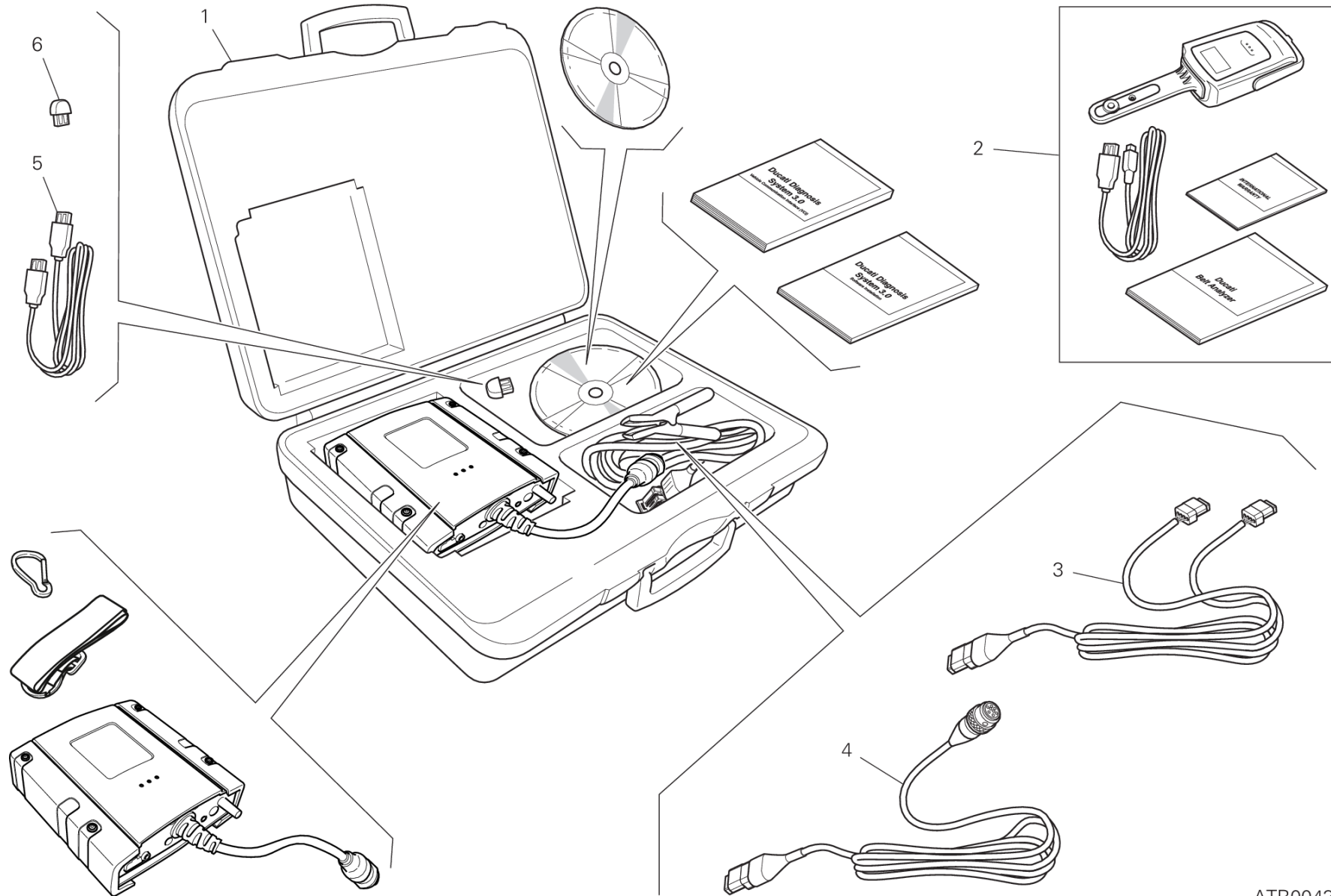
ATR00372

DRAWING 01B - WORKSHOP SERVICE TOOLS (FRAME)

GROUP TOOLS



POS.	CODE	DESCRIPTION	QTY	VALIDITY	NOTES
1	887130027	BUSH FOR INSTALLING/REMOVING THE FORK PLUG	1		
2	887131010	CONNECTOR FOR EXHAUST GAS TAKE-UP POINT	1		
3	887133220	BENCH FOR ENGINE REPAIR	1		
4	887131038	SPANNER FOR ADJUSTING THE ECCENTRIC HUB	1		
5	887131073	TOOL BALANCING REAR WHEEL	1		
6	887131832	BENCH FOR ENGINE REPAIR	1		
7	887131058	SPANNER TO ASSEMBLE THE STEERING SLEEVE	1		
8	800070139	WRENCH FOR FRONT WHEEL SPINDLE	1		
9	887131062	TOOL ASSEMBLING STEERING TUBE BEARING	1		
10	887131096	TOOL TO OVERHAUL FORKS	1		
11	887130957	TOOL TO KEEP THE SPACER SHOWA FORKS	1		
12	887130958	TRACTION BAR SHOWA FORKS OVERHAULING	1		



ATR00435



POS.	CODE	DESCRIPTION	QTY	VALIDITY	NOTES
1	979000279	DDS 3	1		
2	979000253	BELT TENSIONING KIT	1		
3	979000282	DIAGNOSIS CABLE	1		
4	979000283	CONNECTING CABLE	1		
5	979000284	USB CABLE	1		
6	979000281	HASP DDS3 KEY	1		



DRAWING A - TYRES

GROUP TYRES



POS.	CODE	DESCRIPTION	QTY	VALIDITY	NOTES
1	490P0272A	FRONT TYRE	1		(*)=Pneumatico di primo equipaggiamento
2	491P0323A	REAR TYRE	1		(*)=Pneumatico di primo equipaggiamento
3	490P0301A	FRONT TYRE	1		
4	491P0355A	REAR TYRE	1		
5	490P0324A	FRONT TYRE	1		
6	491P0387A	REAR TYRE	1		
7	49041081A	FRONT TYRE	1		
8	49141601A	REAR TYRE	1		
9	490P0103A	FRONT TYRE	1		
10	491P0107A	REAR TYRE	1		
11	49040711A	FRONT TYRE	1		
12	49140951A	REAR TYRE	1		
13	49041071A	FRONT TYRE	1		
14	491P0343A	REAR TYRE	1		
15	490P0325A	FRONT TYRE	1		
16	49141271A	REAR TYRE	1		
17	49040663A	FRONT TYRE	1		
18	49140851B	REAR TYRE	1		
19	490P0002A	FRONT TYRE	1		(#)=For competition use only
20	490P0003A	FRONT TYRE	1		(#)=For competition use only
21	490P0004A	FRONT TYRE	1		(#)=For competition use only
22	491P0009A	REAR TYRE	1		(#)=For competition use only
23	491P0010A	REAR TYRE	1		(#)=For competition use only
24	491P0011A	REAR TYRE	1		(#)=For competition use only
25	491P0012A	REAR TYRE	1		(#)=For competition use only
26	491P0013A	REAR TYRE	1		(#)=For competition use only
27	490P0019A	FRONT TYRE	1		(#)=For competition use only
28	490P0022A	FRONT TYRE	1		(#)=For competition use only
29	490P0029A	FRONT TYRE	1		(#)=For competition use only
30	490P0030A	FRONT TYRE	1		(#)=For competition use only
31	491P0036A	REAR TYRE	1		(#)=For competition use only
32	491P0037A	REAR TYRE	1		(#)=For competition use only
33	491P0038A	REAR TYRE	1		(#)=For competition use only
34	491P0039A	REAR TYRE	1		(#)=For competition use only
35	490P0044A	FRONT TYRE	1		(#)=For competition use only



DRAWING A - TYRES

GROUP TYRES



POS.	CODE	DESCRIPTION	QTY	VALIDITY	NOTES
36	490P0248A	FRONT TYRE	1		(#)=For competition use only
37	491P0045A	REAR TYRE	1		(#)=For competition use only
38	490P0297A	FRONT TYRE	1		(#)=For competition use only
39	490P0298A	FRONT TYRE	1		(#)=For competition use only
40	491P0334A	REAR TYRE	1		(#)=For competition use only
41	491P0335A	REAR TYRE	1		(#)=For competition use only
42	491P0336A	REAR TYRE	1		(#)=For competition use only
43	491P0337A	REAR TYRE	1		(#)=For competition use only



DRAWING B - ORIGINAL EQUIPMENT TYRES

GROUP TYRES



POS.	CODE	DESCRIPTION	QTY	VALIDITY	NOTES
1	490P0272A	FRONT TYRE	1		(*)=Pneumatico di primo equipaggiamento
2	491P0323A	REAR TYRE	1		(*)=Pneumatico di primo equipaggiamento



DRAWING D - PIRELLI ANGEL™ GT II

GROUP TYRES



POS.	CODE	DESCRIPTION	QTY	VALIDITY	NOTES
1	490P0301A	FRONT TYRE	1		
2	491P0355A	REAR TYRE	1		



DRAWING E - PIRELLI DIABLO™ SUPERCORSA SP

GROUP TYRES



POS.	CODE	DESCRIPTION	QTY	VALIDITY	NOTES
1	49040711A	FRONT TYRE	1		
2	49140951A	REAR TYRE	1		



DRAWING F - PIRELLI DIABLO™ ROSSO CORSA II

GROUP TYRES



POS.	CODE	DESCRIPTION	QTY	VALIDITY	NOTES
1	49041081A	FRONT TYRE	1		
2	49141601A	REAR TYRE	1		



DRAWING G - PIRELLI PHANTOM™ SPORTSCOMP

GROUP TYRES



POS.	CODE	DESCRIPTION	QTY	VALIDITY	NOTES
1	490P0103A	FRONT TYRE	1		
2	491P0107A	REAR TYRE	1		



DRAWING H - PIRELLI DIABLO™ SUPERCORSA SP V3

GROUP TYRES



POS.	CODE	DESCRIPTION	QTY	VALIDITY	NOTES
1	49041071A	FRONT TYRE	1		
2	491P0343A	REAR TYRE	1		



DRAWING J - (#) PIRELLI DIABLO™ SUPERBIKE

GROUP TYRES



POS.	CODE	DESCRIPTION	QTY	VALIDITY	NOTES
1	490P0002A	FRONT TYRE	1		(#)=For competition use only
2	490P0003A	FRONT TYRE	1		(#)=For competition use only
3	490P0004A	FRONT TYRE	1		(#)=For competition use only
4	491P0009A	REAR TYRE	1		(#)=For competition use only
5	491P0010A	REAR TYRE	1		(#)=For competition use only
6	491P0011A	REAR TYRE	1		(#)=For competition use only
7	491P0012A	REAR TYRE	1		(#)=For competition use only
8	491P0013A	REAR TYRE	1		(#)=For competition use only



DRAWING K - (#) PIRELLI DIABLO™ WET

GROUP TYRES



POS.	CODE	DESCRIPTION	QTY	VALIDITY	NOTES
1	490P0019A	FRONT TYRE	1		(#)=For competition use only



DRAWING M - (#) PIRELLI DIABLO™ RAIN

GROUP TYRES



POS.	CODE	DESCRIPTION	QTY	VALIDITY	NOTES
1	490P0022A	FRONT TYRE	1		(#)=For competition use only



DRAWING N - (#) PIRELLI DIABLO™ SUPERCORSA SC V2

GROUP TYRES



POS.	CODE	DESCRIPTION	QTY	VALIDITY	NOTES
1	490P0029A	FRONT TYRE	1		(#)=For competition use only
2	490P0030A	FRONT TYRE	1		(#)=For competition use only
3	491P0036A	REAR TYRE	1		(#)=For competition use only
4	491P0037A	REAR TYRE	1		(#)=For competition use only
5	491P0038A	REAR TYRE	1		(#)=For competition use only
6	491P0039A	REAR TYRE	1		(#)=For competition use only



DRAWING 0 - (#) PIRELLI DIABLO™ SUPERCORSA SC

GROUP TYRES



POS.	CODE	DESCRIPTION	QTY	VALIDITY	NOTES
1	490P0044A	FRONT TYRE	1		(#)=For competition use only
2	490P0248A	FRONT TYRE	1		(#)=For competition use only
3	491P0045A	REAR TYRE	1		(#)=For competition use only



DRAWING P - PIRELLI ANGEL™ GT

GROUP TYRES



POS.	CODE	DESCRIPTION	QTY	VALIDITY	NOTES
1	490P0325A	FRONT TYRE	1		
2	49141271A	REAR TYRE	1		



DRAWING S - PIRELLI DIABLO™ ROSSO IV

GROUP TYRES



POS.	CODE	DESCRIPTION	QTY	VALIDITY	NOTES
1	490P0324A	FRONT TYRE	1		
2	491P0387A	REAR TYRE	1		



DRAWING T - (#) PIRELLI DIABLO™ SUPERCORSA SC V3

GROUP TYRES



POS.	CODE	DESCRIPTION	QTY	VALIDITY	NOTES
1	490P0297A	FRONT TYRE	1		(#)=For competition use only
2	490P0298A	FRONT TYRE	1		(#)=For competition use only
3	491P0334A	REAR TYRE	1		(#)=For competition use only
4	491P0335A	REAR TYRE	1		(#)=For competition use only
5	491P0336A	REAR TYRE	1		(#)=For competition use only
6	491P0337A	REAR TYRE	1		(#)=For competition use only

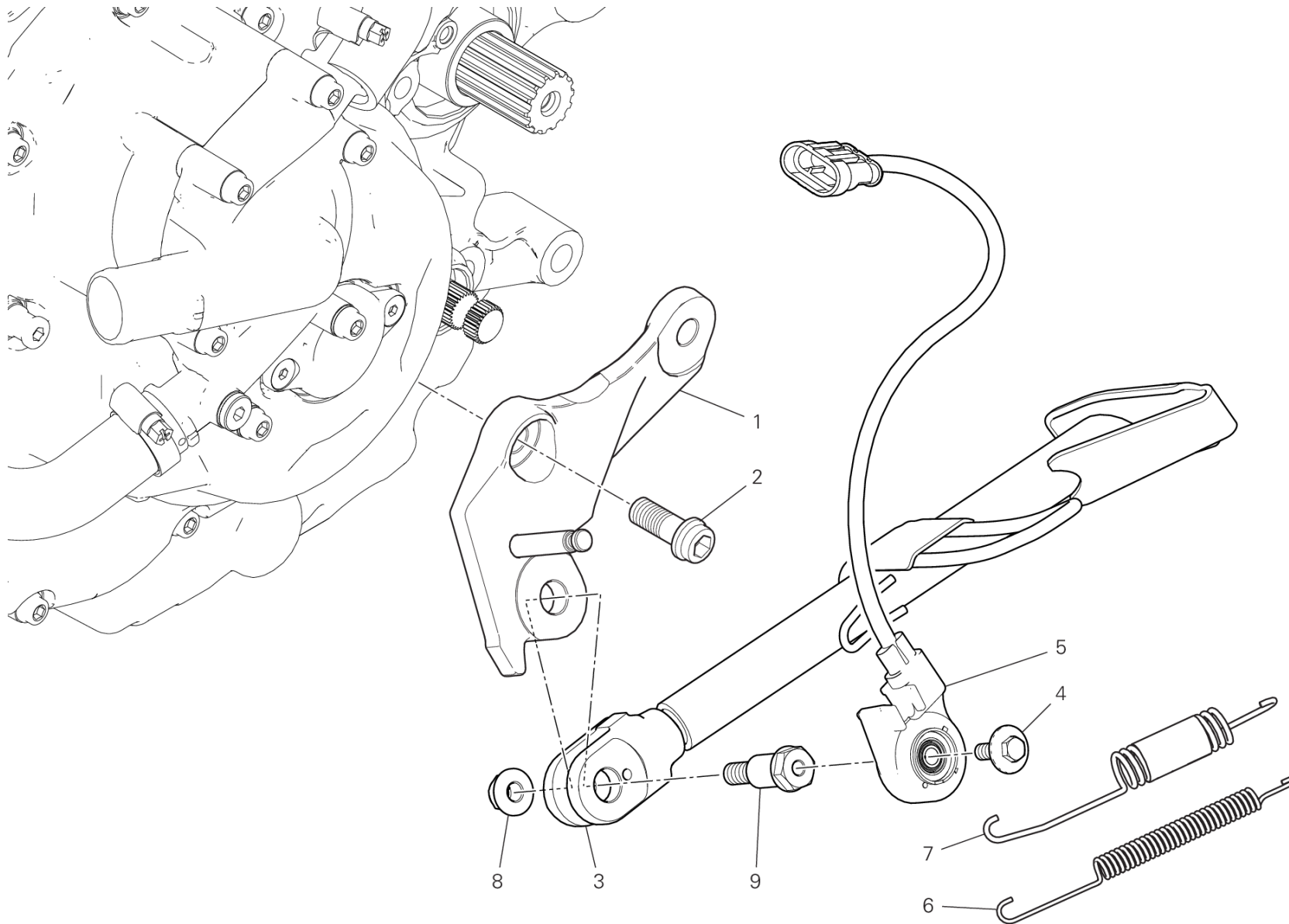


DRAWING U - PIRELLI DIABLO™ ROSSO II

GROUP TYRES



POS.	CODE	DESCRIPTION	QTY	VALIDITY	NOTES
1	49040663A	FRONT TYRE	1		
2	49140851B	REAR TYRE	1		



TEL01215

DRAWING 15A - STAND

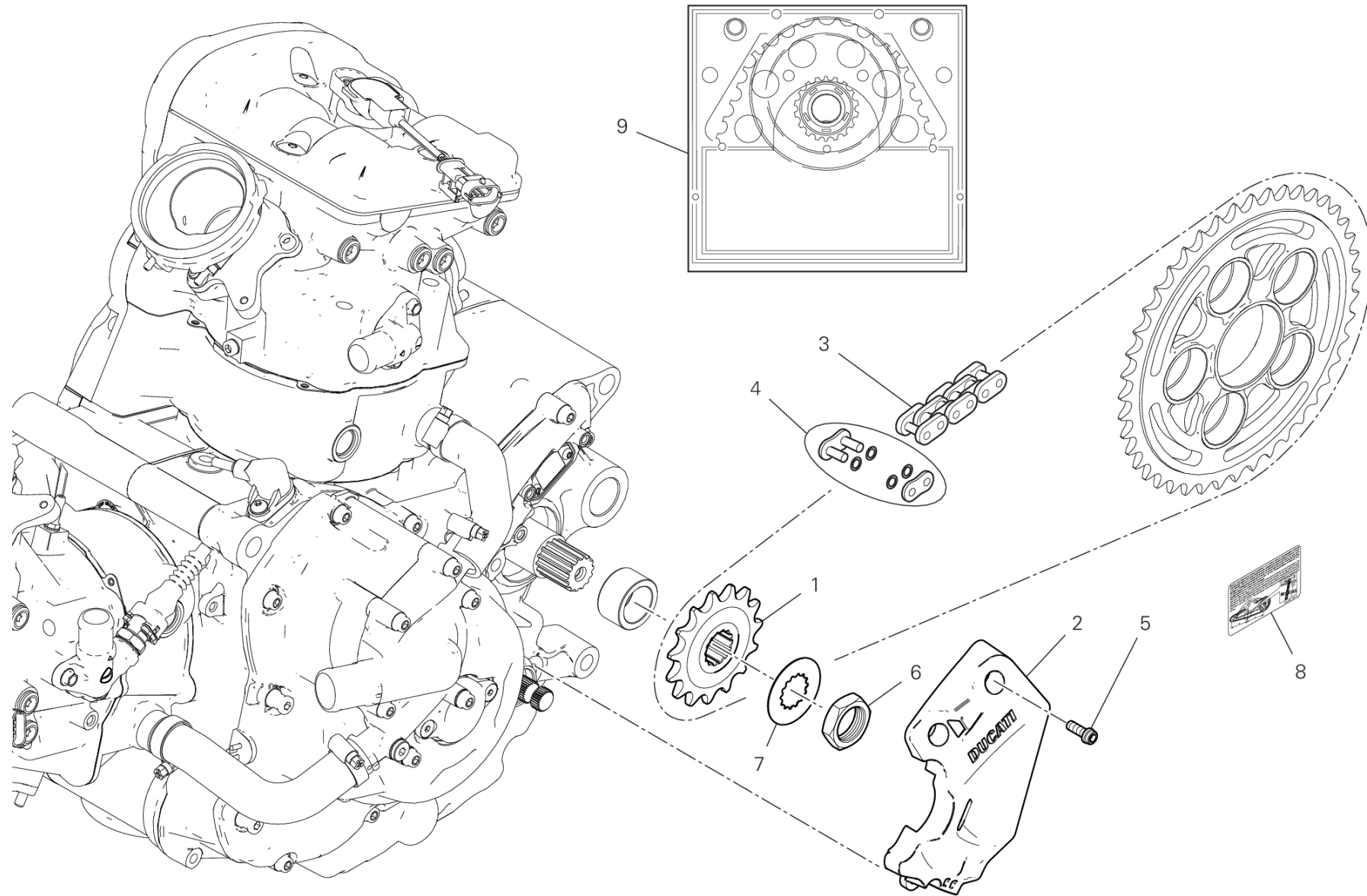
GROUP FRAME



POS.	CODE	DESCRIPTION	QTY	VALIDITY	NOTES
1	55620681AA	BRACKET, SIDE STAND	1		
2	77110431A	SCREW TCEIF M10X25	1		
3	55610691BA	SIDE STAND	1		
4	77917241AA	SCREW	1		
5	53910351A	SWITCH, STAND	1		
6	79915081A	INNER SPRING	1		
7	79921602A	COMPLETE SPRING	1		
8	74941128B	NUT M8	1		
9	82114632BB	AXLE, SIDE STAND	1		



DRAWING 16A - FRONT SPROCKET - CHAIN GROUP FRAME



TEL01526

DRAWING 16A - FRONT SPROCKET - CHAIN

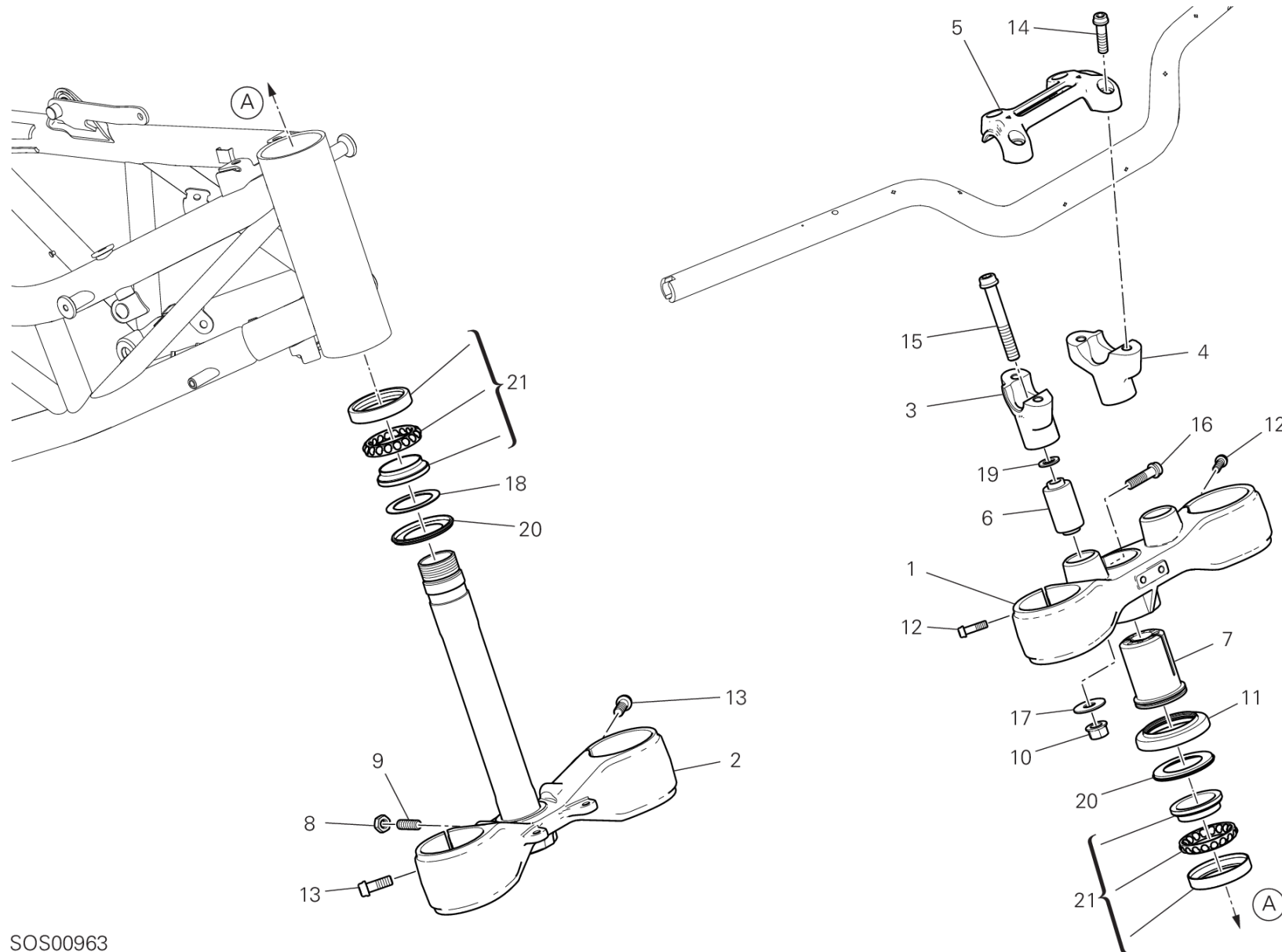
GROUP FRAME



POS.	CODE	DESCRIPTION	QTY	VALIDITY	NOTES
1	44910681A	SPROCKET T15	1		
2	4601G761A	CHAIN PINION COVER	1		
3	67640961A	CHAIN 105+1	1		
4	67740201A	CHAIN LINK	1		
5	77110391B	SCREW	3		
6	75010072E	NUT	1		
7	85110041A	WASHER, LOCK	1		
8	43314671A	CHAIN ADJUSTMENT STICKER	1		
	43314671A	CHAIN ADJUSTMENT STICKER	1	XST:EUR	
	43314671B	CHAIN ADJUSTMENT STICKER	1	XST:JAP	
9	67621181A	FINAL DRIVE KIT	1		



DRAWING 17A - STEERING ASSEMBLY GROUP FRAME



SOS00963

DRAWING 17A - STEERING ASSEMBLY

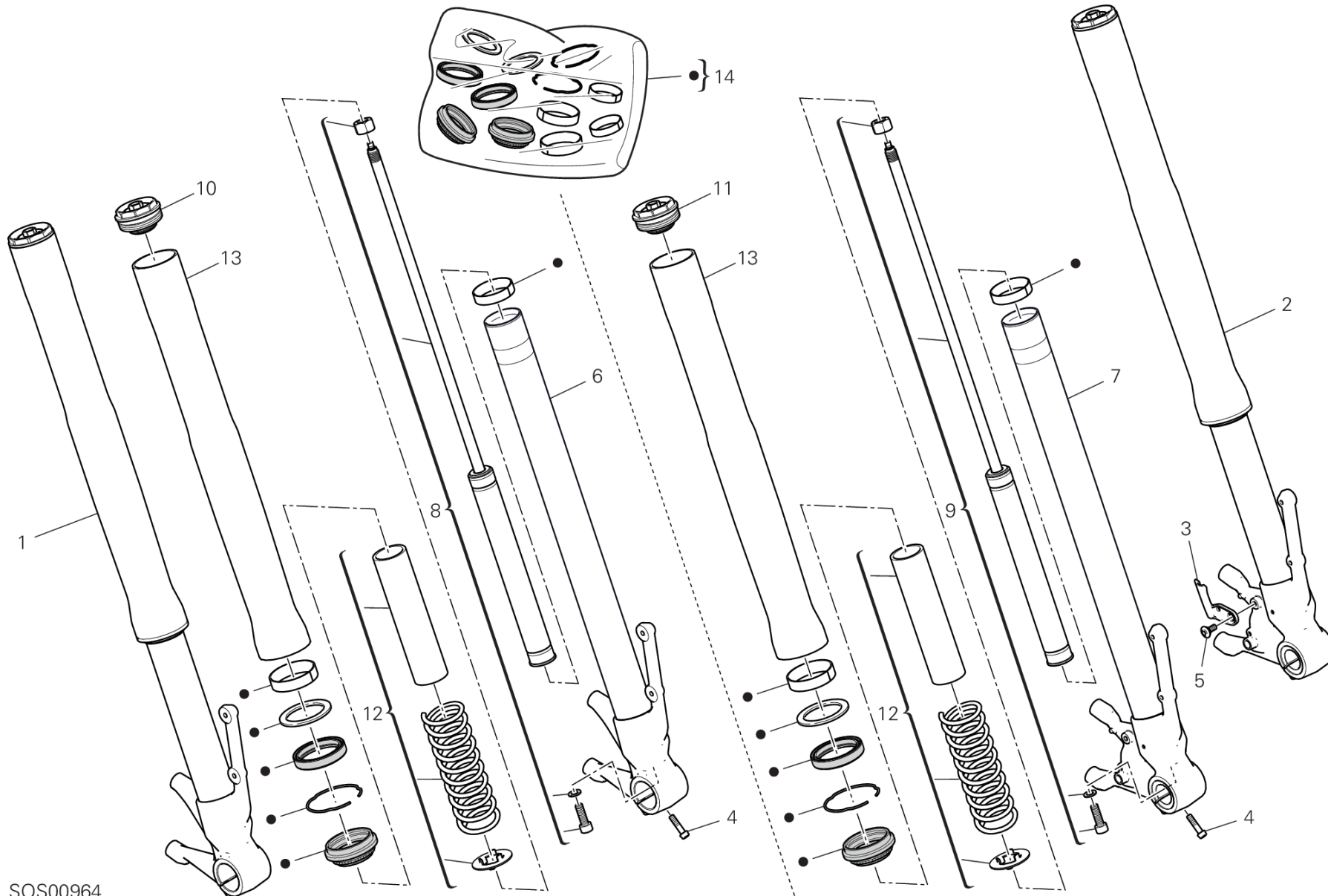
GROUP FRAME



POS.	CODE	DESCRIPTION	QTY	VALIDITY	NOTES
1	34111211AA	STEERING HEAD	1		
2	342P1022AA	STEERING HEAD BASE	1		
3	36015661AA	HANDLEBAR BRACKET, LOWER RH	1		
4	36015671AA	HANDLEBAR BRACKET, LOWER LH	1		
5	36015681AA	HANDLEBAR BRACKET, UPPER	1		
6	70011141A	VIBRATION DAMPER	2		
7	70310741AA	THREAD, STEERING HEAD TOP	1		
8	74750071A	NUT	2		
9	77850281A	THREADED DOWEL STEI M8X25	2		
10	74840241AB	NUT	2		
11	76411981A	DUST COVER	1		
12	77156673C	SCREW	4		
13	77157243B	SCREW	4		
14	77157273B	SCREW	4		
15	77159418B	SCREW M10X1.25X70	2		
16	77916591A	SCREW	1		
17	85210491B	WASHER 10.5X28X1.5	2		
18	85211031AB	WASHER	1		
19	85250401A	WASHER 10.5X18X1.6	2		
20	93010041B	SEAL RING	2		
21	70241231A	BEARING, STEERING NTN SF07A17P	2		



DRAWING 17B - FRONT FORK GROUP FRAME



SOS00964

DRAWING 17B - FRONT FORK

GROUP FRAME

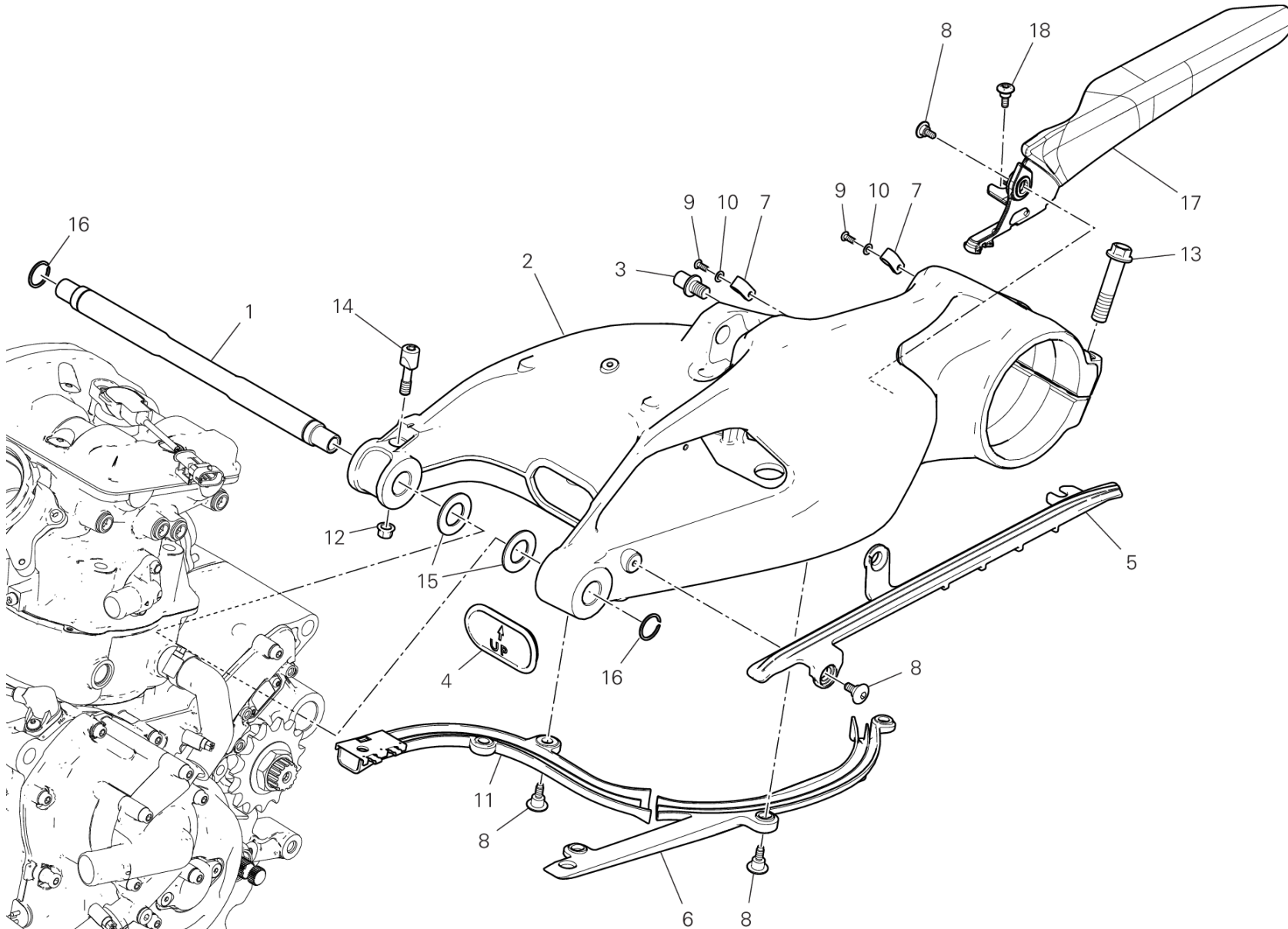


POS.	CODE	DESCRIPTION	QTY	VALIDITY	NOTES
1	34420983A	RIGHT FORK LEG ASSY	1		
2	34520983A	LEFT FORK LEG ASSY	1		
3	75810911A	FAIRLEAD	1		
4	77310021A	SCREW TCEIR M6X25	4		
5	77211221B	SCREW, SPECIAL	1		
6	34922611A	FORK BOTTOM END + SLEEVE UNIT (R.H.)	1		
7	34922621A	FORK BOTTOM END + SLEEVE UNIT (L.H.)	1		
8	34922631A	COMPLETE PUMPING ELEMENT, RIGHT	1		
9	34922641A	COMPLETE PUMPING ELEMENT, LEFT	1		
10	34922651A	SLEEVE PLUG	1		
11	34922661A	SLEEVE PLUG	1		
12	34922671A	SPRING KIT	2		
13	34922681A	STANCHION TUBE	2		
14	34922691A	OVERHAUL KIT	1		



DRAWING 18A - REAR SWINGING ARM [XST:EUR,GSO,JAP,ROK,TWN]

GROUP FRAME



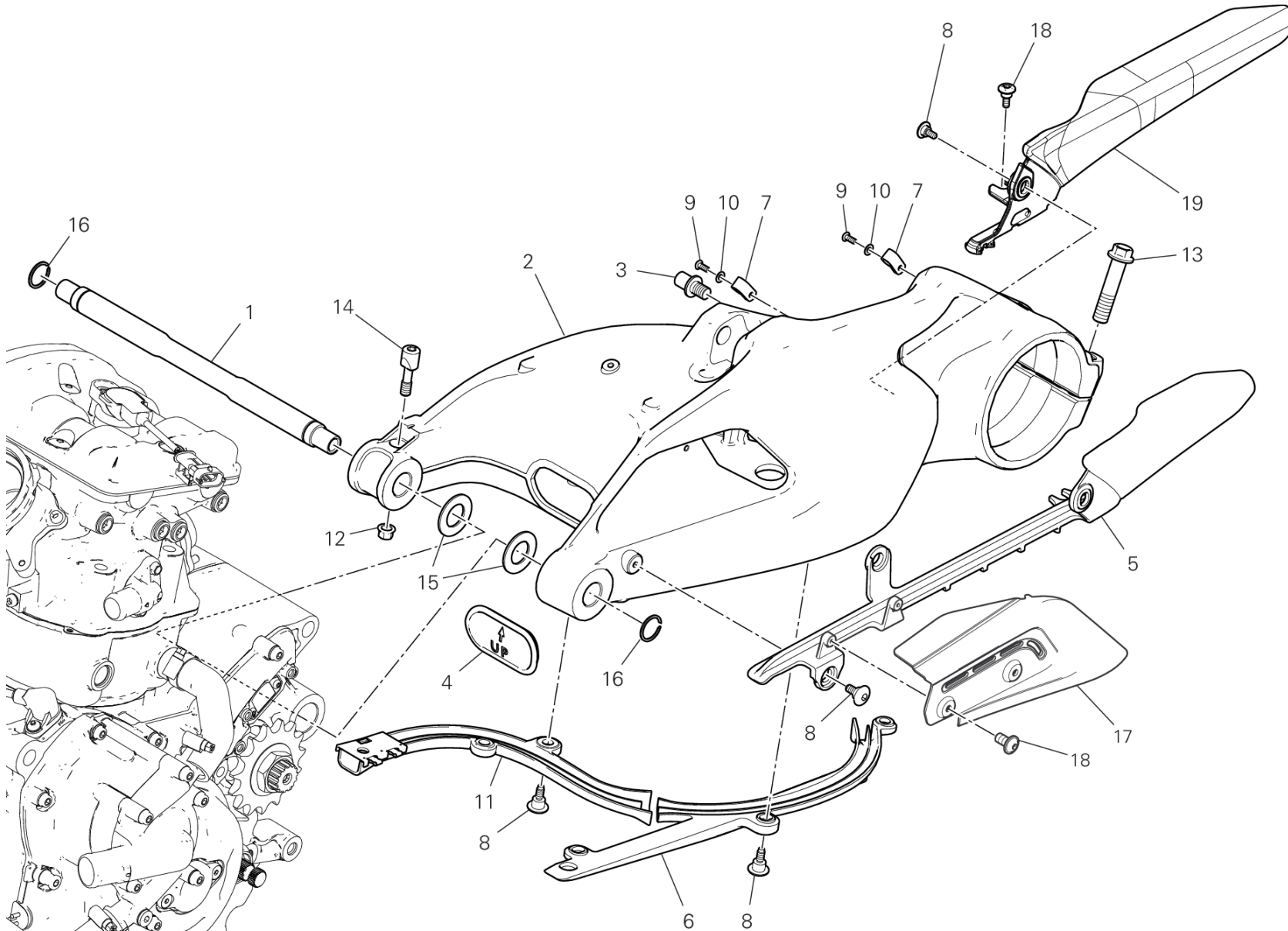
SOS01140

DRAWING 18A - REAR SWINGING ARM [XST:EUR,GSO,JAP,ROK,TWN]

GROUP FRAME



POS.	CODE	DESCRIPTION	QTY	VALIDITY	NOTES
1	36911401A	AXLE, REAR SWING ARM	1		
2	37021011BD	REAR SWINGING ARM	1		
3	83210261B	PIN	1		
4	87210601A	CAP, SWINGARM COVER	1		
5	44712471A	UPPER CHAIN SLIDING SHOE	1		
6	44710771A	LOWER CHAIN SLIDING SHOE	1		
7	75840161A	FAIRLEAD	2		
8	77214411BA	SCREW, SPECIAL	12		
9	77550221A	SCREW TBEI M4X10	2		
10	85212511A	WASHER 4.5X9X0.5	2		
11	4601G421A	COVER, FR BRAKE PIPE	1		
12	74840341B	NUT M8	1		
13	77210042B	SCREW	2		
14	80810461A	CLAMP	1		
15	85210011B	THRUST WASHER 20.5X36X1.8 MM	2		
	85210021B	THRUST WASHER 20.5X36X0.2 MM	2		
	85210031B	THRUST WASHER 20.5X36X0.1 MM	2		
16	88440071A	SPRING RING	2		
17	44610582A	CHAIN GUARD	1		
18	77214071AB	SCREW, SPECIAL	1		



SOS01142

DRAWING 18A - REAR SWINGING ARM [XST:AUS]

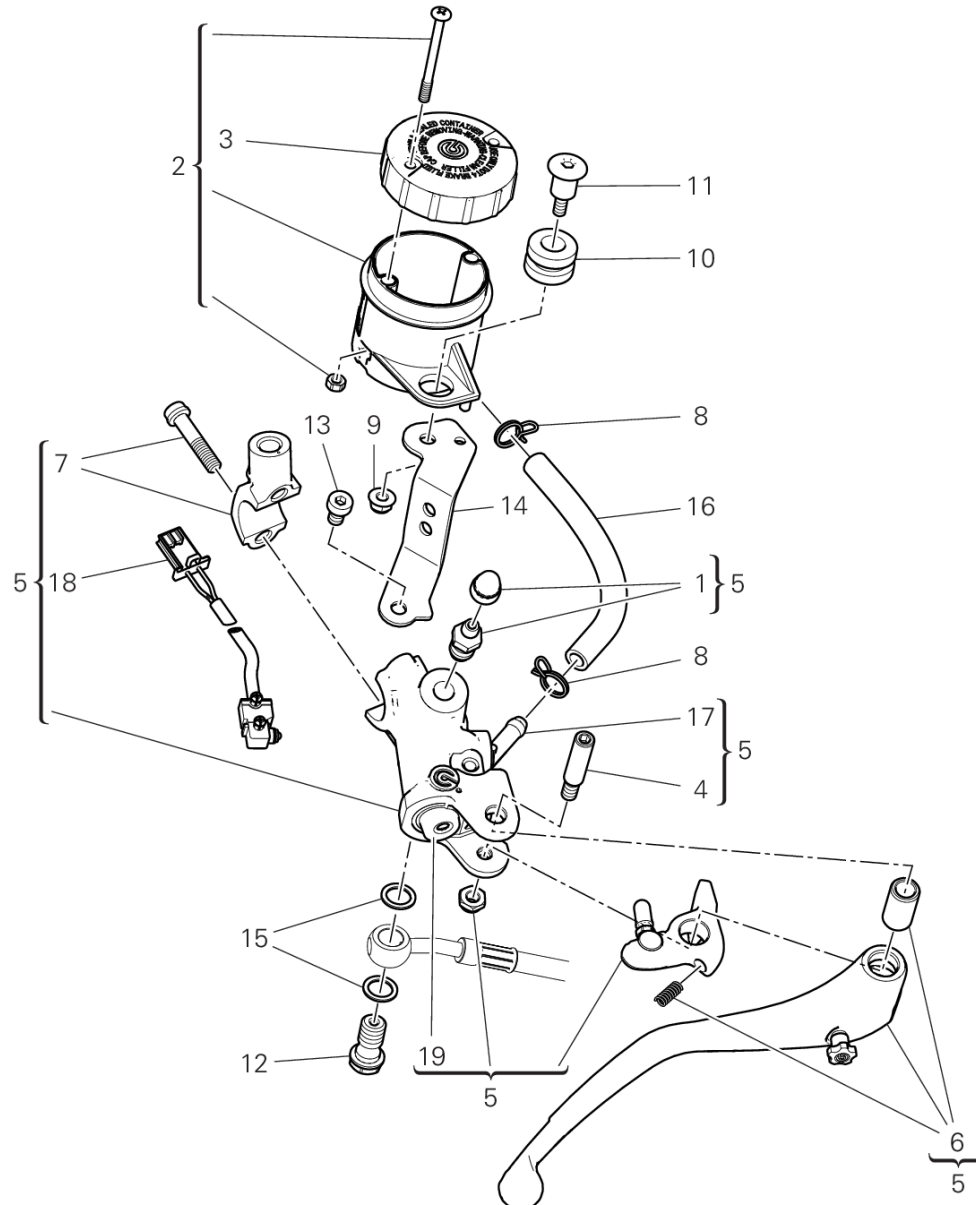
GROUP FRAME



POS.	CODE	DESCRIPTION	QTY	VALIDITY	NOTES
1	36910081A	AXLE, REAR SWING ARM	1		
2	37021011BC	REAR SWINGING ARM	1		
3	83210261B	PIN	1		
4	87210601A	CAP, SWINGARM COVER	1		
5	44712481A	UPPER CHAIN SLIDING SHOE	1		
6	44710771A	LOWER CHAIN SLIDING SHOE	1		
7	75840161A	FAIRLEAD	2		
8	77214411BA	SCREW, SPECIAL	12		
9	77550221A	SCREW TBEI M4X10	2		
10	85212511A	WASHER 4.5X9X0.5	2		
11	4601G421A	COVER, FR BRAKE PIPE	1		
12	74840341B	NUT M8	1		
13	77210042B	SCREW	2		
14	80810461A	CLAMP	1		
15	85210011B	THRUST WASHER 20.5X36X1.8 MM	2		
	85210021B	THRUST WASHER 20.5X36X0.2 MM	2		
	85210031B	THRUST WASHER 20.5X36X0.1 MM	2		
16	88440071A	SPRING RING	2		
17	44610211A	CHAIN GUARD	1		
18	77440391A	SCREW	2		
19	44610582A	CHAIN GUARD	1		



DRAWING 19A - FRONT BRAKE PUMP GROUP FRAME



BRB00680

DRAWING 19A - FRONT BRAKE PUMP

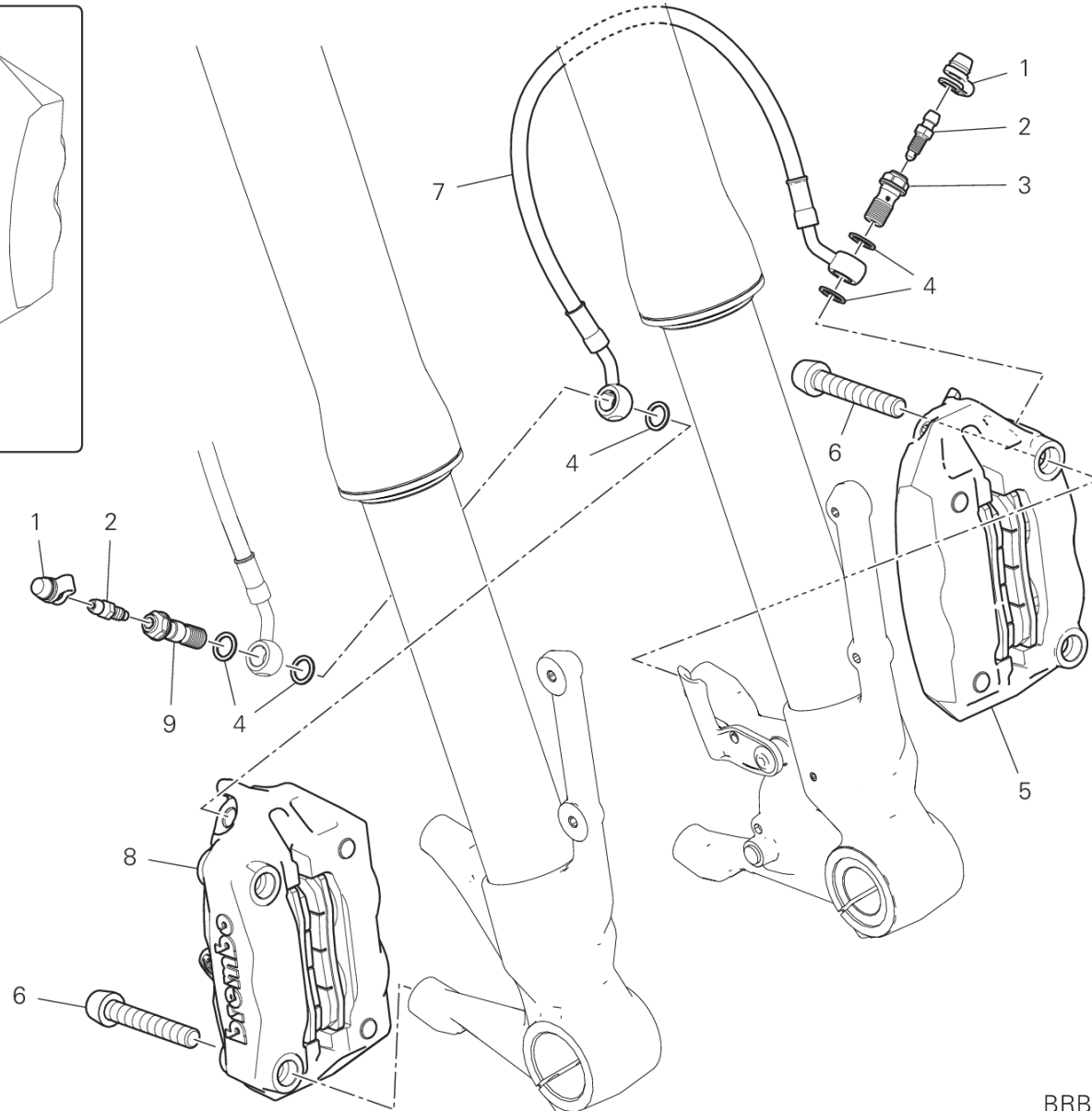
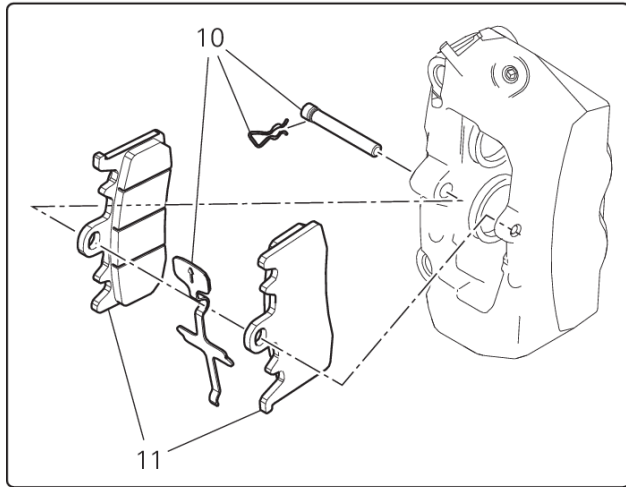
GROUP FRAME



POS.	CODE	DESCRIPTION	QTY	VALIDITY	NOTES
1	63140281A	DRAIN	1		
2	58540341A	RESERVOIR, BRAKE FLUID	1		
3	89340251A	COVER MASTER CYLINDER	1		
4	62640561A	BOLT, LEVER	1		
5	62441121A	FRONT BRAKE PUMP	1		
6	62610121A	LEVER, FRONT BRAKE	1		
7	62640791A	BRACKET, MASTER CYLINDER	1		
8	74142951A	CLAMP	2		
9	74810351B	NUT	1		
10	76414191A	DAMPER	1		
11	77910921B	SCREW	1		
12	77913662AB	SCREW, SPECIAL	1		
13	71950303C	SCREW	1		
14	82917091A	BRACKET, BRAKE FLUID TANK	1		
15	85250241A	WASHER 10X14X1	2		
16	87712621A	HOSE, OIL	1		
17	63140541A	JOINT, HOSE	1		
18	53910491A	MICROSWITCH	1		
19	61240391A	DUST COVER	1		



DRAWING 19B - FRONT BRAKE SYSTEM GROUP FRAME



BRB00681

DRAWING 19B - FRONT BRAKE SYSTEM

GROUP FRAME

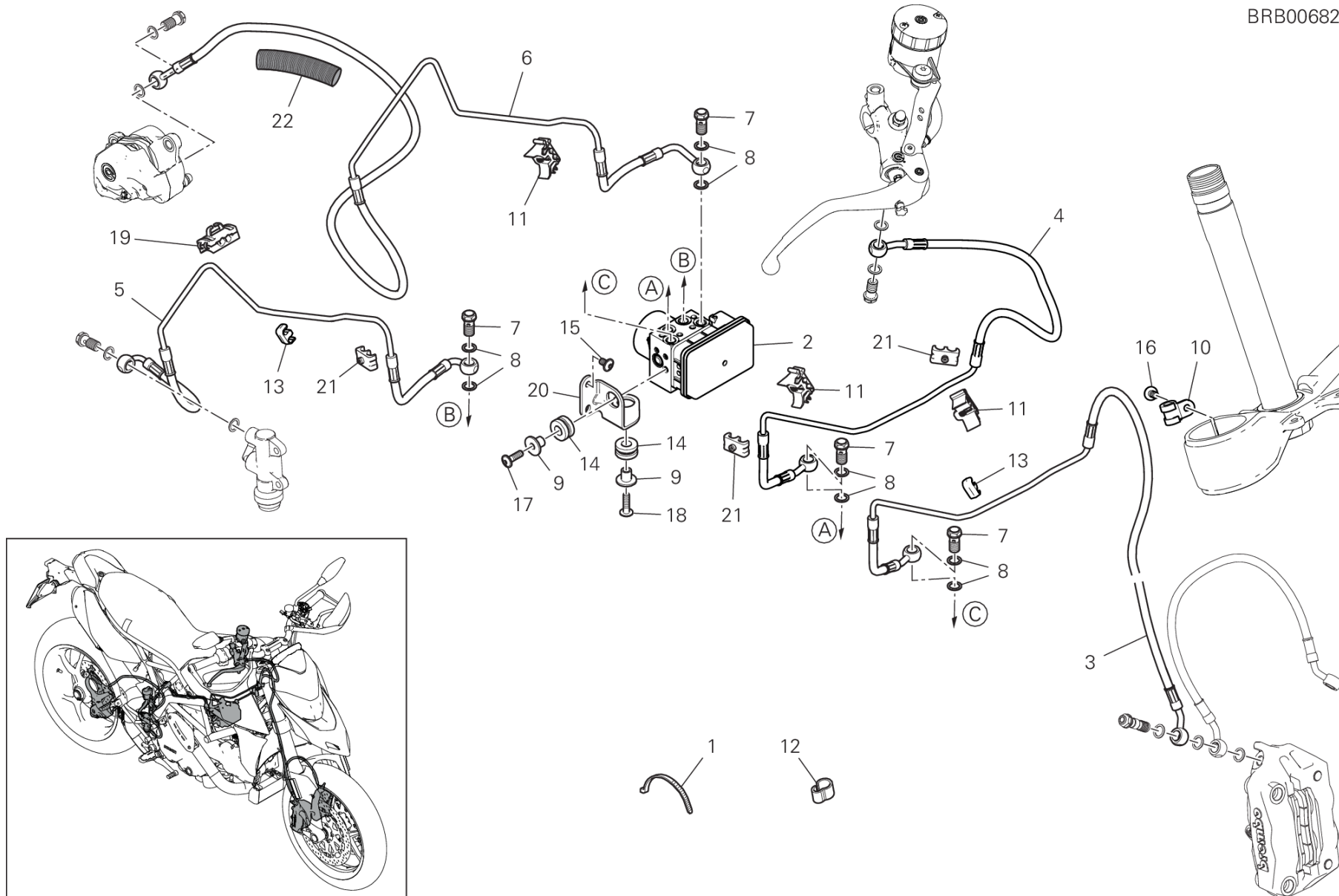


POS.	CODE	DESCRIPTION	QTY	VALIDITY	NOTES
1	61240052A	DUST COVER	2		
2	18710021A	VALVE, BREATHER	2		
3	77913971A	BOLT, BRAKE HOSE	1		
4	85250241A	WASHER 10X14X1	5		
5	61041292C	LEFT FRONT BRAKE CALIPER	1		
6	77915111B	SCREW	4		
7	61811521A	HOSE, FRONT BRAKE CALIPER-CALIPER	1		
8	61041302C	RIGHT FRONT BRAKE CALIPER	1		
9	77914651A	BOLT, BRAKE HOSE	1		
10	61240511A	SPARE PIN AND SPRING	1		
11	61341021A	FRONT BRAKE PADS SET	2		



DRAWING 19C - BRAKING SYSTEM ABS GROUP FRAME

BRB00682



DRAWING 19C - BRAKING SYSTEM ABS

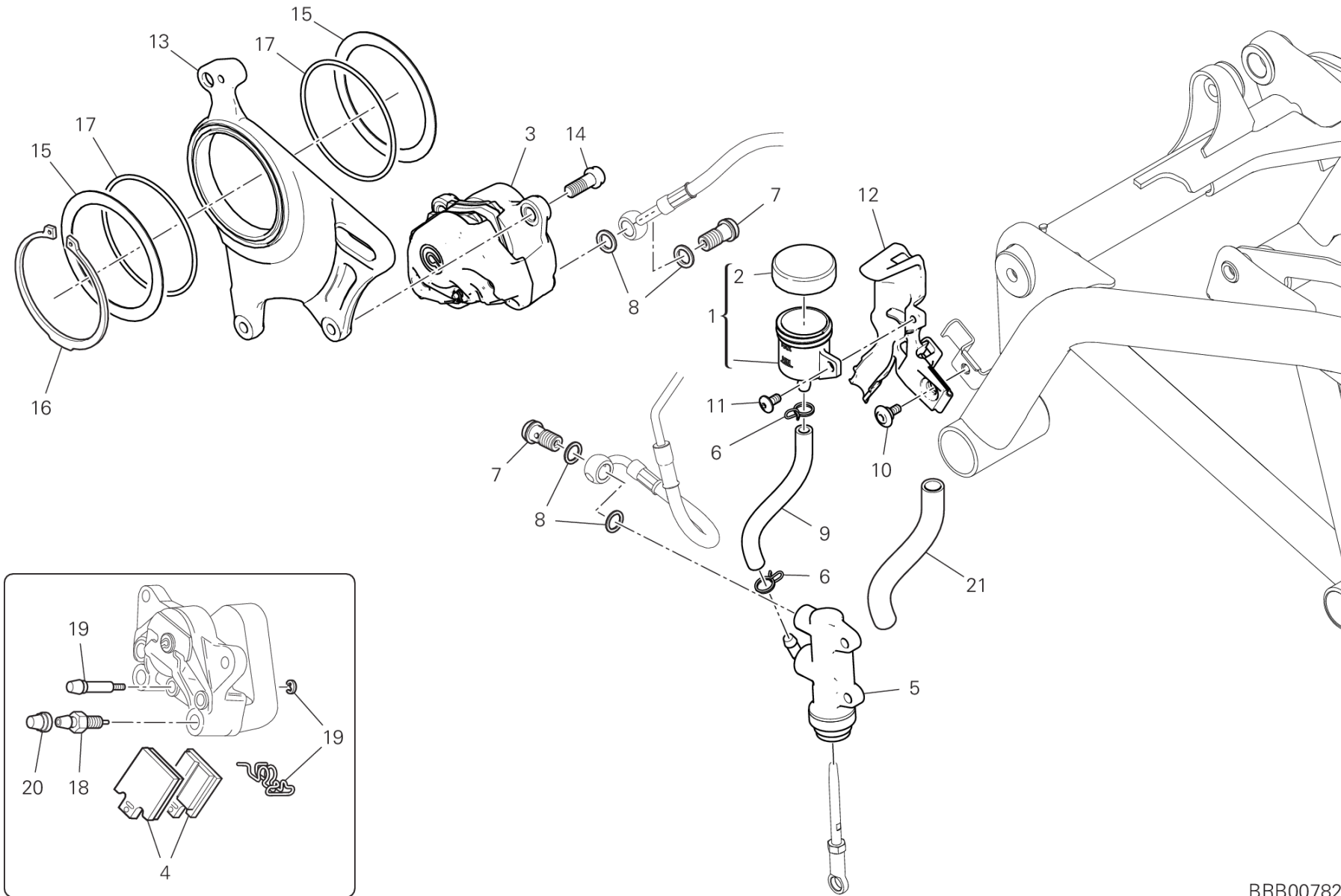
GROUP FRAME



POS.	CODE	DESCRIPTION	QTY	VALIDITY	NOTES
1	069191030	CLAMP	5		
2	54240911A	CONTROL UNIT ABS	1		
3	61811511A	CPU - FRONT CALIPERS LINE	1		
4	61811501A	FRONT MASTER CYLINDER - CPU LINE	1		
5	61911571A	REAR MASTER CYLINDER-CPU LINE	1		
6	61911651A	CPU-REAR CALIPER LINE	1		
7	77913662AB	SCREW, SPECIAL	4		
8	85250241A	WASHER 10X14X1	8		
9	71610031A	SPACER	2		
10	74140621A	HOSE CLAMP 8 MM	1		
11	75810662D	HOSE GUIDE ABS	2		
12	75840601A	FAIRLEAD	9		
13	75840701A	FAIRLEAD	3		
14	76410641A	VIBRATION DAMPER PAD	2		
15	77211021A	SCREW TBEIF M6X10	2		
16	77240403C	SCREW	1		
17	77240443C	SCREW	1		
18	77240458C	SCREW	1		
19	8291B251A	HOLDER	1		
20	83017531AA	HOLDER	1		
21	86611121A	RUBBER PAD	3		
22	4601F281A	PROTECTION SHEATH	1		



DRAWING 19D - REAR BRAKE SYSTEM GROUP FRAME



BRB00782

DRAWING 19D - REAR BRAKE SYSTEM

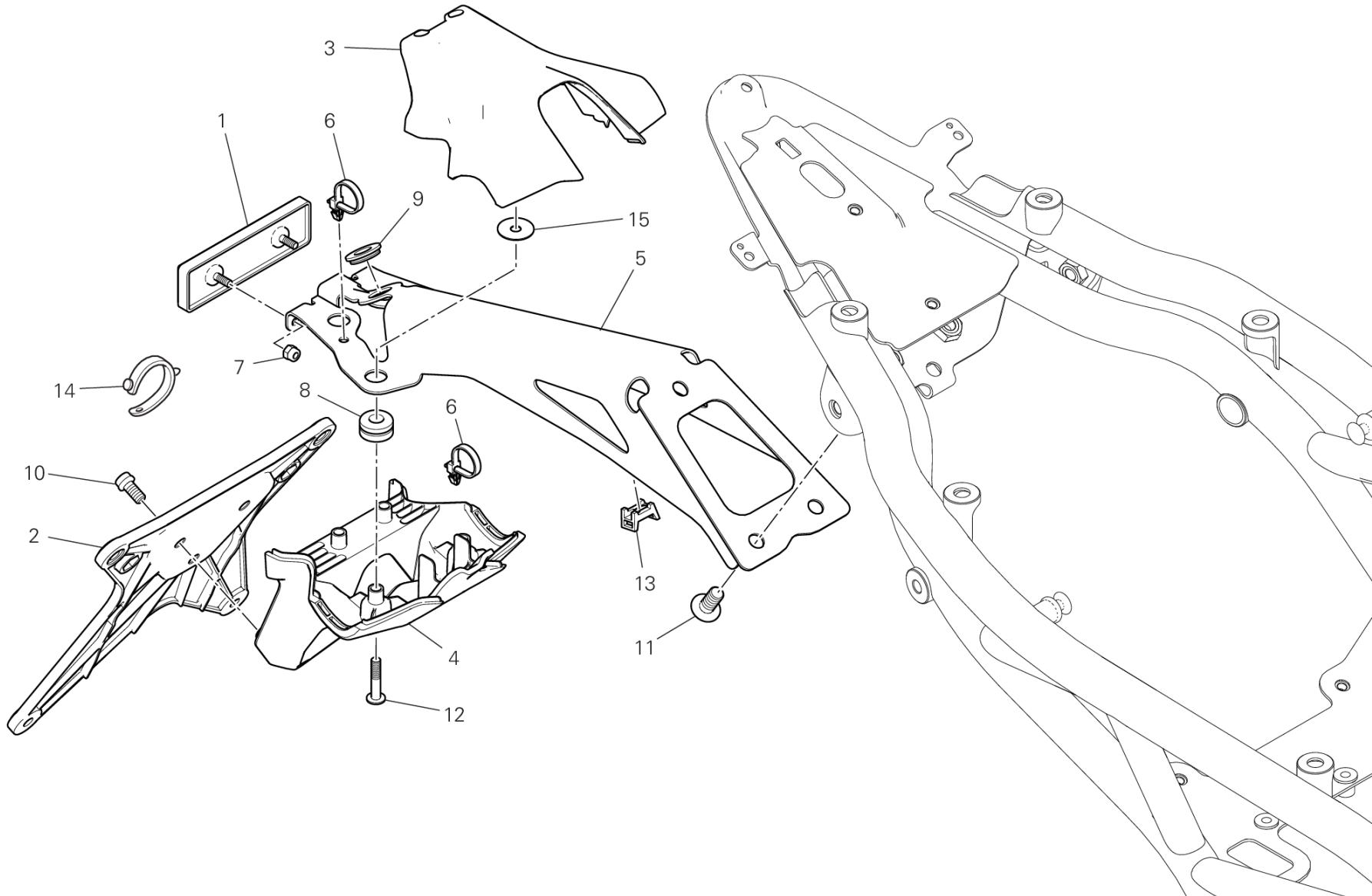
GROUP FRAME



POS.	CODE	DESCRIPTION	QTY	VALIDITY	NOTES
1	58540311A	RESERVOIR, BRAKE FLUID	1		
2	89340241A	COVER MASTER CYLINDER	1		
3	61140383AB	REAR BRAKE CALIPER	1		
	61140421A	REAR BRAKE CALIPER	1	XST:EUR,GSO,JAP,ROK,TWN	
4	61340382A	REAR BRAKE PADS SET	1		
	61340951A	REAR BRAKE PADS SET	1	XST:EUR,GSO,JAP,ROK,TWN	
5	62540041A	REAR BRAKE PUMP	1		
6	74140431A	CLAMP	2		
7	77913662AB	SCREW, SPECIAL	2		
8	85250241A	WASHER 10X14X1	4		
9	87712741A	HOSE, OIL	1		
10	77214411AA	SCREW	1		
11	77240253C	SCREW	1		
12	8291H521A	BRACKET, TANK	1		
13	82510431A	CALIPER HOLDER PLATE ABS	1		
14	77157238B	SCREW TCEIF M8X20	2		
15	85210591A	WASHER	2		
16	88450041A	CIRCLIP	1		
17	88650031A	O-RING	2		
18	63140161A	FRONT CALIPER DRAIN SCREW	1		
19	61240161A	PAD PINS OVERHAUL KIT	1		
20	61240081A	DUST PLUG	1		
21	46017341A	PROTECTION, HEAT	1		



TEL01525



DRAWING 20A - PLATE HOLDER [XST:AUS,EUR,GSO,ROK,TWN]

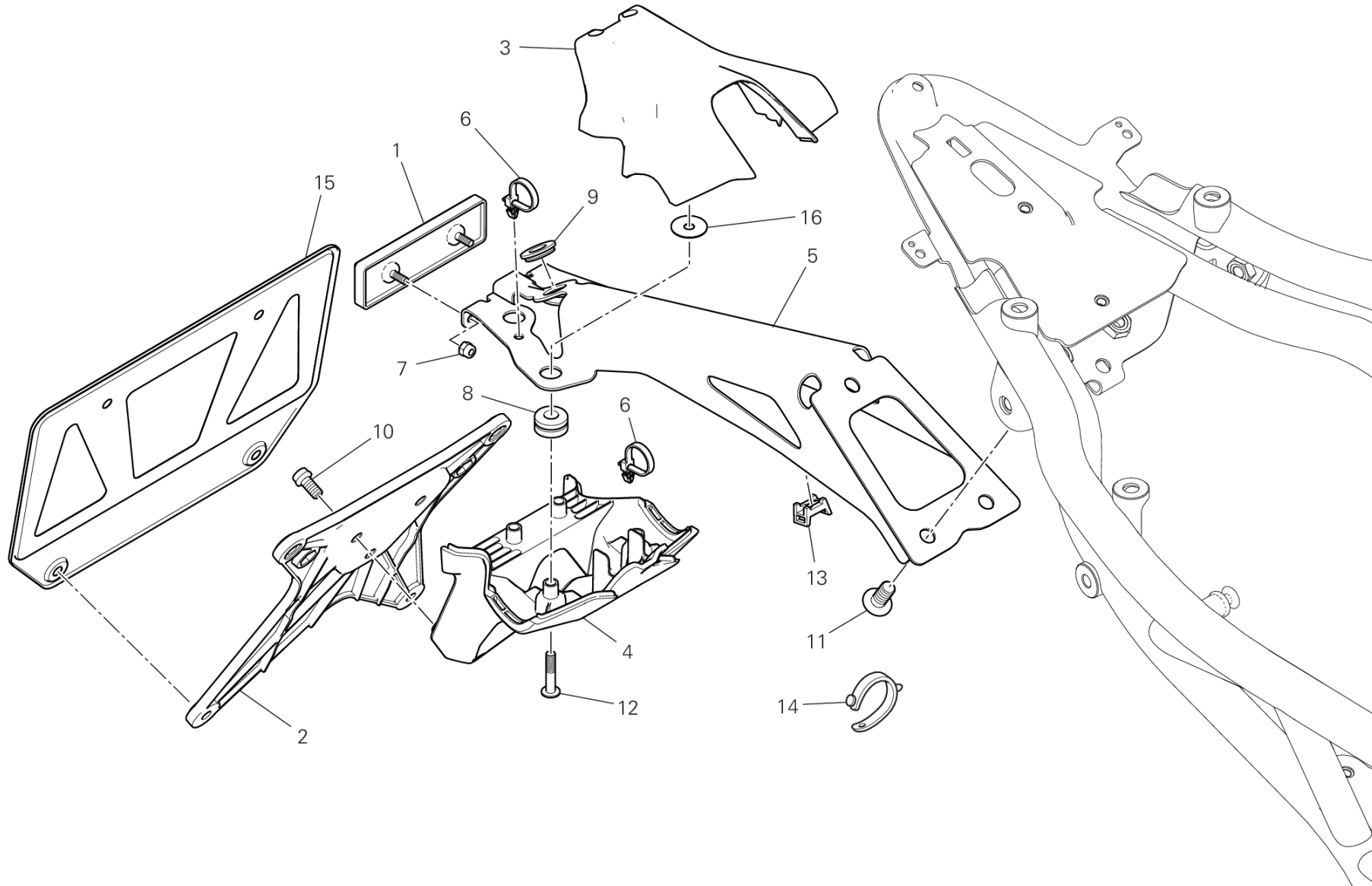
GROUP FRAME



POS.	CODE	DESCRIPTION	QTY	VALIDITY	NOTES
1	52910231A	REFLEX REFLECTOR, REAR	1		
2	56113392A	PLATE HOLDER	1		
3	56113521B	NUMBER PLATE HOLDER UPPER	1		
4	56113531A	NUMBER PLATE HOLDER BOTTOM	1		
5	56113611AA	PLATE HOLDER	1		
6	74140381A	CLAMP	4		
7	74950011B	NUT, SPRING	2		
8	76410291A	RUBBER PAD	4		
9	76412151A	RUBBER PAD	1		
10	77113691A	SCREW TCEIF M6X12	3		
11	77110212A	SCREW	3		
12	77440131A	SCREW, TAPPING 5X25 WN1411	4		
13	85040671A	CLAMP TUCKER	2		
14	74110551A	CLAMP, RUBBER 39MM	1		
15	85213002A	WASHER	4		



TEL01537



DRAWING 20A - PLATE HOLDER [XST:JAP]

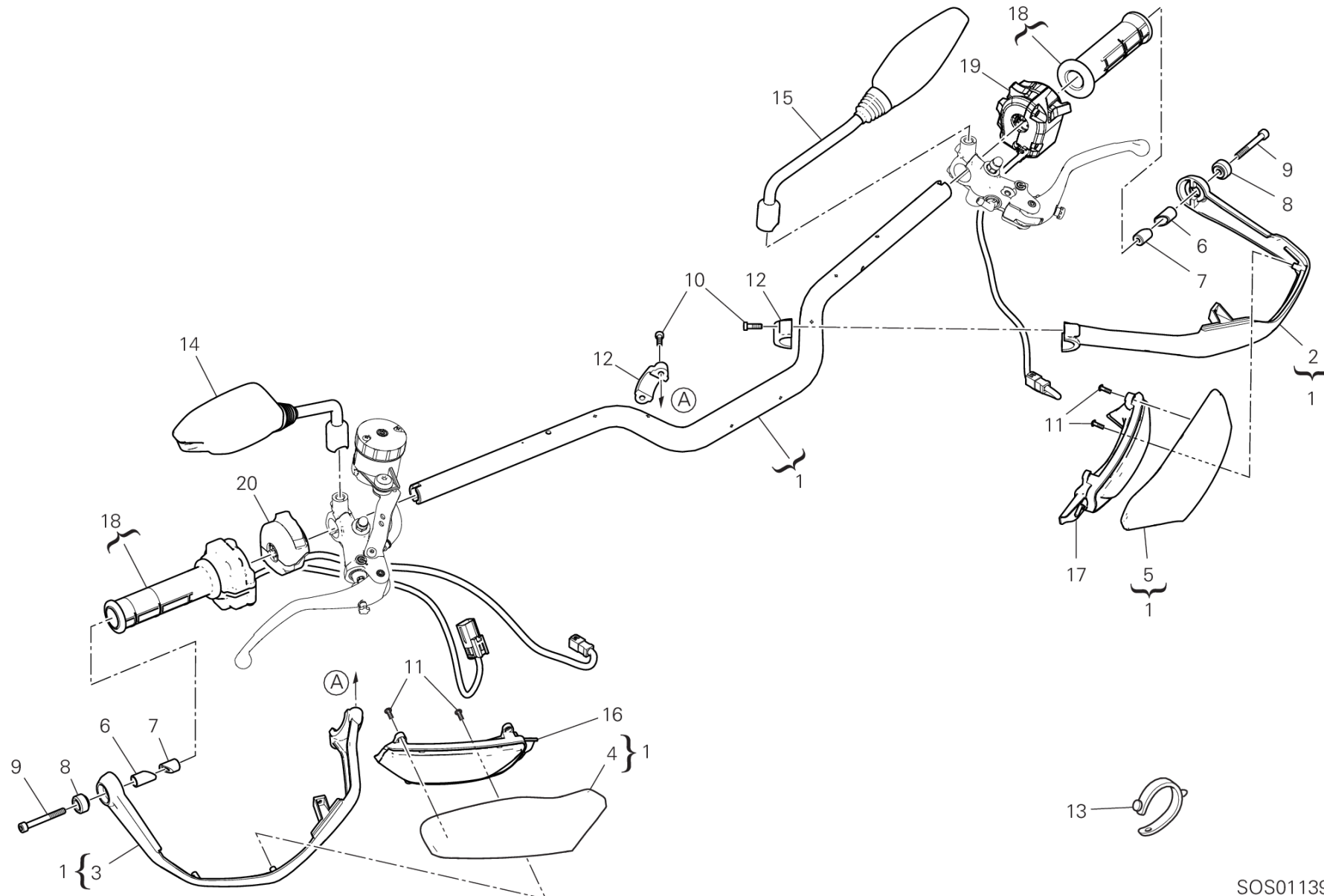
GROUP FRAME



POS.	CODE	DESCRIPTION	QTY	VALIDITY	NOTES
1	52910231A	REFLEX REFLECTOR, REAR	1		
2	56113392A	PLATE HOLDER	1		
3	56113521B	NUMBER PLATE HOLDER UPPER	1		
4	56113531A	NUMBER PLATE HOLDER BOTTOM	1		
5	56113611AA	PLATE HOLDER	1		
6	74140381A	CLAMP	4		
7	74950011B	NUT, SPRING	2		
8	76410291A	RUBBER PAD	4		
9	76412151A	RUBBER PAD	1		
10	77113691A	SCREW TCEIF M6X12	3		
11	77110212A	SCREW	3		
12	77440131A	SCREW, TAPPING 5X25 WN1411	4		
13	85040671A	CLAMP TUCKER	2		
14	74110551A	CLAMP, RUBBER 39MM	1		
15	56113381AA	PLATE	1		
16	85213002A	WASHER	4		



DRAWING 21A - HANDLEBAR GROUP FRAME



SOS01139

DRAWING 21A - HANDLEBAR

GROUP FRAME

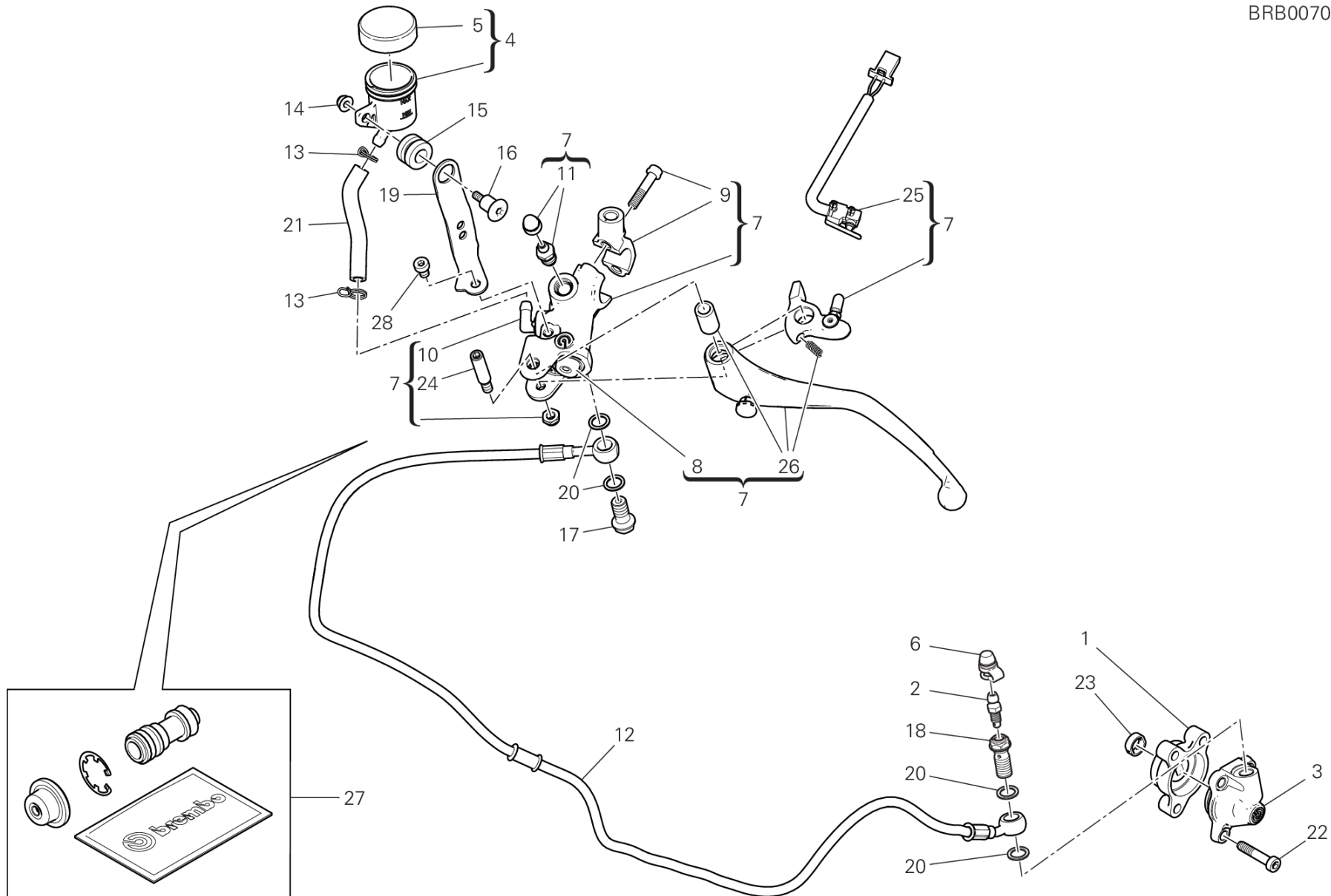


POS.	CODE	DESCRIPTION	QTY	VALIDITY	NOTES
1	36012091AA	HANDLEBAR	1		
2	46016852A	LEFT BRACKET	1		
3	46016862A	RIGHT BRACKET	1		
4	4601C282A	GUARD, KNUCKLE, RH	1		
5	4601C292A	GUARD, KNUCKLE, LH	1		
6	71011071A	BUSH	2		
7	71111301A	SPINDLE, TAPER	2		
8	71319982AA	SPACER	2		
9	77150758B	SCREW	2		
10	77350413B	SCREW TCEIR M5X16	4		
11	77440111A	SCREW	10		
12	80811731A	CLAMP	2		
13	74110551A	CLAMP, RUBBER 39MM	4		
14	52320431D	REAR-VIEW MIRROR R.H.	1		
15	52320441A	REAR-VIEW MIRROR L.H.	1		
16	53010342A	TURN INDICATOR R.H.	1		
17	53010352A	TURN INDICATOR L.H.	1		
18	66020141A	THROTTLE CONTROL	1		
19	65110281C	LEFT SWITCH	1		



DRAWING 21B - CLUTCH CONTROL GROUP FRAME

BRB00700



DRAWING 21B - CLUTCH CONTROL

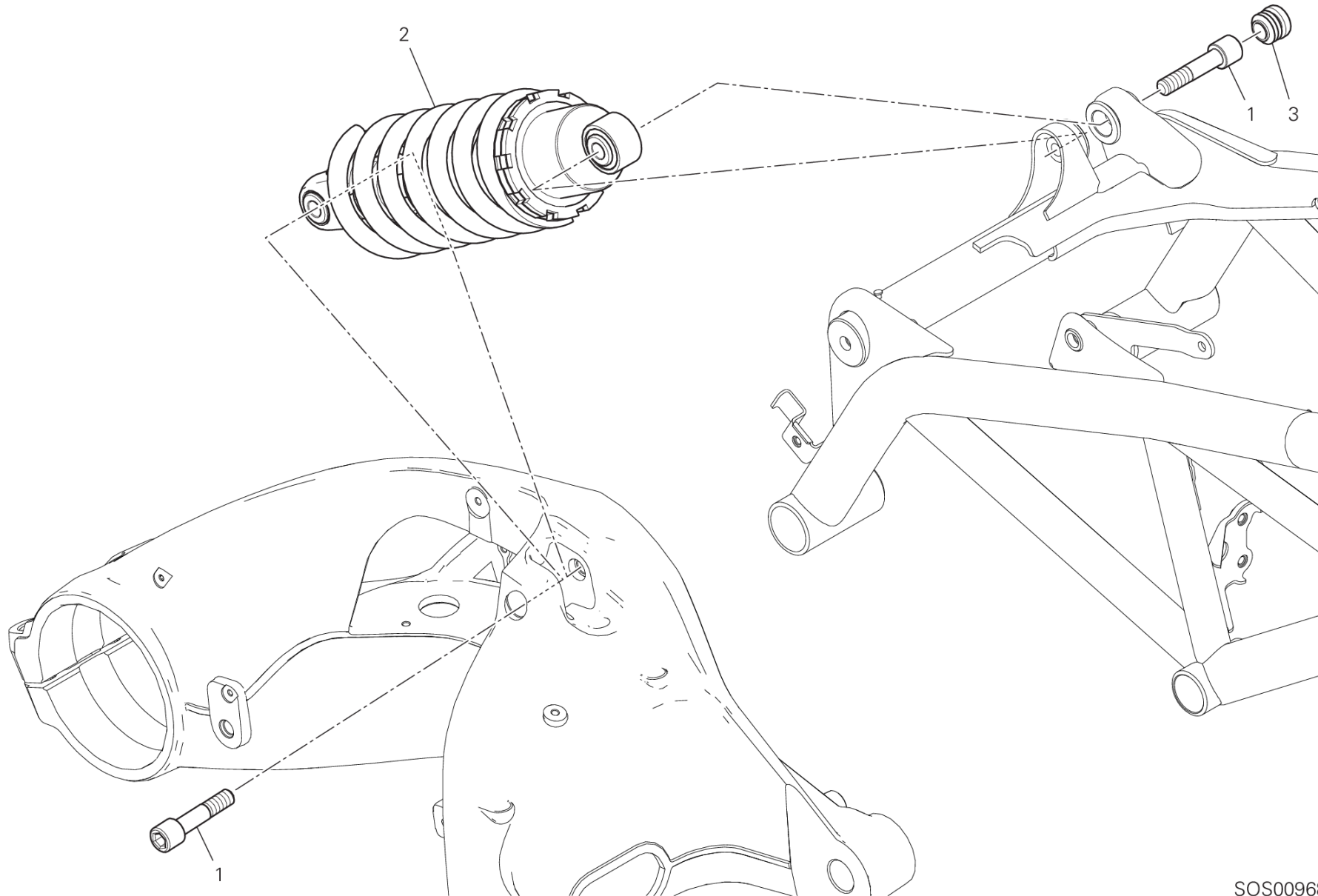
GROUP FRAME



POS.	CODE	DESCRIPTION	QTY	VALIDITY	NOTES
1	19510411D	SPACER	1		
2	18710021A	VALVE, BREATHER	1		
3	19540081B	PISTON ASSEMBLY	1		
4	58540351A	SUB TANK, OIL	1		
5	89340241A	COVER MASTER CYLINDER	1		
6	61240052A	DUST COVER	1		
7	63040731A	CLUTCH MASTER CYLINDER	1		
8	61240391A	DUST COVER	1		
9	62641081A	BRACKET, CLUTCH MASTER CYLINDER	1		
10	63140541A	JOINT, HOSE	1		
11	63140281A	DRAIN	1		
12	63211051A	HOSE, CLUTCH	1		
13	74140431A	CLAMP	2		
14	74810351B	NUT	1		
15	76414191A	DAMPER	1		
16	77910921A	SCREW	1		
17	77913662AB	SCREW, SPECIAL	1		
18	77913971A	BOLT, BRAKE HOSE	1		
19	82917081A	BRACKET, BRAKE FLUID TANK	1		
20	85250241A	WASHER 10X14X1	4		
21	87712661A	HOSE	1		
22	77354893C	SCREW	3		
23	78811641C	GASKET	1		
24	62640561A	BOLT, LEVER	1		
25	53940841A	MICROSWITCH	1		
26	62610131A	CLUTCH LEVER	1		
27	61041991A	BREMBO CLUTCH FLOATING PISTON KIT	1		
28	71950303C	SCREW	1		



DRAWING 22A - REAR SHOCK ABSORBER GROUP FRAME



SOS00968

DRAWING 22A - REAR SHOCK ABSORBER

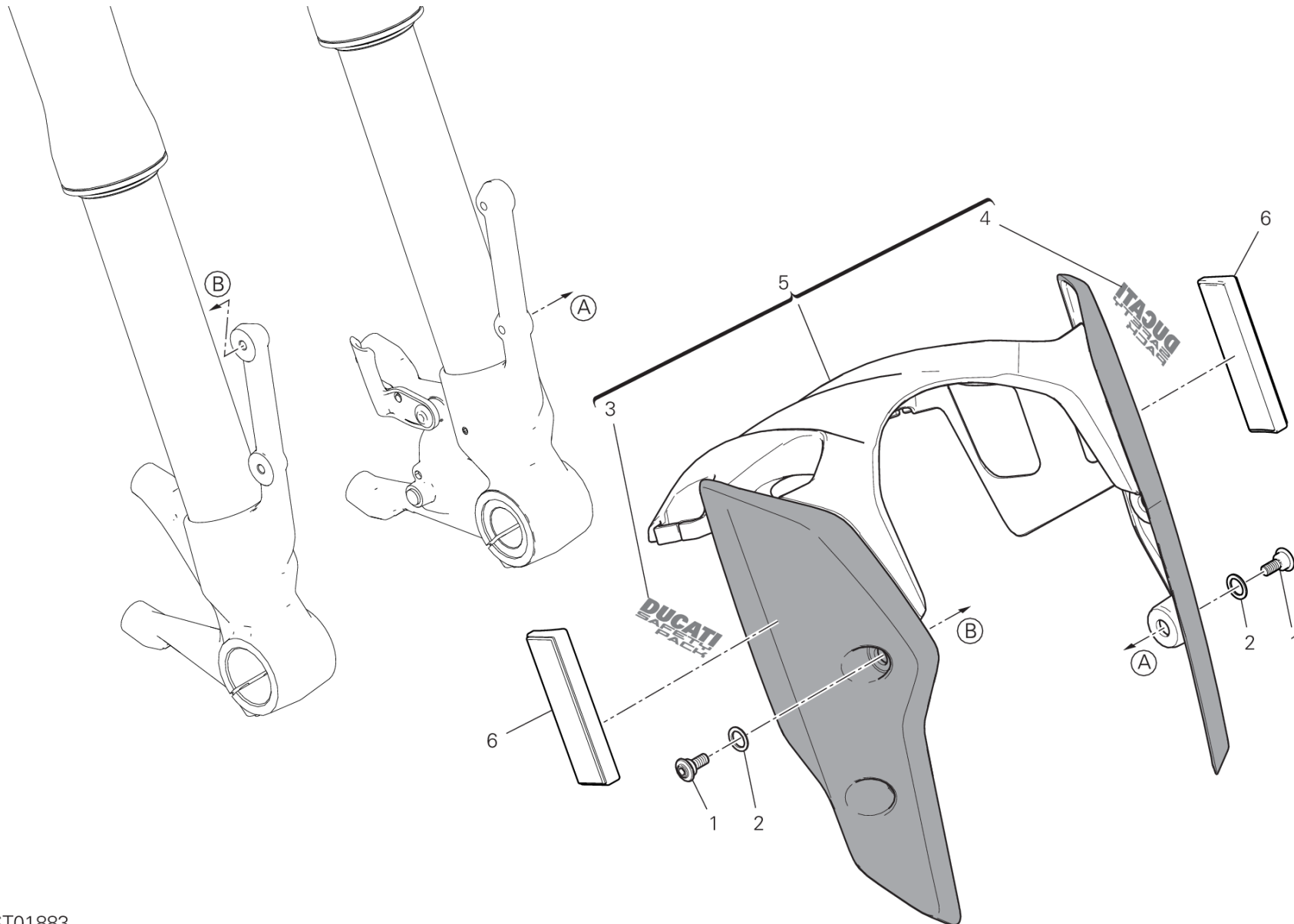
GROUP FRAME



POS.	CODE	DESCRIPTION	QTY	VALIDITY	NOTES
1	77915041A	SCREW, SPECIAL	2		
2	36521842A	REAR SHOCK ABSORBER	1		
3	87240661A	PLUG	1		



DRAWING 23A - FRONT MUDGUARD GROUP FRAME



VST01883

HYPERMOTARD 950 /22

030000022

Page 150 / 224

SPARE PARTS CATALOGUE

05/02/2022

DRAWING 23A - FRONT MUDGUARD

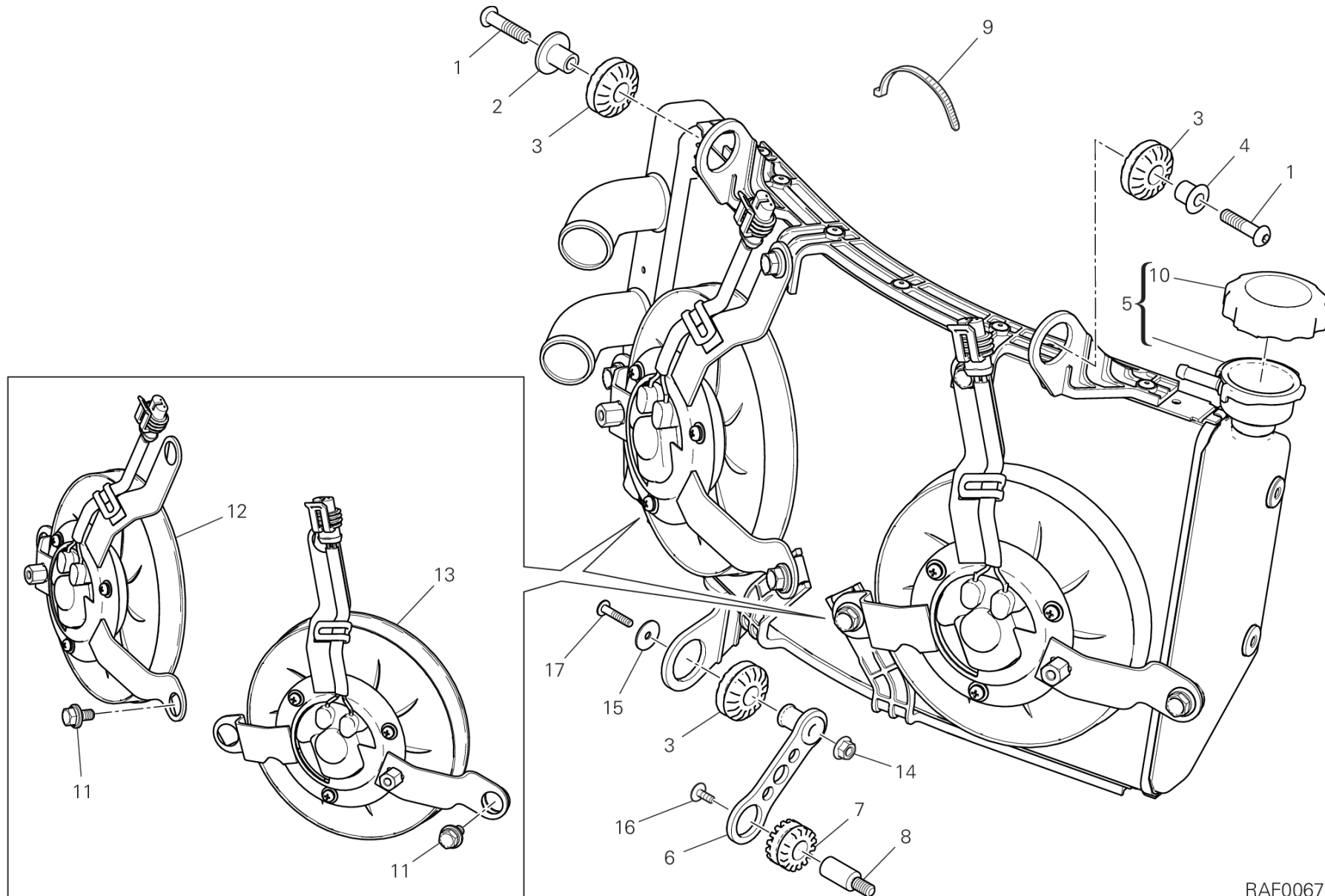
GROUP FRAME



POS.	CODE	DESCRIPTION	QTY	VALIDITY	NOTES
1	77211261B	SCREW, SPECIAL	4		
2	85611271A	WASHER	4		
3	43713351A	R.H. DECAL (DUCATI SAFETY PACK)	1		
4	43713361A	L.H. DECAL (DUCATI SAFETY PACK)	1		
5	564P1031CA	FRONT FENDER RED	1		
	564P1031CD	FRONT FENDER, BLACK	1		
6	52910081B	REFLEX REFLECTOR AMBER	2		



DRAWING 24A - WATER COOLER GROUP FRAME



RAF00674

DRAWING 24A - WATER COOLER

GROUP FRAME

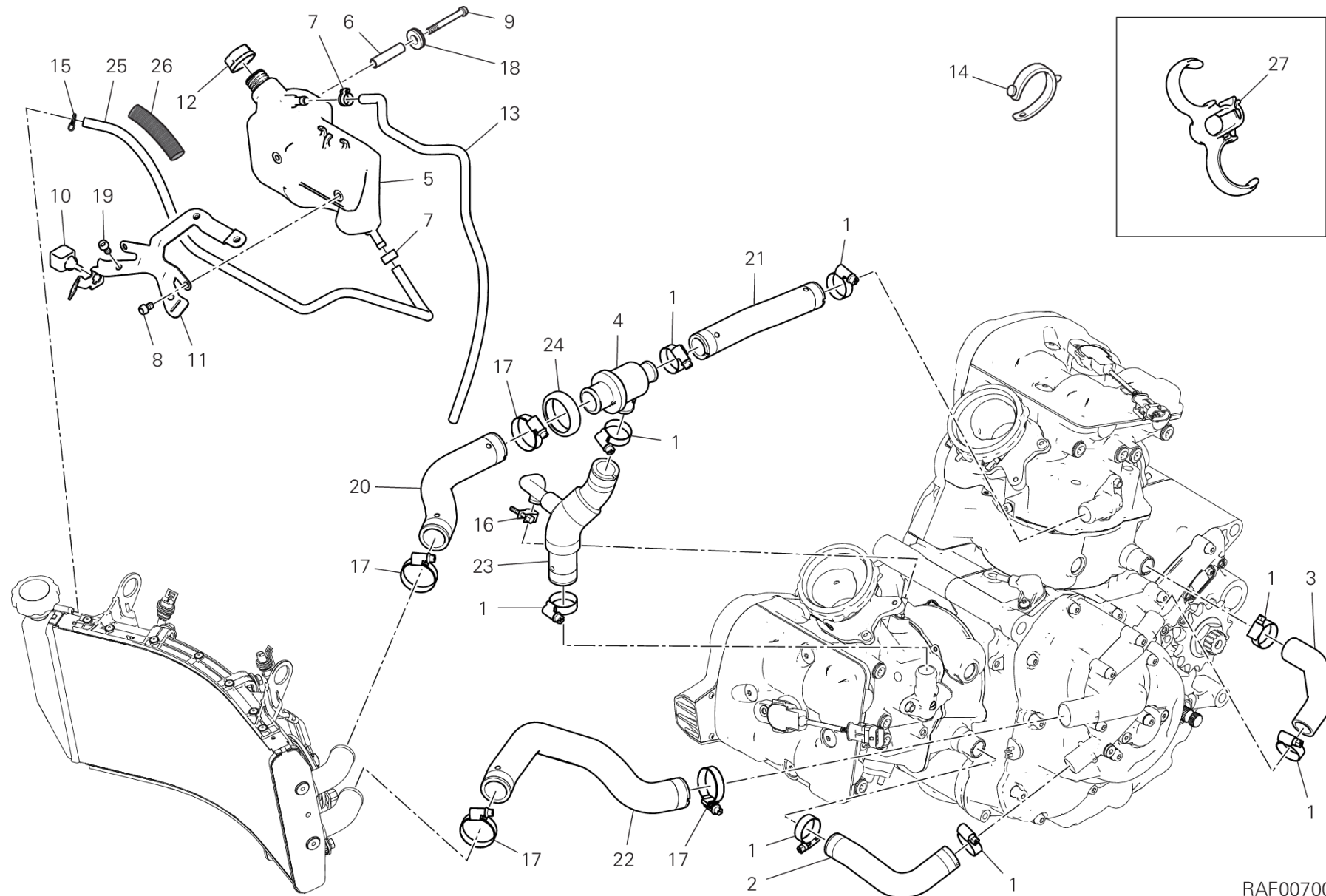


POS.	CODE	DESCRIPTION	QTY	VALIDITY	NOTES
1	77550191A	SCREW	2		
2	71614191A	SPACER	1		
3	76411361A	VIBRATION DAMPER PAD	3		
4	71614971AA	SPACER	1		
5	54841156A	WATER COOLER	1		
6	83014041B	BRACE, RADIATOR	1		
7	76410241A	VIBRATION DAMPER PAD	1		
8	77916081A	SCREW, SPECIAL	1		
9	74140381A	CLAMP	2		
10	87241341A	RADIATOR CAP	1		
11	77250988B	SCREW TEF M6X14	6		
12	55040351A	ELECTRIC FAN, LEFT	1		
13	55040361A	ELECTRIC FAN, RIGHT	1		
14	74941113B	NUT	1		
15	85211671B	WASHER	1		
16	77210882B	SCREW TBEI M5X12	1		
17	77240483C	SCREW	1		



DRAWING 24B - COOLING CIRCUIT

GROUP FRAME



RAF00700

DRAWING 24B - COOLING CIRCUIT

GROUP FRAME

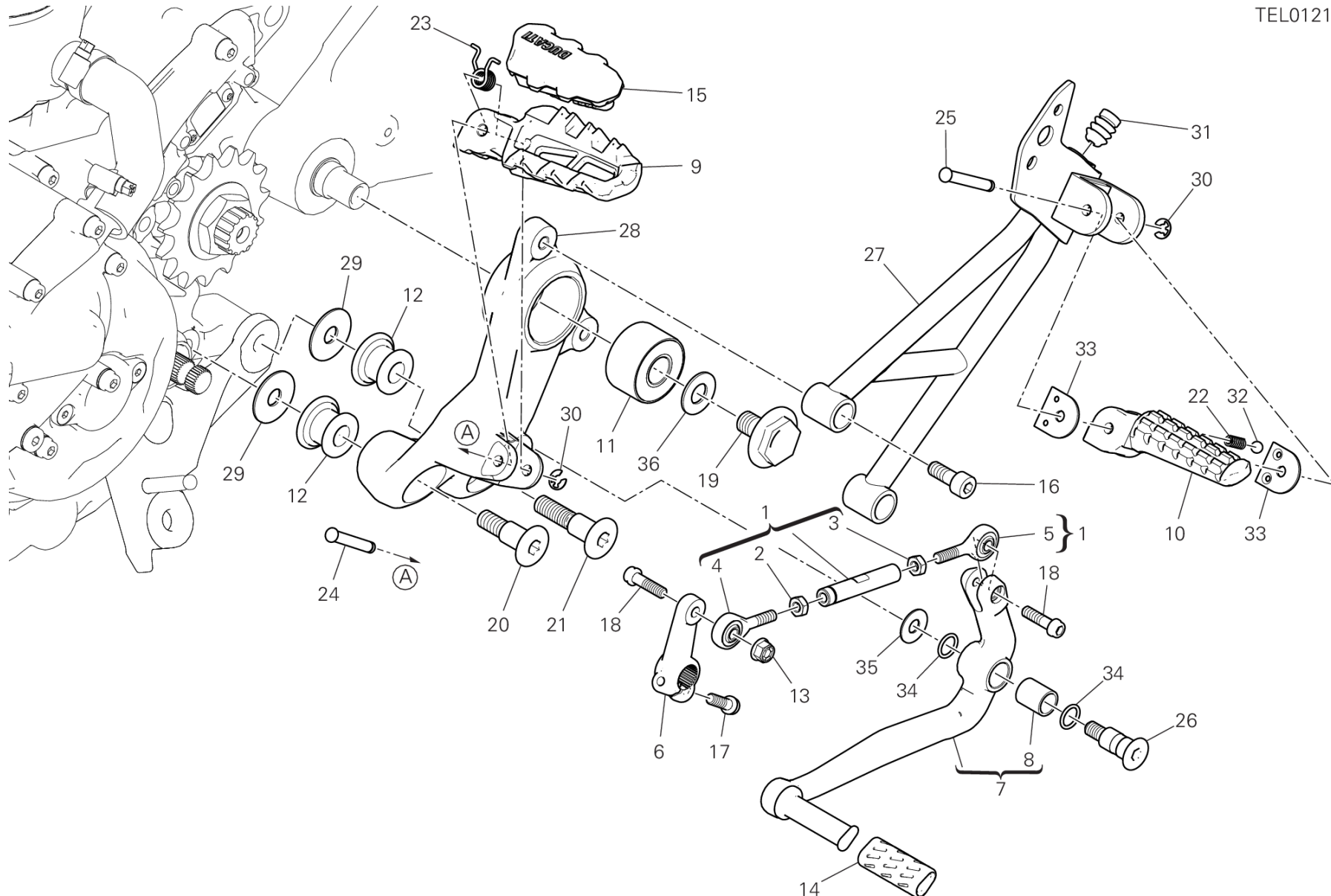


POS.	CODE	DESCRIPTION	QTY	VALIDITY	NOTES
1	74142581A	CLAMP 16-27 MM	8		
2	80011851A	HOSE, HORIZONTAL CYLINDER WATER INLET	1		
3	80012483A	HOSE, VERTICAL CYLINDER WATER INLET	1		
4	55340041A	THERMO-SWITCH	1		
5	58511033AA	TANK, WATER RESERVOIR	1		
6	71114381A	BUSH	1		
7	74140651A	FASCETTA 11-7 MM	2		
8	77156623B	SCREW TCEIF M6X10 8.8	2		
9	77156758B	SCREW TCEIF M6X50	1		
10	82911901A	MOUNT RUBBER	1		
11	8301G411BA	BRACKET, WATER TANK	1		
12	89310143A	EXPANSION TANK CAP	1		
13	93410201A	BREATHER PIPE	1		
14	74110551A	CLAMP, RUBBER 39MM	1		
15	74140431A	CLAMP	1		
16	74142501A	CLAMP	1		
17	74142591A	CLAMP 20-35 MM	4		
18	76410981A	VIBRATION DAMPER PAD	1		
19	77113691A	SCREW TCEIF M6X12	2		
20	80017891A	HOSE COOLER/THERMOSTAT	1		
21	80017902A	THERMOSTAT/PUMP HOSE VERTICAL	1		
22	80017912A	HOSE PUMP/COOLER	1		
23	80017922A	THERMOSTAT/PUMP HOSE HORIZONTAL	1		
24	88111281A	THERMOSTAT PROTECTION RING	1		
25	93410321A	BREATHER PIPE	1		
26	4601C581A	PROTECTION SHEATH	1		
27	85013121A	QUICK FASTENING	1		



DRAWING 25A - FOOTRESTS, LEFT GROUP FRAME

TEL01219



DRAWING 25A - FOOTRESTS, LEFT

GROUP FRAME

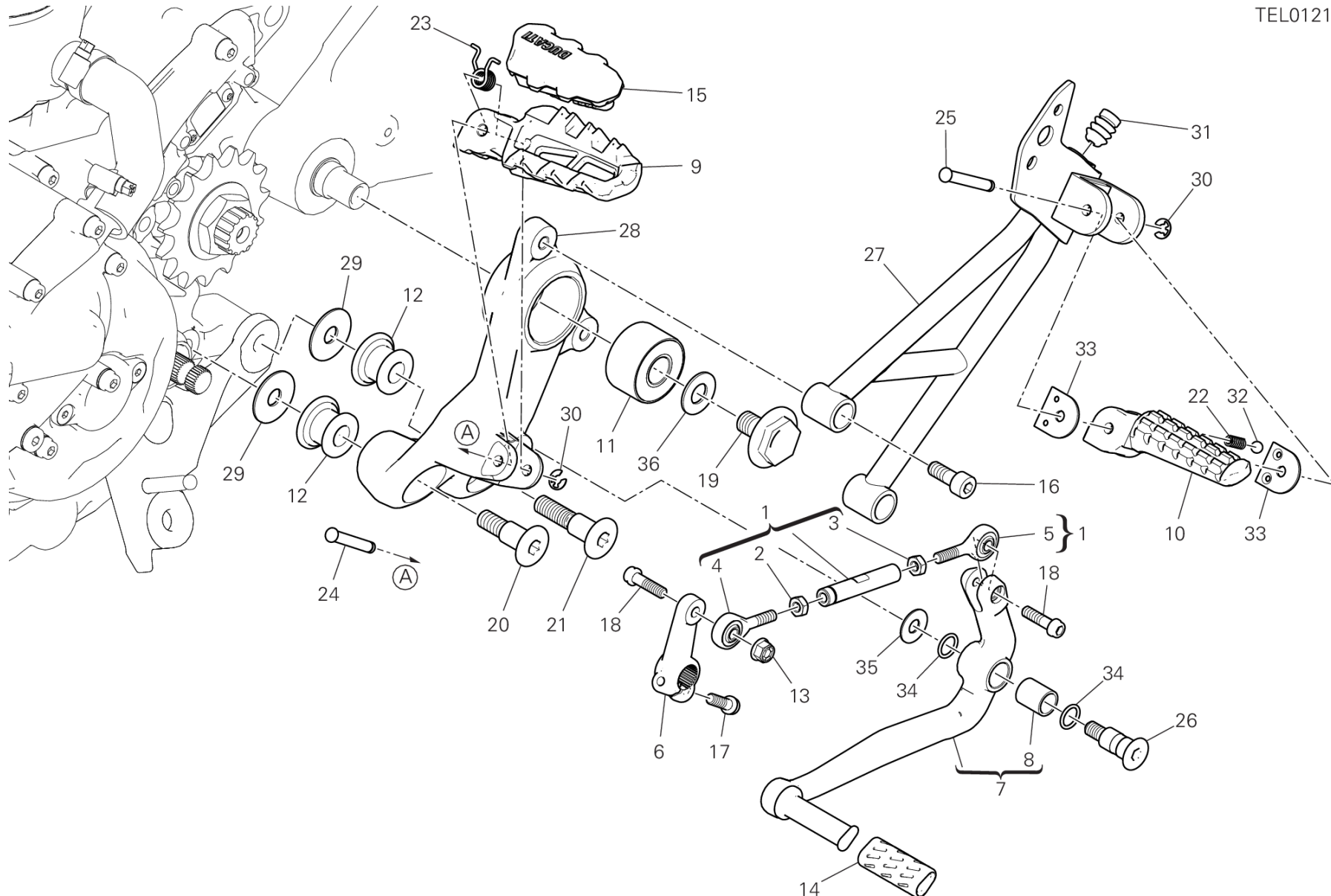


POS.	CODE	DESCRIPTION	QTY	VALIDITY	NOTES
1	11721991AA	GEARBOX DRIVING ROD	1		
2	74750011AB	NUT, LEFT THREAD M6	1		
3	74750101A	NUT 6MM	1		
4	84850011A	BALL JOINT, LEFT	1		
5	84850021A	BALL JOINT, RIGHT	1		
6	45612372AA	GEAR CONTROL LEVER	1		
7	45620802AA	GEARCHANGE LEVER	1		
8	71210341A	BUSH	1		
9	46410601AA	LEFT FOOTREST	1		
10	46510611A	REAR LEFT FOOT-REST	1		
11	70011161A	DAMPER FOOTREST	1		
12	70010491A	DAMPER	2		
13	74941118B	NUT 6MM	1		
14	76411451A	COVER PEDAL	1		
15	76510031A	FOOT PEG RUBBER COVER L.H.	1		
16	77151238C	SCREW TCEI M8X20	2		
17	77110191A	SCREW TCEIF M6X20	1		
18	77156688B	SCREW TCEIF	2		
19	77911511AA	SCREW, SPECIAL	1		
20	77914181AA	SCREW, SPECIAL	1		
21	77912061AB	SCREW	1		
22	79910241B	SPRING	1		
23	79914991A	SPRING. FOOTREST	1		
24	82110681CA	FOOTREST PIN	1		
25	82110901B	FOOTREST PIN	1		
26	82111701B	PIN PEDAL	1		
27	82413552AA	REAR L.H. PLATE	1		
28	82413571AB	FRONT L.H. PLATE	1		
29	85210651B	WASHER 10.2X31X1.5	2		
30	88450031A	CIRCLIP E-TYPE	2		
31	87211281A	PLUG	1		
32	84740021A	BALL	1		
33	82711611B	PLATE	2		
34	88641161A	O-RING	2		
35	85210532A	WASHER 8.2X20X1	1		



DRAWING 25A - FOOTRESTS, LEFT GROUP FRAME

TEL01219



DRAWING 25A - FOOTRESTS, LEFT

GROUP FRAME



POS.	CODE	DESCRIPTION	QTY	VALIDITY	NOTES
36	85211571A	WASHER 12.2X25X1.5	1		

DRAWING 25B - FOOTRESTS, RIGHT

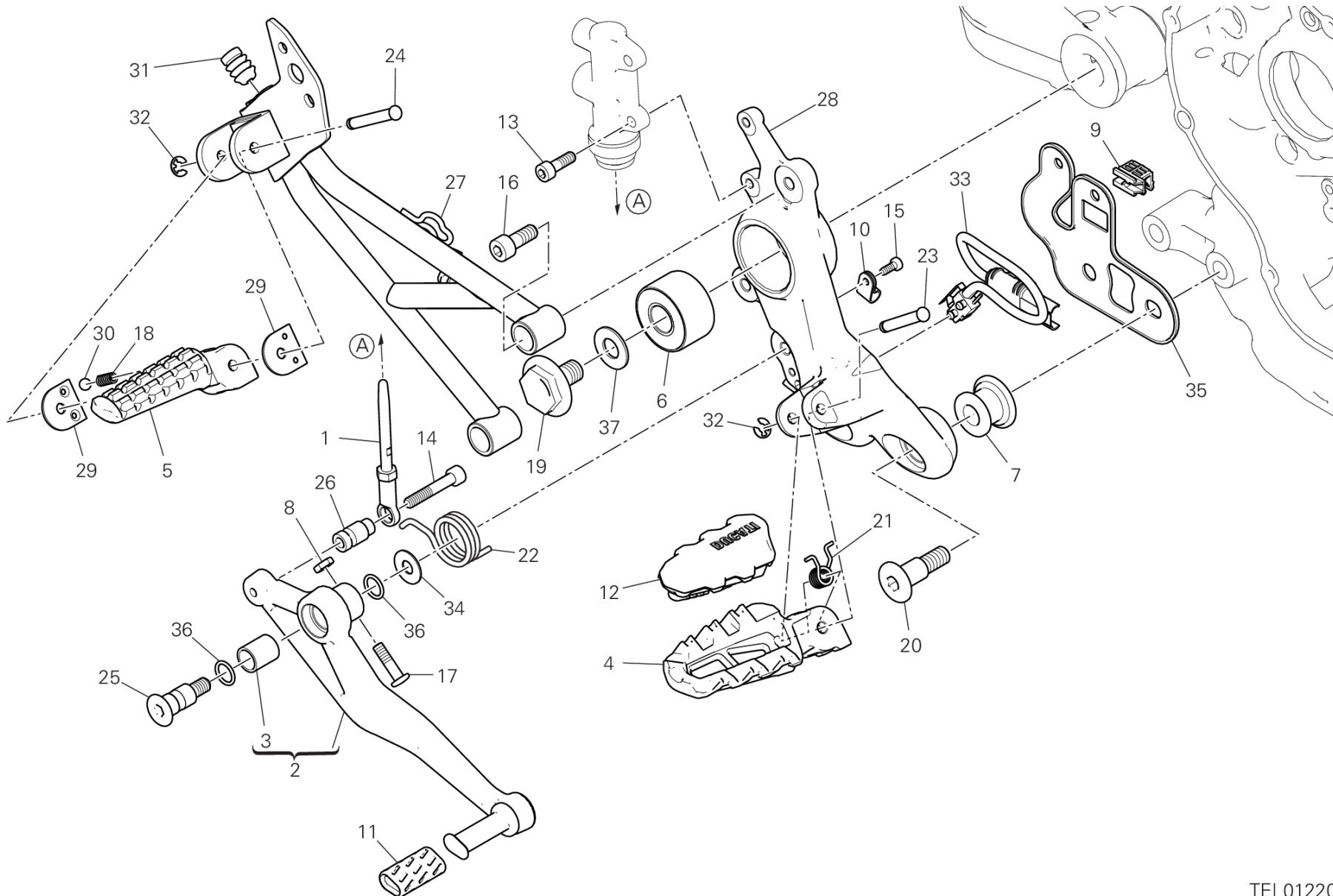
GROUP FRAME



POS.	CODE	DESCRIPTION	QTY	VALIDITY	NOTES
1	11721842AA	ROD, PUSH	1		
2	45721071AA	BRAKE LEVER ASSEMBLY	1		
3	71210341A	BUSH	1		
4	46410591AA	RIGHT FOOTREST	1		
5	46510601A	REAR RIGHT FOOTREST	1		
6	70011161A	DAMPER FOOTREST	1		
7	70010491A	DAMPER	2		
8	74750031A	NUT 6MM	1		
9	75840801A	CLAMP	1		
10	75840911A	FAIRLEAD	1		
11	76410112A	COVER PEDAL	1		
12	76510021A	FOOT PEG RUBBER COVER R.H.	1		
13	77150668B	SCREW TCEI M6X18	2		
14	77150728B	SCREW TCEI M6X35	1		
15	77354623B	SCREW M4X10	1		
16	77151238C	SCREW TCEI M8X20	2		
17	77912371B	SCREW	1		
18	79910241B	SPRING	1		
19	77911511AA	SCREW, SPECIAL	1		
20	77914181AA	SCREW, SPECIAL	2		
21	79914991A	SPRING. FOOTREST	1		
22	79915661A	SPRING	1		
23	82110681CA	FOOTREST PIN	1		
24	82110901B	FOOTREST PIN	1		
25	82111701B	PIN PEDAL	1		
26	82115771AA	SPACER	1		
27	82413562AA	REAR R.H. PLATE	1		
28	82413581AB	FRONT R.H. PLATE	1		
29	82711611B	PLATE	2		
30	84740021A	BALL	1		
31	87211281A	PLUG	1		
32	88450031A	CIRCLIP E-TYPE	2		
33	53920421B	STOP MICROSWITCH	1		
34	85210532A	WASHER 8.2X20X1	1		
35	8301G331AA	BRACKET	1		



DRAWING 25B - FOOTRESTS, RIGHT GROUP FRAME



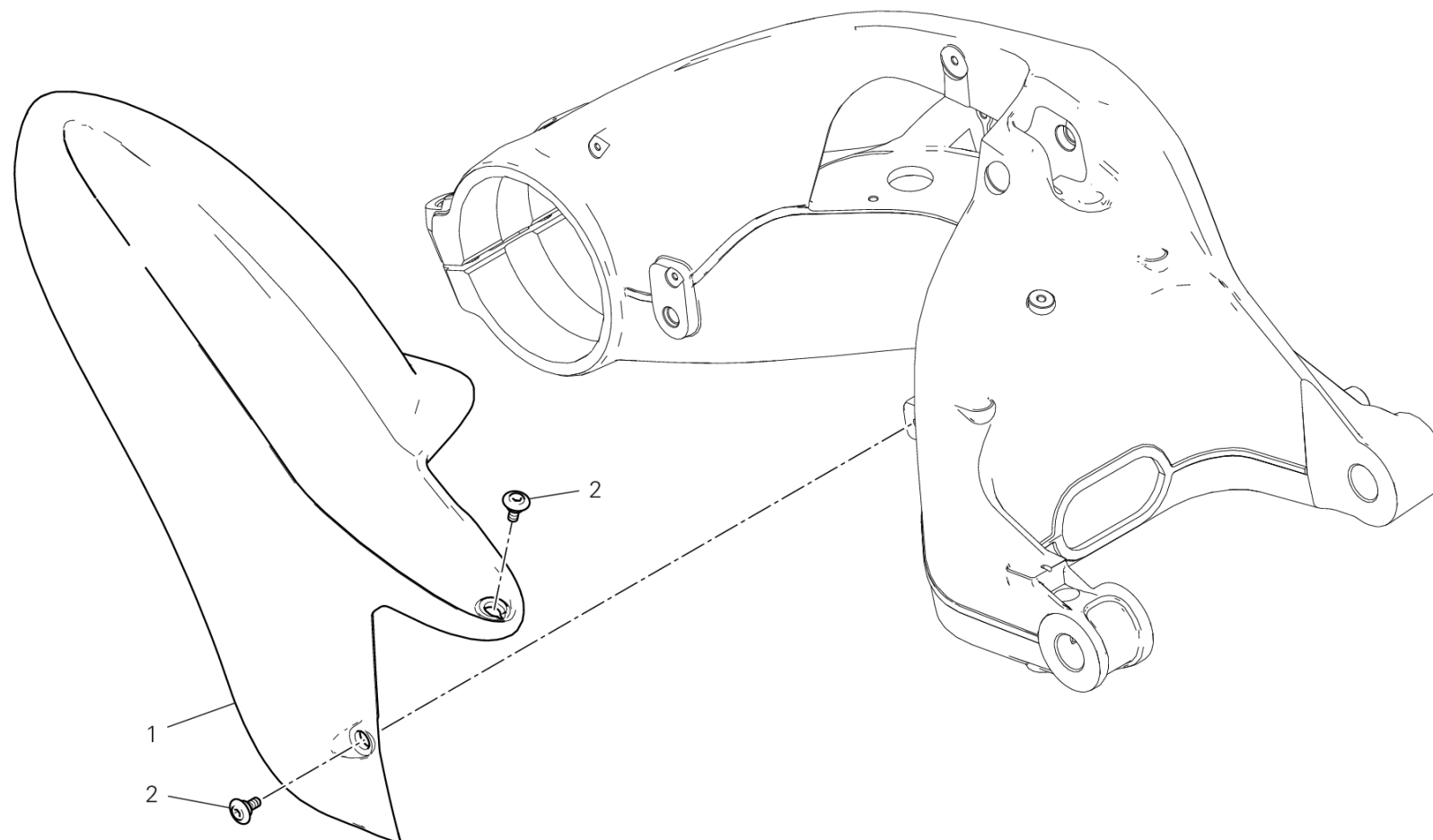
TEL01220

DRAWING 25B - FOOTRESTS, RIGHT

GROUP FRAME



POS.	CODE	DESCRIPTION	QTY	VALIDITY	NOTES
36	88641161A	O-RING	2		
37	85211571A	WASHER 12.2X25X1.5	2		



TEL01221

DRAWING 26A - REAR MUDGUARD

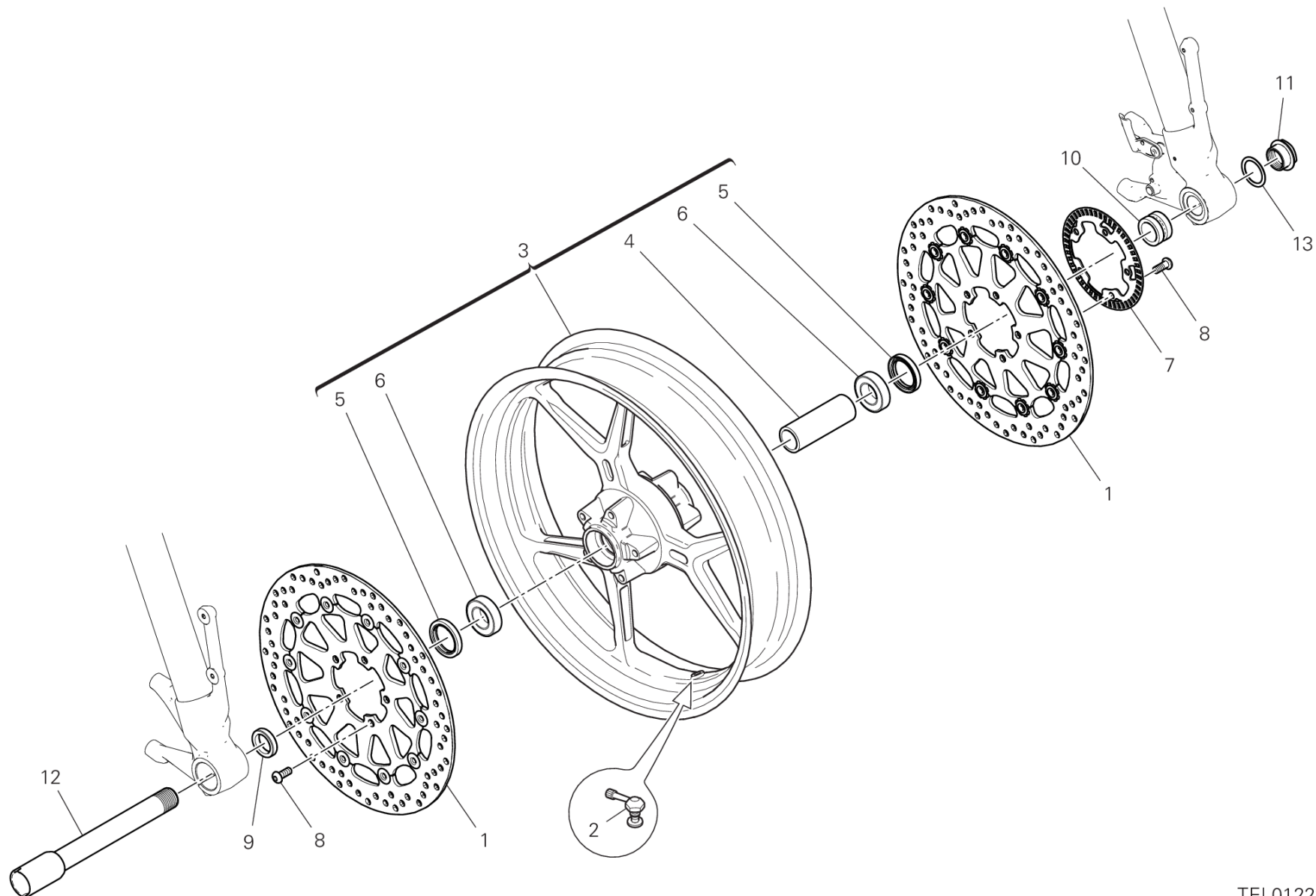
GROUP FRAME



POS.	CODE	DESCRIPTION	QTY	VALIDITY	NOTES
1	56510431A	REAR MUDGUARD	1		
2	77214411BA	SCREW, SPECIAL	3		



DRAWING 27A - FRONT WHEEL GROUP FRAME



TEL01222

DRAWING 27A - FRONT WHEEL

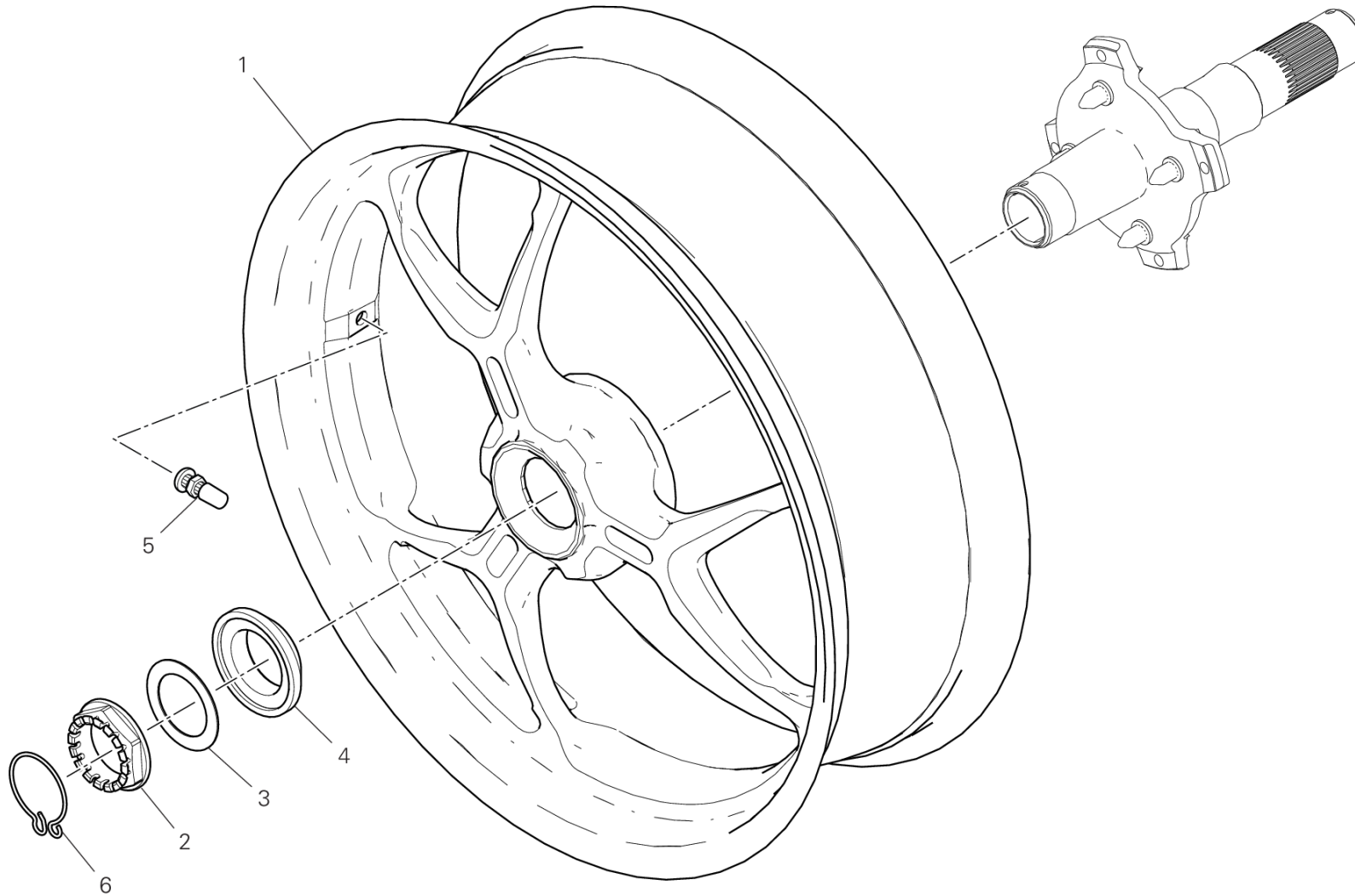
GROUP FRAME



POS.	CODE	DESCRIPTION	QTY	VALIDITY	NOTES
1	49241551A	FRONT BRAKE DISC	2		
2	49720012A	VALVE, TUBELESS TIRE	1		
3	50121783AA	FRONT WHEEL RIM	1		
4	71413241AA	INNER SPACER	1		
5	93042051A	SEAL RING	2		
6	70250621A	BEARING	2		
7	50420381AA	PHONIC WHEEL	1		
8	72010513C	SCREW	10		
9	71311961A	RIGHT SPACER	1		
10	71311973A	LEFT SPACER	1		
11	74810651A	NUT	1		
12	81910602AA	FRONT WHEEL SPINDLE	1		
13	85212221A	WASHER	1		



DRAWING 28A - REAR WHEEL GROUP FRAME



TEL01223

DRAWING 28A - REAR WHEEL

GROUP FRAME

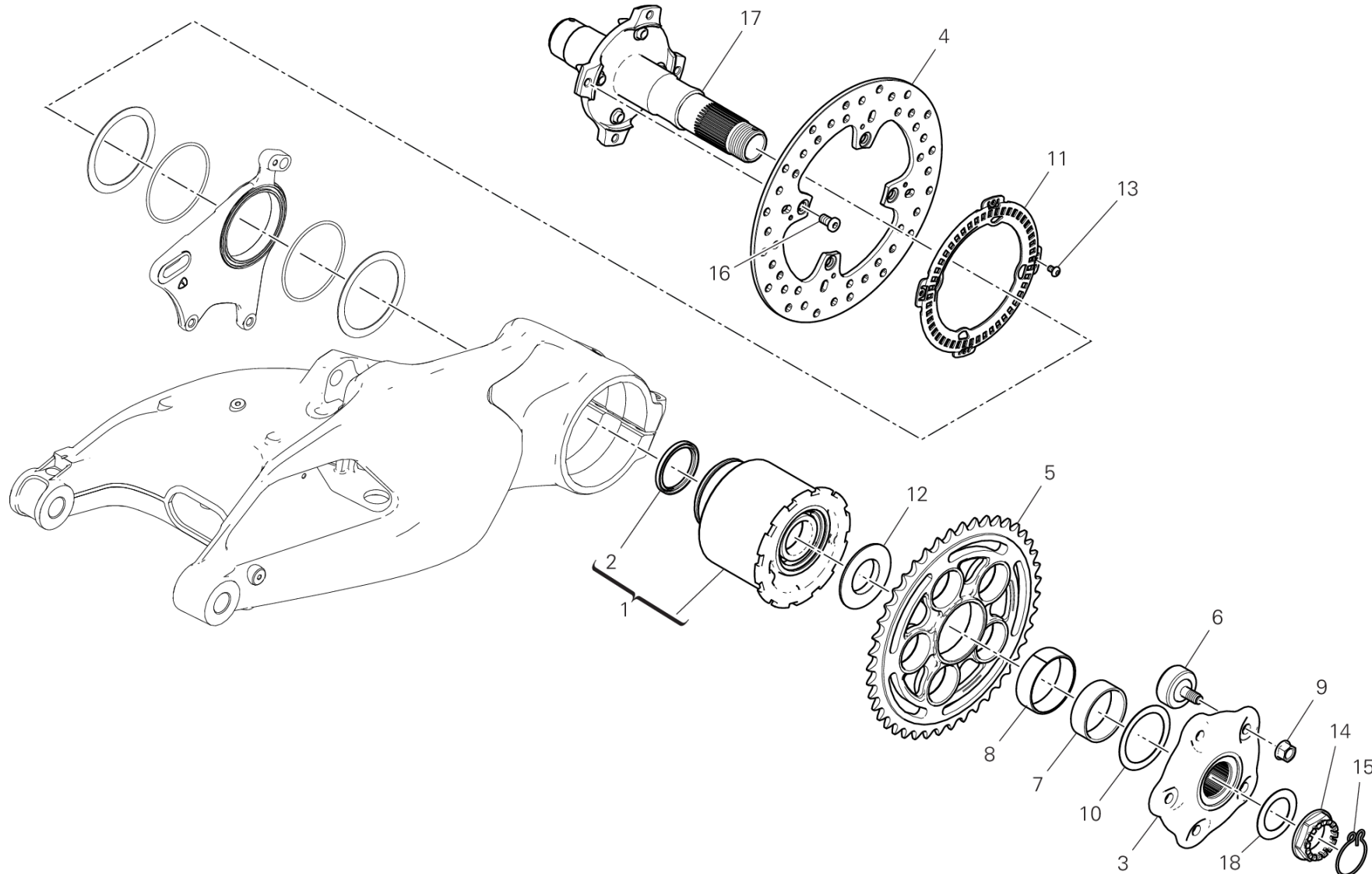


POS.	CODE	DESCRIPTION	QTY	VALIDITY	NOTES
1	50212071AA	REAR WHEEL RIM	1		
2	75012121AA	NUT	1		
3	85210571A	WASHER	1		
4	71410271A	WASHER, CONICAL SPRING	1		
5	49720031A	VALVE, TUBELESS TIRE	1		
6	75910091A	RETAINER 40MM	1		



DRAWING 28B - REAR WHEEL SPINDLE GROUP FRAME

TEL01224



DRAWING 28B - REAR WHEEL SPINDLE

GROUP FRAME

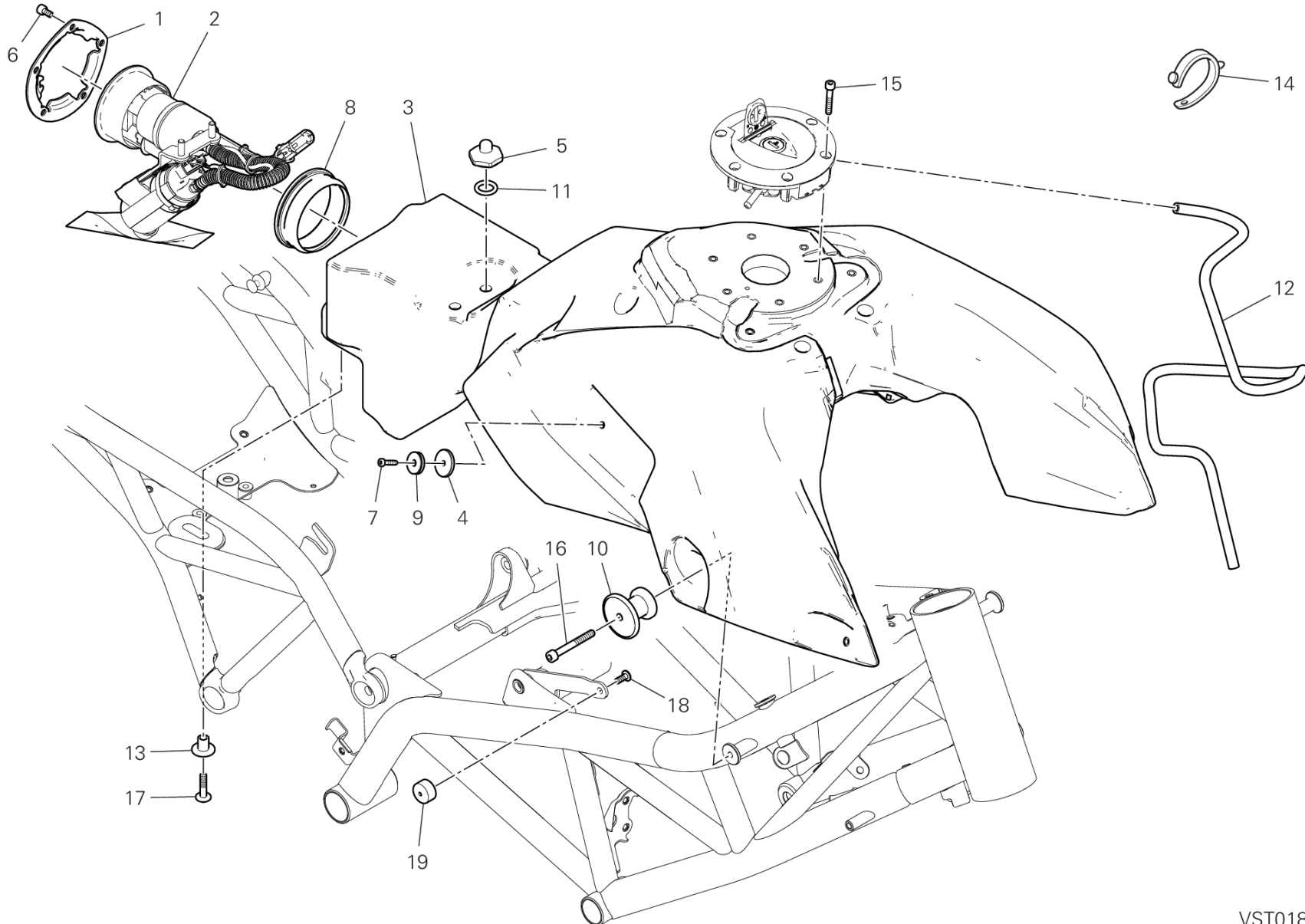


POS.	CODE	DESCRIPTION	QTY	VALIDITY	NOTES
1	75620062A	CHAIN TIGHTENER	1		
2	93040181A	SEAL RING	1		
3	16016851AA	REAR SPROCKET FLANGE	1		
4	49210051A	REAR BRAKE DISC ABS	1		
5	49411941AA	REAR SPROCKET T43	1		
6	70010571A	RUBBER CUSH DRIVE HUB	5		
7	71110671A	BUSH	1		
8	71210181A	BUSH	1		
9	74810761A	NUT	5		
10	85210582A	WASHER	1		
11	50410351AA	REAR PHONIC WHEEL	1		
12	71410411A	FINAL SPROKET SLEEVE	1		
13	72050159EA	SCREW	4		
14	75012111AA	NUT	1		
15	75910081A	RETAINER 35MM	1		
16	77310061A	SCREW	4		
17	81920382C	REAR WHEEL SPINDLE	1		
18	85210551A	WASHER	1		



DRAWING 29A - FUEL TANK

GROUP FRAME



VST01884

DRAWING 29A - FUEL TANK

GROUP FRAME

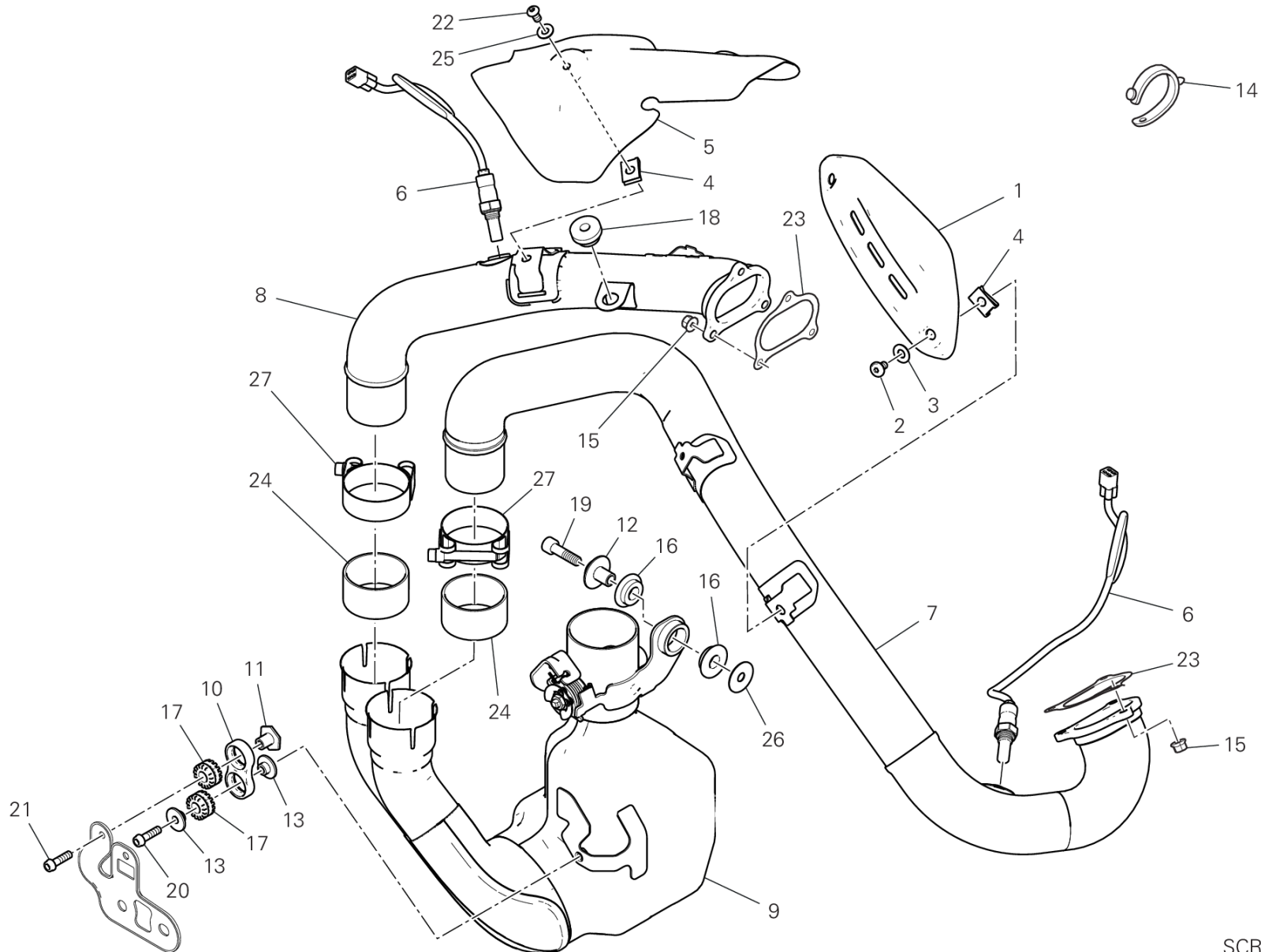


POS.	CODE	DESCRIPTION	QTY	VALIDITY	NOTES
1	16016671AA	BRACKET, FUEL PUMP	1		
2	16024362A	FUEL PUMP	1		
3	58612701C	FUEL TANK	1	XST:AUS,GSO,JAP,ROK	
	58612701C	FUEL TANK	1	XST:EUR	
	58612711C	FUEL TANK	1		
4	7131D361A	SPACER	2		
5	75012022AA	NUT, SPECIAL	2		
6	77150388B	SCREW TCEI M5X10	5		
7	77354643B	SCREW	2		
8	79111131B	GASKET	1		
9	85010141A	RUBBER PAD	2		
10	86612731A	PAD	2		
11	88642591A	O-RING	2		
12	59018132A	HOSE	1		
13	71610061A	SPACER	1		
14	74110121A	CLAMP, RUBBER 62MM	2		
15	77150478B	SCREW TCEI M5X30	6		
16	77150758B	SCREW	2		
17	77210971B	SCREW	1		
18	77440171A	SCREW	2		
19	86612831A	PAD, FUEL TANK	2		



DRAWING 30A - EXHAUST MANIFOLD [XST:EUR,GSO,JAP,ROK,TWN]

GROUP FRAME



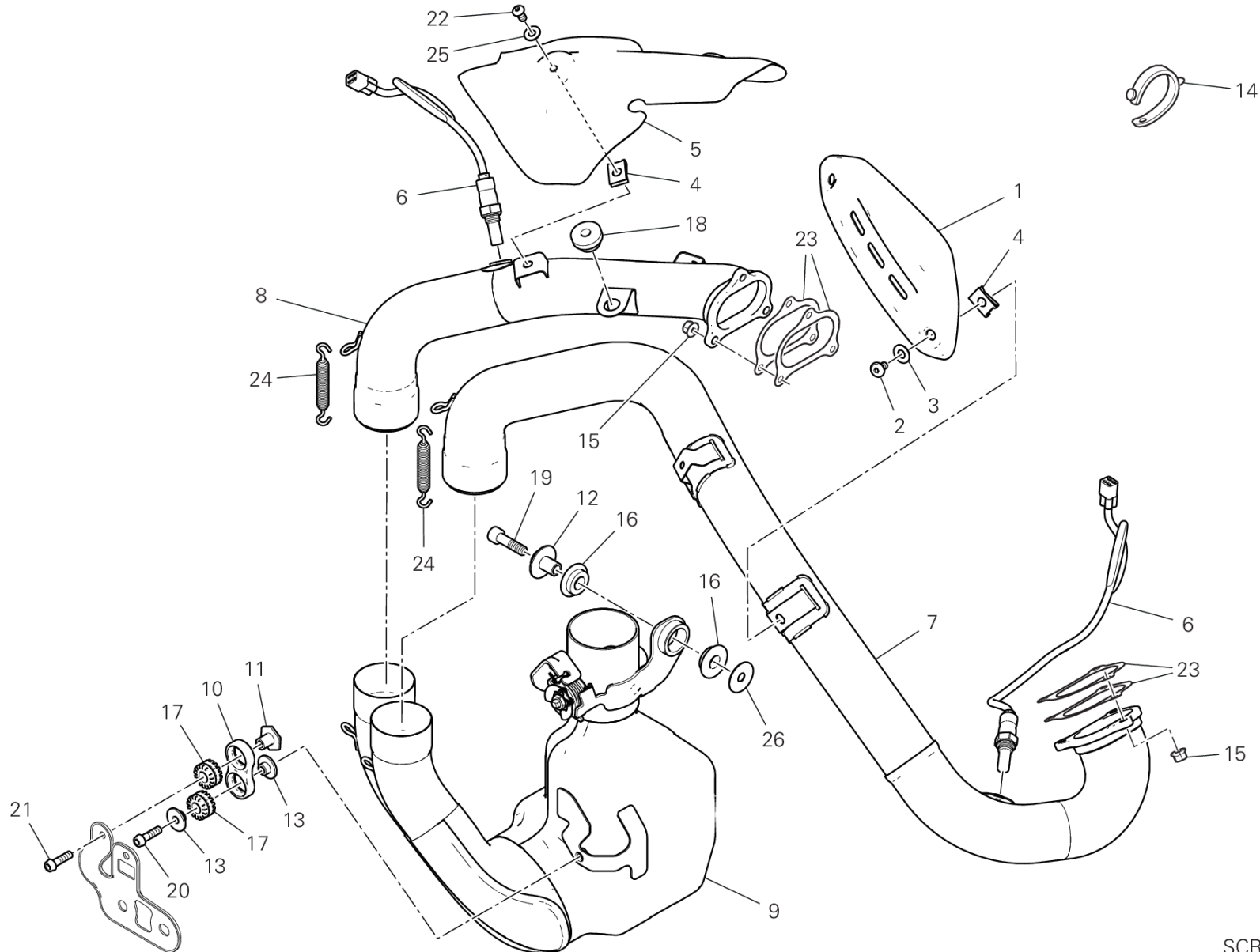
SCR00381

DRAWING 30A - EXHAUST MANIFOLD [XST:EUR,GSO,JAP,ROK,TWN]

GROUP FRAME



POS.	CODE	DESCRIPTION	QTY	VALIDITY	NOTES
1	46019971AA	HEAT GUARD HORIZONTAL	1		
2	77240403CA	SCREW M6X12	2		
3	85240171A	WASHER	2		
4	85040381A	QUICK FASTENING	4		
5	4601G381A	HEAT GUARD VERTICAL	1		
6	55215021A	SENSOR LAMBDA SOND	2		
7	57015161A	HORIZONTAL EXHAUST PIPE	1		
8	57115161A	VERTICAL EXHAUST PIPE	1		
9	57212111A	PRESILENCER	1		
10	57610671A	BRACKET, SILENCER	1		
11	71011491A	SPINDLE, TAPER	1		
12	71314361A	COLLAR, SILENCER MOUNTING	1		
13	71614141A	SPACER 6.25X10X5.75	2		
14	74110121A	CLAMP, RUBBER 62MM	1		
15	74810361A	NUT	6		
16	76410011A	DAMPER	2		
17	76410241A	VIBRATION DAMPER PAD	2		
18	76410482A	VIBRATION DAMPER	1		
19	77151278B	SCREW TCEI M8X30	1		
20	77156668B	SCREW TCEIF M6X18	1		
21	77156688B	SCREW TCEIF	1		
22	77550319E	SCREW	2		
23	79010151A	GASKET, EXHAUST PIPE	4		
24	79010491A	GASKET	2		
25	85241841A	WASHER	2		
26	85212901A	WASHER	1		
27	74141641A	CLAMP	2		



SCR00380

DRAWING 30A - EXHAUST MANIFOLD [XST:AUS]

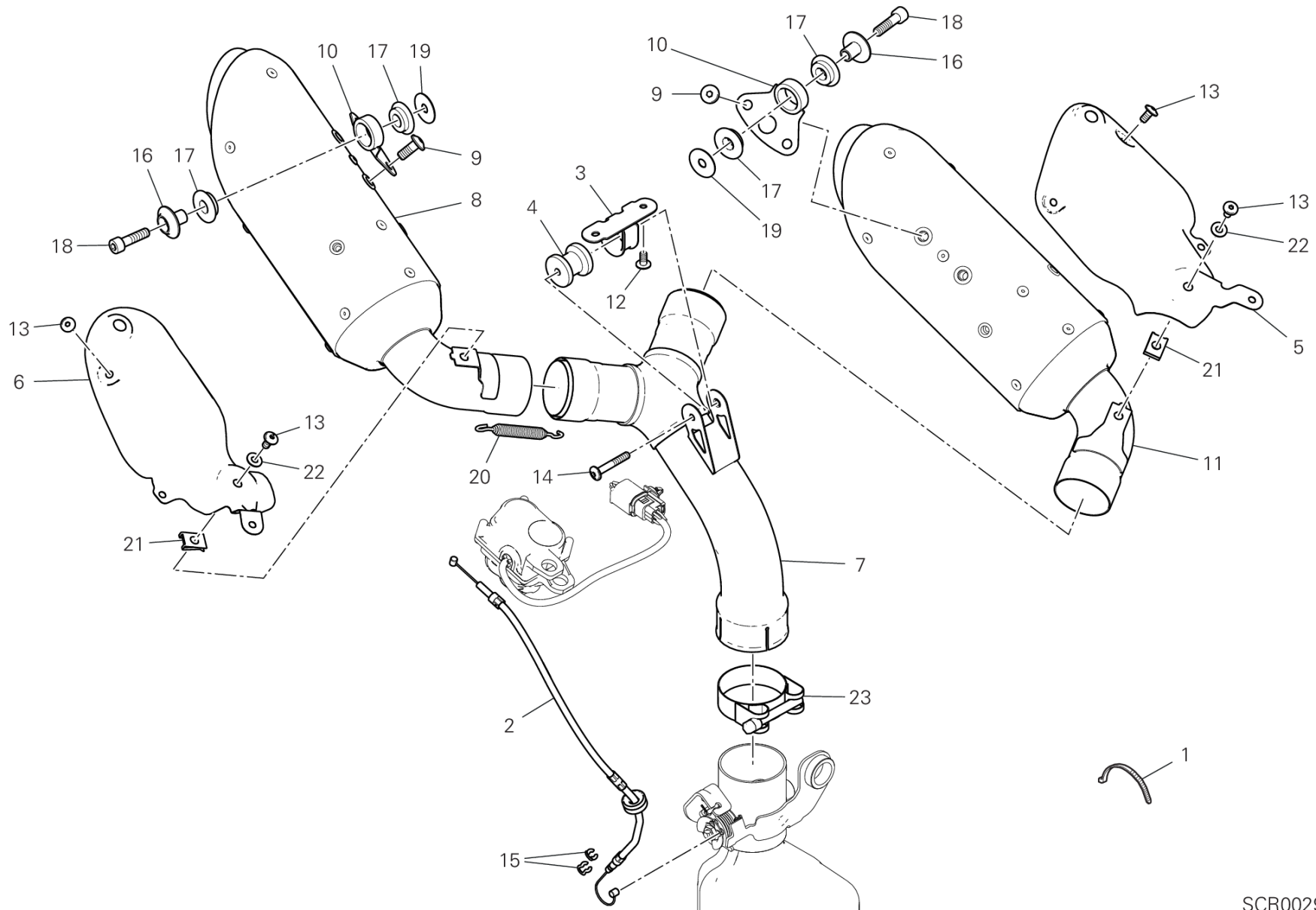
GROUP FRAME



POS.	CODE	DESCRIPTION	QTY	VALIDITY	NOTES
1	46019971AA	HEAT GUARD HORIZONTAL	1		
2	77240403CA	SCREW M6X12	2		
3	85240171A	WASHER	2		
4	85040381A	QUICK FASTENING	4		
5	4601G381A	HEAT GUARD VERTICAL	1		
6	55214011A	SENSOR LAMBDA SOND	2		
7	57014912C	HORIZONTAL EXHAUST PIPE	1		
8	57114974A	VERTICAL EXHAUST PIPE	1		
9	57211903B	PRESILENCER	1		
10	57610671A	BRACKET, SILENCER	1		
11	71011491A	SPINDLE, TAPER	1		
12	71314361A	COLLAR, SILENCER MOUNTING	1		
13	71614141A	SPACER 6.25X10X5.75	2		
14	74110121A	CLAMP, RUBBER 62MM	1		
15	74810361A	NUT	6		
16	76410011A	DAMPER	2		
17	76410241A	VIBRATION DAMPER PAD	2		
18	76410482A	VIBRATION DAMPER	1		
19	77151278B	SCREW TCEI M8X30	1		
20	77156668B	SCREW TCEIF M6X18	1		
21	77156688B	SCREW TCEIF	1		
22	77550319E	SCREW	2		
23	79010151A	GASKET, EXHAUST PIPE	4		
24	79925941A	COMPLETE SPRING	4		
25	85241841A	WASHER	2		
26	85212901A	WASHER	1		



DRAWING 30B - EXHAUST SILENCER GROUP FRAME



SCR00291

DRAWING 30B - EXHAUST SILENCER

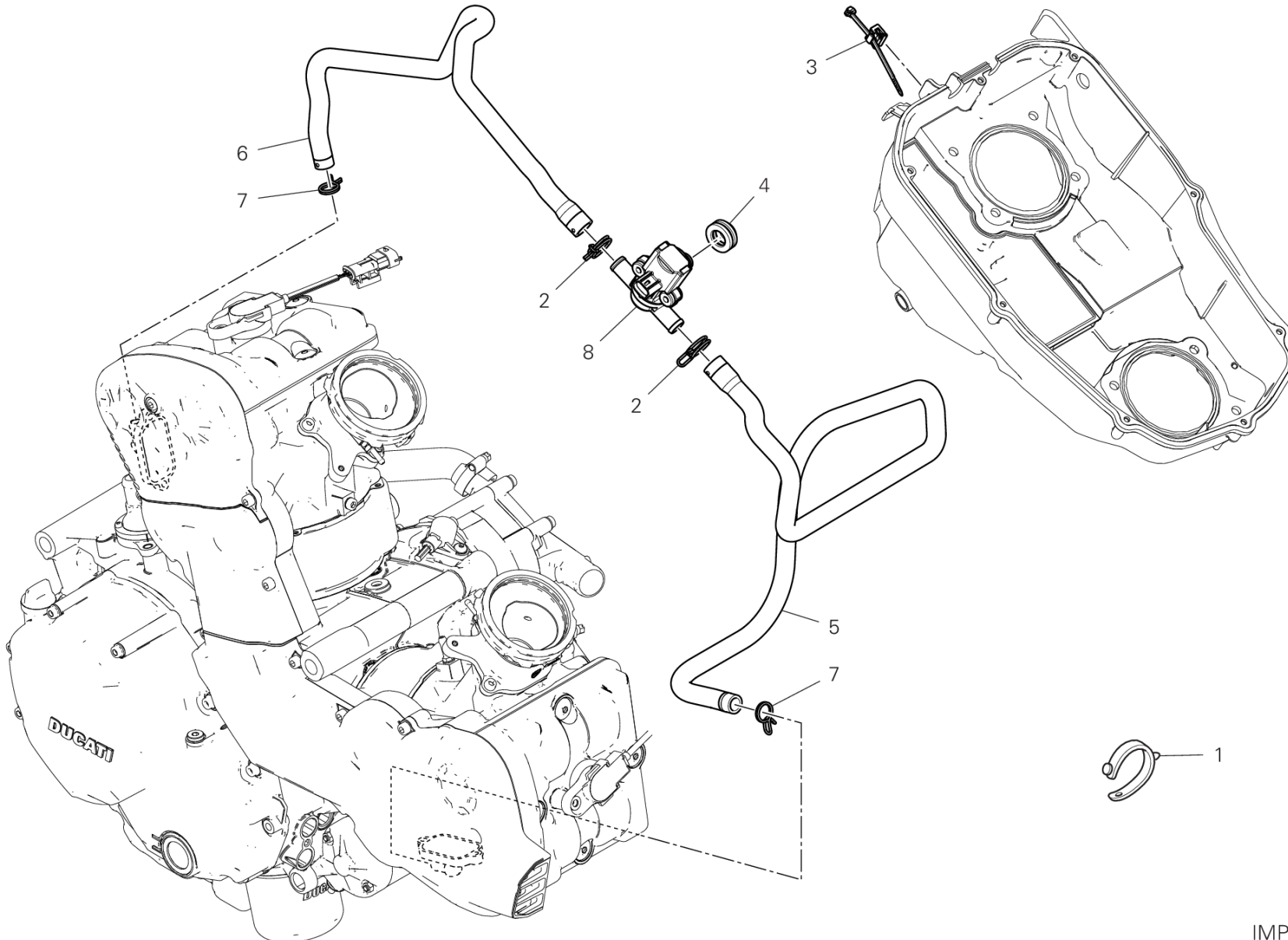
GROUP FRAME



POS.	CODE	DESCRIPTION	QTY	VALIDITY	NOTES
1	069191030	CLAMP	1		
2	73210723B	CABLE, EXHAUST VALVE	1		
3	8301G522AA	BRACKET, SILENCER	1		
4	86610951A	DAMPER	1		
5	4601G392A	HEAT GUARD L.H.	1		
6	4601G402A	HEAT GUARD R.H.	1		
7	57211882A	PIPE, EXHAUST CENTER	1		
8	57314582A	RIGHT SILENCER	1		
9	77240608C	SCREW	4		
10	8301G341A	BRACKET, SILENCER	2		
11	57414582A	LEFT SILENCER	1		
12	77240403C	SCREW	2		
13	77240408C	SCREW	6		
14	77240508C	SCREW	1		
15	88450661A	SNAP RING	2		
16	71314361A	COLLAR, SILENCER MOUNTING	2		
17	76410011A	DAMPER	4		
18	77151278B	SCREW TCEI M8X30	2		
19	85212901A	WASHER	2		
20	79925941A	COMPLETE SPRING	2		
21	85040381A	QUICK FASTENING	2		
22	85211601B	WASHER 6.4X14X1.2	2		
23	74141681A	CLAMP 61-20 MM	1		



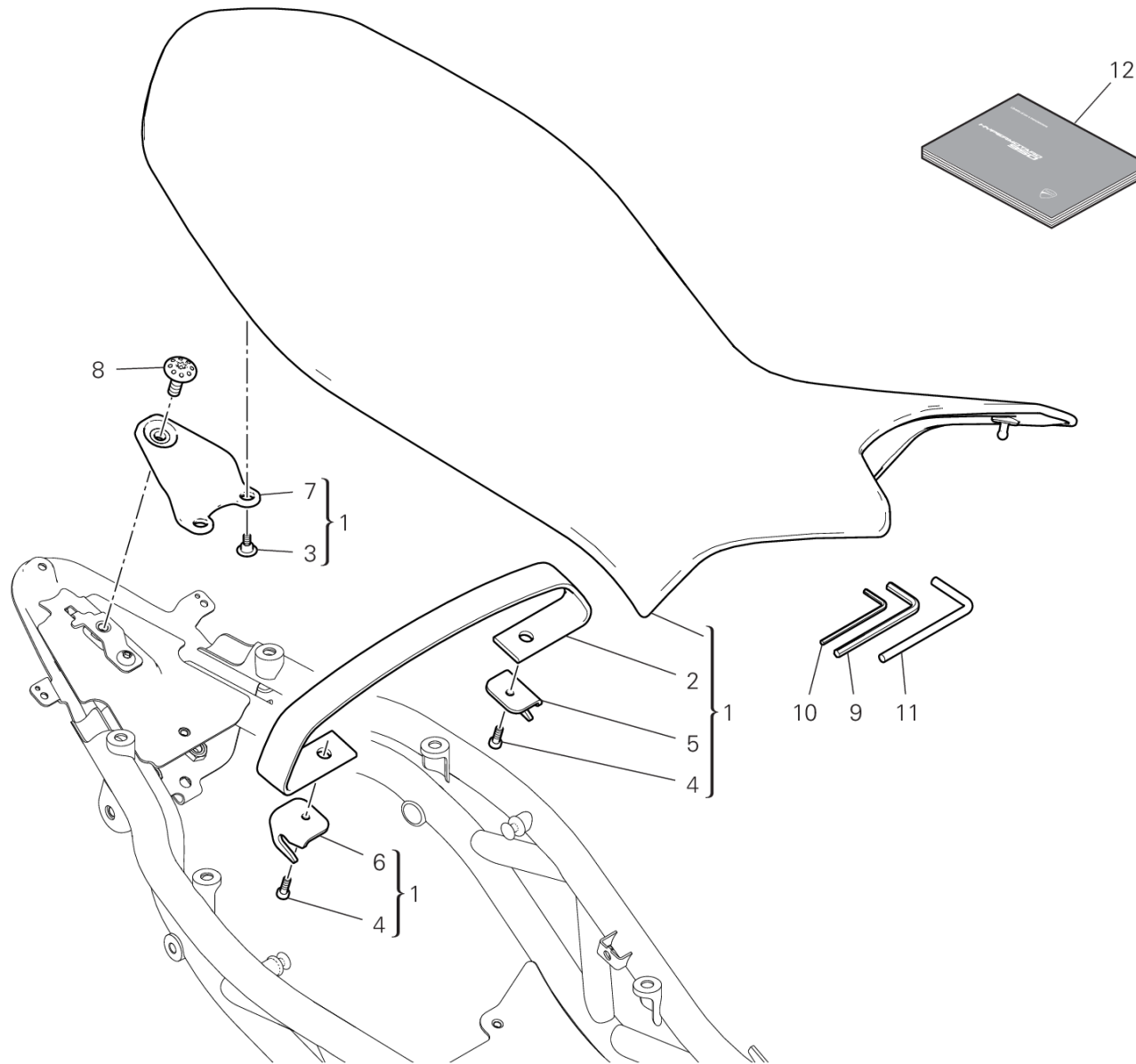
DRAWING 30C - SECONDARY AIR SYSTEM GROUP FRAME



IMP01171



POS.	CODE	DESCRIPTION	QTY	VALIDITY	NOTES
1	74110121A	CLAMP, RUBBER 62MM	1		
2	74142251A	CLAMP	2		
3	75840801A	CLAMP	1		
4	76411621A	RUBBER PAD	1		
5	87611501A	THERMOSTAT PUMP HOSE HORIZONTAL	1		
6	87611492A	THERMOSTAT PUMP HOSE VERTICAL	1		
7	74142411A	CLAMP	2		
8	65540081A	ACTUATOR	1		



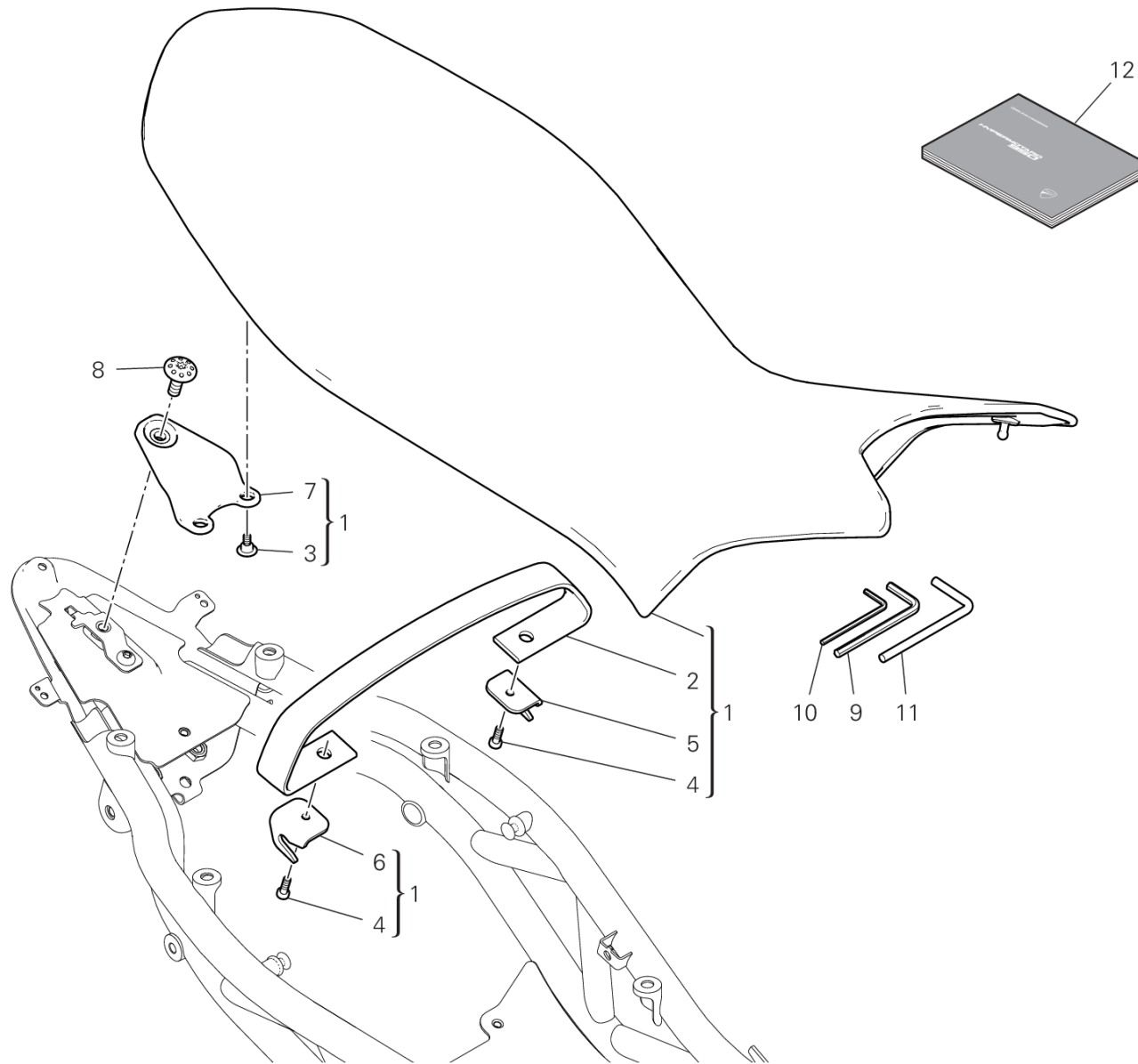
VST01885

DRAWING 31A - SEAT

GROUP FRAME



POS.	CODE	DESCRIPTION	QTY	VALIDITY	NOTES
1	59522542BA	SEAT	1	XST:AUS,GSO,JAP	
	59522542BA	SEAT	1	XST:EUR	
	59522563AA	SEAT LOW	1	XST:ROK,TWN	
2	59516121A	BAND, SEAT	1		
3	77214411AA	SCREW	2		
4	77350403B	SCREW	2		
5	8301G381A	LEFT BRACKET	1		
6	8301G391A	RIGHT BRACKET	1		
7	8301G401B	PLATE	1		
8	7791B071AA	SCREW, SPECIAL	1		
9	69710141A	5 MM ALLEN WRENCH	1		
10	69710161A	3 MM ALLEN WRENCH	1		
11	69710391A	BENT SCREWDRIVER	1		
12	91375391AR	OWNER'S MANUAL	1		ARABIC
	91375391BG	OWNER'S MANUAL	1		BULGARIAN
	91375391CA	OWNER'S MANUAL	1		CANADA/FRA
	91375391CS	OWNER'S MANUAL	1		CZECH REPUBLIC
	91375391DA	OWNER'S MANUAL	1		DENMARK
	91375391DE	OWNER'S MANUAL	1		GERMAN
	91375391EL	OWNER'S MANUAL	1		GREECE
	91375391EN	OWNER'S MANUAL	1		ENGLISH
	91375391ES	OWNER'S MANUAL	1		SPANISH
	91375391FI	OWNER'S MANUAL	1		FINLAND
	91375391FR	OWNER'S MANUAL	1		FRENCH
	91375391HR	OWNER'S MANUAL	1		CROATIA
	91375391HU	OWNER'S MANUAL	1		HUNGARY
	91375391IT	OWNER'S MANUAL	1		ITALY
	91375391JA	OWNER'S MANUAL	1		JAPAN
	91375391KO	OWNER'S MANUAL	1		KOREA
	91375391MX	OWNER'S MANUAL	1		MEXICO/ESP
	91375391NL	OWNER'S MANUAL	1		HOLLAND
	91375391NO	OWNER'S MANUAL	1		NORWAY
	91375391PL	OWNER'S MANUAL	1		POLAND
	91375391PT	OWNER'S MANUAL	1		PORTUGAL
	91375391RO	OWNER'S MANUAL	1		ROMANIA



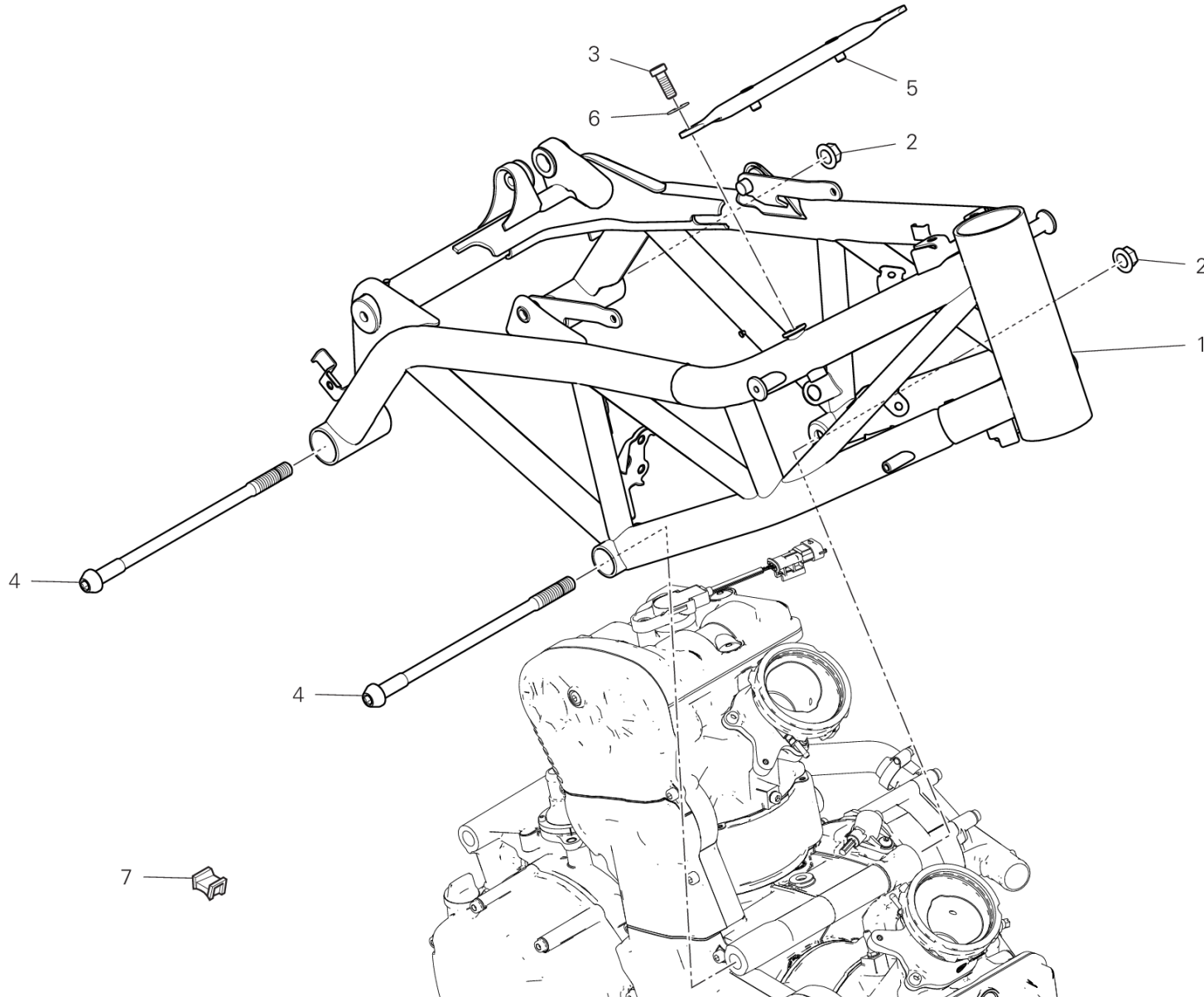
VST01885

DRAWING 31A - SEAT

GROUP FRAME



POS.	CODE	DESCRIPTION	QTY	VALIDITY	NOTES
	91375391RU	OWNER'S MANUAL	1		RUSSIAN
	91375391SK	OWNER'S MANUAL	1		SLOVAK
	91375391SL	OWNER'S MANUAL	1		SLOVENIAN
	91375391SV	OWNER'S MANUAL	1		SWEDISH
	91375391US	OWNER'S MANUAL	1		USA
	91375391ZH	OWNER'S MANUAL	1		TRADITIONAL CHINESE
	91375441EN	OWNER'S MANUAL	1		AUSTRALIAN ENGLISH



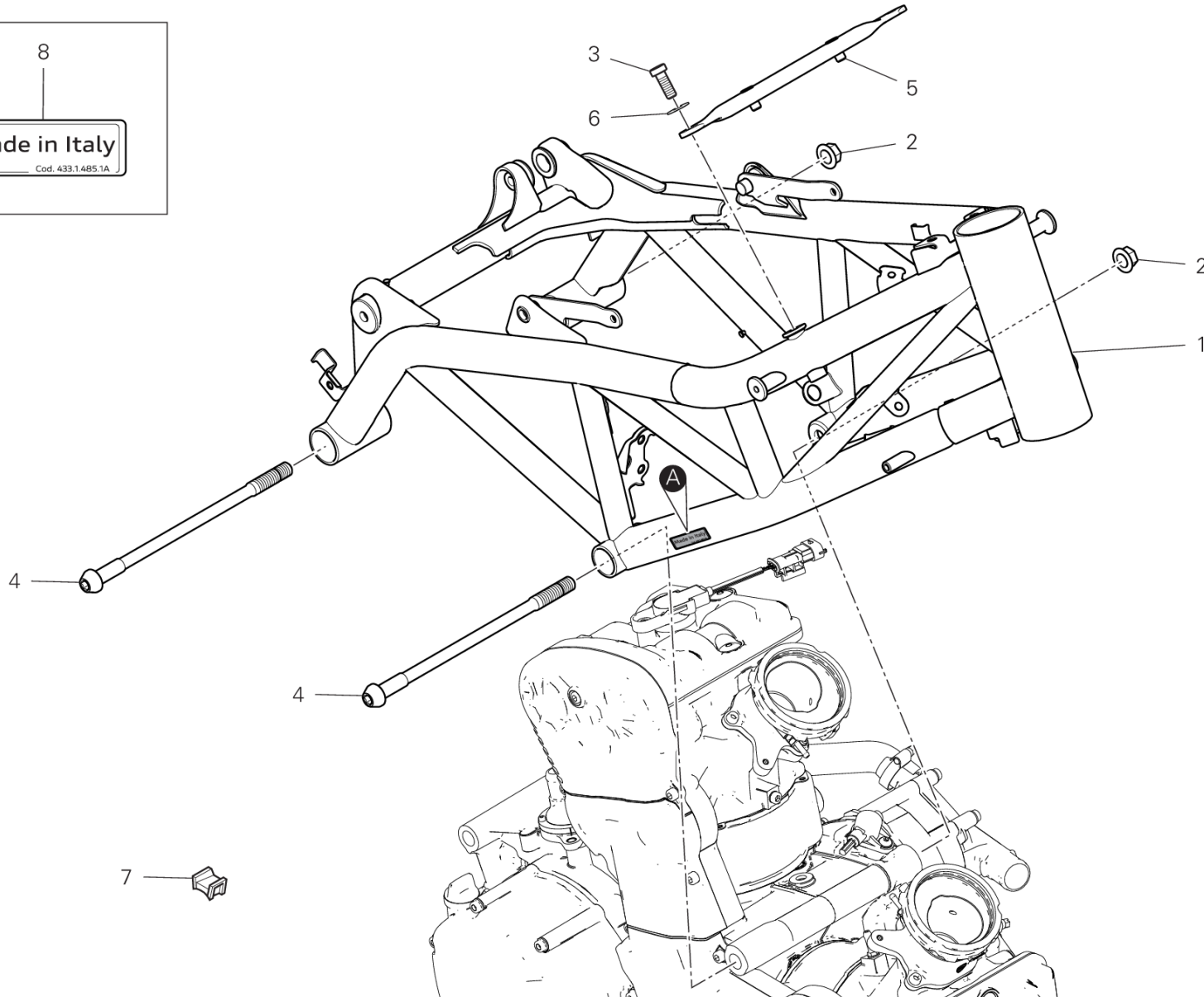
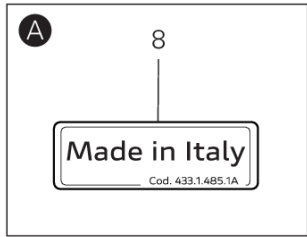
TEL01225

DRAWING 32A - FRAME [XST:AUS,EUR,GSO,JAP,TWN]

GROUP FRAME



POS.	CODE	DESCRIPTION	QTY	VALIDITY	NOTES
1	47018183BA	FRAME RED	1	XST:AUS,EUR,GSO,JAP,TWN	
	47018183BB	FRAME BLACK	1		
2	74841011AA	NUT, FLANGE	2		
3	77310071A	SCREW	2		
4	7791A131AA	PIN	2		
5	83018821BA	BRACKET UPPER	1		
6	85210532A	WASHER 8.2X20X1	2		
7	85040671A	CLAMP TUCKER	2		



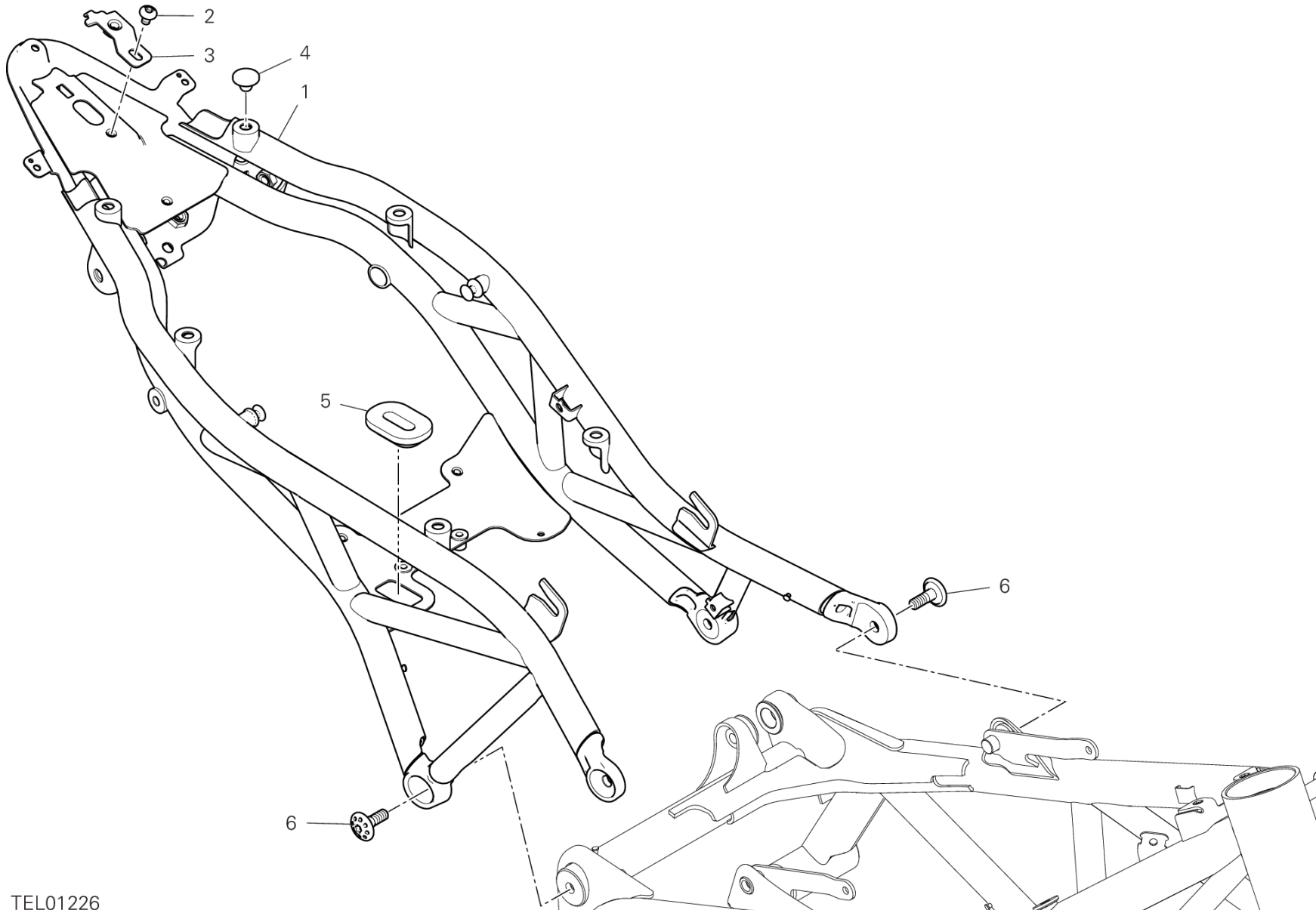
TEL01403

DRAWING 32A - FRAME [XST:ROK]

GROUP FRAME



POS.	CODE	DESCRIPTION	QTY	VALIDITY	NOTES
1	47018183BA	FRAME RED	1		
2	74841011AA	NUT, FLANGE	2		
3	77310071A	SCREW	2		
4	7791A131AA	PIN	2		
5	83018821BA	BRACKET UPPER	1		
6	85210532A	WASHER 8.2X20X1	2		
7	85040671A	CLAMP TUCKER	2		
8	43314851A	MARKING PLATE	1		



TEL01226

DRAWING 32B - REAR FRAME COMP.

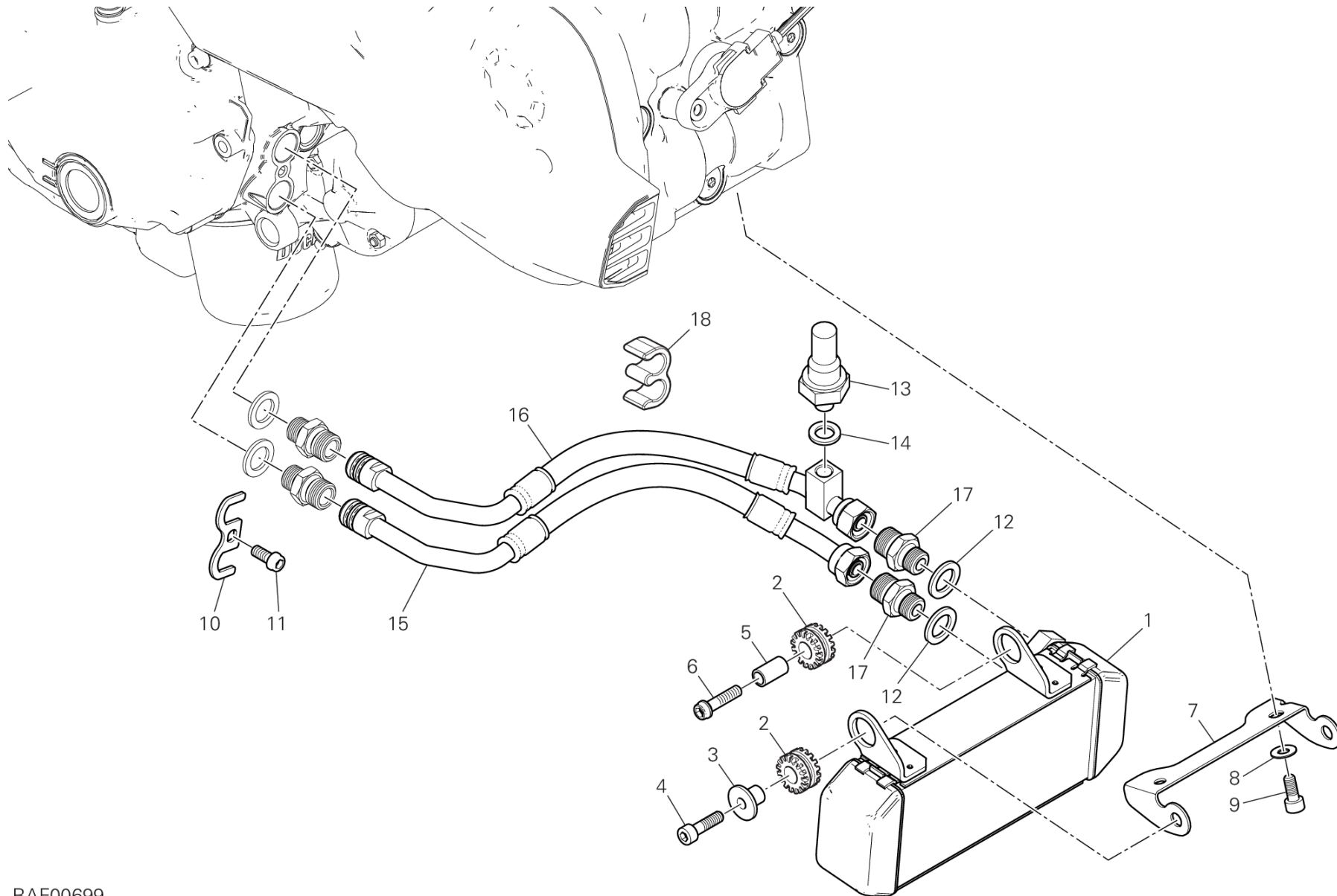
GROUP FRAME



POS.	CODE	DESCRIPTION	QTY	VALIDITY	NOTES
1	47018171BA	REAR FRAME COMP.	1		
	47018171BB	REAR FRAME COMP.	1		
2	77244303B	SCREW M6X10	1		
3	8301G361AA	PLATE	1		
4	86612111A	CUSHION, SEAT	6		
5	86612701A	RUBBER PAD	1		
6	7791B371AA	SCREW, SPECIAL	4		



DRAWING 33A - OIL COOLER GROUP FRAME



RAF00699

DRAWING 33A - OIL COOLER

GROUP FRAME

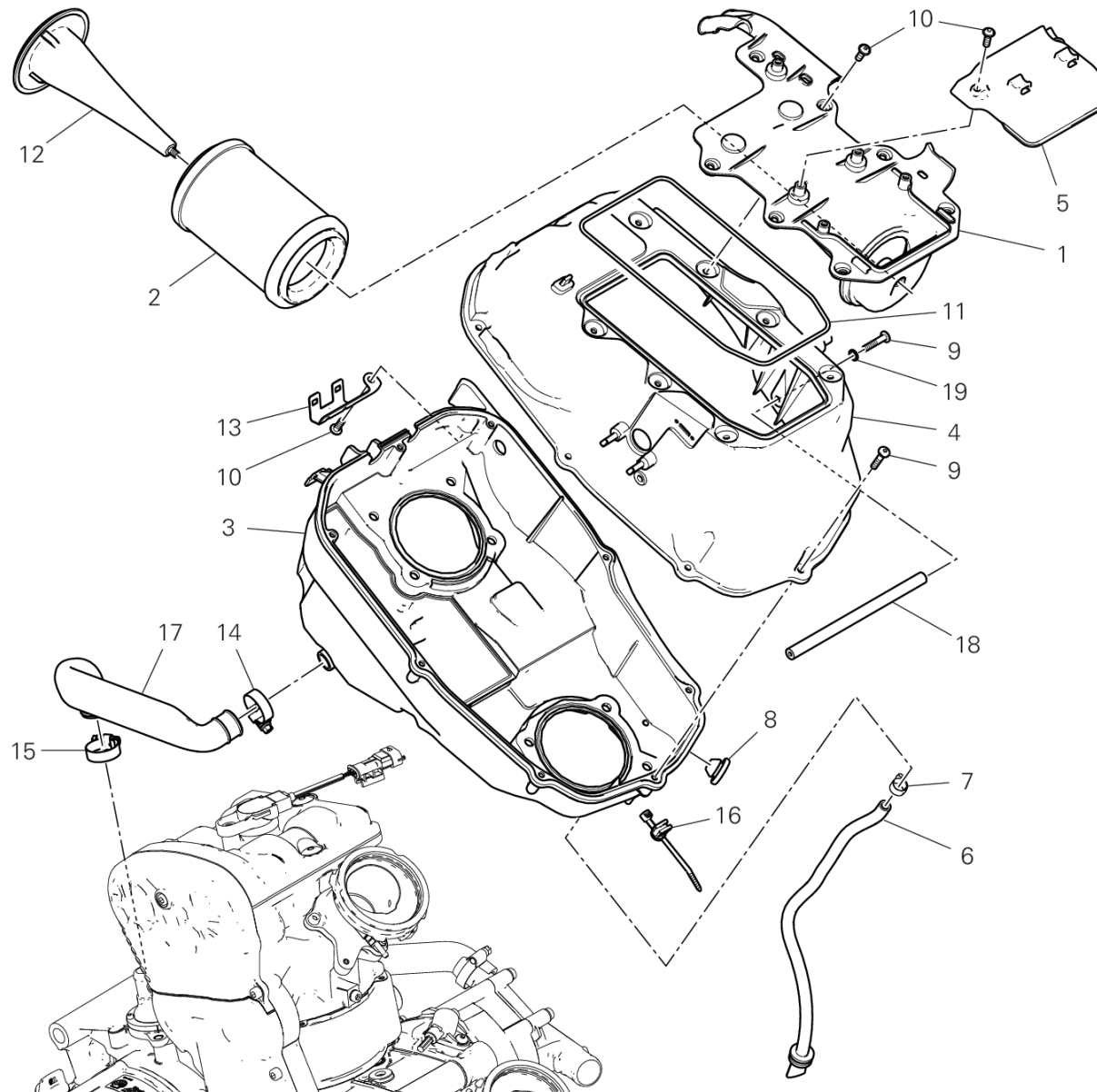


POS.	CODE	DESCRIPTION	QTY	VALIDITY	NOTES
1	54841091A	OIL COOLER	1		
2	76410241A	VIBRATION DAMPER PAD	2		
3	71610031A	SPACER	1		
4	77240453C	SCREW TBEIF M6X22 10.9	1		
5	71115991AA	BUSH	1		
6	77310021A	SCREW TCEIR M6X25	1		
7	8301A521AA	BRACKET	1		
8	85240171A	WASHER	2		
9	77150648B	SCREW TCEI M6X14	2		
10	82715481A	PLATE	1		
11	77116648B	SCREW M6X14	1		
12	78710111A	GASKET, ALUMINIUM 14X22X2	2		
13	53940302A	SWITCH ASSY, OIL PRESSURE	1		
14	85250241A	WASHER 10X14X1	1		
15	54911061A	PIPE	1		
16	54911391A	OIL DELIVERY PIPE	1		
17	81510221A	NIPPLE, HOSEM14X1.5	2		
18	75811421A	HOSE GUIDE	1		



DRAWING 34A - AIR INTAKE - OIL BREATHER [XST:EUR,GSO,JAP,ROK,TWN]

GROUP FRAME



RAF00658

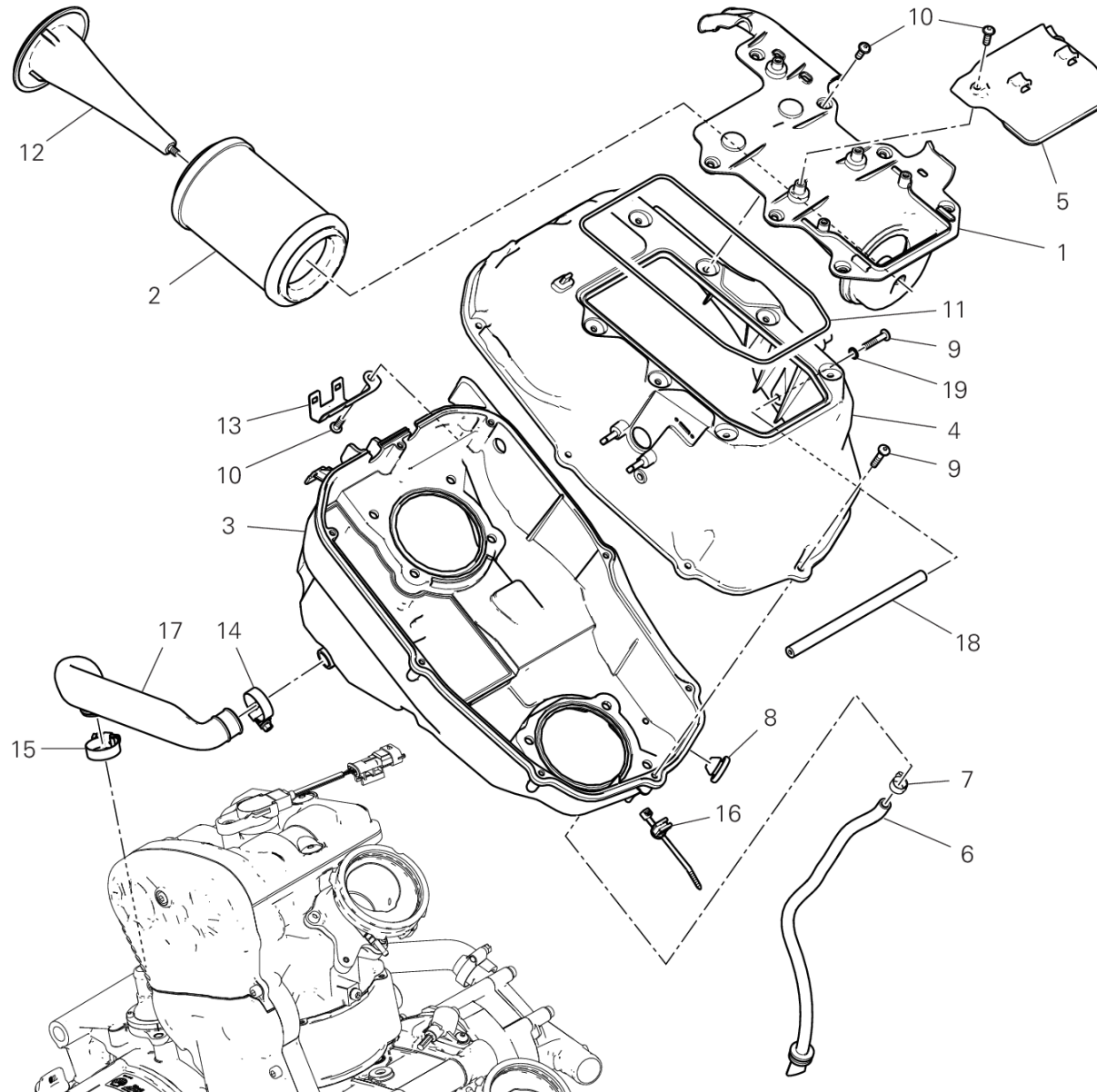


POS.	CODE	DESCRIPTION	QTY	VALIDITY	NOTES
1	24716941A	FILTER COVER UNIT	1		
2	42610191A	FILTER, AIR	1		
3	44219801A	COVER AIR BOX , UPPER	1		
4	44219811A	COVER AIR BOX , UPPER	1		
5	48411692A	DUCT, AIR INLET	1		
6	59018572A	HOSE, DRAIN AIRBOX	1		
7	74140651A	FASCETTA 11-7 MM	1		
8	76411851A	BYPASS CAP	2		
9	77440131A	SCREW, TAPPING 5X25 WN1411	10		
10	77440203C	SCREW	10		
11	79111331A	GASKET	1		
12	82919612A	CAGE, AIR FILTER	1		
13	8301G352AA	BRACKET, CONNECTOR	1		
14	74142581A	CLAMP 16-27 MM	1		
15	74142801A	CLAMP	1		
16	75840801A	CLAMP	1		
17	87613991A	HOSE, BLOW-BY	1		
18	48810112A	ROD	1		
19	78740031A	GASKET	2		



DRAWING 34A - AIR INTAKE - OIL BREATHER [XST:AUS]

GROUP FRAME



RAF00658

DRAWING 34A - AIR INTAKE - OIL BREATHER [XST:AUS]

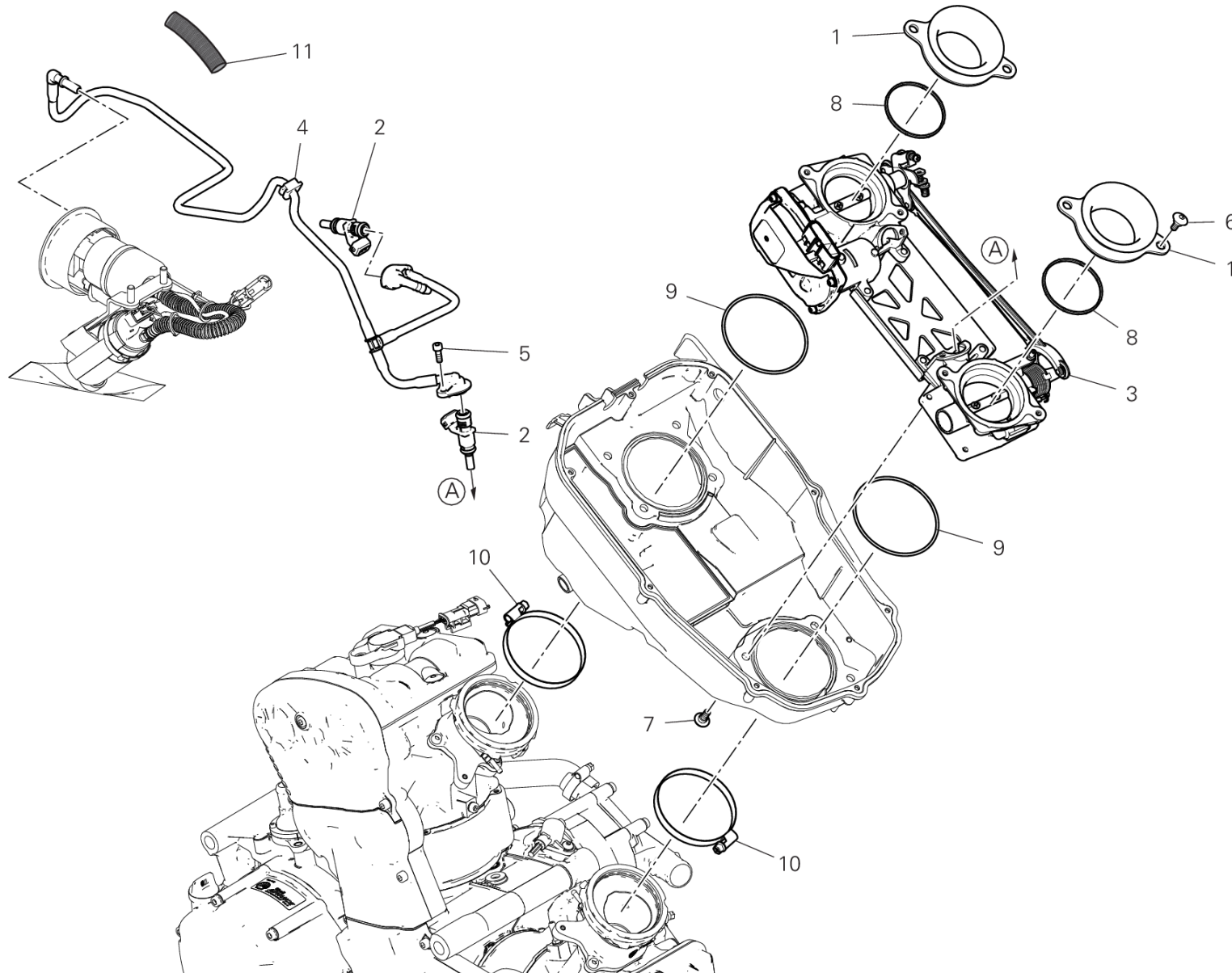
GROUP FRAME



POS.	CODE	DESCRIPTION	QTY	VALIDITY	NOTES
1	24716253A	FILTER COVER UNIT	1		
2	42610191A	FILTER, AIR	1		
3	44219801A	COVER AIR BOX , UPPER	1		
4	44219811A	COVER AIR BOX , UPPER	1		
5	48411692A	DUCT, AIR INLET	1		
6	59018572A	HOSE, DRAIN AIRBOX	1		
7	74140651A	FASCETTA 11-7 MM	1		
8	76411851A	BYPASS CAP	2		
9	77440131A	SCREW, TAPPING 5X25 WN1411	10		
10	77440203C	SCREW	10		
11	79111331A	GASKET	1		
12	82919612A	CAGE, AIR FILTER	1		
13	8301G352AA	BRACKET, CONNECTOR	1		
14	74142581A	CLAMP 16-27 MM	1		
15	74142801A	CLAMP	1		
16	75840801A	CLAMP	1		
17	87613991A	HOSE, BLOW-BY	1		
18	48810112A	ROD	1		
19	78740031A	GASKET	2		



DRAWING 35A - THROTTLE BODY GROUP FRAME



IMP01169

DRAWING 35A - THROTTLE BODY

GROUP FRAME

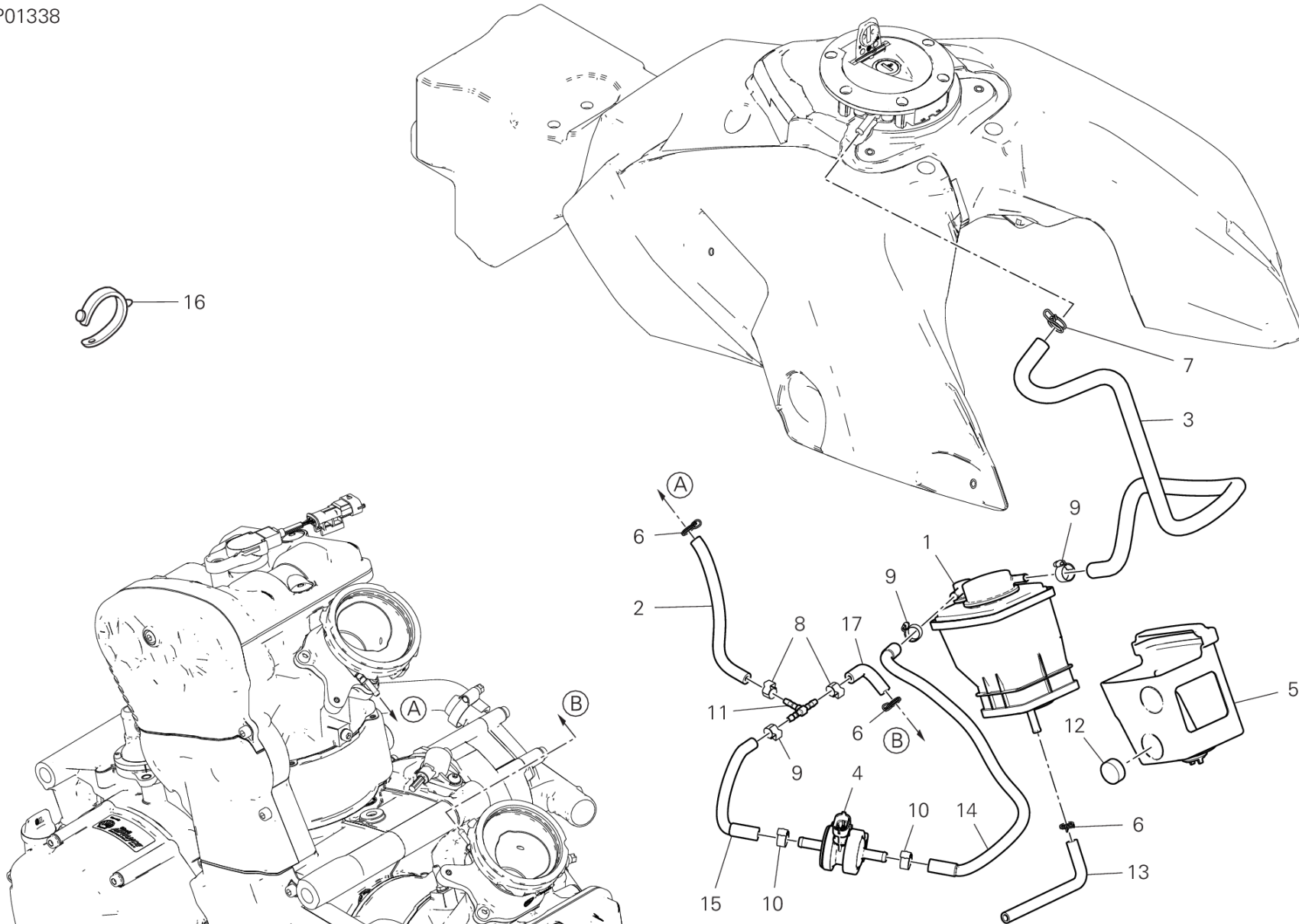


POS.	CODE	DESCRIPTION	QTY	VALIDITY	NOTES
1	13510471A	AIR FUNNEL	2		
2	28040411A	INJECTOR	2		
3	28240932A	THROTTLE BODY	1		
4	59018614A	HOSE, FUEL	1		
5	77156408B	SCREW TCEIF M5X14	2		
6	77214411BA	SCREW, SPECIAL	4		
7	77912741A	SCREW TBEI M6X14	8		
8	78811301A	GASKET AIR FUNNEL	2		
9	88642231A	O-RING	2		
10	74141871A	CLAMP 60-80 MM	2		
11	4601H512A	PROTECTION SHEATH	1		



DRAWING 35B - CANISTER FILTER GROUP FRAME

IMP01338



DRAWING 35B - CANISTER FILTER

GROUP FRAME

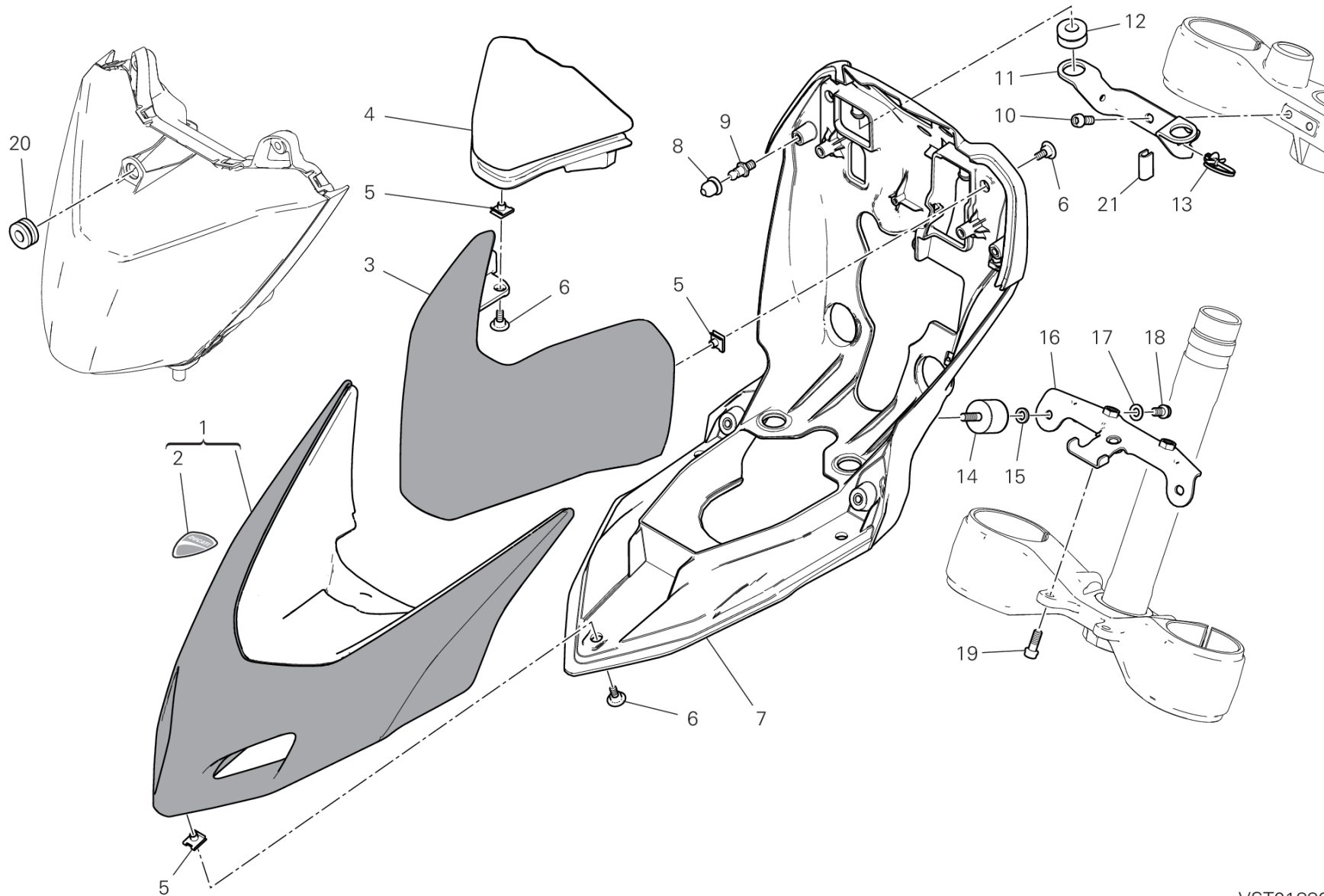


POS.	CODE	DESCRIPTION	QTY	VALIDITY	NOTES
1	42640041B	CANISTER FILTER	1		
2	93510811A	HOSE	1		
3	59014971A	PIPE	1		
4	65540101A	VALVE, BREATHER	1		
5	70011101A	VIBRATION DAMPER	1		
6	74140431A	CLAMP	3		
7	74140571A	CLAMP	1		
8	74140651A	FASCETTA 11-7 MM	2		
9	74140631A	CLAMP	3		
10	74140641A	CLAMP	2		
11	81414011AA	THREE-WAYS UNION	1		
12	86611221A	VIBRATION DAMPER	2		
13	93410401AA	BREATHER PIPE	1		
14	93510801A	HOSE	1		
15	93510431A	HOSE	1		
16	74110551A	CLAMP, RUBBER 39MM	2		
17	93510821A	HOSE	1		



DRAWING 36A - COWLING

GROUP FRAME



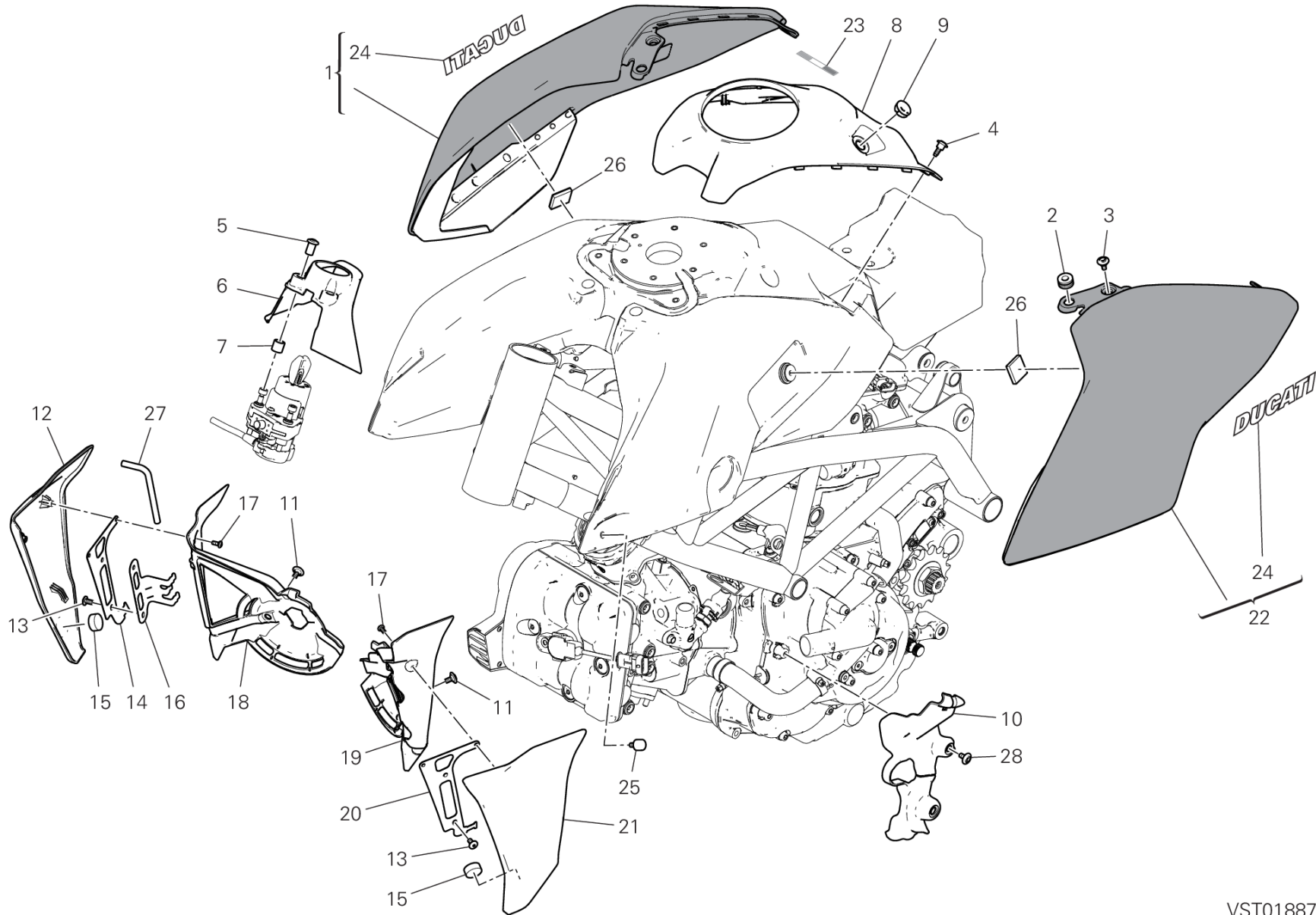
VST01886

DRAWING 36A - COWLING

GROUP FRAME



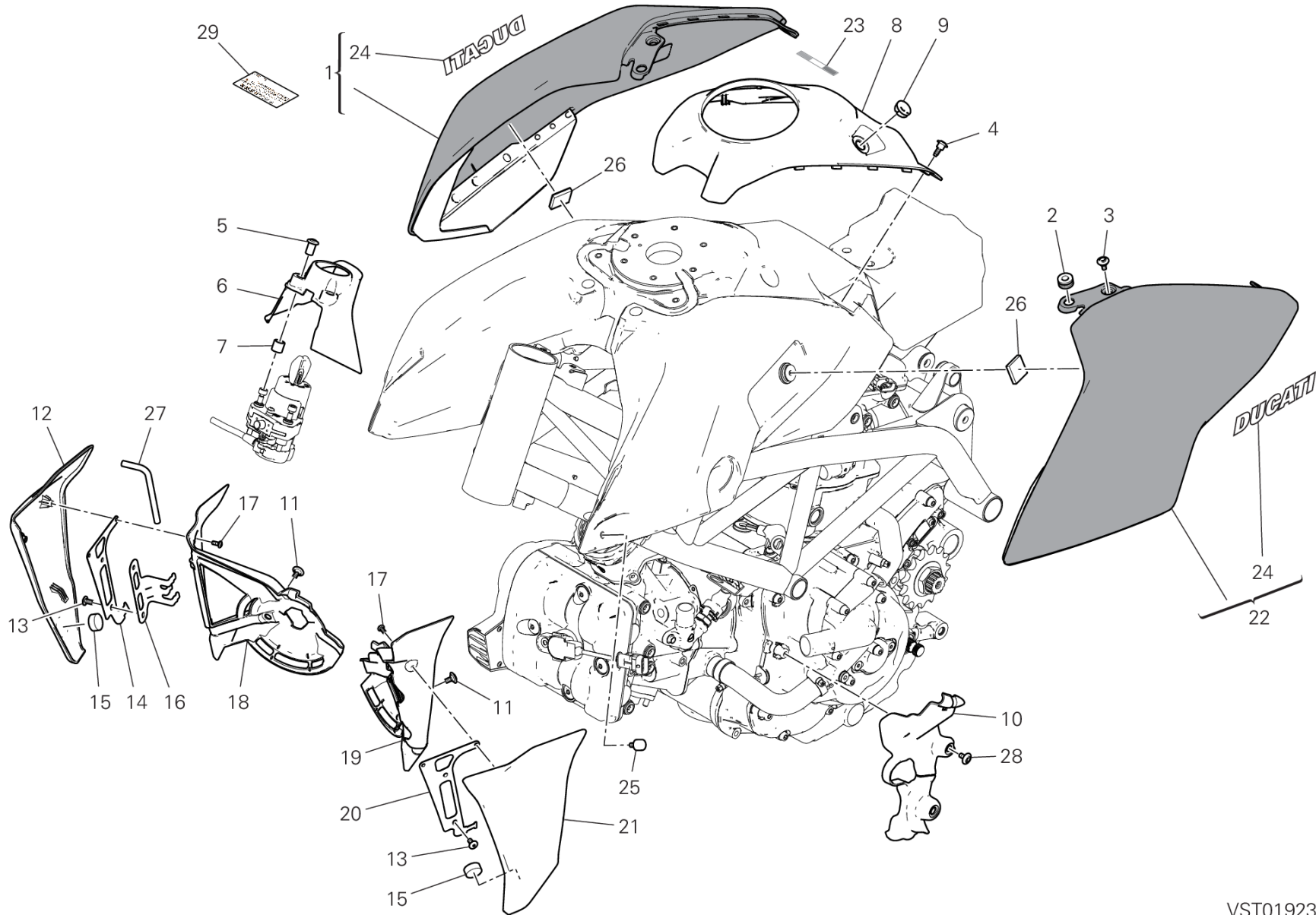
POS.	CODE	DESCRIPTION	QTY	VALIDITY	NOTES
1	48029111AA	COWLING RED	1		
2	43814741A	EMBLEM DUCATI	1		
3	48019481AA	COWLING RED	1		
4	48019471A	COVER	1		
5	85040471A	QUICK FASTENING M5	7		
6	77214411AA	SCREW	7		
7	48019501A	HEALDIGHT FAIRING SUPPORT	1		
8	85044431A	RUBBER PAD	2		
9	85044441A	PIN	2		
10	77116648B	SCREW M6X14	2		
11	8301G531AA	PLATE	1		
12	76410641B	VIBRATION DAMPER PAD	2		
13	75840971A	CLAMP	2		
14	70010111C	VIBRATION DAMPER	2		
15	85240081A	TOOTHED LOCK WASHER	2		
16	8301G502AA	BRACKET	1		
17	85250271A	WASHER 6.2X12X1	2		
18	77156628B	SCREW TCEIF M6X10	2		
19	77150653B	SCREW TCEI M6X16 UNI5931 8.8	2		
20	76411141A	VIBRATION DAMPER PAD	1		
21	76414241A	RUBBER PAD	2		



VST01887



POS.	CODE	DESCRIPTION	QTY	VALIDITY	NOTES
1	480P8982AA	FUEL TANK COVER	1		
2	76411141A	VIBRATION DAMPER PAD	2		
3	77214411AA	SCREW	2		
4	77210841B	SCREW	2		
5	75012341AA	SCREW, SPECIAL	2		
6	48019551A	COVER, IGNITION SWITCH	1		
7	71113331AA	BUSH	2		
8	48019421A	CENTRAL COVER	1		
9	86612781A	RUBBER PAD	2		
10	75811392A	COVER	1		
11	77211251A	SCREW	2		
12	48216803A	CAP RH	1		
13	77240253C	SCREW	4		
14	8301G801AA	RIGHT BRACKET	1		
15	86611221A	VIBRATION DAMPER	2		
16	8301H171AB	BRACKET	1		
17	77440061A	SCREW, TAPPING	4		
18	48411621A	COVER, RADIATOR, RH	1		
19	48411632A	COVER, RADIATOR, LH	1		
20	8301G791AA	LEFT BRACKET	1		
21	48216813A	CAP LH	1		
22	480P8972AA	FUEL TANK COVER	1		
23	43513361A	ITALIAN FLAG DECAL	1		
24	4381C191A	STICKER DUCATI	2		
25	86642731A	RUBBER PAD	2		
26	85042242A	DUAL LOCK	2		
27	69710401AB	CHIAVE TORX T40	1		
28	77211251B	SCREW M5X9	2		



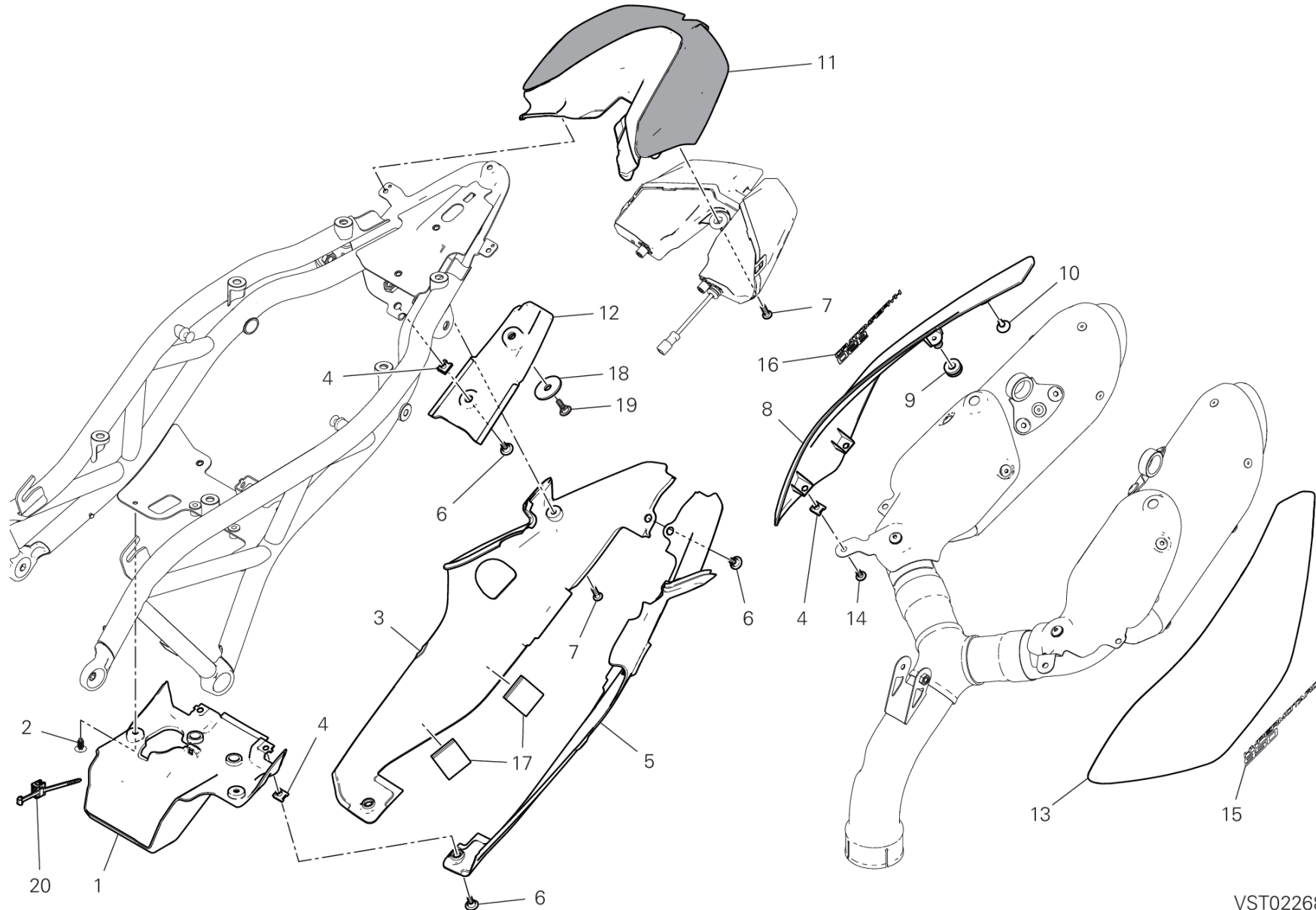
VST01923

DRAWING 36B - FAIRING [XST:JAP]

GROUP FRAME



POS.	CODE	DESCRIPTION	QTY	VALIDITY	NOTES
1	480P8982AA	FUEL TANK COVER	1		
2	76411141A	VIBRATION DAMPER PAD	2		
3	77214411AA	SCREW	2		
4	77210841B	SCREW	2		
5	75012341AA	SCREW, SPECIAL	2		
6	48019551A	COVER, IGNITION SWITCH	1		
7	71113331AA	BUSH	2		
8	48019421A	CENTRAL COVER	1		
9	86612781A	RUBBER PAD	2		
10	75811392A	COVER	1		
11	77211251A	SCREW	2		
12	48216803A	CAP RH	1		
13	77240253C	SCREW	4		
14	8301G801AA	RIGHT BRACKET	1		
15	86611221A	VIBRATION DAMPER	2		
16	8301H171AB	BRACKET	1		
17	77440061A	SCREW, TAPPING	4		
18	48411621A	COVER, RADIATOR, RH	1		
19	48411631A	COVER, RADIATOR, LH	1		
20	8301G791AA	LEFT BRACKET	1		
21	48216813A	CAP LH	1		
22	480P8972AA	FUEL TANK COVER	1		
23	43513361A	ITALIAN FLAG DECAL	1		
24	4381C191A	STICKER DUCATI	2		
25	86642731A	RUBBER PAD	2		
26	85042242A	DUAL LOCK	2		
27	69710401AB	CHIAVE TORX T40	1		
28	77211251B	SCREW M5X9	2		
29	43217911Z	TANK "WARNING" PLATE	1		



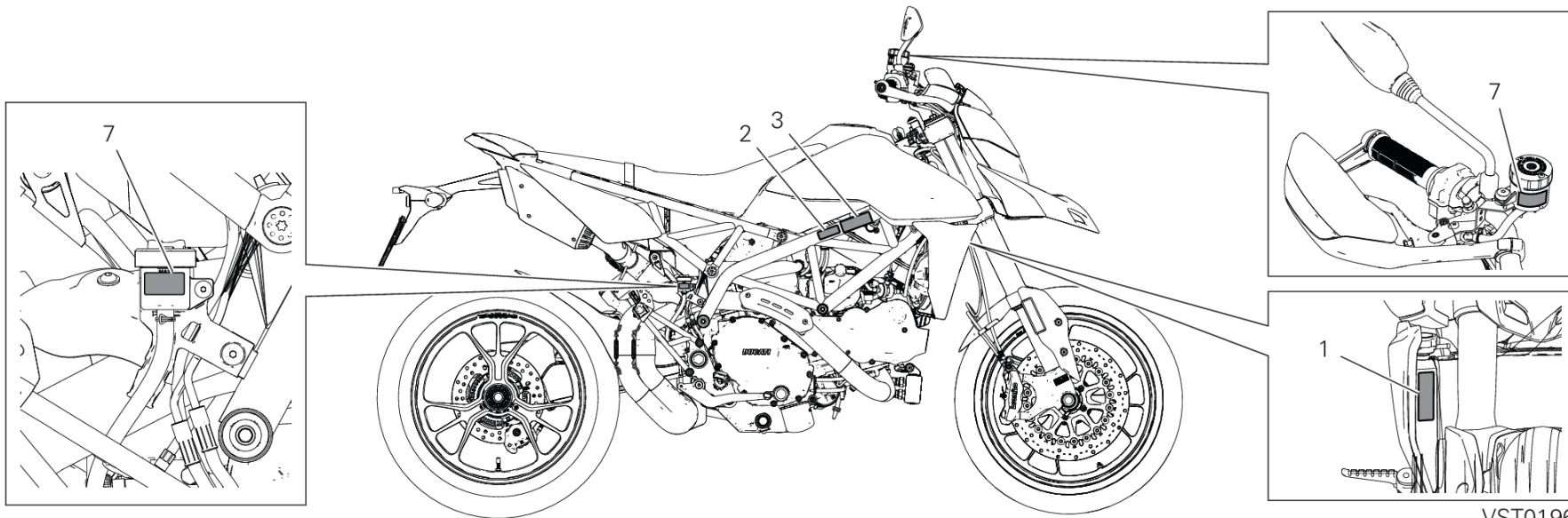
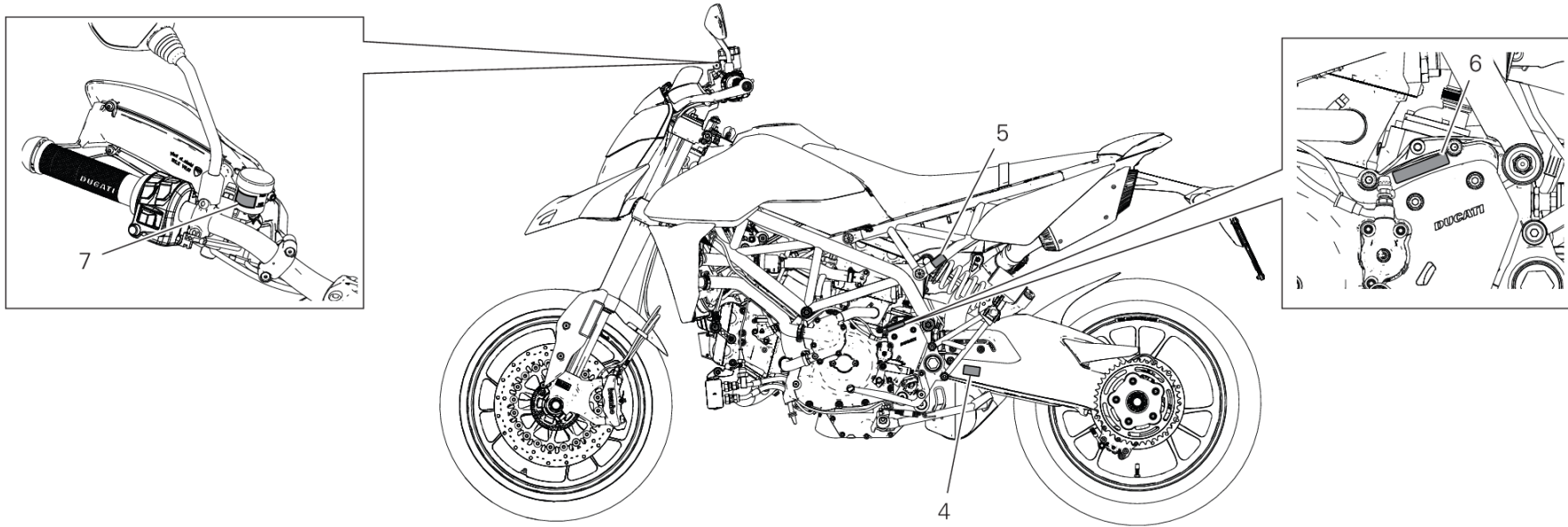
VST02268

DRAWING 36C - FAIRING

GROUP FRAME



POS.	CODE	DESCRIPTION	QTY	VALIDITY	NOTES
1	48019702A	COVER	1		
2	85042471A	RIVET	2		
3	48019721B	COVER , FRAME RH	1		
4	85040471A	QUICK FASTENING M5	8		
5	48019711B	COVER , FRAME LH	1		
6	77214411AA	SCREW	4		
7	77440041A	SCREW, TAPPING M5X16	3		
8	48019543A	COVER , FRAME RH	1		
9	76410291A	RUBBER PAD	2		
10	86610751A	PAD	2		
11	48028993AA	BRACKET, TAILLIGHT	1		
12	48019563A	COVER, LICENSE PLATE HOLDER	1		
13	48019533A	COVER , FRAME LH	1		
14	77244173B	SCREW	4		
15	4381C271B	LEFT STICKER	1		
16	4381C281B	RIGHT STICKER	1		
17	85042461A	DUAL LOCK	8		
18	85241711A	WASHER	1		
19	77210943B	SCREW, SPECIAL	1		
20	75840801A	CLAMP	1		



VST01963

DRAWING 37A - POSITIONING PLATES [XST:JAP]

GROUP FRAME



POS.	CODE	DESCRIPTION	QTY	VALIDITY	NOTES
1	43312531A	WATER RADIATOR PLATE	1		
2	43310051B	TANK "WARNING" PLATE	1		
3	43310051C	TARGHETTA IMPORTANTE SERBATOIO	1		
4	43314031A	TIRE SIZE AND PRESSURE PLATE	1		
5	43312561A	REAR SHOCK ABSORBER PLATE	1		
6	43312551A	GEAR SEQUENCE PLATE	1		
7	43910071A	CLUTCH-BRAKE MASTER CYLINDER PLATE	3		



CODE	NO. TABLE	POS.	CODE	NO. TABLE	POS.	CODE	NO. TABLE	POS.	CODE	NO. TABLE	POS.
040009050	02A	21	14710951B	09A	3	18710021A	21B	2	28240932A	35A	3
040029126	02A	17	14824222A	11B	11	19020531A	03B	9	28642331A	12C	4
066549680	04A	2	14824232A	11A	11	19410511A	03B	4	28643071D	12C	4
067016145	03A	7	14825731A	11B	18	19510411D	21B	1	28643261A	12C	4
067016155	03A	19	14825741A	11A	18	19540081B	21B	3	28643581A	12C	4
069191030	12A	4	14911101A	03A	2	19610542C	03B	11	28643581H	12C	4
069191030	12A	4	14911111B	03A	12	19610681A	03B	12	28643591A	12C	4
069191030	19C	1	15021961B	03A	3	19820441A	03B	14	30124071DA	11D	22
069191030	30B	1	15021971A	03A	16	20810321A	11C	3	30124081DA	11C	22
11210121AA	05A	8	15620671CA	05A	5	20810321A	11D	3	30310631BB	11C	7
11210121AA	05A	8	15620671CB	05A	5	20910491A	11C	16	30310631BB	11D	7
11210121AB	05A	8	15620671CC	05A	5	20910491A	11D	16	30310631BC	11C	7
11210121AB	05A	8	15622261BA	05A	5	20910501A	11C	4	30310631BC	11D	7
11210121AC	05A	8	15622261BB	05A	5	20910501A	11D	4	30310631BD	11C	7
11210121AC	05A	8	15622261BC	05A	5	21010991A	11C	14	30310631BD	11D	7
11210121AD	05A	8	15622261BE	05A	5	21010991A	11D	14	30411001AB	11C	13
11210121AD	05A	8	16010941A	11A	10	21110991A	11C	5	30411001AB	11D	13
11210121AE	05A	8	16010941A	11B	10	21110991A	11D	5	30411001AC	11C	13
11210121AE	05A	8	16016371A	10A	13	22032083A	09A	5	30411001AC	11D	13
11210791AA	09B	10	16016671AA	29A	1	225P0181B	09A	1	30411011BB	11C	10
11210791AB	09B	10	16016851AA	28B	3	24221551A5	04B	1	30411011BB	11D	10
11210791AC	09B	10	16024362A	29A	2	24310501A5	04A	1	30411011BC	11C	10
11210791AD	09B	10	17021361A	03B	15	24511731A	07A	1	30411011BC	11D	10
11210791AE	09B	10	17122421A	07A	13	24511741A	07A	10	34111211AA	17A	1
11721842AA	25B	1	17210021B	03A	10	24521071A	07A	21	342P1022AA	17A	2
11721991AA	25A	1	17210081C	03A	22	24521431A	07A	2	34420983A	17B	1
11723621A	03B	16	17210103C	03A	20	24712871B	11B	6	34520983A	17B	2
120P3081AA	06A	5	17210113C	03A	23	24712882D	11A	6	34922611A	17B	6
120P3091AA	06A	10	17212182A	03A	18	24713571AO	04B	23	34922621A	17B	7
12110781B	06A	3	17212192A	03A	13	24714081A	11A	20	34922631A	17B	8
12110791A	06A	2	17214591A	03A	8	24714081A	11B	20	34922641A	17B	9
12120822A	06A	4	17214601A	03A	5	24714612A	09A	7	34922651A	17B	10
12222392C	06A	1	17214611A	03A	9	24716253A	34A	1	34922661A	17B	11
13510471A	35A	1	17214621A	03A	21	24716941A	34A	1	34922671A	17B	12
14010911A	11A	14	173Z0021A	10A	14	24725241BI	04B	4	34922681A	17B	13
14010911A	11B	14	17410621B	08A	1	25120131A	04B	7	34922691A	17B	14
14622162CA	05A	1	17420591A	09A	4	25440013A	04A	3	36012091AA	21A	1
14622162CB	05A	1	176Z0021A	10A	10	25510104B	07A	18	36015661AA	17A	3
14622162CC	05A	1	18020511A	02A	6	25510193A	11A	7	36015671AA	17A	4
14622162CE	05A	1	180Z0031A	02A	11	25510193A	11B	7	36015681AA	17A	5
14622167AA	05A	1	180Z0041A	02A	12	26420501B	10A	12	36521842A	22A	2
14622167AB	05A	1	18210781A	02A	8	27040107A	10A	1	36910081A	18A	1
14622167AC	05A	1	18220772A	02A	9	27611211B	10A	16	36911401A	18A	1
14710811A	07A	3	18710021A	19B	2	28040411A	35A	2	37021011BC	18A	2



CODE	NO. TABLE	POS.	CODE	NO. TABLE	POS.	CODE	NO. TABLE	POS.	CODE	NO. TABLE	POS.
37021011BD	18A	2	43513361A	36B	23	4601G421A	18A	11	48611971A	04A	4
38010145B	11A	30	43513361A	36B	23	4601G421A	18A	11	48810112A	34A	18
38010145B	11B	30	43713351A	23A	3	4601G761A	16A	2	48810112A	34A	18
38510996A	12B	18	43713361A	23A	4	4601H512A	35A	11	49040663A	A	17
38511392A	12B	18	43814741A	36A	2	46320222A	09A	10	49040663A	U	1
38511392A	12B	18	4381C191A	36B	24	46320537A	03A	14	49040711A	A	11
38540093B	12D	13	4381C191A	36B	24	46410591AA	25B	4	49040711A	E	1
38640591A	12B	14	4381C271B	36C	15	46410601AA	25A	9	49041071A	A	13
38640591A	12B	14	4381C281B	36C	16	46510601A	25B	5	49041071A	H	1
38940101A	12A	7	43910071A	37A	7	46510611A	25A	10	49041081A	A	7
38940101A	12A	7	44219801A	34A	3	47018171BA	32B	1	49041081A	F	1
38940191A	12A	7	44219801A	34A	3	47018171BB	32B	1	490P0002A	A	19
38940191A	12A	7	44219811A	34A	4	47018183BA	32A	1	490P0002A	J	1
38940201A	12A	7	44219811A	34A	4	47018183BA	32A	1	490P0003A	A	20
38940201A	12A	7	44440039A	09B	3	47018183BB	32A	1	490P0003A	J	2
38940211A	12A	7	44610211A	18A	17	48019421A	36B	8	490P0004A	A	21
38940211A	12A	7	44610582A	18A	17	48019421A	36B	8	490P0004A	J	3
38940221A	12A	7	44610582A	18A	19	48019471A	36A	4	490P0019A	A	27
38940221A	12A	7	44710771A	18A	6	48019481AA	36A	3	490P0019A	K	1
38940231A	12B	10	44710771A	18A	6	48019501A	36A	7	490P0022A	A	28
38940231A	12B	10	44712471A	18A	5	48019533A	36C	13	490P0022A	M	1
38940261A	12A	7	44712481A	18A	5	48019543A	36C	8	490P0029A	A	29
38940261A	12A	7	44910681A	16A	1	48019551A	36B	6	490P0029A	N	1
39040291A	13A	5	45110462A	11A	23	48019551A	36B	6	490P0030A	A	30
39040351A	13A	4	45110462A	11B	23	48019563A	36C	12	490P0030A	N	2
39740081B	12B	9	45120311C	07A	4	48019702A	36C	1	490P0044A	A	35
39740081B	12B	9	45120321B	07A	9	48019711B	36C	5	490P0044A	O	1
40611591C	14A	1	45520192A	09A	8	48019721B	36C	3	490P0103A	A	9
42610191A	34A	2	45612372AA	25A	6	48028993AA	36C	11	490P0103A	G	1
42610191A	34A	2	45620802AA	25A	7	48029111AA	36A	1	490P0248A	A	36
42640041B	35B	1	45721071AA	25B	2	480P8972AA	36B	22	490P0248A	O	2
43217911Z	36B	29	46016852A	21A	2	480P8972AA	36B	22	490P0272A	A	1
43310051B	37A	2	46016862A	21A	3	480P8982AA	36B	1	490P0272A	B	1
43310051C	37A	3	46017341A	19D	21	480P8982AA	36B	1	490P0297A	A	38
43312502C	04A	17	46019971AA	30A	1	48216803A	36B	12	490P0297A	T	1
43312531A	37A	1	46019971AA	30A	1	48216803A	36B	12	490P0298A	A	39
43312541A	12B	26	4601C282A	21A	4	48216813A	36B	21	490P0298A	T	2
43312551A	37A	6	4601C292A	21A	5	48216813A	36B	21	490P0301A	A	3
43312561A	37A	5	4601C581A	24B	26	48411621A	36B	18	490P0301A	D	1
43314031A	37A	4	4601F281A	19C	22	48411621A	36B	18	490P0324A	A	5
43314671A	16A	8	4601G381A	30A	5	48411631A	36B	19	490P0324A	S	1
43314671A	16A	8	4601G381A	30A	5	48411632A	36B	19	490P0325A	A	15
43314671B	16A	8	4601G392A	30B	5	48411692A	34A	5	490P0325A	P	1
43314851A	32A	8	4601G402A	30B	6	48411692A	34A	5	49140851B	A	18



CODE	NO. TABLE	POS.	CODE	NO. TABLE	POS.	CODE	NO. TABLE	POS.	CODE	NO. TABLE	POS.
49140851B	U	2	491P0387A	S	2	54841156A	24A	5	58612701C	29A	3
49140951A	A	12	49210051A	28B	4	54911061A	33A	15	58612711C	29A	3
49140951A	E	2	49241551A	27A	1	54911391A	33A	16	59014971A	35B	3
49141271A	A	16	49411941AA	28B	5	55040351A	24A	12	59018132A	29A	12
49141271A	P	2	49720012A	27A	2	55040361A	24A	13	59018572A	34A	6
49141601A	A	8	49720031A	28A	5	55212121B	12C	21	59018572A	34A	6
49141601A	F	2	50121783AA	27A	3	55214011A	30A	6	59018592A	12C	24
491P0009A	A	22	50212071AA	28A	1	55215021A	30A	6	59018614A	35A	4
491P0009A	J	4	50410351AA	28B	11	55240121A	12C	17	59310601B	09A	11
491P0010A	A	23	50420381AA	27A	7	55241321C	09B	14	59310801B	09A	59
491P0010A	J	5	5101D071E	12A	1	55243442A	11D	30	59320621B	09A	9
491P0011A	A	24	5101D081C	12A	3	55243911A	02A	10	59340393A	12D	17
491P0011A	J	6	5101D081C	12A	3	55243941A	04B	8	59516121A	31A	2
491P0012A	A	25	5101D091C	12A	2	55340041A	24B	4	59522542BA	31A	1
491P0012A	J	7	5101D091C	12A	2	55610691BA	15A	3	59522542BA	31A	1
491P0013A	A	26	51011121B	12A	1	55620681AA	15A	1	59522563AA	31A	1
491P0013A	J	8	51310782B	12B	15	56113381AA	20A	15	59810341A	12D	2
491P0036A	A	31	51310782B	12B	15	56113392A	20A	2	59822061B	12D	4
491P0036A	N	3	51410892C	12B	11	56113392A	20A	2	59822061B	12D	4
491P0037A	A	32	51410892C	12B	11	56113521B	20A	3	59822081B	12D	4
491P0037A	N	4	51610053C	12C	6	56113521B	20A	3	59840291A	12D	3
491P0038A	A	33	51840051B	12D	6	56113531A	20A	4	61041292C	19B	5
491P0038A	N	5	52010461C	13A	1	56113531A	20A	4	61041302C	19B	8
491P0039A	A	34	52320431D	21A	14	56113611AA	20A	5	61041991A	21B	27
491P0039A	N	6	52320441A	21A	15	56113611AA	20A	5	61140383AB	19D	3
491P0045A	A	37	52510433D	13B	6	564P1031CA	23A	5	61140421A	19D	3
491P0045A	O	3	52510452B	13B	1	564P1031CD	23A	5	61240052A	19B	1
491P0107A	A	10	52910081B	23A	6	56510431A	26A	1	61240052A	21B	6
491P0107A	G	2	52910231A	20A	1	57014912C	30A	7	61240081A	19D	20
491P0323A	A	2	52910231A	20A	1	57015161A	30A	7	61240161A	19D	19
491P0323A	B	2	53010322A	13B	11	57114974A	30A	8	61240391A	19A	19
491P0334A	A	40	53010332A	13B	8	57115161A	30A	8	61240391A	21B	8
491P0334A	T	3	53010342A	21A	16	57211882A	30B	7	61240511A	19B	10
491P0335A	A	41	53010352A	21A	17	57211903B	30A	9	61340382A	19D	4
491P0335A	T	4	53910351A	15A	5	57212111A	30A	9	61340951A	19D	4
491P0336A	A	42	53910491A	19A	18	57314582A	30B	8	61341021A	19B	11
491P0336A	T	5	53920421B	25B	33	57414582A	30B	11	61811501A	19C	4
491P0337A	A	43	53940302A	33A	13	57610671A	30A	10	61811511A	19C	3
491P0337A	T	6	53940841A	21B	25	57610671A	30A	10	61811521A	19B	7
491P0343A	A	14	54040321A	12C	13	58511033AA	24B	5	61911571A	19C	5
491P0343A	H	2	54140151A	12A	17	58540311A	19D	1	61911651A	19C	6
491P0355A	A	4	54140151A	12A	17	58540341A	19A	2	62441121A	19A	5
491P0355A	D	2	54240911A	19C	2	58540351A	21B	4	62540041A	19D	5
491P0387A	A	6	54841091A	33A	1	58612701C	29A	3	62610121A	19A	6



CODE	NO. TABLE	POS.	CODE	NO. TABLE	POS.	CODE	NO. TABLE	POS.	CODE	NO. TABLE	POS.
62610131A	21B	26	70010491A	25B	7	71210341A	25A	8	71950538C	02A	7
62640561A	19A	4	70010571A	28B	6	71210341A	25B	3	72010513C	27A	8
62640561A	21B	24	70010901A	12C	26	71310141E	03A	11	72050069E	04B	13
62640791A	19A	7	70011101A	35B	5	71311281B	04B	12	72050159EA	28B	13
62641081A	21B	9	70011141A	17A	6	71311961A	27A	9	72094161E	09A	24
63040731A	21B	7	70011161A	25A	11	71311973A	27A	10	73210723B	30B	2
63140161A	19D	18	70011161A	25B	6	71312661A	03A	15	735001542	02A	15
63140281A	19A	1	70140051A	03A	4	71312921A	11C	9	735033380	04B	3
63140281A	21B	11	70140591A	10A	11	71312921A	11D	9	735033380	09A	26
63140541A	19A	17	70140681A	09A	28	71312921B	11C	25	73740311B	07A	5
63140541A	21B	10	70240091A	04B	9	71312921B	11D	26	74110121A	12A	6
63211051A	21B	12	70240102A	04B	10	71313091A	03B	13	74110121A	12A	6
65110281C	21A	19	70240131A	09A	19	71313931A	03A	1	74110121A	29A	14
65220351B	12D	5	70240181B	10A	15	71314361A	30A	12	74110121A	30A	14
65540081A	30C	8	70240401B	09A	20	71314361A	30A	12	74110121A	30A	14
65540101A	35B	4	70241231A	17A	21	71314361A	30B	16	74110121A	30C	1
66020141A	21A	18	70242211A	09A	65	71314831B	03B	6	74110131A	12A	18
66910011E	11C	6	70242261A	09A	27	71314901A	12C	20	74110131A	12A	18
66910011E	11D	6	70250081A	04B	2	71319151A	02A	2	74110551A	20A	14
67040451A	11A	29	70250081A	09A	21	71319191A	10A	8	74110551A	20A	14
67040451A	11B	29	70250193A	09A	22	71319201A	12C	20	74110551A	21A	13
67621181A	16A	9	70250412A	09A	66	71319982AA	21A	8	74110551A	24B	14
67640961A	16A	3	70250601A	03B	10	7131A923A	13B	9	74110551A	35B	16
67740201A	16A	4	70250621A	27A	6	7131D361A	29A	4	74140381A	12A	5
68010131A	05A	10	70310741AA	17A	7	71410271A	28A	4	74140381A	12A	5
68010131A	05A	10	70350022A	11A	2	71410411A	28B	12	74140381A	13B	12
68010131A	07A	16	70350022A	11B	2	71413241AA	27A	4	74140381A	20A	6
68050061A	11A	12	70350062A	07A	12	71610031A	19C	9	74140381A	20A	6
68050061A	11B	12	70450091A	08A	2	71610031A	33A	3	74140381A	24A	9
68050101A	09A	17	70450091A	09A	23	71610061A	12B	6	74140431A	12C	23
69710081A	12B	20	71011071A	21A	6	71610061A	12B	6	74140431A	19D	6
69710081A	12B	20	71011491A	30A	11	71610061A	29A	13	74140431A	21B	13
69710141A	31A	9	71011491A	30A	11	71610722A	07A	20	74140431A	24B	15
69710161A	31A	10	71110671A	28B	7	71611071B	12C	30	74140431A	35B	6
69710391A	31A	11	71110922A	04B	11	71611181AA	12C	14	74140571A	35B	7
69710401AB	36B	27	71110951A	09A	6	71611281A	07A	17	74140621A	19C	10
69710401AB	36B	27	71111301A	21A	7	71614102AB	12C	8	74140631A	35B	9
69926751A	12B	16	71111601A	09B	4	71614141A	30A	13	74140641A	35B	10
69926761A	12B	16	71112191A	06A	8	71614141A	30A	13	74140651A	24B	7
69929301A	12C	28	71113331AA	36B	7	71614191A	24A	2	74140651A	34A	7
70010111C	36A	14	71113331AA	36B	7	71614971AA	24A	4	74140651A	34A	7
70010311A	12D	16	71114381A	24B	6	71615641AA	12D	7	74140651A	35B	8
70010362A	09A	18	71115991AA	33A	5	71950303C	19A	13	74141641A	30A	27
70010491A	25A	12	71210181A	28B	8	71950303C	21B	28	74141681A	30B	23



CODE	NO. TABLE	POS.	CODE	NO. TABLE	POS.	CODE	NO. TABLE	POS.	CODE	NO. TABLE	POS.
74141711A	12C	25	75010121D	05A	11	76410241A	30A	17	77110212A	20A	11
74141871A	35A	10	75011131A	05A	6	76410241A	33A	2	77110391B	11A	15
74142251A	30C	2	75011131A	05A	6	76410291A	20A	8	77110391B	11B	15
74142411A	30C	7	75011211A	12B	21	76410291A	20A	8	77110391B	16A	5
74142501A	24B	16	75011211A	12B	21	76410291A	36C	9	77110401B	11A	31
74142581A	24B	1	75011601A	07A	15	76410482A	30A	18	77110401B	11B	31
74142581A	34A	14	75012022AA	29A	5	76410482A	30A	18	77110431A	15A	2
74142581A	34A	14	75012111AA	28B	14	76410641A	13A	3	77110521A	10A	6
74142591A	24B	17	75012121AA	28A	2	76410641A	13B	5	77113691A	12A	13
74142801A	34A	15	75012341AA	36B	5	76410641A	19C	14	77113691A	12A	13
74142801A	34A	15	75012341AA	36B	5	76410641B	36A	12	77113691A	20A	10
74142951A	19A	8	75620062A	28B	1	76410841A	14A	2	77113691A	20A	10
74710151A	09A	25	75810662D	19C	11	76410901A	13B	2	77113691A	24B	19
74750011AB	25A	2	75810911A	17B	3	76410971A	12C	19	77113801A	07A	6
74750031A	25B	8	75811392A	36B	10	76410981A	24B	18	77116648B	33A	11
74750071A	17A	8	75811392A	36B	10	76411141A	12C	9	77116648B	36A	10
74750101A	25A	3	75811411A	12B	2	76411141A	36A	20	77140673C	04B	24
74810351B	19A	9	75811411A	12B	2	76411141A	36B	2	77140677CF	10A	5
74810351B	21B	14	75811421A	33A	18	76411141A	36B	2	77140697CF	10A	7
74810361A	30A	15	75840161A	18A	7	76411361A	12B	7	77140713C	04A	14
74810361A	30A	15	75840161A	18A	7	76411361A	12B	7	77140713C	04B	25
74810501A	11C	31	75840601A	19C	12	76411361A	24A	3	77140723C	04B	15
74810501A	11D	21	75840641A	12A	12	76411451A	25A	14	77140813C	04A	15
74810651A	27A	11	75840641A	12A	12	76411621A	30C	4	77140833C	04A	16
74810761A	28B	9	75840701A	19C	13	76411851A	34A	8	77150068B	09A	12
74840241AB	17A	10	75840801A	25B	9	76411851A	34A	8	77150388B	29A	6
74840341B	18A	12	75840801A	30C	3	76411981A	17A	11	77150478B	29A	15
74840341B	18A	12	75840801A	34A	16	76412151A	20A	9	77150648B	33A	9
74841011AA	32A	2	75840801A	34A	16	76412151A	20A	9	77150653B	09A	29
74841011AA	32A	2	75840801A	36C	20	76412421B	12B	13	77150653B	36A	19
74841091AA	12C	29	75840911A	25B	10	76412421B	12B	13	77150668B	25B	13
74910021A	12D	15	75840971A	36A	13	76414191A	19A	10	77150670ZF	02A	3
74940081A	07A	7	75910081A	28B	15	76414191A	21B	15	77150723B	09B	11
74941113B	11A	24	75910091A	28A	6	76414241A	36A	21	77150728B	25B	14
74941113B	11B	24	75910381A	12B	12	76440572A	11C	8	77150758B	09A	30
74941113B	12C	15	75910381A	12B	12	76440572A	11D	8	77150758B	21A	9
74941113B	24A	14	764020002	03A	17	76510021A	25B	12	77150758B	29A	16
74941118B	25A	13	76410011A	30A	16	76510031A	25A	15	77150808B	09B	8
74941128B	15A	8	76410011A	30A	16	76610551D	09B	2	77151238C	25A	16
74950011B	20A	7	76410011A	30B	17	76640191A	11A	25	77151238C	25B	16
74950011B	20A	7	76410112A	25B	11	76640191A	11B	25	77151250ZF	02A	1
75010071E	03B	7	76410241A	12D	10	77052508B	04B	14	77151278B	30A	19
75010072E	16A	6	76410241A	24A	7	77110191A	25A	17	77151278B	30A	19
75010121D	05A	11	76410241A	30A	17	77110212A	20A	11	77151278B	30B	18



CODE	NO. TABLE	POS.	CODE	NO. TABLE	POS.	CODE	NO. TABLE	POS.	CODE	NO. TABLE	POS.
77151363B	09B	6	77214411AA	12A	15	77350413B	21A	10	77911511AA	25B	19
77156398B	13B	10	77214411AA	12A	15	77350618B	11C	20	77911982A	09A	34
77156408B	35A	5	77214411AA	19D	10	77350658B	09A	31	77912061AB	25A	21
77156623B	24B	8	77214411AA	31A	3	77350738BC	04B	16	77912371B	25B	17
77156628B	12B	22	77214411AA	36A	6	77354623B	13B	7	77912741A	35A	7
77156628B	12B	22	77214411AA	36B	3	77354623B	25B	15	77913662AB	19A	12
77156628B	36A	18	77214411AA	36B	3	77354643B	29A	7	77913662AB	19C	7
77156668B	30A	20	77214411AA	36C	6	77354893C	21B	22	77913662AB	19D	7
77156668B	30A	20	77214411BA	18A	8	77440041A	13B	4	77913662AB	21B	17
77156673C	17A	12	77214411BA	18A	8	77440041A	36C	7	77913971A	19B	3
77156688B	25A	18	77214411BA	26A	2	77440061A	36B	17	77913971A	21B	18
77156688B	30A	21	77214411BA	35A	6	77440061A	36B	17	77914045B	05A	9
77156688B	30A	21	77240253C	19D	11	77440111A	12B	4	77914045B	05A	9
77156758B	24B	9	77240253C	36B	13	77440111A	12B	4	77914181AA	25A	20
77157238B	19D	14	77240253C	36B	13	77440111A	21A	11	77914181AA	25B	20
77157243B	17A	13	77240288C	11A	19	77440121A	13A	2	77914211A	11C	23
77157273B	17A	14	77240288C	11B	19	77440131A	20A	12	77914211A	11D	23
77159418B	17A	15	77240398CC	09A	67	77440131A	20A	12	77914651A	19B	9
77210042B	18A	13	77240403C	19C	16	77440131A	34A	9	77915041A	22A	1
77210042B	18A	13	77240403C	30B	12	77440131A	34A	9	77915093A	11A	3
77210423C	12C	22	77240403CA	30A	2	77440171A	29A	18	77915093A	11B	3
77210623B	11C	28	77240403CA	30A	2	77440203C	12C	1	77915111B	19B	6
77210623B	11D	31	77240408C	30B	13	77440203C	12D	12	77915471A	05A	4
77210841B	36B	4	77240423C	12D	8	77440203C	34A	10	77915471A	05A	4
77210841B	36B	4	77240443C	19C	17	77440203C	34A	10	77916041D	04B	27
77210882B	24A	16	77240453C	33A	4	77440213C	12C	16	77916081A	24A	8
77210943B	36C	19	77240458C	12C	12	77440391A	18A	18	77916591A	17A	16
77210971B	12B	5	77240458C	19C	18	77510311B	09A	32	77917241AA	15A	4
77210971B	12B	5	77240483C	24A	17	77550191A	24A	1	77919881A	09A	64
77210971B	29A	17	77240508C	30B	14	77550200CC	04A	5	7791A131AA	32A	4
77211021A	19C	15	77240608C	30B	9	77550211B	09B	7	7791A131AA	32A	4
77211061A	12A	9	77244173B	36C	14	77550221A	18A	9	7791B071AA	31A	8
77211061A	12A	9	77244233B	12C	7	77550221A	18A	9	7791B081AA	12D	19
77211201A	03B	3	77244303B	32B	2	77550319E	30A	22	7791B171A	11A	5
77211221B	17B	5	77250341B	09A	13	77550319E	30A	22	7791B371AA	32B	6
77211251A	36B	11	77250341C	07A	22	77750493C	04B	26	77927171B	09A	35
77211251A	36B	11	77250988B	24A	11	77750508CC	10A	18	77950302A	11A	16
77211251B	36B	28	77253300ZF	10A	3	77850281A	17A	9	77950302A	11B	16
77211251B	36B	28	77310021A	17B	4	77910391A	09A	33	77950621A	09A	37
77211261B	23A	1	77310021A	33A	6	77910921A	21B	16	78010161B	05A	3
77211341A	12C	5	77310061A	28B	16	77910921B	19A	11	78010161B	05A	3
77211351AA	12D	18	77310071A	32A	3	77911092A	05A	2	78010511D	11C	12
77214071AB	18A	18	77310071A	32A	3	77911092A	05A	2	78010511D	11D	12
77214161AA	14A	3	77350403B	31A	4	77911511AA	25A	19	78010921A	09A	38



CODE	NO. TABLE	POS.	CODE	NO. TABLE	POS.	CODE	NO. TABLE	POS.	CODE	NO. TABLE	POS.
78010941B	09A	60	79921602A	15A	7	82115771AA	25B	26	8301G421BA	12D	9
78011001A	04B	5	79925941A	30A	24	82120151A	02A	14	8301G502AA	36A	16
78011281A	04A	12	79925941A	30B	20	82413552AA	25A	27	8301G522AA	30B	3
78610961A	06A	7	79940171A	09A	40	82413562AA	25B	27	8301G531AA	36A	11
78611511A	06A	9	800070139	01B	8	82413571AB	25A	28	8301G791AA	36B	20
78710111A	33A	12	80011851A	24B	2	82413581AB	25B	28	8301G791AA	36B	20
78740031A	34A	19	80012483A	24B	3	82510431A	19D	13	8301G801AA	36B	14
78740031A	34A	19	80017891A	24B	20	82610261A	02A	16	8301G801AA	36B	14
78810542A	10A	4	80017902A	24B	21	82711611B	25A	33	8301H171AB	36B	16
78810931A	11A	9	80017912A	24B	22	82711611B	25B	29	8301H171AB	36B	16
78810931A	11B	9	80017922A	24B	23	82715481A	33A	10	83110151B	09A	42
78810941A	11A	8	80810461A	18A	14	82716031A	09A	16	83210261B	18A	3
78810941A	11B	8	80810461A	18A	14	82716091A	04B	17	83210261B	18A	3
78811041A	12C	18	80811731A	21A	12	82716351A	11A	22	84010012A	11C	1
78811151A	09A	14	81110021A	09A	15	82716351A	11B	22	84010012A	11D	1
78811301A	35A	8	81140012B	11A	21	82718612A	04A	6	84010022A	11C	1
78811641C	21B	23	81140012B	11B	21	82911901A	24B	10	84010022A	11D	1
79010151A	30A	23	81411111C	11A	27	82917081A	21B	19	84010032A	11C	1
79010151A	30A	23	81411111C	11B	27	82917091A	19A	14	84010032A	11D	1
79010491A	30A	24	81411881A	11D	25	82919612A	34A	12	84010042A	11C	1
79111131B	29A	8	81412351B	11C	29	82919612A	34A	12	84010042A	11D	1
79111331A	34A	11	81413341A	11A	28	8291B251A	19C	19	84010052A	11C	1
79111331A	34A	11	81413341A	11B	28	8291H202A	12B	1	84010052A	11D	1
79120572B	06A	6	81414011AA	35B	11	8291H202A	12B	1	84010062A	11C	1
79710731A	03B	1	81420051A	11D	32	8291H212A	12B	8	84010062A	11D	1
79910241B	25A	22	81510221A	33A	17	8291H212A	12B	8	84010072A	11C	1
79910241B	25B	18	81510281A	09A	41	8291H441A	12C	11	84010072A	11D	1
79910491D	09A	39	81810162A	03B	5	8291H521A	19D	12	84010082A	11C	1
79912961A	02A	20	81910602AA	27A	12	83014041B	24A	6	84010082A	11D	1
79914991A	25A	23	81920382C	28B	17	83017531AA	19C	20	84010092A	11C	1
79914991A	25B	21	82110681CA	25A	24	83018821BA	32A	5	84010092A	11D	1
79915001A	11C	18	82110681CA	25B	23	83018821BA	32A	5	84010102A	11C	1
79915001A	11D	19	82110901B	25A	25	8301A521AA	33A	7	84010102A	11D	1
79915011A	11C	19	82110901B	25B	24	8301A991AA	12A	11	84010112A	11C	1
79915011A	11D	18	82111701B	25A	26	8301A991AA	12A	11	84010112A	11D	1
79915061A	02A	4	82111701B	25B	25	8301G331AA	25B	35	84010122A	11C	1
79915081A	15A	6	82112941A	11C	17	8301G341A	30B	10	84010122A	11D	1
79915181B	11C	26	82112941A	11D	17	8301G352AA	34A	13	84010132A	11C	1
79915181B	11D	28	82112951A	11C	15	8301G352AA	34A	13	84010132A	11D	1
79915191B	11C	27	82112951A	11D	15	8301G361AA	32B	3	84010142A	11C	1
79915191B	11D	27	82113471A	10A	9	8301G381A	31A	5	84010142A	11D	1
79915661A	25B	22	82113881A	02A	13	8301G391A	31A	6	84010152A	11C	1
79915741B	09A	61	82114632BB	15A	9	8301G401B	31A	7	84010152A	11D	1
79920771C	09A	62	82114731A	02A	5	8301G411BA	24B	11	84010162A	11C	1



CODE	NO. TABLE	POS.	CODE	NO. TABLE	POS.	CODE	NO. TABLE	POS.	CODE	NO. TABLE	POS.
84010162A	11D	1	84010442B	11D	2	84010662B	11D	2	84010862B	11D	2
84010172A	11C	1	84010452B	11C	2	84010672B	11C	2	84010872B	11C	2
84010172A	11D	1	84010452B	11D	2	84010672B	11D	2	84010872B	11D	2
84010182A	11C	1	84010462B	11C	2	84010682B	11C	2	84011082A	11C	1
84010182A	11D	1	84010462B	11D	2	84010682B	11D	2	84011082A	11D	1
84010192A	11C	1	84010472B	11C	2	84010692B	11C	2	84011092A	11C	1
84010192A	11D	1	84010472B	11D	2	84010692B	11D	2	84011092A	11D	1
84010202A	11C	1	84010482B	11C	2	84010702B	11C	2	84011102A	11C	1
84010202A	11D	1	84010482B	11D	2	84010702B	11D	2	84011102A	11D	1
84010212A	11C	1	84010492B	11C	2	84010712B	11C	2	84011112A	11C	1
84010212A	11D	1	84010492B	11D	2	84010712B	11D	2	84011112A	11D	1
84010222A	11C	1	84010502B	11C	2	84010722A	11C	1	84011122A	11C	1
84010222A	11D	1	84010502B	11D	2	84010722A	11D	1	84011122A	11D	1
84010232A	11C	1	84010512B	11C	2	84010722B	11C	2	84011132A	11C	1
84010232A	11D	1	84010512B	11D	2	84010722B	11D	2	84011132A	11D	1
84010242A	11C	1	84010522B	11C	2	84010732A	11C	1	84011142A	11C	1
84010242A	11D	1	84010522B	11D	2	84010732A	11D	1	84011142A	11D	1
84010252A	11C	1	84010532B	11C	2	84010732B	11C	2	84740021A	25A	32
84010252A	11D	1	84010532B	11D	2	84010732B	11D	2	84740021A	25B	30
84010262A	11C	1	84010542B	11C	2	84010742B	11C	2	84740061A	09A	43
84010262A	11D	1	84010542B	11D	2	84010742B	11D	2	84850011A	25A	4
84010272A	11C	1	84010552B	11C	2	84010752B	11C	2	84850021A	25A	5
84010272A	11D	1	84010552B	11D	2	84010752B	11D	2	85010141A	29A	9
84010282A	11C	1	84010562B	11C	2	84010762B	11C	2	85013121A	24B	27
84010282A	11D	1	84010562B	11D	2	84010762B	11D	2	85040381A	30A	4
84010292A	11C	1	84010572B	11C	2	84010772B	11C	2	85040381A	30A	4
84010292A	11D	1	84010572B	11D	2	84010772B	11D	2	85040381A	30B	21
84010302A	11C	1	84010582B	11C	2	84010782B	11C	2	85040431A	12C	10
84010302A	11D	1	84010582B	11D	2	84010782B	11D	2	85040471A	12A	16
84010312A	11C	1	84010592B	11C	2	84010792B	11C	2	85040471A	12A	16
84010312A	11D	1	84010592B	11D	2	84010792B	11D	2	85040471A	36A	5
84010322A	11C	1	84010602B	11C	2	84010802B	11C	2	85040471A	36C	4
84010322A	11D	1	84010602B	11D	2	84010802B	11D	2	85040671A	20A	13
84010332A	11C	1	84010612B	11C	2	84010812B	11C	2	85040671A	20A	13
84010332A	11D	1	84010612B	11D	2	84010812B	11D	2	85040671A	32A	7
84010342A	11C	1	84010622B	11C	2	84010822B	11C	2	85040671A	32A	7
84010342A	11D	1	84010622B	11D	2	84010822B	11D	2	85042242A	36B	26
84010412B	11C	2	84010632B	11C	2	84010832B	11C	2	85042242A	36B	26
84010412B	11D	2	84010632B	11D	2	84010832B	11D	2	85042461A	36C	17
84010422B	11C	2	84010642B	11C	2	84010842B	11C	2	85042471A	36C	2
84010422B	11D	2	84010642B	11D	2	84010842B	11D	2	85044431A	36A	8
84010432B	11C	2	84010652B	11C	2	84010852B	11C	2	85044441A	36A	9
84010432B	11D	2	84010652B	11D	2	84010852B	11D	2	85110041A	16A	7
84010442B	11C	2	84010662B	11C	2	84010862B	11C	2	85110131A	07A	14



CODE	NO. TABLE	POS.	CODE	NO. TABLE	POS.	CODE	NO. TABLE	POS.	CODE	NO. TABLE	POS.
85110201A	03B	8	85213711A	12B	3	85610743A	11A	4	87240661A	22A	3
85140031A	05A	12	85213711A	12B	3	85610743A	11B	4	87241341A	24A	10
85140031A	05A	12	85214082A	09A	68	85610751A	10A	2	87310051A	11A	13
85210011B	18A	15	85240081A	36A	15	85611271A	23A	2	87310051A	11B	13
85210011B	18A	15	85240171A	12C	2	85611391B	03B	2	87310371A	09B	16
85210021B	18A	15	85240171A	30A	3	85611481A	09A	48	87511461B	09A	50
85210021B	18A	15	85240171A	30A	3	85640141A	09A	63	87611492A	30C	6
85210031B	18A	15	85240171A	33A	8	86010051B	09B	12	87611501A	30C	5
85210031B	18A	15	85241711A	13B	3	86050061A	09A	49	87613991A	34A	17
85210491B	17A	17	85241711A	36C	18	86050061A	11C	24	87613991A	34A	17
85210532A	09A	44	85241841A	30A	25	86050061A	11D	24	87712621A	19A	16
85210532A	25A	35	85241841A	30A	25	86610751A	36C	10	87712661A	21B	21
85210532A	25B	34	85250051A	09B	5	86610951A	30B	4	87712741A	19D	9
85210532A	32A	6	85250231A	11A	26	86611121A	19C	21	87910021A	12B	26
85210532A	32A	6	85250231A	11B	26	86611221A	35B	12	88110121A	02A	18
85210551A	28B	18	85250231A	11C	21	86611221A	36B	15	88110341A	10A	17
85210571A	28A	3	85250231A	11D	20	86611221A	36B	15	88111281A	24B	24
85210582A	28B	10	85250241A	04A	13	86611871A	12B	24	88210031A	07A	11
85210591A	19D	15	85250241A	19A	15	86611871A	12B	24	88440071A	18A	16
85210651B	25A	29	85250241A	19B	4	86612111A	32B	4	88440071A	18A	16
85211031AB	17A	18	85250241A	19C	8	86612511A	13B	13	88440531A	09A	51
85211201A	09A	45	85250241A	19D	8	86612682A	12B	17	88450031A	25A	30
85211351A	04A	7	85250241A	21B	20	86612682A	12B	17	88450031A	25B	32
85211571A	25A	36	85250241A	33A	14	86612691A	12C	27	88450041A	19D	16
85211571A	25B	37	85250261B	11C	11	86612701A	32B	5	88450131A	04A	8
85211601B	30B	22	85250261B	11D	11	86612711A	12C	3	88450341B	02A	19
85211671B	24A	15	85250271A	36A	17	86612731A	29A	10	88450371A	08A	4
85211721A	04B	18	85250401A	17A	19	86612781A	36B	9	88450371A	09A	52
85211761A	12D	14	85250421A	09A	47	86612781A	36B	9	88450431A	04B	20
85212221A	27A	13	85250481A	04B	19	86612831A	29A	19	88450661A	30B	15
85212511A	18A	10	85250631A	04B	6	86612861A	12A	10	88610241A	09B	15
85212511A	18A	10	85250871A	04B	30	86612861A	12A	10	88610951A	04B	28
85212641A	11A	32	85310021A	07A	8	86613001A	12B	25	88640331A	09A	53
85212641A	11B	5	85310031A	09B	13	86613001A	12B	25	88640891A	04A	10
85212691A	05A	7	85310031A	12B	23	86613091A	12C	3	88641031A	11C	30
85212691A	05A	7	85310031A	12B	23	86640091A	12D	20	88641161A	25A	34
85212901A	30A	26	85350101A	12B	19	86642731A	36B	25	88641161A	25B	36
85212901A	30A	26	85350101A	12B	19	86642731A	36B	25	88641321A	09B	9
85212901A	30B	19	85550001B	12A	8	87210532A	12A	14	88641731A	03B	17
85213002A	20A	15	85550001B	12A	8	87210601A	18A	4	88641961A	09A	36
85213002A	20A	16	85610011A	03A	6	87210601A	18A	4	88642231A	35A	9
85213021A	08A	3	85610623A	07A	19	87211281A	25A	31	88642591A	29A	11
85213021A	09A	46	85610642A	11C	32	87211281A	25B	31	88650031A	19D	17
85213111AA	12D	11	85610642A	11D	29	87211681A	12A	14	88650131A	09A	54



CODE	NO. TABLE	POS.	CODE	NO. TABLE	POS.	CODE	NO. TABLE	POS.
88650511A	11A	1	89420121F	09B	17	93050072A	11A	17
88650511A	11B	1	89510431B	12D	1	93050072A	11B	17
887005644	01A	10	89510431B	12D	1	93410201A	24B	13
887130022	01A	25	89520421B	12D	1	93410321A	24B	25
887130027	01B	1	91375391AR	31A	12	93410401AA	35B	13
887130031	01A	14	91375391BG	31A	12	93510431A	35B	15
887130137	01A	1	91375391CA	31A	12	93510801A	35B	14
887130957	01B	11	91375391CS	31A	12	93510811A	35B	2
887130958	01B	12	91375391DA	31A	12	93510821A	35B	17
887131010	01B	2	91375391DE	31A	12	942470014	09B	1
887131038	01B	4	91375391EL	31A	12	944650035	L	1
887131058	01B	7	91375391EN	31A	12	944650037	L	2
887131062	01B	9	91375391ES	31A	12	979000253	01C	2
887131073	01B	5	91375391FI	31A	12	979000279	01C	1
887131096	01B	10	91375391FR	31A	12	979000281	01C	6
887131309	01A	15	91375391HR	31A	12	979000282	01C	3
887131749	01A	22	91375391HU	31A	12	979000283	01C	4
887131806	01A	16	91375391IT	31A	12	979000284	01C	5
887131821	01A	19	91375391JA	31A	12			
887131832	01B	6	91375391KO	31A	12			
887131994	01A	4	91375391MX	31A	12			
887132011	01A	17	91375391NL	31A	12			
887132103	01A	3	91375391NO	31A	12			
887132442	01A	9	91375391PL	31A	12			
887132651	01A	11	91375391PT	31A	12			
887132676	01A	2	91375391RO	31A	12			
887132695	01A	24	91375391RU	31A	12			
887132870	01A	13	91375391SK	31A	12			
887132877	01A	12	91375391SL	31A	12			
887132906	01A	6	91375391SV	31A	12			
887133219	01A	8	91375391US	31A	12			
887133220	01B	3	91375391ZH	31A	12			
887133334	01A	21	91375441EN	31A	12			
887133367	01A	20	93010041B	17A	20			
887134411	01A	23	93040181A	28B	2			
887651298	01A	18	93040211A	04A	11			
887651623	01A	7	93040221A	09A	56			
887651635	01A	5	93040932A	09A	57			
89310143A	24B	12	93041271A	09A	2			
89320062A	09A	55	93041631B	09A	58			
89320121A	04A	9	93042051A	27A	5			
89340241A	19D	2	93042691A	04B	29			
89340241A	21B	5	93050051A	04B	21			
89340251A	19A	3	93050062B	04B	22			





Ducati Motor Holding S.p.A.

Uffici Commerciali Amministrativi:

Via A. Cavalieri Ducati n. 3

40132 Bologna, Italy

Telefono 051 6413111

Fax 051 406580

Internet www.ducati.com