

PORSCHE

September 30, 1991

Dear Porsche Sales Representative,

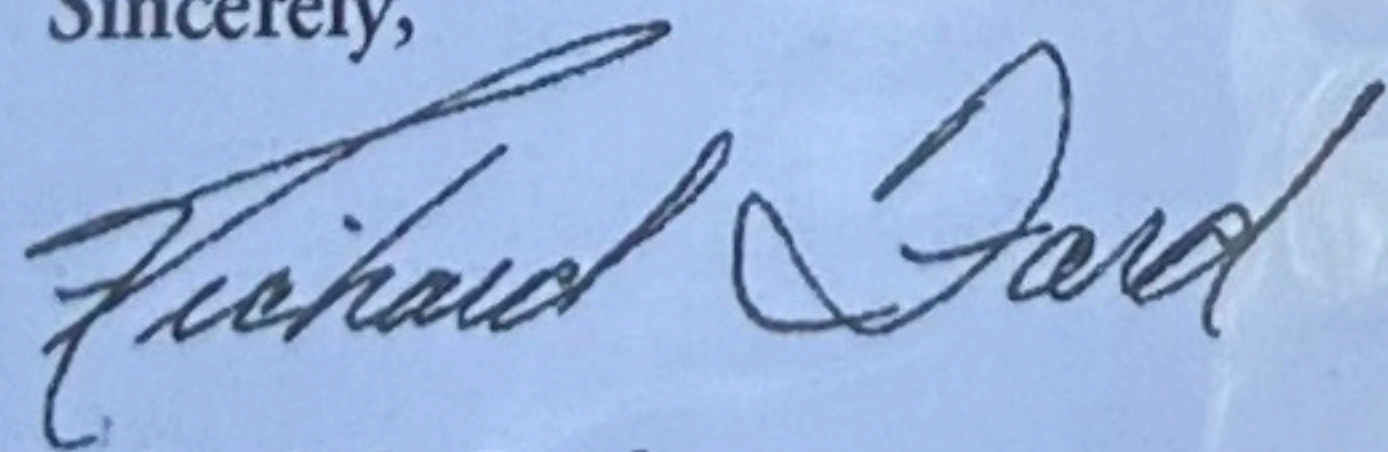
Porsche officially unveiled the new Porsche 968 this past week at the Frankfurt Auto Show in Germany. I wish you could have been there to drive this car and to experience firsthand the very positive reception accorded this stunning new Porsche. And new it is: 80 percent new, compared to the car it succeeds, the 944 S2.

To make potential Porsche 968 buyers aware of this first new Porsche in ten years, we have developed an extensive launch for this new sports car. Sophisticated, highly targeted 968 advertising, direct mail and promotions programs are swinging into action as you read this.

Very soon interested prospects will begin asking you about the 968, which your dealership will receive in December. In order that you may better respond to the informational needs of these prospects, we are sending you an advance look at a chapter, "The New 968 Series," from the 1992 Porsche Sales Reference Guide. The complete Reference Guide will have arrived some weeks prior to receipt of your first 968. It will contain comprehensive chapters on current market conditions, selling strategies, the Porsche customer—and, of course, detailed chapters on all 1992 Porsche models, including the new 911 America Roadster.

I wish you productive reading about the new 968 and great success in selling what we at Porsche are calling "a redefinition of the sports car."

Sincerely,



Richard S. Ford
Vice President-Sales Operations

PORSCHE CARS NORTH AMERICA, INC. • 100 West Liberty Street • P.O. Box 30911 • Reno, Nevada 89520-3911
702-348-3000 FAX 702-348-3770

DOCUMENT REPLICA

Office DEPOT.

THE NEW 968 SERIES


**HOW THIS CHAPTER FITS INTO YOUR 1992
PORSCHE SALES REFERENCE GUIDE...**

- **Selling Porsches Today:** Today's market and selling environment.
 - **Marketing & Selling Strategy:** Our market, and how we sell within it.
 - **The Porsche Customer:** Who they are, perceptions of us, how they buy.
 - **Developing Business:** Your best sources for new business.
 - **Porsche's Heritage:** A powerful legacy, making Porsche sports cars unique.
 - **The Porsche Sales Process:** Interpreting Porsche's uniqueness-the specifics.
 - **Key Points Walkaround:** Six-position walkaround with key selling points.
-
- **911/928/968 Series:** Model-specific selling points.
-
- **Pre-owned Cars:** Selling and marketing ideas, plus specs, equipment over the years.
 - **The Demonstration Drive:** How to conduct an effective one.
 - **Closing The Sale:** Techniques on asking for the sale once you've earned it.
 - **The Delivery:** How to make it special for the customer and promote referrals.
 - **The Competition:** Capsule comparisons, Porsche vs our competitors.
 - **Technical Terms:** The most commonly used terms.

INTERNAL USE ONLY
DOCUMENT REPLICA

**CONTENTS OF THIS ADVANCE CHAPTER
FROM THE 1992 PORSCHE SALES
REFERENCE GUIDE:
"THE 968 SERIES"**

- **A REVIEW OF THE CAR THE 968 REPLACES**
- **THE NEW PORSCHE 968: A SUMMARY**
- **WHAT'S NEW FOR '92: THE NEW PORSCHE 968 AT A GLANCE**
- **THE 968'S EVOLUTIONARY DEVELOPMENT FROM THE 944 SERIES**
- **A CLOSER LOOK AT THE 968'S DESIGN**
- **THE PORSCHE 968 IN DETAIL**
- **CABRIOLET DEVELOPMENT**
- **968 PERFORMANCE DATA**
- **RACE-BRED ORIGINS OF THE 968**
- **PRESS QUOTES**

- [Tech Questions](#)
- [VarioCam](#)
- [Wanted](#)
- [Number Plates](#)
- [PCGB News](#)
- [Insurance](#)
- [Gallery](#)
- [Engine Bay](#)
- [Valeting](#)
- [Diamond Wheels](#)
- [Used Car](#)
- [Roadshow](#)

[Events / Info](#)

[Links 1 2](#)

[Porsche 968 Articles](#)

[Click here for the Forum](#)

Engine	
Position:	Front Longitudinal
Materials:	Light alloy
Cylinders:	4 in-line
Bore and stroke:	104x88 mm (4.09x3.46 in)
Piston displacement:	2990 cc (182.5 cu in)
Compression ratio:	11:1
Maximum power:	176 kW (240 HP) at 6200 rpm
Maximum torque:	305Nm (31.5kgm) at 4100 rpm
Timing sytem:	DOHC, 4 valves per cylinder, "Vario Cam" system
Injection and ignition:	Bosch LH-Jetronic
Lubrication:	Forced-feed
Cooling system:	Cooling liquid
Emission control system:	3 way catalytic converter with Lambda sensor

Driveline	
Drive	Rear wheel
Clutch	Dry single plate
Gear-box	Manual 6 speed + reverse
	Tiptronic Switchable manual/automatic with 4 speed + reverse.
Gear ratios	Manual 1st = 3.1782, 2nd = 2.000, 3rd = 1.435, 4th = 1.111, 5th = 0.912, 6th = 0.778, Rev. = 3.455
	Tiptronic 1st = 2.579, 2nd = 1.407, 3rd = 1.000, 4th = 0.742, Rev = 2.882
Final ratio	Manual = 3.778, Tiptronic = 3.250
Differential	Optional Limted Slip Differential = 40%

Car Body	
Type	3 door, 2 + 2 seat, coupe, or 2 door, 2 + 2 seat convertible
Frame	Stress bearing structure
Front suspension	Independent wheels, transverse arms, anti roll bar
Rear suspension	Independent wheels, semi trailing arms, anti roll bar
Steering sustem	Rack and pinion, power assosted steering, turning circle = 11.7m (12.8 yds)
Brakes	Self ventilated discs, ABS, front and rear dia. = 322/299 mm

Rims	Light alloy, Carrera Cup
Tyres	Front = 205x55 ZR16, Rear = 225/50 ZR16
Fuel tank	74 litre (16.2 gal)

Dimensions and Weights	
Length	4320 mm (170 in)
Width	1735 mm (68.3 in)
Height	1275 mm (50.4 in)
Wheelbase	2400 mm (94.4 in)
Front and rear tracks	1477/1451 mm (58.1/57.1 in)
Kerb weight	Coupe 1470 kg (3266 lbs), convertible 1540 kg (3422 lbs)
Luggage capacity	225/510 dm ³

Performance						
	Manual			Tiptronic		
Top speed	252 kph (157 mph)			247 kph (154 mph)		
0-100kph (62 mph)	6.5 sec			7.9 sec		
1 km standing start	26.6 sec			27.7 sec		
Speed per 1000 rpm (5th gear)	39.4 kph (24.4 mph)			48 kph (29.8 mph)		
Consumption litres/100 km	90	120	urban	90	120	urban
	7.2	8.8	14.8	7.1	8.7	14.6
Specific power	80.2 HP/litre (1.31 HP/cu in)					
Weight to power ratio	Coupe	6.12 kg/HP (13.6 lbs/HP)				
	Convertible	6.41 kg/HP (14.2 lbs/HP)				

These performance figures appear to be in dispute, I have a figure of 6.1 seconds for 0-60 but 6.5 seconds for 0-62. Clearly it can't take another half a second to go from 60 to 62, so if anybody can shed any light I would be most grateful, I have also seen a figure of 5.9 seconds for the 0-60 time, again if anybody can clarify it would be helpful.

This question has now been answered by one of our visitors, thanks to Rick.

Would you like to have a Porsche related advert or link on this website
 Please complete the contact form

- [Home](#) | [Tech Specs](#) | [Tech. Questions](#) | [968 Club Sport ?](#) | [Variocam](#) | [For Sale](#) | [Wanted](#) | [Number Plates](#) | [Books](#) | [Insurance](#) | [Gallery](#) | [Engine Bay](#) | [Valeting](#) | [Accessories](#) | [968 Merchandise](#) | [Radar Detectors](#) | [Track Days](#) | [Diamond Wheels](#) | [Events / Info](#) | [Gold Track](#) | [Links 1 2](#) | [K300 Links](#)

(No affiliation with, or approval of, Porsche AG, Porsche Cars GB or Porsche Club GB is intended or implied.)
 There is no Intention to Infringe any Copyrights, Logos or Trademarks. All Copyrights, Logos and Trademarks remain the Property of the Rightful Owners.

Copyright © 2002-2006 porsche968uk.co.uk. All Rights Reserved. No part of this web site or related materials may be reproduced, stored in a retrieval system, transmitted, retransmitted, duplicated, copied, reposted or otherwise used in any form or by any means electronic, mechanical, photocopying, recording or

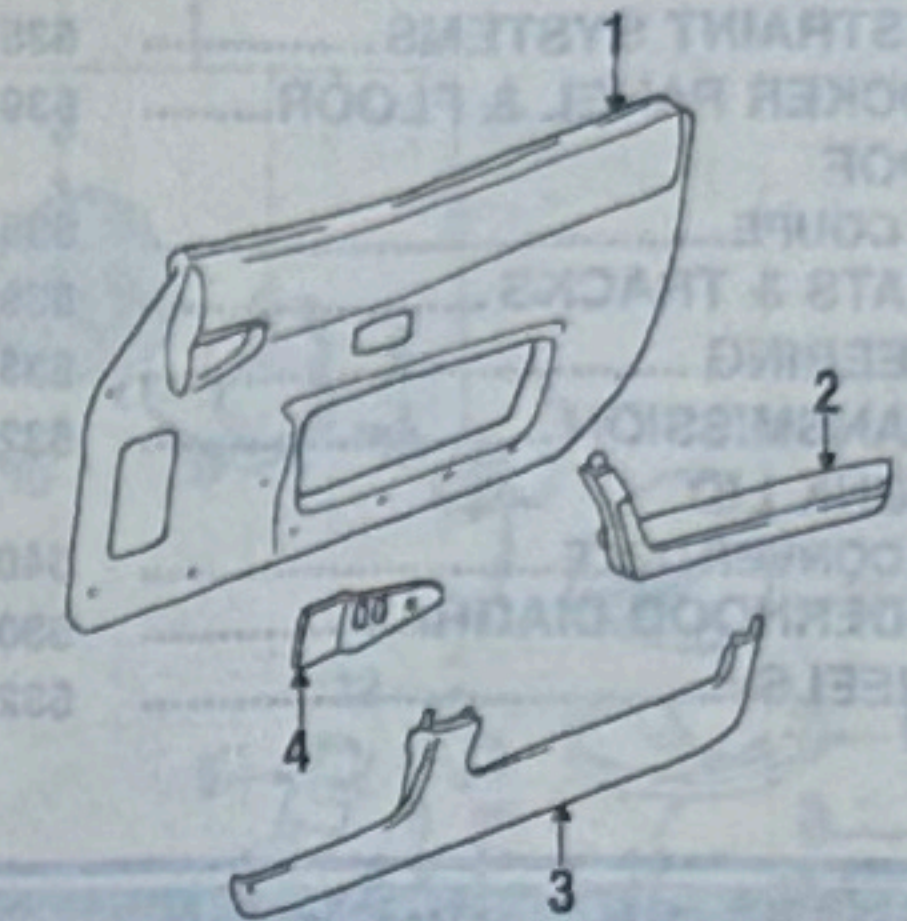
Model Year	Production	Rest of World	US	Notes
1992	5353	3913	1440	<i>Approx 900 Coupes</i>
1993	3783	2701	1082	
1994	2484	965	1519	
1995	1156	532	624	
total	12776	8111	4665	4389 cabri of which 2260 to US

ERQ 6905

INTERIOR TRIM

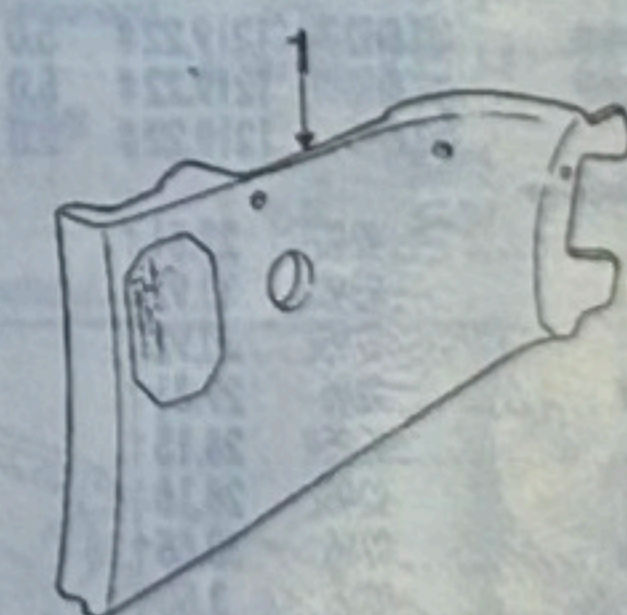
Part numbers & prices may vary because of types, years and colors. The information listed below is for estimating purposes only. For actual prices and ordering parts, consult your local dealer. On those panels where refinishing is necessary, estimate paint time accordingly.

PARTS AND R&R OPERATIONS



INTERIOR TRIM DOOR TRIM

1 Trim panel	83-85R	631.97	0.8	477 867 012 LDF9
1691	83-85L	631.97	0.8	477 867 011 LDF9
999	86-91R	434.58	0.8	944 555 018 01NU1
1000	86-91L	448.05	0.8	944 555 017 01NU1
1656	83-85R	631.97	0.8	477 867 012 LFE5
1001	86-91R	434.58	0.8	944 555 018 01NU5
1002	87-91L	434.58	0.8	944 555 018 01NU5
1525	87-91	.68		928 555 569 02
Seal				
1526	83-91R	81.22		944 555 032 01
1527	83-91L	81.22		944 555 031 01
1003	83-91R	167.37	0.3	477 867 171 041
1528	83-91R	7.34		477 867 154
1529	83-91L	7.20		477 867 153
1004	83-85R	263.31		944 555 274 0089F
1693	83-85L	263.31		944 555 273 0089F
1531	86-91R	263.31		944 555 274 001DR
1532	86-91L	263.31		944 555 273 001DR
1533	83-91R	13.46		944 555 272 011DB
1534	83-91L	12.91		944 555 271 011DB
1536	83-91	7.72		931 933 285 001DB
1535	83-91	.12		N10050902
1754	83-85	30.85		944 645 421 00
1537	86-91	33.88		944 645 951 00
1538	83-91	52.85		944 645 429 00
1539	83-91	18.91		944 645 427 00
1540	83-91	3.94		944 555 158 00
1541	83-91R	36.23		944 555 944 00
1542	83-91L	36.23		944 555 943 00
1543	83-91	29.09		944 555 149 001C

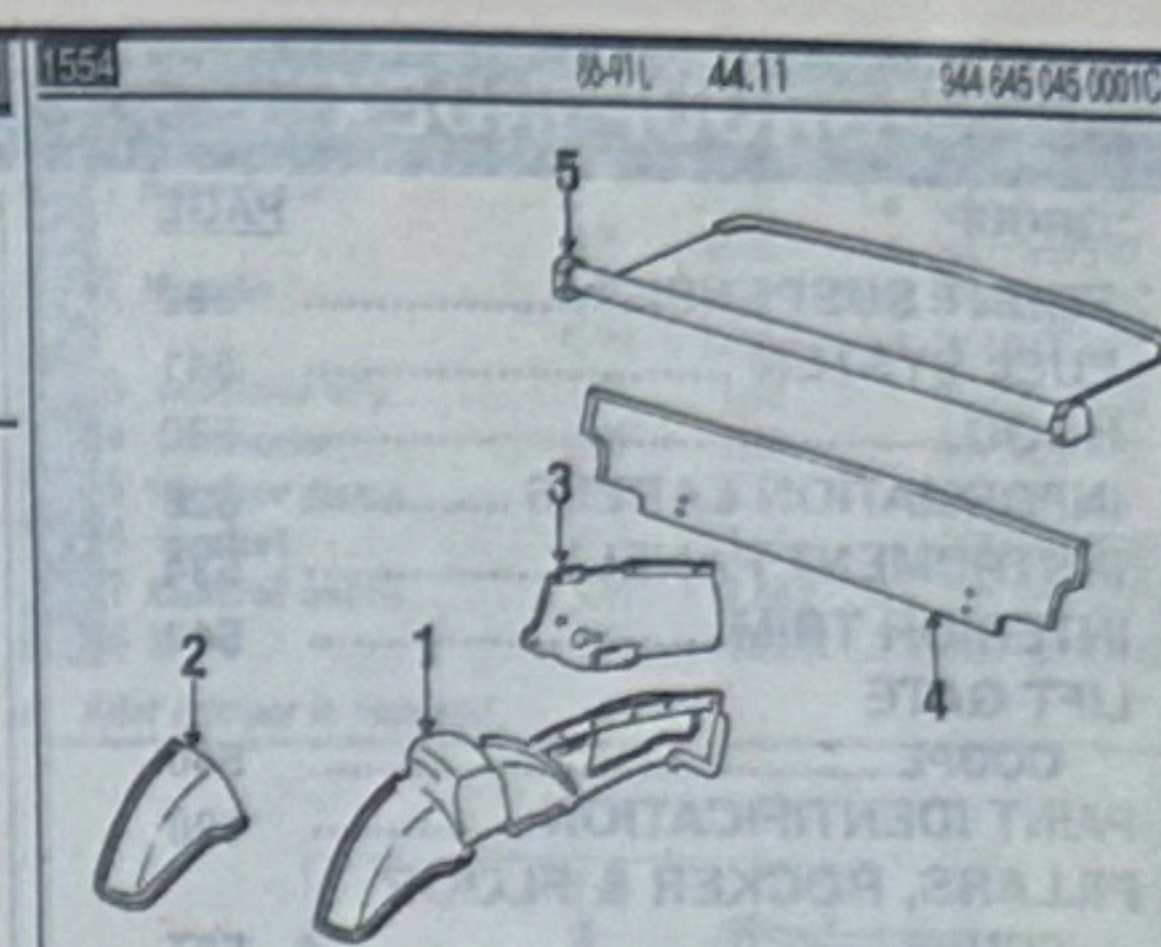


QUARTER PANEL TRIM

1 Trim panel				
1005	83-85R	211.35	1.0	944 555 021 016ST
1544	87-90R	212.51	1.0	944 555 021 026ST
1545	87-90L	212.51	1.0	944 555 021 016ST
1877	91	266.40	1.0	944 555 022 136ST
1878	91	214.49	1.0	944 555 021 136ST
1546	90-91R	471.32	1.0	944 555 022 106ST
1547	90-91L	471.32	1.0	944 555 021 106ST
plug				
1548	83-91	1.28		477 867 653
1549	90-91	3.00		911 665 323 86109
Trim				
1550	83-91R	7.78	0.3	477 867 658 05T
1551	83-91L	7.78	0.3	477 867 655 05T
Speaker				
1552	83-91	99.80		944 645 425 00
1553	86-91	44.11		944 645 946 001C

Please contact our Product Support Group if you require assistance locating, interpreting or using any information contained in this Estimating Guide. Toll Free Number: 1-800-426-6867.

1983-91 PORSCHE 944



TRUNK TRIM

1 Trim panel				
1554	83-91R	237.20	0.4	944 555 084 0289F
1555	83-91L	237.20	0.4	944 555 083 0289F
1557	90-91R	194.03	0.4	944 555 084 101DR
1558	90-91L	194.03	0.4	944 555 083 101DR
Lining				
1559	90-91R	94.86		944 555 228 101DR
1560	90-91L	94.86		944 555 225 101DR
1561	83-91	25.32		944 555 389 00
Rear cover				
1562	83-91	158.71		944 522 831 001DR
1563	83-91	636.72		477 863 511 A6ST
1564	83-91R	12.26		477 863 517 A6ST
1564	83-91L	12.26		477 863 518 A6ST
Striker				
1565	83-91R	46.66		944 522 030 00
1566	83-91L	46.66		944 522 029 00
1567	83-91	25.32		944 522 031 00

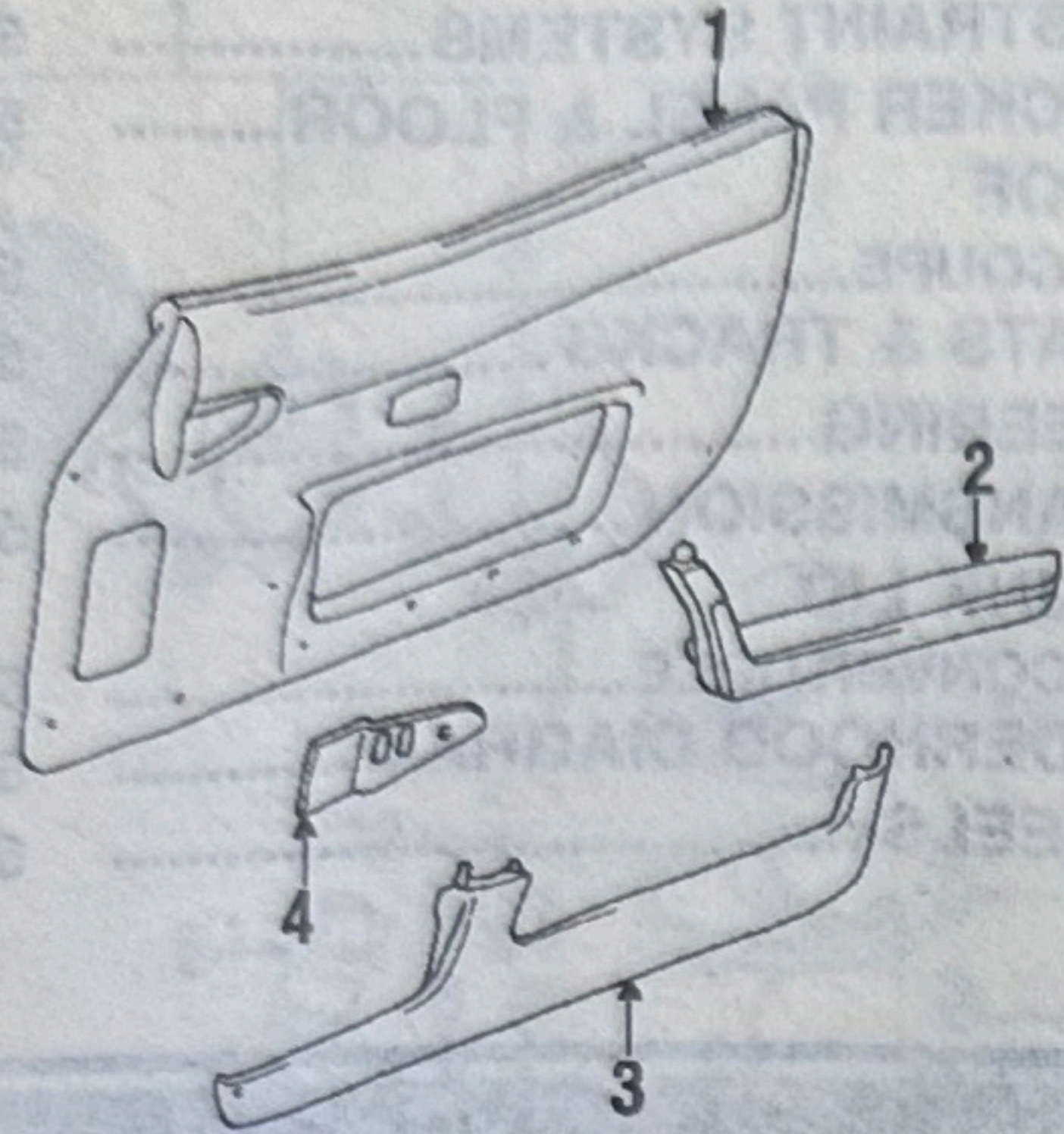
ERQ 6905

1983-91 PORSCHE 944

INTERIOR TRIM

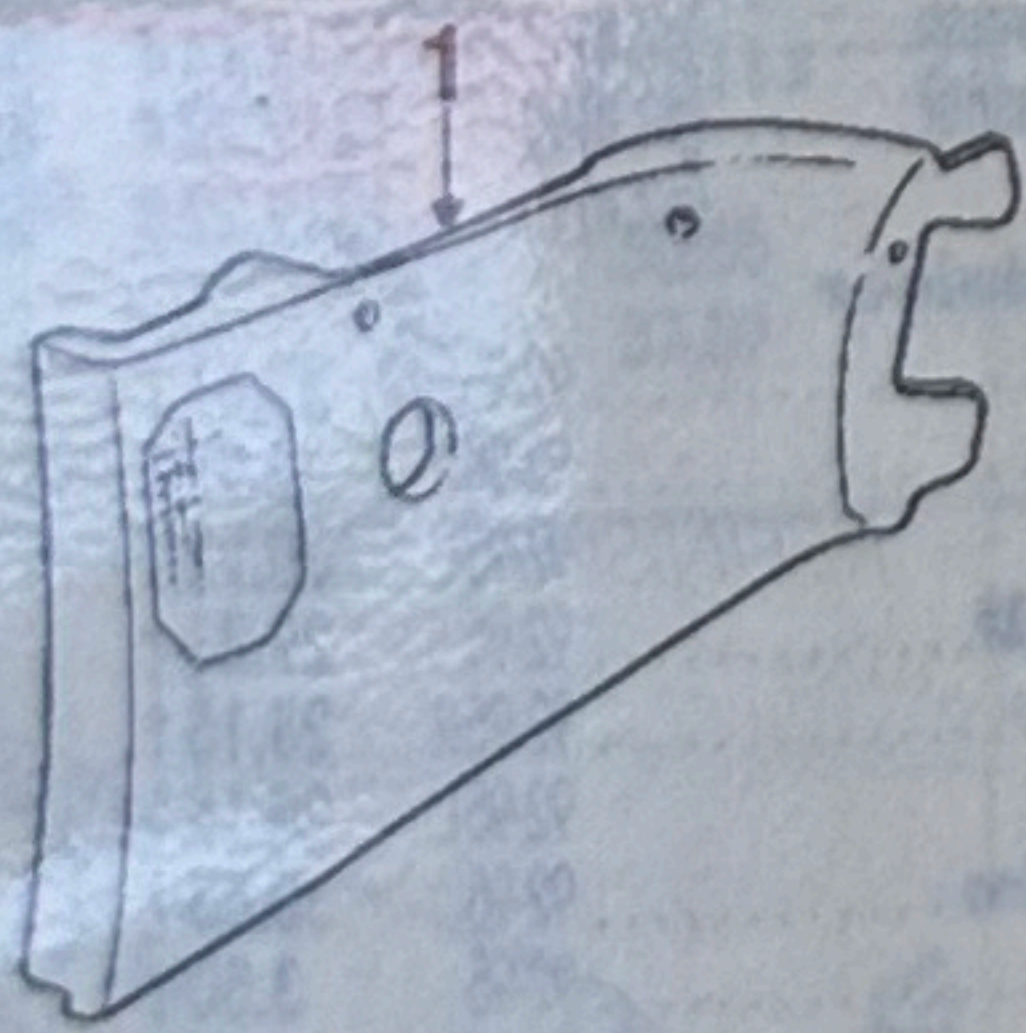
Part numbers & prices may vary because of types, years and colors. The information listed below is for estimating purposes only. For actual prices and ordering parts, consult your local dealer. On those panels where refinishing is necessary, estimate paint time accordingly.

PARTS AND R&R OPERATIONS



**INTERIOR TRIM
DOOR TRIM**

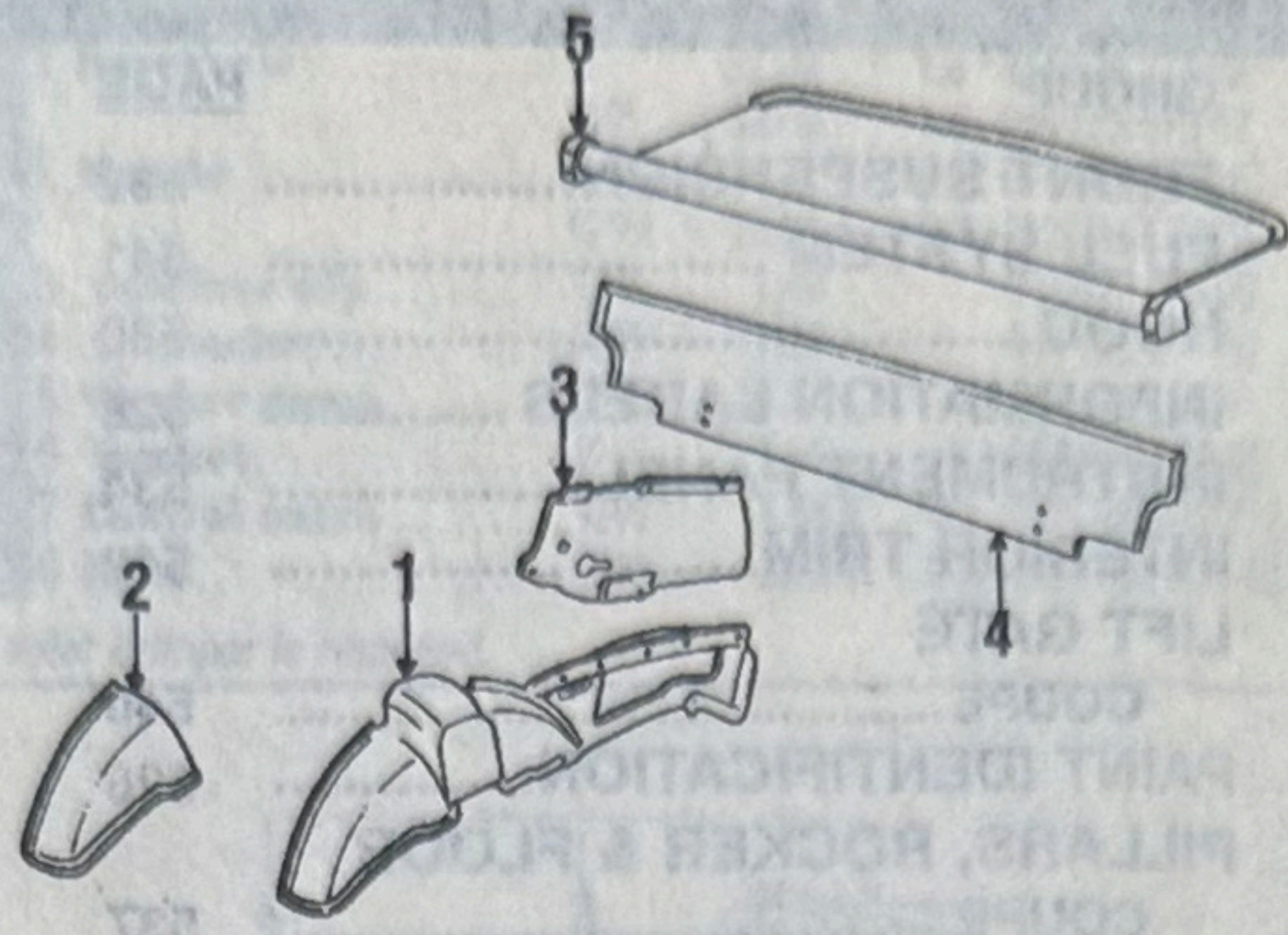
1 Trim panel			
997 vinyl	83-85R	631.97	0.8 477 867 012 LDF9
1691	83-85L	631.97	0.8 477 867 011 LDF9
998	86-91R	434.58	0.8 944 555 018 01NU1
999	86-91L	448.05	0.8 944 555 017 01NU1
1000 vinyl & cloth	83-85R	631.97	0.8 477 867 012 LFE5
1692	83-85L	631.97	0.8 477 867 011 LFE5
1001	86-91R	434.58	0.8 944 555 018 01NU5
1002	87-91L	434.58	0.8 944 555 018 01NU5
1525	87-91	.68	928 555 569 02
Lock bezel			
Seal			
1526 door, upper	83-91R	81.22	944 555 032 01
1527	83-91L	81.22	944 555 031 01
1003 2 Armrest	83-91B	167.37	0.3 477 867 171 041
1528 bracket	83-91R	7.34	477 867 154
1529	83-91L	7.20	477 867 153
1004 3 Pocket	83-85R	263.31	944 555 274 003BF
1693	83-85L	263.31	944 555 273 003BF
1531	86-91R	263.31	944 555 274 001DR
1532	86-91L	263.31	944 555 273 001DR
1533 4 Switch bezel	83-91R	13.46	944 555 272 011DB
1534	83-91L	12.91	944 555 271 001DB
1536 Blank cover	83-91	7.72	951 613 255 001DB
1535 Retainer	83-91	.12	N10050902
Speaker			
1754 oval-type	83-85	30.85	944 645 421 00
1537	86-91	33.88	944 645 951 00
round type			
1538 woofer	83-91	52.85	944 645 429 00
1539 tweeter	83-91	18.91	944 645 427 00
Speaker housing			
1540 oval-type	83-91	3.94	944 555 159 00
1541 dual round-type	83-91R	36.23	944 555 944 00
1542	83-91L	36.23	944 555 943 00
1543 Speaker grille	83-91	29.09	944 555 149 0001C



QUARTER PANEL TRIM

1 Trim panel			
1005 w/o convertible	83-86B	211.35	1.0 944 555 021 0105T
1544	87-90R	212.51	1.0 944 555 021 0905T
1545	87-90L	212.51	1.0 944 555 021 0705T
1677	91 R	266.40	1.0 944 555 022 1305T
1678	91 L	214.49	1.0 944 555 021 1305T
1546 w/convertible	90-91R	471.32	1.0 941 555 022 1005T
1547	90-91L	471.32	1.0 941 555 021 1005T
plug			
1548 w/o convertible	83-91	1.28	477 867 653
1549 w/convertible	90-91	3.00	911 555 523 6670B
Trim			
1550 upper pillar	83-91R	7.78	0.3 477 867 656 05T
1551	83-91L	7.78	0.3 477 867 655 05T
Speaker			
1552 round, bass	83-91	99.80	944 645 425 00
1553 speaker w/grille	86-91R	44.11	944 645 046 0001C

1554 86-91L 44.11 944 645 046 0001C



TRUNK TRIM

1 Trim panel			
1555 w/o convertible	83-91R	237.20	0.4 944 555 084 023BF
1556	83-91L	237.20	0.4 944 555 083 033BF
1557 w/convertible	90-91R	194.03	0.4 941 555 084 101DR
1558	90-91L	194.03	0.4 941 555 083 101DR
Lining			
1559 2 convertible	90-91R	94.86	941 555 326 101DR
1560	90-91L	94.86	941 555 325 101DR
1561 3 Rear cover	83-91	25.32	944 555 389 00
Cover			
1562 4 backing	83-91	158.71	944 522 831 001DR
1563 5 luggage	83-91	636.72	477 863 511 A05T
1564 luggage end	83-91R	12.26	477 863 517 A05T
1694	83-91L	12.26	477 863 518 A05T
Striker			
1565 seat	83-91R	46.66	944 522 030 00
1566	83-91L	46.66	944 522 029 00
1567 bracket	83-91	25.32	944 522 031 00

Please contact our Product Support Group if you require assistance locating, interpreting or using any information contained in this Estimating Guide. Toll Free Number: 1-800-426-6867.

GROUP INDEX

GROUP	PAGE	GROUP	PAGE	GROUP	PAGE
AIR CONDITIONER & HEATER...	546	FRONT SUSPENSION.....	550	REAR BUMPER.....	564
CONSOLE.....	553	FUEL SYSTEM.....	561	REAR DOOR.....	559
CONVERTIBLE/SOFT TOP.....	555	GRILLE.....	544	REAR LAMPS.....	563
COOLING.....	545	HOOD.....	547	REAR SUSPENSION.....	562
COWL.....	552	INFORMATION LABELS.....	544	RESTRAINT SYSTEMS.....	553
ELECTRICAL.....	547	INSTRUMENT PANEL.....	552	ROOF.....	554
EMISSION SYSTEM.....	550	LIFT GATE.....	563	SEATS & TRACKS.....	554
ENGINE / TRANSAXLE.....	548	PAINT IDENTIFICATION.....	544	STEERING COLUMN.....	551
EXHAUST SYSTEM.....	549	PILLARS, ROCKER & FLOOR....	556	STEERING GEAR & LINKAGE....	551
FENDER.....	547	QUARTER PANEL.....	560	TRUNK LID.....	563
FRAME.....	547	3 DOOR.....	560	UNDERHOOD DIAGRAM.....	547
FRONT BUMPER.....	544	5 DOOR.....	560	WHEELS.....	550
FRONT DOOR.....	557	CONVERTIBLE.....	561	WINDSHIELD.....	551
FRONT LAMPS.....	544	REAR BODY & FLOOR.....	562		

Black Book
USED CAR MARKET GUIDE

1994 900 SERIES

ADD	*DEDUCT*
450 P SUNROOF - 900S	400 W/O AT - 900
1800 TURBO - CS/CS	150 W/O CD
	500 W/O LEATHER

MODEL DESCRIPTION	AVG RETAIL
903 3D HBK S	15175
905 5D HBK S	15500
953 3D HBK SE	19200
975 5D HBK SE V6	19525
912 CONVERTIBLE S	21050
952 CONVERTIBLE TURBO	25575
942 CONV TBO COMM ED	26550

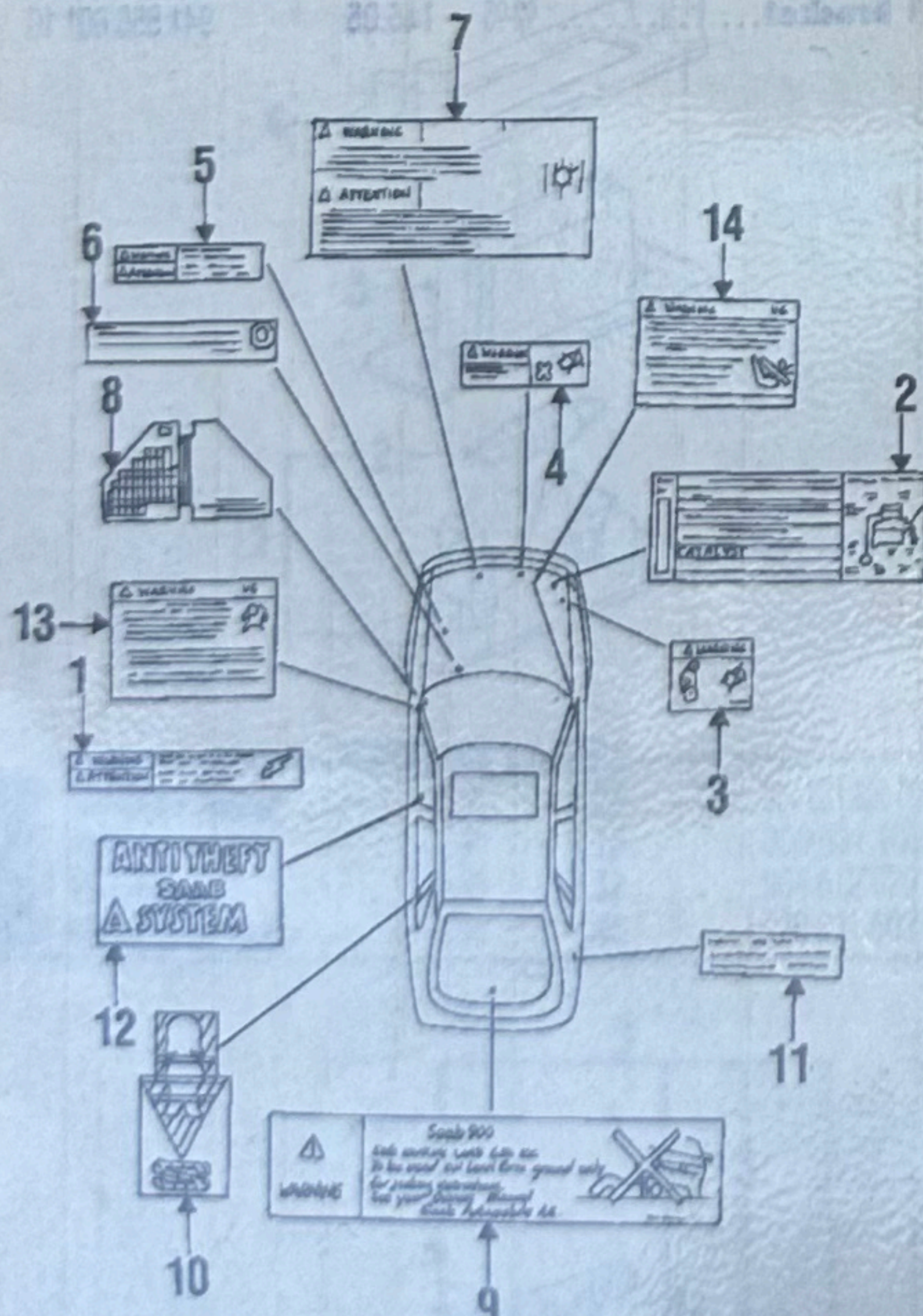
PAINT IDENTIFICATION

ERK7310

PAINT PROCESS
All metallic colors are base coat/clear coat.

PAINT CODE IDENTIFICATION
Paint code located on left door jamb.

INFORMATION LABELS



OVERLAP OPERATIONS
Install labels each additional label

1225	after first label.....	94-96	0.1
------	------------------------	-------	-----

PARTS AND R&R OPERATIONS

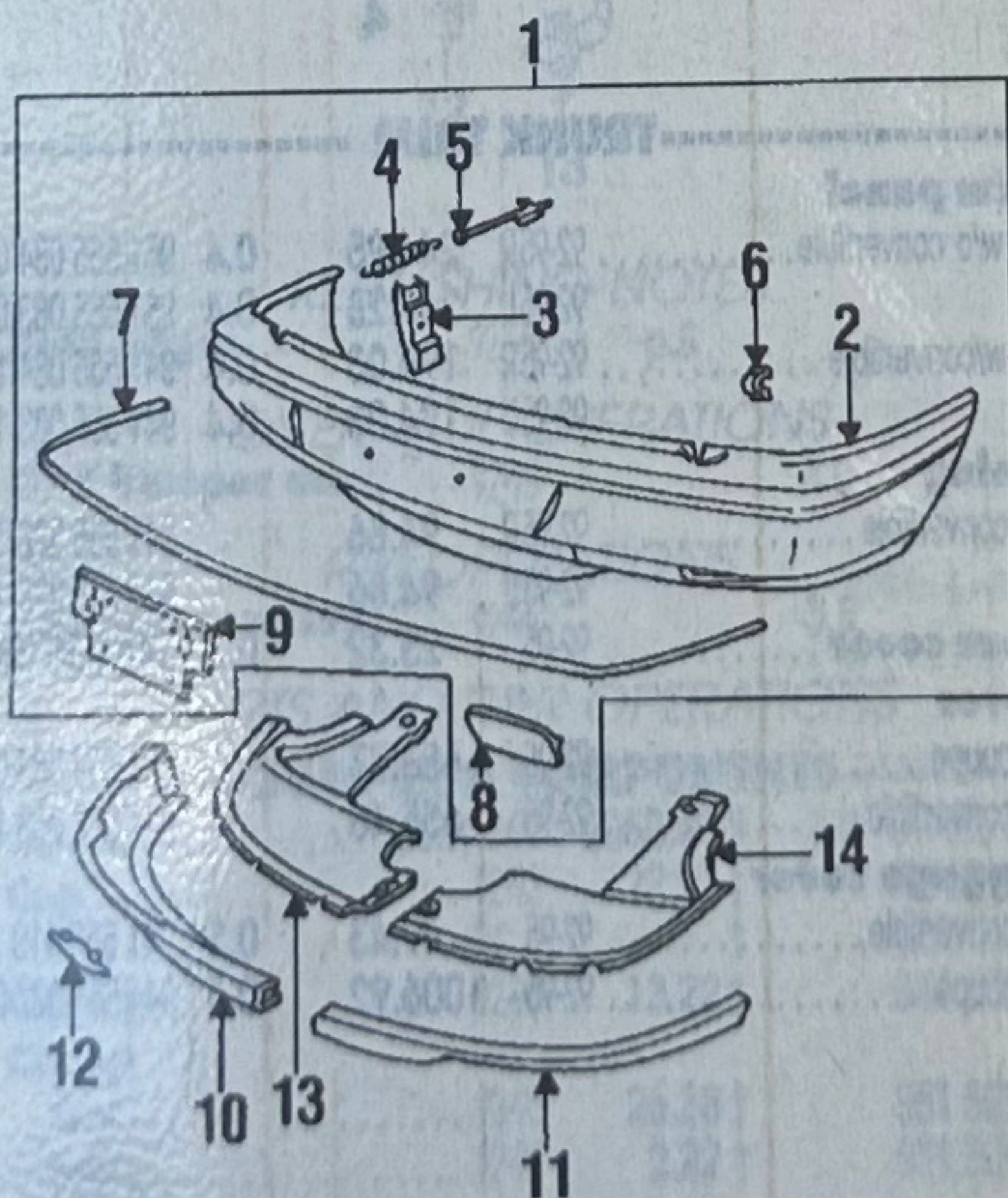
INFORMATION LABELS

12261	Label battery.....	94-96	.35 #	0.2	43 94 227
-------	--------------------	-------	-------	-----	-----------

2	emission				
1227	2.0 liter.....	94	2.40 #	0.2	42 28 342
1789		95	1.20 #	0.2	44 45 888
1870	2.0L, manual trans.....	96	1.90 #	0.2	47 25 016
1871	2.0L, auto trans.....	96	1.90 #	0.2	47 25 024
1228	2.3 liter.....	94	2.50 #	0.2	42 28 391
1790		95	1.20 #	0.2	44 45 896
1868		96	1.90 #	0.2	47 25 032
1229	2.5 liter.....	94	2.50 #	0.2	42 28 334
1791		95	1.20 #	0.2	44 45 870
1869		96-97	1.90 #	0.2	47 25 008
1230	belt caution.....	94-97	.40 #	0.2	43 59 444
1231	fan caution.....	94-97	.30 #	0.2	43 57 778
1232	expansion tank.....	94-97	.65 #	0.2	44 44 196
1233	brake filler cap.....	94	1.30 #	0.2	44 25 674
1792		95-97	1.70 #	0.2	44 26 573
1793	convertible top.....	95-97	1.70 #	0.2	44 92 161
1234	AC warning.....	94	1.70 #	0.2	47 58 264
1794		95-97	.40 #	0.2	47 58 264
1235	fuse box.....	94	6.00 #	0.2	45 83 886
1795		95	6.00 #	0.2	45 89 321
1872		96-97	4.60 #	0.2	46 93 065
1236	jack warning.....	94-95	1.80 #	0.2	44 82 006
1237	child-proof lock.....	94-95	.95 #	0.2	69 56 684
1873		96-97R	1.70 #	0.2	45 58 441
1874		96 L	1.70 #	0.2	45 58 433
1238	unleaded fuel.....	94-97	3.70 #	0.2	40 23 636
1239	anti-theft system.....	94-97	3.50 #	0.2	95 68 049
1240	air bag caution				
1241	driver side.....	94-97	2.20 #	0.2	46 06 703
1241	passenger side.....	94-97	2.40 #	0.2	46 06 695

LABOR: Time is for application of first label. See OVERLAP OPERATIONS.

FRONT BUMPER



REFINISHING NOTES

2	Refn edges.....	94-97	0.3
---	-----------------	-------	-----

OVERHAUL OPERATIONS

3	O/H bumper assy.....	94-97	2.0
---	----------------------	-------	-----

R&I OPERATIONS

2	R&I bumper assy.....	94-97	1.0
---	----------------------	-------	-----

PARTS AND R&R OPERATIONS

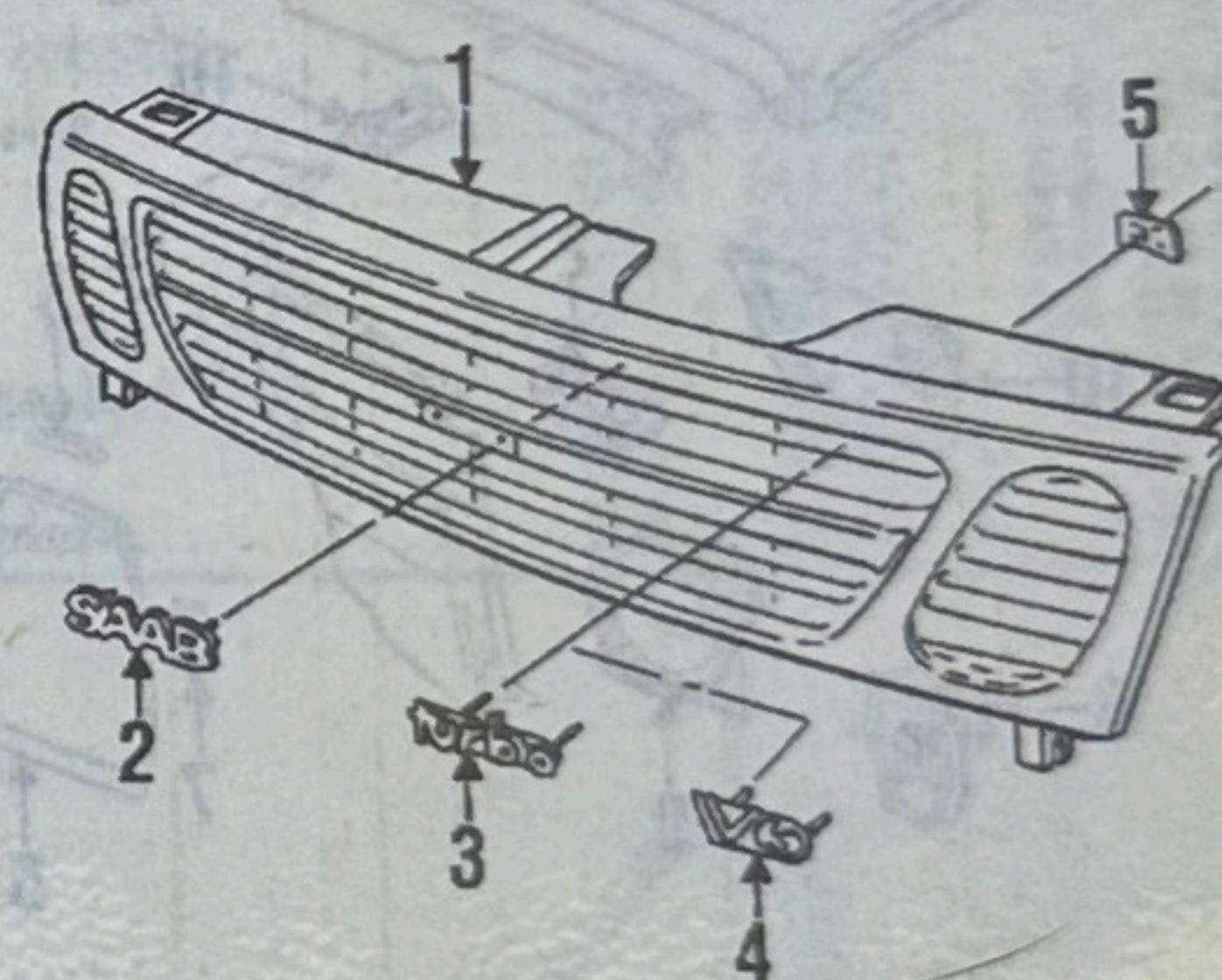
BUMPER & COMPONENTS

1	Bumper assy				
4	painted.....	(p1.5)94-97	610.00	1.0	44 80 091
5	black.....	94-97	D580.00	1.0	44 80 612
2	Cover				
6	painted.....	(p1.5)94-97	300.00 #	2.0	44 80 109

7	black.....	94-97	D155.00 #	2.0	42 48 688
8	retainer.....	94-97	13.00		42 48 639
9	Tension spring.....	94-97	.70		43 99 770
10	bracket.....	94-97	4.20		44 81 040
11	clip.....	94-97	.40		44 00 644
12	Molding.....	94-97	40.00	0.3	42 48 753
8	Cover				
13	w/o fog lamps.....	94-97R	9.00		42 48 746
14	94-97L	9.00		42 48 738
15	License bracket.....	94-97	35.00	0.2	69 21 142
16	10 Spoiler.....	94-97R	115.00	0.3	45 22 702
17	11.....	94-97L	120.00	0.3	45 22 694
18	12 Cap.....	94-97	6.60		42 48 720
19	13 Splash shield.....	94-97R	25.00	0.3	42 96 182
20	14.....	94-97L	25.00	0.3	42 96 174

LABOR: Time is for overhaul.

GRILLE



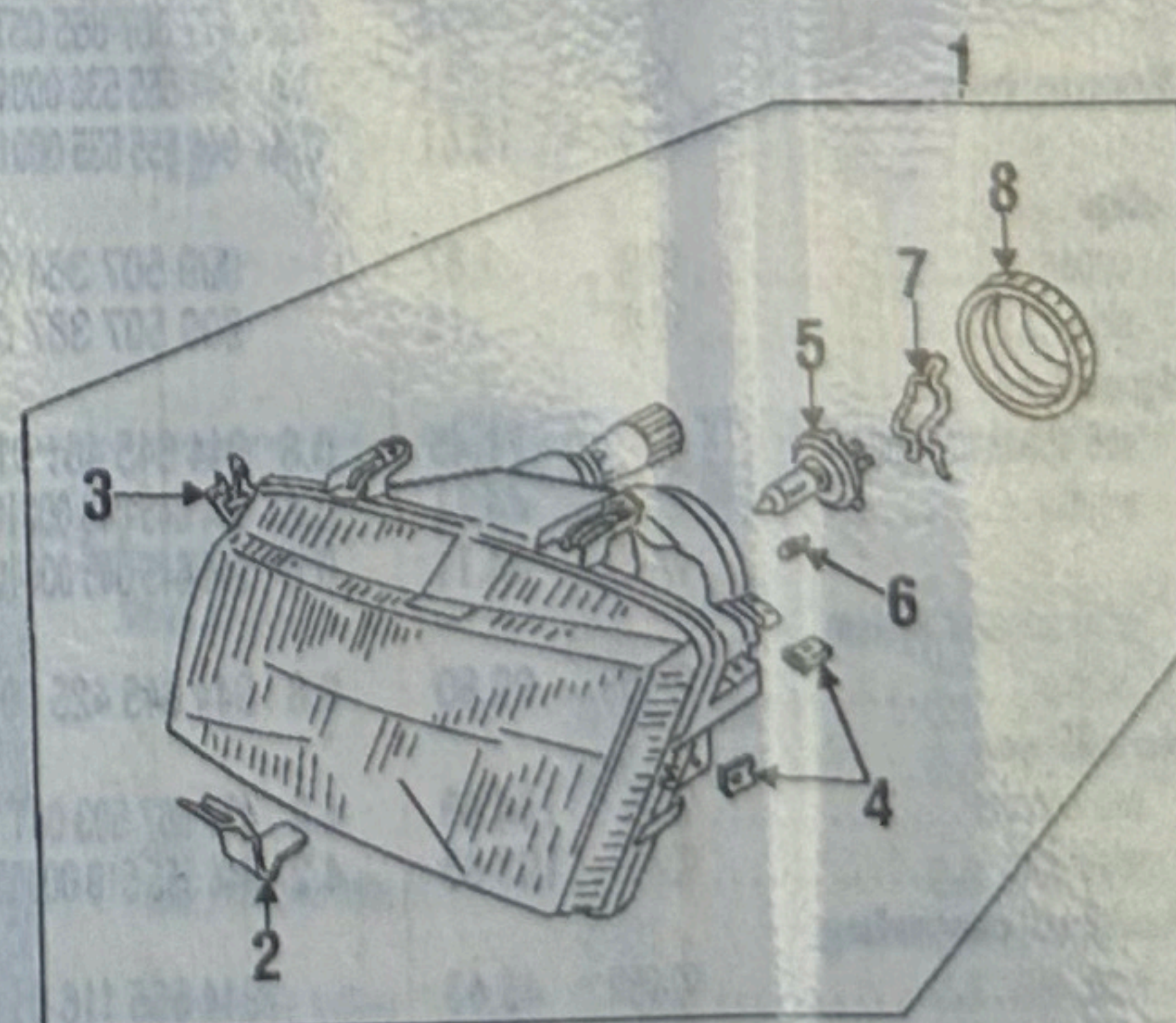
PARTS AND R&R OPERATIONS

GRILLE & COMPONENTS

41	1 Grille.....	94-97	145.00	0.4	42 40 867
	Emblem				
42	2 "SAAB".....	94-97	6.80 #	0.2	44 81 271
43	3 "TURBO".....	94-97	3.70	0.2	44 00 743
44	4 "V6".....	94-97	3.70	0.2	44 00 768
45	5 clip.....	94-97	.80		79 19 483

PARTS: Does not include clips.

FRONT LAMPS



ADD IF REQUIRED

47	Alm headlamps.....	94-97	0.5
----	--------------------	-------	-----

R&I OPERATIONS

46	R&I headlamp assy		
	one side.....	94-97B	0.6

Please contact our Product Support Group if you require assistance locating, interpreting or using any information contained in this Estimating Guide. Toll Free Number: 1-800-426-6867.

PAP-PARTS

GERMAN AUTO PARTS

SINCE 1974
WWW.PAP-PARTS.COM

60 INDUSTRIAL PARK PLACE
POWELL, OHIO 43065

PHONE 614-793-0981
TOLL FREE 800-944-2964
FAX 614-793-0982

Page	Date	Order No.
1	10/03/08	19105A

All purchases from the first to the last day of the month, made by customers with CHARGE ACCOUNTS are due and payable on the 10th of the following month. A service charge of 1 1/2% per month (50¢ minimum) is charged on all past due amounts on the 25th of the month. Any charge account 60 days past due will only be sold as C.O.D. When computed in accordance with the federal regulation "Z", the maximum simple INTEREST PER ANNUM RATE that approximates most closely the FINANCE CHARGE PERCENTAGE RATE is 18%.

SHIP TO

**Kevin J
Kovac**

Hagerty Market Place
Car Specialist
Dream Car: Lancia 037

kkovac@hagerty.com
mobile +1.224.595.9201
office +1.224.595.9201

hagerty.com

SOLD TO

Media Code	Terms			
T /EMAIL	XXXXXXXX5294 VISA			
Phone Number	Total Wt.	Zone	# Packages	Ship Via
(574) 536-4691	0.1 Lbs	3	1	PM

RETURNS SUBJECT TO RE-STOCKING FEE
No returns will be accepted without prior authorization

Qty.	B/O	Shipped	Item #	Description	Unit Price	Disc.	Extension	Pkg.
1	0	1	944 538 33 1 00 KIT	Key Blank & Lighted Head Kit,944	24.95	—	24.95	
							MERCHANDISE INVOICE TOTAL \$	24.95
							SHIPPING & HANDLING \$	3.00
							INVOICE TOTAL \$	27.95
							CR. CARD: VI, APPR:90302A\$	-27.95

Thank You

NO REFUNDS ON ELECTRICAL PARTS. NO RETURNS AFTER 14 DAYS
NO RETURNS WILL BE ACCEPTED WITHOUT OUR PRIOR AUTHORIZATION
ALL CORES MUST BE RETURNED IN THE ORIGINAL BOX
ALL CLAIMS AND RETURNED GOODS MUST BE ACCOMPANIED BY A COPY OF THIS INVOICE
ALL SHIPMENT ARE F.O.B. POWELL OHIO USA

Office DEPOT.



Your Imported Vehicle Specialists

Volvo BMW Saab

CUSTOMER

TOLL FREE:(877) 634-0063 (from 9-5 eastern time Monday thru Friday)

OUTSIDE US:(860) 445-7340 Fax: (860) 445-0511

FCP GROTON, LLC

734 Poquonnock Road • Groton, CT 06340

Order online @ www.fcpgroton.com

PAGE 1 OF 1

Kevin J Kovac

Hagerty Market Place Car Specialist Dream Car: Lancia 037

kkovac@hagerty.com mobile +1.224.595.9201 office +1.224.595.9201

hagerty.com

INV# 54598 CUST.# 27814 DATE 10/02/06

CASH SALE Mon Oct 2 19:04:54 2006

ART NUMBER	LIST	CORE	EACH	CODES / QTY	TOTAL
KEY BLANK	0.00	0.00	24.00*N	1	24.00
FREIGHT	0.00	0.00	4.85 N	1	4.85
POR-94453804100					
FRT-					

NOTE	P.O. NO./COMMENT LINE	NON-TAXABLE	CORE	TAXABLE	TAX%	TAX \$	TOTAL SALE
		28.85	0.00	0.00	6.000	0.00	28.85

CODES: T=TAXABLE N=NON-TAXABLE 1CORE ONLY RTN 2=INVENTORY RETURN 3=WARRANTY RTN

THANKS FOR YOUR BUSINESS!

RECEIVED BY:

All German Parts

John's Foreign Car Service

27635 Forbes rd unit J
Laguna Niguel, Ca. 92677
949-367-0900 Fax 949-367-2805

DATE: January 2, 2007
INVOICE # 1700

INVOICE

Code	Invoice #
100/100	1700

Ship To:
 LYLE HAWES
 13995 CLEARING VIEW DRIVE
 ELKHART IN 47745
 Ship To: Same



Kevin J Kovac
 Hagerty Market Place
 Car Specialist
 Dream Car: Lancia 037
 kkovac@hagerty.com
 mobile +1.224.595.9201
 office +1.224.595.9201
 hagerty.com

DATE	SHIP VIA	F.O.B. POINT	TERMS
	UPS	Free	CC

Qty	DESCRIPTION	UNIT PRICE	AMOUNT
1	944 114 012 01, Flywheel <i>Shift Bearings</i>	\$635.00	\$ 635.00
9	999 119 017 01, Flywheel Bolt	3.00	27.00
	<i>Pressure Plate Bolt</i>		
	<i>Clutch Plate / Pressure Plate</i>		
	<i>Input Shaft Bearing</i>		
	<i>Clutch Plate</i>		
	<i>Pressure Plate</i>		
	<i>...</i>		
Core			
		SUBTOTAL	\$ 662.00
		TAX RATE	0.00%
		SALES TAX	-
		SHIPPING & HANDLING	25.00
		TOTAL	\$ 687.00

- All returns must have return authorization
- No returns on electrical items
- No returns on special orders items
- No returns without this invoice
- 20% restock fee on all returns

THANK YOU FOR YOUR BUSINESS!

Invoice

Invoice Number:
2356

Invoice Date:
Nov 29, 2006

Page:
1

J.B.A. INC dba BILL'S TOP & TRIM
1505 WEST BEARDSLEY AVE.
ELKHART, IN 46514-1826
USA

Voice: 574-293-6745
Fax: 574-389-9131

Duplicate

Ship to:

Kevin J Kovac

Hagerty Market Place
Car Specialist
Dream Car: Lancia 037

kkovac@hagerty.com
mobile +1.224.595.9201
office +1.224.595.9201

hagerty.com

Customer PO	Payment Terms	
	C.O.D.	
Shipping Method	Ship Date	Due Date
Courier		11/29/06

Quantity	Item	Description	Unit Price	Extension
1.00	OCS	OIL CHANGE SERVICE	37.50	37.50
4.00	LABOR 1	REPLACE TIMING & BALANCE SHAFT BELTS AND ROLLERS.	75.00	300.00
1.00	LABOR 1	REPLACE CAM HOUSING GASKET & SPARK PLUGS.	75.00	75.00
1.00	46322 27	DRAIN PLUG SEAL	0.65	0.65
7.50	OIL	OIL 15W40	2.50	18.75
1.00	999 192 299 50	A/C ALT BELT	21.50	21.50
1.00	999 192 236 50	V BELT 9.5 x 950	13.65	13.65
1.00	SHM	SHOP MATERIALS		

Subtotal	467.05
Sales Tax	3.27
Freight	
Total Invoice Amount	470.32
Payment Received	
TOTAL	470.32

Check No: 1369

KLA INDUSTRIES, LLC.

9802 E. 45th Pl.
Tulsa, OK 74146

Sales Receipt

Date	Sale No.
10/16/2006	606

**Kevin J
Kovac**

Hagerty Market Place
Car Specialist
Dream Car: Lancia 037

kkovac@hagerty.com
mobile +1.224.595.9201
office +1.224.595.9201

hagerty.com

Please reference all installation instructions on our web site. Some products have critical detail information. KLA Industries, LLC will not be responsible for any damage resulting from improper installation.

Check No.	Payment Method
	Paypal

Description	Qty	Rate	Amount
968 Strut Brace	1	149.95	149.95
			0.00
Shipping/Packing/Handling	1	12.00	12.00
Total			\$161.95

Phone #	E-mail	Web Site	Packed By
918-629-5839	sales@klaindustries.net	www.klaindustries.net	

OFFICE DEPOT

FROM:

** PACKING SLIP **

10/09/06

Page 1

PELICAN PARTS
120 STANDARD STREET

TEL: (310) 640-1245
FAX: (310) 640-2632

PO#: 73138
ORDER DATE: 10/09/06

EL SEGUNDO

CA 90245-3832

REFERENCE#: 7082280
REFERENCE#: 95276091

**Kevin J
Kovac**

Hagerty Market Place
Car Specialist
Dream Car: Lancia 037

kkovac@hagerty.com
mobile +1.224.595.9201
office +1.224.595.9201

hagerty.com

SHIP DATE: 10/09/06
SHIP VIA: FEDEX G Ground

QTY	PART NUMBER	DESCRIPTION
2	900-123-118-30	Aluminum Washer
1	944-107-201-08	Oil Filter
4	999-170-189-90	Spark Plug
1	928-104-443-08	Spark Plug Hole Seal
1	928-104-447-09	Valve Cover Gasket

Office DEPOT.

Paragon Products
 5602 Old Brownsville Road Unit F-1
 Phone # 361-289-8834
 Houston TX 78417

**Kevin J
 Kovac**

Hagerty Market Place
 Car Specialist
 Dream Car: Lancia 037

kkovac@hagerty.com
 mobile +1.224.595.9201
 office +1.224.595.9201

hagerty.com



Invoice Date
 10/31/06

Page
 1

Ship To

Customer No. 11132	Sales I.D. /100	Reference #	Source /	Terms XXXXXXXXX5294 VISA		
Ordered By	Warehouse <i>CMPS</i>	Phone Number (574) 536-4691	Total Wt. 8.2 Lbs	Zone	Pkg 1	Ship Via 5DA

If you have any questions regarding your order please call us at
 800-200-9366 or email us sales@paragon-products.com. Returns must
 include a copy of the invoice or letter with list of items returned.

Qty	B/O	Ship	Item #	Description	Un. Price	Ds	Amount	
4	0	4	RL58304	75W90NS	8.9500	--	35.80	
							MERCHANDISE INVOICE TOTAL \$	35.80
							SHIPPING & HANDLING \$	8.66
							INVOICE TOTAL \$	44.46
							CR. CARD: 4 , APPR:90133A\$	-44.46

1B3



4030 S.W. 139th WAY
 BEAVERTON, OREGON 97005
 641-8600 or 1-800-346-0182
 FAX (503) 601-3090
 www.sunsetimports.com

RETURNED MERCHANDISE IS SUBJECT TO THE FOLLOWING CONDITIONS: A MINIMUM 20% HANDLING CHARGE; NO ACCEPTANCE OF ELECTRICAL PARTS; INSTALLED PARTS OR "SPECIAL ORDER NON STOCKING ITEMS" WITH NO EXCEPTIONS; THERE CAN BE NO RETURNS AFTER 20 DAYS; AND ALL RETURNS MUST BE ACCOMPANIED BY THE APPROPRIATE INVOICE: RETURNS ON PURCHASES PAID BY CHECK WILL BE REFUNDED AFTER 10 WORKING DAYS.

PART NUMBERS BEGINNING WITH "ZZZ" ARE NOT GENUINE PORSCHE PARTS OR ACCESSORIES, AND THEREFORE, ARE NOT COVERED BY A PORSCHE FACTORY WARRANTY.

ANY WARRANTIES ON THE PARTS OR ACCESSORIES ARE THOSE MADE BY THE MANUFACTURER. THE SELLER, SUNSET IMPORTS, HEREBY DISCLAIMS ANY IMPLIED WARRANTY OF MERCHANTABILITY OR FITNESS FOR A PARTICULAR PURPOSE AND ASSUMES NOR AUTHORIZES ANY OTHER PERSON TO ASSUME FOR IT ANY LIABILITY IN CONNECTION WITH THE SALE OF SUCH PARTS OR ACCESSORIES.

**Kevin J
 Kovac**

Hagerty Market Place
 Car Specialist
 Dream Car: Lancia 037

kkovac@hagerty.com
 mobile +1.224.595.9201
 office +1.224.595.9201

hagerty.com

INVOICE DATE	INVOICE NUMBER
24 JAN 07	162283

SHIP TO
 104500 OVERSEAS HIGHWAY
 APT. 104
 KEY LARGO FL 33037

PAGE 1 OF 1

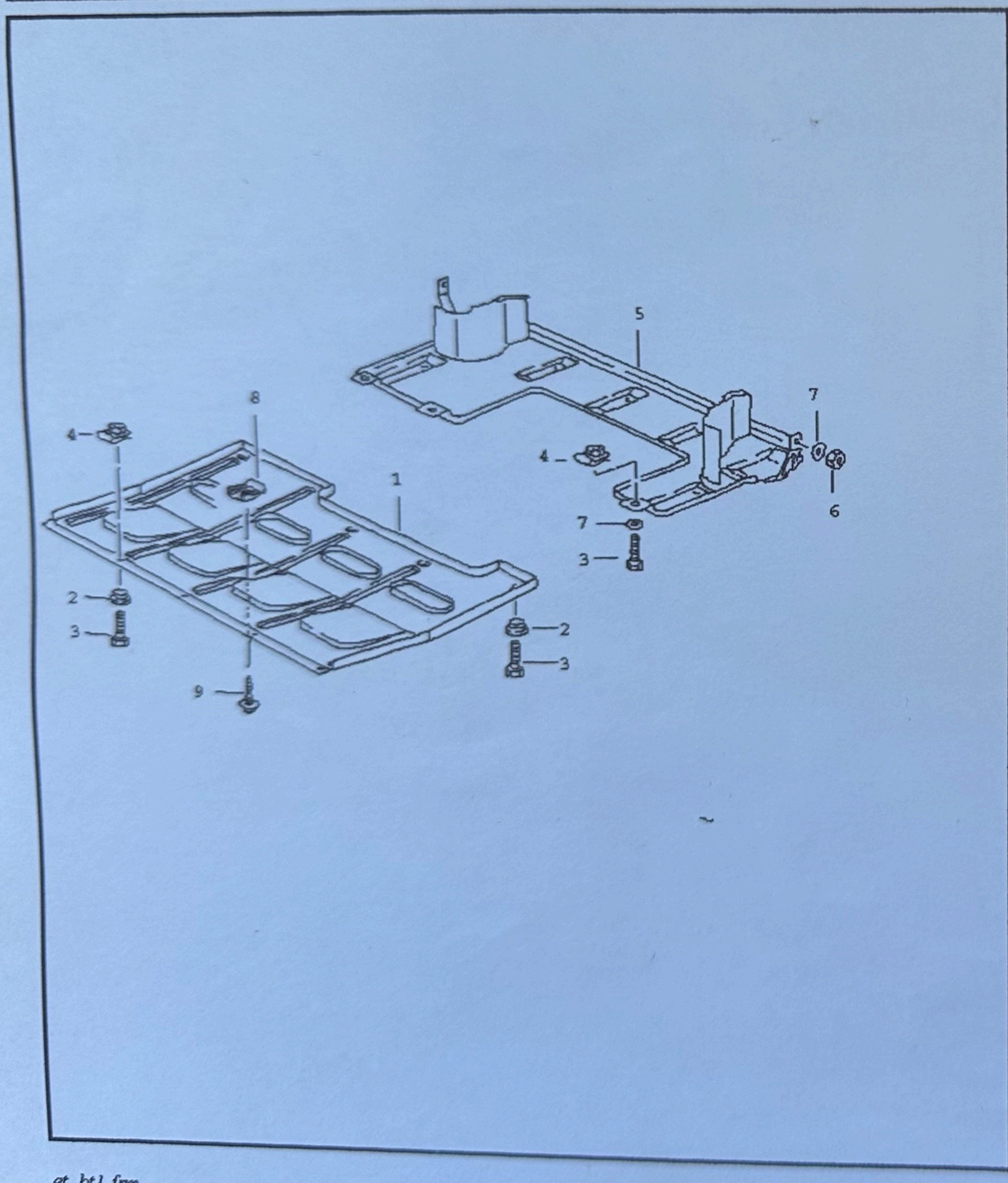
UPS			11	TERMS	F.O.B. POINT			
				CASH	BEAVERTON OR			
ORD.	QUANTITY SHIP	B.O.	PART NO.	DESCRIPTION	LIST	NET	AMOUNT	
1	1	0	944-504-167-03	BODY UNDER	108.51	81.10	81.10	
1	1	0	951-504-069-00	ENG.PROTEC	187.10	139.85	139.85	
8	8	0	944-503-257-00	ENG.PLATE	0.49	0.32	2.56	
11	11	0	N-010-215-13	HXHD BOLT	1.63	0.98	10.78	
6	6	0	999-507-326-02	SPEED NUT	4.17	2.50	15.00	
2	2	0	900-076-010-02	NUT M6	0.21	0.13	0.26	
5	5	0	900-151-006-09	WASHER	1.08	0.64	3.20	
3	3	0	999-591-699-02	SPEED NUT	0.58	0.35	1.05	
3	3	0	900-143-159-07	TAP SCREW	2.77	1.66	4.98	
				FREIGHT OUT	35.00			
							PARTS	258.78
							SUBLET	
							FREIGHT	35.00
							SALES TAX	0.00
CUSTOMER'S SIGNATURE							TOTAL	\$293.78
X								



*Thank
 You
 For
 Your
 Business!*

CUSTOMER COPY

Model	Year	MG	SG	Illustration	Restrictions	Update	10:23	30.08.2006	PORSCHE	PET	PORSCHE
968	95	1	01	101-05		203					



Pos	Part Number	Name	Remarks	Qty	Model
		protective plate			
1	944 504 167 03	protective plate		1	
2	944 503 257 00	spacer		8	
3	N 010 215 13	hexagon-head bolt M 6 X 15		11	
4	999 507 326 02	captive nut		6	
5	951 504 069 00	protective plate		1	
6	900 076 010 02	hexagon nut		2	
7	N 011 666 7	washer		5	
8	999 591 699 02	speed nut		3	
9	900 143 159 07	screw B 4,8 X 19 Z2		3	
- - - E N D - - -					



4030 S.W. 139th WAY
 BEAVERTON, OREGON 97005
 641-8600 or 1-800-346-0182
 FAX (503) 601-3090
 www.sunsetimports.com

RETURNED MERCHANDISE IS SUBJECT TO THE FOLLOWING CONDITIONS: A MINIMUM 20% HANDLING CHARGE; NO ACCEPTANCE OF ELECTRICAL PARTS; INSTALLED PARTS OR "SPECIAL ORDER NON STOCKING ITEMS" WITH NO EXCEPTIONS; THERE CAN BE NO RETURNS AFTER 20 DAYS; AND ALL RETURNS MUST BE ACCOMPANIED BY THE APPROPRIATE INVOICE; RETURNS ON PURCHASES PAID BY CHECK WILL BE REFUNDED AFTER 10 WORKING DAYS.

PART NUMBERS BEGINNING WITH "ZZZ" ARE NOT GENUINE PORSCHE PARTS OR ACCESSORIES, AND THEREFORE, ARE NOT COVERED BY A PORSCHE FACTORY WARRANTY.

ANY WARRANTIES ON THE PARTS OR ACCESSORIES SOLD HEREBY ARE THOSE MADE BY THE MANUFACTURER. THE SELLER, SUNSET IMPORTS, HEREBY EXPRESSLY DISCLAIMS ALL WARRANTIES, EITHER EXPRESSED OR IMPLIED, INCLUDING ANY IMPLIED WARRANTY OF MERCHANTABILITY OR FITNESS FOR A PARTICULAR PURPOSE AND THE SELLER, SUNSET IMPORTS, ASSUMES NOR AUTHORIZES ANY OTHER PERSON TO ASSUME FOR IT ANY LIABILITY IN

**Kevin J
Kovac**

Hagerty Market Place
 Car Specialist
 Dream Car: Lancia 037

kkovac@hagerty.com
 mobile +1.224.595.9201
 office +1.224.595.9201

hagerty.com

INVOICE DATE	INVOICE NUMBER
02 FEB 07	164819

SHIP TO
 104500 OVERSEAS HIGHWAY
 APT. 104
 KEY LARGO FL 33037

PAGE 1 OF 1

TERMS	F.O.B. POINT
CASH	BEAVERTON OR

QUANTITY			PART NO.	DESCRIPTION	LIST	NET	AMOUNT
ORD.	SHIP	B.O.					
1	1	0	944-343-706-30	STABILIZER	277.37	198.71	198.71
2	2	0	951-343-794-05	RUBBER BUS	12.56	9.37	18.74
2	2	0	951-343-793-31	RUBBER BUS	14.21	9.81	19.62
4	4	0	951-343-795-01	RUBBER BUS	2.81	1.94	7.76
2	2	0	N-012-449-1	LOCK WASHE	1.13	0.77	1.54
1	1	0	944-333-701-01	STABILIZER	169.46	116.91	116.91
2	2	0	964-333-792-00	RUBBER MOU	3.98	2.38	4.76
FREIGHT OUT				30.00			



*Thank
 You
 For
 Your
 Business!*

PARTS	368.04
SUBLET	
FREIGHT	30.00
SALES TAX	0.00
TOTAL	\$398.04

CUSTOMER'S SIGNATURE

X

CUSTOMER COPY

Rear Sway Bar Link Installation

1. Raise the rear end of the car and remove the original sway bar links by undoing the trailing arm and sway bar nuts. It is ideal to use ramps because the suspension should be loaded if you want to take advantage of the pre load adjustment.
2. Once the original links are removed, place spacers onto the trailing arm studs, then insert the links, and finally tighten the nuts.
3. Adjust the sway bar links so that the provided sway bar bolts go in without any resistance from either side. To ensure proper pre load adjustment, you should either be inside the driver's seat while someone else makes final length adjustments or use ballast equivalent to your weight.
4. Once the links have proper length adjustment, tighten the sway bar nuts and the jam nuts on the links. Ensure that the rod ends on each link are in-line with each other, so that there is no binding.
5. Torque the trailing arm and sway bar nuts to 34 lb/ft (46 N/m).

Installed:

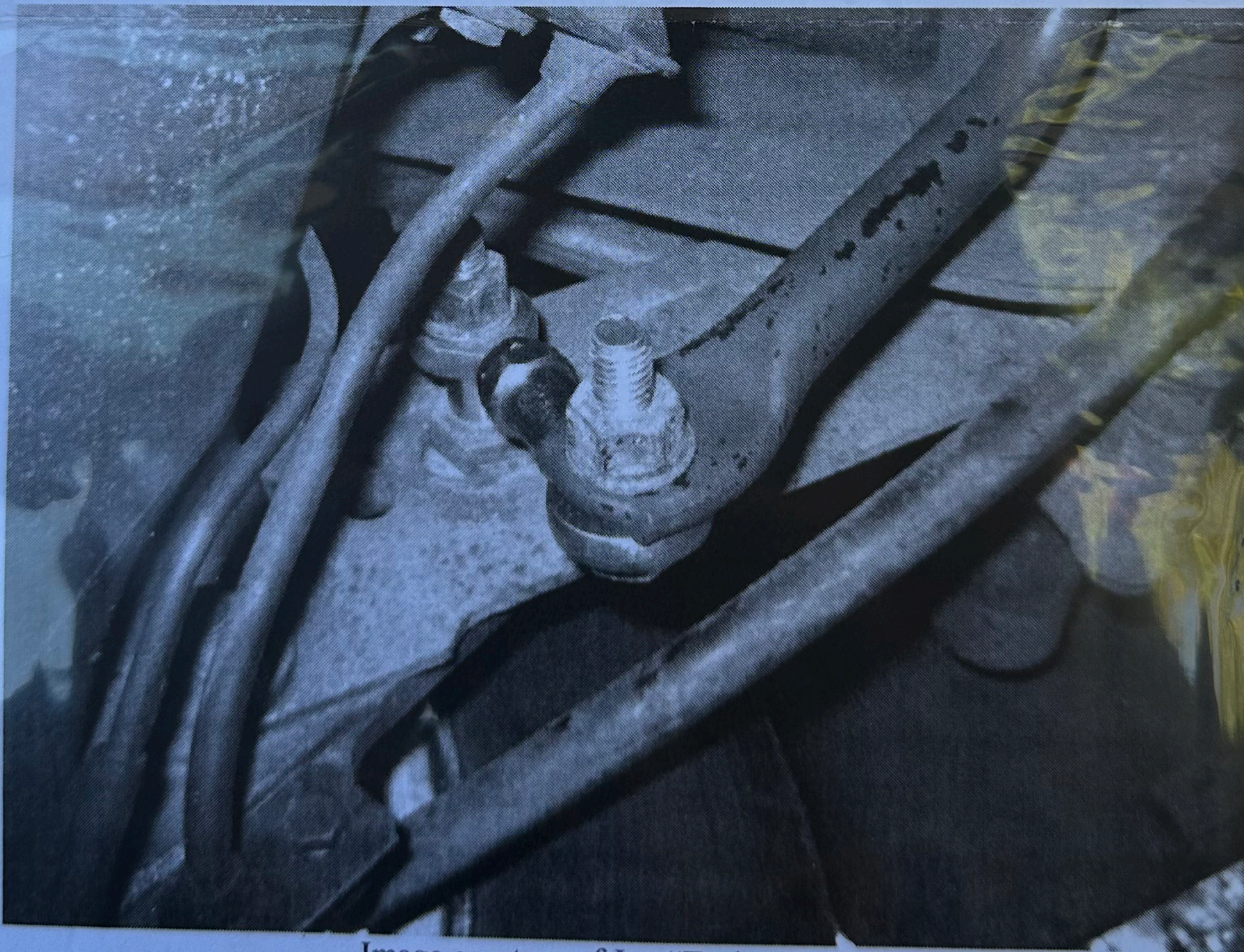


Image courtesy of Jon "Techno Duck"

Jager Engineering Group www.jageng.com

Jager Engineering Invoice

9593 Sproat Place
Sproat Lake (Port Alberni), B.C.
V9Y 9C5 CANADA

Date	Invoice #
3/14/2007	2668

**Kevin J
Kovac**

Hagerty Market Place
Car Specialist
Dream Car: Lancia 037

kkovac@hagerty.com
mobile +1.224.595.9201
office +1.224.595.9201

hagerty.com

Ship To (If different)

P.O. No.	Terms	Rep	Ship	Via	F.O.B.	Project
		VEL	3/14/2007	Canada P...		
Quantity	Item	Description	Price Each	Amount		
3	A217-RTD	Type Designation Lettering in Script (9-6-8) (synthetic chrome)	7.00	21.00		
1	Air S&H Sml Pk <...	Letter/Oversize or Small Packet <500g (x2 for International)	7.95	7.95		

Thank you for your business.

Total US\$28.95

Phone #

(250)-724-1408

E-mail /Paypal Account Add...

pjager@jageng.com

Web Site

www.jageng.com

Paragon Products
 5602 Old Brownsville Road Unit F-1
 Phone # 361-289-8834
 Corpus Christi TX 78417

Order #
 40527A

Invoice Date
 05/16/07

Page
 1

**Kevin J
 Kovac**

Hagerty Market Place
 Car Specialist
 Dream Car: Lancia 037

kkovac@hagerty.com
 mobile +1.224.595.9201
 office +1.224.595.9201

hagerty.com

Ship To

Invoice #

Source

Terms

XXXXXXXXX5294 VISA

Phone Number

Total Wt.

Zone

Pkg

Ship Via

(574) 536-4691

6 8.6 Lbs

1

5DA

ADAM

If you have any questions regarding your order please call us at
 800-200-9366 or email us sales@paragon-products.com. Returns must
 include a copy of the invoice or letter with list of items returned.

Qty	B/O	Ship	Item #	Description	Un. Price	Ds	Amount	
2	0	②	ATEBLUE 10A3	Brake fluid	13.0000	--	26.00	
1	0	1	MOTIVE	European Motive Power Bleeder	47.9500	--	47.95	
							MERCHANDISE INVOICE TOTAL \$	73.95
							SHIPPING & HANDLING \$	9.41
							INVOICE TOTAL \$	83.36
							CR. CARD: 4, APPR:01617A\$	-83.36

Drop Ship

THE TIRE RACK®
Performance specialists

7101 Vorden Parkway
South Bend, IN 46628-8422
Phone: (574) 287-2345
800: (800) 428-8355
Customer Service: Ext. 360
Fax: (574) 236-7707

INVOICE

INVOICE NUMBER	INVOICE DATE	PAGE
418933901	5/26/07	1
PURCHASE ORDER NUMBER		

1

5/26/07
12:33:57

Kevin J Kovac

Hagerty Market Place
Car Specialist
Dream Car: Lancia 037

kkovac@hagerty.com
mobile +1.224.595.9201
office +1.224.595.9201

hagerty.com

SHIP TO:

1534742-000

HAWS, LYLE
55995 CHANNEL VIEW DR
ELKHART IN 46516 1238

SHIP-TO PHONE: 574-522-9833
Plan 220433 Team CART Wave 001 Prcl 6132

ORDER DATE	SALES REP. NAME / PHONE EXT.	TERMS	MAKE, MODEL AND YEAR	WHSE	OPER.
5/26/07	CY-EXT. 622	Cash Payment	968 COUP 92	SB	CY

PART NUMBER	QUANTITY ORDERED	QUANTITY SHIPPED	DESCRIPTION	UNIT PRICE	EXTENSION	LOC.
ATESUPERBLUE 706302	2	2	ATE SUPER BLUE BRAKE FLUID HP/RACE FLUID 1 LITER FOR TRACK AND HP STREET USE DRY BOILING POINT 536F WET BOILING POINT 388F 1 LITER BOTTLE **Florida State Law Prohibts the use of BLUE brake fluid**	12.00	24.00	A- 1
			TOTAL THIS ORDER		24.00	
			SALES TAX-INDIANA		1.44	
			Cash Payment		25.44-	
			TOTAL AMOUNT DUE		\$.00	

Weight

6

ALL PAST DUE ACCOUNTS ARE SUBJECT TO A FINANCE CHARGE OF 1½% PER MONTH, WHICH IS AN ANNUAL PERCENTAGE RATE OF 18%.

968 ENGINEERING

AIR BOX FLOW MODIFICATIONS

INVOICE No. 41856

ACCT NO.:

NAME <i>Haws</i>		DATE: <i>6-1-07</i>
ADDRESS		
CITY	ZIP	TIME IN
CUSTOMER'S P.O. NUMBER	PHONE	TIME PROMISED
YEAR MAKE AND MODEL <i>Porsche</i>		LICENSE NUMBER
A/C <input type="checkbox"/>		SPEEDOMETER

ELKHART RADIATOR, INC
1100 E BEARDSLEY AVE
ELKHART, IN 46514

DATE: 06/01/07 TIME: 10:03
MEMO: 4806117886

Repair

ing, Inc.

Kevin J Kovac

Hagerty Market Place
Car Specialist
Dream Car: Lancia O37

kkovac@hagerty.com
mobile +1.224.595.9201
office +1.224.595.9201

hagerty.com

CARDMEMBER ACKNOWLEDGES RECEIPT OF
GOODS AND/OR SERVICES IN THE AMOUNT OF
THE TOTAL SHOWN HEREON AND AGREES TO
PERFORM THE OBLIGATIONS SET FORTH BY THE
CARDMEMBER'S AGREEMENT WITH THE ISSUER

[Signature]
TOP COPY-MERCHANT BOTTOM COPY-CUSTOMER

AMOUNT	DESCRIPTION OF WORK	AMOUNT																		
	Clean & Test <input type="checkbox"/>																			
<i>134.00</i>	Repair <input type="checkbox"/>																			
	R & R Radiator <input type="checkbox"/>																			
	R & R Heater <input type="checkbox"/>																			
	Evac. & Recharge <input checked="" type="checkbox"/> <i>Add Dye</i>	<i>59.00</i>																		
	R & R Thermostat <input type="checkbox"/>																			
	R & R Water Pump <input type="checkbox"/>																			
	R & R Gas Tank <input type="checkbox"/>																			
	R & R Belts <input type="checkbox"/>																			
	R & R Hoses <input type="checkbox"/>																			
	Radiator Flush <input type="checkbox"/>																			
	A/C Check & Service <input type="checkbox"/>																			
	Mechanics Comments <input type="checkbox"/>																			
YOUR WARRANTY																				
THE EFFECTIVE DATE OF YOUR WARRANTY IS THE DATE OF THIS INVOICE. YOUR WARRANTY PERIOD FOR PARTS AND/OR LABOR IS INDICATED IN THE BOX TO THE RIGHT. YOUR RECEIPT FOR THIS TRANSACTION MUST ACCOMPANY YOUR WARRANTY CLAIM AND ALL WORK MUST BE DONE IN OUR SHOP.																				
	<table border="1"> <tr> <th>PARTS</th> <th>LABOR</th> <th></th> </tr> <tr> <td>NONE</td> <td>NONE</td> <td></td> </tr> <tr> <td>90 DAYS</td> <td>90 DAYS</td> <td>TOTAL LABOR <i>59.00</i></td> </tr> <tr> <td>1 YR.</td> <td>1 YR.</td> <td>TOTAL PARTS <i>134.00</i></td> </tr> <tr> <td>2 YR.</td> <td>2 YR.</td> <td>TAX <i>8.04</i></td> </tr> <tr> <td>LIFE</td> <td>LIFE</td> <td>TOTAL <i>201.04</i></td> </tr> </table>	PARTS	LABOR		NONE	NONE		90 DAYS	90 DAYS	TOTAL LABOR <i>59.00</i>	1 YR.	1 YR.	TOTAL PARTS <i>134.00</i>	2 YR.	2 YR.	TAX <i>8.04</i>	LIFE	LIFE	TOTAL <i>201.04</i>	
PARTS	LABOR																			
NONE	NONE																			
90 DAYS	90 DAYS	TOTAL LABOR <i>59.00</i>																		
1 YR.	1 YR.	TOTAL PARTS <i>134.00</i>																		
2 YR.	2 YR.	TAX <i>8.04</i>																		
LIFE	LIFE	TOTAL <i>201.04</i>																		
		CUSTOMER PAY																		
		BALANCE																		

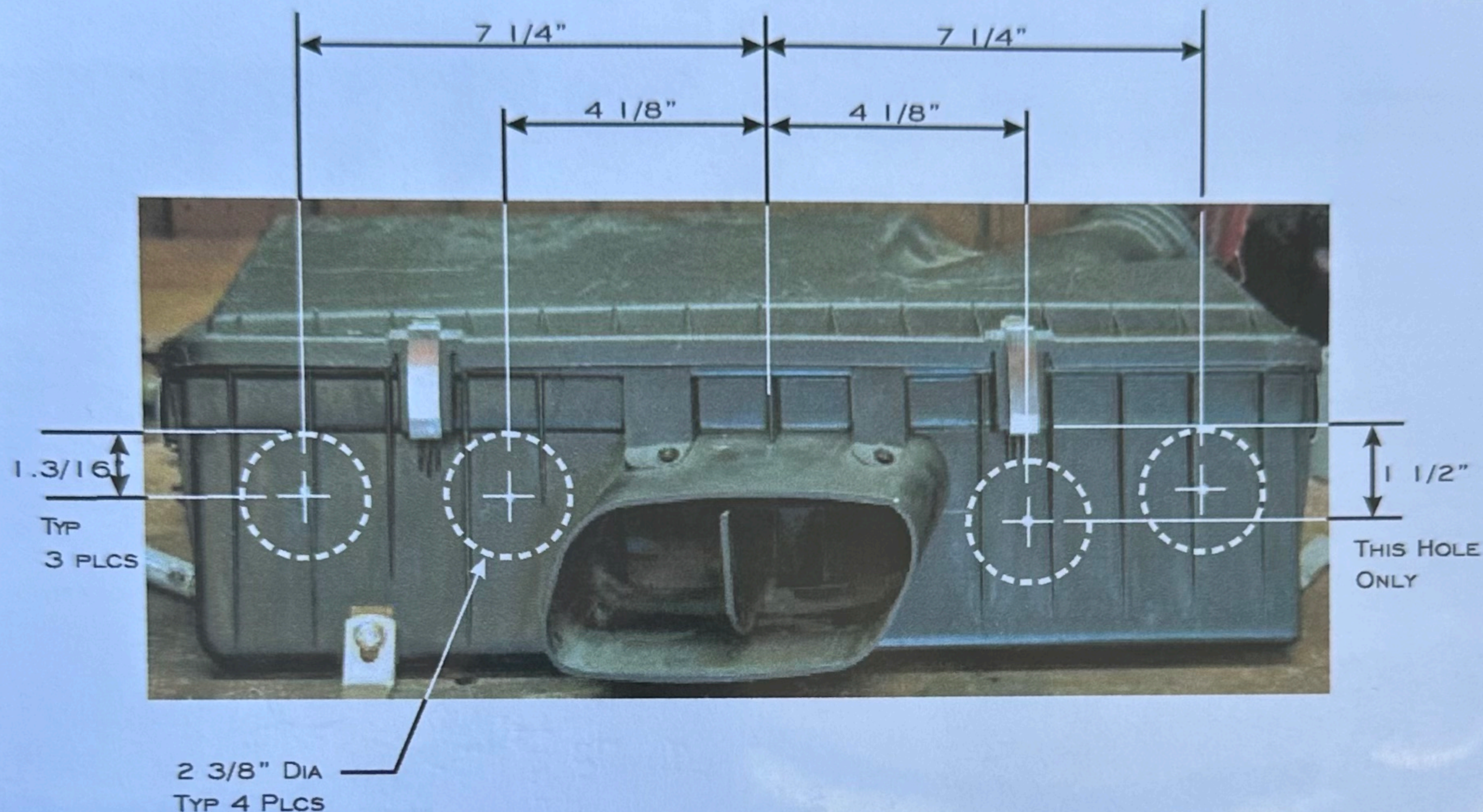
I hereby authorize the above repair work to be done along with the necessary materials. You and your employees may operate above vehicle for purposes of testing, inspection, or delivery at my risk. An express mechanics lien is acknowledged on above vehicle to secure the amount of repairs thereto. It is also understood that you will not be held responsible for loss or damage to cars or articles left in cars in case of fire, theft or any other cause beyond your control.

Thank You!

968 ENGINEERING

AIR BOX FLOW MODIFICATIONS

(NOTE NEW HOLE DIAMETER TO FIT NEW TRIM RINGS)

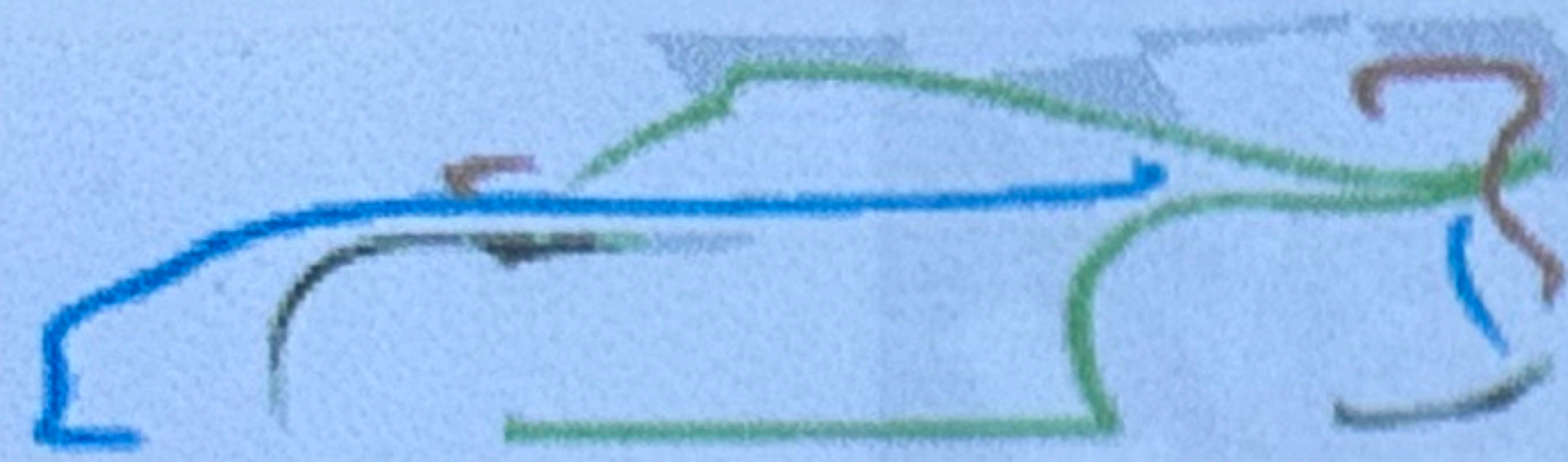


1. USING A $2 \frac{3}{8}''$ DIAMETER HOLE SAW, CUT 4 HOLES IN THE AIR BOX FACE AS SHOWN.


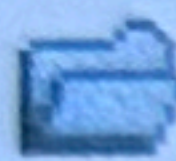


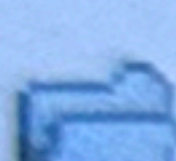






2. HOT MELT GLUE IN THE TRIM RINGS FOR A FINISHED LOOK. OTHER BONDING METHODS ARE ACCEPTABLE TOO, BUT CAN YOU ACTUALLY WAIT 5 MINUTES FOR THE EPOXY TO CURE TO TRY THIS OUT??? :)

ALSO: REMOVE THE RUBBER GASKET IN THE SHEETMETAL OPENING WHERE THE SNORKEL WAS TO ALLOW FULL AIR FLOW. YOU WILL NOT REUSE THE SNORKEL.

[shop](#)[tech](#)[gallery](#)[contact](#)[about](#)[faq](#)[▶ Donate an Article](#)

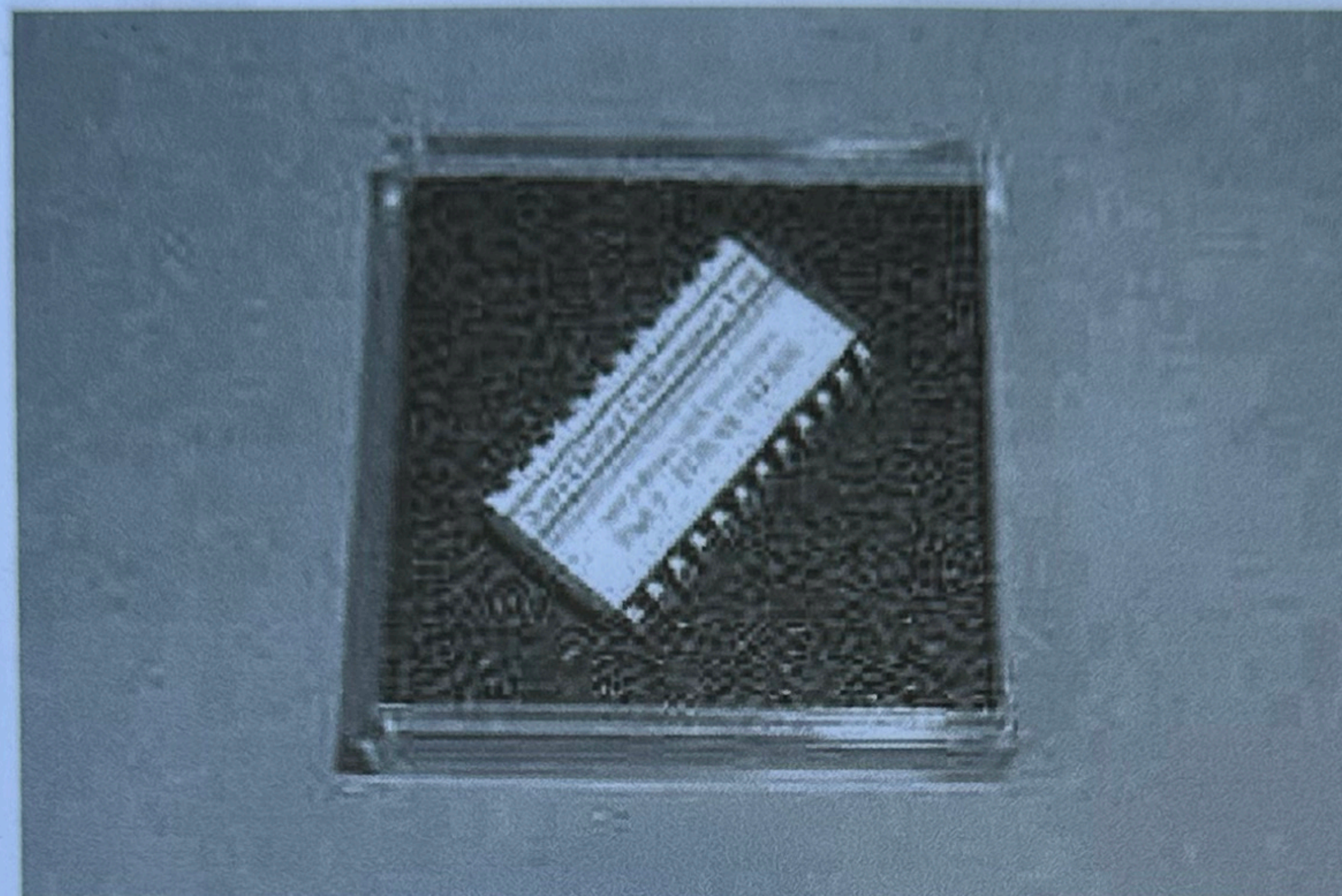
Categories

-  [911](#) (8)
-  [914](#) (4)
-  [924/944/968](#) (58)
-  [928](#) (1)
-  [986 \(Boxster\)](#) (2)
-  [General Automotive](#) (6)
-  [Paragon Products FAQ](#) (4)
-  [Product Info](#) (13)
-  [Racing](#) (9)

DME Chip Installation < [924/944/968](#) < [Main Page](#)

DME Chip Installation

Author: [Skip](#)



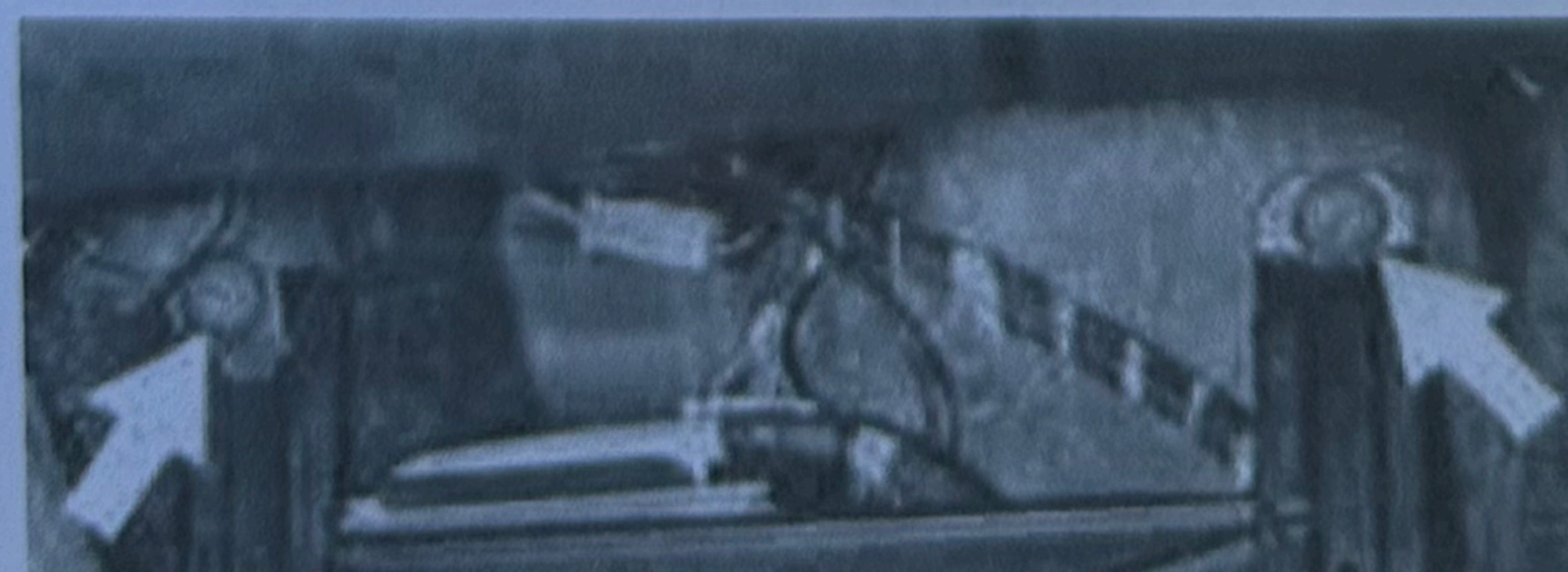
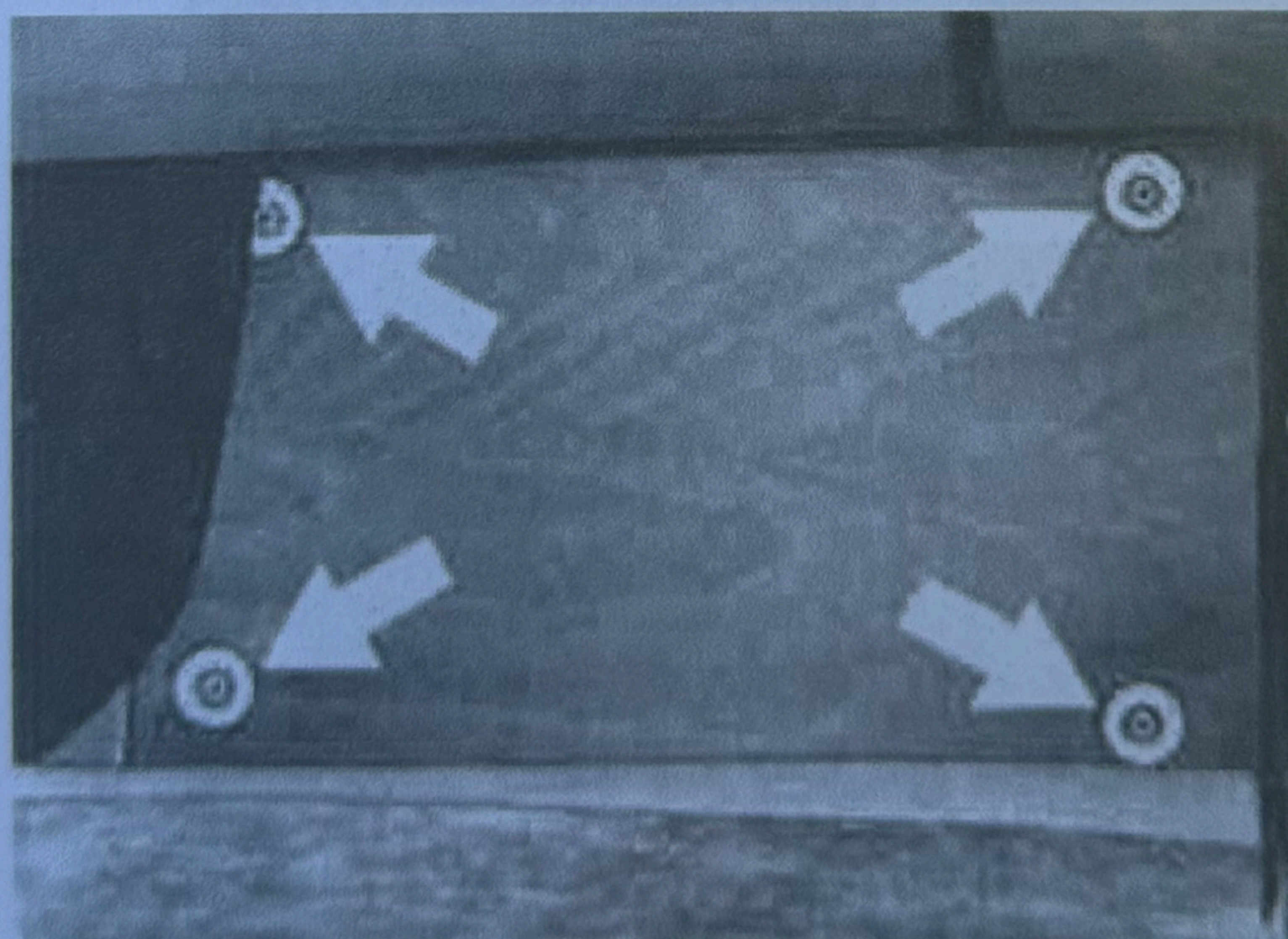
Location:

- 924S - located under the steering column - remove the four 8mm nuts holding it in.
- 85.5-91 944, 968 - located in the passenger-side foot well, behind the carpet and kick-plate - remove the kick-plate and retaining frame, then remove the DME from the retaining frame.

Search Articles

[Advanced Search](#)

[Ask a question](#)





Pelican Parts

Bill of Sale

Date: 4/8/14

Invoice No: 1396926840-112

Kevin J Kovac

Hagerty Market Place
Car Specialist
Dream Car: Lancia 037

kkovac@hagerty.com
mobile +1.224.595.9201
office +1.224.595.9201

hagerty.com



Ship To:
Alexander Block

**2325 Grand Ave
Schererville IN 46375
US**

Phone #	Payment	Sales Rep	Shipping Methods	Car Type
2197189319	PayPal	OL	PRIORITY	

QTY	Status	Part Number	Description	Unit Price	Amount
3	Packed & Shipped	900-123-118-30-M131	Sealing Ring (22 X 27mm), Brand: Fischer & Plath	0.25	0.75
1	Packed & Shipped	944-107-201-08-M1100	Oil Filter Brand: Genuine Porsche, 968 (1992-1995), Brand: Genuine Porsche	8.75	8.75
1	Packed & Shipped	TOL-LIS-61570	Oil Filter Wrench, End Cap Style (76mm x 14 flutes)	8.25	8.25
				Shipping & Handling	11.50
				Sales Tax Rate:	
Thank you for your support!					Total: 29.25

**Any problems or questions about this order?
Just give us a call toll-free at: 1-888-280-7799**

Paid via PayPal \$29.25

Kurt's German Autowerks

WPDAA 13850 Parker Rd. • Homer Glen, IL 60491 • www.kurtsgermanautowerks.com

708.301.2910
708.431.6130

CUST.	STOCK NO.	TAG NO.	COLOR	PAGE				
6-17-13	2926 NS 82015	2536	92 968					
DATE	VEHICLE IDENTIFICATION NUMBER	MILEAGE	DELIVER DATE	LICENSE NUMBER	YEAR	MAKE AND MODEL	WRITTEN BY	RO NUMBER
6-17-13	2926 NS 82015	2536		VQ2-17	92		KH	

I hereby authorize the repair work herein set forth to be done along with the necessary material and agree that you are not responsible for loss or damage to vehicle or articles left in vehicle in case of fire, theft or any other cause beyond our control or for any delays caused by unavailability of parts or delays in parts shipments by the supplier or transporter. I hereby grant you and/or your employees permission to operate the vehicle herein described on streets, highways or elsewhere for the purpose of testing and/or inspection. An express mechanic's lien is hereby acknowledged on above vehicle to secure the amount of repairs thereto Not responsible for damage from freezing due to lack of antifreeze.

PRELIMINARY ESTIMATE \$

AUTHORIZED BY: X

REVISED ESTIMATE (1) \$

REVISED ESTIMATE (2) \$

REVISED ESTIMATE (3) \$

I HEREBY ACKNOWLEDGE THAT I WAS NOTIFIED & GAVE ORAL APPROVAL OF THE ABOVE REVISED ESTIMATES:

X CUSTOMER SIGNATURE

HAGERTY

Review LIST OF REPAIRS.

Kevin J Kovac

Hagerty Market Place
Car Specialist
Dream Car: Lancia 037

kkovac@hagerty.com
mobile +1.224.595.9201
office +1.224.595.9201

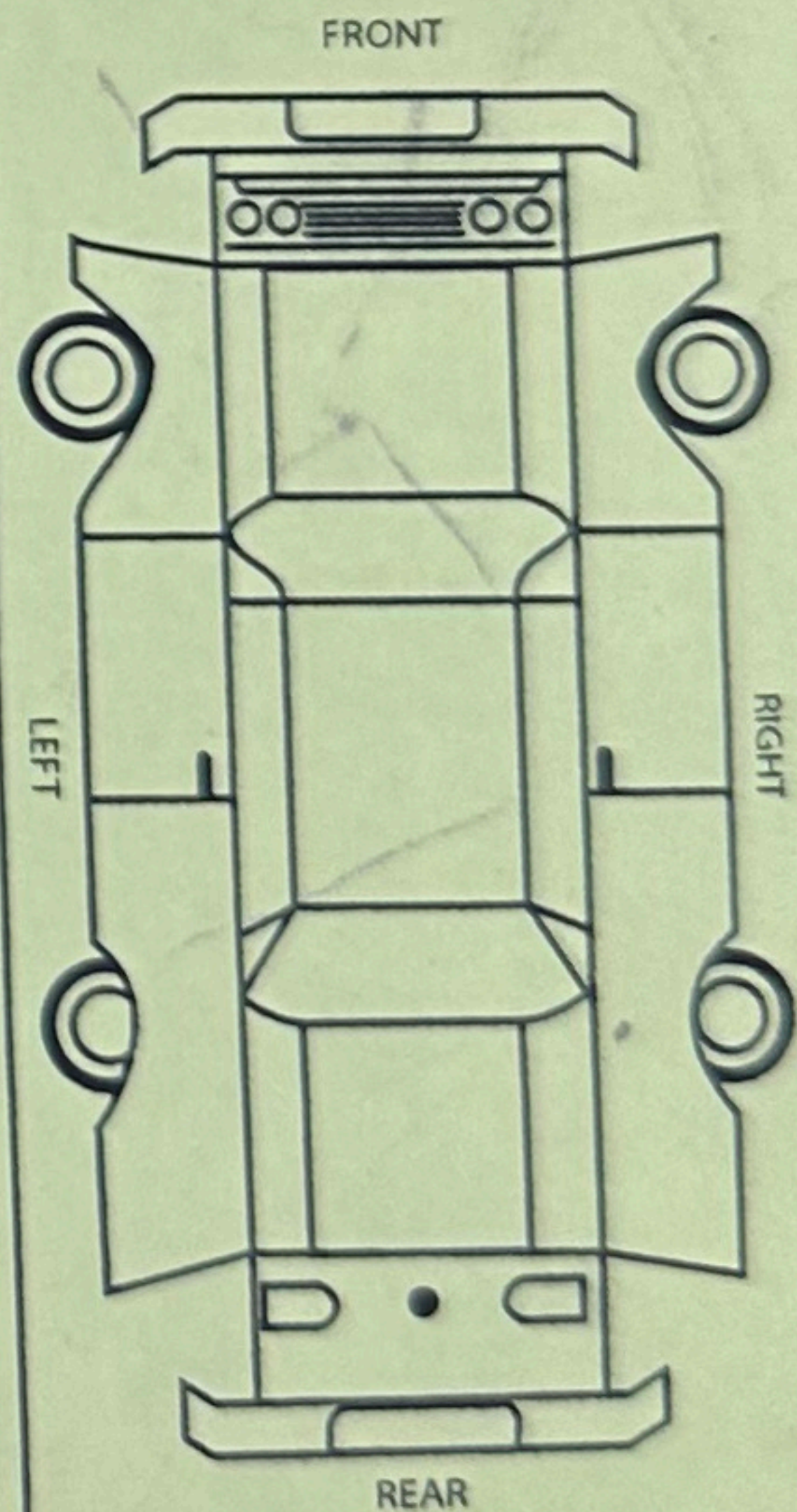
hagerty.com

METHOD OF PAYMENT

SELLING DEALER

WARRANTY EXPIRES

LINE	LABOR INSTRUCTIONS AND DESCRIPTION	PARTS	LABOR
#A	BLEED CLUTCH - SOMETIMES STICKS *APTEX MARKET CLUTCH ASS. ERRATIC	FL. 15 ⁰⁰	90 ⁰⁰
#B	REPLACE DIFF SEALS	SEALS 30 ⁰⁰ 30 ⁰⁰	170 ⁰⁰
#C	REPLACE Hd. LITE Relay	Relay 153 ⁰⁰	45 ⁰⁰
#D	REPLACE R/R W-BEARING	Brg. 133 ⁰⁰	170 ⁰⁰
#E	REPLACE HATCH SEAL + TRIM SPOILER LOOSE AT MOUNTS.	SEAL 126 ⁰⁰	170 ⁰⁰
#F	FLUSH FLUIDS ANTI STEEL. TRAW'S Paid CHECK 10/22 9-2-13 KH	ANTI 30 ⁰⁰ ST. 15 ⁰⁰ GEAR 60 ⁰⁰	90 ⁰⁰
#G	CHANGE A/C POSSIBLE COMP. - NOISY	FRE. 75 ⁰⁰	150 ⁰⁰
#H	CHECK SW ROOF FOR LEAKS (DK)		
SUB TOTAL		667 ⁰⁰	1085 ⁰⁰
TAX		53 ³⁶	
TOTAL		1805 ³⁶	



- CHIP or DING
- DENT
- SCRATCH
- ⊞ SMASH

Kurt's German Autowerks

708.301.2910
708.431.6130

WFOAA 13850 Parker Rd. • Homer Glen, IL 60491 • www.kurtsgermanautowerks.com

CUST.	STOCK NO.	TAG NO.	COLOR	PAGE
7-9-13	292603820115	02733	92 968	

I hereby authorize the repair work herein set forth to be done along with the necessary material and agree that you are not responsible for loss or damage to vehicle or articles left in vehicle in case of fire, theft or any other cause beyond our control or for any delays caused by unavailability of parts or delays in parts shipments by the supplier or transporter. I hereby grant you and/or your employees permission to operate the vehicle herein described on streets, highways or elsewhere for the purpose of testing and/or inspection. An express mechanic's lien is hereby acknowledged on above vehicle to secure the amount of repairs thereto Not responsible for damage from freezing due to lack of antifreeze.

PRELIMINARY ESTIMATE \$

AUTHORIZED BY: X

REVISED ESTIMATE (1) \$

REVISED ESTIMATE (2) \$

REVISED ESTIMATE (3) \$

I HEREBY ACKNOWLEDGE THAT I WAS NOTIFIED & GAVE ORAL APPROVAL OF THE ABOVE REVISED ESTIMATES.

X CUSTOMER SIGNATURE

HAGERTY.

Kevin J Kovac

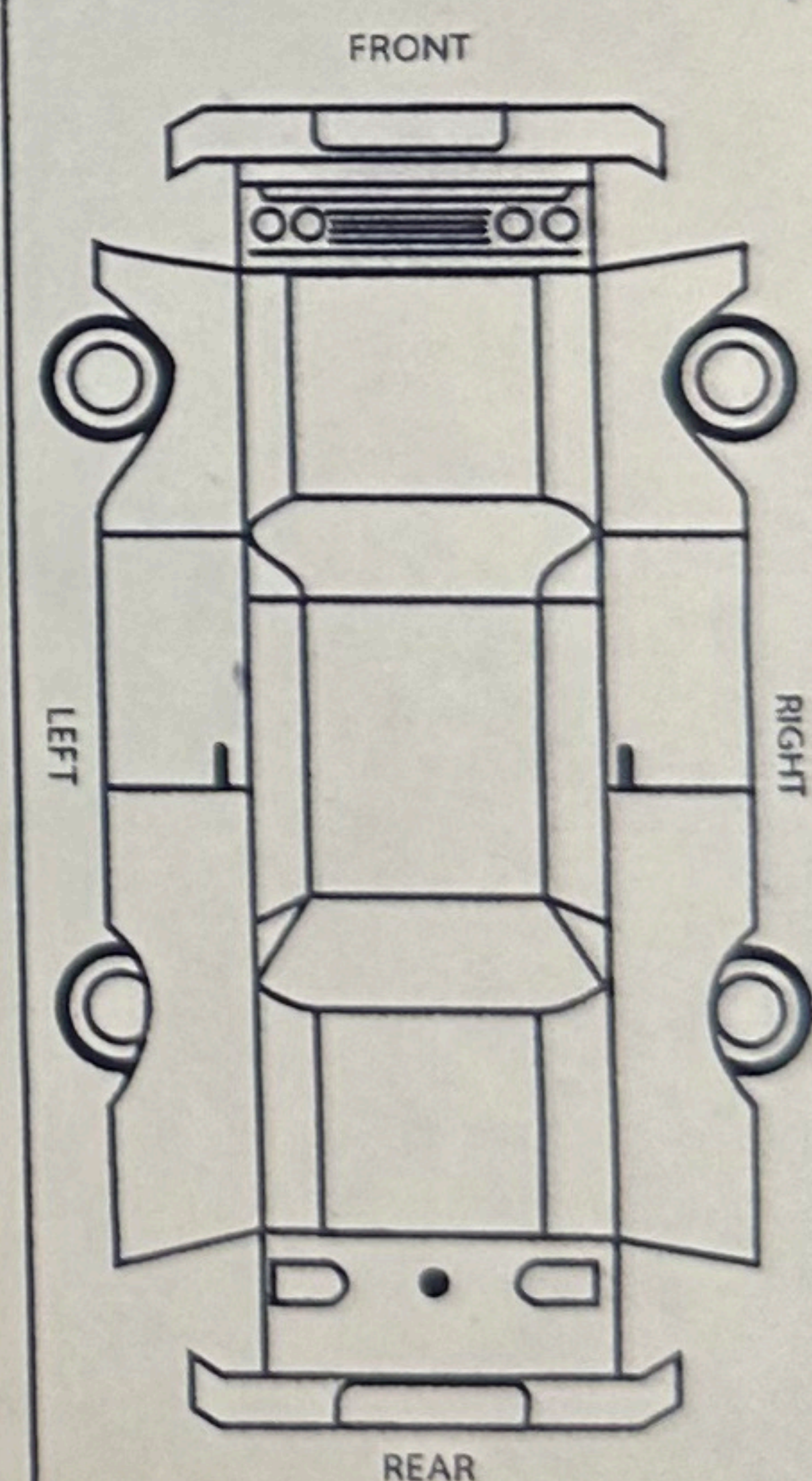
Hagerty Market Place
Car Specialist
Dream Car: Lancia 037

kkovac@hagerty.com
mobile +1.224.595.9201
office +1.224.595.9201

hagerty.com

METHOD OF PAYMENT
SELLING DEALER
WARRANTY EXPIRES

LINE	LABOR INSTRUCTIONS AND DESCRIPTION	PARTS	LABOR
#A	CAR WILL NOT START * STARTER + HARNESS BURNED REPLACE STARTER REPAIR HARNESS.	START 6000 ⁰⁰ WIKES. 500 ⁰⁰ CORN. 500 ⁰⁰ CABLE 1500 ⁰⁰	5400 ⁰⁰
#B	CHECK FOR BRAKE FLUID LEAKS (X) A/C COMP. LEAKING OIL GREEN DYE		
			1300 ⁰⁰
		SUB TOTAL	6650 ⁰⁰ 670 ⁰⁰
		TAX	53.20
		TOTAL	1388.20



- CHIP or DING
- DENT
- SCRATCH
- SM SMASH

PAID CHECK # 1034
7-18-13 KJK

Kurt's German Autowerks

708.301.2910
708.431.6130

WPOAA 13850 Parker Rd. • Homer Glen, IL 60491 • www.kurtsgermanautowerks.com

CUST.	STOCK NO.	TAG NO.	COLOR	PAGE
6-9-14	2966	01631	92	908

DATE	VEHICLE IDENTIFICATION NUMBER	MILEAGE	DELIVER DATE	LICENSE NUMBER	YEAR	MAKE AND MODEL	WRITTEN BY	RO NUMBER
6-9-14	2966	01631		182 217	92	908	KH	

I hereby authorize the repair work herein set forth to be done along with the necessary material and agree that you are not responsible for loss or damage to vehicle or articles left in vehicle in case of fire, theft or any other cause beyond our control or for any delays caused by unavailability of parts or delays in parts shipments by the supplier or transporter. I hereby grant you and/or your employees permission to operate the vehicle herein described on streets, highways or elsewhere for the purpose of testing and/or inspection. An express mechanic's lien is hereby acknowledged on above vehicle to secure the amount of repairs thereto Not responsible for damage from freezing due to lack of antifreeze.

PRELIMINARY ESTIMATE \$
AUTHORIZED BY: X
REVISED ESTIMATE (1) \$
REVISED ESTIMATE (2) \$
REVISED ESTIMATE (3) \$



Kevin J Kovac
Hagerty Market Place
Car Specialist
Dream Car: Lancia 037
kkovac@hagerty.com
mobile +1.224.595.9201
office +1.224.595.9201
hagerty.com

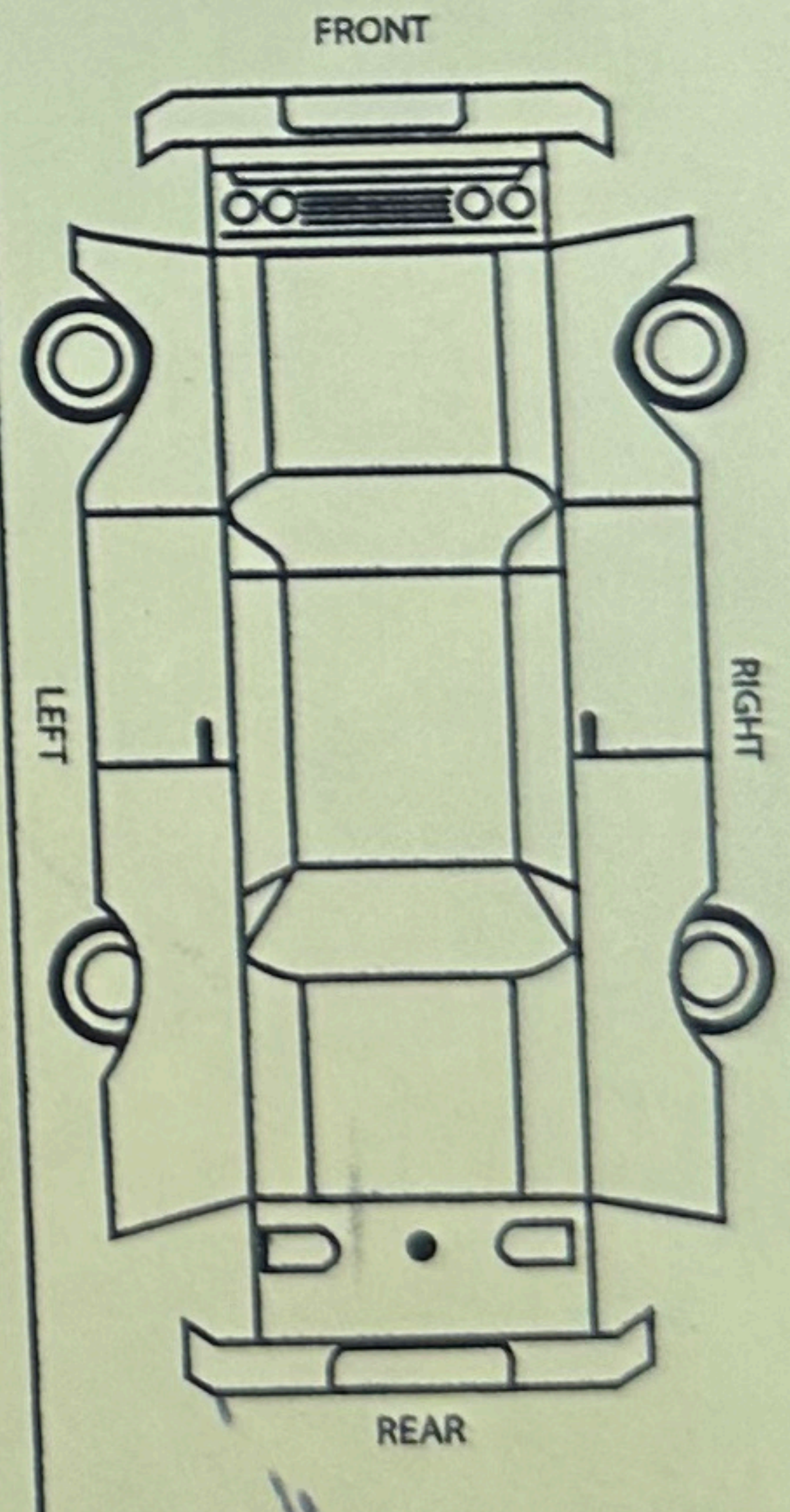
I HEREBY ACKNOWLEDGE THAT I WAS NOTIFIED & GAVE ORAL APPROVAL OF THE ABOVE REVISED ESTIMATES:

X CUSTOMER SIGNATURE

A/C RECHARGE 617-13 02536mi.

METHOD OF PAYMENT
SELLING DEALER
WARRANTY EXPIRES

LINE	LABOR INSTRUCTIONS AND DESCRIPTION	PARTS	LABOR
#A	LOF 20/50 CK. STEER. FLUID - TIGHTEN HOSES CK. LIFTER NOISE - SLIGHT.	FLT. 25.00 SEAL 2.00 OIL 55.00	90.00
#B	CHECK A/C WEAK & COMP. BAD	FRE. 20.00	45.00
		102.00	135.00
SUB TOTAL		102.00	135.00
TAX		8.16	
TOTAL		110.16	



- CHIP or DING
- DENT
- SCRATCH
- ≡ SMASH

PAID CHECK
6-11-14 KH
1026

Kurt's German Autowerks

WPOAA 13850 Parker Rd. • Homer Glen, IL 60491 • www.kurtsgermanautowerks.com

708.301.2910
708.431.6130

CUST.	STOCK NO.	TAG NO.	COLOR	PAGE				
DATE	VEHICLE IDENTIFICATION NUMBER	MILEAGE	DELIVER DATE	LICENSE NUMBER	YEAR	MAKE AND MODEL	WRITTEN BY	RO NUMBER
4-11-15	2966 N5820115	09390		217	92	968	KA	

I hereby authorize the repair work herein set forth to be done along with the necessary material and agree that you are not responsible for loss or damage to vehicle or articles left in vehicle in case of fire, theft or any other cause beyond our control or for any delays caused by unavailability of parts or delays in parts shipments by the supplier or transporter. I hereby grant you and/or your employees permission to operate the vehicle herein described on streets, highways or elsewhere for the purpose of testing and/or inspection. An express mechanic's lien is hereby acknowledged on above vehicle to secure the amount of repairs thereto Not responsible for damage from freezing due to lack of antifreeze.

PRELIMINARY ESTIMATE \$

AUTHORIZED BY: X

REVISED ESTIMATE (1) \$

REVISED ESTIMATE (2) \$

REVISED ESTIMATE (3) \$

I HEREBY ACKNOWLEDGE THAT I WAS NOTIFIED & GAVE ORAL APPROVAL OF THE ABOVE REVISED ESTIMATES:

X CUSTOMER SIGNATURE



Kevin J Kovac

Hagerty Market Place
Car Specialist
Dream Car: Lancia 037

kkovac@hagerty.com
mobile +1.224.595.9201
office +1.224.595.9201

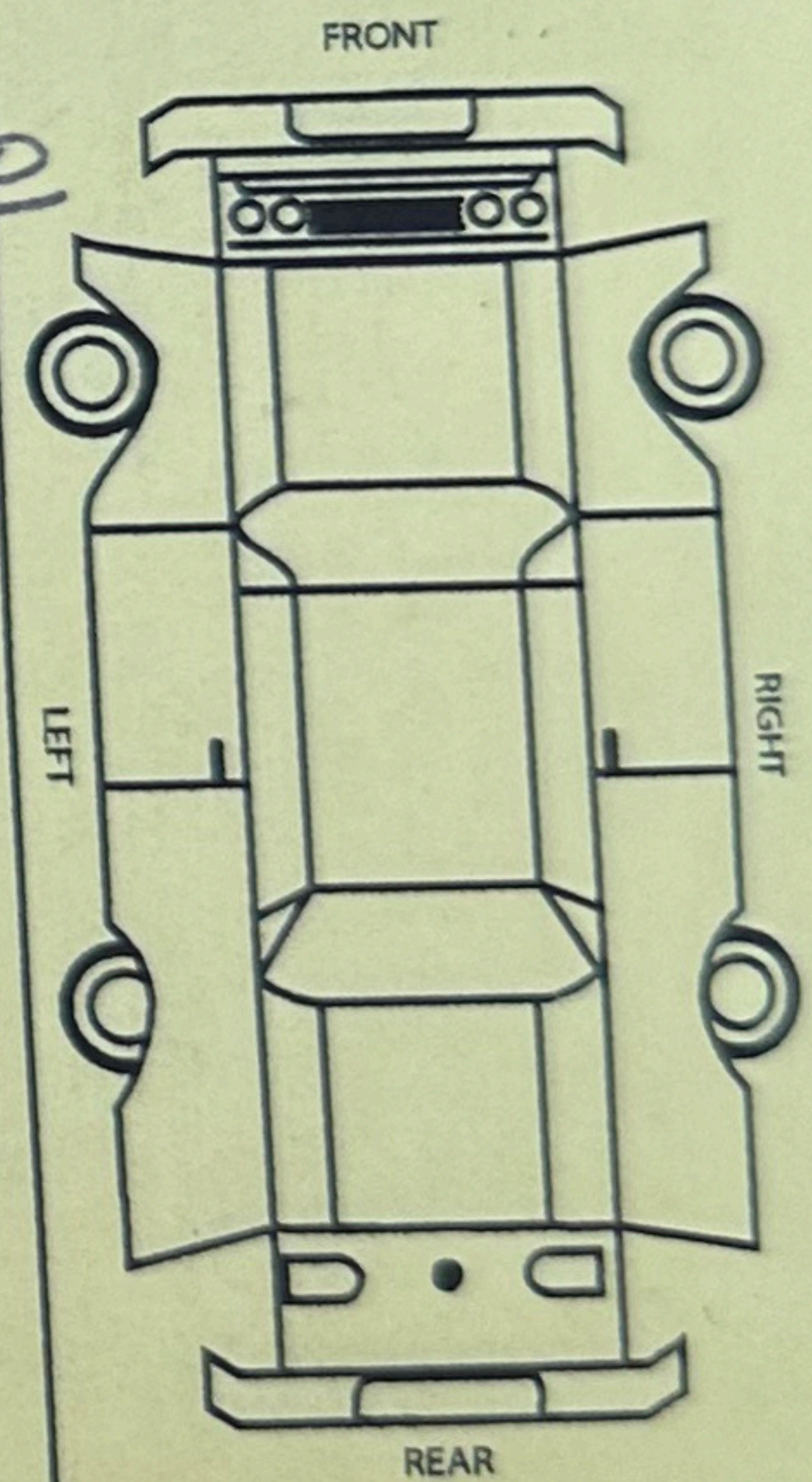
hagerty.com

METHOD OF PAYMENT

SELLING DEALER

WARRANTY EXPIRES

LINE	LABOR INSTRUCTIONS AND DESCRIPTION	PARTS	LABOR
#A	PERFORM TIMING BELT SERVICE		
	Pump	671.00	
	STAT	31.00	
	T-BELT	89.00	
	Roll.	55.00	
	Roll.	66.00	
	Roll.	110.00	
	B-BLT.	112.00	
	Roll.	90.00	
	Roll.	82.00	
	PIW	3.00	
	AUT1	30.00	
	BLT.	77.00	
	GASKT.	6.00	
	Hose	11.00	
	CLAMP	4.00	
	CLAMP	3.00	
	SEAL	3.00	
	FLANGE	7.00	
	Paid Check #431 5-7-15 KH		
	SUB TOTAL	1864.00	1180.00
	TAX	149.12	
	TOTAL	3193.12	



- CHIP or DING
- DENT
- SCRATCH
- ⊞ SMASH

Kurt's German Autowerks

WDDAA 13850 Parker Rd. • Homer Glen, IL 60491 • www.kurtsgermanautowerks.com

708.301.2910
708.431.6130

CUST. STOCK NO. TAG NO. COLOR PAGE

DATE	VEHICLE IDENTIFICATION NUMBER	MILEAGE	DELIVER DATE	LICENSE NUMBER	YEAR	MAKE AND MODEL	WRITTEN BY	RO NUMBER
4-7-16	29160-820115	16,847		217	72	768	KH	

I hereby authorize the repair work herein set forth to be done along with the necessary material and agree that you are not responsible for loss or damage to vehicle or articles left in vehicle in case of fire, theft or any other cause beyond our control or for any delays caused by unavailability of parts or delays in parts shipments by the supplier or transporter. I hereby grant you and/or your employees permission to operate the vehicle herein described on streets, highways or elsewhere for the purpose of testing and/or inspection. An express mechanic's lien is hereby acknowledged on above vehicle to secure the amount of repairs thereto Not responsible for damage from freezing due to lack of antifreeze.

PRELIMINARY ESTIMATE \$

AUTHORIZED BY: X

REVISED ESTIMATE (1) \$

REVISED ESTIMATE (2) \$

REVISED ESTIMATE (3) \$

I HEREBY ACKNOWLEDGE THAT I WAS NOTIFIED & GAVE ORAL APPROVAL OF THE ABOVE REVISED ESTIMATES:

X CUSTOMER SIGNATURE

HAGERTY.

Kevin J Kovac

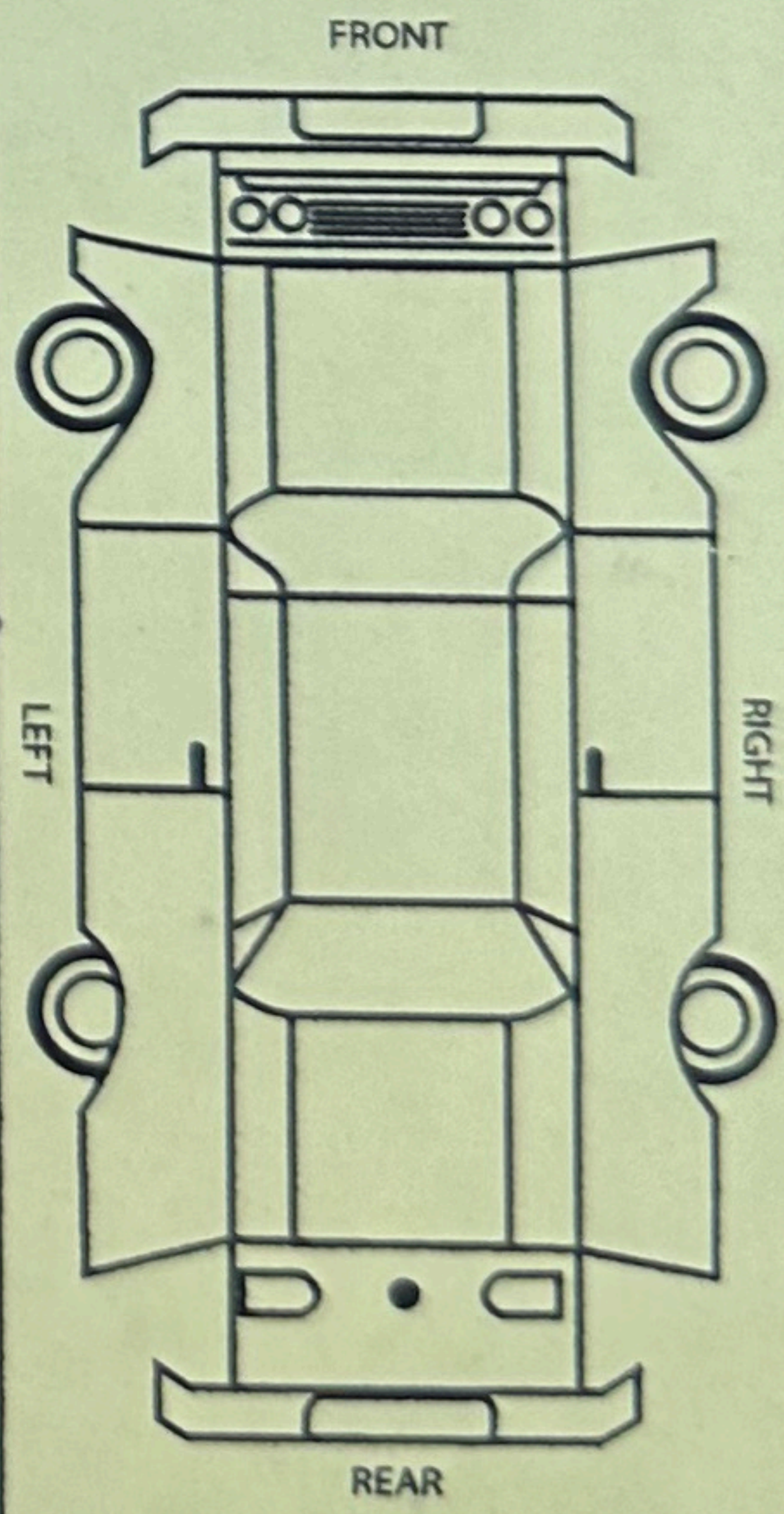
Hagerty Market Place
Car Specialist
Dream Car: Lancia 037

kkovac@hagerty.com
mobile +1.224.595.9201
office +1.224.595.9201

METHOD OF PAYMENT
SELLING DEALER
WARRANTY EXPIRES

hagerty

LINE	LABOR INSTRUCTIONS AND DESCRIPTION	PARTS	LABOR
#A	LOF MOBIL INSPECTION Adjust front W-BRGS.	FLT. 1300 OIL 5000 SEAL 200	9000
#B	CHECK FRONT SUSP. * R/F A-Axle BALL JOINT REPLACE → HAVE ALIGNMENT CHECKED	Axle 66500	18000
#C	CHECK TIRES * DUE FOR REBUILD		
		A 1037	
		PAID CHECK 4-11-16 KH	
SUB TOTAL		73000	27000
TAX		58.40	
TOTAL		1058.40	



- CHIP or DING
- DENT
- SCRATCH
- ⊞ SMASH

Kurt's German Autowerks

708.301.2910
708.431.6130

WPA 13850 Parker Rd. • Homer Glen, IL 60491 • www.kurtsgermanautowerks.com

CUST.	STOCK NO.	TAG NO.	COLOR	PAGE

DATE	VEHICLE IDENTIFICATION NUMBER	MILEAGE	DELIVER DATE	LICENSE NUMBER	YEAR	MAKE AND MODEL	WRITTEN BY	RO NUMBER
4-15-17	2966 820115	16,352		217	72	968	KH	

I hereby authorize the repair work herein set forth to be done along with the necessary material and agree that you are not responsible for loss or damage to vehicle or articles left in vehicle in case of fire, theft or any other cause beyond our control or for any delays caused by unavailability of parts or delays in parts shipments by the supplier or transporter. I hereby grant you and/or your employees permission to operate the vehicle herein described on streets, highways or elsewhere for the purpose of testing and/or inspection. An express mechanic's lien is hereby acknowledged on above vehicle to secure the amount of repairs thereto Not responsible for damage from freezing due to lack of antifreeze.

PRELIMINARY ESTIMATE \$

AUTHORIZED BY: X

REVISED ESTIMATE (1) \$

REVISED ESTIMATE (2) \$

REVISED ESTIMATE (3) \$

I HEREBY ACKNOWLEDGE THAT I WAS NOTIFIED & GAVE ORAL APPROVAL OF THE ABOVE REVISED ESTIMATES:

X

CUSTOMER SIGNATURE

Kevin J Kovac

Hagerty Market Place
Car Specialist
Dream Car: Lancia 037

kkovac@hagerty.com
mobile +1.224.595.9201
office +1.224.595.9201

hagerty.com

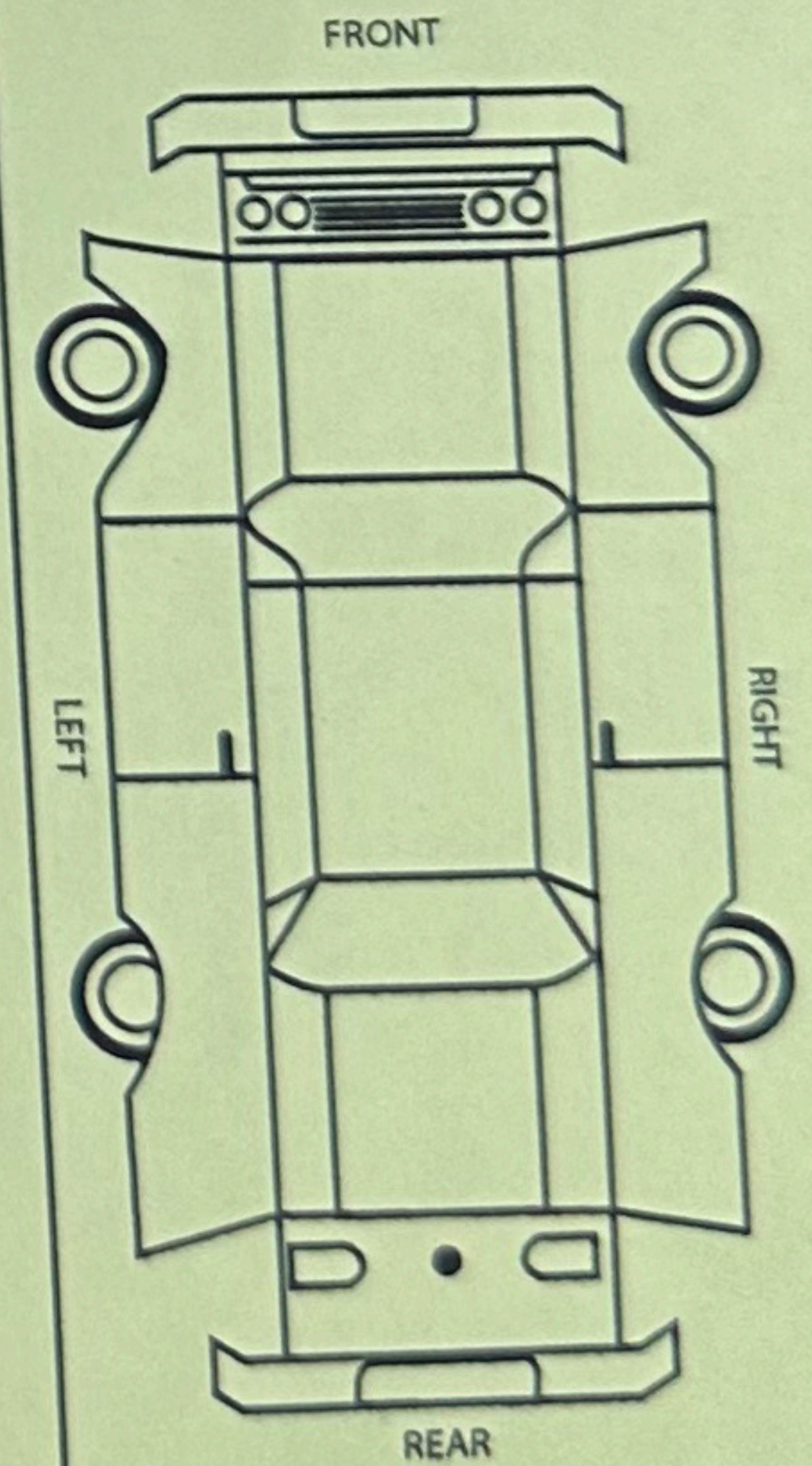
HAGERTY

METHOD OF PAYMENT

SELLING DEALER

WARRANTY EXPIRES

LINE	LABOR INSTRUCTIONS AND DESCRIPTION	PARTS	LABOR
#A	LOF MOBIL 15/50 & INSPECTION	OIL 55.00 FLT 24.00 SEAL 2.00	90.00
#B	CHECK A/C WEAK & RECHARGE	FRE. 60.00	90.00
		SUB TOTAL	141.00 / 180.00
		TAX	11.28
		TOTAL	332.28



- CHIP or DING
- DENT
- SCRATCH
- ⊞ SMASH

PAID CHECK
4-20-17 KH
#1039

Kurt's German Autowerks

WPOAA 13850 Parker Rd. • Homer Glen, IL 60491 • www.kurtsgermanautowerks.com

708.301.2910
708.431.6130

CUST.	STOCK NO.	TAG NO.	COLOR	PAGE				
DATE	VEHICLE IDENTIFICATION NUMBER	MILEAGE	DELIVER DATE	LICENSE NUMBER	YEAR	MAKE AND MODEL	WRITTEN BY	RO NUMBER
5-31-18	2946 NS 820115	18659		217	92	968	KH	

I hereby authorize the repair work herein set forth to be done along with the necessary material and agree that you are not responsible for loss or damage to vehicle or articles left in vehicle in case of fire, theft or any other cause beyond our control or for any delays caused by unavailability of parts or delays in parts shipments by the supplier or transporter. I hereby grant you and/or your employees permission to operate the vehicle herein described on streets, highways or elsewhere for the purpose of testing and/or inspection. An express mechanic's lien is hereby acknowledged on above vehicle to secure the amount of repairs thereto Not responsible for damage from freezing due to lack of antifreeze.

PRELIMINARY ESTIMATE \$

AUTHORIZED BY: X

REVISED ESTIMATE (1) \$

REVISED ESTIMATE (2) \$

REVISED ESTIMATE (3) \$

I HEREBY ACKNOWLEDGE THAT I WAS NOTIFIED & GAVE ORAL APPROVAL OF THE ABOVE REVISED ESTIMATES:

X CUSTOMER SIGNATURE

Kevin J Kovac

Hagerty Market Place
Car Specialist
Dream Car: Lancia 037

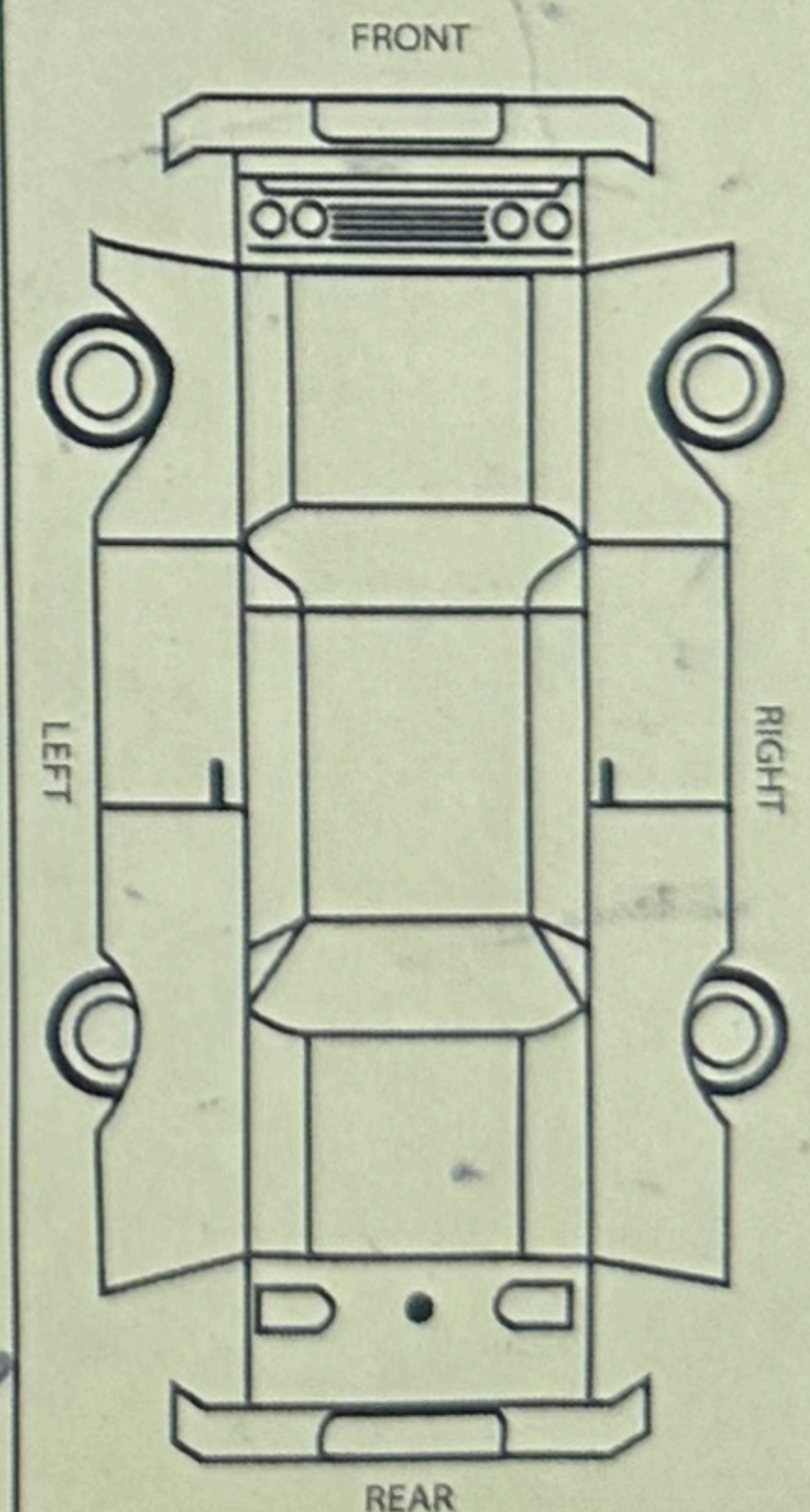
kkovac@hagerty.com
mobile +1.224.595.9201
office +1.224.595.9201

hagerty.com

HAGERTY

METHOD OF PAYMENT
SELLING DEALER
WARRANTY EXPIRES

LINE	LABOR INSTRUCTIONS AND DESCRIPTION	PARTS	LABOR
#A	LOF4 INSPECTION MOBIL 30/50	FLT. 24.00 SEAL 2.00 OIL 55.00	90.00
#B	CHECK LT. DOOR STAY. * BRACKET CRACKED REPLACE	BRACK 15.00 SEAL 13.00	45.00
#C	CHECK UNDER BODY FOR DAMAGE. OK		
		SUB TOTAL	109.00 135.00
		TAX	8.72
		TOTAL	252.72



- CHIP or DING
- DENT
- SCRATCH
- ≡ SMASH

#1046
PAID CHECK
6-10-18 KH

Kurt's German Autowerks

WPOAA 13850 Parker Rd. • Homer Glen, IL 60491 • www.kurtsgermanautowerks.com

708.301.2910
708.431.6130

CUST. STOCK NO. TAG NO. COLOR PAGE

DATE	VEHICLE IDENTIFICATION NUMBER	MILEAGE	DELIVER DATE	LICENSE NUMBER	YEAR	MAKE AND MODEL	WRITTEN BY	RO NUMBER
5-31-18	2946 NS 820115	18659		217	92	968	KH	

I hereby authorize the repair work herein set forth to be done along with the necessary material and agree that you are not responsible for loss or damage to vehicle or articles left in vehicle in case of fire, theft or any other cause beyond our control or for any delays caused by unavailability of parts or delays in parts shipments by the supplier or transporter. I hereby grant you and/or your employees permission to operate the vehicle herein described on streets, highways or elsewhere for the purpose of testing and/or inspection. An express mechanic's lien is hereby acknowledged on above vehicle to secure the amount of repairs thereto Not responsible for damage from freezing due to lack of antifreeze.

PRELIMINARY ESTIMATE \$

AUTHORIZED BY: X

REVISED ESTIMATE (1) \$

REVISED ESTIMATE (2) \$

REVISED ESTIMATE (3) \$

I HEREBY ACKNOWLEDGE THAT I WAS NOTIFIED & GAVE ORAL APPROVAL OF THE ABOVE REVISED ESTIMATES:

X CUSTOMER SIGNATURE

Kevin J Kovac

Hagerty Market Place
Car Specialist
Dream Car: Lancia 037

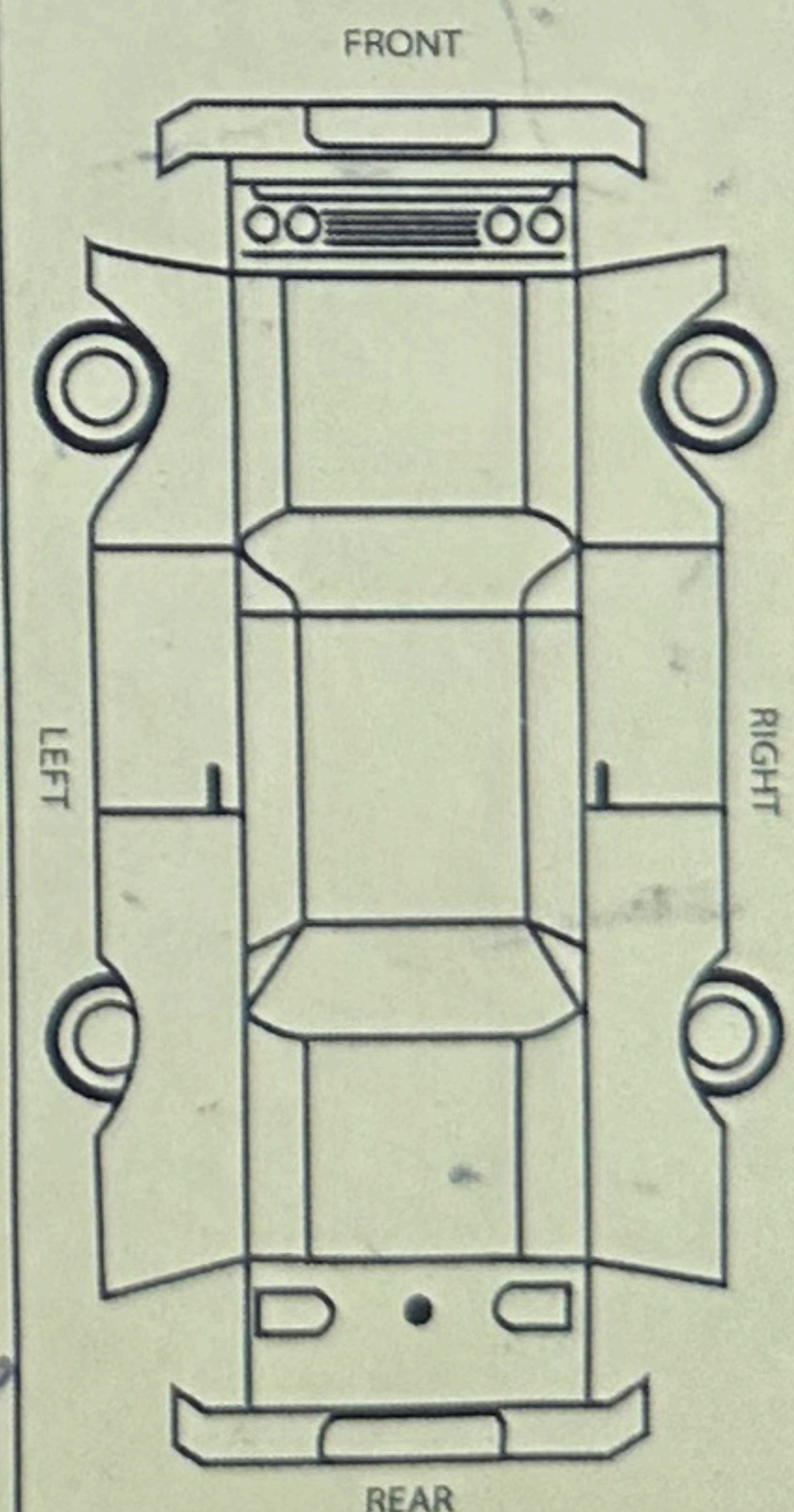
kkovac@hagerty.com
mobile +1.224.595.9201
office +1.224.595.9201

hagerty.com

HAGERTY

METHOD OF PAYMENT
SELLING DEALER
WARRANTY EXPIRES

LINE	LABOR INSTRUCTIONS AND DESCRIPTION	PARTS	LABOR
#A	LOF4 INSPECTION MOBIL 30/50	FLT. 24.00 SEAL 2.00 OIL 55.00	90.00
#B	CHECK LT. DOOR STAY. * BRACKET CRACKED REPLACE	BRACK 15.00 SEAL 13.00	45.00
#C	CHECK UNDER BODY FOR DAMAGE. OK		
			#1046
			PAID CHECK 6-10-18 KH E
		SUB TOTAL	109.00 135.00
		TAX	8.72
		TOTAL	252.72



- CHIP or DING
- DENT
- SCRATCH
- ⊞ SMASH

Kurt's German Autowerks

WPOAA 13850 Parker Rd. • Homer Glen, IL 60491 • www.kurtsgermanautowerks.com

708.301.2910
708.431.6130

CUST.	STOCK NO.	TAG NO.	COLOR	PAGE				
DATE	VEHICLE IDENTIFICATION NUMBER	MILEAGE	DELIVER DATE	LICENSE NUMBER	YEAR	MAKE AND MODEL	WRITTEN BY	RO NUMBER
7-23-19	29666 N3 820115	31625		V02217	92	968	KH	

I hereby authorize the repair work herein set forth to be done along with the necessary material and agree that you are not responsible for loss or damage to vehicle or articles left in vehicle in case of fire, theft or any other cause beyond our control or for any delays caused by unavailability of parts or delays in parts shipments by the supplier or transporter. I hereby grant you and/or your employees permission to operate the vehicle herein described on streets, highways or elsewhere for the purpose of testing and/or inspection. An express mechanic's lien is hereby acknowledged on above vehicle to secure the amount of repairs thereto Not responsible for damage from freezing due to lack of antifreeze.

PRELIMINARY ESTIMATE \$

AUTHORIZED BY: X

REVISED ESTIMATE (1) \$

REVISED ESTIMATE (2) \$

REVISED ESTIMATE (3) \$

I HEREBY ACKNOWLEDGE THAT I WAS NOTIFIED & GAVE ORAL APPROVAL OF THE ABOVE REVISED ESTIMATES.

X CUSTOMER SIGNATURE

Kevin J Kovac

Hagerty Market Place
Car Specialist
Dream Car: Lancia 037

kkovac@hagerty.com
mobile +1.224.595.9201
office +1.224.595.9201

hagerty.com

HAGERTY

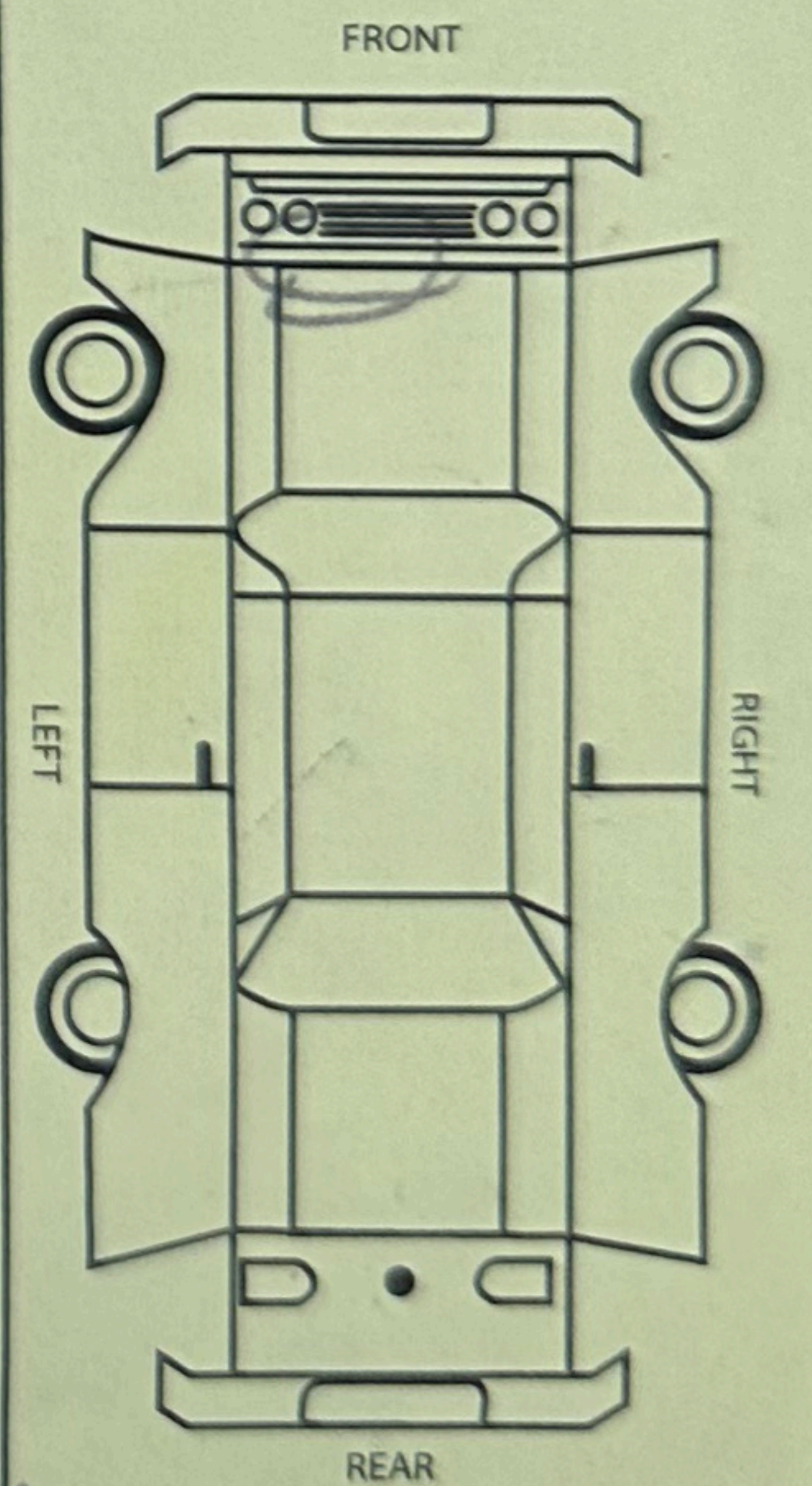
Hood Badge Missing.

METHOD OF PAYMENT

SELLING DEALER

WARRANTY EXPIRES

LINE	LABOR INSTRUCTIONS AND DESCRIPTION	PARTS	LABOR
#A	LOF MOBIL ¹ 20/50 INSPECTION BRAKE LINES + FUEL LINES BRAKE FLUID RESERVOIR ^{OK}	FLT. 25.00 SEAL 2.00 OIL 55.00	100.00
#B	REPLACE COOLANT BOTTLE	BOTT. 175.00 CAP 25.00	50.00
#C	CHECK A/C * LO - FREQW LEVEL RECHARGE INJECT. dye. COMP., DRYER, EVAP. COND.	dye 35.00 134A 50.00	200.00
#D	TRANS SERVICE	OIL 72.00 SEALS 4.00	50.00
#E	FUEL LEAK AT FILTER		110.4
		SUB TOTAL	443.00
		TAX	35.44
		TOTAL	878.44



- CHIP or DING
- DENT
- SCRATCH
- ⊞ SMASH

PAID CHECK
8-5-19 KE