

eurotech

EH301B / EH301W

ASSEMBLY INSTRUCTIONS
OPERATING INSTRUCTIONS
WARRANTY





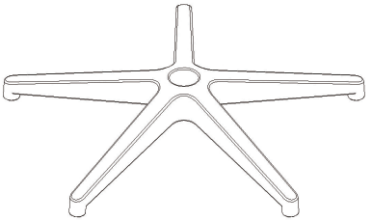
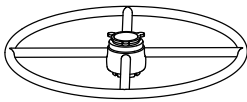
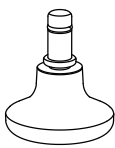
CUSTOMER SERVICE Parts@raynorgroup.com
CUSTOMER SERVICE 1-800-637-0005
WWW.EUROTECHSEATING.COM

ASSEMBLY INSTRUCTIONS

EH301B / EH301W

Remove all items from the carton. Verify all components before assembly.

Part List

Key	Description	Part	Qty	Spare
A	Backrest+Armrest Seat+Mechanism		1	
B	Seat Post(Cylinder)		1	
C	Star Base		1	
D	Footring		1	
E	Glide		5	

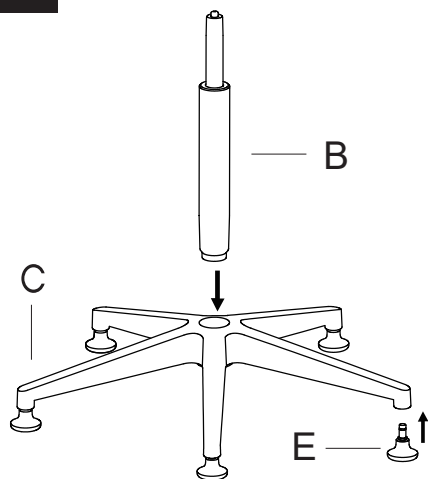
• Please tighten your chairs hardware every six months.

ASSEMBLY INSTRUCTIONS

EH301B / EH301W

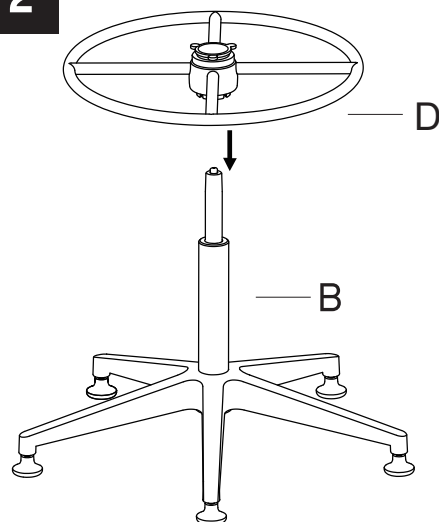
Remove all items from the carton. Verify all components before assembly.

STEP 1



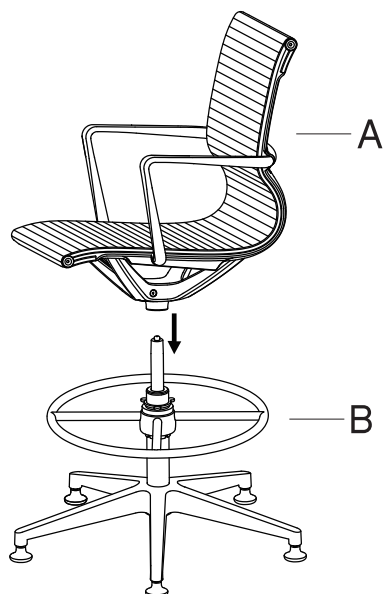
Please press the Glides (E) into the holes at the end of each leg of the Base (C), and then insert the Seat Post (B) into the center hole of the Base (C).

STEP 2



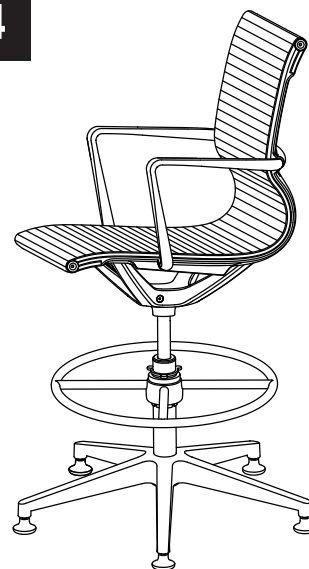
Please insert the Footring (D) onto the Seat Post (B), and adjust the Footring (D) to the desired height. Turn clockwise to tighten, and turn counter-clockwise to loosen.

STEP 3



Now turn the assembled seat upright and locate the center hole of the mechanism over the Seat Post (B). Push down firmly until the connection is secure.

STEP 4



You can now enjoy the comfort of your chair. Note: Please check all screws every six months to ensure they remain tightly fastened.

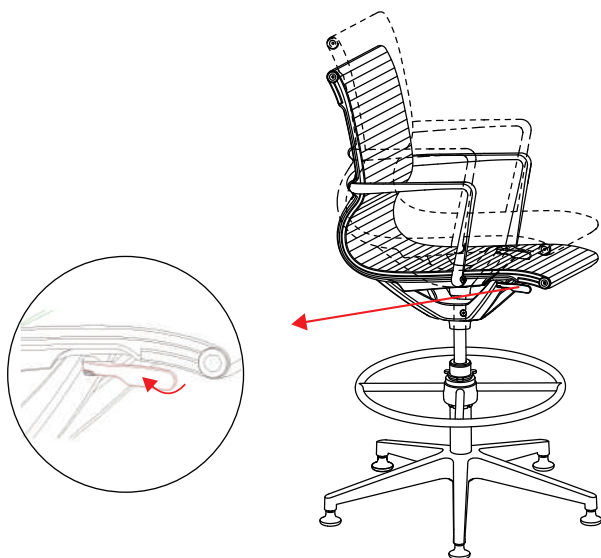
PREVENTIVE MAINTENANCE AND WARNING!

- USE THIS PRODUCT ONLY FOR SEATING ONE PERSON AT A TIME.
- DO NOT USE THIS CHAIR AS A STEP STOOL / LADDER.
- DO NOT SIT ON ANY PART OF THE CHAIR EXCEPT THE SEAT.
- DO NOT USE CHAIR ON UNEVEN FLOOR SURFACES.
- DO NOT USE CHAIR UNLESS ALL BOLTS, SCREWS AND KNOBS ARE TIGHTENED.
- EVERY SIX MONTHS, PLEASE MAKE SURE ALL BOLTS, SCREWS AND KNOBS ARE FULLY TIGHTENED TO ENSURE STABILITY.
- IF ANY PARTS ARE MISSING, BROKEN, DAMAGED OR WORN, STOP USE OF THE PRODUCT UNTIL REPAIRS ARE MADE USING FACTORY AUTHORIZED PARTS.
- DISPOSE OF PACKAGING PROPERLY. PLASTIC BAG IS NOT A TOY. DO NOT USE PLASTIC BAG AS HEAD COVERING – IT MAY CAUSE SUFFOCATION.
- FAILURE TO FOLLOW THESE WARNINGS COULD RESULT IN SERIOUS INJURY.
- NOTE: SOME SCREWS MAY BE PREASSEMBLED. IF PREASSEMBLED, IGNORE ASSEMBLY INSTRUCTIONS.

OPERATING INSTRUCTIONS

EH301B / EH301W

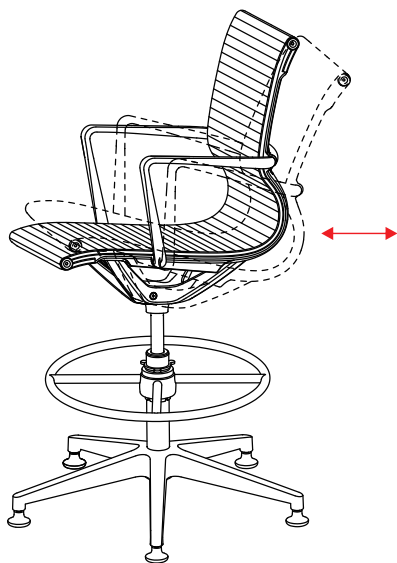
A SEAT HEIGHT ADJUSTMENT



A SEAT HEIGHT ADJUSTMENT

While seated, pull the lever on the right side of the seat out and hold while raising or lowering the seat to change the seat height. When the lever is released, the seat height is locked. The seat height adjustment range is approximately 3.9".

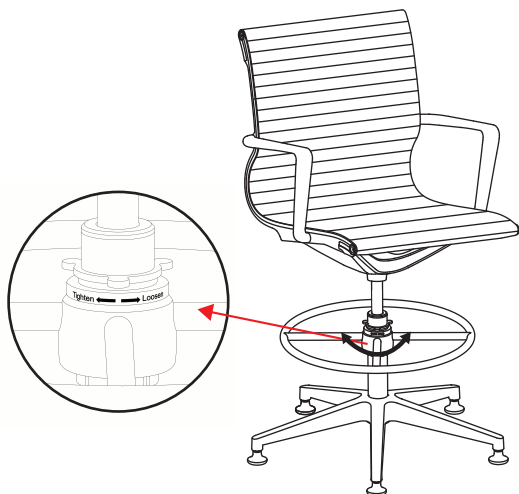
B BACKREST TILTING ADJUSTMENT



B TILT ADJUSTMENT

While seated, lean against the back to tilt the seat backwards. The range of motion is approximately 12.5°.

C FOOTRING POSITION ADJUSTMENT



C FOOTRING POSITION ADJUSTMENT

Adjusting the footring to the desired height, turn clockwise to tighten, and turn counter-clockwise to loosen.

OUR PROMISE.

They say with age comes wisdom. And while we've learned a lot since we sold our first office chair in 1979, even then we knew that superior craftsmanship and design are essential ingredients in delivering real value for our customers. All these years later, those three simple pillars still stand behind our promise of exceptional seating with every chair we sell.

DESIGN CRAFTSMANSHIP VALUE

Eurotech. Sit Smarter.

THE EUROTECH WARRANTY

- For all products except for 24/7 chairs (see below), Eurotech warrants to the original purchaser all components for the life of the product with the exception of upholstery and foam, which will be warranted for five years.
- For 24/7 chairs, Eurotech warrants to the original purchaser of all 24/7 and Big & Tall chairs all components for 5 years with the exception of upholstery and foam which will be warranted for 2 years.
- Eurotech warrants to the original purchaser that all parts will be free from material defects. Eurotech will repair or replace, at its option, any unaltered components.
- Eurotech does not warrant any aftermarket hardware that is installed on the product.
- Eurotech's warranty is limited to the normal use of the product in a forty hour work week and a 275lb. weight limit unless otherwise noted.
- Eurotech shall NOT be liable for consequential or incidental damage arising from any product defect.
- Eurotech's warranty is limited to replacement or repair and does not cover cost of transportation and labor. There are no other warranties expressed or implied other than those specifically described.
- Eurotech does not warrant customer's own material.
- Eurotech warrants to the original purchaser with proof of purchase along with a copy of the receipt.
- Arm Pads are warranted for 2 years under normal wear and tear.
- Cylinder is warranted for 5 years.

This warranty is made as of 9/15/16. Please see <http://www.eurotechseating.com/warranty-information> for any updates and/or revisions to this warranty.