



EX2-WHT-MBSAT-FSBLK

ASSEMBLY INSTRUCTIONS
OPERATING INSTRUCTIONS
WARRANTY


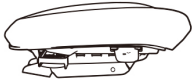
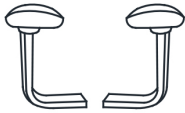
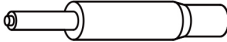




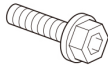

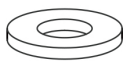
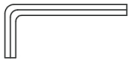


CUSTOMER SERVICE 1-800-637-0005
WWW.EUROTECHSEATING.COM

ASSEMBLY INSTRUCTIONS

EX2-WHT-MBSAT-FSBLK

Remove all items from the carton. Verify all components before assembly.

Part List				
Key	Description	Part	Qty.	Spare
A	Backrest		1	
B	Seat		1	
C	Armrests (1 left & 1 right armrest)		2	
D	Seat Post(Cylinder)		1	
E	Star Base		1	
F	Caster		5	
G	Armrest Screws (M8*30mm-Black)		4	
H	Arm Washer		2	
I	Back Screws (M8*25mm-Black)		3	
J	Spring Washer		3	
K	Flat Washer		3	
L	Allen Wrench		1	

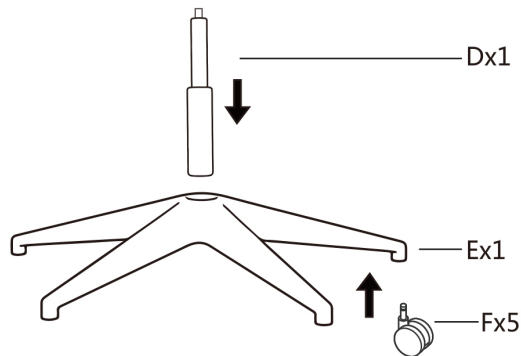
Please tighten your chairs hardware every six months.

ASSEMBLY INSTRUCTIONS

EX2-WHT-MBSAT-FSBLK

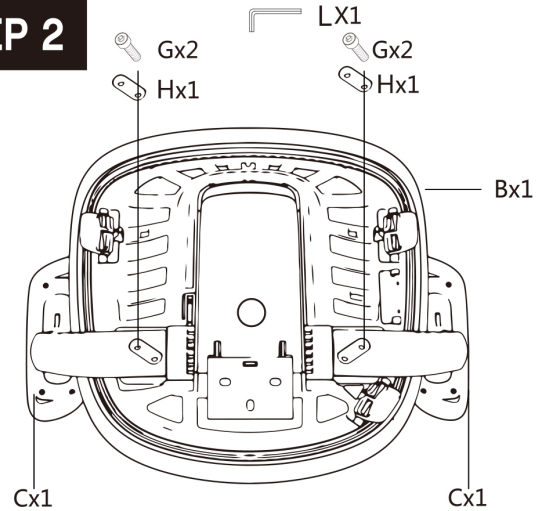
Remove all items from the carton. Verify all components before assembly.

STEP 1



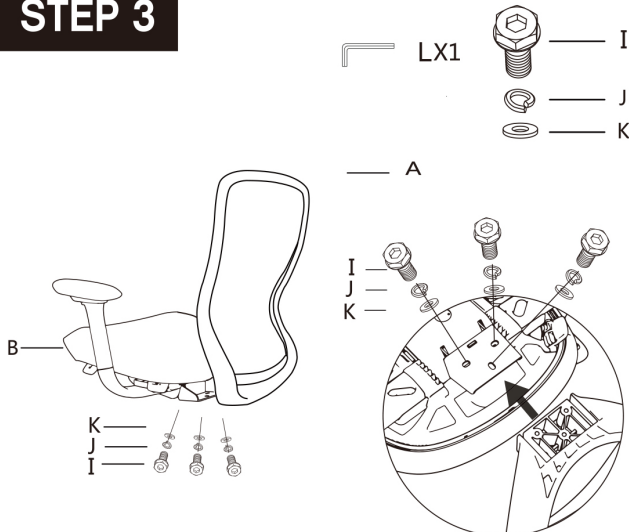
Press the Casters (F) into the holes at the end of each leg of the Base (E).
Insert Seat Post (D) into the center hole of the Base (E).

STEP 2



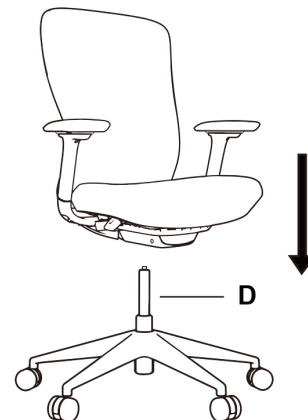
Please be careful to use the correct Arm Screws (G),
For easy assembly, place the Seat (B) face down on a flat surface. Attach Armrest (C) to the seat (B) as shown using 3 Arm Screw (G) on each arm. Tighten the bolts securely with the enclosed Allen Wrench (L).

STEP 3



Please be careful to use the correct Back screws (I).
Slide one spring Washer (J) and then a Flat washer (K) over each Backrest Screw (I). Tighten securely using the enclosed Allen Wrench (L).

STEP 4



Now turn the assembled seat upright and locate the center hole of the Mechanism over the Seat Post.
Push down firmly until the connection is secure.

PREVENTIVE MAINTENANCE AND WARNING!

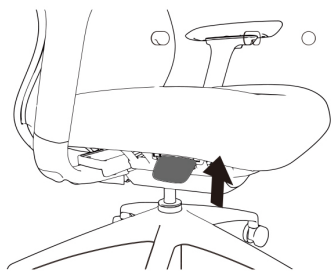
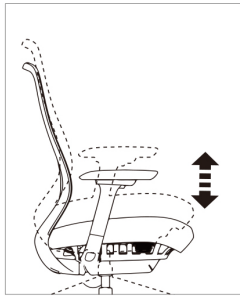
- USE THIS PRODUCT ONLY FOR SEATING ONE PERSON AT A TIME.
- DO NOT USE THIS CHAIR AS A STEP STOOL / LADDER.
- DO NOT SIT ON ANY PART OF THE CHAIR EXCEPT THE SEAT.
- DO NOT USE CHAIR ON UNEVEN FLOOR SURFACES.
- DO NOT USE CHAIR UNLESS ALL BOLTS, SCREWS AND KNOBS ARE TIGHTENED.
- EVERY SIX MONTHS, PLEASE MAKE SURE ALL BOLTS, SCREWS AND KNOBS ARE FULLY TIGHTENED TO ENSURE STABILITY.

- IF ANY PARTS ARE MISSING, BROKEN, DAMAGED OR WORN, STOP USE OF THE PRODUCT UNTIL REPAIRS ARE MADE USING FACTORY AUTHORIZED PARTS.
- DISPOSE OF PACKAGING PROPERLY. PLASTIC BAG IS NOT A TOY. DO NOT USE PLASTIC BAG AS HEAD COVERING - IT MAY CAUSE SUFFOCATION.
- FAILURE TO FOLLOW THESE WARNINGS COULD RESULT IN SERIOUS INJURY. NOTE: SOME SCREWS MAY BE PREASSEMBLED. IF PREASSEMBLED, IGNORE ASSEMBLY INSTRUCTIONS

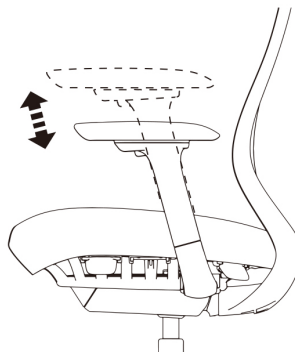
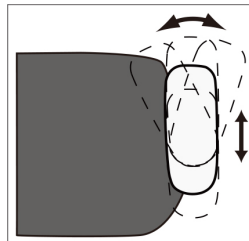
OPERATING INSTRUCTIONS

EX2-WHT-MBSAT-FSBLK

A. SEAT HEIGHT ADJUSTMENT



B. ARM HEIGHT ADJUSTMENT



A. SEAT HEIGHT ADJUSTMENT

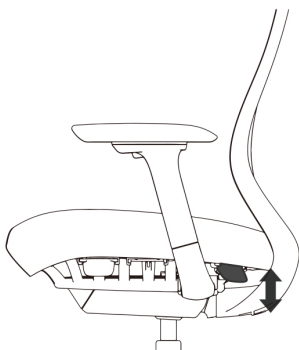
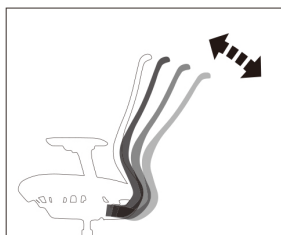
While seated, pull the Seat Height Adjustment Lever up and hold it while raising or lowering the seat to change the seat height. Please note, the Seat Height Adjustment Lever is on the right side of the seat. When the lever is released, the seat height is locked.

The Seat Height Adjustment range of motion is approximately 3.93 " .

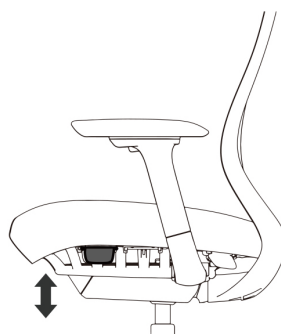
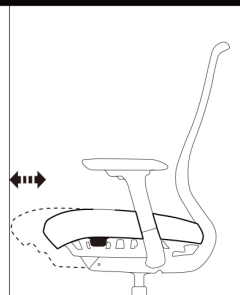
B. ARM HEIGHT ADJUSTMENT

While seated, locate the button under the front of the arm pad. Press the button to raise or lower the height of the arms to your desired height. The Arm Height Adjustment range is 3.14 " .

C. INDEPENDENT BACK TILT



D. SEAT DEPTH ADJUSTMENT



C. INDEPENDENT BACK TILT

The lever to adjust the angle of your back tilt is located under the right side of your seat.

To adjust the angle of your back, while seated, pull the lever out and lean the backwards.

When your desired angle is achieved, push the lever to the original position to lock.

There are 4 positions that provide 107°-126°

D. SEAT DEPTH ADJUSTMENT

Rotate the round knob clockwise to adjust the Tilt Tension to your preferred level of resistance. Turning clockwise will increase the resistance while turning counterclockwise will decrease the resistance.

OUR PROMISE.

They say with age comes wisdom. And while we've learned a lot since we sold our first office chair in 1979, even then we knew that superior craftsmanship and design are essential ingredients in delivering real value for our customers. All these years later, those three simple pillars still stand behind our promise of exceptional seating with every chair we sell.

DESIGN CRAFTSMANSHIP VALUE

Eurotech. Sit Smarter.

THE EUROTECH WARRANTY

- For all products except for 24/7 chairs (see below), Eurotech warrants to the original purchaser all components for the life of the product with the exception of upholstery and foam, which will be warranted for five years.
- For 24/7 chairs, Eurotech warrants to the original purchaser of all 24/7 chairs all components for 10 years with the exception of upholstery and foam which will be warranted for 2 years.
- Eurotech warrants to the original purchaser that all parts will be free from material defects. Eurotech will repair or replace, at its option, any unaltered components.
- Eurotech does not warrant any aftermarket hardware that is installed on the product.
- Eurotech's warranty is limited to the normal use of the product in a forty hour work week and a 275lb. weight limit unless otherwise noted.
- Eurotech shall NOT be liable for consequential or incidental damage arising from any product defect.
- Eurotech's warranty is limited to replacement or repair and does not cover cost of transportation and labor. There are no other warranties expressed or implied other than those specifically described.
- Eurotech does not warrant customer's own material.

This warranty is made as of 9/15/16. Please see <http://www.eurotechseating.com/warranty-information> for any updates and/or revisions to this warranty.